

Illustrated Parts List - IPL Update



Product Name(s)

372 XP X-TORQ

Description of change

1. New screw with torx grip to cylinder cover provides better condition for tightening. Torx wrench added in tool kit.
2. New reinforced recoil spring
3. Torx wrench added in tool kit. Tool kit included in box. Grease and Grease gun removed from tool kit.
4. Torx wrench T27/T20 available as spare part

Comments

Fully interchangeable

Introduced from

| Serial number / Date | Remark |
|----------------------|----------------------------|
| 20154200193- | Screw 525 88 70-01 |
| 20160300001- | Recoil spring 537 28 36-02 |
| 20160900001- | Tool kit 588 79 74-01 |

IPL updates

| Page Title | Ref. no | New part no | Name | Excl. part no. | Remark |
|----------------|---------|--------------|-----------------|----------------|----------------|
| Cylinder cover | 3 | 525 88 70-01 | Screw CITXPANMO | 503 20 34-74 | |
| Starter | 7 | 537 28 36-02 | Recoil spring | 503 78 72-01 | |
| Accessories | 1 | 588 79 74-01 | Tool,kit | 503 55 85-01 | |
| | 9 | 575 88 07-01 | Wrench T27/T20 | | New spare part |

1. Screw



525 88 70-01



503 20 34-74

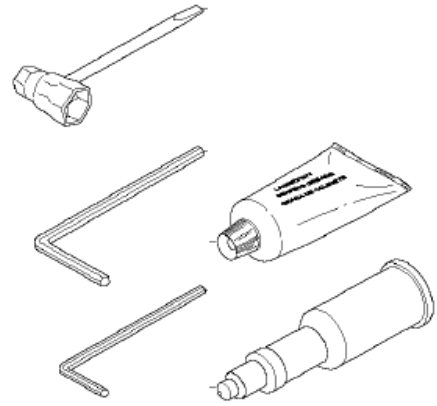
Illustrated Parts List - IPL Update



3. Tool kit



588 79 74-01



503 55 85-01

4. Wrench T27/T20



575 88 07-01