

Illustrated Parts List - IPL Update



Product Name(s)

H562XP/XPG

Description of change

1. Ignition module, assy : 581 72 34-02 (Rv.44) was 581 72 34-01 (Rv.43).
(Ignition module 581 61 70-02 (Rv.44) was 581 61 70-01 (Rv.43)).

Software updated:
We have changed the Ignition module to secure spark at idling and high speed.
2. New improved Fuel tank ventilation 501 15 29-01 added on tank 575 38 22-05. Tank ventilation improved regarding higher opening pressure.
3. New Tank cap assy and gasket number due to change of supplier.
4. We have introduced a new Thermostat and Foil element due to assembly reason. Terminals and length of the cables have been changed.

Comments

This update is fully exchangeable regarding point 1-3. Thermostat and foil element are not fully exchangeable. For old H562 you need to change booth parts at the same time, using kit 582 82 96-01. Terminals and length of the cables have been changed.

Introduced from

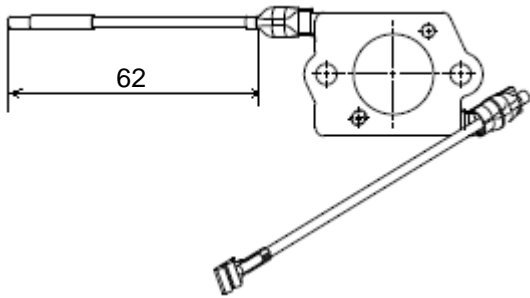
Serial number / Date	Remark
s/n 20165100488	Valid for Ignition module 581 72 34-02.
s/n 20164000001	Valid for new Fuel Tank ventilation 501 15 29-01.
s/n 20161100001	Valid for Tank cap assy. and gasket.
s/n 20164200001	Valid for Thermostat and Foil element.

IPL updates

Page Title	Ref. no	New part no	Name	Excl. part no.	Remark
Ignition system	1	581 72 34-02	Ignition Module	581 72 34-01	
Fuel tank	5	501 15 29-01	Tank vent,assy	537 35 95-01	
	19	522 62 00-03	Tank cap, assy	522 62 00-01	
	20	589 24 11-01	Gasket	537 21 50-01	
Crankcase	26	522 62 00-03	Tank cap, assy	522 62 00-01	
	27	589 24 11-01	Gasket	537 21 50-01	
Handle heat	2	578 86 46-01	Thermostat	522 66 58-01	Only 562XPG
	6	588 16 86-02	Foil element	522 63 01-01	Only 562XPG
	22	582 82 96-01	Thermostat, assy		New spare part. Only 562XPG. Up to S/N 20164199999

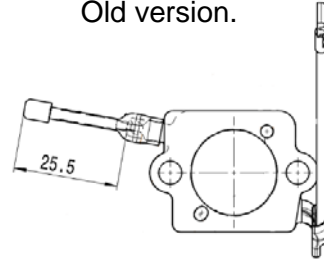
3. Foil element and Thermostat. Only H562XPG.

New version.

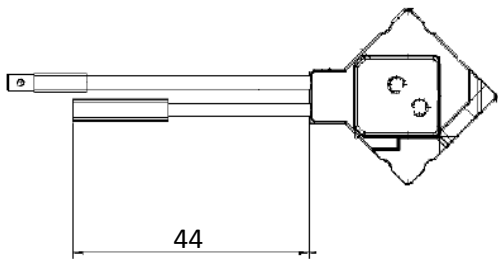


588 16 86-02

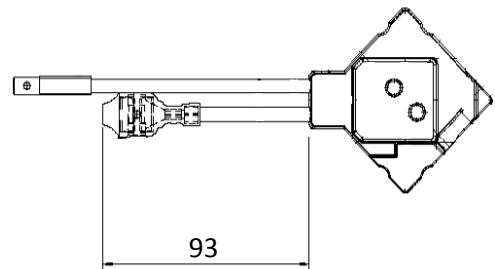
Old version.



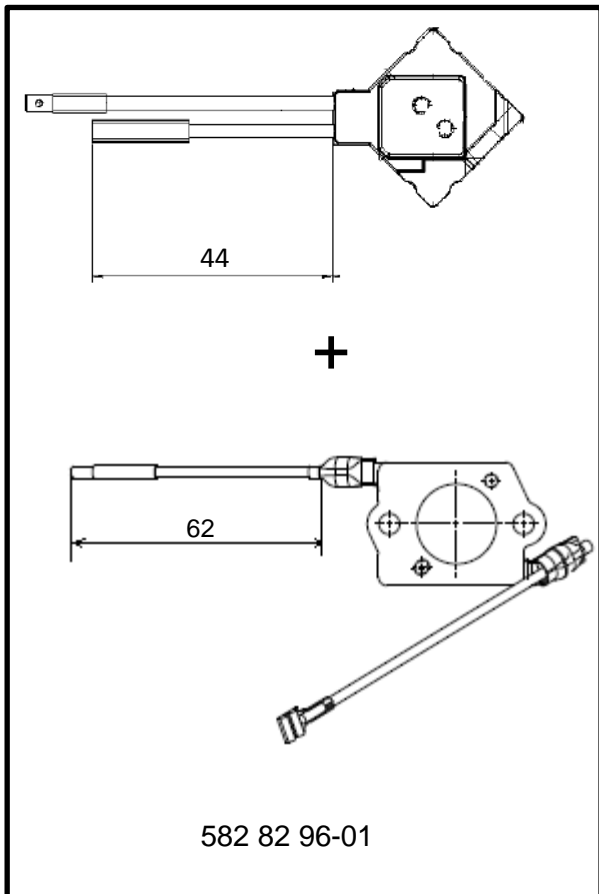
522 63 01-01



578 86 46-01



522 66 58-01



582 82 96-01