

Illustrated Parts List - IPL Update



Product Name(s)

H550XP/XPG

Description of change

1. New improved Fuel tank ventilation 501 15 29-01 added on tank 577 79 02-03. Tank ventilation improved regarding higher opening pressure.
2. A New Air filter, 522 67 54-07 has been introduced. This air filter has a new filter fabric with 25 µm. The new filter has an orange color.
The filter has replaced the 44 µm filter on PNC:s 550: 966 64 81, 966 64 82, 966 64 83, 966 64 84, 966 64 87, 966 64 88 and 966 64 89. 44 µm filter remains as spare part.
3. New Tank cap assy and gasket number due to change of supplier.
4. We have introduced a new Thermostat and Foil element due to assembly reason. Terminals and length of the cables have been changed.

Comments

This update is fully exchangeable regarding point 1-3. Thermostat and foil element are not fully exchangeable. For old 550 you need to change booth parts at the same time, using kit 582 82 96-01. Terminals and length of the cables have been changed.

Introduced from

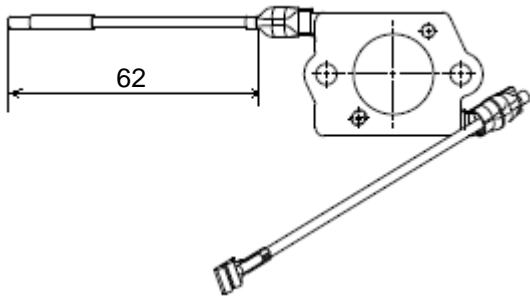
Serial number / Date	Remark
s/n 20163500241	Valid for new Fuel Tank ventilation 501 15 29-01.
s/n 20164300653	Valid for Air filter.
s/n 20164300001	Valid for Tank cap assy. and gasket.
s/n 20164200073	Valid for Thermostat and Foil element.

IPL updates

Page Title	Ref. no	New part no	Name	Excl. part no.	Remark
Fuel tank	5	501 15 29-01	Tank vent assy	537 35 95-01	
Crankcase	26	577 87 86-03	Tank cap, assy	577 87 86-01	
	27	589 24 13-01	Gasket	505 41 10-01	
Carburetor & Air filter	1	522 67 54-07	Air filter		New spare part.
Handle heat	2	578 86 46-01	Thermostat	522 66 58-01	Only 550XPG
	6	588 16 86-02	Foil element	522 63 01-01	Only 550XPG
	22	582 82 96-01	Thermostat,assy		New spare part. Only 550XPG. Up to S/N 20164200001.

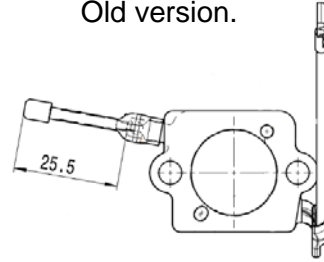
4. Foil element and Thermostat. Only 550XPG.

New version.

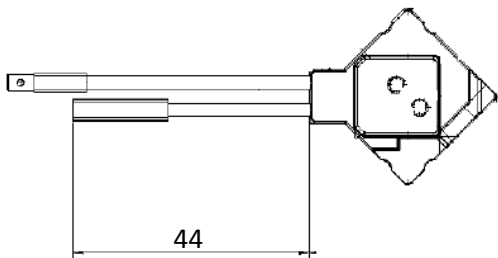


588 16 86-02

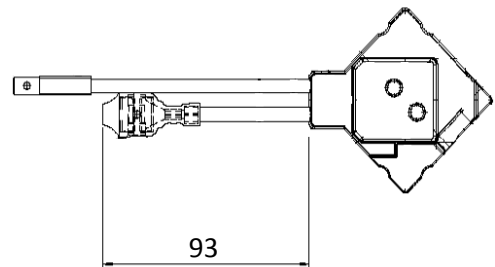
Old version.



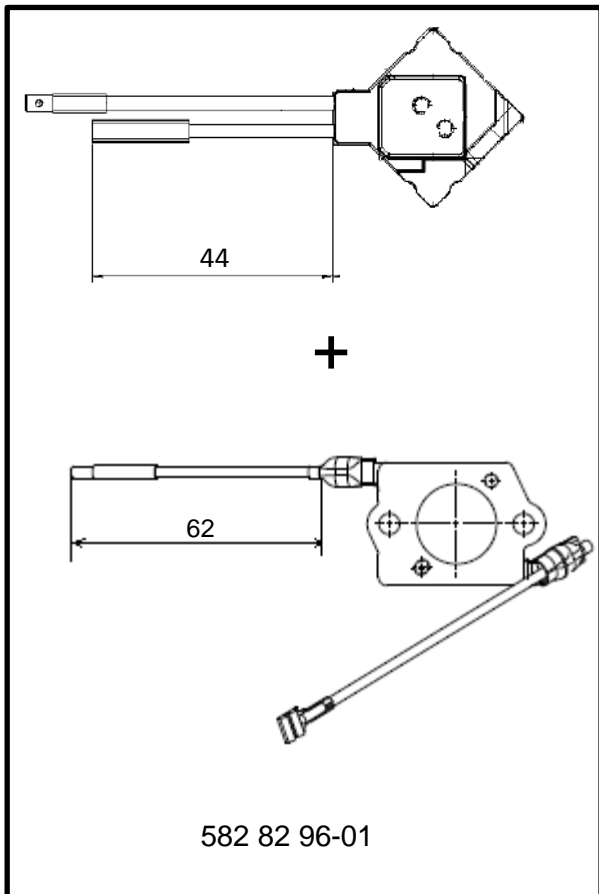
522 63 01-01



578 86 46-01



522 66 58-01



582 82 96-01