

Illustrated Parts List - IPL Update



Product Name(s)

365 X-TORQ

Description of change

1. Incorporation of a new Oil pressure hose, Crankcase and Chain guide plate.
Reason: Prevent poor oil distribution to the bar.



The new crankcase has a new slot in the bar pad area and the new chain guide plate has a slot that is adapted to the new oil pressure hose.
Therefore the new chain guide plate, screw and new oil pressure hose is included in crank case assy spare part 503 62 68-19.

Comments

Up to serial number – 20182009999 Inlet oil pipe 503 64 47-01
Up to serial number – 20182009999 Chain guide plate 537 01 37-01
The new Crank case assy spare part 503 62 68-19 is fully interchangeable.

Introduced from

Serial number / Date	Remark
20182100001 -	Oil pressure hose 587 29 18-01
20182100001 -	Chain guide plate 537 01 37-02

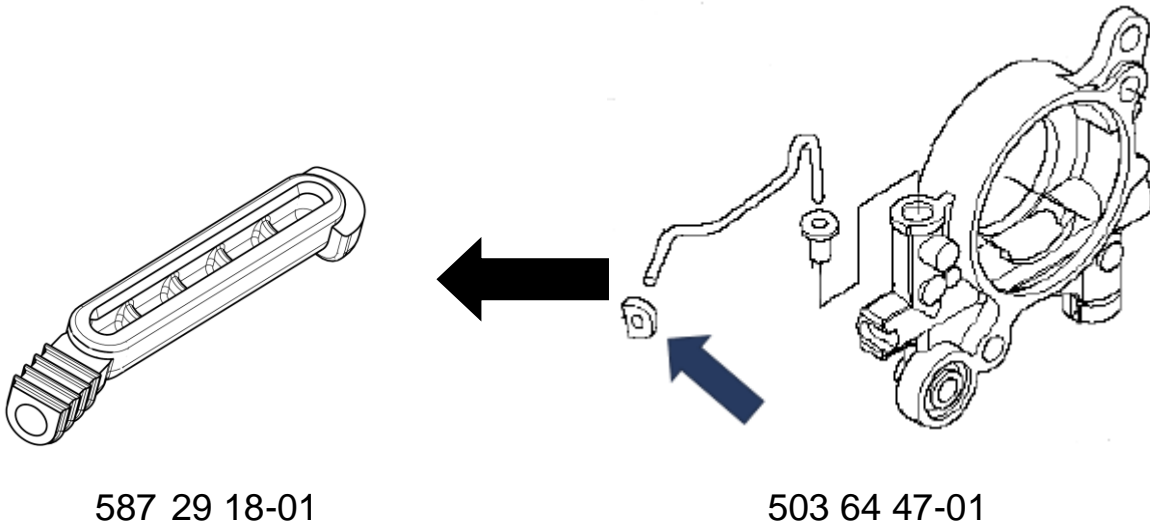
IPL updates

Page Title	Ref. No	New part no	Name	Excl. part no.	Remark
Clutch & Oil pump	13	587 29 18-01	Oil pressure hose	503 64 47-01*	*Remain as spare part
Crank case	1	503 62 68-19	Crank case assy	503 62 68-13	
Crank case	10	537 01 37-02	Chain guide plate	537 01 37-01*	*Remain as spare part

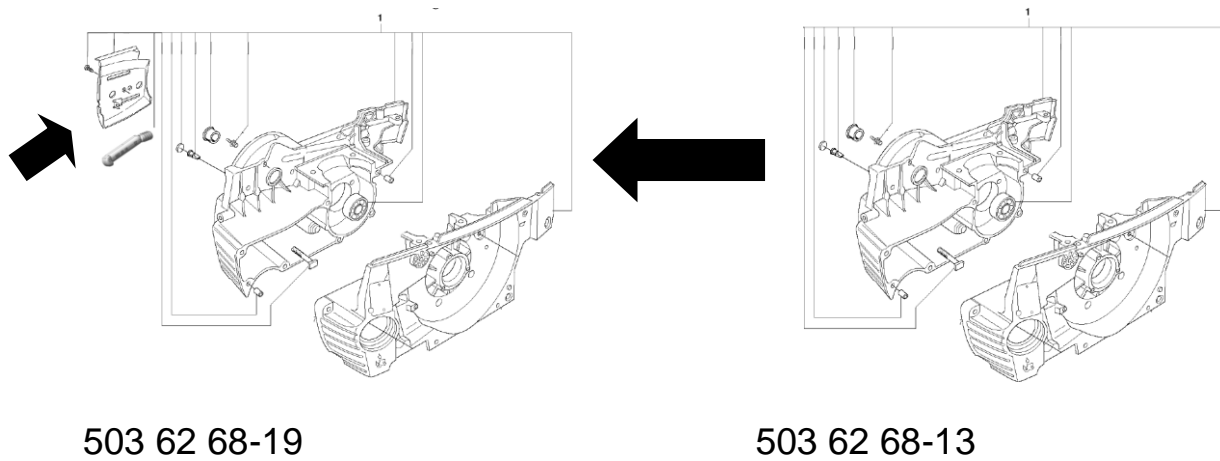
Illustrated Parts List - IPL Update



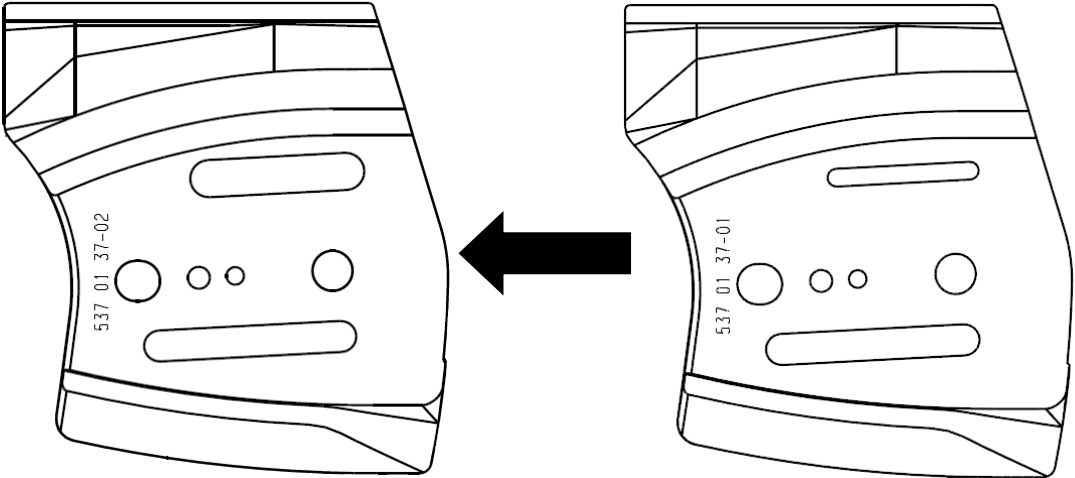
1. Clutch & Oil pump



2. Crank case



Illustrated Parts List - IPL Update



537 01 37-02

537 01 37-01