

Illustrated Parts List - IPL Update



Product Name(s)

362

Description of change

1. New screw with torx grip to cylinder cover provides better condition for tightening. Torx wrench added in tool kit.
2. New sleeve to cylinder cover. Available as separate spare part
3. New. Clutch with higher specification.
4. New reinforced recoil spring
5. Torx wrench added in tool kit. Tool kit included in box. Grease and Grease gun removed from tool kit.
6. Torx wrench T27/T20 available as spare part

Comments

Fully interchangeable

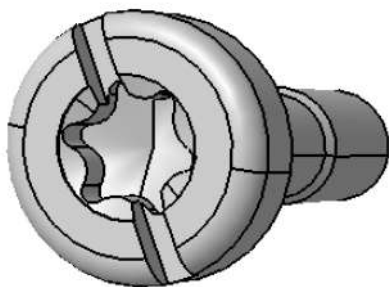
Introduced from

Serial number / Date	Remark
20154200001-	Screw 525 88 70-01.
20154200001-	Sleeve
20152700385-	Clutch 586 79 84-01.
20160300961-	Recoil spring 537 28 36-02
20160900001-	Tool kit 588 79 74-01

IPL updates

Page Title	Ref no	New part no	Name	Excl. part no.	Remark
Cylinder cover	3	525 88 70-01	Screw CITXPANMO	503 20 34-74	
	7	537 05 59-03	Sleeve		New spare part
Clutch & Oil pump	20	586 79 84-01	Clutch assy.	503 74 44-01	Arrow outwards
Crank shaft	2	586 79 84-01	Clutch assy.	503 74 44-01	Arrow outwards
Starter	6	537 28 36-02	Recoil spring	503 78 72-01	
Accessories	1	588 79 74-01	Tool,kit	503 55 85-01	
	9	575 88 07-01	Wrench T27/T20		New spare part

1. Screw



525 88 70-01

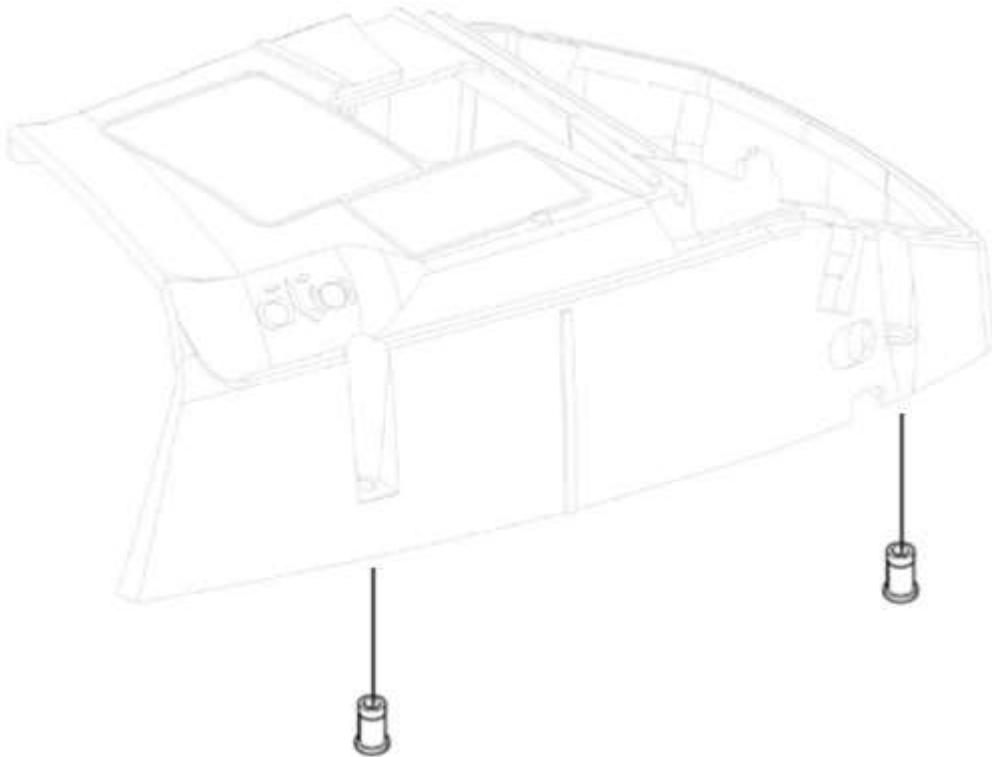


503 20 34-74

Illustrated Parts List - IPL Update

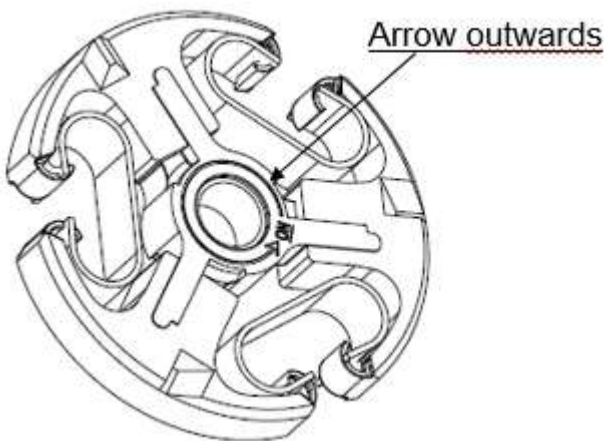


2. Sleeve



537 05 59-03

3. Clutch

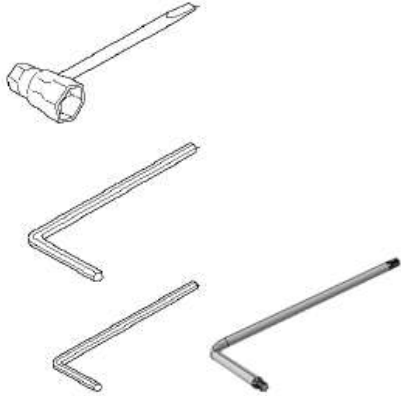


586 79 84-01

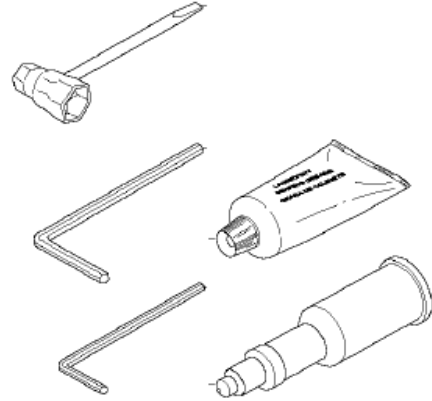
Illustrated Parts List - IPL Update



5. Tool kit



588 79 74-01



503 55 85-01

6. Wrench T27/T20



575 88 07-01