

Illustrated Parts List - IPL Update



Product Name(s)

T540XP11

Description of change

1. New Tank vent assy, kit 590 04 26-01 has been introduced. The new Tank vent assy will improve starting during warm conditions.
2. New Radial seal 588 13 97-01 due to change of supplier. The inside diameter is smaller on this new seal.

A new service tool kit 577 71 44-02 has been introduced due to the new seal. See Workshop Manual.

New Service tool 577 71 44-02 is fully exchangeable. 577 71 44-01 can only be used for old radial seal 505 39 40-01.

New Crankcase assy, 574 61 80-02 has been introduced due to the new seal 588 13 97-01.
3. New Fuel tank 522 59 02-05 with improved strength has been introduced.

Comments

This update is fully exchangeable.

Introduced from

Serial number / Date	Remark
s/n 20172000577	Valid for Tank vent assy.
s/n 20172200385	Valid for Radial seal and Crankcase.
s/n 20171300289	Valid for Fuel tank.

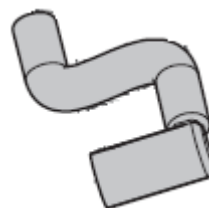
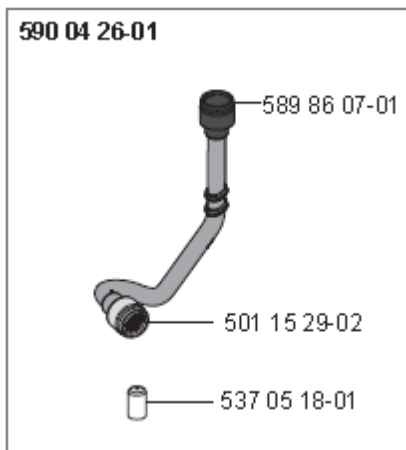
IPL updates

Page Title	Ref. no	New part no	Name	Excl. part no.	Remark
Carburetor & air filter	27	537 05 18-01	Plug		New spare part.
Crankcase	1	574 61 80-02	Crankcase, assy	574 61 80-01	
	2	588 13 97-01	Radial Seal	505 39 40-01	
Fuel tank	6	522 59 02-05	Fuel tank,assy	522 59 02-04	
	8		Connection bend	503 45 46-01	Removed
	10		Fuel hose	544 32 49-39	Removed
	10	590 04 26-01	Tank vent assy		New spare part.
	28	589 86 07-01	Fuel filter assy		New spare part. Colour:Black.

1. Tank vent, assy.

New version.

Old version.



-544 32 49-39

-503 45 46-01

