

Illustrated Parts List - IPL Update



Product Name(s)

272XP

Description of change

Removal of Plug 503 27 90-04.
Reason: The plug does not fill any function anymore.

Comments

Introduced from

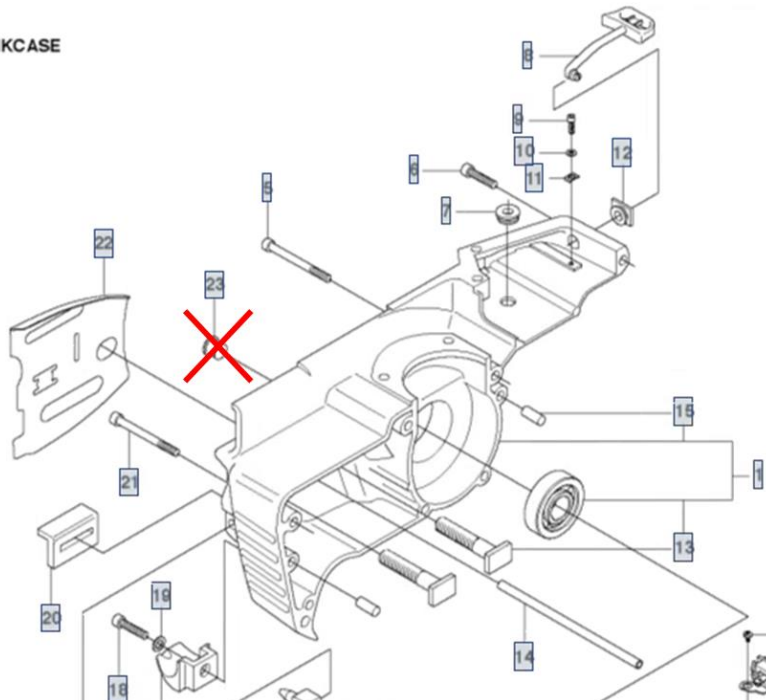
Serial number / Date	Remark
2006-01-01	The part has not been used in production since 2006.

IPL updates

Page Title	Ref. No	New part no	Name	Excl. part no.	Remark
Crankcase	23		PLUG	503 27 90-04	Remain as spare part

1. Crankcase

K 272
CRANKCASE



Remove plug 503 27 90-04 (pos. 23).