

# Illustrated part list IPL update

## Instruction

Husqvarna Division; Handheld

Husqvarna



Product Name(s)

**H560XP/XPG**

### Description of change

1. New improved design of air filter holder and air filter have been introduced.
2. We have introduced a new Cylinder cover assy 587 24 87-02 to fit the new filter solution. The new Cylinder cover is higher than the old one.
3. Four new Filter unit kits have been added, if users want to update old chain saws to the new Filter system.  
598 93 45-01: New filter 25 µm 590 45 88-02 + New Filter holder 597 27 55-01. **XP**  
598 93 45-02: New filter 25 µm 590 45 88-02 + New Filter holder 597 27 55-02. **XPG**  
598 93 47-02: New filter 25 µm 590 45 88-02 + New Filter holder 597 27 55-02 + New Cylinder Cover 587 24 87- 02. **XPG**  
598 93 47-03: New filter 25 µm 590 45 88-02 + New Filter holder 597 27 55-01 + New Cylinder Cover 587 24 87- 02. **XP**

Comments

1. Filter holder assy 597 27 55 and air filter assy 590 45 88 are NOT exchangeable.
2. Cylinder cover assy is fully exchangeable. New cover fits on old saws.

Introduced from

Serial number / Date	Remark
S/n 20203200001	Valid for Cylinder cover assy/ Filter holder assy and Air filter assy.

IPL updates

Page Title	Ref. no	New part no	Name	Excl. part no.	Remark
Carburetor & air filter	1	590 45 88-01	Air filter assy		<b>New Spare part</b> 64µm - Black
	1	590 45 88-02	Air filter assy		<b>New Spare part</b> 25µm - Yellow
	1	590 45 88-03	Air filter assy		<b>New Spare part</b> NonWoven - Nature
	2	597 27 55-01	Filter holder assy STD		<b>New Spare part</b>
	2	597 27 55-02	Filter holder assy XPG		<b>New Spare part</b>

This document is only controlled and updated in the online version of How We Work – Classification level:Internal

Owner:Thomas Engvall

Version: 1.0DocId: HWWDOC-1878489343-5822

Editor:Thomas Engvall

Approved: 2019-03-07 by Thomas Engvall

# Illustrated part list IPL update

Instruction

Husqvarna Division; Handheld

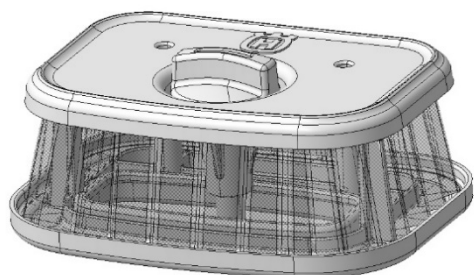
Husqvarna



<i>Page Title</i>	<i>Ref. no</i>	<i>New part no</i>	<i>Name</i>	<i>Excl. part no.</i>	<i>Remark</i>
Carburetor & air filter	22	598 93 45-01	Filter unit, STD		<b>New Spare part</b>
	22	598 93 45-02	Filter unit, XPG		<b>New Spare part</b>
	23	731 23 14-01	Hexagon nut		<b>New Spare part</b>
G2	1	598 93 47-02	Filter unit, large XPG		<b>New Spare part</b>
	1	598 93 47-03	Filter unit, large XP		<b>New Spare part</b>
Cylinder cover	3	587 24 87-02	Cylinder cover assy		

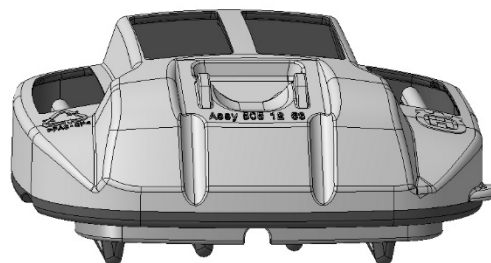
## 1. Air filter

New version



590 45 88-01/-02/-03

Old version



505 12 63-04/-05/-06/-07



# Illustrated part list IPL update

Instruction

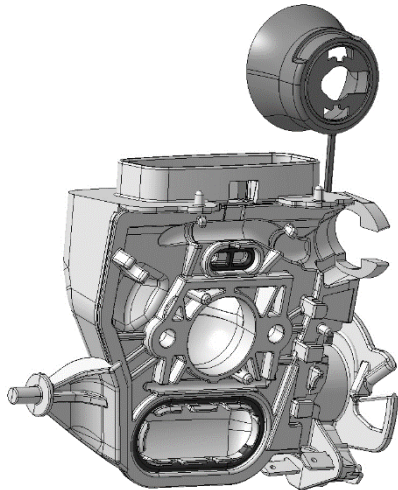
Husqvarna Division; Handheld

Husqvarna



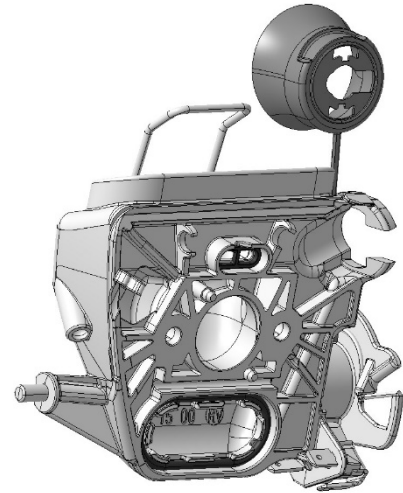
## Filterholder

New version



597 27 55-01/-02

Old version

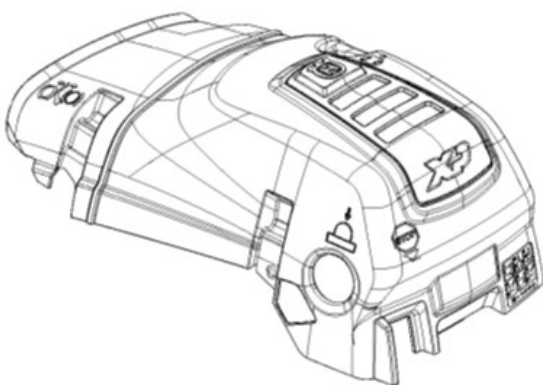


525 39 79-05/-06



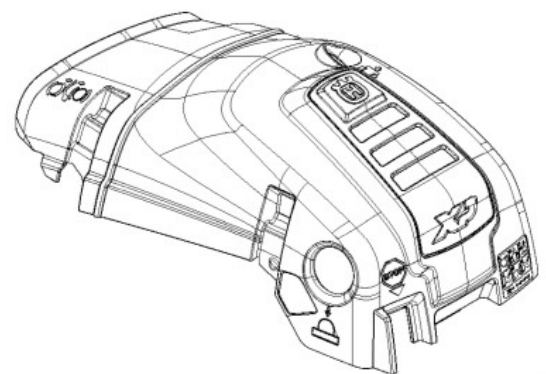
## 2. Cylinder Cover

New version



587 24 87-02

Old version



587 24 85-03



# Illustrated part list IPL update

Instruction

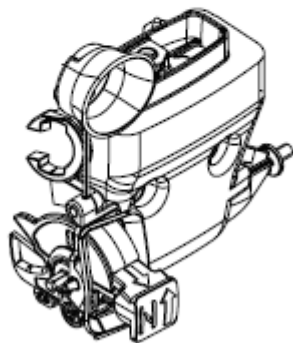
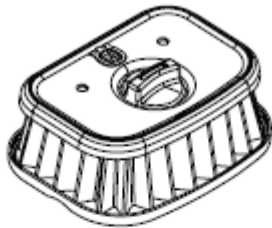
Husqvarna Division; Handheld

Husqvarna



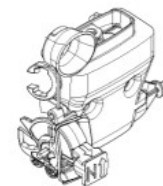
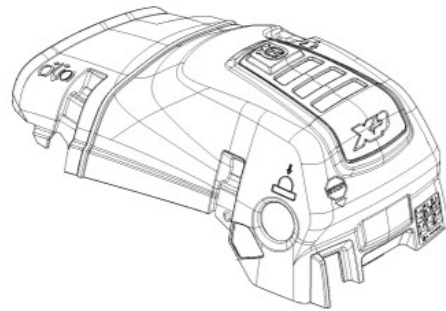
## 3. Filter units.

New Kit.



598 93 45-01/-02

New Kit, Large.



598 93 47-02/-03