

Illustrated Parts List - IPL Update



Product Name(s)

395XP, 395XP EPA

Description of change

1. Incorporation of new Hose clamps with Torx grip.
Reason: Replacement for Hose clamp with Phillips grip.

Comments

Introduced from

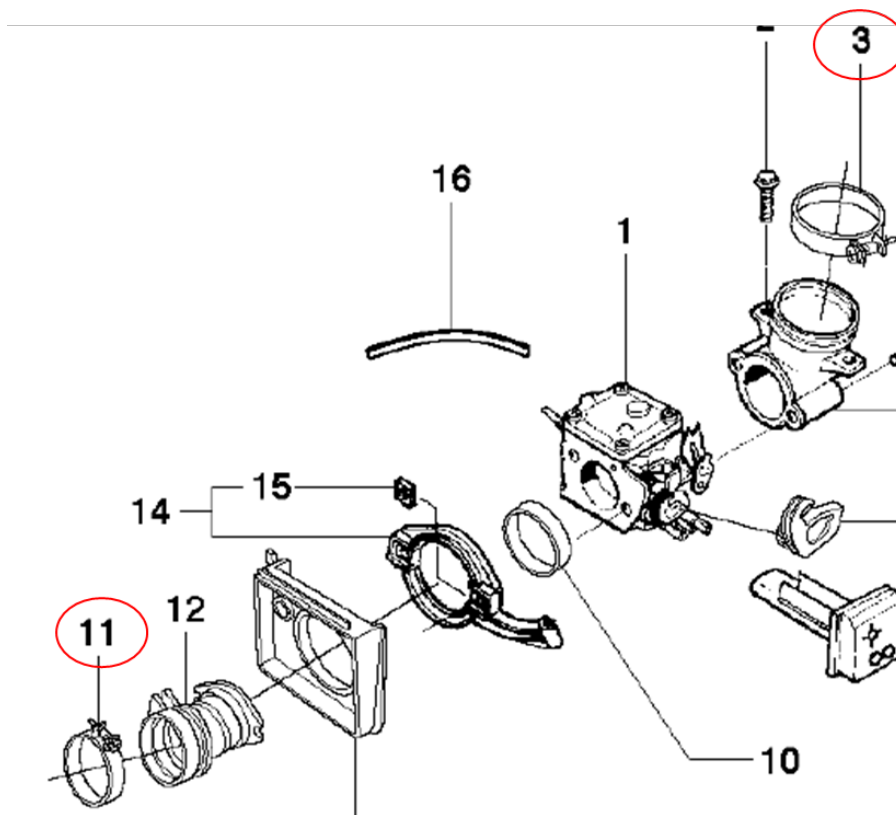
Serial number / Date	Remark
20182531774 / 2018-09-17	Hose clamp 505 28 33-13
20182531774 / 2018-09-17	Hose clamp 505 28 33-15

IPL updates

Page Title	Ref. No	New part no	Name	Excl. part no.	Remark
Carburetor & Air filter	3	505 28 33-15	HOSE CLAMP	505 28 33-05	
	11	505 28 33-13	HOSE CLAMP	505 28 33-03	

Illustrated Parts List - IPL Update

1. Carburetor & Air filter



Hose clamp 505 28 33-15 replaces Hose clamp 505 28 33-05 (pos. 3).

Hose clamp 505 28 33-13 replaces Hose clamp 505 28 33-03 (pos. 11).