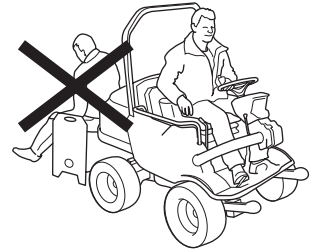
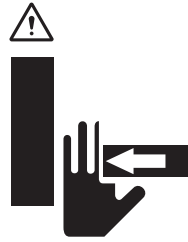
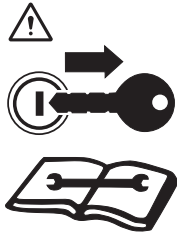
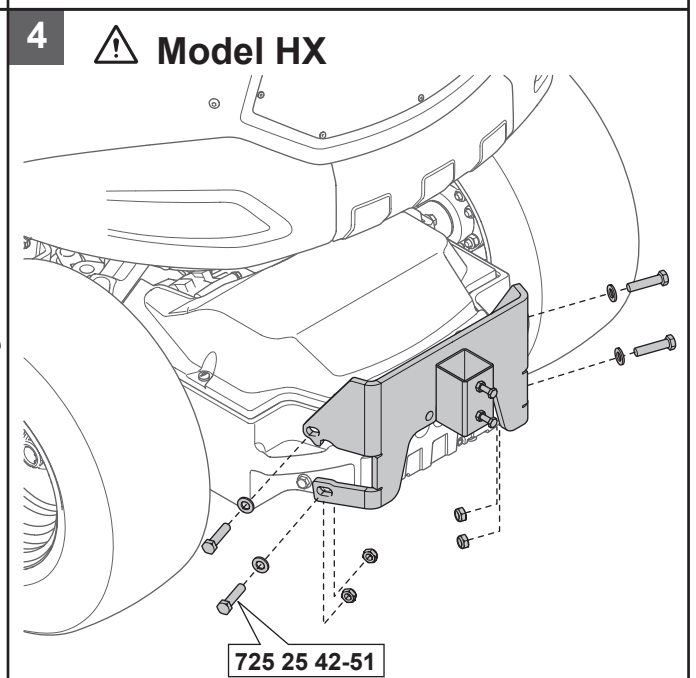
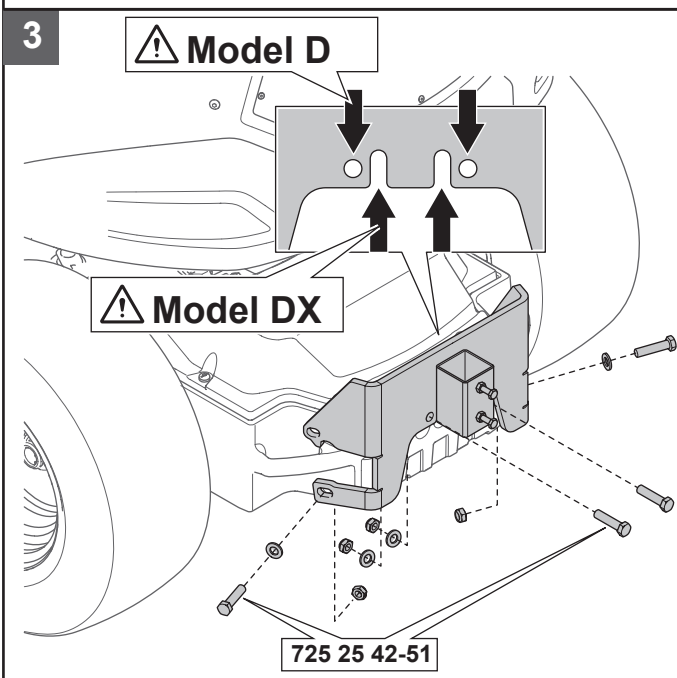
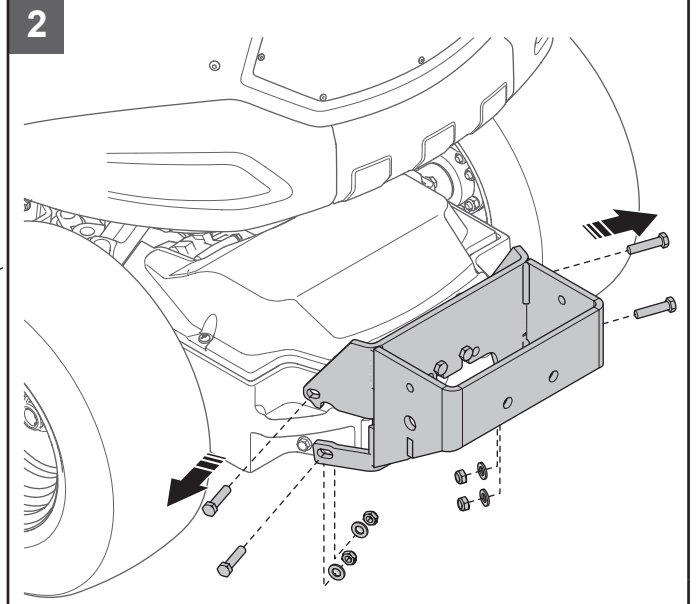
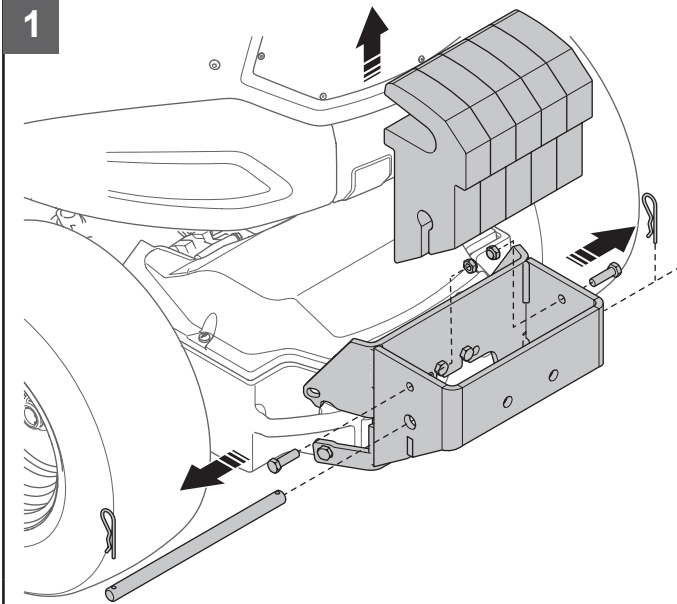
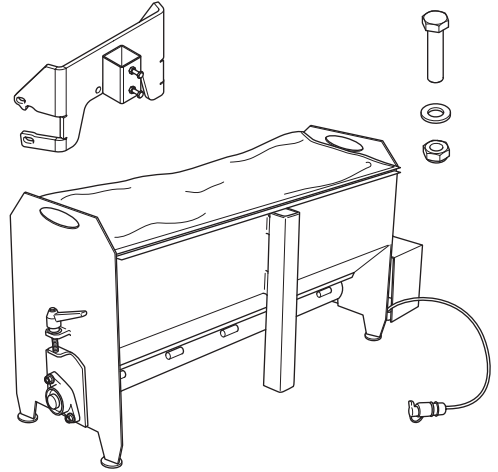
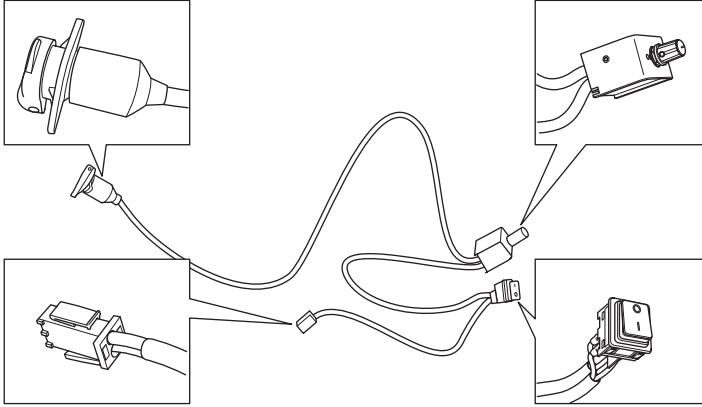


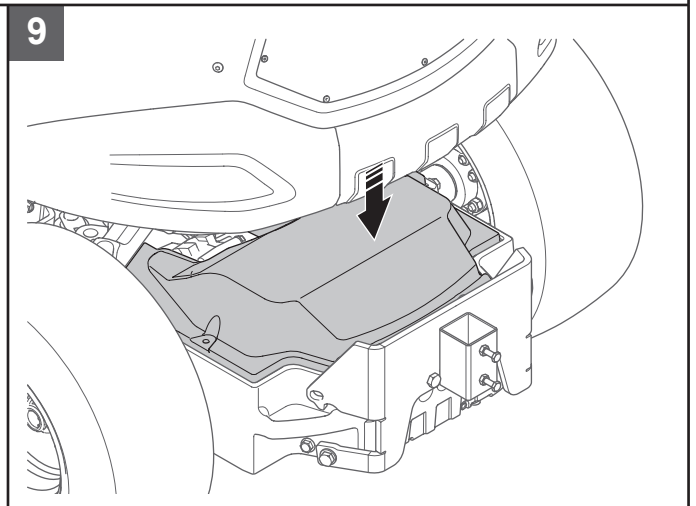
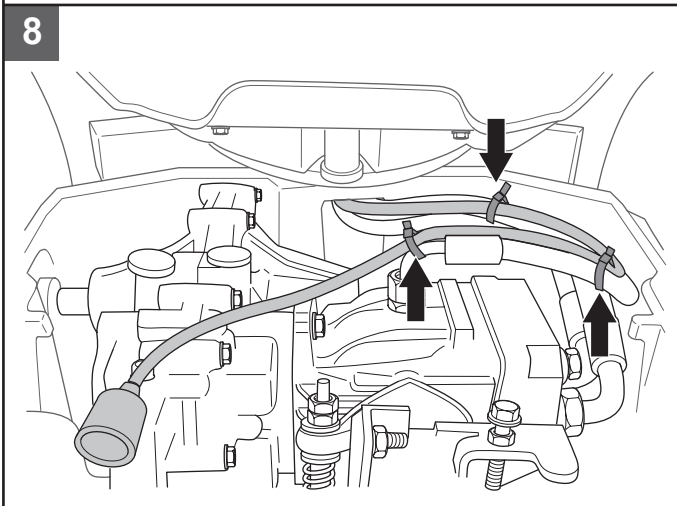
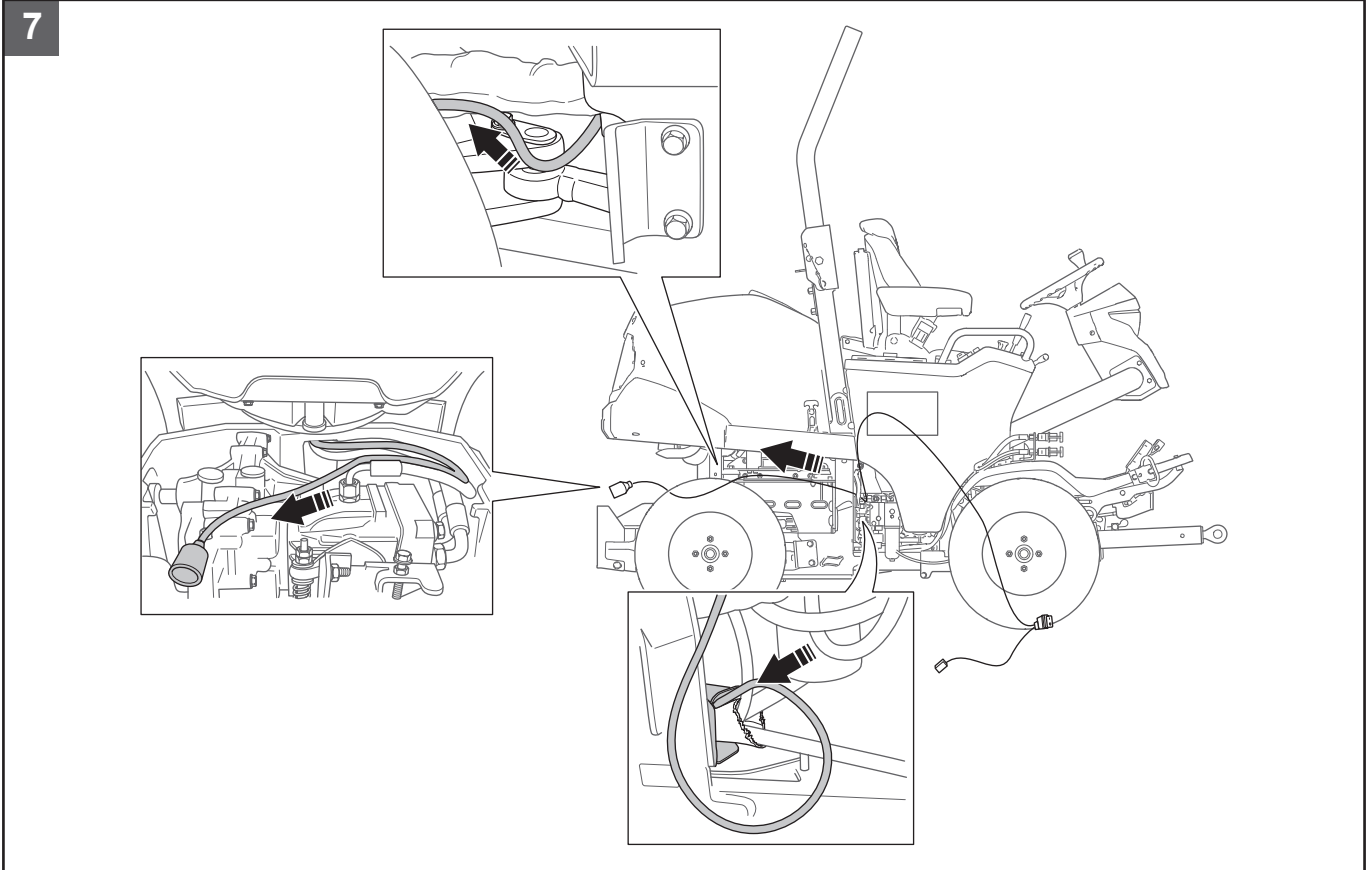
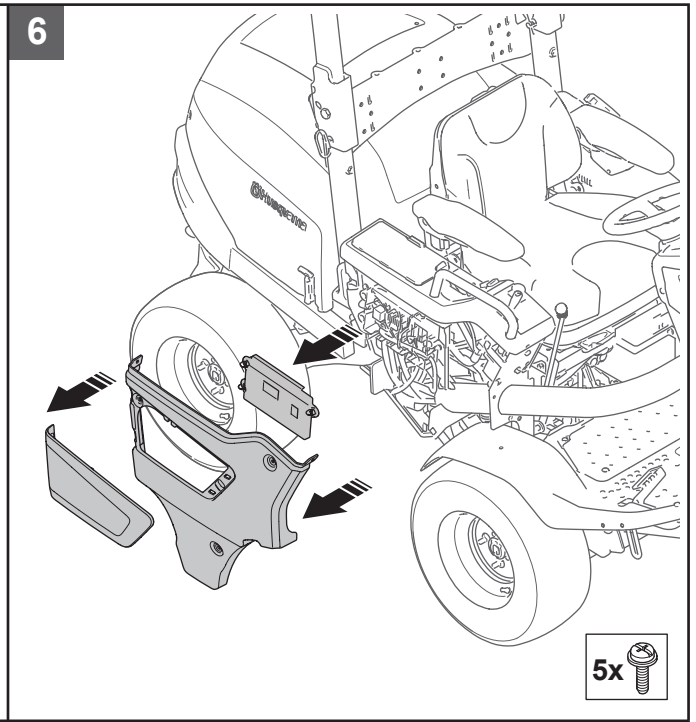
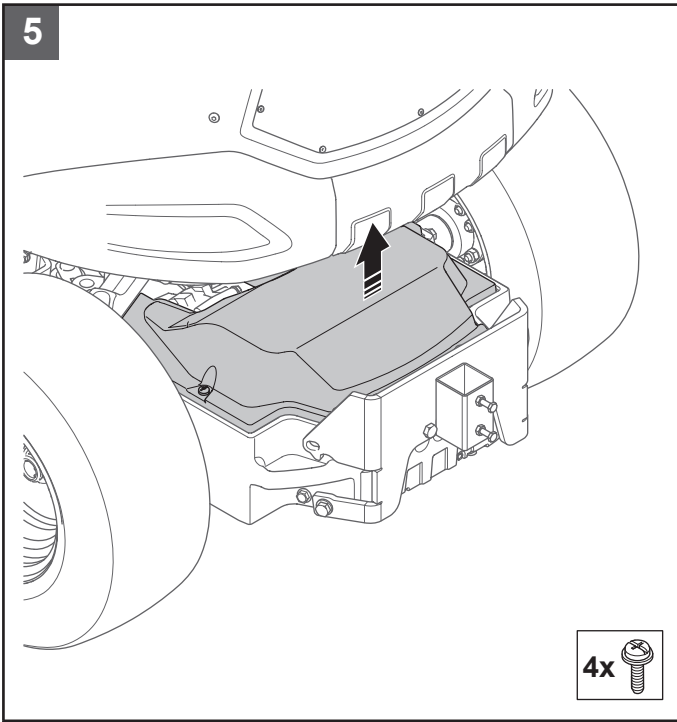
Operator's manual
SPREADER FOR RIDER P500-series

MADE FOR HUSQVARNA BY P. OLSSONS I LINDERÖD AB

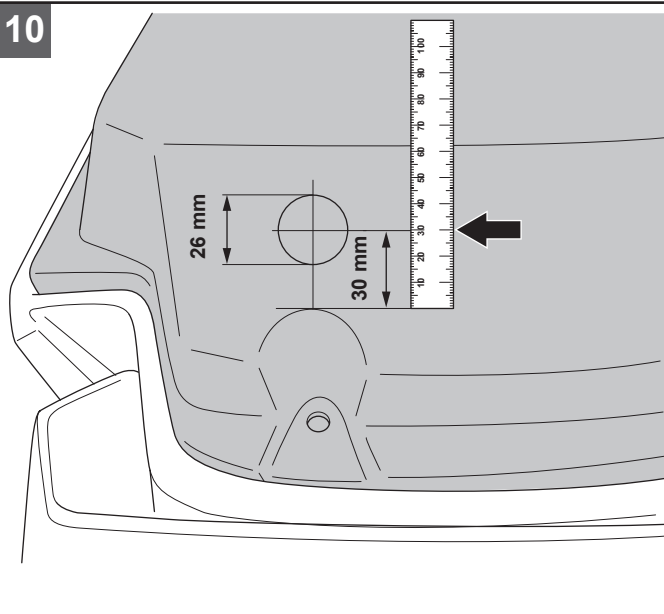


Kit: 534 09 64-01

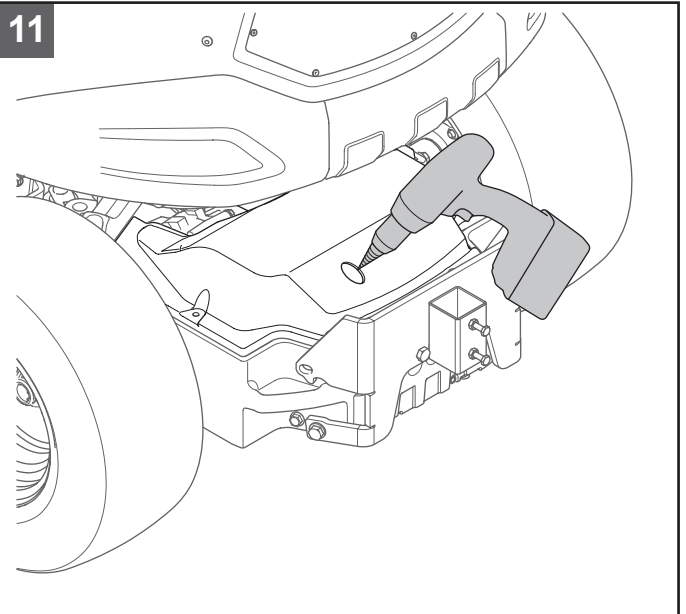




10



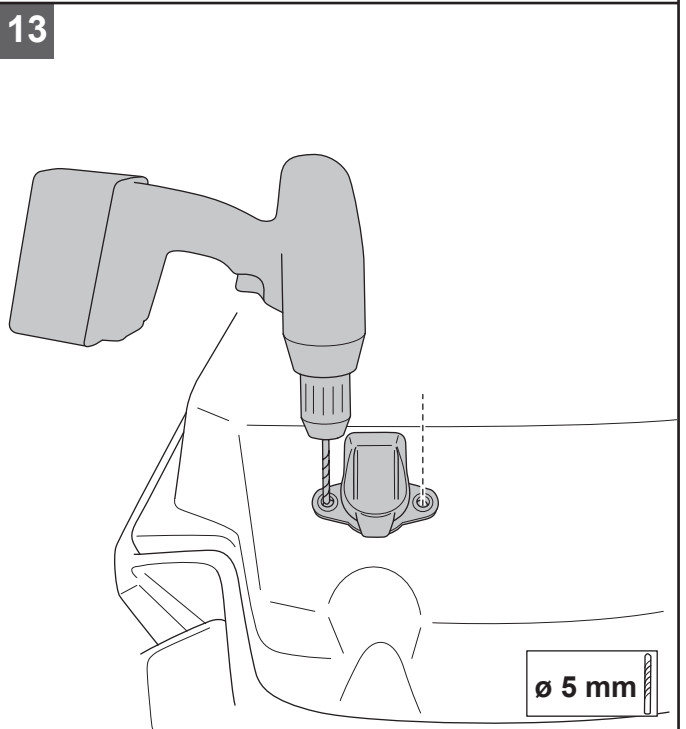
11



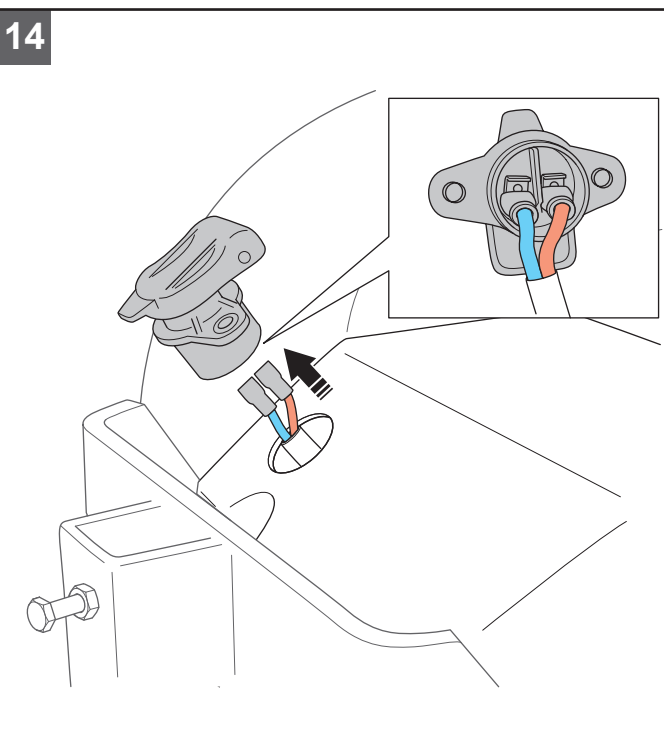
12



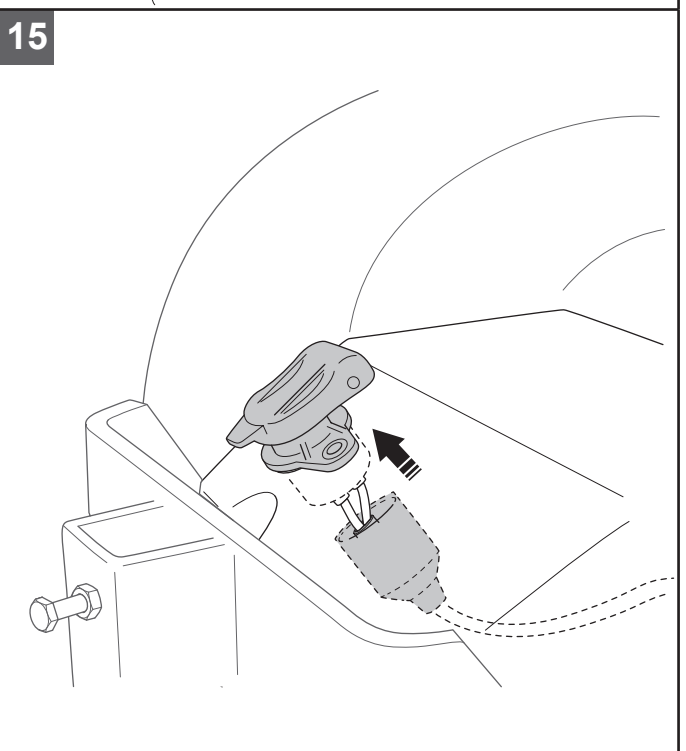
13



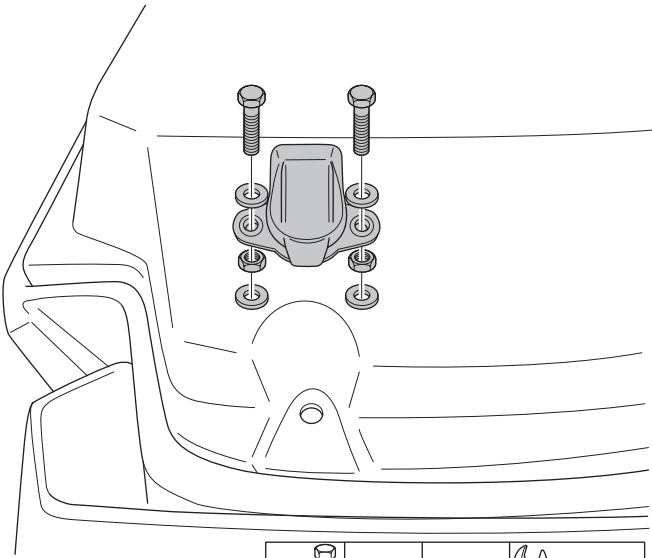
14







15

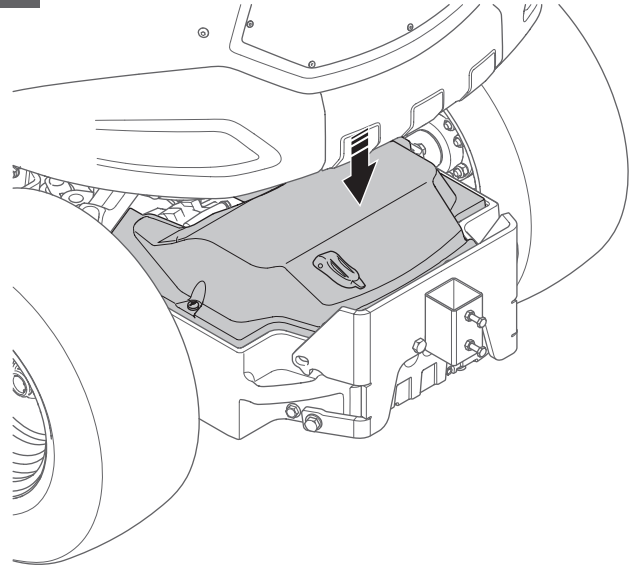


16



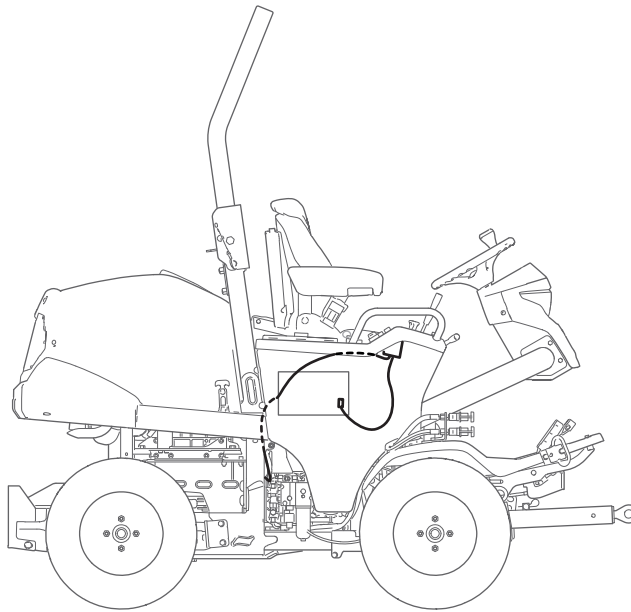
2x  2x  4x   8 mm

17

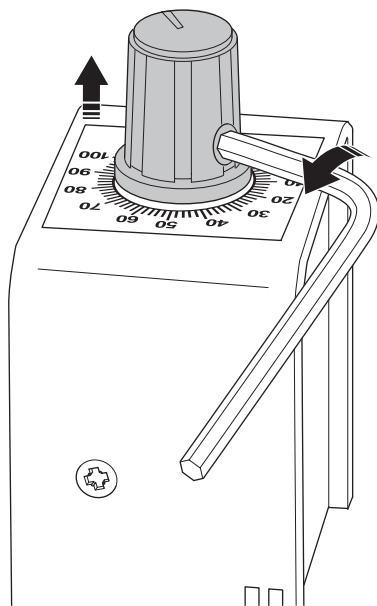


4x 

18

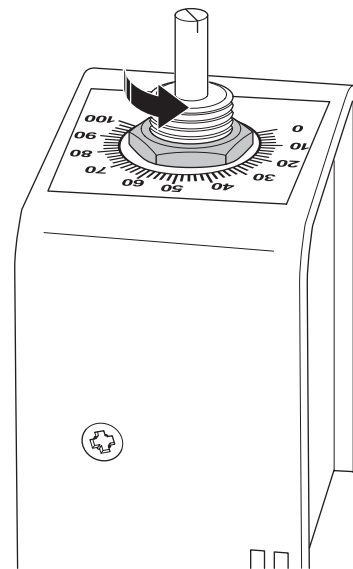


19



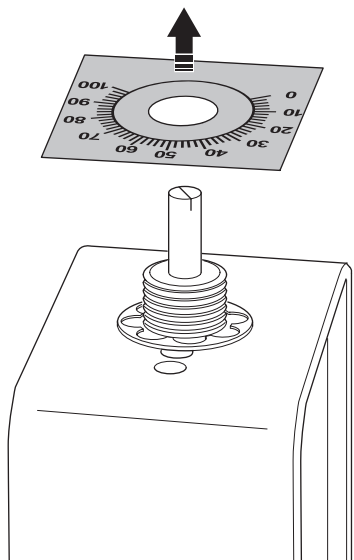
1x  2mm

20



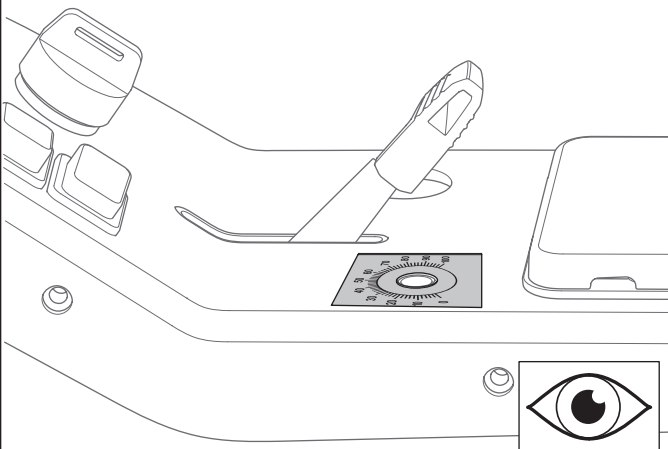
1x  14mm

21



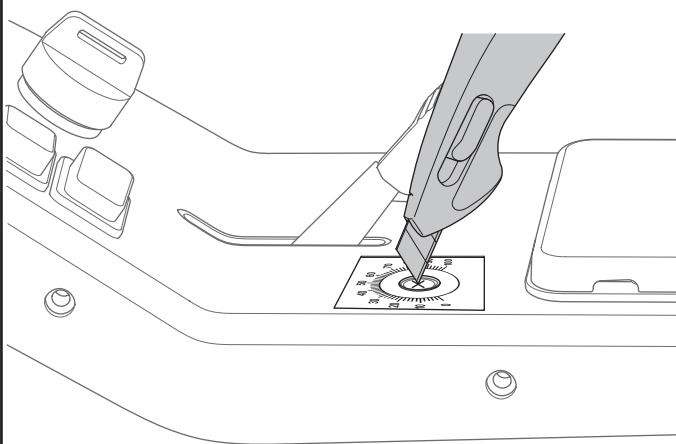
22

⚠ Model DX, HX



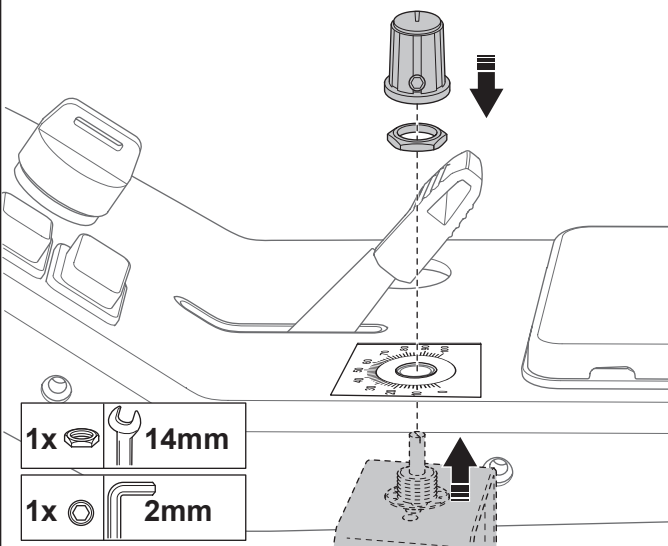
23

⚠ Model DX, HX



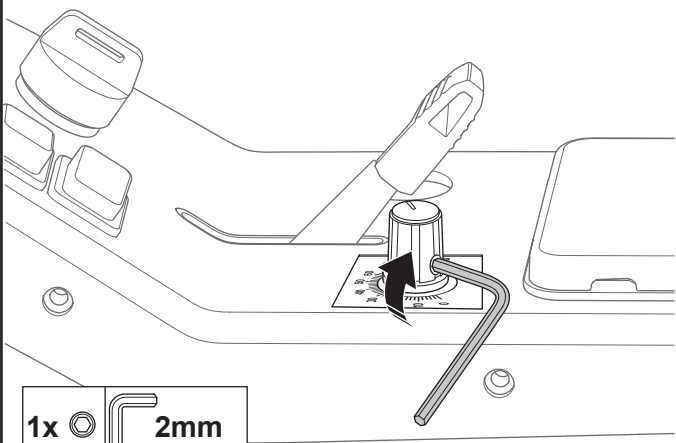
24

⚠ Model DX, HX



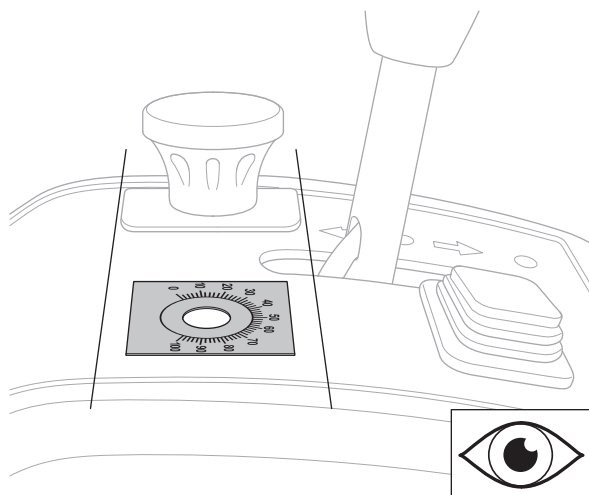
25

⚠ Model DX, HX

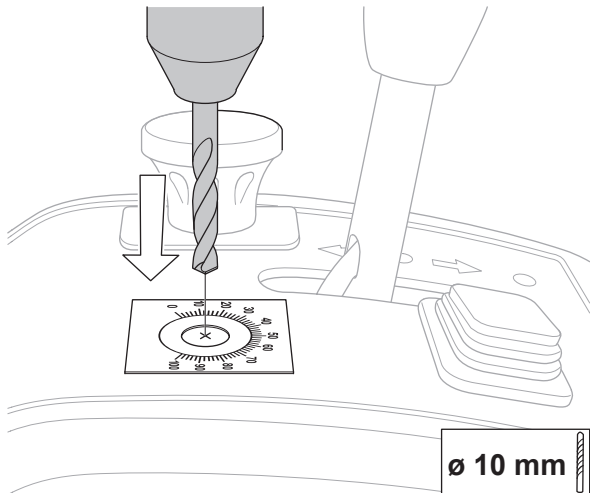


26

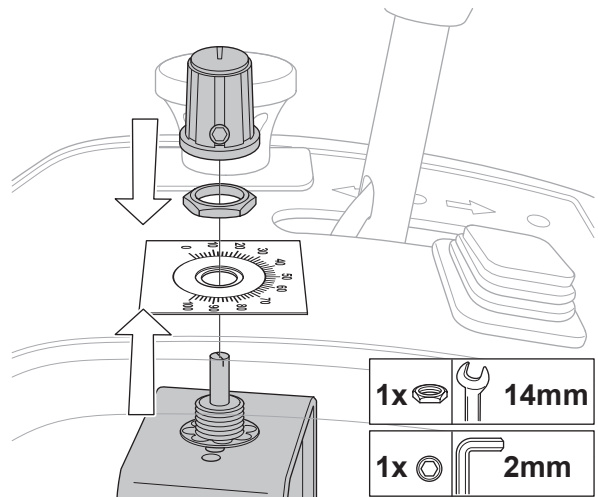
⚠ Model D



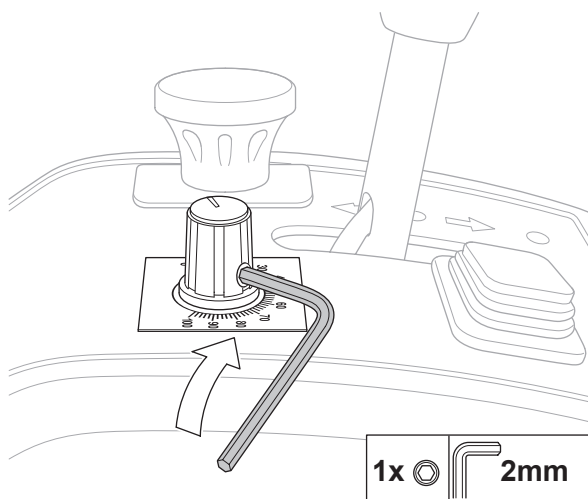
27 ⚠ Model D



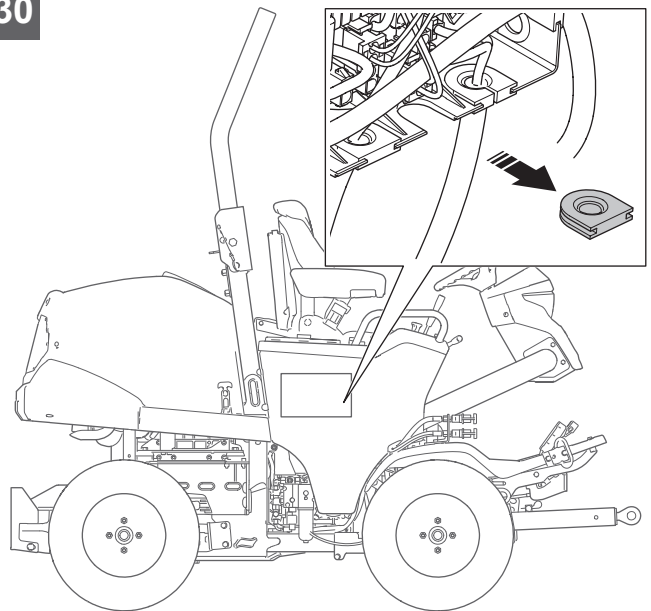
28 ⚠ Model D



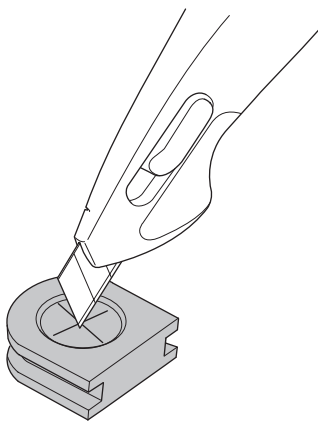
29 ⚠ Model D



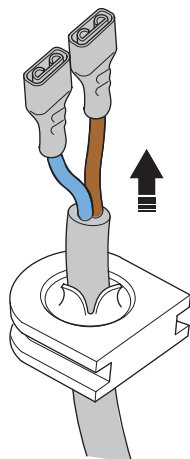
30



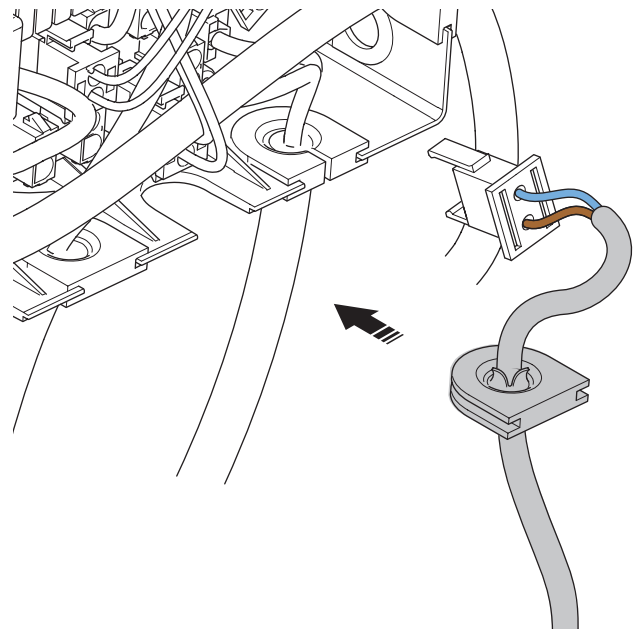
31



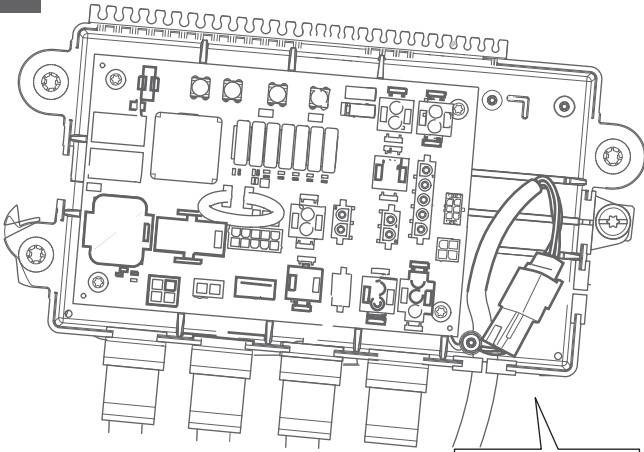
32



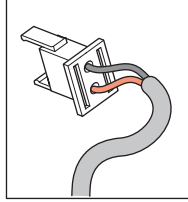
33



34

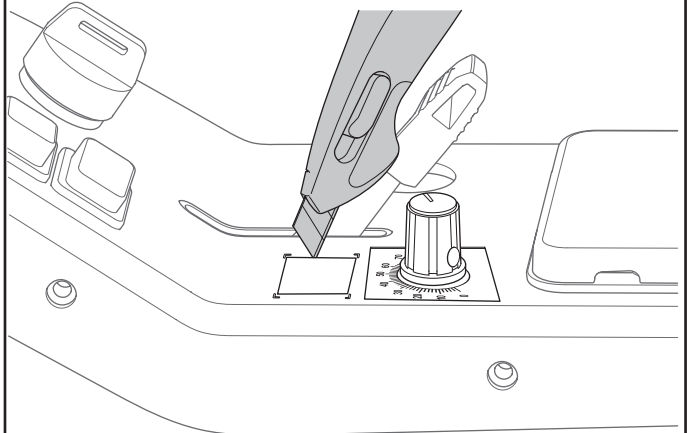


⚠ Model D = J20
 ⚠ Model DX, HX = J10



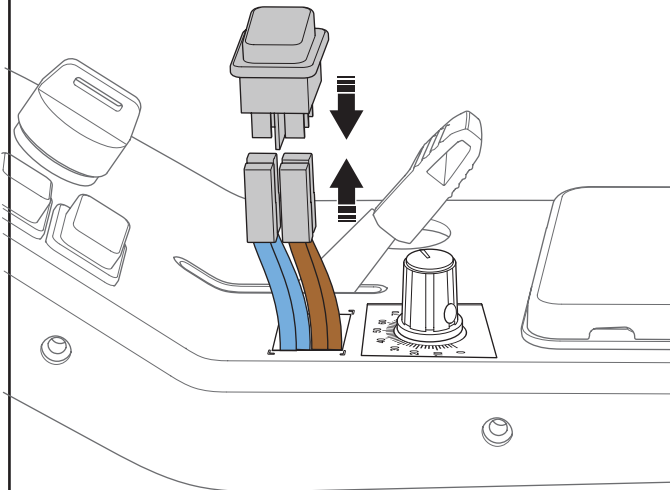
35

⚠ Model DX, HX



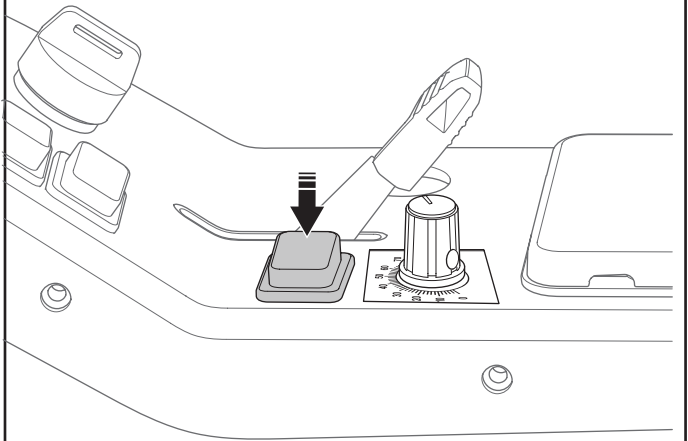
36

⚠ Model DX, HX



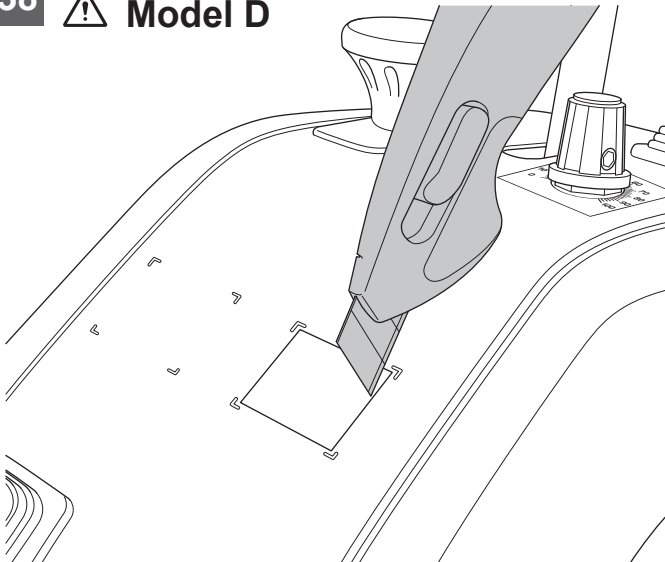
37

⚠ Model DX, HX



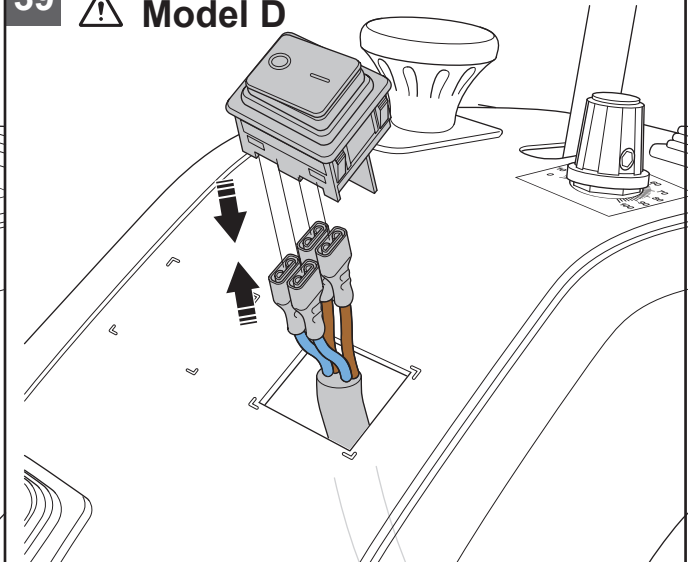
38

⚠ Model D

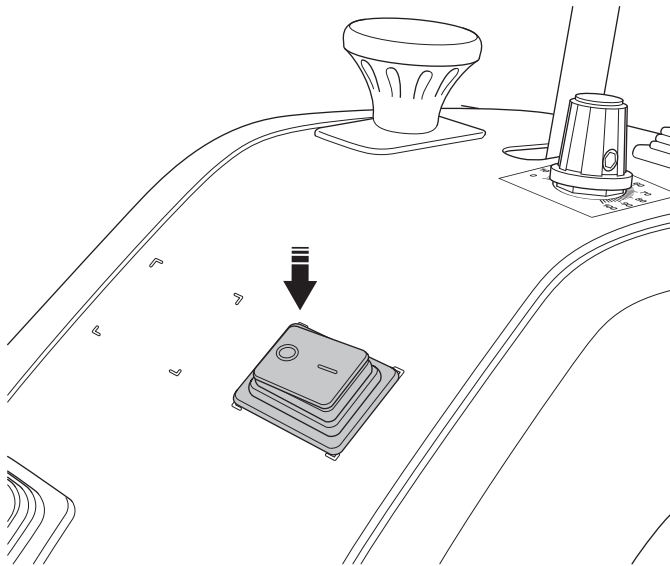


39

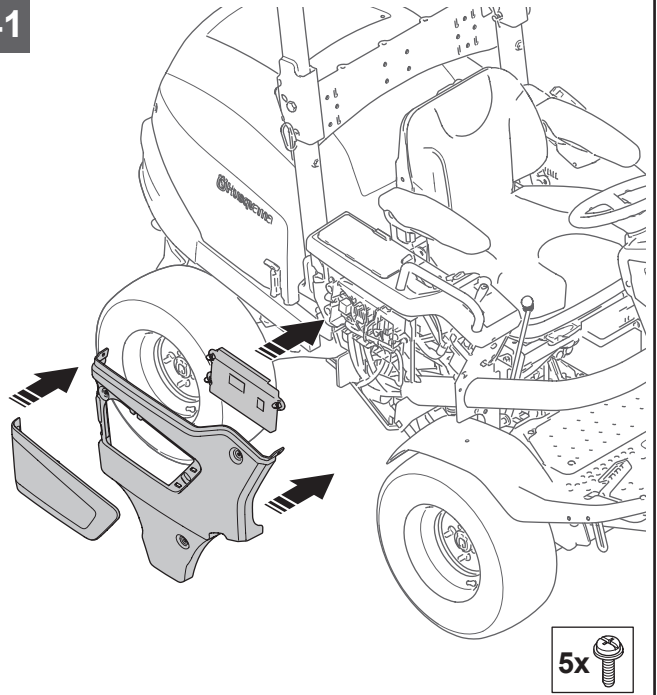
⚠ Model D



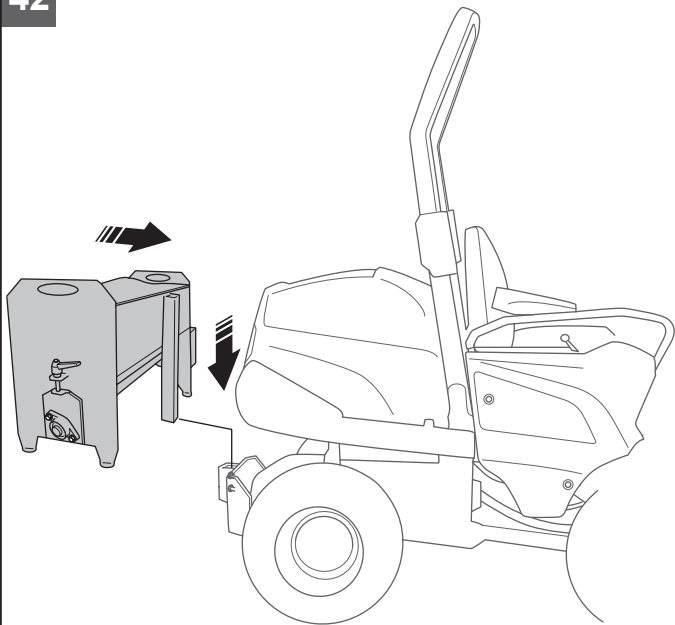
40  Model D



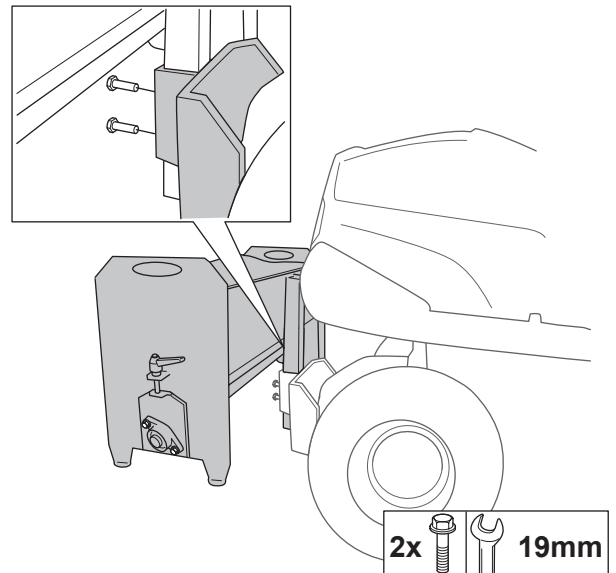
41



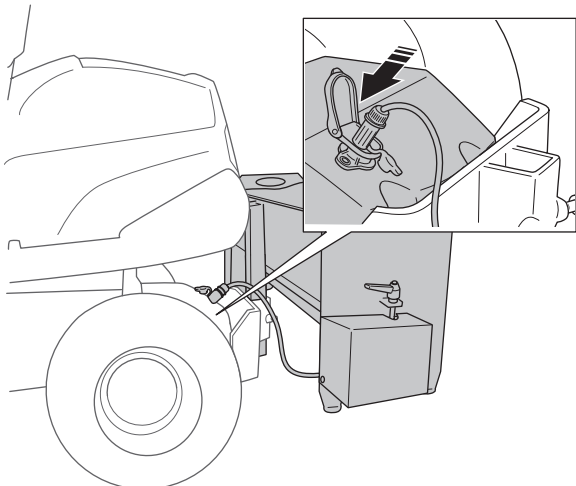
42



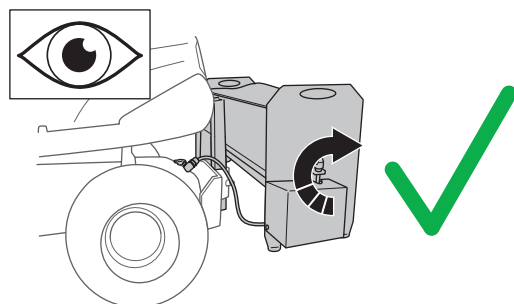
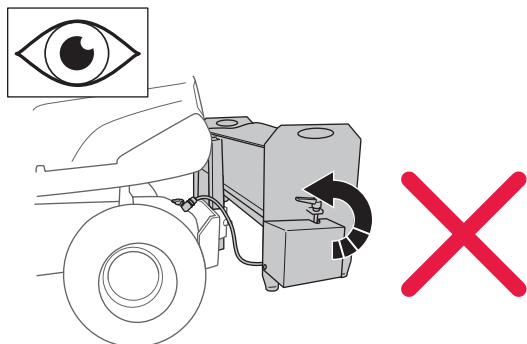
43



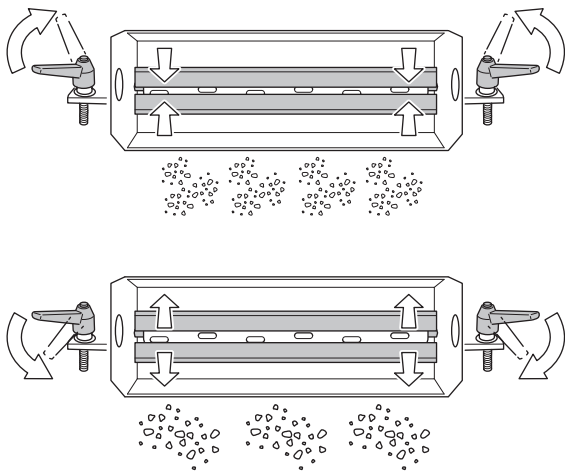
44



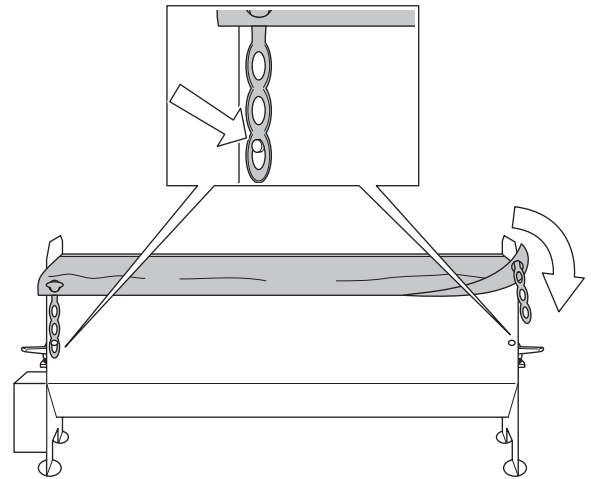
45



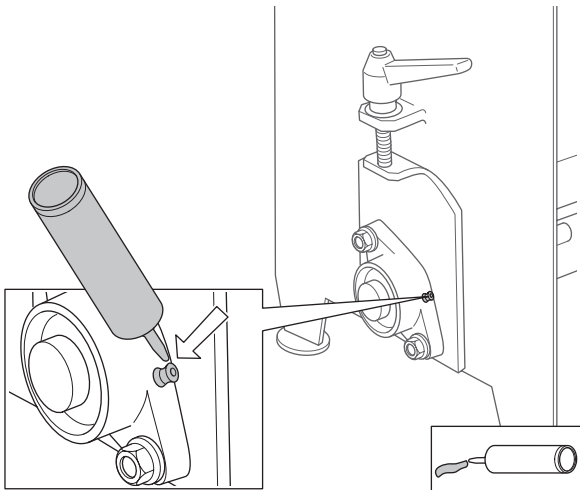
46



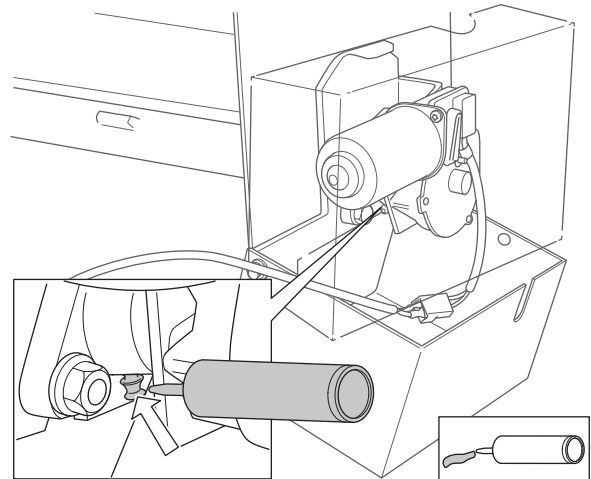
47



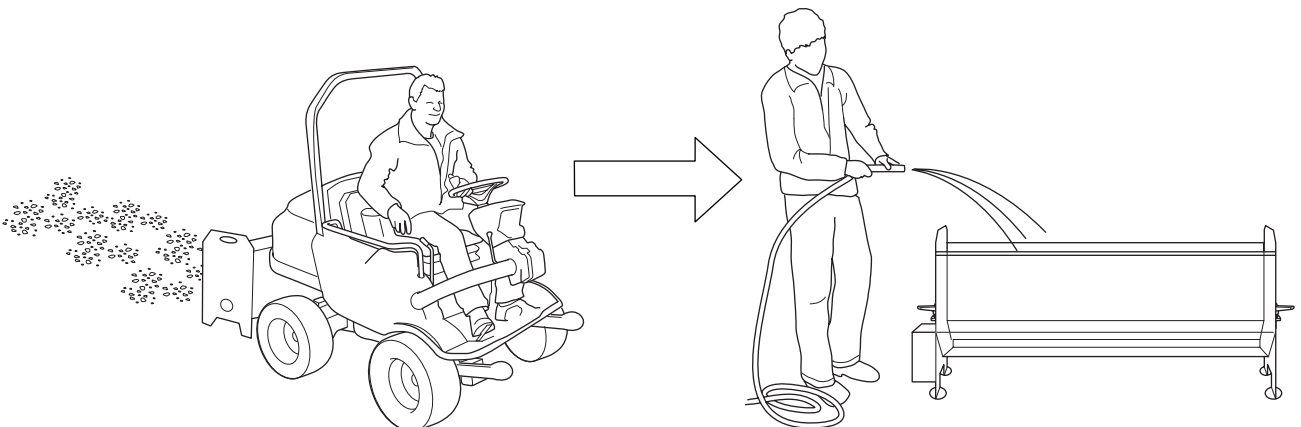
48

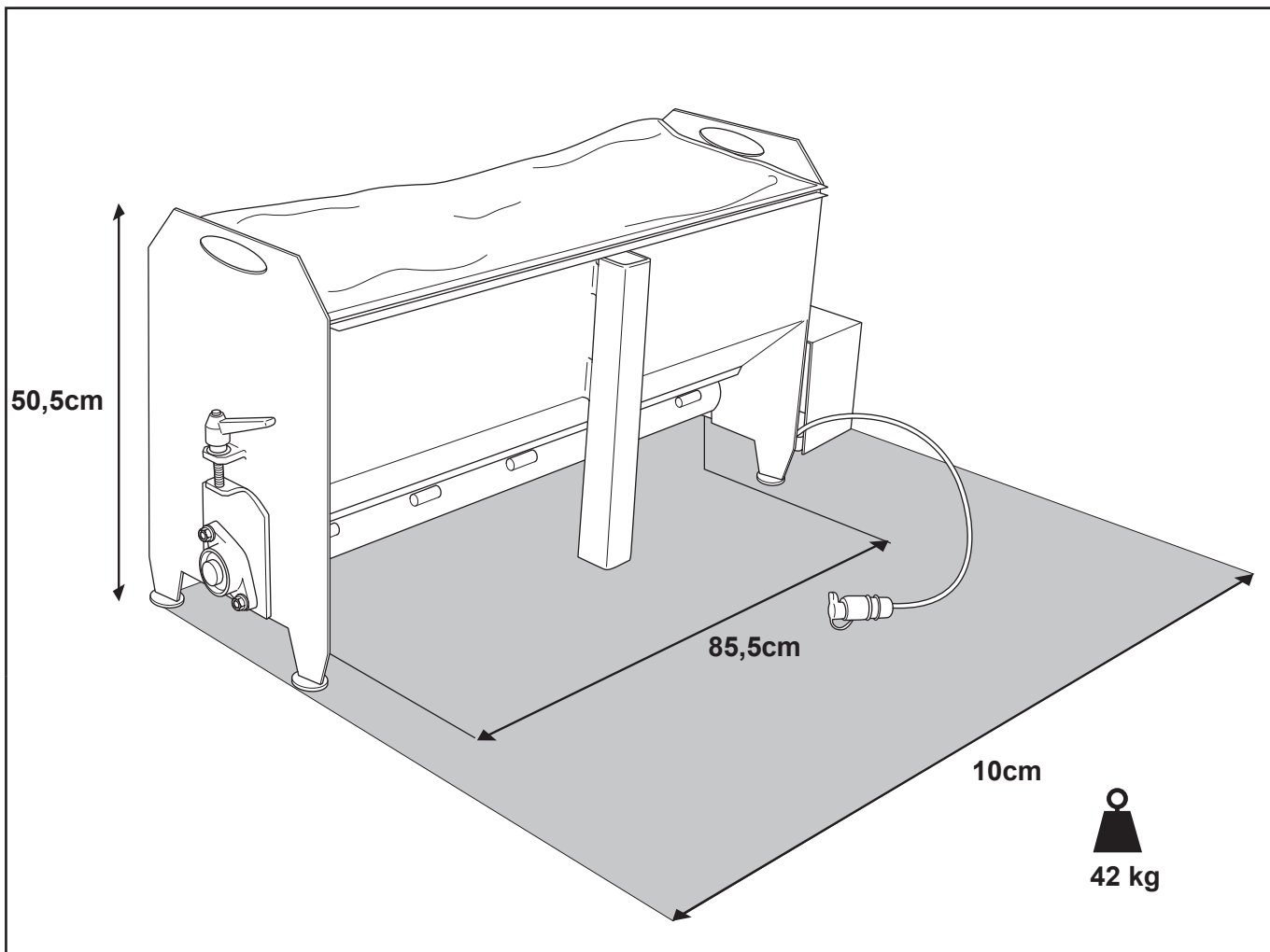


49



50





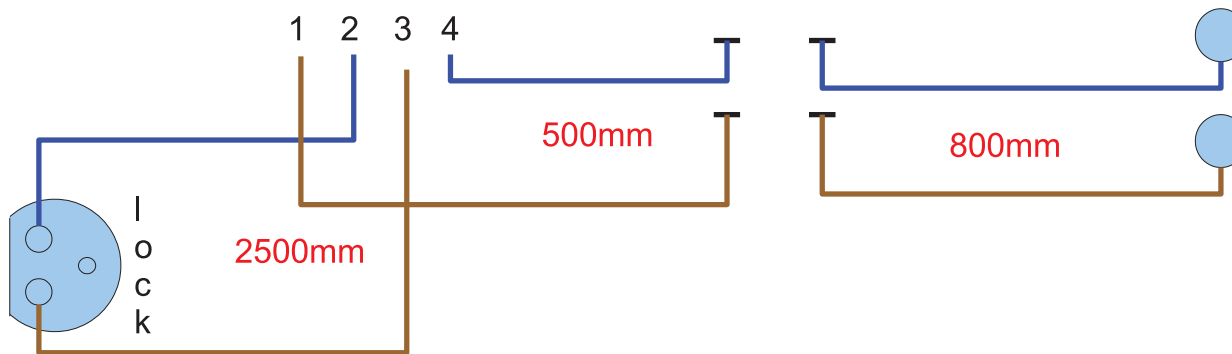
LSS 70el - Husqvarna P520-525

Female
(front)

Speed

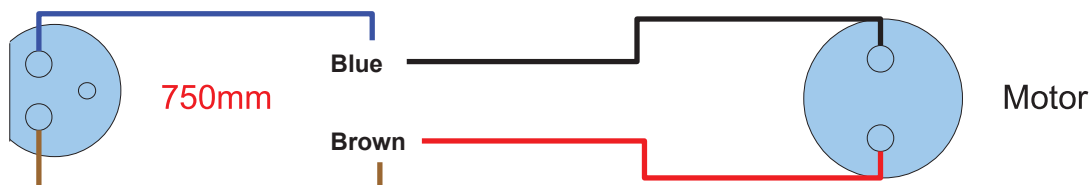
Switch

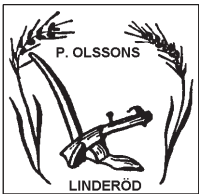
Mate-n-lock



- M5 x 16 2st
- M5 loc 2st
- M5 bri 4st

Male
(inside)





Firman grundad 1907

Linderöd den
15 januari 2015

Ert datum

Vår beteckning/ref
LSS 70

Er beteckning/ref

CERTIFICATE

Manufacturer: P. Olssons i Linderöd AB, Steglitsvägen 6, 290 34 Fjälkinge hereby certifies that the machine type 967 33 98-01 conforms to the Machine Directive maskindirektivet 89-392-EEC, 91-368-EEC, 93-44-EEC with special reference to annex 1 of the directive concerning essential health and requirements in relation to design and manufacture.

Linderöd 2015-01-15

Ola Olsson