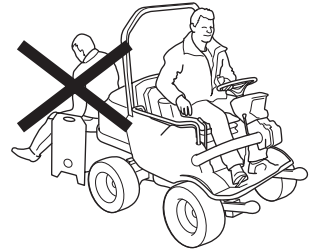
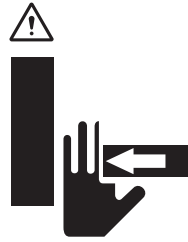
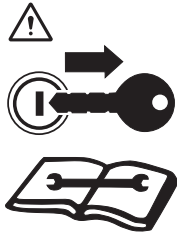
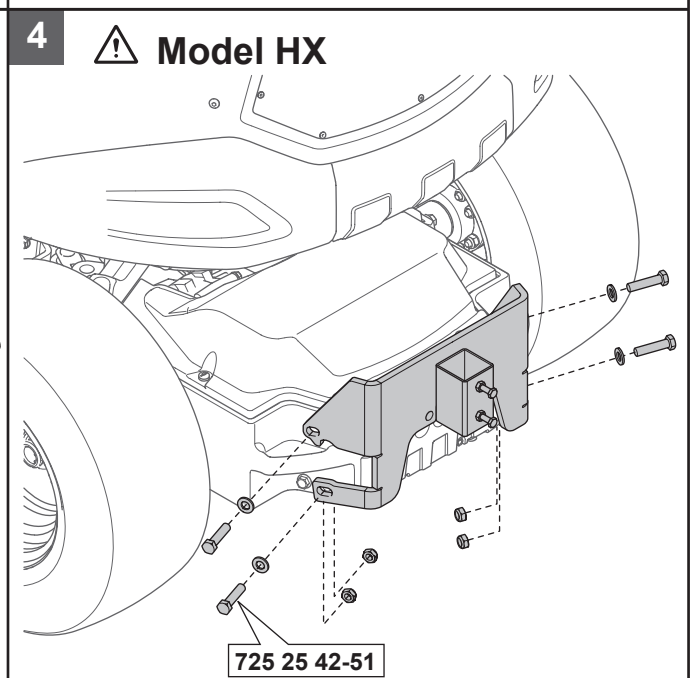
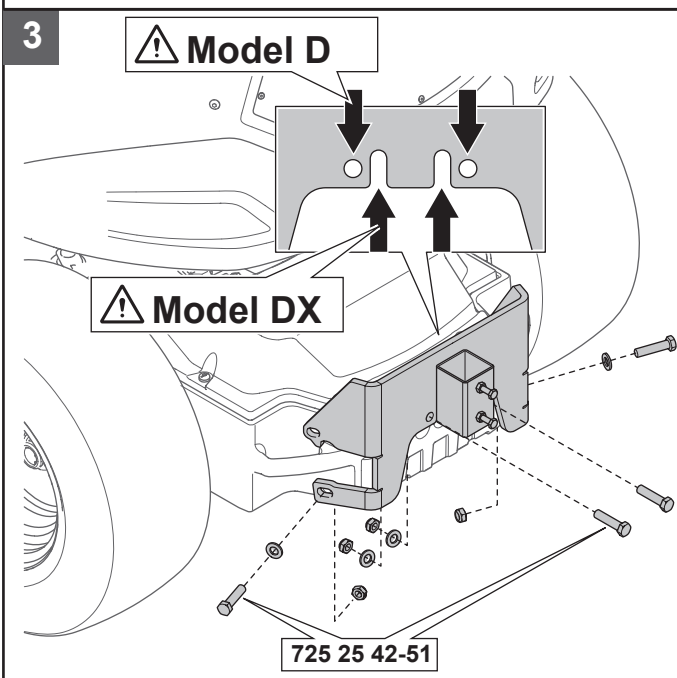
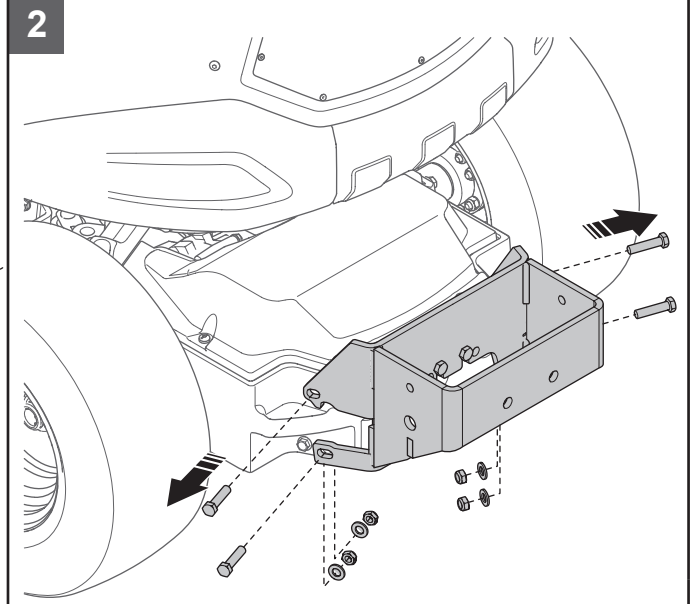
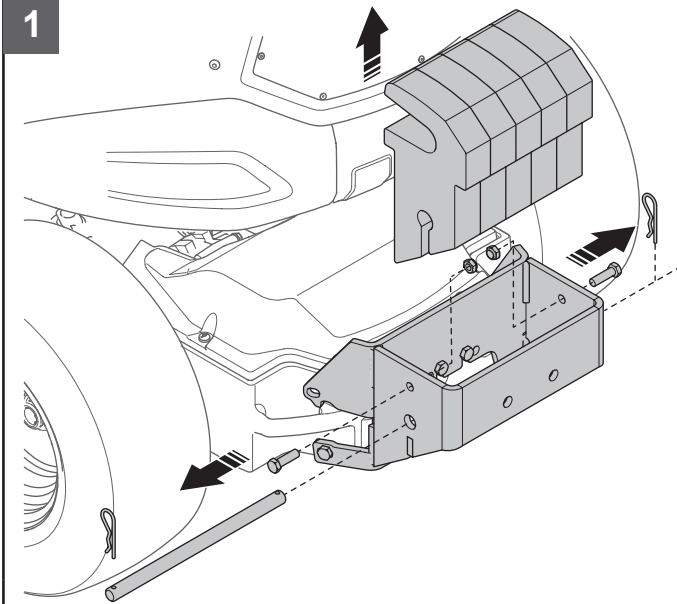
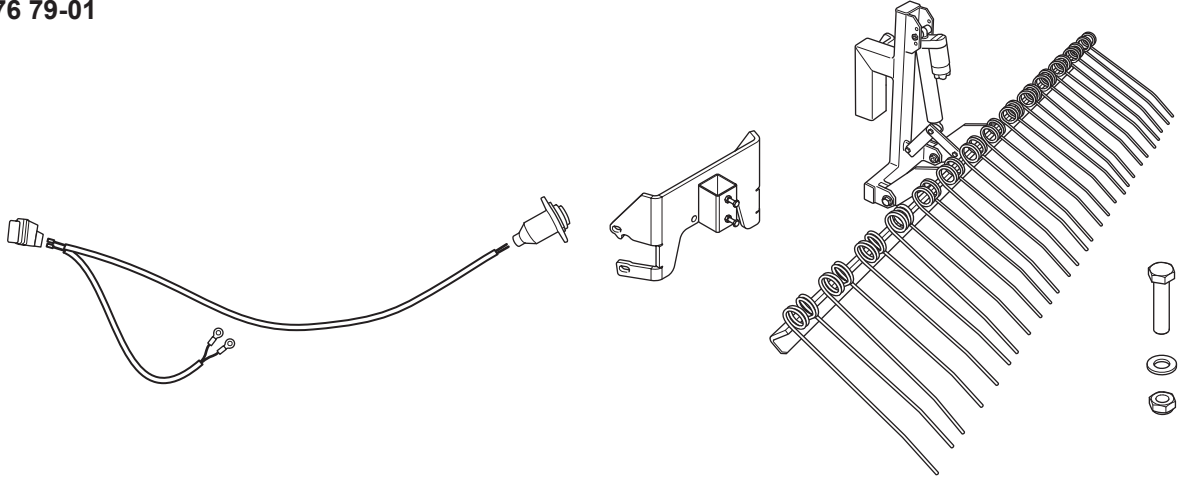


Operator's manual
RAKE FOR RIDER P500-series

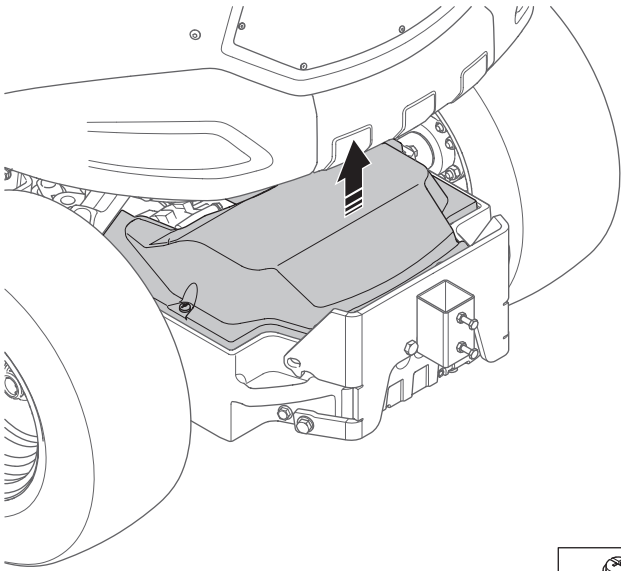
MADE FOR HUSQVARNA BY P. OLSSONS I LINDERÖD AB



Kit: 529 76 79-01

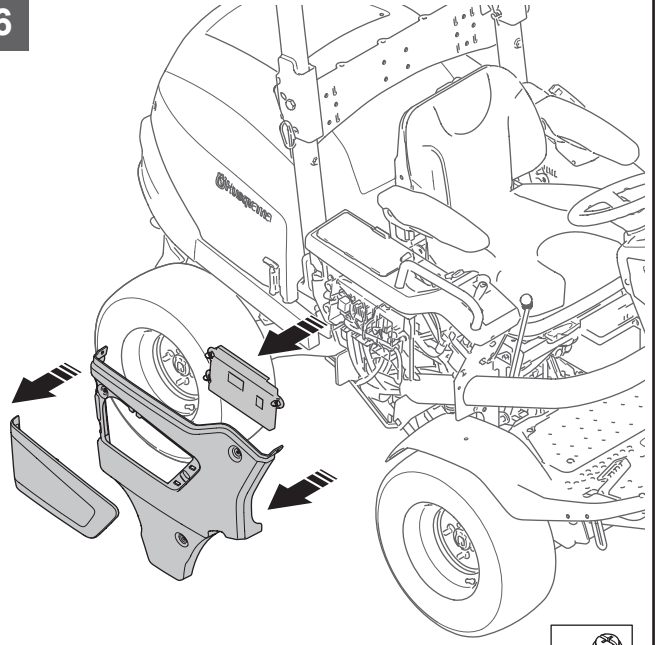


5



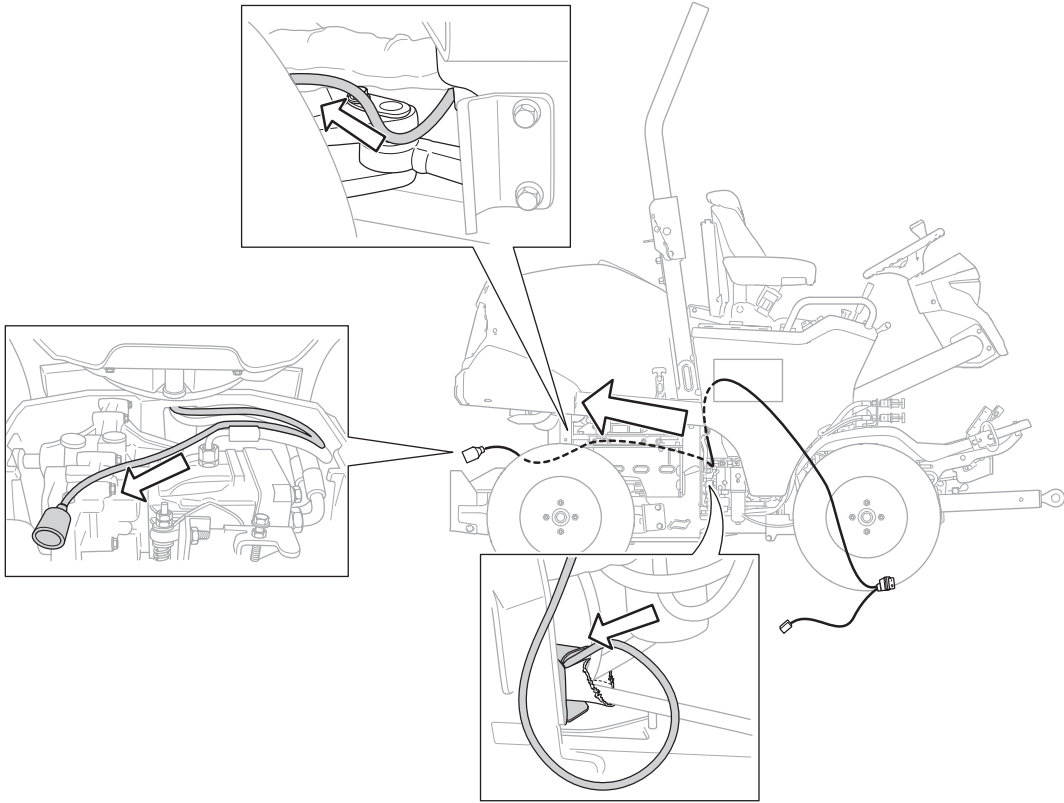
4x 

6

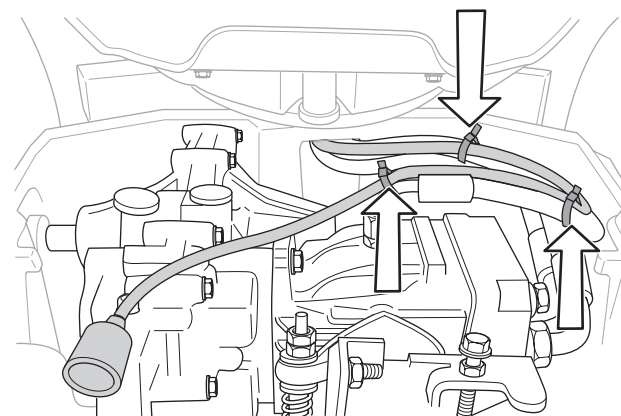


5x 

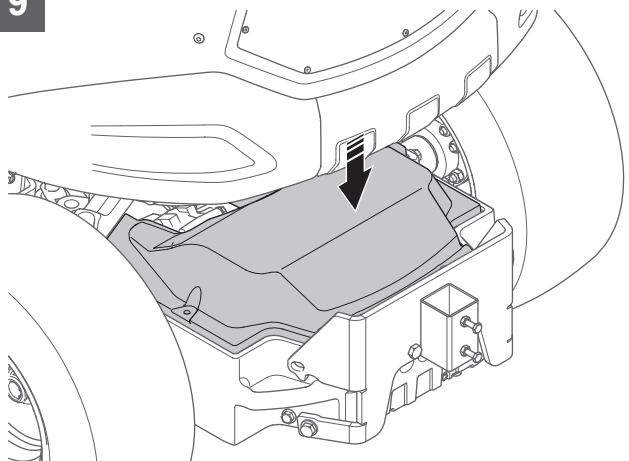
7



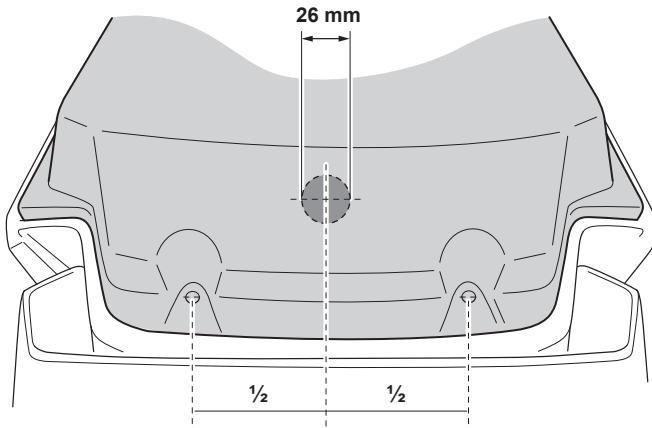
8



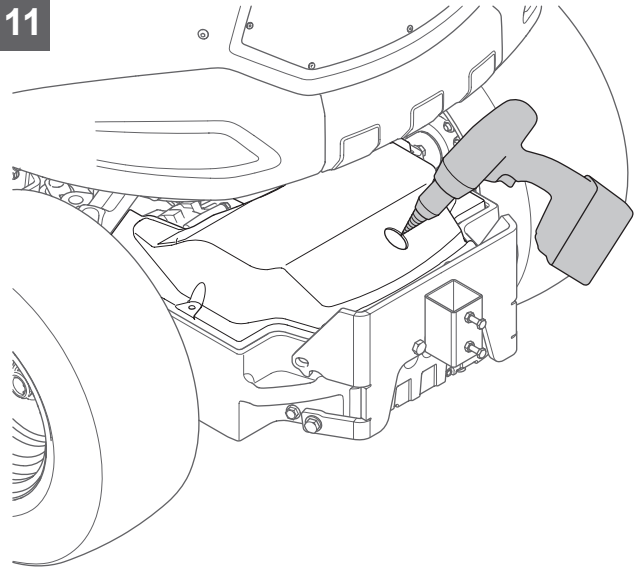
9



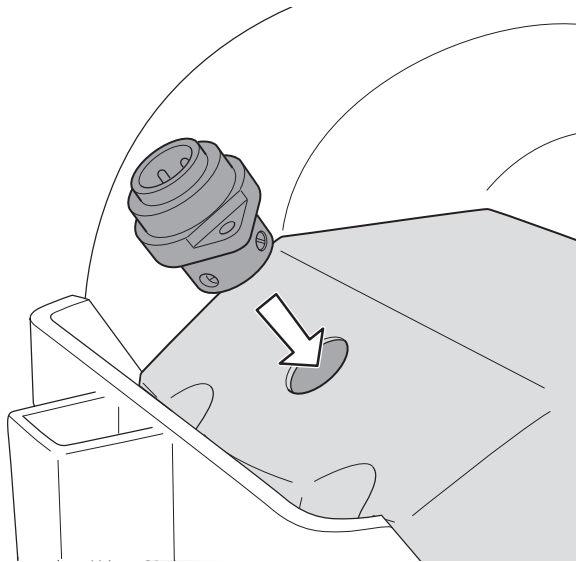
10



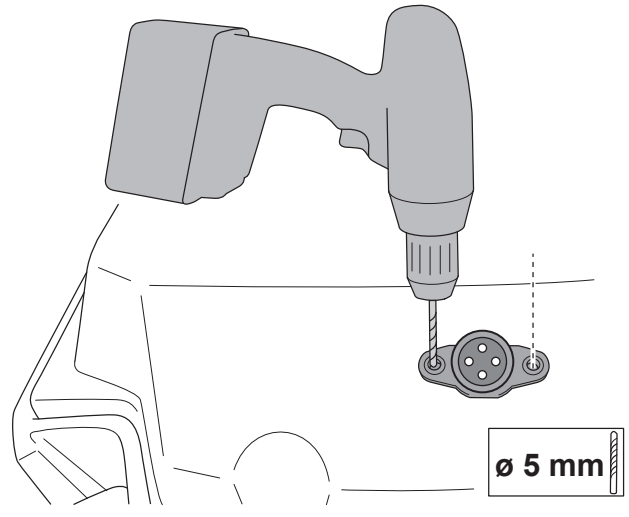
11



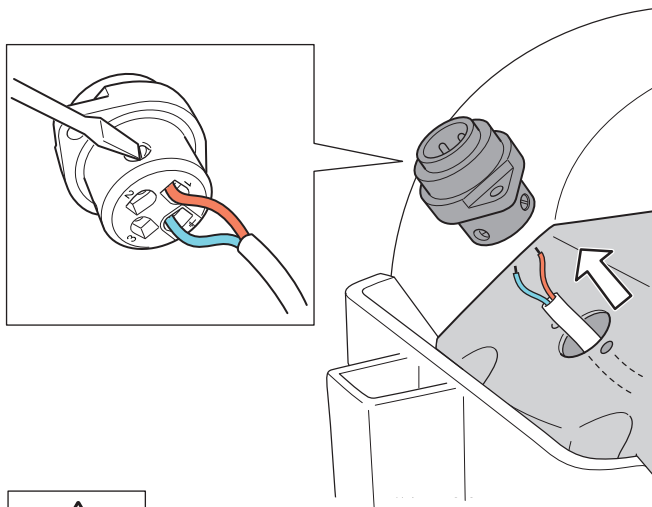
12



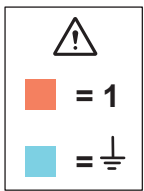
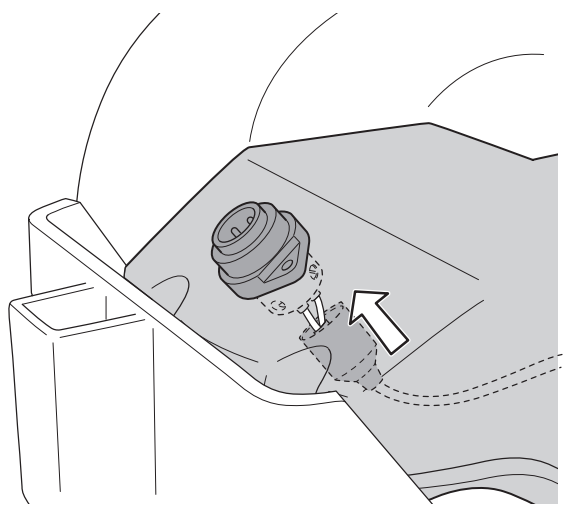
13



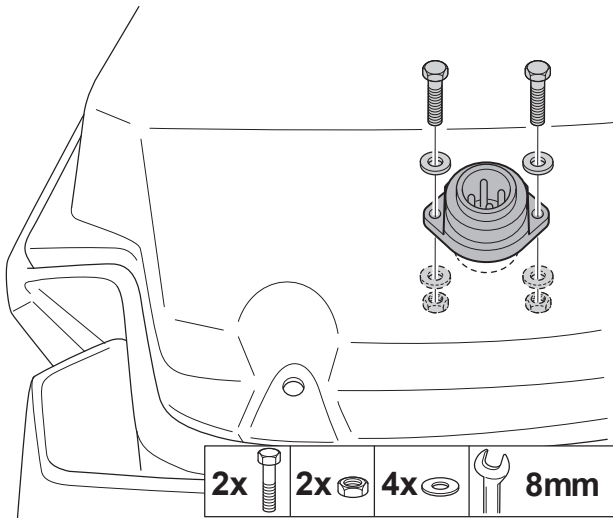
14



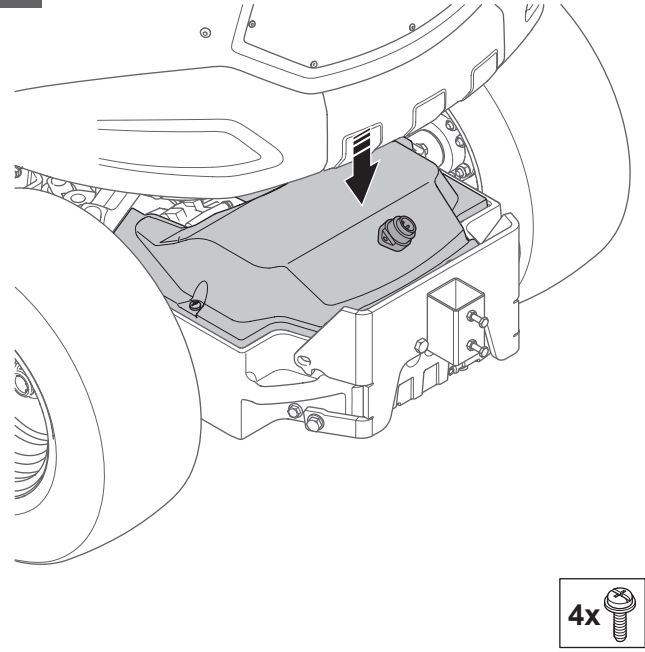
15



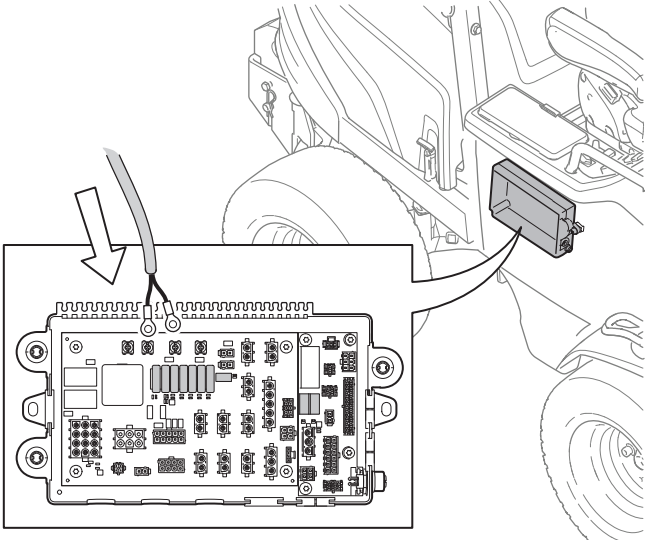
16



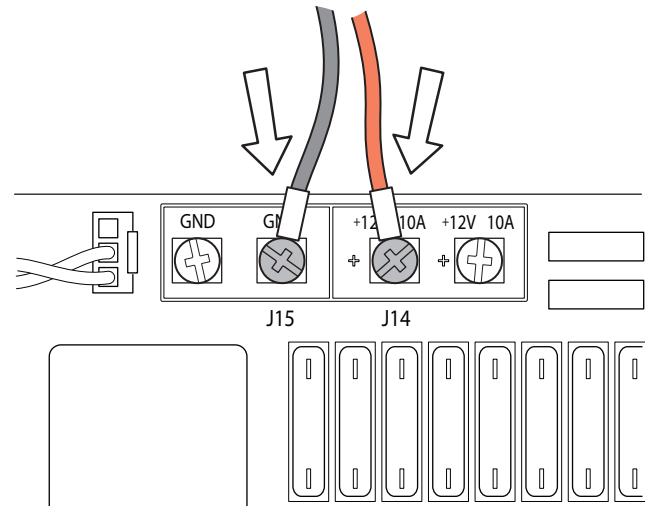
17



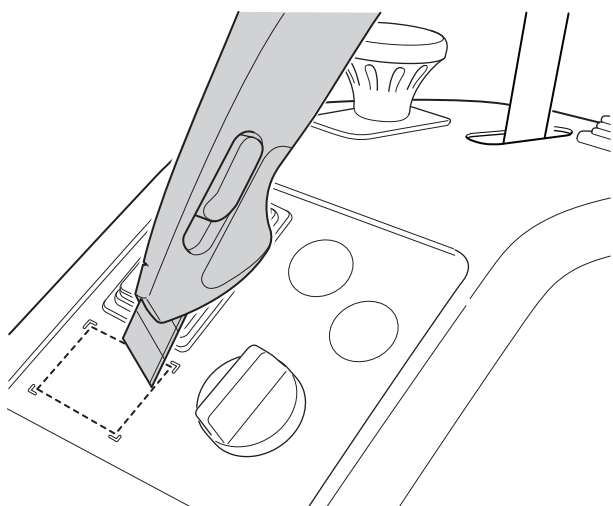
18



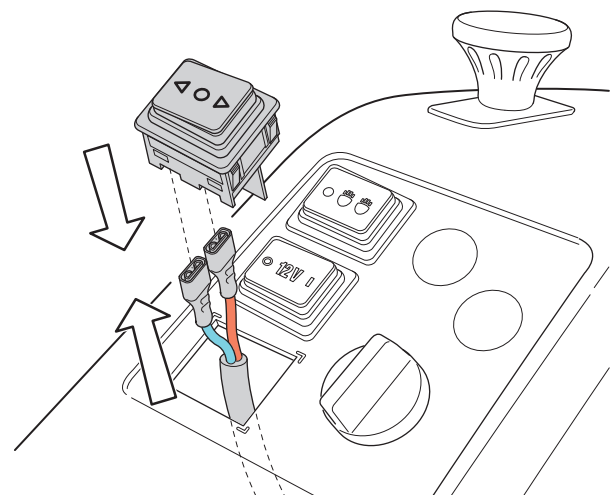
19



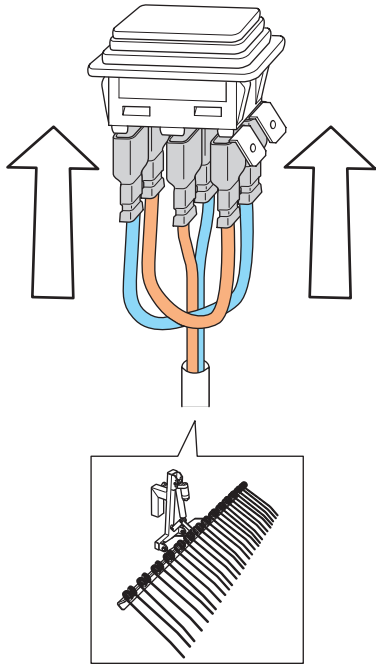
20



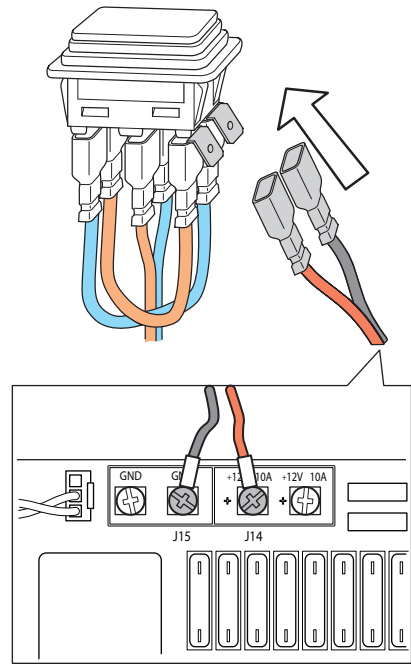
21



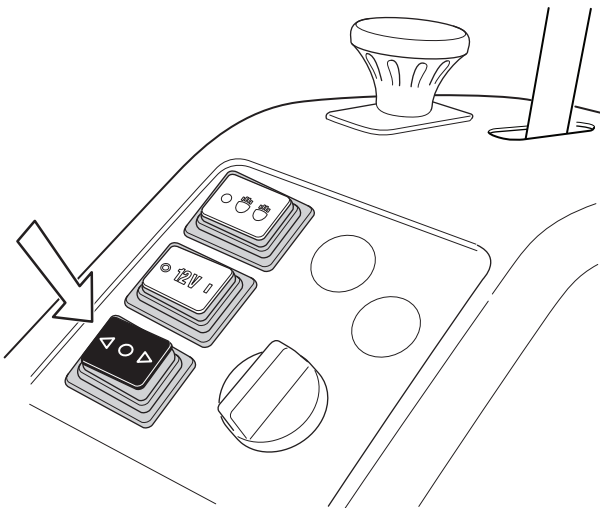
22



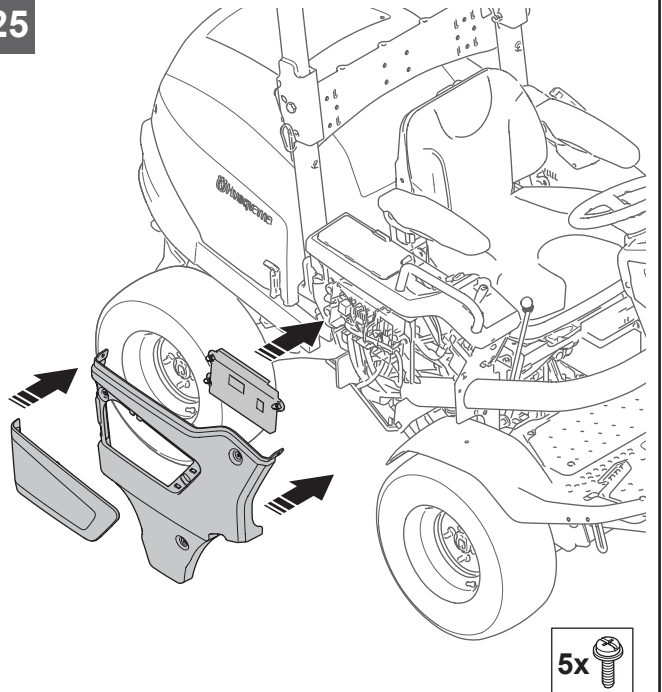
23



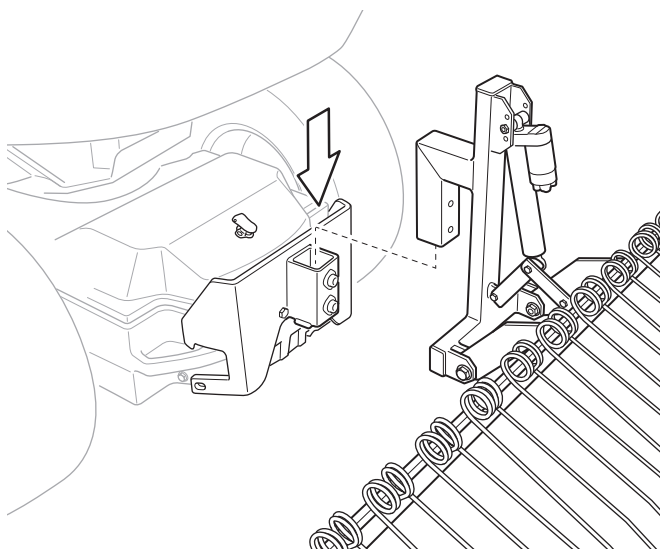
24



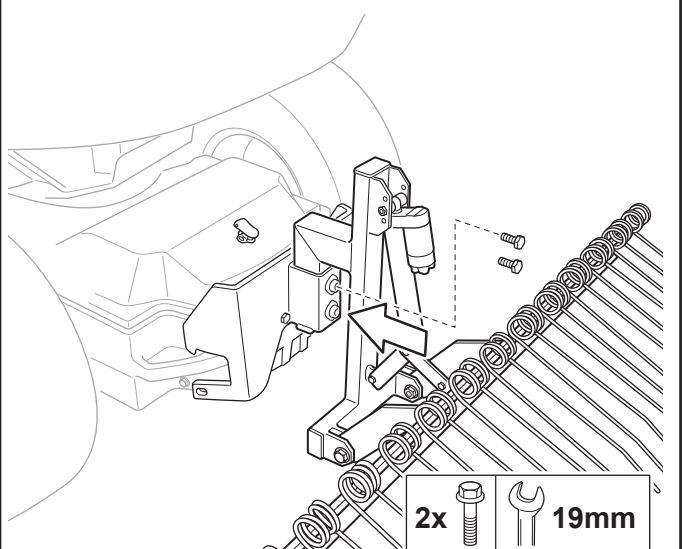
25



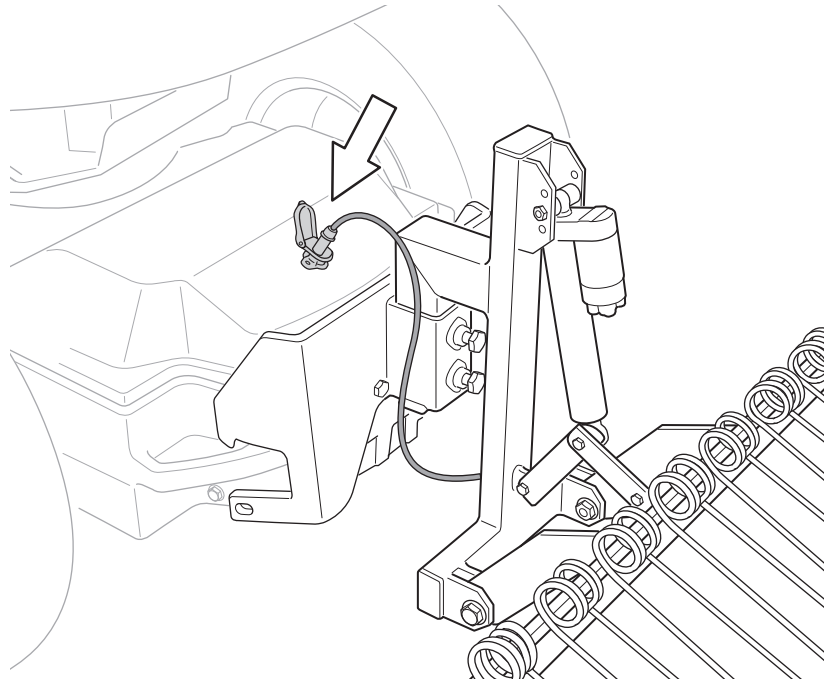
26



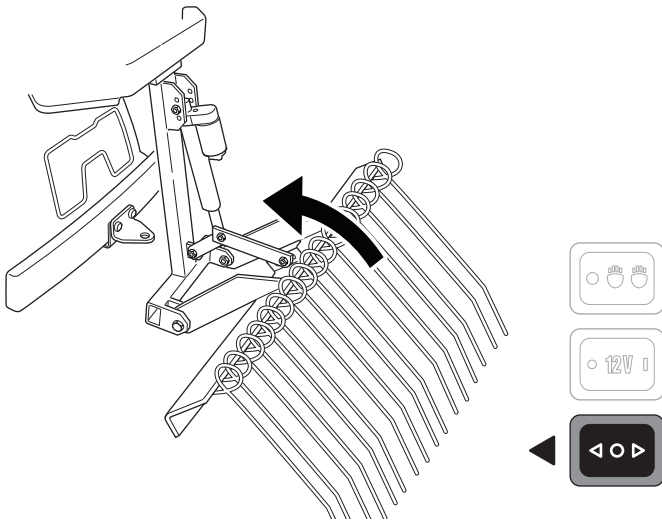
27



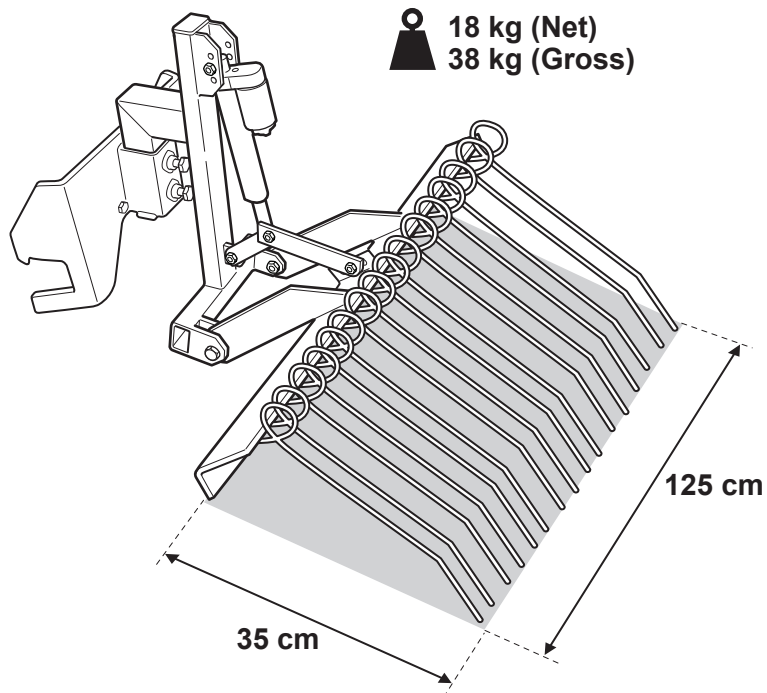
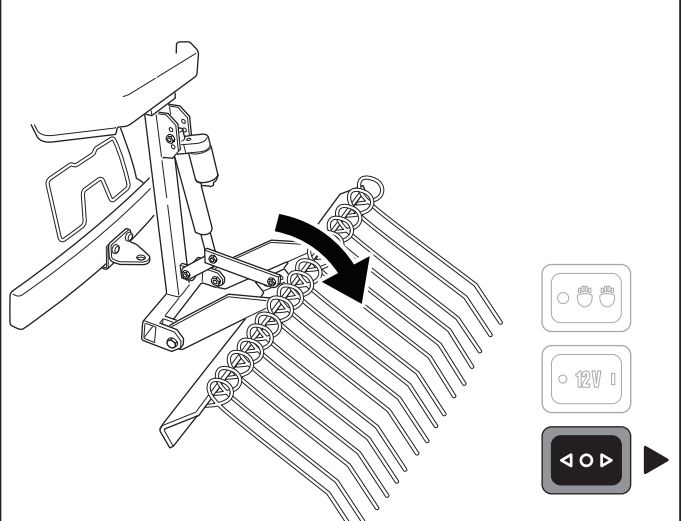
28

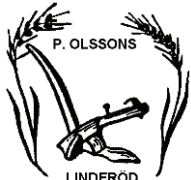


29



30





Firman grundad 1907

Fjälkinge den
15 mars 2022

Ert datum

Vår beteckning/ref
587 93 25-01

Er beteckning/ref

CERTIFICATE

Manufacturer: P. Olssons i Linderöd AB, Steglitsvägen 6, 291 67 Fjälkinge hereby certifies that the machine type 587 93 25-01 conforms to the Machine Directive maskindirektivet 89-392-EEC, 91-368-EEC, 93-44-EEC with special reference to annex 1 of the directive concerning essential health and requirements in relation to design and manufacture.

Fjälkinge 2022-03-15

Ola Olsson

W9432