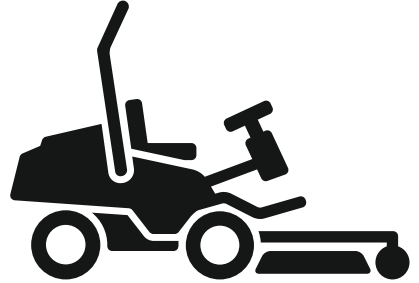




# Husqvarna®



## P 520DX, P 525DX, P 525DX Cabin

EN	Operator's manual
ES	Manual de usuario
IT	Manuale dell'operatore
PT	Manual do utilizador

2-68
69-137
138-206
207-275

---

## Contents

---

Introduction.....	2	Technical data.....	58
Safety.....	10	Accessories.....	65
Assembly.....	15	Service.....	65
Operation.....	20	Warranty.....	65
Maintenance.....	27	Declaration of Conformity.....	66
Troubleshooting.....	51	Registered trademarks.....	68
Transportation, storage and disposal.....	55		

---

## Introduction

---

### Pre-delivery inspection and product numbers

---

**Note:** A pre-delivery inspection has been done of this product. Make sure that you receive a signed copy of the pre-delivery inspection document from your dealer.

---

Service agent contact information:	
This operator's manual belongs to product with product number / serial number:	
/	
Engine:	
Transmission:	

### Product description

The P 520DX and P 525DX are front mowers. The power source is a diesel engine. Forward and reverse pedals let the operator adjust the speed gradually. The products have all-wheel drive (AWD) and are used with Combi cutting decks with Bioclip®. The P 525DX Cabin is a P 525DX with a cabin.

### Intended use

The product is made to cut grass in commercial areas. Attach an optional accessory to use the product for other tasks. Speak to your Husqvarna dealer for more information about which accessories that are available.

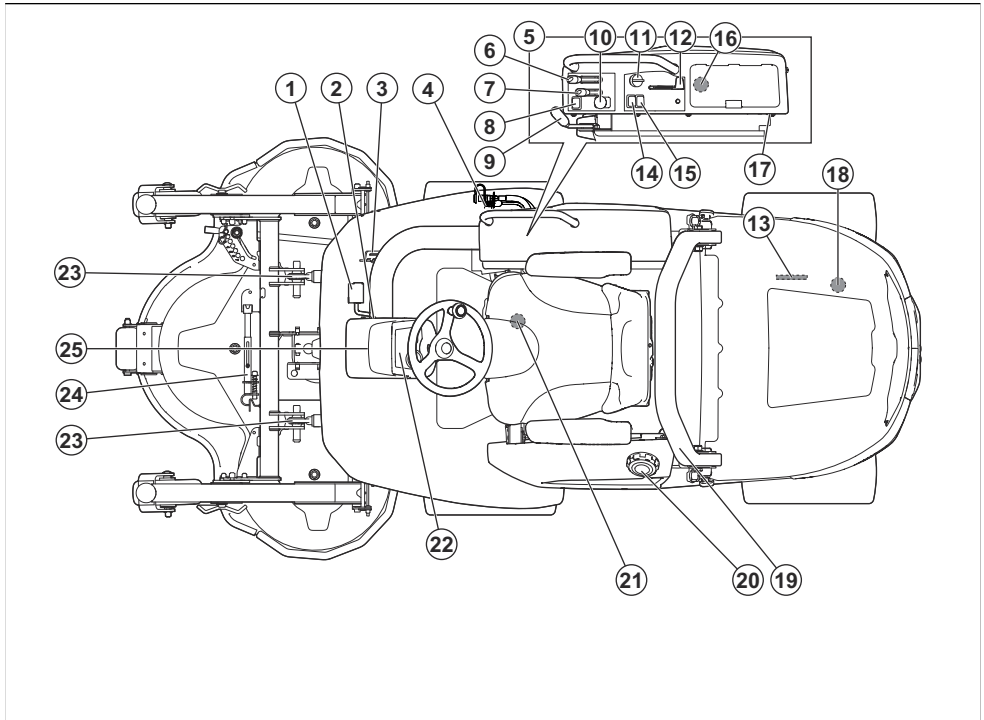
### Insure your product

Make sure that you have insurance coverage for your new product. Speak to your insurance company if you are not sure. We recommend a fully comprehensive insurance that includes third party, fire, damage, theft and liability.

### Firmware

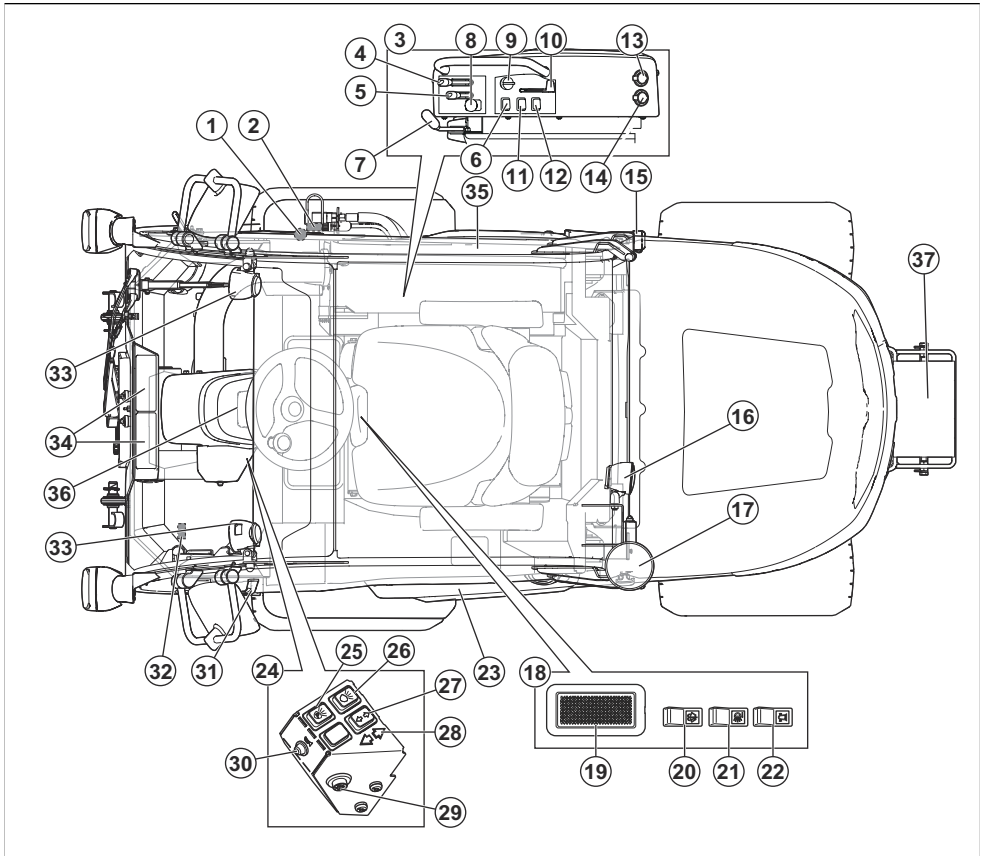
Make sure that the latest software versions are installed on the product. Speak to your Husqvarna servicing dealer.

## Product overview (P 520DX, P 525DX)



- |  |   |
|--|---|
| 1. Forward pedal   | 13. Type plate                              |
| 2. Lock lever for pedal position (not available for P 520DX)         | 14. Headlight switch                        |
| 3. Rearward pedal  | 15. Switch for the power outlet, 12 V       |
| 4. AUX power outlet, 12 V (accessory for P 520DX)                    | 16. USB outlets, 5 V                        |
| 5. Right side control panel  | 17. Power outlet, 12 V                      |
| 6. Lever for hydraulic lift  | 18. Bypass valve for the rear transmission  |
| 7. Lever for cutting height (accessory for P 520DX)                  | 19. ROPS (Roll Over Protective Structure)   |
| 8. Function button for hydraulic accessories (accessory for P 520DX) | 20. Fuel tank cap                           |
| 9. Parking brake   | 21. Bypass valve for the front transmission |
| 10. PTO button   | 22. Display                                 |
| 11. Ignition key   | 23. Lift arms                               |
| 12. Throttle control   | 24. Service stay                            |
|  | 25. Steering column                         |

## Product overview (P 525DX Cabin)



- |  |  |
|--|--|
| 1. Airflow adjuster for the cabin heat       | 18. Control panel in the roof of the cabin       |
| 2. AUX power outlet, 12 V                    | 19. Switch for the inner light of the cabin      |
| 3. Right side control panel                  | 20. Switch for the windshield wipers             |
| 4. Lever for hydraulic lift                  | 21. Switch for the rear work lights on the cabin |
| 5. Lever for cutting height                  | 22. Switch for the warning lights on the cabin   |
| 6. Function button for hydraulic accessories | 23. Door   |
| 7. Parking brake                             | 24. Control panel                                |
| 8. PTO button                                | 25. Switch for the parking lights                |
| 9. Ignition key                              | 26. Switch for the low beam lights               |
| 10. Throttle control                         | 27. Switch for the turn signal                   |
| 11. Headlight switch                         | 28. Turn signal indicator                        |
| 12. Power switch for the power outlet        | 29. Switch for the hazard light                  |
| 13. USB outlets, 5 V                         | 30. Buzzer                                       |
| 14. Power outlet, 12 V                       | 31. Handle                                       |
| 15. Rear lights                              | 32. Venting stay                                 |
| 16. Rear work lights                         | 33. Front work lights                            |
| 17. Warning lights                           | 34. Air fan and filtration                       |



- 35. Emergency exit
- 36. Display
- 37. Counterweight

## Power outlets

The product has the power outlets that follow:

- 12 V power outlet
- USB outlets
- 12 V AUX power outlet (accessory for P 520DX)

To find the fuses for the power outlet, refer to *Fuse overview on page 38*.

To find the outlets, refer to *Product overview (P 520DX, P 525DX) on page 3*.

Turn the power outlet on and off with the power switch on the control panel.

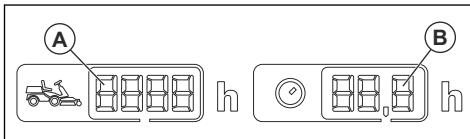
## Hour meter

The product has 2 hour meters on the display. The hour meters show how many hours of operation of the engine has in total (A) and during the operation period (B). The last digit of the hour meter for the operation period, shows tenth of an hour (6 minutes).

The time with ignition on but engine off, is not registered.

**Note:** The total hour meter (A) only shows full hours.

**Note:** A operation period is the time the engine been turned on during 1 day. A new operation period starts if the engine is turned off for a minimum of 6 h.



## Husqvarna Connect

The product has wireless technology and can connect to mobile devices that have the Husqvarna Connect app installed. The Husqvarna Connect app is a free app for your mobile device. The Husqvarna Connect app gives extended functions for your Husqvarna product:

- Lock and unlock function to prevent not approved operation of the product.
- Extended product information.
- Information about, and help with, product parts and servicing.

## Husqvarna Fleet Services™

Husqvarna Fleet Services™ is a cloud solution that gives the commercial fleet manager an overview of all products. For more information about Husqvarna Fleet Services™, refer to [www.husqvarna.com](http://www.husqvarna.com).

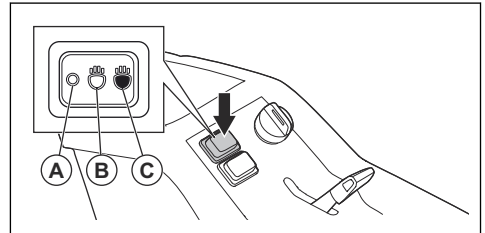
## To connect to the product with Husqvarna Fleet Services™

1. Download the Husqvarna Fleet Services™ app to your mobile device.
2. Log on to the Husqvarna Fleet Services™ app.
3. Follow the instructions about how to pair the product with Husqvarna Fleet Services™.

## Headlights

The product has a work light and a high beam light.

- Push the power switch to position (A) to make the lights go off.

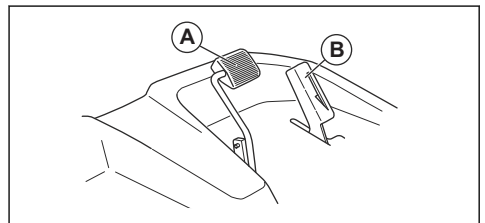


- Push the power switch to position (B) to make the work light come on.
- Push the power switch to position (C) to also make the high beam light come on.

The work light stays on for 3 minutes after the ignition key is set to STOP. When the headlights are on, the display shows the headlight symbol. Refer to *Display on page 7*.

## Forward and rearward pedals

The speed is gradually adjusted with 2 pedals. The left pedal (A) is used to move forward, and the right pedal (B) is used to move rearward. The product brakes when the pedals are released.

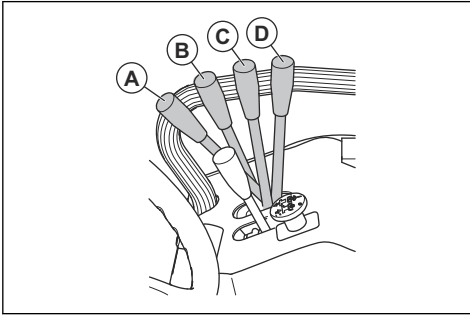


## Lift lever for hydraulic lift of the cutting deck

The lift lever for hydraulic lift is used to lift and lower the cutting deck. The hydraulic lift uses hydraulic pressure and the engine must be started for the lift to operate.

In mow position, the cutting deck moves in level with the ground.

- Position (A) moves the cutting deck to the mow position.
- Position (B) lowers the lift arms.
- Neutral position (C).
- Position (D) moves the cutting deck to transport position.

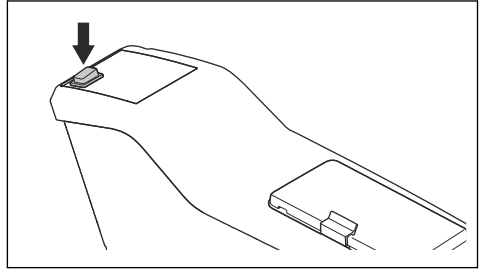


**WARNING:** The cutting deck can always be lifted and lowered. The hydraulic force can cause serious injury.

## Function button for hydraulic accessories

The function button is adjacent to the lift lever for hydraulic accessories.

The function button operates differently for different accessories. Refer to the operator's manual of the accessory.

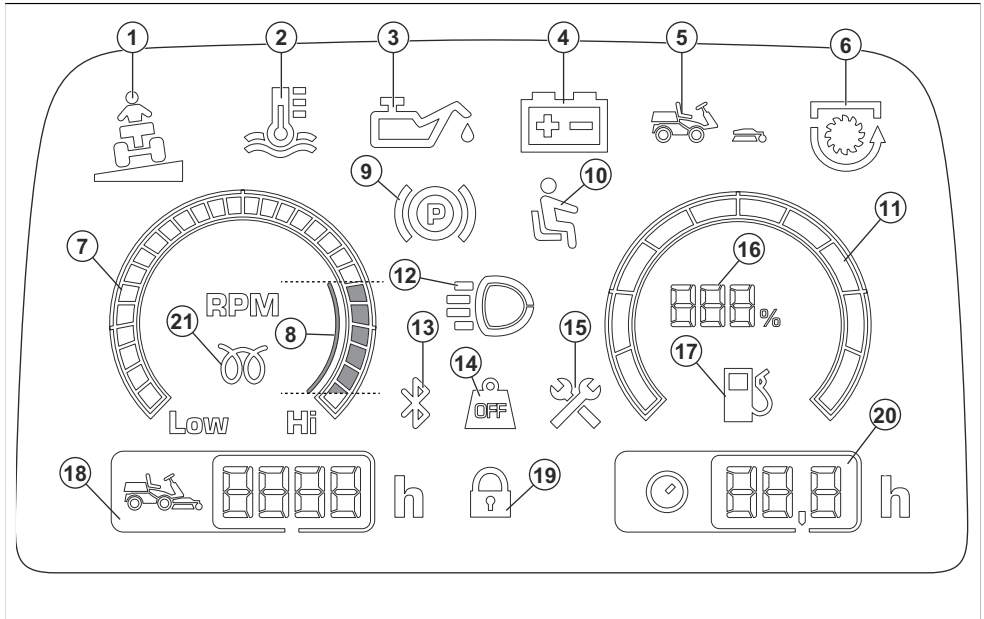


## Cutting deck

The cutting decks for this product are Combi cutting decks with BioClip®. BioClip® cuts the grass into fertilizer. The Combi cutting decks can also be used without BioClip®. Without BioClip® the grass is ejected to the rear.

## Display

The display on the instrument panel shows information of the status of the product.



1. Slope indicator (Not applicable for this product)
2. Indicator for engine water temperature
3. Indicator for engine oil pressure
4. Battery level indicator
5. Cutting deck indicator (Not applicable for this product)
6. PTO indicator
7. Tachometer
8. Recommended engine RPM when you operate the product.
9. Parking brake indicator
10. Operator presence control (OPC)
11. Fuel gauge
12. Work light or high beam light indicator
13. Bluetooth®
14. Weight transfer disengaged (Not applicable for this product)
15. Servicing indicator
16. Fuel gauge measured in steps of 5%
17. Low fuel level indicator
18. Hour meter. Total run time in hours.
19. Digital lock
20. Hour meter. Working day hours/day. Refer to *Hour meter on page 5*.
21. Glow plug indicator



**CAUTION:** Do not turn the ignition key to the stop position when the warning signal comes on. This can cause damage to the engine.

3. Indicator for engine oil pressure
4. Battery level indicator
5. Cutting deck indicator (Not applicable for this product)
6. PTO indicator
7. Tachometer
8. Recommended engine RPM when you operate the product.
9. Parking brake indicator
10. Operator presence control (OPC)
11. Fuel gauge
12. Work light or high beam light indicator

**Note:** The look of the display can be different on different models.

**Note:** When the ignition key is turned from the STOP position to the ON position, all symbols light up for a short period of time. After this, only the symbols in operation are on.

## Cabin heat

The P 525DX Cabin has cabin heat to increase the temperature in the cabin. The cabin heat can also be used to remove frost from the windows during cold weather conditions.

## Symbols on the product



**WARNING:** Be careful and use the product correctly. This product can cause serious injury or death to the operator or others.



Read the operator's manual carefully and make sure that you understand the instructions before you use this product.



Rotating blades. Keep body parts away from the cover when the engine is on.



Warning: rotating parts. Keep body parts away.



Warning: rotating belt pulley. Keep body parts away when the engine is on.



Warning: risk of crush injuries.



Warning: risk of crush injuries. The lift arms will move with great force, keep body parts away.



Look out for ejecting objects and ricochets.



Hot surface.



Never use the product if persons, especially children, or animals, are in the vicinity.



Look behind you before and while you move the product rearward.



Never cut grass across a slope. Do not cut grass on ground that slopes more than 10°. Refer to *To cut grass on slopes* on page 13.



Do not keep passengers on the product or equipment.



Risk of injury if the product overturns.



Operate the product very slowly if no cutting deck is attached.



Operate the product at full speed only when a cutting deck is attached.



Move forward.



Neutral gear.



Move rearward.



Parking brake.



Apply parking brake.



Release parking brake.



This product is in accordance with applicable EC directives.



This product conforms to applicable UK regulations.



Noise emission to the environment label as per EU and UK directives and regulations, and New South Wales legislation "Protection of the Environment Operations (Noise Control) Regulation 2017". The guaranteed sound power level of the product is specified in *Technical data* on page 58 and on the label.



Always use approved hearing protection.

# ON

Activate the product.



Stop the engine.



Engine speed – fast.



Engine speed – slow.



Fuel.



The blades are engaged.



The blades are disengaged.



Oil level.



Scannable code



**Environmental mark.** The product or package of the product is not domestic waste. Recycle it at a recycling station for electrical and electronic equipment.



Do not use the seat belt if the ROPS is down.

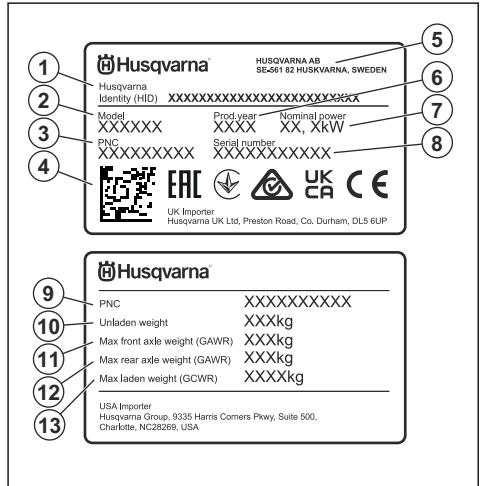


Always use the seat belt when the ROPS is up.



**Note:** Other symbols/decals on the product refer to certification requirements for some commercial areas.

## Type plate



- Husqvarna Identity (HID) with article number, factory and line, date, sequence number and control number
- Model name
- Product number code (PNC)
- Scannable code
- Manufacturer and manufacturer address
- Production year
- Rated power
- Serial number with production date, year, week and sequence number
- Product number code (PNC)
- Product weight, unladen
- Maximum front axle weight (GAWR)
- Maximum rear axle weight (GAWR)
- Maximum laden weight (GCWR)

## Euro V Emissions



**WARNING:** Tampering with the engine voids the EU type-approval of this product.

## Product damage

We are not responsible for damages to our product if:

- the product is incorrectly repaired.
- the product is repaired with parts that are not from the manufacturer or not approved by the manufacturer.
- the product has an accessory that is not from the manufacturer or not approved by the manufacturer.

- the product is not repaired at an approved service center or by an approved authority.

## Safety

### Safety definitions

Warnings, cautions and notes are used to point out specially important parts of the manual.



**WARNING:** Used if there is a risk of injury or death for the operator or bystanders if the instructions in the manual are not obeyed.



**CAUTION:** Used if there is a risk of damage to the product, other materials or the adjacent area if the instructions in the manual are not obeyed.

**Note:** Used to give more information that is necessary in a given situation.

### General safety instructions



**WARNING:** This product can cut off hands and feet and throw objects. Serious injury or death may occur if you do not obey the safety instructions.



**WARNING:** Do not continue to use a product with damaged cutting equipment. Damaged cutting equipment can throw objects and cause serious injury or death. Replace damaged blades immediately.



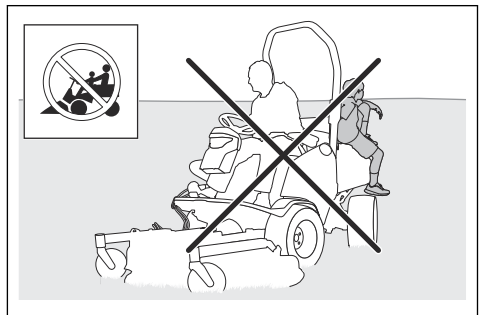
**WARNING:** This product produces an electromagnetic field during operation. This field may under some circumstances interfere with active or passive medical implants. To reduce the risk of serious or fatal injury we recommend persons with medical implants to consult their physician and the medical implant manufacturer before operating this product.



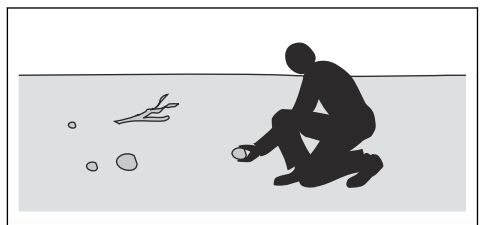
**WARNING:** Read the warning instructions that follow before you use the product.

- Always be careful and use your common sense. Avoid all situations which you consider to be beyond your capability. If you feel uncertainty about the operating procedures after you read the operator's manual, consult an expert before you continue.

- Read and understand the operator's manual and the instructions on the product carefully before you start the product.
- Learn how to use the product and its controls safely and learn how to stop the product quickly.
- Learn to recognize the safety decals.
- Keep the product clean to make sure that you can clearly read signs and stickers.
- Keep in mind that the operator will be held responsible for accidents that involve other persons or their property.
- Do not transport passengers. The product must only be used by one person.



- Do not let the product stay unsupervised with the engine on. Always stop the blades, apply the parking brake, stop the engine and remove the ignition key before you let the product stay unsupervised.
- Only use the product in daylight or in other well-lit conditions. Keep the product at a safe distance from holes or other irregularities in the ground. Look out for other possible risks.
- Do not use the product in bad weather, for example in fog, in rain, moist or in wet locations, strong winds, intense cold, risk of lightning, etc.
- Find and mark stones and other fixed objects to prevent collision.
- Clear the area of objects such as stones, toys, wires, etc. that may become caught in the blades and be thrown out.



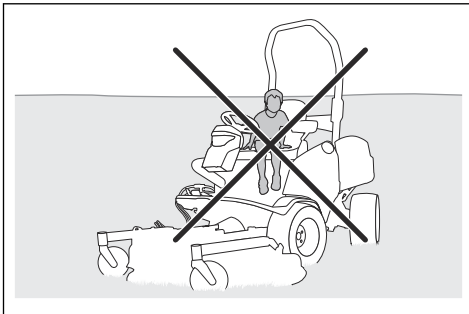
- Do not let children or other persons not approved for operation of the product to use or do servicing on it. Local laws may regulate the age of the user.
- Make sure that nobody else is in the vicinity of the product when you start the engine, engage the drive or start to move the product.
- Keep an eye on the traffic when you mow near a road or move across a road.
- Do not use the product if you are fatigued, while under the influence of alcohol or drugs, medicine or anything that can have a negative effect on your vision, alertness, coordination or judgement.
- Do not change the adjustment for the engine speed control.
- Always park the product on a level surface with the engine stopped.

### Safety instructions regarding children



**WARNING:** Read the warning instructions that follow before you use the product.

- Serious accidents can occur if you are not on your guard for children in the vicinity of the product. Children can be attracted to the product and to mowing. It is very possible that children do not stay where you last saw them.
- Keep children away from the area to be mowed. Make sure that an adult is responsible for the children.
- Keep an eye out and stop the product if children enter the work area. Be very careful near corners, bushes, trees or other objects that prevents a clear view.
- Before and while you move the product in reverse, look behind you and look down to make sure there are no small children in the vicinity of the product.
- Do not let children ride along. They can fall off and get seriously injured or prevent safe maneuvering of the product.
- Do not let children operate the product.



### Safety instructions for operation



**WARNING:** Do not touch the engine or exhaust system during or directly after operation. The engine and the exhaust system become very hot during operation. Risk of burn injuries, fire and damage to property or adjacent areas. When you operate the product, keep away from bushes and other objects.



**WARNING:** Read the warning instructions that follow before you use the product.

- Always look down and behind you before and while you move in reverse. Look out for large and small obstacles.
- Decrease the speed before you turn around a corner.
- Stop the blades when you move across areas that you do not cut.



**CAUTION:** Read the caution instructions that follow before you use the product.

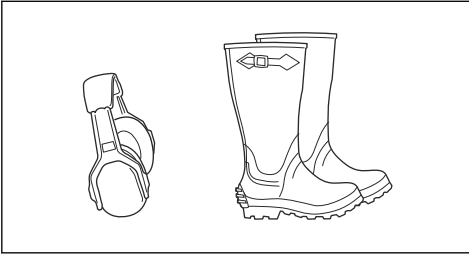
- Before you operate the product, clear the cold air intake of the engine from grass and dirt. If the cold air intake is blocked, there is a risk of engine damage.
- Move around stones and other larger objects carefully and make sure that the blades do not hit the objects.
- Do not operate the product across objects. Stop and examine the product and cutting deck if you operate the product across or into an object. If it is necessary, make repairs before you restart.

### Personal protective equipment



**WARNING:** Read the warning instructions that follow before you use the product.

- Use approved personal protective equipment when you use the product. Personal protective equipment cannot fully prevent injury but it decreases the degree of injury if an accident does occur. Let your dealer help you select the right equipment.
- Use approved hearing protection. Long-term exposure to noise can result in permanent hearing impairment.
- Use heavy-duty slip-resistant boots or shoes. Steel toes are recommended. Do not use open shoes or go with bare feet.



- Use protective gloves when necessary, for example when you attach, examine or clean the cutting equipment.
- Do not wear loose-fitting clothing, jewelry or other items that can get caught in moving parts.
- Keep first aid equipment and fire extinguisher near.

### Safety devices on the product



**WARNING:** Read the warning instructions that follow before you use the product.

- Do not use a product with safety devices that are damaged or do not operate correctly. Do a check of the safety devices regularly. If the safety devices are damaged, speak to your Husqvarna service agent.
- Do not make modifications on safety devices. Do not use the product if protective plates, protective covers, safety switches or other protective devices are not attached or are damaged.

### Roll Over Protection Structure (ROPS)

ROPS is a protective frame that decreases the risk of injury if the product overturns. Use the ROPS and the safety belt when you operate the product on slopes.

### Safety belt

The safety belt prevents injury if accidents occur or the product overturns. Use the safety belt only when the ROPS is engaged. Make sure that the seat belt is correctly attached and not damaged.

### Operator presence control (OPC)

The OPC is engaged when the operator lifts from the seat. The OPC indicator in the display comes on. The OPC engages the safety circuit. Refer to *To do a check of the operation conditions on page 12*.

### To do a check of the ignition key

- Start and stop the engine to do a check of the ignition key. Refer to *To start the engine on page 22* and *To stop the engine on page 25*.
- Make sure that the engine starts when you turn the ignition key to start position.

- Make sure that the engine stops immediately when you turn the ignition key to stop position.

### To do a check of the operation conditions

The operation conditions are as follows:

- The engine can only be started when the drive of the blades is disengaged.
- The engine can only be started when the parking brake is applied.
- The drive of the blades can only operate when the operator sits in the seat.

Do a check of the operation conditions daily.

1. Try to start the engine with the drive of the blades engaged. If the operation conditions works, the engine does not start.
2. Try to start the engine without the parking brake applied. If the operation conditions works, the engine does not start.
3. Start the engine, engage the drive on the blades and lift from the seat. If the operation conditions works, the blades in the cutting deck stop.

### To do a check of the forward drive pedal and rearward drive pedal

1. Start the product.
2. Make sure that the forward drive pedal and rearward drive pedal are not blocked and can be operated freely.
3. Push the forward drive pedal carefully to move forward.
4. Release the forward drive pedal to brake. Make sure that the brake engages when the forward drive pedal is released.
5. Do the same procedure for the rearward drive pedal.

**Note:** The product has a brake function that engages automatically when you release the pedals. To decrease the speed faster, push the other pedal.

6. Make sure that the product does not move when the forward drive and rearward drive pedals are not engaged.

### Parking brake



**WARNING:** If the parking brake does not work, the product can start to move and cause injury or damage. Make sure that the parking brake is regularly examined and adjusted.

Refer to *To do a check of the parking brake on page 33*.



## Muffler

The muffler keeps the noise levels to a minimum and sends the exhaust fumes away from the operator.

Do not use the product if the muffler is missing or damaged. A damaged muffler increases the noise level and the risk of fire.



**WARNING:** The muffler becomes very hot during and after use and when the engine operates at idle speed. Be careful near flammable materials and/or fumes to prevent fire.

### To do a check of the muffler

- Examine the muffler regularly to make sure that it is attached correctly and not damaged.

### Protective covers

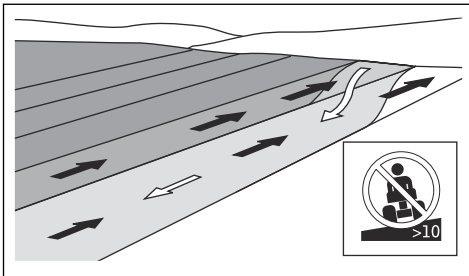
Missing or damaged protective covers increase the risk of injury on moving parts and hot surfaces. Do a check of the protective covers before you operate the product. Make sure that the protective covers are correctly attached and do not have cracks or other damages. Replace damaged covers.

### To cut grass on slopes



**WARNING:** Read the warning instructions that follow before you use the product.

- To cut grass on slopes increases the risk that you can not control the product and that it overturns. This can cause injury or death. It is necessary to cut the grass carefully on all slopes. If you cannot reverse up a slope or if you do not feel safe, do not cut it.
- Remove stones, branches and other obstacles.
- Cut up and down the slope, not from side to side.
- Do not move down a slope with the cutting deck lifted.
- Do not operate the product on ground that slopes more than 10°.



- Do not start or stop on a slope.
- Move smoothly and slowly on slopes.
- Do not make sudden changes in speed or direction.

- Do not turn more than necessary. Turn slowly and gradually when you move down a slope. Move at low speed. Turn the wheel carefully.
- Look out for and do not move across furrows, holes and bumps. There is a higher risk that the product overturns on ground that is not flat. Long grass can hide obstacles.
- Do not cut grass near edges, ditches or banks. The product can suddenly overturn if a wheel moves across the edge of a steep slope or a ditch, or if an edge gives way. If the product falls into water, there is a risk of drowning.



- Do not mow wet grass. It is slippery, and tires can lose their grip so that the product skids.
- Do not put your foot on the ground to try to make the product more stable.
- Move very carefully if an accessory or other object is attached that can make the product less stable.
- To make the product more stable, attach wheel weights or counterweights. Speak to your dealer for more information. On P 525DX, use counterweights since wheel weights can not be used on AWD products.

### Fuel safety



**WARNING:** Be careful with fuel. It is very flammable, and can cause injury and damage to property.



**WARNING:** Read the warning instructions that follow before you use the product.

- Do not fill the fuel tank indoors.
- Diesel and diesel fumes are poisonous and very flammable. Be careful with diesel to prevent injury or fire.
- Do not remove the fuel tank cap or fill the fuel tank when the engine is on.
- Let the engine become cool before you refuel.
- Do not smoke when you fill fuel.
- Do not fill fuel near sparks or naked flames.

- If there are leaks in the fuel system, do not start the engine until the leaks are repaired.
- Do not fill above recommended fuel level. The heat from the engine and the sun makes the fuel expand and the fuel overflows if the tank is filled too much.
- Do not fill too much. If you spill fuel on the product, clean up the spill and wait until it is dry before you start the engine. If you spill on your clothing, change it.
- Store fuel in approved containers only.
- Store the product and fuel in such a way that there is no risk that fuel leaks or fumes can cause damage.
- Drain off the fuel in an approved container outdoors and away from naked flames.

## Battery safety



**WARNING:** A damaged battery can cause an explosion and cause injury. If the battery has a deformation or is damaged, speak to an approved Husqvarna service agent.



**WARNING:** Read the warning instructions that follow before you use the product.

- Use protective glasses when you are near batteries.
- Do not wear watches, jewelry or other metal objects near the battery.
- Keep the battery out of reach for children.
- Charge the battery in a space with good airflow.
- Keep flammable materials at a minimum clearance of 1 m when you charge the battery.
- Discard replaced batteries. See *Disposal on page 57*.
- Explosive gases can come from the battery. Do not smoke near the battery. Keep the battery away from open flames and sparks.

## Transport safety

- Use an approved transport vehicle for transportation of the product.
- The product is heavy and can cause crush injuries. Be careful when you load it onto or off a vehicle or trailer.
- A markets national or local regulations can set limit to the transportation of the product.
- The operator of the transport vehicle is responsible to attach the product safely during transport. Refer to *To safely attach the product on a trailer for transport on page 55*.

## Safety instructions for maintenance



**WARNING:** The product is heavy and can cause injury or damage to property or

the adjacent area. Do not do maintenance on the engine or the cutting deck without these conditions:

- The engine is off.
- The product is parked on a level surface.
- The parking brake is applied.
- The ignition key is removed.
- The cutting deck is disengaged.
- The main switch is set to off. Refer to *To start the engine on page 22*.



**WARNING:** The exhaust fumes from the engine contain carbon monoxide, an odorless, poisonous and very dangerous gas. Do not run the product in closed spaces or spaces with not sufficient air flow.



**WARNING:** Read the warning instructions that follow before you use the product.

- For best performance and safety, do maintenance on the product regularly as given in the maintenance schedule. Refer to .
- Electrical shocks can cause injuries. Do not touch the cables when the engine is on. Do not do a function test on the ignition system with your fingers.
- Do not start the engine if the protective covers are removed. There is a high risk of injury caused by moving or hot parts.
- Let the product become cool before you do maintenance near the engine.
- The blades are sharp and can cause cuts. Wind protection around the blades or use protective gloves when you do work on the blades.
- Always put the cutting deck in servicing position to clean it. Do not park the product near the edge of a ditch or slope to get access to the cutting deck.



**CAUTION:** Read the caution instructions that follow before you use the product.

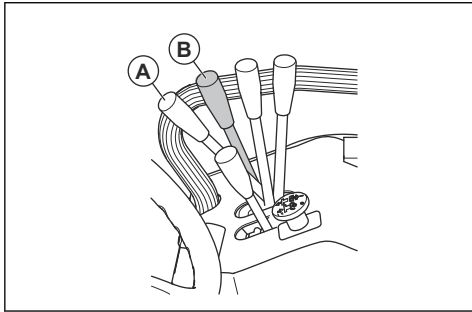
- Do not turn over the engine if the spark plug or ignition cable is removed.
- Make sure that all nuts and bolts are tightened correctly and that the equipment is in good condition.
- Do not change the adjustment of governors. If the engine speed is too high, the product components can become damaged. Refer to *Technical data on page 58* for highest permitted engine speed.
- The product is approved only with the equipment supplied or recommended by the manufacturer.

# Assembly

## To attach the cutting deck Combi 132, Combi 155

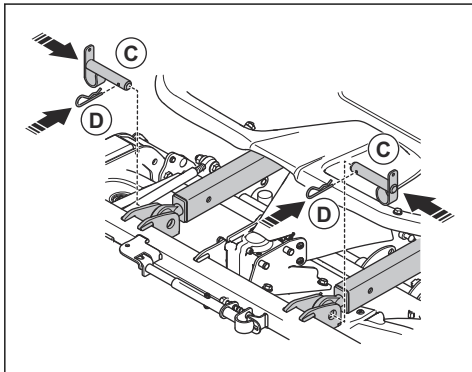
**Note:** Make sure that the cutting deck and the product are on level ground before you attach the cutting deck.

1. Put the lift lever to the position (B) to lower the lift arms.

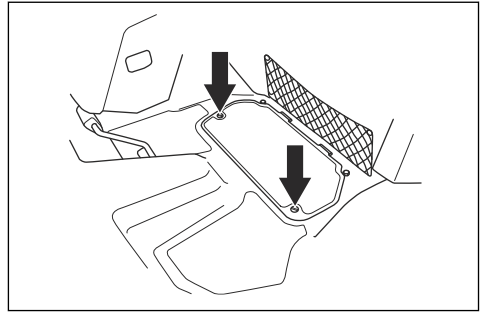


**WARNING:** Do not put the lift lever in the mow position (A). The force from the lift spring can cause serious injury.

2. Carefully operate the product in front of the cutting deck.
3. Put the lift arms into the joint of the cutting deck.
4. Apply the parking brake.
5. Stop the engine.
6. Install the bolts (C) and attach the pins (D) on the lift arms.

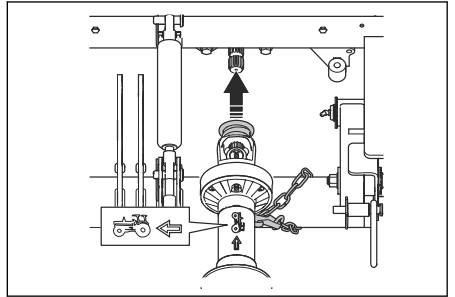


7. Remove the 2 screws and the service hatch.

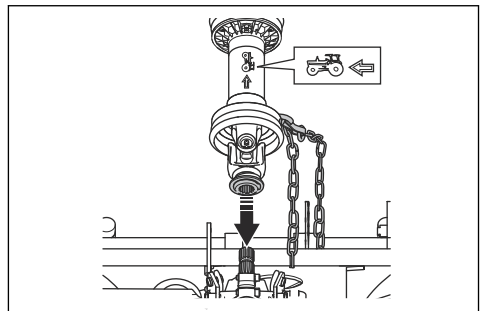


8. Pull back the coupling of the drive shaft and attach the drive shaft to the PTO.

**Note:** Make sure that the arrow on the symbol points to the product.

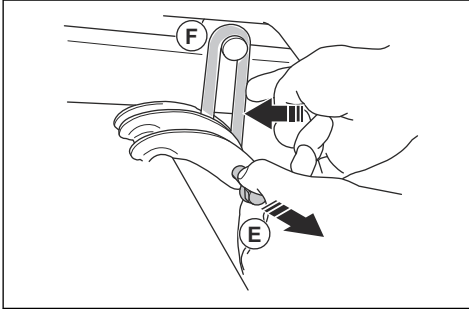


9. Put the rear lock chain around the lift beam.
10. Attach the lock chain to the drive shaft.
11. Pull back the coupling of the drive shaft and attach the drive shaft to the bevel gear shaft of the cutting deck.

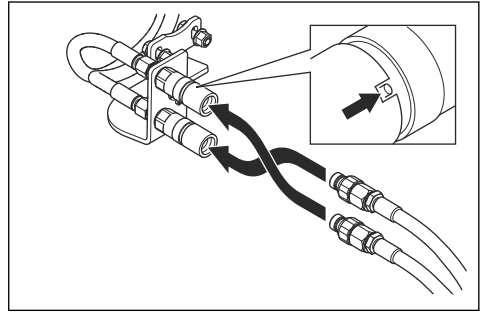


12. Fold the rubber casing above the shaft joint.
13. Put the front lock chain around the pipe.
14. Attach the lock chain to the drive shaft.

15. Attach the service hatch and tighten the screws.
16. Start the engine.
17. Move the lift lever rearward to lift the cutting deck.  
Lift until the pivot wheels of the cutting deck do not touch the ground.
18. Stop the engine.
19. Pull the spring (E) and attach to the lifting eyes on the cutting deck (F).



3. Connect the hydraulic hoses to the coupling on the product. The flange and the notch must line up correctly.

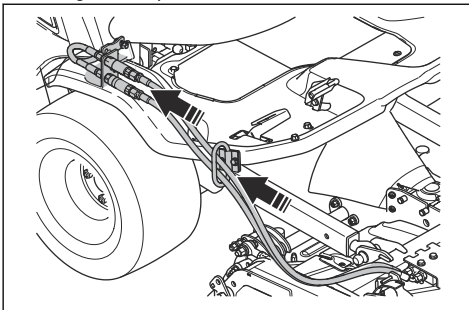


**Note:** The position of the hydraulic hoses controls the operation function of the cutting height lever. To change the operation function of the cutting height lever, change the position of the hydraulic hoses.

20. Do a check of the parallelism of the cutting deck.  
Refer to *To do a check of the parallelism of the cutting deck on page 33.*

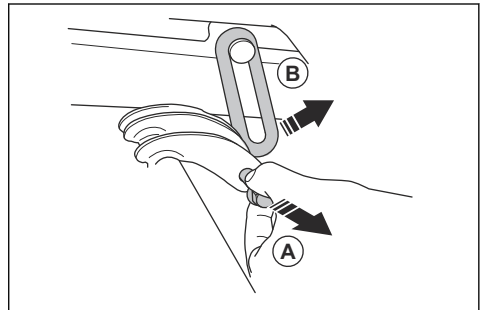
## To attach the cutting deck Combi 132 X, Combi 155 X

1. Attach the cutting deck. Refer to *To attach the cutting deck Combi 132, Combi 155 on page 15.*
2. Put the hydraulic hoses from the cutting deck through the loop.



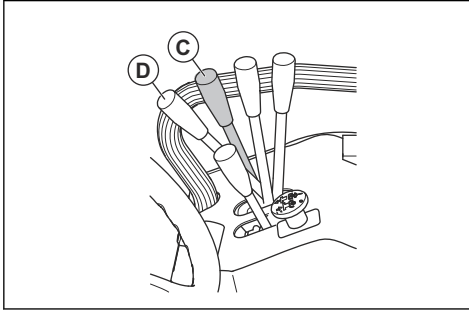
## To remove the cutting deck

1. Park the product on level ground.
2. Stop the engine.
3. Move the cutting height lever forward and rearward 2–3 times to release remaining pressure.
4. For Combi 132 X and Combi 155 X, release the couplings and disconnect the hydraulic hoses.
5. Apply the parking brake.
6. Move the lift lever forward to lower the cutting deck. Stop before the pivot wheels of the cutting deck touch the ground.
7. Pull the spring (A) and remove the lifting eyes (B).



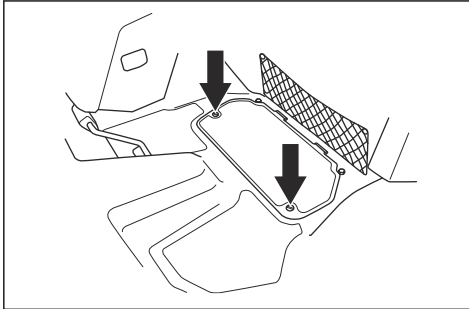
8. Start the engine.

- Put the lift lever to the position (C) to lower the lift arms.

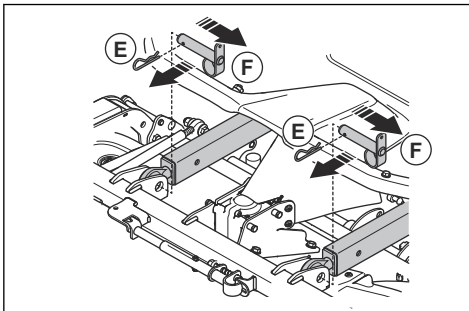


**WARNING:** Do not put the lift lever in the mow position (D). The hydraulic force can cause serious injury.

- Stop the engine.
- Remove the 2 screws and the service hatch.

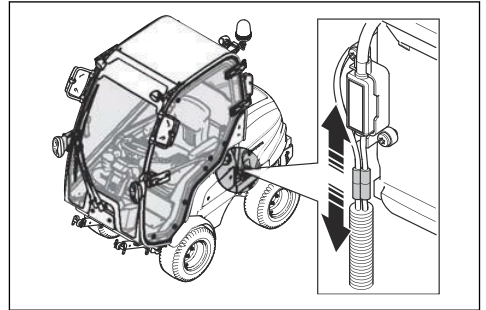


- Lift off the rubber casing from the shaft joint.
- Pull back the coupling of the drive shaft and remove the drive shaft from the bevel gear shaft of the cutting deck and from the PTO shaft.
- Remove the lock chains.
- Remove the pins (E) and the bolts (F) from the lift arms.

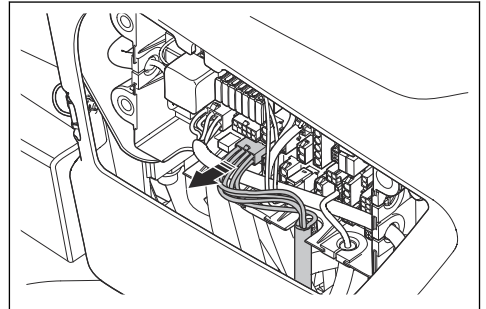


## To remove and install the cabin

- Remove the cabin door. Refer to *To remove and install the door on page 19*.
- Remove the emergency door. Refer to *To remove and install the emergency door on page 19*.
- Remove the rubber straps and open the engine cover.
- Disconnect the battery.

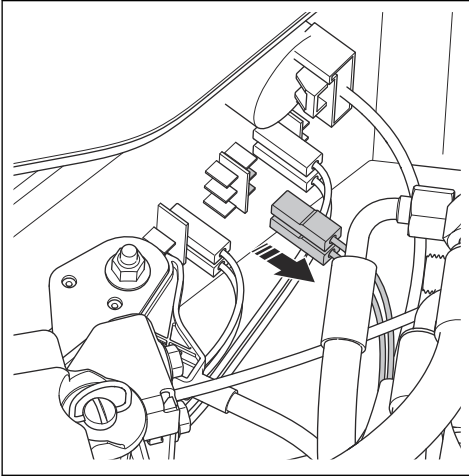


- Remove the service lid. Refer to *To remove the service lid on page 30*.
- Remove the cover of the fuse box. Refer to *To remove the cover of the control box on page 31*.
- Disconnect the cable for cabin control. The cable has a black plug.

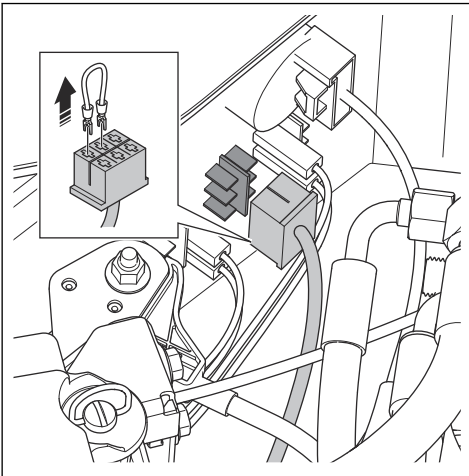


- Put the rubber grommet in the empty slot.

9. Disconnect the 2 connectors from the headlight switch.



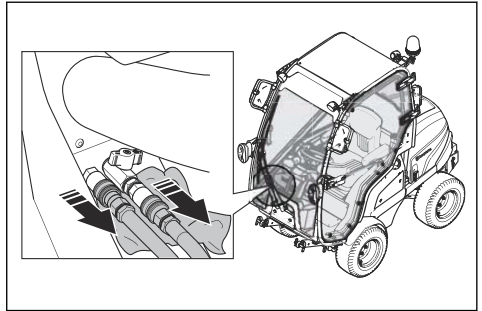
10. Remove the cable bridge from the connector and install the connector on the headlight switch.



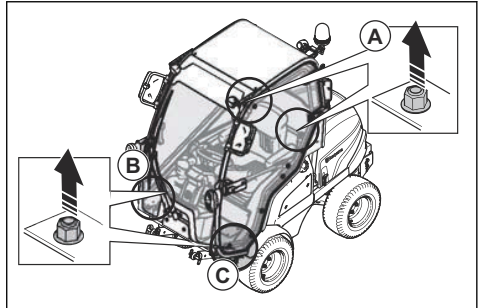
11. Turn the headlight switch ON and OFF to make sure the headlights work correctly.

12. Put a cloth below the hoses for the cabin heat.

13. Disconnect the hoses for the cabin heat.



14. Remove the 2 screws and the 2 washers behind the seat (A).

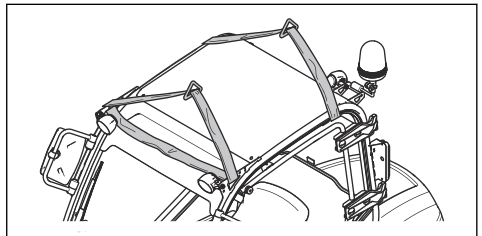


15. Remove the screw and the washer behind the hoses for the cabin heat (B).

16. Remove the screw and the washer at the front of the door (C).

17. Fold the seat forward.

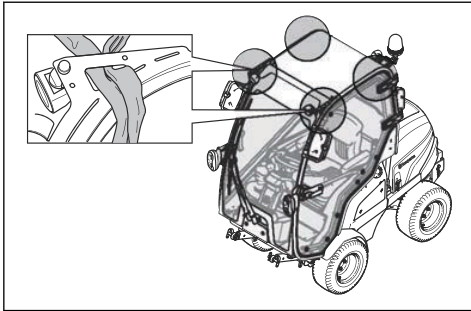
18. Put 2 straps through the door and the emergency exit.



19. Put the straps 2 turns through the cabin.

**Note:** To prevent coolant leakage, make sure that the cabin heat is off before you disconnect the hoses.

20. Attach the straps in the lifting eyes of the cabin.



21. Carefully lift the cabin in the straps with a lift.

22. Lift the cabin 10 cm above the product.



**CAUTION:** Make sure that the cabin is lifted above the bolts.

23. Carefully move the cabin forward.

24. Put the cabin in the cabin support. Refer to *Storage of the cabin on page 57*



**WARNING:** ROPS must be installed when the cabin is removed. Refer to *To engage and disengage the Roll Over Protection Structure (ROPS) on page 19*.

25. Install in the opposite sequence.

### To remove and install the door

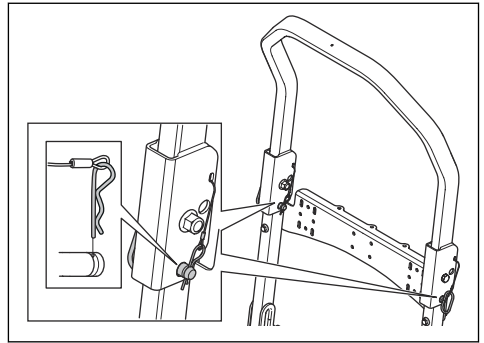
1. Open the door 90 degrees.
2. Pull out the gas spring and loosen the ball joint.
3. Lift the door to remove it.
4. Install in the opposite sequence.

### To remove and install the emergency door

1. Open the lock handle on the emergency door.
2. Remove the hinge pin.
3. Open the door 90 degrees.
4. Lift the emergency door to remove it.
5. Install in the opposite sequence.

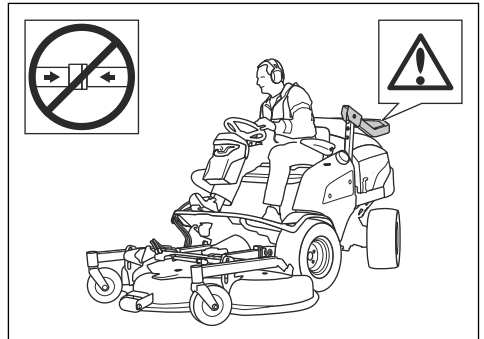
## To engage and disengage the Roll Over Protection Structure (ROPS)

- Remove the 2 bolts that hold the ROPS and fold it rearwards to disengage. Engage the ROPS in the opposite sequence.

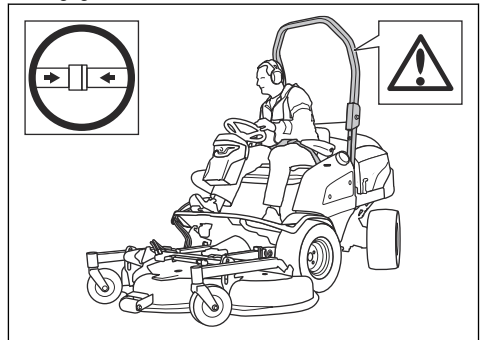


**WARNING:** Obey the following instructions for the ROPS and the seat belt.

- Do not use the seat belt if the ROPS is disengaged.



- Always use the seat belt when the ROPS is engaged.



- Make sure that the ROPS is correctly attached and not damaged.

# Operation

## Introduction



**WARNING:** Before you operate the product, you must read and understand the safety chapter.

## To fill fuel



**WARNING:** Diesel fuel is very flammable. Be careful and refuel outdoors. Refer to *Fuel safety on page 13*.



**WARNING:** Do not use the fuel tank as a support area.

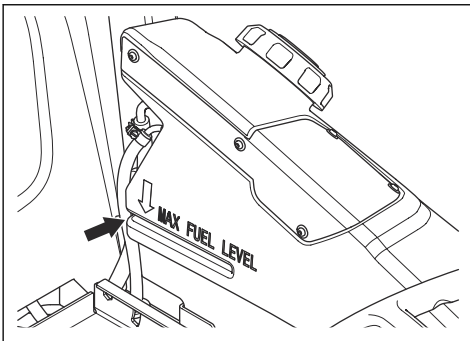


**CAUTION:** Incorrect type of fuel can result in engine damage.

- To agree with the emission regulations, the diesel fuel must comply with the standard EN590 or ASTM D975 and have a Sulphur content of less than 500ppm or 0,05% of weight. Refer to the Kubota Operators Manual for further information regarding fuel quality.
- Use diesel fuel with a minimum cetane rating of 45. Do not use diesel fuel that has a RME mix that contains more than 5% in mineral oil-based fuels.

**Note:** It is necessary to use fuel for cold weather if the temperature is below 0°C / +32°F. Speak to your Husqvarna servicing dealer for more information.

- Do a check of the fuel level before each use and refuel if it is necessary.
- Do not fill fuel above the maximum level mark on the fuel tank.

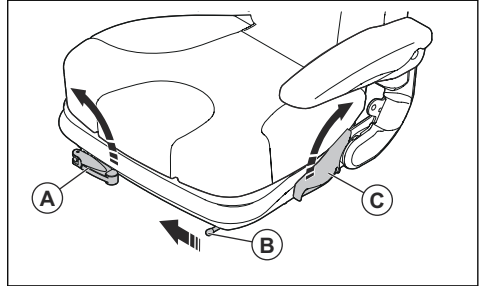


## To adjust the seat (P 520DX, P 525DX)



**WARNING:** Do not adjust the seat during operation of the product.

1. To adjust the suspension of the seat, rotate lever (A). Pull the lever up for more suspension and push the lever down for less suspension.



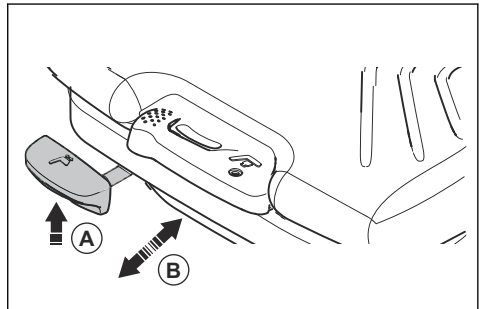
2. To adjust the seat forward and rearward, pull the lever (B) in the direction of the middle of the seat. Move the seat to the correct position.
3. To adjust the backrest, pull the lever (C) to the left of the seat. Move the backrest to the correct position.

## To adjust the seat (accessory for P 520DX, P 525DX)



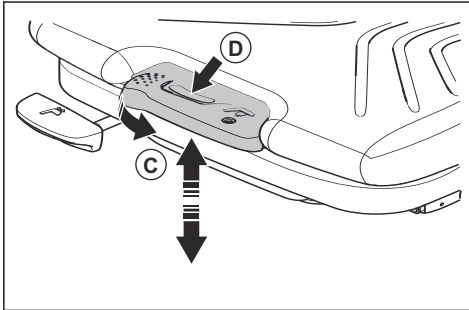
**WARNING:** Do not adjust the seat during operation of the product.

1. To adjust the seat forward and rearward, pull lever (A) below the front edge of the seat. Move the seat (B) to the correct position.

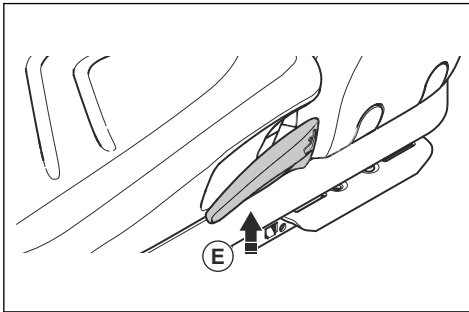




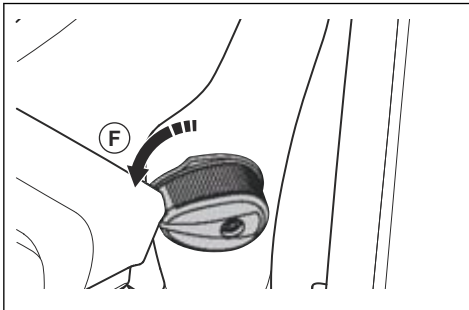
- To adjust the suspension of the seat, pull the lever (C) to the left. Pull the lever up for more suspension and push the lever down for less suspension (D).



- To adjust the backrest, pull the lever (E) to the left of the seat. Move the backrest to the correct position.



- To adjust the lumbar support, turn the lever (F) to the left of the backrest. Turn the lever counterclockwise for more support.

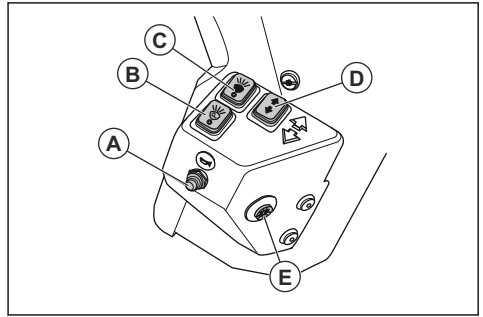


## Power switches for safety signals - P 525DX Cabin

The power switches for safety signals are found on the panel to the left of steering wheel.

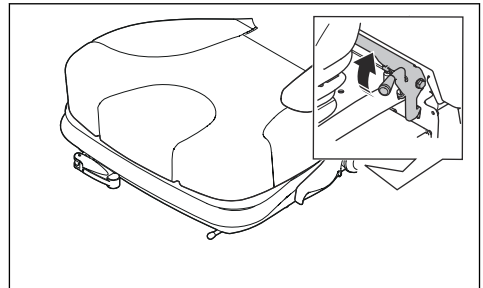
- Horn (A)
- Parking lamp (B)
- Low beam lights (C)
- Turn signal (D)

- Hazard lights (E)



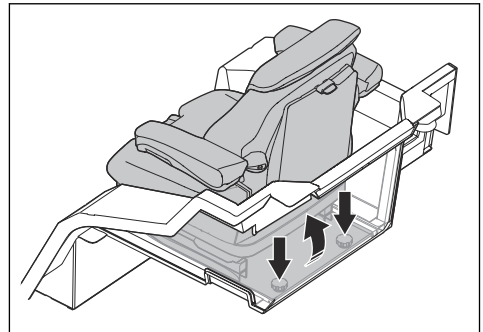
## To tilt the seat forward (P 520DX, P 525DX)

- Pull the lock lever up and tilt the seat forward.



## To tilt the seat forward (P 525DX Cabin)

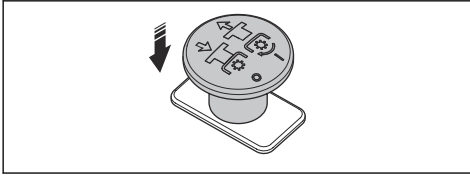
1. Remove the 2 knobs and the 2 washers.



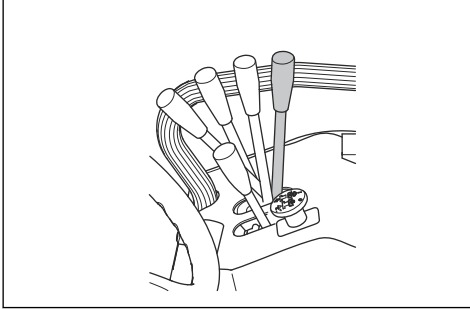
2. Tilt the seat forward.

## To lift the cutting deck

1. Push the PTO button to disengage the drive of the cutting deck.



2. Move the lift lever to transport position to lift the cutting deck.



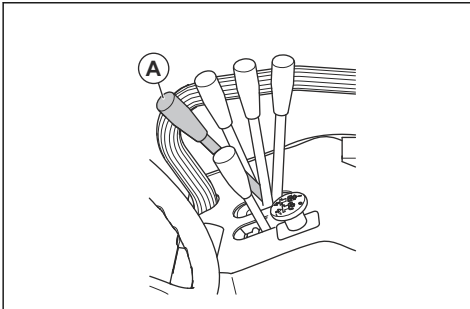
**Note:** You can lift the cutting deck a small distance with the drive on the blades engaged. Use this function for very long grass or rough surfaces.



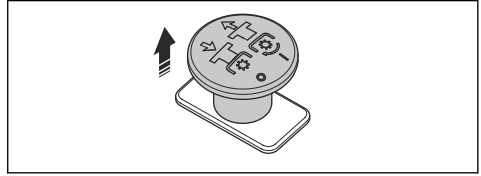
**WARNING:** Lifting the cutting deck while the drive is engaged can throw objects and cause serious injury or death.

## To lower the cutting deck to the mow position

1. Move the lift lever for hydraulic lift forward to lower the cutting deck to the mow position (A).

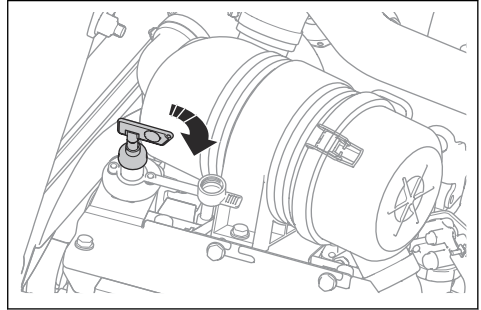


2. Pull the PTO button to engage the drive on the cutting deck blades.

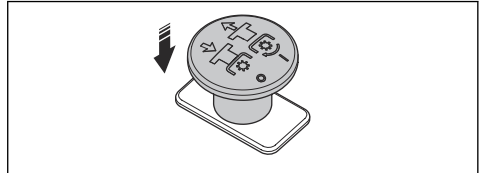


## To start the engine

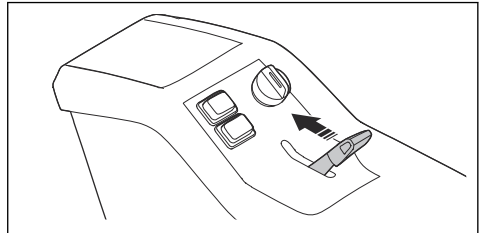
1. Push down and turn the main switch to the ON position.



2. Apply the parking brake.
3. Push the PTO button to disengage the operation of the cutting deck.

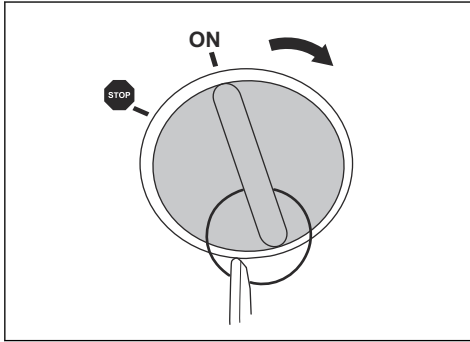


4. Move the throttle control to the middle position.



5. Turn the ignition key to the ON position. Wait for the display lights to come on.
6. Turn the ignition key to the arrow position. Hold it in this position until the engine starts.

- When the engine starts, immediately release the ignition key to the ON position, to prevent damage to the starter.



**CAUTION:** Do not run the starter for more than 6 seconds at a time. If the engine does not start, wait 15 seconds before you try again.

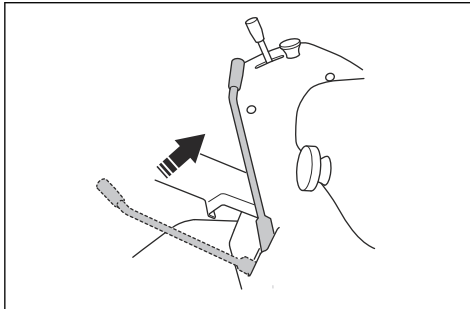
- Let the engine run at  $\frac{1}{2}$  throttle for 3-5 minutes before you apply a heavy load.
- Push the throttle control to full throttle position.



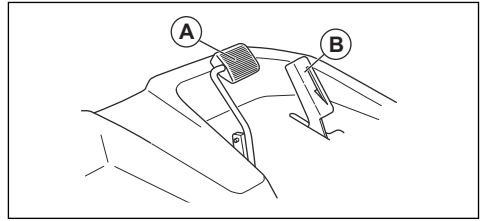
**CAUTION:** To engage the blades when the engine is at full speed causes strain on the drive belts and the clutch. Do not apply full throttle until the cutting deck is lowered to the mow position.

## To operate the product

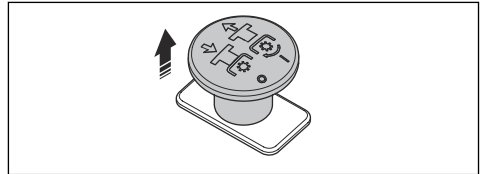
- Start the engine.
- Release the parking brake.



- Carefully push down one of the pedals. The speed increases the more the pedal is pushed down. Use pedal (A) to move forward, and pedal (B) to move in reverse.



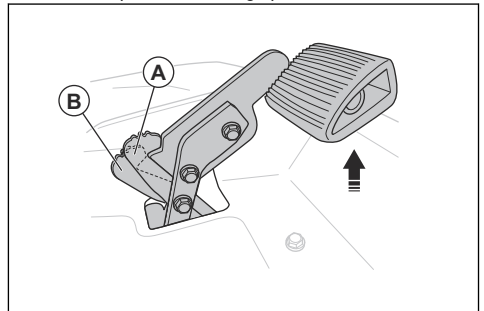
- Release the pedal to brake. To brake harder, push down the other speed pedal.
- Pull the PTO button to engage the operation of the blades on the cutting deck.



## To set the forward pedal positions (P 525DX, P525DX Cabin)

The forward pedal can be set to transport speed or working speed using the lock lever.

- Move the lock lever from position (A) to position (B) to set the pedal to working speed.



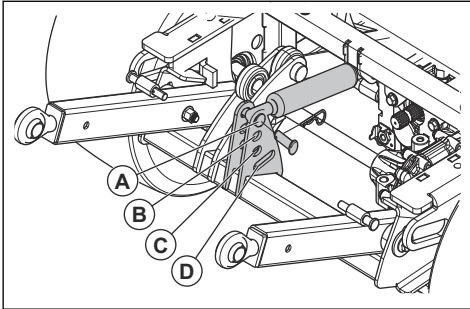
- Lift the pedal until the lock lever moves into position (A) to set the pedal to transport speed.

## To adjust the ground pressure of the hydraulic lift arms

The hydraulic lift arms has a lift spring that helps to increase or decrease the ground pressure from the pivot wheel on the cutting deck.

- Remove the cutting deck. Refer to *To remove the cutting deck on page 16*.
- Apply the parking brake.

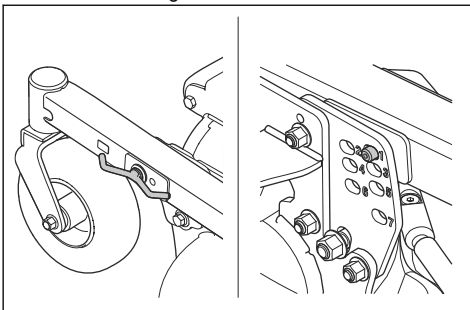
3. Move the lever for the hydraulic lift arms rearward to fully lift the hydraulic lift arms.
4. Turn the ignition key to the STOP position.
5. To increase or decrease the ground pressure, remove the pin and the bolt and move the lift spring to one of the positions.



- a) Use position (A) for the lowest ground pressure. Position (A) is used for example when a cutting deck is attached to the product.
- b) Use position (B) or (C) for increased ground pressure.
- c) Use position (D) to disengage the lift spring. Position (D) is used for example when a snow blade is attached to the product.

## To adjust the cutting height Combi 132, Combi 155

1. Park the product on level ground.
2. Apply the parking brake.
3. Move the lever for the hydraulic lift arms rearward to fully lift the cutting deck.
4. Turn the ignition key to the STOP position.
5. Remove the cutting height adjustment knob on the side of the cutting deck.

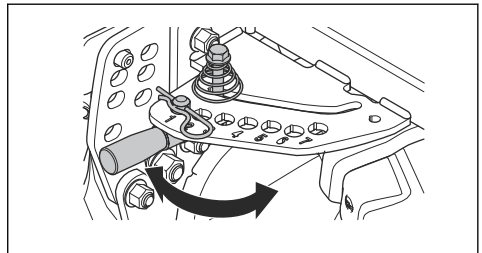


6. Put the cutting height adjustment knob in 1 of the holes on the adjustment plate.

**Note:** The cutting height is shown with the numbers 1–7. Refer to the table below.

Number	Cutting height, mm/in.
1	30/1.2
2	40/1.6
3	52/2
4	64/2.5
5	76/2.3
6	93/3.7
7	112/4.4

7. Tighten the cutting height adjustment knob.
8. Do the above steps on the other side of the cutting deck.
9. Remove the locking pin on the cutting height adjustment lever in the top left corner of the cutting deck.



10. Push the cutting height adjustment lever down and pull the lever horizontally.
11. Put the lever in the hole with the same number as on the adjustment plate.

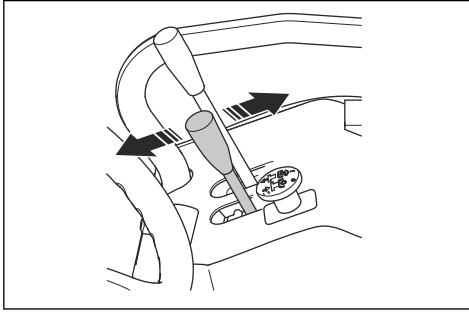
**Note:** Make sure the same number is selected on all adjustment points.

12. Attach the locking pin on the cutting height adjustment lever.
13. Adjust the parallelism of the cutting deck. Refer to *To adjust the parallelism of the cutting deck on page 34*.

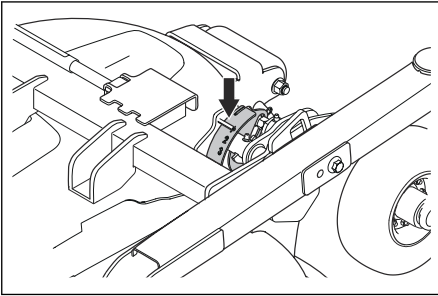
## To adjust the cutting height (Combi 132 X, Combi 155 X)

1. Park the product on level ground.
2. Move the lift lever for hydraulic lift forward to lower the cutting deck to the mow position.

3. Move the cutting height lever forward and rearward to adjust the cutting height.



**Note:** The selected cutting height is shown with the numbers 1–7 on the cutting deck. Refer to the table below.

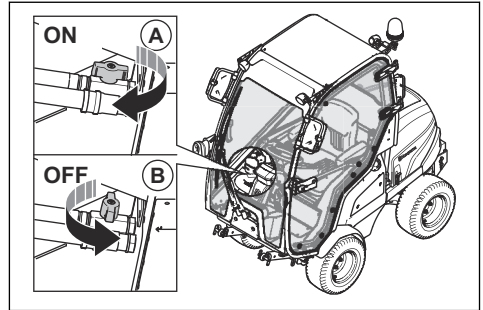


Number	Cutting height, mm/in.
1	30/1.2
2	40/1.6
3	52/2
4	64/2.5
5	76/2.3
6	93/3.7
7	112/4.4

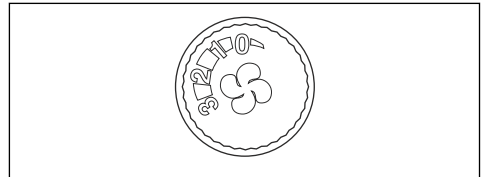
4. Adjust the parallelism of the cutting deck. Refer to *To adjust the parallelism of the cutting deck on page 34.*

## To operate the cabin heat

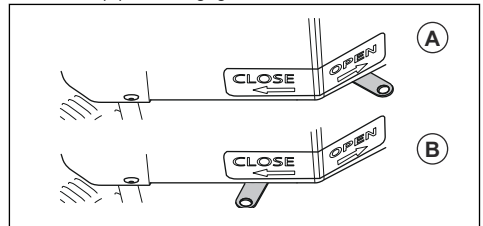
1. Engage (A) and disengage (B) the cabin heat with the valve on the hose to the right of the forward pedal.



2. Turn the airflow adjuster to set the airflow (0–3).

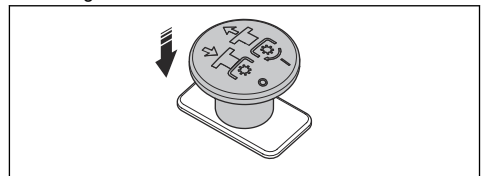


3. Pull the circulation lever to the right (A) to engage the air circulation throttle. Pull the circulation lever to the left (B) to disengage the air circulation throttle.

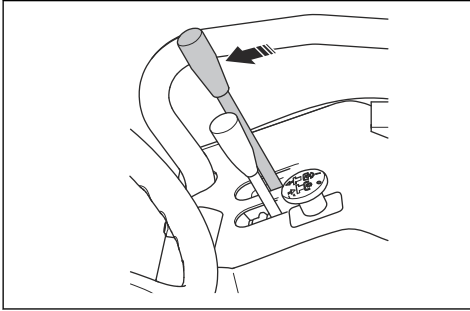


## To stop the engine

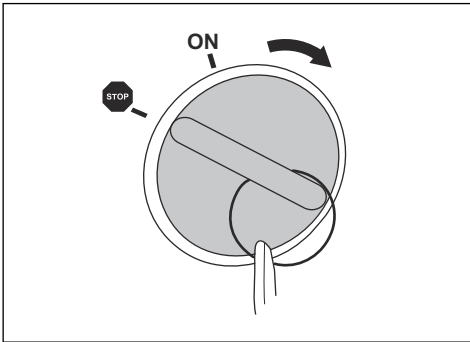
1. Park the product on level ground.
2. Apply the parking brake.
3. Push the PTO button to disengage the drive on the cutting deck.



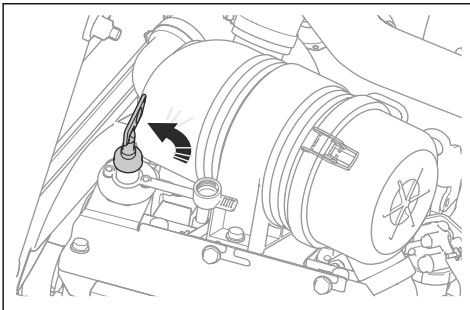
4. Push the lever for the hydraulic lift arms forward to lower the cutting deck to the ground.



5. Move the throttle control rearward to the low speed position.
6. Turn the ignition key to the STOP position.

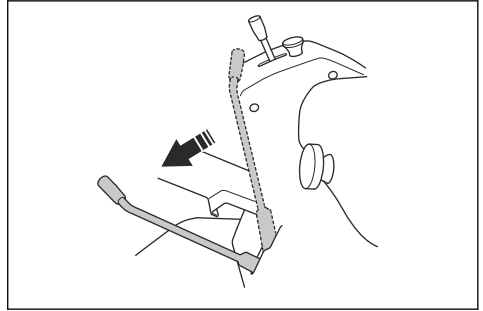


7. At the end of operation, or when you do maintenance on the product, turn the main switch to the OFF position.



## To apply and release the parking brake

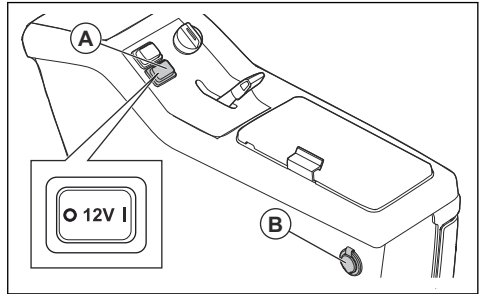
1. To apply the parking brake, move the parking brake lever fully forward.



2. To release the parking brake, move the parking brake lever fully rearward.

## To set the 12 V power outlet to on or off

- Push the power switch (A) on the right control panel to set the power outlet (B) to on or off. The voltage of the power outlet is 12 V. The power outlet has a fuse, refer to *Fuse overview on page 38*.



**Note:** The AUX 12 V and the USB outlets are always set to on.

## To get a good cutting result

- For best performance, do maintenance on the product regularly as given in the maintenance schedule. Refer to .
- Do not cut a wet lawn. Wet grass can give a bad cutting result.
- Start with a high cutting height and decrease it gradually.
- Cut with blades that rotate at high speed (highest permitted engine speed, refer to *Technical data on page 58*). Move the product forward at low speed. If the grass is not too high and thick, you can get a good cutting result also at a higher speed.
- Cut the grass in an irregular pattern.
- To get the best cutting result, cut the grass frequently and use the Bioclip® function.

## To disengage the hydrostatic transmission

To move the product with the engine off, you must open the hydraulic circuits on the front and the rear transmission. This is done by opening the bypass valves in the transmission motors.



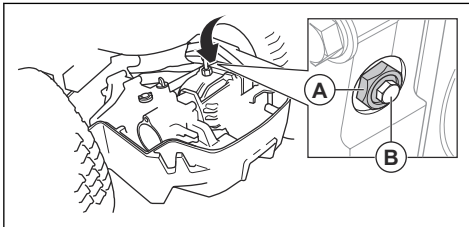
**CAUTION:** The product has no brakes when the bypass valves are open. The bypass valves must be closed before you operate the product.



**CAUTION:** Do not tow the product in high speed or for long distances. This will cause damage to the transmissions.

### Rear transmission

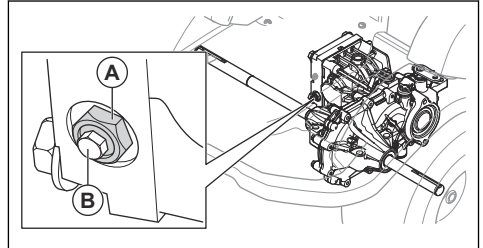
- To open the bypass valve, open the locknut (A)  $\frac{1}{4}$ – $\frac{1}{2}$  turn counterclockwise and then the valve screw (B) 2 turns counterclockwise.



- To close the bypass valve, close the valve screw (B) and tighten to 8 Nm and then tighten the locknut (A) to 30 Nm.

### Front transmission

- To open the bypass valve, open the locknut (A)  $\frac{1}{4}$ – $\frac{1}{2}$  turn counterclockwise and then the valve screw (B) 2 turns counterclockwise.



- To close the bypass valve, close the valve screw (B) and tighten to 8 Nm and then tighten the locknut (A) to 30 Nm.

## Maintenance

### Introduction



**WARNING:** Read and understand the safety chapter before you do maintenance on the product.

X = Maintenance done by the operator. The instructions are given in this operator's manual.

O = Maintenance done by the service agent. The instructions are not given in this operator's manual.

### Maintenance schedule

\* = General maintenance done by the operator. The instructions are not given in this operator's manual.

**Note:** If more than one time interval is identified in the table, the shortest time interval is for the first maintenance only.

Maintenance	Daily	Week-ly	First 50 h	Maintenance interval in hours			
				100	200	400	800
Make sure that nuts and screws are tightened.	*						
Make sure that there are no fuel, water or oil leaks.	*						
Clean the machine.	X						
Make sure that the safety devices are not defective.	X						
Lubricate. Refer to <i>Lubrication overview on page 50</i> .		X					

Maintenance	Daily	Week-ly	First 50 h	Maintenance interval in hours			
				100	200	400	800
Make sure that the fuel hoses and the couplings are clean and not damaged.			*	*			
Make sure that the hoses and the couplings for the cooling system are clean and not damaged.			*	*			
Examine the 12 V battery.		*					
Do a check of the electrical connections and cables.			*	*			
Do a check of the parking brake wire and adjust the parking brake.					○		
Do a check of the software for the product and update if necessary.				○			
Do a check of the tension of the PTO belts and make sure the belts are not worn.			X	X			
Replace the PTO belts.						○	
Replace the PTO switch.	Each 10 years ○						
<b>Hydraulic system</b>							
Make sure that the hydraulic hoses and the hydraulic couplings are clean and not damaged.			*	*			
Do a check of the oil level in the hydraulic oil tank.		X					
Replace the hydraulic oil filter.			*			*	
Replace the hydraulic oil.						*	
<b>Engine</b>							
Make sure that the cold air intake of the engine is not blocked.	*						
Do a check of the coolant level.	X						
Replace the coolant.							○
Do a check of the engine oil level.	X						
Replace the engine oil.			X	X			
Replace the oil filter.			X	X			
Clean the air filter.	X						
Replace the air filter.						X	
Replace the primary fuel filter and the secondary fuel filter.				X			
Do a check of the tension of the alternator belt and tighten if necessary.				*			
Replace the alternator belt.							○



Maintenance	Daily	Week-ly	First 50 h	Maintenance interval in hours			
				100	200	400	800
Do a check of the fuel hoses and make sure that there are no cracks or leakages.							*
Replace the fuel hoses.	Each 5 years O						
<b>Cutting deck</b>							
Clean the cutting deck, below the belt covers and below the cutting deck.	*						
Examine the cutting deck for damages.	*						
Examine the blades in the cutting deck. Sharpen and balance if it is necessary.		O					
Examine the V-belt of the cutting deck.			X	X			
Replace the V-belt of the cutting deck.						X	
Do a check of the oil level in the bevel gear.					X		
Replace the oil in the bevel gear.						X	
Do a check of the parallelism of the cutting deck.			X	X			
<b>Wheels and transmissions</b>							
Examine and tighten the wheel nuts with the correct torque. (84 Nm)			*		*		
Do a check of/adjust front and rear wheel speed.				O			
Make sure that the tire pressure is correct. Refer to <i>Technical data on page 58</i> .		X					
Replace the oil in the transmissions						*	
Lubricate the wheel axles splines				O			
Do a check of the oil level in the transmissions and clean the magnetic plug.						*	

## To clean the product



**CAUTION:** Do not use a high-pressure washer or a steam cleaner. Water can go into bearings and electrical connections and cause corrosion which causes damage to the product.

- Clean the product immediately after use.
- Do not clean hot surfaces such as the engine, muffler and exhaust system. Wait until the surfaces are cool, then remove the grass or dirt.
- Before you clean with water, clean with a brush. Remove grass cuttings and dirt on and around the transmission, the air intake, and the engine.

- Use running water from a hose to clean the product. Do not use high pressure.
- Do not point the water at electrical components or bearings. Detergent usually increases the damage.
- To clean the cutting deck, put it in the servicing position and clean it with a water hose.
- When the product is clean, start the cutting deck for a short period to remove remaining water.

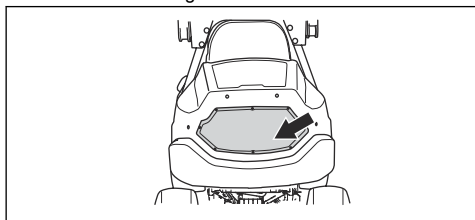
## To clean the engine and the muffler

Keep the engine and muffler free from grass cuttings and dirt. Grass cuttings soaked in fuel or oil on the engine can increase the fire risk and the risk that the engine becomes too hot. Let the engine cool before it is cleaned. Clean with water and a brush.

Grass cuttings around the muffler dry quickly and are a fire risk. Use a brush or remove the grass cuttings with water when the muffler is cold.

### To clean the cold air intake of the engine

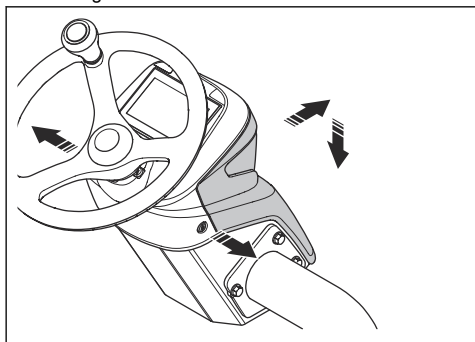
- Make sure that the cold air intake grille is not blocked. Remove grass and dirt with a soft brush.



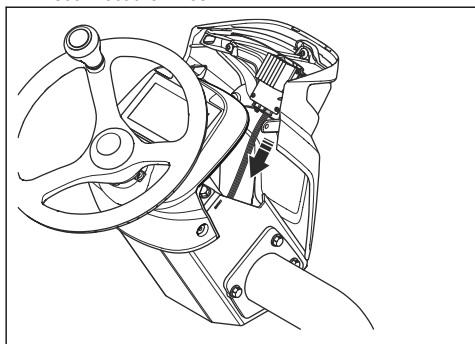
### To remove the covers

#### To remove and install the front cover of the steering column

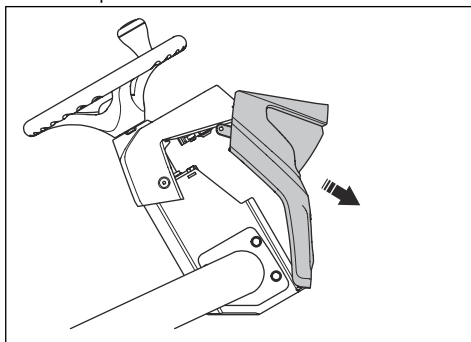
1. Remove the 2 screws and tilt the front cover of the steering column forward.



2. Disconnect the wires.



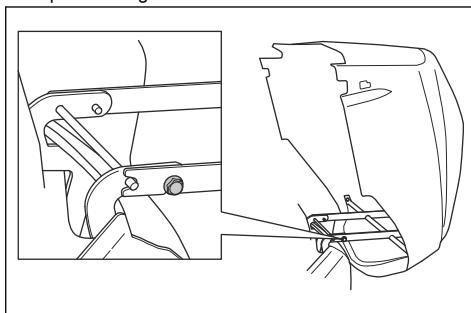
3. Hold the front cover of the steering column in a vertical position and remove it.



4. Install in opposite sequence.

#### To open the engine cover

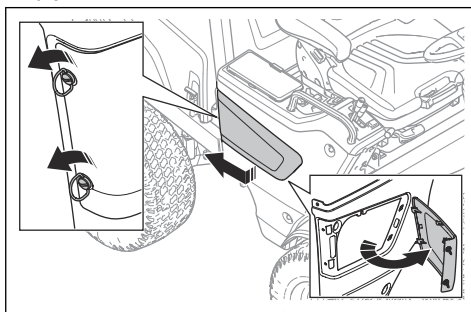
1. Remove the rubber straps on both sides of the engine cover.
2. Open the engine cover rearward.



**Note:** To remove the engine cover fully, remove the bolts by the hinges.

#### To remove the service lid

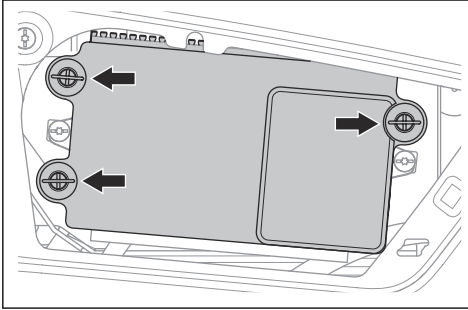
1. Turn the 2 screws ¼ turn counterclockwise to open them.



2. Pull the service lid rearward to release it from the hooks.

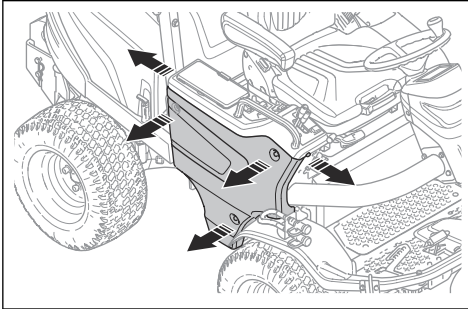
### To remove the cover of the control box

1. Turn the 3 screws  $\frac{1}{4}$  turn counterclockwise and remove the cover.



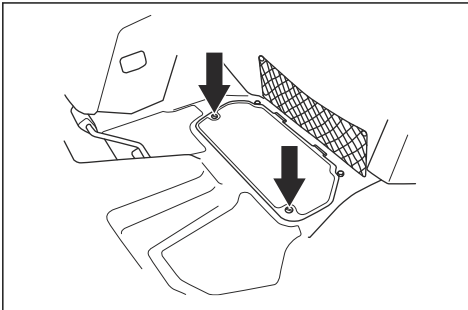
### To remove the right side cover

1. Remove the 5 screws and remove the side cover.



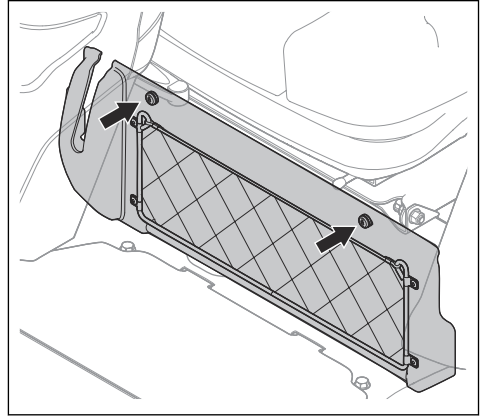
### To remove the service hatch

1. Turn the 2 screws  $\frac{1}{4}$  turn and lift off the service hatch.



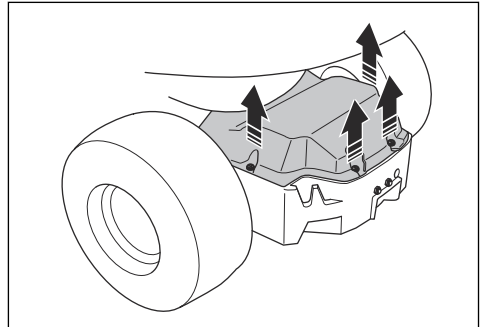
### To remove the cover plate

1. Remove the 2 screws and remove the cover plate.



### To remove the transmission cover

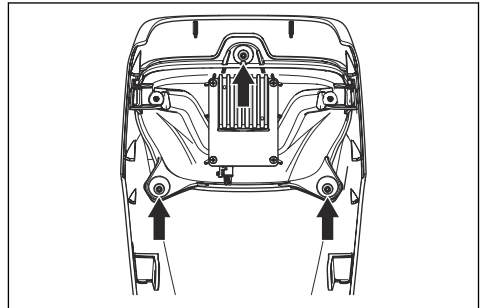
1. Remove the 4 screws.



2. Lift and remove the transmission cover.

### To replace the headlights

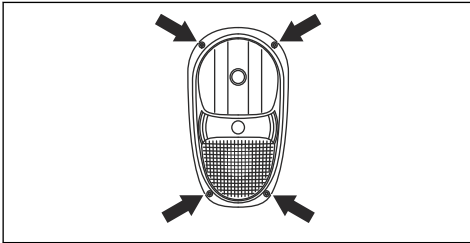
1. Remove the front cover of the steering column.  
Refer to *To remove and install the front cover of the steering column on page 30.*
2. Remove the 3 screws of the headlights.



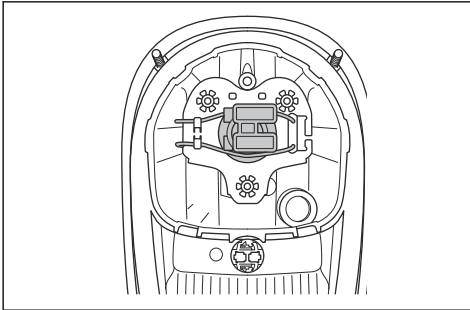
3. Remove the headlights.
4. Assemble in opposite sequence.

### To replace a low and high beam lamp (P 525DX Cabin)

1. Remove the 4 screws that hold the lamp module and lift it out.



2. Disconnect the cables from the broken lamp.
3. Push the spring lock and remove the lamp.



4. Put the new lamp into the lamp housing. Refer to *Technical data on page 58*.
5. Connect the cables to the new lamp.
6. Attach the lamp module and tighten the screws.

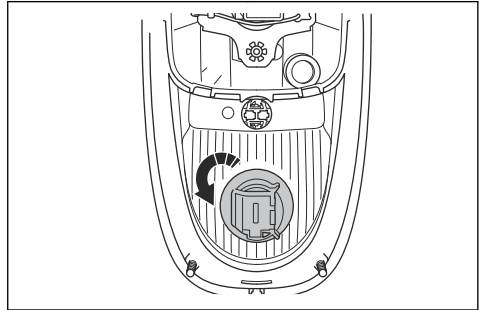
### To replace a parking lamp

1. Remove the 4 screws that hold the lamp module and lift it out.
2. Disconnect the cables from the broken lamp.
3. Remove the lamp.
4. Put the new lamp into the lamp housing. Refer to *Technical data on page 58*.
5. Connect the cables to the new lamp.
6. Attach the lamp module and tighten the screws.

### To replace a turn signal lamp

1. Remove the 4 screws that hold the lamp module and lift it out.
2. Disconnect the cables from the broken lamp.

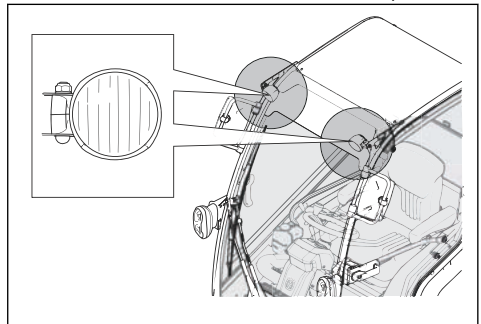
3. Turn the lamp counterclockwise and remove the lamp.



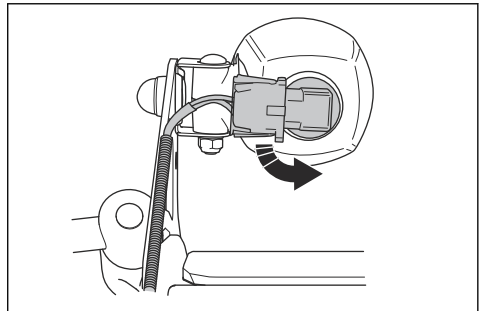
4. Put the new lamp into the lamp housing. Refer to *Technical data on page 58*.
5. Connect the cables to the new lamp.
6. Attach the lamp module and tighten the screws.

### To replace the front work lights (P 525DX Cabin)

1. Disconnect the cables from the broken lamp.



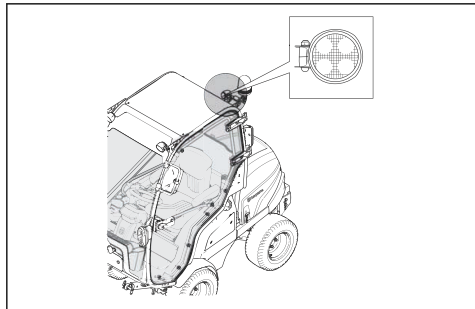
2. Turn the lamp counterclockwise and remove the lamp.



3. Put the new lamp into the lamp housing. Refer to *Technical data on page 58*.
4. Connect the cables to the new lamp.

## To replace the rear work lights (P 525DX Cabin)

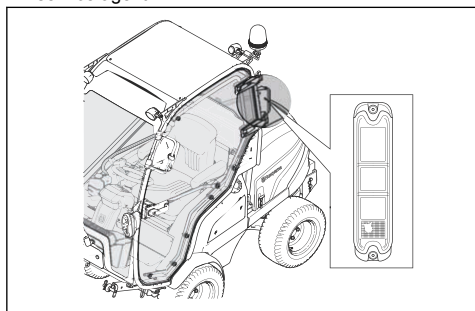
1. Disconnect the cable from the broken lamp.



2. Remove the screw on the lamp connector.
3. Remove the lamp connector with the lamp attached.
4. Install in the opposite sequence.

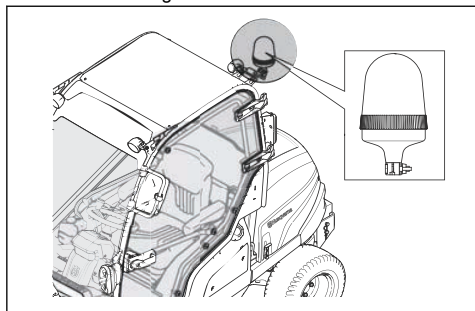
## To replace the rear lights (P 525DX Cabin)

1. To replace the rear lights, contact an approved service agent.



## To replace the warning lights (P 525DX Cabin)

1. Loosen the wing nut.



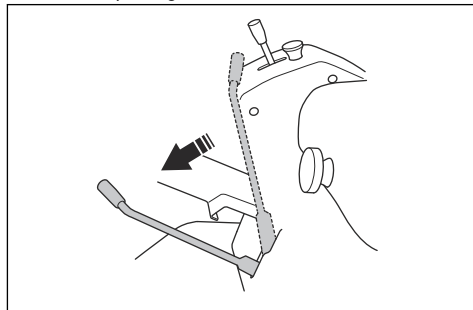
2. Remove the lamp.
3. Attach the new lamp.

## To do a check of the parking brake

1. Park the product on a hard surface that slopes maximum 10°.

**Note:** Do not park the product on a grass slope when you do a check of the parking brake.

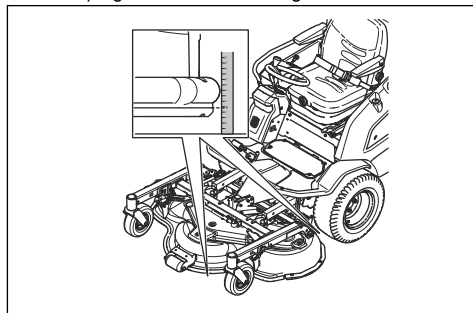
2. Push the parking brake forward.



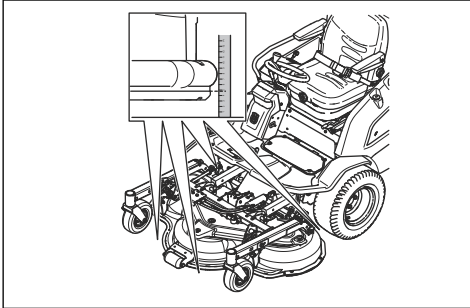
3. If the product starts to move, let an approved service agent adjust the parking brake.
4. Pull the parking brake rearward to release the parking brake.

## To do a check of the parallelism of the cutting deck

1. Do a check of the air pressure in the tires. Refer to *Tire pressure on page 40*.
2. Park the product on a level surface.
3. Lower the cutting deck to mow position.
4. Set the cutting height lever to the middle position.
5. Measure the distance between the ground and the front and rear edges of the cutting deck.
  - a) Measure Combi 132 and Combi 155 in 2 areas. Make sure that the rear edge is 6–9 mm ( $\frac{1}{4}$ – $\frac{3}{8}$  in.) higher than the front edge.



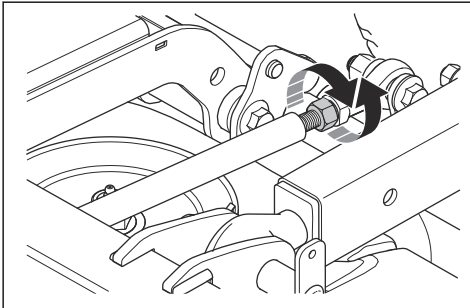
- b) Measure Combi 132 X and Combi 155 X in 4 areas. Make sure that the rear edge is 6–9 mm ( $\frac{1}{4}$ – $\frac{3}{8}$  in.) higher than the front edge.



6. Adjust the cutting deck if it is necessary. Refer to *To adjust the parallelism of the cutting deck on page 34.*

### To adjust the parallelism of the cutting deck

1. Turn the track rod to extend it or make it shorter. Extend the track rod to lift the rear edge of the cutting deck. Make the track rod shorter to lower the rear edge of the cutting deck.



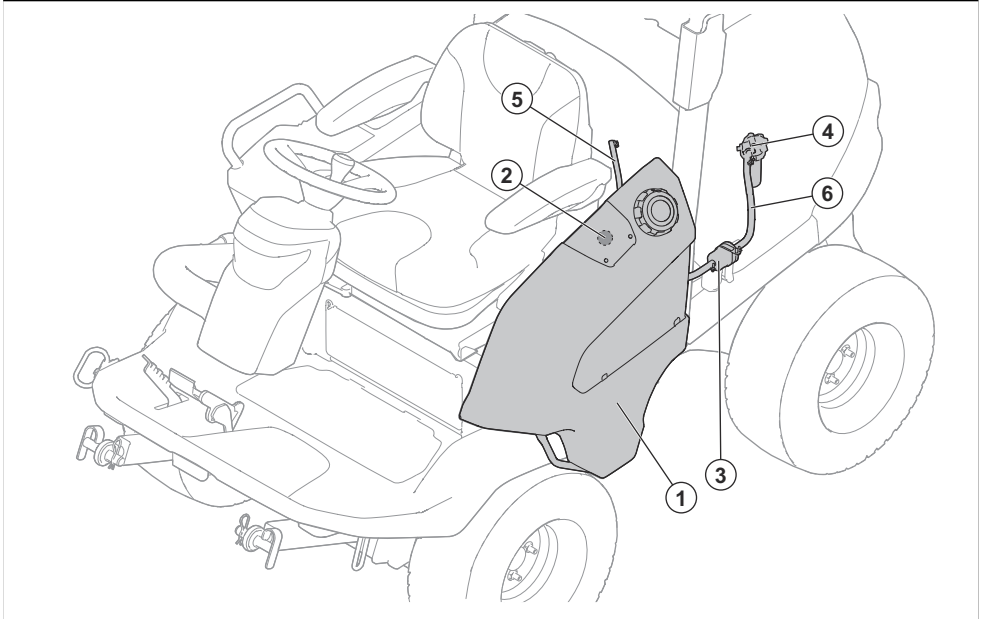
---

**Note:** For Combi 132 X, Combi 155 X, adjust the track rods on the 2 sides.

---

2. Tighten the nuts on the track rod.
3. Do a check of the parallelism. Refer to *To do a check of the parallelism of the cutting deck on page 33.*

## Fuel system overview



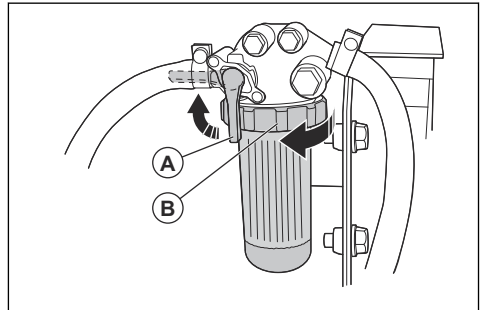
1. Diesel fuel tank
2. Electric fuel gauge
3. Prefilter
4. Fuel filter
5. Fuel return hose
6. Fuel hose

### To replace the fuel filters

#### To replace the paper filter in the main filter

1. Open the engine cover. Refer to *To open the engine cover on page 30*.
2. Remove the air filter. Refer to *To clean and replace the air filter on page 36*.
3. Close the fuel valve (A).
4. Turn the locknut (B) ½ a turn counterclockwise and remove the filter housing.

5. Remove the paper filter.



6. Put a new paper filter in the filter housing.
7. Turn the locknut ½ a turn clockwise to attach the filter housing.

#### To replace the fuel prefilter

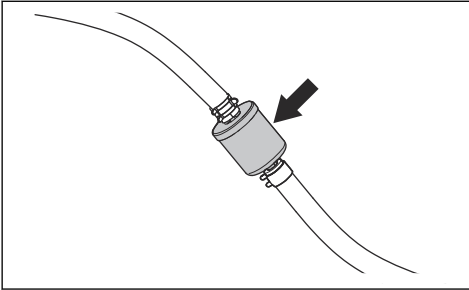
You find the fuel prefilter below the battery housing on the left side of the product.



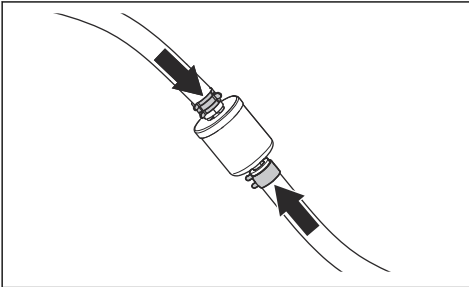
**WARNING:** Use protective gloves to prevent skin irritation. Fuel can come from the fuel filter and onto your skin.

1. Remove the screw to the clamp that holds the fuel prefilter in position.

2. Pull the fuel filter out from the clamp.
3. Loosen the screws to the hose clips.
4. Move the hose clips away from the fuel prefilter with a pair of flat pliers.
5. Pull off the fuel prefilter from the hose ends. There is a risk of a small fuel leak.



6. Make sure that the new fuel prefilter is in the correct direction for the fuel flow. Push the new fuel prefilter into the ends of the hoses. Apply liquid detergent to the ends of the fuel prefilter to make the connection easier.
7. Push the hose clips against the fuel prefilter.



8. Tighten the screws to the hose clips and install the fuel prefilter in the clamp.

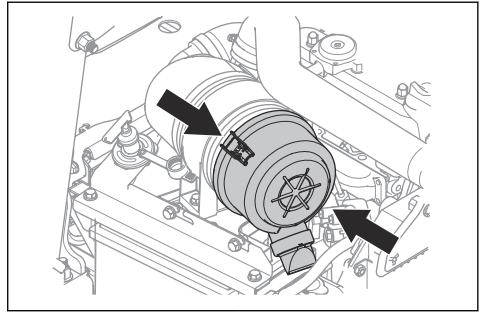
## To clean and replace the air filter



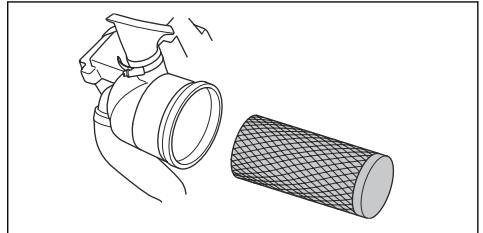
**CAUTION:** Do not start the engine when the air filter is removed.

1. Open the engine cover.

2. Loosen the 2 latches that hold the air filter cover.



3. Remove the air filter cover.
4. Remove the air filter cartridge from the filter housing.

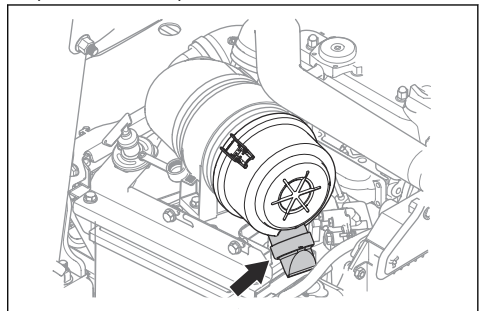


5. Clean the inner surface of the air filter housing with a dry cloth.
6. Hit the air filter cartridge carefully against a hard surface. Replace the air filter if it cannot be fully cleaned or if it is damaged.



**CAUTION:** Do not use compressed air to clean the air filter.

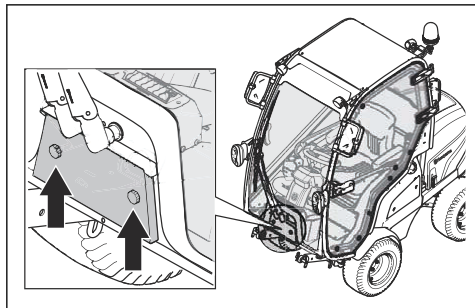
7. Put the air filter cartridge in its initial position in the filter housing. Make sure that the air filter cartridge is correctly installed on the top of the air intake.
8. Install the air filter cover and make sure that the particle collector points down.





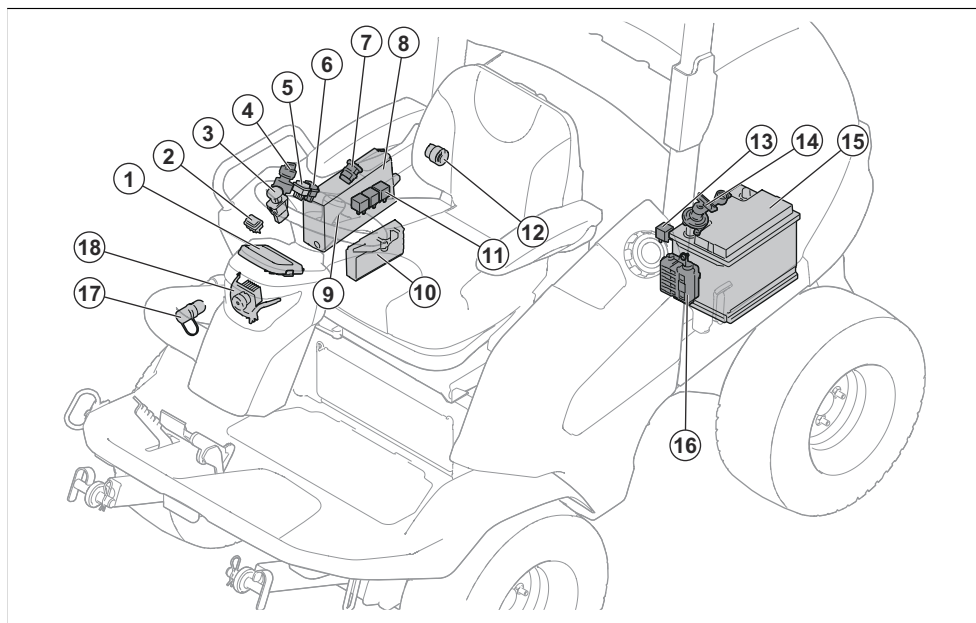
## To clean and replace the inlet filter on the cabin heat

1. Loosen the 2 knobs on the fan system cover and remove the cover.



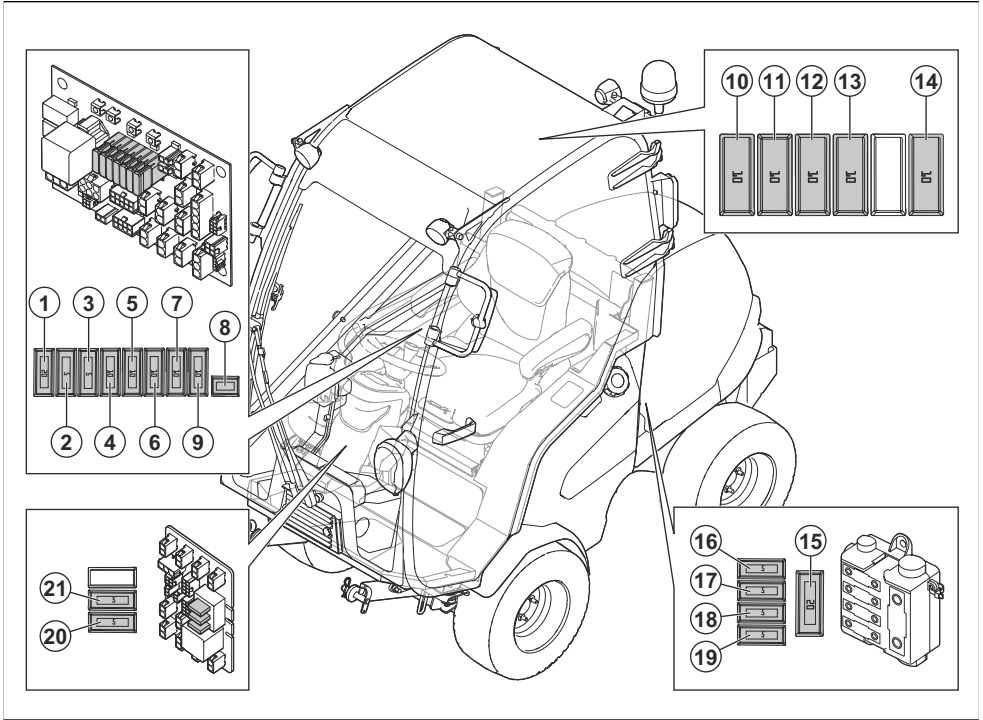
2. Pull out the filter holder.
3. Lift out the inlet filter.
4. Carefully clean the inlet filter with a brush.
5. If the inlet filter does not become clean, replace it.
6. Put the inlet filter into the filter holder.
7. Attach the filter holder and tighten the knobs.

## Electrical system overview



- |  |  |
|--|--|
| 1. Display   | 10. Mower control module                           |
| 2. Function button for hydraulic accessories (accessory for P 520DX) | 11. Relay  |
| 3. PTO button  | 12. Power outlet, 12 V                             |
| 4. Ignition key  | 13. Relay  |
| 5. Headlight indicator   | 14. Main switch                                    |
| 6. Power switch for the power outlet                                 | 15. Battery  |
| 7. USB outlets   | 16. Fuse box                                       |
| 8. Control box   | 17. AUX power outlet, 12 V (accessory for P 520DX) |
| 9. Servicing connector   | 18. Headlights                                     |

## Fuse overview



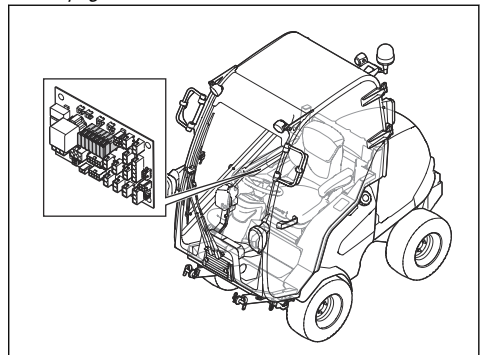
1. 12 V power to the mower control module, 20 A
2. Diesel display power, 5 A
3. Ignition power, 5 A
4. J14 + 12 V, beacon light, 10 A
5. J16 + 12 V, Extra switch, Extra out, Hydraulic power, 10 A
6. Parking brake / Seat, 10 A
7. Light power, 10 A
8. Cabin power, auto fuse
9. USB, 12 V outlet, 12 V switch power, 10 A
10. Windshield wiper, 10 A (P 525DX Cabin)
11. Cabin heat, 10 A (P 525DX Cabin)
12. Rear work light, 10 A (P 525DX Cabin)
13. Low beam light, 10 A (P 525DX Cabin)
14. Front work light, 10 A (P 525DX Cabin)
15. High power safety fuse, 150 A
16. Empty
17. Cabin power fuse, 50 A (P 525DX, P 525DX Cabin)
18. Power engine/Glow plug fuse, 50 A
19. Fuse for control board power supply, 50 A
20. Buzzer, 5 A
21. Parking light, 5 A

### To replace a fuse

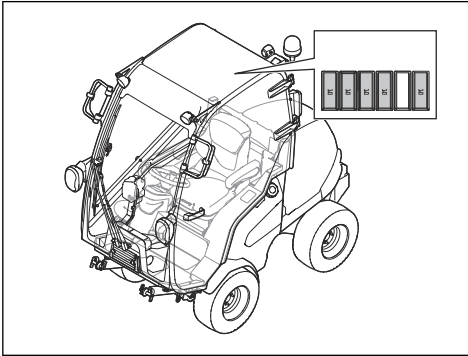
A broken fuse is identified by a burned fuse wire.

The list of fuses can be found in the fuse overview, refer to *Fuse overview on page 38*.

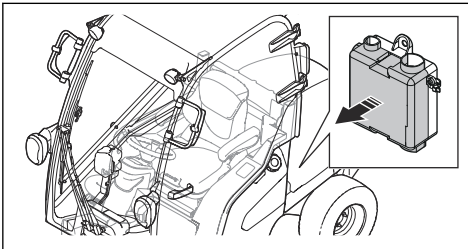
1. Find the broken fuse:
  - a) Remove the right side cover to replace fuses 1–9. Refer to *To remove the right side cover on page 31*.



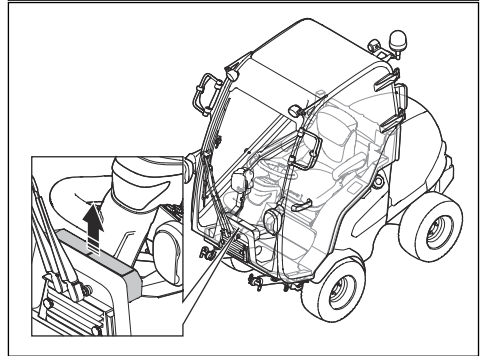
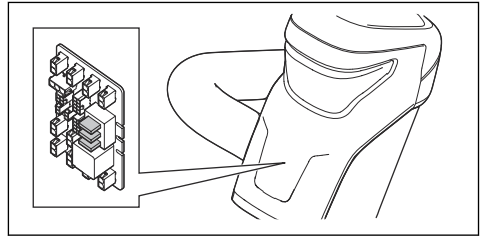
- b) Remove the cover in the cabin roof to replace fuses 10–14.



- c) Open the engine cover to replace fuses 15–19. Refer to *To open the engine cover on page 30*. The fuses are in the fuse box in front of the battery.



- d) Remove the front cover of the steering column to replace fuses 20–21. Refer to *To remove and install the front cover of the steering column on page 30*.



- e) For P 525DX Cabin, to get access to the front cover remove the 4 screws on the air circulation unit. Remove the air circulation unit.
2. Pull the fuse from the holder.
  3. Replace the broken fuse with a new fuse of the same type. Refer to *Fuse overview on page 38*.
  4. Attach the covers.

**Note:** If the main fuse breaks again a short period after you replace it, there is a short circuit. Repair the short circuit before you operate the product again. Let an approved service agent help you.

## To charge the battery

- Charge the battery if it is too weak to start the engine.
- Use a standard battery charger.



**CAUTION:** Do not use a boost charger or start booster. That will cause damage to the electrical system of the product.

- Always disconnect the charger before starting the engine.

## To do an emergency start of the engine

If the battery is too weak to start the engine, you can use jumper cables to do an emergency start. This product has a 12 V system with negative ground. The product that is used for the emergency start must also have a 12 V system with negative ground.

### To connect the jumper cables

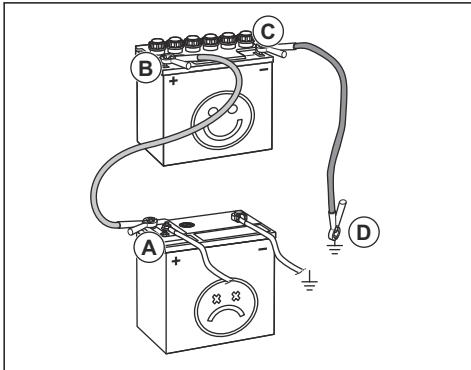


**WARNING:** Risk of explosion because of explosive gas that comes from the battery. Do not connect the negative terminal of the fully charged battery to or near the negative terminal of the weak battery.



**CAUTION:** Do not use the battery of your product to start other vehicles.

1. Open the engine cover. Refer to *To open the engine cover on page 30*.
2. Connect one end of the red cable to the POSITIVE battery terminal (+) on the weak battery (A).



3. Connect the other end of the red cable to the POSITIVE battery terminal (+) on the fully charged battery (B).



**WARNING:** Do not short circuit the ends of the red cable against the chassis.

4. Connect one end of the black cable to the NEGATIVE battery terminal (-) on the fully charged battery (C).
5. Connect the other end of the black cable to a CHASSIS GROUND (D), away from the fuel tank and the battery.
6. Replace the covers.

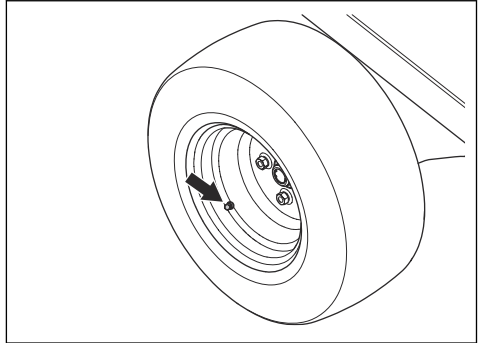
## To remove the jumper cables

**Note:** Remove the jumper cables in the opposite sequence to how you connect them.

1. Remove the BLACK cable from the chassis.
2. Remove the BLACK cable from the fully charged battery.
3. Remove the RED cable from the 2 batteries.

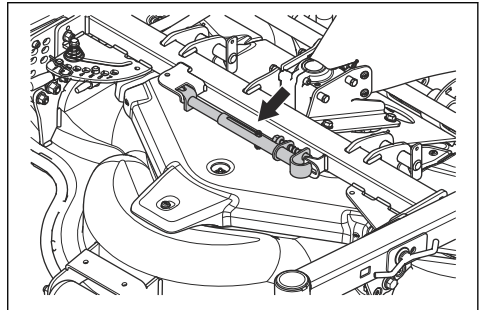
## Tire pressure

Refer to *Technical data on page 58* for the correct tire pressure.



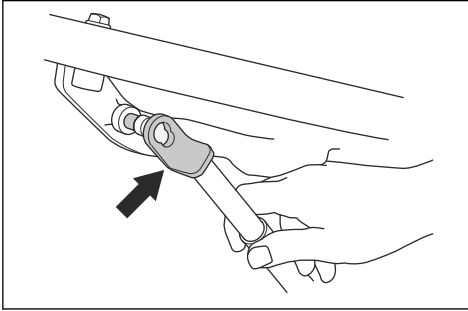
## To put the cutting deck in servicing position

1. Do the procedure in *To remove the cutting deck on page 16* but do not disconnect the lift arms.
2. Remove the service stay from the cutting deck.

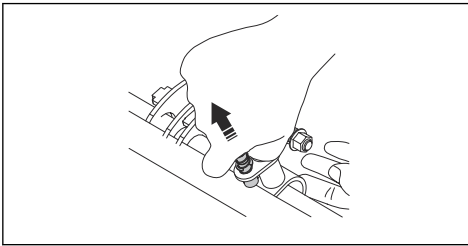


**WARNING:** Attach the service stay and the safety straps when the cutting deck is in servicing position. To not use the service stay or safety straps correctly can result in serious injury or death.

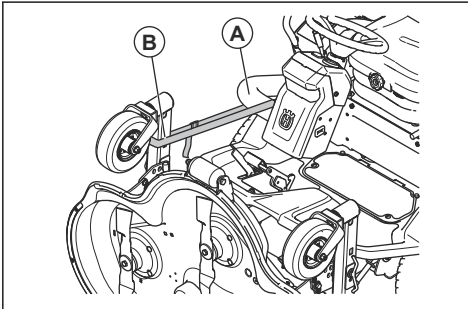
3. Attach the service stay to the red point below the bottom plate.



4. Pull the pin on the other end of the service stay. Attach the service stay to the red mark on the pipe on the cutting deck.



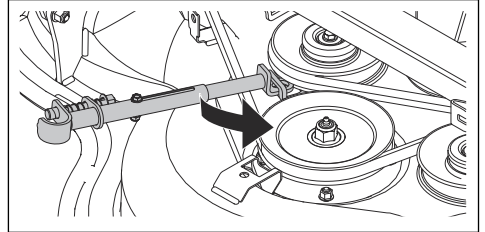
5. Start the engine.
6. Move the lever for the hydraulic lift arms rearward to lift the cutting deck fully.
7. Attach 1 end of the safety straps around the pipe adjacent to the steering column (A).



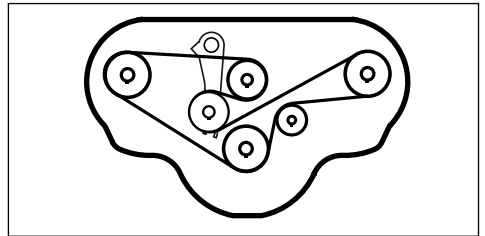
8. Attach the other end of the safety strap around the pivoting wheels of the cutting deck (B).
9. To put the cutting deck in mow position, follow the instructions in the opposite sequence.

## To replace the belt on the cutting deck

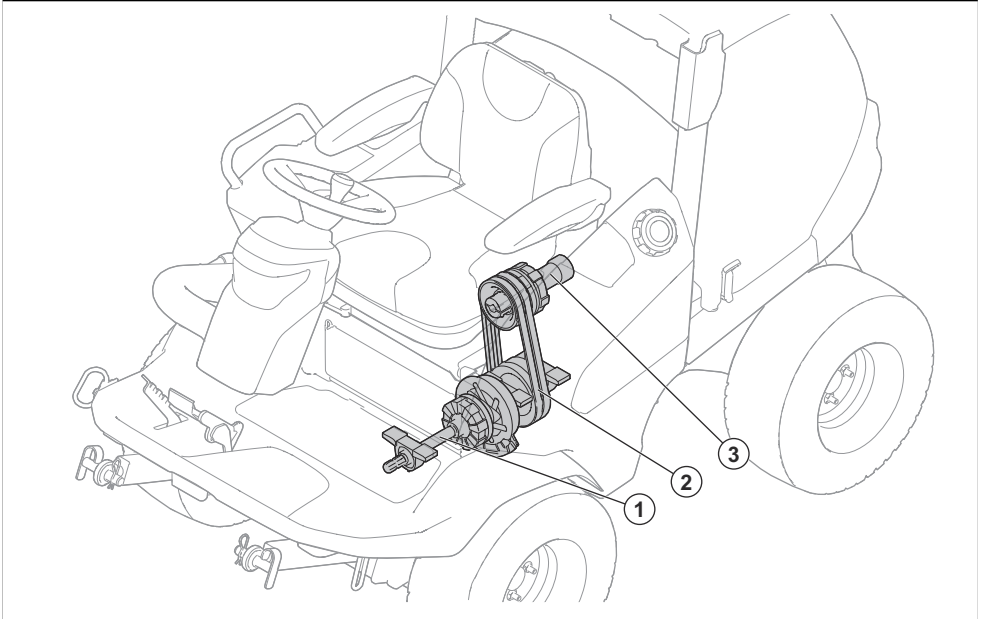
1. Remove the 3 screws that hold the belt cover.
2. Remove the belt cover.
3. Attach the service stay to the tension spring.
4. Push the service stay and remove the belt.



5. Attach the belt around the pulleys as shown in the illustration.



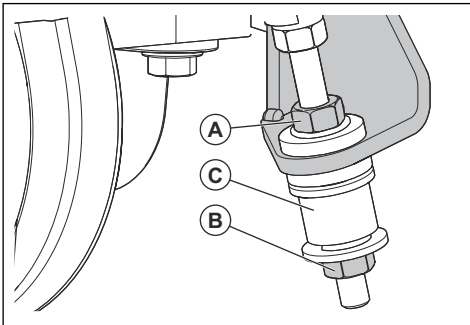
## PTO system overview



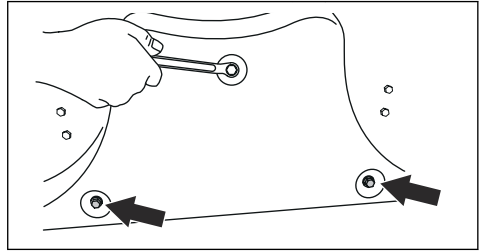
1. PTO shaft
2. Belts
3. Hydraulic pump drive shaft

### To adjust the PTO belts

1. Release the locknut (A).
2. Tighten the adjustment screw (B) until the sleeve (C) cannot be rotated by hand.
3. Hold the adjustment screw (B) and tighten the locknut (A).



2. Remove the 3 screws that hold the BioClip® plug and remove the plug.



3. Attach 3 M8x15 mm screws in the screw holes for the BioClip® plug to prevent damage to the threads.
4. Put the cutting deck in mow position.
5. Attach the BioClip® plug in the opposite sequence.

### To examine the blades



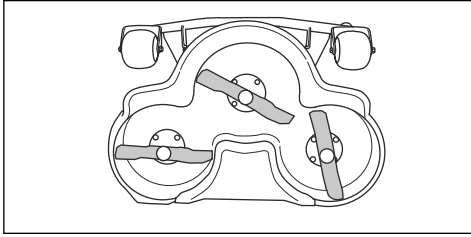
**CAUTION:** Damaged or incorrectly balanced blades can cause damage to the product. Replace damaged blades. Let an approved service agent help you sharpen and balance blunt blades.

### To remove and attach the BioClip® plug

1. Put the cutting deck in servicing position.

1. Put the cutting deck in servicing position.

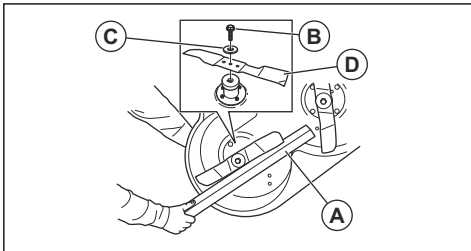
- Look at the blades to see if they are damaged and if it is necessary to sharpen them.



- Tighten the blade bolts with the correct tightening torque. Refer to *Technical data on page 58*.

## To replace the blades

- Put the cutting deck in servicing position.
- Lock the blade with a wooden block (A).



- Loosen and remove the blade bolt (B), the washers (C) and the blade (D).
- Install the new blade with the pointed ends in the direction of the cutting deck.



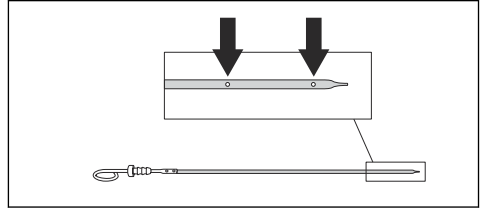
**WARNING:** Incorrect blade type can cause objects to eject from the cutting deck and cause serious injury. Use only the blades given in *Technical data on page 58*.

- Install the washer and the bolt to attach the blade. Tighten the bolt with the correct torque. Refer to *Technical data on page 58*.

## To do a check of the engine oil level

- Park the product on level ground and stop the engine.
- Open the engine cover.
- Loosen the dipstick and pull it out.
- Clean the oil from the dipstick.
- Put the dipstick in the dipstick opening.
- Pull the dipstick out and read the oil level.

- The oil level must be between the marks on the dipstick.



- If the oil level is low, fill with engine oil and do a check of the oil level again.

**Note:** See *Technical data on page 58* of engine oil recommended. Do not mix different types of oil.

- Tighten the dipstick correctly before you start the engine. Start and idle the engine for approximately 30 seconds. Stop the engine. Wait 30 seconds and do a check of the oil level again.

## To change the engine oil and the oil filter

If the engine is cold, start the engine for 1–2 minutes before you drain the engine oil. This makes the engine oil warm and easier to drain.

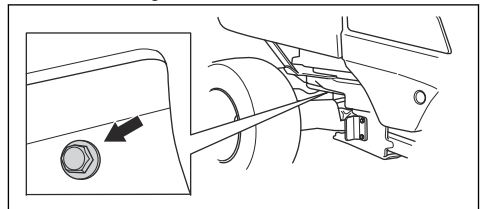


**WARNING:** Do not operate the engine for more than 1–2 minutes before you drain the engine oil. The engine oil becomes very hot and can cause burn injuries. Let the engine become cool down before you drain the engine oil.



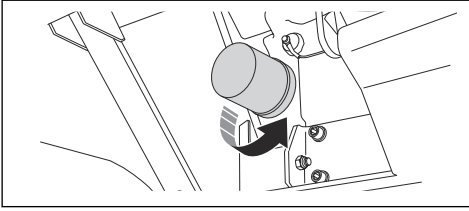
**WARNING:** If you spill engine oil on your body, clean with soap and water.

- Put a container below the oil drain plug on the left side of the engine.



- Remove the oil drain plug.
- Remove the dipstick.
- Drain the oil into the container.
- Put a new gasket on the oil drain plug. Attach the oil drain plug and tighten it.

6. Turn the oil filter counterclockwise to remove it.



7. Lightly lubricate the rubber seal on the new oil filter with new oil.
8. To attach the oil filter, turn it clockwise by hand until the rubber seal is in position, then tighten a half turn more.
9. Fill with new oil as given in *Technical data on page 58*.
10. Start the engine and let it run at idle speed speed for 3 minutes.
11. Stop the engine and make sure that the oil filter does not leak.
12. Do a check of the oil level.

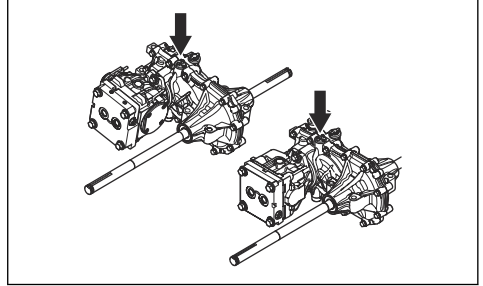
---

**Note:** For safe disposal of used engine oil, see *Disposal on page 57*.

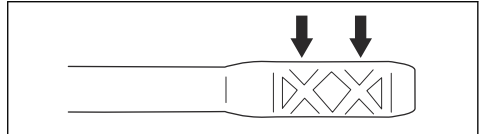
---

## To do a check of the transmission oil level

1. Use the oil dipstick to read the oil level in the transmission.



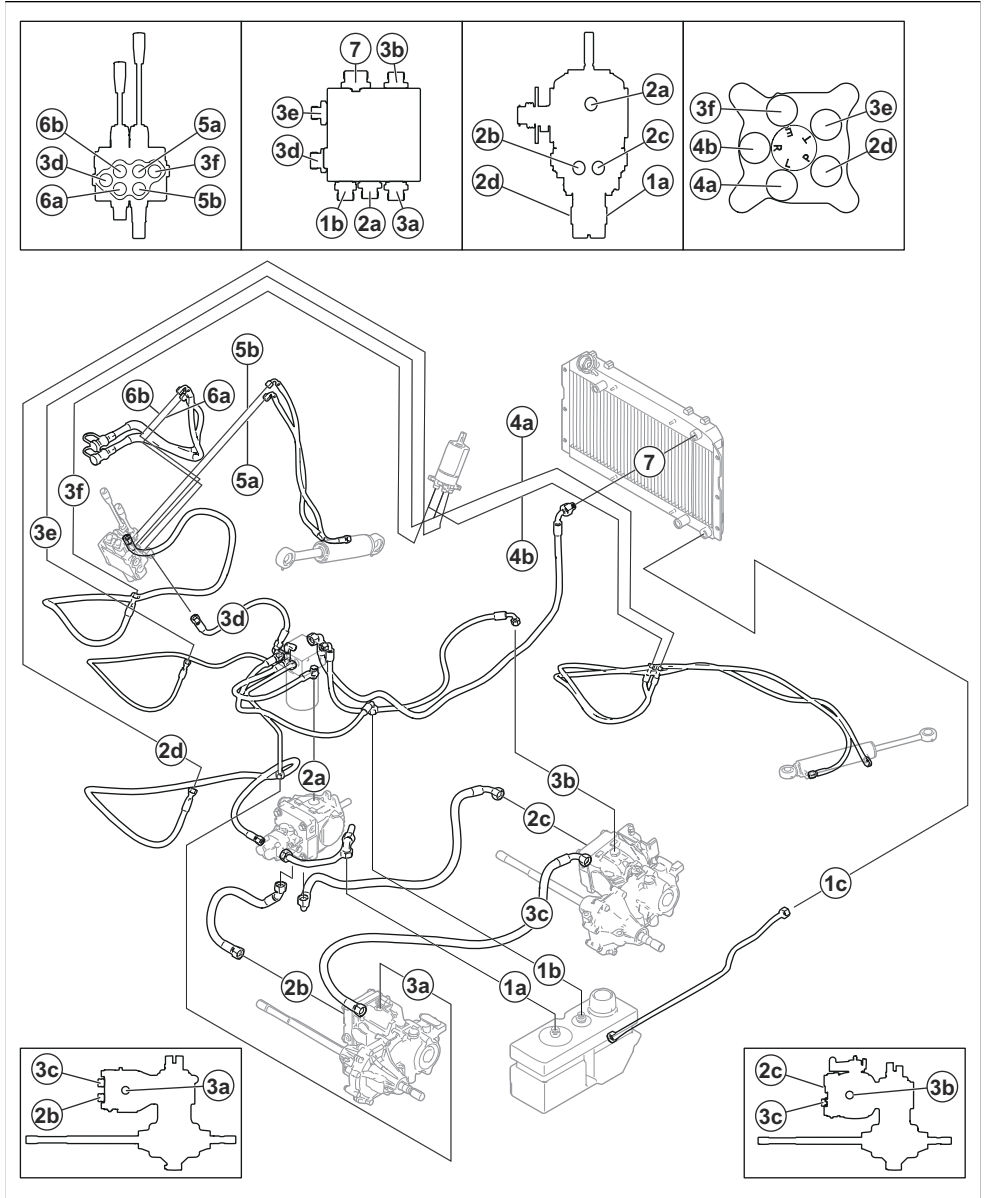
2. The oil level must be between the marks on the dipstick.



3. If the oil level is too low, fill with the type of oil given in *Technical data on page 58*.



# Hydraulic overview



1a: Hydraulic tank – pump

1b: Hydraulic tank – filter

1c: Hydraulic tank – hydraulic oil cooler

2a: Filter – valve block

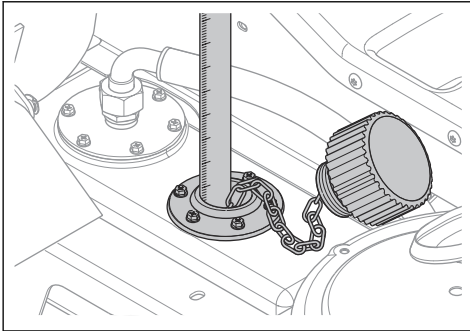
2b: Filter – pump

2c: Front transmission – pump

- 2d: Pump – power steering
- 3b: Front transmission – filter
- 3a: Rear transmission – filter
- 3c: Rear transmission – front transmission
- 4a: Power steering – steering cylinder
- 4b: Power steering – steering cylinder
- 5a: Valve block – lift cylinder
- 5b: Valve block – lift cylinder
- 6a: Valve block – Cutting deck coupling
- 6b: Valve block – Cutting deck coupling
- 7: Filter – hydraulic oil cooler

## To do a check of the oil level in the hydraulic system

1. Tilt the seat forward. Refer to *To tilt the seat forward (P 520DX, P 525DX)* on page 21.
2. Clean the area around the oil tank cap with a dry cloth.
3. Remove the oil tank cap and examine the hydraulic oil level. Correct level is 40–60 mm from the top of the strainer.

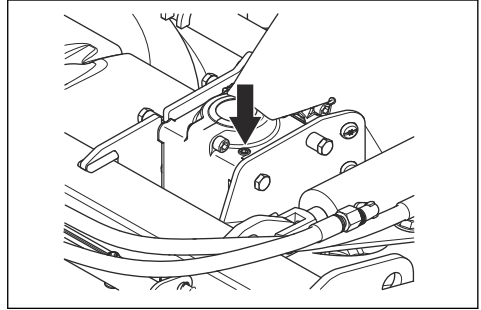


4. If the oil level is too low, fill with the type of oil given in *Technical data* on page 58.

## To do a check of the oil level in the bevel gear of the cutting deck

1. Park the product on a level surface.
2. Lower the cutting deck to mow position.

3. Put a clean metal rod into the gear housing. The metal rod must be a minimum of 100 mm long and maximum 3 mm in diameter.



4. Lower the metal rod to the bottom of the gear housing.
5. Pull the metal rod out and read the oil level.
6. Measure the part of the metal rod that has oil on it. There must be oil on 15 mm of the metal rod.
7. Fill with gearbox oil if the oil level is less than 15 mm of the metal rod. Refer to *Quick maintenance guide* on page 48 for recommended oil.

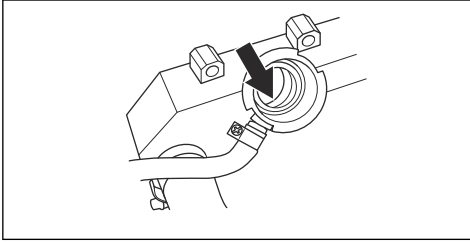
## To replace the oil in the bevel gear of the cutting deck

1. Remove the cutting deck. Refer to *To remove the cutting deck* on page 16.
2. Put the cutting deck on its front edge and drain the oil through the oil fill plug.
3. Drain the oil into a container.
4. Fill with 80 ml new hydraulic oil as given in *Technical data* on page 58.
5. Do a check of the oil level. Refer to *To do a check of the oil level in the bevel gear of the cutting deck* on page 46.

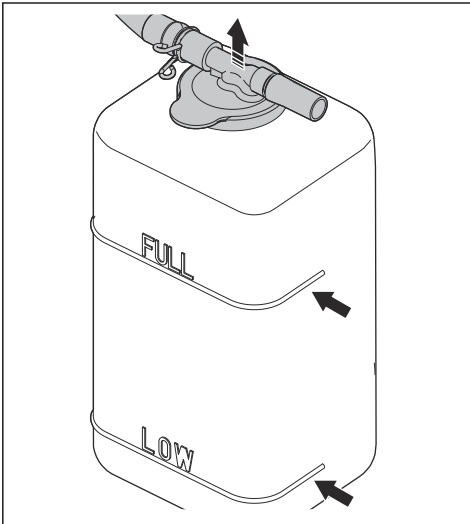
## To do a check of the coolant level

1. Park the product on level ground and stop the engine.
2. Open the engine cover. Refer to *To open the engine cover* on page 30.
3. Open the coolant cap.

4. Do a check of the coolant level. Fill the coolant tank if it is necessary. Refer to *Technical data on page 58*.

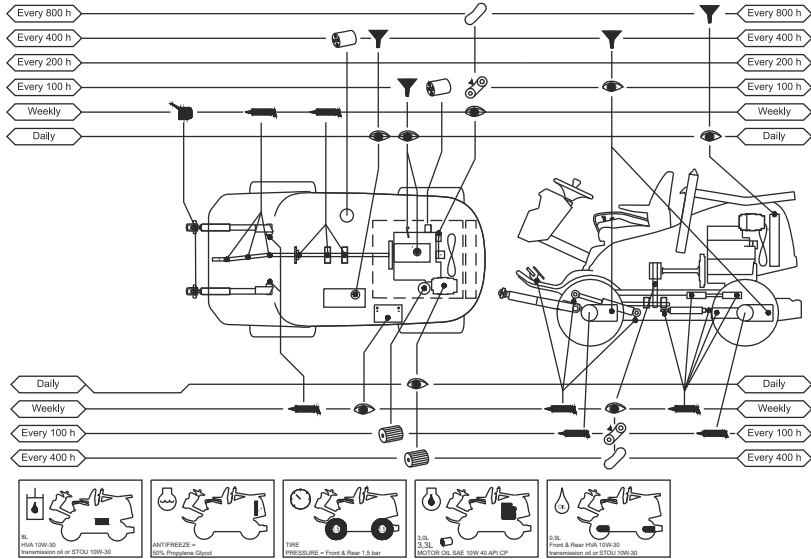


5. Do a check of the coolant level in the expansion tank. The level must be at the LOW mark when the engine is cold.

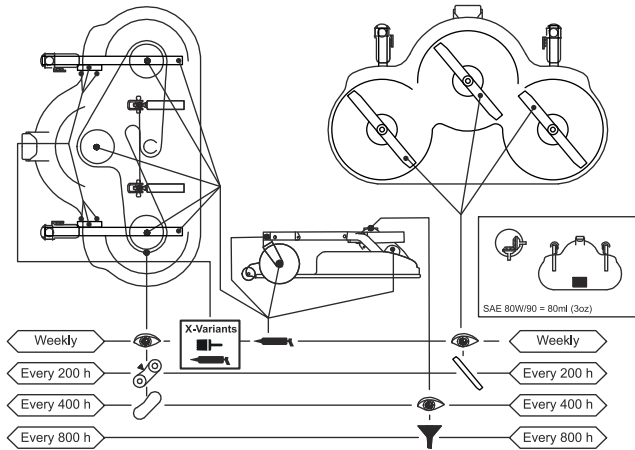


# QUICK MAINTENANCE GUIDE

First service after 50 hours



# QUICK MAINTENANCE GUIDE



## Symbols on the quick maintenance guide



Replace the filter



Replace the oil



Examine visually or do a check of the oil level



Lubricate the grease nipple with grease



Lubricate with oil



Do a check of the condition and tension of the drive belt

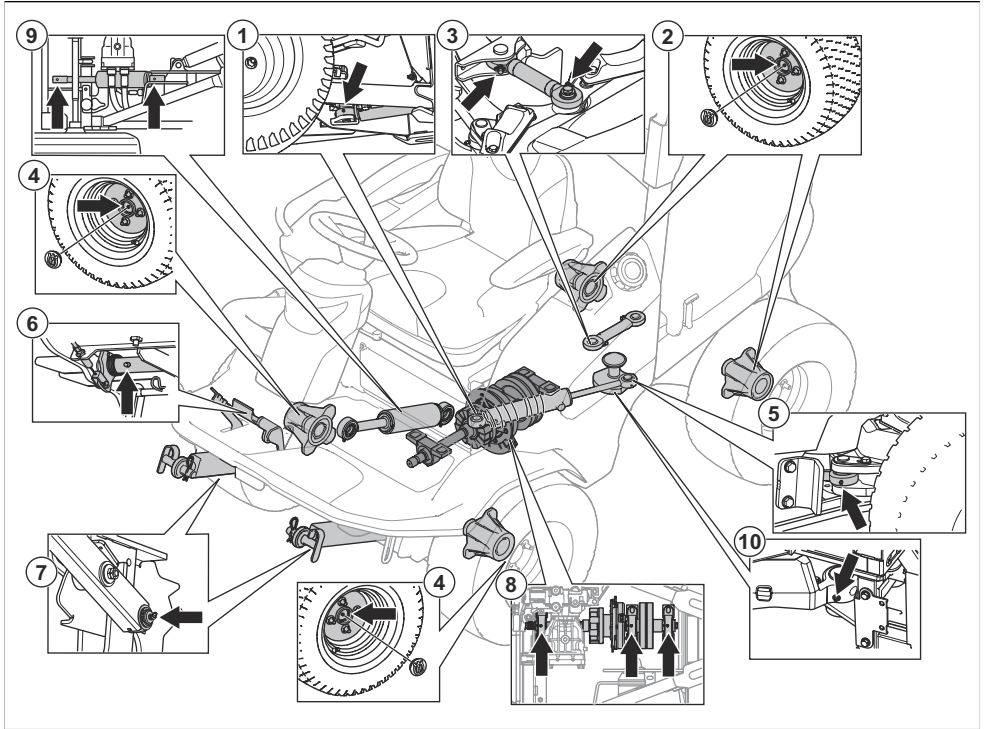


Replace the drive belt



Replace the blades

## Lubrication overview



For 1–7, use calcium grease.

For 8, use lithium complex grease.

1. Steering cylinder - front
2. Rear axle splines
3. Control stay
4. Front axle splines
5. Steering cylinder - rear
6. Pedal shaft. Two positions.
7. Lift arms
8. Bearing housing (high temperature lithium grease)
9. Lift cylinder
10. Articulated steering joint

- Lubricate 2 times a week if you operate the product daily.
- Do not spill lubricant on the drive belts or the grooves of the belt pulleys. If you do spill, clean with alcohol. If the friction between the drive belt and the pulley is not sufficient after you clean with alcohol, replace the drive belt.



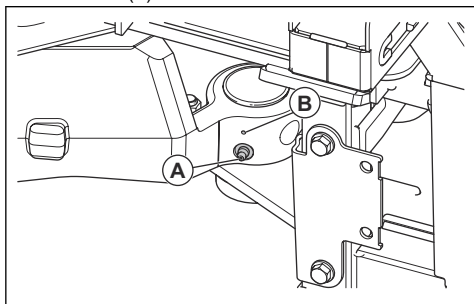
**CAUTION:** Do not use gasoline or other petroleum products to clean drive belts.

## Lubrication, general information

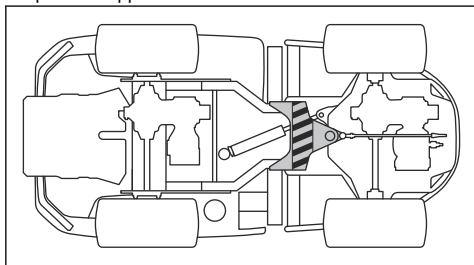
- Remove the ignition key to prevent accidental movements during lubrication.
- Clean the area before you lubricate a part on the product.
- Use oil when you lubricate with an oil can.
- When you lubricate with grease, use a chassis or ball bearing grease that prevents corrosion. Remove unwanted grease after lubrication.

## To lubricate the articulated steering joint

1. Lubricate the articulated steering bearing when the product has all wheels on the ground. Lubricate through the grease nipple (A) until grease comes out of the hole (B).



2. Lift the product to release the pressure in the articulated steering. The illustration shows where to put the supports.



**CAUTION:** Make sure that the support does not cause damage to the

control stay or causes a blockage of the articulated steering.

3. Lubricate the articulated steering bearing again while the product is lifted.

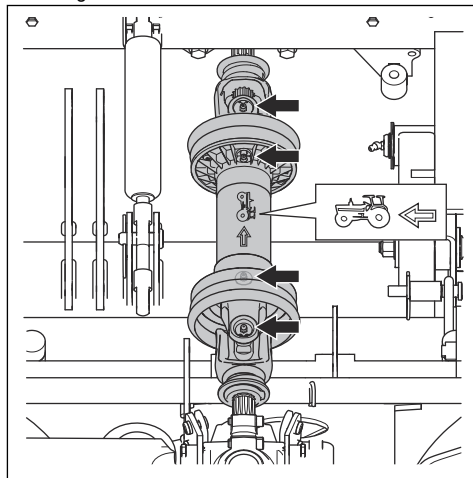


**CAUTION:** Make sure that the grease comes out from the joint, below the grease nipple.

4. Lower the product.

## To lubricate the drive shaft

1. Remove the service hatch. Refer to *To remove the service hatch on page 31*.
2. Lubricate the 4 grease nipples with a grease gun until grease comes out.



## Troubleshooting

### Troubleshooting

If you cannot find a solution to your problems in this manual, speak to your Husqvarna service agent.



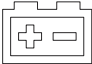

<b>Problem</b>	<b>Cause</b>
The starter motor does not turn the engine over	The PTO-button is activated.
	The parking brake is not applied. Refer to <i>To apply and release the parking brake on page 26.</i>
	The main fuse is blown. Refer to <i>To replace a fuse on page 38.</i>
	The ignition lock is defective.
	The connection between the cable and the battery is bad.
	The battery is too weak. Refer to <i>To charge the battery on page 39.</i>
	The starter motor is defective.
The engine does not start when the start motor turns the engine over	There is no fuel in the fuel tank. Refer to <i>To fill fuel on page 20.</i>
	There is air in the fuel system.
	Preheating is defective or too short
	The engine is defective.
	The fuel filter clogged. <i>To replace the fuel filters on page 35.</i>
The engine does not run smoothly	The fuel filter is clogged. Refer to <i>Insure your product on page 2.</i>
	The air filter is clogged. Refer to <i>To clean and replace the air filter on page 36.</i>
	The fuel tank vent is blocked.
	The feed pressure is too low.
	The injector pipe is loose.
	The engine is defective.
	There is incorrect fuel type in the fuel tank.
	The relief valve is defective.
	The fuel injector is defective.
	The injection pump is defective.
	The feed pump is defective.
The engine overheats	The cold air intake or the cooling fins are blocked.
	The engine is overloaded.
	The coolant level is too low.
	The engine oil level is too low.
The product release black smoke	There is incorrect fuel type in the fuel tank.
	The air filter is clogged. Refer to <i>To clean and replace the air filter on page 36.</i>
	The injection pump is defective.
	The fuel injector is defective.









<b>Problem</b>	<b>Cause</b>
The product release blue smoke	The engine oil level is too high.
	The engine is defective.
The product release white smoke	The cylinder in the engine is defective.
	The engine oil level is too high.
The engine apparently has no power	The air filter is clogged. Refer to <i>To clean and replace the air filter on page 36.</i>
	The fuel filter is clogged. Refer to <i>To replace the fuel filters on page 35.</i>
	There is air in the fuel system.
	The relief valve is defective.
	The feed pressure is too low.
	The feed pump is defective.
	The timing of the fuel injection pump is defective.
	The engine is defective.
The transmission does not have sufficient power	The bypass valves are not fully closed.
	There is no oil in the transmission or the oil level is too low. Refer to <i>To do a check of the transmission oil level on page 44.</i>
	The transmission oil is overheated.
The battery does not charge	The battery is defective. Speak to your Husqvarna service agent.
	The connection at the cable connectors on the battery terminals is bad.
There is vibration in the product	The blades are loose. Refer to <i>To examine the blades on page 42.</i>
	One or more of the blades are not balanced. Refer to <i>To examine the blades on page 42.</i>
	The engine is loose.
	The bevel gear is loose.
	The hydraulic pump is loose.
	The engine is defective.
	The drive shaft is defective.
	There is an object in the PTO belt pulleys.
Rubber elements are hard or damaged.	

Problem	Cause
The cutting result is unsatisfactory	The blades are blunt. Refer to <i>To examine the blades on page 42.</i>
	The grass is long or wet. Refer to <i>To get a good cutting result on page 26.</i>
	The cutting deck is skew.
	There is grass blockage in the cutting deck. Refer to <i>To put the cutting deck in servicing position on page 40.</i>
	The tire pressure is different on the right and left sides. Refer to <i>Tire pressure on page 40.</i>
	The product is operated at a too high speed. Refer to <i>To get a good cutting result on page 26.</i>
	The engine speed is too low. Refer to <i>Technical data on page 58.</i>
	The drive belt slips.

## Display - Troubleshooting

Symbol	Name	Shows on the display	Cause
	Indicator of engine water temperature	The symbol shows and a sound warning signal comes on.	The engine temperature is too high. Disengage the PTO switch and set the throttle control to the low speed position. The warning signal stops to sound when the engine temperature is decreased below the warning limit.
		The symbol flashes quickly.	Speak to your Husqvarna servicing agent.
	Engine oil Pressure Sensor	The symbol shows.	Low oil pressure. Refer to <i>To do a check of the engine oil level on page 43.</i>
		The symbol flashes.	The Lubrication system is damaged or does not operate correctly. The oil switch or circuit is damaged or does not operate correctly.
	Battery level indicator	The symbol shows.	Low voltage. Refer to <i>To charge the battery on page 39.</i>
	PTO button indicator	The symbol shows.	PTO button engaged. Refer to <i>To do a check of the operation conditions on page 12.</i>
		The symbol flashes.	Incorrect start procedure. Refer to <i>To do a check of the operation conditions on page 12.</i>
		The symbol flashes quickly.	Defective PTO button. Speak to your Husqvarna servicing agent.

Symbol	Name	Shows on the display	Cause
	Parking brake indicator	The symbol shows.	The parking brake engaged. Refer to <i>To apply and release the parking brake on page 26</i> .
		The symbol flashes.	Incorrect start procedure. Refer to <i>To do a check of the operation conditions on page 12</i> .
		The symbol flashes quickly.	Defective parking brake. Speak to your Husqvarna servicing agent.
	OPC indicator	The symbol flashes.	Seat switch disengaged when you try to start the engine. Refer to <i>To do a check of the operation conditions on page 12</i> .
		The symbol flashes quickly.	Defective seat switch. Speak to your Husqvarna servicing agent.
	Servicing indicator	The symbol shows.	Servicing is necessary. Speak to your Husqvarna servicing agent.
	Fuel gauge	The symbol shows.	Low fuel level. Refer to <i>To fill fuel on page 20</i> .
	Bluetooth®	The symbol flashes.	The product is locked. Unlock your product with the Husqvarna Connect app.
	Digital lock	The symbol shows.	The product is locked. Unlock your product with the Husqvarna Connect app.

**Note:** The symbols and the positions of the symbols on the display can be different between different models.

## Transportation, storage and disposal

### Transportation

- The product is heavy and can cause crush injuries. Be careful when you load it onto or off a vehicle or trailer.
- Do not lift the product. The transport eyelets are not approved lifting points and must only be used to attach the product safely to a trailer.
- Use an approved trailer for transportation of the product.
- Make sure that you have knowledge of local road traffic regulations before transportation of the product in a trailer or on roads.

### To safely attach the product on a trailer for transport

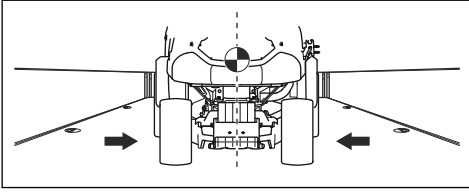
Before you attach the product, you must read and understand the safety chapter. Refer to *Transport safety on page 14*.



**WARNING:** The parking brake is not sufficient to lock the product during transport. Attach the product tightly to the load area.

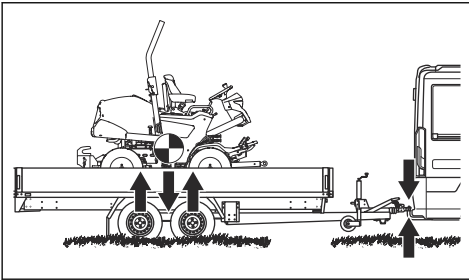
Equipment: 4 approved straps and 4 wheel chocks.

1. Park the product in the center of the load area.

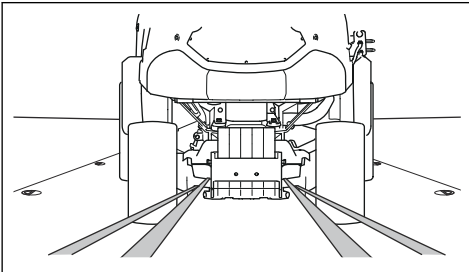


**WARNING:** For transport in transport vehicles with a cover. Make sure that the product is cool before you put the product in the transport vehicle.

2. Make sure that the center of gravity of the product is above the wheel axle of the transport vehicle. If a trailer is used for transport, make sure that the down force on the tow bar is correct.

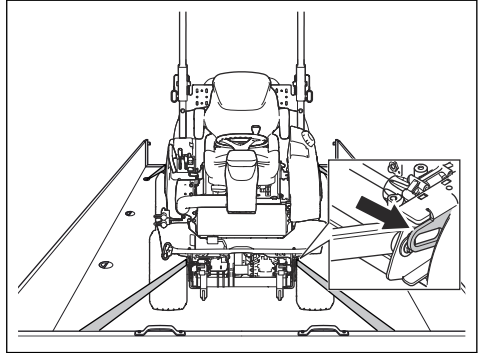


3. Apply the parking brake.
4. Lower the cutting deck to the float position.
5. Remove all loose objects.
6. Put the first strap through the rear transmission frame.

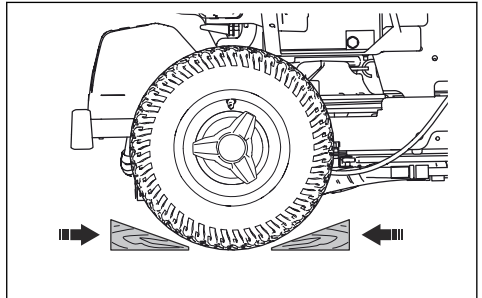


7. Put the second strap through the rear transmission frame.
8. Attach the straps to the load area.
9. Tighten the straps rearward to attach the product to the load area.

10. Attach the third strap to 1 of the transport eyelets.



11. Attach the fourth strap to the other transport eyelet.
12. Attach the strap to the load area.
13. Tighten the strap forward to attach the product to the load area.
14. Put the wheel chocks in front of and behind the rear wheels.



## To tow the product

The product has a hydrostatic transmission. To prevent damage to the transmission, tow the product short distances only and at low speed.

Disengage the transmission before you tow the product. Refer to *To disengage the hydrostatic transmission on page 27*.

## Storage

Prepare the product for storage at the end of the season, and before more than 30 days of storage.

To prevent tacky particles during storage, add a stabilizer. Always use the mixing ratios given by the manufacturer.

- Add stabilizer to the fuel in the tank or in the container used for storage, to prevent damage to the engine.
- Run the engine for a minimum of 10 minutes to let the stabilizer flow into the fuel injection.



**WARNING:** Do not keep the product with fuel in the tank in an indoor location or in locations with bad airflow. Risk of fire if fuel fumes come near open flames and sparks.

- Turn the main switch to the OFF position. Refer to *To stop the engine on page 25*.
- Clean the product, refer to *To clean the product on page 29*. Repair paint damages to prevent corrosion.



**WARNING:** Remove grass and other flammable materials from the product to decrease the risk of fire. Let the product become cool before you put it in storage.

- Examine the product for worn or damaged parts and tighten loose screws and nuts.
- Remove the battery. Clean it, charge it, and keep it cool during storage.
- Change the engine oil and discard the waste oil.
- Empty the fuel tank. Start the engine and run it until there is no remaining fuel in the fuel injection.

**Note:** Do not empty the fuel tank and fuel injection if a stabilizer is added.

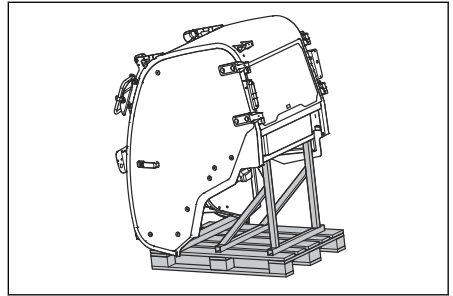
- Remove the glow plugs and put about a tablespoon of engine oil into each cylinder. Manually turn the engine shaft to apply the oil. Attach the glow plugs.
- Lubricate all grease nipples, joints and axles.
- Keep the product in a clean and dry area and put a cover on it for more protection. A cover for protection of your product during storage or transport is available at your dealer.

## Storage of the cabin



**WARNING:** Move the cabin carefully. The cabin is heavy and can cause serious injuries. Make sure the cabin is stable during storage.

- Repair paint damages to prevent corrosion.
- Examine the product for worn or damaged parts and tighten loose screws and nuts.
- Keep the product in a clean and dry area and cover it for more protection.
- Keep the product in a locked area away from children and other not approved persons.
- Put the cabin on the cabin support during storage. Refer to *Cabin support dimensions on page 64*.



## Disposal

- Chemicals can be dangerous and must not be discarded on the ground. Always discard used chemicals at a service center or an applicable disposal location.
- When the product is worn out, send it to the dealer or to an applicable recycling location.
- Oil, oil filters, fuel and the battery can have negative effects on the environment. Obey the local recycling requirements and applicable regulations.
- Do not discard the battery as domestic waste.
- Send the battery to a Husqvarna service agent or discard it at a disposal location for used batteries.

## Technical data

### Technical data

	P 520DX	P 525DX / P 525DX Cabin
<b>Dimensions</b>	Refer to <i>Product dimensions (P 520DX/P 525DX)</i> on page 62 and <i>Product dimensions (P 525DX Cabin)</i> on page 63.	
Weight without cutting deck, with empty tanks, kg	649	677 921 (P 525DX Cabin)
Tire dimensions	20 × 8 - 10	20 × 10 - 10
Tire pressure, rear – front, kPa/bar/PSI	150/1.5/22	150/1.5/22
Max. gradient, degrees	10	10
<b>Engine</b>		
Brand/Model	Kubota/D902	Kubota/D1105
Nominal engine output, kW @ 3000 rpm <sup>1</sup>	14.7	17.8
Displacement, cm <sup>3</sup>	898	1123
Max. engine speed, rpm	3300	3200
Max. speed forward, km/h / mph	17.6/10.9	19/11.8
Max. speed reverse, km/h / mph	13.4/8.3	15/9.3
Diesel fuel, min. octane grade <sup>2</sup>	45	45
Tank volume, l (at max. fuel level indication)	22	22
Oil, API class CF-4 or better	Class SAE10W-40	Class SAE10W-40
Oil volume with filter, l	3.3	3.3
Oil volume without filter, l	3	3
Start motor	Electric start 12 V, 40 Ah	Electric start 12 V, 40 Ah
<b>Cooling system</b>		
Cooling system capacity, l	3.7	3.7
Antifreeze	≥ 50% propylene glycol (MPG)	≥ 50% propylene glycol (MPG)
<b>Hydraulic system</b>		
Max. working pressure, bar/psi	120/1740	120/1740
Max. workflow l/min	12	12

<sup>1</sup> The power rating of the engine indicated is the average net output (at specified rpm) of a typical production engine for the engine model measured to SAE standard J1349/ISO1585. Mass production engines may differ from this value. Actual power output for the engine installed on the final product will depend on the operating speed, environmental conditions and other values.

<sup>2</sup> To meet the emission regulations, the fuel need to meet the standard EN590 or ASTM D975 and have a Sulphur content of less than 500ppm or 0.05% of weight. Please refer to the Kubota Operators Manual for further information regarding fuel quality

	<b>P 520DX</b>	<b>P 525DX / P 525DX Cabin</b>
Hydraulic tank capacity, l	8	8
Hydraulic system capacity, l	13	13
Hydraulic oil	Husqvarna transmission oil 10W-30  (Husqvarna 10W-30 4T AWD or STOU 10W-30)	Husqvarna transmission oil 10W-30  (Husqvarna 10W-30 4T AWD or STOU 10W-30)
<b>Transmission</b>		
Brand	Kanzaki	Kanzaki
Model	KTM23	KTM23
Transmission oil	Husqvarna transmission oil 10W-30  (Husqvarna 10W-30 4T AWD or STOU 10W-30)	Husqvarna transmission oil 10W-30  (Husqvarna 10W-30 4T AWD or STOU 10W-30)
Oil capacity front, total, l	0.9	0.9
Oil capacity rear, total, l	0.9	0.9
Max. hydraulic pressure, bar/psi	275/3989	275/3989
<b>Electrical system</b>		
Type	12 V, negative grounded	12 V, negative grounded
Battery	12 V, 62 Ah	12 V, 62 Ah
Main fuse, type Mega OTO	150 A	150 A
Fuse for power outlet, type Midi OTO	50	50
<b>Lamps</b>		
Headlight	LED, 2x12 V, 5 W	LED, 2x12 V, 5 W
<b>Lamps on the cabin</b>		
Low and high beam lamp	-	H7
Parking lamps	-	W5W
Turn signal lamp	-	PY21W
Front working lights	-	H9
Rear working lights	-	LED lights
Rear lights	-	LED lights
Warning lamp	-	LED lights
<b>Cutting deck</b>		

	P 520DX	P 525DX / P 525DX Cabin
Type	Combi 132	Combi 132
	Combi 155	Combi 155
	Combi 132 X	Combi 132 X
	Combi 155 X	Combi 155 X

Noise emissions <sup>3</sup>	P 520DX	P 525DX	P 525DX Cabin
<b>Sound power level, measured dB(A)</b>			
Combi 132	103	104	103
Combi 155	104	103	103
Combi 132 X	103	104	103
Combi 155 X	104	103	103
<b>Sound power level, guaranteed dB(A)</b>			
Combi 132	105	105	104
Combi 155	105	105	104
Combi 132 X	105	105	104
Combi 155 X	105	105	104

Sound levels <sup>4</sup>	P 520DX	P 525DX	P 525DX Cabin
<b>Sound pressure level at the operators ear, dB(A)</b>			
Combi 132	88	87	84
Combi 155	88	87	84
Combi 132 X	88	87	84
Combi 155 X	88	87	84

Vibration levels <sup>5</sup>	P 520DX	P 525DX	P 525DX Cabin
<b>Vibration level on the steering wheel, m/s<sup>2</sup></b>			
Combi 132	1.4	1.5	1.4

<sup>3</sup> Noise emissions in the environment measured as sound power ( $L_{WA}$ ) in conformity with EC directive 2000/14/EC.

<sup>4</sup> Noise pressure level according to EN ISO 5395. Reported data for noise pressure level has a typical statistical dispersion (standard deviation) of 1.2 dB(A).

<sup>5</sup> Vibration level according to EN ISO 5395. Reported data for vibration level has a typical statistical dispersion (standard deviation) of 0.2 m/s<sup>2</sup> (steering wheel) and 0.8 m/s<sup>2</sup> (seat).



Vibration levels <sup>5</sup>	P 520DX	P 525DX	P 525DX Cabin
Combi 155	1.3	1.7	1.3
Combi 132 X	1.4	1.5	1.4
Combi 155 X	1.3	1.7	1.3
<b>Vibration level in the seat, m/s<sup>2</sup></b>			
Combi 132	0.3	0.4	0.3
Combi 155	0.3	0.4	0.3
Combi 132 X	0.3	0.4	0.3
Combi 155 X	0.3	0.4	0.3

Cutting deck	Combi 132	Combi 155	Combi 132 X	Combi 155 X
Cutting width, mm	1320	1550	1320	1550
Cutting height, 7 positions, mm/inch	30-112	30-112	30-112	30-112
Width, mm	1400	1631	1400	1631
Length, mm	490	563	490	563
Weight, kg	138	155	148	163
<b>Blade</b>				
Blade bolt tightening torque, Nm/kpm/lb-ft	80-84/8.15-8.56/59-62	80-84/8.15-8.56/59-62	80-84/8.15-8.56/59-62	80-84/8.15-8.56/59-62
Article number	5861988-10	5861989-10	5861988-10	5861989-10



**WARNING:** To use a cutting deck that is not approved for the product can cause objects to eject at high speed and cause

serious injury. Do not use other cutting deck types than specified in this owner's manual.

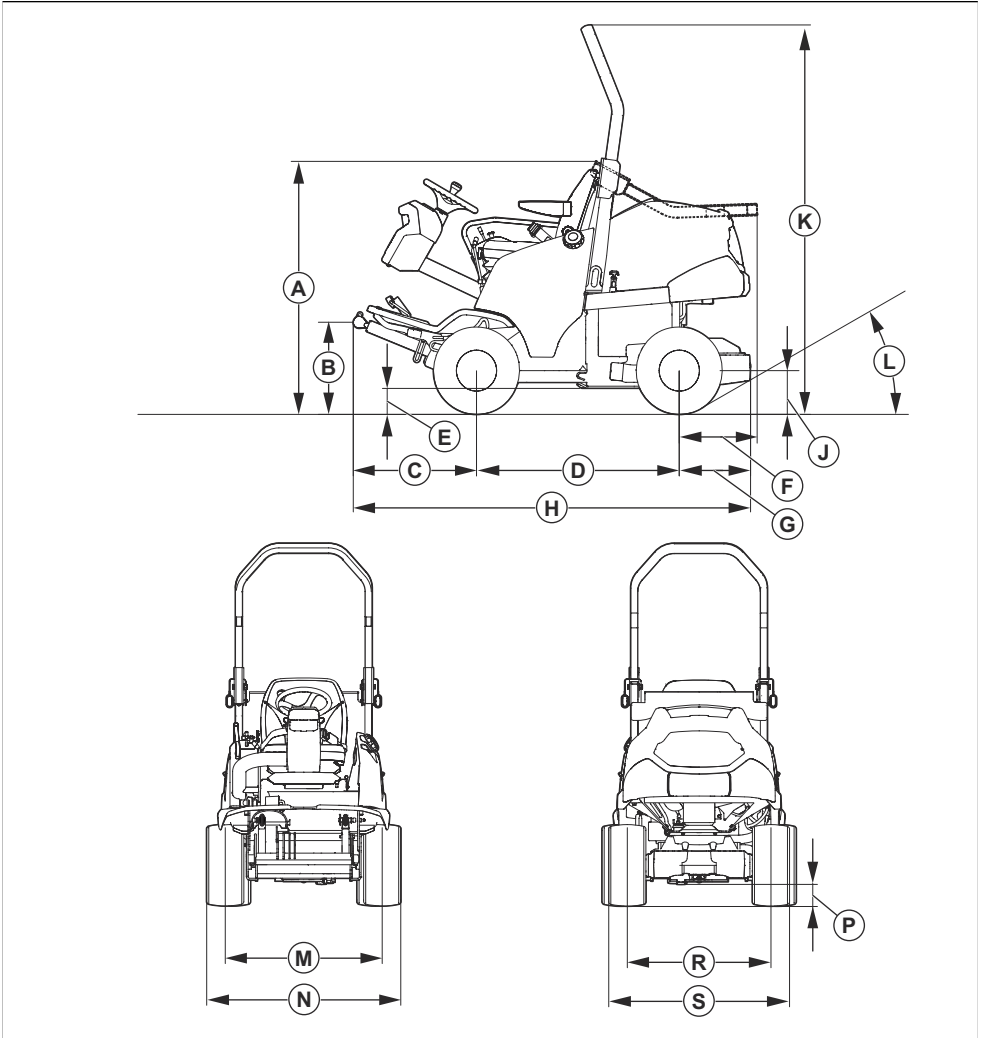
## Radio frequency data

	P 520DX	P 525DX	P 525DX Cabin
Frequency range, MHz	2402 – 2480	2402 – 2480	2402 – 2480
Output power <sup>6</sup> , dBm	0,0	0,0	0,0

<sup>5</sup> Vibration level according to EN ISO 5395. Reported data for vibration level has a typical statistical dispersion (standard deviation) of 0.2 m/s<sup>2</sup> (steering wheel) and 0.8 m/s<sup>2</sup> (seat).

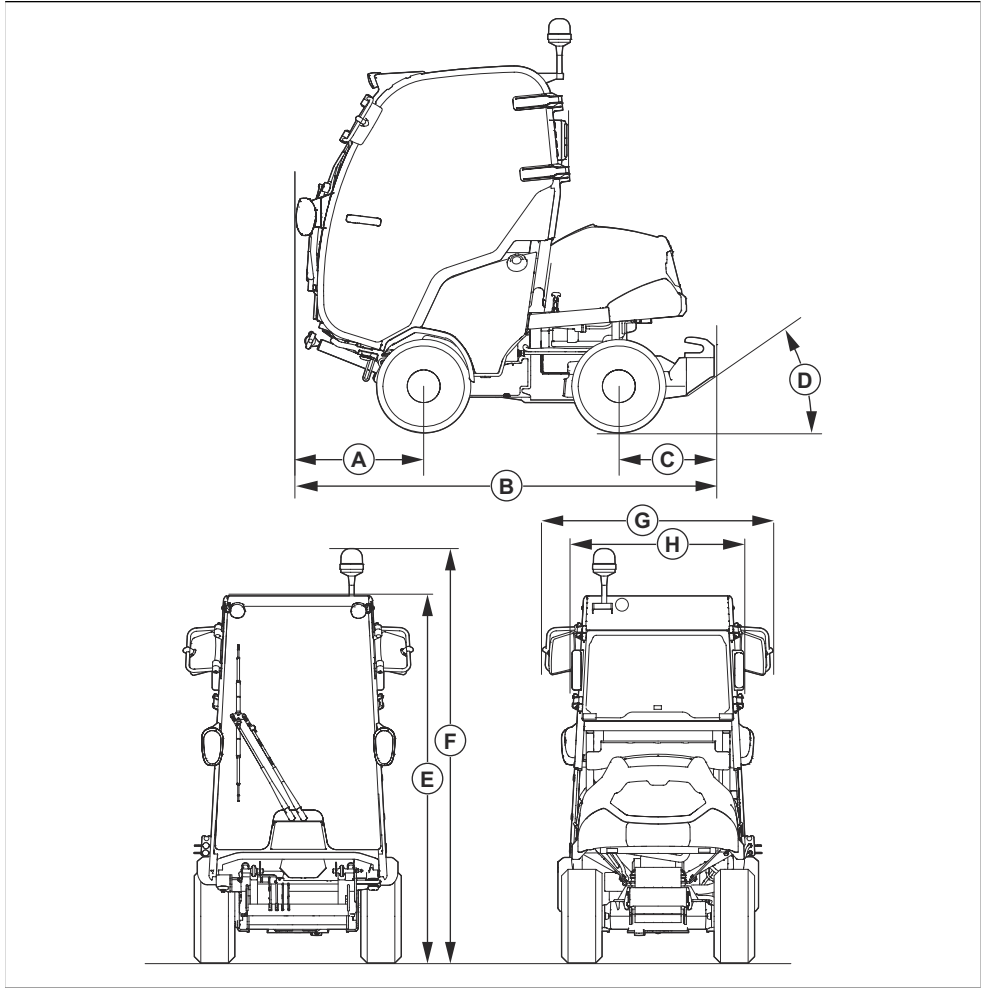
<sup>6</sup> Measured at 2402 MHz.

## Product dimensions (P 520DX/P 525DX)



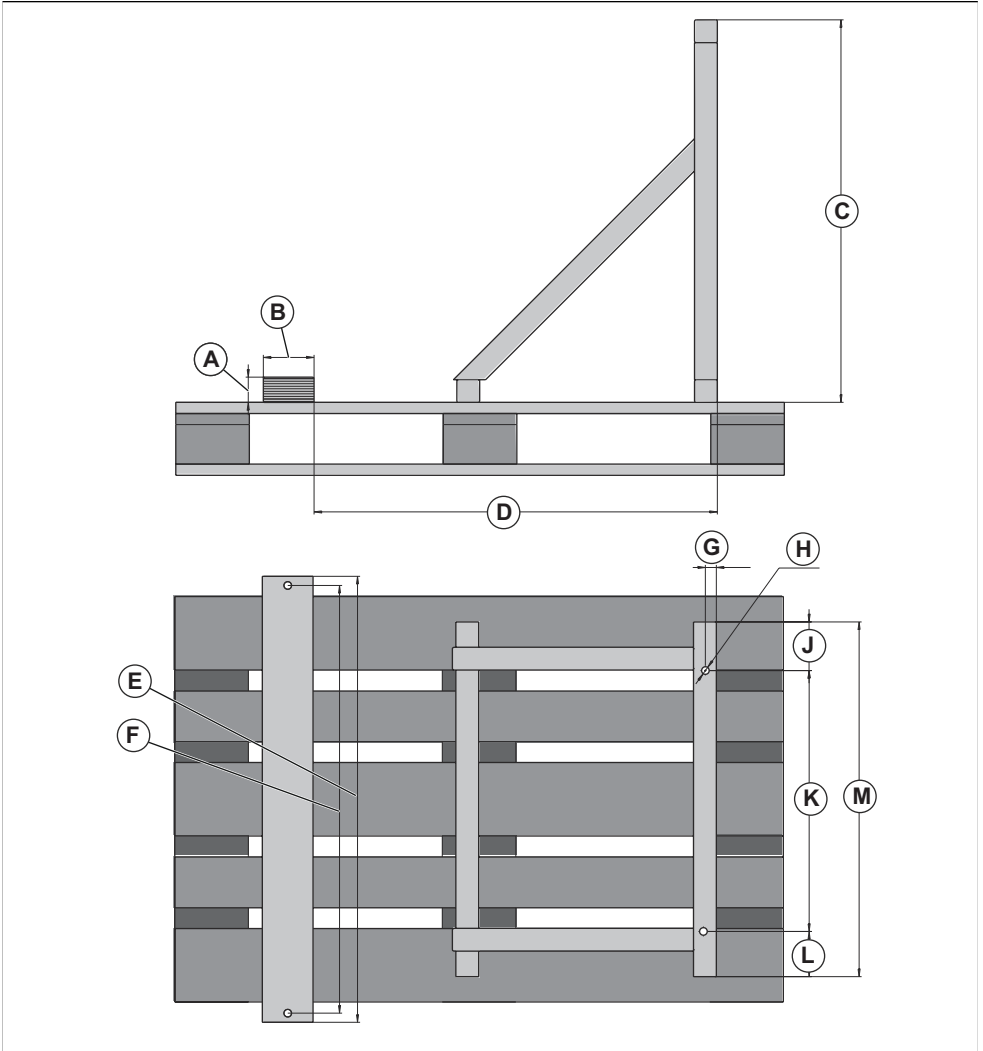
Dimensions, mm							
<b>A</b>	1330/1330	<b>E</b>	164/160	<b>J</b>	254/254	<b>N</b>	1132/1153
<b>B</b>	502/499	<b>F</b>	407/407	<b>K</b>	2033/2033	<b>P</b>	149/149
<b>C</b>	645/645	<b>G</b>	373/373	<b>L</b>	35.5°/35.5°	<b>R</b>	836/842
<b>D</b>	1060/1060	<b>H</b>	2078/2078	<b>M</b>	910/918	<b>S</b>	1056/1077

# Product dimensions (P 525DX Cabin)



Dimensions, mm							
<b>A</b>	692	<b>C</b>	518	<b>E</b>	2008	<b>G</b>	1251
<b>B</b>	2269	<b>D</b>	35°	<b>F</b>	2180	<b>H</b>	883

## Cabin support dimensions



Dimensions for the cabin support, mm

<b>A</b>	50	<b>D</b>	800	<b>G</b>	22,5	<b>K</b>	515
<b>B</b>	100	<b>E</b>	880	<b>H</b>	15 Ø (x4)	<b>L</b>	89
<b>C</b>	755	<b>F</b>	844	<b>J</b>	96	<b>M</b>	700

---

## Accessories

---

Instructions for maintenance of optional equipment or accessories are not given in this operator's manual. See

the operator's manual for the accessory or equipment for instructions.

---

## Service

---

Do a yearly check at an authorized service center to make sure that the product functions safely and at its best during high season. The best time to do a servicing or overhaul of the product is low season.

When you send an order for the spare parts, give information about the purchase year, model, type, and serial number.

Always use original spare parts.

---

## Warranty

---

### Transmission warranty

The transmission warranty is only applicable if checks are done of the front and rear wheel speed as specified in the maintenance schedule. To prevent damage to the transmission system, let an approved service agent adjust it.

# Declaration of Conformity

## EU Declaration of Conformity

We, **Husqvarna AB**, SE-561 82 Huskvarna, Sweden, tel: +46-36-146500, declare on our sole responsibility that the product:

<b>Description</b>	Ride-on Lawn Mower
<b>Brand</b>	Husqvarna
<b>Type / Model</b>	P 520DX, P 525DX, P 525DX Cabin
<b>Identification</b>	Serial numbers dating from 2022 and onwards

complies fully with the following EU directives and regulations:

<b>Directive/Regulation</b>	<b>Description</b>
2011/65/EU	"on the restriction of the use of certain hazardous substances in electrical and electronic equipment"
2006/42/EC	"relating to machinery"
2014/30/EU	"relating to electromagnetic compatibility"
2000/14/EC	"relating to the noise emissions in the environment"
2014/53/EU	"relating to radio equipment"

and that the following standards and/or technical specifications are applied: EN ISO 5395-1:2013/A1:2018, EN ISO 5395-3:2013/A1:2017/A2:2018, ISO 21299:2009, EN ISO 12100:2010, EN ISO 14982:2009, ETSI EN 300 328 v.2.2.2, ETSI EN 301 489-1 V2.2.3, ETSI EN 301 489-17 V3.2.4, EN IEC 61000-6-4:2019, EN IEC 61000-6-2:2019, EN IEC 63000:2018.



Notified Body: 0404, RISE SMP Svensk Maskinprovning AB, Box 4053, SE-904 03 Umeå, Sweden has certified conformity with the council's directive 2000/14/EC, conformity assessment procedure: Annex VI.

For information relating to noise emissions, refer to *Technical data on page 58*.

Huskvarna, 2022-10-12

A handwritten signature in black ink, appearing to be 'Claes Losdal', written over a horizontal line.

Claes Losdal, Development Manager/Garden Products, Husqvarna AB

Responsible for technical documentation

# UK Declaration of Conformity

We, **Husqvarna AB**, SE-561 82 Huskvarna, Sweden, tel: +46-36-146500, declare on our sole responsibility that the product:

<b>Description</b>	Ride-on Lawn Mower
<b>Brand</b>	Husqvarna
<b>Type / Model</b>	P 520DX, P 525DX, P 525DX Cabin
<b>Identification</b>	Serial numbers dating from 2022 and onwards

complies fully with the following UK regulations:

<b>Description</b>
The Supply of Machinery (Safety) Regulations 2008
Electromagnetic Compatibility Regulations 2016
The Radio Equipment Regulations 2017
The Noise Emission in the Environment by Equipment for use Outdoors Regulations 2001, schedule 9
The Restriction of the Use of Certain Hazardous Substances in Electrical and Electronic Equipment Regulations 2012

and that the following standards and/or technical specifications are applied: EN ISO 5395-1:2013/A1:2018, EN ISO 5395-3:2013/A1:2017/A2:2018, ISO 21299:2009, EN ISO 12100:2010, EN ISO 14982:2009, ETSI EN 300 328 v.2.2.2, ETSI EN 301 489-1 V2.2.3, ETSI EN 301 489-17 V3.2.4, EN IEC 61000-6-4:2019, EN IEC 61000-6-2:2019, EN IEC 63000:2018.

UK Importer:  
Husqvarna UK Ltd  
Preston Road, Co. Durham  
DL5 6UP

Approved Body: 0888, HORIBA MIRA Certification Ltd. Watling Street, Nuneaton, Warwickshire, CV10 0TU, UK, has carried out certified conformity according to the Outdoor Noise Regulations of 2001, conformity assessment procedure: Schedule 9.

For information relating to noise emissions, refer to *Technical data on page 58*.

Husqvarna, 2022-10-14



Claes Losdal, Development Manager/Garden Products, Husqvarna AB

Responsible for technical documentation

**UK  
CA**

---

## Registered trademarks

---

The *Bluetooth*<sup>®</sup> word mark and logos are registered trademarks owned by *Bluetooth SIG, inc* and any use of such marks by Husqvarna is under license.



---

# Contenido

---

Introducción.....	69	Datos técnicos.....	128
Seguridad.....	77	Accesorios.....	135
Montaje.....	82	Servicio técnico.....	135
Funcionamiento.....	88	Garantía.....	135
Mantenimiento.....	96	Declaración de conformidad.....	136
Resolución de problemas.....	120	Marcas comerciales registradas.....	137
Transporte, almacenamiento y eliminación.....	125		

---

## Introducción

---

### Inspección previa a la entrega y números de producto

---

copia firmada del documento de inspección previa a la entrega de su distribuidor.

---

**Nota:** Se ha realizado una inspección previa a la entrega de este producto. Asegúrese de que recibe una

Información de contacto del taller de servicio:	
Este manual de usuario pertenece a un producto con número de producto/número de serie:	
/	
Motor:	
Transmisión:	

### Descripción del producto

P 520DX y P 525DX son cortacéspedes con unidad de corte frontal. La fuente de alimentación es un motor diésel. Los pedales de avance y marcha atrás permiten al operador ajustar la velocidad gradualmente. Todos los productos tienen tracción a las cuatro ruedas (AWD) y se utilizan con equipos de corte Combi con Bioclip®. P 525DX Cabin es un producto P 525DX con cabina.

### Uso previsto

Este producto está pensado para cortar hierba en zonas comerciales. Conecte accesorios opcionales para utilizar el producto para otras tareas. Póngase en contacto con su distribuidor de Husqvarna para obtener más información sobre los accesorios disponibles.

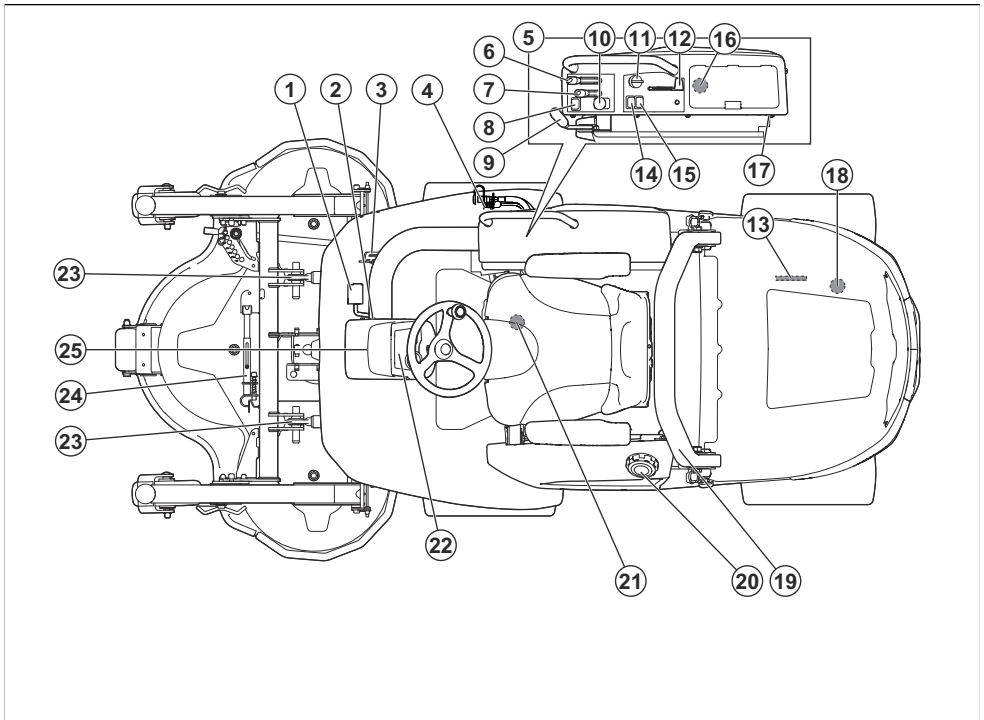
### Asegure su producto

Asegúrese de que tiene su seguro cubre el nuevo producto. Si tiene cualquier duda, hable con su compañía de seguros. Se recomienda un seguro a todo riesgo que incluya terceros, incendio, daños, robo y responsabilidad.

### Firmware

Compruebe que el producto tiene instaladas las últimas versiones del software. Acuda a su distribuidor de servicio Husqvarna.

## Descripción del producto (P 520DX, P 525DX)



1. Pedal de avance
2. Palanca de bloqueo para la posición del pedal (no disponible para P 520DX)
3. Pedal de marcha atrás
4. Toma de corriente auxiliar (AUX), 12 V (accesorio para el producto P 520DX)
5. Panel de control del lado derecho
6. Palanca para la elevación hidráulica
7. Palanca para la altura de corte (accesorio para el producto P 520DX)
8. Botón de función para los accesorios hidráulicos (accesorio para el producto P 520DX)
9. Freno de estacionamiento
10. Botón de la TDF
11. Llave de encendido
12. Acelerador

13. Placa de identificación
14. Interruptor de los faros
15. Interruptor para la toma de corriente de 12 V
16. Puertos USB de 5 V
17. Toma de corriente de 12 V
18. Válvula de derivación de la transmisión trasera
19. Sistema de protección antivuelco (Roll Over Protective Structure, ROPS)
20. Tapón del depósito de combustible
21. Válvula de derivación de la transmisión delantera
22. Pantalla
23. Brazos elevadores
24. Tirante de servicio
25. Columna de dirección



- 33. Luces de trabajo delanteras
- 34. Ventilador de aire y sistema de filtración
- 35. Salida de emergencia
- 36. Pantalla
- 37. Contrapeso

## Tomas de corriente

El producto cuenta con las siguientes tomas de corriente:

- Toma de corriente de 12 V
- Puertos USB
- Toma de corriente auxiliar (AUX) de 12 V (accesorio para el producto P 520DX)

Para localizar los fusibles de la toma de corriente, consulte *Vista general de los fusibles en la página 107*.

Para localizar las tomas, consulte *Descripción del producto (P 520DX, P 525DX) en la página 70*.

Encienda y apague la toma de corriente con el interruptor de encendido del panel de control.

## Horómetro

El producto tiene 2 horómetros en la pantalla que muestran las horas de funcionamiento totales (A) del motor y durante el periodo de funcionamiento actual (B). El último dígito del horómetro de funcionamiento actual muestra las décimas de hora (6 minutos).

El tiempo con el contacto puesto, pero con el motor apagado no se registra.

**Nota:** El horómetro total (A) solo muestra las horas totales.

**Nota:** Se denomina periodo de funcionamiento actual al tiempo que el motor ha permanecido encendido durante un día. Se inicia un nuevo periodo de funcionamiento si el motor se mantiene apagado durante un mínimo de seis horas.



## Husqvarna Connect

El producto tiene tecnología inalámbrica y puede conectarse a dispositivos móviles que tengan la aplicación Husqvarna Connect instalada. La aplicación Husqvarna Connect es gratuita para su dispositivo móvil. La aplicación Husqvarna Connect proporciona más funciones para su producto Husqvarna:

- Función de bloqueo y desbloqueo para evitar una puesta en marcha no autorizada del producto.
- Información ampliada sobre el producto.

- Información y asistencia sobre piezas y mantenimiento de productos.

## Husqvarna Fleet Services™

Husqvarna Fleet Services™ es una solución en la nube que proporciona al gerente de flotas comercial una visión general de todos los productos. Para obtener más información sobre Husqvarna Fleet Services™, consulte [www.husqvarna.com](http://www.husqvarna.com).

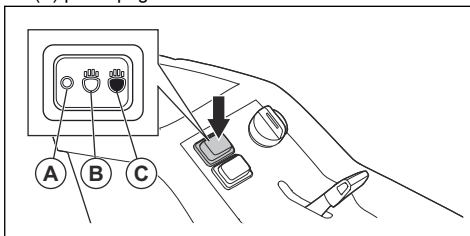
### Conexión del producto con Husqvarna Fleet Services™

1. Descargue la aplicación Husqvarna Fleet Services™ en su dispositivo móvil.
2. Inicie sesión en la aplicación Husqvarna Fleet Services™.
3. Siga las instrucciones sobre cómo emparejar el producto con Husqvarna Fleet Services™.

## Faro

El producto cuenta con una luz de trabajo y una luz de carretera.

- Coloque el interruptor de encendido en la posición (A) para apagar las luces.



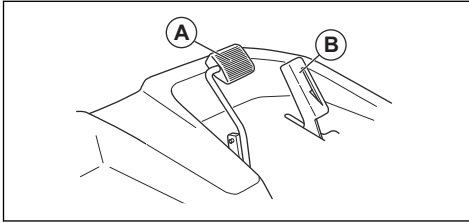
- Coloque el interruptor de encendido en la posición (B) para encender la luz de trabajo.
- Coloque el interruptor de encendido en la posición (C) para encender también la luz de carretera.

La luz de trabajo permanece encendida durante 3 minutos después de apagar el contacto colocando la llave en la posición de apagado (STOP). Cuando los faros se encienden, la pantalla muestra el símbolo de los faros. Consulte la sección *Pantalla en la página 74*.

## Pedales de marcha adelante y marcha atrás

La velocidad se ajusta gradualmente con dos pedales. El pedal izquierdo (A) se utiliza para desplazarse hacia

delante y el pedal derecho (B) para desplazarse marcha atrás. La máquina frena al soltar los pedales.

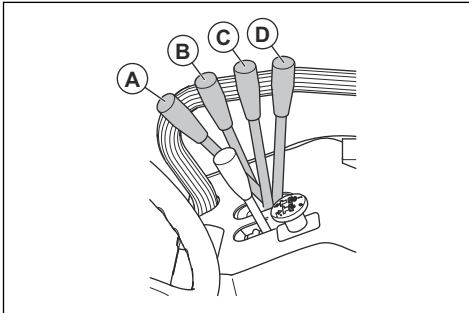


## Palanca de elevación hidráulica del equipo de corte

La palanca de elevación para la elevación hidráulica se utiliza para elevar y bajar el equipo de corte. La elevación hidráulica utiliza presión hidráulica, por lo que el motor debe estar en marcha para que funcione.

En posición de corte, el equipo de corte se mueve a nivel del terreno.

- Con la posición (A), el equipo de corte se traslada a la posición de corte.
- Con la posición (B), se bajan los brazos elevadores.
- Posición neutra (C).
- Con la posición (D), el equipo de corte se traslada a la posición de transporte.

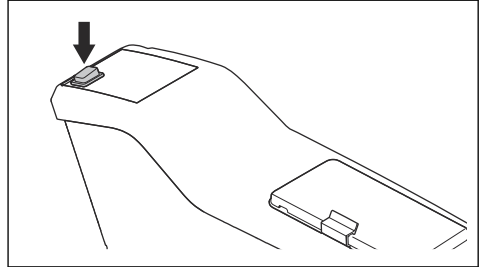


**ADVERTENCIA:** Siempre es posible elevar y bajar el equipo de corte. La fuerza hidráulica puede ocasionar lesiones graves.

## Botón de función para los accesorios hidráulicos

El botón de función está junto a la palanca de elevación de los accesorios hidráulicos.

El botón de función tiene un uso distinto al de otros accesorios. Consulte el manual de usuario del accesorio.

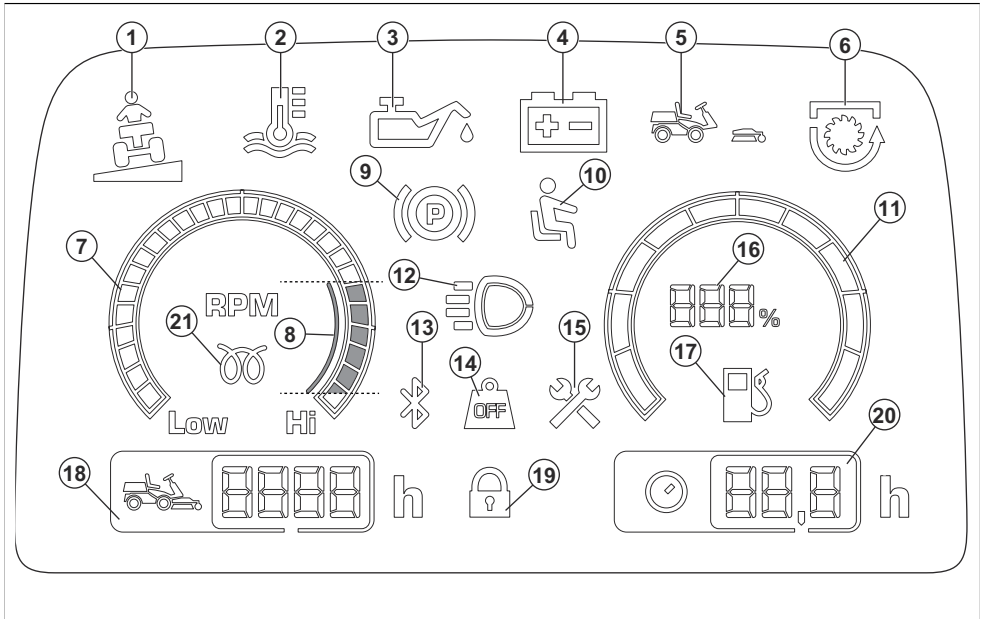


## Equipo de corte

Los equipos de corte de este producto son equipos de corte Combi con BioClip®. BioClip® corta la hierba y la convierte en fertilizante. Los equipos de corte Combi también se pueden utilizar sin BioClip®. Sin BioClip®, la hierba se expulsa por la parte trasera.

## Pantalla

La pantalla del panel de instrumentos muestra información sobre el estado del producto.



1. Indicador de pendiente (no aplicable para este producto)
2. Indicador de temperatura del agua del motor

**Nota:** Cuando se enciende la indicación de temperatura del motor, se activa una señal sonora de advertencia. Desconecte inmediatamente el interruptor de la TDF y coloque el acelerador en la posición de baja velocidad. La señal de advertencia se detiene cuando la temperatura del motor desciende por debajo del límite de advertencia.



**PRECAUCIÓN:** No gire la llave de contacto a la posición de parada cuando se active la señal de advertencia. Esto puede provocar daños en el motor.

3. Indicador de presión del aceite de motor
4. Indicador de carga de la batería
5. Indicador del equipo de corte (no aplicable para este producto)
6. Indicador de la TDF
7. Tacómetro
8. RPM del motor recomendadas cuando utiliza el producto.
9. Indicador de freno de estacionamiento

10. Control de presencia del usuario (OPC)
11. Indicador de combustible
12. Indicador de luz de trabajo o de luz de carretera
13. Bluetooth®
14. Transferencia de peso desactivada (no aplicable para este producto)
15. Indicador de mantenimiento
16. Indicador de combustible medido en intervalos de 5 %
17. Indicador de nivel de combustible bajo
18. Horómetro. Tiempo de funcionamiento total en horas.
19. Bloqueo digital
20. Horómetro. Horas/día de trabajo. Consulte *Horómetro en la página 72*.
21. Indicador de la bujía de precalentamiento

**Nota:** La apariencia de la pantalla puede variar entre los distintos modelos.

**Nota:** Cuando se gira la llave de contacto de la posición de apagado (STOP) a la de encendido (ON), todos los símbolos se encienden durante un breve periodo. Posteriormente, solo permanecen encendidos aquellos símbolos que estén activos.

## Calefacción de la cabina

P 525DX Cabin cuenta con calefacción de la cabina para aumentar la temperatura de la cabina. La calefacción de la cabina también puede utilizarse para eliminar la escarcha de las lunas si la temperatura ambiente es baja.

## Símbolos que aparecen en el producto



**ADVERTENCIA:** Tenga cuidado y utilice el producto correctamente. Este producto puede ocasionar lesiones graves o mortales tanto al operador como a cualquier otra persona.



Lea atentamente el manual de usuario y asegúrese de que entiende las instrucciones antes de utilizar este producto.



Cuchillas giratorias. Mantenga el cuerpo y las extremidades alejados de la tapa cuando el motor esté en marcha.



Advertencia: Piezas giratorias. Mantenga los miembros del cuerpo alejados.



Advertencia: Polea de correa giratoria. Mantenga alejados el cuerpo y las extremidades cuando el motor esté encendido.



Advertencia: Riesgo de lesiones por aplastamiento.



Advertencia: Riesgo de lesiones por aplastamiento. Los brazos de elevación se moverán con gran fuerza; mantenga alejados el cuerpo y las extremidades.



Tenga cuidado con los objetos que salgan despedidos o rebotados.



Superficie caliente.



Nunca utilice el producto cerca de personas, especialmente niños o mascotas.



Mire hacia atrás antes y durante el desplazamiento del producto marcha atrás.



No corte nunca la hierba de forma transversal en una pendiente. No corte la hierba en terrenos con pendientes de más de 10°. Consulte *Corte del césped en pendientes en la página 80.*



No lleve nunca pasajeros en el producto o el equipo.



Riesgo de lesiones en caso de vuelco del producto.



Si el equipo de corte no está montado, conduzca el producto muy lentamente.



Utilice el producto a máxima velocidad únicamente cuando esté montado el equipo de corte.



Desplazamiento hacia delante.



Punto muerto.



Desplazamiento marcha atrás.



Freno de estacionamiento.



Aplique el freno de estacionamiento.



Suelte el freno de estacionamiento.



Este producto cumple con las directivas CE vigentes.



Este producto cumple con las directivas del Reino Unido vigentes.



Etiqueta de emisiones sonoras al medio ambiente conforme con las directivas y normativas europeas y del Reino Unido, y con la regulación de 2017 sobre de protección del medioambiente (control de ruidos) (Protection of the Environment Operations - Noise Control) de la legislación de Nueva Gales del Sur. El nivel de potencia acústica garantizado del producto se especifica en el apartado *Datos técnicos en la página 128* y en la etiqueta.



**Marca medioambiental.** Ni el producto ni su embalaje son residuos domésticos. Recícelos en un centro de reciclaje para equipos eléctricos y electrónicos.



No utilice el cinturón de seguridad si el sistema ROPS está bajado.



Utilice siempre el cinturón de seguridad si el sistema ROPS está elevado.



Utilice siempre una protección de oídos homologada.

**ON**

Activación del producto.



Pare el motor.



Régimen del motor: rápido.



Régimen del motor: lento.



Combustible.



Las cuchillas están engranadas.



Las cuchillas no están engranadas.



Nivel de aceite.



Código escaneable

**Nota:** Los demás símbolos y etiquetas que aparecen en el producto corresponden a requisitos de homologación específicos de otras zonas comerciales.

## Placa de características técnicas

1	Husqvarna Identity (HID)	XXXXXXXXXXXXXXXXXXXXXXXXXXXX	5
2	Model	XXXX	6
3	PNC	XXXXXXXXXX	7
4	QR Code		8
	Prod year	XXXX	
	Nominal power	XX, kW	
	Serial number	XXXXXXXXXXXX	
	UK Importer Husqvarna UK Ltd, Preston Road, Co. Durham, DL5 6UP		
	HUSQVARNA AB SE-561 82 HUSKVARNA, SWEDEN		
9	PNC	XXXXXXXXXXXX	
10	Unladen weight	XXXkg	
11	Max front axle weight (GAWR)	XXXkg	
12	Max rear axle weight (GAWR)	XXXkg	
13	Max laden weight (GCWR)	XXXXkg	
	USA Importer Husqvarna Group, 9335 Harris Corners Pkwy, Suite 500, Charlotte, NC28269, USA		

1. Identificación de Husqvarna (HID) con número de referencia, fábrica y línea de producción, fecha, número de secuencia y número de control
2. Nombre del modelo
3. Código de número de producto (PNC)
4. Código escaneable
5. Fabricante y dirección del fabricante
6. Año de fabricación
7. Potencia nominal



8. Número de serie con fecha de fabricación, año, semana y número de secuencia
9. Código de número de producto (PNC)
10. Peso del producto, sin carga
11. Carga máxima sobre el eje delantero (GAWR)
12. Carga máxima sobre el eje trasero (GAWR)
13. Peso máximo autorizado con carga (GCWR)

## Emisiones Euro V



**ADVERTENCIA:** La manipulación del motor anula la homologación de la UE de este producto.

## Daños en el producto

No nos hacemos responsables de los daños que pueda sufrir el producto si:

- El producto se ha reparado incorrectamente.
- El producto se ha reparado con piezas que no eran del fabricante o no autorizadas por el fabricante.
- El producto tiene un accesorio que no es del fabricante o no está autorizado por este.
- El producto no se ha reparado en un centro de servicio autorizado o por un organismo homologado.

## Seguridad

### Definiciones de seguridad

Las advertencias, precauciones y notas se utilizan para destacar información especialmente importante del manual.



**ADVERTENCIA:** Indica un riesgo de lesiones o incluso de muerte del usuario o de las personas cercanas si no se respetan las instrucciones del manual.



**PRECAUCIÓN:** Indica un riesgo de daños en el producto, otros materiales o el área adyacente si no se respetan las instrucciones del manual.

**Nota:** Se usa para proporcionar más información necesaria en una situación determinada.

### Instrucciones generales de seguridad



**ADVERTENCIA:** Este producto puede cortar las manos y los pies, y arrojar objetos. Puede causar lesiones graves o incluso la muerte si no siguen las instrucciones de seguridad.



**ADVERTENCIA:** No se debe continuar utilizando un producto con un equipo de corte dañado, ya que este puede arrojar objetos y causar lesiones graves o incluso la muerte. Sustituya las cuchillas dañadas inmediatamente.



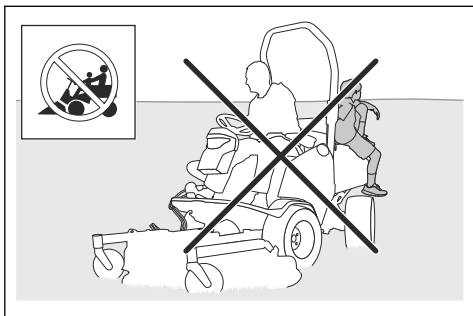
**ADVERTENCIA:** Este producto genera un campo electromagnético durante el funcionamiento. Este campo puede, en determinadas circunstancias, interferir en implantes médicos activos o pasivos. Para

reducir el riesgo de que se den condiciones que provocarían lesiones graves o letales, las personas que utilizan implantes médicos deben consultar con su médico y con el fabricante del implante antes de poner en marcha este producto.



**ADVERTENCIA:** Lea las siguientes instrucciones de advertencia antes de utilizar el producto.

- Proceda siempre con cuidado y utilice siempre el sentido común. Evite todas aquellas situaciones que considere que sobrepasan sus capacidades. Si después de leer el manual de usuario no se siente seguro respecto a los procedimientos de funcionamiento, consulte con un experto antes de continuar.
- Lea detenidamente y comprenda el manual de usuario y las instrucciones del producto antes de arrancar el producto.
- Aprenda a utilizar el producto y sus controles de forma segura, y aprenda a detener el producto con rapidez.
- Aprenda a reconocer las etiquetas de seguridad.
- Mantenga el producto limpio para asegurarse de que puede leer claramente los símbolos y las pegatinas.
- Debe tenerse en cuenta que el operador será responsable de los accidentes que involucren a otras personas o a su propiedad.
- No transporte pasajeros. El producto debe ser usado únicamente por una persona.



- Estacione siempre el producto en una superficie nivelada con el motor apagado.

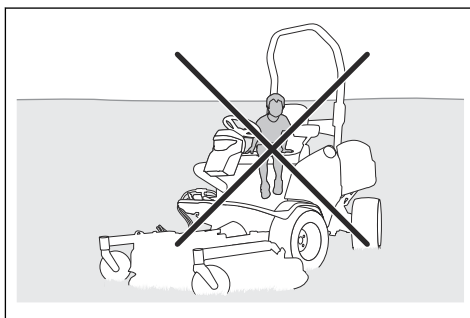
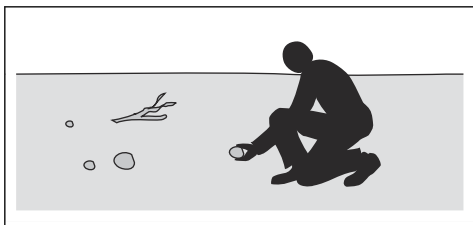
### Instrucciones de seguridad relativas a los niños



**ADVERTENCIA:** Lea las siguientes instrucciones de advertencia antes de utilizar el producto.

- Pueden producirse accidentes graves si no vigila a los niños que estén cerca del producto. Los niños pueden sentirse atraídos por el producto y por cortar el césped. Es muy posible que los niños no se queden quietos donde los vio por última vez.
- Mantenga a los niños alejados de la zona de corte. Asegúrese de que hay presente un adulto responsable de los niños.
- Preste atención y detenga el producto si un niño entra en la zona de trabajo. Tenga mucho cuidado cuando se acerque a esquinas, arbustos, árboles u otros objetos que podrían bloquear su buena visibilidad.
- Antes de desplazar el producto marcha atrás, mire hacia atrás y hacia abajo para asegurarse de que no hay niños pequeños en las proximidades del producto.
- No deje que los niños monten con usted. Pueden caerse y sufrir graves lesiones o impedir el manejo seguro del producto.
- No deje que los niños manejen el producto.

- No deje que el producto permanezca sin supervisión con el motor en marcha. Pare siempre las cuchillas, ponga el freno de estacionamiento, detenga el motor y quite la llave de contacto antes de dejar el producto sin supervisión.
- Utilice el producto únicamente con la luz del día o en áreas con buena iluminación. Mantenga el producto a una distancia segura respecto a orificios u otras irregularidades del suelo. Tenga cuidado con otros posibles riesgos.
- No utilice el producto en condiciones climáticas desfavorables, por ejemplo, con niebla, lluvia, humedad, lugares húmedos, viento fuerte, frío intenso, posibilidad de relámpagos, etc.
- Localice y marque piedras y otros objetos fijos para no colisionar con ellos.
- Limpie la zona de objetos tales como piedras, juguetes, cables, etc. que se podrían quedar atrapados en las cuchillas y ser lanzados.



### Instrucciones de seguridad para el funcionamiento



**ADVERTENCIA:** No toque el motor ni el sistema de escape durante o directamente después del uso. El motor y el sistema de escape pueden calentarse mucho durante el funcionamiento. Riesgo de quemaduras, incendio y daños en la propiedad o las zonas adyacentes. Al utilizar el producto, aléjese de los arbustos y otros objetos.

- No deje que los niños u otras personas no autorizadas utilicen el producto ni realicen su mantenimiento. La legislación local podría establecer un límite de edad para el operario.
- Asegúrese de que no hay nadie en las proximidades del producto cuando arranque el motor, accione la transmisión o comience a desplazar el producto.
- Preste atención al tráfico cuando utilice la máquina cerca de una carretera o se desplace por una.
- No utilice el producto si está cansado, si ha ingerido alcohol o drogas, o si toma medicamentos o cualquier otra sustancia que puedan afectarle la vista, su capacidad de discernimiento o el control del cuerpo.
- No cambie el ajuste del régimen del motor.



**ADVERTENCIA:** Lea las siguientes instrucciones de advertencia antes de utilizar el producto.

- Antes de desplazarse marcha atrás, mire bien detrás y hacia abajo. Tenga cuidado con los obstáculos grandes y pequeños.
- Reduzca la velocidad antes de doblar una esquina.
- Detenga las cuchillas cuando se mueva por zonas que no requieran corte.



**PRECAUCIÓN:** Lea las siguientes instrucciones de precaución antes de utilizar el producto.

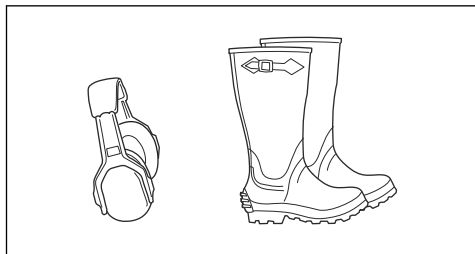
- Antes de usar el producto, limpie la hierba y la suciedad de la toma de aire frío del motor. Si la toma de aire frío se bloquea, se corre el riesgo de dañar el motor.
- Muévase con cuidado alrededor de piedras y otros objetos grandes, y asegúrese de que las cuchillas no golpean los objetos.
- No pase con el producto por encima de objetos. Si pasa con el producto por encima de algún objeto o choca con él, deténgase y examine el producto y el equipo de corte. Si es necesario, realice cualquier reparación necesaria antes de volver a ponerse en marcha.

### Equipo de protección individual



**ADVERTENCIA:** Lea las siguientes instrucciones de advertencia antes de utilizar el producto.

- Para trabajar con el producto debe utilizar un equipo de protección individual homologado. El equipo de protección individual no elimina completamente el riesgo de lesiones, pero reduce la gravedad de estas en caso de accidente. Deje que el distribuidor le ayude a seleccionar el equipo adecuado.
- Utilice protectores auriculares homologados. La exposición prolongada al ruido puede causar daños crónicos en el oído.
- Utilice botas o zapatos de trabajo antideslizantes. Se recomienda llevar punteras de acero. No utilice calzado abierto ni vaya descalzo.



- Utilice guantes protectores cuando sea necesario, por ejemplo, para el montaje, inspección o limpieza del equipo de corte.
- No lleve ropa suelta, joyas u otros objetos que puedan quedar atrapados en las piezas móviles.
- Mantenga el equipo de primeros auxilios y el extintor de incendios cerca.

### Dispositivos de seguridad en el producto



**ADVERTENCIA:** Lea las siguientes instrucciones de advertencia antes de utilizar el producto.

- No utilice ningún producto con dispositivos de seguridad dañados o que no funcionen correctamente. Realice una comprobación de los dispositivos de seguridad con frecuencia. Si los dispositivos de seguridad están dañados, póngase en contacto con su taller de servicio de Husqvarna.
- No realice ninguna modificación de los dispositivos de seguridad. No utilice el producto si las placas protectoras, las cubiertas de protección, los interruptores de seguridad u otros dispositivos de protección no están instalados o están dañados.

### Sistema de protección antivuelco (ROPS)

El sistema ROPS es un bastidor protector que reduce el riesgo de lesiones en caso de vuelco. Utilice el sistema ROPS y el cinturón de seguridad cuando utilice el producto en pendientes.

### Cinturón de seguridad

El cinturón de seguridad evita lesiones si se producen accidentes o el producto vuelca. Utilice el cinturón de seguridad únicamente cuando el sistema ROPS está acoplado. Asegúrese de que el cinturón de seguridad está correctamente conectado y no está dañado.

### Control de presencia del usuario (OPC)

El OPC se activa cuando el usuario se levanta del asiento. Se enciende el indicador de OPC de la pantalla. El OPC activa el circuito de seguridad. Consulte la sección *Comprobación de las condiciones de funcionamiento en la página 80*.

### Comprobación de la llave de contacto

- Arranque y detenga el motor para comprobar la llave de contacto. Consulte *Arranque del motor en la página 91* y *Para parar el motor en la página 94*.
- Verifique que el motor arranca al girar la llave de contacto a la posición de arranque.
- Verifique que el motor se detiene inmediatamente al girar la llave de contacto a la posición de parada.

## Comprobación de las condiciones de funcionamiento

Las condiciones de funcionamiento son las siguientes:

- El motor solo se puede arrancar si no se acopla la transmisión de las cuchillas.
- El motor solo se puede arrancar si se acciona el freno de estacionamiento.
- La transmisión de las cuchillas solo puede funcionar si el operario se sienta en el asiento.

Compruebe las condiciones de funcionamiento a diario.

1. Intente arrancar el motor con la transmisión de las cuchillas acoplada. Si se cumplen las condiciones de funcionamiento, el motor no arranca.
2. Intente arrancar el motor sin accionar el freno de estacionamiento. Si se cumplen las condiciones de funcionamiento, el motor no arranca.
3. Arranque el motor, acople la transmisión de las cuchillas y levántese del asiento. Si se cumplen las condiciones de funcionamiento, las cuchillas del equipo de corte se detendrán.

## Revisión del pedal de avance y el pedal de marcha atrás

1. Encienda el producto.
2. Asegúrese de que los pedales de avance y marcha atrás no están bloqueados y se pueden accionar libremente.
3. Pise el pedal de avance con cuidado para avanzar.
4. Suelte el pedal de avance para frenar. Asegúrese de que el freno de acopla cuando se suelta el pedal de avance.
5. Realice el mismo procedimiento con el pedal de marcha atrás.

**Nota:** El producto dispone de un freno automático que se activa al soltar los pedales. Para reducir la velocidad más rápido, pise el otro pedal.

6. Asegúrese de que el producto no se mueve sin accionar los pedales de avance y marcha atrás.

## Freno de estacionamiento



**ADVERTENCIA:** Si el freno de estacionamiento no funciona, el producto puede comenzar a moverse y provocar daños o lesiones. Asegúrese de que el freno de estacionamiento se examina y ajusta con frecuencia.

Consulte la sección *Comprobación del freno de estacionamiento en la página 102.*

## Silenciador

El silenciador mantiene al mínimo los niveles de ruido y aparta los gases de escape del usuario.

No utilice el producto si el silenciador no está instalado o está dañado. Un silenciador dañado aumenta el nivel de ruido y el riesgo de incendio.



**ADVERTENCIA:** El silenciador se calienta mucho durante el uso y también cuando el motor se encuentra al ralentí. Tenga cuidado cuando se encuentre cerca de materiales o gases inflamables para evitar incendios.

## Comprobación del silenciador

- Examine el silenciador con frecuencia para asegurarse de que está montado correctamente y que no está dañado.

## Tapas protectoras

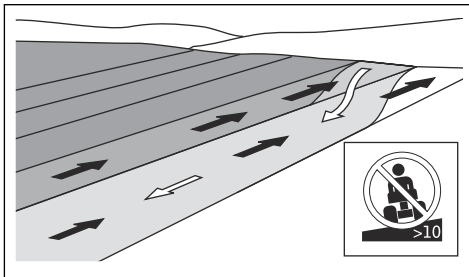
Si el producto no dispone de tapas protectoras o estas están dañadas, aumenta el riesgo de lesiones por piezas móviles y superficies calientes. Compruebe las tapas protectoras antes de poner en marcha el producto. Asegúrese de que las tapas protectoras están montadas correctamente y no tienen grietas u otros daños. Sustituya las tapas dañadas.

## Corte del césped en pendientes



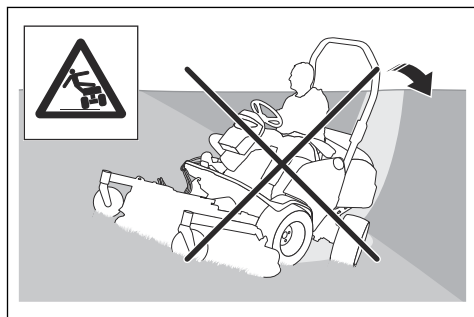
**ADVERTENCIA:** Lea las siguientes instrucciones de advertencia antes de utilizar el producto.

- Cortar el césped en pendientes aumenta el riesgo de perder el control del producto y que este vuelque, lo que puede provocar lesiones graves o la muerte. Es necesario cortar el césped con cuidado en todas las pendientes. Si no puede dar marcha atrás en una pendiente o si no se siente seguro en ella, no utilice la máquina.
- Quite piedras, ramas y otros obstáculos.
- En las pendientes, trabaje de arriba a abajo y no de lado a lado.
- No baje por una pendiente con el equipo de corte elevado.
- No utilice el producto en pendientes de más de 10°.



- No arranque ni detenga la máquina en una pendiente.

- En pendientes, desplácese con suavidad y lentamente.
- No realice cambios súbitos de velocidad ni dirección.
- No gire más de lo necesario. Cuando baje por una pendiente, gire de forma lenta y gradual. Muévase a baja velocidad. Gire la rueda con cuidado.
- Tenga cuidado, no se mueva a través de surcos, agujeros y baches, ya que existe un alto riesgo de que el producto se vuelque sobre una superficie que no es plana. El césped crecido puede esconder obstáculos.
- No corte el césped cerca de bordes, zanjas o terraplenes. El producto puede volcar repentinamente si alguna de las ruedas pasa por el borde de una fuerte pendiente o una zanja, o si falta un trozo de bordillo. Si el producto cae al agua, existe riesgo de ahogamiento.



- No corte hierba mojada. Es resbaladiza y las ruedas pueden perder adherencia, y el producto puede patinar.
- No ponga el pie en el suelo para intentar que el producto sea más estable.
- Muévase con mucho cuidado si hay conectado un accesorio u otro objeto que pueda hacer que el producto sea menos estable.
- Para asegurarse de que el producto sea más estable, instale pesos de ruedas o contrapesos. Póngase en contacto con su distribuidor para obtener más información. En el P 525DX, use contrapesos, ya que los pesos de ruedas no se puede utilizar en los productos AWD.

### Seguridad en el uso del combustible



**ADVERTENCIA:** Tenga cuidado con el combustible. Es muy inflamable y puede causar lesiones y daños a la propiedad.



**ADVERTENCIA:** Lea las siguientes instrucciones de advertencia antes de utilizar el producto.

- No llene el depósito de combustible en interiores.

- El combustible diésel y sus gases son tóxicos y muy inflamables. Tenga cuidado con el combustible diésel para evitar lesiones o incendios.
- No retire el tapón de combustible ni llene el depósito de combustible cuando el motor esté en marcha.
- Deje que el motor se enfríe antes de repostar combustible.
- No fume cuando reposte combustible.
- No reposte combustible cerca de chispas o llamas descubiertas.
- Si hay fugas en el sistema de combustible, no arranque el motor hasta que se reparen las fugas.
- No reposte por encima del nivel de combustible recomendado. No llene demasiado el depósito de combustible ya que
- el calor procedente del motor y el sol hace que el combustible se expanda y se desborde si el depósito se llena demasiado. Si derrama carburante en el producto, límpielo y espere a que se haya secado antes de arrancar el motor. Si derrama combustible sobre la ropa, cámbiese inmediatamente.
- Almacene el combustible solo en recipientes homologados.
- Guarde el producto y el combustible de manera que no haya riesgo de que las fugas de combustible o los gases puedan causar daños.
- Vacíe el combustible en un depósito homologado situado en el exterior y lejos de llamas descubiertas.

### Seguridad de la batería



**ADVERTENCIA:** Una batería dañada puede explotar y causar lesiones. Si la batería está deformada o dañada, póngase en contacto con un taller de servicio Husqvarna homologado.



**ADVERTENCIA:** Lea las siguientes instrucciones de advertencia antes de utilizar el producto.

- Use gafas protectoras cuando esté cerca de las baterías.
- No lleve relojes, joyas ni otros objetos metálicos cerca de la batería.
- Mantenga la batería fuera del alcance de los niños.
- Cargue la batería en un espacio con buena ventilación.
- Cuando cargue la batería, mantenga los materiales inflamables a una holgura mínima de 1 m.
- Deseche las baterías sustituidas. Consulte *Eliminación en la página 127*.
- Pueden salir gases explosivos de la batería. No fume cerca de la batería. Mantenga la batería lejos de llamas abiertas y chispas.

## Seguridad en el transporte

- Utilice solo un vehículo de transporte homologado para el transporte del producto.
- El producto es pesado y puede causar lesiones por aplastamiento. Tenga cuidado al cargarlo o descargarlo de un vehículo o remolque.
- Las regulaciones locales o nacionales de los mercados podrían establecer límites en los transportes del producto.
- El operario del vehículo de transporte es el responsable de sujetar el producto de forma segura durante el transporte. Consulte *Conexión segura del producto en un remolque para su transporte en la página 125*.

## Instrucciones de seguridad para el mantenimiento



**ADVERTENCIA:** El producto es pesado y puede ocasionar lesiones o daños a los equipos o el área adyacente. No realice tareas de mantenimiento en el motor ni el equipo de corte si no se cumplen estas condiciones:

- El motor está apagado.
- El producto está estacionado en una superficie nivelada.
- El freno de estacionamiento está accionado.
- La llave de contacto está quitada.
- El equipo de corte está desactivado.
- El interruptor principal está en posición de desactivación. Consulte la sección *Arranque del motor en la página 91*.



**ADVERTENCIA:** Los gases de escape del motor contienen monóxido de carbono, que es un gas inodoro, tóxico y muy peligroso. No ponga en marcha el producto en espacios cerrados ni espacios que no estén bien ventilados.



**ADVERTENCIA:** Lea las siguientes instrucciones de advertencia antes de utilizar el producto.

- Para lograr un mejor rendimiento y seguridad, realice el mantenimiento del producto periódicamente según lo establecido en el programa de mantenimiento. Consulte .
- Las sacudidas eléctricas pueden causar lesiones. No toque los cables cuando el motor está encendido. No realice una prueba de funcionamiento del sistema de encendido con los dedos.
- No arranque el motor si se han retirado las cubiertas de protección. Existe un alto riesgo de lesiones causadas por las piezas móviles o calientes.
- Deje que el producto se enfríe antes de llevar a cabo alguna tarea de mantenimiento cerca del motor.
- Las cuchillas están afiladas y pueden provocar cortes. Cuando trabaje en las cuchillas, use una protección contra el viento alrededor de las mismas o lleve guantes protectores.
- Coloque el equipo de corte siempre en posición de servicio para limpiarlo. No estacione el producto cerca del borde de una zanja ni de una pendiente si va a acceder al equipo de corte.



**PRECAUCIÓN:** Lea las siguientes instrucciones de precaución antes de utilizar el producto.

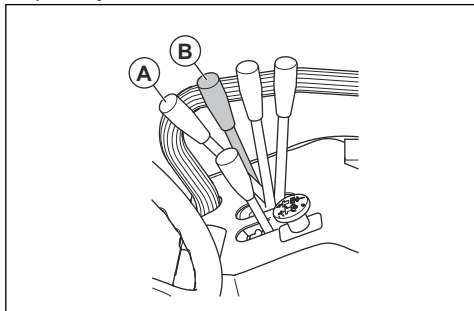
- No encienda el motor si se ha desconectado la bujía o el cable de encendido.
- Asegúrese de que todas las tuercas y pernos están apretados correctamente y que el equipo está en buen estado.
- No cambie el ajuste de los reguladores. Si el régimen del motor es demasiado alto, los componentes del producto pueden dañarse. Consulte *Datos técnicos en la página 128* para conocer el régimen máximo permitido del motor.
- El producto está homologado con el equipo original proporcionado o recomendado por el fabricante.

## Montaje

### Montaje del equipo de corte Combi 132, Combi 155

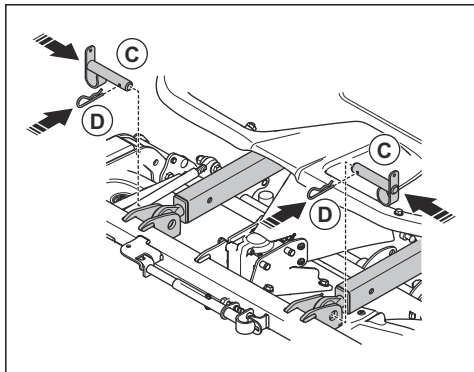
**Nota:** Antes de colocar el equipo de corte, verifique que tanto el equipo de corte como el producto se encuentren en una superficie nivelada.

1. Coloque la palanca de elevación en la posición (B) para bajar los brazos elevadores.

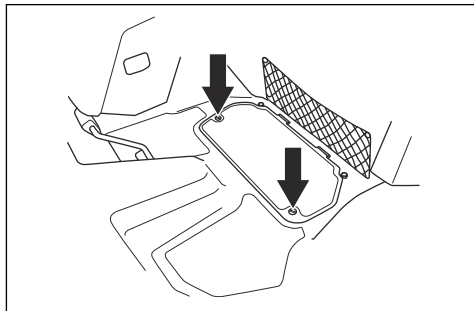


**ADVERTENCIA:** No coloque la palanca de elevación en la posición de corte (A). La fuerza del muelle de elevación puede provocar daños graves.

2. Maneje con cuidado el producto delante del equipo de corte.
3. Acople los brazos elevadores en la articulación del equipo de corte.
4. Aplique el freno de estacionamiento.
5. Pare el motor.
6. Monte los pernos (C) y los pasadores (D) en los brazos elevadores.

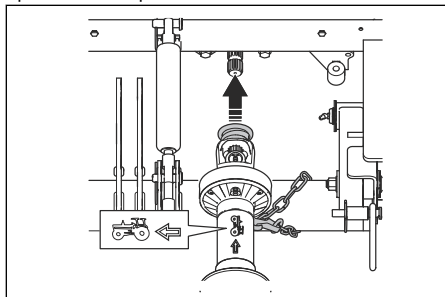


7. Retire los 2 tornillos y levante la escotilla de mantenimiento.

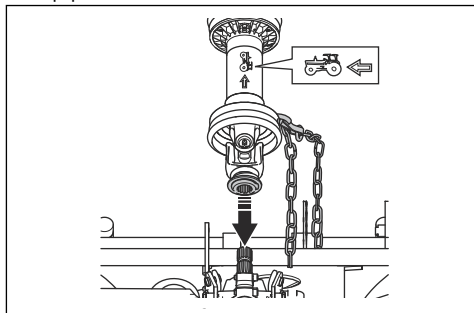


8. Tire hacia atrás del acoplamiento del eje propulsor y monte el eje propulsor en la TDF.

**Nota:** Asegúrese de que la flecha del símbolo apunta hacia el producto.

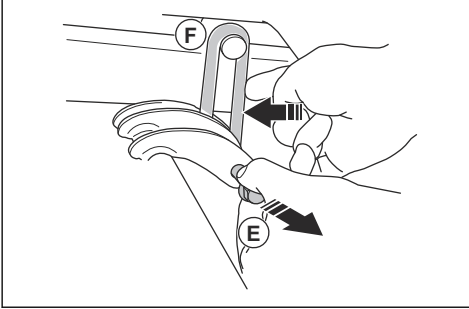


9. Coloque la cadena de bloqueo posterior alrededor del eje de elevación.
10. Fije la cadena de bloqueo al eje propulsor.
11. Tire hacia atrás del acoplamiento del eje propulsor y fije el eje propulsor al eje del engranaje angulado del equipo de corte.



12. Pliegue la funda de goma por encima de la junta del eje.
13. Coloque la cadena de bloqueo delantera alrededor del tubo.
14. Fije la cadena de bloqueo al eje propulsor.

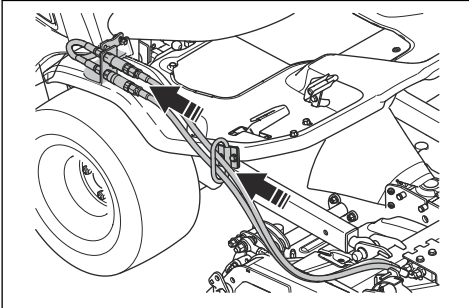
15. Monte la escotilla de mantenimiento y apriete los tornillos.
16. Arranque el motor.
17. Mueva la palanca de elevación hacia atrás para elevar el equipo de corte. Levántela hasta que las ruedas pivotantes del equipo de corte dejen de estar en contacto con el suelo.
18. Pare el motor.
19. Tire del muelle (E) y fíjelo a las argollas de izado del equipo de corte (F).



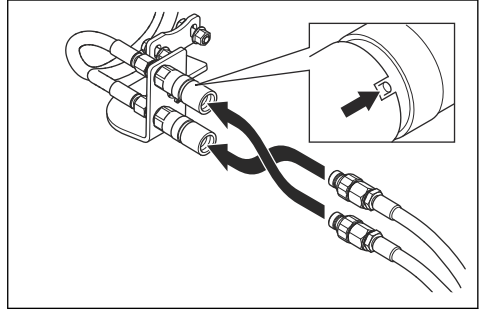
20. Compruebe el paralelismo del equipo de corte. Consulte la sección *Comprobación del paralelismo del equipo de corte en la página 103*.

## Montaje del equipo de corte Combi 132 X, Combi 155 X

1. Monte el equipo de corte. Consulte la sección *Montaje del equipo de corte Combi 132, Combi 155 en la página 82*.
2. Pase las mangueras hidráulicas del equipo de corte a través del lazo.



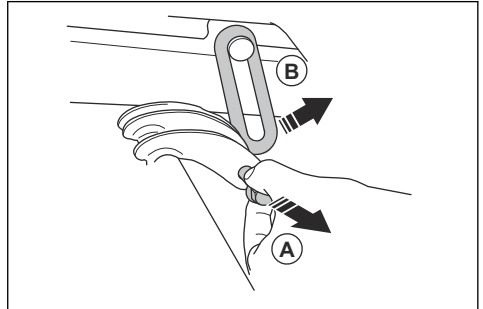
3. Conecte las mangueras hidráulicas al acoplamiento del producto. La brida y la muesca deben quedar correctamente alineadas.



**Nota:** La posición de las mangueras hidráulicas controla el tipo de funcionamiento de la palanca de la altura de corte. Para cambiar el tipo de funcionamiento de la palanca de altura de corte, cambie la posición de las mangueras hidráulicas.

## Desmontaje del equipo de corte

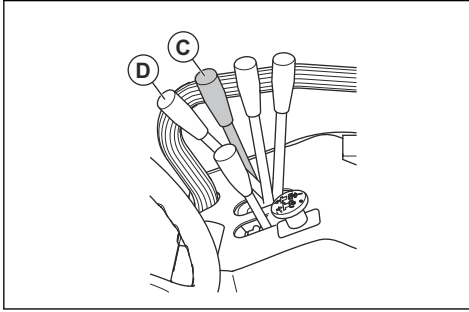
1. Estacione el producto en un suelo nivelado.
2. Pare el motor.
3. Mueva la palanca de altura de corte hacia delante y hacia atrás 2-3 veces para eliminar la presión restante.
4. Para Combi 132 X y Combi 155 X, suelte los acoplamientos y desconecte las mangueras hidráulicas.
5. Aplique el freno de estacionamiento.
6. Mueva la palanca de elevación hacia delante para bajar el equipo de corte. Deténgase antes de que las ruedas pivotantes del equipo de corte entren en contacto con el suelo.
7. Tire del muelle (A) y quite las argollas de izado (B).



8. Arranque el motor.

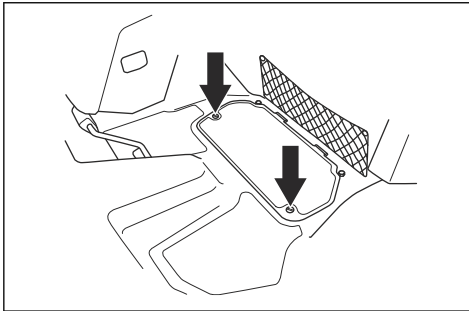


- Coloque la palanca de elevación en la posición (C) para bajar los brazos elevadores.

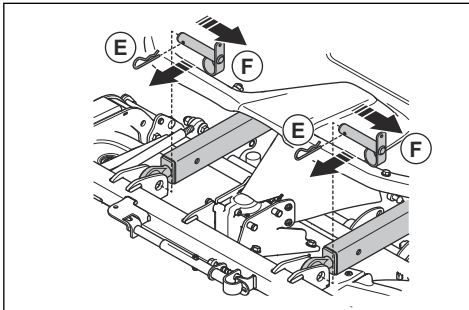


**ADVERTENCIA:** No coloque la palanca de elevación en la posición de corte (D). La fuerza hidráulica puede ocasionar lesiones graves.

- Pare el motor.
- Retire los 2 tornillos y levante la escotilla de mantenimiento.

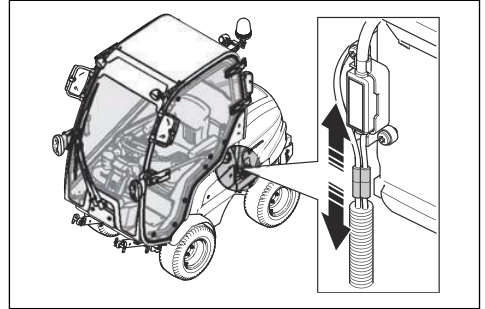


- Pliegue la funda de goma de la junta del eje.
- Tire hacia atrás del acoplamiento del eje propulsor y retire el eje propulsor del eje del engranaje angulado del equipo de corte y del eje de la TDF.
- Retire las cadenas de bloqueo.
- Retire los pasadores (E) y los pernos (F) de los brazos elevadores.

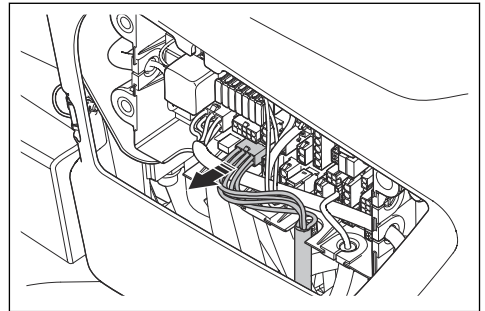


## Montaje y desmontaje de la cabina

- Quite la puerta de la cabina. Consulte la sección *Montaje y desmontaje de la puerta en la página 87*.
- Quite la puerta de emergencia. Consulte la sección *Montaje y desmontaje de la puerta de emergencia en la página 87*.
- Retire las correas de goma y abra la cubierta del motor.
- Desconecte la batería.

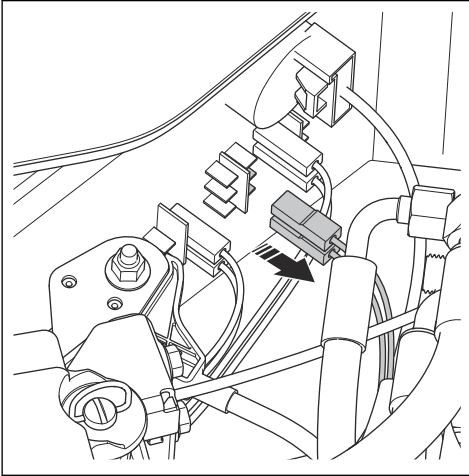


- Quite la escotilla de mantenimiento. Consulte la sección *Desmontaje de la escotilla de mantenimiento en la página 100*.
- Quite la tapa de la caja de fusibles. Consulte la sección *Desmontaje de la tapa de la caja de control en la página 100*.
- Desconecte el cable de control de la cabina. El cable tiene un conector negro.

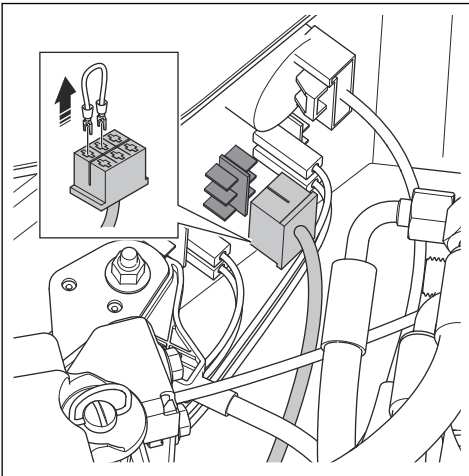


- Coloque la arandela de goma en la ranura vacía.

9. Desenchufe los dos conectores del interruptor de los faros.



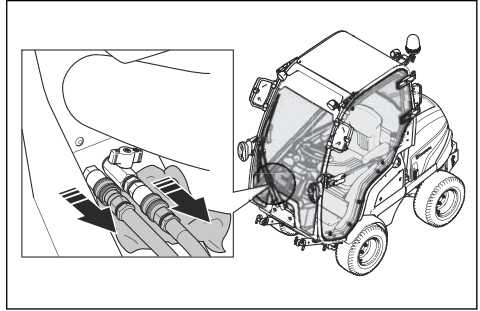
10. Retire el puente del cable del conector e instale el conector en el interruptor de los faros.



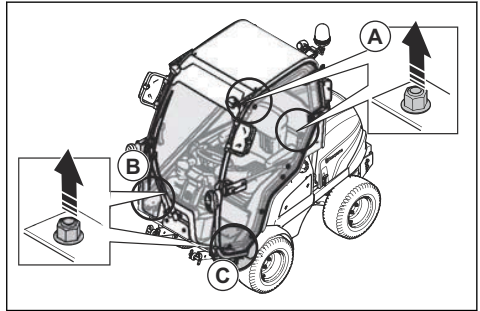
11. Encienda y apague el interruptor para asegurarse de que los faros funcionan correctamente.  
12. Coloque un paño debajo de las mangueras de calefacción de la cabina.

**Nota:** Para evitar fugas de refrigerante, verifique que la calefacción de la cabina esté apagada antes de desconectar las mangueras.

13. Desconecte las mangueras de calefacción de la cabina.



14. Retire los 2 tornillos y las 2 arandelas situadas detrás del asiento (A).

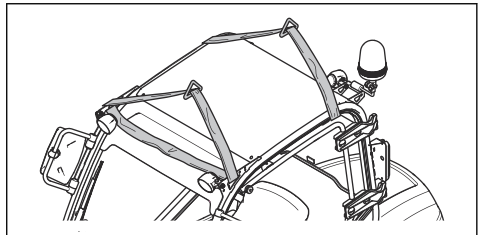


15. Retire el tornillo y la arandela situados detrás de las mangueras de calefacción de la cabina (B).

16. Retire el tornillo y la arandela de la parte delantera de la puerta (C).

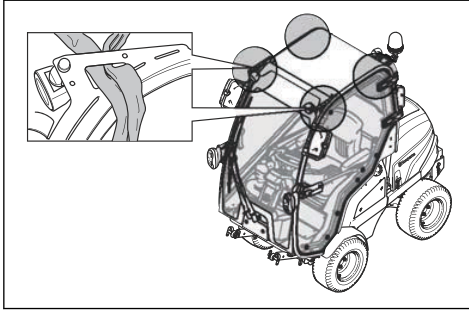
17. Incline el asiento hacia delante.

18. Pase dos correas a través de la puerta y la salida de emergencia.



19. Pase la correa de elevación dos veces a través de la cabina.

20. Fije las correas a las argollas de izado de la cabina.



21. Levante con cuidado la cabina colocada en las correas utilizando un elevador.

22. Levante la cabina 10 cm por encima del producto.



**PRECAUCIÓN:** Asegúrese de que la cabina se eleve por encima de los pernos.

23. Con cuidado, mueva la cabina hacia adelante.

24. Coloque la cabina en el soporte de la cabina.

Consulte *Almacenamiento de la cabina en la página 127*



**ADVERTENCIA:** El sistema ROPS debe instalarse cuando se retire la cabina. Consulte la sección *Acoplamiento y desacoplamiento del sistema de protección antivuelco (ROPS) en la página 87.*

25. Para el montaje, efectúe el mismo procedimiento en el orden inverso.

### Montaje y desmontaje de la puerta

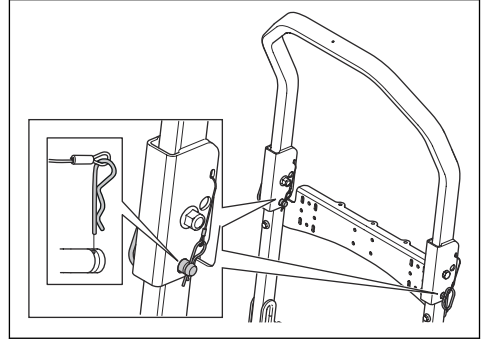
1. Abra la puerta 90 grados.
2. Extraiga el muelle de gas y afloje la rótula.
3. Levante la puerta para desmontarla.
4. Para el montaje, efectúe el mismo procedimiento en el orden inverso.

### Montaje y desmontaje de la puerta de emergencia

1. Abra el manillar de bloqueo de la puerta de emergencia.
2. Retire el pasador de bisagra.
3. Abra la puerta 90 grados.
4. Levante la puerta de emergencia para desmontarla.
5. Para el montaje, efectúe el mismo procedimiento en el orden inverso.

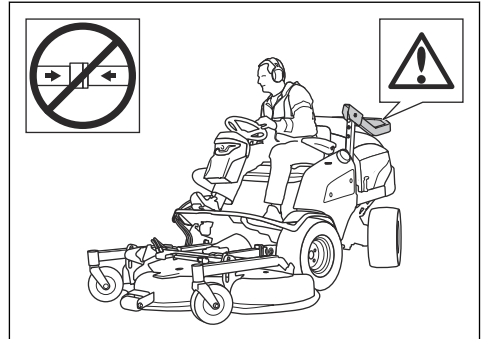
### Acoplamiento y desacoplamiento del sistema de protección antivuelco (ROPS)

- Retire los 2 pernos que fijan el sistema ROPS y abátalo hacia atrás para desacoplarlo. Para acoplar el sistema ROPS, efectúe el procedimiento en orden inverso.

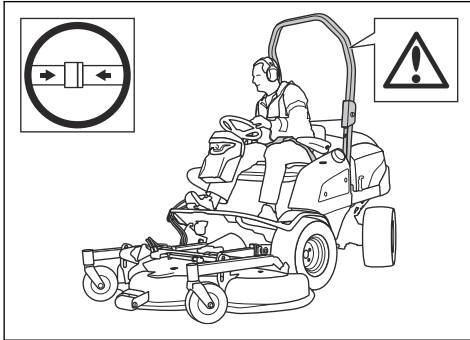


**ADVERTENCIA:** Respete las siguientes instrucciones para el sistema ROPS y el cinturón de seguridad.

- No utilice el cinturón de seguridad si el sistema ROPS está desacoplado.



- Utilice siempre el cinturón de seguridad si el sistema ROPS está acoplado.



- Compruebe que el sistema ROPS está correctamente montado y no está dañado.

## Funcionamiento

### Introducción



**ADVERTENCIA:** Antes de utilizar el producto, debe leer y entender el capítulo sobre seguridad.

### Repostaje de combustible



**ADVERTENCIA:** El combustible diésel es muy inflamable. Proceda con precaución y reposte al aire libre. Consulte la sección *Seguridad en el uso del combustible en la página 81*.



**ADVERTENCIA:** No utilice el depósito de combustible como punto de apoyo.

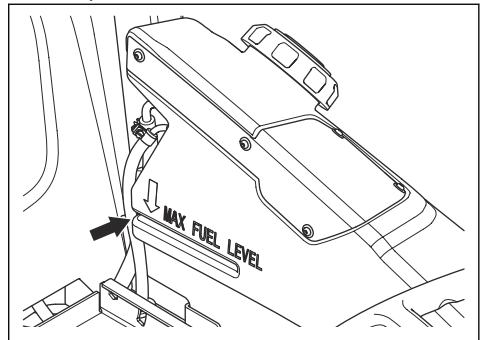


**PRECAUCIÓN:** Un tipo de combustible incorrecto puede producir daños en el motor.

- Para cumplir con la normativa sobre emisiones, el combustible diésel debe cumplir con las normas EN590 o ASTM D975 y tener un contenido de azufre inferior a 500 ppm o un 0,05 % del peso. Consulte el manual de usuario de Kubota para obtener más información sobre la calidad del combustible diésel.
- Utilice combustible diésel con un índice de cetano mínimo de 45. No utilice combustible diésel con una mezcla RME que contenga más del 5 % de combustibles a base de aceites minerales.

**Nota:** Es necesario utilizar combustible para climas fríos si la temperatura es inferior a 0 °C (32 °F). Póngase en contacto con su distribuidor de Husqvarna para obtener más información.

- Revise el nivel de combustible antes de cada uso y reposte si es necesario.
- No reposte por encima de la marca de nivel máximo del depósito de combustible.

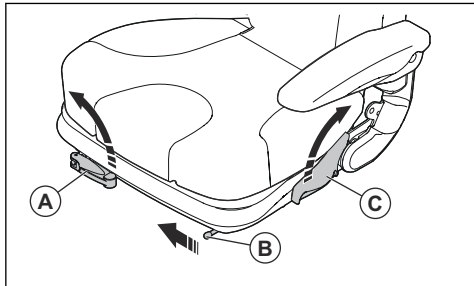


### Ajuste del asiento (P 520DX, P 525DX)



**ADVERTENCIA:** No ajuste el asiento mientras está usando el producto.

1. Para ajustar la suspensión del asiento, gire la palanca (A). Tire de la palanca hacia arriba para incrementar la suspensión y empuje la palanca hacia abajo para reducirla.



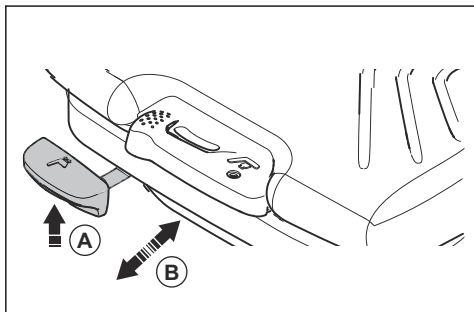
2. Para ajustar el asiento hacia adelante y hacia atrás, tire de la palanca (B) hacia la parte central del asiento. Desplace el asiento a la posición correcta.
3. Para ajustar el respaldo, tire de la palanca (C) situada a la izquierda del asiento. Desplace el asiento a la posición correcta.

## Ajuste del asiento (accesorio para el producto P 520DX, P 525DX)

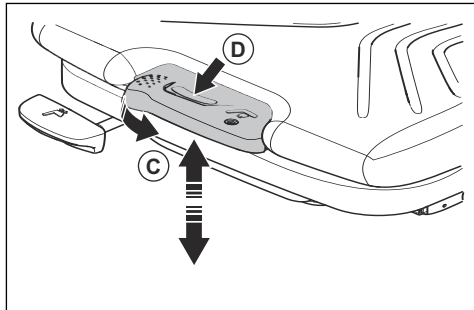


**ADVERTENCIA:** No ajuste el asiento mientras está usando el producto.

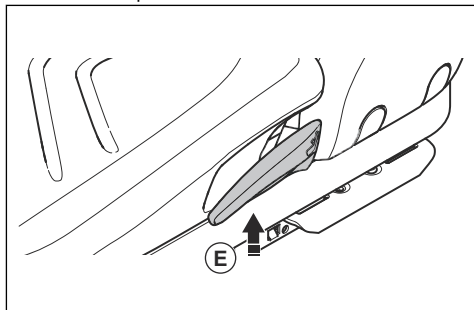
1. Para ajustar el asiento hacia adelante y hacia atrás, tire de la palanca (A) situada bajo el borde delantero del asiento. Desplace el asiento (B) a la posición correcta.



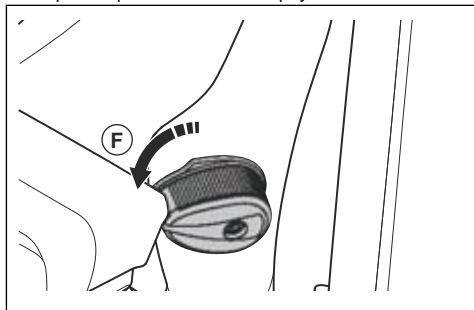
2. Para ajustar la suspensión del asiento, tire de la palanca (C) a la izquierda. Tire de la palanca hacia arriba para incrementar la suspensión y empuje la palanca hacia abajo para reducirla (D).



3. Para ajustar el respaldo, tire de la palanca (E) situada a la izquierda del asiento. Desplace el asiento a la posición correcta.



4. Para ajustar el soporte lumbar, gire la palanca (F) a la izquierda del respaldo. Gire la palanca hacia la izquierda para obtener más apoyo.

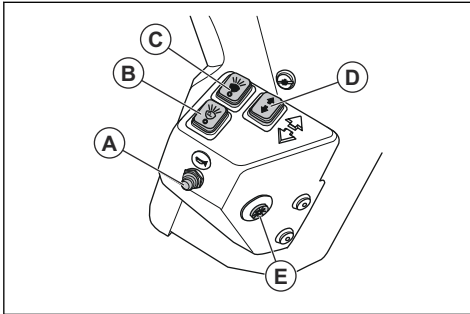


## Interruptores de señales de seguridad - P 525DX Cabin

Los interruptores de las señales de seguridad se encuentran en el panel a la izquierda del volante.

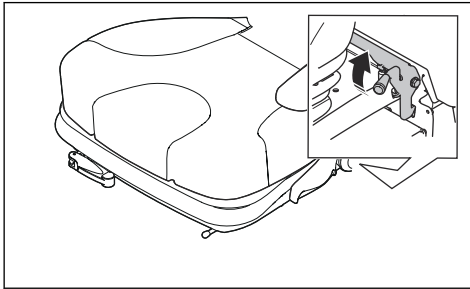
- Bocina (A)
- Luz de estacionamiento (B)
- Luces de cruce (C)

- Intermitente (D)
- Luces de emergencia (E)



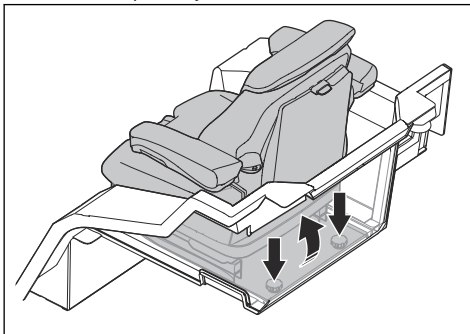
### Inclinación del asiento hacia delante (P 520DX, P 525DX)

- Tire de la palanca de bloqueo hacia arriba e incline el asiento hacia delante.



### Inclinación del asiento hacia delante (P 525DX Cabin)

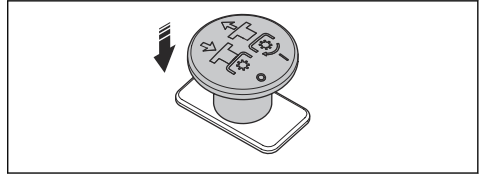
1. Retire los 2 pomos y las 2 arandelas.



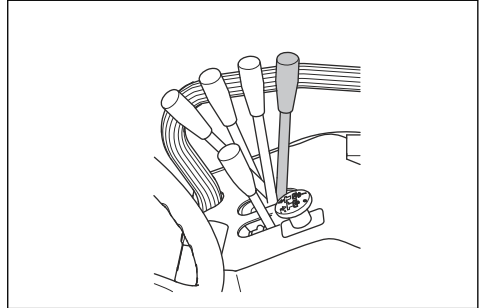
2. Incline el asiento hacia delante.

### Elevación del equipo de corte

1. Pulse el botón de la TDF para desactivar la transmisión del equipo de corte.



2. Coloque la palanca de elevación en la posición de transporte para elevar el equipo de corte.



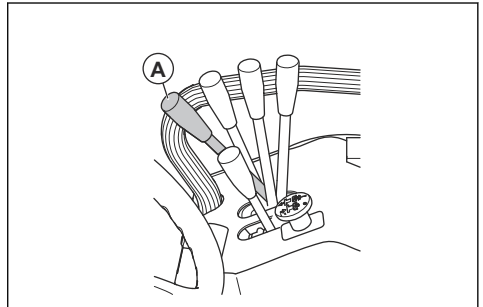
**Nota:** Puede elevar el equipo de corte una pequeña distancia con la transmisión de las cuchillas acoplada. Utilice esta función para hierba muy alta o superficies irregulares.



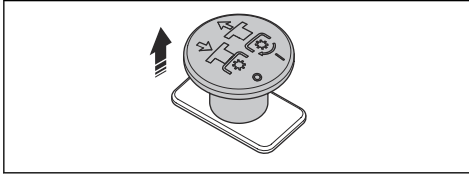
**ADVERTENCIA:** Si el equipo de corte se eleva con la transmisión activada, es posible que salgan despedidos objetos y provoquen daños graves e incluso la muerte.

### Para bajar el equipo de corte a la posición de corte

1. Mueva la palanca de elevación de la elevación hidráulica hacia delante para bajar el equipo de corte a la posición de corte (A).

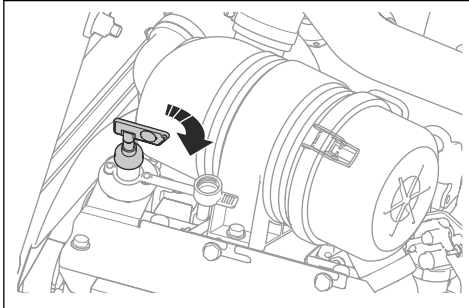


2. Tire del botón de la TDF para activar la transmisión de las cuchillas del equipo de corte.

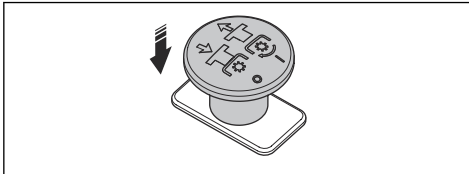


## Arranque del motor

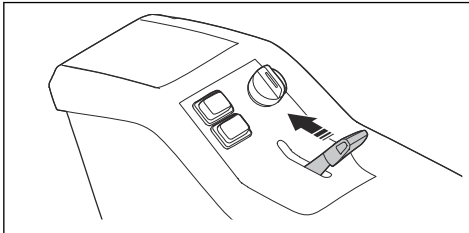
1. Presione y gire el interruptor principal en la posición de encendido (ON).



2. Aplique el freno de estacionamiento.
3. Pulse el botón de la TDF para desactivar el equipo de corte.

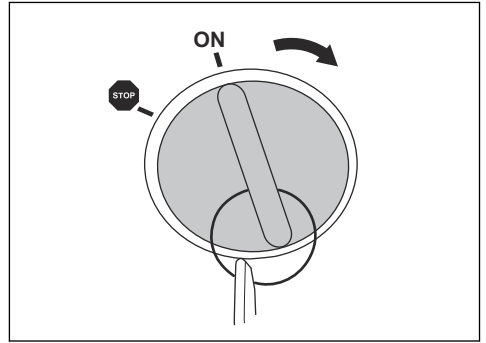


4. Mueva el acelerador a la posición media.



5. Gire la llave de contacto a la posición de encendido (ON). Espere a que se enciendan las luces de la pantalla.
6. Gire la llave de contacto a la posición indicada con la flecha. Manténgala en esta posición hasta que arranque el motor.

7. Una vez que arranque el motor, suelte inmediatamente la llave de contacto de la posición de encendido (ON) para no dañar el motor de arranque.



**PRECAUCIÓN:** No haga funcionar el motor de arranque durante más de 6 segundos consecutivos. Si el motor no arranca, espere 15 segundos antes de intentarlo de nuevo.

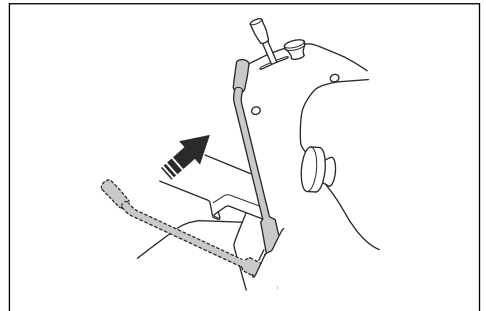
8. Deje el motor en marcha a una aceleración media durante 3-5 minutos antes de aplicar cargas pesadas.
9. Empuje el acelerador a la posición de aceleración máxima.



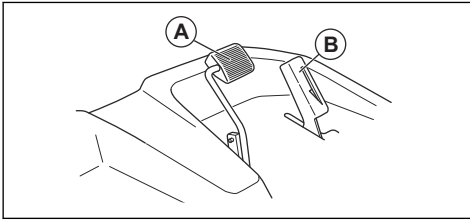
**PRECAUCIÓN:** Si las cuchillas se activan con el motor a máxima velocidad, se aplica una gran cantidad de tensión a las correas de transmisión y el embrague. No acelere al máximo hasta que el equipo de corte baje a la posición de cortar el césped.

## Manejo del producto

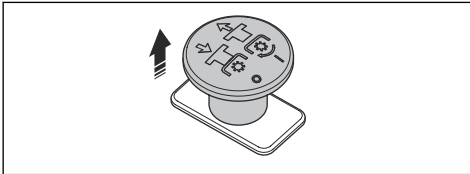
1. Arranque el motor.
2. Suelte el freno de estacionamiento.



3. Con cuidado, pise uno de los pedales. Cuanto más pise el pedal, mayor será la velocidad. Utilice el pedal (A) para desplazarse hacia adelante y el pedal (B) para desplazarse hacia atrás.



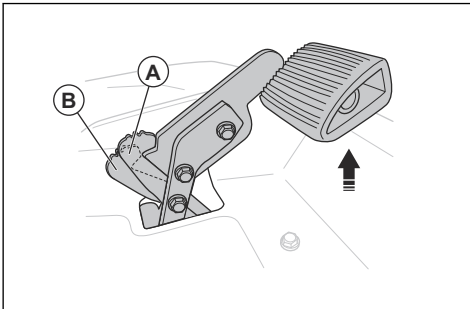
4. Suelte el pedal del freno. Para frenar con mayor intensidad, pise el otro pedal de velocidad.
5. Tire del botón de la TDF para activar las cuchillas del equipo de corte.



### Selección de las posiciones del pedal de avance (P 525DX, P525DX Cabin)

Es posible activar las velocidades de transporte y trabajo del pedal de avance mediante la palanca de bloqueo.

1. Mueva la palanca de bloqueo de la posición (A) a la posición (B) para activar el modo de velocidad de trabajo del pedal.

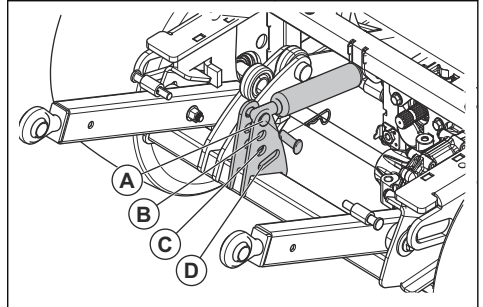


2. Levante el pedal hasta que la palanca de bloqueo se desplace a la posición (A) para activar el modo de velocidad de transporte del pedal.

### Ajuste de la presión sobre el suelo de los brazos elevadores hidráulicos

Los brazos elevadores hidráulicos cuentan con un muelle de elevación que ayuda a aumentar o reducir la presión que ejerce la rueda pivotante del equipo de corte sobre el suelo.

1. Retire el equipo de corte. Consulte la sección *Desmontaje del equipo de corte en la página 84*.
2. Aplique el freno de estacionamiento.
3. Tire de la palanca de los brazos elevadores hidráulicos hacia atrás para elevar los brazos elevadores hidráulicos hasta la altura máxima.
4. Gire la llave de contacto hasta la posición de parada, STOP.
5. Para aumentar o reducir la presión sobre el suelo, extraiga el pasador y el perno y coloque el muelle de elevación en una de las posiciones correspondientes.



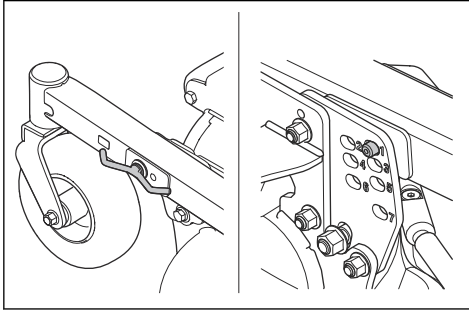
- a) Utilice la posición (A) para el valor mínimo de presión sobre el suelo. La posición (A) se utiliza, por ejemplo, cuando hay un equipo de corte montado en el producto.
- b) Use las posiciones (B) o (C) para aumentar la presión sobre el suelo.
- c) Use la posición (D) para desactivar el muelle de elevación. La posición (D) se utiliza, por ejemplo, cuando hay una pala quitanieves montada en el producto.

### Ajuste de la altura de corte Combi 132, Combi 155

1. Estacione el producto en un suelo nivelado.
2. Aplique el freno de estacionamiento.
3. Tire de la palanca de los brazos elevadores hidráulicos hacia atrás para elevar el equipo de corte hasta la altura máxima.
4. Gire la llave de contacto hasta la posición de parada, STOP.



- Retire el pomo de ajuste de la altura de corte del lateral del equipo de corte.

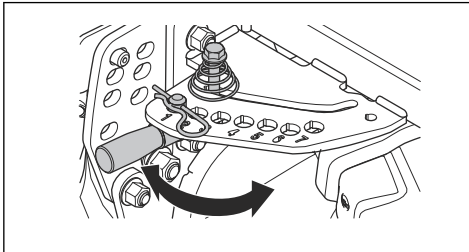


- Ponga el pomo de ajuste de la altura de corte en uno de los orificios de la placa de ajuste.

**Nota:** La altura de corte se indica con los números del 1 al 7. Consulte la tabla siguiente.

Número	Altura de corte, mm/pulg.
1	30/1,2
2	40/1,6
3	52/2
4	64/2,5
5	76/2,3
6	93/3,7
7	112/4,4

- Apriete el pomo de ajuste de la altura de corte.
- Siga los pasos anteriores en el otro lado del equipo de corte.
- Retire el pasador de bloqueo de la palanca de ajuste de la altura de corte, en la esquina superior izquierda del equipo de corte.



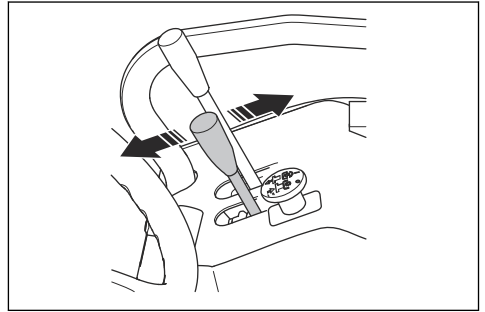
- Empuje hacia abajo la palanca de ajuste de la altura de corte y tire de la palanca de forma horizontal.
- Ponga la palanca en el orificio con el mismo número que en la placa de ajuste.

**Nota:** Seleccione el mismo número para todos los puntos de ajuste.

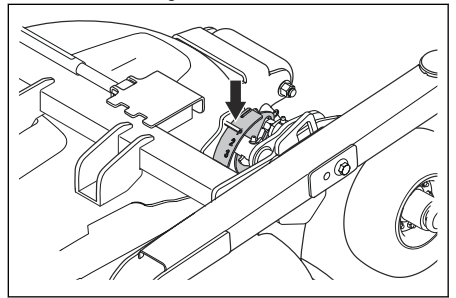
- Fije el pasador de bloqueo en la palanca de ajuste de la altura de corte.
- Ajuste el paralelismo del equipo de corte. Consulte la sección *Ajuste del paralelismo del equipo de corte en la página 103.*

## Ajuste de la altura de corte (Combi 132 X, Combi 155 X)

- Estacione el producto en un suelo nivelado.
- Desplace la palanca de elevación hidráulica hacia delante para bajar el equipo de corte a la posición de corte.
- Mueva la palanca de altura de corte hacia delante y atrás para ajustar la altura de corte.



**Nota:** La altura de corte seleccionada se indica mediante los números 1-7 en el equipo de corte. Consulte la tabla siguiente.



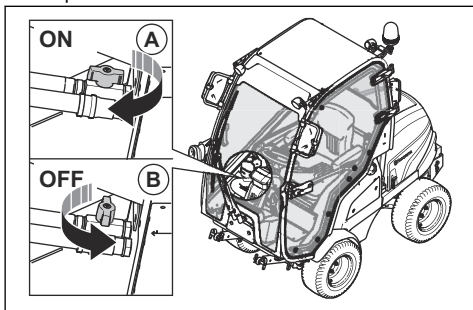
Número	Altura de corte, mm/pulg.
1	30/1,2
2	40/1,6
3	52/2
4	64/2,5
5	76/2,3

Número	Altura de corte, mm/pulg.
6	93/3,7
7	112/4,4

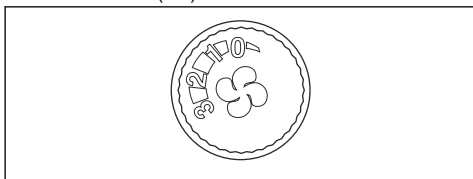
- Ajuste el paralelismo del equipo de corte. Consulte la sección *Ajuste del paralelismo del equipo de corte en la página 103*.

## Activación de la calefacción de la cabina

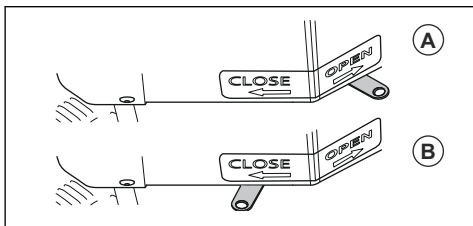
- Active (A) y desactive (B) la calefacción de la cabina con la válvula de la manguera situada a la derecha del pedal de avance.



- Gire el regulador de caudal de aire para ajustar el caudal de aire (0-3).



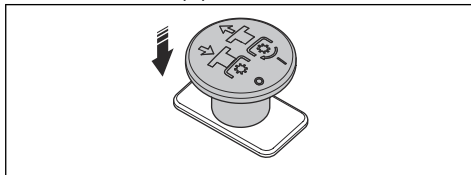
- Tire de la palanca de circulación hacia la derecha (A) para activar el acelerador de circulación de aire. Tire de la palanca de circulación hacia la izquierda (B) para desactivar el acelerador de circulación de aire.



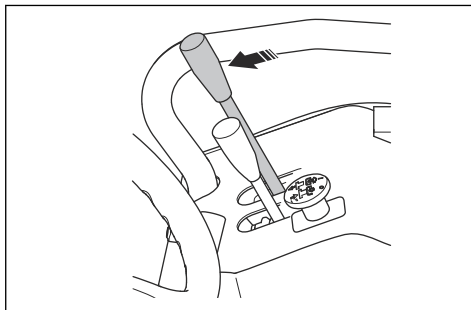
## Para parar el motor

- Estacione el producto en un suelo nivelado.
- Aplique el freno de estacionamiento.

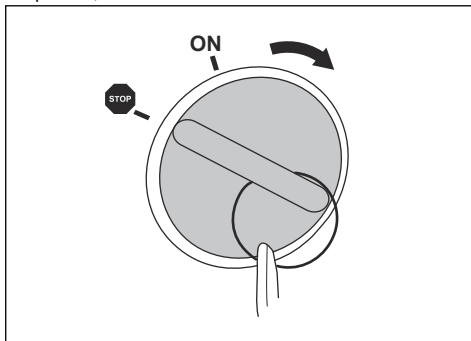
- Pulse el botón de la TDF para desacoplar la transmisión del equipo de corte.



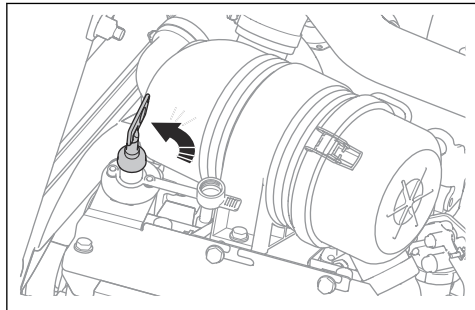
- Empuje la palanca de los brazos elevadores hidráulicos hacia delante para bajar el equipo de corte al suelo.



- Mueva el acelerador hacia atrás, a la posición de velocidad baja.
- Gire la llave de contacto hasta la posición de parada, STOP.

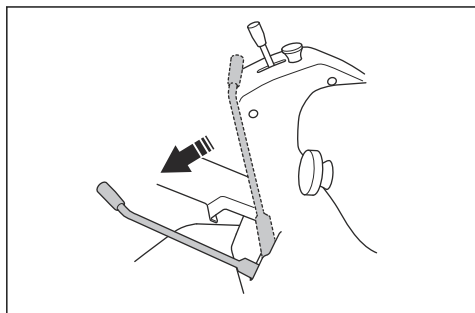


- Una vez que haya terminado de usar el producto, o cuando vaya a realizar tareas de mantenimiento en este, coloque el interruptor principal en la posición de apagado (OFF).



## Aplicar y soltar el freno de estacionamiento

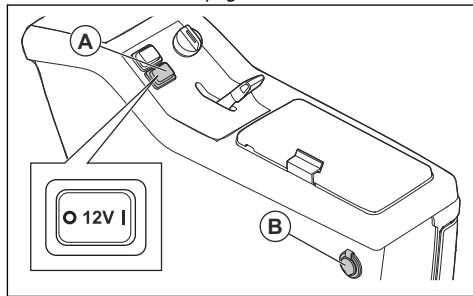
- Para poner el freno de estacionamiento, mueva la palanca del freno de estacionamiento a fondo hacia delante.



- Para soltar el freno de estacionamiento, mueva la palanca del freno de estacionamiento a fondo hacia atrás.

## Encendido y apagado de la toma de corriente de 12 V

- Pulse el interruptor (A) del panel de control derecho para encender o apagar la toma de corriente (B). La tensión de la toma de corriente es de 12 V. La toma de corriente tiene un fusible; consulte *Vista general de los fusibles en la página 107*.



**Nota:** La toma auxiliar (AUX) de 12 V y el puerto USB siempre están activados.

## Para obtener un buen resultado de corte

- Para lograr un mejor rendimiento, realice el mantenimiento del producto periódicamente según lo establecido en el programa de mantenimiento. Consulte la sección .
- No corte el césped si está húmedo. La hierba mojada produce malos resultados.
- Empiece con una altura de corte elevada y redúzcala gradualmente.
- Corte con las cuchillas girándolas a alta velocidad (para el régimen máximo permitido para el motor, consulte *Datos técnicos en la página 128*). Mueva el producto hacia delante a baja velocidad. Si la hierba no está demasiado alta y espesa, también puede obtener un buen resultado de corte a una velocidad superior.
- Corte el césped siguiendo un patrón irregular.
- Para obtener los mejores resultados, corte el césped con frecuencia y utilice la función Bioclip®.

## Desactivación de la transmisión hidrostática

Para desplazar el producto con el motor apagado, es necesario abrir los circuitos hidráulicos de la transmisión delantera y trasera. Para ello, es necesario abrir las válvulas de derivación de los motores de transmisión.



**PRECAUCIÓN:** Los frenos del producto no funcionan mientras las válvulas de derivación están abiertas. Es necesario

cerrar las válvulas de derivación antes de utilizar el producto.

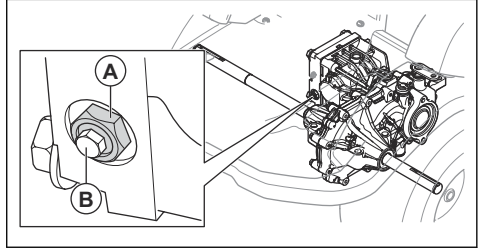


**PRECAUCIÓN:** No remolque el producto a velocidades elevadas ni distancias prolongadas. De hacerlo, provocaría daños en la transmisión.

- Para cerrar la válvula de derivación, apriete el tornillo de la válvula (B) a 8 Nm. Seguidamente, apriete la contratuerca (A) a 30 Nm.

### Transmisión delantera

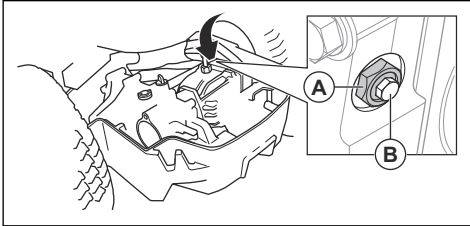
- Para abrir la válvula de derivación, afloje la contratuerca (A)  $\frac{1}{4}$ - $\frac{1}{2}$  vuelta a la izquierda y, a continuación, afloje el tornillo de la válvula (B) 2 vueltas hacia la izquierda.



- Para cerrar la válvula de derivación, apriete el tornillo de la válvula (B) a 8 Nm. Seguidamente, apriete la contratuerca (A) a 30 Nm.

### Transmisión trasera

- Para abrir la válvula de derivación, afloje la contratuerca (A)  $\frac{1}{4}$ - $\frac{1}{2}$  vuelta a la izquierda y, a continuación, afloje el tornillo de la válvula (B) 2 vueltas hacia la izquierda.



## Mantenimiento

### Introducción



**ADVERTENCIA:** Asegúrese de leer y comprender el capítulo sobre seguridad antes de realizar tareas de mantenimiento en el producto.

X = mantenimiento realizado por el operador. Las instrucciones se indican en este manual de usuario.

O = mantenimiento realizado por un taller de servicio. Estas instrucciones no se indican en este manual de usuario.

### Programa de mantenimiento

\* = mantenimiento general realizado por el operador. Estas instrucciones no se indican en este manual de usuario.

**Nota:** Si hay más de un intervalo de tiempo indicado en la tabla, el intervalo de tiempo más corto es únicamente para el primer mantenimiento.

Mantenimiento	Diario	Sema- nal	Prime- ras 50 h	Intervalo de manteni- miento en horas			
				100	200	400	800
Asegúrese de que las tuercas y los tornillos están bien apretados.	*						
Asegúrese de que no haya fugas de combustible, agua o aceite.	*						
Limpie la máquina.	X						
Asegúrese de que los dispositivos de seguridad no están defectuosos	X						
Lubrique. Consulte la sección <i>Información general sobre la lubricación en la página 119.</i>		X					
Asegúrese de que las mangueras de combustible y los acoplamientos estén limpios y que no presenten daños.			*	*			

Mantenimiento	Diario	Sema- nal	Prime- ras 50 h	Intervalo de manteni- miento en horas			
				100	200	400	800
Asegúrese de que las mangueras y los acoplamientos del sistema de refrigeración estén limpios y que no presenten daños.			*	*			
Inspeccione la batería de 12 V.		*					
Compruebe las conexiones eléctricas y los cables.			*	*			
Compruebe el cable del freno de estacionamiento y ajuste el freno de estacionamiento.					o		
Compruebe el software del producto y actualícelo en caso necesario.				o			
Compruebe la tensión de las correas de la TDF y asegúrese de que no estén desgastadas.			X	X			
Sustituya las correas de la TDF.						o	
Sustituya el interruptor de la TDF.	Cada 10 años o						
<b>Sistema hidráulico</b>							
Asegúrese de que las mangueras hidráulicas y los acoplamientos hidráulicos estén limpios y que no presenten daños.			*	*			
Compruebe el nivel de aceite del depósito de aceite hidráulico.		X					
Cambie el filtro de aceite hidráulico.			*			*	
Cambie el aceite hidráulico.						*	
<b>Motor</b>							
Asegúrese de que la toma de aire frío del motor no esté obstruida.	*						
Compruebe el nivel de refrigerante.	X						
Cambie el refrigerante.							o
Compruebe el nivel de aceite del motor.	X						
Cambie el aceite del motor.			X	X			
Sustituya el filtro de aceite.			X	X			
Limpie el filtro de aire.	X						
Sustituya el filtro de aire.						X	
Cambie el filtro de combustible principal y el filtro de combustible secundario.				X			
Compruebe la tensión de la correa del alternador y ténsela en caso necesario.				*			
Cambie la correa del alternador.							o
Compruebe las mangueras de combustible para asegurarse de que no haya grietas ni fugas.							*

Mantenimiento	Diario	Sema- nal	Prime- ras 50 h	Intervalo de manteni- miento en horas			
				100	200	400	800
Sustituya las mangueras de combustible.				Cada 5 años			
				O			
<b>Equipo de corte</b>							
Limpie el equipo de corte, por debajo de las cubiertas de la correa y por debajo del equipo de corte.	*						
Compruebe si hay daños en el equipo de corte.	*						
Examine las cuchillas del equipo de corte. Afile y equilibre en caso necesario.		O					
Examine la correa trapezoidal del equipo de corte.			X	X			
Sustituya la correa trapezoidal del equipo de corte.						X	
Compruebe el nivel de aceite del engranaje angulado.					X		
Cambie el aceite del engranaje angulado.						X	
Compruebe el paralelismo del equipo de corte.			X	X			
<b>Ruedas y transmisiones</b>							
Examine las tuercas de las ruedas y apriételas al par correspondiente. (84 Nm)			*		*		
Compruebe y ajuste la velocidad de giro de las ruedas delanteras y traseras.				O			
Asegúrese de que la presión de los neumáticos sea correcta. Consulte la sección <i>Datos técnicos en la página 128</i> .		X					
Cambie el aceite de las transmisiones						*	
Lubrique las estrías de los ejes de las ruedas				O			
Compruebe el nivel de aceite de las transmisiones y limpie el tapón magnético.						*	

## Limpieza del producto



**PRECAUCIÓN:** No utilice un equipo de limpieza de alta presión o de vapor. El agua puede introducirse en los cojinetes y las conexiones eléctricas, y provocar corrosión y daños al producto.

- Limpie el producto inmediatamente después de usarlo.
- No limpie las superficies calientes, como el motor, el silenciador y el sistema de escape. Espere hasta que las superficies estén frías y, a continuación, retire la hierba o la suciedad.
- Antes de limpiar con agua, limpie con un cepillo. Retire la hierba cortada y la suciedad de los

elementos siguientes y sus zonas adyacentes: transmisión, toma de aire y motor.

- Use agua corriente de una manguera para limpiar el producto. No utilice un equipo de limpieza a alta presión.
- No dirija el agua hacia los componentes eléctricos o los cojinetes. El detergente generalmente aumenta el daño.
- Para limpiar el equipo de corte, vuelva a colocarlo en la posición de servicio y límpielo con una manguera.
- Cuando el producto esté limpio, arranque el equipo de corte durante un breve periodo para vaciar el agua restante.

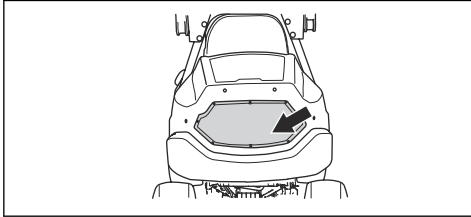
## Limpeza del motor y el silenciador

Mantenga el motor y el silenciador limpios, sin restos de hierba ni suciedad. Los restos de hierba impregnados de combustible o aceite en el motor pueden aumentar el riesgo de incendio y el riesgo de que el motor se caliente en exceso. Deje que el motor se enfríe antes de limpiarlo. Limpie con agua y un cepillo.

Los restos de hierba alrededor del silenciador se secan rápidamente y son un riesgo de incendio. Utilice un cepillo o retire los restos de hierba con agua cuando el silenciador esté frío.

## Limpeza de la toma de aire frío del motor

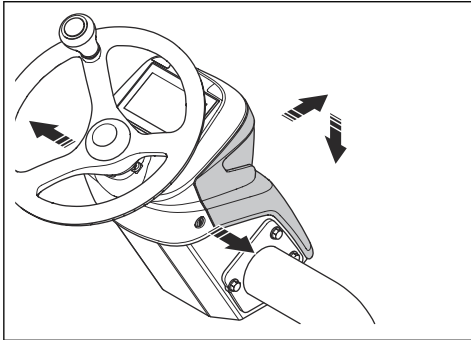
- Asegúrese de que la rejilla de toma de aire frío no esté bloqueada. Retire la hierba y la suciedad con un cepillo suave.



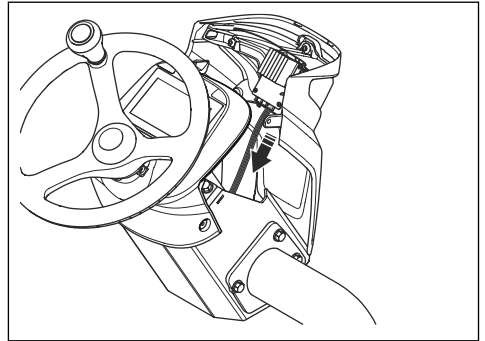
## Para retirar las cubiertas

### Montaje y desmontaje de la cubierta delantera de la columna de dirección

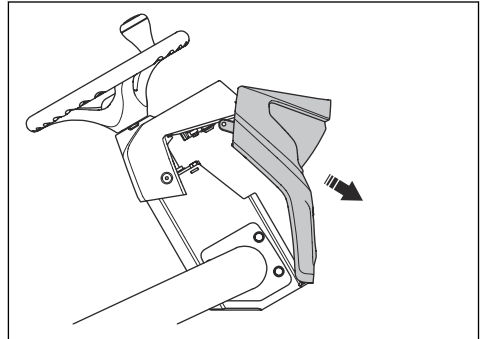
1. Retire los 2 tornillos e incline hacia delante la cubierta delantera de la columna de dirección.



2. Desconecte los cables.



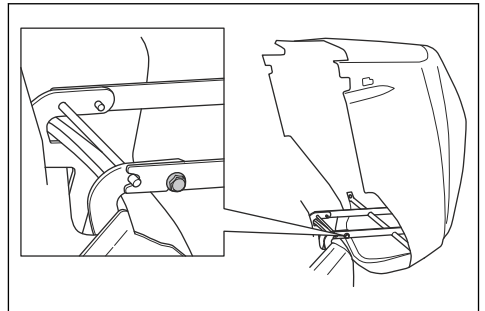
3. Mantenga la cubierta delantera de la columna de dirección en posición vertical y retírela.



4. Para el montaje, efectúe el mismo procedimiento en orden inverso.

### Para abrir la cubierta del motor

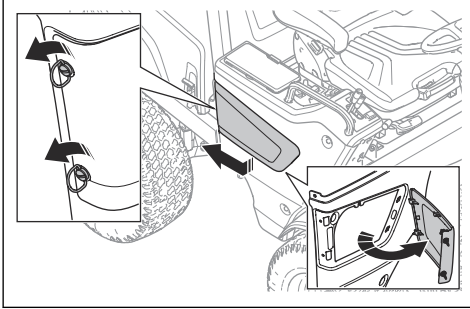
1. Quite las correas de goma a ambos lados de la cubierta del motor.
2. Abra la cubierta del motor hacia atrás.



**Nota:** Para retirar completamente la cubierta del motor, quite los pernos de las bisagras.

## Desmontaje de la escotilla de mantenimiento

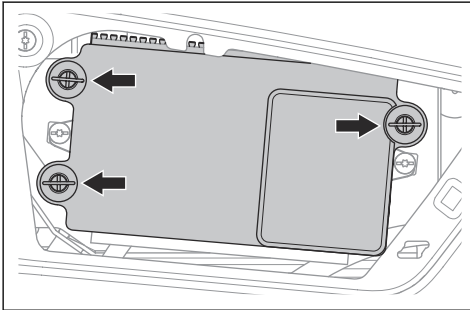
1. Gire los 2 tornillos  $\frac{1}{4}$  de vuelta hacia la izquierda para aflojarlos.



2. Tire de la escotilla de mantenimiento hacia atrás para soltarla de los ganchos.

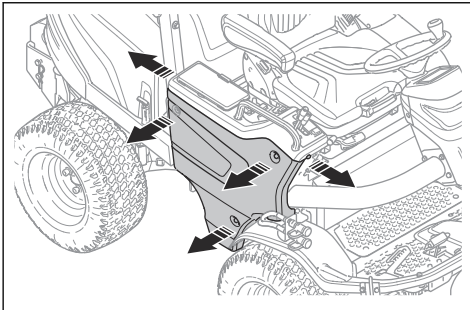
## Desmontaje de la tapa de la caja de control

1. Gire los 3 tornillos  $\frac{1}{4}$  de vuelta hacia la izquierda y retire la tapa.



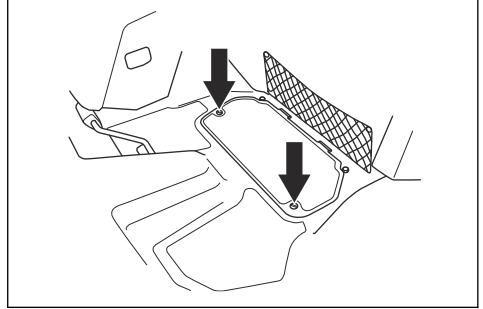
## Desmontaje de la cubierta lateral derecha

1. Retire los 5 tornillos y desmonte la cubierta lateral.



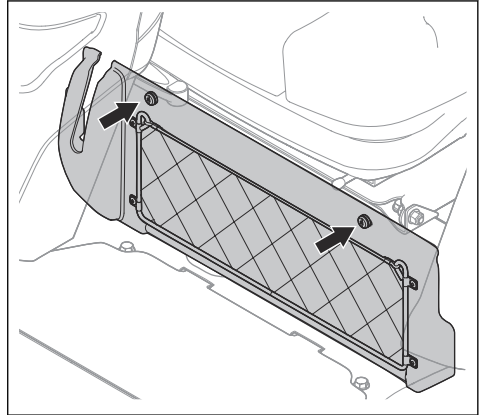
## Desmontaje de la escotilla de mantenimiento

1. Gire los 2 tornillos un cuarto de vuelta y quite la tapa de mantenimiento.



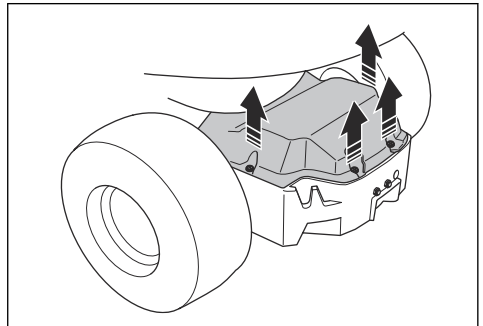
## Para retirar la placa de cubierta.

1. Retire los 2 tornillos y quite la placa de cubierta.



## Extracción de la tapa de la transmisión

1. Retire los 4 tornillos.

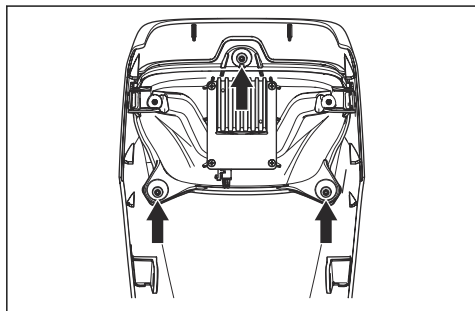


2. Levante y extraiga la cubierta de la transmisión.



## Sustitución de los faros

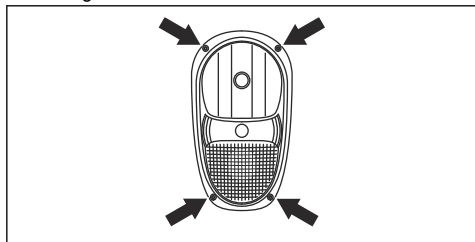
1. Retire la cubierta delantera de la columna de dirección. Consulte la sección *Montaje y desmontaje de la cubierta delantera de la columna de dirección en la página 99*.
2. Retire los 3 tornillos de los faros.



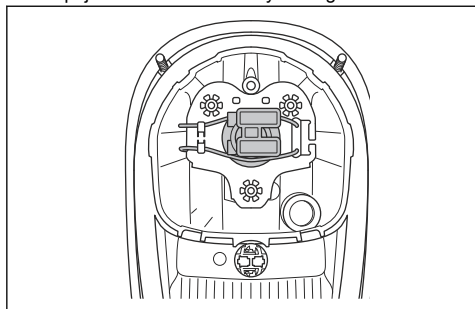
3. Retire los faros.
4. Para el montaje, efectúe el mismo procedimiento en orden inverso.

## Cambio de la bombilla de la luz de cruce y carretera (P 525DX Cabin)

1. Retire los 4 tornillos que sujetan el módulo del faro y extráigalo hacia arriba.



2. Desconecte los cables de la bombilla fundida.
3. Empuje el cierre de resorte y extraiga la bombilla.



4. Coloque la bombilla nueva en el alojamiento del faro. Consulte la sección *Datos técnicos en la página 128*.
5. Conecte los cables a la nueva bombilla.

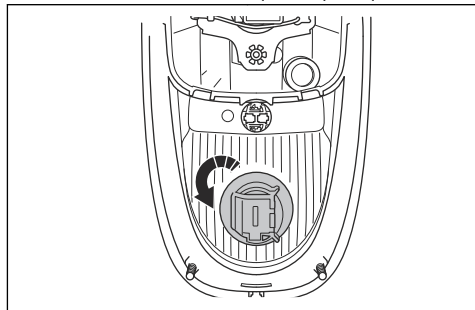
6. Coloque el módulo de la bombilla y apriete los tornillos.

## Sustitución de una bombilla de estacionamiento

1. Retire los 4 tornillos que sujetan el módulo del faro y extráigalo hacia arriba.
2. Desconecte los cables del faro roto.
3. Extraiga la bombilla.
4. Coloque la bombilla nueva en el alojamiento del faro. Consulte la sección *Datos técnicos en la página 128*.
5. Conecte los cables a la nueva bombilla.
6. Coloque el módulo de la bombilla y apriete los tornillos.

## Sustitución de la lámpara del intermitente

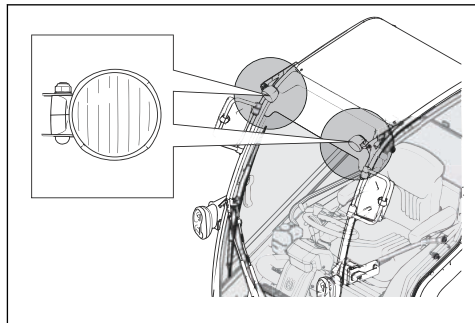
1. Retire los 4 tornillos que sujetan el módulo del faro y extráigalo hacia arriba.
2. Desconecte los cables del faro roto.
3. Gire la bombilla hacia la izquierda para quitarla.



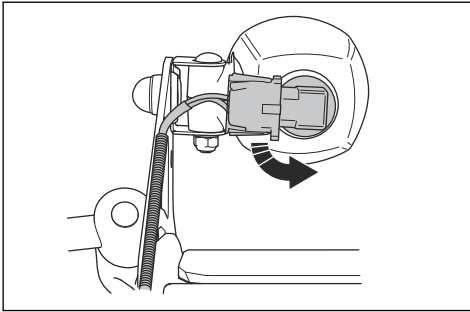
4. Coloque la bombilla nueva en el alojamiento del faro. Consulte la sección *Datos técnicos en la página 128*.
5. Conecte los cables a la nueva bombilla.
6. Coloque el módulo de la bombilla y apriete los tornillos.

## Cambio de las luces de trabajo delanteras (P 525DX Cabin)

1. Desconecte los cables de la bombilla fundida.



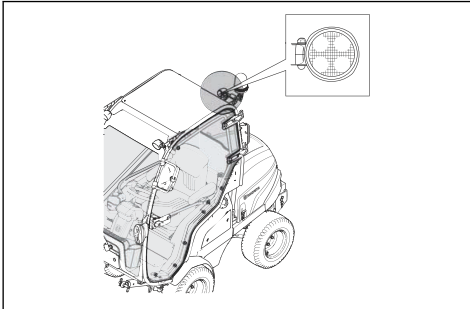
2. Gire la bombilla hacia la izquierda para quitarla.



3. Coloque la bombilla nueva en el alojamiento del faro. Consulte la sección *Datos técnicos en la página 128*.
4. Conecte los cables a la nueva bombilla.

### Cambio de las luces de trabajo traseras (P 525DX Cabin)

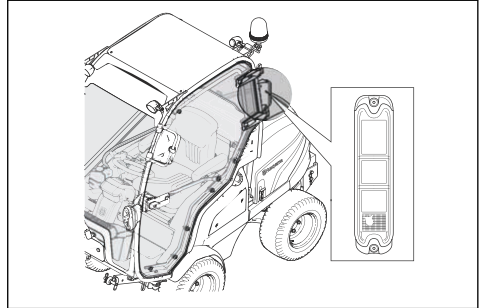
1. Desconecte el cable de la bombilla fundida.



2. Retire el tornillo del conector de la bombilla.
3. Retire el conector de la bombilla con la bombilla acoplada.
4. Para el montaje, efectúe el mismo procedimiento en el orden inverso.

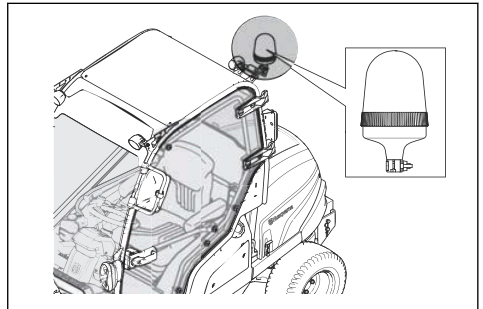
### Cambio de las luces traseras (P 525DX Cabin)

1. Para cambiar las luces traseras, póngase en contacto con un taller de servicio autorizado.



### Cambio de las luces de advertencia (P 525DX Cabin)

1. Afloje la tuerca de mariposa.



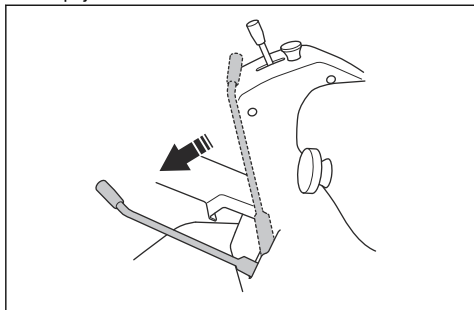
2. Extraiga la bombilla.
3. Coloque la nueva bombilla.

### Comprobación del freno de estacionamiento

1. Estacione el producto sobre una superficie firme con una pendiente de 10°.

**Nota:** No estacione el producto sobre una pendiente con hierba cuando realice una comprobación del freno de estacionamiento.

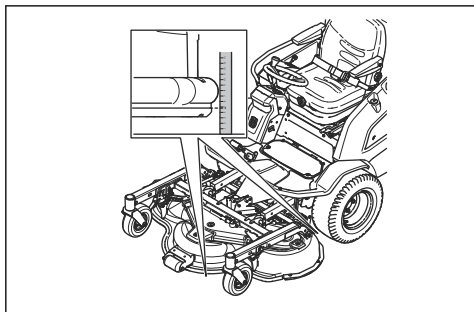
- Empuje el freno de estacionamiento hacia delante.



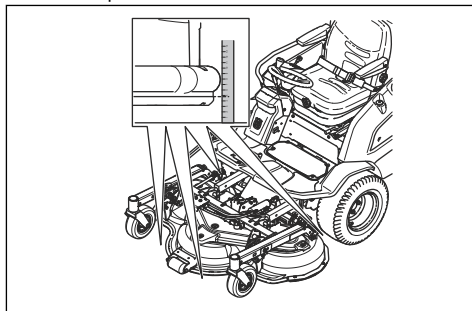
- Si el producto empieza a moverse, deje que un taller de servicio autorizado ajuste el freno de estacionamiento.
- Tire del freno de estacionamiento hacia atrás para soltarlo.

## Comprobación del paralelismo del equipo de corte

- Compruebe la presión de aire de los neumáticos. Consulte la sección *Presión de los neumáticos en la página 109*.
- Estacione el cortacésped en una superficie nivelada.
- Baje el equipo de corte a la posición de corte.
- Coloque la palanca de la altura de corte en la posición intermedia.
- Mida la distancia entre el suelo y los bordes delantero y trasero del equipo de corte.
  - Tome una medición de Combi 132 y Combi 155 en 2 zonas. Asegúrese de que el borde trasero está situado 6-9 mm ( $\frac{1}{4}$ - $\frac{3}{8}$  pulg.) más alto que el delantero.



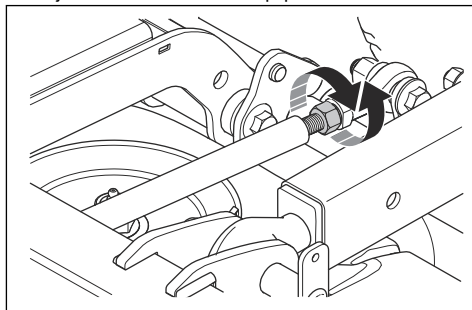
- Tome una medición de Combi 132 X y Combi 155 X en 4 zonas. Asegúrese de que el borde trasero está situado 6-9 mm ( $\frac{1}{4}$ - $\frac{3}{8}$  pulg.) más alto que el delantero.



- Ajuste el equipo de corte en caso necesario. Consulte la sección *Ajuste del paralelismo del equipo de corte en la página 103*.

## Ajuste del paralelismo del equipo de corte

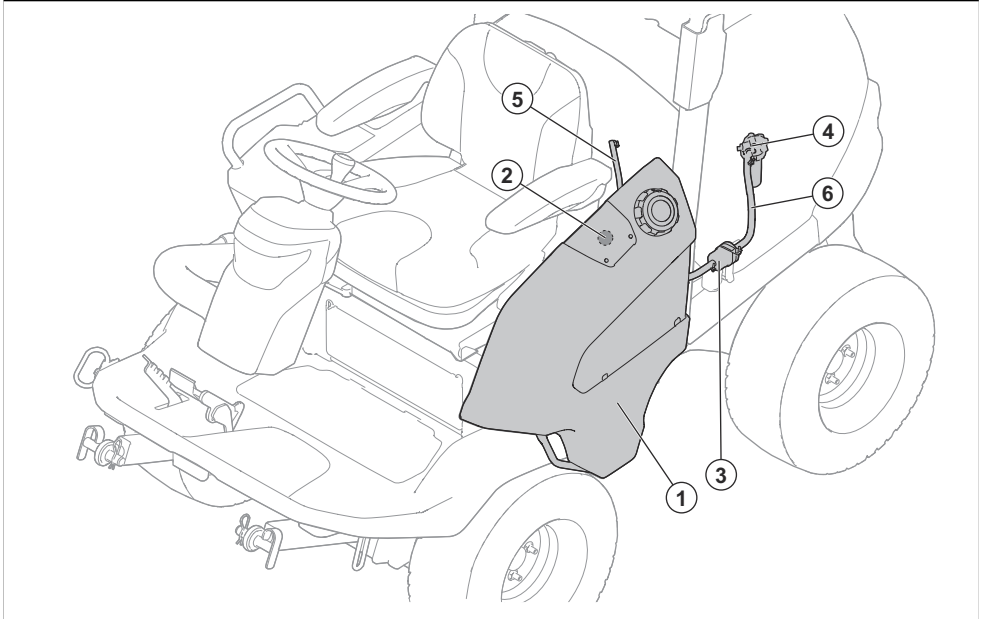
- Gire el tirante de la dirección para alargarlo o acortarlo. Alargue el tirante para elevar el borde trasero del equipo de corte. Acorte el tirante para bajar el borde trasero del equipo de corte.



**Nota:** En Combi 132 X, Combi 155 X, ajuste los tirantes por los 2 lados.

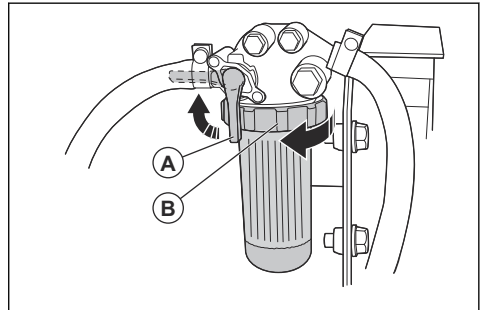
- Apriete las tuercas del tirante de la dirección.
- Revise el paralelismo. Consulte la sección *Comprobación del paralelismo del equipo de corte en la página 103*.

## Descripción del sistema de combustible



1. Depósito de combustible diésel
2. Calibrador eléctrico de combustible
3. Prefiltro
4. Filtro de combustible
5. Manguera de retorno de combustible
6. Manguera de combustible

5. Retire el filtro de papel.



6. Ponga un nuevo filtro de papel en la caja del filtro.
7. Gire la contratuerca  $\frac{1}{2}$  vuelta hacia la derecha para fijar la carcasa del filtro.

### Cambio del prefiltro de combustible

El prefiltro de combustible se encuentra debajo de la carcasa de la batería, en el lado izquierdo del producto.



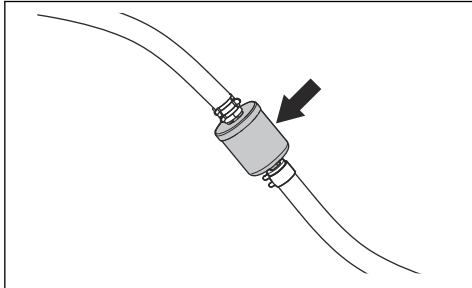
**ADVERTENCIA:** Use guantes protectores para evitar la irritación cutánea. Puede salir combustible por el filtro de combustible y entrar en contacto con la piel.

## Volver a colocar los filtros de combustible

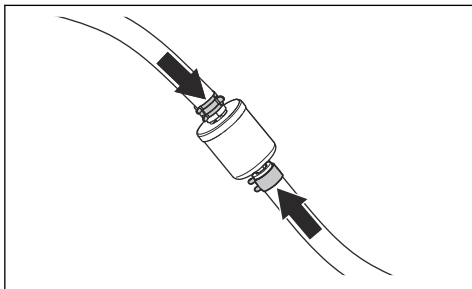
### Cambio del filtro de papel del filtro principal

1. Eleve la cubierta del motor. Consulte la sección *Para abrir la cubierta del motor en la página 99*.
2. Retire el filtro de aire. Consulte la sección *Limpieza y cambio del filtro de aire en la página 105*.
3. Cierre el paso de combustible (A).
4. Gire la contratuerca (B)  $\frac{1}{2}$  vuelta hacia la izquierda y extraiga la carcasa del filtro.

1. Retire el tornillo de la abrazadera que fija el prefiltro de combustible en la posición correspondiente.
2. Retire el filtro de combustible de la abrazadera.
3. Afloje los tornillos de las presillas de manguera.
4. Separe las presillas de manguera del prefiltro de combustible con un par de alicates de punta plana.
5. Desconecte el prefiltro de combustible de los extremos de las mangueras. Es posible que se produzcan unas leves fugas de combustible.



6. Asegúrese de que el nuevo prefiltro de combustible se encuentre orientado correctamente para la circulación de combustible. Conecte el nuevo prefiltro de combustible a los extremos de las mangueras. Aplique detergente líquido a los extremos del prefiltro de combustible para facilitar la conexión.
7. Empuje las presillas de manguera contra el prefiltro de combustible.



8. Apriete los tornillos de las presillas de manguera y monte el prefiltro de combustible en la abrazadera.

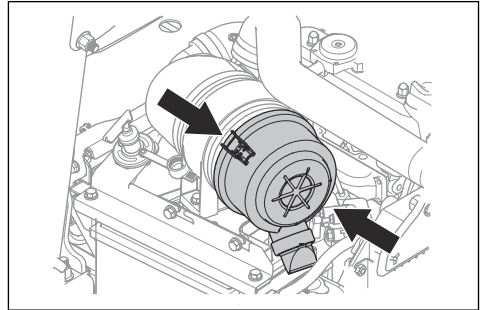
## Limpeza y cambio del filtro de aire



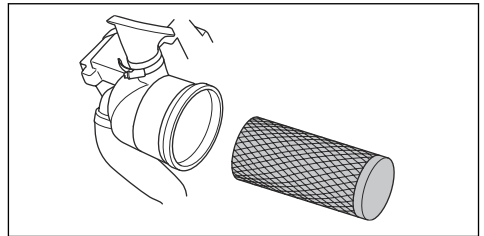
**PRECAUCIÓN:** No arranque el motor mientras el filtro de aire esté desmontado.

1. Eleve la cubierta del motor.

2. Afloje los 2 cierres que sujetan la cubierta del filtro de aire.



3. Saque la cubierta del filtro de aire.
4. Desmonte el cartucho del filtro de aire contenido en la caja del filtro.

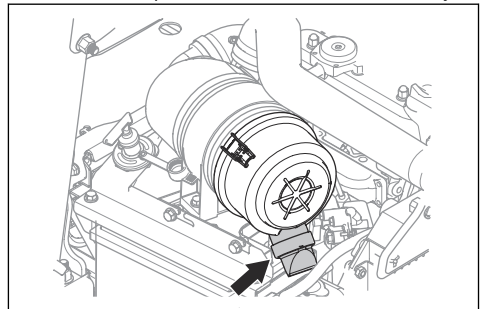


5. Limpie la superficie interior de la caja del filtro con un trapo seco.
6. Con cuidado, golpee el cartucho del filtro de aire contra una superficie dura. Sustituya el filtro de aire si no se puede limpiar del todo o está dañado.



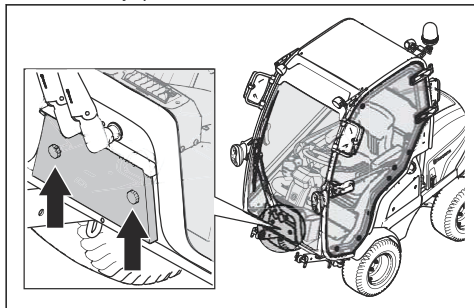
**PRECAUCIÓN:** No use aire comprimido para limpiar el filtro de aire.

7. Coloque el cartucho del filtro de aire en su posición inicial en la carcasa del filtro. Compruebe que el cartucho del filtro de aire está correctamente colocado en la parte superior de la toma de aire.
8. Monte la cubierta del filtro de aire y compruebe que el colector de partículas está orientado hacia abajo.



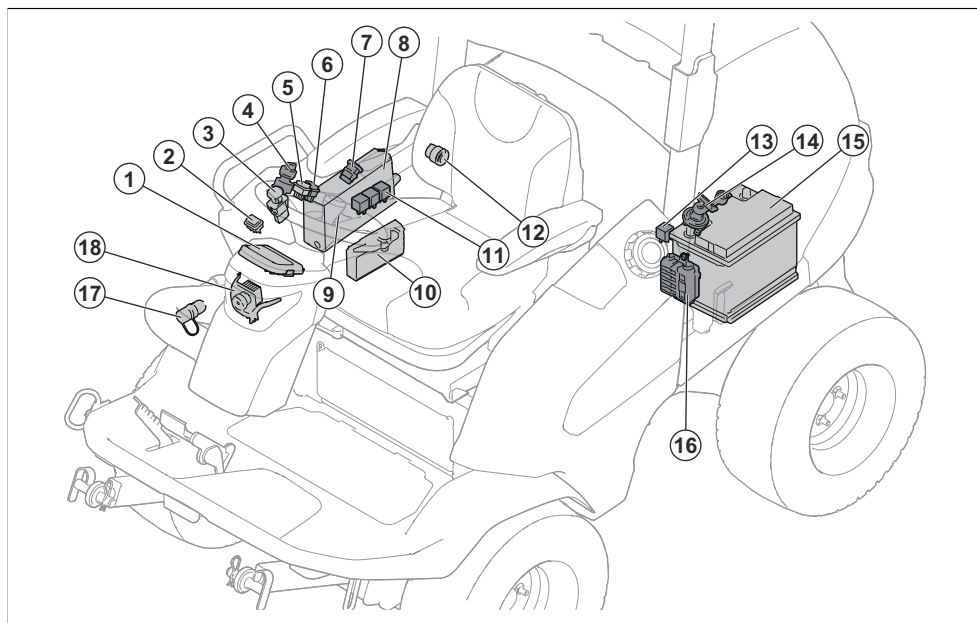
## Limpieza y cambio del filtro de entrada de la calefacción de la cabina

1. Afloje los dos pomos de la cubierta del sistema de ventilador y quite la cubierta.



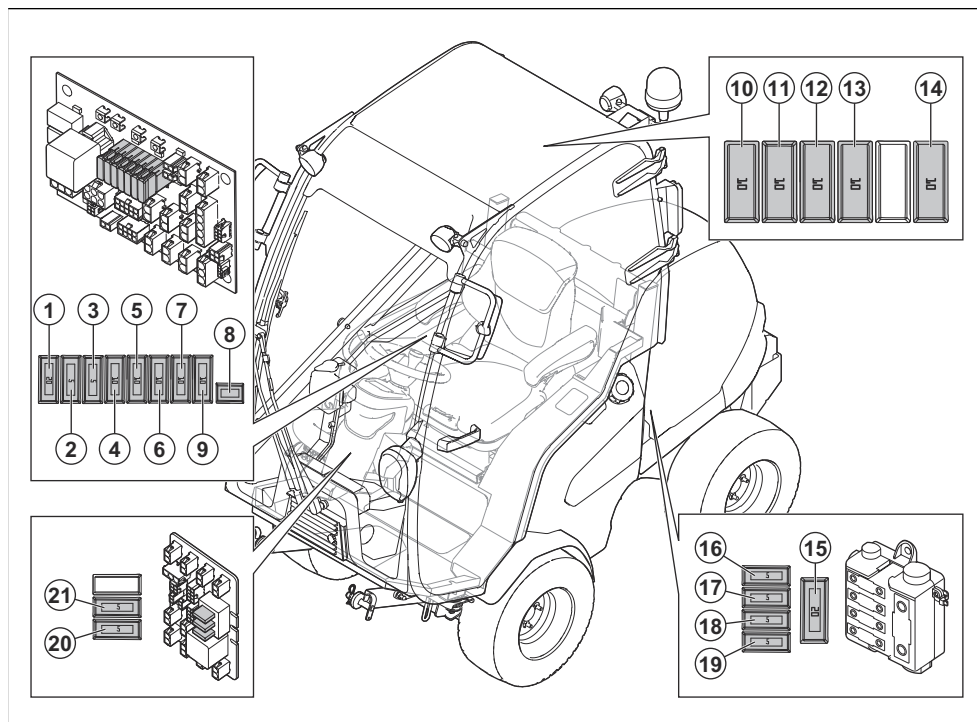
2. Extraiga el soporte del filtro.
3. Eleve y saque el filtro de entrada.
4. Limpie con cuidado el filtro de entrada con un cepillo.
5. Si el filtro de entrada no queda limpio, cámbielo.
6. Ponga el filtro de entrada en el soporte del filtro.
7. Fije el soporte del filtro y apriete los pomos.

## Descripción general del sistema eléctrico



- |  |   |
|--|---|
| 1. Pantalla  | 10. Módulo de control del cortacésped   |
| 2. Botón de función para los accesorios hidráulicos (accesorio para el producto P 520DX) | 11. Relé  |
| 3. botón de la TDF   | 12. Toma de corriente de 12 V   |
| 4. Llave de contacto   | 13. Relé  |
| 5. Indicador del faro  | 14. Interruptor principal   |
| 6. Interruptor para la toma de corriente   | 15. Batería   |
| 7. Puertos USB   | 16. Caja de fusibles  |
| 8. Caja de control   | 17. Toma de corriente auxiliar (AUX), 12 V (accesorio para el producto P 520DX) |
| 9. Conector de mantenimiento   | 18. Faros   |

## Vista general de los fusibles



1. Alimentación de 12 V al módulo de control del cortacésped, 20 A
2. Alimentación del indicador de diésel (5 A)
3. Alimentación de encendido (5 A)
4. J14 + 12 V, luz giratoria (10 A)
5. J16 + 12 V, interruptor adicional, salida adicional, alimentación hidráulica (10 A)
6. Freno de estacionamiento/asiento (10 A)
7. Alimentación de las luces (10 A)
8. Alimentación de la cabina, fusible automático
9. USB, toma de 12 V, alimentación del interruptor de 12 V (10 A)
10. Limpiaparabrisas (10 A) (P 525DX Cabin)
11. Calefacción de cabina (10 A) (P 525DX Cabin)
12. Luz de trabajo trasera (10 A) (P 525DX Cabin)
13. Luz de cruce (10 A) (P 525DX Cabin)
14. Luz de trabajo delantera (10 A) (P 525DX Cabin)
15. Fusible de seguridad de alta potencia (150 A)
16. Vacío
17. Fusible de la alimentación de la cabina (50 A) (P 525DX, P 525DX Cabin)
18. Fusible de la alimentación del motor/bujía de precalentamiento (50 A)
19. Fusible de la alimentación de la placa de circuitos impresos de control (50 A)
20. Zumbador (5 A)
21. Luz de estacionamiento (5 A)

### Sustitución de un fusible

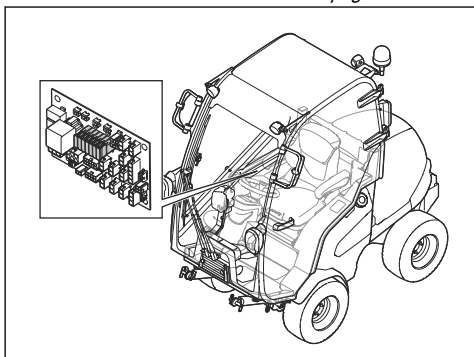
Para determinar si un fusible está fundido, hay que observar si el filamento está quemado.

La lista de fusibles se encuentra en la vista general de los fusibles; consulte *Vista general de los fusibles en la página 107*.

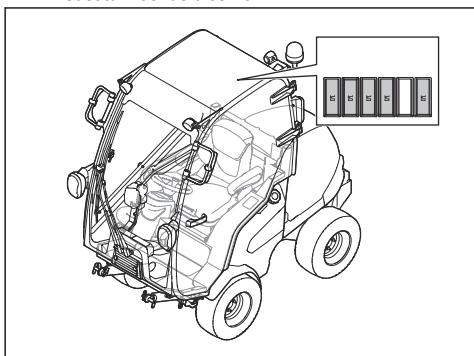
1. Localice el fusible roto:



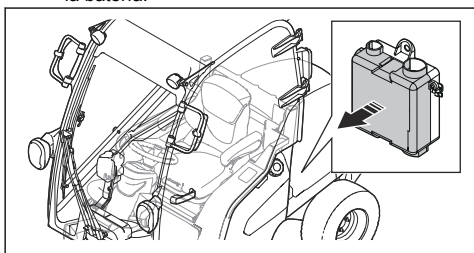
- a) Retire la cubierta derecha para sustituir los fusibles 1-9. Consulte la sección *Desmontaje de la cubierta lateral derecha en la página 100.*



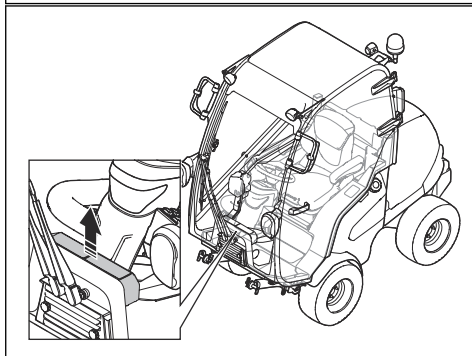
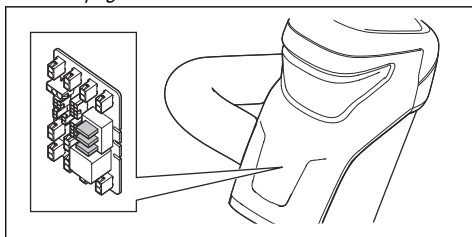
- b) Retire la cubierta del techo de la cabina para sustituir los fusibles 10-14.



- c) Abra la cubierta del motor para sustituir los fusibles 15-19. Consulte la sección *Para abrir la cubierta del motor en la página 99.* Los fusibles se encuentran en la caja de fusibles, delante de la batería.



- d) Retire la cubierta delantera de la columna de dirección para sustituir los fusibles 20-21. Consulte la sección *Montaje y desmontaje de la cubierta delantera de la columna de dirección en la página 99.*



- e) En P 525DX Cabin, para acceder a la cubierta delantera, retire los 4 tornillos del circulador de aire. Desmonte el circulador de aire.

2. Extraiga el fusible del soporte.
3. Cambie el fusible fundido por uno nuevo del mismo tipo. Consulte la sección *Vista general de los fusibles en la página 107.*
4. Coloque las tapas.

**Nota:** Si el fusible principal se rompe de nuevo en un breve periodo después de sustituirlo, hay un cortocircuito. Repare el cortocircuito antes de utilizar el producto de nuevo. Deje que un taller de servicio homologado le ayude.

## Carga de la batería

- Cargue la batería si está demasiado baja como para arrancar el motor.
- Utilice un cargador de baterías estándar.



**PRECAUCIÓN:** No utilice un cargador de refuerzo o un amplificador de arranque. Causará daños en el sistema eléctrico del producto.

- Antes de poner en marcha el motor, desconecte siempre el cargador.



## Arranque de emergencia del motor

Si la batería está demasiado baja como para arrancar el motor, puede utilizar cables de puente para realizar un arranque de emergencia. Este producto tiene un sistema de 12 V con conexión a tierra negativa. El producto que se utilice para el arranque de emergencia debe tener también un sistema de 12 V con conexión a tierra negativa.

### Conexión de los cables de puente

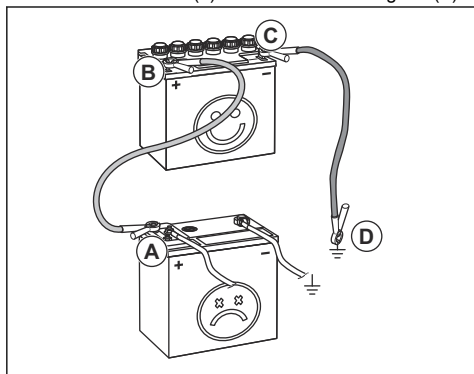


**ADVERTENCIA:** Existe riesgo de explosión debido a gases explosivos procedentes de la batería. No conecte el terminal negativo de una batería totalmente cargada al terminal negativo de una batería descargada, ni los coloque cerca.



**PRECAUCIÓN:** No utilice la batería de su producto para arrancar otros vehículos.

1. Eleve la cubierta del motor. Consulte la sección *Para abrir la cubierta del motor en la página 99*.
2. Conecte un extremo del cable rojo al terminal de batería POSITIVO (+) de la batería descargada (A).



3. Conecte el otro extremo del cable rojo al terminal de batería POSITIVO (+) de la batería totalmente cargada (B).



**ADVERTENCIA:** No cortocircuite los extremos del cable rojo contra el chasis.

4. Conecte uno de los extremos del cable negro al terminal de batería NEGATIVO (-) de la batería totalmente cargada (C).
5. Conecte el otro extremo del cable negro a un punto de MASA DEL CHASIS (D), lejos del depósito de combustible y la batería.
6. Vuelva a colocar las cubiertas.

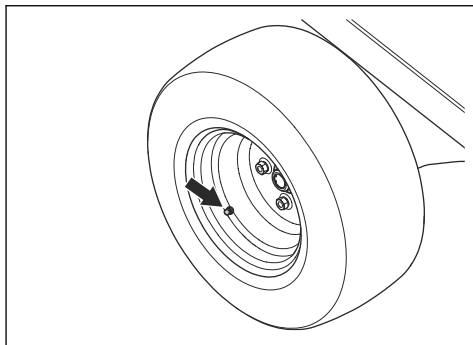
## Retirada de los cables de puente

**Nota:** Retire los cables de puente siguiendo una secuencia opuesta a la de conexión.

1. Quite el cable NEGRO del chasis.
2. Quite el cable NEGRO de la batería totalmente cargada.
3. Quite el cable ROJO de las 2 baterías.

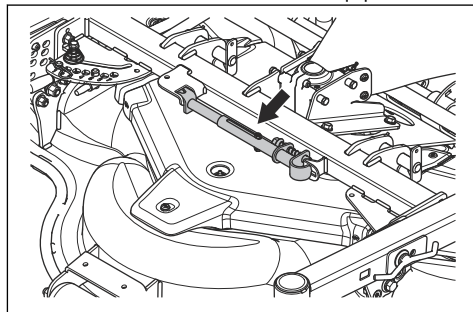
## Presión de los neumáticos

Consulte *Datos técnicos en la página 128* para conocer el valor de presión correcta de los neumáticos.



## Colocar el equipo de corte en posición de servicio

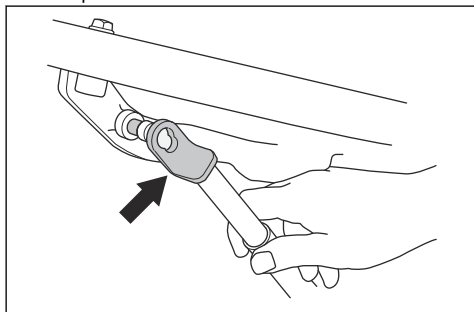
1. Lleve a cabo el procedimiento indicado en *Desmontaje del equipo de corte en la página 84*, pero no desconecte los brazos elevadores.
2. Desmonte el tirante de servicio del equipo de corte.



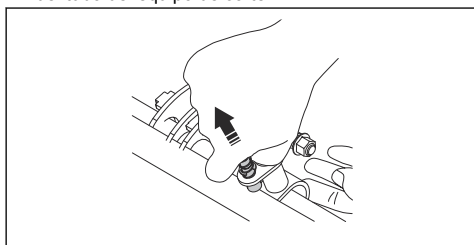
**ADVERTENCIA:** Monte el tirante de servicio y las correas de seguridad mientras el equipo de corte se encuentre en la posición de servicio. Si el tirante de servicio o las correas de seguridad no se utilizan correctamente, pueden

provocarse daños graves e incluso la muerte.

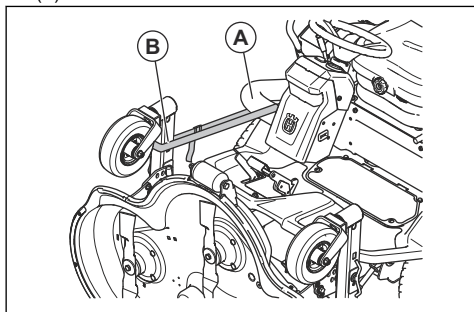
3. Fije el tirante de servicio al punto rojo situado debajo de la placa inferior.



4. Tire del pasador del otro extremo del tirante de servicio. Fije el tirante de servicio a la marca roja del tubo del equipo de corte.



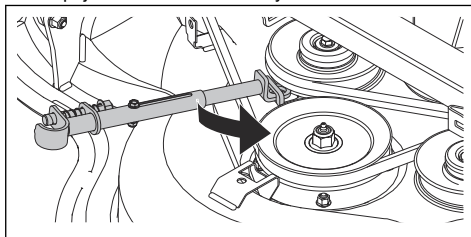
5. Arranque el motor.
6. Tire de la palanca de los brazos elevadores hidráulicos hacia atrás para elevar el equipo de corte hasta la altura máxima.
7. Coloque 1 extremo de la correa de seguridad alrededor del tubo junto a la columna de dirección (A).



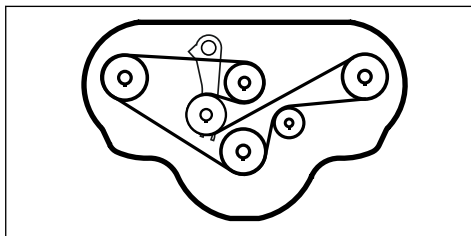
8. Coloque el otro extremo de la correa de seguridad alrededor de las ruedas pivotantes del equipo de corte (B).
9. Para poner el equipo de corte en la posición de corte, siga las instrucciones en orden inverso.

## Ajuste de la correa del equipo de corte

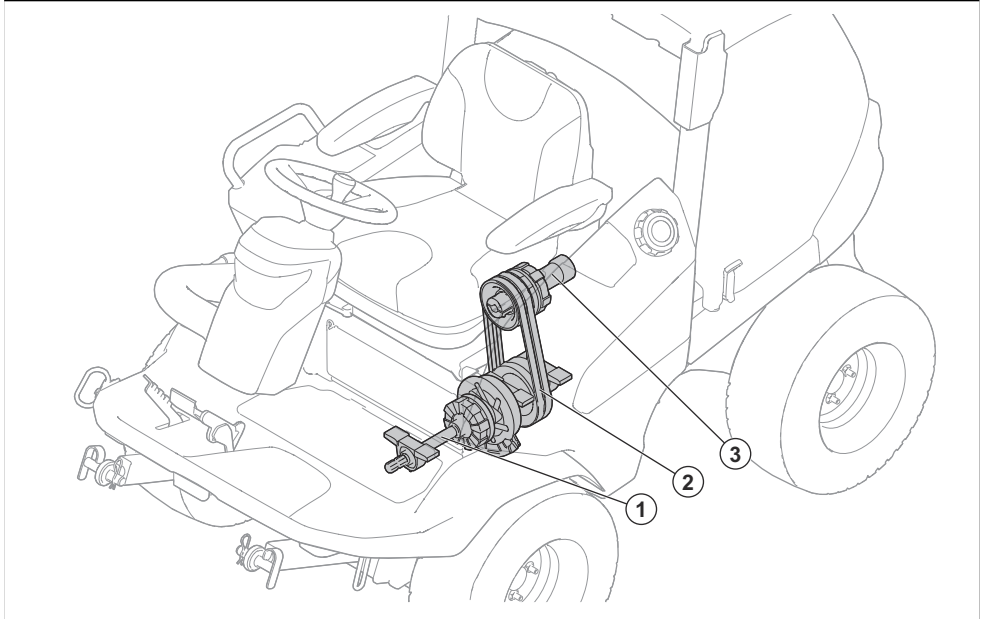
1. Extraiga los 3 tornillos que fijan la cubierta de la correa.
2. Retire la cubierta de la correa.
3. Fije el tirante de servicio al muelle tensor.
4. Empuje el tirante de servicio y retire la correa.



5. Coloque la correa alrededor de las poleas como se muestra en la ilustración.



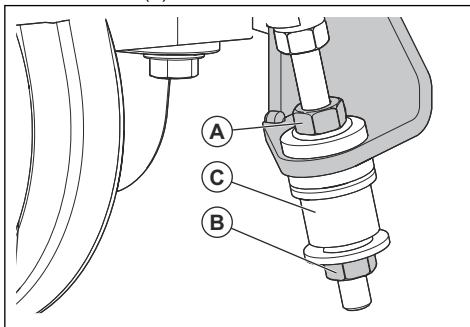
## Descripción general del sistema de la TDF



1. Eje de la TDF
2. Correas
3. Eje propulsor de la bomba hidráulica

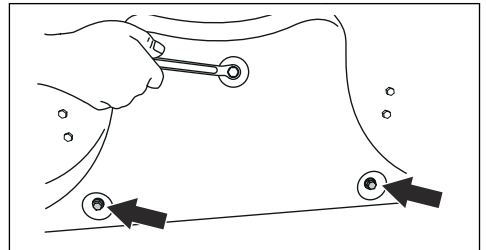
### Ajuste de las correas de la TDF

1. Afloje la contratuerca (A).
2. Apriete el tornillo de ajuste (B) hasta que el manguito (C) no pueda girarse a mano.
3. Sujete el tornillo de ajuste (B) y apriete la contratuerca (A).



### Desmontaje y colocación del tapón BioClip®

1. Coloque el equipo de corte en la posición de servicio.
2. Retire los 3 tornillos que fijan el tapón BioClip® y retírelo.



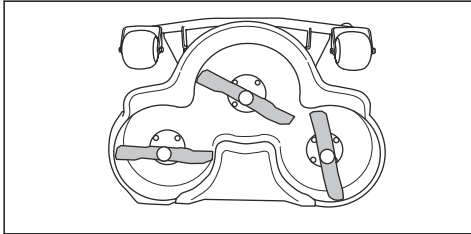
3. Coloque 3 tornillos M8 × 15 mm en los orificios roscados para el tapón BioClip® para que las roscas no sufran daños.
4. Coloque el equipo de corte en la posición de corte.
5. Para montar el tapón BioClip®, efectúe este procedimiento en el orden inverso.

## Examinar las cuchillas



**PRECAUCIÓN:** Unas cuchillas dañadas o mal equilibradas pueden causar daños al producto. Sustituya las cuchillas dañadas. Deje que un taller de servicio homologado le ayude a afilar y equilibrar las cuchillas romas.

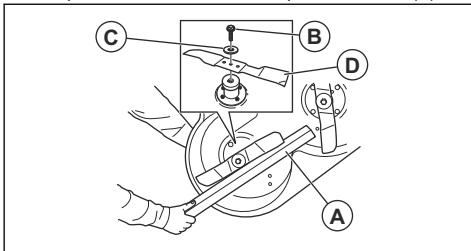
1. Coloque el equipo de corte en la posición de servicio.
2. Observe las cuchillas para ver si están dañadas y, si es necesario, afílarlas.



3. Apriete los tornillos de las cuchillas al par de apriete correspondiente. Consulte la sección *Datos técnicos* en la página 128.

## Sustitución de las cuchillas

1. Coloque el equipo de corte en la posición de servicio.
2. Bloquee la cuchilla con un bloque de madera (A).



3. Afloje y extraiga los pernos de la cuchilla (B), las arandelas (C) y la cuchilla (D).
4. Monte las nuevas cuchillas con los extremos afilados orientados hacia el equipo de corte.

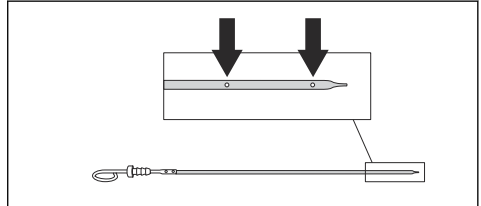


**ADVERTENCIA:** Usar un tipo de cuchillas incorrecto puede causar que el equipo de corte arroje objetos y causar así lesiones graves. Utilice únicamente las cuchillas que aparecen en *Datos técnicos* en la página 128.

5. Coloque la arandela y el tornillo para montar la cuchilla. Apriete el perno al par de apriete correspondiente. Consulte la sección *Datos técnicos* en la página 128.

## Comprobación del nivel de aceite del motor

1. Estacione el producto sobre un suelo nivelado y detenga el motor.
2. Eleve la cubierta del motor.
3. Afloje la varilla de nivel y extráigala.
4. Limpie el aceite de la varilla de nivel de aceite.
5. Ponga la varilla de nivel de aceite en la abertura de nivel de aceite.
6. Saque varilla y lea el nivel de aceite.
7. El nivel de aceite debe estar entre las marcas que aparecen en la varilla de nivel.



8. Si el nivel de aceite es bajo, reponga aceite de motor y vuelva a comprobar el nivel de aceite.

**Nota:** Consulte *Datos técnicos* en la página 128 para ver el tipo de aceite de motor recomendado. No mezcle diferentes tipos de aceite.

9. Apriete la varilla de nivel correctamente antes de arrancar el motor. Ponga en marcha la máquina con el motor al ralentí durante 30 segundos aproximadamente. Pare el motor. Espere 30 segundos y vuelva a comprobar el nivel de aceite.

## Cambio del aceite del motor y el filtro de aceite

Si el motor está frío, arránquelo durante 1 o 2 minutos antes de drenar el aceite del motor. Esto calienta el aceite del motor y facilita el drenaje.

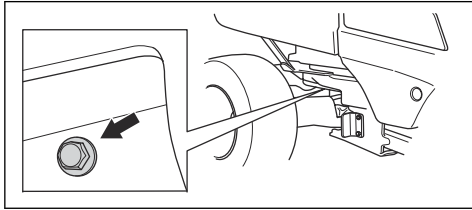


**ADVERTENCIA:** No deje el motor funcionando más de 1 o 2 minutos antes de drenar el aceite. El aceite del motor se calienta mucho y puede causar quemaduras graves. Deje que el motor se enfríe antes de vaciar el aceite del motor.

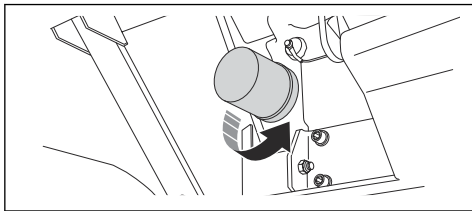


**ADVERTENCIA:** Si se derrama aceite del motor sobre el cuerpo, lávese con agua y jabón.

1. Coloque un recipiente debajo del tapón de vaciado del aceite, situado en el lado izquierdo del motor.



2. Quite el tapón de vaciado de aceite.
3. Quite la varilla de nivel.
4. Vacíe el aceite en el recipiente.
5. Coloque la nueva junta en el tapón de vaciado de aceite. Coloque el tapón y apriételo.
6. Gire el filtro de aceite hacia la izquierda para extraerlo.



7. Lubrique ligeramente la junta de goma del nuevo filtro de aceite con aceite nuevo.
8. Para montar el filtro de aceite, gírelo hacia la derecha con la mano hasta que la junta de goma esté en su posición y, a continuación, apriete media vuelta más.
9. Llene con aceite nuevo según lo establecido en *Datos técnicos en la página 128*.
10. Arranque el motor y déjelo al ralentí durante 3 minutos.

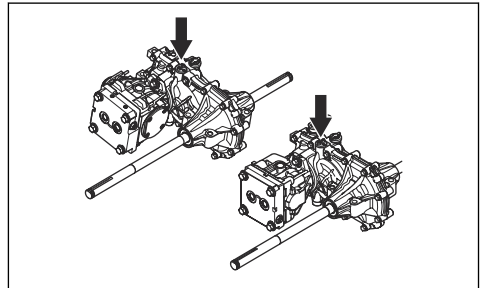
11. Pare el motor y asegúrese de que el filtro de aceite no tenga fugas.

12. Compruebe el nivel de aceite.

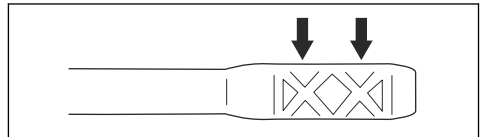
**Nota:** Para un desechado seguro del aceite de motor usado, consulte *Eliminación en la página 127*.

## Comprobación del nivel de aceite de la transmisión

1. Utilice la varilla de nivel de aceite para leer el nivel de aceite de la transmisión.

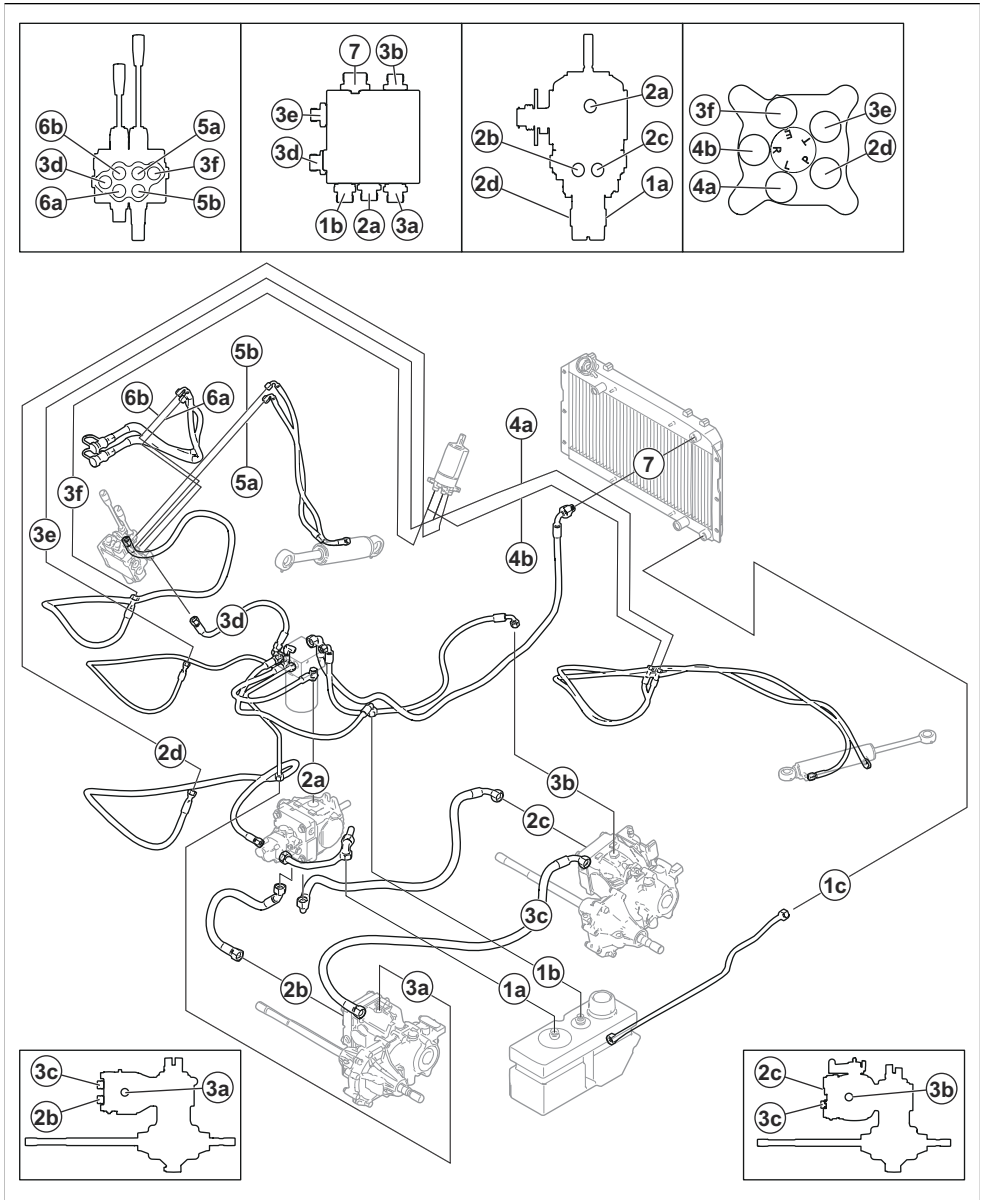


2. El nivel de aceite debe estar entre las marcas que aparecen en la varilla de nivel.



3. Si el nivel de aceite es demasiado bajo, rellene el depósito con el tipo de aceite indicado en *Datos técnicos en la página 128*.

## Descripción del sistema hidráulico



1a: Depósito hidráulico - bomba

1b: Depósito hidráulico - filtro

1c: Depósito hidráulico - enfriador de aceite hidráulico

2a: Filtro - bloque de válvulas

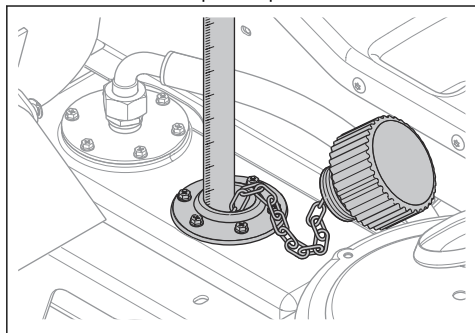
2b: Filtro - bomba

2c: Transmisión delantera - bomba

- 2d: Bomba - dirección asistida
- 3b: Transmisión delantera - filtro
- 3a: Transmisión trasera - filtro
- 3c: Transmisión trasera - transmisión delantera
- 4a: Dirección asistida - cilindro de dirección
- 4b: Dirección asistida - cilindro de dirección
- 5a: Bloque de válvulas - cilindro de elevación
- 5b: Bloque de válvulas - cilindro de elevación
- 6a: Bloque de válvulas - acoplamiento del equipo de corte
- 6b: Bloque de válvulas - acoplamiento del equipo de corte
- 7: Filtro - enfriador de aceite hidráulico

## Comprobación del nivel de aceite de la transmisión

1. Incline el asiento hacia delante. Consulte la sección *Inclinación del asiento hacia delante (P 520DX, P 525DX)* en la página 90.
2. Limpie los alrededores del tapón del depósito de aceite con un paño seco.
3. Retire el tapón del depósito de aceite y compruebe el nivel de aceite hidráulico. El nivel correcto es de 40-60 mm desde la parte superior del filtro.

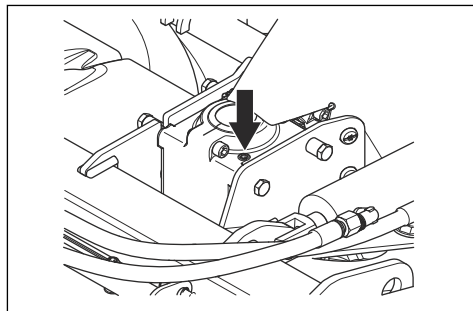


4. Si el nivel de aceite es demasiado bajo, rellene el depósito con el tipo de aceite indicado en *Datos técnicos* en la página 128.

## Comprobación del nivel de aceite del engranaje angulado del equipo de corte

1. Estacione el cortacésped en una superficie nivelada.
2. Baje el equipo de corte a la posición de corte.

3. Introduzca una varilla metálica limpia en la caja de engranajes. La varilla de metal debe tener una longitud mínima de 100 mm y un diámetro máximo de 3 mm.



4. Baje la varilla de metal al fondo de la caja de engranajes.
5. Saque la varilla de metal y lea el nivel de aceite.
6. Mida la parte de la varilla de metal que tenga aceite. Debe haber aceite en 15 mm de la varilla de metal.
7. Reponga aceite de la caja de engranajes si el nivel de aceite de la varilla de metal no llega a 15 mm. Consulte el aceite recomendado en la sección *Guía rápida de mantenimiento* en la página 117.

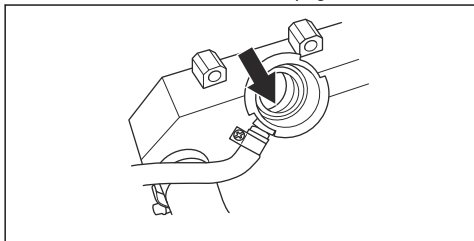
## Cambio del aceite del engranaje angulado del equipo de corte

1. Retire el equipo de corte. Consulte la sección *Desmontaje del equipo de corte* en la página 84.
2. Ponga el equipo de corte sobre su borde delantero y vacíe el aceite a través del tapón de llenado del aceite.
3. Vacíe el aceite en un recipiente.
4. Llene con 80 ml de aceite hidráulico nuevo según lo establecido en *Datos técnicos* en la página 128.
5. Compruebe el nivel de aceite. Consulte la sección *Comprobación del nivel de aceite del engranaje angulado del equipo de corte* en la página 115.

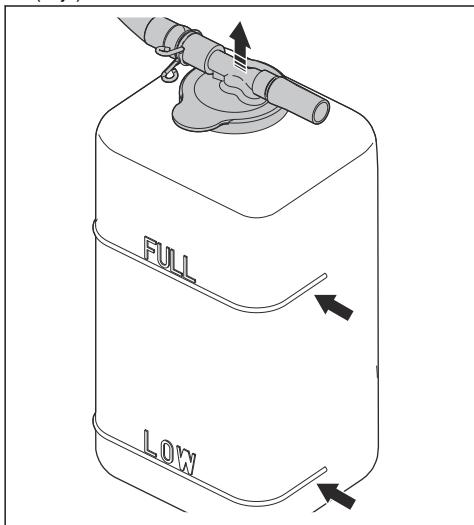
## Para realizar una comprobación del nivel de refrigerante

1. Estacione el producto sobre un suelo nivelado y detenga el motor.
2. Eleve la cubierta del motor. Consulte la sección *Para abrir la cubierta del motor* en la página 99.
3. Abra el tapón de refrigerante.

4. Compruebe el nivel de refrigerante. Llene el depósito de refrigerante en caso necesario. Consulte la sección *Datos técnicos en la página 128*.



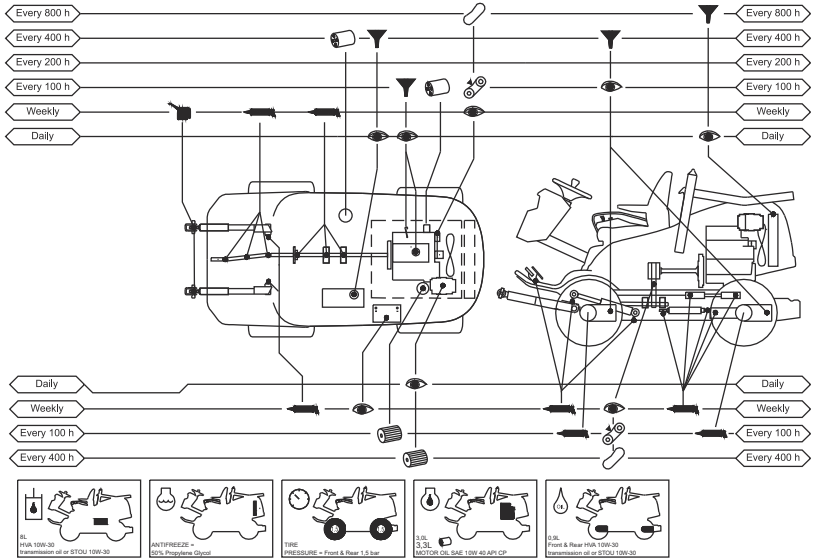
5. Compruebe el nivel de refrigerante del depósito de expansión. El nivel debe estar en la marca LOW (bajo) cuando el motor está frío.



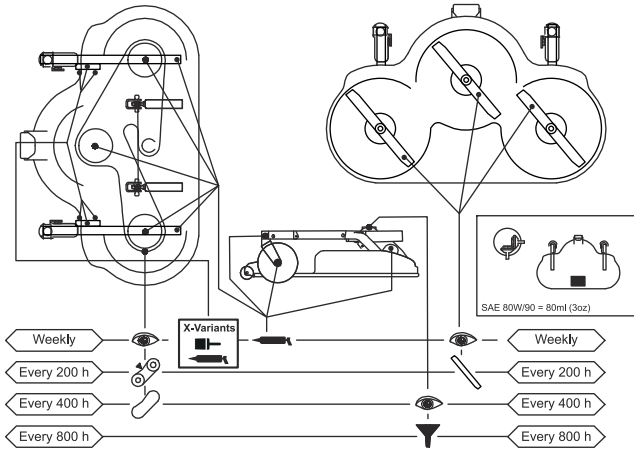


# QUICK MAINTENANCE GUIDE

First service after 50 hours



# QUICK MAINTENANCE GUIDE



## Símbolos que aparecen en la guía rápida de mantenimiento



Sustituir el filtro



Cambiar el aceite



Examinar visualmente o comprobar el nivel de aceite



Lubricar la boquilla de engrase con grasa



Lubricar con aceite



Comprobar el estado y la tensión de la correa de transmisión

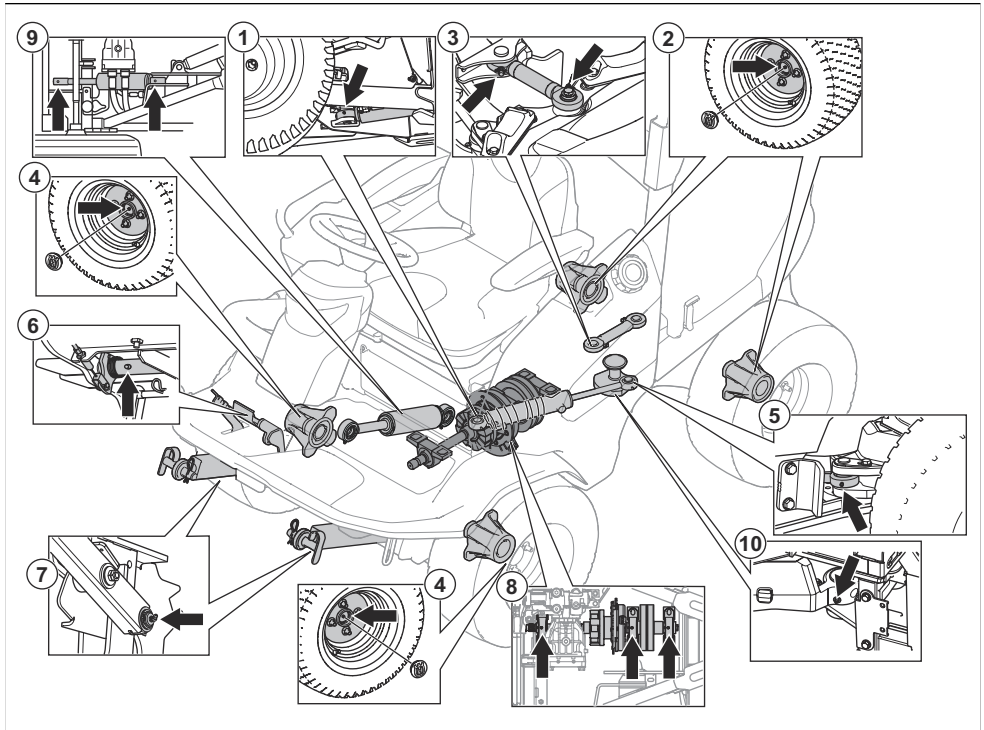


Cambiar la correa de transmisión



Sustituir las cuchillas

## Información general sobre la lubricación



Para 1–7, utilice grasa cálcica.

Para 8, utilice grasa de complejo de litio.

1. Cilindro de dirección - parte delantera
2. Estrías del eje trasero
3. Tirante de control
4. Estrías del eje delantero
5. Cilindro de dirección - parte trasero
6. Eje del pedal. Dos posiciones.
7. Brazos elevadores
8. Alojamiento de cojinete (grasa de litio para altas temperaturas)
9. Cilindro de elevación
10. Junta de la dirección articulada

- Si lubrica con grasa, utilice grasa para chasis o cojinetes de bolas que evite la corrosión. Limpie la grasa sobrante después de lubricar.
- Lubrique 2 veces a la semana si utiliza el producto a diario.
- No derrame lubricante sobre las correas de transmisión o las ranuras de las poleas de las correas. Si se derrama, limpie con alcohol. Si la fricción entre la correa de transmisión y la polea no es suficiente después de limpiar con alcohol, cambie la correa de transmisión.



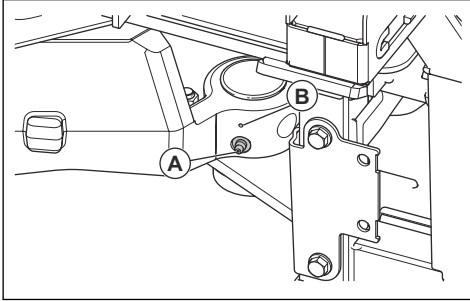
**PRECAUCIÓN:** No utilice gasolina ni otros productos derivados del petróleo para limpiar las correas de transmisión.

## Lubricación, información general

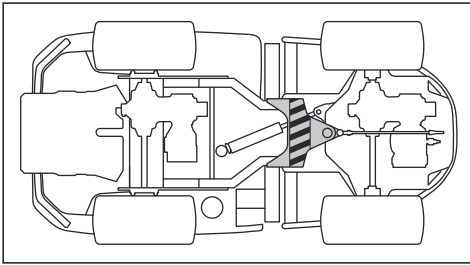
- Retire la llave de contacto para evitar movimientos accidentales durante la lubricación.
- Limpie la zona antes de lubricar una pieza del producto.
- Utilice aceite cuando lubrique con una aceitadora.

## Lubricación de la articulación de la dirección articulada

1. Lubrique el cojinete de la dirección articulada con las cuatro ruedas del producto en el suelo. Lubrique a través de la boquilla de engrase (A) hasta que la grasa salga por el orificio (B).



2. Levante el producto para aliviar la presión de la dirección articulada. En la ilustración se indica dónde colocar los soportes.



**PRECAUCIÓN:** Asegúrese de que el soporte no dañe el tirante de

control ni cause obstrucción alguna de la dirección articulada.

3. Vuelva a lubricar el cojinete de la dirección articulada con el producto elevado.

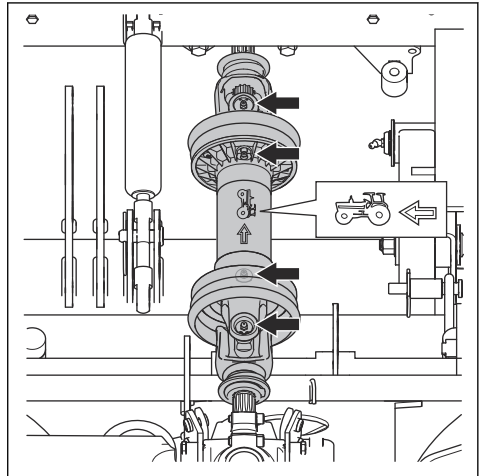


**PRECAUCIÓN:** Asegúrese de que la grasa salga por la articulación, por debajo de la boquilla de engrase.

4. Baje el producto.

## Lubricación del eje propulsor

1. Cierre la escotilla de mantenimiento. Consulte la sección *Desmontaje de la escotilla de mantenimiento en la página 100*.
2. Lubrique las 4 boquillas de engrase con una pistola de engrase hasta que rebose la grasa.



## Resolución de problemas

### Resolución de problemas


Si no puede encontrar una solución a sus problemas en este manual, hable con su taller de servicio Husqvarna.


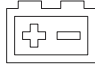





<b>Problema</b>	<b>Causa</b>
El motor de arranque no arranca el motor.	El botón de la TDF está activado.
	El freno de estacionamiento no está accionado. Consulte <i>Aplicar y soltar el freno de estacionamiento en la página 95.</i>
	El fusible principal está fundido. Consulte <i>Sustitución de un fusible en la página 107.</i>
	El contacto está defectuoso.
	La conexión entre el cable y la batería no es buena.
	La batería está demasiado débil. Consulte <i>Carga de la batería en la página 108.</i>
	El motor de arranque está defectuoso.
El motor no arranca cuando el motor de arranque trata de arrancar el motor.	No hay combustible en el depósito de combustible. Consulte <i>Repostaje de combustible en la página 88.</i>
	Hay aire en el sistema de combustible.
	El precalentamiento es defectuoso o demasiado breve.
	El motor está defectuoso.
	El filtro de combustible está obstruido. <i>Volver a colocar los filtros de combustible en la página 104.</i>
El motor no funciona correctamente.	El filtro de combustible está obstruido. Consulte <i>Asegure su producto en la página 69.</i>
	El filtro de aire está obstruido. Consulte <i>Limpieza y cambio del filtro de aire en la página 105.</i>
	La ventilación del depósito de combustible está bloqueada.
	La presión de suministro es demasiado baja.
	La tubería del inyector está suelta.
	El motor está defectuoso.
	El combustible en el depósito es del tipo incorrecto.
	La válvula de descarga está defectuosa.
	El inyector de combustible está defectuoso.
	La bomba de inyección está defectuosa.
	La bomba de suministro está defectuosa.
El motor se recalienta.	La toma de aire frío o las aletas de refrigeración están bloqueadas.
	El motor está sobrecargado.
	El nivel de refrigerante es demasiado bajo.
	El nivel de aceite del motor es demasiado bajo.

<b>Problema</b>	<b>Causa</b>
El producto expulsa humo negro.	El combustible en el depósito es del tipo incorrecto.
	El filtro de aire está obstruido. Consulte <i>Limpieza y cambio del filtro de aire en la página 105</i> .
	La bomba de inyección está defectuosa.
	El inyector de combustible está defectuoso.
El producto expulsa humo azul.	El nivel de aceite del motor es demasiado alto.
	El motor está defectuoso.
El producto expulsa humo blanco.	El cilindro del motor está defectuoso.
	El nivel de aceite del motor es demasiado alto.
Aparentemente el motor no tiene potencia.	El filtro de aire está obstruido. Consulte <i>Limpieza y cambio del filtro de aire en la página 105</i> .
	El filtro de combustible está obstruido. Consulte <i>Volver a colocar los filtros de combustible en la página 104</i> .
	Hay aire en el sistema de combustible.
	La válvula de descarga está defectuosa.
	La presión de suministro es demasiado baja.
	La bomba de suministro está defectuosa.
	La sincronización de la bomba de inyección de combustible es defectuosa.
	El motor está defectuoso.
La transmisión no tiene suficiente potencia.	Las válvulas de derivación no están completamente cerradas.
	No hay aceite en la transmisión o el nivel de aceite es demasiado bajo. Consulte <i>Comprobación del nivel de aceite de la transmisión en la página 113</i> .
	El aceite de la transmisión se ha sobrecalentado.
La batería no se carga	La batería está defectuosa. Póngase en contacto con su taller de servicio Husqvarna.
	La conexión de los conectores de los cables de los terminales de la batería está en mal estado.



Problema	Causa
Se producen vibraciones en el producto.	Las cuchillas están flojas. Consulte <i>Examinar las cuchillas en la página 112.</i>
	Una cuchilla o más no están equilibradas. Consulte <i>Examinar las cuchillas en la página 112.</i>
	El motor está suelto.
	El engranaje angulado está suelto.
	La bomba hidráulica está suelta.
	El motor está defectuoso.
	El eje propulsor está defectuoso.
	Hay algún objeto en las poleas de la correa de la TDF.
	Los elementos de goma se han endurecido o están dañados.
El resultado del corte no es satisfactorio.	Las cuchillas están romas. Consulte <i>Examinar las cuchillas en la página 112.</i>
	El césped está crecido o húmedo. Consulte <i>Para obtener un buen resultado de corte en la página 95.</i>
	El equipo de corte está torcido.
	El equipo de corte presenta una obstrucción por hierba. Consulte <i>Colocar el equipo de corte en posición de servicio en la página 109.</i>
	La presión de los neumáticos es distinta en el lado derecho e izquierdo. Consulte <i>Presión de los neumáticos en la página 109.</i>
	El producto funciona a una velocidad demasiado alta. Consulte <i>Para obtener un buen resultado de corte en la página 95.</i>
	El régimen del motor es demasiado bajo. Consulte <i>Datos técnicos en la página 128.</i>
	La correa de transmisión patina.

## Pantalla - Resolución de problemas

Símbolo	Nombre	En la pantalla	Causa
	Indicador de temperatura del agua del motor	Se muestra el símbolo y se activa una señal sonora de advertencia.	La temperatura del motor es demasiado alta. Desconecte el interruptor de la TDF y coloque el acelerador en la posición de baja velocidad. La señal de advertencia se detiene cuando la temperatura del motor desciende por debajo del límite de advertencia.
		El símbolo parpadea rápidamente.	Póngase en contacto con su taller de servicio Husqvarna.

Símbolo	Nombre	En la pantalla	Causa
	Sensor de presión de aceite del motor	El símbolo se muestra.	Presión de aceite baja. Consulte <i>Comprobación del nivel de aceite del motor en la página 112.</i>
		El símbolo parpadea.	El sistema de lubricación está dañado o no funciona correctamente.
			El interruptor de aceite o el circuito están dañados o no funcionan correctamente.
	Indicador de carga de la batería	El símbolo se muestra.	Tensión baja. Consulte <i>Carga de la batería en la página 108.</i>
	Indicador del botón de la TDF	El símbolo se muestra.	Botón de la TDF activado. Consulte <i>Comprobación de las condiciones de funcionamiento en la página 80.</i>
		El símbolo parpadea.	Procedimiento de arranque incorrecto. Consulte <i>Comprobación de las condiciones de funcionamiento en la página 80.</i>
		El símbolo parpadea rápidamente.	Botón de la TDF defectuoso. Póngase en contacto con su taller de servicio Husqvarna.
	Indicador de freno de estacionamiento	El símbolo se muestra.	El freno de estacionamiento está activado. Consulte <i>Aplicar y soltar el freno de estacionamiento en la página 95.</i>
		El símbolo parpadea.	Procedimiento de arranque incorrecto. Consulte <i>Comprobación de las condiciones de funcionamiento en la página 80.</i>
		El símbolo parpadea rápidamente.	Freno de estacionamiento defectuoso. Póngase en contacto con su taller de servicio Husqvarna.
	Indicador OPC	El símbolo parpadea.	El interruptor del asiento está desactivado al intentar arrancar el motor. Consulte <i>Comprobación de las condiciones de funcionamiento en la página 80.</i>
		El símbolo parpadea rápidamente.	Interruptor del asiento defectuoso. Póngase en contacto con su taller de servicio Husqvarna.
	Indicador de mantenimiento	El símbolo se muestra.	Es necesario realizar el mantenimiento. Póngase en contacto con su taller de servicio Husqvarna.
	Indicador de combustible	El símbolo se muestra.	Nivel de combustible bajo. Consulte <i>Repostaje de combustible en la página 88.</i>



Símbolo	Nombre	En la pantalla	Causa
	Bluetooth®	El símbolo parpadea.	El producto está bloqueado. Desbloquee el producto con la aplicación Husqvarna Connect.
	Bloqueo digital	El símbolo se muestra.	El producto está bloqueado. Desbloquee el producto con la aplicación Husqvarna Connect.

**Nota:** Los símbolos y sus posiciones en la pantalla pueden ser distintos entre los diferentes modelos.

## Transporte, almacenamiento y eliminación

### Transporte

- El producto es pesado y puede causar lesiones por aplastamiento. Tenga cuidado al cargarlo o descargarlo de un vehículo o remolque.
- No levante el producto. Las argollas de transporte no son puntos de elevación y solo deben utilizarse para enganchar el producto de forma segura a un remolque.
- Utilice solo un remolque homologado para el transporte del producto.
- Asegúrese de que conoce las normas de tráfico locales antes de transportar el producto en un remolque o circular por carretera.

### Conexión segura del producto en un remolque para su transporte

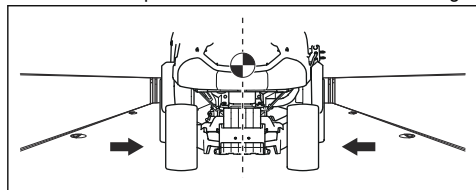
Antes de sujetar el producto, debe leer y entender el capítulo sobre seguridad. Consulte la sección *Seguridad en el transporte en la página 82*.



**ADVERTENCIA:** El freno de estacionamiento no es suficiente para bloquear el producto durante el transporte. Sujete firmemente el producto en el área de carga.

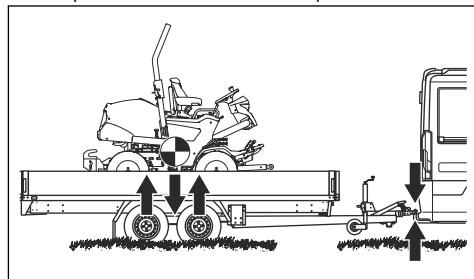
Equipo: 4 correas homologadas y 4 calzos para las ruedas.

1. Estacione el producto en el centro del área de carga.

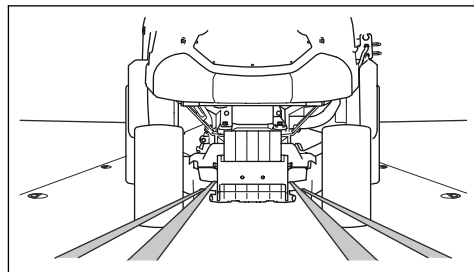


**ADVERTENCIA:** Para el transporte en vehículos de transporte con una cubierta. Deje que el producto se enfríe antes de colocarlo en el vehículo de transporte.

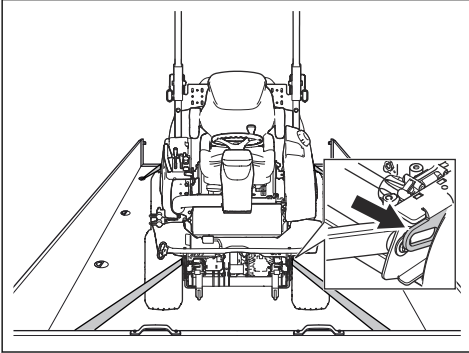
2. Asegúrese de que el centro de gravedad del producto está por encima del eje de las ruedas del vehículo de transporte. Si se utiliza un remolque para el transporte, asegúrese de que la fuerza que se aplica sobre la barra de remolque es correcta.



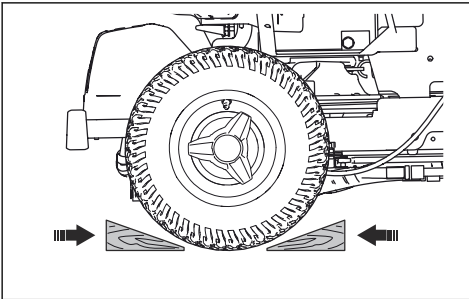
3. Aplique el freno de estacionamiento.
4. Baje el equipo de corte a la posición flotante.
5. Retire todos los objetos sueltos.
6. Monte la primera correa atravesando el bastidor de la transmisión trasera.



7. Monte la segunda correa atravesando el bastidor de la transmisión trasero.
8. Amarre las correas al área de carga.
9. Tense las correas tirando hacia atrás para sujetar el producto al área de carga.
10. Amarre la tercera correa a 1 de los ojales de transporte.



11. Amarre la cuarta correa al otro ojal de transporte.
12. Amarre la correa al área de carga.
13. Tense la correa tirando hacia delante para amarrar el producto al área de carga.
14. Coloque los calzos para las ruedas delante y detrás de las ruedas traseras.



## Remolque del producto

El producto tiene una transmisión hidrostática. Para evitar daños en la transmisión, remolque el producto solo distancias cortas y a baja velocidad.

Desacople la transmisión antes de remolcar el producto. Consulte la sección *Desactivación de la transmisión hidrostática en la página 95*.

## Almacenamiento

Prepare el producto para guardarlo al final de la temporada, y si va almacenarlo durante más de 30 días.

Para evitar la aparición de partículas pegajosas durante el almacenamiento, agregue un estabilizador. Utilice

siempre las proporciones de mezcla especificadas por el fabricante.

- Añada un estabilizador al combustible del depósito o el recipiente donde se almacena el combustible para evitar dañar el motor.
- Ponga el motor en marcha durante 10 minutos como mínimo para que el estabilizador pueda llegar al sistema de inyección de combustible.



**ADVERTENCIA:** No guarde el producto con combustible en el depósito en interiores o en lugares con una mala ventilación. Riesgo de incendio si los vapores de combustible se propagan cerca de llamas vivas y chispas.

- Coloque el interruptor principal en la posición de apagado (OFF). Consulte la sección *Para parar el motor en la página 94*.
- Limpie el producto; consulte *Limpieza del producto en la página 98*. Repare los daños en la pintura para evitar la corrosión.



**ADVERTENCIA:** Retire la hierba y otros materiales inflamables del producto para disminuir el riesgo de incendio. Deje que el producto se enfríe antes de volver a colocarlo en su lugar de almacenamiento.

- Examine el producto por si hubiera piezas dañadas o desgastadas, y apriete las tuercas y tornillos flojos.
- Desmonte la batería. Límpiela, cárguela y manténgala en un lugar fresco durante el almacenamiento.
- Cambie el aceite del motor y deseche el aceite residual.
- Vacíe el depósito de combustible. Arranque el motor y déjelo en marcha hasta que no quede combustible en el sistema de inyección de combustible.

**Nota:** No vacíe el depósito de combustible ni el sistema de inyección de combustible si se hubiera añadido un estabilizador.

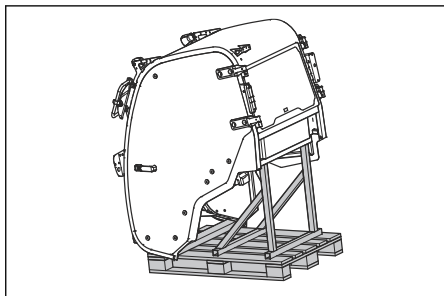
- Quite las bujías e introduzca aproximadamente una cucharada sopera de aceite de motor en cada cilindro. Gire a mano el eje del motor para aplicar el aceite. Coloque las bujías.
- Lubrique todas las boquillas de engrase, las juntas y los ejes.
- Guarde el producto en una zona limpia y seca, y cúbralo para mayor protección. Su distribuidor puede proporcionarle una cubierta de protección para el almacenamiento o transporte de su producto.

## Almacenamiento de la cabina



**ADVERTENCIA:** Mueva la cabina con cuidado. La cabina es pesada y puede ocasionar lesiones graves. Asegúrese de que la cabina queda inmovilizada en posición estable durante el almacenamiento.

- Repare los daños en la pintura para evitar la corrosión.
- Examine el producto por si hubiera piezas dañadas o desgastadas, y apriete las tuercas y tornillos flojos.
- Guarde el producto en una zona limpia y seca, y cúbralo para mayor protección.
- Mantenga el producto en un área cerrada fuera del alcance de los niños y otras personas no autorizadas.
- Coloque la cabina en el soporte de la cabina durante el almacenamiento. Consulte la sección *Dimensiones de soporte de la cabina en la página 134.*



## Eliminación

- Las sustancias químicas pueden ser peligrosas y no deben verterse al suelo. Deseche siempre los productos químicos en su centro de servicio o en una ubicación adecuada para su eliminación.
- Cuando el producto se desgaste, envíelo al distribuidor o a centro de reciclaje adecuado.
- El aceite, los filtros de aceite, el combustible y la batería pueden ser perjudiciales para el medio ambiente. Respete los requisitos de reciclaje locales y las normas aplicables.
- No deseche la batería como residuo doméstico.
- Envíe la batería a un taller de servicio Husqvarna o deséchela en una ubicación de residuos para las baterías agotadas.

## Datos técnicos

### Datos técnicos

	P 520DX	P 525DX / P 525DX Cabin
<b>Dimensiones</b>	Consulte <i>Dimensiones del producto (P 520DX/P 525DX)</i> en la página 132 y <i>Dimensiones del producto (P 525DX Cabin)</i> en la página 133.	
Peso sin equipo de corte, con depósitos vacíos, kg	649	677 921 (Cabin de P 525DX)
Dimensiones de los neumáticos	20 × 8 - 10	20 × 10 - 10
Presión de los neumáticos, traseros y delanteros, kPa/bar/PSI	150/1,5/22	150/1,5/22
Pendiente máxima, grados	10	10
<b>Motor</b>		
Marca/modelo	Kubota/D902	Kubota/D1105
Potencia nominal del motor, kW a 3000 rpm <sup>7</sup>	14,7	17,8
Cilindrada, cm <sup>3</sup>	898	1123
Régimen máximo del motor, rpm	3300	3200
Máx. velocidad hacia delante, km/h / mph	17,6/10,9	19/11,8
Máx. velocidad marcha atrás, km/h / mph	13,4/8,3	15/9,3
Combustible diésel, octanaje mínimo <sup>8</sup>	45	45
Volumen del depósito, litros (nivel de combustible al máximo)	22	22
Aceite, API clase CF-4 o superior	Clase SAE10W-40.	Clase SAE10W-40.
Volumen de aceite con filtro, litros	3,3	3,3
Volumen de aceite sin filtro, litros	3	3
Motor de arranque	Arranque eléctrico de 12 V, 40 Ah	Arranque eléctrico de 12 V, 40 Ah
<b>Sistema de refrigeración</b>		
Capacidad de sistema refrigerante, l	3,7	3,7
Anticongelante	≥50 % de propilenglicol (MPG)	≥50 % de propilenglicol (MPG)

<sup>7</sup> La potencia de salida del motor indicada es la potencia neta media (a la velocidad especificada) de un motor de producción típico para el modelo de motor conforme a la norma SAE J1349 / ISO1585. Los motores fabricados en serie podrían presentar valores diferentes. La potencia de salida real del motor instalado en el producto final dependerá de la velocidad de funcionamiento, las condiciones medioambientales y otros valores.

<sup>8</sup> Para cumplir con la normativa sobre emisiones, el combustible debe cumplir con el estándar EN590 o ASTM D975 y tener un contenido de azufre inferior a 500 ppm o un 0,05 % del peso. Consulte el manual de usuario de Kubota para obtener más información sobre la calidad del combustible

	P 520DX	P 525DX / P 525DX Cabin
<b>Sistema hidráulico</b>		
Presión de trabajo máx., bar (psi)	120/1740	120/1740
Caudal de trabajo máx. en l/min	12	12
Capacidad del depósito hidráulico, litros	8	8
Capacidad del sistema hidráulico, litros	13	13
Aceite hidráulico	Aceite de transmisión Husqvarna 10W-30  (Husqvarna 10W-30 4T AWD o STOU 10W-30)	Aceite de transmisión Husqvarna 10W-30  (Husqvarna 10W-30 4T AWD o STOU 10W-30)
<b>Transmisión</b>		
Marca	Kanzaki	Kanzaki
Modelo	KTM23	KTM23
Aceite de la transmisión	Aceite de transmisión Husqvarna 10W-30  (Husqvarna 10W-30 4T AWD o STOU 10W-30)	Aceite de transmisión Husqvarna 10W-30  (Husqvarna 10W-30 4T AWD o STOU 10W-30)
Capacidad de aceite frontal, total, l	0,9	0,9
Capacidad de aceite posterior, total, l	0,9	0,9
Presión hidráulica máx., bares / psi	275/3989	275/3989
<b>Sistema eléctrico</b>		
Tipo	12 V, negativo a tierra	12 V, negativo a tierra
Batería	12 V, 62 Ah	12 V, 62 Ah
Fusible principal, tipo Mega OTO	150 A	150 A
Fusible para toma de corriente, tipo Midi OTO	50	50
<b>Luces</b>		
Faro	LED, 2 × 12 V, 5 W	LED, 2 × 12 V, 5 W
<b>Bombillas de cabina</b>		
Luces de cruce y de carretera	-	H7
Lámparas de estacionamiento	-	W5W
Lámpara de intermitente	-	PY21W
Luces de trabajo delanteras	-	H9
Luces de trabajo traseras	-	Indicadores LED
Luces traseras	-	Indicadores LED
Luz de advertencia	-	Indicadores LED
<b>Equipo de corte</b>		

	P 520DX	P 525DX / P 525DX Cabin
Tipo	Combi 132	Combi 132
	Combi 155	Combi 155
	Combi 132 X	Combi 132 X
	Combi 155 X	Combi 155 X

Emisiones de ruido <sup>9</sup>	P 520DX	P 525DX	P 525DX Cabin
<b>Nivel de potencia de sonido medido 108 dB(A)</b>			
Combi 132	103	104	103
Combi 155	104	103	103
Combi 132 X	103	104	103
Combi 155 X	104	103	103
<b>Nivel de potencia acústica garantizada, dB(A)</b>			
Combi 132	105	105	104
Combi 155	105	105	104
Combi 132 X	105	105	104
Combi 155 X	105	105	104

Niveles acústicos <sup>10</sup>	P 520DX	P 525DX	P 525DX Cabin
<b>Nivel de presión sonora en el oído del operario, dB(A)</b>			
Combi 132	88	87	84
Combi 155	88	87	84
Combi 132 X	88	87	84
Combi 155 X	88	87	84

Niveles de vibraciones <sup>11</sup>	P 520DX	P 525DX	P 525DX Cabin
<b>Nivel de vibración en el volante, m/s<sup>2</sup></b>			
Combi 132	1,4	1,5	1,4

<sup>9</sup> Emisiones sonoras en el entorno medidas como potencia acústica ( $L_{WA}$ ) según la directiva 2000/14/CE.

<sup>10</sup> Nivel de presión sonora conforme a la norma EN ISO 5395. Los datos referidos del nivel de presión sonora tienen una dispersión estadística habitual (desviación típica) de 1,2 dB (A).

<sup>11</sup> Nivel de vibración conforme a EN ISO 5395. Los datos referidos del nivel de vibración poseen una dispersión estadística habitual (desviación típica) de 0,2 m/s<sup>2</sup> (volante) y 0,8 m/s<sup>2</sup> (asiento).

Niveles de vibraciones <sup>11</sup>	P 520DX	P 525DX	P 525DX Cabin
Combi 155	1,3	1,7	1,3
Combi 132 X	1,4	1,5	1,4
Combi 155 X	1,3	1,7	1,3
<b>Nivel de vibración en el asiento, m/s<sup>2</sup></b>			
Combi 132	0,3	0,4	0,3
Combi 155	0,3	0,4	0,3
Combi 132 X	0,3	0,4	0,3
Combi 155 X	0,3	0,4	0,3

Equipo de corte	Combi 132	Combi 155	Combi 132 X	Combi 155 X
Anchura de corte, mm	1320	1550	1320	1550
Altura de corte, 7 posiciones, mm/pulg.	30-112	30-112	30-112	30-112
Anchura, mm	1400	1631	1400	1631
Longitud, mm	490	563	490	563
Peso, kg	138	155	148	163
<b>Cuchilla</b>				
Par de apriete de los tornillos de las cuchillas, Nm/kpm/lb-ft	80-84/8,15-8,56/59-62	80-84/8,15-8,56/59-62	80-84/8,15-8,56/59-62	80-84/8,15-8,56/59-62
Referencia	5861988-10	5861989-10	5861988-10	5861989-10



**ADVERTENCIA:** Utilizar un equipo de corte que no esté homologado para el producto puede causar proyección de objetos a alta velocidad, lo que podría

causar lesiones graves. No utilice otros tipos de equipo de corte diferentes a los especificados en este manual del propietario.

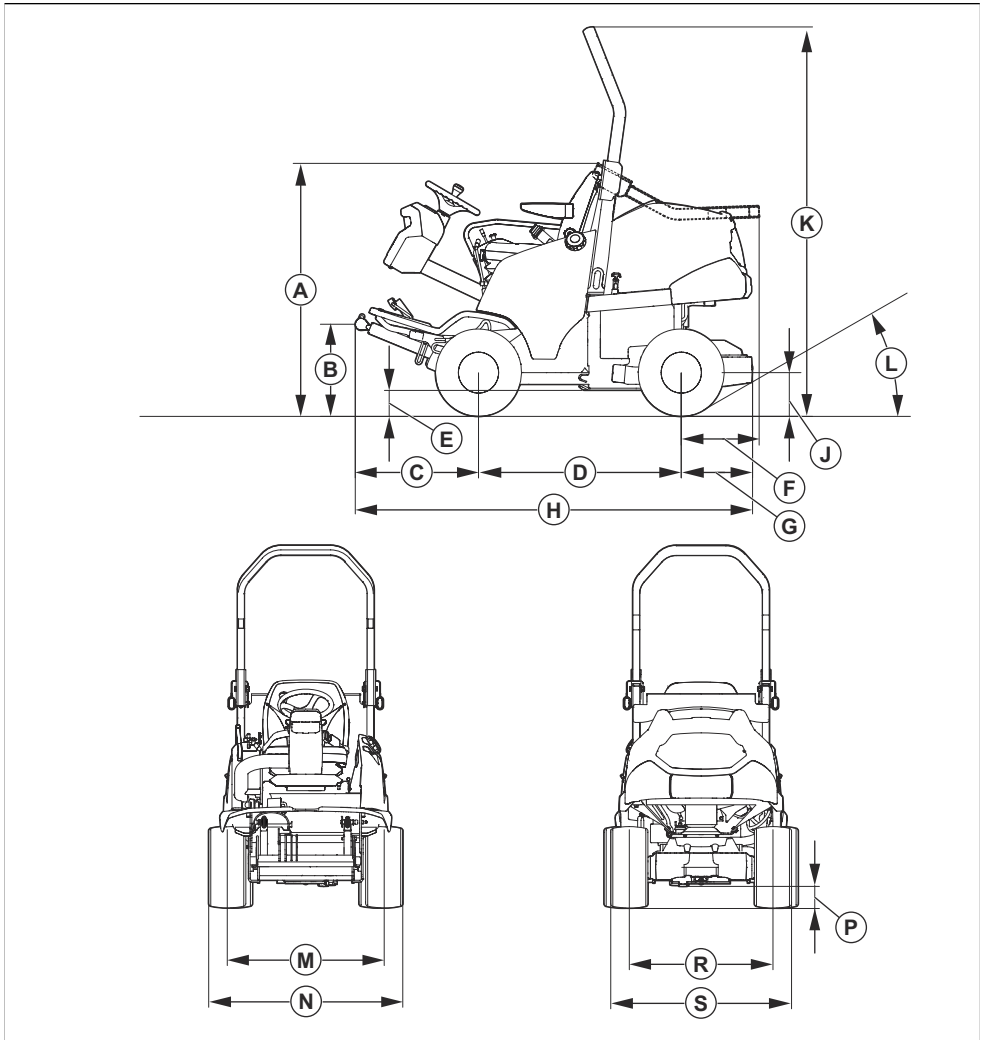
## Transmisión de datos por radiofrecuencia

	P 520DX	P 525DX	P 525DX Cabin
Intervalo de frecuencias, MHz	2402 – 2480	2402 – 2480	2402 – 2480
Potencia <sup>12</sup> , dBm	0,0	0,0	0,0

<sup>11</sup> Nivel de vibración conforme a EN ISO 5395. Los datos referidos del nivel de vibración poseen una dispersión estadística habitual (desviación típica) de 0,2 m/s<sup>2</sup> (volante) y 0,8 m/s<sup>2</sup> (asiento).

<sup>12</sup> Medición efectuada a 2402 MHz.

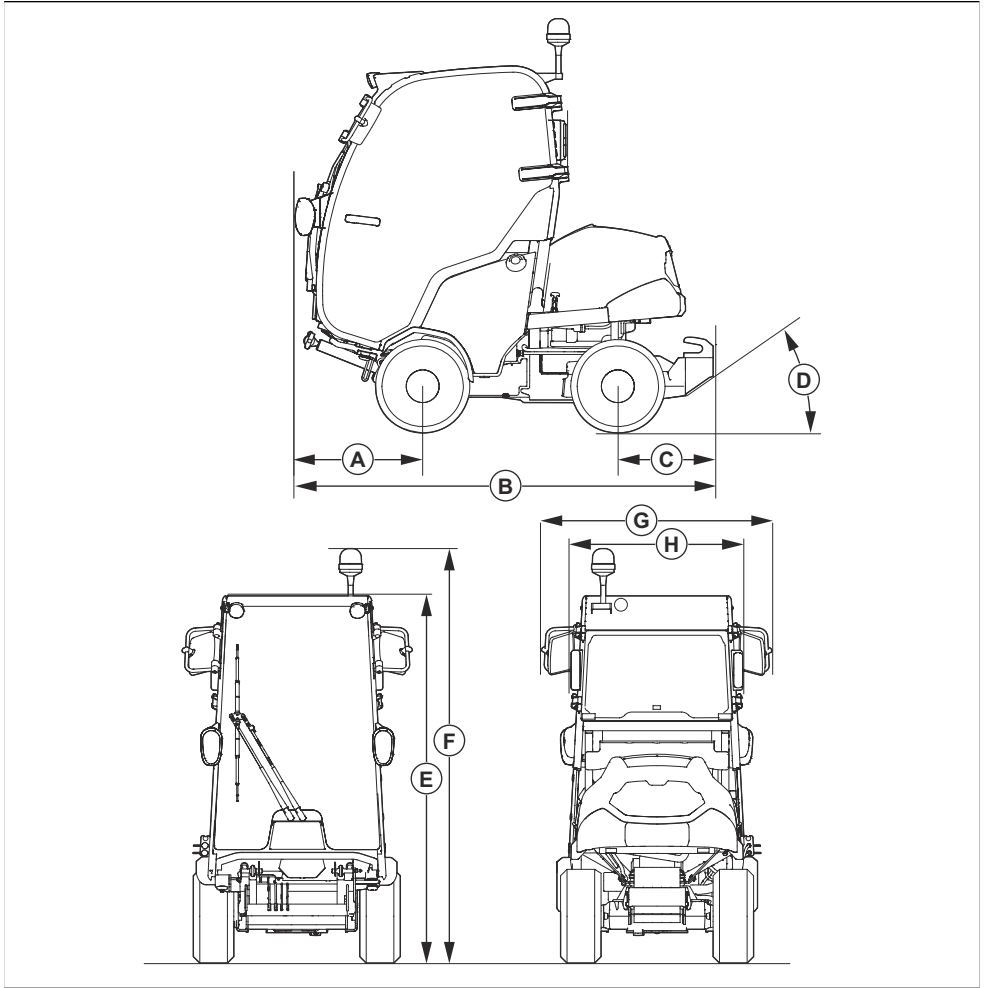
## Dimensiones del producto (P 520DX/P 525DX)



Dimensiones, mm							
<b>A</b>	1330/1330	<b>E</b>	164/160	<b>J</b>	254/254	<b>N</b>	1132/1153
<b>B</b>	502/499	<b>F</b>	407/407	<b>K</b>	2033/2033	<b>P</b>	149/149
<b>C</b>	645/645	<b>G</b>	373/373	<b>I</b>	35,5°/35,5°	<b>D</b>	836/842
<b>D</b>	1060/1060	<b>H</b>	2078/2078	<b>M</b>	910/918	<b>S</b>	1056/1077

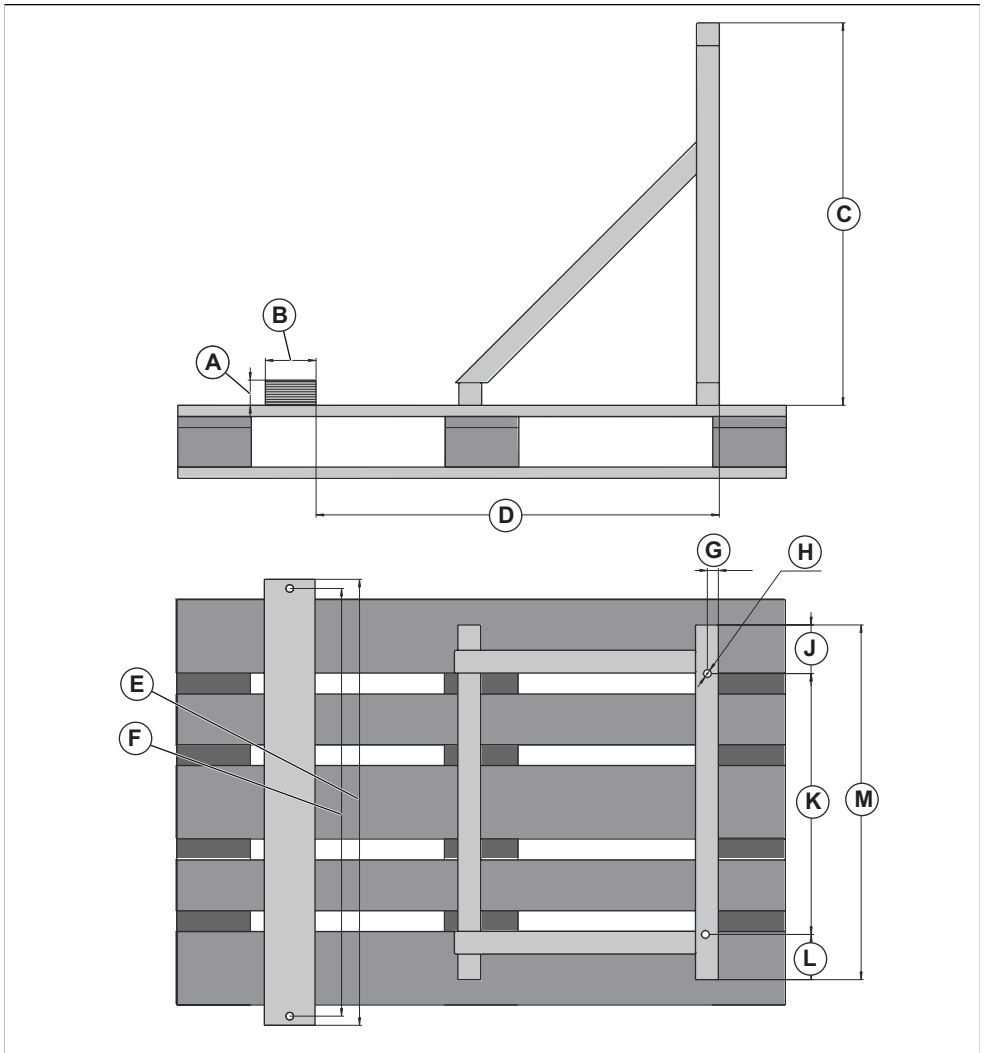


## Dimensiones del producto (P 525DX Cabin)



Dimensiones, mm							
<b>A</b>	692	<b>C</b>	518	<b>E</b>	2008	<b>G</b>	1251
<b>B</b>	2269	<b>D</b>	35°	<b>F</b>	2180	<b>H</b>	883

## Dimensiones de soporte de la cabina



Dimensiones del soporte de la cabina, mm							
<b>A</b>	50	<b>D</b>	800	<b>G</b>	22,5	<b>K</b>	515
<b>B</b>	100	<b>E</b>	880	<b>H</b>	Ø 15 (x4)	<b>L</b>	89
<b>C</b>	755	<b>F</b>	844	<b>J</b>	96	<b>M</b>	700

---

## Accesorios

---

En este manual del usuario no se incluyen las instrucciones de mantenimiento del equipo o los

accesorios opcionales. Consulte las instrucciones en el manual del usuario del accesorio o el equipo.

---

## Servicio técnico

---

Haga una comprobación anual en un centro de servicio autorizado para asegurarse de que el producto funcione de manera segura y sin problemas durante la temporada alta. El mejor momento para realizar el mantenimiento o la revisión de este producto es la temporada baja.

Al enviar un pedido de piezas de repuesto, proporcione información sobre el año de compra, el modelo, el tipo y el n.º de serie.

Utilice siempre piezas de repuesto originales.

---

## Garantía

---

### Garantía de la transmisión

La garantía de la transmisión solo es aplicable si se realizan comprobaciones de la velocidad de las ruedas delanteras y traseras según lo establecido en el programa de mantenimiento. Para evitar daños en el sistema de transmisión, deje que un taller de servicio autorizado lo ajuste correctamente.

# Declaración de conformidad

## Declaración de conformidad CE

Nosotros, **Husqvarna AB**, SE-561 82 Huskvarna (Suecia), tel. +46-36-146500, declaramos bajo nuestra exclusiva responsabilidad que el producto:

<b>Descripción</b>	Cortacésped con asiento
<b>Marca</b>	Husqvarna
<b>Tipo/Modelo</b>	P 520DX, P 525DX, P 525DX Cabin
<b>Identificación</b>	Números de serie a partir del año 2022

Cumple las siguientes directivas y normas de la UE:

<b>Directiva/Norma</b>	<b>Descripción</b>
2011/65/UE	"relativa a restricciones de utilización de determinadas sustancias peligrosas en aparatos eléctricos y electrónicos"
2006/42/CE	"relativa a las máquinas"
2014/30/UE	"relativa a la compatibilidad electromagnética"
2000/14/CE	"relativa a las emisiones sonoras en el entorno"
2014/53/UE	"relativa a equipos de radio"

Y que se aplican las especificaciones técnicas o los estándares siguientes: EN ISO 5395-1:2013/ A1:2018, EN ISO 5395-3:2013/A1:2017/A2:2018, ISO 21299:2009, EN ISO 12100:2010, EN ISO 14982:2009, ETSI EN 300 328 v.2.2.2, ETSI EN 301 489-1 V2.2.3, ETSI EN 301 489-17 V3.2.4, EN IEC 61000-6-4:2019, EN IEC 61000-6-2:2019, EN IEC 63000:2018.



Organismo notificado: 0404, RISE SMP Svensk Maskinprovning AB, Box 4053, SE-904 03 Umeå (Suecia) ha certificado la conformidad con la Directiva del Consejo 2000/14/CE, Procedimiento de evaluación de la conformidad: Anexo VI.

Para obtener información respecto a las emisiones sonoras, consulte *Datos técnicos en la página 128*.

Huskvarna, 2022-10-12

Claes Losdal, Director de desarrollo/Productos para jardín, Husqvarna AB

Responsable de la documentación técnica

---

## Marcas comerciales registradas

---

Los logotipos y las denominaciones *Bluetooth*<sup>®</sup> son marcas comerciales registradas propiedad de *Bluetooth SIG, inc* y su uso por parte de Husqvarna está sujeto a una licencia.

---

## Sommario

---

Introduzione.....	138	Dati tecnici.....	197
Sicurezza.....	146	Accessori.....	204
Montaggio.....	151	Assistenza.....	204
Utilizzo.....	157	Garanzia.....	204
Manutenzione.....	165	Dichiarazione di conformità.....	205
Ricerca guasti.....	189	Marchi registrati.....	206
Trasporto, stoccaggio e smaltimento.....	194		

---

## Introduzione

---

### Ispezione di preconsegna e numeri di prodotto

---

firmata del documento di ispezione pre-consegna dal rivenditore.

---

**Nota:** Un'ispezione di preconsegna è stata effettuata per questo prodotto. Assicurarsi di ricevere una copia

Informazioni di contatto dell'officina:	
Il presente manuale operatore si riferisce al prodotto con codice/numero di serie:	
/	
Motore:	
Trasmissione:	

### Descrizione del prodotto

I modelli P 520DX e P 525DX sono rasaerba frontali. La fonte di alimentazione è un motore diesel. I pedali di marcia avanti e retromarcia consentono all'operatore di regolare la velocità gradualmente. I prodotti dispongono di trazione integrale (AWD) e utilizzano piatti di taglio Combi con Bioclip®. Il P 525DX Cabin è un P 525DX provvisto di cabina.

### Uso previsto

Il prodotto è realizzato per tagliare l'erba nelle aree commerciali. Montare un accessorio opzionale per usare il prodotto per altre attività. Rivolgersi al proprio rivenditore Husqvarna per maggiori informazioni sulla disponibilità dei singoli accessori.

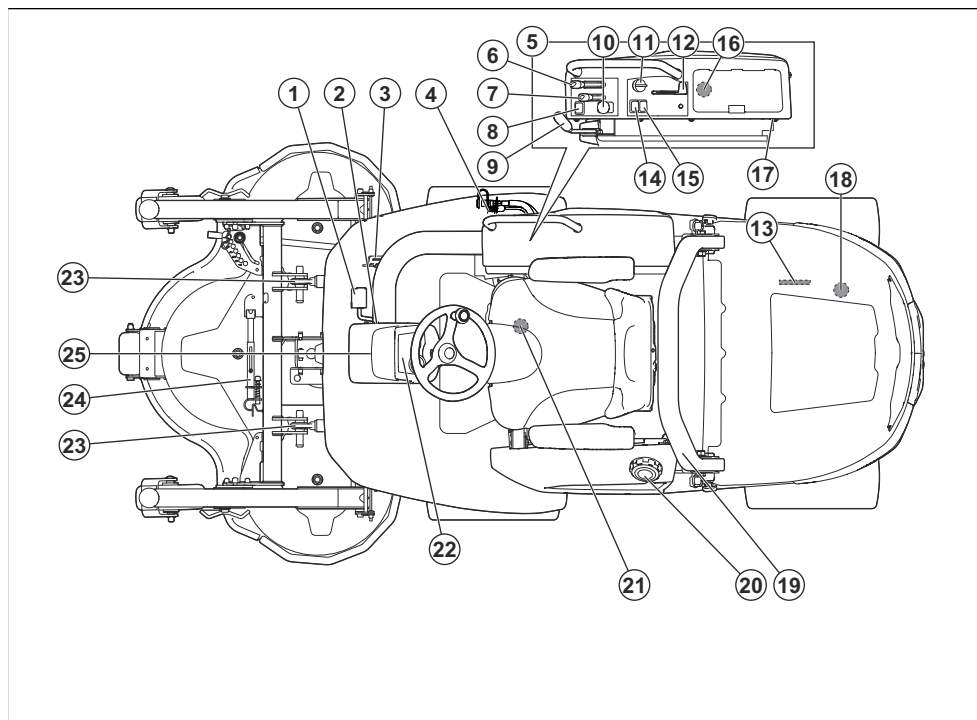
### Assicurazione del prodotto

Accertarsi di disporre della copertura assicurativa per il nuovo prodotto. Contattare la propria compagnia assicurativa se non si è sicuri di disporre della copertura. Si raccomanda un'assicurazione completa che copra lesioni contro terzi, incendio, danni, furto e responsabilità civile.

### Firmware

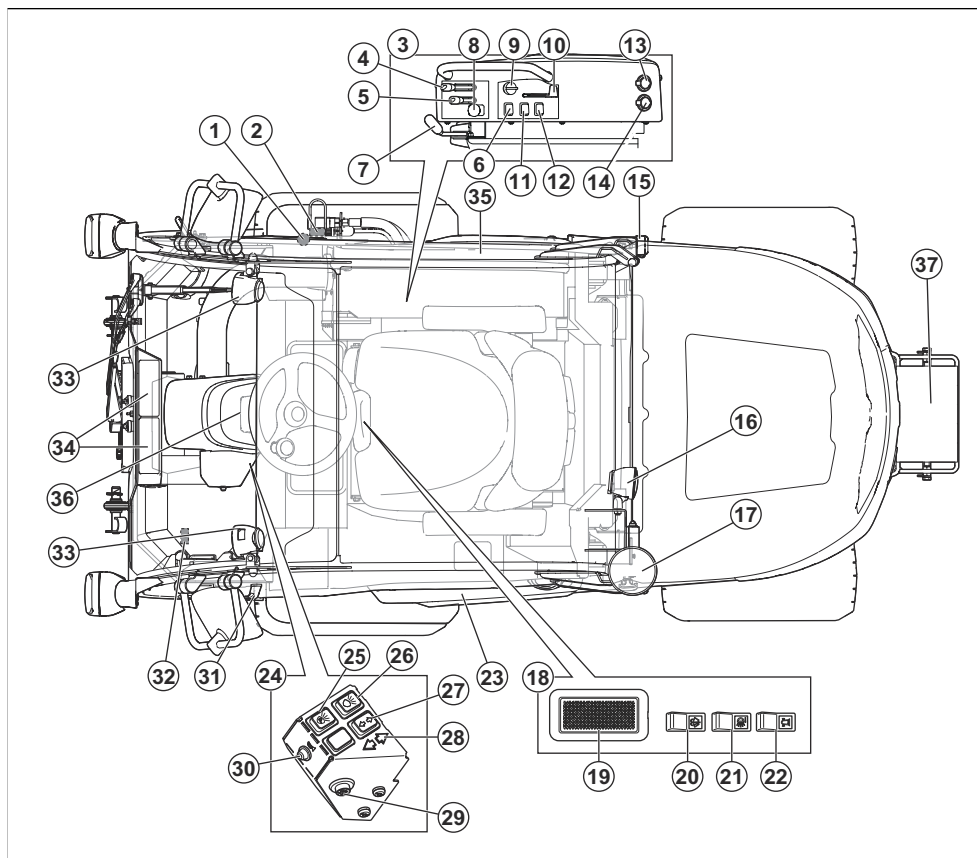
Assicurarsi che le versioni più recenti del software siano installate sul prodotto. Contattare il centro di assistenza Husqvarna.

## Panoramica del prodotto (P 520DX, P 525DX)



- |  |   |
|--|---|
| 1. Pedale di avanzamento   | 13. Piastrina modello                               |
| 2. Leva di bloccaggio della posizione del pedale (non disponibile per P 520DX) | 14. Interruttore fari                               |
| 3. Pedale di retromarcia   | 15. Interruttore per presa di corrente, 12 V        |
| 4. Presa di corrente AUX, 12 V (accessorio per P 520DX)                        | 16. Prese USB, 5 V                                  |
| 5. Pannello di comando lato destro   | 17. Presa di corrente 12 V                          |
| 6. Leva per il sollevamento idraulico  | 18. Valvola di bypass della trasmissione posteriore |
| 7. Leva per altezza di taglio (accessorio per P 520DX)                         | 19. ROPS (Struttura di protezione antiribaltamento) |
| 8. Pulsante funzione per accessori idraulici (accessorio per P 520DX)          | 20. Tappo del serbatoio del carburante              |
| 9. Freno di stazionamento  | 21. Valvola di bypass della trasmissione anteriore  |
| 10. Pulsante della presa di forza  | 22. Display   |
| 11. Chiave di accensione   | 23. Bracci di sollevamento                          |
| 12. Comando dell'acceleratore  | 24. Supporto di servizio                            |
|  | 25. Piantone dello sterzo                           |

## Panoramica del prodotto (P 525DX Cabin)



1. Regolatore del flusso d'aria per il riscaldamento della cabina
2. Presa di corrente AUX, 12 V
3. Pannello di comando lato destro
4. Leva per il sollevamento idraulico
5. Leva per altezza di taglio
6. Pulsante funzione per accessori idraulici
7. Freno di stazionamento
8. Pulsante della presa di forza
9. Chiave di accensione
10. Comando dell'acceleratore
11. Interruttore fari
12. Interruttore presa di corrente
13. Prese USB, 5 V
14. Presa di corrente 12 V
15. Luci posteriori
16. Luci di lavoro posteriori

17. Spie luminose
18. Pannello di comando tetto cabina
19. Interruttore luce interna cabina
20. Interruttore per i tergicristalli
21. Interruttore luci di lavoro posteriori nella cabina
22. Interruttore spie di avviso nella cabina
23. Sportello
24. Pannello di comando
25. Interruttore luci di stazionamento
26. Interruttore fari anabbaglianti
27. Interruttore indicatori di direzione
28. Spia indicatori di direzione
29. Interruttore luci di emergenza
30. Cicalino
31. Impugnatura
32. Lunetta di sfiato
33. Luci di lavoro anteriori



- 34. Ventola dell'aria e filtraggio
- 35. Uscita di emergenza
- 36. Display
- 37. Contrappeso

## Prese di corrente

Il prodotto dispone delle seguenti prese di corrente:

- Presa di corrente a 12 V
- Prese USB
- Presa di corrente AUX da 12 V (accessorio per P 520DX)

Per individuare i fusibili per la presa di corrente, fare riferimento a *Panoramica dei fusibili alla pagina 176*.

Per individuare le prese, fare riferimento a *Panoramica del prodotto (P 520DX, P 525DX) alla pagina 139*.

Ruotare la presa di corrente su On e Off con l'interruttore di accensione situato sul pannello di comando.

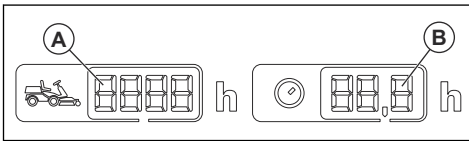
## Contatore

Il prodotto è dotato di 2 contatore sul display. Il contatore mostra il totale delle ore di funzionamento del motore (A) e il periodo di esercizio (B). L'ultima cifra del contatore per il periodo di esercizio indica un decimo di ora (6 minuti).

Il tempo con l'accensione inserita ma con il motore spento non viene registrato.

**Nota:** Il contatore totale (A) mostra solo ore complete.

**Nota:** Un periodo di esercizio è il tempo in cui il motore rimane acceso durante 1 giorno. Un nuovo periodo di esercizio inizia se il motore rimane spento per almeno 6 ore.



## Husqvarna Connect

Il prodotto è dotato di tecnologia wireless e può collegarsi a dispositivi portatili che hanno l'applicazione Husqvarna Connect installata. L'app Husqvarna Connect è un'app gratuita per dispositivi mobili. L'app Husqvarna Connect fornisce funzioni estese per il prodotto Husqvarna:

- Funzione di blocco e sblocco per evitare l'utilizzo non approvato del prodotto.
- Informazioni aggiuntive sul prodotto.
- Dettagli, guida, parti del prodotto e manutenzione.

## Husqvarna Fleet Services™

Husqvarna Fleet Services™, è una soluzione su cloud che fornisce ai responsabili della flotta commerciale una panoramica di tutti i prodotti. Per ulteriori informazioni su Husqvarna Fleet Services™, fare riferimento a [www.husqvarna.com](http://www.husqvarna.com).

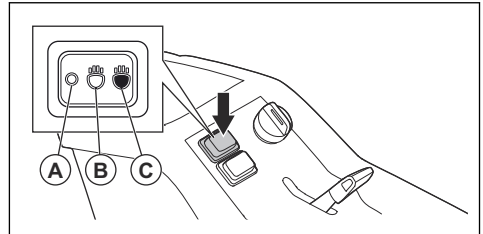
### Collegamento al prodotto tramite Husqvarna Fleet Services™

1. Scaricare l'app Husqvarna Fleet Services™ sul dispositivo mobile.
2. Eseguire il login all'app Husqvarna Fleet Services™.
3. Attenersi alle istruzioni relative all'abbinamento del prodotto a Husqvarna Fleet Services™.

### Fari anteriori

Il prodotto è provvisto di luce di lavoro e di luce abbagliante.

- Portare l'interruttore di corrente in posizione (A) per spegnere le luci.

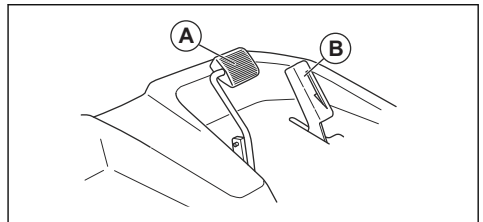


- Portare l'interruttore di corrente in posizione (B) per accendere la luce di lavoro.
- Portare l'interruttore di corrente in posizione (C) per accendere anche la luce abbagliante.

La luce di lavoro rimane accesa per 3 minuti dopo aver portato la chiave di accensione su STOP. Quando i fari sono accesi, il display mostra il relativo simbolo. Fare riferimento a *Display alla pagina 143*.

### Pedali di marcia avanti e retromarcia

La velocità viene regolata continuamente con 2 pedali. Il pedale sinistro (A) serve per la marcia avanti, il pedale destro (B) per la marcia indietro. Il prodotto frena quando i pedali vengono rilasciati.

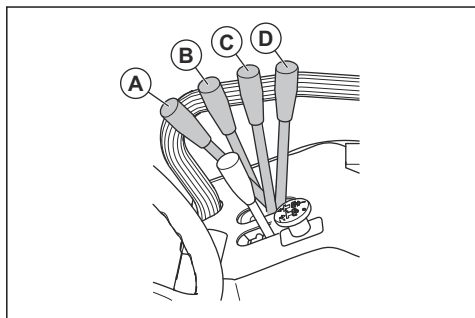


## Sollevare la leva di sollevamento idraulico del piatto di taglio

La leva di sollevamento idraulico serve a sollevare e abbassare il piatto di taglio. Il sollevatore idraulico utilizza la pressione idraulica, per cui per azionare il sollevamento è necessario avviare il motore.

In posizione di falciatura, il piatto di taglio si sposta a livello del terreno.

- La posizione (A) sposta il piatto di taglio in posizione di falciatura.
- La posizione (B) abbassa i bracci di sollevamento.
- Posizione folle (C).
- La posizione (D) sposta il piatto di taglio in posizione di trasporto.

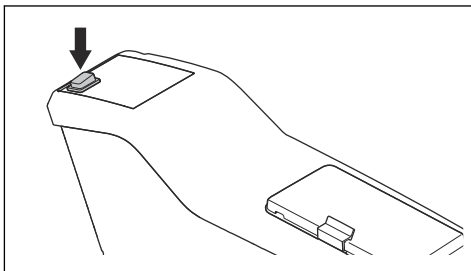


**AVVERTENZA:** Il piatto di taglio può essere sempre sollevato e abbassato. La forza idraulica può provocare gravi lesioni.

## Pulsante funzione per accessori idraulici

Il pulsante funzione è adiacente alla leva di sollevamento per gli accessori idraulici.

Il pulsante funzione opera in modo diverso per i diversi accessori. Fare riferimento al Manuale dell'operatore dell'accessorio.

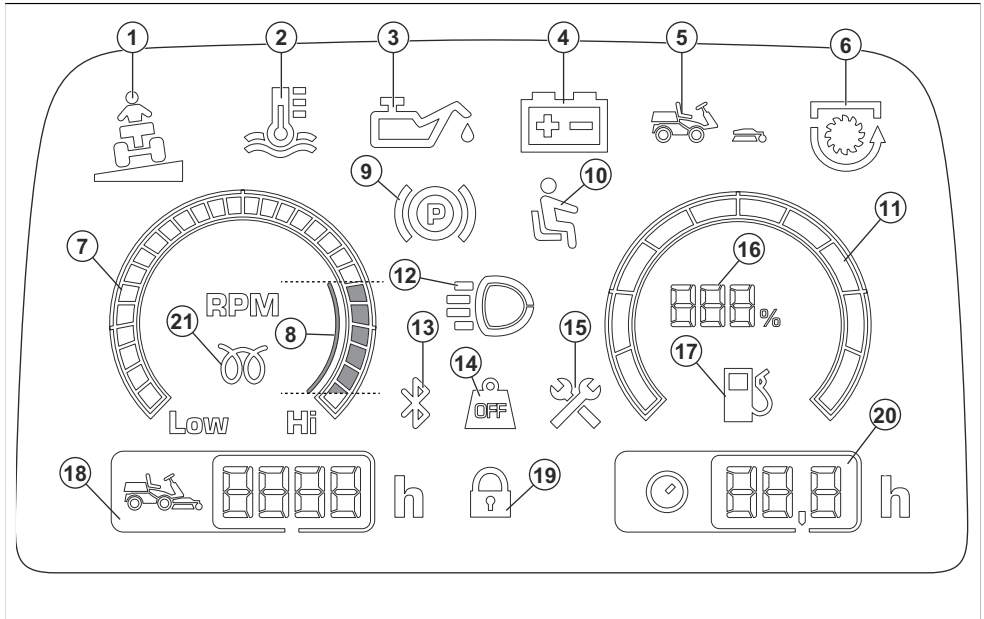


## Piatto di taglio

I piatti di taglio per questo prodotto sono piatti di taglio Combi con BioClip®. BioClip® taglia l'erba trasformandola in concime. I piatti di taglio Combi possono essere utilizzati anche senza BioClip®. Senza BioClip®, l'erba viene espulsa nella parte posteriore.

## Display

Il display del pannello strumenti visualizza informazioni sullo stato del prodotto.



1. Spia di pendenza (non applicabile per questo prodotto)
2. Spia della temperatura dell'acqua del motore

**Nota:** Quando si accende l'indicazione della temperatura del motore, viene emesso un segnale acustico di avvertenza. Disinserire immediatamente l'interruttore della presa di forza e spostare il comando dell'acceleratore in posizione di bassa velocità. Il segnale di avvertenza smette di suonare quando la temperatura del motore scende al di sotto del limite di avvertenza.



**ATTENZIONE:** Non ruotare la chiave di accensione in posizione di arresto quando si accende il segnale di avvertenza. Questo può causare danni al prodotto.

3. Spia della pressione dell'olio motore
4. Spia livello batteria
5. Spia del piatto di taglio (non applicabile per questo prodotto)
6. Spia PTO
7. Tachimetro
8. Utilizzare il regime motore raccomandato quando si lavora con questo prodotto.

9. Spia freno di stazionamento
10. Controllo presenza operatore (OPC)
11. Spia carburante
12. Spia luce di lavoro o luci abbaglianti
13. Bluetooth®
14. Trasferimento peso disinserito (non applicabile per questo prodotto)
15. Spia di manutenzione
16. Spia carburante con incrementi del 5%
17. Spia basso livello di carburante
18. Contatore. Tempo di lavoro totale in ore.
19. Blocco digitale
20. Contatore. Ore/giorno lavorativo. Fare riferimento a *Contatore alla pagina 141*.
21. Spia candele

**Nota:** L'aspetto del display può essere diverso nei diversi modelli.

**Nota:** Quando la chiave di accensione viene girata dalla posizione STOP alla posizione ON, tutti i simboli si accendono per un breve periodo di tempo. Successivamente, vengono accesi solo i simboli in funzione.

## Riscaldamento cabina

Il P 525DX Cabin è provvisto di riscaldamento cabina per aumentare la temperatura in cabina. Il riscaldamento della cabina può essere utilizzato anche per rimuovere il ghiaccio dai finestrini in condizioni di basse temperature.

## Simboli riportati sul prodotto



**AVVERTENZA:** Prestare attenzione e utilizzare il prodotto correttamente. Il prodotto può causare gravi lesioni o morte dell'operatore o altre persone.



Leggere attentamente il Manuale dell'operatore e accertarsi di aver compreso le istruzioni prima di utilizzare questo prodotto.



Lame rotanti. Non avvicinarsi al coperchio quando il motore è acceso.



Avvertenza: parti rotanti. Non avvicinarsi.



Avvertenza: puleggia della cinghia in rotazione. Non avvicinarsi quando il motore è acceso.



Avvertenza: rischio di lesioni per schiacciamento.



Avvertenza: rischio di lesioni per schiacciamento. I bracci di sollevamento sono molto potenti. Non avvicinarsi.



Attenzione all'espulsione o al rimbalzo di oggetti.



Superficie calda.



Non utilizzare mai il prodotto in prossimità di persone (specialmente bambini) o animali.



Guardare all'indietro prima e durante lo spostamento del prodotto in retromarcia.



Non tagliare l'erba in presenza di una pendenza. Non tagliare l'erba su superfici con pendenze superiori al 10°. Fare riferimento a *Taglio dell'erba in pendenza alla pagina 149*.



Non trasportare passeggeri sul prodotto sull'attrezzatura.



Rischio di lesioni in caso di rotazione eccessiva del prodotto.



Azionare il prodotto molto lentamente se non è agganciato alcun piatto di taglio.



Azionare il prodotto a velocità massima solo quando il piatto di taglio è agganciato.



Spostarsi in avanti.



Cambio in folle.



Spostarsi in retromarcia.



Freno di stazionamento.



Applicare il freno di stazionamento.



Disinserire il freno di stazionamento.



Il prodotto è conforme alle direttive CE vigenti.



Questo prodotto è conforme alle direttive del Regno Unito vigenti.



Emissioni di rumore nell'ambiente in conformità alle direttive e alle norme UE e UK e alla norma del Nuovo Galles del Sud in materia di protezione dell'ambiente "Protection of the Environment Operations (Noise Control) Regulation 2017". Il livello di potenza sonora garantito del prodotto è

specificato in *Dati tecnici alla pagina 197* nonché sull'etichetta.



Indossare sempre protezioni acustiche approvate.

**ON**

Attivare il prodotto.



Spegnere il motore.



Regime motore: alto.



Regime motore: basso.



Carburante.



Le lame sono inserite.



Le lame sono disinserite.



Livello dell'olio.



Codice scansionabile



**Marchio ecologico.** Il prodotto o l'imballaggio del prodotto non è un rifiuto domestico. Riciclarlo in una stazione di riciclaggio per apparecchiature elettriche ed elettroniche.



Non utilizzare la cintura di sicurezza se la struttura ROPS è abbassata.

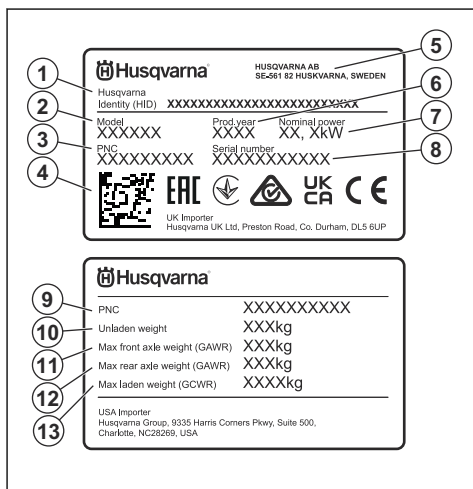


Utilizzare sempre la cintura di sicurezza quando la struttura ROPS è sollevata.



**Nota:** I restanti simboli/decalcomanie sul prodotto riguardano particolari requisiti necessari per ottenere la certificazione in determinate aree commerciali.

## Piastrina modello



- Husqvarna Identity (HID) con il numero dell'articolo, la fabbrica e la linea, la data, il numero di sequenza e il numero di controllo
- Nome del modello
- Codice prodotto (PNC)
- Codice scansionabile
- Produttore e indirizzo del produttore
- Anno di produzione
- Potenza nominale
- Numero di serie con data, anno e settimana di produzione e numero di sequenza
- Codice prodotto (PNC)
- Peso del prodotto, senza carico
- Peso massimo assale anteriore (GAWR)
- Peso massimo assale posteriore (GAWR)
- Peso massimo a pieno carico (GCWR)

## Emissioni Euro V



**AVVERTENZA:** La manomissione del motore rende nulla l'omologazione UE del prodotto.

## Danni al prodotto

Non siamo responsabili dei danni al prodotto se:

- Il prodotto viene riparato in modo errato.
- Il prodotto viene riparato con parti che non provengono o non sono omologate dal produttore.
- Il prodotto contiene un accessorio che non proviene o non è omologato dal produttore.
- Il prodotto non viene riparato presso un centro di assistenza autorizzato o presso un'autorità competente.

## Sicurezza

### Definizioni di sicurezza

Le avvertenze, le precauzioni e le note sono utilizzate per evidenziare le parti importanti del manuale.



**AVVERTENZA:** Utilizzato se è presente un rischio di lesioni o morte dell'operatore o di passanti nel caso in cui le istruzioni del manuale non vengano rispettate.



**ATTENZIONE:** Utilizzato se è presente un rischio di danni al prodotto, ad altri materiali oppure alla zona adiacente nel caso in cui le istruzioni del manuale non vengano rispettate.

**Nota:** Utilizzato per fornire ulteriori informazioni necessarie in una determinata situazione.

### Istruzioni di sicurezza generali



**AVVERTENZA:** Questo prodotto può tagliare mani e piedi e scagliare oggetti. Lesioni gravi o mortali possono verificarsi se non si rispettano le istruzioni di sicurezza.



**AVVERTENZA:** Non continuare a utilizzare un prodotto che presenti l'attrezzatura di taglio danneggiata. Un'attrezzatura di taglio danneggiata può scagliare oggetti e causare lesioni gravi o mortali. Sostituire immediatamente le lame danneggiate.



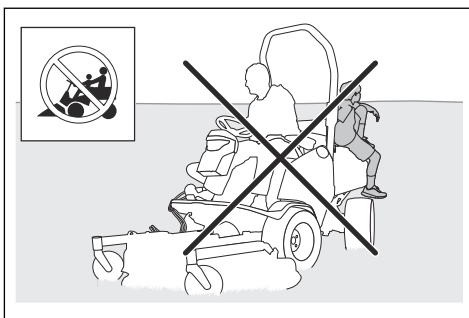
**AVVERTENZA:** Durante il funzionamento, questo prodotto genera un campo elettromagnetico. Tale campo può interferire, in alcuni casi, con persone portatrici di impianti medici attivi o passivi. Per ridurre il rischio di condizioni che possono implicare lesioni gravi o mortali, i portatori di tali impianti devono consultare il

proprio medico e il produttore dell'impianto prima di utilizzare questo prodotto.



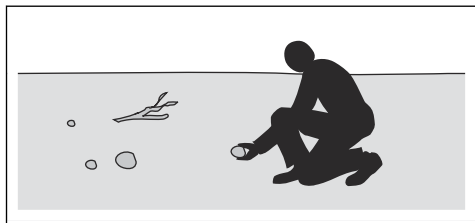
**AVVERTENZA:** Leggere le seguenti avvertenze prima di utilizzare il prodotto.

- Usare la massima cautela e il buon senso. Evitare tutte le situazioni che richiedono capacità superiori alle proprie. Se non si è sicuri delle procedure operative anche dopo aver letto il manuale dell'operatore, rivolgersi a un esperto prima di continuare.
- Leggere con attenzione e comprendere il manuale dell'operatore e le istruzioni sul prodotto prima di avviarlo.
- Apprendere l'uso del prodotto e i comandi e imparare come arrestare il prodotto rapidamente.
- Apprendere a riconoscere le decalcomanie di sicurezza.
- Conservare il prodotto pulito in modo che sia possibile leggere chiaramente i simboli e gli adesivi.
- Tenere presente che l'operatore potrà essere ritenuto responsabile di eventuali incidenti che coinvolgano altre persone o i loro beni.
- Non trasportare passeggeri. Il prodotto deve essere utilizzato da una sola persona.



- Non lasciare il prodotto incustodito con il motore acceso. Fermare sempre le lame, applicare il freno di stazionamento, spegnere il motore e rimuovere la chiave di accensione prima di lasciare incustodito il prodotto.

- Utilizzare il prodotto solo alla luce solare o in altre condizioni di sufficiente illuminazione. Tenere il prodotto a distanza di sicurezza da buche o altre irregolarità nel suolo. Prestare attenzione ad altri possibili rischi.
- Non utilizzare mai il prodotto in condizioni meteorologiche sfavorevoli, ad esempio nebbia, pioggia, umidità o luoghi molto umidi, vento forte, freddo intenso, rischio di fulmini ecc.
- Trovare e marcare eventuali pietre e altri oggetti fissi per evitarli durante il taglio.
- Liberare l'area da oggetti come pietre, giocattoli, fili, ecc. che possono rimanere incastrati nelle lame ed essere scagliati in aria.



- Non consentire ai bambini, o ad altre persone non autorizzate all'utilizzo del prodotto, di utilizzarlo o eseguirne la manutenzione. Possono essere in vigore norme locali che limitano l'età dell'operatore.
- Accertarsi che nessuno si trovi nelle vicinanze del prodotto quando si accende il motore, si innesta la trazione o si sposta il prodotto.
- Tenere d'occhio il traffico quando si taglia in prossimità di una strada o la si attraversa.
- Non utilizzare mai il prodotto in condizioni di stanchezza oppure sotto l'effetto di alcolici, stupefacenti o farmaci in grado di compromettere la vista, l'attenzione, la coordinazione o il giudizio.
- Non modificare la regolazione per il controllo del regime motore.
- Parcheggiare sempre il prodotto su una superficie piana con il motore spento.

### Istruzioni di sicurezza relative ai bambini

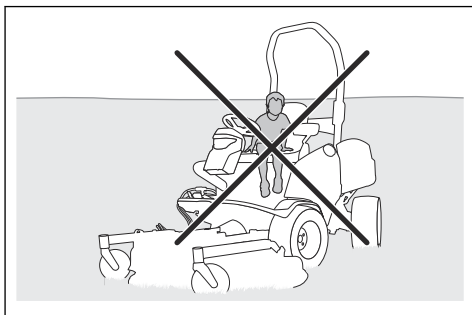


**AVVERTENZA:** Leggere le seguenti avvertenze prima di utilizzare il prodotto.

- In caso di mancata supervisione dei bambini nei pressi del prodotto, si potrebbero verificare gravi incidenti. I bambini possono essere attratti dal prodotto e dalla falciatura. È molto probabile che i bambini non rimangano fermi nel luogo in cui sono stati visti l'ultima volta.
- Tenere i bambini lontani dall'area da falciare. Accertarsi che sia presente un adulto che supervisioni i bambini.
- Restare vigili e spegnere il prodotto se i bambini accedono all'area di lavoro. Prestare estrema

attenzione nei pressi di angoli, cespugli, alberi o altri oggetti che ostacolano la visuale.

- Prima e durante lo spostamento del prodotto in retromarcia, guardare all'indietro e verso il basso per assicurarsi che non ci siano bambini piccoli nelle vicinanze del prodotto.
- Non lasciar salire i bambini sul prodotto. Potrebbero cadere e ferirsi gravemente o impedire di manovrare in sicurezza il prodotto.
- Non lasciare che i bambini utilizzino il prodotto.



### Istruzioni di sicurezza per l'utilizzo



**AVVERTENZA:** Non toccare il motore o il sistema di scarico durante o subito dopo l'utilizzo. Il motore e il sistema di scarico diventano molto caldi durante l'uso. Rischio di ustioni, incendi e danni alla proprietà o alle zone adiacenti. Mentre si utilizza il prodotto, tenersi lontani da cespugli e altri oggetti.



**AVVERTENZA:** Leggere le seguenti avvertenze prima di utilizzare il prodotto.

- Guardare sempre in basso e indietro prima e durante lo spostamento in retromarcia. Evitare ostacoli grandi e piccoli.
- Ridurre la velocità prima di svoltare ad angolo.
- Arrestare le lame prima di spostarsi attraverso aree che non richiedono la falciatura.



**ATTENZIONE:** Leggere le seguenti istruzioni prima di utilizzare il prodotto.

- Prima di utilizzare il prodotto, pulire la presa d'aria fredda del motore eliminando erba e sporco. Se la presa d'aria fredda viene bloccata, esiste il rischio di danni al motore.
- Spostare con attenzione pietre e altri oggetti più grandi e accertarsi che le lame non colpiscano gli oggetti.

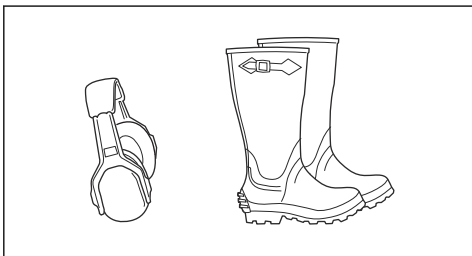
- Non utilizzare il prodotto sugli oggetti. Fermarsi ed esaminare il prodotto e il piatto di taglio se si falcia o si urta un oggetto. Se necessario, effettuare riparazioni prima di riavviare il prodotto.

## Dispositivi di protezione individuale



**AVVERTENZA:** Leggere le seguenti avvertenze prima di utilizzare il prodotto.

- Usare sempre abbigliamento protettivo personale omologato quando si utilizza il prodotto. L'uso di dispositivi di protezione individuale non elimina il rischio di lesioni, ma ne riduce la gravità in caso di incidente. Farsi consigliare dal rivenditore per la scelta dell'attrezzatura adatta.
- Usare cuffie protettive omologate. Una lunga esposizione al rumore può comportare lesioni permanenti all'udito.
- Utilizzare robusti stivali o scarpe antiscivolo. Si raccomanda l'uso di punte in acciaio. Non utilizzare il prodotto con calzature aperte o a piedi nudi.



- Indossare guanti protettivi ove necessario, ad esempio per montare, ispezionare o pulire l'attrezzatura di taglio.
- Non indossare abbigliamento non aderente, gioielli o altri oggetti che potrebbero impigliarsi nelle parti in movimento.
- Tenere a portata di mano il kit di primo soccorso e un estintore.

## Dispositivi di sicurezza sul prodotto



**AVVERTENZA:** Leggere le seguenti avvertenze prima di utilizzare il prodotto.

- Non utilizzare un prodotto usando dispositivi di sicurezza danneggiati o che non funzionano correttamente. Effettuare regolarmente un controllo dei dispositivi di sicurezza. Se i dispositivi di sicurezza sono danneggiati, rivolgersi al tecnico dell'assistenza Husqvarna.
- Non apportare modifiche ai dispositivi di sicurezza. Non utilizzare il prodotto se le piastre di protezione, le coperture, gli interruttori di sicurezza o altri dispositivi di protezione non sono collegati o sono danneggiati.

## Struttura di protezione antibaltamento (ROPS)

La struttura ROPS è un telaio protettivo che riduce il rischio di lesioni in caso di ribaltamento del prodotto. Utilizzare la struttura ROPS e la cintura di sicurezza quando si utilizza il prodotto su terreni in pendenza.

### Cintura di sicurezza

La cintura di sicurezza evita danni qualora si verifichi un incidente o il ribaltamento del prodotto. Utilizzare la cintura di sicurezza solo quando la struttura ROPS è inserita. Accertarsi che la cintura del sedile sia collegata correttamente e che non sia danneggiata.

### Controllo presenza operatore (OPC)

Il Controllo presenza operatore (OPC) si attiva quando l'operatore si alza dal sedile. La spia OPC sul display si accende. L'OPC inserisce il circuito di sicurezza. Fare riferimento a *Controllo delle condizioni di funzionamento alla pagina 148*.

### Per fare un controllo della chiave di accensione

- Avviare e arrestare il motore per controllare la chiave di accensione. Fare riferimento a *Avviamento del motore alla pagina 159* e *Arresto del motore alla pagina 163*.
- Accertarsi che il motore si avvii ruotando la chiave di accensione in posizione Start.
- Accertarsi che il motore si arresti immediatamente quando si posiziona la chiave su Stop.

### Controllo delle condizioni di funzionamento

Le condizioni di funzionamento sono le seguenti:

- Il motore può essere avviato solo quando la rotazione delle lame è disinnestata.
- È possibile avviare il motore solamente quando è innestato il freno di stazionamento.
- La rotazione delle lame è attiva solo quando l'operatore è seduto al posto di guida.

Effettuare quotidianamente il controllo delle condizioni di funzionamento.

1. Provare ad avviare il motore con la rotazione delle lame disinnestata. Se le condizioni di funzionamento sono soddisfatte, il motore non si avvia.
2. Provare ad avviare il motore senza innestare il freno di stazionamento. Se le condizioni di funzionamento sono soddisfatte, il motore non si avvia.
3. Avviare il motore, innestare la rotazione delle lame e sollevarsi dal sedile. Se le condizioni di funzionamento sono soddisfatte, le lame nel piatto di taglio si arrestano.

### Controllo del pedale di marcia avanti e quello di retromarcia

1. Avviare il prodotto.



2. Accertarsi che il pedale di marcia avanti e quello di retromarcia non siano bloccati e che possano essere azionati liberamente.
3. Premere con cautela il pedale di marcia avanti per spostarsi in avanti.
4. Rilasciare il pedale di marcia avanti per frenare. Assicurarsi che il freno si innesti quando viene rilasciato il pedale di marcia avanti.
5. Eseguire la stessa procedura per il pedale di retromarcia.

**Nota:** Il prodotto è provvisto di un freno che si innesta quando si rilasciano i pedali. Per ridurre la velocità più rapidamente, premere l'altro pedale.

6. Assicurarsi che il prodotto non si muova quando i pedali di marcia avanti e di retromarcia non sono innestati.

### Freno di stazionamento



**AVVERTENZA:** Se il freno di stazionamento non funziona, il prodotto può iniziare a muoversi e causare lesioni o danni. Assicurarsi che il freno di stazionamento venga controllato e regolato periodicamente.

Fare riferimento a *Per controllare il freno di stazionamento alla pagina 171.*

### Marmitta

La marmitta assicura il minimo livello di rumorosità e allontana i fumi di scarico dall'operatore.

Non utilizzare il prodotto se la marmitta è mancante o danneggiata. Una marmitta danneggiata aumenta il livello acustico e il rischio di incendio.



**AVVERTENZA:** La marmitta si surriscalda durante e dopo l'uso e quando il motore funziona al regime minimo. Prestare attenzione in prossimità di materiali infiammabili e/o fumi per evitare incendi.

### Controllo della marmitta

- Esaminare la marmitta periodicamente per assicurarsi che sia collegata correttamente e che non sia danneggiata.

### Coperture protettive

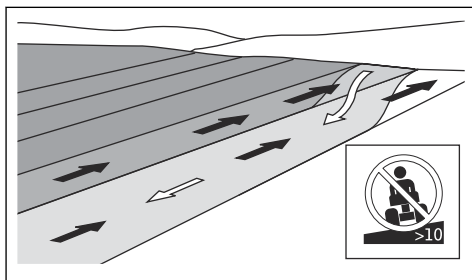
Coperture protettive mancanti o danneggiate aumentano il rischio di lesioni sulle parti in movimento e sulle superfici calde. Controllare le condizioni delle coperture protettive prima di utilizzare il prodotto. Assicurarsi che le coperture protettive siano collegate correttamente e non presentino crepe o altri danni. Sostituire le coperture danneggiate.

## Taglio dell'erba in pendenza

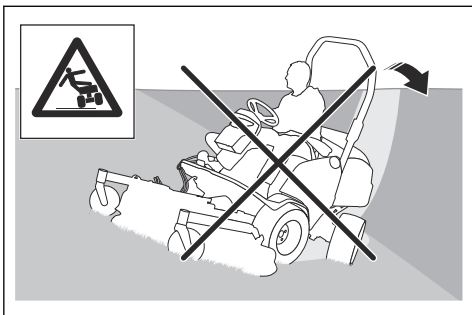


**AVVERTENZA:** Leggere le seguenti avvertenze prima di utilizzare il prodotto.

- La falciatura dell'erba su terreni in pendenza aumenta il rischio di perdita di controllo e di ribaltamento del prodotto. Ciò può causare lesioni anche mortali. È necessario falciare l'erba con cautela su qualsiasi terreno in pendenza. Se non è possibile effettuare la retromarcia su un terreno in pendenza o se ci si sente insicuri, non effettuare la falciatura.
- Rimuovere pietre, rami o altri ostacoli.
- Eseguire il taglio guidando parallelamente alla direzione di inclinazione del piano, non lateralmente.
- Non spostarsi su un pendio con il piatto di taglio sollevato.
- Non utilizzare il prodotto su terreni con pendenze superiori a 10°.



- Non avviare o arrestare il prodotto su terreni in pendenza.
- Spostarsi gradualmente e lentamente su terreni in pendenza.
- Non effettuare bruschi cambiamenti di velocità o di direzione di marcia.
- Non effettuare più svolte del necessario. Girare lentamente e gradualmente quando ci si sposta su un pendio. Viaggiare a bassa velocità. Girare la ruota con cautela.
- Evitare di attraversare solchi, buche e dossi. Vi è un rischio più elevato che il prodotto si ribalti su un terreno non piano. L'erba alta può nascondere eventuali ostacoli.
- Non tagliare in prossimità di bordi, fossi o argini. Il prodotto può ribaltarsi improvvisamente se una ruota si muove oltre il bordo di una pendenza ripida o un fosso, o se un bordo cede. Se il prodotto cade in acqua sussiste il rischio di annegare.



- Non riempire il serbatoio in eccesso. Se si versa del carburante sul prodotto, asciugare con un panno e attendere che sia evaporato prima di avviare il motore. Se lo si versa sugli indumenti, cambiarli.
- Conservare il carburante solo in contenitori omologati.
- Riporre il prodotto e il carburante in modo che non vi sia alcun rischio che eventuali perdite di carburante o fumi possano causare danni.
- Versare il carburante in un contenitore adatto, all'aperto e lontano da fiamme libere.

## Sicurezza batterie



**AVVERTENZA:** Una batteria danneggiata può esplodere e causare lesioni. Se la batteria presenta una deformazione o è danneggiata, rivolgersi a un'officina autorizzata Husqvarna.



**AVVERTENZA:** Leggere le seguenti avvertenze prima di utilizzare il prodotto.

- Utilizzare occhiali protettivi quando si è in prossimità delle batterie.
- Non indossare orologi, gioielli o altri oggetti metallici nelle vicinanze della batteria.
- Tenere la batteria fuori dalla portata dei bambini.
- Caricare la batteria in un luogo con buon ricambio d'aria.
- Tenere i materiali infiammabili a una distanza minima di 1 m quando si carica la batteria.
- Smaltire le batterie sostituite. Vedere *Smaltimento alla pagina 196*.
- Gas esplosivi possono fuoriuscire dalla batteria. Non fumare in prossimità della batteria. Tenere la batteria lontano da fiamme libere e scintille.

## Sicurezza per il trasporto

- Utilizzare un veicolo omologato per il trasporto del prodotto.
- Il prodotto ha un peso elevato e può causare lesioni da schiacciamento. Prestare attenzione durante il caricamento su un veicolo o rimorchio o durante lo scaricamento.
- Le normative nazionali o locali di un mercato possono prevedere limitazioni per il trasporto del prodotto.
- L'operatore del veicolo di trasporto è responsabile del fissaggio sicuro del prodotto durante il trasporto. Fare riferimento a *Per fissare il prodotto in modo sicuro a un rimorchio per il trasporto alla pagina 194*.

- Non tagliare l'erba bagnata. È scivolosa e gli pneumatici possono perdere aderenza facendo slittare il prodotto.
- Non appoggiare il piede a terra per tentare di rendere il prodotto più stabile.
- Spostarsi con molta attenzione nel caso in cui un accessorio o un qualsiasi altro oggetto si sia impigliato, rendendo il prodotto meno stabile.
- Per rendere il prodotto più stabile, montare dei pesi alle ruote o dei contrappesi. Rivolgersi al rivenditore per maggiori informazioni. Sul sistema P 525DX, utilizzare contrappesi poiché i pesi alle ruote non possono essere utilizzati sui modelli AWD.

## Sicurezza durante l'uso del carburante



**AVVERTENZA:** Prestare attenzione al carburante. Il carburante è estremamente infiammabile e può provocare lesioni e danni.



**AVVERTENZA:** Leggere le seguenti avvertenze prima di utilizzare il prodotto.

- Non riempire il serbatoio del carburante in ambienti chiusi.
- Il gasolio e i vapori di gasolio sono tossici e molto infiammabili. Prestare la massima attenzione al gasolio per evitare lesioni o incendi.
- Non rimuovere il tappo del carburante, né rabboccare il serbatoio del carburante a motore acceso.
- Lasciare che il motore si raffreddi prima di effettuare il rifornimento.
- Non fumare durante il rifornimento del carburante.
- Non effettuare il rifornimento vicino a scintille o fiamme libere.
- In caso di perdite del sistema di alimentazione, non avviare il motore fino a quando le perdite non sono state riparate.
- Non effettuare il rifornimento oltre il livello raccomandato. Il calore del motore e del sole fa espandere il carburante, il quale fuoriesce se il serbatoio si è riempito troppo.

## Istruzioni di sicurezza per la manutenzione



**AVVERTENZA:** Il prodotto ha un peso elevato e può causare lesioni o danni alle cose o alla zona adiacente. Non eseguire la manutenzione del motore o del piatto di taglio senza che queste condizioni vengano soddisfatte:

- Il motore è spento.
- Il prodotto è parcheggiato su una superficie piana.
- Il freno di stazionamento è azionato.
- La chiave di accensione è stata rimossa.
- Il piatto di taglio è disinserito.
- L'interruttore principale è in posizione di spegnimento. Fare riferimento a *Avviamento del motore alla pagina 159.*



**AVVERTENZA:** I fumi di scarico del motore contengono monossido di carbonio, un gas inodore, velenoso ed estremamente pericoloso. Non utilizzare il prodotto in spazi chiusi o senza un flusso d'aria sufficiente.



**AVVERTENZA:** Leggere le seguenti avvertenze prima di utilizzare il prodotto.

- Per garantire le migliori prestazioni e la sicurezza, effettuare la manutenzione del prodotto a intervalli regolari come indicato nel programma di manutenzione. Fare riferimento a .

- Le scosse elettriche possono provocare lesioni. Non toccare i cavi quando il motore è acceso. Non effettuare una prova di funzionamento dell'impianto di accensione con le dita.
- Non avviare il motore se i coperchi protettivi sono stati rimossi. Vi è un alto rischio di lesioni provocate da parti calde o in movimento.
- Attendere che il prodotto si raffreddi prima di eseguire la manutenzione vicino al motore.
- Le lame sono affilate e possono causare tagli. Posizionare paraventi attorno alle lame o usare guanti protettivi quando si lavora su di esse.
- Mettere sempre il piatto di taglio in posizione di manutenzione per pulirlo. Non parcheggiare il prodotto vicino al bordo di un fosso o in pendenza per accedere al piatto di taglio.



**ATTENZIONE:** Leggere le seguenti istruzioni prima di utilizzare il prodotto.

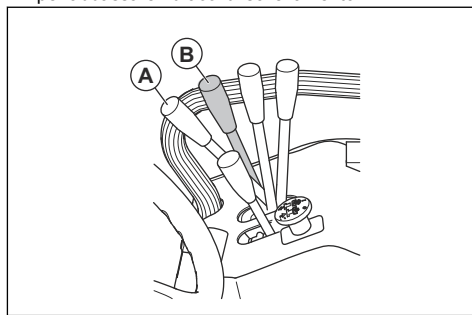
- Non ribaltare il motore se la candela o il cavo di accensione è stato rimosso.
- Assicurarsi che tutti i dadi e i bulloni siano serrati correttamente e che l'attrezzatura sia in buone condizioni.
- Non modificare la regolazione dei limitatori. Se il regime del motore è troppo alto, i componenti del prodotto possono danneggiarsi. Fare riferimento a *Dati tecnici alla pagina 197* per informazioni sul regime motore massimo consentito.
- Il prodotto è testato e approvato solo con l'attrezzatura in dotazione o raccomandata dal produttore.

## Montaggio

### Per fissare il piatto di taglio Combi 132, Combi 155

**Nota:** Accertarsi che il piatto di taglio e il prodotto siano collocati su un terreno piano prima di fissare il primo.

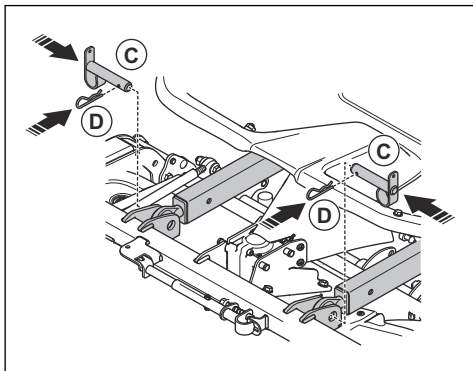
1. Portare la leva di sollevamento nella posizione (B) per abbassare i bracci di sollevamento.



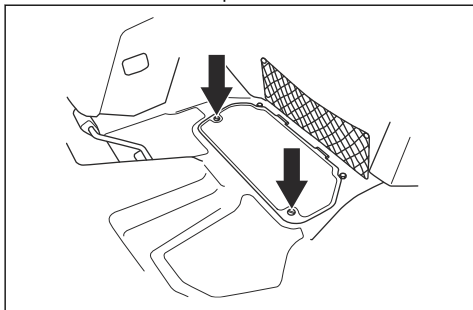
**AVVERTENZA:** Non portare la leva di sollevamento in posizione di falciatura (A). La forza esercitata dalla

molla di sollevamento può causare lesioni gravi.

2. Gestire con attenzione il prodotto nella parte anteriore del piatto di taglio.
3. Portare i bracci di sollevamento nel giunto del piatto di taglio.
4. Azionare il freno di stazionamento.
5. Spegner il motore.
6. Applicare i bulloni (C) e fissare i perni (D) sui bracci di sollevamento.

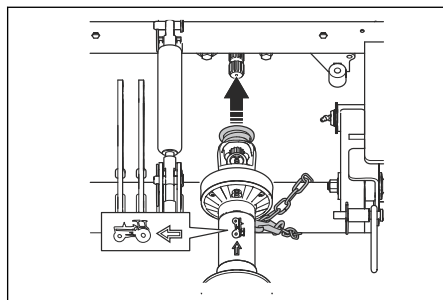


7. Rimuovere le 2 viti e il portello di servizio.

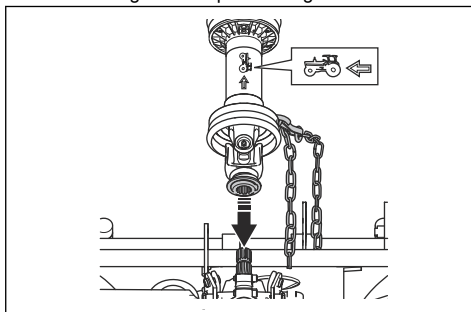


8. Tirare indietro il raccordo dell'albero di trasmissione e fissare l'albero di trasmissione alla presa di forza.

**Nota:** Accertarsi che la freccia sul simbolo punti verso il prodotto.

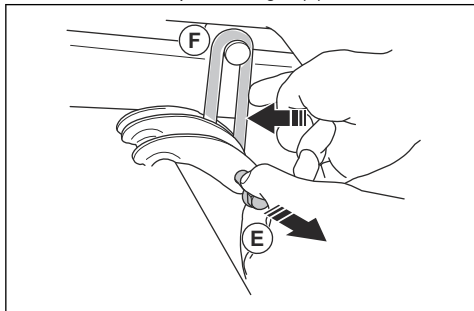


9. Collocare la catena di blocco posteriore attorno alla trave di sollevamento.
10. Fissare la catena di blocco all'albero di trasmissione.
11. Tirare indietro il raccordo dell'albero di trasmissione e fissare l'albero di trasmissione all'albero del riduttore angolare del piatto di taglio.



12. Ripiegare il rivestimento in gomma sopra il giunto dell'albero.
13. Collocare la catena di blocco attorno al tubo.
14. Fissare la catena di blocco all'albero di trasmissione.
15. Montare il portello di servizio e serrare le viti.
16. Avviare il motore.
17. Spostare la leva di sollevamento all'indietro per sollevare il piatto di taglio. Sollevare fino a quando le ruote girevoli del piatto di taglio non toccano il suolo.
18. Spegner il motore.

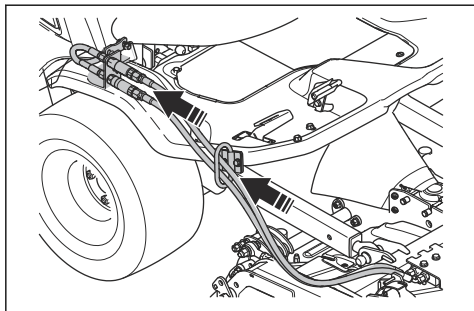
19. Tirare la molla (E) e fissarla agli occhielli di sollevamento sul piatto di taglio (F).



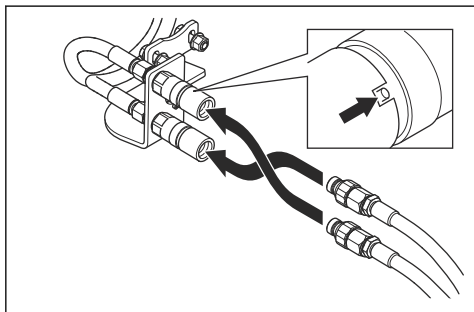
20. Controllare il parallelismo del piatto di taglio. Fare riferimento a *Controllo del parallelismo del piatto di taglio alla pagina 171*.

## Per fissare il piatto di taglio Combi 132 X, Combi 155 X

1. Fissare il piatto di taglio. Fare riferimento a *Per fissare il piatto di taglio Combi 132, Combi 155 alla pagina 151*.
2. Fare passare i tubi idraulici dal piatto di taglio nell'occhiello.



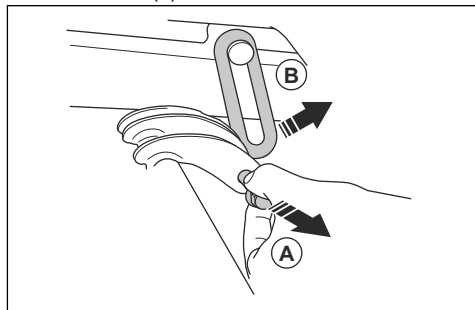
3. Fissare i tubi idraulici al raccordo sul prodotto. La flangia e la tacca devono essere allineate correttamente.



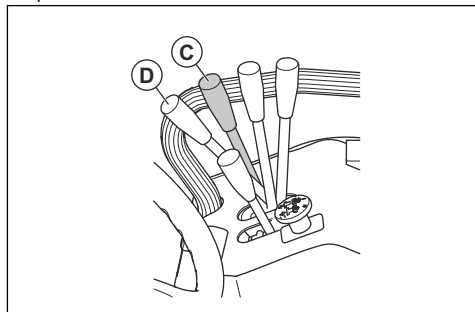
**Nota:** La posizione dei tubi idraulici controlla la funzione di azionamento della leva di regolazione dell'altezza di taglio. Per modificare la funzione della leva di regolazione dell'altezza di taglio, cambiare la posizione dei tubi idraulici.

## Rimozione del piatto di taglio

1. Parcheggiare il prodotto su un terreno piano.
2. Spegnerne il motore.
3. Spostare la leva dell'altezza di taglio in avanti e indietro 2-3 volte per scaricare la pressione residua.
4. Per Combi 132 X e Combi 155 X, allentare i giunti e scollegare i tubi idraulici.
5. Azionare il freno di stazionamento.
6. Spostare la leva di sollevamento per abbassare il piatto di taglio. Fermarsi prima che le ruote girevoli del piatto di taglio tocchino il terreno.
7. Tirare la molla (A) e rimuovere gli occhielli di sollevamento (B).



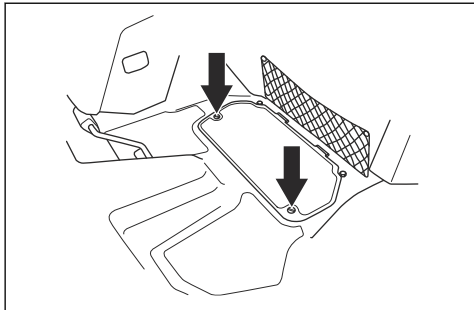
8. Avviare il motore.
9. Portare la leva di sollevamento nella posizione (C) per abbassare i bracci di sollevamento.



**AVVERTENZA:** Non portare la leva di sollevamento in posizione di falciatura (D). La forza idraulica può provocare gravi lesioni.

10. Spegnerne il motore.

11. Rimuovere le 2 viti e il portello di servizio.

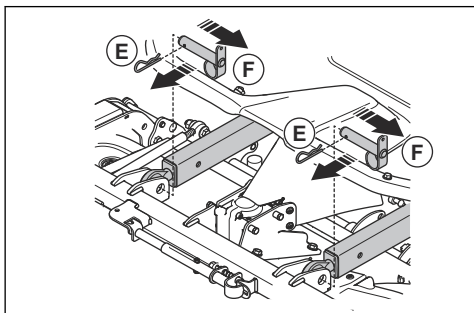


12. Estrarre il rivestimento in gomma dal giunto dell'albero.

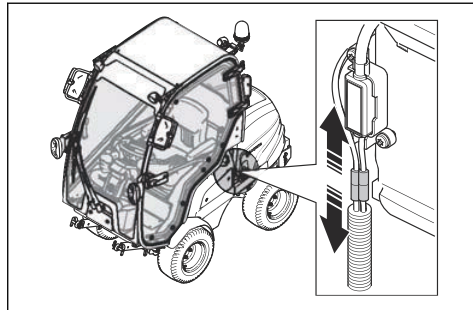
13. Tirare indietro il raccordo dell'albero di trasmissione e smontare l'albero di trasmissione dall'albero del riduttore angolare del piatto di taglio e dall'albero della presa di forza.

14. Rimuovere le catene di blocco.

15. Togliere i perni (E) e i bulloni (F) dai bracci di sollevamento.



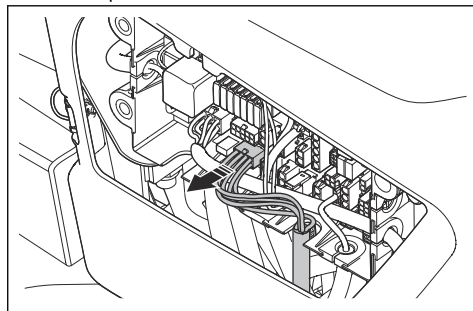
4. Scollegare la batteria.



5. Rimuovere il coperchio di servizio. Fare riferimento a *Rimozione del coperchio di servizio alla pagina 168*.

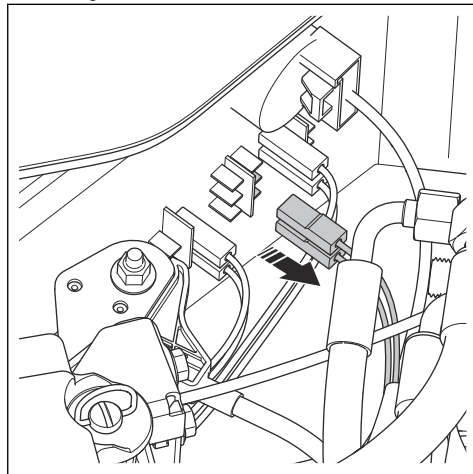
6. Rimuovere il coperchio della scatola fusibili. Fare riferimento a *Rimozione del coperchio della scatola di comando alla pagina 168*.

7. Scollegare il cavo di comando della cabina. Il cavo ha una spina nera.



8. Collocare il gommino nell'alloggiamento vuoto.

9. Scollegare i 2 connettori dall'interruttore fari.



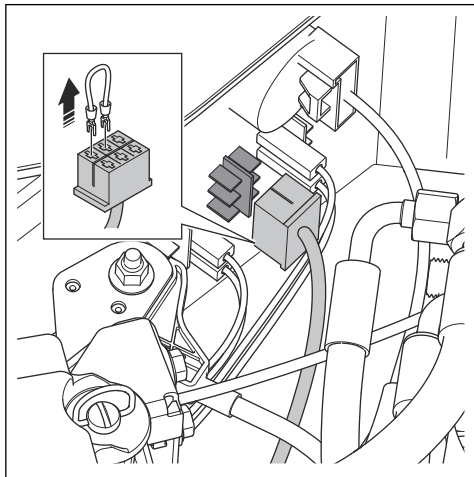
## Rimozione e installazione della cabina

1. Rimuovere la porta della cabina. Fare riferimento a *Rimozione e installazione dello sportello alla pagina 156*.

2. Rimuovere lo sportello di emergenza. Fare riferimento a *Rimozione e installazione dello sportello di emergenza alla pagina 156*.

3. Rimuovere le fascette di gomma e aprire il cofano motore.

10. Rimuovere il ponte dei cavi dal connettore e installare il connettore sull'interruttore fari.

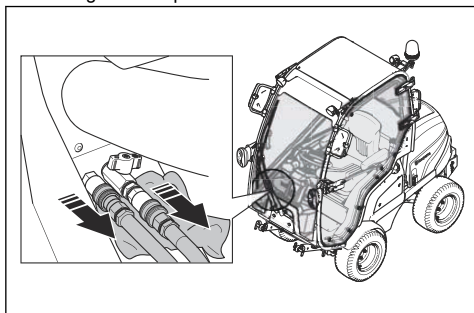


11. Portare l'interruttore fari su ON e OFF per assicurarsi che i fari funzionino correttamente.

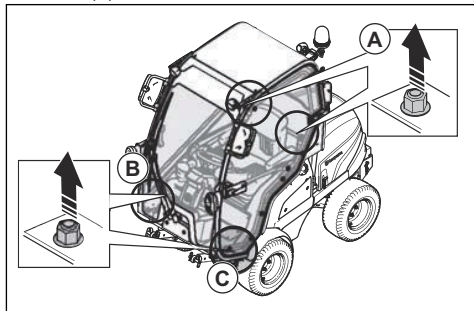
12. Collocare un panno sotto i tubi per il riscaldamento cabina.

**Nota:** Per evitare perdite di liquido di raffreddamento, accertarsi che il riscaldamento cabina sia disattivato prima di scollegare i tubi.

13. Scollegare i tubi per il riscaldamento della cabina.



14. Svitare le 2 viti e rimuovere le 2 rondelle dietro al sedile (A).

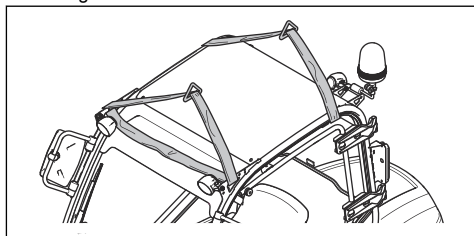


15. Rimuovere la vite e la rondella dietro i tubi per il riscaldamento cabina (B).

16. Rimuovere la vite e la rondella sul lato anteriore dello sportello (C).

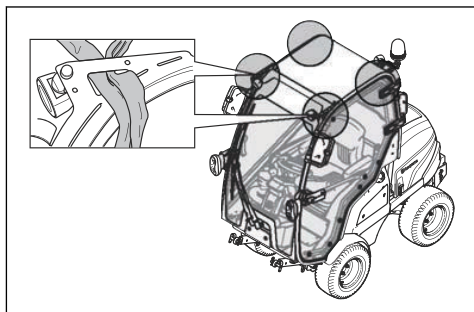
17. Ripiegare il sedile in avanti.

18. Fare passare 2 cinghie nello sportello e nell'uscita di emergenza.



19. Fare passare le cinghie nella cabina facendo 2 giri.

20. Fissare le cinghie negli occhielli di sollevamento della cabina.



21. Sollevare con cautela la cabina per le cinghie con un elevatore.

22. Sollevare la cabina 10 cm sopra il prodotto.



**ATTENZIONE:** Accertarsi che la cabina sia sollevata sopra i bulloni.

23. Spostare con attenzione la cabina in avanti.

24. Collocare la cabina nell'apposito supporto. Fare riferimento a *Conservazione della cabina alla pagina 195*



**AVVERTENZA:** La struttura ROPS deve essere installata quando si rimuove la cabina. Fare riferimento a *Per inserire e disinserire la struttura di protezione antiribaltamento (ROPS) alla pagina 156.*

25. Montare, seguendo i passaggi nell'ordine inverso.

### Rimozione e installazione dello sportello

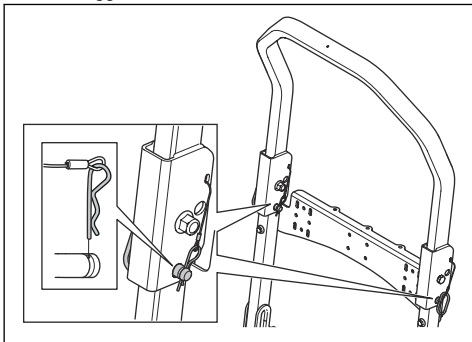
1. Aprire lo sportello a 90 gradi.
2. Estrarre la molla a gas e allentare il giunto a sfera.
3. Sollevare lo sportello per rimuoverlo.
4. Montare, seguendo i passaggi nell'ordine inverso.

### Rimozione e installazione dello sportello di emergenza

1. Aprire la maniglia di blocco dello sportello di emergenza.
2. Rimuovere il perno della cerniera.
3. Aprire lo sportello a 90 gradi.
4. Sollevare lo sportello di emergenza per rimuoverlo.
5. Montare, seguendo i passaggi nell'ordine inverso.

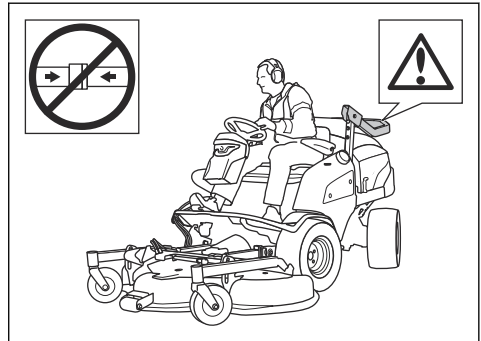
### Per inserire e disinserire la struttura di protezione antiribaltamento (ROPS)

- Rimuovere i 2 bulloni di fissaggio della struttura ROPS e ripiegarla all'indietro per disinnestarla. Installare la struttura ROPS nell'ordine inverso allo smontaggio.

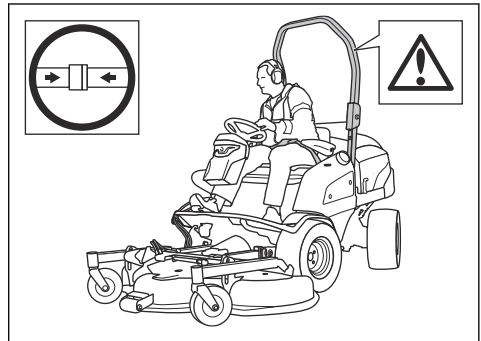


**AVVERTENZA:** Rispettare le seguenti istruzioni per la struttura ROPS e la cintura di sicurezza.

- Non utilizzare la cintura di sicurezza se la struttura ROPS è disinserita.



- Utilizzare sempre la cintura di sicurezza quando la struttura ROPS è inserita.



- Controllare che la struttura ROPS sia fissata correttamente e che non sia danneggiata.



## Introduzione



**AVVERTENZA:** Prima di utilizzare il prodotto, è necessario leggere e comprendere il capitolo relativo alla sicurezza.

## Per il rifornimento del carburante



**AVVERTENZA:** Il gasolio è altamente infiammabile. Prestare attenzione e fare rifornimento all'aperto. Fare riferimento a *Sicurezza durante l'uso del carburante alla pagina 150.*



**AVVERTENZA:** Non utilizzare il serbatoio del carburante come superficie di appoggio.



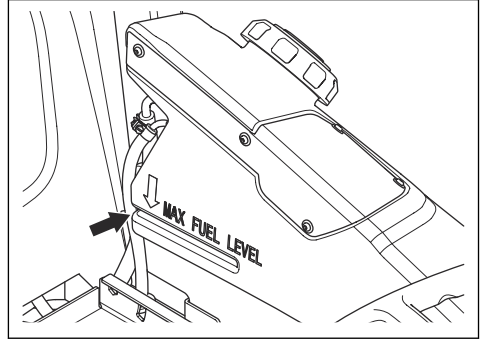
**ATTENZIONE:** Un carburante di tipo errato può causare danni al motore.

- Per conformità con le normative sulle emissioni, il gasolio deve soddisfare gli standard EN590 o ASTM D975 e avere un contenuto di zolfo inferiore a 500 ppm oppure lo 0,05% del peso. Fare riferimento al Manuale operatore Kubota per ulteriori informazioni relative alla qualità del carburante.
- Utilizzare gasolio con numero di cetano minimo di 45. Non utilizzare gasolio con miscela RME contenente oltre il 5% di carburanti a base di olio minerale.

**Nota:** Se la temperatura è inferiore a 0 °C / +32°F, è necessario utilizzare carburante per basse temperature. Per ulteriori informazioni, rivolgersi al proprio centro di assistenza Husqvarna.

- Effettuare un controllo del livello del carburante prima di ogni utilizzo e rabboccare se necessario.

- Non riempire il carburante oltre il contrassegno di livello massimo sul serbatoio.

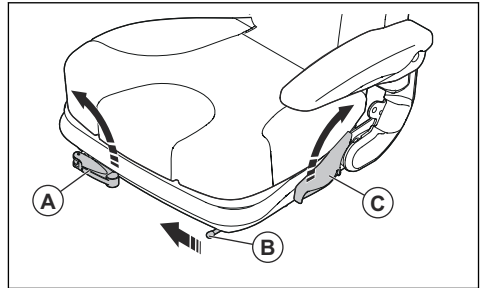


## Regolazione del sedile (P 520DX, P 525DX)



**AVVERTENZA:** Non regolare il sedile quando il prodotto è in funzione.

1. Per regolare la sospensione del sedile, ruotare la leva (A). Tirare la leva verso l'alto per ottenere sospensioni più rigide, verso il basso per ottenere sospensioni meno rigide.



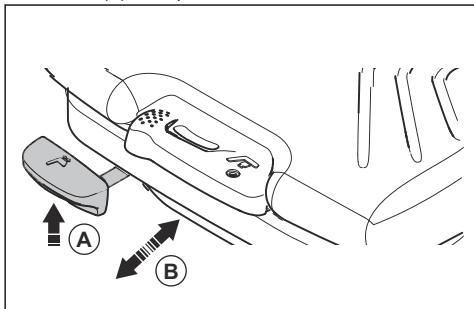
2. Per regolare il sedile in avanti e indietro, tirare la leva (B) in direzione del centro sedile. Spostare il sedile nella posizione corretta.
3. Per regolare lo schienale, tirare la leva (C) alla sinistra del sedile. Spostare lo schienale nella posizione corretta.

## Regolazione del sedile (accessorio per P 520DX, P 525DX)

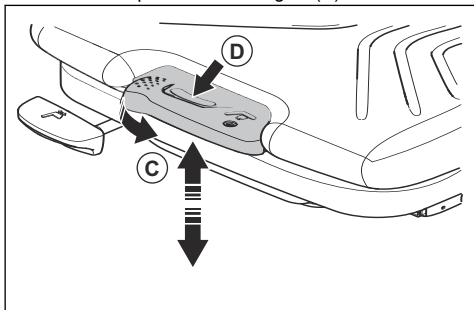


**AVVERTENZA:** Non regolare il sedile quando il prodotto è in funzione.

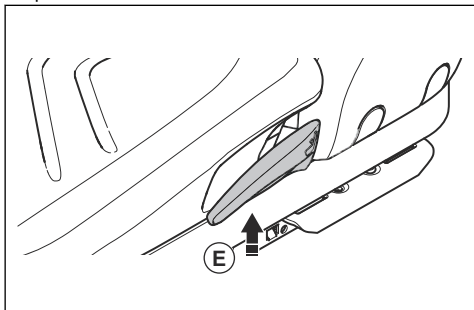
1. Per regolare il sedile in avanti e indietro, tirare la leva (A) sotto al bordo anteriore del sedile. Spostare il sedile (B) nella posizione corretta.



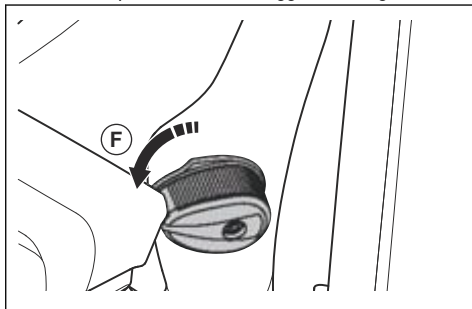
2. Per regolare la sospensione del sedile, tirare la leva (C) verso sinistra. Tirare la leva verso l'alto per ottenere sospensioni più rigide, verso il basso per ottenere sospensioni meno rigide (D).



3. Per regolare lo schienale, tirare la leva (E) alla sinistra del sedile. Spostare lo schienale nella posizione corretta.



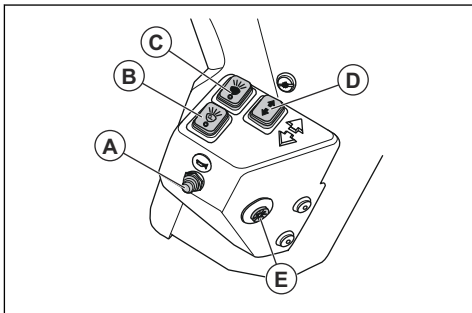
4. Per regolare il supporto lombare, ruotare la leva (F) a sinistra dello schienale. Ruotare la leva in senso antiorario per ottenere un maggiore sostegno.



## Interruttori per i segnali di sicurezza - P 525DX Cabin

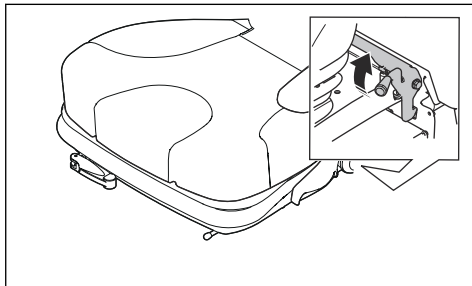
Gli interruttori per i segnali di sicurezza sono collocati sul pannello a sinistra del volante.

- Avvisatore acustico (A)
- Lampada di stazionamento (B)
- Anabbaglianti (C)
- Indicatore di direzione (D)
- Luci di emergenza (E)



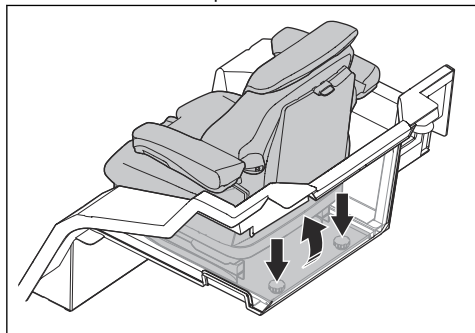
## Inclinazione in avanti del sedile (P 520DX, P 525DX)

- Tirare la leva di bloccaggio verso l'alto e inclinare il sedile in avanti.



## Inclinazione in avanti del sedile (P 525DX Cabin)

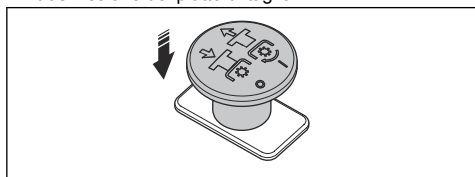
1. Rimuovere le 2 manopole e le 2 rondelle.



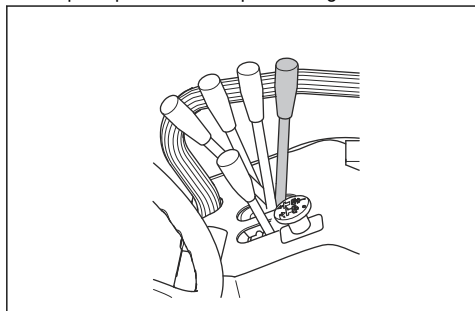
2. Inclinare il sedile in avanti.

## Per sollevare il piatto di taglio

1. Premere il pulsante PTO per disinserire la trasmissione del piatto di taglio.



2. Portare la leva di sollevamento in posizione di trasporto per sollevare il piatto di taglio.



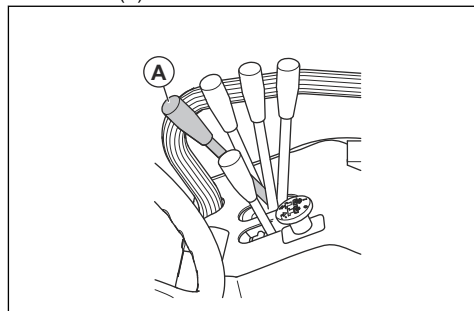
**Nota:** È possibile sollevare il piatto di taglio a poca distanza con la trasmissione sulle lame inserite. Utilizzare questa funzione per erba molto lunga o superfici irregolari.



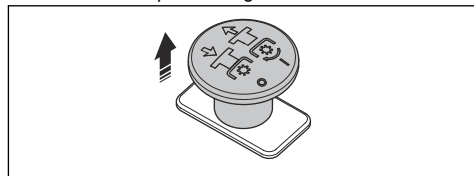
**AVVERTENZA:** Il sollevamento del piatto di taglio con la trasmissione innestata può provocare il lancio di oggetti e causare lesioni gravi o mortali.

## Per abbassare il piatto di taglio in posizione di falciatura

1. Spostare in avanti la leva di sollevamento idraulico per abbassare il piatto di taglio fino alla posizione di falciatura (A).

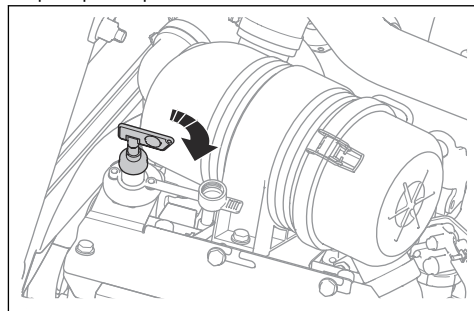


2. Tirare il pulsante PTO per innestare la trasmissione sulle lame del piatto di taglio.

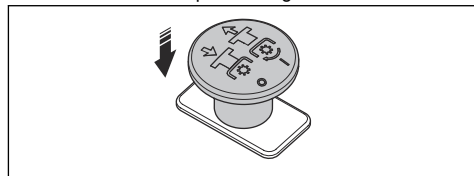


## Avviamento del motore

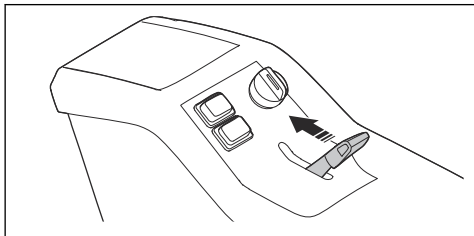
1. Spingere verso il basso e ruotare l'interruttore principale in posizione ON.



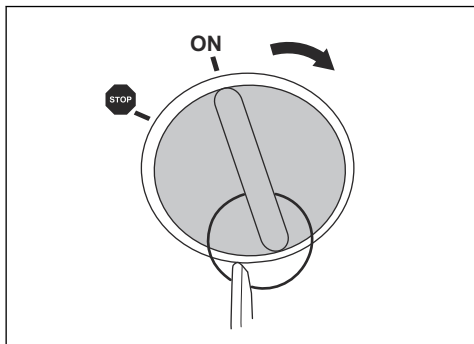
2. Azionare il freno di stazionamento.
3. Premere il pulsante PTO per disinserire il funzionamento del piatto di taglio.



4. Spostare il comando dell'acceleratore in posizione centrale.



5. Girare la chiave d'accensione in posizione ON. Attendere che le spie del display si accendano.
6. Girare la chiave d'accensione verso la posizione della freccia. Mantenerla in questa posizione fino all'avviamento del motore.
7. Quando il motore si avvia, rilasciare immediatamente la chiave di accensione in posizione ON per evitare di danneggiare il motorino di avviamento.



**ATTENZIONE:** Non far girare il motorino di avviamento per più di 6 secondi alla volta. Se il motore non si avvia, attendere 15 secondi prima di riprovare.

8. Far girare il motore a ½ regime per 3-5 minuti prima di applicare carichi pesanti.
9. Premere il comando dell'acceleratore al massimo.

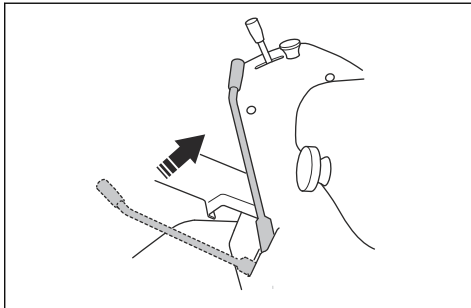


**ATTENZIONE:** L'innesto delle lame quando il motore è a velocità massima provoca uno sforzo sulle cinghie di trasmissione e sulla frizione. Non accelerare al massimo fino a quando il piatto di taglio non viene abbassato in posizione di falciatura.

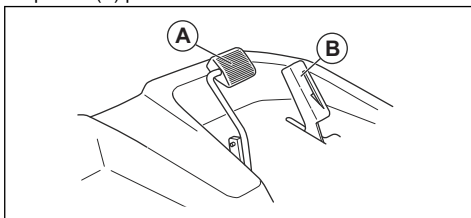
## Utilizzo del prodotto

1. Avviare il motore.

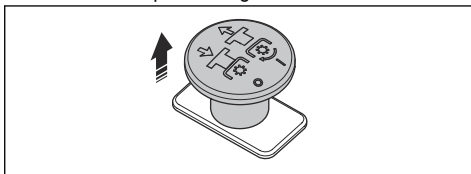
2. Come disinserire il freno di stazionamento.



3. Spingere delicatamente in basso uno dei pedali. La velocità aumenta premendo più a fondo il pedale. Utilizzare il pedale (A) per la marcia avanti e il pedale (B) per la retromarcia.



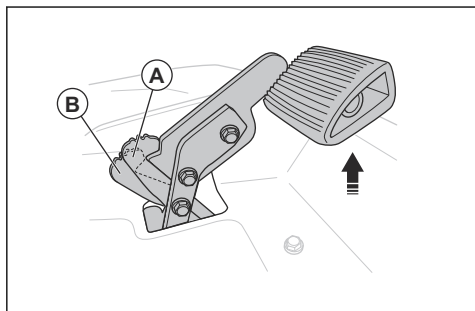
4. Rilasciare il pedale del freno. Per frenare più duramente, premere verso il basso l'altro pedale di marcia.
5. Tirare il pulsante PTO per inserire il funzionamento delle lame sul piatto di taglio.



## Impostazione delle posizioni del pedale di marcia avanti (P 525DX, P525DX Cabin)

Il pedale di marcia avanti può essere impostato sulla velocità di trasporto o di lavoro utilizzando la leva di bloccaggio.

1. Spostare la leva di bloccaggio dalla posizione (A) alla posizione (B) per impostare il pedale alla velocità di lavoro.

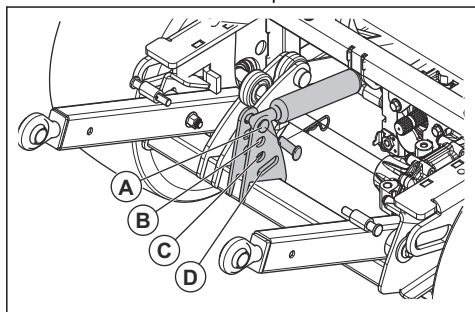


2. Sollevare il pedale fino a quando la leva di bloccaggio si sposta in posizione (A) per impostare il pedale sulla velocità di trasporto.

## Regolazione della pressione al suolo dei bracci di sollevamento idraulico

I bracci di sollevamento idraulico sono dotati di una molla di sollevamento che consente di aumentare o diminuire la pressione al suolo proveniente dalla ruota orientabile sul piatto di taglio.

1. Rimuovere il piatto di taglio. Fare riferimento a *Rimozione del piatto di taglio alla pagina 153*.
2. Azionare il freno di stazionamento.
3. Spostare all'indietro la leva dei bracci di sollevamento idraulico per sollevare completamente i bracci.
4. Girare la chiave d'accensione nella posizione STOP.
5. Per aumentare o diminuire la pressione al suolo, rimuovere il perno e il bullone e spostare la molla di sollevamento in una delle posizioni.

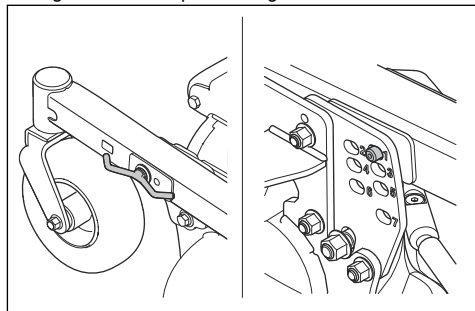


- a) Utilizzare la posizione (A) per la pressione al suolo più bassa. La posizione (A) viene utilizzata, ad esempio, quando un piatto di taglio è fissato al prodotto.
- b) Utilizzare la posizione (B) o (C) per aumentare la pressione al suolo.

- c) Utilizzare la posizione (D) per disinnestare la molla di sollevamento. La posizione (D) viene utilizzata, ad esempio, quando una lama da neve è fissata al prodotto.

## Regolazione dell'altezza di taglio Combi 132, Combi 155

1. Parcheggiare il prodotto su un terreno piano.
2. Azionare il freno di stazionamento.
3. Spostare all'indietro la leva dei bracci di sollevamento idraulico per sollevare completamente il piatto di taglio.
4. Girare la chiave d'accensione nella posizione STOP.
5. Rimuovere la manopola di regolazione dell'altezza di taglio sul lato del piatto di taglio.



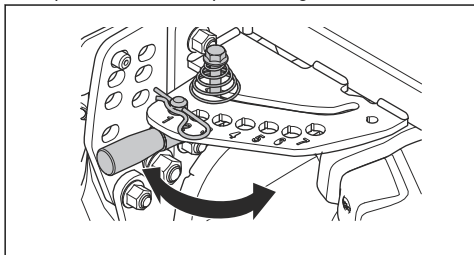
6. Collocare la manopola di regolazione dell'altezza di taglio in uno dei fori sulla piastra di regolazione.

**Nota:** L'altezza di taglio è indicata con i numeri da 1 a 7. Fare riferimento alla tabella seguente.

Numero	Altezza di taglio, mm/poll.
1	30/1,2
2	40/1,6
3	52/2
4	64/2,5
5	76/2,3
6	93/3,7
7	112/4,4

7. Stringere la manopola di regolazione dell'altezza di taglio.
8. Ripetere i passaggi menzionati sopra sull'altro lato del piatto di taglio.

9. Rimuovere il perno di blocco sulla leva di regolazione dell'altezza di taglio nell'angolo superiore sinistro del piatto di taglio.



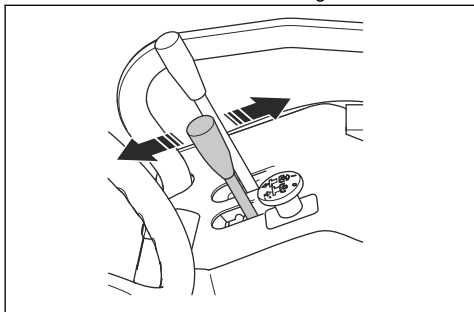
10. Spingere in basso la leva di regolazione dell'altezza di taglio e tirare la leva orizzontalmente.  
11. Collocare la leva nel foro con lo stesso numero sulla piastra di regolazione.

**Nota:** Accertarsi che venga scelto lo stesso numero su tutti i tre punti di regolazione.

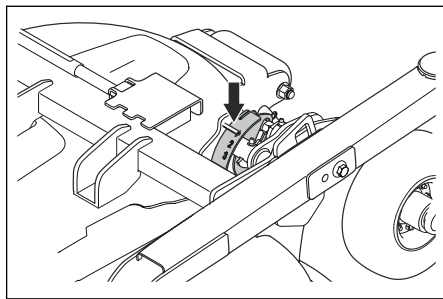
12. Fissare il perno di blocco sulla leva di regolazione dell'altezza di taglio.  
13. Regolare il parallelismo del piatto di taglio. Fare riferimento a *Per regolare il parallelismo del piatto di taglio alla pagina 172*.

## Regolazione dell'altezza di taglio (Combi 132 X, Combi 155 X)

1. Parcheggiare il prodotto su un terreno piano.
2. Spostare in avanti la leva di sollevamento idraulico per abbassare il piatto di taglio fino alla posizione di falciatura.
3. Per regolare l'altezza di taglio, spingere in avanti e all'indietro la leva dell'altezza di taglio.



**Nota:** L'altezza di taglio selezionata è indicata con i numeri da 1 a 7 sul piatto di taglio. Fare riferimento alla tabella seguente.

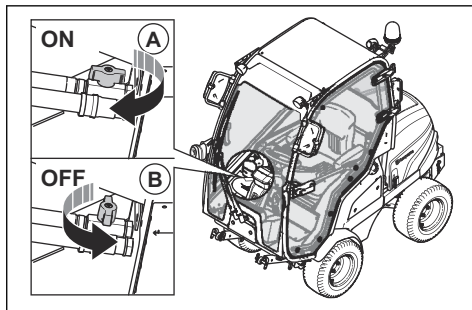


Numero	Altezza di taglio, mm/poll.
1	30/1,2
2	40/1,6
3	52/2
4	64/2,5
5	76/2,3
6	93/3,7
7	112/4,4

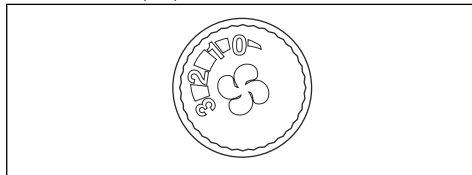
4. Regolare il parallelismo del piatto di taglio. Fare riferimento a *Per regolare il parallelismo del piatto di taglio alla pagina 172*.

## Azionamento del riscaldamento cabina

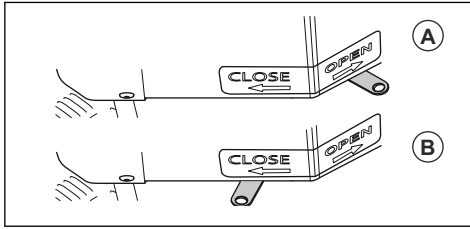
1. Inserire (A) e disinserire (B) il riscaldamento cabina con la valvola sul tubo alla destra del pedale di marcia avanti.



2. Ruotare il regolatore del flusso d'aria per impostare il flusso d'aria (0-3).

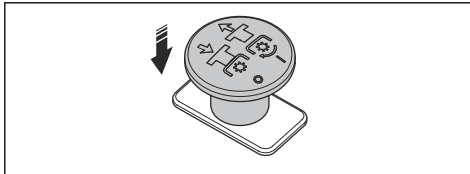


3. Tirare la leva di circolazione a destra (A) per innestare l'acceleratore di circolazione dell'aria. Tirare la leva di circolazione verso sinistra (B) per disinnestare l'acceleratore di circolazione dell'aria.

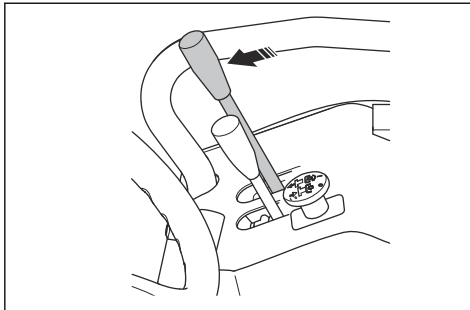


## Arresto del motore

1. Parcheggiare il prodotto su un terreno piano.
2. Azionare il freno di stazionamento.
3. Spingere il pulsante PTO per disinserire la trasmissione sul piatto di taglio.

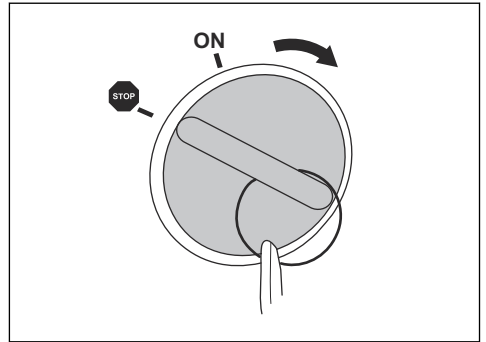


4. Spingere in avanti la leva dei bracci di sollevamento idraulico per abbassare verso terra il piatto di taglio.

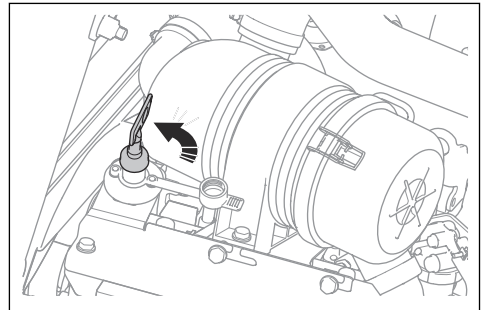


5. Portare il comando dell'acceleratore all'indietro in posizione di basso regime.

6. Girare la chiave d'accensione nella posizione STOP.

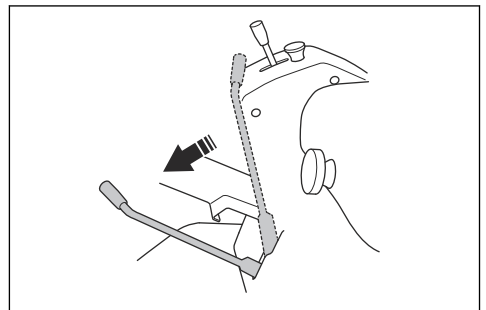


7. Al termine del funzionamento o durante gli interventi di manutenzione sul prodotto, portare l'interruttore principale in posizione OFF.



## Per innestare e disinnestare il freno di stazionamento

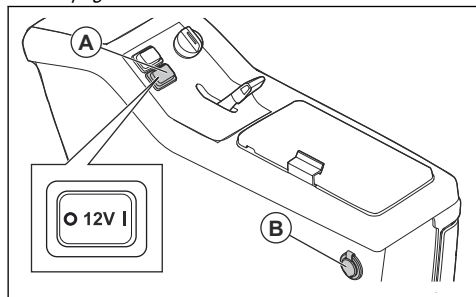
1. Per azionare il freno di stazionamento, spostare completamente in avanti la leva del freno di stazionamento.



2. Per rilasciare il freno di stazionamento, spostare completamente all'indietro la leva del freno di stazionamento.

## Attivazione/disattivazione della presa di corrente a 12 V

- Premere l'interruttore di corrente (A) sul pannello di comando a destra per attivare o disattivare la presa di corrente (B). La tensione della presa di corrente è pari a 12 V. La presa di corrente è protetta da fusibile. Fare riferimento a *Panoramica dei fusibili alla pagina 176*.



**Nota:** Le prese AUX 12 V e USB sono sempre impostate su ON.

## Per ottenere un buon risultato di taglio

- Per garantire le migliori prestazioni, effettuare la manutenzione del prodotto a intervalli regolari come indicato nel programma di manutenzione. Fare riferimento a .
- Non tagliare il prato bagnato. L'erba bagnata può dare un cattivo risultato di taglio.
- Iniziare con un'altezza di taglio elevata e ridurla gradualmente.
- Tagliare con le lame in rotazione ad alta velocità (al regime motore massimo consentito, fare riferimento a *Dati tecnici alla pagina 197*). Spostare in avanti il prodotto a bassa velocità. Se l'erba non è troppo alta e fitta, è possibile ottenere un buon risultato di taglio anche a una velocità maggiore.
- Tagliare l'erba seguendo un pattern irregolare.
- Per ottenere i migliori risultati di taglio, tagliare l'erba regolarmente e utilizzare la funzione Bioclip® .

## Disinnesto della trasmissione idrostatica

Per spostare il prodotto con il motore spento, è necessario aprire i circuiti idraulici sulla trasmissione anteriore e posteriore. Ciò avviene aprendo le valvole di bypass nei motorini della trasmissione.



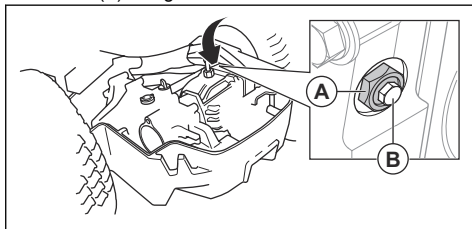
**ATTENZIONE:** Il prodotto non dispone di freni quando le valvole di bypass sono aperte. Le valvole di bypass devono essere chiuse prima di mettere in funzione il prodotto.



**ATTENZIONE:** Non trainare il prodotto ad alta velocità o per lunghe distanze. Ciò può causare danni alla trasmissione.

## Trasmissione posteriore

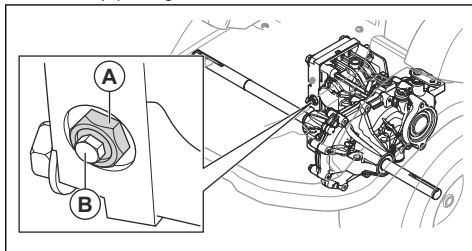
- Per aprire la valvola di bypass, aprire il controdado (A) di  $\frac{1}{4}$ - $\frac{1}{2}$  giro in senso antiorario e poi la vite della valvola (B) di 2 giri in senso antiorario.



- Per chiudere la valvola di bypass, chiudere la vite (B) della valvola e serrare a 8 Nm, quindi serrare il controdado (A) a 30 Nm.

## Trasmissione anteriore

- Per aprire la valvola di bypass, aprire il controdado (A) di  $\frac{1}{4}$ - $\frac{1}{2}$  giro in senso antiorario e poi la vite della valvola (B) di 2 giri in senso antiorario.



- Per chiudere la valvola di bypass, chiudere la vite (B) della valvola e serrare a 8 Nm, quindi serrare il controdado (A) a 30 Nm.



# Manutenzione

## Introduzione



**AVVERTENZA:** Leggere attentamente il capitolo sulla sicurezza prima di eseguire la manutenzione del prodotto.

X = manutenzione effettuata dall'operatore. Le istruzioni sono riportate in questo manuale dell'operatore.

O = manutenzione effettuata in officina. Le istruzioni non sono riportate in questo manuale dell'operatore.

**Nota:** Se nella tabella è indicato più di un intervallo, l'intervallo più breve è da intendere solo per la prima manutenzione.

## Programma di manutenzione

\* = manutenzione generale effettuata dall'operatore.

Le istruzioni non sono riportate in questo manuale dell'operatore.

Manutenzione	Gior- naliera	Una volta a setti- mana	Prime 50 ore	Intervallo di manuten- zione in ore				
				100	200	400	800	
Accertarsi che i dadi e le viti siano serrati.	*							
Accertarsi che non vi siano perdite di carburante, acqua od olio.	*							
Pulire la macchina.	X							
Assicurarsi che i dispositivi di sicurezza non siano difettosi	X							
Lubrificare. Fare riferimento a <i>Panoramica di lubrificazione alla pagina 188.</i>		X						
Accertarsi che i tubi del carburante e i raccordi siano puliti e che non danneggiati.			*	*				
Accertarsi che i tubi e i raccordi del sistema di raffreddamento siano puliti e non danneggiati.			*	*				
Controllare la batteria a 12 V.		*						
Effettuare un controllo dei connettori e dei cavi elettrici.			*	*				
Effettuare un controllo del cavo del freno di stazionamento e regolare il freno di stazionamento.					O			
Effettuare un controllo del software del prodotto e aggiornarlo se necessario.				O				
Effettuare un controllo della tensione delle cinghie della PTO e accertarsi che non siano usurate.			X	X				
Sostituire le cinghie della PTO.						O		
Sostituire l'interruttore della presa di forza.			Ogni 10 anni					
			O					
<b>Impianto idraulico</b>								
Accertarsi che i tubi e i raccordi idraulici siano puliti e non danneggiati.			*	*				
Effettuare un controllo del livello dell'olio nel serbatoio olio idraulico.		X						

Manutenzione	Gior- naliera	Una volta a setti- mana	Prime 50 ore	Intervallo di manuten- zione in ore			
				100	200	400	800
Sostituire il filtro dell'olio idraulico.			*			*	
Sostituire l'olio idraulico.						*	
<b>Motore</b>							
Accertarsi che la presa d'aria fredda del motore non sia ostruita.	*						
Controllare il livello del liquido di raffreddamento.	X						
Sostituire il liquido di raffreddamento.							O
Effettuare un controllo del livello dell'olio motore.	X						
Cambiare l'olio motore.			X	X			
Sostituire il filtro dell'olio.			X	X			
Pulire il filtro dell'aria.	X						
Sostituire il filtro dell'aria.						X	
Sostituire il filtro principale e il filtro secondario del carburante.				X			
Controllare la tensione della cinghia dell'alternatore e, se neces- sario, serrarla.				*			
Sostituire la cinghia dell'alternatore.							O
Effettuare un controllo dei tubi del carburante per accertarsi che non vi siano rotture o perdite.							*
Sostituire i tubi del carburante.	Ogni 5 anni  O						
<b>Piatto di taglio</b>							
Pulire il piatto di taglio, sotto i coperchi della cinghia e sotto il piatto di taglio.	*						
Esaminare il piatto di taglio per verificare la presenza di eventua- li danni.	*						
Esaminare le lame nel piatto di taglio. Se necessario, affilare e bilanciare.		O					
Esaminare la cinghia a V del piatto di taglio.			X	X			
Sostituire la cinghia a V sul piatto di taglio.						X	
Effettuare un controllo del livello dell'olio nel riduttore angolare.					X		
Sostituire l'olio del riduttore angolare.						X	
Controllare il parallelismo del piatto di taglio.			X	X			
<b>Ruote e trasmissioni</b>							
Esaminare e serrare i dadi della ruota alla coppia corretta. (84 Nm)			*		*		

Manutenzione	Gior- naliera	Una volta a setti- mana	Prime 50 ore	Intervallo di manuten- zione in ore			
				100	200	400	800
Effettuare il controllo o la regolazione della velocità delle ruote anteriori e posteriori.				○			
Accertarsi che la pressione degli pneumatici sia corretta. Fare riferimento a <i>Dati tecnici alla pagina 197</i> .		X					
Sostituire l'olio delle trasmissioni						*	
Lubrificare le scanalature sugli assi delle ruote				○			
Controllare il livello dell'olio nelle trasmissioni e pulire il tappo magnetico.						*	

## Pulizia del prodotto



**ATTENZIONE:** Non utilizzare una lancia ad alta pressione o a vapore. L'acqua può entrare nei cuscinetti e nei collegamenti elettrici e causare una corrosione che può danneggiare il prodotto.

- Pulire il prodotto subito dopo l'uso.
- Non pulire le superfici calde come il motore, la marmitta e il sistema di scarico. Attendere fino a quando le superfici sono fredde, quindi rimuovere l'erba o lo sporco.
- Prima di pulire con acqua, pulire con una spazzola. Rimuovere l'erba tagliata e lo sporco dall'area sopra e intorno alla trasmissione, alla presa d'aria e al motore.
- Utilizzare acqua corrente e un tubo per pulire il prodotto. Non utilizzare alta pressione.
- Non puntare il getto d'acqua sui componenti elettrici o i cuscinetti. L'impiego di un detergente solitamente aumenta il danno.
- Per pulire il piatto di taglio, metterlo in posizione di servizio e lavarlo con un tubo dell'acqua.
- Quando il prodotto è pulito, avviare il piatto di taglio per un breve periodo di tempo per scaricare l'acqua residua.

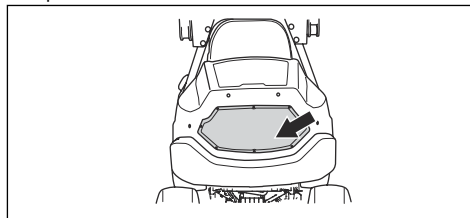
### Per pulire il motore e la marmitta

Mantenere il motore e la marmitta libera dall'erba tagliata e dallo sporco. L'erba tagliata immersa nell'olio o nel carburante sul motore può aumentare il rischio d'incendio e di surriscaldamento del motore. Lasciar raffreddare il motore prima di pulirlo. Pulire con acqua e una spazzola.

L'erba tagliata che si deposita intorno alla marmitta si secca velocemente e rappresenta un rischio d'incendio. Utilizzare una spazzola o rimuovere l'erba tagliata con l'acqua quando la marmitta è fredda.

### Per pulire l'ingresso dell'aria fredda del motore

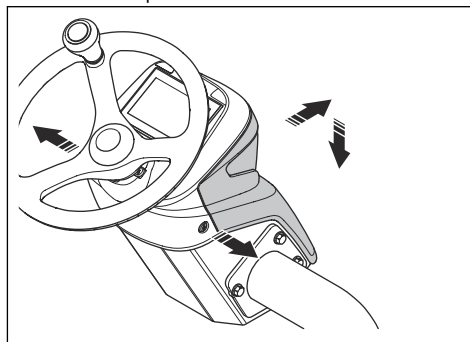
- Accertarsi che la griglia della presa d'aria non sia ostruita. Rimuovere l'erba e lo sporco con una spazzola morbida.



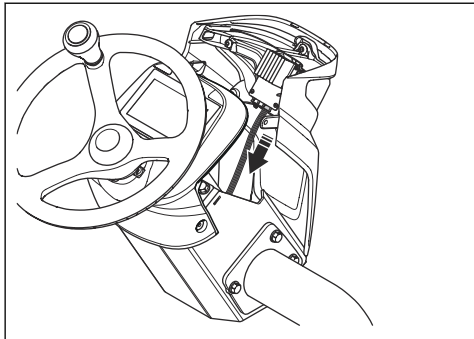
### Per rimuovere i coperchi

#### Rimozione e installazione del coperchio anteriore del piantone dello sterzo

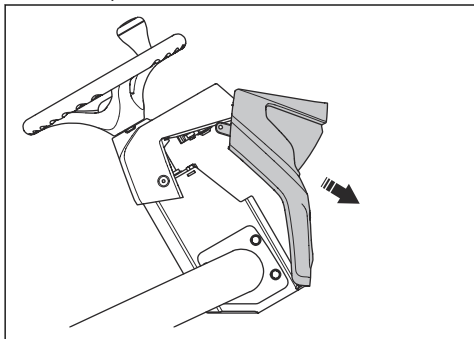
1. Svitare le 2 viti e inclinare in avanti il coperchio anteriore del piantone dello sterzo.



2. Scollegare i fili.



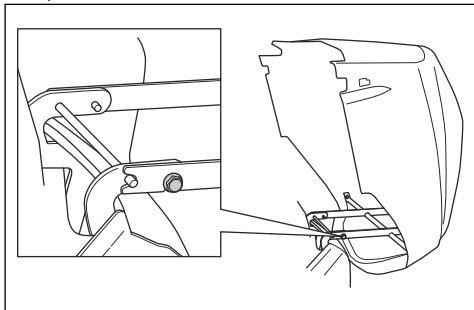
3. Tenere il coperchio anteriore del piantone dello sterzo in posizione verticale e rimuoverlo.



4. Montare eseguendo le operazioni nell'ordine inverso.

### Per aprire il cofano motore

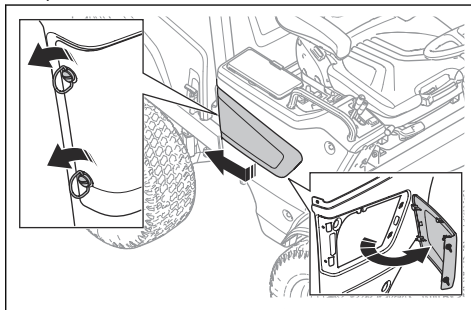
1. Rimuovere le fascette di gomma su entrambi i lati del cofano motore.
2. Aprire il cofano del motore all'indietro.



**Nota:** Per rimuovere completamente il cofano motore, togliere i bulloni dalle cerniere.

### Rimozione del coperchio di servizio

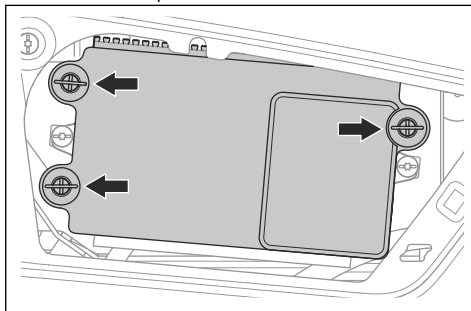
1. Ruotare le 2 viti di  $\frac{1}{4}$  di giro in senso antiorario per aprirle.



2. Tirare indietro il coperchio di manutenzione per sganciarlo dai ganci.

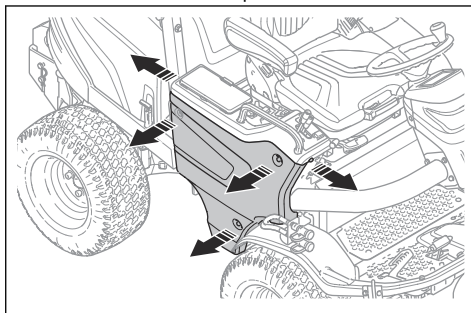
### Rimozione del coperchio della scatola di comando

1. Ruotare le 3 viti di  $\frac{1}{4}$  di giro in senso antiorario e rimuovere il coperchio.



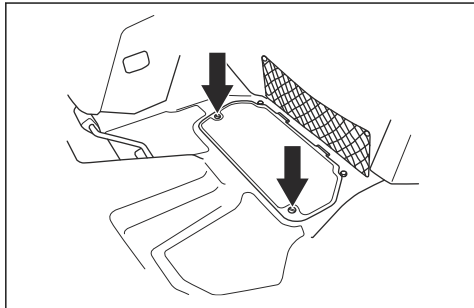
### Per rimuovere il coperchio laterale destro

1. Rimuovere le 5 viti e il coperchio laterale.



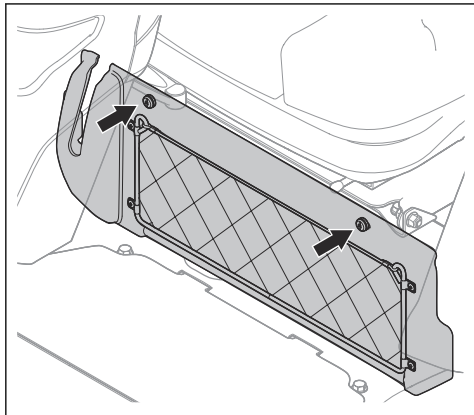
## Per rimuovere il portello di servizio

1. Svitare le 2 viti di  $\frac{1}{4}$  di giro e sollevare il portello di servizio.



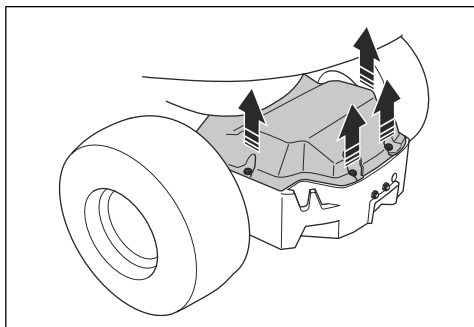
## Per rimuovere la piastra di copertura

1. Svitare le 2 viti e rimuovere la piastra di copertura.



## Per rimuovere il coperchio della trasmissione

1. Svitare le 4 viti.

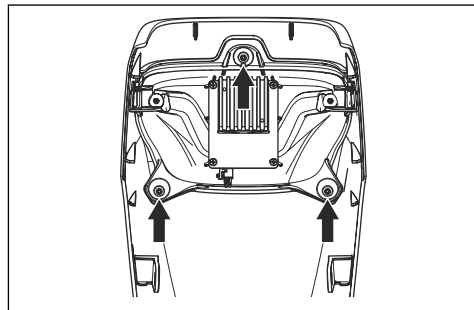


2. Sollevare e rimuovere il coperchio della trasmissione.

## Sostituzione dei fari anteriori

1. Rimuovere il coperchio anteriore del piantone dello sterzo. Vedere *Rimozione e installazione del coperchio anteriore del piantone dello sterzo alla pagina 167*.

2. Svitare le 3 viti dei fari anteriori.

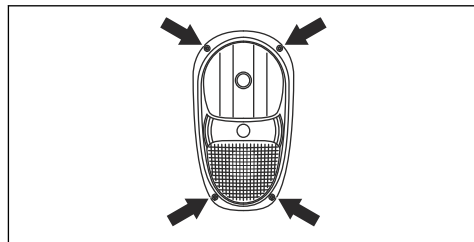


3. Rimuovere i fari anteriori.

4. Il montaggio avviene eseguendo le operazioni nell'ordine inverso allo smontaggio.

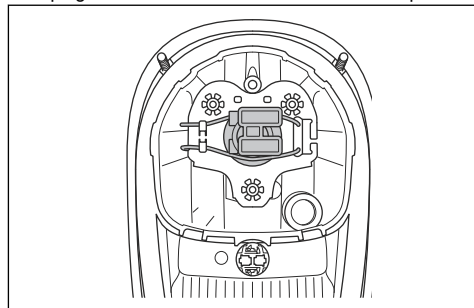
## Sostituzione della lampada anabbagliante e abbagliante (P 525DX Cabin)

1. Svitare le 4 viti di fissaggio del modulo lampada e sollevarlo.



2. Scollegare i cavi dalla lampada guasta.

3. Spingere il blocco a molla e rimuovere la lampada.



4. Inserire la nuova lampada nell'alloggiamento. Fare riferimento a *Dati tecnici alla pagina 197*.

5. Collegare i cavi alla nuova lampada.

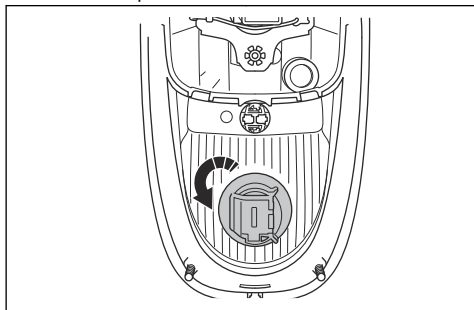
6. Montare il modulo lampada e stringere le viti.

### Per sostituire una lampada di stazionamento

1. Svitare le 4 viti di fissaggio del modulo lampada e sollevarlo.
2. Scollegare i cavi dalla lampada guasta.
3. Rimuovere la lampada.
4. Inserire la nuova lampada nell'alloggiamento. Vedere *Dati tecnici alla pagina 197*.
5. Collegare i cavi alla nuova lampada.
6. Montare il modulo lampada e stringere le viti.

### Sostituzione di un indicatore di direzione

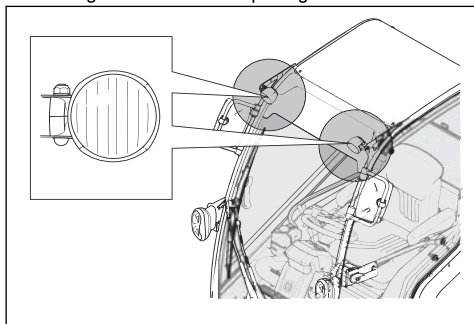
1. Svitare le 4 viti di fissaggio del modulo lampada e sollevarlo.
2. Scollegare i cavi dalla lampada guasta.
3. Ruotare lampada in senso antiorario e rimuoverla.



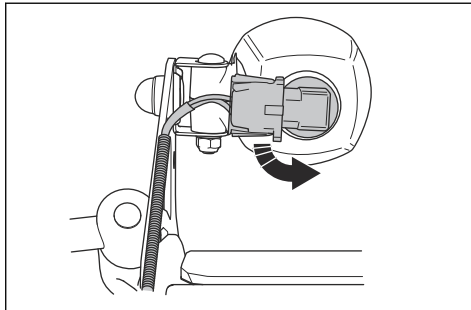
4. Inserire la nuova lampada nell'alloggiamento. Vedere *Dati tecnici alla pagina 197*.
5. Collegare i cavi alla nuova lampada.
6. Montare il modulo lampada e stringere le viti.

### Sostituzione delle luci di lavoro anteriori (P 525DX Cabin)

1. Scollegare i cavi dalla lampada guasta.



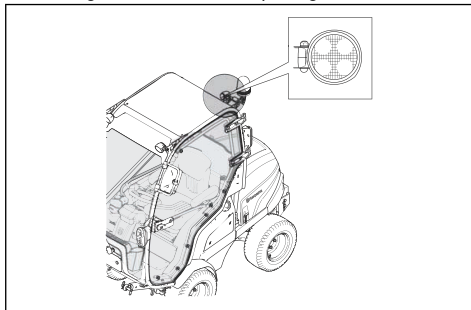
2. Ruotare lampada in senso antiorario e rimuoverla.



3. Inserire la nuova lampada nell'alloggiamento. Fare riferimento a *Dati tecnici alla pagina 197*.
4. Collegare i cavi alla nuova lampada.

### Sostituzione delle luci di lavoro posteriori (P 525DX Cabin)

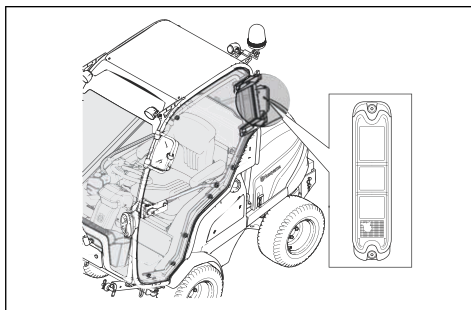
1. Scollegare il cavo dalla lampada guasta.



2. Svitare la vite sul connettore della lampada.
3. Rimuovere il connettore della lampada con la lampada collegata.
4. Montare, seguendo i passaggi nell'ordine inverso.

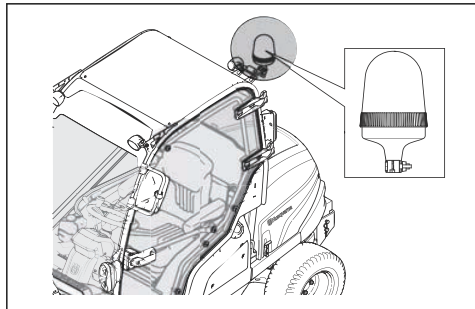
### Sostituzione delle luci posteriori (P 525DX Cabin)

1. Per sostituire le luci posteriori, contattare un'officina autorizzata.



## Sostituzione delle spie luminose (P 525DX Cabin)

1. Allentare il dado a farfalla.



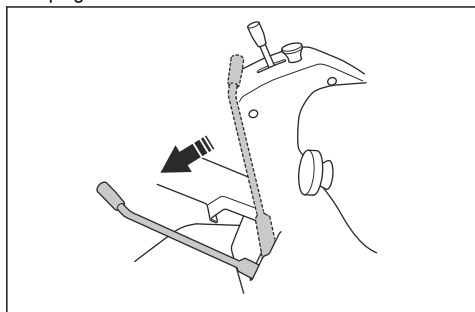
2. Rimuovere la lampada.
3. Fissare la nuova lampada.

## Per controllare il freno di stazionamento

1. Parcheggiare il prodotto su una superficie dura con una pendenza massima di 10°.

**Nota:** Non parcheggiare il prodotto su un prato in pendenza quando si esegue un controllo del freno di stazionamento.

2. Spingere in avanti il freno di stazionamento.

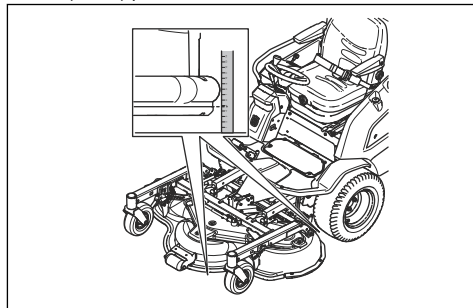


3. Se il prodotto inizia a muoversi, affidare la regolazione del freno di stazionamento a un'officina autorizzata.
4. Tirare all'indietro il freno di stazionamento per rilasciarlo.

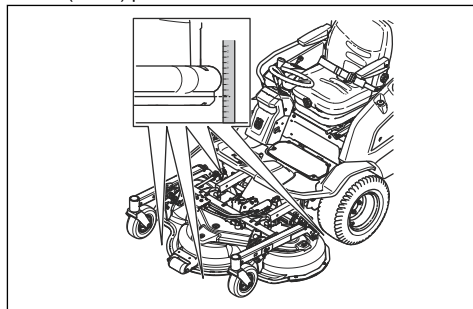
## Controllo del parallelismo del piatto di taglio

1. Controllare la pressione dell'aria negli pneumatici. Fare riferimento a *Pressioni degli pneumatici alla pagina 178*.
2. Parcheggiare il prodotto su una superficie piana.

3. Abbassare il piatto di taglio fino alla posizione di falciatura.
4. Impostare la leva dell'altezza di taglio nella posizione centrale.
5. Misurare la distanza tra il suolo e i bordi anteriore e posteriore del piatto di taglio.
  - a) Misurare Combi 132 e Combi 155 in 2 aree. Accertarsi che il bordo posteriore sia di 6-9 mm ( $\frac{1}{4}$ - $\frac{3}{8}$ ") più alto del bordo anteriore.



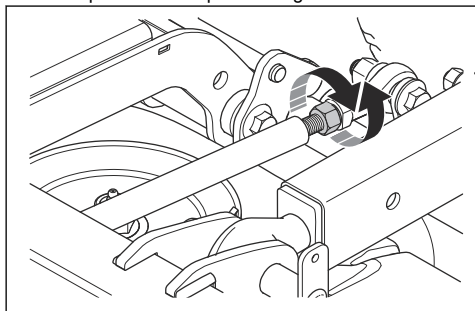
- b) Misurare Combi 132 X e Combi 155 X in 4 aree. Accertarsi che il bordo posteriore sia di 6-9 mm ( $\frac{1}{4}$ - $\frac{3}{8}$ ") più alto del bordo anteriore.



6. Regolare il piatto di taglio se necessario. Fare riferimento a *Per regolare il parallelismo del piatto di taglio alla pagina 172*.

## Per regolare il parallelismo del piatto di taglio

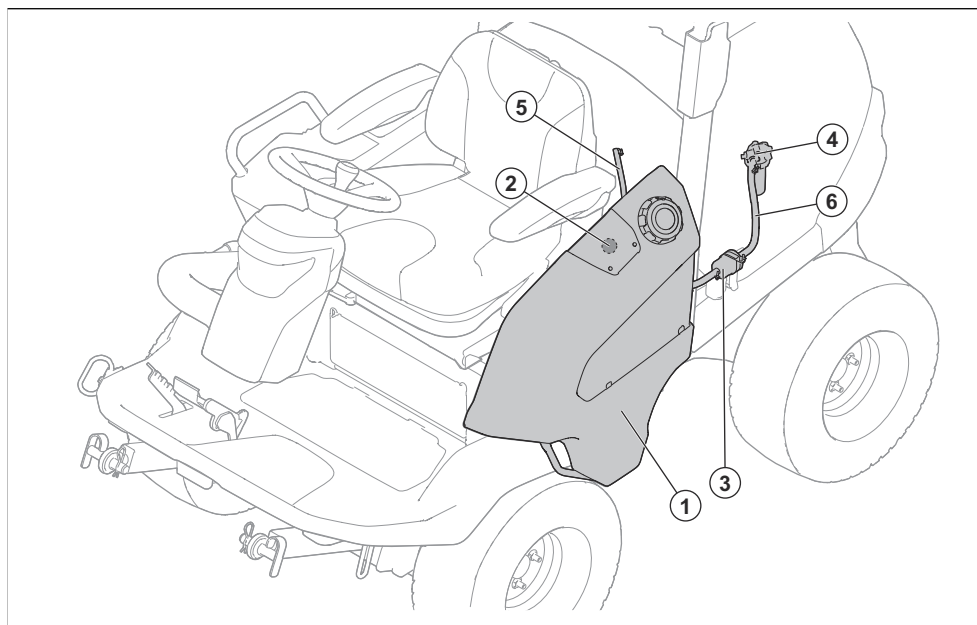
1. Girare il tirante trasversale per estendere o ridurre il sostegno. Estendere il tirante trasversale per sollevare il bordo posteriore del piatto di taglio. Accorciare il tirante trasversale per abbassare il bordo posteriore del piatto di taglio.



**Nota:** Per Combi 132 X, Combi 155 X, regolare i tiranti trasversali sui 2 lati.

2. Stringere i dadi sul tirante trasversale.
3. Eseguire un controllo del parallelismo. Fare riferimento a *Controllo del parallelismo del piatto di taglio alla pagina 171*.

## Panoramica del sistema di alimentazione



1. Serbatoio gasolio
2. Indicatore del carburante elettrico
3. Prefiltro
4. Filtro del carburante
5. Raccordo tubo di ritorno
6. Tubo del carburante

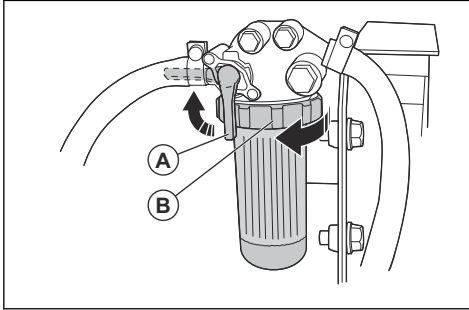
## Per sostituire i filtri del carburante

### Per sostituire il filtro di carta nel filtro principale

1. Aprire il cofano motore. Fare riferimento a *Per aprire il cofano motore alla pagina 168*.
2. Rimuovere il filtro dell'aria. Fare riferimento a *Pulizia e sostituzione del filtro dell'aria alla pagina 173*.



3. Chiudere la valvola del carburante (A).
4. Ruotare il controdado (B) di ½ giro in senso antiorario e rimuovere l'alloggiamento del filtro.
5. Rimuovere il filtro di carta.



6. Collocare un nuovo filtro di carta nell'alloggiamento del filtro.
7. Ruotare il controdado di ½ giro in senso orario per fissare l'alloggiamento del filtro.

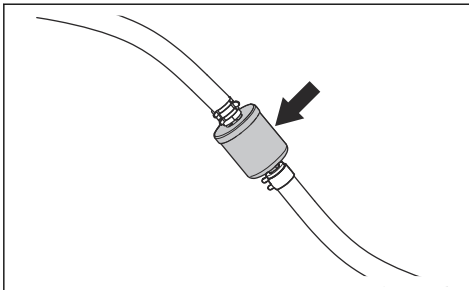
### Sostituzione del prefiltro carburante

Il prefiltro carburante si trova sotto l'alloggiamento della batteria sul lato sinistro del prodotto.

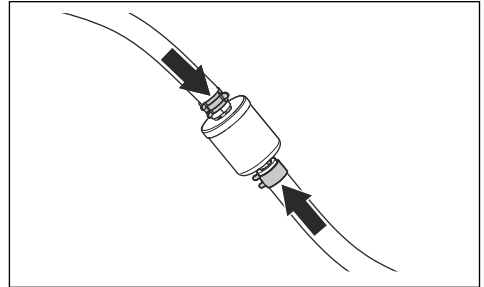


**AVVERTENZA:** Utilizzare guanti protettivi per evitare l'irritazione della pelle. Il carburante può provenire dal filtro carburante e arrivare sulla pelle.

1. Rimuovere la vite del morsetto che trattiene in posizione il prefiltro carburante.
2. Estrarre il filtro carburante dal morsetto.
3. Allentare le viti del clip tubo.
4. Allontanare le clip tubo dal prefiltro carburante con un paio di pinze piatte.
5. Estrarre il prefiltro carburante dalle estremità del tubo. Vi è il rischio di una piccola perdita di carburante.



6. Accertarsi che il nuovo prefiltro carburante sia nella direzione corretta per il flusso di carburante. Spingere il nuovo prefiltro carburante nelle estremità dei tubi. Applicare del detergente liquido sulle estremità del prefiltro carburante per semplificare il collegamento.
7. Spingere le clip tubo sul prefiltro del carburante.



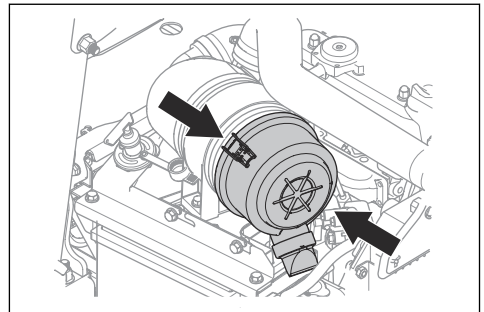
8. Serrare le viti sulle clip tubo e montare il prefiltro carburante nel morsetto.

### Pulizia e sostituzione del filtro dell'aria

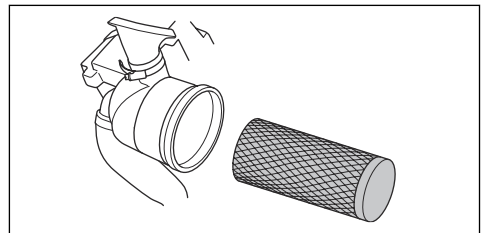


**ATTENZIONE:** Non avviare il motore quando si rimuove il filtro dell'aria.

1. Aprire il cofano motore.
2. Allentare le 2 chiusure che fissano il coperchio del filtro dell'aria.



3. Rimuovere il coperchio del filtro dell'aria.
4. Rimuovere la cartuccia del filtro dell'aria dalla relativa sede.

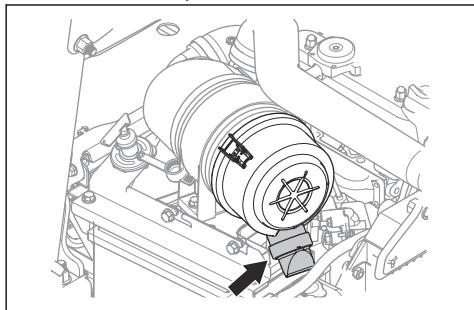


5. Pulire la superficie interna dell'alloggiamento del filtro dell'aria con un panno asciutto.
6. Colpire con cautela la cartuccia del filtro dell'aria contro una superficie dura. Sostituire il filtro dell'aria se non può essere completamente pulito o se è danneggiato.



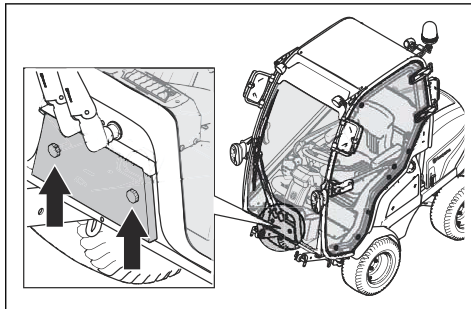
**ATTENZIONE:** Non usare aria compressa per pulire il filtro dell'aria.

7. Posizionare la cartuccia del filtro dell'aria nella posizione iniziale nell'alloggiamento del filtro. Accertarsi che la cartuccia del filtro dell'aria sia correttamente montata sulla parte superiore della presa d'aria.
8. Montare il coperchio del filtro dell'aria e accertarsi che il collettore di particelle sia rivolto verso il basso.



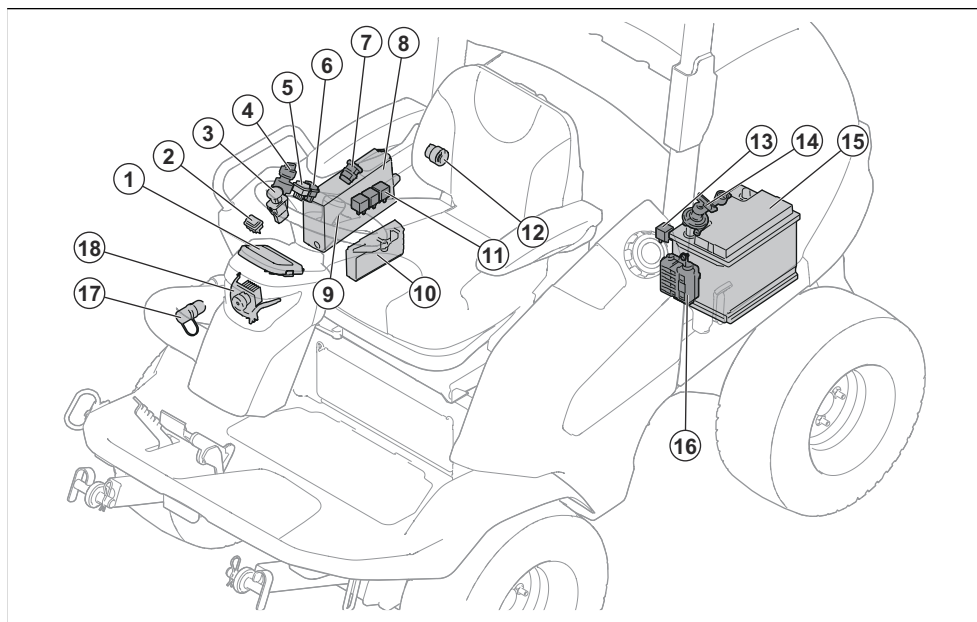
## Pulizia e sostituzione del filtro di ingresso nel riscaldamento cabina

1. Allentare le 2 manopole sul coperchio dell'impianto di ventilazione e togliere il coperchio.



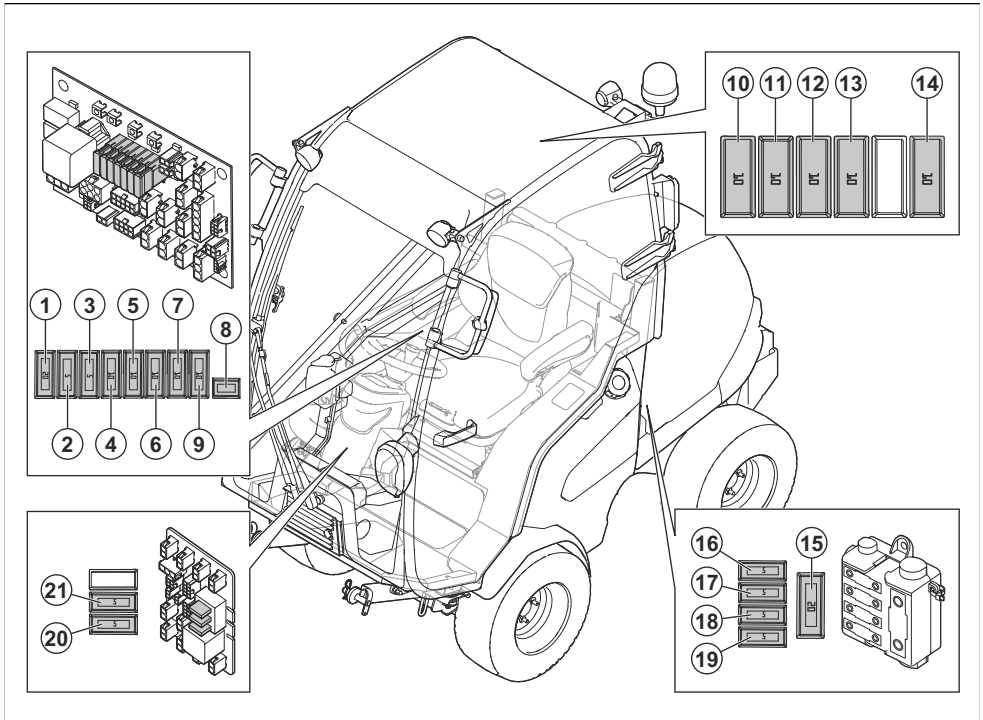
2. Estrarre il supporto del filtro.
3. Sollevare il filtro dell'aria.
4. Pulire con attenzione il filtro di ingresso con un pennello.
5. Se il filtro di carta non si pulisce, sostituirlo.
6. Collocare il filtro di ingresso nel supporto del filtro.
7. Fissare il supporto del filtro e stringere le manopole.

## Panoramica dell'impianto elettrico



- |   |  |
|---|--|
| 1. Display  | 10. Modulo di controllo del tagliaerba                   |
| 2. Pulsante funzione per accessori idraulici (accessorio per P 520DX) | 11. Relè   |
| 3. Pulsante della presa di forza                                      | 12. Presa di corrente 12 V                               |
| 4. Chiave di accensione   | 13. Relè   |
| 5. Spia fari anteriori  | 14. Interruttore principale                              |
| 6. Interruttore presa di corrente                                     | 15. Batteria   |
| 7. Prese USB  | 16. Scatola fusibili                                     |
| 8. Scatola di comando   | 17. Presa di corrente AUX, 12 V (accessorio per P 520DX) |
| 9. Connettore di servizio   | 18. Fari anteriori                                       |

## Panoramica dei fusibili



1. Alimentazione a 12 V al modulo della centralina del tagliaerba, 20 A
2. Alimentazione display diesel, 5 A
3. Alimentazione accensione, 5 A
4. J14 + 12 V, faro rotante, 10 A
5. J16 + 12 V, interruttore extra, uscita extra, alimentazione idraulica, 10 A
6. Freno di stazionamento/sedile, 10 A
7. Alimentazione luci, 10 A
8. Alimentazione cabina, fusibile automatico
9. USB, uscita 12 V, interruttore di corrente 12 V, 10 A
10. Tergicristallo, 10 A (P 525DX Cabin)
11. Riscaldamento cabina, 10 A (P 525DX Cabin)
12. Luce di lavoro posteriore, 10 A (P 525DX Cabin)
13. Luce anabbagliante, 10 A (P 525DX Cabin)
14. Luce di lavoro anteriore, 10 A (P 525DX Cabin)
15. Fusibile di sicurezza alta potenza, 150 A
16. Scarico
17. Fusibile di alimentazione cabina, 50 A (P 525DX, P 525DX Cabin)
18. Fusibile alimentazione motore/candelette, 50 A
19. Fusibile per alimentazione scheda di controllo, 50 A
20. Cicalino, 5 A

21. Luce di parcheggio, 5 A

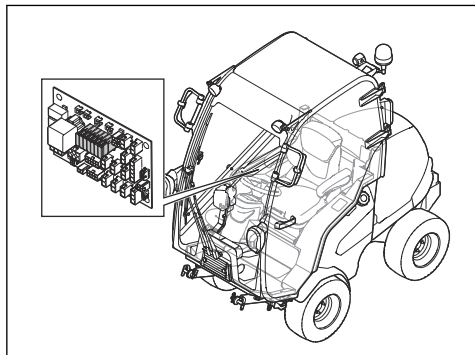
### Per sostituire un fusibile

Un fusibile danneggiato si riconosce dal filo bruciato.

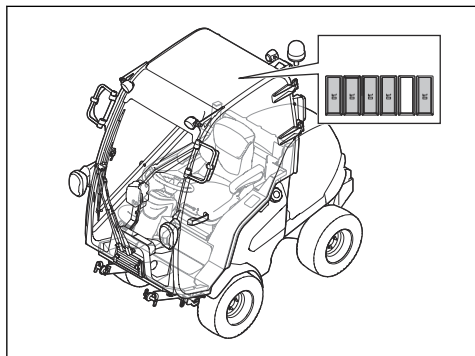
L'elenco dei fusibili si trova nella panoramica fusibili, vedere *Panoramica dei fusibili alla pagina 176*.

1. Individuare il fusibile guasto:

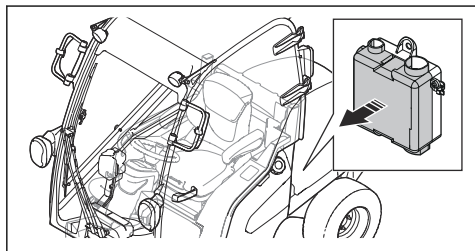
- a) Rimuovere il coperchio laterale destro per sostituire i fusibili 1-9. Fare riferimento a *Per rimuovere il coperchio laterale destro alla pagina 168*.



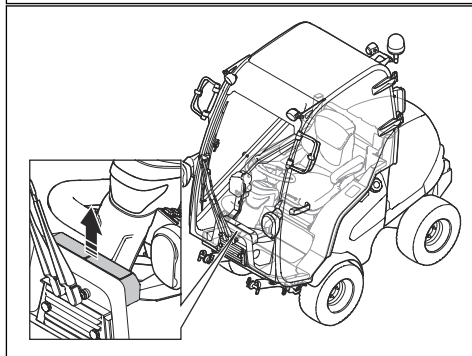
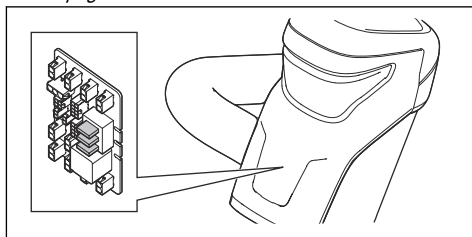
- b) Rimuovere il coperchio nel tetto della cabina per sostituire i fusibili 10-14.



- c) Aprire il coperchio del motore per sostituire i fusibili 15-19. Fare riferimento a *Per aprire il cofano motore alla pagina 168*. I fusibili sono situati nella scatola fusibili davanti alla batteria.



- d) Rimuovere il coperchio anteriore del piantone dello sterzo per sostituire i fusibili 20-21. Fare riferimento a *Rimozione e installazione del coperchio anteriore del piantone dello sterzo alla pagina 167*.



- e) Per P 525DX Cabin, per accedere al coperchio anteriore svitare le 4 viti sull'unità di circolazione dell'aria. Rimuovere l'unità di circolazione dell'aria.

1. Estrarre il fusibile dal supporto.
2. Sostituire il fusibile bruciato con un nuovo fusibile dello stesso tipo. Fare riferimento a *Panoramica dei fusibili alla pagina 176*.
3. Fissare i coperchi.

**Nota:** Se il fusibile principale si danneggia di nuovo dopo un breve periodo dalla sostituzione, è presente un corto circuito. Riparare il cortocircuito prima di utilizzare nuovamente il prodotto. Chiedere aiuto a un'officina autorizzata.

## Per caricare la batteria

- Ricaricare la batteria se è troppo scarica per avviare il motore.
- Utilizzare un caricabatterie standard.



**ATTENZIONE:** Non usare un caricabatterie rapido o l'avviamento di emergenza. Ciò può causare danni all'impianto elettrico del prodotto.

- Scollegare sempre il caricabatteria prima di avviare il motore.

## Per eseguire un avvio di emergenza del motore

Se la batteria è troppo scarica per avviare il motore, è possibile utilizzare dei cavi di avviamento per effettuare un avviamento di emergenza. Questo prodotto dispone di un sistema da 12 V con messa a terra negativa. Il prodotto che viene utilizzato per l'avviamento di emergenza dovrà altresì disporre di un sistema da 12 V con messa a terra negativa.

### Per collegare i cavi di avviamento

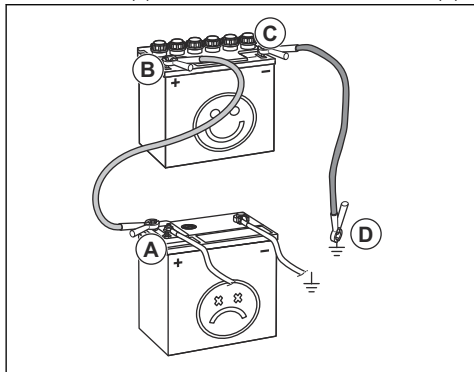


**AVVERTENZA:** Rischio di esplosione a causa di gas esplosivo che fuoriesce dalla batteria. Non collegare il morsetto negativo della batteria completamente carica al morsetto negativo della batteria scarica o in prossimità di quest'ultimo.



**ATTENZIONE:** Non utilizzare la batteria del prodotto per avviare altri veicoli.

1. Aprire il cofano motore. Fare riferimento a *Per aprire il cofano motore alla pagina 168*.
2. Collegare un'estremità del cavo rosso al morsetto POSITIVO (+) della batteria alla batteria scarica (A).



3. Collegare l'altra estremità del cavo rosso al morsetto POSITIVO (+) della batteria alla batteria completamente carica (B).



**AVVERTENZA:** Non mettere in corto circuito le estremità del cavo rosso sul telaio.

4. Collegare un'estremità del cavo nero al terminale NEGATIVO (-) della batteria completamente carica (C).
5. Collegare l'altra estremità del cavo nero a un PUNTO DI MASSA SUL TELAIO (D), lontano dal serbatoio del carburante e dalla batteria.
6. Riposizionare le coperture.

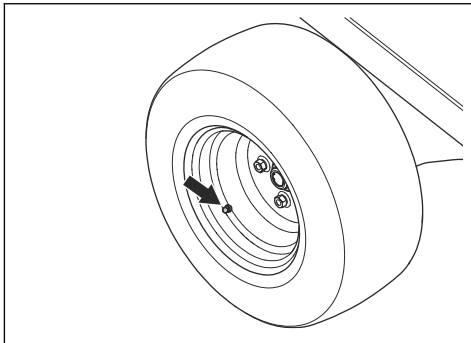
## Per rimuovere i cavi di avviamento

**Nota:** Rimuovere i cavi di avviamento nella sequenza opposta rispetto alla modalità di collegamento.

1. Rimuovere il cavo NERO dal telaio.
2. Rimuovere il cavo NERO dalla batteria completamente carica.
3. Rimuovere il cavo ROSSO dalle 2 batterie.

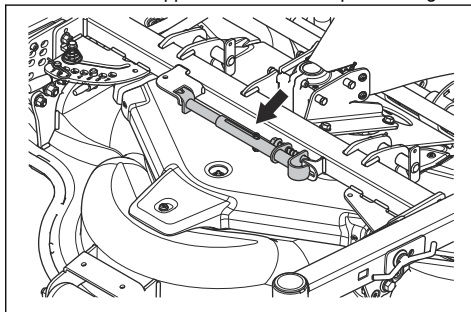
## Pressioni degli pneumatici

Fare riferimento a *Dati tecnici alla pagina 197* per la corretta pressione degli pneumatici.



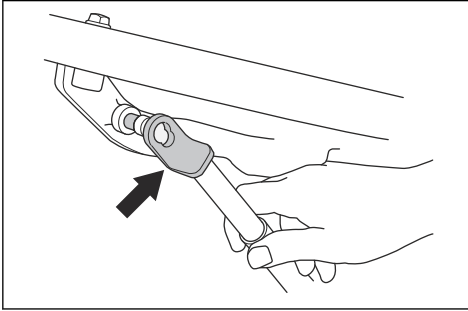
## Per mettere il piatto di taglio in posizione di servizio

1. Eseguire la procedura in *Rimozione del piatto di taglio alla pagina 153* ma non scollegare i bracci di sollevamento.
2. Rimuovere il supporto di servizio dal piatto di taglio.

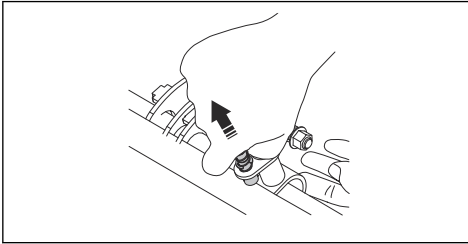


**AVVERTENZA:** Fissare il supporto di servizio e le cinghie di sicurezza quando il piatto di taglio è in posizione di manutenzione. Il mancato utilizzo o l'utilizzo errato del supporto di servizio o delle cinghie di sicurezza può causare lesioni gravi o mortali.

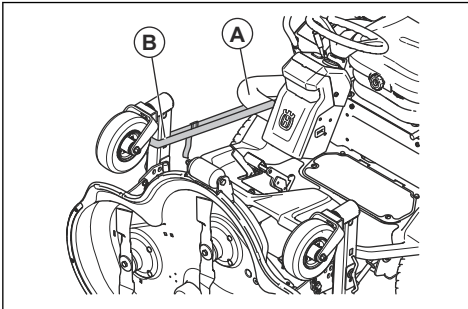
3. Fissare il supporto di servizio al punto di fissaggio rosso sotto la piastra inferiore.



4. Tirare il perno sull'altra estremità del supporto di servizio. Fissare il supporto di servizio al segno rosso sul tubo del piatto di taglio.



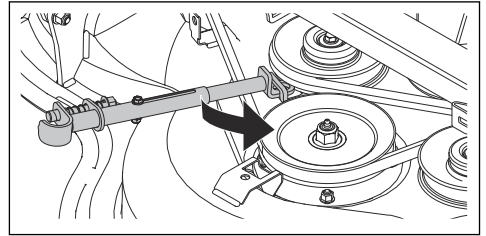
5. Avviare il motore.
6. Spostare all'indietro la leva dei bracci di sollevamento idraulico per sollevare completamente il piatto di taglio.
7. Fissare 1 estremità delle cinghie di sicurezza attorno al tubo adiacente al piantone dello sterzo (A).



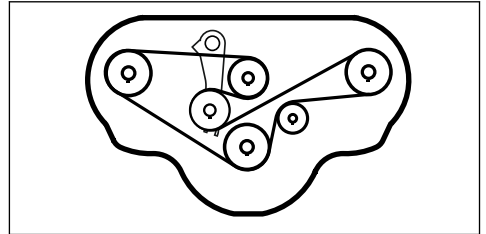
8. Fissare l'altra estremità della cinghia di sicurezza attorno alle ruote girevoli del piatto di taglio (B).
9. Per collocare il piatto di taglio in posizione di falciatura, effettuare la stessa procedura in ordine inverso.

## Per sostituire la cinghia sul piatto di taglio

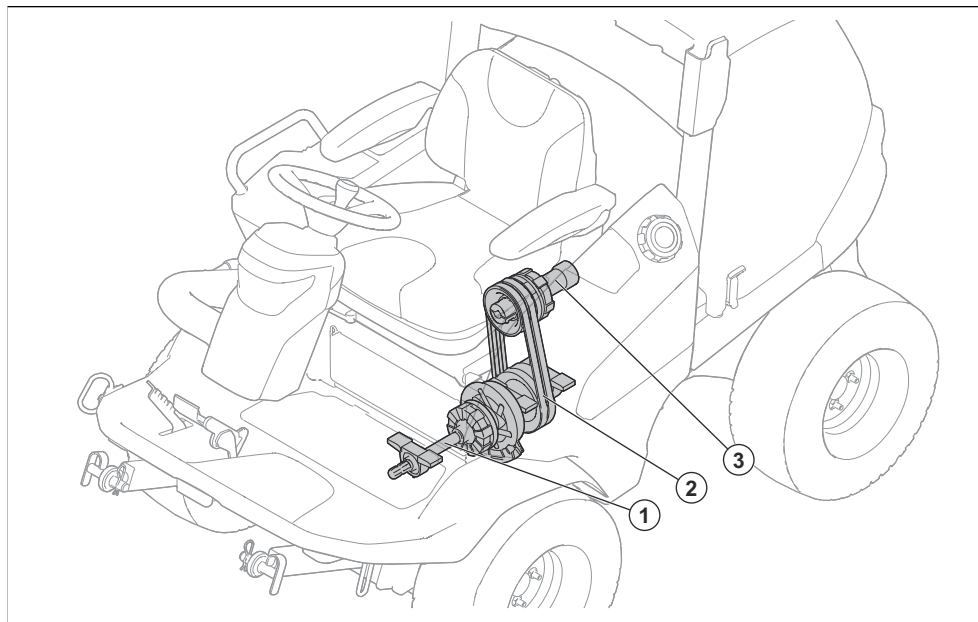
1. Svitare le 3 viti di fissaggio del coperchio della cinghia.
2. Rimuovere il coperchio della cinghia.
3. Fissare il supporto di servizio alla molla di richiamo.
4. Spingere il supporto di servizio e rimuovere la cinghia.



5. Fissare la cinghia attorno alle pulegge, come indicato nell'illustrazione.



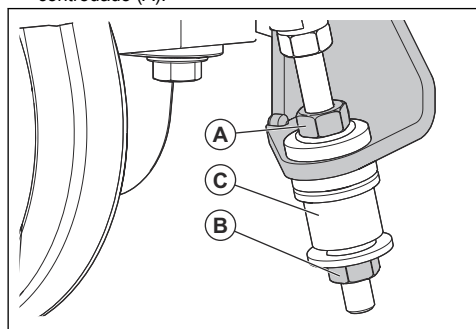
## Panoramica del sistema PTO



1. Albero PTO
2. Cinghie
3. Albero di trasmissione della pompa idraulica

## Regolazione delle cinghie PTO

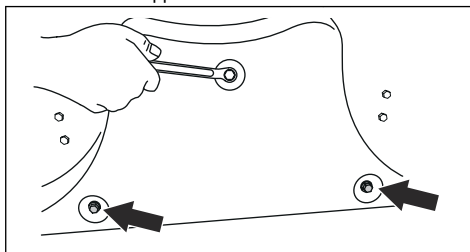
1. Rilasciare il controdamo (A).
2. Serrare la vite di regolazione (B) finché il manico (C) non può essere ruotato manualmente.
3. Tenere ferma la vite di regolazione (B) e serrare il controdamo (A).



## Rimozione e montaggio del tappo BioClip®

1. Mettere il piatto di taglio in posizione di servizio.

2. Rimuovere le 3 viti che fissano il tappo BioClip® e rimuovere il tappo.



3. Inserire 3 viti M8x15 mm nei fori delle viti per il tappo BioClip® per evitare di danneggiare la filettatura.
4. Mettere il piatto di taglio in posizione di falciatura.
5. Montare il tappo BioClip® nella sequenza opposta.

## Ispezione delle lame

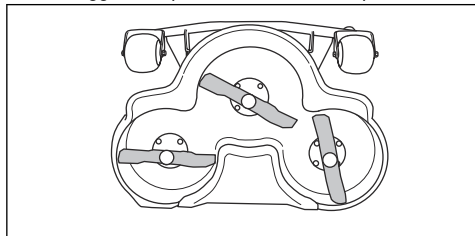


**ATTENZIONE:** Lame danneggiate o bilanciate in modo errato possono causare danni al prodotto. Sostituire le lame danneggiate. Affidare a un'officina autorizzata l'affilatura e il bilanciamento delle lame.

1. Mettere il piatto di taglio in posizione di servizio.



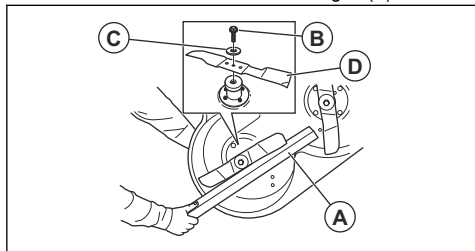
- Esaminare le lame per verificare se sono danneggiate e, qualora sia necessario, per affilarle.



- Serrare i bulloni delle lame alla coppia di serraggio corretta. Fare riferimento a *Dati tecnici alla pagina 197*.

## Sostituzione delle lame

- Mettere il piatto di taglio in posizione di servizio.
- Bloccare la lama con un cuneo di legno (A).



- Allentare e rimuovere il bullone della lama (B), le rondelle (C) e la lama (D).
- Montare la nuova lama con le estremità a punta nella direzione del piatto di taglio.



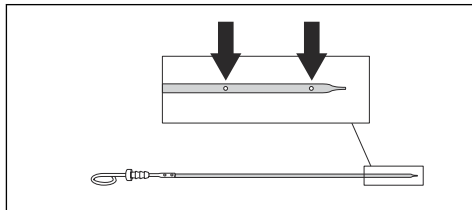
**AVVERTENZA:** Un tipo di lama errato può causare l'espulsione di oggetti dal piatto di taglio e lesioni gravi. Utilizzare solo le lame indicate in *Dati tecnici alla pagina 197*

- Montare la rondella e il bullone per fissare la lama. Serrare il bullone alla coppia di serraggio corretta. Fare riferimento a *Dati tecnici alla pagina 197*.

## Controllo del livello dell'olio motore

- Parcheggiare il prodotto su un terreno piano e spegnere il motore.
- Aprire il cofano motore.
- Allentare l'asta di livello ed estrarla.
- Pulire l'olio dall'asta di livello.
- Collocare l'asta nell'apposita apertura.
- Sfilare l'asta di livello e leggere il livello dell'olio.

- Il livello dell'olio deve essere compreso tra i segni sull'asta di livello.



- Se il livello dell'olio è basso, rabboccare con olio motore ed eseguire nuovamente un controllo del livello dell'olio.

**Nota:** Fare riferimento alla sezione *Dati tecnici alla pagina 197* per l'olio motore consigliato. Non mescolare tipi diversi di olio.

- Stringere correttamente l'asta di livello prima di avviare il motore. Avviare e far girare il motore al minimo per circa 30 secondi. Spegnerlo il motore. Attendere 30 secondi, quindi eseguire un nuovo controllo del livello dell'olio.

## Per sostituire l'olio motore e il filtro dell'olio

Se il motore è freddo, avviare il motore per 1-2 minuti prima di scaricare l'olio motore. Ciò comporta il riscaldamento dell'olio motore, semplificando lo scarico.

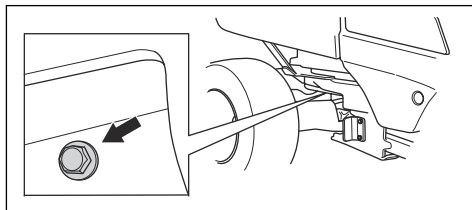


**AVVERTENZA:** Non avviare il motore per più di 1-2 minuti prima di scaricare l'olio motore. L'olio motore diventa molto caldo e può causare ustioni. Lasciare raffreddare il motore prima di scaricare l'olio motore.



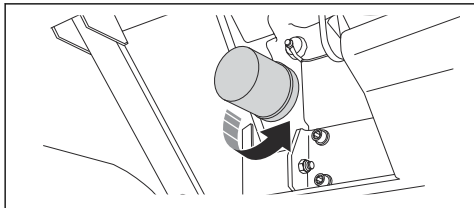
**AVVERTENZA:** In caso di sversamento accidentale dell'olio motore sul corpo, lavare con acqua e sapone.

- Collocare un contenitore sotto il tappo di scarico dell'olio sul lato sinistro del motore.



- Togliere il tappo di scarico dell'olio.
- Rimuovere l'asta di livello.
- Scaricare l'olio nel contenitore.

5. Posizionare una nuova guarnizione sul tappo di drenaggio dell'olio. Fissare il tappo di scarico e stringerlo.
6. Ruotare il filtro dell'olio in senso antiorario per rimuoverlo.

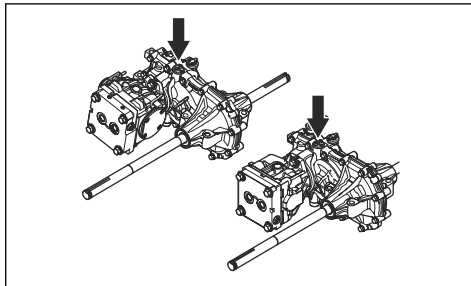


7. Lubrificare leggermente la guarnizione in gomma sul nuovo filtro dell'olio con olio nuovo.
8. Per fissare il filtro dell'olio, girarlo manualmente in senso orario fino a quando la guarnizione in gomma è in posizione e stringere di un altro mezzo giro.
9. Riempire con olio nuovo come indicato in *Dati tecnici alla pagina 197*.
10. Avviare il motore e lasciarlo girare al minimo per 3 minuti.
11. Arrestare il motore e assicurarsi che il filtro dell'olio non presenti perdite.
12. Eseguire il controllo del livello dell'olio.

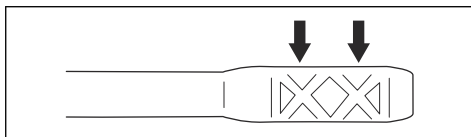
**Nota:** Per lo smaltimento sicuro dell'olio motore esausto, vedere *Smaltimento alla pagina 196*.

## Per effettuare un controllo del livello dell'olio della trasmissione

1. Usare l'asta di livello dell'olio per rilevare il livello dell'olio nella trasmissione.

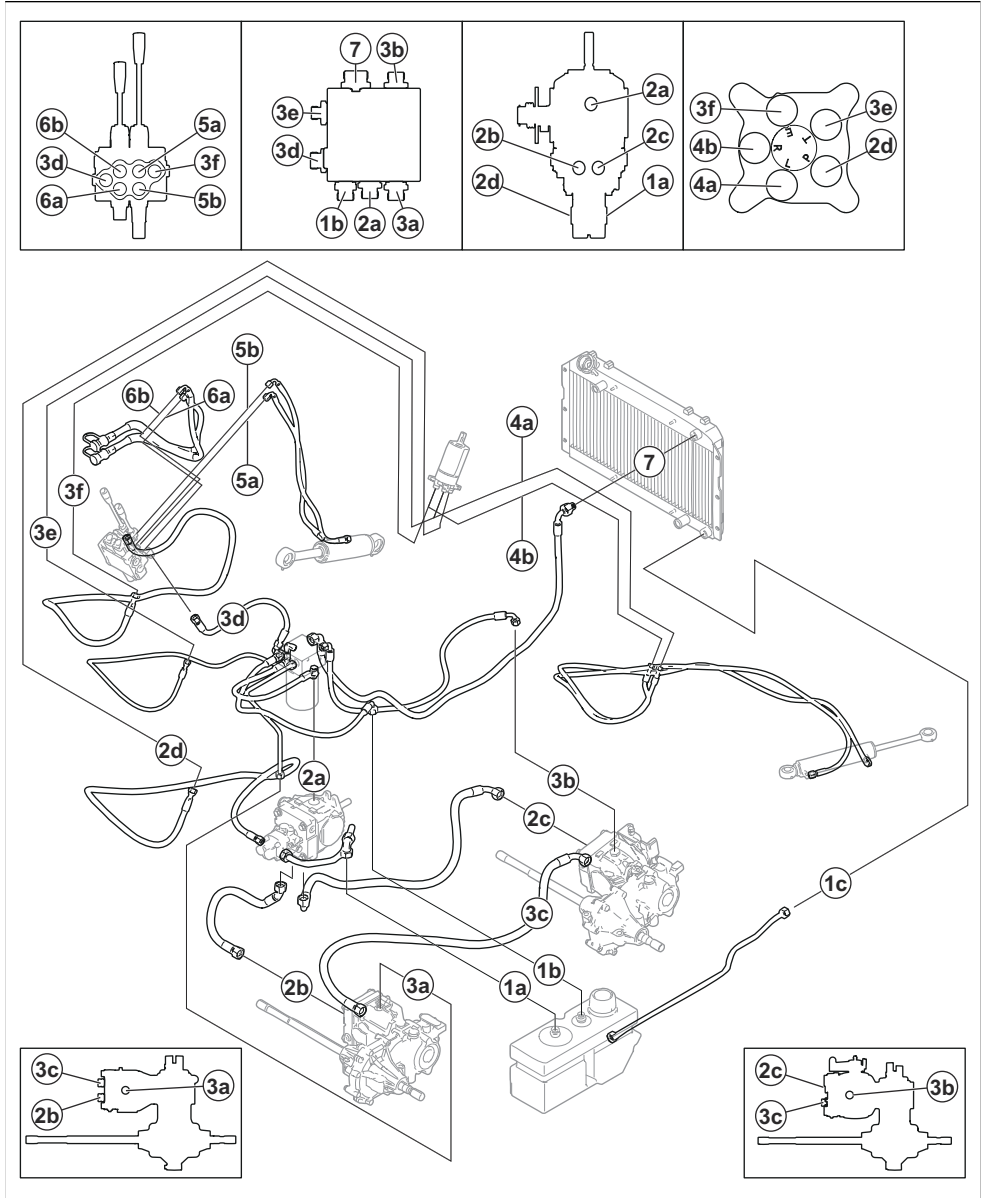


2. Il livello dell'olio deve essere compreso tra i segni sull'asta di livello.



3. Se il livello dell'olio è troppo basso, rabboccare con il tipo di olio indicato in *Dati tecnici alla pagina 197*,

# Panoramica dell'impianto idraulico



1a: Serbatoio idraulico - pompa

1b: Serbatoio idraulico - filtro

1c: Serbatoio idraulico - radiatore dell'olio idraulico

2a: Filtro - blocco valvole

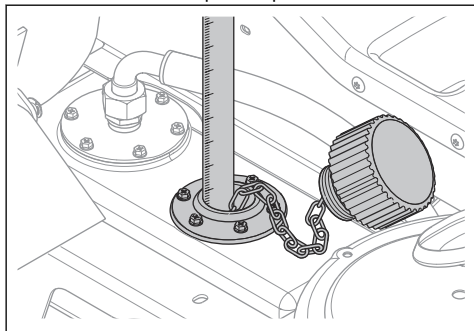
2b: Filtro - pompa

2c: Trasmissione anteriore - pompa

- 2d: Pompa - idroguida
- 3b: Trasmissione anteriore - filtro
- 3a: Trasmissione posteriore - filtro
- 3c: Trasmissione posteriore - trasmissione anteriore
- 4a: Idroguida - cilindro dello sterzo
- 4b: Idroguida - cilindro dello sterzo
- 5a: Blocco valvole - cilindro di sollevamento
- 5b: Blocco valvole - cilindro di sollevamento
- 6a: Blocco valvole – giunto del piatto di taglio
- 6b: Blocco valvole – giunto del piatto di taglio
- 7: Filtro - radiatore dell'olio idraulico

## Effettuare un controllo del livello dell'olio nell'impianto idraulico

1. Inclinare il sedile in avanti. Fare riferimento a *Inclinazione in avanti del sedile (P 520DX, P 525DX) alla pagina 158*.
2. Pulire l'area intorno al tappo del serbatoio dell'olio con un panno asciutto.
3. Rimuovere il tappo del serbatoio dell'olio e controllare il livello dell'olio idraulico. Il livello corretto è di 40-60 mm dalla parte superiore del filtro.

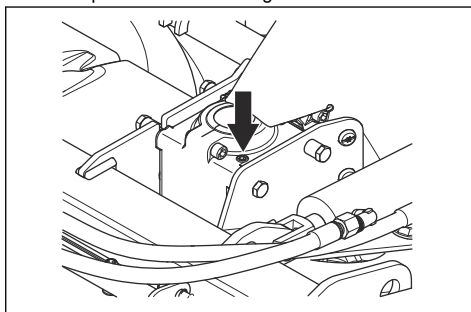


4. Se il livello dell'olio è troppo basso, rabboccare con il tipo di olio indicato in *Dati tecnici alla pagina 197*,

## Controllo del livello dell'olio nel riduttore angolare del piatto di taglio

1. Parcheggiare il prodotto su una superficie piana.
2. Abbassare il piatto di taglio fino alla posizione di falciatura.

3. Inserire un'asta metallica pulita nella scatola ingranaggi. Utilizzare un'asta di metallo di diametro non superiore a 3 mm e lunga almeno 100 mm.



4. Abbassare l'asta di metallo nella parte inferiore della scatola degli ingranaggi.
5. Sfilare l'asta metallica e leggere il livello dell'olio.
6. Misurare la parte dell'asta metallica su cui è presente l'olio. L'olio deve essere presente su 15 mm dell'asta metallica.
7. Se il livello dell'olio è inferiore a 15 mm dell'asta metallica, effettuare un rabbocco con olio di trasmissione. Vedere *Guida di manutenzione rapida alla pagina 186* per l'olio consigliato.

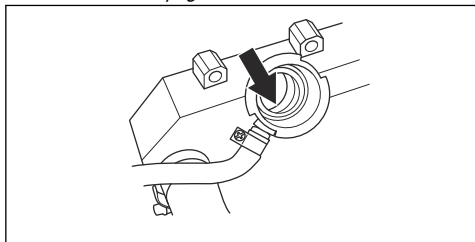
## Per sostituire l'olio nell'ingranaggio conico del piatto di taglio

1. Rimuovere il piatto di taglio. Fare riferimento a *Rimozione del piatto di taglio alla pagina 153*.
2. Collocare il piatto di taglio sul bordo anteriore e scaricare l'olio dal tappo di riempimento dell'olio.
3. Scaricare l'olio nel contenitore.
4. Riempire con 80 ml di olio idraulico nuovo come indicato in *Dati tecnici alla pagina 197*
5. Eseguire il controllo del livello dell'olio. Fare riferimento a *Controllo del livello dell'olio nel riduttore angolare del piatto di taglio alla pagina 184*.

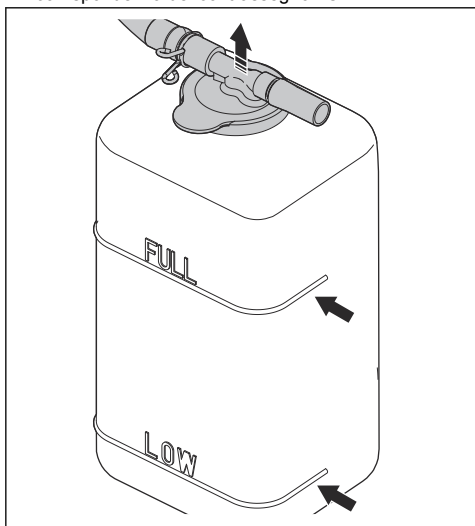
## Per controllare il livello del refrigerante

1. Parcheggiare il prodotto su un terreno piano e spegnere il motore.
2. Aprire il cofano motore. Fare riferimento a *Per aprire il cofano motore alla pagina 168*.
3. Aprire il tappo del refrigerante.

4. Controllare il livello del liquido di raffreddamento. Riempire completamente il serbatoio del liquido di raffreddamento se necessario. Fare riferimento a *Dati tecnici alla pagina 197*.

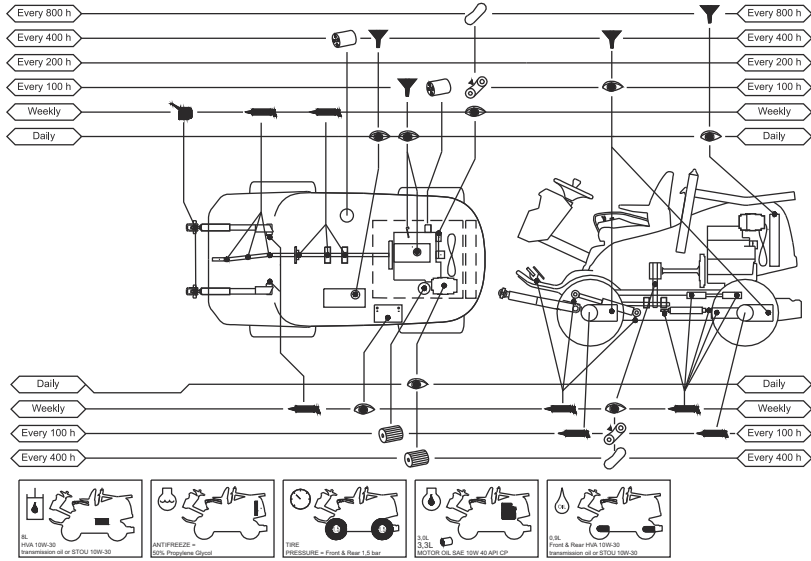


5. Effettuare un controllo del livello del liquido di raffreddamento nel serbatoio di espansione. Quando il motore è freddo, il livello deve essere in corrispondenza del contrassegno LOW.

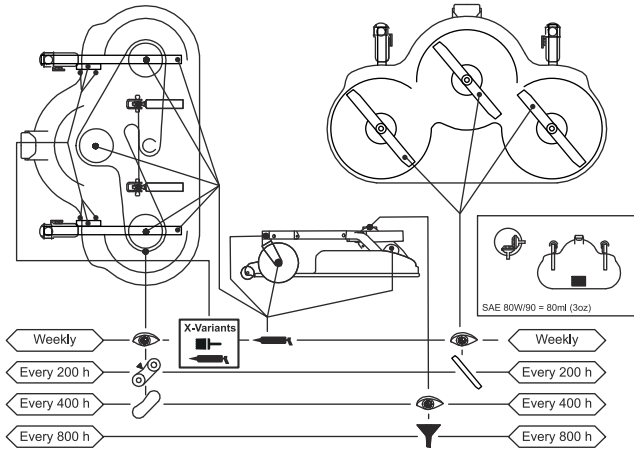


# QUICK MAINTENANCE GUIDE

First service after 50 hours



# QUICK MAINTENANCE GUIDE



## Simboli della guida di manutenzione rapida



Sostituire il filtro.



Sostituire l'olio.



Esaminare visivamente o effettuare un controllo del livello dell'olio



Lubrificare con grasso l'ingrassatore.



Lubrificare con olio



Eseguire un controllo delle condizioni e del tensionamento della cinghia di trasmissione

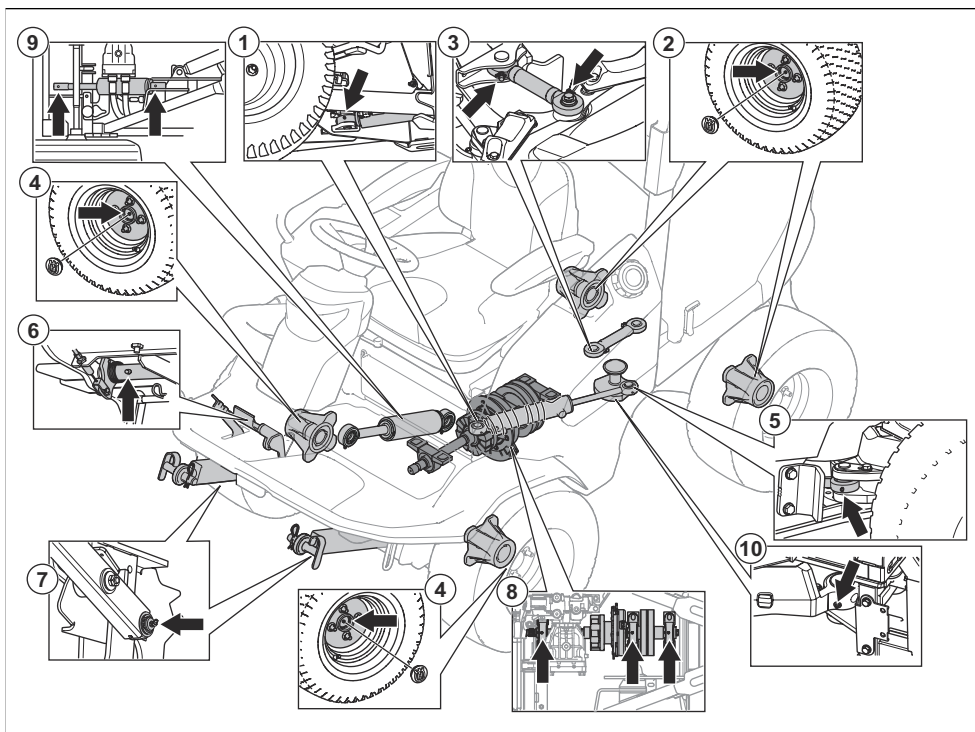


Sostituire la cinghia di trasmissione



Sostituzione delle lame

## Panoramica di lubrificazione



Per 1-7, utilizzare grasso al calcio.

Per 8, utilizzare grasso complesso al litio.

1. Cilindro dello sterzo - anteriore
2. Incavi asse posteriore
3. Tirante di comando
4. Incavi asse anteriore
5. Cilindro dello sterzo - posteriore
6. Asta del pedale. Due posizioni.
7. Bracci di sollevamento
8. Sede del cuscinetto (grasso al litio per alte temperature)
9. Cilindro di sollevamento
10. Giunto dello sterzo articolato

corrosione. Rimuovere il grasso superfluo dopo la lubrificazione.

- Lubrificare 2 volte a settimana se il prodotto viene azionato tutti i giorni.
- Non versare lubrificante sulle cinghie di trasmissione o sulle scanalature delle pulegge cinghia. In caso di versamento, pulire con alcool. Se l'attrito tra la cinghia di trasmissione e la puleggia non è sufficiente dopo aver pulito con alcool, sostituire la cinghia di trasmissione.



**ATTENZIONE:** Non usare benzina e altri prodotti derivati dalla benzina per pulire le cinghie di trasmissione.

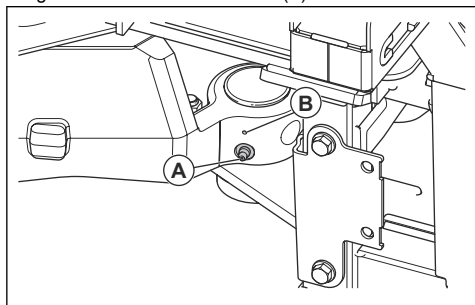
## Lubrificazione, Informazioni generali

- Estrarre la chiave di accensione per impedire movimenti accidentali durante la lubrificazione.
- Pulire l'area prima di lubrificare una parte del prodotto.
- Utilizzare olio quando si lubrifica con una latta olio.
- Quando si lubrifica con grasso, utilizzare un grasso per telaio o cuscinetti a sfera per evitare la

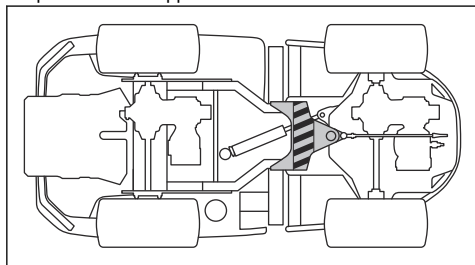


## Lubrificazione del giunto dello sterzo articolato

1. Lubrificare il cuscinetto dello sterzo articolato quando il prodotto ha tutte le ruote a terra. Lubrificare attraverso l'ingrassatore (A) finché il grasso non fuoriesce dal foro (B).



2. Sollevare il prodotto per rilasciare la pressione nello sterzo articolato. L'illustrazione mostra dove posizionare i supporti.



**ATTENZIONE:** Accertarsi che il supporto non causi danni al tirante

di comando o blocchi dello sterzo articolato.

3. Lubrificare nuovamente il cuscinetto dello sterzo articolato mentre il prodotto è sollevato.

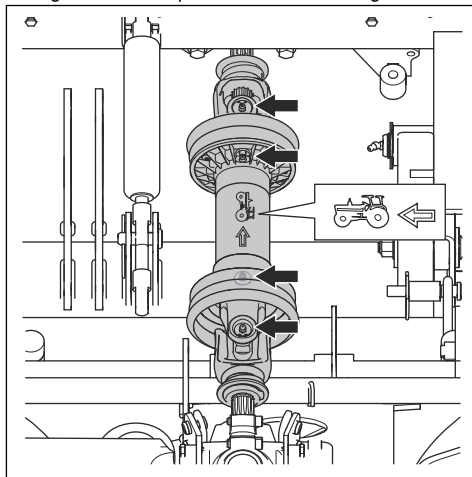


**ATTENZIONE:** Assicurarsi che il grasso fuoriesca dal giunto, sotto l'ingrassatore.

4. Abbassare il prodotto.

## Lubrificazione dell'albero di trasmissione

1. Rimuovere il portello di servizio. Fare riferimento a *Per rimuovere il portello di servizio alla pagina 169.*
2. Lubrificare i 4 ingrassatori con una pistola ingrassatrice fin quando non fuoriesce il grasso.



## Ricerca guasti

### Risoluzione dei problemi


Se non si riesce a trovare la soluzione al problema in questo Manuale, rivolgersi alla propria officina autorizzata Husqvarna.


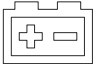






<b>Problema</b>	<b>Causa</b>
Il motorino di avviamento non fa girare il motore	La modalità PTO è attivata.
	Il freno di stazionamento non è inserito. Fare riferimento a <i>Per innestare e disinnestare il freno di stazionamento alla pagina 163.</i>
	Il fusibile principale è bruciato. Fare riferimento a <i>Per sostituire un fusibile alla pagina 176.</i>
	Il blocco accensione è difettoso.
	Il collegamento tra il cavo e la batteria è difettoso.
	La batteria è troppo debole. Fare riferimento a <i>Per caricare la batteria alla pagina 177.</i>
	Il motore di avviamento è difettoso.
Il motore non si avvia quando il motorino di avviamento gira il motore	Non è presente carburante nel serbatoio. Fare riferimento a <i>Per il rifornimento del carburante alla pagina 157.</i>
	Presenza d'aria nell'impianto di alimentazione.
	Il preriscaldamento è difettoso o troppo breve
	Il motore è difettoso.
	Il filtro del carburante è intasato. <i>Per sostituire i filtri del carburante alla pagina 172.</i>
Il motore gira in maniera irregolare	Il filtro del carburante è intasato. Fare riferimento a <i>Assicurazione del prodotto alla pagina 138.</i>
	Il filtro dell'aria è ostruito. Fare riferimento a <i>Pulizia e sostituzione del filtro dell'aria alla pagina 173.</i>
	Lo sfiato del serbatoio carburante è bloccato.
	La pressione dell'olio è insufficiente.
	Il tubo dell'iniettore è allentato.
	Il motore è difettoso.
	Tipo di carburante errato nel serbatoio.
	La valvola di sfiato è difettosa.
	L'iniettore del carburante è difettoso.
	La pompa di iniezione è difettosa.
	La pompa di alimentazione è difettosa.
	Il motore si surriscalda
Il motore è sovraccaricato.	
Il livello del refrigerante è insufficiente.	
Il livello dell'olio motore è insufficiente.	


<b>Problema</b>	<b>Causa</b>
Rilascio di fumo nero dal prodotto	Tipo di carburante errato nel serbatoio.
	Il filtro dell'aria è ostruito. Fare riferimento a <i>Pulizia e sostituzione del filtro dell'aria alla pagina 173.</i>
	La pompa di iniezione è difettosa.
	L'iniettore del carburante è difettoso.
Rilascio di fumo blu dal prodotto	Il livello dell'olio motore è eccessivo.
	Il motore è difettoso.
Rilascio di fumo bianco dal prodotto.	Il cilindro nel motore è difettoso.
	Il livello dell'olio motore è eccessivo.
Il motore apparentemente non è alimentato	Il filtro dell'aria è ostruito. Fare riferimento a <i>Pulizia e sostituzione del filtro dell'aria alla pagina 173.</i>
	Il filtro del carburante è intasato. Fare riferimento a <i>Per sostituire i filtri del carburante alla pagina 172.</i>
	Presenza d'aria nell'impianto di alimentazione.
	La valvola di sfiato è difettosa.
	La pressione dell'olio è insufficiente.
	La pompa di alimentazione è difettosa.
	La fasatura della pompa di iniezione del carburante è difettosa.
	Il motore è difettoso.
La trasmissione non dispone di sufficiente potenza	Le valvole di bypass non sono completamente chiuse.
	Non c'è olio nella trasmissione o il livello dell'olio è troppo basso. Fare riferimento a <i>Per effettuare un controllo del livello dell'olio della trasmissione alla pagina 182.</i>
	L'olio della trasmissione è surriscaldato.
La batteria non si ricarica	La batteria è difettosa. Consultare la propria officina Husqvarna.
	Il collegamento in corrispondenza dei connettori del cavo sui morsetti della batteria è difettoso.

Problema	Causa
Il prodotto presenta vibrazioni	Le lame sono allentate. Fare riferimento a <i>Ispezione delle lame alla pagina 180</i> .
	Una o più lame non sono bilanciate. Fare riferimento a <i>Ispezione delle lame alla pagina 180</i> .
	Il motore è allentato.
	L'ingranaggio conico è allentato.
	La pompa idraulica è allentata.
	Il motore è difettoso.
	L'albero di trasmissione è difettoso.
	È presente un oggetto nelle pulegge cinghia PTO.
Gli elementi in gomma sono duri o danneggiati.	
Il risultato del taglio è insoddisfacente	Le lame non sono affilate. Fare riferimento a <i>Ispezione delle lame alla pagina 180</i> .
	L'erba è alta o bagnata. Fare riferimento a <i>Per ottenere un buon risultato di taglio alla pagina 164</i> .
	Il piatto di taglio è disallineato.
	C'è dell'erba bloccata nel piatto di taglio. Fare riferimento a <i>Per mettere il piatto di taglio in posizione di servizio alla pagina 178</i> .
	La pressione degli pneumatici è diversa sui lati destro e sinistro. Fare riferimento a <i>Pressioni degli pneumatici alla pagina 178</i> .
	Il prodotto funziona a un regime troppo elevato. Fare riferimento a <i>Per ottenere un buon risultato di taglio alla pagina 164</i> .
	Il regime motore è troppo basso. Fare riferimento a <i>Dati tecnici alla pagina 197</i> .
	La cinghia di trasmissione slitta.

## Display - Risoluzione dei problemi

Simbolo	Nome	Simboli sul display	Causa
	Spia della temperatura dell'acqua del motore	Viene visualizzato il simbolo e si attiva un segnale acustico di avvertenza.	La temperatura del motore è troppo alta. Disinserire l'interruttore della presa di forza e impostare il comando dell'acceleratore in posizione di bassa velocità. Il segnale di avvertenza smette di suonare quando la temperatura del motore scende al di sotto del limite di avvertenza.
		Il simbolo lampeggia rapidamente.	Consultare un'officina Husqvarna.

Simbolo	Nome	Simboli sul display	Causa
	Sensore della pressione dell'olio motore	Il simbolo viene visualizzato.	Bassa pressione dell'olio. Fare riferimento a <i>Controllo del livello dell'olio motore alla pagina 181</i> .
		Il simbolo lampeggia.	Il sistema di lubrificazione è danneggiato o non funziona correttamente.
			Il circuito o l'interruttore dell'olio è danneggiato o non funziona correttamente.
	Spia livello batteria	Il simbolo viene visualizzato.	Tensione bassa. Fare riferimento a <i>Per caricare la batteria alla pagina 177</i> .
	Spia del pulsante PTO	Il simbolo viene visualizzato.	Pulsante PTO inserito. Fare riferimento a <i>Controllo delle condizioni di funzionamento alla pagina 148</i> .
		Il simbolo lampeggia.	Procedura di avviamento non corretta. Fare riferimento a <i>Controllo delle condizioni di funzionamento alla pagina 148</i> .
		Il simbolo lampeggia rapidamente.	Pulsante PTO difettoso. Consultare un'officina Husqvarna.
	Spia freno di stazionamento	Il simbolo viene visualizzato.	Il freno di stazionamento è stato inserito. Fare riferimento a <i>Per innestare e disinnestare il freno di stazionamento alla pagina 163</i> .
		Il simbolo lampeggia.	Procedura di avviamento non corretta. Fare riferimento a <i>Controllo delle condizioni di funzionamento alla pagina 148</i> .
		Il simbolo lampeggia rapidamente.	Freno di stazionamento difettoso. Consultare un'officina Husqvarna.
	Spia OPC	Il simbolo lampeggia.	Interruttore del sedile disinserito quando si tenta di avviare il motore. Fare riferimento a <i>Controllo delle condizioni di funzionamento alla pagina 148</i> .
		Il simbolo lampeggia rapidamente.	Interruttore del sedile difettoso. Consultare un'officina Husqvarna.
	Spia di manutenzione	Il simbolo viene visualizzato.	È necessario eseguire la manutenzione. Consultare un'officina Husqvarna.
	Spia carburante	Il simbolo viene visualizzato.	Basso livello di carburante. Fare riferimento a <i>Per il rifornimento del carburante alla pagina 157</i> .
	Bluetooth®	Il simbolo lampeggia.	Il prodotto è bloccato. Sbloccare il prodotto con l'app Husqvarna Connect.

Simbolo	Nome	Simboli sul display	Causa
	Blocco digitale	Il simbolo viene visualizzato.	Il prodotto è bloccato. Sbloccare il prodotto con l'app Husqvarna Connect.

**Nota:** I simboli e le posizioni dei simboli sul display possono differire tra i vari modelli.

## Trasporto, stoccaggio e smaltimento

### Trasporto

- Il prodotto ha un peso elevato e può causare lesioni da schiacciamento. Prestare attenzione durante il caricamento su un veicolo o rimorchio o durante lo scaricamento.
- Non sollevare il prodotto. Gli occhielli di trasporto non sono punti di sollevamento approvati e devono essere utilizzati solo per fissare il prodotto in modo sicuro a un rimorchio.
- Utilizzare un rimorchio omologato per il trasporto del prodotto.
- Accertarsi di conoscere le norme sulla circolazione stradale prima del trasporto del prodotto in un rimorchio o su strada.

### Per fissare il prodotto in modo sicuro a un rimorchio per il trasporto

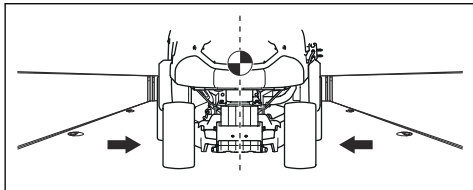
Prima di fissare il prodotto, leggere e comprendere il capitolo sulla sicurezza. Fare riferimento a *Sicurezza per il trasporto alla pagina 150*.



**AVVERTENZA:** Il freno di stazionamento non è sufficiente per bloccare il prodotto durante il trasporto. Fissare saldamente il prodotto al vano di carico.

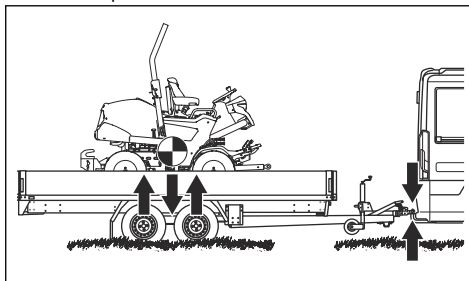
Attrezzatura: 4 cinghie e 4 cunei per ruote omologati.

1. Parcheggiare il prodotto al centro del vano di carico.

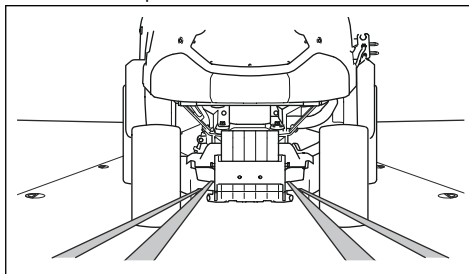


**AVVERTENZA:** Per il trasporto su veicoli con copertura. Accertarsi che il prodotto si sia raffreddato prima di collocarlo nel veicolo di trasporto.

2. Assicurarsi che il centro di gravità del prodotto sia al di sopra dell'asse della ruota del veicolo di trasporto. Se si utilizza un rimorchio per il trasporto, assicurarsi che la deportanza sulla barra di traino sia corretta.

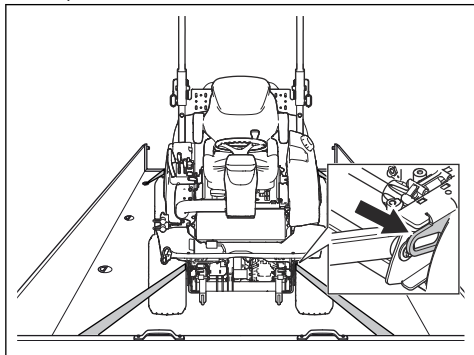


3. Azionare il freno di stazionamento.
4. Abbassare il piatto di taglio nella posizione flottante.
5. Rimuovere eventuali oggetti non fissati.
6. Montare la prima cinghia attraverso il telaio della trasmissione posteriore.

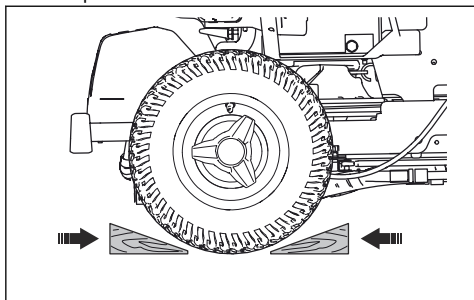


7. Montare la seconda cinghia attraverso il telaio della trasmissione posteriore.
8. Fissare le cinghie al vano di carico.
9. Stringere le cinghie all'indietro per fissare il prodotto al vano di carico.

10. Fissare la terza cinghia a 1 degli occhielli di trasporto.



11. Fissare la quarta cinghia all'altro occhiello di trasporto.  
12. Fissare la cinghia al vano di carico.  
13. Stringere la cinghia in avanti per fissare il prodotto al vano di carico.  
14. Posizionare i cunei delle ruote davanti e dietro alle ruote posteriori.



## Per il traino del prodotto

Il prodotto è dotato di trasmissione idrostatica. Per evitare danni alla trasmissione, rimorchiare il prodotto solo per brevi distanze e a bassa velocità.

Disinnestare la trasmissione prima di trainare il prodotto. Vedere *Disinnesto della trasmissione idrostatica alla pagina 164*.

## Rimessaggio

Preparare il prodotto per il rimessaggio al termine della stagione e in caso di inutilizzo per un periodo superiore a 30 giorni.

Per evitare la formazione di particelle appiccicose durante il rimessaggio, aggiungere uno stabilizzatore. Utilizzare sempre i rapporti di miscelazione indicati dal produttore.

- Aggiungere lo stabilizzatore al carburante nel serbatoio o nel contenitore utilizzato per il rimessaggio per evitare di danneggiare il motore.

- Far girare il motore per almeno 10 minuti per consentire allo stabilizzatore di fluire nell'iniezione del carburante.



**AVVERTENZA:** Non conservare il prodotto con del carburante nel serbatoio in un luogo chiuso o in luoghi con scarsa circolazione d'aria. La presenza di vapori del carburante in prossimità di fiamme e scintille può provocare incendi.

- Portare l'interruttore principale in posizione OFF. Fare riferimento a *Arresto del motore alla pagina 163*.
- Pulire il prodotto, fare riferimento a *Pulizia del prodotto alla pagina 167*. Ritoccare la vernice danneggiata per evitare la corrosione.



**AVVERTENZA:** Per ridurre il rischio di incendio, rimuovere l'erba e altri materiali infiammabili dal prodotto. Lasciare raffreddare che il prodotto prima del rimessaggio.

- Esaminare il prodotto per verificare la presenza di componenti usurati o danneggiati e stringere le viti e i dadi allentati.
- Rimuovere la batteria. Pulirla, caricarla e conservarla in un luogo fresco durante il rimessaggio.
- Cambiare l'olio motore e smaltire l'olio esausto.
- Svuotare il serbatoio del carburante. Avviare il motore e farlo girare fino a quando non si esaurisce tutto il carburante nel sistema di iniezione.

**Nota:** Non svuotare il serbatoio e il sistema di iniezione del carburante se è stato aggiunto uno stabilizzatore.

- Staccare i tappi delle candele e versare circa un cucchiaio di olio motore in ogni cilindro. Ruotare manualmente l'albero motore per applicare l'olio. Montare i tappi delle candele.
- Lubrificare tutti gli ingrassatori, i giunti e gli assali.
- Conservare il prodotto in un'area pulita e asciutta e coprirlo per una maggiore protezione. Per proteggere il prodotto durante il rimessaggio o il trasporto è possibile acquistare un coperchio presso il proprio rivenditore.

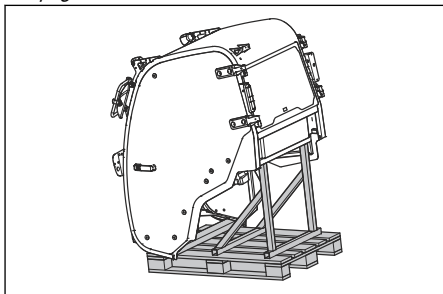
## Conservazione della cabina



**AVVERTENZA:** Spostare la cabina con attenzione. La cabina ha pesante e può provocare gravi lesioni. Accertarsi che la cabina sia stabile durante il rimessaggio.

- Ritoccare la vernice danneggiata per evitare la corrosione.

- Esaminare il prodotto per verificare la presenza di componenti usurati o danneggiati e stringere le viti e i dadi allentati.
- Conservare il prodotto in un'area pulita e asciutta e coprirlo per una maggiore protezione.
- Conservare il prodotto in un'area inaccessibile ai bambini e ad altre persone non autorizzate.
- Collocare la cabina sull'apposito supporto durante il rimessaggio. Vedere *Dimensioni supporto cabina alla pagina 203*.



## Smaltimento

- Le sostanze chimiche possono essere pericolose e non devono essere disperse nel suolo. Smaltire sempre le sostanze chimiche utilizzate presso un centro di assistenza o un centro di smaltimento autorizzato.
- Quando il prodotto è usurato, inviarlo al rivenditore o a un centro di riciclaggio autorizzato.
- Olio, filtri dell'olio, carburante e batteria possono contaminare l'ambiente. Rispettare le norme locali sul riciclaggio e le normative vigenti.
- Non smaltire la batteria come un rifiuto domestico.
- Inviare la batteria a un'officina Husqvarna o smaltirla in un centro specializzato nello smaltimento delle batterie usate.



## Dati tecnici

### Dati tecnici

	P 520DX	P 525DX / P 525DX Cabin
<b>Dimensioni</b>	Fare riferimento a <i>Dimensioni del prodotto (P 520DX/P 525DX) alla pagina 201</i> e <i>Dimensioni del prodotto (P 525DX Cabin) alla pagina 202</i> .	
Peso senza piatto di taglio, con serbatoi vuoti, kg	649	677  921 (P 525DX cabina)
Dimensioni degli pneumatici	20 × 8 - 10	20 × 10 - 10
Pressioni degli pneumatici, posteriori - anteriori, kPa/bar/PSI	150/1,5/22	150/1,5/22
Pendenza massima, gradi	10	10
<b>Motore</b>		
Marca / Modello	Kubota/D902	Kubota/D1105
Potenza nominale motore, kW @ 3000 rpm <sup>13</sup>	14,7	17,8
Cilindrata, cm <sup>3</sup>	898	1123
Massimo regime del motore, giri/min	3300	3200
Massima velocità di avanzamento, km/h / mph	17,6/10,9	19/11,8
Massima velocità in retromarcia, km/h / mph	13,4/8,3	15/9,3
Carburante: gasolio, numero minimo di ottani <sup>14</sup>	45	45
Volume serbatoio, l (indicazione livello carburante max.)	22	22
Olio, classe API CF-4 o superiore	Classe SAE 10W-40	Classe SAE 10W-40
Volume dell'olio filtro incluso, litri	3,3	3,3
Volume dell'olio filtro escluso, litri	3	3
Motorino di avviamento	Avviamento elettrico 12 V, 40 Ah	Avviamento elettrico 12 V, 40 Ah
<b>Sistema di raffreddamento</b>		
Capacità dell'impianto di raffreddamento, litri	3,7	3,7
Antigelo	≥ 50% propilenglicole (MPG)	≥ 50% propilenglicole (MPG)
<b>Impianto idraulico</b>		

<sup>13</sup> La potenza nominale del motore indicata corrisponde alla potenza netta media (al rapporto giri/min specifico) di un tipico motore in fase di produzione per il modello di motore misurato dalla normativa SAE J1349/ISO1585. I motori per produzione di massa potrebbero presentare un valore diverso da questo. La potenza effettiva del motore installato nel prodotto finale dipende dalla velocità di funzionamento, dalle condizioni ambientali e da altri valori.

<sup>14</sup> Per conformità con le normative sulle emissioni, il carburante deve soddisfare gli standard EN590 o ASTM D975 e avere un contenuto di zolfo inferiore a 500 ppm oppure lo 0,05% del peso. Fare riferimento al Manuale operatore Kubota per ulteriori informazioni relative alla qualità del carburante

	<b>P 520DX</b>	<b>P 525DX / P 525DX Cabin</b>
Max. pressione di esercizio, bar/psi	120/1740	120/1740
Max flusso di lavoro litri/min	12	12
Capacità del serbatoio idraulico, litri	8	8
Capacità dell'impianto idraulico, litri	13	13
Olio idraulico	Olio trasmissione Husqvarna 10W-30  (Husqvarna 10W-30 4T AWD o STOU 10W-30)	Olio trasmissione Husqvarna 10W-30  (Husqvarna 10W-30 4T AWD o STOU 10W-30)
<b>Trasmissione</b>		
Marchio	Kanzaki	Kanzaki
Modello	KTM23	KTM23
Olio trasmissione	Olio trasmissione Husqvarna 10W-30  (Husqvarna 10W-30 4T AWD o STOU 10W-30)	Olio trasmissione Husqvarna 10W-30  (Husqvarna 10W-30 4T AWD o STOU 10W-30)
Capacità olio anteriore, totale litri	0,9	0,9
Capacità olio posteriore, totale litri	0,9	0,9
Max pressione idraulica, bar/psi	275/3989	275/3989
<b>Impianto elettrico</b>		
Tipo	12 V, messa a terra negativa	12 V, messa a terra negativa
Batteria	12 V, 62 Ah	12 V, 62 Ah
Fusibile principale, tipo Mega OTO	150 A	150 A
Fusibile per presa di corrente, tipo Midi OTO	50	50
<b>Lampade</b>		
Faro anteriore	LED, 2x12 V, 5 W	LED, 2x12 V, 5 W
<b>Lampade sulla cabina</b>		
Luci anabbaglianti e abbaglianti	-	H7
Lampade stazionamento	-	W5W
Spia degli indicatori di direzione	-	PY21W
Luci di lavoro anteriori	-	H9
Luci di lavoro posteriori	-	luci LED
Luci posteriori	-	luci LED
Luci di segnalazione	-	luci LED
<b>Piatto di taglio</b>		

	P 520DX	P 525DX / P 525DX Cabin
Tipo	Combi 132	Combi 132
	Combi 155	Combi 155
	Combi 132 X	Combi 132 X
	Combi 155 X	Combi 155 X

Emissioni di rumore <sup>15</sup>	P 520DX	P 525DX	P 525DX Cabin
<b>Livello potenza acustica, misurato dB(A)</b>			
Combi 132	103	104	103
Combi 155	104	103	103
Combi 132 X	103	104	103
Combi 155 X	104	103	103
<b>Livello potenza acustica, garantito dB(A)</b>			
Combi 132	105	105	104
Combi 155	105	105	104
Combi 132 X	105	105	104
Combi 155 X	105	105	104

Livelli di rumorosità <sup>16</sup>	P 520DX	P 525DX	P 525DX Cabin
<b>Livello di pressione sonora all'orecchio dell'operatore, dB(A)</b>			
Combi 132	88	87	84
Combi 155	88	87	84
Combi 132 X	88	87	84
Combi 155 X	88	87	84

Livelli di vibrazioni <sup>17</sup>	P 520DX	P 525DX	P 525DX Cabin
<b>Livello di vibrazioni sul volante, m/s<sup>2</sup></b>			
Combi 132	1,4	1,5	1,4

<sup>15</sup> Emissioni di rumore nell'ambiente misurate come potenza sonora ( $L_{WA}$ ) in base alla direttiva CE 2000/14/CE.

<sup>16</sup> Livello di pressione acustica in ottemperanza alla norma EN ISO 5395. I dati riportati per il livello di pressione acustica hanno una dispersione statistica tipica (deviazione standard) di 1,2 dB(A).

<sup>17</sup> Livello di vibrazioni in ottemperanza alla norma EN ISO 5395. I dati riportati per il livello di vibrazioni hanno una dispersione statistica tipica (deviazione standard) di 0,2 m/s<sup>2</sup> (volante) e 0,8 m/s<sup>2</sup> (sedile).

Livelli di vibrazioni <sup>17</sup>	P 520DX	P 525DX	P 525DX Cabin
Combi 155	1,3	1,7	1,3
Combi 132 X	1,4	1,5	1,4
Combi 155 X	1,3	1,7	1,3
<b>Livello di vibrazioni sul sedile, m/s<sup>2</sup></b>			
Combi 132	0,3	0,4	0,3
Combi 155	0,3	0,4	0,3
Combi 132 X	0,3	0,4	0,3
Combi 155 X	0,3	0,4	0,3

Piatto di taglio	Combi 132	Combi 155	Combi 132 X	Combi 155 X
Larghezza di taglio, mm	1320	1550	1320	1550
Altezza di taglio, 7 posizioni, mm/pollici	30-112	30-112	30-112	30-112
Larghezza, mm	1400	1631	1400	1631
Lunghezza, mm	490	563	490	563
Peso, kg	138	155	148	163
<b>Lama</b>				
Coppia di serraggio dei bulloni della lama, Nm/kpm/lb-ft	80-84/8,15-8,56/59-62	80-84/8,15-8,56/59-62	80-84/8,15-8,56/59-62	80-84/8,15-8,56/59-62
Codice articolo	5861988-10	5861989-10	5861988-10	5861989-10



**AVVERTENZA:** Utilizzare un piatto di taglio non omologato per il prodotto può causare l'espulsione ad alta velocità di

oggetti e lesioni gravi. Non utilizzare tipi di piatti di taglio diversi da quelli indicati in questo manuale dell'operatore.

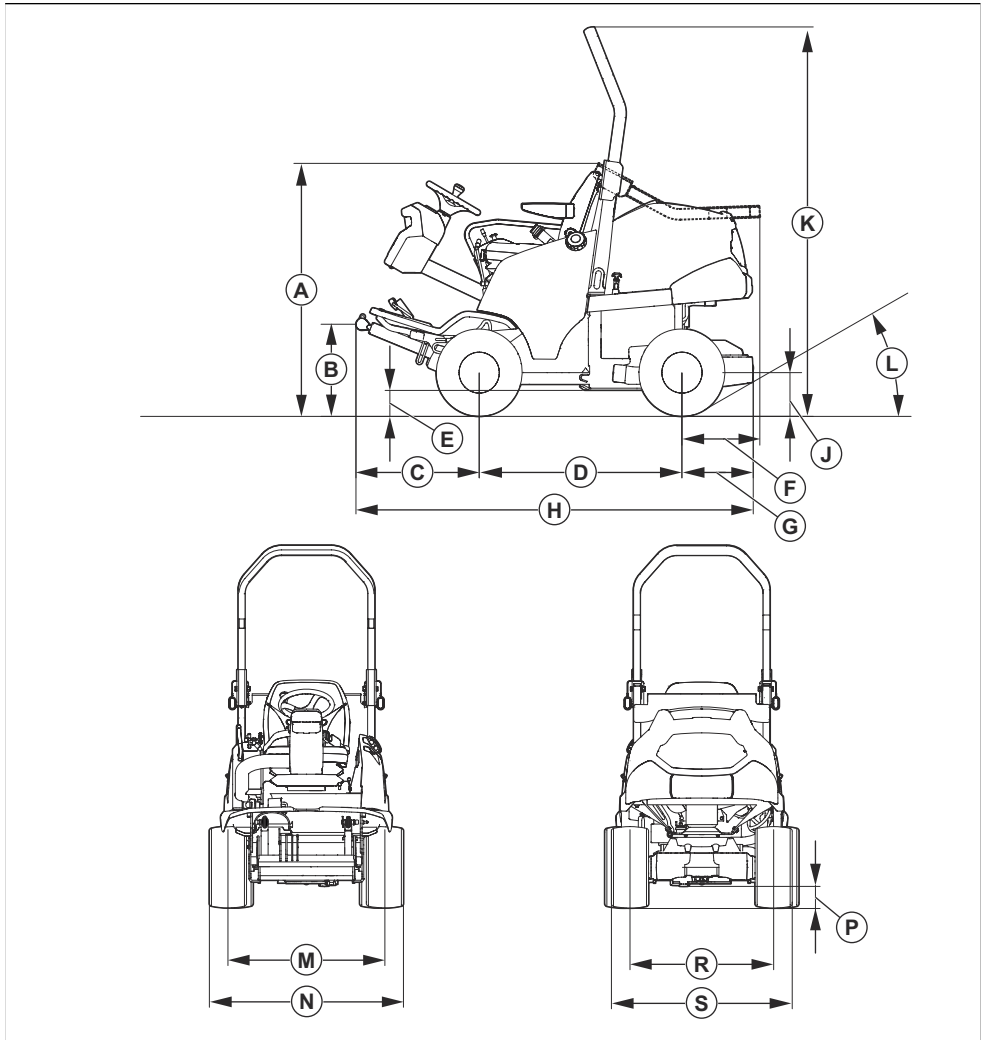
## Dati di frequenza radio

	P 520DX	P 525DX	P 525DX Cabin
Gamma di frequenza, MHz	2402 – 2480	2402 – 2480	2402 – 2480
Potenza erogata <sup>18</sup> , dBm	0,0	0,0	0,0

<sup>17</sup> Livello di vibrazioni in ottemperanza alla norma EN ISO 5395. I dati riportati per il livello di vibrazioni hanno una dispersione statistica tipica (deviazione standard) di 0,2 m/s<sup>2</sup> (volante) e 0,8 m/s<sup>2</sup> (sedile).

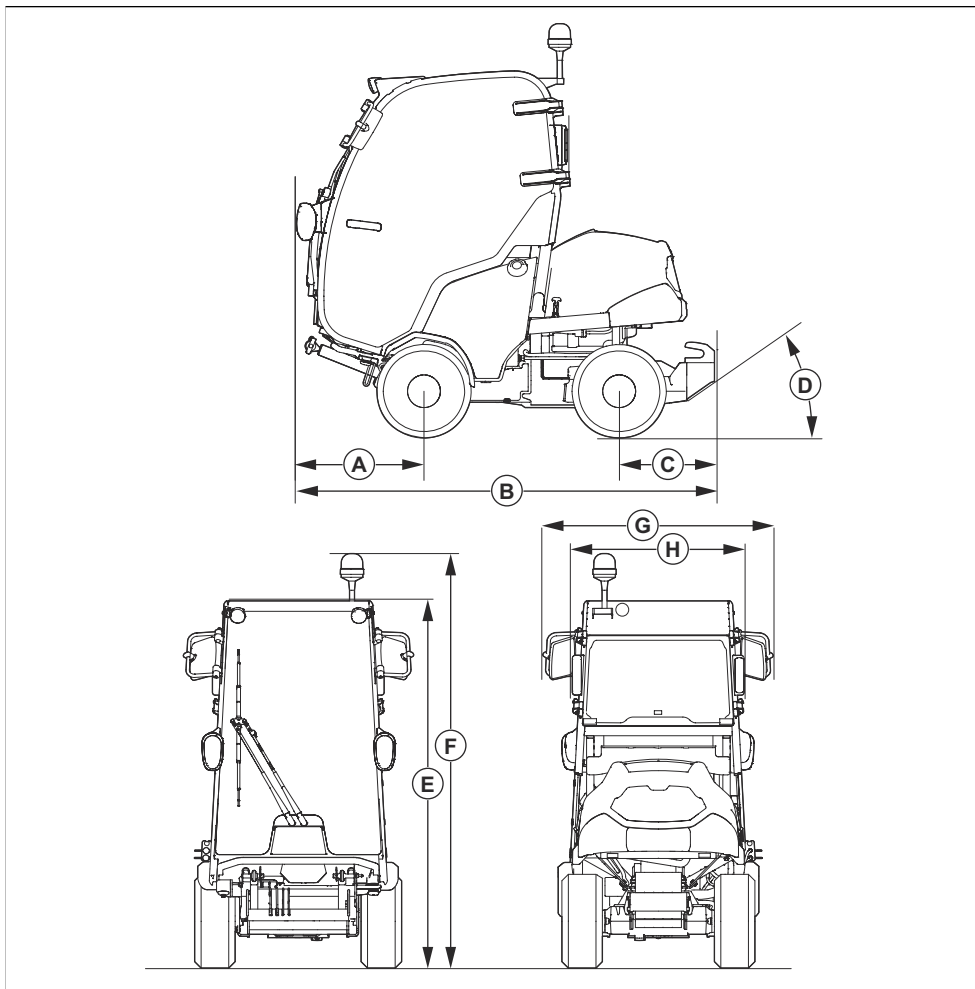
<sup>18</sup> Misurata a 2402 MHz.

## Dimensioni del prodotto (P 520DX/P 525DX)



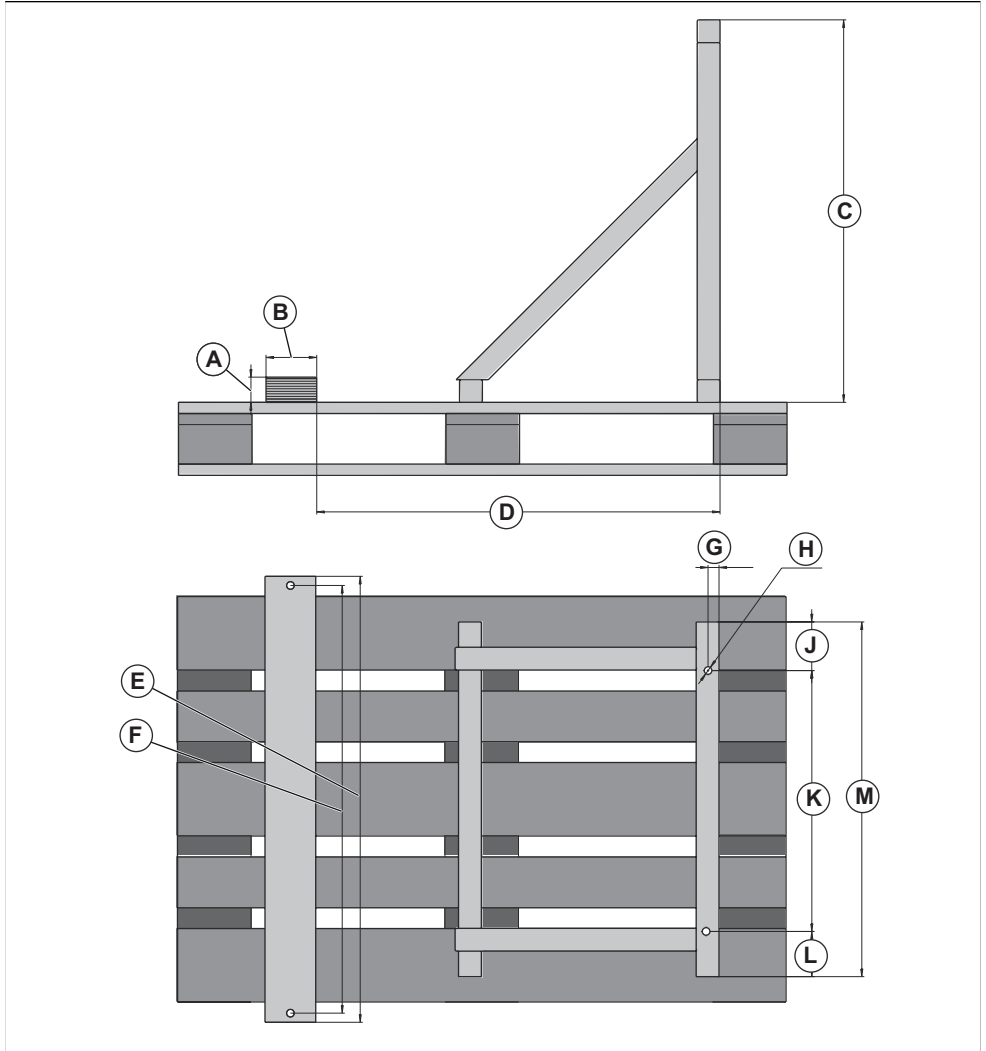
Dimensioni, mm							
<b>A</b>	1330/1330	<b>E</b>	164/160	<b>J</b>	254/254	<b>N</b>	1132/1153
<b>B</b>	502/499	<b>F</b>	407/407	<b>K</b>	2033/2033	<b>P</b>	149/149
<b>C</b>	645/645	<b>G</b>	373/373	<b>L</b>	35,5°/35,5°	<b>R</b>	836/842
<b>D</b>	1060/1060	<b>H</b>	2078/2078	<b>M</b>	910/918	<b>S</b>	1056/1077

## Dimensioni del prodotto (P 525DX Cabin)



Dimensioni, mm							
<b>A</b>	692	<b>C</b>	518	<b>E</b>	2008	<b>G</b>	1251
<b>B</b>	2269	<b>D</b>	35°	<b>F</b>	2180	<b>H</b>	883

## Dimensioni supporto cabina



Dimensioni del supporto della cabina, mm							
<b>A</b>	50	<b>D</b>	800	<b>G</b>	22,5	<b>K</b>	515
<b>B</b>	100	<b>E</b>	880	<b>H</b>	15 Ø (×4)	<b>L</b>	89
<b>C</b>	755	<b>F</b>	844	<b>J</b>	96	<b>M</b>	700

---

## Accessori

---

Le istruzioni di manutenzione di attrezzatura o accessori opzionali non sono riportate in questo manuale

dell'operatore. Per le istruzioni sugli accessori o sull'attrezzatura vedere il manuale dell'operatore.

---

## Assistenza

---

Eseguire un controllo annuale presso un centro di assistenza autorizzato per assicurarsi che il prodotto funzioni in modo sicuro e al meglio durante l'alta stagione. Il momento migliore per eseguire la manutenzione o la revisione del prodotto è la bassa stagione.

Quando si ordinano i ricambi, fornire le informazioni sull'anno di acquisto, il modello, il tipo e il numero di serie.

Utilizzare sempre ricambi originali.

---

## Garanzia

---

### Garanzia della trasmissione

La garanzia della trasmissione è valida solo se vengono eseguiti i controlli della velocità di rotazione delle ruote anteriori e posteriori come indicato nel programma di manutenzione. Per evitare di danneggiare il sistema di trasmissione, è necessario affidarne la regolazione a un'officina autorizzata.



# Dichiarazione di conformità

## Dichiarazione di conformità UE

Husqvarna AB, SE-561 82 Huskvarna, Svezia, tel.:  
+46-36-146500, dichiara sotto la propria esclusiva  
responsabilità che il prodotto indicato:

<b>Descrizione</b>	Trattorini tagliaerba
<b>Marchio</b>	Husqvarna
<b>Tipo / Modello</b>	P 520DX, P 525DX, P 525DX Cabin
<b>Identificazione</b>	Numeri di serie a partire da 2022 e successivi

È pienamente conforme alle seguenti norme e direttive  
UE:

Direttiva/norma	Descrizione
2011/65/UE	"sulle restrizioni dell'uso di determinate sostanze pericolose nelle apparecchiature elettriche ed elettroniche"
2006/42/CE	"sulle macchine"
2014/30/UE	"sulla compatibilità elettromagnetica"
2000/14/CE	"sull'emissione di rumore nell'ambiente"
2014/53/UE	"riguardante le apparecchiature radio"

e che sono applicati gli standard e/o le specifiche tecniche seguenti: EN ISO 5395-1:2013/A1:2018, EN ISO 5395-3:2013/A1:2017/A2:2018, ISO 21299:2009, EN ISO 12100:2010, EN ISO 14982:2009, ETSI EN 300 328 v.2.2.2, ETSI EN 301 489-1 V2.2.3, ETSI EN 301 489-17 V3.2.4, EN IEC 61000-6-4:2019, EN IEC 61000-6-2:2019, EN IEC 63000:2018.



Organo competente: 0404, RISE SMP Svensk Maskinprovning AB, Box 4053, SE-904 03 Umeå, Svezia ha certificato la conformità alla Direttiva del Consiglio 2000/14/CE, procedura di valutazione della conformità: Allegato VI

Per informazioni sulle emissioni acustiche, fare riferimento a *Dati tecnici alla pagina 197*.

Huskvarna, 2022-10-12

Claes Lossdal, Responsabile sviluppo/Prodotti da giardino, Husqvarna AB

Responsabile della documentazione tecnica

---

## Marchi registrati

---

Il marchio denominativo e i logo *Bluetooth*<sup>®</sup> sono marchi registrati di proprietà di *Bluetooth SIG, inc* e qualsiasi utilizzo di tali marchi da parte di Husqvarna è soggetto a licenza.

# ÍNDICE

Introdução.....	207	Especificações técnicas.....	266
Segurança.....	215	Acessórios.....	273
Montagem.....	220	Assistência.....	273
Funcionamento.....	225	Garantia.....	273
Manutenção.....	233	Declaração de conformidade.....	274
Resolução de problemas.....	258	Marcas comerciais registadas.....	275
Transporte, armazenamento e eliminação.....	262		

## Introdução

### Inspeção pré-entrega e números de produto

assinada do documento de inspeção pré-entrega do seu concessionário.

**Nota:** Foi realizada uma inspeção pré-entrega deste produto. Certifique-se de que recebe uma cópia

Informação de contacto da oficina autorizada:	
Este manual do utilizador pertence ao produto com o número de produto/número de série:	
/	
Motor:	
Transmissão:	

### Descrição do produto

Os modelos P 520DX e P 525DX são corta-relvas frontais. A sua fonte de alimentação é um motor a diesel. Os pedais de marcha em frente e de marcha-atrás permitem que o utilizador ajuste a velocidade gradualmente. Os produtos incluem tração integral (AWD) e são utilizados com plataformas de corte Combi com Bioclip®. O P 525DX Cabin é um P 525DX com uma cabina.

### Finalidade

O produto foi concebido para cortar relva em espaços comerciais. Fixe um acessório opcional para utilizar o produto para outras tarefas. Fale com o seu revendedor Husqvarna para obter mais informações sobre os acessórios disponíveis.

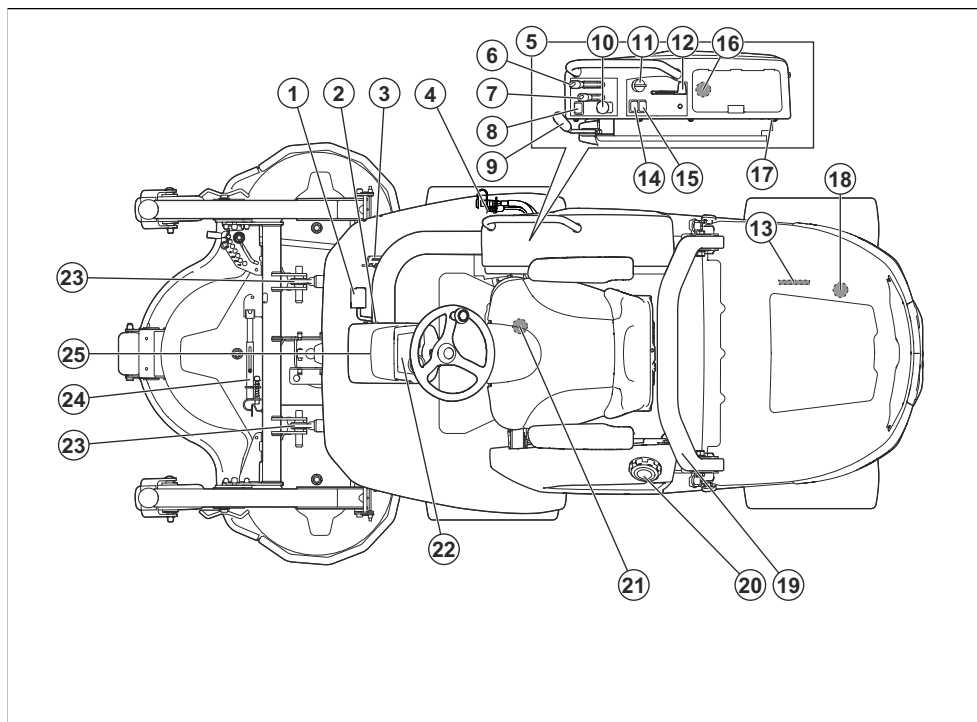
### Faça um seguro para o seu produto

Certifique-se de que o seu seguro cobre o seu novo produto. Fale com a sua companhia de seguros caso não tenha a certeza. Recomendamos um seguro totalmente abrangente que inclua proteção contra terceiros, incêndios, danos, roubo e responsabilidade civil.

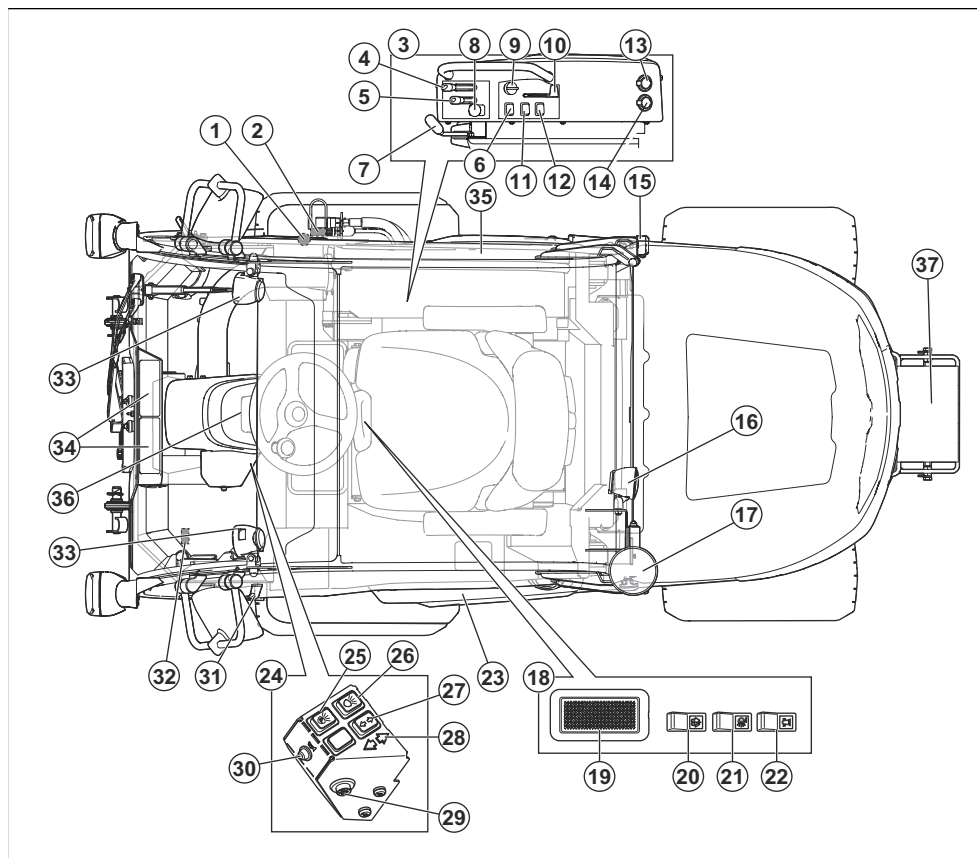
### Firmware

Certifique-se de que estão instaladas as versões de software mais recentes no produto. Contacte o seu revendedor de assistência Husqvarna.

## Vista geral do produto (P 520DX, P 525DX)



## Vista geral do produto (P 525DX Cabin)



- |  |   |
|--|---|
| 1. Regulador do fluxo de ar para o aquecimento da cabina         | 17. Luzes de aviso  |
| 2. Tomada de alimentação AUX, 12 V                               | 18. Painel de controlo do teto da cabina                  |
| 3. Painel de controlo do lado direito                            | 19. Interruptor da luz interior da cabina                 |
| 4. Alavanca para elevação hidráulica                             | 20. Interruptor dos limpa-para-brisas                     |
| 5. Alavanca para altura de corte                                 | 21. Interruptor das luzes de trabalho traseiras na cabina |
| 6. Botão de funcionamento para acessórios com sistema hidráulico | 22. Interruptor das luzes de aviso na cabina              |
| 7. Travão de estacionamento                                      | 23. Porta   |
| 8. Botão da TDF  | 24. Painel de controlo                                    |
| 9. Chave da ignição  | 25. Interruptor das luzes de estacionamento               |
| 10. Acelerador   | 26. Interruptor dos faróis de médios                      |
| 11. Interruptor dos faróis                                       | 27. Interruptor da luz de mudança de direção              |
| 12. Interruptor para a tomada de alimentação                     | 28. Indicador da luz de mudança de direção                |
| 13. Saídas USB, 5 V  | 29. Interruptor da luz de perigo                          |
| 14. Tomada de alimentação, 12 V                                  | 30. Campainha   |
| 15. Luzes traseiras  | 31. Punho   |
| 16. Luzes de trabalho traseiras                                  | 32. Tirante de ventilação                                 |
|  | 33. Luzes de trabalho dianteiras                          |

- 34. Ventoinha e filtragem
- 35. Saída de emergência
- 36. Visor
- 37. Contrapeso

## Tomadas de alimentação

O produto tem as seguintes tomadas de alimentação:

- Tomada de alimentação de 12 V
- Saídas USB
- Tomada de alimentação AUX de 12 V (acessório para o P 520DX)

Para encontrar os fusíveis para a tomada de alimentação, consulte *Vista geral dos fusíveis na página 245*.

Para encontrar as tomadas, consulte *Vista geral do produto (P 520DX, P 525DX) na página 208*.

Ligue e desligue a tomada de alimentação utilizando o interruptor de alimentação no painel de controlo.

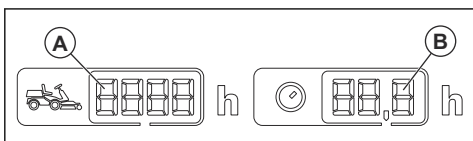
## Contador de horas

O produto tem 2 contadores de horas no visor. Os contadores de horas indicam quantas horas de funcionamento o motor tem no total (A) e durante o período de funcionamento (B). O último dígito do contador de horas para o período de funcionamento indica décimos de hora (6 minutos).

O tempo passado com a ignição ligada mas com o motor desligado não é registado.

**Nota:** O contador de horas total (A) apresenta apenas as horas completas.

**Nota:** Um período de funcionamento é o tempo que o motor esteve ligado durante 1 dia. Um novo período de funcionamento começa se o motor estiver desligado durante, no mínimo, 6 horas.



## Husqvarna Connect

O produto dispõe de tecnologia sem fios e pode estabelecer ligação a dispositivos móveis com a aplicação Husqvarna Connect instalada. A Husqvarna Connect é uma aplicação gratuita para o seu dispositivo móvel. A aplicação Husqvarna Connect disponibiliza funções alargadas para o seu produto Husqvarna:

- Função de bloqueio e desbloqueio para evitar o funcionamento não aprovado do produto.
- Informações alargadas sobre o produto.

- Informações sobre, e ajuda relacionada com peças e manutenção do produto.

## Husqvarna Fleet Services™

O Husqvarna Fleet Services™, é uma solução em nuvem que disponibiliza ao gestor de frotas comerciais uma visão geral de todos os produtos. Para saber mais sobre o Husqvarna Fleet Services™, consulte [www.husqvarna.com](http://www.husqvarna.com).

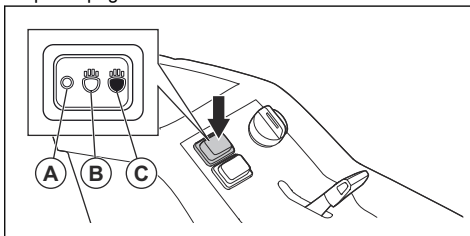
## Ligar o produto ao Husqvarna Fleet Services™

1. Transfira a aplicação Husqvarna Fleet Services™ para o seu dispositivo móvel.
2. Inicie sessão na aplicação Husqvarna Fleet Services™.
3. Siga as instruções sobre como emparelhar o produto com o Husqvarna Fleet Services™.

## Faróis

O produto dispõe de uma luz de trabalho e de um farol de máximos.

- Coloque o interruptor de alimentação na posição (A) para apagar as luzes.



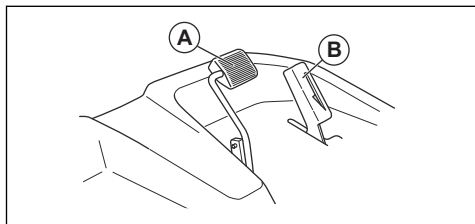
- Coloque o interruptor de alimentação na posição (B) para acender a luz de trabalho.
- Coloque o interruptor de alimentação na posição (C) para acender também o farol de máximos.

A luz de trabalho permanece acesa durante 3 minutos após a chave de ignição ser colocada na posição STOP. Quando os faróis estão ligados, o visor apresenta o símbolo de farol. Consulte *Visor na página 212*.

## Pedais de marcha em frente e marcha-atrás

A velocidade é gradualmente ajustada com os 2 pedais. O pedal esquerdo (A) é utilizado para a marcha em

frente e o pedal direito (B) é utilizado para a marcha-  
atrás. O produto trava quando liberta os pedais.

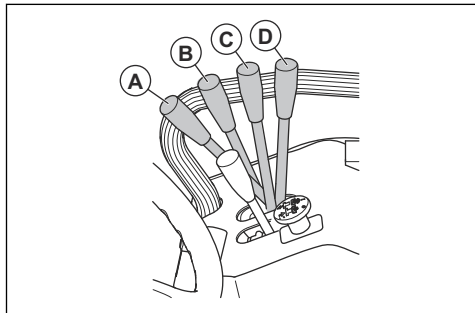


## Alavanca de elevação para elevação hidráulica da plataforma de corte

A alavanca de elevação para elevação hidráulica é utilizada para levantar e baixar a plataforma de corte. A elevação hidráulica utiliza pressão hidráulica e o motor tem de ser ligado para que a elevação funcione.

Na posição de corte, a plataforma de corte desloca-se nivelada com o solo.

- A posição (A) desloca a plataforma de corte para a posição de corte.
- A posição (B) baixa os braços de elevação.
- Posição neutra (C).
- A posição (D) desloca a plataforma de corte para a posição de transporte.

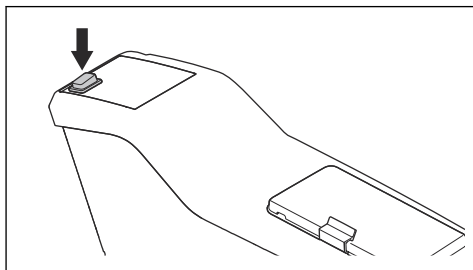


**ATENÇÃO:** A plataforma de corte pode sempre ser elevada e baixada. A força hidráulica pode provocar ferimentos graves.

## Botão de funcionamento para acessórios com sistema hidráulico

O botão de funcionamento encontra-se adjacente à alavanca de elevação para acessórios com sistema hidráulico.

O botão de funcionamento opera de forma diferente para acessórios diferentes. Consulte o manual do utilizador do acessório.

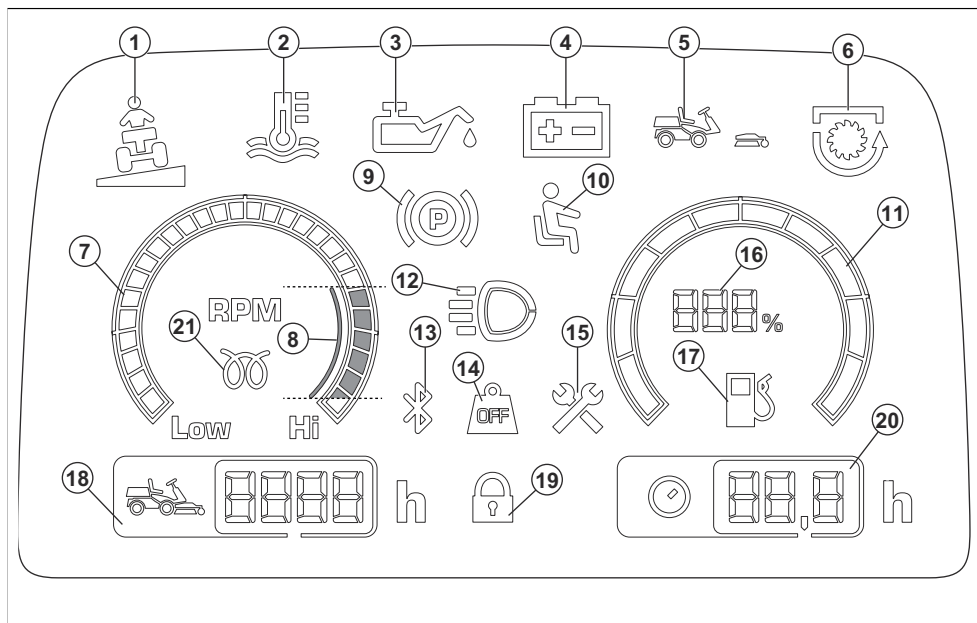


## Plataforma de corte

As plataformas de corte para este produto são plataformas de corte Combi com BioClip®. O BioClip® corta a relva e transforma-a em fertilizante. As plataformas de corte Combi também podem ser utilizadas sem o BioClip®. Sem o BioClip®, a relva é projetada para a parte traseira.

## Visor

O visor no painel de instrumentos mostra informações do estado do produto.



1. Indicador de declive (não aplicável a este produto)
2. Indicador de temperatura da água do motor

**Nota:** Acende-se um sinal de aviso sonoro quando a indicação da temperatura do motor se acende. Desengate imediatamente o interruptor da TDF e desloque o controlo do acelerador para a posição de baixa velocidade. O sinal de aviso para quando a temperatura do motor desce abaixo do limite de aviso.



**CUIDADO:** Não rode a chave de ignição para a posição STOP quando o sinal de aviso se acender. Caso contrário, pode provocar danos no motor.

3. Indicador de pressão do óleo de motor
4. Indicador de nível da bateria
5. Indicador da plataforma de corte (não aplicável a este produto)
6. Luz indicadora PTO
7. Conta-rotações
8. RPM recomendadas do motor quando utiliza o produto.
9. Indicador do travão de estacionamento
10. Controlo de presença do utilizador (OPC)

11. Indicador de nível de combustível
12. Indicador de luz de trabalho ou faróis de máximos
13. Bluetooth®
14. Transferência de peso desativada (não aplicável a este produto)
15. Indicador de assistência
16. Indicador de nível de combustível medido em incrementos de 5%
17. Indicador de nível de combustível baixo
18. Contador de horas. Tempo total de funcionamento em horas.
19. Bloqueio digital
20. Contador de horas. Horas/dia de trabalho. Consulte *Contador de horas na página 210*.
21. Indicador da vela

**Nota:** O aspeto do visor pode variar em modelos diferentes.

**Nota:** Quando a chave de ignição é rodada da posição STOP para a posição ON, todos os símbolos se acendem durante um curto período de tempo. Depois disso, apenas os símbolos em funcionamento permanecem acesos.



## Aquecimento da cabina

O P 525DX Cabín dispõe de aquecimento da cabina para aumentar a temperatura na cabina. O aquecimento da cabina pode ser utilizado também para remover o gelo dos vidros em condições de tempo frio.

## Símbolos no produto



AVISO: Seja cuidadoso e utilize o produto corretamente. Este produto pode provocar ferimentos graves ou a morte do utilizador ou terceiros.



Leia o manual do utilizador com atenção e certifique-se de que compreende as instruções antes de utilizar este produto.



Lâminas rotativas. Mantenha as partes do seu corpo afastadas da cobertura quando o motor estiver ligado.



Aviso: peças rotativas. Mantenha as partes do seu corpo afastadas.



Aviso: polia de correia rotativa. Mantenha as partes do seu corpo afastadas quando o motor estiver ligado.



Aviso: risco de ferimentos por esmagamento.



Aviso: risco de ferimentos por esmagamento. Os braços de elevação deslocam-se com muita força; mantenha as partes do seu corpo afastadas.



Tenha cuidado com objetos projetados e ricochetes.



Superfície quente.



Nunca utilize o produto junto a animais ou pessoas, em especial crianças.



Olhe para trás antes e enquanto desloca o produto para trás.



Nunca corte relva ao longo de um declive. Não corte relva em terrenos com um declive superior a 10°. Consulte *Cortar relva em declives* na página 218.



Não permita a presença de passageiros no produto ou equipamento.



Risco de ferimentos se o produto capotar.



Opere o produto muito devagar se não tiver uma plataforma de corte aplicada.



Opere o produto à velocidade máxima apenas se tiver uma plataforma de corte aplicada.



Marcha em frente.



Neutro.



Marcha-atrás.



Travão de estacionamento.



Acione o travão de estacionamento.



Liberte o travão de estacionamento.



Este produto está em conformidade com as diretivas aplicáveis da CE.



Este produto está em conformidade com os regulamentos aplicáveis do Reino Unido.



Emissão de ruído para a etiqueta ambiental de acordo com as diretivas e regulamentos da União Europeia e do Reino Unido e o regulamento "Protection of the Environment Operations (Noise Control) Regulation 2017" (regulamento de proteção de operações no meio ambiente [controlo do ruído] de 2017)

da Nova Gales do Sul. O nível de potência sonora garantido do produto está especificado nas *Especificações técnicas* na página 266 e na etiqueta.



Utilize sempre protetores acústicos aprovados.

**ON**

Ative o produto.



Desligue o motor.



Velocidade do motor – rápida.



Velocidade do motor – lenta.



Combustível.



As lâminas estão ativadas.



As lâminas não estão ativadas.



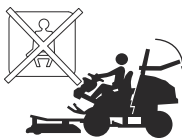
Nível do óleo.



Código para leitura



**Marca ambiental.** O produto ou a respetiva embalagem não são resíduos domésticos. Recicle o equipamento numa estação de reciclagem para equipamentos elétricos e eletrónicos.



Não use o cinto de segurança se a ROPS estiver para baixo.

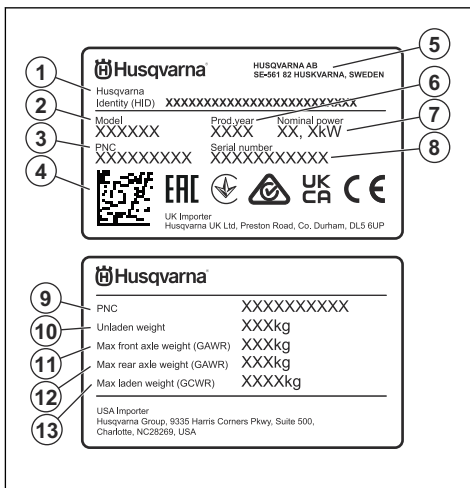


Use sempre o cinto de segurança se a ROPS estiver para cima.



**Nota:** Os restantes símbolos/autocolantes existentes no produto dizem respeito a requisitos para homologação em algumas áreas comerciais.

## Etiqueta de tipo



1. Identidade Husqvarna (HID) com número de artigo, fábrica e linha de produção, data, número de sequência e número de controlo
2. Nome do modelo
3. Código de número de produto (PNC)
4. Código para leitura
5. Fabricante e respetivo endereço
6. Ano de produção
7. Potência nominal
8. Número de série com data, ano e semana de produção e número de sequência
9. Código de número de produto (PNC)
10. Peso do produto, sem carga
11. Peso máximo no eixo dianteiro (GAWR)
12. Peso máximo no eixo traseiro (GAWR)

13. Peso máximo com carga (GCWR)

## Emissões Euro V



**ATENÇÃO:** A adulteração do motor anula a aprovação deste produto pela UE.

## Danos no produto

Não somos responsáveis por danos no nosso produto se:

- o produto tiver sido incorretamente reparado.
- o produto tiver sido reparado com peças que não sejam do fabricante ou que não sejam aprovadas pelo fabricante.
- o produto tiver um acessório que não seja do fabricante ou que não seja aprovado pelo fabricante.
- o produto não tiver sido reparado por um centro de assistência autorizado ou por uma autoridade aprovada.

## Segurança

### Definições de segurança

Os avisos, as precauções e as notas são utilizados para indicar partes especialmente importantes do manual.



**ATENÇÃO:** Utilizado no caso de existir risco de ferimento ou morte para o utilizador ou transeuntes, se não forem respeitadas as instruções do manual.



**CUIDADO:** Utilizado se existir risco de danos para o produto, para outros materiais ou para a área adjacente, se não forem respeitadas as instruções do manual.

**Nota:** Utilizado para disponibilizar informações adicionais necessárias numa determinada situação.

### Instruções de segurança gerais



**ATENÇÃO:** Este produto pode amputar mãos e pés, e projetar objetos. Se não respeitar as instruções de segurança, tal pode resultar em ferimentos graves ou morte.



**ATENÇÃO:** Não continue a utilizar o produto com um equipamento de corte danificado. O equipamento de corte danificado pode projetar objetos e causar ferimentos graves ou a morte. Substitua as lâminas danificadas de imediato.



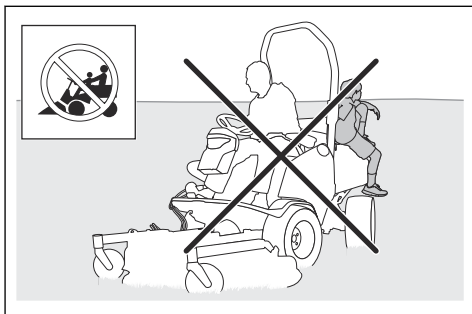
**ATENÇÃO:** Este produto produz um campo eletromagnético durante o funcionamento. Em determinadas circunstâncias, este campo pode interferir com o funcionamento de implantes médicos ativos ou passivos. Para diminuir o risco de ferimentos graves ou mortais, recomendamos que os portadores de

implantes médicos consultem o seu médico e o fabricante do implante antes de utilizar este produto.

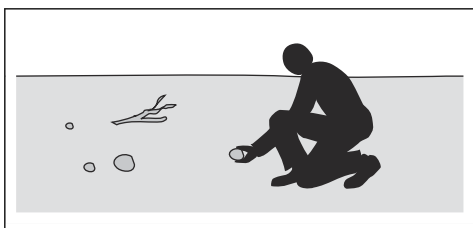


**ATENÇÃO:** Leia as instruções de aviso que se seguem antes de utilizar o produto.

- Seja sempre cuidadoso e use o seu senso comum. Evite todas as situações que considere estarem para além das suas capacidades. Se não se sentir seguro quanto aos procedimentos de funcionamento após a leitura do manual do utilizador, consulte um especialista antes de continuar.
- Leia e compreenda o manual do utilizador e as instruções presentes no produto com atenção antes de o ligar.
- Aprenda a utilizar o produto e os respetivos controlos em segurança, e saiba como parar o produto rapidamente.
- Aprenda a reconhecer os autocolantes de segurança.
- Mantenha o produto limpo para se certificar de que consegue ler bem os sinais e os autocolantes.
- Tenha em atenção que o utilizador é responsável pelos acidentes que incluam outras pessoas ou a respetiva propriedade.
- Não transporte passageiros. O produto apenas pode ser utilizado por uma pessoa.



- Não deixe o produto sem supervisão com o motor ligado. Pare sempre as lâminas, aplique o travão de estacionamento, pare o motor e retire a chave de ignição antes de deixar a máquina sem supervisão.
- Apenas utilize o produto durante o dia ou em condições de boa iluminação. Mantenha o produto a uma distância de segurança de orifícios ou outras irregularidades no solo. Tenha atenção com outros possíveis riscos.
- Não utilize o produto em condições atmosféricas desfavoráveis, por exemplo, nevoeiro, chuva, localizações molhadas ou com humidade, ventos fortes, frio intenso, risco de trovoadas, etc.
- Procure e marque as pedras e outros objetos fixos para prevenir colisões.
- Retire da área quaisquer objetos como pedras, brinquedos, fios, etc., que possam ficar presos ou ser projetados.



- Não permita a utilização ou a manutenção do produto por crianças ou outras pessoas sem aprovação para utilizar o produto. A legislação local pode regular a idade do utilizador permitida.
- Certifique-se de que ninguém permanece nas imediações do produto quando ligar o motor, ativar a transmissão ou começar a deslocar o produto.
- Esteja atento ao trânsito ao cortar junto a uma estrada ou atravessar uma estrada.
- Não utilize o produto quando estiver cansado, sob o efeito de álcool ou drogas, tiver tomado medicamentos ou outros produtos que possam afetar negativamente a sua visão, atenção, capacidade de discernimento ou o seu controlo físico.
- Não altere o ajuste do controlo da velocidade do motor.
- Estacione sempre o produto numa superfície nivelada com o motor parado.

### Instruções de segurança relativamente a crianças

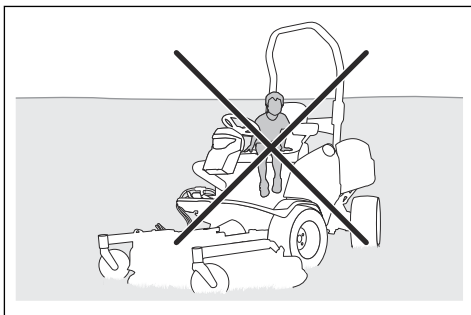


**ATENÇÃO:** Leia as instruções de aviso que se seguem antes de utilizar o produto.

- Podem ocorrer acidentes graves se não prestar atenção às crianças que se encontram nas proximidades do produto. As crianças podem ser atraídas pelo produto e pelo corte da relva. É muito

provável que as crianças não se mantenham onde as viu pela última vez.

- Mantenha as crianças afastadas da área a cortar. Certifique-se de que está presente um adulto responsável pelas crianças.
- Mantenha-se vigilante e pare o produto caso se encontrem crianças na zona de trabalho. Tenha muito cuidado perto de cantos, arbustos, árvores ou outros objetos que previnam uma visão clara.
- Antes e durante a deslocação do produto em marcha-atrás, olhe para trás e para baixo para se certificar de que não estão presentes crianças pequenas nas proximidades do produto.
- Não permita o transporte das crianças. Podem cair e sofrer ferimentos graves ou prevenir a realização de manobras seguras do produto.
- Não permita que as crianças operem o produto.



### Instruções de segurança para funcionamento



**ATENÇÃO:** Não toque no motor ou no sistema de escape durante e diretamente após o funcionamento. O motor e o sistema de escape ficam muito quentes durante o funcionamento. Risco de queimaduras, incêndio e danos na propriedade ou nas áreas adjacentes. Ao utilizar o produto, mantenha-se afastado de arbustos e outros objetos.



**ATENÇÃO:** Leia as instruções de aviso que se seguem antes de utilizar o produto.

- Olhe sempre para baixo e para trás antes e durante as deslocações em marcha-atrás. Esteja atento aos obstáculos de todas as dimensões.
- Diminua a velocidade antes de fazer uma curva.
- Pare as lâminas quando se deslocar em zonas que não irá cortar.



**CUIDADO:** Leia as instruções de precaução que se seguem antes de utilizar o produto.

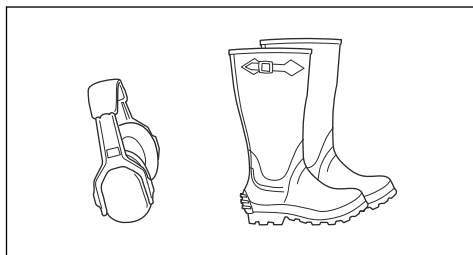
- Antes de utilizar o produto, limpe a relva e a sujidade da admissão de ar frio do motor. Se a admissão de ar frio estiver obstruída, existe o risco de danos no motor.
- Desloque-se com cuidado junto a pedras e outros objetos de maiores dimensões e certifique-se de que as lâminas não embatem nos objetos.
- Não utilize o produto ao longo de objetos. Se utilizar o produto ao longo ou em algum objeto, pare e examine o produto e a plataforma de corte. Se necessário, repare quaisquer danos antes de recomeçar.

## Equipamento de proteção pessoal



**ATENÇÃO:** Leia as instruções de aviso que se seguem antes de utilizar o produto.

- Utilize equipamento de proteção pessoal aprovado ao utilizar o produto. O equipamento de proteção pessoal não previne totalmente os ferimentos mas diminui a respetiva gravidade em caso de acidente. Obtenha ajuda junto do seu distribuidor para selecionar o equipamento certo.
- Utilize protetores acústicos aprovados. A exposição prolongada a ruídos pode provocar danos auditivos permanentes.
- Use botas ou sapatos antiderrapantes resistentes. Recomenda-se calçado com biqueira de aço. Não use calçado aberto nem ande com os pés descalços.



- Use luvas de proteção sempre que necessário, por exemplo, ao fixar, examinar ou limpar o equipamento de corte.
- Não utilize vestuário largo, joias ou outros itens que possam ficar presos nas peças móveis.
- Mantenha equipamentos de primeiros socorros e um extintor de incêndio por perto.

## Dispositivos de segurança no produto



**ATENÇÃO:** Leia as instruções de aviso que se seguem antes de utilizar o produto.

- Não utilize um produto com dispositivos de segurança danificados ou que não funcionem corretamente. Verifique regularmente os dispositivos de segurança. Se os dispositivos de segurança estiverem danificados, contacte a sua oficina Husqvarna autorizada.
- Não realize modificações aos dispositivos de segurança. Não utilize o produto se as placas de proteção, as coberturas de proteção, os interruptores de segurança e outros dispositivos de proteção não estiverem fixos ou estiverem defeituosos.

### Roll Over Protection Structure (ROPS) - Estrutura de proteção contra capotagem

A ROPS é uma estrutura de proteção que diminui o risco de ferimentos em caso de capotagem do produto. Utilize a ROPS e o cinto de segurança quando operar o produto em declives.

### Cinto de segurança

O cinto de segurança previne os ferimentos se ocorrerem acidentes ou se o produto capotar. Utilize o cinto de segurança apenas se a ROPS estiver engatada. Certifique-se de que o cinto de segurança está corretamente preso e não está danificado.

### Controlo de presença do operador (OPC)

O OPC é ativado quando o operador se levanta do banco. O indicador do OPC no visor acende-se. O OPC ativa o circuito de segurança. Consulte *Verificar as condições de funcionamento na página 217*.

### Realizar uma verificação da chave de ignição

- Ligue e desligue o motor para verificar a chave de ignição. Consulte *Arrancar o motor na página 228 e Parar o motor na página 231*.
- Certifique-se de que o motor arranca quando roda a chave de ignição para a posição START.
- Certifique-se de que o motor para imediatamente quando roda a chave de ignição para a posição STOP.

### Verificar as condições de funcionamento

As condições de funcionamento são as seguintes:

- O motor apenas pode ser acionado quando a transmissão das lâminas está desengatada.
- O motor apenas pode ser acionado quando o travão de estacionamento está aplicado.
- A transmissão das lâminas apenas pode funcionar quando o operador se senta no banco.

Verifique diariamente as condições de funcionamento.

1. Tente ligar o motor com a transmissão das lâminas engatada. Se as condições de funcionamento estiverem a funcionar, o motor não arranca.
2. Tente ligar o motor sem o travão de estacionamento aplicado. Se as condições de funcionamento estiverem a funcionar, o motor não arranca.
3. Coloque o motor em funcionamento, engate a transmissão das lâminas e levante-se do banco. Se as condições de funcionamento estiverem a funcionar, as lâminas da plataforma de corte param.

#### Verificar o pedal de marcha em frente e o pedal de marcha-atrás

1. Ligue o produto.
2. Certifique-se de que o pedal de marcha em frente e o pedal de marcha-atrás não estão bloqueados e podem ser utilizados livremente.
3. Pressione cuidadosamente o pedal de marcha em frente para avançar.
4. Solte o pedal de marcha em frente para travar. Certifique-se de que o travão é engatado quando liberta o pedal de marcha em frente.
5. Efetue o mesmo procedimento para o pedal de marcha-atrás.

**Nota:** O produto tem uma função de travagem que é ativada automaticamente quando solta os pedais. Para diminuir a velocidade mais rapidamente, carregue no outro pedal.

6. Certifique-se de que o produto não se move quando os pedais de marcha em frente e marcha-atrás não estão engatados.

#### Travão de estacionamento



**ATENÇÃO:** Se o travão de estacionamento não funcionar, o produto pode começar a deslocar-se e causar ferimentos ou danos. Certifique-se de que examina e ajusta regularmente o travão de estacionamento.

Consulte *Verificar o travão de estacionamento na página 240*.

#### Silenciador

O silenciador mantém o mais baixo nível de ruído possível e afasta os gases de escape do utilizador.

Não utilize o produto se o silenciador estiver danificado ou estiver em falta. Um silenciador danificado aumenta o nível de ruído e o risco de incêndio.



**ATENÇÃO:** O silenciador fica muito quente durante e após a utilização e quando o motor funciona ao ralenti. Tenha cuidado

junto de materiais inflamáveis e/ou vapores para evitar incêndios.

#### Verificar o silenciador

- Examine o silenciador regularmente para se certificar de que está bem fixo e não está danificado.

#### Coberturas de proteção

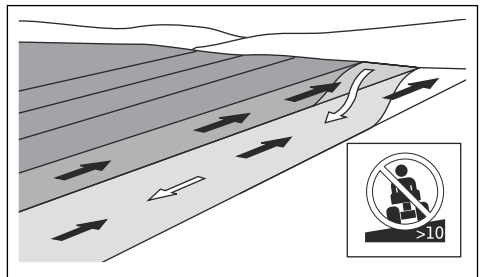
As coberturas de proteção danificadas ou em falta aumentam o risco de ferimentos em peças móveis ou superfícies quentes. Verifique as coberturas de proteção antes de utilizar o produto. Certifique-se de que as coberturas de proteção estão bem fixas e que não têm fissuras nem outros danos. Substituir as coberturas danificadas.

#### Cortar relva em declives



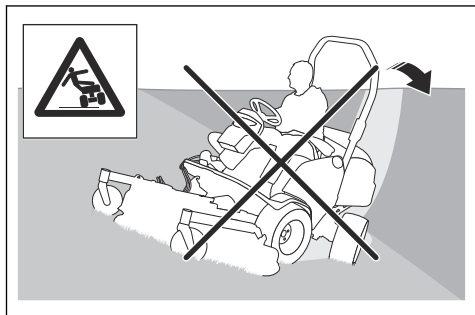
**ATENÇÃO:** Leia as instruções de aviso que se seguem antes de utilizar o produto.

- Cortar relva em declives aumenta o risco de perda de controlo e de capotamento do produto. Estas ocorrências podem resultar em ferimentos ou morte. É necessário ter cuidado ao cortar relva em todos os declives. Se não conseguir sair de um declive ou se não se sentir em segurança, não corte nesse local.
- Retire pedras, ramos e outros obstáculos.
- Corte a relva a subir e a descer o declive, e nunca de lado a lado.
- Não corte um declive a descer com a plataforma de corte levantada.
- Não utilize o produto em terrenos com um declive superior a 10°.



- Não arranque nem pare num declive.
- Desloque-se devagar e suavemente em declives.
- Não faça mudanças súbitas de velocidade ou de direção.
- Não vire mais do que o necessário. Vire lenta e gradualmente ao descer um declive. Desloque-se a baixa velocidade. Vire o volante com cuidado.
- Tenha atenção para não se deslocar sobre trincheiras, orifícios e lombas. Existe um risco mais elevado de capotamento do produto num piso desnivelado. A relva longa pode ocultar obstáculos.

- Não corte a relva próximo de bermas, valas ou inclinações. O produto pode capotar subitamente se uma das rodas se deslocar ao longo da bermas de um declive íngreme ou de uma vala, ou se uma bermas ceder. Se o produto cair em água, existe o risco de afogamento.



- Não corte relva molhada. É escorregadia e os pneus podem perder a aderência, provocando a derrapagem do produto.
- Não coloque o pé no chão para tentar estabilizar o produto.
- Desloque-se com muito cuidado se um acessório ou outro objeto que torne o produto menos estável estiver fixo.
- Para tornar o produto mais estável, coloque pesos ou contrapesos nas rodas. Para mais informações, fale com o revendedor. No P 525DX, utilize contrapesos uma vez que não podem ser utilizados pesos nas rodas em produtos com AWD.

### Segurança no manuseamento do combustível



**ATENÇÃO:** Tenha cuidado com o combustível. É muito inflamável e pode causar ferimentos e danos na propriedade.



**ATENÇÃO:** Leia as instruções de aviso que se seguem antes de utilizar o produto.

- Não encha o depósito de combustível no interior.
- O diesel e os respetivos vapores são venenosos e muito inflamáveis. Tenha cuidado com o diesel para evitar ferimentos ou incêndios.
- Não retire a tampa do depósito de combustível nem encha o depósito de combustível com o motor em funcionamento.
- Deixe o motor arrefecer antes de voltar a abastecer o combustível.
- Não fume quando estiver a encher o depósito de combustível.
- Não encha o depósito de combustível junto a faíscas ou chamas abertas.

- Se existirem fugas no sistema de combustível, não ligue o motor até que as fugas estejam reparadas.
- Não encha acima do nível de combustível recomendado. Se o depósito estiver demasiado cheio, o calor do motor e o sol faz com que o combustível se expanda e transborde.
- Não encha demasiado. Se derramar combustível no produto, limpe o derrame e guarde que seque antes de ligar o motor. Se derramar na sua roupa, troque-a.
- Armazene o combustível apenas em recipientes aprovados.
- Armazene o produto e o combustível de forma a não existir o risco de danos causados por fugas ou vapores de combustível.
- Drene o combustível de um recipiente aprovado numa zona exterior e afastado de chamas abertas.

### Segurança da bateria



**ATENÇÃO:** Uma bateria danificada pode causar uma explosão e provocar ferimentos. Se a bateria estiver deformada ou danificada, fale com uma oficina autorizada Husqvarna.



**ATENÇÃO:** Leia as instruções de aviso que se seguem antes de utilizar o produto.

- Utilize óculos de proteção quando estiver perto de baterias.
- Não utilize relógios, joias ou outros objetos metálicos perto da bateria.
- Mantenha a bateria fora do alcance de crianças.
- Carregue a bateria num espaço com um bom fluxo de ar.
- Ao carregar a bateria, mantenha os materiais inflamáveis a uma distância mínima de 1 m.
- Elimine as baterias substituídas. Consulte o capítulo *Eliminação na página 264*.
- A bateria pode emitir gases explosivos. Não fume perto da bateria. Mantenha a bateria afastada de chamas abertas e faíscas.

### Segurança de transporte

- Utilize um veículo de transporte aprovado para o transporte do produto.
- O produto é pesado e pode causar ferimentos graves por esmagamento. Tenha cuidado ao carregá-lo e descarregá-lo de um veículo ou reboque.
- A legislação local ou nacional dos mercados pode limitar o transporte do produto.
- O operador do veículo de transporte é responsável por fixar o produto em segurança durante o transporte. Consulte *Fixar o produto em segurança num reboque para transportar na página 263*.

## Instruções de segurança para manutenção



**ATENÇÃO:** O produto é pesado e pode causar ferimentos ou danos na propriedade ou na área adjacente. Não efetue a manutenção do motor ou da plataforma de corte sem reunir as seguintes condições:

- O motor está desligado.
- O produto está estacionado numa superfície nivelada.
- O travão de estacionamento encontra-se aplicado.
- A chave de ignição foi removida.
- A plataforma de corte está desengatada.
- O interruptor principal está na posição OFF. Consulte *Arrancar o motor na página 228*.



**ATENÇÃO:** Os gases de escape do motor contêm monóxido de carbono, um gás inodoro, tóxico e altamente perigoso. Não utilize o produto em espaços fechados ou em espaços com um fluxo de ar insuficiente.



**ATENÇÃO:** Leia as instruções de aviso que se seguem antes de utilizar o produto.

- Para obter o melhor desempenho e segurança, efetue regularmente a manutenção do produto, de acordo com o esquema de manutenção. Consulte .

- Os choques elétricos podem causar ferimentos. Não toque nos cabos com o motor em funcionamento. Não efetue um teste de funcionamento no sistema de ignição com os seus dedos.
- Não ligue o motor se as coberturas de proteção tiverem sido removidas. Existe um risco elevado de ferimentos causados por peças quentes ou em movimento.
- Deixe o produto arrefecer antes de efetuar a manutenção perto do motor.
- As lâminas são afiadas e podem causar cortes. Coloque proteções contra o vento em redor das lâminas ou utilize luvas de proteção quando trabalhar nas mesmas.
- Coloque sempre a plataforma de corte na posição de manutenção para efetuar a respetiva limpeza. Não estacione o produto perto da bermagem de uma vala ou de um declive para ter acesso à plataforma de corte.



**CUIDADO:** Leia as instruções de precaução que se seguem antes de utilizar o produto.

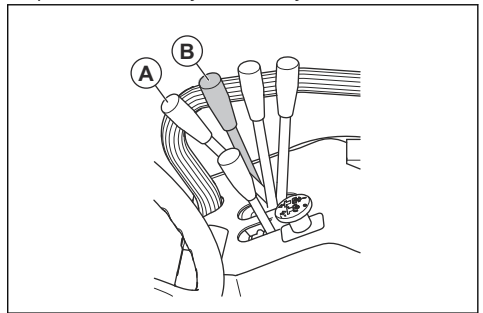
- Não inverta o motor se a vela de ignição ou o cabo de ignição tiverem sido retirados.
- Certifique-se de que aperta corretamente todos os parafusos e porcas, e que o equipamento está em bom estado.
- Não faça alterações ao ajuste dos reguladores. Se a velocidade do motor for demasiado elevada, os componentes do produto ficarão danificados. Consulte *Especificações técnicas na página 266* para saber qual é a velocidade máxima permitida do motor.
- O produto é apenas aprovado com o equipamento fornecido ou recomentado pelo fabricante.

## Montagem

### Fixar a plataforma de corte Combi 132, Combi 155

**Nota:** Certifique-se de que a plataforma de corte e o produto se encontram numa superfície nivelada antes de fixar a plataforma de corte.

1. Coloque a alavanca de elevação na posição (B) para baixar os braços de elevação.

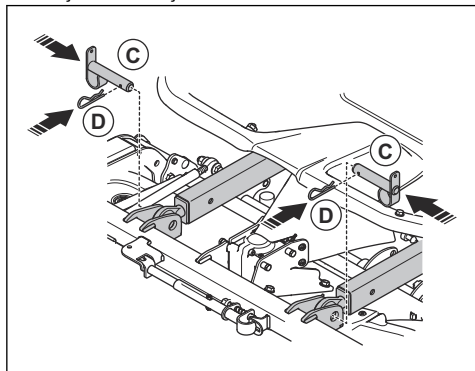


**ATENÇÃO:** Não coloque a alavanca de elevação na posição de corte (A). A força exercida pela mola

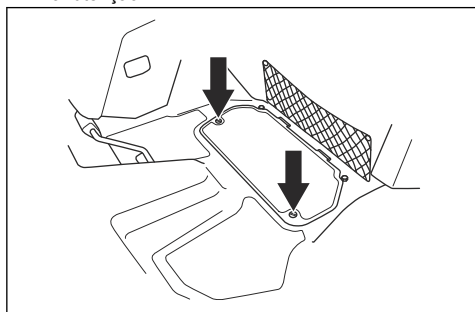


de elevação pode provocar ferimentos graves.

2. Utilize cuidadosamente o produto em frente à plataforma de corte.
3. Coloque os braços de elevação na junta da plataforma de corte.
4. Aplique o travão de estacionamento.
5. Desligue o motor.
6. Instale os parafusos (C) e fixe os pinos (D) nos braços de elevação.

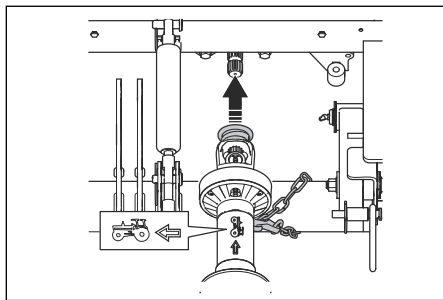


7. Remova os 2 parafusos e a escotilha de manutenção.

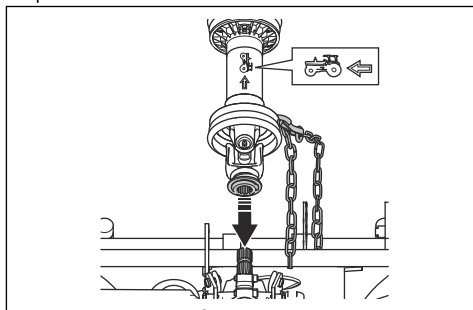


8. Puxe o acoplamento do eixo motriz para trás e fixe o eixo motriz à TDF.

**Nota:** Certifique-se de que a seta do símbolo aponta para o produto.

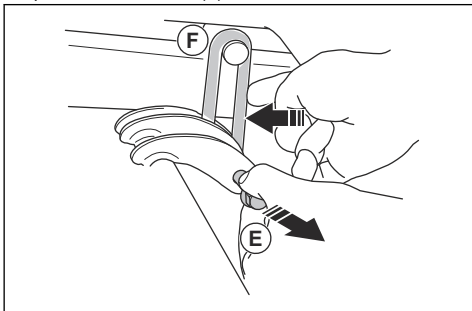


9. Enrole a corrente de segurança traseira à volta do eixo de elevação.
10. Fixe a corrente de segurança ao eixo motriz.
11. Puxe o acoplamento do eixo motriz para trás e fixe o eixo motriz ao eixo da engrenagem cônica da plataforma de corte.



12. Dobre o revestimento de borracha acima da junta do eixo.
13. Enrole a corrente de segurança dianteira à volta do tubo.
14. Fixe a corrente de segurança ao eixo motriz.
15. Fixe a escotilha de manutenção e aperte os parafusos.
16. Ligue o motor.
17. Desloque a alavanca de elevação para trás para elevar a plataforma de corte. Eleve até as rodas pivô da plataforma de corte deixarem de tocar no solo.
18. Desligue o motor.

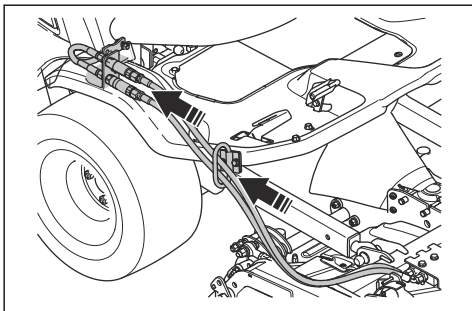
19. Puxe a mola (E) e fixe aos olhais de elevação na plataforma de corte (F).



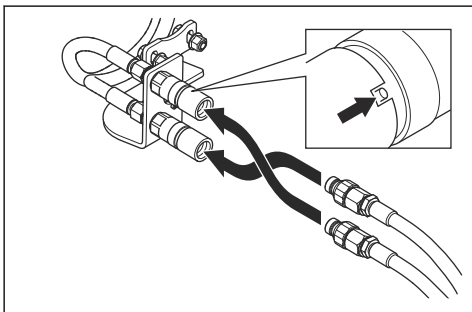
20. Verifique a posição paralela da plataforma de corte. Consulte *Verificar a posição paralela da plataforma de corte na página 240*.

## Fixar a plataforma de corte Combi 132 X, Combi 155 X

1. Fixe a plataforma de corte. Consulte *Fixar a plataforma de corte Combi 132, Combi 155 na página 220*.
2. Coloque as mangueiras hidráulicas da plataforma de corte através do ilhó.



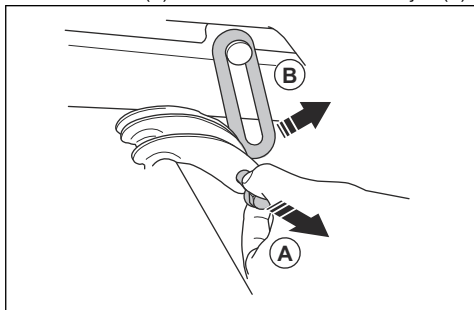
3. Ligue as mangueiras hidráulicas ao acoplamento no produto. A flange e o entalhe devem estar corretamente alinhados.



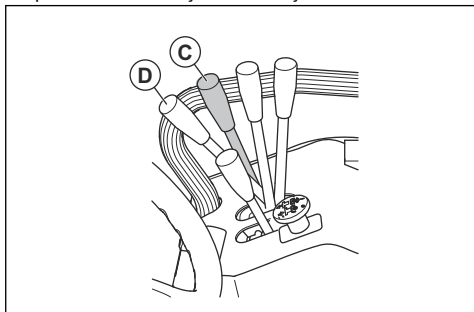
**Nota:** A posição das mangueiras hidráulicas controla a função de operação da alavanca da altura de corte. Para alterar a função de operação da alavanca da altura de corte, altere a posição das mangueiras hidráulicas.

## Retirar a plataforma de corte

1. Estacione o produto num piso nivelado.
2. Desligue o motor.
3. Desloque a alavanca da altura de corte para a frente e para trás 2 a 3 vezes para libertar a pressão restante.
4. Para o Combi 132 X e Combi 155 X, solte os acoplamentos e desligue as mangueiras hidráulicas.
5. Aplique o travão de estacionamento.
6. Desloque a alavanca de elevação para a frente para baixar a plataforma de corte. Pare antes de as rodas pivô da plataforma de corte tocarem no solo.
7. Puxe a mola (A) e remova os olhais de elevação (B).



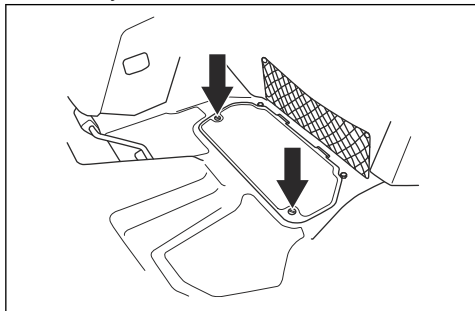
8. Ligue o motor.
9. Coloque a alavanca de elevação na posição (C) para baixar os braços de elevação.



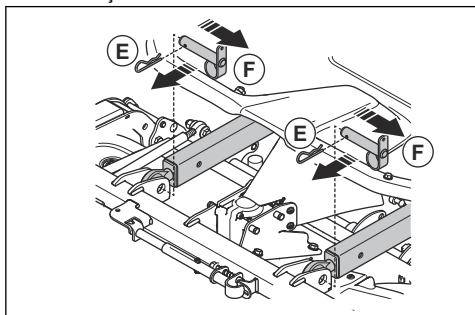
**ATENÇÃO:** Não coloque a alavanca de elevação na posição de corte (D). A força hidráulica pode provocar ferimentos graves.

10. Desligue o motor.

11. Remova os 2 parafusos e a escotilha de manutenção.



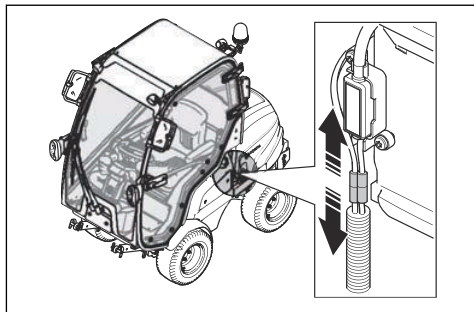
12. Levante o revestimento de borracha da junta do eixo.
13. Puxe o acoplamento do eixo motriz para trás e remova o eixo motriz do eixo da engrenagem cônica da plataforma de corte e do eixo da TDF.
14. Remova as correntes de bloqueio.
15. Remova os pinos (E) e os parafusos (F) dos braços de elevação.



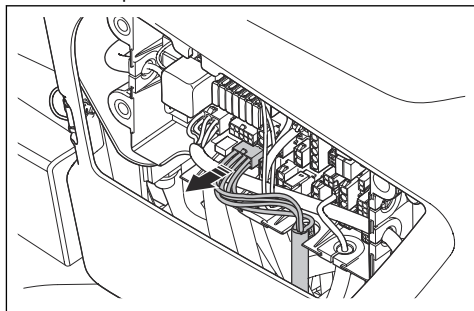
## Retirar e instalar a cabina

1. Retire a porta da cabina. Consulte *Retirar e instalar a porta na página 225*.
2. Retire a porta de emergência. Consulte *Retirar e instalar a porta de emergência na página 225*.
3. Remova as correias de borracha e abra a cobertura do motor.

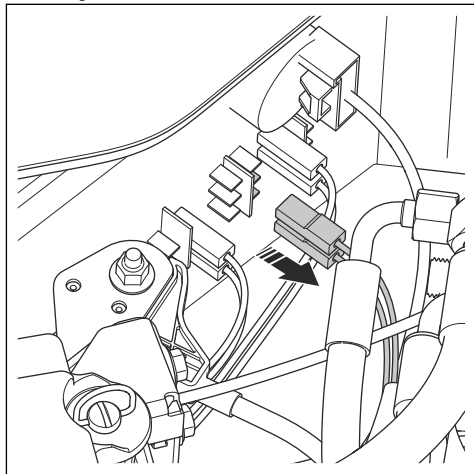
4. Desconecte a bateria.



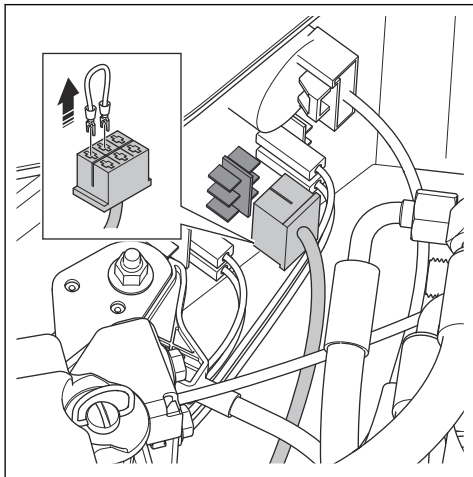
5. Retire a tampa de manutenção. Consulte *Retirar a tampa de manutenção na página 237*.
6. Retire a cobertura da caixa de fusíveis. Consulte *Retirar a cobertura da caixa de controle na página 237*.
7. Desligue o cabo do controlo da cabina. O cabo tem uma ficha preta.



8. Coloque o ilhó de borracha na ranhura vazia.
9. Desligue os 2 conetores do interruptor dos faróis.



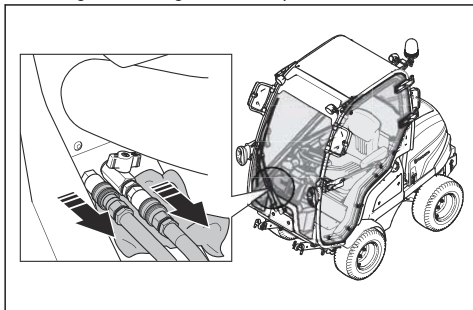
10. Retire a ponte do cabo do conector e instale o conector no interruptor dos faróis.



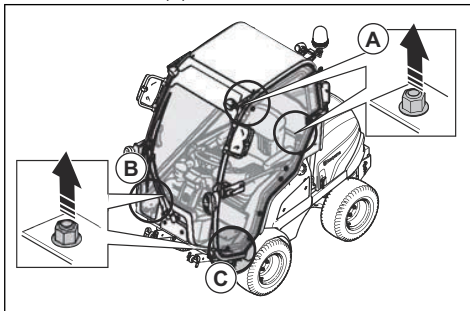
11. Ligue e desligue o interruptor dos faróis para se certificar de que os faróis funcionam corretamente.  
12. Coloque um pano por baixo das mangueiras do aquecimento da cabina.

**Nota:** Para evitar fugas de líquido de arrefecimento, certifique-se de que o aquecimento da cabina está desligado antes de desligar as mangueiras.

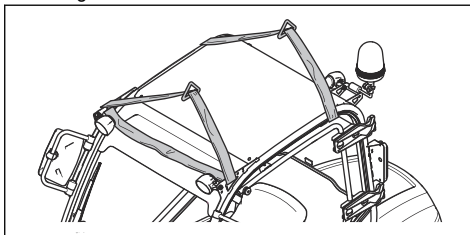
13. Desligue as mangueiras do aquecimento da cabina.



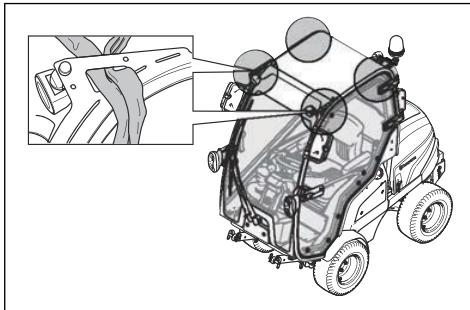
14. Remova os 2 parafusos e as 2 anilhas existentes atrás do banco (A).



15. Remova o parafuso e a anilha existentes atrás das mangueiras do aquecimento da cabina (B).  
16. Remova o parafuso e a anilha na parte dianteira da porta (C).  
17. Dobre o banco para a frente.  
18. Passe 2 cintas através da porta e da saída de emergência.



19. Passe as cintas 2 voltas através da cabina.  
20. Prenda as cintas nos olhais de elevação da cabina.



21. Eleve cuidadosamente a cabina nas cintas com um elevador.  
22. Eleve a cabina 10 cm acima do produto.



**CUIDADO:** Certifique-se de que a cabina é elevada acima dos parafusos.

23. Desloque cuidadosamente a cabina para a frente.

24. Coloque a cabina no suporte para a cabina.  
Consulte *Armazenamento da cabina na página 264*



**ATENÇÃO:** A ROPS deve estar instalada quando a cabina é removida. Consulte *Engatar e desengatar a estrutura de proteção contra capotagem (ROPS) na página 225.*

25. Instale na sequência inversa.

### Retirar e instalar a porta

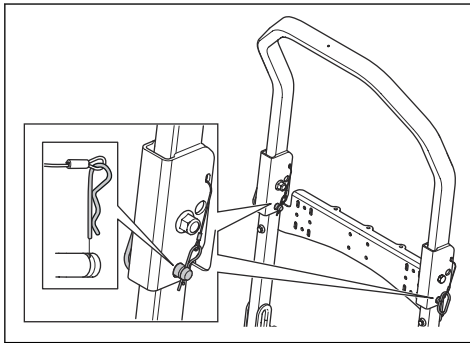
1. Abra a porta a 90 graus.
2. Puxe a mola a gás para fora e desaperte a junta de esfera.
3. Levante a porta para a retirar.
4. Instale na sequência inversa.

### Retirar e instalar a porta de emergência

1. Abra o punho de bloqueio da porta de emergência.
2. Remova o pino da dobradiça.
3. Abra a porta a 90 graus.
4. Levante a porta de emergência para a retirar.
5. Instale na sequência inversa.

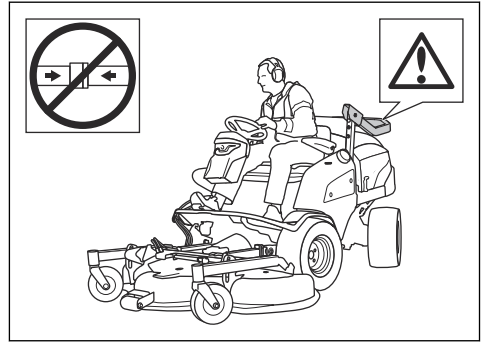
### Engatar e desengatar a estrutura de proteção contra capotagem (ROPS)

- Remova os 2 parafusos que prendem a ROPS e rebata-a para trás para desengatar. Engate a ROPS na sequência inversa.

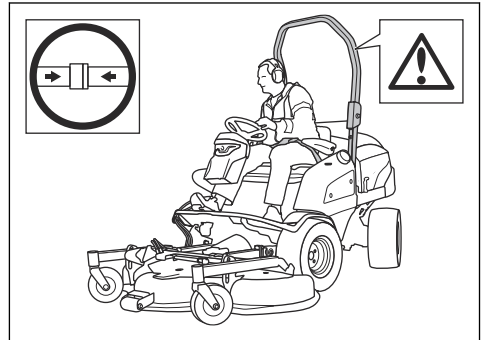


**ATENÇÃO:** Respeite as seguintes instruções relativas à ROPS e ao cinto de segurança.

- Não use o cinto de segurança se a ROPS estiver desengatada.



- Use sempre o cinto de segurança se a ROPS estiver engatada.



- Certifique-se de que a ROPS está corretamente presa e não está danificada.

## Funcionamento

### Introdução



**ATENÇÃO:** Antes de utilizar o produto, tem ler e compreender o capítulo sobre segurança.



**ATENÇÃO:** O diesel é um combustível altamente inflamável. Proceda com cuidado e reabasteça no exterior. Consulte *Segurança no manuseamento do combustível na página 219.*



**ATENÇÃO:** Não utilize o depósito de combustível como área de suporte.

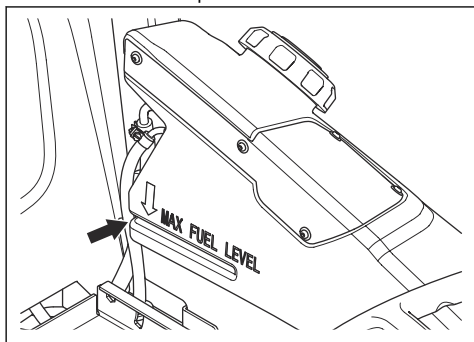


**CUIDADO:** O tipo errado de combustível pode resultar em danos no motor.

- Para estar em conformidade com os regulamentos relativamente a emissões, o diesel tem de cumprir a norma EN590 ou ASTM D975 e ter um teor de enxofre inferior a 500 ppm ou 0,05% do peso. Consulte o manual do utilizador da Kubota para obter mais informações relativamente à qualidade do combustível.
- Utilize diesel com um índice de cetano mínimo de 45. Não utilize diesel com uma mistura de RME com mais de 5% de combustíveis à base de óleo mineral.

**Nota:** É necessário utilizar combustível para tempo frio se a temperatura for inferior a 0 °C/32 °F. Contacte o seu revendedor com assistência técnica da Husqvarna para obter mais informações.

- Verifique o nível de combustível antes de cada utilização e volte a encher, se necessário.
- Não encha com combustível acima da marca de nível máximo no depósito de combustível.

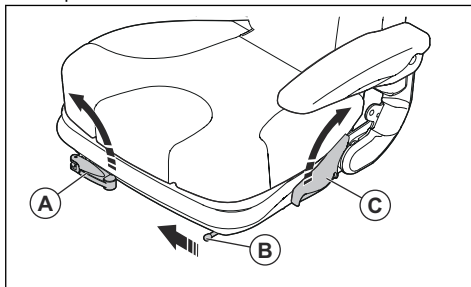


### Ajustar o banco (P 520DX, P 525DX)



**ATENÇÃO:** Não ajuste o banco durante o funcionamento do produto.

1. Para ajustar a suspensão do banco, rode a alavanca (A). Puxe a alavanca para cima para obter mais suspensão e empurre-a para baixo para reduzir a suspensão.



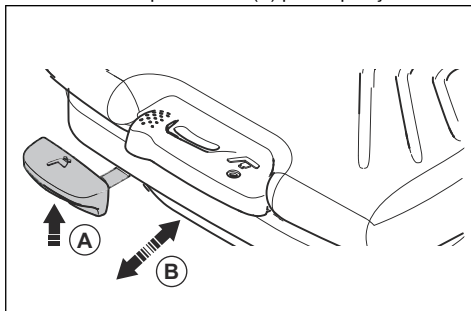
2. Para ajustar o banco para a frente e para trás, puxe a alavanca (B) na direção do centro do banco. Desloque o banco para a posição correta.
3. Para ajustar o encosto, puxe a alavanca (C) para a esquerda do banco. Desloque o encosto para a posição correta.

### Ajustar o banco (acessório para o P 520DX, P 525DX)

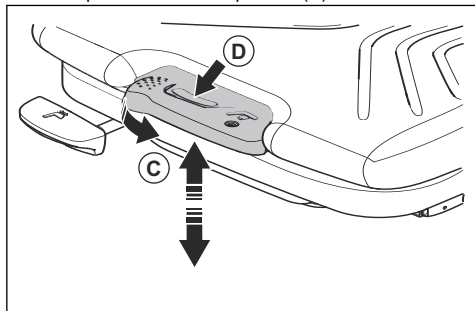


**ATENÇÃO:** Não ajuste o banco durante o funcionamento do produto.

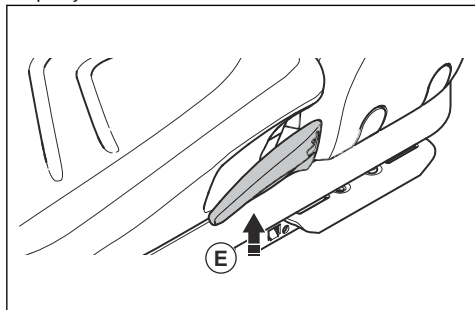
1. Para ajustar o banco para a frente e para trás, puxe a alavanca (A) sob a extremidade dianteira do banco. Desloque o banco (B) para a posição correta.



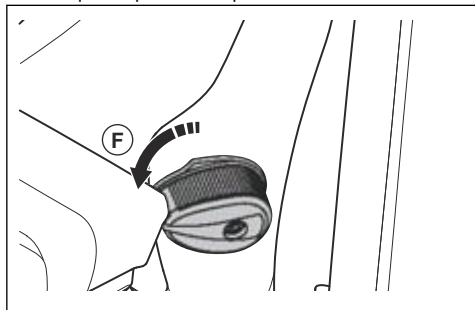
- Para ajustar a suspensão do banco, puxe a alavanca (C) para a esquerda. Puxe a alavanca para cima para obter mais suspensão e empurre-a para baixo para reduzir a suspensão (D).



- Para ajustar o encosto, puxe a alavanca (E) para a esquerda do banco. Desloque o encosto para a posição correta.



- Para ajustar o apoio lombar, rode a alavanca (F) para a esquerda do encosto. Rode a alavanca para a esquerda para mais apoio.

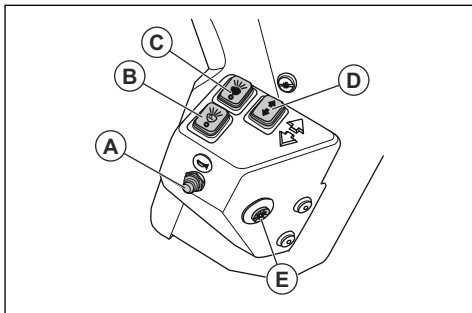


## Interruptores para sinais de segurança - P 525DX Cabin

Os interruptores para sinais de segurança encontram-se no painel à esquerda do volante.

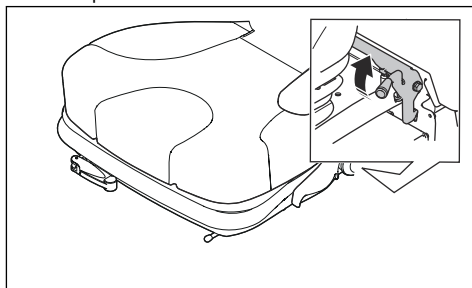
- Buzina (A)
- Lâmpada de estacionamento (B)
- Faróis de médios (C)

- Sinal de mudança de direção (D)
- Luzes de perigo (E)



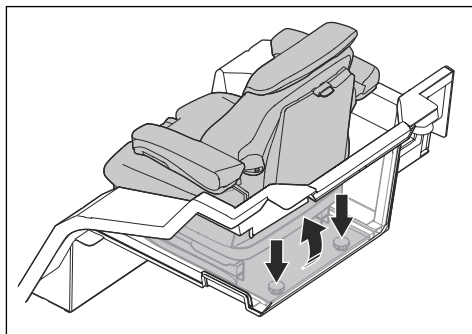
## Inclinar o banco para a frente (P 520DX, P 525DX)

- Puxe a alavanca de bloqueio para cima e incline o banco para a frente.



## Inclinar o banco para a frente (P 525DX Cabin)

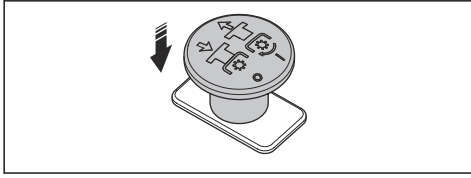
- Retire os 2 botões e as 2 anilhas.



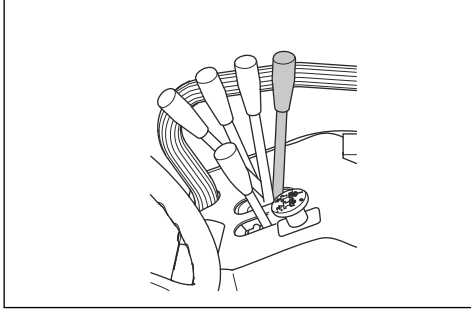
- Incline o banco para a frente.

## Levantam a plataforma de corte

1. Prima o botão da TDF para desengatar a transmissão da plataforma de corte.



2. Desloque a alavanca de elevação para a posição de transporte para elevar a plataforma de corte.



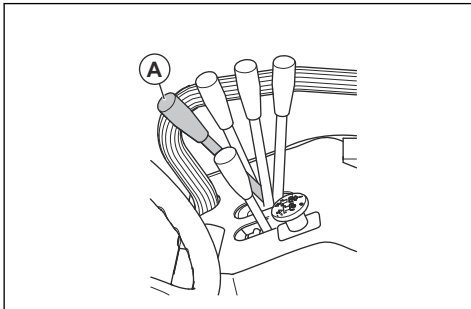
**Nota:** Pode levantar ligeiramente a plataforma de corte com a transmissão engatada nas lâminas. Utilize esta função para relva muito alta ou superfícies acidentadas.



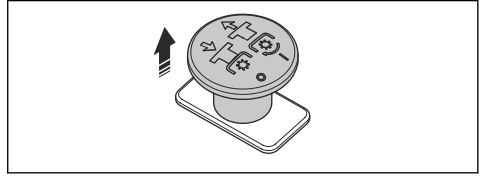
**ATENÇÃO:** Elevar a plataforma de corte com a transmissão engatada pode projetar objetos e causar ferimentos graves ou morte.

## Baixar a plataforma de corte até à posição de corte

1. Desloque a alavanca de elevação para elevação hidráulica para a frente para baixar a plataforma de corte até a posição de corte (A).

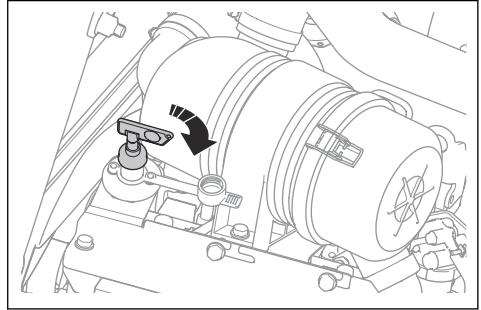


2. Puxe o botão da TDF para engatar a transmissão nas lâminas da plataforma de corte.

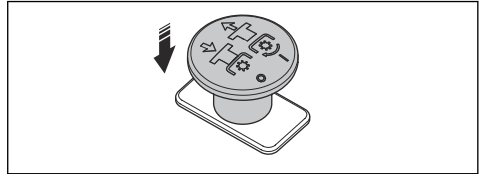


## Arrancar o motor

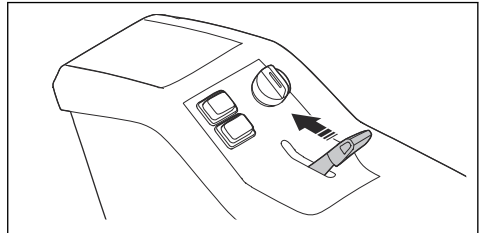
1. Prima e rode o interruptor principal para a posição ON.



2. Aplique o travão de estacionamento.
3. Prima o botão da TDF para desativar o funcionamento da plataforma de corte.



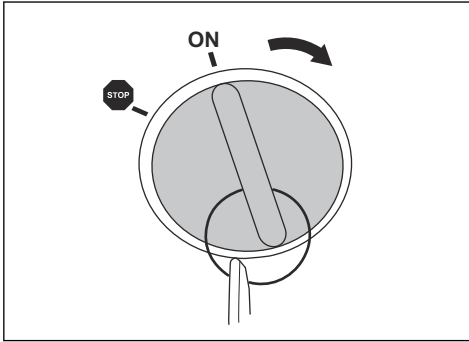
4. Desloque o acelerador para a posição intermédia.



5. Rode a chave de ignição para a posição ON. Aguarde que as luzes do visor se acendam.
6. Rode a chave de ignição para a posição da seta. Mantenha-a nessa posição até o motor arrancar.



- Quando o motor arrancar, solte imediatamente a chave de ignição para a posição ON, para evitar danos no motor de arranque.



**CUIDADO:** Não utilize o dispositivo de arranque durante mais de 6 segundos de cada vez. Se o motor não arrancar, aguarde 15 segundos antes de tentar novamente.

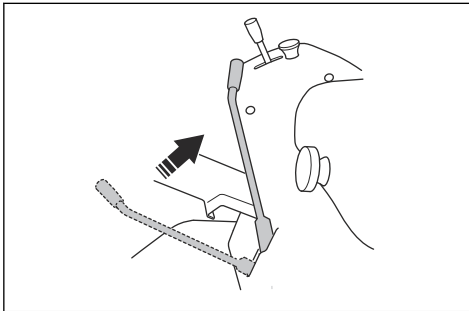
- Deixe o motor trabalhar na aceleração intermédia durante 3 a 5 minutos antes de aplicar uma carga pesada.
- Empurre o acelerador para a posição aceleração total.



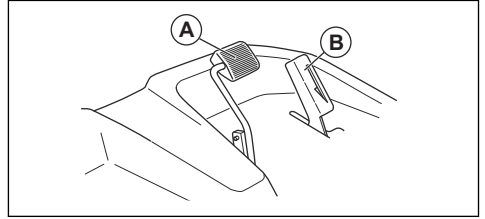
**CUIDADO:** Ativar as lâminas quando o motor está em velocidade máxima causa esforço nas correias da transmissão e na embraiagem. Não aplique a aceleração total até que a plataforma de corte seja descida para a posição de corte.

## Utilizar o produto

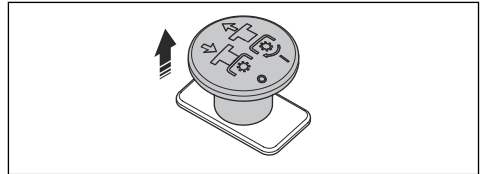
- Ligue o motor.
- Liberte o travão de estacionamento



- Pressione um dos pedais com cuidado. A velocidade aumenta proporcionalmente à pressão aplicada no pedal. Utilize o pedal (A) para a marcha em frente e o pedal (B) para a marcha-atrás.



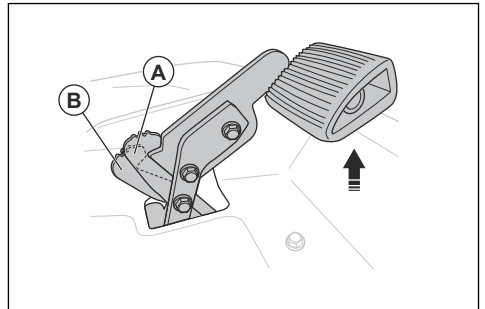
- Solte o pedal para travar. Para aplicar mais força na travagem, pressione o outro pedal de velocidade.
- Puxe o botão da TDF para ativar o funcionamento das lâminas da plataforma de corte.



## Definir as posições do pedal de marcha em frente (P 525DX, P525DX Cabin)

O pedal de marcha em frente pode ser definido para a velocidade de transporte ou para a velocidade de trabalho através da alavanca de bloqueio.

- Desloque a alavanca de bloqueio da posição (A) para a posição (B) para colocar o pedal na velocidade de trabalho.



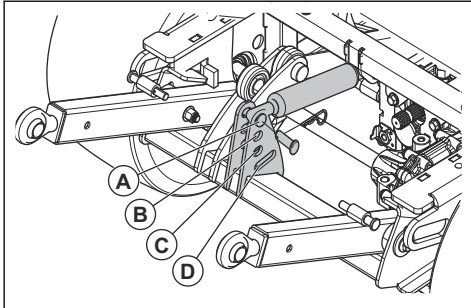
- Para colocar o pedal na velocidade de transporte, levante-o até que a alavanca de bloqueio se desloque para a posição (A).

## Ajustar a pressão que os braços de elevação hidráulica exercem sobre o solo

Os braços de elevação hidráulica têm uma mola de elevação que ajuda a aumentar ou diminuir a pressão

sobre o solo a partir da roda pivô na plataforma de corte.

1. Retire a plataforma de corte. Consulte *Retirar a plataforma de corte na página 222*.
2. Aplique o travão de estacionamento.
3. Desloque a alavanca dos braços de elevação hidráulica para trás para elevar completamente os braços de elevação hidráulica.
4. Rode a chave de ignição para a posição STOP.
5. Para aumentar ou diminuir a pressão sobre o solo, retire o pino e o parafuso e desloque a mola de elevação para uma das posições.

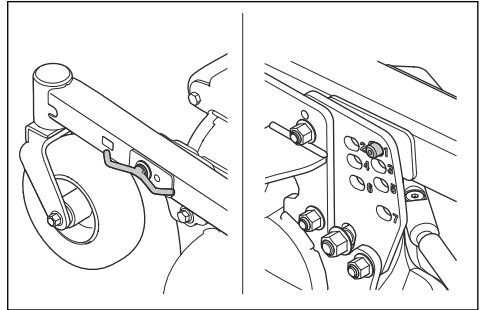


- a) Utilize a posição (A) para a pressão mínima sobre o solo. A posição (A) é utilizada, por exemplo, quando uma plataforma de corte é fixada ao produto.
- b) Utilize a posição (B) ou (C) para aumentar a pressão sobre o solo.
- c) Utilize a posição (D) para desengatar a mola de elevação. A posição (D) é utilizada, por exemplo, quando uma lâmina para neve é fixada ao produto.

## Ajustar a altura de corte Combi 132, Combi 155

1. Estacione o produto num piso nivelado.
2. Aplique o travão de estacionamento.
3. Desloque a alavanca dos braços de elevação hidráulica para trás para elevar completamente a plataforma de corte.
4. Rode a chave de ignição para a posição STOP.

5. Remova o manipulador de regulação da altura de corte da parte lateral da plataforma de corte.

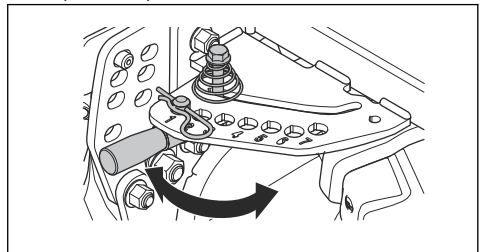


6. Coloque o manipulador de regulação da altura de corte num dos orifícios da placa de regulação.

**Nota:** A altura de corte é representada pelos números 1 a 7. Consulte a tabela a seguir.

Número	Altura de corte, mm/pol.
1	30/1,2
2	40/1,6
3	52/2
4	64/2,5
5	76/2,3
6	93/3,7
7	112/4,4

7. Aperte o manipulador de regulação da altura de corte.
8. Execute os passos acima no outro lado da plataforma de corte.
9. Remova o pino de bloqueio da alavanca de regulação da altura de corte do canto superior esquerdo da plataforma de corte.



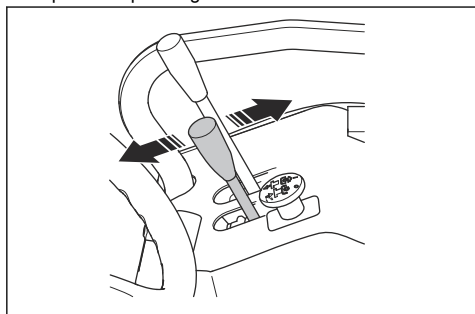
10. Empurre a alavanca de regulação da altura de corte para baixo e puxe a alavanca na horizontal.
11. Coloque a alavanca no orifício com o mesmo número da placa de regulação.

**Nota:** Certifique-se de que o mesmo número é selecionado em todos os pontos de regulação.

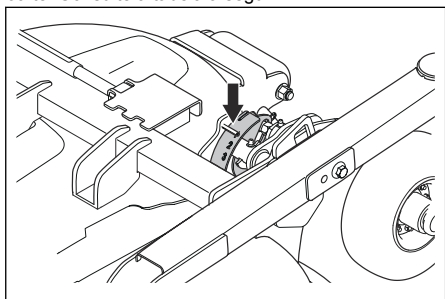
- Fixe o pino de bloqueio na alavanca de regulação da altura de corte.
- Ajuste a posição paralela da plataforma de corte. Consulte *Ajustar a posição paralela da plataforma de corte na página 240*.

## Ajustar a altura de corte (Combi 132 X, Combi 155 X)

- Estacione o produto num piso nivelado.
- Desloque a alavanca de elevação para elevação hidráulica para a frente para baixar a plataforma de corte para a posição de corte.
- Desloque a alavanca da altura de corte para a frente e para trás para regular a altura de corte.



**Nota:** A altura de corte selecionada é representada pelos números 1 a 7 na plataforma de corte. Consulte a tabela a seguir.



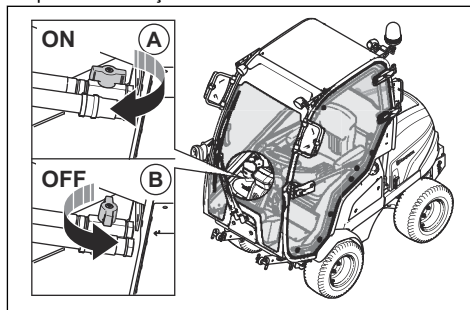
Número	Altura de corte, mm/pol.
1	30/1,2
2	40/1,6
3	52/2
4	64/2,5
5	76/2,3

Número	Altura de corte, mm/pol.
6	93/3,7
7	112/4,4

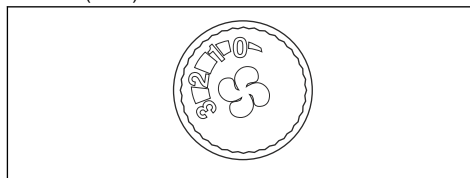
- Ajuste a posição paralela da plataforma de corte. Consulte *Ajustar a posição paralela da plataforma de corte na página 240*.

## Utilizar o aquecimento da cabina

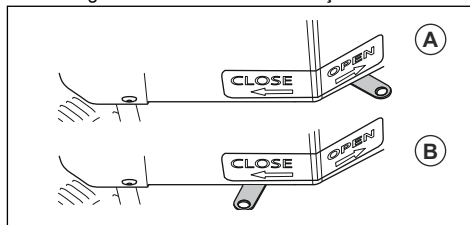
- Ative (A) e desative (B) o aquecimento da cabina com a válvula existente na mangueira à direita do pedal de avanço.



- Rode o regulador de fluxo de ar para definir o fluxo de ar (0 a 3).



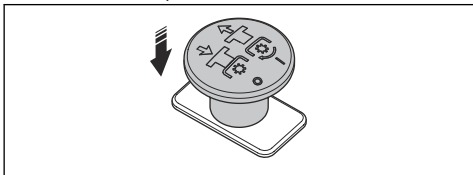
- Puxe a alavanca de circulação para a direita (A) para engatar o acelerador da circulação do ar. Puxe a alavanca de circulação para a esquerda (B) para desengatar o acelerador da circulação do ar.



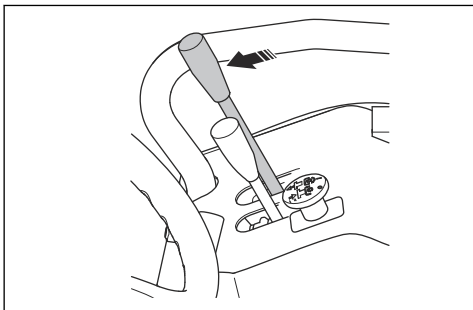
## Parar o motor

- Estacione o produto num piso nivelado.
- Aplique o travão de estacionamento.

3. Prima o botão da TDF para desengatar a transmissão da plataforma de corte.

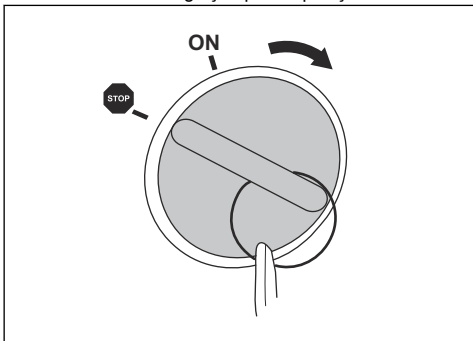


4. Empurre a alavanca dos braços de elevação hidráulica para a frente para baixar a plataforma de corte até ao solo.

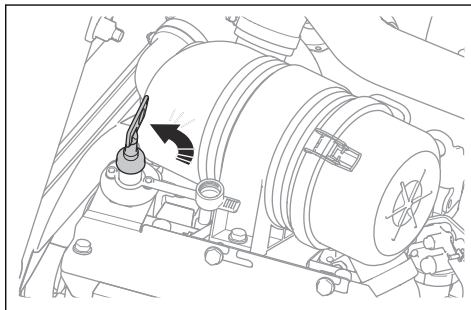


5. Desloque o controlo do acelerador para trás até à posição de baixa velocidade.

6. Rode a chave de ignição para a posição STOP.

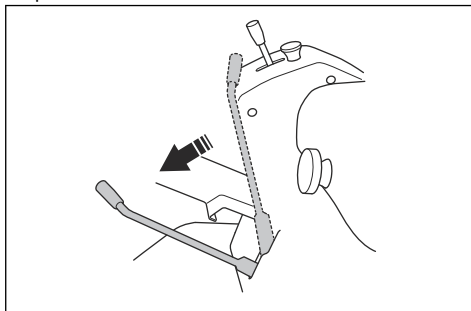


7. No final da operação, ou para efetuar a manutenção do produto, rode o interruptor principal para a posição OFF.



## Aplicar e soltar o travão de estacionamento

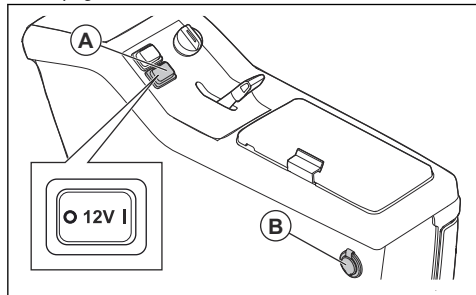
1. Para aplicar o travão de estacionamento, desloque a alavanca do travão de estacionamento totalmente para a frente.



2. Para soltar o travão de estacionamento, desloque a alavanca do travão de estacionamento totalmente para trás.

## Ligar ou desligar a tomada de alimentação de 12 V

- Prima o interruptor de alimentação (A) no painel de controlo direito para ligar ou desligar a tomada de alimentação (B). A tensão da tomada de alimentação é de 12 V. A tomada de alimentação contém um fusível; consulte *Vista geral dos fusíveis na página 245*.



**Nota:** A tomada AUX de 12 V e as saídas USB estão sempre definidas como ligadas.

## Obter bons resultados de corte

- Para obter o melhor desempenho, efetue regularmente a manutenção do produto, de acordo com o esquema de manutenção. Consulte .
- Não corte um relvado molhado. A relva molhada pode levar a um corte de fraca qualidade.
- Comece com uma altura de corte elevada e diminua-a gradualmente.
- Corte com lâminas a uma velocidade de rotação elevada (para a velocidade máxima permitida do motor, consulte *Especificações técnicas na página 266*). Desloque o produto para a frente a uma velocidade baixa. Se a relva não for muito alta nem muito espessa, pode obter bons resultados de corte também a velocidades mais elevadas.
- Corte a relva num padrão irregular.
- Para obter o melhor resultado de corte, corte a relva com frequência e utilize a função Bioclip®.

## Desengatar a transmissão hidrostática

Para mover o produto com o motor desligado, tem de abrir os circuitos hidráulicos na transmissão dianteira e traseira. Isto é feito abrindo as válvulas de derivação nos motores da transmissão.



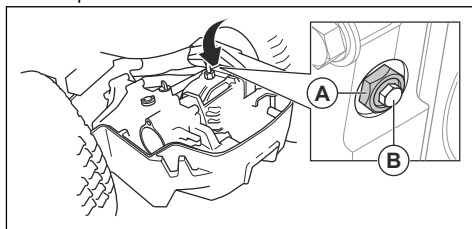
**CUIDADO:** O produto não tem travões quando as válvulas de derivação estão abertas. As válvulas de derivação devem ser fechadas antes de utilizar o produto.



**CUIDADO:** Não reboque o produto a alta velocidade nem por longas distâncias. Isso irá causar danos nas transmissões.

## Transmissão traseira

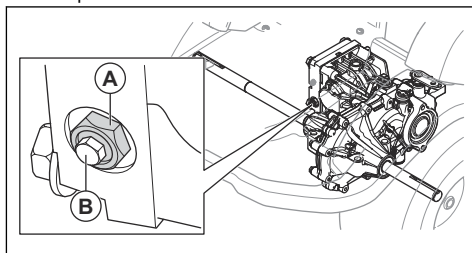
- Para abrir a válvula de derivação, rode a porca de fixação (A)  $\frac{1}{4}$  a  $\frac{1}{2}$  volta para a esquerda e, em seguida, rode o parafuso da válvula (B) 2 voltas para a esquerda.



- Para fechar a válvula de derivação, aperte o parafuso da válvula (B) a 8 Nm e, em seguida, aperte a porca de fixação (A) a 30 Nm.

## Transmissão dianteira

- Para abrir a válvula de derivação, rode a porca de fixação (A)  $\frac{1}{4}$  a  $\frac{1}{2}$  volta para a esquerda e, em seguida, rode o parafuso da válvula (B) 2 voltas para a esquerda.



- Para fechar a válvula de derivação, aperte o parafuso da válvula (B) a 8 Nm e, em seguida, aperte a porca de fixação (A) a 30 Nm.

# Manutenção

## Introdução



**ATENÇÃO:** Certifique-se de que leu e compreendeu o capítulo sobre segurança

antes de realizar tarefas de manutenção no produto.

## Esquema de manutenção

\* = Manutenção geral realizada pelo utilizador. As instruções não estão disponíveis neste manual do utilizador.

X = Manutenção realizada pelo utilizador. As instruções estão disponíveis neste manual do utilizador.

O = Manutenção realizada pela oficina autorizada. As instruções não estão disponíveis neste manual do utilizador.

**Nota:** Se mais do que um intervalo de tempo estiver identificado na tabela, o intervalo de tempo mais curto refere-se apenas à primeira manutenção.

Manutenção	Diariamente	Semanalmente	Primeiras 50 horas	Intervalo de manutenção em horas				
				100	200	400	800	
Certifique-se de que as porcas e os parafusos estão apertados.	*							
Certifique-se de que não existem fugas de combustível, água ou óleo.	*							
Limpe a máquina.	X							
Certifique-se de que os dispositivos de segurança não estão defeituosos.	X							
Lubrifique. Consulte <i>Descrição geral da lubrificação na página 257</i> .		X						
Certifique-se de que as mangueiras de combustível e os acoplamentos estão limpos e não estão danificados.			*	*				
Certifique-se de que as mangueiras e acoplamentos do sistema de arrefecimento estão limpos e não estão danificados.			*	*				
Examine a bateria de 12 V.		*						
Verifique os cabos e ligações elétricos.			*	*				
Verifique o cabo do travão de estacionamento e ajuste o travão de estacionamento.					O			
Verifique o software do produto e, se necessário, atualize-o.					O			
Verifique a tensão das correias da TDF e certifique-se de que não estão gastas.			X	X				
Substitua as correias da TDF.						O		
Substitua o interruptor da TDF.			A cada 10 anos					
			O					
<b>Sistema hidráulico</b>								
Certifique-se de que as mangueiras hidráulicas e os acoplamentos hidráulicos estão limpos e não estão danificados.			*	*				
Verifique o nível do óleo no depósito do óleo hidráulico.		X						
Substitua o filtro de óleo hidráulico.			*			*		
Substitua o óleo hidráulico.						*		
<b>Motor</b>								
Certifique-se de que a admissão de ar frio do motor não está bloqueada.	*							

Manutenção	Diaria- mente	Sema- nal- mente	Pri- meiras 50 ho- ras	Intervalo de manuten- ção em horas			
				100	200	400	800
Verifique o nível do líquido de arrefecimento.	X						
Substitua o líquido de arrefecimento.							O
Verifique o nível do óleo de motor.	X						
Substitua o óleo de motor.			X	X			
Substitua o filtro de óleo.			X	X			
Limpe o filtro de ar.	X						
Substitua o filtro de ar.						X	
Substitua o filtro de combustível primário e o filtro de combustí- vel secundário.				X			
Verifique a tensão da correia do alternador e aperte, se neces- sário.				*			
Substitua a correia do alternador.							O
Verifique as mangueiras de combustível para se certificar de que não têm fendas nem fugas.							*
Substitua as mangueiras de combustível.	A cada 5 anos						
	O						
<b>Bancada de corte</b>							
Limpe a plataforma de corte, por baixo das coberturas da cor- reia e por baixo da própria plataforma de corte.	*						
Examine a plataforma de corte quanto a danos.	*						
Examine as lâminas da plataforma de corte. Afie e equilibre, se necessário.		O					
Examine a correia em V da plataforma de corte.			X	X			
Substitua a correia em V da plataforma de corte.						X	
Verifique o nível do óleo da engrenagem cônica.					X		
Substitua o óleo da engrenagem cônica.						X	
Verifique a posição paralela da plataforma de corte.			X	X			
<b>Rodas e transmissões</b>							
Examine e aperte as porcas das rodas com o binário correto. (84 Nm)			*		*		
Verifique/ajuste a velocidade das rodas dianteiras e traseiras.				O			
Certifique-se de que a pressão dos pneus está correta. Consulte <i>Especificações técnicas na página 266.</i>		X					
Substitua o óleo nas transmissões						*	
Lubrifique as estrias dos eixos das rodas				O			

Manutenção	Diariamente	Semanalmente	Primeiras 50 horas	Intervalo de manutenção em horas			
				100	200	400	800
Verifique o nível do óleo das transmissões e limpe o tampão magnético.						*	

## Limpar o produto



**CUIDADO:** Não utilize uma máquina de lavar de alta pressão nem uma máquina de limpeza a vapor. A possível entrada de água nos rolamentos e nas ligações elétricas pode causar corrosão, o que danifica o produto.

- Limpe o produto imediatamente após cada utilização.
- Não limpe as superfícies quentes como o motor, o silenciador e o sistema de escape. Aguarde até as superfícies arrefecerem e, em seguida, remova a relva ou terra.
- Antes de limpar com água, limpe com uma escova. Retire as aparas de relva e a terra da transmissão, da admissão de ar e do motor, bem como à volta destes.
- Utilize água corrente de uma mangueira para limpar o produto. Não utilize equipamentos de alta pressão.
- Não direcione a água diretamente para os componentes elétricos nem para os rolamentos. Geralmente, o detergente aumenta os danos.
- Para limpar a plataforma de corte, coloque-a na posição de manutenção e utilize uma mangueira para a limpar.
- Quando o produto estiver limpo, ligue a plataforma de corte durante um curto período de tempo para remover a água restante.

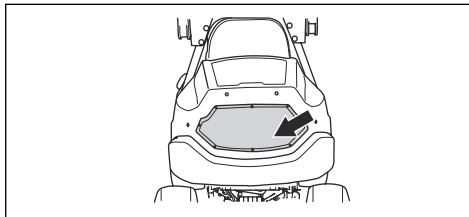
## Limpar o motor e o silenciador

Mantenha o motor e o silenciador isentos de cortes de relva e terra. Os cortes de relva embebidos em combustível ou óleo no motor podem aumentar o risco de incêndio e de sobreaquecimento do motor. Deixe o motor arrefecer antes de o limpar. Limpe com água e uma escova.

Os cortes de relva em redor do silenciador secam rapidamente e representam um risco de incêndio. Quando o silenciador estiver frio, utilize uma escova ou remova os cortes de relva com água.

## Limpar a admissão de ar frio do motor

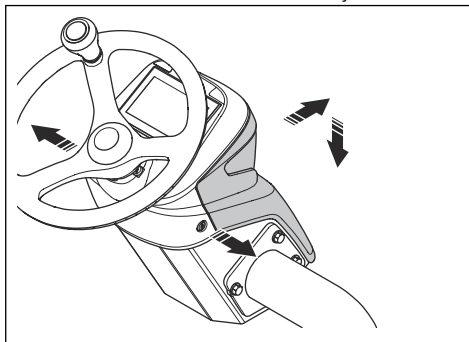
- Certifique-se de que a grelha de admissão de ar frio não está obstruída. Remova a relva e a terra com uma escova macia.



## Remover as coberturas

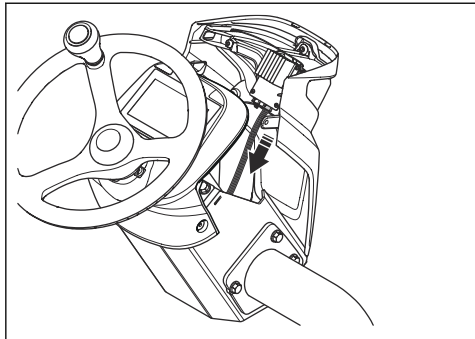
### Retirar e instalar a cobertura dianteira da coluna de direção

1. Retire os 2 parafusos e incline para a frente a cobertura dianteira da coluna de direção.

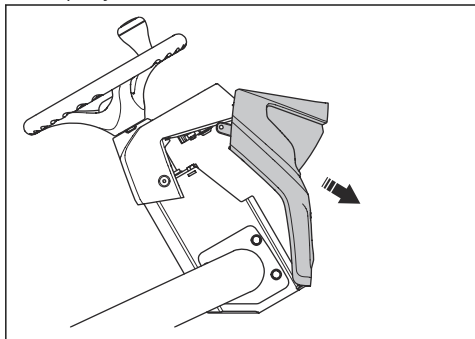




2. Desligue os fios.



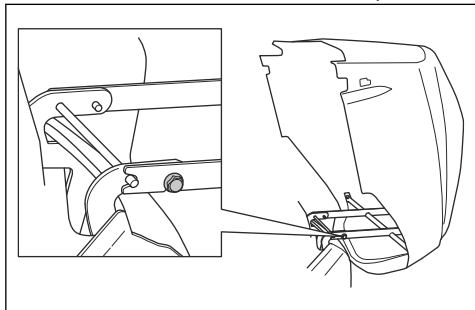
3. Segure a cobertura dianteira da coluna de direção em posição vertical e retire-a.



4. Instale na sequência oposta.

### Abrir a cobertura do motor

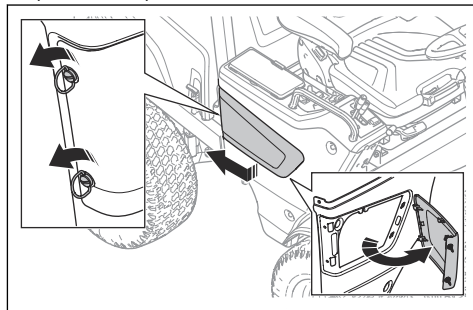
1. Remova as correias de borracha de ambos os lados da cobertura do motor.
2. Abra a cobertura do motor deslocando-a para trás.



**Nota:** Para remover totalmente a cobertura do motor, remova os parafusos das dobradiças.

### Retirar a tampa de manutenção

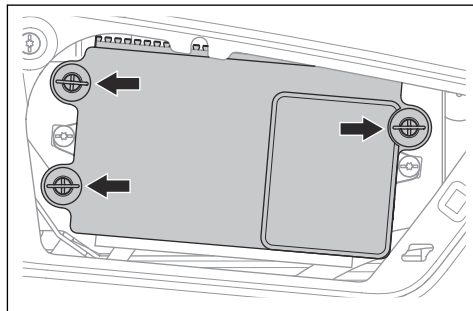
1. Rode os 2 parafusos ¼ de volta para a esquerda para os desapertar.



2. Puxe a tampa de manutenção para trás para a soltar dos ganchos.

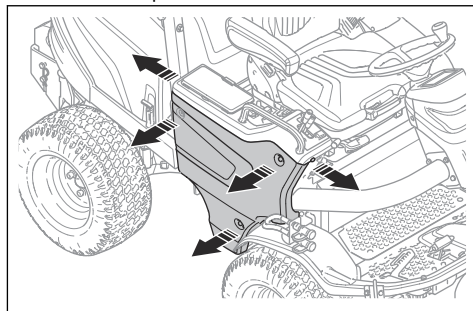
### Retirar a cobertura da caixa de controle

1. Rode os 3 parafusos ¼ de volta para a esquerda e retire a cobertura.



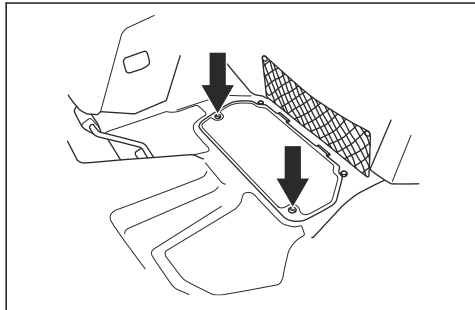
### Remover a cobertura do lado direito

1. Remova os 5 parafusos e a cobertura lateral.



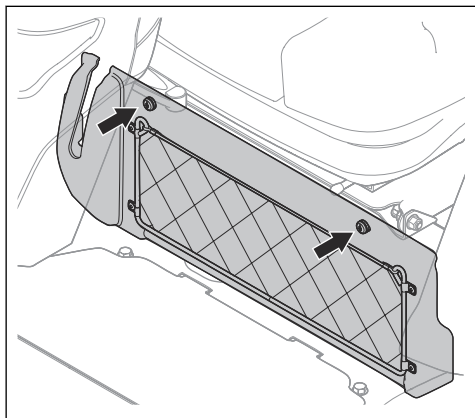
## Remover a escotilha de manutenção

1. Rode os 2 parafusos  $\frac{1}{4}$  de volta e levante a escotilha de manutenção.



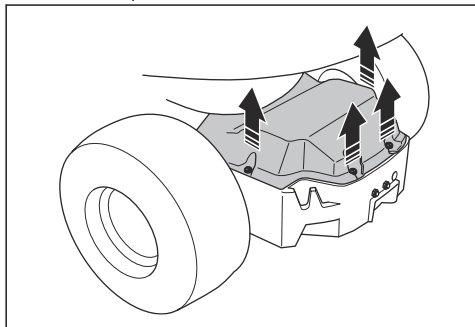
## Remover a placa de cobertura

1. Remova os 2 parafusos e remova a placa de cobertura.



## Remover a cobertura da transmissão

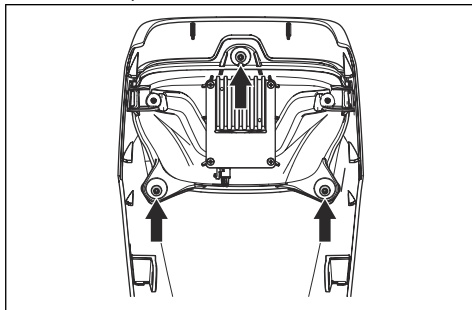
1. Retire os 4 parafusos.



2. Levante e remova a cobertura da transmissão.

## Substituir os faróis

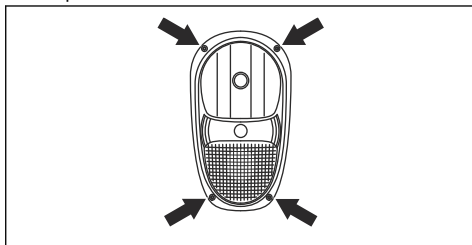
1. Retire a cobertura dianteira da coluna de direção. Consulte *Retirar e instalar a cobertura dianteira da coluna de direção na página 236*.
2. Retire os 3 parafusos dos faróis.



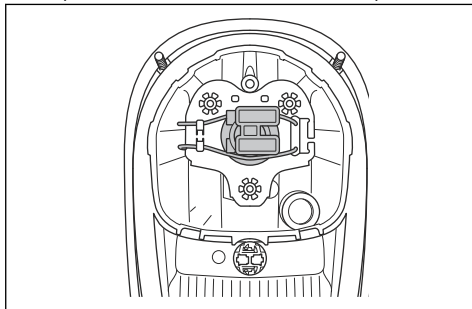
3. Retire os faróis.
4. Monte na sequência oposta.

## Substituir uma lâmpada de médios e máximos (P 525DX Cabin)

1. Remova os 4 parafusos que fixam o módulo da lâmpada e remova-o.



2. Desligue os cabos da lâmpada danificada.
3. Empurre a trava de mola e remova a lâmpada.



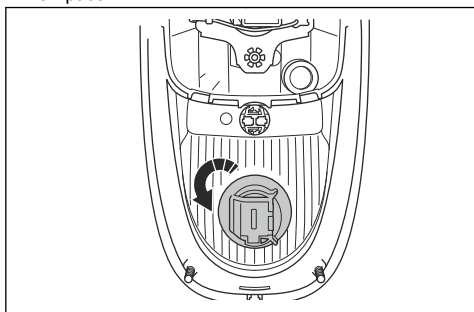
4. Coloque a nova lâmpada no respectivo alojamento. Consulte *Especificações técnicas na página 266*.
5. Ligue os cabos à nova lâmpada.
6. Fixe o módulo da lâmpada e aperte os parafusos.

## Substituir uma lâmpada de estacionamento

1. Remova os 4 parafusos que fixam o módulo da lâmpada e remova-o.
2. Desligue os cabos da lâmpada danificada.
3. Remova a lâmpada.
4. Coloque a nova lâmpada no respetivo alojamento. Consulte *Especificações técnicas na página 266*.
5. Ligue os cabos à nova lâmpada.
6. Fixe o módulo da lâmpada e aperte os parafusos.

## Substituir uma lâmpada de mudança de direção

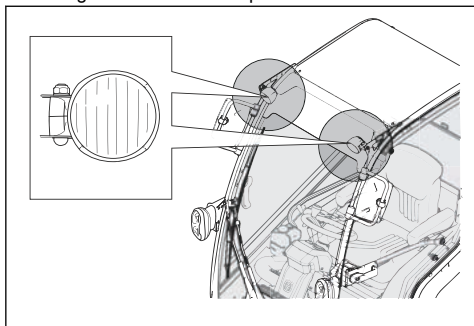
1. Remova os 4 parafusos que fixam o módulo da lâmpada e remova-o.
2. Desligue os cabos da lâmpada danificada.
3. Rode a lâmpada para a esquerda e remova a lâmpada.



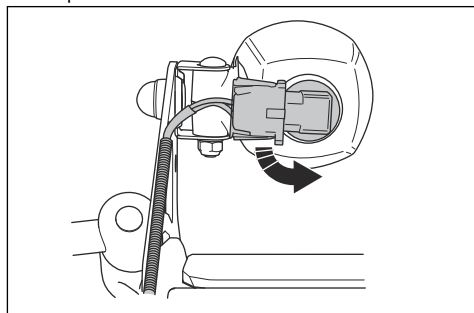
4. Coloque a nova lâmpada no respetivo alojamento. Consulte *Especificações técnicas na página 266*.
5. Ligue os cabos à nova lâmpada.
6. Fixe o módulo da lâmpada e aperte os parafusos.

## Substituir as luzes de trabalho dianteiras (P 525DX Cabin)

1. Desligue os cabos da lâmpada danificada.



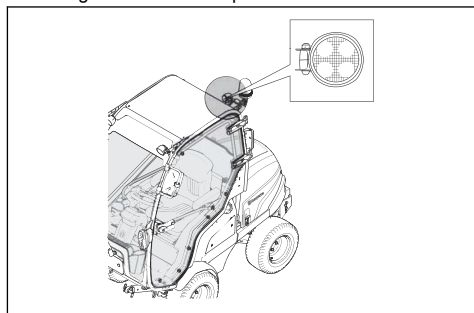
2. Rode a lâmpada para a esquerda e remova a lâmpada.



3. Coloque a nova lâmpada no respetivo alojamento. Consulte *Especificações técnicas na página 266*.
4. Ligue os cabos à nova lâmpada.

## Substituir as luzes de trabalho traseiras (P 525DX Cabin)

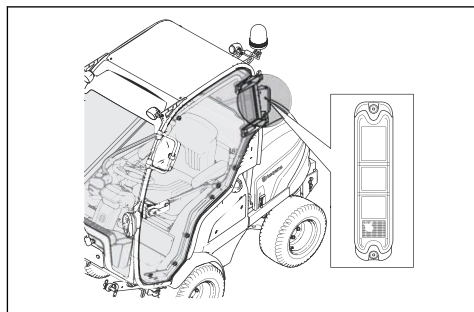
1. Desligue o cabo da lâmpada danificada.



2. Remova o parafuso do conector da lâmpada.
3. Remova o conector da lâmpada com a lâmpada colocada.
4. Instale na sequência inversa.

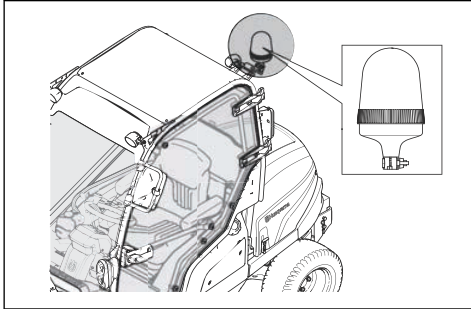
## Substituir as luzes traseiras (P 525DX Cabin)

1. Para substituir as luzes traseiras, contacte uma oficina autorizada.



## Substituir as luzes de aviso (P 525DX Cabin)

1. Solte a porca de orelhas.



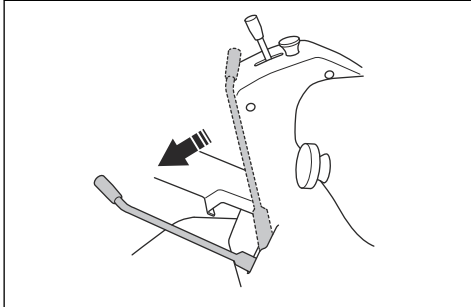
2. Remova a lâmpada.
3. Fixe a lâmpada nova.

## Verificar o travão de estacionamento

1. Estacione o produto numa superfície rígida com um declive máximo de 10°.

**Nota:** Não estacione o produto num declive com relva quando verificar o travão de estacionamento.

2. Empurre o travão de estacionamento para a frente.

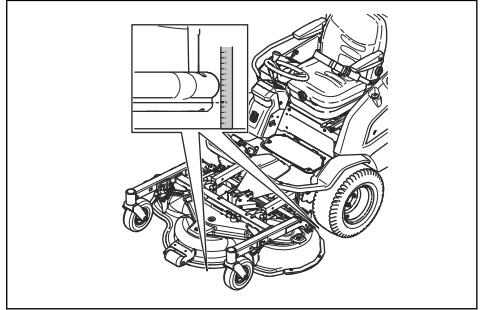


3. Se o produto começar a deslocar-se, solicite o ajuste do travão de estacionamento numa oficina autorizada.
4. Puxe o travão de estacionamento para trás para soltar o travão de estacionamento.

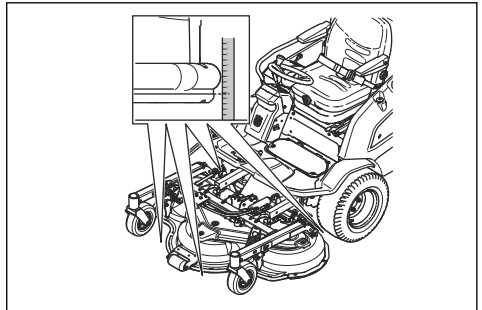
## Verificar a posição paralela da plataforma de corte

1. Verifique a pressão de ar dos pneus. Consulte *Pressão dos pneus na página 247*.
2. Estacione o produto numa superfície nivelada.
3. Baixe a plataforma de corte até à posição de corte.
4. Coloque a alavanca da altura de corte na posição intermédia.
5. Meça a distância entre o solo e as arestas dianteira e traseira da plataforma de corte.

- a) Meça a Combi 132 e a Combi 155 em 2 áreas. Certifique-se de que a extremidade traseira tem uma altura 6 a 9 mm ( $\frac{1}{4}$  a  $\frac{3}{8}$  de pol.) superior à da extremidade dianteira.



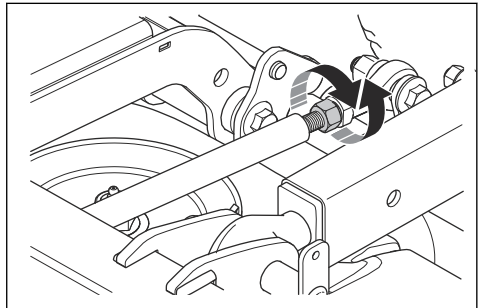
- b) Meça a Combi 132 X e a Combi 155 X em 4 áreas. Certifique-se de que a extremidade traseira tem uma altura 6 a 9 mm ( $\frac{1}{4}$  a  $\frac{3}{8}$  de pol.) superior à da extremidade dianteira.



6. Se necessário, ajuste a plataforma de corte. Consulte *Ajustar a posição paralela da plataforma de corte na página 240*.

## Ajustar a posição paralela da plataforma de corte

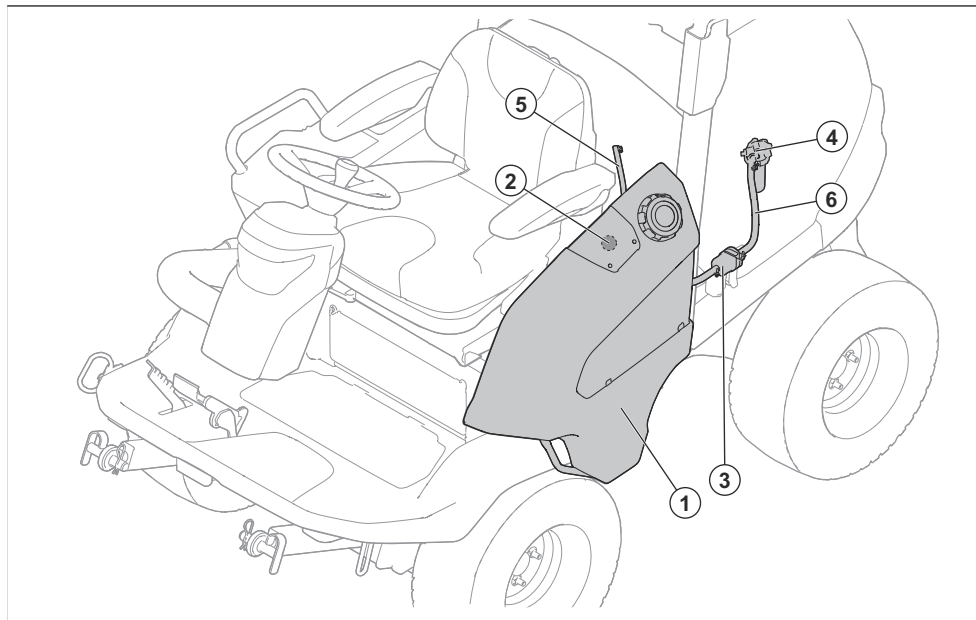
1. Rode o veio da calha para o alongar ou encurtar. Alongue o veio da calha para elevar a extremidade traseira da plataforma de corte. Encurte o veio da calha para baixar a extremidade traseira da plataforma de corte.



**Nota:** Para a Combi 132 X, Combi 155 X, ajuste os veios das calhas nos 2 lados.

2. Aperte as porcas do veio da calha.
3. Verifique o paralelismo. Consulte *Verificar a posição paralela da plataforma de corte na página 240.*

## Vista geral do sistema de combustível



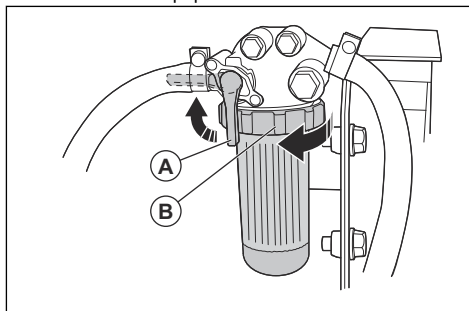
1. Depósito de diesel
2. Indicador elétrico do nível de combustível
3. Pré-filtro
4. Filtro de combustível
5. Mangueira de retorno de combustível
6. Mangueira de combustível

## Substituir os filtros de combustível

### Substituir o filtro de papel do filtro principal

1. Retire a cobertura do motor. Consulte *Abrir a cobertura do motor na página 237.*
2. Retire o filtro de ar. Consulte *Limpar e substituir o filtro de ar na página 242.*
3. Feche a válvula de combustível (A).
4. Rode a porca de fixação (B) ½ volta para a esquerda e retire o alojamento do filtro.

5. Retire o filtro de papel.



6. Coloque um novo filtro de papel no alojamento do filtro.
7. Rode a porca de fixação ½ volta para a direita para fixar o alojamento do filtro.

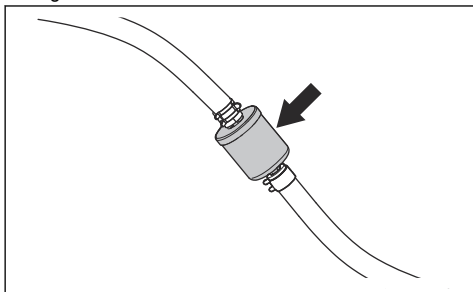
### Substituir o pré-filtro de combustível

O pré-filtro de combustível encontra-se por baixo do alojamento da bateria, no lado esquerdo do produto.

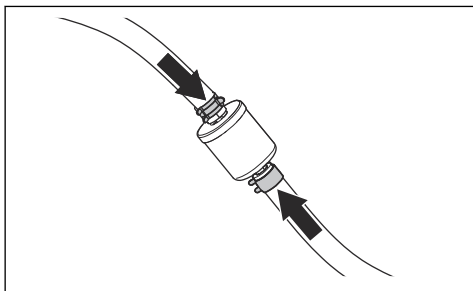


**ATENÇÃO:** Coloque luvas de proteção para evitar irritações na pele. É possível que o combustível transborde do filtro de combustível e entre em contacto com a pele.

1. Retire o parafuso do grampo que fixa o pré-filtro de combustível na sua posição.
2. Retire o filtro de combustível do grampo.
3. Desaperte os parafusos nas braçadeiras de mangueira.
4. Afaste as braçadeiras de mangueira do pré-filtro de combustível com um alicate plano.
5. Retire o pré-filtro de combustível das extremidades das mangueiras. Existe o risco de uma pequena fuga de combustível.



6. Certifique-se de que o novo pré-filtro de combustível está na direção correta para o fluxo de combustível. Empurre o novo pré-filtro de combustível para o encaixar nas extremidades das mangueiras. Aplique detergente líquido nas extremidades do pré-filtro de combustível para facilitar a ligação.
7. Empurre as braçadeiras de mangueira contra o pré-filtro de combustível.



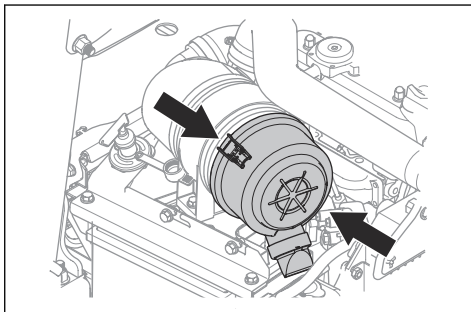
8. Aperte os parafusos às braçadeiras de mangueira e instale o pré-filtro de combustível no grampo.

## Limpar e substituir o filtro de ar

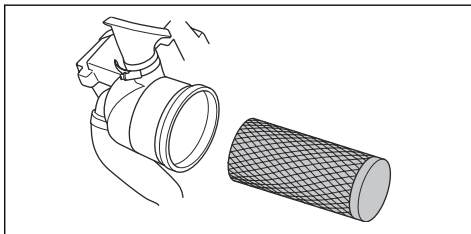


**CUIDADO:** Não ligue o motor com o filtro de ar removido.

1. Retire a cobertura do motor.
2. Solte os 2 trincos que fixam a cobertura do filtro de ar.



3. Retire a cobertura do filtro de ar.
4. Retire o cartucho do filtro de ar do alojamento do filtro.



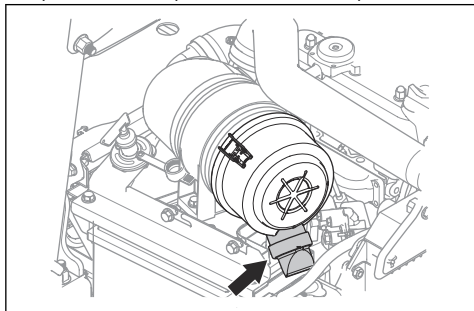
5. Limpe a superfície interior do alojamento do filtro de ar com um pano seco.
6. Bata cuidadosamente com o cartucho do filtro de ar contra uma superfície rígida. Substitua o filtro de ar se este não poder ser totalmente limpo ou se estiver danificado.



**CUIDADO:** Não utilize ar comprimido para limpar o filtro de ar.

7. Coloque o cartucho do filtro de ar na respetiva posição inicial no alojamento do filtro. Certifique-se de que o cartucho do filtro de ar fica corretamente instalado na parte superior da admissão de ar.

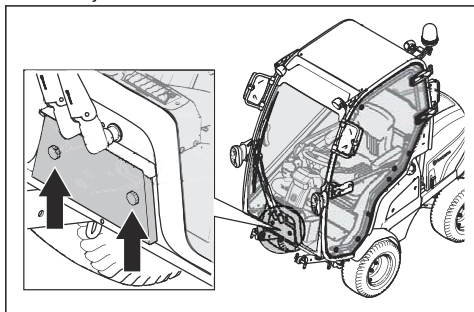
8. Instale a cobertura do filtro de ar e certifique-se de que o coletor de partículas está virado para baixo.



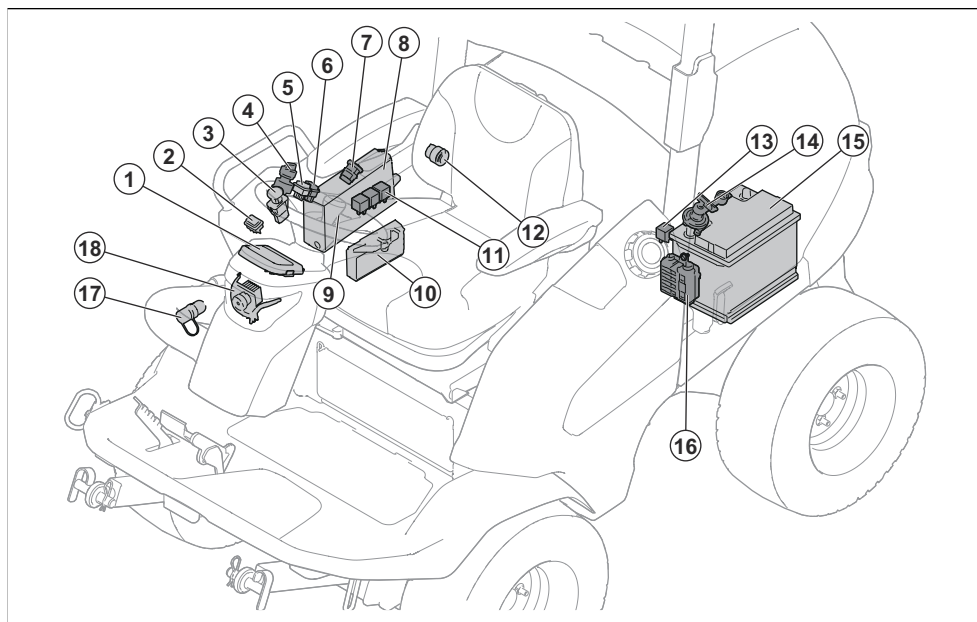
2. Retire o suporte do filtro.
3. Remova o filtro de entrada.
4. Limpe cuidadosamente o filtro de entrada com uma escova.
5. Se o filtro de entrada não ficar limpo, substitua-o.
6. Remova o filtro de entrada do suporte do filtro.
7. Fixe o suporte do filtro e aperte os botões.

## Limpar e substituir o filtro de entrada do aquecimento da cabina

1. Desaperte os 2 botões da cobertura do sistema de ventilação e remova a cobertura.



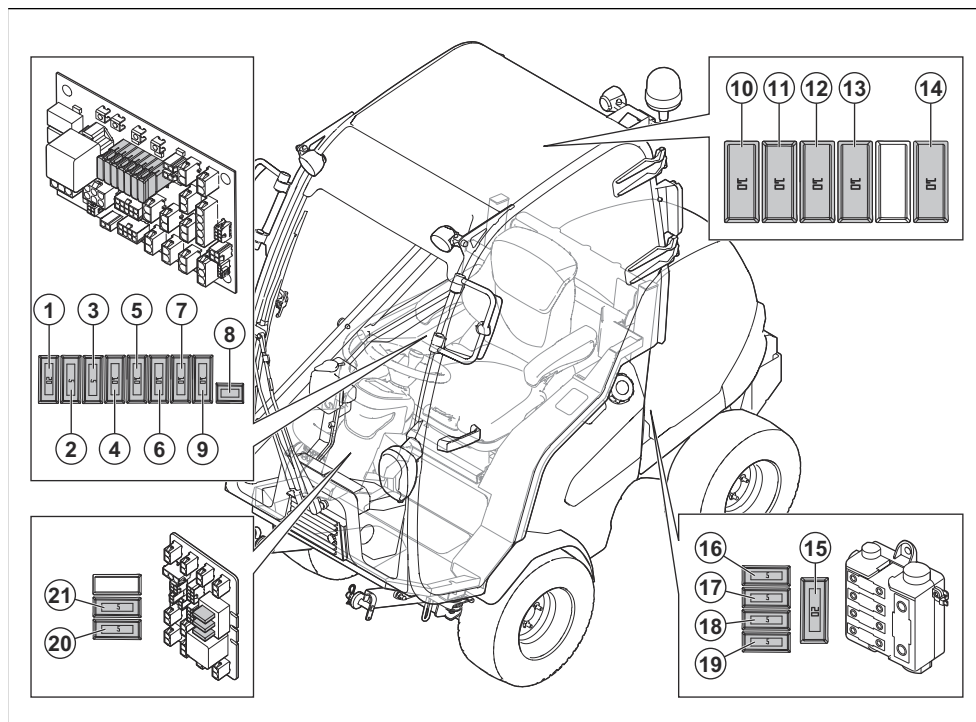
## Vista geral do sistema elétrico



- |   |  |
|---|--|
| 1. Visor  | 10. Módulo de controlo do corta-relva                          |
| 2. Botão de funcionamento para acessórios com sistema hidráulico (acessório para o P 520DX) | 11. Relé   |
| 3. Botão da TDF   | 12. Tomada de alimentação, 12 V                                |
| 4. Chave da ignição   | 13. Relé   |
| 5. Indicador do farol   | 14. Interruptor principal                                      |
| 6. Interruptor para a tomada de alimentação   | 15. Bateria  |
| 7. Saídas USB   | 16. Caixa de fusíveis  |
| 8. Caixa de controlo  | 17. Tomada de alimentação AUX, 12 V (acessório para o P 520DX) |
| 9. Conetor de manutenção  | 18. Faróis   |



## Vista geral dos fusíveis



1. Alimentação de 12 V para o módulo de controlo do corta-relva, 20 A
2. Potência do visor de diesel, 5 A
3. Alimentação da ignição, 5 A
4. J14 + 12 V, farol rotativo, 10 A
5. J16 + 12 V, interruptor extra, saída extra, potência hidráulica, 10 A
6. Travão de estacionamento / banco, 10 A
7. Alimentação das luzes, 10 A
8. Alimentação da cabina, fusível automático
9. USB, tomada de 12 V, alimentação do interruptor de 12 V, 10 A
10. Limpa-para-brisas, 10 A (P 525DX Cabin)
11. Aquecimento da cabina, 10 A (P 525DX Cabin)
12. Luz de trabalho traseira, 10 A (P 525DX Cabin)
13. Farol de médios, 10 A (P 525DX Cabin)
14. Luz de trabalho dianteira, 10 A (P 525DX Cabin)
15. Fusível de segurança de alta potência, 150 A
16. Vazio
17. Fusível de alimentação da cabina, 50 A (P 525DX, P 525DX Cabin)
18. Fusível do motor de potência/das velas de incandescência, 50 A

19. Fusível da fonte de alimentação da placa de controlo, 50 A
20. Sinal sonoro, 5 A
21. Luz de estacionamento, 5 A

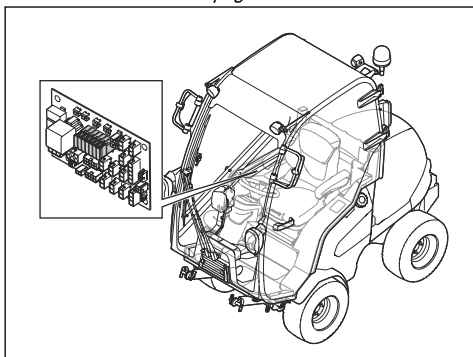
### Substituir um fusível

Um fusível fundido é identificado por um fio de fusível queimado.

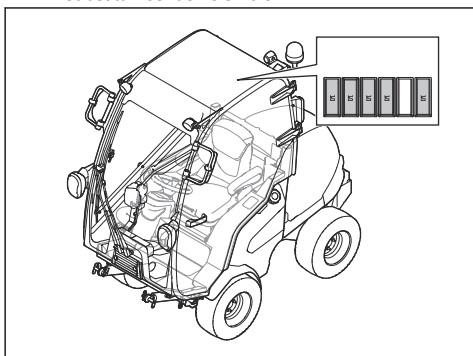
A lista de fusíveis encontra-se na vista geral dos fusíveis; consulte *Vista geral dos fusíveis na página 245*.

1. Localize o fusível fundido:

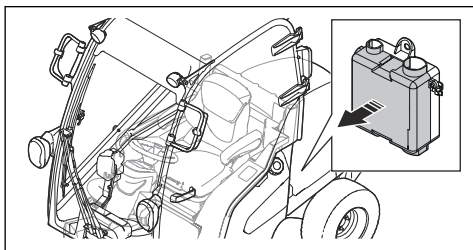
- a) Retire a cobertura lateral direita para substituir os fusíveis 1 a 9. Consulte *Remover a cobertura do lado direito na página 237*.



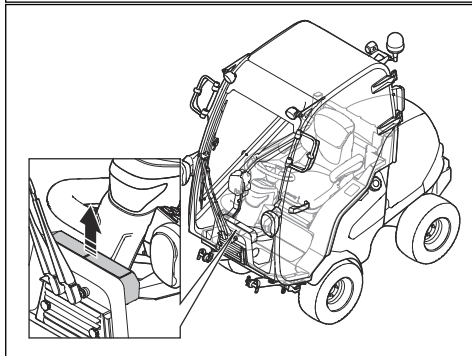
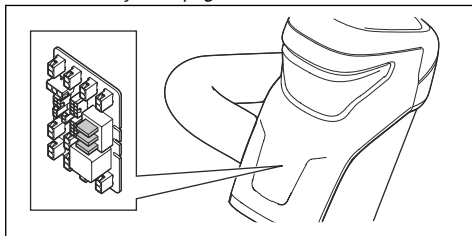
- b) Retire a cobertura do tejadilho da cabina para substituir os fusíveis 10 a 14.



- c) Abra a cobertura do motor para substituir os fusíveis 15 a 19. Consulte *Abrir a cobertura do motor na página 237*. Os fusíveis encontram-se na caixa de fusíveis em frente da bateria.



- d) Retire a cobertura dianteira da coluna de direção para substituir os fusíveis 20 a 21. Consulte *Retirar e instalar a cobertura dianteira da coluna de direção na página 236*.



- e) Na P 525DX Cabin, para ter acesso à cobertura dianteira, retire os 4 parafusos da unidade de circulação de ar. Retire a unidade de circulação de ar.

1. Puxe o fusível do suporte.
2. Puxe o fusível do suporte.
3. Substitua o fusível fundido por um fusível novo do mesmo tipo. Consulte *Vista geral dos fusíveis na página 245*.
4. Prenda as coberturas.

**Nota:** Se o fusível principal se fundir novamente num curto período de tempo depois de o substituir, existe um curto-circuito. Repare o curto-circuito antes de utilizar novamente o produto. Solicite ajuda numa oficina autorizada.

## Carregar a bateria

- Carregue a bateria, se esta estiver demasiado fraca para ligar o motor.
- Utilize um carregador de bateria padrão.



**CUIDADO:** Não utilize um carregador rápido ou propulsor de arranque. Estes poderão danificar o sistema elétrico do produto.

- Antes de ligar o motor, desligue sempre o carregador.

## Efetuar um arranque de emergência do motor

Se a bateria estiver demasiado fraca para ligar o motor, pode utilizar cabos de ligação direta para efetuar um arranque de emergência. Este produto tem um sistema de 12 V com terra negativa. O produto utilizado para o arranque de emergência também tem de ter um sistema de 12 V com terra negativa.

### Ligar os cabos de ligação direta

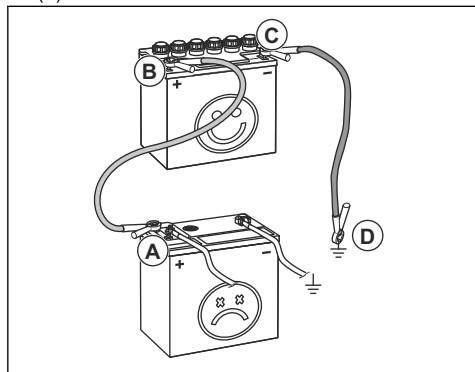


**ATENÇÃO:** Existe risco de explosão devido ao gás explosivo emitido pela bateria. Não ligue o terminal negativo da bateria totalmente carregada ao ou junto ao terminal negativo da bateria fraca.



**CUIDADO:** Não utilize a bateria do seu produto para ligar outros veículos.

1. Retire a cobertura do motor. Consulte *Abrir a cobertura do motor na página 237*.
2. Ligue uma extremidade do cabo vermelho ao terminal POSITIVO da bateria (+) na bateria fraca (A).



3. Ligue a outra extremidade do cabo vermelho ao terminal POSITIVO da bateria (+) na bateria totalmente carregada (B).



**ATENÇÃO:** Não provoque o curto-circuito das extremidades do cabo vermelho contra o chassi.

4. Ligue uma extremidade do cabo preto ao terminal NEGATIVO da bateria (-) na bateria totalmente carregada (C).
5. Ligue a outra extremidade do cabo preto a um conector de TERRA do CHASSI (D), afastado do depósito de combustível e da bateria.
6. Substitua as proteções.

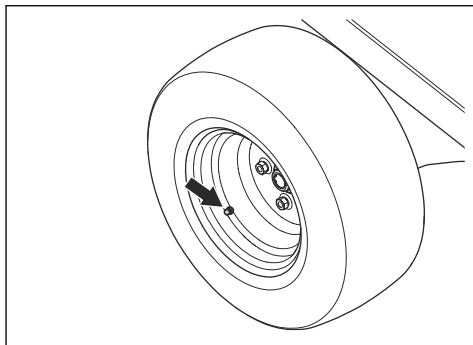
## Retirar os cabos de ligação direta

**Nota:** Retire os cabos de ligação direta na sequência oposta à da ligação.

1. Retire o cabo PRETO do chassi.
2. Retire o cabo PRETO da bateria totalmente carregada.
3. Retire o cabo VERMELHO das 2 baterias.

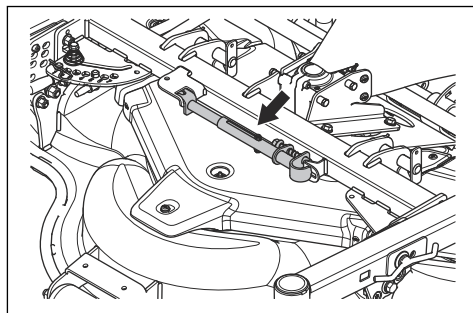
## Pressão dos pneus

Consulte *Especificações técnicas na página 266* para saber qual a pressão correta dos pneus.



## Colocar a bancada de corte na posição de manutenção

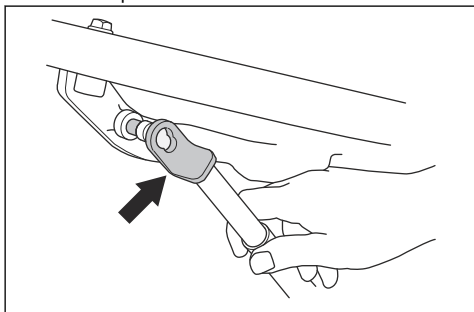
1. Efetue o procedimento descrito em *Retirar a plataforma de corte na página 222*, mas não desligue os braços de elevação.
2. Remova o suporte de serviço da plataforma de corte.



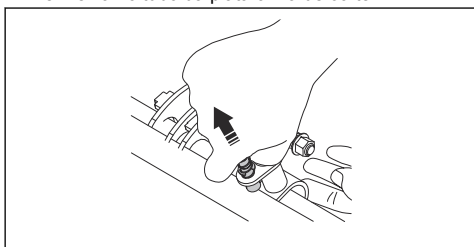
**ATENÇÃO:** Fixe o suporte de serviço e as correias de segurança quando a plataforma de corte estiver na posição de manutenção. A não utilização correta do suporte de serviço

ou das correias de segurança pode resultar em ferimentos graves ou morte.

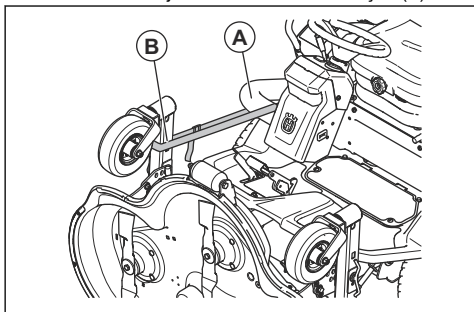
3. Prenda o suporte de serviço ao ponto vermelho abaixo da placa inferior.



4. Puxe o pino da outra extremidade do suporte de serviço. Prenda o suporte de serviço à marca vermelha no tubo da plataforma de corte.



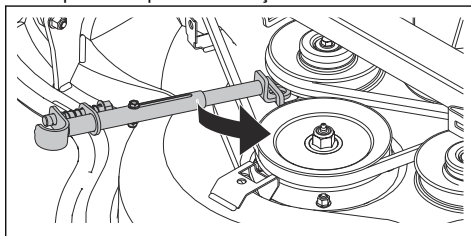
5. Ligue o motor.
6. Desloque a alavanca dos braços de elevação hidráulica para trás para elevar completamente a plataforma de corte.
7. Enrole 1 extremidade das correias de segurança à volta do tubo adjacente à coluna de direção (A).



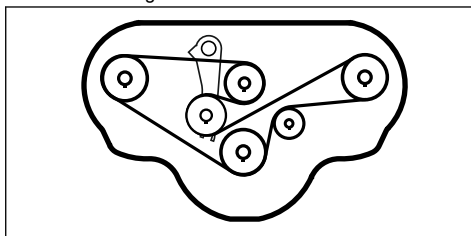
8. Enrole a outra extremidade da correia de segurança à volta das rodas pivô da plataforma de corte (B).
9. Para colocar a plataforma de corte na posição de corte, siga as instruções na sequência inversa.

## Substituir a correia da plataforma de corte

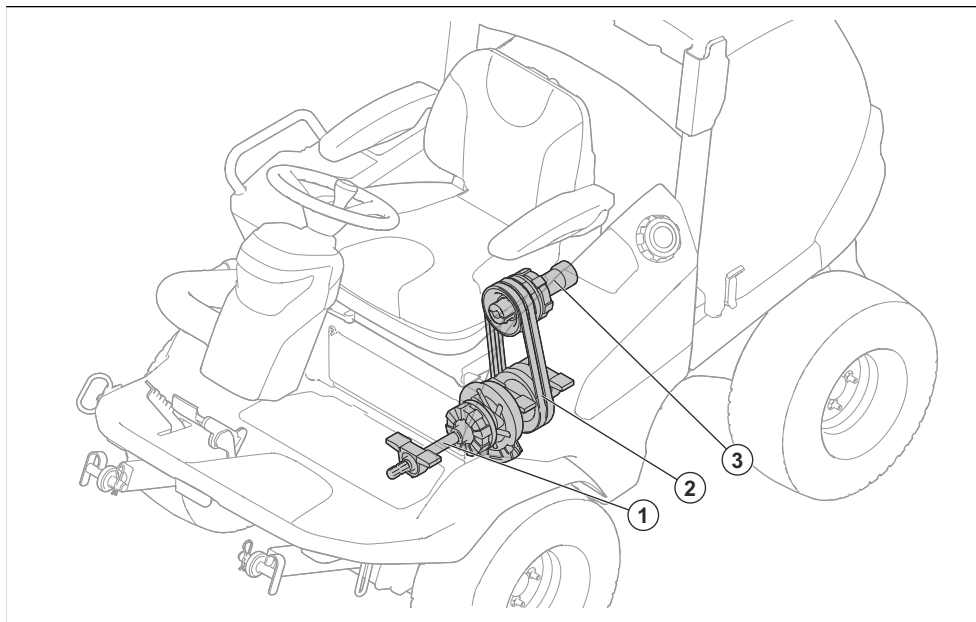
1. Retire os 3 parafusos que fixam a cobertura da correia.
2. Retire a proteção da correia.
3. Prenda o suporte de serviço à mola de tensão.
4. Empurre o suporte de serviço e remova a correia.



5. Enrole a correia à volta das polias conforme indicado na figura.



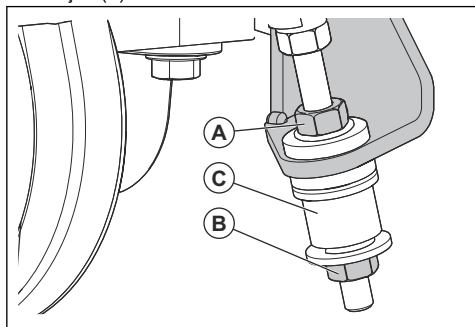
## Vista geral do sistema da TDF



1. Eixo da TDF
2. Correias
3. Eixo motor da bomba hidráulica

## Ajustar as correias da TDF

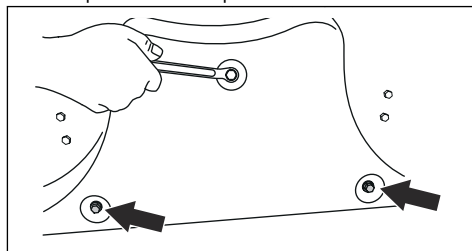
1. Solte a porca de fixação (A).
2. Aperte o parafuso de ajuste (B) até que deixe de ser possível rodar manualmente a manga (C).
3. Segure o parafuso de ajuste (B) e aperte a porca de fixação (A).



## Remover e fixar o adaptador BioClip®

1. Coloque a bancada de corte na posição de manutenção.

2. Retire os 3 parafusos que fixam o adaptador BioClip® e retire o adaptador.



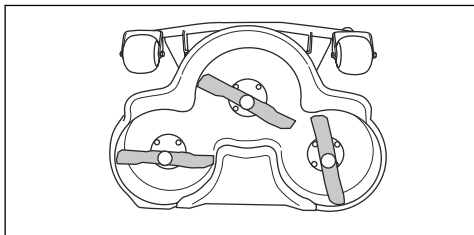
3. Fixe 3 parafusos M8x15 mm nos orifícios dos parafusos para o adaptador BioClip®, para evitar danos nas roscas.
4. Coloque a plataforma de corte na posição de corte.
5. Fixe o adaptador BioClip® na sequência oposta.

## Examinar as lâminas



**CUIDADO:** As lâminas danificadas ou incorretamente equilibradas podem provocar danos no produto. Substitua as lâminas danificadas. Solicite ajuda numa oficina autorizada para afiar e equilibrar as lâminas rombas.

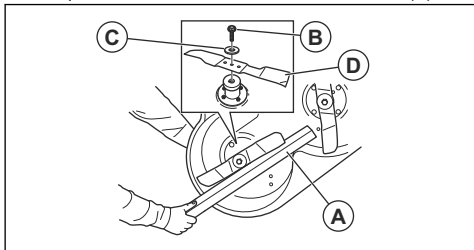
1. Coloque a plataforma de corte na posição de manutenção.
2. Observe as lâminas para verificar se estão danificadas e se é necessário afiá-las.



3. Aperte os parafusos das lâminas com o binário de aperto correto. Consulte *Especificações técnicas na página 266*.

## Substituir as lâminas

1. Coloque a plataforma de corte na posição de manutenção.
2. Bloquee a lâmina com um bloco de madeira (A).



3. Desaperte e retire o parafuso da lâmina (B), as arruelas (C) e a lâmina (D).
4. Instale a nova lâmina com as extremidades pontiagudas na direção da plataforma de corte.



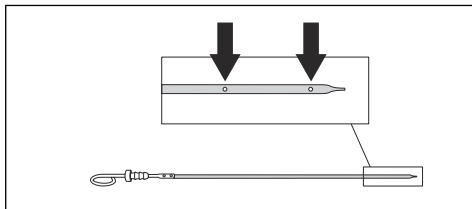
**ATENÇÃO:** O tipo de lâmina incorreto pode causar a projeção de objetos da plataforma de corte e resultar em ferimentos graves. Utilize apenas as lâminas indicadas na seção *Especificações técnicas na página 266*.

5. Instale a anilha e o parafuso para fixar a lâmina. Aperte o parafuso com o binário correto. Consulte *Especificações técnicas na página 266*.

## Verificar o nível do óleo de motor

1. Estacione o produto num piso nivelado e pare o motor.
2. Retire a cobertura do motor.
3. Solte a vareta de nível e puxe-a para fora.
4. Limpe o óleo da vareta de nível.
5. Coloque a vareta de nível no orifício da vareta de nível.

6. Puxe a vareta de nível para fora para verificar o nível do óleo.
7. O nível do óleo tem de estar entre as marcas da vareta de nível.



8. Se o nível do óleo estiver baixo, encha com óleo de motor e verifique novamente o nível do óleo.

**Nota:** Consulte a seção *Especificações técnicas na página 266* para saber qual o óleo de motor recomendado. Não misture tipos diferentes de óleo.

9. Aperte corretamente a vareta de nível antes de ligar o motor. Ligue o motor e deixe-o ao ralenti durante, aproximadamente, 30 segundos. Desligue o motor. Aguarde 30 segundos e verifique novamente o nível do óleo.

## Mudar o óleo de motor e o filtro de óleo

Se o motor estiver frio, ligue o motor durante 1 a 2 minutos antes de drenar o óleo de motor. Isto aquece o óleo de motor e facilita a respetiva drenagem.

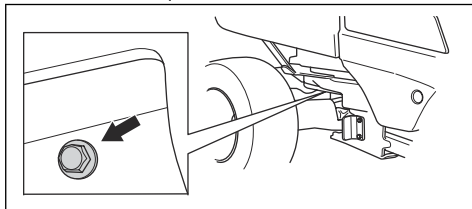


**ATENÇÃO:** Não coloque o motor em funcionamento durante mais de 1 a 2 minutos antes de drenar o óleo de motor. O óleo do motor fica muito quente e pode causar queimaduras. Deixe o motor arrefecer antes de drenar o óleo de motor.



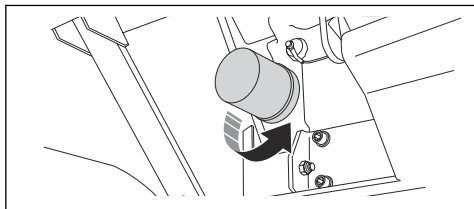
**ATENÇÃO:** Se derramar óleo de motor no seu corpo, limpe com água e sabão.

1. Coloque um recipiente sob o bujão de drenagem do óleo no lado esquerdo do motor.



2. Remova o bujão de drenagem do óleo.
3. Remova a vareta de nível.
4. Drene o óleo para o recipiente.

- Coloque uma junta nova no bujão de drenagem do óleo. Fixe o bujão de drenagem do óleo e aperte-o.
- Rode o filtro de óleo para a esquerda para o remover.

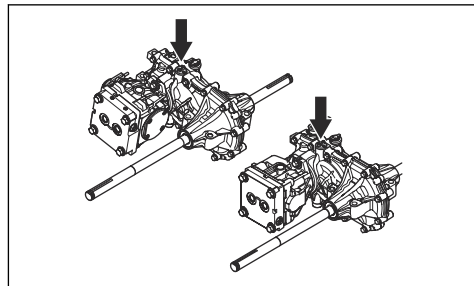


- Lubrifique ligeiramente o vedante de borracha do novo filtro de óleo com óleo novo.
- Para fixar o filtro de óleo, rode-o no sentido horário com a mão até o vedante de borracha estar na devida posição e, em seguida, aperte mais meia volta.
- Encha o depósito com óleo novo, conforme indicado na secção *Especificações técnicas na página 266*.
- Ligue o motor e deixe-o ao ralenti durante 3 minutos.
- Pare o motor e certifique-se de que o filtro de óleo não tem fugas.
- Verifique o nível do óleo.

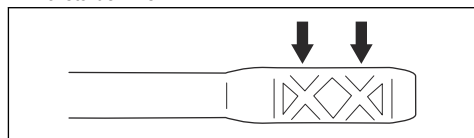
**Nota:** Para a eliminação segura do óleo de motor utilizado, consulte a secção *Eliminação na página 264*.

## Verificar o nível do óleo da transmissão

- Utilize a vareta do óleo para verificar o nível do óleo na transmissão.

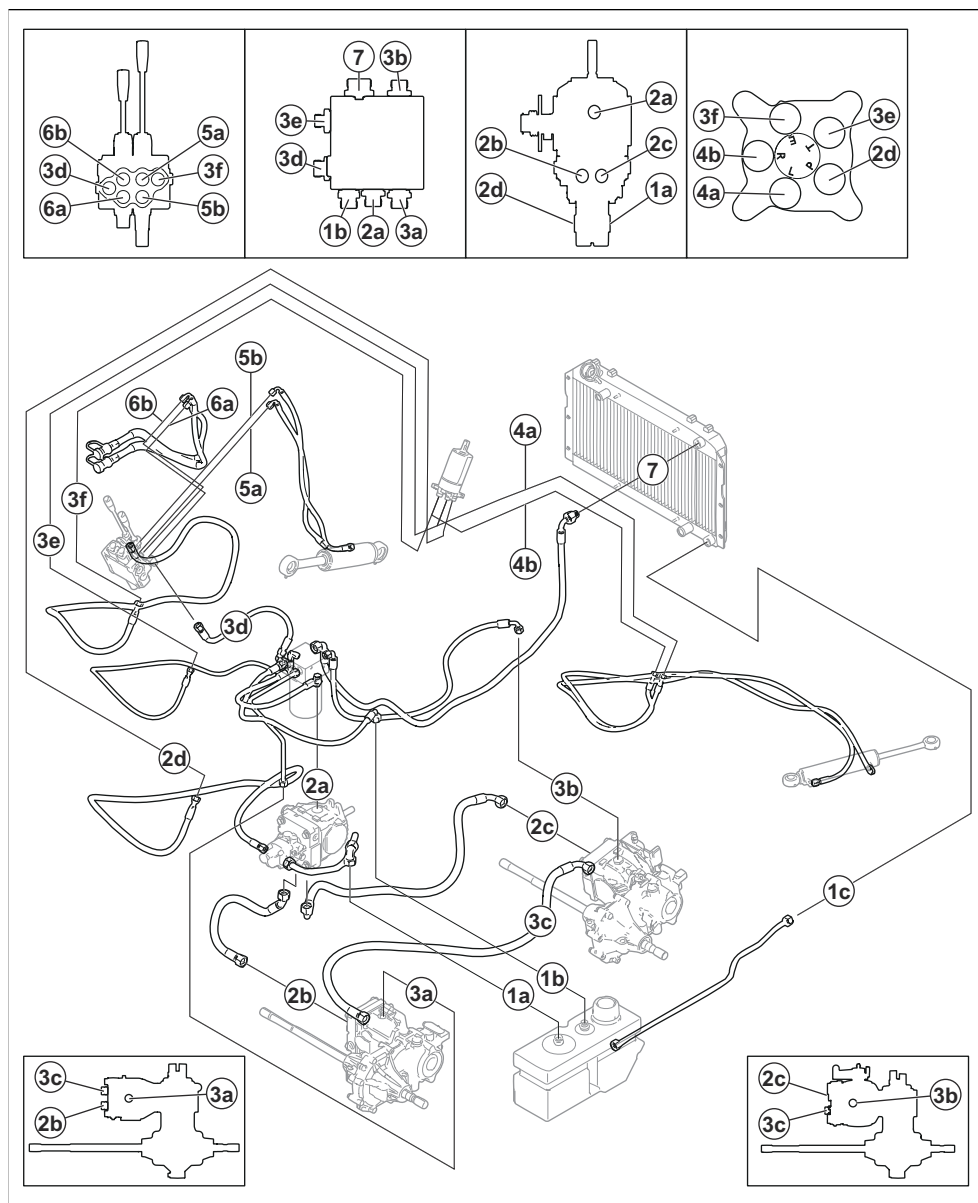


- O nível do óleo tem de estar entre as marcas da vareta de nível.



- Se o nível do óleo estiver demasiado baixo, encha com o tipo de óleo identificado em *Especificações técnicas na página 266*.

## Vista geral do sistema hidráulico



1a: Depósito hidráulico – bomba

1b: Depósito hidráulico – filtro

1c: Depósito hidráulico – refrigerador de óleo hidráulico

2a: Filtro – bloco de válvulas

2b: Filtro – bomba

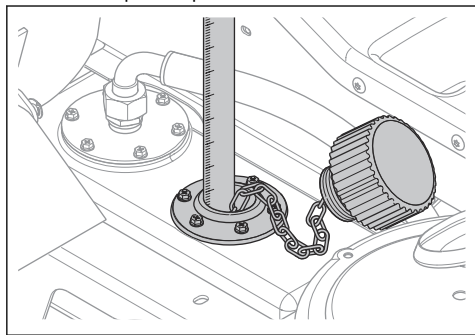
2c: Transmissão dianteira – bomba



- 2d: Bomba – direção assistida
- 3b: Transmissão dianteira – filtro
- 3a: Transmissão traseira – filtro
- 3c: Transmissão traseira – transmissão dianteira
- 4a: Direção assistida – cilindro da direção
- 4b: Direção assistida – cilindro da direção
- 5a: Bloco de válvulas – cilindro de elevação
- 5b: Bloco de válvulas – cilindro de elevação
- 6a: Bloco de válvulas – acoplamento da plataforma de corte
- 6b: Bloco de válvulas – acoplamento da plataforma de corte
- 7: Filtro – refrigerador de óleo hidráulico

## Verificar o nível do óleo no sistema hidráulico

1. Incline o banco para a frente. Consulte *Inclinar o banco para a frente (P 520DX, P 525DX)* na página 227.
2. Limpe a área em redor da tampa do depósito de óleo com um pano seco.
3. Remova a tampa do depósito de óleo e verifique o nível do óleo hidráulico. O nível correto é entre 40 e 60 mm da parte superior do filtro.

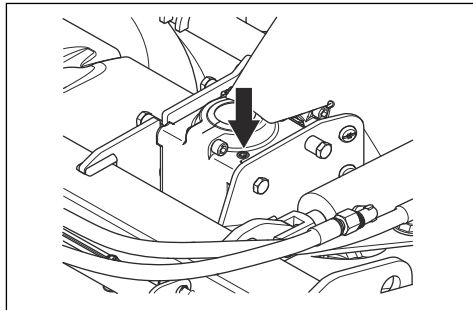


4. Se o nível do óleo estiver demasiado baixo, encha com o tipo de óleo identificado em *Especificações técnicas* na página 266.

## Verificar o nível do óleo da engrenagem cônica da plataforma de corte

1. Estacione o produto numa superfície nivelada.
2. Baixe a plataforma de corte até à posição de corte.

3. Introduza uma vareta metálica limpa na caixa de engrenagem. A vareta metálica deve ter, no mínimo, 100 mm de comprimento e, no máximo, 3 mm de diâmetro.



4. Introduza a vareta metálica até ao fundo da caixa de engrenagem.
5. Puxe a vareta metálica para fora e verifique o nível do óleo.
6. Meça a parte da vareta metálica que tem óleo. Deve haver óleo até 15 mm da vareta metálica.
7. Encha com óleo da caixa de velocidades, se o nível do óleo for inferior a 15 mm da vareta metálica. Consulte *Guia de manutenção rápida* na página 255 para saber qual o óleo recomendado.

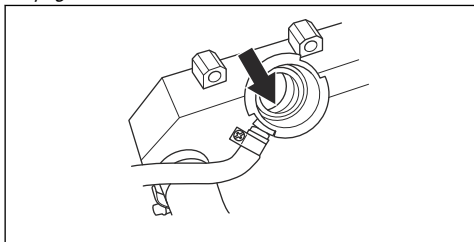
## Substituir o óleo da engrenagem cônica da plataforma de corte

1. Retire a plataforma de corte. Consulte *Retirar a plataforma de corte* na página 222.
2. Coloque a plataforma de corte sobre a sua extremidade frontal e drene o óleo através do tampão de enchimento de óleo.
3. Drene o óleo para um recipiente.
4. Encha com 80 ml de óleo hidráulico novo, conforme indicado na secção *Especificações técnicas* na página 266.
5. Verifique o nível do óleo. Consulte *Verificar o nível do óleo da engrenagem cônica da plataforma de corte* na página 253.

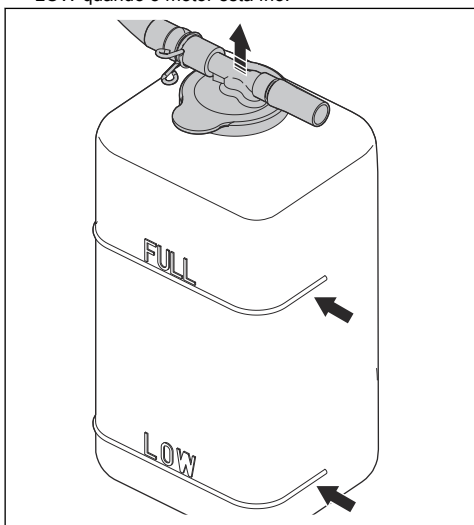
## Verificar o nível do líquido de arrefecimento

1. Estacione o produto num piso nivelado e pare o motor.
2. Retire a cobertura do motor. Consulte *Abrir a cobertura do motor* na página 237.
3. Abra a tampa do líquido de arrefecimento.

4. Verifique o nível do líquido de arrefecimento.  
Se necessário, encha o depósito do líquido de arrefecimento. Consulte *Especificações técnicas* na página 266.

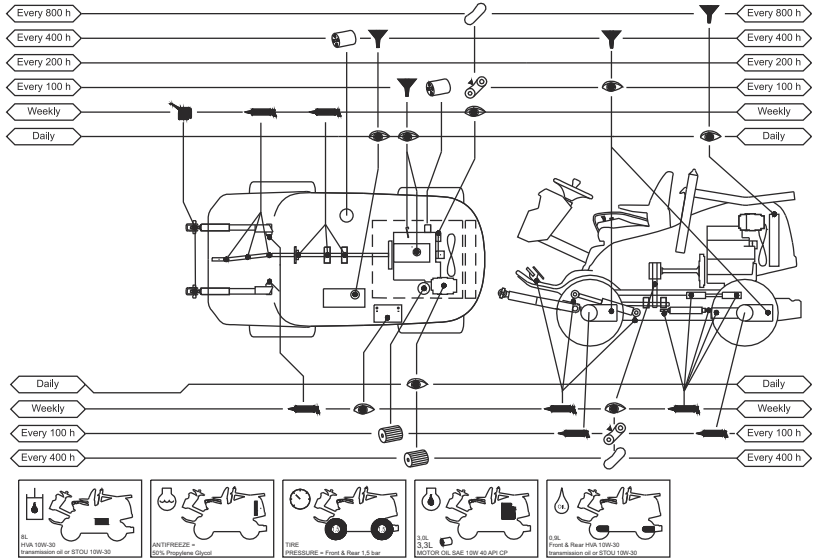


5. Verifique o nível do líquido de arrefecimento no depósito de expansão. O nível deve estar na marca LOW quando o motor está frio.

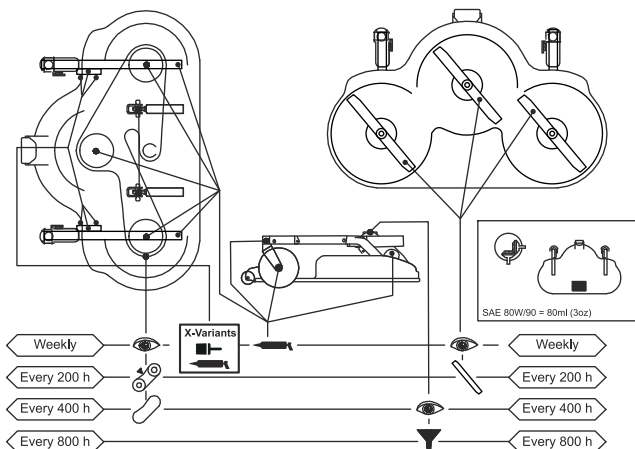


# QUICK MAINTENANCE GUIDE

First service after 50 hours



# QUICK MAINTENANCE GUIDE



## Símbolos do guia de manutenção rápida



Substitua o filtro



Substitua o óleo



Examine visualmente ou verifique o nível do óleo



Lubrifique o copo de lubrificação com massa lubrificante



Lubrifique com óleo



Verifique o estado e a tensão da correia da transmissão

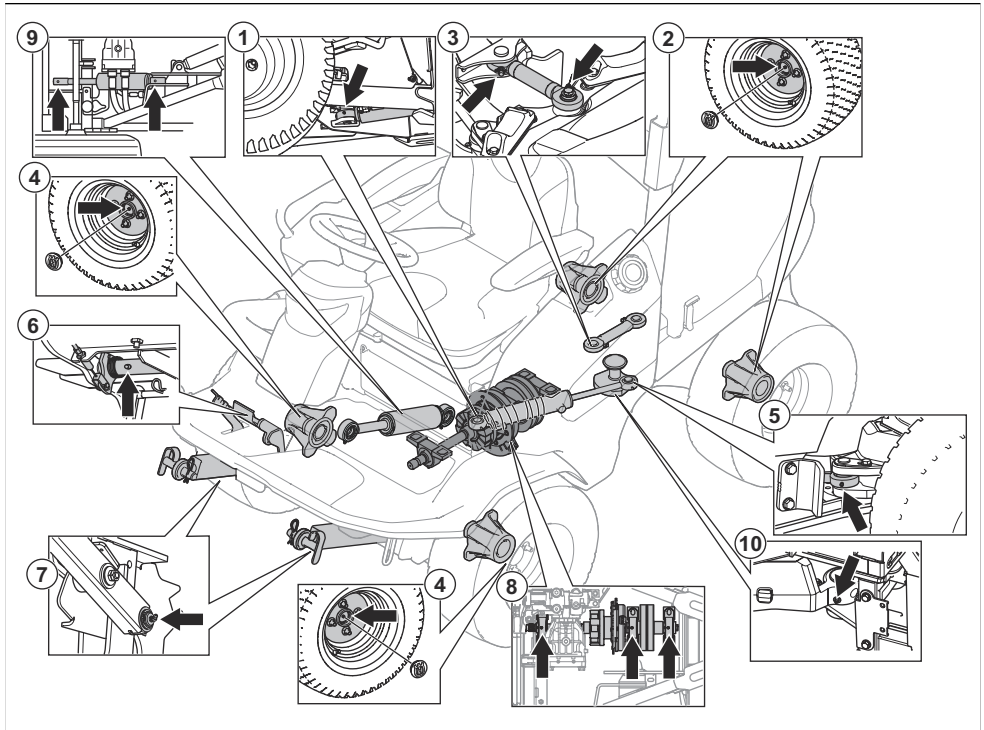


Substitua a correia da transmissão



Substitua as lâminas

## Descrição geral da lubrificação



Para 1-7, utilize massa lubrificante de cálcio.

Para 8, utilize massa lubrificante com complexo de lítio.

1. Cilindro da direção - dianteiro
2. Estrias do eixo traseiro
3. Suporte de controle
4. Estrias do eixo dianteiro
5. Cilindro da direção - traseiro
6. Eixo do pedal. Duas posições.
7. Braços de elevação
8. Cobertura do rolamento (massa lubrificante à base de lítio para temperaturas elevadas)
9. Cilindro de elevação
10. Junta da direção articulada

- Quando lubrificar com massa lubrificante, utilize uma massa lubrificante para rolamentos ou para chassis que previna a corrosão. Remova o excesso de massa lubrificante após a lubrificação.
- Lubrifique 2 vezes por semana se utilizar o produto diariamente.
- Não derrame lubrificantes nas correias da transmissão nem nas ranhuras das polias da correia. Se ocorrer um derrame, limpe com álcool. Se a fricção entre a correia de transmissão e a polia não for suficiente após a limpeza com álcool, substitua a correia de transmissão.



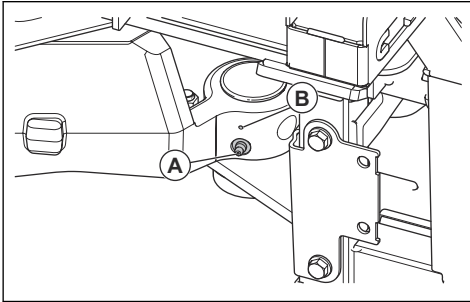
**CUIDADO:** Não utilize gasolina nem outros derivados de petróleo para limpar as correias da transmissão.

## Lubrificação, informação geral

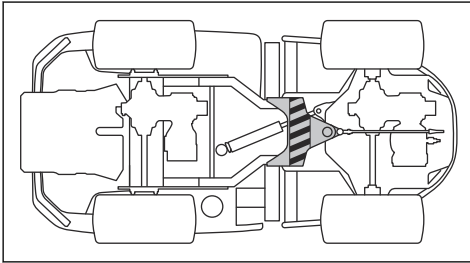
- Durante a lubrificação, retire a chave da ignição para impedir movimentos acidentais.
- Limpe a área antes de lubrificar uma peça do produto.
- Utilize óleo quando lubrificar com um recipiente de óleo.

## Lubrificar a junta da direção articulada

1. Lubrifique o rolamento da direção articulada quando o produto tiver todas as rodas no solo. Lubrifique através do casquilho de lubrificação (A) até sair massa lubrificante do orifício (B).



2. Eleve o produto para libertar a pressão na direção articulada. A ilustração mostra onde colocar os suportes.



**CUIDADO:** Certifique-se de que o suporte não causa danos no suporte de

controlo nem provoca um bloqueio da direção articulada.

3. Lubrifique novamente o rolamento da direção articulada com o produto elevado.

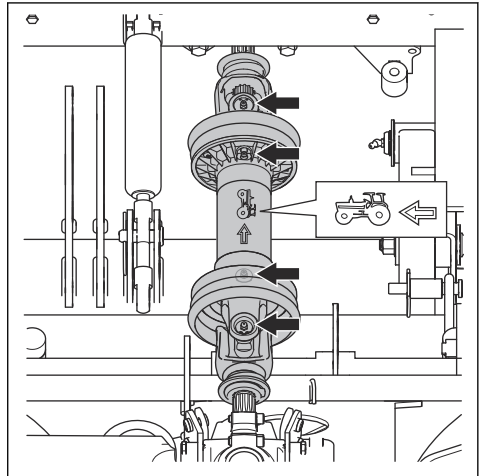


**CUIDADO:** Certifique-se de que a massa lubrificante sai da junta, por baixo do casquilho de lubrificação.

4. Baixe o produto.

## Lubrificar o eixo motriz

1. Retire a escotilha de manutenção. Consulte *Remover a escotilha de manutenção na página 238*.
2. Lubrifique os 4 copos de lubrificação com uma bomba de massa lubrificante até que a massa lubrificante transborde.



## Resolução de problemas

### Resolução de problemas

Se não encontrar uma solução para os seus problemas neste manual, contacte uma oficina autorizada Husqvarna.



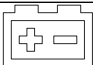
<b>Problema</b>	<b>Causa</b>
O motor de arranque não inverte o motor	O botão da TDF está ativado.
	O travão de estacionamento não está aplicado. Consulte <i>Aplicar e soltar o travão de estacionamento na página 232.</i>
	O fusível principal está fundido. Consulte <i>Substituir um fusível na página 245.</i>
	A fechadura da ignição está defeituosa.
	Má ligação entre o cabo e a bateria.
	A bateria está demasiado fraca. Consulte <i>Carregar a bateria na página 246.</i>
	O motor de arranque está defeituoso.
O motor não arranca quando o motor de arranque inverte o motor	Não há combustível no depósito de combustível. Consulte <i>Encher o depósito de combustível na página 225.</i>
	Existe ar no sistema de combustível.
	O pré-aquecimento está avariado ou é demasiado breve
	O motor está defeituoso.
	O filtro de combustível está obstruído. <i>Substituir os filtros de combustível na página 241.</i>
O motor não funciona regularmente	O filtro de combustível está obstruído. Consulte <i>Faça um seguro para o seu produto na página 207.</i>
	O filtro de ar está obstruído. Consulte <i>Limpar e substituir o filtro de ar na página 242.</i>
	A ventilação do depósito de combustível está obstruída.
	A pressão de alimentação é demasiado baixa.
	O tubo do injetor está desapertado.
	O motor está defeituoso.
	Há um combustível incorreto no depósito de combustível.
	A válvula de descarga está defeituosa.
	O injetor de combustível está defeituoso.
	A bomba de injeção está defeituosa.
	A bomba de alimentação está defeituosa.
	O motor sobreaquece
O motor está sobrecarregado.	
O nível do líquido de arrefecimento é demasiado baixo.	
O nível de óleo do motor é demasiado baixo.	




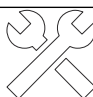



<b>Problema</b>	<b>Causa</b>
O produto liberta fumo preto	Há um combustível incorreto no depósito de combustível.
	O filtro de ar está obstruído. Consulte <i>Limpar e substituir o filtro de ar na página 242</i> .
	A bomba de injeção está defeituosa.
	O injetor de combustível está defeituoso.
O produto liberta fumo azul	O nível de óleo do motor é demasiado alto.
	O motor está defeituoso.
O produto liberta fumo branco	O cilindro do motor está defeituoso.
	O nível de óleo do motor é demasiado alto.
Aparentemente, o motor não tem potência	O filtro de ar está obstruído. Consulte <i>Limpar e substituir o filtro de ar na página 242</i> .
	O filtro de combustível está obstruído. Consulte <i>Substituir os filtros de combustível na página 241</i> .
	Existe ar no sistema de combustível.
	A válvula de descarga está defeituosa.
	A pressão de alimentação é demasiado baixa.
	A bomba de alimentação está defeituosa.
	A afinação da bomba de injeção de combustível está defeituosa.
	O motor está defeituoso.
A transmissão não tem potência suficiente	As válvulas de derivação não estão totalmente fechadas.
	Não existe óleo na transmissão ou o nível do óleo está demasiado baixo. Consulte <i>Verificar o nível do óleo da transmissão na página 251</i> .
	O óleo de transmissão está sobreaquecido.
A bateria não carrega	A bateria apresenta defeito. Contacte a sua oficina autorizada Husqvarna.
	Má ligação nos conetores de cabos nos terminais da bateria.
O produto vibra	As lâminas estão soltas. Consulte <i>Examinar as lâminas na página 249</i> .
	Uma ou mais lâminas estão desequilibradas. Consulte <i>Examinar as lâminas na página 249</i> .
	O motor está solto.
	A engrenagem cónica está desapertada.
	A bomba hidráulica está desapertada.
	O motor está defeituoso.
	O eixo motriz está avariado.
	Existe um objeto nas polias da correia da TDF.
Os elementos de borracha estão rígidos ou danificados.	



Problema	Causa
O resultado de corte não é satisfatório	As lâminas estão rombas. Consulte <i>Examinar as lâminas na página 249.</i>
	A relva é comprida ou está molhada. Consulte <i>Obter bons resultados de corte na página 233.</i>
	A plataforma de corte está inclinada.
	Existe uma obstrução de relva na plataforma de corte. Consulte <i>Colocar a bancada de corte na posição de manutenção na página 247.</i>
	A pressão dos pneus é diferente nos lados esquerdo e direito. Consulte <i>Pressão dos pneus na página 247.</i>
	O produto é utilizado a uma velocidade demasiado elevada. Consulte <i>Obter bons resultados de corte na página 233.</i>
	A velocidade do motor é demasiado baixa. Consulte <i>Especificações técnicas na página 266.</i>
	A correia da transmissão salta.

## Visor - Resolução de problemas

Símbolo	Nome	Como é apresentado no visor	Causa
	Indicador de temperatura da água do motor	O símbolo é apresentado e é emitido um sinal de aviso sonoro.	A temperatura do motor está demasiado alta. Desengate o interruptor da TDF e coloque o controlo do acelerador na posição de baixa velocidade. O sinal de aviso para quando a temperatura do motor desce abaixo do limite de aviso.
		O símbolo pisca rapidamente.	Contacte a sua oficina autorizada da Husqvarna.
	Sensor da pressão do óleo de motor	O símbolo é apresentado.	Baixa pressão do óleo. Consulte <i>Verificar o nível do óleo de motor na página 250.</i>
		O símbolo fica intermitente.	O sistema de lubrificação está danificado ou não funciona corretamente. O circuito ou interruptor do óleo está danificado ou não funciona corretamente.
	Indicador de nível da bateria	O símbolo é apresentado.	Baixa tensão. Consulte <i>Carregar a bateria na página 246.</i>

Símbolo	Nome	Como é apresentado no visor	Causa
	Indicador do botão da TDF	O símbolo é apresentado.	Botão da TDF ativado. Consulte <i>Verificar as condições de funcionamento na página 217</i> .
		O símbolo fica intermitente.	Procedimento de arranque incorreto. Consulte <i>Verificar as condições de funcionamento na página 217</i> .
		O símbolo pisca rapidamente.	Botão da TDF defeituoso. Contacte a sua oficina autorizada da Husqvarna.
	Indicador do travão de estacionamento	O símbolo é apresentado.	Travão de estacionamento engatado. Consulte <i>Aplicar e soltar o travão de estacionamento na página 232</i> .
		O símbolo fica intermitente.	Procedimento de arranque incorreto. Consulte <i>Verificar as condições de funcionamento na página 217</i> .
		O símbolo pisca rapidamente.	Travão de estacionamento com defeito. Contacte a sua oficina autorizada da Husqvarna.
	Indicador do OPC	O símbolo fica intermitente.	Interrutor do banco desativado quando tenta ligar o motor. Consulte <i>Verificar as condições de funcionamento na página 217</i> .
		O símbolo pisca rapidamente.	Avaria no interruptor do banco. Contacte a sua oficina autorizada da Husqvarna.
	Indicador de assistência	O símbolo é apresentado.	É necessária assistência. Contacte a sua oficina autorizada da Husqvarna.
	Indicador de nível de combustível	O símbolo é apresentado.	Nível de combustível baixo. Consulte <i>Encher o depósito de combustível na página 225</i> .
	Bluetooth®	O símbolo fica intermitente.	O produto está bloqueado. Desbloqueie o produto com a aplicação Husqvarna Connect.
	Bloqueio digital	O símbolo é apresentado.	O produto está bloqueado. Desbloqueie o produto com a aplicação Husqvarna Connect.

**Nota:** Os símbolos e as suas posições no visor podem ser diferentes consoante o modelo.

## Transporte, armazenamento e eliminação

### Transporte

- O produto é pesado e pode causar ferimentos graves por esmagamento. Tenha cuidado ao

carregá-lo e descarregá-lo de um veículo ou reboque.

- Não levante o produto. Os ilhós de transporte não são pontos de elevação aprovados e só podem ser

utilizados para fixar o produto em segurança a um reboque.

- Utilize um reboque aprovado para o transporte do produto.
- Certifique-se de que conhece as regras de trânsito locais antes de transportar o produto num reboque ou em estradas.

## Fixar o produto em segurança num reboque para transportar

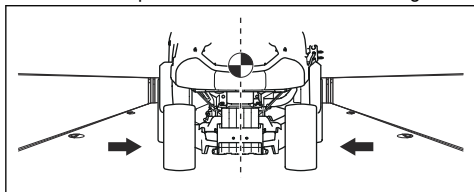
Antes de fixar o produto, tem de ler e compreender o capítulo sobre segurança. Consulte *Segurança de transporte na página 219*.



**ATENÇÃO:** O travão de estacionamento não é suficiente para bloquear o produto durante o transporte. Fixe o produto com firmeza na área de carga.

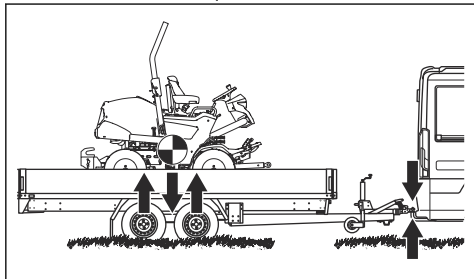
Equipamento: 4 cintas aprovadas e 4 calços de rodas.

1. Estacione o produto no centro da área de carga.



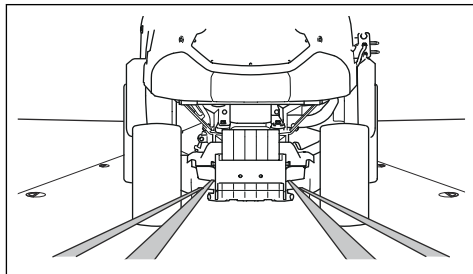
**ATENÇÃO:** Para transporte em veículos de transporte com cobertura. Certifique-se de que o produto está frio antes de o colocar no veículo de transporte.

2. Certifique-se de que o centro de gravidade do produto está acima do eixo das rodas do veículo de transporte. Se for utilizado um reboque para transporte, certifique-se de que a força descendente na sua barra de reboque é a correta.

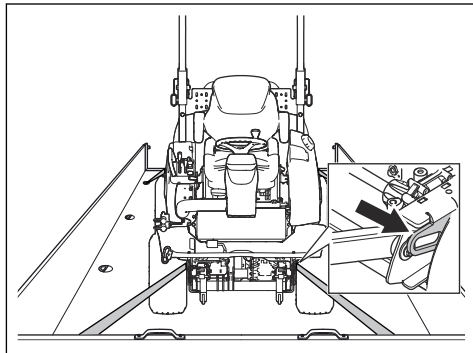


3. Aplique o travão de estacionamento.
4. Baixe a plataforma de corte até à posição de flutuação.
5. Retire todos os objetos soltos.

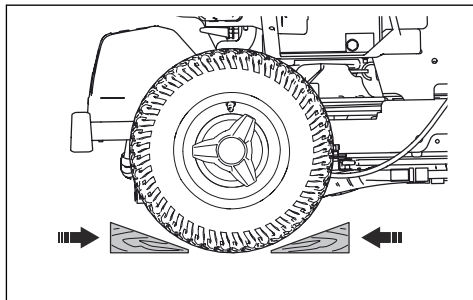
6. Faça passar a primeira cinta através da estrutura da transmissão traseira.



7. Faça passar a segunda cinta através da estrutura da transmissão traseira.
8. Fixe as cintas na área de carga.
9. Aperte as cintas para trás para fixar o produto na área de carga.
10. Fixe a terceira cinta a 1 dos olhais de transporte.



11. Fixe a quarta cinta ao outro olhal de transporte.
12. Fixe a cinta na área de carga.
13. Aperte a cinta para a frente para fixar o produto na área de carga.
14. Coloque os calços de rodas em frente e atrás das rodas traseiras.



## Rebocar o produto

O produto tem uma transmissão hidrostática. Para evitar danos na transmissão, reboque o produto a baixa velocidade e apenas em distâncias curtas.

Desengate a transmissão antes de rebocar o produto. Consulte *Desengatar a transmissão hidrostática na página 233*.

## Armazenamento

Prepare o produto para armazenamento no final da estação e antes de mais de 30 dias de armazenamento.

Para evitar a aderência de partículas durante o armazenamento, adicione um estabilizador. Utilize sempre as proporções de mistura indicadas pelo fabricante.

- Adicione estabilizador ao combustível no depósito ou no recipiente utilizado para o armazenamento, para evitar danos no motor.
- Deixe o motor trabalhar durante, no mínimo, 10 minutos, para permitir que o estabilizador flua para a injeção de combustível.



**ATENÇÃO:** Não mantenha o produto com combustível no depósito em espaços interiores ou em locais pouco ventilados. Risco de incêndio, se os gases do combustível se aproximarem de chamas abertas e faíscas.

- Rode o interruptor principal para a posição OFF. Consulte *Parar o motor na página 231*.
- Limpe o produto; consulte *Limpar o produto na página 236*. Repare os danos na pintura para prevenir a corrosão.



**ATENÇÃO:** Remova a relva e outros materiais inflamáveis do produto para reduzir o risco de incêndio. Deixe o produto arrefecer antes de o armazenar.

- Examine o produto quanto a peças gastas ou danificadas e aperte as porcas e os parafusos soltos.
- Retire a bateria. Limpe-a, carregue-a e mantenha-a a uma temperatura baixa durante o armazenamento.
- Mude o óleo de motor e elimine o óleo usado.
- Esvazie o depósito de combustível. Ligue o motor e deixe-o trabalhar até não restar combustível na injeção de combustível.

**Nota:** Se for adicionado um estabilizador, não esvazie o depósito de combustível nem a injeção de combustível.

- Remova as velas de incandescência e coloque, aproximadamente, uma colher de sopa de óleo de motor em cada cilindro. Rode manualmente o eixo

do motor para aplicar o óleo. Fixe as velas de incandescência.

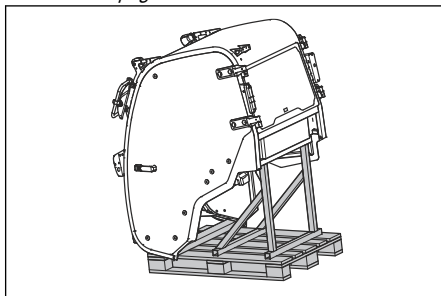
- Lubrifique todos os copos de lubrificação, juntas e eixos.
- Guarde o produto numa área limpa e seca e coloque sobre uma cobertura sobre o mesmo para proteção adicional. Pode adquirir uma cobertura de proteção para o produto durante o armazenamento ou o transporte no seu concessionário.

## Armazenamento da cabina



**ATENÇÃO:** Desloque a cabina com cuidado. A cabina é pesada e pode provocar ferimentos graves. Certifique-se de que a cabina fica estável durante o armazenamento.

- Repare os danos na pintura para prevenir a corrosão.
- Examine o produto quanto a peças gastas ou danificadas e aperte as porcas e os parafusos soltos.
- Guarde o produto numa área limpa e seca e cubra-o para proporcionar mais proteção.
- Mantenha o produto numa área trancada, longe do alcance das crianças e de outras pessoas não autorizadas.
- Coloque a cabina no suporte para a cabina durante o armazenamento. Consulte *Dimensões do suporte da cabina na página 272*.



## Eliminação

- Os produtos químicos podem ser perigosos e não podem ser eliminados no solo. Elimine sempre os químicos usados num centro de assistência ou numa localização de eliminação aplicável.
- Quando o produto estiver gasto, proceda ao respetivo envio para o concessionário ou para uma localização de reciclagem adequada.
- O óleo, os filtros de óleo, o combustível e a bateria podem ter efeitos negativos no meio ambiente. Respeite os requisitos de reciclagem locais e os regulamentos aplicáveis.
- Não elimine a bateria como um lixo doméstico.

- Envie a bateria para uma oficina autorizada Husqvarna ou elimine-a numa localização de eliminação de baterias usadas.

## Especificações técnicas

### Especificações técnicas

	P 520DX	P 525DX / P 525DX Cabin
<b>Dimensões</b>	Consulte <i>Dimensões do produto (P 520DX/P 525DX)</i> na página 270 e <i>Dimensões do produto (P 525DX Cabin)</i> na página 271.	
Peso sem bancada de corte e com depósitos vazios, kg	649	677 921 (Cabina P 525DX)
Dimensões dos pneus	20 x 8 - 10	20 x 10 - 10
Pressão dos pneus, traseiros – dianteiros, kPa/bar/PSI	150/1,5/22	150/1,5/22
Declive máx., graus	10	10
<b>Motor</b>		
Marca/Modelo	Kubota/D902	Kubota/D1105
Potência nominal do motor, kW a 3000 rpm <sup>19</sup>	14,7	17,8
Deslocamento, cm <sup>3</sup>	898	1123
Rotação máxima do motor, r/min.	3300	3200
Velocidade máx. em marcha em frente, km/h/mph	17,6/10,9	19/11,8
Velocidade máx. em marcha atrás, km/h/mph	13,4/8,3	15/9,3
Diesel, índice de octanas mínimo <sup>20</sup>	45	45
Volume do depósito, l (à indicação de nível máximo de combustível)	22	22
Óleo, classe API CF-4 ou superior	Classe SAE10W-40	Classe SAE10W-40
Volume de óleo com filtro, l	3,3	3,3
Volume de óleo sem filtro, l	3	3
Motor de arranque	Arranque elétrico de 12 V, 40 Ah	Arranque elétrico de 12 V, 40 Ah
<b>Sistema de arrefecimento</b>		
Capacidade do sistema de arrefecimento, l	3,7	3,7
Anticongelante	≥ 50% de propilenoglicol (MPG)	≥ 50% de propilenoglicol (MPG)
<b>Sistema hidráulico</b>		

<sup>19</sup> A potência nominal do motor indicado é a potência líquida média (a um valor de rpm especificado) de um motor de produção típico do modelo de motor avaliado de acordo com a norma J1349/ISO1585 da SAE. Motores produzidos em série poderão divergir deste valor. A potência real do motor instalado no produto final dependerá da velocidade de operação, das condições ambientais e de outros parâmetros.

<sup>20</sup> Para cumprir os regulamentos relativamente a emissões, o combustível tem de cumprir a norma EN590 ou ASTM D975 e ter um teor de enxofre inferior a 500 ppm ou 0,05% do peso. Consulte o manual do utilizador da Kubota para obter mais informações relativamente à qualidade do combustível

	<b>P 520DX</b>	<b>P 525DX / P 525DX Cabin</b>
Pressão máx. de funcionamento, bar/psi	120/1740	120/1740
Fluxo máx. de trabalho, l/min	12	12
Capacidade do depósito hidráulico, l	8	8
Capacidade do sistema hidráulico, l	13	13
Óleo hidráulico	Óleo de transmissão Husqvarna 10W-30  (Husqvarna 10W-30 4T AWD ou STOU 10W-30)	Óleo de transmissão Husqvarna 10W-30  (Husqvarna 10W-30 4T AWD ou STOU 10W-30)
<b>Transmissão</b>		
Marca	Kanzaki	Kanzaki
Modelo	KTM23	KTM23
Óleo de transmissão	Óleo de transmissão Husqvarna 10W-30  (Husqvarna 10W-30 4T AWD ou STOU 10W-30)	Óleo de transmissão Husqvarna 10W-30  (Husqvarna 10W-30 4T AWD ou STOU 10W-30)
Capacidade de óleo na dianteira, total, l	0,9	0,9
Capacidade de óleo na traseira, total, l	0,9	0,9
Pressão hidráulica máxima, bar/psi	275/3989	275/3989
<b>Sistema elétrico</b>		
Tipo	12 V, ligação à terra negativa	12 V, ligação à terra negativa
Bateria	12 V, 62 Ah	12 V, 62 Ah
Fusível principal, tipo Mega OTO	150 A	150 A
Fusível para tomada de alimentação, tipo Midi OTO	50	50
<b>Lâmpadas</b>		
Farol	LED, 2 x 12 V, 5 W	LED, 2 x 12 V, 5 W
<b>Lâmpadas da cabina</b>		
Lâmpada de médios e máximos	-	H7
Lâmpadas de estacionamento	-	W5W
Lâmpada de mudança de direção	-	PY21W
Luzes de trabalho dianteiras	-	H9
Luzes de trabalho traseiras	-	Luzes LED
Luzes traseiras	-	Luzes LED
Luz de aviso	-	Luzes LED
<b>Bancada de corte</b>		

	P 520DX	P 525DX / P 525DX Cabin
Tipo	Combi 132	Combi 132
	Combi 155	Combi 155
	Combi 132 X	Combi 132 X
	Combi 155 X	Combi 155 X

Emissões de ruído <sup>21</sup>	P 520DX	P 525DX	P 525DX Cabin
<b>Nível de potência sonora, dB(A) medidos</b>			
Combi 132	103	104	103
Combi 155	104	103	103
Combi 132 X	103	104	103
Combi 155 X	104	103	103
<b>Nível de potência sonora, dB(A) garantidos</b>			
Combi 132	105	105	104
Combi 155	105	105	104
Combi 132 X	105	105	104
Combi 155 X	105	105	104

Níveis acústicos <sup>22</sup>	P 520DX	P 525DX	P 525DX Cabin
<b>Nível de pressão sonora ao nível do ouvido do operador, dB(A)</b>			
Combi 132	88	87	84
Combi 155	88	87	84
Combi 132 X	88	87	84
Combi 155 X	88	87	84

Níveis de vibração <sup>23</sup>	P 520DX	P 525DX	P 525DX Cabin
<b>Nível de vibração no volante, m/s<sup>2</sup></b>			
Combi 132	1.4	1,5	1.4

<sup>21</sup> Emissões de ruído para as imediações, medidas sob forma de potência sonora ( $L_{WA}$ ) em conformidade com a diretiva da CE 2000/14/CE.

<sup>22</sup> Nível de pressão sonora em conformidade com a norma EN ISO 5395. Os dados comunicados relativamente ao nível de pressão de ruído têm uma dispersão estatística típica (desvio padrão) de 1,2 dB(A).

<sup>23</sup> Nível de vibração em conformidade com a norma EN ISO 5395. Os dados comunicados relativas ao nível de vibração têm uma dispersão estatística típica (desvio padrão) de 0,2 m/s<sup>2</sup> (volante) e 0,8 m/s<sup>2</sup> (banco).



Níveis de vibração <sup>23</sup>	P 520DX	P 525DX	P 525DX Cabin
Combi 155	1,3	1,7	1,3
Combi 132 X	1.4	1,5	1.4
Combi 155 X	1,3	1,7	1,3
Nível de vibração no banco, m/s <sup>2</sup>			
Combi 132	0,3	0,4	0,3
Combi 155	0,3	0,4	0,3
Combi 132 X	0,3	0,4	0,3
Combi 155 X	0,3	0,4	0,3

Bancada de corte	Combi 132	Combi 155	Combi 132 X	Combi 155 X
Largura de corte, mm	1320	1550	1320	1550
Altura de corte, 7 posições, mm/pol.	30-112	30-112	30-112	30-112
Largura, mm	1400	1631	1400	1631
Comprimento, mm	490	563	490	563
Peso, kg	138	155	148	163
Lâmina				
Binário de aperto do parafuso da lâmina, Nm/kpm/lb-pés	80-84/8,15-8,56/59-62	80-84/8,15-8,56/59-62	80-84/8,15-8,56/59-62	80-84/8,15-8,56/59-62
Número do artigo	5861988-10	5861989-10	5861988-10	5861989-10



**ATENÇÃO:** Utilizar uma bancada de corte que não esteja aprovada para o produto pode provocar a projeção de objetos a velocidades elevadas e causar

ferimentos graves. Não utilize outros tipos de bancada de corte que não o especificado neste manual do proprietário.

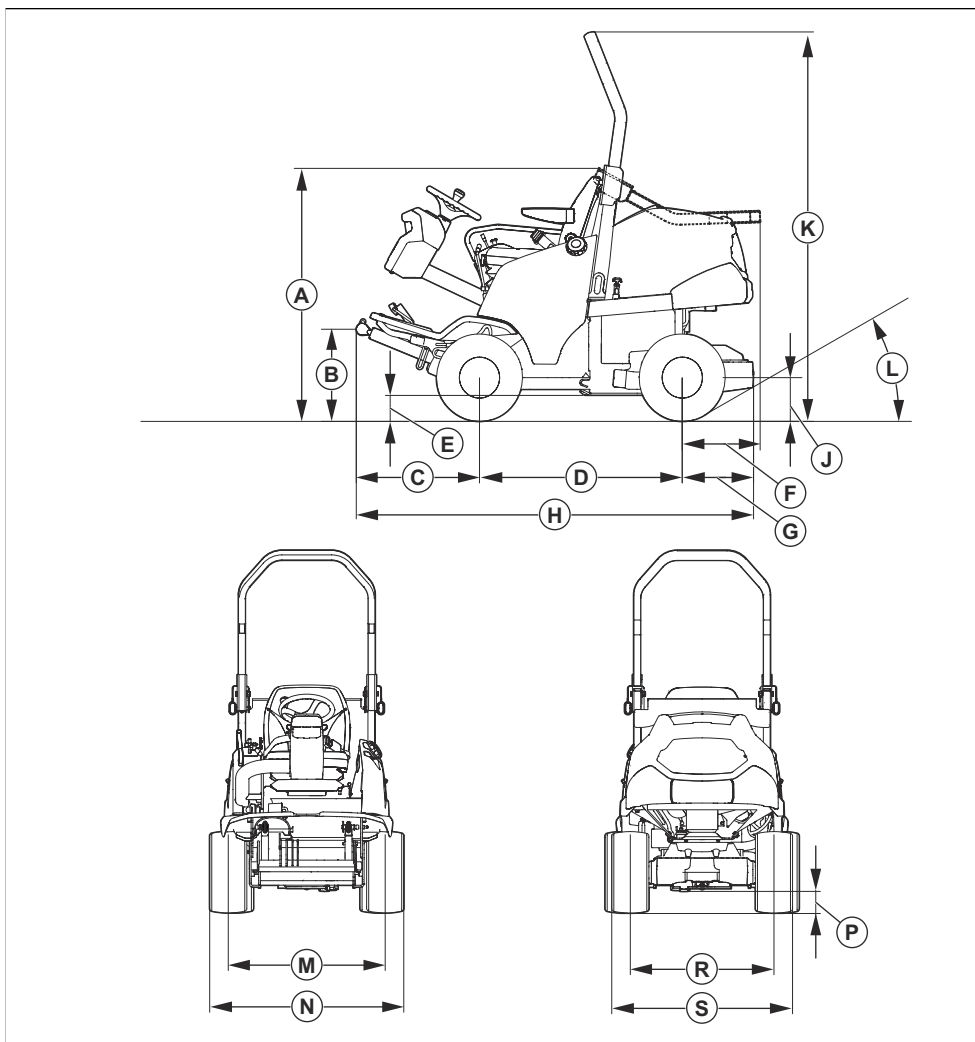
## Dados de frequência de rádio

	P 520DX	P 525DX	P 525DX Cabin
Gama de frequência, MHz	2402 – 2480	2402 – 2480	2402 – 2480
Potência de saída <sup>24</sup> , dBm	0,0	0,0	0,0

<sup>23</sup> Nível de vibração em conformidade com a norma EN ISO 5395. Os dados comunicados relativos ao nível de vibração têm uma dispersão estatística típica (desvio padrão) de 0,2 m/s<sup>2</sup> (volante) e 0,8 m/s<sup>2</sup> (banco).

<sup>24</sup> Medida a 2402 MHz.

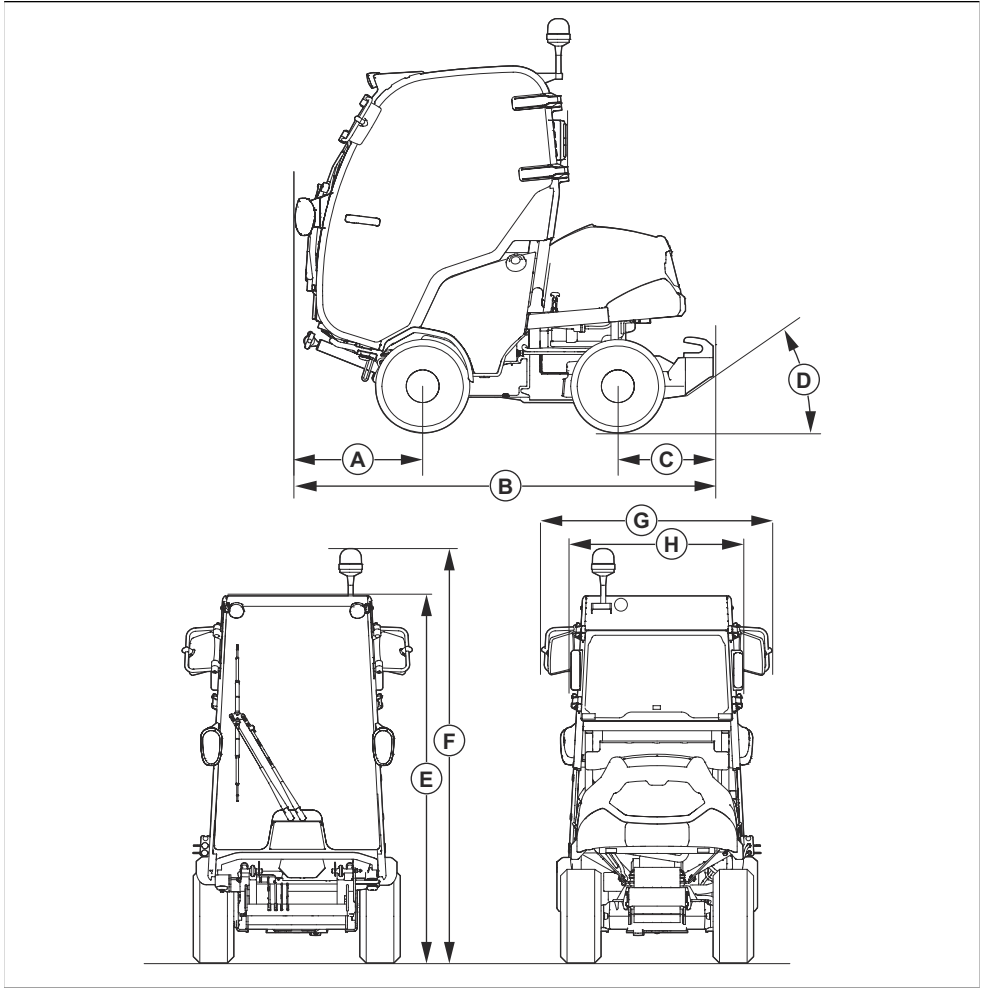
## Dimensões do produto (P 520DX/P 525DX)



### Dimensões, mm

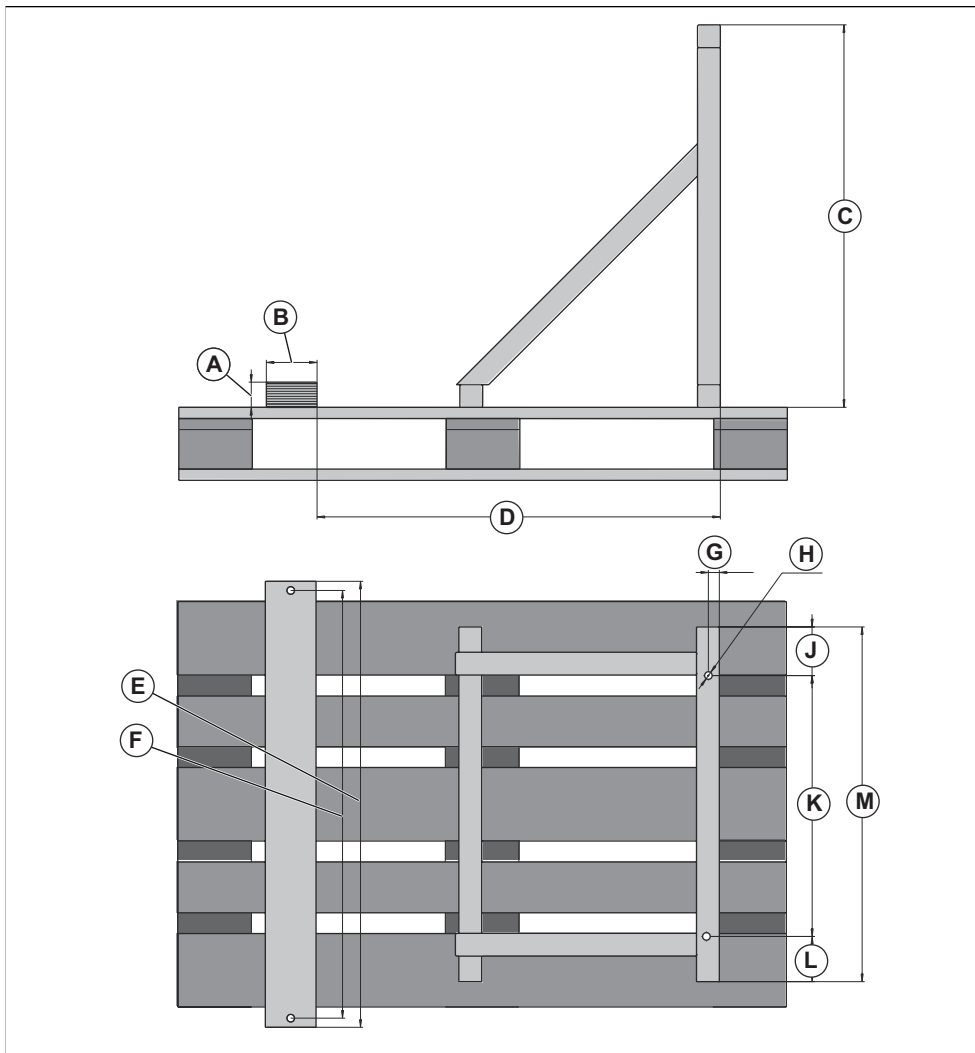
<b>A</b>	1330/1330	<b>E</b>	164/160	<b>J</b>	254/254	<b>N</b>	1132/1153
<b>B</b>	502/499	<b>F</b>	407/407	<b>K</b>	2033/2033	<b>P</b>	149/149
<b>C</b>	645/645	<b>G</b>	373/373	<b>L</b>	35,5°/35,5°	<b>R</b>	836/842
<b>D</b>	1060/1060	<b>H</b>	2078/2078	<b>M</b>	910/918	<b>S</b>	1056/1077

## Dimensões do produto (P 525DX Cabin)



Dimensões, mm							
<b>A</b>	692	<b>C</b>	518	<b>E</b>	2008	<b>G</b>	1251
<b>B</b>	2269	<b>D</b>	35°	<b>F</b>	2180	<b>H</b>	883

## Dimensões do suporte da cabina



Dimensões do suporte da cabina, mm

<b>A</b>	50	<b>D</b>	800	<b>G</b>	22,5	<b>K</b>	515
<b>B</b>	100	<b>E</b>	880	<b>H</b>	15 Ø (x4)	<b>L</b>	89
<b>C</b>	755	<b>F</b>	844	<b>J</b>	96	<b>M</b>	700

---

## Acessórios

---

As instruções de manutenção de equipamentos ou acessórios opcionais não são fornecidas neste manual

do utilizador. Consulte as instruções do acessório ou equipamento no respetivo manual do utilizador.

---

## Assistência

---

Efetue uma verificação anual num centro de assistência autorizado para se certificar de que o produto funciona em segurança e nas melhores condições durante a estação de grande utilização. A melhor altura para a manutenção ou revisão geral do produto é a época baixa.

Quando fizer uma encomenda de peças sobresselentes, forneça informações sobre o ano de compra, o modelo, o tipo e o número de série.

Utilize sempre peças sobresselentes originais.

---

## Garantia

---

### Garantia da transmissão

A garantia da transmissão apenas se aplica se forem efetuadas verificações da velocidade das rodas dianteiras e traseiras conforme especificadas no esquema de manutenção. Para prevenir danos no sistema da transmissão, solicite o respetivo ajuste numa oficina aprovada.

# Declaração de conformidade

## Declaração UE de conformidade

A **Husqvarna AB**, SE-561 82 Huskvarna, Suécia,  
tel.: +46-36-146500, declara, sob sua inteira  
responsabilidade, que o produto:

<b>Descrição</b>	Trator corta-relva
<b>Marca</b>	Husqvarna
<b>Tipo / Modelo</b>	P 520DX, P 525DX, P 525DX Cabin
<b>Identificação</b>	Números de série referentes a 2022 e posteriores

está em plena conformidade com as seguintes diretivas  
e regulamentos da UE:

<b>Diretiva/Regulamen- to</b>	<b>Descrição</b>
2011/65/UE	"relativa à restrição do uso de determinadas substâncias perigosas em equipamento elétrico e eletrônico"
2006/42/CE	"relativa a máquinas"
2014/30/UE	"relativa à compatibilidade eletromagnética"
2000/14/CE	"relativa a emissões de ruído para o ambiente"
2014/53/UE	"relativa ao equipamento de rádio"

e que as seguintes normas e/ou especificações técnicas  
são aplicadas: EN ISO 5395-1:2013/A1:2018, EN ISO  
5395-3:2013/A1:2017/A2:2018, ISO 21299:2009, EN  
ISO 12100:2010, EN ISO 14982:2009, ETSI EN 300  
328 v.2.2.2, ETSI EN 301 489-1 V2.2.3, ETSI EN  
301 489-17 V3.2.4, EN IEC 61000-6-4:2019, EN IEC  
61000-6-2:2019, EN IEC 63000:2018.



Entidade competente: A 0404, RISE SMP Svensk  
Maskinprovning AB, Box 4053, SE-904 03 Umeå,  
Suécia, atribuiu a certificação de conformidade com  
a Diretiva 2000/14/CE do Conselho, procedimento de  
avaliação de conformidade: Anexo VI.

Para mais informações sobre as emissões de ruído,  
consulte *Especificações técnicas na página 266*.

Huskvarna, 2022-10-12

Claes Losdal, chefe de desenvolvimento/produtos de  
jardinagem, Husqvarna AB

Responsável pela documentação técnica

---

## Marcas comerciais registadas

---

A palavra e os logótipos *Bluetooth*<sup>®</sup> são marcas comerciais registadas propriedade da *Bluetooth SIG, inc* e qualquer utilização de tais marcas pela Husqvarna é feita mediante licença.

# Husqvarna®

[www.husqvarna.com](http://www.husqvarna.com)

Original instructions  
Instrucciones originales  
Istruzioni originali  
Instruções originais

1143106-30

Rev. B



2024-02-23