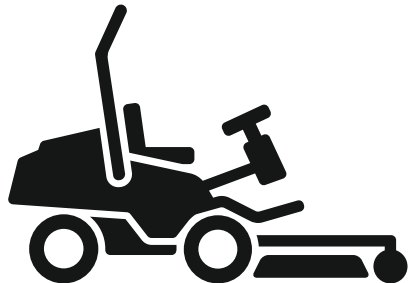




Husqvarna®



P 524X, P 524X EFI

EN	Operator's manual	2-67
ES	Manual de usuario	68-135
PT	Manual do utilizador	136-203
IT	Manuale dell'operatore	204-271

Contents

Introduction.....	2	Technical data.....	58
Safety.....	10	Accessories.....	63
Assembly.....	16	Service.....	63
Operation.....	19	Warranty.....	64
Maintenance.....	26	Declaration of Conformity.....	65
Troubleshooting.....	52	Registered trademarks.....	67
Transportation, storage and disposal.....	56		

Introduction

Pre-delivery inspection and product numbers

Note: A pre-delivery inspection has been done of this product. Make sure that you receive a signed copy of the pre-delivery inspection document from your dealer.

Service agent contact information:	
This operator's manual belongs to product with product number / serial number:	
/	
Engine:	
Transmission:	

Product description

The P 524X and P 524X EFI are front mowers. The power source is a petrol engine. The products have a display, headlights and all-wheel drive (AWD). Forward and reverse pedals let the operator adjust the speed gradually. You can use the product with different types of cutting decks or other Husqvarna approved equipment.

Intended use

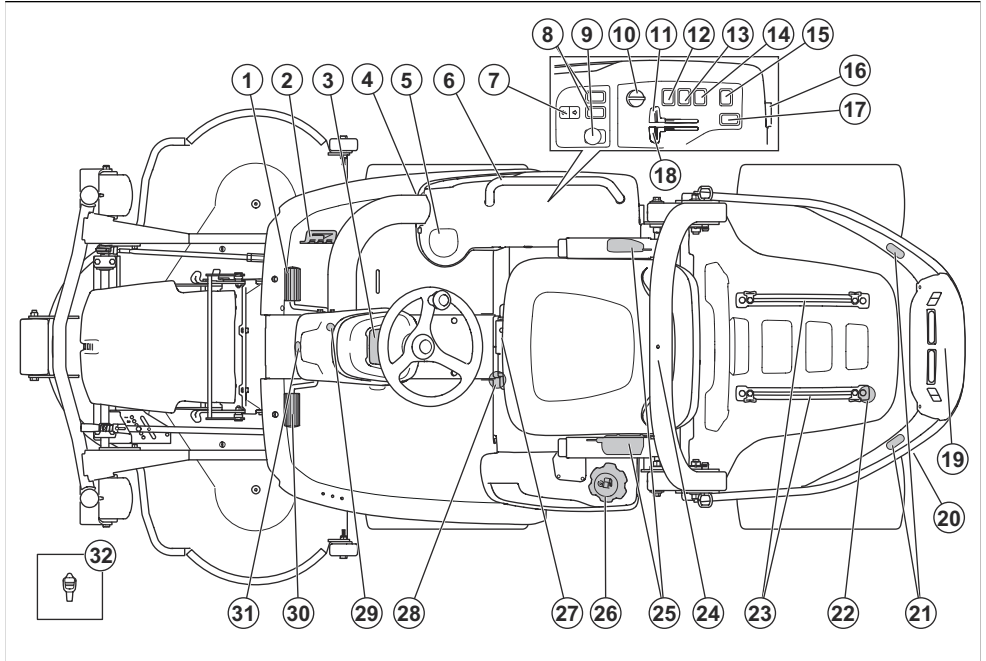
The product is made to cut grass in commercial areas. Attach an optional accessory to use the product for

other tasks. Speak to your Husqvarna dealer for more information about which accessories that are available.

Insure your product

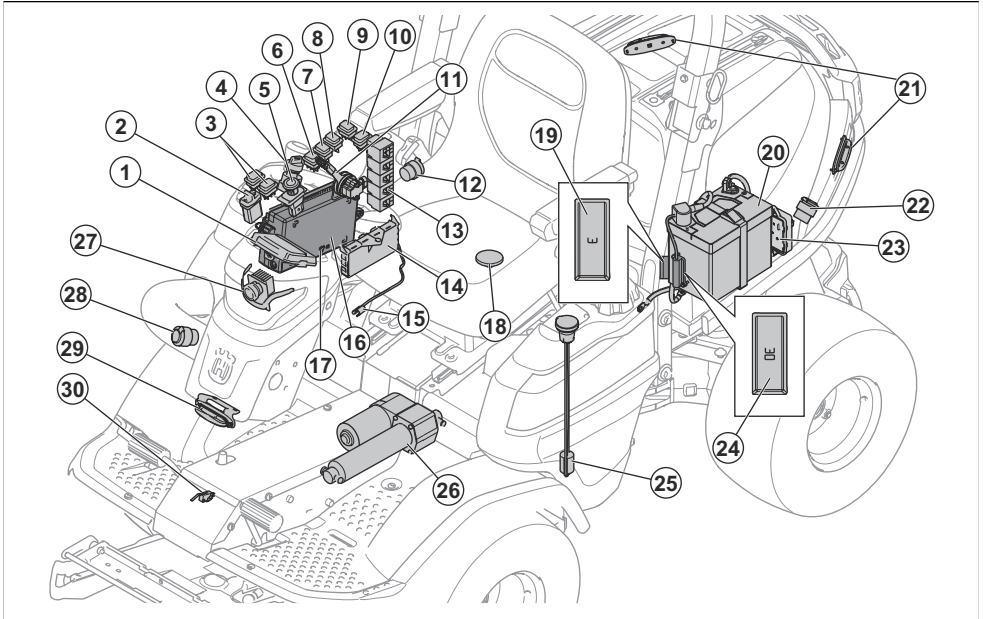
Make sure that you have insurance coverage for your new product. Speak to your insurance company if you are not sure. We recommend a fully comprehensive insurance that includes third party, fire, damage, theft and liability.

Product overview



- | | |
|--|--|
| 1. Forward drive pedal | 17. Function button for rear accessories (Accessory) |
| 2. Rearward drive pedal | 18. Choke control (P 524X) |
| 3. Display | 19. Rear AUX power outlet, 12 V (Accessory) |
| 4. Front AUX power outlet, 12 V (Accessory) | 20. Bypass valve for the rear transmission |
| 5. Cup holder | 21. Rear warning lights (Accessory) |
| 6. Handle (Accessory) | 22. Strap holders |
| 7. Electric lift for the cutting deck | 23. Rails |
| 8. Function button for front accessories (Accessory) | 24. ROPS (Roll Over Protective Structure) |
| 9. PTO button | 25. Safety belt |
| 10. Ignition key | 26. Fuel tank cap |
| 11. Throttle control | 27. Seat adjustment lever |
| 12. Headlight switch | 28. Bypass valve for the front transmission |
| 13. Warning light switch (Accessory) | 29. Parking brake lock |
| 14. Switch for power outlet, 12 V | 30. Parking brake |
| 15. Switch for AUX power outlet, 12 V (Accessory) | 31. Front warning light (Accessory) |
| 16. Power outlet, 12 V | 32. Tool |

Electrical system overview



1. Display
2. Function button for deck lift
3. Function button for front accessories (Accessory)
4. Ignition key
5. PTO button
6. Headlight switch
7. Warning light switch (Accessory)
8. Switch for power outlet, 12 V
9. Switch for AUX power outlet, 12 V (Accessory)
10. Function button for rear accessories (Accessory)
11. Throttle control EFI (P 524X EFI)
12. Power outlet, 12V
13. Relays
14. Mower control unit
15. Temperature sensor for hydraulic oil
16. Control Box
17. Servicing connector
18. OPC switch
19. Fuse for 12V memory power to the mower control module, 3A
20. Battery
21. Rear warning light (Accessory)
22. Rear AUX power outlet, 12 V (Accessory)
23. Control unit EFI (P 524X EFI)
24. Fuse for electric actuator deck lift, 30A
25. Fuel level sensor

26. Electric actuator deck lift
27. Headlights
28. Front AUX power outlet, 12 V (Accessory)
29. Front warning light (Accessory)
30. Parking brake switch

Power outlets

The product has the power outlets that follow:

- 12 V power outlet
- 12 V AUX power outlet, front (accessory)
- 12 V AUX power outlet, rear (accessory)

To find the fuses for the power outlets, refer to *Fuse overview on page 33*.

To find the power outlets, refer to *Electrical system overview on page 4*.

Energize the power outlets with the power switch on the control panel.

Hour meter

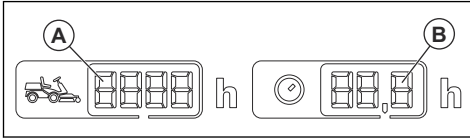
The product has 2 hour meters on the display. The hour meters show how many hours of operation of the engine has in total (A) and during the operation period (B).

The last digit of the hour meter for the operation period, shows tenth of an hour (6 minutes).

The time with ignition on but engine off, is not registered.

Note: The total hour meter (A) only shows full hours.

Note: A operation period is the time the engine been turned on during 1 day. A new operation period starts if the engine is turned off for a minimum of 6 h.



Mower control module

The product has a mower control module that gives the operator information about the product. The information shows on the display on the instrument panel. Refer to *Display on page 7*.

The mower control module enables the servicing dealer to connect to the product when they do servicing.

Husqvarna Connect

The product has wireless technology and can connect to mobile devices that have the Husqvarna Connect app installed. The Husqvarna Connect app is a free app for your mobile device. The Husqvarna Connect app gives extended functions for your Husqvarna product:

- Lock and unlock function to prevent not approved operation of the product.
- Extended product information.
- Information about, and help with, product parts and servicing.

Husqvarna Fleet Services™

Husqvarna Fleet Services™ is a cloud solution that gives the commercial fleet manager an overview of all products. For more information about Husqvarna Fleet Services™, refer to www.husqvarna.com.

To connect to the product with Husqvarna Fleet Services™

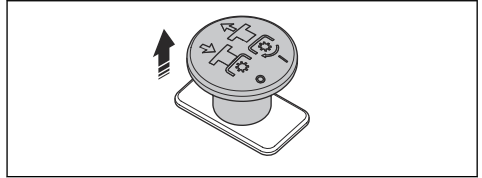
1. Download the Husqvarna Fleet Services™ app to your mobile device.
2. Log on to the Husqvarna Fleet Services™ app.
3. Follow the instructions about how to pair the product with Husqvarna Fleet Services™.

PTO (Power Take-Off) button

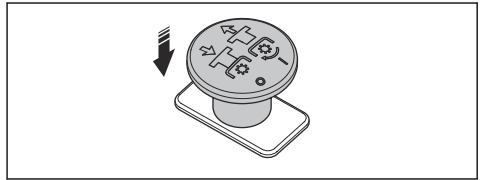
The PTO button engages and disengages the PTO clutch and the cutting deck or other equipment connected to it. The correct start conditions must be

obeyed to engage the drive of the blades. Refer to *To do a check of the operation conditions on page 13* for the correct start conditions.

- Pull the PTO button out to engage the drive to the blades or other equipment.



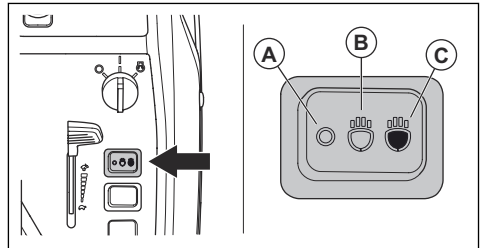
- Push the PTO button in to disengage the drive to the blades or other equipment.



Headlights

The headlight has work light and high beam light.

- Push the power switch to position (A) to make the lights go off.



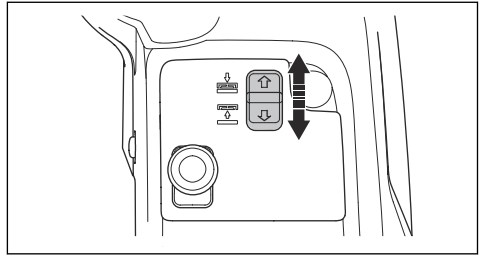
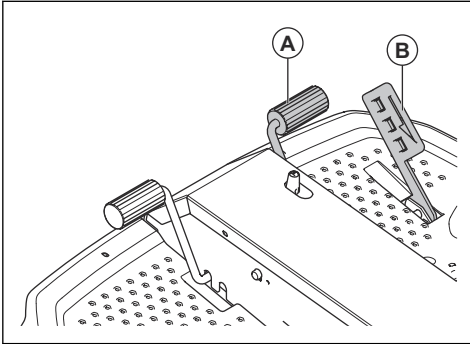
- Push the power switch to position (B) to make the work light come on.
- Push the power switch to position (C) to make the high beam light and the work light come on.

The work light stays on for 3 minutes after the ignition key is set to STOP. When the headlights are on, the display shows the headlight symbol. Refer to *Display on page 7*.

Forward and rearward pedals

The speed is gradually adjusted with 2 pedals. The left pedal (A) is used to move forward, and the right pedal

(B) is used to move rearward. The product brakes when the pedals are released.



Cutting deck

The cutting decks for this product are the Combi cutting decks and the R137 cutting deck. The cutting decks are also available as X-models, that let you adjust the cutting height from the control panel. Refer to *Technical data* on page 58.

The cutting decks operate with a mulch plug or with rear discharge. When the cutting decks are operated with the mulch plug, the grass is cut into smaller pieces that become a fertilizer for the lawn. When the mulch plug is removed, the cutting decks release the grass rearward. The Combi cutting decks are specially made for mulch plug use while the R137 cutting deck are specially made for rear discharge.

Switch for electric lift of the cutting deck

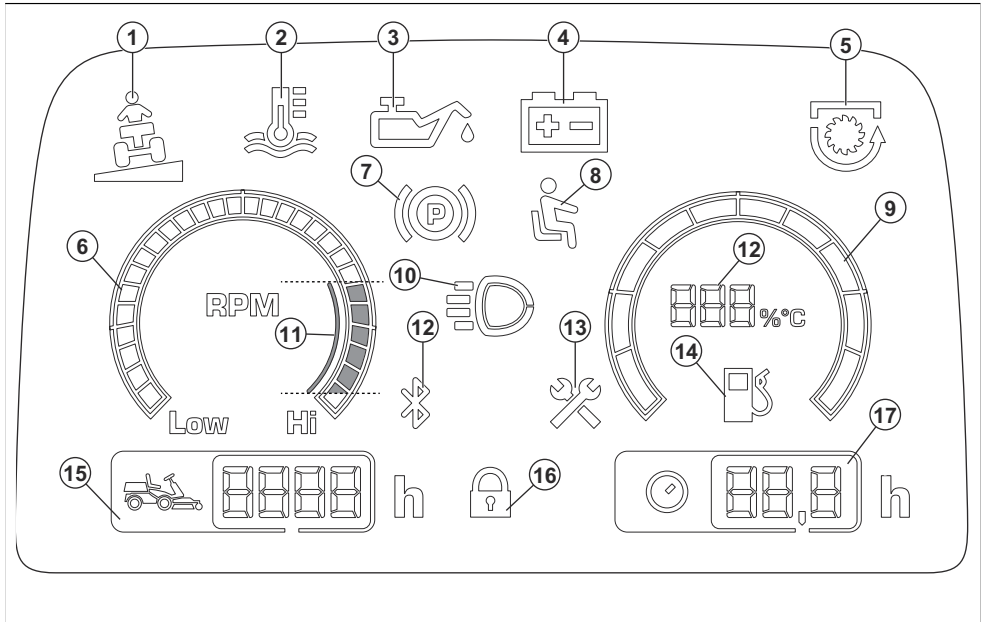
The switch controls the electric lift. Use the electric lift to lift and lower the cutting deck into correct position.

The switch has no set position. Pull the switch for the electric lift rearward to lift the cutting deck. Push the switch for the electric lift forward to lower the cutting deck. The cutting deck can always be lifted and lowered when the ignition key is in ON position.

The cutting deck must always be in float position when you cut grass. The float position let the cutting deck to follow the different levels of the ground.

Display

The display on the instrument panel shows information of the status of the product.



1. Slope indicator
2. Indicator of transmission oil temperature
3. Indicator for engine oil pressure
4. Battery level indicator
5. PTO indicator
6. Tachometer
7. Parking brake indicator
8. Operator presence control (OPC)
9. Fuel gauge
10. Work light or high beam light indicator
11. Recommended engine RPM when you operate the product
12. Bluetooth®
13. Servicing indicator
14. Fuel gauge measured in steps of 5%

Note: If the transmission oil temperature indicator is on, the fuel gauge shows the transmission oil temperature.

15. Hour meter. Total run time in hours.
16. Digital lock
17. Hour meter. Working day hours/day.

Note: The look of the display can be different on different models.

Note: When the ignition key is turned from the STOP position to the ON position, all symbols light up for a short period of time. After this, only the symbols in operation are on.

Symbols on the product



WARNING: Be careful and use the product correctly. This product can cause serious injury or death to the operator or others.



Read the operator's manual carefully and make sure that you understand the instructions before you use this product.



Rotating blades. Keep body parts away from the cover when the engine is on.



Warning: rotating parts. Keep body parts away.



Warning: risk of crush injuries.



Warning: risk of crush injuries. The lift arms will move with great force, keep body parts away.



Look out for ejecting objects and ricochets.



Hot surface.



Keep bystanders away.



Look behind you before and while you move the product rearward.



Never cut grass across a slope. Do not cut grass on ground that slopes more than 10°. Refer to *To cut grass on slopes* on page 14.



Do not keep passengers on the product or equipment.



Tip-over hazard.



Move forward.



Move rearward.



Parking brake pedal.



Parking brake.



This product is in accordance with applicable EC directives.



This product conforms to applicable UK regulations.



Noise emission to the environment label as per EU and UK directives and regulations, and New South Wales legislation "Protection of the Environment Operations (Noise Control) Regulation 2017". The guaranteed sound power level of the product is specified in *Technical data* on page 58 and on the label.



Always use approved hearing protection.



Stop the engine and remove the spark plug cable before repairs or maintenance.



Engine off.



Engine on.



Engine start.



Engine speed – fast.



Engine speed – slow.



Choke P 524X.



Fuel.



Max. ethanol 10%.



Transport position for the cutting deck.



Operation position for the cutting deck.



Pull out the PTO button.



Push the PTO button.



AUX for the rear power output.



AUX for the front power output.



Oil level.



Scannable code.



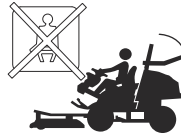
MAX. XXXN / (XXkg)

Max. permitted vertical force on the towbar is specified in *Technical data on page 58* and on the label.



MAX. XXXN / (XXkg)

Max. permitted horizontal force on the towbar is specified in *Technical data on page 58* and on the label.



Do not use the seat belt if the ROPS is disengaged.



Always use the seat belt when the ROPS is engaged.



Note: Other symbols/decals on the product refer to certification requirements for some commercial areas.

Type plate



- Husqvarna Identity (HID) with article number, factory and line, date, sequence number and control number
- Model name
- Product number code (PNC)
- Scannable code
- Manufacturer and manufacturer address
- Production year
- Rated power
- Serial number with production date, year, week and sequence number
- Product number code (PNC)
- Product weight, unladen
- Maximum front axle weight (GAWR)
- Maximum rear axle weight (GAWR)
- Maximum laden weight (GCWR)

Euro V Emissions



WARNING: Tampering with the engine voids the EU type-approval of this product.

Product damage

We are not responsible for damages to our product if:

Safety

Safety definitions

Warnings, cautions and notes are used to point out specially important parts of the manual.



WARNING: Used if there is a risk of injury or death for the operator or bystanders if the instructions in the manual are not obeyed.



CAUTION: Used if there is a risk of damage to the product, other materials or the adjacent area if the instructions in the manual are not obeyed.

Note: Used to give more information that is necessary in a given situation.

General safety instructions



WARNING: This product can cut off hands and feet and throw objects. Serious injury or death may occur if you do not obey the safety instructions.



WARNING: Do not continue to use a product with damaged cutting equipment. Damaged cutting equipment can throw objects and cause serious injury or death. Replace damaged blades immediately.



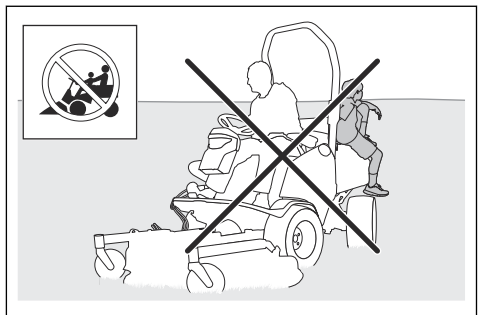
WARNING: This product produces an electromagnetic field during operation. This field may under some circumstances interfere with active or passive medical implants. To reduce the risk of serious or fatal injury we recommend persons with medical implants to consult their physician and the medical implant manufacturer before operating this product.

- the product is incorrectly repaired.
- the product is repaired with parts that are not from the manufacturer or not approved by the manufacturer.
- the product has an accessory that is not from the manufacturer or not approved by the manufacturer.
- the product is not repaired at an approved service center or by an approved authority.



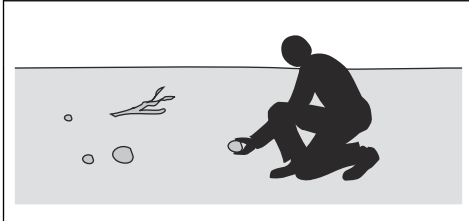
WARNING: Read the warning instructions that follow before you use the product.

- Always be careful and use your common sense. Avoid all situations which you consider to be beyond your capability. If you feel uncertainty about the operating procedures after you read the operator's manual, consult an expert before you continue.
- Read and understand the operator's manual and the instructions on the product carefully before you start the product.
- Learn how to use the product and its controls safely and learn how to stop the product quickly.
- Learn to recognize the safety decals.
- Keep the product clean to make sure that you can clearly read signs and stickers.
- Keep in mind that the operator will be held responsible for accidents that involve other persons or their property.
- Do not transport passengers. The product must only be used by one person.



- Do not let the product stay unsupervised with the engine on. Always stop the blades, apply the parking brake, stop the engine and remove the ignition key before you let the product stay unsupervised.
- Only use the product in daylight or in other well-lit conditions. Keep the product at a safe distance from holes or other irregularities in the ground. Look out for other possible risks.

- Do not use the product in bad weather, for example in fog, in rain, moist or in wet locations, strong winds, intense cold, risk of lightning, etc.
- Find and mark stones and other fixed objects to prevent collision.
- Clear the area of objects such as stones, toys, wires, etc. that may become caught in the blades and be thrown out.



- Do not let children or other persons not approved for operation of the product to use or do servicing on it. Local laws may regulate the age of the user.
- Make sure that nobody else is in the vicinity of the product when you start the engine, engage the drive or start to move the product.
- Keep an eye on the traffic when you mow near a road or move across a road.
- Do not use the product if you are fatigued, while under the influence of alcohol or drugs, medicine or anything that can have a negative effect on your vision, alertness, coordination or judgement.
- Do not change the adjustment for the engine speed control.
- Always park the product on a level surface with the engine stopped.

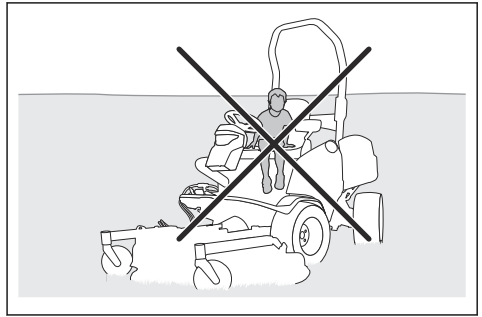
Safety instructions regarding children



WARNING: Read the warning instructions that follow before you use the product.

- Serious accidents can occur if you are not on your guard for children in the vicinity of the product. Children can be attracted to the product and to mowing. It is very possible that children do not stay where you last saw them.
- Keep children away from the area to be mowed. Make sure that an adult is responsible for the children.
- Keep an eye out and stop the product if children enter the work area. Be very careful near corners, bushes, trees or other objects that prevents a clear view.
- Before and while you move the product in reverse, look behind you and look down to make sure there are no small children in the vicinity of the product.
- Do not let children ride along. They can fall off and get seriously injured or prevent safe maneuvering of the product.

- Do not let children operate the product.



Safety instructions for operation



WARNING: Do not touch the engine or exhaust system during or directly after operation. The engine and the exhaust system become very hot during operation. Risk of burn injuries, fire and damage to property or adjacent areas. When you operate the product, keep away from bushes and other objects.



WARNING: Read the warning instructions that follow before you use the product.

- Always look down and behind you before and while you move in reverse. Look out for large and small obstacles.
- Decrease the speed before you turn around a corner.
- Stop the blades when you move across areas that you do not cut.



CAUTION: Read the caution instructions that follow before you use the product.

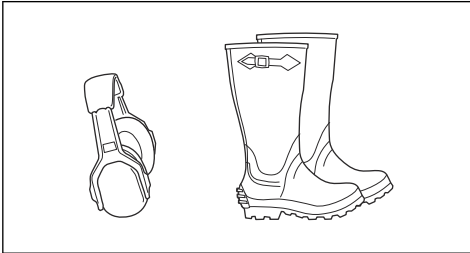
- Before you operate the product, clear the cold air intake of the engine from grass and dirt. If the cold air intake is blocked, there is a risk of engine damage.
- Move around stones and other larger objects carefully and make sure that the blades do not hit the objects.
- Do not operate the product across objects. Stop and examine the product and cutting deck if you operate the product across or into an object. If it is necessary, make repairs before you restart.

Personal protective equipment



WARNING: Read the warning instructions that follow before you use the product.

- Use approved personal protective equipment when you use the product. Personal protective equipment cannot fully prevent injury but it decreases the degree of injury if an accident does occur. Let your dealer help you select the right equipment.
- Use approved hearing protection. Long-term exposure to noise can result in permanent hearing impairment.
- Use heavy-duty slip-resistant boots or shoes. Steel toes are recommended. Do not use open shoes or go with bare feet.



- Use protective gloves when necessary, for example when you attach, examine or clean the cutting equipment.
- Do not wear loose-fitting clothing, jewelry or other items that can get caught in moving parts.
- Keep first aid equipment and fire extinguisher near.

Safety devices on the product



WARNING: Read the warning instructions that follow before you use the product.

- Do not use a product with safety devices that are damaged or do not operate correctly. Do a check of the safety devices regularly. If the safety devices are damaged, speak to your Husqvarna service agent.
- Do not make modifications on safety devices. Do not use the product if protective plates, protective covers, safety switches or other protective devices are not attached or are damaged.

Roll Over Protection Structure (ROPS)

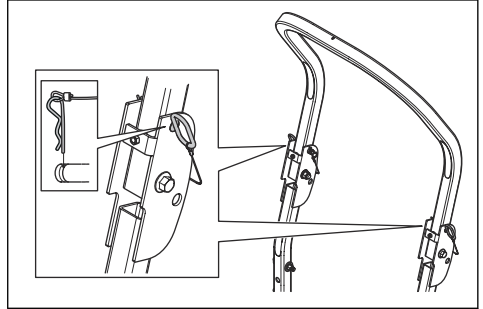
ROPS is a protective frame that decreases the risk of injury if the product overturns. Use the ROPS and the safety belt when you operate the product on slopes.

Safety belt

The safety belt prevents injury if accidents occur or the product overturns. Use the safety belt only when the ROPS is engaged. Make sure that the seat belt is correctly attached and not damaged.

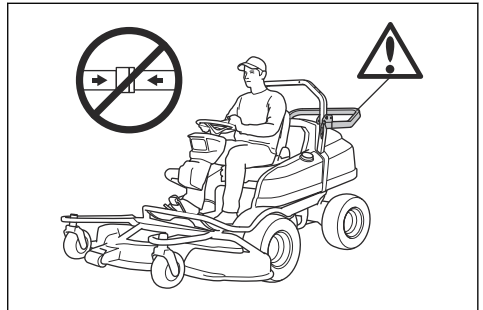
To engage and disengage the Roll Over Protection Structure (ROPS)

- Remove the 2 pins that hold the ROPS and fold it rearwards to disengage. Engage the ROPS in the opposite sequence.

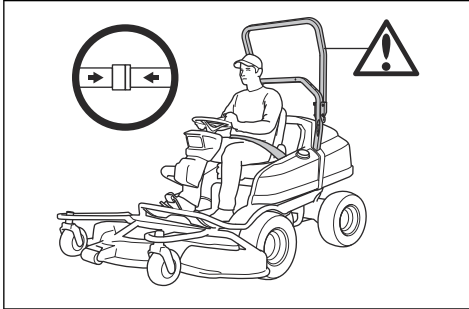


WARNING: Obey the following instructions for the ROPS and the safety belt.

- Do not use the safety belt if the ROPS is disengaged.



- Always use the safety belt when the ROPS is engaged.

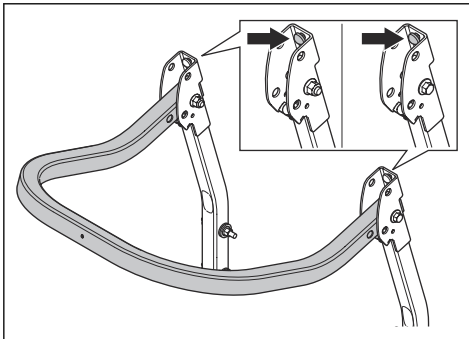


- Make sure that the ROPS is correctly attached and not damaged.

To adjust the vibration damping units on the ROPS

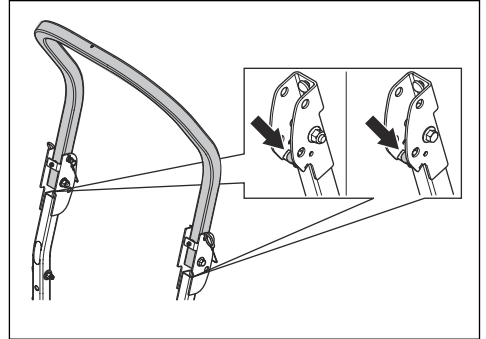
The ROPS has 4 vibration damping units that prevent vibration and noise from the ROPS.

1. Disengage the ROPS. Refer to *To engage and disengage the Roll Over Protection Structure (ROPS) on page 12.*
2. Turn the upper vibration damping units until there is no play in the ROPS.

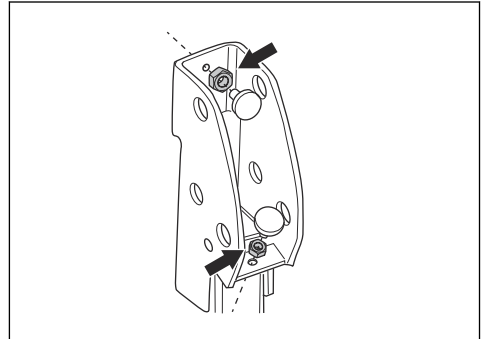


3. Engage the ROPS. Refer to *To engage and disengage the Roll Over Protection Structure (ROPS) on page 12.*

4. Turn the lower vibration damping units until there is no play in the ROPS.



5. Tighten the counter nuts.



Operator presence control (OPC)

The OPC is engaged when the operator lifts from the seat. The OPC indicator in the display comes on. The OPC engages the safety circuit. Refer to *To do a check of the operation conditions on page 13.*

To do a check of the ignition key

- Start and stop the engine to do a check of the ignition key. Refer to *To start the engine (P 524X) on page 21* and *To stop the engine on page 24.*
- Make sure that the engine starts when you turn the ignition key to start position.
- Make sure that the engine stops immediately when you turn the ignition key to stop position.

To do a check of the operation conditions

The operation conditions are as follows:

- The engine can only be started when the drive of the blades is disengaged.
- The engine can only be started when the parking brake is applied.
- The drive of the blades can only operate when the operator sits in the seat.

Do a check of the operation conditions daily.

1. Try to start the engine with the drive of the blades engaged. If the operation conditions works, the engine does not start.
2. Try to start the engine without the parking brake applied. If the operation conditions works, the engine does not start.
3. Start the engine, engage the drive on the blades and lift from the seat. If the operation conditions works, the blades in the cutting deck stop.

To do a check of the forward drive pedal and rearward drive pedal

1. Start the product.
2. Make sure that the forward drive pedal and rearward drive pedal are not blocked and can be operated freely.
3. Push the forward drive pedal carefully to move forward.
4. Release the forward drive pedal to brake. Make sure that the brake engages when the forward drive pedal is released.
5. Do the same procedure for the rearward drive pedal.

Note: The product has a brake function that engages automatically when you release the pedals. To decrease the speed faster, push the other pedal.

6. Make sure that the product does not move when the forward drive and rearward drive pedals are not engaged.

Parking brake



WARNING: If the parking brake does not work, the product can start to move and cause injury or damage. Make sure that the parking brake is regularly examined and adjusted.

Refer to *To apply and release the parking brake on page 25*.

Muffler

The muffler keeps the noise levels to a minimum and sends the exhaust fumes away from the operator.

Do not use the product if the muffler is missing or damaged. A damaged muffler increases the noise level and the risk of fire.



WARNING: The muffler becomes very hot during and after use and when the engine operates at idle speed. Be careful near flammable materials and/or fumes to prevent fire.

To do a check of the muffler

- Examine the muffler regularly to make sure that it is attached correctly and not damaged.

Protective covers

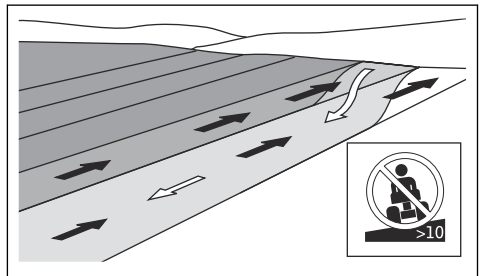
Missing or damaged protective covers increase the risk of injury on moving parts and hot surfaces. Do a check of the protective covers before you operate the product. Make sure that the protective covers are correctly attached and do not have cracks or other damages. Replace damaged covers.

To cut grass on slopes

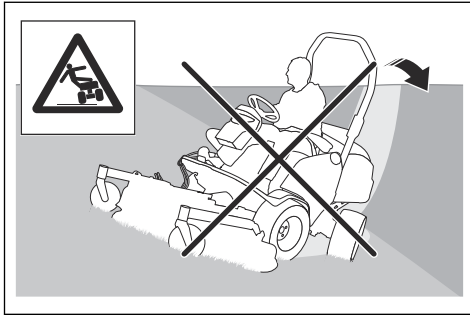


WARNING: Read the warning instructions that follow before you use the product.

- To cut grass on slopes increases the risk that you can not control the product and that it overturns. This can cause injury or death. It is necessary to cut the grass carefully on all slopes. If you cannot reverse up a slope or if you do not feel safe, do not cut it.
- Remove stones, branches and other obstacles.
- Cut up and down the slope, not from side to side.
- Do not move down a slope with the cutting deck lifted.
- Do not operate the product on ground that slopes more than 10°.



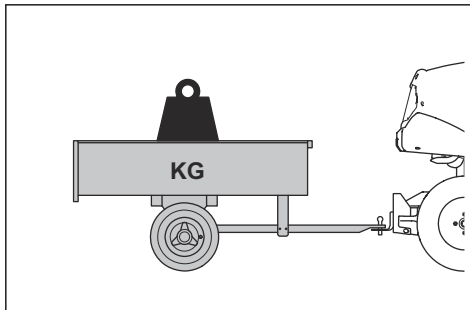
- Do not start or stop on a slope.
- Move smoothly and slowly on slopes.
- Do not make sudden changes in speed or direction.
- Do not turn more than necessary. Turn slowly and gradually when you move down a slope. Move at low speed. Turn the wheel carefully.
- Look out for and do not move across furrows, holes and bumps. There is a higher risk that the product overturns on ground that is not flat. Long grass can hide obstacles.
- Do not cut grass near edges, ditches or banks. The product can suddenly overturn if a wheel moves across the edge of a steep slope or a ditch, or if an edge gives way. If the product falls into water, there is a risk of drowning.



- Do not cut wet grass. It is slippery, and tires can lose their grip so that the product skids.
- Do not put your foot on the ground to try to make the product more stable.
- Move very carefully if an accessory or other object is attached that can make the product less stable.

Tow safety

- Only use tow equipment approved by Husqvarna.
- Use the tow bar to attach the equipment.
- Do not tow equipment that is heavier than the maximum permitted tow equipment weight. Refer to *Technical data on page 58*.



- Make sure that no other persons are near the product when you tow equipment.
- Be careful when you tow equipment on slopes or rough ground.
- Operate the product at low speed when you tow equipment.

Fuel safety



WARNING: Be careful with fuel. It is very flammable, and can cause injury and damage to property.



WARNING: Read the warning instructions that follow before you use the product.

- Do not fill the fuel tank indoors.
- Gasoline and gasoline fumes are poisonous and very flammable. Be careful with gasoline to prevent injury or fire.
- Do not remove the fuel tank cap or fill the fuel tank when the engine is on.
- Let the engine become cool before you refuel.
- Do not smoke when you fill fuel.
- Do not fill fuel near sparks or naked flames.
- If there are leaks in the fuel system, do not start the engine until the leaks are repaired.
- Do not fill above recommended fuel level. The heat from the engine and the sun makes the fuel expand and the fuel overflows if the tank is filled too much.
- Do not fill too much. If you spill fuel on the product, clean up the spill and wait until it is dry before you start the engine. If you spill on your clothing, change it.
- Store fuel in approved containers only.
- Store the product and fuel in such a way that there is no risk that fuel leaks or fumes can cause damage.
- Drain off the fuel in an approved container outdoors and away from naked flames.

Battery safety



WARNING: A damaged battery can cause an explosion and cause injury. If the battery has a deformation or is damaged, speak to an approved Husqvarna service agent.



WARNING: Read the warning instructions that follow before you use the product.

- Use protective glasses when you are near batteries.
- Do not wear watches, jewelry or other metal objects near the battery.
- Keep the battery out of reach for children.
- Charge the battery in a space with good airflow.
- Keep flammable materials at a minimum clearance of 1 m when you charge the battery.
- Discard replaced batteries. See *Disposal on page 57*.
- Explosive gases can come from the battery. Do not smoke near the battery. Keep the battery away from open flames and sparks.

Transport safety

- Use an approved transport vehicle for transportation of the product.
- The product is heavy and can cause crush injuries. Be careful when you load it onto or off a vehicle or trailer.
- A markets national or local regulations can set limit to the transportation of the product.

- The operator of the transport vehicle is responsible to attach the product safely during transport. Refer to *Transportation on page 56*.

Safety instructions for maintenance



WARNING: The product is heavy and can cause injury or damage to property or the adjacent area. Do not do maintenance on the engine or the cutting deck without these conditions:

- The engine is off.
- The product is parked on a level surface.
- The parking brake is applied.
- The ignition key is removed.
- The cutting deck is disengaged.
- The ignition cables are removed from the plugs.



WARNING: The exhaust fumes from the engine contain carbon monoxide, an odorless, poisonous and very dangerous gas. Do not run the product in closed spaces or spaces with not sufficient air flow.



WARNING: Read the warning instructions that follow before you do maintenance on the product.

- For best performance and safety, do maintenance on the product regularly as given in the maintenance schedule. Refer to *Maintenance schedule on page 26*.

- Electrical shocks can cause injuries. Do not touch the cables when the engine is on. Do not do a function test on the ignition system with your fingers.
- Do not start the engine if the protective covers are removed. There is a high risk of injury caused by moving or hot parts.
- Let the product become cool before you do maintenance near the engine.
- The blades are sharp and can cause cuts. Wind protection around the blades or use protective gloves when you do work on the blades.
- Always put the cutting deck in servicing position to clean it. Do not park the product near the edge of a ditch or slope to get access to the cutting deck.



CAUTION: Read the caution instructions that follow before you use the product.

- Do not turn over the engine if the spark plug or ignition cable is removed.
- Make sure that all nuts and bolts are tightened correctly and that the equipment is in good condition.
- Do not change the adjustment of governors. If the engine speed is too high, the product components can become damaged. Refer to *Technical data on page 58* for highest permitted engine speed.
- The product is approved only with the equipment supplied or recommended by the manufacturer.



WARNING: Do not touch the hydraulic hoses. Pressurized hydraulic fluid can escape and cause damage to your skin.

Assembly

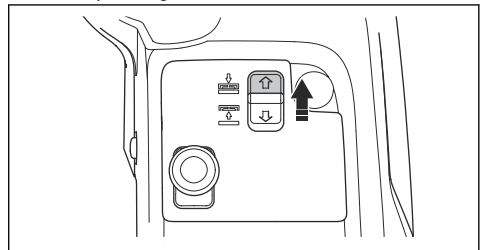
To attach the cutting deck

Note: For cutting deck models C112X, C122X, R137X: Before you can attach an X-model cutting deck, you must install a front AUX power outlet kit (accessory).

Note: Make sure that the cutting deck and the product are on level ground before you attach the cutting deck.

1. Carefully operate the product until it is in front of the cutting deck.

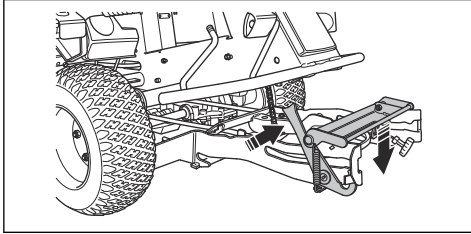
2. Push the switch for the electric lift to lower the cutting deck. Lower the cutting deck fully until you hear a pattering sound.



CAUTION: Hold the switch a minimum of 2 seconds after the cutting deck touches the ground. This is to make sure that the cutting deck is in float position.

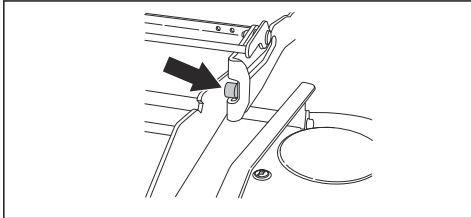
Note: The pattering sound from the frame tunnel does not mean that the product is defective.

3. Apply the parking brake.
4. Stop the engine.
5. Push the equipment frame down. Lift the equipment frame lock to vertical position.

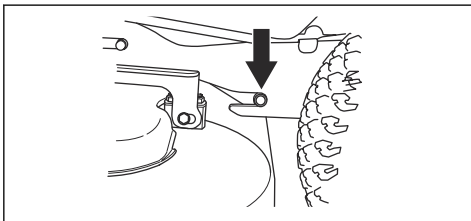


WARNING: The lock mechanism can cause injury to fingers if you do not operate it carefully. Hold the front edge of the cutting deck with two hands when you continue to the next step.

6. Push the cutting deck into the equipment frame. Make sure that the front guide pins go in the grooves on the equipment frame. The equipment frame lock releases automatically.

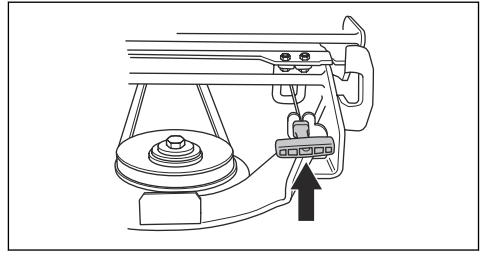


7. Push the cutting deck in until the rear guide pins touch the bottom of the grooves on the equipment frame.



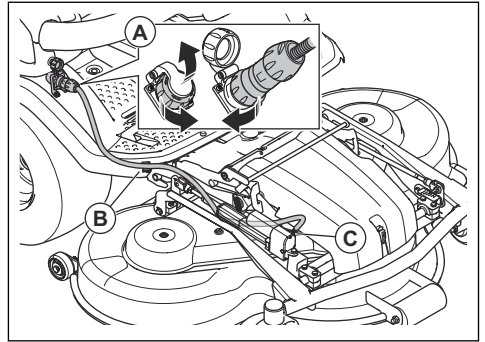
8. Put the drive belt around the drive pulley for the cutting deck.

9. Put the spring handle in the spring holder.



10. Attach the front cover.

11. For cutting deck models C112X, C122X, R137X:



- a) Connect the cable to the outlet (A).
- b) Attach the cable to the cable clip (B) on the footrest plate.



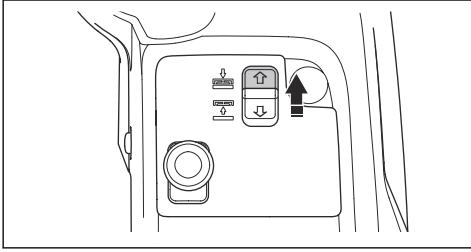
CAUTION: Make sure that the cable is in correct position below the actuator (C) and does not get compressed when you put the cutting deck in mow position. Refer to *To put the cutting deck in mow position* on page 37.

12. Do a check of the parallelism of the cutting deck. Refer to *To do a check of the parallelism of the cutting deck* on page 38.

To remove the cutting deck

1. Park the product on level ground.
2. Apply the parking brake.
3. For cutting deck models C112X, C122X, R137X: Set the cutting height to the lowest position. Refer to *To adjust the cutting height (C112X, C122X, R137X)* on page 24.

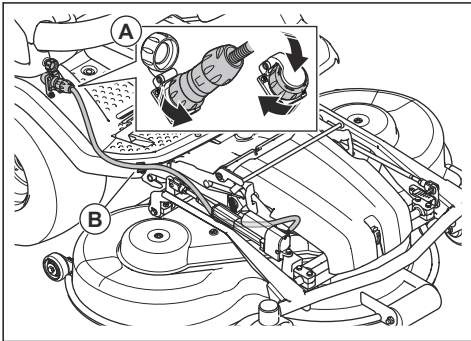
4. Push the switch for the electric lift to lower the cutting deck. Lower the cutting deck fully until you hear a pattering sound.



CAUTION: Hold the switch a minimum of 2 seconds after the cutting deck touches the ground. This is to make sure that the cutting deck is in float position.

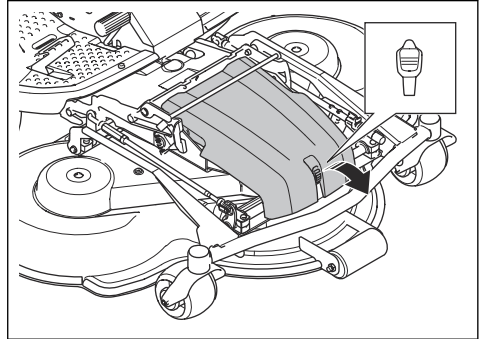
Note: The pattering sound from the frame tunnel does not mean that the product is defective.

5. Stop the engine.
6. Put the ignition key to neutral position.
7. For cutting deck models C112X, C122X, R137X:

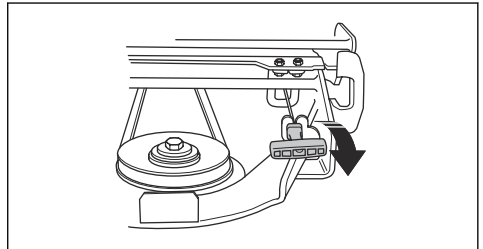


- a) Disconnect the cable from the power outlet (A).
- b) Remove the cable from the cable clip (B) on the footrest plate.

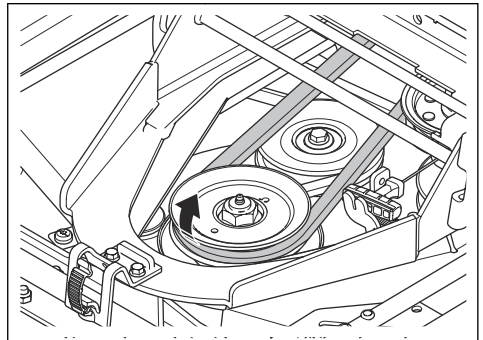
8. Release the clip on the front cover with the tool attached to the ignition key, and remove the cover.



9. For cutting deck models C112, C122, R137: Set the cutting height to the lowest position. Refer to *To adjust the cutting height (C112, C122, R137) on page 23*.
10. Pull the spring handle out from the spring holder to loosen the drive belt tension.

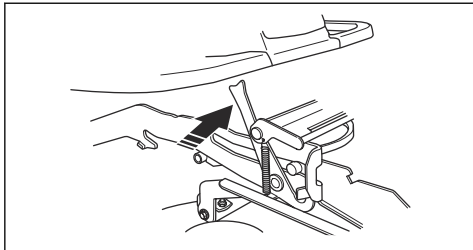


11. Remove the drive belt and put it in the belt holder.

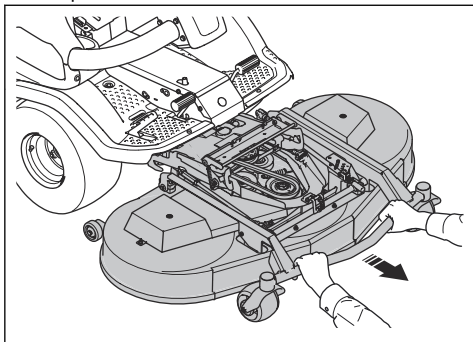


12. Hold the front edge of the cutting deck with 2 hands and pull it out.
13. Lower the cutting deck fully.

14. Open the equipment frame lock.



15. Hold the front edge of the cutting deck with 2 hands and pull it out.



WARNING: Risk of crush injury, keep body parts away.

Operation

Introduction



WARNING: Before you operate the product, you must read and understand the safety chapter.

To start to use Husqvarna Connect

1. Download the Husqvarna Connect app on your mobile device.
2. Register in the Husqvarna Connect app.
3. Do the instruction steps in the Husqvarna Connect app to connect and register the product.

To fill fuel



WARNING: Gasoline is very flammable. Be careful and refuel outdoors (see *Fuel safety on page 15*).



WARNING: Do not use the fuel tank as a support area.

The engine runs on unleaded gasoline with a minimum octane rating of 95 (not mixed with oil). We recommend

biodegradable alkylate gasoline (max. methanol 5%, max. ethanol 10%, max. MTBE 15%).

Do a check of the fuel level before each use and refuel if necessary.

You can clearly see the fuel level in the fuel tank. Do not fill too much. Keep a minimum space of 2.5 cm.

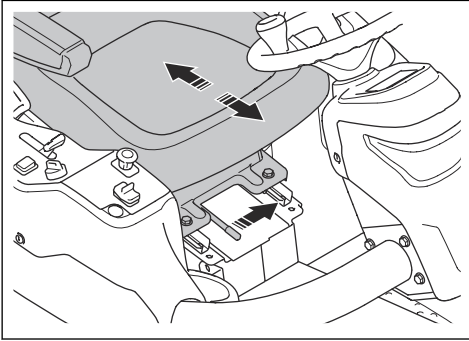
To adjust the seat



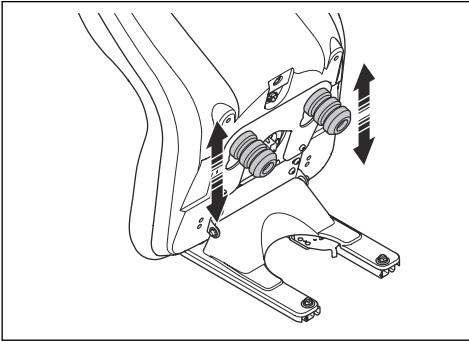
WARNING: Do not adjust the seat during operation of the product.

The seat can be tilted forward. It can also be adjusted forward and rearward.

- To adjust the seat forward and rearward, put your feet on the footrest plates and push the lever below the front edge of the seat to the left. Move the seat to the correct position.

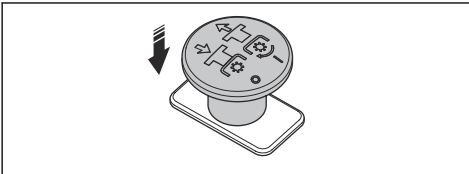


- To adjust the seat springs, move the rubber stops below the seat as given in the illustration. Put the 2 stops in the front, middle or rear.

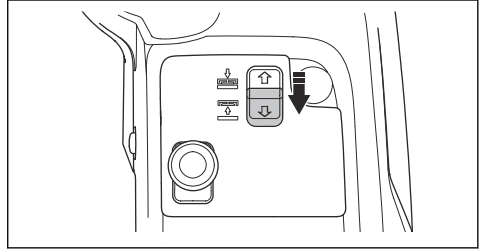


To lift the cutting deck

- Push the PTO button to disengage the drive of the cutting deck.



- Pull the switch for the electric lift to lift the cutting deck. Lift the cutting deck fully until you hear a pattering sound.



Note: The pattering sound from the frame tunnel does not mean that the product is defective.

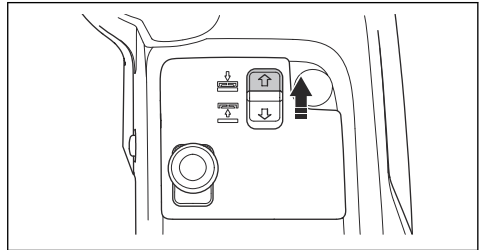
Note: You can lift the cutting deck a small distance with the drive on the blades engaged. Use this function for very long grass or rough surfaces.



WARNING: Do not lift the cutting deck fully while the drive of the cutting deck is engaged. There is a risk of thrown objects that can cause serious injury or death.

To lower the cutting deck

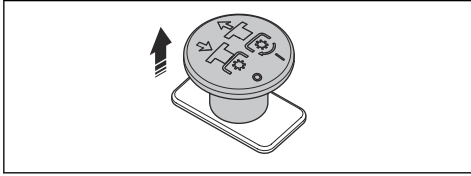
- Push the switch for the electric lift to lower the cutting deck. Lower the cutting deck fully until you hear a pattering sound.



CAUTION: Hold the switch a minimum of 2 seconds after the cutting deck touches the ground. This is to make sure that the cutting deck is in float position.

Note: The pattering sound from the frame tunnel does not mean that the product is defective.

2. Pull the PTO button to engage the drive on the cutting deck blades.

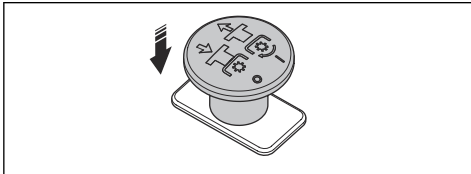


To do before you operate the product

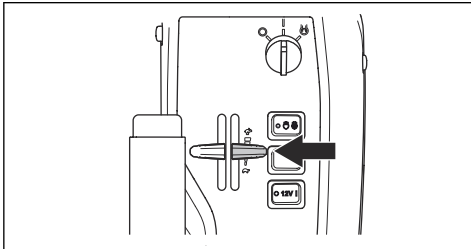
1. Read the operator's manual carefully and make sure that you understand the instructions.
2. Put on necessary personal protective equipment. Refer to *Personal protective equipment on page 12*.
3. Make sure that only approved persons are in the work area.
4. Do daily maintenance. Refer to *Maintenance schedule on page 26*.
5. Make sure that the product is assembled correctly and is not damaged.

To start the engine (P 524X)

1. Apply the parking brake.
2. Push in the PTO button to disengage the drive on the cutting deck.

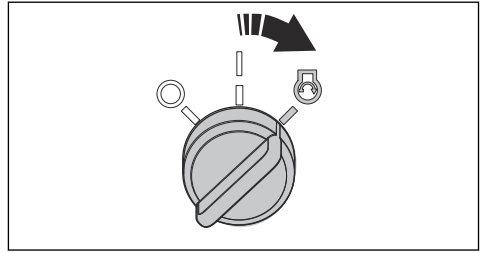


3. Move the throttle control to the middle position.

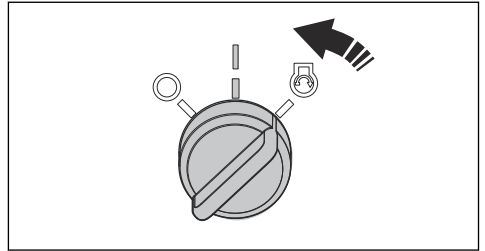


4. If the engine is cold, move the choke control fully rearward.

5. Turn the ignition key to the start position.

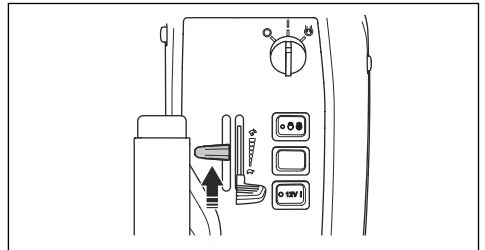


6. When the engine starts, immediately release the ignition key to neutral position.

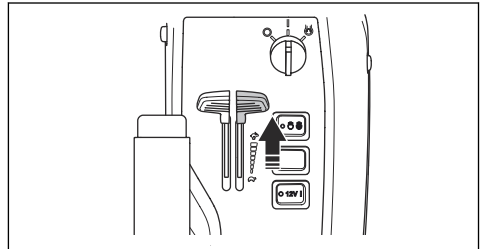


CAUTION: Do not run the starter for more than 5 seconds at a time. If the engine does not start, wait 15 seconds before you try again.

7. Push the choke control gradually forward to the end position.



8. Let the engine run at half throttle for 3-5 minutes before you apply a heavy load.
9. Push the throttle control to full throttle position.





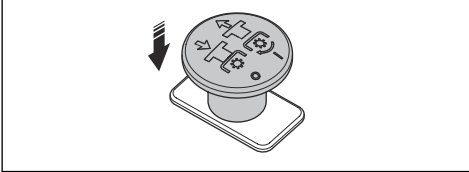
CAUTION: To engage the blades when the engine is at full speed causes strain on the drive belts. Do not apply full throttle until the cutting deck is lowered to the mow position.



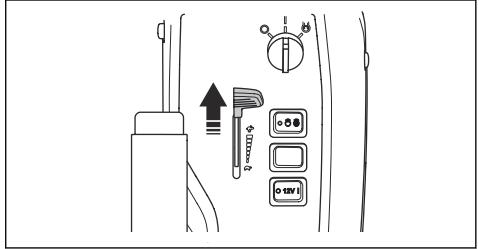
CAUTION: Do not run the starter for more than 5 seconds at a time. If the engine does not start, wait 15 seconds before you try again.

To start the engine (P 524X EFI)

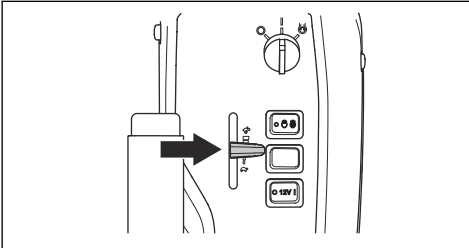
1. Apply the parking brake.
2. Push in the PTO button to disengage the drive on the cutting deck.



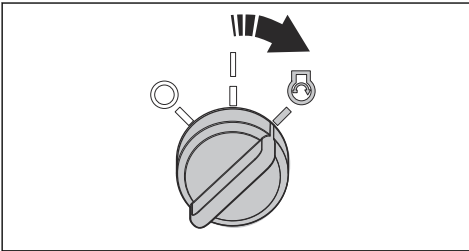
6. Let the engine run at half throttle for 3-5 minutes before you apply a heavy load.
7. Push the throttle control to full throttle position.



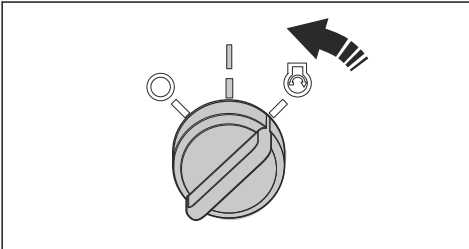
3. Move the throttle control to the middle position.



4. Turn the ignition key to the start position.



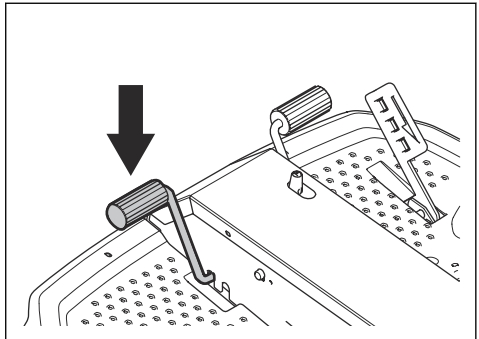
5. When the engine starts, immediately release the ignition key to neutral position.



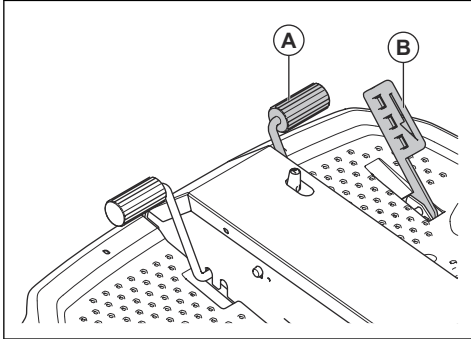
CAUTION: To engage the blades when the engine is at full speed causes strain on the drive belts. Do not apply full throttle until the cutting deck is lowered to the mow position.

To operate the product

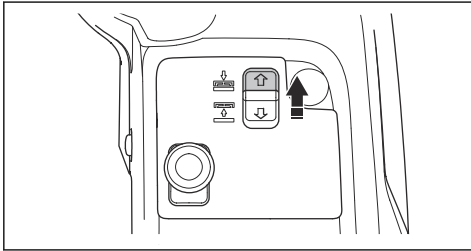
1. Make sure that the bypass valves are closed. Refer to *To disengage the hydrostatic transmission on page 25.*
2. Start the engine.
3. Press the parking brake pedal down and then release it to disengage the parking brake.



- Carefully press down one of the speed pedals. The speed increases the more the pedal is pressed down. Use pedal (A) to move forward, and pedal (B) to reverse.



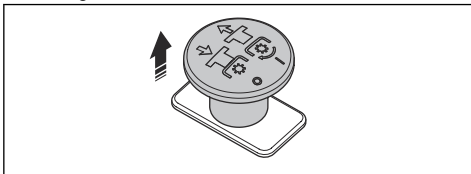
- Release the pedal to brake. To brake harder, press down the other speed pedal.
- Select the cutting height. Refer to *To adjust the cutting height (C112, C122, R137) on page 23* or *To adjust the cutting height (C112X, C122X, R137X) on page 24*.
- Push the switch for the electric lift to lower the cutting deck. Lower the cutting deck fully until you hear a pattering sound.



CAUTION: Hold the switch a minimum of 2 seconds after the cutting deck touches the ground. This is to make sure that the cutting deck is in float position.

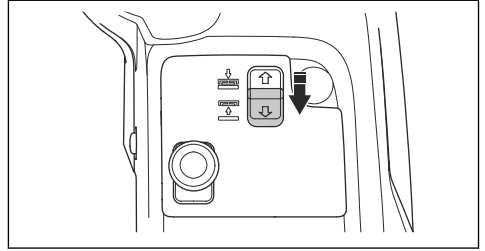
Note: The pattering sound from the frame tunnel does not mean that the product is defective.

- Pull the PTO button out to engage the drive on the cutting deck blades.



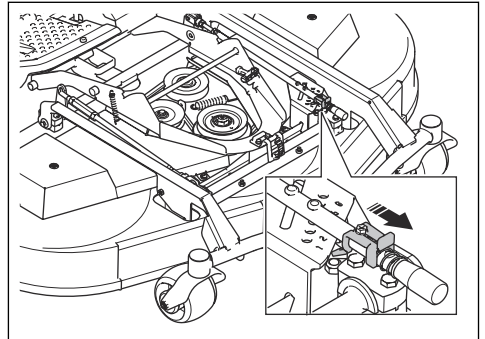
To adjust the cutting height (C112, C122, R137)

- Pull the switch for the electric lift to lift the cutting deck. Lift the cutting deck fully until you hear a pattering sound.

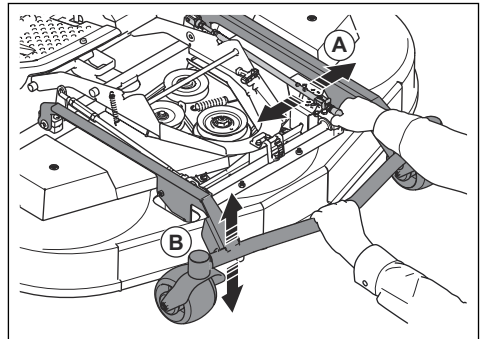


Note: The pattering sound from the frame tunnel does not mean that the product is defective.

- Apply the parking brake.
- Turn the ignition key to the STOP position.
- Push and hold the lock plate in the direction of the front of the cutting deck. Pull and lift the adjustment lever for cutting height with your right hand. Do not release the adjustment lever.



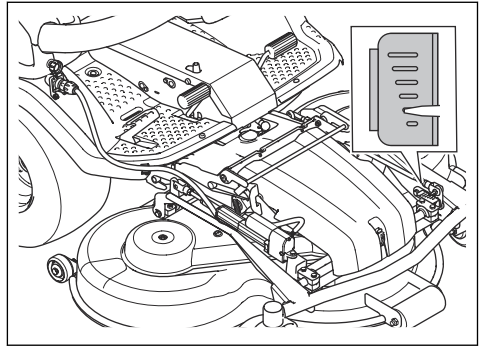
- Hold the equipment frame (B) with your left hand. Lift or lower the cutting deck while you move the adjustment lever (A) for cutting height horizontally.



6. Release the adjustment lever for cutting height in 1 of the holes on the adjustment plate.
7. Release the equipment frame.

Note: Refer to the table below for which approximate cutting height that agrees with which number.

Number	Cutting height, mm	
	C112, C122	R137
1 (S) Servicing position, lowest position	25	35
2	35	50
3	45	60
4	55	75
5	65	90
6	75	100

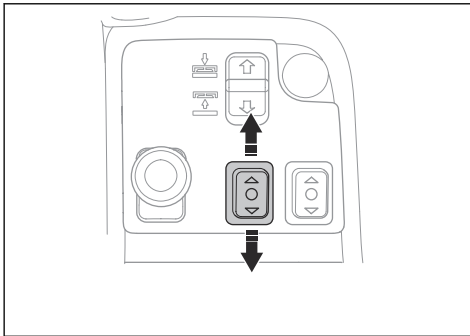


Note: Refer to the table below for which approximate cutting height that agrees which each mark.

Marks	Cutting height, mm	
	C112X, C122X	R137X
	75	100
	65	90
	55	75
	45	60
	35	50
	25	35

To adjust the cutting height (C112X, C122X, R137X)

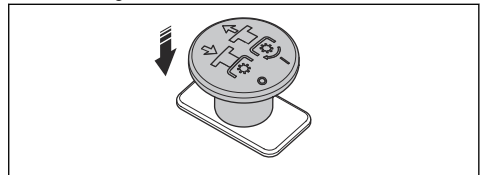
- Push the top on the left function button for front accessories to decrease the cutting height. Push the bottom on the left function button for front accessories to increase the cutting height.



The marks on the cutting deck show the position of the selected cutting height.

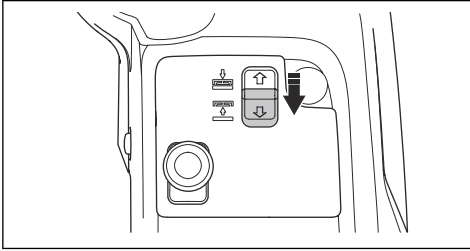
To stop the engine

1. Release the speed pedals.
2. Push the PTO button in to disengage the drive on the cutting deck blades.

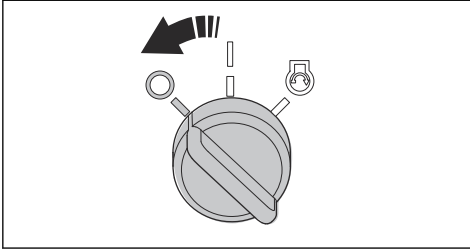


3. Operate the engine at idle speed for 1 minute to decrease the engine temperature.

- Pull the lift lever for the cutting deck rearward to lift up the cutting deck.



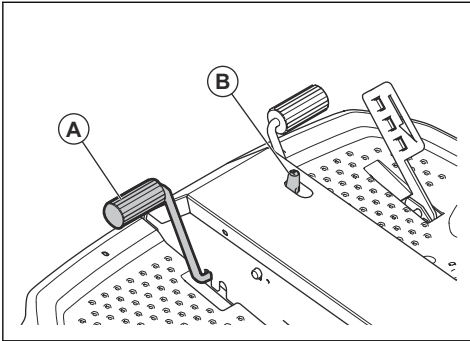
- Turn the ignition key to the STOP position.



- When the product stops, apply the parking brake.

To apply and release the parking brake

- Press the parking brake pedal down (A).
- Press and hold the lock button (B).



- Keep the button pressed and release the parking brake pedal.
- To release the parking brake, press the parking brake pedal again.

To get a good cutting result

- For best performance, do maintenance on the product regularly as given in the maintenance schedule. Refer to *Maintenance schedule on page 26*.
- Do not cut a wet lawn. Wet grass can give a bad cutting result.

- Start with a high cutting height and decrease it gradually.
- Cut with blades that rotate at high speed (highest permitted engine speed, refer to *Technical data on page 58*). Move the product forward at low speed. If the grass is not too high and thick, you can get a good cutting result also at a higher speed.
- Cut the grass in an irregular pattern.
- To get the best cutting result, cut the grass frequently and use the mulch function.

To disengage the hydrostatic transmission

To move the product with the engine off, you must open the hydraulic circuits on the front and the rear transmission. This is done by opening the bypass valves in the transmission motors.



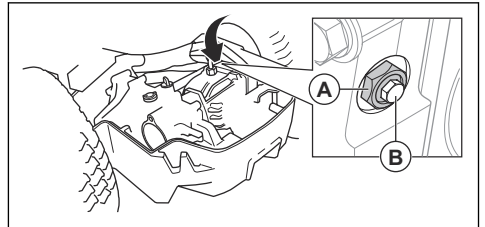
CAUTION: The product has no brakes when the bypass valves are open. The bypass valves must be closed before you operate the product.



CAUTION: Do not tow the product in high speed or for long distances. This will cause damage to the transmissions.

Rear transmission

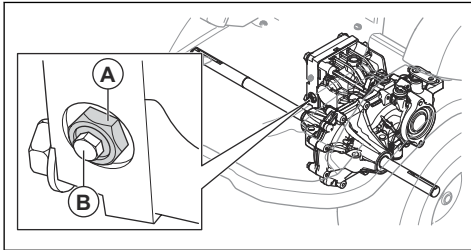
- To open the bypass valve, open the locknut (A) $\frac{1}{4}$ – $\frac{1}{2}$ turn counterclockwise and then the valve screw (B) 2 turns counterclockwise.



- To close the bypass valve, close the valve screw (B) and tighten to 8 Nm and then tighten the locknut (A) to 30 Nm.

Front transmission

- To open the bypass valve, open the locknut (A) $\frac{1}{4}$ – $\frac{1}{2}$ turn counterclockwise and then the valve screw (B) 2 turns counterclockwise.



- To close the bypass valve, close the valve screw (B) and tighten to 8 Nm and then tighten the locknut (A) to 30 Nm.

Maintenance

Introduction



WARNING: Read and understand the safety chapter before you do maintenance on the product.

Maintenance schedule

Daily maintenance before use

- | |
|--|
| Make sure that nuts and screws are tightened. |
| Make sure that there are no fuel or oil leaks. |
| Clean the product. |
| Clean the inner surfaces of the cutting deck. |
| Clean the engine and the muffler. |
| Make sure that the cold air intake of the engine is not blocked. |
| Make sure that the safety devices are not defective. |
| Examine the blades in the cutting deck. |
| Examine the cutting deck for damages. |
| Examine and do a test of the brakes. |
| Do a check of the engine oil level. |
| Do a check of the transmission oil level. |
| Make sure that the high beam light and the work light operate correctly. |

X = The instructions are given in this operator's manual.

O = The instructions are not given in this operator's manual. Let an approved service agent do the maintenance.

Maintenance	Weekly (40 hour intervals)	After the first 50 hours	Maintenance interval in hours		
			100	200	400
Make sure that nuts and screws are tightened.			○		
Make sure that there are no fuel or oil leaks.			○		
Clean the product.			X		
Make sure that the safety devices are not defective.			X		
Lubricate according to the lubrication overview.	X		X		
Lubricate the cutting deck	X		X		
Make sure that the fuel hoses and the couplings are clean and not damaged.		○	○		
Examine the 12V battery.	X		X		
Do a check of the electrical connections and cables.		○	○		
Examine the parking brake wire and adjust the parking brake.			○		
Make sure that the headlights and the warning lights operate correctly (if applicable).	X		X		
After the cleaning procedure, do a visual inspection of the pump belt tension.	○		○		
Replace the pump belt.					○
Replace the PTO belt.					X
Examine the joint bearing in the articulated unit.					○
After the cleaning procedure, do a visual inspection of all pulleys.				○	
Do a visual inspection of all hydrostatic cables with links.			○		
Examine the throttle and choke controls.			○		
Do an update of the firmware if it is necessary.			○		
Replace the PTO button.		Each 10 years ○			
Replace the hydraulic oil filter.		○			○
Replace the hydraulic oil.					○
Examine the spark plug for damages and make sure that the electrode gap is correct.			X		
Clean the air filter.	X		X		
Replace the fuel filter.		X	X		
Replace the air filter cartridge.				X	
Examine the inner air filter.				X	
Replace the inner air filter.					X

Maintenance	Weekly (40 hour intervals)	After the first 50 hours	Maintenance interval in hours		
			100	200	400
Examine and adjust valve clearance of the engine.				○	
Clean the surface of the lap valve seating.				○	
Examine the muffler and heat deflector.	X		X		
Replace the engine oil.		X	X		
Replace the engine oil filter.		X		X	
Replace the spark plug.					X
Replace the fuel hoses.	Each 5 years ○				
Do a check of/adjust front and rear wheel speed.			○		
Do a check of the oil level in the transmission.	X		X		
Replace the oil in the transmission.		○			○
Make sure that the tire pressure is correct.	X		X		
Examine and adjust the cutting height settings.			X		
Replace the belt of the cutting deck.					X
Examine the cutting deck for damages.			X		
Examine the blades in the cutting deck.			X		

To clean the product

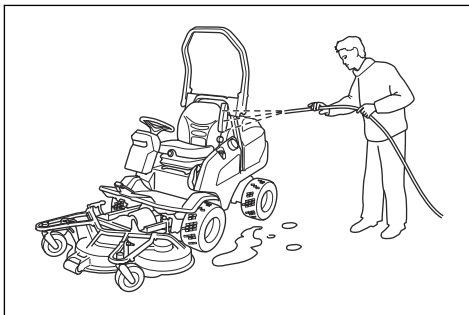


CAUTION: Do not use a high-pressure washer or a steam cleaner. Water can go into bearings and electrical connections and cause corrosion which causes damage to the product.

Clean the product immediately after use.

- Do not clean hot surfaces such as the engine, muffler and exhaust system. Wait until the surfaces are cool, then remove the grass or dirt.
- Before you clean with water, clean with a brush. Remove grass cuttings and dirt on and around the transmission, the transmission air intake, and the engine.
- Use running water from a hose to clean the product. Do not use high pressure.
- Do not point the water at electrical components or bearings. Detergent usually increases the damage.
- To clean the cutting deck, put it in the servicing position and hose it down with water.
- When the product is clean, start the cutting deck for a short period to blow off remaining water.

- Examine all lubrication points and lubricate if it is necessary. Always lubricate the bearings after you clean the product.



To clean the engine and the muffler

Keep the engine and muffler free from grass cuttings and dirt. Grass cuttings soaked in fuel or oil on the engine can increase the fire risk and the risk that the engine becomes too hot. Let the engine cool before it is cleaned. Clean with water and a brush.

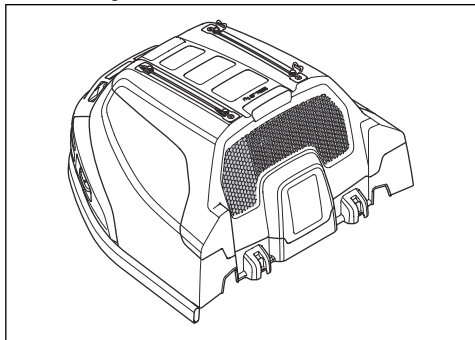
Grass cuttings around the muffler dry quickly and are a fire risk. Use a brush or remove the grass cuttings with water when the muffler is cold.

To clean the cold air intake of the engine

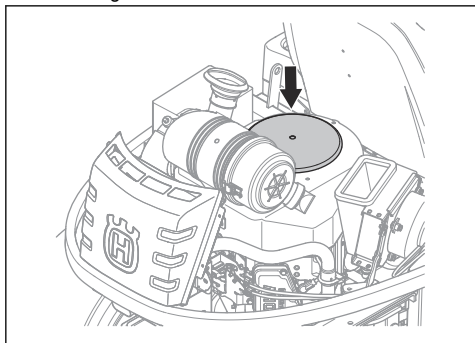


WARNING: Stop the engine. The cold air intake rotates and can cause injury to your fingers.

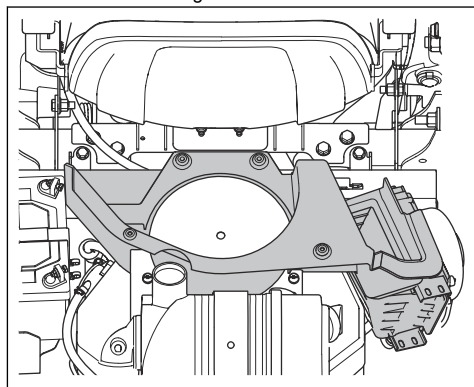
1. Make sure that the air intake grille is not blocked. Remove grass and dirt with a brush.



2. Remove the engine cover.
3. Make sure that the cold air intake is not blocked. Remove grass and dirt with a brush.

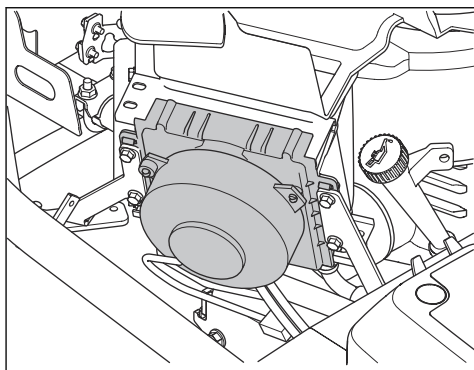


4. Examine the air duct on the inner surface of the engine cover. Make sure that the air duct is clean and does not rub against the cold air intake.



To clean the hydraulic oil cooler

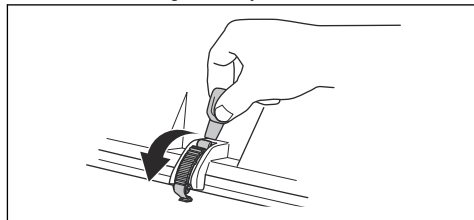
Make sure that the fan for the hydraulic oil cooler is not blocked and that the area around the hydraulic oil cooler is clean. Remove grass and dirt with a brush.



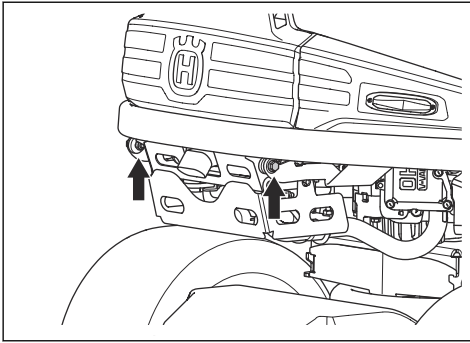
To remove the covers

To remove and install the engine cover

1. Fold the seat forward.
2. Release the 2 clips on the engine cover with the tool attached to the ignition key.



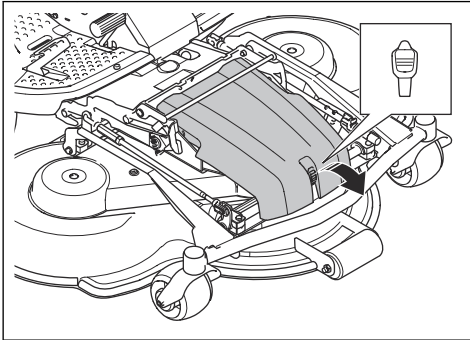
3. Remove the screws from the hinges.



4. Fold the engine cover rearward.
5. Install in opposite sequence.

To remove the front cover

1. Release the clip on the front cover with the tool attached to the ignition key.

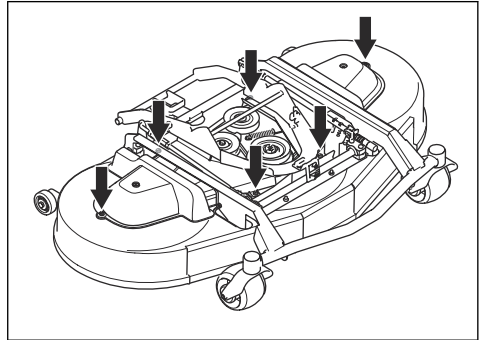


2. Remove the front cover.

To remove the cutting deck covers (R137, R137X)

1. Set the cutting height to the lowest position. Refer to *To adjust the cutting height (C112, C122, R137)* on page 23 or *To adjust the cutting height (C112X, C122X, R137X)* on page 24.

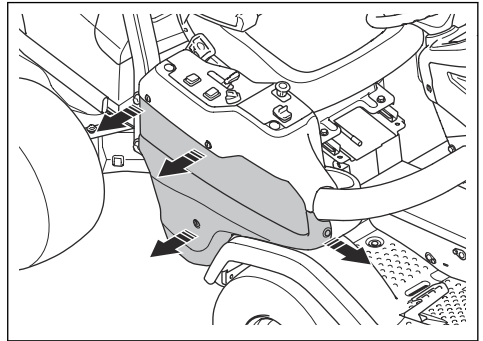
2. Remove the 6 screws on the side covers of the cutting deck.



3. Remove the side covers of the cutting deck.
4. Install in opposite sequence.

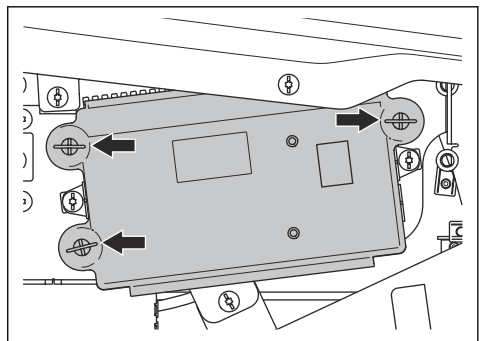
To remove the right side cover

1. Remove the 4 screws and remove the side cover.



To remove the cover of the control box

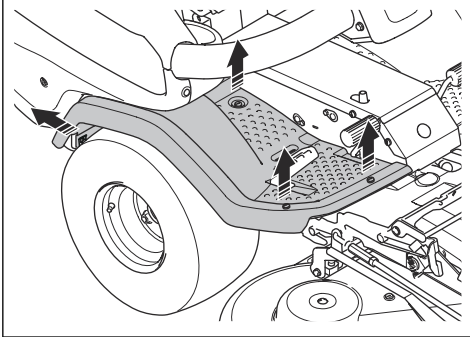
1. Turn the 3 screws ¼ turn counterclockwise and remove the cover.



To remove and install the right footrest plate

1. Remove the rearward drive pedal.

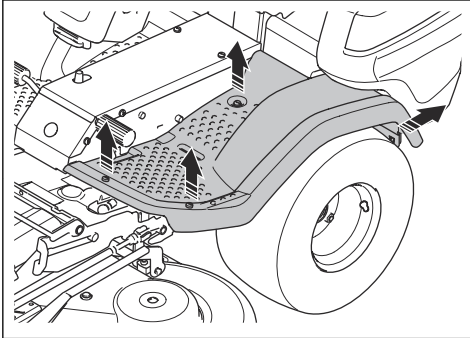
2. Remove the right side cover. Refer to *To remove the right side cover on page 30*.
3. Remove 2 screws and remove the cup holder.
4. Remove the 4 screws and remove the footrest plate.



5. Install in opposite sequence.

To remove and install the left footrest plate

1. Remove the 4 screws and remove the footrest plate.



2. Install in opposite sequence.

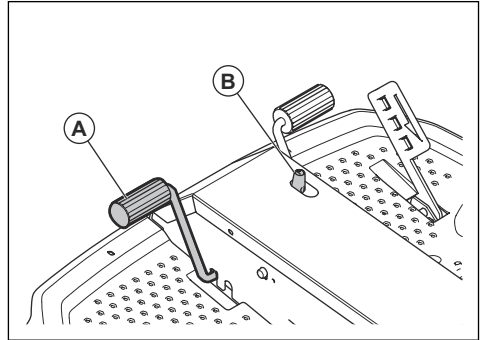
To do a check of the parking brake

1. Park the product on a hard surface that slopes.

Note: Do not park the product on a grass slope when you do a check of the parking brake.

2. Press the parking brake pedal down (A).

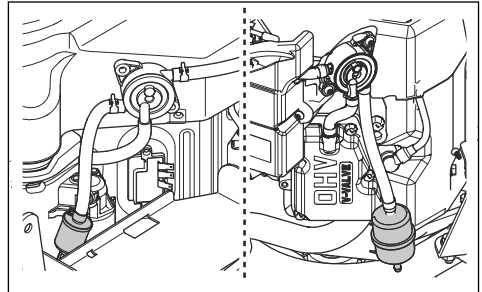
3. Press and hold the lock button (B) and release the parking brake pedal while the button is pressed.



4. If the product starts to move, let an approved service agent adjust the parking brake.
5. Press the parking brake pedal again to release the parking brake.

To replace the fuel filter

1. Remove the engine cover to get access to the fuel filter. The right illustration shows P 524X. The left illustration shows P 524X EFI.



2. Move the hose clips away from the fuel filter with a pair of flat pliers.
3. Pull off the fuel filter from the hose ends.
4. Push the new fuel filter into the ends of the hoses. Apply liquid detergent to the ends of the fuel filter to make the connection easier.
5. Push the hose clips against the fuel filter.

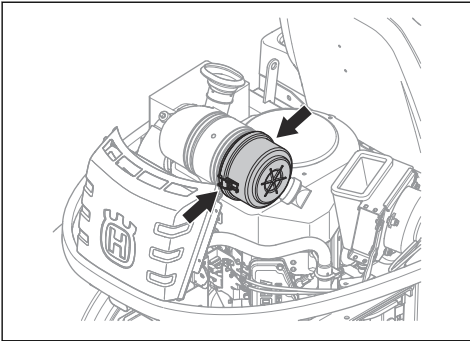
To clean and replace the air filter



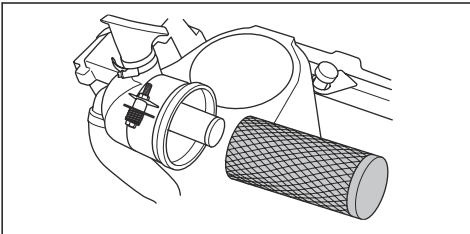
CAUTION: Do not start the engine when the air filter is not attached.

1. Remove the engine cover.

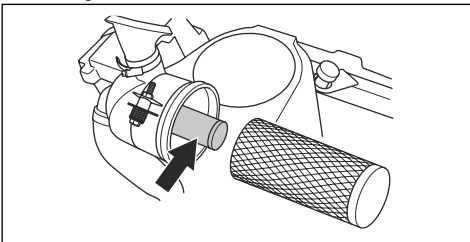
- Loosen the 2 knobs that hold the air filter cover.



- Remove the the air filter cover.
- Remove the air filter cartridge from the filter housing.



- Clean the inner surface of the air filter housing with a dry cloth.
- Hit the air filter cartridge carefully against a hard surface and blow with compressed air on the inner surface. Replace the air filter if it does not become clean or if it is damaged.
- Remove the inner air filter behind the air filter cartridge.



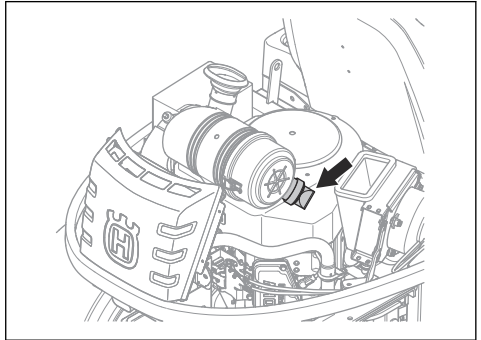
- Hit the inner air filter against a hard surface to clean it. Replace the air filter if it does not become clean or if it is damaged.



CAUTION: Do not use compressed air to clean the inner air filter.

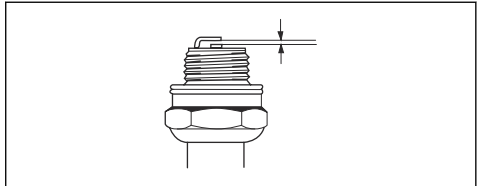
- Put the inner air filter and the air filter cartridge in their initial positions in the filter housing. Make sure that the air filter cartridge is correctly attached on top of the air intake.

- Attach the air filter cover and make sure that the particle collector points down.



To examine and replace a spark plug

- Open the engine cover.
- Remove the spark plug cap and clean around the spark plug.
- Remove the spark plug with a spark plug wrench.
- Examine the spark plug. Replace it if the electrodes are burned or if the insulation has cracks or damages. If the spark plug is not damaged, clean it with a steel brush.
- Measure the electrode gap and make sure that it is correct. Refer to *Technical data on page 58*.



- Bend the side electrode to adjust the electrode gap.
- Put the spark plug back in and turn it by hand until it touches the spark plug seat.
- Tighten the spark plug with the spark plug wrench until the washer is compressed.
- Tighten a used spark plug $\frac{1}{8}$ of a turn more, and a new spark plug $\frac{1}{4}$ turn more.



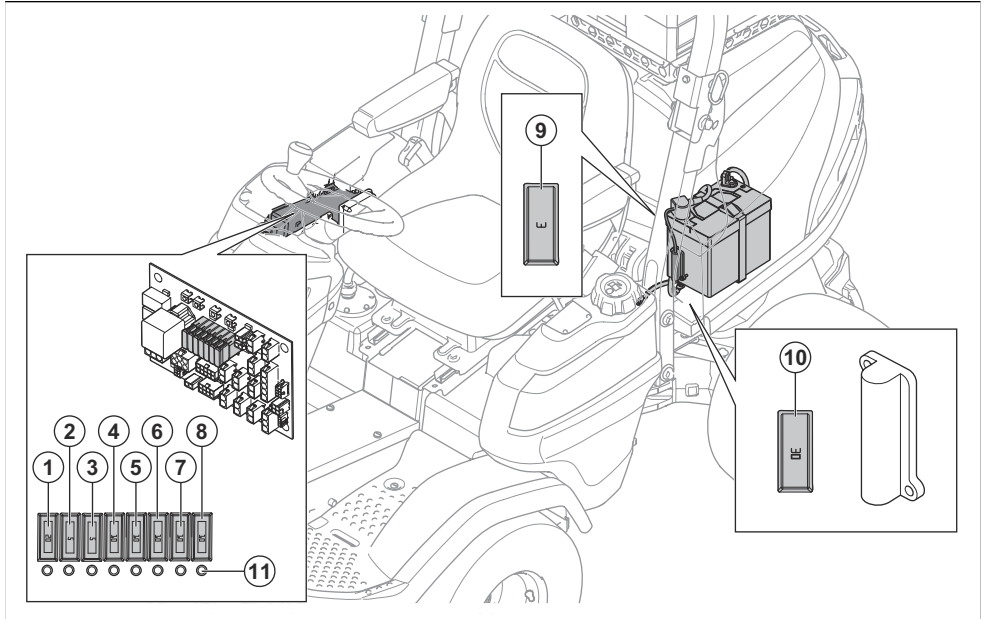
CAUTION: Spark plugs that are not tightened correctly can cause damage to the engine.

- Attach the spark plug cap.



CAUTION: Do not try to start the engine if the spark plug or ignition cable is removed.

Fuse overview



1. 12 V power to the mower control module, 20 A
2. Display power, 5A
3. Ignition power, 5 A
4. J14 + 12 V, warning light, 10 A
5. J16 + 12 V, Extra switch, Extra out, Hydraulic power, 10 A
6. Parking brake / Seat, 10 A
7. Light power, 10 A
8. USB, 12 V outlet, 12 V switch power, 10 A
9. 12 V memory power to the mower control module, 3 A
10. 12 V, Fuse for electric actuator deck lift, 30 A
11. Fuse indication lamp

To replace a fuse

A broken fuse is identified by a burned fuse wire. For fuse 1-8, the fuse indication lamp will go off if a fuse is broken.

The location of the fuses can be found in the fuse overview, refer to *Fuse overview on page 33*.

1. Find the broken fuse:
 - a) Remove the right side cover to replace fuses 1-8.
 - b) Open the engine cover to replace the fuses 9 and 10.
2. Pull the fuse from the holder.

3. Replace the broken fuse with a new fuse of the same type.
4. Install the covers.

Note: If the main fuse breaks again a short period after you replace it, there is a short circuit. Repair the short circuit before you operate the product again. Let an approved service agent help you.

To charge the battery

- Charge the battery if it is too weak to start the engine.
- Use a standard battery charger.



CAUTION: Do not use a boost charger or start booster. That will cause damage to the electrical system of the product.

- Always disconnect the charger before starting the engine.

To do an emergency start of the engine

If the battery is too weak to start the engine, you can use jumper cables to do an emergency start. This product has a 12 V system with negative ground. The product that is used for the emergency start must also have a 12 V system with negative ground.

To connect the jumper cables

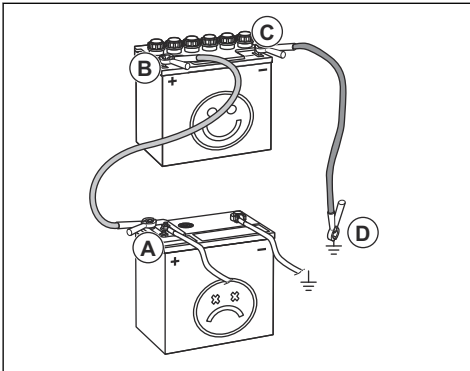


WARNING: Risk of explosion because of explosive gas that comes from the battery. Do not connect the negative terminal of the fully charged battery to or near the negative terminal of the weak battery.



CAUTION: Do not use the battery of your product to start other vehicles.

1. Open the engine cover. Refer to *To remove and install the engine cover on page 29*.
2. Connect one end of the red cable to the POSITIVE battery terminal (+) on the weak battery (A).



3. Connect the other end of the red cable to the POSITIVE battery terminal (+) on the fully charged battery (B).



WARNING: Do not short circuit the ends of the red cable against the chassis.

4. Connect one end of the black cable to the NEGATIVE battery terminal (-) on the fully charged battery (C).
5. Connect the other end of the black cable to a CHASSIS GROUND (D), away from the fuel tank and the battery.
6. Replace the covers.

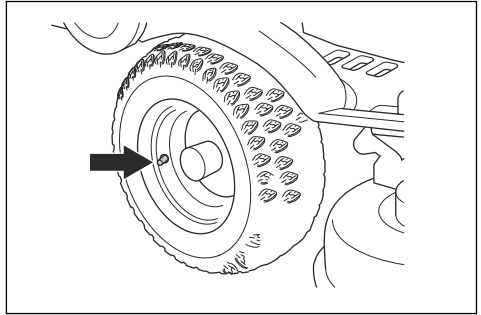
To remove the jumper cables

Note: Remove the jumper cables in the opposite sequence to how you connect them.

1. Remove the BLACK cable from the chassis.
2. Remove the BLACK cable from the fully charged battery.
3. Remove the RED cable from the 2 batteries.

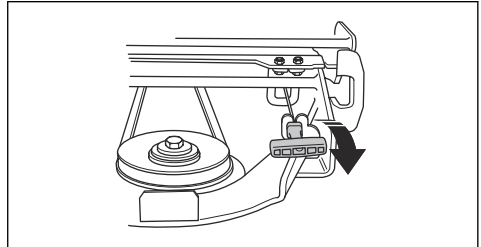
Tire pressure

We recommend a tire pressure of 100 kPa (1.0 bar / 14.5 PSI) on all 4 tires.

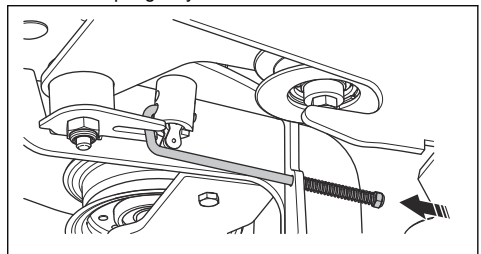


To replace the PTO belt

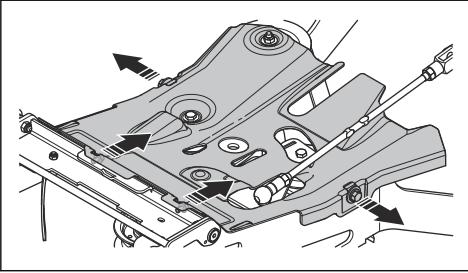
1. Start the engine.
2. Turn the steering wheel fully to the left to get easy access to the engine pulley.
3. Lower the cutting deck.
4. Stop the engine.
5. Remove the front cover.
6. Pull the spring handle to the left out from the spring holder to loosen the tension on the tension wheel for the drive belt.



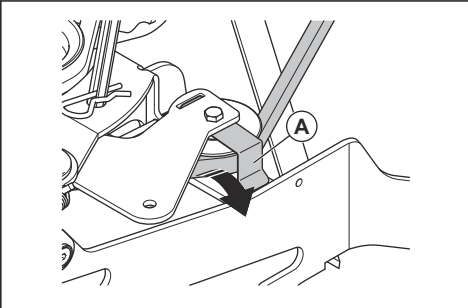
7. Remove the left side cover on the cutting deck.
8. Pull the spring stay from the lift chain.



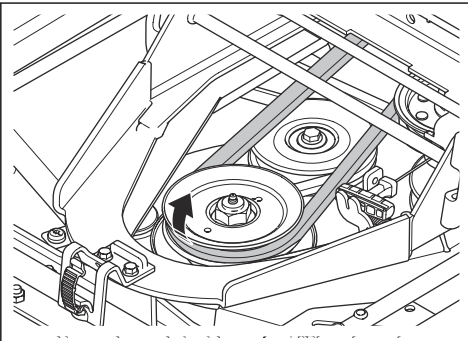
9. Remove the 4 screws and remove the belt guard.



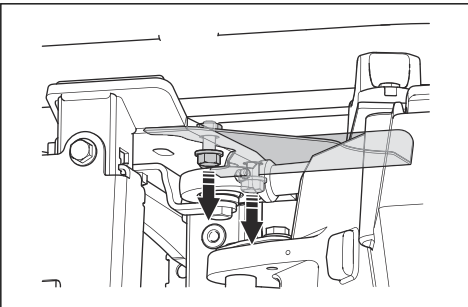
10. Remove the belt from the pulley, lift the belt holder (A) and remove the belt from the tension wheel.



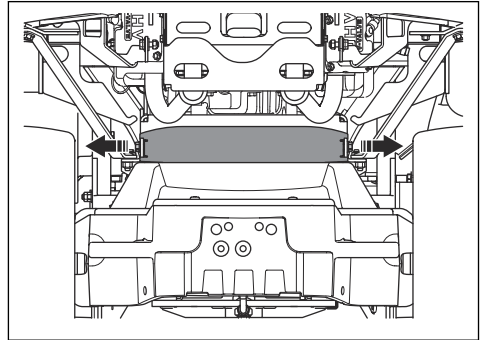
11. Remove the belt from the pulley on the tool frame.



12. Remove the belt guard below the engine pulley.

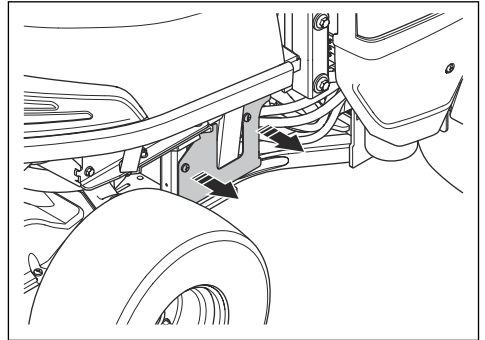


13. Remove the belt guard in front of the rear transmission.

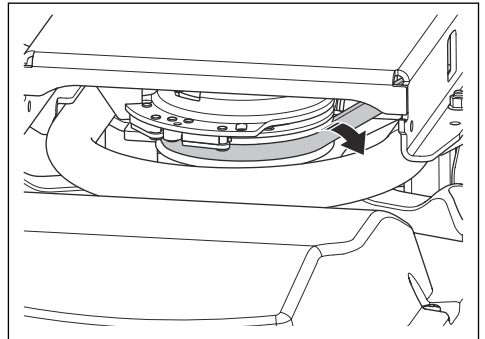


14. Remove the belt from the engine pulley.

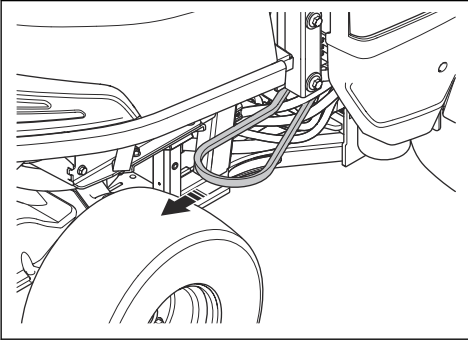
15. Remove the belt guard on the right side of the product.



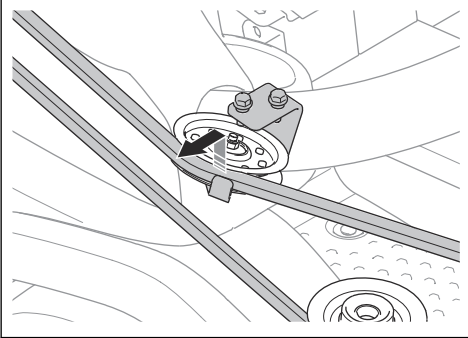
16. Remove the belt from the rear engine pulley.



17. Pull the front part of the belt out through the right side of the articulation of the product.

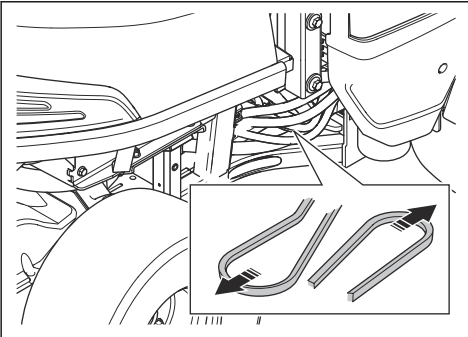


18. Remove the belt from the hook on the center pulley.

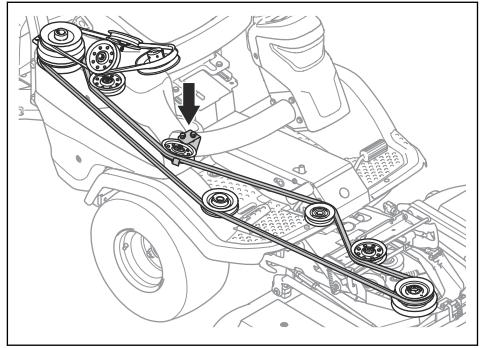


19. Pull the drive belt out.

20. Attach a new drive belt in the opposite sequence.



Make sure that the drive belt for the cutting deck is attached as the illustration shows. Make sure that it is put correctly in the adjuster pulley, identified by an arrow in the illustration.

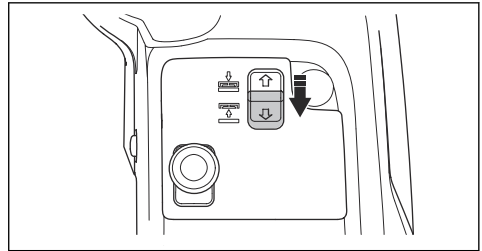


To put the cutting deck in servicing position



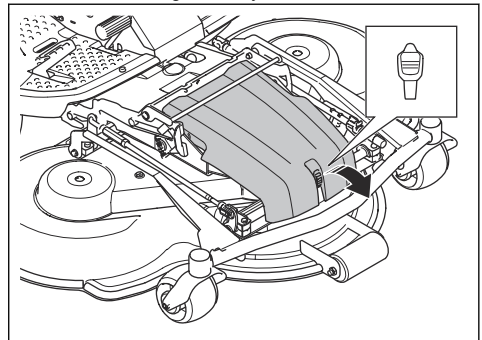
WARNING: Risk of crush injury, keep body parts away.

1. Pull the switch for the electric lift to lift the cutting deck. Lift the cutting deck fully until you hear a pattering sound.

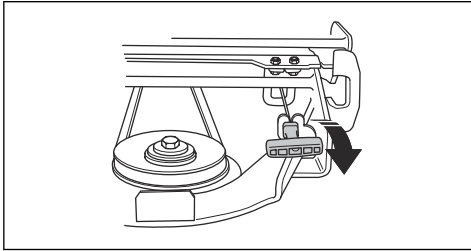


Note: The pattering sound from the frame tunnel does not mean that the product is defective.

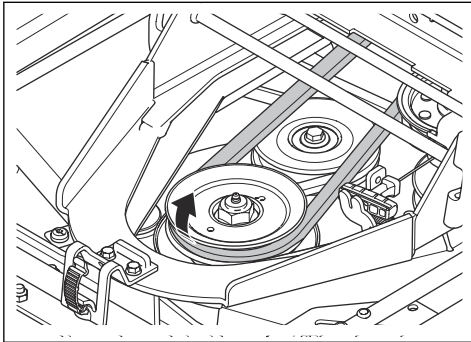
2. Release the clip on the front cover with the tool attached to the ignition key, and remove the cover.



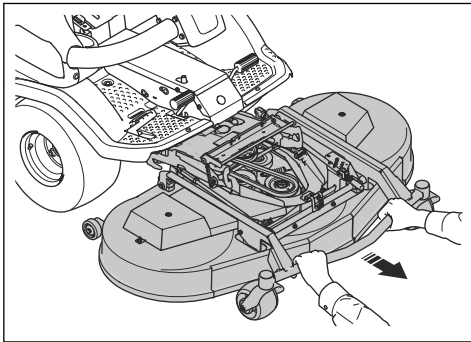
3. Set the cutting height to the lowest position. Refer to *To adjust the cutting height (C112, C122, R137) on page 23* or *To adjust the cutting height (C112X, C122X, R137X) on page 24*.
4. Pull the spring handle to the left out from the spring holder to loosen the tension on the tension wheel for the drive belt.



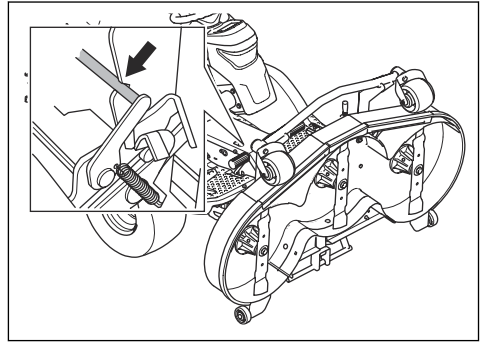
5. Remove the belt from the pulley on the tool frame.



6. Hold the front edge of the cutting deck with two hands and pull forward until it stops.

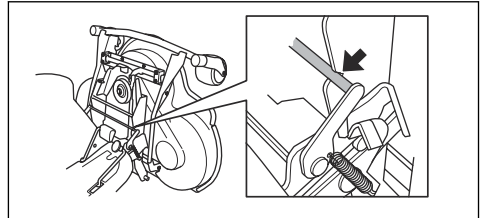


7. Lift the cutting deck to vertical position until a click sound is heard. The cutting deck is locked automatically in the vertical position.



To put the cutting deck in mow position

1. Hold the front edge of the cutting deck with your left hand.
2. Loosen the lock with your right hand.

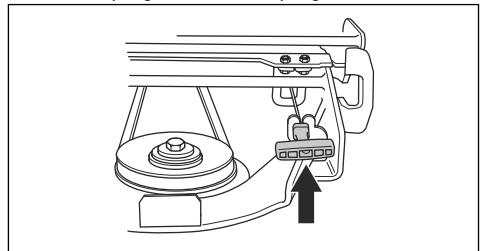


3. Lower the cutting deck and push it in until it stops.



CAUTION: For the cutting deck models C112X, C122X, R137X: Make sure that the the cable to the cutting deck does not get compressed.

4. Put the drive belt around the drive wheel for the cutting deck.
5. Put the spring handle in the spring holder.

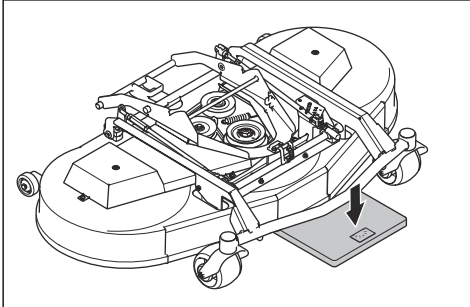


6. Install the front cover.

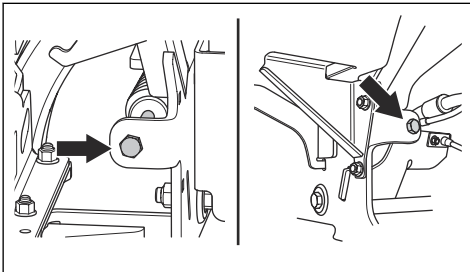
To examine and adjust the ground pressure from the cutting deck

A correct ground pressure makes sure that the cutting deck moves along the surface but does not press too hard against it.

1. Do a check of the air pressure in the tires. Refer to *Tire pressure on page 34*.
2. Park the product on a level surface.
3. Lower the cutting deck to mow position.
4. Put a bathroom scale below the front edge of the cutting deck.

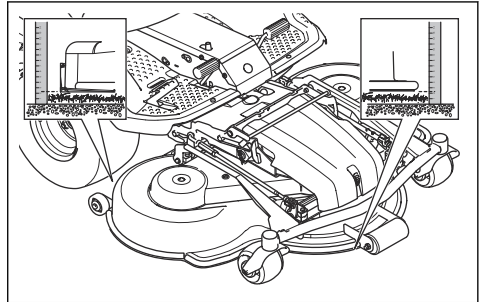


5. Put a wooden block between the frame and the bathroom scale. The wooden block makes sure that no weight is applied on the support wheels.
6. To adjust the ground pressure, turn the adjustment screws found behind the front wheels on the right and left sides.
7. Turn the screws right or left until the ground pressure is correct. Make sure that the springs have equal tension on the right and left sides.



Cutting deck	C112, C122	R137
Ground pressure	12-15 kg / 26.5-33 lb	25 kg / 55.1 lb

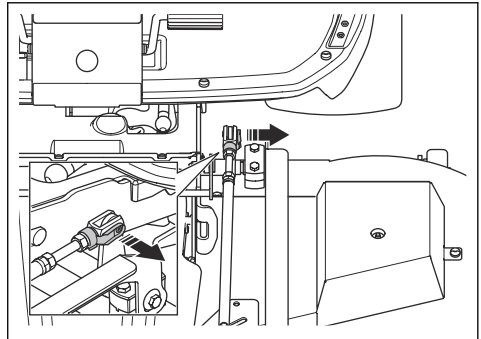
2. Park the product on a level surface.
3. Lower the cutting deck to mow position.
4. Set the cutting height to the lowest position. Refer to *To adjust the cutting height (C112, C122, R137) on page 23* or *To adjust the cutting height (C112X, C122X, R137X) on page 24*.
5. Measure the distance between the ground and the front and rear edges of the cutting deck. Make sure that the rear edge is 5–10 mm (0.2–0.4 in.) higher than the front edge.



To adjust the parallelism of the cutting deck (C112, C122, R137)

Adjust the parallelism when the cutting deck is installed on the product.

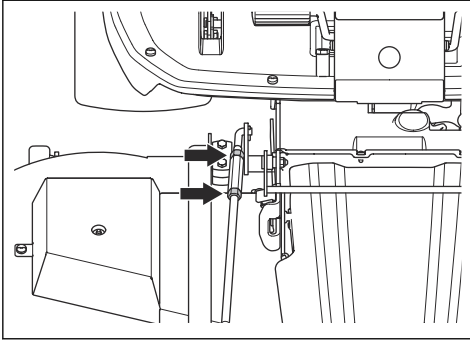
1. Remove the front cover. Refer to *To remove the front cover on page 30*.
2. Set the cutting height to the lowest position. Refer to *To adjust the cutting height (C112, C122, R137) on page 23*.
3. Remove the clevis joint on the rear end of the height adjustment stay from the frame of the cutting deck.



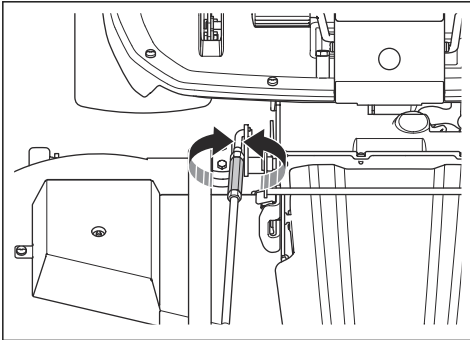
To do a check of the parallelism of the cutting deck

1. Do a check of the air pressure in the tires. Refer to *Tire pressure on page 34*.

4. Loosen the locknuts on the lift stay.



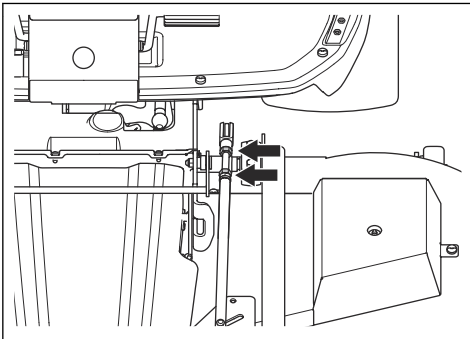
5. Turn the adjustment nut on the lift stay to adjust the length of the lift stay. Increase the length to lift the rear edge of the cover. Decrease the length to lower the rear edge of the cover.



6. Obey the instructions in *To do a check of the parallelism of the cutting deck on page 38*.

7. Tighten the locknuts on the lift stay when the length of the lift stay is correct.

8. Loosen the locknuts on the height adjustment stay. Turn the clevis joint to adjust the length of the height adjustment stay. Align the clevis joint with the hole on the frame of the cutting deck. Install the clevis joint to the frame of the cutting deck.

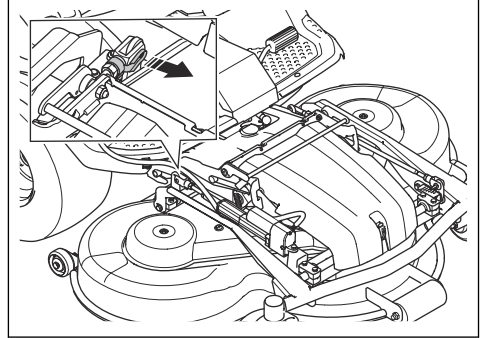


9. Do a test of all of the cutting heights. Refer to *To adjust the cutting height (C112, C122, R137) on page 23*.
10. Tighten the locknuts on the height adjustment stay.
11. Install the front cover.

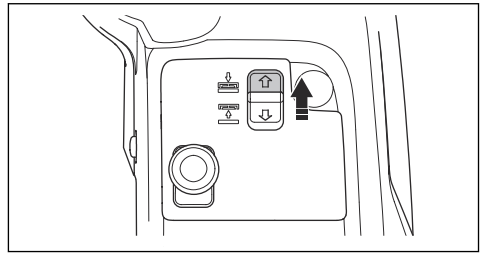
To adjust the parallelism of the cutting deck (C112X, C122X, R137X)

Adjust the parallelism when the cutting deck is installed on the product.

1. Remove the clevis joint on the rear end of the electric actuator from the frame of the cutting deck.



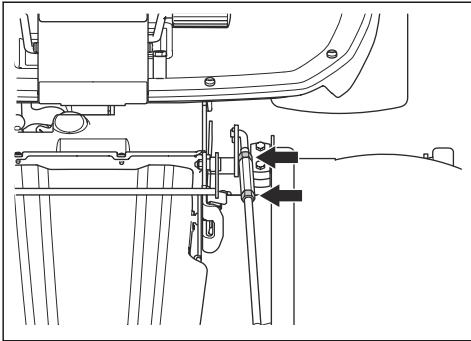
2. Push the switch for the electric lift to lower the cutting deck. Lower the cutting deck fully until you hear a pattering sound.



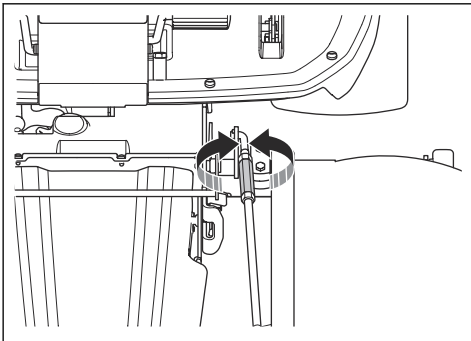
CAUTION: Hold the switch a minimum of 2 seconds after the cutting deck touches the ground. This is to make sure that the cutting deck is in float position.

Note: The pattering sound from the frame tunnel does not mean that the product is damaged.

3. Loosen the locknuts on the lift stay.

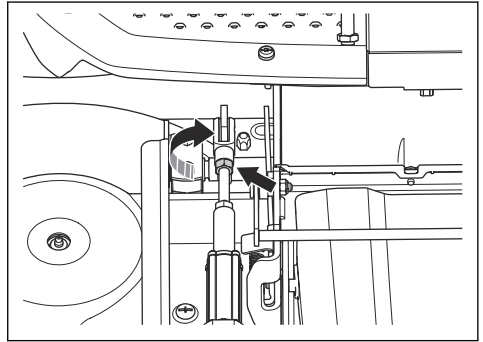


4. Turn the adjustment nut on the lift stay to adjust the length of the lift stay. Increase the length to lift the rear edge of the cover. Decrease the length to lower the rear edge of the cover.



5. Obey the instructions in *To do a check of the parallelism of the cutting deck on page 38.*
6. Tighten the locknuts on the lift stay when the length of the lift stay is correct.

7. Loosen the locknut on the electric actuator. Turn the clevis joint clockwise to increase the length of the height adjustment rod. Increase the length of the height adjustment rod as far as it will go, until there is no play between the bolt and the arm. Align the clevis joint with the hole on the frame of the cutting deck. Install the clevis joint to the frame of the cutting deck.

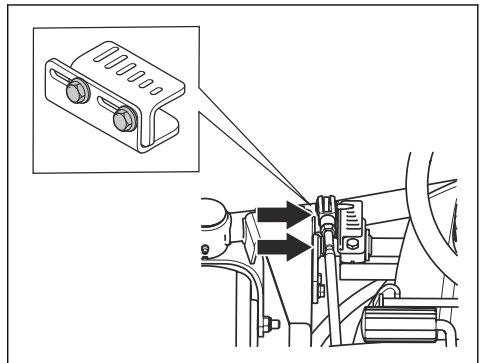


8. Tighten the locknut on the electric actuator.
9. Adjust the cutting height indicator if necessary. Refer to *To adjust the cutting height (C112X, C122X, R137X) on page 24.*

To adjust the cutting height indicator (C112X, C122X, R137X)

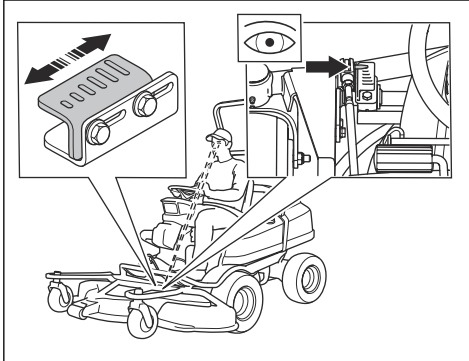
The cutting height indicator on the cutting deck show the position of the selected cutting height.

1. Loosen the 2 screws.



2. Set the cutting height to the lowest position. Refer to *To adjust the cutting height (C112X, C122X, R137X) on page 24.*

- Adjust the cutting height indicator until the cutting height indicator shows the lowest cutting height, seen from the angle of the operator in the seat.



- Tighten the 2 screws.

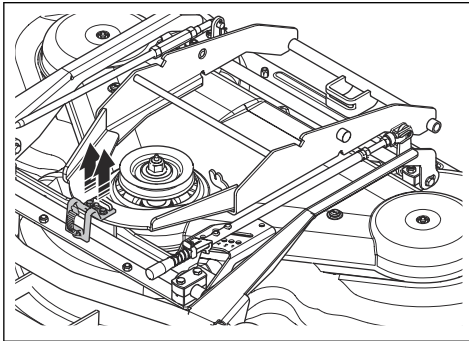
To replace the belt on the cutting deck (C112, C112X, C122, C122X)



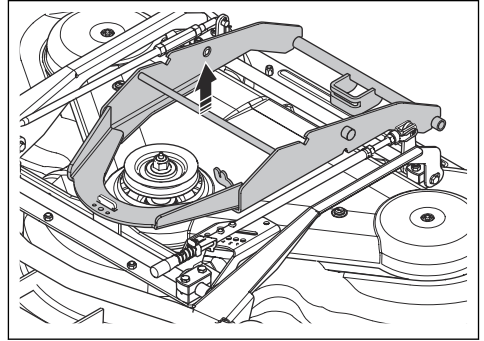
WARNING: Risk of crush injury. Use protective gloves.

Note: The cutting decks can look different between different models.

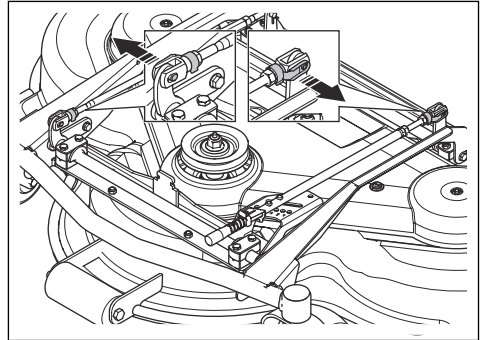
- Remove the cutting deck. Refer to *To remove the cutting deck on page 17*.
- Remove the 2 bolts that hold the lock bracket on the cutting deck frame.



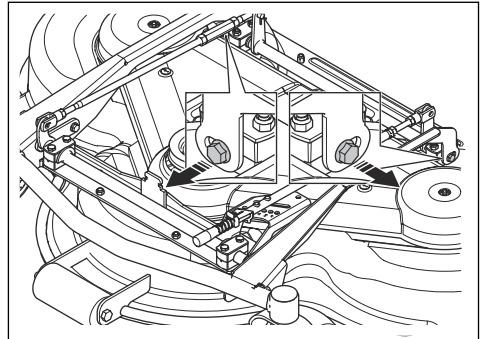
- Remove the lock bracket and remove the protection plate.



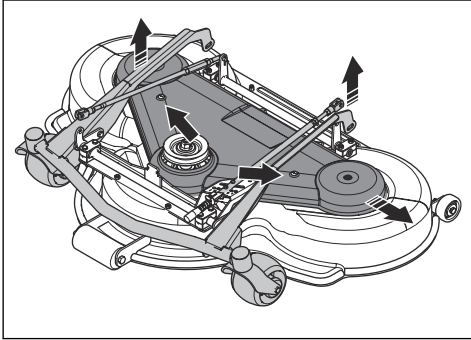
- Open and remove the lock for the front lift stay bolt and the rear height adjustment rod.



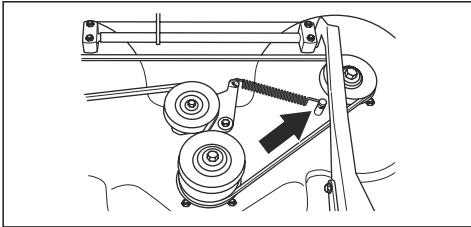
- Remove the 2 bolts on the equipment frame.



6. Remove the 2 screws on the cutting deck cover. Lift the cutting deck frame and remove the cutting deck cover.

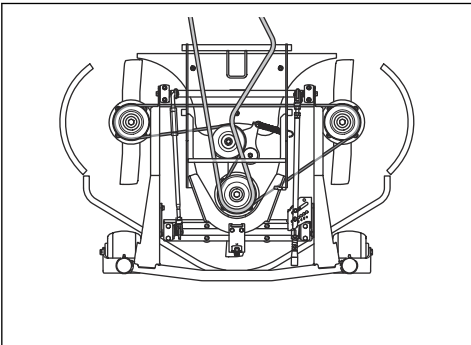


7. Disconnect the tension spring for the belt and remove the belt.

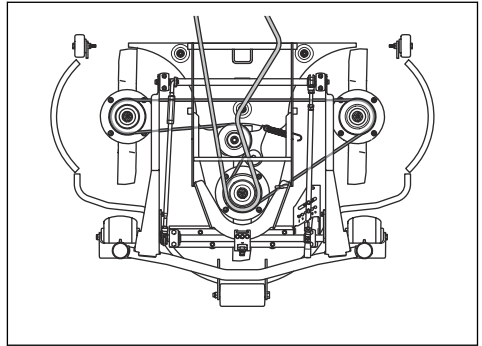


8. Attach a new belt in the opposite sequence.

Belt overview - C112, C112X



Belt overview - C122, C122X



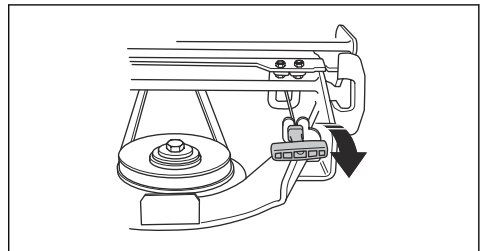
To replace the belt on the cutting deck (R137, R137X)



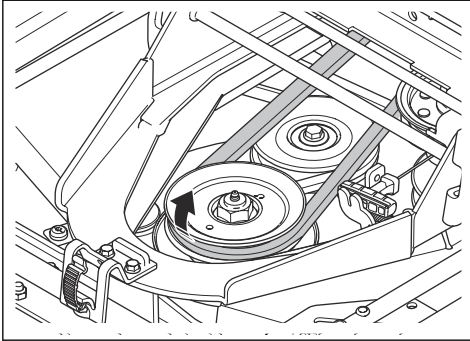
WARNING: Risk of crush injury. Use protective gloves.

Note: The cutting decks can look different between different models.

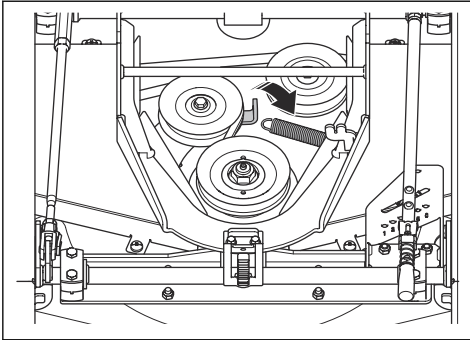
1. Remove the cutting deck. Refer to *To remove the cutting deck on page 17*.
2. Remove the front cover.
3. Pull the spring handle to the left out from the spring holder to loosen the tension on the tension wheel for the drive belt.



4. Remove the belt from the pulley on the tool frame.

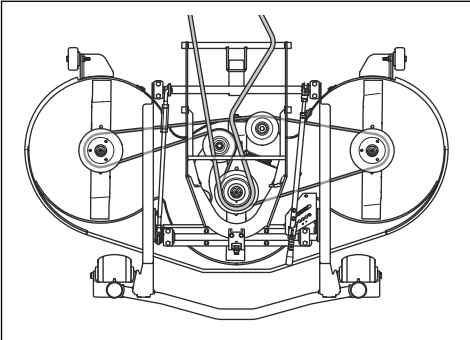


5. Remove the cutting deck covers. Refer to *To remove the cutting deck covers (R137, R137X) on page 30.*
6. Disconnect the tension spring for the belt and remove the belt.



7. Attach a new belt in the opposite sequence.

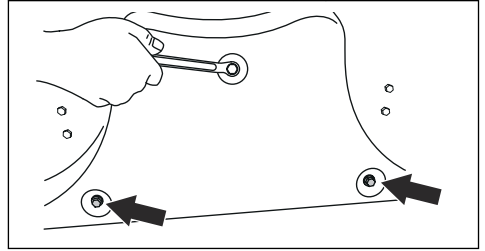
Belt overview - R137, R137X



To remove and install the mulch plug (C112, C112X, C122, C122X)

1. Put the cutting deck in servicing position.

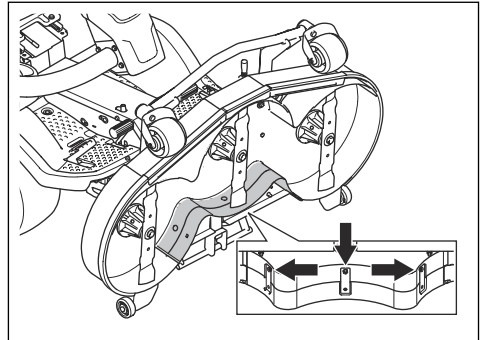
2. Remove the 3 screws that hold the mulch plug and remove the plug.



3. Install 3 screws in the screw holes for the mulch plug to prevent damage to the threads.
4. Put the cutting deck in mow position.
5. Install the mulch plug in the opposite sequence.

To remove and install the mulch plug (R137, R137X)

1. Put the cutting deck in servicing position.
2. Remove the 3 nuts and screws that hold the mulch plug and remove the plug.



3. Put the cutting deck in mow position.
4. Install the mulch plug in the opposite sequence.
5. Install the nuts and screws in the 3 holes near the top edge of the cutting deck.

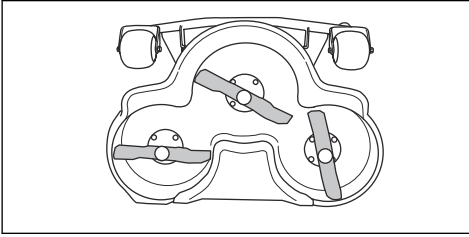
To examine the blades



CAUTION: Damaged or incorrectly balanced blades can cause damage to the product. Replace damaged blades. Let an approved service agent help you sharpen and balance blunt blades.

1. Put the cutting deck in servicing position.

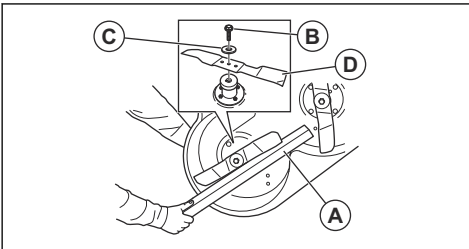
- Look at the blades to see if they are damaged and if it is necessary to sharpen them.



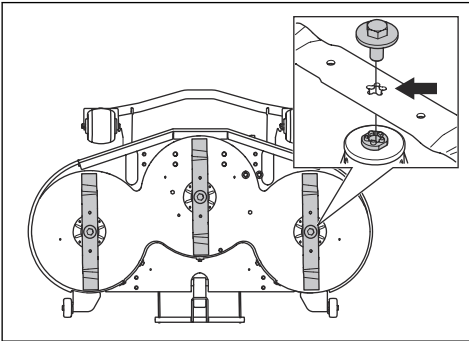
- Tighten the blade bolts with the correct tightening torque. Refer to *Technical data on page 58*.

To replace the blades

- Put the cutting deck in servicing position.
- Lock the blade with a wooden block (A).



- Loosen and remove the blade bolt (B), the washers (C) and the blade (D).
- Install the blades parallel to each other.
- For cutting deck R137. Make sure that the guide pins are installed correctly through the groove of the blades.



- Install the new blade with the pointed ends in the direction of the cutting deck.



WARNING: Incorrect blade type can cause objects to eject from the cutting deck and cause serious injury. Use only the blades given in *Technical data on page 58*.

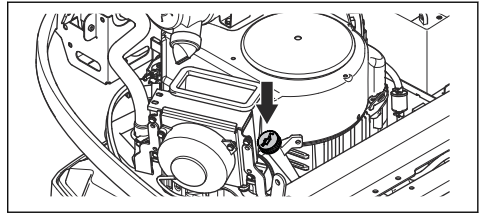


CAUTION: Incorrect blade type can cause unwanted noise. Use only the blades given in *Technical data on page 58*.

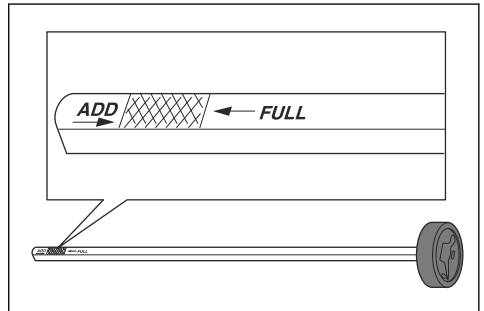
- Install the washer and the bolt to attach the blade. Tighten the bolt with the correct torque. Refer to *Technical data on page 58*.

To do a check of the engine oil level

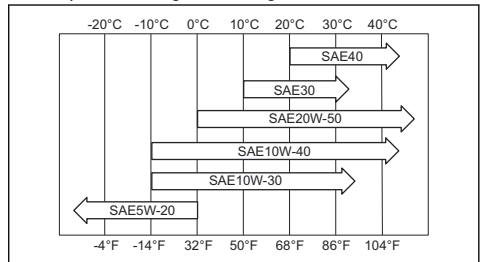
- Park the product on level ground and stop the engine.
- Remove the engine cover.
- Loosen the dipstick and pull it out.



- Clean the oil from the dipstick.
- Put the dipstick back in. Do not tighten it.
- Pull the dipstick out and read the oil level.
- The oil level must be between the marks on the dipstick. If the level is near the ADD mark, fill oil to the FULL mark.



- Fill the oil slowly through the hole for the dipstick. Use an oil with viscosity that agrees with the temperature ranges in the figure.





CAUTION: Do not mix different types of oil.

9. Tighten the dipstick correctly before you start the engine. Start and idle the engine for approximately 30 seconds. Stop the engine. Wait 30 seconds and do a check of the oil level again.

To replace the engine oil and the oil filter

If the engine is cold, start the engine for 1–2 minutes before you drain the engine oil. This makes the engine oil warm and easier to drain.

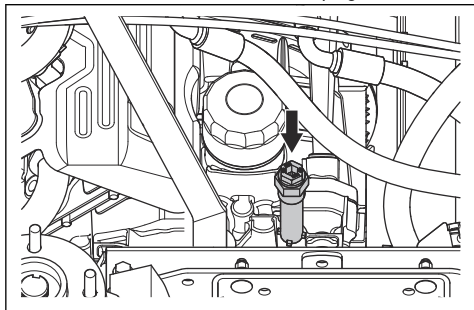


WARNING: Do not operate the engine for more than 1–2 minutes before you drain the engine oil. The engine oil becomes very hot and can cause burn injuries. Let the engine become cool before you drain the engine oil.



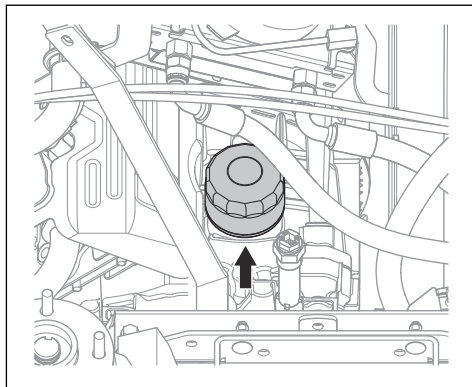
WARNING: If you spill engine oil on your body, clean with soap and water.

1. Remove the engine cover.
2. Put a container below the oil drain plug.



3. Remove the dipstick.
4. Remove the oil drain plug from the engine.
5. Let the oil run out into the container.
6. Attach the oil drain plug and tighten it fully.

7. Turn the oil filter counterclockwise to remove it.

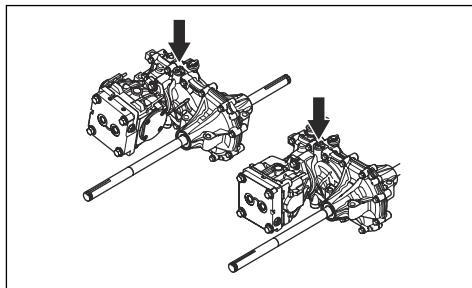


8. Lightly lubricate the rubber seal on the new oil filter with new oil.
9. To attach the oil filter, turn it clockwise by hand until the rubber seal is in position, then tighten a half turn more.
10. Fill with new oil as given in *Technical data on page 58*.
11. Start the engine and let it idle for 3 minutes.
12. Stop the engine and make sure that the oil filter does not leak.
13. Fill with oil to compensate for the oil held in the new oil filter.

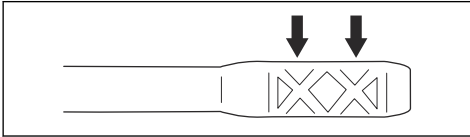
Note: For safe disposal of used engine oil, see *Disposal on page 57*.

To do a check of the transmission oil level

1. Use the oil dipstick to read the oil level in the transmission.



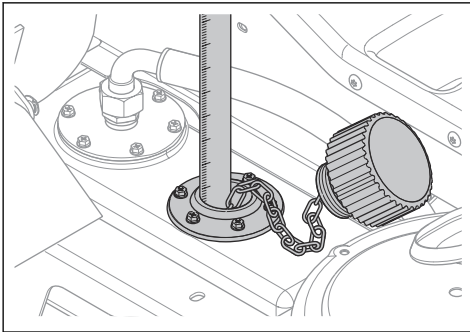
- The oil level must be between the marks on the dipstick.



- If the oil level is too low, fill with the type of oil given in *Technical data on page 58*.

To do a check of the oil level in the hydraulic system

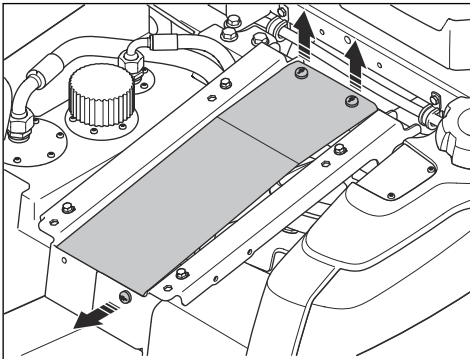
- Tilt the seat forward.
- Clean the area around the oil cap with a dry cloth.
- Remove the oil cap and examine the hydraulic oil level. Correct level is 40–60 mm from the top of the strainer.



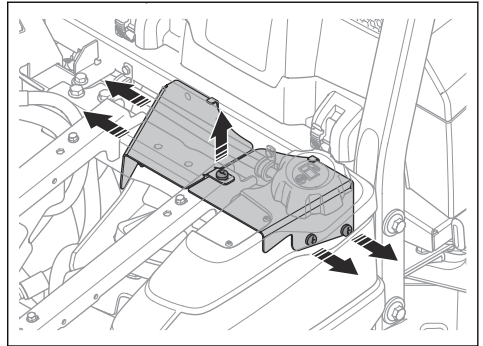
- If the oil level is too low, fill with the type of oil given in *Technical data on page 58*.

To adjust the hydraulic pump belt

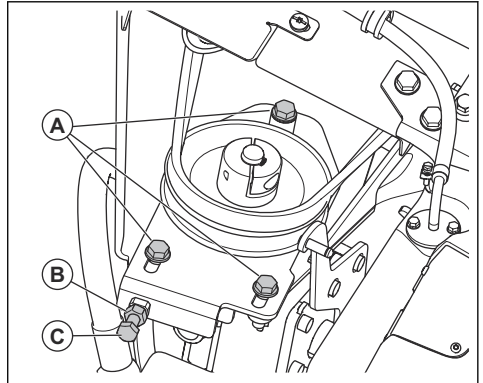
- Fold the operator seat forward.
- Remove the protection plate below the seat.



- Remove the 2 belt protection covers.

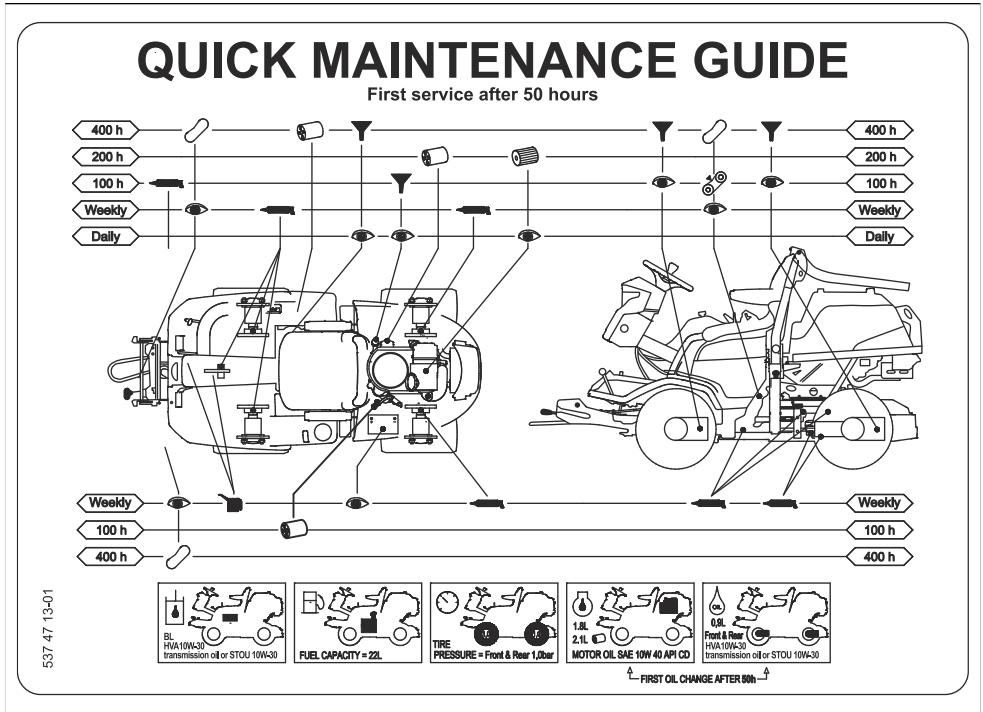


- Loosen the 3 screws (A) on the pump belt slide.



- Loosen the locknut (B) on the adjustment screw.
- Turn the adjustment screw (C) for the pump belt until the belt has the correct tension.
- Assemble in opposite sequence.

Quick maintenance guide



537 47 13-01

Symbols on the quick maintenance guide



Replace the filter



Replace the oil



Examine visually or do a check of the oil level



Lubricate the grease nipple with grease



Lubricate with oil



Do a check of the condition and tension of the drive belt

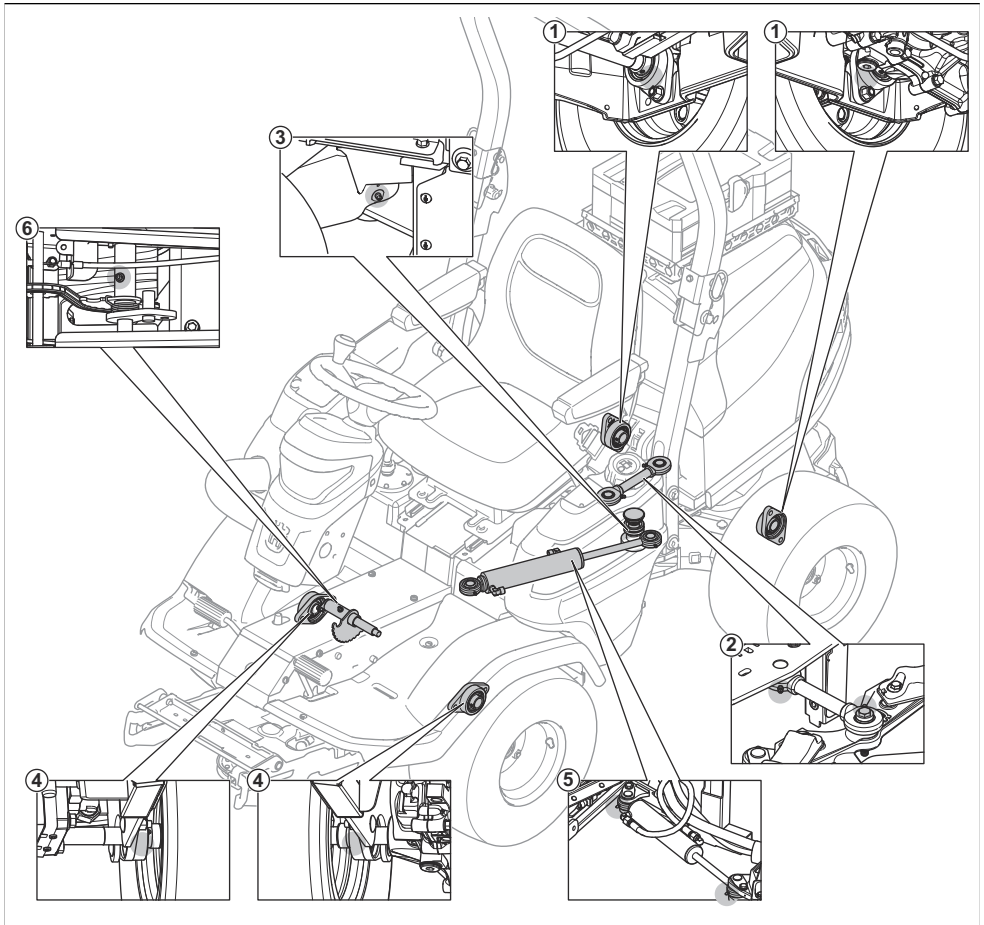


Replace the drive belt



Replace the blades

Grease nipple overview



1. Rear axle bearing
2. Link rod
3. Articulation bearing
4. Front axle bearing
5. Steering cylinder
6. Lift chain axle

- When you lubricate with grease, use a chassis or ball bearing grease that prevents corrosion. Remove unwanted grease after lubrication.
- Lubricate 2 times a week if you operate the product daily.
- Do not spill lubricant on the drive belts or the grooves of the belt pulleys. If you do spill, clean with alcohol. If the friction between the drive belt and the pulley is not sufficient after you clean with alcohol, replace the drive belt.

Lubrication, general information

- Remove the ignition key to prevent accidental movements during lubrication.
- Clean the area before you lubricate a part on the product.
- Use oil when you lubricate with an oil can.



CAUTION: Do not use gasoline or other petroleum products to clean drive belts.

To lubricate cables

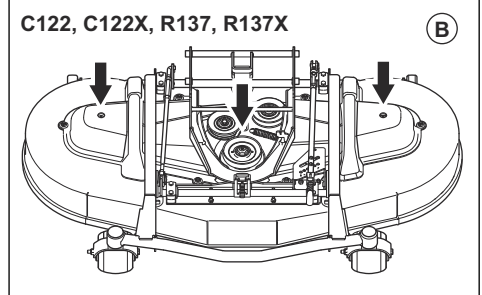
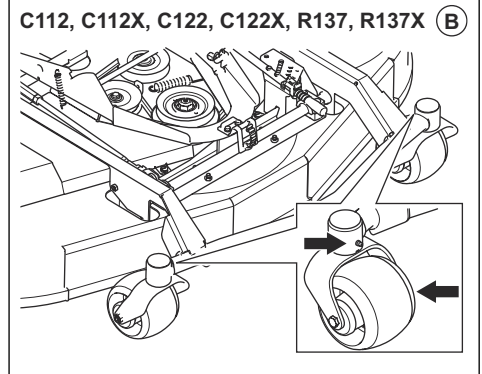
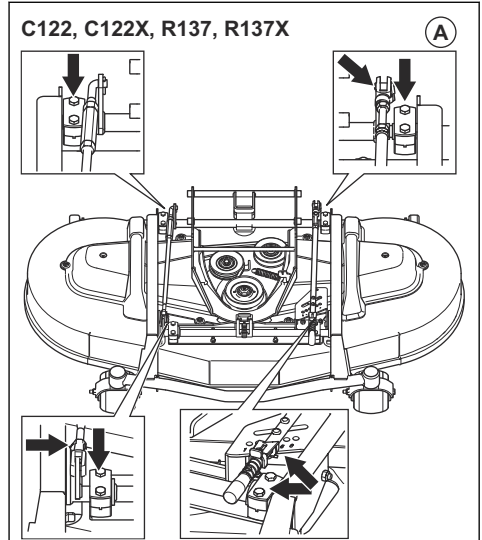
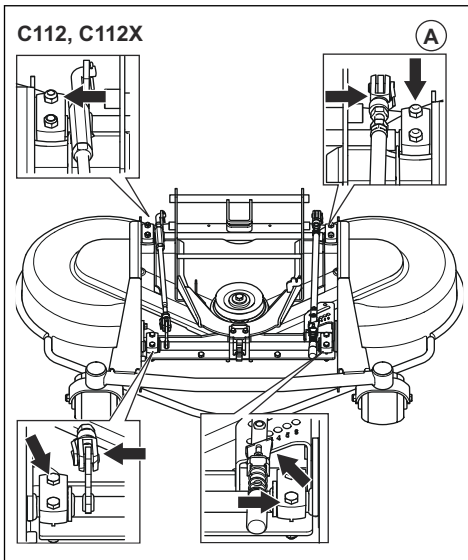
- Lubricate the 2 ends of the cables and move the controls to the end positions.
- Attach the rubber covers on the cables after lubrication.
- Cables with casing must be lubricated regularly to prevent malfunction.
 - a) Remove the cable and hang it vertically.
 - b) Lubricate the cable with thin engine oil until the oil starts to release from the bottom. Replace the cable if the oil does not release from the bottom.

Note: You can fill a small plastic bag with oil and seal the plastic bag against the cable casing with tape. Let the cable hang vertically from the bag until the next day.

To lubricate the cutting deck

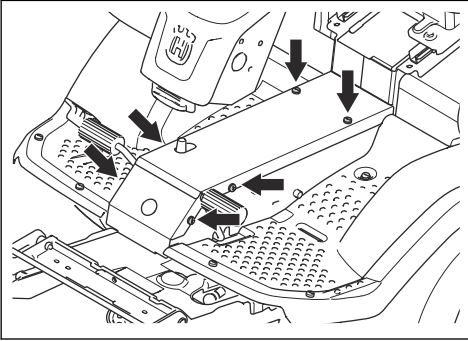
Note: The cutting decks can look different between different models.

1. Remove the front cover.
2. Lubricate the joints and the bearings (A) with grease.
3. Lubricate with a grease gun through the grease nipples on the cutting deck (B). Lubricate until grease comes out of the rear side of the grease nipple.

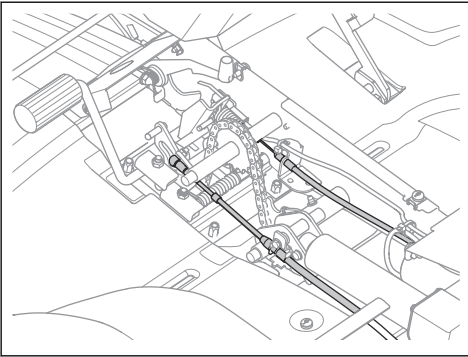


To lubricate the pedal system

1. Remove the 4 screws and remove the frame plate.



2. Push and release the pedals and lubricate the moving parts with oil.

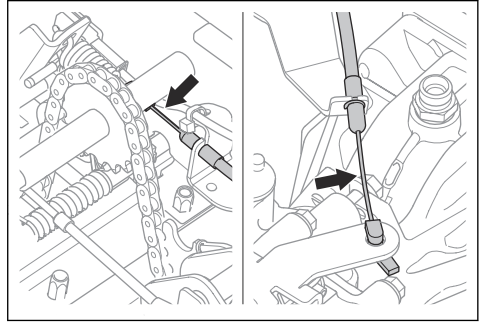


3. Lubricate the cables for the forward and rearward drive pedals with oil.

To lubricate the parking brake cable

1. Remove the 4 screws and remove the frame plate.
2. Remove the left side cover.
3. Remove the rubber casing on the parking brake cable.

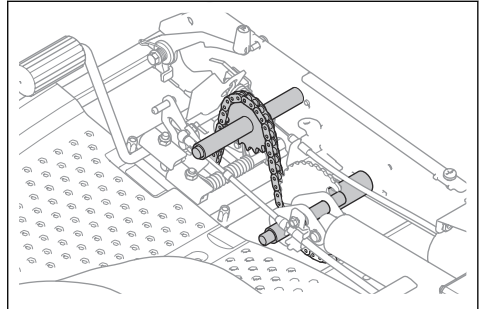
4. Lubricate the ends of the parking brake cable with oil.



5. Lubricate the parking brake cable with oil.
6. Press the parking brake pedal 3 times and lubricate the parking brake cable again.
7. Attach the left side cover and the frame plate.

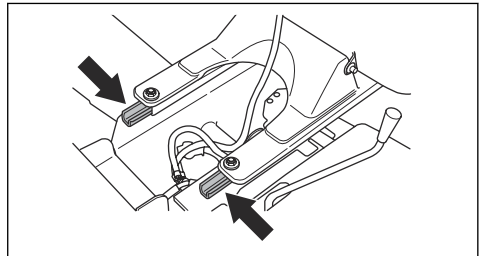
To lubricate the chains in the frame tunnel

1. Remove the screws and remove the frame plate.
2. Lubricate the chain in the frame tunnel with oil or chain lubricant spray.



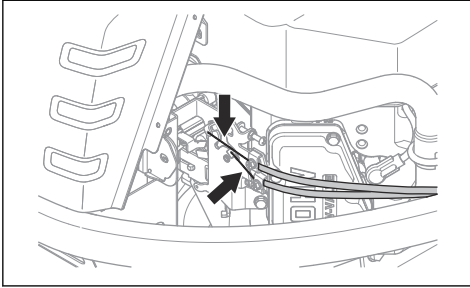
To lubricate the seat slides

1. Tilt the seat forward.
2. Lubricate the seat slides with oil.



To lubricate the throttle cable, choke cable (P 524X)

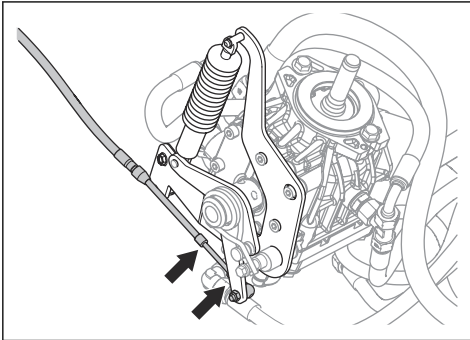
1. Remove the right side cover.
2. Lubricate the free ends of the cables, including the ends near the engine, with oil.



3. Attach the right side cover.

To lubricate the hydrostatic transmission cable

1. Lubricate the joints and bearings of the hydrostatic transmission cable with oil.
2. Remove the rubber sleeve and lubricate the hydrostatic transmission cable with oil.

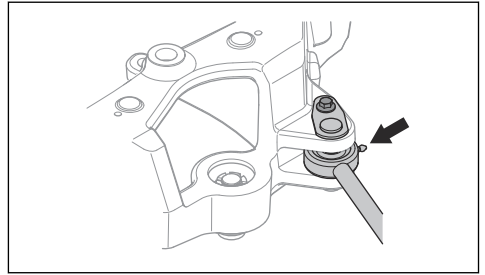


3. Press the forward drive pedal 5 times and lubricate the hydrostatic transmission cable again.
4. Attach the rubber sleeve.

To lubricate the steering cylinder

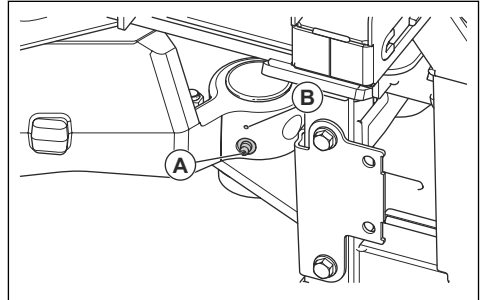
The steering cylinder has 2 grease nipples, one on each end.

- Lubricate with a grease gun until grease comes out.

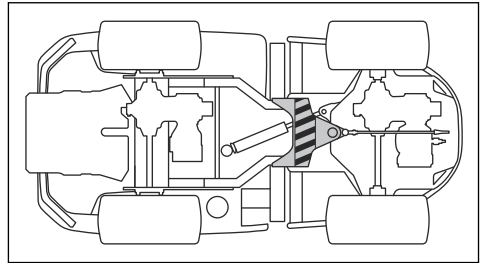


To lubricate the articulated steering joint

1. Lubricate the articulated steering bearing when the product has all wheels on the ground. Lubricate through the grease nipple (A) until grease comes out of the hole (B).



2. Lift the product to release the pressure in the articulated steering. The illustration shows where to put the supports.



CAUTION: Make sure that the support does not cause damage to the control stay or causes a blockage of the articulated steering.

3. Lubricate the articulated steering bearing again while the product is lifted.

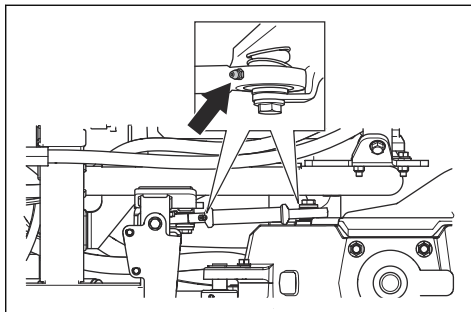


CAUTION: Make sure that the grease comes out from the joint, below the grease nipple.

4. Lower the product.

To lubricate the link rod

1. There are 2 grease nipples, one on each side of the link rod. Lubricate with a grease gun until grease comes out.



Troubleshooting

Troubleshooting



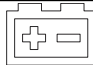
If you cannot find a solution to your problems in this manual, speak to your Husqvarna servicing dealer.








Problem	Cause
The starter motor does not turn the engine over	The PTO-button is activated. Refer to <i>To start the engine (P 524X)</i> on page 21 or <i>To start the engine (P 524X EFI)</i> on page 22.
	The parking brake is not applied. Refer to <i>To apply and release the parking brake</i> on page 25.
	The main fuse is blown. Refer to <i>To replace a fuse</i> on page 33.
	A fuse is broken. Refer to <i>To replace a fuse</i> on page 33.
	The ignition key is defective.
	The connection between the cable and the battery is bad.
	The battery is too weak. Refer to <i>To charge the battery</i> on page 33.
	The starter motor is defective.
The engine does not start when the start motor turns the engine over.	There is no fuel in the fuel tank. Refer to <i>To fill fuel</i> on page 19.
	The spark plug is damaged or does not operate correctly.
	The ignition cable is damaged.
	There is dirt in the carburetor or fuel line (P 524X).
	There is dirt in the fuel line (P 524X EFI).

Problem	Cause
The engine does not run smoothly.	The spark plug is damaged or does not operate correctly.
	The carburetor is incorrectly set (P 524X).
	The air filter is clogged. Refer to <i>To clean and replace the air filter on page 31.</i>
	The fuel tank vent is blocked.
	There is dirt in the carburetor or in the fuel line (P 524X).
	There is dirt in the fuel line (P 524X EFI).
	The choke cable is incorrectly adjusted (P 524X).
The engine apparently has no power.	The air filter is clogged. Refer to <i>To clean and replace the air filter on page 31.</i>
	The spark plug is damaged or does not operate correctly.
	There is dirt in the carburetor or in the fuel line (P 524X).
	There is dirt in the fuel line (P 524X EFI).
	The throttle cable is incorrectly adjusted.
The transmission does not have sufficient power.	The pump belt is not correctly tightened.
	The RPM between the front and rear axle are not correctly adjusted.
	There is no oil in the transmission or the oil level is too low. Refer to <i>To do a check of the transmission oil level on page 45.</i>
The battery does not charge.	The battery is damaged. Speak to your Husqvarna servicing dealer.
	The connection at the cable connectors on the battery terminals is bad.
There is vibration in the product.	The blades are loose. Refer to <i>To examine the blades on page 43.</i>
	One or more of the blades are not balanced. Refer to <i>To examine the blades on page 43.</i>
	The engine is loose.
	There is grass blockage in the cutting deck. Refer to <i>To clean the product on page 28.</i>

Problem	Cause
The cutting result is unsatisfactory.	The blades are blunt. Refer to <i>To examine the blades on page 43</i> .
	The grass is long or wet. Refer to <i>To get a good cutting result on page 25</i> .
	The parallelism of the cutting deck is not adjusted. Refer to <i>To do a check of the parallelism of the cutting deck on page 38</i> .
	The cutting deck is not level.
	There is grass blockage in the cutting deck. Refer to <i>To clean the product on page 28</i> .
	The tire pressure is different on the right and left sides. Refer to <i>Tire pressure on page 34</i> .
	The product is operated at a too high speed. Refer to <i>To get a good cutting result on page 25</i> .
	The engine speed is too low. Refer to <i>Technical data on page 58</i> .
	The drive belt slips.
	The cable to the cutting deck is not connected. Refer to <i>To attach the cutting deck on page 16</i> .
	The cable to the cutting deck is compressed. Refer to <i>To attach the cutting deck on page 16</i> .
	The function button for front accessories is not correctly connected.

Display - Troubleshooting

Symbol	Name	Shows on the display	Cause
	Indicator of transmission oil temperature	The symbol shows.	The transmission oil temperature is too high.
		The symbol flashes quickly.	Speak to your Husqvarna servicing dealer.
	Engine oil Pressure Sensor	The symbol shows.	Low oil pressure. Refer to <i>To do a check of the engine oil level on page 44</i> .
		The symbol flashes.	The lubrication system is damaged or does not operate correctly.
	Battery level indicator	The symbol shows.	Low voltage. Refer to <i>To charge the battery on page 33</i> .

Symbol	Name	Shows on the display	Cause
	PTO button indicator	The symbol shows.	PTO button engaged. Refer to <i>To do a check of the operation conditions on page 13.</i>
		The symbol flashes.	Incorrect start procedure. Refer to <i>To do a check of the operation conditions on page 13.</i>
		The symbol flashes quickly.	The PTO button is damaged or does not operate correctly. Speak to your Husqvarna servicing dealer.
	Parking brake indicator	The symbol shows.	The parking brake is engaged. Refer to <i>To apply and release the parking brake on page 25.</i>
		The symbol flashes.	Incorrect start procedure. Refer to <i>To do a check of the operation conditions on page 13.</i>
		The symbol flashes quickly.	The parking brake is damaged or does not operate correctly. Speak to your Husqvarna servicing dealer.
	OPC indicator	The symbol flashes.	The seat switch is disengaged when you try to start the engine. Refer to <i>To do a check of the operation conditions on page 13.</i>
		The symbol flashes quickly.	The seat switch is damaged or does not operate correctly. Speak to your Husqvarna servicing dealer.
	Servicing indicator	The symbol shows.	Servicing is necessary. Speak to your Husqvarna servicing dealer.
	Fuel gauge	The symbol shows.	Low fuel level. Refer to <i>To fill fuel on page 19.</i>
	Bluetooth®	The symbol flashes.	The product is locked. Unlock your product with the Husqvarna Connect app.
	Digital lock	The symbol shows.	The product is locked. Unlock your product with the Husqvarna Connect app.

Note: The symbols and the positions of the symbols on the display can be different between different models.

Transportation, storage and disposal

Transportation

- The product is heavy and can cause crush injuries. Be careful when you load it onto or off a vehicle or trailer.
- Do not lift the product. The transport eyelets are not approved lifting points and must only be used to attach the product safely to a trailer.
- Use an approved trailer for transportation of the product.
- Make sure that you have knowledge of local road traffic regulations before transportation of the product in a trailer or on roads.

To safely attach the product on a trailer for transport

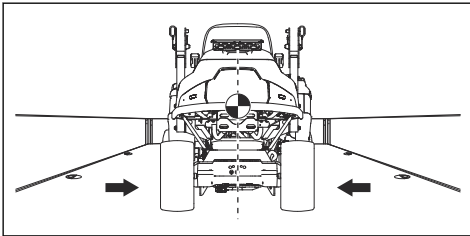
Before you attach the product, you must read and understand the safety chapter. Refer to *Safety on page 10*.



WARNING: The parking brake is not sufficient to lock the product during transport. Attach the product tightly to the load area.

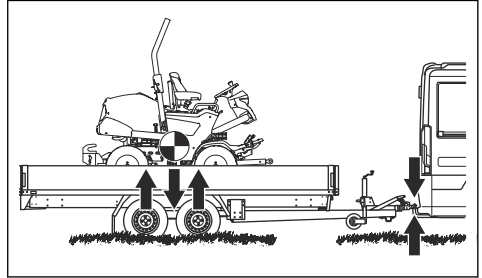
Equipment: 4 approved straps and 4 wheel chocks.

1. Park the product in the center of the load area.

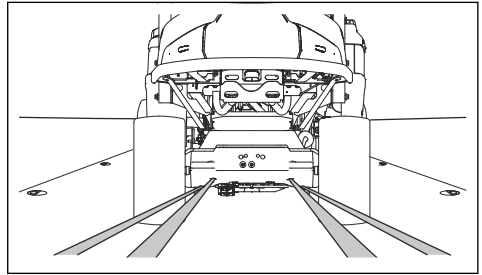


WARNING: For transport in transport vehicles with a cover. Make sure that the product is cool before you put the product in the transport vehicle.

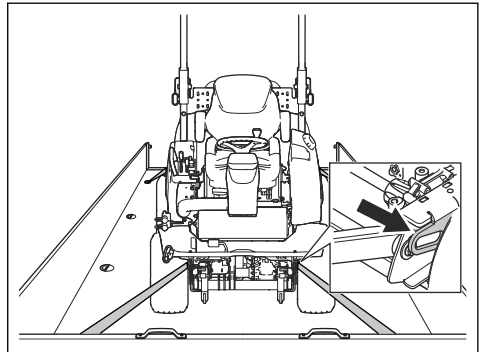
2. Make sure that the center of gravity of the product is above the wheel axle of the transport vehicle. If a trailer is used for transport, make sure that the down force on the tow bar is correct.



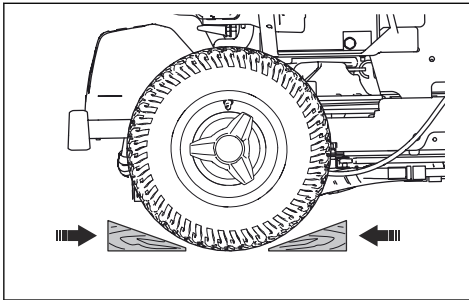
3. Apply the parking brake.
4. Lower the cutting deck to the float position.
5. Remove all loose objects.
6. Put the first strap through the rear transmission frame.



7. Put the second strap through the rear transmission frame.
8. Attach the straps to the load area.
9. Tighten the straps rearward to attach the product to the load area.
10. Attach the third strap to 1 of the transport eyelets.



11. Attach the fourth strap to the other transport eyelet.
12. Attach the strap to the load area.
13. Tighten the strap forward to attach the product to the load area.
14. Put the wheel chocks in front of and behind the rear wheels.



To tow the product

The product has a hydrostatic transmission. To prevent damage to the transmission, tow the product short distances only and at low speed.

Disengage the transmission before you tow the product. Refer to *To disengage the hydrostatic transmission on page 25*.

Storage

Prepare the product for storage at the end of the season, and before more than 30 days of storage. If you keep fuel in the fuel tank for 30 days or more, tacky particles can cause blockage in the carburetor. This has a negative effect on the engine function.

To prevent tacky particles during storage, add a stabilizer. If alkylate gasoline is used, stabilizer is not necessary. If you use standard gasoline, do not change to alkylate gasoline. This can cause sensitive rubber parts to become hard. Add stabilizer to the fuel in the tank or in the container used for storage. Always use the mixing ratios given by the manufacturer. Run the engine for a minimum of 10 minutes after you add the stabilizer until it flows into the carburetor.



WARNING: Do not keep the product with fuel in the tank in an indoor location or in locations with bad airflow. Risk of fire if fuel fumes come near open flames, sparks, or pilot lights in for example boilers, hot water tanks and clothes dryers.



WARNING: Remove grass, leaves and other flammable materials from the product to decrease the risk of fire. Let the product become cool before you put it in storage.

- Clean the product, see *To clean the product on page 28*. Repair paint damages to prevent corrosion.
- Examine the product for worn or damaged parts and tighten loose screws and nuts.
- Remove the battery. Clean it, charge it, and keep it cool during storage.
- Change the engine oil, and discard the waste oil.
- Empty the fuel tank. Start the engine and run it until there is no remaining fuel in the carburetor.

Note: Do not empty the fuel tank and carburetor if a stabilizer has been added.

- Remove the plugs and put about a tablespoon of engine oil into each cylinder. Manually turn the engine shaft to apply the oil and put the plugs back on.
- Lubricate all grease nipples, joints and axles.
- Keep the product in a clean and dry area and cover it for more protection.
- A cover for protection of your product during storage or transport is available at your dealer.

Disposal

- Chemicals can be dangerous and must not be discarded on the ground. Always discard used chemicals at a service center or an applicable disposal location.
- When the product is worn out, send it to the dealer or to an applicable recycling location.
- Oil, oil filters, fuel and the battery can have negative effects on the environment. Obey the local recycling requirements and applicable regulations.
- Do not discard the battery as domestic waste.
- Send the battery to a Husqvarna service agent or discard it at a disposal location for used batteries.

Technical data

Technical data

	P 524X	P 524X EFI
Dimensions , refer also to <i>Product dimensions on page 62</i>		
Weight without cutting deck, with empty tanks, kg	433	437
Tire dimensions	18×8.50-8	18×8.50-8
Tire pressure, rear – front, kPa / bar / PSI	100 / 1.0 / 14.5	100 / 1.0 / 14.5
Max. gradient, degrees °	10	10
Max. tow equipment weight at 10 ° gradient, kg	200	200
Max. permitted vertical force on the tow bar, N/kg	250/25	250/25
Max. permitted horizontal force on the tow bar, N/kg	350/35	350/35
Engine		
Brand / Model	Kawasaki / V-Twin, FX691V-KME09023-D4	Kawasaki / V-Twin, FX730V EFI-KME01609-D2
Nominal engine output, kW ¹	13.9	15.6
Displacement, cm ³	726	726
Max. engine speed, rpm	3000 +/- 100	3000 +/- 100
Max. speed forward, km/h	13	13
Max. speed rearward, km/h	9	9
Fuel, min. octane grade lead-free	95 (max. methanol 5%, max. ethanol 10%, max. MTBE 15%)	95 (max. methanol 5%, max. ethanol 10%, max. MTBE 15%)
Tank volume, l	21	21
Oil, API class CD or better	SAE 10W/40	SAE 10W/40
Oil volume incl. filter, l	2.1	2.1
Oil volume excl. filter, l	1.8	1.8
Start motor	Electric start 12V	Electric start 12V
Transmission		
Brand / Model	Kanzaki / KTM 23	Kanzaki / KTM 23

¹ The power rating of the engine indicated is the average net output (at specified rpm) of a typical production engine for the engine model measured to SAE standard J1349/ISO1585. Mass production engines may differ from this value. Actual power output for the engine installed on the final product will depend on the operating speed, environmental conditions and other values.

	P 524X	P 524X EFI
Transmission oil	Husqvarna transmission oil 10W-30 (Husqvarna 10W-30 4T AWD or STOU 10W-30)	Husqvarna transmission oil 10W-30 (Husqvarna 10W-30 4T AWD or STOU 10W-30)
Oil capacity gearbox front, l	0.9	0.9
Oil capacity gearbox rear, l	0.9	0.9
Hydraulic system		
Max. working pressure, bar/psi	120/1740	120/1740
Hydraulic tank capacity, l	8	8
Hydraulic system capacity, l	13	13
Hydraulic oil	Husqvarna transmission oil 10W-30 (Husqvarna 10W-30 4T AWD or STOU 10W-30)	Husqvarna transmission oil 10W-30 (Husqvarna 10W-30 4T AWD or STOU 10W-30)
Electrical system		
Type	12V, negative earthed	12V, negative earthed
Battery	12V, 24Ah	12V, 24Ah
Spark plug	NGK BPR4ES	NGK BPR4ES
Main fuse, flat pin type, A	20	20
Fuse for power outlet, flat pin type, A	5	5
Electrode gap, mm/in	0.75/0.030	0.75/0.030
Lamps	LED	LED
Cutting deck		
Type	Combi 112	Combi 112
	Combi 122	Combi 122
	R137 ²	R137
	Combi 112X	Combi 112X
	Combi 122X	Combi 122X
	R137X ³	R137X

Noise emissions ⁴	P 524X	P 524X EFI
Sound power level, measured dB(A)		
Combi 112	99	100
Combi 122	104	105

² Not recommended combination

³ Not recommended combination

⁴ **Noise emissions in the environment measured as sound power (L_{WA}) in conformity with EC directive 2000/14/EC.**

Noise emissions ⁴	P 524X	P 524X EFI
R137	104	105
Combi 112X	99	99
Combi 122X	104	105
R137X	104	105
Sound power level, guaranteed dB(A)		
Combi 112	100	100
Combi 122	105	105
R137	105	105
Combi 112X	100	100
Combi 122X	105	105
R137X	105	105

Sound levels ⁵	P 524X	P 524X EFI
Sound pressure level at the operator's ear, dB(A)		
Combi 112	86	86
Combi 122	87	88
R137	90	91
Combi 112X	86	86
Combi 122X	87	88
R137X	90	91

Vibration levels ⁶	P 524X	P 524X EFI
Vibration level on the steering wheel, m/s ²		
Combi 112	2.5	2.5
Combi 122	2.5	2.5
R137	2.5	2.5
Combi 112X	2.5	2.5
Combi 122X	2.5	2.5

⁴ Noise emissions in the environment measured as sound power (L_{WA}) in conformity with EC directive 2000/14/EC.

⁵ Noise pressure level according to EN ISO 5395. Reported data for noise pressure level has a typical statistical dispersion (standard deviation) of 1.2 dB(A).

⁶ Vibration level according to EN ISO 5395. Reported data for vibration level has a typical statistical dispersion (standard deviation) of 0.2 m/s² (steering wheel) and 0.8 m/s² (seat).

Vibration levels ⁶	P 524X	P 524X EFI
R137X	2.5	2.5
Vibration level in the seat, m/s ²		
Combi 112	0.5	0.5
Combi 122	0.5	0.5
R137	0.5	0.5
Combi 112X	0.5	0.5
Combi 122X	0.5	0.5
R137X	0.5	0.5

Cutting deck	Combi 112	Combi 122	R137	Combi 112X	Combi 122X	R137X
Cutting width, mm	1120	1220	1370	1120	1220	1370
Cutting height, 7 positions, mm	25-75	25-75	35-100	25-75	25-75	35-100
Width, mm	1220	1330	1409	1220	1330	1409
Weight, kg	60	71	89	61	72	90
Length, mm	420	454	924	420	454	924

Blade			
Blade bolt tightening torque, Nm/kpm/lb-ft	80/8.1/59	80/8.1/59	130/13.2/95.8
Article number	5441027-10	5354294-10	5321872-55

Radio frequency data	P 524X	P 524X EFI
Frequency range, MHz	2402-2480	2402-2480
Output power ⁷ , dBm	2.4	2.4



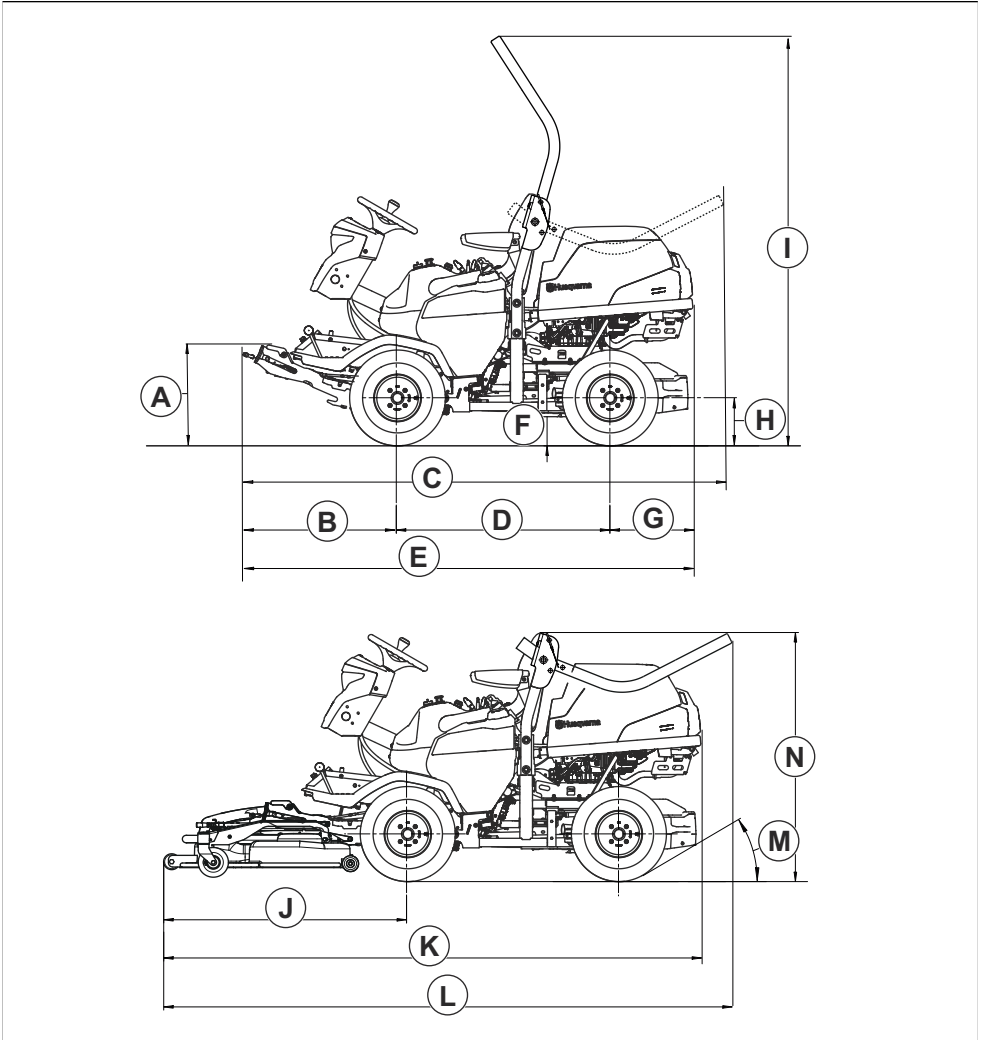
WARNING: To use a cutting deck that is not approved for the product can cause objects to eject at high speed and cause

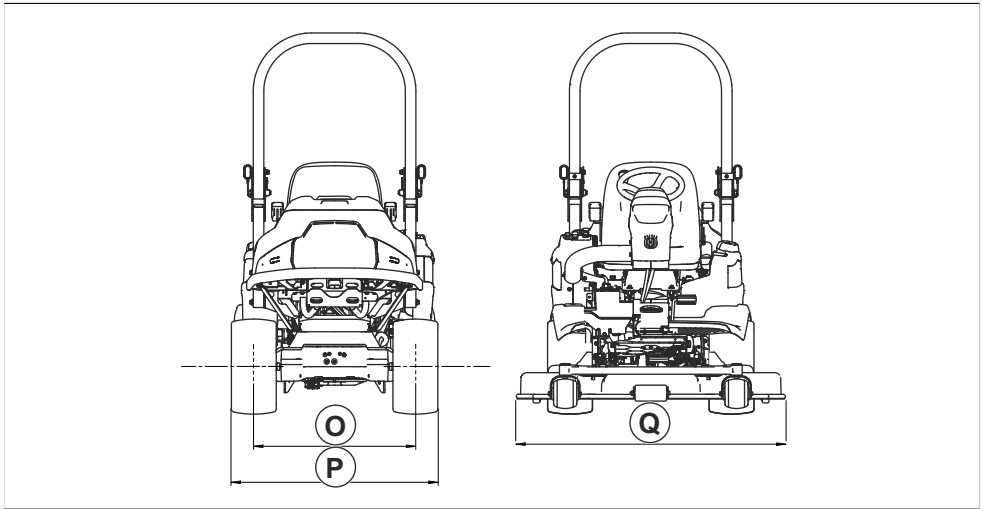
serious injury. Do not use other cutting deck types than specified in this owner's manual.

⁶ Vibration level according to EN ISO 5395. Reported data for vibration level has a typical statistical dispersion (standard deviation) of 0.2 m/s² (steering wheel) and 0.8 m/s² (seat).

⁷ Measured at 2402 MHz and 85% duty cycle.

Product dimensions





A	489 mm	G	388 mm	K	Combi 112, 112X: 2443 mm	M	30°
B	673	H	225 mm		Combi 122, 122X: 2532 mm	N	1244 mm
C	2066 mm	I	1869 mm		R137, R137X: 2580 mm	O	765 mm
D	999 mm	J	Combi 112, 112X: 1056 mm	L	Combi 112, 112X: 2449 mm	P	977 mm
E	2060 mm		Combi 122, 122X: 1145 mm		Combi 122, 122X: 2538 mm	Q	Combi 112, 112X: 1220 mm
F	137 mm		R137, R137X: 1193 mm		R137, R137X: 2585 mm		Combi 122, 122X: 1330 mm
						R137, R137X: 1409 mm	

Accessories

Instructions for maintenance of optional equipment or accessories are not given in this operator's manual. See

the operator's manual for the accessory or equipment for instructions.

Service

Do a yearly check at an authorized service center to make sure that the product functions safely and at its best during high season. The best time to do a servicing or overhaul of the product is low season.

When you send an order for the spare parts, give information about the purchase year, model, type, and serial number.

Always use original spare parts.

Warranty

Transmission warranty

The transmission warranty is only applicable if checks are done of the front and rear wheel speed as specified in the maintenance schedule. To prevent damage to the transmission system, let an approved service agent adjust it.

Declaration of Conformity

EU Declaration of Conformity

We, **Husqvarna AB**, SE-561 82 Huskvarna, Sweden, tel: +46-36-146500, declare on our sole responsibility that the product:

Description	Ride-on Lawn Mower
Brand	Husqvarna
Type / Model	P 524X, P 524X EFI
Identification	Serial numbers dating from 2023 and onwards

complies fully with the following EU directives and regulations:

Directive/Regulation	Description
2006/42/EC	"relating to machinery"
2014/53/EU	"relating to radio equipment"
2000/14/EC	"relating to the noise emissions in the environment"
2011/65/EU	"on the restriction of the use of certain hazardous substances in electrical and electronic equipment"

and that the following standards and/or technical specifications are applied: EN ISO 5395-1:2013/A1:2018, EN ISO 5395-3:2013/A1:2017/A2:2018, EN ISO 12100:2010, EN ISO 14982:2009, ETSI EN 300 328 v.2.2.2, ETSI EN 301 489-1 V1.9.2, ETSI EN 301 489-17 V3.2.4, EN IEC 61000-6-3:2021, EN IEC 61000-6-2:2019, EN IEC 63000:2018.

Notified Body: 0404, SMP Svensk Maskinprovning AB, Box 4053, SE-904 03 Umeå, Sweden has certified conformity with the council's directive 2000/14/EC, conformity assessment procedure: Annex VI.

For information relating to noise emissions, refer to *Technical data on page 58*.

Huskvarna, TBD



Claes Losdal, Development Manager/Garden Products, Husqvarna AB

Responsible for technical documentation



UK Declaration of Conformity

We, **Husqvarna AB**, SE-561 82 Huskvarna, Sweden, tel: +46-36-146500, declare on our sole responsibility that the product:

Description	Ride-on Lawn Mower
Brand	Husqvarna
Type / Model	P 524X, P 524X EFI
Identification	Serial numbers dating from 2023 and onwards

complies fully with the following UK regulations:

Description
The Supply of Machinery (Safety) Regulations 2008
The Radio Equipment Regulations 2017
The Noise Emission in the Environment by Equipment for use Outdoors Regulations 2001, schedule 9
The Restriction of the Use of Certain Hazardous Substances in Electrical and Electronic Equipment Regulations 2012

and that the following standards and/or technical specifications are applied: EN ISO 5395-1:2013/A1:2018, EN ISO 5395-3:2013/A1:2017/A2:2018, EN ISO 12100:2010, EN ISO 14982:2009, ETSI EN 300 328 v.2.2.2, ETSI EN 301 489-1 V1.9.2, ETSI EN 301 489-17 V3.2.4, EN IEC 61000-6-3:2021, EN IEC 61000-6-2:2019, EN IEC 63000:2018.

Notified Body: 0404, SMP Svensk Maskinprovning AB, Box 4053, SE-904 03 Umeå, Sweden has certified conformity with the council's directive 2000/14/EC, conformity assessment procedure: Annex VI.

For information relating to noise emissions, refer to *Technical data on page 58*.

Huskvarna, TBD

UK Importer:
Husqvarna UK Ltd
Preston Road, Co. Durham
DL5 6UP



Claes Losdal, Development Manager/Garden Products,
Husqvarna AB

Responsible for technical documentation

**UK
CA**

Registered trademarks

The *Bluetooth*[®] word mark and logos are registered trademarks owned by *Bluetooth SIG, inc* and any use of such marks by Husqvarna is under license.

Contenido

Introducción.....	68	Datos técnicos.....	127
Seguridad.....	76	Accesorios.....	132
Montaje.....	83	Servicio técnico.....	132
Funcionamiento.....	86	Garantía.....	133
Mantenimiento.....	93	Declaración de conformidad.....	134
Resolución de problemas.....	120	Marcas comerciales registradas.....	135
Transporte, almacenamiento y eliminación.....	124		

Introducción

Inspección previa a la entrega y números de producto

copia firmada del documento de inspección previa a la entrega de su distribuidor.

Nota: Se ha realizado una inspección previa a la entrega de este producto. Asegúrese de que recibe una

Información de contacto del taller de servicio:	
Este manual de usuario pertenece a un producto con número de producto/número de serie:	
/	
Motor:	
Transmisión:	

Descripción del producto

P 524X y P 524X EFI son cortacéspedes con unidad de corte frontal. Se utiliza un motor de gasolina como propulsor. El producto tiene una pantalla, faros y tracción a las cuatro ruedas (AWD). Los pedales de avance y marcha atrás permiten al usuario ajustar la velocidad gradualmente. Puede utilizar el producto con diferentes tipos de equipos de corte u otro equipo Husqvarna aprobado.

utilizar el producto para otras tareas. Póngase en contacto con su distribuidor de Husqvarna para obtener más información sobre los accesorios disponibles.

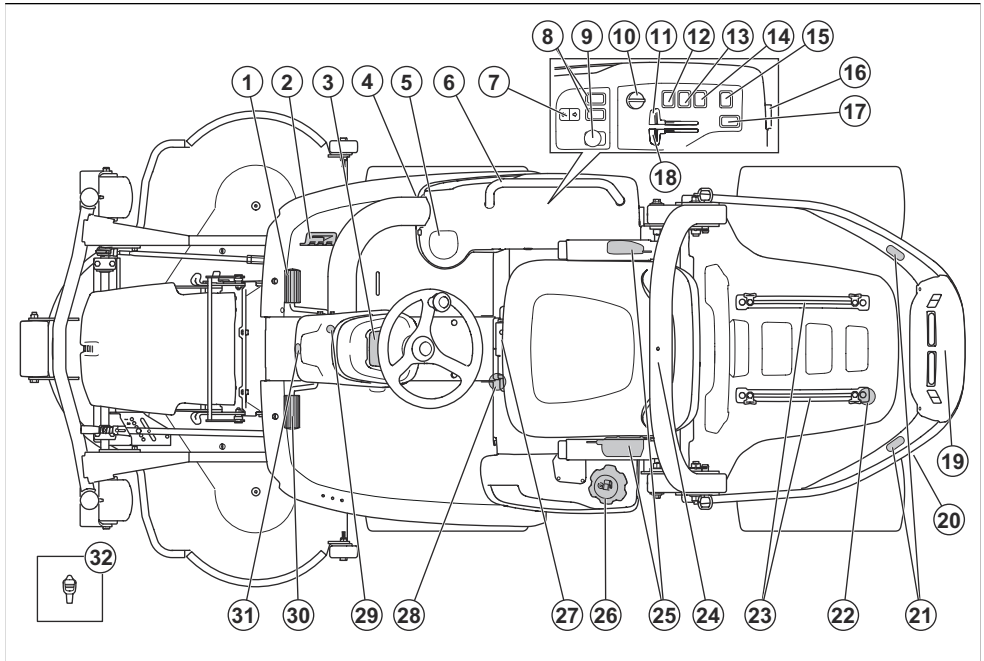
Asegure su producto

Asegúrese de que tiene su seguro cubre el nuevo producto. Si tiene cualquier duda, hable con su compañía de seguros. Se recomienda un seguro a todo riesgo que incluya terceros, incendio, daños, robo y responsabilidad.

Uso previsto

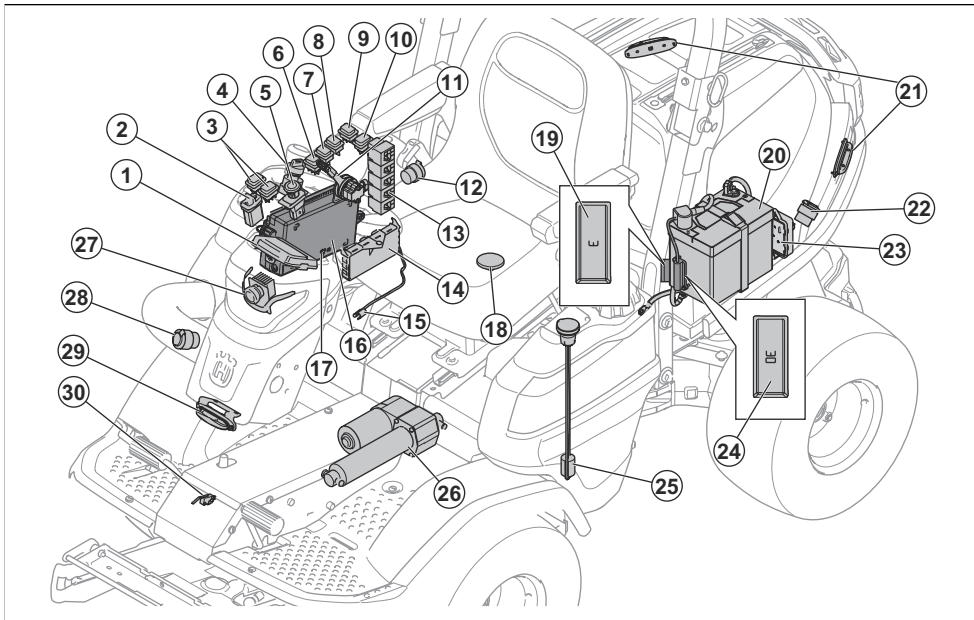
Este producto está pensado para cortar hierba en zonas comerciales. Conecte accesorios opcionales para

Descripción del producto



- | | |
|--|---|
| 1. Pedal de avance | 17. Botón de función para los accesorios traseros (accesorio) |
| 2. Pedal de marcha atrás | 18. Control del estrangulador (P 524X) |
| 3. Pantalla | 19. Toma de corriente auxiliar trasera de 12 V (accesorio) |
| 4. Toma de corriente auxiliar delantera de 12 V (accesorio) | 20. Válvula de derivación de la transmisión trasera |
| 5. Portavasos | 21. Luces de advertencia traseras (accesorio) |
| 6. Asidero (accesorio) | 22. Soportes de correa |
| 7. Elevación eléctrica para el equipo de corte | 23. Raíles |
| 8. Botón de función para los accesorios delanteros (accesorio) | 24. Sistema de protección antivuelco (Roll Over Protective Structure, ROPS) |
| 9. botón de la TDF | 25. Cinturón de seguridad |
| 10. Llave de contacto | 26. Tapón del depósito de combustible |
| 11. Acelerador | 27. Palanca de ajuste del asiento |
| 12. Interruptor de los faros | 28. Válvula de derivación de la transmisión delantera |
| 13. Interruptor de las luces de advertencia (accesorio) | 29. Bloqueo del freno de estacionamiento |
| 14. Interruptor para la toma de corriente de 12 V | 30. Freno de estacionamiento |
| 15. Interruptor para la toma de corriente auxiliar de 12 V (accesorio) | 31. Luz de advertencia delantera (accesorio) |
| 16. Toma de corriente de 12 V | 32. Herramienta |

Descripción general del sistema eléctrico



1. Pantalla
2. Botón de función de elevación del equipo de corte
3. Botón de función para los accesorios delanteros (accesorio)
4. Llave de contacto
5. botón de la TDF
6. Interruptor de los faros
7. Interruptor de las luces de advertencia (accesorio)
8. Interruptor para la toma de corriente de 12 V
9. Interruptor para la toma de corriente auxiliar de 12 V (accesorio)
10. Botón de función para los accesorios traseros (accesorio)
11. Control del acelerador EFI (P 524X EFI)
12. Toma de corriente de 12 V
13. Relés
14. Unidad de control del cortacésped
15. Sensor de temperatura del aceite hidráulico
16. Caja de control
17. Conector de mantenimiento
18. Interruptor del sistema de control de presencia del usuario (OPC)
19. Fusible de alimentación de 12 V para la memoria del módulo de control del cortacésped, 3 A
20. Batería
21. Luz de advertencia trasera (accesorio)

22. Toma de corriente auxiliar trasera de 12 V (accesorio)
23. Unidad de control EFI (P 524X EFI)
24. Fusible del actuador eléctrico de elevación del equipo de corte, 30 A
25. Sensor de nivel de combustible
26. Actuador eléctrico de elevación del equipo de corte
27. Faros
28. Toma de corriente auxiliar delantera de 12 V (accesorio)
29. Luz de advertencia delantera (accesorio)
30. Interruptor del freno de estacionamiento

Tomas de corriente

El producto cuenta con las siguientes tomas de corriente:

- Toma de corriente de 12 V
- Toma de corriente auxiliar delantera de 12 V (accesorio)
- Toma de corriente auxiliar trasera de 12 V (accesorio)

Para localizar los fusibles de las tomas de corriente, consulte *Vista general de los fusibles en la página 100*.

Para localizar las tomas de corriente, consulte *Descripción general del sistema eléctrico en la página 70*.

Active las tomas de corriente con el interruptor de encendido del panel de control.

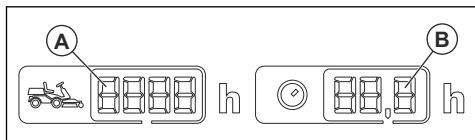
Horómetro

El producto tiene 2 horómetros en la pantalla que muestran las horas de funcionamiento totales (A) del motor y durante el periodo de funcionamiento actual (B). El último dígito del horómetro de funcionamiento actual muestra las décimas de hora (6 minutos).

El tiempo con el contacto puesto, pero con el motor apagado no se registra.

Nota: El horómetro total (A) solo muestra las horas totales.

Nota: Se denomina periodo de funcionamiento actual al tiempo que el motor ha permanecido encendido durante un día. Se inicia un nuevo periodo de funcionamiento si el motor se mantiene apagado durante un mínimo de seis horas.



Módulo de control del cortacésped

El producto tiene un módulo de control del cortacésped que le proporciona información al operario acerca del producto. La información se muestra en la pantalla del panel de instrumentos. Consulte la sección *Pantalla en la página 73*.

El módulo de control del cortacésped permite que el taller de servicio se conecte al producto cuando se lleva a cabo el mantenimiento.

Husqvarna Connect

El producto tiene tecnología inalámbrica y puede conectarse a dispositivos móviles que tengan la aplicación Husqvarna Connect instalada. La aplicación Husqvarna Connect es gratuita para su dispositivo móvil. La aplicación Husqvarna Connect proporciona más funciones para su producto Husqvarna:

- Función de bloqueo y desbloqueo para evitar una puesta en marcha no autorizada del producto.
- Información ampliada sobre el producto.
- Información y asistencia sobre piezas y mantenimiento de productos.

Husqvarna Fleet Services™

Husqvarna Fleet Services™ es una solución en la nube que proporciona al gerente de flotas comercial una visión general de todos los productos. Para obtener más

información sobre Husqvarna Fleet Services™, consulte www.husqvarna.com.

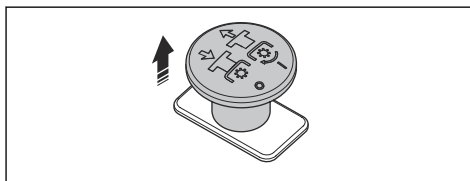
Conexión del producto con Husqvarna Fleet Services™

1. Descargue la aplicación Husqvarna Fleet Services™ en su dispositivo móvil.
2. Inicie sesión en la aplicación Husqvarna Fleet Services™.
3. Siga las instrucciones sobre cómo emparejar el producto con Husqvarna Fleet Services™.

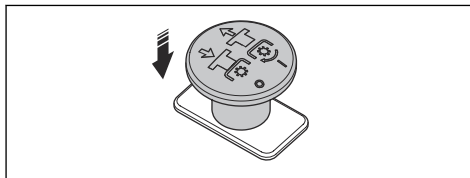
Botón de la TDF (toma de fuerza)

El botón de la TDF acopla y desacopla el embrague de la TDF y el equipo de corte u otros equipos conectados a este. Se deben cumplir las condiciones de arranque correctas para poder acoplar la transmisión de las cuchillas. Consulte la sección *Comprobación de las condiciones de funcionamiento en la página 80* para conocer las condiciones de arranque correctas.

- Tire del botón de la TDF para acoplar la transmisión de las cuchillas u otros equipos.



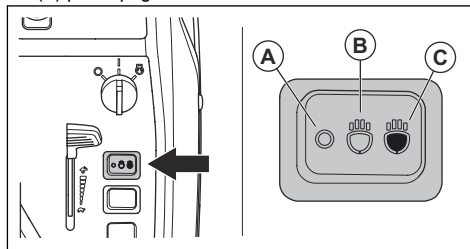
- Presione el botón de la TDF para desacoplar la transmisión de las cuchillas u otros equipos.



Faros

Los faros sirven como luces de trabajo y como luces de carretera.

- Coloque el interruptor de encendido en la posición (A) para apagar las luces.

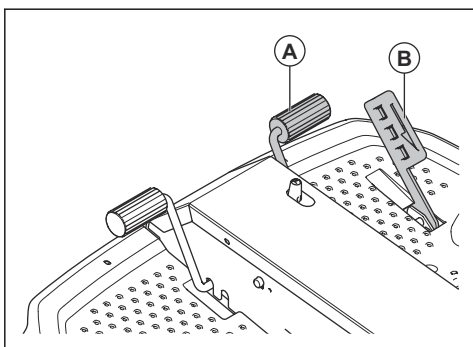


- Coloque el interruptor de encendido en la posición (B) para encender la luz de trabajo.
- Coloque el interruptor de encendido en la posición (C) para encender la luz de carretera y la luz de trabajo.

La luz de trabajo permanece encendida durante 3 minutos después de apagar el contacto colocando la llave en la posición de apagado (STOP). Cuando los faros se encienden, la pantalla muestra el símbolo de los faros. Consulte *Pantalla en la página 73*.

Pedales de marcha adelante y marcha atrás

La velocidad se ajusta gradualmente con dos pedales. El pedal izquierdo (A) se utiliza para desplazarse hacia delante y el pedal derecho (B) para desplazarse marcha atrás. La máquina frena al soltar los pedales.

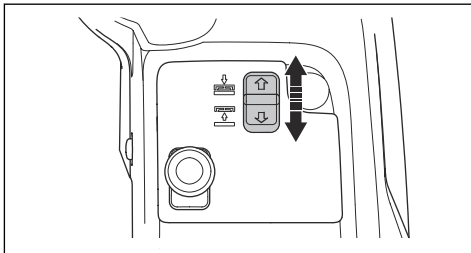


Interruptor de elevación eléctrica del equipo de corte

El interruptor controla la elevación eléctrica. Utilice la elevación eléctrica para subir y bajar el equipo de corte a la posición correcta.

El interruptor no tiene ninguna posición establecida. Tire del interruptor de elevación eléctrica hacia atrás para subir el equipo de corte. Pulse el interruptor de elevación eléctrica hacia delante para bajar el equipo de corte. El equipo de corte se puede subir y bajar cuando la llave de contacto está en la posición de encendido (ON).

El equipo de corte debe estar siempre en posición flotante cuando corte la hierba. La posición flotante permite que el equipo de corte se adapte a los diferentes niveles del suelo.



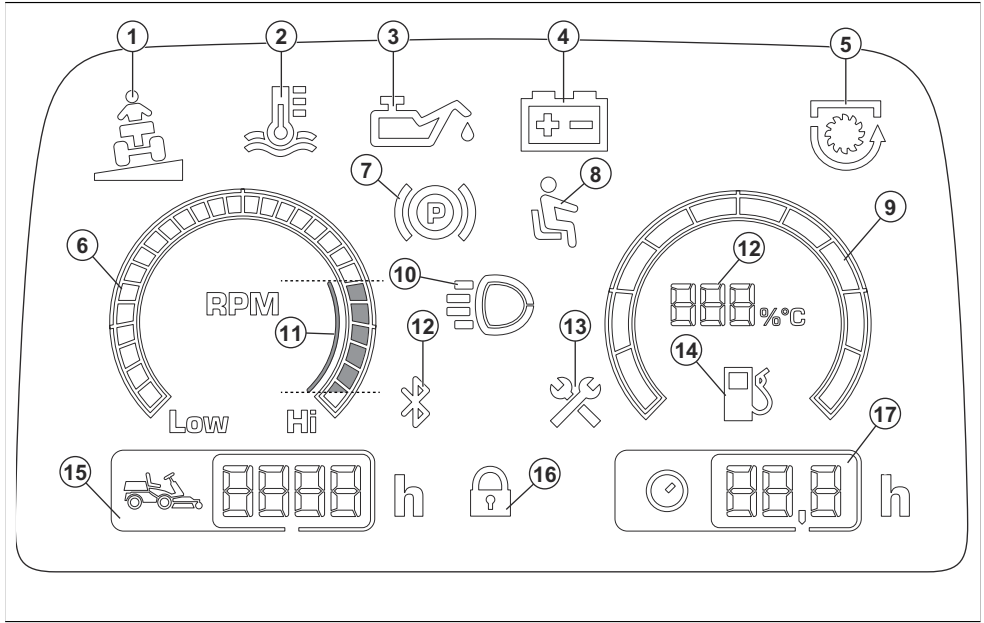
Equipo de corte

Los equipos de corte para este producto son los equipos Combi y R137. Los equipos de corte también están disponibles como modelos X, que permiten ajustar la altura de corte desde el panel de control. Consulte *Datos técnicos en la página 127*.

Los equipos de corte funcionan con triturador o con descarga trasera. Cuando los equipos de corte se utilizan con el triturador, la hierba se corta en trozos más pequeños que sirven como fertilizante para el césped. Al quitar la tapa del triturador, el equipo de corte descarga la hierba hacia atrás. Los equipos de corte Combi están especialmente diseñados para el uso del triturador, mientras que el equipo de corte R137 está especialmente diseñado para la descarga trasera.

Pantalla

La pantalla del panel de instrumentos muestra información sobre el estado del producto.



1. Indicador de pendiente
2. Indicador de temperatura del aceite de la transmisión
3. Indicador de presión del aceite de motor
4. Indicador de carga de la batería
5. Indicador de la TDF
6. Tacómetro
7. Indicador de freno de estacionamiento
8. Control de presencia del usuario (OPC)
9. Indicador de combustible
10. Indicador de luz de trabajo o de luz de carretera
11. RPM del motor recomendadas cuando utiliza el producto
12. Bluetooth®
13. Indicador de mantenimiento
14. Indicador de combustible medido en intervalos de 5%

Nota: Si el indicador de temperatura del aceite de la transmisión está activado, en el indicador de combustible aparecerá la temperatura del motor.

15. Horómetro. Tiempo de funcionamiento total en horas.
16. Bloqueo digital
17. Horómetro. Horas/día de trabajo.

Nota: La apariencia de la pantalla puede variar entre los distintos modelos.

Nota: Cuando se gira la llave de contacto de la posición de apagado (STOP) a la de encendido (ON), todos los símbolos se encienden durante un breve periodo. Posteriormente, solo permanecen encendidos aquellos símbolos que estén activos.

Símbolos que aparecen en el producto



ADVERTENCIA: Tenga cuidado y utilice el producto correctamente. Este producto puede ocasionar lesiones graves o mortales tanto al operador como a cualquier otra persona.



Lea atentamente el manual de usuario y asegúrese de que entiende las instrucciones antes de utilizar este producto.



Cuchillas giratorias. Mantenga el cuerpo y las extremidades alejados de la tapa cuando el motor esté en marcha.



Advertencia: Piezas giratorias. Mantenga los miembros del cuerpo alejados.



Advertencia: Riesgo de lesiones por aplastamiento. Los brazos de elevación se moverán con gran fuerza; mantenga alejados el cuerpo y las extremidades.



Advertencia: Riesgo de lesiones por aplastamiento. Los brazos de elevación se moverán con gran fuerza; mantenga alejados el cuerpo y las extremidades.



Tenga cuidado con los objetos que salgan despedidos o rebotados.



Superficie caliente.



Mantenga alejados a los transeúntes.



Mire hacia atrás antes y durante el desplazamiento del producto marcha atrás.



No corte nunca la hierba de forma transversal en una pendiente. No corte la hierba en terrenos con pendientes de más de 10°. Consulte *Corte del césped en pendientes en la página 80*.



No lleve nunca pasajeros en el producto o el equipo.



Peligro de vuelco.



Desplazamiento hacia delante.



Desplazamiento marcha atrás.



Pedal del freno de estacionamiento.



Freno de estacionamiento.



Este producto cumple con las directivas CE vigentes.



Este producto cumple con las directivas del Reino Unido vigentes.



Etiqueta de emisiones sonoras al medio ambiente conforme con las directivas y normativas europeas y del Reino Unido, y con la regulación de 2017 sobre protección del medioambiente (control de ruidos) (Protection of the Environment Operations - Noise Control) de la legislación de Nueva Gales del Sur. El nivel de potencia acústica garantizado del producto se especifica en el apartado *Datos técnicos en la página 127* y en la etiqueta.



Utilice siempre una protección de oídos homologada.



Detenga el motor y quite el cable de la bujía antes de realizar tareas de mantenimiento o reparación.



Motor apagado.



Motor encendido.



Arranque del motor.



Régimen del motor: rápido.



Régimen del motor: lento.



Estrangulador P 524X.



Combustible.



Máx. 10 % de etanol.



Posición de transporte del equipo de corte.



Posición de funcionamiento del equipo de corte.



Desacoplamiento de la TDF.



Pulse el botón de la TDF.



AUX para potencia de salida trasera.



AUX para potencia de salida delantera.



Nivel de aceite.



Código escaneable.



MAX. XXXN / (XXkg)

La fuerza vertical máxima permitida sobre la barra de remolque se especifica en *Datos técnicos en la página 127* y en la etiqueta.



MAX. XXXN / (XXkg)

La fuerza horizontal máxima permitida sobre la barra de remolque se especifica en *Datos técnicos en la página 127* y en la etiqueta.



No utilice el cinturón de seguridad si el sistema ROPS está desacoplado.



Utilice siempre el cinturón de seguridad cuando el sistema ROPS esté acoplado.



Nota: Los demás símbolos y etiquetas que aparecen en el producto corresponden a requisitos de homologación específicos de otras zonas comerciales.

Placa de características técnicas

Husqvarna HUSQVARNA AB
SE-601 82 HUSQVARNA, SWEDEN

1 Husqvarna Identity (HID) XXXXXXXXXXXXXXXXXXXXXXXXXX
2 Model XXXXXX Prod year XXXX Nominal power XX, XkW
3 PNC XXXXXXXXXXXX Serial number XXXXXXXXXXXX
4

5
6
7
8

UK Importer
Husqvarna UK Ltd, Preston Road, Co. Durham, DL5 6UP

Husqvarna

9 PNC XXXXXXXXXXXX
10 Unladen weight XXXkg
11 Max front axle weight (GAWR) XXXkg
12 Max rear axle weight (GAWR) XXXkg
13 Max laden weight (GCWR) XXXXkg

USA Importer
Husqvarna Group, 9335 Harris Corners Pkwy, Suite 500,
Charlotte, NC28269, USA

1. Identificación de Husqvarna (HID) con número de referencia, fábrica y línea de producción, fecha, número de secuencia y número de control
2. Nombre del modelo
3. Código de número de producto (PNC)

4. Código escaneable
5. Fabricante y dirección del fabricante
6. Año de fabricación
7. Potencia nominal
8. Número de serie con fecha de fabricación, año, semana y número de secuencia
9. Código de número de producto (PNC)
10. Peso del producto, sin carga
11. Carga máxima sobre el eje delantero (GAWR)
12. Carga máxima sobre el eje trasero (GAWR)
13. Peso máximo autorizado con carga (GCWR)

Emisiones Euro V



ADVERTENCIA: La manipulación del motor anula la homologación de la UE de este producto.

Daños en el producto

No nos hacemos responsables de los daños que pueda sufrir el producto si:

- El producto se ha reparado incorrectamente.
- El producto se ha reparado con piezas que no eran del fabricante o no autorizadas por el fabricante.
- El producto tiene un accesorio que no es del fabricante o no está autorizado por este.
- El producto no se ha reparado en un centro de servicio autorizado o por un organismo homologado.

Seguridad

Definiciones de seguridad

Las advertencias, precauciones y notas se utilizan para destacar información especialmente importante del manual.



ADVERTENCIA: Indica un riesgo de lesiones o incluso de muerte del usuario o de las personas cercanas si no se respetan las instrucciones del manual.



PRECAUCIÓN: Indica un riesgo de daños en el producto, otros materiales o el área adyacente si no se respetan las instrucciones del manual.

Nota: Se usa para proporcionar más información necesaria en una situación determinada.

Instrucciones generales de seguridad



ADVERTENCIA: Este producto puede cortar las manos y los pies, y arrojar objetos. Puede causar lesiones graves o incluso la muerte si no siguen las instrucciones de seguridad.



ADVERTENCIA: No se debe continuar utilizando un producto con un equipo de corte dañado, ya que este puede arrojar objetos y causar lesiones graves o incluso la muerte. Sustituya las cuchillas dañadas inmediatamente.



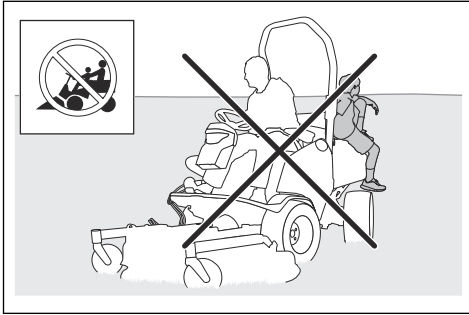
ADVERTENCIA: Este producto genera un campo electromagnético durante el funcionamiento. Este campo puede, en determinadas circunstancias, interferir en implantes médicos activos o pasivos. Para reducir el riesgo de que se den condiciones que provocarían lesiones graves o letales, las personas que utilizan implantes médicos deben consultar con su médico y con el fabricante del implante antes de poner en marcha este producto.



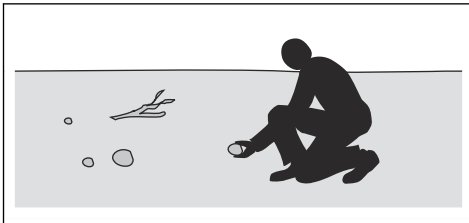
ADVERTENCIA: Lea las siguientes instrucciones de advertencia antes de utilizar el producto.

- Proceda siempre con cuidado y utilice siempre el sentido común. Evite todas aquellas situaciones que considere que sobrepasan sus capacidades. Si después de leer el manual de usuario no se siente seguro respecto a los procedimientos de funcionamiento, consulte con un experto antes de continuar.
- Lea detenidamente y comprenda el manual de usuario y las instrucciones del producto antes de arrancar el producto.
- Aprenda a utilizar el producto y sus controles de forma segura, y aprenda a detener el producto con rapidez.
- Aprenda a reconocer las etiquetas de seguridad.
- Mantenga el producto limpio para asegurarse de que puede leer claramente los símbolos y las pegatinas.
- Debe tenerse en cuenta que el operador será responsable de los accidentes que involucren a otras personas o a su propiedad.

- No transporte pasajeros. El producto debe ser usado únicamente por una persona.



- No deje que el producto permanezca sin supervisión con el motor en marcha. Pare siempre las cuchillas, ponga el freno de estacionamiento, detenga el motor y quite la llave de contacto antes de dejar el producto sin supervisión.
- Utilice el producto únicamente con la luz del día o en áreas con buena iluminación. Mantenga el producto a una distancia segura respecto a orificios u otras irregularidades del suelo. Tenga cuidado con otros posibles riesgos.
- No utilice el producto en condiciones climáticas desfavorables, por ejemplo, con niebla, lluvia, humedad, lugares húmedos, viento fuerte, frío intenso, posibilidad de relámpagos, etc.
- Localice y marque piedras y otros objetos fijos para no colisionar con ellos.
- Limpie la zona de objetos tales como piedras, juguetes, cables, etc. que se podrían quedar atrapados en las cuchillas y ser lanzados.



- No deje que los niños u otras personas no autorizadas utilicen el producto ni realicen su mantenimiento. La legislación local podría establecer un límite de edad para el operario.
- Asegúrese de que no hay nadie en las proximidades del producto cuando arranque el motor, accione la transmisión o comience a desplazar el producto.
- Preste atención al tráfico cuando utilice la máquina cerca de una carretera o se desplace por una.
- No utilice el producto si está cansado, si ha ingerido alcohol o drogas, o si toma medicamentos o cualquier otra sustancia que puedan afectar la vista, su capacidad de discernimiento o el control del cuerpo.

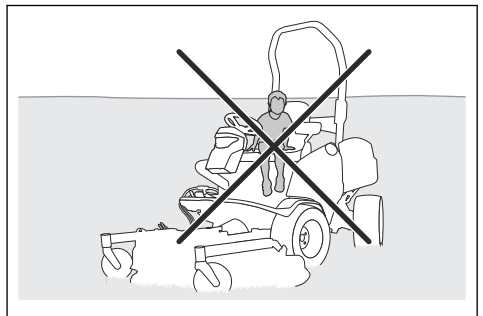
- No cambie el ajuste del régimen del motor.
- Estacione siempre el producto en una superficie nivelada con el motor apagado.

Instrucciones de seguridad relativas a los niños



ADVERTENCIA: Lea las siguientes instrucciones de advertencia antes de utilizar el producto.

- Pueden producirse accidentes graves si no vigila a los niños que estén cerca del producto. Los niños pueden sentirse atraídos por el producto y por cortar el césped. Es muy posible que los niños no se queden quietos donde los vio por última vez.
- Mantenga a los niños alejados de la zona de corte. Asegúrese de que hay presente un adulto responsable de los niños.
- Preste atención y detenga el producto si un niño entra en la zona de trabajo. Tenga mucho cuidado cuando se acerque a esquinas, arbustos, árboles u otros objetos que podrían bloquear su buena visibilidad.
- Antes de desplazar el producto marcha atrás, mire hacia atrás y hacia abajo para asegurarse de que no hay niños pequeños en las proximidades del producto.
- No deje que los niños monten con usted. Pueden caerse y sufrir graves lesiones o impedir el manejo seguro del producto.
- No deje que los niños manejen el producto.



Instrucciones de seguridad para el funcionamiento



ADVERTENCIA: No toque el motor ni el sistema de escape durante o directamente después del uso. El motor y el sistema de escape pueden calentarse mucho durante el funcionamiento. Riesgo de quemaduras, incendio y daños en la propiedad o las zonas adyacentes. Al utilizar el producto, aléjese de los arbustos y otros objetos.



ADVERTENCIA: Lea las siguientes instrucciones de advertencia antes de utilizar el producto.

- Antes de desplazarse marcha atrás, mire bien detrás y hacia abajo. Tenga cuidado con los obstáculos grandes y pequeños.
- Reduzca la velocidad antes de doblar una esquina.
- Detenga las cuchillas cuando se mueva por zonas que no requieran corte.



PRECAUCIÓN: Lea las siguientes instrucciones de precaución antes de utilizar el producto.

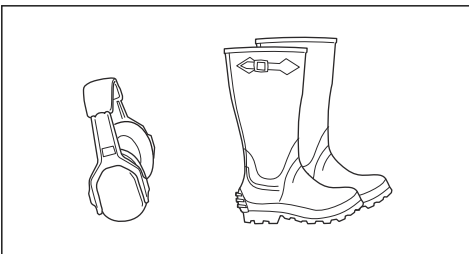
- Antes de usar el producto, limpie la hierba y la suciedad de la toma de aire frío del motor. Si la toma de aire frío se bloquea, se corre el riesgo de dañar el motor.
- Muévase con cuidado alrededor de piedras y otros objetos grandes, y asegúrese de que las cuchillas no golpean los objetos.
- No pase con el producto por encima de objetos. Si pasa con el producto por encima de algún objeto o choca con él, deténgase y examine el producto y el equipo de corte. Si es necesario, realice cualquier reparación necesaria antes de volver a ponerse en marcha.

Equipo de protección individual



ADVERTENCIA: Lea las siguientes instrucciones de advertencia antes de utilizar el producto.

- Para trabajar con el producto debe utilizar un equipo de protección individual homologado. El equipo de protección individual no elimina completamente el riesgo de lesiones, pero reduce la gravedad de estas en caso de accidente. Deje que el distribuidor le ayude a seleccionar el equipo adecuado.
- Utilice protectores auriculares homologados. La exposición prolongada al ruido puede causar daños crónicos en el oído.
- Utilice botas o zapatos de trabajo antideslizantes. Se recomienda llevar punteras de acero. No utilice calzado abierto ni vaya descalzo.



- Utilice guantes protectores cuando sea necesario, por ejemplo, para el montaje, inspección o limpieza del equipo de corte.
- No lleve ropa suelta, joyas u otros objetos que puedan quedar atrapados en las piezas móviles.
- Mantenga el equipo de primeros auxilios y el extintor de incendios cerca.

Dispositivos de seguridad en el producto



ADVERTENCIA: Lea las siguientes instrucciones de advertencia antes de utilizar el producto.

- No utilice ningún producto con dispositivos de seguridad dañados o que no funcionen correctamente. Realice una comprobación de los dispositivos de seguridad con frecuencia. Si los dispositivos de seguridad están dañados, póngase en contacto con su taller de servicio de Husqvarna.
- No realice ninguna modificación de los dispositivos de seguridad. No utilice el producto si las placas protectoras, las cubiertas de protección, los interruptores de seguridad u otros dispositivos de protección no están instalados o están dañados.

Sistema de protección antivuelco (ROPS)

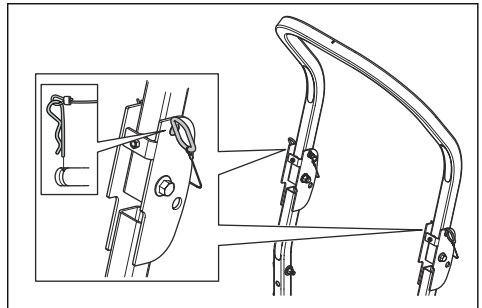
El sistema ROPS es un bastidor protector que reduce el riesgo de lesiones en caso de vuelco. Utilice el sistema ROPS y el cinturón de seguridad cuando utilice el producto en pendientes.

Cinturón de seguridad

El cinturón de seguridad evita lesiones si se producen accidentes o el producto vuelca. Utilice el cinturón de seguridad únicamente cuando el sistema ROPS está acoplado. Asegúrese de que el cinturón de seguridad está correctamente conectado y no está dañado.

Para acoplar y desacoplar el sistema de protección antivuelco (ROPS)

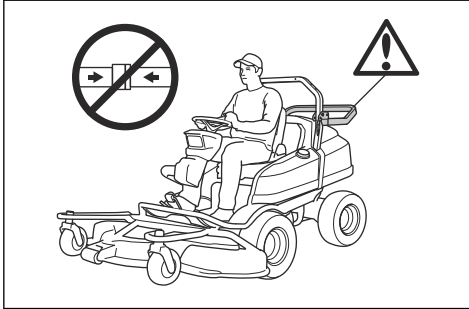
- Retire los 2 pasadores que sujetan el sistema ROPS y dóblelo hacia atrás para desacoplarlo. Para acoplar el sistema ROPS, efectúe el procedimiento en orden inverso.



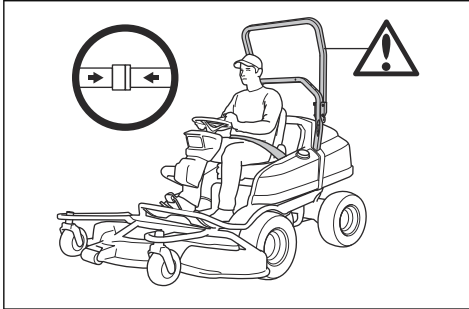


ADVERTENCIA: Respete las siguientes instrucciones para el sistema ROPS y el cinturón de seguridad.

- No utilice el cinturón de seguridad si el sistema ROPS está desacoplado.



- Utilice siempre el cinturón de seguridad si el sistema ROPS está acoplado.



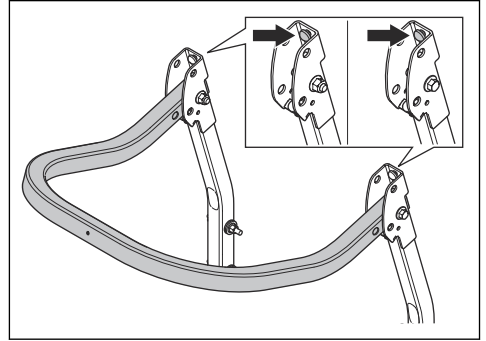
- Compruebe que el sistema ROPS está correctamente montado y no está dañado.

Ajuste de los amortiguadores de vibraciones del sistema ROPS

El sistema ROPS tiene 4 amortiguadores de vibraciones que evitan las vibraciones y el ruido causados por dicho sistema.

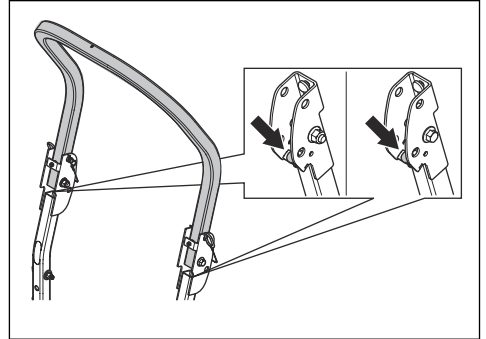
1. Desacople el sistema ROPS. Consulte *Para acoplar y desacoplar el sistema de protección antivuelco (ROPS) en la página 78.*

2. Gire los amortiguadores de vibraciones superiores hasta que no haya holgura en el sistema ROPS.

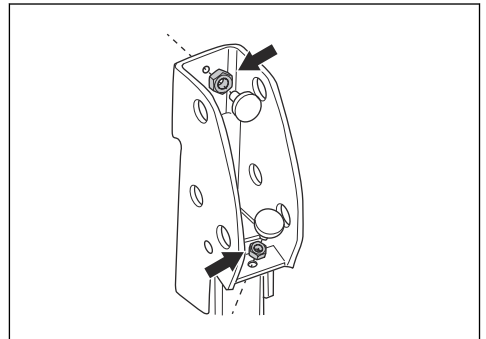


3. Acople el sistema ROPS. Consulte *Para acoplar y desacoplar el sistema de protección antivuelco (ROPS) en la página 78.*

4. Gire los amortiguadores de vibraciones inferiores hasta que no haya holgura en el sistema ROPS.



5. Apriete las contratuerzas.



Control de presencia del usuario (OPC)

El OPC se activa cuando el usuario se levanta del asiento. Se enciende el indicador de OPC de la pantalla. El OPC activa el circuito de seguridad. Consulte la sección *Comprobación de las condiciones de funcionamiento en la página 80.*

Comprobación de la llave de contacto

- Arranque y detenga el motor para comprobar la llave de contacto. Consulte *Arranque del motor (P 524X) en la página 87 y Para parar el motor en la página 91*.
- Verifique que el motor arranca al girar la llave de contacto a la posición de arranque.
- Verifique que el motor se detiene inmediatamente al girar la llave de contacto a la posición de parada.

Comprobación de las condiciones de funcionamiento

Las condiciones de funcionamiento son las siguientes:

- El motor solo se puede arrancar si no se acopla la transmisión de las cuchillas.
- El motor solo se puede arrancar si se acciona el freno de estacionamiento.
- La transmisión de las cuchillas solo puede funcionar si el operario se sienta en el asiento.

Compruebe las condiciones de funcionamiento a diario.

1. Intente arrancar el motor con la transmisión de las cuchillas acoplada. Si se cumplen las condiciones de funcionamiento, el motor no arranca.
2. Intente arrancar el motor sin accionar el freno de estacionamiento. Si se cumplen las condiciones de funcionamiento, el motor no arranca.
3. Arranque el motor, acople la transmisión de las cuchillas y levántese del asiento. Si se cumplen las condiciones de funcionamiento, las cuchillas del equipo de corte se detendrán.

Revisión del pedal de avance y el pedal de marcha atrás

1. Encienda el producto.
2. Asegúrese de que los pedales de avance y marcha atrás no están bloqueados y se pueden accionar libremente.
3. Pise el pedal de avance con cuidado para avanzar.
4. Suelte el pedal de avance para frenar. Asegúrese de que el freno de acopla cuando se suelta el pedal de avance.
5. Realice el mismo procedimiento con el pedal de marcha atrás.

Nota: El producto dispone de un freno automático que se activa al soltar los pedales. Para reducir la velocidad más rápido, pise el otro pedal.

6. Asegúrese de que el producto no se mueve sin accionar los pedales de avance y marcha atrás.

Freno de estacionamiento



ADVERTENCIA: Si el freno de estacionamiento no funciona, el producto puede comenzar a moverse y provocar

daños o lesiones. Asegúrese de que el freno de estacionamiento se examina y ajusta con frecuencia.

Consulte la sección *Aplicar y soltar el freno de estacionamiento en la página 91*.

Silenciador

El silenciador mantiene al mínimo los niveles de ruido y aparta los gases de escape del usuario.

No utilice el producto si el silenciador no está instalado o está dañado. Un silenciador dañado aumenta el nivel de ruido y el riesgo de incendio.



ADVERTENCIA: El silenciador se calienta mucho durante el uso y también cuando el motor se encuentra al ralentí. Tenga cuidado cuando se encuentre cerca de materiales o gases inflamables para evitar incendios.

Comprobación del silenciador

- Examine el silenciador con frecuencia para asegurarse de que está montado correctamente y que no está dañado.

Tapas protectoras

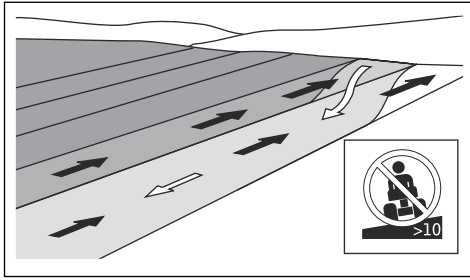
Si el producto no dispone de tapas protectoras o estas están dañadas, aumenta el riesgo de lesiones por piezas móviles y superficies calientes. Compruebe las tapas protectoras antes de poner en marcha el producto. Asegúrese de que las tapas protectoras están montadas correctamente y no tienen grietas u otros daños. Sustituya las tapas dañadas.

Corte del césped en pendientes

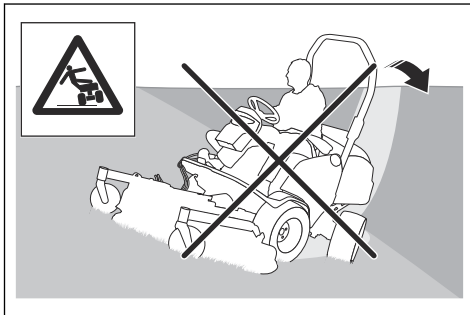


ADVERTENCIA: Lea las siguientes instrucciones de advertencia antes de utilizar el producto.

- Cortar el césped en pendientes aumenta el riesgo de perder el control del producto y que este vuelque, lo que puede provocar lesiones graves o la muerte. Es necesario cortar el césped con cuidado en todas las pendientes. Si no puede dar marcha atrás en una pendiente o si no se siente seguro en ella, no utilice la máquina.
- Quite piedras, ramas y otros obstáculos.
- En las pendientes, trabaje de arriba abajo y no de lado a lado.
- No baje por una pendiente con el equipo de corte elevado.
- No utilice el producto en pendientes de más de 10°.



- No arranque ni detenga el producto en una pendiente.
- En pendientes, desplácese con suavidad y lentamente.
- No realice cambios súbitos de velocidad ni dirección.
- No gire más de lo necesario. Cuando baje por una pendiente, gire de forma lenta y gradual. Muévase a baja velocidad. Gire el volante con cuidado.
- Tenga cuidado y no atraviese surcos, agujeros y baches, ya que existe un alto riesgo de que el producto vuelque al circular sobre una superficie que no es plana. El césped crecido puede esconder obstáculos.
- No corte el césped cerca de bordes, zanjas o terraplenes. El producto puede volcar repentinamente si alguna de las ruedas pasa por el borde de una fuerte pendiente o una zanja, o si falta un trozo de bordillo. Si el producto cae al agua, existe riesgo de ahogamiento.

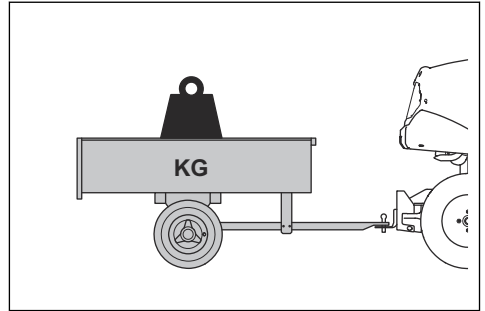


- No corte hierba mojada. Es resbaladiza y las ruedas pueden perder adherencia, y el producto puede patinar.
- No ponga el pie en el suelo para intentar que el producto sea más estable.
- Muévase con mucho cuidado si hay conectado un accesorio u otro objeto que pueda hacer que el producto sea menos estable.

Seguridad durante el remolque

- Utilice únicamente el equipo de remolque aprobado por Husqvarna.
- Use la barra de remolque para acoplar el equipo.

- No remolque equipo cuyo peso sea superior al peso máximo autorizado de remolcado. Consulte *Datos técnicos en la página 127*.



- Asegúrese de que no haya otras personas cerca del producto al remolcar cualquier equipo.
- Tenga cuidado cuando remolque equipo en pendientes o terreno irregular.
- Al remolcar equipo, conduzca el producto a baja velocidad.

Seguridad en el uso del combustible



ADVERTENCIA: Tenga cuidado con el combustible. Es muy inflamable y puede causar lesiones y daños a la propiedad.



ADVERTENCIA: Lea las siguientes instrucciones de advertencia antes de utilizar el producto.

- No llene el depósito de combustible en interiores.
- La gasolina y los gases de la gasolina son tóxicos y muy inflamables. Tenga cuidado con la gasolina para evitar lesiones o incendios.
- No retire el tapón de combustible ni llene el depósito de combustible cuando el motor esté en marcha.
- Deje que el motor se enfríe antes de repostar combustible.
- No fume cuando reposte combustible.
- No reposte combustible cerca de chispas o llamas descubiertas.
- Si hay fugas en el sistema de combustible, no arranque el motor hasta que se reparen las fugas.
- No reposte por encima del nivel de combustible recomendado. No llene demasiado el depósito de combustible ya que
- el calor procedente del motor y el sol hace que el combustible se expanda y se desborde si el depósito se llena demasiado. Si derrama carburante en el producto, límpielo y espere a que se haya secado antes de arrancar el motor. Si derrama combustible sobre la ropa, cámbiese inmediatamente.
- Almacene el combustible solo en recipientes homologados.

- Guarde el producto y el combustible de manera que no haya riesgo de que las fugas de combustible o los gases puedan causar daños.
- Vacíe el combustible en un depósito homologado situado en el exterior y lejos de llamas descubiertas.

- El producto está estacionado en una superficie nivelada.
- El freno de estacionamiento está accionado.
- La llave de contacto está quitada.
- El equipo de corte está desactivado.
- Los cables de encendido se han desconectado de las bujías.

Seguridad de la batería



ADVERTENCIA: Una batería dañada puede explotar y causar lesiones. Si la batería está deformada o dañada, póngase en contacto con un taller de servicio Husqvarna homologado.



ADVERTENCIA: Lea las siguientes instrucciones de advertencia antes de utilizar el producto.

- Use gafas protectoras cuando esté cerca de las baterías.
- No lleve relojes, joyas ni otros objetos metálicos cerca de la batería.
- Mantenga la batería fuera del alcance de los niños.
- Cargue la batería en un espacio con buena ventilación.
- Cuando cargue la batería, mantenga los materiales inflamables a una holgura mínima de 1 m.
- Deseche las baterías sustituidas. Consulte *Eliminación en la página 125*.
- Pueden salir gases explosivos de la batería. No fume cerca de la batería. Mantenga la batería lejos de llamas abiertas y chispas.



ADVERTENCIA: Los gases de escape del motor contienen monóxido de carbono, que es un gas inodoro, tóxico y muy peligroso. No ponga en marcha el producto en espacios cerrados ni espacios que no estén bien ventilados.



ADVERTENCIA: Lea las instrucciones de advertencia siguientes antes de realizar el mantenimiento del producto.

- Para lograr un mejor rendimiento y seguridad, realice el mantenimiento del producto periódicamente según lo establecido en el programa de mantenimiento. Consulte *Programa de mantenimiento en la página 93*.
- Las descargas eléctricas pueden causar lesiones. No toque los cables cuando el motor está encendido. No realice una prueba de funcionamiento del sistema de encendido con los dedos.
- No arranque el motor si se han retirado las cubiertas de protección. Existe un alto riesgo de lesiones causadas por las piezas móviles o calientes.
- Deje que el producto se enfríe antes de llevar a cabo alguna tarea de mantenimiento cerca del motor.
- Las cuchillas están afiladas y pueden provocar cortes. Cuando trabaje en las cuchillas, use una protección contra el viento alrededor de las mismas o lleve guantes protectores.
- Coloque el equipo de corte siempre en posición de servicio para limpiarlo. No estacione el producto cerca del borde de una zanja ni de una pendiente si va a acceder al equipo de corte.

Seguridad en el transporte

- Utilice solo un vehículo de transporte homologado para el transporte del producto.
- El producto es pesado y puede causar lesiones por aplastamiento. Tenga cuidado al cargarlo o descargarlo de un vehículo o remolque.
- Las regulaciones locales o nacionales de los mercados podrían establecer límites en los transportes del producto.
- El operario del vehículo de transporte es el responsable de sujetar el producto de forma segura durante el transporte. Consulte *Transporte en la página 124*.



PRECAUCIÓN: Lea las siguientes instrucciones de precaución antes de utilizar el producto.

- No encienda el motor si se ha desconectado la bujía o el cable de encendido.
- Asegúrese de que todas las tuercas y pernos están apretados correctamente y que el equipo está en buen estado.
- No cambie el ajuste de los reguladores. Si el régimen del motor es demasiado alto, los componentes del producto pueden dañarse.

Instrucciones de seguridad para el mantenimiento



ADVERTENCIA: El producto es pesado y puede ocasionar lesiones o daños materiales o en las inmediaciones. No realice tareas de mantenimiento en el motor ni el equipo de corte si no se cumplen estas condiciones:

- El motor está apagado.

Consulte *Datos técnicos en la página 127* para conocer el régimen del motor máximo permitido.

- El producto está homologado con el equipo original proporcionado o recomendado por el fabricante.

fuga de líquido hidráulico a presión y causar daños en la piel.



ADVERTENCIA: No toque las mangueras hidráulicas. Puede haber una

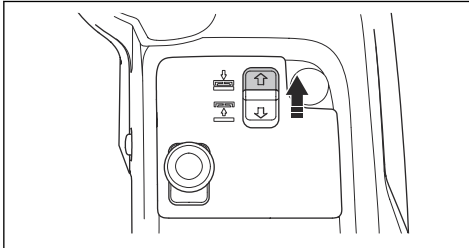
Montaje

Montaje del equipo de corte

Nota: Modelos de equipo de corte C112X, C122X, R137X: Para poder acoplar un equipo de corte modelo X, debe instalar primero un kit de toma de corriente auxiliar delantera (accesorio).

Nota: Antes de colocar el equipo de corte, verifique que tanto el equipo de corte como el producto se encuentren en una superficie nivelada.

1. Maneje con cuidado el producto hasta situarlo delante del equipo de corte.
2. Pulse el interruptor de elevación eléctrica para bajar el equipo de corte. Baje completamente el equipo de corte hasta que oiga un sonido de golpeteo.

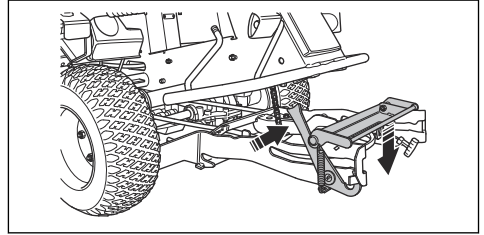


PRECAUCIÓN: Mantenga pulsado el interruptor al menos 2 segundos después de que el equipo de corte entre en contacto con el suelo. Esto permite asegurarse de que el equipo de corte está en posición flotante.

Nota: El sonido de golpeteo procedente del túnel del bastidor no significa que el producto esté defectuoso.

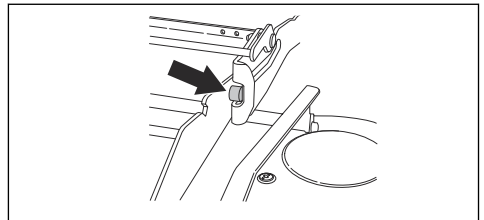
3. Aplique el freno de estacionamiento.
4. Pare el motor.

5. Baje el bastidor del equipo. Levante el bloqueo del bastidor del equipo a la posición vertical.

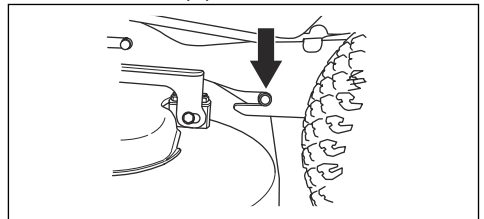


ADVERTENCIA: El mecanismo de bloqueo puede causar lesiones en los dedos si no lo utiliza con cuidado. Sujete el borde delantero del equipo de corte con las dos manos para continuar con el paso siguiente.

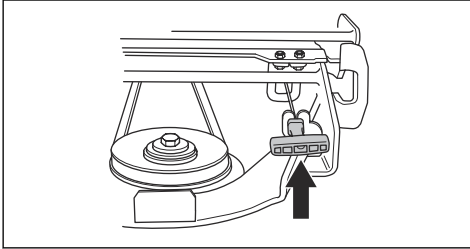
6. Deslice el equipo de corte en el bastidor del equipo. Asegúrese de que los pasadores guía delanteros encajen en las ranuras del bastidor del equipo. El bloqueo del bastidor del equipo se libera automáticamente.



7. Deslice el equipo de corte hasta que los pasadores guía traseros toquen el fondo de las ranuras guías del bastidor del equipo.

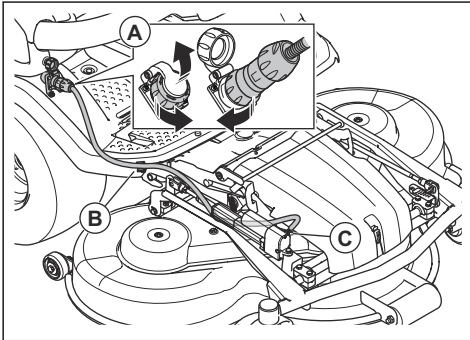


8. Coloque la correa de transmisión alrededor de la polea de transmisión del equipo de corte.
9. Fije la palanca con resorte al soporte.



10. Monte la cubierta delantera.

11. Modelos de equipo de corte C112X, C122X, R137X:



- a) Conecte el cable a la toma de corriente (A).
- b) Fije el cable al clip para cables (B) de la placa reposapiés.



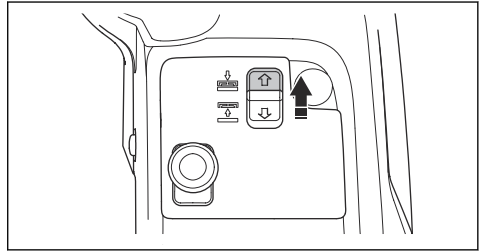
PRECAUCIÓN: Asegúrese de que el cable está en la posición correcta debajo del actuador (C) y que no queda comprimido al colocar el equipo de corte en la posición de corte. Consulte *Colocación del equipo de corte en posición de corte en la página 105*.

12. Revise el paralelismo del equipo de corte. Consulte *Comprobación del paralelismo del equipo de corte en la página 106*.

Desmontaje del equipo de corte

1. Estacione el producto en un suelo nivelado.
2. Aplique el freno de estacionamiento.
3. Modelos de equipo de corte C112X, C122X, R137X: Ajuste la altura de corte en la posición más baja. Consulte *Ajuste de la altura de corte (C112X, C122X, R137X) en la página 91*.

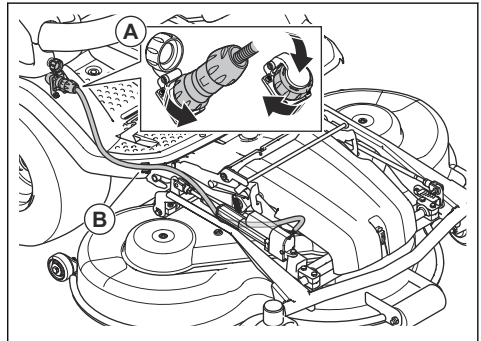
4. Pulse el interruptor de elevación eléctrica para bajar el equipo de corte. Baje completamente el equipo de corte hasta que oiga un sonido de golpeteo.



PRECAUCIÓN: Mantenga pulsado el interruptor al menos 2 segundos después de que el equipo de corte entre en contacto con el suelo. Esto permite asegurarse de que el equipo de corte está en posición flotante.

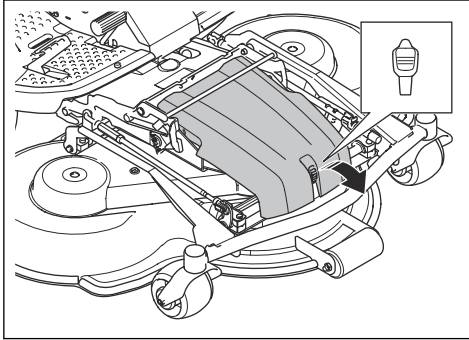
Nota: El sonido de golpeteo procedente del túnel del bastidor no significa que el producto esté defectuoso.

5. Pare el motor.
6. Coloque la llave de contacto en posición neutra.
7. Modelos de equipo de corte C112X, C122X, R137X:



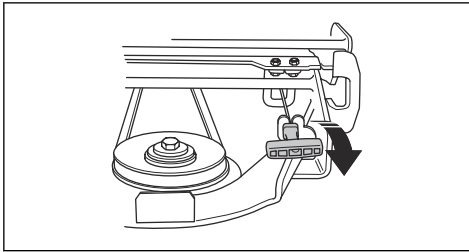
- a) Desconecte el cable de la toma de corriente (A).
- b) Retire el cable del clip (B) de la placa reposapiés.

8. Suelte el clip de la cubierta delantera con la herramienta acoplada a la llave de contacto y retire la cubierta.

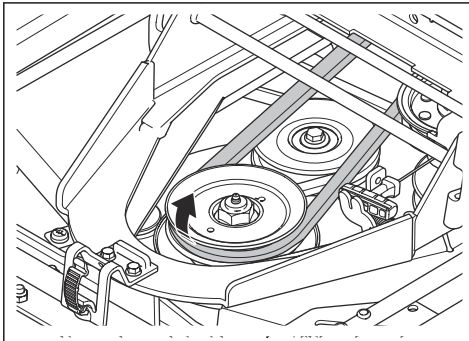


9. Modelos de equipo de corte C112, C122, R137: Ajuste la altura de corte en la posición más baja. Consulte *Ajuste de la altura de corte (C112, C122, R137)* en la página 90.

10. Tire de la palanca con resorte para quitarla del soporte y aliviar la tensión de la correa de transmisión.



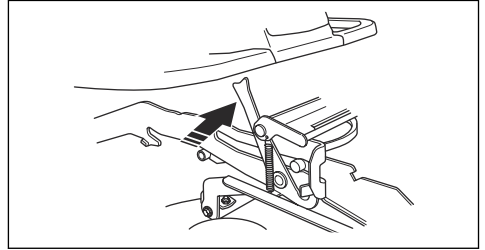
11. Extraiga la correa de transmisión y colóquela en el soporte de la correa.



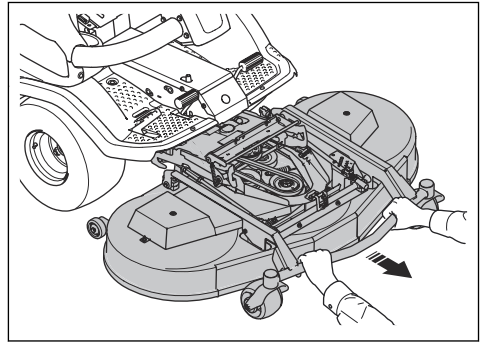
12. Sujete el borde delantero del equipo de corte con las 2 manos y tire para sacarlo.

13. Baje completamente el equipo de corte.

14. Abra el bloqueo del bastidor del equipo.



15. Sujete el borde delantero del equipo de corte con las 2 manos y tire para sacarlo.



ADVERTENCIA: Riesgo de lesiones por aplastamiento; mantenga todas las partes del cuerpo alejadas.

Funcionamiento

Introducción



ADVERTENCIA: Antes de utilizar el producto, debe leer y entender el capítulo sobre seguridad.

Para empezar a utilizar Husqvarna Connect

1. Descargue la aplicación Husqvarna Connect en su dispositivo móvil.
2. Registre una cuenta en la aplicación Husqvarna Connect.
3. Siga las instrucciones de la aplicación Husqvarna Connect para conectarse y registrar el producto.

Repostaje de combustible



ADVERTENCIA: La gasolina es muy inflamable. Tenga cuidado y haga el repostaje al aire libre (consulte *Seguridad en el uso del combustible en la página 81*).



ADVERTENCIA: No utilice el depósito de combustible como punto de apoyo.

El motor funciona con gasolina sin plomo con un octanaje mínimo de 95 (sin mezcla de aceite). Le recomendamos gasolina a base de alquilatos biodegradable (metanol máx. 5%, etanol máx. 10%, máx. MTBE máx. 15%).

Realice una comprobación del nivel de combustible antes de cada uso y reposte si es necesario.

Puede ver claramente el nivel de combustible en el depósito. No lo llene demasiado. Deje un espacio de 2,5 cm como mínimo hasta el borde.

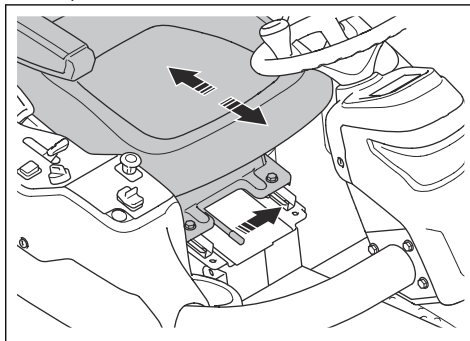
Ajuste del asiento



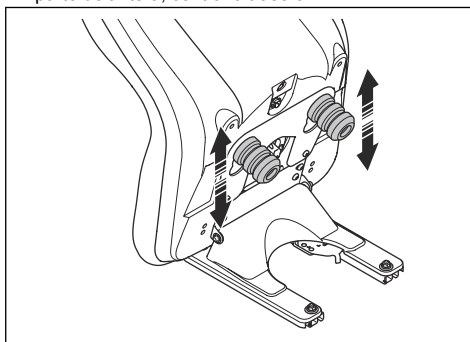
ADVERTENCIA: No ajuste el asiento mientras está usando el producto.

El asiento se puede inclinar hacia delante. También se puede ajustar hacia delante y hacia atrás.

- Para ajustar el asiento hacia delante y hacia atrás, coloque los pies sobre las placas reposapiés y empuje hacia la izquierda la palanca situada debajo del borde delantero del asiento. Desplace el asiento a la posición correcta.

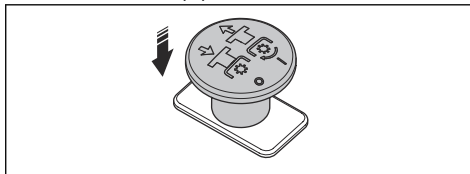


- Para ajustar los muelles del asiento, mueva los toques de goma situados debajo del asiento tal como se indica en la ilustración. Ponga los 2 toques en la parte delantera, central o trasera.

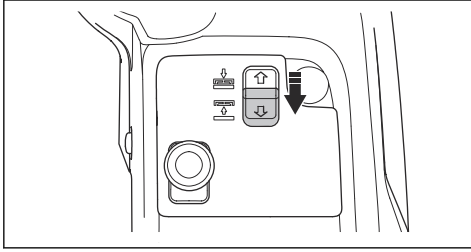


Elevación del equipo de corte

1. Pulse el botón de la TDF para desactivar la transmisión del equipo de corte.



2. Tire del interruptor de elevación eléctrica para subir el equipo de corte. Suba completamente el equipo de corte hasta que oiga un sonido de golpeteo.



Nota: El sonido de golpeteo procedente del túnel del bastidor no significa que el producto esté defectuoso.

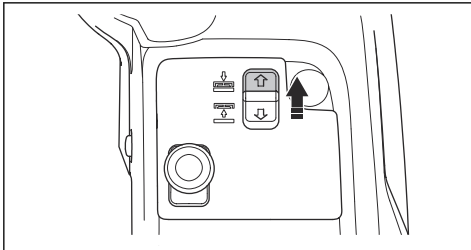
Nota: Puede elevar el equipo de corte una pequeña distancia con la transmisión de las cuchillas acoplada. Utilice esta función para hierba muy alta o superficies irregulares.



ADVERTENCIA: No levante el equipo de corte completamente si la transmisión de este se encuentra acoplada. Hay riesgo de que puedan salir despedidos objetos, lo cual puede causar lesiones graves o la muerte.

Bajada del equipo de corte

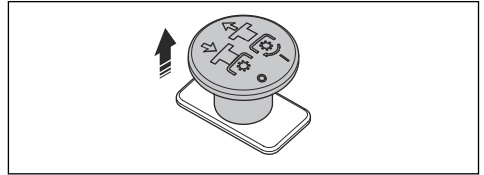
1. Pulse el interruptor de elevación eléctrica para bajar el equipo de corte. Baje completamente el equipo de corte hasta que oiga un sonido de golpeteo.



PRECAUCIÓN: Mantenga pulsado el interruptor al menos 2 segundos después de que el equipo de corte entre en contacto con el suelo. Esto permite asegurarse de que el equipo de corte está en posición flotante.

Nota: El sonido de golpeteo procedente del túnel del bastidor no significa que el producto esté defectuoso.

2. Tire del botón de la TDF para activar la transmisión de las cuchillas del equipo de corte.

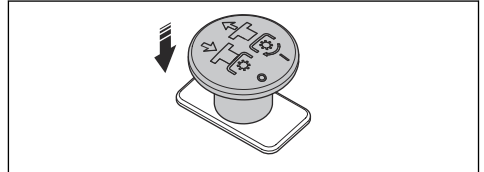


Pasos por seguir antes de poner en funcionamiento el producto

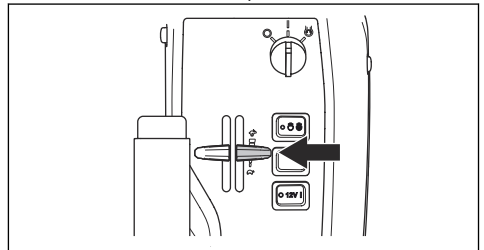
1. Lea detenidamente el manual de usuario y asegúrese de que entiende las instrucciones.
2. Póngase el equipo de protección personal necesario. Consulte *Equipo de protección individual en la página 78*.
3. Asegúrese de que solo haya personas autorizadas en la zona de trabajo.
4. Realice el mantenimiento diario. Consulte *Programa de mantenimiento en la página 93*.
5. Compruebe que el producto esté montado correctamente y no esté dañado.

Arranque del motor (P 524X)

1. Aplique el freno de estacionamiento.
2. Pulse el botón de la TDF para desacoplar la transmisión del equipo de corte.

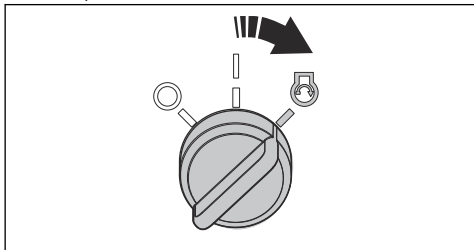


3. Mueva el acelerador a la posición media.

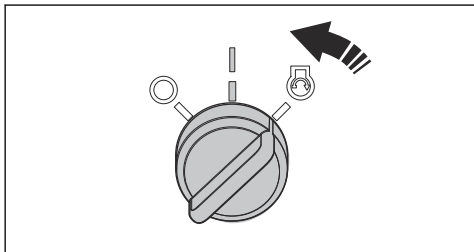


4. Si el motor está frío, mueva el estrangulador hacia atrás por completo.

5. Gire la llave de contacto hasta la posición de arranque.

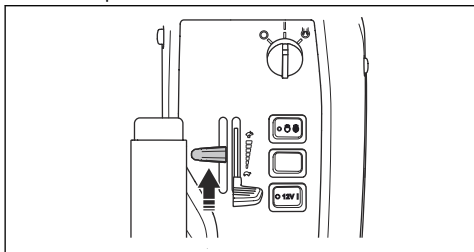


6. Una vez que arranca el motor, suelte inmediatamente la llave de contacto a la posición neutra.



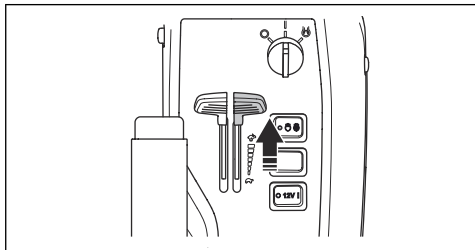
PRECAUCIÓN: No haga funcionar el motor de arranque durante más de 5 segundos consecutivos. Si el motor no arranca, espere 15 segundos antes de intentarlo de nuevo.

7. Empuje el estrangulador gradualmente hacia delante hasta la posición final.



8. Deje que el motor funcione con el acelerador en la posición media durante 3-5 minutos antes de aplicar cargas pesadas.

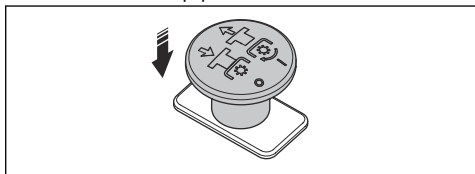
9. Empuje el acelerador a la posición de aceleración máxima.



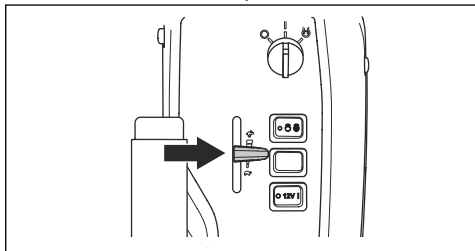
PRECAUCIÓN: Acoplar las cuchillas cuando el motor está a máxima velocidad genera tensión en las correas de transmisión. No acelere al máximo hasta que el equipo de corte baje a la posición de cortar el césped.

Arranque del motor (P 524X EFI)

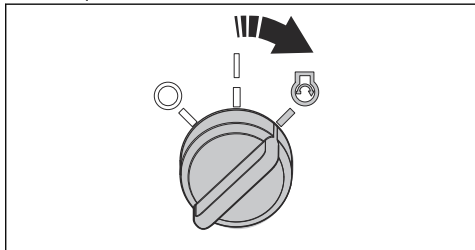
1. Aplique el freno de estacionamiento.
2. Pulse el botón de la TDF para desacoplar la transmisión del equipo de corte.



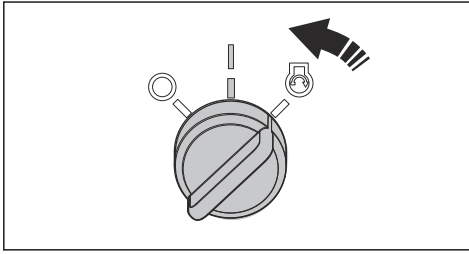
3. Mueva el acelerador a la posición media.



4. Gire la llave de contacto hasta la posición de arranque.

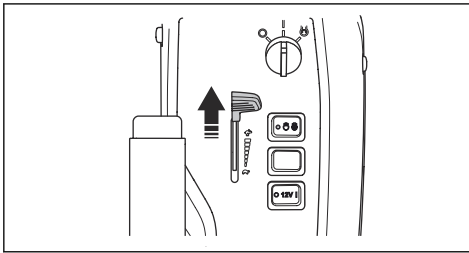


- Una vez que arranca el motor, suelte inmediatamente la llave de contacto a la posición neutra.



PRECAUCIÓN: No haga funcionar el motor de arranque durante más de 5 segundos consecutivos. Si el motor no arranca, espere 15 segundos antes de intentarlo de nuevo.

- Deje que el motor funcione con el acelerador en la posición media durante 3-5 minutos antes de aplicar cargas pesadas.
- Empuje el acelerador a la posición de aceleración máxima.

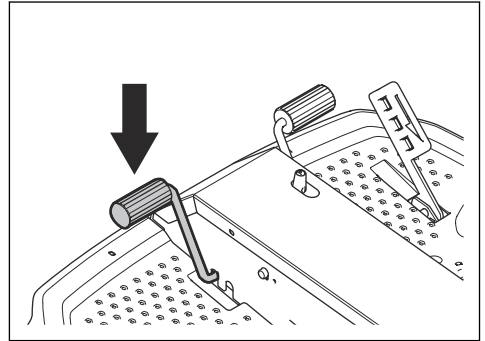


PRECAUCIÓN: Acoplar las cuchillas cuando el motor está a máxima velocidad genera tensión en las correas de transmisión. No acelere al máximo hasta que el equipo de corte baje a la posición de cortar el césped.

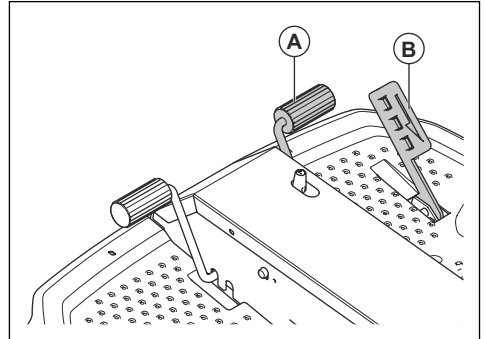
Manejo del producto

- Compruebe que las válvulas de derivación están cerradas. Consulte *Desactivación de la transmisión hidrostática en la página 92*.
- Arranque el motor.

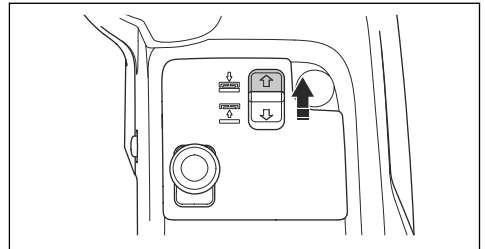
- Pise el pedal del freno de estacionamiento y, a continuación, suéltelo para liberar el freno de estacionamiento.



- Pise con cuidado uno de los pedales de aceleración. Cuanto más pise el pedal, mayor será la velocidad. Utilice el pedal (A) para desplazarse hacia delante y el pedal (B) para desplazarse marcha atrás.



- Para frenar, suelte el pedal. Para frenar más fuerte, pise el pedal de aceleración contrario.
- Seleccione la altura de corte. Consulte *Ajuste de la altura de corte (C112, C122, R137) en la página 90* o *Ajuste de la altura de corte (C112X, C122X, R137X) en la página 91*.
- Pulse el interruptor de elevación eléctrica para bajar el equipo de corte. Baje completamente el equipo de corte hasta que oiga un sonido de golpeteo.

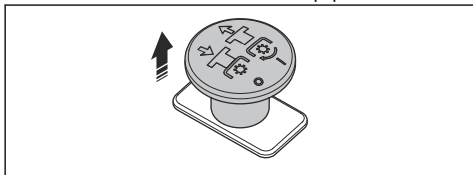




PRECAUCIÓN: Mantenga pulsado el interruptor al menos 2 segundos después de que el equipo de corte entre en contacto con el suelo. Esto permite asegurarse de que el equipo de corte está en posición flotante.

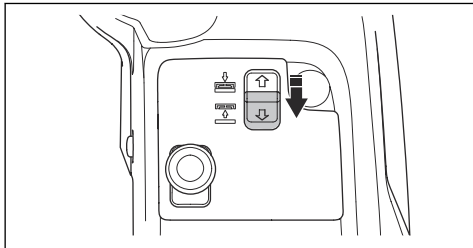
Nota: El sonido de golpeteo procedente del túnel del bastidor no significa que el producto esté defectuoso.

8. Tire del botón de la TDF hacia fuera para acoplar la transmisión de las cuchillas del equipo de corte.



Ajuste de la altura de corte (C112, C122, R137)

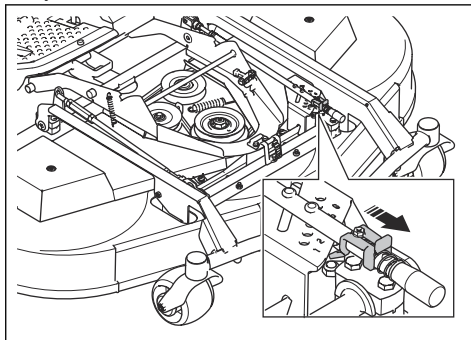
1. Tire del interruptor de elevación eléctrica para subir el equipo de corte. Suba completamente el equipo de corte hasta que oiga un sonido de golpeteo.



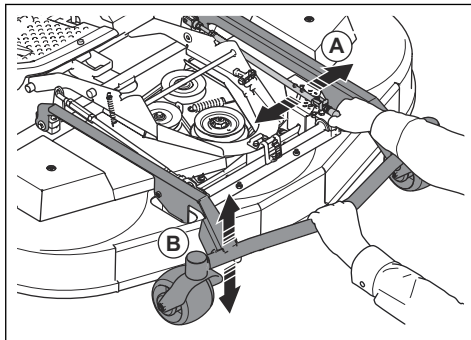
Nota: El sonido de golpeteo procedente del túnel del bastidor no significa que el producto esté defectuoso.

2. Aplique el freno de estacionamiento.
3. Gire la llave de contacto a la posición de apagado (STOP).

4. Empuje la placa de bloqueo hacia la parte delantera del equipo de corte y manténgala en esa posición. Tire y levante la palanca de ajuste de la altura de corte con la mano derecha. No suelte la palanca de ajuste.



5. Sujete el bastidor del equipo (B) con la mano izquierda. Levante o baje el equipo de corte mientras mueve la palanca de ajuste (A) de la altura de corte horizontalmente.






6. Suelte la palanca de ajuste de la altura de corte en 1 de los orificios de la placa de ajuste.
7. Suelte el bastidor del equipo.

Nota: Consulte en la siguiente tabla a qué altura de corte corresponde aproximadamente cada número.

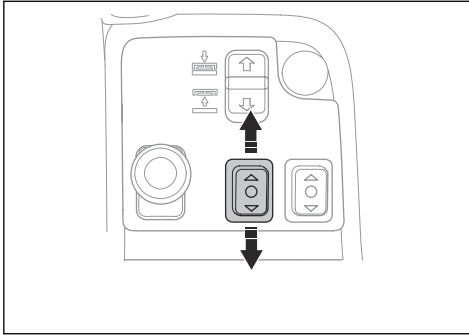
Número	Altura de corte, mm	
Equipo de corte	C112, C122	R137
1 (S) Posición de servicio, posición más baja	25	35
2	35	50
3	45	60
4	55	75

Número	Altura de corte, mm	
5	65	90
6	75	100

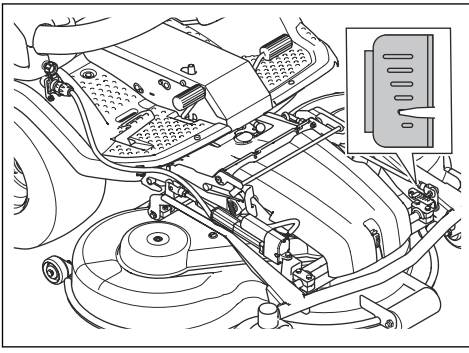
Marcas	Altura de corte, mm	
	45	60
	35	50
	25	35

Ajuste de la altura de corte (C112X, C122X, R137X)

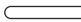


- Pulse la parte superior del botón de función izquierdo de los accesorios delanteros a fin de reducir la altura de corte. Pulse la parte inferior del botón de función izquierdo de los accesorios delanteros para aumentar la altura de corte.



Las marcas del equipo de corte muestran la posición de la altura de corte seleccionada.

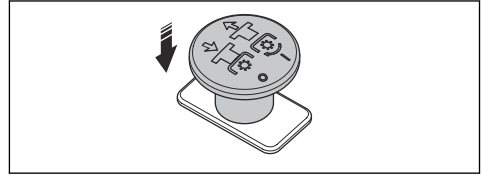


Nota: Consulte en la siguiente tabla a qué altura de corte corresponde aproximadamente cada marca.

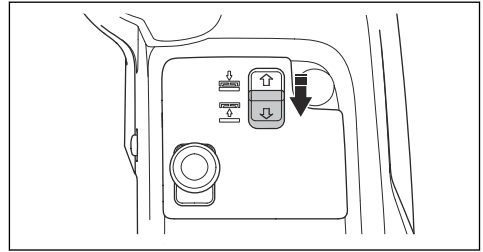
Marcas	Altura de corte, mm	
Equipo de corte	C112X, C122X	R137X
	75	100
	65	90
	55	75

Para parar el motor

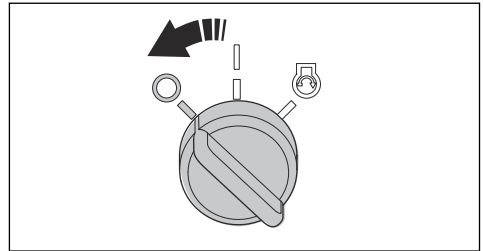
- Suelte los pedales de aceleración.
- Presione el botón de la TDF para desacoplar la transmisión de las cuchillas del equipo de corte.



- Ponga el motor al ralentí durante 1 minuto para reducir la temperatura del motor.
- Tire de la palanca de elevación del equipo de corte hacia atrás para elevar el equipo de corte.



- Gire la llave de contacto a la posición de apagado (STOP).

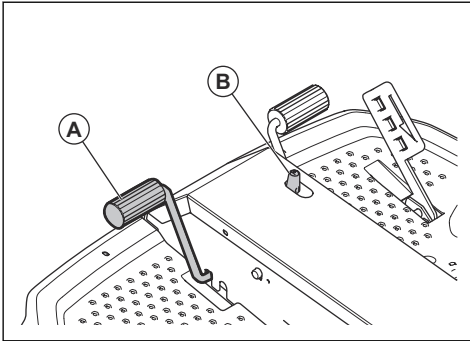


- Cuando el producto se detenga, aplique el freno de estacionamiento.

Aplicar y soltar el freno de estacionamiento

- Pise el pedal del freno de estacionamiento (A).

2. Pulse y mantenga pulsado el botón de bloqueo (B).



3. Mantenga pulsado el botón y suelte el pedal del freno de estacionamiento.
4. Para soltar el freno de estacionamiento, vuelva a pisar el pedal del freno de estacionamiento.

Para obtener un buen resultado de corte

- Para lograr un mejor rendimiento, realice el mantenimiento del producto periódicamente según lo establecido en el programa de mantenimiento. Consulte la sección *Programa de mantenimiento en la página 93*.
- No corte el césped si está húmedo. La hierba mojada produce malos resultados.
- Empiece con una altura de corte elevada y redúzcala gradualmente.
- Corte con las cuchillas girándolas a alta velocidad (para el régimen máximo permitido para el motor, consulte *Datos técnicos en la página 127*). Mueva el producto hacia delante a baja velocidad. Si la hierba no está demasiado alta y espesa, también puede obtener un buen resultado de corte a una velocidad superior.
- Corte el césped siguiendo un patrón irregular.
- Para obtener los mejores resultados, corte el césped con frecuencia y utilice la función mulch.

Desactivación de la transmisión hidrostática

Para desplazar el producto con el motor apagado, es necesario abrir los circuitos hidráulicos de la transmisión delantera y trasera. Para ello, es necesario abrir las válvulas de derivación de los motores de transmisión.



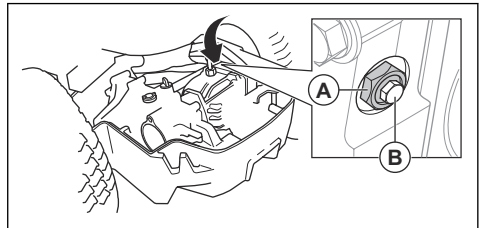
PRECAUCIÓN: Los frenos del producto no funcionan mientras las válvulas de derivación están abiertas. Es necesario cerrar las válvulas de derivación antes de utilizar el producto.



PRECAUCIÓN: No remolque el producto a velocidades elevadas ni distancias prolongadas. De hacerlo, provocaría daños en la transmisión.

Transmisión trasera

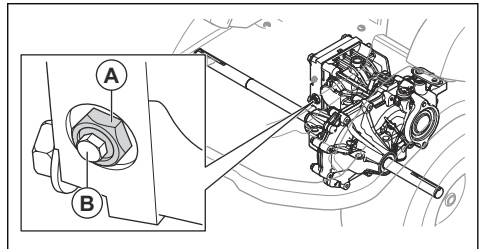
- Para abrir la válvula de derivación, afloje la contratuerca (A) $\frac{1}{4}$ - $\frac{1}{2}$ vuelta a la izquierda y, a continuación, afloje el tornillo de la válvula (B) 2 vueltas hacia la izquierda.



- Para cerrar la válvula de derivación, apriete el tornillo de la válvula (B) a 8 Nm. Seguidamente, apriete la contratuerca (A) a 30 Nm.

Transmisión delantera

- Para abrir la válvula de derivación, afloje la contratuerca (A) $\frac{1}{4}$ - $\frac{1}{2}$ vuelta a la izquierda y, a continuación, afloje el tornillo de la válvula (B) 2 vueltas hacia la izquierda.



- Para cerrar la válvula de derivación, apriete el tornillo de la válvula (B) a 8 Nm. Seguidamente, apriete la contratuerca (A) a 30 Nm.

Mantenimiento

Introducción

antes de realizar tareas de mantenimiento en el producto.



ADVERTENCIA: Asegúrese de leer y comprender el capítulo sobre seguridad

Programa de mantenimiento

Mantenimiento diario antes de usar el producto
Asegúrese de que las tuercas y los tornillos están bien apretados.
Asegúrese de que no haya fugas de combustible o aceite.
Limpie el producto.
Limpie las superficies interiores del equipo de corte.
Limpie el motor y el silenciador.
Asegúrese de que la toma de aire frío del motor no esté obstruida.
Asegúrese de que los dispositivos de seguridad no están defectuosos.
Examine las cuchillas del equipo de corte.
Compruebe si hay daños en el equipo de corte.
Examine los frenos y pruébelos.
Compruebe el nivel de aceite del motor.
Compruebe el nivel de aceite de la transmisión.
Asegúrese de que las luces de carretera y de trabajo funcionan correctamente.

X = Estas instrucciones se indican en este manual de usuario.

O = Estas instrucciones no se indican en este manual de usuario. Deje que un taller de servicio homologado haga el mantenimiento.

Mantenimiento	Una vez por semana (intervalos de 40 horas)	Tras las primeras 50 horas	Intervalo de mantenimiento en horas		
			100	200	400
Asegúrese de que las tuercas y los tornillos están bien apretados.			O		
Asegúrese de que no haya fugas de combustible o aceite.			O		
Limpie el producto.			X		
Asegúrese de que los dispositivos de seguridad no están defectuosos.			X		
Engrase la máquina de acuerdo con el programa de lubricación.	X		X		
Engrase el equipo de corte.	X		X		

Mantenimiento	Una vez por semana (intervalos de 40 horas)	Tras las primeras 50 horas	Intervalo de mantenimiento en horas		
			100	200	400
Asegúrese de que las mangueras de combustible y los acoplamientos estén limpios y que no presenten daños.		O	O		
Inspeccione la batería de 12 V.	X		X		
Compruebe las conexiones eléctricas y los cables.		O	O		
Examine el cable del freno de estacionamiento y ajuste el freno de estacionamiento.			O		
Asegúrese de que los faros y las luces de advertencia funcionan correctamente (si procede).	X		X		
Después del procedimiento de limpieza, realice una inspección visual de la tensión de la correa de la bomba.	O		O		
Sustituya la correa de la bomba.					O
Sustituya la correa de la TDF.					X
Examine el cojinete de unión de la unidad articulada.					O
Después del procedimiento de limpieza, realice una inspección visual de todas las poleas.				O	
Realice una inspección visual de todos los cables con conexiones del sistema hidrostático.			O		
Examine el acelerador y el estrangulador.			O		
Actualice el firmware si es necesario.			O		
Sustituya el botón de la TDF.	Cada 10 años O				
Cambie el filtro de aceite hidráulico.		O			O
Cambie el aceite hidráulico.					O
Compruebe si la bujía está dañada y asegúrese de que la distancia entre los electrodos es correcta.			X		
Limpie el filtro de aire.	X		X		
Sustituya el filtro de combustible.		X	X		
Sustituya el cartucho del filtro de aire.				X	
Examine el filtro de aire interior.				X	
Sustituya el filtro de aire interior.					X
Examine y ajuste la holgura de las válvulas del motor.				O	
Limpie la superficie del asiento de la válvula.				O	
Examine el silenciador y el deflector de calor.	X		X		
Cambie el aceite del motor.		X	X		

Mantenimiento	Una vez por semana (intervalos de 40 horas)	Tras las primeras 50 horas	Intervalo de mantenimiento en horas		
			100	200	400
Cambie el filtro de aceite del motor.		X		X	
Cambie la bujía.					X
Sustituya las mangueras de combustible.	Cada 5 años O				
Compruebe y ajuste la velocidad de giro de las ruedas delanteras y traseras.			O		
Compruebe el nivel de aceite de la transmisión.	X		X		
Cambie el aceite de la transmisión.		O			O
Asegúrese de que la presión de los neumáticos sea la correcta.	X		X		
Compruebe y regule los ajustes de altura de corte.			X		
Sustituya la correa del equipo de corte.					X
Compruebe si hay daños en el equipo de corte.			X		
Examine las cuchillas del equipo de corte.			X		

Limpieza del producto

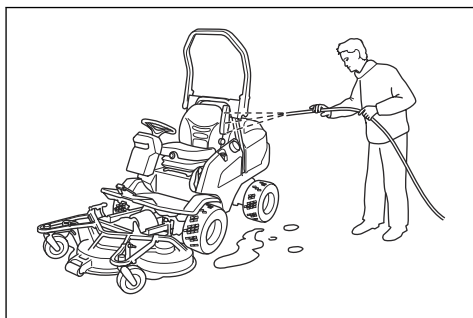


PRECAUCIÓN: No utilice un equipo de limpieza de alta presión o de vapor. El agua puede introducirse en los cojinetes y las conexiones eléctricas, y provocar corrosión y daños al producto.

- Examine todos los puntos de lubricación y lubrique si es necesario. Lubrique siempre los cojinetes después de limpiar el producto.

Limpie el producto inmediatamente después de usarlo.

- No limpie las superficies calientes, como el motor, el silenciador y el sistema de escape. Espere hasta que las superficies estén frías y, a continuación, retire la hierba o la suciedad.
- Antes de limpiar con agua, limpie con un cepillo. Retire la hierba cortada y la suciedad de los elementos siguientes y sus zonas adyacentes: transmisión, toma de aire de la transmisión y motor.
- Use agua corriente de una manguera para limpiar el producto. No utilice un equipo de limpieza a alta presión.
- No dirija el agua hacia los componentes eléctricos o los cojinetes. El detergente generalmente aumenta el daño.
- Para limpiar el equipo de corte, vuelva a colocarlo en la posición de servicio e introduzca agua mediante una manguera.
- Cuando el producto esté limpio, arranque el equipo de corte durante un corto período para drenar el agua restante.



Limpieza del motor y el silenciador

Mantenga el motor y el silenciador limpios, sin restos de hierba ni suciedad. Los restos de hierba impregnados de combustible o aceite en el motor pueden aumentar el riesgo de incendio y el riesgo de que el motor se caliente en exceso. Deje que el motor se enfríe antes de limpiarlo. Limpie con agua y un cepillo.

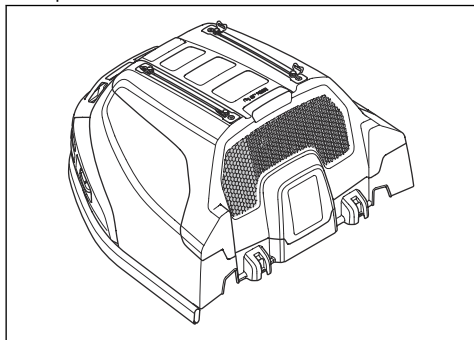
Los restos de hierba alrededor del silenciador se secan rápidamente y son un riesgo de incendio. Utilice un cepillo o retire los restos de hierba con agua cuando el silenciador esté frío.

Limpieza de la toma de aire frío del motor

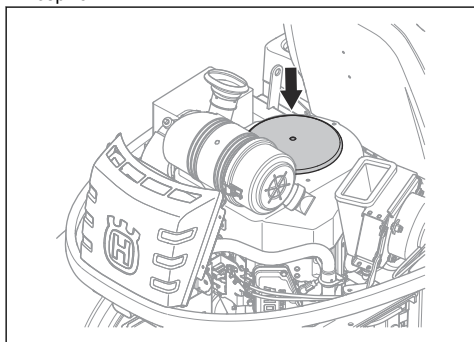


ADVERTENCIA: Pare el motor. La toma de aire frío gira y puede provocar lesiones en los dedos.

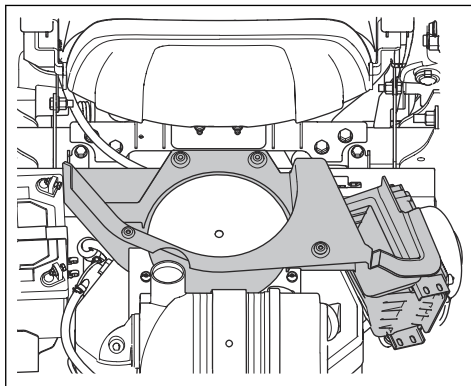
1. Asegúrese de que la rejilla de toma de aire no esté bloqueada. Retire la hierba y la suciedad con un cepillo.



2. Retire la cubierta del motor.
3. Asegúrese de que la toma de aire frío no esté bloqueada. Retire la hierba y la suciedad con un cepillo.

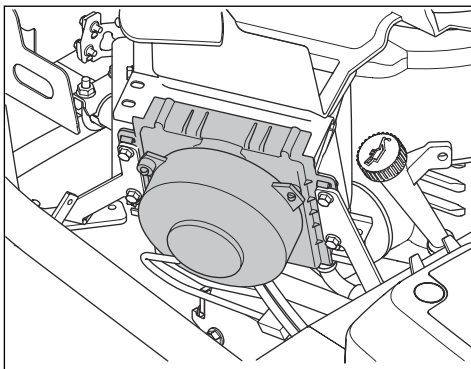


4. Examine el conducto de aire de la superficie interior de la cubierta del motor. Asegúrese de que el conducto de aire esté limpio y no roce con la entrada de aire frío.



Limpieza del enfriador del aceite hidráulico

Asegúrese de que el ventilador del enfriador del aceite hidráulico no esté bloqueado y que la zona que rodea el enfriador del aceite hidráulico esté limpia. Retire la hierba y la suciedad con un cepillo.

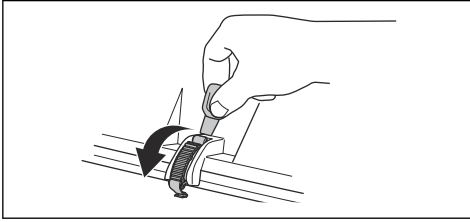


Para retirar las cubiertas

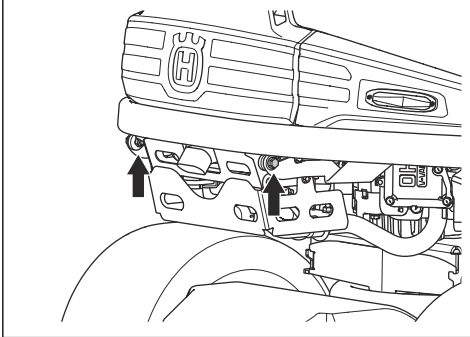
Extracción e instalación de la cubierta del motor

1. Incline el asiento hacia adelante.

2. Suelte los 2 clips de la cubierta del motor con la herramienta acoplada a la llave de contacto.



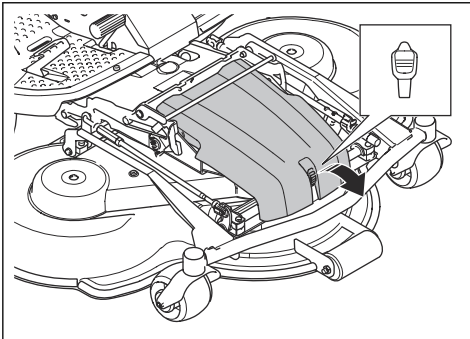
3. Retire los tornillos de las bisagras.



4. Incline la cubierta del motor hacia atrás.
5. Para el montaje, efectúe el mismo procedimiento en el orden inverso.

Desmontaje de la cubierta delantera

1. Suelte el clip de la cubierta delantera con la herramienta acoplada a la llave de contacto.

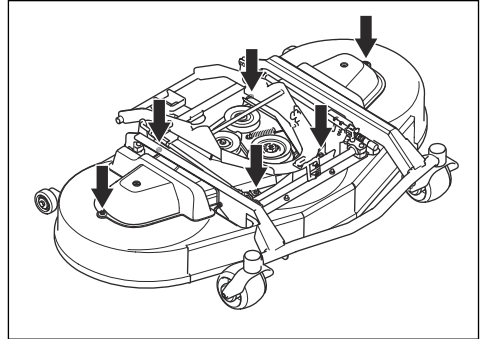


2. Quite la tapa frontal.

Desmontaje de las cubiertas del equipo de corte (R137, R137X)

1. Ajuste la altura de corte en la posición más baja. Consulte *Ajuste de la altura de corte (C112, C122, R137)* en la página 90 o *Ajuste de la altura de corte (C112X, C122X, R137X)* en la página 91.

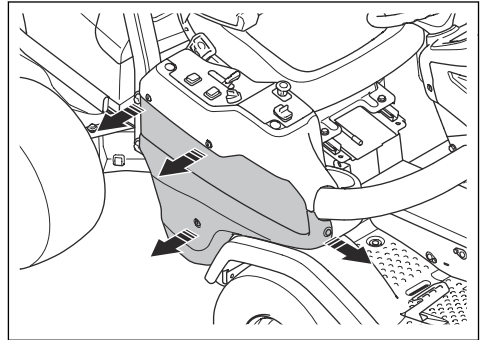
2. Quite los 6 tornillos de las cubiertas laterales del equipo de corte.



3. Retire las cubiertas laterales del equipo de corte.
4. Para el montaje, efectúe el mismo procedimiento en el orden inverso.

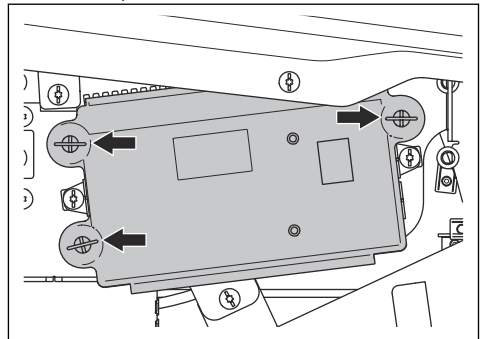
Desmontaje de la cubierta lateral derecha

1. Quite los 4 tornillos y retire la cubierta lateral.



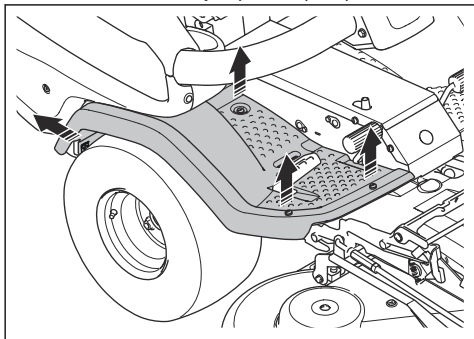
Desmontaje de la tapa de la caja de control

1. Gire los 3 tornillos ¼ de vuelta hacia la izquierda y retire la tapa.



Extracción e instalación de la placa reposapiés derecha

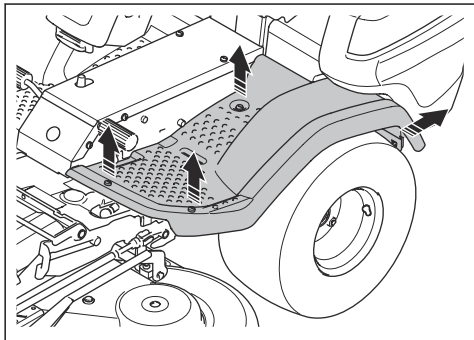
1. Retire el pedal de marcha atrás.
2. Retire la cubierta lateral derecha. Consulte *Desmontaje de la cubierta lateral derecha en la página 97*.
3. Quite los 2 tornillos y retire el portavasos.
4. Retire los 4 tornillos y la placa reposapiés.



5. Para el montaje, efectúe el mismo procedimiento en el orden inverso.

Extracción e instalación de la placa reposapiés izquierda

1. Retire los 4 tornillos y la placa reposapiés.



2. Para el montaje, efectúe el mismo procedimiento en el orden inverso.

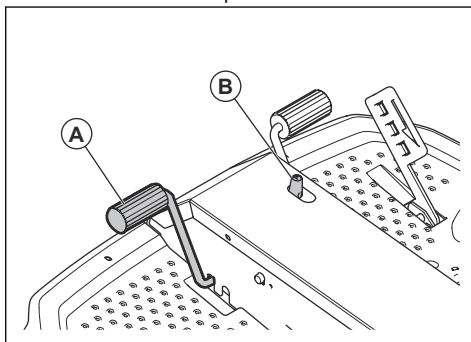
Comprobación del freno de estacionamiento

1. Estacione el producto sobre una superficie firme con pendiente.

Nota: No estacione el producto sobre una pendiente con hierba cuando realice una comprobación del freno de estacionamiento.

2. Pise el pedal del freno de estacionamiento (A).

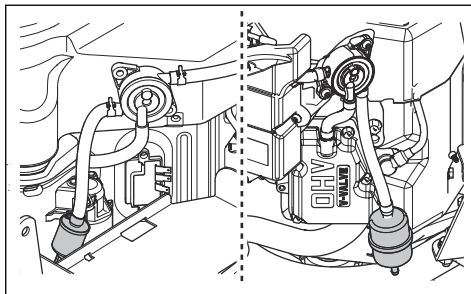
3. Pulse y mantenga pulsado el botón de bloqueo (B) y suelte el pedal del freno de estacionamiento mientras el botón está pulsado.



4. Si el producto empieza a moverse, deje que un taller de servicio autorizado ajuste el freno de estacionamiento.
5. Pise el pedal del freno de estacionamiento nuevamente para soltar el freno de estacionamiento.

Sustitución del filtro de combustible

1. Retire la cubierta del motor para acceder al filtro de combustible. La ilustración de la derecha muestra P 524X. La ilustración de la izquierda muestra P 524X EFI.



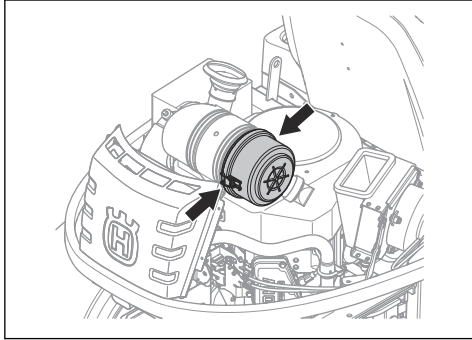
2. Aleje las presillas de manguera del filtro de combustible con un par de alicates planos.
3. Retire el filtro de combustible de los extremos de las mangueras.
4. Presione el nuevo filtro de combustible en los extremos de las mangueras. Aplique líquido detergente a los extremos del filtro de combustible para facilitar la conexión.
5. Empuje las presillas de manguera contra el filtro de combustible.

Limpieza y cambio del filtro de aire

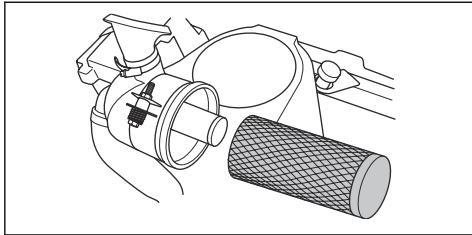


PRECAUCIÓN: No arranque el motor con el filtro de aire desmontado.

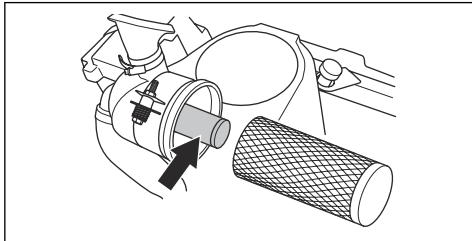
1. Desmonte la cubierta del motor.
2. Afloje los 2 cierres que sujetan la cubierta del filtro de aire.



3. Retire la cubierta del filtro de aire.
4. Desmonte el cartucho del filtro de aire contenido en la caja del filtro.



5. Limpie la superficie interior de la caja del filtro con un trapo seco.
6. Golpee el cartucho del filtro con cuidado contra una superficie dura y sople con aire comprimido en la superficie interior. Sustituya el filtro de aire si no se puede limpiar o está dañado.
7. Retire el filtro de aire interior situado detrás del cartucho del filtro de aire.

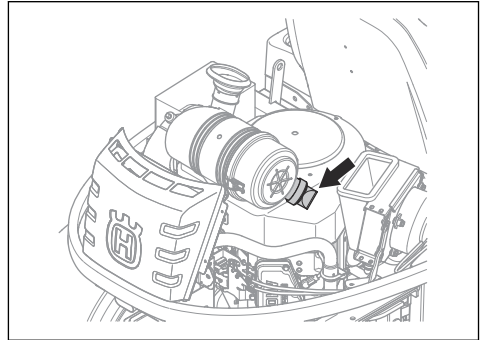


8. Golpee el filtro de aire interior contra una superficie dura para limpiarlo. Sustituya el filtro de aire si no se puede limpiar o está dañado.



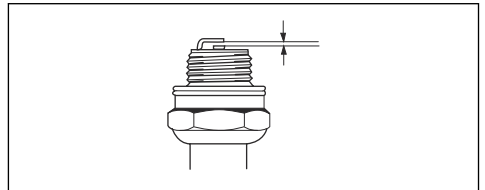
PRECAUCIÓN: No use aire comprimido para limpiar el filtro de aire interior.

9. Ponga el filtro de aire interior y el cartucho del filtro de aire en sus ubicaciones iniciales en la caja del filtro. Compruebe que el cartucho del filtro de aire está correctamente montado en la parte superior de la toma de aire.
10. Fije la cubierta del filtro de aire y compruebe que el colector de partículas está orientado hacia abajo.



Examen y sustitución de una bujía

1. Abra la cubierta del motor.
2. Retire el sombrerete de bujía y limpie los alrededores de la bujía.
3. Retire la bujía con una llave para bujías.
4. Examine la bujía. Sustitúyala si los electrodos están quemados o si el aislamiento presenta grietas o daños. Si la bujía no está dañada, límpiela con un cepillo de púas metálicas.
5. Mida la distancia entre los electrodos y asegúrese de que es la correcta. Consulte *Datos técnicos en la página 127*.



6. Doble el electrodo lateral para ajustar la distancia entre los electrodos.
7. Vuelva a colocar la bujía y gírela a mano hasta que alcance su asiento.
8. Apriete la bujía con la llave para bujías hasta que la arandela quede comprimida.
9. Apriete una bujía usada $\frac{1}{4}$ de vuelta más, y una bujía nueva $\frac{1}{4}$ de vuelta más.



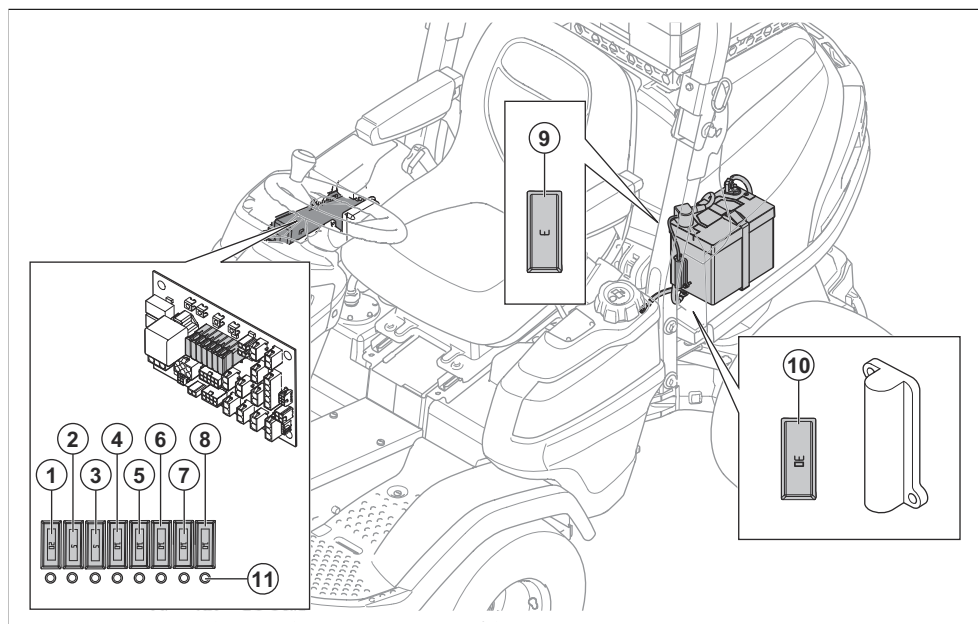
PRECAUCIÓN: Las bujías mal apretadas pueden causar daños en el motor.

10. Conecte el sombrerete de la bujía.



PRECAUCIÓN: No intente arrancar el motor si se ha desconectado la bujía o el cable de encendido.

Vista general de los fusibles



1. Alimentación de 12 V al módulo de control del cortacésped, 20 A
2. Alimentación de la pantalla, 5 A
3. Alimentación de encendido (5 A)
4. J14 + 12 V, luz de advertencia, 10 A.
5. J16 + 12 V, interruptor adicional, salida adicional, alimentación hidráulica, 10 A
6. Freno de estacionamiento/asiento (10 A)
7. Alimentación de las luces (10 A)
8. USB, toma de 12 V, alimentación del interruptor de 12 V (10 A)
9. Alimentación de 12 V para la memoria del módulo de control del cortacésped, 3 A
10. 12 V, fusible del actuador eléctrico de elevación del equipo de corte, 30 A
11. Indicador luminoso del fusible

Sustitución de un fusible

Para determinar si un fusible está fundido, hay que observar si el filamento está quemado. En el caso de los fusibles 1 a 8, el indicador luminoso correspondiente se apaga si un fusible está fundido.

La ubicación de los fusibles se puede consultar en la vista general de los fusibles; consulte *Vista general de los fusibles en la página 100*.

1. Localice el fusible fundido:
 - a) Retire la cubierta derecha para sustituir los fusibles del 1 al 8.
 - b) Abra la cubierta del motor para sustituir los fusibles 9 y 10.
2. Extraiga el fusible del soporte.
3. Cambie el fusible fundido por uno nuevo del mismo tipo.
4. Instale las cubiertas.

Nota: Si el fusible principal se rompe de nuevo en un breve período después de sustituirlo, hay un cortocircuito. Repare el cortocircuito antes de utilizar el producto de nuevo. Acuda a un taller de servicio autorizado en busca de ayuda.

Carga de la batería

- Cargue la batería si está demasiado baja como para arrancar el motor.
- Utilice un cargador de baterías estándar.



PRECAUCIÓN: No utilice un cargador de refuerzo o un amplificador de arranque. Causará daños en el sistema eléctrico del producto.

- Antes de poner en marcha el motor, desconecte siempre el cargador.

Arranque de emergencia del motor

Si la batería está demasiado baja como para arrancar el motor, puede utilizar cables de puente para realizar un arranque de emergencia. Este producto tiene un sistema de 12 V con conexión a tierra negativa. El producto que se utilice para el arranque de emergencia debe tener también un sistema de 12 V con conexión a tierra negativa.

Conexión de los cables de puente

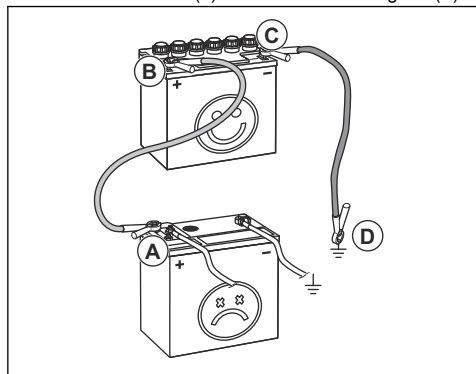


ADVERTENCIA: Existe riesgo de explosión debido a gases explosivos procedentes de la batería. No conecte el terminal negativo de una batería totalmente cargada al terminal negativo de una batería descargada, ni los coloque cerca.



PRECAUCIÓN: No utilice la batería de su producto para arrancar otros vehículos.

1. Eleve la cubierta del motor. Consulte la sección *Extracción e instalación de la cubierta del motor en la página 96*.
2. Conecte un extremo del cable rojo al terminal de batería POSITIVO (+) de la batería descargada (A).



3. Conecte el otro extremo del cable rojo al terminal de batería POSITIVO (+) de la batería totalmente cargada (B).



ADVERTENCIA: No cortocircuite los extremos del cable rojo contra el chasis.

4. Conecte uno de los extremos del cable negro al terminal de batería NEGATIVO (-) de la batería totalmente cargada (C).
5. Conecte el otro extremo del cable negro a un punto de MASA DEL CHASIS (D), lejos del depósito de combustible y la batería.
6. Vuelva a colocar las cubiertas.

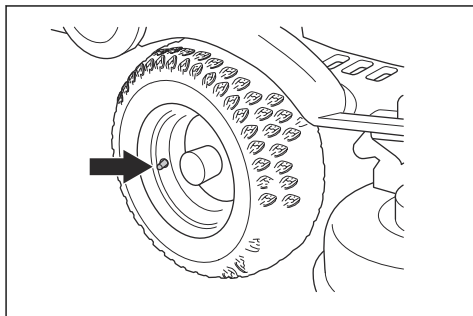
Retirada de los cables de puente

Nota: Retire los cables de puente siguiendo una secuencia opuesta a la de conexión.

1. Quite el cable NEGRO del chasis.
2. Quite el cable NEGRO de la batería totalmente cargada.
3. Quite el cable ROJO de las 2 baterías.

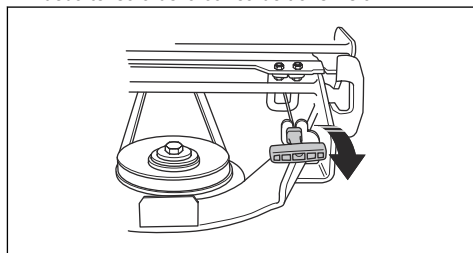
Presión de los neumáticos

Se recomienda una presión de los neumáticos de 100 kPa (1,0 bares / 14,5 PSI) en las 4 ruedas.



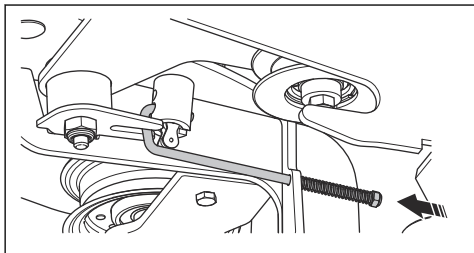
Sustitución de la correa de la TDF

1. Arranque el motor.
2. Gire el volante hasta el tope izquierdo para facilitar el acceso a la polea del motor.
3. Baje el equipo de corte.
4. Pare el motor.
5. Quite la tapa frontal.
6. Tire de la palanca con resorte hacia la izquierda para sacarla del soporte y aflojar la tensión de la rueda tensora de la correa de transmisión.

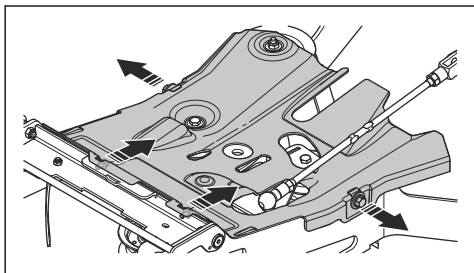


7. Retire la cubierta lateral izquierda del equipo de corte.

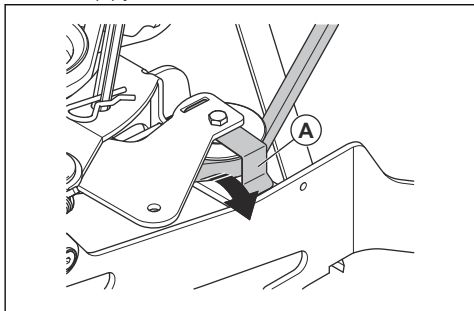
8. Tire del tensor de la cadena de elevación.



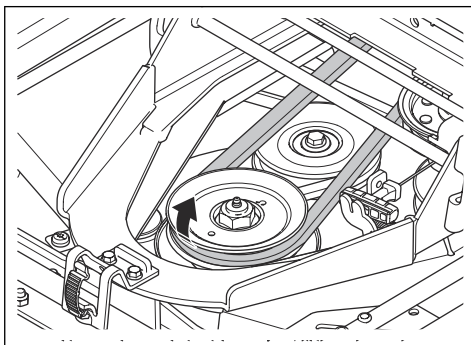
9. Quite los 4 tornillos y retire la protección de la correa.



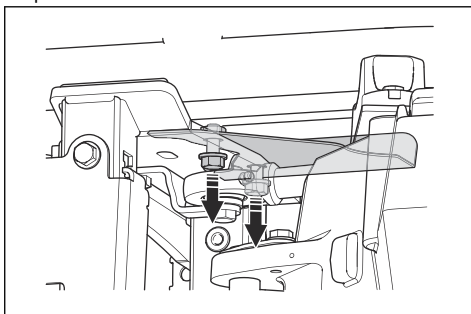
10. Retire la correa de la polea, levante el soporte de la correa (A) y retire la correa de la rueda tensora.



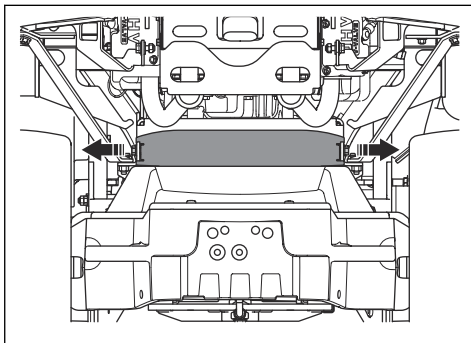
11. Retire la correa de la polea del bastidor de la herramienta.



12. Retire la protección de la correa situada debajo de la polea del motor.

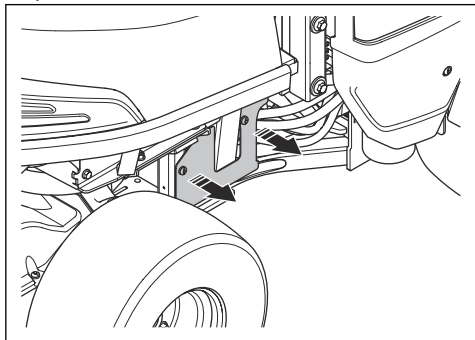


13. Retire la protección de la correa situada delante de la transmisión trasera.

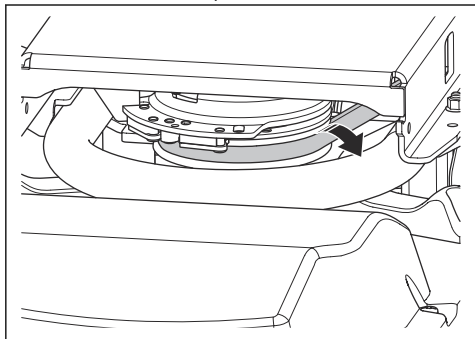


14. Retire la correa de la polea del motor.

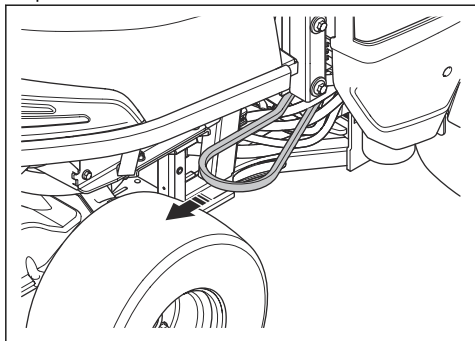
15. Retire la protección de la correa del lado derecho del producto.



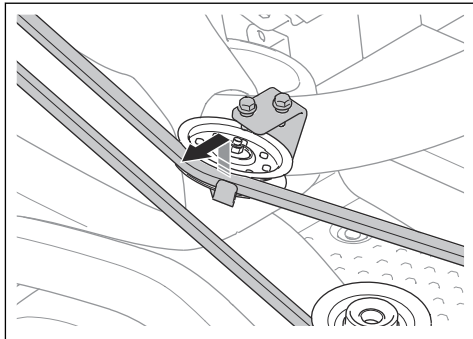
16. Retire la correa de la polea trasera del motor.



17. Tire de la parte delantera de la correa para sacarla a través del lado derecho de la articulación del producto.

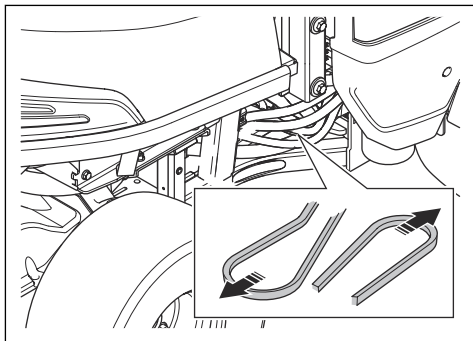


18. Retire la correa del gancho de la polea central.

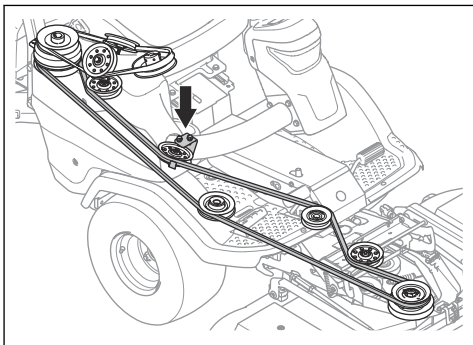


19. Saque la correa de transmisión.

20. Instale una correa de transmisión nueva siguiendo el orden inverso.



Asegúrese de montar la correa de transmisión del equipo de corte según se muestra en ilustración. Asegúrese de colocarla correctamente en la polea de tensado, identificada por una flecha en la ilustración.

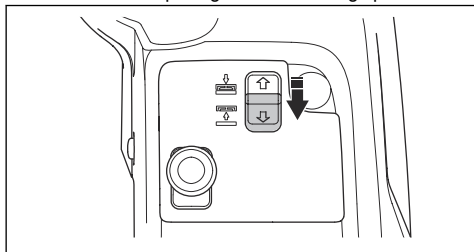


Colocación del equipo de corte en posición de servicio



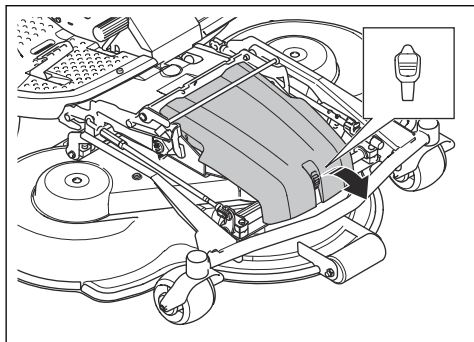
ADVERTENCIA: Riesgo de lesiones por aplastamiento; mantenga todas las partes del cuerpo alejadas.

1. Tire del interruptor de elevación eléctrica para subir el equipo de corte. Suba completamente el equipo de corte hasta que oiga un sonido de golpeo.



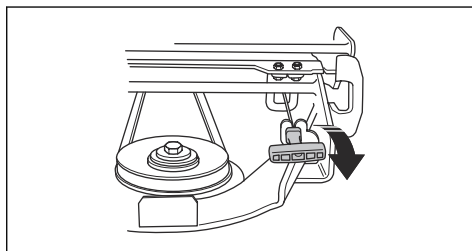
Nota: El sonido de golpeo procedente del túnel del bastidor no significa que el producto esté defectuoso.

2. Suelte el clip de la cubierta delantera con la herramienta acoplada a la llave de contacto y retire la cubierta.

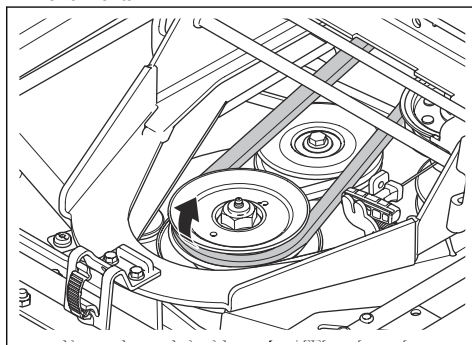


3. Ajuste la altura de corte en la posición más baja. Consulte *Ajuste de la altura de corte (C112, C122, R137)* en la página 90 o *Ajuste de la altura de corte (C112X, C122X, R137X)* en la página 91.

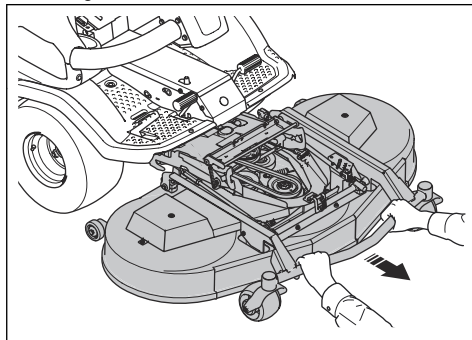
4. Tire de la palanca con resorte hacia la izquierda para sacarla del soporte y aflojar la tensión de la rueda tensora de la correa de transmisión.



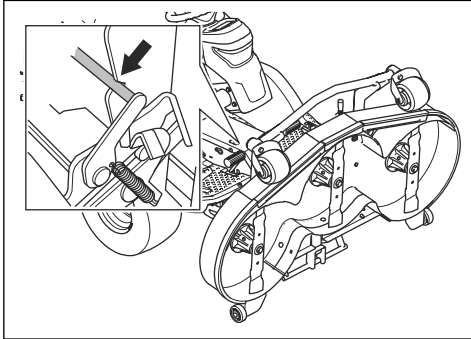
5. Retire la correa de la polea del bastidor de la herramienta.



6. Sujete el borde delantero del equipo de corte con las dos manos y tire hacia delante hasta que se detenga.

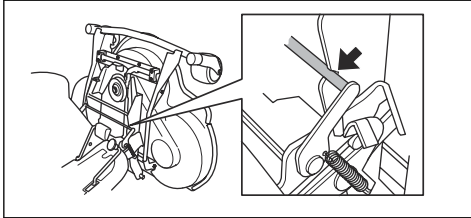


- Levante el equipo de corte para colocarlo en posición vertical hasta que se oiga un clic. El equipo de corte se bloquea automáticamente en la posición vertical.



Colocación del equipo de corte en posición de corte

- Sujete el borde delantero del equipo de corte con la mano izquierda.
- Afloje el bloqueo con la mano derecha.

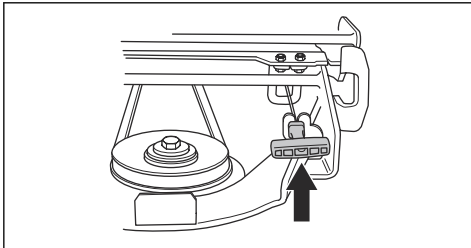


- Baje el equipo de corte y presiónelo hasta que se detenga.



PRECAUCIÓN: En los modelos de equipo de corte C112X, C122X, R137X: Asegúrese de que el cable que va al equipo de corte no quede comprimido.

- Coloque la correa de transmisión alrededor de la rueda motriz del equipo de corte.
- Fije la palanca con resorte al soporte.

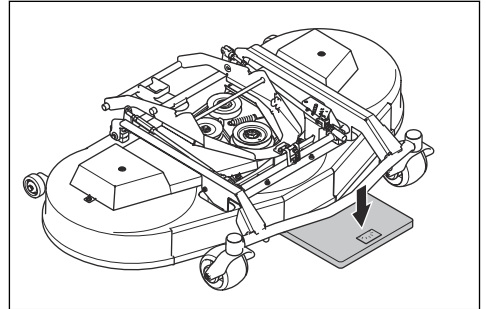


- Instale la cubierta delantera.

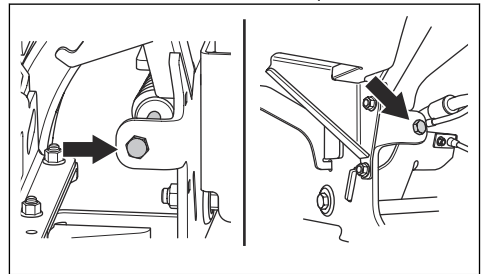
Comprobación y ajuste de la presión sobre el suelo del equipo de corte

Una presión sobre el suelo correcta garantiza que el equipo de corte se pueda mover por la superficie sin presionarla demasiado.

- Compruebe la presión de aire de los neumáticos. Consulte *Presión de los neumáticos en la página 101*.
- Estacione el cortacésped en una superficie nivelada.
- Baje el equipo de corte a la posición de corte.
- Coloque una báscula de baño debajo del borde delantero del equipo de corte.



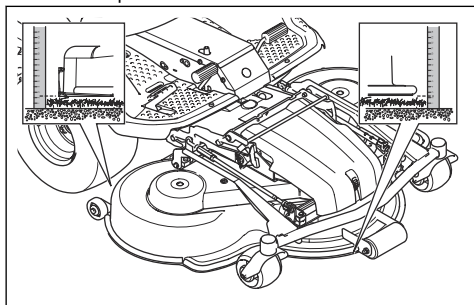
- Coloque un bloque de madera entre el bastidor y la báscula de baño. El bloque de madera sirve para que las ruedas de apoyo no soporten peso.
- Para ajustar la presión sobre el suelo, gire los tornillos de ajuste ubicados detrás de las ruedas delanteras a los lados izquierdo y derecho.
- Gire los tornillos a la derecha o a la izquierda hasta que la presión sobre el suelo sea correcta. Asegúrese de que los muelles tienen la misma tensión en los lados derecho e izquierdo.



Equipo de corte	C112, C122	R137
Presión sobre el suelo	12-15 kg (26,5-33 lb)	25 kg (55,1 lb)

Comprobación del paralelismo del equipo de corte

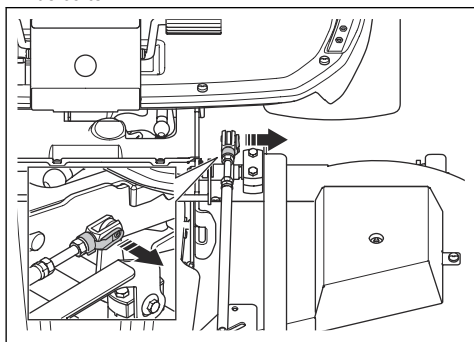
1. Compruebe la presión de aire de los neumáticos. Consulte *Presión de los neumáticos en la página 101*.
2. Estacione el cortacésped en una superficie nivelada.
3. Baje el equipo de corte a la posición de corte.
4. Ajuste la altura de corte en la posición más baja. Consulte *Ajuste de la altura de corte (C112, C122, R137) en la página 90* o *Ajuste de la altura de corte (C112X, C122X, R137X) en la página 91*.
5. Mida la distancia entre el suelo y los bordes delantero y trasero del equipo de corte. Asegúrese de que el borde trasero está 5-10 mm (0,2-0,4 pulg.) más alto que el delantero.



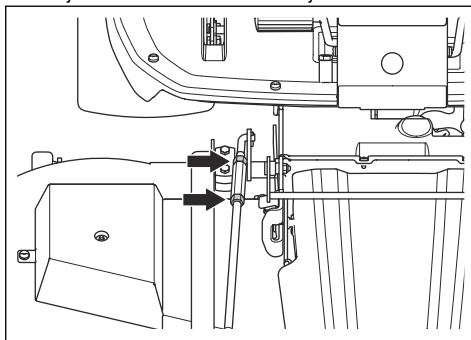
Ajuste del paralelismo del equipo de corte (C112, C122, R137)

Ajuste el paralelismo cuando el equipo de corte esté instalado en el producto.

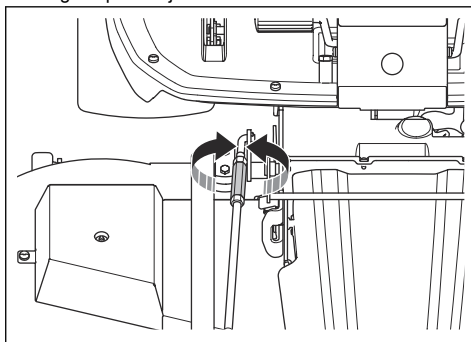
1. Quite la tapa frontal. Consulte *Desmontaje de la cubierta delantera en la página 97*.
2. Ajuste la altura de corte en la posición más baja. Consulte *Ajuste de la altura de corte (C112, C122, R137) en la página 90*.
3. Retire la horquilla de mando del extremo trasero de la varilla de ajuste de altura del bastidor del equipo de corte.



4. Afloje las contratuercas del anclaje de elevación.

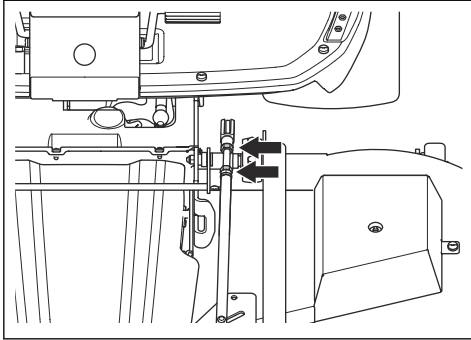


5. Gire la tuerca de ajuste del anclaje de elevación para ajustar su longitud. Aumente la longitud para subir el borde trasero de la cubierta. Reduzca la longitud para bajar el borde trasero de la cubierta.



6. Respete las instrucciones que se indican en *Comprobación del paralelismo del equipo de corte en la página 106*.
7. Apriete las contratuercas del anclaje de ajuste de altura cuando su longitud sea la correcta.

- Afije las contratuercas de la varilla de ajuste de altura. Gire la horquilla de mando para ajustar la longitud de la varilla de ajuste de altura. Alinee la horquilla de mando con el orificio del bastidor del equipo de corte. Instale la horquilla de mando en el bastidor del equipo de corte.

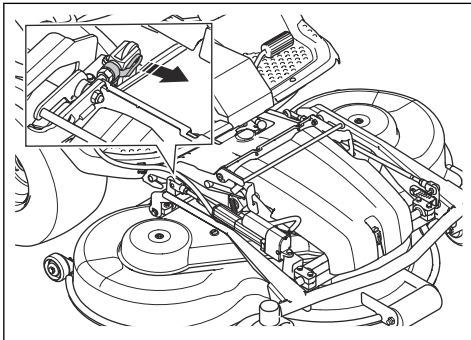


- Compruebe todas las alturas de corte. Consulte *Ajuste de la altura de corte (C112, C122, R137)* en la página 90.
- Apriete las contratuercas de la varilla de ajuste de altura.
- Instale la cubierta delantera.

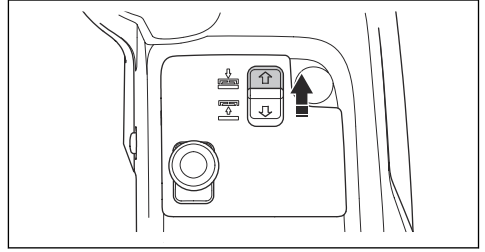
Ajuste del paralelismo del equipo de corte (C112X, C122X, R137X)

Ajuste el paralelismo cuando el equipo de corte esté instalado en el producto.

- Retire la horquilla de mando del extremo trasero del actuador eléctrico del bastidor del equipo de corte.



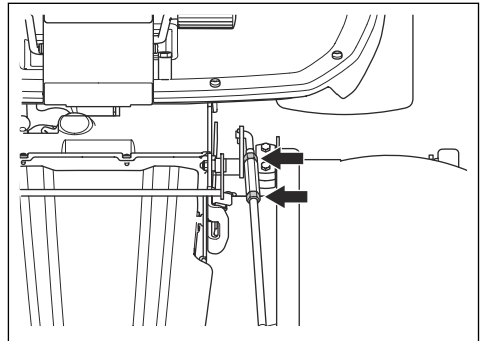
- Pulse el interruptor de elevación eléctrica para bajar el equipo de corte. Baje completamente el equipo de corte hasta que oiga un sonido de golpeteo.



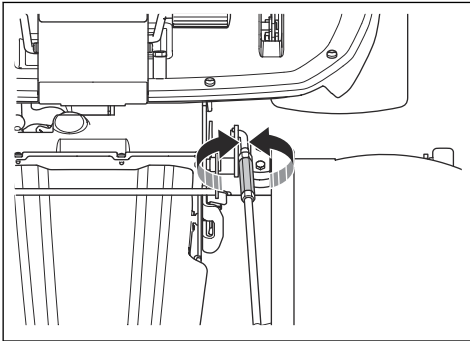
PRECAUCIÓN: Mantenga pulsado el interruptor al menos 2 segundos después de que el equipo de corte entre en contacto con el suelo. Esto permite asegurarse de que el equipo de corte está en posición flotante.

Nota: El sonido de golpeteo procedente del túnel del bastidor no significa que el producto esté dañado.

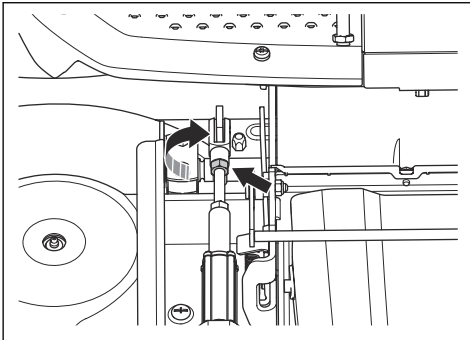
- Afije las contratuercas del anclaje de elevación.



4. Gire la tuerca de ajuste del anclaje de elevación para ajustar su longitud. Aumente la longitud para subir el borde trasero de la cubierta. Reduzca la longitud para bajar el borde trasero de la cubierta.



5. Respete las instrucciones que se indican en *Comprobación del paralelismo del equipo de corte en la página 106*.
6. Apriete las contratuercas del anclaje de ajuste de altura cuando su longitud sea la correcta.
7. Afloje la contratuerca del actuador eléctrico. Gire la horquilla de mando hacia la derecha para aumentar la longitud de la varilla de ajuste de altura. Aumente la longitud de la varilla de ajuste de altura hasta el tope, hasta que no haya holgura entre el perno y el brazo. Alinee la horquilla de mando con el orificio del bastidor del equipo de corte. Instale la horquilla de mando en el bastidor del equipo de corte.

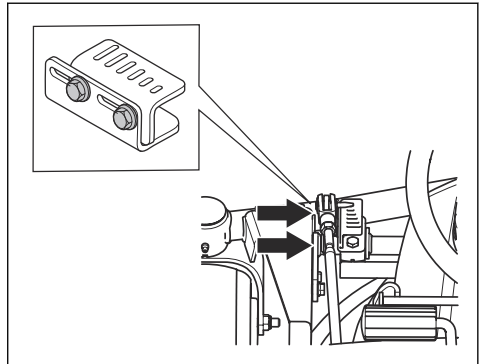


8. Apriete la contratuerca del actuador eléctrico.
9. Ajuste el indicador de altura de corte si es necesario. Consulte *Ajuste de la altura de corte (C112X, C122X, R137X) en la página 91*.

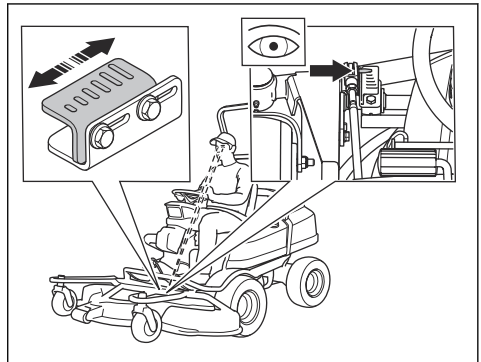
Ajuste del indicador de altura de corte (C112X, C122X, R137X)

El indicador de altura de corte del equipo de corte muestra la posición de la altura de corte seleccionada.

1. Afloje los 2 tornillos.



2. Ajuste la altura de corte en la posición más baja. Consulte *Ajuste de la altura de corte (C112X, C122X, R137X) en la página 91*.
3. Ajuste el indicador de altura de corte hasta que muestre la altura de corte más baja, vista desde el ángulo del usuario en el asiento.



4. Apriete los 2 tornillos.

Sustitución de la correa del equipo de corte (C112, C112X, C122, C122X)

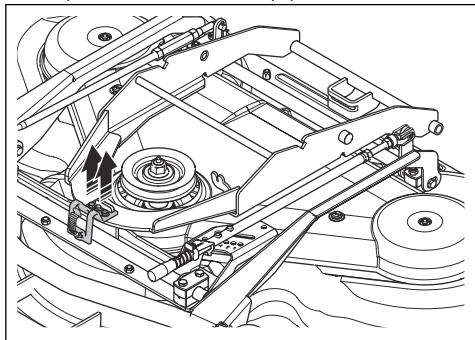


ADVERTENCIA: Riesgo de lesiones por aplastamiento. Utilice guantes protectores.

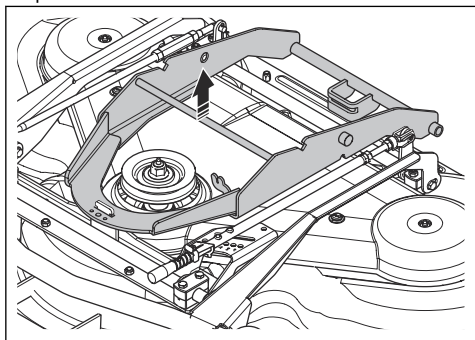
Nota: Los equipos de corte pueden tener un aspecto diferente dependiendo de los distintos modelos.

1. Retire el equipo de corte. Consulte *Desmontaje del equipo de corte en la página 84*.

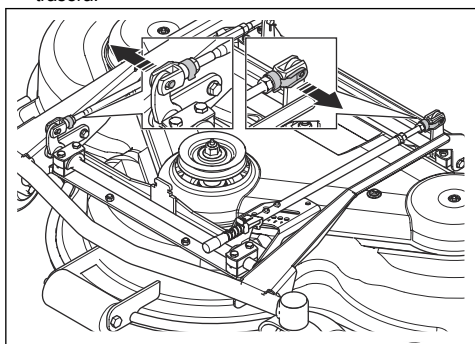
2. Retire los 2 pernos que sujetan el soporte de bloqueo en el bastidor del equipo de corte.



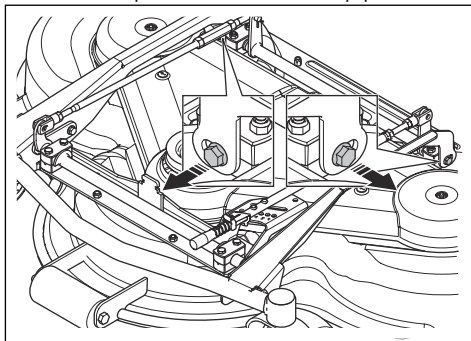
3. Retire el soporte de bloqueo y la placa de protección.



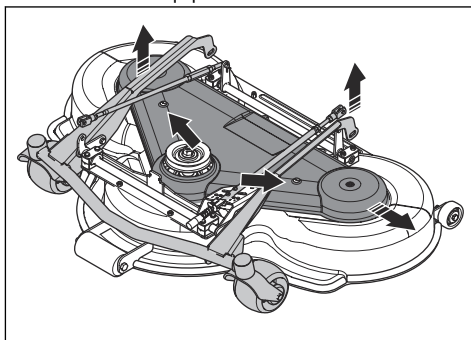
4. Abra y retire el bloqueo del perno del anclaje de elevación delantero y la varilla de ajuste de altura trasera.



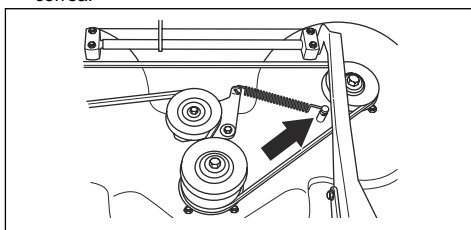
5. Retire los 2 pernos del bastidor del equipo de corte.



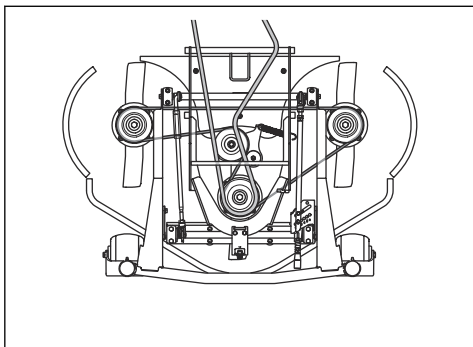
6. Quite los 2 tornillos de la cubierta del equipo de corte. Levante el bastidor del equipo de corte y retire la cubierta del equipo de corte.



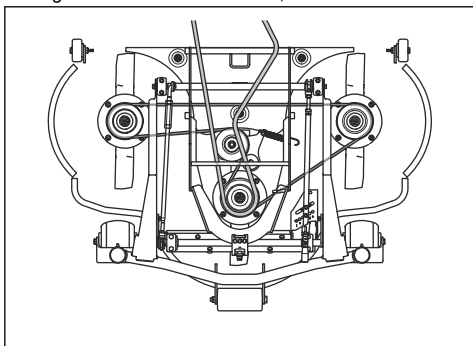
7. Desconecte el muelle tensor de la correa y retire la correa.



8. Instale una correa nueva siguiendo el orden inverso.
Vista general de la correa - C112, C112X



Vista general de la correa - C122, C122X



Sustitución de la correa del equipo de corte (R137, R137X)

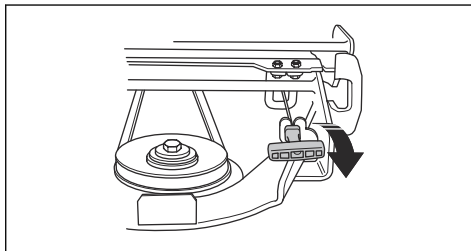


ADVERTENCIA: Riesgo de lesiones por aplastamiento. Utilice guantes protectores.

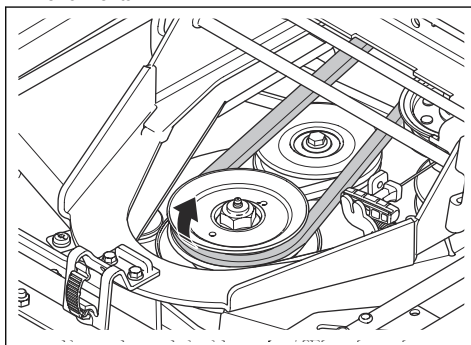
Nota: Los equipos de corte pueden tener un aspecto diferente dependiendo de los distintos modelos.

1. Retire el equipo de corte. Consulte *Desmontaje del equipo de corte en la página 84*.
2. Quite la tapa frontal.

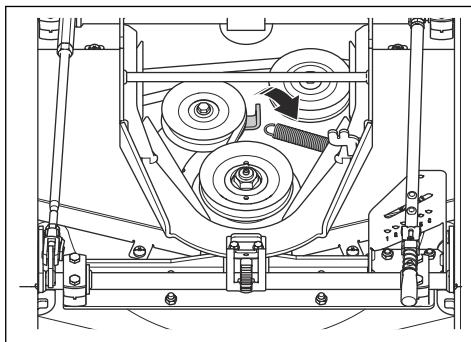
3. Tire de la palanca con resorte hacia la izquierda para sacarla del soporte y aflojar la tensión de la rueda tensora de la correa de transmisión.



4. Retire la correa de la polea del bastidor de la herramienta.

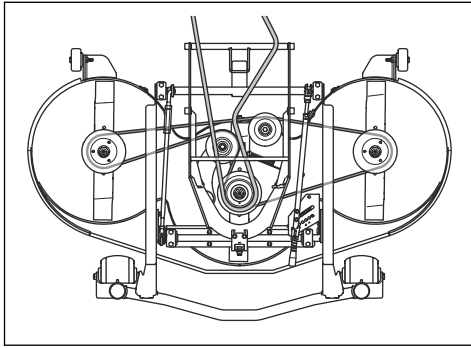


5. Retire las cubiertas del equipo de corte. Consulte *Desmontaje de las cubiertas del equipo de corte (R137, R137X) en la página 97*.
6. Desconecte el muelle tensor de la correa y retire la correa.



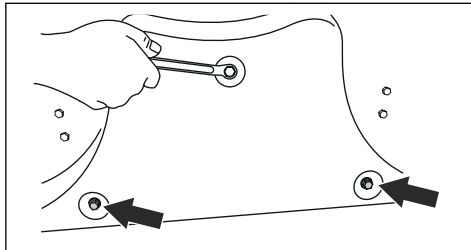
7. Instale una correa nueva siguiendo el orden inverso.

Vista general de la correa - R137, R137X



Extracción e instalación de la tapa del triturador (C112, C112X, C122, C122X)

1. Coloque el equipo de corte en la posición de servicio.
2. Quite los 3 tornillos que sujetan la tapa del triturador y quite la tapa.

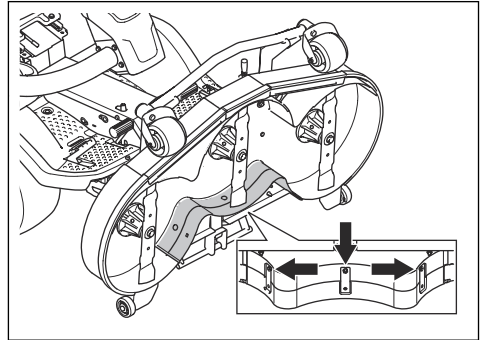


3. Coloque 3 tornillos en los orificios roscados de la tapa del triturador para que las roscas no sufran daños.
4. Coloque el equipo de corte en la posición de corte.
5. Para colocar la tapa del triturador, efectúe este procedimiento en orden inverso.

Extracción e instalación de la tapa del triturador (R137, R137X)

1. Coloque el equipo de corte en la posición de servicio.

2. Quite las 3 tuercas y los tornillos que sujetan la tapa del triturador y quite la tapa.



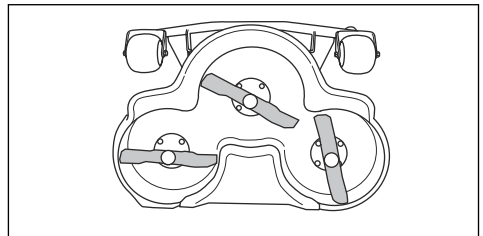
3. Coloque el equipo de corte en la posición de corte.
4. Para colocar la tapa del triturador, efectúe este procedimiento en orden inverso.
5. Instale las tuercas y los tornillos en los 3 orificios situados cerca del borde superior del equipo de corte.

Examinar las cuchillas



PRECAUCIÓN: Unas cuchillas dañadas o mal equilibradas pueden causar daños al producto. Sustituya las cuchillas dañadas. Deje que un taller de servicio homologado le ayude a afilar y equilibrar las cuchillas romas.

1. Coloque el equipo de corte en la posición de servicio.
2. Observe las cuchillas para ver si están dañadas y, si es necesario, afílaslas.

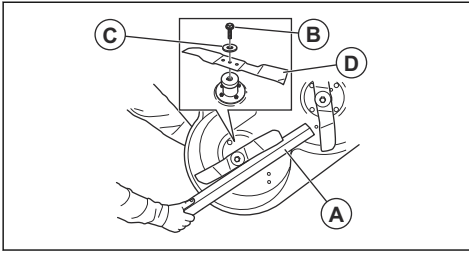


3. Apriete los tornillos de las cuchillas al par de apriete correspondiente. Consulte la sección *Datos técnicos en la página 127*.

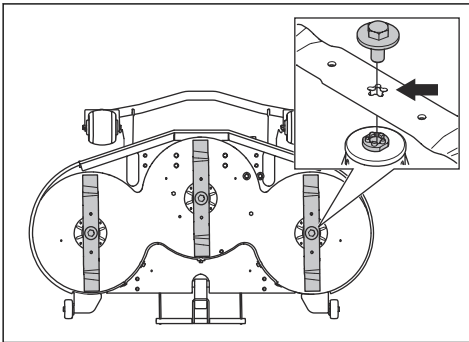
Sustitución de las cuchillas

1. Coloque el equipo de corte en la posición de servicio.

- Bloquee la cuchilla con un bloque de madera (A).



- Afloje y extraiga los pernos de la cuchilla (B), las arandelas (C) y la cuchilla (D).
- Instale las cuchillas paralelas entre sí.
- Para el equipo de corte R137. Asegúrese de que los pasadores guía se instalan correctamente en la ranura de las cuchillas.



- Monte las nuevas cuchillas con los extremos afilados orientados hacia el equipo de corte.



ADVERTENCIA: Usar un tipo de cuchillas incorrecto puede causar que el equipo de corte arroje objetos y causar así lesiones graves. Utilice únicamente las cuchillas que aparecen en *Datos técnicos en la página 127*.



PRECAUCIÓN: Un tipo de cuchilla incorrecto puede provocar ruidos no deseados. Utilice únicamente las cuchillas que aparecen en *Datos técnicos en la página 127*.

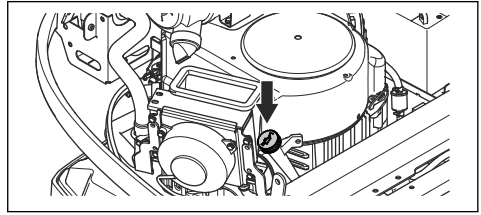
- Coloque la arandela y el perno para montar la cuchilla. Apriete el perno al par de apriete correspondiente. Consulte *Datos técnicos en la página 127*.

Comprobación del nivel de aceite del motor

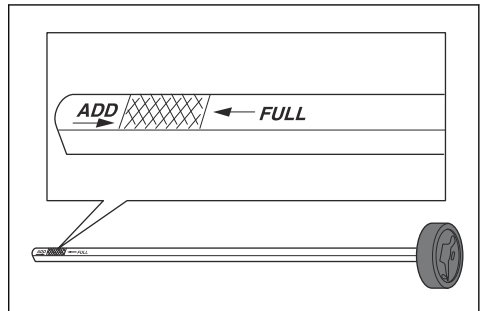
- Estacione el producto sobre un suelo nivelado y detenga el motor.

- Desmonte la cubierta del motor.

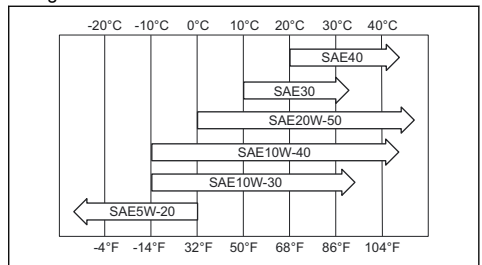
- Afloje la varilla de nivel y extráigala.



- Limpie el aceite de la varilla de nivel de aceite.
- Vuelva a colocar la varilla de nivel. No la apriete.
- Saque varilla y lea el nivel de aceite.
- El nivel de aceite debe estar entre las marcas que aparecen en la varilla de nivel. Si el nivel está cerca de la marca de añadir "ADD", llene de aceite hasta la marca de totalmente lleno "FULL".



- Rellene despacio el aceite a través del orificio de la varilla de nivel. Utilice un aceite con una viscosidad conforme a los intervalos de temperatura de la figura.



PRECAUCIÓN: No mezcle diferentes tipos de aceite.

- Apriete la varilla de nivel correctamente antes de arrancar el motor. Ponga en marcha la máquina con el motor al ralentí durante 30 segundos aproximadamente. Pare el motor. Espere 30 segundos y vuelva a comprobar el nivel de aceite.

Cambio del aceite del motor y el filtro de aceite

Si el motor está frío, arránquelo durante 1 o 2 minutos antes de drenar el aceite del motor. Esto calienta el aceite del motor y facilita el drenaje.

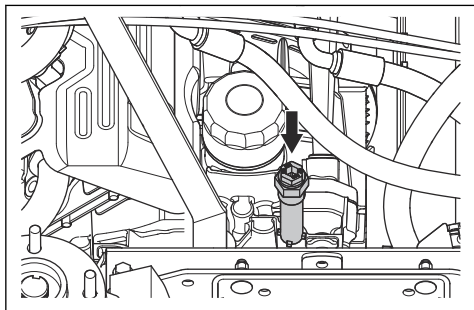


ADVERTENCIA: No deje el motor funcionando más de 1 o 2 minutos antes de drenar el aceite. El aceite del motor se calienta mucho y puede causar quemaduras graves. Deje que el motor se enfríe antes de vaciar el aceite del motor.

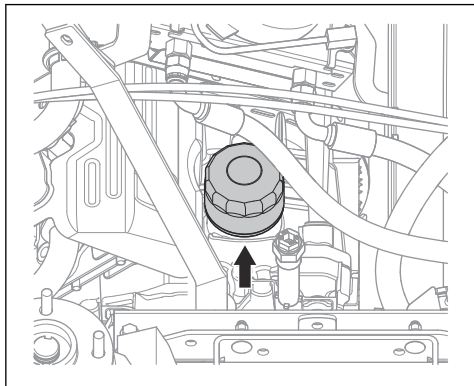


ADVERTENCIA: Si se derrama aceite del motor sobre el cuerpo, lávese con agua y jabón.

1. Desmonte la cubierta del motor.
2. Coloque un recipiente debajo del tapón de vaciado de aceite.



3. Quite la varilla de nivel.
4. Quite el tapón de vaciado de aceite del motor.
5. Deje que el aceite se vierta en el recipiente.
6. Coloque el tapón y apriételo por completo.
7. Gire el filtro de aceite hacia la izquierda para extraerlo.

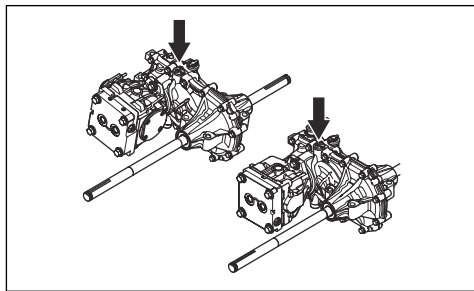


8. Lubrique ligeramente la junta de goma del nuevo filtro de aceite con aceite nuevo.
9. Para montar el filtro de aceite, gírelo hacia la derecha con la mano hasta que la junta de goma esté en su posición y, a continuación, apriete media vuelta más.
10. Llene con aceite nuevo según lo establecido en *Datos técnicos en la página 127*.
11. Arranque el motor y déjelo al ralentí durante 3 minutos.
12. Pare el motor y asegúrese de que el filtro de aceite no tenga fugas.
13. Llene el depósito con aceite para compensar el aceite del filtro de aceite nuevo.

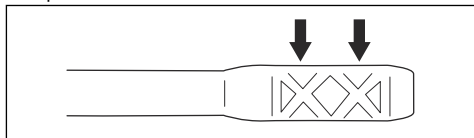
Nota: Para un desechado seguro del aceite de motor usado, consulte *Eliminación en la página 125*.

Comprobación del nivel de aceite de la transmisión

1. Utilice la varilla de nivel de aceite para leer el nivel de aceite de la transmisión.



2. El nivel de aceite debe estar entre las marcas que aparecen en la varilla de nivel.

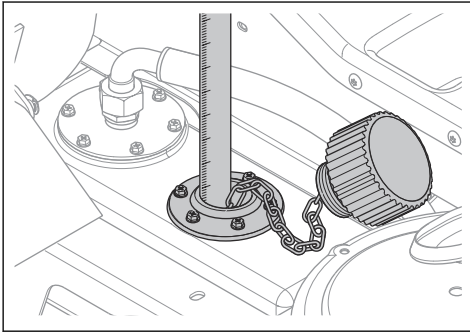


3. Si el nivel de aceite es demasiado bajo, rellene el depósito con el tipo de aceite indicado en *Datos técnicos en la página 127*.

Comprobación del nivel de aceite de la transmisión

1. Incline el asiento hacia delante.
2. Limpie el área alrededor del tapón del depósito de aceite con un paño seco.

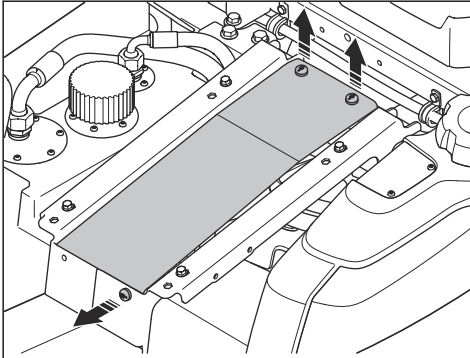
3. Retire el tapón del depósito de aceite y compruebe el nivel de aceite hidráulico. El nivel correcto es de 40-60 mm desde la parte superior del filtro.



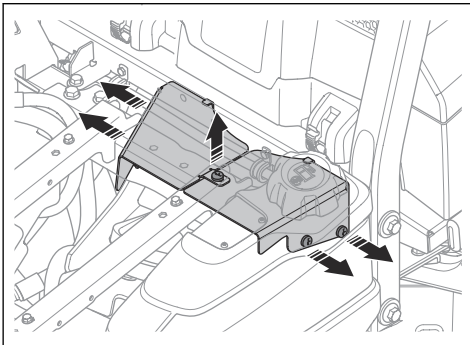
4. Si el nivel de aceite es demasiado bajo, rellene el depósito con el tipo de aceite indicado en *Datos técnicos en la página 127*.

Ajuste de la correa de la bomba hidráulica

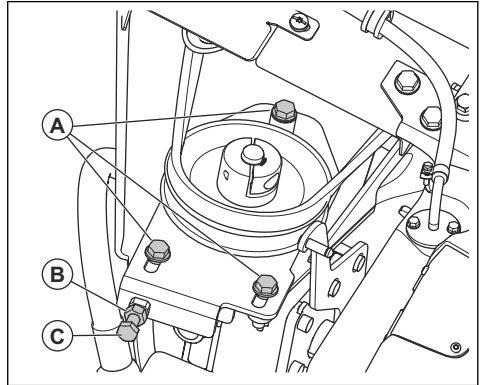
1. Incline el asiento hacia delante.
2. Retire la placa de protección situada bajo el asiento.



3. Retire las 2 cubiertas de protección de la correa.

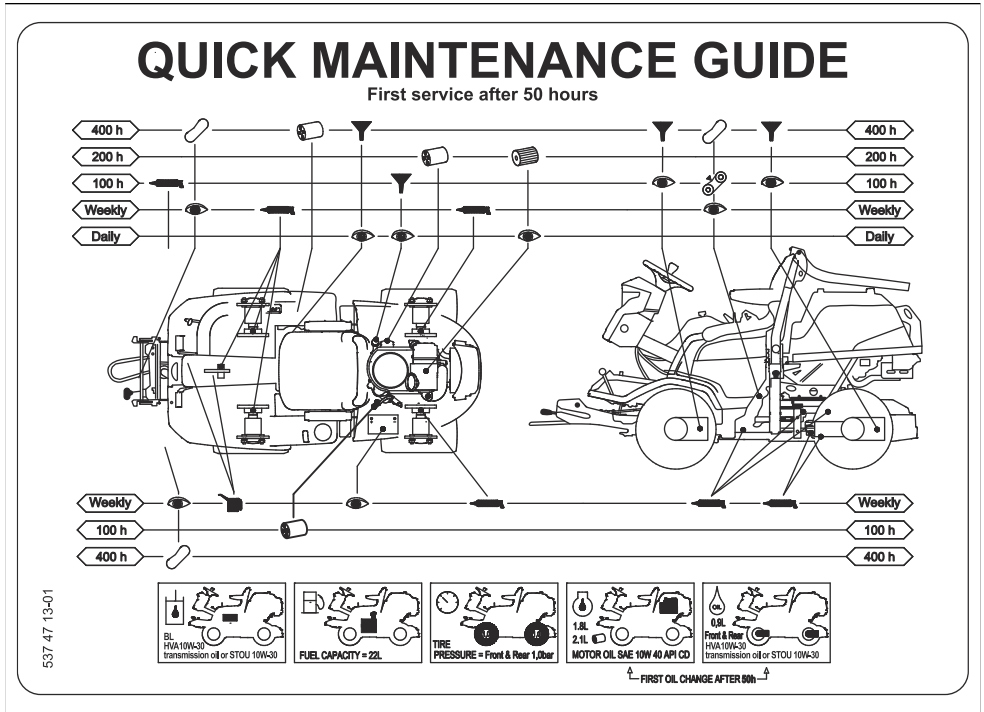


4. Afloje los 3 tornillos (A) de la guía de la correa de la bomba.



5. Afloje la contratuerca (B) del tornillo de ajuste.
6. Gire el tornillo de ajuste (C) de la correa de la bomba hasta que la correa tenga la tensión correcta.
7. Para el montaje, efectúe el mismo procedimiento en el orden inverso.

Guía rápida de mantenimiento



Símbolos que aparecen en la guía rápida de mantenimiento



Sustituir el filtro



Cambiar el aceite



Examinar visualmente o comprobar el nivel de aceite



Lubricar la boquilla de engrase con grasa



Lubricar con aceite



Comprobar el estado y la tensión de la correa de transmisión

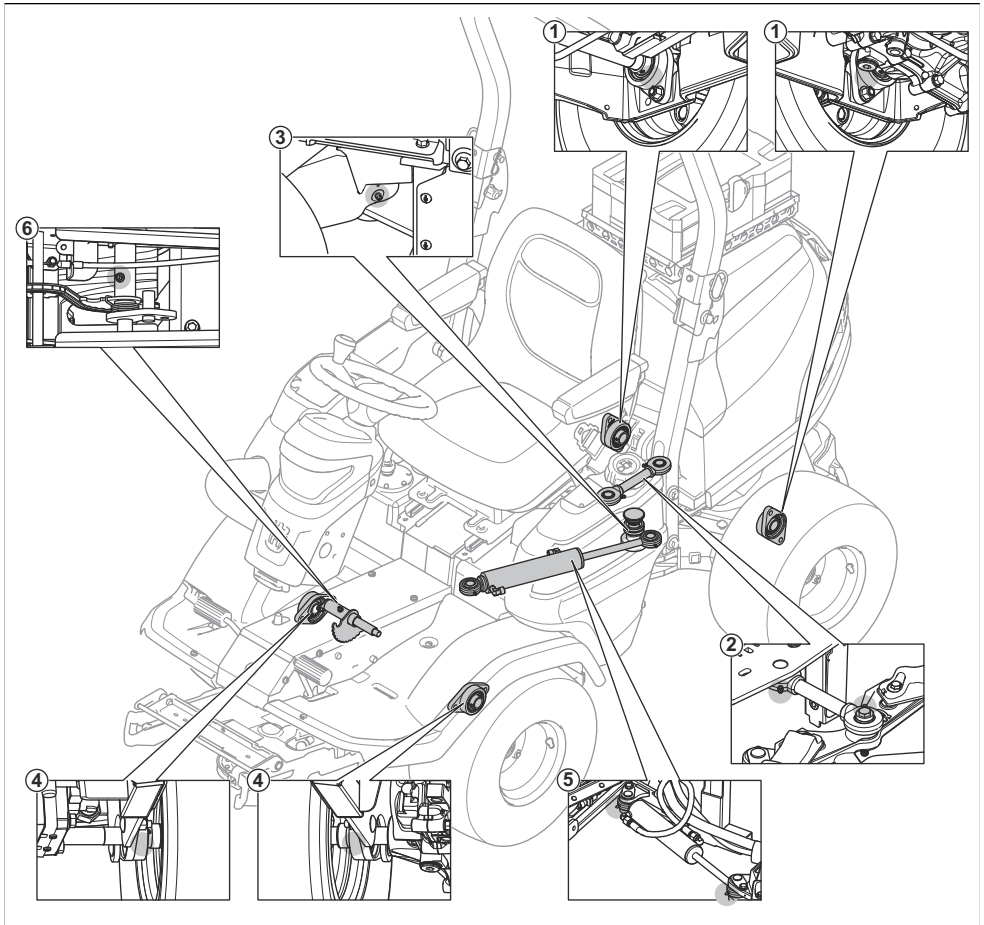


Cambiar la correa de transmisión



Sustituir las cuchillas

Visión general de las boquillas de engrase



1. Cojinete del eje trasero
2. Barra de articulación
3. Cojinete de articulación
4. Cojinete del eje delantero
5. Cilindro de dirección
6. Eje de la cadena de elevación

Lubricación, información general

- Retire la llave de contacto para evitar movimientos accidentales durante la lubricación.
- Limpie la zona antes de lubricar una pieza del producto.
- Utilice aceite cuando lubrique con una aceitadora.

- Si lubrica con grasa, utilice grasa para chasis o cojinetes de bolas que evite la corrosión. Limpie la grasa sobrante después de lubricar.
- Lubrique 2 veces a la semana si utiliza el producto a diario.
- No derrame lubricante sobre las correas de transmisión o las ranuras de las poleas de las correas. Si se derrama, limpie con alcohol. Si la fricción entre la correa de transmisión y la polea no es suficiente después de limpiar con alcohol, cambie la correa de transmisión.



PRECAUCIÓN: No utilice gasolina ni otros productos derivados del petróleo para limpiar las correas de transmisión.

Lubricación de los cables

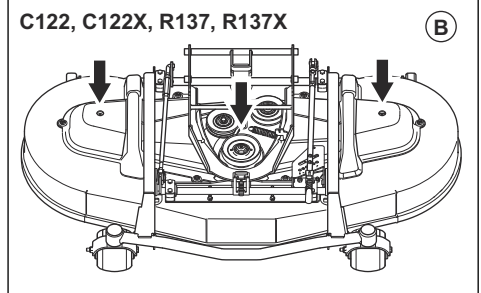
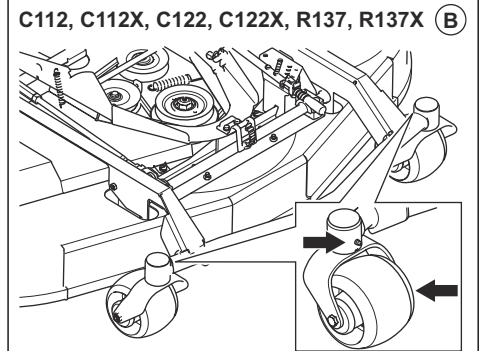
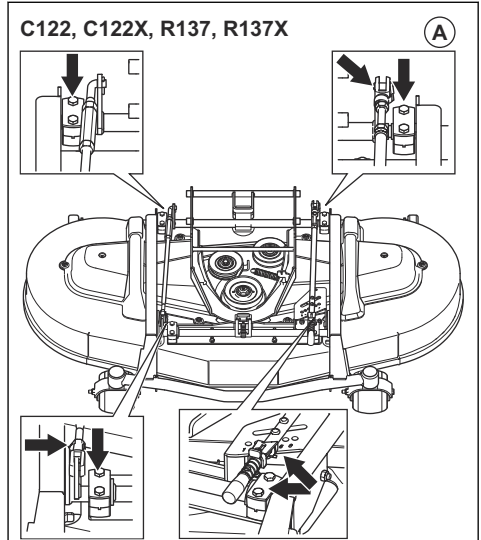
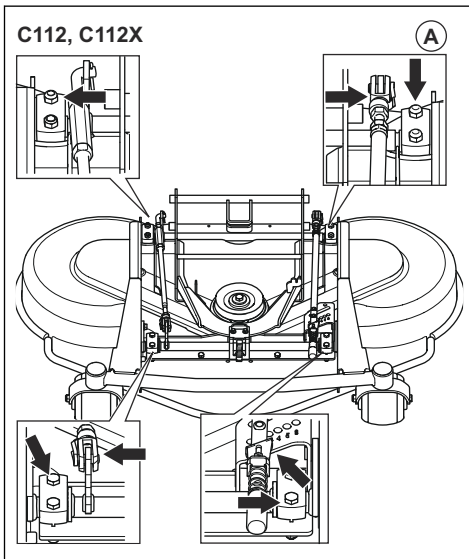
- Lubrique los 2 extremos de los cables y mueva los controles hasta la posición final.
- Coloque las fundas de goma en los cables después de la lubricación.
- Los cables con revestimiento se deben lubricar con frecuencia para evitar fallos.
 - a) Retire el cable y suspéndalo en posición vertical.
 - b) Lubrique el cable con aceite de motor hasta que el aceite resbale por la parte inferior. Sustituya el cable si el aceite no resbala por la parte inferior.

Nota: Puede llenar una bolsa de plástico pequeña con aceite y, con la funda del cable dentro, selle la bolsa con cinta. Deje el cable colgando verticalmente de la bolsa hasta el día siguiente.

Lubricación del equipo de corte

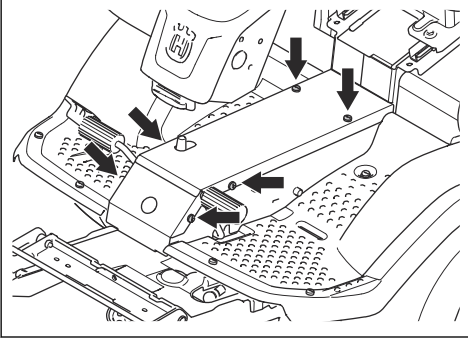
Nota: Los equipos de corte pueden tener un aspecto diferente dependiendo de los distintos modelos.

1. Quite la tapa frontal.
2. Lubrique las juntas y los cojinetes (A) con grasa.
3. Lubrique con una pistola de engrase las boquillas de engrase del equipo de corte (B). Lubrique hasta que la grasa salga por la parte trasera de la boquilla de engrase.

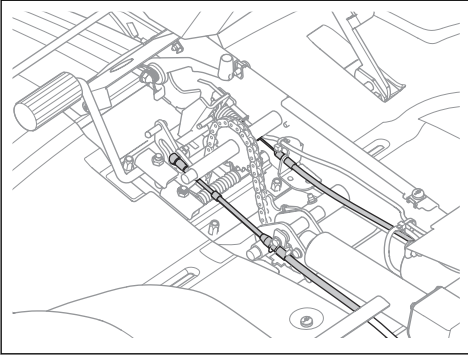


Lubricación del sistema de pedales

1. Retire los 4 tornillos y la placa del bastidor.



2. Presione y suelte los pedales y lubrique las piezas móviles con aceite.

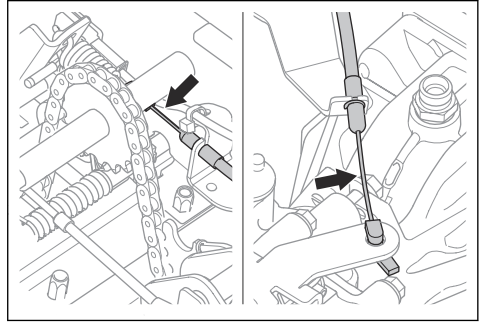


3. Lubrique los cables de los pedales de avance y marcha atrás con aceite.

Lubricación del cable del freno de estacionamiento

1. Retire los 4 tornillos y la placa del bastidor.
2. Desmonte la cubierta lateral izquierda.
3. Retire la funda de goma del cable del freno de estacionamiento.

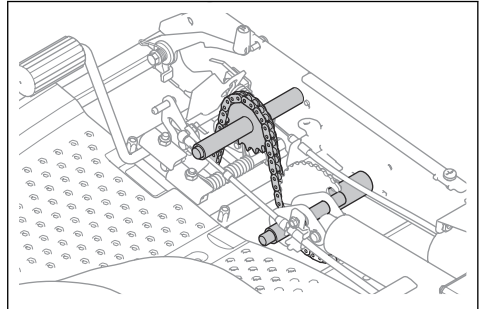
4. Lubrique los extremos del cable del freno de estacionamiento con aceite.



5. Lubrique el cable del freno de estacionamiento con aceite.
6. Pise el pedal del freno de estacionamiento 3 veces y vuelva a lubricar el cable del freno de estacionamiento.
7. Monte la cubierta lateral izquierda y la placa del bastidor.

Lubricación de las cadenas del túnel del bastidor

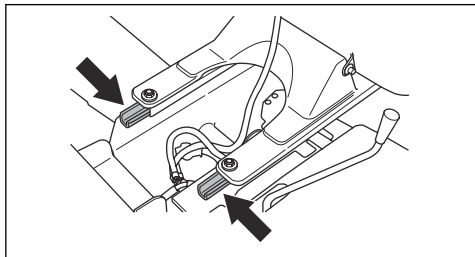
1. Retire los tornillos y la placa del bastidor.
2. Lubrique la cadena del túnel del bastidor con aceite o un lubricante para cadenas en spray.



Lubricación de las guías de deslizamiento del asiento

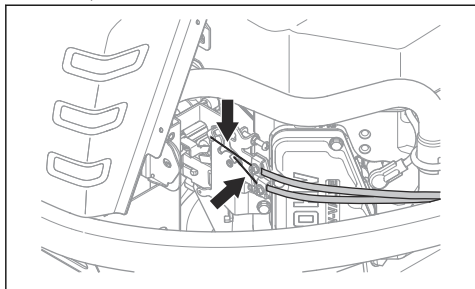
1. Incline el asiento hacia adelante.

2. Lubrique las guías de deslizamiento del asiento con aceite.



Lubricación del cable del acelerador y del cable del estrangulador (P 524X)

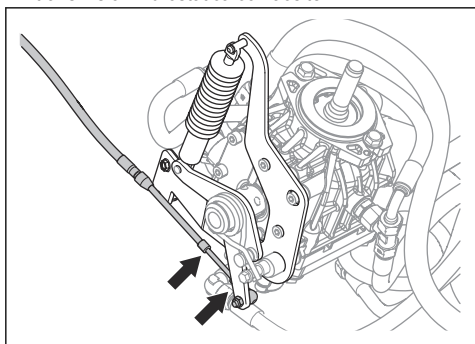
1. Retire la cubierta lateral derecha.
2. Lubrique con aceite los extremos libres de los cables, incluidos los extremos cerca del motor.



3. Monte la cubierta lateral derecha.

Lubricación del cable de la transmisión hidrostática

1. Lubrique las juntas y los cojinetes del cable de la transmisión hidrostática con aceite.
2. Retire el casquillo de goma y lubrique el cable de la transmisión hidrostática con aceite.

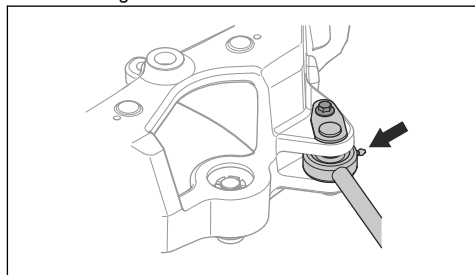


3. Pise el pedal de avance 5 veces y vuelva a lubricar el cable de la transmisión hidrostática.
4. Monte el casquillo de goma.

Lubricación del cilindro de dirección

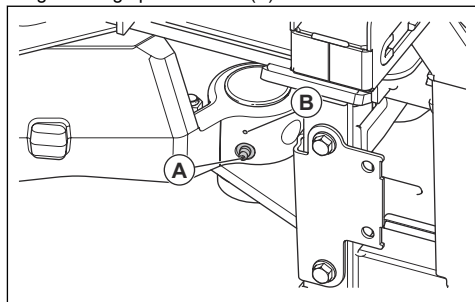
El cilindro de dirección tiene 2 boquillas de engrase, una a cada lado.

- Lubrique con una pistola de engrase hasta que rebose la grasa.

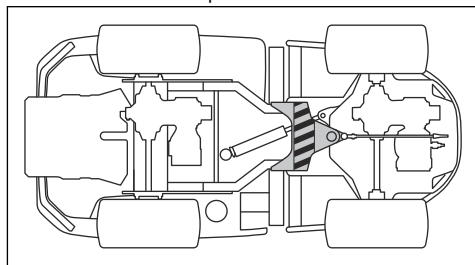


Lubricación de la articulación de la dirección articulada

1. Lubrique el cojinete de la dirección articulada con las cuatro ruedas del producto en el suelo. Lubrique a través de la boquilla de engrase (A) hasta que la grasa salga por el orificio (B).



2. Levante el producto para aliviar la presión de la dirección articulada. En la ilustración se indica dónde colocar los soportes.



PRECAUCIÓN: Asegúrese de que el soporte no dañe el tirante de control ni cause obstrucción alguna de la dirección articulada.

3. Vuelva a lubricar el cojinete de la dirección articulada con el producto elevado.

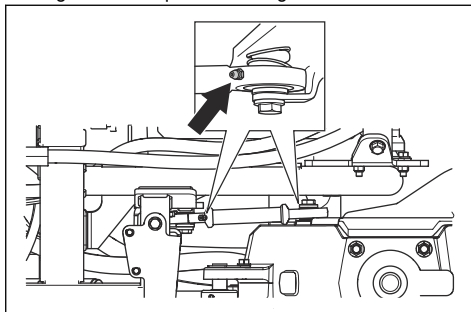


PRECAUCIÓN: Asegúrese de que la grasa salga por la articulación, por debajo de la boquilla de engrase.

4. Baje el producto.

Lubricación de la barra de articulación

1. Hay 2 boquillas de engrase, una a cada lado de la barra de articulación. Lubrique con una pistola de engrase hasta que rebose la grasa.



Resolución de problemas

Resolución de problemas




Si no puede encontrar una solución a sus problemas en este manual, hable con su taller de servicio Husqvarna.




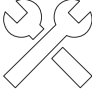



Problema	Causa
El motor de arranque no arranca el motor.	El botón de la TDF está activado. Consulte <i>Arranque del motor (P 524X)</i> en la página 87 o <i>Arranque del motor (P 524X EFI)</i> en la página 88.
	El freno de estacionamiento no está accionado. Consulte <i>Aplicar y soltar el freno de estacionamiento</i> en la página 91.
	El fusible principal está fundido. Consulte <i>Sustitución de un fusible</i> en la página 100.
	Hay un fusible roto. Consulte <i>Sustitución de un fusible</i> en la página 100.
	La llave de contacto está defectuosa.
	La conexión entre el cable y la batería no es buena.
	La batería está demasiado débil. Consulte <i>Carga de la batería</i> en la página 100.
El motor de arranque está defectuoso.	El motor de arranque está defectuoso.
	No hay combustible en el depósito de combustible. Consulte <i>Repostaje de combustible</i> en la página 86.
	La bujía está dañada o no funciona correctamente.
	El cable de encendido está dañado.
	Hay suciedad en el carburador o en el manguito de combustible (P 524X).
Hay suciedad en el manguito de combustible (P 524X EFI).	

Problema	Causa
El motor no funciona correctamente.	La bujía está dañada o no funciona correctamente.
	El carburador no está bien ajustado (P 524X).
	El filtro de aire está obstruido. Consulte <i>Limpieza y cambio del filtro de aire en la página 98.</i>
	La ventilación del depósito de combustible está bloqueada.
	Hay suciedad en el carburador o en el manguito de combustible (P 524X).
	Hay suciedad en el manguito de combustible (P 524X EFI).
	El cable del estrangulador no está bien ajustado (P 524X).
Aparentemente el motor no tiene potencia.	El filtro de aire está obstruido. Consulte <i>Limpieza y cambio del filtro de aire en la página 98.</i>
	La bujía está dañada o no funciona correctamente.
	Hay suciedad en el carburador o en el manguito de combustible (P 524X).
	Hay suciedad en el manguito de combustible (P 524X EFI).
	El cable del acelerador está mal ajustado.
La transmisión no tiene suficiente potencia.	La correa de la bomba no está bien apretada.
	Las RPM entre los ejes delantero y trasero no están correctamente ajustadas.
	No hay aceite en la transmisión o el nivel de aceite es demasiado bajo. Consulte <i>Comprobación del nivel de aceite de la transmisión en la página 113.</i>
La batería no se carga.	La batería está dañada. Acuda a un taller de servicio Husqvarna.
	La conexión de los conectores de los cables de los terminales de la batería está en mal estado.
Se producen vibraciones en el producto.	Las cuchillas están flojas. Consulte <i>Examinar las cuchillas en la página 111.</i>
	Una cuchilla o más no están equilibradas. Consulte <i>Examinar las cuchillas en la página 111.</i>
	El motor está suelto.
	El equipo de corte presenta una obstrucción por hierba. Consulte <i>Limpieza del producto en la página 95.</i>

Problema	Causa
El resultado del corte no es satisfactorio.	Las cuchillas están romas. Consulte <i>Examinar las cuchillas en la página 111</i> .
	El césped está crecido o húmedo. Consulte <i>Para obtener un buen resultado de corte en la página 92</i> .
	No se ha ajustado el paralelismo del equipo de corte. Consulte <i>Comprobación del paralelismo del equipo de corte en la página 106</i> .
	El equipo de corte no está nivelado.
	El equipo de corte presenta una obstrucción por hierba. Consulte <i>Limpieza del producto en la página 95</i> .
	La presión de los neumáticos es distinta en el lado derecho e izquierdo. Consulte <i>Presión de los neumáticos en la página 101</i> .
	El producto funciona a una velocidad demasiado alta. Consulte <i>Para obtener un buen resultado de corte en la página 92</i> .
	El régimen del motor es demasiado bajo. Consulte <i>Datos técnicos en la página 127</i> .
	La correa de transmisión patina.
	El cable del equipo de corte no está conectado. Consulte <i>Montaje del equipo de corte en la página 83</i> .
	El cable del equipo de corte está comprimido. Consulte <i>Montaje del equipo de corte en la página 83</i> .
	El botón de función de los accesorios delanteros no está conectado correctamente.

Pantalla - Resolución de problemas

Símbolo	Nombre	En la pantalla	Causa
	Indicador de temperatura del aceite de la transmisión	El símbolo se muestra.	La temperatura del aceite de la transmisión es demasiado alta.
		El símbolo parpadea rápidamente.	Acuda a un taller de servicio Husqvarna.
	Sensor de presión de aceite del motor	El símbolo se muestra.	Presión de aceite baja. Consulte <i>Comprobación del nivel de aceite del motor en la página 112</i> .
		El símbolo parpadea.	El sistema de lubricación está dañado o no funciona correctamente.
	Indicador de carga de la batería	El símbolo se muestra.	Tensión baja. Consulte <i>Carga de la batería en la página 100</i> .

Símbolo	Nombre	En la pantalla	Causa
	Indicador del botón de la TDF	El símbolo se muestra.	Botón de la TDF activado. Consulte <i>Comprobación de las condiciones de funcionamiento en la página 80</i> .
		El símbolo parpadea.	Procedimiento de arranque incorrecto. Consulte <i>Comprobación de las condiciones de funcionamiento en la página 80</i> .
		El símbolo parpadea rápidamente.	El botón de la TDF está dañado o no funciona correctamente. Acuda a un taller de servicio Husqvarna.
	Indicador de freno de estacionamiento	El símbolo se muestra.	El freno de estacionamiento está activado. Consulte <i>Aplicar y soltar el freno de estacionamiento en la página 91</i> .
		El símbolo parpadea.	Procedimiento de arranque incorrecto. Consulte <i>Comprobación de las condiciones de funcionamiento en la página 80</i> .
		El símbolo parpadea rápidamente.	El freno de estacionamiento está dañado o no funciona correctamente. Acuda a un taller de servicio Husqvarna.
	Indicador OPC	El símbolo parpadea.	El interruptor del asiento está desactivado cuando se intenta arrancar el motor. Consulte <i>Comprobación de las condiciones de funcionamiento en la página 80</i> .
		El símbolo parpadea rápidamente.	El interruptor del asiento está dañado o no funciona correctamente. Acuda a un taller de servicio Husqvarna.
	Indicador de mantenimiento	El símbolo se muestra.	Es necesario realizar el mantenimiento. Acuda a un taller de servicio Husqvarna.
	Indicador de combustible	El símbolo se muestra.	Nivel de combustible bajo. Consulte <i>Repostaje de combustible en la página 86</i> .
	Bluetooth®	El símbolo parpadea.	El producto está bloqueado. Desbloquee el producto con la aplicación Husqvarna Connect.
	Bloqueo digital	El símbolo se muestra.	El producto está bloqueado. Desbloquee el producto con la aplicación Husqvarna Connect.

Nota: Los símbolos y sus posiciones en la pantalla pueden ser distintos entre los diferentes modelos.

Transporte, almacenamiento y eliminación

Transporte

- El producto es pesado y puede causar lesiones por aplastamiento. Tenga cuidado al cargarlo o descargarlo de un vehículo o remolque.
- No levante el producto. Las argollas de transporte no son puntos de elevación y solo deben utilizarse para enganchar el producto de forma segura a un remolque.
- Utilice solo un remolque homologado para el transporte del producto.
- Asegúrese de que conoce las normas de tráfico locales antes de transportar el producto en un remolque o circular por carretera.

Amarre seguro del producto en un remolque para su transporte

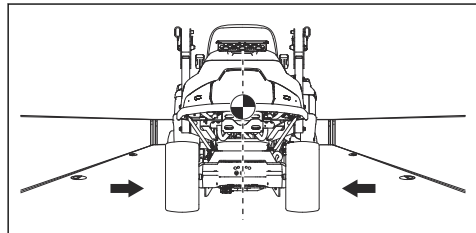
Antes de sujetar el producto, debe leer y entender el capítulo sobre seguridad. Consulte *Seguridad en la página 76*.



ADVERTENCIA: El freno de estacionamiento no es suficiente para bloquear el producto durante el transporte. Sujete firmemente el producto en el área de carga.

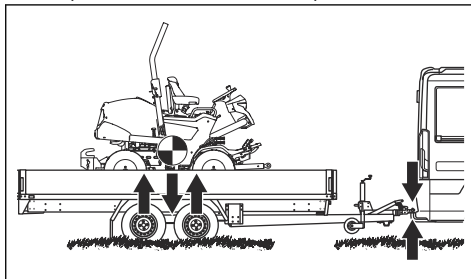
Equipo: 4 correas homologadas y 4 calzos para las ruedas.

1. Estacione el producto en el centro del área de carga.

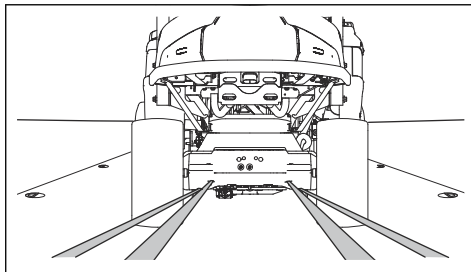


ADVERTENCIA: Para el transporte en vehículos de transporte con una cubierta. Deje que el producto se enfríe antes de colocarlo en el vehículo de transporte.

2. Asegúrese de que el centro de gravedad del producto está por encima del eje de las ruedas del vehículo de transporte. Si se utiliza un remolque para el transporte, asegúrese de que la fuerza que se aplica sobre la barra de remolque es correcta.

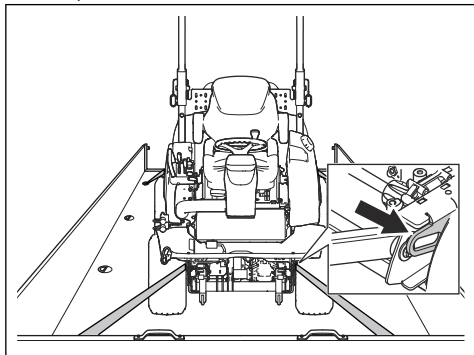


3. Aplique el freno de estacionamiento.
4. Baje el equipo de corte a la posición flotante.
5. Retire todos los objetos sueltos.
6. Monte la primera correa atravesando el bastidor de la transmisión trasera.

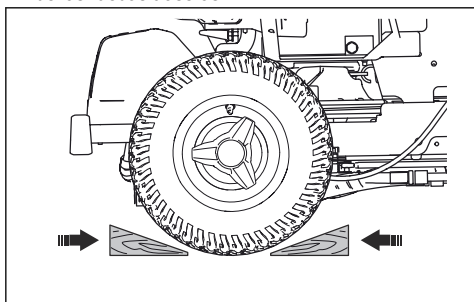


7. Monte la segunda correa atravesando el bastidor de la transmisión trasera.
8. Amarre las correas al área de carga.
9. Tense las correas tirando hacia atrás para sujetar el producto al área de carga.

10. Amarre la tercera correa a 1 de los ojales de transporte.



11. Amarre la cuarta correa al otro ojal de transporte.
12. Amarre la correa al área de carga.
13. Tense la correa tirando hacia delante para amarrar el producto al área de carga.
14. Coloque los calzos para las ruedas delante y detrás de las ruedas traseras.



Remolque del producto

El producto tiene una transmisión hidrostática. Para evitar daños en la transmisión, remolque el producto solo distancias cortas y a baja velocidad.

Desacople la transmisión antes de remolcar el producto. Consulte la sección *Desactivación de la transmisión hidrostática en la página 92*.

Almacenamiento

Prepare el producto para guardarlo al final de la temporada, y si va almacenarlo durante más de 30 días. Si deja combustible en el depósito durante 30 días o más, las partículas pegajosas pueden atascar el carburador. Esto tendrá un efecto negativo en el funcionamiento del motor.

Para evitar la aparición de partículas pegajosas durante el almacenamiento, agregue un estabilizador. Si utiliza gasolina a base de alquilatos, no es necesario usar un estabilizador. Si utiliza gasolina estándar, no cambie a gasolina con alquilato. Esto puede provocar que

las piezas de goma sensibles se vuelvan duras. Añada un estabilizador al depósito o recipiente donde se almacena el combustible. Utilice siempre las proporciones de mezcla especificadas por el fabricante. Haga funcionar el motor durante un mínimo de 10 minutos después de agregar el estabilizador hasta que este llegue al carburador.



ADVERTENCIA: No guarde el producto con combustible en el depósito en interiores o en lugares con una mala ventilación. Existe peligro de incendio si los vapores del combustible entran en contacto con llamas desnudas, chispas o luces piloto, por ejemplo, de calderas de calefacción, depósitos de agua caliente y secadoras de ropa.



ADVERTENCIA: Retire la hierba, las hojas y otros materiales inflamables del producto para disminuir el riesgo de incendio. Deje que el producto se enfríe antes de volver a colocarlo en su lugar de almacenamiento.

- Limpie el producto; consulte *Limpieza del producto en la página 95*. Repare los daños en la pintura para evitar la corrosión.
- Examine el producto por si hubiera piezas dañadas o desgastadas, y apriete las tuercas y tornillos flojos.
- Desmonte la batería. Límpiela, cárguela y manténgala en un lugar fresco durante el almacenamiento.
- Cambie el aceite del motor y deseche el aceite usado.
- Vacíe el depósito de combustible. Arranque el motor y déjelo funcionar hasta que no haya restos de combustible en el carburador.

Nota: No vacíe el depósito de combustible ni el carburador si se ha añadido un estabilizador.

- Quite los tapones e introduzca aproximadamente una cucharada de aceite de motor en cada cilindro. Gire manualmente el eje del motor para distribuir el aceite y vuelva a colocar los tapones.
- Lubrique todas las boquillas de engrase, las juntas y los ejes.
- Guarde el producto en una zona limpia y seca, y cúbralo para mayor protección.
- Su distribuidor puede proporcionarle una cubierta de protección para el almacenamiento o transporte de su producto.

Eliminación

- Las sustancias químicas pueden ser peligrosas y no deben verterse al suelo. Deseche siempre los productos químicos en su centro de servicio o en una ubicación adecuada para su eliminación.

- Cuando el producto se desgaste, envíelo al distribuidor o a centro de reciclaje adecuado.
- El aceite, los filtros de aceite, el combustible y la batería pueden ser perjudiciales para el medio ambiente. Respete los requisitos de reciclaje locales y las normas aplicables.
- No deseche la batería como residuo doméstico.
- Envíe la batería a un taller de servicio Husqvarna o deséchela en una ubicación de residuos para las baterías agotadas.

Datos técnicos

Datos técnicos

	P 524X	P 524X EFI
Dimensiones , consulte también <i>Dimensiones del producto en la página 131</i>		
Peso sin equipo de corte, con depósitos vacíos, kg	433	437
Dimensiones de los neumáticos	18x8.50-8	18x8.50-8
Presión de aire, traseros y delanteros, kPa/bar/PSI	100/1,0/14,5	100/1,0/14,5
Máx. pendiente, grados	10	10
Peso máx. de remolcado con una pendiente de 10°, kg	200	200
Fuerza vertical máx. sobre la barra de remolque, N/kg	250/25	250/25
Fuerza horizontal máx. sobre la barra de remolque, N/kg	350/35	350/35
Motor		
Marca/modelo	Kawasaki/V-Twin, FX691V-KME09023-D4	Kawasaki/V-Twin, FX730V EFI-KME01609-D2
Potencia nominal del motor, kW ⁸	13,9	15,6
Cilindrada, cm ³	726	726
Régimen máximo del motor, rpm	3000 ± 100	3000 ± 100
Máx. velocidad hacia delante en km/h	13	13
Máx. velocidad marcha atrás en km/h	9	9
Combustible, octanaje mín. sin plomo	95 (metanol máx. 5 %, etanol máx. 10 %, MTBE máx. 15 %)	95 (metanol máx. 5 %, etanol máx. 10 %, MTBE máx. 15 %)
Volumen del depósito, litros	21	21
Aceite, API clase CD o superior	SAE 10W/40	SAE 10W/40
Volumen de aceite con filtro incluido, litros	2,1	2,1
Volumen de aceite sin filtro, litros	1,8	1,8
Motor de arranque	Arranque eléctrico de 12 V	Arranque eléctrico de 12 V
Transmisión		
Marca/modelo	Kanzaki/KTM 23	Kanzaki/KTM 23

⁸ La potencia nominal del motor indicada es la potencia neta media (al régimen especificado) de un motor de producción típico para el modelo de motor conforme a la norma SAE J1349/ISO1585. Los motores fabricados en serie podrían presentar valores diferentes. La potencia de salida real del motor instalado en el producto final dependerá de la velocidad de funcionamiento, las condiciones medioambientales y otros valores.

	P 524X	P 524X EFI
Aceite de la transmisión	Aceite de transmisión Husqvarna 10W-30 (Husqvarna 10W-30 4T AWD o STOU 10W-30)	Aceite de transmisión Husqvarna 10W-30 (Husqvarna 10W-30 4T AWD o STOU 10W-30)
Capacidad de aceite de la caja de cambios delantera, litros	0,9	0,9
Capacidad de aceite de la caja de cambios trasera, litros	0,9	0,9
Sistema hidráulico		
Presión de trabajo máx., bar/psi	120/1740	120/1740
Capacidad del depósito hidráulico, l	8	8
Capacidad del sistema hidráulico, l	13	13
Aceite hidráulico	Aceite de transmisión Husqvarna 10W-30 (Husqvarna 10W-30 4T AWD o STOU 10W-30)	Aceite de transmisión Husqvarna 10W-30 (Husqvarna 10W-30 4T AWD o STOU 10W-30)
Sistema eléctrico		
Tipo	12 V, negativo a tierra	12 V, negativo a tierra
Batería	12 V, 24 Ah	12 V, 24 Ah
Bujía	NGK BPR4ES	NGK BPR4ES
Fusible principal, patilla plana, A	20	20
Fusible de la toma de corriente, patilla plana, A	5	5
Distancia entre electrodos, mm/pulg.	0,75/0,030	0,75/0,030
Luces	LED	LED
Equipo de corte		
Tipo	Combi 112	Combi 112
	Combi 122	Combi 122
	R137 ⁹	R137
	Combi 112X	Combi 112X
	Combi 122X	Combi 122X
	R137X ¹⁰	R137X

Emissiones de ruido¹¹	P 524X	P 524X EFI
Nivel de potencia acústica medida, dB(A)		
Combi 112	99	100

⁹ Combinación no recomendada

¹⁰ Combinación no recomendada

¹¹ Emisiones sonoras en el entorno medidas como potencia acústica (L_{WA}) según la directiva 2000/14/CE.

Emisiones de ruido ¹¹	P 524X	P 524X EFI
Combi 122	104	105
R137	104	105
Combi 112X	99	99
Combi 122X	104	105
R137X	104	105
Nivel de potencia acústica garantizada, dB(A)		
Combi 112	100	100
Combi 122	105	105
R137	105	105
Combi 112X	100	100
Combi 122X	105	105
R137X	105	105

Niveles acústicos ¹²	P 524X	P 524X EFI
Nivel de presión sonora en el oído del usuario, dB(A)		
Combi 112	86	86
Combi 122	87	88
R137	90	91
Combi 112X	86	86
Combi 122X	87	88
R137X	90	91

Niveles de vibración ¹³	P 524X	P 524X EFI
Nivel de vibración en el volante, m/s²		
Combi 112	2,5	2,5
Combi 122	2,5	2,5
R137	2,5	2,5
Combi 112X	2,5	2,5

¹¹ Emisiones sonoras en el entorno medidas como potencia acústica (L_{WA}) según la directiva 2000/14/CE.

¹² Nivel de presión sonora conforme a la norma EN ISO 5395. Los datos referidos del nivel de presión sonora tienen una dispersión estadística habitual (desviación típica) de 1,2 dB (A).

¹³ Nivel de vibración conforme a EN ISO 5395. Los datos referidos del nivel de vibración poseen una dispersión estadística habitual (desviación típica) de 0,2 m/s² (volante) y 0,8 m/s² (asiento).

Niveles de vibración ¹³	P 524X	P 524X EFI
Combi 122X	2,5	2,5
R137X	2,5	2,5
Nivel de vibración en el asiento, m/s ²		
Combi 112	0,5	0,5
Combi 122	0,5	0,5
R137	0,5	0,5
Combi 112X	0,5	0,5
Combi 122X	0,5	0,5
R137X	0,5	0,5

Equipo de corte	Combi 112	Combi 122	R137	Combi 112X	Combi 122X	R137X
Anchura de corte, mm	1120	1220	1370	1120	1220	1370
Altura de corte, 7 posiciones, mm	25-75	25-75	35-100	25-75	25-75	35-100
Anchura, mm	1220	1330	1409	1220	1330	1409
Peso, kg	60	71	89	61	72	90
Longitud, mm	420	454	924	420	454	924

Disco			
Par de apriete de los tornillos de las cuchillas, Nm/kpm/lb-pies	80/8, 1/59	80/8, 1/59	130/13,2/95,8
Referencia	5441027-10	5354294-10	5321872-55

Transmisión de datos por radiofrecuencia	P 524X	P 524X EFI
Intervalo de frecuencias, MHz	2402-2480	2402-2480
Potencia ¹⁴ , dBm	2,4	2,4



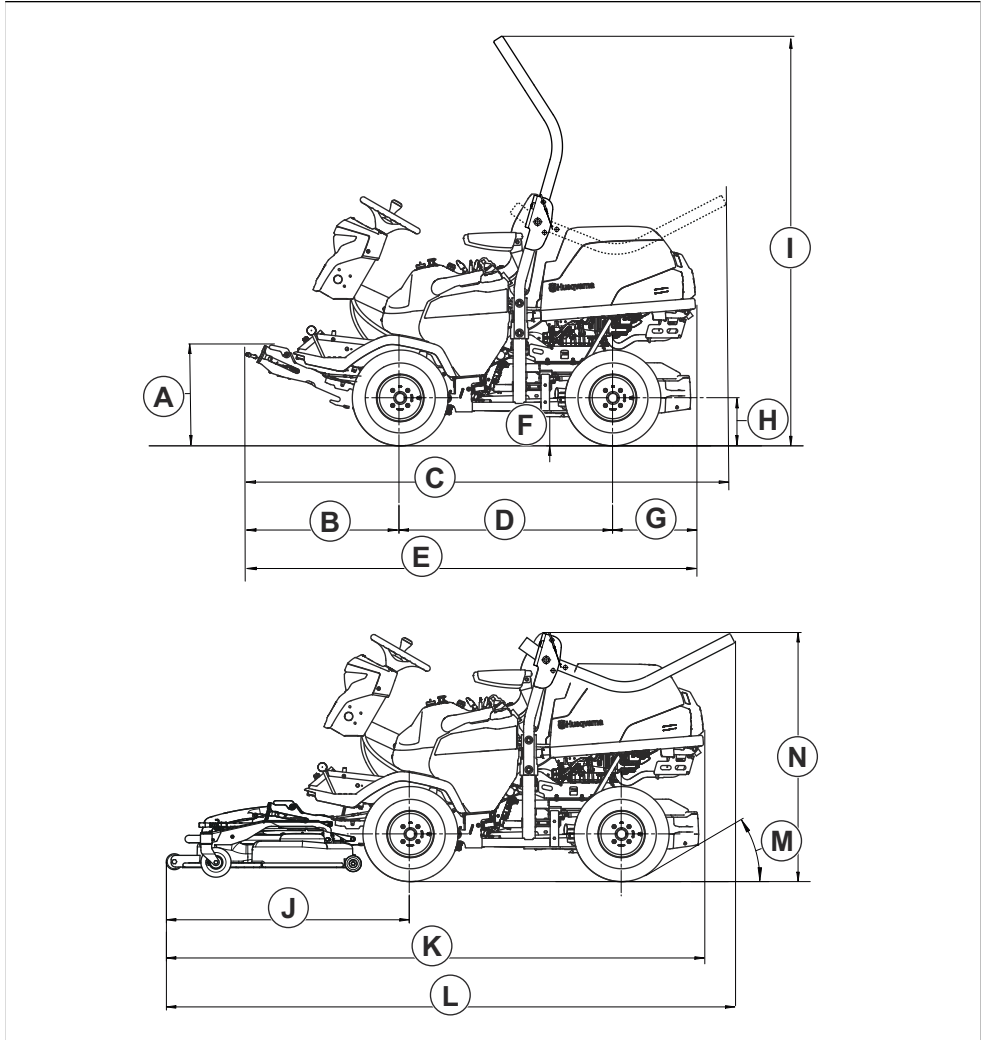
ADVERTENCIA: Utilizar un equipo de corte que no esté homologado para el producto puede causar proyección de objetos a alta velocidad, lo que podría

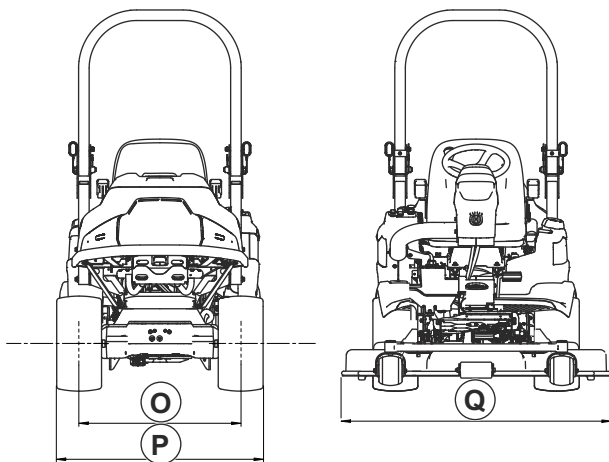
causar lesiones graves. No utilice otros tipos de equipo de corte diferentes a los especificados en este manual de usuario.

¹³ Nivel de vibración conforme a EN ISO 5395. Los datos referidos del nivel de vibración poseen una dispersión estadística habitual (desviación típica) de 0,2 m/s² (volante) y 0,8 m/s² (asiento).

¹⁴ Medida a 2402 MHz con un ciclo de trabajo del 85 %.

Dimensiones del producto





A	489 mm	G	388 mm	K	Combi 112, 112X: 2443 mm	M	30°
B	673	H	225 mm		Combi 122, 122X: 2532 mm	N	1244 mm
C	2066 mm	I	1869 mm		R137, R137X: 2580 mm	O	765 mm
D	999 mm	J	Combi 112, 112X: 1056 mm	L	Combi 112, 112X: 2449 mm	P	977 mm
E	2060 mm		Combi 122, 122X: 1145 mm		Combi 122, 122X: 2538 mm	Q	Combi 112, 112X: 1220 mm
F	137 mm		R137, R137X: 1193 mm		R137, R137X: 2585 mm		Combi 122, 122X: 1330 mm
						R137, R137X: 1409 mm	

Accesorios

En este manual del usuario no se incluyen las instrucciones de mantenimiento del equipo o los

accesorios opcionales. Consulte las instrucciones en el manual del usuario del accesorio o el equipo.

Servicio técnico

Haga una comprobación anual en un centro de servicio autorizado para asegurarse de que el producto funcione de manera segura y sin problemas durante la temporada alta. El mejor momento para realizar el mantenimiento o la revisión de este producto es la temporada baja.

Al enviar un pedido de piezas de repuesto, proporcione información sobre el año de compra, el modelo, el tipo y el n.º de serie.

Utilice siempre piezas de repuesto originales.

Garantía de la transmisión

La garantía de la transmisión solo es aplicable si se realizan comprobaciones de la velocidad de las ruedas delanteras y traseras según lo establecido en el programa de mantenimiento. Para evitar daños en el sistema de transmisión, deje que un taller de servicio autorizado lo ajuste correctamente.

Declaración de conformidad

Declaración de conformidad CE

Nosotros, **Husqvarna AB**, SE-561 82 Huskvarna (Suecia), tel. +46-36-146500, declaramos bajo nuestra exclusiva responsabilidad que el producto:

Descripción	Cortacésped con asiento
Marca	Husqvarna
Tipo/Modelo	P 524X, P 524X EFI
Identificación	Números de serie a partir del año 2023

Cumple las siguientes directivas y normas de la UE:

Directiva/Norma	Descripción
2006/42/CE	"relativa a las máquinas"
2014/53/UE	"relativa a equipos de radio"
2000/14/CE	"relativa a las emisiones sonoras en el entorno"
2011/65/UE	"relativa a restricciones de utilización de determinadas sustancias peligrosas en aparatos eléctricos y electrónicos"

Y que se aplican las especificaciones técnicas o los estándares siguientes: EN ISO 5395-1:2013/ A1:2018, EN ISO 5395-3:2013/A1:2017/A2:2018, EN ISO 12100:2010, EN ISO 14982:2009, ETSI EN 300 328 v.2.2.2, ETSI EN 301 489-1 V1.9.2, ETSI EN 301 489-17 V3.2.4, EN IEC 61000-6-3:2021, EN IEC 61000-6-2:2019, EN IEC 63000:2018.

Organismo notificado: 0404, SMP Svensk Maskinprovning AB, Box 4053, SE-904 03 Umeå, Sweden ha certificado la conformidad con la Directiva del Consejo 2000/14/CE, Procedimiento de evaluación de conformidad: Anexo VI.

Para obtener información respecto a las emisiones sonoras, consulte *Datos técnicos en la página 127*.

Huskvarna, TBD



Claes Losdal, Director de desarrollo/Productos para jardín, Husqvarna AB

Responsable de la documentación técnica



Marcas comerciales registradas

Los logotipos y las denominaciones *Bluetooth*[®] son marcas comerciales registradas propiedad de *Bluetooth SIG, inc* y su uso por parte de Husqvarna está sujeto a una licencia.

ÍNDICE

Introdução.....	136	Especificações técnicas.....	195
Segurança.....	144	Acessórios.....	200
Montagem.....	151	Assistência.....	200
Funcionamento.....	154	Garantia.....	201
Manutenção.....	161	Declaração de conformidade.....	202
Resolução de problemas.....	188	Marcas comerciais registadas.....	203
Transporte, armazenamento e eliminação.....	192		

Introdução

Inspeção pré-entrega e números de produto

assinada do documento de inspeção pré-entrega do seu concessionário.

Nota: Foi realizada uma inspeção pré-entrega deste produto. Certifique-se de que recebe uma cópia

Informação de contacto da oficina autorizada:	
Este manual do utilizador pertence ao produto com o número de produto/número de série:	
/	
Motor:	
Transmissão:	

Descrição do produto

Os modelos P 524X e P 524X EFI são corta-relvas frontais. A fonte de alimentação é um motor a gasolina. Os produtos incluem um visor, faróis e tração às quatro rodas (AWD). Os pedais de marcha em frente e de marcha-atrás permitem que o utilizador ajuste a velocidade gradualmente. Pode utilizar o produto com diferentes tipos de plataforma de corte ou outros equipamentos aprovado pela Husqvarna.

Finalidade

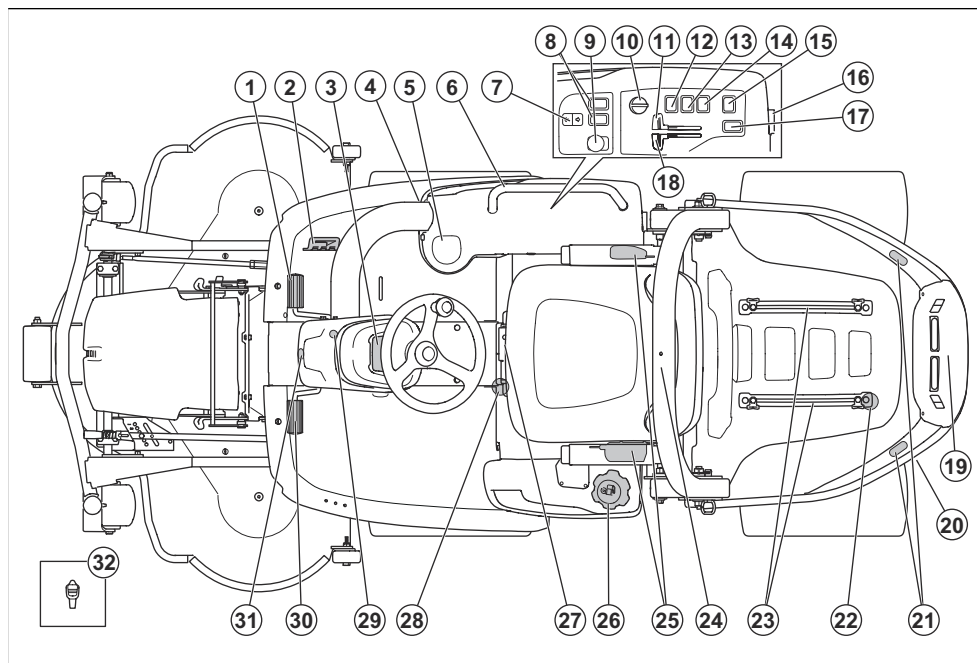
O produto foi concebido para cortar relva em espaços comerciais. Fixe um acessório opcional para utilizar o

produto para outras tarefas. Fale com o seu revendedor Husqvarna para obter mais informações sobre os acessórios disponíveis.

Faça um seguro para o seu produto

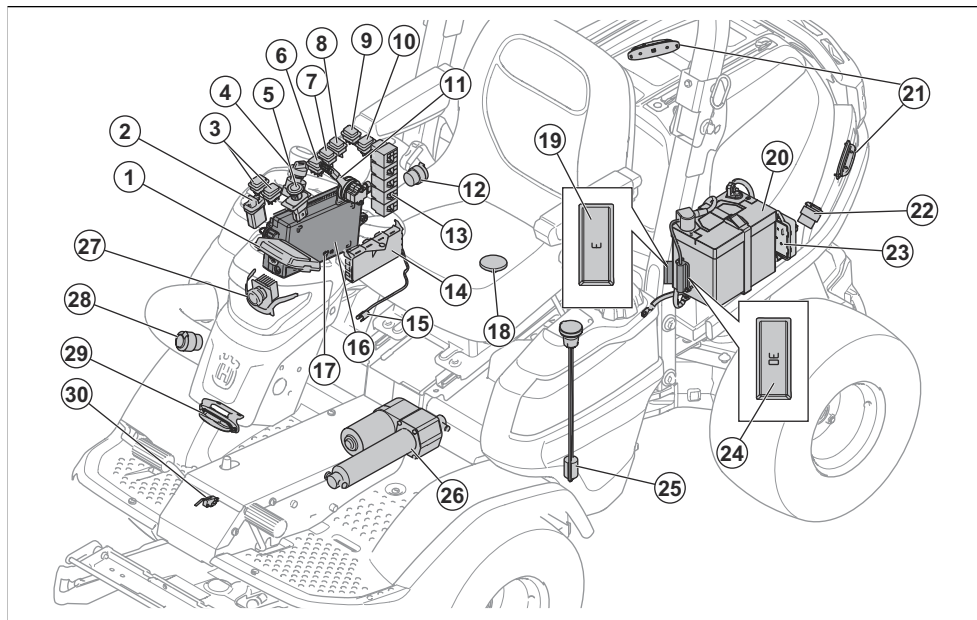
Certifique-se de que o seu seguro cobre o seu novo produto. Fale com a sua companhia de seguros caso não tenha a certeza. Recomendamos um seguro totalmente abrangente que inclua proteção contra terceiros, incêndios, danos, roubo e responsabilidade civil.

Vista geral do produto



- | | |
|--|--|
| 1. Pedal de marcha em frente | 17. Botão de funcionamento para acessórios traseiros (acessório) |
| 2. Pedal de marcha-atrás | 18. Controle do estrangulador (P 524X) |
| 3. Visor | 19. Tomada de alimentação traseira AUX, 12 V (acessório) |
| 4. Tomada de alimentação dianteira AUX, 12 V (acessório) | 20. Válvula de derivação para a transmissão traseira |
| 5. Suporte para copos | 21. Luzes de aviso traseiras (acessório) |
| 6. Punho (acessório) | 22. Suportes da correia |
| 7. Elevação elétrica da plataforma de corte | 23. Carris |
| 8. Botão de funcionamento para acessórios frontais (acessório) | 24. ROPS (Roll Over Protective Structure - Estrutura de proteção contra capotagem) |
| 9. Botão da TDF | 25. Cinto de segurança |
| 10. Chave da ignição | 26. Tampa do depósito de combustível |
| 11. Acelerador | 27. Alavanca de ajuste do banco |
| 12. Interruptor dos faróis | 28. Válvula de derivação para a transmissão dianteira |
| 13. Interruptor da luz de aviso (acessório) | 29. Bloqueio do travão de estacionamento |
| 14. Interruptor da tomada de alimentação, 12 V | 30. Travão de estacionamento |
| 15. Interruptor da tomada de alimentação AUX, 12 V (acessório) | 31. Luz de aviso dianteira (acessório) |
| 16. Tomada de alimentação, 12 V | 32. Ferramenta |

Vista geral do sistema elétrico



1. Visor
2. Botão de funcionamento para elevação da plataforma
3. Botão de funcionamento para acessórios frontais (acessório)
4. Chave da ignição
5. Botão da TDF
6. Interruptor dos faróis
7. Interruptor da luz de aviso (acessório)
8. Interruptor da tomada de alimentação, 12 V
9. Interruptor da tomada de alimentação AUX, 12 V (acessório)
10. Botão de funcionamento para acessórios traseiros (acessório)
11. Controlador do acelerador, EFI (P 524X EFI)
12. Tomada de alimentação, 12 V
13. Relés
14. Unidade de controlo do corta-relva
15. Sensor de temperatura do óleo hidráulico
16. Caixa de controlo
17. Conector de manutenção
18. Interruptor OPC
19. Fusível para alimentação da memória de 12 V para o módulo de controlo do corta-relva, 3 A
20. Bateria
21. Luz de aviso traseira (acessório)

22. Tomada de alimentação traseira AUX, 12 V (acessório)
23. Unidade de controlo, EFI (P 524X EFI)
24. Fusível para elevação da plataforma do atuador elétrico, 30 A
25. Sensor do nível de combustível
26. Elevação da plataforma do atuador elétrico
27. Faróis
28. Tomada de alimentação dianteira AUX, 12 V (acessório)
29. Luz de aviso dianteira (acessório)
30. Interruptor do travão de estacionamento

Tomadas de alimentação

O produto tem as seguintes tomadas de alimentação:

- Tomada de alimentação de 12 V
- Tomada de alimentação dianteira AUX de 12 V (acessório)
- Tomada de alimentação traseira AUX de 12 V (acessório)

Para encontrar os fusíveis para as tomadas de alimentação, consulte *Vista geral dos fusíveis na página 168*.

Para encontrar as tomadas de alimentação, consulte *Vista geral do sistema elétrico na página 138*.

Ligue as tomadas de alimentação utilizando o interruptor de alimentação no painel de controlo.

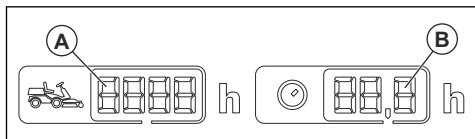
Contador de horas

O produto tem 2 contadores de horas no visor. Os contadores de horas indicam quantas horas de funcionamento o motor tem no total (A) e durante o período de funcionamento (B). O último dígito do contador de horas para o período de funcionamento indica décimos de hora (6 minutos).

O tempo passado com a ignição ligada mas com o motor desligado não é registado.

Nota: O contador de horas total (A) apresenta apenas as horas completas.

Nota: Um período de funcionamento é o tempo que o motor esteve ligado durante 1 dia. Um novo período de funcionamento começa se o motor estiver desligado durante, no mínimo, 6 horas.



Módulo de controlo do corta-relvas

O produto tem um módulo de controlo do corta-relvas que fornece informações sobre o produto ao operador. As informações são apresentadas no visor do painel de instrumentos. Consulte *Visor na página 141*.

O módulo de controlo do corta-relvas permite que o revendedor de assistência estabeleça ligação ao produto aquando da assistência.

Husqvarna Connect

O produto dispõe de tecnologia sem fios e pode estabelecer ligação a dispositivos móveis com a aplicação Husqvarna Connect instalada. A Husqvarna Connect é uma aplicação gratuita para o seu dispositivo móvel. A aplicação Husqvarna Connect disponibiliza funções alargadas para o seu produto Husqvarna:

- Função de bloqueio e desbloqueio para evitar o funcionamento não aprovado do produto.
- Informações alargadas sobre o produto.
- Informações sobre, e ajuda relacionada com peças e manutenção do produto.

Husqvarna Fleet Services™

O Husqvarna Fleet Services™, é uma solução em nuvem que disponibiliza ao gestor de frotas comerciais uma visão geral de todos os produtos. Para saber mais sobre o Husqvarna Fleet Services™, consulte www.husqvarna.com.

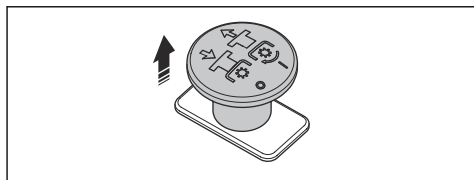
Ligar o produto ao Husqvarna Fleet Services™

1. Transfira a aplicação Husqvarna Fleet Services™ para o seu dispositivo móvel.
2. Inicie sessão na aplicação Husqvarna Fleet Services™.
3. Siga as instruções sobre como emparelhar o produto com o Husqvarna Fleet Services™.

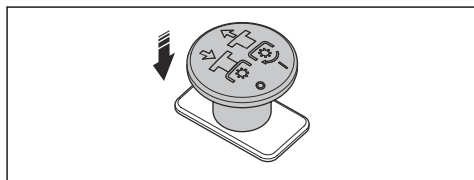
Botão da TDF (tomada de força)

O botão da TDF engata e desengata a embraiagem da TDF e a plataforma de corte ou outro equipamento ligado à mesma. É necessário reunir as condições de arranque corretas para ativar a transmissão das lâminas. Consulte *Verificar as condições de funcionamento na página 148* para obter as condições de arranque corretas.

- Puxe o botão da TDF para ativar a transmissão nas lâminas ou noutro equipamento.



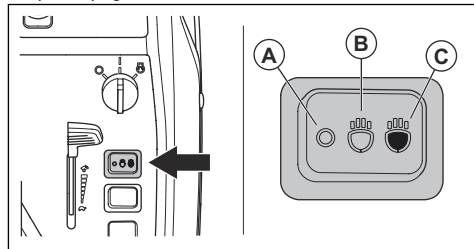
- Prima o botão da TDF para desativar a transmissão nas lâminas ou noutro equipamento.



Faróis

O farol dispõe de luz de trabalho e farol de máximos.

- Coloque o interruptor de alimentação na posição (A) para apagar as luzes.

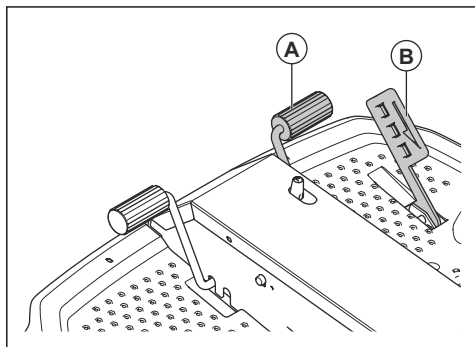


- Coloque o interruptor de alimentação na posição (B) para acender a luz de trabalho.
- Coloque o interruptor de alimentação na posição (C) para acender o farol de máximos e a luz de trabalho.

A luz de trabalho permanece acesa durante 3 minutos após a chave de ignição ser colocada na posição STOP. Quando os faróis estão ligados, o visor apresenta o símbolo de farol. Consulte *Visor na página 141*.

Pedais de marcha em frente e marcha-atrás

A velocidade é gradualmente ajustada com os 2 pedais. O pedal esquerdo (A) é utilizado para a marcha em frente e o pedal direito (B) é utilizado para a marcha-atrás. O produto trava quando liberta os pedais.



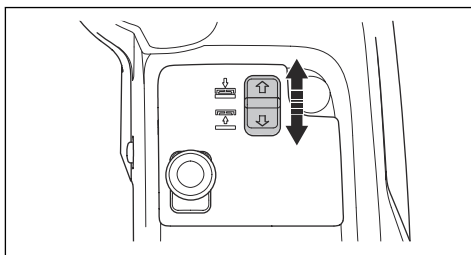
Interrutor da elevação elétrica da plataforma de corte

O interruptor controla a elevação elétrica. Utilize a elevação elétrica para elevar e baixar a plataforma de corte para a posição correta.

O interruptor não tem uma posição definida. Puxe o interruptor da elevação elétrica para trás para elevar a plataforma de corte. Empurre o interruptor da elevação elétrica para a frente para descer a plataforma de

corte. A plataforma de corte pode ser sempre elevada e descida quando a chave de ignição estiver na posição LIGADA.

A plataforma de corte deve estar sempre na posição de flutuação ao cortar a relva. A posição de flutuação permite que a plataforma de corte acompanhe os diferentes níveis do solo.



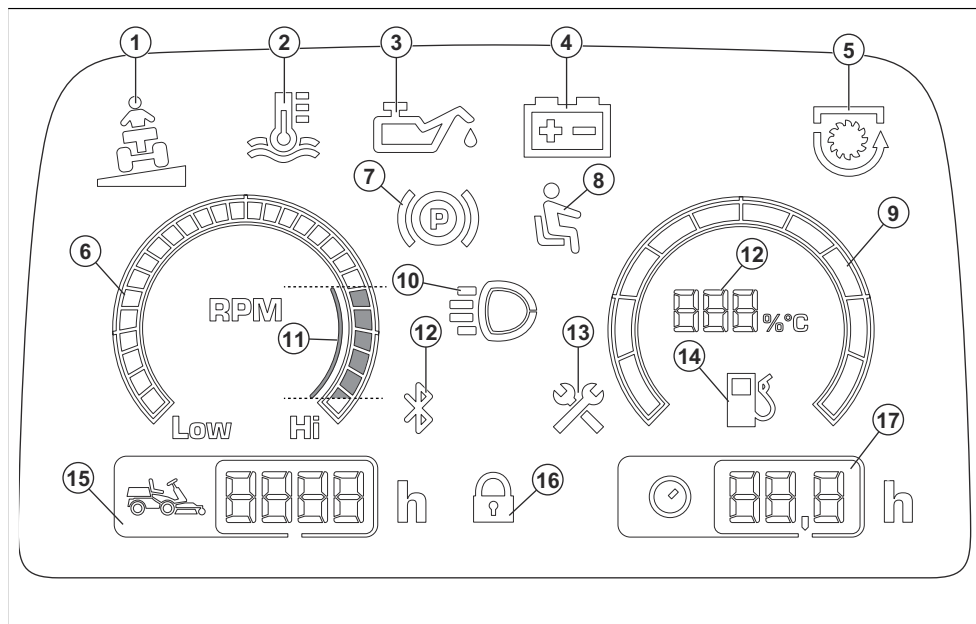
Plataforma de corte

As plataformas de corte deste produto são plataformas de corte Combi e uma plataforma de corte R137. As plataformas de corte também estão disponíveis como modelos X, que lhe permitem ajustar a altura de corte a partir do painel de controlo. Consulte *Especificações técnicas na página 195*.

As plataformas de corte funcionam com um tampão de trituração ou com descarga traseira. Quando as plataformas de corte são utilizadas com o tampão de trituração, a relva é cortada em pedaços mais pequenos que se tornam em fertilizante para o relvado. Quando o tampão de trituração é removido, as plataformas de corte descarregam a relva para trás. As plataformas de corte Combi foram especialmente concebidas para utilização com tampão de trituração, enquanto a plataforma de corte R137 foi especialmente concebida para descarga traseira.

Visor

O visor no painel de instrumentos mostra informações do estado do produto.



1. Indicador de declive
2. Indicador da temperatura do óleo da transmissão
3. Indicador de pressão do óleo de motor
4. Indicador de nível da bateria
5. Luz indicadora PTO
6. Conta-rotações
7. Indicador do travão de estacionamento
8. Controlo de presença do utilizador (OPC)
9. Indicador de nível de combustível
10. Indicador de luz de trabalho ou faróis de máximos
11. RPM recomendadas do motor quando utiliza o produto
12. Bluetooth®
13. Indicador de assistência
14. Indicador de nível de combustível medido em incrementos de 5%

Nota: Se o indicador da temperatura do óleo da transmissão estiver ligado, o indicador de nível de combustível apresenta a temperatura do óleo da transmissão.

15. Contador de horas. Tempo total de funcionamento em horas.
16. Bloqueio digital
17. Contador de horas. Horas/dia de trabalho.

Nota: O aspeto do visor pode variar em modelos diferentes.

Nota: Quando a chave de ignição é rodada da posição STOP para a posição ON, todos os símbolos se acendem durante um curto período de tempo. Depois disso, apenas os símbolos em funcionamento permanecem acesos.

Símbolos no produto



AVISO: Seja cuidadoso e utilize o produto corretamente. Este produto pode provocar ferimentos graves ou a morte do utilizador ou terceiros.



Leia o manual do utilizador com atenção e certifique-se de que compreende as instruções antes de utilizar este produto.



Lâminas rotativas. Mantenha as partes do seu corpo afastadas da cobertura quando o motor estiver ligado.



Aviso: peças rotativas. Mantenha as partes do seu corpo afastadas.



Aviso: risco de ferimentos por esmagamento.



Aviso: risco de ferimentos por esmagamento. Os braços de elevação deslocam-se com muita força; mantenha as partes do seu corpo afastadas.



Tenha cuidado com objetos projetados e ricochetes.



Superfície quente.



Mantenha as outras pessoas afastadas.



Olhe para trás antes e enquanto desloca o produto para trás.



Nunca corte relva ao longo de um declive. Não corte relva em terrenos com um declive superior a 10°. Consulte *Cortar relva em declives na página 148*.



Não permita a presença de passageiros no produto ou equipamento.



Risco de capotamento.



Marcha em frente.



Marcha-atrás.



Pedal do travão de estacionamento.



Travão de estacionamento.



Este produto está em conformidade com as diretivas aplicáveis da CE.



Este produto está em conformidade com os regulamento aplicáveis do Reino Unido.



Emissão de ruído para a etiqueta ambiental de acordo com as diretivas e regulamentos da União Europeia e do Reino Unido e o regulamento "Protection of the Environment Operations (Noise Control) Regulation 2017" (regulamento de proteção de operações no meio ambiente [controlo do ruído] de 2017) da Nova Gales do Sul. O nível de potência sonora garantido do produto está especificado nas *Especificações técnicas na página 195* e na etiqueta.



Utilize sempre protetores acústicos aprovados.



Desligue o motor e remova o cabo da vela de ignição antes de realizar tarefas de reparação ou manutenção.



Motor desligado.



Motor ligado.



Arranque do motor.



Velocidade do motor – rápida.



Velocidade do motor – lenta.



Estrangulador P 524X.



Combustível.



Máx. 10% de etanol.



Posição de transporte da plataforma de corte.



Posição de funcionamento da plataforma de corte.



Puxe o botão da TDF.



Prima o botão da TDF.



AUX para a saída de potência traseira.



AUX para a saída de potência dianteira.



Nível do óleo.



Código para leitura.



A força vertical máxima permitida na barra de reboque está especificada em *Especificações técnicas na página 195* e na etiqueta.



A força horizontal máxima permitida na barra de reboque está especificada em *Especificações técnicas na página 195* e na etiqueta.



Não utilize o cinto de segurança se a ROPS estiver desengatada.



Utilize sempre o cinto de segurança se a ROPS estiver engatada.



Nota: Os restantes símbolos/autocolantes existentes no produto dizem respeito a requisitos para homologação em algumas áreas comerciais.

Etiqueta de tipo

1 Husqvarna Identity (HID) XXXXXXXXXXXXXXXXXXXXXXXXXXXXXXXX
 2 Model XXXXXX Prod year XXXX Nominal power XX, XkW
 3 PNC XXXXXXXXX Serial number XXXXXXXXXXXXX
 4 QR code
 5 HUSQVARNA AB SE-601 82 HUSKVARNA, SWEDEN
 6 UK CA CE
 7 UK Importer Husqvarna UK Ltd, Preston Road, Co. Durham, DL5 6UP
 8
 9 PNC XXXXXXXXXXXX
 10 Unladen weight XXXkg
 11 Max front axle weight (GAWR) XXXkg
 12 Max rear axle weight (GAWR) XXXkg
 13 Max laden weight (GCWR) XXXXkg
 USA Importer Husqvarna Group, 9335 Harris Corners Pkwy, Suite 500, Charlotte, NC28269, USA

1. Identidade Husqvarna (HID) com número de artigo, fábrica e linha de produção, data, número de sequência e número de controlo
2. Nome do modelo
3. Código de número de produto (PNC)

4. Código para leitura
5. Fabricante e respetivo endereço
6. Ano de produção
7. Potência nominal
8. Número de série com data, ano e semana de produção e número de sequência
9. Código de número de produto (PNC)
10. Peso do produto, sem carga
11. Peso máximo no eixo dianteiro (GAWR)
12. Peso máximo no eixo traseiro (GAWR)
13. Peso máximo com carga (GCWR)

Emissões Euro V



ATENÇÃO: A adulteração do motor anula a aprovação deste produto pela UE.

Danos no produto

Não somos responsáveis por danos no nosso produto se:

- o produto tiver sido incorretamente reparado.
- o produto tiver sido reparado com peças que não sejam do fabricante ou que não sejam aprovadas pelo fabricante.
- o produto tiver um acessório que não seja do fabricante ou que não seja aprovado pelo fabricante.
- o produto não tiver sido reparado por um centro de assistência autorizado ou por uma autoridade aprovada.

Segurança

Definições de segurança

Os avisos, as precauções e as notas são utilizados para indicar partes especialmente importantes do manual.



ATENÇÃO: Utilizado no caso de existir risco de ferimento ou morte para o utilizador ou transeuntes, se não forem respeitadas as instruções do manual.



CUIDADO: Utilizado se existir risco de danos para o produto, para outros materiais ou para a área adjacente, se não forem respeitadas as instruções do manual.

Nota: Utilizado para disponibilizar informações adicionais necessárias numa determinada situação.

Instruções de segurança gerais



ATENÇÃO: Este produto pode amputar mãos e pés, e projetar objetos. Se não respeitar as instruções de segurança, tal pode resultar em ferimentos graves ou morte.



ATENÇÃO: Não continue a utilizar o produto com um equipamento de corte danificado. O equipamento de corte danificado pode projetar objetos e causar ferimentos graves ou a morte. Substitua as lâminas danificadas de imediato.

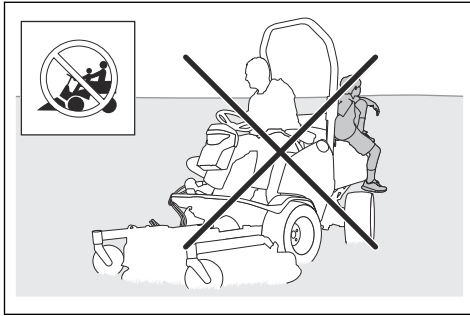


ATENÇÃO: Este produto produz um campo eletromagnético durante o funcionamento. Em determinadas circunstâncias, este campo pode interferir com o funcionamento de implantes médicos ativos ou passivos. Para diminuir o risco de ferimentos graves ou mortais, recomendamos que os portadores de implantes médicos consultem o seu médico e o fabricante do implante antes de utilizar este produto.

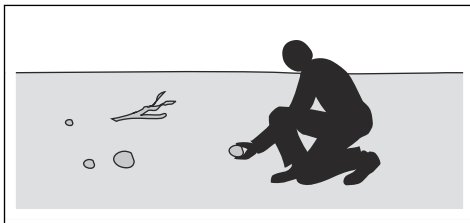


ATENÇÃO: Leia as instruções de aviso que se seguem antes de utilizar o produto.

- Seja sempre cuidadoso e use o seu senso comum. Evite todas as situações que considere estarem para além das suas capacidades. Se não se sentir seguro quanto aos procedimentos de funcionamento após a leitura do manual do utilizador, consulte um especialista antes de continuar.
- Leia e compreenda o manual do utilizador e as instruções presentes no produto com atenção antes de o ligar.
- Aprenda a utilizar o produto e os respetivos controlos em segurança, e saiba como parar o produto rapidamente.
- Aprenda a reconhecer os autocolantes de segurança.
- Mantenha o produto limpo para se certificar de que consegue ler bem os sinais e os autocolantes.
- Tenha em atenção que o utilizador é responsável pelos acidentes que incluam outras pessoas ou a respetiva propriedade.
- Não transporte passageiros. O produto apenas pode ser utilizado por uma pessoa.



- Não deixe o produto sem supervisão com o motor ligado. Pare sempre as lâminas, aplique o travão de estacionamento, pare o motor e retire a chave de ignição antes de deixar a máquina sem supervisão.
- Apenas utilize o produto durante o dia ou em condições de boa iluminação. Mantenha o produto a uma distância de segurança de orifícios ou outras irregularidades no solo. Tenha atenção com outros possíveis riscos.
- Não utilize o produto em condições atmosféricas desfavoráveis, por exemplo, nevoeiro, chuva, localizações molhadas ou com humidade, ventos fortes, frio intenso, risco de trovoadas, etc.
- Procure e marque as pedras e outros objetos fixos para prevenir colisões.
- Retire da área quaisquer objetos como pedras, brinquedos, fios, etc., que possam ficar presos ou ser projetados.



- Não permita a utilização ou a manutenção do produto por crianças ou outras pessoas sem aprovação para utilizar o produto. A legislação local pode regular a idade do utilizador permitida.
- Certifique-se de que ninguém permanece nas imediações do produto quando ligar o motor, ativar a transmissão ou começar a deslocar o produto.
- Esteja atento ao trânsito ao cortar junto a uma estrada ou atravessar uma estrada.
- Não utilize o produto quando estiver cansado, sob o efeito de álcool ou drogas, tiver tomado medicamentos ou outros produtos que possam afetar negativamente a sua visão, atenção, capacidade de discernimento ou o seu controlo físico.
- Não altere o ajuste do controlo da velocidade do motor.

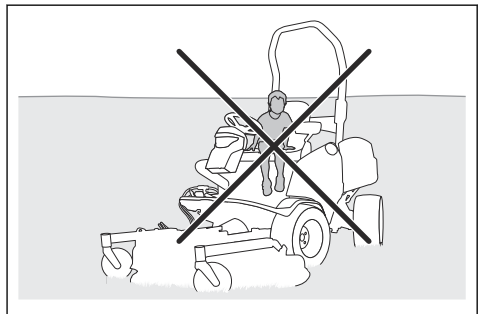
- Estacione sempre o produto numa superfície nivelada com o motor parado.

Instruções de segurança relativamente a crianças



ATENÇÃO: Leia as instruções de aviso que se seguem antes de utilizar o produto.

- Podem ocorrer acidentes graves se não prestar atenção às crianças que se encontram nas proximidades do produto. As crianças podem ser atraídas pelo produto e pelo corte da relva. É muito provável que as crianças não se mantenham onde as viu pela última vez.
- Mantenha as crianças afastadas da área a cortar. Certifique-se de que está presente um adulto responsável pelas crianças.
- Mantenha-se vigilante e pare o produto caso se encontrem crianças na zona de trabalho. Tenha muito cuidado perto de cantos, arbustos, árvores ou outros objetos que previnam uma visão clara.
- Antes e durante a deslocação do produto em marcha-atrás, olhe para trás e para baixo para se certificar de que não estão presentes crianças pequenas nas proximidades do produto.
- Não permita o transporte das crianças. Podem cair e sofrer ferimentos graves ou prevenir a realização de manobras seguras do produto.
- Não permita que as crianças operem o produto.



Instruções de segurança para funcionamento



ATENÇÃO: Não toque no motor ou no sistema de escape durante e diretamente após o funcionamento. O motor e o sistema de escape ficam muito quentes durante o funcionamento. Risco de queimaduras, incêndio e danos na propriedade ou nas áreas adjacentes. Ao utilizar o produto, mantenha-se afastado de arbustos e outros objetos.



ATENÇÃO: Leia as instruções de aviso que se seguem antes de utilizar o produto.

- Olhe sempre para baixo e para trás antes e durante as deslocações em marcha-atrás. Esteja atento aos obstáculos de todas as dimensões.
- Diminua a velocidade antes de fazer uma curva.
- Pare as lâminas quando se deslocar em zonas que não irá cortar.



CUIDADO: Leia as instruções de precaução que se seguem antes de utilizar o produto.

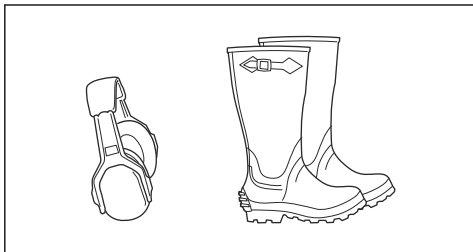
- Antes de utilizar o produto, limpe a relva e a sujidade da admissão de ar frio do motor. Se a admissão de ar frio estiver obstruída, existe o risco de danos no motor.
- Desloque-se com cuidado junto a pedras e outros objetos de maiores dimensões e certifique-se de que as lâminas não embatem nos objetos.
- Não utilize o produto ao longo de objetos. Se utilizar o produto ao longo ou em algum objeto, pare e examine o produto e a plataforma de corte. Se necessário, repare quaisquer danos antes de recomear.

Equipamento de proteção pessoal



ATENÇÃO: Leia as instruções de aviso que se seguem antes de utilizar o produto.

- Utilize equipamento de proteção pessoal aprovado ao utilizar o produto. O equipamento de proteção pessoal não previne totalmente os ferimentos mas diminui a respetiva gravidade em caso de acidente. Obtenha ajuda junto do seu distribuidor para selecionar o equipamento certo.
- Utilize protetores acústicos aprovados. A exposição prolongada a ruídos pode provocar danos auditivos permanentes.
- Use botas ou sapatos antiderrapantes resistentes. Recomenda-se calçado com biqueira de aço. Não use calçado aberto nem ande com os pés descalços.



- Use luvas de proteção sempre que necessário, por exemplo, ao fixar, examinar ou limpar o equipamento de corte.
- Não utilize vestuário largo, joias ou outros itens que possam ficar presos nas peças móveis.
- Mantenha equipamentos de primeiros socorros e um extintor de incêndio por perto.

Dispositivos de segurança no produto



ATENÇÃO: Leia as instruções de aviso que se seguem antes de utilizar o produto.

- Não utilize um produto com dispositivos de segurança danificados ou que não funcionem corretamente. Verifique regularmente os dispositivos de segurança. Se os dispositivos de segurança estiverem danificados, contacte a sua oficina Husqvarna autorizada.
- Não realize modificações aos dispositivos de segurança. Não utilize o produto se as placas de proteção, as coberturas de proteção, os interruptores de segurança e outros dispositivos de proteção não estiverem fixos ou estiverem defeituosos.

Roll Over Protection Structure (ROPS) - Estrutura de proteção contra capotagem

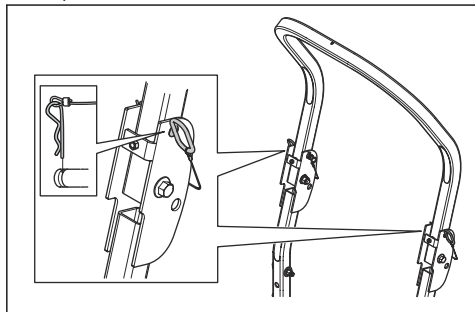
A ROPS é uma estrutura de proteção que diminui o risco de ferimentos em caso de capotagem do produto. Utilize a ROPS e o cinto de segurança quando operar o produto em declives.

Cinto de segurança

O cinto de segurança previne os ferimentos se ocorrerem acidentes ou se o produto capotar. Utilize o cinto de segurança apenas se a ROPS estiver engatada. Certifique-se de que o cinto de segurança está corretamente preso e não está danificado.

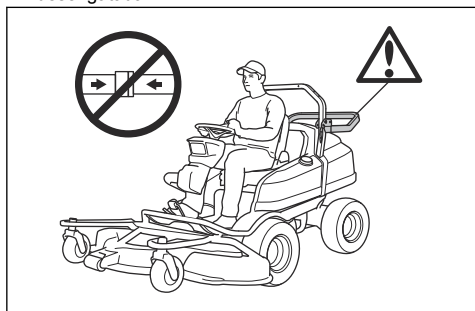
Engatar e desengatar a estrutura de proteção contra capotagem (ROPS)

- Remova os 2 pinos que prendem a ROPS e rebata-a para trás para desengatar. Engate a ROPS na sequência inversa.

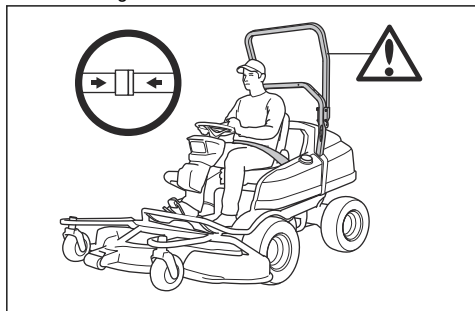


ATENÇÃO: Respeite as seguintes instruções relativas à ROPS e ao cinto de segurança.

- Não utilize o cinto de segurança se a ROPS estiver desengatada.



- Utilize sempre o cinto de segurança se a ROPS estiver engatada.

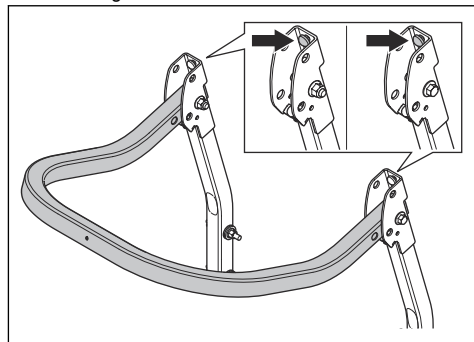


- Certifique-se de que a ROPS está corretamente presa e não está danificada.

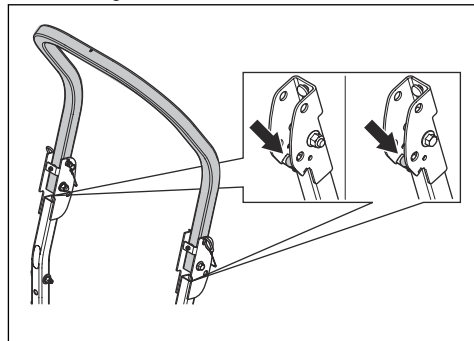
Ajustar as unidades antivibração na ROPS

A ROPS inclui 4 unidades antivibração que impedem a vibração e o ruído proveniente da ROPS.

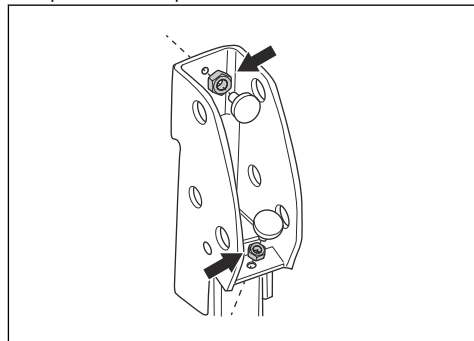
1. Desengate a ROPS. Consulte *Engatar e desengatar a estrutura de proteção contra capotagem (ROPS) na página 147*.
2. Rode as unidades antivibração superiores até não existir folga na ROPS.



3. Engate a ROPS. Consulte *Engatar e desengatar a estrutura de proteção contra capotagem (ROPS) na página 147*.
4. Rode as unidades antivibração inferiores até não existir folga na ROPS.



5. Aperte as contraporcas.



Controlo de presença do operador (OPC)

O OPC é ativado quando o operador se levanta do banco. O indicador do OPC no visor acende-se. O OPC ativa o circuito de segurança. Consulte *Verificar as condições de funcionamento na página 148*.

Realizar uma verificação da chave de ignição

- Ligue e desligue o motor para verificar a chave de ignição. Consulte *Arrancar o motor (P 524X) na página 155 e Parar o motor na página 159*.
- Certifique-se de que o motor arranca quando roda a chave de ignição para a posição START.
- Certifique-se de que o motor para imediatamente quando roda a chave de ignição para a posição STOP.

Verificar as condições de funcionamento

As condições de funcionamento são as seguintes:

- O motor apenas pode ser acionado quando a transmissão das lâminas está desengatada.
- O motor apenas pode ser acionado quando o travão de estacionamento está aplicado.
- A transmissão das lâminas apenas pode funcionar quando o operador se senta no banco.

Verifique diariamente as condições de funcionamento.

1. Tente ligar o motor com a transmissão das lâminas engatada. Se as condições de funcionamento estiverem a funcionar, o motor não arranca.
2. Tente ligar o motor sem o travão de estacionamento aplicado. Se as condições de funcionamento estiverem a funcionar, o motor não arranca.
3. Coloque o motor em funcionamento, engate a transmissão das lâminas e levante-se do banco. Se as condições de funcionamento estiverem a funcionar, as lâminas da plataforma de corte param.

Verificar o pedal de marcha em frente e o pedal de marcha-atrás

1. Ligue o produto.
2. Certifique-se de que o pedal de marcha em frente e o pedal de marcha-atrás não estão bloqueados e podem ser utilizados livremente.
3. Pressione cuidadosamente o pedal de marcha em frente para avançar.
4. Solte o pedal de marcha em frente para travar. Certifique-se de que o travão é engatado quando liberta o pedal de marcha em frente.
5. Efetue o mesmo procedimento para o pedal de marcha-atrás.

Nota: O produto tem uma função de travagem que é ativada automaticamente quando solta os pedais. Para diminuir a velocidade mais rapidamente, carregue no outro pedal.

6. Certifique-se de que o produto não se move quando os pedais de marcha em frente e marcha-atrás não estão engatados.

Travão de estacionamento



ATENÇÃO: Se o travão de estacionamento não funcionar, o produto pode começar a deslocar-se e causar ferimentos ou danos. Certifique-se de que examina e ajusta regularmente o travão de estacionamento.

Consulte *Aplicar e soltar o travão de estacionamento na página 159*.

Silenciador

O silenciador mantém o mais baixo nível de ruído possível e afasta os gases de escape do utilizador.

Não utilize o produto se o silenciador estiver danificado ou estiver em falta. Um silenciador danificado aumenta o nível de ruído e o risco de incêndio.



ATENÇÃO: O silenciador fica muito quente durante e após a utilização e quando o motor funciona ao ralenti. Tenha cuidado junto de materiais inflamáveis e/ou vapores para evitar incêndios.

Verificar o silenciador

- Examine o silenciador regularmente para se certificar de que está bem fixo e não está danificado.

Coberturas de proteção

As coberturas de proteção danificadas ou em falta aumentam o risco de ferimentos em peças móveis ou superfícies quentes. Verifique as coberturas de proteção antes de utilizar o produto. Certifique-se de que as coberturas de proteção estão bem fixas e que não têm fissuras nem outros danos. Substituir as coberturas danificadas.

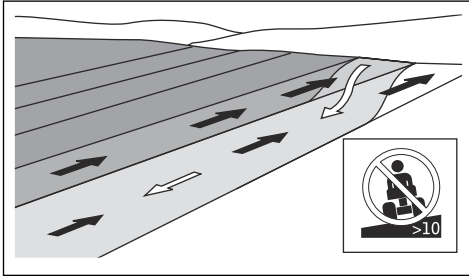
Cortar relva em declives



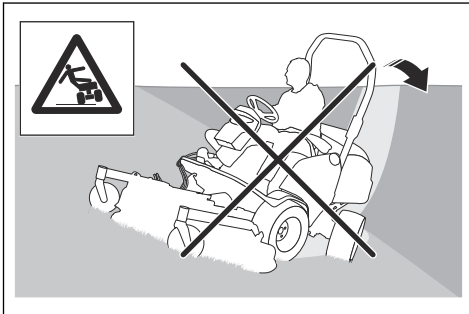
ATENÇÃO: Leia as instruções de aviso que se seguem antes de utilizar o produto.

- Cortar relva em declives aumenta o risco de perda de controlo e de capotamento do produto. Estas ocorrências podem resultar em ferimentos ou morte. É necessário ter cuidado ao cortar relva em todos os declives. Se não conseguir sair de um declive ou se não se sentir em segurança, não corte nesse local.
- Remova pedras, ramos e outros obstáculos.
- Corte a relva a subir e a descer o declive, e nunca de lado a lado.

- Não corte um declive a descer com a bancada de corte levantada.
- Não utilize o produto em terrenos com um declive superior a 10°.



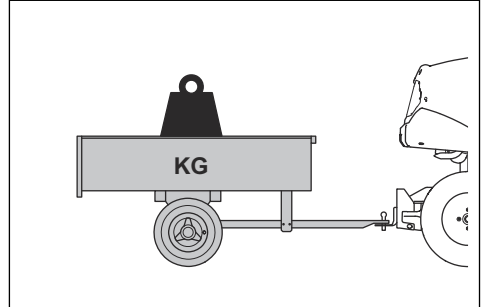
- Não arranque nem pare num declive.
- Desloque-se devagar e suavemente em declives.
- Não faça mudanças súbitas de velocidade ou de direção.
- Não vire mais do que o necessário. Vire lenta e gradualmente ao descer um declive. Desloque-se a baixa velocidade. Vire o volante com cuidado.
- Tenha atenção para não se deslocar sobre trincheiras, orifícios e lombas. Existe um risco mais elevado de capotamento do produto num piso desnivelado. A relva longa pode ocultar obstáculos.
- Não corte a relva próximo de bermas, valas ou inclinações. O produto pode capotar subitamente se uma das rodas se deslocar ao longo da bermas de um declive íngreme ou de uma vala, ou se uma bermas ceder. Se o produto cair em água, existe o risco de afogamento.



- Não corte relva molhada. É escorregadia e os pneus podem perder a aderência, provocando a derrapagem do produto.
- Não coloque o pé no chão para tentar estabilizar o produto.
- Desloque-se com muito cuidado se um acessório ou outro objeto que torne o produto menos estável estiver fixo.

Segurança de reboque

- Utilize apenas equipamento de reboque aprovado pela Husqvarna.
- Utilize a barra de reboque para prender o equipamento.
- Não reboque equipamento mais pesado do que o peso máximo permitido do equipamento de reboque. Consulte *Especificações técnicas* na página 195.



- Certifique-se de que não se encontra mais ninguém perto do produto quando rebocar equipamento.
- Tenha cuidado ao rebocar equipamento em declives ou terreno acidentado.
- Utilize o produto a uma velocidade baixa quando rebocar equipamento.

Segurança no manuseamento do combustível



ATENÇÃO: Tenha cuidado com o combustível. É muito inflamável e pode causar ferimentos e danos na propriedade.



ATENÇÃO: Leia as instruções de aviso que se seguem antes de utilizar o produto.

- Não encha o depósito de combustível no interior.
- A gasolina e os respetivos vapores são venenosos e muito inflamáveis. Tenha cuidado com a gasolina para evitar ferimentos ou incêndios.
- Não retire a tampa do depósito de combustível nem encha o depósito de combustível com o motor em funcionamento.
- Deixe o motor arrefecer antes de voltar a abastecer o combustível.
- Não fume quando estiver a encher o depósito de combustível.
- Não encha o depósito de combustível junto a faíscas ou chamas abertas.
- Se existirem fugas no sistema de combustível, não ligue o motor até que as fugas estejam reparadas.
- Não encha acima do nível de combustível recomendado. Se o depósito estiver demasiado cheio, o calor do motor e o sol faz com que o combustível se expanda e transborde.

- Não encha demasiado. Se derramar combustível no produto, limpe o derrame e aguarde que seque antes de ligar o motor. Se derramar na sua roupa, troque-a.
- Armazene o combustível apenas em recipientes aprovados.
- Armazene o produto e o combustível de forma a não existir o risco de danos causados por fugas ou vapores de combustível.
- Drene o combustível de um recipiente aprovado numa zona exterior e afastado de chamas abertas.

Segurança da bateria



ATENÇÃO: Uma bateria danificada pode causar uma explosão e provocar ferimentos. Se a bateria estiver deformada ou danificada, fale com uma oficina autorizada Husqvarna.



ATENÇÃO: Leia as instruções de aviso que se seguem antes de utilizar o produto.

- Utilize óculos de proteção quando estiver perto de baterias.
- Não utilize relógios, joias ou outros objetos metálicos perto da bateria.
- Mantenha a bateria fora do alcance de crianças.
- Carregue a bateria num espaço com um bom fluxo de ar.
- Ao carregar a bateria, mantenha os materiais inflamáveis a uma distância mínima de 1 m.
- Elimine as baterias substituídas. Consulte o capítulo *Eliminação na página 193*.
- A bateria pode emitir gases explosivos. Não fume perto da bateria. Mantenha a bateria afastada de chamas abertas e faíscas.

Segurança de transporte

- Utilize um veículo de transporte aprovado para o transporte do produto.
- O produto é pesado e pode causar ferimentos graves por esmagamento. Tenha cuidado ao carregá-lo e descarregá-lo de um veículo ou reboque.
- A legislação local ou nacional dos mercados pode limitar o transporte do produto.
- O operador do veículo de transporte é responsável por fixar o produto em segurança durante o transporte. Consulte *Transporte na página 192*.

Instruções de segurança para manutenção



ATENÇÃO: O produto é pesado e pode causar ferimentos ou danos na propriedade ou na área adjacente. Não

efetue a manutenção do motor ou da plataforma de corte sem reunir as seguintes condições:

- O motor está desligado.
- O produto está estacionado numa superfície nivelada.
- O travão de estacionamento encontra-se aplicado.
- A chave de ignição foi removida.
- A plataforma de corte está desengatada.
- Os cabos da ignição foram removidos das velas.



ATENÇÃO: Os gases de escape do motor contêm monóxido de carbono, um gás inodoro, tóxico e altamente perigoso. Não utilize o produto em espaços fechados ou em espaços com um fluxo de ar insuficiente.



ATENÇÃO: Leia as instruções de aviso que se seguem antes de efetuar tarefas de manutenção no produto.

- Para obter o melhor desempenho e segurança, efetue regularmente a manutenção do produto, de acordo com o esquema de manutenção. Consulte *Esquema de manutenção na página 161*.
- Os choques elétricos podem causar ferimentos. Não toque nos cabos com o motor em funcionamento. Não efetue um teste de funcionamento no sistema de ignição com os seus dedos.
- Não ligue o motor se as coberturas de proteção tiverem sido removidas. Existe um risco elevado de ferimentos causados por peças quentes ou em movimento.
- Deixe o produto arrefecer antes de efetuar a manutenção perto do motor.
- As lâminas são afiadas e podem causar cortes. Coloque proteções contra o vento em redor das lâminas ou utilize luvas de proteção quando trabalhar nas mesmas.
- Coloque sempre a plataforma de corte na posição de manutenção para efetuar a respetiva limpeza. Não estacione o produto perto da bermagem de uma vala ou de um declive para ter acesso à plataforma de corte.



CUIDADO: Leia as instruções de precaução que se seguem antes de utilizar o produto.

- Não inverta o motor se a vela de ignição ou o cabo de ignição tiverem sido removidos.
- Certifique-se de que aperta corretamente todos os parafusos e porcas, e que o equipamento está em bom estado.

- Não faça alterações ao ajuste dos reguladores. Se a velocidade do motor for demasiado elevada, os componentes do produto ficar danificados. Consulte *Especificações técnicas na página 195* para saber qual é a velocidade máxima permitida do motor.
- O produto é apenas aprovado com o equipamento fornecido ou recomentado pelo fabricante.



ATENÇÃO: Não toque nas mangueiras hidráulicas. O fluido hidráulico pressurizado pode escapar e causar danos na pele.

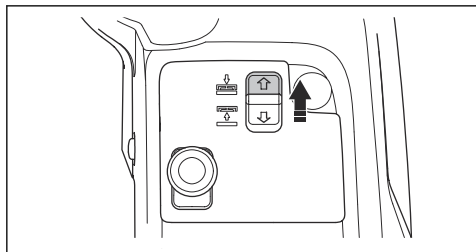
Montagem

Fixar a plataforma de corte

Nota: Para os modelos C112X, C122X, R137X com plataforma de corte: antes de poder fixar uma plataforma de corte do modelo X, tem de instalar um kit de tomada de alimentação AUX dianteira (acessório).

Nota: Certifique-se de que a plataforma de corte e o produto se encontram numa superfície nivelada antes de fixar a plataforma de corte.

1. Utilize cuidadosamente o produto até que este se encontre em frente à plataforma de corte.
2. Prima o interruptor da elevação elétrica para baixar a plataforma de corte. Baixe totalmente a plataforma de corte até ouvir um som.

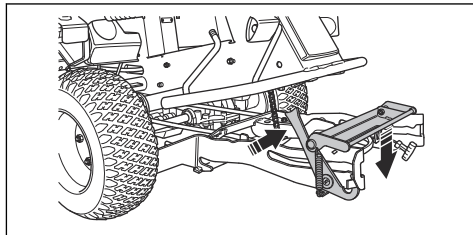


CUIDADO: Mantenha o interruptor premido durante, no mínimo, 2 segundos após a plataforma de corte tocar no solo. Isto serve para garantir que a plataforma de corte está na posição de flutuação.

Nota: O som proveniente do túnel da estrutura não significa que o produto esteja avariado.

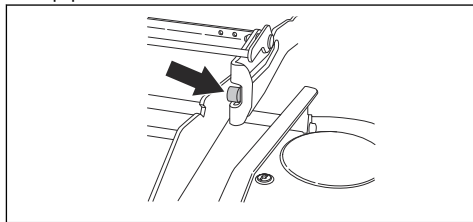
3. Aplique o travão de estacionamento.
4. Desligue o motor.

5. Empurre a estrutura do equipamento para baixo. Levante o bloqueio da estrutura do equipamento até à posição vertical.

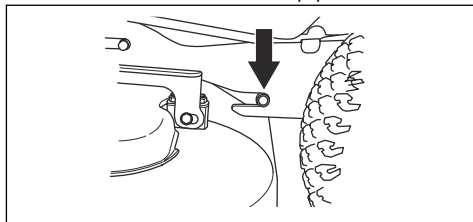


ATENÇÃO: O mecanismo de bloqueio pode causar ferimentos nos dedos se não o operar com cuidado. Segure na extremidade dianteira da plataforma de corte com as duas mãos ao continuar para o passo seguinte.

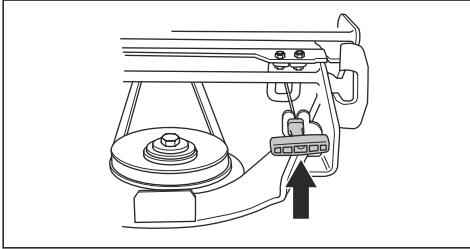
6. Empurre a plataforma de corte para a estrutura do equipamento. Certifique-se de que os pinos de guia dianteiros passam nas ranhuras da estrutura do equipamento. O bloqueio da estrutura do equipamento solta-se automaticamente.



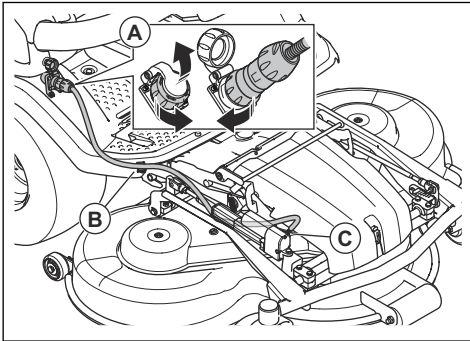
7. Empurre a plataforma de corte para dentro até que os pinos de guia traseiros toquem na parte inferior das ranhuras da estrutura do equipamento.



8. Coloque a correia da transmissão em redor da polia de transmissão da plataforma de corte.
9. Coloque a pega da mola no suporte da mola.



10. Fixe a cobertura dianteira.
11. Para os modelos C112X, C122X, R137X com plataforma de corte:



- a) Ligue o cabo à tomada (A).
- b) Fixe o cabo ao grampo do cabo (B) na placa de base para o pé.



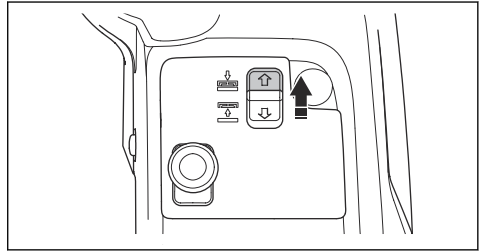
CUIDADO: Certifique-se de que o cabo está na posição correta abaixo do acionador (C) e de que não é comprimido quando coloca a plataforma de corte na posição de corte. Consulte *Colocar a plataforma de corte na posição de corte na página 173*.

12. Verifique a posição paralela da plataforma de corte. Consulte *Verificar a posição paralela da bancada de corte na página 174*.

Remover a plataforma de corte

1. Estacione o produto num piso nivelado.
2. Aplique o travão de estacionamento.
3. Para os modelos C112X, C122X, R137X com plataforma de corte: Defina a altura de corte para a posição mais baixa. Consulte *Ajustar a altura de corte (C112X, C122X, R137X) na página 159*.

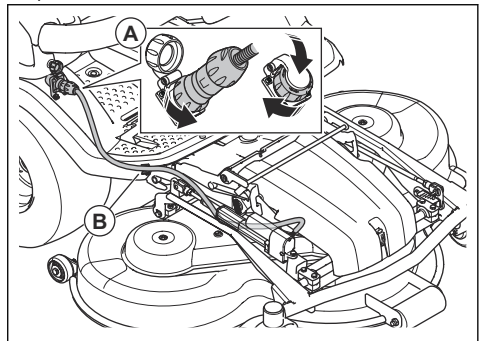
4. Prima o interruptor da elevação elétrica para baixar a plataforma de corte. Baixe totalmente a plataforma de corte até ouvir um som.



CUIDADO: Mantenha o interruptor premido durante, no mínimo, 2 segundos após a plataforma de corte tocar no solo. Isto serve para garantir que a plataforma de corte está na posição de flutuação.

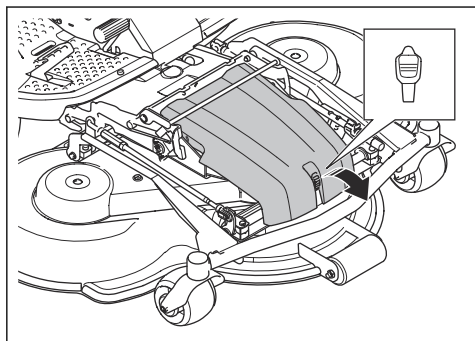
Nota: O som proveniente do túnel da estrutura não significa que o produto esteja avariado.

5. Desligue o motor.
6. Coloque a chave de ignição na posição neutra.
7. Para os modelos C112X, C122X, R137X com plataforma de corte:



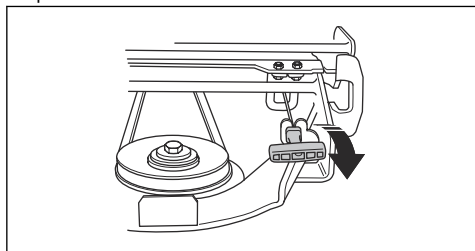
- a) Desligue o cabo da tomada de alimentação (A).
- b) Remova o cabo do grampo do cabo (B) na placa de base para o pé.

8. Solte o grampo da cobertura dianteira com a ferramenta que está presa à chave de ignição e remova a cobertura.

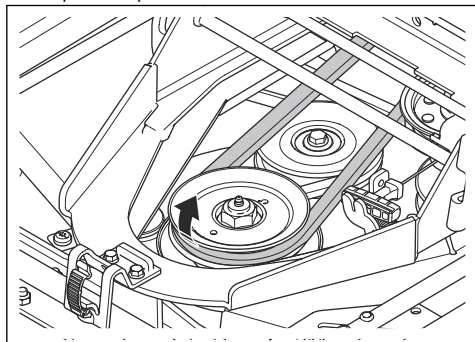


9. Para os modelos C112, C122, R137 com plataforma de corte: Defina a altura de corte para a posição mais baixa. Consulte *Ajustar a altura de corte (C112, C122, R137)* na página 158.

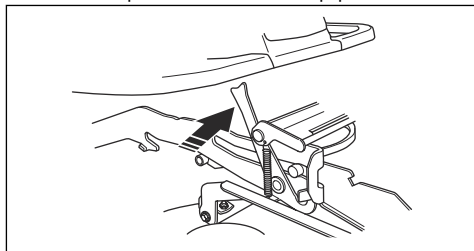
10. Puxe a pega da mola para fora do suporte da mola para aliviar a tensão da correia da transmissão.



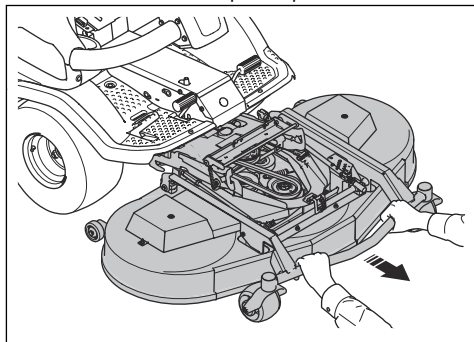
11. Remova a correia da transmissão e coloque-a no respectivo suporte.



12. Segure na extremidade dianteira da plataforma de corte com as 2 mãos e puxe-a para fora.
13. Baixe totalmente a plataforma de corte.
14. Abra o bloqueio da estrutura do equipamento.



15. Segure na extremidade dianteira da plataforma de corte com as 2 mãos e puxe-a para fora.



ATENÇÃO: Risco de ferimentos por esmagamento; mantenha as partes do corpo afastadas.

Funcionamento

Introdução



ATENÇÃO: Antes de utilizar o produto, tem ler e compreender o capítulo sobre segurança.

Começar a utilizar Husqvarna Connect

1. Transfira a aplicação Husqvarna Connect para o seu dispositivo móvel.
2. Registe-se na aplicação Husqvarna Connect.
3. Siga os passos das instruções na aplicação Husqvarna Connect para ligar e registar o produto.

Encher o depósito de combustível



ATENÇÃO: A gasolina é muito inflamável. Tenha o cuidado de abastecer no exterior (consulte a secção *Segurança no manuseamento do combustível na página 149*).



ATENÇÃO: Não utilize o depósito de combustível como área de suporte.

O motor funciona com gasolina sem chumbo com índice de octanas mínimo de 95 (não misturada com óleo). Recomendamos a utilização de gasolina biodegradável com base em alquilatos (máx. 5% de metanol, máx. 10% de etanol, máx. 15% de MTBE).

Verifique o nível de combustível antes de cada utilização e volte a encher, se necessário.

Pode ver claramente o nível de combustível no depósito de combustível. Não encha demasiado. Mantenha um espaço mínimo de 2,5 cm.

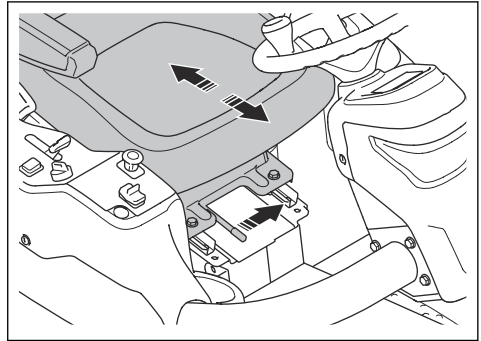
Ajustar o banco



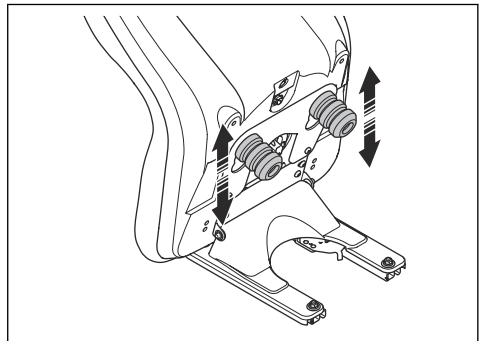
ATENÇÃO: Não ajuste o banco durante o funcionamento do produto.

O banco pode ser inclinado para a frente. Também é possível ajustar para a frente e para trás.

- Para ajustar o banco para a frente e para trás, coloque os pés nas placas de base para os pés e empurre a alavanca por baixo da extremidade dianteira do banco para a esquerda. Desloque o banco para a posição correta.

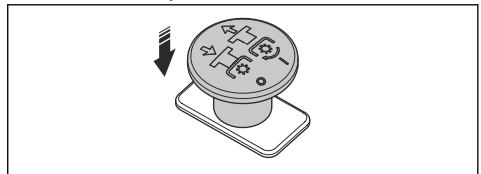


- Para ajustar as molas do banco, desloque os batentes de borracha sob o banco conforme apresentado na ilustração. Coloque os 2 batentes à frente, ao centro ou atrás.

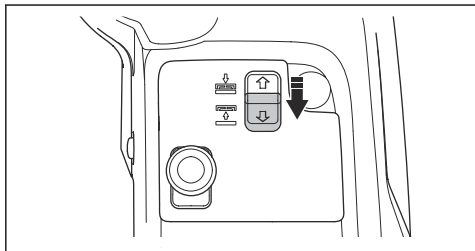


Elevar a plataforma de corte

1. Prima o botão da TDF para desengatar a transmissão da plataforma de corte.



2. Puxe o interruptor da elevação elétrica para elevar a plataforma de corte. Eleve totalmente a plataforma de corte até ouvir um som.



Nota: O som proveniente do túnel da estrutura não significa que o produto esteja avariado.

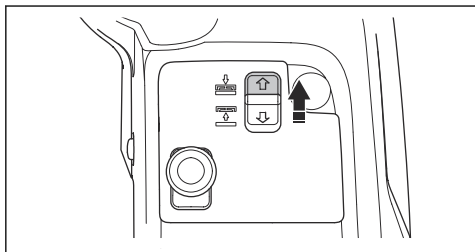
Nota: Pode elevar ligeiramente a plataforma de corte com a transmissão engatada nas lâminas. Utilize esta função para relva muito alta ou superfícies acidentadas.



ATENÇÃO: Não eleve totalmente a plataforma de corte enquanto a transmissão da plataforma de corte estiver engatada. Existe o risco de objetos projetados causarem ferimentos graves ou morte.

Descer a plataforma de corte

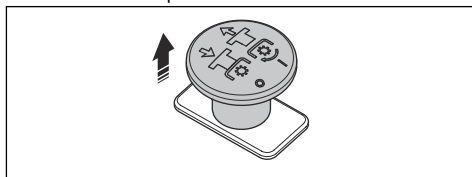
1. Prima o interruptor da elevação elétrica para baixar a plataforma de corte. Baixe totalmente a plataforma de corte até ouvir um som.



CUIDADO: Mantenha o interruptor premido durante, no mínimo, 2 segundos após a plataforma de corte tocar no solo. Isto serve para garantir que a plataforma de corte está na posição de flutuação.

Nota: O som proveniente do túnel da estrutura não significa que o produto esteja avariado.

2. Puxe o botão da TDF para engatar a transmissão nas lâminas da plataforma de corte.

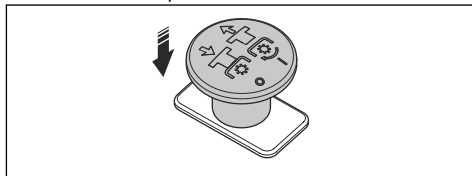


Antes de utilizar o produto

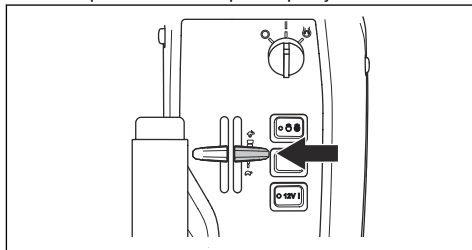
1. Leia o manual do utilizador com atenção e certifique-se de que compreende as instruções.
2. Vista o equipamento de proteção pessoal necessário. Consulte *Equipamento de proteção pessoal na página 146*.
3. Certifique-se de que se encontram na área de trabalho apenas pessoas autorizadas.
4. Efetue a manutenção diária. Consulte *Esquema de manutenção na página 161*.
5. Certifique-se de que o produto está corretamente montado e de que não está danificado.

Arrancar o motor (P 524X)

1. Aplique o travão de estacionamento.
2. Prima o botão da TDF para desengatar a transmissão da plataforma de corte.

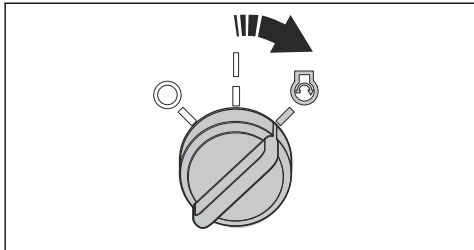


3. Desloque o acelerador para a posição intermédia.

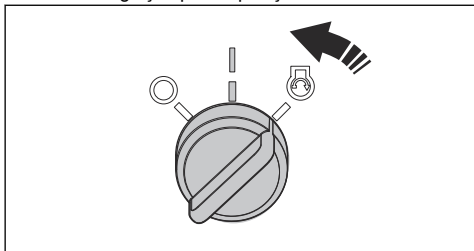


4. Se o motor estiver frio, desloque o controlo do estrangulador totalmente para trás.

5. Rode a chave de ignição para a posição START.

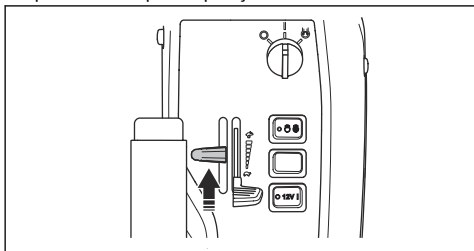


6. Quando o motor arrancar, solte imediatamente a chave de ignição para a posição neutra.



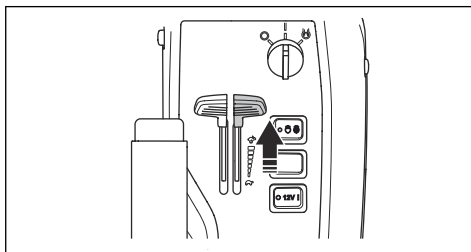
CUIDADO: Não utilize o dispositivo de arranque durante mais de 5 segundos de cada vez. Se o motor não arrancar, aguarde 15 segundos antes de tentar novamente.

7. Empurre gradualmente o controlo do estrangulador para a frente para a posição final.



8. Deixe o motor trabalhar na aceleração intermédia durante 3 a 5 minutos antes de aplicar uma carga pesada.

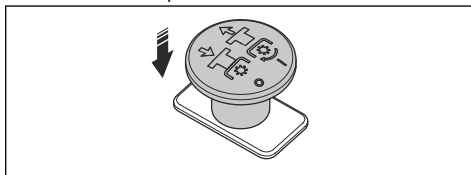
9. Empurre o acelerador para a posição aceleração total.



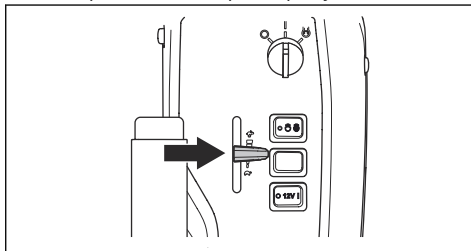
CUIDADO: Ativar as lâminas quando o motor está em velocidade máxima causa esforço nas correias da transmissão. Não aplique a aceleração total até que a plataforma de corte seja descida para a posição de corte.

Arrancar o motor (P 524X EFI)

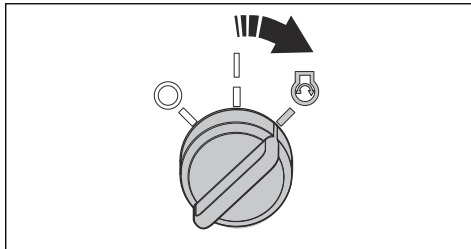
1. Aplique o travão de estacionamento.
2. Prima o botão da TDF para desengatar a transmissão da plataforma de corte.



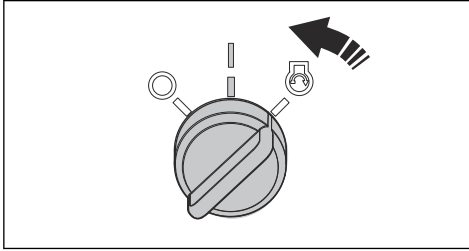
3. Desloque o acelerador para a posição intermédia.



4. Rode a chave de ignição para a posição START.

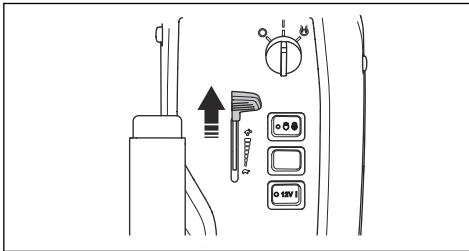


5. Quando o motor arrancar, solte imediatamente a chave de ignição para a posição neutra.



CUIDADO: Não utilize o dispositivo de arranque durante mais de 5 segundos de cada vez. Se o motor não arrancar, aguarde 15 segundos antes de tentar novamente.

6. Deixe o motor trabalhar na aceleração intermédia durante 3 a 5 minutos antes de aplicar uma carga pesada.
7. Empurre o acelerador para a posição aceleração total.

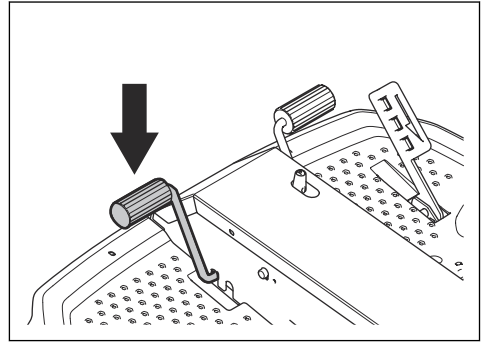


CUIDADO: Ativar as lâminas quando o motor está em velocidade máxima causa esforço nas correias da transmissão. Não aplique a aceleração total até que a plataforma de corte seja descida para a posição de corte.

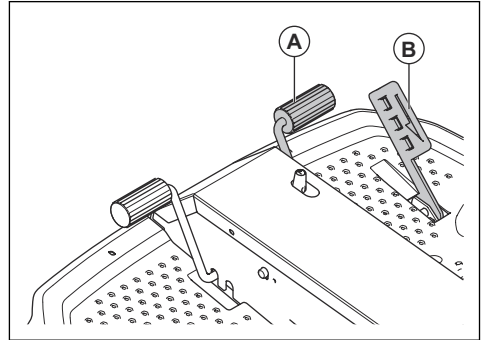
Utilizar o produto

1. Certifique-se de que as válvulas de derivação estão fechadas. Consulte *Desengatar a transmissão hidrostática na página 160*.
2. Ligue o motor.

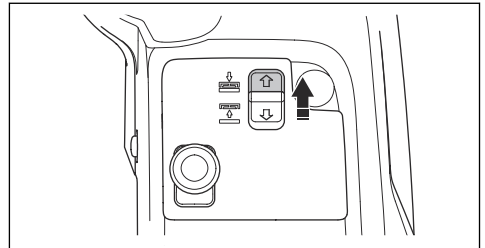
3. Pressione o pedal do travão de estacionamento e, em seguida, solte-o para desengatar o travão de estacionamento.



4. Pressione um dos pedais de velocidade com cuidado. A velocidade aumenta proporcionalmente à pressão aplicada no pedal. Utilize o pedal (A) para a marcha em frente e o pedal (B) para a marcha-atrás.



5. Solte o pedal para travar. Para aplicar mais força na travagem, pressione o outro pedal de aceleração.
6. Selecione a altura de corte. Consulte *Ajustar a altura de corte (C112, C122, R137) na página 158* ou *Ajustar a altura de corte (C112X, C122X, R137X) na página 159*.
7. Prima o interruptor da elevação elétrica para baixar a plataforma de corte. Baixe totalmente a plataforma de corte até ouvir um som.

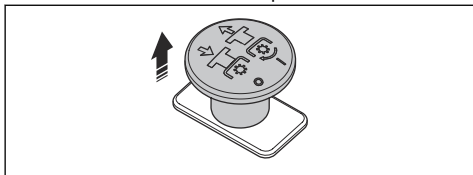




CUIDADO: Mantenha o interruptor premido durante, no mínimo, 2 segundos após a plataforma de corte tocar no solo. Isto serve para garantir que a plataforma de corte está na posição de flutuação.

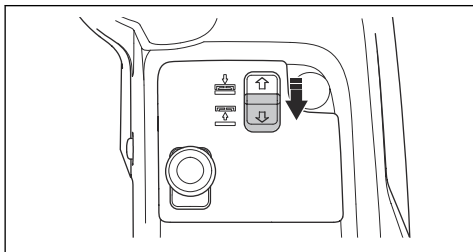
Nota: O som proveniente do túnel da estrutura não significa que o produto esteja avariado.

8. Puxe o botão PTO para fora para engatar a transmissão nas lâminas da plataforma de corte.



Ajustar a altura de corte (C112, C122, R137)

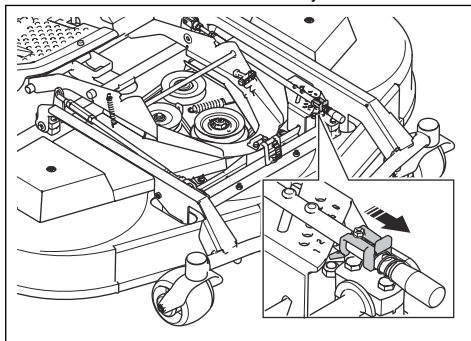
1. Puxe o interruptor da elevação elétrica para elevar a plataforma de corte. Eleve totalmente a plataforma de corte até ouvir um som.



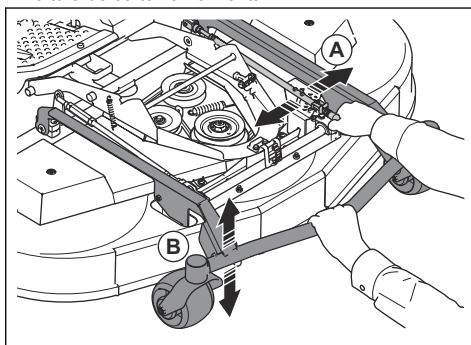
Nota: O som proveniente do túnel da estrutura não significa que o produto esteja avariado.

2. Aplique o travão de estacionamento.
3. Rode a chave de ignição para a posição STOP.

4. Empurre e segure a placa de bloqueio na direção da parte dianteira da plataforma de corte. Puxe e eleve a alavanca de ajuste da altura de corte com a mão direita. Não solte a alavanca de ajuste.



5. Segure a estrutura do equipamento (B) com a mão esquerda. Eleve ou desça a plataforma de corte enquanto desloca a alavanca de ajuste (A) para a altura de corte na horizontal.



6. Solte a alavanca de ajuste da altura de corte num dos orifícios da placa de ajuste.
7. Solte a estrutura do equipamento.

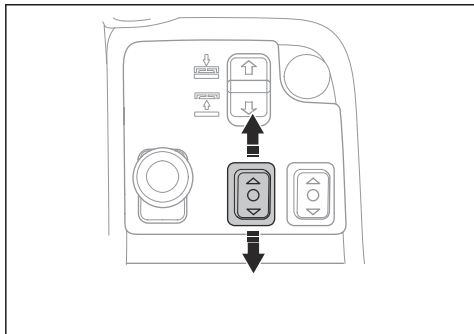
Nota: Consulte a tabela abaixo para saber qual a altura de corte aproximada que corresponde a cada número.

Número	Altura de corte, mm	
Plataforma de corte	C112, C122	R137
1 (S) Posição de manutenção, posição mais baixa	25	35
2	35	50
3	45	60
4	55	75
5	65	90

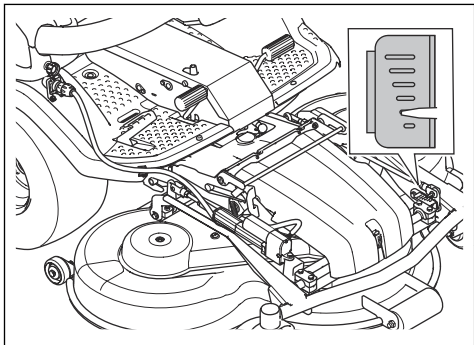
Número	Altura de corte, mm	
6	75	100

Ajustar a altura de corte (C112X, C122X, R137X)

- Prima a parte superior do botão de função esquerdo para os acessórios dianteiros para diminuir a altura de corte. Prima a parte inferior do botão de função esquerdo para os acessórios dianteiros para aumentar a altura de corte.



As marcas na plataforma de corte mostram a posição da altura de corte selecionada.



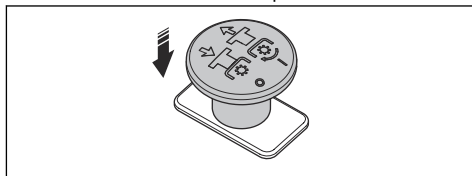
Nota: Consulte a tabela abaixo para saber qual a altura de corte aproximada que corresponde a cada marca.

Marcas	Altura de corte, mm	
Plataforma de corte	C112X, C122X	R137X
	75	100
	65	90
	55	75

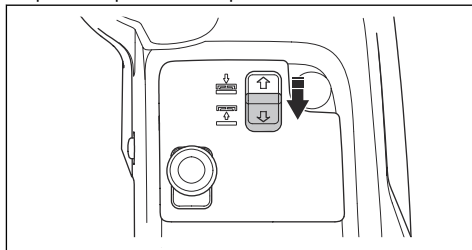
Marcas	Altura de corte, mm	
	45	60
	35	50
	25	35

Parar o motor

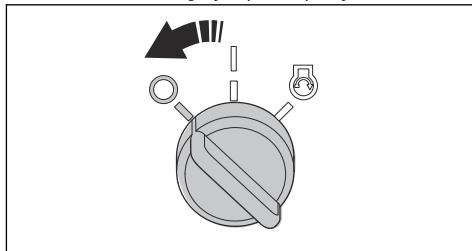
1. Liberte os pedais de aceleração.
2. Prima o botão da TDF para desengatar a transmissão das lâminas da plataforma de corte.



3. Opere o motor à velocidade de ralenti durante 1 minuto para diminuir a temperatura do motor.
4. Puxe a alavanca de elevação da plataforma de corte para trás para elevar a plataforma de corte.



5. Rode a chave de ignição para a posição STOP.

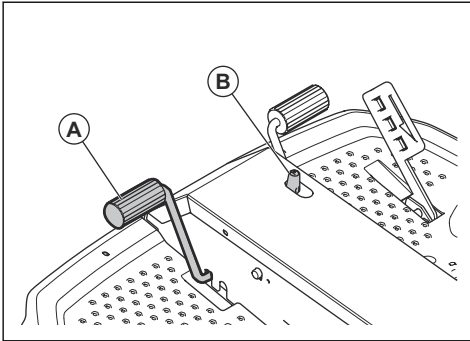


6. Quando o produto parar, aplique o travão de estacionamento.

Aplicar e soltar o travão de estacionamento

1. Pressione o pedal do travão de estacionamento (A).

2. Mantenha premido o botão de bloqueio (B).



3. Mantenha premido o botão e solte o pedal do travão de estacionamento.
4. Para soltar o travão de estacionamento, volte a pressionar o respetivo pedal.

Obter bons resultados de corte

- Para obter o melhor desempenho, efetue regularmente a manutenção do produto, de acordo com o esquema de manutenção. Consulte *Esquema de manutenção na página 161*.
- Não corte um relvado molhado. A relva molhada pode levar a um corte de fraca qualidade.
- Comece com uma altura de corte elevada e diminua-a gradualmente.
- Corte com lâminas a uma velocidade de rotação elevada (para a velocidade máxima permitida do motor, consulte *Especificações técnicas na página 195*). Desloque o produto para a frente a uma velocidade baixa. Se a relva não for muito alta nem muito espessa, pode obter bons resultados de corte também a velocidades mais elevadas.
- Corte a relva num padrão irregular.
- Para obter o melhor resultado de corte, corte a relva com frequência e utilize a função mulch.

Desengatar a transmissão hidrostática

Para mover o produto com o motor desligado, tem de abrir os circuitos hidráulicos na transmissão dianteira e traseira. Isto é feito abrindo as válvulas de derivação nos motores da transmissão.



CUIDADO: O produto não tem travões quando as válvulas de derivação estão

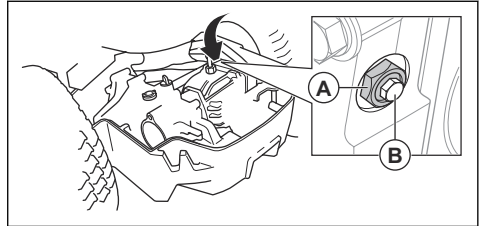
abertas. As válvulas de derivação devem ser fechadas antes de utilizar o produto.



CUIDADO: Não reboque o produto a alta velocidade nem por longas distâncias. Isso irá causar danos nas transmissões.

Transmissão traseira

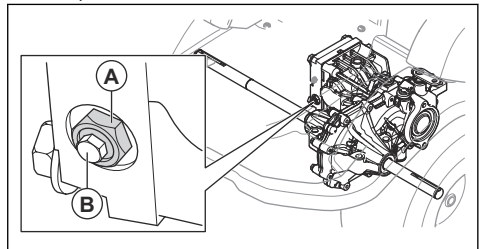
- Para abrir a válvula de derivação, rode a porca de fixação (A) $\frac{1}{4}$ a $\frac{1}{2}$ volta para a esquerda e, em seguida, rode o parafuso da válvula (B) 2 voltas para a esquerda.



- Para fechar a válvula de derivação, aperte o parafuso da válvula (B) a 8 Nm e, em seguida, aperte a porca de fixação (A) a 30 Nm.

Transmissão dianteira

- Para abrir a válvula de derivação, rode a porca de fixação (A) $\frac{1}{4}$ a $\frac{1}{2}$ volta para a esquerda e, em seguida, rode o parafuso da válvula (B) 2 voltas para a esquerda.



- Para fechar a válvula de derivação, aperte o parafuso da válvula (B) a 8 Nm e, em seguida, aperte a porca de fixação (A) a 30 Nm.

Manutenção

Introdução

antes de realizar tarefas de manutenção no produto.



ATENÇÃO: Certifique-se de que leu e compreendeu o capítulo sobre segurança

Esquema de manutenção

Manutenção diária antes da utilização
Certifique-se de que as porcas e os parafusos estão apertados.
Certifique-se de que não existem fugas de óleo nem de combustível.
Limpe o produto.
Limpe as superfícies interiores da plataforma de corte.
Limpe o motor e o silenciador.
Certifique-se de que a admissão de ar frio do motor não está bloqueada.
Certifique-se de que os dispositivos de segurança não estão defeituosos.
Examine as lâminas da plataforma de corte.
Examine a plataforma de corte quanto a danos.
Examine e teste os travões.
Verifique o nível do óleo de motor.
Verifique o nível do óleo da transmissão.
Certifique-se de que o farol de máximos e a luz de trabalho funcionam corretamente.

X = As instruções estão disponíveis neste manual do utilizador.

O = As instruções não estão disponíveis neste manual do utilizador. Solicite a realização da manutenção numa oficina autorizada.

Manutenção	Semanalmente (intervalos de 40 horas)	Após as primei- ras 50 horas	Intervalo de ma- nutenção em horas		
			100	200	400
Certifique-se de que as porcas e os parafusos estão apertados.			O		
Certifique-se de que não existem fugas de óleo nem de combustível.			O		
Limpe o produto.			X		
Certifique-se de que os dispositivos de segurança não estão defeituosos.			X		
Lubrifique de acordo com a descrição geral de lubrificação.	X		X		
Lubrifique a plataforma de corte	X		X		

Manutenção	Semanalmente (intervalos de 40 horas)	Após as primeiras 50 horas	Intervalo de manutenção em horas		
			100	200	400
Certifique-se de que as mangueiras de combustível e os acoplamentos estão limpos e não estão danificados.		O	O		
Examine a bateria de 12 V.	X		X		
Verifique os cabos e ligações elétricos.		O	O		
Examine o cabo do travão de estacionamento e ajuste o travão de estacionamento.			O		
Certifique-se de que os faróis e as luzes de aviso funcionam corretamente (se aplicável).	X		X		
Após o procedimento de limpeza, inspecione visualmente a tensão da correia da bomba.	O		O		
Substitua a correia da bomba.					O
Substitua a correia da TDF.					X
Examine o rolamento da união na unidade articulada.					O
Após o procedimento de limpeza, inspecione visualmente todas as polias.				O	
Inspeção visualmente todos os cabos hidrostáticos com ligações.			O		
Examine os controlos do acelerador e do estrangulador.			O		
Atualize o firmware, se necessário.			O		
Substitua o botão da TDF.	A cada 10 anos O				
Substitua o filtro de óleo hidráulico.		O			O
Substitua o óleo hidráulico.					O
Examine a existência de danos na vela de ignição e certifique-se de que a distância entre os eletrodos está correta.			X		
Limpe o filtro de ar.	X		X		
Substitua o filtro de combustível.		X	X		
Substitua o cartucho do filtro de ar.				X	
Examine o filtro de ar interior.				X	
Substitua o filtro de ar interior.					X
Examine e ajuste a folga das válvulas do motor.				O	
Limpe a superfície da sede da válvula de sobreposição.				O	
Examine o silenciador e o defletor de calor.	X		X		
Substitua o óleo de motor.		X	X		

Manutenção	Semanalmente (intervalos de 40 horas)	Após as primei- ras 50 horas	Intervalo de ma- nutenção em horas		
			100	200	400
Substitua o filtro de óleo do motor.		X		X	
Substitua a vela de ignição.					X
Substitua as mangueiras de combustível.	A cada 5 anos O				
Verifique/ajuste a velocidade das rodas dianteiras e traseiras.			O		
Verifique o nível do óleo da transmissão.	X		X		
Substitua o óleo na transmissão.		O			O
Certifique-se de que a pressão dos pneus está correta.	X		X		
Examine e ajuste as definições da altura de corte.			X		
Substitua a correia da plataforma de corte.					X
Examine a plataforma de corte quanto a danos.			X		
Examine as lâminas da plataforma de corte.			X		

Limpar o produto

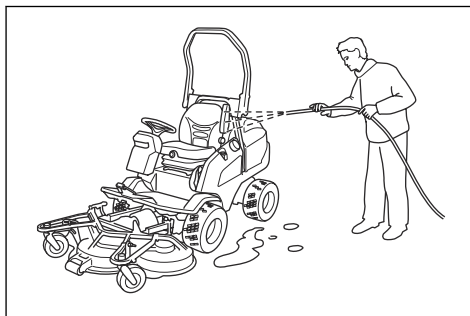


CUIDADO: Não utilize uma máquina de lavar de alta pressão nem uma máquina de limpeza a vapor. A possível entrada de água nos rolamentos e nas ligações elétricas pode causar corrosão, o que danifica o produto.

Limpe o produto imediatamente após cada utilização.

- Não limpe as superfícies quentes como o motor, o silenciador e o sistema de escape. Aguarde até as superfícies arrefecerem e, em seguida, remova a relva ou terra.
- Antes de limpar com água, limpe com uma escova. Retire aparas de relva e sujidade da transmissão, da admissão de ar da transmissão e do motor, e à volta destes.
- Utilize água corrente de uma mangueira para limpar o produto. Não utilize equipamentos de alta pressão.
- Não direcione a água diretamente para os componentes elétricos nem para os rolamentos. Geralmente, o detergente aumenta os danos.
- Para limpar a bancada de corte, coloque-a na posição de manutenção e utilize uma mangueira para a enxaguar com água.
- Quando o produto estiver limpo, ligue a plataforma de corte durante um curto período de tempo para eliminar a água restante.

- Examine todos os pontos de lubrificação e lubrifique conforme necessário. Lubrifique sempre os rolamentos após a limpeza do produto.



Limpar o motor e o silenciador

Mantenha o motor e o silenciador isentos de cortes de relva e terra. Os cortes de relva embebidos em combustível ou óleo no motor podem aumentar o risco de incêndio e de sobreaquecimento do motor. Deixe o motor arrefecer antes de o limpar. Limpe com água e uma escova.

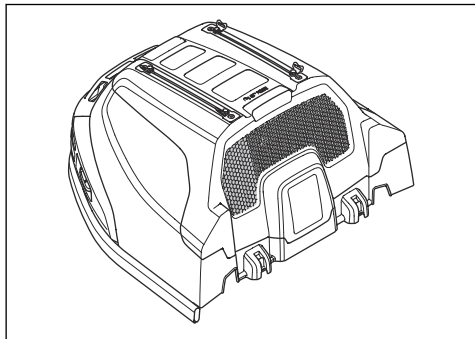
Os cortes de relva em redor do silenciador secam rapidamente e representam um risco de incêndio. Quando o silenciador estiver frio, utilize uma escova ou remova os cortes de relva com água.

Limpar a admissão de ar frio do motor

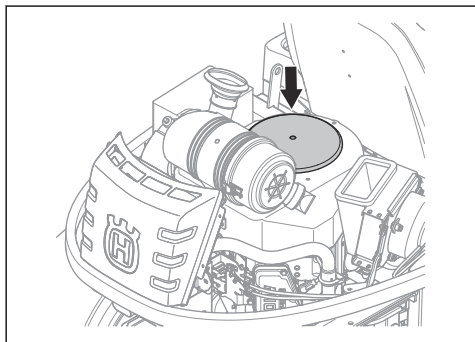


ATENÇÃO: Desligue o motor. A admissão de ar frio roda e pode causar ferimentos nos seus dedos.

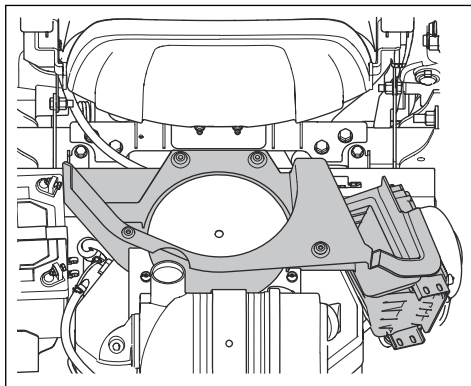
1. Certifique-se de que a grelha de admissão de ar não está obstruída. Remova a relva e a terra com uma escova.



2. Retire a proteção do motor.
3. Certifique-se de que a admissão de ar frio não está obstruída. Remova a relva e a terra com uma escova.

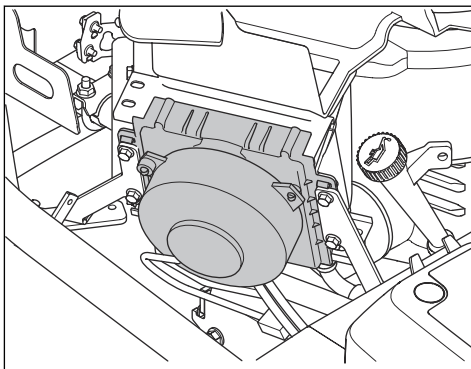


4. Examine a conduta de ar na superfície interior da proteção do motor. Certifique-se de que a conduta de ar está limpa e que não existe fricção entre esta e a admissão de ar frio.



Limpar o refrigerador de óleo hidráulico

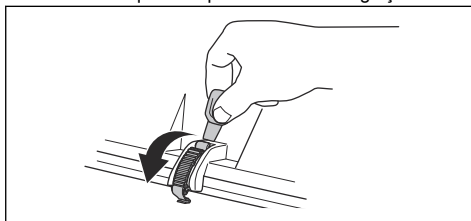
Certifique-se de que a ventoinha do refrigerador de óleo hidráulico não está obstruída e que a área em redor do mesmo está limpa. Remova a relva e a terra com uma escova.



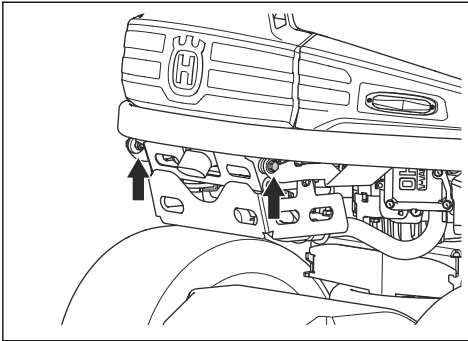
Remover as coberturas

Retirar e instalar a cobertura do motor

1. Rebata o banco para a frente.
2. Solte os 2 grampos da cobertura do motor com a ferramenta que está presa à chave de ignição.



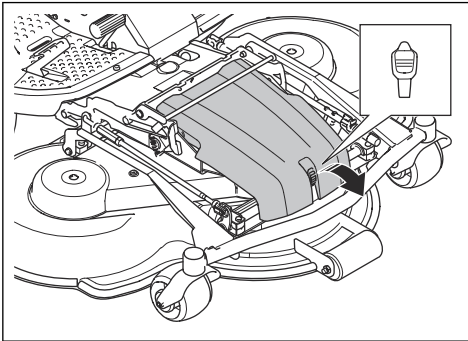
3. Remova os parafusos das dobradiças.



4. Dobre a proteção do motor para trás.
5. Instale na sequência oposta.

Remover a proteção dianteira

1. Solte o grampo da proteção dianteira com a ferramenta que está presa à chave de ignição.

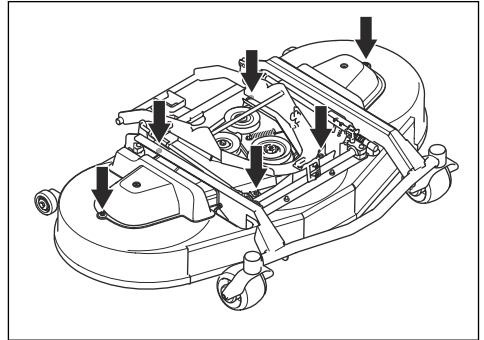


2. Retire a cobertura dianteira.

Remover as coberturas da plataforma de corte (R137, R137X)

1. Defina a altura de corte para a posição mais baixa. Consulte *Ajustar a altura de corte (C112, C122, R137)* na página 158 ou *Ajustar a altura de corte (C112X, C122X, R137X)* na página 159.

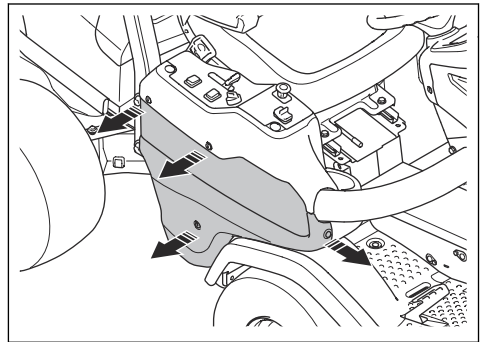
2. Remova os 6 parafusos nas coberturas laterais da plataforma de corte.



3. Remova as coberturas laterais da plataforma de corte.
4. Instale na sequência oposta.

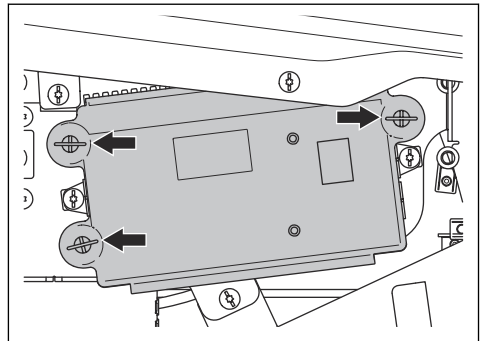
Remover a cobertura do lado direito

1. Remova os 4 parafusos e a cobertura lateral.



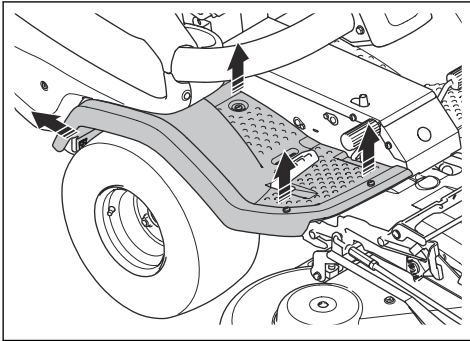
Remover a cobertura da caixa de controlo

1. Rode os 3 parafusos ¼ de volta para a esquerda e remova a cobertura.



Retirar e instalar a placa de base para o pé direito

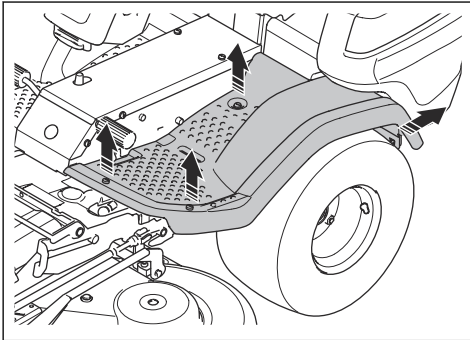
1. Remova o pedal de marcha-atrás.
2. Retire a cobertura do lado direito. Consulte *Remover a cobertura do lado direito na página 165*.
3. Remova os 2 parafusos e o suporte para copos.
4. Remova os 4 parafusos e a placa de base para o pé.



5. Instale na sequência oposta.

Retirar e instalar a placa de base para o pé esquerdo

1. Remova os 4 parafusos e a placa de base para o pé.



2. Instale na sequência oposta.

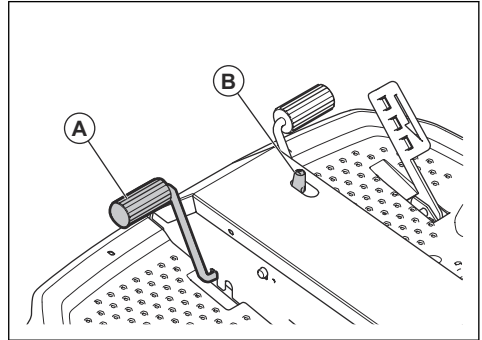
Verificar o travão de estacionamento

1. Estacione o produto numa superfície rígida inclinada.

Nota: Não estacione o produto num declive com relva quando verificar o travão de estacionamento.

2. Pressione o pedal do travão de estacionamento (A).

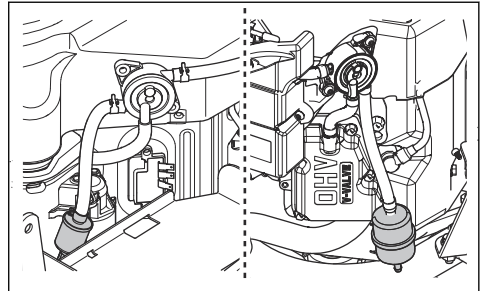
3. Mantenha premido o botão de bloqueio (B) e solte o pedal do travão de estacionamento em simultâneo.



4. Se o produto começar a deslocar-se, solicite o ajuste do travão de estacionamento numa oficina autorizada.
5. Prima novamente o pedal do travão de estacionamento para soltar o travão de estacionamento.

Substituir o filtro de combustível

1. Remova a proteção do motor para aceder ao filtro de combustível. A ilustração do lado direito mostra o modelo P 524X. A ilustração do lado esquerdo mostra o modelo P 524X EFI.



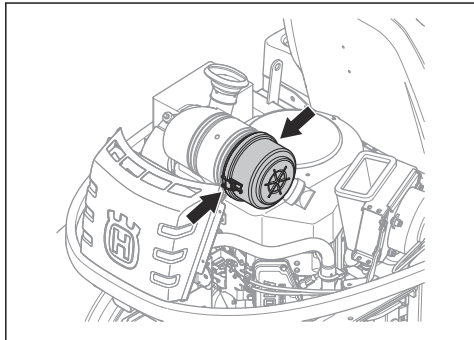
2. Afaste as braçadeiras de mangueira do filtro de combustível com um alicate plano.
3. Puxe o filtro de combustível das extremidades da mangueira.
4. Empurre o novo filtro de combustível nas extremidades das mangueiras. Aplique detergente líquido nas extremidades do filtro de combustível para facilitar a ligação.
5. Empurre as braçadeiras de mangueira contra o filtro de combustível.

Limpar e substituir o filtro de ar

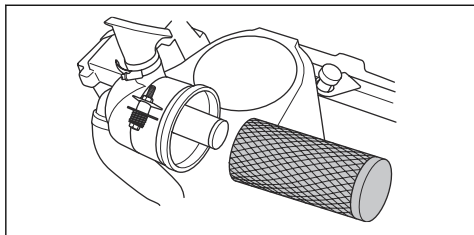


CUIDADO: Não arranque o motor sem colocar o filtro de ar.

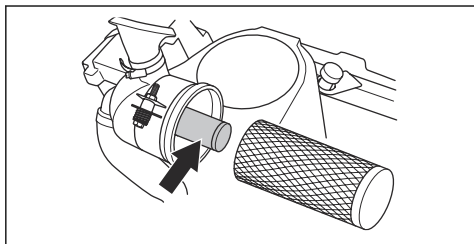
1. Retire a proteção do motor.
2. Desaperte os 2 manípulos que fixam a cobertura do filtro de ar.



3. Remova a cobertura do filtro de ar.
4. Retire o cartucho do filtro de ar do alojamento do filtro.



5. Limpe a superfície interior do alojamento do filtro de ar com um pano seco.
6. Bata o cartucho do filtro de ar cuidadosamente contra uma superfície rígida e utilize ar comprimido para soprar a superfície interior. Substitua o filtro de ar se não for possível limpar ou se estiver danificado.
7. Remova o filtro de ar interior situado atrás do cartucho do filtro de ar.

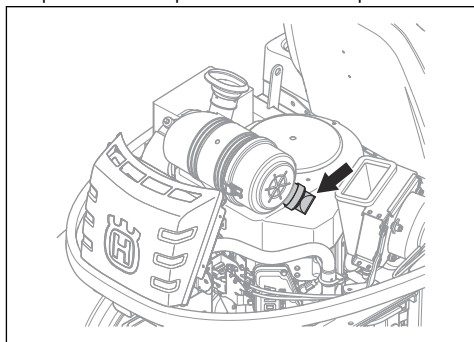


8. Bata o filtro de ar interior contra uma superfície rígida para o limpar. Substitua o filtro de ar se não for possível limpar ou se estiver danificado.



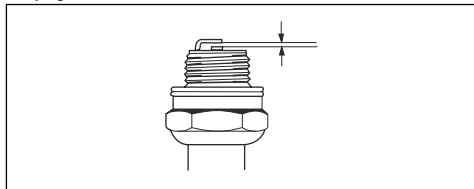
CUIDADO: Não utilize ar comprimido para limpar o filtro de ar interior.

9. Coloque o filtro de ar interior e o cartucho do filtro de ar nas posições iniciais no alojamento do filtro. Certifique-se de que o cartucho do filtro de ar fica preso corretamente na parte superior da entrada de ar.
10. Prenda a cobertura do filtro de ar e certifique-se de que o coletor de partículas está virado para baixo.



Examinar e substituir uma vela de ignição

1. Abra a cobertura do motor.
2. Remova o tampão da vela de ignição e limpe em torno da vela de ignição.
3. Retire a vela de ignição com uma chave para velas de ignição.
4. Examine a vela de ignição. Substitua-a se os elétrodos estiverem queimados ou se o isolamento apresentar fissuras ou danos. Se a vela de ignição não estiver danificada, limpe-a com uma escova de aço.
5. Meça a distância entre os elétrodos e confirme que está correta. Consulte *Especificações técnicas na página 195*.



6. Dobre o elétrodo lateral para ajustar a distância entre os elétrodos.
7. Coloque novamente a vela de ignição e rode-a com a mão até que esteja em contacto com o assento da vela de ignição.
8. Aperte a vela de ignição com a chave para velas de ignição até que a arruela esteja comprimida.
9. Aperte uma vela de ignição usada mais $\frac{1}{8}$ de volta e uma vela de ignição nova mais $\frac{1}{4}$ de volta.



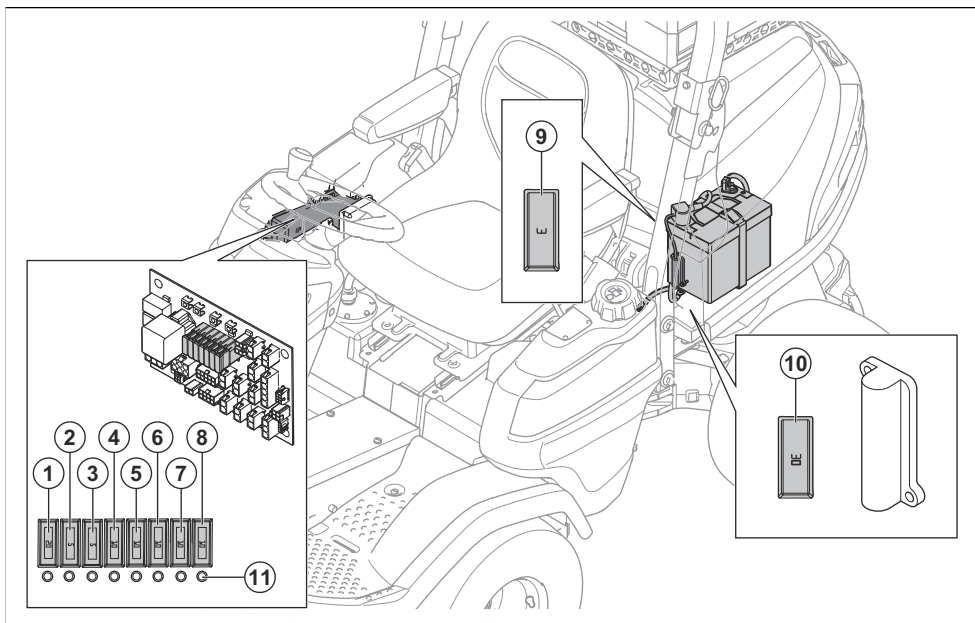
CUIDADO: As velas de ignição que não estejam corretamente apertadas podem causar danos no motor.



CUIDADO: Não tente ligar o motor se a vela de ignição ou o cabo de ignição tiverem sido retirados.

10. Fixe a cobertura da vela de ignição.

Vista geral dos fusíveis



1. Alimentação de 12 V para o módulo de controlo do corta-relva, 20 A
2. Potência do visor, 5 A
3. Alimentação da ignição, 5 A
4. J14 + 12 V, luz de aviso, 10 A
5. J16 + 12 V, interruptor extra, saída extra, potência hidráulica, 10 A
6. Travão de estacionamento / banco, 10 A
7. Alimentação das luzes, 10 A
8. USB, tomada de 12 V, alimentação do interruptor de 12 V, 10 A
9. Alimentação da memória de 12 V para o módulo de controlo do corta-relva, 3 A
10. 12 V, fusível para elevação da plataforma do atuador elétrico, 30 A
11. Luz indicadora do fusível

Substituir um fusível

Um fusível fundido é identificado por um fio de fusível queimado. Para os fusíveis 1 – 8, a luz indicadora de fusível desliga-se se um fusível estiver queimado.

A localização dos fusíveis encontra-se na vista geral dos fusíveis; consulte *Vista geral dos fusíveis na página 168*.

1. Localize o fusível fundido:
 - a) Remova a cobertura lateral direita para substituir os fusíveis 1 a 8.
 - b) Abra a cobertura do motor para substituir os fusíveis 9 e 10.
2. Puxe o fusível do suporte.
3. Substitua o fusível fundido por um fusível novo do mesmo tipo.
4. Instale as coberturas.

Nota: Se o fusível principal se fundir novamente num curto período de tempo depois de o substituir, existe um curto-circuito. Repare o curto-circuito antes de utilizar novamente o produto. Solicite ajuda numa oficina autorizada.

Carregar a bateria

- Carregue a bateria, se esta estiver demasiado fraca para ligar o motor.

- Utilize um carregador de bateria padrão.



CUIDADO: Não utilize um carregador rápido ou propulsor de arranque. Estes poderão danificar o sistema elétrico do produto.

- Antes de ligar o motor, desligue sempre o carregador.

Efetuar um arranque de emergência do motor

Se a bateria estiver demasiado fraca para ligar o motor, pode utilizar cabos de ligação direta para efetuar um arranque de emergência. Este produto tem um sistema de 12 V com terra negativa. O produto utilizado para o arranque de emergência também tem de ter um sistema de 12 V com terra negativa.

Ligar os cabos de ligação direta

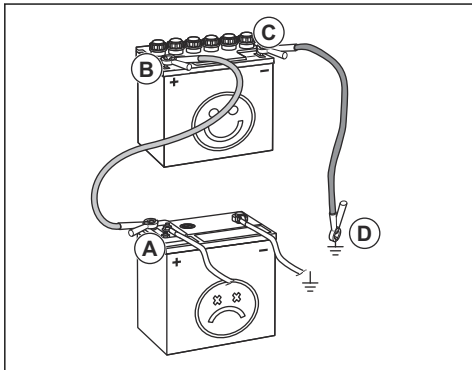


ATENÇÃO: Existe risco de explosão devido ao gás explosivo emitido pela bateria. Não ligue o terminal negativo da bateria totalmente carregada ao ou junto ao terminal negativo da bateria fraca.



CUIDADO: Não utilize a bateria do seu produto para ligar outros veículos.

1. Retire a cobertura do motor. Consulte *Retirar e instalar a cobertura do motor* na página 164.
2. Ligue uma extremidade do cabo vermelho ao terminal POSITIVO da bateria (+) na bateria fraca (A).



3. Ligue a outra extremidade do cabo vermelho ao terminal POSITIVO da bateria (+) na bateria totalmente carregada (B).



ATENÇÃO: Não provoque o curto-circuito das extremidades do cabo vermelho contra o chassi.

4. Ligue uma extremidade do cabo preto ao terminal NEGATIVO da bateria (-) na bateria totalmente carregada (C).
5. Ligue a outra extremidade do cabo preto a um conector de TERRA do CHASSI (D), afastado do depósito de combustível e da bateria.
6. Substitua as proteções.

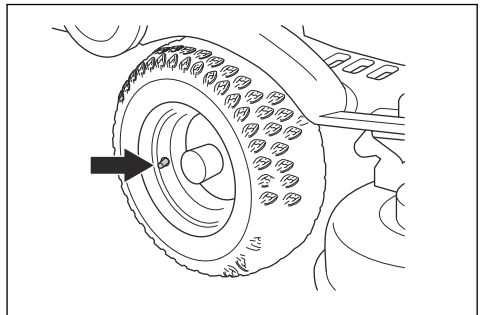
Retirar os cabos de ligação direta

Nota: Retire os cabos de ligação direta na sequência oposta à da ligação.

1. Retire o cabo PRETO do chassi.
2. Retire o cabo PRETO da bateria totalmente carregada.
3. Retire o cabo VERMELHO das 2 baterias.

Pressão dos pneus

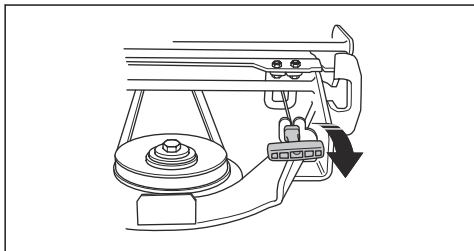
Recomendamos uma pressão de 100 kPa (1,0 bar/ 14,5 PSI) nos 4 pneus.



Substituir a correia da TDF

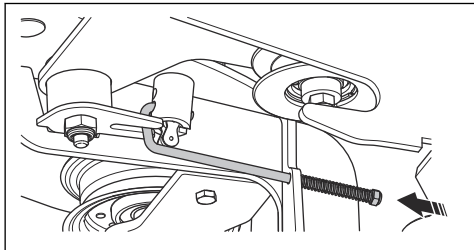
1. Ligue o motor.
2. Rode o volante totalmente para a esquerda para aceder facilmente à polia do motor.
3. Baixe a plataforma de corte.
4. Desligue o motor.
5. Retire a cobertura dianteira.

6. Puxe a pega da mola para a esquerda e remova-a do suporte da mola para aliviar a tensão na roda de tensão da correia da transmissão.

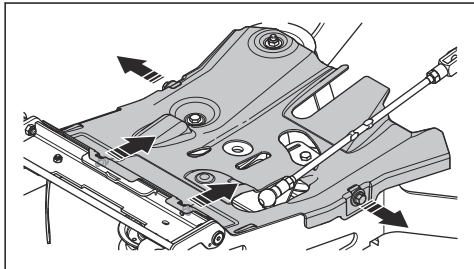


7. Remova a cobertura do lado esquerdo da plataforma de corte.

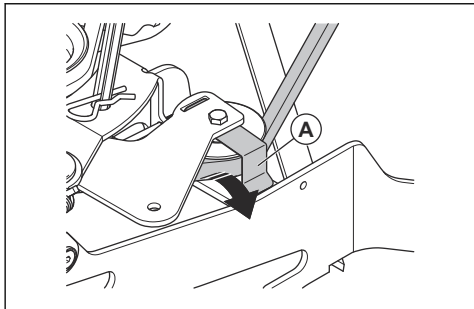
8. Puxe a base da mola da corrente de elevação.



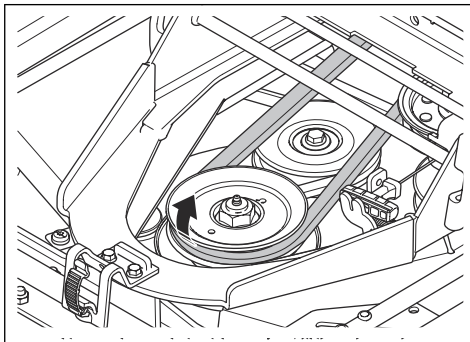
9. Remova os 4 parafusos e a proteção da correia.



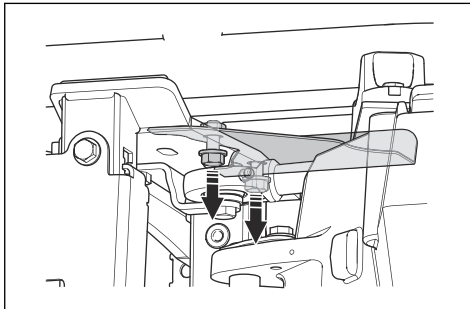
10. Remova a correia da polia, levante o suporte da correia (A) e remova a correia da roda de tensão.



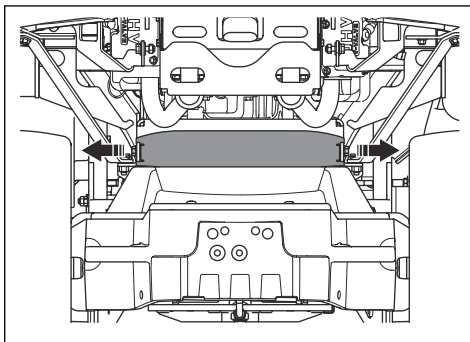
11. Remova a correia da polia na estrutura da ferramenta.



12. Remova a proteção da correia sob a polia do motor.

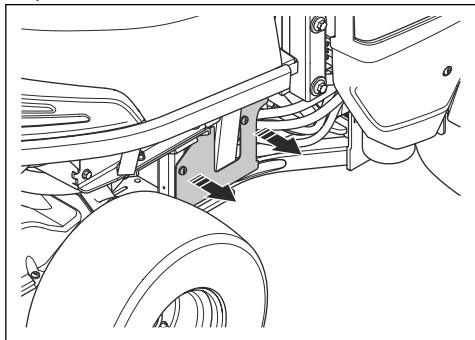


13. Remova a proteção da correia diante da transmissão traseira.

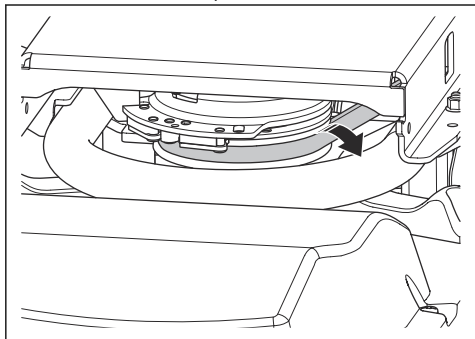


14. Remova a correia da polia do motor.

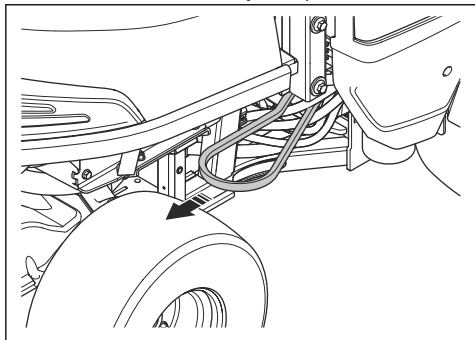
15. Remova a proteção da correia no lado direito do produto.



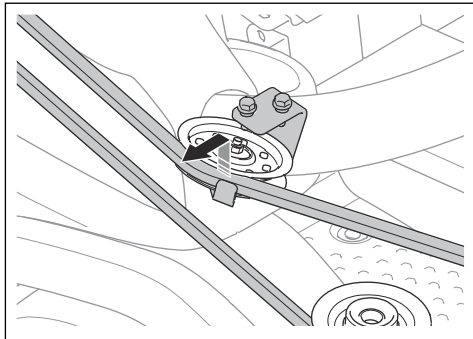
16. Remova a correia da polia do motor traseira.



17. Puxe a parte dianteira da correia para fora através do lado direito da articulação do produto.

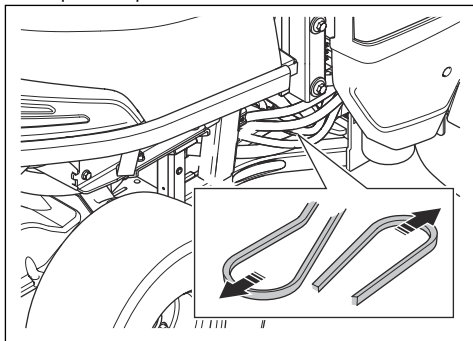


18. Remova a correia do gancho da polia central.

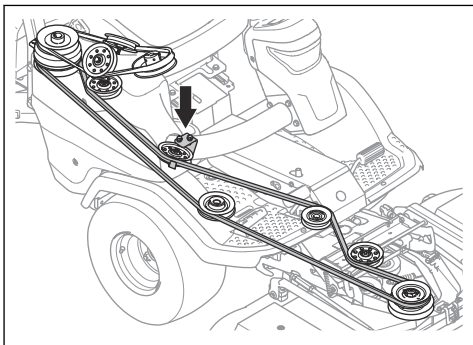


19. Puxe a correia da transmissão para fora.

20. Fixe uma nova correia da transmissão seguindo a sequência oposta.



Certifique-se de que correia da transmissão da plataforma de corte fica presa conforme ilustrado. Certifique-se de que a coloca corretamente na polia do regulador, identificada por uma seta na ilustração.

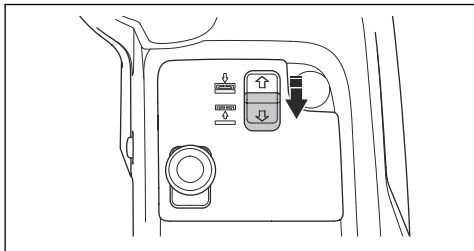


Colocar a bancada de corte na posição de manutenção



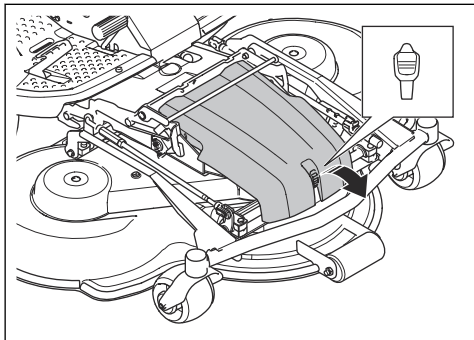
ATENÇÃO: Risco de ferimentos por esmagamento; mantenha as partes do corpo afastadas.

1. Puxe o interruptor da elevação elétrica para elevar a plataforma de corte. Eleve totalmente a plataforma de corte até ouvir um som.



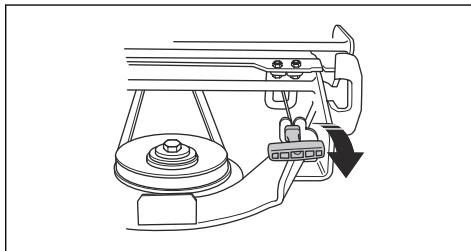
Nota: O som proveniente do túnel da estrutura não significa que o produto esteja avariado.

2. Solte o grampo da cobertura dianteira com a ferramenta que está presa à chave de ignição e remova a cobertura.

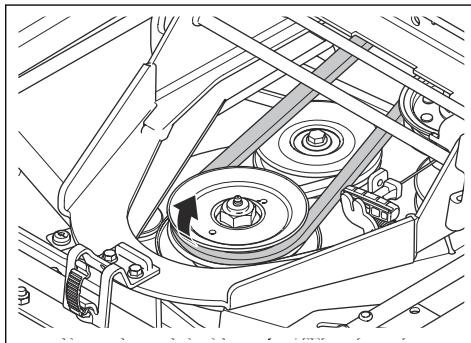


3. Defina a altura de corte para a posição mais baixa. Consulte *Ajustar a altura de corte (C112, C122, R137)* na página 158 ou *Ajustar a altura de corte (C112X, C122X, R137X)* na página 159.

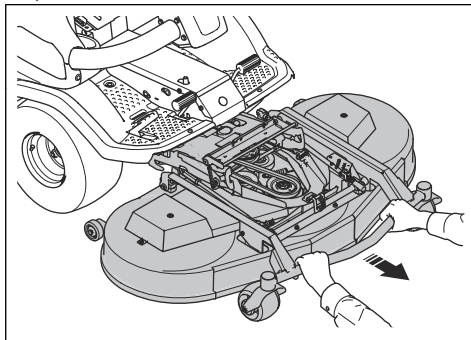
4. Puxe a pega da mola para a esquerda e remova-a do suporte da mola para aliviar a tensão na roda de tensão da correia da transmissão.



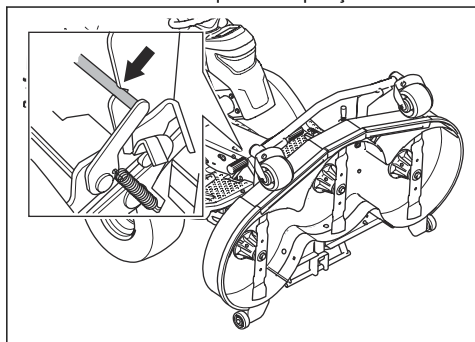
5. Remova a correia da polia na estrutura da ferramenta.



6. Segure na extremidade dianteira da bancada de corte com as duas mãos e puxe-a para a frente até parar.

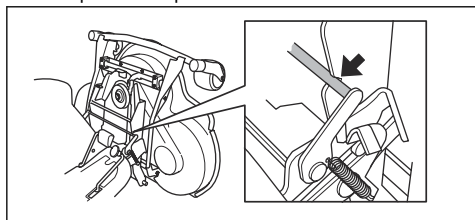


- Levante a bancada de corte até à posição vertical, até ouvir um som de clique. A bancada de corte é automaticamente bloqueada na posição vertical.



Colocar a plataforma de corte na posição de corte

- Segure na extremidade dianteira da bancada de corte com a mão esquerda.
- Desaperte o bloqueio com a mão direita.

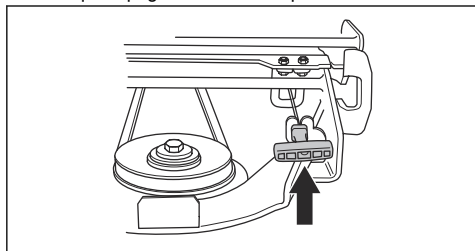


- Baixe a plataforma de corte e empurre-a até parar.



CUIDADO: Para os modelos C112X, C122X, R137X com plataforma de corte: Certifique-se de que o cabo para a plataforma de corte não é comprimido.

- Coloque a correia da transmissão em redor da roda motriz da plataforma de corte.
- Coloque a pega da mola no suporte da mola.

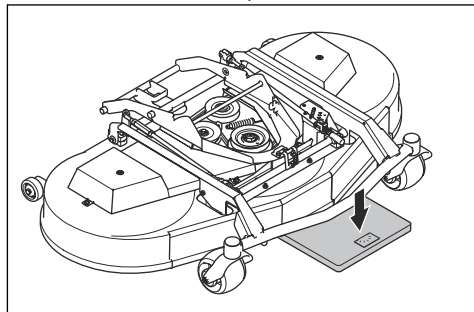


- Instale a cobertura dianteira.

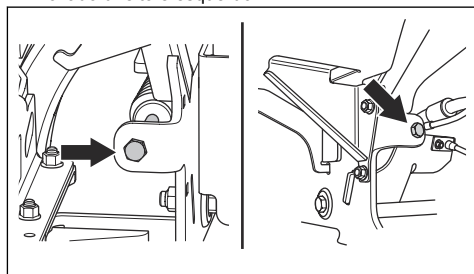
Examinar e ajustar a pressão exercida na terra pela plataforma de corte

Uma pressão correta sobre a terra garante que a plataforma de corte se desloca ao longo da superfície mas que não exerce pressão excessiva sobre esta.

- Verifique a pressão de ar dos pneus. Consulte *Pressão dos pneus na página 169*.
- Estacione o produto numa superfície nivelada.
- Baixe a plataforma de corte até à posição de corte.
- Coloque uma balança de casa de banho sob a extremidade dianteira da plataforma de corte.



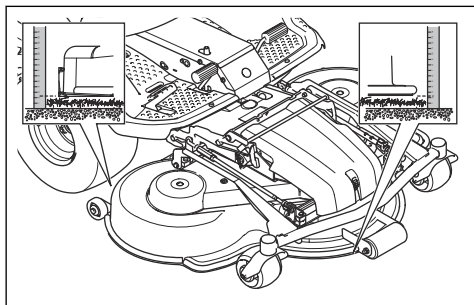
- Coloque um bloco de madeira entre a estrutura e a balança de casa de banho. O bloco de madeira garante que não é aplicado qualquer peso nas rodas de suporte.
- Para ajustar a pressão exercida na terra, rode os parafusos de ajuste situados atrás das rodas dianteiras no lado direito e esquerdo.
- Rode os parafusos para a direita ou para a esquerda até que a pressão sobre o solo esteja correta. Certifique-se de que as molas têm a mesma tensão no lado direito e esquerdo.



Plataforma de corte	C112, C122	R137
Pressão sobre o solo	12-15 kg / 26,5-33 lb	25 kg / 55,1 lb

Verificar a posição paralela da bancada de corte de corte

1. Verifique a pressão de ar dos pneus. Consulte *Pressão dos pneus na página 169*.
2. Estacione o produto numa superfície nivelada.
3. Baixe a plataforma de corte até à posição de corte.
4. Defina a altura de corte para a posição mais baixa. Consulte *Ajustar a altura de corte (C112, C122, R137) na página 158* ou *Ajustar a altura de corte (C112X, C122X, R137X) na página 159*.
5. Meça a distância entre o solo e as arestas dianteira e traseira da plataforma de corte. Certifique-se de que a extremidade traseira tem uma altura 5 a 10 mm (0,2 a 0,4 pol.) superior à da extremidade dianteira.

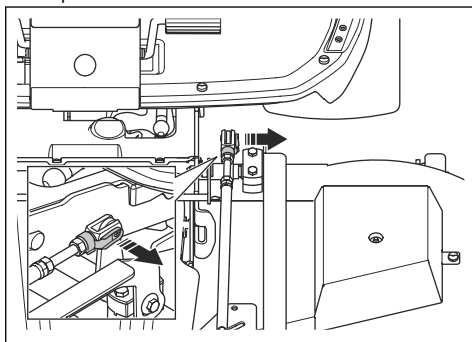


Ajustar a posição paralela da plataforma de corte (C112, C122, R137)

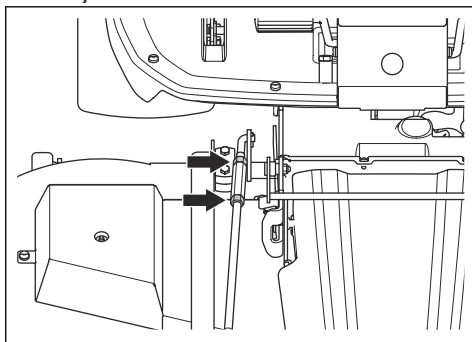
Ajuste a posição paralela quando a plataforma de corte estiver instalada no produto.

1. Retire a cobertura dianteira. Consulte *Remover a proteção dianteira na página 165*.
2. Defina a altura de corte para a posição mais baixa. Consulte *Ajustar a altura de corte (C112, C122, R137) na página 158*.

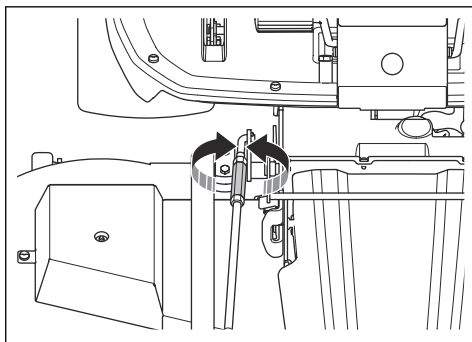
3. Remova a junta em forma de U na extremidade traseira do suporte de ajuste da altura da estrutura da plataforma de corte.



4. Desaperte as porcas de fixação do suporte de elevação.

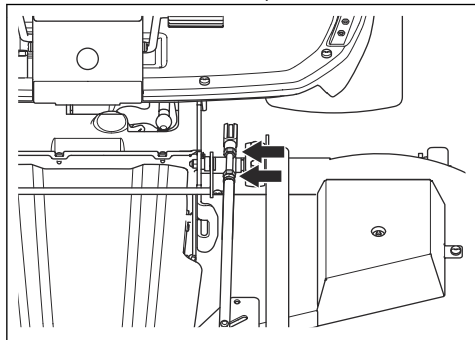


5. Rode a porca de ajuste do suporte de elevação para ajustar o comprimento do suporte de elevação. Aumente o comprimento para elevar a extremidade traseira da cobertura. Diminua o comprimento para baixar a extremidade traseira da cobertura.



6. Siga as instruções apresentadas em *Verificar a posição paralela da bancada de corte na página 174*.

7. Aperte as porcas de fixação do suporte de elevação quando o comprimento do suporte de elevação estiver correto.
8. Desaperte as porcas de fixação no suporte de ajuste da altura. Rode a junta em forma de U para ajustar o comprimento do suporte de ajuste da altura. Alinhe a junta em forma de U com o orifício correto na estrutura da plataforma de corte. Instale a junta em forma de U na estrutura da plataforma de corte.

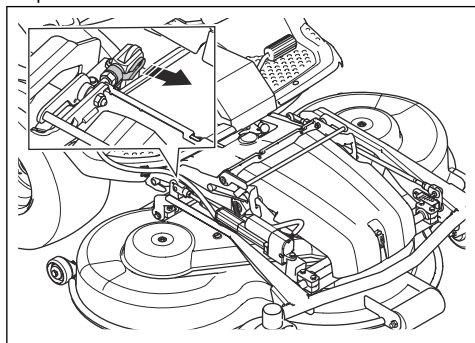


9. Teste todas as alturas de corte. Consulte *Ajustar a altura de corte (C112, C122, R137)* na página 158.
10. Aperte as porcas de fixação no suporte de regulação da altura.
11. Instale a cobertura dianteira.

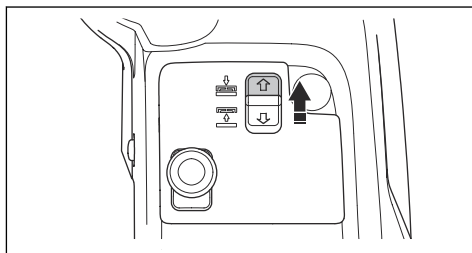
Ajustar a posição paralela da plataforma de corte (C112X, C122X, R137X)

Ajuste a posição paralela quando a plataforma de corte estiver instalada no produto.

1. Remova a junta em forma de U na extremidade traseira do atuador elétrico da estrutura da plataforma de corte.



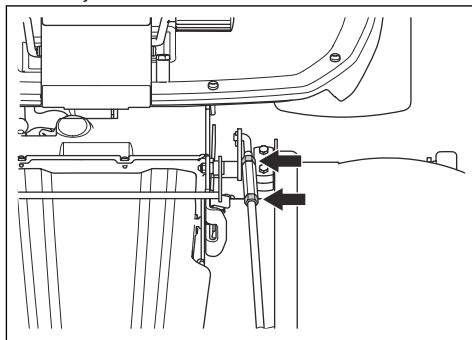
2. Prima o interruptor da elevação elétrica para baixar a plataforma de corte. Baixe totalmente a plataforma de corte até ouvir um som.



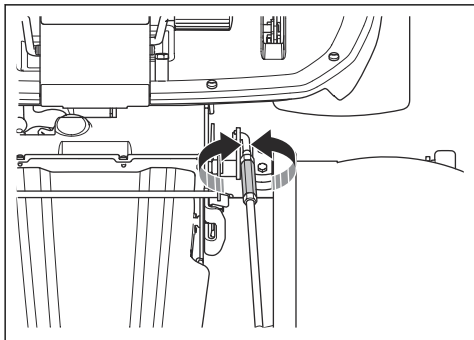
CUIDADO: Mantenha o interruptor premido durante, no mínimo, 2 segundos após a plataforma de corte tocar no solo. Isto serve para garantir que a plataforma de corte está na posição de flutuação.

Nota: O som proveniente do túnel da estrutura não significa que o produto esteja danificado.

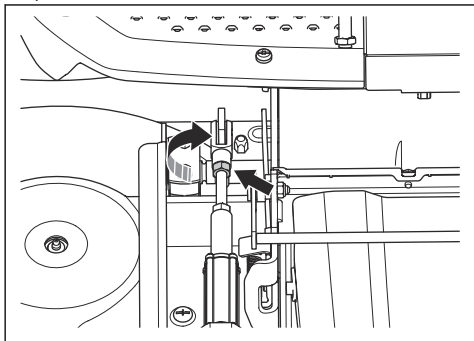
3. Desaperte as porcas de fixação do suporte de elevação.



- Rode a porca de ajuste do suporte de elevação para ajustar o comprimento do suporte de elevação. Aumente o comprimento para elevar a extremidade traseira da cobertura. Diminua o comprimento para baixar a extremidade traseira da cobertura.



- Siga as instruções apresentadas em *Verificar a posição paralela da bancada de corte na página 174*.
- Aperte as porcas de fixação do suporte de elevação quando o comprimento do suporte de elevação estiver correto.
- Desaperte a porca de fixação do atuador elétrico. Rode a junta em forma de U para a direita para aumentar o comprimento da haste de ajuste da altura. Aumente o comprimento da haste de ajuste da altura ao máximo, até não existir folga entre o parafuso e o braço. Alinhe a junta em forma de U com o orifício correto na estrutura da plataforma de corte. Instale a junta em forma de U na estrutura da plataforma de corte.

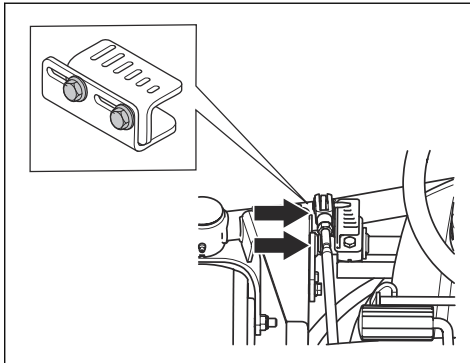


- Aperte a porca de fixação do atuador elétrico.
- Ajuste o indicador da altura de corte, se necessário. Consulte *Ajustar a altura de corte (C112X, C122X, R137X) na página 159*.

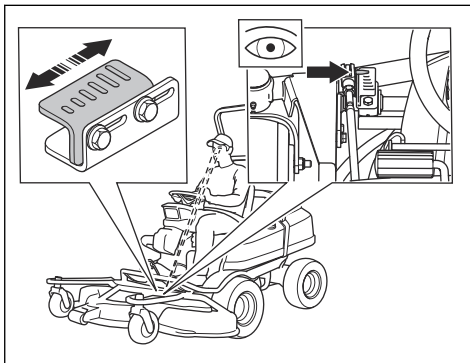
Ajustar o indicador da altura de corte (C112X, C122X, R137X)

O indicador da altura de corte na plataforma de corte mostra a posição da altura de corte selecionada.

- Desaperte os 2 parafusos.



- Defina a altura de corte para a posição mais baixa. Consulte *Ajustar a altura de corte (C112X, C122X, R137X) na página 159*.
- Ajuste o indicador da altura de corte até que o indicador da altura de corte apresente a altura de corte mais baixa, vista a partir do ângulo do utilizador no banco.



- Aperte os 2 parafusos.

Substituir a correia da plataforma de corte (C112, C112X, C122, C122X)

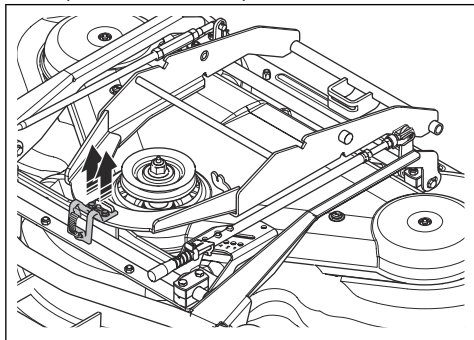


ATENÇÃO: Risco de ferimentos por esmagamento. Utilize luvas de proteção.

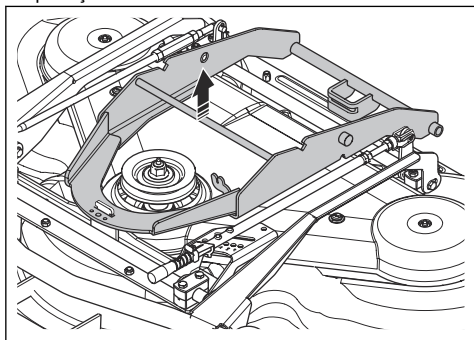
Nota: As plataformas de corte podem ter um aspeto diferente entre diferentes modelos.

- Remova a plataforma de corte. Consulte *Remover a plataforma de corte na página 152*.

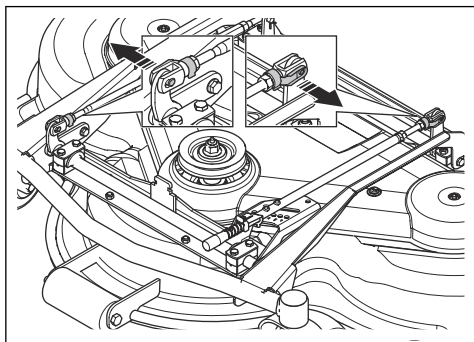
2. Remova os 2 parafusos que prendem o suporte do bloqueio na estrutura da plataforma de corte.



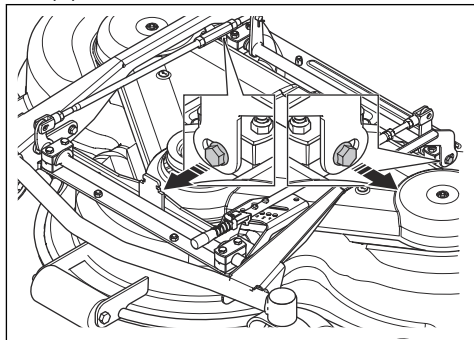
3. Remova o suporte de bloqueio e a placa de proteção.



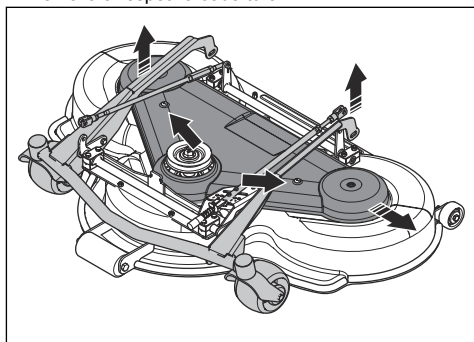
4. Abra e remova o bloqueio do parafuso do suporte de elevação dianteiro e da haste de ajuste da altura traseira.



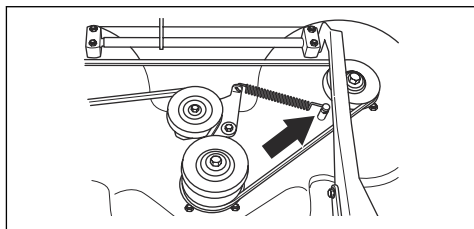
5. Remova os 2 parafusos da estrutura do equipamento.



6. Remova os 2 parafusos da cobertura da plataforma de corte. Eleve a estrutura da plataforma de corte e remova a respectiva cobertura.

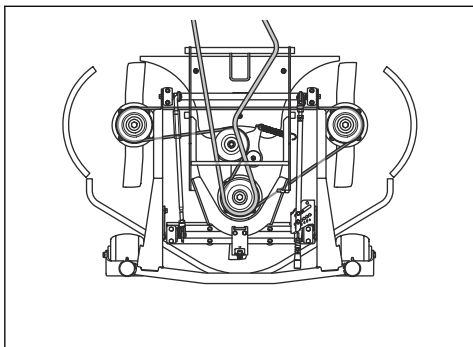


7. Remova a mola de tensão da correia e retire-a.

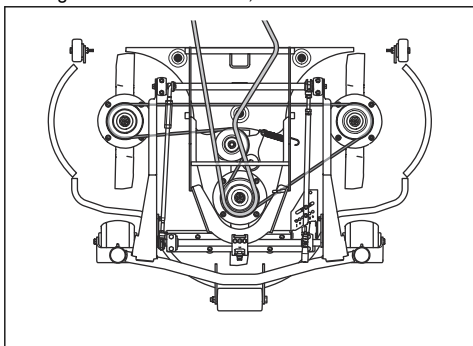


8. Fixe uma nova correia seguindo a sequência inversa.

Visão geral da correia - C112, C112X



Visão geral da correia - C122, C122X



Substituir a correia da plataforma de corte (R137, R137X)

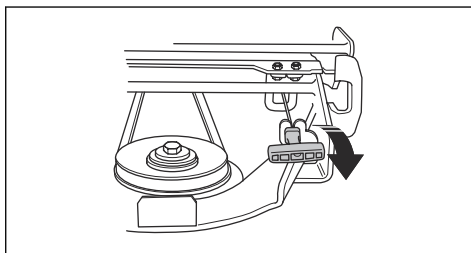


ATENÇÃO: Risco de ferimentos por esmagamento. Utilize luvas de proteção.

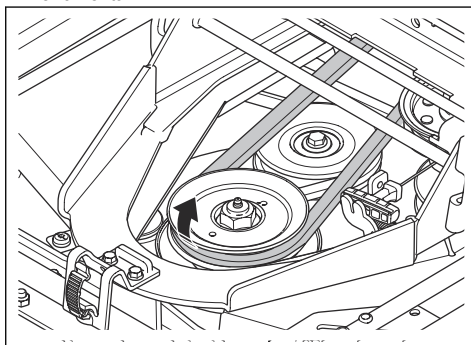
Nota: As plataformas de corte podem ter um aspeto diferente entre diferentes modelos.

1. Remova a plataforma de corte. Consulte *Remover a plataforma de corte na página 152*.
2. Retire a cobertura dianteira.

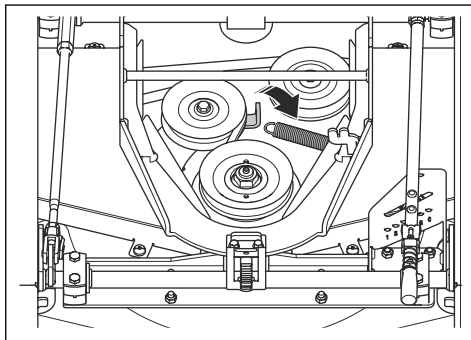
3. Puxe a pega da mola para a esquerda e remova-a do suporte da mola para aliviar a tensão na roda de tensão da correia da transmissão.



4. Remova a correia da polia na estrutura da ferramenta.

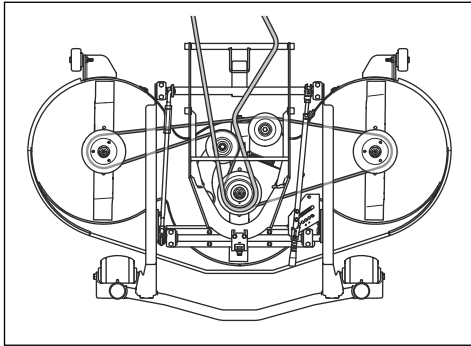


5. Remova as coberturas da plataforma de corte. Consulte *Remover as coberturas da plataforma de corte (R137, R137X) na página 165*.
6. Remova a mola de tensão da correia e retire-a.



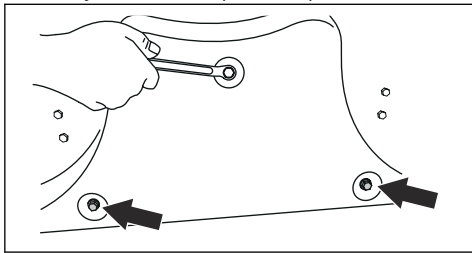
7. Fixe uma nova correia seguindo a sequência inversa.

Visão geral da correia - R137, R137X



Remover e instalar o tampão de trituração (C112, C112X, C122, C122X)

1. Coloque a bancada de corte na posição de manutenção.
2. Remova os 3 parafusos que fixam o tampão de trituração e retire o respetivo tampão.

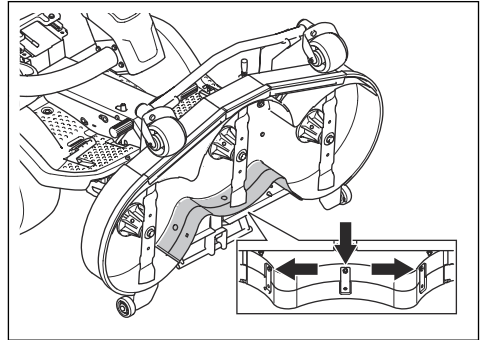


3. Instale 3 parafusos nos orifícios dos parafusos para o tampão de trituração, para evitar danos nas roscas.
4. Coloque a plataforma de corte na posição de corte.
5. Instale o tampão de trituração na sequência oposta.

Remover e instalar o tampão de trituração (R137, R137X)

1. Coloque a bancada de corte na posição de manutenção.

2. Remova as 3 porcas e parafusos que fixam o tampão de trituração e remova o respetivo tampão.



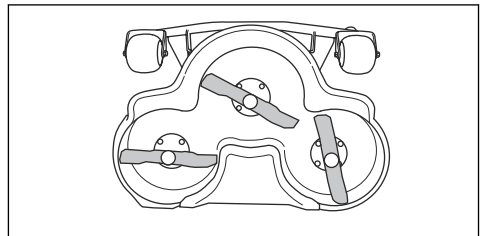
3. Coloque a plataforma de corte na posição de corte.
4. Instale o tampão de trituração na sequência oposta.
5. Instale as porcas e os parafusos nos 3 orifícios perto da extremidade superior da plataforma de corte.

Examinar as lâminas



CUIDADO: As lâminas danificadas ou incorretamente equilibradas podem provocar danos no produto. Substitua as lâminas danificadas. Solicite ajuda numa oficina autorizada para afiar e equilibrar as lâminas rombas.

1. Coloque a plataforma de corte na posição de manutenção.
2. Observe as lâminas para verificar se estão danificadas e se é necessário afiá-las.

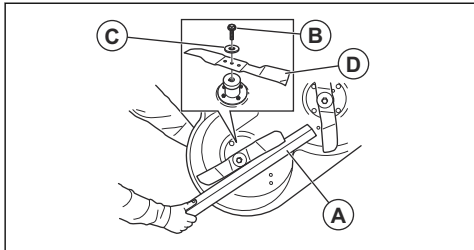


3. Aperte os parafusos das lâminas com o binário de aperto correto. Consulte *Especificações técnicas* na página 195.

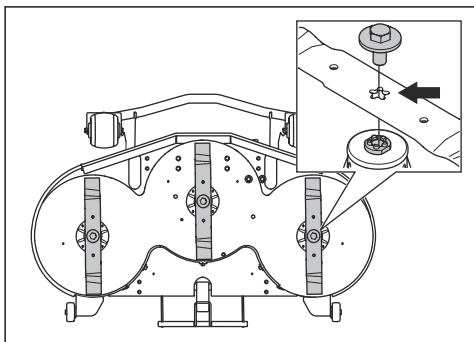
Substituir as lâminas

1. Coloque a bancada de corte na posição de manutenção.

2. Bloquee a lâmina com um bloco de madeira (A).



3. Desaperte e remova o parafuso da lâmina (B), as arruelas (C) e a lâmina (D).
4. Instale as lâminas paralelas entre si.
5. Para a plataforma de corte R137. Certifique-se de que os pinos de guia estão devidamente instalados na ranhura das lâminas.



6. Instale a nova lâmina com as extremidades pontiagudas na direção da plataforma de corte.



ATENÇÃO: O tipo de lâmina incorreto pode causar a projeção de objetos da bancada de corte e resultar em ferimentos graves. Utilize apenas as lâminas indicadas *Especificações técnicas na página 195.*



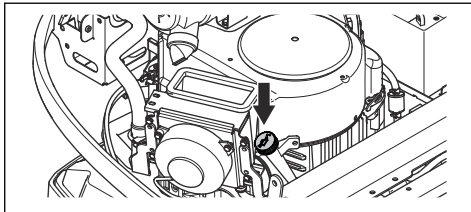
CUIDADO: O tipo de lâmina incorreto pode causar ruído indesejado. Utilize apenas as lâminas indicadas *Especificações técnicas na página 195.*

7. Instale a anilha e o parafuso para fixar a lâmina. Aperte o parafuso com o binário correto. Consulte *Especificações técnicas na página 195.*

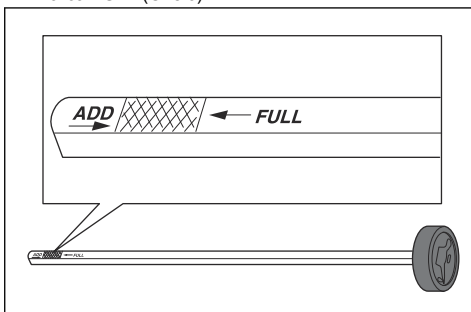
Verificar o nível do óleo do motor

1. Estacione o produto num piso nivelado e pare o motor.
2. Retire a proteção do motor.

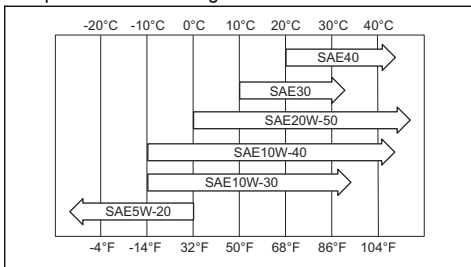
3. Solte a vareta de nível e puxe-a para fora.



4. Limpe o óleo da vareta de nível.
5. Volte a colocar a vareta de nível. Não a aperte.
6. Puxe a vareta de nível para fora para verificar o nível do óleo.
7. O nível do óleo tem de estar entre as marcas da vareta de nível. Se o nível estiver junto à marca ADD (Adicionar), encha o depósito de óleo até à marca FULL (Cheio).



8. Verta o óleo lentamente através do orifício para a vareta. Utilize um óleo com uma viscosidade adequada para os intervalos de temperaturas apresentados na imagem.



CUIDADO: Não misture tipos diferentes de óleo.

9. Aperte corretamente a vareta de nível antes de ligar o motor. Ligue o motor e deixe-o ao ralenti durante, aproximadamente, 30 segundos. Desligue o motor. Aguarde 30 segundos e verifique novamente o nível do óleo.

Mudar o óleo de motor e o filtro de óleo

Se o motor estiver frio, ligue o motor durante 1 a 2 minutos antes de drenar o óleo de motor. Isto aquece o óleo de motor e facilita a respetiva drenagem.

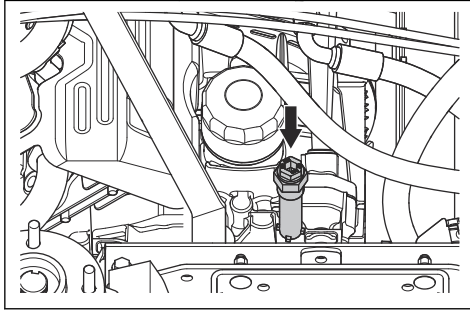


ATENÇÃO: Não coloque o motor em funcionamento durante mais de 1 a 2 minutos antes de drenar o óleo de motor. O óleo do motor fica muito quente e pode causar queimaduras. Deixe o motor arrefecer antes de drenar o óleo de motor.

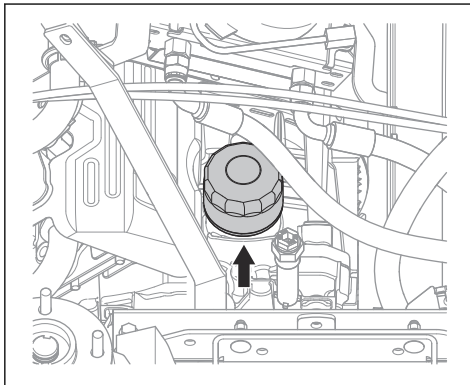


ATENÇÃO: Se derramar óleo de motor no seu corpo, limpe com água e sabão.

1. Retire a proteção do motor.
2. Coloque um recipiente sob o bujão de drenagem do óleo.



3. Remova a vareta de nível.
4. Remova o bujão de drenagem do óleo do motor.
5. Deixe o óleo escorrer para o recipiente.
6. Fixe o bujão de drenagem do óleo e aperte-o completamente.
7. Rode o filtro de óleo para a esquerda para o remover.

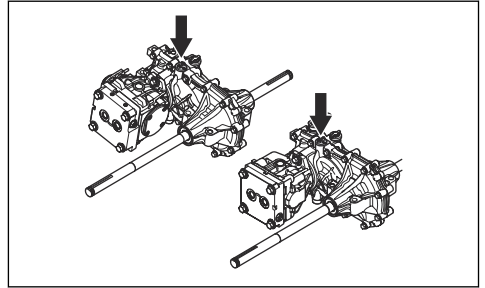


8. Lubrifique ligeiramente o vedante de borracha do novo filtro de óleo com óleo novo.
9. Para fixar o filtro de óleo, rode-o no sentido horário com a mão até o vedante de borracha estar na devida posição e, em seguida, aperte mais meia volta.
10. Encha o depósito com óleo novo, conforme indicado na secção *Especificações técnicas na página 195*.
11. Ligue o motor e deixe-o ao ralenti durante 3 minutos.
12. Pare o motor e certifique-se de que o filtro de óleo não tem fugas.
13. Encha com óleo para compensar o óleo absorvido pelo novo filtro de óleo.

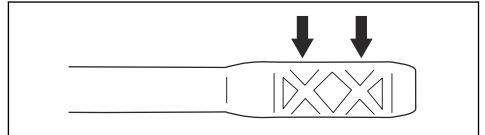
Nota: Para a eliminação segura do óleo de motor utilizado, consulte a secção *Eliminação na página 193*.

Verificar o nível do óleo da transmissão

1. Utilize a vareta do óleo para verificar o nível do óleo na transmissão.



2. O nível do óleo tem de estar entre as marcas da vareta de nível.

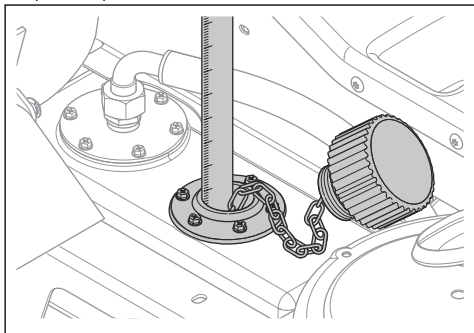


3. Se o nível do óleo estiver demasiado baixo, encha com o tipo de óleo identificado em *Especificações técnicas na página 195*.

Verificar o nível do óleo no sistema hidráulico

1. Incline o banco para a frente.
2. Limpe a área em redor da tampa do óleo com um pano limpo.

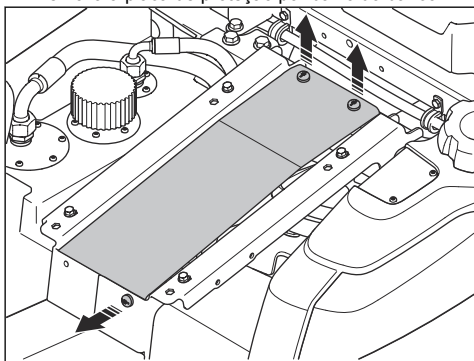
3. Remova a tampa do óleo e verifique o nível do óleo hidráulico. O nível correto é entre 40 e 60 mm da parte superior do filtro.



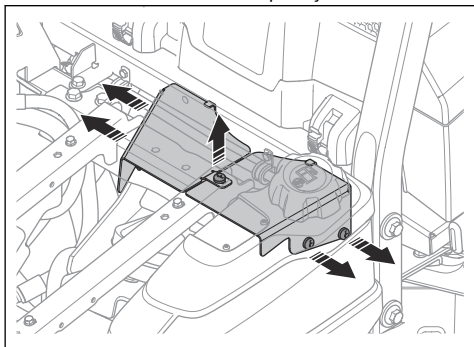
4. Se o nível do óleo estiver demasiado baixo, encha com o tipo de óleo identificado em *Especificações técnicas na página 195*.

Ajustar a correia da bomba hidráulica

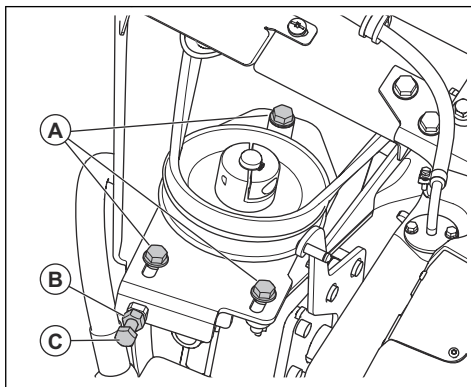
1. Rebata o banco do utilizador para a frente.
2. Remova a placa de proteção por baixo do banco.



3. Remova as 2 coberturas de proteção da correia.



4. Desaperte os 3 parafusos (A) na correia deslizante da bomba.



5. Desaperte a porta de fixação (B) no parafuso de ajuste.
6. Rode o parafuso de ajuste (C) da correia da bomba até que a correia tenha a tensão correta.
7. Monte na sequência oposta.

Guia de manutenção rápida

QUICK MAINTENANCE GUIDE

First service after 50 hours

FIRST OIL CHANGE AFTER 50h

537 47 13-01

Símbolos do guia de manutenção rápida



Substitua o filtro



Substitua o óleo



Examine visualmente ou verifique o nível do óleo



Lubrifique o copo de lubrificação com massa lubrificante



Lubrifique com óleo



Verifique o estado e a tensão da correia da transmissão

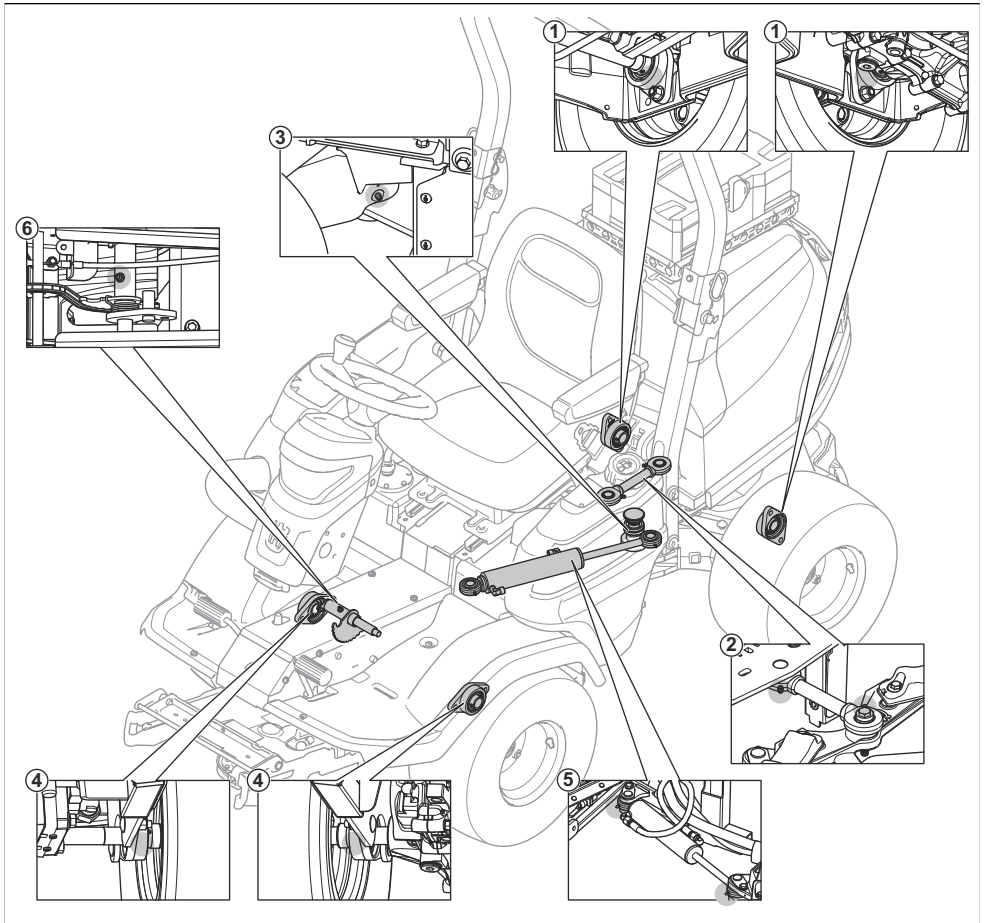


Substitua a correia da transmissão



Substitua as lâminas

Descrição geral do bocal da massa lubrificante



1. Rolamento do eixo traseiro
2. Barra de ligação
3. Rolamento da articulação
4. Rolamento do eixo dianteiro
5. Cilindro da direção
6. Eixo da corrente de elevação

- Quando lubrificar com massa lubrificante, utilize uma massa lubrificante para rolamentos ou para chassis que previna a corrosão. Remova o excesso de massa lubrificante após a lubrificação.
- Lubrifique 2 vezes por semana se utilizar o produto diariamente.
- Não derrame lubrificantes nas correias da transmissão nem nas ranhuras das polias da correia. Se ocorrer um derrame, limpe com álcool. Se a fricção entre a correia de transmissão e a polia não for suficiente após a limpeza com álcool, substitua a correia de transmissão.

Lubrificação, informação geral

- Durante a lubrificação, retire a chave da ignição para impedir movimentos acidentais.
- Limpe a área antes de lubrificar uma peça do produto.
- Utilize óleo quando lubrificar com um recipiente de óleo.



CUIDADO: Não utilize gasolina nem outros derivados de petróleo para limpar as correias da transmissão.

Lubrificar cabos

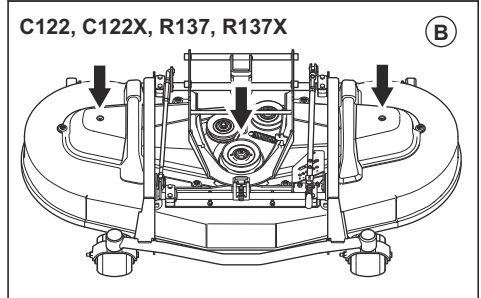
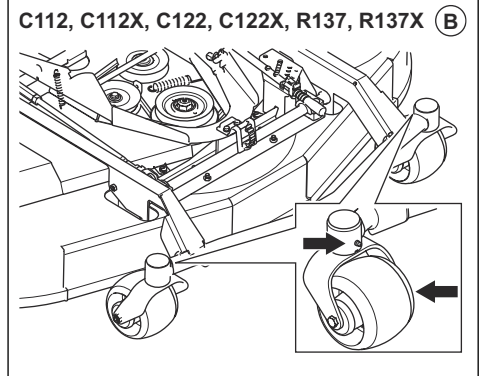
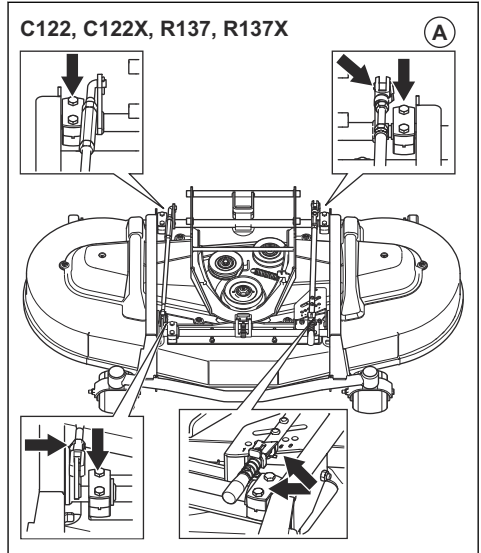
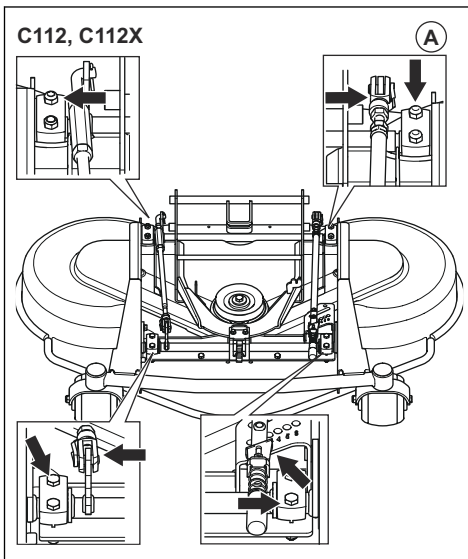
- Lubrifique as 2 extremidades dos cabos e coloque os controlos nas posições finais.
- Fixe as coberturas de borracha nos cabos após a lubrificação.
- Os cabos com revestimento têm de ser lubrificados regularmente para prevenir avarias.
 - a) Remova o cabo e pendure-o verticalmente.
 - b) Lubrifique o cabo com óleo de motor fino até que o óleo comece a pingar na parte inferior. Substitua o cabo se o óleo não pingar na parte inferior.

Nota: Pode encher um pequeno saco plástico com óleo e vedar o saco contra o revestimento do cabo com fita. Deixe o cabo pendurado verticalmente sob o saco até ao dia seguinte.

Lubrificar a plataforma de corte

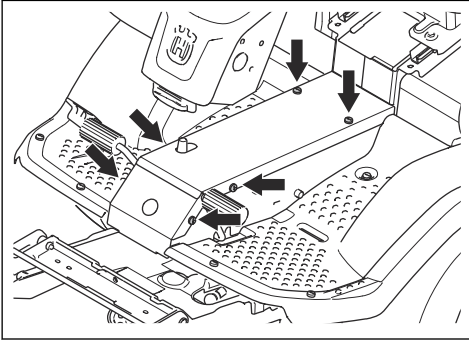
Nota: As plataformas de corte podem ter um aspeto diferente entre diferentes modelos.

1. Retire a cobertura dianteira.
2. Lubrifique as uniões e os rolamentos (A) com massa lubrificante.
3. Lubrifique com uma bomba de massa lubrificante através dos casquilhos de lubrificação na plataforma de corte (B). Lubrifique até a massa lubrificante sair pela parte traseira do casquilho de lubrificação.

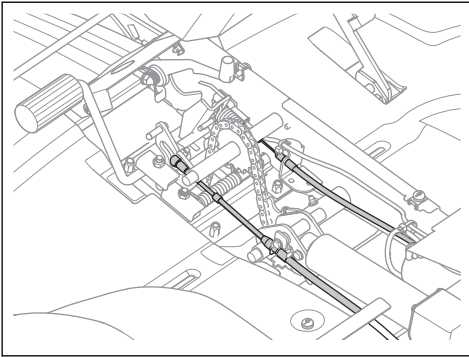


Lubrificar o sistema de pedais

1. Remova os 4 parafusos e a placa da estrutura.



2. Pressione e liberte os pedais e lubrifique as peças móveis com óleo.

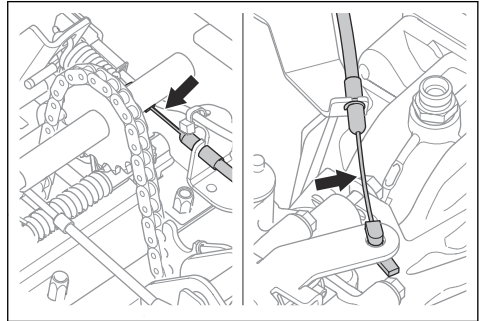


3. Lubrifique os cabos dos pedais de marcha em frente e marcha-atrás com óleo.

Lubrificar o cabo do travão de estacionamento

1. Remova os 4 parafusos e a placa da estrutura.
2. Remova a cobertura do lado esquerdo.
3. Remova o revestimento de borracha do cabo do travão de estacionamento.

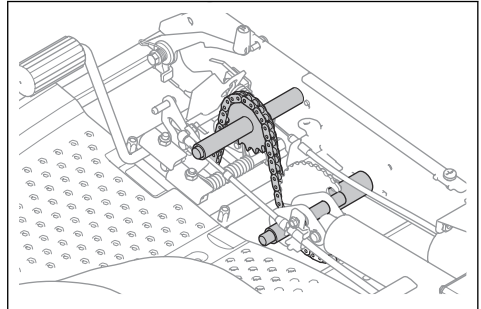
4. Lubrifique as extremidades do cabo do travão de estacionamento com óleo.



5. Lubrifique o cabo do travão de estacionamento com óleo.
6. Pressione o pedal do travão de estacionamento 3 vezes e lubrifique novamente o cabo do travão de estacionamento.
7. Fixe a cobertura do lado esquerdo e a placa da estrutura.

Lubrificar as correntes no túnel da estrutura

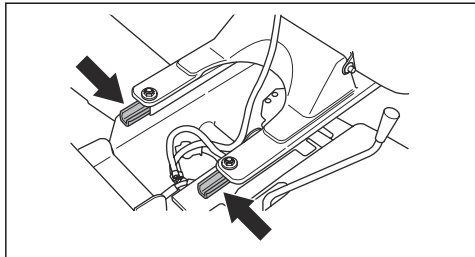
1. Remova os parafusos e a placa da estrutura.
2. Lubrifique a corrente no túnel da estrutura com óleo ou spray lubrificante de correntes.



Lubrificar as calhas deslizantes do banco

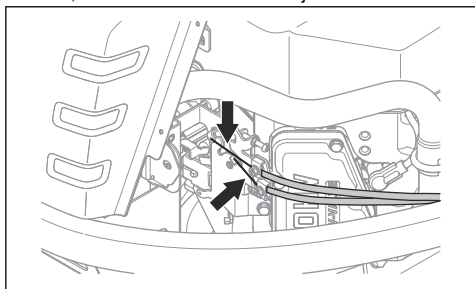
1. Incline o banco para a frente.

2. Lubrifique as calhas deslizantes do banco com óleo.



Lubrificar o cabo do acelerador e o cabo do estrangulador (P 524X)

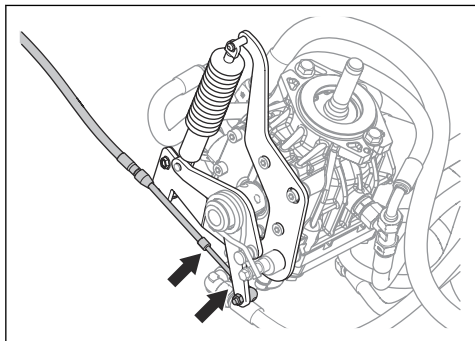
1. Retire a cobertura do lado direito.
2. Lubrifique as extremidades livres dos cabos com óleo, incluindo as extremidades junto ao motor.



3. Prenda a cobertura do lado direito.

Lubrificar o cabo da transmissão hidrostática

1. Lubrifique as uniões e os rolamentos do cabo da transmissão hidrostática com óleo.
2. Remova a manga de borracha e lubrifique o cabo da transmissão hidrostática com óleo.

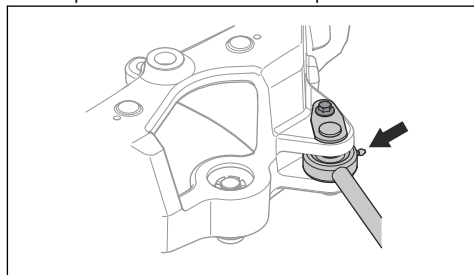


3. Pressione o pedal de marcha em frente 5 vezes e lubrifique novamente o cabo da transmissão hidrostática.
4. Fixe a manga de borracha.

Lubrificar o cilindro da direção

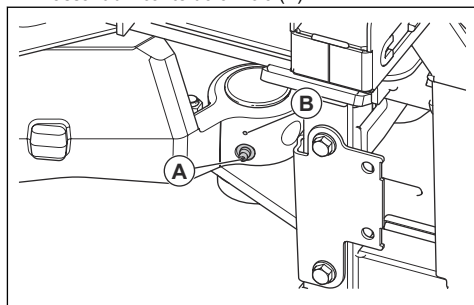
O cilindro da direção tem 2 copos de lubrificação, um em cada extremidade.

- Lubrifique com uma bomba de massa lubrificante até que a massa lubrificante saia para fora.

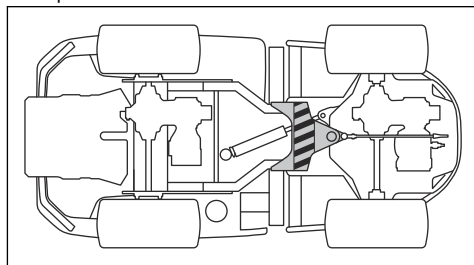


Lubrificar a junta da direção articulada

1. Lubrifique o rolamento da direção articulada quando o produto tiver todas as rodas no solo. Lubrifique através do casquilho de lubrificação (A) até sair massa lubrificante do orifício (B).



2. Eleve o produto para libertar a pressão na direção articulada. A ilustração mostra onde colocar os suportes.



CUIDADO: Certifique-se de que o suporte não causa danos no suporte de controle nem provoca um bloqueio da direção articulada.

3. Lubrifique novamente o rolamento da direção articulada com o produto elevado.

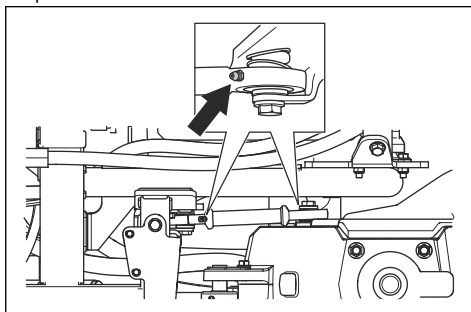


CUIDADO: Certifique-se de que a massa lubrificante sai da junta, por baixo do casquilho de lubrificação.

4. Baixe o produto.

Lubrificar a barra de ligação

1. Existem 2 copos de lubrificação, um em cada lado da barra de ligação. Lubrifique com uma bomba de massa lubrificante até que a massa lubrificante saia para fora.



Resolução de problemas

Resolução de problemas



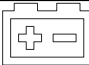
Se não encontrar uma solução para os seus problemas neste manual, contacte o seu distribuidor com assistência técnica Husqvarna.




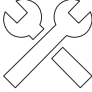



Problema	Causa
O motor de arranque não inverte o motor	O botão da TDF está ativado. Consulte <i>Arrancar o motor (P 524X)</i> na página 155 ou <i>Arrancar o motor (P 524X EFI)</i> na página 156.
	O travão de estacionamento não está aplicado. Consulte <i>Aplicar e soltar o travão de estacionamento</i> na página 159.
	O fusível principal está fundido. Consulte <i>Substituir um fusível</i> na página 168.
	Existe um fusível fundido. Consulte <i>Substituir um fusível</i> na página 168.
	A chave de ignição está defeituosa.
	Má ligação entre o cabo e a bateria.
	A bateria está demasiado fraca. Consulte <i>Carregar a bateria</i> na página 168.
O motor de arranque está defeituoso.	
O motor não arranca quando o motor de arranque inverte o motor.	Não há combustível no depósito de combustível. Consulte <i>Encher o depósito de combustível</i> na página 154.
	A vela de ignição está danificada ou não funciona corretamente.
	O cabo de ignição está danificado.
	Existe sujidade no carburador ou na linha de combustível (P 524X).
Existe sujidade na linha de combustível (P 524X EFI).	

Problema	Causa
O motor não funciona corretamente.	A vela de ignição está danificada ou não funciona corretamente.
	O carburador não está colocado corretamente (P 524X).
	O filtro de ar está obstruído. Consulte <i>Limpar e substituir o filtro de ar na página 166</i> .
	A ventilação do depósito de combustível está obstruída.
	Existe sujidade no carburador ou na linha de combustível (P 524X).
	Existe sujidade na linha de combustível (P 524X EFI).
	O cabo do estrangulador está ajustado incorretamente (P 524X).
Aparentemente, o motor não tem potência.	O filtro de ar está obstruído. Consulte <i>Limpar e substituir o filtro de ar na página 166</i> .
	A vela de ignição está danificada ou não funciona corretamente.
	Existe sujidade no carburador ou na linha de combustível (P 524X).
	Existe sujidade na linha de combustível (P 524X EFI).
	O cabo do acelerador não está ajustado corretamente.
A transmissão não tem potência suficiente.	A correia da bomba não está apertada corretamente.
	As RPM entre os eixos dianteiro e traseiro não estão ajustadas corretamente.
	Não existe óleo na transmissão ou o nível do óleo está demasiado baixo. Consulte <i>Verificar o nível do óleo da transmissão na página 181</i> .
A bateria não carrega.	A bateria está danificada. Contacte o seu distribuidor com assistência técnica Husqvarna.
	Má ligação nos conetores de cabos nos terminais da bateria.
O produto vibra.	As lâminas estão soltas. Consulte <i>Examinar as lâminas na página 179</i> .
	Uma ou mais lâminas estão desequilibradas. Consulte <i>Examinar as lâminas na página 179</i> .
	O motor está solto.
	Existe uma obstrução de relva na plataforma de corte. Consulte <i>Limpar o produto na página 163</i> .

Problema	Causa
O resultado de corte não é satisfatório.	As lâminas estão rombas. Consulte <i>Examinar as lâminas na página 179</i> .
	A relva é comprida ou está molhada. Consulte <i>Obter bons resultados de corte na página 160</i> .
	A posição paralela da plataforma de corte não está ajustada. Consulte <i>Verificar a posição paralela da bancada de corte na página 174</i> .
	A plataforma de corte não está nivelada.
	Existe uma obstrução de relva na plataforma de corte. Consulte <i>Limpar o produto na página 163</i> .
	A pressão dos pneus é diferente nos lados esquerdo e direito. Consulte <i>Pressão dos pneus na página 169</i> .
	O produto é utilizado a uma velocidade demasiado elevada. Consulte <i>Obter bons resultados de corte na página 160</i> .
	A velocidade do motor é demasiado baixa. Consulte <i>Especificações técnicas na página 195</i> .
	A correia da transmissão salta.
	O cabo para a plataforma de corte não está ligado. Consulte <i>Fixar a plataforma de corte na página 151</i> .
	O cabo para a plataforma de corte está comprimido. Consulte <i>Fixar a plataforma de corte na página 151</i> .
	O botão de função dos acessórios dianteiros não está corretamente ligado.

Visor - Resolução de problemas

Símbolo	Nome	Como é apresentado no visor	Causa
	Indicador da temperatura do óleo da transmissão	O símbolo é apresentado.	A temperatura do óleo da transmissão está demasiado alta.
		O símbolo pisca rapidamente.	Contacte o seu distribuidor com assistência técnica Husqvarna.
	Sensor da pressão do óleo de motor	O símbolo é apresentado.	Baixa pressão do óleo. Consulte <i>Verificar o nível do óleo de motor na página 180</i> .
		O símbolo fica intermitente.	O sistema de lubrificação está danificado ou não funciona corretamente.
	Indicador de nível da bateria	O símbolo é apresentado.	Baixa tensão. Consulte <i>Carregar a bateria na página 168</i> .

Símbolo	Nome	Como é apresentado no visor	Causa
	Indicador do botão da TDF	O símbolo é apresentado.	Botão da TDF ativado. Consulte <i>Verificar as condições de funcionamento na página 148</i> .
		O símbolo fica intermitente.	Procedimento de arranque incorreto. Consulte <i>Verificar as condições de funcionamento na página 148</i> .
		O símbolo pisca rapidamente.	O botão PTO está danificado ou não funciona corretamente. Contacte o seu distribuidor com assistência técnica Husqvarna.
	Indicador do travão de estacionamento	O símbolo é apresentado.	O travão de estacionamento está engatado. Consulte <i>Aplicar e soltar o travão de estacionamento na página 159</i> .
		O símbolo fica intermitente.	Procedimento de arranque incorreto. Consulte <i>Verificar as condições de funcionamento na página 148</i> .
		O símbolo pisca rapidamente.	O travão de estacionamento está danificado ou não funciona corretamente. Contacte o seu distribuidor com assistência técnica Husqvarna.
	Indicador do OPC	O símbolo fica intermitente.	O interruptor do banco é desativado quando tenta ligar o motor. Consulte <i>Verificar as condições de funcionamento na página 148</i> .
		O símbolo pisca rapidamente.	O interruptor do banco está danificado ou não funciona corretamente. Contacte o seu distribuidor com assistência técnica Husqvarna.
	Indicador de assistência	O símbolo é apresentado.	É necessária assistência. Contacte o seu distribuidor com assistência técnica Husqvarna.
	Indicador de nível de combustível	O símbolo é apresentado.	Nível de combustível baixo. Consulte <i>Encher o depósito de combustível na página 154</i> .
	Bluetooth®	O símbolo fica intermitente.	O produto está bloqueado. Desbloqueie o produto com a aplicação Husqvarna Connect.
	Bloqueio digital	O símbolo é apresentado.	O produto está bloqueado. Desbloqueie o produto com a aplicação Husqvarna Connect.

Nota: Os símbolos e as suas posições no visor podem ser diferentes consoante o modelo.

Transporte, armazenamento e eliminação

Transporte

- O produto é pesado e pode causar ferimentos graves por esmagamento. Tenha cuidado ao carregá-lo e descarregá-lo de um veículo ou reboque.
- Não levante o produto. Os ilhós de transporte não são pontos de elevação aprovados e só podem ser utilizados para fixar o produto em segurança a um reboque.
- Utilize um reboque aprovado para o transporte do produto.
- Certifique-se de que conhece as regras de trânsito locais antes de transportar o produto num reboque ou em estradas.

Fixar o produto em segurança num reboque para transportar

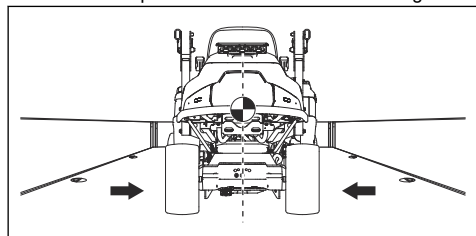
Antes de fixar o produto, tem de ler e compreender o capítulo sobre segurança. Consulte *Segurança na página 144*.



ATENÇÃO: O travão de estacionamento não é suficiente para bloquear o produto durante o transporte. Fixe o produto com firmeza na área de carga.

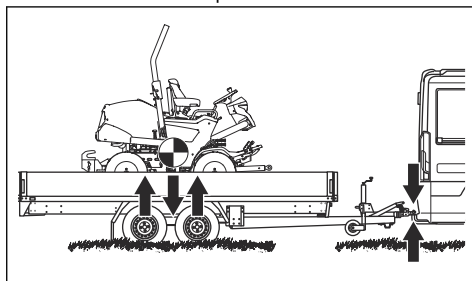
Equipamento: 4 cintas aprovadas e 4 calços de rodas.

1. Estacione o produto no centro da área de carga.

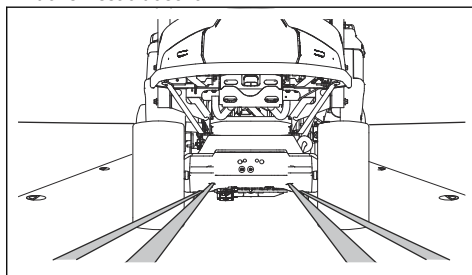


ATENÇÃO: Para transporte em veículos de transporte com cobertura. Certifique-se de que o produto está frio antes de o colocar no veículo de transporte.

2. Certifique-se de que o centro de gravidade do produto está acima do eixo das rodas do veículo de transporte. Se for utilizado um reboque para transporte, certifique-se de que a força descendente na sua barra de reboque é a correta.

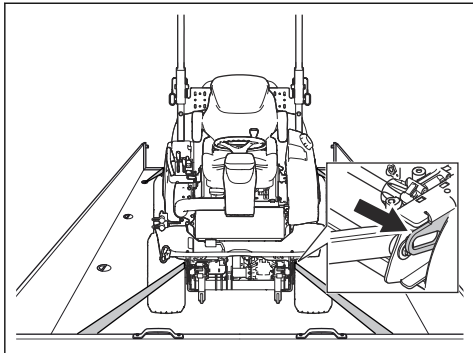


3. Aplique o travão de estacionamento.
4. Baixe a plataforma de corte até à posição de flutuação.
5. Remova todos os objetos soltos.
6. Faça passar a primeira cinta através da estrutura da transmissão traseira.



7. Faça passar a segunda cinta através da estrutura da transmissão traseira.
8. Fixe as cintas na área de carga.
9. Aperte as cintas para trás para fixar o produto na área de carga.

10. Fixe a terceira cinta a 1 dos ilhós de transporte.

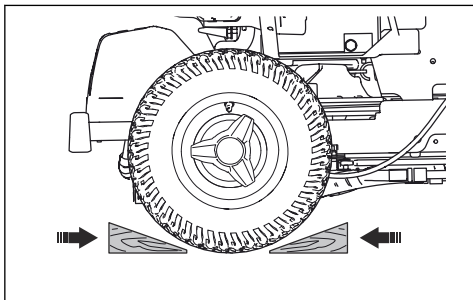


11. Fixe a quarta cinta ao outro ilhó de transporte.

12. Fixe a cinta na área de carga.

13. Aperte a cinta para a frente para fixar o produto na área de carga.

14. Coloque os calços de rodas em frente e atrás das rodas traseiras.



Rebocar o produto

O produto tem uma transmissão hidrostática. Para evitar danos na transmissão, reboque o produto a baixa velocidade e apenas em distâncias curtas.

Desengate a transmissão antes de rebocar o produto. Consulte *Desengatar a transmissão hidrostática na página 160*.

Armazenamento

Prepare o produto para armazenamento no final da estação e antes de mais de 30 dias de armazenamento. Se mantiver o combustível no depósito de combustível durante 30 dias ou mais, a aderência de partículas pode causar obstruções no carburador. Tal tem um efeito negativo no funcionamento do motor.

Para evitar a aderência de partículas durante o armazenamento, adicione um estabilizador. Se utilizar uma gasolina com base em alquilatos, não é necessário um estabilizador. Se utilizar gasolina normal, não mude para gasolina com alquilatos. Tal pode fazer com que as peças de borracha sensíveis se tornem rígidas.

Adicione estabilizador ao combustível no depósito ou no recipiente utilizado para o armazenamento. Utilize sempre as proporções de mistura indicadas pelo fabricante. Coloque o motor em funcionamento durante, pelo menos, 10 minutos após a adição do estabilizador, até que este flua para o carburador.



ATENÇÃO: Não mantenha o produto com combustível no depósito em espaços interiores ou em locais pouco ventilados. Risco de incêndio se os fumos do combustível se aproximarem de chamas abertas, faíscas ou luzes piloto, por exemplo, caldeiras, reservatórios de água quente e secadores de vestuário.



ATENÇÃO: Remova a relva, as folhas e outros materiais inflamáveis do produto para reduzir o risco de incêndio. Deixe o produto arrefecer antes de o armazenar.

- Limpe o produto; consulte *Limpar o produto na página 163*. Repare os danos na pintura para prevenir a corrosão.
- Examine o produto quanto a peças gastas ou danificadas e aperte as porcas e os parafusos soltos.
- Retire a bateria. Limpe-a, carregue-a e mantenha-a a uma temperatura baixa durante o armazenamento.
- Mude o óleo de motor e elimine o óleo usado.
- Esvazie o depósito de combustível. Ligue o motor e deixe-o trabalhar até não existir combustível no carburador.

Nota: Não esvazie o depósito de combustível e o carburador se tiver adicionado um estabilizador.

- Remova as velas e coloque, aproximadamente, uma colher de sopa de óleo de motor em cada cilindro. Rode manualmente o eixo do motor para aplicar o óleo e volte a colocar as velas.
- Lubrifique todos os copos de lubrificação, juntas e eixos.
- Guarde o produto numa área limpa e seca e cubra-o para proporcionar mais proteção.
- Pode adquirir uma cobertura de proteção para o produto durante o armazenamento ou o transporte no seu concessionário.

Eliminação

- Os produtos químicos podem ser perigosos e não podem ser eliminados no solo. Elimine sempre os químicos usados num centro de assistência ou numa localização de eliminação aplicável.
- Quando o produto estiver gasto, proceda ao respetivo envio para o concessionário ou para uma localização de reciclagem adequada.
- O óleo, os filtros de óleo, o combustível e a bateria podem ter efeitos negativos no meio ambiente.

Respeite os requisitos de reciclagem locais e os regulamentos aplicáveis.

- Não elimine a bateria como um lixo doméstico.
- Envie a bateria para uma oficina autorizada Husqvarna ou elimine-a numa localização de eliminação de baterias usadas.

Especificações técnicas

Especificações técnicas

	P 524X	P 524X EFI
Dimensões , consulte também <i>Dimensões do produto na página 199</i>		
Peso sem plataforma de corte e com depósitos vazios, kg	433	437
Dimensões dos pneus	18x8,50-8	18x8,50-8
Pressão dos pneus, traseiros – dianteiros, kPa / bar / PSI	100 / 1,0 / 14,5	100 / 1,0 / 14,5
Declive máx., graus °	10	10
Peso máx. do equipamento de reboque com declive de 10°, kg	200	200
Força vertical máx. permitida na barra de reboque, N/kg	250/25	250/25
Força horizontal máx. permitida na barra de reboque, N/kg	350/35	350/35
Motor		
Marca / Modelo	Kawasaki / V-Twin, FX691V-KME09023-D4	Kawasaki / V-Twin, FX730V EFI-KME01609-D2
Potência nominal do motor, kW ¹⁵	13,9	15,6
Cilindrada, cm ³	726	726
Velocidade máxima do motor, rpm	3000 +/- 100	3000 +/- 100
Velocidade máx. em marcha em frente, km/h	13	13
Velocidade máx. em marcha-atrás, km/h	9	9
Combustível, índice de octanas mín. sem chumbo	95 (máx. 5% de metanol, máx. 10% de etanol, máx. 15% de MTBE)	95 (máx. 5% de metanol, máx. 10% de etanol, máx. 15% de MTBE)
Volume do depósito, l	21	21
Óleo, classe API CD ou superior	SAE 10W/40	SAE 10W/40
Volume de óleo incluindo filtro, l	2,1	2,1
Volume do óleo excluindo filtro, l	1,8	1,8
Motor de arranque	Arranque elétrico de 12 V	Arranque elétrico de 12 V
Transmissão		
Marca / Modelo	Kanzaki / KTM 23	Kanzaki / KTM 23

¹⁵ A potência nominal do motor indicado é a potência líquida média (a um valor de rpm especificado) de um motor de produção típico do modelo de motor avaliado de acordo com a norma J1349/ISO1585 da SAE. Motores produzidos em série poderão divergir deste valor. A potência real do motor instalado no produto final dependerá da velocidade de operação, das condições ambientais e de outros parâmetros.

	P 524X	P 524X EFI
Óleo de transmissão	Óleo de transmissão Husqvarna 10W-30 (Husqvarna 10W-30 4T AWD ou STOU 10W-30)	Óleo de transmissão Husqvarna 10W-30 (Husqvarna 10W-30 4T AWD ou STOU 10W-30)
Capacidade de óleo da caixa de velocidades dianteira, l	0,9	0,9
Capacidade de óleo da caixa de velocidades traseira, l	0,9	0,9
Sistema hidráulico		
Pressão máx. de funcionamento, bar/psi	120/1740	120/1740
Capacidade do depósito hidráulico, l	8	8
Capacidade do sistema hidráulico, l	13	13
Óleo hidráulico	Óleo de transmissão Husqvarna 10W-30 (Husqvarna 10W-30 4T AWD ou STOU 10W-30)	Óleo de transmissão Husqvarna 10W-30 (Husqvarna 10W-30 4T AWD ou STOU 10W-30)
Sistema elétrico		
Tipo	12 V, negativo ligado à terra	12 V, negativo ligado à terra
Bateria	12 V, 24 Ah	12 V, 24 Ah
Vela de ignição	NGK BPR4ES	NGK BPR4ES
Fusível principal, tipo de pino plano, A	20	20
Fusível da tomada de alimentação, tipo de pino plano, A	5	5
Distância entre os eletrodos, mm/pol.	0,75/0,030	0,75/0,030
Lâmpadas	LED	LED
Plataforma de corte		
Tipo	Combi 112	Combi 112
	Combi 122	Combi 122
	R137 ¹⁶	R137
	Combi 112X	Combi 112X
	Combi 122X	Combi 122X
	R137X ¹⁷	R137X

¹⁶ Combinação não recomendada

¹⁷ Combinação não recomendada

Emissões de ruído ¹⁸	P 524X	P 524X EFI
Nível de potência sonora, medido, dB(A)		
Combi 112	99	100
Combi 122	104	105
R137	104	105
Combi 112X	99	99
Combi 122X	104	105
R137X	104	105
Nível de potência sonora, garantido, dB(A)		
Combi 112	100	100
Combi 122	105	105
R137	105	105
Combi 112X	100	100
Combi 122X	105	105
R137X	105	105

Níveis sonoros ¹⁹	P 524X	P 524X EFI
Nível de pressão sonora junto ao ouvido do utilizador, dB (A)		
Combi 112	86	86
Combi 122	87	88
R137	90	91
Combi 112X	86	86
Combi 122X	87	88
R137X	90	91

Níveis de vibração ²⁰	P 524X	P 524X EFI
Nível de vibração no volante, m/s²		
Combi 112	2,5	2,5

¹⁸ Emissões de ruído para as imediações, medidas sob forma de potência sonora (L_{WA}) em conformidade com a diretiva da CE 2000/14/CE.

¹⁹ Nível de pressão sonora em conformidade com a norma EN ISO 5395. Os dados comunicados relativamente ao nível de pressão de ruído têm uma dispersão estatística típica (desvio padrão) de 1,2 dB(A).

²⁰ Nível de vibração em conformidade com a norma EN ISO 5395. Os dados comunicados relativos ao nível de vibração têm uma dispersão estatística típica (desvio padrão) de 0,2 m/s² (volante) e 0,8 m/s² (banco).

Níveis de vibração ²⁰	P 524X	P 524X EFI
Combi 122	2,5	2,5
R137	2,5	2,5
Combi 112X	2,5	2,5
Combi 122X	2,5	2,5
R137X	2,5	2,5
Nível de vibração no banco, m/s ²		
Combi 112	0,5	0,5
Combi 122	0,5	0,5
R137	0,5	0,5
Combi 112X	0,5	0,5
Combi 122X	0,5	0,5
R137X	0,5	0,5

Plataforma de corte	Combi 112	Combi 122	R137	Combi 112X	Combi 122X	R137X
Largura de corte, mm	1120	1220	1370	1120	1220	1370
Altura de corte, 7 posições, mm	25-75	25-75	35-100	25-75	25-75	35-100
Largura, mm	1220	1330	1409	1220	1330	1409
Peso, kg	60	71	89	61	72	90
Comprimento, mm	420	454	924	420	454	924

Lâmina			
Binário de aperto do parafuso da lâmina, Nm/kpm/lb-pés	80/8,1/59	80/8,1/59	130 / 13,2 / 95,8
Número do artigo	5441027-10	5354294-10	5321872-55

Dados de frequência de rádio	P 524X	P 524X EFI
Gama de frequência, MHz	2402-2480	2402-2480
Potência de saída ²¹ , dBm	2,4	2,4

²⁰ Nível de vibração em conformidade com a norma EN ISO 5395. Os dados comunicados relativos ao nível de vibração têm uma dispersão estatística típica (desvio padrão) de 0,2 m/s² (volante) e 0,8 m/s² (banco).

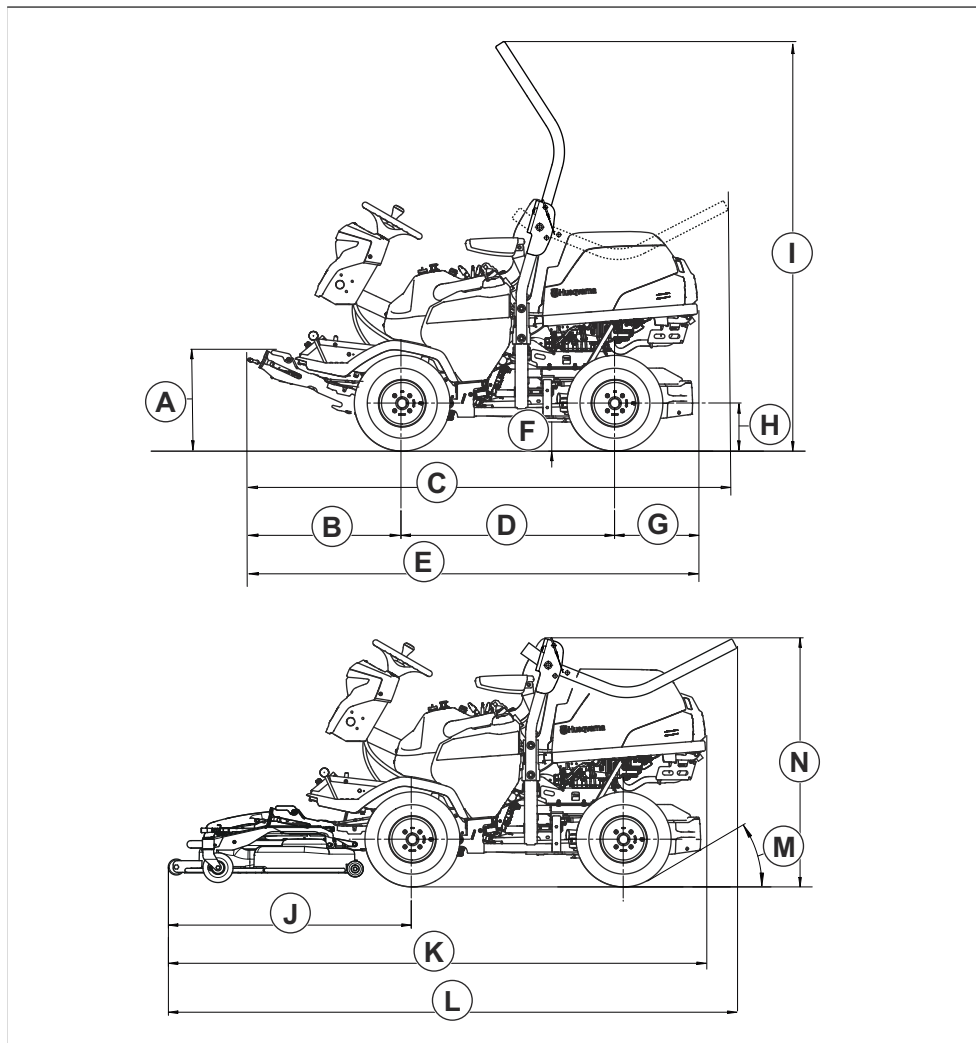
²¹ Medida a 2402 MHz e ciclo de funcionamento a 85%.

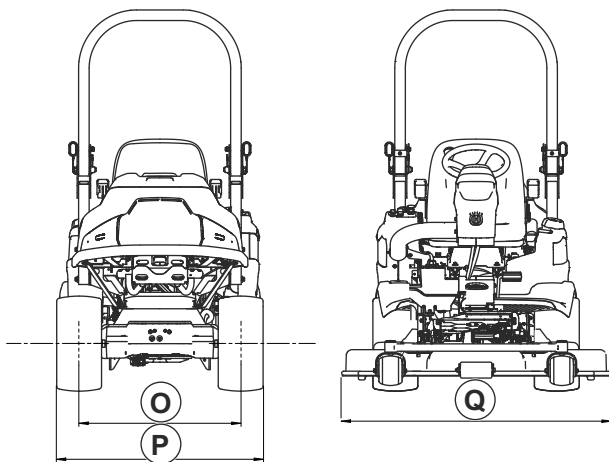


ATENÇÃO: Utilizar uma plataforma de corte que não esteja aprovada para o produto pode provocar a projeção de objetos a velocidades elevadas e

causar ferimentos graves. Não utilize outros tipos de plataforma de corte que não o especificado neste manual do utilizador.

Dimensões do produto





A	489 mm	G	388 mm	K	Combi 112, 112X: 2443 mm	M	30°
B	673	H	225 mm		Combi 122, 122X: 2532 mm	N	1244 mm
C	2066 mm	I	1869 mm		R137, R137X: 2580 mm	O	765 mm
D	999 mm	J	Combi 112, 112X: 1056 mm	L	Combi 112, 112X: 2449 mm	P	977 mm
E	2060 mm		Combi 122, 122X: 1145 mm		Combi 122, 122X: 2538 mm	Q	Combi 112, 112X: 1220 mm
F	137 mm		R137, R137X: 1193 mm		R137, R137X: 2585 mm		Combi 122, 122X: 1330 mm
						R137, R137X: 1409 mm	

Acessórios

As instruções de manutenção de equipamentos ou acessórios opcionais não são fornecidas neste manual

do utilizador. Consulte as instruções do acessório ou equipamento no respetivo manual do utilizador.

Assistência

Efetue uma verificação anual num centro de assistência autorizado para se certificar de que o produto funciona em segurança e nas melhores condições durante a estação de grande utilização. A melhor altura para a manutenção ou revisão geral do produto é a época baixa.

Quando fizer uma encomenda de peças sobresselentes, forneça informações sobre o ano de compra, o modelo, o tipo e o número de série.

Utilize sempre peças sobresselentes originais.

Garantia da transmissão

A garantia da transmissão apenas se aplica se forem efetuadas verificações da velocidade das rodas dianteiras e traseiras conforme especificadas no esquema de manutenção. Para prevenir danos no sistema da transmissão, solicite o respetivo ajuste numa oficina aprovada.

Declaração de conformidade

Declaração UE de conformidade

A **Husqvarna AB**, SE-561 82 Huskvarna, Suécia,
tel.: +46-36-146500, declara, sob sua inteira
responsabilidade, que o produto:

Descrição	Trator corta-relva
Marca	Husqvarna
Tipo / Modelo	P 524X, P 524X EFI
Identificação	Números de série referentes a 2023 e posteriores

está em plena conformidade com as seguintes diretivas
e regulamentos da UE:

Diretiva/Regulamen- to	Descrição
2006/42/CE	"relativa a máquinas"
2014/53/UE	"relativa ao equipamento de rádio"
2000/14/CE	"relativa a emissões de ruído para o ambiente"
2011/65/UE	"relativa à restrição do uso de determinadas substâncias perigosas em equipamento elétrico e eletrônico"

e que as seguintes normas e/ou especificações técnicas
são aplicadas: EN ISO 5395-1:2013/ A1:2018, EN ISO
5395-3:2013/A1:2017/A2:2018, EN ISO 12100:2010, EN
ISO 14982:2009, ETSI EN 300 328 v.2.2.2, ETSI EN
301 489-1 V1.9.2, ETSI EN 301 489-17 V3.2.4, EN
IEC 61000-6-3:2021, EN IEC 61000-6-2:2019, EN IEC
63000:2018.



Entidade competente: 0404, SMP Svensk
Maskinprovning AB, Box 4053, SE-904 03 Umeå,
Sweden atribuiu a certificação de conformidade com
a Diretiva 2000/14/CE do Conselho, procedimento de
avaliação de conformidade: Anexo VI.

Para mais informações sobre as emissões de ruído,
consulte *Especificações técnicas na página 195*.

Huskvarna, TBD

Claes Losdal, chefe de desenvolvimento/produtos de
jardinagem, Husqvarna AB

Responsável pela documentação técnica

Marcas comerciais registadas

A palavra e os logótipos *Bluetooth*[®] são marcas comerciais registadas propriedade da *Bluetooth SIG, inc* e qualquer utilização de tais marcas pela Husqvarna é feita mediante licença.

Sommario

Introduzione.....	204	Dati tecnici.....	263
Sicurezza.....	212	Accessori.....	268
Montaggio.....	219	Assistenza.....	268
Utilizzo.....	221	Garanzia.....	269
Manutenzione.....	228	Dichiarazione di conformità.....	270
Ricerca guasti.....	256	Marchi registrati.....	271
Trasporto, stoccaggio e smaltimento.....	260		

Introduzione

Ispezione di preconsegna e numeri di prodotto

firmata del documento di ispezione pre-consegna dal rivenditore.

Nota: Un'ispezione di preconsegna è stata effettuata per questo prodotto. Assicurarsi di ricevere una copia

Informazioni di contatto dell'officina:	
Il presente manuale operatore si riferisce al prodotto con codice/numero di serie:	
/	
Motore:	
Trasmissione:	

Descrizione del prodotto

I modelli P 524X e P 524X EFI sono tagliaerba frontali. La fonte di alimentazione è un motore benzina. I prodotti sono dotati di display, fari anteriori e trazione integrale (AWD). I pedali di marcia avanti e retromarcia consentono all'operatore di regolare la velocità gradualmente. È possibile utilizzare il prodotto con diversi tipi di piatti di taglio o altre attrezzature Husqvarna approvate.

Uso previsto

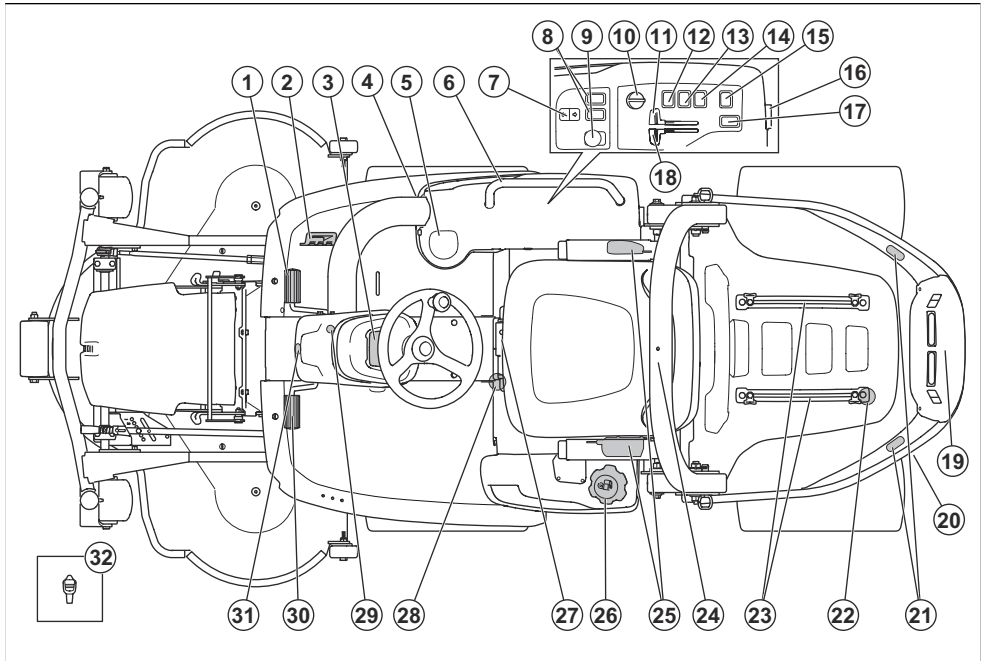
Il prodotto è realizzato per tagliare l'erba nelle aree commerciali. Montare un accessorio opzionale per

usare il prodotto per altre attività. Rivolgersi al proprio rivenditore Husqvarna per maggiori informazioni sulla disponibilità dei singoli accessori.

Assicurazione del prodotto

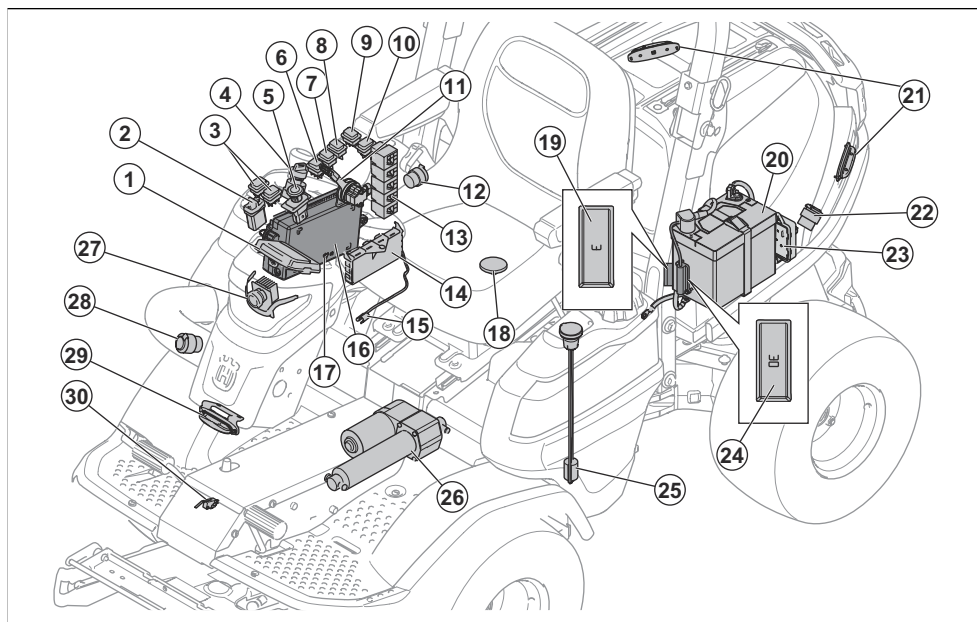
Accertarsi di disporre della copertura assicurativa per il nuovo prodotto. Contattare la propria compagnia assicurativa se non si è sicuri di disporre della copertura. Si raccomanda un'assicurazione completa che copra lesioni contro terzi, incendio, danni, furto e responsabilità civile.

Panoramica del prodotto



- | | |
|---|---|
| 1. Pedale di marcia avanti | 17. Pulsante funzione per accessori posteriori (accessorio) |
| 2. Pedale di retromarcia | 18. Comando della valvola dell'aria (P 524X) |
| 3. Display | 19. Presa di corrente AUX posteriore, 12 V (accessorio) |
| 4. Presa di corrente AUX anteriore, 12 V (accessorio) | 20. Valvola di bypass della trasmissione posteriore |
| 5. Portabicchieri | 21. Spie di avvertenza posteriori (accessorio) |
| 6. Impugnatura (accessorio) | 22. Supporti per cinghie |
| 7. Sollevamento elettrico per il piatto di taglio | 23. Guide |
| 8. Pulsante funzione per accessori frontali (accessorio) | 24. ROPS (Struttura di protezione antiribaltamento) |
| 9. Pulsante della presa di forza | 25. Cintura di sicurezza |
| 10. Chiave di accensione | 26. Tappo del serbatoio del carburante |
| 11. Comando dell'acceleratore | 27. Leva di regolazione del sedile |
| 12. Interruttore fari | 28. Valvola di bypass della trasmissioni anteriore |
| 13. Interruttore spia di avvertenza (accessorio) | 29. Blocco del freno di stazionamento |
| 14. Interruttore per presa di corrente, 12 V | 30. Freno di stazionamento |
| 15. Interruttore per presa di corrente AUX, 12 V (accessorio) | 31. Spia di avvertenza anteriore (accessorio) |
| 16. Presa di corrente 12 V | 32. Utensile |

Panoramica dell'impianto elettrico



1. Display
2. Pulsante funzione per sollevamento piatto
3. Pulsante funzione per accessori frontali (accessorio)
4. Chiave di accensione
5. Pulsante della presa di forza
6. Interruttore fari
7. Interruttore spia di avvertenza (accessorio)
8. Interruttore per presa di corrente, 12 V
9. Interruttore per presa di corrente AUX, 12 V (accessorio)
10. Pulsante funzione per accessori posteriori (accessorio)
11. Comando dell'acceleratore EFI (P 524X EFI)
12. Presa di corrente 12 V
13. Relè
14. Unità di comando tagliaerba
15. Sensore di temperatura per olio idraulico
16. Scatola di comando
17. Connettore di servizio
18. Interruttore OPC
19. Fusibile per l'alimentazione di memoria da 12 V al modulo di comando tagliaerba, 3 A
20. Batteria
21. Spia di avvertenza posteriore (accessorio)
22. Presa di corrente AUX posteriore, 12 V (accessorio)
23. Centralina EFI (P 524X EFI)

24. Fusibile per sollevamento piatto attuatore elettrico, 30 A
25. Sensore di livello del carburante
26. Sollevamento piatto attuatore elettrico
27. Fari anteriori
28. Presa di alimentazione AUX anteriore, 12 V (accessorio)
29. Spia di avvertenza anteriore (accessorio)
30. Interruttore freno di stazionamento

Prese di corrente

Il prodotto dispone delle seguenti prese di corrente:

- Presa di corrente a 12 V
- Presa di corrente AUX da 12 V, anteriore (accessorio)
- Presa di corrente AUX da 12 V, posteriore (accessorio)

Per individuare i fusibili per le prese di corrente, fare riferimento a *Panoramica dei fusibili alla pagina 236*.

Per individuare le prese di corrente, fare riferimento a *Panoramica dell'impianto elettrico alla pagina 206*.

Portare in tensione le prese di corrente con l'interruttore di accensione sul pannello di comando.

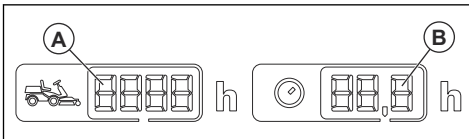
Contatore

Il prodotto è dotato di 2 contatore sul display. Il contatore mostra il totale delle ore di funzionamento del motore (A) e il periodo di esercizio (B). L'ultima cifra del contatore per il periodo di esercizio indica un decimo di ora (6 minuti).

Il tempo con l'accensione inserita ma con il motore spento non viene registrato.

Nota: Il contatore totale (A) mostra solo ore complete.

Nota: Un periodo di esercizio è il tempo in cui il motore rimane acceso durante 1 giorno. Un nuovo periodo di esercizio inizia se il motore rimane spento per almeno 6 ore.



Modulo di controllo del rasaerba

Il prodotto dispone di un modulo di controllo del rasaerba che fornisce all'operatore le informazioni relative al prodotto. Le informazioni vengono visualizzate sul display del pannello strumenti. Vedere *Display alla pagina 209*.

Il modulo di comando del rasaerba permette al rivenditore di collegarsi al prodotto per l'assistenza.

Husqvarna Connect

Il prodotto è dotato di tecnologia wireless e può collegarsi a dispositivi portatili che hanno l'applicazione Husqvarna Connect installata. L'app Husqvarna Connect è un'app gratuita per dispositivi mobili. L'app Husqvarna Connect fornisce funzioni estese per il prodotto Husqvarna:

- Funzione di blocco e sblocco per evitare l'utilizzo non approvato del prodotto.
- Informazioni aggiuntive sul prodotto.
- Dettagli, guida, parti del prodotto e manutenzione.

Husqvarna Fleet Services™

Husqvarna Fleet Services™, è una soluzione su cloud che fornisce ai responsabili della flotta commerciale una panoramica di tutti i prodotti. Per ulteriori informazioni su Husqvarna Fleet Services™, fare riferimento a www.husqvarna.com.

Collegamento al prodotto tramite Husqvarna Fleet Services™

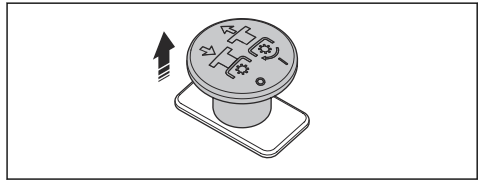
1. Scaricare l'app Husqvarna Fleet Services™ sul dispositivo mobile.

2. Eseguire il login all'app Husqvarna Fleet Services™.
3. Attenersi alle istruzioni relative all'abbinamento del prodotto a Husqvarna Fleet Services™.

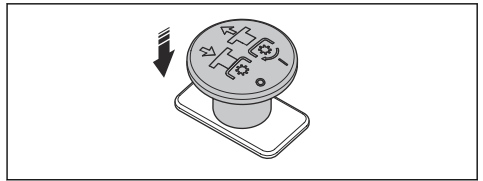
Pulsante PTO (presa di forza)

Il pulsante della presa di forza innesta e disinnesta la frizione della presa di forza e il piatto di taglio o altre attrezzature ad esso collegate. È necessario rispettare le corrette condizioni di avviamento per inserire la rotazione delle lame. Per informazioni sulle condizioni di avviamento corrette, fare riferimento a *Controllo delle condizioni di funzionamento alla pagina 215*.

- Estrarre il pulsante della presa di forza per azionare la trasmissione sulle lame o altre attrezzature.



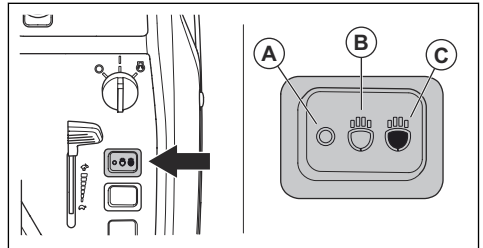
- Premere il pulsante della presa di forza per disinnestare la trasmissione dalle lame o da altre attrezzature.



Fari anteriori

I fari anteriori sono dotati di luce di lavoro e luci abbaglianti.

- Portare l'interruttore di corrente in posizione (A) per spegnere le luci.



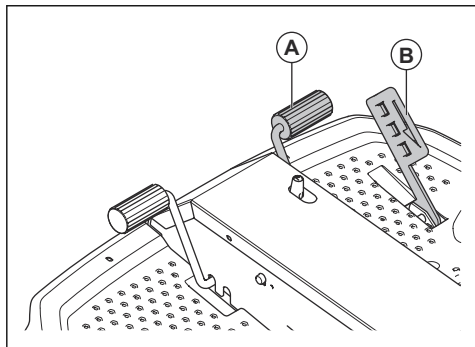
- Portare l'interruttore di corrente in posizione (B) per accendere la luce di lavoro.
- Portare l'interruttore di corrente in posizione (C) per accendere la luce abbagliante e la luce di lavoro.

La luce di lavoro rimane accesa per 3 minuti dopo aver portato la chiave di accensione su STOP. Quando i fari

sono accesi, il display mostra il relativo simbolo. Fare riferimento a *Display alla pagina 209*.

Pedali di marcia avanti e retromarcia

La velocità viene regolata continuamente con 2 pedali. Il pedale sinistro (A) serve per la marcia avanti, il pedale destro (B) per la marcia indietro. Il prodotto frena quando i pedali vengono rilasciati.



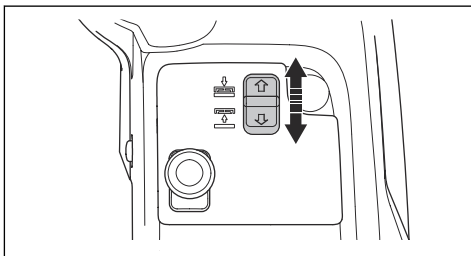
Interruttore per il sollevamento elettrico del piatto di taglio

L'interruttore controlla il sollevatore elettrico. Utilizzare il sollevatore elettrico per sollevare e abbassare il piatto di taglio nella posizione corretta.

L'interruttore non ha una posizione impostata. Tirare all'indietro l'interruttore del sollevatore idraulico per sollevare il piatto di taglio. Premere l'interruttore del sollevatore elettrico in avanti per abbassare il piatto di taglio. Il piatto di taglio può sempre essere sollevato

e abbassato quando la chiave di accensione è in posizione ON.

Il piatto di taglio deve essere sempre in posizione flottante quando si taglia l'erba. La posizione flottante consente al piatto di taglio di seguire i dislivelli del terreno.



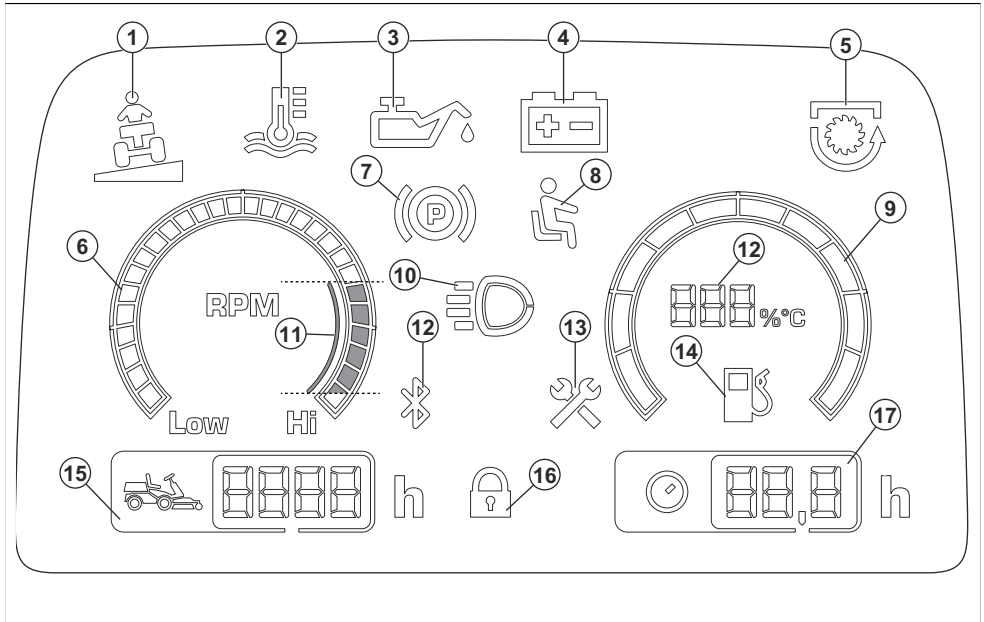
Piatto di taglio

I piatti di taglio per questo prodotto sono i piatti di taglio Combi e il piatto di taglio R137. I piatti di taglio sono disponibili anche come modelli X, che consentono di regolare l'altezza di taglio dal pannello di controllo. Fare riferimento a *Dati tecnici alla pagina 263*.

I piatti di taglio funzionano con tappo mulching o scarico posteriore. Quando i piatti di taglio vengono azionati con il tappo mulching, l'erba viene tagliata in pezzi più piccoli che vengono utilizzati come fertilizzante per il prato. Quando il tappo mulching viene rimosso, i piatti di taglio espellono l'erba dal lato posteriore. I piatti di taglio Combi sono stati realizzati appositamente per l'uso di tappi mulching, mentre i piatti di taglio R137 sono stati realizzati appositamente per lo scarico posteriore.

Display

Il display del pannello strumenti visualizza informazioni sullo stato del prodotto.



1. Spia di pendenza
2. Spia della temperatura dell'olio per trasmissione
3. Spia della pressione dell'olio motore
4. Spia livello batteria
5. Spia PTO
6. Tachimetro
7. Spia freno di stazionamento
8. Controllo presenza operatore (OPC)
9. Spia carburante
10. Spia luce di lavoro o luci abbaglianti
11. Utilizzare il regime motore raccomandato quando si lavora con questo prodotto
12. Bluetooth®
13. Spia di manutenzione
14. Spia carburante con incrementi del 5%

Nota: Se la spia della temperatura dell'olio per trasmissione è accesa, l'indicatore del carburante mostra la temperatura motore.

15. Contatore. Tempo di lavoro totale in ore.
16. Blocco digitale
17. Contatore. Ore/giorno lavorativo.

Nota: L'aspetto del display può essere diverso nei diversi modelli.

Nota: Quando la chiave di accensione viene girata dalla posizione STOP alla posizione ON, tutti i simboli si accendono per un breve periodo di tempo. Successivamente, vengono accesi solo i simboli in funzione.

Simboli riportati sul prodotto





Avvertenza: rischio di lesioni per schiacciamento.



Avvertenza: rischio di lesioni per schiacciamento. I bracci di sollevamento sono molto potenti. Non avvicinarsi.



Attenzione all'espulsione o al rimbalzo di oggetti.



Superficie calda.



Tenere lontano persone e animali dalla zona di lavoro.



Guardare all'indietro prima e durante lo spostamento del prodotto in retromarcia.



Non tagliare l'erba in presenza di una pendenza. Non tagliare l'erba su superfici con pendenze superiori al 10°. Fare riferimento a *Taglio dell'erba in pendenza alla pagina 216*.



Non trasportare passeggeri sul prodotto o sull'attrezzatura.



Pericolo di ribaltamento.



Spostarsi in avanti.



Spostarsi in retromarcia.



Leva del freno di stazionamento.



Freno di stazionamento.



Il prodotto è conforme alle direttive CE vigenti.



Questo prodotto è conforme alle direttive del Regno Unito vigenti.



Emissioni di rumore nell'ambiente in conformità alle direttive e alle norme UE e UK e alla norma del Nuovo Galles del Sud in materia di protezione dell'ambiente "Protection of the Environment Operations (Noise Control) Regulation 2017". Il livello di potenza sonora garantito del prodotto è specificato in *Dati tecnici alla pagina 263* nonché sull'etichetta.



Indossare sempre protezioni acustiche approvate.



Arrestare il motore e rimuovere la candela prima di effettuare interventi di riparazione o manutenzione.



Arrestare il motore.



Accensione del motore.



Avviamento del motore.



Regime motore: alto.



Regime motore: basso.



Comando dell'aria P 524X.



Carburante.



Contenuto massimo di etanolo 10%.



Posizione di trasporto per il piatto di taglio.



Posizione di funzionamento del piatto di taglio.



Estrarre il pulsante della presa di forza.



Premere il pulsante PTO.



AUX per la potenza posteriore.



AUX per la potenza anteriore.



Livello dell'olio.



Codice scansionabile.



MAX. XXXN / (XXXkg)

La forza verticale max. consentita sulla barra di traino è specificata in *Dati tecnici* alla pagina 263 nonché sull'etichetta.



MAX. XXXN / (XXXkg)

La forza orizzontale max. consentita sulla barra di traino è specificata in *Dati tecnici* alla pagina 263 nonché sull'etichetta.



Non utilizzare la cintura di sicurezza se la struttura ROPS è disinserita.



Utilizzare sempre la cintura di sicurezza quando la struttura ROPS è inserita.



Nota: I restanti simboli/decalcomanie sul prodotto riguardano particolari requisiti necessari per ottenere la certificazione in determinate aree commerciali.

Piastrina modello

1	Husqvarna Identity (HID)	XXXXXXXXXXXXXXXXXXXXXXXXXX	5
2	Model	XXXXXX	6
3	PNC	XXXXXXXXXX	7
4	Prod year	XXXX	8
	Nominal power	XX, XkW	
	Serial number	XXXXXXXXXXXX	
	UK Importer Husqvarna UK Ltd, Preston Road, Co. Durham, DL5 6UP		
9	PNC	XXXXXXXXXXXX	
10	Unladen weight	XXXkg	
11	Max front axle weight (GAWR)	XXXkg	
12	Max rear axle weight (GAWR)	XXXkg	
13	Max laden weight (GCWR)	XXXXkg	
	USA Importer Husqvarna Group, 9335 Harris Corners Pkwy, Suite 500, Charlotte, NC28269, USA		

- Husqvarna Identity (HID) con il numero dell'articolo, la fabbrica e la linea, la data, il numero di sequenza e il numero di controllo
- Nome del modello
- Codice prodotto (PNC)
- Codice scansionabile
- Produttore e indirizzo del produttore
- Anno di produzione
- Potenza nominale
- Numero di serie con data, anno e settimana di produzione e numero di sequenza
- Codice prodotto (PNC)
- Peso del prodotto, senza carico
- Peso massimo assale anteriore (GAWR)
- Peso massimo assale posteriore (GAWR)

Emissioni Euro V



AVVERTENZA: La manomissione del motore rende nulla l'omologazione UE del prodotto.

Danni al prodotto

Non siamo responsabili dei danni al prodotto se:

- Il prodotto viene riparato in modo errato.
- Il prodotto viene riparato con parti che non provengono o non sono omologate dal produttore.
- Il prodotto contiene un accessorio che non proviene o non è omologato dal produttore.
- Il prodotto non viene riparato presso un centro di assistenza autorizzato o presso un'autorità competente.

Sicurezza

Definizioni di sicurezza

Le avvertenze, le precauzioni e le note sono utilizzate per evidenziare le parti importanti del manuale.



AVVERTENZA: Utilizzato se è presente un rischio di lesioni o morte dell'operatore o di passanti nel caso in cui le istruzioni del manuale non vengano rispettate.



ATTENZIONE: Utilizzato se è presente un rischio di danni al prodotto, ad altri materiali oppure alla zona adiacente nel caso in cui le istruzioni del manuale non vengano rispettate.

Nota: Utilizzato per fornire ulteriori informazioni necessarie in una determinata situazione.

Istruzioni di sicurezza generali



AVVERTENZA: Questo prodotto può tagliare mani e piedi e scagliare oggetti. Lesioni gravi o mortali possono verificarsi se non si rispettano le istruzioni di sicurezza.



AVVERTENZA: Non continuare a utilizzare un prodotto che presenti l'attrezzatura di taglio danneggiata. Un'attrezzatura di taglio danneggiata può scagliare oggetti e causare lesioni gravi o mortali. Sostituire immediatamente le lame danneggiate.



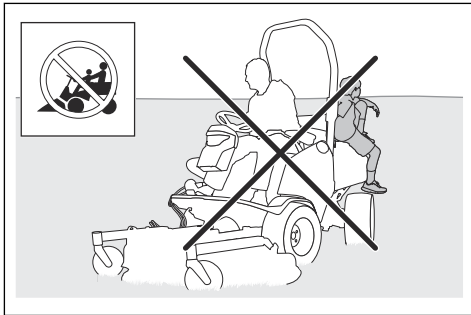
AVVERTENZA: Durante il funzionamento, questo prodotto genera un campo elettromagnetico. Tale campo può interferire, in alcuni casi, con persone portatrici di impianti medici attivi o passivi. Per ridurre il rischio di condizioni che possono implicare lesioni gravi o mortali, i

portatori di tali impianti devono consultare il proprio medico e il produttore dell'impianto prima di utilizzare questo prodotto.



AVVERTENZA: Leggere le seguenti avvertenze prima di utilizzare il prodotto.

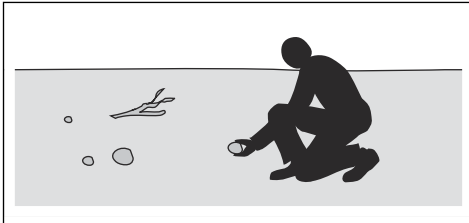
- Usare la massima cautela e il buon senso. Evitare tutte le situazioni che richiedono capacità superiori alle proprie. Se non si è sicuri delle procedure operative anche dopo aver letto il manuale dell'operatore, rivolgersi a un esperto prima di continuare.
- Leggere con attenzione e comprendere il manuale dell'operatore e le istruzioni sul prodotto prima di avviarlo.
- Apprendere l'uso del prodotto e i comandi e imparare come arrestare il prodotto rapidamente.
- Apprendere a riconoscere le decalcomanie di sicurezza.
- Conservare il prodotto pulito in modo che sia possibile leggere chiaramente i simboli e gli adesivi.
- Tenere presente che l'operatore potrà essere ritenuto responsabile di eventuali incidenti che coinvolgano altre persone o i loro beni.
- Non trasportare passeggeri. Il prodotto deve essere utilizzato da una sola persona.



- Non lasciare il prodotto incustodito con il motore acceso. Fermare sempre le lame, applicare il freno

di stazionamento, spegnere il motore e rimuovere la chiave di accensione prima di lasciare incustodito il prodotto.

- Utilizzare il prodotto solo alla luce solare o in altre condizioni di sufficiente illuminazione. Tenere il prodotto a distanza di sicurezza da buche o altre irregolarità nel suolo. Prestare attenzione ad altri possibili rischi.
- Non utilizzare mai il prodotto in condizioni meteorologiche sfavorevoli, ad esempio nebbia, pioggia, umidità o luoghi molto umidi, vento forte, freddo intenso, rischio di fulmini ecc.
- Trovare e marcare eventuali pietre e altri oggetti fissi per evitarli durante il taglio.
- Liberare l'area da oggetti come pietre, giocattoli, fili, ecc. che possono rimanere incastrati nelle lame ed essere scagliati in aria.



- Non consentire ai bambini, o ad altre persone non autorizzate all'utilizzo del prodotto, di utilizzarlo o eseguirne la manutenzione. Possono essere in vigore norme locali che limitano l'età dell'operatore.
- Accertarsi che nessuno si trovi nelle vicinanze del prodotto quando si accende il motore, si innesta la trazione o si sposta il prodotto.
- Tenere d'occhio il traffico quando si taglia in prossimità di una strada o la si attraversa.
- Non utilizzare mai il prodotto in condizioni di stanchezza oppure sotto l'effetto di alcolici, stupefacenti o farmaci in grado di compromettere la vista, l'attenzione, la coordinazione o il giudizio.
- Non modificare la regolazione per il controllo del regime motore.
- Parcheggiare sempre il prodotto su una superficie piana con il motore spento.

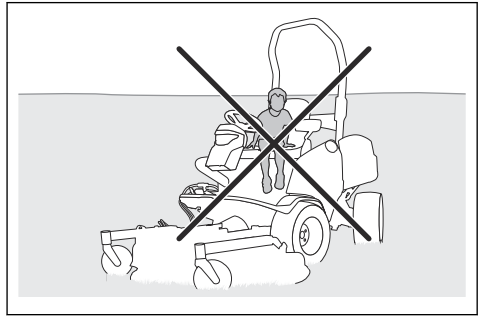
Istruzioni di sicurezza relative ai bambini



AVVERTENZA: Leggere le seguenti avvertenze prima di utilizzare il prodotto.

- In caso di mancata supervisione dei bambini nei pressi del prodotto, si potrebbero verificare gravi incidenti. I bambini possono essere attratti dal prodotto e dalla falciatura. È molto probabile che i bambini non rimangano fermi nel luogo in cui sono stati visti l'ultima volta.

- Tenere i bambini lontani dall'area da falciare. Accertarsi che sia presente un adulto che supervisioni i bambini.
- Restare vigili e spegnere il prodotto se i bambini accedono all'area di lavoro. Prestare estrema attenzione nei pressi di angoli, cespugli, alberi o altri oggetti che ostacolano la visuale.
- Prima e durante lo spostamento del prodotto in retromarcia, guardare all'indietro e verso il basso per assicurarsi che non ci siano bambini piccoli nelle vicinanze del prodotto.
- Non lasciar salire i bambini sul prodotto. Potrebbero cadere e ferirsi gravemente o impedire di manovrare in sicurezza il prodotto.
- Non lasciare che i bambini utilizzino il prodotto.



Istruzioni di sicurezza per l'utilizzo



AVVERTENZA: Non toccare il motore o il sistema di scarico durante o subito dopo l'utilizzo. Il motore e il sistema di scarico diventano molto caldi durante l'uso. Rischio di ustioni, incendi e danni alla proprietà o alle zone adiacenti. Mentre si utilizza il prodotto, tenersi lontani da cespugli e altri oggetti.



AVVERTENZA: Leggere le seguenti avvertenze prima di utilizzare il prodotto.

- Guardare sempre in basso e indietro prima e durante lo spostamento in retromarcia. Evitare ostacoli grandi e piccoli.
- Ridurre la velocità prima di svoltare ad angolo.
- Arrestare le lame prima di spostarsi attraverso aree che non richiedono la falciatura.



ATTENZIONE: Leggere le seguenti istruzioni prima di utilizzare il prodotto.

- Prima di utilizzare il prodotto, pulire la presa d'aria fredda del motore eliminando erba e sporco. Se la

presa d'aria fredda viene bloccata, esiste il rischio di danni al motore.

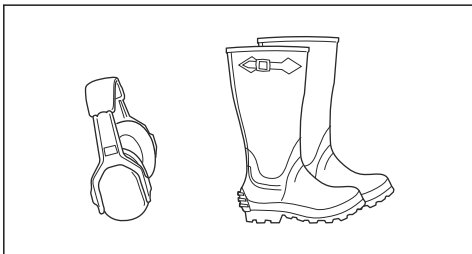
- Spostare con attenzione pietre e altri oggetti più grandi e accertarsi che le lame non colpiscano gli oggetti.
- Non utilizzare il prodotto sugli oggetti. Fermarsi ed esaminare il prodotto e il piatto di taglio se si falcia o si urta un oggetto. Se necessario, effettuare riparazioni prima di riavviare il prodotto.

Dispositivi di protezione individuale



AVVERTENZA: Leggere le seguenti avvertenze prima di utilizzare il prodotto.

- Usare sempre abbigliamento protettivo personale omologato quando si utilizza il prodotto. L'uso di dispositivi di protezione individuale non elimina il rischio di lesioni, ma ne riduce la gravità in caso di incidente. Farsi consigliare dal rivenditore per la scelta dell'attrezzatura adatta.
- Usare cuffie protettive omologate. Una lunga esposizione al rumore può comportare lesioni permanenti all'udito.
- Utilizzare robusti stivali o scarpe antiscivolo. Si raccomanda l'uso di punte in acciaio. Non utilizzare il prodotto con calzature aperte o a piedi nudi.



- Indossare guanti protettivi ove necessario, ad esempio per montare, ispezionare o pulire l'attrezzatura di taglio.
- Non indossare abbigliamento non aderente, gioielli o altri oggetti che potrebbero impigliarsi nelle parti in movimento.
- Tenere a portata di mano il kit di primo soccorso e un estintore.

Dispositivi di sicurezza sul prodotto



AVVERTENZA: Leggere le seguenti avvertenze prima di utilizzare il prodotto.

- Non utilizzare un prodotto usando dispositivi di sicurezza danneggiati o che non funzionano correttamente. Effettuare regolarmente un controllo dei dispositivi di sicurezza. Se i dispositivi di sicurezza sono danneggiati, rivolgersi al tecnico dell'assistenza Husqvarna.

- Non apportare modifiche ai dispositivi di sicurezza. Non utilizzare il prodotto se le piastre di protezione, le coperture, gli interruttori di sicurezza o altri dispositivi di protezione non sono collegati o sono danneggiati.

Struttura di protezione antiribaltamento (ROPS)

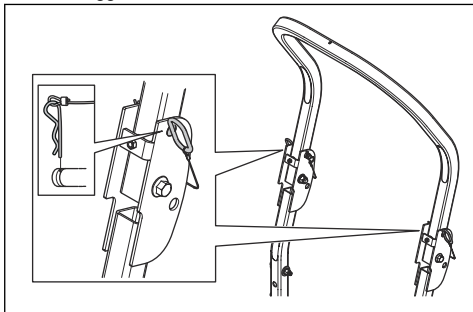
La struttura ROPS è un telaio protettivo che riduce il rischio di lesioni in caso di ribaltamento del prodotto. Utilizzare la struttura ROPS e la cintura di sicurezza quando si utilizza il prodotto su terreni in pendenza.

Cintura di sicurezza

La cintura di sicurezza evita danni qualora si verifichi un incidente o il ribaltamento del prodotto. Utilizzare la cintura di sicurezza solo quando la struttura ROPS è inserita. Accertarsi che la cintura del sedile sia collegata correttamente e che non sia danneggiata.

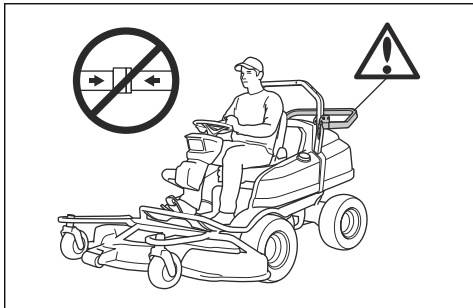
Per inserire e disinserire la struttura di protezione antiribaltamento (ROPS)

- Rimuovere i 2 perni di fissaggio della struttura ROPS e ripiegarla all'indietro per disinserire il sistema. Installare la struttura ROPS nell'ordine inverso allo smontaggio.

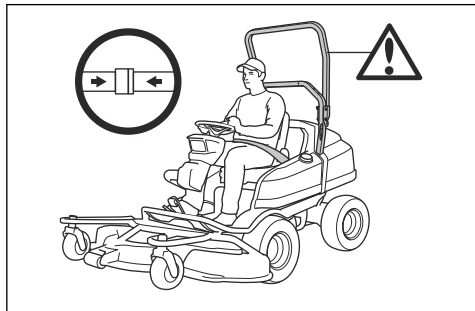


AVVERTENZA: Rispettare le seguenti istruzioni per la struttura ROPS e la cintura di sicurezza.

- Non utilizzare la cintura di sicurezza se la struttura ROPS è disinserita.



- Utilizzare sempre la cintura di sicurezza quando la struttura ROPS è inserita.

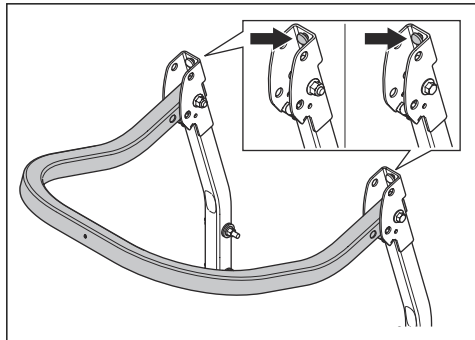


- Controllare che la struttura ROPS sia fissata correttamente e che non sia danneggiata.

Regolazione delle unità antivibranti sulla struttura ROPS

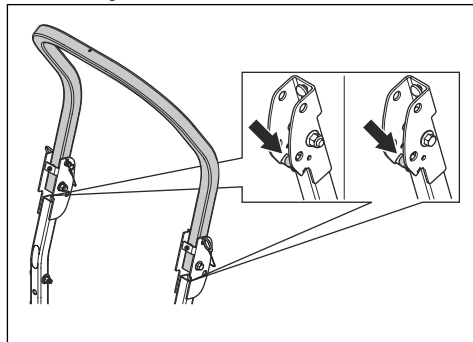
La struttura ROPS è dotata di 4 unità antivibranti che impediscono vibrazioni e rumorosità provenienti dalla struttura ROPS.

1. Disinserire la struttura ROPS. Fare riferimento a *Per inserire e disinserire la struttura di protezione antiribaltamento (ROPS) alla pagina 214.*
2. Ruotare le unità antivibranti superiori fino a quando non vi è gioco nella struttura ROPS.

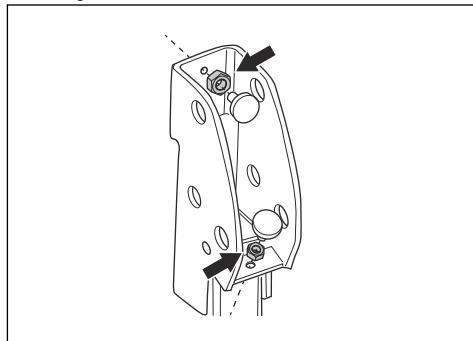


3. Inserire la struttura ROPS. Fare riferimento a *Per inserire e disinserire la struttura di protezione antiribaltamento (ROPS) alla pagina 214.*

4. Ruotare le unità antivibranti inferiori fino a quando non vi è gioco nella struttura ROPS.



5. Stringere i controdadi.



Controllo presenza operatore (OPC)

Il Controllo presenza operatore (OPC) si attiva quando l'operatore si alza dal sedile. La spia OPC sul display si accende. L'OPC inserisce il circuito di sicurezza. Fare riferimento a *Controllo delle condizioni di funzionamento alla pagina 215.*

Per fare un controllo della chiave di accensione

- Avviare e arrestare il motore per controllare la chiave di accensione. Fare riferimento a *Avviamento del motore (P 524X) alla pagina 223 e Arresto del motore alla pagina 227.*
- Accertarsi che il motore si avvii ruotando la chiave di accensione in posizione Start.
- Accertarsi che il motore si arresti immediatamente quando si posiziona la chiave su Stop.

Controllo delle condizioni di funzionamento

Le condizioni di funzionamento sono le seguenti:

- Il motore può essere avviato solo quando la rotazione delle lame è disinnestata.
- È possibile avviare il motore solamente quando è innestato il freno di stazionamento.

- La rotazione delle lame è attiva solo quando l'operatore è seduto al posto di guida.

Effettuare quotidianamente il controllo delle condizioni di funzionamento.

1. Provare ad avviare il motore con la rotazione delle lame disinnestata. Se le condizioni di funzionamento sono soddisfatte, il motore non si avvia.
2. Provare ad avviare il motore senza innestare il freno di stazionamento. Se le condizioni di funzionamento sono soddisfatte, il motore non si avvia.
3. Avviare il motore, innestare la rotazione delle lame e sollevarsi dal sedile. Se le condizioni di funzionamento sono soddisfatte, le lame nel piatto di taglio si arrestano.

Controllo del pedale di marcia avanti e quello di retromarcia

1. Avviare il prodotto.
2. Accertarsi che il pedale di marcia avanti e quello di retromarcia non siano bloccati e che possano essere azionati liberamente.
3. Premere con cautela il pedale di marcia avanti per spostarsi in avanti.
4. Rilasciare il pedale di marcia avanti per frenare. Assicurarsi che il freno si innesti quando viene rilasciato il pedale di marcia avanti.
5. Eseguire la stessa procedura per il pedale di retromarcia.

Nota: Il prodotto è provvisto di un freno che si innesta quando si rilasciano i pedali. Per ridurre la velocità più rapidamente, premere l'altro pedale.

6. Assicurarsi che il prodotto non si muova quando i pedali di marcia avanti e di retromarcia non sono innestati.

Freno di stazionamento



AVVERTENZA: Se il freno di stazionamento non funziona, il prodotto può iniziare a muoversi e causare lesioni o danni. Assicurarsi che il freno di stazionamento venga controllato e regolato periodicamente.

Fare riferimento a *Per innestare e disinnestare il freno di stazionamento alla pagina 227.*

Marmitta

La marmitta assicura il minimo livello di rumorosità e allontana i fumi di scarico dall'operatore.

Non utilizzare il prodotto se la marmitta è mancante o danneggiata. Una marmitta danneggiata aumenta il livello acustico e il rischio di incendio.



AVVERTENZA: La marmitta si surriscalda durante e dopo l'uso e quando il motore funziona al regime minimo. Prestare attenzione in prossimità di materiali infiammabili e/o fumi per evitare incendi.

Controllo della marmitta

- Esaminare la marmitta periodicamente per assicurarsi che sia collegata correttamente e che non sia danneggiata.

Coperture protettive

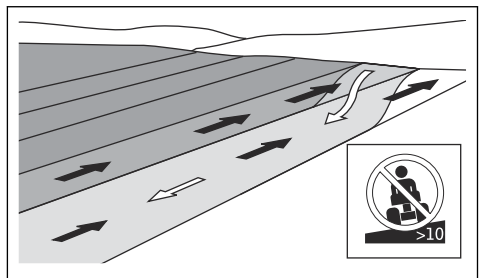
Coperture protettive mancanti o danneggiate aumentano il rischio di lesioni sulle parti in movimento e sulle superfici calde. Controllare le condizioni delle coperture protettive prima di utilizzare il prodotto. Assicurarsi che le coperture protettive siano collegate correttamente e non presentino crepe o altri danni. Sostituire le coperture danneggiate.

Taglio dell'erba in pendenza



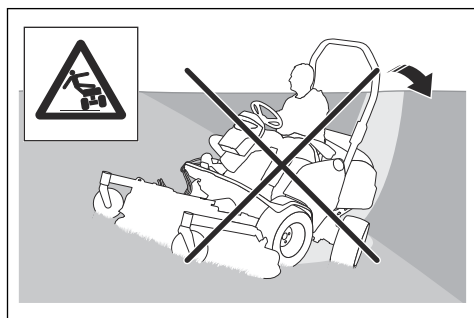
AVVERTENZA: Leggere le seguenti avvertenze prima di utilizzare il prodotto.

- La falciatura dell'erba su terreni in pendenza aumenta il rischio di perdita di controllo e di ribaltamento del prodotto. Ciò può causare lesioni anche mortali. È necessario falciare l'erba con cautela su qualsiasi terreno in pendenza. Se non è possibile effettuare la retromarcia su un terreno in pendenza o se ci si sente insicuri, non effettuare la falciatura.
- Rimuovere pietre, rami o altri ostacoli.
- Eseguire il taglio guidando parallelamente alla direzione di inclinazione del piano, non lateralmente.
- Non spostarsi su un pendio con il piatto di taglio sollevato.
- Non azionare il prodotto su terreni con pendenze superiori a 10°.



- Non avviare o arrestare il prodotto su terreni in pendenza.
- Spostarsi gradualmente e lentamente su terreni in pendenza.

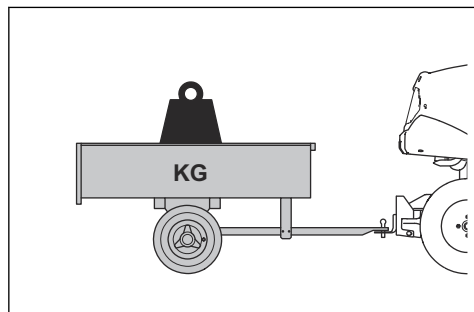
- Non effettuare bruschi cambiamenti di velocità o di direzione di marcia.
- Non effettuare più svolte del necessario. Girare lentamente e gradualmente quando ci si sposta su un pendio. Viaggiare a bassa velocità. Girare la ruota con cautela.
- Evitare di attraversare solchi, buche e dossi. Vi è un rischio più elevato che il prodotto si ribalti su un terreno non piano. L'erba alta può nascondere eventuali ostacoli.
- Non tagliare in prossimità di bordi, fossi o argini. Il prodotto può ribaltarsi improvvisamente se una ruota si muove oltre il bordo di una pendenza ripida o un fosso, o se un bordo cede. Se il prodotto cade in acqua sussiste il rischio di annegare.



- Non tagliare l'erba bagnata. È scivolosa e gli pneumatici possono perdere aderenza facendo slittare il prodotto.
- Non appoggiare il piede a terra per tentare di rendere il prodotto più stabile.
- Spostarsi con molta attenzione nel caso in cui un accessorio o un qualsiasi altro oggetto si sia impigliato, rendendo il prodotto meno stabile.

Sicurezza per il traino

- Utilizzare esclusivamente attrezzature di traino approvate da Husqvarna.
- Utilizzare la barra di traino per fissare l'attrezzatura.
- Non trainare attrezzature più pesanti del peso massimo consentito. Fare riferimento a *Dati tecnici alla pagina 263*.



- Accertarsi che non vi siano persone nelle vicinanze del prodotto quando si traina l'attrezzatura.
- Prestare attenzione quando si traina l'attrezzatura su terreni in pendenza o accidentati.
- Azionare il prodotto a bassa velocità quando si traina l'attrezzatura.

Sicurezza durante l'uso del carburante



AVVERTENZA: Prestare attenzione al carburante. Il carburante è estremamente infiammabile e può provocare lesioni e danni.



AVVERTENZA: Leggere le seguenti avvertenze prima di utilizzare il prodotto.

- Non riempire il serbatoio del carburante in ambienti chiusi.
- La benzina e i vapori della benzina sono tossici e molto infiammabili. Prestare la massima attenzione alla benzina per evitare lesioni o incendi.
- Non rimuovere il tappo del carburante, né rabboccare il serbatoio del carburante a motore acceso.
- Lasciare che il motore si raffreddi prima di effettuare il rifornimento.
- Non fumare durante il rifornimento del carburante.
- Non effettuare il rifornimento vicino a scintille o fiamme libere.
- In caso di perdite del sistema di alimentazione, non avviare il motore fino a quando le perdite non sono state riparate.
- Non effettuare il rifornimento oltre il livello raccomandato. Il calore del motore e del sole fa espandere il carburante, il quale fuoriesce se il serbatoio si è riempito troppo.
- Non riempire il serbatoio in eccesso. Se si versa del carburante sul prodotto, asciugare con un panno e attendere che sia evaporato prima di avviare il motore. Se lo si versa sugli indumenti, cambiarli.
- Conservare il carburante solo in contenitori omologati.
- Riporre il prodotto e il carburante in modo che non vi sia alcun rischio che eventuali perdite di carburante o fumi possano causare danni.
- Versare il carburante in un contenitore adatto, all'aperto e lontano da fiamme libere.

Sicurezza batterie



AVVERTENZA: Una batteria danneggiata può esplodere e causare lesioni. Se la batteria presenta una deformazione o è danneggiata, rivolgersi a un'officina autorizzata Husqvarna.



AVVERTENZA: Leggere le seguenti avvertenze prima di utilizzare il prodotto.

- Utilizzare occhiali protettivi quando si è in prossimità delle batterie.
- Non indossare orologi, gioielli o altri oggetti metallici nelle vicinanze della batteria.
- Tenere la batteria fuori dalla portata dei bambini.
- Caricare la batteria in un luogo con buon ricambio d'aria.
- Tenere i materiali infiammabili a una distanza minima di 1 m quando si carica la batteria.
- Smaltire le batterie sostituite. Vedere *Smaltimento alla pagina 261*.
- Gas esplosivi possono fuoriuscire dalla batteria. Non fumare in prossimità della batteria. Tenere la batteria lontano da fiamme libere e scintille.

Sicurezza per il trasporto

- Utilizzare un veicolo omologato per il trasporto del prodotto.
- Il prodotto ha un peso elevato e può causare lesioni da schiacciamento. Prestare attenzione durante il caricamento su un veicolo o rimorchio o durante lo scaricamento.
- Le normative nazionali o locali di un mercato possono prevedere limitazioni per il trasporto del prodotto.
- L'operatore del veicolo di trasporto è responsabile del fissaggio sicuro del prodotto durante il trasporto. Fare riferimento a *Trasporto alla pagina 260*.

Istruzioni di sicurezza per la manutenzione



AVVERTENZA: Il prodotto ha un peso elevato e può causare lesioni o danni alle cose o alla zona adiacente. Non eseguire la manutenzione del motore o del piatto di taglio senza che queste condizioni vengano soddisfatte:

- Il motore è spento.
- Il prodotto è parcheggiato su una superficie piana.
- Il freno di stazionamento è azionato.
- La chiave di accensione è stata rimossa.
- Il piatto di taglio è disinserito.
- I cavi di accensione sono stati rimossi dalle candele.



AVVERTENZA: I fumi di scarico del motore contengono monossido di carbonio,

un gas inodore, velenoso ed estremamente pericoloso. Non utilizzare il prodotto in spazi chiusi o senza un flusso d'aria sufficiente.



AVVERTENZA: Leggere le seguenti avvertenze prima di eseguire la manutenzione del prodotto.

- Per garantire le migliori prestazioni e la sicurezza, effettuare la manutenzione del prodotto a intervalli regolari come indicato nel programma di manutenzione. Fare riferimento a *Programma di manutenzione alla pagina 228*.
- Le scosse elettriche possono causare lesioni. Non toccare i cavi quando il motore è acceso. Non effettuare una prova di funzionamento dell'impianto di accensione con le dita.
- Non avviare il motore se i coperchi protettivi sono stati rimossi. Vi è un alto rischio di lesioni provocate da parti calde o in movimento.
- Attendere che il prodotto si raffreddi prima di eseguire la manutenzione vicino al motore.
- Le lame sono affilate e possono causare tagli. Posizionare paraventi attorno alle lame o usare guanti protettivi quando si lavora su di esse.
- Mettere sempre il piatto di taglio in posizione di manutenzione per pulirlo. Non parcheggiare il prodotto vicino al bordo di un fosso o in pendenza per accedere al piatto di taglio.



ATTENZIONE: Leggere le seguenti istruzioni prima di utilizzare il prodotto.

- Non ribaltare il motore se la candela o il cavo di accensione è stato rimosso.
- Assicurarci che tutti i dadi e i bulloni siano serrati correttamente e che l'attrezzatura sia in buone condizioni.
- Non modificare la regolazione dei limitatori. Se il regime del motore è troppo alto, i componenti del prodotto possono danneggiarsi. Fare riferimento a *Dati tecnici alla pagina 263* per informazioni sul regime motore massimo consentito.
- Il prodotto è testato e approvato solo con l'attrezzatura in dotazione o raccomandata dal produttore.



AVVERTENZA: Non toccare i tubi idraulici. Il liquido idraulico pressurizzato può fuoriuscire e causare danni alla pelle.

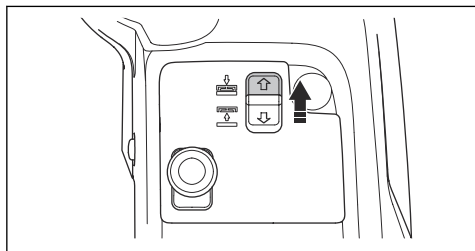
Montaggio

Per fissare il piatto di taglio

Nota: Modelli di piatti di taglio C112X, C122X, R137X: Prima di poter montare un piatto di taglio modello X, è necessario installare un kit di presa di corrente AUX anteriore (accessorio).

Nota: Accertarsi che il piatto di taglio e il prodotto siano collocati su un terreno piano prima di fissare il primo.

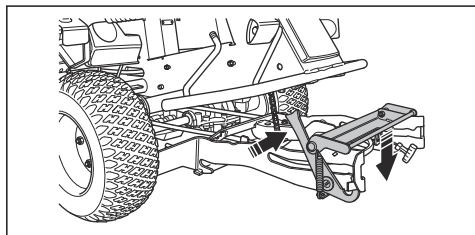
1. Gestire con attenzione il prodotto fino a quando non si trova nella parte anteriore del piatto di taglio.
2. Premere l'interruttore del sollevatore elettrico per abbassare il piatto di taglio. Abbassare completamente il piatto di taglio fino a quando non si sente un ticchettio.



ATTENZIONE: Tenere premuto l'interruttore per almeno 2 secondi dopo che il piatto di taglio tocca il terreno. Questo consente di assicurarsi che il piatto di taglio sia in posizione flottante.

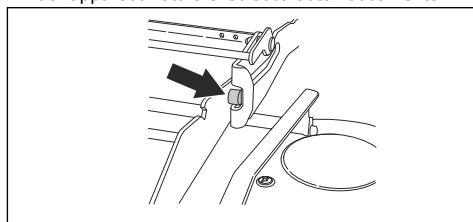
Nota: Il ticchettio che proviene dal tunnel del telaio non indica che il prodotto è difettoso.

3. Azionare il freno di stazionamento.
4. Spegnerne il motore.
5. Spingere in basso il telaio dell'attrezzatura. Sollevare il blocco del telaio dell'attrezzatura in posizione verticale.

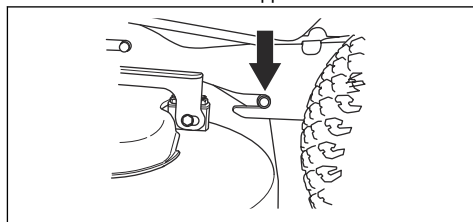


AVVERTENZA: Il meccanismo di blocco può provocare lesioni alle dita se non lo si utilizza con cautela. Afferrare il bordo anteriore del piatto di taglio con le due mani quando si passa alla fase successiva.

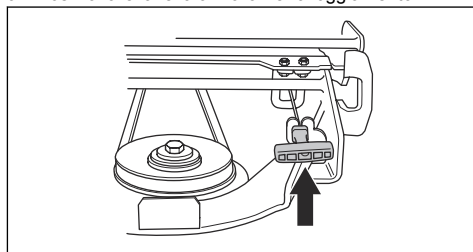
6. Spingere il piatto di taglio all'interno del telaio dell'apparecchiatura. Accertarsi che i perni guida anteriori siano inseriti nelle scanalature sul telaio dell'apparecchiatura. Il blocco del telaio dell'apparecchiatura si sblocca automaticamente.



7. Spingere all'interno il piatto di taglio fino a quando i perni guida posteriore non toccano il fondo delle scanalature sul telaio dell'apparecchiatura.

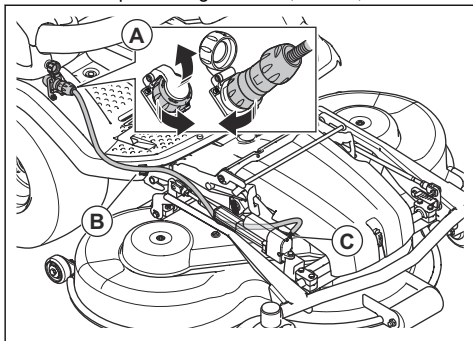


8. Inserire la cinghia di trasmissione intorno alla puleggia di trasmissione per il piatto di taglio.
9. Posizionare la leva a molla nell'alloggiamento.



10. Collegare il coperchio anteriore.

11. Modelli di piatti di taglio C112X, C122X, R137X:



- Collegare il cavo alla presa (A).
- Collegare il cavo al fermacavi (B) sulla piastra poggiapiedi.

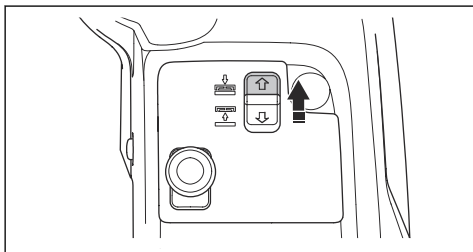


ATTENZIONE: Assicurarsi che il cavo sia in posizione corretta sotto l'attuatore (C) e che non venga compresso quando si mette il piatto di taglio in posizione di taglio. Fare riferimento a *Per mettere il piatto di taglio in posizione di falciatura alla pagina 240*.

- Effettuare un controllo del parallelismo del piatto di taglio. Fare riferimento a *Controllo del parallelismo del piatto di taglio alla pagina 241*.

Rimozione del piatto di taglio

- Parcheggiare il prodotto su un terreno piano.
- Azionare il freno di stazionamento.
- Modelli di piatti di taglio C112X, C122X, R137X: Impostare l'altezza di taglio nella posizione più bassa. Fare riferimento a *Regolazione dell'altezza di taglio (C112X, C122X, R137X) alla pagina 226*.
- Premere l'interruttore del sollevatore elettrico per abbassare il piatto di taglio. Abbassare completamente il piatto di taglio fino a quando non si sente un ticchettio.

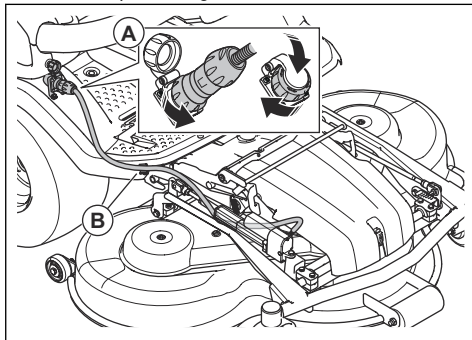


ATTENZIONE: Tenere premuto l'interruttore per almeno 2 secondi dopo che il piatto di taglio tocca il terreno.

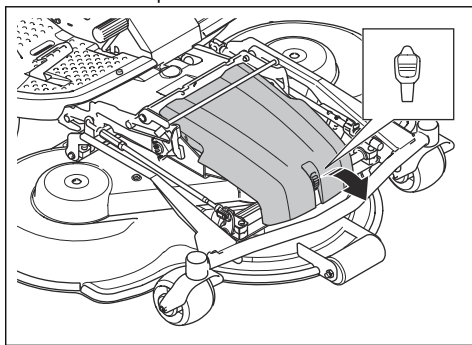
Questo consente di assicurarsi che il piatto di taglio sia in posizione flottante.

Nota: Il ticchettio che proviene dal tunnel del telaio non indica che il prodotto è difettoso.

- Spegnere il motore.
- Portare la chiave di accensione in posizione folle.
- Modelli di piatti di taglio C112X, C122X, R137X:

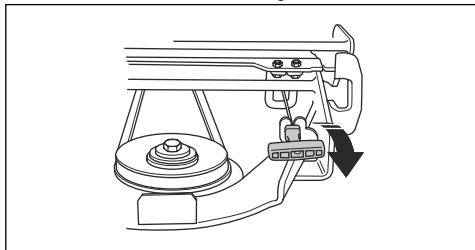


- Scollegare il prodotto dalla presa di corrente (A).
 - Rimuovere il cavo dal fermacavi (B) sulla piastra poggiapiedi.
- Rilasciare il fermo sul coperchio anteriore con l'utensile fissato sulla chiave di accensione e rimuovere il coperchio.

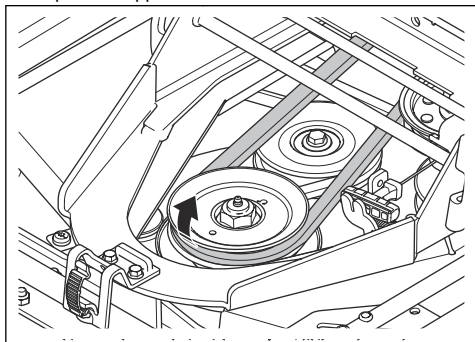


- Modelli di piatti di taglio C112, C122, R137: Impostare l'altezza di taglio nella posizione più bassa. Fare riferimento a *Regolazione dell'altezza di taglio (C112, C122, R137) alla pagina 225*.

10. Tirare la leva a molla per estrarla dalla sede e allentare la tensione della cinghia di trasmissione.



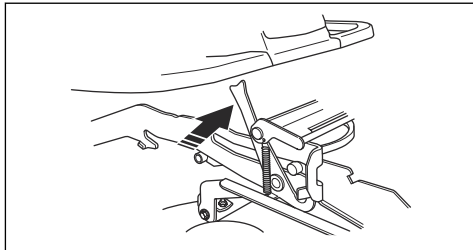
11. Rimuovere la cinghia di trasmissione e inserirla nel rispettivo supporto.



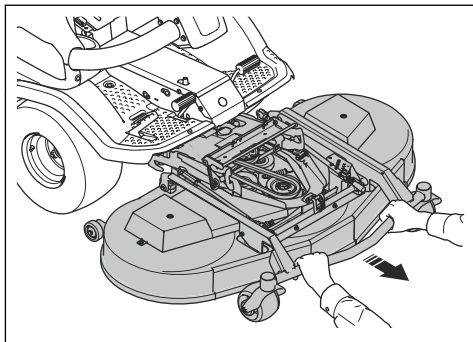
12. Afferrare il bordo anteriore del piatto di taglio con entrambe le mani e tirare estraendolo.

13. Abbassare completamente il piatto di taglio.

14. Aprire il bloccaggio del telaio dell'apparecchiatura.



15. Afferrare il bordo anteriore del piatto di taglio con entrambe le mani e tirare estraendolo.



AVVERTENZA: Rischio di lesioni da schiacciamento, tenere lontane le parti del corpo.

Utilizzo

Introduzione



AVVERTENZA: Prima di utilizzare il prodotto, è necessario leggere e comprendere il capitolo relativo alla sicurezza.

durante l'uso del carburante alla pagina 217.



AVVERTENZA: Non utilizzare il serbatoio del carburante, come superficie di appoggio.

Primo utilizzo Husqvarna Connect

1. Scaricare l'app Husqvarna Connect sul proprio dispositivo mobile.
2. Registrarsi nell'app Husqvarna Connect.
3. Attenersi alle istruzioni dell'app Husqvarna Connect per collegare e registrare il prodotto.

Il motore funziona con benzina senza piombo con un numero di ottano minimo di 95 (non mescolata con olio). Si consiglia l'uso di benzina alchilata biodegradabile (max. metanolo 5 %, etanolo max 10 %, max. MTBE 15%).

Effettuare un controllo del livello di carburante prima di ogni uso e rifornire se necessario.

Per il rifornimento del carburante



AVVERTENZA: La benzina è altamente infiammabile. Prestare la massima attenzione ed effettuare il rifornimento all'esterno (vedere *Sicurezza*

È possibile vedere chiaramente il livello del carburante nel serbatoio del carburante. Non riempire il serbatoio in eccesso. Mantenere una distanza minima di 2,5 cm.

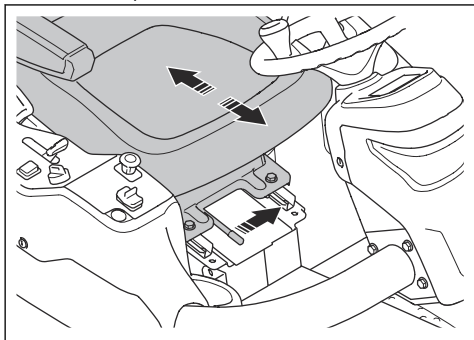
Regolazione del sedile



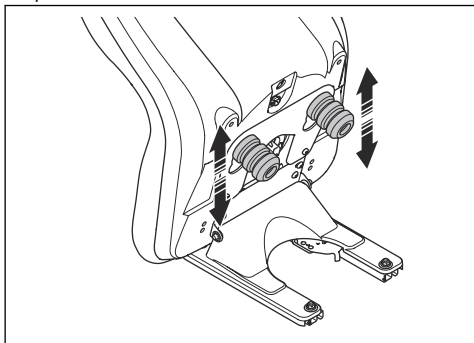
AVVERTENZA: Non regolare il sedile quando il prodotto è in funzione.

Il sedile può essere inclinato in avanti. Inoltre, può essere regolato in avanti o indietro.

- Per regolare il sedile in avanti e indietro, poggiare il piede sulla piastra poggipiedi e spingere a sinistra la leva sotto il bordo anteriore del sedile. Spostare il sedile nella posizione corretta.

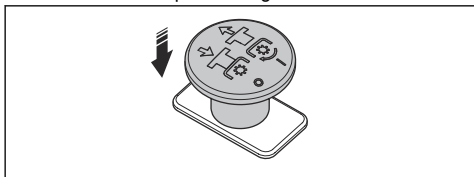


- Per regolare le molle del sedile, spostare i fermi in gomma sotto il sedile come indicato nell'illustrazione. Mettere i 2 fermi nella parte anteriore, centrale o posteriore.

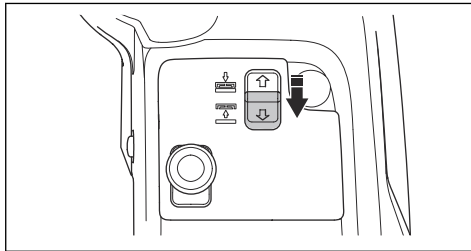


Per sollevare il piatto di taglio

1. Premere il pulsante PTO per disinserire la trasmissione del piatto di taglio.



2. Tirare l'interruttore del sollevatore idraulico per sollevare il piatto di taglio. Sollevare completamente il piatto di taglio fino a quando non si sente un ticchettio.



Nota: Il ticchettio che proviene dal tunnel del telaio non indica che il prodotto è difettoso.

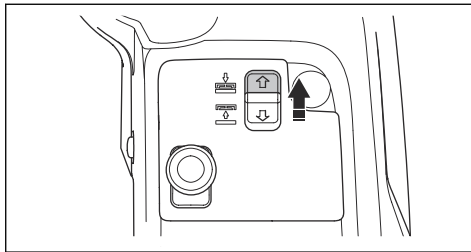
Nota: È possibile sollevare il piatto di taglio a poca distanza con la trasmissione sulle lame inserite. Utilizzare questa funzione per erba molto lunga o superfici irregolari.



AVVERTENZA: Non sollevare completamente il piatto di taglio mentre la trasmissione del piatto di taglio è innestata. Sussiste il rischio di oggetti proiettati che possono causare lesioni gravi o mortali.

Per abbassare il piatto di taglio

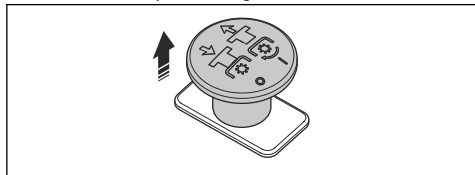
1. Premere l'interruttore del sollevatore elettrico per abbassare il piatto di taglio. Abbassare completamente il piatto di taglio fino a quando non si sente un ticchettio.



ATTENZIONE: Tenere premuto l'interruttore per almeno 2 secondi dopo che il piatto di taglio tocca il terreno. Questo consente di assicurarsi che il piatto di taglio sia in posizione flottante.

Nota: Il ticchettio che proviene dal tunnel del telaio non indica che il prodotto è difettoso.

2. Tirare il pulsante PTO per innestare la trasmissione sulle lame del piatto di taglio.

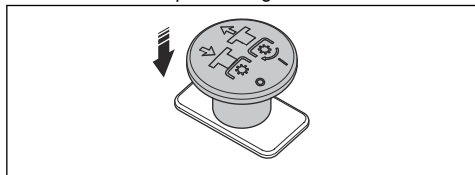


Operazioni preliminari all'uso del prodotto

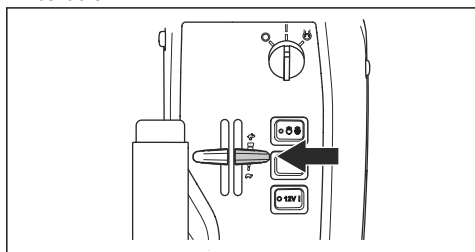
1. Leggere il manuale dell'operatore con attenzione e accertarsi di averne compreso il contenuto.
2. Indossare l'abbigliamento protettivo personale necessario. Fare riferimento a *Dispositivi di protezione individuale alla pagina 214*.
3. Accertarsi che solo persone autorizzate siano presenti nell'area di lavoro.
4. Eseguire la manutenzione giornaliera. Fare riferimento a *Programma di manutenzione alla pagina 228*.
5. Controllare che il prodotto sia montato correttamente e che non sia danneggiato.

Avviamento del motore (P 524X)

1. Azionare il freno di stazionamento.
2. Premere il pulsante PTO per disinserire la trasmissione sul piatto di taglio.

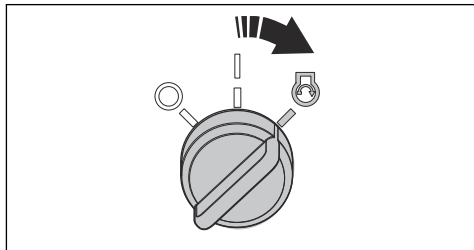


3. Portare il comando della valvola dell'aria in posizione centrale.

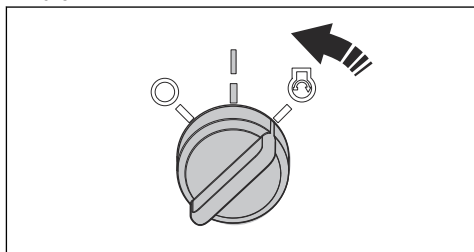


4. Se il motore è freddo, spostare il comando della valvola dell'aria completamente all'indietro.

5. Girare la chiave d'accensione nella posizione di avviamento.

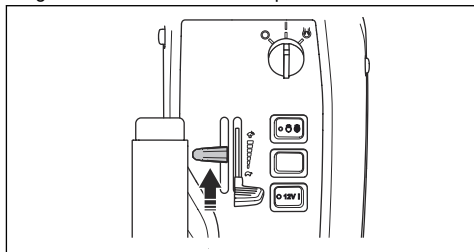


6. All'avviamento del motore, rilasciare immediatamente la chiave e riportarla in posizione folle.



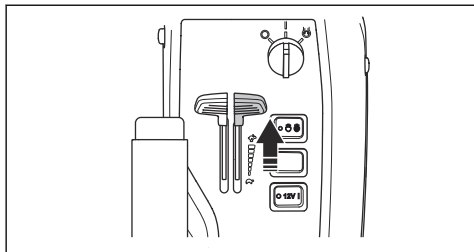
ATTENZIONE: Non far girare il motorino di avviamento per più di 5 secondi alla volta. Se il motore non si avvia, attendere 15 secondi prima di riprovare.

7. Spingere il comando della valvola dell'aria gradualmente in avanti nella posizione finale.



8. Far girare il motore a regime intermedio per 3-5 minuti prima di applicare carichi pesanti.

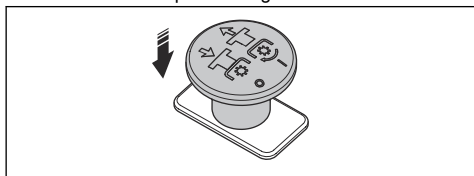
9. Premere il comando dell'acceleratore al massimo.



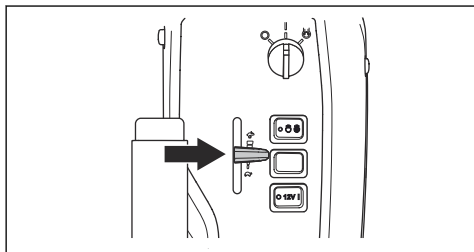
ATTENZIONE: L'innesto delle lame quando il motore è a velocità massima provoca uno sforzo sulle cinghie di trasmissione. Non accelerare al massimo fino a quando il piatto di taglio non viene abbassato in posizione di falciatura.

Avviamento del motore (P 524X EFI)

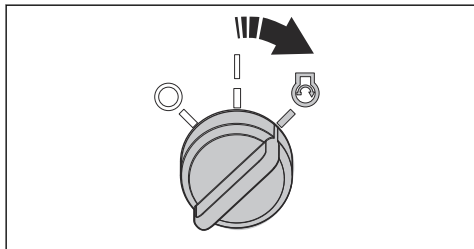
1. Azionare il freno di stazionamento.
2. Premere il pulsante PTO per disinserire la trasmissione sul piatto di taglio.



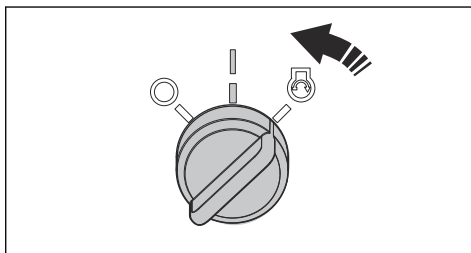
3. Portare il comando dell'acceleratore in posizione centrale.



4. Girare la chiave d'accensione nella posizione di avviamento.

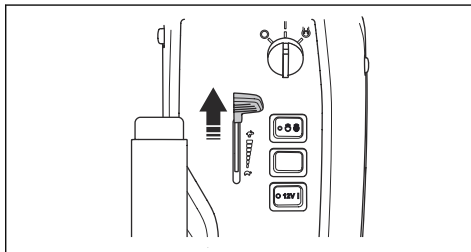


5. All'avviamento del motore, rilasciare immediatamente la chiave e riportarla in posizione folle.



ATTENZIONE: Non far girare il motorino di avviamento per più di 5 secondi alla volta. Se il motore non si avvia, attendere 15 secondi prima di riprovare.

6. Far girare il motore a regime intermedio per 3-5 minuti prima di applicare carichi pesanti.
7. Premere il comando dell'acceleratore al massimo.

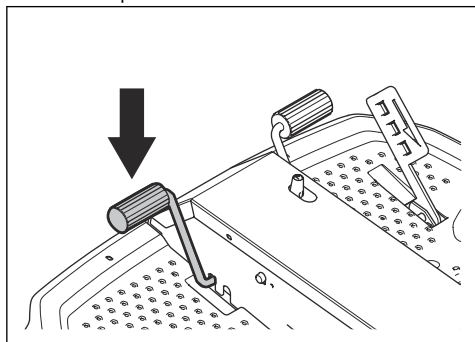


ATTENZIONE: L'innesto delle lame quando il motore è a velocità massima provoca uno sforzo sulle cinghie di trasmissione. Non accelerare al massimo fino a quando il piatto di taglio non viene abbassato in posizione di falciatura.

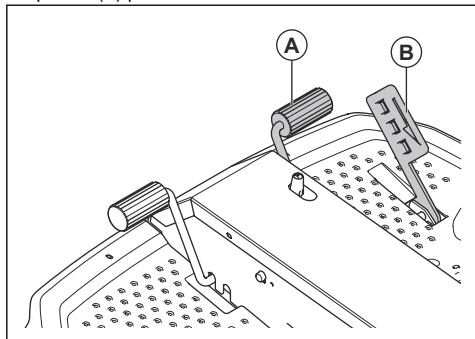
Utilizzo del prodotto

1. Accertarsi che le valvole di bypass siano chiuse. Fare riferimento a *Disinnesto della trasmissione idrostatica alla pagina 227*.
2. Avviare il motore.

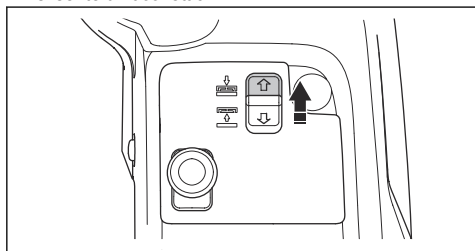
3. Premere il pedale del freno di stazionamento, quindi rilasciarlo per disinserire il freno di stazionamento.



4. Premere delicatamente uno dei pedali di marcia. La velocità aumenta quanto più a fondo viene premuto il pedale. Usare il pedale (A) per la marcia avanti e il pedale (B) per la retromarcia.



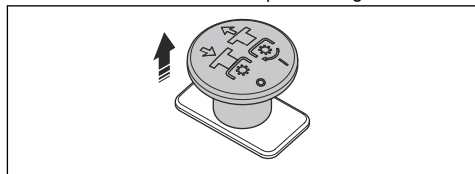
5. Rilasciare il pedale del freno. Per frenare più duramente, premere verso il basso l'altro pedale di marcia.
6. Selezionare l'altezza di taglio. Fare riferimento a *Regolazione dell'altezza di taglio (C112, C122, R137)* alla pagina 225 oppure *Regolazione dell'altezza di taglio (C112X, C122X, R137X)* alla pagina 226.
7. Premere l'interruttore del sollevatore elettrico per abbassare il piatto di taglio. Abbassare completamente il piatto di taglio fino a quando non si sente un ticchettio.



ATTENZIONE: Tenere premuto l'interruttore per almeno 2 secondi dopo che il piatto di taglio tocca il terreno. Questo consente di assicurarsi che il piatto di taglio sia in posizione flottante.

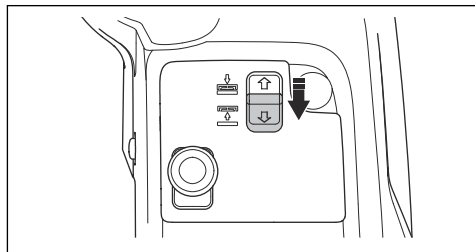
Nota: Il ticchettio che proviene dal tunnel del telaio non indica che il prodotto è difettoso.

8. Tirare il pulsante PTO in fuori per innestare la trasmissione sulle lame del piatto di taglio.



Regolazione dell'altezza di taglio (C112, C122, R137)

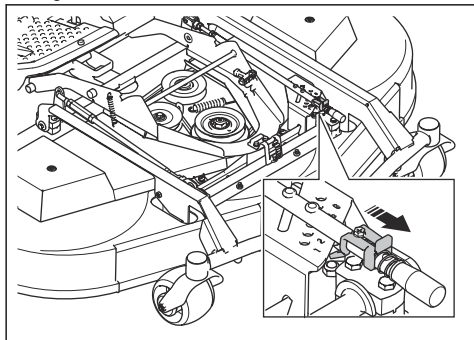
1. Tirare l'interruttore del sollevatore idraulico per sollevare il piatto di taglio. Sollevare completamente il piatto di taglio fino a quando non si sente un ticchettio.



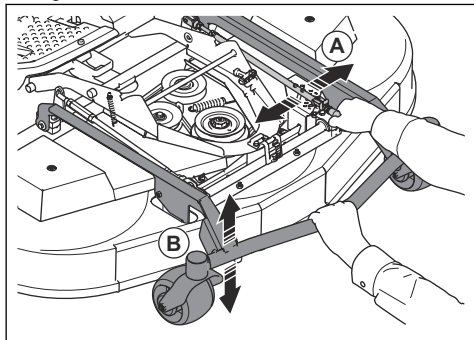
Nota: Il ticchettio che proviene dal tunnel del telaio non indica che il prodotto è difettoso.

2. Azionare il freno di stazionamento.
3. Girare la chiave d'accensione in posizione STOP.

4. Tenere premuta la piastra di blocco nella direzione della parte anteriore del piatto di taglio. Tirare e sollevare la leva di regolazione per l'altezza di taglio con la mano destra. Non rilasciare la leva di regolazione.



5. Tenere il telaio dell'attrezzatura (B) con la mano sinistra. Sollevare o abbassare il piatto di taglio spostando la leva di regolazione (A) per l'altezza di taglio in orizzontale.



6. Rilasciare la leva di regolazione per l'altezza di taglio in 1 dei fori sulla piastra di regolazione.
7. Rilasciare il telaio dell'attrezzatura.

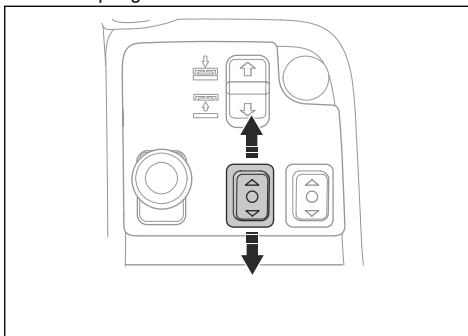
Nota: Fare riferimento alla tabella seguente per l'altezza di taglio approssimativa corrispondente al numero interessato.

Numero	Altezza di taglio, mm	
Piatto di taglio	C112, C122	R137
1 (S) Posizione di manutenzione, posizione più bassa	25	35
2	35	50
3	45	60
4	55	75

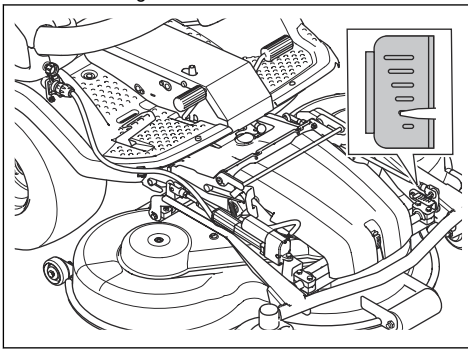
Numero	Altezza di taglio, mm	
5	65	90
6	75	100

Regolazione dell'altezza di taglio (C112X, C122X, R137X)

- Per diminuire l'altezza di taglio, premere la parte superiore del pulsante funzione a sinistra per gli accessori frontali. Per aumentare l'altezza di taglio, premere la parte inferiore del pulsante funzione a sinistra per gli accessori frontali.





I contrassegni sul piatto di taglio indicano la posizione dell'altezza di taglio selezionata.



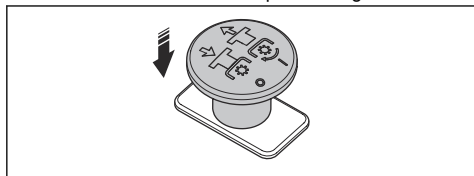
Nota: Fare riferimento alla tabella seguente per l'altezza di taglio approssimativa corrispondente al numero a ciascun contrassegno.

Contrassegni	Altezza di taglio, mm	
Piatto di taglio	C112X, C122X	R137X
	75	100
	65	90
	55	75

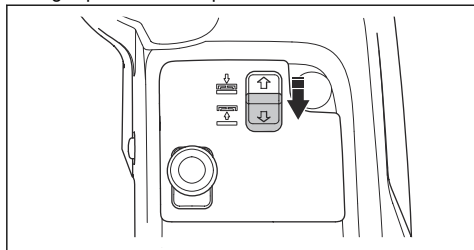
Contrassegni	Altezza di taglio, mm	
	45	60
	35	50
	25	35

Arresto del motore

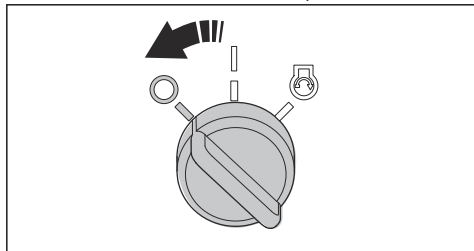
1. Rilasciare i pedali di marcia.
2. Spingere il pulsante PTO per disinnestare la trasmissione sulle lame del piatto di taglio.



3. Far girare il motore al regime minimo per 1 minuto per ridurre la temperatura del motore.
4. Tirare all'indietro la leva di sollevamento del piatto di taglio per sollevare il piatto stesso.



5. Girare la chiave d'accensione in posizione STOP.

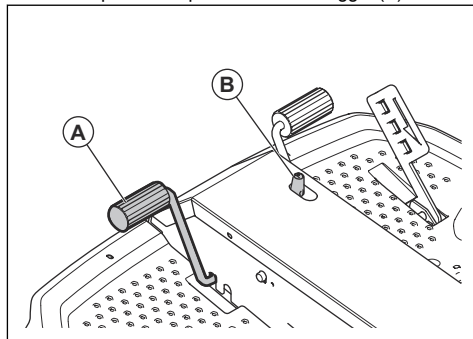


6. Quando il prodotto si arresta, applicare il freno di stazionamento.

Per innestare e disinnestare il freno di stazionamento

1. Premere il pedale del freno di stazionamento (A).

2. Tenere premuto il pulsante di bloccaggio (B).



3. Tenere premuto il pulsante e rilasciare il pedale del freno di stazionamento.
4. Per rilasciare il freno di stazionamento, premere nuovamente il pedale corrispondente.

Per ottenere un buon risultato di taglio

- Per garantire le migliori prestazioni, effettuare la manutenzione del prodotto a intervalli regolari come indicato nel programma di manutenzione. Fare riferimento a *Programma di manutenzione alla pagina 228*.
- Non tagliare il prato bagnato. L'erba bagnata può dare un cattivo risultato di taglio.
- Iniziare con un'altezza di taglio elevata e ridurla gradualmente.
- Tagliare con le lame in rotazione ad alta velocità (al regime motore massimo consentito, fare riferimento a *Dati tecnici alla pagina 263*). Spostare in avanti il prodotto a bassa velocità. Se l'erba non è troppo alta e fitta, è possibile ottenere un buon risultato di taglio anche a una velocità maggiore.
- Tagliare l'erba seguendo un pattern irregolare.
- Per ottenere i migliori risultati di taglio, tagliare l'erba regolarmente e utilizzare la funzione mulch.

Disinnesto della trasmissione idrostatica

Per spostare il prodotto con il motore spento, è necessario aprire i circuiti idraulici sulla trasmissione anteriore e posteriore. Ciò avviene aprendo le valvole di bypass nei motorini della trasmissione.



ATTENZIONE: Il prodotto non dispone di freni quando le valvole di bypass sono aperte. Le valvole di bypass devono essere chiuse prima di mettere in funzione il prodotto.

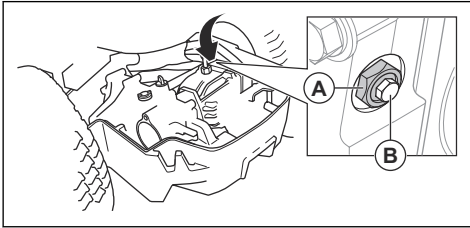


ATTENZIONE: Non trainare il prodotto ad alta velocità o per lunghe

distanze. Ciò può causare danni alla trasmissione.

Trasmissione posteriore

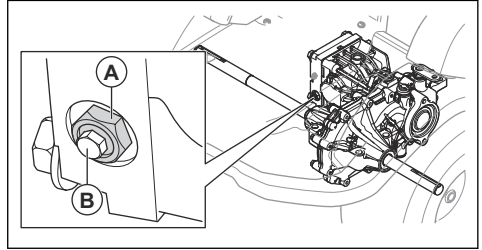
- Per aprire la valvola di bypass, aprire il controdamo (A) di $\frac{1}{4}$ - $\frac{1}{2}$ giro in senso antiorario e poi la vite della valvola (B) di 2 giri in senso antiorario.



- Per chiudere la valvola di bypass, chiudere la vite (B) della valvola e serrare a 8 Nm, quindi serrare il controdamo (A) a 30 Nm.

Trasmissione anteriore

- Per aprire la valvola di bypass, aprire il controdamo (A) di $\frac{1}{4}$ - $\frac{1}{2}$ giro in senso antiorario e poi la vite della valvola (B) di 2 giri in senso antiorario.



- Per chiudere la valvola di bypass, chiudere la vite (B) della valvola e serrare a 8 Nm, quindi serrare il controdamo (A) a 30 Nm.

Manutenzione

Introduzione

prima di eseguire la manutenzione del prodotto.



AVVERTENZA: Leggere attentamente il capitolo sulla sicurezza

Programma di manutenzione

Manutenzione giornaliera prima dell'uso
Accertarsi che le viti e i dadi siano stretti.
Assicurarsi che non vi siano perdite di olio o carburante.
Pulire il prodotto.
Pulire la superficie interna del piatto di taglio.
Pulire il motore e la marmitta.
Accertarsi che la presa d'aria fredda del motore non sia ostruita.
Assicurarsi che i dispositivi di sicurezza non siano difettosi
Esaminare le lame nel piatto di taglio.
Esaminare il piatto di taglio per verificare la presenza di eventuali danni.
Esaminare e verificare il funzionamento dei freni.
Effettuare un controllo del livello dell'olio motore.
Effettuare un controllo del livello dell'olio trasmissione.
Accertarsi che le luci abbaglianti e la luce di lavoro funzionino correttamente.

X = Le istruzioni sono riportate in questo manuale dell'operatore.

O = Le istruzioni non sono riportate in questo manuale dell'operatore. Affidare la manutenzione a un'officina autorizzata.

Manutenzione	Una volta alla settimana (intervalli di 40 ore)	Dopo le prime 50 ore	Intervallo di manutenzione in ore		
			100	200	400
Accertarsi che le viti e i dadi siano stretti.			<input type="radio"/>		
Assicurarsi che non vi siano perdite di olio o carburante.			<input type="radio"/>		
Pulire il prodotto.			<input checked="" type="checkbox"/>		
Assicurarsi che i dispositivi di sicurezza non siano difettosi			<input checked="" type="checkbox"/>		
Lubrificare in base alla panoramica della lubrificazione.	<input checked="" type="checkbox"/>		<input checked="" type="checkbox"/>		
Lubrificare il piatto di taglio	<input checked="" type="checkbox"/>		<input checked="" type="checkbox"/>		
Accertarsi che i tubi del carburante e i raccordi siano puliti e che non danneggiati.		<input type="radio"/>	<input type="radio"/>		
Esaminare la batteria da 12 V.	<input checked="" type="checkbox"/>		<input checked="" type="checkbox"/>		
Effettuare un controllo dei connettori e dei cavi elettrici.		<input type="radio"/>	<input type="radio"/>		
Esaminare il filo del freno di stazionamento e regolare il freno di stazionamento.			<input type="radio"/>		
Assicurarsi che i fari anteriori e le spie di avvertenza funzionino correttamente (se applicabile).	<input checked="" type="checkbox"/>		<input checked="" type="checkbox"/>		
Dopo la procedura di pulizia, eseguire un'ispezione visiva della tensione della cinghia della pompa.	<input type="radio"/>		<input type="radio"/>		
Sostituire la cinghia della pompa.					<input type="radio"/>
Sostituire la cinghie della PTO.					<input checked="" type="checkbox"/>
Esaminare il cuscinetto del giunto nell'unità articolata.					<input type="radio"/>
Dopo la procedura di pulizia, eseguire un'ispezione visiva di tutte le pulegge.				<input type="radio"/>	
Eseguire un controllo visivo di tutti i cavi idrostatici con collegamenti.			<input type="radio"/>		
Esaminare i comandi dell'acceleratore e della valvola dell'aria.			<input type="radio"/>		
Eseguire un aggiornamento del firmware, se necessario.			<input type="radio"/>		
Sostituire il pulsante della presa di forza.	Ogni 10 anni <input type="radio"/>				
Sostituire il filtro dell'olio idraulico.		<input type="radio"/>			<input type="radio"/>
Sostituire l'olio idraulico.					<input type="radio"/>
Esaminare la candela per rilevare eventuali danni e assicurarsi che la distanza tra gli elettrodi sia corretta.			<input checked="" type="checkbox"/>		
Pulire il filtro dell'aria.	<input checked="" type="checkbox"/>		<input checked="" type="checkbox"/>		
Sostituire il filtro del carburante.		<input checked="" type="checkbox"/>	<input checked="" type="checkbox"/>		
Sostituire la cartuccia del filtro dell'aria.				<input checked="" type="checkbox"/>	

Manutenzione	Una volta alla settimana (intervalli di 40 ore)	Dopo le prime 50 ore	Intervallo di manutenzione in ore		
			100	200	400
Controllare il filtro dell'aria interno.				X	
Sostituire il filtro dell'aria interno.					X
Esaminare e regolare il gioco della valvola del motore.				O	
Pulire la superficie della sede della valvola molata.				O	
Esaminare la marmitta e il deflettore termico.	X		X		
Cambiare l'olio motore.		X	X		
Sostituire il filtro dell'olio motore.		X		X	
Sostituire la candela.					X
Sostituire i tubi del carburante.	Ogni 5 anni O				
Effettuare il controllo o la regolazione della velocità delle ruote anteriori e posteriori.			O		
Effettuare un controllo del livello dell'olio della trasmissione.	X		X		
Sostituire l'olio nella trasmissione.		O			O
Accertarsi che la pressione degli pneumatici sia corretta.	X		X		
Verificare/regolare le impostazioni dell'altezza di taglio.			X		
Sostituire la cinghia a V del piatto di taglio.					X
Esaminare il piatto di taglio per verificare la presenza di eventuali danni.			X		
Esaminare le lame nel piatto di taglio.			X		

Pulizia del prodotto

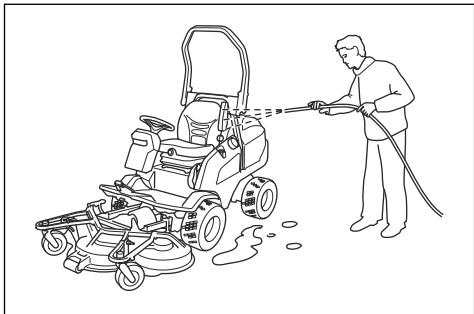


ATTENZIONE: Non utilizzare una lancia ad alta pressione o a vapore. L'acqua può entrare nei cuscinetti e nei collegamenti elettrici e causare una corrosione che può danneggiare il prodotto.

Pulire il prodotto subito dopo l'uso.

- Non pulire le superfici calde come il motore, la marmitta e il sistema di scarico. Attendere fino a quando le superfici sono fredde, quindi rimuovere l'erba o lo sporco.
- Prima di pulire con acqua, pulire con una spazzola. Rimuovere l'erba tagliata e lo sporco dall'area sopra e intorno alla trasmissione, la presa d'aria della trasmissione e il motore.
- Utilizzare acqua corrente e un tubo per pulire il prodotto. Non utilizzare alta pressione.

- Non puntare il getto d'acqua sui componenti elettrici o i cuscinetti. L'impiego di un detergente solitamente aumenta il danno.
- Per pulire il piatto di taglio, metterlo in posizione di servizio e lavarlo con acqua.
- Quando il prodotto è pulito, avviare il piatto di taglio per un breve periodo di tempo per scaricare l'acqua residua.
- Esaminare tutti i punti di lubrificazione e lubrificare se è necessario. Lubrificare sempre i cuscinetti prima di pulire il prodotto.



Per pulire il motore e la marmitta

Mantenere il motore e la marmitta libera dall'erba tagliata e dallo sporco. L'erba tagliata immersa nell'olio o nel carburante sul motore può aumentare il rischio d'incendio e di surriscaldamento del motore. Lasciar raffreddare il motore prima di pulirlo. Pulire con acqua e una spazzola.

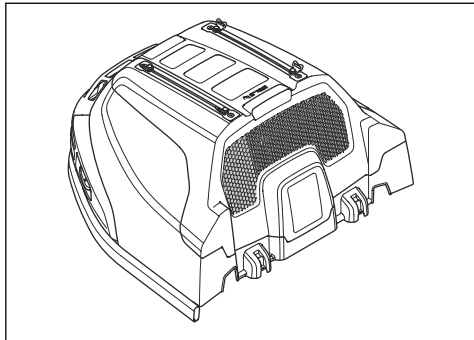
L'erba tagliata che si deposita intorno alla marmitta si secca velocemente e rappresenta un rischio d'incendio. Utilizzare una spazzola o rimuovere l'erba tagliata con l'acqua quando la marmitta è fredda.

Per pulire l'ingresso dell'aria fredda del motore



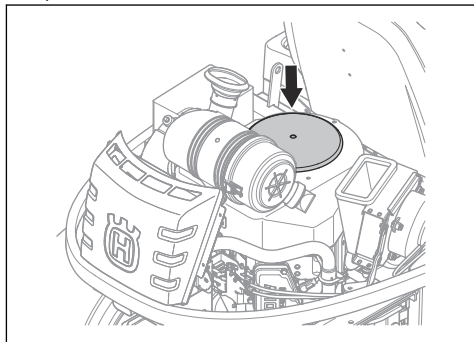
AVVERTENZA: Spegner il motore. La presa d'aria fredda ruota e può provocare lesioni alle dita.

1. Accertarsi che la presa d'aria della griglia non sia ostruita. Rimuovere l'erba e lo sporco con una spazzola.

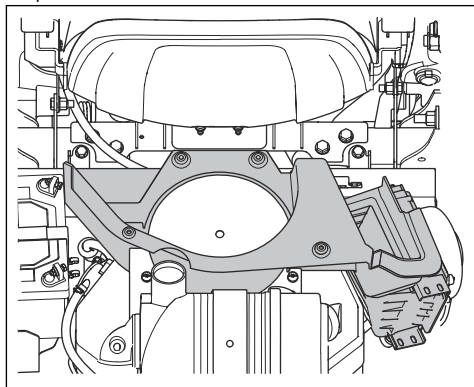


2. Rimuovere il cofano motore.

3. Accertarsi che la presa d'aria fredda del motore non sia ostruita. Rimuovere l'erba e lo sporco con una spazzola.



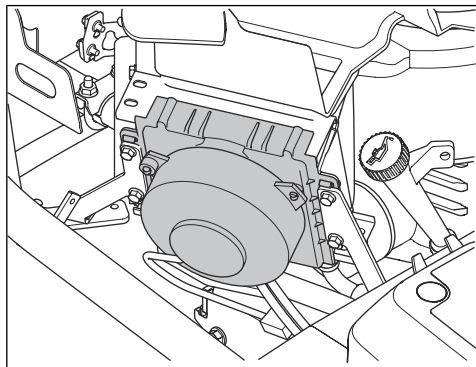
4. Esaminare il condotto dell'aria presente sulla superficie interna del cofano del motore. Assicurarsi che il condotto dell'aria sia pulito e che non tocchi la presa d'aria fredda.



Per pulire il radiatore dell'olio idraulico

Assicurarsi che la ventola del radiatore dell'olio idraulico non sia ostruita e che l'area intorno al radiatore dell'olio

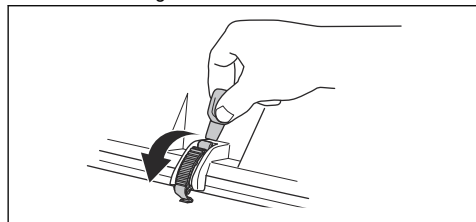
idraulico sia pulita. Rimuovere l'erba e lo sporco con una spazzola.



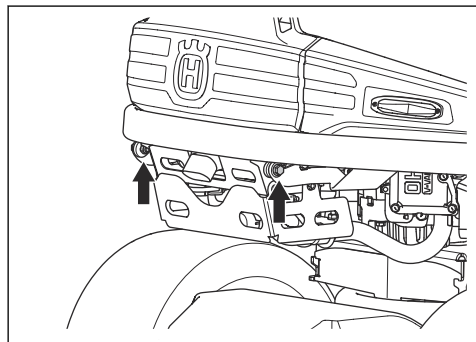
Per rimuovere i coperchi

Per rimuovere e montare il cofano del motore

1. Ripiegare il sedile in avanti.
2. Rilasciare i 2 fermi sul cofano del motore con l'attrezzo collegato alla chiave di accensione.



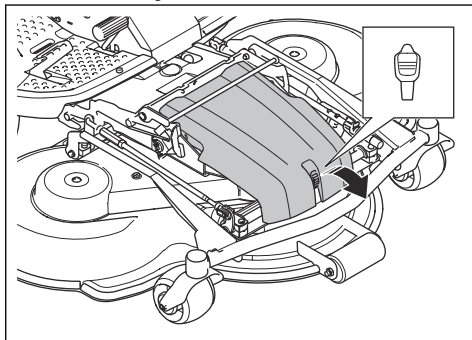
3. Rimuovere le viti dai cardini.



4. Piegare il cofano del motore all'indietro.
5. Montare eseguendo le operazioni nell'ordine inverso.

Rimozione del coperchio anteriore

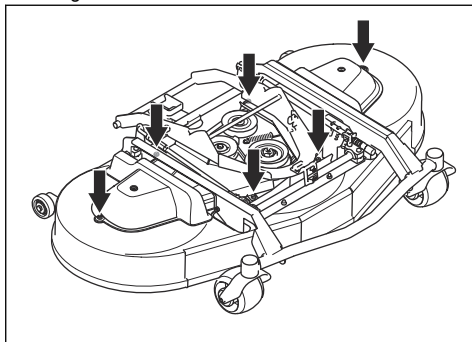
1. Rilasciare il fermo sul coperchio anteriore con l'attrezzo collegato alla chiave di accensione.



2. Rimuovere la copertina.

Rimozione del coperchio del piatto di taglio (R137, R137X)

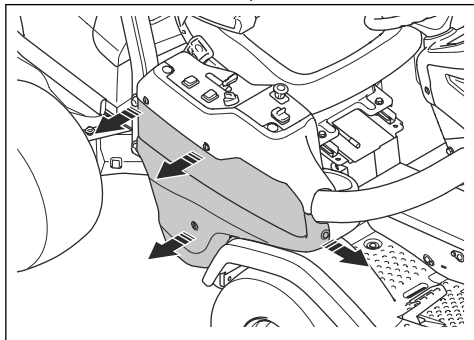
1. Impostare l'altezza di taglio nella posizione più bassa. Fare riferimento a *Regolazione dell'altezza di taglio (C112, C122, R137)* alla pagina 225 oppure *Regolazione dell'altezza di taglio (C112X, C122X, R137X)* alla pagina 226.
2. Rimuovere le 6 viti sulle coperture laterali del piatto di taglio.



3. Rimuovere le coperture laterali del piatto di taglio.
4. Montare eseguendo le operazioni nell'ordine inverso.

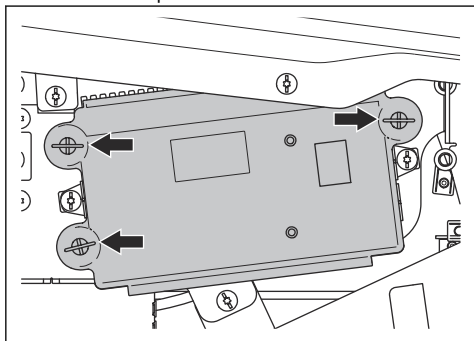
Per rimuovere il coperchio laterale destro

1. Rimuovere le 4 viti e la copertura laterale.



Rimozione del coperchio della scatola di comando

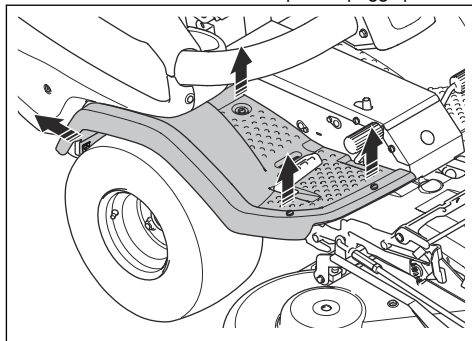
1. Ruotare le 3 viti di ¼ giro in senso antiorario e rimuovere il coperchio.



Per rimuovere e installare la piastra poggipiedi destra

1. Rimuovere il pedale di retromarcia.
2. Rimuovere il coperchio laterale destro. Fare riferimento a *Per rimuovere il coperchio laterale destro alla pagina 233*.
3. Rimuovere le 2 viti e il portabicchieri.

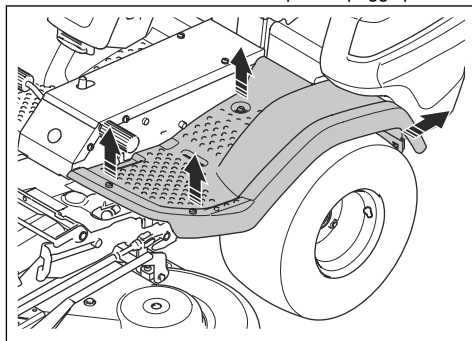
4. Svitare le 4 viti e rimuovere la piastra poggipiedi.



5. Montare eseguendo le operazioni nell'ordine inverso.

Per rimuovere e installare la piastra poggipiedi sinistra

1. Svitare le 4 viti e rimuovere la piastra poggipiedi.



2. Montare eseguendo le operazioni nell'ordine inverso.

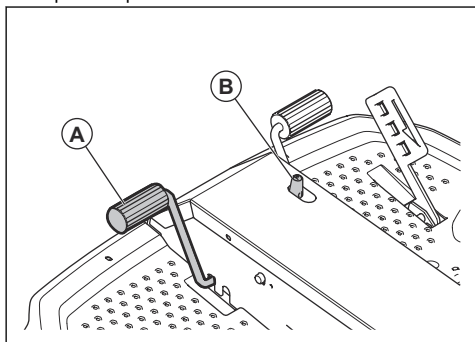
Per controllare il freno di stazionamento

1. Parcheggiare il prodotto su una superficie dura in pendenza.

Nota: Non parcheggiare il prodotto su un prato in pendenza quando si esegue un controllo del freno di stazionamento.

2. Premere il pedale del freno di stazionamento (A).

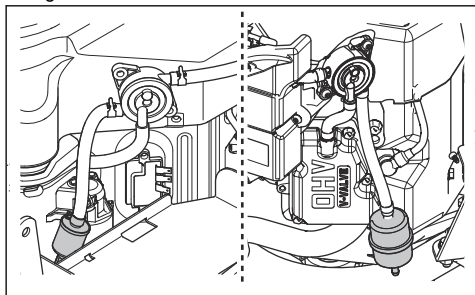
3. Tenere premuto il pulsante di bloccaggio (B) e rilasciare il pedale del freno di stazionamento mentre si preme il pulsante.



4. Se il prodotto inizia a muoversi, affidare la regolazione del freno di stazionamento a un'officina autorizzata.
5. Premere di nuovo il pedale del freno di stazionamento per rilasciarlo.

Sostituzione del filtro del carburante

1. Rimuovere il cofano del motore per accedere al filtro del carburante. La figura a destra mostra P 524X. La figura a sinistra mostra P 524X EFI.



2. Spostare le clip tubo dal filtro del carburante con un paio di pinze.
3. Estrarre il filtro del carburante dalle estremità del tubo.
4. Spingere il nuovo filtro del carburante nelle estremità dei tubi. Applicare del detergente liquido sulle estremità del filtro del carburante per rendere più semplice il collegamento.
5. Spingere le clip tubo sul filtro del carburante.

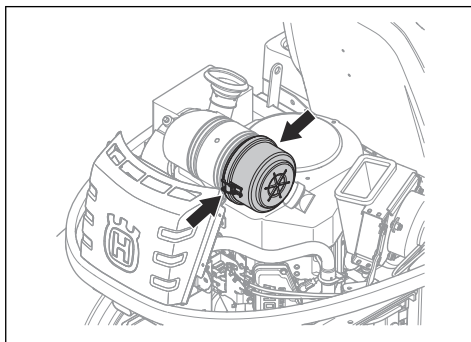
Per pulire e sostituire il filtro dell'aria



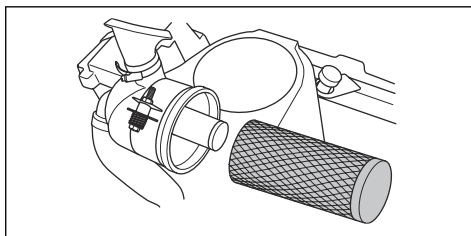
ATTENZIONE: Non avviare il motore quando il filtro dell'aria non è fissato.

1. Rimuovere il cofano motore.

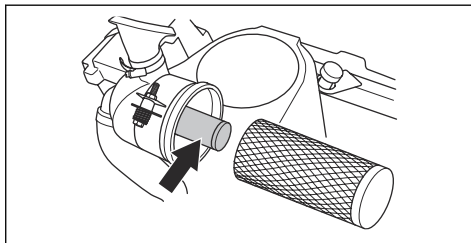
2. Allentare le 2 manopole che fissano il coperchio del filtro dell'aria.



3. Rimuovere il coperchio del filtro dell'aria.
4. Rimuovere la cartuccia del filtro dell'aria dalla relativa sede.



5. Pulire la superficie interna dell'alloggiamento del filtro dell'aria con un panno asciutto.
6. Colpire con cautela la cartuccia del filtro dell'aria contro una superficie dura e soffiare con aria compressa sulla superficie interna. Sostituire il filtro dell'aria se non è pulito o se è danneggiato.
7. Rimuovere il filtro dell'aria interno dietro alla cartuccia del filtro dell'aria.

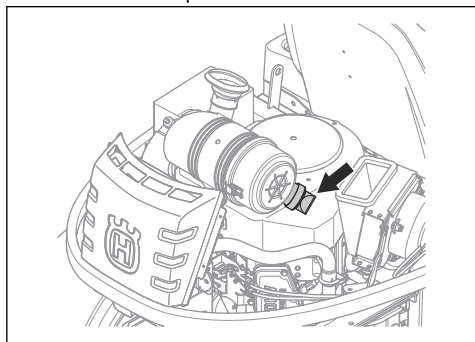


8. Scuotere il filtro di carta interno contro una superficie dura per pulirlo. Sostituire il filtro dell'aria se non è pulito o se è danneggiato.



ATTENZIONE: Non usare aria compressa per pulire il filtro dell'aria interno.

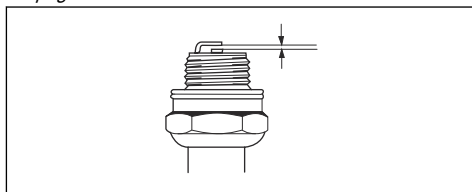
9. Collocare il filtro dell'aria interno e la cartuccia del filtro dell'aria nelle posizioni iniziali nell'alloggiamento del filtro. Accertarsi che la cartuccia del filtro dell'aria sia correttamente fissata sulla parte superiore della presa d'aria.
10. Fissare il coperchio del filtro dell'aria e assicurarsi che il collettore di particelle sia rivolto verso il basso.



Ispezione e sostituzione della candela

1. Aprire il cofano motore.
2. Rimuovere il cappuccio della candela e pulire attorno alla candela.
3. Rimuovere la candela con una chiave per candele.
4. Esaminare la candela. Sostituirla se gli elettrodi sono bruciati o se l'isolamento presenta crepe o altri danni. Se la candela non è danneggiata, è necessario pulirla con una spazzola di acciaio.

5. Misurare la distanza tra gli elettrodi e assicurarsi che sia corretta. Fare riferimento a *Dati tecnici alla pagina 263*.



6. Piegare l'elettrodo laterale per regolare la distanza tra gli elettrodi.
7. Inserire nuovamente la candela e ruotarla manualmente finché non tocca la sede della candela.
8. Stringere la candela con la chiave per candele fino a quando la rondella non è compressa.
9. Serrare una candela usata con $\frac{1}{8}$ di giro in più e una nuova candela con $\frac{1}{4}$ di giro in più.



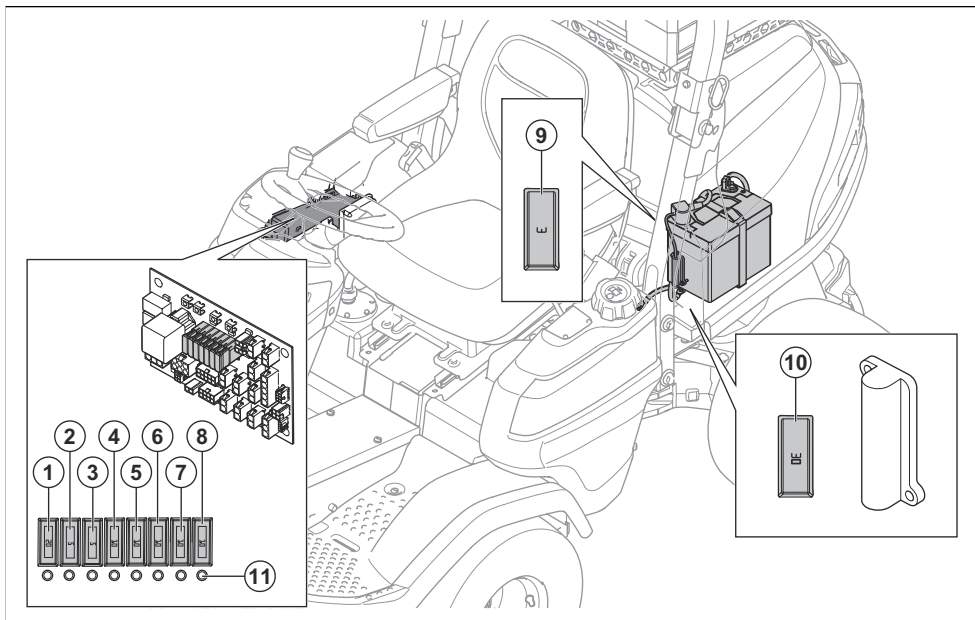
ATTENZIONE: Le candele non serrate correttamente possono provocare danni al motore.

10. Fissare il cappuccio della candela.



ATTENZIONE: Non tentare di avviare il motore se la candela o il cavo di accensione è stato rimosso.

Panoramica dei fusibili



1. Alimentazione a 12 V al modulo della centralina del tagliaerba, 20 A
2. Alimentazione display, 5 A
3. Alimentazione accensione, 5 A
4. J14 + 12 V, spia di avvertenza, 10 A
5. J16 + 12 V, interruttore extra, uscita extra, alimentazione idraulica, 10 A
6. Freno di stazionamento/sedile, 10 A
7. Alimentazione luci, 10 A
8. USB, uscita 12 V, interruttore di corrente 12 V, 10 A
9. Alimentazione di memoria da 12 V al modulo di comando tagliaerba, 3 A
10. 12 V, fusibile per sollevamento piatto attuatore elettrico, 30 A
11. Spia fusibili

Per sostituire un fusibile

Un fusibile danneggiato si riconosce dal filo bruciato. Se un fusibile 1-8 è danneggiato, la relativa spia si spegne.

La posizione dei fusibili si trova nella panoramica fusibili, vedere *Panoramica dei fusibili alla pagina 236*.

1. Individuare il fusibile guasto:
 - a) Rimuovere il coperchio laterale destro per sostituire i fusibili 1-8.
 - b) Aprire la copertura del motore per sostituire i fusibili 9 e 10.

2. Estrarre il fusibile dal supporto.
3. Sostituire il fusibile bruciato con un nuovo fusibile dello stesso tipo.
4. Montare i coperchi.

Nota: Se il fusibile principale si danneggia di nuovo dopo un breve periodo dalla sostituzione, è presente un corto circuito. Riparare il cortocircuito prima di utilizzare nuovamente il prodotto. Chiedere aiuto a un'officina autorizzata.

Per caricare la batteria

- Ricaricare la batteria se è troppo scarica per avviare il motore.
- Utilizzare un caricabatterie standard.



ATTENZIONE: Non usare un caricabatterie rapido o l'avviamento di emergenza. Ciò può causare danni all'impianto elettrico del prodotto.

- Scollegare sempre il caricabatteria prima di avviare il motore.

Per eseguire un avvio di emergenza del motore

Se la batteria è troppo scarica per avviare il motore, è possibile utilizzare dei cavi di avviamento per effettuare

un avviamento di emergenza. Questo prodotto dispone di un sistema da 12 V con messa a terra negativa. Il prodotto che viene utilizzato per l'avviamento di emergenza dovrà altresì disporre di un sistema da 12 V con messa a terra negativa.

Per collegare i cavi di avviamento

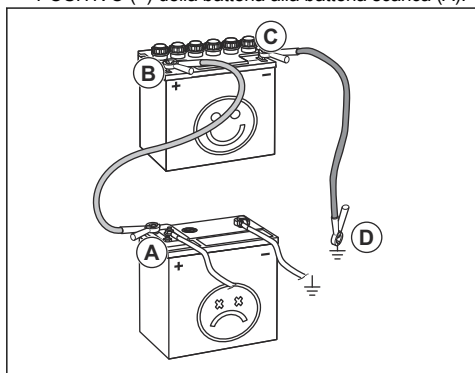


AVVERTENZA: Rischio di esplosione a causa di gas esplosivo che fuoriesce dalla batteria. Non collegare il morsetto negativo della batteria completamente carica al morsetto negativo della batteria scarica o in prossimità di quest'ultimo.



ATTENZIONE: Non utilizzare la batteria del prodotto per avviare altri veicoli.

1. Aprire il cofano motore. Fare riferimento a *Per rimuovere e montare il cofano del motore alla pagina 232*.
2. Collegare un'estremità del cavo rosso al morsetto POSITIVO (+) della batteria alla batteria scarica (A).



3. Collegare l'altra estremità del cavo rosso al morsetto POSITIVO (+) della batteria alla batteria completamente carica (B).



AVVERTENZA: Non mettere in corto circuito le estremità del cavo rosso sul telaio.

4. Collegare un'estremità del cavo nero al terminale NEGATIVO (-) della batteria completamente carica (C).
5. Collegare l'altra estremità del cavo nero a un PUNTO DI MASSA SUL TELAIO (D), lontano dal serbatoio del carburante e dalla batteria.
6. Riposizionare le coperture.

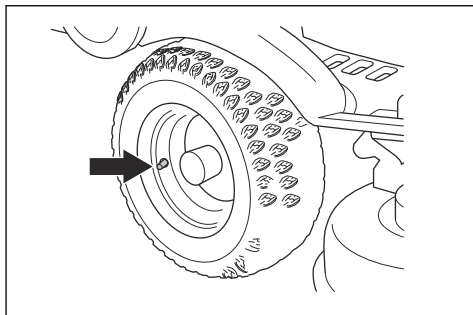
Per rimuovere i cavi di avviamento

Nota: Rimuovere i cavi di avviamento nella sequenza opposta rispetto alla modalità di collegamento.

1. Rimuovere il cavo NERO dal telaio.
2. Rimuovere il cavo NERO dalla batteria completamente carica.
3. Rimuovere il cavo ROSSO dalle 2 batterie.

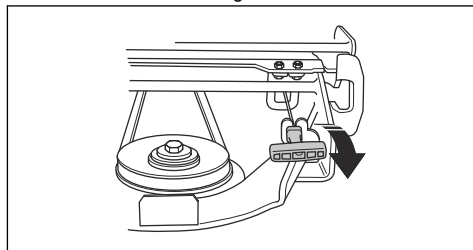
Pressioni degli pneumatici

Si consiglia una pressione pneumatici corretta di 100 kPa (1,0 bar / 14,5 PSI) su tutti e 4 gli pneumatici.



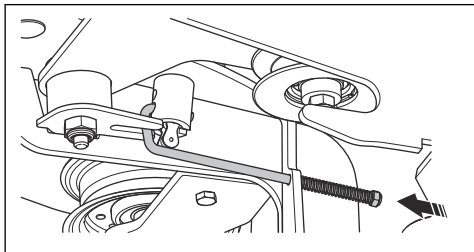
Sostituzione della cinghia del sistema PTO

1. Avviare il motore.
2. Girare il volante completamente a sinistra per ottenere un facile accesso alla puleggia del motore.
3. Abbassare il piatto di taglio.
4. Spegner il motore.
5. Rimuovere la copertina.
6. Sfilare la leva a molla dalla sede tirando verso sinistra per allentare la tensione della ruota di tensionamento della cinghia di trasmissione.

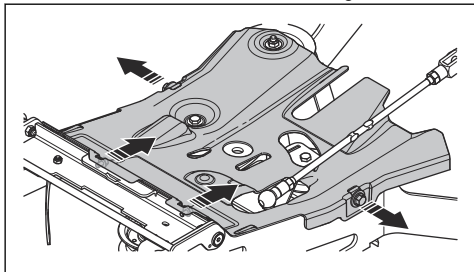


7. Rimuovere i coperchi laterali sinistri del piatto di taglio.

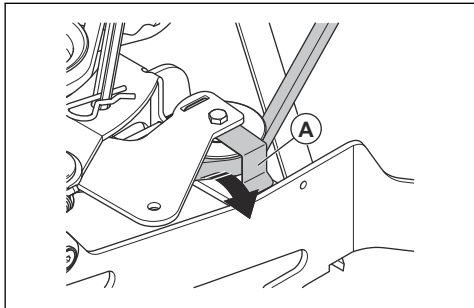
8. Tirare il fermo della molla dalla catena di sollevamento.



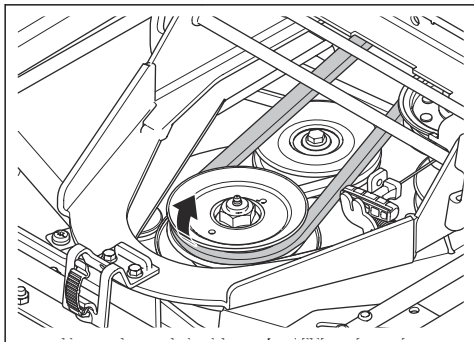
9. Rimuovere le 4 viti e il carter della cinghia.



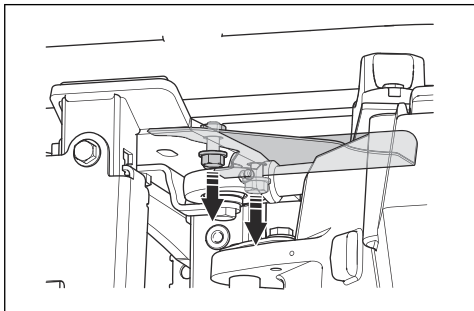
10. Rimuovere la cinghia dalla puleggia, sollevare il supporto della cinghia (A) e rimuovere la cinghia dalla ruota di tensionamento.



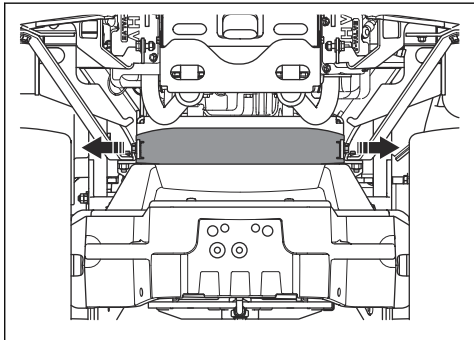
11. Allentare la cinghia dalla puleggia sul telaio dello strumento.



12. Staccare il carter della cinghia sotto la puleggia del motore.

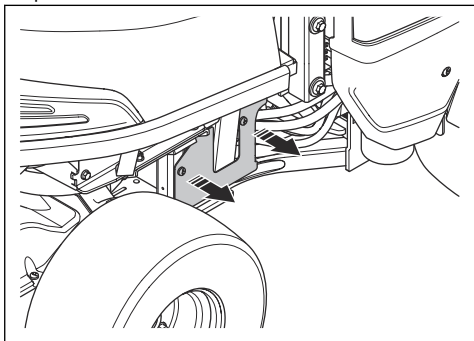


13. Staccare il carter della cinghia davanti alla trasmissione posteriore.

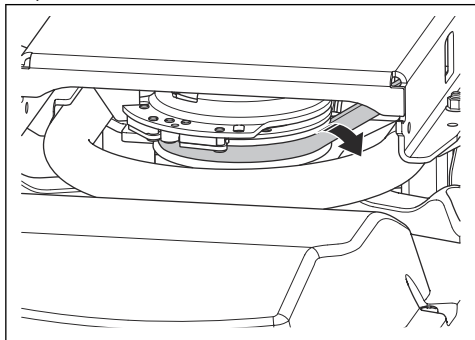


14. Smontare la cinghia dalla puleggia del motore.

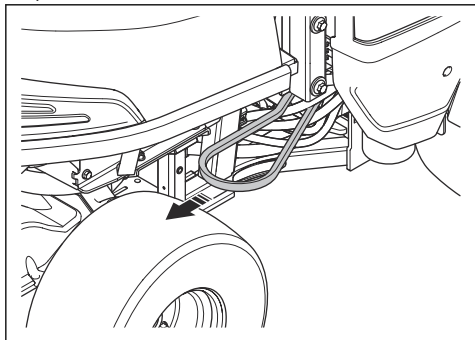
15. Staccare il carter della cinghia sul lato destro del prodotto.



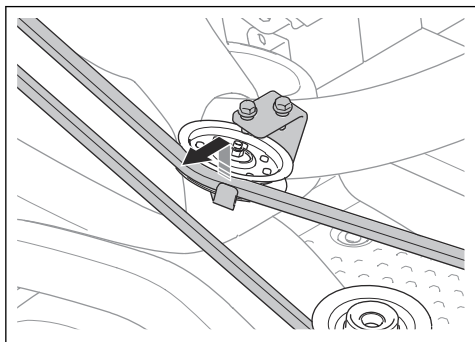
16. Smontare la cinghia dalla puleggia del motore posteriore.



17. Tirare la parte anteriore della cinghia verso l'esterno attraverso il lato destro dell'articolazione del prodotto.

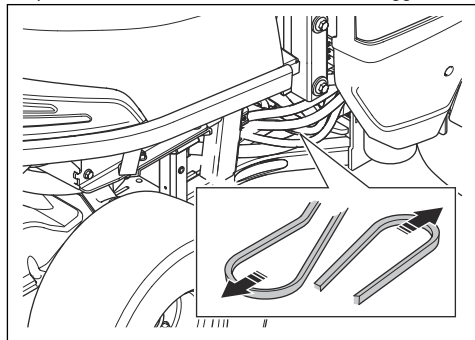


18. Sganciare la cinghia dal gancio sulla puleggia centrale.

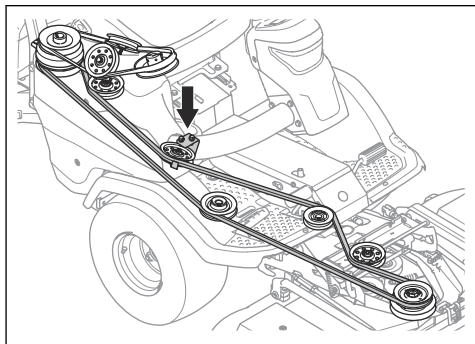


19. Estrarre la cinghia di trasmissione.

20. Montare una nuova cinghia di trasmissione procedendo nell'ordine inverso allo smontaggio.



Assicurarsi che la cinghia di trasmissione del piatto di taglio sia fissata come mostrato nell'illustrazione. Assicurarsi che sia inserita correttamente nel regolatore della puleggia, mostrata dalla freccia nella figura.

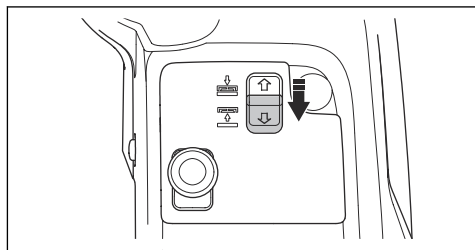


Per mettere il piatto di taglio in posizione di servizio



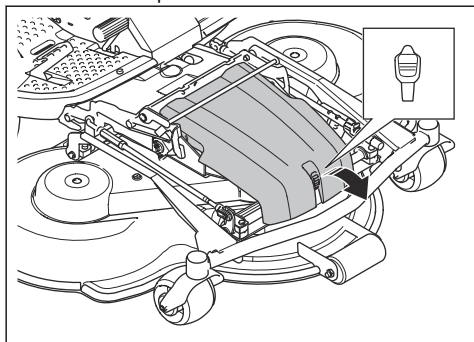
AVVERTENZA: Rischio di lesioni da schiacciamento, tenere lontane le parti del corpo.

1. Tirare l'interruttore del sollevatore idraulico per sollevare il piatto di taglio. Sollevare completamente il piatto di taglio fino a quando non si sente un ticchettio.

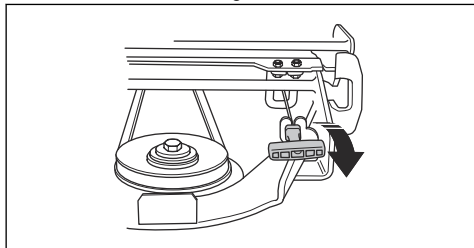


Nota: Il ticchettio che proviene dal tunnel del telaio non indica che il prodotto è difettoso.

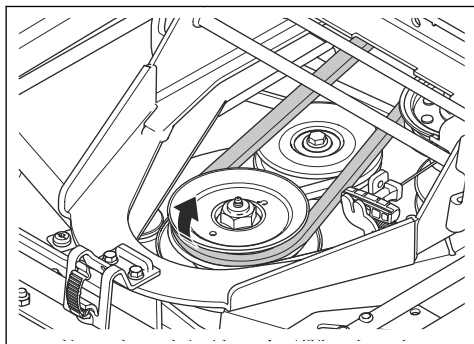
2. Rilasciare il fermo sul coperchio anteriore con l'utensile fissato sulla chiave di accensione e rimuovere il coperchio.



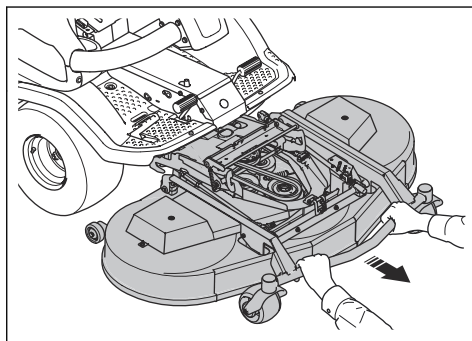
3. Impostare l'altezza di taglio nella posizione più bassa. Fare riferimento a *Regolazione dell'altezza di taglio (C112, C122, R137) alla pagina 225* oppure *Regolazione dell'altezza di taglio (C112X, C122X, R137X) alla pagina 226*.
4. Sfilare la leva a molla dalla sede tirando verso sinistra per allentare la tensione della ruota di tensionamento della cinghia di trasmissione.



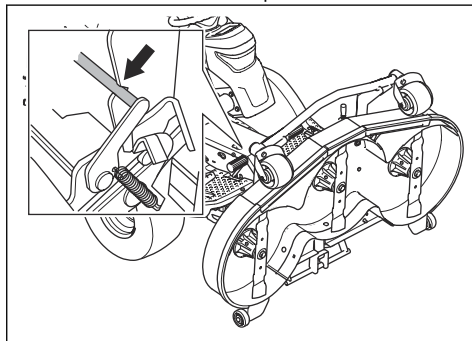
5. Allentare la cinghia dalla puleggia sul telaio dello strumento.



6. Afferrare il bordo anteriore del piatto di taglio con entrambe le mani e tirare in avanti finché non si arresta.

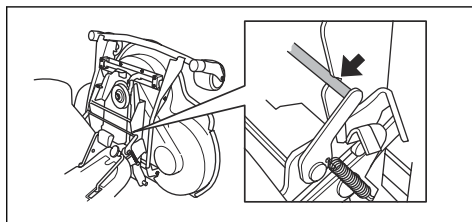


7. Sollevare il piatto di taglio in posizione verticale fino a quando non si avverte un clic. Il piatto di taglio si blocca automaticamente in posizione verticale.



Per mettere il piatto di taglio in posizione di falciatura

1. Afferrare il bordo anteriore del piatto di taglio con la mano sinistra.
2. Allentare il blocco con la mano destra.

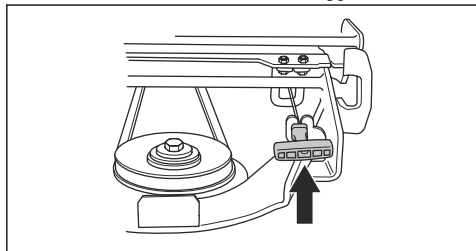


3. Abbassare il piatto di taglio e premere fino all'arresto.



ATTENZIONE: Per i modelli di piatto di taglio C112X, C122X, R137X: Assicurarsi che il cavo del piatto di taglio non venga compresso.

- Inserire la cinghia di trasmissione intorno alla ruota motrice per il piatto di taglio.
- Posizionare la leva a molla nell'alloggiamento.

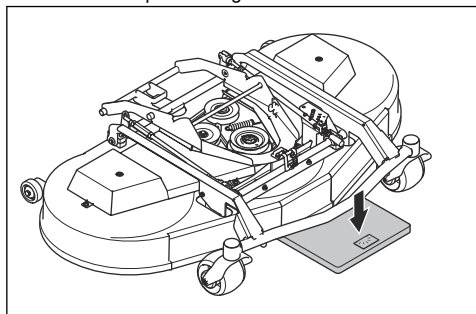


- Montare il coperchio anteriore.

Per esaminare e regolare la pressione al suolo dal piatto di taglio

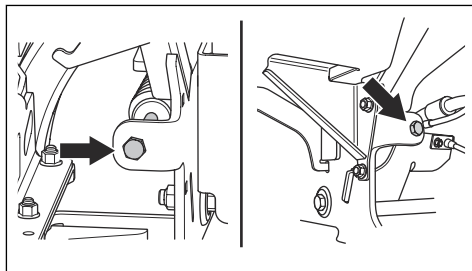
Una pressione al suolo corretta fa sì che il piatto di taglio si sposti lungo la superficie, senza premervi contro.

- Effettuare un controllo della pressione aria all'interno degli pneumatici. Fare riferimento a *Pressioni degli pneumatici alla pagina 237*.
- Parcheggiare il prodotto su una superficie piana.
- Abbassare il piatto di taglio fino alla posizione di falciatura.
- Mettere una bilancia pesapersona sotto il bordo anteriore del piatto di taglio.



- Collocare un blocco di legno tra il telaio e la bilancia pesapersona. Il blocco di legno fa in modo che non vi sia alcun peso applicato sulle ruote di supporto.
- Per regolare la pressione sul terreno, ruotare le viti di regolazione dietro le ruote anteriori sui lati destro e sinistro.

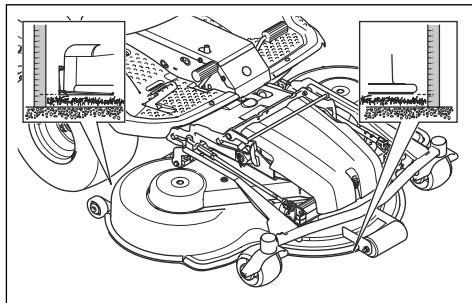
- Ruotare le viti a destra o a sinistra fino a quando la pressione sul terreno non è corretta. Assicurarsi che le molle abbiano la stessa tensione sui lati destro e sinistro.



Piatto di taglio	C112, C122	R137
Pressione sul terreno	12-15 kg / 26,5-33 lb	25 kg / 55,1 lb

Controllo del parallelismo del piatto di taglio

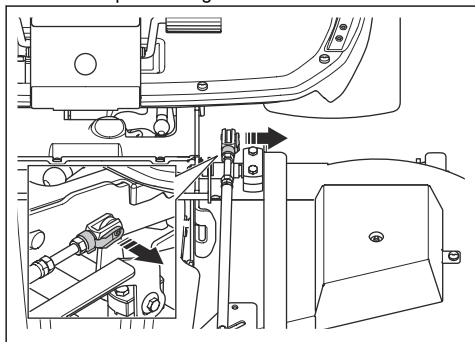
- Effettuare un controllo della pressione aria all'interno degli pneumatici. Fare riferimento a *Pressioni degli pneumatici alla pagina 237*.
- Parcheggiare il prodotto su una superficie piana.
- Abbassare il piatto di taglio fino alla posizione di falciatura.
- Impostare l'altezza di taglio nella posizione più bassa. Fare riferimento a *Regolazione dell'altezza di taglio (C112, C122, R137) alla pagina 225* oppure *Regolazione dell'altezza di taglio (C112X, C122X, R137X) alla pagina 226*.
- Misurare la distanza tra il suolo e i bordi anteriore e posteriore del piatto di taglio. Assicurarsi che il bordo posteriore sia di 5-10 mm (0,2-0,4") più alto del bordo anteriore.



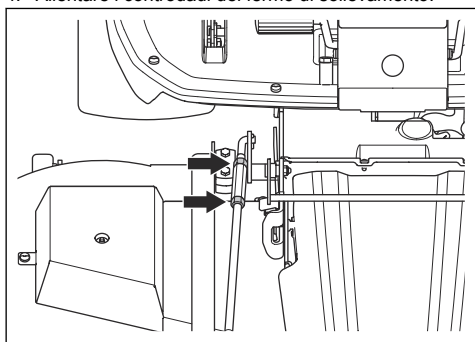
Regolazione del parallelismo del piatto di taglio (C112, C122, R137)

Regolare il parallelismo quando il piatto di taglio è installato sul prodotto.

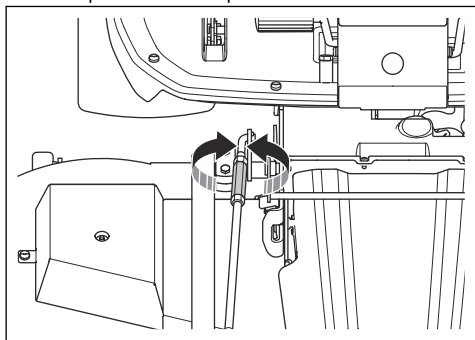
1. Rimuovere il coperchio anteriore. Fare riferimento a *Rimozione del coperchio anteriore alla pagina 232*.
2. Impostare l'altezza di taglio nella posizione più bassa. Fare riferimento a *Regolazione dell'altezza di taglio (C112, C122, R137) alla pagina 225*.
3. Rimuovere il giunto a forcella sull'estremità posteriore del fermo di regolazione dell'altezza dal telaio del piatto di taglio.



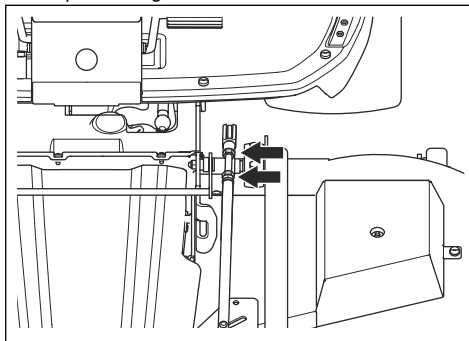
4. Allentare i controdadi del fermo di sollevamento.



5. Ruotare il dado di regolazione sul fermo di sollevamento per regolare la lunghezza. Aumentare la lunghezza per sollevare il bordo posteriore del coperchio. Diminuire la lunghezza per abbassare il bordo posteriore del coperchio.



6. Attenersi alle istruzioni riportate in *Controllo del parallelismo del piatto di taglio alla pagina 241*.
7. Serrare i controdadi sul fermo di sollevamento quando la lunghezza del fermo di sollevamento è corretta.
8. Allentare i controdadi sul fermo di regolazione dell'altezza. Ruotare il giunto a forcella per regolare la lunghezza del fermo di regolazione dell'altezza. Allineare il giunto a forcella con il foro sul telaio del piatto di taglio. Installare il giunto a forcella sul telaio del piatto di taglio.

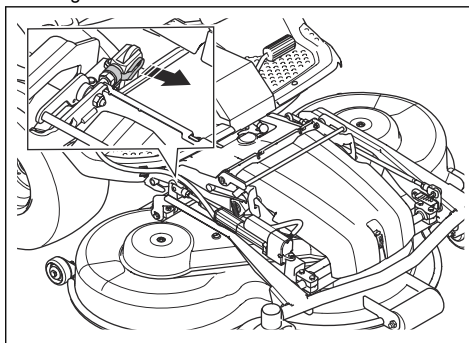


9. Eseguire una prova di tutte le altezze di taglio. Fare riferimento a *Regolazione dell'altezza di taglio (C112, C122, R137) alla pagina 225*.
10. Serrare i controdadi sul fermo di regolazione dell'altezza.
11. Montare il coperchio anteriore.

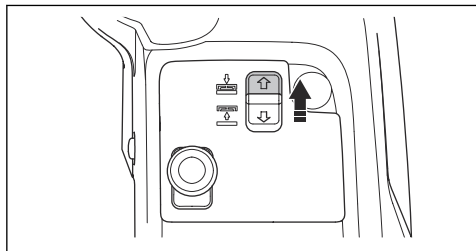
Regolazione del parallelismo del piatto di taglio (C112X, C122X, R137X)

Regolare il parallelismo quando il piatto di taglio è installato sul prodotto.

1. Rimuovere il giunto a forcella sull'estremità posteriore dell'attuatore elettrico dal telaio del piatto di taglio.



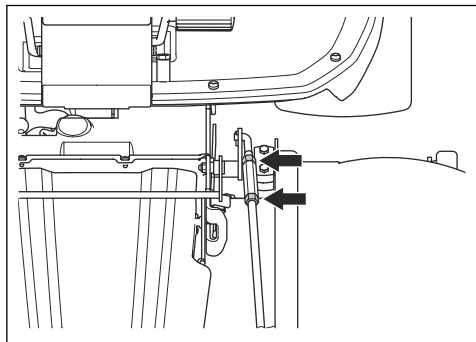
2. Premere l'interruttore del sollevatore elettrico per abbassare il piatto di taglio. Abbassare completamente il piatto di taglio fino a quando non si sente un ticchettio.



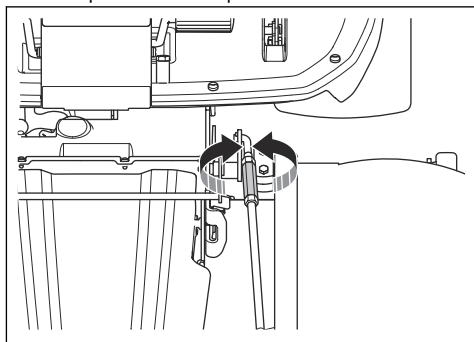
ATTENZIONE: Tenere premuto l'interruttore per almeno 2 secondi dopo che il piatto di taglio tocca il terreno. Questo consente di assicurarsi che il piatto di taglio sia in posizione flottante.

Nota: Il ticchettio proveniente dal tunnel del telaio non indica che il prodotto è difettoso.

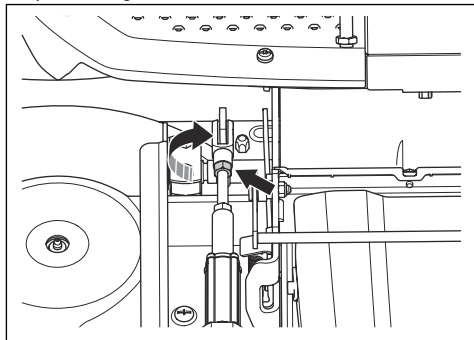
3. Allentare i controdadi del fermo di sollevamento.



4. Ruotare il dado di regolazione sul fermo di sollevamento per regolarne la lunghezza. Aumentare la lunghezza per sollevare il bordo posteriore del coperchio. Diminuire la lunghezza per abbassare il bordo posteriore del coperchio.



5. Attenersi alle istruzioni riportate in *Controllo del parallelismo del piatto di taglio alla pagina 241*.
6. Serrare i controdadi sul fermo di sollevamento quando la lunghezza del fermo di sollevamento è corretta.
7. Allentare il controdado dell'attuatore elettrico. Ruotare in senso orario il giunto a forcella per regolare la lunghezza dell'asta di regolazione dell'altezza. Aumentare la lunghezza dell'asta di regolazione dell'altezza fino a quando non è più presente gioco tra il bullone e il braccio. Allineare il giunto a forcella con il foro sul telaio del piatto di taglio. Installare il giunto a forcella sul telaio del piatto di taglio.

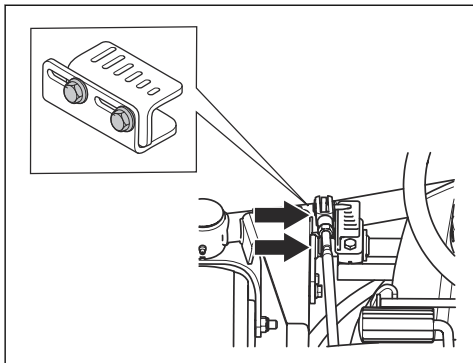


8. Serrare il controdado dell'attuatore elettrico.
9. Se necessario, regolare l'indicatore dell'altezza di taglio. Fare riferimento a *Regolazione dell'altezza di taglio (C112X, C122X, R137X) alla pagina 226*.

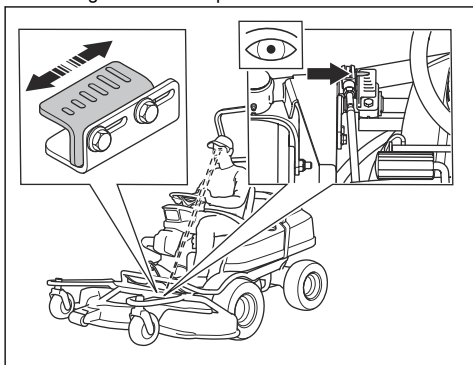
Regolazione dell'indicatore dell'altezza di taglio (C112X, C122X, R137X)

L'indicatore dell'altezza di taglio sul piatto di taglio indicano la posizione dell'altezza di taglio selezionata.

1. Allentare le 2 viti.



2. Impostare l'altezza di taglio nella posizione più bassa. Fare riferimento a *Regolazione dell'altezza di taglio (C112X, C122X, R137X) alla pagina 226.*
3. Regolare l'indicatore dell'altezza di taglio fino a quando non mostra l'altezza di taglio minima, vista dall'angolazione dell'operatore sul sedile.



4. Serrare le 2 viti.

Per sostituire la cinghia sul piatto di taglio (C112, C112X, C122, C122X)

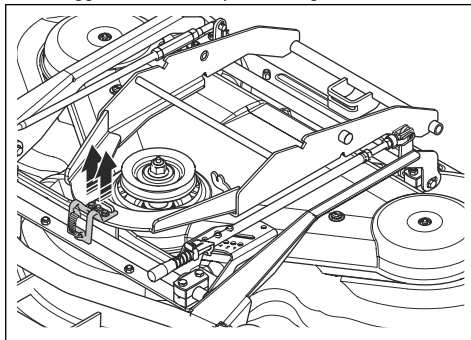


AVVERTENZA: Rischio di lesioni per schiacciamento. Usare guanti protettivi.

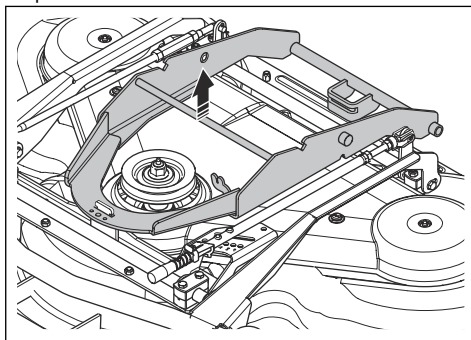
Nota: I piatti di taglio possono differire nell'aspetto tra i vari modelli.

1. Rimuovere il piatto di taglio. Fare riferimento a *Rimozione del piatto di taglio alla pagina 220.*

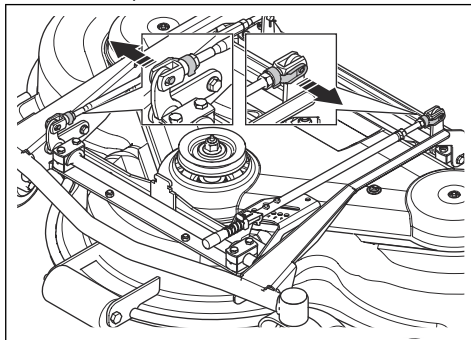
2. Rimuovere i 2 bulloni che bloccano la staffa di fissaggio sul telaio del piatto di taglio.



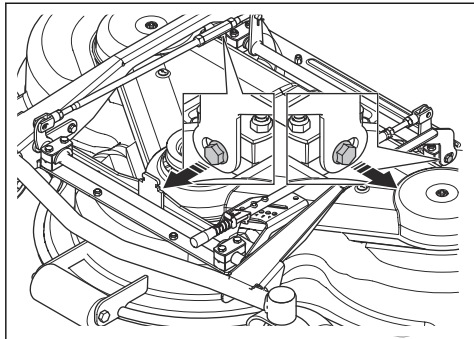
3. Rimuovere il blocco della posizione e la piastra di protezione.



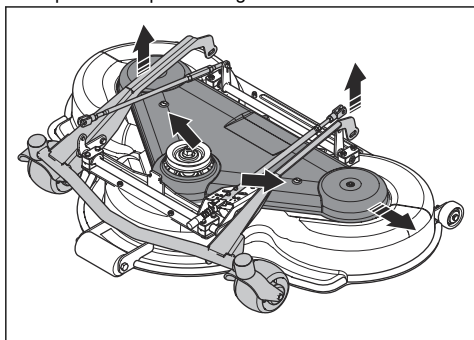
4. Aprire e rimuovere il blocco del bullone del fermo di sollevamento anteriore e dell'asta di regolazione dell'altezza posteriore.



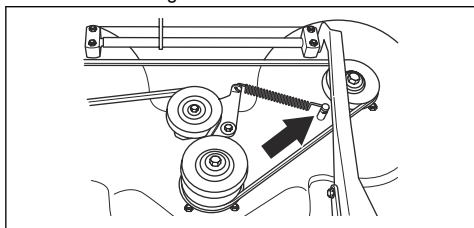
5. Rimuovere i 2 bulloni sul telaio dell'attrezzatura.



6. Rimuovere le 2 viti sulla copertura del piatto di taglio. Sollevare il telaio del piatto di taglio e rimuovere la copertura del piatto di taglio.

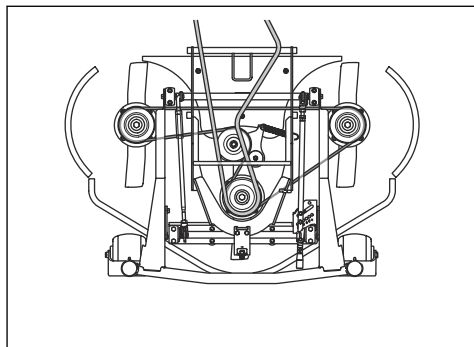


7. Scollegare la molla a tensione della cinghia e rimuovere la cinghia.

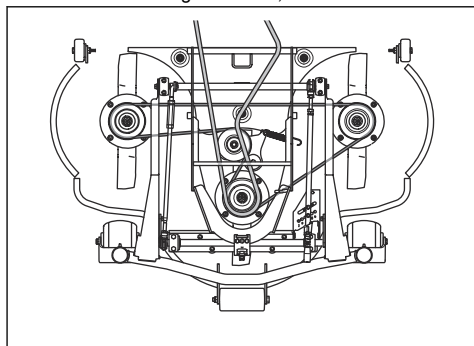


8. Montare una nuova cinghia procedendo nell'ordine inverso allo smontaggio.

Panoramica della cinghia - C112, C112X



Panoramica della cinghia - C122, C122X



Per sostituire la cinghia sul piatto di taglio (R137, R137X)

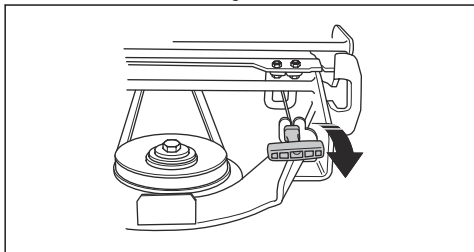


AVVERTENZA: Rischio di lesioni per schiacciamento. Usare guanti protettivi.

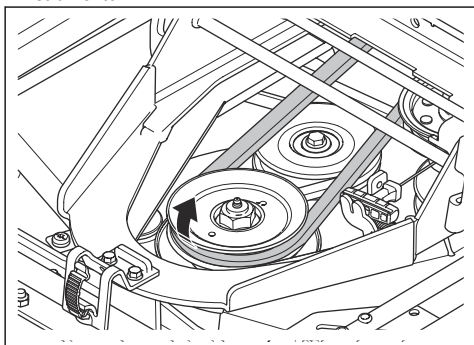
Nota: I piatti di taglio possono differire nell'aspetto tra i vari modelli.

1. Rimuovere il piatto di taglio. Fare riferimento a *Rimozione del piatto di taglio alla pagina 220*.
2. Rimuovere il coperchio anteriore.

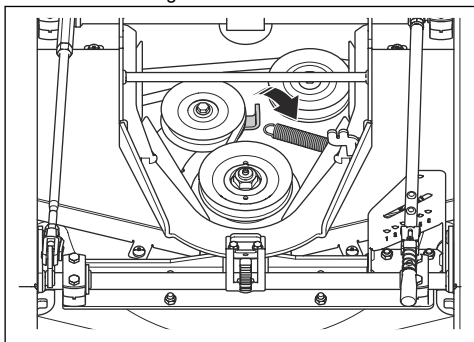
3. Sfilare la leva a molla dalla sede tirando verso sinistra per allentare la tensione della ruota di tensionamento della cinghia di trasmissione.



4. Allentare la cinghia dalla puleggia sul telaio dello strumento.

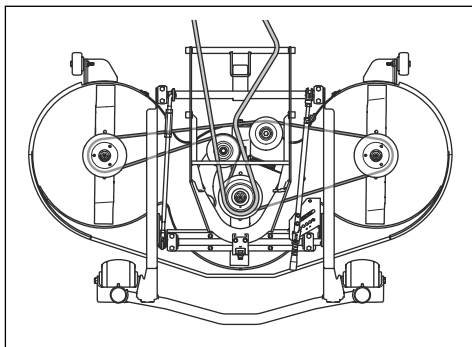


5. Rimozione delle coperture del piatto di taglio. Fare riferimento a *Rimozione del coperchio del piatto di taglio (R137, R137X) alla pagina 232.*
6. Scollegare la molla a tensione della cinghia e rimuovere la cinghia.



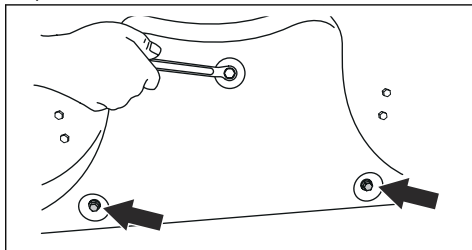
7. Montare una nuova cinghia procedendo nell'ordine inverso allo smontaggio.

Panoramica della cinghia - R137, R137X



Rimozione e installazione del tassello di pacciamatura (C112, C112X, C122, C122X)

1. Mettere il piatto di taglio in posizione di servizio.
2. Rimuovere le 3 viti che fissano il tassello di pacciamatura e rimuoverlo.

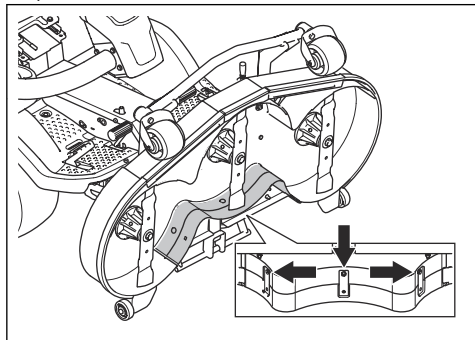


3. Installare 3 viti nei fori delle viti per il tassello di pacciamatura per evitare di danneggiare le filettature.
4. Mettere il piatto di taglio in posizione di falciatura.
5. Installare il tassello di pacciamatura seguendo la procedura in ordine inverso.

Rimozione e installazione del tassello di pacciamatura (R137, R137X)

1. Mettere il piatto di taglio in posizione di servizio.

2. Rimuovere i 3 dadi e viti che fissano il tassello di pacciamatura e rimuoverlo.



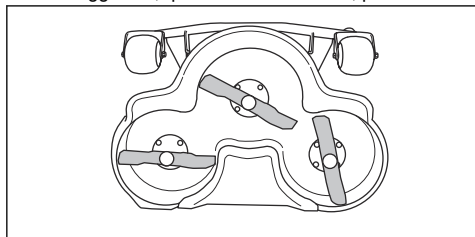
3. Mettere il piatto di taglio in posizione di falciatura.
4. Installare il tassello di pacciamatura seguendo la procedura in ordine inverso.
5. Installare i dadi e le viti nei 3 fori accanto al bordo superiore del piatto di taglio.

Ispezione delle lame



ATTENZIONE: Lame danneggiate o bilanciate in modo errato possono causare danni al prodotto. Sostituire le lame danneggiate. Affidare a un'officina autorizzata l'affilatura e il bilanciamento delle lame.

1. Mettere il piatto di taglio in posizione di servizio.
2. Esaminare le lame per verificare se sono danneggiate e, qualora sia necessario, per affilarle.

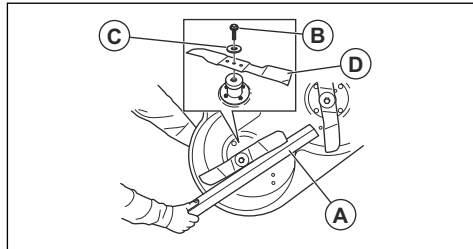


3. Serrare i bulloni delle lame alla coppia di serraggio corretta. Fare riferimento a *Dati tecnici alla pagina 263*.

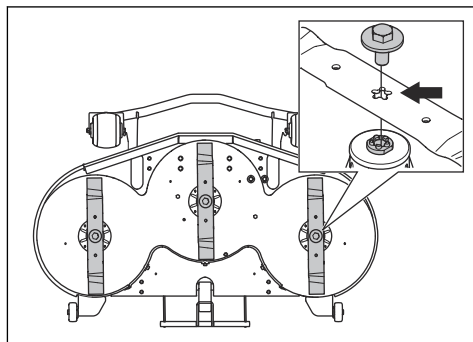
Sostituzione delle lame

1. Mettere il piatto di taglio in posizione di servizio.

2. Bloccare la lama con un cuneo di legno (A).



3. Allentare e rimuovere il bullone della lama (B), le rondelle (C) e la lama (D).
4. Installare le lame parallele l'una all'altra.
5. Per piatto di taglio R137. Assicurarsi che i perni di guida siano installati correttamente attraverso la scanalatura sulle lame.



6. Montare la nuova lama con le estremità a punta nella direzione del piatto di taglio.



AVVERTENZA: Un tipo di lama errato può causare l'espulsione di oggetti dal piatto di taglio e lesioni gravi. Utilizzare solo le lame indicate in *Dati tecnici alla pagina 263*.



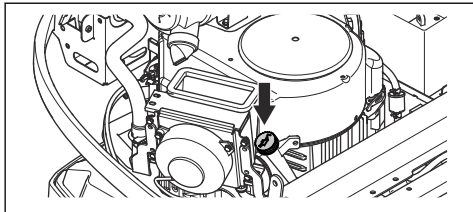
ATTENZIONE: Un tipo di lama non corretto può causare rumore indesiderato. Utilizzare solo le lame indicate in *Dati tecnici alla pagina 263*.

7. Montare la rondella e il bullone per fissare la lama. Serrare il bullone alla coppia di serraggio corretta. Fare riferimento a *Dati tecnici alla pagina 263*.

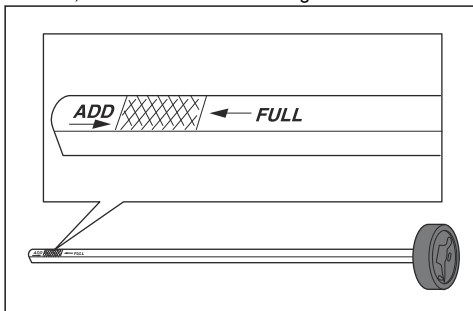
Controllo del livello dell'olio motore

1. Parcheggiare il prodotto su un terreno piano e spegnere il motore.
2. Rimuovere il cofano del motore.

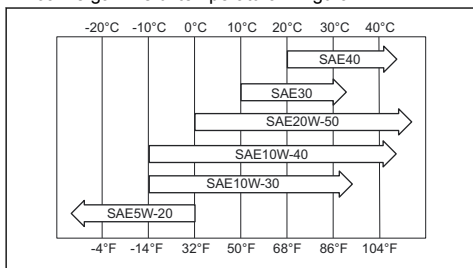
3. Allentare l'asta di livello ed estrarla.



4. Pulire l'olio dall'asta di livello.
5. Riposizionare l'asta di livello. Non serrarla.
6. Sfilare l'asta di livello e leggere il livello dell'olio.
7. Il livello dell'olio deve essere compreso tra i segni sull'asta di livello. Se il livello si trova vicino al segno ADD, rabboccare l'olio fino al segno FULL.



8. Versare l'olio lentamente attraverso il foro dell'asta di livello. Utilizzare un olio con viscosità compatibile con le gamme di temperatura in figura.



ATTENZIONE: Non mescolare tipi diversi di olio.

9. Serrare l'asta di livello correttamente prima di avviare il motore. Avviare e far girare il motore al minimo per circa 30 secondi. Spegnerlo il motore. Attendere 30 secondi, quindi eseguire un nuovo controllo del livello dell'olio.

Per sostituire l'olio motore e il filtro dell'olio

Se il motore è freddo, avviare il motore per 1-2 minuti prima di scaricare l'olio motore. Ciò comporta il riscaldamento dell'olio motore, semplificando lo scarico.

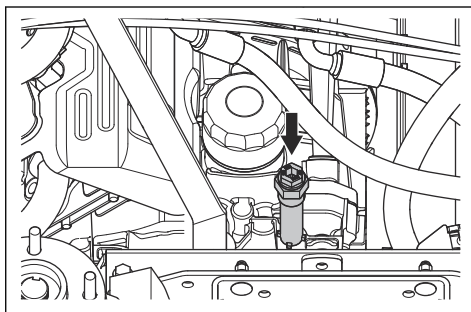


AVVERTENZA: Non avviare il motore per più di 1-2 minuti prima di scaricare l'olio motore. L'olio motore diventa molto caldo e può causare ustioni. Lasciare che il motore si raffreddi prima di scaricare l'olio motore.

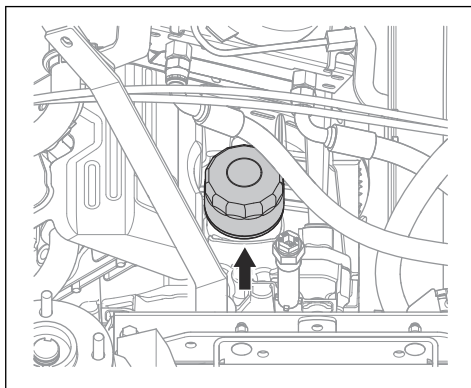


AVVERTENZA: Se si versa accidentalmente dell'olio motore sul proprio corpo, lavare con acqua e sapone.

1. Rimuovere il cofano del motore.
2. Collocare un contenitore sotto il tappo di drenaggio dell'olio.



3. Rimuovere l'asta di livello.
4. Rimuovere il tappo di drenaggio dell'olio dal motore.
5. Far fuoriuscire l'olio nel contenitore.
6. Montare il tappo di drenaggio dell'olio e serrarlo a fondo.
7. Ruotare il filtro dell'olio in senso antiorario per rimuoverlo.

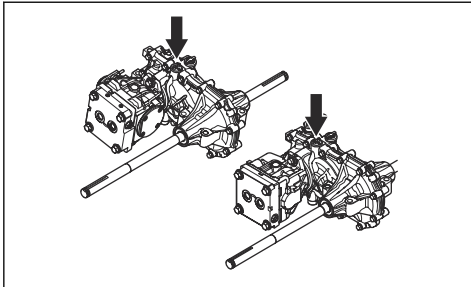


8. Lubrificare leggermente la guarnizione in gomma sul nuovo filtro dell'olio con olio nuovo.
9. Per fissare il filtro dell'olio, girarlo in senso orario a mano fino a quando la guarnizione in gomma non è in posizione, quindi serrare di un altro mezzo giro.
10. Riempire con olio nuovo come indicato in *Dati tecnici alla pagina 263*
11. Avviare il motore e lasciarlo girare al minimo per 3 minuti.
12. Arrestare il motore e assicurarsi che il filtro dell'olio non presenti perdite.
13. Riempire di olio per compensare l'olio contenuto nel filtro dell'olio nuovo.

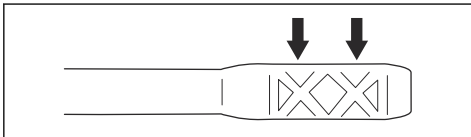
Nota: Per lo smaltimento sicuro dell'olio motore esausto, vedere *Smaltimento alla pagina 261*.

Per effettuare un controllo del livello dell'olio della trasmissione

1. Usare l'asta di livello dell'olio per rilevare il livello dell'olio nella trasmissione.



2. Il livello dell'olio deve essere compreso tra i segni sull'asta di livello.

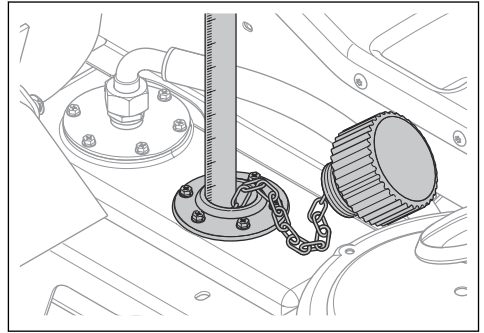


3. Se il livello dell'olio è troppo basso, rabboccare con il tipo di olio indicato in *Dati tecnici alla pagina 263*,

Effettuare un controllo del livello dell'olio nell'impianto idraulico

1. Inclinare il sedile in avanti.
2. Pulire l'area intorno al tappo dell'olio con un panno asciutto.

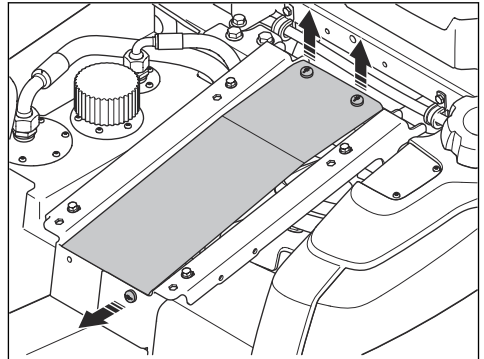
3. Rimuovere il tappo dell'olio e controllare il livello dell'olio idraulico. Il livello corretto è di 40-60 mm dalla parte superiore del filtro.



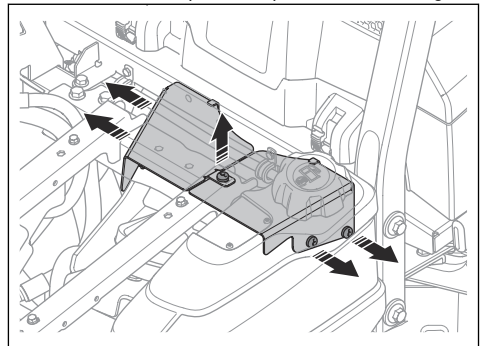
4. Se il livello dell'olio è troppo basso, rabboccare con il tipo di olio indicato in *Dati tecnici alla pagina 263*,

Regolazione della cinghia della pompa idraulica

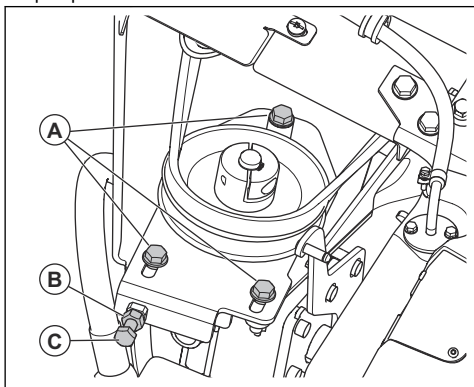
1. Ripiegare il sedile dell'operatore in avanti.
2. Rimuovere la piastra di protezione sotto al sedile.



3. Rimuovere le 2 coperture di protezione della cinghia.

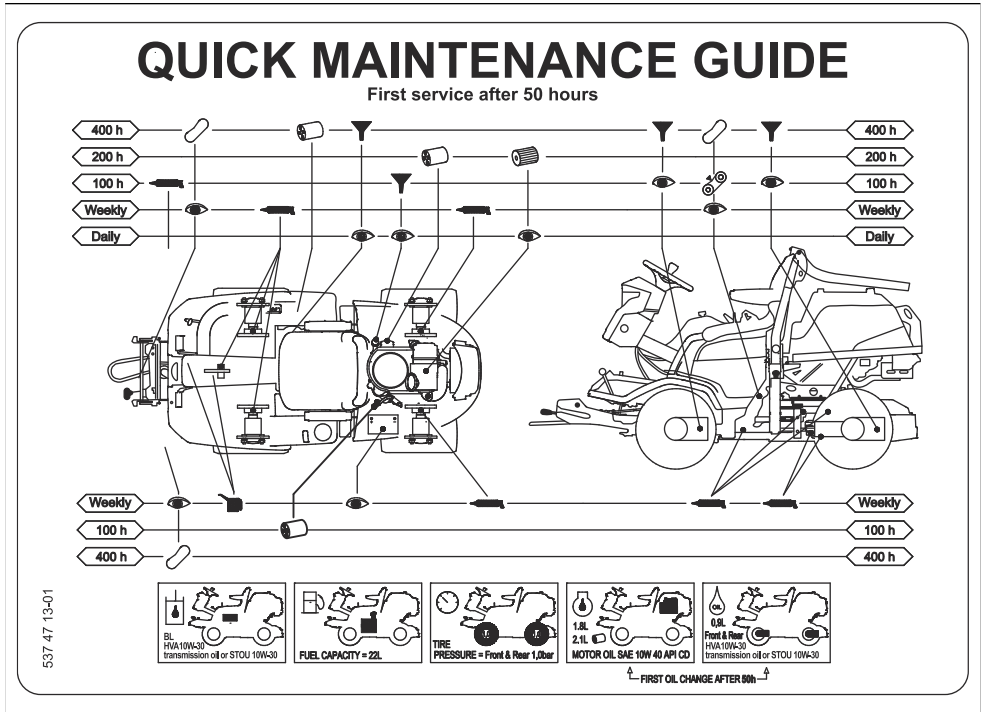


4. Allentare le 3 viti (A) della puleggia cinghia della pompa.



5. Allentare il controdado (B) sulla vite di regolazione.
6. Ruotare la vite di regolazione (C) della cinghia della pompa fino a quando la cinghia non ha la tensione corretta.
7. Montare seguendo i passaggi nell'ordine inverso.

Guida di manutenzione rapida



Simboli della guida di manutenzione rapida



Sostituire il filtro.



Sostituire l'olio.



Esaminare visivamente o effettuare un controllo del livello dell'olio



Lubrificare con grasso l'ingrassatore.



Lubrificare con olio



Eseguire un controllo delle condizioni e del tensionamento della cinghia di trasmissione

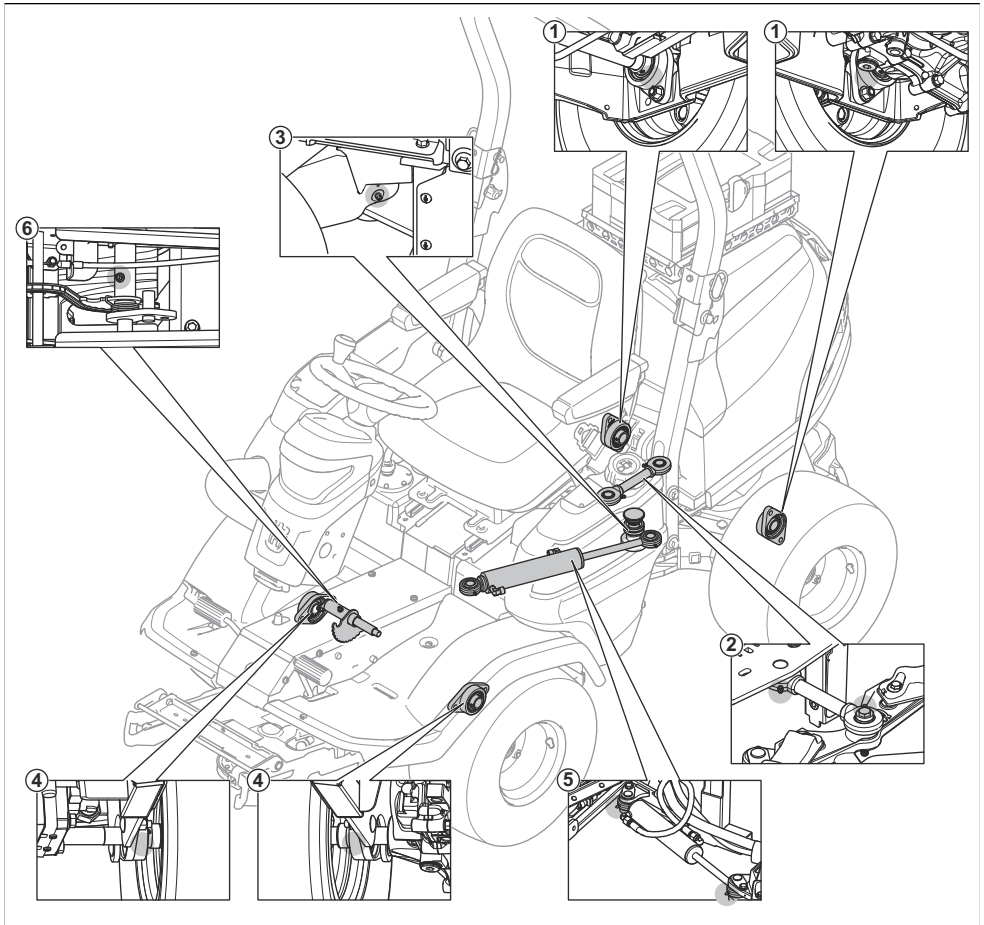


Sostituire la cinghia di trasmissione



Sostituzione delle lame

Panoramica dell'ingrassatore



1. Cuscinetto asse posteriore
2. Tirante
3. Cuscinetto di articolazione
4. Cuscinetto assiale anteriore
5. Cilindro dello sterzo
6. Catena di sollevamento dell'asse

Lubrificazione, Informazioni generali

- Estrarre la chiave di accensione per impedire movimenti accidentali durante la lubrificazione.
- Pulire l'area prima di lubrificare una parte del prodotto.
- Utilizzare olio quando si lubrifica con una latta olio.
- Quando si lubrifica con grasso, utilizzare un grasso per telaio o cuscinetti a sfera per evitare la

corrosione. Rimuovere il grasso superfluo dopo la lubrificazione.

- Lubrificare 2 volte a settimana se il prodotto viene azionato tutti i giorni.
- Non versare lubrificante sulle cinghie di trasmissione o sulle scanalature delle pulegge cinghia. In caso di versamento, pulire con alcool. Se l'attrito tra la cinghia di trasmissione e la puleggia non è sufficiente dopo aver pulito con alcool, sostituire la cinghia di trasmissione.



ATTENZIONE: Non usare benzina e altri prodotti derivati dalla benzina per pulire le cinghie di trasmissione.

Per lubrificare i cavi

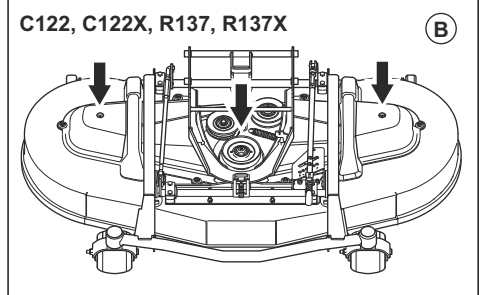
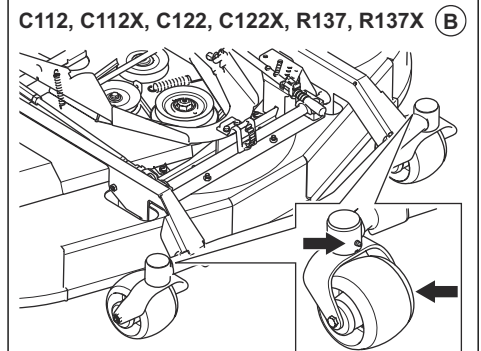
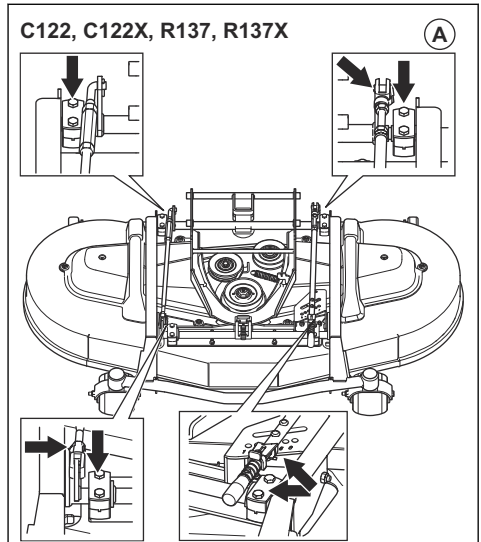
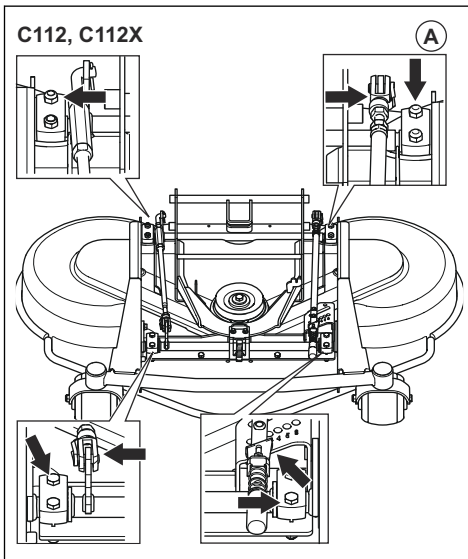
- Lubrificare le 2 estremità dei cavi e spostare i comandi verso le posizioni finali.
- Applicare i rivestimenti in gomma sui cavi a lubrificazione ultimata.
- I cavi con involucro devono essere lubrificati regolarmente per evitare malfunzionamenti.
 - a) Rimuovere il cavo e appenderlo verticalmente.
 - b) Lubrificare il cavo con olio motore fluido fin quando l'olio comincia a staccarsi dal fondo. Sostituire il cavo se l'olio non si stacca dal fondo.

Nota: È possibile riempire di olio una bustina di plastica e fissare la busta di plastica contro l'involucro del cavo con nastro adesivo. Lasciar appeso il cavo verticalmente dalla bustina fino al giorno successivo.

Per lubrificare il piatto di taglio

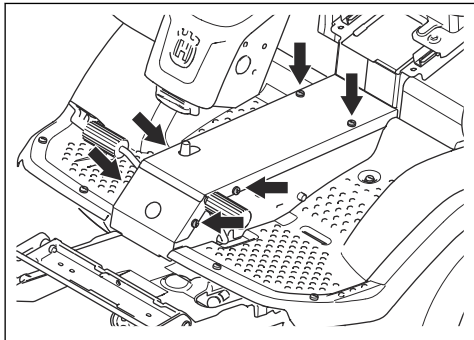
Nota: I piatti di taglio possono differire nell'aspetto tra i vari modelli.

1. Rimuovere il coperchio anteriore.
2. Lubrificare i giunti e i cuscinetti (A) con grasso.
3. Lubrificare con una pistola ingrassatrice attraverso gli ingrassaggi sul piatto di taglio (B). Lubrificare finché il grasso non fuoriesce dal lato posteriore dell'ingrassatore.

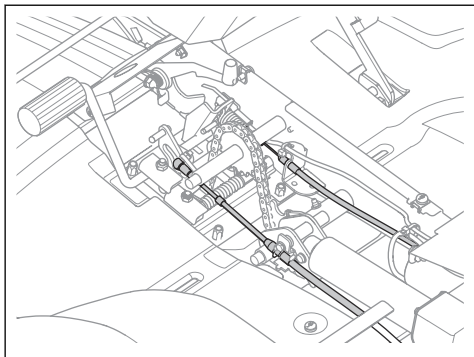


Per lubrificare il sistema di pedali

1. Svitare le 4 viti e rimuovere la piastra del telaio.



2. Premere e rilasciare i pedali e lubrificare le parti in movimento con olio.

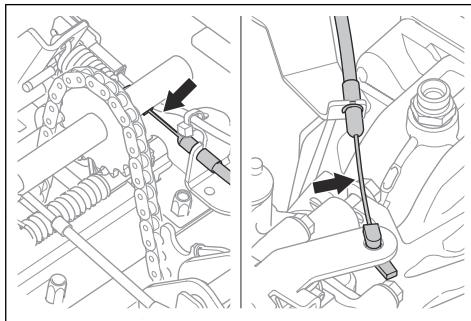


3. Lubrificare i cavi dei pedali di marcia avanti e retromarcia con olio.

Per lubrificare il cavo del freno di stazionamento

1. Svitare le 4 viti e rimuovere la piastra del telaio.
2. Rimuovere la copertura laterale sinistra.
3. Rimuovere l'involucro in gomma del cavo del freno di stazionamento.

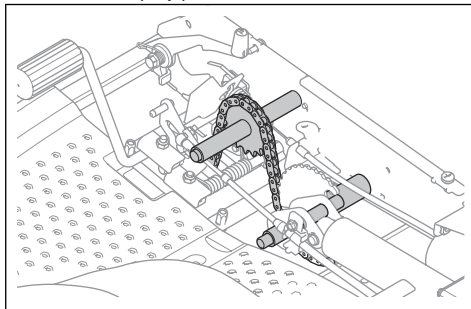
4. Lubrificare le estremità del cavo del freno di stazionamento con olio.



5. Lubrificare il cavo del freno di stazionamento con olio.
6. Premere il pedale del freno di stazionamento 3 volte, quindi lubrificare di nuovo il cavo del freno di stazionamento.
7. Montare il coperchio laterale sinistro e la piastra del telaio.

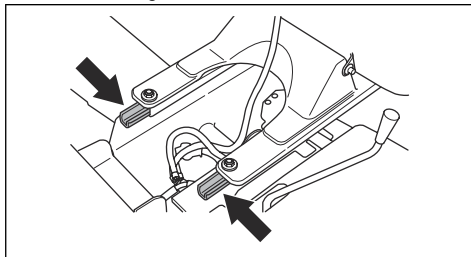
Per lubrificare le catene nel tunnel del telaio

1. Svitare le viti e rimuovere la piastra del telaio.
2. Lubrificare la catena nel tunnel del telaio con olio o lubrificante spray per catene.



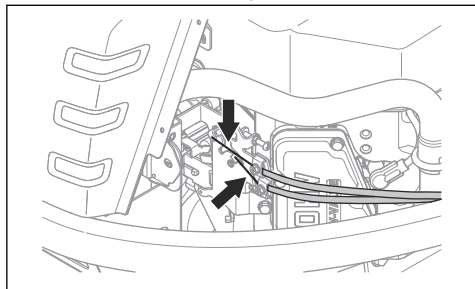
Per lubrificare le guide del sedile

1. Inclinare il sedile in avanti.
2. Lubrificare le guide del sedile con olio.



Lubrificazione del cavo dell'acceleratore, del cavo del comando dell'aria (P 524X)

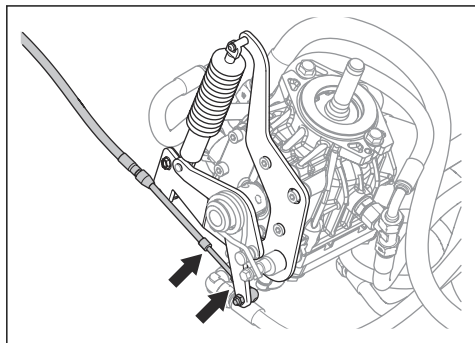
1. Rimuovere il coperchio laterale destro.
2. Lubrificare le estremità libere dei cavi, comprese le estremità vicino al motore, con olio.



3. Montare il coperchio laterale destro.

Per lubrificare il cavo della trasmissione idrostatica

1. Lubrificare i giunti e i cuscinetti del cavo della trasmissione idrostatica con olio.
2. Rimuovere il manicotto in gomma e lubrificare il cavo della trasmissione idrostatica con olio.

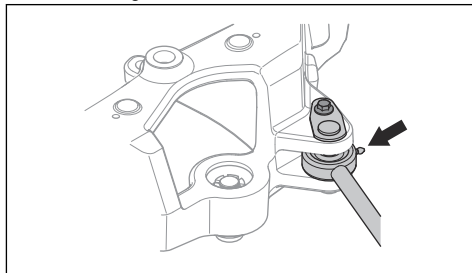


3. Premere il pedale della marcia avanti 5 volte e lubrificare il cavo della trasmissione idrostatica nuovamente.
4. Montare il manicotto in gomma.

Per lubrificare il cilindro dello sterzo

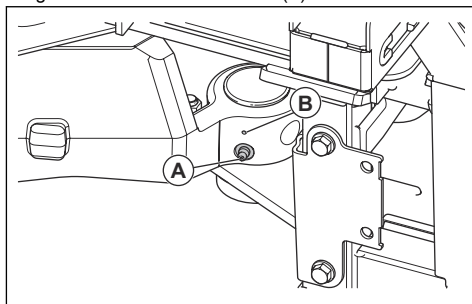
Il cilindro dello sterzo ha 2 ingrassatori, uno su ciascun lato.

- Lubrificare con una pistola ingrassatrice fin quando fuoriesce il grasso.

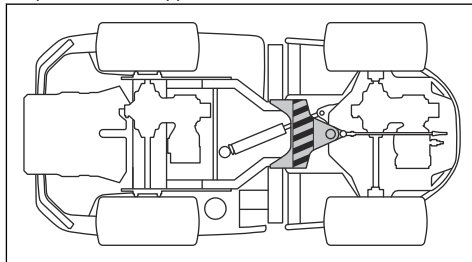


Lubrificazione del giunto dello sterzo articolato

1. Lubrificare il cuscinetto dello sterzo articolato quando il prodotto ha tutte le ruote a terra. Lubrificare attraverso l'ingrassatore (A) finché il grasso non fuoriesce dal foro (B).



2. Sollevare il prodotto per rilasciare la pressione nello sterzo articolato. L'illustrazione mostra dove posizionare i supporti.



ATTENZIONE: Accertarsi che il supporto non causi danni al tirante di comando o blocchi dello sterzo articolato.

3. Lubrificare nuovamente il cuscinetto dello sterzo articolato mentre il prodotto è sollevato.

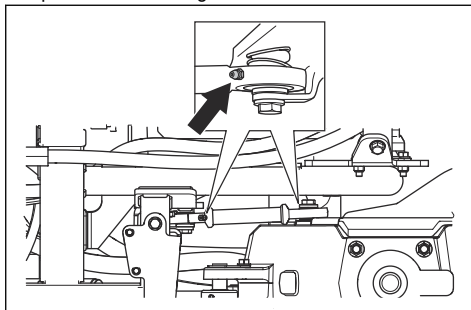


ATTENZIONE: Assicurarsi che il grasso fuoriesca dal giunto, sotto l'ingrassatore.

4. Abbassare il prodotto.

Per lubrificare il tirante

1. Ci sono 2 ingrassatori, uno su ciascun lato del tirante. Lubrificare con una pistola ingrassatrice fin quando fuoriesce il grasso.



Ricerca guasti

Risoluzione dei problemi



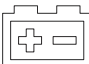
Se non si riesce a trovare la soluzione al problema in questo Manuale, rivolgersi al centro di assistenza Husqvarna.





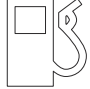


Problema	Causa
Il motorino di avviamento non fa girare il motore	La modalità PTO è attivata. Fare riferimento a <i>Avviamento del motore (P 524X) alla pagina 223</i> oppure <i>Avviamento del motore (P 524X EFI) alla pagina 224</i> .
	Il freno di stazionamento non è inserito. Fare riferimento a <i>Per innestare e disinnestare il freno di stazionamento alla pagina 227</i> .
	Il fusibile principale è bruciato. Fare riferimento a <i>Per sostituire un fusibile alla pagina 236</i> .
	Un fusibile è bruciato. Fare riferimento a <i>Per sostituire un fusibile alla pagina 236</i> .
	La chiave di accensione è difettosa.
	Il collegamento tra il cavo e la batteria è difettoso.
	La batteria è troppo debole. Fare riferimento a <i>Per caricare la batteria alla pagina 236</i> .
Il motore non parte quando viene azionato il motorino di avviamento.	Il motore di avviamento è difettoso.
	Non è presente carburante nel serbatoio. Fare riferimento a <i>Per il rifornimento del carburante alla pagina 221</i> .
	La candela è danneggiata o non funziona correttamente.
	Il cavo di accensione è danneggiato.
	È presente dello sporco nel carburatore o nel tubo del carburante (P 524X).
È presente dello sporco nel tubo del carburante (P 524X EFI).	

Problema	Causa
Il motore gira in maniera irregolare.	La candela è danneggiata o non funziona correttamente.
	Il carburatore è regolato in modo errato (P 524X).
	Il filtro dell'aria è ostruito. Fare riferimento a <i>Per pulire e sostituire il filtro dell'aria alla pagina 234.</i>
	Lo sfiato del serbatoio carburante è bloccato.
	È presente dello sporco nel carburatore o nel tubo del carburante (P 524X).
	È presente dello sporco nel tubo del carburante (P 524X EFI).
Il motore apparentemente non è alimentato.	Il filtro dell'aria è ostruito. Fare riferimento a <i>Per pulire e sostituire il filtro dell'aria alla pagina 234.</i>
	La candela è danneggiata o non funziona correttamente.
	È presente dello sporco nel carburatore o nel tubo del carburante (P 524X).
	È presente dello sporco nel tubo del carburante (P 524X EFI).
	Il cavo dell'acceleratore è regolato in modo errato.
La trasmissione non dispone di potenza sufficiente.	La cinghia della pompa non è serrata correttamente.
	I giri/min tra l'asse anteriore e quello posteriore non sono regolati correttamente.
	Non c'è olio nella trasmissione o il livello dell'olio è troppo basso. Fare riferimento a <i>Per effettuare un controllo del livello dell'olio della trasmissione alla pagina 249.</i>
La batteria non si ricarica.	La batteria è danneggiata. Contattare il rivenditore con servizio di assistenza Husqvarna.
	Il collegamento in corrispondenza dei connettori del cavo sui morsetti della batteria è difettoso.
Il prodotto presenta vibrazioni.	Le lame sono allentate. Fare riferimento a <i>Ispezione delle lame alla pagina 247.</i>
	Una o più lame non sono bilanciate. Fare riferimento a <i>Ispezione delle lame alla pagina 247.</i>
	Il motore è allentato.
	C'è dell'erba bloccata nel piatto di taglio. Fare riferimento a <i>Pulizia del prodotto alla pagina 230.</i>

Problema	Causa
Il risultato del taglio è insoddisfacente.	Le lame non sono affilate. Fare riferimento a <i>Ispezione delle lame alla pagina 247</i> .
	L'erba è alta o bagnata. Fare riferimento a <i>Per ottenere un buon risultato di taglio alla pagina 227</i> .
	Il parallelismo del piatto di taglio non è regolato. Fare riferimento a <i>Controllo del parallelismo del piatto di taglio alla pagina 241</i> .
	Il piatto di taglio non è in piano.
	C'è dell'erba bloccata nel piatto di taglio. Fare riferimento a <i>Pulizia del prodotto alla pagina 230</i> .
	La pressione degli pneumatici è diversa sui lati destro e sinistro. Fare riferimento a <i>Pressioni degli pneumatici alla pagina 237</i> .
	Il prodotto funziona a un regime troppo elevato. Fare riferimento a <i>Per ottenere un buon risultato di taglio alla pagina 227</i> .
	Il regime motore è troppo basso. Fare riferimento a <i>Dati tecnici alla pagina 263</i> .
	La cinghia di trasmissione slitta.
	Il cavo del piatto di taglio non è collegato. Fare riferimento a <i>Per fissare il piatto di taglio alla pagina 219</i> .
	Il cavo del piatto di taglio è compresso. Fare riferimento a <i>Per fissare il piatto di taglio alla pagina 219</i> .
	Il tasto funzione degli accessori frontali non è collegato correttamente.

Display - Risoluzione dei problemi

Simbolo	Nome	Simboli sul display	Causa
	Spia della temperatura dell'olio per trasmissione	Il simbolo viene visualizzato.	La temperatura dell'olio trasmissione è eccessiva.
		Il simbolo lampeggia rapidamente.	Contattare il rivenditore con servizio di assistenza Husqvarna.
	Sensore della pressione dell'olio motore	Il simbolo viene visualizzato.	Bassa pressione dell'olio. Fare riferimento a <i>Controllo del livello dell'olio motore alla pagina 247</i> .
		Il simbolo lampeggia.	Il sistema di lubrificazione è danneggiato o non funziona correttamente.
	Spia livello batteria	Il simbolo viene visualizzato.	Tensione bassa. Fare riferimento a <i>Per caricare la batteria alla pagina 236</i> .

Simbolo	Nome	Simboli sul display	Causa
	Spia del pulsante PTO	Il simbolo viene visualizzato.	Pulsante PTO inserito. Fare riferimento a <i>Controllo delle condizioni di funzionamento alla pagina 215</i> .
		Il simbolo lampeggia.	Procedura di avviamento non corretta. Fare riferimento a <i>Controllo delle condizioni di funzionamento alla pagina 215</i> .
		Il simbolo lampeggia rapidamente.	Il pulsante della presa di forza è danneggiato o non funziona correttamente. Contattare il rivenditore con servizio di assistenza Husqvarna.
	Spia freno di stazionamento	Il simbolo viene visualizzato.	Il freno di stazionamento è inserito. Fare riferimento a <i>Per innestare e disinnestare il freno di stazionamento alla pagina 227</i> .
		Il simbolo lampeggia.	Procedura di avviamento non corretta. Fare riferimento a <i>Controllo delle condizioni di funzionamento alla pagina 215</i> .
		Il simbolo lampeggia rapidamente.	Il freno di stazionamento è danneggiato o non funziona correttamente. Contattare il rivenditore con servizio di assistenza Husqvarna.
	Spia OPC	Il simbolo lampeggia.	L'interruttore del sedile è disinserito quando si tenta di avviare il motore. Fare riferimento a <i>Controllo delle condizioni di funzionamento alla pagina 215</i> .
		Il simbolo lampeggia rapidamente.	L'interruttore del sedile è danneggiato o non funziona correttamente. Contattare il rivenditore con servizio di assistenza Husqvarna.
	Spia di manutenzione	Il simbolo viene visualizzato.	È necessario eseguire la manutenzione. Contattare il rivenditore con servizio di assistenza Husqvarna.
	Spia carburante	Il simbolo viene visualizzato.	Basso livello di carburante. Fare riferimento a <i>Per il rifornimento del carburante alla pagina 221</i> .
	Bluetooth®	Il simbolo lampeggia.	Il prodotto è bloccato. Sbloccare il prodotto con l'app Husqvarna Connect.
	Blocco digitale	Il simbolo viene visualizzato.	Il prodotto è bloccato. Sbloccare il prodotto con l'app Husqvarna Connect.

Nota: I simboli e le posizioni dei simboli sul display possono differire tra i vari modelli.

Trasporto, stoccaggio e smaltimento

Trasporto

- Il prodotto ha un peso elevato e può causare lesioni da schiacciamento. Prestare attenzione durante il caricamento su un veicolo o rimorchio o durante lo scaricamento.
- Non sollevare il prodotto. Gli occhielli di trasporto non sono punti di sollevamento approvati e devono essere utilizzati solo per fissare il prodotto in modo sicuro a un rimorchio.
- Utilizzare un rimorchio omologato per il trasporto del prodotto.
- Accertarsi di conoscere le norme sulla circolazione stradale prima del trasporto del prodotto in un rimorchio o su strada.

Per fissare il prodotto in modo sicuro a un rimorchio per il trasporto

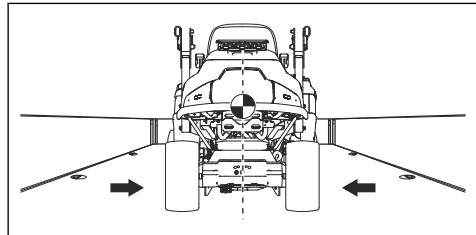
Prima di fissare il prodotto, leggere e comprendere il capitolo sulla sicurezza. Fare riferimento a *Sicurezza alla pagina 212*.



AVVERTENZA: Il freno di stazionamento non è sufficiente per bloccare il prodotto durante il trasporto. Fissare saldamente il prodotto al vano di carico.

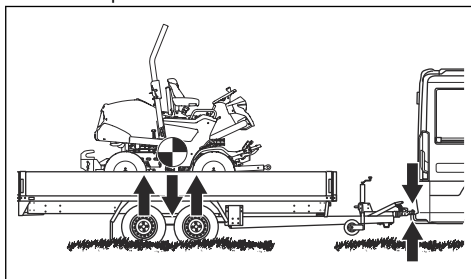
Attrezzatura: 4 cinghie e 4 cunei per ruote omologati.

1. Parcheggiare il prodotto al centro del vano di carico.

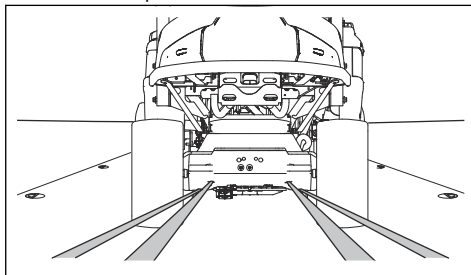


AVVERTENZA: Per il trasporto su veicoli con copertura. Accertarsi che il prodotto si sia raffreddato prima di collocarlo nel veicolo di trasporto.

2. Assicurarsi che il centro di gravità del prodotto sia al di sopra dell'asse della ruota del veicolo di trasporto. Se si utilizza un rimorchio per il trasporto, assicurarsi che la deportanza sulla barra di traino sia corretta.

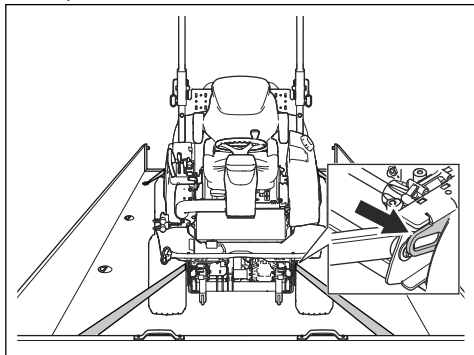


3. Azionare il freno di stazionamento.
4. Abbassare il piatto di taglio nella posizione flottante.
5. Rimuovere eventuali oggetti non fissati.
6. Montare la prima cinghia attraverso il telaio della trasmissione posteriore.

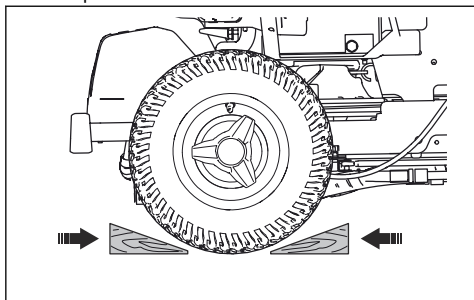


7. Montare la seconda cinghia attraverso il telaio della trasmissione posteriore.
8. Fissare le cinghie al vano di carico.
9. Stringere le cinghie all'indietro per fissare il prodotto al vano di carico.

10. Fissare la terza cinghia a 1 degli occhielli di trasporto.



11. Fissare la quarta cinghia all'altro occhiello di trasporto.
12. Fissare la cinghia al vano di carico.
13. Stringere la cinghia in avanti per fissare il prodotto al vano di carico.
14. Posizionare i cunei delle ruote davanti e dietro alle ruote posteriori.



Per il traino del prodotto

Il prodotto è dotato di trasmissione idrostatica. Per evitare danni alla trasmissione, rimorchiare il prodotto solo per brevi distanze e a bassa velocità.

Disinnestare la trasmissione prima di trainare il prodotto. Vedere *Disinnesto della trasmissione idrostatica alla pagina 227*.

Archiviazione

Preparare il prodotto per il rimessaggio al termine della stagione e in caso di inutilizzo per un periodo superiore a 30 giorni. Se si lascia il carburante all'interno del serbatoio del carburante per 30 giorni o più, le particelle appiccicose possono creare intasamenti nel carburatore. Ciò ha un effetto negativo sul funzionamento del motore.

Per evitare la formazione di particelle appiccicose durante il rimessaggio, aggiungere uno stabilizzatore. Se si utilizza benzina alchilata, lo stabilizzatore non è necessario. Se si utilizza benzina standard, non

passare alla benzina alchilata. Ciò può causare l'indurimento dei componenti sensibili di gomma. Aggiungere lo stabilizzatore alla benzina nel serbatoio o nel contenitore utilizzato per lo stoccaggio. Utilizzare sempre i rapporti di miscelazione indicati dal produttore. Far girare il motore per almeno 10 minuti dopo aver aggiunto lo stabilizzatore fino a quando non scorre nel carburatore.



AVVERTENZA: Non conservare il prodotto con del carburante nel serbatoio in un luogo chiuso o in luoghi con scarsa circolazione d'aria. Se i vapori tossici entrano a contatto con fiamme, scintille o fiamme pilota, come ad esempio in caldaie, serbatoi d'acqua calda e asciugatrici, sussiste il rischio di incendio.



AVVERTENZA: Rimuovere l'erba, le foglie e altri materiali infiammabili dal prodotto per ridurre il rischio di incendio. Lasciare che il prodotto si raffreddi prima del rimessaggio.

- Pulire il prodotto, vedere *Pulizia del prodotto alla pagina 230*. Ritoccare la vernice danneggiata per evitare la corrosione.
- Esaminare il prodotto per verificare la presenza di parti usurate o danneggiate e serrare le viti e i dadi allentati.
- Rimuovere la batteria. Pulirla, caricarla e conservarla in un luogo fresco durante il rimessaggio.
- Cambiare l'olio motore e smaltire l'olio di scarico.
- Svuotare il serbatoio del carburante. Avviare il motore e farlo girare fino a quando non si esaurisce tutto il carburante nel carburatore.

Nota: Non svuotare il serbatoio del carburante e il carburatore se si è aggiunto lo stabilizzatore.

- Rimuovere i tappi e versare circa un cucchiaino di olio motore in ogni cilindro. Ruotare manualmente l'albero motore per applicare uniformemente l'olio e riavvitare i tappi.
- Lubrificare tutti gli ingrassatori, i giunti e gli assali.
- Conservare il prodotto in un'area pulita e asciutta e coprirlo per una maggiore protezione.
- Un coperchio per proteggere il prodotto durante lo stoccaggio o il trasporto è disponibile presso il proprio rivenditore.

Smaltimento

- Le sostanze chimiche possono essere pericolose e non devono essere disperse nel suolo. Smaltire sempre le sostanze chimiche utilizzate presso un centro di assistenza o un centro di smaltimento autorizzato.
- Quando il prodotto è usurato, inviarlo al rivenditore o a un centro di riciclaggio autorizzato.

- Olio, filtri dell'olio, carburante e batteria possono contaminare l'ambiente. Rispettare le norme locali sul riciclaggio e le normative vigenti.
- Non smaltire la batteria come un rifiuto domestico.
- Inviare la batteria a un'officina Husqvarna o smaltirla in un centro specializzato nello smaltimento delle batterie usate.

Dati tecnici

Dati tecnici

	P 524X	P 524X EFI
Dimensioni , inoltre fare riferimento a <i>Dimensioni del prodotto alla pagina 267</i>		
Peso senza piatto di taglio, con serbatoi vuoti, kg	433	437
Dimensioni degli pneumatici	18x8,50-8	18x8,50-8
Pressioni degli pneumatici, posteriore - anteriore, kPa/bar/psi	100 / 1,0 / 14,5	100 / 1,0 / 14,5
Pendenza massima, gradi °	10	10
Peso massimo attrezzatura trainata con pendenza di 10°, kg	200	200
Forza verticale max. consentita sulla barra di traino, N/kg	250/25	250/25
Forza orizzontale max. consentita sulla barra di traino, N/kg	350/35	350/35
Motore		
Marca / Modello	Kawasaki / V-Twin, FX691V-KME09023-D4	Kawasaki / V-Twin, FX730V EFI-KME01609-D2
Potenza nominale motore, kW ²²	13,9	15,6
Cilindrata, cm ³	726	726
Massimo regime del motore, giri/min	3000 + /- 100	3000 + /- 100
Massima velocità di avanzamento, km/h	13	13
Velocità max. in retromarcia, km/h	9	9
Carburante, numero minimo di ottani senza piombo	95 (metanolo max 5%, etanolo max 10%, MTBE max 15%)	95 (metanolo max 5%, etanolo max 10%, MTBE max 15%)
Volume serbatoio, litri	21	21
Olio, classe API CD o superiore	SAE 10W/40	SAE 10W/40
Volume dell'olio filtro incluso, litri	2,1	2,1
Volume dell'olio filtro escluso, litri	1,8	1,8
Motorino di avviamento	Avviamento elettrico 12 V	Avviamento elettrico 12 V
Trasmissione		
Marca / Modello	Kanzaki / KTM 23	Kanzaki / KTM 23

²² La potenza nominale del motore indicata corrisponde alla potenza netta media (al rapporto giri/min specificato) di un tipico motore in fase di produzione per il modello di motore misurato dalla normativa SAE J1349/ISO1585. I motori per produzione di massa potrebbero presentare un valore diverso da questo. La potenza effettiva del motore installato nel prodotto finale dipende dalla velocità di funzionamento, dalle condizioni ambientali e da altri valori.

	P 524X	P 524X EFI
Olio trasmissione	Olio per trasmissione Husqvarna 10W-30 (Husqvarna 10W-30 4T AWD o STOU 10W-30)	Olio per trasmissione Husqvarna 10W-30 (Husqvarna 10W-30 4T AWD o STOU 10W-30)
Capacità olio trasmissione anteriore, litri	0,9	0,9
Capacità olio trasmissione posteriore, litri	0,9	0,9
Impianto idraulico		
Max. pressione di esercizio, bar/psi	120/1740	120/1740
Capacità del serbatoio idraulico, litri	8	8
Capacità dell'impianto idraulico, litri	13	13
Olio idraulico	Olio per trasmissione Husqvarna 10W-30 (Husqvarna 10W-30 4T AWD o STOU 10W-30)	Olio per trasmissione Husqvarna 10W-30 (Husqvarna 10W-30 4T AWD o STOU 10W-30)
Impianto elettrico		
Tipo	12 V, messa a terra negativa	12 V, messa a terra negativa
Batteria	12 V, 24 Ah	12 V, 24 Ah
Candela	NGK BPR4ES	NGK BPR4ES
Fusibile principale, tipo piatto, A	20	20
Fusibile per presa di corrente, tipo piatto, A	5	5
Distanza tra gli elettrodi, mm/poll.	0,75/0,030	0,75/0,030
Lampade	LED	LED
Piatto di taglio		
Tipo	Combi 112	Combi 112
	Combi 122	Combi 122
	R137 ²³	R137
	Combi 112X	Combi 112X
	Combi 122X	Combi 122X
	R137X ²⁴	R137X

Emissioni di rumore ²⁵	P 524X	P 524X EFI
Livello potenza acustica, misurato dB(A)		
Combi 112	99	100

²³ Combinazione non consigliata

²⁴ Combinazione non consigliata

²⁵ Emissioni di rumore nell'ambiente misurate come potenza sonora (L_{WA}) in base alla direttiva CE 2000/14/CE.

Emissioni di rumore ²⁵	P 524X	P 524X EFI
Combi 122	104	105
R137	104	105
Combi 112X	99	99
Combi 122X	104	105
R137X	104	105
Livello potenza acustica, garantito dB(A)		
Combi 112	100	100
Combi 122	105	105
R137	105	105
Combi 112X	100	100
Combi 122X	105	105
R137X	105	105

Livelli di rumorosità ²⁶	P 524X	P 524X EFI
Livello di pressione acustica all'orecchio dell'operatore, dB(A)		
Combi 112	86	86
Combi 122	87	88
R137	90	91
Combi 112X	86	86
Combi 122X	87	88
R137X	90	91

Livelli di vibrazioni ²⁷	P 524X	P 524X EFI
Livello di vibrazioni sul volante, m/s ²		
Combi 112	2,5	2,5
Combi 122	2,5	2,5
R137	2,5	2,5
Combi 112X	2,5	2,5

²⁵ Emissioni di rumore nell'ambiente misurate come potenza sonora (L_{WA}) in base alla direttiva CE 2000/14/CE.

²⁶ Livello di pressione acustica in ottemperanza alla norma EN ISO 5395. I dati riportati per il livello di pressione acustica hanno una dispersione statistica tipica (deviazione standard) di 1,2 dB(A).

²⁷ Livello di vibrazioni in ottemperanza alla norma EN ISO 5395. I dati riportati per il livello di vibrazioni hanno una dispersione statistica tipica (deviazione standard) di 0,2 m/s² (volante) e 0,8 m/s² (sedile).

Livelli di vibrazioni ²⁷	P 524X	P 524X EFI
Combi 122X	2,5	2,5
R137X	2,5	2,5
Livello di vibrazioni sul sedile, m/s ²		
Combi 112	0,5	0,5
Combi 122	0,5	0,5
R137	0,5	0,5
Combi 112X	0,5	0,5
Combi 122X	0,5	0,5
R137X	0,5	0,5

Piatto di taglio	Combi 112	Combi 122	R137	Combi 112X	Combi 122X	R137X
Larghezza di taglio, mm	1120	1220	1370	1120	1220	1370
Altezza di taglio, 7 posizioni, mm	25-75	25-75	35-100	25-75	25-75	35-100
Larghezza, mm	1220	1330	1409	1220	1330	1409
Peso, kg	60	71	89	61	72	90
Lunghezza, mm	420	454	924	420	454	924

Lama			
Coppia di serraggio dei bulloni della lama, Nm/kpm/lb-ft	80/8, 1/59	80/8, 1/59	130/13,2/95,8
Codice articolo	5441027-10	5354294-10	5321872-55

Dati di frequenza radio	P 524X	P 524X EFI
Gamma di frequenza, MHz	2402-2480	2402-2480
Potenza erogata ²⁸ , dBm	2,4	2,4



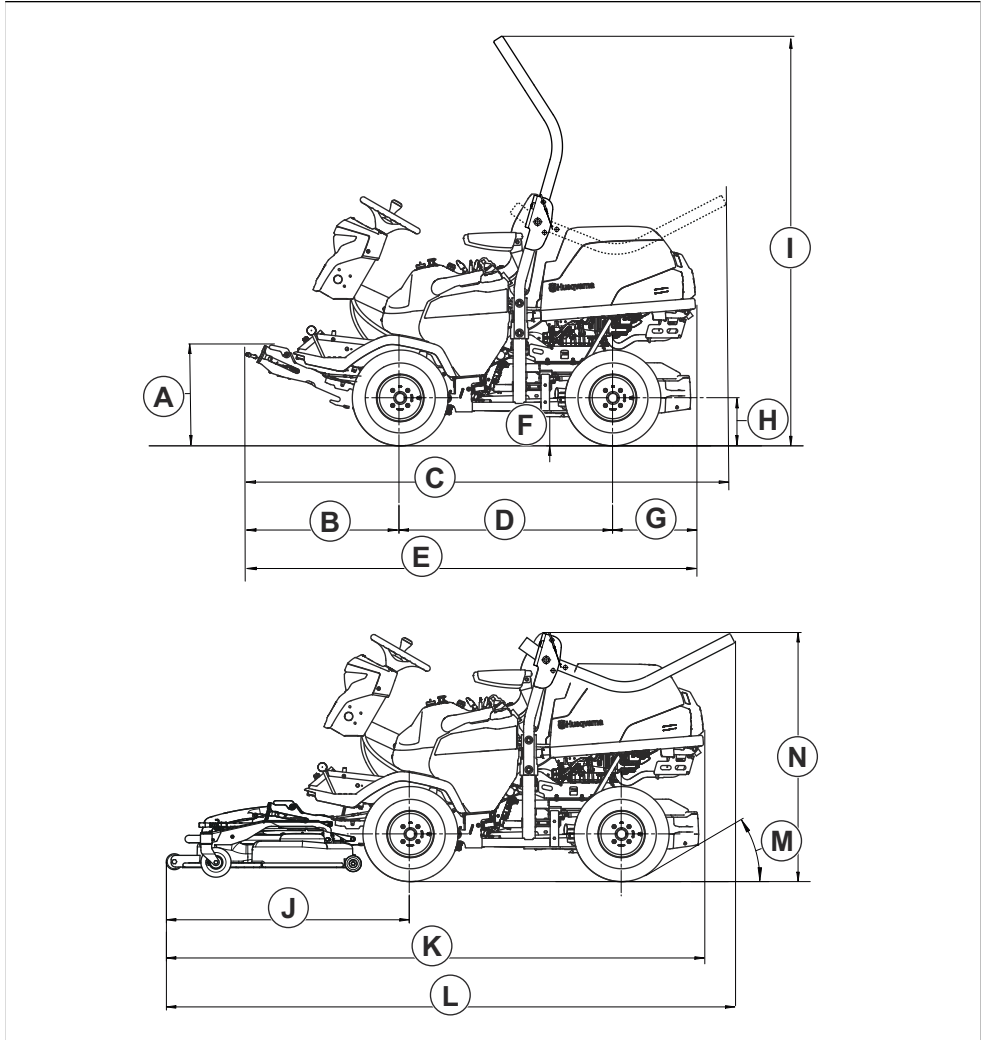
AVVERTENZA: Utilizzare un piatto di taglio non omologato per il prodotto può causare l'espulsione ad alta velocità di

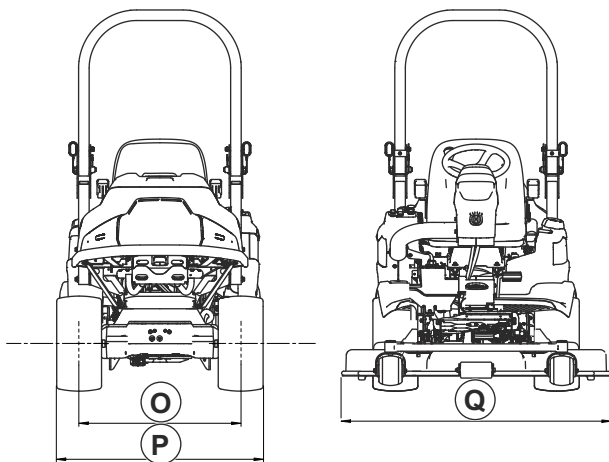
oggetti e lesioni gravi. Non utilizzare tipi di piatti di taglio diversi da quelli indicati in questo manuale dell'operatore.

²⁷ Livello di vibrazioni in ottemperanza alla norma EN ISO 5395. I dati riportati per il livello di vibrazioni hanno una dispersione statistica tipica (deviazione standard) di 0,2 m/s² (volante) e 0,8 m/s² (sedile).

²⁸ Misurata a 2402 MHz e 85% del ciclo di lavoro.

Dimensioni del prodotto





A	489 mm	G	388 mm	K	Combi 112, 112X: 2443 mm	M	30°
B	673	H	225 mm		Combi 122, 122X: 2532 mm	N	1244 mm
C	2066 mm	I	1869 mm		R137, R137X: 2580 mm	O	765 mm
D	999 mm	J	Combi 112, 112X: 1056 mm	L	Combi 112, 112X: 2449 mm	P	977 mm
E	2060 mm		Combi 122, 122X: 1145 mm		Combi 122, 122X: 2538 mm	Q	Combi 112, 112X: 1220 mm
°F	137 mm		R137, R137X: 1193 mm		R137, R137X: 2585 mm		Combi 122, 122X: 1330 mm
						R137, R137X: 1409 mm	

Accessori

Le istruzioni di manutenzione di attrezzatura o accessori opzionali non sono riportate in questo manuale

dell'operatore. Per le istruzioni sugli accessori o sull'attrezzatura vedere il manuale dell'operatore.

Assistenza

Eseguire un controllo annuale presso un centro di assistenza autorizzato per assicurarsi che il prodotto funzioni in modo sicuro e al meglio durante l'alta stagione. Il momento migliore per eseguire la manutenzione o la revisione del prodotto è la bassa stagione.

Quando si ordinano i ricambi, fornire le informazioni sull'anno di acquisto, il modello, il tipo e il numero di serie.

Utilizzare sempre ricambi originali.

Garanzia della trasmissione

La garanzia della trasmissione è valida solo se vengono eseguiti i controlli della velocità di rotazione delle ruote anteriori e posteriori come indicato nel programma di manutenzione. Per evitare di danneggiare il sistema di trasmissione, è necessario affidarne la regolazione a un'officina autorizzata.

Dichiarazione di conformità

Dichiarazione di conformità UE

Husqvarna AB, SE-561 82 Huskvarna, Svezia, tel.:
+46-36-146500, dichiara sotto la propria esclusiva
responsabilità che il prodotto indicato:

Descrizione	Trattorini tagliaerba
Marchio	Husqvarna
Tipo / Modello	P 524X, P 524X EFI
Identificazione	Numeri di serie a partire da 2023 e successivi

È pienamente conforme alle seguenti norme e direttive
UE:

Direttiva/norma	Descrizione
2006/42/CE	"sulle macchine"
2014/53/UE	"riguardante le apparecchiature radio"
2000/14/CE	"sull'emissione di rumore nell'ambiente"
2011/65/UE	"sulle restrizioni dell'uso di determinate sostanze pericolose nelle apparecchiature elettriche ed elettroniche"

e che sono applicati gli standard e/o le specifiche tecniche seguenti: EN ISO 5395-1:2013/ A1:2018, EN ISO 5395-3:2013/A1:2017/A2:2018, EN ISO 12100:2010, EN ISO 14982:2009, ETSI EN 300 328 v.2.2.2, ETSI EN 301 489-1 V1.9.2, ETSI EN 301 489-17 V3.2.4, EN IEC 61000-6-3:2021, EN IEC 61000-6-2:2019, EN IEC 63000:2018.

Organo competente: 0404, SMP Svensk Maskinprovning AB, Box 4053, SE-904 03 Umeå, Sweden ha certificato la conformità alla Direttiva del Consiglio 2000/14/CE, procedura di valutazione della conformità: Allegato VI

Per informazioni sulle emissioni acustiche, fare riferimento a *Dati tecnici alla pagina 263*.

Huskvarna, TBD



Claes Lossdal, Responsabile sviluppo/Prodotti da giardino, Husqvarna AB

Responsabile della documentazione tecnica



Marchi registrati

Il marchio denominativo e il logo *Bluetooth®* sono marchi registrati di proprietà di *Bluetooth SIG, inc* e qualsiasi utilizzo di tali marchi da parte di Husqvarna è soggetto a licenza.

Husqvarna®

www.husqvarna.com

Original instructions
Instrucciones originales
Instruções originais
Istruzioni originali

1143058-30



2024-02-26