



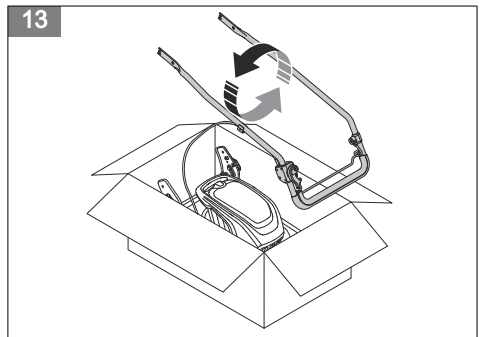
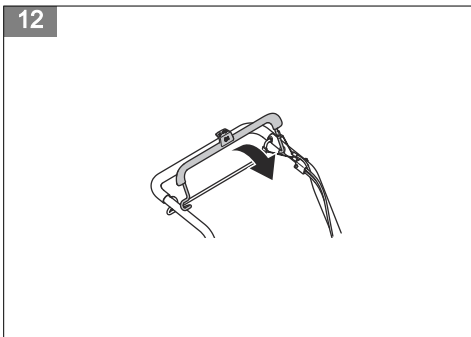
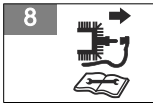
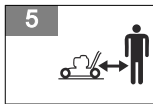
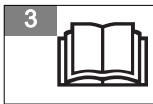
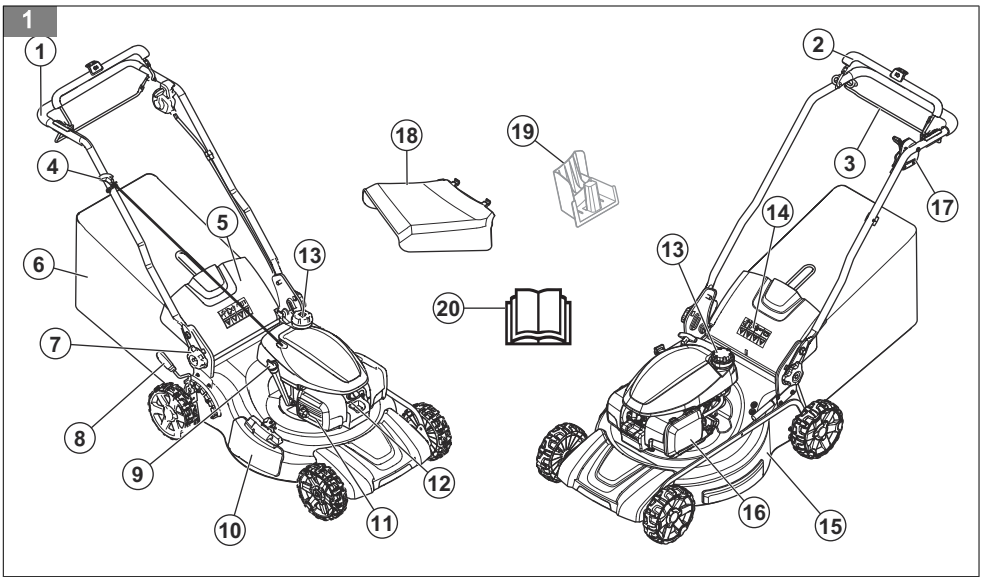
# Husqvarna®

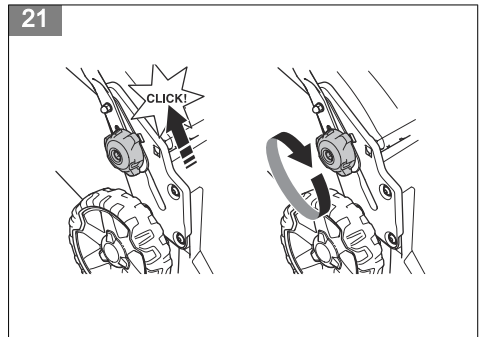
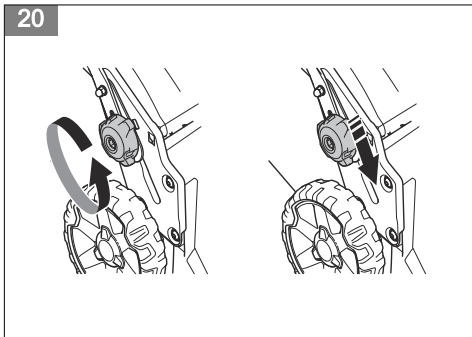
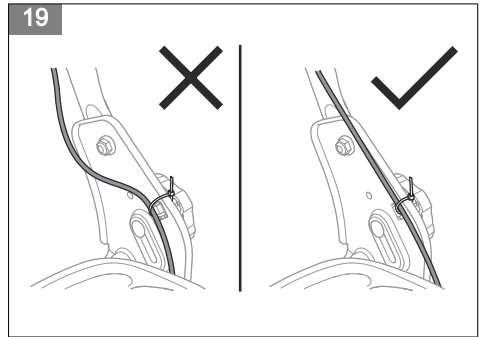
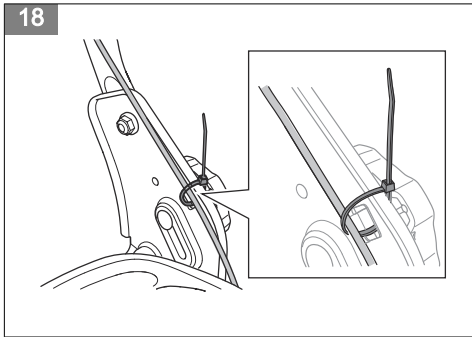
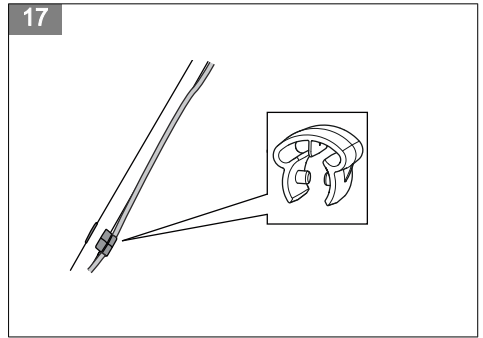
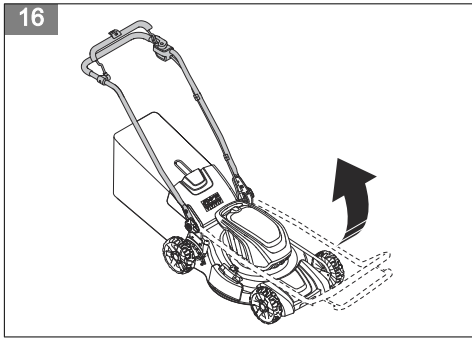
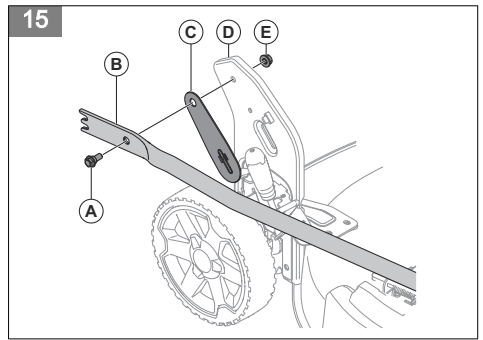
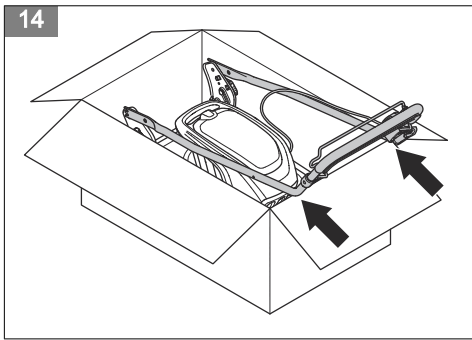


## LC 356VP

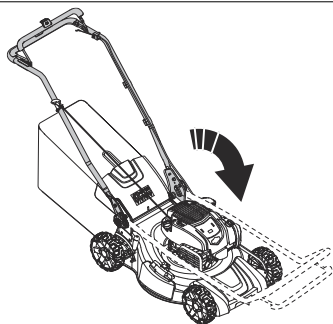


|       |                             |         |
|-------|-----------------------------|---------|
| EN    | Operator's manual           | 8-21    |
| BG    | Ръководство за експлоатация | 22-36   |
| CS    | Návod k použití             | 37-49   |
| DA    | Brugsanvisning              | 50-62   |
| DE    | Bedienungsanweisung         | 63-77   |
| EL    | Οδηγίες χρήσης              | 78-91   |
| ES    | Manual de usuario           | 92-105  |
| ET    | Kasutusjuhend               | 106-118 |
| FI    | Käyttöohje                  | 119-131 |
| FR    | Manuel d'utilisation        | 132-145 |
| HR    | Priručnik za korištenje     | 146-158 |
| HU    | Használati utasítás         | 159-172 |
| IT    | Manuale dell'operatore      | 173-186 |
| JA    | 取扱説明書                       | 187-199 |
| LT    | Operatoriaus vadovas        | 200-212 |
| LV    | Lietošanas pamācība         | 213-225 |
| NL    | Gebbruiksaanwijzing         | 226-239 |
| NO    | Bruksanvisning              | 240-252 |
| PL    | Instrukcja obsługi          | 253-266 |
| PT    | Manual do utilizador        | 267-280 |
| PT-BR | Manual do operador          | 281-294 |
| RO    | Instrucțiuni de utilizare   | 295-308 |
| RU    | Руководство по эксплуатации | 309-323 |
| SK    | Návod na obsluhu            | 324-336 |
| SL    | Navodila za uporabo         | 337-349 |
| SR    | Priručnik za rukovaoca      | 350-362 |
| SV    | Bruksanvisning              | 363-375 |
| TR    | Kullanım kılavuzu           | 376-388 |
| UK    | Посібник користувача        | 389-402 |
| ZH    | 操作手册                        | 403-413 |

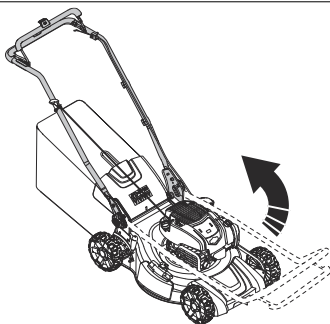




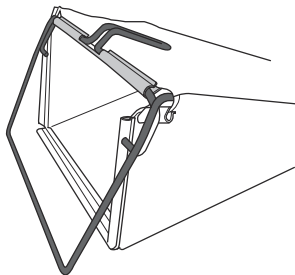
22



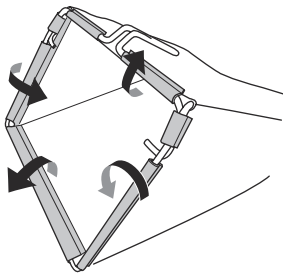
23



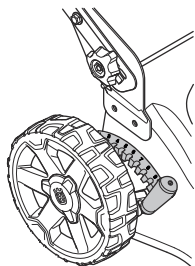
24



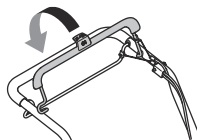
25



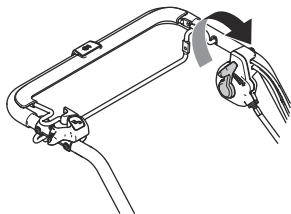
26



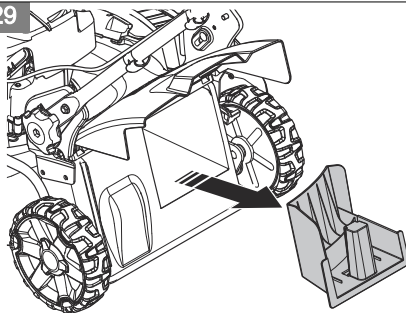
27



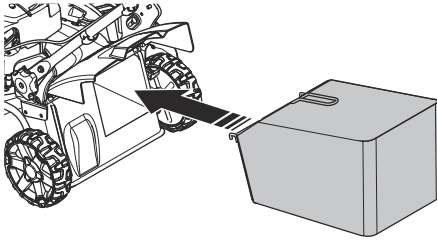
28



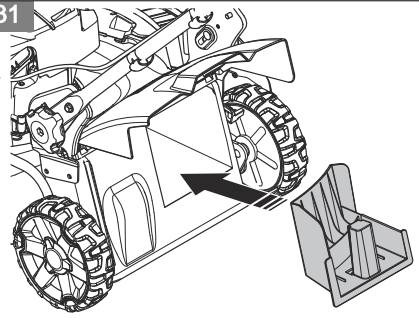
29



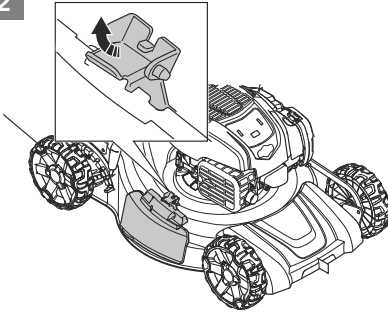
30



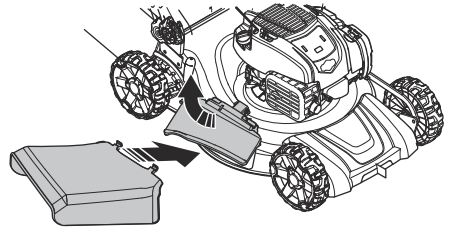
31



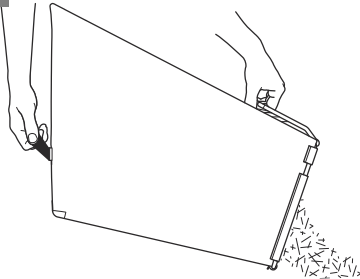
32



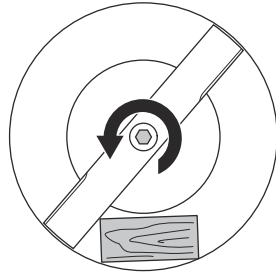
33



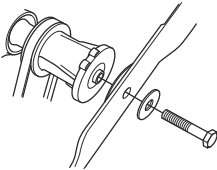
34



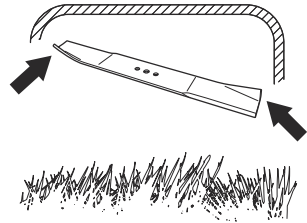
35



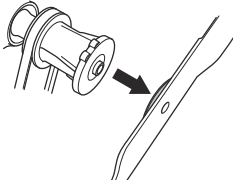
36



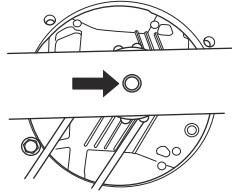
37



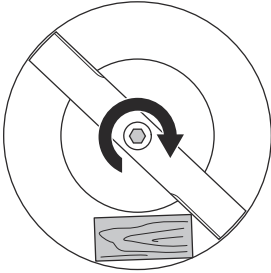
38



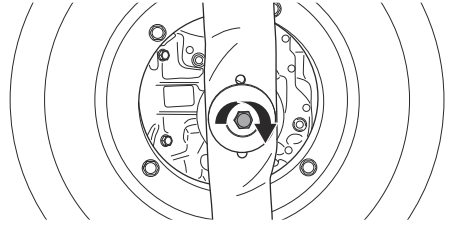
39



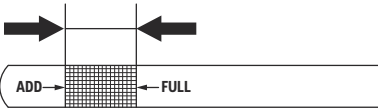
40



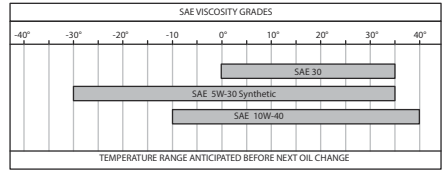
41



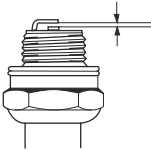
42



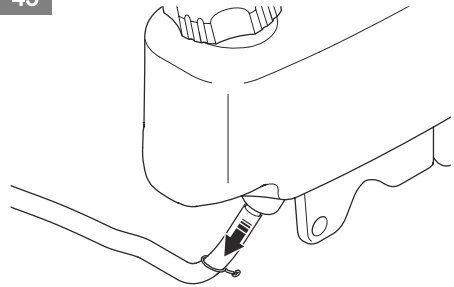
43



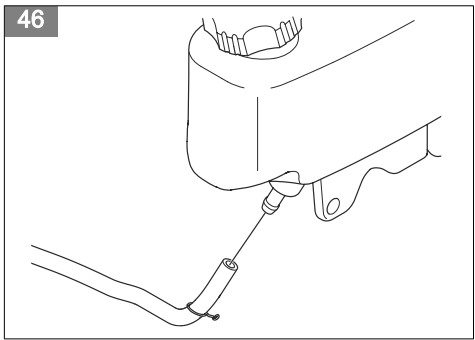
44



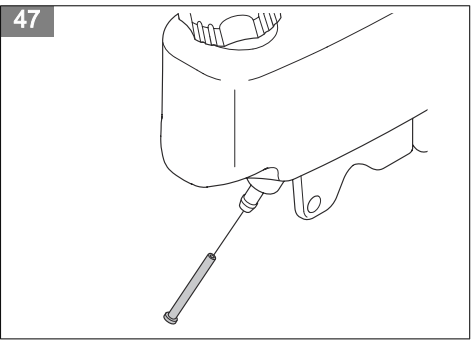
45



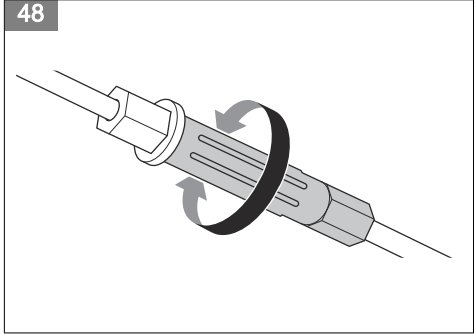
46



47



48



---

# Contents

---

|                   |    |   |    |
|-------------------|----|---|----|
| Introduction..... | 8  | Maintenance.....                          | 14 |
| Safety.....       | 9  | Transportation, storage and disposal..... | 17 |
| Assembly.....     | 11 | Technical data.....                       | 18 |
| Operation.....    | 12 | Declaration of Conformity.....            | 20 |

---

## Introduction

---

### Product description

The product is a pedestrian-controlled rotary lawn mower. Attach the grass catcher to collect the grass. Attach the side discharge deflector for side discharge of the grass. Attach a mulch kit to cut the grass into fertilizer.

### Product overview

(Fig. 1)

1. Handlebar
2. Engine brake handle
3. Drive bail
4. Starter rope handle
5. Rear cover
6. Grass catcher
7. Handle height knobs
8. Cutting height lever
9. Oil cap
10. Side discharge cover
11. Muffler
12. Spark plug
13. Fuel tank cap
14. Symbols
15. Cutting cover
16. Air filter
17. Speed control lever
18. Side deflector
19. Mulch plug (accessory)
20. Operator's manual

### Symbols on the product

- (Fig. 2)      **WARNING!** Be careful and use the product correctly. This product can cause serious injury or death to the operator or others.
- (Fig. 3)      Please read the operator's manual carefully and make sure that you understand the instructions before use.
- (Fig. 4)      Look out for thrown objects and ricochets.

### Intended use

Use the product to cut grass. Do not use the product for other tasks.

- (Fig. 5)      Keep persons and animals at a safe distance from the work area.
- (Fig. 6)      **Warning:** Keep hands and feet away from the rotating blade.
- (Fig. 7)      **Warning:** Keep hands and feet away from rotating parts.
- (Fig. 8)      Stop the engine and remove the ignition cable before repairs or maintenance.
- (Fig. 9)      This product is in accordance with applicable EC directives.
- (Fig. 10)     This product conforms to applicable UK regulations.
- (Fig. 11)     Noise emission to the environment label as per EU and UK directives and regulations, and New South Wales legislation "Protection of the Environment Operations (Noise Control) Regulation 2017". The guaranteed sound power level of the product is specified in *Technical data on page 18* and on the label.

---

**Note:** Other symbols/decals on the product refer to certification requirements for some commercial areas.

---

### Product damage

We are not responsible for damages to our product if:

- the product is incorrectly repaired.
- the product is repaired with parts that are not from the manufacturer or not approved by the manufacturer.



- the product has an accessory that is not from the manufacturer or not approved by the manufacturer.
- the product is not repaired at an approved service center or by an approved authority.

## Euro V Emissions



**WARNING:** Tampering with the engine voids the EU type-approval of this product.

## Safety

### Safety definitions

Warnings, cautions and notes are used to point out specially important parts of the manual.



**WARNING:** Used if there is a risk of injury or death for the operator or bystanders if the instructions in the manual are not obeyed.



**CAUTION:** Used if there is a risk of damage to the product, other materials or the adjacent area if the instructions in the manual are not obeyed.

**Note:** Used to give more information that is necessary in a given situation.

### General safety instructions



**WARNING:** Read the warning instructions that follow before you use the product.

- This product is dangerous if used incorrectly or if you are not careful. Injury or death can occur if you do not obey the safety instructions.
- This product produces an electromagnetic field during operation. This field may under some circumstances interfere with active or passive medical implants. To reduce the risk of serious or fatal injury we recommend persons with medical implants to consult their physician and the medical implant manufacturer before operating this product.
- Always be careful and use your common sense. If you are not sure how to operate the product in a special situation, stop and speak to your Husqvarna dealer before you continue.
- Keep in mind that the operator will be held responsible for accidents that involve other persons or their property.
- Keep the product clean. Make sure that you can clearly read signs and decals.
- Do not let a person use the product unless you make sure that they read and understand the contents of the operator's manual.
- Do not let a child operate the product.

### Work area safety



**WARNING:** Read the warning instructions that follow before you use the product.

- Remove objects such as branches, twigs and stones from the work area before you use the product.
- Objects that hit against the cutting equipment can eject and cause damage to persons and objects. Keep bystanders and animals at a safe distance from the product.
- Never use the product in bad weather such as fog, rain, strong winds, intense cold and risk of lightning. To use the product in bad weather or in moist or wet locations is tiring. Bad weather can cause dangerous conditions, such as slippery surfaces.
- Look out for persons, objects and situations that can prevent safe operation of the product.
- Look out for obstacles, such as roots, stones, twigs, pits and ditches. Long grass can hide obstacles.
- To cut grass on slopes can be dangerous. Do not use the product on ground that slopes more than 15°.
- Operate the product across the face of slopes. Do not move up and down.
- Be careful when you go near hidden corners and objects that prevent a clear view.

## Work safety

---



**WARNING:** Read the warning instructions that follow before you use the product.

---

- Use this product to cut grass lawns only. It is not permitted to use it for other tasks.
- Use personal protective equipment. Refer to *Personal protective equipment on page 10*.
- Make sure that you know how to stop the engine quickly in an emergency.
- Never start the engine in a closed space or near flammable material. The exhaust fumes from the engine are hot and can contain sparks which can start a fire.
- Do not operate the product unless the blade and all covers are attached correctly. An incorrectly attached blade can come loose and cause personal injury.
- Make sure that the blade does not hit objects such as stones and roots. This can do damage to the blade and bend the engine shaft. A bent axle causes heavy vibration and a very high risk that the blade becomes loose.
- If the blade hits an object or if vibrations occur, stop the product immediately. Disconnect the ignition cable from the spark plug. Examine the product for damages. Repair damages or let an authorised service agent do the repair.
- Never attach the engine brake handle permanently to the handle when the engine is started.
- Put the product on a stable, flat surface and start it. Make sure that the blade does not hit the ground or other objects.
- Always stay behind the product when you operate it.
- Let all the wheels stay on the ground and keep 2 hands on the handle when you operate the product. Keep your hands and feet away from the rotating blades.
- Do not tilt the product when the engine is started.
- Be careful when you pull the product rearward.
- Never lift up the product when the engine is started. If you must lift the product, first stop the engine and disconnect the ignition cable from the spark plug.
- Do not walk rearward when you operate the product.
- Stop the engine when you move across areas without grass, for example paths made of gravel, stone and asphalt.
- Do not run with the product when the engine is started. Always walk when you operate the product.
- Stop the engine before you change the cutting height. Never make adjustments with the engine started.
- Never let the product stay out of view with the engine started. Stop the engine and make sure that the cutting equipment does not rotate.

## Safety instructions for operation

### Personal protective equipment

---



**WARNING:** Read the warning instructions that follow before you use the product.

---

- Personal protective equipment cannot fully prevent injury but it decreases the degree of injury if an accident does occur. Let your dealer help you select the right equipment.
- Use hearing protection if the noise level is higher than 85 dB.
- Use heavy-duty slip-resistant boots or shoes. Do not use open shoes or go with bare feet.
- Use heavy, long pants.
- Use protective gloves when necessary, for example when you attach, examine or clean the cutting equipment.

### Safety devices on the product

---



**WARNING:** Read the warning instructions that follow before you use the product.

---

- Do not use a product with safety devices that are damaged or do not operate correctly.
- Do a check of the safety devices regularly. If the safety devices are damaged or do not operate correctly, speak to your Husqvarna servicing dealer.
- Do not make modifications to safety devices.

#### To do a check of the cutting cover

The cutting cover decreases vibrations in the product and decreases the risk of injury from the blade.

- Examine the cutting cover to make sure that there are no damages such as cracks.

#### To do a check of the engine brake handle

The engine brake handle stops the engine. When the engine brake handle is released, the engine stops.

- Start the engine and then release the engine brake handle. If the engine does not stop in 3 seconds, let an approved Husqvarna service agent adjust the engine brake. (Fig. 12)

#### To do a check of the rear cover

The rear deflector decreases the risk that objects eject in the direction of the operator.

- Make sure that the rear cover is not damaged.
- Make sure that the springs that close the rear cover are not damaged.
- Replace damaged springs and damaged parts.

- Make sure that the rear cover can move smoothly on the hinges.

### Muffler

The muffler keeps the noise levels to a minimum and sends the exhaust fumes away from the operator.

Do not use the product if the muffler is missing or damaged. A damaged muffler increases the noise level and the risk of fire.



**WARNING:** The muffler becomes very hot during and after use and when the engine operates at idle speed. Be careful near flammable materials and/or fumes to prevent fire.

### To do a check of the muffler

- Examine the muffler regularly to make sure that it is attached correctly and not damaged.

### Fuel safety



**WARNING:** Read the warning instructions that follow before you use the product.

- Do not start the product if there is fuel or engine oil on the product. Remove the unwanted fuel/oil and let the product dry.
- If you spill fuel on your clothing, change clothing immediately.
- Do not get fuel on your body, it can cause injury. If you get fuel on your body, use soap and water to remove the fuel.
- Do not start the product if the engine has a leak. Examine the engine for leaks regularly.
- Be careful with fuel. Fuel is flammable and the fumes are explosive and can cause injuries or death.
- Do not breathe in the fuel fumes, it can cause injury. Make sure that there is a sufficient airflow.
- Do not smoke near the fuel or the engine.
- Do not put warm objects near the fuel or the engine.
- Do not add the fuel when the engine is on.
- Make sure that the engine is cool before you refuel.
- Before you refuel, open the fuel tank cap slowly and release the pressure carefully.

- Do not add fuel to the engine in an indoor area. Not sufficient airflow can cause injury or death because of asphyxiation or carbon monoxide.
- Tighten the fuel tank cap fully. If the fuel tank cap is not tightened, there is a risk of fire.
- Move the product a minimum of 3 m / 10 ft from the position where you filled the tank before a start.
- Do not fill the fuel tank fully. Heat causes the fuel to expand. Keep a space at the top of the fuel tank.
- Never store the product with fuel in the fuel tank inside a building where ignition sources are present such as hot water heaters, space heaters or clothes dryers. Allow the engine to cool before storing in any enclosure.

### Safety instructions for maintenance



**WARNING:** Read the warning instructions that follow before you use the product.

- The exhaust fumes from the engine contain carbon monoxide, an odourless, poisonous and very dangerous gas. Do not start the engine indoors or in closed spaces.
- Before you do the maintenance on the product, stop the engine and remove the ignition cable from the spark plug.
- Use protective gloves when you do maintenance on the cutting equipment. The blade is very sharp and cuts can easily occur.
- Accessories and changes to the product that are not approved by the manufacturer, can cause serious injury or death. Do not change the product. Always use accessories that are approved by the manufacturer.
- If the maintenance is not done correctly and regularly, the risk of injury and damage to the product increases.
- Only do the maintenance as given in this owner's manual. All other servicing must be done by an approved Husqvarna service agent.
- Let an approved Husqvarna service agent do servicing on the product regularly.
- Replace damaged, worn or broken parts.

## Assembly

### Introduction



**WARNING:** Before you assemble the product, you must read and understand the safety chapter.



**WARNING:** Remove the spark plug cable from the spark plug before you assemble the product.

## To assemble the handle

**Note:** It is recommended that 2 persons do this procedure.

**Note:** Do not remove the product from the box when you assemble the handle. The box can be used for support for the handle during the assembly.

1. Lift and rotate the handle. (Fig. 13)



**CAUTION:** Be careful and make sure that the cable does not become damaged when you rotate the handle.

2. Put the handle on top of the product. Tilt the handle against the box for support of the handle. Refer to the illustration. (Fig. 14)
3. Push the screw (A) through the handle (B), the plastic washer (C) and the handle support bracket (D). (Fig. 15)
4. Tighten the nut (E) fully.
5. Remove the product from the box.
6. Fold the handle to upright position. (Fig. 16)
7. Set the handle height to the lowest position. Refer to *To adjust the handle on page 12*.
8. Attach the cable to the lower part of the handle with the cable clip. (Fig. 17)
9. Attach the lower part of the cable to the handle support bracket with the cable tie. Cut off the remaining part of the cable tie. (Fig. 18)

**Note:** Make sure that the cable is correctly attached. A cable that is too loose cause damage

to the cable when the grass catcher is installed. (Fig. 19)

## To adjust the handle

1. Loosen the lower knobs.
2. Move the knobs to the lower end of the grooves on the left and the right side of the product. (Fig. 20)
3. Set the handle height in one of the 2 available positions.
4. Move the knobs up in the direction of the handle until they stop and you hear a click. (Fig. 21)
5. Tighten the knobs fully.

## To set the product in transport position

1. Remove the grass catcher (if installed).
2. Loosen the lower knobs.
3. Move the knobs to the lower end of the grooves on the left and the right side of the product. (Fig. 20)
4. Fold the handle forward. (Fig. 22)

## To set the product in operation position

1. Fold the handle to upright position. (Fig. 23)
2. Move the knobs up in the direction of the handle until they stop and you hear a click. (Fig. 21)
3. Tighten the knobs fully.

## To assemble the grass catcher

1. Attach the grass catcher frame to the grass bag with the rigid part of the bag on the bottom. Keep the handle of the frame out of the top of the bag. (Fig. 24)
2. Attach the grass bag to the frame with the clips. (Fig. 25)

# Operation

## Introduction



**WARNING:** Before you operate the product, you must read and understand the safety chapter.

## Husqvarna Connect

Husqvarna Connect is a free app for your mobile device. The Husqvarna Connect app gives extended functions for your Husqvarna product:

- Extended product information.
- Information about, and help with, product parts and servicing.

## To start to use Husqvarna Connect

1. Download the Husqvarna Connect app on your mobile device.
2. Register in the Husqvarna Connect app.
3. Do the instruction steps in the Husqvarna Connect app to connect and register the product.

## Before you operate the product

1. Read the operator's manual carefully and make sure that you understand the instructions.
2. Examine the cutting equipment to make sure that it is correctly attached and adjusted. See *To examine the cutting equipment on page 15*.
3. Fill the fuel tank. See *To fill fuel on page 13*.
4. Fill the oil tank and do a check of the oil level. See *To replace the engine oil on page 16*.

## To fill fuel

If available, use low-emission/alkylate gasoline. If low-emission/alkylate gasoline is not available, use good quality unleaded gasoline or leaded gasoline with octane number not less than 90.



**CAUTION:** Do not use gasoline with an octane number less than 90 RON (87 AKI). This can cause damage to the product.

1. Open the fuel tank cap slowly to release the pressure.
2. Fill slowly with a fuel can. If you spill fuel, remove it with a cloth and let remaining fuel dry off.
3. Clean the area around the fuel tank cap.
4. Tighten the fuel tank cap fully. If the fuel tank cap is not tightened, there is a risk of fire.
5. Move the product a minimum of 3 m (10 ft) from the position where you filled the tank before a start.

## To set the cutting height

1. Move the cutting height lever rearward to increase the cutting height.
2. Move the cutting height lever forward to decrease the cutting height. (Fig. 26)



**CAUTION:** Do not set the cutting height too low. The blades can hit the ground if the surface of the lawn is not level.

## To start the product

1. Make sure that the ignition cable is connected to the spark plug.
2. Stay behind the product.
3. Hold the engine brake handle against the handlebar. (Fig. 27)
4. Hold the starter rope handle with your right hand.
5. Slowly pull out the starter rope until you feel some resistance.
6. Pull with force to start the engine.



**WARNING:** Do not twist the starter rope around your hand.

## To use the drive on the wheels

- Start the drive on the wheels with the speed control lever on the left side of the handle. Move the speed control lever forward to increase the speed and rearward to decrease the speed. (Fig. 28)
- Before you pull the product rearward, disengage the drive and push the product forward approximately 10 cm.

- Release the drive bail to disengage the drive, for example when you go near an obstacle.

## To stop the product

- To stop the drive only, release the drive bail.
- To stop the engine, release the engine brake handle.

## To use the product with the grass catcher



**WARNING:** Do not operate the product without a grass catcher installed or without the rear cover closed. Objects can eject and cause injury to the operator.

1. Lift the rear cover and remove the mulch plug if it is installed. (Fig. 29)
2. Assemble the grass catcher, refer to *To assemble the grass catcher on page 12*.
3. Put the grass catcher on the bracket.
4. Release the rear cover and put it on top of the grass bag frame. (Fig. 30)

## To change the product to mulch mode

Make sure the engine is off before you change the product to mulch mode.

1. Lift the rear cover and remove the grass catcher, if it is installed.
2. Put the mulch plug into the discharge channel. (Fig. 31)
3. Close the rear cover and make sure that it is tightly closed against the mulch plug.

**Note:** To increase the performance of the mulch mode, replace the blade with the mulch blade accessory. Refer to *To replace the blade on page 15*

## To change the product to side discharge mode

1. Lift the rear cover and remove the grass bag, if it is installed.
2. Close the rear cover and make sure that it is tightly closed against the product.
3. Lift the discharge lock. (Fig. 32)
4. Open the side discharge guard and install the side discharge deflector onto the support pins. (Fig. 33)
5. Let the side discharge guard close against the side discharge deflector. Make sure that the side discharge deflector is tightly in position before you operate the product.

## To empty the grass catcher



**CAUTION:** Lift the grass catcher when you move it to prevent wear.

1. Lift the grass catcher with the frame handle.
2. Use the frame handle and the bag handle when you empty the grass catcher. (Fig. 34)

## To get a good result

- Always use a sharp blade. A blunt blade gives an irregular result and the cut surface of the grass becomes yellow. A sharp blade also uses less energy than a blunt blade.
- Do not cut more than  $\frac{1}{3}$  of the length of the grass. Use the highest cutting height when you start to cut the grass. Examine the result and lower the cutting height to an applicable level. If the grass is very long, operate slowly and cut 2 times if it is necessary.

- Cut in different directions each time to prevent stripes in the lawn.
- Lift the rear cover and remove the grass catcher.
- If a mulch plug and a mulch blade are attached, remove them.
- Close the rear cover before you operate the product. When you operate the product, the cut grass discharges below the rear cover.
- Keep the cutting cover clean. Buildup from grass and dirt on the inner side of the cutting cover can decrease the cutting result. Refer to *To clean the inner surface of the cutting cover on page 15.*

## Maintenance

### Introduction



**WARNING:** Before you do maintenance, you must read and understand the safety chapter.

For all servicing and repair work on the product, special training is necessary. We guarantee the availability of professional repairs and servicing. If your dealer is not a service agent, speak to them for information about the nearest service agent.

For more detailed information, refer to .

### Maintenance schedule



**CAUTION:** Make sure that the air filter is up and not against the ground when you tilt the product. Risk of engine damage.

The maintenance intervals are calculated from daily use of the product. The intervals change if the product is not used daily.

For maintenance identified with \* refer to instructions in *Safety devices on the product on page 10.*

| Maintenance  | Daily | Weekly | Monthly |
|--|-------|--------|---------|
| Do a general inspection  | X     |        |         |
| Examine the oil level  | X     |        |         |
| Clean the product  | X     |        |         |
| Examine the cutting equipment  | X     |        |         |
| Examine the cutting cover *  | X     |        |         |
| Examine the engine brake handle *  | X     |        |         |
| Examine the blade brake control *  | X     |        |         |
| Examine the muffler *  |       | X      |         |
| Examine the spark plug   |       | X      |         |
| Replace the oil (the first time after 5 h of use, then after each 50 h of use) |       |        | X       |
| Clean or replace the air filter  |       |        | X       |

| Maintenance             | Daily | Weekly | Monthly |
|-------------------------|-------|--------|---------|
| Examine the fuel system |       |        | X       |

## To do a general inspection

- Make sure that all nuts and screws on the product are tightened correctly.

## To clean the product externally

- Use a brush to remove leaves, grass and dirt.
- Make sure that the air intake on the top of the engine is not blocked.
- Do not use a high pressure washer to clean the product.
- If you use water to clean the product, do not flush water directly on the engine.

## To clean the inner surface of the cutting cover

1. Empty the fuel tank.
2. Put the product on its side with the muffler down.



**CAUTION:** If the product is put with the air filter down, the engine can become damaged.

3. Hose down the inner surface of the cutting cover with water.

## To examine the cutting equipment



**WARNING:** To prevent accidental start remove the ignition cable from the spark plug.



**WARNING:** Use protective gloves when you do maintenance on the cutting equipment. The blade is very sharp and cuts can easily occur.

1. Examine the cutting equipment for damage or cracks. Always replace a damaged cutting equipment.
2. Look at the blade to see if it is damaged or blunt.

**Note:** It is necessary to balance the blade after it is sharpened. Let a service center sharpen, replace and balance the blade. If you hit an obstacle that causes the product to stop, replace the damaged blade. Let the service center estimate if the blade can be sharpened or must be replaced.

## To replace the blade

1. Lock the blade with a block of wood. (Fig. 35)

2. Remove the blade bolt, the spring washer and the blade. (Fig. 36)
3. Examine the blade support and blade bolt for damages.
  - a) If you replace the blade or the blade support, also replace the blade bolt, the spring washer and the friction washer.
4. Examine the engine shaft to make sure that it is not bent.
5. When you attach the new blade, make sure that the bent ends point in the direction of the cutting cover. (Fig. 37)
6. Put the friction washer and the blade against the blade support. (Fig. 38)
7. Make sure that the blade aligns with the center of the engine shaft. (Fig. 39)
8. Lock the blade with a block of wood. (Fig. 40)
9. Attach the spring washer and tighten the bolt with a torque of 43 – 47 Nm. (Fig. 41)
10. Pull the blade around by hand and make sure that it turns freely.



**WARNING:** Use protective gloves. The blade is very sharp and cuts can easily occur.

11. Start the product to do a test of the blade. If the blade is not correctly attached, there is vibration in the product or the cutting result is unsatisfactory.

## To do a check of the oil level



**CAUTION:** A too low oil level can do damage to the engine. Do a check of the oil level before you start the product.

1. Put the product on level ground.
2. Remove the oil tank cap and the attached dipstick.
3. Clean the oil from the dipstick.
4. Push the dipstick fully into the oil tank to give a correct picture of the oil level. Do not attach the oil tank cap.
5. Remove the oil tank cap and the attached dipstick.
6. Examine the oil level on the dipstick.
7. If the oil level is low, fill with engine oil and do a check of the oil level again. (Fig. 42)

**Note:** Use a funnel to prevent spill.

8. Install the oil tank cap when the oil level is correct.

## To replace the engine oil



**WARNING:** Engine oil is very hot directly after the engine is stopped. Let the engine become cool before you drain the engine oil. If you spill engine oil on your skin, clean with soap and water.

(Fig. 43)

1. Operate the product until the fuel tank is empty.
2. Remove the ignition cable from the spark plug.
3. Remove the oil tank cap and the attached dipstick.
4. Put a container below the product to collect the engine oil in.
5. Tilt the product or drain the engine oil from the oil tank with an oil pump (accessory).
6. Fill with new engine oil of the type recommended in *Technical data on page 18*.
7. Do a check of the oil level. Refer to *To do a check of the oil level on page 15*.
8. Install the oil tank cap when the oil level is correct.

## To do a check of the spark plug



**CAUTION:** Always use the recommended spark plug type. Incorrect spark plug type can cause damage to the product.

- Do a check of the spark plug if the engine is low on power, is not easy to start or does not operate correctly at idle speed.
- To decrease the risk of unwanted material on the spark plug electrodes, obey these instructions:
  - a) Make sure that the idle speed is correctly adjusted.
  - b) Make sure that the fuel mixture is correct.
  - c) Make sure that the air filter is clean.
- If the spark plug is dirty, clean it and make sure that the electrode gap is correct, refer to *Technical data on page 18*. (Fig. 44)
- Replace the spark plug if it is necessary.

## To clean the air filter

A dirty air filter can cause the engine to be damaged or not operate correctly. Do maintenance on the air cleaner more frequently in dusty conditions.

Refer to *Maintenance schedule on page 14* for information about when to replace the air filter.

1. Remove the air filter cover and remove the filter.
2. Clean the filter by hitting it against a flat surface. Do not use solvent with petroleum, kerosene or compressed air to clean the filter.

---

**Note:** Air filters in operation for a long time cannot be cleaned fully. Replace the air filter at regular intervals. Damaged air filters must always be replaced.

---

3. When you assemble the air filter, make sure that it fully seals against the filter holder.

## To do a check of the side discharge deflector

The side discharge deflector is attached to the side discharge opening of the product. It decreases the risk of objects to eject in the direction of the mow position of the operator.

1. Make sure that the side discharge deflector is not damaged.
2. Examine the side discharge deflector. Make sure that you do not see damages, such as cracks or broken springs that push the door to close.
3. Replace the side discharge deflector or the springs if they are damaged.

## To examine the fuel system

- Examine the fuel tank cap and the seal for the fuel tank cap to make sure that there are no damages.
- Examine the fuel hose to make sure that there are no leaks. If the fuel hose is damaged, let a service agent replace it.

## To drain the fuel tank

1. Put a container below the fuel tank.
2. Remove the fuel tank cap.
3. Push the hose clips on the fuel hose against the carburetor.
4. Remove the fuel hose from the carburetor.
5. Put the fuel tank hose in the container and remove the hose clips.
6. Tilt the product and drain the fuel into the container.

## To replace the fuel filter



**WARNING:** Use protective gloves.

1. Drain the fuel tank.
2. Move the hose clip away from the fuel tank. (Fig. 45)
3. Remove the fuel hose from the fuel tank. A small quantity of fuel can leak. (Fig. 46)
4. Remove the fuel filter from the fuel tank. (Fig. 47)
5. Install a new fuel filter in the fuel tank.
6. Attach the fuel hose to the fuel tank.
7. Put the hose clip in position against the fuel tank.



## To adjust the clutch wire

For the situations that follow, it is necessary to decrease the length of the clutch wire:

- The drive of the wheels does not engage when you pull the drive bail or the speed control lever.
- The product moves slowly when the drive of the wheels is engaged.

For the situations that follow, it is necessary to extend the length of clutch wire:

- The product moves when the drive of the wheels is not engaged.
- Adjust the clutch wire.
  - a) To decrease the length of clutch wire, turn the adjuster screw counterclockwise.
  - b) To extend the length of the clutch wire, turn the adjustment screw clockwise. (Fig. 48)

If the product continues to drive unsatisfactory after the adjustment, speak to your servicing dealer

---

## Transportation, storage and disposal

---

### Transportation and storage

- For storage and transportation of the product and fuel, make sure that there are no leaks or fumes. Sparks or open flames, for example from electrical devices or boilers, can start a fire.
- Always use approved containers for storage and transportation of fuel.
- Empty the fuel tank before you put the product in storage for a long period of time. Discard the fuel at an applicable disposal location
- Safely attach the product during transportation to prevent damage and accidents.
- Keep the product in a locked area to prevent access for children or persons that are not approved.
- Keep the product in a dry and frost free area.

### Disposal

- Obey the local recycling requirements and applicable regulations.
- Discard all chemicals, such as engine oil or fuel, at a service center or at an applicable disposal location.
- When the product is no longer in use, send it to a Husqvarna dealer or discard it at a recycling location.

# Technical data

## Technical data

|  |   |
|--|---|
|  | <b>LC 356VP</b>   |
| <b>Engine</b>  |   |
| Brand  | Honda   |
| Engine model name                                    | GCVx170   |
| Displacement, cm <sup>3</sup>                        | 166   |
| Speed, rpm   | 2800  |
| Nominal engine output, kW <sup>1</sup>               | 3.1   |
| <b>Ignition system</b>                               |   |
| Spark plug   | NGK BPR5ES  |
| Electrode gap, mm                                    | 0.75  |
| <b>Fuel and lubrication system</b>                   |   |
| Fuel, unleaded, minimum octane number                | 90  |
| Fuel tank capacity, liter                            | 0.9   |
| Oil tank capacity, liter                             | 0.4   |
| Engine oil <sup>2</sup>                              | Husqvarna SAE 30, Husqvarna SAE 5W-30 Synthetic, Husqvarna SAE 10W-40 |
| <b>Weight</b>  |   |
| With empty tanks, kg                                 | 35.1  |
| <b>Noise emissions</b> <sup>3</sup>                  |   |
| Sound power level, measured dB (A)                   | 98  |
| Sound power level, guaranteed L <sub>WA</sub> dB (A) | 98  |
| <b>Sound levels</b> <sup>4</sup>                     |   |
| Sound pressure level at the operator's ear, dB (A)   | 86  |
| <b>Vibration levels</b> <sup>5</sup>                 |   |

<sup>1</sup> The power rating of the engine indicated is the average net output (at specified rpm) of a typical production engine for the engine model measured to SAE standard J1349/ISO1585. Mass production engines may differ from this value. Actual power output for the engine installed on the final product will depend on the operating speed, environmental conditions and other values.

<sup>2</sup> Use engine oil of quality API SJ or higher. If SAE-30 oil is used at temperature lower than +5 °C, there is a risk that it does not lubricate the engine sufficiently. This can cause engine damage. Refer to *To replace the engine oil on page 16* for the correct oil for low temperatures. Refer to the viscosity chart in the engine manual (if included) and select the best viscosity based on the expected outside temperature.

<sup>3</sup> Noise emissions in the environment measured as sound power (L<sub>WA</sub>) in conformity with EC directive 2000/14/EC.

<sup>4</sup> Reported data for noise pressure level has a typical statistical dispersion (standard deviation) of 1.2 dB (A).

<sup>5</sup> Reported data for vibration level has a typical statistical dispersion (standard deviation) of 0.2 m/s<sup>2</sup>.

|                          |  |
|--------------------------|--|
|                          | <b>LC 356VP</b>                        |
| Handle, m/s <sup>2</sup> | 5.9                                    |
| <b>Cutting equipment</b> |  |
| Cutting height, mm       | 25-75                                  |
| Cutting width, mm        | 560                                    |
| Cutting system           | Collection / BioClip® / Side discharge |
| Blade - standard         | Collection 598562701                   |
| Blade - Accessory        | Mulch 598563601                        |
| <b>Drive</b>             |  |
| Speed, km/h              | 3.0 - 4.5                              |

---

# Declaration of Conformity

---

## EU Declaration of Conformity

We, **Husqvarna AB**, SE-561 82 Huskvarna, Sweden, tel: +46-36-146500, declare on our sole responsibility that the product:

|                       |   |
|-----------------------|---|
| <b>Description</b>    | Lawn Mower                                  |
| <b>Brand</b>          | Husqvarna                                   |
| <b>Type / Model</b>   | LC 356VP                                    |
| <b>Identification</b> | Serial numbers dating from 2022 and onwards |

complies fully with the following EU directives and regulations:

| <b>Regulation</b> | <b>Description</b>   |
|-------------------|--|
| 2006/42/EC        | "relating to machinery"  |
| 2014/30/EU        | "relating to electromagnetic compatibility"  |
| 2000/14/EC        | "relating to the noise emissions in the environment"   |
| 2011/65/EU        | "on the restriction of the use of certain hazardous substances in electrical and electronic equipment" |

and that the following standards and/or technical specifications are applied: EN ISO 5395-1:2013/A1:2018, EN ISO 5395-2:2013/A1:2016/A2:2017, EN ISO 14982:2009, EN IEC 63000:2018

Notified Body: 0404, RISE SMP Svensk Maskinprovning AB, Box 4053, SE-904 03 Umeå, Sweden has certified conformity with the council's directive 2000/14/EC, conformity assessment procedure: Annex VI.

For information relating to noise emissions, refer to *Technical data on page 18*.

Huskvarna, 2022-10-20



Claes Losdal, Development Manager/Garden Products  
Husqvarna AB

Responsible for technical documentation



# UK Declaration of Conformity

We, **Husqvarna AB**, SE-561 82 Huskvarna, Sweden, tel: +46-36-146500, declare on our sole responsibility that the product:

|                       |   |
|-----------------------|---|
| <b>Description</b>    | Lawn Mower                                  |
| <b>Brand</b>          | Husqvarna                                   |
| <b>Type / Model</b>   | LC 356VP                                    |
| <b>Identification</b> | Serial numbers dating from 2022 and onwards |

complies fully with the following UK regulations:

|  |
|--|
| <b>Description</b>   |
| The Restriction of the Use of Certain Hazardous Substances in Electrical and Electronic Equipment Regulations 2012 |
| The Supply of Machinery (Safety) Regulations 2008  |
| The Noise Emission in the Environment by Equipment for use Outdoors Regulations 2001, schedule 9                   |
| Electromagnetic Compatibility Regulations 2016   |

and that the following standards and/or technical specifications are applied: EN ISO 5395-1:2013/A1:2018, EN ISO 5395-2:2013/A1:2016/A2:2017, EN ISO 14982:2009, EN IEC 63000:2018

Notified Body: 0404, RISE SMP Svensk Maskinprovning AB, Box 4053, SE-904 03 Umeå, Sweden has certified conformity with the council's directive 2000/14/EC, conformity assessment procedure: Annex VI.

For information relating to noise emissions, refer to *Technical data on page 18*.

Huskvarna, 2022-10-20



Claes Losdal, Development Manager/Garden Products  
Husqvarna AB

Responsible for technical documentation



UK Importer:  
Husqvarna UK Ltd  
Preston Road, Co. Durham  
DL5 6UP

---

# Съдържание

---

|                  |    |  |    |
|------------------|----|--|----|
| Въведение.....   | 22 | Поддръжка.....                               | 29 |
| Безопасност..... | 23 | Транспортиране, съхранение и изхвърляне..... | 33 |
| Монтаж.....      | 26 | Технически характеристики.....               | 34 |
| Операция.....    | 27 | Декларация за съответствие.....              | 36 |

---

## Въведение

---

### Описание на продукта

Продуктът е пешеходна ротационна косачка. Закрепете коша за трева за събиране на тревата. Закрепете страничния разтоварващ дефлектор за странично разтоварване на тревата. Поставете комплект за мулчиране, за да нарежете трева в тора.

### Общ преглед на продукта

(Фиг. 1)

1. Управление
2. Ръчка за спиращката на двигателя
3. Дръжка за задвижване
4. Дръжка на въжето на стартера
5. Заден капак
6. Кош за трева
7. Фиксатори за височината на дръжката
8. Лост за височината на рязане
9. Капачка за маслото
10. Капак на страничното разтоварване
11. Ауслух
12. Запалителна свещ
13. Капачка на резервоара за гориво
14. Символи
15. Капак срещу порязване
16. Въздушен филтър
17. Лост за управление на оборотите
18. Страничен дефлектор
19. Приставка за мулчиране (аксесоар)
20. Инструкция за експлоатация

### Символи върху продукта

(Фиг. 2) **ПРЕДУПРЕЖДЕНИЕ!** Внимавайте и използвайте продукта правилно. Този продукт може да причини сериозно нараняване или смърт на оператора и други хора.

(Фиг. 3) Прочетете внимателно ръководството за оператора и се уверете, че разбирате инструкциите, преди да използвате машината.

### Предназначение

Използвайте продукта за косене на трева. Не използвайте продукта за други задачи.

(Фиг. 4) Пазете се от отскачащи предмети и рикшети.

(Фиг. 5) Дръжте хората и животните на безопасно разстояние от работната площ.

(Фиг. 6) Предупреждение: Дръжте ръцете и краката си далеч от въртящия се нож.

(Фиг. 7) Предупреждение: Дръжте ръцете и краката си далеч от въртящи се части.

(Фиг. 8) Спрете двигателя и отстранете запалителния кабел преди ремонти или техническо обслужване.

(Фиг. 9) Този продукт отговаря на изискванията на приложимите директиви на ЕО.

(Фиг. 10) Този продукт съответства на приложимите регламенти на Обединеното кралство.

(Фиг. 11) Етикет за шумовите емисии за околната среда съгласно директивите и регламентите на ЕС и Обединеното кралство и законодателството на Нов Южен Уелс "Регламент 2017 относно защитата от дейности, оказващи влияние на околната среда (контрол на шума)". Гарантираното ниво на звуковата мощност на продукта е посочено в *Технически характеристики на страница 34* и на етикета.

---

**Забележка:** Останалите символи/стикери на продукта се отнасят до изисквания по отношение на сертификати за някои търговски площи.

---

## Повреда на продукта

Ние не носим отговорност за повреди по нашия продукт, ако:

- продуктът е неправилно ремонтиран.
- продуктът е ремонтиран с части, които не са от производителя или не са одобрени от производителя.

- продуктът има принадлежност, която не е от производителя или не е одобрена от производителя.
- продуктът не е ремонтиран в одобрен сервизен център или от одобрен орган.

## Емисии Euro V



**ПРЕДУПРЕЖДЕНИЕ:** Намесата в двигателя прави невалидно ЕС одобрението на тип на този продукт.

---

---

## Безопасност

---

### Дефиниции за безопасност

Предупреждения, знаци за внимание и бележки се използват за указване на особено важни части на инструкцията.



**ПРЕДУПРЕЖДЕНИЕ:** Използва се, ако има опасност от нараняване или смърт за оператора или за околните, ако не се спазват инструкциите в ръководството.



**ВНИМАНИЕ:** Използва се, ако има опасност от повреждане на машината, други материали или съседната зона, ако не се спазват инструкциите в ръководството.

**Забележка:** Използва се за предоставяне на повече информация, която е необходима в дадена ситуация.

### Общи инструкции за безопасност



**ПРЕДУПРЕЖДЕНИЕ:** Прочетете следващите предупредителни инструкции, преди да използвате продукта.

- Този продукт е опасен, ако се използва неправилно или ако не сте внимателни. Неспазването на инструкциите за безопасност може да доведе до нараняване или смърт.
- Този продукт създава електромагнитно поле по време на работа. При някои условия това поле може да предизвика смущения в активни или пасивни медицински импланти. За да намалите риска от тежко или смъртоносно нараняване, ние препоръчваме лицата с медицински импланти да говорят с лекаря си и производителя на медицинския имплант, преди да започнат да работят с този продукт.
- Винаги бъдете внимателни и подхождайте разумно. Ако не сте сигурни как да работите с продукта при специална ситуация, спрете и се обърнете към Вашия дилър на Husqvarna, преди да продължите.
- Имайте предвид, че операторът носи отговорност за злополуки, включващи други лица или тяхното имущество.
- Поддържайте продукта чист. Уверете се, че разчитате ясно знаците и стикерите.
- Не позволявайте на лице да работи с продукта, освен ако не се уверите, че е прочело и разбрало съдържанието на ръководството за оператора.
- Не позволявайте на дете да работи с продукта.
- Дръжте децата далеч от работната зона. През цялото време трябва да присъства отговорен възрастен.
- Не позволявайте на лице, което не е запознато с инструкциите, да работи с продукта.
- Винаги наблюдавайте лице с намален физически или умствен капацитет, което използва продукта. През цялото време трябва да присъства отговорен възрастен.
- Не използвайте продукта, ако сте уморени, болни или под въздействието на алкохол, наркотици или лекарства. Това състояние оказва отрицателно въздействие върху Вашето зрение, бдителност, координация и преценка.
- Не използвайте продукт, който е повреден или не работи правилно.
- Не променяйте този продукт и не го използвайте, ако има вероятност той да е бил променен от други лица.
- Не променяйте регулировката за управление на оборотите на двигателя.

## Безопасност на работната област



**ПРЕДУПРЕЖДЕНИЕ:** Прочетете следващите предупредителни указания, преди да използвате машината.

- Отстранете препятствия като клони, пръчки и камъни от работната зона, преди да използвате продукта.
- Обектите, които се удрят в режещото оборудване, могат да бъдат изхвърлени и да причинят нараняване на лицата и щети на предметите. Дръжте страничните наблюдатели и животните на безопасно разстояние от продукта.
- Никога не използвайте продукта в лошо време – например при мъгла, дъжд, силни ветрове, много силен студ и риск от мълнии. Използването на продукта в лошо време или върху влажни или мокри терени е изморително. Лошото време може да създаде опасни условия, като например хлъзгави повърхности.
- Внимавайте за лица, предмети и ситуации, които могат да са причина за намаляване на безопасната работа на продукта.
- Внимавайте за препятствия като корени, камъни, клони, ями и канавки. Дългата трева може да крие препятствия.
- Косенето на трева на склон може да бъде опасно. Не работете с продукта, когато наклонът на повърхността е повече от 15°.
- Използвайте продукта напречно на склона. Не се движете нагоре и надолу.
- Внимавайте, когато преминавате покрай закриватъгли и предмети, които скриват зрителното Ви поле.

## Безопасност при работа



**ПРЕДУПРЕЖДЕНИЕ:** Прочетете следващите предупредителни указания, преди да използвате машината.

- Използвайте този продукт само за косене на морави. Не се допуска използването му за други цели.
- Използвайте лични предпазни средства. Вижте *Лични предпазни средства на страница 24*.
- Уверете се, че знаете как бързо да спрете двигателя при аварийна ситуация.
- Никога не стартирайте двигателя в затворено пространство или близо до запалими материали. Отработените газове от двигателя са горещи и могат да съдържат искри, които да предизвикат пожар.
- Не работете с продукта, докато ножът и всички капаци не се монтират правилно. Неправилно монтираният нож може да се разхлаби и да причини телесна повреда.

- Уверете се, че ножът няма да се удрия в обекти, като например камъни и корени. Това може да доведе до повреда на ножа и до огъване на двусекционния вал на двигателя. Огънатата ос предизвиква силни вибрации и има много голяма опасност ножът да се разхлаби.
- Ако ножът се удари в някакъв обект или се получат вибрации, спрете веднага продукта. Изключете запалителния кабел от запалителната свещ. Проверете продукта за повреди. Ремонтирайте повредите или потърсете оторизиран сервиз за това.
- Никога не прикрепяйте ръчката на спирачката на двигателя за постоянно върху дръжката, когато двигателят е стартиран.
- Поставете продукта върху стабилна, равна повърхност и го стартирайте. Уверете се, че ножът не се допира в земята или в други предмети.
- Винаги стойте зад продукта, когато го използвате.
- Всички колела трябва да бъдат на земята и да държите дръжката с 2 ръце, когато работите с продукта. Дръжте ръцете и краката си далеч от въртящите се остриета.
- Не наклоняйте продукта при стартиран двигател.
- Бъдете внимателни, когато дърпате продукта назад.
- Никога не повдигайте продукта при стартиран двигател. Ако се налага да вдигнете продукта, първо спрете двигателя и изключете запалителния кабел от запалителната свещ.
- Не се движете назад при работа с продукта.
- Спрете двигателя, когато преминавате през области без трева, например пътеки от чакъл, камък или асфалт.
- Не тичайте с продукта, когато двигателят работи. Винаги ходете, когато работите с продукта.
- Спрете двигателя, преди да промените височината на рязане. Никога не регулирайте при стартиран двигател.
- Никога не оставяйте продукта без надзор, когато двигателят работи. Спрете двигателя и се уверете, че режещото оборудване не се върти.

## Инструкции за безопасност за работа

### Лични предпазни средства



**ПРЕДУПРЕЖДЕНИЕ:** Прочетете следващите предупредителни указания, преди да използвате машината.

- Личните предпазни средства не изключват изцяло риска от нараняване, но намаляват степента на нараняването при злополука. Нека вашият дилър Ви помогне да изберете подходящото оборудване.



- Използвайте антифони, ако нивото на шума е високо от 85 dB.
- Носете ботуши или обувки, устойчиви на хлъзгане. Не носете отворени обувки и не ходете боси.
- Използвайте дълги панталони от здрав плат.
- Когато е необходимо, носете защитни ръкавици, например, когато закрепвате, проверявате или почиствате режещото оборудване.

## Устройство за безопасност на продукта



**ПРЕДУПРЕЖДЕНИЕ:** Прочетете следващите предупредителни инструкции, преди да използвате продукта.

- Не използвайте продукт с устройства за безопасност, които са повредени или не работят правилно.
- Извършвайте редовно проверка на устройствата за безопасност. Ако устройствата за безопасност са повредени или не работят правилно, се обърнете към Вашия сервизен дилър на Husqvarna.
- Не правете модификации по устройствата за безопасност.

### За проверка на капака срещу порязване

Капакът срещу порязване намалява вибрациите в продукта и опасността от нараняване, причинени от острието.

- Проверете капака срещу порязване, за да се уверите, че няма повреди, като например пукнатини.

### За проверка на ръчката на спирачката на двигателя

Ръчката за спирачката на двигателя спира двигателя. Когато ръчката за спирачката на двигателя бъде пусната, двигателят спира.

- Запалете двигателя и след това освободете ръчката на спирачката на двигателя. Ако двигателят не спре след 3 секунди, позволете на одобрен Husqvarna сервиз да регулира спирачката на двигателя. (Фиг. 12)

### За да извършите проверка на задния капак

Задният дефлектор намалява риска от изхвърляне на предмети по посока на оператора.

- Уверете се, че задният капак не е повреден.
- Уверете се, че пружините, които затварят задния капак, не са повредени.
- Заменяйте повредените пружини и части.
- Уверете се, че задният капак може да се движи свободно върху пантите.

## Ауспук

Ауспукът е предназначен за максимално намаляване на нивата на шума и за отвеждане на отработените газове настрана от оператора.

Не използвайте продукта, ако ауспукът липсва или е повреден. Повреденият ауспук повишава нивото на шума и риска от пожар.



**ПРЕДУПРЕЖДЕНИЕ:** Ауспукът се нагрява много по време на и след употреба и също при обороти на празен ход на двигателя. Бъдете внимателни близо до запалими материали и/или газове, за да предотвратите възникването на пожар.

### За проверка на ауспуха

- Проверявайте ауспуха редовно, за да сте сигурни, че е закрепен правилно и не е повреден.

### Безопасност при работа с гориво



**ПРЕДУПРЕЖДЕНИЕ:** Прочетете следващите предупредителни инструкции, преди да използвате продукта.

- Не стартирайте продукта, ако върху него има гориво или моторно масло. Отстранете нежеланото гориво/масло и оставете продукта да изсъхне.
- Ако разлеете гориво по дрехите си, ги сменете незабавно.
- Внимавайте да не попадне гориво върху тялото Ви, това може да причини нараняване. Ако гориво попадне върху тялото Ви, използвайте сапун и вода, за да го отстраните.
- Не стартирайте продукта, ако от двигателя има теч. Проверявайте редовно двигателя за течове.
- Внимавайте с горивото. Горивото е запалимо, изпаренията са взривоопасни и могат да причинят наранявания или смърт.
- Не вдишвайте горивните изпарения, това може да причини нараняване. Уверете се, че има достатъчен въздушен поток.
- Не пушете близо до горивото или двигателя.
- Не поставяйте топли предмети близо до горивото или двигателя.
- Не добавяйте гориво, когато двигателят работи.
- Уверете се, че двигателят е изстинал преди зареждане с гориво.
- Преди зареждане с гориво отворете бавно капачката на резервоара за гориво и освободете внимателно налягането.
- Не добавяйте гориво към двигателя на площ на закрито. Недостатъчният въздушен поток може да причини нараняване или смърт поради задушаване или въглероден окис.

- Затегнете капачката на резервоара за гориво докрай. Ако капачката на резервоара за гориво не е затегната, има риск от пожар.
- Преди стартиране преместете продукта най-малко на 3 m/10 ft от мястото, където сте напълнили резервоара.
- Не пълнете резервоара за гориво докрай. Топлината причинява увеличаване на обема на горивото. Оставете място в горната част на резервоара за гориво.
- Никога не съхранявайте продукта с гориво в резервоара за гориво вътре в сградата, където има източници на запалване, като например нагреватели за гореща вода, радиатори или сушилни за дрехи. Преди съхранение в каквото и да било затворено място оставете двигателя да се охлади.

## Инструкции за безопасност при техническо обслужване



**ПРЕДУПРЕЖДЕНИЕ:** Прочетете следващите предупредителни указания, преди да използвате машината.

- Отработените газове от двигателя съдържат въглероден окис – много опасен, отровен газ без

миризма. Не стартирайте двигателя на закрито или в затворени пространства.

- Преди техническо обслужване на продукта спрете двигателя и изключете запалителния кабел от запалителната свещ.
- Носете защитни ръкавици, когато ще изпълнявате дейности, свързани с техническото обслужване на режещото оборудване. Ножът е много остър и можете лесно да се порежете.
- Аксесоари и промени на продукта, които не са одобрени от производителя, могат да доведат до сериозно нараняване или смърт. Не правете промени по продукта. Винаги използвайте само аксесоари, които са одобрени от производителя.
- Ако техническото обслужване не се изпълнява правилно и редовно, рискът от нараняване и повреда на продукта се увеличава.
- Изпълнявайте техническото обслужване само както е посочено в това ръководство на собственика. Всички останали сервизни дейности трябва да се извършват от одобрен Husqvarna сервиз.
- Позволете одобрен Husqvarna сервиз редовно да обслужва продукта.
- Заменете повредени, износени или счупени части.

## Монтаж

### Въведение



**ПРЕДУПРЕЖДЕНИЕ:** Преди сглобяване на продукта трябва да прочетете и разберете главата за безопасност.



**ПРЕДУПРЕЖДЕНИЕ:** Отстранете кабела на запалителната свещ от запалителната свещ, преди да сглобите продукта.

### За монтиране на ръкохватката

**Забележка:** Препоръчително е тази процедура да се извършва от 2-ма души.

**Забележка:** Не отстранявайте продукта от кутията, когато монтирате ръкохватката. Кутията може да се използва за опора на ръкохватката по време на монтажа.

1. Повдигнете и завъртете ръкохватката. (Фиг. 13)



**ВНИМАНИЕ:** Бъдете внимателни и се уверете, че кабелът няма да се повреди, когато завъртите ръкохватката.

2. Поставете ръкохватката върху продукта. Наклонете ръкохватката към кутията за опора на ръкохватката. Направете справка с илюстрацията. (Фиг. 14)
3. Прекарайте чрез натискане винта (A) през ръкохватката (B), пластмасовата шайба (C) и опорната скоба на ръкохватката (D). (Фиг. 15)
4. Затегнете гайката (E) докрай.
5. Отстранете продукта от кутията.
6. Сгънете ръкохватката в изправено положение. (Фиг. 16)
7. Задайте височината на ръкохватката до най-ниското положение. Направете справка с *За регулиране на ръкохватката на страница 27*.
8. Закрепете кабела към долната част на ръкохватката със скобата за кабел. (Фиг. 17)
9. Закрепете долната част на кабела към опорната скоба на ръкохватката с кабелната връзка. Отрежете останалата част от кабелната връзка. (Фиг. 18)

---

**Забележка:** Уверете се, че кабелът е правилно закрепен. Твърде разхлабен кабел причинява повреда на кабела при монтиране на коша за трева. (Фиг. 19)

---

## За регулиране на ръкохватката

1. Разхлабете долните копчета.
2. Преместете фиксаторите към долния край на каналите от лявата и дясната страна на продукта. (Фиг. 20)
3. Задайте височината на дръжката в едно от 2 възможни положения.
4. Преместете фиксаторите по посока на дръжката, докато спрат и се чуе щракване. (Фиг. 21)
5. Затегнете напълно фиксаторите.

## За задаване на продукта в положение за транспортиране

1. Отстранете коша за трева (ако е инсталиран).
2. Разхлабете долните копчета.

3. Преместете фиксаторите към долния край на каналите от лявата и дясната страна на продукта. (Фиг. 20)
4. Сгънете ръкохватката напред. (Фиг. 22)

## Задаване на продукта в положение за работа

1. Сгънете дръжката в изправено положение. (Фиг. 23)
2. Преместете фиксаторите по посока на дръжката, докато спрат и се чуе щракване. (Фиг. 21)
3. Затегнете напълно фиксаторите.

## За сглобяване на коша за трева

1. Прикрепете рамката на коша за трева към торбата за събиране на трева, като твърдата част на торбата трябва да е отдолу. Дръжте ръкохватката на рамката извън горната част на торбата. (Фиг. 24)
2. Закрепете торбата за трева към рамката с щипките. (Фиг. 25)

---

# Операция

---

## Въведение



**ПРЕДУПРЕЖДЕНИЕ:** Преди работа с продукта трябва да прочетете и разберете главата за безопасност.

## Husqvarna Connect

Husqvarna Connect е безплатно приложение за Вашето мобилно устройство. Приложението Husqvarna Connect осигурява разширени функции за Вашия продукт на Husqvarna:

- Разширена продуктова информация.
- Информация и помощ за частите на продукта и сервисното обслужване.

## За да започнете да използвате Husqvarna Connect

1. Изтеглете приложението Husqvarna Connect на Вашето мобилно устройство.
2. Регистрирайте се в приложението Husqvarna Connect.
3. Изпълнете стъпките с инструкции в приложението Husqvarna Connect, за да свържете и регистрирате продукта.

## Преди да започнете работа с продукта

1. Прочетете внимателно ръководството за оператора и се уверете, че разбирате инструкциите.
2. Проверете режещото оборудване, за да се уверите, че то е правилно монтирано и регулирано. Вижте *За проверка на режещото оборудване на страница 30*.
3. Напълнете резервоара за гориво. Вижте *За наливане на гориво на страница 27*.
4. Напълнете резервоара за масло и проверете нивото на маслото. Вижте *За смяна на моторното масло на страница 31*.

## За наливане на гориво

Ако има наличен, използвайте нискоемисионен/алкалитен бензин. Ако няма наличен нискоемисионен/алкалитен бензин, използвайте висококачествен безоловен бензин или оловен бензин с октаново число, не по-малко от 90.



**ВНИМАНИЕ:** Не използвайте бензин с октаново число, по-малко от 90 RON (87 AKI). Това може да повреди продукта.

1. Отворете бавно капачката на резервоара за гориво, за да освободите налягането.

2. Заредете бавно резервоара от туба с гориво. Ако разлеете гориво, поийте го с кърпа и оставете горивото, което остане, да изсъхне.
3. Почистете областта около капачката на резервоара за гориво.
4. Затегнете капачката на резервоара за гориво докрай. Ако капачката на резервоара за гориво не е затегната, има риск от пожар.
5. Преди да включите двигателя, преместете продукта най-малко на 3 m (10 ft) от мястото, където сте заредили резервоара.

## За регулиране на височината на рязане

1. Преместете назад лоста за височина на рязане, за да увеличите височината на рязане.
2. Преместете напред лоста за височина на рязане, за да намалите височината на рязане. (Фиг. 26)



**ВНИМАНИЕ:** Не настройвайте твърде ниска височина на рязане. Ножовете могат да се ударят в земята, ако повърхността на моравата не е равна.

## За стартиране на продукта

1. Уверете се, че запалителният кабел е свързан към запалителната свещ.
2. Останете зад продукта.
3. Задръжте ръчката на спирачката на двигателя до управлението. (Фиг. 27)
4. Дръжте дръжката на стартерното въже с дясната си ръка.
5. Бавно издърпайте стартерното въже, докато почувствате някакво съпротивление.
6. Издърпайте силно шнура, докато двигателят запали.



**ПРЕДУПРЕЖДЕНИЕ:** Не навивайте стартерното въже около ръчката си.

## За да използвате задвижването на колелата

- Стартирайте задвижването на колелата с лоста за управление на оборотите от лявата страна на дръжката. Преместете лоста за управление на оборотите напред за увеличаване на оборотите и назад за намаляване. (Фиг. 28)
- Преди да дръпнете продукта назад, изключете задвижването и бутнете продукта напред приблизително 10 cm.

- Освободете дръжката за задвижване, за да изключите задвижването, например, когато приближите препятствие.

## Спиране на продукта

- За да спрете само задвижването, освободете дръжката за задвижване.
- За да спрете двигателя, освободете ръчката за спирачката на двигателя.

## За да използвате продукта с коша за трева



**ПРЕДУПРЕЖДЕНИЕ:** Не работете с продукта без монтиран кош за трева или без задният капак да е затворен. Възможно е да се изхвърлят предмети и да причинят нараняване на оператора.

1. Повдигнете задния капак и отстранете приставката за мулчиране, ако е монтирана. (Фиг. 29)
2. Сглобете коша за трева, вижте *За сглобяване на коша за трева на страница 27*.
3. Поставете коша за трева върху скобата.
4. Отпуснете задния капак и го поставете върху рамката на торбата за трева. (Фиг. 30)

## За да превключите продукта към режим на мулчиране

Уверете се, че двигателят е изключен, преди да превключите продукта към режим на мулчиране.

1. Повдигнете задния капак и отстранете коша за трева, ако е монтиран.
2. Поставете приставката за мулчиране в канала за разтоварване на тревата. (Фиг. 31)
3. Затворете задния капак и се уверете, че е добре затворен към приставката за мулчиране.

**Забележка:** За да увеличите производителността на режима на мулчиране, сменете ножа с ножа за мулчиране. Вижте *За сменяне на ножовете на страница 30*

## За да превключите продукта към режим на странично разтоварване

1. Повдигнете задния капак и отстранете торбата за трева, ако е монтирана.
2. Затворете задния капак и се уверете, че е добре затворен към продукта.
3. Повдигнете блокировката за разтоварване. (Фиг. 32)

- Отворете предпазителя за странично разтоварване и монтирайте страничния разтоварващ дефлектор върху опорните цифрове. (Фиг. 33)
  - Оставете предпазителя за странично разтоварване да се затвори към страничния разтоварващ дефлектор. Уверете се, че страничният разтоварващ дефлектор е фиксиран на позицията, преди да започнете работа с продукта.
- Не отрязвайте повече от  $\frac{1}{3}$  от дължината на тревата. Използвайте най-голямата височина на рязане, когато започнете да режете тревата. Вижте какъв е резултатът и намалете височината на рязане до подходящо ниво. Ако тревата е много висока, работете бавно и окосете 2 пъти, ако е необходимо.
  - Режете всеки път в различни посоки, за да избегнете образуването на линии в моравата.
  - Повдигнете задния капак и извадете коша за трева.
  - Ако има монтирани приставка за мулчиране и острие за мулчиране, извадете ги.
  - Затворете задния капак преди работа с продукта. Когато работите с продукта, изрязаната трева се извежда под задния капак.
  - Поддържайте капака за рязане чист. Натрупването на трева и замърсявания по вътрешната страна на капака на режещите части могат да намалят резултата от рязането. Вижте *За почистване на вътрешната повърхност на капака на режещите части на страница 30.*

## За изпраждане на коша за трева



**ВНИМАНИЕ:** Повдигнете коша за трева, когато го местите, за да предотвратите износване.

- Повдигнете коша за трева с ръкохватката на рамката.
- Използвайте ръкохватката на рамката и ръкохватката на торбичката, когато изпраждате коша за трева. (Фиг. 34)

## За получаване на добър резултат

- Винаги използвайте остър нож. Косенето със затъпен нож е неравномерно и окосената повърхност пожълтява. При работа с остър нож също така се използва по-малко енергия отколкото при работа със затъпен нож.

## Поддръжка

### Въведение



**ПРЕДУПРЕЖДЕНИЕ:** Преди да извършите техническо обслужване, трябва да прочетете и разберете главата за безопасност.

За всички работи по обслужването и поправката на продукта е необходимо специално обучение. Осигуряваме предлагане на професионални ремонти и обслужване. Ако Вашият дилър не предлага сервизно обслужване, се свържете с него, за да Ви даде информация за най-близкия сервиз.

За по-подробна информация направете справка с .

### График за техническо обслужване



**ВНИМАНИЕ:** Уверете се, че въздушният филтър е насочен нагоре, а не към земята, когато наклоняте продукта. Опасност от повреда на двигателя.

Интервалите за техническо обслужване са изчислени в зависимост от ежедневната употреба на продукта. Интервалите се променят, ако продуктът не се използва ежедневно.

За техническо обслужване, маркирано със \*, направете справка с инструкциите в *Устройствата за безопасност на продукта на страница 25.*

| Поддръжка  | Ежедневно | Всяка седмича | Всеки месец |
|--|-----------|---------------|-------------|
| Обща проверка  | X         |               |             |
| Проверка на нивото на маслото  | X         |               |             |
| Почистване на продукта   | X         |               |             |
| Преглед на режещото оборудване   | X         |               |             |
| Проверка на капака на режещите части *   | X         |               |             |
| Проверете ръчката на спирачката на двигателя *                                   | X         |               |             |
| Проверете управлението на спирачката на ножа *                                   | X         |               |             |
| Проверете ауспуха *  |           | X             |             |
| Проверка на запалителната свещ   |           | X             |             |
| Смяна на маслото (първи път след 5 ч употреба, след това на всеки 50 ч употреба) |           |               | X           |
| Почистете или сменете въздушния филтър   |           |               | X           |
| Проверка на горивната система  |           |               | X           |

### За извършване на обща проверка

- Уверете се, че всички гайки и винтове на продукта са затегнати правилно.

### За външно почистване на машината

- За отстраняване на листа, трева и прах използвайте четка.
- Уверете се, че смукателният въздухопровод в горната част на двигателя не е блокиран.
- Не мийте продукта с устройство за миене под високо налягане.
- Ако използвате вода за почистване на продукта, не насочвайте струята вода директно върху двигателя.

### За почистване на вътрешната повърхност на капака на режещите части

- Изпразнете резервоара за гориво.
- Поставете продукта да легне настрани с ауспуха надолу.



**ВНИМАНИЕ:** Ако продуктът се постави с въздушния филтър надолу, двигателят може да се повреди.

- Промийте вътрешната повърхност на капака на режещите части с вода.

### За проверка на режещото оборудване



**ПРЕДУПРЕЖДЕНИЕ:** За предотвратяване на случайно стартиране извадете запалителния кабел от запалителната свещ.



**ПРЕДУПРЕЖДЕНИЕ:** Носете защитни ръкавици, когато ще изпълнявате дейности, свързани с техническото обслужване на режещото оборудване. Ножът е много остър и можете лесно да се порежете.

- Проверете режещото оборудване за повреди или пукнатини. Винаги заменяйте повреденото режещо оборудване.
- Погледнете ножа, за да разберете дали не е повреден или затъпен.

**Забележка:** Необходимо е да балансирате ножа след заточване. Ножът се заточва, сменя и балансира от сервизен център. Ако ударите препятствие и вследствие на това продуктът спре, сменете повредения нож. Оставете специалистите в сервиза да преценят дали ножът ще трябва да се заточи, или да се смени.

### За сменяне на ножовете

- Застопорете ножа с дървен блок. (Фиг. 35)

- Отстранете придържания болт на ножовете, пружинната шайба и ножа. (Фиг. 36)
- Проверете носача на ножа и придържания болт на ножовете за повреди.
  - Ако замените ножа или носача на ножа, също така заменете придържания болт на ножовете, пружинната шайба и фрикционната шайба.
- Проверете дали двусекционният вал на двигателя не е огънат.
- Когато поставяте новия нож, уверете се, че извитите краища сочат по посока на капака срещу порязване. (Фиг. 37)
- Поставете фрикционната шайба и ножа към носача на ножа. (Фиг. 38)
- Уверете се, че ножът е подравнен с центъра на двусекционния вал на двигателя. (Фиг. 39)
- Застопорете ножа с дървен блок. (Фиг. 40)
- Поставете пружинната шайба и затегнете болта с въртящ момент от 43 – 47 Nm. (Фиг. 41)
- Раздвижете ножа на ръка и се уверете, че той се върти свободно.



### ПРЕДУПРЕЖДЕНИЕ:

Използвайте защитни ръкавици. Ножът е много остър и можете лесно да се порежете.

- Стартирайте продукта, за да тествате ножа. Ако ножът не е поставен правилно, продуктът вибира или резултатът от косенето е незадоволителен.

## За извършване на проверка на нивото на маслото



**ВНИМАНИЕ:** Твърде ниското ниво на маслото може да доведе до повреда на двигателя. Извършете проверка на нивото на маслото, преди да стартирате продукта.

- Поставете продукта на равна повърхност.
- Отстранете капачката на резервоара за масло и закрепената мерителна пръчка.
- Почистете маслото от мерителната пръчка.
- Потопете мерителната пръчка докрай в резервоара за масло, за да получите точна информация за нивото на маслото. Не закрепвайте капачката на резервоара за масло.
- Отстранете капачката на резервоара за масло и закрепената мерителна пръчка.
- Проверете какво е нивото на маслото на мерителната пръчка.

- Ако нивото на маслото е ниско, заредете моторно масло и отново извършете проверка на нивото му. (Фиг. 42)

**Забележка:** Използвайте фуния, за да предотвратите разливане.

- Монтирайте капачката на резервоара за масло, когато нивото на маслото е правилно.

## За смяна на моторното масло



### ПРЕДУПРЕЖДЕНИЕ:

Моторното масло е много горещо непосредствено след спирането на двигателя. Оставете двигателя да изстине, преди да източите моторното масло. Ако разлеете моторно масло върху кожата си, почистете със сапун и вода.

(Фиг. 43)

- Работете с продукта, докато резервоарът за гориво се изпразни.
- Отстранете запалителния кабел от запалителната свещ.
- Отстранете капачката на резервоара за масло и закрепената мерителна пръчка.
- Поставете съд под продукта, в който да се събере моторното масло.
- Наклонете продукта или източете моторното масло от резервоара за масло с помощта на маслена помпа (принадлежност).
- Заредете с ново моторно масло от препоръчания тип в *Технически характеристики на страница 34*.
- Извършете проверка на нивото на моторното масло. Направете справка с *За извършване на проверка на нивото на маслото на страница 31*.
- Монтирайте капачката на резервоара за масло, когато нивото на маслото е правилно.

## За извършване на проверка на запалителната свещ



**ВНИМАНИЕ:** Използвайте винаги запалителните свещи от препоръчания вид. Използването на запалителна свещ от неправилен тип може да причини повреда на продукта.

- Извършете проверка на запалителната свещ, ако двигателят е с понижена мощност, стартира трудно или работи неправомерно при обороти на празен ход.

- За да намалите риска от попадане на нежелани материали върху електродите на запалителната свещ, следвайте тези инструкции:
  - а) Проверете дали оборотите на празен ход са правилно регулирани.
  - б) Уверете се, че горивната смес е правилна.
  - в) Уверете се, че въздушният филтър е чист.
- Ако запалителната свещ е замърсена, я почистете и проверете дали разстоянието между електродите е правилно, направете справка с *Технически характеристики на страница 34*. (Фиг. 44)
- Сменете запалителната свещ, ако е необходимо.

## За почистване на въздушния филтър

Замърсен въздушен филтър може да причини повреда или неправилна работа на двигателя. Извършвайте техническо обслужване на устройството за пречистване на въздуха по-често в запрашена среда.

Направете справка с *График за техническо обслужване на страница 29* за информация относно това кога да смените въздушния филтър.

1. Отстранете капака на въздушния филтър и отстранете филтъра.
2. Почистете филтъра, като го чукнете в плоска повърхност. Не използвайте разтворител на нефтена основа, керосин или въздух под налягане, за да почистите филтъра.

**Забележка:** Въздушните филтри, които са използвани дълго време, не могат да бъдат почистени напълно. Сменяйте въздушния филтър редовно. Повредените въздушни филтри трябва винаги да се сменят.

3. Когато монтирате въздушния филтър, се уверете, че напълно пасва към държача на филтъра.

## За извършване на проверка на страничния разтоварващ дефлектор

Страничният разтоварващ дефлектор е закрепен към отвора за странично разтоварване на продукта. Той намалява риска от извърляне на предмети по посока на косящия оператор.

1. Уверете се, че страничният разтоварващ дефлектор не е повреден.
2. Проверете страничния разтоварващ дефлектор. Уверете се, че не виждате повреди, като например пукнатини или счупени пружини, които избухват вратата да се затвори.
3. Сменете страничния разтоварващ дефлектор или пружините, ако са повредени.

## За проверка на горивната система

- Проверете капачката на резервоара за гориво и уплътнението на капачката на резервоара за гориво, за да се уверите, че не са повредени.
- Проверете маркуча за горивото, за да се уверите, че не тече. Ако маркучът за горивото е повреден, той трябва да се смени от сервис.

## За източване на резервоара за гориво

1. Поставете съд под резервоара за гориво.
2. Отстранете капачката на резервоара за гориво.
3. Натиснете скобите на маркуча върху маркуча за гориво към карбуратора.
4. Отстранете маркуча за гориво от карбуратора.
5. Поставете маркуча на резервоара за гориво в съда и отстранете скобите на маркуча.
6. Наклонете продукта и източете горивото в съда.

## За смяна на горивния филтър



### ПРЕДУПРЕЖДЕНИЕ:

Използвайте защитни ръкавици.

1. Източете резервоара за гориво.
2. Преместете скобата на маркуча далеч от резервоара за гориво. (Фиг. 45)
3. Отстранете маркуча за гориво от резервоара за гориво. Възможно е да изтече малко количество гориво. (Фиг. 46)
4. Отстранете горивния филтър от резервоара за гориво. (Фиг. 47)
5. Монтирайте нов горивен филтър в резервоара за гориво.
6. Закрепете маркуча за гориво към резервоара за гориво.
7. Поставете скобата на маркуча на място към резервоара за гориво.

## За да регулирате кабела на съединителя

За следните ситуации е необходимо да намалите дължината на кабела на съединителя:

- Задвижването на колелата не се задейства, когато издърпате дръжката за задвижване или лоста за управление на скоростта.
- Продуктът се движи бавно, когато задвижването на колелата е задействано.

За следните ситуации е необходимо да увеличите дължината на кабела на съединителя:

- Продуктът се движи, когато задвижването на колелата е задействано.



- Регулирайте кабела на съединителя.
  - а) За да намалите дължината на кабела на съединителя, завъртете регулиращия винт обратно на часовниковата стрелка.
  - б) За да увеличите дължината на кабела на съединителя, завъртете регулиращия винт по часовниковата стрелка. (Фиг. 48)

Ако продуктът продължава да се движи незадоволително след регулирането, обърнете се към своя сервизен дистрибутор

---

## Транспортиране, съхранение и изхвърляне

---

### Транспорт и съхранение

- При съхранението и транспортирането на продукта и горивото се уверете, че няма течове или изпарения. Искри или открит огън, например от електрически уреди или котли може да възникне пожар.
- Винаги използвайте одобрени контейнери за съхранение и транспортиране на гориво.
- Изпразнете резервоара за гориво, преди да приберете продукта за съхранение за дълъг период от време. Изхвърлете горивото на подходящо за целта място
- Прикрепете продукта по безопасен начин по време на транспортирането, за да се предотвратят повреди и злополуки.
- Съхранявайте продукта под ключ, за да предотвратите достъпа до него на деца или лица, които не са упълномощени да го използват.
- Съхранявайте продукта на сухо и незамръзващо място.

### Изхвърляне

- Съблюдавайте местните изисквания за рециклиране и приложимите разпоредби.
- Изхвърлете всички химикали, като например двигателно масло или гориво, в сервизен център или на подходящо за целта място.
- Когато продуктът вече не се използва, изпратете го на Husqvarna дилър или го изхвърлете на място за рециклиране.

# Технически характеристики

## Технически характеристики

|   |  |
|---|--|
|   | LC 356VP   |
| <b>Двигател</b>   |  |
| Марка   | Honda  |
| Име на модел на двигател                                      | GCVx170  |
| Работен обем, cm <sup>3</sup>                                 | 166  |
| Скорост, об./мин  | 2800   |
| Номинална изходна мощност на двигателя, kW <sup>6</sup>       | 3,1  |
| <b>Запалителна система</b>                                    |  |
| Запалителна свещ  | NGK BPR5ES   |
| Разстояние между електродите, mm                              | 0,75   |
| <b>Горивна и смазочна система</b>                             |  |
| Гориво, безоловно, минимално октаново число                   | 90   |
| Капацитет на резервоара за гориво, литри                      | 0,9  |
| Капацитет на резервоара за масло, литър/cm <sup>3</sup>       | 0,4  |
| Моторно масло <sup>7</sup>                                    | Husqvarna SAE 30, Husqvarna SAE 5W-30 синтетично, Husqvarna SAE 10W-40 |
| <b>Тегло</b>  |  |
| С празни резервоари, kg                                       | 35,1   |
| <b>Шумови емисии<sup>8</sup></b>                              |  |
| Ниво на звуковата мощност, измерено, измерена dB (A)          | 98   |
| Ниво на звуковата мощност, гарантирано L <sub>WA</sub> dB (A) | 98   |
| <b>Нива на шума<sup>9</sup></b>                               |  |

<sup>6</sup> Номиналната мощност на двигателя е средната нетна мощност (при указаните об/мин) на стандартен двигател за модела двигател, измерен спрямо SAE стандарта J1349/ISO1585. Двигателите масово производство може да се отклоняват от тази стойност. Действителната изходна мощност за двигателя, инсталиран на крайния продукт, ще зависи от работната скорост, условията на околната среда и други стойности.

<sup>7</sup> Използвайте моторно масло с качество API SJ или по-високо. Ако се използва масло SAE-30 при температура, по-ниска от +5°C, съществува риск двигателят да не бъде смазан достатъчно. Това може да причини повреда на двигателя. Направете справка с *За смяна на моторното масло на страница 31* за правилното масло за ниски температури. Направете справка с таблицата с вискозитети в ръководството на двигателя (ако е включено) и изберете най-добрия вискозитет спрямо очакваната външна температура.

<sup>8</sup> Емисии на шума в околната среда, измерени като звукова мощност (L<sub>WA</sub>) в съответствие с директива на ЕО 2000/14/ЕО.

<sup>9</sup> Отчетените данни за нивото на звуковото налягане имат типична статистическа дисперсия (стандартно отклонение) от 1,2 dB (A).

|   |  |
|---|--|
|   | <b>LC 356VP</b>                          |
| Ниво на звуковото налягане при ухото на оператора, dB (A) | 86                                       |
| <b>Нива на вибрациите</b> <sup>10</sup>                   |  |
| Ръкохватка, m/s <sup>2</sup>                              | 5,9                                      |
| <b>Режещо оборудване</b>                                  |  |
| Височина на рязане, mm                                    | 25 – 75                                  |
| Ширина на рязане, mm                                      | 560                                      |
| Режеща система  | Събиране/BioClip®/странично разтоварване |
| Нож – стандартен  | Събиране 598562701                       |
| Нож – принадлежност                                       | Мулчиране 598563601                      |
| <b>Задвижване</b>   |  |
| Скорост, km/h   | 3,0 – 4,5                                |

<sup>10</sup> Отчетените данни за нивото на вибрациите имат типична статистическа дисперсия (стандартно отклонение) от 0,2 m/s<sup>2</sup>.

# Декларация за съответствие

## Декларация за съответствие на ЕС

Ние, **Husqvarna AB**, SE-561 82 Huskvarna, Швеция,  
тел.: +46-36-146500, декларираме на своя собствена  
отговорност, че продуктът:

|                      |                                  |
|----------------------|----------------------------------|
| <b>Описание</b>      | Косачка за трева                 |
| <b>Марка</b>         | Husqvarna                        |
| <b>Тип/модел</b>     | LC 356VP                         |
| <b>Идентификация</b> | Серийни номера от 2022 и нататък |

отговаря напълно на следните директиви и  
регламенти на ЕС:

| Регламент  | Описание   |
|------------|--|
| 2006/42/EO | "относно машините"   |
| 2014/30/EC | "относно електромагнитната съвместимост"   |
| 2000/14/EO | "относно шумовите емисии в околната среда"   |
| 2011/65/EC | "по отношение на ограничението за използване на определени опасни вещества в електрическо и електронно оборудване" |

и че следните стандарти и/или технически  
характеристики са приложени: EN ISO 5395-1:2013/  
A1:2018, EN ISO 5395-2:2013/A1:2016/A2:2017, EN  
ISO 14982:2009, EN IEC 63000:2018

Нотифициран орган: 0404, RISE SMP Svensk  
Maskinprovning AB, Box 4053, SE-904 03 Umeå,  
Sweden, сертифицира за съответствие с Директива  
на съвета 2000/14/EO, процедура за оценка на  
съответствието: приложение VI.

За информация относно шумови емисии направете  
справка с *Технически характеристики на страница  
34.*

Huskvarna, 2022-10-20



Claes Losdal, мениджър "Разработки и развитие/  
градински продукти", Husqvarna AB

Отговорен за техническата документация



---

## Obsah

---

|                 |    |                                       |    |
|-----------------|----|---------------------------------------|----|
| Úvod.....       | 37 | Údržba.....                           | 43 |
| Bezpečnost..... | 38 | Přeprava, skladování a likvidace..... | 46 |
| Montáž.....     | 41 | Technické údaje.....                  | 47 |
| Provoz.....     | 41 | Prohlášení o shodě.....               | 49 |

---

## Úvod

---

### Popis výrobku

Výrobek je rotační sekačka na trávu s péší obsluhou. Připevňte koš na trávu, který bude sbírat trávu. Namontujte deflektor pro boční vyhazování k provádění bočního vyhazování trávy. Připevňte mulčovací sadu, chcete-li používat posečenou trávu jako hnojivo.

### Popis výrobku

(Obr. 1)

1. Řídicí rukojeť
2. Páka brzdy motoru
3. Páka pojezdu
4. Rukojeť startéru
5. Zadní kryt
6. Koš na trávu
7. Knoflíky výšky rukojeti
8. Páka pro nastavení výšky sečení
9. Víčko nádrže na olej
10. Kryt bočního vyhazování
11. Tlumič výfuku
12. Zapalovací svíčka
13. Víčko palivové nádrže
14. Symboly
15. Kryt záčního ústrojí
16. Vzduchový filtr
17. Páka ovládnání rychlosti
18. Boční deflektor
19. Mulčovací vložka (příslušenství)
20. Návod k používání

### Symboly na výrobku

- (Obr. 2) **VAROVÁNÍ!** Buďte opatrní a výrobek používejte správně. Tento výrobek může způsobit obsluhu a dalším osobám vážné zranění.
- (Obr. 3) Před použitím si pozorně prostudujte tento návod k používání a nepoužívejte výrobek, pokud návodu zcela nerozumíte.
- (Obr. 4) Pozor na odvržené a odražené předměty.

### Zamýšlené použití

Výrobek použijte k sečení trávy. K jiným činnostem výrobek nepoužívejte.

- (Obr. 5) Zajistěte, aby se v pracovní oblasti a jejím okolí nezdržovaly nepovolané osoby či zvířata.
- (Obr. 6) Varování: Ruce a nohy udržte mimo dosah rotujícího nože.
- (Obr. 7) Varování: Ruce a nohy udržte mimo dosah rotujících částí.
- (Obr. 8) Před prováděním oprav a údržby vypněte motor a odpojte kabel zapalování.
- (Obr. 9) Tento výrobek vyhovuje příslušným směrnicím ES.
- (Obr. 10) Tento výrobek vyhovuje platným předpisům Spojeného království.
- (Obr. 11) Štítek s emisemi hluku do okolí podle směrnic a předpisů Evropské unie a Spojeného království a nařízení o regulaci hluku v australském Novém Jižním Walesu „Protection of the Environment Operations (Noise Control) Regulation 2017“. Garantovaná hladina akustického výkonu tohoto výrobku je uvedena v části *Technické údaje na straně 47* a na štítku.

---

**Povšimněte si:** Další symboly/štítky na výrobku se týkají certifikačních požadavků pro některé komerční oblasti.

---

### Poškození výrobku

Neneseme odpovědnost za poškození výrobku, pokud:

- byl výrobek nesprávně opraven.

## Emise Euro V



**VÝSTRAHA:** Manipulace s motorem vede k zneplatnění typového schválení EU tohoto výrobku.

- byl výrobek opraven pomocí součástí od jiného výrobce nebo součástí, které nejsou výrobcem schváleny.
- má výrobek příslušenství od jiného výrobce nebo příslušenství, které není výrobcem schváleno.
- výrobek nebyl opraven ve schváleném servisním středisku nebo schváleným odborníkem.

## Bezpečnost

### Definice týkající se bezpečnosti

Varování, upozornění a poznámky slouží jako upozornění na specifické důležité části návodu.



**VÝSTRAHA:** Používá se v případě nebezpečí úrazu nebo usmrcení obsluhy nebo okolních osob, pokud nejsou dodrženy pokyny uvedené v této příručce.



**VAROVÁNÍ:** Používá se v případě nebezpečí poškození výrobku, dalších materiálů či škod na majetku v blízkém okolí, pokud nejsou dodrženy pokyny uvedené v této příručce.

**Povšimněte si:** Používá se k poskytnutí dalších informací, které jsou nezbytné v dané situaci.

### Obecné bezpečnostní pokyny



**VÝSTRAHA:** Před použitím výrobku si přečtěte následující varování.

- Tento výrobek je nebezpečný, nepoužívá-li se správně nebo není-li věnována provozu řádná pozornost. Nedodržení bezpečnostních pokynů může vést ke zranění nebo usmrcení.
- Tento výrobek vytváří během provozu elektromagnetické pole. Toto pole může za určitých okolností narušovat funkci aktivních či pasivních implantovaných lékařských přístrojů. Za účelem snížení rizika možného zranění nebo smrtelného úrazu doporučujeme osobám s implantovanými lékařskými přístroji poradit se před použitím výrobku s lékařem a s výrobcem implantovaného lékařského přístroje.
- Buďte stále opatrní a používejte zdravý rozum. Pokud si nejste jisti, jak výrobek ovládat ve zvláštních situacích, vypněte jej a obraťte se na prodejce Husqvarna, než budete pokračovat v práci.
- Mějte na paměti, že obsluha je odpovědná za nehody a škody vzniklé jiným osobám nebo na jejich majetku.
- Udržujte výrobek čistý. Ujistěte se, že jsou značka a štítky dobře čitelné.

- Nedovolte osobám používat výrobek, nejste-li si jisti, že si přečetly návod k používání a porozuměly jeho obsahu.
- Nedovolte dětem používat výrobek.
- Udržujte děti mimo pracovní oblast. Vždy musí být přítomna zodpovědná dospělá osoba.
- Nedovolte, aby výrobek obsluhovala osoba, která nezná pokyny.
- Vždy dohlížejte na osoby s fyzickým nebo mentálním postižením při práci s výrobkem. Vždy musí být přítomna zodpovědná dospělá osoba.
- Nepoužívejte výrobek, jste-li unavení, nemocní nebo pod vlivem alkoholu, drog nebo léků. To by mohlo ovlivnit váš zrak, ostražitost, koordinaci a úsudek.
- Nepoužívejte výrobek, který je poškozený nebo nefunguje správně.
- Nikdy neupravujte výrobek a nepoužívejte jej, pokud je možné, že jej upravil někdo jiný.
- Neměňte nastavení regulace otáček motoru.

### Bezpečnost pracovního prostoru



**VÝSTRAHA:** Před použitím výrobku si přečtěte následující varování.

- Před použitím výrobku, odklíďte z pracovní oblasti předměty, jako jsou větve, větvičky a kameny.
- Předměty, které mohou být zachyceny žacími ústrojími mohou být odmrštěny a způsobit zranění osob a poškození předmětů. Udržujte osoby v okolí a zvířata v bezpečné vzdálenosti od výrobku.
- Nikdy nepoužívejte výrobek za špatného počasí, jako je mlha, déšť, silný vítr, intenzivní chlad a nebezpečí blesku. Použití výrobku za špatného počasí nebo ve vlhkých či mokrych podmínkách je namáhavé. Nepříznivé počasí může vytvořit nebezpečné podmínky, např. kluzký povrch.
- Dávejte pozor na osoby, předměty a situace, které mohou bránit bezpečnému provozu výrobku.
- Dávejte pozor na překážky, jako jsou kořeny, kameny, větve, díry a příkopy. Vysoká tráva může překážky skrýt.
- Sečení trávy na svazích může být nebezpečné. Nepoužívejte výrobek na svahu se sklonem větším než 15°.
- S výrobkem jezděte po vrstevnicích. Nepohybujte se na svahu nahoru a dolů.

- Postupujte opatrně v blízkosti skrytých rohů a objektů, které mohou bránit ve výhledu.

## Bezpečnost práce



**VÝSTRAHA:** Před použitím výrobku si přečtěte následující varování.

- Tento výrobek použijte výhradně k sečení trávy. Není dovoleno používat výrobek k jiným činnostem.
- Používejte osobní ochranné prostředky. Další informace naleznete v části *Osobní ochranné prostředky na strani 39*.
- Ujistěte se, že víte, jak v případě nouze rychle zastavit motor.
- Nikdy nespustíte motor v uzavřených prostorech nebo v blízkosti hořlavého materiálu. Výfukové plyny z motoru jsou horké a mohou obsahovat jiskry, které by mohly zažehnout požár.
- Neprovozujte výrobek, pokud není správně namontovaný nůž a všechny kryty. V opačném případě by se mohl nůž uvolnit a způsobit zranění osob.
- Zajistěte, aby nůž nenarazil do předmětů, jako jsou kameny a kořeny. Mohlo by dojít k poškození nože a ohnutí hřídele motoru. Ohnutý hřídel způsobuje velké vibrace a hrozí velmi vysoké riziko uvolnění nože.
- Pokud nůž narazí do nějakého předmětu nebo se objeví vibrace, okamžitě zastavte výrobek. Odpojte kabel zapalování od zapalovací svíčky. Zkontrolujte, zda není výrobek poškozený. Opravte poškozené díly nebo svěřte opravu schválenému servisnímu pracovníkovi.
- Po nastartování motoru nikdy nepřipevňujte páku brzd motoru trvale k rukojeti sekačky.
- Umístěte výrobek na stabilní, rovný povrch a nastartujte jej. Zkontrolujte, zda nůž nemůže přijít do kontaktu se zemí nebo cizími objekty.
- Při provozu vždy stůjte za výrobkem.
- Při provozu nechte všechna kola spočívat na zemi a držte rukojeť oběma rukama. Ruce a nohy udržujte mimo dosah rotujících nožů.
- Nenaklánějte výrobek, když je spuštěný motor.
- Dávejte pozor při tažení výrobku dozadu.
- Nikdy nezvedejte výrobek, když je spuštěný motor. Pokud musíte výrobek zvednout, nejprve vypněte motor a odpojte kabel zapalování od zapalovací svíčky.
- Při provozování výrobku nechoďte směrem dozadu.
- Před přejezdem ploch bez trávy, jako jsou cesty vytvořené ze šterku, kamenů nebo asfaltu, vypněte motor.
- Neběhejte s výrobkem, když je spuštěný motor. Při provozu výrobku vždy chodte.
- Před změnou výšky sečení vypněte motor. Nikdy neprovádějte seřizování při spuštěném motoru.

- Nikdy nenechte výrobek se spuštěným motorem bez dozoru. Vypněte motor a ujistěte se, že se žací ústrojí neotáčí.

## Bezpečnostní pokyny pro provoz

### Osobní ochranné prostředky



**VÝSTRAHA:** Před použitím výrobku si přečtěte následující varování.

- Osobní ochranné prostředky nemohou zcela eliminovat nebezpečí úrazu, ale v případě nehody pomáhají snížit míru poranění. Požádejte prodejce, aby vám pomohl vybrat správné vybavení.
- Používejte ochranu sluchu, pokud je hladina hluku vyšší než 85 dB.
- Používejte odolnou obuv s protiskluzovou podrážkou. Nepoužívejte otevřenou obuv ani nepracujte naboso.
- Používejte silné, dlouhé kalhoty.
- Při určitých činnostech používejte ochranné rukavice, například při nasazování, prohlídce nebo čištění žacího ústrojí.

### Bezpečnostní zařízení na produktu



**VÝSTRAHA:** Před použitím výrobku si přečtěte následující varování.

- Nepoužívejte výrobek s poškozenými bezpečnostními zařízeními nebo se zařízeními, která nefungují správně.
- Pravidelně kontrolujte bezpečnostní zařízení. Pokud jsou bezpečnostní zařízení poškozená nebo nefungují správně, obraťte se na servis Husqvarna.
- Neprovádějte úpravy bezpečnostních zařízení.

### Kontrola krytu žacího ústrojí

Kryt žacího ústrojí snižuje vibrace výrobku a snižuje nebezpečí poranění nožem.

- Zkontrolujte kryt žacího ústrojí, aby bylo zajištěno, že nevykazuje známky poškození, např. praskliny.

### Kontrola rukojeti brzdy motoru

Páka brzdy motoru slouží k zastavení motoru. Když uvolníte páku motoru, motor se zastaví.

- Nastartujte motor a poté uvolněte rukojeť brzdy motoru. Pokud se motor nevypne během 3 sekund, požádejte schváleného servisního pracovníka Husqvarna o seřízení brzdy motoru. (Obr. 12)

### Kontrola zadního krytu

Zadní deflektor snižuje riziko vylétávání předmětů směrem k obsluze.

- Zkontrolujte, zda není zadní kryt poškozený.
- Zkontrolujte, zda nejsou pružiny, které zavírají zadní kryt, poškozené.
- Vyměňte poškozené pružiny a další poškozené díly.
- Zkontrolujte, zda se zadní kryt může plynule pohybovat na závěsech.

### Tlumič výfuku

Tlumič výfuku je určen k omezení úrovně hluku na minimum a k usměrnění výfukových plynů směrem od obsluhy.

Nepoužívejte výrobek bez tlumiče výfuku nebo s poškozeným tlumičem. Poškozený tlumič zvyšuje úroveň hluku a nebezpečí požáru.



**VÝSTRAHA:** Tlumič výfuku je během provozu a po použití velmi horký, i když motor pracuje na volnoběžné otáčce. Aby se zabránilo požáru, dbejte zvýšené opatrnosti v blízkosti hořlavých materiálů a plynů.

### Kontrola tlumiče výfuku

- Pravidelně kontrolujte tlumič výfuku, aby bylo zajištěno, že je řádně upevněný a že není poškozený.

### Bezpečnost při manipulaci s palivem



**VÝSTRAHA:** Před použitím výrobku si přečtěte následující varování.

- Pokud je na výrobku palivo nebo olej, nespouštějte ho. Nechtěné palivo/olej z výrobku odstraňte a nechte výrobek uschnout.
- Pokud si palivem polijete oblečení, okamžitě se převlékněte.
- Zabraňte styku paliva s tělem, může způsobit zranění. Pokud se polijete palivem, omyjte zasažené místo vodou a mýdlem.
- Nepouštějte motor, pokud z něj něco uniká. Pravidelně kontrolujte, jestli z motoru nic neuniká.
- Při manipulaci s palivem buďte opatrní. Palivo je hořlavé a výpary jsou výbušné a mohou způsobit vážné nebo smrtelné zranění.
- Nevdechujte palivové výpary, mohou způsobit zranění. Zajistěte dostatečný průtok vzduchu.
- V blízkosti paliva ani motoru nekuřte.
- Do blízkosti paliva ani motoru neumístejte horké předměty.
- Nedoplňujte palivo, když je motor zapnutý.

- Než začnete doplňovat palivo, přesvědčte se, že je motor studený.
- Než doplníte palivo, pomalu otevřete uzávěr palivové nádrže a opatrně uvolněte tlak.
- Palivo do motoru nedoplňujte ve vnitřních prostorech. Nedostatečné proudění vzduchu může způsobit zranění nebo smrt udušením nebo otravou oxidem uhelnatým.
- Pevně dotáhněte víčko palivové nádrže. Není-li víčko palivové nádrže dotažené, hrozí nebezpečí požáru.
- Než výrobek spustíte, přejděte s ním minimálně 3 metry od místa, kde jste doplňovali palivo.
- Nenaplňujte palivovou nádrž na maximum. Teplem dochází k rozpinání paliva. V horní části palivové nádrže ponechte volný prostor.
- Výrobek s palivem v palivové nádrži nikdy neskladujte uvnitř budovy, ve které jsou zdroje zapálení, jako jsou horkovodní a sálavá topná tělesa nebo sušičky prádla. Před skladováním v uzavřeném prostoru nechte motor vychladnout.

### Bezpečnostní pokyny pro údržbu



**VÝSTRAHA:** Před použitím výrobku si přečtěte následující varování.

- Výfukové plyny obsahují oxid uhelnatý, jedovatý a velmi nebezpečný plyn bez zápachu. Nenechávejte motor spuštěný ve vnitřních nebo uzavřených prostorech.
- Před prováděním údržby výrobku nejprve vypněte motor a odpojte kabel zapalování od zapalovací svíčky.
- Při provádění údržby žacího ústrojí používejte ochranné rukavice. Nůž je velmi ostrý a může snadno dojít k pořezání.
- Příslušenství a změny výrobku, které neschválí výrobce, mohou způsobit vážné zranění nebo úmrtí. Neprovádějte změny na výrobku. Vždy používejte výhradně příslušenství schválené výrobcem.
- Při nesprávném nebo nepravidelném provádění údržby se zvyšuje nebezpečí poranění a poškození výrobku.
- Provádějte pouze údržbu uvedenou v tomto návodu k používání. Veškerý ostatní servis musí provést schválený servisní pracovník Husqvarna.
- Servis výrobku by měl provádět schválený servisní pracovník Husqvarna v pravidelných intervalech.
- Poškozené, opotřeбенé či prasklé součásti vyměňte.



---

# Montáž

---

## Úvod



**VÝSTRAHA:** Před montáží výrobku je třeba, abyste si přečetli a porozuměli kapitole o bezpečnosti.



**VÝSTRAHA:** Před montáží výrobku sejměte koncovku kabelu zapalovací svíčky ze zapalovací svíčky.

## Montáž řídítek

**Povšimněte si:** Tento postup doporučujeme provádět ve dvou lidech.

**Povšimněte si:** Při montáži řídítek nevyjímejte výrobek z krabice. Krabici lze během montáže použít jako podpěru pro řídítka.

1. Zvedněte a otočte řídítka. (Obr. 13)



**VAROVÁNÍ:** Řídítka otáčejte opatrně, aby nedošlo k poškození kabelu.

2. Nasaďte řídítka na výrobek. Nakloňte řídítka a opřete je o krabici. Podívejte se na obrázek. (Obr. 14)
3. Prostrčte šroub (A) rukojeti (B), plastovou podložkou (C) a podpurným držákem řídítek (D). (Obr. 15)
4. Zcela utáhněte matici (E).
5. Vyjměte výrobek z krabice.
6. Zvedněte řídítka do vzpřímené polohy. (Obr. 16)
7. Nastavte výšku řídítek do nejnižší polohy. Viz část *Nastavení rukojeti na strani 41*.
8. Připojte kabel ke spodní části řídítek pomocí kabelové svorky. (Obr. 17)
9. Stahovacím páskem připevněte dolní část kabelu k podpurnému držáku řídítek. Odřízněte zbývající část stahovacího pásku. (Obr. 18)

**Povšimněte si:** Zkontrolujte, zda je kabel správně připevněn. Pokud je kabel příliš volný, může se při instalaci koše na trávu poškodit. (Obr. 19)

## Nastavení rukojeti

1. Povolte spodní matice.
2. Posuňte knoflíky na spodní konec drážek na pravé i na levé straně výrobku. (Obr. 20)
3. Nastavte výšku rukojeti do jedné ze 2 dostupných poloh.
4. Posuňte knoflíky směrem k rukojeti, dokud se nezastaví a neuslyšíte cvaknutí. (Obr. 21)
5. Knoflíky řádně utáhněte.

## Nastavení produktu do přepravní polohy

1. Sundejte koš na trávu (je-li nainstalovaný).
2. Povolte spodní matice.
3. Posuňte knoflíky na spodní konec drážek na pravé i na levé straně výrobku. (Obr. 20)
4. Sklopte rukojeť dopředu. (Obr. 22)

## Nastavení výrobku do provozní polohy

1. Sklopte rukojeť do vzpřímené polohy. (Obr. 23)
2. Posuňte knoflíky směrem k rukojeti, dokud se nezastaví a neuslyšíte cvaknutí. (Obr. 21)
3. Knoflíky řádně utáhněte.

## Montáž koše na trávu

1. Vložte rám do koše na trávu tak, aby pevná část koše směřovala dolů. Rukojeť rámu musí zůstat na vnější horní části koše. (Obr. 24)
2. Upevněte koš na trávu k rámu pomocí svorek. (Obr. 25)

---

# Provoz

---

## Úvod



**VÝSTRAHA:** Před používáním produktu je třeba, abyste si přečetli a porozuměli kapitole o bezpečnosti.

## Husqvarna Connect

Husqvarna Connect je bezplatná aplikace pro mobilní zařízení. Aplikace Husqvarna Connect dodá vašemu výrobku Husqvarna doplňkové funkce:

- Rozšířené informace o výrobku.
- Informace o dílech a servisu a nápověda pro tyto položky.

## Jak začít používat aplikaci Husqvarna Connect

1. Stáhněte si aplikaci Husqvarna Connect do svého mobilního zařízení.
2. V aplikaci Husqvarna Connect se zaregistrujte.
3. Při připojování a registraci výrobku postupujte podle pokynů v aplikaci Husqvarna Connect.

## Před použitím výrobku

1. Pozorně si prostudujte tento návod k používání a nepoužívejte výrobek, pokud návodu zcela nerozumíte.
2. Zkontrolujte žací ústrojí, aby bylo zajištěno, že je řádně připevněné a nastavené. Viz *Kontrola žacího ústrojí na strani 44*.
3. Naplňte palivovou nádrž. Viz *Doplňování paliva na strani 42*.
4. Doplňte olej do olejové nádrže a zkontrolujte hladinu oleje. Viz *Výměna motorového oleje na strani 45*.

## Doplňování paliva

Pokud možno používejte alkylátový benzín s nízkými emisemi. Není-li k dostání alkylátový benzín s nízkými emisemi, používejte kvalitní bezolovnatý benzín nebo olovnatý benzín s oktanovým číslem nejméně 90.



**VAROVÁNÍ:** Nepoužívejte benzín s oktanovým číslem nižším než 90 RON (87 AKI). Můžete tím výrobek poškodit.

1. Víčko palivové nádrže otevřete pomalu, aby se uvolnil tlak.
2. Palivo doplňte pomalu z kanystru. Dojde-li k rozlítí paliva, odstraňte jej utěrkou a zbývající palivo nechte vypařit.
3. Očistěte plochu kolem víčka palivové nádrže.
4. Pevně dotáhněte víčko palivové nádrže. Není-li víčko palivové nádrže dotažené, hrozí nebezpečí požáru.
5. Než výrobek spustíte, přejděte s ním minimálně 3 m (10 stop) od místa, kde jste doplňovali palivo.

## Nastavení výšky sečení

1. Chcete-li zvýšit výšku sečení, posuňte páku pro nastavení výšky sečení dozadu.
2. Posunem páky pro nastavení výšky sečení dopředu výšku sečení snížíte. (Obr. 26)



**VAROVÁNÍ:** Nenastavujte výšku sečení příliš nízko. V případě, že není povrch trávníku rovný, mohou nože přijít do styku se zemí.

## Spuštění výrobku

1. Zkontrolujte, zda je kabel zapalování připojený k zapalovací svíče.
2. Postavte se za výrobek.
3. Držte páku motorové brzdy přitisknutou k rukojeti sekačky. (Obr. 27)
4. Uchopte rukojeť startovací šňůry pravou rukou.
5. Pomalu vytáhněte startovací šňůru, dokud neucítíte odpor.
6. Nastartuje motor silným zatáhnutím za šňůru.



**VÝSTRAHA:** Nikdy si neomotávejte startovací šňůru kolem ruky.

## Použití pohonu kol ( )

- Spusťte pohon kol pomocí páky ovládání rychlosti na levé straně rukojeti. Posunutím páky ovládání rychlosti dopředu zvýšíte rychlost a posunutím dozadu ji snížíte. (Obr. 28)
- Pokud chcete táhnout výrobek dozadu, odpojte pohon a zatlačte výrobek dopředu přibližně 10 cm.
- V blízkosti překážek uvolněte páku pojezdu, aby se deaktivoval pohon.

## Zastavení výrobku

- Chcete-li zastavit pojezd, uvolněte páku pojezdu.
- Motor zastavíte uvolněním páky brzdy motoru.

## Používání výrobku s košem na trávu



**VÝSTRAHA:** Nepoužívejte výrobek bez instalovaného koše na trávu nebo s otevřeným zadním krytem. Vyletující předměty mohou zranit obsluhu.

1. Zdvihněte zadní kryt a vyjměte mulčovací vložku, je-li instalovaná. (Obr. 29)
2. Sestavte koš na trávu podle části *Montáž koše na trávu na strani 41*.
3. Vložte koš na trávu do držáku.
4. Uvolněte zadní kryt a položte ho na horní stranu rámu koše na trávu. (Obr. 30)

## Přestavba výrobku na režim mulčování

Než začnete s přestavbou výrobku na režim mulčování, zkontrolujte, zda je motor vypnutý.

1. Zdvihněte zadní kryt a demontujte koš na trávu, je-li instalovaný.
2. Vložte do kanálu výhozu trávy mulčovací vložku. (Obr. 31)
3. Zavřete zadní kryt a zkontrolujte, zda je pevně zavřený a těsně přiléhá k mulčovací vložce.

**Povšimněte si:** Chcete-li zvýšit výkon režimu mulčování, vyměňte nůž za mulčovací (příslušenství). Viz část *Postup výměny nože na straní 44*

## Přestavba výrobku na režim bočního vyhazování

1. Zdvihněte zadní kryt a demontujte koš na trávu, je-li instalovaný.
2. Zavřete zadní kryt a zkontrolujte, zda je pevně zavřený a těsně přiléhá k výrobku.
3. Zvedněte pojistku vyhazování. (Obr. 32)
4. Otevřete kryt bočního vyhazování a namontujte deflektor bočního vyhazování na podpůrné čepy. (Obr. 33)
5. Zavřete kryt bočního vyhazování tak, aby spočíval na deflektoru bočního vyhazování. Zkontrolujte, zda je deflektor pro boční vyhazování důkladně upevněný, než budete výrobek používat.

## Vyprázdnění koše na trávu



**VAROVÁNÍ:** Při přesouvání koš na trávu zvedněte, aby se zabránilo jeho opotřebení.

1. Zdvihněte koš na trávu pomocí rukojeti na rámu.
2. Při vyprázdnění koše na trávu použijte rukojeť na rámu a rukojeť na koši. (Obr. 34)

## Jak docílit dobrých výsledků

- Použijte vždy ostrý nůž. Při použití tupého nože je stříh nepravidelný a posečený povrch trávy žlutne. Ostrý nůž také vyžaduje méně energie než tupý nůž.
- Nesekejte více než 1/3 výšky trávy. Při prvním sekání trávy použijte nejvyšší výšku sekání. Zkontrolujte výsledek a případně snižte výšku sečení na požadovanou úroveň. Pokud je tráva velmi vysoká, sekejte pomalu a v případech potřeby 2krát.
- Sekejte vždy v jiném směru, aby na trávníku nevznikly pruhy.
- Zvedněte zadní kryt a vyjměte koš na trávu.
- Pokud je namontována mulčovací vložka a mulčovací nůž, odstraňte je.
- Než začnete s výrobkem pracovat, zavřete zadní kryt. Při práci s výrobkem bude posečená tráva vylétávat pod zadním krytem.
- Udržujte kryt žacího ústrojí čistý. Nahromaděná tráva a nečistoty na vnitřní straně krytu žacího ústrojí mohou zhoršit výsledek sečení. Další informace jsou uvedeny v části *Čištění vnitřního povrchu krytu žacího ústrojí na straní 44*.

## Údržba

### Úvod



**VÝSTRAHA:** Před prováděním údržby je třeba, abyste si přečetli kapitolu o bezpečnosti a porozuměli jí.

Pro servis a opravy výrobku je nezbytné speciální školení. Garantujeme dostupnost profesionálních oprav a servisu. Pokud prodejce neposkytuje servisní služby, požádejte jej o informace o nejbližším servisu.

Podrobnější informace jsou uvedeny v části .

### Plán údržby



**VAROVÁNÍ:** Když nakláníte výrobek, ujistěte se, že vzduchový filtr je na horní straně a ne vespod. Hrozí poškození motoru.

Intervaly údržby se vypočítávají na základě každodenního používání výrobku. Intervaly se mění, není-li výrobek používán denně.

U údržby označené symbolem \* vyhledejte pokyny v části *Bezpečnostní zařízení na produktu na straní 39*.

| Údržba                                    | Denně | Týdně | Měsíčně |
|---|-------|-------|---------|
| Proveďte běžnou kontrolu.                 | X     |       |         |
| Zkontrolujte hladinu oleje.               | X     |       |         |
| Vyčistěte výrobek.                        | X     |       |         |
| Zkontrolujte žací ústrojí.                | X     |       |         |
| Zkontrolujte kryt žacího ústrojí.*        | X     |       |         |
| Zkontrolujte páku brzdy motoru.*          | X     |       |         |
| Zkontrolujte ovládání brzdy žacího nože.* | X     |       |         |
| Zkontrolujte tlumič výfuku.*              |       | X     |         |

| Údržba  | Denně | Týdně | Měsíčně |
|---|-------|-------|---------|
| Zkontrolujte zapalovací svíčku.   |       | X     |         |
| Vyměňte olej (poprvé po 5 h používání, poté po každých 50 h používání). |       |       | X       |
| Vyčistěte nebo vyměňte vzduchový filtr.                                 |       |       | X       |
| Zkontrolujte palivový systém.   |       |       | X       |

## Provedení běžné kontroly

- Zajistěte, aby byly všechny matice a šrouby na výrobku správně dotaženy.

## Čištění výrobku zvnějšku

- Pomocí kartáče odstraňte listí, trávu a nečistoty.
- Zkontrolujte, zda není přívod vzduchu v horní části motoru ucpaný.
- K čištění produktu nepoužívejte vodu pod vysokým tlakem.
- Pokud používáte vodu k čištění motoru, nestříkejte ji přímo na motor.

## Čištění vnitřního povrchu krytu žacího ústrojí

- Vyprázdňte palivovou nádrž.
- Položte výrobek na bok s výfukem dole.



**VAROVÁNÍ:** Pokud byste položili výrobek se vzduchovým filtrem dole, mohl by se poškodit motor.

- Opláchněte vodou z hadice vnitřní povrch krytu žacího ústrojí.

## Kontrola žacího ústrojí



**VÝSTRAHA:** Aby se zabránilo náhodnému spuštění, odpojte kabel zapalování od zapalovací svíčky.



**VÝSTRAHA:** Při provádění údržby žacího ústrojí používejte ochranné rukavice. Nůž je velmi ostrý a může snadno dojít k pořezání.

- Zkontrolujte žací ústrojí ohledně poškození a prasklin. Poškozené žací ústrojí vždy vyměňte.
- Prohlédněte nůž a zkontrolujte, zda není poškozený nebo tupý.

**Povšimněte si:** Po ostření je nezbytné nůž vyvážit. Výměnu, ostření a vyvážení nože svěřte servisnímu středisku. Dojde-li k nárazu do překážky, po kterém dochází k vypínání výrobku, vyměňte poškozený

nůž. O tom, zda je možné nůž nabrousit či zda je nutné ho vyměnit, rozhodne servisní středisko.

## Postup výměny nože

- Zajistěte nůž pomocí dřevěného špalíku. (Obr. 35)
- Odmontujte šroub nože, pružnou podložku a nůž. (Obr. 36)
- Zkontrolujte, zda nejsou unášec nože a šroub nože poškozené.
  - Při výměně nože nebo unášec nože rovněž vyměňte šroub nože, pružnou podložku a třecí podložku.
- Prohlédněte hřídel motoru a ujistěte se, zda není ohnutý.
- Při montáži nového nože se ujistěte, že jsou konce nože zahnuté ve směru krytu žacího ústrojí. (Obr. 37)
- Nasaďte třecí podložku a nůž na unášec nože. (Obr. 38)
- Zkontrolujte, zda je nůž zarovnaný se středem hřídele. (Obr. 39)
- Zajistěte nůž pomocí dřevěného špalíku. (Obr. 40)
- Nasaďte pružnou podložku a dotáhněte šroub utahovacím momentem 43 – 47 Nm. (Obr. 41)
- Otočte nožem rukou a zkontrolujte, zda se volně otáčí.
- Nastartujte výrobek a proveďte test nože. Pokud není nůž správně připevněn, výrobek vibruje a výsledky sečení nejsou uspokojivé.



**VÝSTRAHA:** Používejte ochranné rukavice. Nůž je velmi ostrý a může snadno dojít k pořezání.

## Kontrola hladiny oleje



**VAROVÁNÍ:** Příliš nízká hladina oleje může způsobit poškození motoru. Před spuštěním výrobku zkontrolujte hladinu oleje.

- Umístěte výrobek na rovnou plochu.
- Sejměte víčko olejové nádrže s olejovou měrkou.
- Setřete olej z olejové měry.

4. Zasuňte měрку až na doraz do olejové nádrže a zkontrolujte hladinu oleje. Nepřipevňujte víčko olejové nádrže.
5. Sejměte víčko olejové nádrže s olejovou měrkou.
6. Zkontrolujte hladinu oleje na olejové měrce.
7. Pokud je hladina nízká, doplňte motorový olej a znovu zkontrolujte hladinu oleje. (Obr. 42)

**Povšimněte si:** Použijte trychtýř, aby nedošlo k rozlítí.

8. Když je hladina oleje správná, nasadte víčko olejové nádrže.

## Výměna motorového oleje



**VÝSTRAHA:** Motorový olej je bezprostředně po vypnutí motoru velmi horký. Před vypuštěním nechte motorový olej vychladnout. Pokud si potřísníte pokožku motorovým olejem, omyjte ji mýdlem a vodou.

(Obr. 43)

1. Nechte výrobek běžet, dokud nebude palivová nádrž prázdná.
2. Odmontujte kabel zapalování od zapalovací svíčky.
3. Sejměte víčko olejové nádrže s olejovou měrkou.
4. Umístěte nádobu pod výrobek tak, aby do něj mohl vytéct motorový olej.
5. Nakloňte výrobek nebo vypusťte motorový olej z olejové nádrže pomocí olejového čerpadla (příslušenství).
6. Doplňte nový motorový olej typu doporučeného v části *Technické údaje na strani 47*.
7. Zkontrolujte hladinu oleje. Další informace jsou uvedeny v části *Kontrola hladiny oleje na strani 44*.
8. Když je hladina oleje správná, nasadte víčko olejové nádrže.

## Kontrola zapalovací svíčky



**VAROVÁNÍ:** Vždy používejte doporučený typ zapalovacích svíček. Nesprávný typ zapalovací svíčky může způsobit poškození výrobku.

- Zkontrolujte zapalovací svíčku, pokud má motor malý výkon, špatně startuje nebo nefunguje správně ve volnoběžných otáčkách.
- Aby se snížilo nebezpečí přítomnosti nechtěných materiálů na elektrodách zapalovací svíčky, dodržujte tyto pokyny:
  - a) Zkontrolujte, zda jsou správně nastaveny volnoběžné otáčky.
  - b) Zkontrolujte správnost palivové směsi.

c) Zkontrolujte, zda je vzduchový filtr čistý.

- Jestliže je zapalovací svíčka znečištěná, vyčistěte ji a zkontrolujte, zda je elektrodová vzdálenost zapalovací svíčky správná, viz část *Technické údaje na strani 47*. (Obr. 44)
- V případě potřeby zapalovací svíčku vyměňte.

## Čištění vzduchového filtru

Znečištěný vzduchový filtr může vést k poškození motoru nebo k jeho nesprávnému fungování. V prašných podmínkách provádějte údržbu čističe vzduchu častěji.

Viz část *Plán údržby na strani 43* s informacemi, kdy vyměnit vzduchový filtr.

1. Odmontujte kryt vzduchového filtru a filtr.
2. Vyčistěte filtr poklepáním o rovný povrch. K čištění filtru nepoužívejte ředidla na bázi petroleje, kerosin ani stlačený vzduch.

**Povšimněte si:** Vzduchové filtry, které byly dlouho v provozu, nelze zcela vyčistit. Vzduchový filtr vyměňujte v pravidelných intervalech. Poškozené vzduchové filtry je nutno vždy vyměnit.

3. Při montáži vzduchového filtru zkontrolujte, zda plně těsní proti svému držáku.

## Kontrola deflektoru pro boční výhoz

Deflektor pro boční výhoz je připevněn k otvoru pro boční výhoz na výrobku. Při sečení snižuje nebezpečí odmrštění předmětů směrem k obsluze.

1. Zkontrolujte, zda není deflektor pro boční výhoz poškozený.
2. Zkontrolujte deflektor pro boční výhoz. Zkontrolujte přítomnost poškození, jako jsou praskliny nebo prasklé pružiny, které tlačí dvířka do zavěšené polohy.
3. V případě poškození vyměňte deflektor pro boční výhoz nebo pružiny.

## Kontrola palivového systému

- Prohlédněte víčko palivové nádrže a těsnění víčka a ujistěte se, že nejsou poškozené.
- Prohlédněte hadici přívodu paliva a ujistěte se, že nedochází k úniku. Pokud je hadice přívodu paliva poškozená, požádejte servisního pracovníka o výměnu.

## Vypuštění palivové nádrže

1. Pod palivovou nádrž umístěte nádobu.
2. Odšroubujte víčko palivové nádrže.
3. Zatlačte na hadicové svorky na hadici přívodu paliva proti karburátoru.
4. Demontujte hadice přívodu paliva od karburátoru.
5. Vložte hadici palivové nádrže do nádoby a odstraňte hadicové svorky.

6. Nakloňte výrobek a nechte palivo vytéct do nádoby.

## Výměna palivového filtru

---



**VÝSTRAHA:** Používejte ochranné rukavice.

---

1. Vypust'te palivovou nádrž.
2. Sejměte hadicovou sponu z palivové nádrže. (Obr. 45)
3. Demontujte hadici přívodu paliva z palivové nádrže. Může uniknout malé množství paliva. (Obr. 46)
4. Demontujte palivový filtr z palivové nádrže. (Obr. 47)
5. Vložte do palivové nádrže nový palivový filtr.
6. Připevněte hadici přívodu paliva k palivové nádrži.
7. Připevněte hadicovou sponu k palivové nádrži.

## Seřízení lanka spojky ( )

V následujících situacích je nutné zkrátit lanko spojky:

- Pohon kol se po zatažení páky pojezdu nebo páky ovládání rychlosti neaktivuje.
- Výrobek se při aktivaci pohonu kol pohybuje pomalu.

V následujících situacích je nutné prodloužit lanko spojky:

- Výrobek se pohybuje, když není pohon kol aktivní.
- Seřídte lanko spojky.
  - a) Pokud chcete zkrátit lanko spojky, otočte seřizovacím šroubem proti směru hodinových ručiček.
  - b) Pokud chcete prodloužit lanko spojky, otočte seřizovacím šroubem po směru hodinových ručiček. (Obr. 48)

Pokud je pojezd výrobku i po seřízení nevyhovující, kontaktujte autorizovaný servis.

---

## Přeprava, skladování a likvidace

---

### Přeprava a skladování

- Před uskladněním a přepravou výrobku či paliva zkontrolujte, zda nejsou přítomny známky úniku nebo výparů. Jiskry a otevřený oheň, například z elektrických zařízení nebo kotlů, mohou zažehnout požár.
- Vždy používejte schválené nádoby na skladování a přepravu paliva.
- Před dlouhodobým skladováním výrobku vyprázdněte palivovou nádrž. Odevzdejte palivo na příslušném sběrném místě
- Během přepravy musí být výrobek bezpečně upevněn, aby se zabránilo jeho poškození a nehodám.
- Skladujte výrobek na uzamčeném místě, aby se zamezilo přístupů dětí a neoprávněných osob.
- Uchovávejte výrobek na suchém a bezprašném místě.

### Likvidace

- Dodržujte místní požadavky ohledně recyklace a platné předpisy.
- Odevzdejte všechny chemikálie, například motorový olej nebo palivo, v servisním středisku nebo na příslušném sběrném místě.
- Nehodláte-li výrobek dále používat, odešlete jej prodejci Husqvarna nebo jej dopravte do recyklační stanice.

# Technické údaje

## Technické údaje

|   |   |
|---|---|
|   | <b>LC 356VP</b>   |
| <b>Motor</b>  |   |
| Značka  | Honda   |
| Název modelu motoru   | GCVx170   |
| Zdvihový objem, cm <sup>3</sup>                             | 166   |
| Rychlost, ot/min  | 2800  |
| Jmenovitý výkon motoru, kW <sup>11</sup>                    | 3,1   |
| <b>Systém zapalování</b>                                    |   |
| Zapalovací svíčka   | NGK BPR5ES  |
| Elektrodová vzdálenost, mm                                  | 0,75  |
| <b>Systém mazání a palivový systém</b>                      |   |
| Palivo, bezolovnaté, minimální oktanové číslo               | 90  |
| Objem palivové nádrže, litry                                | 0,9   |
| Objem olejové nádrže, litry                                 | 0,4   |
| Motorový olej <sup>12</sup>                                 | Husqvarna SAE 30, Husqvarna SAE 5W-30 Synthetic, Husqvarna SAE 10W-40 |
| <b>Hmotnost</b>   |   |
| S prázdnými nádržemi, kg                                    | 35,1  |
| <b>Emise hluku<sup>13</sup></b>                             |   |
| Hladina akustického výkonu, změřená dB (A)                  | 98  |
| Hladina akustického výkonu, zaručená L <sub>WA</sub> dB (A) | 98  |
| <b>Hladiny hluku<sup>14</sup></b>                           |   |
| Hladina akustického tlaku na sluch obsluhy, dB (A)          | 86  |
| <b>Úrovně vibrací<sup>15</sup></b>                          |   |

<sup>11</sup> Uvedený jmenovitý výkon motoru je průměrný čistý výkon (při specifikovaných ot/min) typického motoru pro model motoru měřený podle normy SAE J1349/ISO1585. Sériově vyráběné motory se od této hodnoty mohou lišit. Skutečný výstupní výkon motoru instalovaného na konečném výrobku závisí na provozních otáčkách, povětrnostních podmínkách a dalších hodnotách.

<sup>12</sup> Používejte pouze motorový olej kvality API SJ nebo vyšší. Pokud použijete olej SAE-30 při teplotě nižší než +5 °C, hrozí nebezpečí nedostatečného promazání motoru. Může dojít k poškození motoru. Správný olej pro nízké teploty najdete v části *Výměna motorového oleje na straně 45*. Podívejte se do tabulky viskozity v návodu k motoru (pokud je k dispozici) a vyberte nejlepší viskozitu podle předpokládané venkovní teploty.

<sup>13</sup> Emise hluku do okolního prostředí měřené jako akustický výkon (L<sub>WA</sub>) v souladu se směrnicí 2000/14/ES.

<sup>14</sup> Uváděná data pro hladinu tlaku zvuku mají typickou statistickou odchylku (standardní odchylku) 1,2 dB (A).

<sup>15</sup> Uváděná data o úrovni vibrací mají typickou statistickou odchylku (standardní odchylku) 0,2 m/s<sup>2</sup>.

|                           |                               |
|---------------------------|-------------------------------|
|                           | <b>LC 356VP</b>               |
| Řídítka, m/s <sup>2</sup> | 5,9                           |
| <b>Žací ústrojí</b>       |                               |
| Výška sečení, mm          | 25–75                         |
| Šířka sečení, mm          | 560                           |
| Žací systém               | Sběr / BioClip® / boční výhoz |
| Nůž – standardní          | Sběr 598562701                |
| Nůž – příslušenství       | Mulčovací 598563601           |
| <b>Pohon</b>              |                               |
| Rychlost, km/h            | 3–4,5                         |



# Prohlášení o shodě

## Prohlášení o shodě EU

Společnost **Husqvarna AB**, SE-561 82 Huskvarna, Švédsko, tel.: +46-36-146500, na svou výhradní odpovědnost prohlašuje, že výrobek:

|                     |                                   |
|---------------------|-----------------------------------|
| <b>Popis</b>        | Sekačka na trávu                  |
| <b>Značka</b>       | Husqvarna                         |
| <b>Typ/Model</b>    | LC 356VP                          |
| <b>Identifikace</b> | Výrobní čísla od roku 2022 a dále |

je zcela ve shodě s následujícími směrnicemi a předpisy EU:

| <b>Nařízení</b> | <b>Popis</b>  |
|-----------------|---|
| 2006/42/ES      | „o strojních zařízeních“  |
| 2014/30/EU      | „o elektromagnetické kompatibilitě“   |
| 2000/14/ES      | „týkající se emisí hluku do okolního prostředí“   |
| 2011/65/EU      | „o omezení používání některých nebezpečných látek v elektrických a elektronických zařízeních“ |

a že byly použity následující normy nebo technické specifikace: EN ISO 5395-1:2013/A1:2018, EN ISO 5395-2:2013/A1:2016/A2:2017, EN ISO 14982:2009, EN IEC 63000:2018

Oznámený subjekt: 0404, RISE SMP Svensk Maskinprovning AB, Box 4053, SE-904 03 Umeå, Sweden obdržel osvědčení o shodě se směrnicí rady 2000/14/ES, postup posouzení shody: Dodatek VI.

Informace o emisích hluku najdete v části *Technické údaje na strani 47*.

Huskvarna, 2022-10-20



Claes Losdal, ředitel vývoje zahradního sortimentu, Husqvarna AB

Osoba odpovědná za technickou dokumentaci



---

# Indhold

---

|                 |    |   |    |
|-----------------|----|---|----|
| Indledning..... | 50 | Vedligeholdelse.....                        | 56 |
| Sikkerhed.....  | 51 | Transport, opbevaring og bortskaffelse..... | 59 |
| Montering.....  | 54 | Tekniske data.....                          | 60 |
| Drift.....      | 54 | Overensstemmelseserklæring.....             | 62 |

---

## Indledning

---

### Produktbeskrivelse

Produktet er en roterende plæneklipper med gående fører. Monter græsopsamleren for at opsamle græs. Monter sideudkastdeflektoren for sideudkast af græsset. Monter et bioklipsæt, og klip græsset til gødning.

### Produktoversigt

(Fig. 1)

1. Styr
2. Motorbremsehåndtag
3. Bøjle til fremtræk
4. Startsnorens håndgreb
5. Bageste dæksel
6. Græsopsamler
7. Styr til højdejustering
8. Klippehøjdehåndtag
9. Oliedæksel
10. Sideudkastdæksel
11. Lyddæmper
12. Tændrør
13. Brændstoftankdæksel
14. Symboler
15. Klippeskjold
16. Luftfilter
17. Omdrejningsreguleringsgreb
18. Sidedeflektor
19. Bioklipblænde (tilbehør)
20. Brugsanvisning

### Symboler på produktet

(Fig. 2) **ADVARSEL!** Vær forsigtig, og brug produktet korrekt. Dette produkt kan forårsage alvorlig personskade eller død for brugeren eller andre.

(Fig. 3) Læs brugervejledningen omhyggeligt igennem, og sørg for at have forstået instruktionerne, inden du bruger produktet.

(Fig. 4) Pas på udslyngede genstande og rikolettering.

### Anvendelsesformål

Brug produktet til at slå græs. Brug ikke produktet til andre opgaver.

(Fig. 5) Hold uvedkommende personer og dyr på sikker afstand af arbejdsstedet.

(Fig. 6) **Advarsel:** Hold hænder og fødder på sikker afstand af den roterende kniv.

(Fig. 7) **Advarsel:** Hold hænder og fødder væk fra bevægelige dele.

(Fig. 8) Stands motoren, og fjern tændingskablet, før der udføres reparationer eller vedligeholdelsesarbejde.

(Fig. 9) Dette produkt er i overensstemmelse med gældende EF-direktiv.

(Fig. 10) Dette produkt er i overensstemmelse med gældende UK-bestemmelser.

(Fig. 11) Mærkat vedrørende emission af støj til omgivelserne i henhold til direktiver og regulativer i EU og Storbritannien og New South Wales' lovgivning om "Beskyttelse af miljøet (støjbegrænsning) forordning 2017". Produktets garanterede lydeffektivniveau er angivet i *Tekniske data* på side 60 og på mærkaten.

---

**Bemærk:** Andre symboler/mærkater på produktet henviser til certificeringskrav i visse handelsområder.

---

### Skader på produktet

Vi er ikke ansvarlige for skader på vores produkt, hvis:

- produktet er forkert repareret.
- produktet er repareret med dele, der ikke er fra producenten eller ikke er godkendt af producenten
- produktet har tilbehør, der ikke er fra producenten eller ikke er godkendt af producenten.

- produktet ikke er repareret på et godkendt servicecenter eller af en godkendt myndighed.

## Euro V-emissioner



**ADVARSEL:** Ved manipulation af motoren bortfalder EU-typegodkendelsen af dette produkt.

## Sikkerhed

### Sikkerhedsdefinitioner

Advarsler, forholdsregler og bemærkninger bruges til at pege på særligt vigtige dele af brugsanvisningen.



**ADVARSEL:** Bruges, hvis føreren udsætter sig selv eller omkringstående personer for risiko for personskade eller dødsfald ved tilsidesættelse af instruktionerne i brugsanvisningen.



**BEMÆRK:** Bruges, hvis der er risiko for skader på produktet, andre materialer eller det omgivende område ved tilsidesættelse af instruktionerne i brugsanvisningen.

**Bemærk:** Bruges til at give yderligere oplysninger, der er nødvendige i en given situation.

### Generelle sikkerhedsinstruktioner



**ADVARSEL:** Læs følgende advarselsinstruktioner, inden du bruger produktet.

- Dette produkt er farligt, hvis det bruges forkert, eller hvis du ikke er forsigtig. Personskade eller dødsfald kan forekomme, hvis du ikke overholder sikkerhedsinstruktionerne.
- Dette produkt danner et elektromagnetisk felt under betjening. Dette felt kan i visse tilfælde påvirke aktive eller passive medicinske implantater. For at reducere risikoen for alvorlige eller dødbringende kvæstelser anbefaler vi, at personer med medicinske implantater kontakter deres læge og producenten af det medicinske implantat, før de tager produktet i brug.
- Vær altid forsigtig, og brug din sunde fornuft. Hvis du ikke er sikker på, hvordan produktet betjenes en særlig situation: Stop, og kontakt Husqvarna-forhandleren, inden du fortsætter.
- Vær opmærksom på, at brugeren er ansvarlig for ulykker, der involverer andre personer eller disses ejendom.
- Hold produktet rent. Sørg for, at skilte og mærkater er tydeligt læsbare.

- Lad ikke en person bruge produktet, medmindre du er sikker på, at vedkommende har læst og forstået indholdet i denne brugervejledning.
- Lad ikke børn betjene produktet.
- Hold børn væk fra arbejdsområdet. En voksen skal være til stede hele tiden.
- Lad ikke en person uden kendskab til anvisningerne betjene produktet.
- Hold altid øje med personer med nedsat fysisk eller mental kapacitet, der bruger produktet. En voksen skal være til stede hele tiden.
- Brug ikke produktet, hvis du er træt, syg eller påvirket af alkohol, narkotika eller medicin. Det har en negativ virkning på synet, overblikket, koordinationsevnen og dømmekraften.
- Brug ikke et produkt, der er beskadiget eller ikke fungerer korrekt.
- Foretag ikke ændringer på produktet, og undlad at bruge det, hvis der er risiko for, at det er blevet ændret af andre.
- Foretag ikke ændringer i justeringen af motoromdrejningsstyringen.

### Sikkerhed i arbejdsområdet



**ADVARSEL:** Læs følgende advarselsinstruktioner, inden du bruger produktet.

- Fjern genstande såsom grene, kviste og sten fra arbejdsområdet, inden du bruger produktet.
- Genstande, som rammer skæreudstyret, kan udslynges og forårsage person- og tingskade. Hold omkringstående personer og dyr på sikker afstand af produktet.
- Undlad at bruge produktet i dårligt vejr, som f.eks. tåge, regn, hård vind, kraftig kulde og ved risiko for lynnedslag. Det kan være trættende at bruge produktet i dårligt vejr eller i fugtige eller våde områder. Dårligt vejr kan medføre farlige forhold, f.eks. glatte underlag.
- Pas på personer, genstande og situationer, som kan forhindre sikker brug af produktet.
- Pas på forhindringer som f.eks. rødder, sten, kviste, huller og grøfter. Langt græs kan skjule hindringer.
- Det kan være farligt at klippe græs på skrånninger. Brug ikke produktet på skrånninger, der hældes mere end 15°.
- Lad produktet køre på tværs af skrånninger. Kø ikke op og ned.

- Vær forsigtig, når du nærmer dig uoverskuelige hjørner og genstande, som blokerer for udsynet.

## Arbejdssikkerhed



**ADVARSEL:** Læs følgende advarselsinstruktioner, inden du bruger produktet.

- Brug kun produktet til græsslåning. Det er ikke tilladt at bruge det til andre opgaver.
- Bær personligt beskyttelsesudstyr. Se *Personligt beskyttelsesudstyr på side 52*.
- Sørg for, at du ved, hvordan du standser motoren hurtigt i nødstilfælde.
- Start aldrig motoren i et lukket rum eller i nærheden af brandfarlige materialer. Motorens udstødningssgasser er varme og kan indeholde gnister, som kan forårsage brand.
- Betjen ikke produktet, medmindre klingens og alle afskærmninger er monteret korrekt. En forkert monteret klinge kan løsne sig og forårsage personskade.
- Sørg for, at klingens ikke rammer genstande som f.eks. sten og rødder. Det kan beskadige kniven og bøje motorakslen. En bøjet aksel giver kraftige vibrationer og stor risiko for, at kniven løsner sig.
- Hvis kniven rammer en genstand, eller der opstår vibrationer, skal du straks standse produktet. Tag tændkablet af tændrøret. Undersøg, om produktet er blevet beskadiget. Reparer skader, eller lad et autoriseret serviceværksted udføre reparationen.
- Fastgør aldrig motorbremsehåndtaget permanent på styret, når motoren er startet.
- Anbring produktet på et stabilt, fladt underlag, og start det. Sørg for, at kniven ikke rammer jorden eller andre genstande.
- Hold dig altid bag produktet, mens du betjener det.
- Lad alle hjulene blive på jorden, og hold 2 hænder på styret, når du betjener produktet. Hold hænder og fødder på sikker afstand af de roterende klinger.
- Tip ikke produktet, når motoren er startet.
- Vær forsigtig, når du trækker produktet baglæns.
- Løft aldrig produktet, når motoren er startet. Hvis du skal løfte produktet, skal du først standse motoren og frakoble tændkablet fra tændrøret.
- Gå ikke baglæns, når du bruger produktet.
- Stands motoren, når du bevæger dig hen over områder uden græs, f.eks. stier med grus, sten og asfalt.
- Undlad at køre med produktet, når motoren er startet. Gå altid fremad, når du bruger produktet.
- Stands motoren, inden du ændrer klippehøjden. Foretag aldrig justeringer, når motoren er startet.
- Efterlad aldrig produktet uden opsyn, når motoren er startet. Stands motoren, og sørg for, at skæreudstyret ikke roterer.

## Sikkerhedsinstruktioner for drift

### Personligt beskyttelsesudstyr



**ADVARSEL:** Læs følgende advarselsinstruktioner, inden du bruger produktet.

- Personligt beskyttelsesudstyr udelukker ikke fuldstændigt risikoen for personskader, men det mindsker graden af skaderne i tilfælde af, at der skulle ske en ulykke. Lad forhandleren hjælpe dig med at vælge det rigtige udstyr.
- Brug høreværn, hvis støjniveauet er højere end 85 dB.
- Brug kraftige, skridsikre støvler eller sko. Brug ikke åbne sko, og gå heller ikke på bare fødder.
- Brug kraftige, lange bukser.
- Brug om nødvendigt beskyttelsehandsker, f.eks. ved montering, eftersyn eller rengøring af skæreudstyret.

### Sikkerhedsanordninger på produktet



**ADVARSEL:** Læs følgende advarselsinstruktioner, inden du bruger produktet.

- Brug ikke et produkt med sikkerhedsanordninger, der er beskadigede eller ikke fungerer korrekt.
- Kontrollér sikkerhedsanordningerne regelmæssigt. Hvis sikkerhedsanordningerne er beskadigede eller ikke fungerer korrekt, skal du kontakte din Husqvarna-serviceforhandler.
- Foretag ikke ændringer på sikkerhedsanordninger.

### Sådan kontrolleres klippeskjoldet

Klippeskjoldet mindsker vibrationer i produktet og reducerer risikoen for skader fra klingens.

- Undersøg klippeskjoldet for at sikre, at der ikke er skader såsom revner.

### Sådan kontrolleres motorbremsehåndtaget.

Motorbremsehåndtaget standser motoren. Når motorbremsehåndtaget slippes, standser motoren.

- Start motoren, og slip derefter motorbremsehåndtaget. Hvis motoren ikke standser inden for 3 sekunder, skal et godkendt Husqvarna serviceværksted justere motorbremsen. (Fig. 12)

### Sådan kontrolleres den bageste dæksel

Den bageste deflektor mindsker risikoen for, at genstande slynges ud i retning af føreren.

- Sørg for, at det bageste dæksel ikke er beskadiget.
- Sørg for, at fjedrene, der lukker det bageste dæksel, ikke er i stykker.

- Udskift beskadigede fjedre og ødelagte dele.
- Sørg for, at det bageste dæksel bevæger sig frit på hængslerne.

### Lyddæmper

Lyddæmperen sikrer et minimalt støjniveau og sender udstødningsgasserne væk fra føreren.

Brug ikke produktet, hvis lyddæmperen mangler eller er beskadiget. En beskadiget lyddæmper øger støjniveauet og risikoen for brand.



**ADVARSEL:** Lyddæmperen bliver meget varm under og efter brug, og når motoren kører i tomgang. Vær forsigtig i nærheden af brandfarlige materialer og/eller dampe for at forhindre brand.

### Sådan kontrolleres lyddæmperen

- Efterse lyddæmperen regelmæssigt for at sikre, at den er monteret korrekt og ikke er beskadiget.

### Brændstofsikkerhed



**ADVARSEL:** Læs følgende advarselsinstruktioner, inden du bruger produktet.

- Start ikke produktet, hvis der er brændstof eller motorolie på produktet. Fjern uønsket brændstof/olie og lad produktet tørre.
- Hvis du får brændstof på dit tøj, skal du skifte tøj med det samme.
- Undgå at få brændstof på kroppen, da det kan forårsage personskader. Hvis du får brændstof på huden, skal du bruge sæbe og vand til at fjerne brændstoffet.
- Start ikke produktet, hvis motoren lækker. Undersøg regelmæssigt motoren for lækager.
- Vær forsigtig med brændstof. Det er letantændeligt, og dampe er eksplosive og kan medføre personskader eller dødsfald.
- Undgå at indånde brændstoffdampene, da det kan forårsage personskader. Sørg for, at der er tilstrækkelig luftstrøm.
- Ryg ikke i nærheden af brændstof eller motoren.
- Anbring ikke varme genstande i nærheden af brændstof eller motoren.
- Fyld ikke brændstof på, når motoren er tændt.
- Sørg for, at motoren er afkølet, inden du fylder brændstof på.
- Før du fylder brændstof på, skal du åbne brændstoftankens dæksel langsomt og forsigtigt udløse trykket.

- Fyld ikke brændstof på motoren i et indendørs område. Utilstrækkelig luftstrøm kan forårsage personskader eller dødsfald på grund af kvælning eller kulilte.
- Spænd brændstoftankens dæksel helt. Hvis brændstoftankens dæksel ikke spændes, opstår der risiko for brand.
- Flyt produktet minimum 3 m fra det sted, hvor du fyldte tanken, før du starter det.
- Fyld aldrig brændstoftanken helt op. Varme får brændstoffet til at udvide sig. Sørg for at bevare ledig plads øverst i brændstoftanken.
- Opbevar aldrig produktet med brændstof i brændstoftanken inde i en bygning, hvor der er antændelseskilder som f.eks. vandvarmere, rumvarmere eller tørretumblere. Lad motoren køle af, inden maskinen opbevares i nogen form for indelukke.

### Sikkerhedsinstruktioner for vedligeholdelse



**ADVARSEL:** Læs følgende advarselsinstruktioner, inden du bruger produktet.

- Udstødningsgasserne fra motoren indeholder kulilte, som er en lugtfri, giftig og meget farlig gasart. Undlad at starte motoren indendørs eller i lukkede rum.
- Før der udføres vedligeholdelse af produktet, standses motoren, og tændkablet tages af tændrøret.
- Brug handsker, når du udfører vedligeholdelse på skæreudstyret. Klingen er meget skarp, og du kan nemt komme til at skære dig.
- Tilbehør til og ændringer på produktet, som ikke er godkendt af producenten, kan medføre alvorlig personskade eller dødsfald. Undlad at ændre produktet. Brug altid reservedele, der er godkendt af producenten.
- Hvis vedligeholdelsen ikke udføres korrekt og regelmæssigt, øges risikoen for personskade og beskadigelse af produktet.
- Foretag kun den form for vedligeholdelse, der er angivet i denne instruktionsbog. Eventuel anden service skal udføres af et godkendt Husqvarna serviceværksted.
- Lad et godkendt Husqvarna serviceværksted foretage regelmæssig service af produktet.
- Udskift beskadigede, slidte eller defekte dele.

---

# Montering

---

## Indledning



**ADVARSEL:** Inden brug af produktet skal du læse og forstå kapitlet om sikkerhed.



**ADVARSEL:** Fjern tændrørskablet fra tændrøret inden samling af produktet.

## Sådan samles håndtaget

**Bemærk:** Det anbefales, at 2 personer udfører denne procedure.

**Bemærk:** Fjern ikke produktet fra æsken, når du samler håndtaget. Æsken kan bruges som støtte for håndtaget under samlingen.

1. Løft og drej håndtaget. (Fig. 13)



**BEMÆRK:** Vær forsigtig, og sørg for, at kablet ikke bliver beskadiget, når du drejer håndtaget.

2. Sæt håndtaget oven på produktet. Vip håndtaget mod kassen for at understøtte håndtaget. Se illustrationen. (Fig. 14)
3. Skub skruen (A) gennem håndtaget (B), plastikskiven (C) og håndtagets støttebeslag (D). (Fig. 15)
4. Spænd møtrikken (E) helt.
5. Fjern produktet fra æsken.
6. Fold håndtaget ud i opretstående stilling. (Fig. 16)
7. Indstil håndtagshøjden til den laveste position. Se *Sådan justeres håndtaget på side 54*.
8. Fastgør kablet til den nederste del af håndtaget med kabelklemmen. (Fig. 17)
9. Fastgør den nederste del af kablet til håndtagets støttebeslag med kabelbinderen. Skær den resterende del af kabelbinderen af. (Fig. 18)

**Bemærk:** Sørg for, at kablet er fastgjort korrekt. Er kablet for løst, kan det blive beskadiget, når græsopsamleren monteres. (Fig. 19)

## Sådan justeres håndtaget

1. Løsn de nederste skruerhåndtag.
2. Flyt grebene til den nederste ende af rillerne på venstre og højre side af produktet. (Fig. 20)
3. Sæt håndtagets højde i en af de 2 mulige stillinger.
4. Flyt grebene op i retning af håndtaget, indtil de stopper, og der høres et klik. (Fig. 21)
5. Spænd skruerhåndtagene hårdt.

## Sådan sættes produktet i transportposition

1. Fjern græsopsamleren (hvis monteret).
2. Løsn de nederste skruerhåndtag.
3. Flyt grebene til den nederste ende af rillerne på venstre og højre side af produktet. (Fig. 20)
4. Fold håndtaget fremad. (Fig. 22)

## Sådan sættes produktet i driftstilling

1. Fold håndtaget ud i opretstående stilling. (Fig. 23)
2. Flyt grebene op i retning af håndtaget, indtil de stopper, og der høres et klik. (Fig. 21)
3. Spænd skruerhåndtagene hårdt.

## Sådan samles græsopsamleren

1. Fastgør græsopsamlerens ramme til græsposen med den afstivede del af posen nederst. Sørg for, at håndtaget på rammen er uden for toppen af posen. (Fig. 24)
2. Fastgør græsposen til rammen ved hjælp af clipsene. (Fig. 25)

---

## Drift

---

## Indledning



**ADVARSEL:** Før du bruger produktet, skal du læse og forstå kapitlet om sikkerhed.

## Husqvarna Connect

Husqvarna Connect er en gratis app til din mobile enhed. Appen Husqvarna Connect giver udvidede funktioner til dit Husqvarna produkt:

- Yderligere produktoplysninger.
- Oplysninger om, og hjælp til, dele og service.

## Sådan kommer du i gang med at bruge Husqvarna Connect

1. Download Husqvarna Connect appen på din mobile enhed.
2. Tilmeld dig i Husqvarna Connect appen.
3. Følg instruktionerne i Husqvarna Connect appen for at tilslutte og registrere produktet.

## Før du bruger produktet

1. Læs brugsanvisningen omhyggeligt igennem, og sørg for at have forstået instruktionerne.
2. Undersøg skæredstyret for at sikre, at det er korrekt monteret og justeret. Se *Sådan efterses skæredstyret på side 57*.
3. Fyld brændstoftanken. Se *Sådan påfyldes brændstof på side 55*.
4. Fyld olietanken, og efterses oliestanden. Se *Sådan udskiftes motorolien på side 58*.

## Sådan påfyldes brændstof

Brug om muligt miljø-/alkylatbenzin. Hvis du ikke har mulighed for at bruge miljø-/alkylatbenzin, anvendes en blyfri benzin af god kvalitet eller blyholdig benzin med et oktantal ikke under 90.



**BEMÆRK:** Brug ikke benzin med et oktantal mindre end 90 RON (87 AKI). Det kan forårsage skader på produktet.

1. Åbn brændstoftankens dæksel langsomt for at aflaste trykket.
2. Påfyld brændstof langsomt med en benzindunk. Hvis du spilder brændstof, fjernes det med en klud. Lad resterende brændstof fordampe.
3. Rengør omkring brændstoftankens dæksel.
4. Spænd brændstoftankens dæksel helt. Hvis brændstoftankens dæksel ikke spændes, opstår der risiko for brand.
5. Flyt produktet minimum 3 m fra det sted, hvor du fyldte tanken, før du starter det.

## Sådan indstilles klippehøjden

1. Flyt klippehøjdehåndtaget bagud for at øge klippehøjden.
2. Flyt klippehøjdehåndtaget fremad for at mindske klippehøjden. (Fig. 26)



**BEMÆRK:** Indstil ikke klippehøjden for lavt. Knivene kan ramme jorden, hvis græsplænsens overflade ikke er jævn.

## Sådan startes produktet

1. Kontroller, at tændkablet er tilsluttet til tændrøret.
2. Stil dig bag produktet.

3. Hold motorbremsehåndtaget ind mod styret. (Fig. 27)
4. Hold fast i startsnorens håndgreb med højre hånd.
5. Træk langsomt startsnoren ud, indtil der føles modstand.
6. Træk kraftigt, indtil motoren starter.



**ADVARSEL:** Vikl aldrig startsnoren rundt om hånden.

## Sådan bruges hjulenes fremtræk ()

- Start fremtrækket på hjulene med omdrejningsreguleringsgrebet på venstre side af håndtaget. Flyt omdrejningsreguleringsgrebet fremad for at øge hastigheden og bagud for at nedsætte hastigheden. (Fig. 28)
- Før produktet trækkes baglæns, frakobles fremtrækket, og produktet skubbes ca. 10 cm fremad.
- Slip bøjlen til fremtrækket for at frakoble det, f.eks. når du nærmer dig en forhindring.

## Sådan standses produktet

- For kun at standse drevet slippes bøjlen til fremtrækket.
- Motoren standses ved at slippe motorbremsehåndtaget.

## Sådan betjenes produktet med græsopsamleren



**ADVARSEL:** Betjen ikke produktet uden monteret græsopsamler eller med det bageste dæksel åben. Objekter kan blive slynget ud og forårsage skader på føreren.

1. Løft det bageste dæksel, og fjern bioklipproppen, hvis den er monteret. (Fig. 29)
2. Saml græsopsamleren, se *Sådan samles græsopsamleren på side 54*.
3. Fastgør græsopsamleren til beslaget.
4. Skru det bageste dæksel af, og sæt det oven på græsopsamlerrammen. (Fig. 30)

## Sådan ændres produktet til biokliptilstand

Sørg for, at motoren er standset, før du ændrer produktet til biokliptilstand.

1. Løft det bageste dæksel, og fjern græsopsamleren, hvis den er monteret.
2. Sæt bioklipproppen i udkastkanalen. (Fig. 31)
3. Luk det bageste dæksel, og sørg for, at det slutter tæt til bioklipproppen.

**Bemærk:** Hvis du vil øge bioklipfunktionens ydeevne, skal du udskifte kniven med bioklipknivtilbehøret. Se *Sådan udskiftes klingen på side 57*

## Sådan ændres produktet, så græsset kastes til siden

1. Løft det bageste dæksel, og fjern græsposen, hvis den er monteret.
2. Luk det bageste dæksel, og sørg for, at det slutter tæt til produktet.
3. Løft udkasterlåsen. (Fig. 32)
4. Åbn sideudkastafskærmningen, og monter sideudkastdeflektoren på støttestifterne. (Fig. 33)
5. Lad sideudkastafskærmningen lukke mod sideudkastdeflektoren. Sørg for, at sideudkastdeflektoren sidder helt fast, før du betjener produktet.

## Sådan tømmes græsopsamleren



**BEMÆRK:** Løft græsopsamleren, når du flytter den, for at undgå slitage.

1. Løft græsopsamleren med rammens håndtag.
2. Brug ramnehåndtaget og posens håndtag, når du tømmer græsopsamleren. (Fig. 34)

## Sådan opnår du et godt resultat

- Sørg altid for, at klingen er skarp. En sløv klinge giver et uregelmæssigt resultat, og græssets snitflade bliver gul. En skarp klinge bruger desuden mindre energi end en sløv klinge.
- Klip aldrig mere end  $\frac{1}{3}$  af græssets længde. Benyt den højeste klippehøjde, når du begynder at slå græsset. Efterse resultatet, og sænk derefter klippehøjden til det ønskede niveau. Hvis græsset er meget højt, skal du køre langsomt og om nødvendigt klippe 2 gange.
- Klip i forskellige retninger hver gang for at undgå striber i græsplænen.
- Løft bagklappen, og tag græsopsamleren ud.
- Hvis der er monteret en bioklipprop og en findelingsklinge, skal de fjernes.
- Luk det bageste dæksel, før du betjener produktet. Når du betjener produktet, udkastes det afskårne græs under det bageste dæksel.
- Hold klippeafskærmningen ren. Ophobning af græs og snavs på indersiden af klippeafskærmningen kan forringe klipperesultatet. Se *Sådan rengøres indersiden af klippeskjoldet på side 57*.

## Vedligeholdelse

### Indledning



**ADVARSEL:** Inden der foretages vedligeholdelse, skal du læse og forstå kapitlet om sikkerhed.

Alt service- og reparationsarbejde på produktet kræver specialuddannelse. Vi garanterer faglig korrekt reparation og service. Hvis forhandleren ikke er et serviceværksted, kan vedkommende oplyse om nærmeste serviceværksted.

Se for at få mere detaljerede oplysninger.

### Vedligeholdelsesskema



**BEMÆRK:** Sørg for, at luftfilteret er oppe og ikke rammer imod jorden, når du vipper produktet. Risiko for motorskade.

Vedligeholdelsesintervallerne er fastlagt baseret på daglig brug af produktet. Intervallerne ændres, hvis produktet ikke bruges dagligt.

For vedligeholdelse mærket med \* henvises til vejledningen i *Sikkerhedsanordninger på produktet på side 52*.

| Vedligeholdelse                | Hver dag | Ugentligt | Månedligt |
|--------------------------------|----------|-----------|-----------|
| Foretag et generelt eftersyn   | X        |           |           |
| Efterse oliestanden            | X        |           |           |
| Rengør produktet               | X        |           |           |
| Efterse skæreudstyret          | X        |           |           |
| Efterse klippeskjoldet *       | X        |           |           |
| Efterse motorbremsehåndtaget * | X        |           |           |
| Efterse klingens bremsegreb *  | X        |           |           |



| Vedligeholdelse   | Hver dag | Ugentligt | Månedligt |
|---|----------|-----------|-----------|
| Efterse lyddæmperen *   |          | X         |           |
| Efterse tændrøret   |          | X         |           |
| Skift olie (første gang efter 5 timers brug, derefter efter hver 50 timers brug). |          |           | X         |
| Rengør eller udskift luftfilter   |          |           | X         |
| Efterse brændstofsystemet   |          |           | X         |

## Sådan udføres et generelt eftersyn

- Sørg for, at alle møtrikker og skruer på produktet er spændt korrekt.

## Sådan rengøres produktet udvendigt

- Brug en børste til at fjerne blade, græs og snavs.
- Sørg for, at luftindtaget oven på motoren ikke er blokeret.
- Brug ikke en højtryksrenser til at rengøre produktet.
- Hvis du bruger vand til at rengøre produktet, må vandet ikke sprøjtes direkte på motoren.

## Sådan rengøres indersiden af klippeskjoldet

1. Tøm brændstoftanken.
2. Placer produktet på siden med lyddæmperen nedad.



**BEMÆRK:** Hvis produktet anbringes med luftfilteret nedad, kan motoren tage skade.

3. Spul indersiden af klippeskjoldet med vand.

## Sådan efterses skæreudstyret



**ADVARSEL:** Tændkablet tages af tændrøret for at undgå utilsigtet start af motoren.



**ADVARSEL:** Brug handsker, når du udfører vedligeholdelse på skæreudstyret. Klinge er meget skarp, og du kan nemt komme til at skære dig.

1. Efterse skæreudstyret for skader eller revner. Udskift altid skæreudstyret, hvis det er beskadiget.
2. Kig på klingerne for at se, om den er beskadiget eller sløv.

**Bemærk:** Kniven skal afbalanceres, efter den er blevet slebet. Lad et servicecenter skærpe, udskift og afbalancere klingerne. Hvis du rammer en forhindring, der får produktet til at standse, udskiftes den beskadigede

klinge. Lad servicecenteret vurdere, om klingerne kan files, eller om den skal udskiftes.

## Sådan udskiftes klingerne

1. Lås klingerne med en trækods. (Fig. 35)
2. Fjern klingebolten, fjederskiven og klingerne. (Fig. 36)
3. Undersøg klingeophæng og klingebolten for skader.
  - a) Hvis du udskifter klingerne eller klingeophæng, skal du også udskifte klingebolten, fjederskiven og friktionsskiven.
4. Efterse motorakslen for at sikre, at den ikke er bøjet.
5. Når du sætter den nye klinge på, skal du sørge for, at de bøjede ender peger i retning af klippeskjoldet. (Fig. 37)
6. Sæt friktionsskiven og klingerne mod klingeophæng. (Fig. 38)
7. Sørg for, at klingerne flugter med motorakslens centrum. (Fig. 39)
8. Lås klingerne med en trækods. (Fig. 40)
9. Monter fjederskiven, og spænd boltene med et tilspændingsmoment på 43 – 47 Nm. (Fig. 41)
10. Træk kniven rundt pr. håndkraft, og kontrollér, at den drejer frit.



**ADVARSEL:** Bær altid beskyttelseshandsker. Klinge er meget skarp, og du kan nemt komme til at skære dig.

11. Start produktet for at afprøve klingerne. Hvis skiven ikke er korrekt fastgjort, forekommer der vibrationer i produktet, eller klipperesultatet bliver utilfredsstillende.

## Sådan kontrolleres oliestanden



**BEMÆRK:** Hvis olieniveauet er for lavt, kan det medføre motorskader. Kontrollér oliestanden, før du starter produktet.

1. Anbring produktet på et plant underlag.
2. Afmonter olietankens dæksel, hvorpå oliepinden sidder.

3. Tør olien af oliepinden.
4. Stik oliepinden helt ned i olietanken for at få et korrekt billede af oliestanden. Skru ikke olietankens dæksel i på .
5. Afmonter olietankens dæksel, hvorpå oliepinden sidder.
6. Kontrollér oliestanden på målepinden.
7. Hvis oliestanden er lav, skal der efterfyldes med motorolie, og foretag derefter en kontrol af oliestanden igen. (Fig. 42)

---

**Bemærk:** Brug en tragt for at undgå at spilde.

---

8. Monter olietankens dæksel, når oliestanden er korrekt.

## Sådan udskiftes motorolien



**ADVARSEL:** Motorolien er meget varm umiddelbart efter, at motoren er standset. Lad motoren køle af, før du aftapper motorolien. Hvis du spilder motorolie på huden, kan den fjernes med vand og sæbe.

(Fig. 43)

1. Brug produktet, indtil brændstoftanken er tom.
2. Tag tændkablet af tændrøret.
3. Afmonter olietankens dæksel, hvorpå oliepinden sidder.
4. Stil en beholder under produktet til at opsamle motorolien i.
5. Vip produktet, eller aftap motorolien fra olietanken med en oliepumpe (tilbehør).
6. Påfyld ny motorolie af den type, der anbefales i *Tekniske data på side 60*.
7. Udfør en kontrol af oliestanden. Se *Sådan kontrolleres oliestanden på side 57*.
8. Monter olietankens dæksel, når oliestanden er korrekt.

## Sådan kontrolleres tændrøret



**BEMÆRK:** Brug altid anbefalet tændrørstype. Forkert tændrørstype kan forårsage skader på produktet.

- Undersøg tændrøret, hvis motoren mangler kraft, ikke starter nemt eller ikke fungerer korrekt i tomgangshastighed.
- Sådan mindsker du risikoen for uønsket materiale på tændrørets elektroder, følg disse instruktioner:
  - a) Sørg for, at tomgangshastigheden er indstillet korrekt.
  - b) Sørg for, at brændstofblandingen er korrekt.
  - c) Sørg for, at luftfilteret er rent.

- Hvis tændrøret er beskadigt, skal det renses, og samtidig skal det kontrolleres, at elektrodeafstanden er korrekt, se *Tekniske data på side 60*. (Fig. 44)
- Udskift tændrøret, når det er nødvendigt.

## Sådan rengøres luftfilteret

Et beskadiget filter kan beskadige motoren eller forhindre den i at fungere korrekt. Foretag hyppigere vedligeholdelse af luftfilteret under støvede forhold.

Se *Vedligeholdelseskema på side 56* for at få oplysninger om, hvornår du skal udskifte luftfilteret.

1. Fjern luftfilterdækslet og filteret.
2. Rengør filtret ved banke det mod en flad overflade. Brug aldrig et opløsningsmiddel med petroleum eller trykluft til at rengøre filtret.

---

**Bemærk:** Luftfiltre, der har været i brug i lang tid, kan ikke rengøres fuldstændigt. Udskift luftfiltret med regelmæssige mellemrum. Beskadigede luftfiltre skal altid udskiftes.

3. Når du samler luftfiltret, skal du sørge for, at det slutter helt tæt til filterholderen.

## Sådan kontrollerer du sideudkastdeflektoren

Sideudkastdeflektoren er fastgjort til produktets sideudkaståbning. Den mindsker risikoen for, at genstande slynges ud i retning af brugeren.

1. Sørg for, at sideudkastdeflektoren ikke er beskadiget.
2. Efterse sideudkastdeflektoren. Sørg for, at der ikke er fejl, for eksempel revner eller ødelagte fjedre, som skubber døren i.
3. Udskift sideudkastdeflektoren eller fjedrene, hvis de er beskadigede.

## Sådan undersøger du brændstofsyste­met

- Efterse brændstoftankens dæksel og pakningen til brændstoftankens dæksel for at sikre, at der ikke er nogen skader.
- Efterse brændstofslangen for at sikre, at der ikke er utætheder. Hvis brændstofslangen er beskadiget, skal du lade et serviceværksted skifte den.

## Sådan tømmes brændstoftanken

1. Sæt en beholder under brændstoftanken.
2. Fjern brændstoftankens dæksel.
3. Skub slangeklemmerne på brændstofslangen mod karburatoren.
4. Fjern brændstofslangen fra karburatoren.
5. Put brændstoftankens slange i beholderen, og fjern slangeklemmerne.

6. Vip produktet, og tøm brændstoffet i beholderen.

## Sådan udskiftes brændstoffilteret

---



**ADVARSEL:** Bær altid beskyttelseshandsker.

---

1. Tøm brændstoftanken.
2. Flyt slangeklemmen væk fra brændstoftanken. (Fig. 45)
3. Fjern brændstofslangen fra brændstoftanken. En lille mængde brændstof kan løbe ud. (Fig. 46)
4. Fjern brændstoffilteret fra brændstoftanken. (Fig. 47)
5. Installer et nyt brændstoffilter i brændstoftanken.
6. Fastgør brændstofslangen til brændstoftanken.
7. Sæt slangeklemmen på plads mod brændstoftanken.

## Sådan justeres koblingskablet ()

I nedenstående tilfælde er det nødvendigt at forkorte længden af koblingskablet:

- Hjulenes fremtræk aktiveres ikke, når du trækker i bøjlen til fremtræk eller i omdrejningstalreguleringen.
- Produktet kører langsomt, når hjulenes fremtræk er aktiveret.

I nedenstående tilfælde er det nødvendigt at øge længden af koblingskablet:

- Produktet kører, når hjulenes fremtræk ikke er aktiveret.
- Justering af koblingskablet.
  - a) Reducer længden af koblingskablet ved at dreje justerskruen mod uret.
  - b) Øg længden af koblingskablet ved at dreje justerskruen med uret. (Fig. 48)

Hvis produktet fortsat kører utilfredsstillende efter justeringen, skal du tale med en autoriseret serviceforhandler

---

# Transport, opbevaring og bortskaffelse

---

## Transport og opbevaring

- Ved opbevaring og transport af produktet og brændstoffet, skal du sørge for, at der ikke er utætheder eller dampe. Gnister eller åben ild, f.eks. fra elektriske enheder eller kedler, kan starte en brand.
- Brug altid godkendte beholdere til opbevaring og transport af brændstof.
- Tøm brændstoftanken, inden du stiller produktet væk i en længere periode. Bortskaf brændstoffet på en lokal miljøstation
- Fastgør produktet sikkert under transport for at undgå skader og uheld.
- Opbevar produktet i et aflåst område utilgængeligt for børn eller personer, som ikke er godkendt.
- Opbevar produktet på et tørt og frostfrit sted.

## Bortskaffelse

- Overhold de lokale krav til genanvendelse og de gældende regler.
- Bortskaf alle kemikalier, som f.eks. motorolie eller brændstof, hos et servicecenter eller på en lokal miljøstation.
- Når produktet ikke længere er i brug, skal det sendes til en Husqvarna forhandler eller bortskaffes på en lokal genbrugsstation.

## Tekniske data

### Tekniske data

|  |   |
|--|---|
|  | <b>LC 356VP</b>   |
| <b>Motor</b>                                       |   |
| Varemærke  | Honda   |
| Modelnavn for motoren                              | GCVx170   |
| Slagvolumen, cm <sup>3</sup>                       | 166   |
| Hastighed, o/min.                                  | 2800  |
| Nominel motoreffekt, kW <sup>16</sup>              | 3,1   |
| <b>Tændingsystem</b>                               |   |
| Tændrør  | NGK BPR5ES  |
| Elektrodeafstand, mm                               | 0,75  |
| <b>Brændstof-/smøresystem</b>                      |   |
| Brændstof, blyfri, min. oktantal                   | 90  |
| Brændstoftankens kapacitet, liter                  | 0,9   |
| Olietankens kapacitet, liter                       | 0,4   |
| Motorolie <sup>17</sup>                            | Husqvarna SAE 30, Husqvarna SAE 5W-30 syntetisk, Husqvarna SAE 10W-40 |
| <b>Vægt</b>  |   |
| Med tomme tanke, kg                                | 35,1  |
| <b>Støjemissioner<sup>18</sup></b>                 |   |
| Lydeffektniveau, målt dB(A)                        | 98  |
| Lydeffektniveau, garanteret L <sub>WA</sub> dB (A) | 98  |
| <b>Lydniveauer<sup>19</sup></b>                    |   |
| Lydtryksniveau ved brugerens øre, dB(A)            | 86  |
| <b>Vibrationsniveauer<sup>20</sup></b>             |   |

<sup>16</sup> Motorens effektangivelse er den gennemsnitlige nettoeffekt (ved det anførte omdrejningstal) for en typisk produktionsmodel af motoren målt iht. SAE-standarden J1349/ISO1585. Motorer fra masseproduktionen kan afvige fra denne værdi. Den faktiske effekt på motoren, som installeres i det færdige produkt, vil afhænge af driftshastigheden, miljøhensyn og andre værdier.

<sup>17</sup> Brug motorolie af kvaliteten API SJ eller bedre. Hvis SAE-30-olien anvendes ved temperatur under +5 °C, er der risiko for, at den ikke smører motoren tilstrækkeligt. Dette kan forårsage skader på motoren. Se *Sådan udskiftes motorolien på side 58* for den korrekte olie til lave temperaturer. Se tabellen over viskositet i motorproducentens manual (hvis den medfølger), og vælg en olie med optimal viskositet i forhold til den forventede udendørstemperatur.

<sup>18</sup> Støjemissioner til omgivelserne målt som lydeffekt (L<sub>WA</sub>) i henhold til EF-direktiv 2000/14/EF.

<sup>19</sup> Rapporterede data for lydtryksniveau har en typisk statistisk spredning (standardafvigelse) på 1,2 dB (A).

<sup>20</sup> Rapporterede data for vibrationsniveau har en typisk statistisk spredning (standardafvigelse) på 0,2 m/s<sup>2</sup>.

|                        |                                   |
|------------------------|-----------------------------------|
|                        | <b>LC 356VP</b>                   |
| Styr, m/s <sup>2</sup> | 5,9                               |
| <b>Klippeudstyr</b>    |                                   |
| Klippehøjde, mm        | 25-75                             |
| Skærebredde, mm        | 560                               |
| Klippesystem           | Opsamling / BioClip® / sideudkast |
| Kniv – standard        | Opsamling 598562701               |
| Kniv - tilbehør        | Bioklip 598563601                 |
| <b>Drev</b>            |                                   |
| Hastighed, km/t        | 3,0 - 4,5                         |

---

# Overensstemmelseserklæring

---

## EU-overensstemmelseserklæring

Vi, **Husqvarna AB**, SE-561 82 Huskvarna, Sverige,  
tif.: +46-36-146500 erklærer under eneansvar, at det  
pågældende produkt:

|                       |                                    |
|-----------------------|------------------------------------|
| <b>Beskrivelse</b>    | Plæneklipper                       |
| <b>Varemærke</b>      | Husqvarna                          |
| <b>Type / model</b>   | LC 356VP                           |
| <b>Identifikation</b> | Serienumrene fra 2022 og fremefter |

overholder følgende EU-direktiver og bestemmelser:

| <b>Regulativ</b> | <b>Beskrivelse</b>   |
|------------------|--|
| 2006/42/EF       | "vedrørende maskiner"  |
| 2014/30/EU       | "vedrørende elektromagnetisk kompatibilitet"   |
| 2000/14/EF       | "vedrørende støjemissioner til omgivelserne"   |
| 2011/65/EU       | "om begrænsning af anvendelsen af visse farlige stoffer i elektrisk og elektronisk udstyr" |

og at følgende standarder og/eller tekniske  
specifikationer anvendes: EN ISO 5395-1:2013/  
A1:2018, EN ISO 5395-2:2013/A1:2016/A2:2017, EN  
ISO 14982:2009, EN IEC 63000:2018

Bemyndiget organ: 0404, RISE SMP Svensk  
Maskinprovning AB, Box 4053, SE-904 03  
Umeå, Sweden har bekræftet, at bestemmelserne  
i Rådets direktiv 2000/14/EF, procedure for  
overensstemmelsesvurdering: Bilag VI.

Vedr. oplysninger om støjemission, se *Tekniske data på  
side 60.*

Huskvarna, 2022-10-20



Claes Losdal, udviklingschef/haveprodukter, Husqvarna  
AB

Ansvarlig for teknisk dokumentation



---

# Inhalt

---

|                 |    |   |    |
|-----------------|----|---|----|
| Einleitung..... | 63 | Wartung.....                            | 70 |
| Sicherheit..... | 64 | Transport, Lagerung und Entsorgung..... | 73 |
| Montage.....    | 67 | Technische Daten.....                   | 75 |
| Betrieb.....    | 68 | Konformitätserklärung.....              | 77 |

---

## Einleitung

---

### Gerätebeschreibung

Das Gerät ist ein handgeführter Rasenmäher. Befestigen Sie den Grasfänger, um den Grasschnitt aufzufangen. Bringen Sie das seitliche Auswurfprallblech für den Seitenauswurf des Grasses an. Bringen Sie ein Mulch-Kit an, um das Gras in Dünger zu schneiden.

### Geräteübersicht

(Abb. 1)

1. Lenker
2. Motorbremsgriff
3. Antriebsgriff
4. Startseilgriff
5. Heckklappe
6. Grasfänger
7. Knöpfe zur Einstellung der Griffhöhe
8. Schnitthöhenhebel
9. Öldeckel
10. Abdeckung Seitenauswurf
11. Schalldämpfer
12. Zündkerze
13. Kraftstofftankdeckel
14. Symbole
15. Schneidwerkabdeckung
16. Luftfilter
17. Drehzahlregelungshebel
18. Seitliches Prallblech
19. Mulcheinsatz (Zubehör)
20. Betriebsanleitung

### Symbole auf dem Gerät

(Abb. 2) **WARNUNG!** Gehen Sie vorsichtig vor, und verwenden Sie das Gerät ordnungsgemäß. Dieses Gerät kann schwere oder tödliche Verletzungen des Bedieners oder anderer Personen verursachen.

(Abb. 3) Lesen Sie die Bedienungsanleitung sorgfältig durch, und machen Sie sich vor der Benutzung mit dem Inhalt vertraut.

### Verwendungszweck

Verwenden Sie das Gerät zum Schneiden von Gras.  
Verwenden Sie das Gerät nicht für andere Aufgaben.

- (Abb. 4) Achten Sie auf hochgeschleuderte und abprallende Objekte.
- (Abb. 5) Andere Personen oder Tiere müssen sich in sicherem Abstand vom Arbeitsbereich befinden.
- (Abb. 6) **Warnung:** Halten Sie Hände und Füße von der rotierenden Klinge fern.
- (Abb. 7) **Warnung:** Halten Sie Hände und Füße von rotierenden Teilen fern.
- (Abb. 8) Schalten Sie vor der Durchführung von Reparatur- oder Wartungsarbeiten den Motor aus, und entfernen Sie das Zündkabel.
- (Abb. 9) Dieses Gerät stimmt mit den geltenden EG-Richtlinien überein.
- (Abb. 10) Dieses Gerät entspricht den geltenden UK-Richtlinien.
- (Abb. 11) Etikett mit Geräuschemissionen gemäß EU- und UK-Richtlinien und Verordnungen sowie der australischen „Protection of the Environment Operations (Noise Control) Regulation 2017“ (Umweltschutz-/Lärmschutzbestimmung) von New South Wales. Der garantierte Schalleistungspegel des Geräts ist unter *Technische Daten auf Seite 75* und auf dem Etikett angegeben.

---

**Hinweis:** Weitere Symbole/Aufkleber auf dem Gerät beziehen sich auf die Zertifizierungsanforderungen für einige gewerbliche Bereiche.

---

## Produktschäden

Wir haften nicht für Schäden an unserem Produkt, wenn:

- das Gerät nicht ordnungsgemäß repariert wird.
- das Gerät mit Teilen repariert wird, die nicht vom Hersteller stammen oder nicht vom Hersteller zugelassen sind.

- ein Zubehöerteil mit dem Gerät verwendet wird, das nicht vom Hersteller stammt oder nicht vom Hersteller zugelassen ist.
- das Gerät nicht bei einem zugelassenen Service Center oder von einem zugelassenen Fachmann repariert wird.

---

## Emissionen nach Euro V



**WARNUNG:** Bei jeglichen Manipulationen des Motors erlischt die EU-Typgenehmigung für dieses Produkt.

---

---

# Sicherheit

---

## Sicherheitsdefinitionen

Warnungen, Vorsichtsmaßnahmen und Hinweise werden verwendet, um auf besonders wichtige Teile der Bedienungsanleitung hinzuweisen.



**WARNUNG:** Wird verwendet, wenn bei Nichtbeachtung der Anweisungen in diesem Handbuch die Gefahr von Verletzung oder Tod des Bedieners oder anderer Personen besteht.



**ACHTUNG:** Wird verwendet, wenn bei Nichtbeachtung der Anweisungen in diesem Handbuch die Gefahr von Schäden am Gerät, an anderen Materialien oder in der Umgebung besteht.

---

**Hinweis:** Für weitere Informationen, die in bestimmten Situationen nötig sind.

---

## Allgemeine Sicherheitshinweise



**WARNUNG:** Lesen Sie die folgenden Warnhinweise, bevor Sie das Gerät verwenden.

- Dieses Gerät ist gefährlich, wenn es falsch bedient wird oder Sie unvorsichtig sind. Wenn die Sicherheitshinweise nicht befolgt werden, kann dies zu Verletzungen oder zum Tod führen.
  - Dieses Gerät erzeugt beim Betrieb ein elektromagnetisches Feld. Dieses Feld kann sich unter bestimmten Bedingungen auf die Funktionsweise aktiver oder passiver medizinischer Implantate auswirken. Um die Gefahr von Situationen, die zu schweren oder tödlichen Verletzungen führen können, auszuschließen, sollten Personen mit einem medizinischen Implantat vor der Nutzung dieses Geräts ihren Arzt und den Hersteller des Implantats konsultieren.
- Lassen Sie immer Vorsicht walten, und arbeiten Sie mit gesundem Menschenverstand. Wenn Sie sich nicht sicher sind, wie das Gerät in einer bestimmten Situation zu bedienen ist, unterbrechen Sie die Arbeit und wenden sich an Ihren Husqvarna-Händler, bevor Sie fortfahren.
  - Denken Sie daran, dass der Bediener für Unfälle mit anderen Personen oder deren Eigentum verantwortlich ist.
  - Halten Sie das Gerät sauber. Stellen Sie sicher, dass Symbole und Aufkleber deutlich lesbar sind.
  - Lassen Sie keine andere Person das Gerät verwenden, es sei denn, Sie haben sich zuvor vergewissert, dass diese Person den Inhalt der Bedienungsanleitung gelesen und verstanden hat.
  - Lassen Sie nicht zu, dass Kinder das Gerät verwenden.
  - Halten Sie Kinder vom Arbeitsbereich fern. Es muss immer ein verantwortlicher Erwachsener anwesend sein.
  - Erlauben Sie nicht, dass Personen ohne Kenntnis der Anweisungen das Gerät bedienen.
  - Stellen Sie sicher, dass Personen mit verminderter physischer oder psychischer Leistungsfähigkeit dieses Gerät nicht unbeaufsichtigt verwenden. Es muss immer ein verantwortlicher Erwachsener anwesend sein.
  - Verwenden Sie das Gerät nicht, wenn Sie müde oder krank sind oder unter Einfluss von Alkohol, Drogen oder Medikamenten stehen. Dies wirkt sich negativ auf Ihre Sehkraft, Ihre Aufmerksamkeit sowie Ihr Koordinations- und Urteilsvermögen aus.
  - Verwenden Sie das Gerät nicht, wenn es beschädigt ist oder nicht ordnungsgemäß funktioniert.
  - Verändern oder verwenden Sie dieses Gerät nicht, wenn die Möglichkeit besteht, dass es durch Dritte verändert wurde.
  - Nehmen Sie keine Änderungen an der Einstellung der Motordrehzahlregelung vor.



## Sicherheit im Arbeitsbereich

---



**WARNUNG:** Lesen Sie die folgenden Warnhinweise, bevor Sie das Gerät benutzen.

---

- Entfernen Sie Gegenstände wie Äste, Zweige und Steine aus dem Arbeitsbereich, bevor Sie das Produkt verwenden.
- Gegenstände, die auf die Schneidausrüstung treffen, können herausgeschleudert werden und Personen und Gegenständen Schaden zufügen. Halten Sie andere Personen und Tiere in einem sicheren Abstand zum Produkt.
- Benutzen Sie das Produkt niemals bei schlechtem Wetter wie Nebel, Regen, starkem Wind, intensiver Kälte und bei der Gefahr eines Blitzeinschlags. Die Verwendung des Produkts bei schlechtem Wetter oder an feuchten oder nassen Stellen ist anstrengend. Schlechtes Wetter kann gefährliche Zustände wie rutschige Oberflächen verursachen.
- Achten Sie auf Personen, Gegenstände und Situationen, die einen sicheren Betrieb des Produkts verhindern könnten.
- Achten Sie auf Hindernisse wie Wurzeln, Steine, Zweige, Löcher und Gräben. Langes Gras kann Hindernisse verdecken.
- Das Mähen von Gras an Steigungen kann gefährlich sein. Verwenden Sie das Produkt nicht in einem Gelände mit einer Neigung von mehr als 15°.
- Betreiben Sie das Produkt quer zum Hang. Bewegen Sie sich nicht nach oben und nach unten.
- Seien Sie vorsichtig, wenn Sie um versteckte Ecken oder Objekte herum fahren, die Ihre freie Sicht verhindern.

## Arbeitssicherheit

---



**WARNUNG:** Lesen Sie die folgenden Warnhinweise, bevor Sie das Gerät benutzen.

---

- Verwenden Sie dieses Produkt nur zum Mähen von Rasenflächen. Es ist nicht erlaubt, das Produkt für andere Aufgaben zu verwenden.
- Benutzen Sie eine persönliche Schutzausrüstung. Siehe *Persönliche Schutzausrüstung auf Seite 65*.
- Stellen Sie sicher, dass Sie wissen, wie der Motor in einem Notfall schnell gestoppt werden kann.
- Starten Sie den Motor niemals in einem geschlossenen Raum oder in der Nähe von brennbarem Material. Die Motorabgase sind heiß und können Funken enthalten, die einen Brand verursachen können.
- Starten Sie das Produkt nicht, bevor die Klinge und alle Abdeckungen korrekt befestigt sind. Eine falsch befestigte Klinge kann sich lösen und Personenschaden verursachen.

- Stellen Sie sicher, dass die Klinge nicht auf Gegenstände wie Steine und Wurzeln trifft. Dies kann die Klinge beschädigen und die Motorwelle verbiegen. Eine verbogene Achse führt zu starken Vibrationen und birgt ein hohes Risiko, dass die Klinge sich löst.
- Wenn die Klinge auf ein Objektiv trifft oder Vibrationen auftreten, müssen Sie das Produkt sofort abstellen. Ziehen Sie das Zündkabel von der Zündkerze ab. Untersuchen Sie das Produkt auf beschädigte Teile. Reparieren Sie Schäden oder lassen Sie einen autorisierten Kundendienst die Reparatur durchführen.
- Befestigen Sie die Motorbremse niemals fest am Griff, wenn der Motor läuft.
- Stellen Sie das Produkt auf eine stabile, flache Oberfläche und starten Sie es. Stellen Sie sicher, dass die Klinge nicht den Boden oder ein anderes Objekt berührt.
- Bleiben Sie immer hinter dem Produkt, wenn Sie es betreiben.
- Lassen Sie alle Räder auf dem Boden bleiben und halten Sie den Griff mit 2 Händen, wenn Sie das Produkt betreiben. Halten Sie Hände und Füße von den rotierenden Rasenmäherklingen fern.
- Kippen Sie das Produkt nicht, wenn der Motor läuft.
- Seien Sie vorsichtig, wenn Sie das Produkt nach hinten ziehen.
- Heben Sie das Produkt nicht hoch, wenn der Motor läuft. Wenn Sie das Produkt anheben müssen, schalten Sie zunächst den Motor aus und ziehen Sie das Zündkabel von der Zündkerze ab.
- Gehen Sie nicht rückwärts, wenn Sie das Produkt betreiben.
- Stellen Sie den Motor ab, wenn Sie sich über Bereiche ohne Gras bewegen, zum Beispiel Wege aus Kies, Stein und Asphalt.
- Rennen Sie nicht mit dem Produkt, wenn der Motor läuft. Gehen Sie immer, wenn Sie das Produkt benutzen.
- Stellen Sie den Motor ab, bevor Sie die Schnitthöhe verändern. Verändern Sie die Einstellungen niemals, wenn der Motor läuft.
- Lassen Sie das Produkt niemals aus den Augen, wenn der Motor läuft. Stellen Sie den Motor ab und stellen Sie sicher, dass sich die Schneidausrüstung nicht dreht.

## Sicherheitshinweise für den Betrieb

### Persönliche Schutzausrüstung

---



**WARNUNG:** Lesen Sie die folgenden Warnhinweise, bevor Sie das Gerät benutzen.

---

- Die persönliche Schutzausrüstung kann Verletzungen nicht vollständig vermeiden, vermindert aber den Umfang der Verletzungen

und Schäden bei einem Unfall. Lassen Sie sich von Ihrem Händler bei der Auswahl der richtigen Ausrüstung unterstützen.

- Tragen Sie einen Gehörschutz, wenn der Geräuschpegel höher als 85 dB ist
- Tragen Sie rutschfeste Sicherheitstiefel oder -schuhe. Verwenden Sie keine offenen Schuhe, und gehen Sie nicht barfuß.
- Tragen Sie schwere, lange Hosen.
- Tragen Sie bei Bedarf Schutzhandschuhe, beispielsweise bei der Montage, der Untersuchung oder der Reinigung der Schneid-ausrüstung.

## Sicherheitsvorrichtungen am Gerät



**WARNUNG:** Lesen Sie die folgenden Warnhinweise, bevor Sie das Gerät verwenden.

- Verwenden Sie kein Gerät mit Sicherheitsvorrichtungen, die beschädigt sind oder nicht ordnungsgemäß funktionieren.
- Führen Sie regelmäßig eine Überprüfung der Sicherheitsvorrichtungen durch. Wenn die Sicherheitsvorrichtungen beschädigt sind oder nicht ordnungsgemäß funktionieren, wenden Sie sich an den Kundendienst von Husqvarna.
- Führen Sie keine Änderungen an den Sicherheitsvorrichtungen durch.

## So überprüfen Sie den Schneidschutz

Der Schneidschutz verringert Vibrationen im Gerät und das Verletzungsrisiko durch die Klinge.

- Untersuchen Sie die Schneidewerkabdeckung, um sicherzustellen, dass es keine Beschädigungen wie zum Beispiel Risse gibt.

## So führen Sie eine Prüfung des Motorbremsgriffs durch

Der Motorbremsgriff stoppt den Motor. Wenn der Motorbremsgriff losgelassen wird, stoppt der Motor.

- Starten Sie den Motor, und lassen Sie den Motorbremsgriff los. Wenn der Motor nicht innerhalb von 3 Sekunden stoppt, lassen Sie die Motorbremse von einer autorisierten Husqvarna-Servicewerkstatt einstellen. (Abb. 12)

## So prüfen Sie die hintere Abdeckung

Das hintere Prallblech verringert das Risiko, dass Gegenstände in Richtung des Bedieners ausgeworfen werden.

- Vergewissern Sie sich, dass die hintere Abdeckung nicht beschädigt ist.
- Stellen Sie sicher, dass die Federn, die die hintere Abdeckung schließen, nicht beschädigt sind.
- Ersetzen Sie beschädigte Federn und Teile.

- Stellen Sie sicher, dass sich die hintere Abdeckung problemlos an den Scharnieren bewegen lässt.

## Schalldämpfer

Der Schalldämpfer senkt den Geräuschpegel so weit wie möglich und hält die Abgase des Motors vom Anwender fern.

Verwenden Sie das Gerät nicht, wenn der Schalldämpfer fehlt oder beschädigt ist. Ein beschädigter Schalldämpfer erhöht den Geräuschpegel und die Brandgefahr.



**WARNUNG:** Der Schalldämpfer wird während und nach Gebrauch und wenn der Motor im Leerlauf läuft, sehr heiß. Seien Sie in der Nähe von entzündlichen Materialien und/oder Dämpfen besonders vorsichtig, um Brandgefahr zu verhindern.

## So prüfen Sie den Schalldämpfer

- Überprüfen Sie den Schalldämpfer regelmäßig, um sicherzustellen, dass er richtig angebracht und nicht beschädigt ist.

## Sicherer Umgang mit Kraftstoff



**WARNUNG:** Lesen Sie die folgenden Warnhinweise, bevor Sie das Gerät verwenden.

- Starten Sie das Gerät nicht, wenn sich Kraftstoff oder Öl darauf befindet. Entfernen Sie den unerwünschten Kraftstoff bzw. das Öl, und lassen Sie das Gerät trocknen.
- Wechseln Sie sofort die Kleidung, wenn Sie Kraftstoff darauf verschütten.
- Lassen Sie keinen Kraftstoff auf Ihren Körper gelangen, denn dies kann zu Verletzungen führen. Wenn Kraftstoff auf Ihre Haut gelangt, waschen Sie diesen mit Wasser und Seife ab.
- Starten Sie das Gerät nicht, wenn der Motor undicht ist. Überprüfen Sie den Motor regelmäßig auf Undichtigkeiten.
- Gehen Sie vorsichtig mit Kraftstoff um. Kraftstoff ist feuergefährlich, und die Dämpfe sind explosiv und können zu Verletzungen oder sogar zum Tod führen.
- Atmen Sie die Kraftstoffdämpfe nicht ein, denn sie sind gesundheitsschädigend. Achten Sie auf ausreichende Belüftung.
- Rauchen Sie nicht in der Nähe des Kraftstoffs oder des Motors.
- Stellen Sie keine heißen Gegenstände in der Nähe des Kraftstoffs oder Motors ab.
- Füllen Sie keinen Kraftstoff nach, während der Motor läuft.
- Vergewissern Sie sich, dass der Motor abgekühlt ist, bevor Sie Kraftstoff nachfüllen.

- Öffnen Sie vor dem Nachfüllen den Tankdeckel langsam, und lassen Sie den Druck vorsichtig entweichen.
- Füllen Sie keinen Kraftstoff in den Motor, wenn Sie sich in einem Innenraum befinden. Eine mangelhafte Luftzirkulation kann zu schweren oder tödlichen Verletzungen durch Erstickten oder durch eine Kohlenmonoxidvergiftung führen.
- Schrauben Sie den Kraftstofftankdeckel fest zu. Wenn der Tankdeckel nicht fest zugeschraubt ist, besteht Feuergefahr.
- Bewegen Sie das Gerät vor dem Starten mindestens 3 m/10 ft von der Stelle fort, an der Sie den Tank befüllt hatten.
- Füllen Sie den Kraftstofftank nicht vollständig auf. Durch Hitze dehnt sich der Kraftstoff aus. Lassen Sie deshalb einen Freiraum im oberen Bereich des Kraftstofftanks.
- Lagern Sie das Gerät niemals mit Kraftstoff im Kraftstofftank in einem Gebäude, in dem Zündquellen vorhanden sind, wie z. B. Warmwasserbereiter, Raumheizgeräte oder Wäschetrockner. Lassen Sie den Motor abkühlen, bevor das Gerät in einem geschlossenen Raum aufbewahrt wird.
- Die Abgase des Motors enthalten Kohlenmonoxid, ein geruchloses, giftiges und sehr gefährliches Gas. Starten Sie den Motor nicht in Innenräumen oder in geschlossenen Räumen.
- Bevor Sie an dem Produkt eine Wartung durchführen, schalten Sie den Motor aus und ziehen Sie das Zündkabel von der Zündkerze ab.
- Tragen Sie Schutzhandschuhe, wenn Sie an der Schneidausrüstung eine Wartung durchführen. Die Klinge ist sehr scharf und man schneidet sich sehr leicht.
- Zubehörteile und Änderungen am Produkt, die vom Hersteller nicht genehmigt wurden, können zu schweren Verletzungen oder zum Tod führen. Verändern Sie das Produkt nicht. Verwenden Sie immer Teile, die vom Hersteller genehmigt wurden.
- Wenn die Wartung nicht ordnungsgemäß und regelmäßig erfolgt, erhöht sich die Verletzungsgefahr und das Risiko für eine Beschädigung des Produkts.
- Führen Sie die Wartung nur gemäß dieser Betriebsanleitung durch. Alle anderen Wartungsarbeiten müssen von einer autorisierten Husqvarna Servicewerkstatt durchgeführt werden.
- Lassen Sie eine autorisierte Husqvarna Servicewerkstatt das Produkt regelmäßig warten.
- Ersetzen Sie beschädigte, abgenutzte oder defekte Teile.

## Sicherheitshinweise für die Wartung



**WARNUNG:** Lesen Sie die folgenden Warnhinweise, bevor Sie das Gerät benutzen.

## Montage

### Einleitung



**WARNUNG:** Vor dem Betrieb des Gerätes müssen Sie die Sicherheitsinformationen lesen und verstehen.



**WARNUNG:** Ziehen Sie den Zündkerzenstecker von der Zündkerze ab, bevor Sie das Gerät zusammenbauen.

### So montieren Sie den Griff

**Hinweis:** Es wird empfohlen, dass 2 Personen dieses Verfahren durchführen.

**Hinweis:** Nehmen Sie das Gerät nicht aus der Verpackung, wenn Sie den Griff montieren. Die Verpackung kann während der Montage als Stütze für den Griff verwendet werden.

1. Den Griff anheben und drehen. (Abb. 13)



**ACHTUNG:** Achten Sie darauf, dass das Kabel nicht beschädigt wird, wenn Sie den Griff drehen.

2. Platzieren Sie den Griff oben auf dem Gerät. Neigen Sie den Griff so, dass der Karton als Stütze dient. Siehe Abbildung. (Abb. 14)
3. Schieben Sie die Schraube (A) durch den Griff (B), die Kunststoffscheibe (C) und die Griffhalterung (D). (Abb. 15)
4. Ziehen Sie die Mutter (E) vollständig fest.
5. Nehmen Sie das Gerät aus der Verpackung.
6. Klappen Sie den Griff nach oben. (Abb. 16)
7. Stellen Sie die Handgriffhöhe auf die niedrigste Stufe ein. Siehe *So stellen Sie den Handgriff ein auf Seite 68*.
8. Befestigen Sie das Kabel mit der Kabelklemme am unteren Teil des Handgriffs. (Abb. 17)
9. Befestigen Sie den unteren Teil des Kabels mit dem Kabelbinder an der Griffhalterung. Schneiden Sie den verbleibenden Teil des Kabelbinders ab. (Abb. 18)

---

**Hinweis:** Vergewissern Sie sich, dass das Kabel richtig angebracht ist. Wenn das Kabel zu locker sitzt, kann es beschädigt werden, wenn der Grasfänger montiert wird. (Abb. 19)

---

## So stellen Sie den Handgriff ein

1. Lösen Sie die unteren Knöpfe.
2. Schieben Sie die Knöpfe zum unteren Ende der Nuten an der linken und rechten Seite des Geräts. (Abb. 20)
3. Stellen Sie die Höhe des Griffs in einer der 2 verfügbaren Positionen ein.
4. Bewegen Sie die Knöpfe nach oben in Richtung Griff, bis sie den Anschlag erreichen und ein Klicken zu hören ist. (Abb. 21)
5. Ziehen Sie die Knöpfe vollständig fest.

## So bringen Sie das Gerät in die Transportposition

1. Entfernen Sie den Grasfänger (falls vorhanden).
2. Lösen Sie die unteren Knöpfe.

3. Schieben Sie die Knöpfe zum unteren Ende der Nuten an der linken und rechten Seite des Geräts. (Abb. 20)
4. Klappen Sie den Griff nach vorn. (Abb. 22)

## So bringen Sie das Gerät in die Betriebsposition

1. Klappen Sie den Griff nach oben. (Abb. 23)
2. Bewegen Sie die Knöpfe nach oben in Richtung Griff, bis sie den Anschlag erreichen und ein Klicken zu hören ist. (Abb. 21)
3. Ziehen Sie die Knöpfe vollständig fest.

## So montieren Sie den Grasfänger

1. Befestigen Sie den Rahmen des Grasfängers am Grasfangbeutel, sodass der starre Teil des Beutels nach unten weist. Sorgen Sie dafür, dass sich der Rahmengriff stets außerhalb des Beutels befindet. (Abb. 24)
2. Befestigen Sie den Grasfangbeutel mit den Klammern am Rahmen. (Abb. 25)

---

# Betrieb

---

## Einleitung



**WARNUNG:** Vor dem Betrieb des Gerätes müssen Sie die Sicherheitsinformationen lesen und verstehen.

## Husqvarna Connect

Husqvarna Connect ist eine kostenlose App für Ihr Mobilgerät. Die Husqvarna Connect App bietet erweiterte Funktionen für Ihr Gerät:

- Erweiterte Produktinformationen
- Informationen über Produktteile und -wartung sowie entsprechende Hilfe dazu.

## So verwenden Sie Husqvarna Connect

1. Laden Sie die Husqvarna Connect App auf Ihr Mobiltelefon.
2. Anmeldung bei der Husqvarna Connect App.
3. Befolgen Sie die Anweisungen in der Husqvarna Connect App, um sich zu verbinden und das Gerät zu registrieren.

## Bevor Sie das Produkt in Betrieb nehmen

1. Lesen Sie die Bedienungsanleitung sorgfältig durch, und vergewissern Sie sich, dass Sie die Anweisungen verstehen.

2. Untersuchen Sie die Schneidaurüstung, um sicherzustellen, dass sie ordnungsgemäß befestigt und eingestellt ist. Siehe *So prüfen Sie die Schneidaurüstung auf Seite 71*.
3. Füllen Sie es in den Kraftstofftank. Siehe *So füllen Sie Kraftstoff ein auf Seite 68*.
4. Füllen Sie den Öltank, und überprüfen Sie den Ölstand. Siehe *So wechseln Sie das Motoröl auf Seite 72*.

## So füllen Sie Kraftstoff ein

Falls vorhanden, verwenden Sie schadstoffarmes Benzin/Alkylatbenzin. Wenn schadstoffarmes Benzin/Alkylatbenzin nicht verfügbar ist, verwenden Sie ein qualitativ hochwertiges, bleifreies Benzin oder verbleites Benzin mit einer Oktanzahl von mindestens 90.



**ACHTUNG:** Verwenden Sie kein Benzin mit einer geringeren Oktanzahl als 90 RON (87 AKI). Dadurch kann das Gerät beschädigt werden.

1. Öffnen Sie den Tankdeckel langsam, damit der Druck entweichen kann.
2. Füllen Sie langsam mit einem Kraftstoffkanister auf. Wenn Sie Kraftstoff verschütten, entfernen Sie ihn mit einem Tuch und lassen den verbleibenden Treibstoff trocknen.
3. Säubern Sie den Bereich rund um den Tankdeckel.

- Schrauben Sie den Kraftstofftankdeckel fest zu. Wenn der Tankdeckel nicht fest zugeschraubt ist, besteht Feuergefahr.
- Bewegen Sie das Gerät vor dem Starten mindestens 3 m (10 ft) von der Stelle fort, an der Sie den Tank befüllt hatten.

## So stellen Sie die Schnitthöhe ein

- Bewegen Sie den Schnitthöhenhebel nach hinten, um die Schnitthöhe zu erhöhen.
- Bewegen Sie den Schnitthöhenhebel nach vorne, um die Schnitthöhe zu verringern. (Abb. 26)



**ACHTUNG:** Stellen Sie die Schnitthöhe nicht zu niedrig ein. Die Klingen können auf den Boden treffen, wenn die Oberfläche des Rasens nicht eben ist.

## So starten Sie das Gerät

- Stellen Sie sicher, dass das Zündkabel mit der Zündkerze verbunden ist.
- Halten Sie sich immer hinter dem Gerät auf.
- Halten Sie den Motorbremsgriff gegen den Lenker. (Abb. 27)
- Halten Sie den Startseilgriff mit Ihrer rechten Hand.
- Ziehen Sie langsam das Startseil, bis Sie etwas Widerstand spüren.
- Ziehen Sie kräftig, um den Motor anzulassen.



**WARNUNG:** Wickeln Sie das Startseil nicht um Ihre Hand.

## So treiben Sie die Räder an

- Starten Sie den Antrieb der Räder mit dem Drehzahlregelungshebel auf der linken Seite des Griffs. Bewegen Sie den Drehzahlregelungshebel nach vorn, um die Drehzahl zu erhöhen, und nach hinten, um die Drehzahl zu verringern. (Abb. 28)
- Bevor Sie das Gerät nach hinten ziehen, kuppeln Sie den Antrieb aus und schieben das Gerät ca. 10 cm nach vorne.
- Lassen Sie den Antriebsgriff los, um den Antrieb auszuschalten, z. B., wenn Sie sich in die Nähe eines Hindernisses bewegen.

## So stoppen Sie das Produkt

- Um nur den Antrieb zu stoppen, lassen Sie den Antriebsgriff los.
- Um den Motor zu stoppen, lassen Sie den Motorbremsgriff los.

## So verwenden Sie das Gerät mit dem Grasfänger



**WARNUNG:** Bedienen Sie das Gerät nicht ohne Grasfänger oder mit geöffneter hinterer Abdeckung. Objekte können herausgeschleudert werden und den Bediener verletzen.

- Heben Sie die hintere Abdeckung an, und entfernen Sie den Mulcheinsatz (sofern vorhanden). (Abb. 29)
- Siehe *So montieren Sie den Grasfänger auf Seite 68* für Informationen zur Montage des Grasfängers.
- Bringen Sie den Grasfänger auf der Halterung an.
- Lösen Sie die hintere Abdeckung, und legen Sie sie auf den Rahmen des Grasfangbeutels. (Abb. 30)

## So versetzen Sie das Gerät in den Mulchmodus

Stellen Sie sicher, dass der Motor ausgeschaltet ist, bevor Sie das Gerät in den Mulchmodus versetzen.

- Heben Sie die hintere Abdeckung an, und entfernen Sie den Grasfänger (sofern vorhanden).
- Setzen Sie den Mulcheinsatz in den Austrittskanal. (Abb. 31)
- Schließen Sie die hintere Abdeckung, und stellen Sie sicher, dass sie dicht am Mulcheinsatz abschließt.

**Hinweis:** Um die Leistung des Mulchmodus zu erhöhen, ersetzen Sie die Klinge durch das Mulchklingen-Zubehör. Siehe *So tauschen Sie die Klinge aus auf Seite 71*

## So versetzen Sie das Gerät in den Auswurfmodus zur Seite

- Heben Sie die hintere Abdeckung an, und entfernen Sie den Grasfangbeutel (sofern vorhanden).
- Schließen Sie die hintere Abdeckung, und stellen Sie sicher, dass sie dicht am Gerät abschließt.
- Heben Sie die Auswurfsperrung an. (Abb. 32)
- Öffnen Sie den seitlichen Auswurfschutz, und montieren Sie das seitliche Auswurfprallblech auf die Auflagestifte. (Abb. 33)
- Der seitliche Auswurfschutz muss mit dem seitlichen Auswurfprallblech abschließen. Stellen Sie sicher, dass das seitliche Auswurfprallblech fest sitzt, bevor Sie das Gerät in Betrieb nehmen.

## So leeren Sie den Grasfänger



**ACHTUNG:** Heben Sie den Grasfänger an, wenn Sie ihn bewegen, um Verschleiß zu vermeiden.

1. Heben Sie den Grasfänger mit dem Rahmengriff an.
2. Verwenden Sie den Rahmengriff und den Beutelgriff, wenn Sie den Grasfänger leeren. (Abb. 34)

## So erhalten Sie ein gutes Arbeitsergebnis

- Benutzen Sie immer eine scharfe Klinge. Eine stumpfe Klinge liefert ein unregelmäßiges Ergebnis, und die Schnittfläche des Grasses wird gelb. Eine scharfe Klinge verbraucht außerdem weniger Energie als eine stumpfe Klinge.
- Schneiden Sie nicht mehr als  $\frac{1}{4}$  der Länge des Grasses ab. Verwenden Sie die höchste Schnitthöhe, wenn Sie mit dem Schneiden des Grasses beginnen. Überprüfen Sie das Ergebnis, und senken Sie die Schnitthöhe auf eine entsprechende Stufe. Wenn das Gras sehr lang ist, gehen Sie langsam vor, und mähen Sie bei Bedarf zweimal.

- Mähen Sie bei jedem Mal in eine andere Richtung, um Streifen auf dem Rasen zu vermeiden.
- Heben Sie die hintere Abdeckung an, und entfernen Sie den Grasfänger.
- Wenn ein Mulchensatz und eine Mulchklinge angebracht sind, entfernen Sie diese.
- Schließen Sie die hintere Abdeckung, bevor Sie das Gerät verwenden. Wenn Sie das Gerät verwenden, wird das geschnittene Gras unterhalb der hinteren Abdeckung ausgeworfen.
- Halten Sie die Schneidwerkabdeckung sauber. Ansammlungen von Gras und Schmutz auf der Innenseite der Schneidwerkabdeckung können das Schneidergebnis beeinträchtigen. Siehe *So reinigen Sie die Innenseite der Schneidwerkabdeckung auf Seite 71*.

## Wartung

### Einleitung



**WARNUNG:** Bevor Sie eine Wartung durchführen, müssen Sie das Kapitel über die Sicherheit lesen und verstehen.

Für alle Wartungs- und Reparaturarbeiten am Produkt ist eine spezielle Schulung erforderlich. Wir garantieren die Verfügbarkeit von professionellen Reparaturen und Wartungsarbeiten. Wenn Ihr Händler keine Servicewerkstatt ist, sprechen Sie mit ihm, um Informationen über die nächste Servicewerkstatt zu erhalten.

Genauere Informationen finden Sie unter .

### Wartungsplan



**ACHTUNG:** Stellen Sie sicher, dass der Luftfilter nach oben und nicht zum Boden hin ausgerichtet ist, wenn Sie das Gerät schräg stellen. Risiko von Motorschäden

Die Wartungsintervalle werden anhand der täglichen Nutzung des Geräts berechnet. Die Intervalle ändern sich, wenn das Gerät nicht täglich verwendet wird.

Für Wartungsarbeiten, die mit \* gekennzeichnet sind, siehe Anweisungen in *Sicherheitsvorrichtungen am Gerät auf Seite 66*.

| Wartung                                     | Täglich | Wöchentlich | Monatlich |
|---|---------|-------------|-----------|
| Führen Sie eine allgemeine Inspektion durch | X       |             |           |
| Prüfen Sie den Ölstand                      | X       |             |           |
| Reinigen Sie das Gerät                      | X       |             |           |
| Prüfen Sie die Schneidausrüstung            | X       |             |           |
| Prüfen Sie die Schneidwerkabdeckung *       | X       |             |           |
| Prüfen Sie den Motorbremsgriff *            | X       |             |           |
| Prüfen Sie den Klängenbremsenhebel *        | X       |             |           |
| Prüfen Sie den Schalldämpfer *              |         | X           |           |

| Wartung   | Taglich | Wochentlich | Monatlich |
|---|----------|--------------|-----------|
| Prufen Sie die Zundkerze  |          | X            |           |
| Wechseln Sie das Ol (das erste Mal nach 5 Betriebsstunden und anschlieen nach allen 50 Betriebsstunden) |          |              | X         |
| Reinigen oder ersetzen Sie den Luftfilter.  |          |              | X         |
| Prufen Sie den Kraftstofffilter  |          |              | X         |

## So fuhren Sie eine allgemeine Inspektion durch

- Stellen Sie sicher, dass alle Muttern und Schrauben am Gerat richtig angezogen sind.

## So reinigen Sie das Produkt auen

- Verwenden Sie einen Pinsel, um Blatter, Gras und Schmutz zu entfernen.
- Achten Sie darauf, dass der Lufterlass auf der Oberseite des Motors nicht blockiert ist.
- Reinigen Sie das Gerat nicht mit einem Hochdruckreiniger.
- Wenn Sie Wasser verwenden, um das Produkt zu reinigen, bringen Sie das Wasser nicht direkt auf den Motor auf.

## So reinigen Sie die Innenseite der Schneidwerkabdeckung

1. Leeren Sie den Kraftstofftank.
2. Legen Sie das Produkt mit dem Schalldampfer nach unten auf die Seite.



**ACHTUNG:** Wenn das Produkt mit dem Luftfilter nach unten gelegt wird, kann der Motor beschadigt werden.

3. Spritzen Sie die Innenflache der Schneidwerkabdeckung mit dem Wasserschlauch ab.

## So prufen Sie die Schneidausrustung



**WARNUNG:** Um ein unbeabsichtigtes Starten zu vermeiden, entfernen Sie das Zundkabel von der Zundkerze.



**WARNUNG:** Tragen Sie Schutzhandschuhe, wenn Sie an der Schneidausrustung eine Wartung durchfuhren. Die Klinge ist sehr scharf und man schneidet sich sehr leicht.

1. Prufen Sie die Schneidausrustung auf Beschadigungen oder Risse. Wechseln Sie eine beschadigte Schneidausrustung unbedingt aus.

2. Schauen Sie sich die Klinge an, um festzustellen, ob sie beschadigt oder stumpf ist.

**Hinweis:** Nach dem Scharfen muss die Klinge ausbalanciert werden. Lassen Sie eine Servicewerkstatt die Klinge scharfen, ersetzen und ausbalancieren. Wenn Sie auf ein Hindernis treffen, das das Produkt zum Halten bringt, ersetzen Sie die beschadigte Klinge. Lassen Sie die Werkstatt beurteilen, ob die Klinge geschliffen werden kann oder ersetzt werden muss.

## So tauschen Sie die Klinge aus

1. Arretieren Sie die Klinge mit einem Holzblock. (Abb. 35)
2. Entfernen Sie die Klingenschraube, die Federscheibe und die Klinge. (Abb. 36)
3. Uberprufen Sie die Klingenauflage und die Klingenschraube auf Beschadigungen.
  - a) Wenn Sie die Klinge oder die Klingenauflage ersetzen, dann ersetzen Sie bitte auch die Klingenschraube, die Federscheibe und die Reibscheibe.
4. Prufen Sie die Motorwelle, um sicherstellen, dass sie nicht geknickt ist.
5. Wenn Sie die neue Klinge montieren, stellen Sie sicher, dass die gebogenen Enden der Klinge in die Richtung der Schneidwerkabdeckung zeigen. (Abb. 37)
6. Setzen Sie die Reibscheibe und die Klinge an die Klingenauflage an. (Abb. 38)
7. Stellen Sie sicher, dass die Klinge mit der Mitte der Motorwelle ausgerichtet ist. (Abb. 39)
8. Arretieren Sie die Klinge mit einem Holzblock. (Abb. 40)
9. Befestigen Sie die Federscheibe, und ziehen Sie die Schraube mit einem Drehmoment von 43 – 47 Nm fest. (Abb. 41)
10. Drehen Sie die Klinge mit der Hand, um sicherzustellen, dass sie sich einwandfrei dreht.



**WARNUNG:** Tragen Sie stets Schutzhandschuhe. Die Klinge ist sehr scharf, und man schneidet sich sehr leicht.

11. Starten Sie das Gerät, um die Klinge zu prüfen. Wenn die Klinge nicht richtig befestigt ist, gibt es im Gerät Vibrationen, oder das Schneidergebnis ist unbefriedigend.

8. Bringen Sie den Öltankdeckel an, wenn der Ölstand korrekt ist.

## So prüfen Sie den Ölstand



**ACHTUNG:** Ein zu niedriger Ölstand kann den Motor beschädigen. Überprüfen Sie den Ölstand, bevor Sie das Gerät starten.



**ACHTUNG:** Verwenden Sie stets den vom Hersteller empfohlenen Zündkerzentyp! Die Verwendung eines falschen Zündkerzentyps kann zu Schäden am Gerät führen.

1. Stellen Sie das Gerät auf einer ebenen Fläche ab.
2. Entfernen Sie den Öltankdeckel und den montierten Messstab.
3. Reinigen Sie den Messstab von Öl.
4. Tauchen Sie den Messstab vollständig in den Ölbehälter ein, um ein korrektes Bild über den Ölstand zu erhalten. Bringen Sie den Öltankdeckel nicht an.
5. Entfernen Sie den Öltankdeckel und den montierten Messstab.
6. Prüfen Sie den Ölstand am Messstab.
7. Wenn der Ölstand zu niedrig ist, füllen Sie Motoröl nach und kontrollieren den Ölstand erneut. (Abb. 42)

**Hinweis:** Verwenden Sie einen Trichter, um ein Verschütten zu vermeiden.

8. Bringen Sie den Öltankdeckel an, wenn der Ölstand korrekt ist.

- Überprüfen Sie die Zündkerze, wenn der Motor nur schwache Leistung bringt, sich nur schwer starten lässt oder im Leerlauf nicht ordnungsgemäß läuft.
- Wenn Sie diese Anweisungen befolgen, verringern Sie die Gefahr von unerwünschtem Material an den Elektroden der Zündkerze:
  - a) Stellen Sie sicher, dass die Leerlaufdrehzahl richtig eingestellt ist.
  - b) Vergewissern Sie sich, dass das Kraftstoffgemisch korrekt ist.
  - c) Vergewissern Sie sich, dass der Luftfilter sauber ist.
- Ist die Zündkerze verschmutzt, so ist sie zu reinigen; gleichzeitig ist zu prüfen, ob der Elektrodenabstand korrekt ist, siehe *Technische Daten auf Seite 75*. (Abb. 44)
- Ersetzen Sie die Zündkerze bei Bedarf.

## So wechseln Sie das Motoröl



**WARNUNG:** Das Motoröl ist direkt nach dem Abstellen des Motors sehr heiß. Lassen Sie den Motor abkühlen, bevor Sie das Motoröl ablassen. Wenn Motoröl auf Ihre Haut gerät, reinigen Sie diese mit Wasser und Seife.

## So reinigen Sie den Luftfilter

Ein verschmutzter Luftfilter kann dazu führen, dass der Motor beschädigt wird oder nicht ordnungsgemäß funktioniert. Warten Sie den Luftfilter bei staubigen Bedingungen häufiger.

Siehe *Wartungsplan auf Seite 70* für Informationen darüber, wann Sie den Luftfilter ersetzen müssen.

(Abb. 43)

1. Arbeiten Sie so lange mit dem Gerät, bis der Tank leer ist.
2. Trennen Sie das Zündkabel von der Zündkerze.
3. Entfernen Sie den Öltankdeckel und den montierten Messstab.
4. Stellen Sie einen Behälter unter das Gerät, um das Motoröl aufzufangen.
5. Neigen Sie das Gerät oder lassen Sie das Motoröl mit einer Ölpumpe (Zubehör) aus dem Öltank ab.
6. Füllen Sie ein Motoröl des Typs ein, das empfohlen wird unter *Technische Daten auf Seite 75*.
7. Prüfen Sie den Ölstand. Siehe *So prüfen Sie den Ölstand auf Seite 72*.

1. Nehmen Sie den Luftfilterdeckel ab, und entfernen Sie den Luftfilter.
2. Reinigen Sie den Filter, indem Sie ihn gegen eine flache Oberfläche klopfen. Reinigen Sie den Filter nicht mit einem petroleumhaltigen Lösungsmittel, mit Kerosin oder mit Druckluft.

**Hinweis:** Luftfilter, die über einen langen Zeitraum verwendet werden, können nicht vollständig gereinigt werden. Ersetzen Sie den Luftfilter in regelmäßigen Abständen. Beschädigte Luftfilter sind immer auszuwechseln.

3. Achten Sie beim Zusammenbau des Luftfilters darauf, dass er den Luftfilterhalter vollständig abdichtet.

## So prüfen Sie das seitliche Auswurfprallblech

Das seitliche Auswurfprallblech ist an der seitlichen Auswurföffnung des Geräts angebracht. Es verringert



die Gefahr, dass Gegenstände in die Richtung der Mähposition des Bedieners ausgeworfen werden.

1. Vergewissern Sie sich, dass das seitliche Auswurfprallblech nicht beschädigt ist.
2. Untersuchen Sie das seitliche Auswurfprallblech. Stellen Sie sicher, dass keine Schäden zu sehen sind, z. B. Risse oder gebrochene Federn, durch die die Öffnung zugedrückt wird.
3. Ersetzen Sie das seitliche Auswurfprallblech oder die Federn, wenn sie beschädigt sind.

## So prüfen Sie die Kraftstoffanlage

- Prüfen Sie den Kraftstofftankdeckel und die Dichtung für den Tankdeckel, um sicherzustellen, dass keine Beschädigungen vorliegen.
- Untersuchen Sie den Kraftstoffschlauch, um sicherzustellen, dass keine undichten Stellen vorhanden sind. Wenn der Schlauch beschädigt ist, lassen Sie ihn durch eine Servicewerkstatt austauschen.

## So leeren Sie den Kraftstofftank

1. Stellen Sie einen Behälter unter den Kraftstofftank.
2. Entfernen Sie den Kraftstofftankdeckel.
3. Drücken Sie die Schlauchschellen am Kraftstoffschlauch gegen den Vergaser.
4. Ziehen Sie den Kraftstoffschlauch vom Vergaser ab.
5. Stecken Sie den Kraftstoffschlauch in den Behälter und entfernen Sie die Schlauchschellen.
6. Kippen Sie das Gerät, und lassen Sie den Kraftstoff in den Behälter ab.

## So ersetzen Sie den Kraftstofffilter



**WARNUNG:** Tragen Sie stets Schutzhandschuhe.

1. Leeren Sie den Kraftstofftank.

2. Schieben Sie den Schlauchhalter vom Kraftstofftank weg. (Abb. 45)
3. Entfernen Sie den Kraftstoffschlauch vom Kraftstofftank. Eine geringe Menge Kraftstoff kann auslaufen. (Abb. 46)
4. Entfernen Sie den Kraftstofffilter vom Kraftstofftank. (Abb. 47)
5. Installieren Sie einen neuen Kraftstofffilter im Kraftstofftank.
6. Befestigen Sie den Kraftstoffschlauch am Kraftstofftank.
7. Bringen Sie den Schlauchhalter am Kraftstofftank in die richtige Position.

## So passen Sie das Kupplungsseil an

In nachfolgenden Situationen muss die Länge des Kupplungsseils verringert werden:

- Der Antrieb der Räder wird nicht aktiviert, wenn Sie am Antriebsgriff oder am Drehzahlregelungshebel ziehen.
- Das Gerät bewegt sich langsam, wenn der Antrieb der Räder aktiviert ist.

In den nachfolgenden Situationen muss die Länge des Kupplungsseils verlängert werden:

- Das Gerät bewegt sich, wenn der Antrieb der Räder nicht aktiviert ist.
- Passen Sie das Kupplungsseil an.
  - a) Um die Länge des Kupplungsseils zu verringern, drehen Sie die Stellschraube gegen den Uhrzeigersinn.
  - b) Um die Länge des Kupplungsseils zu vergrößern, drehen Sie die Stellschraube im Uhrzeigersinn. (Abb. 48)

Wenn das Gerät auch nach den Anpassungen nicht zufriedenstellend läuft, wenden Sie sich an Ihren Servicehändler.

---

# Transport, Lagerung und Entsorgung

---

## Transport und Lagerung

- Für die Lagerung und den Transport des Produkts und des Kraftstoffs ist darauf zu achten, dass keine Lecks oder Dämpfe vorhanden sind. Funken oder offene Flammen, zum Beispiel von elektrischen Geräten oder einem Boiler, können ein Feuer auslösen.
- Verwenden Sie für die Lagerung und den Transport von Kraftstoff immer zugelassene Behälter.
- Leeren Sie den Kraftstofftank, bevor Sie das Produkt über einen längeren Zeitraum einlagern. Entsorgen Sie den Kraftstoff in einer geeigneten Abfallentsorgungsstelle.

- Sichern Sie das Produkt während des Transports ab, um Schäden und Unfälle zu vermeiden.
- Bewahren Sie das Produkt in einem verschlossenen Bereich auf, um einen unerlaubten Zugriff durch Kinder oder andere Personen zu verhindern.
- Bewahren Sie das Produkt an einem trockenen und frostfreien Raum auf.

## Entsorgung

- Befolgen Sie die örtlichen Recyclinganforderungen und geltenden Vorschriften.
- Entsorgen Sie alle Chemikalien, z. B. Motoröl oder Kraftstoff, in einer Servicewerkstatt oder in einer geeigneten Abfallentsorgungsstelle.

- Wenn Sie das Produkt nicht mehr benutzen, senden Sie es an einen Husqvarna Händler oder entsorgen Sie es in einer Wiederverwertungsanlage.

# Technische Daten

## Technische Daten

|  |   |
|--|---|
|  | <b>LC 356VP</b>   |
| <b>Motor</b>   |   |
| Marke  | Honda   |
| Name des Motormodells                                  | GCVx170   |
| Hubraum, cm <sup>3</sup>                               | 166   |
| Drehzahl, U/min  | 2800  |
| Nennleistung des Motors, kW <sup>21</sup>              | 3,1   |
| <b>Zündanlage</b>                                      |   |
| Zündkerze  | NGK BPR5ES  |
| Elektrodenabstand, mm                                  | 0,75  |
| <b>Kraftstoff- und Schmiersystem</b>                   |   |
| Kraftstoff, bleifrei, minimale Oktanzahl               | 90  |
| Füllmenge Kraftstofftank, Liter                        | 0,9   |
| Füllmenge Öltank, Liter                                | 0,4   |
| Motoröl <sup>22</sup>                                  | Husqvarna SAE 30, Husqvarna SAE 5W-30 Synthetic, Husqvarna SAE 10W-40 |
| <b>Gewicht</b>   |   |
| Mit leeren Tanks, kg                                   | 35,1  |
| <b>Geräuschemissionen</b> <sup>23</sup>                |   |
| Schalleistungspegel, gemessen dB (A)                   | 98  |
| Schalleistungspegel, garantiert L <sub>WA</sub> dB (A) | 98  |
| <b>Schallpegel</b> <sup>24</sup>                       |   |

<sup>21</sup> Die Motornennleistung ist die durchschnittlich nach SAE-Standard J1349/ISO1585 gemessene Nettogleistung eines typischen Motors aus der Produktion, die (bei einer bestimmten Drehzahl) an das Motormodell abgegeben wird. Motoren für die Massenproduktion können von diesem Wert abweichen. Die tatsächliche Ausgangsleistung des eingebauten Motors hängt von der Betriebsdrehzahl, den Umgebungsbedingungen und anderen Werten ab.

<sup>22</sup> Verwenden Sie Motoröl der Qualität API SJ oder höher. Wird SAE-30-Öl bei Temperaturen unter +5 °C verwendet, besteht die Gefahr, dass der Motor nicht ausreichend geschmiert wird. Dadurch können schwere Motorschäden entstehen. Hinweise zur Verwendung des richtigen Öls bei niedrigen Temperaturen finden Sie unter *So wechseln Sie das Motoröl auf Seite 72*. Schauen Sie in der Viskositätstabelle im Motorhandbuch (falls vorhanden) nach, und wählen Sie die beste Viskosität je nach erwarteter Außentemperatur aus.

<sup>23</sup> Umweltbelastende Geräuschemissionen, gemessen als Schalleistung (L<sub>WA</sub>) gemäß EG-Richtlinie 2000/14/EG.

<sup>24</sup> Berichten zufolge liegt der Schalldruckpegel normalerweise bei einer Ausbreitungsklasse (Standardabweichung) von 1,2 dB (A).

|   |                                 |
|---|---------------------------------|
|   | <b>LC 356VP</b>                 |
| Schalldruckpegel am Ohr des Bedieners, dB (A) | 86                              |
| <b>Vibrationspegel</b> <sup>25</sup>          |                                 |
| Griff, m/s <sup>2</sup>                       | 5,9                             |
| <b>Schneidausrüstung</b>                      |                                 |
| Schnitthöhe, mm                               | 25-75                           |
| Schnittbreite, mm                             | 560                             |
| Schneidsystem                                 | Fangsack/BioClip®/Seitenauswurf |
| Klinge – Standard                             | Fangsack 598562701              |
| Klinge – Zubehör                              | Mulch 598563601                 |
| <b>Antrieb</b>                                |                                 |
| Geschwindigkeit, km/h                         | 3,0–4,5                         |

<sup>25</sup> Berichten zufolge liegt der Vibrationspegel normalerweise bei einer Ausbreitungsklasse (Standardabweichung) von 0,2 m/s<sup>2</sup>.

# Konformitätserklärung

## EU-Konformitätserklärung

Die **Husqvarna AB**, SE-561 82 Huskvarna, Schweden,  
Tel.: +46-36-146500, erklärt in alleiniger Verantwortung,  
dass das Gerät:

|                        |                       |
|------------------------|-----------------------|
| <b>Beschreibung</b>    | Rasenmäher            |
| <b>Marke</b>           | Husqvarna             |
| <b>Typ/Modell</b>      | LC 356VP              |
| <b>Identifizierung</b> | Seriennummern ab 2022 |

die folgenden EU-Richtlinien und -Verordnungen erfüllt:

| <b>Verordnung</b> | <b>Beschreibung</b>  |
|-------------------|--|
| 2006/42/EG        | „Maschinenrichtlinie“  |
| 2014/30/EG        | „EMV-Richtlinie“   |
| 2000/14/EG        | „über umweltbelastende Geräuschemissionen von zur Verwendung im Freien vorgesehenen Geräten und Maschinen“ |
| 2011/65/EG        | „zur Beschränkung der Verwendung bestimmter gefährlicher Stoffe in Elektro- und Elektronikgeräten“         |

und dass die folgenden Normen und/oder technischen  
Daten angewendet werden: EN ISO 5395-1:2013/  
A1:2018, EN ISO 5395-2:2013/A1:2016/A2:2017, EN  
ISO 14982:2009, EN IEC 63000:2018

Benannte Stelle: 0404, RISE SMP Svensk  
Maskinprovning AB, Box 4053, SE-904 03 Umeå,  
Schweden bestätigt die Konformität mit der Richtlinie  
2000/14/EG, Konformitätsbewertungsverfahren nach:  
Anhang VI.

Informationen zu Geräuschemissionen finden Sie unter  
*Technische Daten auf Seite 75.*

Huskvarna, 2022-10-20



Claes Losdal, Entwicklungsleiter/Gartenprodukte,  
Husqvarna AB

Verantwortlich für die technische Dokumentation



---

## Περιεχόμενα

---

|                    |    |  |    |
|--------------------|----|--|----|
| Εισαγωγή.....      | 78 | Συντήρηση.....                         | 85 |
| Ασφάλεια.....      | 79 | Μεταφορά, αποθήκευση και απόρριψη..... | 88 |
| Συναρμολόγηση..... | 82 | Τεχνικά στοιχεία.....                  | 89 |
| Λειτουργία.....    | 83 | Δήλωση Συμμόρφωσης.....                | 91 |

---

## Εισαγωγή

---

### Περιγραφή προϊόντος

Το προϊόν είναι ένα χλοοκοπτικό γκαζόν πεζού χειριστή με κύλινδρο. Τοποθετήστε το συλλέκτη χόρτου για τη συλλογή του χόρτου. Τοποθετήστε τον εκτροπέα πλευρικής εξαγωγής για την πλευρική εξαγωγή του χόρτου. Συνδέστε ένα κιτ κοπής χορτολιπάσματος για κοπή του γρασιδιού σε λίπασμα.

### Επισκόπηση προϊόντος

(Εικ. 1)

1. Τιμόνι
2. Λαβή φρένου κινητήρα
3. Ασφάλεια οδήγησης
4. Λαβή εκκίνησης
5. Πίσω κάλυμμα
6. Συλλέκτης χόρτου
7. Χειρόβιδες ύψους λαβής
8. Λεβιές ρύθμισης του ύψους κοπής
9. Τάπα λαδιού
10. Κάλυμμα πλευρικής εξαγωγής
11. Εξάτμιση (σιγαστήρας)
12. Μπουζί
13. Τάπα ντεπόζιτου καυσίμου
14. Σύμβολα
15. Κάλυμμα κοπής
16. Φίλτρο αέρα
17. Μοχλός ελέγχου ταχύτητας
18. Πλευρικός εκτροπέας
19. Πώμα χορτολιπάσματος (αξεσουάρ)
20. Εγχειρίδιο χρήσης

### Σύμβολα στο προϊόν

- (Εικ. 2) ΠΡΟΕΙΔΟΠΟΙΗΣΗ! Να είστε προσεκτικοί και να χρησιμοποιείτε το προϊόν σωστά. Αυτό το προϊόν μπορεί να προκαλέσει σοβαρό τραυματισμό ή θάνατο του χειριστή ή άλλων ατόμων.
- (Εικ. 3) Προτού χρησιμοποιήσετε το προϊόν, διαβάστε το εγχειρίδιο χρήσης προσεκτικά και βεβαιωθείτε ότι έχετε κατανοήσει τις οδηγίες.

### Προβλεπόμενη χρήση

Χρησιμοποιήστε το προϊόν για την κοπή γρασιδιού. Μην χρησιμοποιείτε το προϊόν για άλλες εργασίες.

(Εικ. 4) Προσέχετε για αντικείμενα που μπορεί να εκτοξευθούν ή να εξοστρακιστούν.

(Εικ. 5) Διατηρήστε τα άλλα άτομα και τα ζώα σε απόσταση ασφαλείας από την περιοχή εργασίας.

(Εικ. 6) Προειδοποίηση: Να διατηρείτε τα χέρια και τα πόδια σας μακριά από την περιστρεφόμενη λεπίδα.

(Εικ. 7) Προειδοποίηση: Να διατηρείτε τα χέρια και τα πόδια σας μακριά από κινούμενα μέρη.

(Εικ. 8) Προτού πραγματοποιήσετε οποιαδήποτε εργασία επισκευής ή συντήρησης, σταματήστε τον κινητήρα και αφαιρέστε το καλώδιο ανάφλεξης.

(Εικ. 9) Αυτό το προϊόν συμμορφώνεται με τις ισχύουσες οδηγίες ΕΚ.

(Εικ. 10) Αυτό το προϊόν συμμορφώνεται με τις ισχύουσες οδηγίες του Η.Β.

(Εικ. 11) Ετικέτα εκπομπών θορύβου στο περιβάλλον σύμφωνα με οδηγίες και κανονισμούς της ΕΕ και του Η.Β. και τη νομοθεσία της Νότιας Νέας Ουαλίας "Κανονισμός για την προστασία των περιβαλλοντικών δράσεων (έλεγχος θορύβου) του 2017". Η εγγυημένη στάθμη θορύβου του προϊόντος καθορίζεται στην ενότητα *Τεχνικά στοιχεία στη σελίδα 89* και στην ετικέτα.

**Περιεχόμενα** Άλλα σύμβολα/σήματα που υπάρχουν στο προϊόν αναφέρονται σε απαιτήσεις πιστοποίησης για ορισμένες εμπορικές περιοχές.

## Ζημιά στο προϊόν

Δεν φέρουμε ευθύνη για ζημιές στο προϊόν μας εάν:

- Το προϊόν έχει επισκευαστεί λανθασμένα.
- Το προϊόν έχει επισκευαστεί με εξαρτήματα που δεν προέρχονται από τον κατασκευαστή ή που δεν έχουν εγκριθεί από τον κατασκευαστή.

- Το προϊόν διαθέτει ένα αξεσουάρ που δεν προέρχεται από τον κατασκευαστή ή που δεν έχει εγκριθεί από τον κατασκευαστή.
- Το προϊόν δεν έχει επισκευαστεί σε εγκεκριμένο κέντρο σέρβις ή από εγκεκριμένη αρχή.

## Εκπομπές Euro V



**ΠΡΟΕΙΔΟΠΟΙΗΣΗ:** Οποιαδήποτε μη εξουσιοδοτημένη παρέμβαση στον κινητήρα ακυρώνει την έγκριση τύπου ΕΕ αυτού του προϊόντος.

## Ασφάλεια

### Ορισμοί για την ασφάλεια

Για την επισήμανση ειδικών σημαντικών τμημάτων του εγχειριδίου χρησιμοποιούνται προειδοποιήσεις, συστάσεις προσοχής και σημειώσεις.



**ΠΡΟΕΙΔΟΠΟΙΗΣΗ:** Χρησιμοποιείται όταν υπάρχει κίνδυνος τραυματισμού ή θανάτου του χειριστή ή άλλων παριστάμενων ατόμων, αν δεν τηρηθούν οι οδηγίες που παρέχονται στο εγχειρίδιο.



**ΠΡΟΣΟΧΗ:** Χρησιμοποιείται όταν υπάρχει κίνδυνος πρόκλησης ζημιάς στο προϊόν, σε άλλα υλικά ή στον παρακείμενο χώρο, αν δεν τηρηθούν οι οδηγίες που παρέχονται στο εγχειρίδιο.

**Περιεχόμενα** Χρησιμοποιείται για παροχή περισσότερων πληροφοριών, οι οποίες χρειάζονται σε μια δεδομένη κατάσταση.

### Γενικές οδηγίες ασφαλείας



**ΠΡΟΕΙΔΟΠΟΙΗΣΗ:** Προτού χρησιμοποιήσετε το προϊόν, διαβάστε τις παρακάτω προειδοποιητικές οδηγίες.

- Αυτό το προϊόν είναι επικίνδυνο αν δεν χρησιμοποιηθεί σωστά ή αν δεν είστε προσεκτικοί. Αν δεν τηρείτε τις οδηγίες ασφαλείας, μπορεί να προκληθεί τραυματισμός ή θάνατος.
- Αυτό το προϊόν παράγει ηλεκτρομαγνητικό πεδίο κατά τη λειτουργία του. Το πεδίο αυτό, υπό ορισμένες συνθήκες, μπορεί να προκαλέσει παρεμβολές σε ενεργά ή παθητικά ιατρικά εμφυτεύματα. Για να μειωθεί ο κίνδυνος σοβαρών ή θανατηφόρων τραυματισμών, συνιστούμε στα άτομα με ιατρικά εμφυτεύματα να συμβουλευονται τον θεράποντα ιατρό τους και τον κατασκευαστή του ιατρικού εμφυτεύματος, προτού θέσουν το προϊόν σε λειτουργία.

- Πρέπει πάντα να προσέχετε και να χρησιμοποιείτε την κοινή λογική. Αν δεν είστε βέβαιοι πώς να χειριστείτε το προϊόν σε μια ιδιαίτερη κατάσταση, σταματήστε και μιλήστε με τον αντιπρόσωπο της Husqvarna προτού συνεχίσετε.
- Πρέπει να θυμάστε ότι ο χειριστής θεωρείται υπεύθυνος για ατυχήματα που μπορεί να προκληθούν σε άλλα άτομα ή στην περιουσία τους.
- Να διατηρείτε το προϊόν καθαρό. Βεβαιωθείτε ότι μπορείτε να διαβάσετε καθαρά τις ενδείξεις και τα σήματα.
- Μην επιτρέπετε σε κανένα άτομο να χρησιμοποιήσει το προϊόν αν δεν βεβαιωθείτε ότι έχει διαβάσει και κατανοήσει τα περιεχόμενα του εγχειριδίου χρήσης.
- Μην επιτρέψετε σε παιδιά να χρησιμοποιήσουν το προϊόν.
- Μην αφήνετε να πλησιάσουν παιδιά στην περιοχή εργασίας. Πρέπει να είναι παρών ένας υπεύθυνος ενήλικας ανά πάσα στιγμή.
- Μην επιτρέψετε σε άτομα που δεν έχουν διαβάσει τις οδηγίες να χρησιμοποιήσουν το προϊόν.
- Αν το προϊόν χρησιμοποιείται από ένα άτομο με μειωμένη σωματική ή διανοητική ικανότητα, θα πρέπει πάντα να το επιβλέπετε. Πρέπει να είναι παρών ένας υπεύθυνος ενήλικας ανά πάσα στιγμή.
- Μην χρησιμοποιείτε το προϊόν, αν είστε κουρασμένοι, άρρωστοι ή υπό την επήρεια αλκοόλ, ναρκωτικών ή φαρμάκων. Αυτά έχουν αρνητικές συνέπειες στην όραση, την αυτοσυγκέντρωση, τον συντονισμό και την κρίση σας.
- Μην χρησιμοποιείτε το προϊόν εάν έχει υποστεί ζημιά ή δεν λειτουργεί σωστά.
- Μην τροποποιείτε το προϊόν και μην το χρησιμοποιείτε αν είναι εμφανές ότι έχει τροποποιηθεί από άλλους.
- Μην αλλάζετε τη ρύθμιση του χειριστηρίου στροφών κινητήρα.

### Ασφάλεια στο χώρο εργασίας



**ΠΡΟΕΙΔΟΠΟΙΗΣΗ:** Προτού χρησιμοποιήσετε το προϊόν, διαβάστε τις παρακάτω προειδοποιητικές οδηγίες.

- Αφαιρέστε αντικείμενα όπως κλαδιά, κλωνάρια και πέτρες από την περιοχή εργασίας πριν χρησιμοποιήσετε το προϊόν.
- Τα αντικείμενα που χτυπούν πάνω στον εξοπλισμό κοπής μπορεί να πεταχτούν και να προκαλέσουν ζημιές σε πρόσωπα και αντικείμενα. Να διατηρείτε τους παρευρισκόμενους και τα ζώα σε απόσταση ασφαλείας από το προϊόν.
- Μην χρησιμοποιείτε ποτέ το προϊόν σε κακές καιρικές συνθήκες, όπως ομίχλη, βροχή, ισχυρό άνεμο, έντονο κρύο και κίνδυνο κεραυνού. Η χρήση του προϊόντος σε κακές καιρικές συνθήκες, σε συνθήκες υγρασίας ή σε υγρές τοποθεσίες είναι εξαιρετικά κούραστική. Οι κακές καιρικές συνθήκες μπορεί να προκαλέσουν επικίνδυνες καταστάσεις, όπως ολισθηρές επιφάνειες.
- Να προσέχετε για πρόσωπα, αντικείμενα και καταστάσεις που μπορεί να αποτρέψουν την ασφαλή λειτουργία του προϊόντος.
- Να προσέχετε για εμπόδια, όπως ρίζες, πέτρες, κλωνάρια, λακούβες και χαντάκια. Το μακρύ γρασίδι μπορεί να κρύβει εμπόδια.
- Η κοπή χόρτου σε πλαγιές μπορεί να είναι επικίνδυνη. Μην χρησιμοποιείτε το προϊόν σε πλαγιές με κλίση πάνω από 15°.
- Να κατευθύνετε το προϊόν κατά πλάτος στις επιφάνειες με κλίση. Να μην μετακινείστε προς τα πάνω και προς τα κάτω.
- Να είστε ιδιαίτερα προσεκτικοί κοντά σε κρυφές γωνίες και αντικείμενα που εμποδίζουν το οπτικό σας πεδίο.
- Σε περίπτωση πρόσκρουσης της λεπίδας σε αντικείμενο ή αν διαπιστώσετε κραδασμούς, διακόψτε αμέσως τη λειτουργία του προϊόντος. Αφαιρέστε το καλώδιο ανάφλεξης από το μπουζί. Ελέγξτε το προϊόν για ζημιές. Επισκευάστε τις ζημιές ή αναθέστε την επισκευή σε έναν εξουσιοδοτημένο αντιπρόσωπο σέρβις.
- Μην συνδέετε ποτέ μόνιμα τη λαβή φρένου κινητήρα στη χειρολαβή κατά την εκκίνηση του κινητήρα.
- Τοποθετήστε το προϊόν σε μια σταθερή, επίπεδη επιφάνεια και εκκινήστε το. Να βεβαιώνετε ότι η λεπίδα δεν χτυπάει στο έδαφος ή σε άλλα αντικείμενα.
- Να παραμένετε πάντα πίσω από το προϊόν κατά τη λειτουργία.
- Κατά τη λειτουργία του προϊόντος, θα πρέπει όλοι οι τροχοί να ακουμπούν στο έδαφος και να διατηρείτε και τα 2 χέρια πάνω στη λαβή. Διατηρήστε τα χέρια και τα πόδια σας μακριά από τις περιστρεφόμενες λεπίδες.
- Μην γέρνετε το προϊόν όταν εκκινείται ο κινητήρας.
- Να είστε προσεκτικοί όταν τραβάτε το προϊόν προς τα πίσω.
- Να μην ανασηκώνετε ποτέ το προϊόν όταν εκκινείται ο κινητήρας. Αν πρέπει να ανασηκώσετε το προϊόν, σβήστε πρώτα τον κινητήρα και αποσυνδέστε το καλώδιο ανάφλεξης από το μπουζί.
- Να μην περπατάτε προς τα πίσω όταν χρησιμοποιείτε το προϊόν.
- Να σβήνετε τον κινητήρα όταν μετακινείστε σε περιοχές χωρίς χόρτα, για παράδειγμα μονοπάτια από χαλίκι, πέτρα και άσφαλτο.
- Μην τρέχετε με το προϊόν όταν εκκινείται ο κινητήρας. Να περπατάτε πάντα προς τα εμπρός όταν χρησιμοποιείτε το προϊόν.
- Να σβήνετε τον κινητήρα προτού αλλάξετε το ύψος κοπής. Μην προβείτε ποτέ σε τροποποιήσεις με τον κινητήρα σε λειτουργία.
- Μην αφήνετε ποτέ το προϊόν εκτός ορατότητας με τον κινητήρα σε λειτουργία. Να σβήνετε τον κινητήρα και να βεβαιώνετε ότι το παρελκόμενο κοπής δεν περιστρέφεται.

## Ασφάλεια στην εργασία



**ΠΡΟΕΙΔΟΠΟΙΗΣΗ:** Προτού χρησιμοποιήσετε το προϊόν, διαβάστε τις παρακάτω προειδοποιητικές οδηγίες.

- Να χρησιμοποιείτε το προϊόν μόνο για την κοπή χόρτου γκαζόν. Δεν επιτρέπεται η χρήση του για άλλες εργασίες.
- Χρησιμοποιείτε ατομικό προστατευτικό εξοπλισμό. Ανατρέξτε στην ενότητα *Προσωπικός εξοπλισμός προστασίας στη σελίδα 80*.
- Βεβαιωθείτε ότι γνωρίζετε πώς να σταματήσετε τον κινητήρα γρήγορα σε περίπτωση έκτακτης ανάγκης.
- Μην εκκινείτε ποτέ τον κινητήρα μέσα σε κλειστό χώρο ή κοντά σε εύφλεκτα υλικά. Τα καυσαέρια του κινητήρα είναι ζεστά και ενδέχεται να έχουν σπινθήρες που μπορεί να προκαλέσουν πυρκαγιά.
- Μην λειτουργείτε το προϊόν αν δεν είναι σωστά συνδεδεμένη η λεπίδα και όλα τα καλύμματα. Αν η λεπίδα δεν είναι σωστά συνδεδεμένη, μπορεί να χαλαρώσει και να προκληθεί προσωπικός τραυματισμός.
- Να βεβαιώνετε ότι ο δίσκος δεν χτυπάει αντικείμενα, όπως πέτρες και ρίζες. Αυτό μπορεί να κάνει ζημιά στη λεπίδα και να λυγίσει τον άξονα του κινητήρα. Ο λυγισμένος άξονας προκαλεί ισχυρή δόνηση και πολύ υψηλό κίνδυνο χαλάρωσης της λεπίδας.

## Οδηγίες ασφαλείας για τη λειτουργία

### Προσωπικός εξοπλισμός προστασίας



**ΠΡΟΕΙΔΟΠΟΙΗΣΗ:** Προτού χρησιμοποιήσετε το προϊόν, διαβάστε τις παρακάτω προειδοποιητικές οδηγίες.

- Ο προσωπικός εξοπλισμός προστασίας δεν μπορεί να εξαλείψει τον κίνδυνο τραυματισμών, ωστόσο μειώνει τη σοβαρότητά τους σε περίπτωση ατυχήματος. Ο αντιπρόσωπος θα σας βοηθήσει να επιλέξετε το σωστό εξοπλισμό.
- Να χρησιμοποιείτε προστατευτικά ακοής, εάν το επίπεδο θορύβου είναι υψηλότερο από 85 dB.



- Να χρησιμοποιείτε αντιολισθητικές μπότες ή παπούτσια βαρέος τύπου. Να μην χρησιμοποιείτε το προϊόν με ανοιχτά παπούτσια ή ξυπόλυτοι.
- Χρησιμοποιήστε χοντρά, μακριά παντελόνια.
- Όταν χρειάζεται, να χρησιμοποιείτε προστατευτικά γάντια, για παράδειγμα κατά την τοποθέτηση, την επιθεώρηση ή τον καθαρισμό του εξοπλισμού κοπής.

## Συσκευές ασφαλείας στο προϊόν



**ΠΡΟΕΙΔΟΠΟΙΗΣΗ:** Προτού χρησιμοποιήσετε το προϊόν, διαβάστε τις παρακάτω προειδοποιητικές οδηγίες.

- Μην χρησιμοποιείτε το προϊόν με συσκευές ασφαλείας που έχουν υποστεί ζημιά ή δεν λειτουργούν σωστά.
- Πρέπει να κάνετε τακτικά έλεγχο των συσκευών ασφαλείας. Εάν οι συσκευές ασφαλείας έχουν υποστεί ζημιά ή δεν λειτουργούν σωστά, απευθυνθείτε στον αντιπρόσωπο σέρβις της Husqvarna.
- Μην κάνετε τροποποιήσεις στις συσκευές ασφαλείας.

## Για τον έλεγχο του καλύμματος κοπής

Το κάλυμμα κοπής μειώνει τους κραδασμούς στο προϊόν και μειώνεται ο κίνδυνος τραυματισμού από τη λεπίδα.

- Εξετάστε το κάλυμμα κοπής για να βεβαιωθείτε ότι δεν υπάρχουν φθορές όπως ρωγμές.

## Για τον έλεγχο της λαβής φρένου του κινητήρα

Η λαβή του φρένου κινητήρα σταματάει τον κινητήρα. Όταν απελευθερωθεί η λαβή του φρένου κινητήρα, ο κινητήρας σταματάει.

- Εκκινήστε τον κινητήρα και αφήστε τη λαβή του φρένου του κινητήρα. Αν ο κινητήρας δεν σταματά σε 3 δευτερόλεπτα, αναθέστε τη ρύθμιση του φρένου κινητήρα σε έναν εγκεκριμένο αντιπρόσωπο σέρβις Husqvarna. (Εικ. 12)

## Έλεγχος του πίσω καλύμματος

Ο πίσω εκτροπέας μειώνει τον κίνδυνο εκτίναξης αντικειμένων προς την κατεύθυνση του χειριστή.

- Βεβαιωθείτε ότι το πίσω κάλυμμα δεν έχει υποστεί ζημιά.
- Βεβαιωθείτε ότι τα ελατήρια που κλείνουν το πίσω κάλυμμα δεν είναι χαλασμένα.
- Αντικαταστήστε τα χαλασμένα ελατήρια και εξαρτήματα.
- Βεβαιωθείτε ότι το πίσω κάλυμμα κινείται ομαλά πάνω στους μεντεσέδες.

## Σιγαστήρας

Ο σιγαστήρας διατηρεί τα επίπεδα θορύβου στο ελάχιστο και κατευθύνει τις αναθυμιάσεις της εξάτμισης μακριά από τον χειριστή.

Μην χρησιμοποιείτε το προϊόν, αν ο σιγαστήρας λείπει ή έχει καταστραφεί. Ο κατεστραμμένος σιγαστήρας αυξάνει το επίπεδο θορύβου και τον κίνδυνο φωτιάς.



**ΠΡΟΕΙΔΟΠΟΙΗΣΗ:** Ο σιγαστήρας θερμαίνεται πολύ κατά τη διάρκεια της χρήσης και παραμένει θερμός μετά τη χρήση, καθώς και όταν ο κινητήρας λειτουργεί στο ρελαντί. Προσέχετε όταν κινείστε κοντά σε εύφλεκτα υλικά ή/και αναθυμιάσεις, για να αποφύγετε την εκδήλωση πυρκαγιάς.

## Έλεγχος της εξάτμισης (σιγαστήρας)

- Πρέπει να εξετάζετε την εξάτμιση (το σιγαστήρα) τακτικά, για να βεβαιωθείτε ότι είναι σωστά συνδεδεμένη και δεν έχει υποστεί ζημιά.

## Ασφάλεια καυσίμου



**ΠΡΟΕΙΔΟΠΟΙΗΣΗ:** Προτού χρησιμοποιήσετε το προϊόν, διαβάστε τις παρακάτω προειδοποιητικές οδηγίες.

- Μην θέτετε το προϊόν σε λειτουργία, εάν υπάρχει καύσιμο ή λάδι κινητήρα στο προϊόν. Αφαιρέστε το ανεπιθύμητο καύσιμο/λάδι και αφήστε το προϊόν να στεγνώσει.
- Εάν χύσετε καύσιμο στα ρούχα σας, αλλάξτε τα αμέσως.
- Μην χύσετε καύσιμο στο σώμα σας, καθώς μπορεί να προκληθεί τραυματισμός. Αν χύσετε καύσιμο στο σώμα σας, χρησιμοποιήστε σαπούνι και νερό για να αφαιρέσετε το καύσιμο.
- Μην θέσετε το προϊόν σε λειτουργία, εάν ο κινητήρας έχει διαρροή. Εξετάζετε τακτικά τον κινητήρα για διαρροές.
- Να είστε προσεκτικοί με το καύσιμο. Το καύσιμο είναι εύφλεκτο και οι αναθυμιάσεις είναι εκρηκτικές και μπορούν να προκαλέσουν τραυματισμό ή θάνατο.
- Μην εισπνεύσετε τις αναθυμιάσεις καυσίμου, καθώς μπορεί να προκληθεί τραυματισμός. Βεβαιωθείτε ότι υπάρχει επαρκής ροή αέρα.
- Μην καπνίζετε κοντά στο καύσιμο ή τον κινητήρα.
- Μην τοποθετείτε ζεστά αντικείμενα κοντά στο καύσιμο ή τον κινητήρα.
- Μην προσθέτετε καύσιμο όταν λειτουργεί ο κινητήρας.
- Βεβαιωθείτε ότι ο κινητήρας έχει κρυώσει πριν από τον ανεφοδιασμό.
- Πριν από τον ανεφοδιασμό, ανοίξτε αργά την τάπα του ντεπόζιτου καυσίμου και εκτονώστε προσεκτικά την πίεση.
- Μην προσθέτετε καύσιμο στον κινητήρα σε εσωτερικό χώρο. Η ανεπαρκής ροή αέρα μπορεί να προκαλέσει τραυματισμό ή θάνατο λόγω ασφυξίας ή μονοξειδίου του άνθρακα.

- Να σφίγγετε πλήρως την τάπα του ντεπόζιτου καυσίμου. Αν η τάπα του ντεπόζιτου καυσίμου δεν είναι σφιγμένη, υπάρχει κίνδυνος πυρκαγιάς.
- Πριν από την εκκίνηση, μετακινήστε το προϊόν σε απόσταση τουλάχιστον 3 m /10 ft από το σημείο όπου γεμίζατε το ντεπόζιτο.
- Μην γεμίζετε ποτέ εντελώς το ντεπόζιτο καυσίμου. Η υψηλή θερμοκρασία προκαλεί διαστολή του καυσίμου. Πρέπει να αφήνετε κενό στο πάνω μέρος του ντεπόζιτου καυσίμου.
- Μην αποθηκεύετε ποτέ το προϊόν σε κτίρια όπου υπάρχουν πηγές ανάφλεξης, όπως θερμοσίφωνες, μονάδες θέρμανσης χώρου ή στεγνωτήρια ρούχων, εάν υπάρχει καύσιμο μέσα στο ντεπόζιτο. Αφήστε τον κινητήρα να κρυώσει προτού τον αποθηκεύσετε σε κάποιο κιβώτιο.

## Οδηγίες ασφαλείας για τη συντήρηση



**ΠΡΟΕΙΔΟΠΟΙΗΣΗ:** Προτού χρησιμοποιήσετε το προϊόν, διαβάστε τις παρακάτω προειδοποιητικές οδηγίες.

- Οι αναθυμιάσεις της εξάτμισης από τον κινητήρα περιέχουν μονοξείδιο του άνθρακα, ένα άσμο, δλητηριώδες και ιδιαίτερα επικίνδυνο αέριο. Να μην

εκκινείτε τον κινητήρα σε εσωτερικούς ή κλειστούς χώρους.

- Πριν πραγματοποιήσετε συντήρηση στο προϊόν, σβήστε τον κινητήρα και αποσυνδέστε το καλώδιο ανάφλεξης από το μπουζί.
- Να χρησιμοποιείτε προστατευτικά γάντια όταν κάνετε συντήρηση του εξοπλισμού κοπής. Η λεπίδα είναι πολύ κοφτερή και μπορεί εύκολα να κοπείτε.
- Τα αξεσουάρ και οι τροποποιήσεις στο προϊόν που δεν είναι εγκεκριμένες από τον κατασκευαστή, μπορεί να προκαλέσουν σοβαρό τραυματισμό ή θάνατο. Να μην πραγματοποιείτε αλλαγές στο προϊόν. Να χρησιμοποιείτε μόνο εξαρτήματα που έχουν εγκριθεί από τον κατασκευαστή.
- Αν η συντήρηση δεν γίνεται σωστά και τακτικά, αυξάνεται ο κίνδυνος τραυματισμού και ζημιάς στο προϊόν.
- Να πραγματοποιείτε μόνο τις εργασίες συντήρησης όπως δίνονται σε αυτό το εγχειρίδιο κατόχου. Όλες οι άλλες εργασίες συντήρησης πρέπει να γίνονται από εγκεκριμένο αντιπρόσωπο σέρβις Husqvarna.
- Να αναθέτετε τη συντήρηση του προϊόντος σε έναν εγκεκριμένο αντιπρόσωπο σέρβις Husqvarna σε τακτά χρονικά διαστήματα.
- Να αντικαθιστάτε τυχόν κατεστραμμένα, φθαρμένα ή σπασμένα εξαρτήματα.

## Συναρμολόγηση

### Εισαγωγή



**ΠΡΟΕΙΔΟΠΟΙΗΣΗ:** Προτού συναρμολογήσετε το προϊόν, πρέπει να διαβάσετε και να κατανοήσετε το κεφάλαιο για την ασφάλεια.



**ΠΡΟΕΙΔΟΠΟΙΗΣΗ:** Αφαιρέστε το καλώδιο του μπουζί από το μπουζί πριν τη συναρμολόγηση του προϊόντος.

### Συναρμολόγηση της λαβής

**Περιεχόμενα** Συνιστάται η εκτέλεση αυτής της διαδικασίας από 2 άτομα.

**Περιεχόμενα** Μην αφαιρείτε το προϊόν από το κουτί, όταν συναρμολογείτε τη λαβή. Το κουτί μπορεί να χρησιμοποιηθεί για στήριξη της λαβής κατά τη συναρμολόγηση.

1. Ανασηκώστε και περιστρέψτε τη λαβή. (Εικ. 13)



**ΠΡΟΣΟΧΗ:** Να είστε προσεκτικοί και να βεβαιώνετε ότι δεν προκαλείται ζημιά στο καλώδιο όταν περιστρέψετε τη λαβή.

2. Τοποθετήστε τη λαβή στο επάνω μέρος του προϊόντος. Γείρετε τη λαβή προς το κουτί για να την στηρίξετε. Ανατρέξτε στην εικόνα. (Εικ. 14)
3. Περάστε τη βίδα (A) μέσα από τη λαβή (B), την πλαστική ροδέλα (C) και τον βραχίονα στήριξης της λαβής (D). (Εικ. 15)
4. Σφίξτε καλά το παξιμάδι (E).
5. Αφαιρέστε το προϊόν από το κουτί.
6. Διπλώστε τη λαβή στην όρθια θέση. (Εικ. 16)
7. Ρυθμίστε το ύψος της λαβής στη χαμηλότερη θέση. Ανατρέξτε στην ενότητα *Ρύθμιση της λαβής στη σελίδα 82*.
8. Στερεώστε το καλώδιο στο χαμηλότερο μέρος της λαβής με το κλιπ. (Εικ. 17)
9. Στερεώστε το κάτω μέρος του καλωδίου στον βραχίονα στήριξης της λαβής με το δεματικό καλωδίων. Κόψτε το υπόλοιπο κομμάτι του δεματικού καλωδίων. (Εικ. 18)

**Περιεχόμενα** Βεβαιωθείτε ότι το καλώδιο έχει στερεωθεί σωστά. Ένα υπερβολικά χαλαρό καλώδιο μπορεί να πάθει ζημιά όταν θα τοποθετηθεί ο συλλέκτης χόρτου. (Εικ. 19)

### Ρύθμιση της λαβής

1. Χαλαρώστε τις κάτω χειροβίδες.

2. Μετακινήστε τους μοχλούς στο κατώτερο άκρο των αυλακώσεων από την αριστερή και τη δεξιά πλευρά του προϊόντος. (Εικ. 20)
3. Ρυθμίστε το ύψος της χειρολαβής σε μία από τις 2 διαθέσιμες θέσεις.
4. Μετακινήστε τους μοχλούς προς την κατεύθυνση της χειρολαβής μέχρι να σταματήσουν και να ακούσετε ένα κλικ. (Εικ. 21)
5. Σφίξτε πλήρως τις χειρόβιδες.

## Ρύθμιση του προϊόντος στη θέση μεταφοράς

1. Αφαιρέστε τον συλλέκτη χόρτου (εάν υπάρχει).
2. Χαλαρώστε τις κάτω χειρόβιδες.
3. Μετακινήστε τους μοχλούς στο κατώτερο άκρο των αυλακώσεων από την αριστερή και τη δεξιά πλευρά του προϊόντος. (Εικ. 20)

4. Διπλώστε τη χειρολαβή προς τα εμπρός. (Εικ. 22)

## Για να ρυθμίσετε το προϊόν στη θέση λειτουργίας

1. Διπλώστε τη λαβή στην όρθια θέση. (Εικ. 23)
2. Μετακινήστε τους μοχλούς προς την κατεύθυνση της χειρολαβής μέχρι να σταματήσουν και να ακούσετε ένα κλικ. (Εικ. 21)
3. Σφίξτε πλήρως τις χειρόβιδες.

## Συναρμολόγηση του συλλέκτη χόρτου

1. Τοποθετήστε το πλαίσιο συλλέκτη χόρτου στον σάκο χόρτου με το άκαμπτο τμήμα του σάκου να ακουμπά στο έδαφος. Μην αφήνετε τη λαβή του πλαισίου να πλησιάσει το πάνω μέρος του σάκου. (Εικ. 24)
2. Στερεώστε το σάκο χόρτου στο πλαίσιο με τα κλιπ. (Εικ. 25)

# Λειτουργία

## Εισαγωγή



**ΠΡΟΕΙΔΟΠΟΙΗΣΗ:** Προτού χρησιμοποιήσετε το προϊόν, πρέπει να διαβάσετε και να κατανοήσετε το κεφάλαιο για την ασφάλεια.

## Husqvarna Connect

Η Husqvarna Connect είναι μια δωρεάν εφαρμογή για τη φορητή συσκευή σας. Η εφαρμογή Husqvarna Connect παρέχει εκτεταμένες λειτουργίες για το προϊόν σας Husqvarna:

- Περισσότερες πληροφορίες για το προϊόν.
- Πληροφορίες και βοήθεια για τα ανταλλακτικά και το σέρβις του προϊόντος.

## Για να αρχίσετε να χρησιμοποιείτε το προϊόν Husqvarna Connect

1. Κατεβάστε την εφαρμογή Husqvarna Connect στη φορητή συσκευή σας.
2. Εγγραφείτε στην εφαρμογή Husqvarna Connect.
3. Ακολουθήστε τα βήματα με τις οδηγίες που θα βρείτε στην εφαρμογή Husqvarna Connect για να συνδέσετε και να δηλώσετε το προϊόν.

## Πριν χρησιμοποιήσετε το προϊόν

1. Διαβάστε το εγχειρίδιο χρήσης προσεκτικά και βεβαιωθείτε ότι έχετε κατανοήσει τις οδηγίες.
2. Εξετάστε τον εξοπλισμό κοπής για να βεβαιωθείτε ότι είναι σωστά συνδεδεμένος και ρυθμισμένος. Ανατρέξτε στην ενότητα *Για να ελέγξετε τον εξοπλισμό κοπής στη σελίδα 86*.
3. Γεμίστε το ντεπόζιτο καυσίμου. Ανατρέξτε στην ενότητα *Ανεφοδιασμός με καύσιμο στη σελίδα 83*.

4. Γεμίστε το ντεπόζιτο λαδιού και κάντε έναν έλεγχο της στάθμης λαδιού. Ανατρέξτε στην ενότητα *Αντικατάσταση του λαδιού του κινητήρα στη σελίδα 87*.

## Ανεφοδιασμός με καύσιμο

Αν υπάρχει διαθέσιμη, χρησιμοποιήστε βενζίνη χαμηλής εκπομπής καυσαερίων/χαμηλής αλκυλίωσης. Σε περίπτωση που δεν είναι διαθέσιμη βενζίνη χαμηλών εκπομπών/αλκυλίωσης, χρησιμοποιήστε καλής ποιότητας αμόλυβδη βενζίνη ή βενζίνη με μολυβδο με αριθμό οκτανίων όχι μικρότερο από 90.



**ΠΡΟΣΟΧΗ:** Μην χρησιμοποιείτε βενζίνη με αριθμό οκτανίων κάτω από 90 RON (87 AKI). Μπορεί να προκληθεί ζημιά στο προϊόν.

1. Ανοίξτε αργά την τάπα του ντεπόζιτου καυσίμου για να εκτονώσετε την πίεση.
2. Γεμίστε αργά με ένα δοχείο καυσίμων. Αν χύσετε καύσιμο, καθαρίστε το με ένα πανί και αφήστε το καύσιμο που απομένει να στεγνώσει.
3. Καθαρίστε την περιοχή γύρω από την τάπα του ντεπόζιτου καυσίμου.
4. Να σφίγγετε πλήρως την τάπα του ντεπόζιτου καυσίμου. Αν η τάπα του ντεπόζιτου καυσίμου δεν είναι σφισμένη, υπάρχει κίνδυνος πυρκαγιάς.
5. Πριν από την εκκίνηση, μετακινήστε το προϊόν σε απόσταση τουλάχιστον 3 m (10 ft) από το σημείο όπου γεμίσατε το ντεπόζιτο.

## Για να ρυθμίσετε το ύψος κοπής

1. Μετακινήστε το μοχλό ύψους κοπής προς τα πίσω για να αυξήσετε το ύψος κοπής.

2. Μετακινήστε το μοχλό ύψους κοπής προς τα εμπρός για να μειώσετε το ύψος κοπής. (Εικ. 26)



**ΠΡΟΣΟΧΗ:** Μην ρυθμίζετε το ύψος κοπής πολύ χαμηλά. Οι λεπίδες μπορεί να χτυπήσουν στο έδαφος αν η επιφάνεια του χλοοτάπητα δεν είναι επίπεδη.

## Εκκίνηση του προϊόντος

1. Βεβαιωθείτε ότι το καλώδιο ανάφλεξης είναι συνδεδεμένο στο μπουζί.
2. Να παραμένετε πίσω από το προϊόν.
3. Κρατήστε τη λαβή του φρένου κινητήρα προς τη χειρολαβή. (Εικ. 27)
4. Πιάστε τη λαβή του κορδονιού εκκίνησης με το δεξί σας χέρι.
5. Τραβήξτε αργά έξω το κορδόνι της μίζας μέχρι να αισθανθείτε κάποια αντίσταση.
6. Τραβήξτε δυνατά για να εκκινήσει ο κινητήρας.



**ΠΡΟΕΙΔΟΠΟΙΗΣΗ:** Μην τυλίγετε ποτέ το σχοινί της τροχαλίας του συστήματος εκκίνησης γύρω από το χέρι σας.

## Χρήση της κίνησης στους τροχούς

- Ξεκινήστε την κίνηση στους τροχούς με τον μοχλό ελέγχου ταχύτητας στην αριστερή πλευρά της λαβής. Μετακινήστε τον μοχλό ελέγχου ταχύτητας προς τα εμπρός για να αυξήσετε τις στροφές και προς τα πίσω για να μειώσετε τις στροφές. (Εικ. 28)
- Προτού τραβήξετε το προϊόν προς τα πίσω, αποσυμπλέξτε τον μηχανισμό μετάδοσης κίνησης και σπρώξτε το προϊόν προς τα εμπρός κατά περίπου 10 cm.
- Απελευθερώστε την ασφάλεια κίνησης για να αποδεσμεύσετε την κίνηση, για παράδειγμα όταν βρίσκει κοντά σε κάποιο εμπόδιο.

## Διακοπή λειτουργίας του προϊόντος

- Για να διακόψετε μόνο την κίνηση, απελευθερώστε την ασφάλεια οδήγησης.
- Για να διακόψετε τη λειτουργία του κινητήρα, απελευθερώστε τη λαβή του φρένου κινητήρα.

## Χρήση του προϊόντος με τον συλλέκτη χόρτου



**ΠΡΟΕΙΔΟΠΟΙΗΣΗ:** Μην χρησιμοποιείτε το προϊόν χωρίς να έχετε τοποθετήσει τον συλλέκτη χόρτου ή χωρίς να έχετε κλείσει το πίσω κάλυμμα. Μπορεί να εκπαισθούν αντικείμενα και να προκαλέσουν τραυματισμό στον χειριστή.

1. Ανασηκώστε το πίσω κάλυμμα και αφαιρέστε το πώμα χορτολιπάσματος, αν υπάρχει. (Εικ. 29)
2. Για να συναρμολογήσετε τον συλλέκτη χόρτου, ανατρέξτε στην ενότητα *Συναρμολόγηση του συλλέκτη χόρτου στη σελίδα 83*.
3. Τοποθετήστε τον συλλέκτη χόρτου στο μπράτσο.
4. Απασφαλίστε το πίσω κάλυμμα και τοποθετήστε το πάνω στο πλαίσιο του σάκου χόρτου. (Εικ. 30)

## Αλλαγή του προϊόντος σε λειτουργία κοπής χορτολιπάσματος

Βεβαιωθείτε ότι ο κινητήρας είναι απενεργοποιημένος προτού αλλάξετε το προϊόν στη λειτουργία κοπής χορτολιπάσματος.

1. Ανασηκώστε το πίσω κάλυμμα και αφαιρέστε το συλλέκτη χόρτου, αν υπάρχει.
2. Τοποθετήστε το πώμα χορτολιπάσματος μέσα στο κανάλι εκτόξευσης. (Εικ. 31)
3. Κλείστε το πίσω κάλυμμα και βεβαιωθείτε ότι έχει κλείσει καλά πάνω στο πώμα χορτολιπάσματος.

**Περιεχόμενα** Για να αυξήσετε την απόδοση της λειτουργίας χορτολίπανσης, αντικαταστήστε τη λεπίδα με το αξεσουάρ λεπίδας κοπής χορτολιπάσματος. Ανατρέξτε στην ενότητα *Για να αντικαταστήσετε τη λεπίδα στη σελίδα 86*

## Αλλαγή του προϊόντος σε λειτουργία πλευρικής εξαγωγής κομμένου χόρτου

1. Ανασηκώστε το πίσω κάλυμμα και αφαιρέστε το σάκο χόρτου, αν υπάρχει.
2. Κλείστε το πίσω κάλυμμα και βεβαιωθείτε ότι έχει κλείσει καλά στο προϊόν.
3. Ανασηκώστε την ασφάλεια εξαγωγής. (Εικ. 32)
4. Ανοίξτε τον προφυλακτήρα πλευρικής εξαγωγής και τοποθετήστε τον εκτροπέα πλευρικής εξαγωγής πάνω στους πείρους στήριξης. (Εικ. 33)
5. Αφήστε τον προφυλακτήρα πλευρικής εξαγωγής να κλείσει πάνω στον εκτροπέα πλευρικής εξαγωγής. Βεβαιωθείτε ότι ο εκτροπέας πλευρικής εξαγωγής είναι καλά τοποθετημένος προτού χρησιμοποιήσετε το προϊόν.

## Άδειασμα του συλλέκτη χόρτου



**ΠΡΟΣΟΧΗ:** Ανασηκώστε τον συλλέκτη χόρτου όταν τον μετακινείτε, για να αποφύγετε τη φθορά.

1. Ανασηκώστε το συλλέκτη χόρτου με τη λαβή του πλαισίου.
2. Χρησιμοποιήστε τη χειρολαβή πλαισίου και τη χειρολαβή τσάντας όταν αδειάζετε τον συλλέκτη χόρτου. (Εικ. 34)

## Για ένα καλό αποτέλεσμα

- Να χρησιμοποιείτε πάντα μια ακονισμένη λεπίδα. Η στομωμένη λεπίδα δίνει ένα ακανόνιστο αποτέλεσμα και η επιφάνεια κοπής του γρασιδιού γίνεται κίτρινη. Επίσης, η ακονισμένη λεπίδα χρησιμοποιεί λιγότερη ενέργεια από μια στομωμένη λεπίδα.
- Να μην κόβετε ποτέ πάνω από το 1/3 του μήκους του γρασιδιού. Όταν αρχίζετε να κόβετε το γρασιδί, χρησιμοποιήστε το υψηλότερο ύψος κοπής. Εξετάστε το αποτέλεσμα και χαμηλώστε το ύψος κοπής σε κατάλληλο επίπεδο. Αν το γρασιδί είναι πολύ μακρύ, κινηθείτε αργά και κόψτε 2 φορές, αν είναι απαραίτητο.
- Να κόβετε κάθε φορά σε διαφορετικές κατευθύνσεις για να αποφεύγετε τις ρίγες στο γκαζόν.

- Ανασηκώστε το πίσω κάλυμμα και αφαιρέστε το συλλέκτη χόρτου.
- Αν έχουν τοποθετηθεί πώμα χορτολιπάσματος και λεπίδα χορτολίπανσης, αφαιρέστε τα.
- Κλείστε το πίσω κάλυμμα προτού χρησιμοποιήσετε το προϊόν. Όταν χρησιμοποιείτε το προϊόν, το κομμένο χόρτο εκτοξεύεται κάτω από το πίσω κάλυμμα.
- Διατηρείτε το κάλυμμα κοπής καθαρό. Η συσσώρευση χορταριού και ακαθαρσιών στην εσωτερική πλευρά του καλύμματος κοπής μπορεί να μειώσει το αποτέλεσμα κοπής. Ανατρέξτε στην ενότητα *Για να καθαρίσετε την εσωτερική επιφάνεια του καλύμματος κοπής στη σελίδα 86.*

## Συντήρηση

### Εισαγωγή



**ΠΡΟΕΙΔΟΠΟΙΗΣΗ:** Προτού εκτελέσετε εργασίες συντήρησης, πρέπει να διαβάσετε και να κατανοήσετε το κεφάλαιο για την ασφάλεια.

Για όλες τις εργασίες συντήρησης και επισκευής στο προϊόν, είναι απαραίτητη ειδική εκπαίδευση. Μπορούμε να εγγυηθούμε για τη διαθεσιμότητα των επαγγελματικών επισκευών και τη συντήρηση. Αν ο αντιπρόσωπός σας δεν είναι αντιπρόσωπος σέρβις, μιλήστε του για πληροφορίες σχετικά με τον πλησιέστερο αντιπρόσωπο σέρβις.

Για λεπτομερέστερες πληροφορίες, ανατρέξτε στη σελίδα .

### Πρόγραμμα συντήρησης



**ΠΡΟΣΟΧΗ:** Βεβαιωθείτε ότι το φίλτρο αέρα είναι στραμμένο προς τα πάνω και όχι προς το έδαφος όταν γέρνετε το προϊόν. Κίνδυνος ζημιάς στον κινητήρα.

Τα διαστήματα συντήρησης υπολογίζονται με βάση την καθημερινή χρήση του προϊόντος. Τα διαστήματα αλλάζουν αν το προϊόν δεν χρησιμοποιείται καθημερινά.

Για τις εργασίες συντήρησης που προσδιορίζονται με αστερίσκο (\*), ανατρέξτε στις οδηγίες στην ενότητα *Συσκευές ασφαλείας στο προϊόν στη σελίδα 81.*

| Συντήρηση  | Καθημερινά | Κάθε εβδομάδα | Κάθε μήνα |
|--|------------|---------------|-----------|
| Εκτέλεση γενικής επιθεώρησης   | X          |               |           |
| Έλεγχος της στάθμης λαδιού   | X          |               |           |
| Καθαρισμός του προϊόντος   | X          |               |           |
| Έλεγχος του εξοπλισμού κοπής   | X          |               |           |
| Έλεγχος του καλύμματος κοπής *   | X          |               |           |
| Έλεγχος της λαβής του φρένου του κινητήρα *  | X          |               |           |
| Έλεγχος του χειριστήριου φρένου της λεπίδας *  | X          |               |           |
| Έλεγχος της εξάτμισης (σιγαστήρα) *  |            | X             |           |
| Έλεγχος του μπουζί   |            | X             |           |
| Αλλαγή λαδιού (την πρώτη φορά μετά από 5 ώρες χρήσης, έπειτα μετά από κάθε 50 ώρες χρήσης) |            |               | X         |
| Καθαρίστε ή αντικαταστήστε το φίλτρο αέρα.   |            |               | X         |

| Συντήρηση                       | Καθημερινά | Κάθε εβδομάδα | Κάθε μήνα |
|---------------------------------|------------|---------------|-----------|
| Έλεγχος του συστήματος καυσίμου |            |               | X         |

## Εκτέλεση γενικής επιθεώρησης

- Βεβαιωθείτε ότι όλα τα παξιμάδια και οι βίδες πάνω στο προϊόν είναι σφιγμένα σωστά.

## Για να καθαρίσετε εξωτερικά το προϊόν

- Χρησιμοποιήστε μια βούρτσα για να αφαιρέσετε φύλλα, γρασιδί και ακαθαρσίες.
- Βεβαιωθείτε ότι η εισαγωγή αέρα στο επάνω μέρος του κινητήρα δεν είναι φραγμένη.
- Μην χρησιμοποιείτε σύστημα πλύσης με υψηλή πίεση για να καθαρίσετε το προϊόν.
- Αν χρησιμοποιείτε νερό για να καθαρίσετε το προϊόν, μην ρίχνετε νερό απευθείας επάνω στον κινητήρα.

## Για να καθαρίσετε την εσωτερική επιφάνεια του καλύμματος κοπής

- Αδειάστε το νεπόζιτο καυσίμου.
- Τοποθετήστε το προϊόν στο πλάι με την εξάτμιση (σιγαστήρα) προς τα κάτω.



**ΠΡΟΣΟΧΗ:** Αν το προϊόν τοποθετηθεί με το φίλτρο αέρα προς τα κάτω, ο κινητήρας μπορεί να υποστεί ζημιά.

- Ξεπλύνετε την εσωτερική επιφάνεια του καλύμματος κοπής ρίχνοντας νερό προς τα κάτω με ένα λάστιχο.

## Για να ελέγξετε τον εξοπλισμό κοπής



**ΠΡΟΕΙΔΟΠΟΙΗΣΗ:** Για να αποτρέψετε ακούσια εκκίνηση, αφαιρέστε το καλώδιο ανάφλεξης από το μπουζί.



**ΠΡΟΕΙΔΟΠΟΙΗΣΗ:** Να χρησιμοποιείτε προστατευτικά γάντια όταν κάνετε συντήρηση του εξοπλισμού κοπής. Η λεπίδα είναι πολύ κοφτερή και μπορεί εύκολα να κοπείτε.

- Ελέγξτε τον εξοπλισμό κοπής για ζημιές ή ρωγμές. Πρέπει πάντα να αντικαθιστάτε τον εξοπλισμό κοπής, αν έχει υποστεί ζημιά.
- Κοιτάξτε τη λεπίδα για να δείτε εάν είναι φθαρμένη ή στομαμένη.

**Περιεχόμενα** Είναι απαραίτητο να ζυγοσταθμιστεί η λεπίδα μετά το ακόνισμα. Να αναθέτετε το ακόνισμα, την αντικατάσταση και τη ζυγοστάθμιση της λεπίδας σε ένα κέντρο σέρβις. Αν χτυπήσετε κάποιο εμπόδιο και σταματήσει το προϊόν, αντικαταστήστε τη φθαρμένη

λεπίδα. Το κέντρο σέρβις θα αξιολογήσει αν η λεπίδα μπορεί να ακονιστεί ή πρέπει να αντικατασταθεί.

## Για να αντικαταστήσετε τη λεπίδα

- Ασφαλίστε τη λεπίδα με έναν ξύλινο τάκο. (Εικ. 35)
- Αφαιρέστε τη βίδα της λεπίδας, τη ροδέλα του ελατηρίου και τη λεπίδα. (Εικ. 36)
- Ελέγξτε το στήριγμα της λεπίδας και τη βίδα της λεπίδας για τυχόν ζημιές.
  - Αν αντικαταστήσετε τη λεπίδα ή το στήριγμα της λεπίδας, αντικαταστήστε και τη βίδα της λεπίδας, τη ροδέλα του ελατηρίου και τη ροδέλα τριβής.
- Εξετάστε τον άξονα του κινητήρα για να βεβαιωθείτε ότι δεν είναι λυγισμένος.
- Κατά την τοποθέτηση της καινούργιας λεπίδας, βεβαιωθείτε ότι τα λυγισμένα άκρα είναι στραμμένα προς το κάλυμμα κοπής. (Εικ. 37)
- Τοποθετήστε τη ροδέλα τριβής και τη λεπίδα πάνω στο στήριγμα της λεπίδας. (Εικ. 38)
- Βεβαιωθείτε ότι η λεπίδα έχει ευθυγραμμιστεί με το κέντρο του άξονα του κινητήρα. (Εικ. 39)
- Ασφαλίστε τη λεπίδα με έναν ξύλινο τάκο. (Εικ. 40)
- Τοποθετήστε τη ροδέλα του ελατηρίου και σφίξτε τη βίδα με ροπή 43 – 47 Nm. (Εικ. 41)
- Περιστρέψτε τη λάμα με το χέρι και βεβαιωθείτε ότι μπορεί να περιστραφεί χωρίς προβλήματα.



**ΠΡΟΕΙΔΟΠΟΙΗΣΗ:** Πρέπει να χρησιμοποιείτε προστατευτικά γάντια. Η λεπίδα είναι πολύ κοφτερή και μπορεί εύκολα να κοπείτε.

- Εκκινήστε το προϊόν για να δοκιμάσετε τη λεπίδα. Αν η λεπίδα δεν είναι σωστά συνδεδεμένη, θα υπάρχουν κραδασμοί στο προϊόν ή το αποτέλεσμα κοπής δεν θα είναι ικανοποιητικό.

## Έλεγχος της στάθμης λαδιού



**ΠΡΟΣΟΧΗ:** Το πολύ χαμηλό επίπεδο λαδιού μπορεί να προκαλέσει βλάβη στον κινητήρα. Να κάνετε έλεγχο της στάθμης λαδιού πριν από την εκκίνηση του προϊόντος.

- Τοποθετήστε το προϊόν σε οριζόντιο έδαφος.
- Αφαιρέστε το καπάκι του νεπόζιτου λαδιού και τον συνδεδεμένο δείκτη στάθμης.
- Καθαρίστε το λάδι από τον δείκτη στάθμης.

4. Πιέστε τον δείκτη στάθμης πλήρως μέσα στο νεπετόζιτο λαδιού για να έχετε μια σωστή εικόνα της στάθμης λαδιού. Μην τοποθετήσετε την τάπα του νεπετόζιτου λαδιού.
5. Αφαιρέστε το καπάκι του νεπετόζιτου λαδιού και τον συνδεδεμένο δείκτη στάθμης.
6. Εξετάστε τη στάθμη λαδιού πάνω στον δείκτη στάθμης.
7. Αν η στάθμη του λαδιού είναι χαμηλή, συμπληρώστε με λάδι κινητήρα και ελέγξτε ξανά τη στάθμη λαδιού. (Εικ. 42)

**Περιεχόμενα** Χρησιμοποιήστε ένα χωνί για να αποφύγετε τη διαρροή.

8. Τοποθετήστε την τάπα του νεπετόζιτου λαδιού, όταν η στάθμη του λαδιού είναι η σωστή.

## Αντικατάσταση του λαδιού του κινητήρα



**ΠΡΟΕΙΔΟΠΟΙΗΣΗ:** Το λάδι του κινητήρα είναι πολύ καυτό αμέσως μετά το σβήσιμο του κινητήρα. Αφήστε τον κινητήρα να κρυώσει προτού αδειάσετε το λάδι του κινητήρα. Αν πέσει λάδι κινητήρα στο δέρμα σας, καθαρίστε το με σαπούνι και νερό.

(Εικ. 43)

1. Λειτουργήστε το προϊόν μέχρι να αδειάσει το νεπετόζιτο καυσίμου.
2. Αφαιρέστε το καλώδιο της μίζας από το μπουζί.
3. Αφαιρέστε το καπάκι του νεπετόζιτου λαδιού και τον συνδεδεμένο δείκτη στάθμης.
4. Τοποθετήστε ένα δοχείο κάτω από το προϊόν για να συλλέξετε το λάδι του κινητήρα.
5. Γείρετε το προϊόν ή αποστραγγίστε το λάδι κινητήρα από το νεπετόζιτο λαδιού με μια αντλία λαδιού (αξεσουάρ).
6. Γεμίστε με καινούργιο λάδι κινητήρα που έχει τον τύπο που προτείνεται στο *Τεχνικά στοιχεία στη σελίδα 89*.
7. Ελέγξτε τη στάθμη λαδιού. Ανατρέξτε στην ενότητα *Ελεγχος της στάθμης λαδιού στη σελίδα 86*.
8. Τοποθετήστε την τάπα του νεπετόζιτου λαδιού, όταν η στάθμη του λαδιού είναι η σωστή.

## Εκτέλεση ελέγχου μπουζί



**ΠΡΟΣΟΧΗ:** Χρησιμοποιείτε πάντα τον συνιστώμενο τύπο μπουζί. Η χρήση λάθος τύπου μπουζί μπορεί να προκαλέσει ζημιά στο προϊόν.

- Ελέγξτε το μπουζί, αν ο κινητήρας έχει χαμηλή ισχύ, δεν εκκινεί εύκολα ή δεν λειτουργεί σωστά στο ρελαντί.

- Για να μειώσετε τον κίνδυνο συσσώρευσης ανεπιθύμητων υλικών στα ηλεκτρόδια του μπουζί, ακολουθήστε τις παρακάτω οδηγίες:
  - a) Βεβαιωθείτε ότι οι στροφές ανά λεπτό ρελαντί έχουν ρυθμιστεί σωστά.
  - b) Βεβαιωθείτε ότι το μίγμα καυσίμου είναι σωστό.
  - c) Βεβαιωθείτε ότι το φίλτρο αέρα είναι καθαρό.
- Αν το μπουζί είναι βρώμικο, καθαρίστε το και βεβαιωθείτε ότι το διάκενο του ηλεκτροδίου είναι σωστό, ανατρέξτε στην ενότητα *Τεχνικά στοιχεία στη σελίδα 89*. (Εικ. 44)
- Αν χρειάζεται, αντικαταστήστε το μπουζί.

## Καθαρισμός του φίλτρου αέρα

Αν το φίλτρο αέρα είναι βρώμικο, ο κινητήρας μπορεί να υποστεί ζημιά ή να μην λειτουργεί σωστά. Σε συνθήκες με πολλή σκόνη, πρέπει να εκτελείτε τη συντήρηση του φίλτρου αέρα πιο συχνά.

Ανατρέξτε στην ενότητα *Πρόγραμμα συντήρησης στη σελίδα 85* για να μάθετε πότε πρέπει να αντικαθιστάτε το φίλτρο αέρα.

1. Αφαιρέστε το κάλυμμα του φίλτρου αέρα και το φίλτρο.
2. Καθαρίστε το φίλτρο κτυπώντας το σε μια επίπεδη επιφάνεια. Μην χρησιμοποιείτε διαλυτικό με πετρέλαιο, κηροζίνη ή πεπιεσμένο αέρα για τον καθαρισμό του φίλτρου.

**Περιεχόμενα** Τα φίλτρα αέρα που βρίσκονται σε λειτουργία για μεγάλο χρονικό διάστημα δεν μπορούν να καθαριστούν εντελώς. Να αντικαθιστάτε το φίλτρο αέρα σε τακτά διαστήματα. Τα φίλτρα αέρα που έχουν υποστεί ζημιά, θα πρέπει πάντα να αντικαθιστάται.

3. Κατά τη συναρμολόγηση του φίλτρου αέρα, βεβαιωθείτε ότι έχει σφραγιστεί πλήρως στο στήριγμα φίλτρου.

## Έλεγχος του εκτροπέα πλευρικής εξαγωγής

Ο εκτροπέας πλευρικής εξαγωγής είναι τοποθετημένος στο άνοιγμα πλευρικής εξαγωγής του προϊόντος. Μειώνει τον κίνδυνο εκτίναξης αντικειμένων προς την κατεύθυνση χλοοκοπής του χειριστή.

1. Βεβαιωθείτε ότι ο εκτροπέας πλευρικής εξαγωγής δεν έχει υποστεί ζημιά.
2. Ελέγξτε τον εκτροπέα πλευρικής εξαγωγής. Βεβαιωθείτε ότι δεν υπάρχουν ελαττώματα, όπως ρωγμές ή χαλασμένα ελατήρια που ωθούν την πόρτα να κλείσει.
3. Αντικαταστήστε τον εκτροπέα πλευρικής εξαγωγής ή τα ελατήρια, εάν έχουν υποστεί ζημιά.

## Για να ελέγξετε το σύστημα καυσίμου

- Ελέγξτε την τάπα του ντεπόζιτου καυσίμου και την τσιμούχα στεγανότητας της τάπας του ντεπόζιτου καυσίμου για να βεβαιωθείτε ότι δεν υπάρχουν φθορές.
- Ελέγξτε το σωλήνα καυσίμου για να βεβαιωθείτε ότι δεν υπάρχουν διαρροές. Αν ο σωλήνας καυσίμου έχει υποστεί φθορά, αναθέστε την αντικατάστασή του σε έναν αντιπρόσωπο σέρβις.

## Αποστράγγιση του ντεπόζιτου καυσίμου

1. Τοποθετήστε ένα δοχείο κάτω από το ντεπόζιτο καυσίμου.
2. Αφαιρέστε την τάπα ντεπόζιτου καυσίμου.
3. Πιέστε τα κλιπ σωλήνα στον εύκαμπο σωλήνα καυσίμου προς το καρμπυρατέρ.
4. Αφαιρέστε τον εύκαμπο σωλήνα καυσίμου από το καρμπυρατέρ.
5. Τοποθετήστε τον εύκαμπο σωλήνα καυσίμου στο δοχείο και αφαιρέστε τα κλιπ των σωλήνων.
6. Γείρετε το προϊόν και αποστραγγίστε το καύσιμο μέσα στο δοχείο.

## Αντικατάσταση του φίλτρου καυσίμου



**ΠΡΟΕΙΔΟΠΟΙΗΣΗ:** Πρέπει να χρησιμοποιείτε προστατευτικά γάντια.

1. Αποστραγγίστε το ντεπόζιτο καυσίμου.
2. Απομακρύνετε το κλιπ σωλήνα από το ντεπόζιτο καυσίμου. (Εικ. 45)
3. Αφαιρέστε τον σωλήνα καυσίμου από το ντεπόζιτο καυσίμου. Μπορεί να διαρρεύσει μια μικρή ποσότητα καυσίμου. (Εικ. 46)

4. Αφαιρέστε το φίλτρο καυσίμου από το ντεπόζιτο καυσίμου. (Εικ. 47)
5. Τοποθετήστε ένα νέο φίλτρο καυσίμου στο ντεπόζιτο καυσίμου.
6. Συνδέστε τον σωλήνα καυσίμου στο ρεζερβουάρ καυσίμου.
7. Τοποθετήστε το κλιπ σωλήνα στη θέση του στο ρεζερβουάρ καυσίμου.

## Ρύθμιση του καλωδίου του συμπλέκτη ()

Για τις παρακάτω περιπτώσεις, πρέπει να μειώσετε το μήκος του καλωδίου του συμπλέκτη:

- Η κίνηση των τροχών δεν ενεργοποιείται όταν τραβάτε την ασφάλεια κίνησης ή το μοχλό ελέγχου ταχύτητας.
- Το προϊόν κινείται αργά όταν η κίνηση των τροχών είναι ενεργοποιημένη.

Για τις παρακάτω περιπτώσεις, είναι απαραίτητο να αυξήσετε το μήκος του καλωδίου του συμπλέκτη:

- Το προϊόν κινείται όταν δεν έχει ενεργοποιηθεί η κίνηση των τροχών.
- Ρυθμίστε το καλώδιο του συμπλέκτη.
  - a) Για να μειώσετε το μήκος του καλωδίου του συμπλέκτη, γυρίστε τη βίδα ρύθμισης αριστερόστροφα.
  - b) Για να αυξήσετε το μήκος του καλωδίου του συμπλέκτη, γυρίστε τη βίδα ρύθμισης δεξιόστροφα. (Εικ. 48)

Εάν το προϊόν συνεχίζει να μην κινείται ικανοποιητικά μετά τη ρύθμιση, απευθυνθείτε στον αντιπρόσωπο σέρβις.

## Μεταφορά, αποθήκευση και απόρριψη

### Μεταφορά και αποθήκευση

- Για την αποθήκευση και τη μεταφορά του προϊόντος και του καυσίμου, βεβαιωθείτε ότι δεν υπάρχουν διαρροές ή αναθυμιάσεις. Τυχόν σπινθήρες ή ακάλυπτες φλόγες, για παράδειγμα από ηλεκτρικές συσκευές ή λέβητες, μπορεί να προκαλέσουν πυρκαγιά.
- Να χρησιμοποιείτε πάντα εγκεκριμένα δοχεία για την αποθήκευση και τη μεταφορά των καυσίμων.
- Να αδειάζετε το ντεπόζιτο καυσίμου πριν την αποθήκευση του προϊόντος για μεγάλο χρονικό διάστημα. Να απορρίπτετε το καύσιμο σε μια κατάλληλη τοποθεσία απόρριψης.
- Να στερεώνετε με ασφάλεια το προϊόν κατά τη μεταφορά για να αποφύγετε βλάβες και ατυχήματα.

- Να διατηρείτε το προϊόν σε μια κλειδωμένη περιοχή για να αποτρέψετε την πρόσβαση σε παιδιά ή μη εγκεκριμένα άτομα.
- Να διατηρείτε το προϊόν σε μια περιοχή στεγνή και χωρίς πάγο.

### Απόρριψη

- Πρέπει να συμμορφώνετε με τις τοπικές απαιτήσεις ανακύκλωσης και τους ισχύοντες κανονισμούς.
- Πετάξτε όλα τα χημικά, όπως το λάδι κινητήρα ή το καύσιμο, σε ένα κέντρο σέρβις ή σε μια κατάλληλη τοποθεσία απόρριψης.
- Όταν το προϊόν δεν είναι πλέον σε χρήση, στείλετε το σε έναν αντιπρόσωπο Husqvarna ή απορρίψτε το σε μια τοποθεσία ανακύκλωσης.



## Τεχνικά στοιχεία

### Τεχνικά στοιχεία

|  |   |
|--|---|
|  | <b>LC 356VP</b>   |
| <b>Κινητήρας</b>   |   |
| Μάρκα  | Honda   |
| Όνομα μοντέλου κινητήρα                                  | GCVx170   |
| Κυβισμός, cm <sup>3</sup>                                | 166   |
| Ταχύτητα, σ.α.λ.   | 2800  |
| Ονομαστική απόδοση ισχύος κινητήρα, kW <sup>26</sup>     | 3,1   |
| <b>Σύστημα ανάφλεξης</b>                                 |   |
| Μπουζί   | NGK BPR5ES  |
| Διάκενο ηλεκτροδίου, mm                                  | 0,75  |
| <b>Σύστημα καυσίμου και λίπανσης</b>                     |   |
| Καύσιμο, αμόλυβδη, ελάχιστος αριθμός οκτανίων            | 90  |
| Χωρητικότητα ντεπόζιτου καυσίμου, λίτρα                  | 0,9   |
| Χωρητικότητα δοχείου λαδιού, λίτρα                       | 0,4   |
| Λάδι κινητήρα <sup>27</sup>                              | Husqvarna SAE 30, Husqvarna SAE 5W-30 Synthetic, Husqvarna SAE 10W-40 |
| <b>Βάρος</b>   |   |
| Με κενά ντεπόζιτα, kg                                    | 35,1  |
| <b>Εκπομπές θορύβου</b> <sup>28</sup>                    |   |
| Στάθμη ηχητικής ισχύος, μετρούμενη τιμή σε dB (A)        | 98  |
| Στάθμη ηχητικής ισχύος, εγγυημένη L <sub>WA</sub> dB (A) | 98  |
| <b>Στάθμες ήχου</b> <sup>29</sup>                        |   |

<sup>26</sup> Η ονομαστική ισχύς του εν λόγω κινητήρα είναι η μέση ωφέλιμη ισχύς (σε συγκεκριμένες στροφές κινητήρα) ενός τυπικού κινητήρα παραγωγής για το μοντέλο του κινητήρα μετρημένης βάσει του προτύπου SAE J1349/ISO1585. Οι κινητήρες μαζικής παραγωγής μπορεί να διαφέρουν από την τιμή αυτή. Η πραγματική ωφέλιμη απόδοση ισχύος του κινητήρα που τοποθετείται στο τελικό προϊόν εξαρτάται από την ταχύτητα λειτουργίας, τις συνθήκες του περιβάλλοντος και άλλες τιμές.

<sup>27</sup> Χρησιμοποιείτε λάδι κινητήρα ποιότητας API SJ ή υψηλότερης. Εάν το λάδι SAE-30 χρησιμοποιείται σε θερμοκρασία χαμηλότερη από +5 °C, υπάρχει κίνδυνος να μην λιπανθεί επαρκώς ο κινητήρας. Αυτό μπορεί να προκαλέσει ζημιά στον κινητήρα. Ανατρέξτε στην ενότητα *Αντικατάσταση του λαδιού του κινητήρα στη σελίδα 87* για το σωστό λάδι σε χαμηλές θερμοκρασίες. Ανατρέξτε στο διάγραμμα ιξώδους στο εγχειρίδιο του κινητήρα (αν περιλαμβάνεται) και επιλέξτε το καλύτερο ιξώδες με βάση την αναμενόμενη εξωτερική θερμοκρασία.

<sup>28</sup> Οι εκπομπές θορύβου στο περιβάλλον μετρούνται ως ηχητική ισχύς (L<sub>WA</sub>) σε συμμόρφωση με την Οδηγία 2000/14/EK.

<sup>29</sup> Τα καταγεγραμμένα στοιχεία για τη στάθμη πίεσης θορύβου έχουν τυπική στατιστική διασπορά (τυπική απόκλιση) 1,2 dB(A).

|   |                                       |
|---|---------------------------------------|
|   | <b>LC 356VP</b>                       |
| Στάθμη ηχητικής πίεσης στο αυτί του χειριστή, σε dB (A) | 86                                    |
| <b>Στάθμες κραδασμών<sup>30</sup></b>                   |                                       |
| Λαβή, m/s <sup>2</sup>                                  | 5,9                                   |
| <b>Εξοπλισμός κοπής</b>                                 |                                       |
| Ύψος κοπής, mm  | 25-75                                 |
| Πλάτος κοπής, mm  | 560                                   |
| Σύστημα κοπής   | Συλλογή / BioClip® / Πλευρική εξαγωγή |
| Λεπίδα - τυπική   | Συλλογή 598562701                     |
| Λεπίδα - Αξεσουάρ                                       | Χορτολίπανση 598563601                |
| <b>Σύστημα μετάδοσης κίνησης</b>                        |                                       |
| Ταχύτητα, km/h  | 3,0 - 4,5                             |

<sup>30</sup> Τα καταγεγραμμένα στοιχεία για τη στάθμη κραδασμών έχουν τυπική στατιστική διασπορά (τυπική απόκλιση) ίση με 0,2 m/s<sup>2</sup>.

## Δήλωση Συμμόρφωσης

### Δήλωση συμμόρφωσης ΕΕ

Εμείς, η **Husqvarna AB**, SE-561 82 Huskvarna, Σουηδία,  
τηλ.: +46-36-146500, δηλώνουμε με αποκλειστική μας  
ευθύνη ότι το προϊόν:

|                        |   |
|------------------------|---|
| <b>Περιγραφή</b>       | Ωθούμενο χλοοκοπτικό                                |
| <b>Μάρκα</b>           | Husqvarna   |
| <b>Τύπος / Μοντέλο</b> | LC 356VP  |
| <b>Αναγνώριση</b>      | Αριθμοί σειράς με ημερομηνία από το 2022 και έπειτα |

συμμορφώνεται πλήρως με τις ακόλουθες οδηγίες και  
τους κανονισμούς της ΕΕ:

| <b>Κανονισμός</b> | <b>Περιγραφή</b>   |
|-------------------|--|
| 2006/42/EK        | "σχετικά με τα μηχανήματα"   |
| 2014/30/EE        | "σχετικά με την ηλεκτρομαγνητική συμβατότητα"  |
| 2000/14/EK        | "σχετικά με τις εκπομπές θορύβου στο περιβάλλον"   |
| 2011/65/EE        | "σχετικά με τον περιορισμό της χρήσης ορισμένων επικίνδυνων ουσιών σε είδη ηλεκτρικού και ηλεκτρονικού εξοπλισμού" |

και ότι εφαρμόζονται τα παρακάτω πρότυπα ή/και  
τεχνικές προδιαγραφές: EN ISO 5395-1:2013/A1:2018,  
EN ISO 5395-2:2013/A1:2016/A2:2017, EN ISO  
14982:2009, EN IEC 63000:2018

Κοινοποιημένος φορέας: O 0404, RISE SMP Svensk  
Maskinprovning AB, Box 4053, SE-904 03 Umeå,  
Sweden έχει πιστοποιήσει τη συμμόρφωση με  
την οδηγία 2000/14/EK του Συμβουλίου, διαδικασία  
αξιολόγησης συμμόρφωσης: Παράρτημα VI.

Για πληροφορίες σχετικά με τις εκπομπές θορύβου,  
ανατρέξτε στην ενότητα *Τεχνικά στοιχεία στη σελίδα 89*.

Huskvarna, 2022-10-20



Claes Losdal, Υπεύθυνος ανάπτυξης/Προϊόντα κήπου  
Husqvarna AB

Υπεύθυνος για την τεχνική τεκμηρίωση



---

# Contenido

---

|                     |    |   |     |
|---------------------|----|---|-----|
| Introducción.....   | 92 | Mantenimiento.....                            | 99  |
| Seguridad.....      | 93 | Transporte, almacenamiento y eliminación..... | 102 |
| Montaje.....        | 96 | Datos técnicos.....                           | 103 |
| Funcionamiento..... | 97 | Declaración de conformidad.....               | 105 |

---

## Introducción

---

### Descripción del producto

El producto es un cortacésped giratorio conducido a pie. Acople el recogedor de césped para recoger la hierba. Monte el deflector de descarga lateral para realizar una descarga lateral de la hierba. Fije un kit de trituración para cortar la hierba y utilizarla como abono.

### Descripción del producto

(Fig. 1)

1. Manillar
2. Palanca del freno del motor
3. Mango de transmisión
4. Empuñadura de la cuerda de arranque
5. Cubierta trasera
6. Recogedor de césped
7. Mariposas de ajuste de la altura del manillar
8. Palanca de la altura de corte
9. Tapón del depósito de aceite
10. Cubierta de descarga lateral
11. Silenciador
12. Bujía
13. Tapón del depósito de combustible
14. Símbolos
15. Cubierta del equipo de corte
16. Filtro de aire
17. Palanca de ajuste del régimen
18. Deflector lateral
19. Tapón del triturador (accesorio)
20. Manual de usuario

### Símbolos que aparecen en el producto

- (Fig. 2) **ADVERTENCIA:** Tenga cuidado y utilice el producto correctamente. Este producto puede ocasionar lesiones graves o mortales tanto al operador como a cualquier otra persona.
- (Fig. 3) Lea detenidamente el manual de usuario y asegúrese de que entiende las instrucciones antes de usar la máquina.
- (Fig. 4) Tenga cuidado con los objetos que salgan despedidos o rebotados.

### Uso previsto

Utilice el producto para cortar hierba. No utilice el producto para otras tareas.

- (Fig. 5) Mantenga a las personas y animales a una distancia de seguridad respecto al área de trabajo.
- (Fig. 6) **Advertencia:** Mantenga alejados los pies y las manos de la cuchilla cuando esté girando.
- (Fig. 7) **Advertencia:** Mantenga las manos y los pies alejados de las piezas giratorias.
- (Fig. 8) Detenga el motor y desconecte el cable de encendido antes de realizar tareas de mantenimiento o reparación.
- (Fig. 9) Este producto cumple con las directivas CE vigentes.
- (Fig. 10) Este producto cumple con las directivas del Reino Unido vigentes.
- (Fig. 11) Etiqueta de emisiones sonoras al medio ambiente conforme con las directivas y normativas europeas y del Reino Unido, y con la regulación de 2017 sobre de protección del medioambiente (control de ruidos) (Protection of the Environment Operations - Noise Control) de la legislación de Nueva Gales del Sur. El nivel de potencia acústica garantizado del producto se especifica en el apartado *Datos técnicos en la página 103* y en la etiqueta.

---

**Nota:** Los demás símbolos y etiquetas que aparecen en el producto corresponden a requisitos de homologación específicos de otras zonas comerciales.

---

## Daños en el producto

No nos hacemos responsables de los daños que pueda sufrir el producto si:

- El producto se ha reparado incorrectamente.
- El producto se ha reparado con piezas que no eran del fabricante o no autorizadas por el fabricante.
- El producto tiene un accesorio que no es del fabricante o no está autorizado por este.

- El producto no se ha reparado en un centro de servicio autorizado o por un organismo homologado.

## Emisiones Euro V



**ADVERTENCIA:** La manipulación del motor anula la homologación de la UE de este producto.

## Seguridad

### Definiciones de seguridad

Las advertencias, precauciones y notas se utilizan para destacar información especialmente importante del manual.



**ADVERTENCIA:** Indica un riesgo de lesiones o incluso de muerte del usuario o de las personas cercanas si no se respetan las instrucciones del manual.



**PRECAUCIÓN:** Indica un riesgo de daños en el producto, otros materiales o el área adyacente si no se respetan las instrucciones del manual.

**Nota:** Se usa para proporcionar más información necesaria en una situación determinada.

### Instrucciones generales de seguridad



**ADVERTENCIA:** Lea las siguientes instrucciones de advertencia antes de utilizar el producto.

- Este producto es una herramienta peligrosa si se usa incorrectamente o si no se tiene cuidado. Puede causar lesiones graves o incluso la muerte si no siguen las instrucciones de seguridad.
- Este producto genera un campo electromagnético durante el funcionamiento. Este campo magnético puede, en determinadas circunstancias, interferir con implantes médicos activos o pasivos. Para reducir el riesgo de que se den condiciones que provocarían lesiones graves o letales, las personas que utilizan implantes médicos deben consultar con su médico y con el fabricante del implante antes de poner en marcha este producto.
- Proceda siempre con cuidado y utilice el sentido común. Si no está seguro de cómo manejar el producto en una situación en particular, pare y consulte con su distribuidor Husqvarna antes de continuar.

- Tenga en cuenta que el usuario será el responsable de los accidentes que involucren a otras personas o a su propiedad.
- Mantenga el producto limpio. Asegúrese de que puede leer claramente las etiquetas.
- No permita que nadie utilice el producto a menos que haya leído y comprendido el contenido del manual de usuario.
- No deje que un niño maneje el producto.
- Mantenga a los niños alejados de la zona de trabajo. Debe haber presente en todo momento una persona mayor de edad responsable.
- No permita que nadie maneje el producto sin conocer las instrucciones.
- Si una persona con discapacidad física o mental usa el producto, asegúrese de supervisarla en todo momento. Debe haber presente en todo momento una persona mayor de edad responsable.
- No utilice el producto si está cansado, enfermo o si se encuentra bajo los efectos de alcohol, drogas o medicamentos. Esto tiene un efecto negativo en su visión, capacidad de reacción, coordinación y capacidad de decisión.
- No utilice un producto que esté dañado o que no funcione correctamente.
- No modifique este producto ni lo utilice si puede haber sido modificado por otras personas.
- No cambie el ajuste del régimen del motor.

### Seguridad en el área de trabajo



**ADVERTENCIA:** Lea las siguientes instrucciones de advertencia antes de utilizar el producto.

- Retire objetos tales como ramas, palos y piedras de la zona de trabajo antes de usar el producto.
- Los objetos que chocan contra el equipo de corte pueden salir despedidos y causar daños a personas y objetos. Mantenga a las personas y los animales a una distancia de seguridad respecto al producto.
- No utilice el producto en condiciones climáticas desfavorables, como niebla, lluvia, viento fuerte, frío intenso y riesgo de relámpagos. El uso del producto en condiciones climáticas desfavorables o en entornos húmedos o mojados produce mucho

cansancio. El mal tiempo puede causar condiciones peligrosas, como superficies resbaladizas.

- Preste atención a las personas, objetos y situaciones que puedan impedir el funcionamiento seguro del producto.
- Tenga cuidado con los posibles obstáculos, como raíces, piedras, ramas, hoyos y zanjas. El césped crecido puede esconder obstáculos.
- Cortar el césped en pendientes puede resultar peligroso. No utilice el producto en pendientes de más de 15°.
- Utilice el producto a lo largo de las laderas de las pendientes. No se desplace hacia arriba y hacia abajo.
- Tenga cuidado cuando se acerque a esquinas y objetos escondidos que puedan bloquear su campo de visión.

## Seguridad en el trabajo



**ADVERTENCIA:** Lea las siguientes instrucciones de advertencia antes de utilizar el producto.

- Utilice este producto para cortar solamente césped. No está permitido utilizar el producto para otras tareas.
- Utilice el equipo de protección personal. Consulte la sección *Equipo de protección personal en la página 94*.
- Asegúrese de que sabe cómo detener el motor rápidamente en caso de emergencia.
- Nunca arranque el motor en un espacio cerrado ni cerca de materiales inflamables. Los gases de escape del motor están calientes y pueden contener chispas que pueden provocar un incendio.
- No utilice el producto a menos que la cuchilla y todas las cubiertas estén fijadas correctamente. Una cuchilla fijada incorrectamente puede soltarse y provocar daños personales.
- Asegúrese de que la cuchilla no golpea ningún objeto, como piedras y raíces. Esto puede causar daños a la cuchilla y doblar el eje del motor. Un eje doblado causa vibraciones excesivas y un riesgo muy alto de que la cuchilla se suelte.
- Si la cuchilla choca con algún objeto o si se producen vibraciones, pare el producto inmediatamente. Desconecte el cable de encendido de la bujía. Examine el producto para comprobar si presenta daños. Repare los daños o lleve el producto a un taller de servicio autorizado para realizar la reparación.
- No acople la maneta del freno del motor permanentemente al mango cuando el motor esté encendido.
- Ponga el producto en una superficie plana y estable, y arránquelo. Asegúrese de que la cuchilla no entre en contacto con el suelo u otros objetos.

- Manténgase siempre detrás del producto durante su uso.
- Mientras utilice el producto, mantenga todas las ruedas apoyadas en el suelo y las dos manos en el manillar. Mantenga alejados las manos y los pies de las cuchillas giratorias.
- No incline el producto con el motor en marcha.
- Tenga cuidado cuando tire del producto hacia atrás.
- Nunca levante el producto con el motor en marcha. Si tiene que levantar el producto, primero apague el motor y desconecte el cable de encendido de la bujía.
- No camine hacia atrás mientras utiliza el producto.
- Detenga el motor cuando se desplace por áreas sin hierba, por ejemplo, caminos de grava, piedra y asfalto.
- No corra con el producto con el motor en marcha. Camine siempre mientras utiliza el producto.
- Detenga el motor antes de cambiar la altura de corte. Nunca realice ajustes con el motor en marcha.
- No deje el producto desatendido con el motor en marcha. Pare el motor y asegúrese de que el equipo de corte no gire.

## Instrucciones de seguridad para el funcionamiento

### Equipo de protección personal



**ADVERTENCIA:** Lea las siguientes instrucciones de advertencia antes de utilizar el producto.

- El equipo de protección personal no elimina completamente el riesgo de lesiones, pero reduce la gravedad de las lesiones en caso de accidente. Deje que el distribuidor le ayude a seleccionar el equipo adecuado.
- Utilice protectores auriculares si el nivel de ruido es superior a 85 dB.
- Utilice botas o zapatos de trabajo antideslizantes. No utilice calzado abierto ni vaya descalzo.
- Utilice pantalones largos gruesos.
- Utilice guantes protectores cuando sea necesario, por ejemplo, para el montaje, inspección o limpieza del equipo de corte.

### Dispositivos de seguridad en el producto



**ADVERTENCIA:** Lea las siguientes instrucciones de advertencia antes de utilizar el producto.

- No utilice ningún producto con dispositivos de seguridad dañados o que no funcionen correctamente.
- Realice una comprobación de los dispositivos de seguridad con frecuencia. Si los dispositivos

de seguridad están dañados o no funcionan correctamente, póngase en contacto con su taller de servicio Husqvarna.

- No haga ninguna modificación en los dispositivos de seguridad.

### Comprobación de la cubierta del equipo de corte

La cubierta del equipo de corte disminuye las vibraciones en el producto y el riesgo de lesiones provocadas por la cuchilla.

- Examine la cubierta de corte para asegurarse de que no haya daños como, por ejemplo, grietas.

### Comprobación de la maneta de freno del motor

La maneta del freno del motor detiene el motor. Cuando se suelta la maneta del freno del motor, el motor se para.

- Arranque el motor y, a continuación, suelte la maneta de freno. Si el motor no se detiene en 3 segundos, lleve el producto a un taller de servicio Husqvarna autorizado para realizar el ajuste del freno del motor. (Fig. 12)

### Comprobación de la cubierta trasera

La cubierta trasera reduce el riesgo de que salgan despedidos objetos hacia el usuario.

- Asegúrese de que la cubierta trasera no esté dañada.
- Asegúrese de que los muelles que cierran la cubierta trasera no estén rotos.
- Sustituya los muelles y piezas dañados.
- Asegúrese de que la cubierta trasera se mueve sin dificultad en las bisagras.

### Silenciador

El silenciador mantiene al mínimo los niveles de ruido y aparta los gases de escape del usuario.

No utilice el producto si el silenciador no está instalado o está dañado. Un silenciador dañado aumenta el nivel de ruido y el riesgo de incendio.



**ADVERTENCIA:** El silenciador se calienta mucho durante el uso y también cuando el motor se encuentra al ralentí. Tenga cuidado cuando se encuentre cerca de materiales o gases inflamables para evitar incendios.

### Comprobación del silenciador

- Examine el silenciador con frecuencia para asegurarse de que está montado correctamente y que no está dañado.

## Seguridad en el uso del combustible



**ADVERTENCIA:** Lea las siguientes instrucciones de advertencia antes de utilizar el producto.

- No arranque el producto si está manchado de combustible o aceite del motor. Limpie el combustible o aceite y deje secar el producto.
- Si derrama combustible sobre la ropa, cámbiese inmediatamente.
- Evite el contacto con el combustible; puede provocarle lesiones. Si el combustible entra en contacto con la piel, lávese con agua y jabón.
- No arranque el motor si el producto tiene una fuga. Compruebe frecuentemente si hay fugas en el motor.
- Tenga cuidado con el combustible. El combustible es inflamable y sus gases son explosivos, por lo que puede provocar lesiones o la muerte.
- No inhale los vapores del combustible, ya que pueden causar lesiones. Asegúrese de que existe suficiente ventilación.
- No fume cerca del combustible o el motor.
- No coloque objetos calientes cerca del combustible o el motor.
- No añada combustible con el motor en marcha.
- Asegúrese de que el motor esté frío antes de repostar.
- Antes de repostar, abra la tapa del depósito de combustible lentamente y deje salir con cuidado el exceso de presión.
- No añada combustible al motor en interiores. Una circulación de aire insuficiente puede causar lesiones o la muerte por asfixia o inhalación de monóxido de carbono.
- Apriete completamente el tapón del depósito de combustible. Si el tapón del depósito de combustible no se aprieta, existe riesgo de incendio.
- Antes de arrancar el producto, llévelo a 3 m (10 pies) de distancia como mínimo del punto en el que llenó el depósito.
- No llene el depósito de combustible por completo. El calor hace que el combustible se expanda. Deje espacio libre en la parte superior del depósito de combustible.
- Nunca guarde una máquina con combustible en el depósito dentro de una habitación en la que haya fuentes de ignición como calentadores de agua, estufas o secadoras de ropa. Deje que el motor se enfríe antes de guardar la máquina en un sitio cerrado.

## Instrucciones de seguridad para el mantenimiento



**ADVERTENCIA:** Lea las siguientes instrucciones de advertencia antes de utilizar el producto.

- Los gases de escape del motor contienen monóxido de carbono, que es un gas inodoro, tóxico y muy peligroso. No arranque el motor en interiores ni en espacios cerrados.
- Antes de realizar el mantenimiento del producto, detenga el motor y desconecte el cable de encendido de la bujía.
- Utilice guantes protectores cuando realice el mantenimiento del equipo de corte. La cuchilla está muy afilada y se pueden producir cortes con mucha facilidad.

- Los accesorios y modificaciones en el producto que no estén aprobados por el fabricante pueden causar daños graves o la muerte. No modifique el producto. Utilice siempre accesorios autorizados por el fabricante.
- Si el mantenimiento no se realiza correctamente y de forma regular, aumenta el riesgo de lesiones y daños en el producto.
- Realice únicamente las tareas de mantenimiento que se indican en este manual del propietario. Todos los demás trabajos de mantenimiento deben llevarse a cabo en un taller de servicio Husqvarna autorizado.
- Lleve el producto a un taller de servicio Husqvarna autorizado para realizar el mantenimiento de forma regular.
- Cambie las piezas dañadas, desgastadas o rotas.

## Montaje

### Introducción



**ADVERTENCIA:** Antes de montar el producto, debe leer y entender el capítulo sobre seguridad.



**ADVERTENCIA:** Retire el cable de la bujía antes de montar el producto.

### Montaje del manillar

**Nota:** Es recomendable que este procedimiento lo realicen 2 personas.

**Nota:** Para montar el manillar, no saque el producto de la caja. La caja se puede utilizar como soporte para el manillar durante el montaje.

1. Levante y gire el manillar. (Fig. 13)



**PRECAUCIÓN:** Tenga cuidado y asegúrese de que el cable no resulte dañado al girar el manillar.

2. Coloque el manillar sobre el producto. Incline el manillar contra la caja para apoyarlo. Consulte la ilustración. (Fig. 14)
3. Coloque el tornillo (A) a través del manillar (B), la arandela de plástico (C) y el soporte del manillar (D). (Fig. 15)
4. Apriete la tuerca (E) completamente.
5. Saque el producto de la caja.
6. Coloque el manillar en posición vertical. (Fig. 16)

7. Ajuste la altura del manillar en la posición más baja. Consulte *Ajuste del mango en la página 96*.
8. Sujete el cable a la parte inferior del manillar con el clip para cables. (Fig. 17)
9. Fije la parte inferior del cable al soporte del manillar con la brida para cables. Corte la parte restante de la brida. (Fig. 18)

**Nota:** Asegúrese de que el cable esté bien sujeto. Si el cable está demasiado suelto, resultará dañado cuando se instale el recogedor de césped. (Fig. 19)

### Ajuste del mango

1. Afloje las ruedecillas inferiores.
2. Mueva los mandos hacia el extremo inferior de las ranuras en el lado izquierdo y derecho del producto. (Fig. 20)
3. Ajuste la altura del manillar en una de las 2 posiciones disponibles.
4. Mueva los mandos hacia arriba, en dirección al manillar, hasta que finalice su recorrido y escuche un clic. (Fig. 21)
5. Apriete las ruedecillas por completo.

### Para ajustar el producto en la posición de transporte

1. Retire el recogedor de césped (si está instalado).
2. Afloje las ruedecillas inferiores.
3. Mueva las ruedecillas hacia el extremo inferior de las ranuras en el lado izquierdo y derecho del producto. (Fig. 20)
4. Doble el mango hacia delante. (Fig. 22)



## Ajuste del producto en la posición de trabajo

1. Coloque el manillar en posición vertical. (Fig. 23)
2. Mueva las ruedecillas hacia arriba, en dirección al manillar, hasta que finalice su recorrido y escuche un clic. (Fig. 21)
3. Apriete las ruedecillas a fondo.

## Para montar el recogedor de césped

1. Coloque el bastidor del recogedor de césped en la bolsa de hierba con la parte rígida de la bolsa en la parte inferior. Mantenga el mango del bastidor separado de la parte superior de la bolsa. (Fig. 24)
2. Fije la bolsa de hierba al bastidor con los clips. (Fig. 25)

## Funcionamiento

### Introducción



**ADVERTENCIA:** Antes de utilizar el producto, debe leer y entender el capítulo sobre seguridad.

### Husqvarna Connect

Husqvarna Connect es una aplicación gratuita para su dispositivo móvil. La aplicación Husqvarna Connect proporciona más funciones para su producto Husqvarna:

- Información ampliada sobre el producto.
- Información y asistencia sobre piezas y mantenimiento de productos.

### Para empezar a utilizar Husqvarna Connect

1. Descargue la aplicación Husqvarna Connect en su dispositivo móvil.
2. Registre una cuenta en la aplicación Husqvarna Connect.
3. Siga las instrucciones de la aplicación Husqvarna Connect para conectarse y registrar el producto.

### Antes de utilizar el producto

1. Lea detenidamente el manual de usuario y asegúrese de que entiende las instrucciones.
2. Examine el equipo de corte para asegurarse de que está conectado y ajustado correctamente. Consulte *Para inspeccionar el equipo de corte en la página 100*.
3. Llene el depósito de combustible. Consulte *Repostaje de combustible del en la página 97*.
4. Llene el depósito de aceite y realice una comprobación del nivel de aceite. Consulte *Sustitución del aceite del motor en la página 100*.

### Repostaje de combustible del

Si es posible, utilice gasolina de bajas emisiones/alquilatos. Si no es posible utilizar gasolina de bajas emisiones/alquilatos, utilice una gasolina sin plomo o gasolina con plomo de buena calidad con un octanaje no inferior a 90.



**PRECAUCIÓN:** No utilice gasolina con un octanaje inferior a 90 RON (87 AKI). Esto puede provocar daños en el producto.

1. Abra el tapón del depósito de combustible lentamente para liberar la presión.
2. Llene el depósito lentamente con una lata de combustible. Si derrama combustible, límpielo con un paño y deje que el combustible restante se seque.
3. Limpie la zona alrededor del tapón del depósito de combustible.
4. Apriete completamente el tapón del depósito de combustible. Si el tapón del depósito de combustible no se aprieta, existe riesgo de incendio.
5. Antes de arrancarlo, lleve el producto a 3 m (10 pies) de distancia como mínimo del punto en el que llenó el depósito.

### Para ajustar la altura de corte

1. Mueva la palanca de altura de corte hacia atrás para aumentar la altura de corte.
2. Mueva la palanca de altura de corte hacia delante para reducir la altura de corte. (Fig. 26)



**PRECAUCIÓN:** No ajuste la altura de corte demasiado baja. Las cuchillas pueden golpear el suelo si la superficie del césped no está nivelada.

### Para arrancar el producto

1. Asegúrese de que el cable de encendido está conectado a la bujía.
2. Manténgase detrás del producto.
3. Sujete la maneta del freno del motor contra el manillar. (Fig. 27)
4. Sostenga la empuñadura de arranque con la mano derecha.
5. Tire lentamente de la cuerda de arranque hasta sentir cierta resistencia.
6. Tire con fuerza para arrancar el motor.



**ADVERTENCIA:** No se enrolle la cuerda de arranque alrededor de la mano.

auxiliar. Consulte *Para sustituir la cuchilla en la página 100*

## Cambio del producto al modo de descarga lateral

1. Levante la cubierta trasera y retire la bolsa para césped, si estuviera instalada.
2. Cierre la cubierta trasera y asegúrese de que está bien cerrada contra el producto.
3. Levante el bloqueo de descarga. (Fig. 32)
4. Abra la protección de descarga lateral e instale el deflector de descarga lateral en los pasadores de soporte. (Fig. 33)
5. Deje que la protección de descarga lateral se cierre contra el deflector de descarga lateral. Asegúrese de que el deflector de descarga lateral está firmemente fijado en su posición antes de utilizar el producto.

## Uso de la transmisión de las ruedas

- Activar la tracción de las ruedas con la palanca de control de velocidad situada al lado izquierdo del manillar. Mueva la palanca de control de velocidad hacia delante para aumentar el régimen del motor y hacia atrás para reducirlo. (Fig. 28)
- Antes de tirar del producto hacia atrás, desacople la transmisión y empuje el producto hacia adelante aproximadamente 10 cm.
- Suelte el mango de transmisión para desacoplar la transmisión, por ejemplo, cuando se acerque a un obstáculo.

## Para detener el producto

- Para detener solo la transmisión, basta con soltar el mango de transmisión.
- Para detener el motor, suelte la maneta del freno del motor.

## Uso del producto con el recogedor de césped



**ADVERTENCIA:** No utilice el producto sin el recogedor de césped colocado o sin la cubierta trasera cerrada. Pueden salir despedidos objetos y lesionar al usuario.



**PRECAUCIÓN:** Levante el recogedor de césped cuando lo desplace para evitar desgastes.

1. Levante el recogedor de césped con el mango del bastidor.
2. Utilice el mango del bastidor y el asa de la bolsa al vaciar el recogedor de césped. (Fig. 34)

1. Levante la cubierta trasera y retire el tapón del triturador, si estuviera instalado. (Fig. 29)
2. Monte el recogedor de césped; consulte *Para montar el recogedor de césped en la página 97*.
3. Coloque el recogedor de césped en el soporte.
4. Suelte la cubierta trasera y colóquela sobre el bastidor de la bolsa para césped. (Fig. 30)

## Cambio del producto al modo de trituración

Asegúrese de que el motor está apagado antes de cambiar el producto al modo de trituración.

1. Levante la cubierta trasera y retire el recogedor de césped, si estuviera instalado.
2. Coloque el accesorio triturador en el canal de descarga. (Fig. 31)
3. Cierre la cubierta trasera y asegúrese de que está bien cerrada contra el tapón de trituración.

**Nota:** Para aumentar el rendimiento del modo de trituración, sustituya la cuchilla por la cuchilla trituradora

## Para obtener un buen resultado

- Use siempre una cuchilla afilada. Una cuchilla roma proporciona un resultado irregular y la superficie de corte de la hierba adquiere un tono amarillo. Una cuchilla afilada también utiliza menos energía que una cuchilla roma.
- No corte más de  $\frac{1}{3}$  de la longitud del césped. Cuando empiece a cortar la hierba, utilice la altura de corte más alta. Examine el resultado y baje la altura de corte al nivel que corresponda. Si la hierba está muy larga, vaya despacio y realice dos pasadas si es necesario.
- Corte en direcciones distintas cada vez para evitar crear rayas en el césped.
- Levante la cubierta trasera y extraiga el recogedor de césped.
- Si hay un triturador y una cuchilla trituradora instalados, retírelos.
- Cierre la cubierta trasera antes de utilizar el producto. Cuando se utiliza el producto, la hierba cortada se expulsa por debajo de la cubierta trasera.
- Mantenga limpia la cubierta del equipo de corte. La acumulación de hierba y suciedad en el interior de esta cubierta puede reducir el resultado del corte. Consulte la sección *Para limpiar la superficie interior de la cubierta de corte en la página 99*.

# Mantenimiento

## Introducción



**ADVERTENCIA:** Antes de realizar cualquier trabajo de mantenimiento, debe leer y entender el capítulo sobre seguridad.

Para todos los trabajos de mantenimiento y reparación del producto, es necesario realizar una formación especial. Husqvarna garantiza que los trabajos de mantenimiento y reparación sean realizados por profesionales. Si su distribuidor no es un taller de servicio, pídale información sobre el taller de servicio más cercano.

Para obtener información detallada, consulte .

## Programa de mantenimiento



**PRECAUCIÓN:** Asegúrese de que el filtro de aire esté hacia arriba y no contra el suelo cuando incline el producto. Podría dañar el motor.

Los intervalos de mantenimiento se calculan a partir del uso diario del producto. Los intervalos cambian si el producto no se utiliza a diario.

Para las tareas de mantenimiento identificadas con un \*, consulte las instrucciones de *Dispositivos de seguridad en el producto en la página 94.*

| Mantenimiento   | Diario | Semanal | Mensual |
|---|--------|---------|---------|
| Inspección general  | X      |         |         |
| Compruebe el nivel de aceite  | X      |         |         |
| Limpie el producto  | X      |         |         |
| Inspeccione el equipo de corte  | X      |         |         |
| Examine la cubierta de corte *  | X      |         |         |
| Examine la maneta del freno del motor*  | X      |         |         |
| Examine el control del freno de la cuchilla*                                      | X      |         |         |
| Inspeccione el silenciador*   |        | X       |         |
| Inspeccione la bujía  |        | X       |         |
| Cambie el aceite (la primera vez a las 5 horas de uso; después, cada 50 h de uso) |        |         | X       |
| Limpie o sustituya el filtro de aire  |        |         | X       |
| Inspeccione el sistema de combustible   |        |         | X       |

## Para realizar una inspección general

- Asegúrese de que todas las tuercas y los tornillos del producto estén apretados correctamente.

## Para limpiar el producto externamente

- Use un cepillo para retirar las hojas, la hierba y la suciedad.
- Asegúrese de que la toma de aire de la parte superior del motor no esté obstruida.
- No utilice un equipo de limpieza a alta presión para limpiar el producto.
- Si utiliza agua para limpiar el producto, no dirija el chorro directamente sobre el motor.

## Para limpiar la superficie interior de la cubierta de corte

1. Vacíe el depósito de combustible.
2. Apoye el producto sobre su costado con el silenciador hacia abajo.



**PRECAUCIÓN:** Si el producto se pone con el filtro de aire hacia abajo, el motor puede dañarse.

3. Limpie la superficie interior de la cubierta de corte con una manguera de agua.

## Para inspeccionar el equipo de corte



**ADVERTENCIA:** Para evitar el arranque accidental, desconecte el cable de encendido de la bujía.



**ADVERTENCIA:** Utilice guantes protectores cuando realice el mantenimiento del equipo de corte. La cuchilla está muy afilada y se pueden producir cortes con mucha facilidad.

1. Inspeccione el equipo de corte para comprobar si presenta daños o grietas. Sustituya siempre un equipo de corte dañado.
2. Inspeccione la cuchilla para comprobar si está dañada o roma.

**Nota:** Después de afilar la cuchilla, es necesario equilibrarla. El afilado, la sustitución y el equilibrado de la cuchilla deben realizarse en un centro de servicio. Si choca con un obstáculo que haga que el producto se pare, sustituya la cuchilla dañada. Lleve el producto a un centro de servicio, donde estimarán si la cuchilla puede afilarse o debe sustituirse.

## Para sustituir la cuchilla

1. Bloquee la cuchilla con un bloque de madera. (Fig. 35)
2. Retire el tornillo de la cuchilla, la arandela y la cuchilla. (Fig. 36)
3. Inspeccione el soporte de la cuchilla y el tornillo de la cuchilla para ver si hay daños.
  - a) Si sustituye el disco o el soporte, sustituya también el tornillo de la cuchilla, la arandela elástica y la arandela de fricción.
4. Inspeccione el eje del motor para asegurarse de que no está doblado.
5. Cuando instale la nueva cuchilla, asegúrese de que los extremos doblados estén orientados en dirección a la cubierta de corte. (Fig. 37)
6. Coloque la arandela de fricción y la cuchilla contra el soporte de la cuchilla. (Fig. 38)
7. Asegúrese de que la cuchilla se alinee con el centro del eje del motor. (Fig. 39)
8. Bloquee la cuchilla con un bloque de madera. (Fig. 40)
9. Coloque la arandela elástica, y apriete el tornillo a 43 – 47 Nm de par. (Fig. 41)
10. Mueva la cuchilla en distintas direcciones manualmente y compruebe que gira libremente.



**ADVERTENCIA:** Utilice guantes protectores. La cuchilla está muy afilada

y se pueden producir cortes con mucha facilidad.

11. Arranque el producto para hacer una prueba de la cuchilla. Si la cuchilla no está correctamente fijada, se produce una vibración en el producto o el resultado de corte no es satisfactorio.

## Comprobación del nivel de aceite



**PRECAUCIÓN:** Un nivel de aceite demasiado bajo puede causar daños en el motor. Compruebe el nivel de aceite antes de arrancar el producto.

1. Coloque el producto sobre una superficie nivelada.
2. Retire el tapón del depósito de aceite y la varilla de nivel acoplada.
3. Limpie el aceite de la varilla de nivel de aceite.
4. Para obtener un resultado correcto del nivel de aceite, introduzca la varilla completamente en el depósito. No coloque el tapón del depósito de aceite.
5. Retire el tapón del depósito de aceite y la varilla de nivel acoplada.
6. Compruebe el nivel de aceite que indica la varilla.
7. Si el nivel de aceite es bajo, rellene el depósito con aceite de motor y vuelva a comprobar el nivel. (Fig. 42)

**Nota:** Utilice un embudo para evitar derrames.

8. Una vez que el nivel de aceite sea el adecuado, coloque el tapón del depósito de aceite.

## Sustitución del aceite del motor



**ADVERTENCIA:** El aceite del motor está muy caliente inmediatamente después de apagar el motor. Deje que el motor se enfríe antes de vaciar el aceite del motor. Si derrama aceite del motor y entra en contacto con la piel, lávese con agua y jabón.

(Fig. 43)

1. Ponga el producto en funcionamiento hasta que el depósito de combustible se vacíe.
2. Quite el cable de encendido de la bujía.
3. Retire el tapón del depósito de aceite y la varilla de nivel acoplada.
4. Coloque un recipiente debajo del producto para recoger el aceite del motor.
5. Inclíne el producto y drene el aceite del motor del depósito de aceite con una bomba de aceite (accesorio).

6. Llene el depósito con aceite de motor nuevo del tipo recomendado en *Datos técnicos en la página 103*.
7. Compruebe el nivel de aceite. Consulte *Comprobación del nivel de aceite en la página 100*.
8. Una vez que el nivel de aceite sea el adecuado, coloque el tapón del depósito de aceite.

## Mantenimiento de la bujía



**PRECAUCIÓN:** Utilice siempre el tipo de bujía recomendado. El uso de un tipo de bujía incorrecto puede causar averías en el producto.

- Examine la bujía si el motor tiene poca potencia, no es fácil de arrancar o no funciona correctamente al régimen de ralentí.
- Para reducir la suciedad en los electrodos de la bujía, siga estas instrucciones:
  - a) Asegúrese de que el régimen de ralentí está bien ajustado.
  - b) Asegúrese de que la mezcla de combustible sea correcta.
  - c) Asegúrese de que el filtro de aire esté limpio.
- Si la bujía está sucia, límpiela y asegúrese de que la distancia entre los electrodos sea la correcta, consulte *Datos técnicos en la página 103*. (Fig. 44)
- Sustituya la bujía si fuese necesario.

## Limpeza del filtro de aire

Un filtro de aire sucio puede provocar daños en el motor o que este no funcione correctamente. En condiciones de trabajo con mucho polvo, realice el mantenimiento del filtro de aire con más frecuencia.

Consulte *Programa de mantenimiento en la página 99* para obtener información sobre cuándo cambiar el filtro de aire.

1. Retire la cubierta del filtro de aire y extraiga el filtro de aire.
2. Limpie el filtro golpeándolo suavemente contra una superficie plana. Para limpiar el filtro, no utilice nunca disolventes con petróleo, como el queroseno, ni aire comprimido.

**Nota:** Los filtros de aire utilizados durante mucho tiempo no se pueden limpiar por completo. Sustituya el filtro de aire con regularidad. Un filtro de aire dañado debe cambiarse siempre.

3. Cuando monte el filtro de aire, asegúrese de que quede totalmente sellado en su soporte.

## Comprobación del deflector de descarga lateral

El deflector de descarga lateral está sujeto a la abertura de descarga lateral del producto. Reduce el riesgo de expulsión de objetos en dirección al usuario.

1. Asegúrese de que el deflector de descarga lateral no esté dañado.
2. Examine el deflector de descarga lateral. Asegúrese de que no ve daños, como alguna grieta o que alguno de los muelles que empujan la puerta para cerrarla esté roto.
3. Sustituya el deflector de descarga lateral o los muelles en caso de estar dañados.

## Para inspeccionar el sistema de combustible

- Examine el tapón del depósito de combustible y la junta del tapón para comprobar que no presenten daños.
- Examine la manguera de combustible para asegurarse de que no haya fugas. Si la manguera de combustible está dañada, lleve el producto a un taller de servicio para sustituirla.

## Vaciado del depósito de combustible

1. Coloque un recipiente debajo del depósito de combustible.
2. Extraiga el tapón del depósito de combustible.
3. Presione las presillas de la manguera de combustible contra el carburador.
4. Retire la manguera de combustible del carburador.
5. Coloque la manguera del depósito de combustible en el recipiente y retire las presillas de la manguera.
6. Incline el producto para vaciar el combustible en el recipiente.

## Sustitución del filtro de combustible



**ADVERTENCIA:** Utilice guantes protectores.

1. Vacíe el depósito de combustible.
2. Aleje la presilla de la manguera del depósito de combustible. (Fig. 45)
3. Retire la manguera de combustible del depósito de combustible. Puede producirse una pequeña fuga de combustible. (Fig. 46)
4. Retire el filtro del depósito de combustible. (Fig. 47)
5. Coloque un filtro de combustible nuevo en el depósito.
6. Conecte la manguera de combustible al depósito de combustible.

7. Coloque la presilla de la manguera en su posición contra el depósito de combustible.

## Ajuste del cable del embrague

En las situaciones siguientes, es necesario reducir la longitud del cable del embrague:

- La transmisión de las ruedas no engrana cuando se tira del mango de transmisión o de la palanca de control de régimen.
- El producto se mueve lentamente con la transmisión de las ruedas engranada.

En las situaciones siguientes, es necesario alargar la longitud del cable del embrague:

- El producto se mueve sin que la transmisión de las ruedas esté engranada.
- Ajuste del cable del embrague:
  - a) Para reducir la longitud del cable del embrague, gire el tornillo de ajuste hacia la izquierda.
  - b) Para alargar la longitud del cable del embrague, gire el tornillo de ajuste hacia la derecha. (Fig. 48)

Si el producto continúa sin funcionar de manera satisfactoria después del ajuste, póngase en contacto con el distribuidor.

---

# Transporte, almacenamiento y eliminación

---

## Transporte y almacenamiento

- Para el transporte y almacenamiento del producto y del combustible, asegúrese de que no haya fugas ni humos. Las chispas o llamas abiertas, por ejemplo, de dispositivos eléctricos o calderas, pueden producir un incendio.
- Use siempre recipientes homologados para el transporte y almacenamiento de combustible.
- Vacíe el depósito de combustible antes de poner el producto en almacenamiento durante un largo periodo de tiempo. Deseche el combustible en una ubicación adecuada para su eliminación.
- Asegure el producto durante el transporte para evitar daños y accidentes.
- Mantenga el producto en un área cerrada para impedir el acceso a niños o personas no autorizadas.
- Mantenga el producto en un lugar seco y al abrigo de las heladas.

## Eliminación

- Respete los requisitos de reciclaje locales y las normas aplicables.
- Deseche todos los productos químicos, como el aceite de motor o el combustible, en un centro de servicio o una ubicación adecuada para su eliminación.
- Cuando ya no use el producto, envíelo a un distribuidor Husqvarna o deséchelo en un punto de reciclaje.

## Datos técnicos

### Datos técnicos

|  |   |
|--|---|
|  | <b>LC 356VP</b>   |
| <b>Motor</b>   |   |
| Marca  | Honda   |
| Nombre del modelo del motor                                  | GCVx170   |
| Cilindrada, cm <sup>3</sup>                                  | 166   |
| Velocidad, rpm   | 2800  |
| Potencia nominal del motor, kW <sup>31</sup>                 | 3,1   |
| <b>Sistema de encendido</b>                                  |   |
| Bujía  | NGK BPR5ES  |
| Distancia entre los electrodos, mm                           | 0,75  |
| <b>Sistema de combustible y lubricación</b>                  |   |
| Combustible sin plomo, octanaje mínimo                       | 90  |
| Capacidad del depósito de combustible, litros                | 0,9   |
| Capacidad del depósito de aceite, litros                     | 0,4   |
| Aceite del motor <sup>32</sup>                               | Husqvarna SAE 30, Husqvarna SAE 5W-30 sintético, Husqvarna SAE 10W-40 |
| <b>Peso</b>  |   |
| Con los depósitos vacíos, kg                                 | 35,1  |
| <b>Emisiones de ruido</b> <sup>33</sup>                      |   |
| Nivel de potencia acústica medido, dB(A)                     | 98  |
| Nivel de potencia acústica garantizado L <sub>WA</sub> dB(A) | 98  |
| <b>Niveles acústicos</b> <sup>34</sup>                       |   |
| Nivel de presión sonora en el oído del usuario, dB(A)        | 86  |

<sup>31</sup> La potencia nominal del motor indicada es la potencia neta media (al régimen especificado) de un motor de producción típico para el modelo de motor conforme a la norma SAE J1349/ISO1585. Los motores fabricados en serie podrían presentar valores diferentes. La potencia de salida real del motor instalado en el producto final dependerá de la velocidad de funcionamiento, las condiciones medioambientales y otros valores.

<sup>32</sup> Utilice aceite de motor de calidad API SJ o superior. Si utiliza aceite SAE-30 a una temperatura inferior a +5 °C, existe el riesgo de que el motor no se lubrique correctamente. Esto puede ocasionar daños en el motor. Consulte la sección *Sustitución del aceite del motor en la página 100* para saber cuál es el aceite correcto para temperaturas bajas. Consulte la tabla de los valores de viscosidad en el manual del motor (si se incluye) y seleccione la mejor viscosidad según la temperatura ambiente prevista.

<sup>33</sup> Emisiones sonoras en el entorno medidas como potencia acústica (L<sub>WA</sub>) según la directiva 2000/14/CE.

<sup>34</sup> Los datos referidos del nivel de presión sonora tienen una dispersión estadística habitual (desviación típica) de 1,2 dB (A).

|   |                                     |
|---|-------------------------------------|
|   | <b>LC 356VP</b>                     |
| <b>Niveles de vibración</b> <sup>35</sup> |                                     |
| Manillar, m/s <sup>2</sup>                | 5,9                                 |
| <b>Equipo de corte</b>                    |                                     |
| Altura de corte, mm                       | 25-75                               |
| Anchura de corte, mm                      | 560                                 |
| Sistema de corte                          | Recogedor/BioClip®/descarga lateral |
| Cuchilla estándar                         | Recogedor 598562701                 |
| Cuchilla auxiliar                         | Triturador 598563601                |
| <b>Transmisión</b>                        |                                     |
| Velocidad, km/h                           | 3,0 - 4,5                           |

<sup>35</sup> Los datos referidos del nivel de vibración poseen una dispersión estadística habitual (desviación típica) de 0,2 m/s<sup>2</sup>.



# Declaración de conformidad

## Declaración de conformidad CE

Nosotros, **Husqvarna AB**, SE-561 82 Huskvarna (Suecia), tel. +46-36-146500, declaramos bajo nuestra exclusiva responsabilidad que el producto:

|                       |  |
|-----------------------|--|
| <b>Descripción</b>    | Cortacésped                            |
| <b>Marca</b>          | Husqvarna                              |
| <b>Tipo/Modelo</b>    | LC 356VP                               |
| <b>Identificación</b> | Números de serie a partir del año 2022 |

Cumple las siguientes directivas y normas de la UE:

| <b>Norma</b> | <b>Descripción</b>  |
|--------------|---|
| 2006/42/CE   | "relativa a las máquinas"   |
| 2014/30/UE   | "relativa a la compatibilidad electromagnética"   |
| 2000/14/CE   | "relativa a las emisiones sonoras en el entorno"  |
| 2011/65/UE   | "relativa a restricciones de utilización de determinadas sustancias peligrosas en aparatos eléctricos y electrónicos" |

Y que se aplican las especificaciones técnicas o los estándares siguientes: EN ISO 5395-1:2013/A1:2018, EN ISO 5395-2:2013/A1:2016/A2:2017, EN ISO 14982:2009, EN IEC 63000:2018

Organismo notificado: 0404, RISE SMP Svensk Maskinprovning AB, Box 4053, SE-904 03 Umeå, Sweden ha certificado la conformidad con la Directiva del Consejo 2000/14/CE, Procedimiento de evaluación de conformidad: Anexo VI.

Para obtener información respecto a las emisiones sonoras, consulte *Datos técnicos en la página 103*.

Huskvarna, 2022-10-20



Claes Losdal, director de desarrollo/productos para jardín de Husqvarna AB

Responsable de la documentación técnica



---

## Sisukord

---

|                   |     |  |     |
|-------------------|-----|--|-----|
| Sissejuhatus..... | 106 | Hooldamine.....                                    | 112 |
| Ohutus.....       | 107 | Transportimine, hoialepanek ja utiliseerimine..... | 115 |
| Kokkupanek.....   | 109 | Tehnilised andmed.....                             | 116 |
| Töö.....          | 110 | Vastavusdeklaratsioon.....                         | 118 |

---

## Sissejuhatus

---

### Toote kirjeldus

Tooteks on lükatav ja pöörlev muruniiduk. Kinnitage rohu kogumiseks rohukogur. Kinnitage rohu külgväljaviske väljaviske suunaja. Selleks et muru lõigataks väetiseks, paigaldage multšimiskomplekt.

### Toote ülevaade

(Joon. 1)

1. Juhtraud
2. Mootori pidurikäepide
3. Veo käepide
4. Käivitusnööri käepide
5. Tagumine kate
6. Rohukogur
7. Käepideme kõrguse seadistamise nupud
8. Lõikamiskõrguse hoob
9. Õlikork
10. Külgväljaviske kate
11. Summuti
12. Süüteküünal
13. Kütusepaagi kork
14. Sümbolid
15. Lõikekorpus
16. Õhufilter
17. Pöörlemiskiiruse reguleerimise hoob
18. Külgmine suunaja
19. Multšikork (lisatarvik)
20. Kasutusjuhend

### Sümbolid tootel

- (Joon. 2) HOIATUS! Olge ettevaatlik ja kasutage toodet õigesti. Toode võib tekitada kasutajale või teistele raske või surmava kehavigastuse.
- (Joon. 3) Enne seadme kasutamist loe kasutusjuhend põhjalikult läbi, et kõik juhised oleksid täiesti arusaadavad.
- (Joon. 4) Olge ettevaatlik – lenduvate esemete ning tagasipõrkumise oht.

### Kasutusotstarve

Kasuta toodet muru pügamiseks. Ära kasuta toodet muude tööde tegemiseks.

- (Joon. 5) Teised inimesed ja loomad peavad viibima tööalast ohutus kauguses.
- (Joon. 6) Hoiatus! Hoidke käed ja jalad pöörlevast terast eemal.
- (Joon. 7) Hoiatus! Hoidke käed ja jalad pöörlevatest osadest eemal.
- (Joon. 8) Enne seadme remontimist või hooldamist seisake mootor ja eemaldage süütejuhe.
- (Joon. 9) See toode vastab kehtivatele EÜ direktiividele.
- (Joon. 10) See toode vastab kehtivatele UK direktiividele.
- (Joon. 11) Müraremissioonile viitav keskkonnasiit vastavalt ELi ja UK direktiividele ja määrustele ja Uus Lõuna-Walesi õigusaktile „Protection of the Environment Operations (Noise Control) Regulation 2017“. Toote garanteeritud helivõimsuse taseme andmed leiata isaltisest *Tehnilised andmed lk 116* ja sildil.

---

**Märkus:** Tootel olevad ülejäänud sümbolid/tähised viitavad teatud ärivaldkondade sertifitseerimisnõuetele.

---

### Toote kahjustused

Me ei vastuta meie tootele tekitatud kahjude eest, kui:

- toodet on valesti parandatud;
- toote parandamisel on kasutatud osi, mis ei ole tootja poolt valmistatud või heaks kiidetud;
- tootel on kasutatud tarvikut, mis ei ole tootja poolt valmistatud või heaks kiidetud;

- toodet ei ole parandatud volitatud hoolduskeskuses või volitatud isiku poolt.

## Euro V heitmed



**HOIATUS:** Mootori igasugune modifitseerimine, muutmine või rikkumine tühistab toote EL-i tüübikinnituse.

## Ohutus

### Ohutuse määratlused

Mõistetega „hoiatus”, „ettevaatus” ja „märkus” juhitakse tähelepanu eriti olulistele kohtadele kasutusjuhendis.



**HOIATUS:** Tähistab kasutusjuhendi juhiste eiramise korral kasutaja või kõrvalseisjate kehavigastuse või surmaga lõppeva õnnetuse ohtu.



**ETTEVAATUST:** Tähistab kasutusjuhendi juhiste eiramise korral seadme, muude esemete või läheduses asuvate objektide kahjustamise ohtu.

**Märkus:** Tähistab antud olukorras vajalikku lisateavet.

### Üldised ohutuseeskirjad



**HOIATUS:** Enne toote kasutamist lugege läbi järgmised hoiatused.

- Seade on ohtlik, kui seda kasutada valesti või ettevaatamatult. Ohutuseeskirjade eiramine võib põhjustada kehavigastuse või surma.
- Toodet tekitab töötades elektromagnetvälja. Teatud tingimustel võib väli häirida aktiivsete või passiivsete meditsiiniliste implantaatide tööd. Raskete või surmaga lõppevate kehavigastuste ohtu vähendamiseks soovitate meditsiinilisi implantaate kasutataval inimesel pidada enne selle seadme kasutamist nõu oma arsti ja implantaadi valmistajaga.
- Olge alati ettevaatlik ja toimige arukalt. Kui te pole kindel, kuidas toodet eriolukorras kasutada, lõpetage töö ja pidage enne jätkamist nõu Husqvarna edasimüüjaga.
- Arvestage, et teiste isikute ja nende varaga seotud õnnetuste korral kannab vastutust seadme kasutaja.
- Hoidke seade puhas. Veenduge, et märgid ja tähised oleksid selgelt loetavad.
- Ärge lubage kellelgi toodet kasutada enne, kui ta on lugenud kasutusjuhendit ja selle sisu endale selgeks teinud.
- Ärge lubage lastel toodet käsitseda.

### Tööala ohutus



**HOIATUS:** Enne seadme kasutamist lugege läbi järgnevad hoiatused.

- Enne toote kasutamist eemaldage tööalalt oksad ja kivid.
- Lõikeosaga kokku puutuvad esemed võivad õhku paiskuda ning inimesi vigastada ja esemeid kahjustada. Juuresolijad ja loomad peavad viibima tootest ohutus kauguses.
- Ärge kasutage toodet halva ilmaga, näiteks udu, vihma, tugeva tuule, tugeva pakase ja pikseohtu korral. Toodet kasutamine halva ilma ning niiskete ja märgade tingimuste korral on väsitav. Halb ilm võib põhjustada ohtlikke tingimusi (nt libedaid pindu).
- Suhtuge tähelepanelikult inimestesse, esemetesse ja olukordadesse, mis võivad takistada toote ohutut kasutamist.
- Olge ettevaatlik takistuste (nt juurte, kivide, oksade, aukude ja kraavide) suhtes. Kõrge rohi võib peita takistusi.
- Muru niitmine kallakutel võib olla ohtlik. Ärge kasutage toodet alal, mille kalle ületab 15°.
- Kasutage toodet kallakul risti liikudes. Ärge liikuge üles ja alla.
- Olge ettevaatlik varjatud nurkade ja vaatevälja varjavate esemete läheduses.

## Tööohutus



**HOIATUS:** Enne seadme kasutamist lugege läbi järgnevad hoiatused.

- Kasutage seda toodet ainult muru niitmiseks. Muude toimingute tegemiseks toodet kasutada ei tohi.
- Kasutage isikukaitsevahendeid. Vt jaotist *Isikukaitsevahendid lk 108*.
- Veenduge, et teate, kuidas hädaolukorras mootorit kiiresti seisata.
- Ärge käivitage mootorit suletud ruumis ega tuleohtlike materjalide lähedal. Mootori heitgaasid on kuumad ja võivad sisaldada sädemeid, mis võivad tekitada tulekahju.
- Ärge kasutage toodet enne, kui lõiketera ja katted on õigesti kinnitatud. Valesti kinnitatud lõiketera võib lahti tulla ja inimesi vigastada.
- Veenduge, et lõiketera ei puutuks kokku esemetega (nt kivide ja juurtega). See võib lõiketera kahjustada ja põhjustada mootori võlli väändumist. Paindega telg põhjustab tugevat vibratsiooni ja suurt lõiketera lahtitulemise ohtu.
- Kui lõiketera puutub kokku mõne esemega või esineb vibratsioon, peatage toode viivitamatult. Lahutage süüteküünla süütejuhe. Kontrollige toodet kahjustuste suhtes. Parandage kahjustused või laske toodet remontida volitatud hooldustöökojas.
- Kui mootor töötab, ärge kinnitage mootori pidurikäepidid käepidemele jäädavalt.
- Asetage toode stabiilsele ja tasasele pinnale ning käivitage see. Veenduge, et lõiketera ei puutuks vastu maad ega muid esemeid.
- Olge toote kasutamisel alati toote taga.
- Tootte kasutamisel hoidke mõlema käega käepidemest ja kõik toote rattad maas. Hoidke käed ja jalad liikuvatest teradest eemal.
- Kui mootor on käivitatud, ärge kallutage toodet.
- Olge toote tagasisuunas tõmbamisel ettevaatlik.
- Kui mootor on käivitatud, ärge tõstke toodet. Kui teil on vaja toodet tõsta, seisake esmalt mootor ja lahutage süütejuhe süüteküünlast.
- Ärge kõndige toote kasutamise ajal tagurpidi.
- Seisake mootor, kui liigute alal, kus pole muru, näiteks kruusast, kivist ja asfaldist teedel.
- Ärge lükake toodet joostes, kui mootor on käivitatud. Tootte kasutamise ajal kõndige.
- Enne lõikamiskõrguse muutmist seisake mootor. Ärge tehke seadistusi, kui mootor töötab.
- Ärge laske toodet silmist, kui mootor töötab. Seisake mootor ja veenduge, et lõikeosa ei pöörleks.

## Ohutusjuhised kasutamisel

### Isikukaitsevahendid



**HOIATUS:** Enne seadme kasutamist lugege läbi järgnevad hoiatused.

- Isikukaitsevarustus ei välista täielikult kehavigastuste ohtu, kuid vähendab õnnetusjuhtumi korral kehavigastuse raskusastet. Õige varustuse valimiseks pöörduge edasimüüja poole.
- Kui müratase ületab 85 dB, kandke kuulmiskaitseid.
- Kandke vastupidavaid saapaid või jalatseid, mis on libisemiskindlad. Ärge kandke avatud jalatseid ega olge paljajalu.
- Kandke tugevaid pikki pükse.
- Vajaduse korral kandke kaitsekindaid, näiteks lõikeosa kinnitades, kontrollides või puhastades.

### Toote ohutusseadised



**HOIATUS:** Enne toote kasutamist lugege läbi järgmised hoiatused.

- Ärge kasutage toodet, mille ohutusseadmed on kahjustatud või ei tööta korralikult.
- Kontrollige ohutusseadmeid regulaarselt. Kui ohutusseadmed on kahjustatud või ei tööta korralikult, pöörduge Husqvarnahooldustöökoha poole.
- Ärge tehke muudatusi ohutusseadmetes.

### Lõikeosa kate kontrollimine

Lõikeosa kate vähendab toote vibratsiooni ja lõiketerast tingitud vigastuste ohtu.

- Kontrollige lõikeosa kahjustuste (nt pragude) suhtes.

### Mootori pidurikäepidete kontrollimine

Mootori pidurikäepideme abil saab mootori seisata. Mootori pidurikäepideme vabastamisel mootor seiskub.

- Käivitage mootor ja vabastage seejärel mootori pidurikäepideme. Kui mootor kolme sekundi jooksul ei seisku, laste mootorpidurit reguleerida Husqvarna volitatud hooldustöökojas. (Joon. 12)

### Tagumise kate kontrollimine

Tagumine deflektor vähendab esemete kasutaja suunas paiskumise ohtu.

- Veenduge, et tagumine kate oleks kahjustamata.
- Veenduge, et tagumise kate sulgurvedrud oleksid terved.
- Purunenud vedrud ja kahjustatud osad tuleb välja vahetada.

- Veenduge, et tagumine kate liiguks hingedel sujuvalt.

### Summuti

Summuti ülesandeks on hoida müratase võimalikult madalal ja suunata mootori heitgaasid kasutajast eemale.

Ärge kasutage toodet, kui summuti puudub või on kahjustatud. Kahjustatud summuti tõstab mürataset ja suurendab tulekahju ohtu.



**HOIATUS:** Seadme töötamise ajal ja vahetult pärast töötamist ning mootori tühikäigul töötamise ajal on summuti väga kuum. Tulekahju vältimiseks olge tuleohtlike materjalide ja/või aurude läheduses väga ettevaatlik.

### Summuti kontrollimine

- Kontrollige summutit regulaarselt ning veenduge, et see oleks õigesti kinnitatud ja kahjustamata.

### Ohutusnõuded kütuse käsitlemisel



**HOIATUS:** Enne toote kasutamist lugege läbi järgmised hoiatused.

- Ärge käivitage toodet, kui toote pinnale on sattunud kütust või mootoriõli. Eemaldage kütus/õli toote pinnalt ja laske tootel kuivada.
- Kui kütus satub rõivastele, siis vahetage kohe riideid.
- Vältige kütuse sattumist nahale, see võib põhjustada kehavigastusi. Kui kütus satub kehale, puhastage piirkond seebi ja veega.
- Ärge käivitage toodet, kui mootor lekib. Kontrollige regulaarselt mootori lekkekindlust.
- Olge kütuse käsitlemisel ettevaatlik. Kütus on tuleohtlik ja kütuse aurud on plahvatusohtlikud ning võivad põhjustada kehavigastusi või surma.
- Ära hinga sisse kütuseaure – see võib põhjustada kehavigastuse. Taga piisav õhuvahetus.
- Ärge suitsetage kütuse ega mootori läheduses.
- Ärge asetage kuumi esemeid kütuse ega mootori lähedusse.
- Ärge tankige kütust, kui mootor töötab.

- Enne tankimise alustamist veenduge, et mootor oleks külm.
- Enne tankimise alustamist avage aeglaselt kütusepaagi kork ja laske survel alaneda.
- Ärge tankige mootorit siseruumis. Ebapiisav õhuvahetus võib põhjustada lämbumisest või vingugaasimürgitusest tingitud kehavigastuse või surma.
- Keerake kütusepaagi kork korralikult kinni. Kütusepaagi korgi lõtv kinnitus põhjustab tuleohtu.
- Enne käivitamist vii toode vähemalt 3 m kaugusele kohast, kus toimus kütusepaagi täitmine.
- Ärge täitke kütusepaaki täielikult. Soojuse mõjul kütus paisub. Jätke kütusepaagi ülaserava vaba ruumi.
- Ärge kunagi jätke toodet pikemaks ajaks seisma hoonesse, kui kütus on paagis ja süüteallikad läheduses, nt veeboilerid, puhurid või kuivatid. Enne hoones säilitamist laske mootoril esmalt jahtuda.

### Ohutusjuhised hooldamisel



**HOIATUS:** Enne seadme kasutamist lugege läbi järgnevad hoiatused.

- Mootori heitgaasid sisaldavad vingugaasi: lõhnutat, mürgist ja väga ohtlikku gaasi. Ärge käivitage mootorit siseruumis ega suletud alal.
- Enne toote hooldamist seisake mootor ja eemaldage süüteküünla süütejuhe.
- Lõikeosa hooldamisel kandke kaitsekindaid. Lõiketera on väga terav ja võib kergesti põhjustada lõikevigastusi.
- Tootja heakskiiduta tarvikud ja muudatused toote juurest võivad põhjustada tõsiseid kehavigastusi või surma. Ärge muutke toodet. Kasutage tootja heakskiidetud tarvikuid.
- Kui toodet regulaarselt ja õigesti ei hooldata, suureneb oht, et toode saab kahjustada ja võib kedagi vigastada.
- Hooldage toodet ainult selle kasutusjuhendi järgi. Muid hooldustööd tuleb lasta teha Husqvarna heakskiiduga hooldustöökojas.
- Laske toodet regulaarselt hooldada Husqvarna heakskiiduga hooldustöökojas.
- Asendage kahjustatud, kulunud ja katkised osad.

## Kokkupanek

### Sissejuhatus



**HOIATUS:** Enne seadme kokkupanemist lugege põhjalikult läbi ohutuspuudutatav jaotis.



**HOIATUS:** Enne seadme kokkupanemist eemaldage süüteküünala juhe süüteküünla küljest.

### Käepideme kokkupanek

**Märkus:** Seda toimingut tuleks teha kahekesi.

**Märkus:** Ärge käepideme monteerimisel toodet karbist eemaldage. Karpi saab monteerimise ajal kasutada käepideme toestamiseks.

1. Tõstke ja pöörake käepidet. (Joon. 13)



**ETTEVAATUST:** Olge ettevaatlik ja veenduge, et tross ei saa käepideme pööramise ajal kahjustada.

2. Asetage käepide tootele. Kallutage käepidet toestamiseks vastu karpi. Vaata joonist. (Joon. 14)
3. Lükake kruvi (A) läbi käepideme (B), plastseibi (C) ja käepideme tugikronsteini (D). (Joon. 15)
4. Keerake mutter (E) täiesti kinni.
5. Eemaldage toode karbist.
6. Pöörake käepide püstasendisse. (Joon. 16)
7. Seadke käepide madalaimasse asendisse. Vt jaotisest *Käepideme reguleerimine lk 110*.
8. Kinnitage tross käepideme madalama osa külge trossiklambriga. (Joon. 17)
9. Kinnitage trossi madalam osa käepideme tugikronsteini külge köidikuga. Lõigake köidiku liigne osa ära. (Joon. 18)

**Märkus:** Veenduge, et tross oleks õigesti kinnitatud. Liiga lõtv tross võib rohukoguri paigaldamisel saada kahjustada. (Joon. 19)

## Käepideme reguleerimine

1. Keerake alumised hoovad lahti.

2. Liigutage nupud toote vasakul ja paremal küljel olevatesse soonetes. (Joon. 20)
3. Reguleerige käepideme kõrgus ühte kahest võimalikust asendist.
4. Liigutage nuppusid üles käepideme suunas, kuni need peatuvad ja kostub klõpsatus. (Joon. 21)
5. Keerake nupud korralikult kinni.

## Muruniiduki seadmine transportasendisse

1. Eemaldage rohukogur (kui paigaldatud).
2. Keerake alumised hoovad lahti.
3. Liigutage nupud toote vasakul ja paremal küljel olevatesse soonetes. (Joon. 20)
4. Keerake käepide ettepoole. (Joon. 22)

## Toote seadmine tööasendisse

1. Pöörake käepide püstasendisse. (Joon. 23)
2. Liigutage nuppusid üles käepideme suunas, kuni need peatuvad ja kostub klõpsatus. (Joon. 21)
3. Keerake nupud korralikult kinni.

## Rohukoguri kokkupanek

1. Kinnitage rohukoguri raam rohukoti külge nii, et koti jääk osa jääb põhja. Veenduge, et raami käepide oleks koti ülaservast eemal. (Joon. 24)
2. Kinnitage rohukott klambritega raami külge. (Joon. 25)

## Töö

### Sissejuhatus



**HOIATUS:** Enne seadme kasutamist lugege põhjalikult läbi ohutust puudutav jaotis.

### Husqvarna Connect

Husqvarna Connect on mobiilsideseadmetele mõeldud tasuta rakendus. Rakendus Husqvarna Connect annab teie Husqvarna tootele lisafunktsionaalsuse:

- Täiendav tooteteave.
- Toote osade ja hoolduse alane teave ja abi.

### Toote Husqvarna Connect kasutamise alustamine

1. Laadige Husqvarna Connect rakendus oma mobiilsideseadmesse.
2. Registreeruge Husqvarna Connect rakenduses.

3. Toote ühendamiseks ja registreerimiseks järgige Husqvarna Connect rakenduse juhiseid.

### Enne toote kasutamist

1. Lugege kasutusjuhend põhjalikult läbi, et kõik juhised oleksid täiesti arusaadavad.
2. Veenduge, et lõikeosa oleks õigesti kinnitatud ja reguleeritud. Vt jaotist *Lõikeosa kontrollimine lk 113*.
3. Täitke kütusepaak. Vt jaotist *Kütuse tankimine () lk 110*.
4. Täitke õlipaak ja kontrollide õlitaset. Vt jaotist *Mootoriõli vahetamine lk 113*.

### Kütuse tankimine ()

Võimaluse korral kasutage keskkonnasäästlikku bensiini / alkülaatbensiini. Kui keskkonnasäästlik või alkülaatbensiin pole saadaval, kasutage kvaliteetset pliivaba bensiini või pliibensiini, mille oktaaniarv on vähemalt 90.



**ETTEVAATUST:** Ärge kasutage bensiini, mille oktaaniarv on alla 90 RON (87 AKI). See võib seadet kahjustada.

1. Surve vabastamiseks avage kütusepaagi kork aeglaselt.
2. Lisage kütust aeglaselt kütusenõust. Mahavalgumise korral eemaldage osa kütust lapiga ja laske ülejäänul ära kuivada.
3. Puhastage kütusepaagi korgi ümbrus.
4. Keerake kütusepaagi kork korralikult kinni. Kütusepaagi korgi lõtv kinnitus põhjustab toleohtu.
5. Enne käivitamist viige toode vähemalt 3 m kaugusele kohast, kus toimus kütusepaagi täitmine.

## Lõikamiskõrguse reguleerimine

1. Lõikamiskõrguse suurendamiseks tõmmake lõikamiskõrguse hooba tagasisuunas.
2. Lõikamiskõrguse vähendamiseks lükake lõikamiskõrguse hooba edasisuunas. (Joon. 26)



**ETTEVAATUST:** Ärge seadistage lõikamiskõrgust liiga madalaks. Kui muru pole tasane, võivad lõiketerad puutuda vastu maad.

## Toote käivitamine

1. Veenduge, et süütejuhe ja süüteküünl oleksid omavahel ühendatud.
2. Olge toote taga.
3. Hoidke mootori pidurikäepidet juhtraua vastas. (Joon. 27)
4. Hoidke starteri nööri käepidet paremas käes.
5. Tõmmake starteri nööri väljasuunas, kuni tunnete vastujõudu.
6. Tõmmake hooga, nii et mootor käivitub.



**HOIATUS:** Käivitusnööri ei tohi kerida käe ümber.

## Veo kasutamine ratastel

- käivitage rataste veofunktsioon käepideme vasakul küljel asuva kiiruse regulaatorhoovaga. Kiiruse suurendamiseks liigutage kiiruse regulaatorhooba ettepoole, vähendamiseks tahapoole. (Joon. 28)
- Enne seadme tagasisuunas tõmbamist vabastage vedu ja lükake seadet umbes 10 cm edasisuunas.
- Veo vabastamiseks vabastage veo käepide näiteks siis, kui lähenete takistusele.

## Toote seiskamine

- Veo peatamiseks vabastage veojõu käepide.

- Mootori seiskamiseks vabastage mootoripiduri käepide.

## Toote kasutamine rohukoguriga



**HOIATUS:** Ärge kasutage toodet, kui rohukogur pole paigaldatud või tagumine kate suletud. Vastasel juhul võivad esemed õhku paiskuda ja kasutajat vigastada.

1. Tõstke tagumine kate üles ja eemaldage multšikork, kui see on paigaldatud. (Joon. 29)
2. Paigaldage rohukogur, vt *Rohukoguri kokkupanek lk 110*.
3. Asetage rohukogur kronsteinile.
4. Vabastage tagumine kate ja laske sel toetuda rohukoti raami ülaservale. (Joon. 30)

## Toote seadistamine multšimisrežiimile

Veenduge, et mootor on välja lülitatud, enne kui seadistate toote multšimisrežiimi.

1. Tõstke tagumine kate üles ja eemaldage rohukogur, kui see on paigaldatud.
2. Asetage multšikork väljaviskekanalisse. (Joon. 31)
3. Sulgege tagumine kate ja veenduge, et see on tihkelt suletud vastu multšikorki.

**Märkus:** Multšimisrežiimi jõudluse suurendamiseks asendage lõiketera multšitera tarvikuga. Vt jaotist *Lõiketera vahetamine lk 113*

## Toote seadistamine külgväljaviske režiimile

1. Tõstke tagumine kate üles ja eemaldage rohukott (kui see on paigaldatud).
2. Sulgege tagumine kate ja veenduge, et see on tihkelt suletud vastu toodet.
3. Tõstke väljaviske lukku. (Joon. 32)
4. Avage külgväljaviskekaitse ja paigaldage külgväljaviske suunaja tugitihvtidele. (Joon. 33)
5. Laske külgväljaviskekaiasel sulguda vastu külgväljaviskesuunajat. Veenduge, e külgväljaviskesuunaja on tugevalt omal kohal, enne kui alustate tootega tööd.

## Rohukoguri tühjendamine



**ETTEVAATUST:** Kulumise vältimiseks tõsta rohukogur liigutamise ajal üles.

1. Tõstke rohukogur raami käepideme abil üles.
2. Rohukoguri tühjendamisel kasuta raami käepidet ja koti käepidet. (Joon. 34)

## Hea tulemuse saavutamiseks

- Kasutage vahedat lõiketera. Nüri tera annab ebaühtlase tulemuse ja muru lõigatud osa muutub kollaseks. Terav lõiketera on nüri teraga võrreldes energiasäästlikum.
- Lõigake kuni pool muru pikkusest. Kui alustate niitmist, alustage kõrgeima lõikamiskõrgusega. Vaadake tulemust ja seadistage lõikamiskõrgus soovitud madalamale tasemele. Kui rohi on väga pikk, sõitke aeglaselt ja vajadusel niitke kaks korda.
- Niitke iga kord erinevas suunas, et ära hoida triipude tekkimist murule.

- Kergitage tagakaant ja eemaldage rohukogur.
- Kui seadmele on paigaldatud multšikork ja multšimistera, eemaldage need.
- Enne seadme kasutamist sulgege tagumine kate. Seadme töötamise ajal väljub lõigatud rohi tagumise katte alt.
- Hoidke lõikamiskate puhtana. Lõikekorpuse siseküljele kogunevad rohuäägid ja mustus võivad lõikamistõhusust vähendada. Vt jaotist *Lõikekorpuse sisepinnapuhasdamine lk 113*.

## Hooldamine

### Sissejuhatus



**HOIATUS:** Enne seadme hooldamist lugege põhjalikult läbi ohutus puudutav peatükk.

Seadme hooldamiseks ja remontimiseks on vaja erioskusi. Tagame asjatundliku remondi- ja hooldustöö. Kui edasimüüjal, kellelt toote ostsite, pole hooldustöökoja, küsige neilt teavet lähima hooldustöökoja kohta.

Lisateavet vt .

### Hoolduskeem



**ETTEVAATUST:** Toote kallutamisel veenduge, et õhufilter oleks üleval, mitte vastu maad. Tekib mootori kahjustamise oht.

Hooldusintervallide arvutamisel on aluseks võetud toote igapäevane kasutamine. Intervallid muutuvad, kui toodet igapäevaselt ei kasutata.

Tärniga (\*) tähistatud hooldustööde kohta leiate juhised peatükist *Toote ohutusseadised lk 108*.

| Hooldamine  | Üks kord päevas | Üks kord nädalas | Üks kord kuus |
|---|-----------------|------------------|---------------|
| Üldkontrolli läbiviimine  | X               |                  |               |
| Õlitaseme kontrollimine   | X               |                  |               |
| Toote puhastamine   | X               |                  |               |
| Lõikeosa kontrollimine  | X               |                  |               |
| Kontrollige lõikekatet *  | X               |                  |               |
| Kontrollige mootori pidurikäepidet *                                      | X               |                  |               |
| Kontrollige mootori piduriregulaatorit *                                  | X               |                  |               |
| Kontrollige summutit *  |                 | X                |               |
| Süüteküünlade kontrollimine   |                 | X                |               |
| Õlivahetus (esmaltpärast 5 töötundi, seejärel iga kord 50 töötunni järel) |                 |                  | X             |
| Õhufiltri puhastamine või väljavahetamine                                 |                 |                  | X             |
| Kütusesüsteemi kontrollimine  |                 |                  | X             |

### Üldülevaatus läbiviimine

- Veenduge, et kõik toote mutrid ja kruvid oleksid korralikult kinni pingutatud.

### Toote välikorpuse puhastamine

- Eemaldage lehed, muru ja pori harja abil.
- Veenduge, et mootori peal asuv õhuvõtuava oleks takistustest vaba.



- Ärge kasutage seadme puhastamiseks survepesurit.
- Kui kasutate toote puhastamiseks vett, ärge suunake vett otse mootorile.

## Lõikekorpuse sisepinnapuhastamine

1. Tühjendage kütusepaak.
2. Asetage toode küllili nii, et summuti jääb allapoole.



**ETTEVAATUST:** Kui toode on asetatud selliselt, et õhufilter jääb allapoole, võib mootor kahjustada saada.

3. Loputage lõikekorpuse sisepinda veega.

## Lõikeosa kontrollimine



**HOIATUS:** Tahtmatu käivitamise ärahoidmiseks eemaldage süüteküünlalt süütejühe.



**HOIATUS:** Lõikeosa hooldamisel kandke kaitsekindaid. Lõiketera on väga terav ja võib kergesti põhjustada lõikevigastusi.

1. Kontrollige lõikeosa kahjustuste ja mõrade suhtes. Kahjustatud lõikeosa tuleb alati välja vahetada.
2. Kontrollige, kas lõiketera on kahjustatud või nüri.

**Märkus:** Teritamise järel tuleb lõiketera tasakaalustada. Lõiketera teritamine, asendamine ja tasakaalustamine usaldage hooldustehnikule. Kui toode pörkub vastu eset, mis põhjustab toote seiskumise, vahetage välja kahjustatud lõiketera. Laske hoolduskeskuses hinnata, kas tera saab teritada või tuleb see välja vahetada.

## Lõiketera vahetamine

1. Lukustage lõiketera mõne puuklotsiga. (Joon. 35)
2. Eemaldage lõiketera polt, vedruseib ja lõiketera. (Joon. 36)
3. Kontrollige, et lõiketera toel ja lõiketera poldil poleks kahjustusi.
  - a) Kui vahetate lõiketera või lõiketera toe, tuleb vahetada ka lõiketera polt, vedruseib ja hõõrdeseib.
4. Kontrollige mootori võlli ja veenduge, et see poleks väändunud.
5. Uue lõiketera kinnitamisel veenduge, et painutatud otsad oleks suunatud lõikekorpuse poole. (Joon. 37)
6. Pange hõõrdeseib ja lõiketera vastu lõiketera tuge. (Joon. 38)
7. Veenduge, et lõiketera ja mootori võlli kese oleksid kohakuti. (Joon. 39)
8. Lukustage lõiketera mõne puuklotsiga. (Joon. 40)

9. Kinnitage vedruseib ja pingutage polti momendiga 43 – 47 Nm. (Joon. 41)
10. Keerake tera käega, veendumaks, et see pöörleb vabalt.



**HOIATUS:** Kasutage kaitsekindaid. Lõiketera on väga terav ja võib kergesti põhjustada lõikevigastusi.

11. Tera katsetamiseks käivitage toode. Kui tera on valesti kinnitatud, siis toode vibreerib ja niitmistulemus pole rahuldav.

## Kontrollige õlitaset



**ETTEVAATUST:** Liiga madal õlitase võib mootorit kahjustada. Enne toote käivitamist kontrollige õlitaset.

1. Asetage toode tasasele pinnale.
2. Eemaldage õlipaagi kork koos selle küljes oleva mõõtevardaga.
3. Puhastage mõõtevarras õlist.
4. Õlitase mõõtmiseks sisestage mõõtevarras täies pikkuses õlipaaki. Ärge ühendage õlipaagi korki.
5. Eemaldage õlipaagi kork koos selle küljes oleva mõõtevardaga.
6. Vaadake mõõtevardalt õlitaset.
7. Kui õlitase on madal, lisage mootoriõli ja kontrollige õlitaset uuesti. (Joon. 42)

**Märkus:** Kasutage mahainemise vältimiseks lehtrit.

8. Kui õlitase on õige, paigaldage õlipaagi kork.

## Mootoriõli vahetamine



**HOIATUS:** Vahetult pärast mootori seiskumist on mootoriõli väga kuum. Enne mootoriõli väljutamist laske mootoril maha jahtuda. Kui mootoriõli satub nahale, puhastage piirkond vee ja seebiga.

(Joon. 43)

1. Laske tootel töötada, kuni kütusepaak on tühi.
2. Eemaldage süüteküünlalt süütejühe.
3. Eemaldage õlipaagi kork koos selle küljes oleva mõõtevardaga.
4. Asetage toode alla mõni mahuti, kuhu mootoriõli saaks valguda.
5. Kallutage toodet või tühjendage õlipaak õlipumba abil (lisatarvik) mootoriõlist.
6. Lisage jaotises *Tehnilised andmed lk 116* soovitatud tüüpi uut mootoriõli.

- Kontrollige õlitaset. Vt jaotist *Kontrollige õlitaset lk 113*.
- Kui õlitase on õige, paigaldage õlipaagi kork.

## Süüteküünla kontrollimine



**ETTEVAATUST:** Kasutage alati soovitatud tüüpi süüteküünalt. Vale tüüpi süüteküünal võib toodet kahjustada.

- Kontrollige süüteküünalt, kui mootori võimsus on madal, mootor ei käivitu kergesti või ei tööta tühikäigul korralikult.
- Süüteküünla elektroodidele võõrainete kogunemise ohu vähendamiseks täitke järgmisi juhiseid.
  - Veenduge, et tühikäigu pöörete arv on õigesti seadistatud.
  - Veenduge, et kütusesegu oleks õige.
  - Veenduge, et õhufilter oleks puhas.
- Kui süüteküünal on määrdunud, puhastage see ja kontrollige, kas elektroodide vahe on õige, vt jaotist *Tehnilised andmed lk 116*. (Joon. 44)
- Vajaduse korral vahetage süüteküünal välja.

## Õhufiltri puhastamine

Määrdunud õhufilter võib põhjustada mootorikahjustusi või põhjustada mootori valesti töötamist. Tolmuste tingimuste korral tehke õhupuhassti hooldustöid sagedamini.

Vt jaotisest *Hoolduskeem lk 112* lisateavet, millal vahetada õhufiltrit.

- Eemaldage õhufiltri kate ja filter.
- Puhastage filtrit, koputades seda vastu tasast pinda. Ärge kunagi kasutage filtri puhastamiseks suruõhku või petrooleumi sisaldavat lahustit.

**Märkus:** Pikka aega kasutuses olnud õhufiltreid ei saa täielikult puhastada. Vahetage õhufiltrit regulaarselt. Kahjustatud õhufilter tuleb alati vahetada.

- Kui panete õhufiltrit kokku, siis veenduge, et on tihedasti vastu filtrihoidikut.

## Külgväljaviskesuunaja kontrollimine

Külgväljaviskesuunaja on kinnitatud toote külgväljaviskeavale. See vähendab niiduki kasutaja suunas paiskuvatest esemetest tingitud ohtu.

- Veenduge, et külgväljaviskesuunaja oleks kahjustamata.
- Uurige külgväljaviskesuunajat. Veenduge, et sellel pole kahjustusi, nt mõrad või murdunud vedrud, mis suruvad luuki kinni.
- Kui külgväljaviskesuunaja või vedrud on kahjustatud, vahetage need välja.

## Kütusesüsteemi kontrollimine

- Kontrollige kütusepaagi korki ja selle tihendit kahjustuste suhtes.
- Kontrollige kütusevoolikut lekete suhtes. Kahjustatud kütusevoolik laske hooldustöökojas välja vahetada.

## Kütusepaagi tühjendamine

- Asetage kütusepaagi alla mahuti.
- Eemaldage kütusepaagi kork.
- Lükake kütusevooliku voolikuklambrid vastu karburaatorit.
- Eemaldage karburaatorilt kütusevoolik.
- Sisestage kütusepaagi voolik mahutisse ja eemaldage voolikuklambrid.
- Kallutage toodet, et kütus valguks kogumisanumasse.

## Kütusefiltri vahetamine



**HOIATUS:** Kasutage kaitsekindaid.

- Tühjendage kütusepaak.
- Suunake voolikuklambrid kütusepaagist eemale. (Joon. 45)
- Eemaldage kütusevoolik kütusepaagist. Väike kogus kütust võib lekkida. (Joon. 46)
- Eemaldage kütusefilter kütusepaagist. (Joon. 47)
- Paigaldage kütusepaaki uus kütusefilter.
- Ühendage kütusevoolik kütusepaagiga.
- Asetage voolikuklamber vastu kütusepaaki oma kohale.

## Siduritrossi reguleerimine

Järgmistes olukordades on vajalik vähendada siduritrossi pikkust:

- rataste vedu ei rakendu, kui tõmbate veo käepidemest või pöörlemiskiruse reguleerimise hoovast;
- kui rataste vedu on rakendatud, liigub toode aeglaselt.

Järgmistes olukordades on vajalik suurendada siduritrossi pikkust:

- toode liigub, kui rataste vedu pole rakendatud.
- Siduritrossi reguleerimine.
  - Siduritrossi pikkuse vähendamiseks pöörake reguleerimiskruvi vastupäeva.
  - Siduritrossi pikendamiseks keerake reguleerimiskruvi päripäeva. (Joon. 48)

Kui toode liigub ebarahuldavalt pärast reguleerimist, võtke ühendust hooldustöökojaga

### Transportimine ja hoiustamine

- Toote ja kütuse transportimisel ning hoiustamisel veenduge, et puuduvad lekked ja aarud. Elektriseadmetest või boileritest pärit sädemed ja lahtine leek võivad põhjustada tulekahju.
- Kütuse transportimiseks ja hoiustamiseks kasutage heakskiidetud mahuteid.
- Toote pikaks ajaks hoiule panemisel tühjendage eelnevalt kütusepaak. Kõrvaldage kütus spetsiaalses jäätmejaamas.
- Transportimisel kinnitage toode ohutult, et ära hoida kahjustusi ja õnnetusi.
- Hoidke toodet lukustatud kohas, kus sellele ei pääse juurde lapsed ega volitamata isikud.
- Hoidke toodet kuivas kohas, mis ei külmu.

### Kõrvaldamine

- Järgige kohalikke jäätmekäitluseeskirju ja kehtivaid seadusi.
- Kemikaalid (nt mootoriõli ja kütus) kõrvaldage hoolduskeskuses või spetsiaalses jäätmejaamas.
- Kui toodet enam ei kasutata, toimetage see Husqvarna edasimüüjale või kõrvaldage see taaskasutuskeskuses.

## Tehnilised andmed

### Tehnilised andmed

|  |  |
|--|--|
|  | LC 356VP   |
| <b>Mootor</b>  |  |
| Kaubamärk  | Honda  |
| Mootorimudeli nimetus                                  | GCVx170  |
| Silindrimaht, cm <sup>3</sup>                          | 166  |
| Kiirus, p/min  | 2800   |
| Mootori nimivõimsus, kW <sup>36</sup>                  | 3,1  |
| <b>Süütesüsteem</b>                                    |  |
| Süüteküünal  | NGK BPR5ES   |
| Elektroodi vahe, mm                                    | 0,75   |
| <b>Kütuse- ja määrimissüsteem</b>                      |  |
| Kütus, pliivaba, minimaalne oktaaniarv                 | 90   |
| Kütusepaagi maht, liitrit                              | 0,9  |
| Õlipaagi maht, liitrit                                 | 0,4  |
| Mootoriõli <sup>37</sup>                               | Husqvarna SAE 30, Husqvarna SAE 5W-30 sünteetiline, Husqvarna SAE 10W-40 |
| <b>Kaal</b>  |  |
| Tühjade paakidega, kg                                  | 35,1   |
| <b>Müratasemed</b> <sup>38</sup>                       |  |
| Helivõimsuse tase, mõõdetud dB(A)                      | 98   |
| Helivõimsuse tase, garanteeritud L <sub>WA</sub> dB(A) | 98   |
| <b>Helitasemed</b> <sup>39</sup>                       |  |
| Helirõhutase kasutaja kõrva juures, dB(A)              | 86   |

<sup>36</sup> Mootori näidatud võimsusklass on vastava mootorimudeli järgi toodetud tüüpmootori keskmine netovõimsus (kindla pöörete arvu juures), mõõdetud vastavalt SAE standardile J1349/ISO1585. Masstoodangust tulnud mootoritel võib see väärtus pisut erineda. Tootele paigaldatud mootori tegelik võimsus oleneb töökiirusest, keskkonnaningimustest ja muudest teguritest.

<sup>37</sup> Kasutage vähemalt API SJ kvaliteediga mootoriõli. Kui kasutakse SAE-30 õli madalamal temperatuuril kui +5 °C, siis on oht, et see ei määri mootorit piisavalt. See võib kahjustada mootorit. Vt jaotisest *Mootoriõli vahetamine lk 113*, milline on õige õli madalal temperatuuril. Vaadake mootori tootja juhendis (kui see on olemas) olevat viskoossuste tabelit ja valige vastavalt oodatavale väliskeskkonna temperatuurile sobivaim viskoossus.

<sup>38</sup> Müraremissioon ümbritsevasse keskkonda, mõõdetud helivõimsuse tasemena (L<sub>WA</sub>) vastavalt EÜ direktiivile 2000/14/EÜ

<sup>39</sup> Mürarõhutaseme kohta toodud andmete statistiline dispersioon (standardhälve) on 1,2 dB(A).

|                                       |                                     |
|---------------------------------------|-------------------------------------|
|                                       | <b>LC 356VP</b>                     |
| <b>Vibratsioonitase</b> <sup>40</sup> |                                     |
| Käepide, m/s <sup>2</sup>             | 5,9                                 |
| <b>Lõikekorpus</b>                    |                                     |
| Lõikekõrgus, mm                       | 25–75                               |
| Lõikelaius, mm                        | 560                                 |
| Lõikesüsteem                          | Komplekt / BioClip® / külgväljavise |
| Lõiketera – standard                  | Komplekt 598562701                  |
| Lõiketera – lisatarvik                | Multš 598563601                     |
| <b>Ajam</b>                           |                                     |
| Kiirus, km/h                          | 3,0–4,5                             |

<sup>40</sup> Vibratsioonitaseme kohta toodud andmete tüüpiline statistiline dispersioon (standardhälve) on 0,2 m/s<sup>2</sup>.

# Vastavusdeklaratsioon

## EÜ vastavusdeklaratsioon

Husqvarna AB, SE-561 82 Huskvarna, Rootsi, tel: +46  
3614 6500, kinnitab ainuvastutusel, et toode:

|                           |                                    |
|---------------------------|------------------------------------|
| <b>Kirjeldus</b>          | Muruniiduk                         |
| <b>Kaubamärk</b>          | Husqvarna                          |
| <b>Tüüp/mudel</b>         | LC 356VP                           |
| <b>Identifitseerimine</b> | Seerianumbrid alates 2022. aastast |

vastab täielikult järgmistele EÜ direktiividele ja määrustele:

| Määrus     | Kirjeldus   |
|------------|---|
| 2006/42/EÜ | „masinadirektiiv“   |
| 2014/30/EL | „elektromagnetilise ühilduvuse direktiiv“   |
| 2000/14/EÜ | „seadmete müra kohta käiv direktiiv“  |
| 2011/65/EL | „elektri- ja elektroonikaseadmetes teatavate ohtlike ainete kasutamise piiramise direktiiv“ |

ja et kohalduvad järgmised standardid ja/või tehnilised spetsifikatsioonid: EN ISO 5395-1:2013/A1:2018, EN ISO 5395-2:2013/A1:2016/A2:2017, EN ISO 14982:2009, EN IEC 63000:2018

Teavitatud asutus: 0404, RISE SMP Svensk Maskinprovning AB, Box 4053, SE-904 03 Umeå, Sweden kinnitab vastavust nõukogu direktiivile 2000/14/EÜ, vastavushindamise menetlus: lisa VI.

Lisateavet mürataseme kohta vt *Tehnilised andmed lk 116*.

Huskvarna, 2022-10-20



Claes Losdal, aiandustoodete arendusdirektor,  
Husqvarna AB

Tehnilise dokumentatsiooni eest vastutaja



---

## Sisällys

---

|                   |     |   |     |
|-------------------|-----|---|-----|
| Johdanto.....     | 119 | Huolto.....                                       | 125 |
| Turvallisuus..... | 120 | Kuljettaminen, säilyttäminen ja hävittäminen..... | 128 |
| Asentaminen.....  | 122 | Tekniset tiedot.....                              | 129 |
| Käyttö.....       | 123 | Vaatimustenmukaisuusvakuutus.....                 | 131 |

---

## Johdanto

---

### Tuotekuvaus

Tuote on kävellen ohjattava ja pyörivä ruohonleikkuri. Kiinnitä ruohonkerääjä ruohon keräämistä varten. Kiinnitä sivullepuhalluksen ohjain ruohon sivullepuhallusta varten. Voit tehdä ruohon leikkuujätteestä lannoitetta liittämällä ruohonleikkuriin silppurin.

### Laitteen kuvaus

(Kuva 1)

1. Ohjain
2. Moottorin jarrukahva
3. Vetojärjestelmän sanka
4. Käynnistysköyden kahva
5. Takasuojus
6. Ruohonkerääjä
7. Kahvan korkeudensäätönupit
8. Leikkuukorkeuden säätövipu
9. Öljysäiliön korkki
10. Sivullepuhalluksen suojus
11. Äänenvaimennin
12. Sytytystulppa
13. Polttoainesäiliön korkki
14. Tunnukset
15. Leikkuusuojus
16. Ilmansuodatin
17. Nopeuden säätövipu
18. Sivulleheiton ohjain
19. Silppurin tulppa (lisävaruste)
20. Käyttöohjekirja

### Tuotteen symbolit

(Kuva 2) **VAROITUS:** Ole varovainen ja käytä laitetta oikein. Tämä laite voi aiheuttaa käyttäjälle tai sivullisille vakavia vammoja tai kuoleman.

(Kuva 3) Lue käyttöohje huolellisesti ja varmista, että ymmärrät sen sisällön ennen kuin alat käyttää laitetta.

(Kuva 4) Varo sinkoutuvia esineitä ja kimmokkeita.

### Käyttötarkoitus

Käytä laitetta ruohon leikkuuseen. Älä käytä laitetta muihin tehtäviin.

(Kuva 5) Pidä sivulliset ja eläimet turvallisen välimatkan päässä työalueesta.

(Kuva 6) Varoitus: Pidä kädet ja jalat poissa pyörivän terän läheisyydestä.

(Kuva 7) Varoitus: Pidä kädet ja jalat poissa pyörivien osien läheisyydestä.

(Kuva 8) Pysäytä moottori ja poista sytytysjohto ennen korjaus- tai huoltotoita.

(Kuva 9) Tämä kone täyttää sovellettavien EY-direktiivien vaatimukset.

(Kuva 10) Tämä tuote täyttää sovellettavien UK-säästösten vaatimukset.

(Kuva 11) Melupäästöt ympäristöön -tarra EU:n ja Yhdistyneen kuningaskunnan direktiivien ja säästösten mukaisesti sekä Uuden Etelä-Walesin "Protection of the Environment Operations (Noise Control) Regulation 2017" -asetuksen mukaisesti. Tuotteen taattu äänentehotaso on määritelty kohdassa *Tekniset tiedot sivulla 129* ja arvokilvessä.

---

**Huomautus:** Muita laitteen symboleita/tarroja tarvitaan joillakin markkina-alueilla ilmaisemaan sertifiointivaatimuksia.

---

### Tuotteen vaurioituminen

Emme ole vastuussa tuotteen vaurioitumisesta, jos:

- tuote on korjattu virheellisesti

- tuotteen korjaamiseen on käytetty muita kuin valmistajan omia tai sen hyväksymiä osia
- tuotteessa on muu kuin valmistajan oma tai sen hyväksymä lisävaruste
- tuotetta ei ole korjattu valtuutetussa huoltopisteessä tai hyväksytyllä asiantuntijalla.

## Euro V -päästöt



**VAROITUS:** Moottorin muokkaaminen mitätöi tuotteen EU-tyyppihyväksynnän.

## Turvallisuus

### Turvallisuusmääritelmät

Varoituksia, huomioita ja huomautuksia käytetään, kun jotakin käyttöohjeen osaa halutaan erityisesti korostaa.



**VAROITUS:** Tätä käytetään, jos käyttöohjeen noudattamatta jättämisestä voi seurata käyttäjän tai sivullisen vamma tai kuolema.



**HUOMAUTUS:** Tätä käytetään, jos käyttöohjeen noudattamatta jättämisestä voi seurata koneen, muiden materiaalien tai ympäristön vaurioituminen.

**Huomautus:** Tätä käytetään tietyissä tilanteissa tarvittavien lisätietojen antamiseen.

### Yleiset turvallisuusohjeet



**VAROITUS:** Lue seuraavat varoitukset ennen tuotteen käyttöä.

- Tämä laite on vaarallinen, jos sitä käytetään huolimattomasti tai virheellisesti. Turvaohjeiden noudattamatta jättäminen voi aiheuttaa vammoja tai kuoleman.
- Tuote muodostaa käytön aikana sähkömagneettisen kentän. Kenttä saattaa joissakin olosuhteissa häiritä aktiivisten tai passiivisten lääketieteellisten implanttien toimintaa. Vakavien tai hengenvaarallisten tapaturmien ehkäisemiseksi kehotamme lääketieteellisiä implanteja käyttäviä henkilöitä neuvottelemaan lääkärin ja lääketieteellisen implantin valmistajan kanssa ennen tuotteen käyttämistä.
- Ole aina varovainen ja käytä tervettä järkeä. Jos et ole varma, miten tuotetta käytetään erityistilanteessa, sammuta tuote ja ota yhteys Husqvarna-jälleenmyyjään, ennen kuin jatkat.
- Muista, että käyttäjä on vastuussa muille ihmisille tai heidän omaisuudelleen aiheutuvista vahingoista.
- Pidä laite puhtaana. Varmista, että tuotteen merkit ja tarrat ovat luettavissa.
- Salli vain sellaisten henkilöiden, jotka ovat lukeneet käyttöohjekirjan ja ymmärtäneet siinä annetut ohjeet, käyttää tuotetta.

- Älä anna lasten käyttää tuotetta.
- Pidä lapset poissa työskentelyalueelta. Vastuullisen aikuisen on oltava aina paikalla.
- Tuotetta saavat käyttää vain henkilöt, jotka ovat lukeneet ja ymmärtävät ohjeet.
- Valvo aina laitetta käyttävää henkilöä, jonka fyysiset tai psyykkiset kyvyt ovat heikentyneet. Vastuullisen aikuisen on oltava aina paikalla.
- Älä käytä laitetta jos olet väsynyt tai sairas tai alkoholin, huumaavien aineiden tai lääkkeiden vaikutuksen alaisena. Niillä on negatiivinen vaikutus näkökykyysi, vireytesi, harkintakykyysi ja kehosi hallintaan.
- Älä käytä tuotetta, joka on vahingoittunut tai joka ei toimi oikein.
- Älä tee koneeseen muutoksia tai käytä konetta, mikäli epäilet jonkun muun muuttaneen sitä.
- Älä tee muutoksia moottorin käyntinopeuden hallintaan.

### Työalueen turvallisuus



**VAROITUS:** Lue seuraavat varoitusohjeet ennen koneen käyttämistä.

- Poista työskentelyalueelta oksat, risut ja kivet ennen tuotteen käyttämistä.
- Terävarustukseen osuvat esineet sinkoutuvat edelleen ja voivat siten aiheuttaa vahinkoa ihmisille ja esineille. Pidä sivulliset ja eläimet turvallisen välimatkan päässä tuotteesta.
- Älä koskaan käytä tuotetta huonolla säällä esimerkiksi sumussa, sateessa, kovassa tuulella, ankarassa pakkasessa tai ukkosella. Tuotteen käyttäminen huonolla säällä tai kosteissa tai märissä olosuhteissa on raskasta. Huono sää voi aiheuttaa vaaratilanteita, kuten liukastumisvaaran.
- Varo henkilöitä, esineitä ja tilanteita, jotka voivat estää tuotteen turvallisen käytön.
- Varo esteitä, kuten juuria, kiviä, risuja, kuoppia ja oja. Pitkän ruohon seassa voi olla esteitä.
- Ruohon leikkaaminen rinteissä voi olla vaarallista. Älä käytä tuotetta rinteessä, jonka kaltevuus on yli 15°.
- Käytä tuotetta sivusuunnassa rinteeseen nähden. Älä käytä tuotetta pystysuunnassa.
- Ole varovainen läheystyössä piilossa olevia kulkimia ja esineitä, jotka estävät näkyvyyden.





**VAROITUS:** Lue seuraavat varoitushjeet ennen laitteen käyttämistä.

- Käytä tätä tuotetta ainoastaan nurmikoiden leikkaamiseen. Tuotteita ei saa käyttää muihin käyttötarkoituksiin.
- Käytä henkilökohtaisia suojarusteita. Katso *Henkilökohtainen suojarustus sivulla 121*.
- Opettele pysäyttämään moottori nopeasti hätätilassa.
- Älä koskaan käynnistä moottoria suljetussa tilassa tai lähellä herkästi syttyviä materiaaleja. Moottorin pakokaasu on kuumaa ja se voi sisältää kipinöitä, jotka voivat aiheuttaa tulipalon.
- Älä käytä tuotetta, ellei sen terää ja kaikkia suojuksia ole kiinnitetty asianmukaisesti. Virheellisesti kiinnitetty terä saattaa irrota ja aiheuttaa henkilövahinkoja.
- Varmista, ettei terä osu kiviin ja juuriin. Tämä voi vaurioittaa terää, ja kampiakseli voi vääntyä. Vääntynyt akseli aiheuttaa voimakasta värinää. Tällöin on erittäin suuri riski, että terä irtoaa.
- Jos terä osuu esineeseen tai alkaa täristä, pysäytä tuote välittömästi. Irrota sytytyskaapeli sytytystulpasta. Tarkista tuote vaurioiden varalta. Korjaa vauriot tai tee korjaustyöt valtuutetussa huoltoliikkeessä.
- Älä koskaan liitä moottorin jarrukahvaa pysyvästi kahvaan moottoria käynnistettäessä.
- Aseta tuote kiinteälle, tasaiselle alustalle ja käynnistä se. Varmista, ettei terä pääse osumaan maahan tai mihinkään esineeseen.
- Ole aina tuotteen takana käyttäessäsi sitä.
- Pidä kaikki renkaat maassa ja molemmat kätesi työntöaisalla käyttäessäsi tuotetta. Pidä kätesi ja jalkasi poissa pyöriäviä terien läheisyydestä.
- Älä kallista tuotetta moottorin käynnistyksen aikana.
- Ole varovainen vetäessäsi tuotetta taaksepäin.
- Älä koskaan nosta tuotetta moottorin käynnistyksen aikana. Jos tuotetta täytyy nostaa, sammuta ensin moottori ja irrota sytytyskaapeli sytytystulpasta.
- Älä kävele taaksepäin käyttäessäsi tuotetta.
- Sammuta moottori, kun siirät tuotteen ruuhottonan alueen yli, esimerkiksi ylittäessäsi sora-, kivi- tai asfalttipolkuja.
- Älä juokse tuotteen kanssa, kun moottoria käynnistetään. Kävele aina, kun käytät tuotetta.
- Sammuta moottori ennen kuin muut leikkuukorkeutta. Älä koskaan tee säätöjä moottorin käytessä.
- Älä koskaan jätä laitetta ilman valvontaa moottorin käytessä. Sammuta moottori ja varmista, ettei terävarustus pyöri.

### Henkilökohtainen suojarustus



**VAROITUS:** Lue seuraavat varoitushjeet ennen koneen käyttämistä.

- Henkilökohtaiset suojarusteet eivät poista tapaturmien vaaraa, mutta ne lieventävät vammoja onnettomuustilanteessa. Anna jälleenmyyjän auttaa oikeiden varusteiden valinnassa.
- Käytä kuulonsuojaimia, kun melutaso on yli 85 dB.
- Käytä kestäviä luistamattomia saappaita tai kenkiä. Älä käytä avonaisia jalkineita tai kulje paljain jaloin.
- Käytä vahvakankaisia, pitkiä housuja.
- Käytä suojakäsineitä tarvittaessa, esimerkiksi terävarustuksen asennuksen, tarkastuksen ja puhdistuksen aikana.

### Tuotteen turvalaitteet



**VAROITUS:** Lue seuraavat varoitukset ennen tuotteen käyttöä.

- Älä käytä tuotetta vahingoittuneiden tai viallisten turvalaitteiden kanssa.
- Tarkasta turvalaitteet säännöllisesti. Jos turvalaitteet ovat vahingoittuneet tai eivät toimi oikein, ota yhteyttä Husqvarna-huoltoliikkeeseen.
- Älä tee muutoksia turvalaitteisiin.

### Leikkuusuojuksen tarkistaminen

Leikkuusuojus vähentää laitteen värinää ja terän aiheuttamaa tapaturmavaaraa.

- Tarkista leikkuusuojus vaurioiden, kuten halkeamien, varalta.

### Moottorin jarrukahvan tarkistaminen

Moottorin jarrukahva pysäyttää moottorin. Kun moottorin jarrukahva vapautetaan, moottori pysähtyy.

- Käynnistä moottori ja vapauta sitten moottorin jarrukahva. Jos moottori ei pysähdy 3 sekunnissa, anna valtuutetun Husqvarna-huoltoliikkeen säätää moottorijarru. (Kuva 12)

### Takasuojuksen tarkistaminen

Ohjauslevy vähentää esineiden sinkoutumista käyttäjän suuntaan.

- Varmista, ettei takasuojus ole vaurioitunut.
- Varmista, että takasuojuksen sulkevat jouset eivät ole vaurioituneet.
- Vaihda vaurioituneet jouset ja vahingoittuneet osat.
- Varmista, että takasuojus voi liikkua juohevasti saranoillaan.

## Äänenvaimennin

Äänenvaimennin pitää äänitason mahdollisimman alhaisena ja ohjaa moottorin pakokaasut käyttäjistä pois päin.

Älä käytä tuotetta, jos äänenvaimennin on vaurioitunut tai puuttuu kokonaan. Vaurioitunut äänenvaimennin nostaa äänitasoa ja lisää tulipalon vaaraa.



**VAROITUS:** Äänenvaimennin on erittäin kuuma käytön aikana, heti käytön jälkeen ja moottorin käydessä joutokäyntinopeudella. Ole varovainen syttyvien materiaalien ja/tai kaasujen läheisyydessä, jotta et aiheuta tulipalooa.

## Äänenvaimentimen tarkistaminen

- Tarkista äänenvaimennin säännöllisesti vaurioiden varalta ja varmista, että se on kiinnitetty oikein.

## Polttoaineturvallisuus



**VAROITUS:** Lue seuraavat varoitukset ennen tuotteen käyttöä.

- Älä käynnistä tuotetta, jos sen päällä on polttoainetta tai moottoriöljyä. Poista ylimääräinen polttoaine tai öljy ja anna tuotteen kuivua.
- Jos olet läikyttänyt polttoainetta vaatteillesi, vaihda vaatteet heti.
- Varo, ettei iholle pääse polttoainetta, sillä se voi aiheuttaa vamman. Jos ihollesi joutuu polttoainetta, pese se pois vedellä ja saippualla.
- Älä käynnistä tuotetta, jos moottori vuotaa. Tarkista moottori säännöllisesti vuotojen varalta.
- Käsittele polttoainetta varoen. Polttoaine on syttyvää ja kaasut ovat räjähdysherkkiä, mikä voi aiheuttaa tapaturman tai kuoleman.
- Älä hengitä polttoainehöyryjä, sillä ne voivat aiheuttaa vamman. Varmista, että ilmanvirtaus on riittävä.
- Älä tupakoi polttoaineen tai moottorin lähistöllä.
- Älä sijoita lämpimiä esineitä polttoaineen tai moottorin lähelle.
- Älä lisää polttoainetta, kun moottori on käynnissä.
- Varmista ennen polttoaineen lisäämistä, että moottori on jäähtynyt.

- Ennen kuin lisää polttoainetta, avaa polttoainesäiliön korkki hitaasti ja vapauta paine varovasti.
- Älä lisää polttoainetta moottoriin sisätilassa. Jos ilmanvirtaus ei ole riittävä, tukehtuminen tai hiilimonoksidin hengittäminen voi aiheuttaa vamman tai kuoleman.
- Kiristä polttoainesäiliön korkki tiukasti. Polttoainesäiliön korkin riittämätön kiristys aiheuttaa tulipalovaaran.
- Siirrä tuote ennen käynnistystä vähintään 3 metrin / 10 jalan päähän paikasta, jossa lisäisit polttoainetta.
- Älä täytä polttoainesäiliötä täyteen. Kuumuus saa polttoaineen laajenemaan. Jätä polttoainesäiliön päälle tyhjää tilaa.
- Älä koskaan säilytä polttoainetta sisältävää tuotetta tiloissa, joissa on mahdollisia kipinälähteitä, kuten kuumavesivaraaja, patteri tai pyykinkuivaaja. Anna moottorin jäähtyä, ennen kuin viet koneen sisälle.

## Turvaohjeet huoltoa varten



**VAROITUS:** Lue seuraavat varoitusohjeet ennen koneen käyttämistä.

- Moottorin pakokaasut sisältävät hiilimonoksidia, joka on hajuton, myrkyllinen ja erittäin vaarallinen kaasu. Älä käynnistä moottoria sisällä tai suljetuissa tiloissa.
- Jos tuotetta täytyy huoltaa, sammuta ensin moottori ja irrota sytytyskaapeli sytytystulpasta.
- Käytä suojakäsineitä huoltaessasi terävarustusta. Terä on erittäin terävä ja aiheuttaa helposti haavoja.
- Lisävarusteet ja muut kuin valmistajan hyväksymät muutokset tuotteeseen voivat aiheuttaa vakavan vamman tai kuoleman. Älä tee tuotteeseen muutoksia. Käytä vain valmistajan hyväksymiä lisävarusteita.
- Jos tuotetta ei ole huollettu asianmukaisesti ja säännöllisesti, tapaturmien ja tuotteen vaurioitumisen vaara kasvaa.
- Huolla tuote ainoastaan käyttöohjekirjassa annettujen ohjeiden mukaisesti. Kaikki muut huoltotoimet on tehtävä valtuutetussa Husqvarna-huoltoliikkeessä.
- Anna valtuutetun Husqvarna-huoltoliikkeen huoltaa tuote säännöllisesti.
- Vaihda vaurioituneet, kuluneet tai rikkoutuneet osat.

## Asentaminen

### Johdanto



**VAROITUS:** Ennen kuin asennat laitteen, lue turvallisuutta käsittelevä luku niin, että ymmärrät sen sisällön.



**VAROITUS:** Irrota sytytystulpan johto sytytystulpasta ennen laitteen asentamista.

## Kahvan asentaminen

**Huomautus:** Toimenpiteen suorittamiseen suositellaan kahta henkilöä.

**Huomautus:** Älä poista tuotetta pakkauksesta, kun kokoat kahvan. Pakkausta voi käyttää kahvan tukemiseen kokoonpanon aikana.

1. Nosta ja kierrä kahvaa. (Kuva 13)



**HUOMAUTUS:** Ole varovainen ja varmista, että kaapeli ei vahingoitu, kun kierrät kahvaa.

2. Aseta kahva tuotteen päälle. Kallista kahvaa pakkausta vasten kahvan tukemiseksi. Katso lisätietoja kuvasta. (Kuva 14)
3. Työnnä ruuvi (A) kahvan (B), muovisen aluslevyn (C) ja kahvan tukikiinnikkeen (D) läpi. (Kuva 15)
4. Kiristä mutteri (E) kokonaan.
5. Poista tuote pakkauksesta.
6. Taita kahva pystyasentoon. (Kuva 16)
7. Laske kahva alimpaan asentoon. Katso kohdasta *Kahvan säätäminen sivulla 123*.
8. Kiinnitä kaapeli kahvan alaosaan kaapelipidikkeellä. (Kuva 17)
9. Kiinnitä kaapelin alaosa kahvan tukikiinnikkeeseen nippusiteellä. Katkaise nippusiteen ylimääräinen osa. (Kuva 18)

**Huomautus:** Varmista, että kaapeli on kiinnitetty oikein. Liian löysä kaapeli vaurioittaa

kaapelia, kun tuotteeseen on asennettu ruohonkerääjä. (Kuva 19)

## Kahvan säätäminen

1. Irrota alemmat nupit.
2. Liu'uta nupit urien alaosaan laitteen molemmin puolin. (Kuva 20)
3. Aseta kahvan korkeus jompaankumpaan käytettävissä olevista asennoista.
4. Liu'uta nuppeja ylöspäin kahvaa kohti, kunnes ne pysähtyvät ja kuulet naksahduksen. (Kuva 21)
5. Kiristä nupit huolellisesti.

## Tuotteen asettaminen kuljetusasentoon

1. Irrota ruohonkerääjä (jos asennettu).
2. Irrota alemmat nupit.
3. Liu'uta nupit urien alaosaan laitteen molemmin puolin. (Kuva 20)
4. Taita kahva eteen. (Kuva 22)

## Laitteen asettaminen käyttöasentoon

1. Taita kahva pystyasentoon. (Kuva 23)
2. Liu'uta nuppeja ylöspäin kahvaa kohti, kunnes ne pysähtyvät ja kuulet naksahduksen. (Kuva 21)
3. Kiristä nupit huolellisesti.

## Ruohonkerääjän asentaminen

1. Kiinnitä ruohonkerääjän kehys keruupussiin niin, että pussin jäykkä osa on alhaalla. Pidä kehysten kahva pussin yläosan ulkopuolella. (Kuva 24)
2. Kiinnitä keruupussi kehukseen kiinnikkeillä. (Kuva 25)

## Käyttö

### Johdanto



**VAROITUS:** Lue turvallisuutta käsittelevä luku niin, että ymmärrät sen sisällön, ennen laitteen käyttämistä.

### Husqvarna Connect

Husqvarna Connect on ilmainen mobiililaitesovellus. Husqvarna Connect -sovellus saat lisätoimintoja Husqvarna-koneeseen:

- Enemmän tuotetietoja.
- Tietoja koneen osista ja huolto-ohjeita.

### Husqvarna Connect -käytön aloittaminen

1. Lataa Husqvarna Connect -sovellus mobiililaitteeseesi.
2. Rekisteröi Husqvarna Connect -sovelluksessa.

3. Liitä ja rekisteröi kone Husqvarna Connect -sovelluksen ohjeiden mukaan.

### Ennen tuotteen käyttöä

1. Lue käyttöohje huolellisesti ja varmista, että ymmärrät sen sisältämät ohjeet.
2. Tutki terävarustus ja varmista, että se on kiinnitetty ja säädetty asianmukaisesti. Katso *Terävarustuksen tarkistaminen sivulla 126*.
3. Täytä polttoainesäiliö. Katso *Polttoaineen lisääminen sivulla 123*.
4. Lisää öljysäiliöön öljyä ja tarkista öljytaso. Katso *Moottoriöljyn vaihtaminen sivulla 127*.

### Polttoaineen lisääminen

Käytä ympäristöä säästävää bensiiniä tai alkylaattibensiiniä, jos niitä on saatavilla. Jos ympäristöä säästävää bensiiniä tai alkylaattibensiiniä ei ole

saatavilla, käytä lyijytöntä tai lyijyistä laatuensiiniä, jonka oktaaniluku on vähintään 90.



**HUOMAUTUS:** Älä käytä polttoainetta, jonka oktaaniluku on pienempi kuin 90 RON (87 AKI). Se voi vaurioittaa laitetta.

1. Vapauta polttoainesäiliöstä painetta avaamalla polttoainesäiliön korkki hitaasti.
2. Kaada polttoainesäiliöön hitaasti polttoainetta. Jos polttoainetta läikkyä, pyyhi aine pois liinalla ja anna polttoainejäähmään kuivua.
3. Pyyhi polttoainesäiliön korkin ympäristö puhtaaksi.
4. Kiristä polttoainesäiliön korkki tiukasti. Polttoainesäiliön korkin riittämätön kiristys aiheuttaa tulipalovaaran.
5. Siirrä laite ennen käynnistystä vähintään 3 metrin päähän paikasta, jossa lisäsit polttoainetta.

## Leikkuukorkeuden asettaminen

1. Lisää leikkuukorkeutta siirtämällä leikkuukorkeuden säätövipua taaksepäin.
2. Vähennä leikkuukorkeutta siirtämällä leikkuukorkeuden säätövipua eteenpäin. (Kuva 26)



**HUOMAUTUS:** Älä aseta leikkuukorkeutta liian alhaiseksi. Jos ruohikon pinta ei ole tasainen, terät voivat osua maahan.

## Laitteen käynnistäminen

1. Varmista, että sytytyskaapeli on liitettynä sytytystulppaan.
2. Seiso laitteen takana.
3. Pidä moottorin jarrukahvaa kahvasto vasten. (Kuva 27)
4. Pitele käynnistysnarun kahvaa oikealla kädelläsi.
5. Vedä käynnistysnarusta hitaasti, kunnes tunnet hieman vastusta.
6. Käynnistä moottori vetämällä voimakkaasti.



**VAROITUS:** Älä kiedo käynnistysnarua kätesi ympärille.

## Vetojärjestelmän käyttäminen pyörillä

- Käynnistä vetojärjestelmän käyttäminen pyörillä kahvan vasemmalla puolella olevalla nopeuden säätövipulla. Kasvata nopeutta siirtämällä nopeuden säätövipua eteenpäin ja hidasta nopeutta vetämällä sitä taaksepäin. (Kuva 28)
- Ennen kuin vedät tuotetta taaksepäin, kytke vetojärjestelmä pois käytöstä ja työnnä tuotetta eteenpäin noin 10 cm.

- Kytke vetojärjestelmä pois käytöstä vapauttamalla vetojärjestelmän sanka esimerkiksi läheystyössä estettä.

## Laitteen pysäyttäminen

- Jos haluat pysäyttää vain vetojärjestelmän, vapauta vetojärjestelmän sanka.
- Pysäytä moottori vapauttamalla moottorin jarrukahvaa.

## Ruohonkerääjän käyttö konetta käytettäessä



**VAROITUS:** Älä käytä laitetta, jos ruohonkerääjä ei ole paikallaan tai jos takasuojus ei ole suljettuna. Esineet voivat sinkoutua laitteesta ja vahingoittaa käyttäjää.

1. Nosta takasuojus ja irrota silppurin tulppa, jos se on asennettu. (Kuva 29)
2. Kokoa ruohonkerääjä, katso *Ruohonkerääjän asentaminen sivulla 123*.
3. Aseta ruohonkerääjä pidikkeeseen.
4. Vapauta takasuojus ja aseta se ruohopussin rungon päälle. (Kuva 30)

## Laitteen vaihtaminen silppuamistilaan

Varmista, että moottori on sammutettu, ennen kuin vaihdat laitteen silppuamistilaan.

1. Nosta takasuojus ja irrota ruohonkerääjä, jos se on asennettu.
2. Aseta silppurin tulppa ruohonkerääjän ulosheittokanavaan. (Kuva 31)
3. Sulje takasuojus ja varmista, että se on tiukasti kiinni silppurin tulppaa vasten.

**Huomautus:** Voit tehostaa laitteen suorituskykyä silppuritulppa vaihtamalla terän tilalle lisävarusteena saatavan silppuriterän. Katso *Terän vaihtaminen sivulla 126*

## Laitteen vaihtaminen sivulleheittotilaan

1. Nosta takasuojus ja irrota ruohopussi, jos se on asennettu.
2. Sulje takasuojus ja varmista, että se on tiukasti kiinni laitetta vasten.
3. Nosta heittolaitteen lukko ylös. (Kuva 32)
4. Avaa sivulleheiton suojuksen ja asenna sivulleheiton ohjain tukitappeihin. (Kuva 33)
5. Anna sivulleheiton suojuksen sulkeutua sivulleheiton ohjainta vasten. Varmista ennen laitteen käyttöä, että sivulleheiton ohjain on tiukasti paikallaan.

## Ruohonkerääjän tyhjentäminen



**HUOMAUTUS:** Nosta ruohonkerääjä liikuttaessasi sitä. Tämä estää sen kulumisen.

1. Nosta ruohonkerääjää rungon kahvasta.
2. Käytä rungon ja pussin kahvaa, kun tyhjännät ruohonkerääjän. (Kuva 34)

## Hyvän tuloksen saavuttaminen

- Käytä aina hyvin teroitettua terää. Tylsä terä leikkaa epätasaisesti ja ruohosta tulee keltaista leikatun pinnan kohdalta. Hyvin teroitettu terä käyttää myös tylsää terää vähemmän energiaa.
- Älä leikkaa enempää kuin 1/3 ruohon pituudesta. Käytä korkeinta leikkuukorkeutta, kun alat leikata ruohoa. Tutki tuasi leikkuutuloksen voit laskea leikkuukorkeuden haluamallesi tasolle. Jos ruoho on erittäin pitkää, kulje hitaasti ja leikkaa nurmikko tarvittaessa kaksi kertaa.

- Leikkaa joka kerta eri suuntiin, jotta nurmiksoon ei tule raitoja.
- Nosta takasuojusta ja irrota ruohonkerääjä.
- Jos silppurin tulppa ja silppuamisterä on kiinnitetty, irrota ne.
- Sulje takasuojus ennen laitteen käyttämistä. Kun käytät laitetta, ruohosilppu purkautuu takasuojuksen alle.
- Pidä leikkuusuojus puhtaana. Leikkuusuojuksen sisäpuolelle kertynyt ruoho ja lika voivat heikentää leikkuutuloksia. Katso kohta *Leikkuusuojuksen sisäpinnan puhdistaminen sivulla 126*.

## Huolto

### Johdanto



**VAROITUS:** Ennen minkäänlaisten huoltotoiden aloittamista sinun on luettava turvallisuutta käsittelevä luku niin, että ymmärrät sen sisällön.

Kaikkiin tuotteelle tehtäviin huolto- ja korjaustöihin tarvitaan erityiskoulutus. Takaamme, että tuotteemme huolletaan ja korjataan ammattimaisesti. Jos jälleenmyyjäsi ei ole huoltoliike, pyydä jälleenmyyjää neuvomaan lähin huoltoliike.

Katso lisätietoja kohdasta .

### Huoltokaavio



**HUOMAUTUS:** Varmista, että ilmansuodatin on laitteen yläosassa eikä maata vasten, kun kallistat laitetta. Moottorivaurion vaara.

Huoltovälit on laskettu laitteen päivittäisen käytön perusteella. Välit voivat muuttua, jos laitetta ei käytetä päivittäin.

Lisätietoja \*-merkillä merkityistä huolloista on kohdassa *Tuotteen turvalaitteet sivulla 121*.

| Huolto                          | Päivittäin | Viikoittain | Kuukausittain |
|---------------------------------|------------|-------------|---------------|
| Tee yleistarkastus.             | X          |             |               |
| Tarkista öljytaso.              | X          |             |               |
| Puhdista laite.                 | X          |             |               |
| Tarkista terävarustus.          | X          |             |               |
| Tarkista leikkuusuojus*.        | X          |             |               |
| Tarkista moottorin jarrukahva * | X          |             |               |
| Tarkista teräjarrun kytkin *    | X          |             |               |
| Tarkista äänenvaimennin*.       |            | X           |               |
| Tarkista sytytystulppa          |            | X           |               |

| Huolto   | Päivittäin | Viikoittain | Kuukausittain |
|--|------------|-------------|---------------|
| Vaihda öljy (ensimmäisten 5 käyttötunnin jälkeen ja sitten 50 käyttötunnin välein) |            |             | X             |
| Puhdista tai vaihda ilmansuodatin  |            |             | X             |
| Tarkista polttoainejärjestelmä   |            |             | X             |

## Yleistarkastus

- Varmista, että laitteen kaikki ruuvit ja mutterit on kiristetty oikein.

## Laitteen puhdistaminen ulkopuolelta

- Poista lehdet, ruoho ja liika harjalla.
- Varmista, ettei moottorin yläosassa sijaitseva ilmanottoaukko ole tukkeutunut.
- Älä käytä laitteen puhdistamiseen painepesuria.
- Jos käytät tuotteen puhdistamiseen vettä, älä suihkuta vettä suoraan moottoriin.

## Leikkuusuojaus sisäpinnan puhdistaminen

- Tyhjennä polttoainesäiliö.
- Aseta tuote kyljelleen äänenvaimennin alaspäin.



**HUOMAUTUS:** Jos tuote asetetaan ilmansuodatin alaspäin, moottori saattaa vaurioitua.

- Pese leikkuusuojaus sisäpinta vesiletkulla.

## Terävarustuksen tarkistaminen



**VAROITUS:** Estä tuotteen tahaton käynnistyminen irrottamalla sytytyskaapeli sytytystulpasta.



**VAROITUS:** Käytä suojakäsineitä huoltaessasi terävarustusta. Terä on erittäin terävä ja aiheuttaa helposti haavoja.

- Tutki terävarustus vaurioiden tai halkeamien varalta. Vaurioitunut terävarustus on aina vaihdettava.
- Tarkista, onko terä vaurioitunut tai tylsä.

**Huomautus:** Terä on tasapainotettava oikein teroituksen jälkeen. Anna huoltoliikkeen teroittaa, vaihtaa ja tasapainottaa terä. Jos osut esteeseen niin, että tuote pysähtyy, vaihda vaurioitunut terä. Anna huoltoliikkeen arvioida, voiko terän teroittaa vai onko se vaihdettava.

## Terän vaihtaminen

- Lukitse terä puukiilalla. (Kuva 35)
- Irrota teräpultti, aluslevy ja terä. (Kuva 36)
- Tarkista terätuki ja -pultti vaurioiden varalta.
  - Jos vaihdat terän tai terätuen, vaihda myös teräpultti, jousialuslevy ja kitka-aluslevy.
- Tutki kampiakseli ja varmista, ettei se ole vääntynyt.
- Asenna uusi terä siten, että käännetty päät osoittavat leikkuusuojaus suuntaan. (Kuva 37)
- Aseta kitka-aluslevy ja terä terätukea vasten. (Kuva 38)
- Varmista, että terä on linjassa akselin keskiosan kanssa. (Kuva 39)
- Lukitse terä puukiilalla. (Kuva 40)
- Kiinnitä jousialuslevy paikalleen ja kiristä pultti momenttiin 43 – 47 Nm. (Kuva 41)
- Pyöritä terää käsin ja varmista, että se pyörii vapaasti.



**VAROITUS:** Käytä suojakäsineitä. Terä on erittäin terävä ja aiheuttaa helposti haavoja.

- Testaa terää käynnistämällä laite. Jos terä ei ole kiinnitetty asianmukaisesti, laite tärisee tai sen leikkuutullos ei ole tyydyttävä.

## Öljyn määrän tarkistaminen –



**HUOMAUTUS:** Liian alhainen öljytaso voi vaurioittaa moottoria. Tarkista öljytaso ennen kuin käynnistät tuotteen.

- Aseta tuote tasaiselle alustalle.
- Irrota öljysäiliön korkki ja mittatikku.
- Pyöhi mittatikku puhtaaksi öljystä.
- Työnnä mittatikku kokonaan öljysäiliöön, jotta saat selkeän käsityksen öljytasosta. Älä laita öljysäiliön korkkia paikalleen.
- Irrota öljysäiliön korkki ja mittatikku.
- Tarkista öljytaso mittatikusta.
- Jos öljytaso on alhainen, lisää moottoriöljyä ja tarkista öljytaso uudelleen. (Kuva 42)

**Huomautus:** Käytä suppiloa läikkymisen välttämiseksi.

8. Laita öljysäiliön korkki paikalleen, kun öljytaso on oikea.

## Moottoriöljyn vaihtaminen



**VAROITUS:** Moottoriöljy on erittäin kuumaa moottorin sammuttamisen jälkeen. Anna moottorin jäähtyä ennen kuin valutat moottoriöljyn pois moottorista. Jos moottoriöljyä joutuu iholle, pese öljy pois vedellä ja saippualla.

(Kuva 43)

1. Käytä tuotetta, kunnes polttoainesäiliö on tyhjä.
2. Irrota sytytyskaapeli sytytystulpasta.
3. Irrota öljysäiliön korkki ja mittatikku.
4. Aseta tuotteen alle säiliö, johon valutat öljyn.
5. Kallista tuotetta tai tyhjennä moottoriöljy öljysäiliöstä öljypumpulla (lisävaruste).
6. Lisää uutta moottoriöljyä, jota suositellaan kohdassa *Tekniset tiedot sivulla 129*.
7. Tarkista öljytaso. Katso kohta *Öljyn määrän tarkistaminen – sivulla 126*.
8. Laita öljysäiliön korkki paikalleen, kun öljytaso on oikea.

## Sytytystulpan tarkistus



**HUOMAUTUS:** Käytä aina suositeltua sytytystulppaa. Väärä sytytystulpan tyyppi saattaa vaurioittaa tuotetta.

- Tarkista sytytystulppa, jos moottorin teho on heikko, moottoria on vaikea saada käyntiin tai se ei toimi oikein joutokäyntinopeudella.
- Ehkäise ylimääräisen materiaalin joutuminen sytytystulpan elektrodihin noudattamalla seuraavia ohjeita:
  - a) Varmista, että joutokäyntinopeus on säädetty oikein.
  - b) Varmista, että polttoaineseos on oikea.
  - c) Varmista, että ilmansuodatin on puhdas.
- Jos sytytystulppa on karstoittunut, puhdista se ja tarkista samalla, että kärkiväli on oikea. Katso *Tekniset tiedot sivulla 129*. (Kuva 44)
- Vaihda sytytystulppa tarvittaessa.

## Ilmansuodattimen puhdistaminen –

Likainen ilmansuodatin voi vaurioittaa moottoria tai aiheuttaa toimintahäiriöitä. Huolla ilmansuodatin tavallista useammin pölyisissä oloissa.

Katso kohdasta *Huoltokaavio sivulla 125* lisätietoja ilmansuodattimen vaihtamisen ajankohdasta.

1. Irrota ilmansuodattimen kansi ja ilmansuodatin.
2. Puhdista suodatin napauttamalla sitä tasaista pintaa vasten. Älä koskaan käytä suodattimen puhdistamiseen bensiniä tai kerosiinia sisältävää liuotinta äläkä paineilmaa.

**Huomautus:** Pitkään käytössä olleita ilmansuodattimia ei voi puhdistaa täysin. Vaihda ilmansuodatin säännöllisin väliajoin. Vaurioitunut ilmansuodatin on aina vaihdettava.

3. Kun asennat ilmansuodattimen, varmista, että se asettuu tiiviisti suodattimen pidintä vasten.

## Sivullepuhalluksen ohjaimen tarkistaminen

Sivullepuhalluksen ohjain on kiinnitetty tuotteen sivullepuhallussaukkoon. Se vähentää esineiden sinkoutumista nurmikkoa leikkaamassa olevan käyttäjän suuntaan.

1. Varmista, ettei sivullepuhalluksen ohjain ole vaurioitunut.
2. Tarkista sivullepuhalluksen ohjain. Varmista, ettei ohjaimessa ole näkyviä vikoja, kuten halkeamia tai katkenneita jousia, jotka sulkevat luukun.
3. Vaihda sivullepuhalluksen ohjain tai jouset, jos ne ovat vahingoittuneet.

## Polttoainejärjestelmän tarkistaminen

- Tutki polttoainesäiliön korkki ja polttoainesäiliön korkin tiiviste vaurioiden varalta.
- Tutki polttoaineletku vuotojen varalta. Jos polttoaineletku on vaurioitunut, vaihdata se huoltoliikkeessä.

## Polttoainesäiliön tyhjentäminen

1. Aseta astia polttoainesäiliön alle.
2. Poista polttoainesäiliön korkki.
3. Paina polttoaineletkun kiristimet kaasutinta vasten.
4. Irrota polttoaineletku kaasuttimesta.
5. Aseta polttoainesäiliön letku astiaan ja irrota letkun kiristimet.
6. Kallista tuotetta ja anna polttoaineen valua astiaan.

## Polttoainesuodattimen vaihtaminen



**VAROITUS:** Käytä suojakäsineitä.

1. Tyhjennä polttoainesäiliö.
2. Siirrä letkuklemmari sivuun polttoainesäiliöstä. (Kuva 45)

3. Irrota polttoaineletku polttoainesäiliöstä. Pieni määrä polttoainetta voi vuotaa ulos. (Kuva 46)
4. Irrota polttoainesuodatin polttoainesäiliöstä. (Kuva 47)
5. Asenna uusi polttoainesuodatin polttoainesäiliöön.
6. Kiinnitä polttoaineletku polttoainesäiliöön.
7. Aseta letkuklemmari polttoainesäiliötä vasten.

## Kytkinjohdon säätäminen

Seuraavissa tilanteissa kytkinjohtoa on pidennettävä:

- Pyörien veto ei kytkeydy, kun vetojärjestelmän sangasta tai nopeuden säätövivusta vedetään.

- Laite liikkuu hitaasti, kun pyörien veto on kytkettyä.

Seuraavissa tilanteissa kytkinjohtoa on lyhennettävä:

- Laite liikkuu, kun pyörien veto ei ole kytkettyä.
- Säädä kytkinjohtoa.
  - a) Lyhennä kytkinjohtoa kääntämällä säätöruuvia vastapäivään.
  - b) Pidennä kytkinjohtoa kääntämällä säätöruuvia myötäpäivään. (Kuva 48)

Jos ajettavuus ei parane säädön jälkeen, ota yhteyttä huoltoliikkeeseen.

---

## Kuljettaminen, säilyttäminen ja hävittäminen

---

### Kuljetus ja säilytys

- Kun säilytät ja kuljetat tuotetta ja polttoainetta, varmista, ettei tuote vuoda polttoainetta tai polttoainehöyryä. Esimerkiksi sähkölaitteista tai lämmityskattiloista peräisin olevat kipinät tai avotuli voivat aiheuttaa tulipalon.
- Käytä polttoaineen säilytyksessä ja kuljettamisessa aina hyväksytyjä polttoainesäiliöitä.
- Tyhjennä tuotteen polttoainesäiliö, jos varastoit tuotteen pitkäksi ajaksi. Hävitä polttoaine viemällä se asianmukaiseen keräyspisteeseen.
- Vältä onnettomuudet ja tuotteen vaurioituminen kiinnittämällä tuote turvallisesti kuljetuksen ajaksi.
- Säilytä tuotetta lukitussa varastossa, jonne lapset ja asiattomat henkilöt eivät pääse.
- Säilytä tuotetta kuivassa paikassa, jossa lämpötila ei laske pakkasen puolelle.

### Hävittäminen

- Noudata paikallisia kierrätysvaatimuksia ja säädöksiä.
- Hävitä kaikki kemikaalit, kuten moottoriöljy ja polttoaine viemällä ne huoltoliikkeeseen tai asianmukaiseen keräyspisteeseen.
- Kun tuote tulee elinkaarensa päähän, hävitä tuote lähettämällä se Husqvarna-jälleenmyyjälle tai kierrätyspisteeseen.



## Tekniset tiedot

### Tekniset tiedot

|  |  |
|--|--|
|  | <b>LC 356VP</b>  |
| <b>Moottori</b>                                |  |
| Tuotemerkki                                    | Honda  |
| Moottorin mallin nimi                          | GCVx170  |
| Iskutilavuus, cm <sup>3</sup>                  | 166  |
| Nopeus, r/min                                  | 2 800  |
| Moottorin nimellisteho, kW <sup>41</sup>       | 3,1  |
| <b>Sytytysjärjestelmä</b>                      |  |
| Sytytystulppa                                  | NGK BPR5ES   |
| Kärkiväli, mm                                  | 0,75   |
| <b>Polttoaine-/voitelujärjestelmä</b>          |  |
| Polttoaine, lyijytön, oktaaniluku vähintään    | 90   |
| Polttoainesäiliön tilavuus, litraa             | 0,9  |
| Öljysäiliön tilavuus, litraa                   | 0,4  |
| Moottoriöljy <sup>42</sup>                     | Husqvarna SAE 30, Husqvarna SAE 5W-30 (synteettinen), Husqvarna SAE 10W-40 |
| <b>Paino</b>                                   |  |
| Säiliöt tyhjinä, kg                            | 35,1   |
| <b>Melupäästöt</b> <sup>43</sup>               |  |
| Äänentehotaso, mitattu dB(A)                   | 98   |
| Äänentehotaso, taattu L <sub>WA</sub> dB(A)    | 98   |
| <b>Äänitasot</b> <sup>44</sup>                 |  |
| Äänenpainetaso käyttäjän korvan tasalla, dB(A) | 86   |
| <b>Tärinätasot</b> <sup>45</sup>               |  |

<sup>41</sup> Moottorin ilmoitettu nimellisteho on moottorimallia edustavan tyyppillisen tuotantomoottorin keskimääräinen nettoteho (rpm) mitattuna SAE-standardin J1349/ISO1585 mukaisesti. Massatuotantomoottorit voivat poiketa tästä arvosta. Tuotteeseen asennetun moottorin todellinen lähtöteho riippuu käyttönopeudesta, ympäristön olosuhteista ja muista arvoista.

<sup>42</sup> Käytä vähintään laatuoluokituksen API SJ moottoriöljyä. Jos SAE-30-öljyä käytetään alle +5 °C:n lämpötilassa, öljy ei välttämättä voitele moottoria riittävästi. Se voi vahingoittaa moottoria. Katso kohdasta *Moottoriöljyn vaihtaminen sivulla 127* tiedot alhaisiin lämpötiloihin sopivasta öljystä. Tarkista viskositeetti moottorin käyttöoppaassa (jos sellainen on saatavilla) olevasta viskositeettikaaviosta ja valitse sopiva viskositeetti ulkolämpötilan perusteella.

<sup>43</sup> Melupäästö ympäristöön äänitehona (L<sub>WA</sub>) EY-direktiivin 2000/14/EY mukaisesti mitattuna.

<sup>44</sup> Äänenpainetasoista ilmoitettujen tietojen tyyppillinen tilastollinen hajonta (keskihajonta) on 1,2 dB(A).

<sup>45</sup> Tärinätasolle ilmoitetuissa tiedoissa tyyppillinen tilastollinen hajonta (vakiopoikkeama) on 0,2 m/s<sup>2</sup>.

|                              |                                |
|------------------------------|--------------------------------|
|                              | <b>LC 356VP</b>                |
| Työntöaisa, m/s <sup>2</sup> | 5,9                            |
| <b>Terävarustus</b>          |                                |
| Leikkuukorkeus, mm           | 25–75                          |
| Leikkuuleveys, mm            | 560                            |
| Leikkujärjestelmä            | Keruu/BioClip®/sivullepuhallus |
| Terä – vakio                 | Keräävä 598562701              |
| Terä – lisävaruste           | Silppuva 598563601             |
| <b>Ajo</b>                   |                                |
| Nopeus, km/h                 | 3,0–4,5                        |

# Vaatimustenmukaisuusvakuutus

## EU-vaatimustenmukaisuusvakuutus

Husqvarna AB, SE-561 82 Huskvarna, Ruotsi, puh. +46  
36 146500, vakuuttaa täten, että tuote:

|                     |                                   |
|---------------------|-----------------------------------|
| <b>Kuvaus</b>       | Ruohonleikkuri                    |
| <b>Tuotemerkki</b>  | Husqvarna                         |
| <b>Tyyppi/malli</b> | LC 356VP                          |
| <b>Tunniste</b>     | Sarjanumerot vuodesta 2022 alkaen |

vastaavat täysin seuraavien EU:n direktiivien ja  
asetusten vaatimuksia:

| <b>Asetus</b> | <b>Kuvaus</b>   |
|---------------|---|
| 2006/42/EC    | konedirektiivi  |
| 2014/30/EU    | EMC-direktiivi  |
| 2000/14/EC    | Melupäästädirektiivi  |
| 2011/65/EU    | Direktiivi tiettyjen vaarallisten aineiden käytön rajoittamisesta sähkö- ja elektroniikkalaitteissa |

ja että asiassa sovelletaan seuraavia standardeja ja/tai  
teknisiä tietoja: EN ISO 5395-1:2013/A1:2018, EN ISO  
5395-2:2013/A1:2016/A2:2017, EN ISO 14982:2009, EN  
IEC 63000:2018

Ilmoitettu tarkastuslaitos: 0404, RISE SMP  
Svensk Maskinprovning AB, Box 4053, SE-904  
03 Umeå, Sweden vakuuttaa yhdenmukaisuuden  
neuvoston direktiivin 2000/14/EY mukaisesti,  
vaatimustenmukaisuuden arviointimenettely: liite VI.

Katso lisätietoja melupäästöistä osiosta *Tekniset tiedot*  
*sivulla 129.*

Huskvarna, 2022-10-20



Claes Losdal, kehityspäällikkö/puutarhatuotteet,  
Husqvarna AB

Teknisestä dokumentaatiosta vastaava edustaja



---

# Sommaire

---

|                   |     |  |     |
|-------------------|-----|--|-----|
| Introduction..... | 132 | Entretien.....                               | 139 |
| Sécurité.....     | 133 | Transport, entreposage et mise au rebut..... | 142 |
| Montage.....      | 136 | Caractéristiques techniques.....             | 143 |
| Utilisation.....  | 137 | Déclaration de conformité.....               | 145 |

---

## Introduction

---

### Description du produit

Le produit est une tondeuse rotative à pousser. Fixez le collecteur d'herbe pour recueillir de l'herbe. Fixez le déflecteur d'éjection latérale pour l'éjection latérale de l'herbe. Fixez un kit de mulching pour broyer l'herbe et la transformer en engrais.

### Aperçu du produit

(Fig. 1)

1. Guidon
2. Poignée de frein moteur
3. Manette de commande
4. Poignée du câble du démarreur
5. Couvercle arrière
6. Collecteur d'herbe
7. Boutons de hauteur de la poignée
8. Levier de hauteur de coupe
9. Bouchon d'huile
10. Couvercle latéral d'éjection
11. Silencieux
12. Bougie
13. Bouchon du réservoir d'essence
14. Symboles
15. Capot de coupe
16. Filtre à air
17. Levier de commande de vitesse
18. Déflecteur latéral
19. Obturateur de broyeur (accessoire)
20. Manuel de l'opérateur

### Symboles concernant le produit

(Fig. 2) **AVERTISSEMENT !** Soyez prudent et utilisez le produit correctement. Ce produit peut causer des blessures graves, voire mortelles, à l'opérateur ou à d'autres personnes.

(Fig. 3) Veuillez lire attentivement le manuel d'utilisation et assurez-vous de bien comprendre les instructions avant utilisation.

(Fig. 4) Attention : projections et ricochets.

### Utilisation prévue

Utilisez le produit pour couper l'herbe. N'utilisez pas ce produit pour d'autres travaux.

(Fig. 5) Maintenez les personnes et les animaux à une distance suffisante de la zone de travail.

(Fig. 6) Avertissement : Éloignez vos mains et vos pieds de la lame en rotation.

(Fig. 7) Avertissement : Éloignez vos pieds et vos mains des pièces rotatives.

(Fig. 8) Coupez le moteur et retirez le câble d'allumage avant toute réparation ou opération d'entretien.

(Fig. 9) Ce produit est conforme aux directives CE en vigueur.

(Fig. 10) Ce produit est conforme aux directives applicables en vigueur au Royaume-Uni.

(Fig. 11) Étiquette relative aux émissions sonores dans l'environnement selon les directives et réglementations européennes et du Royaume-Uni et la législation de la Nouvelle-Galles du Sud « Protection of the Environment Operations (Noise Control) Regulation 2017 ». Le niveau de puissance sonore garanti du produit est spécifié à la section *Caractéristiques techniques à la page 143* et sur l'étiquette.

---

**Remarque:** Les autres symboles/autocollants présents sur le produit concernent des exigences de certification spécifiques à certaines zones commerciales.

---

## Symboles de conformité



Ce produit est conforme aux directives applicables du décret français n° 2014-1577. Ne jetez pas ce produit dans les déchets ménagers. Il doit être mis au rebut conformément aux réglementations environnementales locales en vigueur.

## Endommagement du produit

Nous ne sommes pas responsables des dommages subis par le produit si :

- le produit n'est pas correctement réparé ;
- le produit est réparé avec des pièces qui ne proviennent pas du fabricant ou qui ne sont pas homologuées par le fabricant ;
- le produit est équipé d'un accessoire qui ne provient pas du fabricant ou qui n'est pas homologué par le fabricant ;
- le produit n'est pas réparé par un centre d'entretien agréé ou par une autorité homologuée.

## Émissions Euro V



**AVERTISSEMENT:** toute altération du moteur a pour effet d'annuler l'homologation de type UE de ce produit.

## Sécurité

### Définitions de sécurité

Des avertissements, des recommandations et des remarques sont utilisés pour souligner des parties spécialement importantes du manuel.



**AVERTISSEMENT:** Symbole utilisé en cas de risque de blessures ou de mort pour l'opérateur ou les personnes à proximité si les instructions du manuel ne sont pas respectées.



**REMARQUE:** Symbole utilisé en cas de risque de dommages pour le produit, d'autres matériaux ou les environs si les instructions du manuel ne sont pas respectées.

**Remarque:** Symbole utilisé pour donner des informations supplémentaires pour une situation donnée.

### Instructions générales de sécurité



**AVERTISSEMENT:** lisez les instructions qui suivent avant d'utiliser le produit.

- Ce produit est dangereux s'il est utilisé de manière incorrecte ou imprudente. Des blessures graves ou mortelles peuvent se produire si vous ne respectez pas les instructions de sécurité.
- Ce produit génère un champ électromagnétique durant son fonctionnement. Ce champ peut dans certaines circonstances perturber le fonctionnement d'implants médicaux actifs ou passifs. Pour réduire le risque de blessures graves ou mortelles, nous recommandons aux personnes portant des implants médicaux de consulter leur médecin et le fabricant de leurs implants avant d'utiliser ce produit.
- Soyez toujours prudent et utilisez votre bon sens. Si vous ne savez pas comment faire fonctionner le produit dans une situation particulière, ne l'utilisez pas et contactez votre revendeur Husqvarna avant de poursuivre.
- N'oubliez pas que l'opérateur sera tenu responsable des accidents occasionnés à des tiers et à leurs biens.
- Maintenez le produit propre. Assurez-vous que vous pouvez lire clairement les avertissements et les autocollants.
- Ne laissez personne utiliser le produit avant d'avoir lu et compris le contenu du manuel d'utilisation.
- Ne laissez pas un enfant utiliser le produit.
- Tenez les enfants éloignés de la zone de travail. Un adulte responsable doit être présent à tout moment.
- Ne laissez pas une personne utiliser le produit si elle ne connaît pas les instructions.
- Surveillez constamment les personnes aux capacités physiques ou mentales réduites qui utilisent ce produit. Un adulte responsable doit être présent à tout moment.
- N'utilisez jamais le produit si vous êtes fatigué ou malade, ou si vous êtes sous l'emprise d'alcool, de drogues ou de médicaments. Cela a un effet négatif sur votre vision, votre vigilance, votre coordination et votre jugement.
- N'utilisez pas un produit endommagé ou qui ne fonctionne pas correctement.

- Ne modifiez jamais le produit et ne l'utilisez jamais s'il est susceptible d'avoir été modifié par un tiers.
- Ne modifiez pas le réglage de régulation du régime moteur.

## Sécurité dans l'espace de travail



**AVERTISSEMENT:** Lisez les instructions qui suivent avant d'utiliser le produit.

- Retirez les objets tels que les branches, les brindilles et les pierres de la zone de travail avant d'utiliser le produit.
- Les objets heurtant l'équipement de coupe peuvent être éjectés et causer des blessures ou des dégâts matériels. Maintenez les personnes aux alentours et les animaux à une distance suffisante du produit.
- N'utilisez jamais le produit par mauvais temps, par exemple en cas de brouillard, de pluie, de vent violent, de froid intense et de risque d'éclair. Utiliser le produit par mauvais temps ou dans des environnements humides est fatigant. Le mauvais temps peut rendre les conditions de travail dangereuses : des surfaces peuvent par exemple devenir glissantes.
- Identifiez les éventuels personnes, objets et situations susceptibles de nuire à la sécurité du fonctionnement du produit.
- Soyez attentif aux obstacles tels que les racines, les pierres, les brindilles, les fosses et les fossés. L'herbe haute peut cacher des obstacles.
- Il peut être dangereux de couper l'herbe sur des terrains en pente. N'utilisez pas le produit sur un sol dont la pente est supérieure à 15°.
- Faites fonctionner le produit en travers de la courbe de la pente, jamais de haut en bas.
- Soyez prudent lorsque vous vous approchez de coins cachés et d'objets qui empêchent d'avoir une vue dégagée.

## Sécurité du travail



**AVERTISSEMENT:** Lisez les instructions qui suivent avant d'utiliser le produit.

- Utilisez le produit uniquement pour couper les pelouses. Il est interdit d'utiliser le produit pour d'autres travaux.
- Utilisez un équipement de protection personnelle. Reportez-vous à la section *Équipement de protection individuelle à la page 135*.
- Assurez-vous que vous savez arrêter le moteur rapidement en cas d'urgence.
- Ne démarrez jamais le moteur dans un espace clos ou à proximité matériaux inflammables. Les gaz d'échappement du moteur sont très chauds et

peuvent contenir des étincelles pouvant provoquer un incendie.

- Faites fonctionner le produit uniquement si la lame et tous les couvercles sont fixés correctement. Une lame fixée de manière inadéquate risque de se détacher et de causer des blessures personnelles.
- Assurez-vous que la lame ne touche pas des objets tels que des pierres et des racines. Cela peut ne pas endommager la lame et tordre l'arbre du moteur. Un arbre tordu génère de fortes vibrations, il y a alors un risque important que la lame se détache.
- Arrêtez immédiatement le produit s'il vibre ou bute sur un objet. Débranchez le câble d'allumage de la bougie. Vérifiez que le produit n'est pas endommagé. Réparez les éventuels dommages ou demandez à un atelier spécialisé agréé procéder aux réparations.
- N'attachez jamais la poignée de frein moteur en permanence à la poignée de commande quand le moteur est mis en marche.
- Placez le produit sur une surface stable et plane, puis lancez-le. Vérifiez que la lame ne touche pas le sol ou tout autre objet.
- Restez toujours derrière le produit lorsque vous l'utilisez.
- Faites reposer toutes les roues sur le sol et conservez vos deux mains sur la poignée lorsque vous faites fonctionner le produit. Maintenez les mains et les pieds à distance des lames en rotation.
- N'inclinez pas le produit quand le moteur est mis en marche.
- Soyez prudent lorsque vous tirez le produit vers l'avant.
- Ne soulevez jamais le produit quand le moteur est mis en marche. Si vous devez soulever le produit, coupez d'abord le moteur et débranchez le câble d'allumage de la bougie.
- Ne marchez pas vers l'arrière lorsque vous utilisez le produit.
- Arrêtez le moteur lorsque vous vous déplacez à travers des zones exemptes d'herbe, par exemple des chemins de gravier, de pierre ou d'asphalte.
- Ne courez pas lorsque vous utilisez le produit et que le moteur est mis en marche. Vous devez toujours marcher lorsque vous utilisez le produit.
- Arrêtez le moteur avant de modifier la hauteur de coupe. N'effectuez jamais de réglages pendant que le moteur tourne.
- Ne quittez jamais le produit des yeux pendant que le moteur tourne. Arrêtez le moteur et assurez-vous que l'équipement de coupe ne tourne pas.

# Consignes de sécurité pour le fonctionnement

## Équipement de protection individuelle



**AVERTISSEMENT:** Lisez les instructions qui suivent avant d'utiliser le produit.

- L'équipement de protection individuel ne protège pas complètement des blessures, mais il diminue la gravité des blessures en cas d'accident. Faites appel à votre revendeur pour vous aider à sélectionner l'équipement adéquat.
- Utilisez des protège-oreilles si le niveau sonore est supérieur à 85 dB.
- Portez des bottes ou chaussures antidérapantes à usage intensif. Ne portez pas de chaussures ouvertes et ne soyez pas pieds nus lorsque vous utilisez le produit.
- Utilisez des pantalons longs et épais.
- Portez des gants de protection en cas de besoin, par exemple lorsque vous fixez, examinez ou nettoyez l'équipement de coupe.

## Dispositifs de sécurité sur le produit



**AVERTISSEMENT:** lisez les instructions qui suivent avant d'utiliser le produit.

- N'utilisez pas un produit dont les dispositifs de sécurité sont endommagés ou ne fonctionnent pas correctement.
- Contrôlez les dispositifs de sécurité régulièrement. Si les dispositifs de sécurité sont endommagés ou ne fonctionnent pas correctement, contactez l'atelier de réparation de votre revendeur Husqvarna.
- N'apportez pas de modifications aux dispositifs de sécurité.

### Pour contrôler le capot de coupe

Le capot de coupe réduit les vibrations dans le produit et réduit le risque de blessures provoquées par la lame.

- Examinez le capot de coupe pour vous assurer qu'il ne présente pas de dommages tels que des fissures.

### Pour contrôler la poignée de frein moteur

La poignée de frein moteur arrête le moteur. Lorsque la poignée de frein moteur est relâchée, le moteur s'arrête.

- Démarrez le moteur, puis relâchez la poignée de frein moteur. Si le moteur ne s'arrête pas au bout de 3 secondes, demandez à un Husqvarna atelier spécialisé agréé de régler le frein moteur. (Fig. 12)

### Pour contrôler le capot arrière

Le déflecteur arrière diminue le risque d'éjection d'objets en direction de l'opérateur.

- Assurez-vous que le capot arrière n'est pas endommagé.
- Assurez-vous que les ressorts qui ferment le capot arrière ne sont pas endommagés.
- Remplacez les ressorts endommagés et les pièces endommagées.
- Assurez-vous que le capot arrière peut se déplacer correctement sur les charnières.

### Silencieux

Le silencieux est conçu pour réduire au maximum le niveau sonore et rejeter les gaz d'échappement loin du conducteur.

N'utilisez pas le produit si le silencieux est manquant ou défectueux. Un silencieux endommagé augmente le niveau sonore et le risque d'incendie.



**AVERTISSEMENT:** Le silencieux devient très chaud pendant et après utilisation et lorsque le moteur fonctionne au régime de ralenti. Soyez vigilant à proximité des matériaux inflammables et/ou des fumées pour prévenir tout risque d'incendie.

### Pour contrôler le silencieux

- Examinez le silencieux régulièrement pour s'assurer qu'il est correctement fixé et qu'il n'est pas endommagé.

## Sécurité carburant



**AVERTISSEMENT:** lisez les instructions qui suivent avant d'utiliser le produit.

- Ne démarrez pas le produit si du carburant ou de l'huile moteur ont été renversés sur le produit. Essayez le carburant/l'huile et attendez que le produit sèche.
- Si vous avez renversé du carburant sur vos vêtements, changez de vêtements immédiatement.
- Évitez tout contact de la peau avec le carburant, car cela pourrait causer des blessures. Si votre peau entre en contact avec le carburant, lavez les parties concernées avec de l'eau et du savon.
- Ne démarrez pas le produit si le moteur présente une fuite. Vérifiez régulièrement que le moteur ne présente aucune fuite.
- Faites attention avec le carburant. Le carburant est inflammable et ses vapeurs sont explosives. Il peut causer des blessures graves, voire mortelles.
- Ne respirez pas les vapeurs de carburant, elles peuvent causer des blessures. Assurez-vous que la ventilation est suffisante.

- Ne fumez pas à proximité du carburant ou du moteur.
- Ne placez pas d'objets chauds à proximité du carburant ou du moteur.
- N'ajoutez pas de carburant lorsque le moteur est allumé.
- Assurez-vous que le moteur est froid avant de faire le plein de carburant.
- Avant de faire le plein, ouvrez le bouchon du réservoir de carburant lentement et relâchez la pression avec précaution.
- N'ajoutez pas de carburant au moteur dans un espace intérieur. Un débit d'air insuffisant peut causer des blessures graves, voire mortelles dues à une asphyxie ou au monoxyde de carbone.
- Serrez complètement le bouchon du réservoir de carburant. Si le bouchon du réservoir de carburant n'est pas serré, il y a un risque d'incendie.
- Déplacez le produit à au moins 3 m/10 pi de l'endroit où l'appoint en carburant a été effectué avant de démarrez le produit.
- Ne remplissez pas entièrement le réservoir de carburant. La chaleur entraîne la dilatation du carburant. Laissez un espace en haut du réservoir de carburant.
- Ne remisez jamais le produit avec du carburant dans le réservoir à l'intérieur d'un bâtiment où se trouvent des sources d'ignition telles que des chauffe-eau, des radiateurs ou des sèche-linge. Laissez refroidir le moteur avant de remiser le produit dans un endroit clos.
- Les gaz d'échappement du moteur contiennent du monoxyde de carbone, un gaz inodore, toxique et très dangereux. Ne démarrez pas le moteur en intérieur ou dans des espaces fermés.
- Avant de procéder à l'entretien du produit, arrêtez le moteur et débranchez le câble d'allumage de la bougie.
- Utilisez des gants de protection lorsque vous procédez à l'entretien de l'équipement de coupe. La lame est très tranchante et des coupures peuvent survenir facilement.
- Les accessoires et les modifications apportées au produit qui ne sont pas approuvés par le fabricant peuvent causer des blessures très graves, voire mortelles. Ne modifiez pas le produit. Utilisez toujours des accessoires qui sont approuvés par le fabricant.
- Si l'entretien n'est pas effectué correctement et régulièrement, le risque de blessures et d'endommagement du produit augmente.
- Effectuez uniquement les tâches d'entretien décrites dans le présent manuel d'utilisation. Toutes les autres tâches d'entretien doivent être effectuées par un Husqvarna atelier spécialisé agréé.
- Demandez à un Husqvarna atelier spécialisé d'effectuer régulièrement l'entretien du produit.
- Remplacez les pièces endommagées, usées ou cassées.

## Consignes de sécurité pour l'entretien



**AVERTISSEMENT:** Lisez les instructions qui suivent avant d'utiliser le produit.

## Montage

### Introduction



**AVERTISSEMENT:** Avant de monter le produit, vous devez lire et comprendre le chapitre sur la sécurité.



**AVERTISSEMENT:** Débranchez le câble d'allumage de la bougie avant de monter le produit.

### Pour monter la poignée

**Remarque:** Cette procédure doit être effectuée par deux personnes.

**Remarque:** Ne retirez pas le produit de la boîte lors du montage de la poignée. La boîte peut servir de support à la poignée pendant l'assemblage.

1. Soulevez et faites tourner la poignée. (Fig. 13)



**REMARQUE:** Prenez garde à ce que le câble ne soit pas endommagé lorsque vous tournez la poignée.

2. Placez la poignée sur le produit. Inclinez la poignée contre la boîte pour soutenir la poignée. Reportez-vous à l'illustration. (Fig. 14)
3. Poussez la vis (A) dans la poignée (B), la rondelle en plastique (C) et le support de poignée (D). (Fig. 15)
4. Serrez entièrement l'écrou (E).



- Retirez le produit de la boîte.
- Mettez la poignée en position verticale. (Fig. 16)
- Réglez la hauteur de poignée sur la position la plus basse. Reportez-vous à la section *Pour régler la poignée à la page 137*.
- Fixez le câble à la partie inférieure de la poignée avec le collier de câble. (Fig. 17)
- Fixez la partie inférieure du câble au support de la poignée à l'aide du serre-câble. Coupez la partie restante du serre-câble. (Fig. 18)

**Remarque:** Vérifiez que le câble est fixé correctement. Un câble trop desserré risque d'endommager le câble lorsque le collecteur d'herbe est installé. (Fig. 19)

## Pour régler la poignée

- Desserrez les boutons inférieurs.
- Faites glisser les boutons jusqu'aux extrémités inférieures des rainures sur le côté gauche et le côté droit de la machine. (Fig. 20)
- Réglez la hauteur de la poignée selon l'une des deux positions disponibles.
- Déplacez les boutons vers le haut, en direction de la poignée, jusqu'à ce qu'ils s'arrêtent et qu'un clic se fasse entendre. (Fig. 21)
- Serrez fermement les boutons.

## Pour régler le produit en position de transport

- Retirez le collecteur d'herbe (le cas échéant).
- Desserrez les boutons inférieurs.
- Faites glisser les boutons jusqu'aux extrémités inférieures des rainures sur le côté gauche et le côté droit de la machine. (Fig. 20)
- Pliez la poignée vers l'avant. (Fig. 22)

## Pour régler le produit en position de fonctionnement

- Mettez la poignée en position verticale. (Fig. 23)
- Déplacez les boutons vers le haut, en direction de la poignée, jusqu'à ce qu'ils s'arrêtent et qu'un clic se fasse entendre. (Fig. 21)
- Serrez fermement les boutons.

## Pour monter le collecteur d'herbe

- Fixez le châssis du collecteur d'herbe au sac à herbe, la partie rigide du sac étant sur la partie inférieure. Maintenez la poignée du châssis à l'extérieur de la partie supérieure du sac. (Fig. 24)
- Fixez le sac à herbe sur le châssis à l'aide des clips. (Fig. 25)

# Utilisation

## Introduction



**AVERTISSEMENT:** Avant d'utiliser le produit, vous devez lire et comprendre le chapitre sur la sécurité.

## Husqvarna Connect

Husqvarna Connect est une application gratuite pour votre appareil mobile. L'application Husqvarna Connect offre des fonctions étendues à votre produit Husqvarna :

- Informations produit détaillées.
- Informations et aide sur les pièces et l'entretien du produit.

## Pour commencer à utiliser Husqvarna Connect

- Téléchargez l'application Husqvarna Connect sur votre appareil mobile.
- Enregistrez-vous sur l'application Husqvarna Connect.
- Suivez les instructions de l'application Husqvarna Connect pour vous connecter et enregistrer le produit.

## Avant d'utiliser le produit

- Lisez attentivement le manuel d'utilisation et assurez-vous de bien comprendre les instructions.
- Examinez l'équipement de coupe pour vous assurer qu'il est bien fixé et réglé. Consultez la section *Pour inspecter l'équipement de coupe à la page 140*.
- Remplissez le réservoir de carburant. Consultez la section *Remplissage du réservoir de carburant à la page 137*.
- Remplissez le réservoir d'huile et contrôlez le niveau d'huile. Consultez la section *Remplacement de l'huile moteur à la page 141*.

## Remplissage du réservoir de carburant

Si cela est possible, utilisez de l'essence d'alkylate/écologique. Si vous ne pouvez pas vous procurer de l'essence d'alkylate/écologique, utilisez l'essence sans plomb de bonne qualité ou d'essence dont le taux d'octane n'est pas inférieur à 90.



**REMARQUE:** N'utilisez pas d'essence avec un indice d'octane inférieur à 90 RON (87 AKI). Cela peut endommager le produit.

1. Ouvrez lentement le couvercle du réservoir de carburant pour relâcher la pression.
2. Remplissez lentement le réservoir à l'aide d'un bidon de carburant. Si vous renversez du carburant, essuyez-le à l'aide d'un chiffon et laissez le carburant restant sécher.
3. Essuyez le pourtour du bouchon du réservoir de carburant.
4. Serrez complètement le bouchon du réservoir de carburant. Si le bouchon du réservoir de carburant n'est pas serré, il y a un risque d'incendie.
5. Déplacez le produit à un minimum de 3 m (10 ft) de l'endroit où a été fait le plein de carburant avant de démarrer le produit.

## Pour régler la hauteur de coupe

1. Déplacez le levier de hauteur de coupe vers l'arrière pour augmenter la hauteur de coupe.
2. Déplacez le levier de hauteur de coupe vers l'avant pour diminuer la hauteur de coupe. (Fig. 26)



**REMARQUE:** La hauteur de coupe ne doit pas être réglée trop bas. Les lames peuvent toucher le sol si la surface de la pelouse n'est pas plane.

## Pour démarrer le produit

1. Assurez-vous que le câble d'allumage est branché sur la bougie.
2. Restez derrière le produit.
3. Tenez la poignée de freinage du moteur contre le guidon. (Fig. 27)
4. Tenez la poignée du câble du démarreur de votre main droite.
5. Tirez lentement sur le câble du démarreur jusqu'à ce que vous sentiez une certaine résistance.
6. Tirez avec force pour démarrer le moteur.



**AVERTISSEMENT:** N'enroulez pas le câble du démarreur autour de votre main.

## Pour appliquer l'entraînement aux roues

- Actionnez l'entraînement aux roues à l'aide du levier de commande de vitesse sur le côté gauche de la poignée. Déplacez le levier de commande de vitesse vers l'avant pour augmenter le régime et vers l'arrière pour réduire le régime. (Fig. 28)
- Avant de tirer le produit vers l'arrière, désengagez l'entraînement et poussez le produit d'environ 10 cm vers l'avant.

- Relâchez la manette de commande pour désengager l'entraînement, lorsque vous vous rendez à proximité d'un obstacle par exemple.

## Pour arrêter le produit

- Pour arrêter uniquement l'entraînement, relâchez la manette de commande.
- Pour arrêter le moteur, relâchez la poignée de freinage du moteur.

## Pour utiliser le produit avec le collecteur d'herbe



**AVERTISSEMENT:** N'utilisez pas le produit sans qu'un collecteur d'herbe soit installé ou sans que le capot arrière soit fermé. Les objets peuvent s'éjecter et blesser l'opérateur.

1. Soulevez le capot arrière et retirez l'obturateur du broyeur, s'il est installé. (Fig. 29)
2. Montez le collecteur d'herbe, reportez-vous à la section *Pour monter le collecteur d'herbe à la page 137*.
3. Placez le collecteur d'herbe sur le support.
4. Relâchez le capot arrière et placez-le sur le dessus du châssis du collecteur d'herbe. (Fig. 30)

## Pour passer le produit en mode broyage

Assurez-vous que le moteur est coupé avant de passer le produit en mode broyage.

1. Soulevez le capot arrière et retirez le collecteur d'herbe, s'il est installé.
2. Placez l'obturateur du broyeur dans le canal d'éjection. (Fig. 31)
3. Fermez le capot arrière et assurez-vous qu'il est bien fermé contre l'obturateur du broyeur.

**Remarque:** pour améliorer les performances du mode broyeur, remplacez la lame par le couteau broyeur. Reportez-vous à la section *Pour remplacer la lame à la page 140*

## Pour passer le produit en mode éjection latérale

1. Soulevez le capot arrière et retirez le sac à herbe, s'il est installé.
2. Fermez le capot arrière et assurez-vous qu'il est bien fermé contre le produit.
3. Soulevez le verrou d'éjection. (Fig. 32)
4. Ouvrez la protection d'éjection latérale et posez le déflecteur d'éjection latérale sur les goupilles de support. (Fig. 33)

5. Laissez la protection d'éjection latérale se fermer contre le déflecteur d'éjection latérale. Assurez-vous que le déflecteur d'éjection latérale est bien en place avant d'utiliser le produit.

## Vider le collecteur d'herbe



**REMARQUE:** Soulevez le collecteur d'herbe lorsque vous le déplacez pour éviter toute usure.

1. Soulevez le collecteur d'herbe à l'aide de la poignée du châssis.
2. Utilisez la poignée du châssis et la poignée du sac pour vider le collecteur d'herbe. (Fig. 34)

## Pour obtenir de bons résultats

- Utilisez toujours une lame correctement affûtée. Une lame émoussée produit un résultat irrégulier et l'herbe jaunira à la surface de la coupe. De plus, une lame affûtée consomme moins d'énergie qu'une lame émoussée.

- Ne coupez pas plus d'un tiers de la longueur de l'herbe. Utilisez la hauteur de coupe la plus élevée lorsque vous commencez à couper l'herbe. Examinez le résultat et abaissez la hauteur de coupe à un niveau convenable. Si l'herbe est très longue, tondez lentement, et deux fois si nécessaire.
- Tondez toujours dans différentes directions afin d'éviter de faire des lignes dans la pelouse.
- Relevez le capot arrière et retirez le collecteur d'herbe.
- Si un obturateur et une lame de broyeur sont montés, déposez-les.
- Fermez le couvercle arrière avant d'utiliser le produit. Lorsque vous faites fonctionner le produit, l'herbe coupée est évacuée sous le couvercle arrière.
- Assurez-vous que le carter de coupe reste propre. L'accumulation d'herbe et de saleté sur la face intérieure du carter de coupe peut réduire la qualité du résultat de coupe. Reportez-vous à la section *Pour nettoyer la surface interne du capot de coupe à la page 140.*

## Entretien

### Introduction



**AVERTISSEMENT:** Avant d'effectuer des travaux d'entretien, vous devez lire et comprendre le chapitre sur la sécurité.

Une formation spécifique est nécessaire pour effectuer tous les travaux d'entretien et de réparation du produit. Nous garantissons qu'il vous est possible d'obtenir des services de réparation et d'entretien effectués par des professionnels. Si votre revendeur n'est pas un atelier spécialisé, demandez-lui des informations à propos de l'atelier spécialisé le plus proche.

Pour des informations plus détaillées, reportez-vous à .

### Calendrier d'entretien



**REMARQUE:** Assurez-vous que le filtre à air est orienté vers le haut et qu'il n'est pas contre le sol lorsque vous inclinez le produit. Risque de détérioration du moteur.

Les intervalles d'entretien sont calculés selon une utilisation quotidienne du produit. Les intervalles sont différents si le produit n'est pas utilisé tous les jours.

Pour les travaux d'entretien suivis d'un astérisque (\*), reportez-vous aux instructions dans la section *Dispositifs de sécurité sur le produit à la page 135.*

| Entretien                                   | Au quotidien | Toutes les semaines | Une fois par mois |
|---|--------------|---------------------|-------------------|
| Faites une inspection générale              | X            |                     |                   |
| Inspectez le niveau d'huile                 | X            |                     |                   |
| Nettoyez le produit                         | X            |                     |                   |
| Inspectez l'équipement de coupe             | X            |                     |                   |
| Inspectez le capot de coupe *               | X            |                     |                   |
| Inspectez la poignée de frein moteur *      | X            |                     |                   |
| Inspectez la commande de frein de la lame * | X            |                     |                   |
| Inspectez le silencieux *                   |              | X                   |                   |

| Entretien  | Au quotidien | Toutes les semaines | Une fois par mois |
|--|--------------|---------------------|-------------------|
| Inspectez la bougie  |              | X                   |                   |
| Changez l'huile (la première fois après 5 h d'utilisation, puis toutes les 50 h d'utilisation) |              |                     | X                 |
| Nettoyez ou remplacez le filtre à air.   |              |                     | X                 |
| Inspectez le système de carburant  |              |                     | X                 |

## Pour faire une inspection générale

- Assurez-vous que l'ensemble des vis et des écrous du produit sont correctement serrés.

## Pour nettoyer la partie extérieure du produit

- Utilisez une brosse pour enlever les feuilles, l'herbe et la saleté.
- Assurez-vous que la prise d'air sur le dessus du moteur n'est pas obstruée.
- N'utilisez pas de nettoyeur haute pression pour le nettoyage du produit.
- Si vous utilisez de l'eau pour nettoyer le produit, ne projetez jamais d'eau directement sur le moteur.

## Pour nettoyer la surface interne du capot de coupe

- Videz le réservoir de carburant.
- Placez le produit sur le côté, silencieux vers le bas.



**REMARQUE:** Si le produit est posé avec le filtre à air vers le bas, le moteur peut être endommagé.

- Lavez au jet la surface intérieure du capot de coupe.

## Pour inspecter l'équipement de coupe



**AVERTISSEMENT:** Afin d'éviter tout démarrage accidentel, débranchez le câble d'allumage de la bougie.



**AVERTISSEMENT:** Utilisez des gants de protection lorsque vous procédez à l'entretien de l'équipement de coupe. La lame est très tranchante et des coupures peuvent survenir facilement.

- Inspectez l'équipement de coupe afin de détecter d'éventuels dommages ou fissures. Remplacez toujours un équipement de coupe endommagé.
- Inspectez la lame pour voir si elle est endommagée ou émoussée.

**Remarque:** Il est nécessaire d'équilibrer la lame après l'avoir affûtée. Demandez à un centre d'entretien d'affûter, de remplacer et d'équilibrer la lame. Si vous heurtez un obstacle qui entraîne l'arrêt du produit, remplacez la lame endommagée. Demandez au centre d'entretien d'évaluer si la lame peut être affûtée ou si elle doit être remplacée.

## Pour remplacer la lame

- Bloquez la lame avec un bloc en bois. (Fig. 35)
- Déposez le boulon de lame, la rondelle ressort et la lame. (Fig. 36)
- Examinez le support de lame et le boulon de lame pour voir s'ils sont endommagés.
  - Si vous remplacez la lame ou le support de lame, remplacez également le boulon de lame, la rondelle ressort et la rondelle de friction.
- Examinez l'arbre du moteur pour vous assurer qu'il n'est pas tordu.
- Lorsque vous fixez la nouvelle lame, assurez-vous que son tranchant est orienté en direction du capot de coupe. (Fig. 37)
- Placez la rondelle de friction et la lame contre le support de lame. (Fig. 38)
- Assurez-vous que la lame est alignée sur le centre de l'arbre moteur. (Fig. 39)
- Bloquez la lame avec un bloc en bois. (Fig. 40)
- Fixez la rondelle ressort, puis serrez le boulon à un couple de 43 – 47 Nm. (Fig. 41)
- Déplacez la lame à la main et vérifiez qu'elle tourne librement.
- Démarrez le produit pour tester la lame. Si la lame n'est pas correctement fixée, le produit vibre ou le résultat de coupe n'est pas satisfaisant.



**AVERTISSEMENT:** Utilisez des gants de protection. La lame est très tranchante et des coupures peuvent survenir facilement.

## Pour vérifier le niveau d'huile



**REMARQUE:** Un niveau d'huile trop bas peut endommager le moteur. Contrôlez le niveau d'huile avant de démarrer le produit.

1. Placez le produit sur un sol plat.
2. Retirez le bouchon du réservoir d'huile et la jauge qui y est fixée.
3. Nettoyez l'huile sur la jauge.
4. Enfoncez entièrement la jauge dans le réservoir d'huile pour connaître le véritable niveau d'huile. Ne fixez pas le bouchon du réservoir d'huile.
5. Retirez le bouchon du réservoir d'huile et la jauge qui y est fixée.
6. Inspectez le niveau d'huile sur la jauge.
7. Si le niveau d'huile est bas, faites l'appoint d'huile moteur et contrôlez à nouveau le niveau d'huile. (Fig. 42)

**Remarque:** Utilisez un entonnoir pour éviter tout déversement.

8. Posez le bouchon du réservoir d'huile lorsque le niveau d'huile est correct.

## Remplacement de l'huile moteur



**AVERTISSEMENT:** L'huile moteur est très chaude juste après l'arrêt du moteur. Laissez le moteur refroidir avant de vidanger l'huile moteur. Si vous renversez de l'huile moteur sur votre peau, nettoyez avec de l'eau et du savon.

(Fig. 43)

1. Faites fonctionner le produit jusqu'à ce que le réservoir de carburant soit vide.
2. Débranchez le câble d'allumage de la bougie.
3. Retirez le bouchon du réservoir d'huile et la jauge qui y est fixée.
4. Placez un récipient sous le produit pour recueillir l'huile moteur.
5. Inclinez le produit ou vidangez l'huile moteur du réservoir d'huile à l'aide d'une pompe à huile (accessoire).
6. Faites l'appoint avec de l'huile moteur neuve du type recommandé dans la section *Caractéristiques techniques à la page 143*.
7. Contrôlez le niveau d'huile. Reportez-vous à la section *Pour vérifier le niveau d'huile à la page 141*.
8. Posez le bouchon du réservoir d'huile lorsque le niveau d'huile est correct.

## Pour inspecter la bougie



**REMARQUE:** Utilisez toujours le type de bougie recommandé. Un type de bougie inadéquat peut endommager le produit.

- Inspectez la bougie si le moteur manque de puissance, n'est pas facile à démarrer ou ne fonctionne pas correctement lorsqu'il tourne au régime de ralenti.
- Afin de réduire le risque de présence de matériaux indésirables sur les électrodes de la bougie, procédez comme suit :
  - a) Assurez-vous que le régime de ralenti est correctement réglé.
  - b) Assurez-vous que le mélange de carburant est correct.
  - c) Assurez-vous que le filtre à air est propre.
- Si la bougie est encrassée, nettoyez-la et vérifiez que l'écartement des électrodes est correct ; reportez-vous à la section *Caractéristiques techniques à la page 143*. (Fig. 44)
- Remplacez la bougie si nécessaire.

## Nettoyage du filtre à air

Un filtre à air sale peut endommager le moteur ou provoquer son dysfonctionnement. Effectuez l'entretien du filtre à air plus fréquemment en cas d'utilisation en conditions poussiéreuses.

Reportez-vous à la section *Calendrier d'entretien à la page 139* pour plus d'informations sur le remplacement du filtre à air.

1. Retirez le couvercle du filtre à air et le filtre.
2. Nettoyez le filtre en le frappant contre une surface plane. N'utilisez pas de diluant avec de l'essence, du kérosène ou de l'air comprimé pour nettoyer le filtre.

**Remarque:** Les filtres à air en fonctionnement pendant une longue période ne peuvent pas être nettoyés complètement. Remplacez le filtre à air à intervalles réguliers. Les filtres à air endommagés doivent toujours être remplacés.

3. Lors de l'assemblage du filtre à air, veillez à assurer une bonne étanchéité entre celui-ci et le support du filtre.

## Contrôle du déflecteur d'éjection latérale

Le déflecteur d'éjection latérale est fixé à l'ouverture d'éjection latérale du produit. Il réduit les risques de projection d'objets vers la position de tonte de l'opérateur.

1. Assurez-vous que le déflecteur d'éjection latérale n'est pas endommagé.

2. Examinez le déflecteur d'éjection latérale. Assurez-vous qu'aucun dommage n'est présent, tels que des fissures ou des ressorts cassés qui entraînent une fermeture forcée du capot.
3. Remplacez le déflecteur d'éjection latérale ou les ressorts s'ils sont endommagés.

## Pour examiner le système de carburant

- Examinez le couvercle du réservoir de carburant et le joint du couvercle du réservoir de carburant pour vous assurer qu'ils ne sont pas endommagés.
- Examinez le tuyau à carburant pour vous assurer qu'il n'y a pas de fuite. Si le tuyau à carburant est endommagé, demandez à un atelier spécialisé de le remplacer.

## Vidange du réservoir de carburant

1. Placez un récipient sous le réservoir de carburant.
2. Retirez le bouchon du réservoir de carburant.
3. Poussez les colliers de serrage sur le flexible de carburant contre le carburateur.
4. Déposez le flexible de carburant du carburateur.
5. Placez le flexible du réservoir de carburant dans le récipient et déposez les colliers de serrage.
6. Inclinez le produit et vidangez le carburant dans le récipient.

## Pour remplacer le filtre à carburant



**AVERTISSEMENT:** Utilisez des gants de protection.

1. Videz le réservoir de carburant.
2. Écartez le collier de durite du réservoir de carburant. (Fig. 45)

3. Retirez les tuyaux à carburant du réservoir de carburant. Une petite quantité de carburant peut s'écouler. (Fig. 46)
4. Retirez le filtre à carburant du réservoir de carburant. (Fig. 47)
5. Montez un filtre à carburant neuf dans le réservoir de carburant.
6. Fixez le tuyau à carburant sur le réservoir de carburant.
7. Mettez le collier de tuyau en place contre le réservoir de carburant.

## Pour régler le câble d'embrayage

Pour les situations suivantes, il est nécessaire de réduire la longueur du câble d'embrayage :

- L'entraînement des roues ne s'engage pas lorsque vous tirez la manette de commande ou le levier de commande de vitesse.
- Le produit se déplace lentement lorsque l'entraînement des roues est engagé.

Pour les situations suivantes, il est nécessaire d'augmenter la longueur du câble d'embrayage :

- Le produit se déplace lorsque l'entraînement des roues n'est pas engagé.
- Réglez le câble d'embrayage.
  - a) Pour réduire la longueur du câble d'embrayage, tournez la vis de réglage dans le sens contraire des aiguilles d'une montre.
  - b) Pour augmenter la longueur du câble d'embrayage, tournez la vis de réglage dans le sens des aiguilles d'une montre. (Fig. 48)

Si le produit continue à ne pas fonctionner correctement après le réglage, contactez votre atelier d'entretien

# Transport, entreposage et mise au rebut

## Transport et stockage

- Pour le stocker et transporter le produit et le carburant, assurez-vous qu'il n'y a pas de fuite ou de vapeurs. Les étincelles ou les flammes nues produites par exemple par des appareils électriques ou chaudières peuvent provoquer un incendie.
- Utilisez uniquement des récipients homologués pour le transport et le stockage de carburant.
- Videz le réservoir de carburant avant de remiser le produit pendant une longue période. Mettez le carburant au rebut dans une déchetterie appropriée
- Sécurisez le produit lors de son transport pour éviter tout dommage ou accident.
- Conservez le produit dans un endroit verrouillé afin que des enfants ou personnes qui ne sont pas autorisées à l'utiliser ne puissent pas y avoir accès.

- Conservez le produit dans un endroit sec et à l'abri du gel.

## Mise au rebut

- Respectez les consignes locales de recyclage et la réglementation en vigueur.
- Mettez au rebut tous les produits chimiques tels que l'huile moteur ou le carburant à un centre d'entretien ou à une déchetterie appropriée.
- Lorsque vous n'utilisez plus le produit, renvoyez-le à un Husqvarnaconcessionnaire ou mettez-le au rebut dans une déchetterie.

## Caractéristiques techniques

### Caractéristiques techniques

|   |   |
|---|---|
|   | <b>LC 356VP</b>   |
| <b>Moteur</b>   |   |
| Marque  | Honda   |
| Nom de modèle du moteur   | GCVx170   |
| Cylindrée, cm <sup>3</sup>                                      | 166   |
| Vitesse, tr/min   | 2 800   |
| Puissance nominale du moteur, kW <sup>46</sup>                  | 3,1   |
| <b>Système d'allumage</b>                                       |   |
| Bougie  | NGK BPR5ES  |
| Écartement des électrodes, mm                                   | 0,75  |
| <b>Système de lubrification et de carburant</b>                 |   |
| Carburant, sans plomb, indice d'octane minimum                  | 90  |
| Capacité du réservoir de carburant, litres                      | 0,9   |
| Capacité du réservoir d'huile, en litres                        | 0,4   |
| Huile moteur <sup>47</sup>                                      | Husqvarna SAE 30, Husqvarna SAE 5W-30 synthétique, Husqvarna SAE 10W-40 |
| <b>Poids</b>  |   |
| Réservoirs vides, en kg   | 35,1  |
| <b>Émissions sonores</b> <sup>48</sup>                          |   |
| Niveau de puissance acoustique mesuré, dB (A)                   | 98  |
| Niveau de puissance acoustique garanti L <sub>WA</sub> , dB (A) | 98  |
| <b>Niveaux sonores</b> <sup>49</sup>                            |   |

<sup>46</sup> La puissance nominale du moteur indiquée est la puissance nette moyenne (à un régime spécifié) d'un moteur de production classique pour le modèle de moteur mesurée selon la norme SAE J1349/ISO1585. Les moteurs produits à grande échelle peuvent s'écarter de cette valeur. La puissance de sortie effective du moteur installé sur le produit fini dépend de la vitesse de fonctionnement, des conditions environnementales et d'autres valeurs.

<sup>47</sup> Utilisez de l'huile moteur de qualité API SJ ou supérieure. Si l'huile SAE-30 est utilisée à une température inférieure à +5 °C, elle risque de ne pas lubrifier suffisamment le moteur. Cela peut endommager le moteur. Reportez-vous à la section *Remplacement de l'huile moteur* à la page 141 afin de connaître l'huile appropriée pour les basses températures. Reportez-vous au tableau de viscosité du manuel du moteur (le cas échéant) et sélectionnez la viscosité la mieux adaptée en fonction de la température extérieure prévue.

<sup>48</sup> Émissions sonores dans l'environnement mesurées comme puissance acoustique (L<sub>WA</sub>) selon la directive européenne CE 2000/14/CE.

<sup>49</sup> Les données reportées pour le niveau de pression sonore montrent une dispersion statistique typique (dévi-ation standard) de 1,2 dB (A).

|   |   |
|---|---|
|   | <b>LC 356VP</b>                         |
| Niveau de pression sonore à l'oreille de l'utilisateur, dB(A) | 86                                      |
| <b>Niveaux de vibrations</b> <sup>50</sup>                    |   |
| Poignée, m/s <sup>2</sup>                                     | 5,9                                     |
| <b>Équipement de coupe</b>                                    |   |
| Hauteur de coupe, mm  | 25-75                                   |
| Largeur de coupe, mm  | 560                                     |
| Système de coupe  | Collecte / BioClip® / éjection latérale |
| Lame - standard   | Collecte 598562701                      |
| Lame - accessoire   | Broyage 598563601                       |
| <b>Entraînement</b>   |   |
| Vitesse, en km/h  | 3,0 - 4,5                               |

<sup>50</sup> Les données reportées pour le niveau de vibrations montrent une dispersion statistique typique (déviations standard) de 0,2 m/s<sup>2</sup>.



# Déclaration de conformité

## Déclaration de conformité UE

Nous, **Husqvarna AB**, SE-561 82 Huskvarna, Suède,  
tél : +46-36-146500, déclarons sous notre entière  
responsabilité que le produit :

|                       |   |
|-----------------------|---|
| <b>Description</b>    | Tondeuse  |
| <b>Marque</b>         | Husqvarna   |
| <b>Type/Modèle</b>    | LC 356VP  |
| <b>Identification</b> | Les numéros de série à partir de 2022 et ultérieurs |

est entièrement conforme à la réglementation et aux  
directives de l'UE suivantes :

| Réglementation | Description  |
|----------------|--|
| 2006/42/EC     | « relative aux machines »  |
| 2014/30/UE     | « relative à la compatibilité électromagnétique »  |
| 2000/14/EC     | « relative aux émissions sonores dans l'environnement »  |
| 2011/65/UE     | « relative à la limitation de l'utilisation de certaines substances dangereuses au sein d'équipements électriques et électroniques » |

et que les normes et/ou les spécifications techniques  
suivantes sont appliquées : EN ISO 5395-1:2013/  
A1:2018, EN ISO 5395-2:2013/A1:2016/A2:2017, EN  
ISO 14982:2009, EN IEC 63000:2018

Organisme notifié : 0404, RISE SMP Svensk  
Maskinprovning AB, Box 4053, SE-904 03 Umeå,  
Sweden a certifié être conforme à la Directive du  
Conseil 2000/14/CE, procédure d'évaluation de la  
conformité : Annexe VI.

Pour toute information relative aux émissions sonores,  
voir *Caractéristiques techniques à la page 143*.

Huskvarna, 2022-10-20



Claes Losdal, Directeur du développement/Articles de  
jardinage Husqvarna AB

Responsable de la documentation technique



---

## Sadržaj

---

|                   |     |   |     |
|-------------------|-----|---|-----|
| Uvod.....         | 146 | Održavanje.....                         | 152 |
| Sigurnost.....    | 147 | Prijevoz, spremanje i zbrinjavanje..... | 155 |
| Sastavljanje..... | 149 | Tehnički podaci.....                    | 156 |
| Rad.....          | 150 | Izjava o sukladnosti.....               | 158 |

---

## Uvod

---

### Opis proizvoda

Ovaj je proizvod rotacijska kosilica za travu kojom upravlja pješak. Pričvrstite sakupljač trave kako biste sakupljali travu. Za bočno pražnjenje trave pričvrstite bočni usmjerivač za pražnjenje. Postavite komplet za sječku kako biste travu rezali u gnojivo.

### Pregled proizvoda

(Sl. 1)

1. Ručka
2. Kočna poluga motora
3. Poluga pogona
4. Drška užeta startera
5. Stražnji poklopac
6. Sakupljač trave
7. Kotačići za visinu ručke
8. Poluga za visinu rezanja
9. Čep za ulje
10. Poklopac za bočno pražnjenje
11. Prigušivač
12. Svječića
13. Čep spremnika za gorivo
14. Znakovi
15. Pokrov noža
16. Filtar za zrak
17. Ručica za regulaciju brzine
18. Bočni usmjerivač
19. Priključak za sječku (dodatna oprema)
20. Korisnički priručnik

### Simboli na proizvodu

- (Sl. 2) **UPOZORENJE!** Budite oprezni i pravilno upotrebljavajte ovaj proizvod. Ovaj proizvod može izazvati teške ozljede ili smrt rukovatelja ili drugih osoba.
- (Sl. 3) Pažljivo pročitajte korisnički priručnik i prije korištenja dobro usvojite sadržaj.
- (Sl. 4) Pazite na izbačene predmete i odbijanja.
- (Sl. 5) Osobe i životinje držite na sigurnoj udaljenosti od radnog područja.

### Namjena

Proizvod upotrebljavajte za rezanje trave. Proizvod nemojte upotrebljavati za druge zadatke.

- (Sl. 6) **Upozorenje:** Ruke i stopala držite podalje od rotirajućeg noža.
- (Sl. 7) **Upozorenje:** Šake i stopala držite podalje od rotirajućih dijelova.
- (Sl. 8) Prije popravaka ili održavanja zaustavite motor i uklonite kabel za paljenje.
- (Sl. 9) Ovaj proizvod u suglasnosti je s važećim direktivama EZ-a.
- (Sl. 10) Ovaj je proizvod u skladu s važećim direktivama UK-a.
- (Sl. 11) Naljepnica emisije buke u okoliš u skladu s direktivama i propisima EU i UK te propisom Novog Južnog Walesa „Zaštita od radova u okolišu (kontrola buke) iz 2017“. Zajamčena razina jačine zvuka proizvoda naznačena je u *Tehnički podaci na stranici 156* i na naljepnici.

---

**Napomena:** Drugi simboli/naljepnice na proizvodu odnose se na zahtjeve za certifikaciju za neka tržišna područja.

---

### Oštećenje proizvoda

U sljedećim okolnostima nećemo biti odgovorni za oštećenja proizvoda:

- proizvod nepravilno popravljen
- proizvod popravljen dijelovima koje nije proizveo proizvođač ili nemaju odobrenje proizvođača
- proizvod ima dodatnu opremu koje nije proizveo proizvođač ili nemaju odobrenje proizvođača
- proizvod nije popravljen u odobrenom servisnom centru ili kod ovlaštene osobe.

## Standard za emisije Euro V.



**UPOZORENJE:** Petljanjem po motoru gubite pravo na odobrenje EU-a ovog proizvoda.

## Sigurnost

### Sigurnosne definicije

Upozorenjima, oprezima i napomenama naglašavaju se posebno važni dijelovi priručnika.



**UPOZORENJE:** Koristi se kada nepoštivanje uputa iz priručnika može uzrokovati smrt ili ozljede rukovatelja ili promatrača.



**OPREZ:** Koristi se kada nepoštivanje uputa iz priručnika može uzrokovati oštećenje proizvoda ili drugih materijala u neposrednoj blizini.

**Napomena:** Koristi se prikaz neophodnih dodatnih informacija za zadanu situaciju.

### Opće sigurnosne upute



**UPOZORENJE:** Prije upotrebe proizvoda pročitajte upute upozorenja u nastavku.

- Proizvod je opasan ako ga koristite nepravilno ili ako niste oprezni. Nepoštivanje sigurnosnih uputa može uzrokovati ozljede ili smrt.
- Proizvod tijekom rada proizvodi elektromagnetsko polje. To polje u određenim okolnostima može ometati aktivne ili pasivne medicinske implantate. Za smanjenje opasnosti od smrtonosne ozljede osobama s medicinskim implantatima prije korištenja uređaja preporučujemo obraćanje liječniku i proizvođaču medicinskog implantata.
- Uvijek budite pažljivi i razumni. Ako u posebnim situacijama niste sigurni u način upotrebe stroja, prije nastavka stanite i obratite se svom distributeru tvrtke Husqvarna.
- Imajte na umu kako se rukovatelj smatra odgovornim za nezgode koje uključuju druge osobe ili njihovo vlasništvo.
- Proizvod održavajte čistim. Znakovi i naljepnice moraju biti jasno čitljivi.
- Osobama dopustite upotrebu proizvoda samo ako su pročitali i usvojili sadržaj uputa za rukovanje.
- Djeci nemojte dopustiti upotrebu proizvoda.
- Djecu držite podalje od područja rada. Cijelo vrijeme mora biti prisutna odgovorna odrasla osoba.

- Osobama koje nisu upoznate s uputama nemojte dopustiti upotrebu proizvoda.
- Osobu smanjenih fizičkih ili mentalnih sposobnosti obavezno nadzirite tijekom uporabe proizvoda. Cijelo vrijeme mora biti prisutna odgovorna odrasla osoba.
- Proizvod nemojte upotrebljavati kada ste umorni, bolesni ili pod utjecajem alkohola, droge ili lijekova. To negativno utječe na vaš vid, pažnju, koordinaciju i prosudbu.
- Nemojte upotrebljavati proizvod koji je izmijenjen ili neispravan.
- Nemojte izmjenjivati proizvod ili ga upotrebljavati ako postoji mogućnost da je izmijenjen.
- Nemojte mijenjati prilagodbe za kontrolu brzine motora.

### Sigurnost na radnom mjestu



**UPOZORENJE:** Prije korištenja proizvoda pročitajte upozoravajuće upute u nastavku.

- Prije upotrebe proizvoda iz radnog područja uklonite sve predmete poput grana, prutova i kamenja.
- Objekti koji udare u reznu opremu mogu biti izbačeni te uzrokovati ozljede ili oštećenja. Promatrače i životinje držite na sigurnoj udaljenosti od proizvoda.
- Proizvod nikada nemojte upotrebljavati u lošim vremenskim uvjetima kao što su magla, kiša, jak vjetar, intenzivna hladnoća i pri opasnosti od grmljavinskog nevremena. Upotreba proizvoda po lošem vremenu ili na vlažnim ili mokrim lokacijama je zamorna. Pri lošem vremenu mogu nastati opasni uvjeti, primjerice skliske površine.
- Pazite na osobe, predmete i situacije koje mogu onemogućiti siguran rad proizvoda.
- Pazite na prepreke poput korijenja, kamenja, prutova, jama i jaraka. Visoka trava može sakrivati prepreke.
- Košenje trave na nagibima može biti opasno. Proizvod nemojte upotrebljavati na tlu s nagibom većim od 15°.
- Proizvod upotrebljavajte poprečno preko nagiba. Nemojte se kretati prema gore i dolje.
- Oprezno prilazite skrivenim kutovima i predmetima koji onemogućavaju jasan pregled.

## Sigurnost pri radu



**UPOZORENJE:** Prije korištenja proizvoda pročitajte upozoravajuće upute u nastavku.

- Proizvod upotrebljavajte samo za košenje travnjaka. Upotreba za druge zadatke nije dopuštena.
- Upotrebljavajte osobnu zaštitnu opremu. Pogledajte *Oprema za osobnu zaštitu na stranici 148*.
- Provjerite znate li brzo zaustaviti motor u slučaju nužde.
- Nikada nemojte pokretati motor u zatvorenom prostoru ili u blizini zapaljivog materijala. Ispušne pare motora vruće su i mogu sadržavati vruće iskre koje mogu uzrokovati požar.
- Proizvod upotrebljavajte samo ako su nož i svi štitnici pravilno postavljeni. Nepravilno postavljen nož može se otpustiti i uzrokovati osobne ozljede.
- Pazite da nožem ne udarate u predmete poput kamenja ili korijenja. Time možete oštetiti nož i saviti vratilo motora. Savijena osovina uzrokuje snažne vibracije i vrlo visoku opasnost od otpuštanja noža.
- Ako nožem udarite u predmet ili osjetite vibracije, odmah zaustavite proizvod. Odspojite kabel za paljenje od svjećice. Pregledajte je li proizvod oštećen. Popravite oštećenja ili popravak prepustite ovlaštenom serviseru.
- Ručicu kočnice motora nikada trajno nemojte pričvrstiti za ručku kada je motor u pogonu.
- Proizvod postavite na stabilnu, ravnu površinu i pokrenite ga. Noževi ne smiju udarati u tlo ili druge predmete.
- Tijekom rukovanja proizvodom obavezno budite iza njega.
- Tijekom rukovanja proizvodom svi kotači trebaju biti na tlu, a 2 ruke na ručki. Ruke i stopala držite podalje od rotirajućih noževa.
- Proizvod nemojte naginjati kada je motor pokrenut.
- Budite pažljivi pri povlačenju proizvoda unatrag.
- Proizvod nikada nemojte podizati kada je motor pokrenut. Ako proizvod morate podići, prvo zaustavite motor i odspojite kabel za paljenje od svjećice.
- Tijekom rada s proizvodom nemojte hodati unatrag.
- Zaustavite motor prilikom prelaska preko velikih površina bez trave, primjerice šljunčanih, kamenih i asfaltnih staza.
- Nemojte trčati s proizvodom kada je motor pokrenut. Obavezno hodajte tijekom rada s proizvodom.
- Prije promjene visine rezanja zaustavite motor. Nemojte provoditi prilagodbe s pokrenutim motorom.
- Proizvod s pokrenutim motorom ne ispuštajte iz vida. Zaustavite motor i provjerite je li rezna oprema zaustavljena.

## Sigurnosne upute za rad

### Oprema za osobnu zaštitu



**UPOZORENJE:** Prije uporabe proizvoda pročitajte upozoravajuće upute u nastavku.

- Oprema za osobnu zaštitu ne može u potpunosti spriječiti ozljede, no smanjuje stupanj ozljede u slučaju nezgode. Pri odabiru odgovarajuće opreme zatražite pomoć ovlaštenog trgovca.
- Upotrebljavajte zaštitu sluha ako je razina buka veća od 85 dB.
- Nosite čizme otporne na klizanje ili cipele za teške uvjete rada. Nemojte nositi otvorene cipele ili biti bosi.
- Nosite teške, duge hlače.
- Prema potrebi nosite zaštitne rukavice, primjerice prilikom pričvršćivanja, pregleda ili čišćenja rezne opreme.

### Sigurnosni uređaji na proizvodu



**UPOZORENJE:** Prije upotrebe proizvoda pročitajte upute upozorenja u nastavku.

- Proizvod nemojte upotrebljavati sa sigurnosnim uređajima koji su oštećeni ili nisu ispravni.
- Redovito pregledavajte sigurnosne uređaje. Ako su sigurnosni uređaji oštećeni ili nisu ispravni, obratite se serviseru tvrtke Husqvarna.
- Sigurnosne uređaje nije dopušteno izmjenjivati.

### Provjera reznog poklopca

Rezni poklopac smanjuje vibriranje proizvoda te opasnost od ozljede nožem.

- Provjerite ima li na pokrovu noža oštećenja, primjerice napuklina.

### Provjera ručke kočnice motora

Kočnom polugom motora zaustavljate motor. Motor se zaustavlja po otpuštanju kočnice poluge motora.

- Pokrenite motor i potom otpustite ručku kočnice motora. Ako se motor ne zaustavi za 3 sekunde, podesite kočnicu motora kod serviseru tvrtke Husqvarna. (Sl. 12)

### Provjera stražnjeg poklopca

Stražnji usmjerivač smanjuje opasnost od odbacivanja predmeta u smjeru rukovatelja.

- Provjerite je li stražnji poklopac neoštećen.
- Provjerite jesu li opruge koje zatvaraju stražnji poklopac neoštećene.
- Zamijenite oštećene opruge i oštećene dijelove.

- Provjerite pomiče li se stražnji poklopac neometano na šarkama.

### Prigušivač

Prigušivač razinu buke održava na minimumu i ispušne plinove usmjerava dalje od rukovatelja.

Nemojte upotrebljavati proizvod bez prigušivača ili s oštećenim prigušivačem. Oštećen prigušivač povećava razinu buke i opasnost od požara.



**UPOZORENJE:** Prigušivač se tijekom rada, nakon rada te kada motor pogonite u praznom hodu jako zagrije. Budite oprezni u blizini zapaljivih materijal i/ili para kako biste spriječili požar.

### Provjera prigušivača

- Redovito provjeravajte je li prigušivač pravilno pričvršćen i neoštećen.

### Sigurnost pri rukovanju gorivom



**UPOZORENJE:** Prije upotrebe proizvoda pročitajte upute upozorenja u nastavku.

- Nemojte pokretati proizvod ako u njemu ima goriva ili motornog ulja. Uklonite neželjeno gorivo/ulje i pričekajte na sušenje proizvoda.
- Ako gorivo proljeće po odjeći, odmah se presvucite.
- Gorivu nemojte dopustiti kontakt s tijelom jer može uzrokovati ozljede. Ako dođe do kontakta goriva s tijelom, sapunom i vodom isperite gorivo.
- Nemojte pokretati proizvod ako motor propušta. Redovito pregledavajte ima li na motoru curenja.
- Budite pažljivi s gorivom. Gorivo je zapaljivo, a pare su eksplozivne i mogu uzrokovati ozljede i smrt.
- Nemojte udisati pare goriva, one mogu uzrokovati ozljede. Osigurajte dovoljan protok zraka.
- U blizini goriva ili motora nemojte pušiti.
- U blizini goriva ili motora nemojte stavljati vruće predmete.
- Nemojte ulijevati gorivo kada je motor uključen.
- Prije ulijevanja goriva provjerite je li motor hladan.
- Prije ulijevanja goriva polako otvorite čep spremnika goriva i pažljivo ispuštite tlak.

- Nemojte ulijevati gorivo u motor u zatvorenom prostoru. Nedovoljan protok zraka može uzrokovati ozljede ili smrt zbog gušenja ili trovanja ugljičnim monoksidom.
- Potpuno zategnite čep spremnika goriva. Ako čep spremnika goriva nije zategnut, postoji opasnost od požara.
- Prije pokretanja proizvod odmaknite najmanje 3 m / 10' od mjesta punjenja spremnika.
- Spremnik za gorivo nemojte puniti do kraja. Zagrijavanje uzrokuje širenje goriva. Ostavite mjesta pri vrhu spremnika za gorivo.
- Proizvod s gorivom u spremniku za gorivo nikada nemojte skladištiti u zgradu s izvorima zapaljenja poput bojlera, grijalica ili sušilica odjeće. Prije skladištenja u bilo koji zatvoreni prostor pričekajte da se motor ohladi.

### Sigurnosne upute za održavanje



**UPOZORENJE:** Prije korištenja proizvoda pročitajte upozoravajuće upute u nastavku.

- Ispušni plinovi iz motora sadrže ugljikov monoksid, vrlo opasan otrovni plin bez mirisa. Proizvod nemojte pokretati u zatvorenom ili uskom prostoru.
- Prije održavanja proizvoda zaustavite motor i odspojite kabel za paljenje od svjeće.
- Tijekom održavanja rezne opreme nosite zaštitne rukavice. Nož je vrlo oštar i lako dolazi do posjekotina.
- Dodatna oprema i izmjene proizvoda bez odobrenja proizvođača mogu uzrokovati ozbiljne ozljede ili smrt. Nemojte mijenjati proizvod. Obavezno upotrebljavajte dijelove s odobrenjem proizvođača.
- Ako se održavanje ne provodi ispravno i redovno, povećava se opasnost od ozljede i oštećenja proizvoda.
- Održavanje provodite isključivo prema uputama iz ovog priručnika za vlasnika. Sva druga servisiranja mora provoditi ovlašteni serviser tvrtke Husqvarna.
- Redovno servisirajte proizvod kod ovlaštenog servisera tvrtke Husqvarna.
- Zamijenite oštećene, istrošene ili polomljene dijelove.

## Sastavljanje

### Uvod



**UPOZORENJE:** Prije sastavljanja proizvoda morate pročitati i usvojiti poglavlje o sigurnosti.



**UPOZORENJE:** Prije sastavljanja proizvoda sa svjeće uklonite kabel svjeće.

## Sastavljanje ručke

**Napomena:** Preporučuje se da ovaj postupak provode 2 osobe.

**Napomena:** Proizvod nemojte vaditi iz kutije kada sastavljate ručku. Kutija se može koristiti kao oslonac za ručku tijekom sastavljanja.

1. Podignite i okrenite ručku. (Sl. 13)



**OPREZ:** Budite pažljivi i pazite da se kabel ne ošteti prilikom okretanja ručke.

2. Postavite ručku na vrh proizvoda. Postavite ručku uz kutiju kako biste je poduprli. Pogledajte ilustraciju. (Sl. 14)
3. Postavite vijak (A) kroz ručku (B), plastičnu podlošku (C) i potporni nosač ručke (D). (Sl. 15)
4. Maticu (E) zategnite do kraja.
5. Uklonite proizvod iz kutije.
6. Preklopite ručku u uspravan položaj. (Sl. 16)
7. Visinu ručke postavite u najniži položaj. Pogledajte *Prilagodba ručke na stranici 150*.
8. Spojite kabele na donji dio ručke uz pomoć priključne stezaljke. (Sl. 17)
9. Donji dio kabela pomoću vezice pričvrstite na potporni nosač ručke. Odrežite preostali dio vezice za kabel. (Sl. 18)

**Napomena:** Provjerite je li kabel pravilno pričvršćen. Ako je postavljen sakupljač trave, labav kabel može oštetiti kabel. (Sl. 19)

## Prilagodba ručke

1. Otpustite donje vijke.
2. Pomaknite kotačiće u donji dio utora na lijevoj i desnoj strani proizvoda. (Sl. 20)
3. Postavite visinu ručke u jednu od dva dostupna položaja.
4. Pomičite kotačiće gore u smjeru ručke dok se ne zaustave uz škljocaj. (Sl. 21)
5. Kotačiće zategnite do kraja.

## Za postavljanje kosilice u položaj za prijevoz

1. Uklonite sakupljač trave (ako je ugrađen).
2. Otpustite donje vijke.
3. Pomaknite kotačiće u donji dio utora na lijevoj i desnoj strani proizvoda. (Sl. 20)
4. Preklopite ručku prema naprijed. (Sl. 22)

## Postavljanje proizvoda u položaj za rad

1. Preklopite ručku u uspravan položaj. (Sl. 23)
2. Pomičite kotačiće gore u smjeru ručke dok se ne zaustave uz škljocaj. (Sl. 21)
3. Kotačiće zategnite do kraja.

## Montaža sakupljača trave

1. Okvir sakupljača trave pričvrstite za vreću za travu tako da kruti dio vreće bude na dnu. Držite dršku okvira izvan vrha vreće. (Sl. 24)
2. Kopčama pričvrstite vreću za travu na okvir. (Sl. 25)

## Rad

### Uvod



**UPOZORENJE:** Prije rada s proizvodom morate pročitati i usvojiti poglavlje o sigurnosti.

### Husqvarna Connect

Husqvarna Connect besplatna je aplikacija za mobilni uređaj. Aplikacija Husqvarna Connect pruža vam dodatne funkcije za proizvod Husqvarna.

- Opširnije informacije o proizvodu.
- Dodatne informacije i pomoć za dijelove i servisiranje proizvoda.

### Početak rada sa Husqvarna Connect

1. Preuzmite aplikaciju Husqvarna Connect na svoj mobilni uređaj.

2. Prijavite se na aplikaciju Husqvarna Connect.
3. Pratite upute u aplikaciji Husqvarna Connect kako biste se spojili i registrirali proizvod.

### Prije rada s proizvodom

1. Pažljivo pročitajte korisnički priručnik i prije upotrebe dobro usvojite sadržaj.
2. Pregledajte reznu opremu i uvjerite se da je pravilno pričvršćena i podešena. Pogledajte *Za pregled rezne opreme na stranici 153*.
3. Napunite spremnik goriva. Pogledajte *Ulijevanje goriva na stranici 151*.
4. Napunite spremnik za ulje i provjerite razinu ulja. Pogledajte *Zamjena motornog ulja na stranici 154*.

## Ulijevanje goriva

Ako je dostupno, upotrebljavajte benzin s niskim emisijama / alkilatni benzin. Ako benzin s niskim emisijama / alkilatni benzin nije dostupan, upotrijebite kvalitetno bezolovno gorivo ili olovno gorivo s oktanskim brojem većim od 90.



**OPREZ:** Nemojte koristiti benzin s oktanskim brojem manjim od 90 RON (87 AKI). Tako možete oštetiti proizvod.

1. Čep spremnika goriva otvarajte polako kako biste otpustili tlak.
2. Punite polako s pomoću kantice za gorivo. Ako proljetate gorivo, obrišite ga krpom i pričekajte na sušenje preostalog goriva.
3. Očistite područje oko čepa spremnika goriva.
4. Potpuno zategnite čep spremnika goriva. Ako čep spremnika goriva nije zategnut, postoji opasnost od požara.
5. Prije pokretanja proizvod odmaknite najmanje 3 m (10 ft) od mjesta punjenja spremnika.

## Za postavljanje visine rezanja

1. Polugu za visinu rezanja pomaknite unatrag kako biste povećali visinu rezanja.
2. Polugu za visinu rezanja pomaknite naprijed kako biste smanjili visinu rezanja. (Sl. 26)



**OPREZ:** Visinu rezanja nemojte postaviti prenisko. Noževi mogu udariti u tlo ako površina travnjaka nije ravna.

## Pokretanje proizvoda

1. Provjerite je li kabel za paljenje priključen na svjećicu.
2. Stanite iza proizvoda.
3. Pritisnite kočnu polugu motora uz upravljač. (Sl. 27)
4. Ručicu užeta pokretača držite desnom rukom.
5. Polako izvlačite užu pokretača dok ne osjetite otpor.
6. Snažno povucite za pokretanje motora.



**UPOZORENJE:** Nikad ne omotavajte užu za paljenje oko šake.

## Upotreba pogona na kotačima

- Pogon na kotačima pokrenite ručicom za kontrolu brzine na lijevoj strani ručke. Ručicu za kontrolu brzine pomaknite prema naprijed kako biste povećali broj okretaja motora i unatrag kako biste smanjili broj okretaja motora. (Sl. 28)
- Prije povlačenja proizvoda unatrag odspojite pogon i gurnite proizvod prema naprijed za pribl. 10 cm.

- Otpustite polugu pogona kako biste odspojili pogon, primjerice kada se približavate prepreci.

## Zaustavljanje proizvoda

- Kako biste zaustavili samo pogon, otpustite polugu pogona.
- Za zaustavljanje motora otpustite kočnu polugu motora.

## Upotreba proizvoda sa sakupljačem trave



**UPOZORENJE:** Proizvod nemojte upotrebljavati bez ugrađenog sakupljača trave ni s otvorenim stražnjim poklopcem. Može doći do odbacivanja predmeta i ozljede rukovatelja.

1. Podignite stražnji poklopac i skinite priključak za sječku, ako je ugrađen. (Sl. 29)
2. Za sastavljanje sakupljača trave vidi *Montaža sakupljača trave na stranici 150*.
3. Postavite sakupljač trave na nosač.
4. Otpustite stražnji poklopac i naslonite ga na vrh okvira vreće za travu. (Sl. 30)

## Prijelaz proizvoda u način rada za usitnjavanje

Prije postavljanja proizvoda u način rada za usitnjavanje obavezno isključite motor.

1. Podignite stražnji poklopac i uklonite sakupljač trave, ako je ugrađen.
2. Priključak za sječku umetnite u kanal za izbacivanje. (Sl. 31)
3. Zatvorite stražnji poklopac i provjerite je li dobro zatvoren uz priključak za sječku.

**Napomena:** Za povećanje performansi načina rada za usitnjavanje zamijenite nož opremom noža za usitnjavanje. Pogledajte *Zamjena noža na stranici 153*

## Prijelaz proizvoda u način rada za bočno pražnjenje

1. Podignite stražnji poklopac i uklonite vreću za travu, ako je postavljena.
2. Zatvorite stražnji poklopac i provjerite je li dobro zatvoren uz proizvod.
3. Podignite blokadu pražnjenja. (Sl. 32)
4. Otvorite štitnik za bočno pražnjenje i postavite bočni usmjerivač za pražnjenje na noseće klinove. (Sl. 33)
5. Dopustite da se štitnik za bočno pražnjenje zatvori uz bočni usmjerivač za pražnjenje. Prije rada s proizvodom provjerite je li bočni usmjerivač za pražnjenje pričvršćen u svom položaju.

## Pražnjenje sakupljača trave



**OPREZ:** Podignite sakupljač trave kad ga pomičete kako biste spriječili habanje.

1. Podignite sakupljač trave pomoću ručke na okviru.
2. Koristite ručku na okviru i ručku na vreći kad praznite sakupljač trave. (Sl. 34)

## Za dobar ishod

- Uvijek upotrebljavajte oštar nož. Tup nož daje nepravilne rezultate, a rezana površina trave požuti. Oštar nož također troši manje energije od tupog.
- Nemojte rezati više od  $\frac{1}{4}$  od duljine trave. Travu započnite kositi s najvišom visinom rezanja. Provjerite rezultat i spustite visinu rezanja na prihvatljivu razinu. Ako je trava vrlo dugačka, radite polako i po potrebi kosite dva puta.

- Svaki put kosite u drugom smjeru kako biste spriječili nastanak traka na travnjaku.
- Podignite stražnji poklopac i uklonite sakupljač trave.
- Ako su postavljeni priključak za sječku i nož za sječku, uklonite ih.
- Prije upotrebe proizvoda zatvorite stražnji poklopac. Pri upotrebi proizvoda trava se izbacuje ispod stražnjeg poklopca.
- Pokrov noža mora biti čist. Nakupine trave i prljavštine s unutarnje strane pokrova noža mogu umanjiti rezultate rezanja. Pogledajte *Za čišćenje unutarnje površine pokrova noža na stranici 153.*

## Održavanje

### Uvod



**UPOZORENJE:** Prije održavanja morate pročitati i usvojiti poglavlje o sigurnosti.

Za sve radove servisiranja i održavanja na proizvodu potrebna je posebna obuka. Jamčimo dostupnost profesionalnih popravaka i servisa. Ako vaš distributer nije serviser, od njega zatražite informacije o najbližem serviseru.

Detaljnije informacije potražite pod .

### Raspored održavanja



**OPREZ:** Pri naginjanju proizvoda filter zraka nemojte nasloniti na tlo nego ga podignite u zrak. Opasnost od oštećenja motora.

Intervali održavanja izračunati su za dnevnu upotrebu proizvoda. Intervali se mijenjaju ako se proizvod ne upotrebljava svakodnevno.

Za održavanja označena s \* pogledajte upute u *Sigurnosni uređaji na proizvodu na stranici 148.*

| Održavanje  | Dnevno | Tjedno | Mjesečno |
|---|--------|--------|----------|
| Provedite opći pregled  | X      |        |          |
| Provjerite razinu ulja  | X      |        |          |
| Očistite proizvod   | X      |        |          |
| Pregledajte reznu opremu  | X      |        |          |
| Pregledajte pokrov noža *   | X      |        |          |
| Pregledajte ručicu kočnice motora *   | X      |        |          |
| Pregledajte komandu kočnice noža *  | X      |        |          |
| Pregledajte prigušivač *  |        | X      |          |
| Pregledajte svjećicu  |        | X      |          |
| Zamijenite ulje (prvi put nakon 5 h upotrebe, potom nakon svakih 50 h upotrebe) |        |        | X        |
| Očistite ili zamijenite filter zraka  |        |        | X        |



| Održavanje                | Dnevno | Tjedno | Mjesečno |
|---------------------------|--------|--------|----------|
| Pregledajte sustav goriva |        |        | X        |

## Za opći pregled

- Provjerite jesu li sve matice i vijci na proizvodu pravilno pritegnuti.

## Za vanjsko čišćenje proizvoda

- Četkom uklonite lišće, travu i onečišćenja.
- Provjerite prohodnost dovoda zraka na vrhu motora.
- Za čišćenje proizvoda nemojte koristiti visokotlačni stroj za pranje.
- Ako proizvod čistite vodom, nemojte izljevati vodu izravno na motor.

## Za čišćenje unutarnje površine pokrova noža

1. Ispraznite spremnik goriva.
2. Položite proizvod na bok s prigušivačem na donjoj strani.



**OPREZ:** Ako proizvod položite tako da je filter zraka na donjoj strani, možete oštetiti motor.

3. Unutarnju površinu pokrova noža isperite vodom.

## Za pregled rezne opreme



**UPOZORENJE:** Odvojite kabel za paljenje od svjeće kako biste spriječili slučajno pokretanje.



**UPOZORENJE:** Tijekom održavanja rezne opreme nosite zaštitne rukavice. Nož je vrlo oštar i lako dolazi do posjekotina.

1. Pregledajte ima li na reznoj opremi oštećenja ili pukotina. Oštećenu reznu opremu obavezno zamijenite.
2. Pregledajte nož kako biste ustanovili je li oštećen ili tup.

**Napomena:** Nakon oštrenja nož je nužno uravnotežiti. Nož naoštrite, zamijenite i uravnotežite u servisnom centru. Ako se pri udaru u prepreku proizvod zaustavi, zamijenite oštećeni nož. Procjenu za oštrenje ili zamjenu noža prepustite servisnom centru.

## Zamjena noža

1. Blokirate nož drvenim blokom. (Sl. 35)
2. Skinite vijak noža, podlošku opruge i nož. (Sl. 36)
3. Provjerite jesu li nosač noža i vijak noža neoštećeni.

- a) Pri zamjeni noža ili nosača noža također zamijenite vijak noža, podlošku opruge i tarnu podlošku.

4. Pregledajte vratilo motora kako biste se uvjerali da je neoštećeno.
5. Savijene rubove pri postavljanju novog noža usmjerite prema reznom poklopcu. (Sl. 37)
6. Postanite tarnu podlošku i nož na nosač noža. (Sl. 38)
7. Nož morate poravnati sa središtem vratila motora. (Sl. 39)
8. Blokirate nož drvenim blokom. (Sl. 40)
9. Postavite elastični rasječni prsten i zategnite vijak na zatezni moment od 43 – 47 Nm. (Sl. 41)
10. Ručno povucite nož u krug kako biste provjerili okreće li se slobodno.



**UPOZORENJE:** Upotrijebite zaštitne rukavice. Nož je vrlo oštar i lako dolazi do posjekotina.

11. Pokrenite proizvod kako biste ispitali nož. Ako nož nije ispravno pričvršćen, proizvod vibrira ili ishod košenja nije zadovoljavajući.

## Provjera razinu ulja



**OPREZ:** Preniska razina ulja može uzrokovati oštećenje motora. Prije pokretanja proizvoda provjerite razinu ulja.

1. Postavite proizvod na ravno tlo.
2. Uklonite čep spremnika ulja s pričvršćenom šipkom za mjerenje razine ulja.
3. Očistite ulje sa šipke za mjerenje razine ulja.
4. Šipku za mjerenje ulja u potpunosti gurnite u spremnik za ulje kako biste dobili ispravan prikaz razine ulja. Nemojte pričvrstiti poklopac spremnika ulja.
5. Uklonite čep spremnika ulja s pričvršćenom šipkom za mjerenje razine ulja.
6. Provjerite razinu ulja na šipci za mjerenje ulja.
7. Ako je razina ulja niska, napunite motornim uljem i ponovno provjerite razinu ulja. (Sl. 42)

**Napomena:** Upotrijebite lijevak za ulje kako biste spriječili prosipanje.

8. Kada je razina ulja ispravna, postavite čep spremnika ulja.

## Zamjena motornog ulja



**UPOZORENJE:** Motorno ulje vrlo je vruće neposredno nakon zaustavljanja motora. Prije ispuštanja motornog ulja pričekajte da se ohladi. Ako motorno ulje prolijete po koži, očistite sapunom i vodom.

(Sl. 43)

1. Proizvod upotrebljavajte dok ne ispraznite spremnik goriva.
2. Odvojite kabel za paljenje od svjeće.
3. Uklonite čep spremnika ulja s pričvršćenom šipkom za mjerenje razine ulja.
4. Ispod proizvoda stavite posudu za skupljanje motornog ulja.
5. Nagnite proizvod ili ispraznite motorno ulje iz spremnika ulja pumpom za ulje (dodatna oprema).
6. Napunite novim motornim uljem preporučenim u *Tehnički podaci na stranici 156*.
7. Provjerite razinu ulja. Pogledajte *Provjera razine ulja na stranici 153*.
8. Kada je razina ulja ispravna, postavite čep spremnika ulja.

## Provjera svjeće



**OPREZ:** Uvijek koristite preporučenu vrstu svjeće. Neodgovarajuća vrsta svjeće može oštetiti proizvod.

- Ako motor nema snage, teško se pokreće ili ne radi ispravno u praznom hodu, pregledajte svjeću.
- Za smanjenje opasnosti od nepoželjnog materijala na elektrodama svjeće pratite sljedeće upute:
  - a) Provjerite je li broj okretaja pri praznom hodu pravilno podešen.
  - b) Provjerite ispravnost mješavine goriva.
  - c) Provjerite je li filter zraka čist.
- Ako je svjećica prljava, očistite je i provjerite ispravnost zazora elektroda, pogledajte. *Tehnički podaci na stranici 156*. (Sl. 44)
- Ako je potrebno, zamijenite svjećicu.

## Čišćenje filtra zraka

Onečišćen filter zraka može uzrokovati oštećenje ili neispravan rad motora. Pročistač zraka održavajte češće u prašnjavim uvjetima.

Pogledajte *Raspored održavanja na stranici 152* za informacije o zamjeni filtra zraka.

1. Uklonite poklopac filtra zraka i izvadite filter zraka.
2. Očistite filter lupanjem po ravnoj površini. Filter zraka nemojte čistiti petrolejom, kerozinom ili komprimiranim zrakom.

**Napomena:** Dugo korištene filtre zraka nije moguće potpuno očistiti. Filter zraka mijenjajte u redovnim intervalima. Oštećeni filter zraka obavezno morate zamijeniti.

3. Pri sastavljanju filtra zraka provjerite brtvi li dobro uz držač filtra.

## Provjera bočnog usmjerivača za pražnjenje

Bočni usmjerivač za pražnjenje pričvršćen je na bočni otvor za pražnjenje na proizvodu. Smanjuje opasnost od izbacivanja predmeta u smjeru položaja u kojem rukovatelj kosi.

1. Provjerite je li bočni usmjerivač za pražnjenje neoštećen.
2. Pregledajte bočni usmjerivač za pražnjenje. Uvjerite se da nema oštećenja, npr. pukotine ili slomljene opruge koje tjeraju vrata da se zatvore.
3. Zamijenite oštećeni bočni usmjerivač za pražnjenje ili opruge.

## Pregled sustav goriva

- Pregledajte čep spremnika za gorivo i brtvu čepa spremnika za gorivo i uvjerite se kako su neoštećeni.
- Pregledajte crijevo goriva kako biste se uvjerali da nema propuštanja. Ako je crijevo goriva oštećeno, zamijenite ga kod servisera.

## Za pražnjenje spremnika goriva

1. Postavite posudu ispod spremnika goriva.
2. Uklonite čep spremnika goriva.
3. Pritisnite kopče za crijeva na crijevu za dovod goriva uz rasplinjač.
4. Uklonite crijevo za dovod goriva iz rasplinjača.
5. Postavite crijevo za dovod goriva u spremnik i skinite kopče za crijeva.
6. Nagnite proizvod i ispuštite gorivo u spremnik.

## Zamjena filtra za gorivo



**UPOZORENJE:** Nosite zaštitne rukavice.

1. Ispraznite spremnik goriva.
2. Pomaknite kopče za crijeva dalje od spremnika goriva. (Sl. 45)
3. Uklonite crijevo za dovod goriva iz spremnika goriva. Moguće je istjecanje manje količine goriva. (Sl. 46)
4. Uklonite filter za gorivo iz spremnika goriva. (Sl. 47)
5. Instalirajte novi filter za gorivo u spremniku goriva.
6. Pričvrstite crijevo za dovod goriva na spremnik goriva.

7. Postavite kopču za crijeva u položaj uz spremnik goriva.

## Podešavanje sajle spojke

U sljedećim situacijama nužno je smanjiti duljinu sajle spojke:

- Pogon kotača ne uključuje se kada povučete polugu pogona ili ručicu za regulaciju brzine.
- Proizvod se po uključanju pogona kotača kreće sporo.

U sljedećim situacijama nužno je povećati duljinu sajle spojke:

- Proizvod se kreće kada pogon kotača nije uključen.
- Podesite sajlu spojke.
  - a) Za smanjenje duljine sajle spojke vijak za podešavanje okrećite u smjeru suprotnom od kazaljke na satu.
  - b) Za povećanje duljine sajle spojke vijak za podešavanje okrećite u smjeru kazaljke na satu. (Sl. 48)

Ako nakon podešavanja i dalje niste zadovoljni pogonom proizvoda, obratite se servisnom distributeru

---

## Prijevoz, spremanje i zbrinjavanje

---

### Prijevoz i skladištenje

- Za prijevoz i skladištenje proizvoda i goriva uvjerite se kako nema propuštanja ili isparavanja. Iskre ili otvoren plamen, primjerice od električnih uređaja ili bojlera, mogu uzrokovati požar.
- Za prijevoz i skladištenje goriva obavezno upotrebljavajte odobrene spremnike.
- Prije dugotrajnog skladištenja proizvoda ispraznite spremnik za gorivo. Zbrinite gorivo na prikladnoj lokaciji za zbrinjavanje
- Čvrsto osigurajte proizvod za prijevoz kako biste spriječili oštećenja i nezgode.
- Proizvod čuvajte u zaključanom prostoru kako biste onemogućili pristup djeci ili osobama bez odobrenja.
- Proizvod skladištite u suhom prostoru bez mraza.

### Odlaganje

- Poštujte lokalne zahtjeve za reciklažu i važeće propise.
- Sve kemikalije, poput motornog ulja ili goriva, zbrinite u servisnom centru ili na prikladnoj lokaciji za zbrinjavanje.
- Ako proizvod više ne upotrebljavate, pošaljite ga distributeru tvrtke Husqvarna ili ga zbrinite na lokaciji za reciklažu.

## Tehnički podaci

### Tehnički podaci

|   |  |
|---|--|
|   | <b>LC 356VP</b>  |
| <b>Motor</b>  |  |
| Marka   | Honda  |
| Naziv modela motora                                   | GCVx170  |
| Zapremnina, cm <sup>3</sup>                           | 166  |
| Brzina, o/min   | 2800   |
| Nazivna izlazna snaga motora, kW <sup>51</sup>        | 3,1  |
| <b>Sustav paljenja</b>                                |  |
| Svjećica  | NGK BPR5ES   |
| Razmak elektroda, mm                                  | 0,75   |
| <b>Sustav za gorivo i podmazivanje</b>                |  |
| Gorivo, bezolovno, minimalni oktanski broj            | 90   |
| Zapremnina spremnika goriva, litre                    | 0,9  |
| Zapremnina spremnika ulja, litre                      | 0,4  |
| Motorno ulje <sup>52</sup>                            | Husqvarna SAE 30, Husqvarna SAE 5W-30 sintetičko, Husqvarna SAE 10W-40 |
| <b>Težina</b>   |  |
| S praznim spremnicima, kg                             | 35,1   |
| <b>Emisije buke</b> <sup>53</sup>                     |  |
| Razina jačine zvuka, mjerena u dB (A)                 | 98   |
| Razina jačine zvuka, zajamčena L <sub>WA</sub> dB (A) | 98   |
| <b>Jačina zvuka</b> <sup>54</sup>                     |  |
| Razine tlaka zvuka na uhu rukovatelja, dB (A)         | 86   |

<sup>51</sup> Navedena nazivna snaga motora prosječna je neto izlazna snaga (pri navedenom broju okretaja u minuti) tipičnog serijskog motora za određeni model mjerena prema normi SAE J1349/ISO1585. Vrijednost se može razlikovati za motore za masovnu proizvodnju. Stvarna izlazna snaga motora ugrađenog u krajnji proizvod ovisi o radnoj brzini, uvjetima u okolišu i drugim vrijednostima.

<sup>52</sup> Upotrebjavajte motorno ulje kvalitete API SJ ili više. Ako se ulje SAE-30 primjenjuje na temperaturama nižim od 5 °C, postoji opasnost od nedovoljnog podmazivanja motora. To može uzrokovati oštećenje motora. Odgovarajuće ulje za niske temperature potražite u *Zamjena motornog ulja na stranici 154*. Pogledajte tablice viskoznosti u korisničkom priručniku motora (ako je priložen) i odaberite najbolju viskoznost s obzirom na očekivanu vanjsku temperaturu.

<sup>53</sup> Emisije buke u okoliš izmjerene kao jačina zvuka (L<sub>WA</sub>) u skladu s Direktivom EZ 2000/14/EC.

<sup>54</sup> Navedeni podaci za razinu pritiska zvuka uključuju tipično statističko raspršenje (standardno odstupanje) od 1,2 dB (A).

|                                       |   |
|---------------------------------------|---|
|                                       | <b>LC 356VP</b>                           |
| <b>Razine vibracije</b> <sup>55</sup> |   |
| Ručka, m/s <sup>2</sup>               | 5,9                                       |
| <b>Rezna oprema</b>                   |   |
| Visina rezanja, mm                    | 25 – 75                                   |
| Širina rezanja, mm                    | 560                                       |
| Rezni sustav                          | Sakupljanje / BioClip® / bočno pražnjenje |
| Nož – standardni                      | Sakupljanje 598562701                     |
| Nož – dodatna oprema                  | Sječka 598563601                          |
| <b>Pogon</b>                          |   |
| Brzina u km/h                         | 3,0 – 4,5                                 |

<sup>55</sup> Podaci o razini vibracije pokazuju tipičnu statističku disperziju (standardnu devijaciju) od 0,2 m/s<sup>2</sup>.

## Izjava o sukladnosti

### EU izjava o sukladnosti

Mi, **Husqvarna AB**, SE-561 82 Huskvarna, Švedska, tel.:  
+46-36-146500, pod punom odgovornošću izjavljujemo  
da proizvod:

|                       |                                   |
|-----------------------|-----------------------------------|
| <b>Opis</b>           | Kosilica                          |
| <b>Marka</b>          | Husqvarna                         |
| <b>Vrsta/model</b>    | LC 356VP                          |
| <b>Identifikacija</b> | Serijski brojevi iz 2022 i noviji |

u potpunosti su sukladni sljedećim EU direktivama i  
propisima:

| <b>Propis</b> | <b>Opis</b>   |
|---------------|---|
| 2006/42/EC    | „o strojevima“  |
| 2014/30/EU    | „o elektromagnetskoj kompatibilnosti“   |
| 2000/14/EC    | „koja se odnosi na emisije buke u okoliš“   |
| 2011/65/EU    | „o ograničenoj upotrebi određenih opasnih tvari u električnoj i elektroničkoj opremi“ |

i primjenjuju se sljedeće norme i/ili tehničke  
specifikacije: EN ISO 5395-1:2013/A1:2018, EN ISO  
5395-2:2013/A1:2016/A2:2017, EN ISO 14982:2009, EN  
IEC 63000:2018

Prijavljeno tijelo: 0404, RISE SMP Svensk  
Maskinprovning AB, Box 4053, SE-904 03 Umeå,  
Sweden, certificiralo je sukladnost s Direktivom Vijeća  
2000/14/EC, postupak kontrole kvalitete: Dodatak VI.

Informacije o emisiji buke potražite u odjeljku *Tehnički  
podaci na stranici 156.*

Huskvarna, 2022-10-20



Claes Losdal, razvojni menadžer / proizvođač za vrtove,  
Husqvarna AB

Osoba odgovorna za tehničku dokumentaciju



---

# TARTALOMJEGYZÉK

---

|                    |     |  |     |
|--------------------|-----|--|-----|
| Bevezető.....      | 159 | Karbantartás.....                          | 165 |
| Biztonság.....     | 160 | Szállítás, tárolás és ártalmatlanítás..... | 168 |
| Összeszerelés..... | 163 | Műszaki adatok.....                        | 170 |
| Üzemeltetés.....   | 163 | Megfelelőségi nyilatkozat.....             | 172 |

---

## Bevezető

---

### Termékleírás

A termék egy gyalog kísért forgóképes fűnyíró.  
Szerelje fel a fűgyűjtőt a fű összegyűjtéséhez.  
Szerelje fel az oldalsó kidobóelterelőt a fű oldalsó  
űritéséhez. Csatlakoztasson egy porhanyító készletet  
a fű műtrágyázásra való vágásához.

### A termék áttekintése

(ábra 1)

1. Fogantyú
2. Fékkar
3. Kerékhajtás kapcsoló kar
4. Berántókötél fogantyú
5. Hátsó burkolat
6. Fűgyűjtő
7. A fogantyú magasságát szabályozó gombok
8. Vágási magasságot szabályozó kar
9. Olajbeöntő nyílás fedele
10. Oldalsó kidobófedél
11. Kipufogódob
12. Gyűjtőgyertya
13. Üzemanyagtartály sapkája
14. Szimbólumok
15. Vágóburkolat
16. Légszűrő
17. Sebességszabályozó kar
18. Oldalsó elterelő
19. Műcsoszó dugó (tartozék)
20. Kezelői kézikönyv

### A terméken található jelzések

(ábra 2) **FIGYELMEZTETÉS!** Körültekintően járjon el, és megfelelően használja a terméket.  
A gép a kezelő és mások súlyos sérülését és halálát is okozhatja.

(ábra 3) Olvassa el figyelmesen a használati utasítást, és győződjön meg róla, hogy megértette azt, mielőtt a terméket használatba veszi.

(ábra 4) Legyen óvatos a kivetett és visszapattanó tárgyakkal.

### Rendeltetésszerű használat

A termék fűnyírásra szolgál. Ne használja a terméket egyéb feladatokra.

(ábra 5) A személyeket és állatokat tartsa biztonságos távolságban a munkaterülettől.

(ábra 6) Figyelmeztetés: Tartsa távol kezét és lábát a forgó késektől.

(ábra 7) Figyelmeztetés: Tartsa távol kezét és lábát a forgó alkatrészekről.

(ábra 8) Javítás vagy karbantartás előtt állítsa le a motort, és vegye le a gyújtáskábelt.

(ábra 9) Ez a termék megfelel a vonatkozó EK irányelveknek.

(ábra 10) A termék megfelel a vonatkozó egyesült királyságbeli irányelveknek.

(ábra 11) Az EU és az Egyesült Királyság irányelveinek és jogszabályainak, és New South Wales „Környezetben történő munkavégzés szabályozása (zajszabályozás), 2017” irányelvének megfelelő környezeti zajkibocsátási címke. A termék garantált hangteljesítményszintjére vonatkozó adatok megtalálhatók az alábbi részen: *Műszaki adatok 170. oldalon* és a címkén.

---

**Megjegyzés:** A terméken szereplő többi jelölés/címke néhány piac specifikus vizsgáztatási követelményeire vonatkozik.

---

### A termék károsodása

A termékben keletkezett károkért nem vállalunk felelősséget, amennyiben:

## Euro V. kibocsátási norma



**FIGYELMEZTETÉS:** A motor módosítása érvényteleníti a termékre vonatkozó európai uniós típusjóváhagyást.

## Biztonság

### Biztonsági meghatározások

A figyelmeztetések, óvintézkedések és megjegyzések a használati utasítás kiemelten fontos részeire hívják fel a figyelmet.



**FIGYELMEZTETÉS:** Akkor használatos, ha a kézikönyv utasításainak be nem tartása esetén fennáll a kezelő vagy a közelben tartózkodók sérülésének vagy halálának veszélye.



**VIGYÁZAT:** Akkor használatos, ha a kézikönyv utasításainak be nem tartása esetén fennáll a vagyoni kár, illetve a termék vagy a környező terület károsodásának veszélye.

**Megjegyzés:** További információt biztosít az adott helyzetben szükséges tennivalókról.

### Általános biztonsági utasítások



**FIGYELMEZTETÉS:** A termék használata előtt olvassa el az alábbi figyelmeztetéseket.

- Ez a termék veszélyes, ha helytelenül használja, vagy ha nem vigyáz. A biztonsági utasítások be nem tartása sérüléssel vagy halállal járhat.
- A termék működés közben elektromágneses mezőt hoz létre. Ez bizonyos körülmények esetén hatással lehet az aktív vagy passzív orvosi implantátumokra. A súlyos vagy halálos sérülés kockázatának csökkentése érdekében azt javasoljuk, hogy az orvosi implantátumot használó személyek a termék alkalmazása előtt kérjék ki orvosuk vagy az orvosi implantátum gyártójának tanácsát.
- Mindig megfontoltan és előrelátóan cselekedjen. Ha nem biztos benne, hogyan kell a terméket speciális helyzetben üzemeltetni, akkor hagyja abba a tevékenységet, és beszéljen a Husqvarna kereskedőjével a folytatás előtt.
- Ne feledje, hogy a kezelő felelős a másokat és a mások tulajdonát érő balesetekért is.
- Tartsa tisztán a terméket. Ügyeljen arra, hogy a jelek és címkek jól olvashatóak legyenek.

### A munkaterület biztonsága



**FIGYELMEZTETÉS:** A termék használata előtt olvassa el az alábbi figyelmeztetéseket.

- A termék használata előtt távolítsa el a különböző tárgyakat, például ágakat, gallyakat és köveket a munkaterületről.
- A vágószerszereknek ütköző tárgyak elrepülve személyek vagy tárgyak sérülését okozhatják. A közelben állókat és az állatokat tartsa biztonságos távolságban a terméktől.
- Ne használja a terméket rossz időben, például ködben, esőben, erős szélben, nagy hidegben, villámás veszélyes esetén. A termék rossz időjárási körülmények között vagy nyirkos, nedves helyeken történő használata fásasztó. A rossz időjárás veszélyes körülményeket, például csúszós felületeket okozhat.
- Ügyeljen az olyan személyekre, tárgyakra és helyzetekre, amelyek akadályozzák a termék biztonságos üzemeltetését.



- Ügyeljen az olyan akadályokra, mint a gyökerek, kövek, gallyak, gödrök és árkok. A magas fű akadályokat rejthet.
- A lejtőkön levő fű nyírása veszélyes lehet. Ne használja a terméket 15 foknál meredekebb lejtőn.
- Az emelkedőknél/lejtőkönél mindig oldalirányban működtesse a terméket. Ne haladjon felfelé vagy lefelé.
- Legyen körültekintő, ha olyan sarkok és tárgyak közelébe ér, amelyek gátolják a tiszta kilátást.

## Munkabiztonság



**FIGYELMEZTETÉS:** A termék használata előtt olvassa el az alábbi figyelmeztetéseket.

- Ezt a terméket kizárólag füves pázsitok nyírására használja. A termék más feladatokra történő használata nem megengedett.
- Használjon személyi védőfelszerelést. Lásd: *Személyi védőfelszerelés 161. oldalon.*
- Mindenképpen legyen tisztában azzal, hogy veszélyeztet esetén hogyan kell gyorsan leállítani a motort.
- Soha ne indítsa el a motort zárt térben vagy gyúlékony anyag közelében. A motorból kijutó kipufogó füstök forrók és szikrákat tartalmazhatnak, amelyek tüzet okozhatnak.
- Ne használja a készüléket, hacsak a kés és az összes borítás nincs megfelelően rögzítve. A nem megfelelően rögzített kés kilazulhat, és személyi sérülést okozhat.
- Ügyeljen arra, hogy a kés ne ütközzön olyan tárgyakra, mint például kövek és gyökerek. Ez kárt tehet a késben, és meghajlíthatja a motor tengelyét. A meghajlott tengely erős rezgést okoz, és így nagyon nagy a kockázata annak, hogy a kés meglazul.
- Ha a kés valamilyen tárgynak ütközik vagy rezegni kezd, azonnal állítsa le a terméket. Húzza ki a gyújtáskábelt a gyújtógyertyából. Ellenőrizze, hogy a termék sérülésmentes-e. Javítsa meg a sérüléseket, vagy végeztesse el a szakszervizzel a javításokat.
- Amikor a motor működésben van, soha ne rögzítse tartósan a fékkart a fogantyúhoz.
- Helyezze a terméket stabil, vízszintes felületre, és kapcsolja be. Gondoskodjon arról, hogy a kés ne ütközzön se a talajba, se egyéb tárgyakra.
- Mindig maradjon a termék mögött, amikor működteti.
- A termék üzemeltetése során minden kerék legyen a talajon, és tartsa két kézzel a fogantyút. Tartsa távol kezét és lábát a forgó késektől.
- Ne döntse meg a terméket, ha a motor jár.
- Legyen óvatos, amikor hátrafelé húzza a terméket.
- Soha ne emelje fel a terméket, ha a motor jár. Ha fel kell emelnie a terméket, előbb kapcsolja ki a motort, és válassza le a gyújtásvezetékét a gyújtógyertyáról.

- Ne sétáljon hátrafelé a termék működtetése során.
- Állítsa le a motort, ha olyan területeken halad át, ahol nincs fű, például kavicsos, kövezett és aszfaltozott járdák.
- Ne fusson a termékkel, ha a motor jár. Mindig sétáljon a termék működtetése során.
- Mielőtt megváltoztatná a vágási magasságot, állítsa le a motort. Soha ne végezzen beállításokat, amikor a motor jár.
- Soha ne hagyja a terméket felügyelet nélkül járó motor esetén. Állítsa le a motort és győződjön meg arról, hogy a vágószerkezet nem forog.

## Biztonsági utasítások az üzemeltetéshez

### Személyi védőfelszerelés



**FIGYELMEZTETÉS:** A termék használata előtt olvassa el az alábbi figyelmeztetéseket.

- A személyi védőfelszerelés nem küszöböli ki teljes mértékben a sérülés kockázatát, de csökkenti a sérülés mértékét, ha bekövetkezik a baleset. A megfelelő felszerelés kiválasztásában kérje a kereskedő segítségét.
- 85 dB-nél magasabb zajszint esetén használjon hallásvédőt.
- Használjon nagy teherbírású, csúszásmentes bakancsot vagy cipőt. Ne használja nyitott cipőben vagy mezítláb a terméket.
- Viseljen vastag, hosszú szárú nadrágot.
- Viseljen védőkesztyűt, például a vágószerkezet felhelyezésekor, ellenőrzésekor vagy tisztításakor.

### Biztonsági eszközök a terméken



**FIGYELMEZTETÉS:** A termék használata előtt olvassa el az alábbi figyelmeztetéseket.

- Ne használja a terméket sérült vagy nem megfelelően működő biztonsági eszközökkel.
- Rendszeresen ellenőrizze a biztonsági eszközöket. Ha a biztonsági eszközök sérültek vagy nem működnek megfelelően, forduljon a márkaszervizhez: Husqvarna.
- Ne módosítsd a biztonsági eszközöket.

### A vágóburkolat ellenőrzése

A vágóburkolat csökkenti a termék rezgését és a kés okozta sérülések kockázatát.

- Vizsgálja meg a vágóburkolatot, hogy nincs rajta sérülés, például repedés.

## A fékkar ellenőrzése

A fékkar a motor leállítására szolgál. Ha elengedi a fékkart, a motor leáll.

- Indítsa be a motort, majd engedje el a fékkart. Ha a motor 3 másodpercen belül nem áll le, állíttassa be egy hivatalos Husqvarna szakszervizben a motorféket. (ábra 12)

## A hátsó burkolat ellenőrzése

A hátsó terelőlap csökkenti annak veszélyét, hogy a tárgyak a kezelő felé verődjenek fel.

- Ellenőrizze, hogy a hátsó burkolat sérületlen-e.
- Ellenőrizze, hogy a hátsó burkolatot bezáró rugók nem sérültek-e.
- Cserélje ki a sérült rugókat és a meghibásodott alkatrészeket.
- Ellenőrizze, hogy a hátsó burkolat gördülékenyen mozog-e a zsanérokon.

## Kipufogódob

A kipufogódob minimálisra csökkenti a zajszintet, és elvezeti a kipufogógázokat a kezelő közeléből.

Hiányzó vagy hibás hangfogó esetén ne használja a terméket. A hibás kipufogódob növeli a zajszintet és a tűzveszélyt.



### FIGYELMEZTETÉS:

A kipufogódob erősen felhevül használat közben és után, illetve, amikor a motor alapjáraton működik. Legyen óvatos gyúlékony anyagok és/vagy gőzök közelében a tűzveszély elkerülése érdekében.

## A hangfogó ellenőrzése

- Rendszeresen ellenőrizze a kipufogódob megfelelő rögzítését és épségét.

## Üzemanyaggal kapcsolatos biztonság



**FIGYELMEZTETÉS:** A termék használata előtt olvassa el az alábbi figyelmeztetéseket.

- Ne indítsa be a terméket, ha üzemanyag vagy motorolaj került rá. Távolítsa el a nem kívánt üzemanyagot/motorolajat és hagyja megszáradni a terméket.
- Ha a kiömlött üzemanyag a ruhájára csöppent, öltözzön át azonnal.
- Ügyeljen arra, hogy ne kerüljön üzemanyag a testére, mert az sérülést okozhat. Ha üzemanyag került a testére, távolítsa el szappannal és vízzel.
- Ne indítsa be a motort, ha szivárog a motor. Vizsgálja meg rendszeresen a motort szivárgás szempontjából.

- Bánjon óvatosan az üzemanyaggal. Az üzemanyag gyúlékony, a gőzei robbanásveszélyesek, ezért súlyos, akár végzetes sérülést is okozhat.
- Ne lélegezze be az üzemanyag gőzeit, egészségkárosodást okozhatnak. Gondoskodjon megfelelő légáramlásról.
- Ne dohányozzon az üzemanyag és a motor közelében.
- Az üzemanyag vagy a motor közelébe ne tegyen forró tárgyakat.
- Ne tankoljon járó motornál.
- Várja meg a tankolással, amíg lehül a motor.
- Tankolás előtt nyissa meg lassan a tanksapkát, engedje ki óvatosan a nyomást.
- Ne beltérben tankoljon. A nem elegendő mértékű légáramlás fulladás vagy szén-monoxid miatt egészségkárosodást, akár halált is okozhat.
- Húzza meg teljesen az üzemanyagtartály sapkáját. Ha az üzemanyagtartály sapkája nincs meghúzva, tűzveszélyt okozhat.
- Beindítás előtt vigye a terméket legalább 3 m távolságra a tankolás helyétől.
- Ne töltsen teljesen tele az üzemanyagtartályt. Hő hatására az üzemanyag tágul. Hagyjon egy kis helyet az üzemanyagtartály tetejénél.
- Soha ne tárolja a terméket épületen belül feltöltött üzemanyagtartállyal olyan esetben, ha gyújtóforrás, például bojler, fűtőegységek vagy ruhaszáritók vannak közelében. Körülzárt helyen történő tárolás előtt hagyja a motort lehűlni.

## Biztonsági utasítások a karbantartáshoz



**FIGYELMEZTETÉS:** A termék használata előtt olvassa el az alábbi figyelmeztetéseket.

- A motorból származó kipufogógázok szén-monoxidot tartalmaznak, amely szagtalan, mérgező, rendkívül veszélyes gáz. Ne indítsa be a motort beltérben vagy zárt helyen.
- A termék karbantartása előtt állítsa le a motort, és húzza ki a gyújtáskábel a gyújtógyertyából.
- A vágóeszközök karbantartásakor használjon védőkesztyűt. A kés nagyon éles, könnyen megvághatja magát.
- A gyártó által nem jóváhagyott tartozékok és változtatások súlyos sérülést vagy halált okozhatnak. Ne végezzen módosításokat a terméken. Csak a gyártó által jóváhagyott tartozékokat használjon.
- Ha a karbantartást nem megfelelően és rendszeresen végezték el, nő a termék sérülésének és károsodásának kockázata.
- Csak a felhasználói kézikönyvben megadott karbantartást végezze el. Minden egyéb szervizelés csak hivatalos Husqvarna szervizműhely végezhet.

- Végeztesse a termék rendszeres szervizelését hivatalos Husqvarna szervizműhellyel.

- A sérült, kopott vagy törött alkatrészt cserélje ki.

## Összeszerelés

### Bevezető



**FIGYELMEZTETÉS:** A termék összeszerelése előtt el kell olvasnia és meg kell értenie a biztonságról szóló fejezetet.



**FIGYELMEZTETÉS:** A termék összeszerelése előtt távolítsa el a gyújtógyertya kábelét a gyújtógyertyából.

### A fogantyú összeszerelése

**Megjegyzés:** Javasoljuk, hogy ezt az eljárást 2 személy végezze el.

**Megjegyzés:** A fogantyú összeszerelésekor ne vegye ki a terméket a dobozból. A dobozt használhatja a fogantyú megtámasztásához az összeszerelés során.

1. Emelje meg és forgassa el a fogantyút. (ábra 13)



**VIGYÁZAT:** Legyen óvatos, és ügyeljen arra, hogy a kábel ne sérüljön meg a fogantyú elforgatásakor.

2. Helyezze a fogantyút a termék tetejére. A fogantyú megtámasztásához döntse a fogantyút a doboz felé. Lásd az illusztrációt. (ábra 14)
3. Nyomja át a csavart (A) a fogantyún (B), a műanyag alátétén (C) és a fogantyú tartókonzólján (D). (ábra 15)
4. Húzza meg teljesen az anyát (E).
5. Vegye ki a terméket a dobozból.
6. Hajtsa ki a fogantyút a legfelső pozícióba. (ábra 16)
7. Állítsa a fogantyú magasságát a legalacsonyabb helyzetbe. Lásd: *A fogantyú beállítása 163. oldalon.*
8. A kábelrögzítő segítségével rögzítse a kábelt a fogantyú alsó részéhez. (ábra 17)
9. Csatlakoztassa a kábel alsó részét a fogantyú tartókonzóljához a kábelkötegelővel. Vágja le a kábelkötegelő fennmaradó részét. (ábra 18)

**Megjegyzés:** Ellenőrizze, hogy a kábel megfelelően van-e csatlakoztatva. Ha túl laza a kábel, az a kábel sérülését okozhatja a fűgyújtó felszerelésekor. (ábra 19)

### A fogantyú beállítása

1. Lazítsa meg az alsó csavarokat.
2. A gombokat a termék bal és jobb oldalán is csúsztassa a hornyok alsó végébe. (ábra 20)
3. Állítsa a fogantyú magasságát a két lehetséges pozíció egyikébe.
4. A gombokat ütközésig csúsztassa a fogantyú irányába, amíg egy kattánót nem hall. (ábra 21)
5. Teljesen húzza meg a gombokat.

### A termék szállítási pozícióba állítása

1. Amennyiben fel van helyezve, távolítsa el a fűgyújtót.
2. Lazítsa meg az alsó csavarokat.
3. A gombokat a termék bal és jobb oldalán is csúsztassa a hornyok alsó végébe. (ábra 20)
4. Hajtsa előre a fogantyút. (ábra 22)

### A termék működési pozícióba állítása

1. Hajtsa ki a fogantyút a legfelső pozícióba. (ábra 23)
2. A gombokat ütközésig csúsztassa a fogantyú irányába, amíg egy kattánót nem hall. (ábra 21)
3. Teljesen húzza meg a gombokat.

### A fűgyújtó doboz felszerelése

1. Rögzítse a fűgyújtó keretét a fűzsákban úgy, hogy a fűzsák merev része alul legyen. Ügyeljen arra, hogy a keret fogantyúja a zsák tetején kívülre essen. (ábra 24)
2. Rögzítse a fűzsákot a vázkerethez a kapcsokkal. (ábra 25)

## Üzemeltetés

### Bevezető



**FIGYELMEZTETÉS:** A termék működtetése előtt el kell olvasnia és meg kell értenie a biztonságról szóló fejezetet.

### Husqvarna Connect

A Husqvarna Connect egy ingyenes mobilalkalmazás. A Husqvarna Connect alkalmazás kibővített funkciókat biztosít Husqvarna termékéhez:

- Bővebb termékinformációk.
- Információk és segítség a termékkalkatrészekkel és a szervizeléssel kapcsolatban.

## A Husqvarna Connect használatának megkezdése

1. Töltse le a Husqvarna Connect alkalmazást mobilkészülékére.
2. Regisztráljon egy fiókot a Husqvarna Connect alkalmazásban.
3. A termék csatlakoztatásához és regisztrálásához kövesse a Husqvarna Connect alkalmazásban megjelenő utasításokat.

## A termék működtetése előtt

1. Olvassa el figyelmesen a használati utasítást, és győződjön meg róla, hogy megértette azt.
2. Vizsgálja meg a vágószerkezetet, hogy megbizonyosodjon róla, hogy megfelelően van rögzítve és beállítva. Lásd *A vágószerkezet ellenőrzése 166. oldalon.*
3. Töltse fel az üzemanyagtartályt. Lásd *Tankolás 164. oldalon.*
4. Töltse fel az olajtartályt, és ellenőrizze az olajszintet. Lásd *A motorolaj cseréje – 167. oldalon.*

## Tankolás

Ha elérhető, használjon környezetbarát/alkilát benzint. Ha környezetbarát/alkilát benzint nem áll rendelkezésre, használjon jó minőségű, legalább 90-es oktánszámú ólommentes vagy ólomtartalmú benzint.



**VIGYÁZAT:** Ne használjon 90 RON (87 AKI) oktánszámúnál gyengébb benzint. Ezzel kárt tehet a termékben.

1. Lassan nyissa ki az üzemanyagtartály sapkáját, hogy kiengedje a nyomást.
2. Töltsön fel lassan a tartályt az üzemanyagkannával. Ha kiömlött az üzemanyag, törölje le egy kendővel, és hagyja, hogy a megmaradt üzemanyag felszáradjon.
3. Tartsa tisztán az üzemanyagtartály sapkájának környékét.
4. Húzza meg teljesen az üzemanyagtartály sapkáját. Ha az üzemanyagtartály sapkája nincs meghúzva, tűzveszélyt okozhat.
5. Vigye legalább 3 m (10 láb) távolságra a terméket a tankolás helyétől, mielőtt beindítaná.

## A vágási magasság beállítása

1. Mozgassa a vágási magasságot szabályozó kart hátrafelé a vágási magasság növeléséhez.
2. Mozgassa a vágási magasságot szabályozó kart előrefelé a vágási magasság csökkentéséhez. (ábra 26)



**VIGYÁZAT:** Ne állítsa túl alacsonyra a vágási magasságot. A kések a talajba ütközhetnek, ha a pázsít felülete nem egyenes.

## A termék elindítása

1. Győződjön meg róla, hogy a gyújtáskábel csatlakozik a gyújtógyertyához.
2. Maradjon a termék mögött.
3. Húzza a fékkart a fogantyúhoz. (ábra 27)
4. Fogja meg a berántókötél fogantyúját jobb kézzel.
5. Lassan húzza ki a berántókötélet, amíg ellenállást nem érez.
6. Erőteljes mozdulattal rántsa be a motort.



**FIGYELMEZTETÉS:** Ne tekerje a berántókötélet a keze köré.

## A kerekeken levő meghajtó használata

- Indítsa el a kerekeken lévő meghajtót a fogantyú bal oldalán található fordulatszám-szabályozó karral. A fordulatszám-szabályozó kar előre mozdításával a fordulatszám növelhető, hátrafelé mozdításával pedig csökkenthető. (ábra 28)
- Mielőtt maga felé húzza a gépet, kapcsolja ki a meghajtást, és tolja előre a gépet kb. 10 cm-re.
- Engedje el a kerékhajtás kapcsoló kart, hogy kikapcsolja a meghajtást, például amikor akadály közelébe ér.

## A termék leállítása

- Csak a meghajtás leállításához engedje el a kerékhajtás kapcsoló kart.
- A motor leállításához engedje el a fékkart.

## A termék használata fűgyűjtővel



**FIGYELMEZTETÉS:** Ne működtesse a terméket, ha nincs felszerelve fűgyűjtő, vagy nincs lezárva a hátsó burkolat. A termék tárgyakat repíthet szét, amelyek a kezelő sérülését okozhatják.

1. Emelje fel a hátsó burkolatot, és távolítsa el a mulcsozódugót (ha be van helyezve). (ábra 29)
2. A fűgyűjtő összeszerelése, lásd: *A fűgyűjtő doboz felszerelése 163. oldalon.*
3. Helyezze a fűgyűjtőt a rögzítőkeretre.
4. Engedje el a hátsó burkolatot, és tegye a fűszák keretének tetejére. (ábra 30)

## A termék átállítása mulcsozási üzemmódra

A termék mulcsozási üzemmódba állítása előtt győződjön meg arról, hogy a motor le van-e állítva.

1. Emelje fel a hátsó burkolatot, és távolítsa el a fűgyűjtőt (ha fel van szerelve).
2. Helyezze a mulcsozó dugót a fűkibobó csatornába. (ábra 31)
3. Zárja le a hátsó burkolatot, és ellenőrizze, hogy szorosan a mulcsozó dugóhoz rögzül-e.

**Megjegyzés:** Mulcsozási üzemmódban a teljesítmény növeléséhez cserélje ki a kést a mulcsozókés tartozékra. Lásd: *A kés cseréje 166. oldalon*

## A termék átállítása oldalsó kidobás üzemmódra

1. Emelje fel a hátsó burkolatot, és távolítsa el a fűzsákot (ha be van helyezve).
2. Zárja le a hátsó burkolatot, és ellenőrizze, hogy szorosan a termékhez rögzül-e.
3. Emelje fel a kidobó reteszét. (ábra 32)
4. Nyissa fel az oldalsó kidobó burkolatot, és szerelje fel az oldalsó kidobóelterelőt a tartócsapokra. (ábra 33)
5. Hagyja az oldalsó kidobó burkolatát szorosan az oldalsó kidobóelterelőhöz rögzülni. A termék használata előtt ellenőrizze, hogy az oldalsó kidobóelterelő szorosan rögzült-e a helyén.

## A fűgyűjtő kiürítése



**VIGYÁZAT:** Emelje meg a fűgyűjtőt annak mozgatásakor, hogy elkerülje az elhasználódását.

1. A keret fogantyújánál fogva emelje fel a fűgyűjtőt.
2. A fűgyűjtő kiürítésekor használja a vázon és a zsákon található fogantyút. (ábra 34)

## Megfelelő eredmény elérése

- Használjon mindig éles kést. A tompa kés egyenetlen eredményt ad, és a fű vágási felülete megsárgul. Az éles kés egyben kevesebb energiát igényel, mint a tompa kés.
- Ne nyírjon le többet a fű hosszának  $\frac{1}{3}$ -ánál. A fűnyírás megkezdésekor használja a legmagasabb vágási magasságot. Vizsgálja meg az eredményt, és csökkentse a vágási magasságot egy megfelelő szintre. Ha nagyon magas a fű, lassan és szükség esetén 2-szer nyírjon.
- Minden alkalommal más irányban haladjon, hogy ne alakuljanak ki sávok a pázsiton.
- Emelje fel a hátsó burkolatot, és vegye ki a fűgyűjtőt.
- Ha van felszerelve mulcsozó dugó és mulcsozókés, szerelje le azokat.
- Zárja le a hátsó burkolatot, mielőtt használni kezdené a terméket. A termék használatakor a levágott fű a hátsó burkolat alatt ürül.
- Tartsa tisztán a vágóburkolatot. A vágóburkolat belső oldalán lerakódott fű és szennyeződés ronthatja a vágási eredményt. Lásd: *A vágóburkolat belső felületének tisztítása 166. oldalon.*

## Karbantartás

### Bevezetés



**FIGYELMEZTETÉS:** Karbantartás előtt el kell olvasnia és meg kell értenie a biztonságról szóló fejezetet.

A gépen végzett minden szerviz- és javítási munkát szakképzettséget igényel. Garantáljuk a professzionális javítások és szervizelés lehetőségét. Ha márkakereskedője nem szervizműhely, forduljon hozzájuk a legközelebbi szervizműhellyel kapcsolatban.

Részletesebb információért lásd: .

### Karbantartási terv



**VIGYÁZAT:** A termék megdöntésekor ügyeljen arra, hogy a levegőszűrő a termék felfelé néző oldalán, ne pedig a föld felé néző oldalán legyen. Fennáll a motor károsodásának veszélye.

A karbantartási intervallumok meghatározásakor a termék napi használatát feltételeztük. Az intervallum változik, ha a terméket nem napi rendszerességgel használja.

A \* szimbólummal jelölt karbantartási műveletekhez lásd a *Biztonsági eszközök a terméken 161. oldalon* című részben található utasításokat.

| Karbantartás  | Naponta | Hetente | Havonta |
|---|---------|---------|---------|
| Végezzen általános ellenőrzés   | X       |         |         |
| Ellenőrizze az olajsíntet   | X       |         |         |
| Tisztítsa meg a terméket  | X       |         |         |
| Ellenőrizze a vágószerkezetet   | X       |         |         |
| Ellenőrizze a vágóburkolatot *  | X       |         |         |
| Ellenőrizze a fékkart *   | X       |         |         |
| Ellenőrizze a késfékszabályozót *   | X       |         |         |
| Ellenőrizze a hangfogót *   |         | X       |         |
| Ellenőrizze a gyújtógyertyát  |         | X       |         |
| Cserélje ki az olajat (először 5 óra használat után, majd minden 50 óra használat után) |         |         | X       |
| Tisztítsa meg vagy cserélje ki a levegőszűrőt   |         |         | X       |
| Ellenőrizze az üzemenyagrendszert   |         |         | X       |

## Általános ellenőrzés

- Ellenőrizze, hogy az anyák és csavarok megfelelően meg vannak-e szorítva a terméken.

## A termék külső tisztítása

- Kéfével távolítsa el a leveleket, a fűvet és az egyéb szennyeződések.
- Győződjön meg róla, hogy a motor tetején levő levegőbeömlő nyílás nincs eltömődve.
- Ne használjon nagynyomású mosót a termék tisztításához.
- Ha vízzel tisztítja a terméket, ne irányítsa a vízsugarat közvetlenül a motorra.

## A vágóburkolat belső felületének tisztítása

- Úrítse ki a benzintartályt.
- Fordítsa a terméket az oldalára a hangfogóval lefelé.



**VIGYÁZAT:** Ha a terméket a légszűrővel lefelé fordítva állítja, a motor károsodhat.

- Mossa le vízzel a vágóburkolat belső felületét.

## A vágószerkezet ellenőrzése



**FIGYELMEZTETÉS:** A termék véletlen elindítását elkerülendő, húzza ki a gyújtáskábelt a gyújtógyertyából.



## FIGYELMEZTETÉS:

A vágószerkezet karbantartásakor használjon védőkesztyűt. A kés nagyon éles, könnyen megvághatja magát.

- Ellenőrizze a vágószerkezetet sérülés, repedés szempontjából. Mindig cserélje ki a sérült vágószerkezetet.
- Nézz meg a kést, hogy sérült-e vagy tompa-e.

**Megjegyzés:** A kés élezését követően ki kell egyensúlyozni. Végeztesse a kés élezését, cseréjét és kiegyensúlyozását szervizközponttal. Ha olyan akadályba ütközött, amely megállította a terméket, cserélje ki a sérült kést. Vizsgálta meg a szervizközpontban, hogy élezhető-e a kés, vagy pedig cserét igényel-e.

## A kés cseréje

- Rögzítse a kést egy fadarabbal. (ábra 35)
- Távolítsa el a késtartó csavart, a rugós alátétet és a kést. (ábra 36)
- Ellenőrizze, hogy a késtámasz és a késtartó csavar nem sérült-e meg.
  - a) A kés vagy a késtámasz cseréje esetén a késtartó csavart, a rugós alátétet és a súrlódótárcsát is ki kell cserélni.
- Ellenőrizze a motor tengelyét, hogy nincs-e meghajolva.
- Az új kés rögzítésekor ügyeljen arra, hogy a hajlítót végek a vágóburkolat felé nézzenek. (ábra 37)

- Helyezze a sűrítődótárcsát és a kést a késtámaszhoz. (ábra 38)
- Győződjön meg róla, hogy a kés igazodik-e a motortengely középpontjához. (ábra 39)
- Rögzítse a kést egy fadarabbal. (ábra 40)
- Helyezze fel a rugós alátétet, és húzza meg a csavart 43 – 47 Nm nyomatékkal. (ábra 41)
- Forgassa meg a kést kézzel, és figyelje, hogy szabadon forog-e.



### FIGYELMEZTETÉS:

Használjon védőkesztyűt. A kés nagyon éles, könnyen megvághatja magát.

- Indítsa be a terméket, hogy tesztelje a kést. Ha a kés nincs megfelelően rögzítve, a termékben rezgés tapasztalható, vagy a vágási eredmény nem kielégítő.

## Az olajsint ellenőrzése



**VIGYÁZAT:** Ha az olajsint túlságosan alacsony, kár keletkezhet a motorban. Ellenőrizze az olajsintet, mielőtt elindítja a terméket.

- Helyezze a terméket vízszintes talajra.
- Vegye le az olajtartály sapkáját és hozzárögzített nivópalcát.
- Törölje le a nivópalcáról az olajat.
- Nyomja a nivópalcát teljesen az olajtartályba, hogy pontos képet kapjon az olajsintről. Ne helyezze fel az olajtartály sapkáját.
- Vegye le az olajtartály sapkáját és hozzárögzített nivópalcát.
- Vizsgálja meg az olajsintet a nivópalcán.
- Ha az olajsint alacsony, tölts fel a tartályt motorolajjal, és ellenőrizze újra az olajsintet. (ábra 42)

**Megjegyzés:** Használjon egy tölcserőt az olaj melléomlásának megelőzéséhez.

- Helyezze fel az olajtartály sapkáját, ha az olajsint megfelelő.

## A motorolaj cseréje –



**FIGYELMEZTETÉS:** A motorolaj rendkívül forró közvetlenül a motor leállítása után. Várja meg, amíg lehűl a motor, mielőtt leereszti a motorolajat. Ha motorolaj kerül a bőrére, vízzel és szappannal mossa le.

(ábra 43)

- Használja a terméket addig, amíg kiürül az üzemanyagtartály.

- Húzza ki a gyújtáskábelt a gyújtógyertyából.
- Vegye le az olajtartály sapkáját és hozzárögzített nivópalcát.
- Tegyen egy tartályt a termék alá, hogy a motorolajat összegyűjtse.
- Döntse meg a terméket, vagy engedje le a motorolajat az olajtartályból egy olajszivattyú (tartozék) segítségével.
- Tölts fel az olajtartályt a(z) *Műszaki adatok 170. oldal*on részben ajánlott típusú, új motorolajjal.
- Ellenőrizze az olajsintet. Lásd: *Az olajsint ellenőrzése 167. oldal*on.
- Helyezze fel az olajtartály sapkáját, ha az olajsint megfelelő.

## A gyújtógyertya ellenőrzése



**VIGYÁZAT:** Használja mindig az előírt típusú gyújtógyertyát. A nem megfelelő gyújtógyertya károsíthatja a terméket.

- Ellenőrizze a gyújtógyertyát, ha gyenge a motor teljesítménye, nehezen indul, vagy egyenetlen az alapjárata.
- A gyújtógyertya elektródái közötti lerakódások kialakulásának csökkentése érdekében tartsa be az alábbi utasításokat:
  - gondoskodjon az alapjárat fordulatszám megfelelő beállításáról;
  - Gondoskodjon a megfelelő üzemanyag-keverékről.
  - Gondoskodjon a levegőszűrő tisztaságáról.
- Ha a gyújtógyertya piszkos, tisztítsa meg, és ellenőrizze, hogy a szikraköz megfelelő-e, lásd: *Műszaki adatok 170. oldal*on. (ábra 44)
- Szükség esetén cserélje ki a gyújtógyertyát.

## A levegőszűrő megtisztítása

A szennyezett levegőszűrő a motor sérülését vagy nem megfelelő működését okozhatja. Poros körülmények esetén gyakrabban végezze el a légtisztító karbantartását.

Lásd: *Karbantartási terv 165. oldal*on a levegőszűrő cseréjének szükségességével kapcsolatos információkat.

- Távolítsa el a levegőszűrő fedelét és a szűrőt.
- Tisztítsa ki a szűrőt, sima felülethez ütögetve. A levegőszűrő tisztításához ne használjon petróleumot vagy kerozint tartalmazó oldószert, illetve sűrített levegőt.

**Megjegyzés:** A hosszú ideje használt levegőszűrőket nem lehet teljes mértékben megtisztítani. A légszűrőt rendszeres időközönként

cserélje ki. A sérült levegőszűrőt mindig ki kell cserélni.

3. A levegőszűrő összeszerelésekor ügyeljen arra, hogy a szűrő szorosan illeszkedjen a szűrőtartóba.

## Az oldalsó kidobóelterelő ellenőrzése

Az oldalsó kidobóelterelő a termék oldalsó kidobónyílására van rögzítve. Csökkenti annak veszélyét, hogy a tárgyak a kezelő fűnyírási pozíciója felé repüljenek.

1. Ellenőrizze, hogy az oldalsó kidobóelterelő nem sérült-e.
2. Ellenőrizze az oldalsó kidobóelterelőt. Ellenőrizze, hogy nem lát-e sérüléseket, például nincsenek-e repedések, illetve nem törtek-e el az ajtó bezáródását biztosító rugók.
3. Ha az oldalsó kidobóelterelő vagy a rugók sérültek, cserélje ki őket.

## Az üzemenyagrendszer ellenőrzése

- Vizsgálja meg az üzemenyagtartály sapkáját és a sapka tömítését, hogy ellenőrizze, nincs-e megsérülve.
- Vizsgálja meg az üzemenyag-vezeteket, hogy ellenőrizze, nincs-e szivárgás. Ha az üzemenyag-vezeték sérült, cseréltesse ki egy szervizműhellyel.

## Az üzemenyagtartály leeresztése

1. Helyezzen egy tartályt az üzemenyagtartály alá.
2. Vegye le az üzemenyagtartály sapkáját.
3. Nyomja az üzemenyagtömlőn lévő tömlőbilincset a karburátor felé.
4. Távolítsa el az üzemenyagtömlőt a karburátorról.
5. Helyezze az üzemenyagtartály tömlőjét a tartályba, és távolítsa el a tömlőbilincset.
6. Döntse meg a terméket, hogy az üzemenyag a tartályba ürüljön.

## Az üzemenyagszűrő cseréje



**FIGYELMEZTETÉS:** Használjon védőkesztyűt.

1. Eressze le az üzemenyagtartályt.
2. Távolítsa el a tömlőbilincset az üzemenyagtartálytól. (ábra 45)
3. Vegye ki az üzemenyagtömlőt az üzemenyagtartályból. Egy kis üzemenyag kiszivároghat. (ábra 46)
4. Vegye ki az üzemenyagszűrőt az üzemenyagtartályból. (ábra 47)
5. Helyezzen be egy új üzemenyagszűrőt az üzemenyagtartályba.
6. Csatlakoztassa az üzemenyagtömlőt az üzemenyagtartályhoz.
7. Helyezze a tömlőbilincset helyére, az üzemenyagtartályhoz.

## A tengelykapcsoló bovden beállítása

A következő esetekben csökkenteni kell a tengelykapcsoló bovden hosszát:

- A kerékajtás nem kapcsol be a kerékajtás-kapcsoló kar vagy a sebességszabályozó kar meghúzásakor.
- A termék lassan mozog, amikor a kerékajtás be van kapcsolva.

A következő esetekben meg kell hosszabbítani a tengelykapcsoló bovden:

- A termék elmozdul, amikor a kerékajtás nincs bekapcsolva.
- Állítsa be a tengelykapcsoló bovden.
  - a) A tengelykapcsoló bovden hosszának csökkentéséhez fordítsa el a beállítócsavart az óramutató járásával ellentétes irányba.
  - b) A bovden meghosszabbításához fordítsa el a beállító csavart az óramutató járásával megegyező irányba. (ábra 48)

Ha a beállítás után a termék továbbra sem halad megfelelően, forduljon a szakszervizhez.

## Szállítás, tárolás és ártalmatlanítás

### Szállítás és raktározás

- A termék és az üzemenyag tárolásához és szállításához győződjön meg róla, hogy nincsenek szivárgások vagy gőzök. Szikra vagy nyílt láng, például elektromos készülékektől vagy kazánoktól, tüzet okozhat.
- Mindig engedélyezett tartályokat használjon az üzemenyag tárolására és szállítására.

- Ha a terméket hosszabb ideig tárolja, ürítse ki az üzemenyagtartályt. A felesleges üzemenyagot adja le egy erre kijelölt gyűjtőpontra.
- Biztonságosan rögzítse a terméket szállítás során, a sérülés és baleset elkerülése érdekében.
- Tartsa a terméket zárható helyen, ahol gyermek vagy jogosulatlan személy nem férhet hozzá.
- Tartsa a terméket száraz és fagymentes helyen.



## Hulladékkezelés

- Kövesse a helyi újrahasznosítási előírásokat és a vonatkozó szabályozásokat.
- A használt vagy felesleges vegyi anyagot, például a motorolajat vagy az üzemanyagot, adja le egy szervizközpontban vagy egy erre kijelölt gyűjtőponton.
- A már nem használt terméket, küldje vissza a Husqvarna kereskedőhöz, vagy adja le egy újrahasznosítási ponton.

# Műszaki adatok

## Műszaki adatok

|  |   |
|--|---|
|  | LC 356VP  |
| <b>Motor</b>   |   |
| Márka  | Honda   |
| Motormodell neve   | GCVx170   |
| Lökettérfogat, cm <sup>3</sup>                           | 166   |
| Fordulatszám, ford./perc                                 | 2800  |
| Névleges motorteljesítmény, kW <sup>56</sup>             | 3,1   |
| <b>Gyújtásrendszer</b>                                   |   |
| Gyújtógyertya  | NGK BPR5ES  |
| Elektródahézag, mm                                       | 0,75  |
| <b>Üzemanyag- és olajozási rendszer</b>                  |   |
| Üzemanyag, ólommentes, minimum oktánszám                 | 90  |
| Üzemanyagtartály űrtartalma, liter                       | 0,9   |
| Olajtartály űrtartalma, liter                            | 0,4   |
| Motorolaj <sup>57</sup>                                  | Husqvarna SAE 30, Husqvarna SAE 5W-30 szintetikus, Husqvarna SAE 10W-40 |
| <b>Tömeg</b>   |   |
| Üres tartályokkal, kg                                    | 35,1  |
| <b>Zajkibocsátás<sup>58</sup></b>                        |   |
| Hangteljesítményszint, mért dB (A) érték                 | 98  |
| Hangteljesítményszint, garantált, L <sub>WA</sub> dB (A) | 98  |
| <b>Zajszintek<sup>59</sup></b>                           |   |
| Hangnyomásszint a felhasználó fülénél, dB (A)            | 86  |

<sup>56</sup> A motor feltüntetett névleges teljesítménye az adott motormodell tipikus legyártott motorjának a J1349/ISO1585 sz. SAE-szabvány szerint mért átlagos nettó teljesítménye (a megadott fordulatszám mellett). A sorozatgyártott motorok esetén ez az érték eltérő lehet. A végső termékbe épített motor tényleges leadott teljesítménye az üzemi fordulatszámtól, a környezeti körülményektől és egyéb értékektől függ.

<sup>57</sup> API SJ vagy jobb minőségű motorolajat használjon. Ha SAE-30 típusú olajat használnak +5 °C alatti hőmérsékleten, fennáll a kockázata, hogy az nem képes biztosítani a motor megfelelő kenését. Ez a motor sérülését okozhatja. Az alacsony hőmérséklet mellett alkalmazandó megfelelő olajtípusra vonatkozóan lásd: *A motorolaj cseréje – 167. oldalon*. Tekintse meg a viszkozitási táblázatot a motor kézikönyvében (ha mellékelve van), és válassza a várható kinti hőmérsékletnek leginkább megfelelő viszkozitást.

<sup>58</sup> A környezetben a 2000/14/EK sz. EK irányelvvvel összhangban hangteljesítményként mért zajkibocsátás (L<sub>WA</sub>).

<sup>59</sup> A zajnyomásszintre vonatkozó jelentési adatok az 1,2 dB (A) tipikus statisztikus ingadozásával (szórásával) rendelkeznek.

|                                    |                                  |
|------------------------------------|----------------------------------|
|                                    | <b>LC 356VP</b>                  |
| <b>Rezgésszintek</b> <sup>60</sup> |                                  |
| Fogantyú, m/s <sup>2</sup>         | 5,9                              |
| <b>Vágófelszerelés</b>             |                                  |
| Vágási magasság, mm                | 25–75                            |
| Vágószélesség, mm                  | 560                              |
| Vágórendszer                       | Gyűjtés/BioClip®/oldalsó kidobás |
| Kés – standard                     | 598562701 kollekció              |
| Kés – tartozék                     | 598563601 mulcsozó               |
| <b>Meghajtás</b>                   |                                  |
| Sebesség, km/óra                   | 3–4,5                            |

<sup>60</sup> A rezgésszintre vonatkozó jelentési adatok a 0,2 m/s<sup>2</sup> tipikus statisztikus ingadozásával (szórásával) rendelkeznek.

# Megfelelőségi nyilatkozat

## EU megfelelési nyilatkozat

A **Husqvarna AB**, SE-561 82 Huskvarna, Sweden (tel.: +46-36-146500), a saját felelősségére kijelenti, hogy a termék:

|                     |                                |
|---------------------|--------------------------------|
| <b>Leírás</b>       | Fűnyíró                        |
| <b>Márka</b>        | Husqvarna                      |
| <b>Típus/modell</b> | LC 356VP                       |
| <b>Megjelölés</b>   | 2022-as és újabb sorozatszámok |

teljes mértékben megfelelnek a következő EU-irányelveknek és szabályozásoknak:

| <b>Szabályozás</b> | <b>Leírás</b>   |
|--------------------|---|
| 2006/42/EK         | „gépre vonatkozó”   |
| 2014/30/EU         | „elektromágneses megfelelésre vonatkozó”  |
| 2000/14/EK         | „környezeti zajkibocsátásra vonatkozó”  |
| 2011/65/EU         | „az egyes veszélyes anyagok elektromos és elektronikus berendezésekben való alkalmazásának korlátozására vonatkozó” |

valamint hogy az alábbi szabványok és/vagy műszaki előírások kerültek alkalmazásra: EN ISO 5395-1:2013/A1:2018, EN ISO 5395-2:2013/A1:2016/A2:2017, EN ISO 14982:2009, EN IEC 63000:2018

Bejelentett tanúsítási szervezet: A(z) 0404, RISE SMP Svensk Maskinprovning AB, Box 4053, SE-904 03 Umeå, Sweden igazolja a Bizottság 2000/14/EK jelű irányelve VI., megfelelésértékelési eljárás című függelékének való megfelelést.

A zajkibocsátásra vonatkozó tájékoztatást illetően tekintse át a következőt: *Műszaki adatok 170. oldalon.*

Huskvarna, 2022-10-20



Claes Losdal, Fejlesztési Igazgató/Kertművelési termékek, Husqvarna AB

A műszaki dokumentációk felelőse



---

# Sommario

---

|                   |     |  |     |
|-------------------|-----|--|-----|
| Introduzione..... | 173 | Manutenzione.....                        | 180 |
| Sicurezza.....    | 174 | Trasporto, stoccaggio e smaltimento..... | 183 |
| Montaggio.....    | 177 | Dati tecnici.....                        | 184 |
| Utilizzo.....     | 178 | Dichiarazione di conformità.....         | 186 |

---

## Introduzione

---

### Descrizione del prodotto

Il prodotto è un rasaerba rotativo con operatore a piedi. Montare il raccogliherba per raccogliere l'erba. Montare il deflettore di scarico laterale per lo scarico laterale dell'erba. Agganciare un kit di pacciamatura per tagliare l'erba da utilizzare come fertilizzante.

### Panoramica del prodotto

(Fig. 1)

1. Manubrio
2. Impugnatura del freno motore
3. Impugnatura di comando
4. Impugnatura della fune di avviamento
5. Coperchio posteriore
6. Raccogliherba
7. Manopole per l'altezza dell'impugnatura
8. Leva dell'altezza di taglio
9. Tappo dell'olio
10. Coperchio di scarico laterale
11. Marmitta
12. Candela
13. Tappo del serbatoio del carburante
14. Simboli
15. Coperchio di taglio
16. Filtro dell'aria
17. Leva di controllo del regime
18. Deflettore laterale
19. Tappo per mulching (accessorio)
20. Manuale operatore

### Simboli riportati sul prodotto

(Fig. 2) **AVVERTENZA!** Prestare attenzione e utilizzare il prodotto correttamente. Il prodotto può causare gravi lesioni o morte dell'operatore o altre persone.

(Fig. 3) Prima dell'uso, leggere per intero il manuale dell'operatore e accertarsi di aver compreso le istruzioni.

(Fig. 4) Prestare attenzione a oggetti lanciati o rimbalzati.

### Uso previsto

Utilizzare il prodotto per tagliare l'erba. Non utilizzare il prodotto per altre attività.

(Fig. 5) Mantenere le persone e gli animali a una distanza di sicurezza dalla zona di lavoro.

(Fig. 6) **Avvertenza:** Tenere mani e piedi lontani dalla lama rotante.

(Fig. 7) **Avvertenza:** Tenere le mani e i piedi lontani dalle parti rotanti.

(Fig. 8) Arrestare il motore e rimuovere il cavo di accensione prima di effettuare interventi di riparazione o manutenzione.

(Fig. 9) Il prodotto è conforme alle direttive CE vigenti.

(Fig. 10) Questo prodotto è conforme alle direttive del Regno Unito vigenti.

(Fig. 11) Emissioni di rumore nell'ambiente in conformità alle direttive e alle norme UE e UK e alla norma del Nuovo Galles del Sud in materia di protezione dell'ambiente "Protection of the Environment Operations (Noise Control) Regulation 2017". Il livello di potenza sonora garantito del prodotto è specificato in *Dati tecnici alla pagina 184* nonché sull'etichetta.

---

**Nota:** I restanti simboli/decalcomanie sul prodotto riguardano particolari requisiti necessari per ottenere la certificazione in determinate aree commerciali.

---

### Danni al prodotto

Non siamo responsabili dei danni al prodotto se:

- Il prodotto viene riparato in modo errato.

- Il prodotto viene riparato con parti che non provengono o non sono omologate dal produttore.
- Il prodotto contiene un accessorio che non proviene o non è omologato dal produttore.
- Il prodotto non viene riparato presso un centro di assistenza autorizzato o presso un'autorità competente.

## Emissioni Euro V



**AVVERTENZA:** La manomissione del motore rende nulla l'omologazione UE del prodotto.

## Sicurezza

### Definizioni di sicurezza

Le avvertenze, le precauzioni e le note sono utilizzate per evidenziare le parti importanti del manuale.



**AVVERTENZA:** Utilizzato se è presente un rischio di lesioni o morte dell'operatore o di passanti nel caso in cui le istruzioni del manuale non vengano rispettate.



**ATTENZIONE:** Utilizzato se è presente un rischio di danni al prodotto, ad altri materiali oppure alla zona adiacente nel caso in cui le istruzioni del manuale non vengano rispettate.

**Nota:** Utilizzato per fornire ulteriori informazioni necessarie in una determinata situazione.

### Istruzioni di sicurezza generali



**AVVERTENZA:** Leggere le seguenti avvertenze prima di utilizzare il prodotto.

- Questo prodotto è pericoloso se utilizzato in maniera impropria o se non si presta attenzione. La mancata osservanza delle istruzioni di sicurezza può causare lesioni anche fatali.
- Durante il funzionamento, questo prodotto genera un campo elettromagnetico. Tale campo può interferire, in alcuni casi, con persone portatrici di impianti medici attivi o passivi. Per ridurre il rischio di condizioni che possono implicare lesioni gravi o mortali, i portatori di tali impianti devono consultare il proprio medico e il produttore dell'impianto prima di utilizzare questo prodotto.
- Usare la massima cautela e il buon senso. Se non si è sicuri di come utilizzare il prodotto in una particolare situazione, fermarsi e rivolgersi al proprio rivenditore Husqvarna prima di continuare.
- Tenere presente che l'operatore potrà essere ritenuto responsabile di eventuali incidenti che coinvolgono altre persone o i loro beni.

- Tenere pulito il prodotto. Assicurarsi che sia possibile leggere chiaramente simboli e decalcomanie.
- Non consentire ad altre persone di utilizzare il prodotto se non si è sicuri che abbiano letto e compreso il contenuto del Manuale dell'operatore.
- Non consentire ai bambini di utilizzare il prodotto.
- Tenere i bambini lontani dall'area di lavoro. È necessaria sempre la supervisione di un adulto responsabile.
- Non permettere a chiunque non conosca le istruzioni di utilizzare il prodotto.
- Controllare sempre qualsiasi persona, dalle capacità fisiche o mentali ridotte, che utilizzi il prodotto. È necessaria sempre la supervisione di un adulto responsabile.
- Non utilizzare il prodotto quando si è stanchi, ammalati o sotto effetto di alcool, farmaci o medicinali. Essi potrebbero compromettere la vista, l'attenzione, il coordinamento e il giudizio.
- Non utilizzare un prodotto danneggiato o che non funzioni correttamente.
- Non modificare il prodotto né utilizzarlo nel caso in cui vi sia la possibilità che sia stato modificato da altri.
- Non modificare la regolazione per il controllo del regime motore.

### Sicurezza dell'area di lavoro



**AVVERTENZA:** Leggere le seguenti avvertenze prima di utilizzare il prodotto.

- Rimuovere oggetti quali rami, ramoscelli o pietre dall'area di lavoro prima di utilizzare il prodotto.
- Gli oggetti che urtano contro l'attrezzatura di taglio potrebbero essere proiettati e causare danni a cose e persone. Mantenere persone e animali a una distanza di sicurezza dal prodotto.
- Non utilizzare mai il prodotto in condizioni meteorologiche avverse quali nebbia, pioggia, vento forte, freddo intenso e rischio di fulmini. L'uso del prodotto in condizioni meteorologiche avverse o in ambienti umidi è stancante. Condizioni meteorologiche avverse possono causare situazioni di pericolo quali superfici scivolose.
- Prestare attenzione a persone, cose e situazioni che possono impedire un utilizzo sicuro del prodotto.

- Prestare attenzione a ostacoli quali radici, pietre, ramoscelli, fossi e avvallamenti. L'erba alta può nascondere eventuali ostacoli.
- Tagliare l'erba in pendenza può risultare pericoloso. Non utilizzare il prodotto su terreni con pendenze superiori a 15°.
- Utilizzare il prodotto trasversalmente lungo i pendii. Non spostarsi seguendo tragitti verso l'alto e verso il basso.
- Prestare attenzione in prossimità di angoli e oggetti nascosti che potrebbero ostacolare la visuale.
- Non sollevare mai il prodotto a motore avviato. Se si deve sollevare il prodotto, arrestare innanzitutto il motore e scollegare il cavo di accensione dalla candela.
- Non camminare all'indietro quando si utilizza il prodotto.
- Arrestare il motore quando si attraversano zone prive d'erba quali vialetti in ghiaia, pietra e asfalto.
- Non correre con il prodotto quando il motore è acceso. Camminare sempre durante l'utilizzo del prodotto.
- Spegnerne il motore prima di apportare qualsiasi modifica all'altezza di taglio. Non effettuare mai regolazioni a motore acceso.
- Non perdere mai di vista il prodotto quando il motore è acceso. Arrestare il motore e assicurarsi che l'attrezzatura di taglio non giri.

## Sicurezza sul lavoro



**AVVERTENZA:** Leggere le seguenti avvertenze prima di utilizzare il prodotto.

- Utilizzare il prodotto esclusivamente per tagliare il prato. Non è consentito utilizzare il prodotto per altri scopi.
- Usare sempre abbigliamento protettivo personale. Vedere *Abbigliamento protettivo personale alla pagina 175*.
- Assicurarsi di saper spegnere il motore rapidamente in caso di emergenza.
- Non avviare il motore in uno spazio chiuso o in prossimità di materiali infiammabili. I fumi di scarico del motore sono molto caldi e possono contenere scintille in grado di provocare incendi.
- Non azionare il prodotto senza aver montato correttamente la lama e tutti i coperchi. Una lama non correttamente fissata potrebbe allentarsi e causare lesioni personali.
- Assicurarsi che la lama non urti oggetti quali pietre e radici. Ciò potrebbe provocare danni alla lama e piegare l'albero motore. Un'asse piegato provoca forti vibrazioni e un alto rischio di allentamento della lama.
- Qualora la lama urti contro un oggetto o all'insorgere di vibrazioni arrestare immediatamente il prodotto. Staccare il cavo di accensione dalla candela. Verificare la presenza di eventuali danni al prodotto. Riparare eventuali danni o contattare un'officina autorizzata per far svolgere la riparazione.
- Non fissare l'impugnatura del freno motore in modo permanente al manubrio quando il motore è avviato.
- Posizionare il prodotto su una superficie piana e stabile e avviarlo. Assicurarsi che la lama non venga a contatto con il terreno o con altri oggetti.
- Collocarsi sempre posteriormente al prodotto quando lo si utilizza.
- Consentire a tutte le ruote di restare a contatto con il suolo e tenere le 2 mani sull'impugnatura mentre si aziona il prodotto. Tenere mani e piedi lontani dalle lame rotanti.
- Non ribaltare il prodotto a motore acceso.
- Prestare attenzione quando si tira il prodotto verso di sé.

## Istruzioni di sicurezza per il funzionamento

### Abbigliamento protettivo personale



**AVVERTENZA:** Leggere le seguenti avvertenze prima di utilizzare il prodotto.

- L'uso di abbigliamento protettivo personale non elimina il rischio di lesioni, ma ne riduce la gravità in caso di incidente. Farsi consigliare dal rivenditore per la scelta dell'attrezzatura adatta.
- Utilizzare protezioni per le orecchie se il livello di rumore è superiore a 85 dB.
- Utilizzare robusti stivali o scarpe antiscivolo. Non utilizzare il prodotto con calzature aperte o a piedi nudi.
- Utilizzare pantaloni lunghi di tessuto pesante.
- Indossare guanti protettivi ove necessario, ad esempio per montare, ispezionare o pulire l'attrezzatura di taglio.

### Dispositivi di sicurezza sul prodotto



**AVVERTENZA:** Leggere le seguenti avvertenze prima di utilizzare il prodotto.

- Non utilizzare un prodotto usando dispositivi di sicurezza danneggiati o che non funzionano correttamente.
- Effettuare regolarmente un controllo dei dispositivi di sicurezza. Se i dispositivi di sicurezza sono danneggiati o non funzionano correttamente, rivolgersi al centro di assistenza Husqvarna.
- Non apportare modifiche ai dispositivi di sicurezza.

### Controllo del coperchio di taglio

Il coperchio di taglio riduce le vibrazioni del prodotto e il rischio di ferirsi con la lama.

- Esaminare il coperchio di taglio per accertarsi che non presenti danni quali crepe.

### Controllo dell'impugnatura del freno motore

L'impugnatura del freno motore arresta il motore. Quando si rilascia l'impugnatura del freno motore, il motore si arresta.

- Avviare il motore, quindi rilasciare l'impugnatura del freno motore. Se il motore non si arresta entro 3 secondi, far regolare il freno motore presso un'officina Husqvarna autorizzata. (Fig. 12)

### Controllo del coperchio posteriore

Il deflettore posteriore riduce il rischio che gli oggetti vengano scagliati nella direzione dell'operatore.

- Assicurarsi che il coperchio posteriore non sia danneggiato.
- Assicurarsi che le molle che chiudono il coperchio posteriore non siano danneggiate.
- Sostituire le molle e le parti danneggiate.
- Assicurarsi che il coperchio posteriore possa muoversi agevolmente sulle cerniere.

### Marmitta

La marmitta assicura il minimo livello di rumorosità e allontana i fumi di scarico dall'operatore.

Non utilizzare il prodotto se la marmitta è mancante o danneggiata. Una marmitta danneggiata aumenta il livello acustico e il rischio di incendio.



**AVVERTENZA:** La marmitta si surriscalda durante e dopo l'uso e quando il motore funziona al regime minimo. Prestare attenzione in prossimità di materiali infiammabili e/o fumi per evitare incendi.

### Controllo della marmitta

- Esaminare la marmitta periodicamente per assicurarsi che sia collegata correttamente e che non sia danneggiata.

### Sicurezza per l'uso del carburante



**AVVERTENZA:** Leggere le seguenti avvertenze prima di utilizzare il prodotto.

- Non avviare il prodotto nel caso in cui vi sia carburante o olio motore su di esso. Rimuovere il carburante/olio indesiderato e lasciare che il prodotto si asciughi.
- In caso di perdite di carburante sugli indumenti, cambiarsi immediatamente.
- Il carburante non deve arrivare a contatto con il corpo, poiché può causare lesioni. In caso di

contatto del carburante con il corpo, rimuoverlo con acqua e sapone.

- Non avviare il prodotto se il motore presenta una perdita. Esaminare regolarmente il motore per verificare la presenza di eventuali perdite.
- Prestare la massima attenzione con il carburante. Il carburante è infiammabile e i fumi sono esplosivi quindi possono causare lesioni o morte.
- Non respirare i fumi del carburante perché possono causare lesioni. Accertarsi che ci sia un flusso d'aria sufficiente.
- Non fumare in prossimità del carburante o del motore.
- Non posizionare oggetti caldi in prossimità del carburante o del motore.
- Non aggiungere carburante a motore acceso.
- Assicurarsi che il motore sia freddo prima di effettuare il rifornimento.
- Prima di effettuare il rifornimento, aprire lentamente il tappo del serbatoio del carburante e rilasciare la pressione con cautela.
- Non aggiungere carburante al motore in un ambiente chiuso. Un flusso d'aria insufficiente può causare lesioni o la morte dovute ad asfissia o al monossido di carbonio.
- Stringere a fondo il tappo del serbatoio del carburante. Se il tappo del serbatoio del carburante non è serrato, vi è il rischio di incendio.
- Prima dell'avviamento, spostare il prodotto di almeno 3 m/10 ft dal punto in cui è stato riempito il serbatoio del carburante.
- Non riempire completamente il serbatoio del carburante. Il calore provoca l'espansione del carburante. Lasciare dello spazio nella parte superiore del serbatoio del carburante.
- Non riporre il prodotto con il carburante nel serbatoio in una rimessa in cui siano presenti fonti di ignizione, come riscaldatori per acqua calda, elementi di riscaldamento o abiti. Far raffreddare il motore prima del rimessaggio al chiuso.

### Istruzioni di sicurezza per la manutenzione



**AVVERTENZA:** Leggere le seguenti avvertenze prima di utilizzare il prodotto.

- I fumi di scarico del motore contengono monossido di carbonio, un gas inodore, velenoso e altamente pericoloso. Non avviare il motore in ambienti o spazi chiusi.
- Prima di eseguire la manutenzione del prodotto, arrestare il motore e rimuovere il cavo di accensione dalla candela.
- Indossare guanti protettivi quando si esegue la manutenzione dell'attrezzatura di taglio. La lama è molto affilata e ci si può ferire facilmente.



- Accessori e modifiche apportate al prodotto che non siano stati approvati dal costruttore possono causare infortuni gravi, anche fatali. Non apportare modifiche al prodotto. Utilizzare sempre accessori approvati dal produttore.
- Se la manutenzione non viene eseguita correttamente e con regolarità, aumenta il rischio di lesioni personali e danni al prodotto.
- Eseguire esclusivamente gli interventi di manutenzione riportati nel presente manuale. Tutti gli altri interventi di manutenzione devono essere svolti da un'officina Husqvarna autorizzata.
- Rivolgersi a un'officina Husqvarna autorizzata per far svolgere regolarmente interventi di manutenzione sul prodotto.
- Sostituire le parti danneggiate, usurate o rotte.

## Montaggio

### Introduzione



**AVVERTENZA:** Prima di assemblare il prodotto, leggere e comprendere il capitolo sulla sicurezza.



**AVVERTENZA:** Rimuovere il cavo della candela dalla candela prima di assemblare il prodotto.

### Montaggio dell'impugnatura

**Nota:** Si consiglia di eseguire questa procedura in 2 persone.

**Nota:** Non rimuovere il prodotto dalla scatola quando si monta l'impugnatura. La scatola può essere utilizzata come supporto durante il montaggio.

1. Sollevare e ruotare l'impugnatura. (Fig. 13)



**ATTENZIONE:** Fare attenzione e assicurarsi che il cavo non si danneggi quando si ruota l'impugnatura.

2. Posizionare l'impugnatura sulla parte superiore del prodotto. Inclinare l'impugnatura verso la scatola come supporto. Fare riferimento alla figura. (Fig. 14)
3. Spingere la vite (A) attraverso l'impugnatura (B), la rondella in plastica (C) e la staffa di supporto dell'impugnatura (D). (Fig. 15)
4. Serrare completamente il dado (E).
5. Rimuovere il prodotto dalla scatola.
6. Ripiegare l'impugnatura in posizione eretta. (Fig. 16)
7. Impostare l'altezza dell'impugnatura sulla posizione più bassa. Fare riferimento a *Regolazione dell'impugnatura alla pagina 177*.
8. Fissare il cavo sulla parte inferiore dell'impugnatura con il fermacavo. (Fig. 17)
9. Fissare la parte inferiore del cavo sulla staffa di supporto dell'impugnatura con la fascetta stringicavo. Tagliare la parte rimanente della fascetta stringicavo. (Fig. 18)

**Nota:** Assicurarsi che il cavo sia fissato correttamente. Se il cavo è troppo lasco può danneggiarsi quando il raccogliherba è installato. (Fig. 19)

### Regolazione dell'impugnatura

1. Allentare le manopole inferiori.
2. Spostare le manopole verso l'estremità inferiore delle scanalature dei lati sinistro e destro del prodotto. (Fig. 20)
3. Impostare l'altezza dell'impugnatura su una delle 2 posizioni disponibili.
4. Spostare le manopole verso l'alto in direzione dell'impugnatura fino a quando un clic ne segnala l'arresto. (Fig. 21)
5. Stringere completamente le manopole.

### Per predisporre il prodotto in posizione di trasporto

1. Rimuovere il raccogliherba, se installato.
2. Allentare le manopole inferiori.
3. Spostare le manopole verso l'estremità inferiore delle scanalature dei lati sinistro e destro del prodotto. (Fig. 20)
4. Ripiegare l'impugnatura in avanti. (Fig. 22)

### Per fissare il prodotto in posizione di funzionamento

1. Ripiegare l'impugnatura in posizione eretta. (Fig. 23)
2. Spostare le manopole verso l'alto in direzione dell'impugnatura fino a quando un clic ne segnala l'arresto. (Fig. 21)
3. Stringere completamente le manopole.

### Per assemblare il raccogliherba

1. Fissare il telaio del raccogliherba al relativo sacco con la parte rigida di quest'ultimo posta in basso. Tenere l'impugnatura del telaio all'esterno del lato superiore del sacco. (Fig. 24)
2. Fissare il sacco per l'erba al telaio utilizzando i fermi. (Fig. 25)

## Introduzione



**AVVERTENZA:** Prima di utilizzare il prodotto, è necessario leggere e comprendere il capitolo relativo alla sicurezza.

## Husqvarna Connect

Husqvarna Connect è un'app gratuita per i dispositivi mobili. L'app Husqvarna Connect fornisce funzioni estese per il prodotto Husqvarna:

- Informazioni aggiuntive sul prodotto.
- Dettagli, guida, parti del prodotto e manutenzione.

## Primo utilizzo Husqvarna Connect

1. Scaricare l'app Husqvarna Connect sul proprio dispositivo mobile.
2. Registrarsi nell'app Husqvarna Connect.
3. Attenersi alle istruzioni dell'app Husqvarna Connect per collegare e registrare il prodotto.

## Prima di utilizzare il prodotto

1. Leggere il Manuale dell'operatore con attenzione e accertarsi di averne compreso il contenuto.
2. Esaminare l'attrezzatura di taglio per assicurarsi che sia correttamente collegata e regolata. Vedere *Per controllare l'attrezzatura di taglio alla pagina 181*.
3. Riempire il serbatoio del carburante. Vedere *Rifornimento del carburante alla pagina 178*.
4. Riempire il serbatoio dell'olio ed effettuare il controllo del livello dell'olio. Vedere *Cambio dell'olio motore alla pagina 181*.

## Rifornimento del carburante

Se disponibile, utilizzare benzina alchilata/a basso livello di emissioni. Se non è disponibile benzina alchilata/a basso livello di emissioni, utilizzare una benzina senza piombo di buona qualità o una benzina contenente piombo con un numero di ottani non inferiore a 90.



**ATTENZIONE:** Non utilizzare mai benzina con un numero di ottani inferiore a 90 RON (87 AKI). Ciò può causare danni al prodotto.

1. Aprire lentamente il tappo del serbatoio del carburante per rilasciare la pressione.
2. Riempire lentamente il serbatoio con una tanica di carburante. Se si versa del carburante, rimuoverlo con un panno e lasciare asciugare eventuali residui.

3. Pulire l'area intorno al tappo del serbatoio del carburante.
4. Stringere a fondo il tappo del serbatoio del carburante. Se il tappo del serbatoio del carburante non è serrato, vi è il rischio di incendio.
5. Prima dell'avviamento, spostare il prodotto di almeno 3 m (10 ft) dal punto in cui è stato riempito il serbatoio del carburante.

## Per impostare l'altezza di taglio

1. Per aumentare l'altezza di taglio, spingere la leva dell'altezza di taglio all'indietro.
2. Per diminuire l'altezza di taglio, spingere la leva dell'altezza di taglio in avanti. (Fig. 26)



**ATTENZIONE:** Non impostare l'altezza di taglio troppo in basso. Se la superficie del prato non è piana, le lame possono urtare il terreno.

## Per avviare il prodotto

1. Accertarsi che il cavo di accensione sia collegato alla candela.
2. Collocarsi dietro il prodotto.
3. Tenere l'impugnatura del freno motore contro il manubrio. (Fig. 27)
4. Tenere l'impugnatura della fune di avviamento con la mano destra.
5. Estrarre lentamente l'impugnatura della fune di avviamento fino a che non si avverte una leggera resistenza.
6. Tirare con forza per avviare il motore.



**AVVERTENZA:** Non avvolgere la fune di avviamento intorno alla mano.

## Per applicare trazione alle ruote

- Avviare la trazione alle ruote con la leva di controllo del regime sul lato sinistro dell'impugnatura. Spostare la leva di controllo del regime in avanti per aumentare la velocità del motore e all'indietro per diminuirla. (Fig. 28)
- Prima di tirare il prodotto verso di sé, disinnestare la trazione e spingere il prodotto in avanti di circa 10 cm.
- Rilasciare l'impugnatura di comando per disinnestare la trazione, ad esempio quando ci si avvicina a un ostacolo.

## Per arrestare il prodotto

- Per arrestare la sola trazione, rilasciare l'impugnatura di comando.
- Per spegnere il motore, rilasciare l'impugnatura del freno motore.

## Utilizzo del prodotto con il raccogliherba



**AVVERTENZA:** Non utilizzare il prodotto senza aver installato un raccogliherba o senza aver chiuso il coperchio posteriore. Gli oggetti possono essere scagliati e causare lesioni all'operatore.

1. Sollevare il coperchio posteriore e rimuovere la spina di pacciamatura, se installata. (Fig. 29)
2. Montare il raccogliherba, fare riferimento a *Per assemblare il raccogliherba alla pagina 177*.
3. Posizionare il raccogliherba sulla staffa.
4. Rilasciare il coperchio posteriore e appoggiarlo sul lato superiore del telaio del sacco per l'erba. (Fig. 30)

## Passaggio del prodotto alla modalità di pacciamatura

Assicurarsi che il motore sia spento prima di passare il prodotto alla modalità di pacciamatura.

1. Sollevare il coperchio posteriore e rimuovere il raccogliherba, se installato.
2. Inserire il tappo per mulching nel canale di scarico. (Fig. 31)
3. Chiudere il coperchio posteriore e accertarsi che sia chiuso saldamente sulla spina di pacciamatura.

**Nota:** Per aumentare le prestazioni nella modalità mulching, sostituire la lama con l'accessorio lama per pacciamatura. Fare riferimento a *Per sostituire la lama alla pagina 181*

## Passaggio del prodotto alla modalità di scarico laterale

1. Sollevare il coperchio posteriore e rimuovere il sacco per l'erba, se installato.
2. Chiudere il coperchio posteriore e accertarsi che sia chiuso saldamente sul prodotto.

3. Sollevare il blocco di scarico. (Fig. 32)
4. Aprire la protezione dello scarico laterale e installare il deflettore di scarico laterale sui perni di supporto. (Fig. 33)
5. Lasciare che la protezione di scarico laterale aderisca al deflettore di scarico laterale. Accertarsi che il deflettore di scarico laterale sia fissato in posizione prima di azionare il prodotto.

## Svuotamento del raccogliherba



**ATTENZIONE:** Sollevare il raccogliherba quando lo si sposta per evitare che si usuri.

1. Sollevare il raccogliherba utilizzando l'impugnatura del telaio.
2. Utilizzare l'impugnatura del telaio e quella del sacco quando si svuota il raccogliherba. (Fig. 34)

## Per ottenere un buon risultato

- Utilizzare sempre una lama ben affilata. Una lama non tagliente fornisce un risultato irregolare e la superficie di taglio dell'erba ingiallisce. Una lama affilata inoltre consuma minore energia di una lama affilata.
- Non tagliare più di  $\frac{1}{3}$  dell'altezza dell'erba. Applicare l'altezza di taglio massima quando si inizia a tagliare l'erba. Esaminare il risultato e ridurre l'altezza di taglio al livello applicabile. Se l'erba è molto alta, procedere lentamente e tagliarla 2 volte, se necessario.
- Tagliare sempre in direzioni diverse per evitare il formarsi di strisce sul prato.
- Sollevare il coperchio posteriore e rimuovere il raccogliherba.
- Se sono collegati un tappo e una lama mulching, rimuoverli.
- Chiudere il coperchio posteriore prima di azionare il prodotto. Durante l'utilizzo del prodotto, l'erba tagliata si scarica sotto il coperchio posteriore.
- Mantenere pulito il coperchio di taglio. L'accumulo di erba e sporcizia sul lato interno del coperchio di taglio può ridurre il risultato del taglio. Fare riferimento a *Per pulire la superficie interna del coperchio di taglio alla pagina 180*.

# Manutenzione

## Introduzione



**AVVERTENZA:** Prima di svolgere la manutenzione, leggere e comprendere il capitolo relativo alla sicurezza.

Per tutti gli interventi di assistenza e riparazione sul prodotto, è necessaria una formazione specifica. La nostra azienda garantisce la disponibilità di personale qualificato per le riparazioni e l'assistenza. Se non avete acquistato il prodotto presso un rivenditore dotato di officina, informatevi sull'ubicazione della più vicina officina autorizzata.

Per ulteriori informazioni dettagliate, fare riferimento a .

## Programma di manutenzione



**ATTENZIONE:** Accertarsi che il filtro dell'aria sia in alto e non a terra quando si inclina il prodotto. Rischio di avarie al motore.

Gli intervalli di manutenzione sono calcolati sulla base di un uso quotidiano del prodotto. Gli intervalli cambiano se il prodotto non viene usato quotidianamente.

Per gli interventi di manutenzione contrassegnati con il simbolo \*, vedere le istruzioni in *Dispositivi di sicurezza sul prodotto alla pagina 175*.

| Manutenzione   | Giornaliera | Una volta a settimana | Una volta al mese |
|--|-------------|-----------------------|-------------------|
| Svolgere un'ispezione generale   | X           |                       |                   |
| Controllare il livello dell'olio   | X           |                       |                   |
| Pulire il prodotto   | X           |                       |                   |
| Controllare l'attrezzatura di taglio   | X           |                       |                   |
| Controllare il coperchio di taglio *   | X           |                       |                   |
| Esaminare l'impugnatura del freno motore *   | X           |                       |                   |
| Esaminare il comando del freno della lama *  | X           |                       |                   |
| Controllare la marmitta *  |             | X                     |                   |
| Controllare la candela   |             | X                     |                   |
| Cambiare l'olio (la prima volta dopo 5 ore di funzionamento, successivamente dopo ogni 50 ore) |             |                       | X                 |
| Pulire o sostituire il filtro dell'aria  |             |                       | X                 |
| Controllare il sistema di alimentazione  |             |                       | X                 |

## Ispezione generale

- Controllare che tutti i dadi e le viti del prodotto siano serrati correttamente.

## Per pulire esternamente il prodotto

- Utilizzare una spazzola per rimuovere foglie, erba e sporczia.
- Assicurarsi che la presa d'aria nella parte superiore del motore non sia ostruita.
- Non utilizzare una lancia ad alta pressione per pulire il prodotto.
- Se si utilizza dell'acqua per pulire il prodotto, non versare l'acqua direttamente sul motore.

## Per pulire la superficie interna del coperchio di taglio

- Svuotare il serbatoio del carburante.
- Collocare il prodotto su un lato con la marmitta rivolta verso il basso.



**ATTENZIONE:** Se il prodotto è stato collocato con il filtro dell'aria rivolto verso il basso, il motore potrebbe danneggiarsi.

- Lavare la superficie interna del coperchio di taglio con acqua.

## Per controllare l'attrezzatura di taglio



**AVVERTENZA:** Per evitare l'avviamento accidentale del prodotto, rimuovere il cavo di accensione dalla candela.



**AVVERTENZA:** Indossare guanti protettivi quando si esegue la manutenzione dell'attrezzatura di taglio. La lama è molto affilata e ci si può ferire facilmente.

1. Controllare l'attrezzatura di taglio per individuare danni o crepe. Sostituire sempre l'attrezzatura di taglio danneggiata.
2. Osservare la lama per controllare che non sia danneggiata o usurata.

**Nota:** Dopo l'affilatura la lama deve essere bilanciata. Rivolgersi a un centro assistenza per l'affilatura, la sostituzione e il bilanciamento. Se si urta un ostacolo che provoca l'arresto del prodotto, sostituire la lama danneggiata. Il centro di assistenza può valutare se la lama può essere affilata o deve essere sostituita.

## Per sostituire la lama

1. Bloccare la lama con un blocco di legno. (Fig. 35)
2. Rimuovere il bullone della lama, la rondella elastica e la lama. (Fig. 36)
3. Controllare il supporto e il bullone della lama per verificare che non vi siano danni.
  - a) Se si sostituisce la lama o il supporto della lama, sostituire anche il bullone, la rondella elastica e la rondella di attrito.
4. Esaminare l'albero motore per accertarsi che non sia piegato.
5. Quando si monta la nuova lama, assicurarsi che le estremità inclinate puntino in direzione del coperchio di taglio. (Fig. 37)
6. Far aderire la rondella di attrito e la lama al supporto della lama. (Fig. 38)
7. Assicurarsi che la lama si allinei con il centro dell'albero motore. (Fig. 39)
8. Bloccare la lama con un blocco di legno. (Fig. 40)
9. Montare la rondella elastica e serrare il bullone a una coppia di 43 – 47 Nm. (Fig. 41)
10. Girare manualmente la lama per verificare che possa ruotare liberamente.



**AVVERTENZA:** Usare guanti protettivi. La lama è molto affilata e ci si può ferire facilmente.

11. Avviare il prodotto per eseguire una prova della lama. Se la lama non è collegata correttamente, si verificano delle vibrazioni nel prodotto o il risultato del taglio è insoddisfacente.

## Controllo del livello dell'olio



**ATTENZIONE:** Se il livello dell'olio è troppo basso si possono verificare danni al motore. Controllare il livello dell'olio prima di avviare il prodotto.

1. Posizionare il prodotto su un terreno in piano.
2. Rimuovere il tappo del serbatoio dell'olio con l'annessa asta di livello.
3. Pulire l'olio dall'astina di livello.
4. Inserire completamente l'asta di livello all'interno del serbatoio dell'olio per avere un'immagine corretta del livello dell'olio. Non mettere il tappo del serbatoio dell'olio.
5. Rimuovere il tappo del serbatoio dell'olio con l'annessa asta di livello.
6. Controllare il livello dell'olio sull'asta di livello.
7. Se il livello dell'olio è basso, rabboccare con olio motore ed eseguire nuovamente un controllo del livello dell'olio. (Fig. 42)

**Nota:** Utilizzare un imbuto per evitare fuoriuscite.

8. Montare il tappo del serbatoio dell'olio quando il livello dell'olio è corretto.

## Cambio dell'olio motore



**AVVERTENZA:** L'olio motore è molto caldo subito dopo lo spegnimento del motore. Lasciare che il motore si raffreddi prima di scaricare l'olio motore. Se si versa accidentalmente dell'olio motore sulla pelle, lavare con acqua e sapone.

(Fig. 43)

1. Azionare il prodotto fino a quando il serbatoio carburante è vuoto.
2. Rimuovere il cavo di accensione dalla candela.
3. Rimuovere il tappo del serbatoio dell'olio con l'annessa asta di livello.
4. Posizionare un recipiente sotto il prodotto per raccogliervi l'olio motore.
5. Inclinare il prodotto o scaricare l'olio motore dal serbatoio dell'olio con una pompa dell'olio (accessoria).
6. Riempire con nuovo olio motore del tipo raccomandato in *Dati tecnici alla pagina 184*.

- Eseguire il controllo del livello dell'olio. Fare riferimento a *Controllo del livello dell'olio alla pagina 181*.
- Montare il tappo del serbatoio dell'olio quando il livello dell'olio è corretto.

## Controllo della candela



**ATTENZIONE:** Usare candele originali o del tipo raccomandato. Un tipo di candela errato può danneggiare il prodotto.

- Controllare la candela nel caso in cui il motore giri a bassa potenza, risulti difficile da avviare o non funzioni correttamente al regime minimo.
- Per ridurre il rischio di materiale superfluo sugli elettrodi della candela, osservare le seguenti istruzioni:
  - Accertarsi che il regime minimo sia regolato correttamente.
  - Accertarsi che la miscela sia corretta.
  - Accertarsi che il filtro dell'aria sia pulito.
- Se la candela è incrostata, pulirla e controllare che la distanza tra gli elettrodi sia corretta; vedere *Dati tecnici alla pagina 184*. (Fig. 44)
- Sostituire la candela secondo necessità.

## Pulizia del filtro dell'aria

Un filtro dell'aria sporco può causare danni al motore e impedirne il corretto funzionamento. Eseguire la manutenzione del filtro dell'aria con maggiore frequenza in caso di utilizzo in ambienti polverosi.

Fare riferimento a *Programma di manutenzione alla pagina 180* per informazioni su come sostituire il filtro dell'aria.

- Rimuovere il coperchio del filtro dell'aria e il filtro.
- Pulire il filtro battendolo contro una superficie piana. Non usare solventi con petrolio, cherosene o aria compressa per pulire il filtro.

**Nota:** I filtri dell'aria utilizzati per lungo tempo non possono essere puliti completamente. Sostituire il filtro dell'aria a intervalli regolari. I filtri dell'aria danneggiati devono essere sempre sostituiti.

- Quando si monta il filtro dell'aria, accertarsi che sia completamente inserito nel portafiltro.

## Controllo del deflettore di scarico laterale

Il deflettore di scarico laterale è collegato all'apertura di scarico laterale del prodotto. Esso riduce i rischi di lancio di oggetti verso la posizione di taglio dell'operatore.

- Assicurarsi che il deflettore di scarico laterale non sia danneggiato.

- Esaminare il deflettore di scarico laterale. Accertarsi che non presenti danni, come crepe o molle danneggiate che spingono lo sportello a chiudersi.
- Sostituire il deflettore di scarico laterale o le molle se sono danneggiati.

## Per controllare il sistema di alimentazione

- Esaminare il tappo del serbatoio del carburante e la relativa guarnizione di tenuta per verificare che non vi siano danni.
- Esaminare il tubo pescante per accertarsi che non presenti perdite. Se il tubo pescante è danneggiato, farlo sostituire presso un'officina.

## Drenaggio del serbatoio del carburante

- Collocare un contenitore sotto il serbatoio del carburante.
- Rimuovere il tappo del serbatoio del carburante.
- Spingere le clip sul tubo del carburante contro il carburatore.
- Rimuovere il tubo dal carburatore.
- Posizionare il tubo del serbatoio del carburante nel contenitore e rimuovere le clip.
- Inclinare il prodotto e far fuoriuscire il carburante nel contenitore.

## Sostituzione del filtro del carburante



**AVVERTENZA:** Usare guanti protettivi.

- Svuotare il serbatoio del carburante.
- Allontanare la clip tubo dal serbatoio del carburante. (Fig. 45)
- Rimuovere il tubo pescante dal serbatoio del carburante. Può fuoriuscire una piccola quantità di carburante. (Fig. 46)
- Rimuovere il filtro del carburante dal serbatoio del carburante. (Fig. 47)
- Montare un nuovo filtro carburante nel serbatoio del carburante.
- Collegare il tubo pescante al serbatoio del carburante.
- Posizionare la clip tubo contro il serbatoio del carburante.

## Per regolare il filo della frizione

Nelle situazioni di seguito riportate, è necessario accordare il filo della frizione:

- la trazione delle ruote non si avvia quando si tira la staffa di azionamento o la leva di controllo del regime;

- il prodotto si muove lentamente quando si avvia la trazione delle ruote.

Nelle situazioni di seguito riportate, è necessario allungare il filo della frizione:

- il prodotto si muove senza aver avviato la trazione delle ruote.
- Regolare il filo della frizione.

- a) Per accorciare il filo della frizione, avvitare in senso antiorario la vite di regolazione.
- b) Per allungare il filo della frizione, avvitare la vite di regolazione in senso orario. (Fig. 48)

Se il prodotto continua ad avere problemi di trazione, contattare il centro di assistenza.

---

## Trasporto, stoccaggio e smaltimento

---

### Trasporto e conservazione

- Per trasportare e conservare il prodotto e il carburante, accertarsi che non vi siano perdite o fumi. Scintille o fiamme aperte, provocate ad esempio da dispositivi elettrici o caldaie, possono innescare un incendio.
- Utilizzare sempre contenitori approvati per la conservazione e il trasporto del carburante.
- Svuotare il serbatoio del carburante prima di riporre il prodotto per un lungo periodo di tempo. Smaltire il carburante presso un apposito centro di smaltimento
- Fissare in sicurezza il prodotto durante il trasporto per evitare danni o incidenti.
- Conservare il prodotto in un'area chiusa a chiave per impedire l'accesso a bambini o persone non autorizzate.
- Conservare il prodotto in un luogo asciutto e al riparo dal gelo.

### Smaltimento

- Rispettare le norme locali sul riciclaggio e le normative vigenti.
- Smaltire tutte le sostanze chimiche, quali olio motore o carburante, presso un centro assistenza o un centro di smaltimento applicabili.
- Quando il prodotto non è più in uso, inviarlo a un rivenditore Husqvarna o smaltirlo presso un impianto di riciclo.

---

## Dati tecnici

---

### Dati tecnici

|  |   |
|--|---|
|  | <b>LC 356VP</b>   |
| <b>Motore</b>  |   |
| Marchio  | Honda   |
| Nome modello motore  | GCVx170   |
| Cilindrata, cm <sup>3</sup>                                      | 166   |
| Velocità, giri/min   | 2800  |
| Potenza nominale motore, kW <sup>61</sup>                        | 3,1   |
| <b>Impianto di accensione</b>                                    |   |
| Candela  | NGK BPR5ES  |
| Distanza tra gli elettrodi, mm                                   | 0,75  |
| <b>Carburante e sistema di lubrificazione</b>                    |   |
| Carburante, benzina senza piombo, numero di ottani minimo        | 90  |
| Capacità del serbatoio carburante, litri                         | 0,9   |
| Capacità del serbatoio olio, litri                               | 0,4   |
| Olio motore <sup>62</sup>  | Husqvarna SAE 30, Husqvarna SAE 5W-30 Sintetico, Husqvarna SAE 10W-40 |
| <b>Peso</b>  |   |
| Con serbatoi vuoti, kg   | 35,1  |
| <b>Emissioni di rumore</b> <sup>63</sup>                         |   |
| Livello di potenza acustica, misurato dB(A)                      | 98  |
| Livello acustico, garantito L <sub>WA</sub> dB(A)                | 98  |
| <b>Livelli di rumorosità</b> <sup>64</sup>                       |   |
| Livello di pressione acustica all'orecchio dell'operatore, dB(A) | 86  |

<sup>61</sup> La potenza nominale del motore indicata corrisponde alla potenza netta media (al rapporto giri/min specificato) di un tipico motore in fase di produzione per il modello di motore misurato dalla normativa SAE J1349/ISO 1585. I motori per produzione di massa potrebbero presentare un valore diverso da questo. La potenza effettiva del motore installato nel prodotto finale dipende dalla velocità di funzionamento, dalle condizioni ambientali e da altri valori.

<sup>62</sup> Utilizzare olio motore di qualità API SJ o superiore. Se l'olio SAE-30 viene utilizzato a temperature inferiori a +5 °C, vi è il rischio che non lubrifici sufficientemente il motore. Ciò può causare danni al motore. Fare riferimento a *Cambio dell'olio motore alla pagina 181* per informazioni sull'olio corretto da utilizzare in presenza di basse temperature. Fare riferimento alla tabella delle viscosità riportata nel manuale del motore (laddove incluso) e selezionare la migliore viscosità in base alla temperatura esterna prevista.

<sup>63</sup> Emissioni di rumore nell'ambiente misurate come potenza sonora (L<sub>WA</sub>) in base alla direttiva CE 2000/14/CE.

<sup>64</sup> I dati riportati per il livello di pressione acustica hanno una dispersione statistica tipica (deviazione standard) di 1,2 dB(A).



|  |  |
|--|--|
|  | <b>LC 356VP</b>                        |
| <b>Livelli di vibrazioni</b> <sup>65</sup> |  |
| Impugnatura, m/s <sup>2</sup>              | 5,9                                    |
| <b>Attrezzatura di taglio</b>              |  |
| Altezza di taglio, mm                      | 25-75                                  |
| Larghezza di taglio, mm                    | 560                                    |
| Sistema di taglio                          | Raccolta / BioClip® / Scarico laterale |
| Lama - standard                            | Raccolta 598562701                     |
| Lama - accessorio                          | Lama di pacciamatura 598563601         |
| <b>Trazione</b>                            |  |
| Velocità, km/h                             | 3,0 - 4,5                              |

<sup>65</sup> I dati riportati per il livello di vibrazioni presentano una dispersione statistica tipica (deviazione standard) di 0,2 m/s<sup>2</sup>.

# Dichiarazione di conformità

## Dichiarazione di conformità UE

Husqvarna AB, SE-561 82 Huskvarna, Svezia, tel.:  
+46-36-146500, dichiara sotto la propria esclusiva  
responsabilità che il prodotto indicato:

|                        |  |
|------------------------|--|
| <b>Descrizione</b>     | Tagliaerba                                     |
| <b>Marchio</b>         | Husqvarna                                      |
| <b>Tipo / Modello</b>  | LC 356VP                                       |
| <b>Identificazione</b> | Numeri di serie a partire da 2022 e successivi |

È pienamente conforme alle seguenti norme e direttive  
UE:

| <b>Regolamento</b> | <b>Descrizione</b>   |
|--------------------|--|
| 2006/42/CE         | "sulle macchine"   |
| 2014/30/UE         | "sulla compatibilità elettromagnetica"   |
| 2000/14/CE         | "sull'emissione di rumore nell'ambiente"   |
| 2011/65/UE         | "sulle restrizioni dell'uso di determinate sostanze pericolose nelle apparecchiature elettriche ed elettroniche" |

e che sono applicati gli standard e/o le specifiche  
tecniche seguenti: EN ISO 5395-1:2013/A1:2018,  
EN ISO 5395-2:2013/A1:2016/A2:2017, EN ISO  
14982:2009, EN IEC 63000:2018

Organo competente: 0404, RISE SMP Svensk  
Maskinprovning AB, Box 4053, SE-904 03 Umeå,  
Sweden ha certificato la conformità alla Direttiva del  
Consiglio 2000/14/CE, procedura di valutazione della  
conformità: Allegato VI

Per informazioni sulle emissioni acustiche, fare  
riferimento a *Dati tecnici alla pagina 184*.

Huskvarna, 2022-10-20



Claes Lossdal, Responsabile sviluppo/Prodotti da  
giardino, Husqvarna AB

Responsabile della documentazione tecnica



## 目次

|                      |     |               |     |
|----------------------|-----|---------------|-----|
| はじめに.....            | 187 | メンテナンス.....   | 193 |
| 安全性.....             | 188 | 搬送、保管、廃棄..... | 196 |
| 組立.....              | 191 | 主要諸元.....     | 197 |
| Operation( 操作 )..... | 191 | 適合宣言.....     | 199 |

## はじめに

### 製品の説明

本製品は、手押し式ロータリー芝刈機です。刈った芝を集めるには、グラスキャッチャーを取り付けます。芝を横に排出するには、サイドディスチャージデフレクターを取り付けます。刈った芝を肥料にするにはマルチキットを取り付けてください。

### 製品の概要

(図 1)

1. ハンドルバー
2. エンジンブレーキハンドル
3. ドライブベイル
4. スターターロープハンドル
5. 後部カバー
6. グラスキャッチャー
7. ハンドル高さノブ
8. 刈高調整レバー
9. オイルキャップ
10. サイドディスチャージカバー
11. マフラー
12. スパークプラグ
13. 燃料タンクキャップ
14. シンボルマーク
15. カuttingカバー
16. エアフィルター
17. スピードコントロールレバー
18. サイドデフレクター
19. マルチプラグ ( 別売り )
20. 取扱説明書

### 製品に表記されるシンボルマーク

- (図 2) 警告！十分に注意し、本製品を正しく使用してください。本製品により、作業者や付近にいる人が重傷を負う、または死亡するおそれがあります。
- (図 3) この取扱説明書をよくお読みになり、内容をしっかりと把握したうえで、使用してください。
- (図 4) 飛び散ったり跳ね返ってくる物体に気を付けてください。

### 用途

本製品は芝刈り用です。他の作業に本製品を使用しないでください。

- (図 5) 作業領域からは人や動物との安全な距離を保ってください。
- (図 6) 警告：回転しているブレードに手や足を近づけないでください。
- (図 7) 警告：回転部品に手や足を近づけないでください。
- (図 8) 修理やメンテナンスを行う前に、エンジンを切り、イグニッションケーブルを外してください。
- (図 9) この製品は EC 指令適合製品です。
- (図 10) 本製品の保証音響レベルは次の場所とラベルに記載されています：
- (図 11) 環境に対する騒音レベルは EC 指令と英国の指令および規制、ニューサウスウェールズの法規「Protection of the Environment Operations ( Noise Control ) Regulation 2017」に準拠しています。本製品の保証音響レベルは次の場所とラベルに記載されています： *主要諸元 197* ページ。

**注記：** 本製品に付いている他のシンボル / 銘板は、一部の商業地域に向けた認定条件を示します。

### 製品の損傷

以下の場合、当社は製品の損傷について責任を負いません。

- 本製品が誤って修理された場合。
- メーカーによるものではない部品、またはメーカーの認可していない部品を使用して本製品を修理した場合。

- ・ メーカーによるものではないアクセサリ、またはメーカーの認可していないアクセサリを本製品に使用した場合。
- ・ 認定サービスセンターまたは認定販売店で本製品が修理されていない場合。

## ユーロ V 排出規制



**警告：** エンジンを改造すると、この製品の EC 型式認証が無効になります。

## 安全性

### 安全性の定義

警告、注意、注記は、取扱説明書の特に重要な部分を示しています。



**警告：** 取扱説明書の指示に従わない場合、使用者が負傷したり、死亡したりするか、あるいは付近の人に損傷を与える危険があることを意味します。



**注意：** 取扱説明書の指示に従わない場合、製品や他の物品、または隣接するエリアに損傷を与える危険があることを意味します。

**注記：** 特定の状況で必要とされる詳細情報を提供するために使用されます。

### 一般的な安全注意事項



**警告：** 本製品を使用する前に、以下の警告指示をお読みください。

- ・ 本製品は、慎重かつ適切に使用しないと、危険な道具となります。安全注意事項に従わないと、負傷や死亡事故が発生するおそれがあります。
- ・ 本製品では、運転中に電磁場が発生します。この電磁場は、ある条件下でアクティブ、またはパッシブな医療用インプラントに影響を及ぼすことがあります。深刻な傷害または致命傷の危険を避けるため、医療用インプラントを使用している方は、本製品を使用する前に主治医および医療用インプラントの製造元に相談することをお勧めします。
- ・ 常に常識に基づいて注意して使用してください。特殊な状況での本製品の操作方法がわからない場合、作業を続ける前に本製品を停止して、Husqvarna 販売店までご連絡ください。
- ・ 第三者やその所有物が事故に巻き込まれた場合、その責任は、作業員にあることをご留意ください。
- ・ 本製品は清潔に保ってください。標識やラベルがはっきりと読み取れるようにしてください。
- ・ 取扱説明書を読んで内容を理解した人のみ本製品を使用させてください。
- ・ 子供に本製品を操作させないでください。
- ・ 子供を作業エリアに近づけないでください。責任を有する大人が常にそばにいる必要があります。
- ・ 指示を理解していない人に本製品を操作させないでください。



**警告：** 本製品を使用する前に、以下の警告指示をお読みください。

- ・ 本製品を使用する前に、大小の枝や石などの物体を作業範囲から取り除いてください。
- ・ カutting装置にぶつかった物体がはじかれて、人が怪我をしたり物が損傷したりするおそれがあります。本製品から周囲の人や動物との安全な距離を保ってください。
- ・ 霧、雨、強風、極寒、雷の危険などの悪天候下で本製品を使用しないでください。悪天候下や、湿気のある場所、濡れた場所で本製品を使用すると疲労します。悪天候の場合、路面が滑りやすくなるなど、危険な状態を引き起こすことがあります。
- ・ 製品の安全な操作を妨げる可能性がある人、物、状況に注意してください。
- ・ 根、石、小枝、窪み、溝などの障害物に注意してください。長い芝の中に障害物が隠れていることがあります。
- ・ 斜面で芝を刈ることは危険を伴います。15 度を超える斜面では、本製品を使用しないでください。
- ・ 斜面を横切りながら本製品を操作してください。上下に移動しないでください。
- ・ 陰になった隅や視界を遮るものに近づくときは気を付けてください。

### 安全な作業



**警告：** 本製品を使用する前に、以下の警告指示をお読みください。

- ・ 本製品は芝生刈りにのみ使用してください。他の作業には使用できません。

- 身体保護具を使用してください。使用者の身体保護具 189 ページを参照してください。
- 緊急時にエンジンをすばやく停止する方法を必ず確認してください。
- 閉鎖された空間または可燃性物質の近くでエンジンを始動しないでください。エンジンの排気ガスは高温で火花を含むことがあり、火災発生の原因となります。
- ブレードやすべてのカバーを適切に装着してから本製品を始動させてください。ブレードが適切に装着されていないと、緩んで、怪我をすることがあります。
- ブレードが石や根などの物体にぶつからないように気を付けてください。ブレードが損傷したり、エンジンシャフトが曲がったりするおそれがあります。シャフトが曲がると振動が激しくなり、ブレードが緩む危険性が非常に高くなります。
- ブレードが物に当たったり振動が発生したりした場合は、すぐに本製品を停止してください。スパークプラグからイグニッションケーブルを外してください。製品に損傷がないか点検します。損傷部を修復するが、正規サービス代理店に修理を依頼してください。
- エンジンの始動時は、エンジンブレーキハンドルをハンドルに完全に固定しないでください。
- 製品を平らで安定した面に置き、始動します。ブレードが地面やその他の物に触れないよう、注意してください。
- 本製品の操作時は、必ず製品の後ろに立ってください。
- 製品を操作するときは、すべてのホイールを地面につけ、両手でハンドルをつかんで操作してください。回転しているブレードに手や足を近づけないでください。
- エンジンの作動中は、本製品を傾けないでください。
- 製品を後方に引くときは注意してください。
- エンジンの作動中は、本製品を持ち上げないでください。エンジンを持ち上げる必要がある場合は、最初にエンジンを停止し、スパークプラグからイグニッションケーブルを取り外してください。
- 本製品を操作するときは、後ろ向きに歩かないでください。
- 砂利、石、アスファルトなど、芝面以外の領域を横切るときは、エンジンを停止してください。
- エンジンの作動中は、本製品を操作しながら走らないでください。製品を操作するときは、必ず歩いてください。
- 刈高を変更する場合は、まずエンジンを停止してください。エンジンが作動している状態での調整は決して行わないでください。
- エンジンが作動している状態で、見えない場所に製品を放置しないでください。エンジンを停止し、カッティング装置が回転していないことを確認してください。

## 操作のための安全注意事項

### 使用者の身体保護具



**警告：** 本製品を使用する前に、以下の警告指示をお読みください。

- 身体保護具で怪我を完全に防止できるわけではありませんが、万が一事故が起こった場合、負傷の度合いを軽減することができます。適切な保護具の選択については、販売店にご相談ください。
- 騒音レベルが 85 dB を超える場合は、イヤマフを使用してください。
- 丈夫で滑りやすいブーツや靴を着用してください。開放部の多い靴を使用したり、裸足で作業を行ったりしないでください。
- 厚手の長ズボンを着用してください。
- カッティング装置の取り付け、点検、清掃を行う場合は、必要に応じて保護グローブを着用してください。

### 本製品の安全装置



**警告：** 本製品を使用する前に、以下の警告指示をお読みください。

- 損傷している、または正しく動作していない安全装置を取り付けた状態で、製品を使用しないでください。
- 安全装置は定期的な点検してください。安全装置が損傷している、または正しく動作していない場合は、Husqvarna サービス代理店にお問い合わせください。
- 安全装置は改造しないでください。

### カッティングカバーの点検方法

カッティングカバーは、本製品の振動を抑え、ブレードで負傷する危険性を低減します。

- カッティングカバーを点検して、亀裂などの損傷がないことを確認してください。

### エンジンブレーキハンドルの点検

エンジンブレーキハンドルは、エンジンを停止させるためのものです。エンジンブレーキハンドルを放すと、エンジンが停止します。

- エンジンを始動して、エンジンブレーキハンドルを放します。エンジンが 3 秒で停止しない場合は、Husqvarna の認証サービス代理店にエンジンブレーキの調整を依頼してください。(図 12)

### リヤカバーの点検

リヤデフレクターは、物体が作業の方の方に飛び危険を低減します。

- リヤカバーに損傷がないことを確認します。

- リヤカバーを閉じるスプリングに損傷がないことを確認します。
- 損傷したスプリングおよび部品を交換します。
- リヤカバーがヒンジ上でスムーズに動くことを確認します。

## マフラー

マフラーは騒音レベルを最小限に抑え、排気ガスを作業者から遠ざける働きをします。

マフラーがない、または損傷している場合は、本製品を使用しないでください。マフラーに損傷があると、騒音レベルと火災発生の危険が増加します。



**警告：** 使用中、使用直後およびエンジンがアイドリング速度で稼働しているときはマフラーが高温になります。可燃性の材料やガスの近くでは火災に注意してください。

## マフラーの点検方法

- マフラーを定期的に点検して、正しく取り付けられているか、損傷していないかを確認してください。

## 燃料の安全性について



**警告：** 本製品を使用する前に、以下の警告指示をお読みください。

- 本機に燃料やエンジンオイルが付着している場合は始動しないでください。付着した燃料やオイルを本機から拭き取り、乾かしてください。
- 衣服に燃料をこぼした場合は、すぐに着替えてください。
- 燃料が身体に付着しないようにしてください。燃料により負傷するおそれがあります。身体に燃料が付着した場合は、石鹸と水で燃料を洗い流してください。
- エンジンに漏れがある場合は、本機を始動しないでください。エンジンに漏れがないかを定期的に点検してください。
- 燃料に注意してください。燃料は可燃性で気体は爆発性のため、負傷や死亡に至るおそれがあります。
- 酸化した燃料を吸引しないでください。負傷するおそれがあります。十分な空気の流れを確保してください。
- 燃料やエンジンのそばで喫煙しないでください。
- 燃料やエンジンのそばに温かい物を置かないでください。
- エンジンの運転中は燃料を給油しないでください。

- 燃料の給油は、エンジンが冷えてから行ってください。
- 燃料を給油する前に、燃料タンクのキャップをゆっくりと開き、慎重に圧力を解放してください。
- 屋内でエンジンに燃料を補充しないでください。通気が十分でないと、窒息や一酸化炭素中毒によって負傷や死亡に至ることがあります。
- 燃料タンクキャップを完全に締め込んでください。燃料タンクキャップが締め込まれていない場合、火災発生の危険があります。
- 始動する前に、燃料を充填した場所から本製品を 3 m (10 フィート) 以上移動させます。
- 燃料タンクいっぽいに充填しないでください。高温になると、燃料が膨張します。燃料タンクの上部に余裕を持たせるようにしてください。
- 燃料タンクに燃料が入った製品は、温水ヒーター、スペースヒーター、乾燥機などの発火源が存在する建物内に保管しないでください。保管場所に入れる前にエンジンを冷やしてください。

## メンテナンスのための安全注意事項



**警告：** 本製品を使用する前に、以下の警告指示をお読みください。

- エンジンの排気ガスには、無臭で有毒な危険性の高いガスである一酸化炭素が含まれます。屋内または閉鎖された空間でエンジンを始動しないでください。
- 本製品のメンテナンスを実施する前に、エンジンを停止し、スパークプラグからイグニッションケーブルを取り外してください。
- カutting装置のメンテナンスを実施するときは、保護グローブを使用してください。ブレードは非常に鋭利なため、切り傷を負う危険性があります。
- メーカーが認可していないアクセサリーの使用や本製品の改造は、重傷や死亡事故の原因となるおそれがあります。本製品を改造しないでください。必ず、メーカー認可済みのアクセサリーを使用してください。
- メンテナンスが正しく定期的実施されていない場合は、負傷や本製品の損傷の危険性が高まります。
- 取扱説明書に記載されているメンテナンスのみを実施してください。他のすべてのサービス作業は、Husqvarna の認証サービス代理店が実施する必要があります。
- Husqvarna の認証サービス代理店で定期的に本製品のサービス作業を実施する必要があります。
- 損傷、摩耗、破損した部品は交換してください。

## 組立

### はじめに



**警告：** 本製品を組み立てる前に、安全に関する章をお読みになり、内容を理解してください。



**警告：** 本製品を組み立てる前に、スパークプラグからスパークプラグケーブルを取りはずしてください。

### ハンドルの組み立て

**注記：** この手順は 2 人で行うことを推奨します。

**注記：** ハンドルを組み立てる際に、ボックスから本製品を取り出さないでください。ボックスは、組み立て時にハンドルを支えるために使用できます。

1. ハンドルを持ち上げて回転させます。(図 13)



**注意：** ハンドルを回転させる際に、ケーブルが損傷しないよう注意してください。

2. ハンドルを本製品の上に置きます。ハンドルを支えるために、ハンドルを傾けてボックスに載せます。図を参照してください。(図 14)
3. ネジ (A) をハンドル (B)、プラスチックワッシャー (C)、ハンドルサポートブラケット (D) に通します。(図 15)
4. ナット (E) を完全に締めつけます。
5. 本製品をボックスから取り出します。
6. ハンドルを直立位置に展開します。(図 16)
7. ハンドルの高さを最低位置に設定します。参照：ハンドルの調節方法 191 ページ。
8. ケーブルクリップでケーブルをハンドル下部に固定します。(図 17)
9. ケーブルタイで、ケーブル下部をハンドルサポートブラケットに固定します。ケーブルタイの残りの部分を切断します。(図 18)

**注記：** ケーブルが正しく取り付けられていることを確認します。ケーブルが緩すぎると、グラスキャッチャーを取り付ける際にケーブルが損傷する原因となります。(図 19)

### ハンドルの調節方法

1. 下側ノブを緩めます。
2. 本製品の左右にある溝の下端までノブを動かします。(図 20)
3. ハンドルを 2 つの高さのいずれかにセットします。
4. ノブをハンドル方向に、カチッと音がするまで上方に動かします。(図 21)
5. ノブを完全に締め込みます。

### 製品を搬送位置にセットする方法

1. グラスキャッチャーを取り外します (取り付けられている場合)。
2. 下側ノブを緩めます。
3. 本製品の左右にある溝の下端までノブを動かします。(図 20)
4. ハンドルを前側に折り畳みます。(図 22)

### 製品を操作位置にセットする方法

1. ハンドルを直立した位置まで折り畳みます。(図 23)
2. ノブをハンドル方向に、カチッと音がするまで上方に動かします。(図 21)
3. ノブを完全に締め込みます。

### グラスキャッチャーの取り付け ( )

1. グラスキャッチャーフレームを、バッグ下部の硬質な部分に取り付けます。フレームのハンドルはバッグの上に出しておきます。(図 24)
2. グラスバッグをクリップでフレームに取り付けます。(図 25)

## Operation ( 操作 )

### はじめに



**警告：** 本製品を操作する前に、安全に関する章をお読みになり、内容を理解してください。

### Husqvarna Connect

Husqvarna Connect は、モバイルデバイス用の無料アプリです。Husqvarna Connect アプリは、お持ちの Husqvarna 製品の拡張機能を提供します。

- 拡張製品情報。
- 製品の部品とサービスに関する情報とヘルプ。

## Husqvarna Connect の使い方

1. Husqvarna Connect アプリをモバイルデバイスにダウンロードします。
2. Husqvarna Connect アプリで登録を行います。
3. Husqvarna Connect アプリの指示に沿って、製品を接続して登録します。

## 本製品を操作する前に

1. この取扱説明書をよくお読みになり、内容をしっかりと把握してください。
2. カutting装置を点検し、正しく取り付けられ、調整されていることを確認します。Cutting装置の点検方法 194 ページを参照してください。
3. 燃料タンクを充填します。燃料の充填方法 192 ページを参照してください。
4. オイルタンクにオイルを注入し、油面をチェックします。エンジンオイルの交換方法 195 ページを参照してください。

## 燃料の充填方法

使用可能な場合は、低排出 / アキレートガソリンを使用してください。低排出 / アキレートガソリンを使用できない場合は、高品質の無鉛プレミアムガソリンを使用するか、オクタン価が 90 以上の無鉛ガソリンを使用してください。



**注意：** オクタン価が 90 RON ( 87 AKI ) 未満のガソリンは使用しないでください。本製品が損傷する場合があります。

1. 燃料タンクキャップをゆっくりと開いて、圧力を解放します。
2. 燃料缶を使用してゆっくり補充してください。燃料をこぼした場合は、布で拭き取り、残った燃料を乾燥させてください。
3. 燃料タンクキャップの周囲をきれいにしてください。
4. 燃料タンクキャップを完全に締め込んでください。燃料タンクキャップが締め込まれていない場合、火災発生の危険があります。
5. 始動する前に燃料を入れた場所から本製品を 3 m ( 10 フィート ) 以上移動させてください。

## 刈高の設定方法

1. 刈高を高くするには、刈高レバーを後方に動かします。
2. 刈高を低くするには、刈高レバーを前方に動かします。(図 26)



**注意：** 刈高を低く設定しすぎないでください。芝生の表面が水平でない場合、ブレードが地面に当たるおそれがあります。

## 本製品の始動方法

1. イグニッションケーブルがスパークプラグに接続されていることを確認してください。
2. 製品の後ろに立ってください。
3. エンジンブレーキハンドルをハンドルバーの方へ引きます。(図 27)
4. 右手でスターターロープハンドルを握ります。
5. 抵抗を感じるまで、スターターロープをゆっくりと引き出します。
6. 力を入れて引き、エンジンを始動します。



**警告：** スターターロープを手に巻き付けないでください。

## ドライブホイールの使用

- ハンドルの左側にあるスピードコントロールで、ドライブホイールを始動します。スピードコントロールレバーを前方に動かすと速度が上がり、後方に動かすと速度が下がります。(図 28)
- ドライブを解除し、製品を約 10 cm 前方に押してから、製品を後ろ向きに引きます。
- 障害物に近づいたときなどは、ドライブペイルを放してドライブを解除します。

## 本製品を停止するには

- ドライブのみを停止するには、ドライブペイルを解除します。
- エンジンを停止するには、エンジンブレーキハンドルを放します。

## グラスキャッチャーを取り付けて使用する



**警告：** グラスキャッチャーが取り付けられていない場合、またはリヤカバーが閉じていない場合は、本製品を操作しないでください。物体が飛び出して、作業者が負傷するおそれがあります。

1. リヤカバーを持ち上げて、マルチプラグが取り付けられている場合は取り外します。(図 29)
2. グラスキャッチャーを組み立てます。グラスキャッチャーの取り付け ( ) 191 ページを参照してください。
3. グラスキャッチャーをブラケットに取り付けます。
4. リヤカバーを外し、グラスバッグフレームの上に置きます。(図 30)

## マルチモードへの変更

本製品をマルチモードに変更する前に、エンジンをオフにしてください。

1. グラスキャッチャーが取り付けられている場合は、リヤカバーを持ち上げて取り外します。



2. 排出口にマルチプラグを取り付けます。(図 31)
3. リヤカバーを閉じて、マルチプラグに対してしっかり閉まっていることを確認します。

**注記：** マルチブレードの性能を改善するには、ブレードをマルチブレードアクセサリーに交換してください。参照：ブレードの交換 194 ページ

## サイドディスチャージモードへの変更

1. グラスバッグが取り付けられている場合は、リヤカバーを持ち上げて、取り外します。
2. リヤカバーを閉じて、本製品に対してしっかり閉まっていることを確認します。
3. ディスチャージロックを持ち上げます。(図 32)
4. サイドディスチャージガードを開き、サイドディスチャージデフレクターを支持ピンに取り付けます。(図 33)
5. サイドディスチャージガードをサイドディスチャージデフレクターに取り付けます。本製品を操作する前に、サイドディスチャージデフレクターが所定の位置にしっかりと固定されていることを確認してください。

## グラスキャッチャーを空にする方法



**注意：** グラスキャッチャーを動かす際は、摩耗防止のため持ち上げてください。

1. フレームハンドルを使ってグラスキャッチャーを持ち上げます。
2. グラスキャッチャーを空にする際は、フレームハンドルとバッグハンドルを使用します。(図 34)

## 良好に芝を刈る方法

- 必ず鋭利なブレードを使用してください。ブレードが鈍っていると、刈り取りにばらつきが出て、芝の切口が黄ばみます。鋭利なブレードを使用すると、鈍いブレードを使用した場合より労力が少なく済みます。
- 芝の長さの 1/2 以上刈らないでください。芝刈りの開始時は、刈高を最も高く設定します。結果を確認し、必要なレベルまで刈高を下げます。芝が非常に長い場合は、ゆっくり操作し、必要に応じて刈り取り作業を 2 回行ないます。
- 1 回目と 2 回目は別の方向に向かって刈り、芝面に筋がつかないようにします。
- リヤカバーを持ち上げてグラスキャッチャーを取り外します。
- マルチプラグとマルチブレードが取り付けられている場合は、取り外します。
- 製品を操作する前に、後部カバーを閉じてください。製品を操作すると、刈り取られた芝が後部カバーの下に排出されます。
- カuttingカバーの汚れは落としてください。カuttingカバーの内側に草や土がたまると芝刈りの結果が悪くなります。カuttingカバーの内側の表面を清掃するには 194 ページを参照してください。

# メンテナンス

## はじめに



**警告：** メンテナンスを行う前に、安全に関する章をお読みになり、内容を理解してください。

本製品のすべての整備と修理作業には、特別な訓練が必要です。当社では責任をもって専門的な修理と整備作業を提供します。お客様の販売店がサービス代理店でない場合は、最寄りのサービス代理店に関する情報をお問い合わせください。

詳しくは、を参照してください。

## メンテナンススケジュール



**注意：** 製品を傾けるときは、エアフィルターを上向きにし、地面に接触しないようにしてください。エンジンが損傷する可能性があります。

メンテナンス間隔は、本製品が毎日使用されることを前提に算出されています。本製品を毎日使用しない場合は、メンテナンス間隔が変わります。

「\*」が付いているメンテナンスについては、「本製品の安全装置 189 ページ」を参照してください。

| メンテナンス            | 毎日 | 毎週 | 毎月 |
|-------------------|----|----|----|
| 一般点検の実施           | X  |    |    |
| 油面の点検             | X  |    |    |
| 製品の洗浄             | X  |    |    |
| カutting装置の点検      | X  |    |    |
| カuttingカバーの点検 *   | X  |    |    |
| エンジンプレーキハンドルの点検 * | X  |    |    |

| メンテナンス                                | 毎日 | 毎週 | 毎月 |
|---------------------------------------|----|----|----|
| ブレードブレーキコントロールの点検 *                   | X  |    |    |
| マフラーの点検 *                             |    | X  |    |
| スパークプラグの点検                            |    | X  |    |
| オイルの交換 (最初は 5 時間の使用後、その後は 50 時間の使用ごと) |    |    | X  |
| エアフィルターの清掃または交換                       |    |    | X  |
| 燃料システムの点検                             |    |    | X  |

## 一般点検の実施方法

- 本製品のナットとネジがしっかりと締め込まれていることを確認してください。

## 製品外部を洗浄するには

- ブラシで、葉、草、土を取り除いてください。
- エンジン上部の空気取り込み口が塞がれていないことを確認してください。
- 本製品の清掃には高圧水を使用しないでください。
- 水を使用して製品を洗浄する場合は、エンジンに直接水をかけないでください。

## カッティングカバーの内側の表面を清掃するには

- 燃料タンクを空にします。
- マフラーを下にして、製品を横向きに置きます。



**注意：** 製品にエアフィルターを取り付けている場合は、エンジンが破損することがあります。

- ホースを使ってカッティングカバーの内側の表面を水で洗浄します。

## カッティング装置の点検方法



**警告：** 誤って始動しないように、イグニッションケーブルをスパークプラグから取り外します。



**警告：** カッティング装置のメンテナンスを実施するときは、保護グローブを着用してください。ブレードは非常に鋭利なため、切り傷を負う危険性があります。

- カッティング装置に損傷やひび割れがないかどうか点検してください。損傷したカッティング装置は必ず交換してください。
- ブレードが破損していないか、鈍くなっていないかを確認してください。

**注記：** ブレードの目立て後は、ブレードのバランス調整が必要です。サービスセンターに依頼して、ブレードの目立て、交換、バランス調整を受けてください。製品が障害物に当たって停止した場合は、破損したブレードを交換してください。サービスセンターに依頼して、ブレードの目立てが可能かどうか、交換が必要かどうかを判断してもらってください。

ドの目立て、交換、バランス調整を受けてください。製品が障害物に当たって停止した場合は、破損したブレードを交換してください。サービスセンターに依頼して、ブレードの目立てが可能かどうか、交換が必要かどうかを判断してもらってください。

## ブレードの交換

- ブレードを木製ブロックでロックします。(図 35)
- ブレードボルト、スプリングワッシャー、ブレードを取り外します。(図 36)
- ブレードサポートとブレードボルトに損傷がないか点検します。
  - ブレードまたはブレードサポートを交換する場合は、ブレードボルト、スプリングワッシャー、フリクションワッシャーも交換してください。
- エンジンシャフトが曲がっていないかことを点検します。
- 新しいブレードを取り付けるときは、角度がついた端の部分をカッティングカバーの方向に向けます。(図 37)
- フリクションワッシャーとブレードをブレードサポートに取り付けます。(図 38)
- ブレードがエンジンシャフトの中心と合っていることを確認します。(図 39)
- ブレードを木製ブロックでロックします。(図 40)
- スプリングワッシャーを取り付け、ボルトを 43-47 Nm のトルクで締め付けます。(図 41)
- 手でブレードを引き回して、引っかかりなく回転することを確認します。



**警告：** 保護グローブを着用してください。ブレードは非常に鋭利なため、切り傷を負う危険性があります。

- 製品を始動してブレードのテストを実施します。ブレードが正しく取り付けられていない場合、製品に振動が発生するか、良好な刈り取り結果を得られません。

## オイルレベルのチェック



**注意：** 油面が低すぎると、エンジンが損傷することがあります。製品を始動する前に油面を点検してください。

1. 本製品を水平面に置きます。
2. オイルタンクキャップとオイルレベルゲージを取り外します。
3. オイルレベルゲージのオイルを拭き取ります。
4. オイルレベルの正しい状況を知るには、オイルタンクにオイルレベルゲージを完全に押し込みます。オイルタンクキャップは取り付けしないでください。
5. オイルタンクキャップとオイルレベルゲージを取り外します。
6. オイルレベルゲージで油面を点検します。
7. 油面が低すぎる場合は、エンジンオイルを充填し、もう一度油面をチェックします。(図 42)

**注記：** 飛び散らないようにじょうごを使用します。

8. オイルレベルが正しい場合は、オイルタンクキャップを取り付けます。

## エンジンオイルの交換方法



**警告：** エンジンの停止直後は、エンジンオイルが非常に高温になっています。エンジンオイル排出前にエンジンを冷ましてください。エンジンオイルが皮膚に触れた場合は、石鹸と水で洗ってください。

(図 43)

1. 燃料タンクが空になるまで、本製品を運転します。
2. スパークプラグからイグニッションケーブルを取り外します。
3. オイルタンクキャップとオイルレベルゲージを取り外します。
4. エンジンオイルを収集するために、本製品の下に容器を置きます。
5. 本製品を傾けるか、オイルポンプ(アクセサリ)を使用して、オイルタンクからエンジンオイルを排出させます。
6. **主要諸元 197** ページで推奨されているタイプの新しいエンジンオイルを充填します。
7. 油面をチェックします。**オイルレベルのチェック 195** ページを参照してください。
8. オイルレベルが正しい場合は、オイルタンクキャップを取り付けます。

## スパークプラグの点検方法



**注意：** 必ず推奨されたスパークプラグタイプを使用してください。スパークプラグの種類が間違っていると、本製品が破損するおそれがあります。

- エンジンのパワーが出ない、なかなか始動しない、またはアイドリング速度で適切に動作しない場合は、スパークプラグを点検します。
- スパークプラグ電極に異物が付着するリスクを下げるには、次の手順に従います。
  - a) アイドリング速度が正しく調整されていることを確認します。
  - b) 適切な燃料混合物を使用していることを確認します。
  - c) エアフィルターに汚れがないことを確認します。
- スパークプラグが汚れていたら、きれいにしてから電極ギャップが適切であることを確認します。**主要諸元 197** ページを参照してください。(図 44)
- 必要に応じて、スパークプラグを交換します。

## エアフィルターの清掃

エアフィルターが汚れていると、エンジンの損傷や動作不良の原因になります。埃の多い環境下では、より頻繁にエアクリーナーのメンテナンスを実施してください。

エアフィルターを交換するタイミングについては、**メンテナンススケジュール 193** ページを参照してください。

1. エアフィルターカバーを取り外して、フィルターを取り出します。
2. フィルターを平らな面に当てて、汚れを落とします。フィルターの清掃に、石油、灯油、圧縮空気を使用しないでください。

**注記：** 長時間使用されたエアフィルターは、完全には清掃できません。定期的なエアフィルターを交換してください。損傷したエアフィルターは必ず交換してください。

3. エアフィルターを取り付ける際は、フィルターホルダーとの間に隙間ができないようにします。

## サイドディスチャージデフレクターの点検方法

サイドディスチャージデフレクターは、本製品のサイドディスチャージ開口部に取り付けます。これにより、芝刈り時に作業者の方に物体が飛び危険性を低減します。

1. サイドディスチャージデフレクターに損傷がないことを確認します。
2. サイドディスチャージデフレクターを点検します。ドアを閉めるスプリングの亀裂や破損などといった不具合がないことを確認してください。
3. サイドディスチャージデフレクターまたはスプリングが損傷している場合は、交換します。

## 燃料システムを点検するには

- 燃料タンクキャップと燃料タンクキャップのシールを確認し、破損していないことを確認します。
- 燃料ホースを点検し、漏れがないことを確認します。燃料ホースが破損している場合は、サービス代理店に交換を依頼してください。

## 燃料タンクを空にする

1. 燃料タンクの下に容器を置きます。
2. 燃料タンクキャップを取り外します。
3. 燃料ホースのホースクリップをキャブレタに押し付けます。
4. キャブレタから燃料ホースを取り外します。
5. 燃料タンクホースを容器に入れ、ホースクリップを取り外します。
6. 本製品を傾けて、燃料を容器に排出します。

## 燃料フィルターの交換



**警告：** 保護グローブを着用してください。

1. 燃料タンクを空にします。
2. ホースクリップを燃料タンクから離れた位置に動かします。(図 45)
3. 燃料タンクから燃料ホースを取り外します。少量の燃料が漏れる可能性があります。(図 46)

4. 燃料タンクから燃料フィルターを取り外します。(図 47)
5. 燃料タンクに新しい燃料フィルターを取り付けます。
6. 燃料ホースを燃料タンクに取り付けます。
7. ホースクリップを燃料タンクの所定の位置に配置します。

## クラッチワイヤーの調整

以下の状況では、クラッチワイヤーを短くする必要があります。

- ドライブベイルまたはスピードコントロールレバーを引いたときに、ホイールの駆動が噛み合わない。
- ホイールの駆動力がかかると、本製品がゆっくりと動く。

以下の状況では、クラッチワイヤーを長くする必要があります。

- ホイールの駆動力がかかっているときに本製品が動く。
- クラッチワイヤーの調整
  - a) クラッチワイヤーを短くするには、調整ネジを反時計回りに回します。
  - b) クラッチワイヤーを長くするには、調整ネジを時計回りに回します。(図 48)

調整後も本製品の運転に不具合があるない場合は、販売店にお問い合わせください。

## 搬送、保管、廃棄

### 搬送と保管

- 本製品と燃料を保管、搬送する場合は、漏れや煙がないことを確認してください。電気装置やボイラーなどからの火花や裸火により、火災が発生する場合があります。
- 燃料を保管、搬送する場合は必ず、認証されたコンテナを使用してください。
- 本製品を長期間、保管場所に入れる場合は、燃料タンクを空にしてください。燃料は適切な廃棄場所に廃棄してください。
- 搬送中は本製品を安全に接続して、損傷や事故を防止してください。
- 本製品は鍵のかかる場所に保管して、子供や許可を得ていない人が近づけないようにしてください。
- 本製品は、乾燥した霜の降りない場所に保管します。

### 廃棄

- 地域のリサイクル要件および適用される法規に従ってください。
- すべての化学物質(エンジンオイルや燃料など)はサービスセンターまたは適切な廃棄場所に廃棄してください。

- 本製品が不要になった場合は、Husqvarna 販売店に送付するか、リサイクル施設で廃棄してください。

## 主要諸元

### 主要諸元

|                                   |   |
|-----------------------------------|---|
|                                   | LC 356VP  |
| <b>エンジン</b>                       |   |
| ブランド                              | ホンダ   |
| エンジンモデル名                          | GCVx170   |
| 排気量、cm <sup>3</sup>               | 166   |
| 回転速度、r/min                        | 2800  |
| 公称エンジン出力、kW <sup>66</sup>         | 3.1   |
| <b>イグニションシステム</b>                 |   |
| スパークプラグ                           | NGK BPR5ES  |
| 電極ギャップ、mm                         | 0.75  |
| <b>燃料および潤滑システム</b>                |   |
| 燃料、無鉛、最小オクタン価                     | 90  |
| 燃料タンク容量、リットル                      | 0.9   |
| オイルタンク容量、リットル                     | 0.4   |
| エンジンオイル <sup>67</sup>             | Husqvarna SAE 30、Husqvarna SAE 5W-30 Synthetic、Husqvarna SAE 10W-40 |
| <b>質量</b>                         |   |
| 燃料タンクが空の場合 (kg)                   | 35.1  |
| <b>騒音排出<sup>68</sup></b>          |   |
| 実測音響レベル dB (A)                    | 98  |
| 保証音響レベル (L <sub>WA</sub> ) dB (A) | 98  |
| <b>サウンドレベル<sup>69</sup></b>       |   |
| 使用者の耳における音圧レベル (dB (A))           | 86  |
| <b>振動レベル<sup>70</sup></b>         |   |

<sup>66</sup> 表示エンジンの電気定格は、(指定 r/min での) 平均実質電気出力で、SAE 基準 J1349/ISO1585 で測定したエンジンモデル向けの一般生産エンジンに対応しています。大量生産用エンジンは、この値と異なることがあります。最終製品に据え付けたエンジンの実際の電気出力は、運転スピード、環境状態およびその他の値によって異なります。

<sup>67</sup> API SJ 以上のエンジンオイルを使用してください。+5 °C 以下の気温で SAE-30 オイルを使用した場合、エンジンが十分に潤滑されない可能性があります。これにより、エンジンが損傷するおそれがあります。低温に適したオイルについては、エンジンオイルの交換方法 195 ページを参照してください。エンジンのマニュアル (同梱されている場合) に記載されている粘度チャートを参照し、予想される外気温に基づいて最適な粘度を選択してください。

<sup>68</sup> 環境における騒音の排出は、EC 指令 2000/14/EC に従って、音響パワー (L<sub>WA</sub>) として測定。

<sup>69</sup> 報告データによれば、騒音音圧レベルの一般的な統計上のばらつき (標準偏差) は、1.2 dB (A) です。

<sup>70</sup> 報告データによれば、等価振動レベルの一般的な統計上のばらつき (標準偏差) は、0.2 m/s<sup>2</sup> です。

|                       |                            |
|-----------------------|----------------------------|
|                       | LC 356VP                   |
| ハンドル、m/s <sup>2</sup> | 5.9                        |
| <b>カッティング装置</b>       |                            |
| 刈高、mm                 | 25-75                      |
| 刈幅、mm                 | 560                        |
| カッティングシステム            | 収集 / BioClip® / サイドディスチャージ |
| ブレード - 標準             | 収集 598562701               |
| ブレード - 別売             | マルチ 598563601              |
| <b>ドライブ</b>           |                            |
| 速度、km/h               | 3.0 ~ 4.5                  |

# 適合宣言

## EU 適合宣言

ハスクバーナ社 ( Husqvarna AB, SE-561 82 Huskvarna, Sweden、電話番号 : +46-36-146500 ) は、単独責任のもとで、以下の製品の適合を宣言します。

|           |               |
|-----------|---------------|
| 名称        | 芝刈機           |
| ブランド      | Husqvarna     |
| タイプ / モデル | LC 356VP      |
| ID        | 2022 年以降の製造番号 |

が以下の EU 指令および規制を完全に順守し、

| 規制         | 名称                            |
|------------|-------------------------------|
| 2006/42/EC | 「機械類に関する」                     |
| 2014/30/EU | 「電磁環境適合性に関する」                 |
| 2000/14/EC | 「環境への騒音排出に関する」                |
| 2011/65/EU | 「電気・電子製品に含まれる特定有害物質の使用制限に関する」 |

および以下の規格または技術仕様が適用されています :  
EN ISO 5395-1:2013/A1:2018, EN ISO 5395-2:2013/  
A1:2016/A2:2017, EN ISO 14982:2009, EN IEC  
63000:2018

試験機関 : 0404, RISE SMP Svensk Maskinprovning AB,  
Box 4053, SE-904 03 Umeå, Sweden が評議会指令  
2000/14/EC 適合性評価補足 VI の準拠を確認しました。

騒音排出に関する詳細 : 主要諸元 197 ページ。

Huskvarna, 2022-10-20



開発マネージャー / ガーデン製品担当 Claes Losdal,  
Husqvarna AB

正式代表兼技術文書担当



---

# TURINYS

---

|                 |     |  |     |
|-----------------|-----|--|-----|
| Įvadas.....     | 200 | Techninė priežiūra.....                          | 206 |
| Sauga.....      | 201 | Transportavimas, saugojimas ir utilizavimas..... | 209 |
| Surinkimas..... | 203 | Techniniai duomenys.....                         | 210 |
| Naudojimas..... | 204 | Atitikties deklaracija.....                      | 212 |

---

## Įvadas

---

### Gaminio aprašas

Šis produktas yra savaeigė sukamoji vejapjovė. Pritvirtinkite žolės rinktuva, norėdami rinkti žolę. Pritvirtinkite išmetimo deflektorių šoniniam žolės išmetimui. Jei žolę norite susmulkinti kaip trąšas, pridėkite mulčiavimo priedą.

### Gaminio apžvalga

(Pav. 1)

1. Valdymo rankena
2. Variklio stabdymo rankena
3. Pavaros rankena
4. Starterio virvės rankena
5. Galinis dangtis
6. Žolės rinktuvas
7. Rankenos aukščio rankenėlės
8. Pjovimo aukščio reguliavimo svirtis
9. Alyvos dangtelis
10. Šoninio išmetimo gaubtas
11. Duslintuvas
12. Uždegimo žvakė
13. Degalų bakelio dangtelis
14. Ženkliai
15. Pjovimo gaubtas
16. Oro filtras
17. Greičio valdymo svirtis
18. Šoninis deflektorius
19. Mulčiavimo priedas (priedas)
20. Naudojimo instrukcija

### Simboliai ant gaminio

(Pav. 2) **ĮSPĖJIMAS!** Būkite atsargūs ir tinkamai naudokite gaminį. Šis gaminys gali rimtai sužeisti arba pražudyti operatorių arba aplinkinius.

(Pav. 3) Prieš naudodami, atidžiai perskaitykite naudojimo instrukciją ir įsitikinkite, kad viską gerai supratote.

(Pav. 4) Saugokitės išmetamų ir rikošetu atšokusių daiktų.

### Numatytasis naudojimas

Gaminį naudokite žolei pjauti. Nenaudokite gaminio kitiems darbams.

(Pav. 5) Asmenims ir gyvūnams būtina laikytis saugaus atstumo nuo darbo zonos.

(Pav. 6) Įspėjimas. Saugokite rankas bei kojas ir neikiškite jų prie besisukančio peilio.

(Pav. 7) Įspėjimas. Saugokite rankas bei kojas ir neikiškite jų prie besisukančių dalių.

(Pav. 8) Prieš taisydami ar prižiūrėdami sustabdykite variklį ir atjunkite uždegimo kabelį.

(Pav. 9) Šis įrenginys atitinka jam taikomas EB direktyvas.

(Pav. 10) Šis gaminys atitinka taikytinų JK reglamentų nuostatas.

(Pav. 11) Triukšmo emisijos į aplinką ženklিনimas atitinka ES ir Jungtinės Karalystės direktyvas bei reglamentus ir Naujojo Pietų Velso įstatymą „2017 m. aplinkos apsaugos (triukšmo kontrolės) reglamentas“. Gaminio garantuotasis garso galios lygis nurodytas *Techniniai duomenys psl. 210* ir etiketėje.

---

**Pasižymėkite:** Kiti ant gaminio pateikti simboliai (lipdukai), skirti kitų komercinių teritorijų sertifikavimo reikalavimams.

---

### Produkto pažeidimai

Mes neatsakome už mūsų gaminio sugadinimą, jei:

- gaminys netinkamai suremontuotas;
- gaminys suremontuotas naudojant kito gamintojo arba gamintojo nepatvirtintas dalis;



- gaminys turi kito gamintojo arba gamintojo nepatvirtintą priedą;
- gaminys suremontuotas ne patvirtintame techninės priežiūros centre arba jį suremontavo ne patvirtintas atstovas.

## „Euro V“ standartas



**PERSPĖJIMAS:** Variklio modifikavimas panaikina šio produkto ES tipo patvirtinimą.

## Sauga

### Saugos ženklų reikšmės

[spėjimai, perspėjimai ir pastabos yra skirtos atkreipti dėmesį į ypač svarbias vadovo dalis.



**PERSPĖJIMAS:** Naudojamas, kai naudotojui ar šalia esantiems asmenims kyla mirtino arba sunkaus sužeidimo pavojus arba, jei nesilaikoma vadove pateiktų nurodymų.



**PASTABA:** Naudojamas, kai kyla pavojus sugadinti gaminį, kitas medžiagas arba padaryti žalą aplinkai, jei nesilaikoma vadove pateiktų nurodymų.

**Pasižymėkite:** Naudojamas papildomai informacijai apie konkrečią situaciją pateikti.

### Bendrieji saugos nurodymai



**PERSPĖJIMAS:** Prieš naudodami gaminį, perskaitykite toliau esančius įspėjimus.

- Netinkamai arba neatidžiai naudojant šis gaminys yra pavojingas. Jei nesilaikysite saugos nurodymų, kyla sužeidimų arba mirties pavojus.
- Šis gaminys veikdamas sukuria elektromagnetinį lauką. Tam tikromis aplinkybėmis šis laukas gali trikdyti aktyviųjų arba pasyviųjų medicininių implantų veiklą. Kad sumažėtų sunkių ar mirtinų sužeidimų pavojus, medicininių implantų turintiems asmenims rekomenduojame prieš naudojant šį gaminį pasitarti su gydytoju ir implanto gamintoju.
- Visada elkitės atsargiai ir vadovaukitės sveiku protu. Jei tiksliai nežinote, kaip naudoti gaminį konkrečioje situacijoje, sustabdykite darbą ir prieš tęsdami darbą pasitarkite su „Husqvarna“ pardavimo atstovu.
- Atsiminkite, kad už nelaimingus atsitikimus, kurių metu nukentės asmenys ar turtas, bus atsakingas naudotojas.
- Rūpinkitės gaminio švara. Įsitinkite, kad galite aiškiai perskaityti ženklus ir lipdukus.
- Neleiskite kitiems naudotis gaminiumi, jei neįsitikinote, kad jie perskaitė ir suprato naudojimo instrukcijos turinį.
- Neleiskite gaminio naudoti vaikams.

- Pasirūpinkite, kad vaikai būtų toliau nuo darbo zonos. Būtina nuolatinė atsakingo suaugusiojo priežiūra.
- Neleiskite gaminio naudoti su instrukcijomis nesusipažinusiems asmenims.
- Visada prižiūrėkite gaminį naudojantį fizinę arba protinę negalią turintį asmenį. Būtina nuolatinė atsakingo suaugusiojo priežiūra.
- Nedirbkite su gaminiumi, jeigu esate pavargę, sergate arba esate apsvaigę alkoholio, narkotinių medžiagų ar vaistų. Tai neigiamai veikia jūsų regėjimą, nuovoką ar koordinaciją.
- Nenaudokite gaminio, jei jis yra pažeistas arba tinkamai neveikia.
- Nekeiskite gaminio ir nenaudokite jo, jei jį galėjo pakeisti kiti.
- Nekeiskite variklio greičio valdymo reguliavimo.

### Sauga darbo vietoje



**PERSPĖJIMAS:** Prieš naudodami gaminį, perskaitykite toliau esančius įspėjimus.

- Prieš naudodami gaminį nuo darbo zonos pašalinkite tokius objektus, kaip šakos, šakelės ir akmenys.
- Atsitrenkę į pjovimo įrangą objektai gali atšokti ir sužeisti asmenis bei sugadinti daiktus. Šalia esantiems asmenims ir gyvūnams būtina laikytis saugaus atstumo nuo gaminio.
- Gaminio niekuomet nenaudokite blogu oru, pvz., kai pakyla rūkas, lyja, pučia stiprus vėjas, stipriai šąla ir gali žaibuoti. Darbas gaminiumi blogu oru arba drėgnose ar šlapiose vietose yra varginantis. Blogu oru gali susidaryti pavojingos sąlygos, pvz., slidūs paviršiai.
- Saugokitės asmenų, daiktų ir tam tikrų situacijų kurios gali neleisti saugiai naudoti gaminio.
- Saugokitės kliūčių, pvz., šaknų, akmenų, šakelių, duobių ir griovių. Aukštoje žolėje kliūtys gali būti nematomos.
- Gali būti pavojinga pjauti žolę įkalnėse. Nenaudokite gaminio, jei šlaitas yra statesnis nei 15°.
- Šlaitus pjaukite skersai. Nevažiuokite į viršų ir žemyn.
- Būkite atsargūs artėdami prie nematomų kampų ir daiktų, kurie užstoja vaizdą.

## Darbo sauga



**PERSPĒJIMAS:** Prieš naudodami gaminį, perskaitykite toliau esančius įspėjimus.

- Gaminį naudokite tik vejų žolei pjauti. Neleidžiama jo naudoti kitoms užduotims atlikti.
- Naudokite asmenines apsaugines priemones. Žr. *Asmeninės apsauginės priemonės psl. 202*.
- Įsitikinkite, kad žinote, kaip greitai sustabdyti variklį nelaimės atveju.
- Niekada neužveskite variklio uždaroje erdvėje ar netoli degių medžiagų. Variklio išmetamosios dujos yra karštos, jose gali būti kibirkščių, kurios gali sukelti gaisrą.
- Nenaudokite gaminio tinkamai neuždengę peilio ir neuždėję kitų dangčių. Netinkamai uždėtas peilis gali atsilaisvinti ir sužeisti.
- Užtikrinkite, kad peilis neatsitrenktų į tokius objektus, kaip akmenys ir šakny. Tai gali sugadinti peilį ir sulenkti variklio veleną. Sulenkta ašis sukelia didelę vibraciją ir kyla didžiulis pavojus, kad peilis atsilaisvins.
- Jei į peilį atsitrenkia objektas arba susidaro vibracijos, nedelsdami sustabdykite gaminį. Atjunkite uždegimo kabelį nuo uždegimo žvakės. Patikrinkite, ar gaminys neapgadintas. Pataisykite sugadintas dalis arba remonto darbus perleiskite įgaliotajam techninės priežiūros atstovui.
- Niekada neprijunkite variklio stabdžio rankenos prie rankenos visam laikui, kai variklis veikia.
- Padėkite gaminį ant stabilaus, plokščio paviršiaus ir paleiskite jį. Patikrinkite, ar peilis neliečia žemės ar kokių kitų daiktų.
- Visada būkite už gaminio, kai jį naudojate.
- Prižiūrėkite, kad visi ratukai būtų ant žemės ir abi rankas laikykite ant rankenos, kai naudojate gaminį. Saugokite rankas bei kojas ir neikiškite jų prie besisukančių peilių.
- Dirbant varikliui nepakreipkite gaminio.
- Būkite atsargūs, kai gaminį traukiate atgal.
- Dirbant varikliui nepakelkite gaminio. Jei gaminį turite pakelti, pirmiausia sustabdykite variklį ir atjunkite uždegimo kabelį nuo uždegimo žvakės.
- Naudodami gaminį neikite atgal.
- Veždami įrenginį per zonas be žolės, pvz., žvirgždo, akmenų ir asfalto takelius, sustabdykite variklį.
- Dirbant varikliui nebėkite su gaminiumi. Naudodami gaminį visada eikite.
- Prieš pakeisdami pjovimo aukštį pirmiausia išjunkite variklį. Draudžiama reguliuoti, kai veikia variklis.
- Niekada nepaleiskite gaminio iš akių, kai veikia variklis. Išjunkite variklį ir įsitikinkite, kad pjovimo įranga nesisuka.

## Naudojimo saugos instrukcijos

### Asmeninės apsauginės priemonės



**PERSPĒJIMAS:** Prieš naudodami gaminį, perskaitykite toliau esančius įspėjimus.

- Asmeninės apsauginės priemonės nepadės visiškai išvengti pavojaus susižeisti, tačiau nelaimingo atsitikimo atveju mažiau nukentėsite. Leiskite prekybos atstovui padėti pasirinkti tinkamą įrangą.
- Jei triukšmo lygis viršija 85 dB, naudokite klausos apsaugą
- Avėkite patvarius, neslystančius batus. Neavėkite atvirų batų ir nebūkite basi.
- Dėvėkite storas, ilgas kelnes.
- Kai būtina, pvz., montuojant, apžiūrint arba valant pjovimo įrangą, užsimaukite apsaugines pirštines.

### Gaminio apsauginės priemonės



**PERSPĒJIMAS:** Prieš naudodami gaminį, perskaitykite toliau esančius įspėjimus.

- Nenaudokite gaminio su saugos įtaisais, kurie yra pažeisti arba tinkamai neveikia.
- Reguliariai tikrinkite apsaugines priemones. Jei saugos įtaisai pažeisti arba tinkamai neveikia, kreipkitės į Husqvarna techninės priežiūros specialistą.
- Neatlikite saugos įtaisų pakeitimų.

### Atlikite pjovimo gaubto patikrą.

Pjovimo gaubtas sumažina gaminio vibracijas ir sumažina disko keliamą sužeidimų pavojų.

- Apžiūrėkite pjovimo gaubtą, kad įsitikintumėte, jog nėra pažeidimų, pvz., įtrūkių.

### Norėdami patikrinti variklio stabdžio rankeną

Variklio stabdžio rankena sustabdo variklį. Atleidus variklio stabdžio rankeną variklis sustoja.

- Paleiskite variklį, o tada atleiskite variklio stabdymo rankeną. Jei variklis nesustoja per 3 sekundes, paprašykite, kad įgaliotasis „Husqvarna“ techninės priežiūros atstovas sureguliuotų variklio rankeną. (Pav. 12)

### Galinio gaubto patikra

Galinis deflektorius saugo, kad gaminio naudotojo kryptimi neišskrietų objektai.

- Įsitikinkite, kad galinis gaubtas nepažeistas.
- Įsitikinkite, kad spyruoklės, kurios uždaro galinį gaubtą, nėra pažeistos.
- Pakeiskite pažeistas spyruokles ir apgadintas dalis.

- Įsitinkinkite, kad galinis gaubtas gali sklandžiai judėti linkstais.

### Duslintuvus

Duslintuvus iki minimumo sumažina triukšmo lygį ir nukreipia nuo naudotojo variklio išmetamąsias dujas.

Nenaudokite gaminio, jei duslintuvo nėra arba jei jis yra pažeistas. Pažeistas duslintuvus skleidžia daugiau triukšmo ir kelia didesnį gaisro pavojų.



**PERSPĖJIMAS:** Darbo metu ir tada, kai variklis veikia tuščiaja eiga, duslintuvus labai įkaista ir kurį laiką išlieka karštas. Elkitės atsargiai su degiomis medžiagomis ir (arba) garais, kad išvengtumėte gaisro.

### Duslintuvo patikra

- Norėdami įsitikinti, kad duslintuvus yra tinkamai pritvirtintas ir nėra pažeistas, jį tikrinkite reguliariai.

### Degalų naudojimo sauga



**PERSPĖJIMAS:** Prieš naudodami gaminį, perskaitykite toliau esančius įspėjimus.

- Nepaleiskite gaminio, jei ant gaminio yra degalų arba variklio alyvos. Nuvalykite nepageidaujamą kurą / alyvą ir palaukite, kol gaminys išdžius.
- Jei degalais apsipylėte drabužius, nedelsdami persirenkite.
- Neapsipilkite kūno kuru, nes jis gali sužaloti. Apsipylę kūną kuru, jį nusiplaukite miuiliu ir vandeniui.
- Neužveskite gaminio, jei iš variklio sunkiasi skyščiai. Reguliariai tikrinkite, ar iš variklio nesisunkia skyščiai.
- Su degalais elkitės atsargiai. Kuras yra degus, o jo garai – sprogūs, todėl neatsargiai elgiantis galima susižaloti arba žūti.
- Neįkvėpkite kuro garų, nes jie gali sužaloti. Pasirūpinkite tinkamu vėdinimu.
- Nerūkykite greta degalų arba variklio.
- Nedėkite šiltų objektų greta kuro arba variklio.
- Nepilkite kuro, kai variklis užvestas.
- Prieš pildami kurą įsitinkinkite, ar variklis ataušęs.
- Prieš pildami degalus, lėtai atidarykite degalų bako dangtelį ir atsargiai išleiskite slėgį.

- Nepilkite į variklį kuro būdami patalpoje. Dėl nepakankamos ventilacijos galima susižaloti arba žūti uždusęs arba apsinuodijęs anglies monoksidu.
- Gerai uždarykite degalų bakelio dangtelį. Nepakankamai stipriai užsukus degalų bakelį kyla gaisro pavojus.
- Prieš pradėdami darbą patraukite gaminį mažiausiai 3 m (10 pėdų) nuo vietos, kurioje pylėte degalus.
- Nepripilkite sklidino degalų bako. Šildami degalai plečiasi. Palikite vietos degalų bako viršuje.
- Niekada nelaikykite įrenginio, kai degalų bake yra degalų, pastate, kuriame yra užsidegimo šaltinių, pavyzdžiui, vandens ir pastatų šildytuvų arba drabužių džiovintuvų. Prieš palikdami prietaisą bet kokioje patalpoje leiskite varikliui atvėsti.

### Priežiūros saugos instrukcijos



**PERSPĖJIMAS:** Prieš naudodami gaminį, perskaitykite toliau esančius įspėjimus.

- Variklio išmetamosiose dujose yra anglies monoksido – nuodingų, bekvapių ir labai pavojingų dujų. Nepaleiskite variklio patalpose ar uždaroje erdvėse.
- Prieš atlikdami techninę gaminio priežiūrą, sustabdykite variklį ir atjunkite uždegimo kabelį nuo uždegimo žvakės.
- Pjovimo įrangos techninės priežiūros darbus atlikite apsimovę apsaugines pirštines. Peilis labai aštrus ir gali lengvai įpjauti.
- Gamintojo nepatvirtinti priedai ir gaminio pakeitimai gali rimtai ar net mirtinai sužeisti. Nekeiskite gaminio. Visada naudokite tik gamintojo patvirtintus priedus.
- Jei techninė priežiūra atliekama netinkamai ir nereguliariai, padidėja sužeidimų ir žalos gaminiui pavojus.
- Atlikite tik savininko vadove nurodytus techninės priežiūros darbus. Visus kitus techninės priežiūros darbus turi atlikti patvirtintas „Husqvarna“ techninės priežiūros atstovas.
- Patvirtintas „Husqvarna“ techninės priežiūros atstovas turi reguliariai atlikti gaminio techninę priežiūrą.
- Pakeiskite pažeistas, sulūžusias arba susidėvėjusias dalis.

## Surinkimas

### Įvadas



**PERSPĖJIMAS:** Prieš surinkdami įrenginį perskaitykite ir supraskite saugos skyriaus informaciją.



**PERSPĖJIMAS:** Prieš surinkdami gaminį nuo uždegimo žvakės nuimkite dangtelį.

## Rankenos surinkimas

**Pasižymėkite:** Patartina, kad šią procedūrą atliktų 2 asmenys.

**Pasižymėkite:** Kai montuojate rankeną, neišimkite gaminio iš dėžės. Montuojant rankeną dėžę galima pasitelkti kaip rankenos atramą.

1. Pakelkite ir pasukite rankeną. (Pav. 13)



**PASTABA:** Būkite atsargūs ir pasirūpinkite, kad sukdami rankeną nepažeistumėte kabelio.

2. Uždėkite rankeną ant gaminio viršaus. Pakreipkite rankeną link dėžės, kad ji remtųsi į dėžę. Žr. paveikslėlį. (Pav. 14)
3. Įstumkite varžtą (A) per rankeną (B), plastikinę poveržlę (C) ir rankenos atraminį laikiklį (D). (Pav. 15)
4. Iki galo priveržkite veržlę (E).
5. Išimkite gaminį iš dėžės.
6. Atlenkite rankeną į viršų. (Pav. 16)
7. Nustatykite rankeną į žemiausią padėtį. Žr. *Rankenos reguliavimas psl. 204.*
8. Laidų spaustuku pritvirtinkite kabelį prie rankenos apatinės dalies. (Pav. 17)
9. Laidų tvirtinimo dirželiu pritvirtinkite kabelį prie rankenos atraminio laikiklio. Likusią laidų tvirtinimo dirželio dalį nupjaukite. (Pav. 18)

**Pasižymėkite:** Įsitinkinkite, kad kabelis tinkamai pritvirtintas. Jei kabelis per laisvai pritvirtintas, jį galima pažeisti montuojant žolės rinktuvą. (Pav. 19)

## Rankenos reguliavimas

1. Atsukite apatines rankenėles.
2. Stumkite rankenėles iki apatinio griovelių krašto kairėje ir dešinėje produkto pusėje. (Pav. 20)
3. Nustatykite rankenos aukštį į vieną iš dviejų aukščio padėčių.
4. Stumkite rankenėles į viršų link rankenos, kol jos sustos ir išgirsite spragtelėjimą. (Pav. 21)
5. Iki galo priveržkite rankenėles.

## Gaminio paruošimas transportuoti

1. Nuimkite žolės rinktuvą (jei sumontuotas).
2. Atsukite apatines rankenėles.
3. Stumkite rankenėles iki apatinio griovelių krašto kairėje ir dešinėje produkto pusėje. (Pav. 20)
4. Nulenkite rankeną pirmyn. (Pav. 22)

## Produkto paruošimas transportuoti

1. Atlenkite rankeną į viršų. (Pav. 23)
2. Stumkite rankenėles į viršų link rankenos, kol jos sustos ir išgirsite spragtelėjimą. (Pav. 21)
3. Iki galo priveržkite rankenėles.

## Žolės rinktuvo montavimas

1. Įdėkite žolės rinktuvo rėmą į žolės krepšį taip, kad standi krepšio dalis būtų apačioje. Pasirūpinkite, kad rėmo rankena būtų išsikišusi iš krepšio viršaus. (Pav. 24)
2. Pritvirtinkite žolės krepšį prie rėmo, naudodami spaustukus. (Pav. 25)

## Naudojimas

### Įvadas



**PERSPĖJIMAS:** Prieš naudodami gaminį perskaitykite ir supraskite saugos skyriaus informaciją.

### Husqvarna Connect

Husqvarna Connect yra nemokama programėlė, skirta mobiliesiems įrenginiams. Programėlė Husqvarna Connect suteikia Husqvarna gaminiui papildomas funkcijas:

- Papildoma informacija apie gaminį.
- Informacija ir patarimai apie gaminio dalis ir priežiūrą.

### Norėdami pradėti naudoti Husqvarna Connect

1. Atsisiųskite „Husqvarna Connect“ programėlę į mobilųjį įrenginį.
2. Užsiregistruokite „Husqvarna Connect“ programėlėje.
3. Norėdami prisijungti ir užregistruoti gaminį, vykdykite „Husqvarna Connect“ programėlėje pateiktas instrukcijas.

### Prieš naudodami gaminį

1. Atidžiai perskaitykite naudojimo instrukciją ir įsitinkinkite, kad viską gerai supratote.
2. Apžiūrėkite pjovimo įrangą ir įsitinkinkite, kad ji tinkamai prijungta ir sureguliuota. Žr. *Pjovimo įrangos patikrinimas psl. 207.*

- Užpildykite kuro bakelį. Žr. *Degalų pripylimas psl. 205*.
- Pripilkite alyvos bakelį ir patikrinkite alyvos lygį. Žr. *Norėdami pakeisti variklio alyvą psl. 208*.

## Degalų pripylimas

Jei įmanoma, naudokite ekologišką / alkilato benzina. Jei ekologiško / alkilato benzino naudoti negalite, naudokite geros kokybės bešvinį benzina arba benzina su švinu, kurio oktanišis skaičius ne mažesnis nei 90.



**PASTABA:** Nenaudokite benzino, kurio oktanišis skaičius yra mažesnis nei 90 RON (87 AKI). Antraip galima sugadinti gaminį.

- Lėtai atsukite degalų bakelio dangtelį, kad sumažintumėte slėgį.
- Lėtai pripilkite degalų iš kanistro. Jei išliejate degalus, nuvalykite juos audiniu ir palaukite, kol likę degalai išdžiūsi.
- Nuvalykite sritį aplink degalų bakelio dangtelį.
- Gerai uždarykite degalų bakelio dangtelį. Nepakankamai stipriai užsukus degalų bakelį kyla gaisro pavojus.
- Prieš pradėdami darbą patraukite gaminį mažiausiai 3 m (10 pėdų) nuo vietos, kurioje pylėte degalus.

## Pjovimo aukščio nustatymas

- Kad padidintumėte pjovimo aukštį, pjovimo aukščio svirtį palenkite atgal.
- Kad sumažintumėte pjovimo aukštį, pjovimo aukščio svirtį palenkite į priekį. (Pav. 26)



**PASTABA:** Nenustatykite per žemo pjovimo aukščio. Peiliai gali užkliudyti žemę, jei vejos paviršius nelygus.

## Įrenginio paleidimas

- Įsitikinkite, kada uždegimo kabelis prijungtas prie uždegimo žvakės.
- Stovėkite už gaminio.
- Laikykite variklio stabdymo rankeną prispaudę prie rankenos. (Pav. 27)
- Dešine ranka laikykite starterio lynelį.
- Lėtai patraukite starterio lynelį, kol pajusite pasipriešinimą.
- Tada stipriai patraukite, kad paleistumėte variklį.



**PERSPĖJIMAS:** Nevyniokite starterio virvės sau ant rankos.

## Ratų pavaros naudojimas

- Užveskite ratų pavarą naudodami greičio valdymo svirtį, esančią kairėje rankenos pusėje. Norėdami didinti greitį, stumkite greičio valdymo svirtį į priekį, norėdami mažinti – traukite atgal. (Pav. 28)
- Prieš patraukdami produktą atgal, išjunkite pavarą ir pastumkite įrenginį į priekį apie 10 cm.
- Atleiskite pavaros rankeną, kad išjungtumėte pavarą, pvz., kai priartėjate prie kliūtis.

## Įrenginio sustabdymas

- Norėdami tik sustabdyti pavarą, atleiskite pavaros rankeną.
- Norėdami išjungti variklį, atleiskite variklio stabdymo rankeną.

## Gaminio su žolės rinktuvu naudojimas



**PERSPĖJIMAS:** Nenaudokite gaminio nepritvirtinę žolės rinktuvo arba neuždarę galinio gaubto. Objektai gali išskrieti ir sužaloti gaminio naudotoją.

- Pakelkite galinį gaubtą ir išimkite mulčiavimo priedą, jei jis yra įdėtas. (Pav. 29)
- Kaip pritvirtinti žolės rinktuvą, žr. *Žolės rinktuvo montavimas psl. 204*.
- Žolės rinktuvą uždėkite ant laikiklio.
- Atleiskite galinį gaubtą ir uždėkite ant žolės krepšio rėmo. (Pav. 30)

## Gaminio paruošimas mulčiavimui

Prieš paruošdami produktą mulčiavimui įsitikinkite, kad variklis išjungtas.

- Pakelkite galinį gaubtą ir išimkite žolės rinktuvą, jei jis yra įdėtas.
- Įstatykite mulčiavimo priedą į išmetimo kanalą. (Pav. 31)
- Uždarykite galinį gaubtą ir įsitikinkite, kad jis sandariai prispaustas prie mulčiavimo priedo.

**Pasižymėkite:** Norėdami padidinti mulčiavimo režimo našumą, pakeiskite mulčiavimo peilį nauju. Žr. *Peilio keitimas psl. 207*

## Gaminio pritaikymas šoniam žolės išmetimui

- Pakelkite galinį gaubtą ir išimkite žolės krepšį, jei jis yra įdėtas.
- Uždarykite galinį gaubtą ir įsitikinkite, kad jis sandariai prisispaudęs prie produkto.
- Pakelkite išmetimo užraktą. (Pav. 32)

- Atidarykite šoninio išmetimo gaubtą ir sumontuokite šoninio išmetimo deflektorių ant atraminių kaiščių. (Pav. 33)
- Leiskite šoninio išmetimo gaubtui užsidaryti palei šoninio išmetimo deflektorių. Prieš naudodamiesi produktu įsitinkite, kad šoninio išmetimo deflektorius yra patikimai įtvirtintas.

- Nepjaukite daugiau nei 1/3 žolės ilgio. Pradėdami pjauti žolę, naudokite aukščiausią pjovimo aukštį. Patikrinkite rezultatą ir sumažinkite pjovimo aukštį iki tinkamo lygio. Jeigu žolė tikrai aukšta, judėkite lėčiau ir, jei reikia, pjaukite 2 kartus.
- Kiekvieną kartą pjaukite skirtingomis kryptimis, kad vejoje nesusidarytų dryžiai.
- Pakelkite galinį gaubtą ir išimkite žolės rinktuva.
- Jei mulčiavimo priedas ir mulčiavimo peilis uždėti, nuimkite juos.
- Prieš naudodami gaminį, uždarykite galinį gaubtą. Kai naudojate gaminį, nupjauta žolė išmetama po galiniu dangčiu.
- Pjovimo dangtis turi būti visuomet švarus. Prikibusi žolė ir purvas vidinėje pjovimo dangčio pusėje gali turėti įtakos pjovimo rezultatams. Žr. *Pjovimo įrangos gaubto vidinio paviršiaus valymas psl. 207.*

## Žolės rinktuvo ištuštinimas



**PASTABA:** Perkeldami žolės rinktuva, pakelkite jį, kad jis nesidėvėtų.

- Pakelkite žolės rinktuva už rėmo rankenos.
- Tuštindami žolės rinktuva, laikykite už rėmo rankenos ir maišo rankenos. (Pav. 34)

## Gerų rezultatų gavimas

- Visada naudokite pagaląstą peilį. Atšipęs peilis netaisyklingai nupjauna ir žolės paviršius pagelsta. Be to, aštrus peilis naudoja mažiau energijos nei atšipęs.

## Techninė priežiūra

### Įvadas



**PERSPĖJIMAS:** Prieš atlikdami priežiūros darbus perskaitykite ir supraskite saugos skyriaus informaciją.

Visiems gaminio techninės priežiūros ir remonto darbams reikia specialių apmokymų. Garantuojame profesionalaus remonto ir techninės priežiūros darbų pasiekiamumą. Jei jūs pardavėjas nėra techninės priežiūros atstovas, paprašykite jo informacijos apie artimiausią techninės priežiūros atstovą.

Išsamesnės informacijos žr. .

### Priežiūros grafikas



**PASTABA:** Įsitinkite, kad oro filtras yra tinkamai įdėtas ir nesiglaudžia prie žemės, kai keliate gaminį. Pavojus sugadinti variklį.

Techninės priežiūros intervalai apskaičiuojami pagal kasdienį gaminio naudojimą. Intervalai keičiasi, jei gaminys naudojamas kasdien.

Techninės priežiūros informaciją, pažymėtą \*, žr. *Gaminio apsauginės priemonės psl. 202.*

| Techninės priežiūros darbas            | Kasdien | Savaitinė | Kiekvieną mėnesį |
|--|---------|-----------|------------------|
| Atlikti bendrąją apžiūrą               | X       |           |                  |
| Patikrinti alyvos lygį                 | X       |           |                  |
| Nuvalyti įrenginį                      | X       |           |                  |
| Patikrinti pjovimo įrangą              | X       |           |                  |
| Patikrinti pjovimo įrangos gaubtą *    | X       |           |                  |
| Patikrinti variklio stabdymo rankeną * | X       |           |                  |
| Patikrinti peilio stabdžio valdiklį *  | X       |           |                  |
| Patikrinti duslintuvą *                |         | X         |                  |
| Patikrinti uždegimo žvakę              |         | X         |                  |

| Techninės priežiūros darbas   | Kasdien | Savaitinė | Kiekvienu mėnesį |
|---|---------|-----------|------------------|
| Pakeisti alyvą (pirmą kartą po 5 naudojimo valandų, tada kas 50 naudojimo valandas) |         |           | X                |
| Išvalyti arba pakeisti oro filtrą   |         |           | X                |
| Patikrinti degalų sistemą   |         |           | X                |

## Bendroji apžiūra

- Įsitinkite, kad gaminio varžlės ir varžtai yra tinkamai priveržti.

## Gaminio valymas iš išorės

- Lapus, žolę ir purvą nuvalykite šepečiu.
- Apžiūrėkite ar neužsikūšis oro įsiurbimo anga variklio viršuje.
- Gaminio neplaukite aukšto slėgio plovimo aparatu.
- Jei gaminį valote vandeniu, nepilkite vandens tiesiai ant variklio.

## Pjovimo įrangos gaubto vidinio paviršiaus valymas

1. Ištuštinkite kuro bakelį.
2. Paverskite įrenginį ant šono ant duslintuvo.



**PASTABA:** Jei gaminį paversite ant oro filtro, galite sugadinti variklį.

3. Vandeniui apliekite vidinį pjovimo įrangos gaubto paviršių.

## Pjovimo įrangos patikrinimas



**PERSPĖJIMAS:** Kad įranga netyčia nepasileistų, ištraukite uždegimo kabelį iš uždegimo žvakės.



**PERSPĖJIMAS:** Pjovimo įrangos techninės priežiūros darbus atlikite apsimovę apsaugines pirštines. Peilis labai aštrus ir gali lengvai įpjauti.

1. Patikrinkite, ar pjovimo įranga nepažeista ir neįskilusi. Visada pakeiskite pažeistą pjovimo įrangą.
2. Apžiūrėkite peilį, ar jis nepažeistas ir neatšipęs.

**Pasižymėkite:** Pagalandus peilį jį reikia subalansuoti. Pagalasti, pakeisti ir subalansuoti peilį turi techninės priežiūros centro darbuotojai. Jei susidūrėte su kliūtimi, dėl kurios įrenginys sustojo, pakeiskite pažeistą peilį. Leiskite techninės priežiūros centro darbuotojams nuspręsti, ar peilį dar galima galasti, ar jau reikia keisti.

## Peilio keitimas

1. Užfiksuokite peilį medžio bloku. (Pav. 35)
2. Išimkite peilio varžtą, spyruoklinę poveržlę ir peilį. (Pav. 36)
3. Patikrinkite, ar peilio atrama ir peilio tvirtinimo varžtas nėra pažeisti.
  - a) Keisdami peilį arba peilio atramą, taip pat pakeiskite peilio tvirtinimo varžtą, spyruoklinę poveržlę ir apsauginę poveržlę.
4. Patikrinkite variklio veleną, kad įsitikintumėte, ar jis nesulenktas.
5. Uždedant naują peilį, įsitinkite, kad sulenkti galai yra nukreipti pjovimo gaubto pusę. (Pav. 37)
6. Uždėkite apsauginę poveržlę ir peilį ant peilio atramos. (Pav. 38)
7. Įsitinkite, kad peilis sulygiuotas su variklio veleno centru. (Pav. 39)
8. Užfiksuokite peilį medžio bloku. (Pav. 40)
9. Uždėkite spyruoklinę poveržlę ir priveržkite varžtą 43 – 47 Nm sukimo momentu. (Pav. 41)
10. Ranka pasukite peilį ir patikrinkite, ar jis laisvai sukasi.



**PERSPĖJIMAS:** Būtinai mūvėkite pirštines. Peilis labai aštrus ir gali lengvai įpjauti.

11. Paleiskite gaminį, kad išbandytumėte peilį. Jei peilis netinkamai uždėtas, gaminys vibruoja arba pjaunama nepakankamai gerai.

## Alyvos lygio tikrinimas



**PASTABA:** Per mažas alyvos kiekis gali sukelti variklio gedimus. Prieš paleisdami gaminį patikrinkite alyvos lygį.

1. Pastatykite gaminį ant lygaus paviršiaus.
2. Atsukite ir nuimkite alyvos bakelio dangtelį su pritvirtintu alyvos lygio matuokliu.
3. Nuvalykite alyvą nuo alyvos lygio matuoklio.
4. Visiškai įstumkite alyvos lygio matuoklį į alyvos bakelį, kad išsiaiškintumėte alyvos lygį. Neuždėkite alyvos bakelio dangtelio.

5. Atsukite ir nuimkite alyvos bakelio dangtelį su pritvirtintu alyvos lygio matuokliu.
6. Alyva ant matuoklio rodo esamą alyvos lygį.
7. Jei alyvos lygis žemas, įpilkite variklio alyvos ir vėl patikrinkite alyvos lygį. (Pav. 42)

---

**Pasižymėkite:** Naudokite piltuvėlį, kad išvengtumėte taškymosi.

---

8. Užsukite alyvos bakelio dangtelį, jei alyvos lygis yra tinkamas.

## Norėdami pakeisti variklio alyvą



**PERSPĖJIMAS:** Iš karto sustabdžius variklį variklio alyva yra labai karšta. Prieš išleisdami variklio alyvą, leiskite varikliui atvėsti. Jei užspilsite variklio alyvos ant odos, nuplaukite ją muilu ir vandeniu.

(Pav. 43)

1. Eksploatuokite gaminį, kol degalų bakelis ištuštės.
2. Nuimkite uždegimo kabelį nuo uždegimo žvakės.
3. Atsukite ir nuimkite alyvos bakelio dangtelį su pritvirtintu alyvos lygio matuokliu.
4. Po gaminiu padėkite konteinerį, į kurį surinksite variklio alyvą.
5. Pakreipkite gaminį arba išleiskite variklio alyvą iš alyvos bakelio naudodami alyvos siurbį (priedas).
6. Pripilkite naujos variklio alyvos. Rekomenduojamo tipo ieškokite *Techniniai duomenys psl. 210*.
7. Patikrinkite alyvos lygį. Žr. *Alyvos lygio tikrinimas psl. 207*.
8. Užsukite alyvos bakelio dangtelį, jei alyvos lygis yra tinkamas.

## Žvakės patikra



**PASTABA:** Visada naudokite rekomenduojamo tipo žvakės. Netinkamo tipo uždegimo žvakė gali pažeisti gaminį.

- Patikrinkite uždegimo žvakę, jei variklio galingumas mažas, variklį sunku paleisti arba jis netinkamai veikia tuščiąja eiga.
- Norėdami sumažinti pašalinių medžiagų atsiradimą ant uždegimo žvakės elektrodų, laikykitės šių instrukcijų:
  - a) Įsitinkinkite, kad tinkamai sureguliuotas greitis tuščiąja eiga.
  - b) Įsitinkinkite, kad naudojate tinkamą kuro mišinį.
  - c) Patikrinkite, ar oro filtras švarus.
- Jeigu uždegimo žvakė purvina, nuvalykite ją ir patikrinkite, ar nustatytas tinkamas tarpas tarp elektrodų, žr. *Techniniai duomenys psl. 210*. (Pav. 44)

- Esant reikalui pakeiskite uždegimo žvakę.

## Oro filtro valymas

Dėl purvino oro filtro variklis gali būti pažeistas arba veikti netinkamai. Dulketoje aplinkoje dažniau atlikite oro filtro priežiūrą.

Žr. *Priežiūros grafikas psl. 206* norėdami sužinoti, kada keisti oro filtrą.

1. Nuimkite oro filtro dangtelį ir išimkite filtrą.
2. Išvalykite filtrą, padaužydami jį lygų paviršiu. Filtrui valyti nenaudokite tirpiklio su benzinu, žibalo ar suspausto oro.

---

**Pasižymėkite:** Ilgą laiką naudotų oro filtrų neįmanoma visiškai išvalyti. Reguliariai pakeiskite oro filtrą. Pažeistus oro filtrus visada būtina pakeisti.

---

3. Montuodami oro filtrą įsitinkinkite, kad jis visiškai prisispaudžia prie filtro laikiklio.

## Šoninio išmetimo deflektoriaus patikra

Šoninio išmetimo deflektorius yra pritvirtintas prie produkto šoninio išmetimo angos. Tai sumažina riziką, kad objektai bus išsviesti link naudotojo.

1. Įsitinkinkite, kad šoninio išmetimo deflektorius nepažeistas.
2. Patikrinkite šoninio išmetimo deflektorių. Įsitinkinkite, kad nematote jokių pažeidimų, pvz. įtrūkimų arba sulūžusių spyruoklių, kurios uždaro duris.
3. Pakeiskite pažeistą šoninio išmetimo deflektorių arba spyruokles.

## Kuro sistemos tikrinimas

- Patikrinkite kuro bakelio dangtelį ir užsandarinkite jį, kad nepažeistumėte.
- Patikrinkite kuro žarnelę ir įsitinkinkite, kad ji neprateka. Jei kuro žarnelė pažeista, paprašykite, kad techninės priežiūros atstovas ją pakeistų.

## Išleidimas iš degalų bakelio

1. Pastatykite indą po degalų bakeliu.
2. Nuimkite degalų bakelio dangtelį.
3. Užspauskite žarnų spaustukus ant degalų žarnelės, esančios prieš karbiuratorių.
4. Nuimkite nuo karbiuratoriaus degalų žarnelę.
5. Įdėkite degalų bako žarną į indą ir nuimkite žarnos spaustukus.
6. Pakreipkite gaminį, kad išleistumėte degalus į indą.

## Degalų filtro keitimas



**PERSPĖJIMAS:** Mūvėkite apsaugines pirštines.

---



1. Išleiskite degalus iš degalų bakelio.
2. Nuimkite žarnos spaustuką nuo degalų bakelio. (Pav. 45)
3. Išimkite degalų žarnelę iš kuro bakelio. Gali išbėgti nedidelis degalų kiekis. (Pav. 46)
4. Išimkite kuro filtrą iš kuro bakelio. (Pav. 47)
5. Kuro bakelyje sumontuokite naują kuro filtrą.
6. Prijunkite degalų žarnelę prie degalų bakelio.
7. Uždėkite žarnos spaustuką prieš degalų baką.

## Sankabos laido reguliavimas

Toliau nurodytose situacijose būtina sutrumpinti sankabos laidą:

- Ratų pavara neįsijungia, kai patraukiate pavaros rankeną arba greičio valdymo svirtį.

- Produktas juda lėtai, kai įjungta ratų pavara.

Toliau nurodytose situacijose būtina pailginti sankabos laidą:

- Produktas juda , kai ratų pavara neįjungta.
- Sureguliuokite sankabos laidą.
  - a) Norėdami sutrumpinti sankabos laidą, pasukite reguliavimo varžtą prieš laikrodžio rodyklę.
  - b) Norėdami pailginti sankabos laidą, pasukite reguliavimo varžtą pagal laikrodžio rodyklę. (Pav. 48)

Jei po reguliavimo produktas ir toliau važiuoja netinkamai, susisiekite su aptarnavimo paslaugų teikėju

---

# Transportavimas, saugojimas ir utilizavimas

---

## Transportavimas ir laikymas

- Norėdami laikyti ir transportuoti gaminį ir kūrą, įsitikinkite, kad jis neprateka ir neskleidžia išmetamųjų dujų. Žiežirbos arba atvira ugnis, pvz., elektriniai įrenginiai arba džiovintuvai, gali sukelti gaisrą.
- Laikydami ir transportuodami kūrą visada naudokite patvirtintus konteinerius.
- Ištuštinkite kuro bakelį prieš padėdami gaminį laikyti ilgam laikui. Kūrą išpilkite tinkamoje šalinimo vietoje.
- Saugiai pritvirtinkite gaminį jį transportuodami, kad nepažeistumėte ir išvengtumėte nelaimingų atsitikimų.
- Laikykite gaminį užrakintoje patalpoje, kad jo nepasiektų vaikai arba neįgalieji asmenys.
- Laikykite gaminį sausoje neužšalimo vietoje.

## Šalinimas

- Laikykite vietinių atliekų tvarkymo reikalavimų ir galiojančių teisės aktų.
- Išpilkite visas chemines medžiagas, pvz., variklio alyvą arba kūrą techninės priežiūros centre arba tinkamoje šalinimo vietoje.
- Kai gaminys nebenaudojamas, nusiųskite jį „Husqvarna“ pardavėjui arba atiduokite jį perdirbimo vietai.

# Techniniai duomenys

## Techniniai duomenys

|  |   |
|--|---|
|  | <b>LC 356VP</b>   |
| <b>Variklis</b>  |   |
| Gamintojas   | Honda   |
| Variklio modelio pavadinimas                             | GCVx170   |
| Darbinis tūris, cm <sup>3</sup>                          | 166   |
| Greitis, sūk./min.                                       | 2800  |
| Vardinė variklio galia, kW <sup>71</sup>                 | 3,1   |
| <b>Uždegimo sistema</b>                                  |   |
| Degimo žvakė   | NGK BPR5ES  |
| Tarpas tarp elektrodų, mm                                | 0,75  |
| <b>Degalų ir tepimo sistema</b>                          |   |
| Degalai, bešviniai, min. oktaninis skaičius              | 90  |
| Kuro bakelio talpa, litrai                               | 0,9   |
| Alyvos bakelio talpa, litrai                             | 0,4   |
| Variklio alyva <sup>72</sup>                             | Husqvarna SAE 30, Husqvarna SAE 5W–30 sintetinė, Husqvarna SAE 10W–40 |
| <b>Svoris</b>  |   |
| Su tuščiais bakeliais, kg                                | 35,1  |
| <b>Skleidžiamas triukšmas</b> <sup>73</sup>              |   |
| Garso galios lygis, išmatuotas dB (A)                    | 98  |
| Garso galios lygis, garantuojamas L <sub>WA</sub> dB (A) | 98  |
| <b>Garso lygiai</b> <sup>74</sup>                        |   |
| Naudotojo ausį veikiantis garso slėgis, dB (A)           | 86  |
| <b>Vibracijos lygis</b> <sup>75</sup>                    |   |

<sup>71</sup> Nurodyta variklio galia atitinka to modelio tipinės gamybos būdu pagaminto variklio vidutinę naudingąją atiduodamą galią (varikliui veikiant nurodytu greičiu), išmatuotą pagal SAE standartą J1349 / ISO1585. Masinės gamybos būdu pagamintų variklių galia gali skirtis. Faktinė gaminyje įmontuoto variklio galia priklausys nuo darbinio greičio, aplinkos sąlygų ir kitų aplinkybių.

<sup>72</sup> Naudokite API SJ ar aukštesnės kokybės variklio alyvą. Jei SAE-30 alyva naudojama žemesnėje nei +5 °C temperatūroje, variklis gali būti suteptas nepakankamai. Dėl to gali atsirasti variklio gedimų. Daugiau informacijos apie tai, kokią alyvą naudoti esant žemai temperatūrai, žr. *Norėdami pakeisti variklio alyvą psl. 208*. Žiūrėkite klampumo lentelę variklio instrukcijoje (jei pridedama) ir pasirinkite geriausią klampumą, atsižvelgdami į numatomą lauko temperatūrą.

<sup>73</sup> Triukšmas, skleidžiamas į aplinką, išmatuotas kaip garso galia (L<sub>WA</sub>) pagal EB direktyvą 2000/14/EB.

<sup>74</sup> Pateikiamų triukšmo slėgio duomenų būdingoji statistinė sklaida (standartinis nuokrypis) lygi 1,2 dB (A).

<sup>75</sup> Pateiktuose vibracijos lygio duomenyse yra 0,2 m/s<sup>2</sup> tipiška statistinė sklaida (standartinis nuokrypis).

|                           |   |
|---------------------------|---|
|                           | <b>LC 356VP</b>                           |
| Rankena, m/s <sup>2</sup> | 5,9                                       |
| <b>Pjovimo įranga</b>     |   |
| Pjovimo aukštis, mm       | 25–75                                     |
| Pjovimo plotis, mm        | 560                                       |
| Pjovimo sistema           | Surinkimas / BioClip® / šoninis išmetimas |
| Peilis – standartinis     | Surinkimas 598562701                      |
| Peilis – priedas          | Mulčiavimas 598563601                     |
| <b>Pavara</b>             |   |
| Greitis, km/h             | 3,0 - 4,5                                 |

# Atitikties deklaracija

## ES atitikties deklaracija

Mes, **Husqvarna AB**, SE-561 82 Huskvarna, Švedija, tel.  
+46-36-146500, atsakingai patvirtiname, kad gaminy:

|                                |  |
|--------------------------------|--|
| <b>Aprašymas</b>               | Vejapjovė  |
| <b>Gamintojas</b>              | Husqvarna  |
| <b>Tipas / modelis</b>         | LC 356VP   |
| <b>Identifikacijos numeris</b> | Serijos numeriai nuo šios datos: 2022 ir vėlesni |

visiškai atitinka šias ES direktyvas ir reglamentus:

| <b>Reglamentas</b> | <b>Aprašymas</b>   |
|--------------------|--|
| 2006/42/EB         | „dėl mašinų“   |
| 2014/30/ES         | „dėl elektromagnetinio suderinamumo“   |
| 2000/14/EB         | „dėl į aplinką skleidžiamo triukšmo“   |
| 2011/65/ES         | „dėl tam tikrų pavojingų medžiagų naudojimo elektros ir elektroninėje įrangoje apribojimo“ |

ir kad laikomasi šių standartų ir (arba) techninių specifikacijų: EN ISO 5395-1:2013/A1:2018, EN ISO 5395-2:2013/A1:2016/A2:2017, EN ISO 14982:2009, EN IEC 63000:2018

Notifikuotoji įstaiga: 0404, RISE SMP Svensk Maskinprovning AB, Box 4053, SE-904 03 Umeå, Sweden patvirtino atitiktį Tarybos direktyvai 2000/14/EB; atitikties įvertinimo procedūra: VI priedas.

Daugiau informacijos apie triukšmo emisiją žr. *Techniniai duomenys psl. 210.*

Huskvarna, 2022-10-20



Claes Losdal, plėtros vadovas / sodo gaminiai,  
„Husqvarna AB“

Atsakingas už techninę dokumentaciją



---

# Saturs

---

|                |     |  |     |
|----------------|-----|--|-----|
| Ievads.....    | 213 | Apkope.....                                | 219 |
| Drošība.....   | 214 | Pārvadāšana, glabāšana un utilizēšana..... | 222 |
| Montāža.....   | 217 | Tehniskie dati.....                        | 223 |
| Lietošana..... | 217 | Atbilstības deklarācija.....               | 225 |

---

## Ievads

---

### Izstrādājuma apraksts

Izstrādājums ir gājējam vadāmais rotējošais zāles plāvējs. Lai tiktu savākta zāle, piestipriniet zāles savācēju. Piestipriniet izmetes sānu novirzītāju zāles sānu izmetējatverei. Lai sagrieztu zāli mēslojumam, piestipriniet mulčēšanas komplektu.

### Izstrādājuma pārskats

(Att. 1)

1. Roktura stienis
2. Dzinēja bremžu rokturis
3. Piedziņas rokturis
4. Startera auklas rokturis
5. Aizmugurējais aizsegs
6. Zāles uztvērējs
7. Roktura augstuma regulēšanas slēdži
8. Pļaušanas augstuma svira
9. Eļļas tvertnes vāciņš
10. Sānu izmetēja pārsegs
11. Trokšņa slāpētājs
12. Aizdedzes svece
13. Degvielas tvertnes vāciņš
14. Simboli
15. Griezēja pārsegs
16. Gaisa filtrs
17. Apgriezienu skaita regulēšanas svira
18. Sānu novirzītājs
19. Mulčēšanas ierīce (piederums)
20. Lietotāja rokasgrāmata

### Simboli uz izstrādājuma

(Att. 2) **BRĪDINĀJUMS!** Esiet uzmanīgi un lietojiet izstrādājumu pareizi. Šis izstrādājums var izraisīt smagas vai nāvējošas traumas operatoram vai citām personām.

(Att. 3) Lūdzu, rūpīgi izlasiet šo lietošanas rokasgrāmatu un pirms izstrādājuma lietošanas pārliecinieties, vai izprotat instrukcijas.

(Att. 4) Uzmanieties no izmestiem un rikošetā atlecošiem priekšmetiem.

### Paredzētā lietošana

Izmantojiet izstrādājumu, lai apgrieztu zāli. Nelietojiet izstrādājumu citiem uzdevumiem.

(Att. 5) Nodrošiniet, lai cilvēki un dzīvnieki atrastos drošā attālumā no darba zonas.

(Att. 6) Brīdinājums. Turiet rokas un kājas drošā attālumā no rotējošā asmens.

(Att. 7) Brīdinājums. Turiet rokas un kājas drošā attālumā no rotējošajām daļām.

(Att. 8) Pirms veicat remontdarbus vai tehnisko apkopi, apturiet dzinēju un izņemiet aizdedzes vadu.

(Att. 9) Šis izstrādājums atbilst spēkā esošajām EK direktīvām.

(Att. 10) Šis izstrādājums atbilst spēkā esošajiem AK noteikumiem.

(Att. 11) Trokšņa emisijas vidē uzlīme atbilstoši ES un Apvienotās Karalistes direktīvām un noteikumiem, kā arī Jaundienvēlsas tiesību aktam "Darba vides aizsardzības (trokšņa kontroles) regula (2017)". Izstrādājuma garantētais skaņas jaudas līmenis ir norādīts *Tehniskie dati lpp. 223* un uz etiķetes.

---

**Piezīme:** Pārējie uz produkta norādītie simboli/uzlīmes attiecas uz dažu tirdzniecības nozaru prasībām.

---

### Produkta bojājumi

Mēs neatbildam par mūsu produkta bojājumiem, ja:

- ir veikts nepareizs produkta remonts;
- produkta remonts ir veikts, izmantojot detaļas, ko nav nodrošinājis vai apstiprinājis ražotājs;

- produktam tiek pievienots piederums, ko nav nodrošinājis vai apstiprinājis ražotājs;
- produkta remonts nav veikts pilnvarotā remontdarbnīcā vai pie pilnvarota speciālista.

## Euro V emisija



**BRĪDINĀJUMS:** Motora atvēršana anulē šī ķēdes zāga ES tipa apstiprinājumu.

## Drošība

### Drošības definīcijas

Brīdinājumi, norādes "Uzmanību!" un piezīmes tiek izmantotas, lai izceltu īpaši svarīgas lietotāja rokasgrāmatas daļas.



**BRĪDINĀJUMS:** Tiek izmantota tad, ja rokasgrāmatā sniegto instrukciju neievērošanas dēļ operatoram vai blakus esošajām personām draud traumu vai nāves risks.



**IEVĒROJIET:** Tiek izmantota tad, ja rokasgrāmatā sniegto instrukciju neievērošanas dēļ rodas izstrādājuma, citu materiālu vai blakus esošās teritorijas bojājuma risks.

**Piezīme:** Tiek izmantota, lai sniegtu plašāku informāciju, kas nepieciešama attiecīgajā situācijā.

### Vispārīgi drošības norādījumi



**BRĪDINĀJUMS:** Pirms izstrādājuma lietošanas izlasiet tālāk izklāstītos brīdinājumus.

- Šis izstrādājums ir bīstams, ja to lieto nepareizi vai ja nerīkojaties piesardzīgi. Drošības instrukciju neievērošana var izraisīt traumas vai nāvi.
- Šis izstrādājums darbības laikā rada elektromagnētisko lauku. Zināmos apstākļos šis lauks var traucēt aktīvā vai pasīvā medicīniskā implantāta darbību. Lai samazinātu nopietnas traumas gūšanas vai dzīvības zaudēšanas risku, mēs iesakām personām, kam ir medicīniskie implantāti, pirms šī izstrādājuma lietošanas konsultēties ar savu ārstu un medicīniskā implantāta ražotāju.
- Vienmēr rīkojieties piesardzīgi un saprātīgi. Ja neesat drošs par to, kā izmantot šo izstrādājumu konkrētā situācijā, pārtrauciet darbu un sazinieties ar savu Husqvarna izplatītāju, pirms turpināt.
- Paturiet prātā, ka operators ir atbildīgs par negadījumiem, kuros iesaistītas citas personas.
- Gādāiet, lai izstrādājums ir tīrs. Pārliecinieties, ka varat skaidri izlasīt zīmes un uzlīmes.

- Neļaujiet nevienai personai izmantot izstrādājumu, ja neesat pārliecinājies, ka šī persona ir izlasījusi un izprot lietotāja rokasgrāmatas saturu.
- Neļaujiet bērniem lietot šo izstrādājumu.
- Bērni nedrīkst atrasties darba zonā. Tuvumā vienmēr jābūt pieaugušajam.
- Neļaujiet lietot izstrādājumu personai, kas nav iepazinusies ar lietošanas norādījumiem.
- Ja produktu izmanto persona ar samazinātām fiziskajām vai garīgajām spējām, vienmēr uzraugiet šo personu. Tuvumā vienmēr jābūt pieaugušajam.
- Neizmantojiet šo izstrādājumu, ja esat noguris, slims vai esat alkohola, narkotiku vai medikamentu izraisītā reibumā. Šāds stāvoklis negatīvi ietekmē jūsu redzi, modrību, koordināciju un spriestspēju.
- Nelietojiet izstrādājumu, kas ir bojāts vai nedarbojas pareizi.
- Neveiciet izmaiņas šajā izstrādājumā un neizmantojiet to, ja ir iespējams, ka citas personas tajā ir veikušas izmaiņas.
- Nemainiet neregulēto dzinēja apgriezienu skaitu

### Darba zonas drošība



**BRĪDINĀJUMS:** Pirms sākat lietot izstrādājumu, izlasiet tālāk izklāstītās brīdinājuma instrukcijas.

- Pirms izmantojat izstrādājumu, noņemiet no darba zonas priekšmetus, piemēram, zarus, žagarus un akmeņus.
- Priekšmeti, kas saskaras ar griešanas ierīci, var atlēkt un nodarīt kaitējumu personām vai citiem priekšmetiem. Gādāiet, lai citi cilvēki un dzīvnieki atrastos drošā attālumā no izstrādājuma.
- Nekad neizmantojiet izstrādājumu sliktos laikapstākļos, piemēram, miglā, lietū, stiprā vējā, lielā aukstumā un pastāvot zibeņošanas riskam. Izstrādājuma izmantošana sliktos laikapstākļos vai mitrā vai slapjā vietā ir nogurdinoša. Slikti laikapstākļi var izraisīt bīstamus apstākļus, piemēram, slidenas virsmas.
- Pārliecinieties, vai nav personu, priekšmetu un situāciju, kas varētu kavēt izstrādājuma drošu darbību.
- Uzmanīgi skatieties, vai nav šķēršļu, piemēram, sakņu, akmeņu, zaru, bedru un grāvju. Garā zālē var atrasties dažādi šķēršļi.

- Plaušana uz nogāzēm var būt bīstama. Neizmantojiet izstrādājumu uz virsmas, kuras slīpums pārsniedz 15°.
- Uz nogāzēm izstrādājumu izmantojiet garenvirzienā. Neplaujiet uz augšu un uz leju.
- Esiet uzmanīgi, kad tuvojaties stūriem, aiz kuriem nekas nav redzams, un priekšmetiem, kas aizsedz skaidru skatu.

## Darba drošība



**BRĪDINĀJUMS:** Pirms sākat lietot izstrādājumu, izlasiet tālāk izklāstītās brīdinājuma instrukcijas.

- Izmantojiet šo izstrādājumu tikai zālienu plaušanai. Izstrādājumu nav atļauts izmantot citu darbu veikšanai.
- Lietojiet individuālos aizsardzības līdzekļus. Skatiet šeit: *Individuālie aizsarglīdzekļi lpp. 215.*
- Pārliecinieties, vai zināt, kā ārkārtas situācijā ātri apturēt dzinēju.
- Nekad neiedarbiniet dzinēju slēgtās telpās vai uzliesmojošu materiālu tuvumā. Dzinēja izplūdes gāzes ir karstas, un tajās var būt dzirksteles, kas var izraisīt ugunsgrēku.
- Nedarbiniet izstrādājumu, ja asmens un visi pārsegi nav piestiprināti pareizi. Nepareizi piestiprināts asmens var kļūt vaļīgs un izraisīt traumas personai.
- Pārliecinieties, ka asmens neatsitas pret priekšmetiem, piemēram, akmeneņiem un saknēm. Tas var sabojāt asmeni un saliekt dzinēja vārpstu. Saliekts asmens izraisa stipru vibrāciju un rada ļoti lielu risku, ka asmens kļūst vaļīgs.
- Ja asmens saskaras ar priekšmetu vai rodas spēcīgas vibrācijas, nekavējoties izslēdziet izstrādājumu. Atvienojiet aizdedzes vadu no aizdedzes sveces. Pārbaudiet, vai izstrādājumā nav bojājumu. Novērsiet bojājumus vai ļaujiet pilnvarotā servisa pārstāvim veikt remontu.
- Nekad nepiestipriniet dzinēja bremžu rokturi pastāvīgi rokturim, kad dzinējs ir iedarbināts.
- Novietojiet izstrādājumu uz stabilas, līdzsvarotās virsmas un iedarbiniet to. Pārliecinieties, vai asmens nepieskaras zemei vai citiem priekšmetiem.
- Darbinot izstrādājumu, vienmēr stāviet aiz tā.
- Darbinot izstrādājumu, raugiet, lai visi četri riteņi atrodas uz zemes un turiet rokturi ar abām rokām. Turiet rokas un kājas drošā attālumā no rotējošajiem asmeņiem.
- Nekad nenolieciet izstrādājumu dzinēja darbības laikā.
- Esiet piesardzīgs, velkot izstrādājumu uz aizmuguri.
- Nekad neceliet izstrādājumu uz augšu dzinēja darbības laikā. Ja jums jāpaceļ izstrādājums, vispirms izslēdziet dzinēju un atvienojiet aizdedzes vadu no aizdedzes sveces.
- Neējiet at muguriski izstrādājuma lietošanas laikā.

- Izslēdziet dzinēju, kad pārvietojaties pa teritorijām, ko neklāj zāle, piemēram, pa grants, akmens vai asfalta celiņiem.
- Nekad neskrīniet ar izstrādājumu dzinēja darbības laikā. Darbinot izstrādājumu, vienmēr ejiet.
- Apturiet dzinēju, pirms maināt griešanas augstumu. Nekad nemēģiniet veikt regulēšanas darbus dzinēja darbības laikā.
- Nekad neatstājat izstrādājumu bez uzraudzības dzinēja darbības laikā. Izslēdziet dzinēju un pārliecinieties, vai griešanas ierīce nerotē.

## Norādījumi par drošu darbu

### Individuālie aizsarglīdzekļi



**BRĪDINĀJUMS:** Pirms sākat lietot izstrādājumu, izlasiet tālāk izklāstītās brīdinājuma instrukcijas.

- Šādi līdzekļi nevar pilnībā novērst traumu gūšanas risku, taču samazina traumu smaguma pakāpi, ja negadījums tomēr notiek. Ļaujiet izplatītajam palīdzēt jums izvēlēties pareizo aprīkojumu.
- Ja trokšņa līmenis ir augstāks par 85 dB, izmantojiet dzirdes aizsarglīdzekļus.
- Velciet izturīgus zābakus vai kurpes, kas neslīd. Nevelciet vaļējas kurpes un neejiet ar basām kājām.
- Velciet izturīgas garās bikses.
- Vajadzības gadījumā izmantojiet aizsargcimdus, piemēram, piestiprinot, pārbaudot vai tīrot griešanas aprīkojumu.

### Zāles plāvēja drošības ierīces



**BRĪDINĀJUMS:** Pirms zāles plāvēja lietošanas izlasiet zemāk minētos brīdinājumus.

- Nelietojiet zāles plāvēju ar drošības ierīcēm, kas ir bojātas vai nedarbojas pareizi.
- Regulāri pārbaudiet drošības ierīces. Ja drošības ierīces ir bojātas vai nedarbojas pareizi, sazinieties ar Husqvarna apkopes dienesta pārstāvi.
- Nepārveidojiet drošības ierīces.

### Griezēja pārsega pārbaude

Griezēja pārsegs samazina izstrādājuma vibrācijas un asmens radītu ievainojumu gūšanas risku.

- Pārbaudiet griezēja pārsegu, lai pārliecinātos, vai nav bojājumu, piemēram, plaisu.

### Dzinēja bremžu roktura pārbaude

Dzinēja bremžu rokturis aptur dzinēju. Atļāiet dzinēja bremžu rokturi, dzinējs apstājas.

- Iedarbiniet dzinēju un pēc tam atlaidiet dzinēja bremžu rokturi. Ja dzinējs neapstājas trīs sekundēs, lieciet pilnvarotā Husqvarna servisa pārstāvim noregulēt dzinēja bremzes. (Att. 12)

### Aizmugurējā pārsega pārbaude

Aizmugurējais novirzītājs mazina operatora virzienā izsviestu priekšmetu iespējamību.

- Pārbaudiet, vai nav bojāts aizmugurējais pārsegs.
- Pārbaudiet, vai nav salauzts atspere, kas noslēdz aizmugurējo pārsegu.
- Nomainiet bojātās atspere un bojātās daļas.
- Pārbaudiet, vai aizmugurējais pārsegs eņģēs kustas brīvi.

### Trokšņa slāpētājs

Slāpētājs maksimāli mazina troksni un novirza dzinēja izplūdes gāzes prom no operatora.

Nelietojiet produktu, ja nav trokšņa slāpētāja vai tas ir bojāts. Bojāts trokšņa slāpētājs palielina trokšņa līmeni un aizdegšanās risku.



**BRĪDINĀJUMS:** Lietošanas laikā, tūlīt pēc tās un tad, kad dzinējs darbojas tukšgaitā, trokšņa slāpētājs būtiski sakarst. Lai nepieļautu aizdegšanos, esiet piesardzīgi uzliesmojošu materiālu un/vai gāzu tuvumā.

### Trokšņa slāpētāja pārbaude

- Regulāri pārbaudiet slāpētāju, lai pārliecinātos, ka tas ir pareizi piestiprināts un nav bojāts.

### Drošības norādījumi, rīkojoties ar degvielu



**BRĪDINĀJUMS:** Pirms zāles plāvēja lietošanas izlasiet zemāk minētos brīdinājumus.

- Nelietojiet zāles plāvēju, ja uz tā ir degviela vai dzinēja eļļa. Notīriet degvielu/eļļu un ļaujiet zāles plāvējam nožūt.
- Ja degviela nokļuvusi uz apģērba, nekavējoties pārģērbieties.
- Neļaujiet degvielai nokļūt uz ķermeņa, jo var rasties trauma. Ja degviela izlijusi uz ķermeņa, izmantojiet ziepes un ūdeni, lai to nomazgātu.
- Nelietojiet zāles plāvēju, ja no dzinēja ir noplūde. Regulāri pārbaudiet, vai no dzinēja nav noplūde.
- Rīkojoties ar degvielu, esiet uzmanīgi. Degviela ir viegli uzliesmojoša, tās tvaiki ir sprādzienbīstami un var radīt traumas vai nāvējošu traumu.
- Neieelpojiet degvielas tvaikus, jo tie var kaitēt veselībai. Pārliecinieties, ka gaisa plūsma ir pietiekama.

- Nesmēķējiet degvielas vai dzinēja tuvumā.
- Nenovietojiet siltus priekšmetus degvielas vai dzinēja tuvumā.
- Nepapildiniet degvielu dzinēja darbības laikā.
- Pirms degvielas uzpildes pārliecinieties, ka dzinējs ir atdzisis.
- Pirms uzpildes lēni atveriet degvielas tvertnes vāciņu un uzmanīgi izlaidiet spiedienu.
- Neuzpildiet dzinēja degvielu telpās. Nepietiekama gaisa plūsma var radīt traumas vai nāvi, nosmokot vai saindējoties ar oglekļa monoksīdu (tvaņa gāzi).
- Pilnībā aizskrūvējiet degvielas tvertnes vāciņu. Ja degvielas tvertnes vāciņš nav aizskrūvēts, pastāv aizdegšanās risks.
- Pirms iedarbināšanas pārvietojiet zāles plāvēju vismaz 3 m/10 pēdas no vietas, kur uzpildījāt tvertni.
- Pilnībā neuzpildiet degvielas tvertni. Siltuma ietekmē degviela izplešas. Atstājiet degvielas tvertnes augšdaļu tukšu.
- Ja zāles plāvēja degvielas tvertnē ir degviela, nekādā gadījumā neuzglabājiet to ēkā, kurā ir aizdegšanās avoti, piemēram, karstā ūdens avoti un telpu sildītāji, drēbju žāvētāji u.c. Pirms zāles plāvēja novietošanas uzglabāšanai telpās ļaujiet atdzist dzinējam.

### Norādījumi par drošu apkopi



**BRĪDINĀJUMS:** Pirms sākat lietot izstrādājumu, izlasiet tālāk izklāstītās brīdinājuma instrukcijas.

- Dzinēja gāzu izplūdes satur oglekļa monoksīdu, kas ir bezkrāsaina, indīga un ļoti bīstama gāze. Nedarbiniet dzinēju iekšelpās vai slēgtās telpās.
- Pirms veicat izstrādājuma apkopi, vispirms izslēdziet dzinēju un atvienojiet aizdedzes vadu no aizdedzes sveces.
- Veicot griešanas aprīkojuma apkopi, velciet aizsargcimdus. Asmens ir ļoti ass, un ar to var viegli sagriezties.
- Piederumi un pārveidojumi izstrādājumā, kurus ražotājs nav apstiprinājis, var izraisīt nopietnas traumas vai nāvi. Nepārveidojiet izstrādājumu. Izmantojiet tikai tādas piederumus, ko ir apstiprinājis ražotājs.
- Ja apkope netiek veikta pareizi un regulāri, trauma gūšanas risks un bojājumu izstrādājumam risks palielinās.
- Veiciet tikai to apkopi, kas norādīta īpašnieka rokasgrāmatā. Visi pārējie apkopes darbi jāveic pilnvarotā Husqvarna servisa pārstāvim.
- Ļaujiet pilnvarotā Husqvarna servisa pārstāvim regulāri veikt izstrādājuma apkopi.
- Nomainiet bojātās, nodilušās un salūzušās detaļas.



# Montāža

## Ievads



**BRĪDINĀJUMS:** Pirms montējat izstrādājumu, izlasiet nodaļu par drošību un pārliecinieties, vai saprotat to.



**BRĪDINĀJUMS:** Noņemiet aizdedzes sveces vadu no aizdedzes sveces, pirms montējat izstrādājumu.

## Roktura salikšana

**Piezīme:** Šī darba veikšanai ieteicams piesaistīt palīgu.

**Piezīme:** Saliekot rokturi, neizņemiet zāles plāvēju no kastes. Kasti var izmantot roktura atbalstam montāžas laikā.

1. Paceliet un pagrieziet rokturi. (Att. 13)



**IEVĒROJIET:** Esiet uzmanīgi un pārliecinieties, ka, pagriežot rokturi, netiek bojāts kabelis.

2. Novietojiet rokturi zāles plāvēja augšpusē. Sasveriet rokturi pret kasti, lai atbalstītu rokturi. Skatiet attēlu. (Att. 14)
3. Izbīdīet skrūvi (A) caur rokturi (B), plastmasas paplāksni (C) un roktura balsta kronšteinu (D). (Att. 15)
4. Pilnībā pievelciet uzgriezni (E).
5. Izņemiet zāles plāvēju no kastes.
6. Uzlokiet rokturi. (Att. 16)
7. Iestatiet rokturi zemākajā stāvoklī. Skatiet šeit: *Roktura regulēšana lpp. 217.*
8. Piestipriniet kabeli roktura apakšdaļai, izmantojot kabeļu skavu. (Att. 17)
9. Piestipriniet kabeļa apakšdaļu roktura balsta kronšteinam ar kabeļu savilcēju. Nogrieziet atlikušo kabeļu savilcēja daļu. (Att. 18)

**Piezīme:** Pārbaudiet, vai kabelis ir piestiprināts pareizi. Pārāk vaļīgs kabelis var bojāt kabeli, ja ir uzstādīts zāles savācējs. (Att. 19)

## Roktura regulēšana

1. Atlaidiet apakšējos fiksatorus.
2. Pārvietojiet fiksatorus uz rievu apakšējo galu izstrādājuma kreisajā un labajā pusē. (Att. 20)
3. Iestatiet roktura augstumu vienā no diviem pieejamiem stāvokļiem.
4. Pārvietojiet fiksatorus uz augšu roktura virzienā, līdz tie apstājas un atskan klikšķis. (Att. 21)
5. Pilnībā pievelciet fiksatorus.

## Produkta novietošana transportēšanas pozīcijā

1. Noņemiet zāles savācēju (ja tas ir uzstādīts).
2. Atlaidiet apakšējos fiksatorus.
3. Pārvietojiet fiksatorus uz rievu apakšējo malu izstrādājuma kreisajā un labajā pusē. (Att. 20)
4. Nolokiet rokturi uz priekšu. (Att. 22)

## Izstrādājuma novietošana darbības pozīcijā

1. Uzlokiet rokturi uz augšu. (Att. 23)
2. Virziet fiksatorus uz augšu roktura virzienā, līdz tie apstājas un jūs dzirdat klikšķi. (Att. 21)
3. Pilnībā pievelciet fiksatorus.

## Zāles savācēja montāža

1. Piestipriniet zāles uztvērēja rāmi zāles maisam tā, lai maisa stingrā daļa būtu apakšā. Raugieties, lai rāmja rokturis ir ārpus maisa augšdaļas. (Att. 24)
2. Nostipriniet zāles maisu pie rāmja, izmantojot spaiļes. (Att. 25)

# Lietošana

## Ievads



**BRĪDINĀJUMS:** Pirms sākat darbu ar produktu, izlasiet nodaļu par drošību un pārliecinieties, vai saprotat to.

## Husqvarna Connect

Husqvarna Connect ir bezmaksas lietotne jūsu mobilajai ierīcei. Lietotne Husqvarna Connect nodrošina paplašinātas funkcijas jūsu Husqvarna izstrādājumam:

- Paplašināta izstrādājuma informācija.

- Informācija par izstrādājuma daļām un apkopi ir apkopi un palīdzība ar to.

## Lai sāktu izmantot Husqvarna Connect

1. Lejupielādējiet Husqvarna Connect lietotni savā mobilajā ierīcē.
2. Reģistrējieties Husqvarna Connect lietotnē.
3. Izpildiet Husqvarna Connect lietotnē sniegtos norādījumus, lai savienotu un reģistrētu produktu.

## Pirms izstrādājuma darbināšanas

1. Uzmanīgi izlasiet lietotāja rokasgrāmatu un pārliecinieties, vai izprotat instrukcijas.
2. Pārbaudiet griešanas aprīkojumu, lai pārliecinātos, vai tas ir pareizi piestiprināts un noregulēts. Skatiet šeit: *Griešanas aprīkojuma pārbaudīšana lpp. 220.*
3. Uzpildiet degvielas tvertni. Skatiet šeit: *Degvielas uzpildīšana lpp. 218.*
4. Uzpildiet degvielas tvertni un pārbaudiet eļļas līmeni. Skatiet šeit: *Dzinēja eļļas maiņa lpp. 221.*

## Degvielas uzpildīšana

Ja iespējams, izmantojiet zemu emisiju/alkilātu degvielu. Ja zemu emisiju/alkilātu benzīns nav pieejams, izmantojiet kvalitatīvu bezsvina benzīnu vai svīnu saturošu benzīnu, kura oktānskaitlis ir vismaz 90.



**IEVĒROJIET:** Neizmantojiet benzīnu, kura oktānskaitlis ir mazāks par 90 RON (87 AKI). Pretējā gadījumā produktu var sabojāt.

1. Lēni atveriet degvielas tvertnes vāciņu, lai samazinātu spiedienu.
2. Lēni uzpildiet ar degvielas kannu. Ja esat izšļakstījis degvielu, noīriet to ar drāniņu un ļaujiet atlikušajai degvielai nožūt.
3. Satīriet ap degvielas tvertnes vāciņu.
4. Pilnībā aizskrūvējiet degvielas tvertnes vāciņu. Ja degvielas tvertnes vāciņš nav piegriezts, pastāv aizdegšanās risks.
5. Pirms iedarbināšanas pārvietojiet izstrādājumu vismaz 3 m (10 pēdu) attālumā no vietas, kur veicāt uzpildi.

## Plaušanas augstuma regulēšana

1. Lai palielinātu griešanas augstumu, pārvietojiet griešanas augstuma sviru uz aizmuguri.
2. Lai samazinātu griešanas augstumu, pārvietojiet griešanas augstuma sviru uz priekšu. (Att. 26)



**IEVĒROJIET:** Neiestatiet griešanas augstumu pārāk zemu. Ja zāliena virsma nav līdzena, asmeņi var saskarties ar zemi.

## Izstrādājuma iedarbināšana

1. Pārliecinieties, vai aizdedzes vads ir pievienots aizdedzes svecei.
2. Stāviet aiz izstrādājuma.
3. Turiet dzinēja bremžu rokturi pretī stūrei. (Att. 27)
4. Turiet startera auklas rokturi ar labo roku.
5. Lēni velciet startera auklu, līdz sajūtat pretestību.
6. Lai iedarbinātu dzinēju, spēcīgi to pavelciet.



**BRĪDINĀJUMS:** Netiniet startera auklu ap roku.

## Piedziņas izmantošana riteņiem

- Sāciet riteņu piedziņu, izmantojot apgriezīgu skaita regulēšanas sviru roktura kreisajā pusē. Pabīdīet apgriezīgu skaita regulēšanas sviru uz priekšu, lai palielinātu apgriezīgu, un atpakaļ, lai samazinātu apgriezīgu. (Att. 28)
- Pirms velkat izstrādājumu uz aizmuguri, atvienojiet piedziņu un pastumiet izstrādājumu uz priekšu par aptuveni 10 cm.
- Atlaidiet piedziņas rokturi, lai atvienotu piedziņu, piemēram, ja ejat tuvu šķērslim.

## Izstrādājuma apturēšana

- Lai apturētu tikai piedziņu, atlaidiet piedziņas rokturi.
- Lai apturētu dzinēju, atlaidiet dzinēja bremžu rokturi.

## Izstrādājuma lietošana ar zāles savācēju



**BRĪDINĀJUMS:** Nelietojiet izstrādājumu bez uzstādīta zāles savācēja vai ar neaizvērtu aizmugurējo pārsegu. Var tikt izsviesti priekšmeti, un operatoram var tikt radīta trauma.

1. Paceliet aizmugurējo pārsegu un noņemiet mulčēšanas piederumu (ja tas ir uzstādīts). (Att. 29)
2. Samontējiet zāles savācēju; skatiet šeit: *Zāles savācēja montāža lpp. 217.*
3. Novietojiet zāles savācēju uz skavas.
4. Atlaidiet aizmugurējo pārsegu un novietojiet virs zāles maisa rāmja. (Att. 30)

## Izstrādājuma iestatīšana mulčēšanas režīmā

Pirms izstrādājuma iestatīšanas mulčēšanas režīmā pārliecinieties, vai ir izslēgts dzinējs.

1. Paceliet aizmugurējo pārsegu un noņemiet zāles savācēju (ja tas ir uzstādīts).

2. Ievietojiet mulčēšanas ieliktni zāles izmešanas atverē. (Att. 31)
3. Aizveriet aizmugurējo pārsegu un pārliecinieties, vai tas cieši pieguļ mulčēšanas piederumam.

**Piezīme:** Lai palielinātu mulčēšanas režīma veikspēju, nomainiet asmeni ar mulčēšanas asmens piederumu. Skatiet: *Asmens nomaiņišana lpp. 220*

## Izstrādājuma iestatīšana sānu izmetes režīmā

1. Paceliet aizmugurējo pārsegu un noņemiet zāles maisu (ja tas ir uzstādīts).
2. Aizveriet aizmugurējo pārsegu un pārliecinieties, vai tas cieši pieguļ izstrādājumam.
3. Paceliet izmešanas bloķētāju. (Att. 32)
4. Atveriet sānu izmetējatveres aizsargu un uz balsta tapām uzstādiet sānu izmetes novirzītāju. (Att. 33)
5. Sānu izmetējatveres aizsargam ir jāizver sānu izmetes novirzītājs. Pirms izstrādājuma iedarbināšanas pārliecinieties, vai sānu izmetes novirzītājs ir cieši piestiprināts.

## Zāles savācēja iztukšošana



**IEVĒROJIET:** Lai novērstu zāles savācēja nolietošanas, paceliet to, kad pārvietojat.

1. Paceliet zāles savācēju, izmantojot rāmja rokturi.
2. Kad iztukšojat zāles savācēju, izmantojiet rāmja un maisa rokturi. (Att. 34)

## Labā rezultāta panākšana

- Vienmēr lietojiet tikai asus asmeņus. Lietojot trulu asmeni, plaušanas rezultāts ir nevienmērīgs, un noplautā zāles virsma kļūst dzeltena. Ass asmens arī patērē mazāk enerģijas nekā truls asmens.
- Nepļaujiet vairāk par 1/4 no zāles garuma. Sākot pļaut zāli, izmantojiet augstāko griešanas augstumu. Pārbaudiet rezultātu un nolaidiet pļaušanas augstumu līdz pieņemamam līmenim. Ja zāle ir ļoti gara, pļaujiet lēni un, ja nepieciešams, dariet to divreiz.
- Katru reizi pļaujiet dažādos virzienus, lai zālienā neatstātu svītras.
- Paceliet aizmugurējo pārsegu un noņemiet zāles savācēju.
- Ja ir pievienots mulčēšanas aizbāznis un mulčēšanas asmens, noņemiet tos.
- Pirms produkta lietošanas aizveriet aizmugurējo vāku. Kad lietojat produktu, nogrieztā zāles tiek izvadīta zem aizmugurējā pārsega.
- Uzturiet pļaušanas pārsegu tīru. Zāles un netīrumu uzkrāšanās pļaušanas pārsega iekšpusē var pasliktināt pļaušanas rezultātu. Skatiet: *Griešanas pārsega iekšējās virsmas tīrīšana lpp. 220.*

## Apkope

### Ievads



**BRĪDINĀJUMS:** Pirms veicat apkopi, izlasiet nodaļu par drošību un pārliecinieties, vai izprotat to.

Lai veiktu visus izstrādājuma apkopes un remonta darbus, ir nepieciešama īpaša apmācība. Mēs garantējam profesionāla remonta un apkopes pieejamību. Ja jūsu izplatītājs nav servisa pārstāvis, vērsieties pie viņa, lai iegūtu informāciju par tuvāko servisa pārstāvi.

Papildinformāciju skatiet šeit: .

### Apkopes grafiks



**IEVĒROJIET:** Sagāžot izstrādājumu, pārliecinieties, lai gaisa filtrs būtu vērsts uz augšu, nevis pret zemi. Pastāv risks izraisīt dzinēja bojājumus.

Apkopes intervāli tiek aprēķināti atbilstoši izstrādājuma ikdienas lietošanai. Intervāli mainās, ja izstrādājumu neizmanto ikdienā.

Apkopei, kas atzīmēta ar zīmi \*, skatiet instrukcijas sadaļā *Zāles pļāvēja drošības ierīces lpp. 215.*

| Apkope                          | Katru dienu | Reizi nedēļā | Reizi mēnesī |
|---------------------------------|-------------|--------------|--------------|
| Vispārējās pārbaudes veikšana   | X           |              |              |
| Pārbaudiet eļļas līmeni         | X           |              |              |
| Noīriet izstrādājumu            | X           |              |              |
| Pārbaudiet griešanas aprīkojumu | X           |              |              |

| Apkope  | Katru dienu | Reizi nedēļā | Reizi mēnesī |
|---|-------------|--------------|--------------|
| Pārbaudiet griešanas pārsegu*   | X           |              |              |
| Pārbaudiet dzinēja bremžu rokturi*  | X           |              |              |
| Pārbaudiet asmeņu bremžu vadības sviru*   | X           |              |              |
| Pārbaudiet slāpētāju*   |             | X            |              |
| Pārbaudiet aizdedzes sveci  |             | X            |              |
| Nomainiet eļļu (pirmo reizi pēc 5 h lietošanas, pēc tam — ik pēc 50 h lietošanas) |             |              | X            |
| Izīriet vai nomainiet gaisa filtru  |             |              | X            |
| Pārbaudiet degvielas sistēmu  |             |              | X            |

## Vispārējās pārbaudes veikšana

- Pārliecinieties, vai visi uzgriežņi un skrūves uz izstrādājuma ir pareizi pievilkti.

## Produkta tīrīšana no ārpuses

- Izmantojiet suku, lai notīrītu lapas, zāli un neīrumus.
- Pārliecinieties, vai gaisa iekļūde dzinēja augšpusē nav bloķēta.
- Produktu nedrīkst skalot ar augstspiediena ūdens strūklu.
- Ja izstrādājuma tīrīšanai izmantojat ūdeni, neļaujiet to tieši uz dzinēja.

## Griešanas pārsega iekšējās virsmas tīrīšana

- Iztukšojiet degvielas tvertni.
- Novietojiet izstrādājumu uz sāniem ar slāpētāju uz leju.



**IEVĒROJIET:** Novietojot izstrādājumu ar gaisa filtru uz leju, var sabojāt dzinēju.

- Ar šļūteni noskalojiet griešanas pārsega iekšējo virsmu.

## Griešanas aprikojuma pārbaudīšana



**BRĪDINĀJUMS:** Lai novērstu nejaušu palaišanu, atvienojiet aizdedzes vadu no aizdedzes sveces.



**BRĪDINĀJUMS:** Veicot griešanas aprikojuma apkopi, velciet aizsargcimdus. Asmens ir ļoti ass, un ar to var viegli sagriezties.

- Pārbaudiet, vai griešanas aprikojums nav bojāts vai ieplaisājis. Vienmēr nomainiet bojātu griešanas ierīci.
- Apskatiet asmeni, lai redzētu, vai tas nav bojāts vai truls.

**Piezīme:** Vajadzības gadījumā pēc asmens uzasināšanas to balansējiet. Ļaujiet servisa centram asināt, nomainīt un balansēt asmeni. Ja saskaraties ar šķērsli, kas liek izstrādājumam apstāties, nomainiet bojāto asmeni. Lai apkopes centra pārstāvis novērtē, vai asmens ir jāuzasina, vai arī tas ir jānomaina.

## Asmens nomainīšana

- Bloķējiet asmeni ar koka klucīti. (Att. 35)
- Izņemiet asmens skrūvi, atspēri, noņemiet paplāksni un asmeni. (Att. 36)
- Pārbaudiet, vai naža adapteris un asmens skrūve nav bojāti.
  - Ja nomaināt naža adaptera asmeni, nomainiet arī asmens skrūvi, atsperes paplāksni un berzes paplāksni.
- Pārbaudiet dzinēja vārpstu, lai pārliecinātos, vai tā nav saliekta.
- Kad piestiprināt jauno asmeni, pārliecinieties, vai saliekte gali ir vērsti griešanas pārsega virzienā. (Att. 37)
- Novietojiet berzes paplāksni un asmeni pret asmens atbalstu. (Att. 38)
- Pārliecinieties, vai asmens ir salāgots ar dzinēja vārpstas centru. (Att. 39)
- Bloķējiet asmeni ar koka klucīti. (Att. 40)
- Piestipriniet atsperepaplāksni un piegrieziet skrūvi ar 43 – 47 Nm griezes momentu. (Att. 41)
- Ar roku pagrieziet asmeni un pārbaudiet, vai tas griežas brīvi.



**BRĪDINĀJUMS:** Lietojiet aizsargcimdus. Asmens ir ļoti ass, un ar to var viegli sagriezties.

11. Iedarbiniet izstrādājumu, lai pārbaudītu asmeni. Ja asmens nav pareizi piestiprināts, izstrādājums vibrē vai plaušanas rezultāts nav apmierinošs.

## Eļļas līmeņa pārbaude



**IEVĒROJIET:** Pārāk zems eļļas līmenis var izraisīt dzinēja bojājumus. Pirms iedarbināt zāles plāvēju, pārbaudiet eļļas līmeni.

1. Novietojiet zāles plāvēju uz līdzenas virsmas.
2. Noņemiet eļļas tvertnes vāciņu ar piestiprināto mērstieni.
3. Notīriet no mērstieņa eļļu.
4. Pilnībā ievietojiet mērstieni eļļas tvertnē, lai iegūtu pareizu priekšstatu par eļļas līmeni. Nepiestipriniet eļļas tvertnes vāciņu.
5. Noņemiet eļļas tvertnes vāciņu ar piestiprināto mērstieni.
6. Pārbaudiet eļļas līmeni uz mērstieņa.
7. Ja eļļas līmenis ir pārāk zems, uzpildiet dzinēja eļļu un pārbaudiet eļļas līmeni vēlreiz. (Att. 42)

**Piezīme:** Lai novērstu eļļas izšķakstīšanos, izmantojiet piltuvi.

8. Kad eļļas līmenis ir pareizs, uzlieciet eļļas tvertnes vāciņu.

## Dzinēja eļļas maiņa



**BRĪDINĀJUMS:** Uzreiz pēc dzinēja izslēgšanas dzinēja eļļa ir ļoti karsta. Ļaujiet dzinējam atdzist, pirms iztecināt dzinēja eļļu. Ja dzinēja eļļa ir uzšķakstījusies uz ādas, nomazgājiet to ar ziepēm un ūdeni.

(Att. 43)

1. Darbiniet zāles plāvēju, līdz degvielas tvertne ir tukša.
2. Noņemiet aizdedzes vadu no aizdedzes sveces.
3. Noņemiet eļļas tvertnes vāciņu ar piestiprināto mērstieni.
4. Novietojiet tvertni zem zāles plāvēja, lai savāktu dzinēja eļļu.
5. Sasveriet zāles plāvēju vai iztukšojiet dzinēja eļļu no eļļas tvertnes, izmantojot eļļas sūkni (piederums).
6. Iepildiet jaunu ieteikto dzinēja eļļu, kas aprakstīta šeit: *Tehniskie dati lpp. 223.*
7. Pārbaudiet eļļas līmeni. Skatiet šeit: *Eļļas līmeņa pārbaude lpp. 221.*

8. Kad eļļas līmenis ir pareizs, uzlieciet eļļas tvertnes vāciņu.

## Aizdedzes sveces pārbaude



**IEVĒROJIET:** Vienmēr lietojiet ieteiktā tipa aizdedzes sveci. Nepiemērota aizdedzes svece var radīt izstrādājuma bojājumus.

- Pārbaudiet aizdedzes sveci, ja dzinējam nepietiek jaudas, dzinēju nevar viegli iedarbināt vai arī tas nedarbojas pareizi tukšgaitā.
- Lai samazinātu nevēlamu materiālu uzkrāšanos uz aizdedzes sveces elektrodiem, ievērojiet turpmākos norādījumus.
  - a) Pārlicinieties, ka apgrīzietu skaits tukšgaitā ir noregulēts pareizi.
  - b) Pārlicinieties, ka degvielas maisījums ir atbilstošs.
  - c) Pārlicinieties, ka gaisa filtrs ir tīrs.
- Ja aizdedzes svece ir netīra, notīriet to un pārbaudiet, vai atstatums starp elektrodiem ir pareizs; skatiet šeit: *Tehniskie dati lpp. 223.* (Att. 44)
- Ja nepieciešams, nomainiet aizdedzes sveci.

## Gaisa filtra tīrīšana

Netīrs gaisa filtrs var sabojāt dzinēju vai izraisīt tā darbības traucējumus. Putekļainos apstākļos biežāk veiciet gaisa attīrītāja apkopi.

Skatiet šeit: *Apkopes grafiks lpp. 219* vairāk informācijas par to, kad ir jānomaina gaisa filtrs.

1. Noņemiet gaisa filtra pārsegu un izņemiet filtru.
2. Izīrieti filtru, padauzot to pret līdzenu virsmu. Filtra tīrīšanai neizmantojiet šķīdinātāju ar benzīnu, petroleju vai saspiestu gaisu.

**Piezīme:** Gaisa filtrus, kas tiek izmantoti ilgu laiku, nevar pilnībā izīriēt. Regulāri nomainiet gaisa filtru. Bojāti gaisa filtri noteikti ir jānomaina.

3. Uzstādot gaisa filtru, pārbaudiet, vai tas cieši piegul filtru turētājam.

## Sānu izmetes novirzītāja pārbaude

Sānu izmetes novirzītājs ir piestiprināts zāles plāvēja sānu izmetes atverei. Tas samazina risku, ka priekšmeti var tikt izsviesti operatora virzienā.

1. Pārbaudiet, vai nav bojāts sānu izmetes novirzītājs.
2. Pārbaudiet sānu izmetes novirzītāju. Pārbaudiet, vai nav redzamu bojājumu, piemēram, plaisu un bojātu atspere, kas liek lūkai aizvērties.
3. Nomainiet sānu izmetes novirzītāju un atspere, ja tās ir bojātas.

## Degvielas sistēmas pārbaude

- Pārbaudiet degvielas tvertnes vāciņu un degvielas tvertnes vāciņa blīvi, lai pārliecinātos, vai nav bojājumu.
- Pārbaudiet degvielas šļūtenes, lai pārbaudītu, vai nav noplūdes. Ja degvielas šļūtene ir bojāta, ļaujiet servisa pārstāvim to nomainīt.

## Degvielas tvertnes iztukšošana

1. Novietojiet zem degvielas tvertnes degvielas savākšanas tvertni.
2. Noņemiet degvielas tvertnes vāciņu.
3. Piespiediet šļūtenes skavas uz degvielas šļūtenes karburatoram.
4. Atvienojiet degvielas šļūteni no karburatora.
5. Ievietojiet degvielas tvertnes šļūteni degvielas savākšanas tvertnē un noņemiet šļūtenes skavas.
6. Sasveriet zāles plāvēju, lai ielietu tvertnē degvielu.

## Degvielas filtra maiņa



**BRĪDINĀJUMS:** Lietojiet aizsargcimdus.

1. Iztukšojiet degvielas tvertni.
2. Pārvietojiet šļūtenes skavu no degvielas tvertnes. (Att. 45)
3. Izņemiet degvielas šļūteni no degvielas tvertnes. Var iztecēt nedaudz degvielas. (Att. 46)

4. Izņemiet degvielas filtru no degvielas tvertnes. (Att. 47)
5. Degvielas tvertnē ievietojiet jaunu degvielas filtru.
6. Pievienojiet degvielas šļūteni degvielas tvertnei.
7. Novietojiet šļūtenes skavu pret degvielas tvertni.

## Sajūga vada regulēšana

Tālāk norādītajos gadījumos sajūga vads ir jāsaīsina:

- Riteņu piedziņa nesaslēdzas, kad tiek pavilkts piedziņas rokturis vai apgriezīnu skaita regulēšanas svira.
- Izstrādājums pārvietojas lēni, kad riteņu piedziņa ir saslēgusies.

Tālāk norādītajos gadījumos sajūga vads ir jāpagarina:

- Izstrādājums pārvietojas, kad riteņu piedziņa nav saslēgusies.
- Sajūga vada regulēšana.
  - a) Lai saīsīnātu sajūga vadu, pagrieziet regulēšanas skrūvi pretēji pulksteņa rādītāju kustības virzienam.
  - b) Lai pagarinātu sajūga vadu, pagrieziet regulēšanas skrūvi pulksteņa rādītāju kustības virzienā. (Att. 48)

Ja izstrādājuma pārvietošanās pēc regulēšanas joprojām nav apmierinoša, sazinieties ar izplatītāju, kas nodrošina servisu

## Pārvadāšana, glabāšana un utilizēšana

### Transportēšana un glabāšana

- Attiecībā uz izstrādājuma un degvielas glabāšanu un transportēšanu pārliecinieties, vai nav noplūdes vai tvaiku. Dzirksteles vai atklātas liesmas, ko rada, piemēram, elektroierīces vai tvaika katli, var izraisīt ugunsgrēku.
- Vienmēr izmantojiet apstiprinātās tvertnes degvielas glabāšanai un transportēšanai.
- Iztukšojiet degvielas tvertni, pirms novietojat izstrādājumu glabāšanai uz ilgāku laiku. Nododiet degvielu piemērojamā utilizēšanas vietā.
- Transportēšanas laikā droši nostipriniet izstrādājumu, lai novērstu bojājumus un negadījumus.
- Glabājiet izstrādājumu norobežotā vietā, lai novērstu to, ka tam var piekļūt bērni vai personas, kam tas nav atļauts.
- Glabājiet izstrādājumu sausā vietā, kurā temperatūra nepazeminās zem 0°C.

### Utilizēšana

- Ievērojiet vietējās pārstrādes prasības un piemērojamus noteikumus.
- Utilizējiet visas ķīmikālijas, piemēram, dzinēja eļļu vai degvielu, servisa centrā vai piemērojamā utilizācijas vietā.
- Kad izstrādājums vairs netiek izmantots, nosūtiet to Husqvarna izplatītājam vai nogādājiet to pārstrādes vietā.

## Tehniskie dati

### Tehniskie dati

|   |   |
|---|---|
|   | <b>LC 356VP</b>   |
| <b>Dzinējs</b>  |   |
| Zīmols  | Honda   |
| Dzinēja modeļa nosaukums                                  | GCVx170   |
| Dzinēja darba tilpums, cm <sup>3</sup>                    | 166   |
| Ātrums, apgr./min   | 2800  |
| Dzinēja nomināljauda, kW <sup>76</sup>                    | 3,1   |
| <b>Aizdedzes sistēma</b>                                  |   |
| Aizdedzes svece   | NGK BPR5ES  |
| Atstatums starp elektrodiem, mm                           | 0,75  |
| <b>Degvielas un eļļošanas sistēma</b>                     |   |
| Degviela, bez svina, minimālais oktānskaitlis             | 90  |
| Degvielas tvertnes ietilpība, litri                       | 0,9   |
| Eļļas tvertnes ietilpība, litri                           | 0,4   |
| Dzinēja eļļa <sup>77</sup>                                | Husqvarna SAE 30, Husqvarna SAE 5W-30 Synthetic, Husqvarna SAE 10W-40 |
| <b>Svars</b>  |   |
| Svars ar tukšu tvertni, kg                                | 35,1  |
| <b>Trokšņa emisija</b> <sup>78</sup>                      |   |
| Skaņas jaudas līmenis, izmērītais dB (A)                  | 98  |
| Skaņas jaudas līmenis, garantētais L <sub>WA</sub> dB (A) | 98  |
| <b>Skaņas līmeņi</b> <sup>79</sup>                        |   |
| Skaņas spiediena līmenis pie operatora auss, dB (A)       | 86  |
| <b>Vibrācijas līmeņi</b> <sup>80</sup>                    |   |

<sup>76</sup> Maksimāli pieļaujamā dzinēja jauda ir vidējā tipiskā ražošanas dzinēja neto jauda (pēc noteiktajiem apgr./min.) dzinēja modelim, kas mērīta pēc SAE standarta J1349/ISO1585. Vairumam dzinēju šis lielums var atšķirties no šeit norādītā. Faktiskā izejas jauda dzinējam, kas uzstādīts zāles plāvējā, būs atkarīga no darbības ātruma, vides apstākļiem un citiem raksturlielumiem.

<sup>77</sup> Izmantojiet API SJ vai augstākas kvalitātes dzinēja eļļu. Ja eļļu SAE-30 lieto, kad temperatūra ir zemāka par +5 °C, pastāv nepietiekamas dzinēja eļļošanas risks. Tas var izraisīt dzinēja bojājumus. Informāciju par zemu temperatūrai piemērotu eļļu skatiet šeit: *Dzinēja eļļas maiņa lpp. 221*. Skatiet viskozitātes tabulu dzinēja rokasgrāmatā (ja iekļauta) un izvēlieties piemērotāko viskozitāti atbilstoši paredzamajai āra temperatūrai.

<sup>78</sup> Atbilstoši EK direktīvai 2000/14/EK trokšņa emisija apkārtņē ir mērīta kā akustiskā jauda (L<sub>WA</sub>).

<sup>79</sup> Sniegtajos datos par skaņas spiediena līmeni tipiskā statistiskā izkliedē ir 1,2 dB(A) (standartnovirze).

<sup>80</sup> Sniegtajos datos par vibrācijas līmeni tipiska statistiskā izkliedē ir 0,2 m/s<sup>2</sup> (standarta novirze).

|                             |                                |
|-----------------------------|--------------------------------|
|                             | <b>LC 356VP</b>                |
| Rokturis, m/s <sup>2</sup>  | 5,9                            |
| <b>Pļaušanas aprīkojums</b> |                                |
| Pļaušanas augstums, mm      | 25–75                          |
| Pļaušanas platums, mm       | 560                            |
| Pļaušanas sistēma           | Savākšana/BioClip®/sānu izmete |
| Asmens — standarta          | Savākšana 598562701            |
| Asmens — piederums          | Mulčēšana 598563601            |
| <b>Braukšana</b>            |                                |
| Ātrums, km/h                | 3,0–4,5                        |



# Atbilstības deklarācija

## ES atbilstības deklarācija

Mēs, **Husqvarna AB**, SE-561 82 Huskvarna, Zviedrija,  
tālr. +46-36-146500, ar pilnu atbildību apliecinām, ka šis  
izstrādājums:

|                       |  |
|-----------------------|--|
| <b>Apraksts</b>       | Zāles plaujmašīna  |
| <b>Zīmols</b>         | Husqvarna  |
| <b>Tips/modelis</b>   | LC 356VP   |
| <b>Identifikācija</b> | Ar sērijas numuriem no 2022 un turpmākiem sērijas numuriem |

pilnībā atbilst šādām ES direktīvām un noteikumiem:

| <b>Noteikums</b> | <b>Apraksts</b>   |
|------------------|---|
| 2006/42/EK       | "par iekārtām"  |
| 2014/30/ES       | "par elektromagnētisko savietojamību"   |
| 2000/14/EK       | "par trokšņa emisiju vidē"  |
| 2011/65/ES       | Par dažādu bīstamo vielu lietošanas ierobežojumiem elektriskajos un elektroniskajos aprīkojumos |

un ir ievēroti zemāk norādītie saskaņotie standarti un/vai tehniskie dati: EN ISO 5395-1:2013/A1:2018, EN ISO 5395-2:2013/A1:2016/A2:2017, EN ISO 14982:2009, EN IEC 63000:2018

Informētā valsts iestāde: 0404, RISE SMP Svensk Maskinprovning AB, Box 4053, SE-904 03 Umeå, Sweden ir apstiprinājusi atbilstību Eiropas Padomes direktīvai 2000/14/EK, atbilstības izvērtēšanas kārtībai: VI pielikums.

Lai iegūtu informāciju par trokšņa emisiju, skatiet šeit:  
*Tehniskie dati lpp. 223.*

Huskvarna, 2022-10-20



Claes Losdal, nodaļas vadītājs/dārzkopības izstrādājumi,  
Husqvarna AB

Atbildīgais par tehnisko dokumentāciju



---

# Inhoud

---

|                 |     |                                     |     |
|-----------------|-----|-------------------------------------|-----|
| Inleiding.....  | 226 | Onderhoud.....                      | 232 |
| Veiligheid..... | 227 | Vervoer, opslag en verwerking.....  | 235 |
| Montage.....    | 230 | Technische gegevens.....            | 237 |
| Werking.....    | 231 | Verklaring van overeenstemming..... | 239 |

---

## Inleiding

---

### Productbeschrijving

Het product is een roterende duwmaaier. Bevestig de grasopvangbak om gras te verzamelen. Bevestig de uitworptrechter aan de zijkant voor zijuitworp van het gras. Bevestig een mulchkit om het gras te snijden tot meststof.

### Productoverzicht

(Fig. 1)

1. Handgreep
2. Remhendel motor
3. Aandrijfhendel
4. Startkoordhendel
5. Achterklep
6. Grasopvangbak
7. Knoppen voor de hoogteafstelling
8. Maaihoogtehendel
9. Olliedop
10. Kap voor zijuitworp
11. Geluiddemper
12. Bougie
13. Brandstoftankdop
14. Symbolen
15. Kap van maaidek
16. Luchtfilter
17. Snelheidsregelhendel
18. Zijuitworp
19. Mulchplug (accessoire)
20. Bedieningshandleiding

### Symbolen op het product

- (Fig. 2) **WAARSCHUWING!** Wees voorzichtig en gebruik het product op de juiste manier. Dit product kan ernstig of fataal letsel toebrengen aan de gebruiker of anderen.
- (Fig. 3) Lees de bedieningshandleiding zorgvuldig door en zorg dat u de instructies hebt begrepen voordat u het product gebruikt.
- (Fig. 4) Kijk uit voor weggeslingerde en afgeketste voorwerpen.

### Gebruik

Gebruik het product om gras te maaien. Gebruik het product niet voor andere taken.

- (Fig. 5) Houd personen en dieren op veilige afstand van het werkgebied.
- (Fig. 6) **Waarschuwing:** Houd handen en voeten uit de buurt van het roterende mes.
- (Fig. 7) **Waarschuwing:** Houd handen en voeten uit de buurt van draaiende onderdelen.
- (Fig. 8) Zet de motor uit en verwijder de ontstekingskabel voordat u reparaties of onderhoud uitvoert.
- (Fig. 9) Dit product voldoet aan de geldende EG-richtlijnen.
- (Fig. 10) Dit product voldoet aan geldende VK-regelgeving.
- (Fig. 11) Geluidsemisies naar het omgevingslabel volgens de richtlijnen en voorschriften van de EU en het VK en de wetgeving van Nieuw-Zuid-Wales "Protection of the Environment Operations (Noise Control) Regulation 2017". Het gegarandeerde geluidsvermogensniveau van het product staat vermeld in *Technische gegevens op pagina 237* en op het label.

---

**Let op:** Andere symbolen/stickers op het product hebben betrekking op certificeringseisen voor een aantal commerciële markten.

---

### Schade aan het product

We zijn niet verantwoordelijk voor schade aan ons product als:

- het product niet goed is gerepareerd.

- het product is gerepareerd met onderdelen die niet van de fabrikant afkomstig zijn, of onderdelen die niet zijn goedgekeurd door de fabrikant.
- het product een accessoire bevat dat niet afkomstig is van de fabrikant of niet is goedgekeurd door de fabrikant.
- het product niet is gerepareerd door een erkend servicepunt of door een erkende autoriteit.

## Euro V-emissies



**WAARSCHUWING:** De EU-typegoedkeuring van dit product vervalt als ongeoorloofde wijzigingen aan de motor aangebracht worden.

## Veiligheid

### Veiligheidsdefinities

Waarschuwingen, voorzorgsmaatregelen en opmerkingen worden gebruikt om te wijzen op belangrijke delen van de handleiding.



**WAARSCHUWING:** Wordt gebruikt om te wijzen op de kans op ernstig of fataal letsel voor de gebruiker of omstanders wanneer de instructies in de handleiding niet worden gevolgd.



**OPGELET:** Wordt gebruikt indien er een risico bestaat op schade aan het product en andere eigendommen of aan de omgeving wanneer de instructies in de handleiding niet worden gevolgd.

**Let op:** Geven verdere informatie die nodig is in een bepaalde situatie.

### Algemene veiligheidsinstructies



**WAARSCHUWING:** Lees de volgende waarschuwingen voordat u het product gaat gebruiken.

- Dit product is gevaarlijk als het verkeerd wordt gebruikt, of als u niet voorzichtig bent. Letsel of overlijden kunnen het gevolg zijn als u de veiligheidsvoorschriften negeert.
- Dit product produceert tijdens bedrijf een elektromagnetisch veld. Dit veld kan onder bepaalde omstandigheden de werking van actieve of passieve medische implantaten verstoren. Om het risico op ernstig of dodelijk letsel te beperken, raden we personen met een medisch implantaat aan om contact op te nemen met hun arts en de fabrikant van het medische implantaat alvorens dit product te gaan gebruiken.
- Wees altijd voorzichtig en gebruik uw gezond verstand. Als u niet zeker weet hoe u het product moet bedienen in een bepaalde situatie, stop dan en informeer bij uw Husqvarna dealer voordat u verdergaat.

- Denk erom dat de bediener of gebruiker verantwoordelijk is voor ongelukken of beschadigingen aan eigendommen.
- Houd het product schoon. Zorg ervoor dat u de aanduidingen en stickers duidelijk kunt lezen.
- Laat niemand het product gebruiken tenzij u zeker weet dat deze de inhoud van de gebruikershandleiding hebben gelezen en begrepen.
- Laat het product niet door een kind bedienen.
- Houd kinderen uit het werkgebied. Er moet te allen tijde een verantwoordelijke volwassene aanwezig zijn.
- Laat de machine niet bedienen door personen die de instructies niet hebben gelezen.
- Houd personen met een lichamelijke of geestelijke beperking die het product gebruiken, altijd in de gaten. Er moet te allen tijde een verantwoordelijke volwassene aanwezig zijn.
- Gebruik het product nooit als u moe of ziek bent, of onder invloed van alcohol, drugs of medicijnen verkeert. Dit heeft een negatief effect op uw visie, alertheid, coördinatie en oordeel.
- Gebruik geen product dat is beschadigd of niet correct werkt.
- Wijzig dit product niet of gebruik het niet als het door anderen kan zijn gewijzigd.
- Wijzig de afstelling voor de motoroerentalregeling niet.

### Veiligheid van het werkgebied



**WAARSCHUWING:** Lees de volgende waarschuwingen voordat u het product gaat gebruiken.

- Verwijder objecten zoals takken, twijgen en stenen uit het werkgebied voordat u het product gaat gebruiken.
- Objecten die tegen de snijuitrusting aankomen, kunnen worden uitgeworpen en schade veroorzaken aan personen en objecten. Houd omstanders en dieren op veilige afstand van het product.
- Gebruik het product nooit in slechte weersomstandigheden zoals mist, regen, sterke wind, hevige kou of als er gevaar is voor blikseminslag. Het gebruik van dit product bij slecht weer of op vochtige of natte plaatsen is vermoeiend.

Slecht weer kan leiden tot gevaarlijke situaties zoals gladde ondergronden.

- Kijk uit voor personen, objecten en situaties die een veilig gebruik van het product kunnen verhinderen.
- Kijk uit voor obstakels zoals wortels, stenen, takjes, kuilen en greppels. Obstakels kunnen moeilijk te zien zijn door hoog gras.
- Gras maaien op hellingen kan gevaarlijk zijn. Gebruik het product niet op een helling van meer dan 15°.
- Gebruik het product dwars over het oppervlak van hellingen. Ga niet van boven naar beneden.
- Wees voorzichtig wanneer u in de buurt komt van onoverzichtelijke bochten en voorwerpen die uw zicht kunnen belemmeren.

## Werkveiligheid



**WAARSCHUWING:** Lees de volgende waarschuwingen voordat u het product gaat gebruiken.

- Gebruik dit product alleen om gazons te maaien. Het is niet toegestaan om het product voor andere doeleinden te gebruiken.
- Maak altijd gebruik van persoonlijke beschermingsmiddelen. Zie *Persoonlijke beschermingsuitrusting op pagina 228*.
- Zorg ervoor dat u weet hoe u de motor in een noodsituatie snel kunt stoppen.
- Start de motor nooit in een gesloten ruimte of in de buurt van brandbaar materiaal. De uitlaaddampen van de motor zijn heet en kunnen vonken bevatten die brand kunnen veroorzaken.
- Gebruik dit product alleen als het mes en alle afdekkingen correct zijn bevestigd. Een verkeerd bevestigd mes kan losraken en letsel veroorzaken.
- Zorg ervoor dat het mes geen voorwerpen raakt zoals stenen en wortels. Hierdoor kan het mes beschadigen en de motoras verbuigen. Een gebogen as veroorzaakt zware trillingen en een zeer groot risico dat het mes losraakt.
- Stop het product onmiddellijk als het mes een voorwerp wordt geraakt of als zich trillingen voordoen. Ontkoppel de ontstekingskabel van de bougie. Controleer het product op schade. Repareer schade of laat een erkende servicewerkplaats de reparatie uitvoeren.
- Bevestig de motorremhendel nooit permanent aan de handgreep wanneer de motor wordt gestart.
- Plaats het product op een stabiele, vlakke ondergrond en start het. Zorg ervoor dat het mes niet in aanraking komt met de grond of andere voorwerpen.
- Blijf altijd achter het product wanneer u het gebruikt.
- Zorg dat alle wielen op de grond blijven en houd 2 handen op de handgreep tijdens de bediening van het product. Houd uw handen en voeten uit de buurt van de roterende messen.

- Kantel het product niet terwijl de motor draait.
- Wees voorzichtig wanneer u het product naar achteren trekt.
- Til het product nooit op terwijl de motor draait. Als het product toch moet worden opgetild, zet dan eerst de motor uit en ontkoppel de ontstekingskabel van de bougie.
- Loop niet achteruit wanneer u het product bedient.
- Stop de motor als u in gebieden zonder gras komt, bijvoorbeeld op paden van grind, stenen en asfalt.
- Loop niet hard met het product wanneer de motor is ingeschakeld. Loop altijd rustig wanneer u het product bedient.
- Zet de motor uit voordat u de maaihoogte wijzigt. Voer nooit afstellingen uit terwijl de motor draait.
- Houd altijd toezicht op het product wanneer de motor draait. Schakel de motor uit en zorg ervoor dat de snijuitrusting niet draait.

## Veiligheidsinstructies voor bediening

### Persoonlijke beschermingsuitrusting



**WAARSCHUWING:** Lees de volgende waarschuwingen voordat u het product gaat gebruiken.

- Persoonlijke beschermingsuitrusting kunnen niet alle risico's uitsluiten maar kunnen de ernst van eventueel letsel helpen beperken. Vraag uw dealer u te helpen bij het kiezen van de juiste beschermingsmiddelen.
- Gebruik gehoorbescherming als het geluidsniveau hoger is dan 85 dB.
- Gebruik zware antisliplaarzen of -schoenen. Draag geen open schoenen en loop niet op blote voeten.
- Draag een lange broek van stevige stof.
- Draag zo nodig beschermende handschoenen, bijvoorbeeld bij het monteren, inspecteren of reinigen van de snijuitrusting.

### Veiligheidsvoorzieningen op het product



**WAARSCHUWING:** Lees de volgende waarschuwingen voordat u het product gaat gebruiken.

- Gebruik geen producten met veiligheidsvoorzieningen die beschadigd zijn of niet correct werken.
- Controleer de veiligheidsvoorzieningen regelmatig op een juiste werking. Als de veiligheidsvoorzieningen beschadigd zijn of niet goed werken, neem dan contact op met uw Husqvarna servicedealer.
- Voer geen veranderingen uit aan veiligheidsvoorzieningen.

## De kap van het maaidek controleren

De kap van het maaidek vermindert trillingen in het product en vermindert het risico op letsel door het mes.

- Controleer de kap van het maaidek om te zien of er geen schade is, zoals barsten.

## De remhendel van de motor controleren

De motorrem schakelt de motor uit. Als de remhendel van de motor wordt losgelaten, stopt de motor.

- Start de motor en laat vervolgens de remhendel van de motor los. Als de motor niet binnen 3 seconden stopt, laat u een erkende Husqvarna servicewerkplaats de motorrem afstellen. (Fig. 12)

## De achterklep controleren

De achterruitworp verkleint het risico dat objecten in de richting van de gebruiker worden uitgeworpen.

- Controleer of de achterklep niet beschadigd is.
- Controleer of de veren die de achterklep sluiten niet beschadigd zijn.
- Vervang beschadigde veren en onderdelen.
- Controleer of de achterklep soepel kan bewegen op de scharnieren.

## Geluiddemper

De uitlaatdemper is bedoeld om het geluidsniveau zo laag mogelijk te houden en om de uitlaatgassen weg te voeren van de gebruiker.

Gebruik het product niet als de geluiddemper ontbreekt of beschadigd is. Een beschadigde geluiddemper laat het geluidniveau stijgen en vergroot het risico van brand.



**WAARSCHUWING:** De uitlaatdemper wordt erg heet tijdens en na gebruik en wanneer de motor draait bij stationair toerental. Wees voorzichtig in de buurt van brandbare materialen en/of dampen om brand te voorkomen.

## Geluiddemper controleren

- Inspecteer de uitlaatdemper regelmatig om te verifiëren of die goed vastzit en niet beschadigd is.

## Brandstofveiligheid



**WAARSCHUWING:** Lees de volgende waarschuwingen voordat u het product gaat gebruiken.

- Start het product niet als er brandstof of motorolie op het product aanwezig is. Verwijder de ongewenste brandstof/olie en laat het product drogen.
- Als u brandstof op uw kleding morst, trek dan direct andere kleding aan.

- Zorg dat er geen brandstof op uw lichaam terecht komt, dit kan letsel veroorzaken. Als er brandstof op uw lichaam terecht komt, verwijder deze dan met water en zeep.
- Start het product niet als er sprake is van een motorlekkage. Controleer de motor regelmatig op lekkage.
- Wees voorzichtig met brandstof. Brandstof is licht ontvlambaar en de dampen zijn explosief. Ze kunnen letsel veroorzaken of leiden tot de dood.
- Adem geen brandstofdampen in, dit kan letsel veroorzaken. Zorg voor voldoende ventilatie.
- Rook niet in de buurt van de brandstof of de motor.
- Plaats geen warme voorwerpen in de buurt van de brandstof of de motor.
- Vul geen brandstof bij wanneer de motor is ingeschakeld.
- Zorg ervoor dat de motor koud is wanneer u brandstof bijvult.
- Draai de tankdop langzaam open en laat de druk voorzichtig ontsnappen voordat u brandstof bijvult.
- Vul geen brandstof voor de motor bij in een afgesloten ruimte. Onvoldoende ventilatie kan leiden tot ernstig letsel of de dood door verstikking of het inademen van koolmonoxide.
- Draai de tankdop volledig aan. Als de tankdop niet volledig is aangedraaid, bestaat een risico op brand.
- Verplaats het product minstens 3 m van de plaats waar u de brandstoftank hebt gevuld, voordat u het product start.
- Vul de brandstoftank niet volledig. Door hitte zet de brandstof uit. Zorg ervoor dat er ruimte overblijft aan de bovenkant van de brandstoftank.
- Wanneer er nog brandstof in de tank zit, mag u het product nooit stallen in een gebouw waar ontstekingsbronnen zoals boilers, verwarmingstoestellen, kledingdrogers en dergelijke aanwezig zijn. Laat de motor afkoelen voordat u het product opslaat in een afgesloten ruimte.

## Veiligheidsinstructies voor onderhoud



**WAARSCHUWING:** Lees de volgende waarschuwingen voordat u het product gaat gebruiken.

- Uitlaatgassen van de motor bevatten koolmonoxide, een geurloos, giftig en uiterst gevaarlijk gas. Start de motor nooit binnenshuis of in gesloten ruimten.
- Voordat u het onderhoud van het product uitvoert, zet u de motor uit en verwijderd u de ontstekingskabel van de bougie.
- Draag beschermende handschoenen wanneer u onderhoud aan de snijuitrusting uitvoert. Het mes is zeer scherp en kan gemakkelijk snijwonden veroorzaken.
- Accessoires en wijzigingen aan het product die niet zijn goedgekeurd door de fabrikant, kunnen leiden tot ernstig letsel of overlijden. Breng geen

wijzigingen aan het product aan. Gebruik alleen accessoires die zijn goedgekeurd door de fabrikant.

- Als het onderhoud niet correct en regelmatig wordt uitgevoerd, neemt de kans op letsel of schade aan het product toe.
- Voer alleen onderhoud uit zoals beschreven in deze gebruikershandleiding. Alle overige

onderhoudswerkzaamheden moeten worden uitgevoerd door een erkende Husqvarna servicewerkplaats.

- Laat een erkende Husqvarna servicewerkplaats regelmatig onderhoud aan het product uitvoeren.
- Vervang beschadigde, versleten of defecte onderdelen.

---

## Montage

---

### Inleiding



**WAARSCHUWING:** Voordat u het product gaat monteren, dient u het hoofdstuk over veiligheid te lezen en hebben begrepen.



**WAARSCHUWING:** Verwijder de bougiekabel van de bougie voordat u het product monteert.

### De hendel monteren

**Let op:** Het wordt aanbevolen deze procedure uit te voeren met 2 personen.

**Let op:** Verwijder het product niet uit de doos terwijl u de handgreep monteert. De doos kan worden gebruikt ter ondersteuning van de handgreep tijdens de montage.

1. Trek de handgreep omhoog en draai hem. (Fig. 13)



**OPGELET:** Wees voorzichtig en zorg dat de kabel niet beschadigd raakt wanneer u de handgreep draait.

2. Plaats de handgreep bovenop het product. Kantel de handgreep tegen de doos om de handgreep te ondersteunen. Zie de afbeelding. (Fig. 14)
3. Duw de schroef (A) door de handgreep (B), de kunststof ring (C) en de steunbeugel van de handgreep (D). (Fig. 15)
4. Draai de moer (E) volledig vast.
5. Verwijder het product uit de doos.
6. Klap de handgreep omhoog. (Fig. 16)
7. Stel de hoogte van de handgreep af in de laagste stand. Raadpleeg *De handgreep afstellen op pagina 230*.
8. Bevestig de kabel aan het onderste gedeelte van de handgreep met behulp van de kabelklem. (Fig. 17)
9. Bevestig het onderste deel van de kabel met de kabelbinder aan de steunbeugel van de handgreep. Snijd het resterende deel van de kabelbinder af. (Fig. 18)

**Let op:** Controleer of de kabel juist is aangesloten. Een te losse kabel veroorzaakt schade aan de kabel wanneer de grasopvangbak wordt gemonteerd. (Fig. 19)

### De handgreep afstellen

1. Draai de onderste knoppen los.
2. Beweeg de knoppen naar het onderste uiteinde van de sleuven aan de linker- en rechterzijde van het product. (Fig. 20)
3. Stel de hendelhoogte af op een van de twee beschikbare posities.
4. Beweeg de knoppen omhoog naar de handgreep tot de aanslag en u een klik hoort. (Fig. 21)
5. Draai de knoppen volledig vast.

### Product in de transportstand zetten

1. Verwijder de grasopvangbak (indien deze is geïnstalleerd).
2. Draai de onderste knoppen los.
3. Beweeg de knoppen naar het onderste uiteinde van de sleuven aan de linker- en rechterzijde van het product. (Fig. 20)
4. Klap de hendel naar voren. (Fig. 22)

### Product in de werkstand zetten

1. Klap de handgreep omhoog. (Fig. 23)
2. Beweeg de knoppen omhoog naar de handgreep tot de aanslag en u een klik hoort. (Fig. 21)
3. Draai de knoppen volledig vast.

### Grasopvangbak monteren

1. Breng het frame van de grasopvangbak aan in de graszak met het stevige gedeelte van de zak aan de onderzijde. Houd de hendel van het frame aan de buitenkant van de bovenkant van de zak. (Fig. 24)
2. Monteer de graszak en bevestig deze aan het frame met de klemmen. (Fig. 25)

---

## Werking

---

### Inleiding



**WAARSCHUWING:** Voordat u het product gaat gebruiken, dient u het hoofdstuk over veiligheid te lezen en hebben begrepen.

### Husqvarna Connect

Husqvarna Connect is een gratis app voor uw mobiele apparaat. De Husqvarna Connect-app biedt uitgebreide functies voor uw Husqvarna-product:

- Uitgebreide productinformatie.
- Informatie over, en hulp bij, onderdelen en onderhoud van uw product.

### Husqvarna Connect gebruiken

1. Download de Husqvarna Connect-app op uw mobiele apparaat.
2. Registreer in de Husqvarna Connect-app.
3. Volg de instructies in de Husqvarna Connect-app om verbinding te maken met het product en dit te registreren.

### Voordat u het product gaat bedienen

1. Lees de gebruikershandleiding zorgvuldig door en zorg dat u de instructies hebt begrepen.
2. Controleer de snijuitrusting om te zien of deze correct is gemonteerd en afgesteld. Zie *Snijuitrusting controleren op pagina 233*.
3. Vul de brandstoftank. Zie *Brandstof bijvullen op pagina 231*.
4. Vul de olietank en controleer het oliepeil. Zie *De motorolie verversen op pagina 234*.

### Brandstof bijvullen

Gebruik emissiearme of alkylaatzbenzine, indien beschikbaar. Als er geen emissiearme of alkylaatzbenzine beschikbaar is, gebruik dan een loodvrije benzine van goede kwaliteit, of loodhoudende benzine met een octaangetal dat niet lager is dan 90.



**OPGELET:** Gebruik geen benzine met een octaangetal lager dan 90 RON (87 AKI). Dit kan schade aan het product veroorzaken.

1. Draai de brandstoftankdop langzaam los om de druk te laten ontsnappen.
2. Vul langzaam met een benzinejerrycan. Als u brandstof morst, verwijder deze dan met een doek en laat de resterende brandstof opdrogen.

3. Maak het gebied rondom de brandstoftankdop goed schoon.
4. Draai de tankdop volledig aan. Als de tankdop niet volledig is aangedraaid, bestaat een risico op brand.
5. Verplaats het product minstens 3 m (10 ft) van de plaats waar u de brandstoftank hebt gevuld, voordat u het product start.

### Maaihoogte afstellen

1. Breng de maaihoogtehendel naar achteren om de maaihoogte te vergroten.
2. Breng de maaihoogtehendel naar voren om de maaihoogte te verkleinen. (Fig. 26)



**OPGELET:** Stel de maaihoogte niet te laag in. Als het oppervlak van het gazon niet waterpas is, kunnen de messen de grond raken.

### Product starten

1. Controleer of de ontstekingskabel is verbonden met de bougie.
2. Blijf achter het product.
3. Houd de motorremhendel tegen de handgreep. (Fig. 27)
4. Houd het startkoord in uw rechterhand.
5. Trek het startkoord langzaam naar buiten totdat u enige weerstand voelt.
6. Krachtig trekken om de motor te starten.



**WAARSCHUWING:** Wikkel het startkoord niet rond uw hand.

### De aandrijving op de wielen gebruiken

- Start de aandrijving op de wielen met de snelheidsregelhendel aan de linkerzijde van de hendel. Beweeg de snelheidsregelhendel naar voren om de snelheid te verhogen en naar achteren om de snelheid te verlagen. (Fig. 28)
- Voordat u het product naar achteren trekt, moet u de aandrijving uitschakelen en het product ongeveer 10 cm naar voren duwen.
- Laat de aandrijfhendel los om de aandrijving uit te schakelen, bijvoorbeeld wanneer u bij een obstakel komt.

### Product stoppen

- Als u de alleen de aandrijving wilt stoppen, laat u de aandrijfhendel los.

- Als u de motor wilt stoppen, laat u de motorremhendel los.

## Het product gebruiken met de grasopvangbak



**WAARSCHUWING:** Gebruik het product niet zonder een grasopvangbak of zonder gesloten achterklep. Voorwerpen kunnen worden uitgeworpen en letsel veroorzaken bij de gebruiker.

1. Til de achterklep op en verwijder de mulchplug als deze is aangebracht. (Fig. 29)
2. Monteer de grasopvangbak, zie *Grasopvangbak monteren op pagina 230*.
3. Plaats de grasopvangbak op de steun.
4. Maak de achterklep los en plaats deze op het frame van de grasopvangzak. (Fig. 30)

## Het product wijzigen naar mulchmodus

Zorg ervoor dat de motor is uitgeschakeld voordat u het product in de mulchmodus zet.

1. Til de achterklep op en verwijder de grasopvangbak, als deze is aangebracht.
2. Steek de mulchplug in het afvoerkanaal. (Fig. 31)
3. Sluit de achterklep en zorg ervoor dat deze stevig tegen de mulchplug zit.

**Let op:** Om de prestaties van de mulchmodus te verbeteren, vervangt u het mes door het accessoire voor het mulchmes. Zie *Mes vervangen op pagina 233*

## Het product wijzigen naar zijuitworp

1. Til de achterklep op en verwijder de graszak, als deze is aangebracht.
2. Sluit de achterklep en zorg ervoor dat deze stevig tegen het product zit.
3. Til de trechtervergrendeling op. (Fig. 32)

4. Open de afscherming van de zijuitworp en breng de uitworptrechter aan de zijkant aan op de steunpennen. (Fig. 33)
5. Laat de afscherming van de zijuitworp tegen de uitworptrechter aan de zijkant sluiten. Zorg ervoor dat de uitworptrechter aan de zijkant stevig op zijn plaats zit voordat u het product gebruikt.

## De grasopvangbak legen



**OPGELET:** Til de grasopvangbak op wanneer u deze verplaatst om slijtage te voorkomen.

1. Til de grasopvangbak op met de framehendel.
2. Gebruik de framehendel en de zakhendel wanneer u de grasopvangbak leegt. (Fig. 34)

## Een goed resultaat verkrijgen

- Gebruik altijd een scherp mes. Een bot mes geeft een onregelmatig resultaat en het snijvlak van het gras wordt geel. Een scherp mes verbruikt ook minder energie dan een bot mes.
- Maai nooit meer dan 1/3e van de lengte van het gras af. Gebruik de hoogste maaihoogte wanneer u het gras gaat maaien. Controleer het resultaat en verlaag de snijhoogte tot een geschikt niveau. Als het gras echt lang is, rijd dan langzaam en maai zo nodig 2 keer.
- Maai elke keer in een andere richting, om het ontstaan van strepen in het gazon te voorkomen.
- Til de achterklep op en verwijder de grasopvangbak.
- Verwijder aangekoppelde mulchpluggen en mulchmessen.
- Sluit de achterklep voordat u het product gebruikt. Wanneer u het product gebruikt, wordt het gemaaid gras onder de achterklep uitgeworpen.
- Houd de kap van het maaidek schoon. Door ophoping van gras en vuil aan de binnenkant van de kap van het maaidek kunnen de maairesultaten verminderen. Zie *Binnenoppervlak van de kap van het maaidek reinigen op pagina 233*.

## Onderhoud

### Inleiding



**WAARSCHUWING:** Voordat u onderhoud gaat uitvoeren, dient u het hoofdstuk over veiligheid te lezen en hebben begrepen.

Voor alle onderhouds- en reparatiewerkzaamheden aan het product is speciale training nodig. Wij garanderen de beschikbaarheid van professionele reparaties en onderhoud. Indien uw dealer geen servicewerkplaats heeft, vraag hem dan naar de dichtstbijzijnde servicewerkplaats.

Zie voor meer gedetailleerde informatie.

### Onderhoudsschema



**OPGELET:** Zorg ervoor dat het luchtfilter aan de bovenkant zit en de grond niet raakt wanneer u het product kantelt. Risico van schade aan de motor.

De onderhoudsintervallen worden berekend op basis van het dagelijks gebruik van het product. De intervallen veranderen als het product niet dagelijks wordt gebruikt.



Voor onderhoud dat is gemarkeerd met \*: zie de instructies in *Veiligheidsvoorzieningen op het product op pagina 228*.

| Onderhoud  | Elke dag | Wekelijks | Maandelijks |
|--|----------|-----------|-------------|
| Algemene inspectie uitvoeren   | X        |           |             |
| Motoroliepeil controleren  | X        |           |             |
| Product reinigen   | X        |           |             |
| Snijuitrusting controleren   | X        |           |             |
| Kap van het maaidek controleren *  | X        |           |             |
| Motorremhendel controleren *   | X        |           |             |
| Mesremregeling controleren *   | X        |           |             |
| Geluiddemper controleren *   |          | X         |             |
| Bougie controleren   |          | X         |             |
| De olie verversen (de eerste keer na 5 uur gebruik, vervolgens na elke 50 uur gebruik) |          |           | X           |
| Reinig of vervang het luchtfilter  |          |           | X           |
| Brandstofsysteem controleren   |          |           | X           |

## Algemene inspectie uitvoeren

- Controleer of alle moeren en schroeven op het product goed zijn vastgedraaid.

## Product aan de buitenkant reinigen

- Gebruik een borstel om bladeren, gras en vuil te verwijderen.
- Zorg dat de luchtinlaat op de bovenkant van de motor niet is geblokkeerd.
- Reinig het product niet met een hogedrukspuit.
- Als u water gebruikt om het product te reinigen, spuit dan geen water rechtstreeks op de motor.

## Binnenoppervlak van de kap van het maaidek reinigen

- Leeg de brandstoftank.
- Plaats het product op zijn kant met de demper naar beneden.



**OPGELET:** Als het product met het luchtfilter naar beneden wordt geplaatst, kan de motor beschadigd raken.

- Spuit de binnenkant van het maaidek schoon met water.

## Snijuitrusting controleren



**WAARSCHUWING:** Verwijder de ontstekingskabel van de bougie om te voorkomen dat de motor per ongeluk wordt gestart.



**WAARSCHUWING:** Draag beschermende handschoenen wanneer u onderhoud aan de snijuitrusting uitvoert. Het mes is zeer scherp en kan gemakkelijk snijwonden veroorzaken.

- Controleer de snijuitrusting op beschadiging of scheuren. Vervang beschadigde snijuitrusting altijd.
- Kijk naar het mes om te zien of dit is beschadigd of bot is.

**Let op:** Het mes moet na het slijpen worden gebalanceerd. Laat het slijpen, vervangen en balanceren door een servicecentrum uitvoeren. Als u een obstakel raakt waardoor het product stopt, vervang dan het beschadigde mes. Laat het servicecentrum beoordelen of het mes kan worden geslepen of moet worden vervangen.

## Mes vervangen

- Zet het mes vast met een houten blok. (Fig. 35)

2. Verwijder de mesbout, de veerringen en het mes. (Fig. 36)
3. Controleer de messteun en de mesbout op beschadigingen.
  - a) Als u het mes of de messteun vervangt, vervang dan ook de mesbout, de veerring en de wrijvingsring.
4. Controleer de motoras om te controleren of deze niet is verbogen.
5. Wanneer u het nieuwe mes bevestigt, zorg er dan voor dat de gebogen uiteinden naar de kap van het maaidek zijn gericht. (Fig. 37)
6. Monteer de wrijvingsring en het mes tegen de messteun. (Fig. 38)
7. Controleer of het mes is uitgelijnd met het midden van de motoras. (Fig. 39)
8. Zet het mes vast met een houten blok. (Fig. 40)
9. Bevestig de veerring en draai de bout vast met een aanhaalmoment van 43 – 47 Nm. (Fig. 41)
10. Draai het mes met de hand rond en controleer of het vrij draait.



**WAARSCHUWING:** Draag beschermende handschoenen. Het mes is zeer scherp en kan gemakkelijk snijwonden veroorzaken.

11. Start het product om het mes te testen. Als het mes niet goed is bevestigd, zijn er trillingen in het product of is het maieresultaat niet goed.

## Oliepeil controleren



**OPGELET:** Een te laag oliepeil kan ernstige schade aan de motor veroorzaken. Voer een controle van het oliepeil uit voordat u het product start.

1. Zet het product op een vlakke ondergrond.
2. Verwijder de olietankdop met de bijgevoegde peilstok.
3. Veeg de olie van de peilstok.
4. Steek de peilstok volledig in de olietank om een goed beeld van het oliepeil te krijgen. Draai de olietankdop niet vast.
5. Verwijder de olietankdop met de bijgevoegde peilstok.
6. Controleer het oliepeil op de peilstok.
7. Als het oliepeil laag is, vult u bij met motorolie en controleert u het oliepeil opnieuw. (Fig. 42)

**Let op:** Gebruik een trechter om morsen te voorkomen.

8. Plaats de dop van de olietank wanneer het oliepeil correct is.

## De motorolie verversen



**WAARSCHUWING:** Motorolie is nog erg heet direct nadat de motor is uitgezet. Laat de motor afkoelen voordat u de motorolie aftapt. Als u motorolie morst op uw huid, was die dan af met water en zeep.

(Fig. 43)

1. Gebruik het product totdat de brandstoftank leeg is.
2. Verwijder de ontstekingskabel van de bougie.
3. Verwijder de olietankdop met de bijgevoegde peilstok.
4. Plaats een opvangbak onder het product om de motorolie in op te vangen.
5. Kantel het product of tap de motorolie af uit de olietank met een oliepomp (accessoire).
6. Vul bij met nieuwe motorolie van het type dat wordt aanbevolen in *Technische gegevens op pagina 237*.
7. Controleer het oliepeil. Zie *Oliepeil controleren op pagina 234*.
8. Plaats de dop van de olietank wanneer het oliepeil correct is.

## De bougie controleren



**OPGELET:** Gebruik altijd het juiste bougietype. Een verkeerd type bougie kan schade aan het product veroorzaken.

- Controleer de bougie als de motor weinig vermogen heeft, niet gemakkelijk te starten is of stationair niet goed draait.
- Volg deze instructies om het risico van ongewenst materiaal op de elektroden van de bougie te beperken:
  - a) Zorg ervoor dat het stationair toerental altijd juist is afgesteld.
  - b) Zorg dat het brandstofmengsel correct is.
  - c) Zorg dat het luchtfilter schoon is.
- Maak de bougie schoon als deze vuil is en controleer of de afstand tussen de elektroden correct is, zie *Technische gegevens op pagina 237*. (Fig. 44)
- Vervang de bougie indien nodig.

## Het luchtfilter reinigen

Een vuil luchtfilter kan de motor beschadigen of ervoor zorgen dat deze niet goed werkt. Onderhoud de luchtreiniger vaker in stoffige omstandigheden.

Raadpleeg *Onderhoudsschema op pagina 232* voor informatie over het vervangen van het luchtfilter.

1. Verwijder het luchtfilterdeksel en verwijder het filter.

2. Reinig het filter door het uit te kloppen op een plat oppervlak. Gebruik geen oplosmiddelen met aardolie, kerosine of perslucht om het filter te reinigen.

---

**Let op:** Luchtfilters die lange tijd zijn gebruikt, kunnen niet volledig worden gereinigd. Vervang het luchtfilter regelmatig. Beschadigde luchtfilters moeten altijd vervangen worden.

---

3. Zorg er bij het monteren van het luchtfilter voor dat het volledig tegen de filterhouder zit.

## De uitworptrechter aan de zijkant controleren

De uitworptrechter aan de zijkant is bevestigd aan de uitvoeropening aan de zijkant van het product. Het vermindert de kans dat objecten worden uitgeworpen in de richting van de maaipositie van de gebruiker.

1. Controleer of de uitworptrechter aan de zijkant niet beschadigd is.
2. Controleer de uitworptrechter aan de zijkant. Controleer of u geen beschadigingen ziet, zoals barsten of defecte veren die de deur dichtdrukken.
3. Vervang de uitworptrechter aan de zijkant of de veren als deze beschadigd zijn.

## Brandstofsysteem controleren

- Controleer de brandstoftankdop en de afdichting van de brandstoftankdop om te zien of er geen schade is.
- Controleer de brandstofslang om te controleren of er geen lekken zijn. Als de brandstofslang beschadigd is, laat deze dan door een servicemonteur vervangen.

## De brandstoftank aftappen

1. Plaats een opvangbak onder de brandstoftank.
2. Verwijder de brandstoftankdop.
3. Duw de slangklemmen op de brandstofleiding tegen de carburateur.
4. Koppel de brandstofleiding van de carburateur los.
5. Plaats de slang van de brandstoftank in de opvangbak en verwijder de slangklemmen.

6. Kantel het product en laat de brandstof in de opvangbak lopen.

## Het brandstoffilter vervangen



**WAARSCHUWING:** Draag veiligheidshandschoenen.

---

1. Tap de brandstoftank af.
2. Plaats de slangklem uit de buurt van de brandstoftank. (Fig. 45)
3. Verwijder de brandstofleiding van de brandstoftank. Er kan een kleine hoeveelheid brandstof weglekken. (Fig. 46)
4. Verwijder het brandstoffilter van de brandstoftank. (Fig. 47)
5. Plaats een nieuw brandstoffilter in de brandstoftank.
6. Breng de brandstofleiding op de brandstoftank aan.
7. Plaats de slangklem tegen de brandstoftank.

## De koppelingskabel afstellen

In de volgende situaties moet de koppelingskabel worden ingekort:

- De aandrijving van de wielen wordt niet ingeschakeld wanneer u aan de aandrijfhendel of de snelheidsregelhendel trekt.
- Het product beweegt langzaam wanneer de aandrijving van de wielen is ingeschakeld.

In de volgende situaties moet de koppelingskabel worden verlengd:

- Het product beweegt wanneer de aandrijving van de wielen niet is ingeschakeld.
- Stel de koppelingskabel af.
  - a) Om de koppelingskabel in te korten, draait u de stelschroef linksom.
  - b) Om de koppelingskabel te verlengen, draait u de stelschroef rechtsom. (Fig. 48)

Neem contact op met uw servicedealer als het product na afstelling nog steeds niet naar tevredenheid rijdt

---

## Vervoer, opslag en verwerking

---

### Transport en opslag

- Controleer voor opslag en vervoer van het product en de brandstof of er geen lekken of dampen zijn. Vonken of open vuur, bijvoorbeeld van elektrische apparaten of ketels, kunnen tot brand leiden.
- Gebruik altijd goedgekeurde containers voor opslag en transport van brandstof.

- Leeg de brandstoftank voordat u het product voor langere tijd opslaat. De brandstof via een geschikte verwijderingslocatie afvoeren
- Zet het product tijdens het vervoer veilig vast om schade en ongevallen te voorkomen.
- Bewaar het product in een afgesloten ruimte om toegang door kinderen of onbevoegde personen te verhinderen.

- Bewaar het product in een droge en vorstvrije ruimte.

## **Afvoeren**

- Neem de plaatselijk geldende wet- en regelgeving voor recycling in acht.
- Voer alle chemicaliën, zoals olie of brandstof, af via een servicecentrum of een geschikte verwijderingslocatie.
- Wanneer het product niet langer in gebruik is, stuur het dan naar een Husqvarna dealer of voer het af via een recyclingslocatie.

## Technische gegevens

### Technische gegevens

|   |   |
|---|---|
|   | <b>LC 356VP</b>   |
| <b>Motor</b>  |   |
| Merk  | Honda   |
| Modelnaam motor   | GCVx170   |
| Cilinderinhoud, cm <sup>3</sup>                             | 166   |
| Toerental, tpm  | 2800  |
| Nominaal motorvermogen, kW <sup>81</sup>                    | 3,1   |
| <b>Ontstekingssysteem</b>                                   |   |
| Bougie  | NGK BPR5ES  |
| Elektrodenafstand, mm                                       | 0,75  |
| <b>Brandstof-/smeersysteem</b>                              |   |
| Brandstof, ongelood, minimum octaangetal                    | 90  |
| Inhoud brandstoftank, liter                                 | 0,9   |
| Inhoud olietank, liter                                      | 0,4   |
| Motorolie <sup>82</sup>                                     | Husqvarna SAE 30, Husqvarna SAE 5W-30 Synthetic, Husqvarna SAE 10W-40 |
| <b>Gewicht</b>  |   |
| Met lege tanks, kg  | 35,1  |
| <b>Geluidsemisies</b> <sup>83</sup>                         |   |
| Geluidsvermogensniveau, gemeten dB(A)                       | 98  |
| Geluidsvermogensniveau, gegarandeerd L <sub>WA</sub> dB (A) | 98  |
| <b>Geluidsniveaus</b> <sup>84</sup>                         |   |
| Geluidsdrukniveau bij het oor van de gebruiker, dB (A)      | 86  |

<sup>81</sup> Het aangegeven nominale vermogen van de motor heeft betrekking op het gemiddelde nettovermogen (bij het opgegeven toerental) van een typische productiemotor voor het betreffende motormodel, gemeten volgens de SAE-norm J1349/ISO1585. In massa geproduceerde motoren kunnen een afwijkende waarde geven. Het werkelijk geleverde vermogen van de geïnstalleerde motor in het product hangt af van de bedrijfssnelheid, de omgevingscondities en andere waarden.

<sup>82</sup> Gebruik motorolie van kwaliteit API SJ of hoger. Als SAE-30 olie wordt gebruikt bij een temperatuur lager dan +5 °C bestaat het risico dat de motor niet voldoende wordt gesmeerd. Dit kan leiden tot schade aan de motor. Zie *De motorolie verversen op pagina 234* voor de juiste olie voor lage temperaturen. Zie het viscositeitsoverzicht in de handleiding van de motor (indien aanwezig) en selecteer de beste viscositeit op basis van de verwachte buitentemperatuur.

<sup>83</sup> Geluidsemisatie naar de omgeving gemeten als geluidsvermogen (L<sub>WA</sub>) volgens EG-richtlijn 2000/14/EG.

<sup>84</sup> De gerapporteerde gegevens voor het geluidsdrukniveau vertonen een typische statistische spreiding (standaardafwijking) van 1,2 dB (A).

|                                      |                                |
|--------------------------------------|--------------------------------|
|                                      | LC 356VP                       |
| <b>Trillingsniveau</b> <sup>85</sup> |                                |
| Hendel, m/s <sup>2</sup>             | 5,9                            |
| <b>Snijtrusting</b>                  |                                |
| Maaahoogte, mm                       | 25-75                          |
| Maaibreedte, mm                      | 560                            |
| Maaisysteem                          | Opvang / BioClip® / zijuitworp |
| Blad - standaard                     | Opvang 598562701               |
| Blad - accessoire                    | Mulch 598563601                |
| <b>Aandrijving</b>                   |                                |
| Snelheid, km/u                       | 3,0 - 4,5                      |

<sup>85</sup> De gerapporteerde gegevens voor een trillingsniveau vertonen een typische statistische spreiding (standaardafwijking) van 0,2 m/s<sup>2</sup>.

---

# Verklaring van overeenstemming

---

## EU-verklaring van overeenstemming

Wij, **Husqvarna AB**, SE-561 82 Huskvarna, Zweden, tel: +46-36-146500, verklaren onder onze alleenverantwoordelijkheid dat het product:

|                      |                                   |
|----------------------|-----------------------------------|
| <b>Beschrijving</b>  | Gazonmaaier                       |
| <b>Merk</b>          | Husqvarna                         |
| <b>Type / model</b>  | LC 356VP                          |
| <b>Identificatie</b> | Serienummers vanaf 2022 en verder |

volledig voldoet aan de volgende EU-richtlijnen en -regelgeving:

| <b>Verordening</b> | <b>Beschrijving</b>  |
|--------------------|--|
| 2006/42/EG         | "betreffende machines"   |
| 2014/30/EU         | "betreffende elektromagnetische compatibiliteit"   |
| 2000/14/EG         | "betreffende de geluidsemissies in het milieu"   |
| 2011/65/EU         | "inzake beperking van het gebruik van bepaalde gevaarlijke stoffen in elektrische en elektronische apparatuur" |

en dat de volgende normen en/of technische specificaties zijn toegepast: EN ISO 5395-1:2013/A1:2018, EN ISO 5395-2:2013/A1:2016/A2:2017, EN ISO 14982:2009, EN IEC 63000:2018

Aangemelde instantie: 0404, RISE SMP Svensk Maskinprovning AB, Box 4053, SE-904 03 Umeå, Sweden is gecertificeerd conform Richtlijn 2000/14/EG van de Raad, beoordelingsprocedure voor conformiteit: Bijlage VI.

Voor informatie over geluidsemissies, zie *Technische gegevens op pagina 237*.

Huskvarna, 2022-10-20



Claes Losdal, Development Manager/Garden Products, Huskvarna AB

Verantwoordelijk voor technische documentatie



---

# INNHold

---

|                 |     |  |     |
|-----------------|-----|--|-----|
| Innledning..... | 240 | Vedlikehold.....                         | 246 |
| Sikkerhet.....  | 241 | Transport, oppbevaring og avhending..... | 249 |
| Montering.....  | 244 | Tekniske data.....                       | 250 |
| Drift.....      | 244 | Samsvarserklæring.....                   | 252 |

---

## Innledning

---

### Produktbeskrivelse

Produktet er en roterende skyveggressklipper. Fest oppsamleren for å samle opp gresset. Monter deflektoren for sideutkast for å kaste ut gresset. Fest et finfordelingssett for å klippe gresset til gjødsel.

### Produktoversikt

(Fig. 1)

1. Styre
2. Motorbremsehåndtak
3. Sikkerhetsbøyle
4. Håndtak på startsnoren
5. Bakdeksel
6. Oppsamler
7. Knotter for justering styrehøyde
8. Spak for regulering av klippehøyde
9. Oljelokk
10. Sideutkastdeksel
11. Lyddemper
12. Tennplugg
13. Drivstofflokk
14. Symboler
15. Klippedeksel
16. Luftfilter
17. Spak for turtallsregulering
18. Sidedeflektor
19. Finfordelingsplugg (tilbehør)
20. Bruksanvisning

### Symboler på produktet

- (Fig. 2) **ADVARSEL!** Vær forsiktig, og bruk produktet riktig. Dette produktet kan føre til alvorlig personskade eller død for operatøren eller andre.
- (Fig. 3) Les nøye gjennom bruksanvisningen og forsikre deg om at du har forstått instruksjonene før bruk.
- (Fig. 4) Se opp for gjenstander som slynges ut og rikosjetterer.

### Bruksområder

Bruk produktet til å klippe gress. Ikke bruk produktet til andre oppgaver.

- (Fig. 5) Hold personer og dyr på trygg avstand fra arbeidsområdet.
- (Fig. 6) **Advarsel:** Hold hender og føtter borte fra den roterende kniven.
- (Fig. 7) **Advarsel:** Hold hender og føtter borte fra roterende deler.
- (Fig. 8) Stopp motoren og fjern tenningskabelen før det utføres reparasjoner eller vedlikehold.
- (Fig. 9) Dette produktet er i overensstemmelse med gjeldende EU-direktiver.
- (Fig. 10) Dette produktet samsvarer med gjeldende britiske direktiver.
- (Fig. 11) Støytstlipp til omgivelsene som i EU-direktiver og forskrifter, britiske direktiver og forskrifter og New South Wales-forskriften «Protection of the Environment Operations (Noise Control) Regulation 2017». Garantert lydeffektivnivå for produktet er angitt i *Tekniske data på side 250* og på etiketten.

---

**Merk:** Øvrige symboler/klistremerker angitt på produktet gjelder sertifiseringskrav for enkelte markeder.

---

### Skader på produktet

Vi er ikke ansvarlige for skader på produktet vårt hvis:

- Produktet er reparert på feil måte.
- Produktet er reparert med deler som ikke kommer fra produsenten eller som ikke er godkjent av produsenten.



- Produktet har et tilbehør som ikke kommer fra produsenten eller som ikke er godkjent av produsenten.
- Produktet er ikke reparert på et godkjent servicesenter eller av en godkjent aktør.

## Euro V-utslipp



**ADVARSEL:** Tukling med motoren opphever EU-type-godkjenningen til dette produktet.

## Sikkerhet

### Sikkerhetsdefinisjoner

Advarsler, oppfordringer og merknader brukes for å understreke spesielt viktige deler av bruksanvisningen.



**ADVARSEL:** Brukes hvis det er fare for personskade eller død for brukeren eller andre personer om instruksjonene i håndboken ikke følges.



**OBS:** Brukes hvis det er fare for skade på produktet, annet materiell eller nærliggende områder om instruksjonene i håndboken ikke følges.

**Merk:** Brukes for å gi mer nødvendig informasjon for en spesifikk situasjon.

### Generelle sikkerhetsinstruksjoner



**ADVARSEL:** Les de følgende advarselsinstruksjonene før du bruker produktet.

- Dette produktet er farlig hvis det brukes feil, eller hvis du ikke er forsiktig. Personskade eller død kan forekomme hvis du ikke følger sikkerhetsinstruksjonene.
- Dette produktet danner et elektromagnetisk felt når det er i bruk. Dette feltet kan under visse forhold forstyrre aktive eller passive medisinske implantater. For å redusere faren for hendelser som kan føre til alvorlig eller livstruende skade, anbefaler vi at personer med medisinske implantater rådfører seg med lege og produsenten av det medisinske implantatet før dette produktet tas i bruk.
- Vær alltid forsiktig, og bruk sunn fornuft. Hvis du ikke er sikker på hvordan du skal bruke produktet i en bestemt situasjon, må du stoppe og snakke med Husqvarna-forhandleren før du fortsetter.
- Husk at brukeren er ansvarlig for ulykker som involverer andre personer eller deres eiendom.
- Hold produktet rent. Sørg for at du kan lese skilt og merker.
- Ikke la en person bruke produktet med mindre du forsikrer deg om at de har lest og forstått innholdet i bruksanvisningen.
- Ikke la barn bruke produktet.



**ADVARSEL:** Les de følgende advarslene før du bruker produktet.

- Fjern gjenstander som greiner, kvister og steiner fra området før du bruker produktet.
- Gjenstander som treffer skjærestyret, kan slynges ut og forårsake skade på personer og gjenstander. Hold tilskuere og dyr på trygg avstand fra produktet.
- Bruk aldri produktet i dårlig vær, for eksempel i tåke, regn, sterk vind, sterk kulde, eller ved fare for lyn. Det er slitsomt å bruke produktet i dårlig vær eller på fuktige eller våte steder. Dårlig vær kan forårsake farlige forhold, for eksempel glatt underlag.
- Hold utkikk etter personer, objekter og situasjoner som kan forhindre sikker bruk av produktet.
- Se etter hindringer, for eksempel røtter, steiner, kvister, fordypninger og grøfter. Høyt gress kan skjule hindringer.
- Det kan være farlig å klippe gress i skråninger. Ikke bruk produktet i skråninger som heller mer enn 15 grader.
- Bruk produktet på tvers av skråninger. Ikke gå opp og ned.
- Vær forsiktig når du nærmer deg skjulte hjørner eller gjenstander som blokkerer sikten.



**ADVARSEL:** Les de følgende advarelsene før du bruker produktet.

- Bruk dette produktet bare til å klippe gressplener. Det er ikke tillatt å bruke det til andre formål.
- Bruk personlig verneutstyr. Se *Personlig verneutstyr på side 242*.
- Sørg for at du vet hvordan du stopper motoren raskt i en nødsituasjon.
- Start aldri motoren i et lukket rom eller i nærheten av brennbart materiale. Motorens avgasser er varme og kan inneholde gnister som kan forårsake brann.
- Ikke bruk produktet med mindre kniven og alle deksler er riktig montert. En kniv som er feilmontert, kan løsne og forårsake personskade.
- Pass på at kniven ikke kommer borti gjenstander som steiner og røtter. Dette kan gjøre skade på kniven og bøye motorakselen. En bøyd aksel kan forårsake mye vibrasjon og utgjør en svært høy fare for at kniven blir løs.
- Hvis kniven treffer en gjenstand eller det oppstår kraftige vibrasjoner, må produktet stanses øyeblikkelig. Koble tenningskabelen fra tennpluggen. Kontroller produktet for skader. Reparer skader, eller la et autorisert serviceverksted utføre reparasjon.
- Du må aldri feste motorbremsehåndtaket permanent til håndtaket når motoren er i gang.
- Plasser produktet på et stabilt, flatt underlag, og start det. Pass på at kniven ikke berører bakken eller andre gjenstander.
- Hold deg alltid bak produktet når du bruker det.
- La alle hjulene være på bakken, og hold begge hender på håndtaket når du bruker produktet. Hold hender og føtter borte fra de roterende knivene.
- Unngå å vippe produktet opp mens motoren er i gang.
- Vær forsiktig når du trekker produktet bakover.
- Du må aldri løfte produktet når motoren er i gang. Hvis du må løfte produktet, må du først stoppe motoren og koble tenningskabelen fra tennpluggen.
- Ikke gå bakover når du bruker produktet.
- Stopp motoren når du går over områder uten gress, for eksempel gangveier av grus, stein og asfalt.
- Ikke løp med produktet når motoren er på. Du må alltid gå mens du bruker produktet.
- Stopp motoren før du endrer klippehøyde. Utfør aldri justeringer mens motoren er i gang.
- La aldri produktet være ute av syne mens motoren er i gang. Stopp motoren, og forsikre deg om at skjæreutstyret ikke roterer.

### Personlig verneutstyr

---



**ADVARSEL:** Les de følgende advarelsene før du bruker produktet.

- Verneutstyr kan aldri fullstendig forhindre skade, men det reduserer skadeomfanget hvis ulykken inntreffer. Spør forhandleren din om hjelp til å velge riktig utstyr.
- Bruk hørselsvern hvis støynivået er høyere enn 85 dB.
- Bruk kraftige, sklisikre støvler eller sko. Ikke bruk åpne sko eller gå barbeint.
- Bruk tykke langbukser.
- Bruk vernehansker når det er nødvendig, for eksempel når du fester, undersøker eller rengjør skjæreutstyret.

### Sikkerhetsutstyr på produktet

---



**ADVARSEL:** Les de følgende advarelsinstruksjonene før du bruker produktet.

- Ikke bruk et produkt med sikkerhetsutstyr som er skadet eller ikke fungerer som det skal.
- Utfør regelmessig kontroll av sikkerhetsutstyret. Hvis sikkerhetsutstyret er skadet eller ikke fungerer som det skal, må du kontakte Husqvarna-serviceforhandleren.
- Ikke foreta endringer på sikkerhetsutstyr.

### Slik kontrollerer du klippedekselet

Klippedekselet gir mindre vibrasjoner og minsker risikoen for skader forårsaket av kniven.

- Undersøk klippedekselet for å sikre at det ikke er noen skader, for eksempel sprekker.

### Slik kontrollerer du motorbremsehåndtaket

Motorbremsehåndtaket stopper motoren. Når du slipper motorbremsehåndtaket, stopper motoren.

- Start motoren, og slipp deretter motorbremsehåndtaket. Hvis motoren ikke stopper innen tre sekunder, må du la et godkjent Husqvarna-serviceverksted justere motorbremsen. (Fig. 12)

### Slik kontrollerer du det bakre dekselet

Den bakre deflektoren reduserer risikoen for at objekter kastes ut i retning av brukeren.

- Kontroller at det bakre dekselet ikke er skadet.
- Pass på at fjærene som lukker det bakre dekselet, ikke er skadet.
- Bytt ut skadede fjærer og deler.

- Kontroller at det bakre dekselet kan bevege seg jevnt på hengslene.

### Lyddemper

Lyddemperen begrenser støynivået og sender avgassene bort fra brukeren.

Ikke bruk produktet hvis lyddemperen mangler eller er skadet. En defekt lyddemper øker lydnivået og brannfaren.



**ADVARSEL:** Lyddemperen blir svært varm under og etter bruk, og når motoren går på tomgang. Vær forsiktig i nærheten av brannfarlige materialer og/eller avgasser for å unngå brann.

### Slik kontrollerer du lyddemperen

- Kontroller lyddemperen regelmessig for å sikre at den er riktig montert og ikke skadet.

### Drivstoffsikkerhet



**ADVARSEL:** Les de følgende advarselsinstruksjonene før du bruker produktet.

- Ikke start produktet hvis det er drivstoff eller motorolje på det. Fjern uønsket drivstoff/olje, og la produktet tørke.
- Skift klær umiddelbart hvis du søler drivstoff på klærne.
- Ikke få drivstoff på kroppen, da dette kan føre til personskade. Bruk såpe og vann for å fjerne drivstoff hvis du får drivstoff på kroppen.
- Ikke start produktet hvis motoren lekker. Kontroller motoren for lekkasjer med jevne mellomrom.
- Vær forsiktig med drivstoff. Drivstoff er brannfarlig, og avgassene er eksplosive og kan forårsake personskade eller død.
- Ikke pust inn bensindamp, da dette kan føre til personskade. Pass på at det er tilstrekkelig luftstrøm.
- Du må ikke røyke i nærheten av drivstoff eller motoren.
- Ikke sett varme gjenstander i nærheten av drivstoff eller motoren.
- Ikke fyll på drivstoff når motoren er på.
- Kontroller at motoren er avkjølt før du fyller på drivstoff.

- Åpne tanklokket sakte, og slipp ut trykket forsiktig før du fyller.
- Ikke fyll drivstoff på motoren innendørs. En utilstrekkelig luftstrøm kan føre til personskade eller dødsfall på grunn av kveling eller karbonmonoksidforgiftning.
- Trekk til drivstofflokket helt. Hvis drivstofflokket ikke er strammet, kan det utgjøre en risiko for brann.
- Flytt produktet minst 3 m fra stedet der du fylte tanken, før du starter det.
- Fyll ikke drivstofftanken helt opp. Varme fører til at drivstoffet utvider seg. La det være litt plass øverst i drivstofftanken.
- Oppbevar aldri produktet med drivstoff i drivstofftanken inne i en bygning der det finnes antennelseskilder, for eksempel varmtvannsberedere, varmeovner eller tørketromler. La motoren kjøles ned før maskinen lagres i et lukket rom.

### Sikkerhetsinstruksjoner for vedlikehold



**ADVARSEL:** Les de følgende advarslene før du bruker produktet.

- Eksosen fra motoren inneholder karbonmonoksid, en luftfri, giftig og svært farlig gass. Ikke start motoren innendørs eller i lukkede rom.
- Før du utfører vedlikehold på produktet, må du stoppe motoren og fjerne tenningskabelen fra tennpluggen.
- Bruk vernehansker når du utfører vedlikehold på skjærestyret. Kniven er svært skarp, og det er lett å kutte seg.
- Tilbehør og endringer på produktet som ikke er godkjent av produsenten, kan føre til alvorlig personskade eller død. Ikke foreta endringer av produktet. Bruk bare tilbehør som er godkjent av produsenten.
- Hvis vedlikeholdet ikke utføres riktig og regelmessig, øker faren for personskade og skade på produktet.
- Bare utfør vedlikehold som beskrevet i denne brukerveiledningen. Alt annet vedlikehold må utføres av et godkjent Husqvarna-serviceverksted.
- La et godkjent Husqvarna-serviceverksted utføre service på produktet regelmessig.
- Skift ut alle skadde, slitte eller ødelagte deler.

---

# Montering

---

## Innledning



**ADVARSEL:** Før du monterer produktet, må du lese og forstå kapittelet om sikkerhet.



**ADVARSEL:** Fjern tennpluggkabelen fra tennpluggen før du monterer produktet.

## Slik monterer du håndtaket

**Merk:** Det anbefales at to personer utfører denne prosedyren.

**Merk:** Ikke fjern produktet fra esken når du monterer håndtaket. Boksen kan brukes som støtte for håndtaket under monteringen.

1. Løft og dreii håndtaket. (Fig. 13)



**OBS:** Vær forsiktig, og kontroller at kabelen ikke blir skadet når du roterer håndtaket.

2. Sett håndtaket oppå produktet. Vipp håndtaket mot boksen for å støtte opp håndtaket. Se illustrasjonen. (Fig. 14)
3. Dytt skruen (A) gjennom håndtaket (B), plastskiven (C) og støttebraketten på håndtaket (D). (Fig. 15)
4. Trekk til mutteren (E) helt.
5. Ta produktet ut av esken.
6. Fell opp håndtaket til oppfelt posisjon. (Fig. 16)
7. Sett håndtakshøyden til laveste stilling. Se *Slik justerer du håndtaket på side 244*.
8. Fest kabelen til den nedre delen av håndtaket med kabelklemmen. (Fig. 17)
9. Fest den nedre delen av kabelen til støttebraketten på håndtaket med kabelstripsen. Kutt av den overflødige delen av kabelstripsen. (Fig. 18)

**Merk:** Påse at kabelen er festet riktig. En for løs kabel forårsaker skade på kabelen når oppsamleren er montert. (Fig. 19)

## Slik justerer du håndtaket

1. Løse de nedre knottene.
2. Flytt knottene til den nedre enden av sporene på venstre og høyre side av produktet. (Fig. 20)
3. Angi høyden på håndtaket til én av de to tilgjengelige posisjonene.
4. Flytt knottene oppover i retning av håndtaket til de stopper og du hører et klikk. (Fig. 21)
5. Trekk til knottene helt.

## Slik setter du produktet i transportstilling

1. Ta av oppsamleren (hvis den er på).
2. Løse de nedre knottene.
3. Flytt knottene til den nedre enden av sporene på venstre og høyre side av produktet. (Fig. 20)
4. Vipp styret forover. (Fig. 22)

## Slik setter du produktet i driftsstilling

1. Fell opp styret til oppfelt posisjon. (Fig. 23)
2. Flytt knottene oppover i retning av styret til de stopper og du hører et klikk. (Fig. 21)
3. Trekk til knottene helt.

## Slik monterer du oppsamleren

1. Fest oppsamlerammen til gressposen med den faste delen av posen på undersiden. Sørg for at styret på rammen er utenfor toppen av posen. (Fig. 24)
2. Fest gressposen til rammen ved hjelp av klemmene. (Fig. 25)

---

## Drift

---

## Innledning



**ADVARSEL:** Før du bruker produktet, må du lese og forstå kapittelet om sikkerhet.

## Husqvarna Connect

Husqvarna Connect er en kostnadsfri app for mobilenheten din. Husqvarna Connect-appen gir utvidede funksjoner for Husqvarna-produktet ditt:

- utvidet produktinformasjon
- informasjon om og hjelp med produktdeleer og service

## Slik begynner du å bruke Husqvarna Connect

1. Last ned Husqvarna Connect-appen på mobilenheten din.
2. Utfør registrering i Husqvarna Connect-appen.
3. Følg instruksjonene i Husqvarna Connect-appen for å koble til og registrere produktet.

## Før du bruker produktet

1. Les nøye gjennom bruksanvisningen, og sørg for at du har forstått instruksjonene.
2. Undersøk skjæreutstyret for å sikre at det er riktig festet og justert. Se *Slik kontrollerer du skjæreutstyret på side 247*.
3. Fyll drivstofftanken. Se *Slik fyller du drivstoff på side 245*.
4. Fyll oljetanken, og kontroller oljenivået. Se *Slik skifter du motorolje på side 248*.

## Slik fyller du drivstoff

Bruk miljøbensin/alkylatbensin, hvis det er tilgjengelig. Hvis miljøbensin/alkylatbensin ikke er tilgjengelig, bruk blyfri bensin av god kvalitet eller blybensin med oktantall 90 eller høyere.



**OBS:** Ikke bruk bensin med et oktantall som er mindre enn 90 RON (87 AKI). Dette kan skade produktet.

1. Åpne drivstofflokket sakte for å slippe ut trykket.
2. Fyll langsomt med en bensinkanne. Hvis du søler drivstoff, kan du tørke det opp med en klut og la det som måtte være igjen, lufttørke.
3. Tørk rent rundt drivstofflokket.
4. Trekk til drivstofflokket helt. Hvis drivstofflokket ikke er strammet, kan det utgjøre en risiko for brann.
5. Flytt produktet minst 3 m fra stedet du fylte tanken før du starter det.

## Slik regulerer du klippehøyden

1. Flytt spaken for klippehøyde bakover for å øke klippehøyden.
2. Flytt spaken for klippehøyde forover for å senke klippehøyden. (Fig. 26)



**OBS:** Ikke sett klippehøyden for lavt. Knivene kan treffe bakken hvis overflaten av plenen ikke er vannrett.

## Slik starter du produktet

1. Sørg for at tenningskabelen er koblet til tennpluggen.
2. Stå bak produktet.
3. Hold motorbremsehåndtaket mot styret. (Fig. 27)
4. Hold i startsnorhåndtaket med høyrehånden.

5. Dra startsnoren langsomt ut til du kjenner litt motstand.
6. Trekk kraftig for å starte motoren.



**ADVARSEL:** Surr aldri startsnoren rundt hånden.

## Slik brukes hjuldriften

- Start hjuldriften med spaken for turtallsregulering på venstre side av styret. Skyv spaken for turtallsregulering forover for å øke hastigheten og bakover for å redusere hastigheten. (Fig. 28)
- Før du trekker produktet bakover, må du koble ut driften og skyve produktet forover med ca. 10 cm.
- Løsne sikkerhetsbøylen for å frakoble driften, for eksempel når du går nær en hindring.

## Slik stopper du produktet

- Hvis du vil stoppe kun driften, slipper du sikkerhetsbøylen.
- Hvis du vil stoppe motoren, slipper du motorbremsehåndtaket.

## Slik bruker du produktet med oppsamleren



**ADVARSEL:** Ikke bruk produktet uten en oppsamler montert, eller uten at det bakre dekselet er lukket. Objekter kan bli kastet ut og forårsake skade på brukeren.

1. Løft det bakre dekselet, og fjern finfordelingspluggen (hvis montert). (Fig. 29)
2. Monter oppsamleren. Se *Slik monterer du oppsamleren på side 244*.
3. Sett oppsamleren på braketten.
4. Løsne det bakre dekselet, og plasser det oppå gressposserammen. (Fig. 30)

## Slik bytter du til finfordelingsmodus

Kontroller at motoren er slått av før du bytter til finfordelingsmodus.

1. Løft det bakre dekselet, og fjern oppsamleren (hvis den er på).
2. Sett finfordelingspluggen inn i utkasterkanalen. (Fig. 31)
3. Lukk det bakre dekselet, og kontroller at det sitter tett inntil finfordelingspluggen.

**Merk:** Hvis du vil øke ytelsen til finfordelingsmodus, bytter du ut kniven med finfordelingskniv-tilbehøret. Se *Slik bytter du kniven på side 247*

## Slik bytter du til modusen for sideutkast

1. Løft det bakre dekselet, og fjern gressposen (hvis den er på).
2. Lukk det bakre dekselet, og kontroller at det sitter tett inntil produktet.
3. Løft utkastlåsen. (Fig. 32)
4. Åpne beskyttelsen av sideutkaståpningen, og fest deflektoren for sideutkast til støttepinnene. (Fig. 33)
5. La beskyttelsen av sideutkaståpningen hvile mot deflektoren for sideutkast. Pass på at deflektoren for sideutkast sitter godt på plass før du begynner å bruke produktet.

## Slik tømmer du oppsamleren



**OBS:** Løft oppsamleren når du flytter den, for å unngå slitasje.

1. Løft oppsamleren ved å holde i rammehåndtaket.
2. Bruk rammehåndtaket og oppsamlerhåndtaket når du tømmer oppsamleren. (Fig. 34)

## Slik får du et godt resultat

- Bruk alltid en godt slipt kniv. En sløv kniv gir ujevnt resultat, og gressets klippeoverflate blir gul. En skarp kniv bruker også mindre energi enn en sløv kniv.
- Ikke klipp mer enn 1/3 av lengden på gresset. Bruk den høyeste klippehøyden når du begynner å klippe gresset. Undersøk resultatet, og senk klippehøyden til det aktuelle nivået. Hvis gresset er veldig langt, skyver du gressklipperen langsomt og klipper to ganger om nødvendig.
- Klipp i forskjellige retninger hver gang, for å unngå striper i plenen.
- Løft det bakre dekselet, og ta av oppsamleren.
- Hvis en finfordelingsplugg og en finfordelingskniv er festet, tar du dem av.
- Lukk bakdekselet før du bruker produktet. Når du bruker produktet, tømmes det klippede gresset under bakdekselet.
- Hold klippedekselet rent. Oppsamling av gress og smuss på innsiden av klippedekselet kan gi et dårligere klipperesultat. Se *Slik rengjør du den indre overflaten av klippedekselet på side 247.*

## Vedlikehold

### Innledning



**ADVARSEL:** Før du utfører vedlikeholdsarbeid, må du lese og forstå kapittelet om sikkerhet.

For alt vedlikehold og reparasjonsarbeid på produktet er det nødvendig med spesiell opplæring. Vi garanterer fagmessig reparasjon og service. Hvis forhandleren ikke er et serviceverksted, må du snakke med dem for å få informasjon om nærmeste serviceverksted.

Hvis du vil ha mer detaljert informasjon, kan du se .

### Vedlikeholdsskjema



**OBS:** Sørg for at luftfilteret vender opp og ikke mot bakken når du vipper produktet. Fare for motorskade.

Vedlikeholdsintervallene er beregnet med utgangspunkt i daglig bruk av produktet. Intervallene kan endres hvis produktet ikke brukes daglig.

For vedlikehold merket med \* kan du se instruksjonene i *Sikkerhetsutstyr på produktet på side 242.*

| Vedlikehold                            | Daglig | Ukentlig | Månedlig |
|--|--------|----------|----------|
| Slik utfører du en generell inspeksjon | X      |          |          |
| Kontroller oljenivået.                 | X      |          |          |
| Rengjør produktet.                     | X      |          |          |
| Kontroller skjærestyret.               | X      |          |          |
| Kontroller klippedekselet*.            | X      |          |          |
| Kontroller motorbremseshåndtaket *     | X      |          |          |
| Kontroller knivbremseskontrollen*      | X      |          |          |
| Kontroller lydtemperen*.               |        | X        |          |
| Kontroller tennpluggen.                |        | X        |          |

| Vedlikehold   | Daglig | Ukentlig | Månedlig |
|---|--------|----------|----------|
| Skift olje (første gang etter 5 timers bruk og deretter etter hver 50. times bruk). |        |          | X        |
| Rengjør eller skift luftfilteret.   |        |          | X        |
| Kontroller drivstoffsystemet.   |        |          | X        |

## Slik utfører du en generell inspeksjon

- Sørg for at alle mutre og skruer på produktet er trukket til ordentlig.

## Slik rengjør du produktet på utsiden

- Bruk en børste for å fjerne løv, gress og smuss.
- Kontroller at luftinntaket på toppen av motoren ikke er blokkert.
- Produktet må ikke rengjøres med høytrykksspyler.
- Hvis du bruker vann til å rengjøre produktet, må du ikke spyle vann direkte på motoren.

## Slik rengjør du den indre overflaten av klippedekselet

1. Tøm drivstofftanken.
2. Plasser produktet på siden med lydtemperen ned.



**OBS:** Hvis produktet settes med luftfilteret ned, kan motoren bli skadet.

3. Spyl innsiden av klippedekselet med vann.

## Slik kontrollerer du skjæreutstyret



**ADVARSEL:** For å hindre utilsiktet start må du fjerne tenningskabelen fra tennpluggen.



**ADVARSEL:** Bruk vernehansker når du utfører vedlikehold på skjæreutstyret. Kniven er svært skarp, og det er lett å kutte seg.

1. Kontroller skjæreutstyret med henblikk på skader og sprekkdannelse. Bytt alltid ut skadet skjæreutstyr.
2. Sjekk om kniven er skadet eller sløv.

**Merk:** Kniven må balanseres etter at den er slipt. La et servicesenter slippe, skifte og balansere kniven. Hvis du treffer en hindring som fører til at produktet stopper, må du skifte ut den skadde kniven. La serviceverkstedet vurdere om kniven kan slipes eller om den må skiftes ut.

## Slik bytter du kniven

1. Lås kniven med en trekloss. (Fig. 35)

2. Fjern knivbolten, sprengskiven og kniven. (Fig. 36)
3. Kontroller knivstøtten og knivbolten for skader.
  - a) Hvis du skifter kniv eller knivstøtte, må du også skifte ut knivbolten, sprengskiven og friksjonsskiven.
4. Undersøk motorakselen for å forsikre deg om at den ikke er bøyd.
5. Når du fester den nye kniven, skal de bøyde endene av kniven peke i retning av klippedekselet. (Fig. 37)
6. Plasser friksjonsskiven og kniven mot knivstøtten. (Fig. 38)
7. Kontroller at kniven er på linje med midten av motorakselen. (Fig. 39)
8. Lås kniven med en trekloss. (Fig. 40)
9. Fest sprengskiven, og trekk til bolten med et moment på 43 – 47 Nm. (Fig. 41)
10. Trekk kniven rundt for hånd for å kontrollere at den roterer fritt.



**ADVARSEL:** Bruk vernehansker. Kniven er svært skarp, og det er lett å kutte seg.

11. Start produktet for å teste kniven. Hvis kniven ikke er riktig festet, vil produktet vibrere, eller klipperesultatet vil ikke bli bra nok.

## Slik kontrollerer du oljenivået



**OBS:** For lavt oljenivå kan forårsake alvorlige motorskader. Kontroller oljenivået før du starter produktet.

1. Sett produktet på et flatt underlag.
2. Ta av oljetanklokket og den medfølgende peilepinnen.
3. Fjern gjenværende olje fra peilepinnen.
4. Før peilepinnen helt ned i oljetanken for å gi et korrekt bilde av oljenivået. Ikke sett på oljetanklokket.
5. Ta av oljetanklokket og den medfølgende peilepinnen.
6. Kontroller oljenivået på peilepinnen.
7. Hvis oljenivået er lavt, fyller du på motorolje og utfører en ny kontroll av oljenivået. (Fig. 42)

---

**Merk:** Bruk en trakt for å unngå søl.

---

8. Sett på oljetanklokket når oljenivået er riktig.

## Slik skifter du motorolje

---



**ADVARSEL:** Motorolje er svært varm rett etter at motoren har stoppet. La motoren bli avkjølt før du taper ut motorolje med såpe og vann hvis du søler motorolje på huden.

---

(Fig. 43)

1. Bruk produktet til drivstofftanken er tom.
2. Fjern tenningskabelen fra tennpluggen.
3. Ta av oljetanklokket og den medfølgende peilepinnen.
4. Sett en beholder under produktet for å samle opp olje.
5. Vipp produktet, eller tapp av motoroljen fra oljetanken med en oljepumpe (tilbehør).
6. Fyll på ny motorolje av typen som anbefales i *Tekniske data på side 250*.
7. Kontroller oljenivået. Se *Slik kontrollerer du oljenivået på side 247*.
8. Sett på oljetanklokket når oljenivået er riktig.

## Kontrollere tennpluggen

---



**OBS:** Bruk alltid anbefalt type tennplugg. Feil tennpluggtype kan føre til skade på produktet.

---

- Undersøk tennpluggen hvis motorens effekt er for lav, den ikke er enkel å starte eller ikke fungerer riktig på tomgang.
- Følg disse instruksjonene for å redusere risikoen for uønsket materiale på tennpluggenes elektroder:
  - a) Pass på at tomgangsturtallet er riktig justert.
  - b) Pass på at drivstoffblandingen er riktig.
  - c) Kontroller at luftfilteret er rent.
- Hvis tennpluggen er skitten, må du rengjøre den og samtidig kontrollere at elektrodeavstanden er riktig. Se *Tekniske data på side 250*. (Fig. 44)
- Skift tennpluggen når det er nødvendig.

## Slik rengjør du luftfilteret

---

Et skittent luftfilter kan føre til at motoren blir skadet eller ikke fungerer som den skal. Rengjør luftfilteret oftere ved arbeid i støvete omgivelser.

Se *Vedlikeholdsskjema på side 246* for informasjon om når du bør skifte luftfilter.

1. Ta av luftfilterdekslet, og ta ut filteret.

2. Rengjør filteret ved å slå det mot en flat overflate. Ikke bruk løsemiddel med bensin, for eksempel parafin, eller trykkluft til å rengjøre filteret.
- 

**Merk:** Luftfiltere som har vært i bruk over lang tid, kan ikke rengjøres helt. Skift luftfilteret med jevne mellomrom. Et skadet luftfilter må alltid skiftes.

---

3. Når du monterer luftfilteret, må du passe på at det sitter tett inntil filterholderen.

## Slik kontrollerer du deflektoren for sideutkast

---

Deflektoren for sideutkast er festet til åpningen for sideutkast på produktet. Den reduserer risikoen for at gjenstander slynges i retning av brukeren.

1. Kontroller at deflektoren for sideutkast ikke er skadet.
2. Undersøk deflektoren for sideutkast. Forsikre deg om at det ikke er skader som sprekker eller ødelagte fjærer som skyver døren igjen.
3. Bytt ut fjærene eller deflektoren for sideutkast hvis de er skadede.

## Slik undersøker du drivstoffsystemet

---

- Undersøk drivstofflokket og pakningen til lokket for å sikre at det ikke er noen skader.
- Undersøk drivstoffslangen for å sikre at det ikke finnes lekkasjer. Hvis drivstoffslangen er ødelagt, må du la et serviceverksted skifte den ut.

## Slik tømmer du drivstofftanken

---

1. Sett en beholder under drivstofftanken.
2. Fjern lokket på drivstofftanken.
3. Skyv slangeklemmene på drivstoffslangen mot forgasseren.
4. Fjern drivstoffslangen fra forgasseren.
5. Legg drivstofftankslangen i beholderen, og fjern slangeklemmene.
6. Vipp produktet, og tapp drivstoffet ned i beholderen.

## Slik skifter du drivstoffilteret

---



**ADVARSEL:** Bruk vernehansker.

---

1. Tapp drivstofftanken.
2. Flytt slangeklemmen bort fra drivstofftanken. (Fig. 45)
3. Fjern drivstoffslangen fra drivstofftanken. En liten mengde drivstoff kan lekke. (Fig. 46)
4. Fjern drivstoffilteret fra drivstofftanken. (Fig. 47)
5. Sett på plass et nytt drivstoffilter i drivstofftanken.
6. Sett drivstoffslangen på drivstofftanken.



7. Sett slangeklemmen på plass mot drivstofftanken.

## Slik justerer du clutchvaieren

I situasjonene som er nevnt nedenfor, må du redusere lengden på clutchvaieren:

- Hjuldriften går ikke i inngrep når du trekker i sikkerhetsbøylen eller spaken for turtallsregulering.
- Produktet beveger seg sakte når hjuldriften er koblet inn.

I situasjonene som er nevnt nedenfor, må du øke lengden på clutchvaieren:

- Produktet beveger seg når hjuldriften ikke er koblet inn.
- Slik justerer du clutchvaieren:
  - a) For å redusere lengden på clutchvaieren dreier du justeringskruen mot urviseren.
  - b) For å øke lengden på clutchvaieren dreier du justeringskruen med urviseren. (Fig. 48)

Hvis produktet fortsatt går på en lite tilfredsstillende måte etter justeringen, må du ta kontakt med serviceforhandleren.

---

## Transport, oppbevaring og avhending

---

### Transport og oppbevaring

- Før oppbevaring og transport av produktet og drivstoff, må du kontrollere at det ikke finnes lekkasjer eller gasser. Gnister eller åpen ild, for eksempel fra elektriske apparater eller varmekjeler, kan starte en brann.
- Bruk alltid godkjente beholdere for oppbevaring og transport av drivstoff.
- Tøm drivstofftanken før du setter produktet til oppbevaring over en lengre periode. Lever drivstoffet hos en returstasjon.
- Sørg for sikkert feste av produktet under transport for å unngå skader og ulykker.
- Oppbevar produktet på et låst sted for å hindre tilgang for barn eller personer som ikke er godkjent.
- Oppbevar produktet på et tørt og frostfritt sted.

### Kassering

- Følg lokale gjenvinningsbestemmelser og gjeldende regelverk.
- Kast alle kjemikalier, for eksempel motorolje eller drivstoff, på et servicesenter eller en returstasjon.
- Når produktet ikke lenger er i bruk, kan du sende det til en Husqvarna-forhandler eller kaste det ved et returpunkt.

## Tekniske data

### Tekniske data

|   |   |
|---|---|
|   | LC 356VP  |
| <b>Motor</b>                                    |   |
| Merke   | Honda   |
| Navn på motormodell                             | GCVx170   |
| Volum, cm <sup>3</sup>                          | 166   |
| Hastighet, o/min.                               | 2800  |
| Nominell motoreffekt, kW <sup>86</sup>          | 3,1   |
| <b>Tenningsystem</b>                            |   |
| Tennplugg                                       | NGK BPR5ES  |
| Elektrodeavstand, mm                            | 0,75  |
| <b>Drivstoff-/smøresystem</b>                   |   |
| Drivstoff, blyfritt, laveste oktantall          | 90  |
| Volum bensintank, liter                         | 0,9   |
| Volum oljetank, liter                           | 0,4   |
| Motorolje <sup>87</sup>                         | Husqvarna SAE 30, Husqvarna SAE 5W-30 Synthetic, Husqvarna SAE 10W-40 |
| <b>Vekt</b>                                     |   |
| Med tomme tanker, kg                            | 35,1  |
| <b>Støyutslipp</b> <sup>88</sup>                |   |
| Lydeffektnivå, målt dB (A)                      | 98  |
| Lydeffektnivå, garantert L <sub>WA</sub> dB (A) | 98  |
| <b>Lydnivåer</b> <sup>89</sup>                  |   |
| Lydtrykknivå ved brukerens øre, dB (A)          | 86  |

<sup>86</sup> Motorens merkeeffekt er gjennomsnittlig nettoeffekt (ved angitt turtall) for en typisk produksjonsmotor for motormodellen, målt ifølge SAE-standarden J1349/ISO1585. Masseproduserte motorer kan avvike fra denne verdien. Faktisk effekt for motoren montert på det ferdige produktet vil avhenge av driftshastighet, klimaforhold og andre verdier.

<sup>87</sup> Bruk motorolje av kvaliteten API SJ eller høyere. Hvis SAE-30-olje brukes ved temperaturer lavere enn +5 °C, er det fare for at den ikke smører motoren tilstrekkelig. Dette kan føre til skader på motoren. Se *Slik skifter du motorolje på side 248* hvis du trenger informasjon om riktig olje for lave temperaturer. Se viskositetstabellen i motorhåndboken (hvis tilgjengelig), og velg viskositeten som er best egnet, basert på forventet utendørstemperatur.

<sup>88</sup> Utslipp av støy til omgivelsene målt som lydeffekt (L<sub>WA</sub>) samsvarer med EF-direktiv 2000/14/EF.

<sup>89</sup> Rapporterte data for lydtrykknivå for maskinen har en typisk statistisk spredning (standardavvik) på 1,2 dB (A).

|                                       |                                |
|---------------------------------------|--------------------------------|
|                                       | <b>LC 356VP</b>                |
| <b>Vibrasjonsnivåer</b> <sup>90</sup> |                                |
| Håndtak, m/s <sup>2</sup>             | 5,9                            |
| <b>Klippeutstyr</b>                   |                                |
| Klippehøyde, mm                       | 25–75                          |
| Klippebredde, mm                      | 560                            |
| Klippesystem                          | Oppsamling/BioClip®/sideutkast |
| Kniv – standard                       | Oppsamling 598562701           |
| Kniv – tilleggsutstyr                 | Finfordeling 598563601         |
| <b>Drift</b>                          |                                |
| Hastighet, km/t                       | 3,0–4,5                        |

<sup>90</sup> Rapporterte data for vibrasjonsnivå har en typisk statistisk spredning (standardavvik) på 0,2 m/s<sup>2</sup>.

# Samsvarserklæring

## EU-samsvarserklæring

Vi, **Husqvarna AB**, SE-561 82 Huskvarna, Sverige, tlf.:  
+46 36 146500, erklærer på eget ansvar at produktet:

|                    |                                  |
|--------------------|----------------------------------|
| <b>Beskrivelse</b> | Gressklipper                     |
| <b>Merke</b>       | Husqvarna                        |
| <b>Type/modell</b> | LC 356VP                         |
| <b>ID</b>          | Serienumre datert 2022 og senere |

fullstendig overholder følgende EU-direktiver og  
-forskrifter:

| <b>Regulering</b> | <b>Beskrivelse</b>  |
|-------------------|---|
| 2006/42/EC        | «angående maskiner»   |
| 2014/30/EU        | «om elektromagnetisk kompatibilitet»  |
| 2000/14/EC        | «angående utslipp av støy til omgivelsene»  |
| 2011/65/EU        | «om begrensning av bruk av visse farlige stoffer i elektrisk og elektronisk utstyr» |

og at følgende standarder eller tekniske spesifikasjoner  
er anvendt: EN ISO 5395-1:2013/A1:2018, EN ISO  
5395-2:2013/A1:2016/A2:2017, EN ISO 14982:2009, EN  
IEC 63000:2018

Kontrollorgan: 0404, RISE SMP Svensk Maskinprovning  
AB, Box 4053, SE-904 03 Umeå, Sweden Har bekreftet  
samsvar med rådsdirektivet 2000/14/EF, prosedyre for  
overensstemmelsesvurdering: Vedlegg VI.

For informasjon som gjelder støyutslipp, kan du se  
*Tekniske data på side 250.*

Huskvarna, 2022-10-20



Claes Losdal, Utviklingssjef/hageproduktansvarlig,  
Husqvarna AB

Ansvarlig for teknisk dokumentasjon



---

# SPIS TREŚCI

---

|                     |     |   |     |
|---------------------|-----|---|-----|
| Wstęp.....          | 253 | Przegląd.....                               | 260 |
| Bezpieczeństwo..... | 254 | Transport, przechowywanie i utylizacja..... | 263 |
| Montaż.....         | 257 | Dane techniczne.....                        | 264 |
| Przeznaczenie.....  | 258 | Deklaracja zgodności.....                   | 266 |

---

## Wstęp

---

### Opis produktu

Produkt jest rotacyjną kosiarką obsługiwaną przez operatora. Zamocować pojemnik na trawę, aby zbierać trawę. Zamontować deflektor wyrzutu bocznego w celu wykonania wyrzutu bocznego trawy. Zamontować zestaw mulczujący, aby pociąć trawę na nawóz.

### Przegląd produktu

(Rys. 1)

1. Uchwyt sterowniczy
2. Uchwyt hamulca silnika
3. Dźwignia napędu
4. Rączka linki rozrusznika
5. Pokrywa tylna
6. Pojemnik na trawę
7. Pokrętła wysokości uchwytu
8. Dźwignia regulacji wysokości koszenia
9. Korek zbiorniczka oleju
10. Pokrywa wyrzutu bocznego
11. Tłumik
12. Świeca zapłonowa
13. Zakrętka zbiornika paliwa
14. Symbole
15. Osłona modułu tnącego
16. Filtr powietrza
17. Dźwignia regulacji obrotów
18. Deflektor boczny
19. Wkładka mulczująca (akcesorium)
20. Instrukcja obsługi

### Symbole znajdujące się na produkcie

- (Rys. 2) **OSTRZEŻENIE!** Należy zachować ostrożność i prawidłowo korzystać z produktu. Produkt może spowodować poważne obrażenia ciała lub śmierć operatora lub innych osób.
- (Rys. 3) Przed przystąpieniem do pracy prosimy dokładnie i ze zrozumieniem zapoznać się z treścią niniejszej instrukcji obsługi.
- (Rys. 4) Należy uważać na wyrzucane i rykoszetujące przedmioty.

### Przeznaczenie

Produkt służy fo cięcia trawy. Nie używać produktu do innych zadań.

- (Rys. 5) Ludzie i zwierzęta powinny przebywać w bezpiecznej odległości od obszaru roboczego.
- (Rys. 6) **Ostrzeżenie:** Ręce i stopy należy trzymać z dala od obracającego się noża.
- (Rys. 7) **Ostrzeżenie:** Nie zbliżać dłoni i stóp do części obrotowych.
- (Rys. 8) Przed rozpoczęciem napraw lub konserwacji urządzenia wyłączyć silnik i zdjąć przewód zapłonowy.
- (Rys. 9) Niniejszy produkt jest zgodny z obowiązującymi dyrektywami WE.
- (Rys. 10) Ten produkt jest zgodny z przepisami obowiązującymi w Wielkiej Brytanii.
- (Rys. 11) Etykieta emisji hałasu do środowiska zgodnie z dyrektywami oraz przepisami UE i Wielkiej Brytanii, a także przepisami Nowej Południowej Walii „Protection of the Environment Operations (Noise Control) Regulation 2017”. Gwarantowany poziom mocy akustycznej urządzenia jest określony w *Dane techniczne na stronie 264* oraz na etykiecie.

---

**Uwaga:** Pozostałe symbole/naklejki samoprzylepne umieszczone na produkcie dotyczą wymogów związanych z certyfikatami w niektórych obszarach komercyjnych.

---

### Uszkodzenie produktu

Nie odpowiadamy za uszkodzenia naszego produktu, w przypadku gdy:

- produkt jest nieprawidłowo naprawiany.
- produkt jest naprawiany przy użyciu części niepochodzących od producenta lub niezatwierdzonych przez producenta.
- produkt jest wyposażony w akcesoria niepochodzące od producenta lub niezatwierdzone przez producenta.
- produkt nie jest naprawiany w autoryzowanym centrum serwisowym lub przez autoryzowaną placówkę.

## Emisje Euro V



**OSTRZEŻENIE:** Ingerencja w silnik powoduje unieważnienie europejskiego zatwierdzenia typu produktu.

## Bezpieczeństwo

### Definicje dotyczące bezpieczeństwa

Ostrzeżenia, uwagi i informacje są używane do zwrócenia uwagi na szczególnie ważne sekcje instrukcji obsługi.



**OSTRZEŻENIE:** Jest używane, gdy istnieje ryzyko poważnych obrażeń, śmierci operatora lub uszkodzenia otoczenia w wyniku nieprzestrzegania instrukcji obsługi.



**UWAGA:** Jest używane, gdy istnieje ryzyko uszkodzenia materiałów lub urządzenia w wyniku nieprzestrzegania instrukcji obsługi.

**Uwaga:** Stosuje się, aby przekazać więcej informacji, które są przydatne w danej sytuacji.

### Ogólne zasady bezpieczeństwa



**OSTRZEŻENIE:** Przed rozpoczęciem użytkowania produktu przeczytać następujące ostrzeżenia.

- Produkt ten może być niebezpieczny w przypadku jego nieprawidłowego użytkowania i niezachowania ostrożności. Nieprzestrzeganie instrukcji bezpieczeństwa może spowodować obrażenia ciała lub śmierć.
- Niniejszy produkt podczas pracy wytwarza pole elektromagnetyczne. W pewnych okolicznościach pole to może zakłócać pracę aktywnych lub pasywnych implantów medycznych. Przed użyciem tego produktu osoby z wszczepionym implantem medycznym powinny skonsultować się z lekarzem i producentem implantu w celu ograniczenia ryzyka poważnych lub śmiertelnych obrażeń.
- Zawsze zachowywać ostrożność i kierować się zdrowym rozsądkiem. Jeśli nie ma pewności, w jaki sposób należy obsługiwać ten produkt w konkretnej sytuacji, przed wznowieniem pracy należy porozmawiać z dealerem Husqvarna.

- Pamiętać o tym, że operator ponosi odpowiedzialność za wypadki z udziałem innych ludzi i ich własności.
- Utrzymywać produkt czystym. Upewnić się, że można łatwo odczytać oznaczenia i naklejki.
- Nie pozwalać używać maszyny jakimkolwiek osobom, które nie zapoznały się i nie zrozumiały zawartości instrukcji obsługi.
- Nie pozwalać dzieciom używać produktu.
- Należy trzymać dzieci z dala od obszaru roboczego. Zawsze musi jej towarzyszyć odpowiedzialna osoba dorosła.
- Nie pozwalać osobom nieznającym instrukcji używać maszyny.
- Należy zawsze kontrolować osobę o ograniczonych możliwościach fizycznych lub umysłowych podczas używania produktu. Zawsze musi jej towarzyszyć odpowiedzialna osoba dorosła.
- Osoba, która jest zmęczona, chora lub pod wpływem alkoholu, narkotyków lub leków nie może obsługiwać urządzenia. Stany te mają negatywny wpływ na wzrok, uwagę, koordynację i osąd.
- Nie używać urządzenia, które jest uszkodzone lub nie działa prawidłowo.
- Nie wolno dokonywać w maszynie zmian stanowiących modyfikację jej oryginalnej wersji. Nie używać maszyny, jeżeli istnieje podejrzenie, że ktoś inny wprowadził w niej zmiany.
- Nie wolno zmieniać ustawień prędkości obrotowej silnika.

### Bezpieczeństwo miejsca pracy



**OSTRZEŻENIE:** Przed rozpoczęciem użytkowania produktu przeczytać następujące ostrzeżenia.

- Usunąć obiekty, takie jak gałęzie, gałązki i kamienie z obszaru roboczego przed rozpoczęciem korzystania z maszyny.
- Obiekty, które zderzają się z elementami tnącymi, mogą zostać wyrzucone i spowodować obrażenia osób i uszkodzenia przedmiotów. Osoby znajdujące się w pobliżu i zwierzęta powinny zachować bezpieczną odległość od maszyny.

- Nigdy nie należy używać produktu w niesprzyjających warunkach np. we mgle, w deszczu, przy silnym wietrze, na silnym mrozie, gdy występuje ryzyko wyładowań atmosferycznych. Korzystanie z maszyny w niesprzyjających warunkach lub w wilgotnych czy mokrych lokalizacjach jest męczące. Niesprzyjające warunki pogodowe mogą stworzyć niebezpieczne warunki, takie jak śliskie powierzchnie.
- Należy uważać na osoby, przedmioty i sytuacje, które mogą uniemożliwić bezpieczną obsługę maszyny.
- Należy zwracać uwagę na przeszkody, takie jak korzenie, kamienie, gałązki, dziury i doły. Wysoka trawa może zasłaniać przeszkody.
- Koszenie trawy na pochyłościach może być niebezpieczne. Nie należy używać maszyny na pochyłościach terenu przekraczających 15°.
- Należy używać maszyny, prowadząc ją w poprzek zbocza. Nie należy jeździć w górę i w dół zbocza.
- Zachować ostrożność podczas zbliżania się do narożników lub innych obiektów, które mogą ograniczać widoczność.
- Nigdy nie należy na stałe przemocowywać uchwytu hamulca silnikowego do uchwytu podczas pracy silnika.
- Maszynę należy ustawić na stabilnej, płaskiej powierzchni i ją uruchomić. Należy upewnić się, że ostrza nie uderzają w podłoże lub inne przedmioty.
- Podczas obsługi maszyny zawsze należy stać za nią.
- Podczas obsługi maszyny należy upewnić się, że wszystkie koła dotykają podłoża oraz trzymać na kierownicy obie dionie. Ręce i stopy należy trzymać z dala od obracających się noży.
- Nie przechylać produktu, kiedy uruchomiony jest silnik.
- Należy zachować ostrożność podczas ciągnięcia maszyny do tyłu.
- Nigdy nie należy podnosić maszyny przy włączonym silniku. Jeśli konieczne jest podniesienie maszyny, najpierw należy wyłączyć silnik i odłączyć przewód zapłonowy od świecy zapłonowej.
- Nie należy poruszać się do tyłu podczas obsługi maszyny.
- Podczas poruszania się po obszarach bez trawy, na przykład po żwirowych, kamiennych lub asfaltowych ścieżkach, należy wyłączyć silnik.
- Nie należy biegać z maszyną przy włączonym silniku. Podczas obsługi maszyny zawsze należy poruszać się chodem.
- Przed zmianą wysokości koszenia należy wyłączyć silnik. Nigdy nie należy wykonywać regulacji przy uruchomionym silniku.
- Nigdy nie należy pozostawiać maszyny poza zasięgiem wzroku przy włączonym silniku. Należy wyłączyć silnik i upewnić się, że narzędzia tnące nie obracają się.

## Pracuj bezpiecznie



**OSTRZEŻENIE:** Przed rozpoczęciem użytkowania produktu przeczytać następujące ostrzeżenia.

- Używać maszyny wyłącznie do przycinania trawników. Nie jest dozwolone wykorzystanie maszyny do innych zadań.
- Stosuj środki ochrony osobistej. Patrz *Środki ochrony osobistej na stronie 255*.
- Należy zawsze wiedzieć, jak szybko wyłączyć silnik w razie awarii.
- Nigdy nie należy uruchamiać silnika w zamkniętej przestrzeni lub w pobliżu łatwopalnych materiałów. Spaliny silnikowe mają wysoką temperaturę, mogą zawierać iskry, które mogą się stać przyczyną pożaru.
- Nie należy obsługiwać maszyny, jeśli ostrze oraz wszystkie pokrywy nie zostały prawidłowo zamocowane. Nieprawidłowo zamocowane ostrze może się obulzować i spowodować obrażenia.
- Należy upewnić się, że ostrze nie uderza w żadne obiekty, takie jak kamienie czy korzenie. Może to spowodować uszkodzenie ostrza oraz wygięcie wału silnika. Zgięta oś powoduje silne wibracje oraz bardzo wysokie zagrożenie obulzowaniem ostrza.
- Jeśli ostrze uderzy w jakikolwiek obiekt lub jeśli wystąpią wibracje, należy natychmiast wyłączyć maszynę. Odłączyć przewód zapłonowy od świecy zapłonowej. Należy sprawdzić maszynę pod kątem uszkodzeń. Należy naprawić uszkodzenia lub zlecić przeprowadzenie naprawy przez autoryzowany punkt serwisowy.
- Środki ochrony osobistej nie eliminują całkowicie ryzyka odniesienia obrażeń, natomiast ograniczają ich rozmiar w razie zaistnienia wypadku. Skorzystaj z pomocy dealera przy wyborze odpowiedniego sprzętu.
- Jeśli poziom hałasu przekracza 85 dB, należy stosować ochronniki słuchu.
- Należy używać mocnego, przeciwpoślizgowego obuwia ochronnego lub obuwia roboczego. Nie należy używać otwartego obuwia lub chodzić boso.
- Stosować wytrzymałe, długie spodnie.
- W razie potrzeby, na przykład podczas mocowania, badania czy czyszczenia narzędzi tnących, stosować rękawice ochronne.

## Instrukcje bezpieczeństwa dotyczące obsługi

### Środki ochrony osobistej



**OSTRZEŻENIE:** Przed rozpoczęciem użytkowania produktu przeczytać następujące ostrzeżenia.

## Urządzenia zabezpieczające na produkcji



**OSTRZEŻENIE:** Przed rozpoczęciem użytkowania produktu przeczytać następujące ostrzeżenia.

- Nie używać produktu z urządzeniami zabezpieczającymi, które są uszkodzone lub nie działają prawidłowo.
- Regularnie przeprowadzać kontrole urządzeń zabezpieczających. Jeśli urządzenia zabezpieczające są uszkodzone lub nie działają prawidłowo, należy skontaktować się z punktem serwisowym Husqvarna.
- Nie wolno dokonywać modyfikacji urządzeń zabezpieczających.

### Sprawdzanie osłony modułu tnącego

Osłona modułu tnącego ogranicza drgania urządzenia i obniża ryzyko odniesienia obrażeń od ostrza.

- Zbadać osłonę modułu tnącego, aby upewnić się, że nie nosi ona znamion uszkodzenia, takich jak pęknięcia.

### Sprawdzanie dźwigni hamulca silnika

Uchwyt hamulca silnika zatrzymuje silnik. Po zwolnieniu uchwytu hamulca silnika następuje wyłączenie silnika.

- Uruchomić silnik, a następnie zwolnić dźwignię hamulca silnika. Jeśli silnik nie wyłączy się w czasie 3 sekund, zatwierdzony serwis obsługi technicznej Husqvarna powinien wyregulować hamulec silnika. (Rys. 12)

### Sprawdzanie tylnej pokrywy

Deflektor tylny ogranicza ryzyko wyrzucenia przedmiotów w kierunku operatora.

- Upewnić się, że tylna pokrywa nie jest uszkodzona.
- Upewnić się, że sprężyny zamykające tylną pokrywę nie są uszkodzone.
- Wymienić uszkodzone sprężyny i części.
- Upewnić się, że tylna pokrywa porusza się swobodnie w zawiasach.

### Tłumik

Tłumik ogranicza do minimum poziom hałasu i odprowadza spalinę poza strefę pracy operatora.

Nie używać produktu, jeśli tłumik nie jest zamontowany lub jest uszkodzony. Uszkodzony tłumik zwiększa poziom hałasu i ryzyko pożaru.



**OSTRZEŻENIE:** Tłumik nagrzewa się do wysokiej temperatury podczas użytkowania oraz gdy silnik pracuje na obrotach biegu jałowego, oraz pozostaje gorący przez pewien czas po wyłączeniu

silnika. W przypadku zbliżenia się do łatwopalnych materiałów i/lub spalin należy zachować szczególną ostrożność, aby zapobiec pożarowi.

### Sprawdzanie tłumika

- Przeprowadzać regularne kontrole tłumika, aby upewnić się, że jest prawidłowo zamontowany i sprawny.

### Zasady bezpieczeństwa dotyczące paliwa



**OSTRZEŻENIE:** Przed rozpoczęciem użytkowania produktu przeczytać następujące ostrzeżenia.

- Nie uruchamiać produktu, jeśli znajduje się na nim paliwo lub olej silnikowy. Usunąć niechciane paliwo/olej i odczekać, aż produkt wyschnie.
- W przypadku rozlania paliwa na ubranie należy je natychmiast zmienić.
- Nie dopuścić do kontaktu paliwa z ciałem, ponieważ może to spowodować obrażenia. W przypadku kontaktu paliwa z ciałem należy użyć wody z mydłem w celu jego usunięcia.
- Nie uruchamiać maszyny, jeśli silnik jest nieszczelny. Regularnie sprawdzać silnik pod kątem nieszczelności.
- Z paliwem należy obchodzić się ostrożnie. Paliwo jest łatwopalne, a jego opary mogą wybuchnąć, powodując obrażenia lub śmierć.
- Nie wdychać oparów paliwa, ponieważ może to być groźne dla zdrowia lub życia. Zapewnić odpowiednią wentylację.
- Nie palić tytoniu w pobliżu paliwa lub silnika.
- Nie umieszczać gorących przedmiotów w pobliżu paliwa lub silnika.
- Nie dolewać paliwa podczas pracy silnika.
- Przed tankowaniem upewnić się, że silnik jest zimny.
- Przed tankowaniem pomału odkręcić korek zbiornika paliwa i ostrożnie zwolnić ciśnienie.
- Nie dolewać paliwa do silnika w zamkniętym pomieszczeniu. Niewystarczający przepływ powietrza może doprowadzić do obrażeń lub śmierci na skutek uduszenia lub zatrucia tlenkiem węgla.
- Do końca dokręcić korek zbiornika paliwa. W przypadku braku dokręcenia korka zbiornika paliwa istnieje ryzyko powstania pożaru.
- Przed uruchomieniem należy przenieść produkt co najmniej 3 metry / 10 stóp od miejsca, w którym napełniany był zbiornik paliwa.
- Nie napełniać zbiornika paliwa całkowicie. Ciepło powoduje zwiększenie objętości paliwa. Pozostawić wolną przestrzeń na górze zbiornika.
- Nigdy nie przechowywać produktu wraz ze zbiornikiem wypełnionym paliwem wewnątrz budynku, w którym znajdują się źródła zapłonu, takie jak podgrzewacze wody, grzejniki lub



suszarki do ubrań. Przed odstawieniem silnika do przechowywania poczekać, aż ostygnie.

## Instrukcje bezpieczeństwa dotyczące konserwacji



**OSTRZEŻENIE:** Przed rozpoczęciem użytkowania produktu przeczytać następujące ostrzeżenia.

- Spaliny z silnika zawierają tlenek węgla, który jest bezwonnym, trującym i niebezpiecznym gazem. Nie należy uruchamiać silnika wewnątrz pomieszczeń lub w zamkniętych przestrzeniach.
- Przed rozpoczęciem konserwacji produktu wyłączyć silnik i odłączyć przewód zapłonowy ze świecy zapłonowej.
- W trakcie konserwacji narzędzi tnących należy korzystać z rękawic ochronnych. Ostrze jest bardzo ostre i może łatwo doprowadzić do skaleczenia.

- Niezatwierdzone przez producenta akcesoria i modyfikacje maszyny mogą spowodować poważne obrażenia lub śmierć. Nie należy modyfikować maszyny. Należy korzystać wyłącznie z akcesoriów zatwierdzonych do użytku przez producenta.
- W przypadku nieprawidłowo lub nieregularnie przeprowadzanej konserwacji wzrasta ryzyko obrażeń oraz uszkodzenia produktu.
- Konserwację należy przeprowadzać wyłącznie w sposób określony w instrukcji użytkownika. Wszelkie prace serwisowe muszą być wykonywane przez zatwierdzonego serwis Husqvarna.
- Należy dopilnować przeprowadzania regularnej konserwacji maszyny przez autoryzowany serwis Husqvarna.
- Wymienić uszkodzone, zużyte lub zniszczone części.

## Montaż

### Wstęp



**OSTRZEŻENIE:** Przed złożeniem produktu należy przeczytać ze zrozumieniem rozdział poświęcony bezpieczeństwu.



**OSTRZEŻENIE:** Przed rozpoczęciem montażu produktu odłączyć przewód świecy zapłonowej od świecy zapłonowej.

### Montaż uchwytu

**Uwaga:** Zaleca się, aby procedurę wykonywały 2 osoby.

**Uwaga:** Nie należy wyjmować urządzenia z opakowania przed zmontowaniem uchwytu. Opakowanie może służyć jako podpora uchwytu podczas montażu.

1. Podnieść i obrócić uchwyt. (Rys. 13)



**UWAGA:** Podczas obracania uchwytu należy zachować ostrożność i upewnić się, że przewód nie uległ uszkodzeniu.

2. Umieścić uchwyt na górze urządzenia. Przechylić uchwyt i oprzeć go o opakowanie. Zapoznać się z ilustracją. (Rys. 14)

3. Przepchnąć śrubę (A) przez uchwyt (B), plastikową podkładkę (C) i wspornik uchwytu (D). (Rys. 15)
4. Całkowicie dokręcić nakrętkę (E).
5. Wyjąć urządzenie z opakowania.
6. Złożyć uchwyt do pozycji pionowej. (Rys. 16)
7. Ustawić wysokość uchwytu na najniższe położenie. Patrz *Regulacja uchwytu na stronie 257*.
8. Używając zacisku przewodu, zamocować przewód do dolnej części uchwytu. (Rys. 17)
9. Używając opaski kablowej, zamocować dolną część przewodu do wspornika uchwytu. Odciąć pozostałą część opaski kablowej. (Rys. 18)

**Uwaga:** Upewnić się, że przewód jest prawidłowo zamocowany. Zbyt luźny przewód może ulec uszkodzeniu podczas montażu pojemnika na trawę. (Rys. 19)

### Regulacja uchwytu

1. Poluzować dolne pokrętki.
2. Przesunąć pokrętki do dolnych końców rowków po lewej i prawej stronie produktu. (Rys. 20)
3. Ustawić wysokość uchwytu w jedną z 2 dostępnych pozycji.
4. Przesunąć pokrętki w górę w kierunku uchwytu aż do zatrzaśnięcia. (Rys. 21)
5. Dokręcić do końca pokrętki.

## Ustawienie kosiarki w pozycji transportowej

1. Wymontować pojemnik na trawę (jeśli jest zamontowany).
2. Poluzować dolne pokrętła.
3. Przesunąć pokrętła do dolnych końców rowków po lewej i prawej stronie produktu. (Rys. 20)
4. Złożyć rękojeść do przodu. (Rys. 22)

## Ustawienie kosiarki w pozycji roboczej

1. Złożyć uchwyt do pozycji pionowej. (Rys. 23)

2. Przesunąć pokrętła w górę w kierunku uchwytu aż do zatrzaśnięcia. (Rys. 21)
3. Dokręcić do końca pokrętła.

## Montaż pojemnika na trawę

1. Przymocować ramę pojemnika na trawę do worka na trawę tak, aby sztywna część worka znajdowała się na dole. Uchwyt ramy powinien znajdować się poza górną częścią kosza. (Rys. 24)
2. Przymocować workę na trawę do ramy za pomocą zacisków. (Rys. 25)

## Przeznaczenie

### Wstęp



**OSTRZEŻENIE:** Przed użyciem urządzenia należy przeczytać ze zrozumieniem rozdział poświęcony bezpieczeństwu.



z dobrej jakości benzyny bezołowiowej lub benzyny ołowiowej o liczbie oktanowej nie niższej niż 90.

**UWAGA:** Nie używać benzyny o liczbie oktanowej niższej niż 90 RON (87 AKI). Niezastosowanie się do tego zalecenia może spowodować uszkodzenie produktu.

## Husqvarna Connect

Husqvarna Connect to darmowa aplikacja na urządzenia mobilne. Husqvarna ConnectHusqvarna

- Extended product information.
- Information about, and help with, product parts and servicing.

## Rozpoczęcie użytkowania Husqvarna Connect

1. Pobierz aplikację Husqvarna Connect na swoim urządzeniu mobilnym.
2. Zarejestruj się w aplikacji Husqvarna Connect.
3. Wykonaj instrukcje wyświetlane w aplikacji Husqvarna Connect, aby nawiązać połączenie i zarejestrować produkt.

## Przed użyciem urządzenia

1. Należy dokładnie i ze zrozumieniem zapoznać się z treścią niniejszej instrukcji.
2. Należy sprawdzić narzędzia tnące, aby upewnić się, że są one prawidłowo zamontowane i wyregulowane. Patrz *Kontrola osprzętu tnącego na stronie 261*.
3. Napełnić zbiornik paliwa. Patrz *Uzupełnianie paliwa w modelu na stronie 258*.
4. Napełnić zbiornik oleju i wykonać kontrolę poziomu oleju. Patrz *Wymiana oleju silnikowego na stronie 262*.

## Uzupełnianie paliwa w modelu

Jeśli to możliwe, należy korzystać z niskoemisyjnej benzyny alkatowej. W przypadku braku dostępności niskoemisyjnej benzyny alkatowej należy korzystać

1. Powoli otworzyć korek wlewowy w celu wyrównania ciśnienia.
2. Powoli napełniać zbiornik paliwa. W przypadku rozlania paliwa należy je usunąć przy użyciu ścierki i pozwolić na wyschnięcie pozostałego paliwa.
3. Oczyścić korek wlewowy i powierzchnię wokół niego.
4. Do końca dokręcić korek zbiornika paliwa. W przypadku braku dokręcenia korka zbiornika paliwa istnieje ryzyko powstania pożaru.
5. Przed uruchomieniem należy przenieść maszynę co najmniej 3 metry od miejsca, w którym napełniany był zbiornik paliwa.

## Regulacja wysokości koszenia

1. Przesunąć dźwignię wysokości koszenia do tyłu w celu zwiększenia wysokości koszenia.
2. Przesunąć dźwignię wysokości koszenia do przodu w celu zmniejszenia wysokości koszenia. (Rys. 26)



**UWAGA:** Nie należy ustawiać zbyt niskiej wysokości koszenia. Ostrza mogą uderzyć w podłoże, jeśli powierzchnia trawnika nie jest równa.

## Uruchamianie produktu

1. Należy upewnić się, że przewód zapłonowy jest połączony ze świecą zapłonową.
2. Należy pozostawić za maszyną.
3. Przytrzymać dźwignię hamulca silnika przy drążku sterującym. (Rys. 27)

- Należy trzymać rączkę linki rozrusznika prawą dłonią.
- Powoli pociągnąć za linkę rozrusznika do poczucia oporu.
- Pociągnąć, używając odpowiedniej siły, aby uruchomić silnik.



**OSTRZEŻENIE:** Nie owijać linki rozrusznika wokół dłoni.

## Korzystanie z napędu kół

- Uruchomić napęd kół za pomocą dźwigni regulacji obrotów po lewej stronie uchwytu. Przesunąć dźwignię regulacji obrotów do przodu, aby zwiększyć, i do tyłu, aby zmniejszyć prędkość obrotową. (Rys. 28)
- Przed pociągnięciem maszyny do tyłu należy odłączyć napęd i popchnąć maszynę do przodu o około 10 cm.
- Zwolnić dźwignię napędu, aby odłączyć napęd na przykład w sytuacji zbliżania się do przeszkody.

## Zatrzymywanie urządzenia

- Aby wyłączyć wyłącznie napęd, należy zwolnić dźwignię napędu.
- Aby zatrzymać silnik, należy zwolnić dźwignię hamulca silnika.

## Używanie produktu z pojemnikiem na trawę



**OSTRZEŻENIE:** Nie wolno obsługiwać produktu bez zamontowania pojemnika na trawę lub z otwartą tylną pokrywą. Przedmioty mogą zostać wyrzucone i spowodować obrażenia operatora.

- Podnieść tylną pokrywę i wymontować wkładkę rozdrabniającą, jeśli jest zamontowana. (Rys. 29)
- Zamontować pojemnik na trawę, patrz *Montaż pojemnika na trawę na stronie 258*.
- Umieścić pojemnik na trawę na wsporniku.
- Zdjąć tylną pokrywę i umieścić ją na ramie torby na trawę. (Rys. 30)

## Ustawianie trybu mulczowania urządzenia

Przed ustawieniem trybu mulczowania urządzenia należy upewnić się, że silnik jest wyłączony.

- Unieść tylną pokrywę i wyjąć pojemnik na trawę, jeśli jest zamontowany.
- Zamontować wkładkę mulczującą w kanale otworu wylotowego. (Rys. 31)

- Zamknąć tylną pokrywę i upewnić się, że jest szczelnie zamknięta względem wkładki mulczującej.

**Uwaga:** Aby zwiększyć wydajność pracy w trybie mulczowania, wymienić nóż na nóż mulczujący (akcesorium). Więcej informacji znajduje się w *Wymiana noża na stronie 261*

## Ustawianie trybu wyrzutu bocznego urządzenia

- Unieść tylną pokrywę i wyjąć torbę na trawę, jeśli jest zamontowana.
- Zamknąć tylną pokrywę i upewnić się, że jest szczelnie zamknięta względem urządzenia.
- Podnieść blokadę wyrzutu. (Rys. 32)
- Otworzyć osłonę wyrzutu bocznego i zamontować deflektor wyrzutu bocznego na sworzniach podporujących. (Rys. 33)
- Osłona wyrzutu bocznego musi być szczelnie zamknięta względem deflektora wyrzutu bocznego. Przed rozpoczęciem korzystania z produktu należy upewnić się, że deflektor wyrzutu bocznego jest prawidłowo zamocowany.

## Opróżnianie pojemnika na trawę



**UWAGA:** Aby zapobiec zużyciu, podczas przenoszenia pojemnika na trawę należy go podnieść.

- Podnieść pojemnik na trawę za pomocą uchwytu ramy.
- Podczas opróżniania pojemnika na trawę należy trzymać uchwyty ramy i worka. (Rys. 34)

## Uzyskiwanie dobrych rezultatów

- Używać zawsze dobrze naostrzonych ostrzy. Stępione ostrze daje nierównomierne rezultaty, a ścinana powierzchnia żółknie. Naostrzone ostrze zużywa również mniej energii niż ostrze stępione.
- Nie należy kosić więcej niż 1/3 długości trawy. Na początku koszenia trawy należy ustawić najwyższą wysokość cięcia. Zbadać rezultaty i obniżyć wysokość koszenia do odpowiedniego poziomu. Jeśli trawa jest bardzo długa, w razie konieczności należy ścinać ją powoli i dwukrotnie.
- Kosić za każdym razem w różnych kierunkach, aby uniknąć powstawania pasów na trawniku.
- Unieść tylną pokrywę i wyjąć pojemnik na trawę.
- Jeżeli zamontowana jest wkładka mulczująca lub nóż mulczujący, należy je wymontować.
- Przed przystąpieniem do używania urządzenia należy zamknąć tylną pokrywę. W trakcie pracy urządzenia ścięta trawa jest wyrzucana pod tylną pokrywą.

- Utrzymywać osłonę zespołu tnącego w czystości. Nagromadzenie trawy i zanieczyszczeń po wewnętrznej stronie osłony zespołu tnącego może zmniejszyć efekt koszenia. Patrz *Czyszczenie powierzchni wewnętrznych osłony osprzętu tnącego*, na stronie 261.

## Przegląd

### Wstęp



**OSTRZEŻENIE:** Przed przeprowadzeniem konserwacji należy przeczytać i zrozumieć rozdział o bezpieczeństwie.

Do wykonywania wszelkich prac serwisowych i naprawczych konieczne jest specjalistyczne przeszkolenie. Gwarantujemy dostępność profesjonalnych napraw i usług serwisowych. Jeśli dany dealer nie jest autoryzowanym punktem serwisowym, poproś sprzedawcę o informacje na temat najbliższego autoryzowanego punktu serwisowego.

Aby uzyskać więcej szczegółowych informacji, patrz .

### Plan konserwacji



**UWAGA:** Upewnić się, że filtr powietrza jest uniesiony i nie dotyka podłoża po przechyleniu produktu. Ryzyko uszkodzenia silnika.

Odstępy pomiędzy konserwacjami obliczane są w oparciu o codzienne wykorzystanie produktu. Odstępy te ulegają zmianie, jeśli maszyna nie jest użytkowana codziennie.

Czynności konserwacyjne oznaczone znakiem \* objaśniono w instrukcjach w części *Urządzenia zabezpieczające na produkcie na stronie 256*.

| Przegląd   | Codziennie | Co tydzień | Co miesiąc |
|--|------------|------------|------------|
| Przeprowadzenie ogólnego przeglądu   | X          |            |            |
| Kontrola poziomu oleju   | X          |            |            |
| Wyczyszczenie maszyny  | X          |            |            |
| Kontrola osprzętu tnącego  | X          |            |            |
| Sprawdzanie osłony cięcia*   | X          |            |            |
| Sprawdzanie dźwigni hamulca silnika*   | X          |            |            |
| Sprawdzanie dźwigni sterującej hamulcem noża*  | X          |            |            |
| Kontrola tłumika*  |            | X          |            |
| Kontrola świecy zapłonowej   |            | X          |            |
| Wymienić olej (pierwszy raz po 5 godzinach użytkowania, następnie po upływie każdych 50 godzin). |            |            | X          |
| Wyczyścić lub wymienić filtr powietrza   |            |            | X          |
| Kontrola układu paliwowego   |            |            | X          |

### Przegląd ogólny

- Należy upewnić się, że wszystkie nakrętki i śruby maszyny są odpowiednio dokręcone.

### Czyszczenie maszyny od zewnątrz

- W celu usunięcia liści, trawy i brudu należy użyć szczotki.

- Należy upewnić się, że wlot powietrza zlokalizowany nad silnikiem nie jest zablokowany.
- Nie używać myjek wysokociśnieniowych do czyszczenia urządzenia.
- Jeśli do czyszczenia maszyny używana jest woda, nie należy polewać nią bezpośrednio silnika.

## Czyszczenie powierzchni wewnętrznych osłony osprzętu tnącego.

1. Opróżnić zbiornik paliwa.
2. Położyć maszynę na boku przy tłumiku skierowanym ku dołowi.



**UWAGA:** Jeśli maszyna położona zostanie ze skierowanym do dołu filtrem powietrza, może dojść do uszkodzenia silnika.

3. Należy spłukać powierzchnie wewnętrzne osłony osprzętu tnącego wodą.

## Kontrola osprzętu tnącego



**OSTRZEŻENIE:** Aby zapobiec przypadkowemu uruchomieniu, należy odłączyć przewód zapłonowy od świecy zapłonowej.



**OSTRZEŻENIE:** W trakcie konserwacji narzędzi tnących należy korzystać z rękawic ochronnych. Ostrze jest bardzo ostre i może łatwo doprowadzić do skaleczenia.

1. Należy skontrolować, czy osprzęt tnący nie jest uszkodzony bądź pęknięty. Zawsze wymieniać uszkodzony osprzęt tnący.
2. Obejrzeć ostrze i upewnić się, że nie jest uszkodzone lub stępione.

**Uwaga:** Po ostrzeniu ostrze należy wypoziomować. Ostrzenie, wymiana i poziomowanie ostrza winno zostać przeprowadzone przez centrum serwisowe. W przypadku uderzenia w przeszkodę, która zatrzymuje maszynę, należy wymienić uszkodzone ostrze. Pozwolić, aby przedstawiciel serwisowy oszacował, czy ostrze można naostrzyć czy wymienić.

## Wymiana noża

1. Zablokować nóż przy użyciu drewnianego bloku. (Rys. 35)
2. Wykręcić śrubę noża, wyjąć podkładkę sprężynową i nóż. (Rys. 36)
3. Skontrolować wspornik noża oraz śrubę noża pod kątem uszkodzeń.
  - a) Podczas wymiany noża lub wspornika noża należy również wymienić śrubę noża, podkładkę sprężynową i podkładkę cierną.
4. Skontrolować wał silnika, aby upewnić się, że nie jest zgięty.

5. Podczas mocowania nowego noża należy skierować zakrzywione końce noża ku osłonie modułu tnącego. (Rys. 37)
6. Umieścić podkładkę cierną i nóż tak, aby dotykały wspornika ostrza. (Rys. 38)
7. Upewnić się, że nóż jest wyrównany względem środka wału silnika. (Rys. 39)
8. Zablokować nóż przy użyciu drewnianego bloku. (Rys. 40)
9. Zamocować podkładkę sprężynową i dokręcić śrubę momentem dokręcania wynoszącym 43 – 47 Nm. (Rys. 41)
10. Obracać nożem za pomocą ręki i sprawdzić, czy obraca się swobodnie.



**OSTRZEŻENIE:** Stosować rękawice ochronne. Nóż jest bardzo ostry i może łatwo doprowadzić do skaleczenia.

11. Uruchomić maszynę w celu przetestowania noża. Jeśli nóż nie został zamontowany prawidłowo, maszyna będzie wibrować lub rezultaty koszenia będą niezadowolające.

## Kontrola poziomu oleju w modelu



**UWAGA:** Za niski poziom oleju może doprowadzić do poważnego uszkodzenia silnika. Przed uruchomieniem maszyny należy skontrolować poziom oleju.

1. Postawić maszynę na równym podłożu.
2. Odkręcić i wyjąć korek zbiornika oleju z zamocowanym prętowym wskaźnikiem poziomu oleju.
3. Zetrzeć olej z prętowego wskaźnika poziomu oleju.
4. Wsunąć prętowy wskaźnik całkowicie do zbiornika, aby sprawdzić rzeczywisty poziom oleju. Nie przykręcać korka zbiornika oleju.
5. Odkręcić i wyjąć korek zbiornika oleju z zamocowanym prętowym wskaźnikiem poziomu oleju.
6. Sprawdzić poziom oleju na wskaźniku prętowym.
7. Jeśli poziom oleju jest zbyt niski, nappełnić zbiornik olejem silnikowym i wykonać ponowną kontrolę poziomu oleju. (Rys. 42)

**Uwaga:** Użyć lejka, aby uniknąć rozlania.

8. Założyć korek zbiornika oleju, gdy poziom oleju jest prawidłowy.

## Wymiana oleju silnikowego



**OSTRZEŻENIE:** Olej silnikowy jest niezwykle gorący bezpośrednio po wyłączeniu silnika. Poczekać na ostygnięcie silnika przed spuszczeniem oleju silnikowego. W przypadku rozlania oleju silnikowego na skórę, zmyć go wodą z mydłem.

(Rys. 43)

1. Obsługiwać maszynę do momentu opróżnienia zbiornika paliwowego.
2. Odlączyć przewód zapłonowy od świecy zapłonowej.
3. Odkręcić i wyjąć korek zbiornika oleju z zamocowanym prętowym wskaźnikiem poziomu oleju.
4. Umieścić pod maszyną pojemnik, do którego zebrany zostanie olej silnikowy.
5. Przechylić produkt lub spuścić olej silnikowy ze zbiornika oleju za pomocą pompy oleju (akcesorium).
6. Napełnić nowym olejem silnikowym zgodnym z zaleceniami zawartymi w *Dane techniczne na stronie 264*.
7. Skontrolować poziom oleju. Patrz *Kontrola poziomu oleju w modelu na stronie 261*.
8. Założyć korek zbiornika oleju, gdy poziom oleju jest prawidłowy.

## Sprawdzanie świecy zapłonowej



**UWAGA:** Stosować wyłącznie świece zapłonowe zalecane przez producenta. Niewłaściwy typ świecy zapłonowej może spowodować uszkodzenie produktu.

- Sprawdzić świecę zapłonową, jeśli silnik ma za małą moc, trudno go uruchomić lub nie działa prawidłowo na biegu jałowym.
- Aby zmniejszyć ryzyko przedostawania się niepożądanych materiałów na elektrody świecy zapłonowej, należy przestrzegać poniższych instrukcji:
  - a) Dopilnować, by obroty biegu jałowego zostały prawidłowo wyregulowane.
  - b) Dopilnować, aby używana była odpowiednia mieszanka paliwowa.
  - c) Zadbać o czystość filtra powietrza.
- Jeśli świeca zapłonowa jest zabrudzona, należy ją wyczyścić i upewnić się, że odstęp między elektrodami jest prawidłowy, patrz *Dane techniczne na stronie 264*. (Rys. 44)
- W razie potrzeby wymienić świecę zapłonową.

## Czyszczenie filtra powietrza

Zanieczyszczony filtr powietrza może spowodować uszkodzenie lub nieprawidłowe działanie silnika. W warunkach dużego zapylenia należy częściej przeprowadzać czynności konserwacyjne filtra powietrza.

Patrz *Plan konserwacji na stronie 260* aby uzyskać informacje na temat tego, kiedy należy wymienić filtr powietrza.

1. Zdjąć pokrywę filtra powietrza i wyjąć filtr.
2. Wyczyścić filtr, opukując go o płaską powierzchnię. Do czyszczenia filtra nie należy używać rozpuszczalnika z ropą naftową lub naftą ani sprężonego powietrza.

**Uwaga:** Całkowite oczyszczenie filtrów powietrza po długim okresie użytkowania nie jest możliwe. Należy wymieniać filtr powietrza w równomiernych odstępach czasu. Uszkodzone filtry powietrza należy natychmiast wymienić na nowe.

3. Podczas montażu filtra powietrza upewnić się, że ściśle przylega on do uchwytu filtra.

## Kontrola deflektora wyrzutu bocznego

Deflektor wyrzutu bocznego jest przymocowany do otworu wyrzutu bocznego produktu. Zmniejsza ryzyko wyrzucenia przedmiotów w kierunku operatora podczas koszenia.

1. Należy upewnić się, że deflektor wyrzutu bocznego nie jest uszkodzony.
2. Przeprowadzić kontrolę deflektora wyrzutu bocznego. Upewnić się, że nie występują uszkodzenia, takie jak rysy lub pęknięte sprężyny, które mogłyby spowodować zamknięcie drzwi.
3. Wymienić deflektor wyrzutu bocznego lub sprężyny, jeżeli uległy uszkodzeniu.

## Kontrolowanie instalacji paliwowej

- Skontrolować korek zbiornika paliwa oraz uszczelkę korka zbiornika paliwa w celu upewnienia się, że nie występują żadne uszkodzenia.
- Skontrolować przewód paliwowy w celu upewnienia się, że nie przecieka. W przypadku uszkodzenia przewodu paliwowego zlecić jego wymianę przedstawicielowi serwisowemu.

## Opróżnianie zbiornika paliwa.

1. Umieścić pojemnik pod zbiornikiem paliwa.
2. Odkręcić korek zbiornika paliwa.
3. Zaciśnąć opaski zaciskowe przewodu paliwowego na gaźniku.
4. Wymontować przewód paliwowy z gaźnika.
5. Umieścić przewód zbiornika paliwa w pojemniku i wymontować opaski zaciskowe przewodu.

6. Przechylić urządzenie i spuścić paliwo do pojemnika.

## Wymiana filtra paliwa



**OSTRZEŻENIE:** Stosować rękawice ochronne.

1. Opróżnić zbiornik paliwa.
2. Odsunąć zaczepek przewodu z dala od zbiornika paliwa. (Rys. 45)
3. Odłączyć przewód paliwowy od zbiornika paliwa. Może dojść do wycieku niewielkiej ilości paliwa. (Rys. 46)
4. Wymontować filtr paliwa ze zbiornika paliwa. (Rys. 47)
5. Zamontować nowy filtr paliwa w zbiorniku paliwa.
6. Przymocować przewód paliwowy do zbiornika paliwa.
7. Przymocować zaczepek przewodu na miejscu, naprzeciw zbiornika paliwa.

## Regulacja linki sprzęgła

Skrócenie linki sprzęgła jest konieczne w następujących sytuacjach:

- Po pociągnięciu dźwigni napędu lub dźwigni regulacji obrotów napęd kół nie włącza się.
- Po włączeniu napędu kół produkt porusza się powoli.

Wydłużenie linki sprzęgła jest konieczne w następujących sytuacjach:

- Produkt porusza się, gdy napęd kół nie jest włączony.
- Wyregulować linkę sprzęgła.
  - a) Aby skrócić linkę sprzęgła, należy obrócić śrubę regulacyjną w lewo.
  - b) Aby wydłużyć linkę sprzęgła, należy obrócić śrubę regulacyjną w prawo. (Rys. 48)

Jeśli po zakończeniu regulacji produktu jego działanie wciąż będzie niezadowolające, należy skontaktować się z punktem serwisowym

## Transport, przechowywanie i utylizacja

### Transport i przechowywanie

- W zakresie przechowywania i transportu maszyny i paliwa należy upewnić się, że nie ma żadnych przecieków ani nie wydostają się z urządzenia żadne opary. Iskry lub otwarty płomień pochodzące, na przykład, z urządzeń elektrycznych lub kotłów, mogą wzniecić pożar.
- Zawsze należy korzystać z zatwierdzonych pojemników do przechowywania i transportu paliwa.
- Opróżnić zbiornik paliwa przed odłożeniem maszyny na dłuższy okres. Utylizacja paliwa w odpowiednim miejscu
- Podczas transportu, w celu zapobieżenia uszkodzeniom i wypadkom, maszynę należy bezpiecznie zamocować.
- Maszynę należy przechowywać w zamkniętym obszarze w celu uniemożliwienia dzieciom lub nieupoważnionym osobom uzyskania do niej dostępu.
- Produkt przechowywać w suchym obszarze nie narażonym na przymrozki.

### Utylizacja

- Przestrzegać lokalnych wymogów dotyczących recyklingu oraz obowiązujących przepisów.
- Zutyliзовать wszelkie środki chemiczne, takie jak olej silnikowy i paliwo, w centrum serwisowym lub w odpowiednim miejscu utylizacji.
- Gdy produkt nie jest już użytkowany, należy go odesłać Husqvarna do dealera lub zutyliзовать w centrum utylizacji.

## Dane techniczne

### Dane techniczne

|   |   |
|---|---|
|   | <b>LC 356VP</b>   |
| <b>Silnik</b>   |   |
| Marka   | Honda   |
| Nazwa modelu silnika  | GCVx170   |
| Pojemność, cm <sup>3</sup>  | 166   |
| Prędkość, obr./min  | 2800  |
| Nominalna moc wyjściowa silnika (kW) <sup>91</sup>                  | 3,1   |
| <b>Układ zapłonowy</b>  |   |
| Świeca zapłonowa  | NGK BPR5ES  |
| Odstęp między elektrodami, w mm                                     | 0,75  |
| <b>Układ zasilania/smarowania</b>                                   |   |
| Paliwo, bezołowiowe, minimalna liczba oktanowa                      | 90  |
| Pojemność zbiornika paliwa, litry                                   | 0,9   |
| Pojemność zbiornika oleju, litry                                    | 0,4   |
| Olej silnikowy <sup>92</sup>  | Husqvarna SAE 30, Husqvarna SAE 5W-30 syntetyczny, Husqvarna SAE 10W-40 |
| <b>Waga</b>   |   |
| Z pustymi zbiornikami, kg   | 35,1  |
| <b>Poziom hałasu</b> <sup>93</sup>                                  |   |
| Zmierzony poziom mocy akustycznej, dB(A)                            | 98  |
| Poziom głośności, gwarantowana moc akustyczna L <sub>WA</sub> dB(A) | 98  |
| <b>Poziomy głośności</b> <sup>94</sup>                              |   |
| Poziom ciśnienia akustycznego przy uchu operatora, dB(A)            | 86  |

<sup>91</sup> Moc silnika podana jest jako średnia, wyjściowa moc znamionowa (przy podanych obrotach) dla typowego modelu produkowanego silnika zmierzonego wg normy SAE J1349/ISO1585. Silniki produkowane masowo mogą odbiegać od tej wartości. Aktualna moc wyjściowa zainstalowanego na maszynie silnika zależeć będzie od prędkości obrotowej, warunków otoczenia oraz innych wartości.

<sup>92</sup> Używać olejów silnikowych wyłącznie o jakości API SJ lub wyższej. Jeśli olej SAE-30 jest stosowany w temperaturze poniżej +5°C, istnieje ryzyko, że silnik nie będzie odpowiednio smarowany. Może to doprowadzić do uszkodzenia silnika. Informacje na temat prawidłowego poziomu oleju dla niskich temperatur można znaleźć w *Wymiana oleju silnikowego na stronie 262*. Zapoznać się z tabelą lepkości oleju umieszczoną w instrukcji obsługi silnika (jeśli jest dołączona) i wybrać optymalną lepkość na podstawie przewidywanej temperatury zewnętrznej.

<sup>93</sup> Emisję hałasu do otoczenia zmierzono jako moc akustyczną (L<sub>WA</sub>), zgodnie z dyrektywą Rady 2000/14/WE.

<sup>94</sup> Odnotowane dane dla ciśnienia akustycznego mają typowe rozproszenie statystyczne (odchylenie standardowe) w wysokości 1,2 dB (A).



|                                    |                                      |
|------------------------------------|--------------------------------------|
|                                    | <b>LC 356VP</b>                      |
| <b>Poziomy drgań</b> <sup>95</sup> |                                      |
| Uchwyt, m/s <sup>2</sup>           | 5,9                                  |
| <b>Osprzęt tnący</b>               |                                      |
| Wysokość koszenia, mm              | 25–75                                |
| Szerokość koszenia, mm             | 560                                  |
| Układ tnący                        | Zbieranie / BioClip® / Wyrzut boczny |
| Ostrze — standard                  | Zbieranie 598562701                  |
| Ostrze — akcesorium                | Mulczowanie 598563601                |
| <b>Napęd</b>                       |                                      |
| Prędkość, km/h                     | 3,0–4,5                              |

<sup>95</sup> Odnotowane dane dla poziomu wibracji mają typowe rozproszenie statystyczne (odchylenie standardowe) w wysokości 0,2 m/s<sup>2</sup>.

# Deklaracja zgodności

## Deklaracja zgodności UE

Firma **Husqvarna AB**, SE-561 82 Huskvarna,  
Szwecja, tel.: +46-36-146500, deklarujemy z pełną  
odpowiedzialnością, że produkt:

|                      |                                     |
|----------------------|-------------------------------------|
| <b>Opis</b>          | Kosiarka                            |
| <b>Marka</b>         | Husqvarna                           |
| <b>Typ/model</b>     | LC 356VP                            |
| <b>Identyfikacja</b> | Numery seryjne z roku 2022 i nowsze |

spełnia wszystkie wymogi określone w odpowiednich  
dyrektywach i przepisach UE:

| <b>Przepis</b> | <b>Opis</b>  |
|----------------|--|
| 2006/42/WE     | „w sprawie maszyn”   |
| 2014/30/UE     | „w sprawie kompatybilności elektromagnetycznej”  |
| 2000/14/WE     | „dotycząca emisji hałasu do środowiska”  |
| 2011/65/UE     | „dotycząca ograniczenia użycia niektórych substancji niebezpiecznych w sprzęcie elektrycznym i elektronicznym” |

oraz został zaprojektowany zgodnie z następującymi  
normami i parametrami technicznymi: EN ISO  
5395-1:2013/A1:2018, EN ISO 5395-2:2013/A1:2016/  
A2:2017, EN ISO 14982:2009, EN IEC 63000:2018

Jednostka notyfikowana: 0404, RISE SMP Svensk  
Maskinprovning AB, Box 4053, SE-904 03 Umeå,  
Szwecja potwierdza zgodność z dyrektywą rady  
2000/14/WE, procedura oceny zgodności: Załącznik VI.

Informacje dotyczące emisji hałasu, patrz *Dane  
techniczne na stronie 264*.

Huskvarna, 2022-10-20



Claes Losdal, Szef ds. Rozwoju Produkcji/Produkty  
ogrodowe, Husqvarna AB

Osoba odpowiedzialna za dokumentację techniczną



---

# ÍNDICE

---

|                    |     |   |     |
|--------------------|-----|---|-----|
| Introdução.....    | 267 | Manutenção.....                             | 273 |
| Segurança.....     | 268 | Transporte, armazenamento e eliminação..... | 277 |
| Montagem.....      | 271 | Especificações técnicas.....                | 278 |
| Funcionamento..... | 272 | Declaração de conformidade.....             | 280 |

---

## Introdução

---

### Descrição do produto

O produto é um corta-relva giratório de controlo apeado. Fixe o coletor de relva para recolher a relva. Fixe o defletor de descarga lateral para a descarga lateral da relva. Prenda um kit de trituração para cortar a relva e torná-la fertilizante.

### Vista geral do produto

(Fig. 1)

1. Barra de direção
2. Manípulo de travão do motor
3. Manípulo de direção
4. Punho do cabo de arranque
5. Cobertura traseira
6. Coletor de relva
7. Botões de ajuste da altura do punho
8. Alavanca da altura de corte
9. Tampão do óleo
10. Cobertura de descarga lateral
11. Silenciador
12. Vela de ignição
13. Tampa do depósito de combustível
14. Símbolos
15. Cobertura de corte
16. Filtro de ar
17. Alavanca de controlo da velocidade
18. Defletor lateral
19. Tampão de trituração (acessório)
20. Manual do utilizador

### Símbolos no produto

(Fig. 2) AVISO! Seja cuidadoso e utilize o produto corretamente. Este produto pode provocar ferimentos graves ou a morte do utilizador ou terceiros.

(Fig. 3) Leia o manual do utilizador com atenção e certifique-se de que compreende as instruções antes de utilizar o produto.

(Fig. 4) Tenha cuidado com objetos projetados e ricochetes.

### Finalidade

Utilize o produto para cortar a relva. Não utilize o produto para outras tarefas.

(Fig. 5) Mantenha as pessoas e os animais a uma distância de segurança da área de trabalho.

(Fig. 6) Aviso: Mantenha as mãos e os pés afastados da lâmina rotativa.

(Fig. 7) Aviso: Mantenha as mãos e os pés afastados das peças rotativas.

(Fig. 8) Desligue o motor e retire o cabo de ignição antes de realizar tarefas de reparação ou manutenção.

(Fig. 9) Este produto está em conformidade com as diretivas aplicáveis da CE.

(Fig. 10) Este produto está em conformidade com os regulamento aplicáveis do Reino Unido.

(Fig. 11) Emissão de ruído para a etiqueta ambiental de acordo com as diretivas e regulamentos da União Europeia e do Reino Unido e o regulamento "Protection of the Environment Operations (Noise Control) Regulation 2017" (regulamento de proteção de operações no meio ambiente [controlo do ruído] de 2017) da Nova Gales do Sul. O nível de potência sonora garantido do produto está especificado nas *Especificações técnicas na página 278* e na etiqueta.

---

**Nota:** Os restantes símbolos/autocolantes existentes no produto dizem respeito a requisitos para homologação em algumas áreas comerciais.

---

## Danos no produto

Não somos responsáveis por danos no nosso produto se:

- o produto tiver sido incorretamente reparado.
- o produto tiver sido reparado com peças que não sejam do fabricante ou que não sejam aprovadas pelo fabricante.
- o produto tiver um acessório que não seja do fabricante ou que não seja aprovado pelo fabricante.

- o produto não tiver sido reparado por um centro de assistência autorizado ou por uma autoridade aprovada.

## Emissões Euro V



**ATENÇÃO:** A adulteração do motor anula a aprovação deste produto pela UE.

## Segurança

### Definições de segurança

Os avisos, as precauções e as notas são utilizados para indicar partes especialmente importantes do manual.



**ATENÇÃO:** Utilizado no caso de existir risco de ferimento ou morte para o utilizador ou transeuntes, se não forem respeitadas as instruções do manual.



**CUIDADO:** Utilizado se existir risco de danos para o produto, para outros materiais ou para a área adjacente, se não forem respeitadas as instruções do manual.

**Nota:** Utilizado para disponibilizar informações adicionais necessárias numa determinada situação.

### Instruções de segurança gerais



**ATENÇÃO:** Leia as instruções de aviso que se seguem antes de utilizar o produto.

- Este produto é perigoso se for utilizado de forma incorreta ou se não o utilizador for cuidadoso. Podem ocorrer ferimentos graves ou mesmo morte se as instruções de segurança não forem respeitadas.
- Este produto produz um campo eletromagnético durante o funcionamento. Em determinadas circunstâncias, este campo pode interferir com o funcionamento de implantes médicos ativos ou passivos. Para diminuir o risco de ferimentos graves ou mortais, recomendamos que os portadores de implantes médicos consultem o seu médico e o fabricante do implante antes de utilizar este produto.
- Seja sempre cuidadoso e use o seu senso comum. Se não tiver a certeza sobre como utilizar o produto numa situação especial, pare e fale com o seu distribuidor Husqvarna antes de continuar.
- Tenha em atenção que o utilizador é responsável pelos acidentes que incluem outras pessoas ou a respetiva propriedade.

- Mantenha o produto limpo. Certifique-se de que pode ler claramente os sinais e os autocolantes.
- Não permita que o produto seja utilizado por pessoas que não tenham lido e compreendido o conteúdo do manual do utilizador.
- Não deixe uma criança utilizar o produto.
- Mantenha as crianças afastadas da área de trabalho. Tem de estar sempre presente um adulto responsável.
- Não deixe que o produto seja utilizado por uma pessoa que não conhece as instruções.
- Monitorize sempre a utilização do produto por pessoas com diminuição da capacidade física ou mental. Tem de estar sempre presente um adulto responsável.
- Não utilize o produto se estiver cansado, doente ou sob a influência de álcool, drogas ou medicamentos. Estes têm um efeito negativo na sua visão, atenção, capacidade de discernimento ou controlo físico.
- Não utilize um produto que esteja danificado ou que não funcione corretamente.
- Não altere este produto e não o utilize se houver a possibilidade de ter sido alterado por outros.
- Não altere o ajuste do controlo da velocidade do motor.

### Segurança no local de trabalho



**ATENÇÃO:** Leia as instruções de aviso que se seguem antes de utilizar o produto.

- Retire objetos como ramos, galhos e pedras da área de trabalho antes de utilizar o produto.
- Os objetos que embatem no equipamento de corte podem ser projetados e causar danos a pessoas e objetos. Mantenha terceiros e animais a uma distância de segurança do produto.
- Nunca utilize o produto em más condições meteorológicas, como nevoeiro, chuva, ventos fortes, frio intenso e risco de trovoada. A utilização do produto em más condições meteorológicas ou em localizações molhadas ou com humidade é cansativa. As más condições meteorológicas podem causar condições perigosas, como superfícies escorregadias.

- Observe se há pessoas, objetos e situações que possam impedir o funcionamento seguro do produto.
- Observe se há obstáculos como raízes, pedras, ramos, buracos e valas. A relva longa pode ocultar obstáculos.
- Cortar relva em declives pode ser perigoso. Não utilize o produto em terrenos com um declive superior a 15°.
- Utilize o produto ao longo da face dos declives. Não se desloque para cima e para baixo.
- Tenha cuidado ao aproximar-se de esquinas com pouca visibilidade e de objetos que possam impedir uma boa visibilidade.

## Segurança do trabalho



**ATENÇÃO:** Leia as instruções de aviso que se seguem antes de utilizar o produto.

- Utilize este produto apenas para cortar relva. Não é permitido utilizá-lo para outras tarefas.
- Use equipamento de proteção pessoal. Consulte *Equipamento de proteção pessoal na página 269*.
- Certifique-se de que sabe como desligar o motor rapidamente em caso de emergência.
- Nunca ligue o motor num espaço fechado ou perto de material inflamável. Os gases de escape do motor são quentes e podem conter faíscas causadoras de incêndios.
- Não utilize o produto, a menos que a lâmina e todas as coberturas estejam corretamente montadas. Uma lâmina montada incorretamente pode soltar-se e causar ferimentos pessoais.
- Certifique-se de que a lâmina não atinge objetos como pedras e raízes. Isto pode causar danos à lâmina e dobrar o eixo do motor. Um eixo dobrado provoca fortes vibrações e um elevado risco de a lâmina se soltar.
- Se a lâmina atingir um objeto ou ocorrerem vibrações, pare o produto imediatamente. Desligue o cabo de ignição da vela de ignição. Examine se o produto apresenta sinais de danos. Repare os danos ou solicite a reparação numa oficina autorizada.
- Nunca ligue o manípulo de travão do motor de modo permanente ao punho durante o arranque do motor.
- Coloque o produto numa superfície estável e plana e ligue-o. Certifique-se de que a lâmina não atinge o solo ou outros objetos.
- Mantenha-se sempre por trás do produto quando o operar.
- Mantenha todas as rodas no chão e as duas mãos sobre o punho quando utilizar o produto. Mantenha as mãos e os pés afastados das lâminas rotativas.
- Não incline o produto quanto ligar o motor.
- Tenha cuidado quando puxar o produto para trás.

- Nunca levante o produto quando ligar o motor. Se tiver de levantar o produto, desligue primeiro o motor e o cabo de ignição da vela de ignição.
- Não caminhe para trás quando operar o produto.
- Desligue o motor quando se deslocar em zonas sem relva, por exemplo caminhos de gravilha, pedra e asfalto.
- Não corra com o produto quando o motor está ligado. Caminhe sempre que operar o produto.
- Pare o motor antes de mudar a altura de corte. Nunca efetue ajustes com o motor ligado.
- Nunca deixe o produto fora de vista com o motor ligado. Pare o motor e certifique-se de que o equipamento de corte não roda.

## Instruções de segurança para funcionamento

### Equipamento de proteção pessoal



**ATENÇÃO:** Leia as instruções de aviso que se seguem antes de utilizar o produto.

- O equipamento de proteção pessoal não previne totalmente os ferimentos mas diminui a respetiva gravidade em caso de acidente. Obtenha ajuda junto do seu concessionário para selecionar o equipamento certo.
- Utilize protetores acústicos se o nível de ruído for superior a 85 dB.
- Use botas ou sapatos antiderrapantes resistentes. Não use calçado aberto nem ande com os pés descalços.
- Use calças compridas e resistentes.
- Use luvas de proteção sempre que necessário, por exemplo, ao fixar, examinar ou limpar o equipamento de corte.

### Dispositivos de segurança no produto



**ATENÇÃO:** Leia as instruções de aviso que se seguem antes de utilizar o produto.

- Não utilize um produto com dispositivos de segurança danificados ou que não funcionem corretamente.
- Verifique regularmente os dispositivos de segurança. Se os dispositivos de segurança estiverem danificados ou não funcionarem corretamente, contacte o seu distribuidor com assistência técnica Husqvarna.
- Não realize modificações aos dispositivos de segurança.

### Verificar a cobertura de corte

A cobertura de corte reduz as vibrações no produto e o risco de ferimentos causados pela lâmina.

- Examine a cobertura de corte para se certificar de que não existem danos, como fissuras.

### Verificar o punho do travão do motor

O manípulo de travão do motor para o motor. Quando o manípulo de travão do motor é libertado, o motor para.

- Ligue o motor e depois solte o punho do travão do motor. Se o motor não parar em 3 segundos, solicite o ajuste do travão do motor numa oficina Husqvarna autorizada. (Fig. 12)

### Verificar a cobertura traseira

O defletor traseiro diminui o risco de projeção de objetos na direção do utilizador.

- Certifique-se de que a cobertura traseira não está danificada.
- Certifique-se de que as molas que fecham a cobertura traseira não estão danificadas.
- Substitua as molas e as peças danificadas.
- Certifique-se de que a cobertura traseira consegue mover-se facilmente nas dobradiças.

### Silenciador

O silenciador mantém o mais baixo nível de ruído possível e afasta os gases de escape do utilizador.

Não utilize o produto se o silenciador estiver danificado ou estiver em falta. Um silenciador danificado aumenta o nível de ruído e o risco de incêndio.



**ATENÇÃO:** O silenciador fica muito quente durante e após a utilização e quando o motor funciona ao ralenti. Tenha cuidado junto de materiais inflamáveis e/ou vapores para evitar incêndios.

### Verificar o silenciador

- Examine o silenciador regularmente para se certificar de que está bem fixo e não está danificado.

### Segurança no manuseamento do combustível



**ATENÇÃO:** Leia as instruções de aviso que se seguem antes de utilizar o produto.

- Não ligue o produto se existir combustível ou óleo do motor sobre o produto. Remova o combustível/ óleo indesejado e deixe o produto secar.
- Se derramar combustível na sua roupa, troque de roupa imediatamente.
- Não deixe que o combustível entre em contacto com o seu corpo, pois pode causar ferimentos. Se o combustível entrar em contacto com o seu corpo, utilize sabão e água para o remover.
- Não ligue o produto se o motor tiver uma fuga. Examine regularmente o motor quanto a fugas.

- Tenha cuidado com o combustível. O combustível é inflamável e os gases são explosivos e podem causar ferimentos ou a morte.
- Não respire os gases do combustível, podem causar ferimentos. Certifique-se de que existe um fluxo de ar suficiente.
- Não fume perto de combustível ou do motor.
- Não coloque objetos quentes perto do combustível ou do motor.
- Não acrescente combustível com o motor em funcionamento.
- Certifique-se de que o motor está frio antes de reabastecer.
- Antes de reabastecer, abra lentamente a tampa do depósito de combustível e liberte a pressão com cuidado.
- Não adicione combustível ao motor numa área interior. Um fluxo de ar insuficiente pode causar ferimentos ou morte devido a asfíxia ou monóxido de carbono.
- Aperte completamente a tampa do depósito de combustível. Se a tampa do depósito de combustível não estiver apertada, existe risco de incêndio.
- Desloque o produto para uma distância mínima de 3 m (10 pés) da posição onde abasteceu o depósito antes de um arranque.
- Não encha totalmente o depósito de combustível. O calor provoca a expansão do combustível. Deixe espaço vazio na parte superior do depósito de combustível.
- Nunca guarde o produto com combustível no respetivo depósito dentro de um edifício onde existam fontes de ignição, tais como caldeiras, aquecedores ou secadores de vestuário. Deixe o motor arrefecer antes de o armazenar em qualquer espaço fechado.

### Instruções de segurança para manutenção



**ATENÇÃO:** Leia as instruções de aviso que se seguem antes de utilizar o produto.

- Os gases de escape do motor contêm monóxido de carbono, um gás inodoro, tóxico e altamente perigoso. Não ligue o motor em zonas interiores ou em espaços fechados.
- Antes de proceder à manutenção do produto, desligue o motor e retire o cabo de ignição da vela de ignição.
- Use luvas de proteção quando realizar a manutenção do equipamento de corte. A lâmina é muito afiada e pode facilmente provocar cortes.
- A utilização de acessórios e a realização de alterações no produto que não sejam aprovadas pelo fabricante podem causar ferimentos graves ou morte. Não altere o produto. Utilize sempre acessórios que sejam aprovados pelo fabricante.

- Se a manutenção não for realizada de forma correta e regular, o risco de ferimentos e danos no produto aumenta.
- Realize apenas tarefas de manutenção indicadas neste manual do proprietário. Todas as outras

operações de manutenção devem ser realizadas por uma oficina Husqvarna autorizada.

- Leve o produto regularmente a uma oficina Husqvarna autorizada para realizar a manutenção.
- Substitua as peças danificadas, gastas ou partidas.

## Montagem

### Introdução



**ATENÇÃO:** Antes de montar o produto, tem de ler e compreender o capítulo sobre segurança.



**ATENÇÃO:** Retire o cabo da vela de ignição antes de montar o produto.

### Montar o punho

**Nota:** Recomenda-se que este procedimento seja efetuado por 2 pessoas.

**Nota:** Não remova o produto da caixa quando montar o punho. A caixa pode ser utilizada como suporte para o punho durante a montagem.

1. Levante e rode o punho. (Fig. 13)



**CUIDADO:** Tenha cuidado e certifique-se de que o cabo não fica danificado quando rodar o punho.

2. Coloque o punho na parte superior do produto. Incline o punho contra a caixa para servir de apoio. Consulte a ilustração. (Fig. 14)
3. Empurre o parafuso (A) através do punho (B), da anilha de plástico (C) e do suporte do punho (D). (Fig. 15)
4. Aperte totalmente a porca (E).
5. Remova o produto da caixa.
6. Dobre o punho para a posição vertical. (Fig. 16)
7. Defina a altura do punho para a posição mais baixa. Consulte *Ajustar o punho na página 271*.
8. Fixe o cabo à parte inferior do punho com o grampo do cabo. (Fig. 17)
9. Fixe a parte inferior do cabo ao suporte do punho com a abraçadeira. Corte a parte restante da abraçadeira. (Fig. 18)

**Nota:** Certifique-se de que o cabo está corretamente fixo. Um cabo que esteja demasiado solto pode ficar danificado quando o coletor de relva é instalado. (Fig. 19)

### Ajustar o punho

1. Desaperte os manipuladores inferiores.
2. Desloque os botões para a extremidade inferior das ranhuras, dos lados esquerdo e direito do produto. (Fig. 20)
3. Defina a altura do punho para uma das 2 posições disponíveis.
4. Desloque os botões para cima em direção ao punho, até pararem e ouvir um clique. (Fig. 21)
5. Aperte os botões totalmente.

### Para colocar o produto na posição de transporte

1. Retire o coletor de relva (se instalado).
2. Desaperte os manipuladores inferiores.
3. Desloque os botões para a extremidade inferior das ranhuras, dos lados esquerdo e direito do produto. (Fig. 20)
4. Dobre a barra do guiador para a frente. (Fig. 22)

### Para colocar o produto na posição de funcionamento

1. Dobre o punho para a posição vertical. (Fig. 23)
2. Desloque os botões para cima em direção ao punho, até pararem e ouvir um clique. (Fig. 21)
3. Aperte os botões totalmente.

### Montar o coletor de relva

1. Coloque a estrutura do coletor de relva no saco de relva com a parte rígida do saco no fundo. Mantenha o punho da estrutura fora da parte superior do saco. (Fig. 24)
2. Fixe o saco de relva à estrutura com os grampos. (Fig. 25)

---

# Funcionamento

---

## Introdução



**ATENÇÃO:** Antes de utilizar o produto, tem ler e compreender o capítulo sobre segurança.

## Husqvarna Connect

A Husqvarna Connect é uma aplicação gratuita para o seu dispositivo móvel. A aplicação Husqvarna Connect disponibiliza funções alargadas para o seu produto Husqvarna:

- Informações alargadas sobre o produto.
- Informações sobre, e ajuda relacionada com peças e manutenção do produto.

## Começar a utilizar Husqvarna Connect

1. Transfira a aplicação Husqvarna Connect para o seu dispositivo móvel.
2. Registe-se na aplicação Husqvarna Connect.
3. Siga os passos das instruções na aplicação Husqvarna Connect para ligar e registar o produto.

## Antes de utilizar o produto

1. Leia o manual do utilizador com atenção e certifique-se de que compreende as instruções.
2. Examine o equipamento de corte para se certificar de que está corretamente montado e ajustado. Consulte o capítulo *Para examinar o equipamento de corte na página 274*.
3. Encha o depósito de combustível. Consulte o capítulo *Encher o depósito de combustível na página 272*.
4. Encha o depósito de combustível e verifique o nível do óleo. Consulte o capítulo *Substituir o óleo de motor na página 275*.

## Encher o depósito de combustível

Se disponível, utilize gasolina com base em alquilatos/ ecológica. Se não estiver disponível gasolina com base em alquilatos/ecológica, utilize gasolina sem chumbo de boa qualidade ou gasolina com chumbo com um índice de octanas de pelo menos 90.



**CUIDADO:** Não utilize gasolina com um índice de octanas inferior a 90 RON (87 AKI). Caso contrário, pode causar danos no produto.

1. Abra a tampa do depósito de combustível devagar para libertar a pressão.

2. Encha lentamente com um recipiente de combustível. Se derramar combustível, retire-o com um pano e deixe o combustível restante secar.
3. Limpe bem à volta da tampa do depósito de combustível.
4. Aperte completamente a tampa de depósito de combustível. Se a tampa de depósito de combustível não estiver apertada, existe um risco de incêndio.
5. Desloque o produto a uma distância mínima de 3 m (10 pés) da posição onde abasteceu o depósito antes de começar.

## Para definir a altura de corte

1. Mova a alavanca da altura de corte para trás para aumentar a altura de corte.
2. Mova a alavanca da altura de corte para a frente para diminuir a altura de corte. (Fig. 26)



**CUIDADO:** Não regule a altura de corte demasiado baixa. As lâminas podem entrar em contacto com o solo se a superfície do relvado não estiver nivelada.

## Para ligar o produto

1. Certifique-se de que o cabo de ignição está ligado à vela de ignição.
2. Mantenha-se atrás do produto.
3. Segure o manípulo de travão do motor contra a barra de direção. (Fig. 27)
4. Segure o punho do cabo de arranque com a mão direita.
5. Puxe lentamente o cabo de arranque até sentir alguma resistência.
6. Puxe com força para fazer arrancar o motor.



**ATENÇÃO:** Não enrole o cabo de arranque na mão.

## Utilizar a transmissão das rodas

- Ligue a transmissão das rodas com a alavanca de controlo de velocidade do lado esquerdo do punho. Desloque a alavanca de controlo de velocidade para a frente para aumentar a velocidade e para trás para diminuir a velocidade. (Fig. 28)
- Antes de puxar o produto para trás, desengate a transmissão e empurre o produto para a frente aproximadamente 10 cm.
- Solte o manípulo de direção para desengatar a transmissão, por exemplo quando se aproximar de um obstáculo.



## Para desligar o produto

- Para parar apenas a transmissão, solte o manípulo de direção.
- Para parar o motor solte o manípulo de travão do motor.

## Utilizar o produto com o coletor de relva



**ATENÇÃO:** Não utilize o produto sem um coletor de relva instalado ou sem a cobertura traseira fechada. Podem ser projetados objetos que possam ferir o utilizador.

1. Levante a cobertura traseira e retire o tampão de trituração, caso esteja instalado. (Fig. 29)
2. Monte o coletor de relva; consulte *Montar o coletor de relva na página 271*.
3. Coloque o coletor de relva no suporte.
4. Solte a cobertura traseira e coloque-a na parte superior da estrutura do saco de relva. (Fig. 30)

## Colocar o produto em modo de trituração

Certifique-se de que o motor está desligado antes de colocar o produto em modo de trituração.

1. Levante a cobertura traseira e retire o coletor de relva, caso esteja instalado.
2. Coloque o tampão de trituração no canal de descarga. (Fig. 31)
3. Feche a cobertura traseira e certifique-se de que está bem fechada contra o tampão de trituração.

**Nota:** Para aumentar o desempenho do modo de trituração, substitua a lâmina pelo acessório de lâmina de trituração. Consulte *Para substituir a lâmina na página 275*

## Colocar o produto em modo de descarga lateral

1. Levante a cobertura traseira e retire o saco de relva, caso esteja instalado.

2. Feche a cobertura traseira e certifique-se de que está bem fechada contra o produto.
3. Levante o bloqueio de descarga. (Fig. 32)
4. Abra a proteção de descarga lateral e instale o defletor de descarga lateral nos pinos de apoio. (Fig. 33)
5. Permita que a proteção de descarga lateral se feche contra o defletor de descarga lateral. Antes de utilizar o produto, certifique-se de que o defletor de descarga lateral está bem posicionado.

## Esvaziar o coletor de relva



**CUIDADO:** Levante o coletor de relva quando o deslocar para evitar o desgaste.

1. Levante o coletor de relva com o punho da estrutura.
2. Utilize o punho da estrutura e o punho do saco quando esvaziar o coletor de relva. (Fig. 34)

## Para obter bons resultados

- Utilize sempre uma lâmina bem afiada. Uma lâmina romba produz um resultado irregular e a superfície de corte da relva fica amarela. Uma lâmina afiada também gasta menos energia que uma lâmina romba.
- Não corte mais do que  $\frac{1}{3}$  do comprimento da relva. Utilize a maior altura de corte ao começar a cortar a relva. Examine o resultado e reduza a altura de corte para um nível aplicável. Caso a relva esteja muito comprida, avance lentamente e corte duas vezes, se necessário.
- Corte em diferentes direções de cada vez, para evitar a formação de linhas no relvado.
- Levante a cobertura traseira e retire o coletor de relva.
- Se instalados, retire o tampão de trituração e a lâmina de trituração.
- Feche a cobertura traseira antes de utilizar o produto. Quando utilizar o produto, a relva cortada vai para baixo da cobertura traseira.
- Mantenha a cobertura de corte limpa. A acumulação de relva e sujidade no lado interior da cobertura de corte pode diminuir o resultado de corte. Consulte *Para limpar a superfície interior da cobertura de corte na página 274*.

## Manutenção

### Introdução



**ATENÇÃO:** Antes de efetuar a manutenção, tem de ler e compreender o capítulo sobre segurança.

É necessário ter formação especial para realizar qualquer tarefa de manutenção ou reparação. Garantimos a disponibilidade de reparações e manutenção profissionais. Se o seu distribuidor não for uma oficina autorizada, pergunte-lhe onde se situa a oficina autorizada mais próxima.

Para obter informações mais detalhadas, consulte .

## Esquema de manutenção



**CUIDADO:** Quando inclina o produto, certifique-se de que o filtro de ar está virado para cima e não contra o solo. Risco de danos no motor.

Os intervalos de manutenção são calculados a partir da utilização diária do produto. Os intervalos são alterados se o produto não for utilizado diariamente.

Relativamente às tarefas de manutenção identificadas com \*, consulte as instruções em *Dispositivos de segurança no produto na página 269*.

| Manutenção   | Diariamente | Semanalmente | Mensalmente |
|--|-------------|--------------|-------------|
| Efetuar uma inspeção geral   | X           |              |             |
| Examinar o nível do óleo   | X           |              |             |
| Limpar o produto   | X           |              |             |
| Examinar o equipamento de corte  | X           |              |             |
| Examinar a cobertura de corte*   | X           |              |             |
| Examinar o punho do travão do motor *  | X           |              |             |
| Examinar o controlo do travão da lâmina *  | X           |              |             |
| Examinar o silenciador *   |             | X            |             |
| Examinar a vela de ignição   |             | X            |             |
| Substituir o óleo (pela primeira vez após 5 horas de utilização e, posteriormente, após cada 50 horas de utilização) |             |              | X           |
| Limpar ou substituir o filtro de ar  |             |              | X           |
| Examinar o sistema de combustível  |             |              | X           |

### Para efetuar uma inspeção geral

- Certifique-se de que todas as porcas e os parafusos do produto estão apertados corretamente.

### Para limpar o produto externamente

- Utilize uma escova para remover folhas, relva e sujidade.
- Certifique-se de que a entrada de ar na parte superior do motor não está bloqueada.
- Não utilize uma máquina de lavar à pressão para limpar o produto.
- Se utilizar água para limpar o produto, não verta água diretamente sobre o motor.

### Para limpar a superfície interior da cobertura de corte

1. Esvazie o depósito de combustível.
2. Coloque o produto de lado com o silenciador virado para baixo.



**CUIDADO:** Se o produto for colocado com o filtro de ar para baixo, o motor pode sofrer danos.

3. Utilize uma mangueira para enxaguar a superfície interna da cobertura de corte com água.

### Para examinar o equipamento de corte



**ATENÇÃO:** Para evitar o arranque acidental retire o cabo de ignição da vela de ignição.



**ATENÇÃO:** Use luvas de proteção quando realizar a manutenção do equipamento de corte. A lâmina é muito afiada e pode facilmente provocar cortes.

1. Examine se o equipamento de corte está danificado ou se apresenta fissuras. Substitua sempre um equipamento de corte danificado.
2. Olhe para a lâmina para verificar se está danificada ou romba.

**Nota:** É necessário estabilizar a lâmina depois de ser afiada. Afie, substitua e estabilize a lâmina numa oficina especializada. Se atingir um obstáculo que faça o produto parar, substitua a lâmina danificada. Um centro de assistência deve avaliar se a lâmina pode ser afiada ou se tem de ser substituída.

## Para substituir a lâmina

1. Bloqueie a lâmina com um bloco de madeira. (Fig. 35)
2. Remova o perno da lâmina, a arruela e a lâmina. (Fig. 36)
3. Examine se o suporte da lâmina e o perno da lâmina apresentam sinais de danos.
  - a) Se substituir a lâmina ou suporte da lâmina, substitua também o perno da lâmina, a arruela e a arruela de fricção.
4. Examine o eixo do motor para se certificar de que não se encontra dobrado.
5. Quando colocar a lâmina nova, certifique-se de que as extremidades dobradas da lâmina apontam na direção da cobertura de corte. (Fig. 37)
6. Encoste a arruela de fricção e a lâmina no suporte da lâmina. (Fig. 38)
7. Certifique-se de que a lâmina está alinhada com a parte central do eixo do motor. (Fig. 39)
8. Bloqueie a lâmina com um bloco de madeira. (Fig. 40)
9. Prenda a arruela de pressão e aperte o parafuso com um binário de 43 – 47 Nm. (Fig. 41)
10. Faça rodar a lâmina com a mão de modo a assegurar-se de que roda livremente.



**ATENÇÃO:** Utilize luvas de proteção. A lâmina é muito afiada e pode facilmente provocar cortes.

11. Ligue o produto para testar a lâmina. Se a lâmina não estiver corretamente ligada, o produto vibra ou o resultado de corte não é satisfatório.

## Verificar o nível do óleo



**CUIDADO:** Um nível de óleo demasiado baixo causa danos no motor. Verifique o nível do óleo antes de ligar o produto.

1. Coloque o produto num piso nivelado.
2. Remova a tampa do depósito de óleo e a vareta de nível fixada.
3. Limpe o óleo da vareta de nível.
4. Empurre a vareta de nível totalmente para dentro do depósito de óleo para obter uma indicação correta do nível do óleo. Não coloque a tampa do depósito de óleo.
5. Remova a tampa do depósito de óleo e a vareta de nível fixada.
6. Examine o nível do óleo na vareta de nível.
7. Se o nível do óleo estiver baixo, encha com óleo de motor e verifique novamente o nível do óleo. (Fig. 42)

**Nota:** Utilize um funil para evitar derrames.

8. Instale a tampa do depósito de óleo quando o nível de óleo estiver correto.

## Substituir o óleo de motor



**ATENÇÃO:** O óleo de motor está muito quente imediatamente após desligar o motor. Deixe o motor arrefecer antes de drenar o óleo de motor. Se derramar óleo de motor na pele, limpe com água e sabão.

(Fig. 43)

1. Utilize o produto até esvaziar o depósito de combustível.
2. Remova o cabo de ignição da vela de ignição.
3. Remova a tampa do depósito de óleo e a vareta de nível fixada.
4. Coloque um recipiente por baixo do produto para recolher o óleo de motor.
5. Incline o produto ou drene o óleo de motor do depósito de óleo com uma bomba de óleo (acessório).
6. Encha com óleo de motor novo do tipo recomendado em *Especificações técnicas na página 278*.
7. Verifique o nível do óleo. Consulte *Verificar o nível do óleo na página 275*.
8. Instale a tampa do depósito de óleo quando o nível de óleo estiver correto.

## Verificar a vela de ignição



**CUIDADO:** Utilize sempre o tipo de vela de ignição recomendado. Um tipo de vela de ignição incorreto pode provocar danos no produto.

- Examine a vela de ignição para verificar se o motor apresenta uma potência reduzida ou dificuldades de arranque, ou se não funciona corretamente ao ralenti.
- Para diminuir o risco de materiais indesejados nos elétrodos da vela de ignição, siga estas instruções:
  - a) Assegure-se de que a rotação em vazio está corretamente regulada.
  - b) Certifique-se de que a mistura de combustível está correta.
  - c) Certifique-se de que o filtro de ar está limpo.
- Se a vela de ignição estiver suja, limpe-a e certifique-se de que a distância entre os elétrodos está correta; consulte *Especificações técnicas na página 278*. (Fig. 44)
- Se for necessário, substitua a vela de ignição.

## Limpar o filtro de ar

Um filtro de ar sujo pode provocar danos no motor ou fazer com que este não funcione corretamente. Realize a manutenção do filtro de ar mais frequentemente em ambientes poeirentos.

Consulte *Esquema de manutenção na página 274* para obter informações sobre quando substituir o filtro de ar.

1. Retire a cobertura do filtro de ar e o filtro.
2. Limpe o filtro, batendo com o mesmo sobre uma superfície plana. Não utilize solventes com petróleo, querosene ou ar comprimido para limpar o filtro.

**Nota:** Não é possível limpar completamente os filtros de ar que estão em funcionamento durante muito tempo. Substitua o filtro de ar em intervalos regulares. Substitua sempre os filtros de ar danificados.

3. Ao montar o filtro de ar, certifique-se de que este fica totalmente encostado ao suporte do filtro.

## Verificar o defletor de descarga lateral

O defletor de descarga lateral está fixo à abertura de descarga lateral do produto. Isto reduz o risco de projeção de objetos na direção da posição de corte do utilizador.

1. Certifique-se de que o defletor de descarga lateral não está danificado.
2. Examine o defletor de descarga lateral. Certifique-se de que não são detetados danos, como fissuras ou molas partidas que forcem o fecho da porta.
3. Substitua o defletor de descarga lateral ou as molas se estiverem danificados.

## Para examinar o sistema de combustível

- Examine a tampa do depósito de combustível e o vedante da tampa do depósito de combustível para se certificar de que não existem danos.
- Examine a mangueira de combustível para se certificar de que não existem fugas. Se a mangueira de combustível estiver danificada, deverá ser substituída por uma oficina autorizada.

## Drenar o depósito de combustível

1. Coloque um recipiente por baixo do depósito de combustível.
2. Retire a tampa do depósito de combustível.
3. Empurre os grampos da mangueira de combustível contra o carburador.

4. Retire a mangueira de combustível do carburador.
5. Coloque a mangueira do depósito de combustível no recipiente e retire os grampos da mangueira.
6. Incline o produto e drene o combustível para o recipiente.

## Substituir o filtro de combustível



**ATENÇÃO:** Utilize luvas de proteção.

1. Drene o depósito de combustível.
2. Afaste a abraçadeira de mangueira do depósito de combustível. (Fig. 45)
3. Retire a mangueira de combustível do depósito de combustível. Pode ocorrer uma pequena fuga de combustível. (Fig. 46)
4. Retire o filtro de combustível do depósito de combustível. (Fig. 47)
5. Instale um novo filtro de combustível no depósito de combustível.
6. Fixe a mangueira de combustível ao depósito de combustível.
7. Coloque a abraçadeira de mangueira na devida posição encostada ao depósito de combustível.

## Ajustar o cabo da embraiagem

Nas situações que se seguem, é necessário diminuir o comprimento do cabo da embraiagem:

- A transmissão das rodas não é acionada quando puxa o manípulo de direção ou a alavanca de controlo da velocidade.
- O produto desloca-se lentamente quando a transmissão das rodas é acionada.

Nas situações que se seguem, é necessário aumentar o comprimento do cabo da embraiagem:

- O produto desloca-se quando a transmissão das rodas não é acionada.
- Ajuste o cabo da embraiagem.
  - a) Para diminuir o comprimento do cabo da embraiagem, rode o parafuso de ajuste para a esquerda.
  - b) Para aumentar o comprimento do cabo da embraiagem, rode o parafuso de ajuste para a direita. (Fig. 48)

Se continuar insatisfeito com a condução do produto depois do ajuste, contacte o seu revendedor com assistência técnica.

### Transporte e armazenamento

- Para o transporte e armazenamento do produto e do combustível, certifique-se de que não existem fugas ou fumos. Faíscas ou chamas abertas, por exemplo de dispositivos elétricos ou mesmo caldeiras, podem causar um incêndio.
- Utilize recipientes aprovados para o transporte e armazenamento de combustível.
- Esvazie o depósito de combustível antes de armazenar o produto durante um longo período de tempo. Elimine o combustível numa localização de eliminação aplicável
- Fixe o produto de forma segura durante o transporte para evitar danos e acidentes.
- Mantenha o produto numa área trancada para impedir o acesso a crianças ou pessoas que não disponham de aprovação.
- Mantenha o produto num local seco e sem gelo.

### Eliminação

- Respeite os requisitos de reciclagem locais e os regulamentos aplicáveis.
- Elimine todos os produtos químicos, como óleo de motor ou combustível, num centro de assistência ou numa localização de eliminação aplicável.
- Quando o produto deixar de ser utilizado, envie-o para um revendedor Husqvarna ou elimine-o numa localização de reciclagem.

# Especificações técnicas

## Especificações técnicas

|  |   |
|--|---|
|  | <b>LC 356VP</b>   |
| <b>Motor</b>   |   |
| Marca  | Honda   |
| Nome do modelo do motor  | GCVx170   |
| Cilindrada, cm <sup>3</sup>                                      | 166   |
| Rotação, rpm   | 2800  |
| Potência nominal do motor, kW <sup>96</sup>                      | 3,1   |
| <b>Sistema de ignição</b>  |   |
| Vela de ignição  | NGK BPR5ES  |
| Distância entre os eletrodos, mm                                 | 0,75  |
| <b>Sistema de lubrificação e combustível</b>                     |   |
| Combustível, sem chumbo, número mínimo de octanas                | 90  |
| Capacidade do depósito de combustível, litros                    | 0,9   |
| Capacidade do depósito de óleo, litros                           | 0,4   |
| Óleo do motor <sup>97</sup>                                      | Husqvarna SAE 30, Husqvarna SAE 5W-30 Synthetic, Husqvarna SAE 10W-40 |
| <b>Peso</b>  |   |
| Com depósitos vazios, kg   | 35,1  |
| <b>Emissões de ruído<sup>98</sup></b>                            |   |
| Nível de potência sonora, medido dB (A)                          | 98  |
| Nível de potência sonora, garantido L <sub>WA</sub> dB (A)       | 98  |
| <b>Níveis sonoros<sup>99</sup></b>                               |   |
| Nível de pressão sonora ao nível do ouvido do utilizador, dB (A) | 86  |

<sup>96</sup> A potência nominal do motor indicado é a potência líquida média (a um valor de rpm especificado) de um motor de produção típico do modelo de motor avaliado de acordo com a norma J1349/ISO1585 da SAE. Motores produzidos em série poderão divergir deste valor. A potência real do motor instalado no produto final dependerá da velocidade de operação, das condições ambientais e de outros parâmetros.

<sup>97</sup> Utilize um óleo de motor de qualidade API SJ ou superior. Se o óleo SAE-30 for utilizado a uma temperatura inferior a +5 °C, existe o risco de não lubrificar suficientemente o motor. Isto pode provocar danos no motor. Consulte a secção *Substituir o óleo de motor na página 275* para saber qual o óleo correto para temperaturas baixas. Consulte a tabela de viscosidade no manual do motor (se incluído) e selecione a melhor viscosidade com base na temperatura exterior prevista.

<sup>98</sup> Emissões de ruído para as imediações, medidas sob forma de potência sonora (L<sub>WA</sub>) em conformidade com a diretiva da CE 2000/14/CE.

<sup>99</sup> Os dados comunicados relativamente ao nível de pressão de ruído têm uma dispersão estatística típica (desvio padrão) de 1,2 dB (A).

|  |                                   |
|--|-----------------------------------|
|  | <b>LC 356VP</b>                   |
| <b>Níveis de vibração</b> <sup>100</sup> |                                   |
| Punho, m/s <sup>2</sup>                  | 5,9                               |
| <b>Equipamento de corte</b>              |                                   |
| Altura de corte, mm                      | 25-75                             |
| Largura de corte, mm                     | 560                               |
| Sistema de corte                         | Recolha/BioClip®/descarga lateral |
| Lâmina – padrão                          | Recolha 598562701                 |
| Lâmina – acessório                       | Trituração 598563601              |
| <b>Transmissão</b>                       |                                   |
| Velocidade, km/h                         | 3,0-4,5                           |

<sup>100</sup> Os dados comunicados relativamente ao nível de vibração têm uma dispersão estatística típica (desvio padrão) de 0,2 m/s<sup>2</sup>.

# Declaração de conformidade

## Declaração UE de conformidade

A **Husqvarna AB**, SE-561 82 Huskvarna, Suécia,  
tel.: +46-36-146500, declara, sob sua inteira  
responsabilidade, que o produto:

|                      |  |
|----------------------|--|
| <b>Descrição</b>     | Corta-relva                                      |
| <b>Marca</b>         | Husqvarna  |
| <b>Tipo/Modelo</b>   | LC 356VP   |
| <b>Identificação</b> | Números de série referentes a 2022 e posteriores |

está em plena conformidade com as seguintes diretivas  
e regulamentos da UE:

| <b>Regulamento</b> | <b>Descrição</b>   |
|--------------------|--|
| 2006/42/CE         | "relativa a máquinas"  |
| 2014/30/UE         | "relativa à compatibilidade eletromagnética"   |
| 2000/14/CE         | "relativa a emissões de ruído para o ambiente"   |
| 2011/65/UE         | "relativa à restrição do uso de determinadas substâncias perigosas em equipamento elétrico e eletrônico" |

e que as seguintes normas e/ou especificações técnicas  
são aplicadas: EN ISO 5395-1:2013/A1:2018, EN ISO  
5395-2:2013/A1:2016/A2:2017, EN ISO 14982:2009, EN  
IEC 63000:2018

Entidade competente: 0404, RISE SMP Svensk  
Maskinprovning AB, Box 4053, SE-904 03 Umeå,  
Sweden atribuiu a certificação de conformidade com  
a Diretiva 2000/14/CE do Conselho, procedimento de  
avaliação de conformidade: Anexo VI.

Para mais informações sobre as emissões de ruído,  
consulte *Especificações técnicas na página 278*.

Huskvarna, 2022-10-20



Claes Losdal, chefe de desenvolvimento/produtos de  
jardinagem, Husqvarna AB

Responsável pela documentação técnica





---

## Conteúdo

---

|                 |     |   |     |
|-----------------|-----|---|-----|
| Introdução..... | 281 | Manutenção.....                           | 287 |
| Segurança.....  | 282 | Transporte, armazenamento e descarte..... | 291 |
| Montagem.....   | 285 | Dados técnicos.....                       | 292 |
| OPERAÇÃO.....   | 286 | Declaração de Conformidade.....           | 294 |

---

## Introdução

---

### Descrição do produto

O produto é um cortador de grama giratório operado por pessoas comuns. Prenda o coletor para coletar a grama. Prenda o defletor de descarga lateral para descarga lateral da grama. Prenda um kit de folhagem para cortar a grama e transformá-la em fertilizante.

### Visão geral do produto

(Fig. 1)

1. Barra de direção
2. Alça do freio do motor
3. Braço de acionamento
4. Puxador do cabo de arranque
5. Tampa traseira
6. Coletor de grama
7. Botões de altura da alça
8. Alavanca da altura de corte
9. Tampa de óleo
10. Tampa de descarga lateral
11. Silenciador
12. Vela de ignição
13. Tampa do tanque de combustível
14. Símbolos
15. Tampa de corte
16. Filtro de ar
17. Alavanca do controlador de rotação
18. Defletor lateral
19. Plugue de reciclagem (acessório)
20. Manual do operador

### Símbolos no produto

- (Fig. 2) AVISO! Seja cuidadoso e use o produto corretamente. Este produto pode causar ferimentos graves ou morte do operador ou de outras pessoas.
- (Fig. 3) Leia atentamente o manual do operador e certifique-se de que tenha entendido as instruções antes de usar.
- (Fig. 4) Cuidado com objetos arremessados e ricochetes.

### Uso previsto

Use o produto para cortar grama. Não use o produto para outras tarefas.

- (Fig. 5) Mantenha pessoas e animais a uma distância segura da área de trabalho.
- (Fig. 6) Aviso: Mantenha mãos e pés afastados da lâmina giratória.
- (Fig. 7) Aviso: Mantenha mãos e pés afastados de peças giratórias.
- (Fig. 8) Antes de realizar reparos ou manutenção, desligue o motor e retire o cabo de ignição.
- (Fig. 9) Este produto está de acordo com as diretivas vigentes da CE.
- (Fig. 10) Este produto está em conformidade com as regulamentações vigentes no Reino Unido.
- (Fig. 11) Emissões de ruído para o meio ambiente de acordo com as diretivas da UE e do Reino Unido e a legislação de Nova Gales do Sul "Regulamentação de Proteção das Operações Ambientais (Controle de Ruído) de 2017". O nível de potência sonora garantido do produto está especificado em *Dados técnicos* na página 292 e na etiqueta.

---

**Observação:** Outros símbolos/adeseivos no produto referem-se aos requisitos de certificação para algumas áreas comerciais.

---

### Danos ao produto

Não assumimos responsabilidade por danos ao nosso produto se:

## Emissões Euro V



**AVISO:** Interferências no motor anulam a aprovação tipo EU deste produto.

- o produto seja reparado incorretamente.
- o produto seja reparado com peças que não sejam da marca do fabricante ou aprovadas pelo fabricante.
- o produto tenha um acessório que não seja da marca do fabricante ou não seja aprovado pelo fabricante.
- o produto não seja reparado em um centro de atendimento aprovado ou por uma autoridade aprovada.

## Segurança

### Definições de segurança

Avisos, cuidados e observações são utilizados para chamar a atenção para partes especialmente importantes do manual.



**AVISO:** Utilizado se existir um risco de ferimentos ou morte para o operador ou a terceiros se as instruções no manual não forem respeitadas.



**CUIDADO:** Utilizado se existir um risco de danos para o produto, outros materiais ou para a área adjacente, se as instruções no manual não forem respeitadas.

**Observação:** Utilizados para conferir mais informações necessárias em uma determinada situação.

### Instruções gerais de segurança



**AVISO:** Antes de usar o produto, leia as instruções de aviso que seguem.

- Este produto é perigoso se utilizado de forma incorreta ou se você não tiver cuidado. Ferimentos ou morte podem acontecer, caso você não siga as instruções de segurança.
- Este produto produz um campo eletromagnético durante a operação. Sob certas circunstâncias esse campo poderá interferir com implantes médicos de natureza ativa ou passiva. Para reduzir o risco de lesões graves ou fatais, recomendamos que as pessoas que tenham implantes médicos consultem seu médico e o fabricante do implante antes de operar este produto.
- Sempre tome cuidado e use o bom senso. Se não souber como operar o produto em uma situação específica, pare e fale com seu Husqvarna revendedor antes de continuar.
- Tenha em atenção que o operador será responsável por acidentes que envolvam terceiros ou a sua propriedade.

- Mantenha o produto limpo. Cerifique-se de que consegue ler claramente sinais e decalques.
- Não deixe outra pessoa usar o produto, a menos que você se certifique que ela leia e compreenda o conteúdo do manual do operador.
- Não permita que o produto seja operado por crianças.
- Mantenha crianças afastadas da área de trabalho. Um adulto responsável deve estar presente em todos os momentos.
- Não permita que o produto seja operado por uma pessoa sem conhecimento das instruções.
- Pessoas com capacidade física ou mental reduzida devem ser sempre monitoradas caso usem o produto. Um adulto responsável deve estar presente em todos os momentos.
- Não utilize o produto se estiver cansado doente ou sob a influência de álcool, drogas ou remédios. Isso possui um efeito negativo na sua visão, consciência, coordenação e no seu julgamento.
- Não use um produto danificado ou que não funcione corretamente.
- Não altere este produto, nem o utilize caso haja a possibilidade de ter sido modificado por outras pessoas.
- Não altere o ajuste do controle de rotação do motor.

### Segurança da área de trabalho



**AVISO:** Antes de usar o produto, leia as instruções de aviso que seguem.

- Antes de usar o produto, retire todos os objetos, como ramos, galhos ou pedras da área de trabalho.
- Objetos que batam contra o equipamento de corte podem ejetar e causar danos a pessoas ou objetos. Mantenha terceiros ou animais a uma distância segura do produto.
- Nunca utilize o produto em condições climáticas ruins, como neblina, chuva, ventos fortes, frio intenso e risco de raios. Utilizar o produto em condições climática ruins ou em locais úmidos ou molhados é exaustivo. Condições climáticas ruins podem levar a condições perigosas, como superfícies escorregadias.

- Veja se há pessoas, objetos e situações que podem impedir a operação segura do produto.
- Veja se há obstáculos, como raízes, pedras, galhos, buracos e valas. Gramas altas podem ocultar obstáculos.
- Cortar a grama em declives pode ser perigoso. Não utilize o produto em terrenos com inclinações superiores a 15°.
- Opere o produto paralelamente à face da inclinação. Não movimente para cima e para baixo.
- Tenha cuidado ao se aproximar de cantos e objetos ocultos que podem impedir que você tenha uma visão clara.
- Nunca levante o produto quando o motor estiver ligado. Se você precisar levantar o produto, primeiro, desligue o motor e desconecte o cabo de ignição da vela de ignição.
- Não ande para trás ao operar o produto.
- Desligue o motor ao se locomover em áreas sem grama, por exemplo, caminhos feitos de cascalho, pedra e asfalto.
- Não corra com o produto quando o motor estiver ligado. Sempre ande ao operar o produto.
- Desligue o motor antes de mudar a altura de corte. Nunca faça ajustes com o motor ligado.
- Nunca deixe o produto sem vigilância com o motor ligado. Desligue o motor e certifique-se de que o equipamento de corte não gira.

## Segurança no trabalho



**AVISO:** Antes de usar o produto, leia as instruções de aviso que seguem.

- Utilize este produto somente para cortar gramados. Seu uso não é permitido para outras tarefas.
- Use sempre equipamentos de proteção individual. Consulte *Equipamento de Proteção Individual na página 283*.
- Certifique-se de saber como parar o motor rapidamente em caso de emergência.
- Nunca dê a partida no motor em um espaço fechado ou próximo de materiais inflamáveis. Os gases de escape do motor são quentes e podem conter faíscas capazes de iniciar um incêndio.
- Não opere o produto, a menos que o disco e todas as tampas estejam fixados corretamente. Um disco fixado incorretamente pode se soltar e causar ferimentos.
- Certifique-se de que o disco não atinja objetos, como pedras e raízes. Isso pode danificar o disco e dobrar o eixo do motor. Um eixo dobrado causa fortes vibrações e um risco elevado de que o disco se solte.
- Se o disco atingir um objeto ou se ocorrer vibrações, desligue o produto imediatamente. Desconecte o cabo de ignição da vela de ignição. Examine o produto à procura de danos. Repare os danos ou leve a uma oficina autorizada para fazer os reparos.
- Nunca fixe a alça do freio do motor permanentemente à alça, quando o motor estiver ligado.
- Coloque o produto em uma superfície firme e plana e ligue-o. Certifique-se de que o disco não atinja o chão ou outros objetos.
- Fique sempre atrás do produto ao operá-lo.
- Deixe que todas as rodas fiquem sobre o chão e mantenha 2 dedos na alça ao operar o produto. Mantenha mãos e pés afastados dos discos giratórios.
- Não incline o produto com o motor ligado.
- Tenha cuidado ao puxar o produto para trás.

## Instruções de segurança para operação

### Equipamento de Proteção Individual



**AVISO:** Antes de usar o produto, leia as instruções de aviso que seguem.

- O equipamento de proteção individual não evita totalmente ferimentos, mas diminui o grau do ferimento em caso de acidente. Deixe seu revendedor ajudar você a escolher o equipamento certo.
- Caso o nível de ruído seja superior a 85 dB, use proteção auditiva.
- Use botas ou calçados antiderrapantes para trabalhos pesados. Não utilize calçados abertos e não fique descalço.
- Use calças compridas de tecido grosso.
- Use luvas de proteção quando necessário, por exemplo, ao ligar, examinar ou limpar o equipamento de corte.

### Dispositivos de segurança no produto



**AVISO:** Antes de usar o produto, leia as instruções de aviso que seguem.

- Não use um produto com dispositivos de segurança danificados ou que não funcionem corretamente.
- Verifique os dispositivos de segurança regularmente. Se os dispositivos de segurança estiverem danificados ou não funcionarem corretamente, fale com seu centro de assistência Husqvarna.
- Não faça modificações nos dispositivos de segurança.

### Para fazer uma verificação da tampa de corte

A tampa de corte diminui vibrações no produto e reduz o risco de ferimentos do disco.

- Examine a tampa de corte para se certificar de que não há danos, como rachaduras.

### Para fazer uma verificação da alça de freio do motor

A alça do freio do motor desliga o motor. Quando a alça do freio do motor é solta, o motor desliga.

- Dê partida no motor e, em seguida, solte a alça de freio do motor. Se o motor não desligar em 3 segundos, leve a uma Husqvarna oficina autorizada para fazer o ajuste do freio do motor. (Fig. 12)

### Para fazer uma verificação da tampa traseira

O defletor traseiro diminui o risco de objetos serem lançados na direção do operador.

- Certifique-se de que a tampa traseira não esteja danificada.
- Certifique-se de que as molas que fecham a tampa traseira não estejam danificadas.
- Substitua molas e peças danificadas.
- Certifique-se de que a tampa traseira possa se mover livremente nas dobradiças.

### Silenciador

O silenciador mantém os níveis de ruído em um nível mínimo e desvia os gases de escape para longe do operador.

Não utilize o produto se o silenciador estiver ausente ou danificado. Um silenciador danificado aumenta o nível de ruído e o risco de incêndio.



**AVISO:** O silenciador fica muito quente durante e após a utilização e quando o motor funciona em marcha lenta. Tenha cuidado ao se aproximar de materiais inflamáveis e/ou gases de escape para evitar incêndios.

### Para fazer uma verificação do silenciador

- Examine o silenciador regularmente, para garantir que está fixado corretamente e não está danificado.

### Segurança do combustível



**AVISO:** Antes de usar o produto, leia as instruções de aviso que seguem.

- Não ligue o produto se houver combustível ou óleo de motor sobre ele. Remova o combustível/óleo indesejado e deixe o produto secar.
- Se você derramar combustível em sua roupa, troque as roupas imediatamente.
- Não deixe combustível cair no seu corpo, ele pode causar lesões. Se você derramar combustível no seu corpo, use sabão e água para removê-lo.

- Não ligue o produto se o motor tiver um vazamento. Examine o motor à procura de vazamentos regularmente.
- Tome cuidado com o combustível. Combustível é inflamável e os gases são explosivos e podem causar lesões ou morte.
- Não inspire os gases do combustível, eles podem causar lesões. Certifique-se de que haja fluxo de ar suficiente.
- Não fume nas proximidades do combustível ou do motor.
- Não coloque objetos quentes nas proximidades do combustível ou do motor.
- Não adicione combustível quando o motor estiver ligado.
- Certifique-se de que o motor esteja frio antes de reabastecer.
- Antes de reabastecer, abra lentamente a tampa do tanque de combustível e libere cuidadosamente a pressão.
- Não adicione combustível ao motor em uma área coberta. Um fluxo de ar insuficiente pode causar ferimentos ou morte por asfixia ou monóxido de carbono.
- Aperte a tampa do reservatório de combustível. Se a tampa do reservatório de combustível não estiver apertada, há um risco de incêndio.
- Mova o produto para um mínimo de 3 m (10 pés) da posição na qual você abasteceu o tanque antes de ligar o motor.
- Não encha o tanque de combustível completamente. O calor faz com que o combustível se expanda. Mantenha um espaço na parte superior do tanque de combustível.
- Nunca armazene o produto com combustível no tanque dentro de um edifício onde haja a presença de fontes de ignição, como aquecedores de água, aquecedores de ambiente ou secadores de roupas. O motor deve estar frio antes do armazenamento em qualquer recinto.

### Instruções de segurança para manutenção



**AVISO:** Antes de usar o produto, leia as instruções de aviso que seguem.

- Os gases de escape do motor contém monóxido de carbono, um gás inodoro, tóxico e muito perigoso. Não ligue o motor em ambientes internos ou fechados.
- Antes de fazer a manutenção do produto, desligue o motor e remova o cabo de ignição da vela de ignição.
- Use luvas de proteção ao fazer a manutenção no equipamento de corte. O disco é muito afiado e pode cortar facilmente.

- Acessórios e alterações no produto não aprovados pelo fabricante podem causar ferimentos graves ou morte. Não modifique o produto. Use somente os acessórios aprovados pelo fabricante.
- Se a manutenção não for feita correta e regularmente, o risco de ferimentos e danos ao produto aumenta.
- Faça a manutenção somente como indicado no manual do proprietário. Todas as outras operações

de manutenção devem ser realizadas por uma Husqvarna oficina autorizada.

- Leve o produto regularmente a uma Husqvarna oficina autorizada.
- Substitua peças danificadas, desgastadas ou quebradas.

## Montagem

### Introdução



**AVISO:** Antes de montar o produto, você deve ler e entender o capítulo sobre segurança.



**AVISO:** Retire o cabo da vela de ignição antes de montar o produto.

### Para montar a alça

**Observação:** Recomenda-se que 2 pessoas façam esse procedimento.

**Observação:** Quando montar a alça, não remova o produto da caixa. A caixa pode ser usada para suporte da alça durante a montagem.

1. Levante e gire a alça. (Fig. 13)



**CUIDADO:** Tenha cuidado e certifique-se de que o cabo não seja danificado ao girar a alça.

2. Coloque a alça em cima do produto. Incline a alça contra a caixa para dar suporte à alça. Consulte a ilustração. (Fig. 14)
3. Empurre o parafuso (A) através da alça (B), da arruela plástica (C) e do suporte de apoio da alça (D). (Fig. 15)
4. Aperte a porca (E) totalmente.
5. Remova o produto da caixa.
6. Dobre a alça para a posição vertical. (Fig. 16)
7. Ajuste a altura da alça para a posição mais baixa. Consulte *Para ajustar a alça na página 285*.
8. Prenda o cabo na parte inferior da alça com o grampo do cabo. (Fig. 17)
9. Com a abraçadeira plástica, prenda a parte inferior do cabo no suporte de apoio da alça. Corte o excesso da abraçadeira plástica. (Fig. 18)

**Observação:** Certifique-se de que o cabo esteja corretamente preso. Um cabo muito solto pode sofrer danos quando o coletor de grama for instalado. (Fig. 19)

### Para ajustar a alça

1. Solte os botões inferiores.
2. Mova os botões para a extremidade inferior dos sulcos nos lados esquerdo e direito do produto. (Fig. 20)
3. Ajuste a altura da alça em uma das 2 posições disponíveis.
4. Mova os botões para cima na direção da alça, até que eles parem e você ouça o som de clique. (Fig. 21)
5. Aperte os botões totalmente.

### Para colocar o produto na posição de transporte

1. Remova o coletor de grama (se instalado).
2. Solte os botões inferiores.
3. Mova os botões para a extremidade inferior dos sulcos nos lados esquerdo e direito do produto. (Fig. 20)
4. Dobre a alça para frente. (Fig. 22)

### Para colocar o produto na posição de operação

1. Dobre a alça para a posição vertical. (Fig. 23)
2. Mova os botões para cima na direção da alça, até que eles parem e você ouça o som de clique. (Fig. 21)
3. Aperte os botões totalmente.

### Para montar o coletor de grama

1. Prenda a estrutura do coletor de grama na bolsa de grama com a parte rígida da bolsa na parte inferior. Mantenha a alça da estrutura fora da parte superior da bolsa. (Fig. 24)
2. Prenda a bolsa de grama à estrutura com os grampos. (Fig. 25)

---

# OPERAÇÃO

---

## Introdução



**AVISO:** Antes de operar o produto, você deve ler e entender o capítulo sobre segurança.

## Husqvarna Connect

Husqvarna Connect é um aplicativo gratuito para seu dispositivo móvel. O aplicativo Husqvarna Connect oferece funções estendidas para o seu produto Husqvarna:

- Informações estendidas sobre o produto.
- Informações e ajuda com peças do produto e manutenção.

### Para começar a usar o Husqvarna Connect

1. Baixe o aplicativo Husqvarna Connect em seu dispositivo móvel.
2. Inscreva-se no aplicativo Husqvarna Connect.
3. Siga as instruções no aplicativo Husqvarna Connect para conectar e registrar o produto.

### Antes de operar o produto

1. Leia atentamente o manual do operador e certifique-se de que tenha entendido as instruções.
2. Examine o equipamento de corte para se certificar de que esteja preso e ajustado corretamente. Consulte *Para examinar o equipamento de corte na página 288*.
3. Abasteça o tanque de combustível. Consulte *Para abastecer com combustível na página 286*.
4. Encha o tanque de óleo e verifique o nível do óleo. Consulte *Para substituir o óleo do motor na página 289*.

### Para abastecer com combustível

Se disponível, utilize gasolina de baixa emissão/alquilato. Se uma gasolina com baixa emissão/alquilato não estiver disponível, use gasolina sem chumbo de boa qualidade ou gasolina com chumbo com octanagem de 90.



**CUIDADO:** Não use gasolina com octanagem menor que 90 RON (87 AKI). Isso pode causar danos ao produto.

1. Abra a tampa do tanque de combustível devagar, para liberar a pressão.
2. Encha o tanque lentamente com o galão de combustível. Se derramar combustível, remova-o com um pano e deixe o restante secar.

3. Limpe a área ao redor da tampa do tanque de combustível.
4. Aperte a tampa do reservatório de combustível. Se a tampa do reservatório de combustível não estiver apertada, há um risco de incêndio.
5. Mova o produto no mínimo 3 m (10 pés) da posição na qual você abasteceu o tanque antes de ligar o motor.

### Para ajustar a altura de corte

1. Mova a alavanca da altura de corte para trás, para elevar a altura de corte.
2. Mova a alavanca da altura de corte para frente para diminuir a altura de corte. (Fig. 26)



**CUIDADO:** Não deixe a altura de corte muito baixa. Os discos podem atingir o chão, caso a superfície da grama não esteja nivelada.

### Para iniciar o produto

1. Certifique-se de que o cabo de ignição esteja conectado à vela de ignição.
2. Fique atrás do produto.
3. Segure a alça do freio do motor contra a barra de direção. (Fig. 27)
4. Segure a alça da corda de arranque com sua mão direita.
5. Puxe a corda de arranque devagar, até sentir um pouco de resistência.
6. Puxe com força para dar partida no motor.



**AVISO:** Não enrole a corda de arranque ao redor de sua mão.

### Para utilizar a tração nas rodas

- Inicie a tração nas rodas com a alavanca de controle de rotação no lado esquerdo da alça. Mova a alavanca de controle de velocidade para frente para aumentar a velocidade e para trás para diminuir a velocidade. (Fig. 28)
- Antes de puxar o produto para trás, desengate a transmissão e empurre o produto para frente por aproximadamente 10 cm.
- Solte o braço de acionamento para desengatar, por exemplo, quando você chegar próximo a um obstáculo.

### Para parar o produto

- Para parar somente o acionamento, solte o braço de acionamento.

- Para desligar o motor, solte a alça do freio do motor.

## Para usar o produto com o coletor de grama



**AVISO:** Não opere o produto sem um coletor de grama instalado nem sem que a tampa traseira esteja fechada. Objetos podem ser lançados e causar ferimentos ao operador.

1. Levante a tampa traseira e remova o plugue de folhagem, caso esteja instalado. (Fig. 29)
2. Monte o coletor de grama, consulte *Para montar o coletor de grama na página 285*.
3. Coloque o coletor de grama no suporte.
4. Solte a tampa traseira e coloque-a na parte superior da estrutura da bolsa de grama. (Fig. 30)

## Para colocar o produto no modo de folhagem

Certifique-se de que o motor esteja desligado antes de colocar o produto no modo de folhagem.

1. Levante a tampa traseira e remova o coletor de grama, caso esteja instalado.
2. Coloque o plugue de folhagem no canal de descarga. (Fig. 31)
3. Feche a tampa traseira e certifique-se de que ela esteja bem fechada contra o plugue de folhagem.

**Observação:** Para aumentar o desempenho do modo de reciclagem, substitua a lâmina pelo acessório de lâmina de reciclagem. Consulte a *Para substituir o disco na página 289*

## Para colocar o produto no modo de descarga lateral

1. Levante a tampa traseira e remova a bolsa de grama, caso esta esteja instalada.
2. Feche a tampa traseira e certifique-se de que ela esteja bem fechada contra o produto.
3. Levante a trava de descarga. (Fig. 32)

4. Abra a proteção de descarga lateral e instale o defletor de descarga lateral nos pinos de suporte. (Fig. 33)
5. Deixe a proteção de descarga lateral fechar contra o defletor de descarga lateral. Certifique-se de que o defletor de descarga lateral esteja firmemente posicionado antes de operar o produto.

## Para esvaziar o coletor de grama



**CUIDADO:** Levante o coletor de grama ao movê-lo para evitar desgaste.

1. Levante o coletor de grama com a alça da estrutura.
2. Use a alça da estrutura e a alça da bolsa quando esvaziar o coletor de grama. (Fig. 34)

## Para obter um bom resultado

- Use sempre um disco afiado. Um disco cego proporciona um resultado irregular e a superfície de corte da grama fica amarela. Um disco afiado também gasta menos energia do que um disco cego.
- Não corte mais do que  $\frac{1}{3}$  do comprimento da grama. Use a altura de corte mais alta quando começar a cortar a grama. Examine o resultado e diminua a altura de corte para um nível apropriado. Se a grama estiver muito alta, opere devagar e corte 2 vezes, se necessário.
- Cada vez que cortar a grama, faça em diferentes direções para evitar listras no gramado.
- Levante a tampa traseira e remova o coletor de grama.
- Caso um plugue de folhagem e uma lâmina de folhagem estejam instalados, remova-os.
- Feche a tampa traseira antes de operar o produto. Ao operar o produto, a grama cortada será descarregada sob a tampa traseira.
- Mantenha a tampa de corte limpa. O acúmulo de grama e sujeira no lado interno da tampa de corte pode diminuir o resultado do corte. Consulte *Para limpar a superfície interna da tampa de corte na página 288*.

# Manutenção

## Introdução



**AVISO:** Antes de fazer a manutenção, você deve ler e entender o capítulo sobre segurança.

Treinamento especial é necessário para todos os serviços de manutenção e reparos no produto. Garantimos a disponibilidade de reparos e manutenção

profissionais. Se o seu revendedor não for uma oficina autorizada, peça informações para saber qual é a oficina autorizada mais próxima.

Para obter informações detalhadas, consulte .

## Cronograma de manutenção



**CUIDADO:** Certifique-se de que o filtro de ar esteja para cima e não contra o solo ao inclinar o produto. Risco de danos ao motor.

Os intervalos de manutenção são calculados com base no uso diário do produto. Os intervalos mudam se o produto não for usado diariamente.

Para manutenção identificada com \*, consulte as instruções em *Dispositivos de segurança no produtona página283*.

| Manutenção   | Diariamente | Semanalmente | Mensalmente |
|--|-------------|--------------|-------------|
| Fazer uma inspeção geral   | X           |              |             |
| Examinar o nível de óleo   | X           |              |             |
| Limpar o produto   | X           |              |             |
| Examinar o equipamento de corte  | X           |              |             |
| Examinar a tampa de corte *  | X           |              |             |
| Examinar a alça do freio do motor *  | X           |              |             |
| Examinar o controle do freio da lâmina *   | X           |              |             |
| Examinar o silenciador *   |             | X            |             |
| Examinar a vela de ignição   |             | X            |             |
| Trocar o óleo (na primeira vez, após 5 horas de uso; depois, a cada 50 horas de uso) |             |              | X           |
| Limpar ou substituir o filtro de ar  |             |              | X           |
| Examinar o sistema de combustível  |             |              | X           |

### Para fazer uma inspeção geral

- Certifique-se de que todas as porcas e parafusos do produto estejam apertados corretamente.

### Para limpar o produto externamente

- Utilize um pincel para remover folhas, grama e sujeira.
- Certifique-se de que a entrada de ar na parte superior do motor não esteja bloqueada.
- Não use lavadora de alta pressão para limpar o produto.
- Se utilizar água para limpar o produto, não jogue-a diretamente no motor.

### Para limpar a superfície interna da tampa de corte

1. Esvazie o reservatório de combustível.
2. Coloque o produto de lado com o silenciador virado para baixo.



**CUIDADO:** Se produto for colocado com o filtro de ar para baixo, pode danificar o motor.

3. Lave a superfície interna da tampa de corte com água.

### Para examinar o equipamento de corte



**AVISO:** Para evitar que o produto ligue acidentalmente, remova o cabo de ignição da vela de ignição.



**AVISO:** Use luvas de proteção ao fazer a manutenção no equipamento de corte. O disco é muito afiado e pode cortar facilmente.

1. Verifique o equipamento de corte quanto a danos ou rachaduras. Sempre substitua um equipamento de corte danificado.
2. Examine o disco para verificar se está danificado ou cego.

**Observação:** É necessário equilibrar o disco após ser afiado. Leve a um centro de atendimento para afiar, substituir e equilibrar o disco. Se você atingir um obstáculo que causar a parada do produto, substitua o disco danificado. Leve o produto a um centro de



atendimento para avaliar se o disco pode ser afiado ou deve ser substituído.

## Para substituir o disco

1. Bloqueie o disco com um bloco de madeira. (Fig. 35)
2. Remova o parafuso da lâmina, a arruela de pressão e a lâmina. (Fig. 36)
3. Examine o suporte da lâmina e o parafuso da lâmina para ver se há danos.
  - a) Se você substituir a lâmina ou o suporte da lâmina, substitua também o parafuso da lâmina, a arruela de pressão e a arruela de fricção.
4. Examine o eixo do motor para se certificar de que não está dobrado.
5. Ao colocar uma nova lâmina, certifique-se de que as extremidades dobradas apontam na direção da tampa de corte. (Fig. 37)
6. Coloque a arruela de fricção e a lâmina contra o suporte da lâmina. (Fig. 38)
7. Certifique-se de que o disco esteja alinhado com o centro do eixo do motor. (Fig. 39)
8. Bloqueie o disco com um bloco de madeira. (Fig. 40)
9. Prenda a arruela de pressão e aperte o parafuso com torque de 43 – 47 Nm. (Fig. 41)
10. Puxe o disco, girando-o, e certifique-se de que ele se movimenta livremente.



**AVISO:** Use luvas de proteção. O disco é muito afiado e pode cortar facilmente.

11. Ligue o produto para fazer um teste do disco. Se o disco não estiver preso corretamente, o produto vibrará ou o resultado do corte não será satisfatório.

## Para fazer uma verificação do nível do óleo



**CUIDADO:** O nível muito baixo do óleo pode danificar o motor. Antes de ligar o produto, faça uma verificação do nível do óleo.

1. Ponha o produto em uma superfície nivelada.
2. Remova a tampa do tanque de óleo e a vareta fornecida.
3. Limpe o óleo da vareta.
4. Empurre a vareta totalmente dentro do tanque de óleo para ter uma noção correta do nível do óleo. Não prenda a tampa do tanque de óleo.
5. Remova a tampa do tanque de óleo e a vareta fornecida.
6. Examine o nível de óleo na vareta.

7. Se o nível de óleo estiver baixo, encha com óleo de motor e faça uma verificação do nível do óleo novamente. (Fig. 42)

**Observação:** Use um funil para evitar derramamento.

8. Instale a tampa do tanque de óleo quando o nível de óleo estiver correto.

## Para substituir o óleo do motor



**AVISO:** O óleo do motor fica muito quente após o motor ser desligado. Deixe o motor esfriar antes de drenar o óleo do motor. Se derramar óleo de motor na sua pele, limpe com água e sabão.

(Fig. 43)

1. Opere o produto até esvaziar o tanque de combustível.
2. Remova o cabo de alta tensão da vela de ignição.
3. Remova a tampa do tanque de óleo e a vareta fornecida.
4. Coloque um recipiente embaixo do produto para recolher o óleo do motor.
5. Incline o produto ou drene o óleo do motor do tanque de óleo com uma bomba de óleo (acessório).
6. Encha com o novo tipo de óleo de motor, recomendado em *Dados técnicos na página 292*.
7. Faça uma verificação do nível do óleo. Consulte *Para fazer uma verificação do nível do óleo na página 289*.
8. Instale a tampa do tanque de óleo quando o nível de óleo estiver correto.

## Para verificar a vela de ignição



**CUIDADO:** Use sempre o tipo de vela de ignição recomendado. O tipo errado de vela de ignição pode causar danos ao produto.

- Se o motor apresentar baixa potência, não iniciar com facilidade ou não operar corretamente em marcha lenta, verifique a vela de ignição.
- Para diminuir o risco de presença de material indesejado nos eletrodos da vela de ignição, siga as seguintes instruções:
  - a) Certifique-se de que a marcha lenta esteja ajustada corretamente.
  - b) Certifique-se de que a mistura de combustível esteja correta.
  - c) Certifique-se de que o filtro de ar esteja limpo.
- Se a vela de ignição estiver suja, limpe-a e verifique se a folga do eletrodo está correta, consulte *Dados técnicos na página 292*. (Fig. 44)

- Substitua a vela de ignição, se for necessário.

## Para limpar o filtro de ar

Um filtro de ar sujo pode fazer com que o motor seja danificado ou não opere corretamente. Faça a manutenção no filtro de ar com maior frequência em condições de poeira.

Consulte *Cronograma de manutenção* na página 288 para obter informações sobre o momento de substituir o filtro de ar.

1. Remova a tampa do filtro de ar e remova o filtro.
2. Limpe o filtro batendo-o contra uma superfície plana. Não use solvente com petróleo, querosene ou ar comprimido para limpar o filtro.

**Observação:** Filtros de ar em operação há muito tempo não podem ser limpos completamente. Substitua o filtro de ar regularmente. Filtros de ar danificados deve ser sempre substituídos.

3. Ao montar o filtro de ar, certifique-se de que ele esteja completamente vedado contra o suporte do filtro.

## Para fazer uma verificação do defletor de descarga lateral

O defletor de descarga lateral é fixado à abertura de descarga lateral do produto. Ele diminui o risco de objetos serem lançados na direção da posição de corte de grama do operador.

1. Certifique-se de que o defletor de descarga lateral não esteja danificado.
2. Examine o defletor de descarga lateral. Certifique-se de que não haja danos, como rachaduras ou molas quebradas empurrando a porta para fechar.
3. Substitua o defletor de descarga lateral ou as molas em caso de danos.

## Para examinar o sistema de combustível

- Examine a tampa do tanque de combustível e a vedação da tampa do tanque de combustível, para se certificar de que não há danos.
- Examine a mangueira de combustível, para se certificar de que não há vazamentos. Se a mangueira de combustível estiver danificada, vá a uma oficina autorizada para substituí-la.

## Para drenar o combustível do reservatório

1. Coloque um recipiente debaixo do tanque de óleo.

2. Remova a tampa do depósito de combustível.
3. Empurre os cliques da mangueira na mangueira de combustível contra o carburador.
4. Remova a mangueira de combustível do carburador.
5. Coloque a mangueira do tanque de combustível no recipiente e remova os cliques da mangueira.
6. Incline o produto e drene o combustível de dentro do recipiente.

## Para substituir o filtro de combustível



**AVISO:** Use luvas de proteção.

1. Drene o combustível do reservatório.
2. Afaste o clipe de mangueira do tanque de combustível. (Fig. 45)
3. Remova a mangueira de combustível do tanque de combustível. Uma pequena quantidade de combustível pode vaziar. (Fig. 46)
4. Remova o filtro de combustível do tanque de combustível. (Fig. 47)
5. Instale um novo filtro de combustível no tanque de combustível.
6. Prenda a mangueira de combustível no tanque de combustível.
7. Coloque o clipe da mangueira contra o tanque de combustível.

## Para ajustar o cabo da embreagem

Para as situações a seguir, é necessário diminuir o comprimento do cabo da embreagem:

- A tração das rodas não engata ao puxar o braço de acionamento ou a alavanca de controle de rotação.
- O produto se move lentamente quando a tração das rodas é engatada.

Para as situações a seguir, é necessário aumentar o comprimento do cabo da embreagem:

- O produto se move quando a tração das rodas não é engatada.
- Ajuste o cabo da embreagem.
  - a) Para diminuir o comprimento do cabo da embreagem, gire o parafuso de ajuste no sentido anti-horário.
  - b) Para aumentar o comprimento do cabo da embreagem, gire o parafuso de ajuste no sentido horário. (Fig. 48)

Caso a tração do produto continue insatisfatória após o ajuste, fale com seu revendedor

---

## Transporte, armazenamento e descarte

---

### Transporte e armazenamento

- Para transporte e armazenamento do produto e combustível, certifique-se de que não haja vazamentos ou gases de escape. Faíscas ou chamas abertas, por exemplo, de dispositivos elétricos ou caldeiras, podem iniciar um incêndio.
- Sempre utilize recipientes aprovados para armazenamento e transporte de combustível.
- Esvazie o tanque de combustível antes de armazenar o produto por um longo período de tempo. Descarte o combustível em um local apropriado
- Fixe o produto de forma segura durante o transporte, para evitar danos e acidentes.
- Mantenha o produto em um local bloqueado para evitar o acesso de crianças ou de pessoas não autorizadas.
- Mantenha o produto em um local seco e livre de congelamento.

### Descarte

- Respeite os requisitos locais de reciclagem e as regulamentações aplicáveis.
- Descarte todos os produtos químicos, como óleo de motor ou combustível, em um centro de serviço ou em um local apropriado para o descarte.
- Quando o produto não for mais utilizado, envie-o para um Husqvarna revendedor ou descarte-o em um local para reciclagem.

## Dados técnicos

### Especificações técnicas

|  |   |
|--|---|
|  | <b>LC 356VP</b>   |
| <b>Motor</b>   |   |
| Marca  | Honda   |
| Nome do modelo do motor                                    | GCVx170   |
| Cilindrada, cm <sup>3</sup>                                | 166   |
| Rotação, rpm   | 2800  |
| Potência nominal do motor, kW <sup>101</sup>               | 3,1   |
| <b>Sistema de ignição</b>                                  |   |
| Vela de ignição  | NGK BPR5ES  |
| Folga do eletrodo  | 0,75  |
| <b>Sistema de combustível e lubrificação</b>               |   |
| Combustível, sem chumbo, octanagem mínima                  | 90  |
| Capacidade do depósito de combustível, litros              | 0,9   |
| Capacidade do reservatório de óleo, litros                 | 0,4   |
| Óleo do motor <sup>102</sup>                               | Husqvarna SAE 30, Husqvarna SAE 5W-30 sintético, Husqvarna SAE 10W-40 |
| <b>Peso</b>  |   |
| Com tanques vazios, kg                                     | 35,1  |
| <b>Emissões de ruído</b> <sup>103</sup>                    |   |
| Nível da potência sonora, dB medido (A)                    | 98  |
| Nível da potência sonora, L <sub>WA</sub> dB (A) garantido | 98  |
| <b>Níveis sonoros</b> <sup>104</sup>                       |   |
| Nível de pressão sonora no ouvido do operador, dB (A)      | 86  |

<sup>101</sup> A potência nominal do motor indicada é a potência média líquida (em rpm especificado) de um típico motor de produção para o modelo do motor medido no padrão SAE J1349/ISO1585. Os motores de produção em massa podem apresentar diferenças nesse valor. A potência real para o motor instalado no produto final vai depender da velocidade de operação, das condições ambientais e de outros valores.

<sup>102</sup> Use óleo de motor de qualidade API SJ ou superior. Se óleo SAE-30 for utilizado em temperatura inferior +5 °C, existe o risco de o motor não receber lubrificação suficiente. Isso pode causar danos ao motor. Consulte *Para substituir o óleo do motor na página 289* para obter o óleo correto para temperaturas baixas. Consulte a tabela de viscosidade no manual do motor (se incluído) e selecione a melhor viscosidade com base na temperatura externa prevista.

<sup>103</sup> As emissões de ruído no meio ambiente são medidas como potência sonora (L<sub>WA</sub>) em conformidade com a norma EC 2000/14/EC.

<sup>104</sup> Os dados informados para nível de pressão de ruído têm uma dispersão estatística típica (desvio padrão) de 1,2 dB (A).

|  |                                      |
|--|--------------------------------------|
|  | <b>LC 356VP</b>                      |
| <b>Níveis de vibração</b> <sup>105</sup> |                                      |
| Alça, m/s <sup>2</sup>                   | 5,9                                  |
| <b>Equipamento de corte</b>              |                                      |
| Altura de corte, mm                      | 25-75                                |
| Largura de corte, mm                     | 560                                  |
| Sistema de corte                         | Coleta / BioClip® / descarga lateral |
| Lâmina - padrão                          | Collection 598562701                 |
| Lâmina - acessório                       | Mulch 598563601                      |
| <b>Acionamento</b>                       |                                      |
| Velocidade, km/h                         | 3,0 - 4,5                            |

<sup>105</sup> Os dados relatados de nível de vibração têm uma dispersão estatística típica (desvio padrão) de 0,2 m/s<sup>2</sup>.

# Declaração de Conformidade

## Declaração de Conformidade da CE

Nós, **Husqvarna AB**, SE-561 82 Huskvarna, Suécia, tel.: +46-36-146500, declaramos, sob nossa exclusiva responsabilidade, que o produto:

|                      |  |
|----------------------|--|
| <b>Descrição</b>     | Cortador de grama                          |
| <b>Marca</b>         | Husqvarna                                  |
| <b>Tipo / Modelo</b> | LC 356VP                                   |
| <b>Identificação</b> | Números de série com data a partir de 2022 |

está em total acordo com as seguintes diretivas e normas da EC:

| <b>Regulamentos</b> | <b>Descrição</b>  |
|---------------------|---|
| 2006/42/EC          | "relativa a maquinário"   |
| 2014/30/EU          | "relativa à compatibilidade eletromagnética"  |
| 2000/14/EC          | "relativa às emissões de ruído no meio ambiente"  |
| 2011/65/EU          | "relativa à restrição do uso de determinadas substâncias perigosas em equipamentos elétricos e eletrônicos" |

e que as seguintes normas e/ou especificações técnicas são aplicadas: EN ISO 5395-1:2013/A1:2018, EN ISO 5395-2:2013/A1:2016/A2:2017, EN ISO 14982:2009, EN IEC 63000:2018

Entidade competente: 0404, RISE SMP Svensk Maskinprovning AB, Box 4053, SE-904 03 Umeå, Sweden em conformidade certificada com a diretiva do conselho 2000/14/EC, procedimento de avaliação de conformidade: Anexo VI.

Para obter informações relacionadas a emissões de ruído, consulte *Dados técnicos na página 292*.

Huskvarna, 2022-10-20



Claes Losdal, Gerente de Desenvolvimento/Produtos para Jardins, Husqvarna AB

Responsável pela documentação técnica



---

# CUPRINS

---

|                   |     |   |     |
|-------------------|-----|---|-----|
| Introducere.....  | 295 | Întreținerea.....                           | 301 |
| Siguranță.....    | 296 | Transportul, depozitarea și eliminarea..... | 304 |
| Asamblarea.....   | 299 | Date tehnice.....                           | 306 |
| Funcționarea..... | 300 | Declarație de conformitate.....             | 308 |

---

## Introducere

---

### Descrierea produsului

Produsul este o mașină rotativă pentru tuns gazonul controlată de un operator-pieton. Atașați colectorul de iarbă pentru a colecta iarbă. Atașați deflectorul de descărcare laterală pentru descărcarea laterală a ierbii. Atașați un kit de mărunțire pentru a tăia iarbă și a o transforma în îngrășământ.

### Prezentarea generală a produsului

(Fig. 1)

1. Mâner
2. Manetă frână de motor
3. Manetă de transmisie
4. Mâner pentru șnurul de pornire
5. Capac posterior
6. Colectorul de iarbă
7. Butoane de setare a înălțimii
8. Pârghie pentru înălțimea de tăiere
9. Dop pentru ulei
10. Capac de descărcare laterală
11. Amortizor de zgomot
12. Bujie
13. Bușon rezervor de carburant
14. Simboluri
15. Capac de tăiere
16. Filtru de aer
17. Manetă de comandă a vitezei
18. Deflector lateral
19. Obturator pentru resturi vegetale (accesoriu)
20. Manualul operatorului

### Simbolurile de pe produs

(Fig. 2) **AVERTISMENT!** Aveți grijă și utilizați corect produsul. Acest produs poate cauza vătămări corporale grave sau decesul operatorului sau al altor persoane.

(Fig. 3) Citiți cu atenție manualul operatorului și asigurați-vă că înțelegeți instrucțiunile înainte de utilizare.

### Domeniul de utilizare

Utilizați produsul pentru a tăia iarbă. Nu utilizați produsul pentru alte sarcini.

(Fig. 4) Feriți-vă de obiectele proiectate sau care ricoșează.

(Fig. 5) Țineți persoanele și animalele la o distanță sigură de zona de lucru.

(Fig. 6) Avertisment: Feriți-vă mâinile și picioarele de cuțitul rotativ.

(Fig. 7) Avertisment: Feriți-vă mâinile și picioarele de piesele rotative.

(Fig. 8) Opriți motorul și scoateți cablul de alimentare a aprinderii înainte de a efectua lucrări de întreținere sau reparații.

(Fig. 9) Acest produs este în conformitate cu directivele UE aplicabile.

(Fig. 10) Acest produs este în conformitate cu reglementările aplicabile din Regatul Unit.

(Fig. 11) Etichetă privind emisiile de zgomot în mediu, conform directivelor și reglementărilor din UE și Regatul Unit și legislației din New South Wales „Regulamentul privind măsurile de protecție a mediului (controlul zgomotului) din 2017”. Nivelul de putere sonoră garantat al produsului este specificat în *Date tehnice la pagina 306* și pe etichetă.

---

**Nota:** Alte simboluri/autocolante de pe produs se referă la cerințele de certificare pentru unele zone comerciale.

---

## Deteriorarea produsului

Nu suntem responsabili pentru deteriorarea produsului dacă:

- produsul este reparat necorespunzător.
- produsul este reparat cu piese care nu provin de la producător sau care nu sunt aprobate de acesta.
- produsul are un accesoriu care nu provine de la producător sau care nu este aprobat de acesta.

- produsul nu este reparat la un centru de service omologat sau de o autoritate omologată.

## Emisiile de Euro V



**AVERTISMENT:** În urma modificării neautorizate a motorului, este anulată aprobarea de tip UE pentru acest produs.

## Siguranță

### Definiții privind siguranța

Avertismentele, atenționările și notele sunt utilizate pentru a desemna părți foarte importante din manual.



**AVERTISMENT:** Se utilizează dacă există risc de vătămare sau de deces pentru operator sau pentru trecători, în cazul în care instrucțiunile din manual nu sunt respectate.



**ATENȚIE:** Se utilizează dacă există un risc de deteriorare a produsului, a altor materiale sau a zonelor învecinate, dacă instrucțiunile din manual nu sunt respectate.

**Nota:** Se utilizează pentru a furniza mai multe informații care sunt necesare într-o situație dată.

### Instrucțiuni generale de siguranță



**AVERTISMENT:** Înainte de a utiliza produsul, citiți instrucțiunile de avertizare de mai jos.

- Acest produs este periculos dacă este utilizat incorect sau dacă nu sunteți atent. Nerespectarea instrucțiunilor de siguranță poate cauza vătămări corporale sau decesul.
- În timpul funcționării, acest produs generează un câmp electromagnetic. În anumite condiții, acest câmp poate interfera cu implanturile medicale active sau pasive. Pentru a reduce riscul de vătămări corporale grave sau mortale, recomandăm persoanelor cu implanturi medicale să consulte medicul și producătorul implantului medical înainte de a utiliza acest produs.
- Procedați întotdeauna cu atenție și folosiți-vă judecata. Dacă nu sunteți sigur cum să utilizați produsul într-o situație specială, opriți-l și adresați-vă distribuitorului Husqvarna înainte de a continua.
- Rețineți că operatorul poartă responsabilitatea privind orice accidente care implică alte persoane sau bunurile lor.

- Păstrați produsul curat. Asigurați-vă că puteți citi clar semnele și autocolantele.
- Nu permiteți niciunei persoane să utilizeze produsul dacă aceasta nu a citit și înțeles conținutul manualului operatorului.
- Nu permiteți copiilor să utilizeze produsul.
- Țineți copiii departe de zona de lucru. Un adult responsabil trebuie să fie prezent în permanență.
- Nu permiteți niciunei persoane care nu cunoaște instrucțiunile să utilizeze produsul.
- Monitorizați permanent o persoană cu capacități fizice sau mintale reduse, care utilizează produsul. Un adult responsabil trebuie să fie prezent în permanență.
- Nu utilizați produsul atunci când sunteți obosit, bolnav sau dacă ați consumat alcool, droguri sau ați luat medicamente. Acestea vă afectează negativ acuitatea vizuală, atenția, coordonarea și judecata.
- Nu folosiți produse deteriorate sau care nu funcționează corect.
- Nu modificați acest produs și nu îl utilizați dacă este posibil să fi fost modificat de către alte persoane.
- Nu modificați setarea controlului turajului motorului.

### Siguranța zonei de lucru



**AVERTISMENT:** Înainte de a utiliza produsul, citiți instrucțiunile de avertizare de mai jos.

- Înainte de a utiliza produsul, îndepărtați obiectele precum crengile, rămurelele și pietrele din zona de lucru.
- Obiectele care se lovesc de echipamentul de tăiere pot fi aruncate, provocând vătămări corporale și pagube materiale. Țineți trecătorii și animalele la o distanță sigură de produs.
- Nu utilizați produsul pe vremea rea, de exemplu pe ceață, ploaie, vânt puternic, la temperaturi exterioare foarte scăzute și atunci când există riscul de descărcări electrice. Utilizarea produsului pe vreme nefavorabilă sau pe teren umed sau inundat este obositoare. Vremea nefavorabilă poate conduce la apariția de situații periculoase, de exemplu suprafețe alunecoase.



- Verificați dacă există persoane, obiecte și situații care pot împiedica funcționarea în siguranță a produsului.
- Atenție la obstacole, precum rădăcini, pietre, ramuri, gropi și șanțuri. În iarba înaltă se pot ascunde obstacole.
- Tunderea ierbii pe pante poate fi periculoasă. Nu utilizați produsul pe pante cu înclinație mai mare de 15°.
- Utilizați produsul de-a curmezișul pantei. Nu efectuați mișcări în sus și în jos.
- Procedați cu atenție atunci când vă apropiați de colțuri ascunse și de obiecte care blochează vederea.

## Siguranța în lucru



**AVERTISMENT:** Înainte de a utiliza produsul, citiți instrucțiunile de avertizare de mai jos.

- Utilizați acest produs numai pentru tunderea gazonului. Nu este permisă utilizarea acestui produs pentru alte lucrări.
- Utilizați echipamentul personal de protecție. Consultați *Echipament de protecție personală la pagina 297*.
- Asigurați-vă că știți cum să opriți rapid motorul în caz de urgență.
- Nu porniți niciodată motorul într-un spațiu închis sau lângă materiale inflamabile. Gazele de eșapament de la motor sunt fierbinți și pot conține scântei care pot cauza un incendiu.
- Nu utilizați produsul decât dacă au fost montate corect cuțitul și toate capacele. Un cuțit montat incorect se poate slăbi, provocând vătămări corporale.
- Asigurați-vă că lama nu lovește obiecte, precum pietre și rădăcini. Acestea pot deteriora cuțitul și pot îndoi arborele motorului. Un ax îndoit poate genera vibrații puternice și prezintă un risc foarte ridicat de slăbire a cuțitului.
- Dacă lama lovește un obiect sau dacă observați vibrații, opriți produsul imediat. Decuplați cablul de alimentare a aprinderii de la bujie. Examinați dacă produsul este deteriorat. Reparați defecțiunile sau solicitați unui agent de service autorizat să le repare.
- Nu fixați niciodată de mâner maneta frânei de motor, în mod permanent, atunci când motorul este pornit.
- Poziționați produsul pe o suprafață stabilă, plană și porniți-l. Asigurați-vă că lama nu atinge solul sau alte obiecte.
- Stați întotdeauna în spatele produsului atunci când îl utilizați.
- Mențineți toate roțile pe sol și țineți ambele mâini pe mâner când utilizați produsul. Feriți-vă mâinile și picioarele de cuțitele rotative.
- Nu înclinați produsul când motorul este pornit.
- Fiți atent atunci când trageți produsul în spate.

- Nu ridicați niciodată produsul când motorul este pornit. Dacă trebuie să ridicați produsul, mai întâi opriți motorul și deconectați cablul de alimentare a aprinderii de la bujie.
- Nu mergeți cu spatele în timp ce utilizați produsul.
- Opriți motorul când traversați zone fără iarbă, de exemplu alei din pietriș, piatră și asfalt.
- Nu alergați cu produsul când motorul este pornit. Întotdeauna mergeți în timp ce utilizați produsul.
- Opriți motorul înainte de a schimba înălțimea de tăiere. Nu efectuați niciodată reglări cu motorul pornit.
- Nu lăsați niciodată produsul să iasă din câmpul vizual cu motorul pornit. Opriți motorul și asigurați-vă că echipamentul de tăiere nu se rotește.

## Instrucțiuni de siguranță pentru utilizare

### Echipament de protecție personală



**AVERTISMENT:** Înainte de a utiliza produsul, citiți instrucțiunile de avertizare de mai jos.

- Echipamentele de protecție personală nu pot elimina complet riscul de rănire, însă pot reduce gravitatea rănilor în cazul unui accident. Distribuitorul vă poate ajuta să alegeți echipamentul corect.
- Utilizați echipament de protecție a auzului dacă nivelul de zgomot este mai mare de 85 dB.
- Utilizați întotdeauna ghete sau pantofi pentru regim greu de lucru, cu rezistență la alunecare. Nu folosiți pantofi decupați și nu operați produsul desculți.
- Utilizați pantaloni lungi, groși.
- Purtați mănuși de protecție atunci când este necesar, de exemplu atunci când conectați, inspecți și curățați echipamentul de tăiere.

### Dispozitivele de siguranță de pe produs



**AVERTISMENT:** Înainte de a utiliza produsul, citiți instrucțiunile de avertizare de mai jos.

- Nu utilizați un produs cu dispozitive de siguranță care sunt deteriorate sau care nu funcționează corect.
- Verificați regulat dispozitivele de siguranță. În cazul în care dispozitivele de siguranță sunt deteriorate sau nu funcționează corect, adresați-vă Husqvarna agentului de service.
- Nu aduceți modificări dispozitivelor de siguranță.

### Verificarea capacului de tăiere

- Capacul de tăiere reduce vibrațiile în produs și scade riscul de rănire de la cuțit.
- Examinați capacul de tăiere și asigurați-vă că nu există defecte, precum fisuri.

## Verificarea manetei frânei de motor

Maneta frânei de motor oprește motorul. Când maneta frânei de motor este eliberată, motorul se oprește.

- Porniți motorul, apoi eliberați maneta frânei de motor. Dacă motorul nu se oprește în 3 secunde, solicitați unui agent de service autorizat Husqvarna să regleze frâna de motor. (Fig. 12)

## Verificarea capacului posterior

Deflectorul posterior reduce riscul ejectării obiectelor în direcția operatorului.

- Asigurați-vă că capacul posterior nu este deteriorat.
- Asigurați-vă că arcurile care închid capacul posterior nu sunt deteriorate.
- Înlocuiți arcurile deteriorate și componentele deteriorate.
- Asigurați-vă că capacul posterior se poate deplasa lin pe balamale.

## Amortizor de zgomot

Amortizorul de zgomot este proiectat pentru a reduce la minimum nivelul de zgomot și a dirija gazele de eșapament departe de utilizator.

Nu utilizați produsul dacă amortizorul de zgomot nu este instalat sau este deteriorat. Un amortizor de zgomot deteriorat determină creșterea nivelului de zgomot și a pericolului de incendiu.



**AVERTISMENT:** Amortizorul de zgomot atinge temperaturi înalte în timpul utilizării, imediat după oprire și atunci când motorul funcționează la turația de mers în gol. Procedați cu atenție în apropierea materialelor și/sau gazelor inflamabile pentru a preveni incendiile.

## Pentru a verifica amortizorul de zgomot

- Verificați regulat amortizorul de zgomot pentru a vă asigura că este montat corect și nu este deteriorat.

## Reguli de siguranță referitoare la carburant



**AVERTISMENT:** Înainte de a utiliza produsul, citiți instrucțiunile de avertizare de mai jos.

- Nu porniți produsul dacă pe el se află carburant sau ulei pentru motor. Îndepărtați carburantul/uleiul nedorit și lăsați produsul să se usuce.
- Dacă vărsați carburantul pe îmbrăcăminte, schimbați imediat hainele.
- Nu vărsați carburantul pe corp - poate provoca vătămări corporale. Dacă vărsați carburant pe corp, utilizați apă și săpun pentru a elimina carburantul.

- Nu porniți produsul dacă motorul prezintă scurgeri. Examinați cu regularitate motorul, pentru a identifica eventuale scurgeri.
- Manipulați cu atenție carburantul. Carburantul este inflamabil, vaporii sunt explozivi și pot cauza vătămări corporale sau deces.
- Nu respirați vaporii de carburant, se pot produce vătămări corporale. Asigurați-vă că fluxul de aer este suficient.
- Nu fumați în apropierea carburantului sau a motorului.
- Nu amplasați obiecte calde în apropierea carburantului sau a motorului.
- Nu adăugați carburant atunci când motorul este pornit.
- Asigurați-vă că motorul este rece înainte de a realimenta.
- Înainte de a realimenta, deschideți lent capacul rezervorului de carburant și eliberați cu atenție presiunea.
- Nu adăugați carburant la motor într-o zonă interioară. Un flux de aer insuficient poate cauza vătămare corporală sau deces din cauza asfixierii sau a monoxidului de carbon.
- Strângeți până la capăt capacul rezervorului de carburant. Dacă acesta nu este strâns, există pericol de incendiu.
- Înainte de pornire, mutați produsul la o distanță de minimum 3 m/10 ft față de poziția unde ați umplut rezervorul.
- Nu umpleți complet rezervorul de carburant. Căldura provoacă dilatarea carburantului. Păstrați un gol în partea de sus a rezervorului de carburant.
- Nu depozitați niciodată produsul cu combustibil în rezervoar în interiorul unei clădiri unde sunt prezente surse de aprindere, precum boilere fierbinți, sisteme pentru încălzirea incintelor sau uscătoare de haine. Lăsați motorul să se răcească înainte de a depozita aparatul într-un spațiu închis.

## Instrucțiuni de siguranță pentru întreținere



**AVERTISMENT:** Înainte de a utiliza produsul, citiți instrucțiunile de avertizare de mai jos.

- Gazele de eșapament ale motorului conțin monoxid de carbon, care este un gaz inodor, toxic și deosebit de periculos. Nu porniți motorul în interior sau în spații închise.
- Înainte de a efectua întreținerea produsului, opriți motorul și deconectați cablul de alimentare a aprinderii de la bujie.
- Purtați mănuși de protecție când efectuați întreținerea echipamentului de tăiere. Cuțitul este foarte ascuțit și vă puteți tăia foarte ușor.

- Accesoriile și modificările aduse produsului care nu sunt autorizate de către producător pot provoca vătămări corporale grave sau fatale. Nu modificați produsul. Utilizați întotdeauna numai accesorii omologate de producător.
- Dacă întreținerea nu se efectuează corect și periodic, crește pericolul de vătămări corporale și de deteriorare a produsului.
- Efectuați numai operațiile de întreținere care se regăsesc în acest manual al proprietarului. Toate celelalte operații de service trebuie efectuate de către un agent de service autorizat Husqvarna.
- Solicitați unui agent de service autorizat Husqvarna să efectueze în mod regulat operații de service la produs.
- Înlocuiți piesele deteriorate, uzate sau defecte.

## Asamblarea

### Introducere



**AVERTISMENT:** Înainte de a asambla produsul, trebuie să citiți și să înțelegeți capitolul privind siguranța.



**AVERTISMENT:** Demontați cablul de la bujie înainte de a asambla produsul.

### Asamblarea mânerului

**Nota:** Este recomandat ca această procedură să fie realizată de 2 persoane.

**Nota:** Nu îndepărtați produsul din cutie atunci când asamblați mânerul. Cutia poate fi utilizată drept suport pentru mâner în timpul asamblării.

1. Ridicați și rotiți mânerul. (Fig. 13)



**ATENȚIE:** Aveți grijă și asigurați-vă că cablul nu se deteriorează atunci când rotiți mânerul.

2. Puneți mânerul pe produsul. Înclinați mânerul față de cutie pentru a-l sprijini. Consultați ilustrația. (Fig. 14)
3. Împingeți șurubul (A) prin mâner (B), șabla de plastic (C) și consola de susținere a mânerului (D). (Fig. 15)
4. Strângeți complet piulița (E).
5. Scoateți produsul din cutie.
6. Pliati mânerul în poziție verticală. (Fig. 16)
7. Setati înălțimea mânerul la setarea cea mai mică. Consultați *Pentru a regla mânerul la pagina 299*.
8. Fixați cablul la partea inferioară a mânerului cu ajutorul clemei. (Fig. 17)
9. Atașați partea inferioară a cablului la consola de montare a mânerului cu legătura pentru cablu. Tăiați partea rămasă a legăturii pentru cablu. (Fig. 18)

**Nota:** Asigurați-vă că cablul este fixat corect. Un cablul care nu este suficient de strâns poate duce la

deteriorarea acestuia atunci când colectorul de iarbă este montat. (Fig. 19)

### Pentru a regla mânerul

1. Slăbiți butoanele inferioare.
2. Deplasați butoanele spre capătul inferior al canelurilor de pe partea stângă și de pe partea dreaptă a produsului. (Fig. 20)
3. Setati înălțimea mânerului într-una dintre cele 2 poziții disponibile.
4. Deplasați butoanele în sus în direcția mânerului, până când acestea se opresc și se aude un clic. (Fig. 21)
5. Strângeți rozetele până la capăt.

### Așezați produsul în poziția pentru transport

1. Scoateți colectorul de iarbă (dacă este montat).
2. Slăbiți butoanele inferioare.
3. Deplasați butoanele spre capătul inferior al canelurilor de pe partea stângă și de pe partea dreaptă a produsului. (Fig. 20)
4. Pliati mânerul în față. (Fig. 22)

### Așezarea produsului în poziția de funcționare

1. Pliati mânerul în poziție verticală. (Fig. 23)
2. Deplasați butoanele în sus în direcția mânerului, până când acestea se opresc și se aude un clic. (Fig. 21)
3. Strângeți butoanele până la capăt.

### Asamblarea colectorului de iarbă

1. Prindeți cadrul colectorului de iarbă de sacul de iarbă, cu partea rigidă a sacului în jos. Mențineți mânerul cadrului în afara părții de sus a sacului. (Fig. 24)
2. Fixați sacul de iarbă pe cadru cu ajutorul clemelor. (Fig. 25)

# Funcționarea

## Introducere



**AVERTISMENT:** Înainte de a utiliza produsul, trebuie să citiți și să înțelegeți capitolul privind siguranța.

## Husqvarna Connect

Husqvarna Connect este o aplicație gratuită pentru dispozitivul dvs. mobil. Aplicația Husqvarna Connect vă oferă funcții extinse pentru produsul dvs. Husqvarna:

- Informații pe larg despre produs.
- Informații despre piese pentru produse și servicii și asistență pentru acestea.

## Pentru a începe să utilizați Husqvarna Connect

1. Descărcați aplicația Husqvarna Connect pe dispozitivul dvs. mobil.
2. Înregistrați-vă în aplicația Husqvarna Connect.
3. Urmați pașii cu instrucțiuni din aplicația Husqvarna Connect pentru a conecta și înregistra produsul.

## Înainte de a utiliza produsul

1. Citiți cu atenție manualul operatorului și asigurați-vă că înțelegeți instrucțiunile.
2. Examinați echipamentul de tăiere și asigurați-vă că este corect montat și reglat. Consultați *Pentru a examina echipamentul de tăiere la pagina 302.*
3. Umpleți rezervorul de carburant. Consultați *Alimentarea cu carburant la pagina 300.*
4. Umpleți rezervorul de ulei și verificați nivelul uleiului. Consultați *Înlocuirea uleiului pentru motor la pagina 303.*

## Alimentarea cu carburant

Dacă este disponibilă, folosiți benzină alchilată/cu emisii scăzute. Dacă benzina alchilată/cu emisii scăzute nu este disponibilă, folosiți benzină fără plumb sau benzină cu plumb de bună calitate, cu o cifră octanică nu mai mică de 90.



**ATENȚIE:** Nu utilizați benzină cu o cifră octanică mai mică de 90 RON (87 AKI). Aceasta poate deteriora produsul.

1. Deschideți încet capacul rezervorului de carburant, pentru a elibera presiunea.
2. Umpleți încet, cu o canistră de carburant. Dacă vărsați carburant, îndepărtați-l cu o cârpă și lăsați-l să se usuce.

3. Curățați suprafața din jurul capacului rezervorului de carburant.
4. Strângeți până la capăt capacul rezervorului de carburant. Dacă acesta nu este strâns, există pericol de incendiu.
5. Înainte de pornire, mutați produsul la o distanță de minimum 3 m (10 ft) față de poziția unde ați umplut rezervorul.

## Pentru a seta înălțimea de tăiere

1. Deplasați spre spate pârghia înălțimii de tăiere pentru a mări înălțimea de tăiere.
2. Deplasați înainte pârghia înălțimii de tăiere pentru a reduce înălțimea de tăiere. (Fig. 26)



**ATENȚIE:** Nu setați o înălțime de tăiere prea scăzută. Cuțitele pot atinge solul dacă suprafața gazonului nu este plană.

## Pornirea produsului

1. Cablul de alimentare a aprinderii trebuie să fie conectat la bujie.
2. Stați în spatele produsului.
3. Țineți maneta frânei de motor lipită de mâner. (Fig. 27)
4. Țineți mânerul șnurului de pornire cu mâna dreaptă.
5. Trageți încet de șnurul de pornire până ce simțiți o anumită rezistență.
6. Trageți cu forță pentru a porni motorul.



**AVERTISMENT:** Nu răsuciți cablul de pornire în jurul mâinii.

## Utilizarea transmisiei pe roți

- Porniți transmisia pe roți cu ajutorul manetei de control al vitezei din partea stângă a mânerului. Deplasați maneta de control al vitezei spre înainte pentru a mări viteza și înapoi pentru a reduce viteza. (Fig. 28)
- Înainte de a trage produsul în spate, decuplați transmisia și împingeți produsul înainte cu aproximativ 10 cm.
- Eliberați maneta de transmisie pentru a dezactiva transmisia, de exemplu atunci când vă apropiați de un obstacol.

## Pentru a opri produsul

- Pentru a opri doar transmisia, eliberați maneta de transmisie.

- Pentru a opri motorul, eliberați maneta frânei de motor.

## Utilizarea produsului cu colectorul de iarbă



**AVERTISMENT:** Nu utilizați produsul fără un colector de iarbă sau fără ca capacul posterior să fie închis. Obiectele pot ejecta și pot cauza vătămarea operatorului.

1. Ridicați capacul posterior și scoateți obturatorul pentru resturi vegetale, dacă este montat. (Fig. 29)
2. Asamblați colectorul de iarbă, consultați *Asamblarea colectorului de iarbă la pagina 299*.
3. Puneți colectorul de iarbă pe consolă.
4. Scoateți capacul posterior și puneți-l pe cadrul sacului de iarbă. (Fig. 30)

## Trecerea produsului în modul de mărunțire

Asigurați-vă că motorul este oprit înainte de a trece produsul în modul de mărunțire.

1. Ridicați capacul posterior și scoateți colectorul de iarbă, dacă este montat.
2. Introduceți obturatorul pentru resturi vegetale în canalul colector. (Fig. 31)
3. Închideți capacul posterior și asigurați-vă că este bine închis pe obturatorul pentru resturi vegetale.

**Nota:** Pentru a mări performanța modului de mărunțire, înlocuiți cuțitul cu accesoriul cuțit de mărunțire. Consultați *Pentru a înlocui lama la pagina 303*

## Trecerea produsului în modul de descărcare laterală

1. Ridicați capacul posterior și scoateți sacul de iarbă, dacă este montat.
2. Închideți capacul posterior și asigurați-vă că este bine închis pe produs.
3. Ridicați dispozitivul de blocare pentru descărcare. (Fig. 32)

4. Deschideți apărătoarea de descărcare laterală și instalați deflectorul de descărcare laterală pe bolțurile de sprijin. (Fig. 33)
5. Lăsați apărătoarea de descărcare laterală să se închidă pe deflectorul de descărcare laterală. Asigurați-vă că deflectorul de descărcare laterală este bine poziționat înainte de a utiliza produsul.

## Golirea colectorului de iarbă



**ATENȚIE:** Ridicați colectorul de iarbă când îl mișcați, pentru a preveni uzura sa.

1. Ridicați colectorul de iarbă prinzându-l de mânerul cadrului.
2. Folosiți mânerul cadrului și mânerul sacului când goliți colectorul de iarbă. (Fig. 34)

## Obținerea rezultatelor bune

- Utilizați întotdeauna o lamă ascuțită. O lamă tocită oferă rezultate neregulate, iar suprafața tăiată a ierbii se îngălbeneste. De asemenea, o lamă ascuțită folosește mai puțină energie decât o lamă tocită.
- Nu tăiați niciodată mai mult de 1/3 din lungimea ierbii. Folosiți cea mai mare înălțime de tăiere când începeți să tăiați iarbă. Verificați rezultatul și coborâți înălțimea de tăiere la un nivel convenabil. Dacă iarbă este foarte înaltă, deplasați aparatul încet și tundeți de două ori, dacă este necesar.
- Tăiați de fiecare dată în altă direcție, pentru a preveni formarea de dungi pe gazon.
- Ridicați capacul posterior și scoateți colectorul de iarbă.
- Dacă obturatorul pentru resturi vegetale și cuțitul de mărunțire sunt atașate, îndepărtați-le.
- Închideți capacul posterior, înainte de utilizarea produsului. Atunci când utilizați produsul, iarbă tăiată este evacuată pe sub capacul posterior.
- Păstrați capacul de tăiere curat. Acumularea de iarbă și de murdărie pe partea interioară a capacului de tăiere poate reduce calitatea rezultatului tăierii. Consultați *Pentru a curăța suprafața interioară a capacului de tăiere la pagina 302*.

## Întreținerea

### Introducere



**AVERTISMENT:** Înainte de a efectua orice operații de întreținere, citiți și înțelegeți capitolul privind siguranța.

Toate lucrările de service și de reparații la produs necesită instruire specială. Garantăm disponibilitatea

unor lucrări profesionale de reparații și service. Dacă distribuitorul dvs. nu este agent de service, solicitați acestuia informații cu privire la cel mai apropiat agent de service.

Pentru informații mai detaliate, consultați .

## Program de întreținere



**ATENȚIE:** Asigurați-vă că filtrul de aer este ridicat și nu este lipit de sol când înclinați produsul. Pericol de defectare a motorului.

Intervalele de întreținere sunt calculate având în vedere o utilizare zilnică a produsului. Intervalele se modifică dacă produsul nu este utilizat zilnic.

Pentru operațiunile de întreținere marcate cu \*, consultați instrucțiunile din *Dispozitivele de siguranță de pe produs la pagina 297*.

| Întreținerea   | Zilnic | Săptămânal | Lunar |
|--|--------|------------|-------|
| Efectuați o inspecție generală   | X      |            |       |
| Examinați nivelul uleiului   | X      |            |       |
| Curățați produsul  | X      |            |       |
| Examinați echipamentul de tăiere   | X      |            |       |
| Examinați capacul de tăiere *  | X      |            |       |
| Examinați maneta frânei de motor *   | X      |            |       |
| Examinați controlul frânei cușitului *   | X      |            |       |
| Examinați amortizorul de zgomot *  |        | X          |       |
| Examinați bujia  |        | X          |       |
| Schimbați uleiul (prima dată după 5 ore de utilizare, apoi la fiecare 50 ore de utilizare) |        |            | X     |
| Curățați sau înlocuiți filtrul de aer  |        |            | X     |
| Examinați sistemul de alimentare cu carburant  |        |            | X     |

### Pentru a efectua o inspecție generală

- Asigurați-vă că toate șuruburile și piulițele produsului sunt strânse.

### Pentru a curăța produsul la exterior

- Folosiiți o perie pentru a elimina frunzele, iarba și murdăria.
- Asigurați-vă că priza de aer din partea superioară a motorului nu este înfundată.
- Nu utilizați o instalație de spălare cu presiune ridicată pentru a curăța produsul.
- Dacă utilizați apă pentru a curăța produsul, nu stropiți direct către motor.

### Pentru a curăța suprafața interioară a capacului de tăiere

- Goliți rezervorul de carburant.
- Așezați produsul pe o parte, cu amortizorul de zgomot în jos.



**ATENȚIE:** Dacă produsul este așezat cu filtrul de aer în jos, motorul se poate deteriora.

- Spălați cu apă suprafața interioară a capacului de tăiere.

### Pentru a examina echipamentul de tăiere



**AVERTISMENT:** Pentru a preveni pornirea accidentală, decuplați cablul de alimentare a aprinderii de la bujie.



**AVERTISMENT:** Purtați mănuși de protecție când efectuați întreținerea echipamentului de tăiere. Cușitul este foarte ascuțit și vă puteți tăia foarte ușor.

- Examinați echipamentul de tăiere pentru a identifica eventuale deteriorări sau crăpături. Înlocuiți întotdeauna un echipament de tăiere deteriorat.
- Observați cușitul pentru a vedea dacă este deteriorat sau tocit.

**Nota:** După ascuțirea cușitului, acesta trebuie echilibrat. Solicitați unui centru de service să ascuțească, să monteze la loc și să echilibreze cușitul. Dacă loviți un obstacol care determină produsul să se oprească, înlocuiți cușitul deteriorat. Solicitați centrului de service să estimeze dacă lama poate fi ascuțită sau trebuie înlocuită.

## Pentru a înlocui lama

1. Blocați cuțitul cu o bucată de lemn. (Fig. 35)
2. Îndepărtați bolțul cuțitului, șaiba elastică și cuțitul. (Fig. 36)
3. Verificați dacă există daune la suportul cuțitului și la bolțul cuțitului.
  - a) Dacă înlocuiți cuțitul sau suportul cuțitului, înlocuiți și bolțul cuțitului, șaiba elastică și șaiba de fricțiune.
4. Examinați arborele motorului pentru a vă asigura că nu s-a îndoit.
5. Când montați un cuțit nou, asigurați-vă că capetele îndoite sunt îndreptate în direcția capacului de tăiere. (Fig. 37)
6. Poziționați șaiba de fricțiune și cuțitul pe suportul cuțitului. (Fig. 38)
7. Asigurați-vă de alinierea cuțitului cu centrul arborelui motorului. (Fig. 39)
8. Blocați cuțitul cu o bucată de lemn. (Fig. 40)
9. Montați șaiba elastică și strângeți bolțul la un cuplu de 43 – 47 Nm. (Fig. 41)
10. Învârtiți cuțitul cu mâna și asigurați-vă că se rotește liber.



**AVERTISMENT:** Utilizați mânuși de protecție. Cuțitul este foarte ascuțit și vă puteți tăia foarte ușor.

11. Porniți produsul pentru a efectua un test al cuțitului. Dacă acesta nu este fixat corect, produsul vibrează sau rezultatele sunt nesatisfăcătoare.

## Verificarea nivelului de ulei



**ATENȚIE:** Un nivel de ulei prea redus poate deteriora motorul. Efectuați o verificare a nivelului de ulei înainte să porniți produsul.

1. Așezați produsul pe teren drept.
2. Scoateți bușonul rezervorului și joja atașată.
3. Curățați joja de ulei.
4. Împingeți complet joja în rezervorul de ulei pentru o înregistrare corectă a nivelului de ulei. Nu fixați bușonul rezervorului de ulei.
5. Scoateți bușonul rezervorului și joja atașată.
6. Examinați nivelul de ulei de pe joja.
7. Dacă nivelul uleiului este scăzut, completați cu ulei de motor și verificați din nou nivelul. (Fig. 42)

**Nota:** Folosiți o pâlnie pentru a preveni scurgerile.

8. Instalați bușonul rezervorului de ulei când nivelul uleiului este corect.

## Înlocuirea uleiului pentru motor



**AVERTISMENT:** Imediat după oprirea motorului, uleiul de motor este foarte fierbinte. Lăsați motorul să se răcească înainte de a-l goli de ulei. Dacă uleiul de motor intră în contact cu pielea, curățați cu apă și săpun.

(Fig. 43)

1. Utilizați produsul până când rezervorul de carburant se golește.
2. Scoateți cablul de alimentare a aprinderii din bujie.
3. Scoateți bușonul rezervorului și joja atașată.
4. Amplasați sub produs un recipient în care să colectați uleiul de motor.
5. Înclinați produsul sau scurgeți uleiul pentru motor din rezervorul de ulei cu o pompă de ulei (accesoriu).
6. Umpleți cu ulei de motor proaspăt și de tipul recomandat în *Date tehnice la pagina 306*.
7. Verificați nivelul de ulei. Consultați *Verificarea nivelului de ulei la pagina 303*.
8. Instalați bușonul rezervorului de ulei când nivelul uleiului este corect.

## Verificarea bujiei



**ATENȚIE:** Folosiți întotdeauna tipul recomandat de bujie. Tipul incorect de bujie poate defecta produsul.

- Verificați bujia dacă motorul nu are putere, nu pornește ușor sau nu funcționează corect la turația de ralanti.
- Pentru a reduce riscul prezenței materialelor nedorite pe electrozii bujiei, respectați aceste instrucțiuni:
  - a) Asigurați-vă că turația de ralanti este reglată corect.
  - b) Asigurați-vă că amestecul de combustibil este corect.
  - c) Asigurați-vă că filtrul de aer este curat.
- Dacă bujia este murdară, curățați-o și asigurați-vă că apărătoria electrozilor este corespunzătoare, consultați *Date tehnice la pagina 306*. (Fig. 44)
- Înlocuiți bujia atunci când este necesar.

## Curățarea filtrului de aer

Un filtru de aer murdar poate cauza deteriorarea sau funcționarea incorectă a motorului. Efectuați mai des întreținerea curățătorului de aer în mediile cu mult praf.

Consultați *Program de întreținere la pagina 302* pentru informații despre înlocuirea filtrului de aer.

1. Îndepărtați capacul filtrului de aer și scoateți filtrul.

2. Curățați filtrul prin lovirea acestuia de o suprafață plană. Nu utilizați solvent cu benzină, kerosen sau aer comprimat pentru curățarea filtrului.

**Nota:** Filtrele de aer în funcțiune pentru o perioadă lungă de timp nu pot fi curățate complet. Înlocuiți filtrul de aer la intervale regulate. Filtrele de aer deteriorate trebuie înlocuite întotdeauna.

3. Când asamblați filtrul de aer, asigurați-vă că acesta este etanșat complet pe suportul filtrului.

## Verificarea deflectorului de descărcare laterală

Deflectorul de descărcare laterală este atașat la deschiderea pentru descărcare laterală a produsului. Scade riscul expulzării de obiecte în direcția poziției de tăiere a operatorului.

1. Asigurați-vă că deflectorul de descărcare laterală nu este deteriorat.
2. Examinați deflectorul de descărcare laterală. Asigurați-vă că nu există semne de deteriorare, cum ar fi crăpături sau arcuri rupte care împing ușa pentru închidere.
3. Înlocuiți deflectorul de descărcare laterală sau arcurile, dacă sunt deteriorate.

## Pentru a examina sistemul de alimentare cu carburant

- Examinați bușonul rezervorului de carburant și garnitura bușonului rezervorului de carburant pentru a vă asigura că nu există deteriorări.
- Examinați furtunul de carburant pentru a vă asigura că nu există scurgeri. Dacă furtun de carburant este deteriorat, trebuie înlocuit de către un agent de service.

## Golirea rezervorului de combustibil

1. Poziționați un recipient sub rezervorul de combustibil.
2. Scoateți capacul rezervorului de combustibil.
3. Împingeți colierele furtunului de combustibil spre carburator.
4. Scoateți furtunul de combustibil din carburator.
5. Introduceți furtunul rezervorului de combustibil în recipient și scoateți colierele furtunului.

6. Înclinați produsul și goliți combustibilul în recipient.

## Înlocuirea filtrului de carburant



**AVERTISMENT:** Utilizați mănuși de protecție.

1. Goliți rezervorul de carburant.
2. Îndepărtați colierul furtunului de rezervorul de combustibil. (Fig. 45)
3. Scoateți furtunul de combustibil din rezervor. Este posibil să curgă o mică cantitate de carburant. (Fig. 46)
4. Scoateți filtrul de combustibil din rezervor. (Fig. 47)
5. Montați un filtru de combustibil nou în rezervor.
6. Fixați furtunul de combustibil pe rezervor.
7. Fixați colierul furtunului în poziție pe rezervorul de combustibil.

## Reglarea cablului de ambreiaj

Pentru situațiile următoare, este necesar să micșorați lungimea cablului de ambreiaj:

- Acționarea roților nu se cuplează când trageți maneta de transmisie sau maneta de control al vitezei.
- Produsul se deplasează lent când acționarea roților este cuplată.

Pentru situațiile următoare, este necesar să prelungiți lungimea cablului de ambreiaj:

- Produsul se deplasează atunci când acționarea roților nu este cuplată.
- Reglați cablul de ambreiaj.
  - a) Pentru a reduce lungimea cablului de ambreiaj, rotiți șurubul de reglare în sens invers acelor de ceasornic.
  - b) Pentru a prelungi lungimea cablului de ambreiaj, rotiți șurubul de reglare în sensul acelor de ceasornic. (Fig. 48)

Dacă produsul continuă să se deplaseze nesatisfăcător după reglare, contactați distribuitorul de service

## Transportul, depozitarea și eliminarea

### Transportul și depozitarea

- Pentru depozitarea și transportul produsului și a carburantului, asigurați-vă că nu există scurgeri și gaze. Scânteele sau flăcările deschise, de exemplu cele provenite de la dispozitive sau boilere electrice, pot cauza un incendiu.

- Utilizați întotdeauna recipiente omologate pentru depozitarea și transportarea combustibilului.
- Goliți rezervorul de carburant și depozitați produsul pentru o perioadă lungă de timp. Eliminați carburantul într-o locație de eliminare autorizată
- Fixați în siguranță produsul în timpul transportului pentru a preveni daunele și accidentele.



- Păstrați produsul într-o zonă restricționată pentru a preveni accesul copiilor sau al persoanelor neautorizate.
- Păstrați produsul într-un spațiu uscat și ferit de îngheț.

## Dezafectarea

- Respectați cerințele de reciclare și reglementările locale aplicabile.
- Eliminați toate substanțele chimice, precum uleiul de motor sau carburantul, la un centru de service sau într-o locație de eliminare autorizată.
- Atunci când produsul nu mai este în uz, trimiteți-l la un distribuitor Husqvarna sau casați-l într-o locație de reciclare.

## Date tehnice

### Date tehnice

|  |   |
|--|---|
|  | <b>LC 356VP</b>   |
| <b>Motor</b>   |   |
| Marcă  | Honda   |
| Numele modelului de motor                                    | GCVx170   |
| Cilindree, cm <sup>3</sup>                                   | 166   |
| Turație, rpm   | 2800  |
| Putere nominală motor, kW <sup>106</sup>                     | 3,1   |
| <b>Sistem de aprindere</b>                                   |   |
| Bujie  | NGK BPR5ES  |
| Spațiu electrod, mm  | 0,75  |
| <b>Carburant și sistem de lubrifiere</b>                     |   |
| Combustibil fără plumb, cifră octanică minimă                | 90  |
| Capacitate rezervor de carburant, litri                      | 0,9   |
| Capacitate rezervor de ulei, litri                           | 0,4   |
| Ulei pentru motor <sup>107</sup>                             | Husqvarna SAE 30, Husqvarna SAE 5W-30 Synthetic, Husqvarna SAE 10W-40 |
| <b>Greutate</b>  |   |
| Cu rezervoare goale, kg                                      | 35,1  |
| <b>Emisiile de zgomot<sup>108</sup></b>                      |   |
| Nivel de putere acustică, măsurat dB(A)                      | 98  |
| Nivel de putere acustică garantat L <sub>WA</sub> dB(A)      | 98  |
| <b>Niveluri de zgomot<sup>109</sup></b>                      |   |
| Nivel de presiune a sunetului la urechea operatorului, dB(A) | 86  |

<sup>106</sup> Puterea nominală indicată a motorului este puterea de ieșire medie netă (la turația specificată) a unui motor de producție normal pentru modelul de motor, măsurată conform standardului SAE J1349/ISO1585. Motoarele de producție în masă pot prezenta valori diferite de aceasta. Puterea efectivă pentru motorul instalat pe produsul final va depinde de viteza de funcționare, de condițiile de mediu și de alte valori.

<sup>107</sup> Utilizați ulei pentru motor de calitatea API SJ sau alta superioară. Dacă se folosește ulei SAE-30 la temperaturi mai joase de +5 °C, există riscul să nu lubrificeze suficient motorul. Acest lucru poate cauza deteriorarea motorului. Consultați *Înlocuirea uleiului pentru motor la pagina 303* pentru uleiul corect pentru temperaturi scăzute. Consultați diagrama de vâscozitate din manualul motorului (dacă este inclusă) și selectați vâscozitatea optimă pe baza temperaturii exterioare preconizate.

<sup>108</sup> Emisiile de zgomot în mediu măsurate ca putere acustică (L<sub>WA</sub>) în conformitate cu directiva CE 2000/14/CE.

<sup>109</sup> Datele raportate pentru nivelul presiunii zgomotului prezintă o dispersie statistică tipică (abatere standard) de 1,2 dB(A).

|  |  |
|--|--|
|  | <b>LC 356VP</b>                        |
| <b>Niveluri de vibrații</b> <sup>110</sup> |  |
| Măner, m/s <sup>2</sup>                    | 5,9                                    |
| <b>Accesoriu de tăiere</b>                 |  |
| Înălțime de tăiere, mm                     | 25-75                                  |
| Lățime de tăiere, mm                       | 560                                    |
| Sistem de tăiere                           | Colectare/BioClip®/descărcare laterală |
| Lamă - standard                            | Colecția 598562701                     |
| Lamă - Accesoriu                           | Tocător 598563601                      |
| <b>Viteza</b>                              |  |
| de deplasare, km/h                         | 3,0 - 4,5                              |

<sup>110</sup> Datele raportate pentru nivelul de vibrații prezintă o dispersie statistică tipică (abatere standard) de 0,2 m/s<sup>2</sup>.

# Declarație de conformitate

## Declarație de conformitate UE

Noi, **Husqvarna AB**, SE-561 82 Huskvarna, Suedia, tel.: +46-36-146500, declarăm pe propria răspundere, că produsul:

|                     |                                    |
|---------------------|------------------------------------|
| <b>Descriere</b>    | Mașină de tuns gazonul             |
| <b>Marcă</b>        | Husqvarna                          |
| <b>Tip/Model</b>    | LC 356VP                           |
| <b>Identificare</b> | Numerele de serie începând cu 2022 |

respectă în totalitate următoarele directive și reglementări UE:

| <b>Reglementare</b> | <b>Descriere</b>   |
|---------------------|--|
| 2006/42/CE          | „privind utilajele”  |
| 2014/30/UE          | „aferentă compatibilității electromagnetice”   |
| 2000/14/CE          | „privind emisiile de zgomot în mediul înconjurător”  |
| 2011/65/UE          | „privind restricțiile de utilizare a anumitor substanțe periculoase în echipamentele electrice și electronice” |

și că au fost aplicate următoarele standarde și/sau specificații tehnice: EN ISO 5395-1:2013/A1:2018, EN ISO 5395-2:2013/A1:2016/A2:2017, EN ISO 14982:2009, EN IEC 63000:2018

Organismul notificat: 0404, RISE SMP Svensk Maskinprovning AB, Box 4053, SE-904 03 Umeå, Sweden a certificat conformitatea cu directiva 2000/14/CE a consiliului, procedura de evaluare a conformității: Anexa VI.

Pentru informații privind emisiile de zgomot, consultați *Date tehnice la pagina 306*.

Huskvarna, 2022-10-20



Claes Losdal, Director de Dezvoltare / Produse de grădinarit, Husqvarna AB

Responsabil pentru documentația tehnică



---

## Содержание

---

|                   |     |   |     |
|-------------------|-----|---|-----|
| Введение.....     | 309 | Техническое обслуживание.....               | 316 |
| Безопасность..... | 310 | Транспортировка, хранение и утилизация..... | 320 |
| Сборка.....       | 313 | Технические данные.....                     | 321 |
| Эксплуатация..... | 314 | Декларация о соответствии.....              | 323 |

---

## Введение

---

### Описание изделия

Изделие представляет собой пешеходную роторную газонокосилку. Установите травосборник для сбора травы. Установите дефлектор бокового выброса для бокового выброса травы. Установите комплект для мульчирования, чтобы использовать скошенную траву в качестве удобрения.

### Обзор изделия

(Рис. 1)

1. Рукоятка
2. Рукоятка тормоза двигателя
3. Петля привода
4. Ручка шнура стартера
5. Задняя крышка
6. Травосборник
7. Ручки для регулировки рукоятки по высоте
8. Рычаг регулировки высоты стрижки
9. Крышка отверстия для заливки масла
10. Крышка бокового выброса
11. Глушитель
12. Свеча зажигания
13. Крышка топливного бака
14. Условные обозначения
15. Режущая дека
16. Воздушный фильтр
17. Рычаг регулировки скорости
18. Боковой дефлектор
19. Пробка для мульчирования (принадлежность)
20. Руководство по эксплуатации

### Символы на изделии

(Рис. 2) **ПРЕДУПРЕЖДЕНИЕ!** Соблюдайте осторожность и правила эксплуатации изделия. Изделие может стать причиной тяжелой травмы или смерти оператора и окружающих.

(Рис. 3) Перед началом работы внимательно прочитайте руководство по эксплуатации и убедитесь, что понимаете приведенные в нем инструкции.

### Назначение

Используйте изделие для стрижки травы. Запрещается использовать изделие для других видов работ.

(Рис. 4) Берегитесь отскакивающих предметов и рикошетов.

(Рис. 5) Следите за тем, чтобы в зоне проведения работ не было людей и животных.

(Рис. 6) Предупреждение. Держите руки и ноги на безопасном расстоянии от вращающегося ножа.

(Рис. 7) Предупреждение. Не подносите руки и ноги к вращающимся частям.

(Рис. 8) Остановите двигатель и отсоедините кабель зажигания, прежде чем приступать к ремонту или техобслуживанию.

(Рис. 9) Данное изделие отвечает требованиям соответствующих директив ЕС.

(Рис. 10) Данное изделие соответствует действующим директивам Великобритании.

(Рис. 11) Табличка с уровнем эмиссии шума в окружающую среду в соответствии с директивами и нормативами Европейского союза, Великобритании и законодательством Нового Южного Уэльса "Регламент 2017 года по защите окружающей среды (контроль уровня шума)". Гарантированный уровень мощности звука изделия указан в разделе *Технические данные на стр. 321* и на табличке.

---

**Примечание:** Остальные символы/наклейки на изделии отвечают требованиям, предъявляемым к сертификации в других коммерческих зонах.

---

## Повреждение изделия

Мы не несем ответственности за повреждение изделия в следующих случаях:

- ненадлежащий ремонт изделия;
- использование для ремонта изделия неоригинальных деталей или деталей, не одобренных производителем;
- использование неоригинальных дополнительных принадлежностей или принадлежностей, не одобренных производителем;

- ремонт изделия в неавторизованном сервисном центре или неквалифицированным специалистом.

## Соответствие уровня токсичных выбросов стандарту Euro V



### **ПРЕДУПРЕЖДЕНИЕ:** В

случае вмешательства в работу двигателя данное изделие перестанет соответствовать нормативам ЕС.

---

---

## Безопасность

---

### Инструкции по технике безопасности

Предупреждения, предостережения и примечания используются для выделения особо важных пунктов руководства.



#### **ПРЕДУПРЕЖДЕНИЕ:**

Используется, когда несоблюдение инструкций руководства может привести к травмам или смерти оператора или находящихся рядом посторонних лиц.



#### **ВНИМАНИЕ:**

Используется, когда несоблюдение инструкций руководства может привести к повреждению изделия, других материалов или прилегающей территории.

**Примечание:** Используется для предоставления дополнительных сведений о конкретной ситуации.

### Общие инструкции по технике безопасности



**ПРЕДУПРЕЖДЕНИЕ:** В обязательном порядке прочитайте следующие инструкции по технике безопасности, прежде чем приступать к эксплуатации изделия.

- При небрежном или неправильном обращении изделие может представлять собой опасность. Несоблюдение инструкций по технике безопасности может привести к травмам или смерти.
- Во время работы данное изделие создает электромагнитное поле. В определенных

обстоятельствах это поле может создавать помехи для пассивных и активных медицинских имплантатов. В целях снижения риска серьезной или смертельной травмы лицам с медицинскими имплантатами рекомендуется проконсультироваться с врачом и изготовителем имплантата, прежде чем приступать к эксплуатации данного изделия.

- Всегда соблюдайте осторожность и руководствуйтесь здравым смыслом. Если вы не уверены, как правильно эксплуатировать изделие в определенной ситуации, прекратите работу и проконсультируйтесь с дилером Husqvarna, прежде чем продолжать.
- Помните: ответственность за несчастные случаи, угрожающие другим людям или их имуществу, несет оператор изделия.
- Содержите изделие в чистоте. Следите за тем, чтобы знаки и наклейки были легко читаемыми.
- Не разрешайте пользоваться изделием людям, не убедившись сначала в том, что они прочитали и поняли содержание руководства по эксплуатации.
- Не позволяйте детям использовать изделие.
- Не допускайте детей в рабочую зону. Они должны постоянно находиться под присмотром взрослого.
- Не допускайте к работе с изделием людей, которые не знакомы с данными инструкциями.
- Не оставляйте без присмотра людей с физическими или умственными нарушениями, использующих изделие. Они должны постоянно находиться под присмотром взрослого.
- Ни в коем случае не используйте изделие, если вы устали, больны или находитесь под воздействием алкоголя, наркотических веществ или лекарственных препаратов. Это может повлиять на ваше зрение, реакцию, координацию или оценку действительности.

- Не используйте изделие, если оно повреждено или работает неправильно.
- Запрещается вносить изменения в изделие или использовать его, если вы подозреваете, что конструкция была модифицирована.
- Не изменяйте настройку системы управления частотой вращения двигателя.
- Изделие предназначено исключительно для скашивания травы на газонах. Запрещается использовать изделие не по назначению.
- Пользуйтесь средствами индивидуальной защиты. См. раздел *Средства индивидуальной защиты на стр. 312*.
- Убедитесь, что вы знаете, как быстро остановить двигатель в аварийной ситуации.

## Техника безопасности на рабочем месте



**ПРЕДУПРЕЖДЕНИЕ:** В обязательном порядке прочитайте следующие инструкции по технике безопасности, прежде чем приступить к эксплуатации изделия.

- Уберите ветви, сучья, камни и прочие посторонние предметы из рабочей зоны перед началом эксплуатации изделия.
- Предметы, ударяющиеся о режущий инструмент, могут быть отброшены, что приведет к травмам или повреждению имущества. Следите за тем, чтобы посторонние лица и животные находились на безопасном расстоянии от изделия.
- Ни в коем случае не используйте изделие при неблагоприятных погодных условиях, например, в туман, дождь, при сильном ветре, низких температурах и риске удара молнии. Эксплуатация изделия при плохих погодных условиях или на сырых участках утомительна. Плохие погодные условия могут создавать опасные условия для работы, например, скользкие поверхности.
- Следите за возможным появлением посторонних лиц, предметов или условий, которые могут препятствовать безопасной эксплуатации изделия.
- Следите за возможным появлением препятствий, таких как корни, камни, сучья, ямы или рвы. Высокая трава может скрывать препятствия.
- Стрижка травы на склоне может представлять опасность. Запрещается использовать изделие на участках с уклоном более 15°.
- Используйте изделие поперек поверхности склона. Не передвигайтесь вверх и вниз по поверхности склона.
- Проявляйте особую осторожность при приближении к скрытым из видимости поворотам или предметам, которые могут затруднять обзор.
- Запрещается запускать двигатель в закрытом помещении или вблизи легковоспламеняющихся материалов. Выхлопные газы двигателя имеют высокую температуру и могут содержать искры, которые в свою очередь могут привести к пожару.
- Ни в коем случае не используйте изделие с отсутствующими или неправильно установленными кожухами или ножом. Неправильно установленный нож может высвободиться и причинить травму.
- Следите за тем, чтобы в нож не попали посторонние предметы, например, камни и корни. Это может затупить нож и привести к искривлению вала двигателя. При сгибании оси увеличивается уровень вибрации, что может привести к снижению надежности крепления ножа.
- В случае столкновения ножа с посторонним предметом или возникновения вибрации незамедлительно остановите изделие. Отсоедините кабель от свечи зажигания. Проверьте изделие на наличие повреждений. Выполните ремонт повреждений или обратитесь в авторизованный сервисный центр для выполнения ремонта.
- Запрещается на постоянной основе фиксировать рукоятку тормоза двигателя при работающем двигателе.
- При запуске изделие должно находиться на устойчивой, ровной поверхности. Убедитесь, что нож не касается грунта или любого другого предмета.
- При работе с изделием всегда стойте сзади.
- При работе с изделием все колеса должны стоять на земле; держите рукоятку обеими руками. Не приближайте руки или ноги к вращающимся ножам.
- Запрещается наклонять изделие при работающем двигателе.
- Соблюдайте осторожность, когда тянете изделие назад.
- Запрещается поднимать изделие при работающем двигателе. Если вам необходимо поднять изделие, сначала остановите двигатель и отсоедините кабель от свечи зажигания.
- Запрещается двигаться назад при работе с изделием.
- Останавливайте двигатель, когда пересекаете непокрытые травой зоны, например, дорожки из гравия, камня или асфальта.

## Техника безопасности



**ПРЕДУПРЕЖДЕНИЕ:** В обязательном порядке прочитайте следующие инструкции по технике безопасности, прежде чем приступить к эксплуатации изделия.

- Запрещается бегать с изделием при работающем двигателе. Работайте с изделием в спокойном темпе.
- Выключайте двигатель, прежде чем изменить высоту стрижки. Ни в коем случае не выполняйте регулировку при работающем двигателе.
- Ни в коем случае не выпускайте изделие из вида при работающем двигателе. Остановите двигатель и убедитесь, что режущее оборудование не вращается.

## Инструкции по безопасности во время эксплуатации

### Средства индивидуальной защиты



**ПРЕДУПРЕЖДЕНИЕ:** В обязательном порядке прочитайте следующие инструкции по технике безопасности, прежде чем приступать к эксплуатации изделия.

- Средства индивидуальной защиты не могут полностью исключить риск получения травмы, но при несчастном случае они снижают тяжесть травмы. За помощью по правильному выбору оборудования обращайтесь к дилеру.
- Если уровень шума превышает 85 дБ, следует использовать защитные наушники.
- Используйте прочные, противоскользящие ботинки. Запрещается надевать открытую обувь или работать босиком.
- Надевайте прочные длинные брюки.
- При необходимости надевайте защитные перчатки, например, при закреплении, проверке или очистке режущего оборудования.

### Защитные устройства на изделии



**ПРЕДУПРЕЖДЕНИЕ:** В обязательном порядке прочитайте следующие инструкции по технике безопасности, прежде чем приступать к эксплуатации изделия.

- Не используйте изделие, если защитные устройства повреждены или работают неправильно.
- Регулярно выполняйте проверку защитных устройств. Если защитные устройства повреждены или работают неправильно, обратитесь в сервисный центр Husqvarna.
- Запрещается вносить изменения в защитные устройства.

#### Проверка режущей деки

Режущая дека снижает уровень вибрации изделия и риск травмирования ножом.

- Проверьте режущую деку и убедитесь, что на ней отсутствуют повреждения, такие как трещины.

#### Проверка рукоятки тормоза двигателя

Рукоятка тормоза двигателя предназначена для остановки двигателя. При отпускании рукоятки тормоза двигатель останавливается.

- Запустите двигатель и отпустите рукоятку тормоза двигателя. Если двигатель не остановится через 3 секунды, обратитесь в авторизованный сервисный центр Husqvarna для регулировки тормоза двигателя. (Рис. 12)

#### Проверка задней крышки

Задний дефлектор снижает риск выброса предметов в сторону оператора.

- Убедитесь, что задняя крыша не повреждена.
- Убедитесь, что пружины, закрывающие заднюю крышку, не повреждены.
- Замените сломанные пружины и поврежденные детали.
- Убедитесь, что задняя крышка плавно перемещается на петлях.

#### Глушитель

Глушитель предназначен для максимального снижения уровня шума и отвода выхлопных газов в сторону от оператора.

Запрещается использовать изделие, если глушитель поврежден или отсутствует. Повреждение глушителя приводит к повышению уровня шума и риску возгорания.



### ПРЕДУПРЕЖДЕНИЕ:

Глушитель сильно нагревается в ходе работы и остается горячим после окончания работы, а также во время работы двигателя на холостых оборотах. Во избежание возгорания соблюдайте осторожность при работе вблизи легковоспламеняющихся материалов и/или паров.

#### Проверка глушителя

- Регулярно осматривайте глушитель и проверяйте, что он правильно закреплен и не поврежден.

### Техника безопасности при работе с топливом



### ПРЕДУПРЕЖДЕНИЕ:

В обязательном порядке прочитайте следующие инструкции по технике безопасности, прежде чем приступать к эксплуатации изделия.



- Запрещается запускать изделие, если на него попало топливо или моторное масло. Удалите следы топлива/масла и дайте изделию высохнуть
- Если топливо попало на одежду, немедленно смените ее.
- Не допускайте попадания топлива на тело, это может нанести вред здоровью. При попадании топлива на тело смойте его водой с мылом.
- Запрещается запускать изделие при наличии утечки из двигателя. Регулярно проверяйте двигатель на наличие утечек.
- Соблюдайте осторожность при обращении с топливом. Топливо является легковоспламеняющейся жидкостью со взрывоопасными парами и может привести к травмам или смерти.
- Не вдыхайте пары топлива, т. к. это может нанести вред здоровью. Убедитесь в наличии достаточного потока воздуха.
- Запрещается курить вблизи топлива или двигателя.
- Не размещайте теплые предметы рядом с топливом или двигателем.
- Запрещается доливать топливо во время работы двигателя.
- Прежде чем заправлять изделие подождите, пока двигатель полностью остынет.
- Перед заправкой топлива медленно откройте крышку топливного бака и осторожно сбросьте давление.
- Запрещается заливать топливо в двигатель в помещении. Недостаточная вентиляция может привести к травме или смерти в результате удушья или отравления угарным газом.
- Полностью затяните крышку топливного бака. Если крышка топливного бака не затянута, возникает риск возгорания.
- Переместите изделие минимум на 3 м (10 футов) от места заправки топливом, прежде чем запустить его.
- Никогда не заправляйте топливный бак до краев. Тепло приводит к расширению топлива. Оставьте место в верхней части топливного бака.
- Никогда не храните изделие с топливом в топливном баке в помещении, где присутствуют источники возгорания, такие как водонагреватели, обогреватели или сушилки

для одежды. Дайте двигателю остынуть перед помещением его на хранение в какой-либо корпус.

## Инструкции по технике безопасности во время технического обслуживания



**ПРЕДУПРЕЖДЕНИЕ:** В обязательном порядке прочитайте следующие инструкции по технике безопасности, прежде чем приступать к эксплуатации изделия.

- Выхлопные газы из двигателя содержат окись углерода — не имеющий запаха, токсичный и чрезвычайно опасный газ. Запрещается запускать двигатель в помещении или в замкнутых пространствах.
- Прежде чем приступить к техобслуживанию изделия, остановите двигатель и отсоедините кабель от свечи зажигания.
- Надевайте защитные перчатки при техобслуживании режущего оборудования. Нож очень острый, что при неосторожном обращении может легко привести к порезам.
- Использование принадлежностей или внесение изменений в конструкцию изделия, не одобренных производителем, может привести к серьезным или смертельным травмам. Запрещается вносить изменения в конструкцию изделия. Пользуйтесь только рекомендованными производителем принадлежностями.
- При несоблюдении правил и сроков выполнения техобслуживания риск получения травмы или повреждения изделия возрастает.
- Выполняйте техобслуживание строго в соответствии с инструкциями, приведенными в руководстве по эксплуатации. Все прочие виды сервисного обслуживания должны проводиться в авторизованном сервисном центре Husqvarna.
- Регулярно обращайтесь в авторизованный сервисный центр Husqvarna для проведения техобслуживания изделия.
- Замените поврежденные, сломанные или изношенные детали.

## Сборка

### Введение



**ПРЕДУПРЕЖДЕНИЕ:** Перед сборкой изделия ознакомьтесь с разделом, посвященным безопасности, и усвойте его содержание.



**ПРЕДУПРЕЖДЕНИЕ:** Перед сборкой изделия снимите со свечи зажигания провод свечи зажигания.

## Сборка рукоятки

**Примечание:** Рекомендуется выполнять эту процедуру вдвоем.

**Примечание:** При сборке рукоятки не извлекайте изделие из коробки. Коробку можно использовать в качестве опоры для рукоятки во время сборки.

1. Поднимите и переверните рукоятку. (Рис. 13)



**ВНИМАНИЕ:** Соблюдайте осторожность и убедитесь, что при повороте рукоятки кабель не будет поврежден.

2. Положите рукоятку сверху изделия. Разместите рукоятку так, чтобы она опиралась на коробку. См. рисунок. (Рис. 14)
3. Вставьте винт (А) в рукоятку (В), установите пластиковую шайбу (С) и опорный кронштейн рукоятки (D). (Рис. 15)
4. Полностью затяните гайку (Е).
5. Извлеките изделие из коробки.
6. Установите рукоятку в вертикальное положение. (Рис. 16)
7. Установите регулятор высоты рукоятки в крайнее нижнее положение. См. раздел *Регулировка рукоятки на стр. 314*.
8. Закрепите кабель на нижней части рукоятки с помощью кабельного зажима. (Рис. 17)
9. Закрепите нижнюю часть кабеля на опорном кронштейне рукоятки с помощью кабельной стяжки. Обрежьте лишнюю часть кабельной стяжки. (Рис. 18)

**Примечание:** Проверьте правильность крепления кабеля. Плохо закрепленный кабель

может быть поврежден при установке травосборника. (Рис. 19)

## Регулировка рукоятки

1. Ослабьте нижние ручки.
2. Переместите ручки в нижние положения в пазах с левой и правой стороны изделия. (Рис. 20)
3. Установите рукоятку в одно из 2 доступных положений по высоте.
4. Переместите ручки вверх в направлении рукоятки до упора. Вы должны услышать щелчок. (Рис. 21)
5. Надежно затяните ручки.

## Установка изделия в положение для транспортировки

1. Снимите травосборник (при наличии).
2. Ослабьте нижние ручки.
3. Переместите ручки в нижние положения в пазах с левой и правой стороны изделия. (Рис. 20)
4. Сложите рукоятку вперед. (Рис. 22)

## Установка изделия в рабочее положение

1. Установите рукоятку в вертикальное положение. (Рис. 23)
2. Переместите ручки вверх в направлении рукоятки до упора. Вы должны услышать щелчок. (Рис. 21)
3. Надежно затяните ручки.

## Установка травосборника

1. Установите раму травосборника на мешок травосборника таким образом, чтобы жесткая часть мешка оказалась внизу. Ручка рамы должна находиться за пределами верхней части сборника. (Рис. 24)
2. Закрепите мешок травосборника на раме с помощью зажимов. (Рис. 25)

## Эксплуатация

### Введение



**ПРЕДУПРЕЖДЕНИЕ:** Перед эксплуатацией прибора необходимо внимательно изучить раздел безопасности.

### Husqvarna Connect

Husqvarna Connect представляет собой бесплатное приложение для мобильного устройства. Приложение Husqvarna Connect позволяет пользоваться расширенными функциями вашего изделия Husqvarna:

- Дополнительная информация об изделии.
- Сведения о деталях и помощь в техническом обслуживании.

### Как начать использовать Husqvarna Connect

1. Загрузите приложение Husqvarna Connect на свое мобильное устройство.
2. Зарегистрируйтесь в приложении Husqvarna Connect.
3. Выполните пошаговые инструкции в приложении Husqvarna Connect для подключения и регистрации изделия.

## Перед началом эксплуатации изделия

1. Внимательно прочитайте руководство по эксплуатации и убедитесь, что понимаете приведенные здесь инструкции.
2. Осмотрите режущее оборудование и убедитесь, что оно правильно закреплено и отрегулировано. См. раздел *Проверка режущего оборудования на стр. 317*.
3. Заполните топливный бак. См. раздел *Заправка топливом на стр. 315*.
4. Заполните масляный бак и проверьте уровень масла. См. раздел *Замена моторного масла на стр. 318*.

## Заправка топливом

По возможности используйте экологичный/алкилатный бензин. При невозможности использовать экологичный/алкилатный бензин используйте качественный неэтилированный или этилированный бензин с октановым числом не ниже 90.



**ВНИМАНИЕ:** Не используйте бензин с октановым числом ниже 90 RON (87 АК). Это может привести к повреждению изделия.

1. Медленно откройте крышку топливного бака, чтобы сбавить давление.
2. Медленно залейте топливо из канистры. Если вы пролили топливо, вытрите его тряпкой и дайте оставшемуся топливу высохнуть.
3. Очистите поверхность вокруг крышки топливного бака.
4. Плотно затяните крышку топливного бака. Если крышка топливного бака не затянута, возникает риск пожара.
5. Переместите изделие минимум на 3 м от места заправки топливом, прежде чем запустить его.

## Регулировка высоты стрижки

1. Переведите рычаг регулировки высоты стрижки назад, чтобы увеличить высоту стрижки.
2. Переведите рычаг регулировки высоты стрижки вперед, чтобы уменьшить высоту стрижки. (Рис. 26)



**ВНИМАНИЕ:** Не устанавливайте высоту стрижки слишком низко. Ножи могут удариться о землю, если поверхность газона неровная.

## Запуск изделия

1. Убедитесь, что кабель подсоединен к свече зажигания.
2. Стойте сзади изделия.
3. Прижмите рукоятку тормоза двигателя к рукоятке. (Рис. 27)
4. Держите ручку шнура стартера правой рукой.
5. Медленно потяните за шнур стартера, пока не почувствуете некоторое сопротивление.
6. Резко потяните трос, чтобы завести двигатель.



**ПРЕДУПРЕЖДЕНИЕ:** Не накручивайте шнур стартера вокруг руки.

## Использование привода колес

- Запустите привод колес с помощью рычага регулировки скорости с левой стороны рукоятки. Переместите рычаг регулировки скорости вперед для увеличения скорости и назад — для ее уменьшения. (Рис. 28)
- Прежде чем потянуть изделие назад, отключите привод и толкните изделие вперед примерно на 10 см.
- Отпустите петлю привода, чтобы отключить привод, например, при приближении к препятствию.

## Остановка изделия

- Для того чтобы остановить только привод, отпустите петлю привода.
- Для того чтобы остановить двигатель, отпустите рукоятку тормоза двигателя.

## Использование изделия с травосборником



**ПРЕДУПРЕЖДЕНИЕ:** Не используйте изделие, если травосборник не установлен или задняя крышка не закрыта. Предметы могут быть отброшены, что приведет к травмированию оператора.

1. Поднимите заднюю крышку и снимите пробку для мульчирования (при наличии). (Рис. 29)
2. Соберите травосборник, см. раздел *Установка травосборника на стр. 314*.
3. Установите травосборник на кронштейн.
4. Отпустите заднюю крышку и разместите ее на верхней части рамы мешка травосборника. (Рис. 30)

## Переоснащение изделия для его использования в режиме мульчирования

Перед переоснащением изделия для работы в режиме мульчирования убедитесь, что двигатель выключен.

1. Поднимите заднюю крышку и снимите травосборник (при наличии).
2. Вставьте пробку для мульчирования в канал для выброса травы. (Рис. 31)
3. Закройте заднюю крышку и убедитесь, что она плотно прижата к пробке для мульчирования.

**Примечание:** Чтобы повысить производительность режима мульчирования, замените стандартный нож на нож для мульчирования (принадлежность). См. раздел *Замена ножа на стр. 318*

## Переоснащение изделия для его использования в режиме бокового выброса

1. Поднимите заднюю крышку и снимите мешок травосборника (при наличии).
2. Закройте заднюю крышку и убедитесь, что она плотно прижата к изделию.
3. Поднимите фиксатор узла выброса. (Рис. 32)
4. Откройте щиток бокового выброса и установите дефлектор бокового выброса на опорные штифты. (Рис. 33)
5. Убедитесь, что щиток бокового выброса опустился к дефлектору бокового выброса. Перед началом работы с изделием убедитесь, что дефлектор бокового выброса надежно установлен.

## Опорожнение травосборника



**ВНИМАНИЕ:** При перемещении поднимите травосборник для предотвращения износа.

1. Поднимите травосборник с помощью ручки рамы.
2. При опорожнении травосборника используйте ручку рамы и ручку сборника. (Рис. 34)

## Достижение оптимальных результатов

- Всегда пользуйтесь хорошо заточенным ножом. Затупившийся нож будет косить траву неровно, и в месте среза трава будет желтеть. При использовании острого ножа также затрачивается меньше энергии, чем при работе с затупившимся ножом.
- Не срезайте более  $\frac{1}{3}$  всей длины травы. При начале кошения устанавливайте максимальную высоту стрижки. Проверьте полученный результат и уменьшите высоту кошения до необходимого уровня. Если трава высокая, передвигайте газонокосилку медленно. При необходимости выполните кошение дважды.
- Если вы хотите избежать образования полос на вашем газоне, следует каждый раз стричь его в разных направлениях.
- Поднимите заднюю крышку и снимите травосборник.
- Снимите установленные пробку и нож для мульчирования.
- Прежде чем включить агрегат, закройте заднюю крышку. Во время работы агрегата срезанная трава выбрасывается под заднюю крышку.
- Следите за чистотой кожуха режущего оборудования. Скопление травы и грязи на внутренней стороне кожуха режущего оборудования может привести к ухудшению качества кошения. См. раздел *Очистка внутренней поверхности режущей деки на стр. 317*.

## Техническое обслуживание

### Вводная информация



**ПРЕДУПРЕЖДЕНИЕ:** Перед выполнением техобслуживания необходимо внимательно изучить и понять информацию в раздел по технике безопасности.

Для выполнения любых работ по сервисному обслуживанию и ремонту изделия необходимо пройти специальное обучение. Мы гарантируем доступность услуг по профессиональному ремонту и сервисному обслуживанию. Если ваш дилер не предоставляет услуги сервисного обслуживания, обратитесь к нему для получения информации о ближайшем сервисном центре.

Дополнительную информацию см. в разделе .

## График технического обслуживания



**ВНИМАНИЕ:** При наклоне изделия следите за тем, чтобы воздушный фильтр был сверху, а не был обращен в сторону земли. Это может привести к повреждению двигателя.

График технического обслуживания рассчитан исходя из ежедневного использования изделия. Если изделие не используется ежедневно, интервалы техобслуживания изменяются.

Сведения о техническом обслуживании, отмеченном знаком \*, см. в инструкциях в разделе *Защитные устройства на изделии на стр. 312.*

| Техническое обслуживание   | Ежедневно | Еженедельно | Ежемесячно |
|--|-----------|-------------|------------|
| Выполните общий осмотр   | X         |             |            |
| Проверьте уровень масла  | X         |             |            |
| Очистите изделие   | X         |             |            |
| Проверьте режущее оборудование   | X         |             |            |
| Проверьте режущую деку *   | X         |             |            |
| Проверьте рукоятку тормоза двигателя *   | X         |             |            |
| Проверьте рычаг тормоза ножа *   | X         |             |            |
| Проверьте глушитель *  |           | X           |            |
| Проверьте свечу зажигания  |           | X           |            |
| Замените масло (первый раз через 5 часов использования, затем через каждые 50 часов использования) |           |             | X          |
| Очистите или замените воздушный фильтр   |           |             | X          |
| Проверьте топливную систему  |           |             | X          |

### Выполнение общего осмотра

- Проверьте затяжку гаек и винтов на изделии.

будет направлен вниз, можно повредить двигатель.

### Очистка изделия снаружи

- Используйте щетку для удаления листьев, травы и грязи.
- Убедитесь, что воздухозаборник в верхней части двигателя не заблокирован.
- Не используйте моечный агрегат высокого давления для чистки устройства.
- Если вы используете воду для очистки изделия, не допускайте попадания воды непосредственно на двигатель.

3. Промойте водой из шланга внутренние поверхности режущей деки.

### Проверка режущего оборудования



**ПРЕДУПРЕЖДЕНИЕ:** Во избежание непреднамеренного запуска отсоедините кабель от свечи зажигания.



**ПРЕДУПРЕЖДЕНИЕ:** Надевайте защитные перчатки при техобслуживании режущего оборудования. Нож очень острый, что при неосторожном обращении может легко привести к порезам.

### Очистка внутренней поверхности режущей деки

1. Опорожните топливный бак.
2. Положите изделие на бок таким образом, чтобы сторона с глушителем была направлена вниз.



**ВНИМАНИЕ:** Если положить изделие так, что воздушный фильтр

1. Проверьте режущее оборудование на наличие повреждений или трещин. Всегда заменяйте поврежденное режущее оборудование.
2. Осмотрите нож на наличие повреждений или следов притупления.

---

**Примечание:** После заточки ножа необходимо выполнить его балансировку. Обратитесь в сервисный центр для выполнения заточки, замены и балансировки ножа. При столкновении с препятствием, которое привело в остановке изделия, замените поврежденный нож. Сервисный центр должен определить, следует ли заточить нож или лучше его заменить.

---

## Замена ножа

1. Заблокируйте нож деревянным бруском. (Рис. 35)
2. Снимите болт ножа, пружинную шайбу и нож. (Рис. 36)
3. Проверьте держатель ножа и болт ножа на наличие повреждений.
  - a) В случае замены ножа или держателя ножа болт ножа, пружинная шайба и фрикционная шайба также подлежат замене.
4. Проверьте вал двигателя на наличие деформации.
5. При установке нового ножа следите за тем, чтобы согнутые края были обращены в сторону режущей деки. (Рис. 37)
6. Приложите фрикционную шайбу и нож к держателю ножа. (Рис. 38)
7. Убедитесь, что нож совмещен с центром вала двигателя. (Рис. 39)
8. Заблокируйте нож деревянным бруском. (Рис. 40)
9. Установите пружинную шайбу и затяните болт моментом 43 – 47 Н·м. (Рис. 41)
10. Проверните нож рукой и убедитесь, что он свободно вращается.



### **ПРЕДУПРЕЖДЕНИЕ:**

Используйте защитные перчатки. Нож очень острый, что при неосторожном обращении может легко привести к порезам.

11. Запустите изделие, чтобы проверить работу ножа. Если нож установлен неправильно, вы ощутите вибрацию изделия, или результат стрижки будет неудовлетворительным.

## Проверка уровня масла



**ВНИМАНИЕ:** Слишком низкий уровень масла может привести к повреждениям двигателя. Проверьте уровень масла перед запуском изделия.

1. Расположите изделие на ровной поверхности.
2. Снимите крышку масляного бака вместе с щупом.
3. Очистите щуп от масла.

4. Поместите щуп полностью в масляный бак, чтобы получить достоверную информацию об уровне масла. Не устанавливайте крышку масляного бака.
5. Снимите крышку масляного бака вместе с щупом.
6. Проверьте уровень масла на щупе.
7. Если уровень масла низкий, долейте моторное масло и проверьте уровень масла еще раз. (Рис. 42)

---

**Примечание:** Используйте воронку для предотвращения проливания.

---

8. Установите крышку масляного бака, когда уровень масла будет соответствовать норме.

## Замена моторного масла



**ПРЕДУПРЕЖДЕНИЕ:** Сразу после остановки двигателя моторное масло очень горячее. Дайте двигателю остыть, прежде чем сливать моторное масло. При попадании моторного масла на кожу смойте его мылом и водой.

(Рис. 43)

1. Запустите изделие и дождитесь, когда топливо в баке будет полностью израсходовано.
2. Отсоедините провод от свечи зажигания.
3. Снимите крышку масляного бака вместе с щупом.
4. Поместите емкость под изделие для сбора моторного масла.
5. Наклоните изделие или слейте моторное масло из масляного бака с помощью масляного насоса (принадлежность).
6. Залейте новое моторное масло; используйте тип масла, рекомендованный в *Технические данные на стр. 321*.
7. Проверьте уровень моторного масла. См. раздел *Проверка уровня масла на стр. 318*.
8. Установите крышку масляного бака, когда уровень масла будет соответствовать норме.

## Проверка свечи зажигания



**ВНИМАНИЕ:** Всегда используйте свечи зажигания только рекомендованного типа. Использование свечи зажигания неправильного типа может привести к повреждению изделия.

- Проверьте свечу зажигания, если двигатель не набирает обороты, с трудом запускается или плохо работает на холостых оборотах.
- Чтобы уменьшить риск появления нежелательного материала на электродах свечи зажигания, соблюдайте следующие инструкции:

- a) Проверьте правильность регулировки оборотов холостого хода.
  - b) Убедитесь, что используется надлежащая топливная смесь.
  - c) Убедитесь, что воздушный фильтр чистый.
- Если свеча зажигания загрязнена, очистите ее и проверьте зазор между электродами, см. раздел *Технические данные на стр. 321*. (Рис. 44)
  - При необходимости замените свечу зажигания.

## Очистка воздушного фильтра

Загрязнение воздушного фильтра может привести к повреждению или неправильной работе двигателя. При работе в пыльных условиях необходимо чаще выполнять обслуживание воздухоочистителя.

См. раздел *График технического обслуживания на стр. 317*, где приведена информация об интервалах замены воздушного фильтра.

1. Снимите крышку воздушного фильтра и извлеките фильтр.
2. Очистите фильтр, постукивая его о плоскую поверхность. Ни в коем случае не используйте для очистки фильтра растворители, содержащие бензин, керосин, а также сжатый воздух.

**Примечание:** После длительной эксплуатации воздушные фильтры невозможно очистить полностью. Регулярно выполняйте замену воздушного фильтра. Поврежденные воздушные фильтры необходимо заменять.

3. При сборке воздушного фильтра убедитесь, что он плотно прилегает к держателю фильтра.

## Проверка дефлектора бокового выброса

Дефлектор бокового выброса крепится к отверстию бокового выброса на изделии. Он снижает риск отбрасывания предметов в направлении рабочего положения оператора.

1. Убедитесь, что дефлектор бокового выброса не поврежден.
2. Осмотрите дефлектор бокового выброса. Убедитесь в отсутствии повреждений, таких как трещины или сломанные пружины, которые закрывают дверцу.
3. При наличии повреждений замените дефлектор бокового выброса или пружины.

## Проверка топливной системы

- Проверьте крышку топливного бака и уплотнение крышки топливного бака на наличие повреждений.
- Проверьте топливный шланг на наличие утечек. Если топливный шланг поврежден, обратитесь в сервисный центр для его замены.

## Слив топлива из топливного бака

1. Установите емкость под топливный бак.
2. Снимите крышку топливного бака.
3. Прижмите хомуты на топливном шланге к карбюратору.
4. Отсоедините топливный шланг от карбюратора.
5. Опустите шланг топливного бака в емкость и снимите хомуты.
6. Наклоните изделие и слейте топливо в емкость.

## Замена топливного фильтра



### ПРЕДУПРЕЖДЕНИЕ:

Используйте защитные перчатки.

1. Слейте топливо из топливного бака.
2. Отодвиньте хомут шланга от топливного бака. (Рис. 45)
3. Отсоедините топливный шланг от топливного бака. Возможна утечка небольшого количества топлива. (Рис. 46)
4. Извлеките топливный фильтр из топливного бака. (Рис. 47)
5. Установите новый топливный фильтр в топливный бак.
6. Подсоедините топливный шланг к топливному баку.
7. Сдвиньте хомут шланга к топливному баку.

## Регулировка троса сцепления

В следующих ситуациях необходимо уменьшить длину троса сцепления:

- Привод колес не включается при вытягивании петли привода или использовании рычага управления скоростью.
- При включении привода колес изделие движется медленно.

В следующих ситуациях необходимо увеличить длину троса сцепления:

- Изделие движется, когда привод колес не включен.
- Регулировка троса сцепления.
  - a) Чтобы уменьшить длину троса сцепления, поверните регулировочный винт против часовой стрелки.
  - b) Чтобы увеличить длину троса сцепления, поверните регулировочный винт по часовой стрелке. (Рис. 48)

Если после регулировки изделие по-прежнему движется ненадлежащим образом, обратитесь к дилеру по обслуживанию

## Транспортировка и хранение

- Перед помещением на хранение и транспортировкой изделия и топлива убедитесь в отсутствии утечек или испарения топлива. Искры или источники открытого огня, например, от электрических устройств или котлов, могут привести к пожару.
- Всегда используйте рекомендованные контейнеры для хранения и транспортировки топлива.
- Перед помещением изделия на длительное хранение опорожните топливный бак. Утилизируйте топливо в специально предназначенном для этого месте.
- Надежно закрепите изделие на время транспортировки для предотвращения повреждений или аварий.
- Храните изделие в запечатом помещении для предотвращения доступа к изделию детей или посторонних лиц.
- Храните изделие в сухом и защищенном от низких температур месте.

## Утилизация

- Соблюдайте местное законодательство и действующие нормы в области переработки.
- Утилизируйте все химические вещества, такие как моторное масло или топливо, в сервисном центре или в специально предназначенном для этого месте.
- Если изделие больше не эксплуатируется, отправьте его дилеру Husqvarna или утилизируйте в пункте переработки.



## Технические данные

### Технические данные

|  |   |
|--|---|
|  | LC 356VP  |
| <b>Двигатель</b>   |   |
| Марка  | Honda   |
| Название модели двигателя  | GCVx170   |
| Рабочий объем, см <sup>3</sup>                                   | 166   |
| Частота вращения, об/мин   | 2800  |
| Номинальная мощность двигателя, кВт <sup>111</sup>               | 3,1   |
| <b>Система зажигания</b>   |   |
| Свеча зажигания  | NGK BPR5ES  |
| Зазор между электродами, мм                                      | 0,75  |
| <b>Топливная система и система смазки</b>                        |   |
| Топливо, неэтилированное, мин. октановое число                   | 90  |
| Емкость топливного бака, л                                       | 0,9   |
| Емкость масляного бака, л  | 0,4   |
| Моторное масло <sup>112</sup>                                    | Husqvarna SAE 30, Husqvarna SAE 5W-30 Synthetic, Husqvarna SAE 10W-40 |
| <b>Вес</b>   |   |
| С пустыми баками, кг   | 35,1  |
| <b>Излучение шума</b> <sup>113</sup>                             |   |
| Уровень мощности звука, измеренный, дБ(А)                        | 98  |
| Уровень мощности звука, гарантированный, L <sub>WA</sub> , дБ(А) | 98  |

<sup>111</sup> Указанная номинальная мощность двигателя — это средняя полезная мощность типичного серийного двигателя при указанной частоте вращения (об/мин) для определенной модели двигателя, измеренная в соответствии со стандартом SAE J1349/ISO1585. Показатели двигателей массового производства могут отличаться от этого значения. Фактическая выходная мощность двигателя, установленного на определенном изделии, зависит от рабочей скорости, условий окружающей среды и других параметров.

<sup>112</sup> Используйте моторное масло качества API SJ или выше. Если при температуре ниже +5 °C используется масло SAE-30, существует риск того, что смазка двигателя будет недостаточной. Это может привести к повреждению двигателя. Информация о масле, подходящем для использования при низких температурах, приведена в разделе *Замена моторного масла на стр. 318* Изучите таблицу вязкости в руководстве по эксплуатации двигателя (при наличии) и выберите оптимальное значение в соответствии с ожидаемой температурой окружающей среды.

<sup>113</sup> Излучение шума в окружающую среду измеряется как мощность звука (L<sub>WA</sub>) согласно директиве ЕС 2000/14/ЕС.

|  |                                  |
|--|----------------------------------|
|  | LC 356VP                         |
| <b>Уровни шума</b> <sup>114</sup>                  |                                  |
| Уровень звукового давления на уши оператора, дБ(А) | 86                               |
| <b>Уровни вибрации</b> <sup>115</sup>              |                                  |
| На рукоятке, м/с <sup>2</sup>                      | 5,9                              |
| <b>Режущее оборудование</b>                        |                                  |
| Высота кошения, мм                                 | 25–75                            |
| Ширина кошения, мм                                 | 560                              |
| Режущая система                                    | Сбор / BioClip® / Боковой выброс |
| Нож (стандартный)                                  | Collection 598562701             |
| Нож (принадлежность)                               | Mulch 598563601                  |
| <b>Привод</b>                                      |                                  |
| Скорость, км/ч                                     | 3,0–4,5                          |

<sup>114</sup> Указанные данные об уровне шумового давления имеют типичный статистический разброс (стандартное отклонение) 1,2 дБ(А).

<sup>115</sup> Указанные данные об уровне вибрации имеют типичный статистический разброс (стандартное отклонение) 0,2 м/с<sup>2</sup>.

# Декларация о соответствии

## Декларация соответствия требованиям ЕС

Мы, компания **Husqvarna AB**, SE-561 82  
Husqvarna, Швеция, тел.: +46-36-146500, с полной  
ответственностью заявляем, что изделие:

|                      |   |
|----------------------|---|
| <b>Описание</b>      | Газонокосилка                               |
| <b>Марка</b>         | Husqvarna                                   |
| <b>Тип / Модель</b>  | LC 356VP                                    |
| <b>Идентификация</b> | Серийные номера начиная с 2022 года и далее |

полностью соответствует следующим директивам и  
нормативам ЕС:

| <b>Норматив</b> | <b>Описание</b>  |
|-----------------|--|
| 2006/42/ЕС      | "О механическом оборудовании"  |
| 2014/30/EU      | "Об электромагнитной совместимости"  |
| 2000/14/ЕС      | "Об излучении шума в окружающую среду"   |
| 2011/65/EU      | "Об ограничении использования определенных опасных веществ в электрическом и электронном оборудовании" |

а также требованиям следующих стандартов и/или  
технических регламентов: EN ISO 5395-1:2013/  
A1:2018, EN ISO 5395-2:2013/A1:2016/A2:2017, EN  
ISO 14982:2009, EN IEC 63000:2018

141400, Московская обл., Г. Химки, ул. Ленинградская,  
владение 39, строение 6, здание II этаж 4,  
помещение OB02\_04,  
телефон горячей линии 8-800-200-1689

Уполномоченная организация: 0404, RISE SMP  
Svensk Maskinprovning AB, Box 4053, SE-904  
03 Umeå, Sweden подтвердила соответствие  
Директиве Совета ЕС 2000/14/ЕС, процедура оценки  
соответствия: Приложение VI.

Информацию по излучению шума см. в разделе  
*Технические данные на стр. 321.*

Husqvarna, 2022-10-20



Клаес Лосдал (Claes Losdal), директор отдела  
разработок/садовая техника, Husqvarna AB

Ответственный за техническую документацию



---

## Obsah

---

|                 |     |   |     |
|-----------------|-----|---|-----|
| Úvod.....       | 324 | Údržba.....                             | 330 |
| Bezpečnosť..... | 325 | Preprava, skladovanie a likvidácia..... | 333 |
| Montáž.....     | 328 | Technické údaje.....                    | 334 |
| Prevádzka.....  | 328 | Vyhlasenie o zhode.....                 | 336 |

---

## Úvod

---

### Popis výrobku

Tento výrobok je rotačná kosačka na trávu s chodiacou obsluhou. Pripevnite zberný kôš na zachytávanie trávy. Pripevnite bočný vyhadzovací deflektor na bočné vyhadzovanie trávy. Ak chcete trávu nasekať a použiť ako hnojivo, použite mulčovaciu súpravu.

### Prehľad výrobku

(Obr. 1)

1. Rukoväť
2. Rukoväť motorovej brzdy
3. Páka pohonu
4. Rukoväť štartovacieho lanka
5. Zadný kryt
6. Zberný kôš
7. Gombíky výšky rukoväte
8. Páka výšky rezu
9. Viečko na olej
10. Kryt bočného vyhadzovania
11. Tlmič výfuku
12. Zapaľovacia sviečka
13. Uzáver palivovej nádrže
14. Symboly
15. Kryt rezacej časti
16. Vzduchový filter
17. Páka na reguláciu rýchlosti
18. Bočný deflektor
19. Mulčovacia zarážka (príslušenstvo)
20. Návod na obsluhu

### Symboly na výrobku

(Obr. 2) **UPOZORNENIE!** Postupujte opatrne a používajte výrobok správnym spôsobom. Tento výrobok môže spôsobiť vážne poranenie alebo usmrtenie obsluhujúceho pracovníka alebo iných osôb.

(Obr. 3) Skôr než začnete stroj používať, pozorne si prečítajte návod na obsluhu a presvedčte sa, že ste porozumeli jeho obsahu.

### Plánované použitie

Produkt používajte na kosenie trávy. Výrobok nepoužívajte na iné účely.

(Obr. 4) Dávajte pozor na vymrštené predmety a spätné nárazy.

(Obr. 5) Dbajte na to, aby osoby a zvieratá nevstupovali do pracovnej oblasti.

(Obr. 6) Upozornenie: Udržiavajte ruky a chodidlá mimo dosahu rotujúceho noža.

(Obr. 7) Upozornenie: Udržiavajte ruky a chodidlá mimo dosahu rotujúcich častí.

(Obr. 8) Pred vykonávaním opráv a údržby vypnite motor a odpojte kábel zapaľovania.

(Obr. 9) Tento výrobok je v súlade s príslušnými smernicami EÚ.

(Obr. 10) Tento výrobok je v súlade s príslušnými právnymi predpismi Spojeného kráľovstva.

(Obr. 11) Označenie týkajúce sa emisie hluku do okolia podľa smerníc a nariadení EÚ a UK a legislatívy v štáte New South Wales „Protection of the Environment Operations (Noise Control) Regulation 2017“ (Nariadenie o ochrane životného prostredia pri prevádzke (kontrola hluku) z roku 2017). Garantovaná hladina akustického výkonu produktu je uvedená v *Technické údaje na strane 334* a na štítku.

---

**Poznámka:** Ostatné symboly/emblémy na výrobku odkazujú na požiadavky certifikácie pre niektoré komerčné oblasti.

---

## Poškodenie výrobku

Nie sme zodpovední za škody na našom výrobku v prípade:

- nesprávne vykonanej opravy výrobku,
- opravy výrobku, pri ktorej neboli použité diely od výrobcu alebo diely schválené výrobcom,
- používania príslušenstva od iného výrobcu alebo príslušenstva, ktoré nie je schválené výrobcom,

- opravy výrobku, ktoré neboli vykonané v schválenom servisnom stredisku alebo schválenými kompetentnými osobami.

## Emisie Euro V



**VÝSTRAHA:** Nepovolená manipulácia s motorom ruší platnosť typového schválenia tohto výrobku pre EÚ.

## Bezpečnosť

### Bezpečnostné definície

Výstrahy, upozornenia a poznámky slúžia na zdôraznenie mimoriadne dôležitých častí návodu.



**VÝSTRAHA:** Používa sa, ak pre obsluhu alebo osoby v okolí existuje nebezpečenstvo poranenia alebo smrti v prípade nedodržania pokynov v návode.



**VAROVANIE:** Používa sa, ak hrozí nebezpečenstvo poškodenia produktu, iných materiálov alebo okolitej oblasti v prípade nedodržania pokynov v návode.

**Poznámka:** Používa sa na poskytnutie informácií nad rámec nevyhnutných informácií v danej situácii.

### Všeobecné bezpečnostné pokyny



**VÝSTRAHA:** Skôr než budete výrobok používať, prečítajte si nasledujúce výstrahy.

- Tento výrobok je nebezpečný, ak sa nepoužíva správne alebo ak nie ste pri jeho používaní opatrní. V prípade nedodržania bezpečnostných pokynov hrozí poranenie alebo usmrtenie.
- Tento výrobok vytvára počas prevádzky elektromagnetické pole. Toto pole môže za určitých okolností spôsobovať rušenie aktívnych alebo pasívnych implantovaných zdravotníckych pomôcok. Na zníženie rizika vážneho alebo smrteľného zranenia odporúčame, aby sa osoby s implantovanými pomôckami poradili so svojím lekárom a výrobcom pomôcky ešte pred použitím tohto výrobku.
- Vždy zachovávajte opatrnosť a riadte sa zdravým úsudkom. Ak si v určitých situáciách nie ste istí, ako máte výrobok používať, výrobok nepoužívajte a pred pokračovaním v práci sa poradte s predajcom spoločnosti Husqvarna.
- Nezabudnite, že operátor bude zodpovedný za nehody zahŕňajúce iné osoby alebo ich majetok.

- Výrobok udržiavajte čistý. Symboly a emblémy musia byť čitateľné.
- Nedovoľte, aby výrobok používali iné osoby, pokiaľ sa neustíte, že si prečítali tento návod na obsluhu a porozumeli jeho obsahu.
- Nedovoľte, aby výrobok používali deti.
- Deti držte v bezpečnej vzdialenosti od pracovnej oblasti. Vyžaduje sa neustála prítomnosť zodpovednej dospeljej osoby.
- Nedovoľte, aby výrobok používali osoby, ktoré nepoznajú potrebné pokyny.
- Osoby so zníženými fyzickými alebo duševnými schopnosťami musia byť počas používania výrobku vždy pod dozorom. Vyžaduje sa neustála prítomnosť zodpovednej dospeljej osoby.
- Výrobok nepoužívajte, ak ste unavení, chorí alebo ste pod vplyvom alkoholu, drog alebo liekov. Vyššie uvedené prípady majú negatívny vplyv na váš zrak, ostražitosť, koordináciu a úsudok.
- Nepoužívajte výrobok, ktorý je poškodený alebo nefunguje správne.
- Výrobok žiadnym spôsobom neupravujte ani nepoužívajte, ak existuje možnosť, že bol upravený inými osobami.
- Nemeňte nastavenie regulácie otáčok motora.

### Bezpečnosť na pracovisku



**VÝSTRAHA:** Skôr než budete používať produkt, prečítajte si nasledujúce výstrahy.

- Pred použitím výrobku odstráňte z pracovnej oblasti všetky predmety, ako sú napr. konáre, vetvy a kamene.
- Predmety, ktoré narazia na rezné zariadenie, môžu byť vymrštené a spôsobiť poranenie osôb alebo poškodenie iných predmetov. Dávajte pozor, aby okolo stojace osoby a zvieratá nevstupovali do pracovnej oblasti.
- Výrobok nikdy nepoužívajte počas nepriaznivých poveternostných podmienok, napríklad v hmle, v dažďu, v silnom vetre, v silnom mraze, pri vysokom riziku blyskania. Používanie výrobku počas nepriaznivých poveternostných podmienok alebo na vlhkých alebo mokrych miestach je namáhavé.

Nepriaznivé poveternostné podmienky môžu mať za následok vznik nebezpečných podmienok, akými sú napr. klzké povrchy.

- Dávajte pozor na osoby, predmety a situácie, ktoré môžu zamedziť bezpečnej prevádzke výrobku.
- Dávajte pozor na prekážky, ako sú napr. korene, kamene, halúzky, jamy a priekopy. Vysoká tráva môže zakrývať prekážky.
- Kosenie trávy na svahoch môže byť nebezpečné. Výrobok nepoužívajte na svahoch so sklonom viac ako 15°.
- S výrobkom sa pohybujte po vrstevnici. Nepohybujte sa smerom do svahu a zo svahu.
- V blízkosti skrytých rohov a objektov, ktoré vám bránia vo výhlade, sa pohybujte opatrne.

## Bezpečnosť pri práci



**VÝSTRAHA:** Skôr než budete výrobok používať, prečítajte si nasledujúce výstrahy.

- Tento výrobok používajte len na kosenie trávy. Výrobok sa nesmie používať na iné úlohy.
- Používajte osobné ochranné pomôcky. Pozrite si časť *Osobné ochranné prostriedky na strane 326*.
- Naučte sa, ako v prípade núdze rýchlo zastaviť motor.
- Nikdy neštartujte motor v uzavretých priestoroch alebo v blízkosti horľavého materiálu. Výfukové plyny z motora sú horúce a môžu obsahovať iskry, ktoré môžu vyvolať požiar.
- Výrobok nepoužívajte, pokiaľ nie sú nôž a všetky kryty správne upevnené. Nesprávne pripojený nôž sa môže uvoľniť a spôsobiť poranenia osôb.
- Uistite sa, že nôž nenarazí na predmety, ako sú napr. kamene alebo korene. Môže dôjsť k poškodeniu noža a ohnuti hriadeľa motora. Ohnutá náprava spôsobuje silné vibrácie a vzniká veľké nebezpečenstvo uvoľnenia noža.
- Ak nôž narazí na predmet alebo ak cítite vibrácie, výrobok okamžite vypnite. Odpojte kábel zapalovania od zapalovacej sviečky. Skontrolujte, či nie je výrobok poškodený. Opravte akékoľvek poškodenie alebo kontaktujte servisného zástupcu.
- Keď je naštartovaný motor, rukoväť motorovej brzdy nesmie byť nikdy trvalo pripievaná k rukoväti.
- Položte výrobok na stabilný, rovný povrch a naštartujte ho. Uistite sa, že sa nôž nedostane do kontaktu so zemou alebo inými predmetmi.
- Pri obsluhu vždy stojte za výrobkom.
- Pri obsluhu výrobku dávajte pozor, aby všetky kolesá dosadali na zem a rukoväť držte oboma rukami. Udržujte ruky a chodidlá mimo dosahu rotujúcich nožov.
- Keď je motor spustený, výrobok nenakláňajte.
- Pri ťahaní výrobku smerom dozadu buďte opatrní.

- Výrobok nikdy nedvíhajte, keď je spustený motor. Ak musíte výrobok zdvihnúť, najprv vypnite motor a odpojte kábel zapalovania od zapalovacej sviečky.
- Počas obsluhy výrobku necúvajte.
- Pri prechádzaní cez oblasti bez trávy, ako sú napr. štrkové, kamenné a asfaltové chodníky, vypnite motor.
- Keď je zapnutý motor, s výrobkom neutekajte. Počas obsluhy výrobku vždy kráčajte.
- Pred zmenou výšky rezu zastavte motor. Nikdy nevykonávajte nastavenia so spusteným motorom.
- Nikdy nenechávajte výrobok bez dozoru, keď je zapnutý motor. Zastavte motor a uistite sa, že sa rezné zariadenie neotáča.

## Bezpečnostné pokyny pre prevádzku

### Osobné ochranné prostriedky



**VÝSTRAHA:** Skôr než budete výrobok používať, prečítajte si nasledujúce výstrahy.

- Osobné ochranné prostriedky nedokážu úplne vylúčiť riziko, ale môžu znížiť vážnosť zranenia v prípade nehody. Váš predajca vám pomôže pri výbere správnych prostriedkov.
- Ak hladina hluku je vyššia ako 85 dB, používajte chrániče sluchu.
- Noste odolné protišmykové topánky. Výrobok neobsluhujte v otvorených topánkach ani s bosými nohami.
- Noste dlhé odolné nohavice.
- Keď je to potrebné, používajte ochranné rukavice, ako napríklad pri montáži, kontrole alebo čistení rezného zariadenia.

### Bezpečnostné zariadenia na výrobku



**VÝSTRAHA:** Skôr než budete výrobok používať, prečítajte si nasledujúce výstrahy.

- Výrobok nepoužívajte s bezpečnostnými zariadeniami, ktoré sú poškodené alebo nefungujú správne.
- Pravidelne kontrolujte bezpečnostné zariadenia. Ak sú bezpečnostné zariadenia poškodené alebo nefungujú správne, obráťte sa na Husqvarna servisného zástupcu.
- Bezpečnostné zariadenia neupravujte.

### Kontrola krytu rezacej časti

Kryt rezacej časti tlmi vibrácie vo výrobku a znižuje riziko poranenia kotúčom.

- Skontrolujte kryt rezacej časti, aby ste sa uistili, že na ňom nie sú žiadne známky poškodenia, ako sú napr. praskliny.

## Kontrola rukoväte motorovej brzdy.

Rukoväť motorovej brzdy slúži na zastavenie motora. Keď rukoväť motorovej brzdy uvoľníte, motor sa zastaví.

- Naštartujte motor a potom uvoľníte rukoväť motorovej brzdy. Ak sa motor v priebehu 3 sekúnd nezastaví, požiadajte servisného zástupcu spoločnosti Husqvarna o nastavenie motorovej brzdy. (Obr. 12)

## Kontrola zadného krytu

Zadný deflektor znižuje riziko vstupu predmetov od smeru prevádzky.

- Skontrolujte, či zadný kryt nie je poškodený.
- Skontrolujte, či pružiny, ktoré uzatvárajú zadný kryt, nie sú poškodené.
- Poškodené súčiastky a pružiny vymeňte.
- Skontrolujte, či sa zadný kryt hladko pohybuje na pántoch.

## Tlmič výfuku

Tlmič výfuku slúži na udržiavanie minimálnej hladiny hluku a na smerovanie výfukových plynov smerom od operátora.

Výrobok nepoužívajte, ak tlmič výfuku chýba alebo je poškodený. Poškodený tlmič výfuku zvyšuje hladinu hluku a nebezpečenstvo požiaru.



**VÝSTRAHA:** Tlmič výfuku je veľmi horúci počas prevádzky, po nej a tiež počas behu motora na voľnobeh. Zachovávajte opatnosť v okolí horľavých materiálov alebo výparov, aby ste nespôsobili požiar.

## Kontrola tlmíča výfuku

- Pravidelne kontrolujte, či je tlmíč výfuku správne pripavený a či nie je poškodený.

## Bezpečnosť paliva



**VÝSTRAHA:** Skôr než budete výrobok používať, prečítajte si nasledujúce výstrahy.

- Výrobok neštartujte, ak sú na ňom zvyšky paliva alebo motorového oleja. Odstráňte neželané palivo/olej a nechajte výrobok vyschnúť.
- Ak vylejete palivo na odev, okamžite sa prezlečte.
- Dávajte pozor, aby ste si palivo nevyliali na telo, pretože môže spôsobiť poranenie. Ak si palivo vylejete na telo, umyte sa pomocou mydla a vody.
- Výrobok neštartujte, ak sa na motore vyskytuje netesnosť. Pravidelne kontrolujte výskyt netesností na motore.
- Pri manipulácii s palivom buďte opatrní. Palivo je horľavá látka a výpary z paliva sú výbušné a môžu spôsobiť poranenia alebo smrť.

- Vyhňte sa vdychovaniu výparov paliva, pretože môžu spôsobiť poranenie. Zabezpečte dostatočné prúdenie vzduchu.
- V blízkosti paliva alebo motora nefajčite.
- Neukladajte do blízkosti paliva alebo motora teplé predmety.
- Nedopĺňajte palivo, keď je zapnutý motor.
- Pred dopĺňaním paliva sa uistite, že motor vychladol.
- Pred dopĺňaním paliva pomaly otvorte veko palivovej nádrže a opatrne uvoľnite tlak.
- Palivo do motora nedopĺňajte v interiéri. Nedostatočné prúdenie vzduchu môže spôsobiť poranenie alebo smrť v dôsledku udusenía alebo otravy oxidom uhoľnatým.
- Uzáver palivovej nádrže pevne utiahnite. Ak nie je veko palivovej nádrže pevne utiahnuté, existuje riziko vzniku požiaru.
- Pred spustením premiestnite výrobok minimálne 3 m od miesta, na ktorom ste dopĺňali palivo do nádrže.
- Palivovú nádrž nedopĺňajte úplne doplna. Tepló spôsobuje expanziu paliva. Uchovajte miesto navrchu palivovej nádrže.
- Výrobok nikdy neskladujte s benzínom v palivovej nádrži vo vnútri budovy, v ktorej sa môžu nachádzať zdroje vznietenia, ako napr. ohrievače teplej vody, vykurovacie telesá alebo sušičky bielizne. Pred uskladnením do akéhokolvek uzavretého priestoru nechajte motor vychladnúť.

## Bezpečnostné pokyny pre údržbu



**VÝSTRAHA:** Skôr než budete používať produkt, prečítajte si nasledujúce výstrahy.

- Výfukové plyny z motora obsahujú oxid uhoľnatý, plyn bez zápachu, ktorý je jedovatý a veľmi nebezpečný. Motor neštartujte v interiéri ani v uzavretých priestoroch.
- Pred vykonávaním údržby výrobku zastavte motor a odpojte kábel zapalovania od zapalovacej sviečky.
- Pri vykonávaní údržby rezného zariadenia používajte ochranné rukavice. Čepel je veľmi ostrá a ľahko môže dôjsť k porezaniu.
- Príslušenstvo a úprava výrobku, ktoré neschválil výrobca, môžu spôsobiť vážne poranenia alebo smrť. Výrobok neupravujte. Vždy používajte príslušenstvo schválené výrobcom.
- Nepravidelná a nesprávne vykonaná údržba zvyšuje nebezpečenstvo poranenia a poškodenia výrobku.
- Vykonávajte len údržbu uvedenú v tomto návode na používanie. Všetky ostatné práce týkajúce sa údržby musí vykonávať schválený servisný zástupca spoločnosti Husqvarna.
- Výrobok nechajte pravidelne kontrolovať kvôli údržbe u schváleného servisného zástupcu spoločnosti Husqvarna.

- Vymeňte všetky poškodené, opotrebované alebo zlomené diely.

---

## Montáž

---

### Úvod



**VÝSTRAHA:** Pred zostavením výrobku si musíte prečítať kapitolu o bezpečnosti a porozumieť informáciám, ktoré sa v nej uvádzajú.



**VÝSTRAHA:** Pred zostavením výrobku od zapalovacej sviečky odpojte kábel zapalovacej sviečky.

### Montáž rukoväti

**Poznámka:** Odporúča sa, aby tento postup vykonávali 2 osoby.

**Poznámka:** Pri montáži rukoväte nevyberajte produkt z krabice. Krabicu môžete počas montáže použiť ako podporu rukoväte.

1. Zdvihnite a otočte rukoväť. (Obr. 13)



**VAROVANIE:** Dávajte pozor a pri otáčaní rukoväte sa uistite, že sa kábel nepoškodil.

2. Rukoväť položte na vrch výrobku. Nakloňte rukoväť ku krabici, aby ste jej poskytli oporu. Pozrite si nákres. (Obr. 14)
3. Nasuňte skrutku (A) cez rukoväť (B), plastovú podložku (C) a podporu rukoväti (D). (Obr. 15)
4. Maticu (E) utiahnite na doraz.
5. Vyberte výrobok z krabice.
6. Vyklopte rukoväť do vzpriamenej polohy. (Obr. 16)
7. Nastavte rukoväť do najnižšej polohy. V časti *Nastavenie rukoväti na strane 328*.
8. Pomocou káblovej svorky pripievňte káble k nižšej časti rukoväte. (Obr. 17)
9. Pomocou káblovej pásky pripojte spodnú časť kábla k podpornému držiaku rukoväte. Odrežte zostávajúcu časť káblovej spony. (Obr. 18)

**Poznámka:** Skontrolujte, či je kábel správne nainštalovaný. Kábel, ktorý je príliš uvoľnený, môže pri inštalácii zberného koša poškodiť kábel. (Obr. 19)

### Nastavenie rukoväti

1. Uvoľnite spodné gombíky.
2. Posuňte gombíky smerom k spodnej časti drážok na ľavej a pravej strane výrobku. (Obr. 20)
3. Nastavte výšku rukoväti do jednej z 2 dostupných polôh.
4. Posuňte gombíky nahor smerom k rukoväti, kým sa nezastavia a nebudete počuť kliknutie. (Obr. 21)
5. Gombíky utiahnite na doraz.

### Nastavenie výrobku do transportnej polohy

1. Ak je nainštalovaný zberný kôš, odmontujte ho.
2. Uvoľnite spodné gombíky.
3. Posuňte gombíky smerom k spodnej časti drážok na ľavej a pravej strane výrobku. (Obr. 20)
4. Skopte držadlo dopredu. (Obr. 22)

### Nastavenie výrobku do prevádzkovej polohy

1. Vyklopte rukoväť do vzpriamenej polohy. (Obr. 23)
2. Posuňte gombíky nahor smerom k rukoväti, kým sa nezastavia a nebudete počuť kliknutie. (Obr. 21)
3. Gombíky utiahnite na doraz.

### Zostavenie zberného koša

1. Pripojte rám zberného koša k vaku na trávu tak, aby pevná časť vaku bola na spodnej strane. Ponechajte rukoväť rámu na vonkajšej strane vaku. (Obr. 24)
2. Pripievňte vak na trávu do rámu pomocou svoriek. (Obr. 25)

---

## Prevádzka

---

### Úvod



**VÝSTRAHA:** Pred používaním výrobku si musíte prečítať kapitolu o bezpečnosti

a porozumieť informáciám, ktoré sa v nej uvádzajú.



## Husqvarna Connect

Husqvarna Connect je bezplatná aplikácia pre mobilné zariadenia. Aplikácia Husqvarna Connect prináša rozšírené funkcie pre výrobok Husqvarna:

- Rozšírené informácie o výrobku.
- Informácie a podpora vzťahujúce sa na súčasti výrobku a servis.

### Ak chcete začať, použite Husqvarna Connect

1. Stiahnite si aplikáciu Husqvarna Connect do mobilného zariadenia.
2. Zaregistrujte sa v aplikácii Husqvarna Connect.
3. Ak chcete pripojiť a zaregistrovať produkt, postupujte podľa pokynov v aplikácii Husqvarna Connect.

### Pred obsluhou zariadenia

1. Pozorne si prečítajte tento návod na obsluhu a uistite sa, že ste porozumeli pokynom.
2. Skontrolujte reznú zariadenie a uistite sa, že je správne upevnené a nastavené. Pozrite si kapitolu *Kontrola rezného zariadenia na strane 331*.
3. Nalejte palivo do palivovej nádrže. Pozrite si kapitolu *Doplňanie paliva na strane 329*.
4. Naplňte nádrž a skontrolujte hladinu oleja. Pozrite si kapitolu *Výmena motorového oleja na strane 332*.

### Doplňanie paliva

Ak je to možné, používajte alkylátový benzín s nízkymi emisiami. Ak nemáte k dispozícii alkylátový benzín s nízkymi emisiami, použite vysokokvalitný bezolovnatý benzín alebo olivnatý benzín s oktanovým číslom minimálne 90.



**VAROVANIE:** Nepoužívajte benzín s oktanovým číslom menším než 90 RON (87 AKI). Mohlo by to viesť k poškodeniu výrobku.

1. Pomalým otvorením veka palivovej nádrže uvoľnite tlak.
2. S použitím kanistra opatrne doplňte palivo. Ak sa palivo vyleje, pomocou handričky ho utrite a zvyšné palivo nechajte vyschnúť.
3. Vyčistite priestor okolo veka palivovej nádrže.
4. Uzáver palivovej nádrže pevne utiahnite. Ak nie je veko palivovej nádrže pevne utiahnuté, existuje riziko vzniku požiaru.
5. Pred spustením premiestnite výrobok minimálne 3 m od miesta, na ktorom ste doplňali palivo do nádrže.

### Nastavenie výšky rezu

1. Ak chcete zvýšiť výšku rezu, posuňte páku výšky rezu smerom dozadu.

2. Ak chcete znížiť výšku rezu, posuňte páku výšky rezu smerom dopredu. (Obr. 26)



**VAROVANIE:** Nenastavujte výšku rezu príliš nízko. Ak nie je povrch trávnik rovinný, nože môžu narážať o zem.

### Zapnutie výrobku

1. Uistite sa, že je kábel zapaľovania pripojený k zapaľovacej sviečke.
2. Stoje za výrobkom.
3. Rukoväť motorovej brzdy držte oproti hornej rukováti. (Obr. 27)
4. Pevne uchopte rukoväť štartovacieho lanka pravou rukou.
5. Pomaly potiahnite štartovacie lanko, kým nepocítite istý odpor.
6. Silným potiahnutím naštartujte motor.



**VÝSTRAHA:** Štartovacie lanko si neovíjajte okolo ruky.

### Používanie pohonu na kolesách

- Pomocou páky regulácie rýchlosti na ľavej strane rukováte spustíte pohon na kolesách. Posunutím páčky na ovládanie rýchlosti dopredu zvýšite rýchlosť a posunutím dozadu rýchlosť znížite. (Obr. 28)
- Pred potiahnutím výrobku smerom dozadu deaktivujte pohon a potlačte výrobok zhruba 10 cm dopredu.
- Uvoľnením páky pohonu deaktivujte pohon, napr. keď sa pohybujete v blízkosti prekážok.

### Vypnutie výrobku

- Ak chcete vypnúť len pohon, uvoľnite páku pohonu.
- Ak chcete vypnúť motor, uvoľnite rukoväť motorovej brzdy.

### Používanie výrobku so zberným košom



**VÝSTRAHA:** Výrobok nepoužívajte bez nainštalovaného zberného koša alebo bez zatvoreného zadného krytu. Predmety môžu vyletieť a spôsobiť zranenie obsluhy.

1. Zdvihnute zadný kryt a vyberte mulčovaciu záražku, ak je namontovaná. (Obr. 29)
2. Namontujte zberný kôš (pozrite si časť *Zostavenie zberného koša na strane 328*).
3. Umiestnite zberný kôš na podperu.
4. Uvoľnite zadný kryt a položte ho na vrchnú časť rámu vaku na trávu. (Obr. 30)

## Zmena nastavenia výrobku do režimu mulčovania

Pred nastavením výrobku do režimu mulčovania skontrolujte, či je motor vypnutý.

1. Zdvihnite zadný kryt a vyberte zberný kôš, ak je namontovaný.
2. Do kanála na vyhadzovanie trávy vložte prípojku na mulčovanie. (Obr. 31)
3. Zatvorte zadný kryt a skontrolujte, či je pevne zatvorený proti mulčovacej zarážke.

**Poznámka:** Na zlepšenie výkonu v mulčovacom režime nahradte nôž mulčovacím nožom (príslušenstvo). Pozrite si časť *Výmena noža na strane 331*

## Zmena nastavenia výrobku do režimu bočného vyhadzovania

1. Zdvihnite zadný kryt a vyberte vak na trávu, ak je namontovaný.
2. Zatvorte zadný kryt a skontrolujte, či je pevne zatvorený proti výrobku.
3. Zdvihnite vyhadzovaciu poistku. (Obr. 32)
4. Otvorte ochranný kryt bočnej výsyvky a namontujte bočný vyhadzovací deflektor na podporné čapy. (Obr. 33)
5. Počkajte, kým ochranný kryt bočnej výsyvky neklesne na bočný vyhadzovací deflektor. Kým sa začne výrobok používať, skontrolujte, či je bočný vyhadzovací deflektor pevne na svojom mieste.

## Vyprázdenie zberného koša



**VAROVANIE:** Pri premiestňovaní zdvihnite zberný kôš, aby ste predišli opotrebovaniu.

1. Zberný kôš zdvihnite pomocou rukoväti rámu.
2. Keď vyprázdňujete zberný kôš, používajte rukoväť konštrukcie a rukoväť vaku. (Obr. 34)

## Zabezpečenie optimálnych výsledkov

- Vždy používajte ostrý nôž. Tupý nôž poskytuje nepravidelné výsledky kosenia a pokosený povrch trávnikova zožltne. Ostrý nôž spotrebuje menej energie ako tupý nôž.
- Nekoste viac ako 1/3 dĺžky trávy. Keď začínate kosiť trávu, používajte najvyššiu výšku rezu. Skontrolujte výsledok a znížte výšku rezu na príslušnú úroveň. Ak je tráva veľmi vysoká, pohybujte sa pomaly a ak je to potrebné, pokoste ju dvakrát.
- Zakaždým koste iným smerom, aby ste predišli vzniku pruhov na trávniku.
- Nadvihnite zadný kryt a vyberte zberný kôš.
- Ak sa používa mulčovacia zarážka a mulčovací nôž, demontujte ich.
- Pred používaním výrobku zatvorte zadný kryt. Pri používaní výrobku sa pokosená tráva vyhadzuje pod zadným krytom.
- Udržiavajte kryt kosačky čistý. Nahromadenie trávy a nečistoty na vnútornej strane krytu kosačky môže viesť k horšiemu výsledku kosenia. Pozrite si časť *Čistenie vnútorného povrchu krytu rezacej časti na strane 331*.

## Údržba

### Úvod



**VÝSTRAHA:** Pred vykonávaním akejkoľvek údržby si musíte prečítať kapitolu o bezpečnosti a porozumieť jej.

Údržba a opravné práce na výrobku si vyžadujú špeciálne školenie. Zaručujeme dostupnosť profesionálnych opravných prác a údržby. Ak váš predajca nie je servisný zástupca, kontaktujte predajcu, ktorý vám poskytne informácie o najbližšom servisnom zástupcovi.

Podrobnejšie informácie nájdete na stránke .

### Plán údržby



**VAROVANIE:** Uistite sa, že vzduchový filter je na vrchnej strane výrobku a nie smerom do zeme, keď výrobok nakloníte. Hrozí nebezpečenstvo poškodenia motora.

Intervaly údržby sú vypočítané na základe každodenného používania výrobku. Ak sa výrobok nepoužíva každý deň, tieto intervaly sa menia.

Informácie o prvkoch údržby označených symbolom „\*\*“ nájdete v pokynoch v časti *Bezpečnostné zariadenia na výrobku na strane 326*.

| Údržba                       | Denne | Týždenne | Mesačne |
|------------------------------|-------|----------|---------|
| Vykonajte všeobecnú kontrolu | X     |          |         |
| Skontrolujte hladinu oleja   | X     |          |         |

| Údržba  | Denne | Týždenne | Mesačne |
|---|-------|----------|---------|
| Vyčistíte výrobok   | X     |          |         |
| Skontrolujte rezné zariadenie   | X     |          |         |
| Skontrolujte kryt rezacej časti *   | X     |          |         |
| Skontrolujte rukoväť motorovej brzdy *  | X     |          |         |
| Skontrolujte ovládanie brzdy noža *   | X     |          |         |
| Skontrolujte tlmič výfuku *   |       | X        |         |
| Skontrolujte zapalovaciu sviečku  |       | X        |         |
| Vymeňte olej (prvýkrát po 5 hodinách používania, potom po každých 50 hodinách používania) |       |          | X       |
| Vyčistíte vzduchový filter alebo ho vymeňte   |       |          | X       |
| Skontrolujte palivový systém  |       |          | X       |

## Vykonanie všeobecnej kontroly

- Uistite sa, že sú dotiahnuté všetky matice aj skrutky na výrobku.

## Čistenie externých povrchov výrobku

- Pomocou kefy odstráňte listy, trávu a nečistoty.
- Uistite sa, že nie je zablokované nasávanie vzduchu vo vrchnej časti motora.
- Na čistenie výrobku nepoužívajte vysokotlakový čistič.
- Ak na čistenie výrobku použijete vodu, nelejte vodu priamo na motor.

## Čistenie vnútorného povrchu krytu rezacej časti

- Vyprázdňte palivovú nádrž.
- Položte výrobok na stranu tak, aby tlmič výfuku smeroval nadol.



**VAROVANIE:** Ak výrobok položíte tak, že vzduchový filter bude smerovať nadol, môže dôjsť k poškodeniu motora.

- Pomocou hadice vystriekajte vnútorné povrchy krytu rezacej časti.

## Kontrola rezného zariadenia



**VÝSTRAHA:** Aby ste zabránili náhodnému naštartovaniu, odpojte kábel zapalovania od zapalovacej sviečky.



**VÝSTRAHA:** Pri vykonávaní údržby rezného zariadenia používajte ochranné rukavice. Čepel je veľmi ostrá a ľahko môže dôjsť k porezaniu.

- Skontrolujte, či sa na reznom zariadení nenachádzajú známky poškodenia alebo praskliny. Poškodené rezné zariadenie vždy vymeňte.
- Skontrolujte, či nie je poškodený alebo tupý nôž.

**Poznámka:** Po nabrúsení je potrebné nôž vyrovnat'. Nôž nechajte nabrúsiť, vymeniť a vyrovnat' v servisnom stredisku. Ak narazíte na predmet, ktorý spôsobí zastavenie výrobku, vymeňte poškodený nôž. Nechajte, aby servisné stredisko rozhodlo, či je možné nôž nabrúsiť alebo sa musí vymeniť.

## Výmena noža

- Pomocou dreveného bloku zaistíte nôž. (Obr. 35)
- Demontujte skrutku noža, pružnú podložku a čepeľ. (Obr. 36)
- Skontrolujte podperu a skrutku noža, či nie sú poškodené.
  - Ak vymieňate čepeľ alebo podperu čepele, vymeňte aj skrutku čepele, pružnú a treciu podložku.
- Skontrolujte hriadeľ motora a uistite sa, že nie je ohnutý.
- Pri upevňovaní novej čepele sa uistite, že ohnuté konce smerujú ku krytu rezacej časti. (Obr. 37)
- Umiestnite treciu podložku a čepeľ na podpera čepele. (Obr. 38)
- Uistite sa, že je čepeľ zarovno so stredom hriadeľa motora. (Obr. 39)
- Pomocou dreveného bloku zaistíte nôž. (Obr. 40)
- Pripevnite pružnú podložku a utiahnite skrutku na utahovací moment 43 – 47 Nm. (Obr. 41)
- Rukou potočte nožom a uistite sa, že sa voľne otáča.



**VÝSTRAHA:** Používajte ochranné rukavice. Nôž je veľmi ostrý a ľahko môže dôjsť k porezaniu.

11. Zapnite výrobok a otestujte nôž. Ak nôž nie je správne upevnený, výrobok vibruje alebo poskytuje neuspokojivé výsledky kosenia.

## Kontrola hladiny oleja



**VAROVANIE:** Príliš nízka hladina oleja môže viesť k poškodeniu motora. Pred zapnutím výrobku skontrolujte hladinu oleja.

1. Položte výrobok na rovný povrch.
2. Vyberte uzáver nádrže na olej s olejovou mierkou.
3. Očistite olej z olejovej mierky.
4. Aby ste získali presnú úroveň hladiny oleja, olejovú mierku úplne zasuňte do nádrže na olej. Nepripevňujte uzáver nádrže na olej.
5. Vyberte uzáver nádrže na olej s olejovou mierkou.
6. Skontrolujte hladinu oleja na ponornej mierke.
7. V prípade príliš nízkej hladiny doplňte motorový olej a opätovne skontrolujte hladinu oleja. (Obr. 42)

**Poznámka:** Použite lievik, aby ste zabránili úniku oleja.

8. Ak je hladina oleja správna, nasadte uzáver nádrže na olej.

## Výmena motorového oleja



**VÝSTRAHA:** Bezprostredne po vypnutí motora je motorový olej veľmi horúci. Nechajte motor vychladnúť pred vypustením oleja. Ak sa motorový olej dostane na pokožku, očistite ju mydlom a vodou.

(Obr. 43)

1. Výrobok používajte, kým nebude palivová nádrž prázdna.
2. Vytiahnite kábel zapaľovania zo zapaľovacej sviečky.
3. Vyberte uzáver nádrže na olej s olejovou mierkou.
4. Položte pod výrobok nádobu na zachytenie motorového oleja.
5. Výrobok nakloňte alebo vyčerpajte motorový olej z nádrže na olej s pomocou olejového čerpadla (príslušenstvo).
6. Nalejte do nádrže nový motorový olej, pričom sa riadte odporúčaniami v kapitole *Technické údaje na strane 334*.
7. Skontrolujte hladinu oleja. Pozrite si časť *Kontrola hladiny oleja na strane 332*.

8. Ak je hladina oleja správna, nasadte uzáver nádrže na olej.

## Kontrola zapaľovacej sviečky



**VAROVANIE:** Vždy používajte odporúčaný typ zapaľovacej sviečky. Nesprávny typ zapaľovacej sviečky môže spôsobiť poškodenie výrobku.

- Ak má motor slabý výkon, ťažko sa štartuje alebo pri voľnobežných otáčkach nefunguje správne, skontrolujte zapaľovaciu sviečku.
- Ak chcete znížiť riziko prítomnosti neželaného materiálu na elektródach zapaľovacej sviečky, postupujte takto:
  - a) Uistite sa, že voľnobežné otáčky sú správne nastavené.
  - b) Uistite sa, že používate správnu zmes paliva.
  - c) Uistite sa, že je čistý vzduchový filter.
- Ak je zapaľovacia sviečka znečistená, očistite ju a skontrolujte, či je medzera medzi elektródami správna. Pozrite si časť *Technické údaje na strane 334*. (Obr. 44)
- V prípade potreby vymeňte zapaľovaciu sviečku.

## Čistenie vzduchového filtra

Znečistený vzduchový filter môže spôsobiť poškodenie alebo nesprávnu prevádzku motora. V prašných podmienkach vykonávajte údržbu vzduchového filtra častejšie.

V časti *Plán údržby na strane 330* pre informácie o tom, kedy sa vymieňa vzduchový filter.

1. Odstráňte kryt vzduchového filtra a vzduchový filter.
2. Filter sa čistí údermi o rovnú plochu. Na čistenie filtra nepoužívajte riedidlo obsahujúce naftu alebo petrolej a filter nečistite stlačeným vzduchom.

**Poznámka:** Dlhodobou používaním vzduchové filtre sa nedajú úplne vyčistiť. Vzduchový filter pravidelne vymieňajte. Poškodené vzduchové filtre sa musia vždy vymeniť.

3. Pri montáži sa vzduchový filter musí pevne utesniť na držiaku filtra.

## Kontrola bočného vyhadzovacieho deflektora

Bočný vyhadzovací deflektor je pripevnený na otvore bočného vyhadzovania na výrobku. Deflektor slúži na zníženie rizika vyvrátenia predmetov smerom do priestoru, v ktorom sa pri kosení nachádza obsluha.

1. Skontrolujte, či bočný vyhadzovací deflektor nie je poškodený.

2. Skontrolujte bočný vyhadzovací deflektor. Skontrolujte, či nie sú viditeľné poškodenia, ako sú praskliny alebo zlomené pružiny, ktoré tlačia dvere na zatvorenie.
3. Poškodený bočný vyhadzovací deflektor alebo poškodené pružiny vymeňte.

## Kontrola palivového systému

- Skontrolujte veko palivovej nádrže a tesnenie veka palivovej nádrže a uistite sa, že nie sú poškodené.
- Skontrolujte palivovú hadicu a uistite sa, že z nej nevyteká palivo. Ak je palivová hadica poškodená, nechajte servisného zástupcu, aby ju vymenil.

## Vyprázdnenie palivovej nádrže

1. Pod palivovú nádrž položte nádobu.
2. Zložte uzáver palivovej nádrže.
3. Stlačte hadicové svorky na palivovej nádrži pri karburátore.
4. Odpojte palivovú hadicu od karburátora.
5. Hadicu palivovej nádrže vložte do nádoby a odstráňte hadicové svorky.
6. Nakloňte výrobok a nechajte palivo vytečť do nádoby.

## Výmena palivového filtra



**VÝSTRAHA:** Používajte ochranné rukavice.

1. Vyprázdnite palivovú nádrž.

2. Odsuňte hadicové úchytky od palivovej nádrže. (Obr. 45)
3. Odstráňte palivovú hadicu z palivovej nádrže. Môže dôjsť k úniku malého množstva paliva. (Obr. 46)
4. Odstráňte palivový filter z palivovej nádrže. (Obr. 47)
5. Namontujte nový palivový filter do palivovej nádrže.
6. Pripevnite palivovú hadicu k palivovej nádrži.
7. Hadicovú sponu umiestnite na správne miesto oproti palivovej nádrži.

## Nastavenie lanka spojky

V nasledujúcich situáciách je potrebné skrátiť lanko spojky:

- pohon kolies sa nezapojí, keď potiahnete páku pohonu alebo páčku regulácie rýchlosti,
- výrobok sa pohybuje pomaly, keď sa zapojí pohon kolies.

V nasledujúcich situáciách je potrebné predĺžiť lanko spojky:

- výrobok sa pohybuje, keď pohon kolies nie je zapojený.
- Nastavenie lanka spojky
  - a) Ak chcete skrátiť lanko spojky, otáčajte nastavovaciu skrutku proti smeru hodinových ručičiek.
  - b) Ak chcete predĺžiť lanko spojky, otáčajte nastavovaciu skrutku v smere hodinových ručičiek. (Obr. 48)

Ak sa výrobok po nastavení naďalej pohybuje neuspokojivo, obráťte sa na servisného predajcu.

## Preprava, skladovanie a likvidácia

### Preprava a uskladnenie

- Pri uskladňovaní a preprave výrobku a paliva sa uistite, že nedochádza k úniku kvapaliny a výparov. Iskry alebo otvorené plamene, napr. z elektrických zariadení alebo bojlerov, môžu vyvolať požiar.
- Na uskladnenie a prepravu paliva vždy používajte schválené kanistre.
- Pred uskladnením výrobku na dlhšiu dobu vyprázdňte palivovú nádrž. Palivo zlikvidujte v príslušnom zariadení na likvidáciu.
- Počas prepravy výrobok bezpečne upevnite, aby ste zabránili poškodeniu alebo nehodám.
- Výrobok skladujte v uzamknutom priestore mimo dosahu detí a neoprávnených osôb.
- Výrobok skladujte na suchom mieste, ktoré je chránené pred mrazom.

### Likvidácia

- Dodržiavajte miestne požiadavky v oblasti recyklácie a platné predpisy.

- Všetky chemikálie, ako napr. motorový olej alebo palivo, zlikvidujte v servisnom stredisku alebo v príslušnom zariadení na likvidáciu.
- Keď už výrobok nepoužívate, pošlite ho predajcovi spoločnosti Husqvarna alebo ho zlikvidujte v recyklačnom zariadení.

## Technické údaje

### Technické údaje

|  |   |
|--|---|
|  | LC 356VP  |
| <b>Motor</b>                                       |   |
| Značka   | Honda   |
| Názov modelu motora                                | GCVx170   |
| Objem, cm <sup>3</sup>                             | 166   |
| Rýchlosť, ot./min                                  | 2800  |
| Menovitý výkon motora, kW <sup>116</sup>           | 3,1   |
| <b>Systém zapalovania</b>                          |   |
| Zapaľovacia sviečka                                | NGK BPR5ES  |
| Vzdialenosť elektród, mm                           | 0,75  |
| <b>Systém paliva a mazania</b>                     |   |
| Palivo, bezolovnaté, minimálne oktánové číslo      | 90  |
| Objem palivovej nádrže, litre                      | 0,9   |
| Objem olejovej nádrže, litre                       | 0,4   |
| Motorový olej <sup>117</sup>                       | Husqvarna SAE 30, Husqvarna SAE 5W-30 Synthetic, Husqvarna SAE 10W-40 |
| <b>Hmotnosť</b>                                    |   |
| S prázdnyimi nádržami, kg                          | 35,1  |
| <b>Emisie hluku</b> <sup>118</sup>                 |   |
| Nameraná hladina akustického výkonu, dB (A)        | 98  |
| Zaručená úroveň hlučnosti L <sub>WA</sub> dB(A)    | 98  |
| <b>Úrovně hlučnosti</b> <sup>119</sup>             |   |
| Hladina akustického tlaku pri uchu obsluhy, dB (A) | 86  |

<sup>116</sup> Vyznačený výkon motora je priemerný čistý výkon (pri uvedených ot./min) typického sériového motora pre model motora meraný podľa normy SAE J1349/ISO 1585. Sériovo vyrábané motory sa môžu od tejto hodnoty odlišovať. Skutočný výkon motora nainštalovaného na koncovom výrobku závisí od prevádzkovej rýchlosti, podmienok okolitého prostredia a iných hodnôt.

<sup>117</sup> Používajte motorový olej kvality API SJ alebo vyššej. Ak sa motorový olej SAE-30 používa pri teplote nižšej ako +5 °C, existuje riziko, že motor nebude dostatočne mazaný. Môže tak dôjsť k poškodeniu motora. Informácie o vhodnom oleji použiteľnom pri nízkych teplotách nájdete v kapitole *Výmena motorového oleja na strane 332*. Pozrite si tabuľku s viskozitou v príručke k motoru (ak je súčasťou balenia) a vyberte najvhodnejšiu viskozitu na základe očakávanej vonkajšej teploty.

<sup>118</sup> Hladina hluku meraná ako akustický tlak (L<sub>WA</sub>) v súlade s európskou smernicou 2000/14/ES.

<sup>119</sup> Uvádzané údaje pre hladinu akustického tlaku majú typický štatistický rozptyl (štandardnú odchýlku) 1,2 dB (A).

|                                       |                                  |
|---------------------------------------|----------------------------------|
|                                       | <b>LC 356VP</b>                  |
| <b>Úrovne vibrácií</b> <sup>120</sup> |                                  |
| Rukoväť, m/s <sup>2</sup>             | 5,9                              |
| <b>Rezné zariadenie</b>               |                                  |
| Výška rezu, mm                        | 25 – 75                          |
| Šírka rezu, mm                        | 560                              |
| Kosiaci systém                        | Zber/BioClip®/bočné vyhadzovanie |
| Nôž – štandardný                      | Zberač 598562701                 |
| Nôž – príslušenstvo                   | Mulčovač 598563601               |
| <b>Pohon</b>                          |                                  |
| Rýchlosť, km/h                        | 3,0 – 4,5                        |

<sup>120</sup> Uvádzané údaje pre ekvivalentný stupeň vibrácií majú typický štatistický rozptyl (štandardnú odchýlku) 0,2 m/s<sup>2</sup>.

# Vyhlásenie o zhode

## Vyhlásenie o zhode EÚ

My, spoločnosť **Husqvarna AB**, SE-561 82 Huskvarna, Švédsko, tel.: +46-36-146500, vyhlasujeme s plnou zodpovednosťou, že výrobok:

|                      |                                     |
|----------------------|-------------------------------------|
| <b>Popis</b>         | Kosačka na trávu                    |
| <b>Značka</b>        | Husqvarna                           |
| <b>Typ/model</b>     | LC 356VP                            |
| <b>Identifikácia</b> | Výrobné čísla od roku 2022 a novšie |

plne spĺňa nasledujúce smernice a nariadenia EÚ:

| <b>Nariadenie</b> | <b>Popis</b>   |
|-------------------|--|
| 2006/42/ES        | „o strojových zariadeniach“  |
| 2014/30/EÚ        | „o elektromagnetickej kompatibilite“   |
| 2000/14/ES        | „týkajúca sa emisie hluku v prostredí pochádzajúceho zo zariadení používaných vo voľnom priestranstve“ |
| 2011/65/EÚ        | „o obmedzení používania určitých nebezpečných látok v elektrických a elektronických zariadeniach“      |

a že sa pri ňom uplatňujú nasledujúce normy a technické špecifikácie: EN ISO 5395-1:2013/A1:2018, EN ISO 5395-2:2013/A1:2016/A2:2017, EN ISO 14982:2009, EN IEC 63000:2018

Notifikovaný orgán: 0404, RISE SMP Svensk Maskinprovning AB, Box 4053, SE-904 03 Umeå, Sweden osvedčil zhodu so smernicou Rady 2000/14/ES, posudzovanie zhody: príloha VI.

Informácie týkajúce sa emisií hluku nájdete v časti *Technické údaje na strane 334*.

Huskvarna, 2022-10-20



Claes Losdal, Manažér vývoja/Produkty pre záhradu  
Husqvarna AB

Zodpovedný za technickú dokumentáciu





---

# VSEBINA

---

|                |     |  |     |
|----------------|-----|--|-----|
| Uvod.....      | 337 | Vzdrževanje.....                           | 343 |
| Varnost.....   | 338 | Transport skladiščenje in odstranitev..... | 346 |
| Montaža.....   | 340 | Tehnični podatki.....                      | 347 |
| Delovanje..... | 341 | Izjava o skladnosti.....                   | 349 |

---

## Uvod

---

### Opis izdelka

Naprava je rotacijska kosilnica. Če želite zbirati travo, namestite zbiralnik za travo. Če želite stranski izmet trave, namestite deflektor. Če želite travo razrezati v gnojilo, namestite mulčer.

### Pregled izdelka

(Sl. 1)

1. Ročaj
2. Ročica zavore motorja
3. Pogonska ročica
4. Ročica zaganjalne vrvice
5. Zadnji pokrov
6. Zbiralnik za travo
7. Vijaki za nastavitve višine ročaja
8. Ročica za nastavek višine košnje
9. Pokrovček posode za olje
10. Pokrov stranske izmetne odprtine
11. Dušilnik
12. Svečka
13. Pokrovček rezervoarja za gorivo
14. Simboli
15. Pokrov rezila
16. Zračni filter
17. Ročica za nadzor hitrosti
18. Stranski deflektor
19. Vložek za mulčenje (dodatna oprema)
20. Navodila za uporabo

### Simboli na izdelku

- (Sl. 2) **OPOZORILO!** Bodite previdni in uporabljajte izdelek pravilno. Ta izdelek lahko povzroči hude poškodbe oziroma smrt upravljalca ali drugih.
- (Sl. 3) Pred uporabo izdelka natančno preberite navodila za uporabo in se prepričajte, da ste jih razumeli.
- (Sl. 4) Pazite na leteče in odbite predmete.
- (Sl. 5) Poskrbite, da so osebe in živali na varni razdalji od delovnega območja.

### Namen uporabe

Izdelek uporabite za rezanje trave. Izdelka ne uporabljajte za druga opravila.

- (Sl. 6) Opozorilo: Roke in noge držite stran od vrtljivega rezila.
- (Sl. 7) Opozorilo: Z rokami in nogami ne segajte v območje premikanja vrtljivih delov.
- (Sl. 8) Izklopite motor in odstranite vžigalni kabel, šele nato opravite popravila ali vzdrževalna dela.
- (Sl. 9) Izdelek je v skladu z veljavnimi predpisi CE.
- (Sl. 10) Izdelek je v skladu z veljavnimi direktivami ZK.
- (Sl. 11) Emisija hrupa v okolje je skladna z direktivami in uredbami EU, ZK ter zakonodajo Novega južnega Walesa, in sicer z direktivo "Zaščita okolja pri delu (nadzor hrupa) iz 2017". Zajamčena raven zvočne moči izdelka je navedena na in v *Tehnični podatki na strani 347* in na oznaki.

---

**Opomba:** Ostali znaki in oznake na izdelku se nanašajo na zahteve za certifikacijo, ki veljajo za druga komercialna območja.

---

### Škoda izdelka

Za škodo na izdelku ne odgovarjamo, če:

- Izdelek ni pravilno popravljen.
- Izdelek je popravljen z deli, ki jih ni izdelal ali odobril proizvajalec.
- Na izdelku je nameščena dodatna oprema, ki je ni izdelal ali odobril proizvajalec.
- Izdelek ni bil popravljen v pooblaščenem servisnem centru ali pri pooblaščenem organu.

## Stopnja emisij Euro V



**OPOZORILO:** Zaradi predelave motorja se razveljavi EU-homologacija tega izdelka.

## Varnost

### Varnostne definicije

Opozorila, svarila in opombe opozarjajo na posebej pomembne dele priročnika.



**OPOZORILO:** Se uporabi, če obstaja nevarnost telesne poškodbe ali smrti uporabnika ali opazovalcev ob neupoštevanju navodil v tem priročniku.



**POZOR:** Se uporabi, če obstaja nevarnost poškodbe izdelka, drugih materialov ali okolice ob neupoštevanju navodil v tem priročniku.

**Opomba:** Se uporabi za podajanje podrobnejših informacij, potrebnih v dani situaciji.

### Splošna varnostna navodila



**OPOZORILO:** Pred uporabo izdelka preberite navodila v povezavi z opozorili v nadaljevanju.

- Ta izdelek je lahko nevaren, če ga ne uporabljate pravilno ali če niste previdni. Če ne upoštevate varnostnih navodil, lahko nastopijo poškodbe ali celo smrt.
- Izdelek med delovanjem ustvarja elektromagnetno polje. To polje lahko v nekaterih pogojih interferira z aktivnimi ali pasivnimi medicinskimi vsadki. Emisije hrupa za oznako okolja v skladu z EU (vključno z zakonodajo avstralske zvezne države New South Wales) ter direktivami in uredbami Združenega kraljestva.
- Vedno bodite previdni in ravnajte razumno. Če niste prepričani, kako upravljati ta izdelek v določeni situaciji, prenehajte z delom in se pogovorite s prodajalcem Husqvarna.
- Ne pozabite, da je uporabnik odgovoren za nesreče, ki jih povzroči drugim ljudem ali njihovi lastnini.
- Izdelek redno čistite. Pozorno preberite znake in nalepke.
- Ne dovolite osebi, ki ni prebrala in ne razume vsebine navodil za uporabo, da upravlja ta izdelek.
- Izdelka ne smejo uporabljati otroci.
- Otroci naj ostanejo zunaj delovnega območja. Vedno mora biti prisotna odgovorna odrasla oseba.

- Izdelka ne smejo uporabljati osebe, ki ne poznajo navodil za uporabo.
- Če izdelek uporabljajo osebe z zmanjšanimi fizičnimi ali intelektualnimi sposobnostmi, jih nenehno nadzorujte. Vedno mora biti prisotna odgovorna odrasla oseba.
- Izdelka ne uporabljajte, ko ste utrujeni, bolni, ali pod vplivom alkohola, drog ali zdravil. To negativno vpliva na vaš vid, pozornost, koordinacijo in presojo.
- Ne uporabljajte izdelkov, ki so poškodovani ali ne delujejo pravilno.
- Izdelka ne spreminjajte ali uporabljajte, če obstaja možnost, da so ga spremenile tretje osebe.
- Ne spreminjajte nastavitve števila vrtljajev motorja.

### Varnost delovnega področja



**OPOZORILO:** Pred uporabo izdelka preberite navodila v povezavi z opozorili v nadaljevanju.

- Z delovnega območja pred začetkom dela odstranite predmete, kot so veje, vejice in kamni.
- Predmeti, ki pridejo v kontakt z rezalno opremo, lahko odletijo in poškodujejo osebe in ostale predmete. Opazovalci in živali naj bodo na varni razdalji od izdelka.
- Izdelka nikoli ne uporabljajte v slabem vremenu, kot je megla, dež, močan veter, izreden mraz ter nevarnost strele. Če izdelek uporabljate v slabem vremenu ali v vlažnih ali mokrih okoljih, vas bo to utrudilo. Slabo vreme lahko povzroči nevarne pogoje, kot je spolzka podlaga.
- Bodite pozorni na osebe, predmete in situacije, ki lahko preprečijo varno obratovanje izdelka.
- Bodite pozorni na ovire, kot so korenine, kamni, veje, jame in jarki. Visoka trava lahko prekriva ovire.
- Košnja trave na pobočju je lahko nevarna. Izdelka ne uporabljajte na pobočjih z naklonom, večjim od 15°.
- Izdelek uporabljajte prečno na pobočje. Ne premikajte se navzgor in navzdol.
- Bodite previdni, kadar se približujete kotom in predmetom, ki omejujejo pogled.

### Varnost pri delu



**OPOZORILO:** Pred uporabo izdelka preberite navodila v povezavi z opozorili v nadaljevanju.

- Ta izdelek uporabljajte izključno za košnja trave. Ne uporabljajte ga za druga opravila.
- Uporabljajte osebno zaščitno opremo. Glejte *Osebna zaščitna oprema na strani 339*.
- V zasilenem primeru morate znati motor hitro izklopiti.
- Motorja nikoli ne vklopite v zaprtem prostoru ali v bližini vnetljivega materiala. Izpušni plini iz motorja so vroči in lahko vsebujejo iskre, ki lahko povzročijo požar.
- Izdelka ne uporabljajte, če rezilo in vsi pokrovi niso nameščeni pravilno. Nepravilno nameščeno rezilo lahko odleti in povzroči poškodbe.
- Pazite, da rezilo ne udarja ob predmete, npr. kamenje in korenine. To lahko poškoduje rezilo in ukrivi motorno gred. Zvita os povzroča vibracije in zelo visoko tveganje, da rezilo odleti.
- Če rezilo trči ob predmet ali začitite vibracije, izdelek nemudoma izklopite. S svečke odstranite vžigalni kabel. Preglejte, ali je izdelek morda poškodovan. Poškodbe popravite ali pa popravilo prepustite pooblaščenemu serviserju.
- Ročico zavore motorja nikoli ne pritrđite trajno na ročaj, ko je motor obratuje.
- Izdelek vklopite na stabilni in ravni podlagi. Prepričajte se, da rezilo ne trči ob tla ali druge predmete.
- Vedno bodite za izdelkom, ko ga upravljate.
- Ko upravljate izdelek, morajo biti vsa kolesa na tleh, prav tako pa imejte na ročajju obe roki. Roke in noge držite stran od vrtljivih rezil.
- Pri delujočem motorju izdelka nikoli ne nagibajte.
- Ko izdelek potegnete nazaj, bodite previdni.
- Izdelka ne dvigajte, ko motor deluje. Če morate izdelek dvigniti, motor izklopite in s svečke odstranite vžigalni kabel.
- Med uporabo izdelka ne hodite vzvratno.
- Izklopite motor, ko se premikate prek področij brez trave, npr. poti iz gramoza, kamna in asfalta.
- Pri delujočem motorju ne tecite z izdelkom. Pri uporabi tega izdelka vedno hodite.
- Preden spreminjate višino reza, ustavite motor. Ne izvajajte prilagoditev, ko motor deluje.
- Ko je motor vklopljen, imejte izdelek vedno v pogledu. Motor izklopite in se prepričajte, da se rezalna oprema ne vrti.

- Če je moč hrupa višja od 85 dB, uporabljajte zaščitno opremo za sluh.
- Uporabite trpežno obutev, ki ne drsi. Ne bodite bosi ali nosite odprtih čevljev.
- Oblečene imejte trpežne, dolge hlače.
- Po potrebi uporabite zaščitne rokavice, npr. kadar pritrđujete, pregledujete ali čistite rezalno opremo.

## Varnostne naprave na izdelku



**OPOZORILO:** Pred uporabo izdelka preberite navodila v povezavi z opozorili v nadaljevanju.

- Ne uporabljajte izdelka z varnostnimi napravami, ki so poškodovane ali ne delujejo pravilno.
- Redno preverjajte varnostne naprave. Če so varnostne naprave poškodovane ali ne delujejo pravilno, se obrnite na servisnega zastopnika Husqvarna.
- Ne spreminjajte varnostnih naprav.

### Preverjanje pokrova rezila

Pokrov rezila zmanjšuje moč vibracij v izdelku in zmanjšuje nevarnost poškodb, katerih vzrok bi lahko bilo rezilo.

- Preglejte pokrov rezila in se prepričajte, da nima poškodb, kot so razpoke.

### Preverjanje ročice zavore motorja

Ročica zavore motorja izklopi motor. Ko je ročica zavore motorja sproščena, se motor ustavi.

- Zaženite motor in nato sprostite ročico zavore motorja. Če se motor ne izklopi v 3 sekundah, peljite izdelek k pooblaščenemu serviserju Husqvarna, da nastavi zavoro motorja. (Sl. 12)

### Preverjanje zadnjega pokrova

Zadnji deflektor zmanjša nevarnost, da bi bili predmeti izvrženi v smeri uporabnika.

- Prepričajte se, da zadnji pokrov ni poškodovan.
- Prepričajte se, da vzmeti, ki zapirajo zadnji pokrov, niso poškodovane.
- Poškodovane vzmeti in dele zamenjajte.
- Prepričajte se, da se zadnji pokrov lahko neovirano premika po tečajjih.

### Dušilnik

Dušilnik zmanjšuje raven hrupa na najnižjo možno raven in odvaja izpušne pline stran od uporabnika.

Izdelka ne uporabljajte, če dušilnik ni nameščen ali je poškodovan. Poškodovan dušilnik zviša nivo hrupa in poveča nevarnost požara.

## Varnostna navodila za uporabo

### Osebna zaščitna oprema



**OPOZORILO:** Pred uporabo izdelka preberite navodila v povezavi z opozorili v nadaljevanju.

- Osebna zaščitna oprema ne more popolnoma preprečiti poškodb, vendar v primeru nesreče omili posledice. Prodajalec naj vam pomaga izbrati ustrezno opremo.



**OPOZORILO:** Dušilnik se med in po uporabi ter med delovanjem motorja v prostem teku zelo segreje. V bližini vnetljivih materialov in/ali hlapov bodite previdni, da preprečite požar.

### Preverjanje dušilnika

- Dušilnik redno preverjajte in se tako prepričajte, da je pravilno nameščen in ni poškodovan.

### Varnost pri delu z gorivom



**OPOZORILO:** Pred uporabo izdelka preberite navodila v povezavi z opozorili v nadaljevanju.

- Če so na izdelku ostanki goriva ali motornega olja, izdelka ne zaganjajte. Očistite ostanke goriva/olja in počakajte, da se izdelek posuši.
- Če se z gorivom polijete po obleki, se nemudoma preoblecite.
- Pazite, da goriva ne polijete po telesu, saj lahko pride do poškodb. Če gorivo polijete po telesu, se očistite z milom in vodo.
- Če motor pušča, izdelka ne zaganjajte. Redno preverjajte, ali motor pušča.
- Z gorivom ravnajte previdno. Gorivo je vnetljivo, hlapi pa so eksplozivni, zato lahko pride do poškodb ali smrti.
- Ne vdihavajte hlapov goriva, saj lahko pride do poškodb. Zagotovite zadosten pretok zraka.
- V bližini goriva ali motorja ne kadite.
- Vročih predmetov ne postavljajte v bližino goriva ali motorja.
- Goriva ne dolivajte, ko je motor vklopljen.
- Pred dolivanjem goriva se prepričajte, da je motor ohlajen.
- Pred dolivanjem počasi odprite pokrovček posode za gorivo in previdno sprostite pritisk.
- Goriva ne dolivajte v zaprtih prostorih. Ne zadosten pretok zraka lahko povzroči poškodbe ali smrt zaradi zadušitve ali zastrupitve z ogljikovim monoksidom.
- Skrbno privijte pokrovček posode za gorivo. Če pokrovček posode za gorivo ni dobro zatesnjen, obstaja nevarnost požara.

- Preden izdelek vklopite, ga premaknite najmanj 3 m/10 čevljev stran od mesta, kjer ste napolnili posodo za gorivo.
- Posode za gorivo ne napolnite do konca. Gorivo se razširi zaradi vročine. Pustite prazen prostor na vrhu posode za gorivo.
- Izdelka nikoli ne shranjujte, napoljenega z gorivom, v zgradbi s prisotnimi viri vžiga, na primer grelniki za toplo vodo, grelniki prostora ali sušilniki oblačil. Pred shranjevanjem izdelka v zaprt prostor počakajte, da se motor ohladi.

### Varnostna navodila za vzdrževanje



**OPOZORILO:** Pred uporabo izdelka preberite navodila v povezavi z opozorili v nadaljevanju.

- Izpušni plini vsebujejo ogljikov monoksid iz motorja, ki je brezbarven, strupen in zelo nevaren plin. Motorja ne vklopite v zaprtih prostorih.
- Preden začnete z vzdrževanjem izdelka, ustavite motor in s svečke odstranite vžigalni kabel.
- Pri vzdrževanju rezalne opreme uporabite zaščitne rokavice. Rezilo je izjemno ostro, zato lahko hitro pride do ureznin.
- Dodatki in spremembe izdelka, ki niso odobrene s strani proizvajalca, lahko vodijo k resnim poškodbam ali celo v smrt. Ne spreminjajte izdelka. Vedno uporabljajte samo dodatke, ki jih je odobril proizvajalec.
- Če izdelka ne vzdržujete pravilno in redno, se poveča nevarnost poškodb osebam in izdelku.
- Vzdrževanje opravite tako, kot piše v teh navodilih za uporabo. Vsakršno drugačno vzdrževanje mora opraviti osebje pooblaščenih servisne delavnice Husqvarna.
- Redno dovolite osebju pooblaščenih servisne delavnice Husqvarna izvajati vzdrževalna dela.
- Zamenjajte poškodovane, obrabljene ali zlomljene dele.

## Montaža

### Uvod



**OPOZORILO:** Preden sestavite izdelek morate prebrati in razumeti poglavje o varnosti.



**OPOZORILO:** Preden sestavite izdelek odklopite kabel vžigalne svečke s svečke.

## Namestitev ročice

**Opomba:** Priporočamo, da postopek opravita 2 osebi.

**Opomba:** Izdelka med nameščanjem ročaja ne odstranite iz škatle. Škatlo lahko med nameščanjem uporabite kot podporo za ročaj.

1. Dvignite in obrnite ročaj. (Sl. 13)



**POZOR:** Pazite, da med obračanjem ročaja ne poškodujete pletenice.

2. Ročaj položite na vrh izdelka. Nagnite ga ob škatlo za oporo. Glejte sliko. (Sl. 14)
3. Potisnite vijak (A) skozi ročaj (B), plastično podložko (C) in podporni nosilec ročaja (D). (Sl. 15)
4. Matico (E) popolnoma zategnite.
5. Izdelek odstranite iz škatle.
6. Ročaj preklopite v navpičen položaj. (Sl. 16)
7. Višino ročaja spustite v najnižji položaj. Glejte, *Nastavitev ročaja na strani 341*.
8. Pletenico pritrdite s sponko na spodnji del ročaja. (Sl. 17)
9. Spodnji del pletenice pritrdite s kabelsko vezico na nosilni okvirček ročaja. Odrežite preostanek kabelske vezice. (Sl. 18)

**Opomba:** Prepričajte se, da je pletenica pravilno nameščena. Če je nameščen zbiralnik za travo, se lahko preohlapna pletenica poškoduje. (Sl. 19)

## Nastavitev ročaja

1. Sprostite spodnja gumbna vijaka.
2. Gumbna vijaka na levi in desni strani izdelka pomaknite v spodnji del utorov. (Sl. 20)
3. Višino ročice prestavite v enega od 2 razpoložljivih položajev.
4. Premaknite gumbna vijaka do konca navzgor proti ročici, da zaslišite klik. (Sl. 21)
5. Popolnoma zategnite gumbne vijake.

## Nastavitev kosilnice v transportni položaj

1. Odstranite zbiralnik za travo, če je nameščen.
2. Sprostite spodnja gumbna vijaka.
3. Gumbna vijaka na levi in desni strani izdelka pomaknite v spodnji del utorov. (Sl. 20)
4. Ročaj preklopite naprej. (Sl. 22)

## Nastavitev kosilnice v delovni položaj

1. Ročaj preklopite v navpičen položaj. (Sl. 23)
2. Premaknite gumbna vijaka do konca navzgor proti ročici, da zaslišite klik. (Sl. 21)
3. Popolnoma zategnite gumbne vijake.

## Namestitev zbiralnika za travo

1. Ogrodje zbiralnika za travo vstavite v vrečo za travo tako, da je trdi del vrečke na dnu. Ročaj na ogrodju držite izven zgornjega dela vreče. (Sl. 24)
2. Vrečo za travo s sponkami pritrdite na ogrodje. (Sl. 25)

## Delovanje

### Uvod



**OPOZORILO:** Pred uporabo izdelka morate prebrati in razumeti poglavje o varnosti.

### Husqvarna Connect

Husqvarna Connect je brezplačna aplikacija za vašo mobilno napravo. Aplikacija Husqvarna Connect omogoča razširitev funkcij vašega izdelka Husqvarna:

- Dodatne informacije o izdelku.
- Informacije o izdelku, delih in servisu ter pomoč.

### Začetek uporabe: Husqvarna Connect

1. V mobilno napravo si prenesite aplikacijo Husqvarna Connect.
2. Registrirajte se v aplikaciji Husqvarna Connect.

3. Za vzpostavitev povezave in registracijo izdelka sledite navodilom v aplikaciji Husqvarna Connect.

### Pred uporabo izdelka

1. Natančno preberite navodila za uporabo in se prepričajte, da ste jih razumeli.
2. Preglejte rezalno opremo in se prepričajte, da je pravilno pritrjena in nastavljena. Glejte *Kako pregledati rezalno opremo na strani 344*.
3. Napolnite rezervoar za gorivo. Glejte *Dolivanje goriva na strani 341*.
4. Napolnite rezervoar olja in preverite nivo olja. Glejte *Zamenjava motornega olja na strani 344*.

### Dolivanje goriva

Če je na voljo, uporabite nizkoemisijsko/alkilatno gorivo. Če nizkoemisijsko/alkilatno gorivo ni na voljo, uporabite

neosvinčeno gorivo dobre kakovosti ali osvinčeno gorivo, ki ima najmanj 90 oktanov.



**POZOR:** Ne uporabljajte bencina, ki ima oktansko število nižje od 90 RON (87 AKI). Izdelek se lahko tako poškoduje.

1. Počasi odprite pokrovček posode za gorivo, da sprostite pritisk.
2. Napolnite počasi s posodo za gorivo. Če gorivo polijete, ga pobrišite s krpo in pustite, da se preostalo gorivo posuši.
3. Očistite področje okrog pokrovčka posode za gorivo.
4. Skrbno privijte pokrovček posode za gorivo. Če pokrovček posode za gorivo ni dobro zatesnjen, obstaja nevarnost požara.
5. Preden izdelek vklopite, ga premaknite najmanj 3 m (10 čevljev) stran od mesta, kjer ste napolnili posodo za gorivo.

## Nastavitev višine košnje

1. Povlecite ročico za nastavitev višine košnje nazaj, da povečate višino rezanja.
2. Potisnite ročico za nastavitev višine košnje naprej, da znižate višino rezanja. (Sl. 26)



**POZOR:** Ne nastavite višino rezanja prenizko. Režila lahko trčijo ob tla, če površina travnika ni ravna.

## Zagón izdelka

1. Prepričajte se, da je vžigalni kabel priklopljen na svečko.
2. Ostanite za izdelkom.
3. Ročico zavore motorja držite ob ročaju. (Sl. 27)
4. Z desno roko držite ročico zaganjalne vrvice.
5. Zaganjalno ročico počasi izvlecite, da začutite nekoliko upora.
6. Močno povlecite, da zaženete motor.



**OPOZORILO:** Zaganjalne vrvice ne navijajte okoli zapestja.

## Za pogon koles

- Z ročico za nadzor hitrosti na levi strani ročaja aktivirajte pogon koles. Ročico za nadzor hitrosti potisnite naprej za zvišanje hitrosti motorja in povlecite nazaj za znižanje hitrosti. (Sl. 28)
- Preden izdelek povlečete vzvratno, sprostite pogonsko ročico in izdelek potisnite naprej približno 10 cm.
- Sprostite pogonsko ročico, da izklopite pogon, npr. ko ste blizu ovire.

## Kako izklopiti izdelek

- Če želite izklopiti samo pogon, sprostite pogonsko ročico.
- Če želite izklopiti motor, sprostite ročico zavore motorja.

## Uporaba izdelka z zbiralnikom za travo



**OPOZORILO:** Izdelka ne uporabljajte, če ni nameščen zbiralnik za travo ali zaprt zadnji pokrov. Predmeti so lahko izvrženi in poškodujejo uporabnika.

1. Dvignite zadnji pokrov in odstranite vložek za mulčenje, če je nameščen. (Sl. 29)
2. Sestavite zbiralnik za travo, glejte *Namestitev zbiralnika za travo na strani 341*.
3. Na nosilec namestite zbiralnik za travo.
4. Sprostite zadnji pokrov in ga namestite na ogrodje vreče za travo. (Sl. 30)

## Priprava izdelka za mulčenje

Preden izdelek pripravite za mulčenje, se prepričajte, da je motor izklopljen.

1. Dvignite zadnji pokrov odstranite zbiralnik za travo, če je nameščen.
2. Vložek za mulčenje vtaknite v izpustni kanal. (Sl. 31)
3. Zaprite zadnji pokrov in se prepričajte, da se tesno prilega ob vložek za mulčenje.

**Opomba:** Če želite izboljšati zmogljivost mulčenja, zamenjajte rezilo z rezilom za mulčenje, ki je dodatna oprema. Glejte *Zamenjava rezil na strani 344*

## Priprava izdelka za stranski izmet

1. Dvignite zadnji pokrov in odstranite vrečo za travo, če je nameščena.
2. Zaprite zadnji pokrov in se prepričajte, da se tesno prilega ob izdelek.
3. Dvignite blokado izmeta. (Sl. 32)
4. Odprite ščitnik stranskega izmeta in namestite deflektor na nosilne zatiče. (Sl. 33)
5. Pustite, da se ščitnik stranskega izmeta zapre ob deflektor. Pred uporabo izdelka mora biti deflektor za stranski izmet trdno nameščen.

## Praznjenje zbiralnika za travo



**POZOR:** Ko se premaknete, dvignite zbiralnik za travo, da preprečite obrabo.

1. Primite ročaj na ogrodju in privzdignite zbiralnik za travo.

2. Pri praznjenju zbiralnika za travo si pomagajte z ročajem na ogrodju in ročajem vreče. (Sl. 34)

## Kako doseči dober rezultat

- Vedno uporabljajte ostra rezila. Če uporabljate topo rezilo, bo trava pokošena neenakomerno, ob zarezah pa lahko postane tudi rumena. Ostro rezilo prav tako porabi manj energije kot topo rezilo.
- Ne odrežite več kot tretjino dolžine travnih bilk. Za začetek košnje uporabite najvišjo višino. Preglejte rezultat in nastavite višino košnje na ustrezno višino. Če je trava zelo visoka, napredujte počasi in po potrebi kosite dvakrat.
- Vsakič kosite v različnih smereh, da se na travi ne bi pojavile črte.
- Privzdignite zadnji pokrov in odstranite zbiralnik za travo.
- Če sta nameščena vložek za mulčenje in rezilo za mulčenje, ju odstranite.
- Pred uporabo izdelka zaprite zadnji pokrov. Ko uporabljate izdelek, poteka izmet pokošene trave pod zadnjim pokrovom.
- Pokrov kosišča mora biti čist. Obloge iz trave in umazanje na notranji strani pokrova kosišča lahko zmanjša učinkovitost košnje. Glejte *Kako očistiti notranjo površino pokrova rezila na strani 344*.

## Vzdrževanje

### Uvod



**OPOZORILO:** Pred izvajanjem vzdrževalnih del morate prebrati in razumeti poglavje o varnosti.

Za servisiranje in popravila na izdelku posebno usposabljanje ni potrebno. Zagotavljamo, da vam bodo na voljo strokovna popravila in servisiranje. Če vaš prodajalec ni pooblaščen serviser, ga povprašajte, kje je naslednja najbližja pooblaščen servisna delavnica.

Za več informacij glejte .

### Urnik vzdrževanja



**POZOR:** Ko izdelek nagibate mora biti zračni filter na zgornji strani in ne sme biti bližje tlom. Nevarnost poškodb motorja.

Izračunani intervali vzdrževanja veljajo za vsakodnevno uporabo izdelka. Intervali se spremenijo, če izdelka ne uporabljate vsakodnevno.

Vzdrževalni posegi, označeni z \*, veljajo za navodila v *Varnostne naprave na izdelku na strani 339*.

| Vzdrževanje  | Dnevno | Tedensko | Mesečno |
|--|--------|----------|---------|
| Opravite splošen pregled   | X      |          |         |
| Preverite nivo olja  | X      |          |         |
| Izdelek očistite   | X      |          |         |
| Preglejte rezalno opremo   | X      |          |         |
| Preglejte pokrov rezila *  | X      |          |         |
| Preglejte ročico zavore motorja * ( )                                      | X      |          |         |
| Preglejte ročico zavore rezila * ( )                                       | X      |          |         |
| Preglejte dušilnik *   |        | X        |         |
| Preglejte svečko   |        | X        |         |
| Zamenjajte olje (prvič po 5 urah uporabe, potem po vsakih 50 urah uporabe) |        |          | X       |
| Očistite ali zamenjajte zračni filter                                      |        |          | X       |
| Preglejte sistem za gorivo   |        |          | X       |

### Izvajanje splošnih pregledov

- Prepričajte se, da so vse matice in vijaki na izdelku ustrezno pritrjeni.
- S krtačo odstranite listje, travo in umazanijo.
- Prepričajte se, da dovod zraka na vrhu motorja ni oviran.

- Izdelka ne čistite z visokotlačnim čistilnikom.
- Če izdelek operete z vodo, pazite, da voda ne teče neposredno na motor.

## Kako očistiti notranjo površino pokrova rezila

1. Izpraznite posodo za gorivo.
2. Izdelek položite na stran tako, da je dušilec na spodnji strani.



**POZOR:** Če položite izdelek na stran tako, da je na tleh zračni filter, lahko poškodujete motor.

3. Izperite notranjo površino pokrova rezila z vodo.

## Kako pregledati rezalno opremo



**OPOZORILO:** Odstranite vžigalni kabel s svečke, da preprečite naključni vklop motorja.



**OPOZORILO:** Pri vzdrževanju rezalne opreme uporabite zaščitne rokavice. Rezilo je izjemno ostro, zato lahko hitro pride do urednin.

1. Preverite, ali je rezalna oprema poškodovana oziroma razpokana. Če je rezalna oprema poškodovana, jo zamenjajte.
2. Preverite, ali je rezilo poškodovano ali topo.

**Opomba:** Rezilo morate po brušenju postaviti v ravnovesje. Izdelek peljite na servisni center, da rezilo nabrusijo, zamenjajo in uravnovesijo. Če trčite ob oviro in se izdelek ustavi, zamenjajte poškodovano rezilo. Pooblaščen servisna delavnica naj oceni, ali lahko rezilo izostrijo ali pa ga je treba zamenjati.

## Zamenjava rezil

1. Rezilo blokirajte z leseno klado. (Sl. 35)
2. Odstranite vijak rezila, vzmetno podložko in rezilo. (Sl. 36)
3. Preverite, ali sta nosilec rezila in vijak rezila poškodovana.
  - a) Če zamenjate rezilo ali nosilec rezila, zamenjajte tudi vijak rezila, vzmetno podložko in tornjo podložko.
4. Preglejte, ali je motorna gred zvita.
5. Ko pritrđite novo rezilo, usmerite nagnjene strani v smer pokrova rezila. (Sl. 37)
6. Tornjo podložko in rezilo namestite na nosilec rezila. (Sl. 38)
7. Prepričajte se, da je rezilo poravnano s središčem motorne gredi. (Sl. 39)

8. Rezilo blokirajte z leseno klado. (Sl. 40)
9. Pritrdite vzmetno podložko in privijte vijak z zateznim momentom 43 – 47 Nm. (Sl. 41)
10. Ročno zavrtite rezilo in se prepričajte, da se prosto obrača.



**OPOZORILO:** Uporabljajte zaščitne rokavice. Rezilo je izjemno ostro, zato lahko hitro pride do urednin.

11. Izdelek vklopote, da preizkusite rezilo. Če rezilo ni pritrđeno pravilno, bo izdelek vibriral, rezultat košnje pa ne bo zadovoljiv.

## Preverjanje nivoja olja



**POZOR:** Če je nivo olja prenizek, se lahko poškoduje motor. Preden zaženete izdelek, preverite nivo olja.

1. Izdelek naj bo na ravnih tleh.
2. Odstranite pokrovček posode za olje in priloženo merilno palico.
3. Z merilne palice očistite olje.
4. Za izmero pravičnega nivoja olja vstavite merilno palico do konca v posodo za olje. Ne namestite pokrovčka posode za olje.
5. Odstranite pokrovček posode za olje in priloženo merilno palico.
6. Na merilni palici preučite nivo olja.
7. Če je nivo olja nizek, dolijte motorno olje in še enkrat preverite nivo olja. (Sl. 42)

**Opomba:** Uporabite lijak, da preprečite razlitje.

8. Ko je nivo olja pravičen, namestite pokrovček posode za olje.

## Zamenjava motornega olja



**OPOZORILO:** Tik po zaustavitvi motorja je motorno olje zelo vroče. Preden iztočite motorno olje, se motor mora ohladiti. Če polijete motorno olje po koži, se umijte z milom in vodo.

(Sl. 43)

1. Izdelek uporabljajte, dokler imate v rezervoarju gorivo.
2. S svečke odstranite vžigalni kabel.
3. Odstranite pokrovček posode za olje in priloženo merilno palico.
4. Pod izdelek postavite posodo, kamor se bo izteklo motorno olje.
5. Nagnite izdelek ali iztočite motorno olje iz posode za olje z oljno črpalko (dodatna oprema).



6. Dolijte novo motorno olje. Priporočeno vrsto si oglejte v *Tehnični podatki na strani 347*.
7. Preverite nivo olja. Glejte *Preverjanje nivoja olja na strani 344*.
8. Ko je nivo olja pravilen, namestite pokrovček posode za olje.

## Preverjanje svečke



**POZOR:** Vedno uporabljajte priporočeno vrsto vžigalne svečke. Zaradi neustrezne vrste vžigalne svečke se izdelek lahko poškoduje.

- Če se moč motorja zmanjša, motorja ni mogoče enostavno zagnati ali ta ne deluje ustrezno v prostem teku, preverite vžigalno svečko.
- Tveganje za pojav oblog na elektrodah vžigalne svečke lahko zmanjšate tako, da upoštevate ta navodila:
  - a) Hitrost prostega teka mora biti pravilno nastavljena.
  - b) Mešanica goriva mora biti ustrezna.
  - c) Zračni filter mora biti čist.
- Če je vžigalna svečka umazana, jo očistite in zagotovite, da je razmak med elektrodama ustrezen; glejte *Tehnični podatki na strani 347*. (Sl. 44)
- Vžigalno svečko po potrebi zamenjajte.

## Čiščenje zračnega filtra

Umazan zračni filter lahko povzroči poškodbe ali nepravilno delovanje motorja. V prašnih pogojih pogosteje čistite čistilec zraka.

Glejte, *Urniki vzdrževanja na strani 343* za navodila, kdaj je treba zamenjati zračni filter.

1. Odstranite pokrov zračnega filtra in filter.
2. Očistite filter tako, da z njim udarite ob ravno površino. Za čiščenje filtra ne uporabljajte topil s petrolejem, kerozina ali komprimiranega zraka.

**Opomba:** Zračnih filtrov, ki jih uporabljate že dolgo, ni mogoče povsem očistiti. Zračni filter zamenjajte v rednih intervalih. Poškodovane zračne filtre obvezno zamenjajte.

3. Pri namestitvi zračnega filtra bodite pozorni, da se povsem nalega ob nosilec filtra.

## Preverjanje deflektorja za stranski izmet

Deflektor za stranski izmet je pritrjen na odprtino za stranski izmet na izdelku. Tako zmanjšuje nevarnost izmeta predmetov proti uporabniku, ki kosi.

1. Prepričajte se, da deflektor za stranski izmet ni poškodovan.

2. Preglejte deflektor za stranski izmet. Ne sme biti opaznih poškodb, kot so razpoke ali zlomljene vzmeti, ki zapirajo vrata.
3. Če so deflektor za stranski izmet ali vzmeti poškodovani, jih zamenjajte.

## Kako pregledati sistem za gorivo

- Preverite, ali sta pokrov rezervoarja za gorivo in tesnilo pokrova rezervoarja za gorivo poškodovana.
- Preverite, ali cev za gorivo pušča. Če je cev za gorivo poškodovana, naj jo pooblaščen servisna delavnica zamenja.

## Izpraznitev posode za gorivo

1. Pod posodo za gorivo postavite posodo.
2. Odstranite pokrovček posode za gorivo.
3. Objemko na cevi za gorivo potisnite ob uplinjalnik.
4. Odstranite cev za gorivo z uplinjalnika.
5. Cev posode za gorivo odložite v posodo in odstranite objemke cevi.
6. Nagnite izdelek in gorivo iztočite v posodo.

## Zamenjava filtra goriva



**OPOZORILO:** Uporabljajte zaščitne rokavice.

1. Izpraznite rezervoar za gorivo.
2. Objemko cevi odmaknite od posode za gorivo. (Sl. 45)
3. Cev za gorivo odstranite s posode za gorivo. Izteče lahko manjša količina goriva. (Sl. 46)
4. Filter za gorivo odstranite iz posode za gorivo. (Sl. 47)
5. V posodo za gorivo namestite nov filter za gorivo.
6. Cev za gorivo namestite na posodo za gorivo.
7. Objemko cevi namestite v prvotni položaj ob posodi za gorivo.

## Kako nastaviti pletenico sklopke

V naslednjih primerih je treba pletenico sklopke skrajšati:

- Ko potegnete pogonsko ročico ali ročico za nadzor hitrosti, se pogon koles ne aktivira.
- Ko je pogon koles aktiviran, se izdelek premika počasi.

V naslednjih primerih je treba pletenico sklopke podaljšati:

- Izdelek se premika, ko pogon koles ni aktiviran.
- Nastavite pletenico sklopke.
  - a) Če želite skrajšati pletenico sklopke, nastavitveni vijak obračajte v nasprotni smeri urinega kazalca.

- b) Če želite pletenico sklopke podaljšati, nastavitveni vijak obračajte v smeri urinega kazalca. (Sl. 48)

Če vožnja izdelka tudi po nastavitvi ni primerna, se obrnite na servisnega zastopnika.

---

## Transport skladiščenje in odstranitev

---

### Prevoz in skladiščenje

- Preden prevažate in skladiščite izdelek in gorivo, se prepričajte, da izdelek ne pušča in da ni hlapov. Iskre ali odprti plamen, npr. z električnih naprav ali kotlov, lahko zanetijo ogenj.
- Za prevoz in skladiščenje goriva vedno uporabite odobrene posode.
- Preden izdelek skladiščite za daljše obdobje, izpraznite rezervoar za gorivo. Gorivo zavržite na temu primernem zbirnem mestu.
- Izdelek varno pritrdite na prevozno sredstvo, da se izognete poškodbam in nesrečam.
- Izdelek skladiščite v zaklenjenem prostoru, tako da otroci ali osebe, ki niso primerne za rokovanje z izdelkom, do izdelka ne morajo dostopati.
- Izdelek skladiščite na suhem mestu, kjer ne zmrzuje.

### Odstranitev

- Upoštevajte lokalne zahteve za recikliranje in ustrezne predpise.
- Vse kemikalije, kot so motorno olje ali gorivo, zavržite na servisnem centru ali na kakšni drugi temu primerni lokaciji.
- Ko izdelka ne uporabljate več, ga pošljite k prodajalcu Husqvarna ali pa ga zavržite na mestu za recikliranje.

## Tehnični podatki

### Tehnični podatki

|  |   |
|--|---|
|  | <b>LC 356VP</b>   |
| <b>Motor</b>   |   |
| Znamka   | Honda   |
| Ime modela motorja                                   | GCVx170   |
| Prostornina, cm <sup>3</sup>                         | 166   |
| Hitrost v vrt./min                                   | 2800  |
| Nazivna izhodna moč motorja v kW <sup>121</sup>      | 3,1   |
| <b>Vžigalni sistem</b>                               |   |
| Svečka   | NGK BPR5ES  |
| Razmak med elektrodama, mm                           | 0,75  |
| <b>Sistem za gorivo in mazanje</b>                   |   |
| Gorivo, neosvinčeno, najnižje število oktanov        | 90  |
| Prostornina posode za gorivo v litrih                | 0,9   |
| Prostornina posode za olje v litrih                  | 0,4   |
| Motorno olje <sup>122</sup>                          | Husqvarna SAE 30, Husqvarna SAE 5W-30 Synthetic, Husqvarna SAE 10W-40 |
| <b>Teža</b>  |   |
| S praznimi posodami v kg                             | 35,1  |
| <b>Emisije hrupa</b> <sup>123</sup>                  |   |
| Raven zvočne moči, izmerjena v dB (A)                | 98  |
| Raven zvočne moči, zajamčena L <sub>WA</sub> v dB(A) | 98  |
| <b>Nivoji hrupa</b> <sup>124</sup>                   |   |
| Nivo zvočnega tlaka pri ušesu operaterja, dB(A)      | 86  |
| <b>Ravni vibracij</b> <sup>125</sup>                 |   |

<sup>121</sup> Navedena vrednost moči stroja je povprečni skupni izhod (pri določenem številu vrtljajev na minuto) običajnega proizvodnega stroja za model stroja, izmerjen po standardu SAE J1349/ISO1585. Stroji masovne proizvodnje imajo lahko drugačno vrednost. Dejanska moč izdelka, nameščenega na končni napravi, je odvisna od delovne hitrosti, okoljskih pogojev in drugih vrednosti.

<sup>122</sup> Uporabljajte le motorna olja razreda API SJ ali višjih. Če olje SAE-30 uporabljate pri temperaturah, nižjih od 5 °C, obstaja nevarnost, da motor ne bo dovolj namazan. Ob tem lahko pride do poškodb motorja. Pravilno olje za nizke temperature je navedeno v poglavju *Zamenjava motornega olja na strani 344*. Glejte tabelo razredov viskoznosti v navodilih za uporabo motorja (če so priložena) in izberite najprimernejšo viskoznost olja glede na pričakovano zunanjo temperaturo.

<sup>123</sup> Emisije hrupa v okolje, merjene kot moč zvoka (L<sub>WA</sub>), v skladu z direktivo ES 2000/14/ES.

<sup>124</sup> Zabeleženi podatki za nivo zvočnega tlaka imajo tipično statistično razpršitev (standardni odklon) 1,2 dB (A).

<sup>125</sup> Zabeleženi podatki za raven vibracij imajo tipično statistično razpršitev (standardni odklon) 0,2 m/s<sup>2</sup>.

|                         |                                  |
|-------------------------|----------------------------------|
|                         | <b>LC 356VP</b>                  |
| Ročaj, m/s <sup>2</sup> | 5,9                              |
| <b>Rezalna oprema</b>   |                                  |
| Višina reza v mm        | 25–75                            |
| Širina rezanja, mm      | 560                              |
| Rezalni sistem          | Zbiranje/BioClip®/stranski izmet |
| Standardno rezilo       | Košara 598562701                 |
| Rezilo – dodatna oprema | Mulčer 598563601                 |
| <b>Pogon</b>            |                                  |
| Hitrost v km/h          | 3,0–4,5                          |

# Izjava o skladnosti

## Izjava EU o skladnosti

Mi, **Husqvarna AB**, SE--561 82 Huskvarna, Švedska,  
tel.: +46-36-146500, izjavljamo na lastno odgovornost,  
da je izdelek:

|                       |   |
|-----------------------|---|
| <b>Opis</b>           | Vrtna kosilnica                         |
| <b>Znamka</b>         | Husqvarna                               |
| <b>Vrsta/model</b>    | LC 356VP                                |
| <b>Identifikacija</b> | Serijske številke od letnika 2022 dalje |

v celoti skladen z naslednjimi direktivami in uredbami  
EU:

| <b>Uredba</b> | <b>Opis</b>  |
|---------------|--|
| 2006/42/ES    | "o strojih"  |
| 2014/30/EU    | "o elektromagnetni združljivosti"  |
| 2000/14/EC    | "o emisijah hrupa v okolico"   |
| 2011/65/EU    | "o omejevanju uporabe nekaterih nevarnih snovi v električni in elektronski opremi" |

in so pri tem v veljavi naslednji standardi in/ali tehnične  
specifikacije: EN ISO 5395-1:2013/A1:2018, EN ISO  
5395-2:2013/A1:2016/A2:2017, EN ISO 14982:2009, EN  
IEC 63000:2018

Priglašeni organ: 0404, RISE SMP Svensk  
Maskinprovning AB, Box 4053, SE-904 03 Umeå,  
Sweden, je potrdil skladnost z direktivo Sveta  
2000/14/ES, postopki ugotavljanja skladnosti: Priloga VI.

Za informacije v zvezi z emisijami hrupa glejte poglavje  
*Tehnični podatki na strani 347.*

Huskvarna, 2022-10-20



Claes Losdal, Vodja oddelka za razvoj vrtno opreme,  
Husqvarna AB

Odgovorni za tehnično dokumentacijo



---

# Sadržaj

---

|                 |     |  |     |
|-----------------|-----|--|-----|
| Uvod.....       | 350 | Održavanje.....                          | 356 |
| Bezbednost..... | 351 | Transport, skladištenje i odlaganje..... | 359 |
| Sklapanje.....  | 354 | Tehnički podaci.....                     | 360 |
| Rukovanje.....  | 354 | Deklaracija o usaglašenosti.....         | 362 |

---

## Uvod

---

### Opis proizvoda

Proizvod je rotaciona kosačica koju kontroliše rukovalac. Postavite okvir hvatača trave ako želite da skupljate travu. Postavite usmerivač za bočno pražnjenje ako želite da se trava izbacuje bočno. Postavite komplet za usitnjavanje za košenje trave u đubrivo.

### Pregled proizvoda

(Sl. 1)

1. Upravljačka drška
2. Ručica kočnice motora
3. Pritiskivač pogona
4. Ručica užeta startera
5. Zadnji poklopac
6. Hvatač trave
7. Dugmad za podešavanje visine ručice
8. Poluga visine košenja
9. Poklopac za ulje
10. Poklopac bočnog pražnjenja
11. Prigušivač
12. Svećica
13. Poklopac rezervoara za gorivo
14. Simboli
15. Poklopac košenja
16. Filter za vazduh
17. Ručica komande brzine
18. Bočni usmerivač
19. Priključak za usitnjavanje (oprema)
20. Korisničko uputstvo

### Simboli na proizvodu

- (Sl. 2) **UPOZORENJE!** Budite pažljivi i koristite proizvod na pravilan način. Ovaj proizvod može prouzrokovati teške telesne povrede ili smrt rukovaoaca i drugih osoba.
- (Sl. 3) Pre upotrebe, pažljivo pročitajte korisničko uputstvo i budite sigurni da ste ga razumeli.
- (Sl. 4) Pazite na odbačene predmete i odskakivanja.

### Namena

Koristite proizvod za košenje trave. Nemojte koristiti proizvod za druge zadatke.

- (Sl. 5) Pazite da ljudi i životinje budu na bezbednoj udaljenosti od radnog područja.
- (Sl. 6) **Upozorenje:** Udaljite šake i stopala od rotirajućeg noža.
- (Sl. 7) **Upozorenje:** Udaljite šake i stopala od rotirajućih delova.
- (Sl. 8) Zaustavite motor i uklonite kabl za paljenje pre popravki i održavanja.
- (Sl. 9) Proizvod je usaglašen sa važećim direktivama EZ.
- (Sl. 10) Proizvod je usaglašen sa važećim direktivama UK.
- (Sl. 11) Oznaka emisije buke u okruženje u skladu sa direktivama i propisima EU i UK i propisom o zaštiti radova u okruženju (kontrola buke) Novog Južnog Velsa iz 2017. Garantovani nivo zvučne snage za ovaj proizvod naveden je u *Tehnički podaci na stranici 360* i na nalepnici.

---

**Napomena:** Drugi simboli/oznake na proizvodu odnose se na zahteve za sertifikaciju za određene komercijalne oblasti.

---

### Oštećenje proizvoda

Nismo odgovorni za oštećenja proizvoda u sledećim slučajevima:

- proizvod je popravljen na pogrešan način
- proizvod je popravljen korišćenjem delova koji nisu napravljeni ili odobreni od strane proizvođača

- proizvod ima opremu koja ne potiče ili nije odobrena od strane proizvođača
- proizvod nije popravljen u ovlaštenom servisnom centru ili od strane ovlaštenog stručnjaka

## Emisije Euro V.



**UPOZORENJE:** Neovlašćene prepravke motora poništavaju EU tip odobrenja za ovaj proizvod.

## Bezbednost

### Bezbednosne definicije

Upozorenja, mere opreza i napomene se koriste da ukažu na naročito važne delove korisničkog uputstva.



**UPOZORENJE:** Koristi se ako, usled nepoštovanja uputstava, postoji rizik od nastanka telesnih povreda ili smrti kod rukovaoca ili prisutnih osoba.



**OPREZ:** Koristi se ako, usled nepoštovanja uputstava, postoji rizik od nastanka oštećenja na proizvodu, drugim materijalima ili susednim oblastima.

**Napomena:** Koristi se za pružanje više informacija koje su neophodne u datoj situaciji.

### Opšta bezbednosna uputstva



**UPOZORENJE:** Pročitajte upozoravajuća uputstva koja slede pre korišćenja proizvoda.

- Proizvod je opasan ako se koristi na nepravilan način ili ako niste oprezni. Može doći do telesne povrede ili smrti ako se ne pridržavate bezbednosnih uputstava.
- Ovaj proizvod pri radu stvara elektromagnetno polje. Ovo polje u određenim uslovima može da izazove smetnje na aktivnim i pasivnim medicinskim implantatima. Kako bi se smanjio rizik od teških ili smrtnih povreda, preporučujemo osobama koje imaju medicinske implante da se pre upotrebe ovog uređaja konsultuju sa lekarom ili proizvođačem implanta.
- Uvek budite pažljivi i koristite zdrav razum. Ako niste sigurni kako da rukujete proizvodom u određenoj situaciji, prekinite rad i obratite se Husqvarna prodavcu pre nastavka rada.
- Imajte na umu da će se rukovalac smatrati odgovornim za nesrećne slučajeve koji uključuju druge osobe ili njihovu imovinu.
- Održavajte proizvod čistim. Pobrinite se da jasno možete pročitati znakove i nalepnice.
- Nemojte dozvoliti da druga osoba koristi proizvod osim ako se niste uverili da je pročitala i razumela sadržaj korisničkog uputstva.

- Nemojte dozvoliti da dete rukuje proizvodom.
- Vodite računa o tome da deca ne budu u radnom području. Odgovorna odrasla osoba mora biti prisutna sve vreme.
- Ne dozvolite neobučenicima da rukuju proizvodom.
- Uvek nadzirite osobu sa smanjenim fizičkim ili mentalnim sposobnostima koja koristi proizvod. Odgovorna odrasla osoba mora biti prisutna sve vreme.
- Nemojte koristiti proizvod kada ste umorni, bolesni ili pod uticajem alkohola, droge ili lekova. To negativno utiče na vaš vid, opreznost, koordinaciju i rasuđivanje.
- Nemojte koristiti uređaj koji je oštećen ili neispravan.
- Nemojte vršiti izmene na proizvodu i nemojte koristiti proizvod ako postoji mogućnost da su druge osobe vršile izmene na njemu.
- Nemojte da menjate podešavanje za kontrolu brzine motora.

### Bezbednost u oblasti rada



**UPOZORENJE:** Pročitajte upozoravajuća uputstva koja slede pre korišćenja proizvoda.

- Uklonite predmete kao što su grane, grančice i kamenje iz radnog područja pre nego što počnete da koristite proizvod.
- Predmeti koji udare o opremu za košenje mogu da budu izbačeni i izazovu povredu osoba ili oštećenje predmeta. Pazite da prisutne osobe i životinje budu na bezbednoj udaljenosti od proizvoda.
- Nikada nemojte koristiti proizvod u lošim vremenskim uslovima kao što su magla, kiša, jak vetar, intenzivna hladnoća i kada postoji opasnost od pojave munja. Korišćenje proizvoda u lošim vremenskim uslovima ili na vlažnim lokacijama je zamorno. Loši vremenski uslovi mogu da izazovu opasne okolnosti, kao što su klizave površine.
- Vodite računa o osobama, predmetima i situacijama koji bi mogli da spreče bezbedan rad proizvoda.
- Pazite na prepreke, kao što su korenje, grančice, jame i jarci. Visoka trava može da sakrije prepreke.
- Košenje trave na nagibima može biti opasno. Nemojte koristiti proizvod na terenu koji ima nagib veći od 15°.

- Rukujte proizvodom preko prednjih strana nagiba. Nemojte ga pomerati gore i dole.
- Budite pažljivi kada se približavate skrivenim uglovima i predmetima koji bi mogli da blokiraju vaš vidik.

- Zaustavite motor pre nego što promenite visinu košenja. Nikada nemojte da vršite podešavanja dok je motor pokrenut.
- Nikada nemojte dozvoliti da proizvod ostane bez nadzora dok je motor pokrenut. Zaustavite motor i uverite se da se oprema za košenje ne okreće.

## Bezbednost na radu



**UPOZORENJE:** Pročitajte upozoravajuća uputstva koja slede pre korišćenja proizvoda.

- Koristite ovaj proizvod samo za košenje travnjaka. Nije dozvoljeno njegovo korišćenje za druge zadatke.
- Koristite ličnu zaštitnu opremu. Pogledajte *Lična zaštitna oprema na stranici 352*.
- Naučite kako da brzo zaustavite motor u slučaju opasnosti.
- Nemojte da pokrećete motor u zatvorenom prostoru ili blizu zapaljivih materijala. Izduvni gasovi motora su vreli i mogu da sadrže varnice, što može izazvati požar.
- Nemojte raditi sa proizvodom ako sečivo i svi poklopci nisu pravilno postavljeni. Nepravilno postavljeno sečivo se može otkaçiti i prouzrokovati telesnu povredu.
- Pobrinite se da sečivo ne udara o predmete kao što su kamenje ili korenje. To može dovesti do oštećenja noža i savijanja osovine motora. Savijena osovina proizvodi velike vibracije i postoji povećana opasnost da se sečivo olabavi.
- Ako sečivo udari o predmet ili ako se pojave vibracije, odmah zaustavite proizvod. Uklonite kabl za paljenje sa svećice. Pregledajte proizvod u pogledu oštećenja. Otklonite oštećenja ili dozvolite ovlašćenom servisnom agentu da izvrši popravku.
- Nemojte postavljati ručicu kočnice motora trajno na ručku kada je motor pokrenut.
- Postavite proizvod na stabilnu, ravnu površinu i pokrenite ga. Vodite računa da sečivo ne dodiruje tlo ili druge predmete.
- Uvek stojte iza proizvoda kada radite sa njim.
- Vodite računa da svi točkici ostanu na tlu i držite dve ruke na ručki kada rukujete proizvodom. Udaljite šake i stopala od rotirajućih sečiva.
- Nemojte naginjati proizvod kada je motor pokrenut.
- Budite pažljivi kada povlačite proizvod unazad.
- Nikada nemojte podizati proizvod kada je motor pokrenut. Ako morate da podignete proizvod, prvo isključite motor i odvojte kabl za paljenje sa svećice.
- Nemojte hodati unazad kada radite sa proizvodom.
- Zaustavite motor kada se krećete preko područja bez trave, na primer, stazica napravljenih od šljunka, kamena i asfalta.
- Ne trčite sa proizvodom ako mu radi motor. Uvek hodajte kada radite sa proizvodom.

## Bezbednosna uputstva za rad

### Lična zaštitna oprema



**UPOZORENJE:** Pročitajte upozoravajuća uputstva koja slede pre korišćenja proizvoda.

- Lična zaštitna oprema ne može da u potpunosti spreči telesnu povredu, ali ona umanjuje stepen telesne povrede ako dođe do nesrećnog slučaja. Neka vam vaš prodavac pomogne u izboru odgovarajuće opreme.
- Koristite zaštitu za uši ako je nivo buke iznad 85 dB.
- Nosite čvrste neklizajuće cizme ili cipele. Nemojte nositi obuću sa otvorenim prstima ili ići bosonogi.
- Uvek nosite duge pantalone od čvrstog materijala.
- Nosite zaštitne rukavice po potrebi, na primer, kada pričvršćujete, pregledate ili čistite opremu za košenje.

### Bezbednosni uređaji na proizvodu



**UPOZORENJE:** Pročitajte upozoravajuća uputstva koja slede pre korišćenja proizvoda.

- Nemojte da koristite proizvod sa bezbednosnim uređajima koji su oštećeni ili neispravni.
- Redovno proveravajte bezbednosne uređaje. Ako su bezbednosni uređaji oštećeni ili neispravni, obratite se Husqvarna servisnom centru.
- Nemojte vršiti izmene na bezbednosnim uređajima.

### Provera poklopcu mehanizma za košenje

Poklopac mehanizma za košenje smanjuje vibracije u proizvodu, kao i rizik od povrede nožem.

- Pregledajte poklopac košenja kako biste se uverili da nema oštećenja kao što su naprsline.

### Provera ručice kočnice motora

Ručica kočnice motora zaustavlja motor. Kada je ručica kočnice motora otpuštena, motor se zaustavlja.

- Pokrenite motor, a zatim otpustite ručicu kočnice motora. Ako se motor ne zaustavi u roku od 3 sekunde, neka ovlašćeni Husqvarna serviser izvrši podešavanje kočnice motora. (Sl. 12)



## Provera zadnjeg poklopca

Zadnji usmerivač smanjuje rizik da predmeti budu izbačeni u smeru rukovaoca.

- Uverite se da zadnji poklopac nije oštećen.
- Uverite se da opruge koje zatvaraju zadnji poklopac nisu polomljene.
- Zamenite polomljene opruge i oštećene delove.
- Uverite se da se zadnji poklopac može slobodno pomerati na šarkama.

## Prigušivač

Prigušivač održava nivo buke na minimumu i šalje izduvne gasove dalje od rukovaoca.

Ne koristite proizvod ako prigušivač nedostaje ili je oštećen. Oštećeni prigušivač povećava nivo buke i rizik od požara.



**UPOZORENJE:** Prigušivač postaje veoma vruć tokom i nakon korišćenja i kada motor radi pri brzini praznog hoda. Budite pažljivi u blizini zapaljivih materijala i/ili isparenja kako biste sprečili požar.

## Da biste proverili prigušivač

- Redovno proveravajte prigušivač kako biste se uverili da je ispravno postavljen i da nije oštećen.

## Bezbednosne mere u vezi sa gorivom



**UPOZORENJE:** Pročitajte upozoravajuća uputstva koja slede pre korišćenja proizvoda.

- Nemojte pokretati proizvod ako na njemu postoje tragovi goriva ili motornog ulja. Uklonite neželjeno gorivo/ulje i sačekajte da se proizvod osuši.
- Ako prospete gorivo na odeću, odmah je presvucite.
- Nemojte dozvoliti da gorivo dospe na vaše telo, ono može izazvati telesnu povredu. Ako vam gorivo dospe na telo, uklonite ga vodom i sapunom.
- Nemojte pokretati proizvod ako postoji curenje iz motora. Redovno proveravajte da li motor curi.
- Budite oprezni pri radu sa gorivom. Gorivo je zapaljivo a isparenja su eksplozivna i mogu izazvati telesne povrede ili smrt.
- Nemojte udisati isparenja goriva, to može izazvati telesnu povredu. Pobrinite se da ima dovoljno protoka vazduha.
- Nemojte da pušite u blizini goriva ili motora.
- Nemojte stavljati vruće predmete blizu goriva ili motora.

- Nemojte dolivati gorivo kada motor radi.
- Uverite se da je motor hladan pre dopunjavanja goriva.
- Pre dopunjavanja goriva, polako otvorite poklopac rezervoara za gorivo i pažljivo otpustite pritisak.
- Nemojte dolivati gorivo u motor u zatvorenom prostoru. Nedovoljan protok vazduha može da izazove povrede ili smrt zbog gušenja ili trovanja ugljen-monoksidom.
- Do kraja zategnite čep rezervoara za gorivo. Ako čep rezervoara za gorivo nije zategnut, postoji opasnost od požara.
- Izmaknite proizvod bar 3 m / 10 stopa od mesta na kojem ste napunili rezervoar pre pokretanja.
- Ne puniti rezervoar za gorivo do vrha. Toplota izaziva širenje goriva. Ostavite prostora pri vrhu rezervoara za gorivo.
- Nikad nemojte da skladištite proizvod sa gorivom u rezervoaru za gorivo unutar zgrade gde su prisutni izvori paljenja kao što su kotlovi za zagrevanje vode, kotlovi za zagrevanje prostorija ili sušilice za odeću. Sačekajte da se motor ohladi pre skladištenja u zatvorenom prostoru.

## Bezbednosna uputstva za održavanje



**UPOZORENJE:** Pročitajte upozoravajuća uputstva koja slede pre korišćenja proizvoda.

- Izduvni gasovi iz motora sadrže ugljen-monoksid, otrovan i veoma opasan gas bez mirisa. Nemojte puštati motor u rad u zatvorenim prostorima.
- Pre održavanja proizvoda zaustavite motor i uklonite kabl za paljenje sa svećice.
- Nosite zaštitne rukavice kada vršite održavanje na opremi za košenje. Sečivo je veoma oštro i lako dolazi do posekotina.
- Oprema i izmene na proizvodu koji nisu odobreni od strane proizvođača mogu da izazovu teške telesne povrede ili smrt. Nemojte vršiti izmene na proizvodu. Koristite samo delove koje je odobrio proizvođač.
- Ako se održavanje ne vrši na ispravan način i redovno, raste rizik od telesnih povreda i oštećenja proizvoda.
- Vršite samo održavanja opisana u ovom korisničkom uputstvu. Ostalo servisiranje mora da obavlja ovlašćeni Husqvarna serviser.
- Neka ovlašćeni Husqvarna servisni agent redovno vrši servisiranja proizvoda.
- Zamenite oštećene, pohabane ili pokvarene delove.

---

# Sklapanje

---

## Uvod



**UPOZORENJE:** Pre sklapanja proizvoda, morate pročitati i razumeti poglavlje o bezbednosti.



**UPOZORENJE:** Uklonite kabl svećice sa svećice pre sklapanja proizvoda.

## Sklapanje ručke

**Napomena:** Preporučuje se da ovaj postupak obave dve osobe.

**Napomena:** Nemojte uklanjati proizvod iz kutije kada sklapate ručku. Kutija se može koristiti kao potpora za ručku tokom sklapanja.

1. Podignite i okrenite ručku. (Sl. 13)



**OPREZ:** Budite pažljivi i pobrinite se da se kabl ne ošteti prilikom okretanja ručke.

2. Stavite ručku na vrh proizvoda. Nagnite ručku prema kutiji za potporu ručke. Pogledajte ilustraciju. (Sl. 14)
3. Gurnite zavrtnaj (A) kroz ručku (B), plastičnu podlošku (C) i nosač ručke (D). (Sl. 15)
4. Pritegnite navrtku (E) do kraja.
5. Izvadite proizvod iz kutije.
6. Savijte ručku u uspravan položaj. (Sl. 16)
7. Postavite visinu ručke u najniži položaj. Pogledajte *Podešavanje ručke na stranici 354*.
8. Pričvrstite kabl na donji deo ručke pomoću spojnice za kabl. (Sl. 17)
9. Pričvrstite donji deo kabla na nosač ručke pomoću kablovske vezice. Odsecite preostali deo kablovske vezice. (Sl. 18)

**Napomena:** Uverite se da je kabl pravilno postavljen. Kabl koji je previše labav uzrokuje oštećenje kabla kada se postavi hvatač trave. (Sl. 19)

## Podešavanje ručke

1. Olabavite donju dugmad.
2. Pomerite dugmad u donji kraj žlebova na levoj i desnoj strani proizvoda. (Sl. 20)
3. Stavite ručku u jedan od 2 položaja za visinu.
4. Pomerite dugmad nagore u smeru ručke dok se ne zaustave i ne čujete klik zvuk. (Sl. 21)
5. Potpuno zategnite dugmad.

## Stavljanje proizvoda u položaj za transport

1. Uklonite hvatač trave (ako je postavljen).
2. Olabavite donju dugmad.
3. Pomerite dugmad u donji kraj žlebova na levoj i desnoj strani proizvoda. (Sl. 20)
4. Sklopite ručku unapred. (Sl. 22)

## Stavljanje proizvoda u položaj za rad

1. Savijte ručku u uspravan položaj. (Sl. 23)
2. Pomerite dugmad nagore u smeru ručke dok se ne zaustave i ne čujete klik zvuk. (Sl. 21)
3. Potpuno zategnite dugmad.

## Sklapanje hvatača trave

1. Postavite ram hvatača trave na vreću za travu tako da krut deo vreće bude na dnu. Držite ručku rama izvan vrha vreće. (Sl. 24)
2. Postavite vreću za travu na ram pomoću spojnica. (Sl. 25)

---

# Rukovanje

---

## Uvod



**UPOZORENJE:** Pre rada sa proizvodom, morate pročitati i razumeti poglavlje o bezbednosti.

## Husqvarna Connect

Husqvarna Connect je besplatna aplikacija za mobilne uređaje. Aplikacija Husqvarna Connect pruža proširene funkcije za proizvod Husqvarna:

- Dodatne informacije o proizvodu.
- Informacije o delovima proizvoda i servisiranju i pomoći u vezi s njima.

## Da biste počeli koristiti Husqvarna Connect

1. Preuzmite aplikaciju Husqvarna Connect na svoj mobilni uređaj.
2. Registrirajte se u aplikaciji Husqvarna Connect.
3. Pratite uputstva u aplikaciji Husqvarna Connect da biste se spojili i registrovali proizvod.

## Pre rada sa proizvodom

1. Pažljivo pročitajte korisničko uputstvo i budite sigurni da razumete njegov sadržaj.
2. Pregledajte opremu za košenje i uverite se da je pravilno postavljena i podešena. Pogledajte *Pregled opreme za košenje na stranici 357*.
3. Napunite rezervoar za gorivo. Pogledajte *Dosipanje goriva na stranici 355*.
4. Napunite rezervoar za ulje i proverite nivo ulja. Pogledajte *Zamena motornog ulja na stranici 358*.

## Dosipanje goriva

Ako je dostupan, koristite benzin koji proizvodi manju količinu štetnih izduvnih gasova / alkilatni benzin. Ako vam nije dostupan benzin koji proizvodi manju količinu štetnih izduvnih gasova / alkilatni benzin, koristite bezolovni benzin ili benzin sa olovom čiji oktanski broj nije manji od 90.



**OPREZ:** Ne koristite benzin čiji je oktanski broj manji od 90 RON (87 AKI). To može da ošteti proizvod.

1. Polako otvorite čep rezervoara za gorivo da biste izjednačili pritisak.
2. Polako napunite iz kanistera za gorivo. Ako prospete gorivo, obrišite ga krpom i sačekajte da se preostalo gorivo osuši.
3. Obrišite deo oko čepa rezervoara za gorivo.
4. Do kraja zategnite čep rezervoara za gorivo. Ako čep rezervoara za gorivo nije zategnut, postoji opasnost od požara.
5. Izmaknite proizvod bar 3 m (10 stopa) od mesta na kojem ste sipali gorivo pre pokretanja.

## Podešavanje visine košenja

1. Pomerite polugu visine košenja unazad da biste povećali visinu košenja.
2. Pomerite polugu visine košenja unapred da biste smanjili visinu košenja. (Sl. 26)



**OPREZ:** Nemojte postavljati visinu košenja suviše nisko. Sečiva mogu da udare o tlo ako površina travnjaka nije ujednačena.

## Pokretanje proizvoda

1. Proverite da li je kabl za paljenje povezan sa svećicom.
2. Stanite iza proizvoda.
3. Držite ručicu kočnice motora naspram upravljača. (Sl. 27)
4. Držite ručicu užeza startera desnom rukom.
5. Lagano izvlačite uže startera dok ne osetite otpor.
6. Snažno povucite da biste pokrenuli motor.



**UPOZORENJE:** Nemojte namotavati uže startera oko ruke.

## Korišćenje pogona na točkicama

- Pokrenite pogon točkova ručicom za kontrolu brzine na levoj strani ručke. Pomerite ručicu kontrole brzine unapred da povećate brzinu a unazad da je smanjite. (Sl. 28)
- Pre nego što povučete proizvod unazad, odvojte pogon i gurnite proizvod ka napred približno 10 cm.
- Otpustite pritisivač pogona da biste deaktivirali pogon, na primer, kada se nalazite blizu prepreke.

## Zaustavljanje proizvoda

- Da biste zaustavili samo pogon, oslobodite pritisivač pogona.
- Da biste zaustavili motor, pustite ručicu kočnice motora.

## Korišćenje proizvoda sa hvatačem trave



**UPOZORENJE:** Nemojte raditi sa proizvodom bez postavljenog hvatača trave ili bez zatvorenog zadnjeg poklopca. Predmeti mogu da budu izbačeni i prouzrokuju povredu rukovaoca.

1. Podignite zadnji poklopac i uklonite zapušač za usitnjavanje ako je postavljen. (Sl. 29)
2. Sklopite hvatač trave, pogledajte *Sklapanje hvatača trave na stranici 354*.
3. Postavite hvatač trave na držač.
4. Otpustite zadnji poklopac i postavite ga na vrh rama vreće za travu. (Sl. 30)

## Promena proizvoda u režim za usitnjavanje

Uverite se da je motor isključen pre pripreme proizvoda za režim usitnjavanja.

1. Podignite zadnji poklopac i uklonite hvatač trave ako je postavljen.

2. Postavite priključak za usitnjavanje u kanal za izbacivanje trave. (Sl. 31)
3. Zatvorite zadnji poklopac i uverite se da dobro naleže na zapašać za usitnjavanje.

**Napomena:** Da biste povećali performanse režima za usitnjavanje, zamenite nož opremom za nož za usitnjavanje. Pogledajte *Zamena sečiva na stranici 357*

## Promena proizvoda u režim bočnog pražnjenja

1. Podignite zadnji poklopac i uklonite vreću za travu ako je postavljena.
2. Zatvorite zadnji poklopac i uverite se da dobro naleže na proizvod.
3. Podignite blokadu pražnjenja. (Sl. 32)
4. Otvorite štitnik za bočno pražnjenje i postavite bočni usmeravač na osovinice. (Sl. 33)
5. Neka se štitnik za bočno pražnjenje nasloni na usmeravač. Uverite se da usmeravač bočno izbacivanje dobro naleže na mesto pre korišćenja proizvoda.

## Pražnjenje hvatača trave



**OPREZ:** Podignite hvatač trave kada ga pomerite da biste sprečili habanje.

1. Podignite hvatač trave sa ručkom rama.
2. Upotrebite ručku rama i ručku trave kada praznite hvatač trave. (Sl. 34)

## Za dobre rezultate

- Uvek koristite oštro sečivo. Tupo sečivo daje neujednačeni rezultat i pokošena površina trave postaje žuta. Oštro sečivo takođe koristi manje energije nego tupo sečivo.
- Nemojte kositi više od 1/3 dužine trave. Kad počnete da kosite travu, koristite najveću visinu košenja. Pregledajte rezultat i spustite visinu košenja na prihvatljivi nivo. Ako je trava veoma visoka, vozite polako i kosite 2 puta ako bude potrebno.
- Kosite u različitim smerovima svaki put da biste izbegli pruge na travnjaku.
- Podignite zadnji poklopac i uklonite hvatač trave.
- Ako su postavljeni priključak za usitnjavanje i sečivo za usitnjavanje, uklonite ih.
- Zatvorite zadnji poklopac pre rada proizvodom. Kad koristite proizvod, pokošena trava se izbacuje ispod zadnjeg poklopca.
- Poklopac košenja mora da bude čist. Naslage trave i prljavštine s unutarnje strane poklopca košenja mogu da umanje rezultate košenja. Pogledajte *Čišćenje unutrašnje površine poklopca mehanizma za košenje na stranici 357*

## Održavanje

### Uvod



**UPOZORENJE:** Pre održavanja, morate pročitati i razumeti poglavlje o bezbednosti.

Za sva servisiranja i popravke proizvoda, potrebna je specijalna obuka. Garantujemo dostupnost stručnih popravki i servisiranja. Ako vaš prodavac nije servisni agent, obratite mu se za informacije o najbližem servisnom agentu.

Za detaljnije informacije pogledajte .

### Šema održavanja



**OPREZ:** Uverite se da je filter za vazduh podignut, a ne pritisnut na tlo kad nagnete proizvod. Opasnost od oštećenja motora.

Intervali održavanja su izračunati na osnovu svakodnevnog korišćenja proizvoda. Intervali se menjaju ako se proizvod ne koristi svakodnevno.

Za održavanja obeležena znakom \*, pogledajte uputstva u *Bezbednosni uređaji na proizvodu na stranici 352*.

| Održavanje                              | Dnevno | Nedeljno | Mesečno |
|---|--------|----------|---------|
| Izvršite generalni pregled              | X      |          |         |
| Proverite nivo ulja                     | X      |          |         |
| Očistite proizvod                       | X      |          |         |
| Pregledajte opremu za košenje           | X      |          |         |
| Pregledajte poklopac alata za košenje * | X      |          |         |
| Pregledajte ručicu kočnice motora *     | X      |          |         |

| Održavanje   | Dnevno | Nedeljno | Mesečno |
|--|--------|----------|---------|
| Pregledajte komandu kočnice sečiva *                                       | X      |          |         |
| Pregledajte auspuh *   |        | X        |         |
| Pregledajte svećicu  |        | X        |         |
| Zamenite ulje (prvi put posle 5 sati rada, a zatim na svakih 50 sati rada) |        |          | X       |
| Očistite ili zamenite filter za vazduh                                     |        |          | X       |
| Pregledajte sistem za gorivo   |        |          | X       |

## Vršenje opšteg pregleda

- Uverite se da su sve navrtke i zavrtnji na proizvodu ispravno pritegnuti.

## Čišćenje proizvoda spolja

- Uklonite lišće, travu i prljavštinu pomoću četke.
- Uverite se da ulaz vazduha na vrhu motora nije blokiran.
- Nemojte da koristite čistač pod visokim pritiskom za čišćenje proizvoda.
- Ako koristite vodu za čišćenje proizvoda, ne polivajte motor.

## Čišćenje unutrašnje površine poklopca mehanizma za košenje

1. Ispraznite rezervoar za gorivo.
2. Stavite proizvod na bok tako da je auspuh dole.



**OPREZ:** Ako se proizvod spusti tako da je filter za vazduh dole, motor može da se ošteti.

3. Isperite unutrašnju stranu poklopca mehanizma za košenje vodom iz creva.

## Pregled opreme za košenje



**UPOZORENJE:** Da biste sprečili neželjeno pokretanje, uklonite kabl za paljenje sa svećice.



**UPOZORENJE:** Nosite zaštitne rukavice kada vršite održavanje na opremi za košenje. Sečivo je veoma oštro i lako dolazi do posekotina.

1. Pregledajte opremu za košenje u pogledu oštećenja ili naprslina. Uvek zamenite oštećenu opremu za košenje.
2. Pregledajte sečivo da biste videli je li oštećeno ili tupo.

**Napomena:** Nakon oštrenja sečiva potrebno ga je balansirati. Neka servisni centar naoštri, zameni i balansira sečivo. Ako udarite o prepreku nakon čega se proizvod zaustavi, zamenite oštećeno sečivo. Neka servisni centar odredi da li sečivo može da se naoštiri ili mora da se zameni.

## Zamena sečiva

1. Blokirate sečivo pomoću komada drveta. (Sl. 35)
2. Uklonite vijak sečiva, opružnu podlošku i sečivo. (Sl. 36)
3. Pregledajte da li su potpora sečiva i vijak sečiva oštećeni.
  - a) Ako zamenite sečivo ili potporu sečiva, zamenite i vijak sečiva, opružnu podlošku i podlošku za trenje.
4. Pregledajte osovinu motora kako biste se uverili da nije savijena.
5. Kada postavite novo sečivo, uverite se da su savijeni krajevi okrenuti u smeru poklopca mehanizma za košenje. (Sl. 37)
6. Postavite podlošku za trenje i sečivo uz potporu sečiva. (Sl. 38)
7. Pobrinite se da je sečivo poravnato sa sredinom osovine motora. (Sl. 39)
8. Blokirate sečivo pomoću komada drveta. (Sl. 40)
9. Postavite opružnu podlošku i zategnite vijak na moment pritezanja od 43 – 47 Nm. (Sl. 41)
10. Povucite sečivo rukom da biste proverili da li se slobodno okreće.



**UPOZORENJE:** Koristite zaštitne rukavice. Sečivo je veoma oštro i lako dolazi do posekotina.

11. Pokrenite proizvod kako biste testirali sečivo. Ako sečivo nije ispravno postavljeno, pojaviće se vibriranje proizvoda ili rezultat košenja neće biti zadovoljavajući.

## Provera nivoa ulja



**OPREZ:** Previše nizak nivo ulja može da ošteti motor. Proverite nivo ulja pre pokretanja proizvoda.

1. Stavite proizvod na ravno tlo.
2. Uklonite poklopac rezervoara za ulje i šipku za merenje.
3. Obrišite ulje na šipki za merenje.
4. Ugurajte šipku za merenje do dna rezervoara za ulje da biste tačno izmerili nivo ulja. Nemojte da stavite poklopac rezervoara za ulje.
5. Uklonite poklopac rezervoara za ulje i šipku za merenje.
6. Očitajte nivo ulja na šipci za merenje.
7. Ako je nivo ulja nizak, dospite motorno ulje i ponovo proverite nivo. (Sl. 42)

**Napomena:** Koristite levak da biste sprečili prosipanje.

8. Postavite poklopac rezervoara za ulje kada nivo ulja bude pravilan.

## Zamena motornog ulja



**UPOZORENJE:** Motorno ulje je vrelo neposredno nakon zaustavljanja motora. Pustite da se motor ohladi pre odlivanja motornog ulja. Ako prospete motorno ulje na kožu, sperite ga sa tela sapunom i vodom.

(Sl. 43)

1. Ostavite proizvod da radi dok se rezervoar za gorivo ne isprazni.
2. Uklonite kabl za paljenje sa svećice.
3. Uklonite poklopac rezervoara za ulje i šipku za merenje.
4. Stavite posudu za skupljanje ulja ispod proizvoda.
5. Nakrenite proizvod ili ispuštite motorno ulje iz rezervoara pomoću pumpe za ulje (dodatna oprema).
6. Sipajte novo motorno ulje tipa preporučenog u *Tehnički podaci na stranici 360*.
7. Proverite nivo ulja. Pogledajte *Provera nivoa ulja na stranici 358*.
8. Postavite poklopac rezervoara za ulje kada nivo ulja bude pravilan.

## Pregled svećice



**OPREZ:** Uvek upotrebljavajte preporučeni tip svećice. Neodgovarajući tip svećice može da ošteti proizvod.

- Pregledajte svećicu ako je snaga motora mala, ako se teško pokreće ili nepravilno radi u praznom hodu.
- Da biste smanjili rizik od nakupljanja neželjenog materijala na elektrodama svećice, poštujujte sledeća uputstva:
  - a) Uverite se da je broj obrtaja na praznom hodu pravilno podešen.
  - b) Uverite se da je mešavina dobro napravljena.
  - c) Uverite se da je filter za vazduh čist.
- Ako je svećica prljava, očistite je i ujedno proverite da li je razmak između elektroda tačan, pogledajte *Tehnički podaci na stranici 360*. (Sl. 44)
- Zamenite svećicu ako je potrebno.

## Čišćenje filtera za vazduh

Prijav filter za vazduh može da izazove kvar na motoru ili njegov nepravilan rad. Održavajte filter za vazduh češće ako radite na lokaciji sa dosta prašine.

Pogledajte *Šema održavanja na stranici 356* ako vam je potrebno više informacija o tome kada se menja filter za vazduh.

1. Skinite poklopac filtera za vazduh i izvadite filter.
2. Očistite filter tako što ćete njime udariti o ravnu površinu. Za čišćenje filtera nemojte koristiti rastvarač koji sadrži benzin, npr. kerozin, ili komprimovani vazduh.

**Napomena:** Dugo korišćeni filteri za vazduh ne mogu potpuno da se očiste. Redovno menjajte filter za vazduh. Oštećene filtere za vazduh obavezno zamenite.

3. Kad postavljate filter za vazduh, proverite da li potpuno naleže na držač filtera.

## Provera usmeravača za bočno izbacivanje

Usmeravač za bočno izbacivanje se postavlja na otvor za bočno izbacivanje na proizvodu. To smanjuje opasnost od izbacivanja predmeta u pravcu rukovaoca.

1. Uverite se da usmeravač za bočno izbacivanje nije oštećen.
2. Pregledajte usmeravač za bočno izbacivanje. Uverite se da nema oštećenja, kao što su naprsline ili pokidane opruge koje zatvaraju vrata.
3. Zamenite usmeravač za bočno izbacivanje ili opruge ako ima oštećenja.

## Pregled sistema za gorivo

- Pogledajte da li su poklopac rezervoara za gorivo i njegova zaptivka oštećeni.
- Pogledajte da li crevo za gorivo curi. Ako je crevo za gorivo oštećeno, neka ga serviser zameni.

## Pražnjenje rezervoara za gorivo

1. Stavite posudu ispod rezervoara za gorivo.
2. Skinite poklopac sa rezervoara za gorivo.
3. Pritisnite spojnice na crevu za gorivo na karburator.
4. Uklonite crevo za gorivo sa karburatora.
5. Stavite crevo rezervoara za gorivo u posudu i skinite spojnice creva.
6. Nagnite proizvod i ispraznite gorivo u posudu.

## Zamena filtera za gorivo



**UPOZORENJE:** Koristite zaštitne rukavice.

1. Ispraznite rezervoar za gorivo.
2. Sklonite spojnicu creva od rezervoara za gorivo. (Sl. 45)
3. Izvadite crevo za gorivo iz rezervoara za gorivo. Mala količina goriva može da iscuri. (Sl. 46)
4. Skinite filter za gorivo sa rezervoara za gorivo. (Sl. 47)

5. Stavite novi filter za gorivo u rezervoar za gorivo.
6. Zakačite crevo za gorivo na rezervoar za gorivo.
7. Stavite spojnicu creva na položaj na rezervoaru za gorivo.

## Podешavanje sajle kvačila

U sledećim slučajevima treba skratiti sajlu kvačila:

- Pogon točkova se ne aktivira kad povučete pritiskivač pogona ili komandnu ručicu.
- Proizvod se kreće polako kad je aktiviran pogon točkova.

U sledećim slučajevima treba produžiti sajlu kvačila:

- Proizvod se kreće kad je pogon točkova nije aktiviran.
- Podesite sajlu kvačila.
  - a) Da biste skratili sajlu kvačila, okrenite zavrtanj za podešavanje ulevo.
  - b) Da biste produžili sajlu kvačila, okrenite zavrtanj za podešavanje udesno. (Sl. 48)

Ako se proizvod i posle podešavanja ne kreće kako bi trebalo, obratite se serviseru

---

## Transport, skladištenje i odlaganje

---

### Transport i skladištenje

- Uverite se da pri skladištenju i transportu proizvoda i goriva nema isparavanja i curenja iz proizvoda. Varnice i otvoren plamen, na primer iz električnih uređaja i bojlera, može da zapali požar.
- Uvek koristite odobrene kanistere za čuvanje i transport goriva.
- Ispraznite rezervoar za gorivo pre dužeg skladištenja proizvoda. Gorivo odbacujte na odgovarajućoj lokaciji za odbacivanje
- Da biste sprečili nezgode i oštećenja, dobro fiksirajte proizvod prilikom transporta.
- Čuvajte proizvod u zaključanoj prostoriji da biste sprečili neodobren pristup deci i drugim osobama.
- Čuvajte proizvod na suvom mestu bez mraza.

### Odlaganje

- Pratite lokalne zakone i propise o reciklaži.
- Sve hemikalije, kao što su motorno ulje i gorivo, odbacujte u servisnom centru ili na odgovarajućem mestu za odbacivanje.
- Kad rashodujete proizvod, pošaljite ga Husqvarna prodavcu ili ga odnesite na odgovarajuće mesto za reciklažu.

## Tehnički podaci

### Tehnički podaci

|   |  |
|---|--|
|   | <b>LC 356VP</b>  |
| <b>Motor</b>  |  |
| Marka   | Honda  |
| Naziv modela motora                                   | GCVx170  |
| Zapremina cilindra, cm <sup>3</sup>                   | 166  |
| Brzina, o/min   | 2800   |
| Nominalna izlazna snaga motora, kW <sup>126</sup>     | 3,1  |
| <b>Sistem paljenja</b>                                |  |
| Svećica   | NGK BPR5ES   |
| Zazor elektroda, mm                                   | 0,75   |
| <b>Sistem za gorivo i podmazivanje</b>                |  |
| Gorivo, bezolovno, minimalni oktanski broj            | 90   |
| Kapacitet rezervoara za gorivo, litara                | 0,9  |
| Kapacitet rezervoara za ulje, litara                  | 0,4  |
| Motorno ulje <sup>127</sup>                           | Husqvarna SAE 30, Husqvarna sintetičko SAE 5W-30, Husqvarna SAE 10W-40 |
| <b>Težina</b>   |  |
| Sa praznim rezervoarima, kg                           | 35,1   |
| <b>Emisije buke</b> <sup>128</sup>                    |  |
| Nivo zvučne snage, mereno u dB (A)                    | 98   |
| Nivo zvučne snage, garantovano L <sub>WA</sub> dB (A) | 98   |
| <b>Nivoi zvuka</b> <sup>129</sup>                     |  |
| Nivo zvučnog pritiska na uho rukovaoca, dB (A)        | 86   |

<sup>126</sup> Naznačena snaga motora je prosečna neto izlazna snaga (pri navedenim obrtajima u minutu) tipičnog proizvodnog motora za model motora izmerena prema SAE standardu J1349/ISO1585. Vrednost motora iz masovne proizvodnje može da se razlikuje. Stvarna izlazna snaga postavljenog motora na proizvodnju će zavisiti od radne brzine, uslova u okruženju i drugih vrednosti.

<sup>127</sup> Koristite motorno ulje kvaliteta API SJ ili višeg. Ako se ulje SAE-30 koristi na temperaturama nižim od +5 °C, postoji opasnost da se motor ne podmazuje dovoljno. To može da dovede do oštećenja motora. Pogledajte *Zamena motornog ulja na stranici 358* za odgovarajući tip ulja za niske temperature. Pogledajte tabelu viskoznosti u priručniku motora (ukoliko je uključen) i izaberite najbolju viskoznost na osnovu očekivane temperature okoline.

<sup>128</sup> Emisije buke u životnoj sredini merene kao zvučna snaga (L<sub>WA</sub>) u skladu sa direktivom 2000/14/EZ.

<sup>129</sup> Prijavljeni podaci za nivo zvučnog pritiska imaju tipičnu statističku disperziju (standardnu devijaciju) od 1,2 dB (A).



|                                       |  |
|---------------------------------------|--|
|                                       | <b>LC 356VP</b>                            |
| <b>Nivoi vibracije</b> <sup>130</sup> |  |
| Ručka, m/s <sup>2</sup>               | 5,9  |
| <b>Oprema za košenje</b>              |  |
| Visina košenja, mm                    | 25–75                                      |
| Širina košenja, mm                    | 560  |
| Sistem košenja                        | Prikupljanje/ BioClip® / bočno izbacivanje |
| Nož – standardni                      | Prikupljanje 598562701                     |
| Sečivo – dodatak                      | Usitnjavanje 598563601                     |
| <b>Pogon</b>                          |  |
| Brzina, km/h                          | 3,0 – 4,5                                  |

<sup>130</sup> Podaci o nivou vibracija imaju tipičnu statističku disperziju (standardnu devijaciju) od 0,2 m/s<sup>2</sup>.

# Deklaracija o usaglašenosti

## EU deklaracija o usaglašenosti

Mi, **Husqvarna AB**, SE-561 82 Huskvarna, Švedska, tel: +46-36-146500, izjavljujemo pod punom odgovornošću da je proizvod:

|                       |                                    |
|-----------------------|------------------------------------|
| <b>Opis</b>           | Kosačica za travu                  |
| <b>Marka</b>          | Husqvarna                          |
| <b>Tip/model</b>      | LC 356VP                           |
| <b>Identifikacija</b> | Serijski brojevi od 2022 i nadalje |

su u potpunosti usaglašeni sa sledećim EU direktivama i propisima:

| <b>Propis</b> | <b>Opis</b>   |
|---------------|---|
| 2006/42/EZ    | „koji se odnose na mašine“  |
| 2014/30/EU    | „koji se odnose na elektromagnetsku kompatibilnost“   |
| 2000/14/EZ    | „koji se odnose na emisiju buke u okruženju“  |
| 2011/65/EU    | „koji se odnose na ograničenje upotrebe određenih opasnih supstanci u električnoj i elektonskoj opremi“ |

i da su sledeći standardi i/ili tehničke specifikacije primenjeni: EN ISO 5395-1:2013/A1:2018, EN ISO 5395-2:2013/A1:2016/A2:2017, EN ISO 14982:2009, EN IEC 63000:2018

Ovlašćeno telo: 0404, RISE SMP Svensk Maskinprovning AB, Box 4053, SE-904 03 Umeå, Sweden je sertifikovalo usaglašenost sa direktivom veća 2000/14/EC, postupak za procenu usklađenosti: Aneks VI.

Za informacije o emisiji buke pogledajte *Tehnički podaci na stranici 360*.

Huskvarna, 2022-10-20



Claes Losdal, menadžer razvoja / baštenski proizvodi, Husqvarna AB

Odgovoran za tehničku dokumentaciju



---

## Innehåll

---

|                   |     |   |     |
|-------------------|-----|---|-----|
| Introduktion..... | 363 | Underhåll.....                          | 369 |
| Säkerhet.....     | 364 | Transport, förvaring och kassering..... | 372 |
| Montering.....    | 366 | Tekniska data.....                      | 373 |
| Drift.....        | 367 | Försäkran om överensstämmelse.....      | 375 |

---

## Introduktion

---

### Produktbeskrivning

Produkten är en rotorgräsklippare som styrs av en gående person. Om du vill samla upp gräset monterar du gräsuppsamlaren på sidan. Om du vill kasta ut gräset på sidan monterar du sidoutkastdeflektorn. Du kan montera en mulchingsats om du vill klippa ner gräset till gödning.

### Produktöversikt

(Fig. 1)

1. Handtag
2. Motorbromsbygel
3. Drivbygel
4. Startsnörets handtag
5. Bakre kåpa
6. Gräsuppsamlare
7. Höjdjusteringsvred
8. Klipphöjdsspak
9. Oljelock
10. Sidoutkastets kåpa
11. Ljuddämpare
12. Tändstift
13. Bränsletankslock
14. Symboler
15. Klippkåpa
16. Luftfilter
17. Hastighetsreglage
18. Sidodeflektor
19. Mulchingplugg (tillbehör)
20. Bruksanvisning

### Symboler på produkten

- (Fig. 2)      **WARNING!** Var försiktig och använd produkten på rätt sätt. Den här produkten kan orsaka allvarlig eller livshotande skada för användaren och andra.
- (Fig. 3)      Läs igenom bruksanvisningen noggrant och se till att du förstår instruktionerna innan användning.
- (Fig. 4)      Akta dig för utslungade föremål och rikoschetter.

### Avsedd användning

Använd produkten för att klippa gräs. Använd inte produkten till andra uppgifter.

- (Fig. 5)      Håll alltid människor och djur på säkert avstånd från arbetsområdet.
- (Fig. 6)      Varning! Håll händer och fötter borta från den roterande kniven.
- (Fig. 7)      Varning! Håll händer och fötter borta från roterande delar.
- (Fig. 8)      Stäng av motorn och ta av tändkabeln före reparation eller underhåll.
- (Fig. 9)      Produkten överensstämmer med gällande EG-direktiv.
- (Fig. 10)     Produkten överensstämmer med gällande brittiska direktiv.
- (Fig. 11)     Miljömärkning för bulleremission enligt direktiv och bestämmelser för EU och Storbritannien samt New South Wales-lagen "Protection of the Environment Operations (Noise Control) Regulation 2017". Produktens garanterade ljudeffektnivå anges i *Tekniska data på sida 373* och på etiketten.

---

**Notera:** Övriga symboler/dekaler på produkten avser specifika krav för certifieringar på vissa kommersiella marknader.

---

### Produktskada

Vi ansvarar inte för skador på vår produkt om:

- produkten repareras felaktigt

- produkten repareras med delar som inte kommer från tillverkaren eller inte har godkänts av tillverkaren
- produkten har ett tillbehör som inte kommer från tillverkaren eller inte har godkänts av tillverkaren
- produkten inte repareras vid ett godkänt servicecenter eller av en godkänd person.

## Euro V-utsläpp



**VARNING:** Manipulering av motorn upphäver EG-typgodkännandet för den här produkten.

## Säkerhet

### Säkerhetsdefinitioner

Varningar, försiktighetsåtgärder och anmärkningar används för att betona speciellt viktiga delar i bruksanvisningen.



**VARNING:** Används om det finns risk för skador eller dödsfall för användaren eller kringstående om anvisningarna i bruksanvisningen inte följs.



**OBSERVERA:** Används om det finns risk för skada på produkten, annat material eller det angränsande området om anvisningarna i bruksanvisningen inte följs.

**Notera:** Används för att ge mer information som är nödvändig i en viss situation.

### Allmänna säkerhetsanvisningar



**VARNING:** Läs varningsinstruktionerna nedan innan du använder produkten.

- Denna produkt är farlig om den används på fel sätt, och om du inte är försiktig. Skada eller dödsfall kan inträffa om du inte följer säkerhetsinstruktionerna.
- Denna produkt alstrar ett elektromagnetiskt fält under drift. Detta fält kan under vissa omständigheter ge påverkan på aktiva eller passiva medicinska implantat. För att reducera risken för omständigheter som kan leda till allvarliga eller livshotande skador rekommenderar vi därför personer med implantat att rådgöra med läkare samt tillverkaren av det medicinska implantatet innan denna produkt används.
- Var alltid försiktig och använd sunt förnuft. Om du inte vet hur du ska använda produkten i en särskild situation ska du stanna den och tala med en Husqvarna-återförsäljare innan du fortsätter.
- Tänk på att användaren kommer att hållas ansvarig för olyckor som involverar andra människor eller deras egendom.
- Håll produkten ren. Se till att du kan läsa skyltar och dekalering tydligt.

- Låt inte någon använda produkten om du inte är säker på att personen har läst och förstår innehållet i bruksanvisningen.
- Låt inte barn använda produkten.
- Håll barn borta från arbetsområdet. En vuxen person måste vara närvarande hela tiden.
- Låt inte en person utan kännedom om instruktionerna använda produkten.
- Övervaka alltid en person med nedsatt fysisk eller mental kapacitet som använder produkten. En vuxen person måste vara närvarande hela tiden.
- Använd aldrig produkten om du är trött, sjuk eller om du är påverkad av alkohol, droger eller läkemedel. Detta har en negativ inverkan på din syn, ditt omdöme och din kroppskontroll.
- Använd inte en produkt som har skador eller inte fungerar korrekt.
- Modifiera aldrig den här produkten och använd den inte om det är möjligt att den har blivit modifierad av andra.
- Ändra inte inställningen för motorns varvtalsreglering.

### Säkerhet i arbetsområdet



**VARNING:** Läs varningsinstruktionerna nedan innan du använder produkten.

- Ta bort föremål som grenar, kvistar och stenar från arbetsområdet innan du använder produkten.
- Objekt som slår mot skärutrustningen kan slungas ut och orsaka skador på personer och föremål. Håll alltid människor och djur på säkert avstånd från produkten.
- Använd aldrig produkten i dåligt väder, som dimma, regn, hård vind, extrem kyla och risk för blixtnedslag. Det är ansträngande att använda produkten i dåligt väder eller på fuktiga eller våta platser. Dåligt väder kan leda till farliga förhållanden, t.ex. hala ytor.
- Håll utkik efter personer, föremål och situationer som kan förhindra säker användning av produkten.
- Håll utkik efter hinder, som rötter, stenar, grenar, gropar och diken. Långt gräs kan dölja hinder.
- Det kan vara farligt att klippa gräs i sluttningar. Använd inte produkten i terräng som lutar mer än 15°.
- Klipp tvärs över sluttningar. Inte upp och ned.

- Var uppmärksam när du närmar dig dolda hörn och föremål som skymmer sikten.

## Arbets säkerhet



**VARNING:** Läs varningsinstruktionerna nedan innan du använder produkten.

- Använd enbart den här produkten för att klippa gräsmattor. Det är inte tillåtet att använda den för andra uppgifter.
- Använd personlig skyddsutrustning. Se *Personlig skyddsutrustning på sida 365*.
- Se till att du vet hur man snabbt stoppar motorn i en nödsituation.
- Starta aldrig motorn i ett stängt utrymme eller nära brandfarliga material. Motoravgaserna är heta och kan medföra gnistor som kan orsaka brand.
- Använd inte produkten utan att kniven och alla kåpor är korrekt monterade. En felaktigt monterad kniv kan lossna och orsaka personskador.
- Se till att kniven inte slår emot föremål som stenar och rötter. Detta kan göra att kniven skadas och böja motoraxeln. En böjd axel orsakar kraftiga vibrationer och risken för att kniven lossnar blir mycket hög.
- Om kniven träffar ett föremål eller om det uppstår vibrationer ska du omedelbart stanna produkten. Koppla bort tändkabeln från tändstiftet. Kontrollera om det finns några skador på produkten. Reparera skadorna eller låt en behörig serviceverkstad utföra reparationen.
- Fäst aldrig motorbromsbygeln permanent på handtaget när motorn är igång.
- Ställ produkten på ett stabilt plant underlag och starta den. Se till att kniven inte vidrör marken eller andra föremål.
- Håll dig alltid bakom produkten när du använder den.
- Låt alla hjul stå på marken och håll båda händerna på handtaget när du använder produkten. Håll händer och fötter borta från de roterande knivarna.
- Luta inte produkten när motorn är igång.
- Var försiktig när du drar produkten bakåt.
- Lyft aldrig upp produkten när motorn är igång. Om du måste lyfta produkten ska du först stanna motorn och koppla bort tändkabeln från tändstiftet.
- Gå inte baklänges när du använder produkten.
- Stäng av motorn när du rör dig över områden utan gräs, t.ex. gångar av grus, sten och asfalt.
- Spring inte med produkten när motorn är igång. Gå alltid när du använder produkten.
- Stäng av motorn innan du ändrar klipphöjden. Gör aldrig justeringar med motorn igång.
- Lämna aldrig produkten utanför ditt synfält med motorn igång. Stäng av motorn och se till att skärutrustningen inte roterar.

## Säkerhetsinstruktioner för drift

### Personlig skyddsutrustning



**VARNING:** Läs varningsinstruktionerna nedan innan du använder produkten.

- Personlig skyddsutrustning kan inte eliminera skaderisken helt, men den reducerar effekten av en skada vid ett eventuellt olyckstillbud. Be din återförsäljare om hjälp med att välja rätt utrustning.
- Använd hörselskydd om ljudnivån är högre än 85 dB.
- Använd kraftiga halksäkra kängor eller skor. Använd inte öppna skor och var inte barfota.
- Använd tjockare långbyxor.
- Använd skyddshandskar vid behov, till exempel när du ansluter, undersöker eller rengör skärutrustningen.

### Säkerhetsanordningar på produkten



**VARNING:** Läs varningsinstruktionerna nedan innan du använder produkten.

- Använd inte en produkt med säkerhetsanordningar som är skadade eller som inte fungerar korrekt.
- Kontrollera säkerhetsanordningarna regelbundet. Om säkerhetsanordningarna är skadade eller om de inte fungerar korrekt ska du kontakta en Husqvarna-serviceverkstad.
- Gör inga ändringar på säkerhetsanordningarna.

### Kontrollera klippkåpan

Klippkåpan dämpar vibrationerna och minskar risken för skador orsakade av kniven.

- Undersök klippkåpan för att se till att där inte finns några skador, t.ex. sprickor.

### Kontrollera motorbromsbygeln

Motorbromsbygeln stänger av motorn. När motorbromsbygeln släpps stannar motorn.

- Starta motorn och släpp sedan motorbromsbygeln. Om motorn inte stannar inom tre sekunder ska du låta en godkänd Husqvarna-serviceverkstad justera motorbromsen. (Fig. 12)

### Kontrollera den bakre kåpan

Den bakre deflektorn minskar risken för att föremål slungas ut i förarens riktning.

- Se till att den bakre kåpan inte är skadad.
- Se till att fjädrarna som stänger den bakre kåpan inte är trasiga.
- Om fjädrarna eller några andra delar är skadade byter du dem.

- Se till att den bakre kåpan kan röra sig utan problem på gångjärnen.

### Ljuddämpare

Ljuddämparen håller ljudnivån till ett minimum och leder bort motorns avgaser från användaren.

Använd inte produkten utan ljuddämpare eller med en skadad ljuddämpare. En defekt ljuddämpare ökar ljudnivån och brandrisken.



**WARNING:** Ljuddämparen blir mycket varm under och efter användning samt när motorn går på tomgång. Var försiktig nära brandfarliga material och/eller ångor för att förhindra brand.

### Kontrollera ljuddämparen

- Undersök ljuddämparen regelbundet för att se till att den är korrekt monterad och inte skadad.

### Bränslesäkerhet



**WARNING:** Läs varningsinstruktionerna nedan innan du använder produkten.

- Starta inte produkten om det finns bränsle eller motorolja på produkten. Ta bort det oönskade bränslet/oljan och låt produkten torka.
- Om du spillt bränsle på kläderna ska dessa bytas omedelbart.
- Se till att inte få bränsle på kroppen, det kan orsaka personskador. Om du får bränsle på kroppen ska du använda tvål och vatten för att ta bort bränslet.
- Starta inte produkten om motorn har en läcka. Undersök regelbundet att motorn inte läcker.
- Var försiktig med bränsle. Bränsle är brandfarligt och ångorna är explosiva och kan orsaka skador eller dödsfall.
- Undvik att andas in bränsleångor då det kan orsaka personskador. Se till att det finns tillräckligt luftflöde.
- Rök inte i närheten av bränslet eller motorn.
- Placera inga varma föremål i närheten av bränslet eller motorn.
- Fyll inte på bränsle när motorn är på.
- Se till att motorn har svalnat innan du fyller på bränsle.

- Innan du fyller på bränsle bör du öppna bränsletanklocket långsamt och försiktigt släppa på trycket.
- Fyll inte på bränsle i motorn inomhus. Otillräckligt luftflöde kan orsaka skador eller dödsfall på grund av kvävning eller kolmonoxidförgiftning.
- Dra åt bränsletanklocket ordentligt. Om bränsletanklocket inte dras åt ordentligt finns det en risk för brand.
- Flytta produkten minst 3 m från den plats där du fyllde på tanken innan du startar den.
- Fyll inte upp tanken helt. Värme gör att bränslet expanderar. Lämna lite plats längst upp på tanken.
- Förvara aldrig produkten med bränsle i bränsletanken i en byggnad där det finns antändningskällor, t.ex. varmvattenberedare, värmeelement eller klädtorkar. Låt motorn kallna före förvaring i ett slutet utrymme.

### Säkerhetsinstruktioner för underhåll



**WARNING:** Läs varningsinstruktionerna nedan innan du använder produkten.

- Motorns avgaser innehåller kolmonoxid, en luktlös, giftig och mycket farlig gas. Starta inte motorn inomhus eller i slutna utrymmen.
- Innan du utför underhåll på produkten ska du stänga av motorn och ta bort tändkabeln från tändstiftet.
- Använd skyddshandskar när du utför underhåll på skärutrustningen. Kniven är mycket vass och skärskador uppstår lätt.
- Tillbehör och ändringar av produkten som inte godkänns av tillverkaren kan orsaka allvarliga skador eller dödsfall. Modifiera inte produkten. Använd endast tillbehör som godkänns av tillverkaren.
- Om underhåll inte utförs korrekt och regelbundet ökar risken för personskador och skador på produkten.
- Utför endast underhåll enligt anvisningarna i den här bruksanvisningen. All annan service måste utföras av en godkänd Husqvarna-serviceverkstad.
- Låt en godkänd Husqvarna-serviceverkstad utföra service på produkten regelbundet.
- Byt ut skadade, slitna och trasiga delar.

## Montering

### Introduktion



**WARNING:** Innan du monterar produkten måste du läsa igenom och förstå kapitlet om säkerhet.



**WARNING:** Avlägsna tändstiftskabeln från tändstiftet innan du monterar produkten.

## Montera handtaget

**Notera:** Vi rekommenderar att två personer utför denna procedur.

**Notera:** Ta inte ut produkten ur kartongen när du monterar handtaget. Kartongen kan användas som stöd för handtaget under monteringen.

1. Lyft och vrid handtaget. (Fig. 13)



**OBSERVERA:** Var försiktig och se till att kabeln inte skadas när du vrider handtaget.

2. Placera handtaget ovanpå produkten. Luta handtaget mot kartongen för att stödja handtaget. Se bilden. (Fig. 14)
3. För skruven (A) genom handtaget (B), plastbrickan (C) och handtagets stödfäste (D). (Fig. 15)
4. Dra åt muttern (E) helt.
5. Ta ut produkten ur kartongen.
6. Vik handtaget till upprätt läge. (Fig. 16)
7. Ställ in handtagshöjden på det lägsta läget. Se *Justera handtaget på sida 367*.
8. Fäst kabeln vid handtagets nedre del med kabelklämman. (Fig. 17)
9. Fäst den nedre delen av kabeln vid handtagets stödfäste med buntbandet. Klipp av den återstående delen av buntbandet. (Fig. 18)

**Notera:** Se till att kabeln är korrekt ansluten. Om kabeln är för lös kan den skadas när gräsupsamlaren är installerad. (Fig. 19)

## Justera handtaget

1. Lossa de nedre vreden.
2. Flytta vreden till den nedre delen av spåren på produktens vänstra och högra sida. (Fig. 20)
3. Ställ in handtagshöjden till ett av två tillgängliga lägen.
4. Skjut vreden uppåt mot handtaget tills det tar stopp och du hör ett klick. (Fig. 21)
5. Dra åt vreden helt.

## Ställa in produkten i transportläge

1. Ta bort gräsupsamlaren (om sådan finns monterad).
2. Lossa de nedre vreden.
3. Flytta vreden till den nedre delen av spåren på produktens vänstra och högra sida. (Fig. 20)
4. Vik handtaget framåt. (Fig. 22)

## Ställa in produkten i arbetsläge

1. Vik handtaget till upprätt läge. (Fig. 23)
2. Skjut vreden uppåt mot handtaget tills det tar stopp och du hör ett klick. (Fig. 21)
3. Dra åt vreden helt.

## Montera gräsupsamlaren

1. Fäst gräsupsamlarens ram i gräsbehållaren, med behållarens stela del nedåt. Se till att handtaget på ramen är utanför ovsidan av behållaren. (Fig. 24)
2. Sätt fast gräsupsamlaren på ramen med klämmorna. (Fig. 25)

## Drift

### Introduktion



**WARNING:** Innan du använder produkten måste du läsa igenom och förstå kapitlet om säkerhet.

### Husqvarna Connect

Husqvarna Connect är en kostnadsfri app för mobila enheter. Husqvarna Connect-appen utökar funktionerna för Husqvarna-produkten:

- Mer produktinformation.
- Information om, och hjälp med, produktdelar och service.

### Börja använda Husqvarna Connect

1. Hämta Husqvarna Connect-appen på din mobila enhet.

2. Utför registreringen i Husqvarna Connect-appen.
3. Följ instruktionerna i Husqvarna Connect-appen för att ansluta och registrera produkten.

### Innan du använder produkten

1. Läs igenom bruksanvisningen noggrant och se till att du förstår instruktionerna.
2. Undersök skärutrustningen för att se till att den är korrekt monterad och justerad. Se *Kontrollera skärutrustningen på sida 370*.
3. Fyll bränsletanken. Se *Fylla på bränsle på sida 367*.
4. Fyll oljetanken och kontrollera oljenivån. Se *Byta motorolja på sida 370*.

### Fylla på bränsle

Använd miljöanpassad bensin/alkylatbensin om det finns. Om miljöanpassad bensin/alkylatbensin inte finns

tillgänglig ska du använda blyfri bensin eller blyad bensin av hög kvalitet med ett oktantal på minst 90.



**OBSERVERA:** Använd inte bensin med ett oktantal lägre än 90 RON (87 AKI). Det kan orsaka skador på produkten.

1. Öppna tanklocket långsamt för att släppa på trycket.
2. Fyll på långsamt med en bränsledunk. Om du spiller bränsle ska du ta bort det med en trasa och låta bensinresterna avdunsta.
3. Torka rent runt bränsletanklocket.
4. Dra åt bränsletanklocket ordentligt. Om bränsletanklocket inte dras åt ordentligt finns det en risk för brand.
5. Flytta produkten minst tre meter från den plats där du fyllde på tanken innan du startar den.

## Ställa in klipphöjden

1. Flytta klipphöjdsspaken bakåt för att höja klipphöjden.
2. Flytta klipphöjdsspaken framåt för att sänka klipphöjden. (Fig. 26)



**OBSERVERA:** Ställ inte in för låg klipphöjd. Knivarna kan träffa marken om gräsmattans yta inte är plan.

## Starta produkten

1. Se till att tändkabeln är ansluten till tändstiftet.
2. Stå bakom produkten.
3. Håll motorbromsbygeln mot handtaget. (Fig. 27)
4. Håll i startsnörets handtag med höger hand.
5. Dra långsamt i startsnöret tills du känner ett motstånd.
6. Dra kraftigt för att starta motorn.



**VARNING:** Vira inte startsnöret runt handen.

## Använda drivningen på hjulen ()

- Starta drivningen på hjulen med hastighetsreglaget på handtagets vänstra sida. För hastighetsreglaget framåt för att öka varvtalet och bakåt för att minska varvtalet. (Fig. 28)
- Innan du drar produkten bakåt, stäng av drivenheten och putta fram den ca 10 cm.
- Släpp drivbygeln för att koppla ur drivningen, t.ex. när du går nära ett hinder.

## Stänga av produkten

- För att stänga av endast drivningen ska du släppa drivbygeln.

- För att stänga av motorn ska du släppa motorbromsbygeln.

## Använda produkten med gräsupsamlaren ()



**VARNING:** Använd inte produkten utan monterad gräsupsamlare eller stängd bakre kåpa. Föremål kan slungas ut och orsaka skador på användaren.

1. Lyft upp den bakre kåpan och ta bort mulchingpluggen, om den är monterad. (Fig. 29)
2. Montera gräsupsamlaren, se *Montera gräsupsamlaren på sida 367*.
3. Placera gräsupsamlaren i hållaren.
4. Frigör den bakre kåpan och placera den på ramen till gräsupsamlaren. (Fig. 30)

## Ändra produkten till mulchingläge ()

Se till att motorn är avstängd innan du ändrar produkten till mulchingläge.

1. Lyft upp den bakre kåpan och ta bort gräsbehållaren, om den är monterad.
2. För in mulchingpluggen i utkastkanalen. (Fig. 31)
3. Stäng den bakre kåpan och se till att den sitter tätt emot mulchingpluggen.

**Notera:** Byt ut kniven mot mulchingtillbehöret för att få bästa tänkbara resultat i mulchingläget. Se *Byta knivar på sida 370*

## Ändra produkten till sidoutkastläge

1. Lyft upp den bakre kåpan och ta bort gräsupsamlaren, om den är monterad.
2. Stäng den bakre kåpan och se till att den sitter tätt emot produkten.
3. Lyft utkastslåset. (Fig. 32)
4. Öppna sidoutkastsskyddet och montera sidoutkastdeflektorn på stödtapparna. (Fig. 33)
5. Se till att sidoutkastsskyddet ligger mot sidoutkastdeflektorn. Se till att sidoutkastdeflektorn sitter ordentligt fast innan du använder produkten.

## Tömma gräsupsamlaren



**OBSERVERA:** För att förhindra slitage ska du lyfta gräsupsamlaren när du flyttar den.

1. Lyft gräsupsamlaren med hjälp av ramens handtag.
2. Använd ramhandtaget och påshandtaget när du tömmer gräsupsamlaren. (Fig. 34)



## Få ett bra resultat

- Använd alltid en vass kniv. En slö kniv ger ett ojämnt resultat och grässets snittyta blir gul. En vass kniv förbrukar mindre energi än en slö kniv.
- Klipp inte mer än en tredjedel av grässets längd. Använd den högsta klipphöjden när du börjar klippa gräset. Undersök resultatet och sänk klipphöjden till en lämplig nivå. Om gräset är väldigt långt kör du sakta och klipper två gånger, om det behövs.
- Klipp i olika riktningar varje gång för att undvika ränder i gräsmattan.
- Lyft upp den bakre kåpan och ta loss gräsupsamlaren.
- Om en mulchingplugg och en mulchingkniv är monterade tar du bort dem.
- Stäng den bakre kåpan innan du använder produkten. När du använder produkten kastas gräsklippen ut under den bakre kåpan.
- Håll klippkåpan ren. Ansamling av gräs och smuts på insidan av klippkåpan kan försämra klippresultatet. Se *Rengöra insidan av klippkåpan på sida 370*.

## Underhåll

### Introduktion



**VARNING:** Innan du utför underhåll måste du läsa och förstå kapitlet om säkerhet.

För allt service- och reparationsarbete på produkten krävs särskild utbildning. Vi garanterar att du kan få en fackmannamässig reparation och service utförd. Om din återförsäljare inte är en serviceverkstad kan du tala med dem för information om närmaste serviceverkstad.

Mer information finns här i .

### Underhållsschema



**OBSERVERA:** Se till att luftfiltret är uppåt och inte mot marken när du lutar produkten. Risk för motorskador.

Underhållsintervallen beräknas utifrån daglig användning av produkten. Intervallen ändras om produkten inte används dagligen.

För underhåll som markeras med \*, se anvisningarna i *Säkerhetsanordningar på produkten på sida 365*.

| Underhåll   | Dagligen | Varje vecka | Varje månad |
|---|----------|-------------|-------------|
| Utför en allmän inspektion  | X        |             |             |
| Kontrollera oljenivån   | X        |             |             |
| Rengör produkten  | X        |             |             |
| Kontrollera skärutrustningen  | X        |             |             |
| Kontrollera klippkåpan*   | X        |             |             |
| Kontrollera motorbromsbygeln*   | X        |             |             |
| Kontrollera knivbromsreglaget*  | X        |             |             |
| Kontrollera ljuddämparen *  |          | X           |             |
| Kontrollera tändstiftet   |          | X           |             |
| Byt ut oljan (första gången efter fem timmars användning, sedan efter var 50:e timmes användning) |          |             | X           |
| Rengör eller ersätt luftfiltret   |          |             | X           |
| Kontrollera bränslesystemet   |          |             | X           |

### Allmän inspektion

- Se till att alla skruvar och muttrar på produkten är korrekt åtdragna.

### Rengöra produkten utvändigt

- Använd en borste för att ta bort löv, gräs och smuts.
- Kontrollera att luftintaget på motorns ovansida inte är igentäppt.

- Undvik att använda högtrycksvätt när du rengör maskinen.
- Om du använder vatten för att rengöra produkten ska du inte spola vatten direkt på motorn.

9. Montera fjäderbrickan och dra åt bulten med ett vridmoment på 43 – 47 Nm. (Fig. 41)
10. Dra runt kniven för hand och se till att den roterar fritt.

## Rengöra insidan av klippkåpan

1. Töm bensintanken.
2. Placera produkten på sidan med ljuddämparen nedåt.



**OBSERVERA:** Om produkten placeras med luftfiltret nedåt kan motorn skadas.

3. Spola av klippkåpens insida med vatten.

## Kontrollera skärutrustningen



**WARNING:** För att förhindra oavsiktlig start ska du ta bort tändkabeln från tändstiftet.



**WARNING:** Använd skyddshandskar när du utför underhåll på skärutrustningen. Kniven är mycket vass och skärskador uppstår lätt.

1. Kontrollera så att skärutrustningen inte är skadad eller har sprickor. Byt alltid ut skadad skärutrustning.
2. Titta på kniven för att se om den är skadad eller slö.

**Notera:** Kniven måste balanseras när den har slipats. Låt en serviceverkstad slipa, byta och balansera kniven. Om du träffar ett hinder som gör att produkten stannar ska du byta ut den skadade kniven. Låt serviceverkstaden bedöma om kniven kan slipas eller måste ersättas.

## Byta knivar

1. Lås kniven med en träbit. (Fig. 35)
2. Ta bort knivbulten, fjäderbrickan och kniven. (Fig. 36)
3. Kontrollera om knivstödet och knivbulten har skador.
  - a) Om du byter ut kniven eller knivstödet ska du också byta ut knivbulten, fjäderbrickan och friktionsbrickan.
4. Kontrollera motoraxeln för att se till att den inte är böjd.
5. När du monterar den nya kniven ska du rikta knivens böjda ändar mot klippkåpan. (Fig. 37)
6. Lägg friktionsbrickan och kniven mot knivstödet. (Fig. 38)
7. Se till att kniven är i linje med motoraxelns mitt. (Fig. 39)
8. Lås kniven med en träbit. (Fig. 40)



**WARNING:** Använd skyddshandskar. Kniven är mycket vass och skärskador uppstår lätt.

11. Starta produkten för att testa kniven. Om kniven inte är korrekt monterad känner du vibrationer i produkten eller så är klipresultatet otillfredsställande.

## Kontrollera oljenivån



**OBSERVERA:** För låg oljenivå kan orsaka allvarliga motorskador. Kontrollera oljenivån innan du startar produkten.

1. Placera produkten på plan mark.
2. Ta bort oljetankslocket och mätstickan.
3. Torka av oljan från mätstickan.
4. Tryck tillbaka mätstickan helt i oljetanken för att få en korrekt bild av oljenivån. Fäst inte oljetanklocket.
5. Ta bort oljetankslocket och mätstickan.
6. Kontrollera oljenivån på mätstickan.
7. Om oljenivån är låg ska du fylla på med motorolja och kontrollera oljenivån igen. (Fig. 42)

**Notera:** Använd en tratt för att förhindra spill.

8. Sätt tillbaka oljetanklocket när oljenivån är korrekt.

## Byta motorolja



**WARNING:** Motorolja är mycket varm direkt efter att motorn har stängts av. Låt motorn svalna innan du tappar ur motoroljan. Om du spiller olja på huden måste du rengöra med tvål och vatten.

(Fig. 43)

1. Använd produkten tills bränsletanken är tom.
2. Ta bort tändkabeln från tändstiftet.
3. Ta bort oljetankslocket och mätstickan.
4. Ställ en behållare att samla upp motoroljan i under produkten.
5. Luta produkten eller tappa av motoroljan från oljetanken med en oljepump (tillbehör).
6. Fyll på ny motorolja av den typ som rekommenderas i *Tekniska data på sida 373*.
7. Kontrollera oljenivån. Se *Kontrollera oljenivån på sida 370*.
8. Sätt tillbaka oljetanklocket när oljenivån är korrekt.

## Kontrollera tändstiftet



**OBSERVERA:** Använd alltid den rekommenderade tändstiftstypen. Fel typ av tändstift kan orsaka skador på produkten.

- Kontrollera tändstiftet om motorn har låg effekt, är svår att starta eller inte fungerar korrekt vid tomgångsvarvtal.
- Följ dessa instruktioner om du vill minska risken för oönskat material på tändstiftets elektroder:
  - a) Se till att tomgångsvarvtalet är korrekt justerat.
  - b) Se till att bränsleblandningen är korrekt.
  - c) Se till att luftfiltret är rent.
- Om tändstiftet är smutsigt rengör du det och ser till att elektrodavståndet är korrekt, se *Tekniska data på sida 373*. (Fig. 44)
- Byt ut tändstiftet vid behov.

## Rengöra luftfiltret

Om luftfiltret är smutsigt kan det medföra att motorn skadas eller inte fungerar på rätt sätt. Utför underhåll på luftfiltret oftare vid dammiga förhållanden.

Se *Underhållsschema på sida 369* för mer information om när du ska byta luftfilter.

1. Ta bort luftfilterkåpan och filtret.
2. Gör rent filtret genom att slå det mot en plan yta. Använd aldrig lösningsmedel med petroleum eller fotogen eller tryckluft till att rengöra filtret.

**Notera:** Det går inte att rengöra luftfilter som har använts under lång tid helt. Byt luftfiltret regelbundet. Om luftfiltret är skadat måste du byta det.

3. När du monterar luftfiltret måste du se till att det sitter tätt mot filterhållaren.

## Kontrollera sidoutkastdeflektorn

Sidoutkastdeflektorn sitter fast i sidoutkastsöppningen på produkten. Den minskar risken för att föremål slungas ut mot användaren.

1. Se till att sidoutkastdeflektorn inte är skadad.
2. Kontrollera sidoutkastdeflektorn. Se till att det inte finns några skador, som sprickor eller trasiga fjädrar, som gör att det inte går att stänga dörren.
3. Byt sidoutkastdeflektorn eller fjädrarna om de är skadade.

## Kontrollera bränslesystemet

- Kontrollera bränsletanklocket och tätningen till bränsletanklocket för att se till att det inte finns några skador.

- Kontrollera bränsleslangen för att se till att inget läckage förekommer. Om bränsleslangen är skadad ska du låta en serviceverkstad byta ut den.

## Tappa ur bränsletanken

1. Placera ett kärl under bränsletanken.
2. Ta bort bränsletanklocket.
3. Tryck slangklämmorna på bränsleslangen mot förgasaren.
4. Ta bort bränsleslangen från förgasaren.
5. Lägg bränsletankens slang i kärlet och ta bort slangklämmorna.
6. Luta produkten och låt bränslet rinna ner i kärlet.

## Byta bränslefilter



**VARNING:** Använd skyddshandskar.

1. Tappa ur bränsletanken.
2. Flytta slangklämman bort från bränsletanken. (Fig. 45)
3. Ta bort bränsleslangen från bränsletanken. En mindre mängd bränsle kan läcka ut. (Fig. 46)
4. Ta bort bränslefiltret från bränsletanken. (Fig. 47)
5. Installera ett nytt bränslefilter i bränsletanken.
6. Fäst bränsleslangen på bränsletanken.
7. Sätt slangklämman på plats mot bränsletanken.

## Justera kopplingsvajern ()

Du måste minska längden på kopplingsvajern under följande förhållanden:

- Hjuldrivningen kopplas inte in när du drar i drivbygeln eller hastighetsreglaget.
- Produkten rör sig långsamt när du har kopplat in hjuldrivningen.

Du måste öka längden på kopplingsvajern under följande förhållanden:

- Produkten rör sig när hjuldrivningen inte är inkopplad.
- Justera kopplingsvajern
  - a) Om du vill minska längden på kopplingsvajerns vrider du justerskruven moturs.
  - b) Om du vill öka längden på kopplingsvajern vrider du justerskruven medurs. (Fig. 48)

Om produkten inte fungerar på rätt sätt efter justeringen kontaktar du en serviceverkstad.

### Transport och förvaring

- Vid förvaring och transport av produkten och bränslet ska du se till att det inte förekommer något läckage eller avgaser. Gnistor eller öppen eld, t.ex. från elektriska apparater eller pannor, kan orsaka brand.
- Använd alltid godkända behållare för transport och förvaring av bränsle.
- Töm bränsletanken innan du placerar produkten för förvaring under en längre tid. Kassera bränslet på lämplig anvisad plats
- Fäst produkten ordentligt under transport för att förhindra skador och olyckor.
- Förvara produkten i ett låst utrymme för att förhindra åtkomst för barn eller personer som inte är behöriga.
- Förvara produkten på en torr och frostfri plats.

### Kassering

- Följ lokala återvinningsbestämmelser och tillämpliga förordningar.
- Kassera alla kemikalier, som olja och bränsle, vid en serviceverkstad eller på lämplig anvisad plats.
- När produkten inte längre används ska du skicka den till en Husqvarna-återförsäljare eller lämna den till en återvinningsstation.

## Tekniska data

### Tekniska data

|  |   |
|--|---|
|  | <b>LC 356VP</b>   |
| <b>Motor</b>                                     |   |
| Varumärke  | Honda   |
| Motorns modellnamn                               | GCVx170   |
| Slagvolym, cm <sup>3</sup>                       | 166   |
| Varvtal, varv/min                                | 2 800   |
| Nominell motoreffekt, kW <sup>131</sup>          | 3,1   |
| <b>Tändsystem</b>                                |   |
| Tändstift  | NGK BPR5ES  |
| Elektroavstånd, mm                               | 0,75  |
| <b>Bränsle- och smörjsystem</b>                  |   |
| Bränsle, blyfritt, minsta oktantal               | 90  |
| Volym bensintank, liter                          | 0,9   |
| Volym oljetank, liter                            | 0,4   |
| Motorolja <sup>132</sup>                         | Husqvarna SAE 30, Husqvarna SAE 5W-30 syntetisk, Husqvarna SAE 10W-40 |
| <b>Vikt</b>                                      |   |
| Med tomma tankar, kg                             | 35,1  |
| <b>Bulleremission</b> <sup>133</sup>             |   |
| Ljudeffektnivå, uppmätt dB(A)                    | 98  |
| Ljudeffektnivå, garanterad L <sub>WA</sub> dB(A) | 98  |
| <b>Ljudnivåer</b> <sup>134</sup>                 |   |
| Ljudtrycksnivå vid användarens öra, dB(A)        | 86  |
| <b>Vibrationsnivåer</b> <sup>135</sup>           |   |

<sup>131</sup> Motorns angivna märkeffekt är medelvärde för nettoeffekten (vid det specificerade varvtalet) hos en typisk produktionsmotor för den motormodell som mätts enligt SAE-standard J1349/ISO1585. Massproducerade motorer kan avvika från detta värde. Den faktiska uteffekten hos den motor som är installerad i slutprodukten kommer att bero på driftshastigheten, omgivningens egenskaper och andra faktorer.

<sup>132</sup> Använd motorolja av kvalitet API SJ eller högre. Om SAE-30-olja används vid lägre temperatur än 5 °C är det risk att motorn inte smörjs tillräckligt. Detta kan skada motorn. Information om rätt olja vid låga temperaturer finns i *Byta motorolja på sida 370*. Se viskositetsdiagrammet i motorns handbok (om den medföljer) och välj den bästa viskositeten baserat på förväntad utomhustemperatur.

<sup>133</sup> Bulleremission till omgivningen uppmätt som ljudeffekt (L<sub>WA</sub>) enligt EG-direktiv 2000/14/EG.

<sup>134</sup> Redovisade data för ljudtrycksnivå har ett typiskt spridningsmått (standardavvikelse) på 1,2 dB (A).

<sup>135</sup> Rapporterade data för vibrationsnivå har en typisk statistisk spridning (standardavvikelse) på 0,2 m/s<sup>2</sup>.

|                           |                                |
|---------------------------|--------------------------------|
|                           | <b>LC 356VP</b>                |
| Handtag, m/s <sup>2</sup> | 5,9                            |
| <b>Skärutrustning</b>     |                                |
| Klipphöjd, mm             | 25–75                          |
| Klippbredd, mm            | 560                            |
| Klippsystem               | Uppsamling/BioClip®/sidoutkast |
| Kniv – standard           | Uppsamling: 598562701          |
| Kniv – tillbehör          | Mulching: 598563601            |
| <b>Drivning</b>           |                                |
| Hastighet, km/h           | 3,0 – 4,5                      |

# Försäkran om överensstämmelse

## EU-försäkran om överensstämmelse

Vi, **Husqvarna AB**, 561 82 Huskvarna, Sverige, tel:  
+46-36-146500, försäkrar på eget ansvar att produkten:

|                      |                                      |
|----------------------|--------------------------------------|
| <b>Beskrivning</b>   | Gräsklippare                         |
| <b>Varumärke</b>     | Husqvarna                            |
| <b>Typ/Modell</b>    | LC 356VP                             |
| <b>Identifiering</b> | Serienummer daterade 2022 och framåt |

uppfyller alla krav i följande EU-direktiv och förordningar:

| <b>Lagstiftning</b> | <b>Beskrivning</b>   |
|---------------------|--|
| 2006/42/EG          | "om maskiner"  |
| 2014/30/EU          | "angående elektromagnetisk kompatibilitet"   |
| 2000/14/EC          | "angående emission av buller till omgivningen"   |
| 2011/65/EU          | "angående begränsning av användning av vissa farliga ämnen i elektrisk och elektronisk utrustning" |

och att följande standarder och/eller tekniska specifikationer tillämpas: EN ISO 5395-1:2013/A1:2018, EN ISO 5395-2:2013/A1:2016/A2:2017, EN ISO 14982:2009, EN IEC 63000:2018

Anmält organ: 0404, RISE SMP Svensk Maskinprovning AB, Box 4053, SE-904 03 Umeå, Sweden har intygat överensstämmelse med rådets direktiv 2000/14/EG, procedur för utvärdering av överensstämmelse: bilaga VI.

För information om bulleremissioner, se *Tekniska data på sida 373*.

Huskvarna, 2022-10-20



Claes Losdal, utvecklingschef/trädgårdsprodukter,  
Husqvarna AB

Ansvarig för teknisk dokumentation



## İçindekiler

|               |     |                               |     |
|---------------|-----|-------------------------------|-----|
| Giriş.....    | 376 | Bakım.....                    | 382 |
| Güvenlik..... | 377 | Taşıma, depolama ve atma..... | 385 |
| Montaj.....   | 379 | Teknik veriler.....           | 386 |
| Çalışma.....  | 380 | Uyumluluk Bildirimi.....      | 388 |

## Giriş

### Ürün açıklaması

Ürün, yaya kumandalı bir döner çim biçme makinesidir. Çimleri toplamak için çim toplama sepetini takın. Yandan çim boşaltımı için yandan boşaltma saptırıcısını takın. Çimi gübre haline getirmek için bir malç kiti takın.

### Ürüne genel bakış

(Şek. 1)

1. Gidon
2. Motor fren kolu
3. Tahrik kolu
4. Çalıştırma ipi tutma yeri
5. Arka kapak
6. Çim toplama sepeti
7. Tutma yeri yükseklik topuzları
8. Kesme yüksekliği kolu
9. Yağ kapağı
10. Yandan boşaltma kapağı
11. Susturucu
12. Buji
13. Yakıt tankı kapağı
14. Semboller
15. Kesme kapağı
16. Hava filtresi
17. Hız kontrol kolu
18. Yan saptırıcı
19. Malç tapası (aksesuar)
20. Kullanım kılavuzu

### Ürün üzerindeki semboller

- (Şek. 2) **UYARI!** Dikkatli olun ve ürünü doğru kullanın. Bu ürün, sürücü ya da başkaları açısından ciddi yaralanmalara veya ölüme neden olabilir.
- (Şek. 3) Lütfen kullanım kılavuzunu dikkatle okuyun ve kullanımdan önce talimatları anladığınızdan emin olun.
- (Şek. 4) Atılan nesnelere ve seken cisimlere dikkat edin.

### Kullanım amacı

Ürünü çim biçmek için kullanın. Ürünü başka işler için kullanmayın.

- (Şek. 5) İnsanları ve hayvanları çalışma alanından güvenli bir uzaklıkta tutun.
- (Şek. 6) Uyarı: El ve ayaklarınızı döner bıçaktan uzak tutun.
- (Şek. 7) Uyarı: El ve ayaklarınızı döner parçalardan uzak tutun.
- (Şek. 8) Onarım veya bakım işlemlerinden önce motoru durdurun ve ateşleme kablosunu çıkarın.
- (Şek. 9) Bu ürün yürürlükteki AT direktiflerine uygundur.
- (Şek. 10) Bu ürün yürürlükteki Birleşik Krallık yönetmeliklerine uygundur.
- (Şek. 11) AB ve BK direktifleri ile düzenlemeleri ve Yeni Güney Galler mevzuatı "Çevre Koruma Operasyonları (Gürültü Kontrolü) Yönetmeliği 2017" uyarınca çevreye yayılan gürültü emisyonu etiketi. Ürünün garantili ses gücü düzeyi *Teknik veriler sayfa*: 386 ve etiketin üstünde belirtilmektedir.

**Not:** Ürünün üzerindeki diğer semboller/etiketler, bazı ticari alanların sertifikalandırma gereklilikleri ile ilgilidir.

### Üründe oluşabilecek hasarlar

Aşağıdaki durumlarda ürünü müzde oluşabilecek hasarlardan sorumlu olmayız:

- ürünün hatalı bir şekilde onarılması,
- ürünün, üretici tarafından onaylanmayan veya üreticiden alınmayan parçalarla tamir edilmesi,



- üründe, üreticiden alınmayan veya üretici tarafından onaylanmayan bir aksesuar bulunması,
- ürünün, onaylı bir servis merkezinde veya yetkili bir kurum tarafından tamir edilmemesi.

## Avrupa V Emisyonları



**UYARI:** Motorun kurcalanması bu ürünün AB tip onayını geçersiz kılar.

## Güvenlik

### Güvenlik tanımları

Kılavuzdaki önemli kısımları vurgulamak için uyarılar ve notlar kullanılmıştır.



**UYARI:** Kılavuzdaki talimatlara uyulmadığı takdirde operatör veya çevredeki kişiler için ciddi yaralanma veya ölüm tehlikesi varsa kullanılır.



**DİKKAT:** Kılavuzdaki talimatlara uyulmadığı takdirde ürünün, diğer malzemelerin veya çevrenin zarar görme riski olduğunda kullanılır.

**Not:** Belirli bir durumda bilgi verilmesi gerektiğinde kullanılır.

### Genel güvenlik talimatları



**UYARI:** Ürünü kullanmadan önce aşağıdaki uyarı talimatlarını okuyun.

- Bu ürün yanlış kullanıldığında veya dikkatli olmazsanız tehlikelidir. Güvenlik talimatlarına uyulmaması yaralanmalara veya ölüme yol açabilir.
- Bu ürün, çalışırken elektromanyetik bir alan oluşturur. Bu alan, bazı koşullarda aktif veya pasif tıbbi implantlarda parazitlenmeye neden olabilir. Ciddi yaralanmaya veya ölüme neden olabilecek durumların ortaya çıkma riskini azaltmak için tıbbi implantı olan kişilerin, bu ürünü çalıştırmadan önce doktorlarına ve tıbbi implant üreticilerine danışmalarını öneririz.
- Her zaman dikkatli olun ve sağduyunuzu kullanın. Özel bir durumda ürünü nasıl kullanacağınızdan emin değilseniz durun ve devam etmeden önce Husqvarna bayinizle görüşün.
- Diğer insanları veya bu insanlara ait mülkleri içeren kazalardan operatörün sorumlu tutulacağını unutmayın.
- Ürünü temiz tutun. İşaretleri ve etiketleri net bir şekilde okuyabildiğinizden emin olun.
- Kullanım kılavuzunun içindekileri okuyup anladığınızdan emin olmadan kimsenin ürünü kullanmasına izin vermeyin.
- Ürünü, bir çocuğun kullanmasına izin vermeyin.



**UYARI:** Ürünü kullanmadan önce aşağıdaki uyarı talimatlarını okuyun.

- Ürünü kullanmadan önce çalışma alanındaki dal, çalı çırpı ve taş gibi nesnelere alın.
- Kesme donanımına çarpan nesnelere fırlatılarak kişi ve nesnelere zarar görmesine neden olabilir. Etraftaki insanları ve hayvanları üründen güvenli bir uzaklıkta tutun.
- Ürünü sis, yağmur, kuvvetli rüzgar, şiddetli soğuk ve yıldırım düşmesi riski gibi olumsuz hava koşullarında hiçbir zaman kullanmayın. Ürünü olumsuz hava koşullarında veya nemli ya da ıslak yerlerde kullanmak yorucudur. Kötü hava, kaygan yüzeyler gibi tehlikeli koşullara neden olabilir.
- Ürünün güvenli bir şekilde çalışmasını önleyebilecek kişi, nesne ve durumlara dikkat edin.
- Kök, taş, çalı çırpı, çukur, hendek gibi engellere dikkat edin. Uzun çim nesnelere saklayabilir.
- Eğimli yerlerde çim kesmek tehlikeli olabilir. Ürünü 15°den daha eğimli zeminlerde kullanmayın.
- Yokuşlarda ürünü yatay olarak kullanın. Yukarı ve aşağı hareket ettirmeyin.
- Gizli köşelere ve açık görüşü engelleyen nesnelere yanına giderken dikkatli olun.



**UYARI:** Ürünü kullanmadan önce aşağıdaki uyarı talimatlarını okuyun.

- Bu ürünü yalnızca çimenlik alanlarda çim kesmek için kullanın. Ürünün başka işler için kullanılması yasaktır.
- Kişisel koruyucu araçlar kullanın. Bkz. *Kişisel koruyucu ekipman sayfa: 378*.
- Acil bir durumda motoru hızlı bir şekilde nasıl kapatacağınızı öğrenin.
- Ürünü hiçbir zaman kapalı yerlerde veya yanıcı maddelerin yakınında çalıştırmayın. Motordan çıkan egzoz dumanları sıcaktır ve yangın çıkmasına neden olabilecek kıvılcımlar çıkarabilir.
- Bıçağı ve tüm kapakları doğru bir şekilde takmadan ürünü çalıştırmayın. Yanlış bir şekilde takılan bıçak gevşeyerek yaralanmanıza neden olabilir.
- Bıçağın taş veya kök gibi nesnelere çarpmasına dikkat edin. Bu, bıçağa zarar verebilir ve motor milini bükebilir. Bükülmüş aks, ağır titreşime ve çok yüksek bir bıçak gevşemesi riskine neden olabilir.
- Bıçak bir cisme çarpar veya titreşim oluşursa ürünü hemen durdurun. Ateşleme kablosunu bujiden ayırın. Üründe hasar olup olmadığını kontrol edin. Hasarları onarım veya yetkili bir servis noktasının onarım yapmasını sağlayın.
- Motor çalıştırıldığında motor fren kolunu hiçbir zaman sürekli olarak kola takmayın.
- Ürünü sabit ve düz bir yüzeye koyup çalıştırın. Bıçağın yere veya diğer cisimlere çarpmadığından emin olun.
- Ürünü çalıştırırken her zaman arkasında durun.
- Ürünü kullanırken tüm tekerleklerin yere basmasını sağlayın ve 2 elinizi kolun üzerinde tutun. Ellerinizi ve ayaklarınızı döner bıçaklardan uzakta tutun.
- Motor çalışırken ürünü yatırmayın.
- Ürünü arkaya doğru çekerken dikkatli olun.
- Motor çalışırken ürünü hiçbir zaman yukarı kaldırmayın. Ürünü kaldırmamız gerekirse önce motoru durdurun ve ateşleme kablosunu bujiden ayırın.
- Ürünü kullanırken arkaya doğru yürümeyin.
- Çakıl, taş ve asfalt gibi malzemelerden yapılmış, çim olmayan alanlardan geçerken motoru durdurun.
- Motor çalışırken ürünle birlikte koşmayın. Ürünü kullanırken her zaman yürüyün.
- Kesme yüksekliğini değiştirmeden önce motoru durdurun. Motor çalışırken asla ayarlama yapmayın.
- Motor çalışırken ürünün hiçbir zaman görüş alanından çıkmasına izin vermeyin. Motoru durdurun ve kesme donanımının dönmediğinden emin olun.

### Kişisel koruyucu ekipman



**UYARI:** Ürünü kullanmadan önce aşağıdaki uyarı talimatlarını okuyun.

- Kişisel koruyucu ekipmanlar yaralanma riskini tamamen engelleyemez ancak bir kaza durumunda yaralanmanın derecesini azaltır. Bayinizin doğru ekipmanı seçmenize yardımcı olmasını sağlayın.
- Gürültü düzeyi 85 dB'den fazlaysa kulaklık koruma ekipmanı kullanın.
- Ağır hizmet tipi kaymayan botlar veya ayakkabılar kullanın. Açık ayakkabılar giymeyin veya çıplak ayakla yürümeyin.
- Kalın, uzun pantolonlar giyin.
- Kesme donanımını takma, kontrol etme veya temizleme gibi gerekli durumlarda koruyucu eldivenler kullanın.

### Ürünün üzerindeki güvenlik araçları



**UYARI:** Ürünü kullanmadan önce aşağıdaki uyarı talimatlarını okuyun.

- Güvenlik araçları hasarlı olan veya düzgün çalışmayan bir ürünü kullanmayın.
- Güvenlik araçlarını düzenli olarak kontrol edin. Güvenlik cihazları hasarlıysa veya düzgün çalışmıyorsa Husqvarna servis bayinizle görüşün.
- Güvenlik araçları üzerinde değişiklik yapmayın.

### Kesme kapağını kontrol etme

Kesme kapağı, üründeki titreşimleri ve bıçakla yaralanma riskini azaltır.

- Çatlak gibi hasarlar olmadığından emin olmak için kesme kapağını inceleyin.

### Motor fren kolunu kontrol etme

Motor fren kolu, motoru durdurur. Motor fren kolu bırakıldığında motor durur.

- Motoru çalıştırın ve ardından motor fren kolunu serbest bırakın. Motor 3 saniye içinde durmazsa motor frenini onaylı Husqvarna servis noktasına ayarlatın. (Şek. 12)

### Arka kapağı kontrol etme

Arka sapırtıcı, objelerin operatöre doğru fırlama riskini azaltır.

- Arka kapağın zarar görmemiş olduğundan emin olun.
- Arka kapağı kapatan yayların zarar görmemiş olduğundan emin olun.

- Hasarlı yayları ve parçaları değiştirin.
- Arka kapağın menteşeler üzerinde sorunsuz şekilde hareket edebildiğinden emin olun.

### Susturucu

Susturucu, gürültü düzeyini minimum seviyede tutar ve egzoz dumanlarını operatörden uzağa gönderir.

Susturucu yoksa veya hasarlıysa ürünü kullanmayın. Hasarlı bir susturucu, gürültü düzeyini ve yangın riskini artırır.



**UYARI:** Susturucu kullanım sırasında, kullanım sonrasında ve motor rölantide çalışırken çok sıcak olur. Yangını önlemek için yanıcı malzemelerin ve/veya dumanların yakınında dikkatli olun.

### Susturucuyu kontrol etme

- Düzgün takıldığından ve hasarlı olmadığından emin olmak için susturucuyu düzenli olarak kontrol edin.

### Yakıt güvenliği



**UYARI:** Ürünü kullanmadan önce aşağıdaki uyarı talimatlarını okuyun.

- Ürünün üzerinde yakıt veya motor yağı varsa ürünü çalıştırmayın. İstenmeyen yakıtı/yağı temizleyin ve ürünün kurumasını bekleyin.
- Kıyafetlerinize yakıt bulaşırsa kıyafetlerinizi hemen değiştirin.
- Vücudunuza yakıt bulaştırmayın; bu, yaralanmaya sebep olabilir. Vücudunuza yakıt bulaşırsa yakıtı temizlemek için su ve sabun kullanın.
- Motorda sızıntı varsa ürünü çalıştırmayın. Motorda sızıntı olup olmadığını düzenli olarak kontrol edin.
- Yakıtla uğraşırken dikkatli olun. Yakıt yanıcı ve dumanlar patlayıcıdır; yaralanmalara veya ölüme sebep olabilir.
- Yaralanmaya sebep olabileceğinden yakıt dumanını solumayın. Yeterli hava akışı olduğundan emin olun.
- Yakıtın veya motorun yakınında sigara içmeyin.
- Yakıtın veya motorun yakınına sıcak nesnelere koymayın.
- Motor açıkken yakıt eklemeyin.
- Yakıt doldurmadan önce motorun soğuk olduğundan emin olun.

- Yakıt doldurmadan önce yakıt deposunun kapağını yavaşça açın ve basıncı dikkatlice tahliye edin.
- Kapalı bir alanda motora yakıt eklemeyin. Yeterli hava akışının olmaması, nefessiz kalma veya karbon monoksit nedeniyle yaralanmaya veya ölüme sebep olabilir.
- Yakıt deposu kapağını tamamen sıkın. Yakıt deposu kapağı sıkılmamışsa yangın riski vardır.
- Çalıştırmadan önce ürünü, yakıt deposunu doldurduğunuz konumdan en az 3 m / 10 ft uzağa taşıyın.
- Yakıt deposunu tamamen doldurmayın. Isı, yakıtın genleşmesine neden olur. Yakıt deposunun üst kısmında boşluk bırakın.
- Sıcak su ısıtıcıları, alan ısıtıcıları veya çamaşır kurutucuları gibi tutuşma kaynaklarının bulunduğu bir binanın içinde asla yakıt deposunda yakıt varken ürünü depoya kaldırmayın. Depolamadan önce motorun soğumasını bekleyin.

### Bakım için güvenlik talimatları



**UYARI:** Ürünü kullanmadan önce aşağıdaki uyarı talimatlarını okuyun.

- Motordan gelen egzoz dumanı kokusuz, zehirli ve son derece tehlikeli bir gaz olan karbon monoksit içerir. Motoru iç mekanlarda veya kapalı alanlarda çalıştırmayın.
- Ürün üzerinde bakım yapmadan önce motoru durdurup ateşleme kablosunu bujiden çıkarın.
- Kesme donanımı üzerinde bakım yaparken koruyucu eldiven kullanın. Bıçak çok keskindir ve kolaylıkla kesiklere yol açabilir.
- Üretici tarafından onaylanmamış aksesuarlar ve ürün değişiklikleri, ciddi yaralanmalara veya ölüme neden olabilir. Ürünü değiştirmeyin. Her zaman üretici tarafından onaylanmış aksesuarları kullanın.
- Bakım işlemi doğru ve düzenli şekilde yapılmadığı takdirde yaralanma ve ürün hasarı riski artar.
- Bakım işlemini yalnızca kullanıcı kılavuzunda belirttiği şekilde gerçekleştirin. Diğer tüm servis ve bakım işlemleri, onaylı Husqvarna servis noktası tarafından yapılmalıdır.
- Ürün üzerindeki servis işlemlerini düzenli olarak Husqvarna servis noktasına yaptırın.
- Hasarlı, aşınmış ya da kırık parçaları değiştirin.

## Montaj

### Giriş



**UYARI:** Ürünü monte etmeden önce güvenlik bölümünü okuyup anlamalısınız.



**UYARI:** Ürünün montajını yapmadan önce buji kablosunu bujiden çıkarın.

## Tutma yerinin takılması

**Not:** Bu prosedürü 2 kişinin gerçekleştirmesi önerilir.

**Not:** Tutma yerini takarken ürünü kutudan çıkarmayın. Kutu, montaj sırasında tutma yerini desteklemek için kullanılabilir.

1. Tutma yerini kaldırın ve döndürün. (Şek. 13)



**DİKKAT:** Dikkatli olun ve tutma yerini döndürürken kablounun hasar görmediğinden emin olun.

2. Tutma yerini ürünün üst kısmına yerleştirin. Tutma yerini desteklemek için kutuya doğru eğin. Resme başvurun. (Şek. 14)
3. Vidayı (A) iterek tutma yerinin (B), plastik pulun (C) ve tutma yeri destek braketinin (D) içinden geçirin. (Şek. 15)
4. Somunu (E) tamamen sıkın.
5. Ürünü kutudan çıkarın.
6. Tutma yerini dik konuma gelecek şekilde katlayın. (Şek. 16)
7. Tutma yerinin yüksekliğini en alt konuma getirin. Bkz. *Tutma yerinin ayarlanması sayfada: 380.*
8. Kabloyu kablo klipsiyle tutma yerinin alt kısmına takın. (Şek. 17)
9. Kablounun alt kısmını kablo bağı ile tutma yeri destek braketine takın. Kablo bağına kalan kısmını kesin. (Şek. 18)

**Not:** Kablounun doğru şekilde takıldığından emin olun. Çok gevşek olan bir kablo, çim toplama sepeti takıldığında kabloda hasara neden olabilir. (Şek. 19)

## Tutma yerinin ayarlanması

1. Alt düğmeleri gevşetin.
2. Düğmeleri ürünün sol ve sağ tarafındaki girintilerin alttaki ucuna getirin. (Şek. 20)
3. Kol yüksekliğini mevcut 2 konumdan birine ayarlayın.
4. Düğmeleri durana ve tık sesi duyulana kadar kol yönünde yukarı hareket ettirin. (Şek. 21)
5. Düğmeleri tamamen sıkın.

## Ürünü taşıma konumuna getirme

1. Çim toplama sepetini çıkarın (varsa).
2. Alt düğmeleri gevşetin.
3. Düğmeleri ürünün sol ve sağ tarafındaki girintilerin alttaki ucuna getirin. (Şek. 20)
4. Kolu öne doğru katlayın. (Şek. 22)

## Ürünü çalıştırma konumuna getirme

1. Kolu dik konuma gelecek şekilde katlayın. (Şek. 23)
2. Düğmeleri durana ve tık sesi duyulana kadar kol yönünde yukarı hareket ettirin. (Şek. 21)
3. Düğmeleri tamamen sıkın.

## Çim toplama sepetinin takılması

1. Çim toplama sepeti çerçevesini, torbanın sert kısmı aşağı gelecek şekilde çim torbasına takın. Çerçeve tutma yerini torbanın üstünde olacak şekilde dışarıda tutun. (Şek. 24)
2. Çim torbasını klipslerle çerçeveye tutturun. (Şek. 25)

## Çalışma

### Giriş



**UYARI:** Ürünü kullanmadan önce güvenlik bölümünü okuyup anlamalısınız.

### Husqvarna Connect

Husqvarna Connect, mobil cihazınız için ücretsiz bir uygulamadır. Husqvarna Connect uygulaması, Husqvarna ürününüz için ayrıntılı işlevler sunar:

- Ayrıntılı ürün bilgileri.
- Ürün parçaları ve servis hakkında bilgi ve yardım.

### Husqvarna Connect uygulamasını kullanmaya başlamak için

1. Husqvarna Connect uygulamasını mobil cihazınıza indirin.
2. Husqvarna Connect uygulamasında kaydolun.
3. Ürünü bağlamak ve kaydetmek için Husqvarna Connect uygulamasındaki talimatları izleyin.

### Ürünü çalıştırmadan önce

1. Kullanım kılavuzunu dikkatle okuyun ve talimatları anladığınızdan emin olun.
2. Doğru bir şekilde takılıp ayarlandığından emin olmak için kesme donanımını inceleyin. Bkz. *Kesme donanımını kontrol etme sayfada: 383.*
3. Yakıt tankını doldurun. Bkz. *Yakıt doldurma sayfada: 381.*

- Yağ tankını doldurun ve yağ seviyesini kontrol edin. Bkz. *Motor yağının değiştirilmesi sayfada: 384.*

## Yakıt doldurma

Varsa düşük emisyonlu/alkilat benzin kullanın. Düşük emisyonlu/alkilat benzin yoksa kaliteli kurşunsuz benzin veya oktan numarası 90'ın altında olmayan kurşunlu benzin kullanın.



**DİKKAT:** Oktan numarası 90 RON (87 AKI) değerinin altında olan benzin kullanmayın. Bu, üründe hasara neden olabilir.

- Basıncı tahliye etmek için yakıt deposu kapağını yavaşça açın.
- Yakıt bidonuyla yavaşça doldurun. Yakıt dökerseniz bezle silin ve kalan yakıtı kurumaya bırakın.
- Yakıt deposu kapağının çevresini temizleyin.
- Yakıt deposu kapağını tamamen sıkın. Yakıt deposu kapağı sıkılmamışsa yangın riski vardır.
- Çalıştırmadan önce ürünü, yakıt deposunu doldurduğunuz konumdan en az 3 m (10 ft) uzağa taşıyın.

## Kesme yüksekliğini ayarlama

- Kesme yüksekliğini artırmak için kesme yüksekliği kolunu arkaya getirin.
- Kesme yüksekliğini azaltmak için kesme yüksekliği kolunu öne getirin. (Şek. 26)



**DİKKAT:** Kesme yüksekliğini çok alçakta belirlemeyin. Çimenlik alanın yüzeyi düz değilse bıçaklar yere çarpabilir.

## Ürünü çalıştırma

- Ateşleme kablosunun bujiye bağlandığından emin olun.
- Ürünün arkasında durun.
- Motor fren kolunu tutma çubuğunun karşısında tutun. (Şek. 27)
- Çalıştırma ipinin kolunu sağ elinizle tutun.
- Çalıştırma ipini bir miktar direnç hissedene kadar yavaşça çekin.
- Motoru çalıştırmak için kuvvetlice çekin.



**UYARI:** Çalıştırma ipini elinize dolamayın.

## Tekerleklerde tahrikin kullanılması

- Tutma yerinin sol tarafındaki hız kontrol kolunu kullanarak tekerleklerdeki tahriki başlatın. Hızı artırmak için hız kontrol kolunu ileriye, azaltmak için geriye hareket ettirin. (Şek. 28)
- Ürünü geriye doğru çekmeden önce tahriki devre dışı bırakın ve ürünü yaklaşık 10 cm ileri itin.
- Örneğin bir engele yaklaştığımızda, tahriki devre dışı bırakmak için tahrik kolunu serbest bırakın.

## Ürünü durdurmak için

- Yalnızca tahriki durdurmak için tahrik kolunu serbest bırakın.
- Motoru durdurmak için motor fren kolunu serbest bırakın.

## Ürünü çim toplama sepetiyle kullanma



**UYARI:** Ürünü çim toplama sepeti takılı olmadan veya arka kapağı kapatmadan kullanmayın. Nesnelere fırlayabilir ve operatörün yaralanmasına neden olabilir.

- Arka kapağı kaldırın ve takılıysa malç tapasını çıkarın. (Şek. 29)
- Çim toplama sepetini takma, bkz. *Çim toplama sepetinin takılması sayfada: 380.*
- Çim toplama sepetini brakete takın.
- Arka kapağı serbest bırakın ve çim torbası çerçevesinin üzerine koyun. (Şek. 30)

## Ürünü malç moduna getirme

Ürünü malç moduna almadan önce motorun kapalı olduğundan emin olun.

- Arka kapağı kaldırın ve takılıysa çim toplama sepetini çıkarın.
- Malç tapasını boşaltma kanalının içine yerleştirin. (Şek. 31)
- Arka kapağı kapatın ve malç tapasına doğru sıkıca kapalı olduğundan emin olun.

**Not:** Malç modunun performansını artırmak için bıçağı malç bıçağı aksesuarıyla değiştirin. Bkz. *Bıçağı değiştirme sayfada: 383*

## Ürünü yandan boşaltma moduna getirme

- Arka kapağı kaldırın ve takılıysa çim torbasını çıkarın.
- Arka kapağı kapatın ve ürüne doğru sıkıca kapalı olduğundan emin olun.
- Boşaltma kilidini kaldırın. (Şek. 32)

- Yandan boşaltma siperliğini açın ve yandan boşaltma saptırıcısını destek pimlerine takın. (Şek. 33)
- Yandan boşaltma siperliğini yandan boşaltma saptırıcısına doğru kapatın. Ürünü çalıştırmadan önce yandan boşaltma saptırıcısının sıkıca yerine oturduğundan emin olun.

## Çim toplama sepetini boşaltma



**DİKKAT:** Aşınmayı önlemek için çim toplama sepetini hareket ettirirken yukarı kaldırın.

- Çim toplama sepetini çerçeve kolu ile kaldırın.
- Çim toplama sepetini boşaltırken çerçeve tutma yerini ve torba tutma yerini kullanın. (Şek. 34)

## İyi sonuç alma

- Her zaman keskin bıçak kullanın. Kör bıçak, düzensiz bir sonuç verir ve çimin kesme yüzeyi sarı olur. Ayrıca keskin bıçak kör bıçaktan daha az güç kullanır.

## Bakım

### Giriş



**UYARI:** Bakım yapmadan önce güvenlik bölümünü okuyup anlamanız gerekir.

Ürüne uygulanacak tüm servis ve onarım işlemleri için özel eğitim gereklidir. Profesyonel onarım ve servis hizmetlerinin mevcut bulunduğunu garanti etmekteyiz. Yetkili satıcınız servis noktası değilse kendisiyle görüşüp en yakınınızdaki servis noktası hakkında bilgi edinin.

Daha ayrıntılı bilgi için bkz. .

### Bakım takvimi



**DİKKAT:** Ürünü eğerken hava filtresinin yere dayalı değil, havada olduğundan emin olun. Motor hasarı riski.

Bakım aralıkları, ürünün günlük kullanımına göre hesaplanır. Ürün her gün kullanılmazsa aralıklar değişir.

\* işaretli bakım işlemleri için bkz. *Ürünün üzerindeki güvenlik araçları sayfa: 378.*

| Bakım                            | Günlük | Haftalık olarak | Aylık olarak |
|----------------------------------|--------|-----------------|--------------|
| Genel inceleme yapma             | X      |                 |              |
| Yağ seviyesini inceleme          | X      |                 |              |
| Ürünü temizleme                  | X      |                 |              |
| Kesme donanımını inceleme        | X      |                 |              |
| Kesme kapağını inceleme *        | X      |                 |              |
| Motor fren kolunu inceleme *     | X      |                 |              |
| Bıçak fren kontrolünü inceleme * | X      |                 |              |
| Susturucuyu inceleme *           |        | X               |              |
| Bujiyi inceleme                  |        | X               |              |

| Bakım   | Günlük | Haftalık olarak | Aylık olarak |
|---|--------|-----------------|--------------|
| Yağ değişimi (ilk kullanımda 5 saatten sonra, daha sonra her 50 saatlik kullanımda bir) |        |                 | X            |
| Hava filtresini temizleyin veya değiştirin  |        |                 | X            |
| Yakıt sistemini inceleme  |        |                 | X            |

## Genel denetim yapma

- Ürünün üzerindeki tüm somun ve vidaların doğru şekilde sıkıldığından emin olun.

## Ürünün dış kısmını temizleme

- Yaprak, çim ve kirleri gidermek için fırça kullanın.
- Motorun üst kısmındaki hava girişinin kapanmadığından emin olun.
- Ürünü temizlemek için yüksek basınçlı yıkayıcı kullanmayın.
- Ürünü temizlemek için su kullanıyorsanız suyu doğrudan motorun üzerine akıtmayın.

## Kesme kapağının iç yüzeyini temizleme

1. Yakıt tankını boşaltın.
2. Ürünü susturuculu yanı alta gelecek şekilde yerleştirin.



**DİKKAT:** Ürün hava filtresi alta gelecek şekilde yerleştirilirse motor hasar görebilir.

3. Kesme kapağının iç yüzeyini hortum kullanarak suyla yıkayın.

## Kesme donanımını kontrol etme



**UYARI:** Kazara çalışmayı önlemek için ateşleme kablosunu bujiden ayırın.



**UYARI:** Kesme donanımına bakım yaptığınızda koruyucu eldivenler kullanın. Bıçak çok keskindir ve kolaylıkla kesiklere yol açabilir.

1. Kesme donanımında hasar veya çatlak olup olmadığını inceleyin. Hasarlı bir kesme donanımını kesinlikle değiştirin.
2. Hasarlı veya kör olup olmadığını anlamak için bıçağa bakın.

**Not:** Bilendikten sonra bıçağı dengelemek gerekir. Bıçağın bir servis merkezinde bilenmesini, değiştirilmesini ve dengelenmesini sağlayın. Ürünün durmasına neden olan bir engele çarparsanız hasarlı bıçağı değiştirin. Bıçağın bilenip bilenmeyeceğini veya

değiştirmek gerekip gerekmediğine servis merkezinin karar vermesini sağlayın.

## Bıçağı değiştirme

1. Bıçağı bir tahta parçasıyla kilitleyin. (Şek. 35)
2. Bıçak civatasını, yaylı rondelayı ve bıçağı çıkarın. (Şek. 36)
3. Bıçak desteğinde ve bıçak civatasında hasar olup olmadığını kontrol edin.
  - a) Bıçağı veya bıçak desteğini değiştirirseniz bıçak civatasını, yaylı rondelayı ve sürtünme rondelasını da değiştirin.
4. Bükülmediğinden emin olmak için motor milini inceleyin.
5. Yeni bıçağı taktığınızda, bıçağın bükülmüş uçlarının kesme kapağının yönünde olduğundan emin olun. (Şek. 37)
6. Sürtünme rondelasını ve bıçağı bıçak desteğine yerleştirin. (Şek. 38)
7. Bıçağın, motor milinin orta kısmıyla hizalandığından emin olun. (Şek. 39)
8. Bıçağı ahşap bir blokla kilitleyin. (Şek. 40)
9. Yaylı rondela takın ve civatayı 43 – 47 Nm'lik torkla sıkın. (Şek. 41)
10. Bıçağı elinizle çekerek döndürün ve serbestçe döndüğünden emin olun.



**UYARI:** Koruyucu eldivenler kullanın. Bıçak çok keskindir ve kolaylıkla kesiklere yol açabilir.

11. Bıçağı test etmek için ürünü çalıştırın. Bıçak doğru bir şekilde takılmadysa üründe titreşim olur veya kesme işleminin sonucu başarısızdır.

## Yağ seviyesini kontrol etme



**DİKKAT:** Yağ seviyesinin çok düşük olması motora zarar verebilir. Ürünü çalıştırmadan önce yağ seviyesini kontrol edin.

1. Ürünü düz bir zemine koyun.
2. Yağ deposu kapağını ve takılı yağ çubuğunu çıkarın.
3. Yağ çubuğundaki yağı temizleyin.

- Yağ seviyesini doğru bir şekilde belirtmesi için yağ çubuğunu tamamen yağ deposuna itin. Yağ deposu kapağını takmayın.
- Yağ deposu kapağını ve takılı yağ çubuğunu çıkarın.
- Yağ çubuğundaki yağ seviyesini kontrol edin.
- Yağ seviyesi düşükse motor yağı doldurun ve yağ seviyesini tekrar kontrol edin. (Şek. 42)

**Not:** Dökülmeyi önlemek için huni kullanın.

- Yağ seviyesi doğru olduğunda yağ deposu kapağını takın.

## Motor yağının değiştirilmesi



**UYARI:** Motor yağı, motor durdurulduktan hemen sonra çok sıcaktır. Motor yağını boşaltmadan önce motorun soğumasını bekleyin. Cildinize motor yağı dökülürse sabun ve suyla temizleyin.

(Şek. 43)

- Ürünü yakıt deposu boşalana kadar çalıştırın.
- Ateşleme kablosunu bujiden çıkarın.
- Yağ deposu kapağını ve takılı yağ çubuğunu çıkarın.
- Ürünün altına motor yağını alacak bir kap yerleştirin.
- Ürünü eğin veya yağ deposundaki motor yağını bir yağ pompası (aksesuar) yardımıyla boşaltın.
- Teknik veriler sayfada: 386* bölümünde tavsiye edilen tipte yeni motor yağı doldurun.
- Yağ seviyesini kontrol edin. Bkz. *Yağ seviyesini kontrol etme sayfada: 383*.
- Yağ seviyesi doğru olduğunda yağ deposu kapağını takın.

## Bujinin kontrolü



**DİKKAT:** Daima önerilen tipte buji kullanın. Yanlış buji türü ürüne zarar verebilir.

- Motor gücü düşüğe, çalıştırılması kolay değilse veya rölantide düzgün bir şekilde çalışmıyorsa bujiyi kontrol edin.
- Buji elektrotlarında istenmeyen madde riskini azaltmak için şu talimatlara uyun:
  - Rölantinin doğru ayarlandığından emin olun.
  - Yakıt karışımının doğru olduğundan emin olun.
  - Hava filtresinin temiz olduğundan emin olun.
- Buji kirliyse temizleyin ve elektrot boşluğunun doğru olduğundan emin olun, bkz. *Teknik veriler sayfada: 386*. (Şek. 44)
- Gerekirse bujiyi değiştirin.

## Hava filtresini temizleme

Kirlenmiş hava filtresi, motorun zarar görmesine veya düzgün çalışmamasına neden olabilir. Tozlu ortamlarda hava temizleyici üzerinde daha sık bakım yapın.

Hava filtresinin ne zaman değiştirileceği hakkında bilgi için bkz. *Bakım takvimi sayfada: 382*.

- Hava filtresi kapağını ve filtreyi çıkarın.
- Düz bir zemine vurarak filtreyi temizleyin. Filtreyi temizlemek için petrol içeren çözücüler, gaz yağı veya basınçlı hava kullanmayın.

**Not:** Uzun süredir kullanılan hava filtreleri tam anlamıyla temizlenemez. Hava filtresini düzenli aralıklarla değiştirin. Hasarlı hava filtreleri mutlaka değiştirilmelidir.

- Hava filtresini takarken filtrenin, filtre tutucusuna tamamen sabitlendiğinden emin olun.

## Yandan boşaltma sapırcısını kontrol etme

Yandan boşaltma sapırcısı, ürünün yandan boşaltma açıklığına takılıdır. Sapırcı, nesnelerin operatörün biçme konumuna doğru fırlama riskini azaltır.

- Yandan boşaltma sapırcısının hasarlı olmadığından emin olun.
- Yandan boşaltma sapırcısını kontrol edin. Çatlak veya kapağı iterek kapatan yayların kırık olması gibi hasarlar görmediğinizden emin olun.
- Hasarlıysa yandan boşaltma sapırcısını veya yayları değiştirin.

## Yakıt sistemini kontrol etme

- Hasar olmadığından emin olmak için yakıt tankı kapağını ve yakıt tankı kapağının contasını inceleyin.
- Sızıntı olmadığından emin olmak için yakıt hortumunu inceleyin. Yakıt hortumu hasarlıysa bir servis noktasında değiştirilmesini sağlayın.

## Yakıt deposunu boşaltma

- Yakıt deposunun altına bir kap yerleştirin.
- Yakıt deposu kapağını çıkarın.
- Yakıt hortumundaki hortum klipslerini karbüratöre doğru itin.
- Yakıt hortumunu karbüratörden çıkartın.
- Yakıt deposu hortumunu kaba yerleştirin ve hortum klipslerini çıkarın.
- Ürünü eğin ve yakıtı kaba boşaltın.

## Yakıt filtresini değiştirme



**UYARI:** Koruyucu eldivenler kullanın.



1. Yakıt deposunu boşaltın.
2. Hortum klipsini yakıt deposundan uzağa alın. (Şek. 45)
3. Yakıt hortumunu yakıt deposundan çıkarın. Az miktarda yakıt sızabilir. (Şek. 46)
4. Yakıt filtresini yakıt deposundan çıkarın. (Şek. 47)
5. Yakıt deposuna yeni bir yakıt filtresi takın.
6. Yakıt hortumunu yakıt deposuna takın.
7. Hortum klipsini yakıt deposundaki yerine yerleştirin.

## Kavrama kablosunu ayarlama

Aşağıdaki durumlarda kavrama kablosunun uzunluğunun azaltılması gerekir:

- Tahrik kolunu veya hız kontrol kolunu çektiğinizde tekerleklerin tahriki devreye girmezse.

- Tekerleklerin tahriki devredeyken ürün yavaş hareket ederse.

Aşağıdaki durumlarda kavrama kablosu uzunluğunun artırılması gerekir:

- Tekerleklerin tahriki devrede değilken ürün hareket ederse.
- Kavrama kablosunu ayarlayın.
  - a) Kavrama kablosunun uzunluğunu azaltmak için ayar vidasını saat yönünün tersine çevirin.
  - b) Kavrama kablosunun uzunluğunu artırmak için ayar vidasını saat yönünde çevirin. (Şek. 48)

Üründeki tahrik, ayarlama sonrası da yetersiz kalmaya devam ederse servis bayinizle görüşün

---

## Taşıma, depolama ve atma

---

### Taşıma ve saklama

- Ürün ile yakıtı taşımak ve saklamak için sızıntı veya duman olmadığından emin olun. Örneğin, elektrikli cihazlardan veya kazanlardan kaynaklanan kıvılcım veya açık alevler yangın çıkarabilir.
- Yakıtı taşımak ve saklamak için her zaman onaylı kaplar kullanın.
- Ürünü uzun bir süre için saklama yerine koymadan önce yakıt tankını boşaltın. Yakıtı uygun bir çöp atma merkezinde bertaraf edin
- Hasar veya kaza olmasını önlemek için taşıma sırasında ürünü güvenli bir şekilde bağlayın.
- Çocukların veya yetkili olmayan kişilerin erişmesini önlemek için ürünü kilitli bir alanda tutun.
- Ürünü kuru ve donmayan bir yerde tutun.

### Atma

- Yerel geri dönüşüm gerekliliklerine ve geçerli düzenlemelere uyun.
- Motor yağı veya yakıt gibi kimyasalları servis merkezinde veya uygun bir atık noktasında atın.
- Ürün artık kullanılmıyorsa ürünü Husqvarna bayisine gönderin veya geri dönüşüm noktasında atın.

## Teknik veriler

### Teknik veriler

|   |  |
|---|--|
|   | LC 356VP   |
| <b>Motor</b>                                      |  |
| Marka   | Honda  |
| Motor modeli adı                                  | GCVx170  |
| Hacim, cm <sup>3</sup>                            | 166  |
| Devir, dev/dak                                    | 2800   |
| Nominal motor çıkış gücü, kW <sup>136</sup>       | 3,1  |
| <b>Ateşleme Sistemi</b>                           |  |
| Buji  | NGK BPR5ES   |
| Elektrot boşluğu, mm                              | 0,75   |
| <b>Yakıt ve yağlama sistemi</b>                   |  |
| Yakıt, kurşunsuz, minimum oktan numarası          | 90   |
| Yakıt deposu kapasitesi, litre                    | 0,9  |
| Yağ deposu kapasitesi, litre                      | 0,4  |
| Motor yağı <sup>137</sup>                         | Husqvarna SAE 30, Husqvarna SAE 5W-30 Sentetik, Husqvarna SAE 10W-40 |
| <b>Ağırlık</b>                                    |  |
| Boş depolarla birlikte, kg                        | 35,1   |
| <b>Gürültü emisyonu</b> <sup>138</sup>            |  |
| Ses gücü düzeyi, ölçülmüş dB (A)                  | 98   |
| Ses gücü düzeyi, garantili L <sub>WA</sub> dB (A) | 98   |
| <b>Ses düzeyleri</b> <sup>139</sup>               |  |
| Operatörün kulağındaki ses basıncı düzeyi, dB (A) | 86   |
| <b>Titreşim düzeyleri</b> <sup>140</sup>          |  |

<sup>136</sup> Motor için gösterilen güç derecesi SAE J1349/ISO1585 standardına göre ölçülen motor modeli için tipik bir üretim motorunun (belirlenmiş dev/dak'da) ortalama net güç çıkışıdır. Seri üretim motorları bu değerden farklı olabilir. Ürünün son haline takılan motorun gerçek güç çıkışı çalışma hızına, çevre koşullarına ve diğer değerlere bağlıdır.

<sup>137</sup> API SJ veya daha yüksek kalitede motor yağı kullanın. SAE-30 yağ, +5°C'nin altındaki sıcaklıkta kullanılırsa motoru yeterince yağlayamayabilir. Bu, motora zarar verebilir. Düşük sıcaklıklara yönelik doğru yağ için bkz. *Motor yağının değiştirilmesi sayfa: 384*. Motor kılavuzundaki (birlikte verilmişse) viskozite tablosuna bakarak beklenen dış ortam sıcaklığına göre en iyi viskoziteyi seçin.

<sup>138</sup> 2000/14/AT sayılı AT direktifi uyarınca ses gücü (L<sub>WA</sub>) olarak çevrede ölçülen gürültü emisyonu düzeyi.

<sup>139</sup> Ses basıncı düzeyi için bildirilen verilerdeki tipik istatistik dağılım (standart sapma) 1,2 dB(A) şeklindedir.

<sup>140</sup> Titreşim düzeyi için bildirilen verilerdeki tipik istatistik dağılım (standart sapma) 0,2 m/sn<sup>2</sup> şeklindedir.

|                               |                                      |
|-------------------------------|--------------------------------------|
|                               | <b>LC 356VP</b>                      |
| Tutma yeri, m/sn <sup>2</sup> | 5,9                                  |
| <b>Kesme ekipmanı</b>         |                                      |
| Kesim yüksekliđi, mm          | 25-75                                |
| Kesim geniřliđi, mm           | 560                                  |
| Kesim sistemi                 | Toplama / BioClip® / Yandan boşaltma |
| Bıçak - standart              | Toplama 598562701                    |
| Bıçak - Aksesuar              | Malç 598563601                       |
| <b>Tahrik</b>                 |                                      |
| Hız, km/sa.                   | 3,0 - 4,5                            |

# Uyumluluk Bildirimi

## AB Uyumluluk Bildirimi

Biz, **Husqvarna AB**, SE-561 82 Huskvarna, İsveç, tel: +46-36-146500 olarak tek sorumlu vasfıyla ürüne ilişkin aşağıdaki beyanlarda bulunmaktayız:

|                  |   |
|------------------|---|
| <b>Açıklama</b>  | Çim Bıçme Makinesi                      |
| <b>Marka</b>     | Husqvarna                               |
| <b>Tip/Model</b> | LC 356VP                                |
| <b>Kimlik</b>    | 2022 ve sonrası tarihli seri numaraları |

aşağıdaki AB direktifleri ve yönetmelikleriyle tamamen uyumludur:

| <b>Düzenleme</b> | <b>Açıklama</b>  |
|------------------|--|
| 2006/42/AT       | "makinelele ilgili"  |
| 2014/30/AB       | "elektromanyetik uyumlulukla ilgili"   |
| 2000/14/AT       | "çevredeki gürültü emisyonlarıyla ilgili"  |
| 2011/65/AB       | "elektrikli ve elektronik ekipmanlarda belirli tehlikeli maddelerin kullanımının kısıtlanmasıyla ilgili" |

ve aşağıdaki standartlar ve/veya teknik özellikler uygulanmıştır: EN ISO 5395-1:2013/A1:2018, EN ISO 5395-2:2013/A1:2016/A2:2017, EN ISO 14982:2009, EN IEC 63000:2018

Onaylanmış Kuruluş: 0404, RISE SMP Svensk Maskinprovning AB, Box 4053, SE-904 03 Umeå, Sweden 2000/14/AT konsey direktifi, uyumluluk değerlendirme prosedürü: Ek VI ile uyumluluğu belgelemiştir.

Gürültü emisyonları ile ilgili bilgi için bkz. *Teknik veriler sayfa: 386*.

Huskvarna, 2022-10-20



Claes Losdal, Geliştirme Müdürü/Bahçe Ürünleri  
Husqvarna AB

Teknik dokümantasyon sorumlusu

Türk ithalat şirketi daha fazla bilgi için temas edilecek:  
Çullas Orman Bahçe ve Tarım Mak. San. Tic. A.Ş.  
Suadiye Mh. Bağdat Cd. No:455/4  
Kadıköy – 34740 İstanbul / Türkiye  
Telefon: +90 216 519 88 82  
Faks: +90 216 519 88 78  
info@cullas.com.tr



---

## Зміст

---

|                   |     |   |     |
|-------------------|-----|---|-----|
| Вступ.....        | 389 | ТЕХНІЧНЕ ОБСЛУГОВУВАННЯ.....                  | 396 |
| Безпека.....      | 390 | Транспортування, зберігання й утилізація..... | 399 |
| Збирання.....     | 393 | Технічні дані.....                            | 400 |
| Експлуатація..... | 394 | Декларація відповідності.....                 | 402 |

---

## Вступ

---

### Опис виробу

Цей виріб – обертальна газонокосарка, керована пішим оператором. Під'єднайте травозбірник для збирання трави. Під'єднайте викидний дефлектор для викидання трави вбік. Для того, щоб перетворити траву на добриво, встановіть приладдя для мульчування.

### Огляд виробу

(Мал. 1)

1. Рукотка
2. Ручка зупинення двигуна
3. Привідна скоба
4. Рукотка стартера
5. Задній кожух
6. Травозбірник
7. Головки регулювання висоти ручки
8. Важіль регулювання висоти різання
9. Кришка для масла
10. Кришка бічного викиду
11. Глушник
12. Свічка запалення
13. Кришка паливного бака
14. Позначення
15. Кожух леза
16. Повітряний фільтр
17. Важіль регулятора швидкості
18. Дефлектор для викидання трави вбік
19. Заглушка для мульчування (додатковий аксесуар)
20. Посібник користувача

### Символи на виробі

- (Мал. 2) **ПОПЕРЕДЖЕННЯ!** Будьте обережні й використовуйте виріб належним чином. Він може спричинити серйозні травми або загибель оператора чи сторонніх осіб.
- (Мал. 3) Перед початком використання виробу уважно прочитайте посібник користувача й переконайтеся, що зрозуміли всі вказівки.

### Призначення

Користуйтеся виробом для зрізання трави. Забороняється використовувати виріб для інших завдань.

- (Мал. 4) Остерігайтеся рикошету й об'єктів, які можуть вилітати з-під виробу.
- (Мал. 5) Сторонні особи та тварини повинні перебувати на безпечній відстані від робочої зони.
- (Мал. 6) Увага! Тримайте руки й ноги на безпечній відстані від леза, що обертається.
- (Мал. 7) Увага! Тримайте руки та ноги на відстані від деталей, що обертаються.
- (Мал. 8) Перед проведенням ремонтних робіт або обслуговування необхідно зупинити двигун та витягнути провід запалювання.
- (Мал. 9) Цей виріб відповідає вимогам відповідних директив ЄС.
- (Мал. 10) Цей виріб відповідає вимогам застосовних норм Сполученого Королівства.
- (Мал. 11) Етикетка з інформацією щодо шумових викидів у навколишнє середовище відповідно до вимог директив і нормативних актів ЄС і Сполученого Королівства та Закону про збереження навколишнього середовища (контроль шуму) 2017 р. Нового Південного Уельсу. Гарантований рівень звукової потужності виробу вказано в розділі *Технічні дані на сторінці 400* і на етикетці.

**Зверніть увагу:** Інші позначення/бирки на виробі стосуються сертифікаційних вимог для певних торгових зон.

## Пошкодження виробу

Ми не несемо відповідальності за пошкодження, якщо:

- виріб було неправильно відремонтовано;
- виріб було відремонтовано із використанням деталей, виготовлених не виробником або не затверджених ним;

- виріб обладнано аксесуаром, виготовленим не виробником або не затвердженим ним;
- виріб було відремонтовано в неавторизованому сервісному центрі або неавторизованою компанією;

## Відповідає вимогам європейського екологічного стандарту Євро-5



**ПОПЕРЕДЖЕННЯ:** Внесення змін у двигун позбавляє чинності сертифікацію ЄС для цього виробу.

## Безпека

### Визначення щодо безпеки

Попередження, застереження й примітки служать для наголошення на особливо важливих положеннях посібника.



**ПОПЕРЕДЖЕННЯ:** Вказує на те, що в разі порушення інструкцій, наведених у цьому посібнику, існує небезпека поранення або смерті оператора чи інших осіб, що знаходяться поруч.



**УВАГА:** Вказує на те, що в разі порушення інструкцій, наведених у цьому посібнику, існує небезпека пошкодження виробу, інших матеріалів або навколишніх об'єктів.

**Зверніть увагу:** Використовується для надання додаткової інформації щодо певної ситуації.

### Загальні правила техніки безпеки



**ПОПЕРЕДЖЕННЯ:** Перш ніж розпочати використання виробу, уважно прочитайте наведені нижче попередження.

- Цей виріб може бути небезпечним у разі неправильного або недбалого використання. Порушення правил техніки безпеки може призвести до травм або смерті.
- Під час роботи цього виробу утворюється електромагнітне поле. Це поле може за деяких умов взаємодіяти з активними чи пасивними медичними імплантатами. Щоб зменшити ризик тяжких або смертельних травм, рекомендуємо особам із медичними імплантатами проконсультуватися зі своїм

- лікарем і виробником медичного імплантату перед початком експлуатації цього виробу.
- Завжди будьте обережні й керуйтеся здоровим глуздом. Якщо ви маєте сумніви щодо того, як користуватися виробом у конкретній ситуації, припиніть роботу й проконсультуйтеся з дилером Husqvarna.
- Пам'ятайте, що оператор несе відповідальність за нещасні випадки, у результаті яких постраждали інші особи або їхнє майно.
- Тримайте пристрій у чистоті. Переконайтеся, що знаки та наклейки читабельні.
- Не дозволяйте використовувати виріб стороннім особам доки не переконаєтеся, що вони прочитали й зрозуміли весь зміст посібника користувача.
- Не дозволяйте дітям використовувати виріб.
- Не підпускайте до робочої зони дітей. Біля виробу, що працює, має завжди перебувати відповідальна доросла особа.
- Не дозволяйте використовувати прилад особам, що не ознайомилися з інструкціями.
- Завжди наглядуйте за особами з обмеженими фізичними чи розумовими можливостями, які використовують виріб. Біля виробу, що працює, має завжди перебувати відповідальна доросла особа.
- Забороняється використовувати виріб, якщо ви втомлені, хворі, чи перебуваєте під впливом наркотиків, алкоголю або медикаментів. Ці фактори мають негативний вплив на ваш зір, зосередженість, свідомість і координацію рухів.
- Не використовуйте виріб, який пошкоджений або не працює належним чином.
- Заборонено вносити зміни в конструкцію виробу чи використовувати виріб, якщо є підозра, що його було змінено сторонніми особами.
- Не змінюйте налаштування керування частотою обертання двигуна.

## Безпека в робочій зоні



**ПОПЕРЕДЖЕННЯ:** Перш ніж розпочати використання виробу, уважно прочитайте наведені нижче попередження.

- Перед використанням виробу приберіть з робочої зони всі гілки, лозу та каміння.
- Предмети, що потраплять на різальне обладнання, можуть відлетіти та поранити сторонніх осіб або пошкодити інші предмети. Сторонні особи та тварини повинні знаходитися на безпечній відстані від виробу.
- Забороняється використовувати виріб за поганої погоди на кшталт туману, дощу, сильного вітру, значного холоду або грози. Робота в погану погоду або на вологих ділянках виснажує. Погана погода може стати причиною небезпечних умов роботи, таких як слизькі поверхні.
- Бережіться осіб, предметів та ситуацій, які можуть зашкодити безпечній роботі виробу.
- Бережіться перешкод на кшталт коріння, каміння, гілок, ям або канав. Висока трава може приховувати перешкоди.
- Скошування трави на схилах може бути небезпечним. Не використовуйте виріб на ділянках із нахилом понад 15°.
- Використовуйте виріб на схилах у горизонтальному напрямку. Не рухайтесь вгору і вниз.
- Будьте обережні, наближаючись до прихованих кутів та предметів, які можуть закривати поле зору.

## Техніка безпеки



**ПОПЕРЕДЖЕННЯ:** Перш ніж розпочати використання виробу, уважно прочитайте наведені нижче попередження.

- Використовуйте виріб лише для скошування трав'яних газонів. Заборонено використовувати виріб для інших цілей.
- Використовуйте засоби індивідуального захисту. Див. *Засоби індивідуального захисту на сторінці 391*.
- Дізнайтеся, як швидко зупинити двигун в екстреній ситуації.
- Забороняється запускати двигун у закритому приміщенні або поблизу легкозаймистих матеріалів. Вихлопні дими мають високу температуру й можуть містити іскри, що можуть призвести до пожежі.
- Забороняється використовувати виріб без правильно встановленого леза та всіх кожухів. Неправильно встановлене лезо може від'єднатися й призвести до травм.

- Слідкуйте, щоб лезо не зачіпляло сторонні предмети на кшталт каміння та коріння. Це може призвести до пошкодження леза та згинання вала двигуна. Зігнута вісь викликає значні вібрації та призводить до ризику від'єднання леза від виробу.
- У разі удару леза об будь-який сторонній предмет чи появи вібрації негайно зупиніть виріб. Від'єднайте провід запалювання від свічки запалювання. Перевіряйте виріб на наявність пошкоджень. Виправляйте пошкодження або здавайте виріб на ремонт в авторизований центр обслуговування.
- Забороняється закріплювати ручку зупинення двигуна на рукоятці, коли працює двигун.
- Поставте виріб на тверду рівну поверхню та ввімкніть його. При цьому лезо не повинно торкатися землі або інших предметів.
- Під час роботи з виробом завжди залишайтеся позаду нього.
- Під час роботи з виробом усі колеса мають залишатися на землі, а обидві руки треба тримати на ручці. Тримайте руки та ноги на відстані від лез, що обертаються.
- Не нахиляйте виріб, коли двигун увімкнений.
- Будьте обережні під час руху у зворотному напрямку.
- Забороняється піднімати виріб коли двигун увімкнений. Якщо виріб треба підняти, спочатку вимкніть двигун та від'єднайте провід запалювання від свічки запалювання.
- Не рухайтесь у зворотному напрямку під час роботи з виробом.
- Вимикайте двигун під час руху через ділянки без трави на кшталт доріжок із гравію, каменю або асфальту.
- Не бігайте з виробом, коли двигун увімкнений. Під час роботи з виробом необхідно ходити зі звичайною швидкістю.
- Вимикайте двигун, перш ніж змінювати висоту різання. Забороняється виконувати регулювання при увімкненому двигуні.
- Забороняється залишати виріб без нагляду коли двигун працює. Зупиніть двигун та переконайтеся, що різуче обладнання не обертається.

## Правила техніки безпеки під час використання

### Засоби індивідуального захисту



**ПОПЕРЕДЖЕННЯ:** Перш ніж розпочати використання виробу, уважно прочитайте наведені нижче попередження.

- Особисте захисне спорядження не може повністю усунути небезпеку травмування, але при

нещасному випадку воно знизить ступінь важкості травми. Дозвольте дилеру допомогти вам із вибором підходящого обладнання.

- Використовуйте засоби захисту органів слуху, якщо рівень шуму перевищує 85 дБ.
- Використовуйте взуття із захистом від ковзання для роботи у важких умовах. Забороняється використовувати відкрите взуття або працювати взагалі без нього.
- Використовуйте цупкі довгі штани.
- За потреби використовуйте рукавички, наприклад, якщо необхідно приєднати, оглянути або почистити різальне обладнання.

## Запобіжне обладнання на виробі



**ПОПЕРЕДЖЕННЯ:** Перш ніж розпочати використання виробу, уважно прочитайте наведені нижче попередження.

- Не використовуйте виріб із запобіжними пристроями, які пошкоджені або не працюють належним чином.
- Регулярно перевіряйте захисні пристрої. Якщо запобіжні пристрої пошкоджені або не працюють належним чином, зверніться до дилера з обслуговування Husqvarna.
- Не вносьте зміни до захисних пристроїв.

## Перевірка кожуха леза

Кожух леза частково поглинає вібрацію виробу та знижує небезпеку травмування лезом.

- Огляньте кожух леза та переконайтеся, що він не має пошкоджень на кшталт тріщин.

## Перевірка ручки зупинення двигуна

Ручка зупинення двигуна зупиняє двигун.

За відпускання ручки зупинення двигуна він зупиняється.

- Запустіть двигун, а потім відпустіть ручку зупинення двигуна. Якщо двигун не зупиняється протягом 3 секунд, необхідно передати виріб в авторизований центр обслуговування Husqvarna для налаштування гальма двигуна. (Мал. 12)

## Перевірка задньої кришки

Задній дефлектор знижує ризик потраплення в оператора предметів, що відкидаються від виробу.

- Перевірте, чи не пошкоджено задню кришку.
- Переконайтеся, що пружини, які закривають задню кришку, не пошкоджені.
- Пошкоджені пружини або деталі необхідно замінити.
- Переконайтеся, що задня кришка плавно рухається на петлях.

## Глушник

Глушник зменшує рівень шуму та відводить вихлопні гази подалі від оператора.

Не використовуйте виріб із пошкодженим глушником або взагалі без глушника. Пошкоджений глушник збільшує рівень шуму та підвищує небезпеку загоряння.



**ПОПЕРЕДЖЕННЯ:** Під час роботи виробу та відразу після роботи, а також під час роботи двигуна на холостих обертах глушник сильно нагрівається. Зважайте на легкозаймисті матеріали та/або випари, щоб не допустити пожежі.

## Перевірка глушника

- Регулярно оглядайте глушник, стежте, щоб він був правильно під'єднаний та справний.

## Заходи безпеки під час заправки палива



**ПОПЕРЕДЖЕННЯ:** Перш ніж розпочати використання виробу, уважно прочитайте наведені нижче попередження.

- Не запускайте виріб, якщо на ньому залишилося пальне або моторна олива. Приберіть непотрібне пальне / оливу та дайте виробу просохнути.
- Якщо ви пролили пальне на свій одяг, негайно переодягніться.
- Не допускайте потраплення пального на тіло, адже це може призвести до травм. Для видалення пального, що потрапило на тіло, використовуйте мило та воду.
- Не запускайте виріб у разі наявності протікання у двигуні. Регулярно перевіряйте двигун на протікання.
- Будьте обережні з паливом. Пальне є легкозаймистою речовиною, а його пари вибухонебезпечні та можуть призвести до травм або смерті.
- Не вдихайте вихлопні гази, це може призвести до травм. Забезпечте належне провітрювання.
- Не паліть біля пального або двигуна.
- Не кладіть біля пального або двигуна теплі предмети.
- Не доливайте пальне, коли двигун працює.
- Перед заправленням переконайтеся, що двигун охолонув.
- Перед заправленням повільно відкрийте кришку паливного бака, обережно зменшивши тиск.
- Не заправляйте виріб у приміщенні. Недостатнє провітрювання може призвести до травм або смерті внаслідок задухи чи отруєння монооксидом вуглецю.



- Затягніть до упору кришку паливного бака. Якщо кришку паливного бака не затягнуто, існує ризик виникнення пожежі.
- Перед запуском пересуньте виріб щонайменше на 3 м від місця, де ви заправляли його.
- Не заповнюйте паливний бак повністю. Під впливом високої температури паливо розширюється. Залиште трохи вільного місця вгорі паливного бака.
- Ніколи не зберігайте виріб із паливом у паливному баку в приміщенні, де є джерела запалювання, наприклад водонагрівачі, обігрівачі, сушарки для одягу тощо. Дайте двигуну охолонути, перш ніж ставити машину на зберігання в закриті приміщення.
- Перед тим, як почати технічне обслуговування виробу, вимкніть двигун та від'єднайте провід запалювання від свічки запалювання.
- Під час технічного обслуговування різального обладнання використовуйте захисні рукавиці. Лезо дуже гостре, ним можна легко порізатися.
- Встановлення аксесуарів, виготовлених не виробником, або внесення змін, не затверджених ним, може призвести до серйозної травми чи смерті. Вносити зміни в виріб забороняється. Використовуйте лише сертифіковані виробником аксесуари.
- Якщо не проводити правильне та регулярне технічне обслуговування, виникає небезпека травм та пошкодження виробу.
- Виконуйте технічне обслуговування лише так, як це наведено в цьому посібнику користувача. Будь-які інші види обслуговування повинні проводитися в авторизованому центрі обслуговування Husqvarna.
- Регулярне обслуговування виробу може проводити авторизований центр обслуговування Husqvarna.
- Замінійте пошкоджені, зношені або зламані деталі.

## Правила техніки безпеки під час обслуговування



**ПОПЕРЕДЖЕННЯ:** Перш ніж розпочати використання виробу, уважно прочитайте наведені нижче попередження.

- Вихлопні гази з двигуна містять монооксид вуглецю, отруйний та дуже небезпечний газ без запаху. Забороняється заводити виріб у приміщенні чи в замкнутому просторі.

## Збирання

### Вступ



**ПОПЕРЕДЖЕННЯ:** Перед монтажем виробу обов'язково прочитайте й усвідомте зміст розділу про заходи безпеки.



**ПОПЕРЕДЖЕННЯ:** Перед збиранням виробу необхідно від'єднати кабель від свічки запалювання.

### Монтаж ручки

**Зверніть увагу:** Рекомендовано, щоб цю процедуру виконували 2 людини.

**Зверніть увагу:** Не виймайте пристрій із коробки, коли збираєте ручку. Коробку можна використовувати як опору для ручки під час складання.

1. Підніміть і поверніть ручку. (Мал. 13)



**УВАГА:** Будьте обережні та стежте, щоб під час обертання ручки не пошкодити кабель.

2. Установіть ручку зверху пристрою. Обіпріть ручку на коробку. Див. ілюстрацію. (Мал. 14)
3. Вставте гвинт (А) таким чином, щоб він пройшов крізь ручку (В), пластикову шайбу (С) і кріпильний кронштейн ручки (D). (Мал. 15)
4. Повністю затягніть гайку (Е).
5. Вийміть пристрій із коробки.
6. Розкладіть ручку у вертикальне положення. (Мал. 16)
7. Установіть ручку на мінімальну висоту. Дивіться розділ *Регулювання ручки на сторінці 394*.
8. Закріпіть кабель у нижній частині ручки хомутами. (Мал. 17)
9. Прикріпіть нижню частину кабелю до кріпильного кронштейна ручки за допомогою кабельної стяжки. Відріжте кінець кабельної стяжки, що стирчить. (Мал. 18)

**Зверніть увагу:** Переконайтеся, що кабель закріплено належним чином. Кабель,

що бовтається, можна пошкодити під час установлення травозбірника. (Мал. 19)

## Регулювання ручки

1. Відпустіть нижні фіксувальні головки.
2. Пересуньте головки у нижню частину прорізів зліва та справа виробу. (Мал. 20)
3. Встановіть висоту ручки в одне з двох доступних положень.
4. Пересуньте головки вгору в напрямку ручки, доки вони не зупиняться та ви не почуєте клацання. (Мал. 21)
5. Надійно затягніть фіксуючі голівки.

## Встановлення виробу в положення для транспортування

1. Якщо встановлено травозбірник, зніміть його.
2. Відпустіть нижні фіксувальні головки.
3. Пересуньте головки у нижню частину прорізів зліва та справа виробу. (Мал. 20)

4. Складіть ручку вперед. (Мал. 22)

## Встановлення виробу в положення для експлуатації

1. Розкладіть ручку у вертикальне положення. (Мал. 23)
2. Пересуньте головки вгору в напрямку ручки, доки вони не зупиняться та ви не почуєте клацання. (Мал. 21)
3. Надійно затягніть фіксуючі голівки.

## Монтаж травозбірника

1. Встановіть рамку травозбірника на мішок для трави. Твердий бік мішка має бути знизу. Ручка рамки має перебувати поза межами мішка. (Мал. 24)
2. Установіть травозбірник на рамці та зафіксуйте затискачами. (Мал. 25)

# Експлуатація

## Вступ



**ПОПЕРЕДЖЕННЯ:** Перед експлуатацією виробу обов'язково прочитайте й усвідомте зміст розділу про заходи безпеки.

## Husqvarna Connect

Husqvarna Connect є безкоштовною програмою для мобільного пристрою. У програмі Husqvarna Connect доступна ціла низка розширених функцій для користування Husqvarna:

- розширена інформація про виріб;
- відомості про деталі й обслуговування виробу, а також довідкова інформація.

## Щоб почати користуватися Husqvarna Connect

1. Завантажте програму Husqvarna Connect на свій мобільний пристрій.
2. Зареєструйтеся в програмі Husqvarna Connect.
3. Виконайте кроки з реєстрації в програмі Husqvarna Connect, щоб під'єднати та зареєструвати виріб.

## Перед початком роботи з виробом

1. Уважно прочитайте посібник користувача та переконайтеся, що ви зрозуміли всі вказівки.

2. Огляньте різальне обладнання та переконайтеся, що воно правильно встановлено та налаштовано. Див. *Перевірка різального обладнання на сторінці 397.*
3. Наповніть паливний бак. Див. *Заправлення паливом на сторінці 394.*
4. Наповніть паливний бак та перевірте рівень оливи. Див. *Заміна моторної оливи на сторінці 398.*

## Заправлення паливом

Якщо є можливість, використовуйте бензин із низьким рівнем викидів / бензин-алкілат. Якщо можливості використовувати бензин із низьким рівнем викидів / бензин-алкілат немає, використовуйте якісний неетилований бензин або етилований бензин з октановим числом не менше 90.



**УВАГА:** Не використовуйте бензин з октановим числом нижче 90 RON (87 AKI). Це може призвести до пошкодження виробу.

1. Повільно відкрутіть кришку паливного бака, щоб скинути тиск.
2. Повільно залийте пальне з канистри. У разі проливання пального витріть його ганчіркою або дайте йому висохнути.
3. Витріть поверхню біля кришки паливного бака.

4. Затягніть до упору кришку паливного бака. Якщо кришку паливного бака не затягнуто, існує ризик виникнення пожежі.
5. Перед запуском пересуньте виріб на 3 м від місця, де ви управляли його.

## Налаштування висоти різання

1. Для збільшення висоти різання потягніть важіль регулювання висоти різання назад.
2. Для зменшення висоти різання потягніть важіль регулювання висоти різання вперед. (Мал. 26)



**УВАГА:** Не встановлюйте занадто низьку висоту різання. Леза можуть зачепити землю, якщо поверхня газону буде нерівною.

## Запуск виробу

1. Переконайтеся, що дріт запалювання під'єднаний до свічки запалювання.
2. Залишайтеся позаду виробу.
3. Утримуйте ручку зупинення двигуна біля рукоятки. (Мал. 27)
4. Утримуйте ручку троса стартера правою рукою.
5. Повільно потягніть ручку троса стартера доки не відчуєте деякий спротив.
6. Потягніть шнур сильно, щоб запустити двигун.



**ПОПЕРЕДЖЕННЯ:** Не намотуйте трос стартера на руку.

## Підключення приводу до коліс

- Увімкніть привід на колесах важелем регулятора швидкості на лівому боці рукоятки. Перемістіть важіль регулятора швидкості вперед для збільшення швидкості, і назад – для зменшення швидкості. (Мал. 28)
- Перш ніж рухати виріб у зворотному напрямку, розчепіть привід і штовхніть виріб уперед приблизно на 10 см.
- У разі наближенні до перешкоди відпустіть привідну скобу, щоб розчепити привід.

## Зупинка виробу

- Щоб зупинити тільки привід, необхідно відпустити привідну скобу.
- Щоб зупинити двигун, необхідно відпустити ручку зупинення двигуна.

## Використання виробу з травозбірником



**ПОПЕРЕДЖЕННЯ:** Не використовуйте виріб без встановленого травозбірника або без закритої задньої кришки. З-під косарки можуть відлітати різноманітні предмети й травмувати оператора.

1. Підніміть задню кришку й видаліть заглушку для мульчування, якщо її встановлено. (Мал. 29)
2. Установіть травозбірник, див. *Монтаж травозбірника на сторінці 394*.
3. Установіть травозбірник на кріпильну скобу.
4. Відпустіть задню кришку, щоб вона опинилася зверху рамки мішка для трави. (Мал. 30)

## Переналаштування виробу в режим мульчування

Перш ніж перевести виріб у режим мульчування, зупиніть двигун.

1. Підніміть задню кришку й видаліть травозбірник, якщо його встановлено.
2. Вставте заглушку для мульчування в канал викидання. (Мал. 31)
3. Закрийте задню кришку й переконайтеся, що вона щільно закриває заглушку для мульчування.

**Зверніть увагу:** Щоб підвищити продуктивність режиму мульчування, замініть лезо на лезо для мульчування з комплекту постачання. Див. *Заміна ножа на сторінці 397*

## Переналаштування виробу в режим бічного викидання

1. Підніміть задню кришку й витягніть мішок для трави, якщо його встановлено.
2. Закрийте задню кришку та переконайтеся, що вона щільно закриває виріб.
3. Підніміть фіксатор викиду. (Мал. 32)
4. Відкрийте захист бічного викиду та встановіть викидний дефлектор для викидання трави вбік на опорні штифти. (Мал. 33)
5. Дайте захисту бічного викиду закритися на викидному дефлекторі для викидання трави вбік. Перед початком експлуатації виробу переконайтеся, що викидний дефлектор для викидання трави вбік надійно зафіксовано на місці.

## Спорожнення травозбірника



**УВАГА:** Піднімайте травозбірник під час його переміщення для запобігання зносу.

1. Підніміть травозбірник за ручки на рамці.
2. Під час спорожнення травозбірника тримайтеся за ручки на рамі та ручки мішка. (Мал. 34)

## Забезпечення ефективної роботи

- Завжди користуйтеся гострим лезом. Тупе лезо ріже нерівно, а трава на поверхні розрізу жовтіє. Крім того, гостре лезо споживає менше енергії за тупе.
- Не скошуйте більше  $\frac{1}{3}$  довжини трави. На початку зрізання трави встановіть найбільшу висоту зрізання. Оцініть результат і зменште висоту зрізання на потрібну вам. Якщо трава дуже довга, ведіть газонокосарку повільно та в разі необхідності виконайте скошування двічі.

- Косіть щоразу в різних напрямках, щоб на газоні не було смуг.
- Підніміть задню кришку й вийміть травозбірник.
- Зніміть заглушку та лезо для мульчування, якщо вони встановлені.
- Перед використанням виробу закрийте задню кришку. Під час експлуатації виробу зрізана трава викидається під задньою кришкою.
- Тримайте кожух леза в чистоті. Скопчення трави й бруду на внутрішньому боці кожуха леза може призвести до зниження ефективності скошування. Див. *Чищення внутрішніх поверхонь кожуха леза на сторінці 397.*

## ТЕХНІЧНЕ ОБСЛУГОВУВАННЯ

### Вступ



**ПОПЕРЕДЖЕННЯ:** Перед виконанням робіт із технічного обслуговування обов'язково прочитайте й усвідомте зміст розділу про заходи безпеки.

Для всіх робіт з обслуговування та ремонту необхідна спеціальна підготовка. Ми гарантуємо доступність послуг із професійного ремонту та обслуговування. Якщо ваш дилер не є агентом з обслуговування, зверніться до нього по інформацію щодо найближчого центру обслуговування.

Для отримання більш детальної інформації див. .

### Графік технічного обслуговування



**УВАГА:** У разі нахилиння виробу переконайтеся, що повітряний фільтр розташований зверху й не направлений у бік землі. Ризик пошкодження двигуна.

Інтервали технічного обслуговування вказані з урахуванням щоденного використання виробу. Інтервали змінюються для іншої частоти використання виробу.

Вказівки щодо технічного обслуговування елементів, помічених знаком \* див. у розділі *Запобіжне обладнання на виробі на сторінці 392.*

| Технічне обслуговування                     | Щодня | Щотижня | Щомісяця |
|---|-------|---------|----------|
| Загальна перевірка                          | X     |         |          |
| Перевірка рівня оливи                       | X     |         |          |
| Очищення виробу                             | X     |         |          |
| Перевірка різального обладнання             | X     |         |          |
| Перевірка кожуха леза*                      | X     |         |          |
| Перевірка ручки зупинення двигуна*          | X     |         |          |
| Перевірка механізму керування гальмом леза* | X     |         |          |
| Перевірка глушника*                         |       | X       |          |
| Перевірка свічки запалювання                |       | X       |          |

| Технічне обслуговування  | Щодня | Щотижня | Щомісяця |
|--|-------|---------|----------|
| Заміна мастила (уперше через 5 годин експлуатації, далі – кожні 50 годин експлуатації) |       |         | X        |
| Очищення чи заміна повітряного фільтра   |       |         | X        |
| Перевірка паливної системи   |       |         | X        |

## Процедура загальної перевірки

- Переконайтеся, що всі гайки й гвинти на виробі затягнуто відповідним чином.

## Чищення зовнішніх поверхонь виробу

- Прибирайте листя, траву та бруд за допомогою щітки.
- Переконайтеся, що всмоктувач повітря зверху двигуна не заблокований.
- Для чищення виробу не використовуйте миючий апарат високого тиску.
- У разі використання води для чищення виробу, забороняється лити її безпосередньо на двигун.

## Чищення внутрішніх поверхонь кожуха леза

1. Вилийте паливо з паливного бака.
2. Покладіть виріб на бік глушником донизу.



**УВАГА:** Якщо покласти виріб повітряним фільтром донизу, може виникнути ризик пошкодження двигуна.

3. Промийте водою зі шлангу внутрішню поверхню кожуха леза.

## Перевірка різального обладнання



**ПОПЕРЕДЖЕННЯ:** Зніміть провід запалювання зі свічки запалювання, щоб попередити ненавмисний запуск.



**ПОПЕРЕДЖЕННЯ:** Під час технічного обслуговування різального обладнання використовуйте захисні рукавиці. Лезо дуже гостре, ним можна легко порізатися.

1. Перевірте різальне обладнання на наявність пошкоджень або тріщин. Обов'язково замініть пошкоджене різальне обладнання.
2. Огляньте лезо на предмет пошкоджень або затуплення.

**Зверніть увагу:** Після гостріння леза необхідно відрегулювати його баланс. Гостріння, заміну та балансування леза необхідно проводити в центрі обслуговування. У разі потрапляння на перешкоду, що призвела до зупинки двигуна, замініть пошкоджене лезо. Спеціалісти центру обслуговування мають провести оцінювання стану леза та надати консультацію щодо необхідності його гостріння або заміни.

## Заміна ножа

1. Зафіксуйте лезо дерев'яним брусом. (Мал. 35)
2. Видаліть болт леза, пружинну шайбу й лезо. (Мал. 36)
3. Перевірте опору леза й болт леза на наявність пошкоджень.
  - а) Якщо ви замінюєте лезо або опору леза, також слід замінювати болт леза, пружинну шайбу й фрикційну шайбу.
4. Перевірте вал леза на наявність згинання.
5. Під час встановлення нового леза переконайтеся, що зігнуті кінці леза направлені в напрямку кожуха леза. (Мал. 37)
6. Установіть фрикційну шайбу й лезо на опору леза. (Мал. 38)
7. Переконайтеся в тому, що лезо суміщене із центром вала двигуна. (Мал. 39)
8. Зафіксуйте лезо дерев'яним брусом. (Мал. 40)
9. Установіть пружинну шайбу й затягніть болт із моментом 43 – 47 Н·м. (Мал. 41)
10. Прокрутіть лезо рукою й переконайтеся в тому, що воно вільно обертається.



## ПОПЕРЕДЖЕННЯ:

Використовуйте захисні рукавички. Лезо дуже гостре, ним можна легко порізатися.

11. Запустіть виріб, щоб перевірити роботу леза. У разі неправильного встановлення леза у виробі буде спостерігатися вібрація або результат скошування буде незадовільний.

## Перевірка рівня оливи



**УВАГА:** Занадто низький рівень оливи може спричинити пошкодження двигуна. Перед запуском виробу необхідно перевіряти рівень оливи.

1. Установіть виріб на рівній поверхні.
2. Зніміть кришку бака для оливи та під'єднаний вимірювальний стрижень.
3. Усуньте оливу з вимірювального стрижня.
4. Щоб дізнатися точний рівень оливи, повністю вставте вимірювальний стрижень у бак для оливи. Не закривайте кришку бака для оливи.
5. Зніміть кришку бака для оливи та під'єднаний вимірювальний стрижень.
6. Перевірте рівень оливи на вимірювальному стрижні.
7. Якщо рівень оливи занижений, залийте моторну оливу й перевірте рівень ще раз. (Мал. 42)

**Зверніть увагу:** Для запобігання проливання скористайтеся лійкою.

8. Коли рівень оливи буде правильним, встановіть кришку бака для оливи.

## Заміна моторної оливи



**ПОПЕРЕДЖЕННЯ:** Відразу після заправки двигуна моторна олива є дуже гарячою. Дайте двигуну охолонути, перш ніж зливати моторну оливу. Якщо моторна олива потрапить на шкіру, промийте цю ділянку водою з милом.

(Мал. 43)

1. Запустіть виріб і дочекайтеся, коли запаси палива в баку буде вичерпано.
2. Витягніть провід запалювання зі свічки запалювання.
3. Зніміть кришку бака для оливи та під'єднаний вимірювальний стрижень.
4. Підставте під виріб резервуар для збору моторної оливи.
5. Нахиліть виріб або злийте моторну оливу з бака для оливи й насоса оливи (аксесуар).
6. Залийте свіжу моторну оливу рекомендованого в *Технічні дані на сторінці 400* типу.
7. Перевірте рівень оливи. Див. *Перевірка рівня оливи на сторінці 398*.
8. Коли рівень оливи буде правильним, встановіть кришку бака для оливи.

## Перевірка свічки запалювання



**УВАГА:** Завжди користуйтеся рекомендованими свічками запалювання. Неправильний тип свічки запалювання може призвести до пошкодження виробу.

- Якщо двигун втрачає потужність, його важко запустити або він погано працює на холостому ході, необхідно перевірити свічку запалювання.
- Щоб зменшити ризик потрапляння зайвих предметів на електроди свічки запалювання, дотримуйтеся таких інструкцій:
  - a) переконайтеся, що швидкість холостого ходу налаштовано правильно;
  - b) переконайтеся в правильності змішування паливної суміші;
  - c) переконайтеся, що повітряний фільтр чистий.
- Якщо свічка запалювання забруднена, її слід очистити та переконаватися в тому, що між електродами встановлено правильний проміжок (див. ). *Технічні дані на сторінці 400*. (Мал. 44)
- За необхідності замініть свічку запалювання.

## Очищення повітряного фільтра

Брудний повітряний фільтр може призвести до пошкодження двигуна або його неправильної роботи. В умовах запиленості виконуйте технічне обслуговування повітряного фільтра частіше.

Дивіться розділ *Графік технічного обслуговування на сторінці 396* щодо інформації стосовно інтервалів заміни повітряного фільтра.

1. Змініть кришку повітряного фільтра та витягніть його.
2. Для очищення фільтра постукайте ним по плоскій поверхні. Не використовуйте розчинник із вмістом нафти, газу або стиснене повітря для очищення фільтра.

**Зверніть увагу:** Повітряні фільтри, які працюють протягом тривалого часу, неможливо очистити повністю. Регулярно замінійте повітряний фільтр. Пошкоджені повітряні фільтри необхідно замінювати.

3. Під час установлення повітряного фільтра переконайтеся, що він щільно прилягає до тримача фільтра.

## Перевірка викидного дефлектора для викидання трави вбік

Викидний дефлектор для викидання трави вбік прикріплено до отвору виробу для викидання вбік. Він зменшує ризик потрапляння в оператора предметів, що вилітають із виробу.

1. Переконайтеся, що дефлектор для викидання трави вбік не пошкоджено.
2. Перевірте дефлектор для викидання трави вбік. Переконайтеся, що немає пошкоджень, наприклад тріщин або зламаних пружин, які призводять до закривання дверей.
3. Якщо пружини або дефлектор для викидання трави вбік пошкоджено, замініть їх.
2. Зніміть хомут кріплення шланга з паливного бака. (Мал. 45)
3. Зніміть паливний шланг із паливного бака. Може вилитися невелика кількість палива. (Мал. 46)
4. Зніміть паливний фільтр із паливного бака. (Мал. 47)
5. Встановіть новий паливний фільтр у паливний бак.

## Перевірка паливної системи

- Перевірте кришку паливного бака та її ущільнювач на предмет пошкоджень.
- Перевірте шланг подачі пального на предмет протікань. У разі пошкодження шланга подачі пального замініть його в центрі обслуговування.

## Спорожнення паливного бака

1. Поставте контейнер під паливний бак.
2. Зніміть кришку паливного бака.
3. Встановіть хомути кріплення паливного шланга на карбюраторі.
4. Вийміть паливний шланг із карбюратора.
5. Вставте шланг паливного бака в контейнер і зніміть хомути кріплення шланга.
6. Нахиліть виріб і злийте моторну оливу в контейнер.

## Заміна паливного фільтра



### ПОПЕРЕДЖЕННЯ:

Використовуйте захисні рукавиці.

1. Спорожніть паливний бак.

6. Під'єднайте паливний шланг до паливного бака.
7. Вставте хомут кріплення шланга у паливний бак.

## Регулювання дроту зчеплення

У вказаних далі ситуаціях необхідно зменшити довжину дроту зчеплення.

- Привід коліс не вмикається, коли ви тягнете привідну скобу або важіль регулятора швидкості.
- Виріб рухається повільно, коли привід коліс увімкнено.

У вказаних далі ситуаціях необхідно збільшити довжину дроту зчеплення.

- Виріб рухається повільно, коли привід коліс не увімкнено.
- Налаштування дроту зчеплення.
  - a) Щоб зменшити довжину дроту зчеплення, поверніть регулювальний гвинт проти годинникової стрілки.
  - b) Щоб збільшити довжину дроту зчеплення, поверніть регулювальний гвинт за годинниковою стрілкою. (Мал. 48)

Якщо після налаштування виріб продовжує пересуватися незадовільно, зверніться до дилера з обслуговування

## Транспортування, зберігання й утилізація

### Транспортування та зберігання

- У разі транспортування та зберігання виробу та пального необхідно переконатися у відсутності протікань та випарів. Іскри або відкритий вогонь, наприклад, від електричних пристроїв, можуть спричинити пожежу.
- Для зберігання та транспортування палива слід використовувати лише сертифіковані резервуари.
- Спорожніть паливний бак у разі, якщо виріб зберігатиметься протягом тривалого часу. Утилізуйте паливо у відповідних місцях для утилізації
- Під час транспортування закріплюйте виріб безпечним чином, щоб уникнути пошкоджень та нещасних випадків.
- Зберігайте виріб у закритому приміщенні, куди не зможуть отримати доступ діти та особи без належної підготовки.

- Зберігайте виріб у сухому місці за температури нижче 0 градусів.

### Утилізація

- Виконуйте місцеві вимоги та відповідні норми і правила щодо утилізації.
- Утилізуйте всі хімічні речовини на кшталт моторної оливи або палива в центрі обслуговування або у відповідних місцях для утилізації.
- Якщо виріб більше не використовується, відправте його дилеру Husqvarna або утилізуйте у відповідному місці для утилізації.

## Технічні дані

### Технічні характеристики

|  |  |
|--|--|
|  | LC 356VP   |
| <b>Двигун</b>  |  |
| Бренд  | Honda  |
| Назва моделі двигуна   | GCVx170  |
| Об'єм, см <sup>3</sup>   | 166  |
| Частота обертання, об./хв                                      | 2800   |
| Номінальна потужність двигуна, кВт <sup>141</sup>              | 3,1  |
| <b>Система запалювання</b>                                     |  |
| Свічка запалювання   | NGK BPR5ES   |
| Проміжок між електродами, мм                                   | 0,75   |
| <b>Паливна система й система змащування</b>                    |  |
| Паливо неетилowane, мінімальне октанове число                  | 90   |
| Ємність паливного бака, літрів                                 | 0,9  |
| Ємність масляного бака, літри                                  | 0,4  |
| Моторна олива <sup>142</sup>                                   | Husqvarna SAE 30, Husqvarna SAE 5W-30 синтетична, Husqvarna SAE 10W-40 |
| <b>Маса</b>  |  |
| Маса з порожніми баками, кг                                    | 35,1   |
| <b>Випромінювання шуму</b> <sup>143</sup>                      |  |
| Рівень звукової потужності, дБ (A)                             | 98   |
| Гарантований рівень звукової потужності, L <sub>WA</sub> дБ(A) | 98   |
| <b>Рівні звуку</b> <sup>144</sup>                              |  |

<sup>141</sup> Указана номінальна потужність двигуна є середньою кінцевою потужністю (за вказаного числа обертів на хвилину) типового серійного двигуна для цієї моделі, виміряною згідно зі стандартом SAE J1349/ISO 1585. Потужність серійних двигунів може відрізнятися від цього значення. Фактична вихідна потужність двигуна, установленого у виробі, залежить від робочої швидкості, умов навколишнього середовища та інших факторів.

<sup>142</sup> Використовуйте моторну оливу класу API SJ або вище. У разі використання оливи SAE-30 за температури нижче +5 °C існує ризик недостатнього змащування двигуна. Це може призвести до пошкодження двигуна. Див. *Заміна моторної оливи на сторінці 398* для отримання відомостей щодо оливи, яку слід використовувати за низьких температур. Ознайомтеся з таблицею в'язкості в посібнику користувача двигуна (якщо він входить до комплекту) та виберіть оптимальну в'язкість залежно від очікуваної зовнішньої температури.

<sup>143</sup> Випромінювання шуму в середовищі, виміряне як звукова потужність (L<sub>WA</sub>), відповідає директиві ЄС 2000/14/ЄС.

<sup>144</sup> Заявлені дані про рівень звукового тиску мають стандартну статистичну розбіжність (стандартне відхилення) у 1,2 дБ(A).



|  |                                       |
|--|---------------------------------------|
|  | <b>LC 356VP</b>                       |
| Рівень звукового тиску у вусі оператора, дБ(А) | 86                                    |
| <b>Рівні вібрації</b> <sup>145</sup>           |                                       |
| Ручка, м/с <sup>2</sup>                        | 5,9                                   |
| <b>Різальне обладнання</b>                     |                                       |
| Висота зрізання, мм                            | 25–75                                 |
| Ширина зрізання, мм                            | 560                                   |
| Система скошування                             | Збирання / BioClip® / викидання збоку |
| Стандартне лезо                                | Збирання 598562701                    |
| Додаткове лезо                                 | Мульчування 598563601                 |
| <b>Привод</b>                                  |                                       |
| Швидкість, км/год                              | 3,0–4,5                               |

<sup>145</sup> Заявлені дані щодо рівня вібрації мають стандартну статистичну розбіжність (стандартне відхилення) у 0,2 м/с<sup>2</sup>.

# Декларація відповідності

## Декларація відповідності ЄС

Ми, компанія **Husqvarna AB**, SE-561 82 Huskvarna, Швеція, тел.: +46-36-146500, заявляємо під свою виключну відповідальність, що представлений виріб:

|               |                                      |
|---------------|--------------------------------------|
| Опис          | Газонокосарка                        |
| Бренд         | Husqvarna                            |
| Тип / модель  | LC 356VP                             |
| Ідентифікація | Серійні номери за 2022 рік і пізніше |

повністю відповідає таким директивам і нормам ЄС:

| Норма      | Опис   |
|------------|--|
| 2006/42/EC | «Про механічне обладнання»   |
| 2014/30/EU | «Про електромагнітну сумісність»   |
| 2000/14/EC | «Про виділення шуму в навколишнє середовище»   |
| 2011/65/EU | «Про обмеження використання деяких небезпечних речовин в електричному й електронному обладнанні» |

і що до нього застосовуються вказані далі узгоджені стандарти та/або технічні специфікації: EN ISO 5395-1:2013/A1:2018, EN ISO 5395-2:2013/A1:2016/A2:2017, EN ISO 14982:2009, EN IEC 63000:2018

Уповноважений орган: Компанія 0404, RISE SMP Svensk Maskinprovning AB, Box 4053, SE-904 03 Umeå, Sweden підтвердила відповідність директиві ради ЄС 2000/14/EC, процедура оцінки відповідності: Додаток VI.

Відомості стосовно випромінювання шуму дивіться в розділі *Технічні дані на сторінці 400*.

Huskvarna, 2022-10-20



Клас Лосдал (Claes Losdal), директор із питань розвитку / продукції для садівництва, Husqvarna AB

Відповідальний за технічну документацію



---

# 内容

---

|          |     |                 |     |
|----------|-----|-----------------|-----|
| 引言.....  | 403 | 维护.....         | 408 |
| 安全性..... | 404 | 运输、存放和废弃处理..... | 410 |
| 安装.....  | 406 | 技术参数.....       | 411 |
| 操作.....  | 407 | 一致性声明.....      | 413 |

---

# 引言

---

## 产品说明

本产品是一款步行控制式草坪机。安装集草袋以收集割下的草。安装侧向排草导向板，以便侧向排草。安装地面覆盖套件，以将草料切割成肥料。

## 产品概览

(图 1)

1. 手柄杆
2. 引擎制动手柄
3. 驱动杆
4. 启动绳把手
5. 后盖
6. 集草袋
7. 手柄高度旋钮
8. 修剪高度杆
9. 油箱盖
10. 侧向排草盖
11. 消音器
12. 火花塞
13. 燃油箱盖
14. 符号
15. 切割防护盖
16. 空气滤清器
17. 速度控制杆
18. 侧导向板
19. 地面覆盖插件 (附件)
20. 说明书

## 本产品上的符号

- (图 2)      **警告！** 请多加小心，并正确地使用本产品。本产品可能会对操作员或其他人造成严重伤害或死亡。
- (图 3)      请仔细阅读操作手册，确保在充分理解各项说明之后再使用本产品。
- (图 4)      注意抛掷物和反弹物。
- (图 5)      确保人员和动物与工作区域保持安全距离。

## 预期用途

使用产品修剪草坪。切勿将产品用于其他任务。

- (图 6)      **警告：** 保持手脚远离正在旋转的刀片。
- (图 7)      **警告：** 保持手脚远离回转部件。
- (图 8)      执行维修或维护作业之前，务必将引擎熄火并拆下点火线。
- (图 9)      本产品符合适用的 EC 指令的要求。
- (图 10)     本产品符合适用的英国法规。
- (图 11)     对环境的噪音排放的标签符合欧盟指令、英国指令和新南威尔士州法规“2017 年环境行动 (噪音控制) 保护法规”的要求。本产品的保证声功率级在标签中 *技术参数在第 411 页上* 和该标签上均有注明。

---

**注意：** 产品上的其他符号/标识对应于某些商用领域的认证要求。

---

## 产品损坏

对于因下列情况造成的产品损坏，我们概不负责：

- 未正确修理产品。
- 使用非原装零部件或者未获原厂批准的零部件修理产品。
- 产品加装了非原装的或者未获原厂批准的附件。
- 未在授权的保养厂修理产品，或者未由授权的机构修理产品。

## 欧五排放



**警告：** 对发动机进行篡改将使本产品的 EU 型式检验失效。

---

# 安全性

## 安全定义

本手册使用了“警告”、“小心”和“注意”来指出特别重要的内容。



**警告：** 当不遵守手册中的说明可能会给操作员或周围人员带来伤害或死亡风险时，会使用此标志。



**小心：** 当不遵守手册中的说明可能会对产品、其他材料或附近区域造成损坏时，会使用此标志。

**注意：** 用于提供特定状况下所需的更多信息。

## 一般安全须知



**警告：** 请在使用本产品前阅读下面的警告说明。

- 如果使用不当，或者如果您不小心，则本产品非常危险。如果未遵守一般安全须知，可能会导致伤害或死亡。
- 本产品在操作期间会产生电磁场。电磁场在某些情况下会干扰有源或无源医疗植入体。为了减少严重或致命性伤害风险，我们建议使用医疗植入体的人员在操作本产品之前事先咨询其医生及医疗植入体制造商。
- 请务必多加小心，并运用常识来判断。如果您不确定在特殊情况下如何操作本产品，请停止操作并与您的 Husqvarna 经销商联系。
- 切记，操作员将对涉及他人或其财产的事故负责。
- 请保持产品清洁。确保您可以清楚地阅读标记和标签。
- 务必确保操作员已阅读并理解说明书的内容，否则不得使用本产品。
- 切勿让儿童操作本产品。
- 请让儿童远离工作区域。成人监督人必须始终在场。
- 切勿让不熟悉使用说明的人员操作产品。
- 若使用产品的人员身体能力或心智能力降低，务必对其进行监督。成人监督人必须始终在场。
- 当您感到疲倦、生病或受到酒精、麻药或药物的影响时，请勿使用本产品。这些因素会对您的视觉、警惕性、协调能力或判断力产生不良影响。
- 请勿使用已损坏或无法正常工作的产品。
- 如果本产品可能被他人改动过，请勿再进行改动或使用。
- 请勿更改引擎速度控制的设置。

## 工作区安全



**警告：** 请在使用本产品前阅读下面的警告说明。

- 在使用本产品之前，请清除作业区域中的树枝、枝杈和石头等物体。
- 这些物体碰撞到切割设备会被弹出，导致人员受伤和物体损坏。确保附近人员和动物与本产品保持安全距离。
- 切勿在雾天、雨天、强风、严寒和闪电等恶劣天气下使用本产品。在恶劣天气下或潮湿地点使用本产品容易令人感到疲倦。恶劣天气会导致危险的情况，如湿滑的路面。
- 留意可能妨碍本产品安全运行的人员、物体和情况。
- 留意如树根、石头、枝杈、坑和沟渠等障碍。茂盛的草会隐藏障碍物。
- 在斜坡上割草可能非常危险。不要在坡度超过 15° 的地面上使用本产品。
- 面对斜坡操作本产品。切勿上下移动。
- 在接近隐藏的和物体时请小心谨慎，以免阻碍视线。

## 作业安全



**警告：** 请在使用本产品前阅读下面的警告说明。

- 本产品仅用于切割草坪。不允许用于其他任务。
- 使用个人防护装备。请参阅 [个人防护装备在第 405 页上](#)。
- 确保您知道在紧急情况下如何快速让引擎停止工作。
- 切勿在封闭空间或易燃物附近启动引擎。引擎排出的废气浓烟温度很高，并可能带有火花，能引发火灾。
- 除非已正确连接刀片和所有盖板，否则请勿操作本产品。未正确连接的刀片可能松动，导致人身伤害。
- 确保刀片不会碰到石头和树根等物体。这会损坏刀片，并折弯引擎轴。一旦引擎轴折弯，就会导致严重振动，同时刀片松动风险会变得极高。
- 如果刀片碰撞到任何异物或者发生振动，请立即关闭本产品。将点火线从火花塞上断开。检查本产品是否损坏。维修损坏的地方或让授权的保养厂执行维修。
- 启动引擎时，切勿将引擎制动手柄永久连接至手柄。
- 将本产品放置在稳定、平坦的地面上，然后将其启动。确保刀片不会碰撞到地面或其他物体。
- 当您操作本产品时，请始终站在本产品的后面。
- 在操作本产品时使所有车轮接触地面，并将双手放在手柄上。手和脚远离正在旋转的刀片。
- 引擎启动后，切勿倾斜本产品。
- 向后拉动本产品时请小心谨慎。

- 切勿在引擎运行时吊装本产品。如果必须吊装本产品，务必先将引擎熄火，并将点火线从火花塞上断开。
- 在操作本产品时切勿倒退行走。
- 当您在没有草的区域移动时，例如在石砾、石头和沥青道路上移动时，应将引擎熄火。
- 切勿在引擎运行时和本产品一起跑着移动。操作本产品时始终保持步行。
- 在更改修剪高度之前，请先将引擎熄火。切勿在引擎运行时进行调整。
- 切勿在引擎运行时将本产品置于视线以外的地方。将引擎熄火，确保切割设备不转动。

## 操作安全须知

### 个人防护装备



**警告：** 请在使用本产品前阅读下面的警告说明。

- 个人防护装备不能完全避免受伤，但当意外发生时，可降低伤害程度。请经销商协助您选择正确的防护装备。
- 如果噪声级高于 85 dB，请使用听觉保护设备。
- 穿上结实耐磨防滑靴或防滑鞋。请勿穿凉鞋或赤脚。
- 请穿上厚实的大裤。
- 必要时戴上保护手套，例如在安装、检查或清洁切割设备时。

### 产品上的安全装置



**警告：** 请在使用本产品前阅读下面的警告说明。

- 请勿使用安全装置受损或无法正常工作的产品。
- 定期检查安全装置。如果安全装置受损或无法正常工作，请联系您的 Husqvarna 保养经销商。
- 切勿改装安全装置。

### 检查切割防护盖

切割防护盖可降低本产品产生的振动，并降低被刀片割伤的风险。

- 检查切割防护盖，确保没有损坏，如裂缝。

### 检查引擎制动手柄

引擎制动手柄可让引擎停止运行。当引擎制动手柄松开时，引擎会停止运行。

- 启动引擎，然后松开引擎制动手柄。如果引擎未能在 3 秒内停止运行，应请许可的 Husqvarna 保养厂调整引擎制动。(图 12)

### 检查后盖

后部导向板可降低物体被抛向操作员的危险。

- 确保后盖未损坏。

- 确保用于关闭后盖的弹簧未损坏。
- 更换损坏的弹簧和部件。
- 确保后盖能够在铰链上平稳移动。

### 消音器

消音器用于最大程度降低噪音，并将引擎的排烟导离操作人员。

如果消音器缺失或损坏，请勿使用本产品。损坏的消音器会增加噪音水平以及火灾风险。



**警告：** 消音器在使用期间和之后以及当引擎以怠速运转时会变得很烫。务必当心附近的易燃材料和/或烟雾，以防引起火灾。

### 检查消音器

- 定期检查消音器，确保其安装正确且无损坏。

### 燃油安全须知



**警告：** 请在使用本产品前阅读下面的警告说明。

- 如果产品上沾染燃油或引擎油，切勿启动产品。清除多余的燃油/机油，使产品保持干燥。
- 如果燃油溅到衣物上，请立即更换衣物。
- 切勿使身体沾染燃油，否则可能会造成伤害。如果燃油溅到身上，必须使用肥皂和水洗净。
- 如果引擎漏油，切勿启动产品。定期检查引擎是否漏油。
- 请小心处理燃油。燃油易燃，油烟具有爆炸性，并且可能导致伤害或死亡。
- 切勿吸入油烟，否则可能会造成伤害。确保充分通风。
- 切勿在燃油或引擎附近吸烟。
- 切勿在燃油或引擎附近放置高温物体。
- 切勿在引擎运转期间添加燃油。
- 重新加注燃油之前，确保引擎处于冷却状态。
- 重新加注燃油之前，缓缓打开燃油箱盖，并小心地释放压力。
- 切勿在室内为引擎添加燃油。如果通风不畅，则可能因窒息或一氧化碳而造成受伤或死亡。
- 完全拧紧燃油箱盖。如果燃油箱盖没有拧紧，则有失火的风险。
- 启动之前，将本产品从加油位置移开至少 3 m / 10 ft。
- 请勿将燃油箱完全加满油。热量会使燃油膨胀。让燃油箱顶部留有一定的空间。
- 切勿将燃油箱中有燃油的产品存放在有火源（例如热水加热器、空间加热器或干衣机）的建筑物内。将引擎存放在任意壳体中之前，务必待其冷却。

## 维护安全须知



**警告：** 请在使用本产品前阅读下面的警告说明。

- 引擎排出的废气中含有一氧化碳，这是一种极危险的无味有毒气体。切勿在室内或密闭空间中启动引擎。
- 在对本产品进行任何维护之前，务必先将引擎熄火，并将点火线从火花塞拆下。
- 维护切割设备时，请戴上保护手套。刀片非常锋利，很容易造成割伤。

- 未经制造商批准加装附件或改动产品可能导致严重的伤害或死亡。切勿改动本产品。始终使用获得制造商批准的零件。
- 如未正确和定期地进行维护，导致伤害的风险和损坏产品的风险将会增加。
- 只能进行此用户手册所述的维护工作。所有其他保养操作必须由许可的 Husqvarna 保养厂完成。
- 由许可的 Husqvarna 保养厂定期对本产品进行保养。
- 更换已经损坏、磨损或破损的零件。

## 安装

### 简介



**警告：** 在安装本产品之前，您必须阅读并理解安全章节。



**警告：** 安装产品之前，先拆下火花塞中的火花塞电缆。

### 装配手柄

**注意：** 建议由 2 人执行此程序。

**注意：** 安装手柄时，切勿将产品从包装盒中取出。组装手柄时，箱体可用于支撑手柄。

1. 提起并旋转手柄。(图 13)



**小心：** 请小心操作，确保旋转手柄时电缆不会损坏。

2. 将手柄放在产品顶部。将手柄靠在盒子上，以支撑手柄。请参阅下面图示。(图 14)
3. 将螺丝 (A) 穿过手柄 (B)、塑料垫片 (C) 和手柄支架 (D)。(图 15)
4. 完全拧紧螺母 (E)。
5. 从箱盒中取出产品。
6. 将手柄折起到竖直位置。(图 16)
7. 将手柄高度调至最低位置。请参阅 *调节手柄* 在 406 页上。
8. 通过电缆夹将电缆固定到手柄下部。(图 17)

9. 通过电缆扎带将电缆下部固定在手柄支撑架上。剪掉电缆扎带的剩余部分。(图 18)

**注意：** 确保电缆已正确安装。安装集草袋时，过松的电缆会损坏电缆。(图 19)

### 调节手柄

1. 松开下部旋钮。
2. 将旋钮转至本产品的左侧和右侧凹槽的下端。(图 20)
3. 将手柄高度设置到 2 个可用位置中的其中一个。
4. 朝手柄方向向上转动旋钮，直至它们停止并且听到咔嚓声。(图 21)
5. 完全上紧旋钮。

### 将产品设置在运输位置

1. 拆下集草袋 (如有安装)。
2. 松开下部旋钮。
3. 将旋钮转至本产品的左侧和右侧凹槽的下端。(图 20)
4. 向前折叠手柄。(图 22)

### 将产品设置在工作位置

1. 将手柄折起到竖直位置。(图 23)
2. 朝手柄方向向上转动旋钮，直至它们停止并且听到咔嚓声。(图 21)
3. 完全上紧旋钮。

### 装配集草袋

1. 将集草袋框架连接到草袋，使袋子的硬侧在下面。将框架手柄放在袋子顶部之外。(图 24)
2. 用夹子将草袋连接至框架。(图 25)

# 操作

## 引言



**警告：** 在使用本产品之前，您必须阅读并理解安全章节。

## Husqvarna Connect

Husqvarna Connect 是一款可在移动设备上免费使用的应用程序。Husqvarna Connect 应用程序可为您的 Husqvarna 产品提供扩展功能：

- 扩展产品信息。
- 关于帮助、产品零件和保养的信息。

## 开始使用 Husqvarna Connect

1. 将 Husqvarna Connect 应用程序下载至您的移动设备。
2. 在 Husqvarna Connect 应用程序中注册。
3. 执行 Husqvarna Connect 应用程序中的说明步骤以连接并注册产品。

## 操作产品之前

1. 请认真阅读本说明书，确保您充分理解各项说明。
2. 检查切割设备，确保其连接正确且调整得当。请参阅 *润滑切割设备* 在第 409 页上。
3. 加注燃油箱。请参阅 *添加燃油* 在第 407 页上。
4. 加注机油箱并检查机油油位。请参阅 *更换引擎油* 在第 409 页上。

## 添加燃油

如果可行，请使用低排放/烷基化汽油。如果没有低排放/烷基化汽油，可使用优质无铅汽油或辛烷值不低于 90 的含铅汽油。



**小心：** 切勿使用辛烷值低于 90 RON (87 AKI) 的汽油。否则可能导致本产品损坏。

1. 缓慢打开燃油箱盖以释放压力。
2. 用燃油罐缓慢加油。如果有燃油溅出，请用布擦拭，然后让剩余的燃油挥发掉。
3. 清洁燃油箱盖的周围区域。
4. 完全拧紧燃油箱盖。如果燃油箱盖没有拧紧，则有失火的风险。
5. 启动之前，将本产品从加油位置移开至少 3 m (10 ft)。

## 设置修剪高度

1. 向后移动修剪高度调节杆，增加修剪高度。
2. 向前移动修剪高度调节杆，降低修剪高度。(图 26)



**小心：** 切勿将修剪高度设置得太低。如果草坪表面不平，刀片可能会碰到地面。

## 启动产品

1. 确保将点火线连接至火花塞中。
2. 站在本产品后面。
3. 握住引擎制动手柄，使其紧靠手柄杆。(图 27)
4. 用右手握住启动绳把手。
5. 慢慢拉出启动绳，直到感觉到有阻力。
6. 用力拉启动绳，以启动引擎。



**警告：** 切勿将启动器绳绕在手上。

## 使用车轮上的驱动装置

- 使用手柄左侧的速度控制杆启动车轮上的驱动装置。向前移动速度控制杆可提高速度，向后移动可降低速度。(图 28)
- 在向后拉动产品之前，松开驱动装置，然后将产品向前推动约 10 cm。
- 松开驱动杆以脱离驱动装置，例如，当您靠近障碍物时。

## 关闭产品

- 要仅停止驱动装置，请松开驱动杆。
- 要将引擎熄火，请松开引擎制动手柄。

## 将产品与集草袋配合使用



**警告：** 请勿在未安装集草袋或未关闭后盖的情况下操作产品。可能会抛出物体，导致操作员受伤。

1. 抬起后盖，然后拆下地面覆盖插件（如已安装）。(图 29)
2. 组装集草袋，请参见 *装配集草袋* 在第 406 页上。
3. 将集草袋放在支架上。
4. 松开后盖并将其放在草袋框架的顶部。(图 30)

## 将产品更改为地面覆盖模式

在将产品更改为地面覆盖模式之前，确保引擎已关闭。

1. 抬起后盖，然后拆下集草袋（如已安装）。
2. 将地面覆盖插件插入到卸草通道中。(图 31)
3. 关上后盖，确保其紧靠在地面覆盖插件上。

**注意：** 要提升地面覆盖模式的性能，请用地面覆盖刀片附件替换刀片。请参阅 *更换刀片* 在第 409 页上

## 将产品更改为侧向排草模式

1. 抬起后盖，然后拆下草袋（如已安装）。
2. 关上后盖，确保其紧靠在产品上。
3. 提起排草锁。（图 32）
4. 打开侧向排草护罩，并将侧向排草导向板安装到支撑杆上。（图 33）
5. 让侧向排草护罩紧靠在侧向排草导向板上。操作产品前，确保侧向排草导向板已牢固就位。

## 清空集草袋



**小心：** 移动集草袋时请将它提起，以防磨损。

1. 使用框架手柄提起集草袋。

2. 清空集草袋时，请使用框架手柄和袋子手柄。（图 34）

## 为获得良好的作业效果

- 务必使用锐利的刀片。钝刀片会产生不规则的结果，且草的切割表面会变黄。此外，锐利的刀片比钝刀片更加节能。
- 修剪高度不得超过草长的  $\frac{1}{3}$ 。开始割草时，请使用最大修剪高度。检查结果，将修剪高度降低到合适的水平。如果草非常长，请缓慢操作，必要时割 2 次。
- 每次的修剪方向不应相同，以防止草坪上出现条纹。
- 抬起后盖，拆下集草袋。
- 如果已连接地面覆盖插件和覆盖刀片，请将其卸下。
- 在操作本产品之前，关闭后盖。在操作本产品时，割下的草将在后盖下方排出。
- 保持切割防护盖干净。切割防护盖内侧积聚草和污垢会降低切割效果。请参阅 *清洁切割防护盖的内表面* 在第 409 页上。

## 维护

### 简介



**警告：** 进行维护之前，您必须先阅读并理解安全须知章节。

要对本产品执行任何保养和维修工作，都需要经过专门培训。我们承诺提供专业的维修和保养。如果您的经销商不是保养代理商，请联系该经销商以获取离您最近的保养代理商的信息。

有关更多详细信息，请参阅。

### 维修时间表



**小心：** 倾斜产品时，确保空气滤清器朝上，不要靠在地面上。存在损坏引擎的风险。

维护间隔在产品每天使用的情况下计算得出。如果产品并非每天使用，维护间隔会有所不同。

对于带有 \* 标记的维护作业，请参阅 *产品上的安全装置* 在第 405 页上的说明。

| 维护                                 | 每天 | 每周 | 每月 |
|------------------------------------|----|----|----|
| 执行一般性检查                            | X  |    |    |
| 检查机油油位                             | X  |    |    |
| 清洁本产品                              | X  |    |    |
| 检查切割设备                             | X  |    |    |
| 检查切割防护盖*                           | X  |    |    |
| 检查引擎制动手柄*                          | X  |    |    |
| 检查刀片制动器控件*                         | X  |    |    |
| 检查消音器*                             |    | X  |    |
| 检查火花塞                              |    | X  |    |
| 更换机油（首次使用 5 小时后更换，之后每使用 50 小时更换一次） |    |    | X  |
| 清洁或更换空气滤清器                         |    |    | X  |
| 检查燃油系统                             |    |    | X  |

### 进行一般性检查

- 确保产品上的所有螺母和螺丝都已正确上紧。

### 清洁本产品的外部

- 用刷子清除树叶、草和污垢。



- 确保引擎顶部的进气口畅通无阻
- 不要使用高压清洗机清洁产品。
- 如果用水清洁本产品，切勿用水直接冲洗引擎。

## 清洁切割防护盖的内表面

1. 排空燃油箱。
2. 将本产品侧放，消音器朝下。



**小心：** 如果以空气滤清器朝下的方式放置本产品，可能导致引擎损坏。

3. 用水冲洗切割防护盖的内表面。

## 润滑切割设备



**警告：** 为防止意外启动，请将点火线从火花塞上拆下。



**警告：** 维护切割设备时，请戴上保护手套。刀片非常锋利，很容易造成割伤。

1. 检查切割设备是否有损坏或裂痕。务必更换损坏的切割设备。
2. 检查刀片，查看是否损坏或变钝。

**注意：** 每次磨利刀片后，必须对刀片进行平衡调整。让维修中心磨利、更换和平衡刀片。如果您撞到障碍物并导致本产品停止运行，请更换损坏的刀片。让维修中心评估刀片能否磨利还是必须更换。

## 更换刀片

1. 使用木块卡住刀片。(图 35)
2. 拆下刀片螺栓、弹簧垫片和刀片。(图 36)
3. 检查刀片支架和刀片螺栓是否损坏。
  - a) 如果更换刀片或刀片支架，则还要更换刀片螺栓、弹簧垫片和摩擦垫片。
4. 检查发动机轴，确保其未弯曲。
5. 安装新刀片时，确保弯曲端指向切割防护盖的方向。(图 37)
6. 将摩擦垫片和刀片紧靠在刀片支架上。(图 38)
7. 确保刀片与引擎轴中心对准。(图 39)
8. 使用木块卡住刀片。(图 40)
9. 安装弹簧垫片，并拧紧螺栓至扭矩为 43 – 47 Nm。(图 41)
10. 用手拉住刀片旋转，确保刀片转动自如。



**警告：** 使用防护手套。刀片非常锋利，很容易割到手。

11. 启动本产品以测试刀片。如果刀片未正确安装，则本产品中存在振动，或切割结果令人不满意。

## 检查机油油位



**小心：** 如果油位过低，可能导致引擎损坏。启动本产品之前，请先检查油位。

1. 将本产品置于平坦地面上。
2. 将机油箱盖与连接的油尺一起拆下。
3. 清洁油尺上的机油。
4. 将油尺完全推入机油箱，以便获得正确的油位显示。切勿安装机油箱盖。
5. 将机油箱盖与连接的油尺一起拆下。
6. 检查油尺上的油位。
7. 如果油位过低，加注引擎油后再次检查油位。(图 42)

**注意：** 请使用漏斗，以防止漏油。

8. 当油位正确时，安装机油箱盖。

## 更换引擎油



**警告：** 引擎刚停止运行时，引擎油的温度会非常高。待引擎冷却后再排空引擎油。如果引擎油溅在皮肤上，请用肥皂和水清洗。

(图 43)

1. 操作产品，直至燃油箱无油。
2. 从火花塞上拆下点火线。
3. 将机油箱盖与连接的油尺一起拆下。
4. 在产品下方放一个容器，以收集引擎油。
5. 倾斜产品或使用机油泵（附件）从机油箱排放引擎油。
6. 加注技术参数在第 411 页上中推荐的相应类型的新引擎油。
7. 检查油位。请参阅 *检查机油油位* 在第 409 页上。
8. 当油位正确时，安装机油箱盖。

## 检查火花塞



**小心：** 务必使用建议的火花塞类型。火花塞类型不正确可能导致产品损坏。

- 如果引擎动力不足、不容易启动或者怠速运行不正常，请检查火花塞。
- 为降低在火花塞电极上出现多余物质的风险，请遵循以下说明：
  - a) 确保已正确调节怠速。
  - b) 确保混合燃油正确。
  - c) 确保空气滤清器清洁。
- 如果火花塞脏污，请进行清洁并确保电极间隙正确，请参阅 *技术参数* 在第 411 页上。(图 44)
- 必要时请更换火花塞。

## 清洁空气滤清器

脏污的空气滤清器可能会导致引擎损坏或无法正常工作。在多尘条件下，要更频繁地维护空气滤清器。

请参阅 *维修时间表* 在第 408 页上了解有关何时更换空气滤清器的信息。

1. 拆下空气滤清器罩，然后拆下滤清器。
2. 通过在平整表面上轻叩的方式来清洁滤清器。请勿使用含石油、煤油的溶剂清洁滤清器，亦不要使用压缩空气清洁。

**注意：** 无法彻底清洁使用时间很长的空气滤清器。定期更换空气滤清器。损坏的空气滤清器务必换新。

3. 装配空气滤清器时，确保其在滤清器支架上完全密封。

## 检查侧向排草导向板

侧向排草导向板连接至产品的侧向排草口。它可降低物体被抛向操作员割草位置的风险。

1. 确保侧向排草导向板未损坏。
2. 检查侧向排草导向板。确保在用于关闭门的弹簧上未发现裂纹或断裂等损坏现象。
3. 如果侧向排草导向板或弹簧损坏，请予以更换。

## 检查燃油系统

- 检查燃油箱盖和燃油箱盖的密封，确保没有损坏。
- 检查油管，确保不漏油。如果油管损坏，请让保养厂进行更换。

## 排空燃油箱

1. 将容器放在燃油箱下方。
2. 拧下燃油箱盖。
3. 将燃油管上的管箍推到化油器上。

4. 从化油器上拆下燃油管。
5. 将燃油箱软管放入容器中，然后拆下管箍。
6. 倾斜产品，使燃油排入容器中。

## 更换燃油滤清器



**警告：** 使用防护手套。

1. 排空燃油箱。
2. 将管箍移离燃油箱。(图 45)
3. 将油管从燃油箱上拆下。可能会漏出少量燃油。(图 46)
4. 将燃油滤清器从燃油箱上拆下。(图 47)
5. 在燃油箱中安装新的燃油滤清器。
6. 将油管连接至燃油箱。
7. 将管箍安装到紧靠燃油箱的位置。

## 调节离合器拉线

对于以下情况，需要缩短离合器拉线的长度：

- 拉动驱动杆或速度控制杆时车轮的驱动装置无法接合。
- 车轮驱动装置接合时产品移动缓慢。

对于以下情况，需要增加离合器拉线的长度：

- 车轮驱动装置未接合时产品移动。
- 调节离合器拉线。
  - a) 要缩短离合器拉线的长度，请逆时针转动调节螺丝。
  - b) 要增加离合器拉线的长度，请顺时针转动调节螺丝。(图 48)

如果在调整后产品仍无法令人满意地行驶，请咨询保养代理商

## 运输、存放和废弃处理

### 运输及存放

- 存放和运输产品和燃油时，确保不存在泄漏或烟雾。火花或明火（例如来自电气设备或锅炉等）可能引发火灾。
- 务必使用获得批准的容器存放和运输燃油。
- 将产品长期存放前，先清空燃油箱。在适当的处置地点处理燃油
- 在运输过程中安全地固定产品，以防止损坏和发生事故。
- 将产品放在上锁的区域，以防止儿童或他人擅自触碰。
- 将本产品存放在干燥、防冻的区域。

### 废弃处理

- 遵守当地的回收要求和适用的法规。

- 在服务中心或适当的处置地点处理所有化学品，如机油或燃油。
- 当产品不再可用时，将其发送给 Husqvarna 经销商或送至回收点处理。

## 技术参数

### 技术数据

|                                 |   |
|---------------------------------|---|
|                                 | <b>LC 356VP</b>   |
| <b>引擎</b>                       |   |
| 品牌                              | Honda   |
| 引擎型号名称                          | GCVx170   |
| 排量, cm <sup>3</sup>             | 166   |
| 转速, rpm                         | 2800  |
| 标称引擎输出, kW <sup>146</sup>       | 3.1   |
| <b>点火系统</b>                     |   |
| 火花塞                             | NGK BPR5ES  |
| 电极间隙, mm                        | 0.75  |
| <b>燃油和润滑系统</b>                  |   |
| 燃油, 无铅, 最低辛烷值                   | 90  |
| 燃油箱容量, 升                        | 0.9   |
| 机油箱容量, 升                        | 0.4   |
| 引擎油 <sup>147</sup>              | Husqvarna SAE 30、HusqvarnaSAE 5W-30 Synthetic、HusqvarnaSAE 10W-40 |
| <b>重量</b>                       |   |
| ( 油箱均排空时 ), kg                  | 35.1  |
| <b>噪音排放 <sup>148</sup></b>      |   |
| 声功率级测量值, dB (A)                 | 98  |
| 声功率级保证值 L <sub>WA</sub> , dB(A) | 98  |
| <b>声压级 <sup>149</sup></b>       |   |
| 操作员耳旁声压级, dB (A)                | 86  |
| <b>振级 <sup>150</sup></b>        |   |
| 手柄, m/s <sup>2</sup>            | 5.9   |

<sup>146</sup> 所标注的引擎功率额定值是指引擎型号对应的典型生产引擎在指定转速下的平均净输出功率, 是根据 SAE 标准 J1349/ISO1585 测得。批量生产引擎的该数值可能有所不同。最终产品中所安装引擎的实际功率输出取决于运行速度、环境条件及其他值。

<sup>147</sup> 使用质量为 API SJ 或更高质量的引擎油。如果在低于 +5 °C 的温度下使用 SAE-30 机油, 存在无法充分润滑引擎的风险。这会损坏引擎。请参阅 *更换引擎油* 在第 409 页上以了解适合在低温下使用的正确机油。请参阅引擎手册 (如随附) 中的粘度图, 并根据预期的室外温度选择最合适的粘度。

<sup>148</sup> 环境噪音排放以声功率 (L<sub>WA</sub>) 测量, 符合 EC 指令 2000/14/EC 的要求。

<sup>149</sup> 噪音声压级的报告数据中具有 1.2 dB(A) 的典型统计离差 (标准偏差)。

<sup>150</sup> 振级的报告数据中具有 0.2 m/s<sup>2</sup> 的典型统计离差 (标准偏差)。

|             |                              |
|-------------|------------------------------|
|             | LC 356VP                     |
| <b>切割设备</b> |                              |
| 割草高度, mm    | 25-75                        |
| 割草宽度, mm    | 560                          |
| 割草系统        | Collection / BioClip® / 侧向排草 |
| 刀片 - 标准     | Collection 598562701         |
| 刀片 - 附件     | Mulch 598563601              |
| <b>驱动</b>   |                              |
| 速度, km/h    | 3.0 - 4.5                    |

# 一致性声明

## 欧盟一致性声明

我们 Husqvarna AB (地址: SE-561 82 Huskvarna, Sweden, 电话: +46-36-146500) 谨此声明, 本产品:

|       |              |
|-------|--------------|
| 描述    | 割草机          |
| 品牌    | Husqvarna    |
| 类型/型号 | LC 356VP     |
| 标识    | 2022 及以后的序列号 |

完全符合以下欧盟指令和法规的要求:

| 法规         | 描述                      |
|------------|-------------------------|
| 2006/42/EC | "关于机械"                  |
| 2014/30/EU | "关于电磁兼容性"               |
| 2000/14/EC | "关于环境噪音排放"              |
| 2011/65/EU | "关于在电气和电子设备中限制使用某些有害物质" |

并适用以下标准和/或技术规格: EN ISO 5395-1:2013/A1:2018, EN ISO 5395-2:2013/A1:2016/A2:2017, EN ISO 14982:2009, EN IEC 63000:2018

认证机构: 0404, RISE SMP Svensk Maskinprovning AB, Box 4053, SE-904 03 Umeå, Sweden 已对上述产品进行了认证, 遵循的认证流程为欧洲理事会指令 2000/14/EC 的合规评估流程: 附录 VI。

有关噪音排放的信息, 请参阅 *技术参数* 在第 411 页上。

Huskvarna, 2022-10-20



Claes Losdal, Husqvarna AB 园艺产品开发经理

技术文档负责人







# Husqvarna®

[www.husqvarna.com](http://www.husqvarna.com)

Original instructions  
Оригинални инструкции  
Původní pokyny  
Originale instruktioner  
Originalanweisungen  
Αρχικές οδηγίες  
Instrucciones originales  
Originalaajuhend  
Alkuperäiset ohjeet  
Instructions d'origine

Originalne upute  
Eredeti útmutatás  
Istruzioni originali  
取扱説明書原本  
Originalios instrukcijos

Lietošanas pamācība  
Originele instructies  
Originale instruksjoner  
Oryginalne instrukcje  
Instruções originais  
Instrucţiuni iniţiale  
Оригинальные инструкции  
Pôvodné pokyny  
Izvirna navodila  
Originalna uputstva  
Bruksanvisning i original  
Orjinal talimatlar  
Оригінальні інструкції  
原始说明



1142940-38



2024-11-12