



Husqvarna[®]



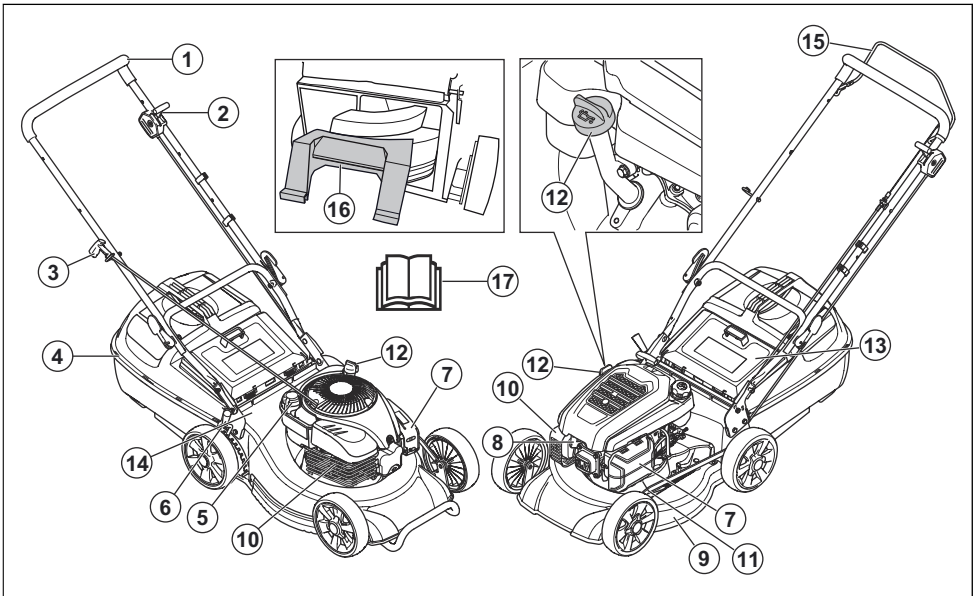
LC 118, LC 219P, LC 419A, LC 419SP,
LC 19AP

Contents

Introduction.....	2	Maintenance.....	9
Safety.....	3	Troubleshooting.....	13
Assembly.....	6	Transportation, storage and disposal.....	14
Operation.....	8	Technical data.....	15

Introduction

Product overview



1. Handle / handlebar
2. Throttle control
3. Starter rope handle
4. Grass catcher
5. Fuel tank cap
6. Cutting height lever
7. Air filter
8. Spark plug
9. Cutting cover
10. Muffler
11. Carburetor
12. Oil tank cap and dipstick
13. Rear cover
14. Serial number
15. Drive bail (LC 419SP)
16. Mulch plug

17. Operator's manual

Product description

The product is a pedestrian-controlled rotary lawn mower. The grass is collected in a grass catcher. Remove the grass catcher to get rear discharge of the grass. Attach a mulch kit to cut the grass into fertilizer.

Intended use

Use the product to cut grass. Do not use the product for other tasks.

Symbols on the product



WARNING: Be careful and use the product correctly. This product can cause serious injury or death to the operator or others.



Read the operator's manual carefully and make sure that you understand the instructions before use.



Keep persons and animals at a safe distance from the work area.



Stop the engine and remove the ignition cable before repairs or maintenance.



Stop the engine before repairs or maintenance.



Look out for thrown objects and ricochets.



Warning: rotating blade. Keep hands and feet clear.



Warning: rotating parts. keep hands and feet clear.



Fast.



Slow.



Noise emission complies with New South Wales legislation "Protection of the Environment Operations (Noise Control) Regulation 2017".



Risk of fire.



Do not breathe in exhaust fumes. The exhaust fumes from the engine contain

carbon monoxide, an odourless, poisonous and very dangerous gas. Do not start the engine indoors or in closed spaces.



Hot surface.



Fill the engine with oil before you start the product..

Note: Other symbols/decals on the product refer to certification requirements for other commercial areas.

Label on the product



Keep hands and feet away from the rotating blades.

Product liability

As referred to in the product liability laws, we are not liable for damages that our product causes if:

- the product is incorrectly repaired.
- the product is repaired with parts that are not from the manufacturer or not approved by the manufacturer.
- the product has an accessory that is not from the manufacturer or not approved by the manufacturer.
- the product is not repaired at an approved service center or by an approved authority.

Safety

Safety definitions

Warnings, cautions and notes are used to point out specially important parts of the manual.



WARNING: Used if there is a risk of injury or death for the operator or bystanders if the instructions in the manual are not obeyed.



CAUTION: Used if there is a risk of damage to the product, other materials or the adjacent area if the instructions in the manual are not obeyed.

Note: Used to give more information that is necessary in a given situation.

General safety instructions



WARNING: Read the warning instructions that follow before you use the product.

- This product is dangerous if used incorrectly or if you are not careful. Injury or death can occur if you do not obey the safety instructions.
- This product produces an electromagnetic field during operation. This field may under some circumstances interfere with active or passive medical implants. To reduce the risk of serious or fatal injury we recommend persons with medical implants to consult their physician and the medical implant manufacturer before operating this product.
- Always be careful and use your common sense. If you are not sure how to operate the product in a special situation, stop and speak to your Husqvarna dealer before you continue.
- Keep in mind that the operator will be held responsible for accidents that involve other persons or their property.
- Keep the product clean. Make sure that you can clearly read signs and decals.
- Do not let a person use the product unless you make sure that they read and understand the contents of the operator's manual.
- Do not let a child operate the product.
- Keep children away from the work area. A responsible adult must be there at all times.
- Do not let a person, without knowledge of the instructions, operate the product.
- Always monitor a person, with decreased physical capacity or mental capacity, that uses the product. A responsible adult must be there at all times.
- Do not use the product if you are tired, ill, or under the influence of alcohol, drugs or medicine. This has a negative effect on your vision, alertness, coordination and judgment.
- Do not use the product if it is defective.
- Do not change this product or use it if it is possible that it has been changed by others.

Work area safety



WARNING: Read the warning instructions that follow before you use the product.

- Remove objects such as branches, twigs and stones from the work area before you use the product.
- Objects that hit against the cutting equipment can eject and cause damage to persons and objects. Keep bystanders and animals at a safe distance from the product.
- Never use the product in bad weather such as fog, rain, strong winds, intense cold and risk of lightning. To use the product in bad weather or in moist or wet locations is tiring. Bad weather can cause dangerous conditions, such as slippery surfaces.
- Look out for persons, objects and situations that can prevent safe operation of the product.
- Look out for obstacles, such as roots, stones, twigs, pits and ditches. Long grass can hide obstacles.
- To cut grass on slopes can be dangerous. Do not use the product on ground that slopes more than 15°.
- Operate the product across the face of slopes. Do not move up and down.
- Be careful when you go near hidden corners and objects that prevent a clear view.

Work safety



WARNING: Read the warning instructions that follow before you use the product.

- Use this product to cut grass lawns only. It is not permitted to use it for other tasks.
- Use personal protective equipment. Refer to *Personal protective equipment on page 5*.
- Make sure that you know how to stop the engine quickly in an emergency.
- Do not start the engine in a closed space or near flammable material. The exhaust fumes from the engine are hot and can contain sparks which can start a fire.
- Do not operate the product unless the blade and all covers are attached correctly. An incorrectly attached blade can come loose and cause serious injury.
- Make sure that the blade does not hit objects such as stones and roots. This can do damage to the blade and bend the engine shaft. A bent axle causes heavy vibration and a very high risk that the blade becomes loose.
- If the blade hits an object or if vibrations occur, stop the product immediately. Disconnect the ignition cable from the spark plug. Examine the product for damages. Repair damages or let an approved service agent do the repair.
- Put the product on a stable, flat surface and start it. Make sure that the blade does not hit the ground or other objects.
- Always stay behind the product when you operate it.
- Let all the wheels stay on the ground and keep 2 hands on the handle when you operate the product.

Keep your hands and feet away from the rotating blades.

- Do not tilt the product when the engine is started.
- Be careful when you pull the product rearward.
- Do not lift up the product when the engine is started. If you must lift the product, first stop the engine and disconnect the ignition cable from the spark plug.
- Do not walk rearward when you operate the product.
- Stop the engine when you move across areas without grass, for example paths made of gravel, stone and asphalt.
- Do not run with the product when the engine is started. Always walk when you operate the product.
- Stop the engine before you change the cutting height. Do not make adjustments with the engine started.
- Do not let the product stay out of view with the engine started. Stop the engine and make sure that the cutting equipment does not rotate.

Safety instructions for operation

Personal protective equipment



WARNING: Read the warning instructions that follow before you use the product.

- Personal protective equipment cannot fully prevent injury but it decreases the degree of injury if an accident does occur. Let your dealer help you select the right equipment.
- Use hearing protection if the noise level is higher than 85 dB.
- Use heavy-duty slip-resistant boots or shoes. Do not use open shoes or go with bare feet.
- Use heavy, long pants.
- Use protective gloves when necessary, for example when you attach, examine or clean the cutting equipment.

Safety devices on the product



WARNING: Read the warning instructions that follow before you use the product.

- Do not use a product with defective safety devices.
- Do a check of the safety devices regularly. If the safety devices are defective, speak to your Husqvarna service agent.

To do a check of the cutting cover

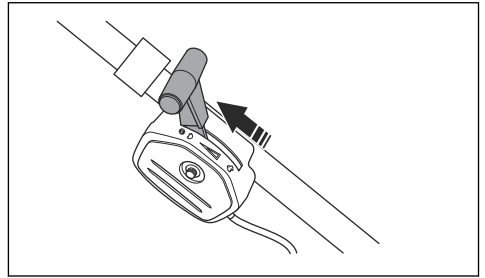
The cutting cover decreases vibrations in the product and decreases the risk of injury from the blade.

- Examine the cutting cover to make sure that there are no damages such as cracks.

To do a check of the throttle control

The throttle control stops the engine when the throttle control is moved to the stop position.

- Start the engine and then move the throttle control to the stop position.



- If the engine does not stop, do these steps:
 - a) Disconnect the ignition cable from the spark plug to stop the engine.
 - b) Let an approved Husqvarna service agent adjust the throttle control.

Muffler



WARNING: The muffler becomes very hot during/after operation and at idle speed. There is a risk of fire, especially when you operate the product near flammable materials and/or fumes.



WARNING: Do not operate a product without a muffler or with a defective muffler. A defective muffler can increase the noise level and the risk of fire. Keep fire extinguishing tools near. Do not use a product without, or with a broken, spark arrestor mesh if you must have a spark arrestor mesh in your area.

The muffler keeps the noise levels to a minimum and points the exhaust fumes away from the operator. In areas with a hot, dry weather there is a high risk of fire. Obey local regulations and maintenance instructions.

To do a check of the muffler

- Examine the muffler regularly to make sure that it is attached correctly and not damaged.

Fuel safety



WARNING: Read the warning instructions that follow before you use the product.



WARNING: The engine exhaust from this product contains chemicals known to the State of California to cause cancer, birth defects, or other reproductive harm.

- Do not fill the fuel tank fully. Heat causes the fuel to expand. Keep a space at the top of the fuel tank.

Safety instructions for maintenance



WARNING: Read the warning instructions that follow before you use the product.

- Do not start the product if there is fuel or engine oil on the product. Remove the unwanted fuel/oil and let the product dry.
- If you spill fuel on your clothing, change clothing immediately.
- Do not get fuel on your body, it can cause injury. If you get fuel on your body, use soap and water to remove the fuel.
- Do not start the product if the engine has a leak. Examine the engine for leaks regularly.
- Be careful with fuel. Fuel is flammable and the fumes are explosive and can cause injuries or death.
- Do not breathe in the fuel fumes, it can cause injury. Make sure that there is a sufficient airflow.
- Do not smoke near the fuel or the engine.
- Do not put warm objects near the fuel or the engine.
- Do not add the fuel when the engine is on.
- Make sure that the engine is cool before you refuel.
- Stop the engine and wait minimum 2 minutes, before you open the fuel tank cap.
- Before you refuel, open the fuel tank cap slowly and release the pressure carefully.
- Do not add fuel to the engine in an indoor area. Not sufficient airflow can cause injury or death because of asphyxiation or carbon monoxide.
- Tighten the fuel tank cap fully. If the fuel tank cap is not tightened, there is a risk of fire.
- Move the product a minimum of 3 m / 10 ft from the position where you filled the tank before a start.

- The exhaust fumes from the engine contain carbon monoxide, an odourless, poisonous and very dangerous gas. Do not start the engine indoors or in closed spaces.
- Before you do the maintenance on the product, stop the engine and remove the ignition cable from the spark plug.
- Use protective gloves when you do maintenance on the cutting equipment. The blade is very sharp and cuts can easily occur.
- Accessories and changes to the product that are not approved by the manufacturer, can cause serious injury or death. Do not change the product. Always use accessories that are approved by the manufacturer.
- If the maintenance is not done correctly and regularly, the risk of injury and damage to the product increases.
- Only do the maintenance as given in this owner's manual. All other servicing must be done by an approved Husqvarna service agent.
- Let an approved Husqvarna service agent do servicing on the product regularly.
- Replace damaged, worn or broken parts.

Assembly

Introduction



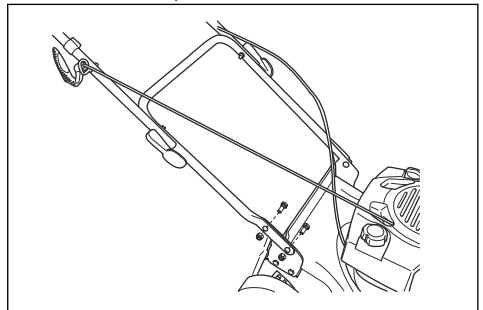
WARNING: Before you assemble the product, you must read and understand the safety chapter.



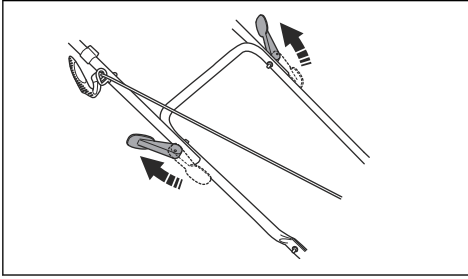
WARNING: Remove the spark plug cable from the spark plug before you assemble the product.

To assemble the handle

1. Attach the lower handle with 2 screws and nuts on each side of the product.



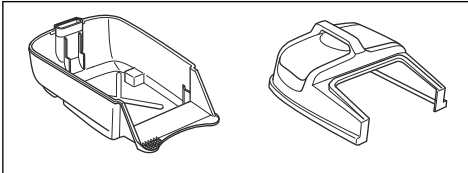
- Lift the upper handle until it aligns with the lower handle. Tighten the knobs.



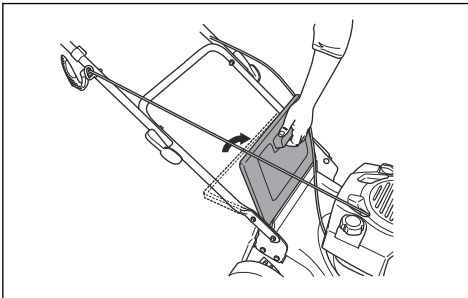
CAUTION: Be careful and do not cause damage to the cables when you lift the upper handle.

To assemble the grass catcher

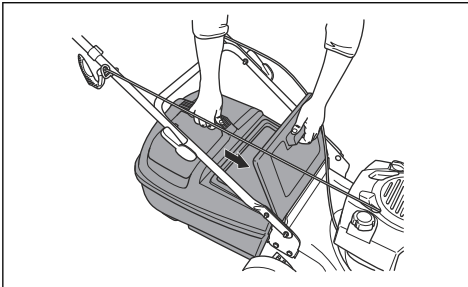
- Put the top part of the grass catcher onto the lower part of the grass catcher.



- Lift the rear cover.



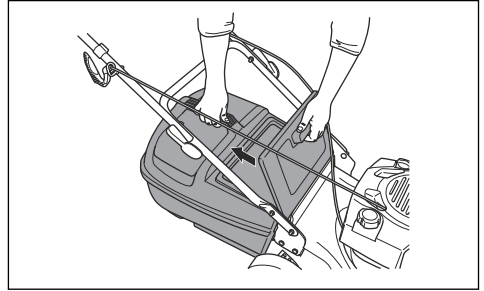
- Hold the grass catcher at the grass discharge channel.



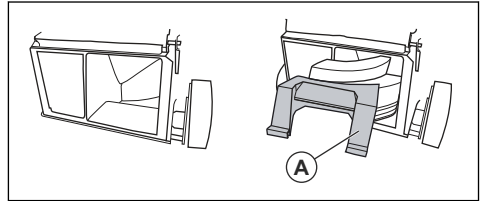
- Lower the rear cover to lock the grass catcher into position.

To assemble the mulch plug

- Lift up the rear cover and remove the grass catcher.



- Put the mulch plug (A) into the discharge channel.

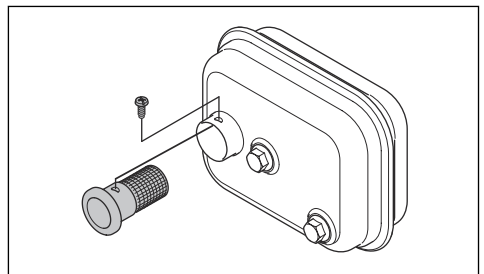


- Close the rear cover.

To assemble the spark arrester (Optional accessory)

- For LC 118, remove the engine cover.
- Remove the screws that hold the muffler cover.
- Remove the muffler cover.
- Insert the spark arrester.

Note: Make sure to align the holes in the spark arrester and the muffler.



- Attach the supplied screw
- Attach the muffler cover and install the screws.
- For LC 118, attach the engine cover.

Operation

Introduction



WARNING: Before you operate the product, you must read and understand the safety chapter.

Before you operate the product

1. Read the operator's manual carefully and make sure that you understand the instructions.
2. Examine the cutting equipment to make sure that it is correctly attached and adjusted. See #.
3. Fill the fuel tank. See *To fill fuel on page 8*.
4. Fill the oil tank and do a check of the oil level. See *To do a check of the oil level on page 11*.

To fill fuel

If available, use gasoline with a low emission grade/alkylate fuel. If gasoline with a low emission grade/alkylate fuel is not available, use good quality unleaded gasoline or leaded gasoline with octane number not less than 91.



CAUTION: Do not use gasoline with an octane number less than 91 RON. This can cause damage to the product.



CAUTION: Replace the fuel filter yearly or more frequently if it is necessary. A new fuel filter is available at your Husqvarna dealer.

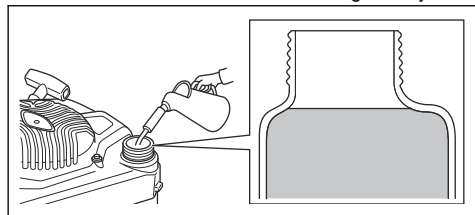


CAUTION: Always stop the engine before you fill fuel.



CAUTION: Do not use pressurized starting fluids.

1. Open the fuel tank cap slowly to release the pressure.
2. Fill slowly with a fuel can. Refer to #. If you spill fuel, remove it with a cloth and let remaining fuel dry off.

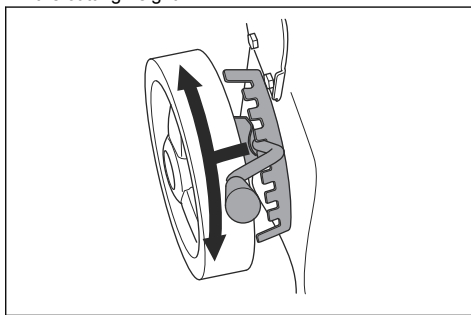


3. Clean the area around the fuel tank cap.

4. Tighten the fuel tank cap fully. If the fuel tank cap is not tightened, there is a risk of fire.
5. Move the product a minimum of 3 m / 10 ft from the position where you filled the tank before a start.

To set the cutting height

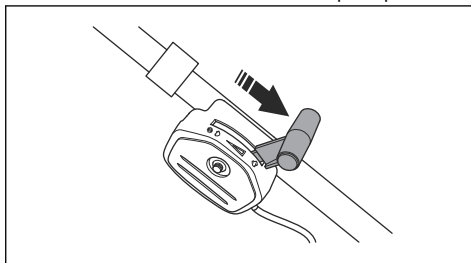
1. Stop the engine.
2. Move the cutting height lever rearward to increase the cutting height.
3. Move the cutting height lever forward to decrease the cutting height.



CAUTION: Do not set the cutting height too low. The blades can hit the ground if the surface of the lawn is not level.

To start the product

1. Make sure that the ignition cable is connected to the spark plug.
2. Stay behind the product.
3. Move the throttle control to the fast speed position.



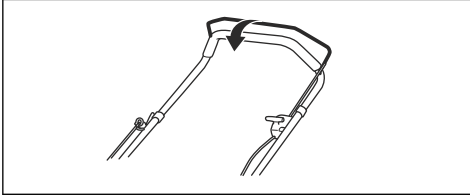
4. Hold the starter rope handle with your right hand.
5. Slowly pull out the starter rope until you feel some resistance.
6. Pull with force to start the engine.



WARNING: Do not twist the starter rope around your hand.

To use the drive on the wheels (LC 419SP)

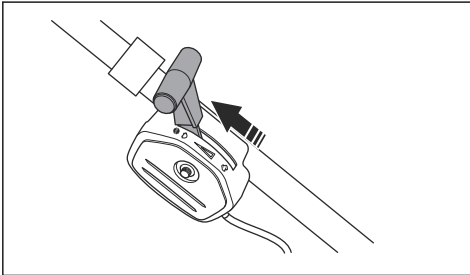
- Push the drive bail in the direction of the handlebar.



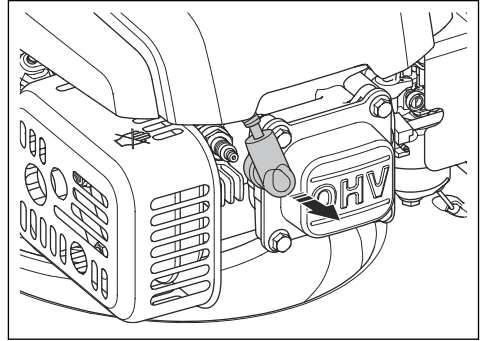
- Before you pull the product rearward, disengage the drive and push the product forward approximately 10 cm / 4 in.
- Release the drive bail to disengage the drive, for example when you go near an obstacle.

To stop the product

- To stop the engine, move the throttle control to the stop position.



- If the engine does not stop, disconnect the ignition cable from the spark plug.



To get a good result

- Always use a sharp blade. A blunt blade gives an irregular result and the cut surface of the grass becomes yellow. A sharp blade also uses less energy than a blunt blade.
- Do not cut more than $\frac{1}{3}$ of the length of the grass. Cut first with the cutting height set high. Examine the result and lower the cutting height to an applicable level. If the grass is very long, drive slowly and cut 2 times if necessary.
- Cut in different directions each time to prevent stripes in the lawn.

Maintenance

Introduction



WARNING: Before you do maintenance, you must read and understand the safety chapter.

For all servicing and repair work on the product, special training is necessary. We guarantee the availability of professional repairs and servicing. If your dealer is not a service agent, speak to them for information about the nearest service agent.

Maintenance schedule

The maintenance intervals are calculated from daily use of the product. The intervals change if the product is not used daily.

For maintenance identified with * refer to instructions in *Safety devices on the product on page 5.*

Maintenance	Daily	Monthly	Each season
Do a general inspection	X		

Maintenance	Daily	Monthly	Each season
Clean the product	X		
Examine the oil level ¹	X		
Replace the oil (the first time after 5 h use, then after each 50 h use and yearly)			X
Examine the cutting equipment	X		
Examine the cutting cover *	X		
Examine the air filter	X		
Clean the air filter ²		X	
Replace the air filter			X
Clean the cooling fins on the cylinder		X	
Examine the muffler *		X	
Examine the spark plug. Clean or replace if necessary			X
Clean or replace the spark arrester mesh (accessory) on the muffler		X	
Examine the fuel system			X
Examine and adjust the drive (clutch wire)			X

To do a general inspection

- Make sure that all nuts and screws on the product are tightened correctly.

To clean the product externally

- Use a brush to remove leaves, grass and dirt.
- Make sure that the air intake on the top of the engine is not blocked.
- Do not use a high pressure washer to clean the product.
- If you use water to clean the product, do not flush water directly on the engine.

To clean the inner surface of the cutting cover

1. Empty the fuel tank.
2. Put the product on its side with the muffler down.



CAUTION: If the product is put with the air filter down, the engine can become damaged.

3. Hose down the inner surface of the cutting cover with water.

To examine the cutting equipment



WARNING: Damaged blades must be replaced immediately. Let a service agent sharpen, replace and balance the blade. Damaged blades and worn bolts can cause injury and death.



WARNING: To prevent accidental start, remove the ignition cable from the spark plug.



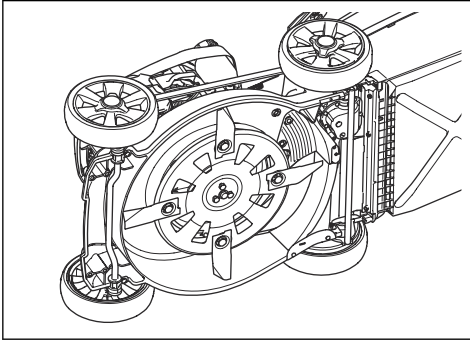
WARNING: Use protective gloves when you do maintenance on the cutting equipment. The blades are very sharp and injuries can easily occur.

1. Examine the cutting equipment for damage or cracks. Always replace a damaged cutting equipment.
2. Make sure that the engine shaft is not bent.
3. Look at the blades to see if they are damaged or blunt.

¹ Change engine oil every 25 hours when used under heavy load or in high ambient temperatures.

² Clean more often under dusty conditions or when airborne debris is present. Replace air cleaner parts, if very dirty.

4. Look at the blade bolts to see if they are worn or damaged.



To do a check of the oil level



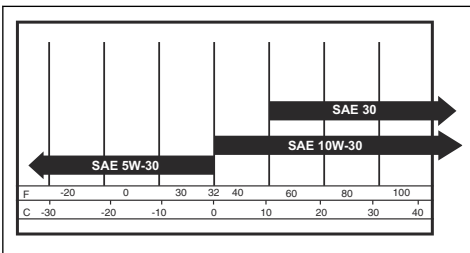
CAUTION: A too low oil level can do damage to the engine. Do a check of the oil level before you start the product.

1. Put the product on level ground.
2. Remove the oil tank cap with the attached dipstick.
3. Clean the oil from the dipstick.
4. Put the dipstick fully into the oil tank to give a correct picture of the oil level.
5. Remove the dipstick.
6. Examine the oil level on the dipstick.
7. If the oil level is low, fill with engine oil and do a check of the oil level again.

To replace the engine oil



WARNING: Engine oil is very hot directly after the engine is stopped. Let the engine become cool before you drain the engine oil. If you spill engine oil on your skin, clean with soap and water.



Note: Use 4-stroke engine oil. Make sure to use the correct viscosity for the ambient temperature.

1. Operate the product until the fuel tank is empty.
2. Remove the ignition cable from the spark plug.

3. Remove the oil tank cap.
4. Drain the engine oil from the oil tank with an oil pump (accessory).
5. Fill with new engine oil of the type recommended in #.
6. Do a check of the oil level. Refer to *To do a check of the oil level on page 11*.

Air filter

An air filter that is used for a long time cannot be fully cleaned. Replace the air filter at regular intervals.

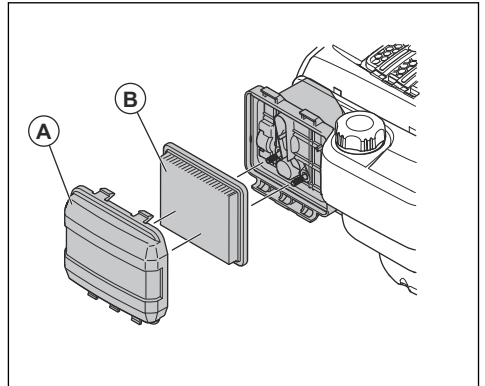
Note: Always replace a damaged air filter.

To remove and install the air filter



WARNING: Use protective gloves.

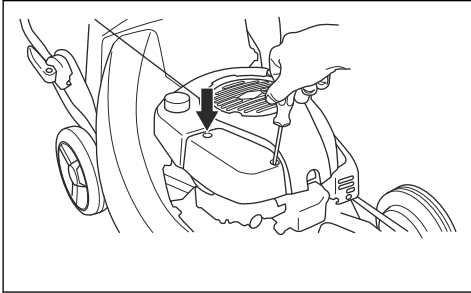
1. Push the air filter clips.
2. Carefully remove the air filter cover (A) from the engine.
3. Remove the air filter (B).



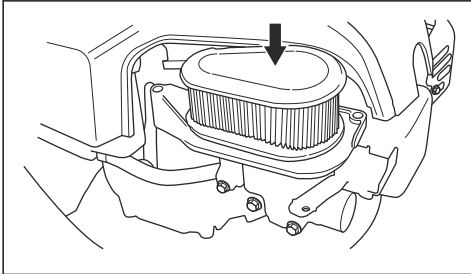
4. Examine the air filter for damages. Replace a damaged air filter.
5. Clean and examine the air filter. Refer to #.
6. Install in the opposite sequence.

To remove and install the air filter (LC 19AP)

1. Remove the air filter cover.



2. Remove the air filter.



3. Examine the air filter for damages. Replace a damaged air filter.
4. Clean and examine the air filter. Refer to #.
5. Assemble the air filter. Make sure that the air filter fully seals against the air filter holder.
6. Assemble the air filter cover.

To clean the air filter

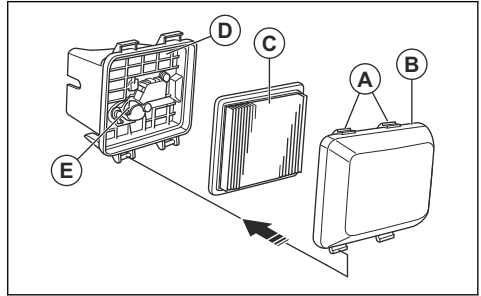


CAUTION: Do not operate the engine without an air filter attached or if the air filter is dirty.



CAUTION: Replace the air filter if it cannot be fully cleaned or if it is damaged. A defective air filter causes damage to the engine.

1. Push the latch tabs (A), remove the air filter cover (B) and remove the air filter (C).



2. Hit the air filter against a hard surface or blow compressed air through the air filter from the clean side of the air filter.



CAUTION: Do not use a brush to remove dirt as this pushes the dirt into the air filter.

3. Clean the air filter holder (D) and the air filter cover with a moist cloth.



CAUTION: Make sure that no dirt goes into the air duct (E).

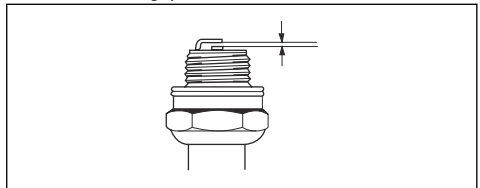
4. Install the air filter. Make sure that the air filter fully seals against the air filter holder.
5. Install the air filter cover with the bottom tabs first.

To examine the spark plug



CAUTION: Always use the recommended spark plug type. Incorrect spark plug type can cause damage to the product.

- Examine the spark plug if the engine is low on power, is not easy to start or does not operate correctly at idle speed.
- To decrease the risk of unwanted material on the spark plug electrodes, obey these instructions:
 - a) Make sure that the idle speed is correctly adjusted.
 - b) Make sure that the fuel mixture is correct.
 - c) Make sure that the air filter is clean.
- If the spark plug is dirty, clean it and make sure that the electrode gap is correct, refer to #.



- Replace the spark plug if it is necessary.

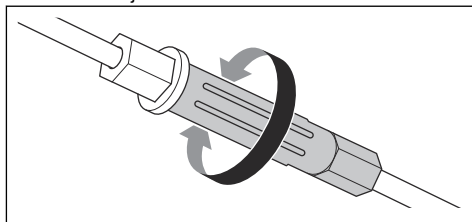
To examine the fuel system

- Examine the fuel tank cap and the seal for the fuel tank cap to make sure that there are no damages.
- Examine the fuel hose to make sure that there are no leaks. If the fuel hose is damaged, let a service agent replace it.

To adjust the clutch wire (LC 419SP)

If the drive feels slow, it is necessary to adjust the clutch wire.

- Turn the adjuster screw.



- To increase the drive speed, turn the adjuster screw counterclockwise.
- To decrease the drive speed, turn the adjustment screw clockwise.

Troubleshooting

Problem	Possible cause	Solution
The engine does not start.	The ignition cable is not connected correctly.	Connect the ignition cable to the spark plug.
	The fuel tank is empty.	Fill the fuel tank with correct fuel type.
	The fuel is old.	Drain the fuel tank and the carburetor. Refuel with new gasoline.
	There is dirt in the carburetor or fuel line.	Clean the carburetor and/or fuel line.
	The spark plug is defective.	Adjust the electrode gap, clean or replace the spark plug.
	There is fuel on the spark plug.	Clean the spark plug.
The engine does not stop.	The stop mechanism is defective.	Disconnect the ignition cable from the spark plug. Let an approved service agent repair the product.
The engine does not operate smoothly.	The ignition cable is not connected correctly.	Connect the ignition cable to the spark plug.
	There is dirt in the fuel line or the fuel has expired.	Clean the fuel line. Fill the fuel tank with new fuel of the correct type.
	There is blockage in the fuel tank cap.	Clean the fuel tank cap.
	There is water or dirt in the fuel system.	Drain the fuel tank. Fill the fuel tank with new fuel of the correct type.
	The air filter is dirty.	Clean the air filter.
	The carburetor must be adjusted.	Let a servicing dealer adjust the carburetor.
The engine becomes too hot.	The engine oil level is too low.	Fill engine oil.
	The air flow is not sufficient.	Clean the air filter and the air filter housing.
	The carburetor must be adjusted.	Let a servicing dealer adjust the carburetor.

Problem	Possible cause	Solution
There is misfire in the engine when it operates at high speed.	The electrode gap in the spark plug is too small.	Adjust the electrode gap.
Unusual noises from the engine during normal load.	Incorrect type of gasoline.	Drain the fuel tank and the carburetor. Refuel with new gasoline. Refer to #. If the problem continues speak to your local service dealer.
The engine does not operate smoothly at idle speed.	The spark plug is dirty, defective or the electrode gap is too wide.	Adjust the electrode gap or replace the spark plug.
	The carburetor must be adjusted.	Adjust the carburetor.
	The air filter is dirty.	Clean the air filter.
There is too much vibration in the handle.	A blade is loose or not balanced.	Tighten the blade bolts. Replace the blades if there are damages.
	A blade is bent.	Replace the blades if there are damages.
The grass is not cut into mulch.	The grass is wet.	Do not operate the product when the grass is wet. Wait until the grass is dry.
	The grass is too high.	Cut first with the cutting height set high. Lower the cutting height and cut again. Cut only ½ of the cutting width at a time.
	One or more of the blades are not sufficiently sharp.	Sharpen or replace the blades.
The grass is cut irregularly.	The wheels are not in correct position.	Set the cutting height at the same level for all 4 wheels.
	One or more of the blades are not sufficiently sharp.	Sharpen or replace the blades.
The drive system does not operate correctly (LC 419SP)	The drive belt is not sufficiently tight or there is dirt on the pulleys or drive belt.	Let an approved service agent do maintenance on the drive system.

Transportation, storage and disposal

Transportation and storage

- For storage and transportation of the product and fuel, make sure that there are no leaks or fumes. Sparks or open flames, for example from electrical devices or boilers, can start a fire.
- Always use approved containers for storage and transportation of fuel.
- Empty the fuel tank before you put the product in storage for a long period of time. Discard the fuel at an applicable disposal location
- Safely attach the product during transportation to prevent damage and accidents.

- Keep the product in a locked area to prevent access for children or persons that are not approved.
- Keep the product in a dry and frost free area.

Disposal

- Obey the local recycling requirements and applicable regulations.
- Discard all chemicals, such as engine oil or fuel, at a service center or at an applicable disposal location.
- When the product is no longer in use, send it to a Husqvarna dealer or discard it at a recycling location.

Technical data

	LC 118	LC 219P	LC 419A	LC 419SP	LC 19AP
Engine					
Brand	Husqvarna	Husqvarna	Husqvarna	Husqvarna	Briggs & Stratton
Engine model name	HS 139A	HS 166A	HS 166A	HS 166A	750 Series DOV I/C
Engine type	Single cylinder, 4-Stroke, Forced Air Cooling, OHV	Single cylinder, 4-Stroke, Forced Air Cooling, OHV	Single cylinder, 4-Stroke, Forced Air Cooling, OHV	Single cylinder, 4-Stroke, Forced Air Cooling, OHV	Single cylinder, 4-Stroke, Forced Air Cooling, OHV
Displacement, cm ³	139	166	166	166	161
Speed, rpm	2900	2900	2900	2900	2900
Nominal engine output ³ , kW	2.2	2.75	2.75	2.75	2.7
Sound power level, measured, dB(A)	94	92	92	92	96
Sound power level, guaranteed, L _{WA} dB(A)	96	94	94	94	98
Sound pressure level at operators ear, dB(A)	83	80	80	80	82
Vibrations handlebar, m/s ²	7.5	7.5	7.5	7.5	9.2
Ignition system					
Spark plug	Husqvarna HQT-7	Husqvarna HQT-7	Husqvarna HQT-7	Husqvarna HQT-7	Champion QC12YC
Electrode gap, mm	0.7-0.8	0.7-0.8	0.7-0.8	0.7-0.8	0.5
Engine lubrication type	Splash	Splash	Splash	Splash	Splash
Fuel and lubrication system					
Fuel tank capacity, litre	0.9	1.0	1.0	1.0	1.0
Oil tank capacity, litre	0.5	0.5	0.5	0.5	0.6
Engine oil	SAE 10W-30	SAE 10W-30	SAE 10W-30	SAE 10W-30	SAE 30
Weight					
With empty tanks, kg	26.2	29.5	28.3	32.0	34.0
Cutting					

³ The power rating of the engine indicated is the average net output (at specified rpm) of a typical production engine for the engine model measured to SAE standard J1349/ISO1585. Mass production engines may differ from this value. Actual power output for the engine installed on the final product will depend on the operating speed, environmental conditions and other values.

	LC 118	LC 219P	LC 419A	LC 419SP	LC 19AP
Number of cutting height positions	8	10	10	8	10
Cutting height, mm	16-80	15-93	16-80	15-75	16-80
Cutting width, mm	460	480	480	480	480
Cutting system	Collection, Bio-clip®	Collection, Bio-clip®	Collection, Bio-clip®	Collection, Bio-clip®	Collection, Bio-clip®
Blades	Swing-back blade (4 blades)	Swing-back blade (4 blades)	Swing-back blade (4 blades)	Swing-back blade (4 blades)	Swing-back blade (4 blades)
Grass catcher capacity, liter	44	44	44	44	44
Drive					
Drive system	Push	Push	Push	Self propelled, single speed	Push
Drive wheels	–	–	–	Rear	–
Speed km/h	–	–	–	4.0	–



www.husqvarna.com

Original instructions

1142175-26



2020-03-17