



Husqvarna®



522HD60X, 522HDR60X, 522HDR75X

EAC

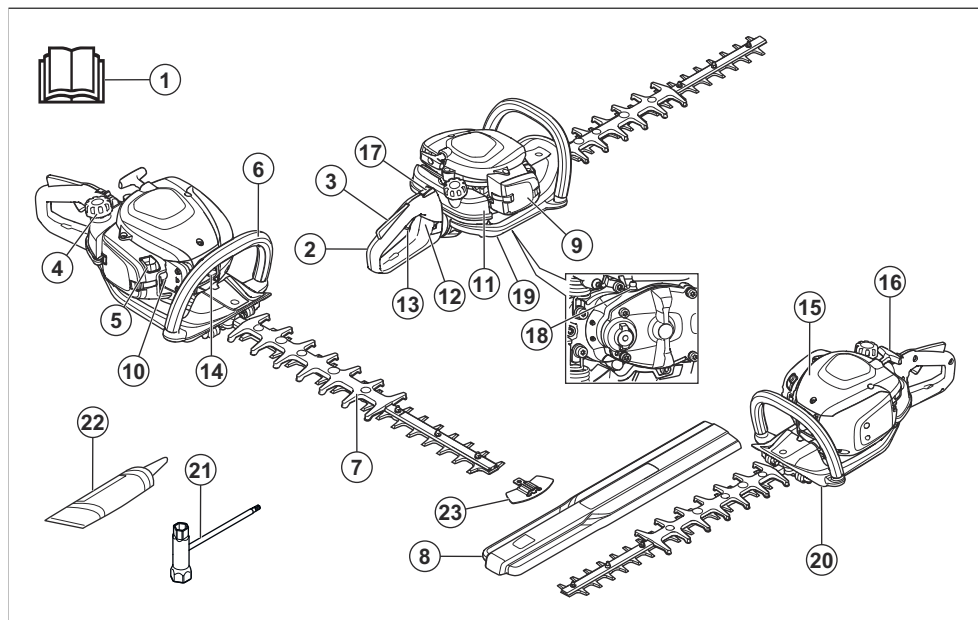
EN	Operator's manual	2-16
KO	사용자 설명서	17-29
RU	Руководство по эксплуатации	30-45

Contents

Introduction.....	2	Transportation, storage and disposal.....	13
Safety.....	3	Technical data.....	13
Operation.....	7	Declaration of Conformity.....	15
Maintenance.....	10		

Introduction

Product overview



1. Operator's manual
2. Rear handle
3. Throttle trigger lockout
4. Fuel tank cap
5. Choke control
6. Front handle
7. Blade and blade guard
8. Transport guard
9. Air filter cover
10. Air purge bulb
11. Fuel tank
12. Handle lock
13. Throttle trigger
14. Spark plug cap and spark plug
15. Cylinder cover
16. Starter rope handle

17. Stop switch
18. Grease nipple
19. Gear housing
20. Hand guard
21. Combination wrench
22. Tube of grease
23. Blade tip protection

Product description

The product is a hedge trimmer with a combustion engine.

Intended use

Use the product to cut branches and twigs. Do not use the product for other tasks.

Symbols on the product



Stop.



Be careful and use the product correctly. This product can cause serious injury or death to the operator or others.



Read the operator's manual carefully and make sure that you understand the instructions before use.



Use approved hearing protection and approved eye protection.



Use approved protective gloves.



Use heavy-duty slip-resistant boots.

T

Idle adjustment screw.

H

High speed needle.

L

Low speed needle.



Noise emissions to the environment according to European Directive 2000/14/EC and New South Wales legislation "Protection of the Environment Operations (Noise Control) Regulation 2017". Noise emission data can be found on the machine label and in the Technical data chapter.

CE

The product agrees with the applicable EC directives.

UK
CA

This product conforms to applicable UK regulations.

yyyyywwxxxx

The rating plate shows serial number. **yyyy** is the production year and **ww** is the production week.

Note: Other symbols/decals on the product refer to certification requirements for some markets.

Euro V Emissions



WARNING: Tampering with the engine voids the EU type-approval of this product.

Safety

Safety definitions

Warnings, cautions and notes are used to point out specially important parts of the manual.



WARNING: Used if there is a risk of injury or death for the operator or bystanders if the instructions in the manual are not obeyed.



CAUTION: Used if there is a risk of damage to the product, other materials or the adjacent area if the instructions in the manual are not obeyed.

Note: Used to give more information that is necessary in a given situation.

General safety instructions



WARNING: Read the warning instructions that follow before you use the product.

- Incorrect or careless use of the product can turn it into a dangerous tool that can cause serious or even fatal injury. It is extremely important that you read and understand the contents of this operator's manual.
- This product produces an electromagnetic field during operation. This field may under some

circumstances interfere with active or passive medical implants. To reduce the risk of serious or fatal injury, we recommend persons with medical implants to consult their physician and the medical implant manufacturer before operating this product.

- Overexposure to vibration can lead to circulatory damage or nerve damage in people who have impaired circulation. Contact your doctor if you experience symptoms of overexposure to vibration. Such symptoms include numbness, loss of feeling, tingling, pricking, pain, loss of strength, changes in skin color or condition. These symptoms normally appear in the fingers, hands or wrists. The risk increases at low temperatures.
- If you encounter a situation where you are uncertain how to proceed you should ask an expert. Contact your dealer or your service workshop. Avoid all usage which you consider to be beyond your capability.
- Keep in mind that the operator is responsible for accidents or hazards occurring to other people or their property.
- Never allow anyone else to use the product without first ensuring that they have understood the contents of the operator's manual.
- Never allow children to use or be in the vicinity of the product. As the product is equipped with a spring-loaded stop switch and can be started by low speed and force on the starter handle, even small children under some circumstances can produce the force necessary to start the product. This can mean a risk of serious personal injury. Therefore remove the spark plug cap when the product is not under close supervision.
- Store the product out of reach of children.
- Never use the product if you are tired, if you have drunk alcohol, or if you are taking medication that could affect your vision, your judgement or your coordination.
- Never use a product that is faulty. Carry out the checks, maintenance and service instructions described in this manual. Some maintenance and service measures must be carried out by trained and qualified specialists. Refer to instructions under the heading Maintenance.
- Never use a product that has been modified in any way from its original specification.

Safety instructions for operation



WARNING: Read the warning instructions that follow before you use the product.

- Never use the product in extreme weather conditions such as severe cold, very hot and/or humid climates.
- Faulty blades can increase the risk of accidents.
- Ensure that no-one comes closer than 15 m / 50 ft while you are working.

- Observe your surroundings and make sure that there is no risk of people or animals coming into contact with the cutting equipment.
- Inspect the working area. Remove any objects that could be thrown out.
- Always ensure you have a safe and stable working position.
- Never leave the product unsupervised with the motor running.
- Make sure that your hands and feet do not come near the cutting unit when the engine is running.
- If anything jams in the blades while you are working, switch off the engine and wait until it has stopped completely before cleaning the blades. Disconnect the HT lead from the spark plug. Refer to *To examine the blades on page 12*.
- When the engine is switched off, keep your hands and feet away from the cutting unit until it has stopped completely.
- Watch out for stumps of branches that can be thrown out during cutting.
- Listen out for warning signals or shouts when you are wearing hearing protection. Always remove your hearing protection as soon as the engine stops.
- Never work from a ladder, stool or any other raised position that is not fully secured.
- Always use both hands to hold the product. Hold the product in front of your body.
- If any foreign object is hit or if vibrations occur stop the product immediately. Disconnect the HT lead from the spark plug. Check that the product is not damaged. Repair any damage.
- Ensure that the spark plug cap and ignition lead are undamaged to avoid the risk of electric shock.
- Check that all nuts and screws are tight.
- Make sure the gear housing is lubricated correctly. Refer to *To lubricate the gear housing on page 12*.
- The gear housing gets hot when the product has been in use. To avoid burning yourself do not touch the gear housing.
- All covers and guards must be fitted before starting.
- The transport guard should always be fitted to the cutting unit when the product is not in use.

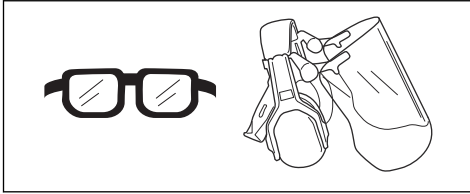
Personal protective equipment



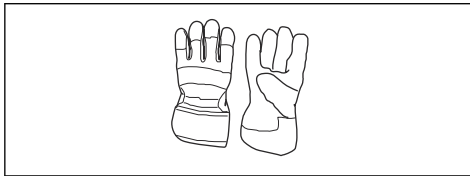
WARNING: Read the warning instructions that follow before you use the product.

- Always use approved personal protective equipment when you use the product. Personal protective equipment cannot fully prevent injury but it decreases the degree of injury if an accident does occur. Let your dealer help you select the right equipment.

- Use approved hearing protection that provides adequate noise reduction. Long-term exposure to noise can result in permanent hearing impairment.
- Use approved eye protection. If you use a visor, you must also use approved protective goggles. Approved protective goggles must comply with the ANSI Z87.1 standard in the USAs or EN 166 in EU countries.



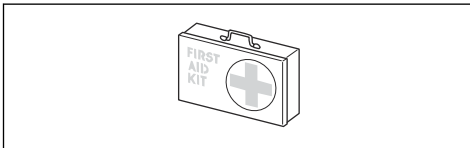
- Use gloves when necessary, for example when you attach, examine or clean the cutting equipment.



- Use sturdy non-slip boots or shoes.



- Use clothing made of a strong fabric. Always use heavy, long pants and long sleeves. Do not use loose clothing that can catch on twigs and branches. Do not wear jewelry, short pants, sandals or go with bare feet. Put your hair up safely above shoulder level.
- Keep first aid equipment close at hand.



Safety devices on the product



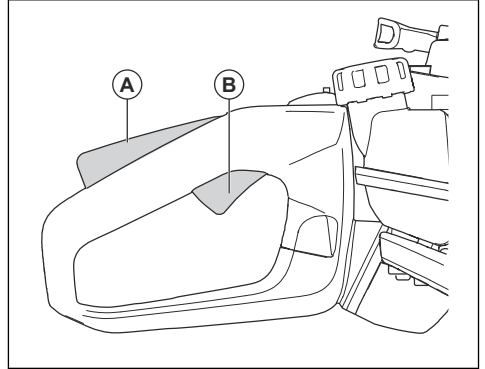
WARNING: Read the warning instructions that follow before you use the product.

- Do not use a product with defective safety devices.

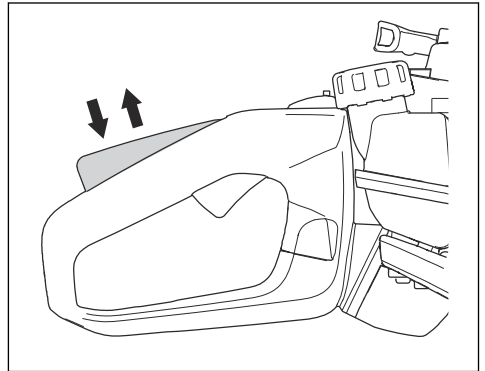
- Do a check of the safety devices regularly. If the safety devices are defective, speak to your Husqvarna service agent.

To do a check of the throttle trigger lockout

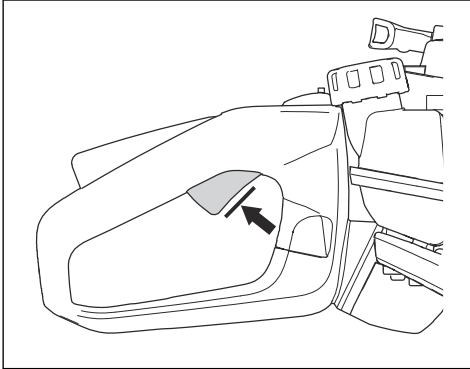
1. Make sure that the throttle trigger lockout (A) and throttle trigger (B) move freely and that the return spring works correctly.



2. Push down the throttle trigger lockout and make sure that it goes back to its initial position when you release it.



3. Make sure that the throttle trigger is locked at the idle position when the throttle trigger lockout is released.



4. Start the product and apply full throttle.
5. Release the throttle trigger and make sure that the blades stop and stay stationary.



WARNING: If the blades move when the throttle trigger is in the idle position, then the carburetor idle speed must be adjusted. Refer to *To adjust the idle speed on page 11*.

To do a check of the stop switch

1. Start the engine.
2. Push the stop switch to the stop position and make sure that the engine stops.



WARNING: The stop switch automatically goes back to start position. To prevent accidental start, remove the spark plug cap from the spark plug when you assemble or do maintenance on the product.

To do a check of the hand guard

The hand guard prevents injuries from the blades.

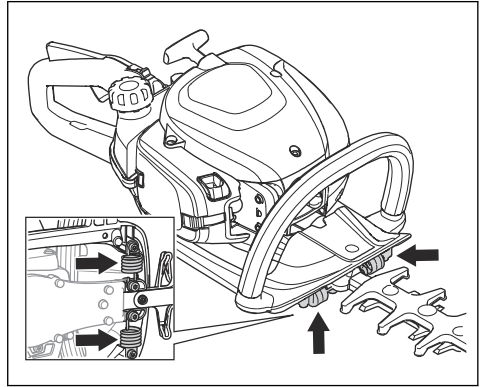
1. Stop the engine.
2. Make sure that the hand guard is attached correctly.
3. Examine the hand guard for damages.

To do a check of the vibration damping system

The vibration damping system decreases vibration in the handles. Vibration damping units operate as a separation between the product body and the handle unit.

1. Do a visual check for deformation and damage.

2. Make sure that the vibration damping units are correctly attached.



To do a check of the muffler



WARNING: Do not operate the product without a muffler or a defective muffler. A defective muffler can increase the noise level and the risk of fire. Do not use the product without, or with a broken, spark arrester screen. The spark arrester screen must be replaced if it is damaged.



WARNING: The mufflers become very hot during and after operation, also at idle speed.



CAUTION: If the spark arrester screen is frequently blocked it can be a sign that performance of the catalytic converter is decreased. Turn to your servicing dealer to examine the muffler. A blocked spark arrester screen will cause overheating and result in damage to the cylinder and piston.

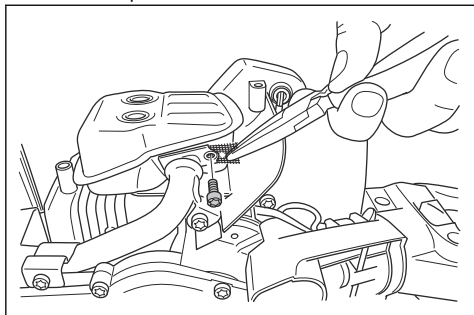


WARNING: The inner surfaces of the muffler contain chemicals that can cause cancer. Be careful not to touch these elements if the muffler is damaged.

The muffler keeps the noise levels to a minimum and points the exhaust fumes away from the operator. A muffler with a catalytic converter decrease harmful exhaust gases.

1. Stop the engine.
2. Do a visual check for damage and deformation.
3. Make sure that the muffler is correctly attached to the product.

- Clean the spark arrester screen with a wire brush.



To do a check of the blades and blade guard

The outer part of the blades has the function of a blade guard. The blade guard prevents cut injuries.

- Stop the engine and make sure that the blades stop.
- Remove the spark plug cap from the spark plug.
- Put on protective gloves.
- Make sure that the blade and blade guard is not damaged or bent. Always replace a damaged or bent blade, or a damaged blade guard.
- Make sure that the screws to the blades and blade guard are tight.

Fuel safety



WARNING: Read the warning instructions that follow before you use the product.

- Do not start the product if there is fuel or engine oil on the product. Remove the unwanted fuel/oil and let the product dry.
- If you spill fuel on your clothing, change clothing immediately.
- Do not get fuel on your body, it can cause injury. If you get fuel on your body, use soap and water to remove the fuel.
- Do not start the product if the engine has a leak. Examine the engine for leaks regularly.
- Be careful with fuel. Fuel is flammable and the fumes are explosive and can cause injuries or death.
- Do not breathe in the fuel fumes, it can cause injury. Make sure that there is a sufficient airflow.

- Do not smoke near the fuel or the engine.
- Do not put warm objects near the fuel or the engine.
- Do not add the fuel when the engine is on.
- Make sure that the engine is cool before you refuel.
- Before you refuel, open the fuel tank cap slowly and release the pressure carefully.
- Do not add fuel to the engine in an indoor area. Not sufficient airflow can cause injury or death because of asphyxiation or carbon monoxide.
- Tighten the fuel tank cap fully. If the fuel tank cap is not tightened, there is a risk of fire.
- Move the product a minimum of 3 m / 10 ft from the position where you filled the tank before a start.
- Do not fill the fuel tank fully. Heat causes the fuel to expand. Keep a space at the top of the fuel tank.

Safety instructions for maintenance



WARNING: Read the warning instructions that follow before you use the product.

- Stop the engine and make sure that the cutting equipment stops. Let the product become cool before you do the maintenance.
- Disconnect the spark plug cap before you do the maintenance.
- The exhaust fumes from the engine contain carbon monoxide, an odourless, poisonous and very dangerous gas that can cause death. Do not run the product indoors or in closed spaces.
- The exhaust fumes from the engine are hot and can contain sparks. Do not run the product indoors or near flammable material.
- Accessories and changes to the product that are not approved by the manufacturer, can cause serious injury or death. Do not change the product. Always use original accessories.
- If the maintenance is not done correctly and regularly, there is an increased risk of injury and damage to the product.
- Only do the maintenance as this operator's manual recommends. Let an approved Husqvarna service agent do all other servicing.
- Let an approved Husqvarna service agent do servicing on the product regularly.
- Replace damaged, worn or broken parts.

Operation

Introduction



WARNING: Read and understand the safety chapter before you use the product.

Fuel

This product has a two-stroke engine.



CAUTION: Incorrect type of fuel can result in engine damage. Use a mixture of gasoline and two-stroke oil.

Premixed fuel

- Use Husqvarna premixed alkylate fuel for best performance and extension of the engine life. This fuel contains less harmful chemicals compared to regular fuel, which decreases harmful exhaust fumes. The quantity of remains after combustion is lower with this fuel, which keeps the components of the engine more clean.

To mix fuel

Gasoline

- Use good quality unleaded gasoline with a maximum of 10% ethanol contents.



CAUTION: Do not use gasoline with an octane grade less than 90 RON/87 AKI. Use of a lower octane grade can cause engine knocking, which causes engine damages.

Two-stroke oil

- For best results and performance use Husqvarna two-stroke oil.
- If Husqvarna two-stroke oil is not available, use a two-stroke oil of good quality for air-cooled engines. Speak to your servicing dealer to select the correct oil.



CAUTION: Do not use two-stroke oil for water-cooled outboard engines, also referred to as outboard oil. Do not use oil for four-stroke engines.

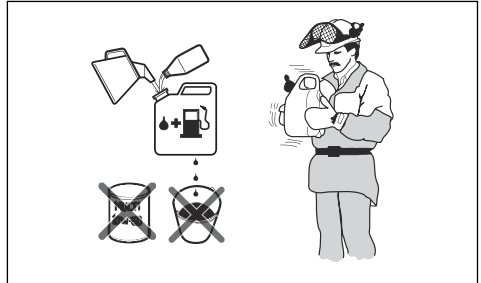
To mix gasoline and two-stroke oil

Gasoline, liter	Two-stroke oil, liter
	2% (50:1)
5	0.10
10	0.20
15	0.30
20	0.40



CAUTION: Small errors can influence the ratio of the mixture drastically when you mix small quantities of fuel. Measure the

quantity of oil carefully and make sure that you get the correct mixture.



1. Fill half the quantity of gasoline in a clean container for fuel.
2. Add the full quantity of oil.
3. Shake the fuel mixture.
4. Add the remaining quantity of gasoline to the container.
5. Carefully shake the fuel mixture.



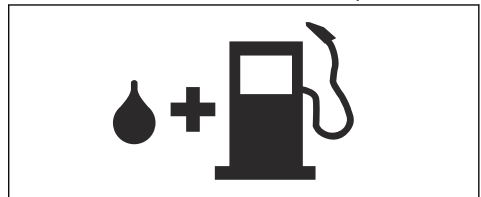
CAUTION: Do not mix fuel for more than 1 month at a time.

To fill the fuel tank



WARNING: Obey the procedure that follows for your safety.

1. Stop the engine and let the engine become cool.
2. Clean the area around the fuel tank cap.



3. Shake the container and make sure that the fuel is fully mixed.
4. Remove the fuel tank cap slowly to release the pressure.
5. Fill the fuel tank.



CAUTION: Make sure that there is not too much fuel in the fuel tank. The fuel expands when it becomes hot.

6. Tighten the fuel tank cap carefully.
7. Clean fuel spillage on and around the product.

8. Move the product 3 m/10 ft or more away from the refueling area and fuel source before you start the engine.

Note: To see where the fuel tank is on your product, refer to *Product overview on page 2*.

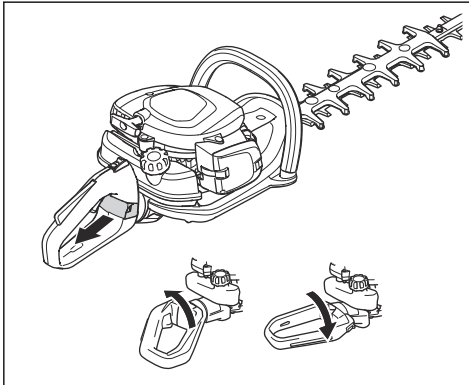
To install the blade tip protection

1. Remove the nut and the bolt on the blade tip.
2. Install the blade tip protection on the blade tip.
3. Install the bolt and tighten it to 7 Nm.
4. Install the nut and tighten it to 5 Nm.

To adjust the handle

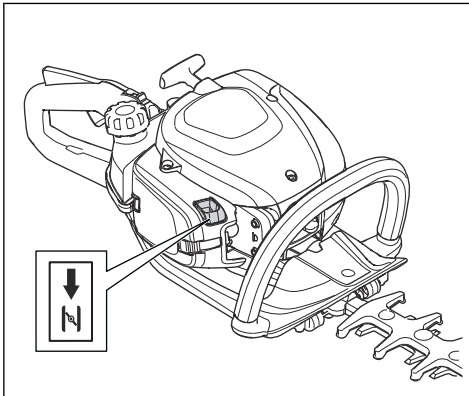
The rear handle can be adjusted into 3 positions.

- Release the handle lock and turn the handle.



To start the product with a cold engine

1. Pull the choke control to choke position.



2. Push the air purge bulb approximately 6 times or until the bulb starts to fill with fuel. It is not necessary to fill the air purge bulb fully.

3. Hold the body of the product on the ground with your left hand. Do not step on the product.
4. Pull the starter rope handle slowly with your right hand until you feel some resistance, then pull the starter rope handle quickly and with force.



WARNING: Do not wind the starter rope around your hand.



CAUTION: Do not pull the starter rope to full extension and do not let go of the starter rope handle.

5. Continue to pull the starter rope handle until the engine fires, then push the choke control to its initial position.



WARNING: The blades move when the engine starts.

6. Continue to pull the starter rope handle until the engine starts.
7. Push and release the throttle trigger to set the engine to idle speed.
8. Push the throttle trigger gradually to increase the engine speed.
9. Make sure that the engine runs smoothly.

To start the product with a warm engine

1. Hold the body of the product on the ground with your left hand. Do not step on the product.
2. Pull the starter rope handle slowly with your right hand until you feel some resistance, then pull the starter rope handle quickly and with force. Continue until the engine starts.

Note: For more information about how to start the product, refer to *To start the product with a cold engine on page 9*.

To stop the product

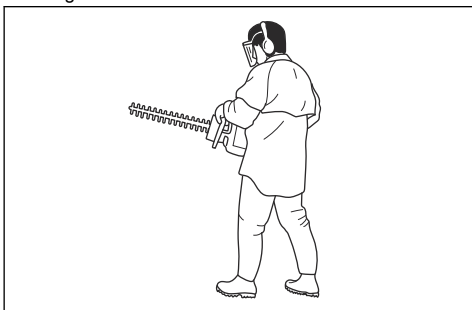
- Move the stop switch to the stop position to stop the engine.



CAUTION: The stop switch automatically goes back to run position.

To operate the product

1. Start near the ground and move the product up along the hedge when you cut the sides. Make sure that the body of the product does not touch the hedge.



WARNING: Make sure that the front of the cutting equipment does not touch the ground.

2. Adjust the speed to align with the work load.
3. Hold the product near your body for a stable work position.
4. Be careful and operate the product slowly.

Maintenance

Introduction



WARNING: Read and understand the safety chapter before you do maintenance on the product.

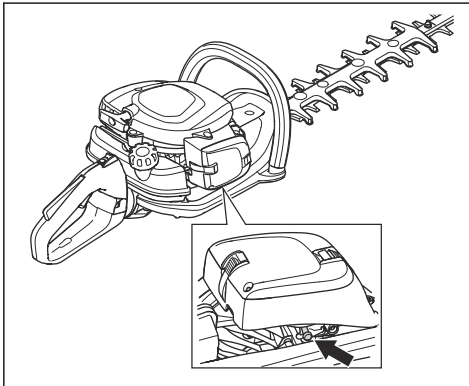
Maintenance schedule

Maintenance	Before operation	After 40 h	After 100 h
Clean the external surface.	After each operation.		
Clean the muffler, exhaust pipe and engine from leaves, dirt and unwanted lubricant.	After each operation.		
Make sure that the cutting attachment does not move at idle speed.	X		
Do a check of the stop switch.	X		
Examine the cutting attachment and the cutting attachment guard for damages and cracks. Replace if it is damaged.	X		
Examine the hand guard for damages and cracks. Replace if it is damaged.	X		
Do a check of the throttle trigger lockout and the throttle trigger.	X		
Examine the engine, the fuel tank and the fuel lines for leaks.	X		
Tighten nuts and screws.	X		
Examine the fuel filter for contamination and the fuel hose for cracks and other defects. Replace if necessary.	X		
Examine the starter and the starter rope for damages.		X	
Clean the air filter. Replace if it is necessary.		X	
Examine the vibration damping units for damages and cracks.		X	

Maintenance	Before operation	After 40 h	After 100 h
Examine the spark plug, refer to <i>To examine the spark plug on page 11.</i>		X	
Clean the cooling system.		X	
Clean the external surface of the carburetor and the area around it.		X	
Clean or replace the spark arrester mesh.			X
Clean the inner surface of the fuel tank.			X
Examine the spark plug.			X
Make sure that the gear housing is filled with grease.			X

To adjust the idle speed

1. Clean the air filter and attach the air filter cover.
2. Start the product, refer to *To start the product with a cold engine on page 9.*
3. Turn the idle adjustment screw T clockwise until the cutting attachment starts to move.



4. Turn the idle adjustment screw counterclockwise until the cutting attachment stops.



WARNING: If the cutting attachment does not stop when you adjust the idle speed, speak to your nearest servicing dealer. Do not use the product until it is correctly adjusted or repaired.

Note: The idle speed is correct when the engine operates smoothly in all positions. Refer to *Technical data on page 13* for the recommended idle speed.

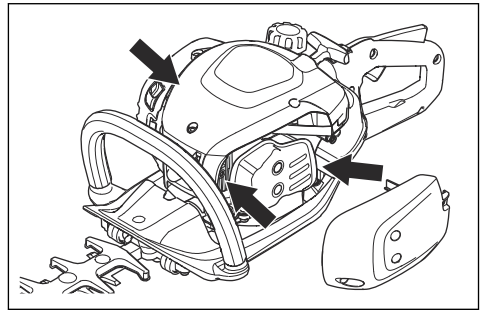
To clean the cooling system

The cooling system keeps the engine temperature down. The cooling system includes the cooling fins on the cylinder and the starter housing.



CAUTION: The air intake between the fuel tank and crankcase is easily blocked by leaves. Clean the air intake fully.

1. Clean the cooling system with a brush weekly or more frequently if it is necessary.
2. Make sure that the cooling system is not dirty or blocked.



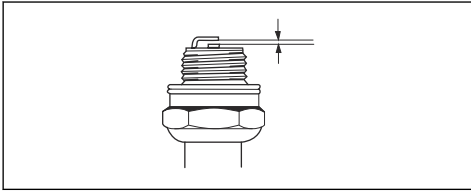
To examine the spark plug



CAUTION: Always use the recommended spark plug type. Incorrect spark plug type can cause damage to the product.

- Examine the spark plug if the engine is low on power, is not easy to start or does not operate correctly at idle speed.
- To decrease the risk of unwanted material on the spark plug electrodes, obey these instructions:
 - a) Make sure that the idle speed is correctly adjusted.
 - b) Make sure that the fuel mixture is correct.
 - c) Make sure that the air filter is clean.

- If the spark plug is dirty, clean it and make sure that the electrode gap is correct, refer to *Technical data on page 13*.

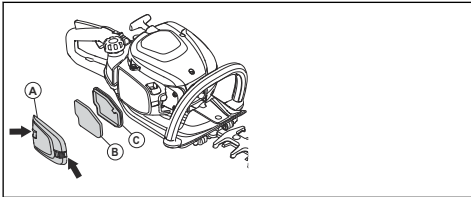


- Replace the spark plug if it is necessary.

To clean the air filter

Clean the air filter regularly from dirt and dust. This prevents carburetor malfunctions, starting problems, loss of engine power, wear to engine parts and more fuel consumption than usual.

1. Remove the air filter cover (A).
2. Remove the foam filter (B) and the felt filter (C) from the filter frame.



3. Replace the felt filter (C).
4. Clean the foam filter (B) with warm soap water.

Note: An air filter that is used for a long time can not be fully cleaned. Replace the air filter regularly and always replace a defective air filter.

5. Make sure that the foam filter (B) is dry.
6. Apply air filter oil to the foam filter (B). Refer to *To apply oil to the air filter on page 12*
7. Clean the inner surface of the air filter cover (A). Use compressed air or a brush.

To apply oil to the air filter



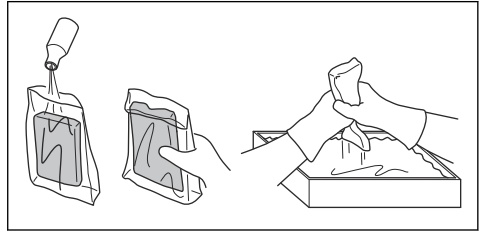
CAUTION: Always use Husqvarna special air-filter oil. Do not use other types of oil.



WARNING: Put on protective gloves. The air-filter oil can cause skin irritation.

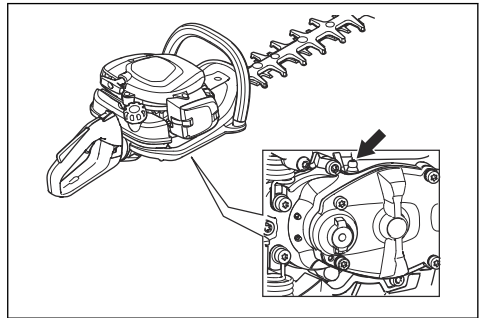
1. Put the air filter in a plastic bag.
2. Put the oil in the plastic bag.
3. Rub the plastic bag to supply the oil equally across the air filter.

4. Push the unwanted oil out of the air filter while in the plastic bag.



To lubricate the gear housing

- Use Husqvarna special grease. Speak to your servicing dealer for more information about recommended grease.
- Add the grease through the grease nipple.



CAUTION: Do not fill the gear housing fully.

To clean and lubricate the blades

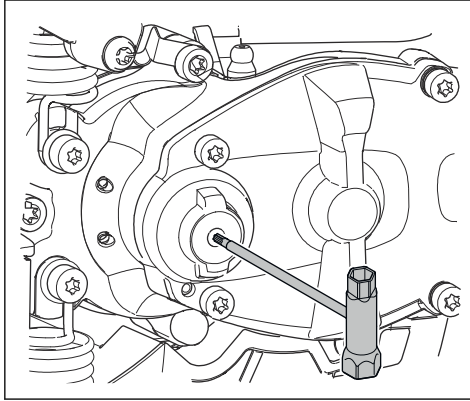
1. Clean the blades from unwanted materials before and after you use the product.
2. Lubricate the blades before long periods of storage.

Note: Speak to your servicing dealer for more information about recommended cleaning agents and lubricants.

To examine the blades

1. Remove the cap on the gear housing.

2. Make sure that the blades move freely. Put the combination wrench in the gear housing and turn clockwise and counterclockwise.



3. Examine the edges of the blades for damages and deformation.
4. Use a file to remove burrs on the blades.

Transportation, storage and disposal

Transportation and storage

- Always allow the product to cool down before storage.
 - For storage and transportation of the product and fuel, make sure that there are no leaks or fumes. Sparks or open flames, for example from electrical devices or boilers, can start a fire.
 - Always use approved containers for storage and transportation of fuel.
 - Empty the fuel before transportation or before long-term storage. Discard the fuel at an applicable disposal location.
- Attach the transport guard during transportation and storage.
 - Remove the spark plug cap from the spark plug.
 - Attach the product during transportation. Make sure that it cannot move.
 - Clean and do servicing on the product before long-term storage.

Technical data

Technical data

	522HD60X	522HDR60X	522HDR75X
Engine			
Cylinder displacement, cm ³	21.7	21.7	21.7
Idle speed, rpm	3000	3000	3000
Recommended max speed, rpm	9200	9200	9200
Maximum engine power acc. to ISO 8893, kW/hp @ rpm	0.6/0.8 @ 7800	0.6/0.8 @ 7800	0.6/0.8 @ 7800
Catalytic converter muffler	Yes	Yes	Yes
Ignition system			
Spark plug	NGK CMR6A	NGK CMR6A	NGK CMR6A

	522HD60X	522HDR60X	522HDR75X
Electrode gap, mm	0.5	0.5	0.5
Fuel			
Fuel tank capacity, l/cm ³	0.45/450	0.45/450	0.45/450
Weight			
Without fuel, kg	4.9	5.0	5.2
Noise emissions ¹			
Sound power level, measured dB (A)	101	101	101
Sound power level, guaranteed L _{WA} dB (A)	102	102	102
Sound levels ²			
Equivalent sound pressure level at the operator's ear, measured according to EN ISO 10517, dB(A)	93	93	93
Vibration levels ³			
Equivalent vibration levels (a _{hv,eq}) at handles, measured according to EN ISO 10517, m/s ² :			
Front/Rear, mm/s ²	2.7/1.2	2.8/1.3	2.1/2.2
Blades			
Type	Double sided	Double sided	Double sided
Cutting length, mm	600	600	750
Cutting speed, cuts/min	4400	3200	3200

¹ Noise emissions in the environment measured as sound power (L_{WA}) in conformity with EC directive 2000/14/EC. Reported sound power level for the product has been measured with the original cutting attachment that gives the highest level. The difference between guaranteed and measured sound power is that the guaranteed sound power also includes dispersion in the measurement result and the variations between different products of the same model according to Directive 2000/14/EC.

² Reported data for noise pressure level has a typical statistical dispersion (standard deviation) of 1 dB (A).

³ Reported data for vibration level has a typical statistical dispersion (standard deviation) of 1 m/s².

Declaration of Conformity

EU Declaration of Conformity

We, **Husqvarna AB**, SE-561 82 Huskvarna, Sweden, tel: +46-36-146500, declare on our sole responsibility that the product:

Description	Hedge trimmer
Brand	Husqvarna
Type / Model	522HD60X, 522HDR60X, 522HDR75X
Identification	Serial numbers dating from 2022 and onwards

complies fully with the following EU directives and regulations:

Regulation	Description
2006/42/EC	"relating to machinery"
2014/30/EU	"relating to electromagnetic compatibility"
2000/14/EC	"relating to the noise emissions in the environment"
2011/65/EU	"on the restriction of the use of certain hazardous substances in electrical and electronic equipment"

and that the following standards and/or technical specifications are applied: EN ISO 12100:2021, CISPR 12: 2009, EN ISO 10517:2009/A1:2013, EN IEC 63000:2018.

RISE SMP Svensk Maskinprovning AB, has performed voluntary type examination on behalf of Husqvarna AB. Certificate number: SEC/18/2518.

RISE SMP Svensk Maskinprovning AB, has verified conformity with Council's Directive of May 8, 2000 "relating to the noise emissions in the environment" 2000/14/EC. Certificate numbers: 01/094/026-522HD60X, 01/094/027-522HDR60X, 522HDR75X.

For information relating to noise emissions, refer to *Technical data on page 13*.

Huskvarna, 2022-05-09

Stefan Holmberg, R&D Director, Technology Management, Husqvarna AB

Responsible for technical documentation



Two handwritten signatures in black ink. The first signature is on the left and the second is on the right, both appearing to be in cursive script.

UK Declaration of Conformity

We, **Husqvarna AB**, SE-561 82 Huskvarna, Sweden, tel: +46-36-146500, declare on our sole responsibility that the product:

Description	Hedge trimmer
Brand	Husqvarna
Type / Model	522HD60X, 522HDR60X, 522HDR75X
Identification	Serial numbers dating from 2022 and onwards

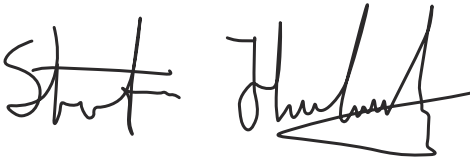
complies fully with the following UK directives and regulations:

Description
The Restriction of the Use of Certain Hazardous Substances in Electrical and Electronic Equipment Regulations 2012
The Supply of Machinery (Safety) Regulations 2008
The Noise Emission in the Environment by Equipment for use Outdoors Regulations 2001, schedule 9
Electromagnetic Compatibility Regulations 2016

and that the following standards and/or technical specifications are applied: EN ISO 12100:2021, CISPR 12: 2009, EN ISO 10517:2009/A1:2013, EN IEC 63000:2018.

For information relating to noise emissions, refer to *Technical data on page 13*.

Huskvarna, 2022-05-09



Stefan Holmberg, R&D Director, Technology Management, Husqvarna AB

Responsible for technical documentation

**UK
CA**

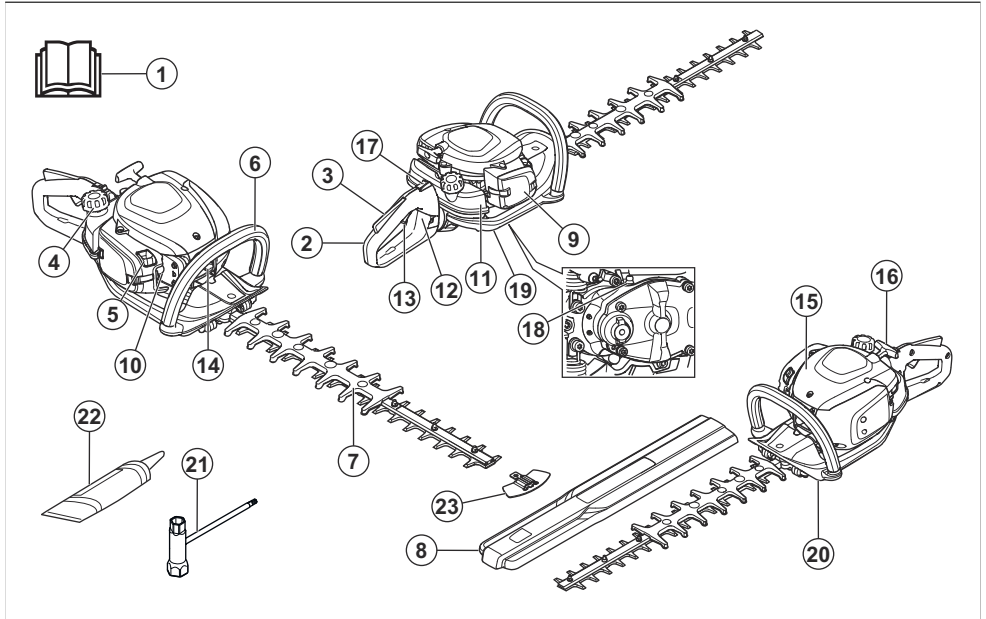
UK Importer:
Husqvarna UK Ltd
Preston Road, Co. Durham
DL5 6UP

목차

서문.....	17	운송, 보관 및 폐기.....	27
안전성.....	18	기술 정보.....	28
작동.....	22	준수 선언문.....	29
유지 보수.....	25		

서문

제품 개요



- | | |
|------------------------|---------------|
| 1. 사용자 설명서 | 17. 정지 스위치 |
| 2. 뒤 핸들 | 18. 그리스 주입구 |
| 3. 스로틀 트리거 로크아웃 | 19. 기어 하우징 |
| 4. 연료 탱크 캡 | 20. 손 보호대 |
| 5. 초크 제어 장치 | 21. 콤비네이션 렌치 |
| 6. 앞 핸들 | 22. 그리스 튜브 |
| 7. 날 및 날 보호대 | 23. 날 끝 보호 기능 |
| 8. 이동 보호대 | |
| 9. 공기 여과기 커버 | |
| 10. 공기 정화기 벌브 | |
| 11. 연료 탱크 | |
| 12. 핸들 잠금 | |
| 13. 스로틀 트리거 | |
| 14. 스파크 플러그 캡 및 점화 플러그 | |
| 15. 실린더 덮개 | |
| 16. 시동기 로프 핸들 | |

제품 설명

이 제품은 연소 엔진을 장착한 전정기입니다.

고유 용도

이 제품을 사용하여 나뭇가지와 잔가지를 잘라낼 수 있습니다. 제품을 다른 작업에 사용하지 마십시오.

제품의 기호



정지



제품을 조심해서 올바르게 사용하십시오. 이 제품은 작업자 또는 다른 사람에게 심각한 부상이나 사망을 초래할 수 있습니다.



사용하기 전에 사용자 설명서를 주의 깊게 읽고, 반드시 지시사항을 이해하도록 하십시오.



인가된 청력 보호 장구 및 인가된 시각 보호 장구를 사용하십시오.



승인된 보호용 장갑을 사용합니다.



내구성이 높은 미끄럼 방지 부츠를 사용하십시오.



공전 조절 나사



고속 바늘



저속 바늘



유럽 지침 2000/14/EC 및 뉴사우스웨일스 규정에 따른 소음 배출 규정 "2017 환경 운영 보호(소음 관리) 규정". 소음 배출 데이터는 장비 레이블 및 기술 데이터 장에서 확인할 수 있습니다.



이 제품은 적용 가능한 EC 지침 조항을 준수합니다.



본 제품은 적용되는 UK 규정을 준수합니다.

yyyywwxxxx

명판에는 일련번호가 표시됩니다. yyyy는 생산 연도이고 ww는 생산 주입니다.

주: 제품의 여타 기호/도안은 일부 시장의 인증 요구사항을 나타냅니다.

유로 V 배출기준



경고: 엔진을 개조하면 이 제품의 EU 형식 승인이 무효화됩니다.

안전성

안전 정의

설명서에서 특히 중요한 부분을 가리킬 때 경고, 주의 및 주가 사용됩니다.



경고: 설명서의 지시사항을 준수하지 않을 경우 작업자나 옆에 있던 사람이 부상을 입거나 사망할 위험이 있을 때 사용됩니다.



주의: 설명서의 지시사항을 준수하지 않을 경우 제품, 다른 재료 또는 인접한 지역에서 피해가 발생할 위험이 있을 때 사용됩니다.

주: 주어진 상황에 대한 정보를 추가로 제공할 때 사용됩니다.

일반 안전 지침



경고: 제품을 사용하기 전에 다음 경고 지침을 읽으십시오.

- 제품을 부주의하게 또는 부정확하게 사용해서 안 되며 이 경우 심각하거나 치명적인 사고를 유발할 수 있습니다. 이 사용자 설명서를 읽고 내용을 이해하는 것이 매우 중요합니다.
- 본 제품은 작동 중 전자기장을 발생시킵니다. 상황에 따라 전자기장이 능동적 또는 수동적 의료 삽입물에 간섭할 수 있습니다. 의료 삽입물을 사용하는 경우, 심각하거나 치명적인 사고의 위험을 줄이기 위하여 본 제품을 작동하기 전에 전문의 및 의료 삽입물 제조사와 상담하실 것을 권장합니다.

- 진동에 너무 많이 노출되면 순환계가 약한 사람은 순환계 장애 또는 신경계 장애를 일으킬 수 있습니다. 진동에 너무 많이 노출되어 나타나는 증상을 느끼면 의사의 진단을 받으십시오. 이런 증상에는 마비, 감각 상실, 육신거림, 피로함, 통증, 무력감, 피부색 또는 상태의 변화 등이 있으며 이는 일반적으로 손가락, 손, 손목 등에 잘 나타납니다. 낮은 온도에서 작업할 경우 위험이 증가됩니다.
- 어떻게 해야 하는지 잘 모르는 경우에는 전문가에게 문의해야 합니다. 대리점이나 서비스 센터에 문의하십시오. 자신의 능력 밖이라고 판단되는 모든 조작은 하지 마십시오.
- 인명이나 재산상 발생할 수 있는 사고 또는 위험에 대한 책임이 작업자에게 있음을 기억하십시오.
- 사용자 설명서의 내용을 이해하지 못한 사람에게 절대 제품 사용을 허가하지 마십시오.
- 어린이가 제품을 사용하거나 제품 근처에 있지 않도록 하십시오. 제품에는 스프링 장착 전기 스위치가 장착되어 있으므로 저속에서 시동기 핸들에 힘을 가해 시동이 걸릴 수 있습니다. 어떤 상황에서는 작은 어린이라도 제품을 시동하는 데 필요한 힘을 발생시킬 수 있습니다. 이것은 심각한 인명 사고를 당할 수 있는 위험을 의미합니다. 따라서 제품을 가까이서 감독하지 않을 경우 점화 플러그 캡을 제거하십시오.
- 어린이의 손이 닿지 않는 곳에 제품을 보관하십시오.
- 피로를 느낄 경우, 음주 후 또는 시력이나 판단력, 몸 상태에 영향을 줄 수 있는 약물을 복용한 후에는 절대 제품을 사용하지 마십시오.
- 결함이 있는 제품은 절대 사용하지 마십시오. 본 설명서에서 나온 점검, 유지 보수 및 서비스를 실시하십시오. 일부 유지 보수 서비스는 훈련을 받은 전문가만이 할 수 있습니다. 유지 보수 절의 지침을 참고하십시오.
- 초기 사양을 변경한 제품은 절대 사용하지 마십시오.

작동에 대한 안전 지침



경고: 제품을 사용하기 전에 다음 경고 지침을 읽으십시오.

- 혹한, 혹서 및/또는 습한 기후와 같은 이상 기후 하에서는 제품을 사용하지 마십시오.
- 결함이 있는 날은 사고의 위험성을 증가시킵니다.
- 작업 중에는 아무도 15m(50ft) 이내로 접근하지 않도록 하십시오.
- 주위를 관찰하여 사람 또는 동물이 절단 장비에 접촉할 위험이 없는지 확인하십시오.
- 작업 구역을 검사하십시오. 튕겨 나갈 수 있는 물체를 제거하십시오.
- 안전하고 안정된 자세로 작업이 이루어지도록 하십시오.
- 모터가 가동 중일 때에는 제품을 절대로 방치하지 마십시오.
- 엔진이 작동 중일 때는 손과 발을 절단 장치 가까운 곳에 두지 마십시오.
- 작업하는 동안 날에 각종 물체 등이 엉키면 모터 전원을 끄고 엔진이 완전히 정지할 때까지 기다린 다음 날을 청소합니다. 점화 플러그에서 HT 리드선을 분리하십시오.

십시오. **날 검사 방법 페이지의 27을(를)** 참조하십시오.

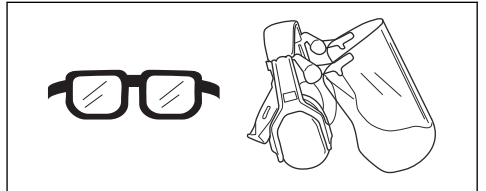
- 엔진 전원을 끌 때는 모터가 완전히 정지할 때까지 절단 장치에서 손과 발을 멀리 하십시오.
- 절단하는 동안 튕겨 나갈 수 있는 가지 밑동에 주의합니다.
- 청력 보호 장구를 착용하고 있을 때는 경고 신호나 고함을 주의해서 들으십시오. 엔진이 멈추면 즉시 청력 보호 장구를 벗으십시오.
- 절대로 사다리, 스тол 또는 안전이 확보되지 않은 높은 위치에서 작업하지 마십시오
- 제품을 잡을 때는 항상 양손을 사용하십시오. 제품을 몸 앞에서 잡으십시오.
- 이물질이 부딪히거나 진동이 발생하면 즉시 제품을 정지시키십시오. 점화 플러그에서 HT 리드선을 분리하십시오. 제품이 손상되지 않았는지 점검하십시오. 손상된 부분을 수리하십시오.
- 점화 플러그 마개와 점화 리드가 손상되지 않아 감전 위험을 피할 수 있는지 확인하십시오.
- 너트와 나사가 모두 단단히 조여졌는지 확인합니다.
- 기어 하우징이 올바르게 윤활되었는지 확인하십시오. **기어 하우징 윤활 방법 페이지의 27를** 참조하십시오.
- 제품을 사용하면 기어 하우징이 뜨거워집니다. 화상을 입지 않으려면 기어 하우징을 만지지 마십시오.
- 시동하기 전에 모든 커버 및 보호대를 장착해야 합니다.
- 제품을 사용하지 않을 때에는 항상 운송용 보호대를 절단 장치에 장착해야 합니다.

개인안전장비

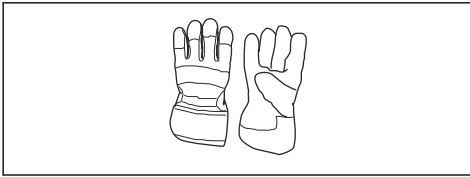


경고: 제품을 사용하기 전에 다음 경고 지침을 읽으십시오.

- 제품을 사용할 때는 항상 인가된 개인안전장비를 착용하십시오. 개인안전장비가 부상을 완전히 방지할 수는 없지만 사고가 발생할 경우 부상의 정도를 줄일 수 있습니다. 대리점에서 올바른 장비를 선택할 수 있도록 하십시오.
- 적절하게 소음을 줄여주는 인가된 청력 보호 장구를 착용하십시오. 영구적 청각 장애를 초래할 수 있습니다.
- 인가된 시각 보호 장구 가리개를 사용하는 경우에는 반드시 인가된 고글을 사용하십시오. 인가된 고글은 미국 표준 ANSI Z87.1 또는 EU 국가의 EN 166에 부합되어야 합니다.



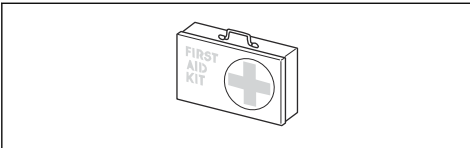
- 절단 장비를 부착, 검사 또는 청소하는 경우처럼 필요한 경우에는 장갑을 사용하십시오.



- 견고한 미끄럼 방지 부츠 또는 신발을 사용하십시오.



- 짙긴 천으로 만든 옷을 사용하십시오. 항상 두꺼운 긴 바지와 긴 소매를 착용하십시오. 나뭇가지와 잔가지에 걸릴 수 있는 느슨한 옷을 착용하지 마십시오. 보석, 짧은 바지, 샌들을 착용하지 말고, 맨발로 작업하지 마십시오. 머리카락을 어깨 높이 위로 안전하게 올리십시오.
- 응급 처치 용품은 가까이에 두십시오.



제품의 안전장치

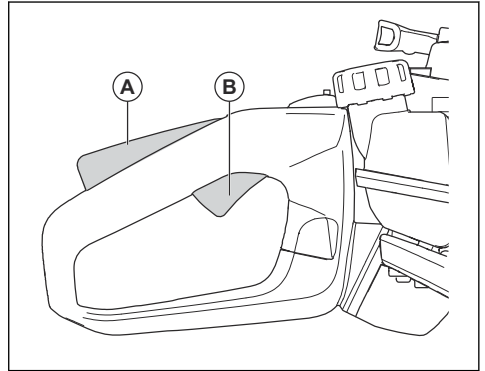


경고: 제품을 사용하기 전에 다음 경고 지침을 읽으십시오.

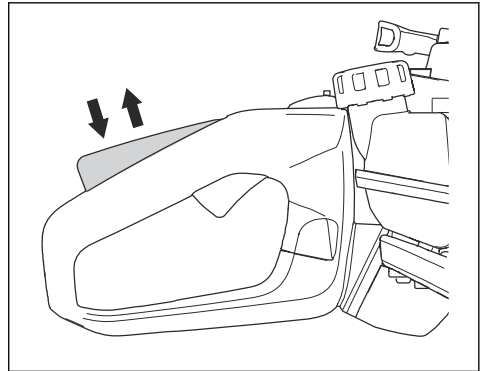
- 안전장치에 결함이 있는 제품은 절대로 사용하지 마십시오.
- 안전장치를 정기적으로 점검하십시오. 안전장치에 결함이 있는 경우 Husqvarna 서비스 대리점에 문의하십시오.

스로틀 트리거 로크아웃 점검 방법

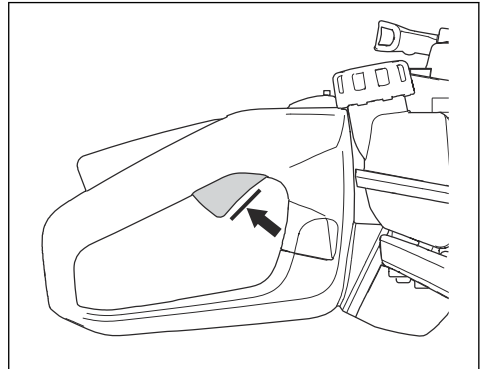
1. 스로틀 트리거 로크아웃(A)과 스로틀 트리거(B)가 자유롭게 움직이고 리턴 스프링이 올바르게 작동하는지 확인합니다.



2. 스로틀 트리거 로크아웃을 누른 다음에 놓았을 때 원래 위치로 돌아오는지 확인합니다.



3. 스로틀 트리거 로크아웃을 풀었을 때 공전 위치에서 스로틀 트리거가 잡히는지 확인합니다.



4. 제품의 시동을 걸고 풀 스로틀을 적용합니다.
5. 스로틀 트리거를 풀었을 때 날이 정지하고 가만히 있는지를 점검합니다.



경고: 스로틀 트리거가 공전 위치에 있을 때 날이 움직이면 기화기 공전 속도를 조정해야 합니다. 공전 속도 조절 방법 페이지의 25를 참조하십시오.

정지 스위치 점검 방법

1. 엔진을 시동합니다.
2. 정지 스위치를 정지 위치에 놓고 엔진이 정지하는지 확인합니다.



경고: 정지 스위치는 자동으로 시동 위치로 되돌아갑니다. 우발적인 시동을 방지하려면 제품 조립 또는 유지 보수를 수행할 때 스파크 플러그에서 스파크 플러그 캡을 제거하십시오.

손 보호대 점검 방법

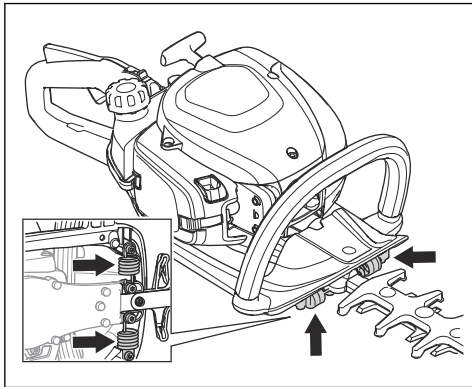
손 보호대는 날에서 발생하는 부상을 방지합니다.

1. 엔진을 정지합니다.
2. 손 보호대가 올바르게 부착되었는지 확인합니다.
3. 손 보호대가 손상되지 않았는지 검사합니다.

진동 완화 시스템 점검 방법

진동 완화 시스템은 핸들의 진동을 줄입니다. 진동 완화 장치는 제품 본체와 핸들 장치 사이를 분리하는 역할을 합니다.

1. 변형 및 손상 여부를 육안으로 검사합니다.
2. 진동 완화 장치가 올바르게 부착되어 있는지 확인합니다.



소음기 점검 방법



경고: 소음기가 없거나 소음기에 결함이 있는 상태에서 제품을 작동하지 마십시오. 결함이 있는 소음기는 소음 수준과 화재 발생 위험이 높습니다. 불꽃 억제 스크린이 없거나 파손된 경우에는 제품을 사용하지 마십시오.

불꽃 억제 스크린이 손상된 경우에는 교체해야 합니다.



경고: 소음기는 작동 중과 작동 후 및 공전 속도에서 매우 뜨겁습니다.



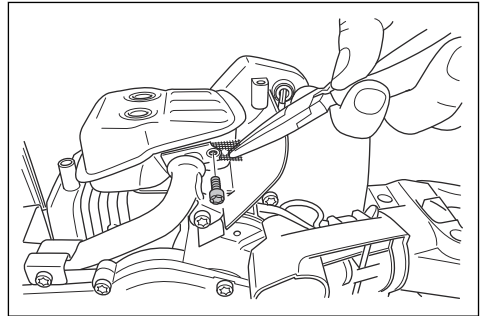
주의: 불꽃 억제 스크린이 자주 막히면 정화용 촉매 소음기 성능이 떨어진다는 신호일 수 있습니다. 서비스 대리점에 문의하여 소음기를 조사하십시오. 막힌 불꽃 억제 스크린이 과열되어 실린더와 피스톤이 손상될 수 있습니다.



경고: 소음기의 내부 표면에는 암을 유발할 수 있는 화학 물질이 포함되어 있습니다. 소음기가 손상된 경우에는 이러한 요소를 만지지 않도록 주의하십시오.

소음기는 소음 수준을 최소로 유지하고 사용자를 배기 가스로부터 보호합니다. 정화용 촉매 소음기가 장착된 소음기는 유해 배기 가스를 줄입니다.

1. 엔진을 정지합니다.
2. 손상 및 변형을 육안으로 점검합니다.
3. 소음기가 제품에 올바르게 부착되어 있는지 확인합니다.
4. 와이어 브러시로 불꽃 억제 스크린을 청소합니다.



칼날 및 칼날 보호대 점검 방법

칼날의 바깥 부분은 칼날 보호대 기능을 합니다. 칼날 보호대는 절단 부상을 방지합니다.

1. 엔진을 정지하고 칼날이 정지되어 있는지 확인합니다.
2. 접화 플러그에서 접화 플러그 캡을 제거합니다.
3. 보호용 장갑을 착용합니다.
4. 절단 날 및 날 보호대가 손상되거나 구부러지지 않았는지 확인합니다. 손상되거나 구부러진 날 또는 손상된 날 보호대는 항상 교체하십시오.
5. 날과 날 보호대의 나사가 단단히 조여졌는지 확인합니다.

연료 안전



경고: 제품을 사용하기 전에 다음 경고 지침을 읽으십시오.

- 제품에 연료나 엔진 오일이 있으면 제품을 시동하지 마십시오. 불필요한 연료/오일을 제거하고 제품을 건조하십시오.
- 옷에 연료가 묻은 경우 즉시 옷을 갈아 입으십시오.
- 몸에 연료가 묻지 않도록 하십시오. 부상을 입을 수 있습니다. 몸에 연료가 묻으면 비누와 물을 사용하여 연료를 제거하십시오.
- 엔진에 누출이 있는 경우 제품을 시동하지 마십시오. 엔진 누출을 정기적으로 검사하십시오.
- 연료에 주의하십시오. 연료는 인화성이고 연기는 폭발성이 있으며 부상 또는 사망 사고를 초래할 수 있습니다.
- 연료 연기를 흡입하지 마십시오. 부상을 입을 수 있습니다. 충분한 공기 흐름이 있는지 확인하십시오.
- 연료나 엔진 근처에서 담배를 피우지 마십시오.
- 연료나 엔진 근처에 따뜻한 물건을 올려놓지 마십시오.
- 엔진이 켜져 있을 때 연료를 보충하지 마십시오.
- 연료를 공급하기 전에 엔진이 냉각되었는지 확인하십시오.
- 연료를 공급하기 전에 연료 탱크 캡을 천천히 열고 조심스럽게 압력을 해제하십시오.
- 실내에서 엔진에 연료를 추가하지 마십시오. 공기 흐름이 충분하지 않으면 질식이나 일산화탄소로 인해 부상이나 사망 사고를 초래할 수 있습니다.
- 연료 탱크 캡을 완전히 조이십시오. 연료 탱크 캡이 조여 있지 않으면 화재의 위험이 있습니다.
- 시동하기 전에 탱크를 채운 위치에서 최소 3m(10ft) 떨어진 곳으로 제품을 옮기십시오.

- 연료 탱크를 완전히 채우지 마십시오. 열로 인해 연료가 팽창합니다. 연료 탱크 상단의 공간을 유지하십시오.

유지 보수에 대한 안전 지침



경고: 제품을 사용하기 전에 다음 경고 지침을 읽으십시오.

- 엔진을 정지하고 절단 장치가 정지되어 있는지 확인합니다. 유지 보수를 수행하기 전에 제품을 식히십시오.
- 유지 보수 작업을 수행하기 전에 스파크 플러그 캡을 분리하십시오.
- 엔진에서 나오는 배기 가스에는 사망을 일으킬 수 있는 무취의 독성이 있는 매우 위험한 가스인 일산화탄소가 포함되어 있습니다. 실내 또는 닫힌 공간에서 제품을 작동하지 마십시오.
- 엔진에서 배기되는 가스는 매우 뜨거우며 불꽃이 있을 수 있습니다. 제품을 실내나 인화성 물질 근처에서 작동하지 마십시오.
- 제조업체에서 승인하지 않은 제품에 대한 변경 및 액세서리는 심각한 부상이나 사망을 일으킬 수 있습니다. 제품을 변경하지 마십시오. 항상 정품 액세서리를 사용하십시오.
- 유지 보수를 정기적으로 올바르게 수행하지 않으면 제품에 대한 손상 및 부상의 위험이 증가합니다.
- 사용자 설명서에서 권장하는 유지 보수만 수행하십시오. 승인된 Husqvarna 서비스 대리점에서 다른 모든 정비 작업을 수행하게 하십시오.
- 승인된 Husqvarna 서비스 대리점에서 제품에 대한 정비 작업을 정기적으로 수행하게 하십시오.
- 손상되거나 마모되거나 파손된 부품은 교체하십시오.

작동

서문



경고: 제품을 사용하기 전에 다음 '안전' 장을 읽고 이해하십시오.

연료

이 제품에는 2행정 엔진이 사용됩니다.



주의: 잘못된 연료를 사용하면 엔진이 손상될 수 있습니다. 가솔린과 2행정 오일을 혼합하여 사용하지 마십시오.

예혼합 연료

- 최고의 성능을 발휘하고 엔진 수명을 연장하기 위해 Husqvarna 예혼합 알킬레이트 연료를 사용하십시오. 이 연료는 일반 연료에 비해 화학 물질을 덜 함유하고 있어서 해로운 배기 가스가 감소합니다. 이 연료를 사

용하면 연소 후 남은 물질이 줄어 엔진 부품이 보다 청결하게 유지됩니다.

연료 혼합 방법

가솔린

- 최대 10%의 에탄올이 함유된 우수한 품질의 무연 가솔린을 사용하십시오.



주의: 옥탄가가 90 RON(87 AKI) 미만인 가솔린은 사용하지 마십시오. 낮은 옥탄가를 사용하면 엔진 노킹 현상이 발생해 엔진이 손상될 수 있습니다.

2행정 오일

- 최상의 결과와 성능을 얻으려면 Husqvarna 2행정 오일을 사용하십시오.
- Husqvarna 2행정 오일을 구입할 수 없는 경우에는 공랭식 엔진용 고품질 2행정 오일을 사용하십시오. 을

바른 오일을 선택하려면 서비스 대리점에 문의하십시오.



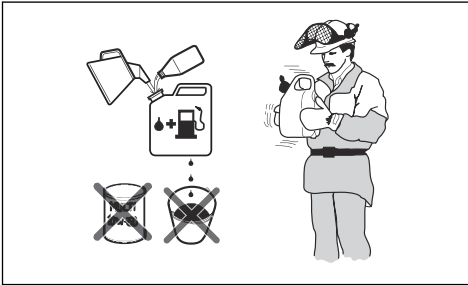
주의: 수랭식 외장 엔진용 2행정 오일 (외장 오일이라고도 함)은 사용하지 마십시오. 4행정 엔진용 오일을 사용하지 마십시오.

가솔린과 2행정 오일을 혼합하는 방법

가솔린, 리터	2행정 오일, 리터
	2%(50:1)
5	0.10
10	0.20
15	0.30
20	0.40



주의: 소량의 연료를 혼합할 때 작은 오류가 혼합물의 비율에 큰 영향을 줄 수 있습니다. 오일 양을 주의 깊게 측정하여 올바른 혼합물을 얻어야 합니다.



1. 깨끗한 연료용 용기에 가솔린을 절반만 채웁니다.
2. 전체 오일 양을 추가합니다.
3. 연료 혼합물을 젓습니다.
4. 나머지 가솔린을 용기에 추가합니다.
5. 연료 혼합물을 조심스럽게 젓습니다.



주의: 한 번에 1개월분 이상의 연료를 혼합하지 마십시오.

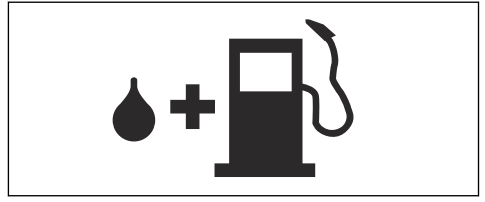
연료 탱크를 채우려면



경고: 안전을 위해 절차를 잘 따르십시오.

1. 엔진을 정지하고 엔진을 식힙니다.

2. 연료 탱크 마개 주변을 세척하십시오.



3. 용기를 흔들어 연료가 완전히 혼합되도록 해야 합니다.
4. 연료 탱크 캡을 천천히 열어 압력을 제거하십시오.
5. 연료 탱크에 주입합니다.



주의: 연료 탱크에 연료가 너무 많이 들어가지 않도록 확인하십시오. 연료가 뜨거워지면 팽창합니다.

6. 연료 탱크 마개를 조심스럽게 조이십시오.
7. 제품과 제품 주변에 유출된 연료를 청소하십시오.
8. 엔진을 시동하기 전에 제품을 연료 재공급 장소 및소에서 3m/10ft 이상 떨어진 곳으로 옮기십시오.

주: 제품에서 연료 탱크 위치를 확인하려면 **제품 개요 페이지의 17**(를) 참조하십시오.

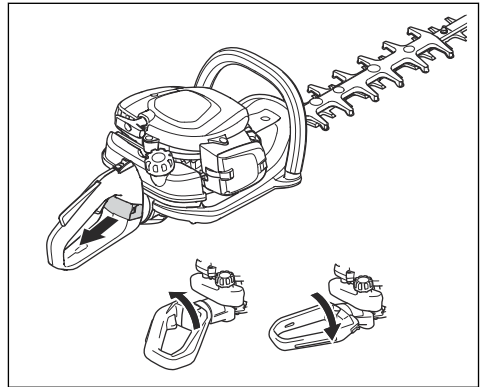
칼날 팁 보호 장치 장착

1. 너트 및 볼트를 칼날 팁에서 제거하십시오.
2. 칼날 팁에서 칼날 팁 보호 장치를 설치하십시오.
3. 볼트를 설치하고 7Nm로 조이십시오.
4. 너트를 설치하고 5Nm로 조이십시오.

핸들 조절 방법

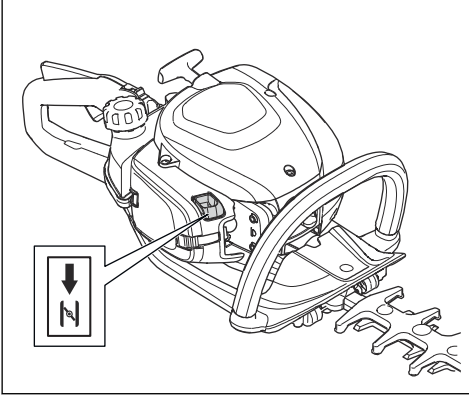
뒤 핸들을 3개의 위치로 조정할 수 있습니다.

- 핸들 잠금을 풀고 핸들을 돌리십시오.



저온 엔진을 사용하여 제품을 시동하는 방법

1. 초크 제어장치를 당겨 초크 위치로 설정합니다.



2. 공기 정화기 밸브를 약 6회 누르거나 연료가 밸브에 채워지기 시작할 때까지 누릅니다. 공기 배출 밸브를 완전히 채울 필요는 없습니다.
3. 왼손으로 지면에 있는 제품 본체를 잡으십시오. 제품을 밟지 마십시오.
4. 약간의 저항이 느껴질 때까지 시동기 로프 핸들을 천천히 오른손으로 당긴 후에 시동기 로프 핸들을 빠르게 힘껏 당기십시오.



경고: 시동기 로프를 손에 감지 마십시오.



주의: 시동기 로프를 끝까지 잡아당기거나 시동기 로프 핸들을 놓지 마십시오.

5. 엔진이 점화될 때까지 시동기 로프 핸들을 계속 당긴 다음 초크 제어장치를 초기 위치로 미십시오.



경고: 엔진이 시동되면 장비 날이 움직입니다.

6. 엔진에 시동이 걸릴 때까지 시동기 로프 핸들을 계속 당기십시오.
7. 스로틀 트리거를 눌렀다가 놓아 엔진을 공회전 속도로 설정합니다.
8. 스로틀 트리거를 서서히 눌러서 엔진 속도를 증가시키십시오.

9. 엔진이 부드럽게 작동되는지 확인하십시오.

고온 엔진을 사용하여 제품을 시동하는 방법

1. 왼손으로 지면에 있는 제품 본체를 잡으십시오. 제품을 밟지 마십시오.
2. 약간의 저항이 느껴질 때까지 시동기 로프 핸들을 천천히 오른손으로 당긴 후에 시동기 로프 핸들을 빠르게 힘껏 당기십시오. 엔진에 시동이 걸릴 때까지 계속합니다.

주: 제품 시동 방법에 관한 질문은 *저온 엔진을 사용하여 제품을 시동하는 방법 페이지의 24*(를) 참조하십시오.

제품 정지 방법

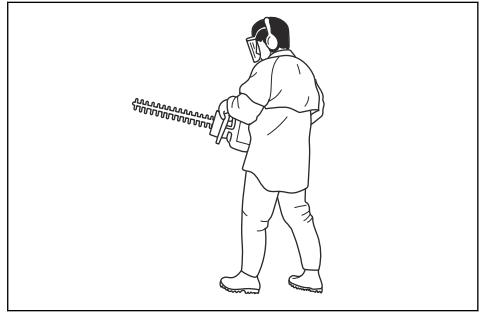
- 정지 스위치를 정지 위치로 이동하여 엔진을 정지하십시오.



주의: 정지 스위치는 자동으로 작동 위치로 되돌아갑니다.

제품 작동 방법

1. 지면 근처에서 시작하여 측면을 자르면서 제품을 울타리를 따라 위로 이동하십시오. 제품의 본체가 울타리에 닿지 않게 하십시오.



경고: 절단 장비의 앞이 바닥에 닿지 않게 하십시오.

2. 작업 부하에 맞춰 속도를 조정하십시오.
3. 안정적인 작업 위치를 위해 몸 가까이에서 제품을 두십시오.
4. 제품을 조심해서 천천히 작동하십시오.

유지 보수

서문



경고: 제품의 유지 보수 작업을 수행하기 전에 안전 장을 읽고 이해하십시오.

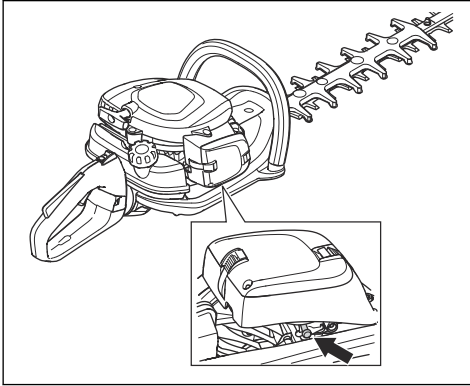
유지 보수 일정

유지 보수	작동 전	40시간 후	100시간 후
외부 표면을 청소하십시오.	각 작동 후		
소음기, 배기 파이프 및 엔진에서 나뭇잎, 오물 및 원치 않는 윤활제를 제거하십시오.	각 작동 후		
공전 속도일 때 절단용 부품이 움직이지 않는지 확인합니다.	X		
정지 스위치를 점검합니다.	X		
절단용 부품 및 절단용 부품 보호대에 손상 및 균열이 있는지 검사하십시오. 손상되었으면 교체하십시오.	X		
손 보호대의 손상 및 균열 여부를 검사하십시오. 손상되었으면 교체하십시오.	X		
스로틀 트리거 로크아웃 및 스로틀 트리거를 점검 방법	X		
엔진, 연료 탱크 및 연료 라인에서 누출 여부를 검사하십시오.	X		
너트와 나사를 조이십시오.	X		
연료 필터의 오염 및 연료 호스의 균열 및 기타 결함이 있는지 검사하십시오. 필요하면 교체하십시오.	X		
시동기 및 시동기 로프에 손상이 있는지 검사하십시오.		X	
공기 여과기를 청소하십시오. 필요하면 교체하십시오.		X	
진동 완화 장치에 손상 및 균열이 있는지 검사하십시오.		X	
점화 플러그를 검사하려면 <i>점화 플러그 검사 방법 페이지의 26을(를)</i> 참조하십시오.		X	
냉각 시스템을 청소합니다.		X	
기화기의 외부 표면과 그 주위를 청소하십시오.		X	
불꽃 억제 메시를 청소하거나 교체하십시오.			X
연료 탱크의 내부 표면을 청소하십시오.			X
점화 플러그를 검사하십시오.			X
기어 하우징이 그리스로 채워져 있는지 확인하십시오.			X

공전 속도 조절 방법

1. 공기 여과기를 청소하고 공기 여과기 필터 커버를 부착하십시오.
2. 제품을 시동하려면 *저온 엔진을 사용하여 제품을 시동하는 방법 페이지의 24항목*을 참조하십시오.

3. 공전 조절 나사 T를 시계 방향으로 절단용 부품이 움직이기 시작할 때까지 돌리십시오.



4. 공전 조절 나사를 절단용 부품이 멈출 때까지 시계 반대 방향으로 돌리십시오.



경고: 공전 속도를 조정할 때 절단용 부품이 정지되지 않으면 가장 가까운 서비스 대리점에 문의하십시오. 올바르게 조절하거나 수리하기 전에는 제품을 사용하지 마십시오.

주: 모든 위치에서 엔진이 무리 없이 작동하면 공전 속도가 정상입니다. 자세한 내용은 *기술 정보 페이지의 28* 항목의 권장되는 공전 속도를 참조하십시오.

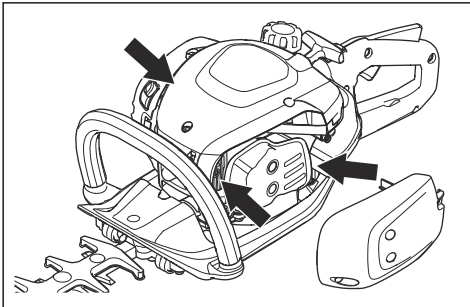
냉각 시스템 청소 방법

냉각 시스템은 엔진 온도를 낮게 유지합니다. 냉각 시스템에는 시동기 하우징과 실린더의 냉각 핀이 포함되어 있습니다.



주의: 연료 탱크와 크랭크케이스 사이의 공기 흡입구는 리프에 의해 쉽게 차단됩니다. 흡기를 완전히 청소하십시오.

1. 매주 또는 필요한 경우 더 자주 브러시로 냉각 시스템을 청소하십시오.
2. 냉각 시스템이 더럽거나 막히지 않도록 하십시오.

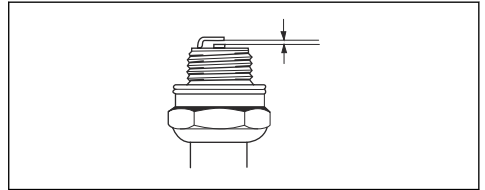


점화 플러그 검사 방법



주의: 항상 권장되는 종류의 점화 플러그를 사용하십시오. 잘못된 점화 플러그 유형을 사용하면 제품이 손상될 수 있습니다.

- 엔진 출력이 낮거나, 시동이 쉽게 걸리지 않거나, 공전 속도에서 올바르게 작동하지 않으면 점화 플러그를 검사하십시오.
- 점화 플러그 전극에서 불필요한 물질의 위험을 줄려면 다음 지침을 따르십시오.
 - a) 공전 속도가 올바르게 조절되었는지 확인하십시오.
 - b) 연료 혼합물이 올바르게 확인하십시오.
 - c) 공기 여과기가 깨끗한지 확인하십시오.
- 점화 플러그가 오염되어 있으면 깨끗이 청소하고 전극 갭이 올바르게 확인하십시오(*기술 정보 페이지의 28* 참조).

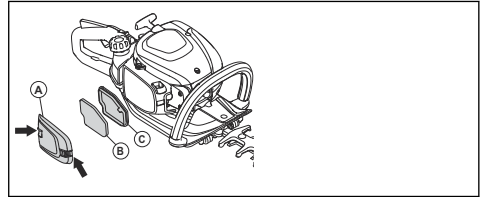


- 필요하면 점화 플러그를 교체하십시오.

공기 여과기 청소

공기 여과기에서 오물과 먼지를 정기적으로 청소하십시오. 이는 기화기 오작동, 시동 문제, 엔진 출력 손실, 엔진 부품 마모 및 평소보다 많은 연료 소모를 방지합니다.

1. 공기 여과기 덮개(A)를 제거하십시오.
2. 여과기 프레임에서 폼 여과기(B)와 펠트 여과기(C)를 제거하십시오.



3. 펠트 여과기(C)를 교체하십시오.
4. 따뜻한 비눗물로 폼 여과기(B)를 청소하십시오.

주: 오랫동안 사용한 공기 여과기는 완벽하게 세척할 수 없습니다. 공기 여과기를 주기적으로 교체하고 결함이 있는 공기 여과기는 바로 교체하십시오.

5. 폼 여과기(B)가 건조한지 확인하십시오.
6. 폼 여과기(B)에 공기 여과기 오일을 바르십시오. 자세한 내용은 *공기 여과기에 오일을 바르십시오. 페이지의 27*.
7. 공기 여과기 덮개(A)의 내부 표면을 청소하십시오. 압축 공기나 브러시를 사용하십시오.

공기 여과기에 오일을 바르십시오.

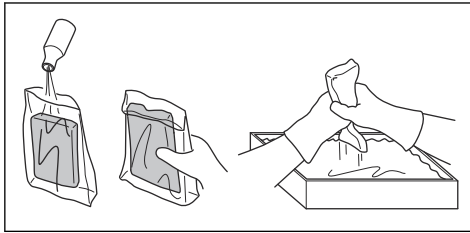


주의: 항상 Husqvarna 특수 공기 여과기 오일을 사용하십시오. 다른 유형의 오일을 사용하지 마십시오.



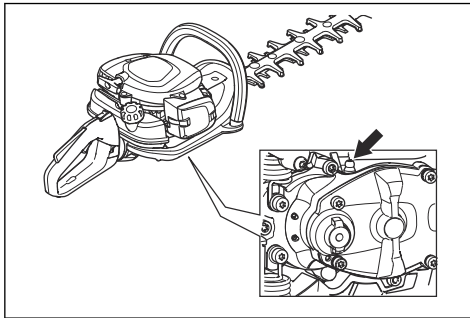
경고: 보호용 장갑을 착용합니다. 공기 여과기 오일은 피부 자극을 일으킬 수 있습니다.

1. 공기 여과기를 비닐 봉지에 넣으십시오.
2. 오일을 비닐 봉지에 넣으십시오.
3. 비닐 봉지를 문질러서 공기 여과기 전체에 오일을 고르게 공급하십시오.
4. 비닐 봉지에 있는 동안에 공기 여과기에서 원하지 않는 오일을 눌러서 빼내십시오.



기어 하우징 윤활 방법

- Husqvarna 특수 그리스를 사용하십시오. 권장되는 그리스에 대해서는 서비스 대리점에 문의하십시오.
- 그리스 주입구를 통해 그리스를 추가하십시오.



주의: 기어 하우징을 완전히 채우지 마십시오.

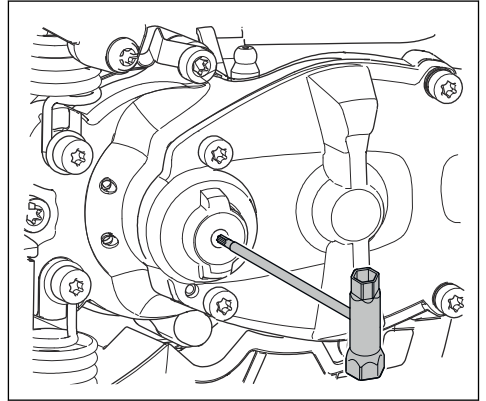
날 청소 및 윤활 방법

1. 제품 사용 전후에 날에서 원하지 않는 물질을 제거하십시오.
2. 장기간 보관하기 전에는 날을 윤활합니다.

주: 권장되는 서척제와 윤활제에 대해서는 서비스 대리점에 문의하십시오.

날 검사 방법

1. 기어 하우징에서 캡을 제거하십시오.
2. 날이 자유롭게 움직이는지 확인하십시오. 콤비네이션 렌치를 기어 하우징에 넣고 시계 방향 및 시계 반대 방향으로 돌리십시오.



3. 날의 가장자리에 손상 및 변형이 있는지 검사하십시오.
4. 파일을 사용하여 날의 거친 부분을 제거하십시오.

운송, 보관 및 폐기

운반 및 보관

- 보관하기 전에 항상 제품을 식히십시오.
- 제품과 연료를 보관하거나 운반할 때 누출이나 가스가 없는지 확인하십시오. 전기 장치나 보일러 등의 스파크 또는 화염으로 인해 화재가 발생할 수 있습니다.
- 항상 승인된 용기를 사용하여 연료를 보관하고 운반하십시오.

- 운반하기 전이나 장기간 보관하기 전에 연료를 비우십시오. 지정된 폐기 장소에 연료를 폐기하십시오.
- 운반 및 보관 시 이동 보호대를 부착하십시오.
- 접착 플러그에서 접착 플러그 캡을 제거합니다.
- 제품을 고정하여 운반하십시오. 움직이지 않는지 확인하십시오.
- 장기간 보관하기 전에 제품을 청소하고 정비하십시오.

기술 정보

기술 정보

	522HD60X	522HDR60X	522HDR75X
엔진			
실린더 배기량, cm ³	21.7	21.7	21.7
공전 속도, rpm	3000	3000	3000
권장 최대 속도, rpm	9200	9200	9200
최대 엔진 출력 ISO 8893, kW/hp @ rpm	7800에서 0.6/0.8	7800에서 0.6/0.8	7800에서 0.6/0.8
정확용 촉매 소음기	있음	있음	있음
점화 시스템			
점화 플러그	NGK CMR6A	NGK CMR6A	NGK CMR6A
전극 갭, mm	0.5	0.5	0.5
연료			
연료 탱크 용량, 리터/cm ³	0.45/450	0.45/450	0.45/450
중량			
연료가 없는 경우, kg	4.9	5.0	5.2
소음 배출⁴			
소음 출력 수준, 측정 dB(A)	101	101	101
소음 출력 수준, 보장 L _{WA} dB(A)	102	102	102
소음 수준⁵			
EN ISO 10517에 의거하여 측정된 사용자 청각에서의 등가 음압 수준, dB(A)	93	93	93
진동 수준⁶			
EN ISO 10517에 따라 측정된 핸들에서의 등가 진동 수준(a _{nv, eq}), m/s ² :			
앞/뒤, m/s ²	2.7/1.2	2.8/1.3	2.1/2.2
날			
유형	양면	양면	양면
절단 길이, mm	600	600	750
절단 속도, 컷/분	4400	3200	3200

⁴ EC 지침 2000/14/EC에 의거 소음 출력(L_{WA})으로 측정된 소음 배출입니다. 제품의 보고된 소음 출력 수준은 최고 수준을 제공하는 정품 절단용 부품으로 측정되었습니다. 보장 소음 출력과 측정된 소음 출력 간의 차이는 측정 결과의 분산과 Directive 2000/14/EC에 따른 동일 모델의 각기 다른 제품 간의 편차가 보장 소음 출력에 포함되어 있기 때문에 나타납니다.

⁵ 음압 수준에 대해 보고된 데이터에 따르면 일반적인 통계 분산(표준 편차)은 1dB(A)입니다.

⁶ 진동 수준에 대해 보고된 데이터는 일반적인 통계 분산(표준 편차)인 1m/s²입니다.

준수 선언문

EU 준수 선언문

당사(**Husqvarna AB**, SE-561 82 Huskvarna, Sweden, 전
화: +46-36-146500)는 당사의 전적인 책임하에 제품이

설명	나무 올타리 손질용 도구
브랜드	Husqvarna
유형 / 모델	522HD60X, 522HDR60X, 522HDR75X
식별	2022년도 일련번호부터 그 이후

다음의 EU 지침 및 규정을 모두 준수하고

규정	설명
2006/42/EC	"장비류 관련"
2014/30/EU	"자기 호환성 관련"
2000/14/EC	"환경에 대한 소음 배출 관련"
2011/65/EU	"전기 및 전자 장치의 특정 위험 물질 사용에 관한 제한"

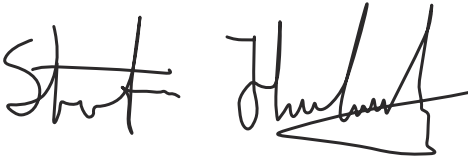
다음과 같은 표준 및/또는 기술 사양이 적용되었음을 선언합니다. EN ISO 12100:2021, CISPR 12: 2009, EN ISO 10517:2009/A1:2013, EN IEC 63000:2018.

RISE SMP Svensk Maskinprovning AB, 에서는 Husqvarna AB를 대신하여 자발적인 형식 검사를 수행하였습니다. 인증서 번호: SEC/18/2518.

RISE SMP Svensk Maskinprovning AB, 에서는 2000년 5월 8일 협의회 지침인 "환경에 대한 소음 배출 관련" 2000/14/EC를 준수함을 인증하였습니다. 인증서 번호: 01/094/026-522HD60X, 01/094/027-522HDR60X, 522HDR75X.

소음 배출에 관한 정보는 다음을 참조하십시오. *기술 정보 페이지의 28.*

Huskvarna, 2022-05-09



Stefan Holmberg, R&D 책임자, 기술 관리, Husqvarna AB

기술 문서 책임자

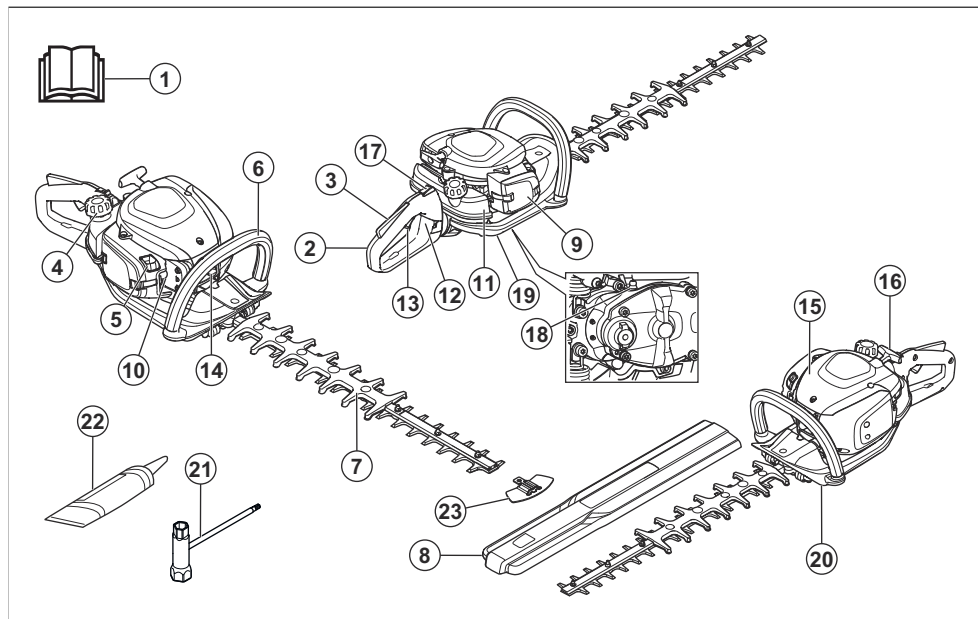


Содержание

Введение.....	30	Транспортировка, хранение и утилизация.....	43
Безопасность.....	31	Технические данные.....	43
Эксплуатация.....	37	Декларация о соответствии.....	45
Техническое обслуживание.....	39		

Введение

Обзор изделия



1. Руководство по эксплуатации
2. Задняя рукоятка
3. Стопор дроссельного регулятора
4. Крышка топливного бака
5. Заслонка
6. Передняя рукоятка
7. Нож и кожух ножа
8. Транспортировочный щиток
9. Крышка воздушного фильтра
10. Груша нагнетателя
11. Топливный бак
12. Блокировка рукоятки
13. Дроссельный регулятор
14. Колпачок и свеча зажигания
15. Крышка цилиндра
16. Ручка шнура стартера

17. Выключатель
18. Смазочный ниппель
19. Картер редуктора
20. Щиток для рук
21. Комбинированный ключ
22. Смазочная трубка
23. Защита наконечника ножа

Описание изделия

Изделие представляет собой триммер для живой изгороди с двигателем внутреннего сгорания.

Назначение

Изделие предназначено для обрезки веток разных диаметров. Запрещается использовать изделие для других видов работ.

Символы на изделии



Остановка.



Соблюдайте осторожность и правила эксплуатации изделия. Изделие может стать причиной тяжелой травмы или смерти оператора и окружающих.



Перед началом работы внимательно прочитайте руководство по эксплуатации и убедитесь, что понимаете приведенные в нем инструкции.



Используйте одобренные средства защиты глаз и органов слуха.



Используйте одобренные защитные перчатки.



Надевайте защитные ботинки с нескользкой подошвой.

T

Винт регулировки холостого хода.

H

Игольчатый клапан высоких оборотов.

L

Игольчатый клапан низких оборотов.



Эмиссия шума в окружающую среду согласно Директиве Европейского союза 2000/14/ЕС и законодательству Нового Южного Уэльса "Регламент 2017 года по защите окружающей среды (контроль уровня шума)". Данные об эмиссии шума приведены на паспортной табличке изделия и в разделе "Технические данные".



Изделие соответствует действующим директивам ЕС.



Данное изделие соответствует действующим директивам Великобритании.

ууууwwxxxx

На паспортной табличке указан серийный номер. **уууу** означает год производства, **ww** — производственную неделю.

Примечание: Другие символы/наклейки на изделии относятся к специальным требованиям сертификации на определенных рынках.

Соответствие уровня токсичных выбросов стандарту Euro V



ПРЕДУПРЕЖДЕНИЕ: В случае вмешательства в работу двигателя данное изделие перестанет соответствовать нормативам ЕС.

Безопасность

Инструкции по технике безопасности

Предупреждения, предостережения и примечания используются для выделения особо важных пунктов руководства.



ПРЕДУПРЕЖДЕНИЕ:

Используется, когда несоблюдение инструкций руководства может привести к травмам или смерти оператора или находящихся рядом посторонних лиц.



ВНИМАНИЕ: Используется, когда несоблюдение инструкций руководства может привести к повреждению изделия, других материалов или прилегающей территории.

Примечание: Используется для предоставления дополнительных сведений о конкретной ситуации.

Общие инструкции по технике безопасности



ПРЕДУПРЕЖДЕНИЕ: В обязательном порядке прочитайте следующие инструкции по технике безопасности, прежде чем приступить к эксплуатации изделия.

- Неправильное или небрежное использование изделия может превратить его в опасный инструмент, который может привести к серьезной и даже смертельной травме. Чрезвычайно важно, чтобы вы прочитали настоящее Руководство по эксплуатации и поняли его содержание.
- Во время работы данное изделие создает электромагнитное поле. В определенных обстоятельствах это поле может создавать помехи для пассивных и активных медицинских имплантатов. В целях снижения риска серьезной или смертельной травмы лицам с медицинскими имплантатами рекомендуется проконсультироваться с врачом и изготовителем имплантата, прежде чем приступить к эксплуатации данного изделия.
- Длительное воздействие вибрации может привести к нарушению кровообращения или расстройствам нервной системы у людей с нарушенным кровообращением. В случае появления тревожных симптомов обратитесь к врачу. Такими симптомами могут быть онемение, потеря чувствительности, "щекотка", "колотье", боль, потеря силы или слабость, изменение цвета и состояния кожи. Обычно подобные симптомы проявляются на пальцах, руках или запястьях. При низкой температуре риск увеличивается.
- В случае возникновения ситуации, в которой вы чувствуете неуверенность относительно дальнейшей работы с изделием, обратитесь за консультацией к специалисту. Свяжитесь со своим дилером или мастерской по обслуживанию. Не пытайтесь решить какую-либо задачу, если считаете, что она находится за пределами ваших возможностей.
- Помните: оператор несет ответственность за аварии или опасные ситуации, угрожающие другим людям или их имуществу.
- Запрещается допускать к пользованию инструмента посторонних лиц, не убедившись сначала в том, что они прочли и поняли содержание Руководства по эксплуатации.
- Никогда не позволяйте детям пользоваться изделием или находиться рядом с ним. Изделие оснащено переключателем остановки с пружинным возвратом и может быть запущено с низкой скоростью и небольшим усилием на ручке стартера, и даже маленькие дети в определенных обстоятельствах могут создать усилие, необходимое для запуска изделия. Это

создает риск получения тяжелых травм. Поэтому всегда снимайте колпак свечи зажигания, если оставляете изделие без присмотра.

- Храните изделие в недоступном для детей месте.
- Работа с изделием лиц в состоянии усталости или алкогольного опьянения, а также лиц, принимающих лекарства, воздействующие на зрение, реакцию или координацию, не допускается.
- Запрещается пользоваться неисправным инструментом. Проводите регулярные осмотры, уход и обслуживание в соответствии с данным руководством. Некоторые операции по уходу и обслуживанию должны выполняться только квалифицированными специалистами. См. инструкции в разделе технического обслуживания.
- Запрещается пользоваться изделием, в конструкцию которого внесены какие-либо изменения.

Инструкции по технике безопасности во время эксплуатации



ПРЕДУПРЕЖДЕНИЕ: В обязательном порядке прочитайте следующие инструкции по технике безопасности, прежде чем приступить к эксплуатации изделия.

- Запрещается пользоваться изделием при неблагоприятных погодных условиях, таких как сильный холод, жара или влажность.
- Неисправные ножи могут повысить риск несчастных случаев.
- Следите, чтобы во время работы никто не находился от устройства на расстоянии меньшем 15 м (50 футов).
- Осмотрите зону вокруг себя и убедитесь, что люди или животные не могут оказаться в зоне действия режущего оборудования.
- Осмотрите рабочую зону. Уберите любые предметы, которые могут быть отброшены в сторону при работе изделия.
- Вы всегда должны находиться в надежном и устойчивом рабочем положении.
- Ни в коем случае не оставляйте изделие с работающим электродвигателем без присмотра.
- Убедитесь, что ваши руки и ноги находятся на безопасном расстоянии от режущего блока, когда двигатель работает.
- При застревании чего-либо между лезвиями во время работы отключите двигатель и подождите, пока он полностью остановится, прежде чем приступить к очистке лезвий. Отсоедините провод высокого напряжения от свечи зажигания. См. раздел *Проверка ножей на стр. 42*.

- После остановки двигателя держите руки и ноги на безопасном расстоянии от режущего блока до тех пор, пока он полностью не остановится.
- Следите за ветками, которые могут быть отброшены в сторону при резании.
- При использовании защитных наушников обращайте внимание на предупреждающие сигналы или крики. Снимайте наушники сразу после остановки двигателя.
- Ни в коем случае не работайте, стоя на лестнице, стуле или любом другом незакрепленном предмете.
- Всегда держите изделие обеими руками. Всегда держите изделие перед собой.
- В случае столкновения изделия с посторонним предметом или возникновения вибрации незамедлительно остановите изделие. Отсоедините провод высокого напряжения от свечи зажигания. Убедитесь в отсутствии повреждений изделия. При наличии повреждений выполните необходимый ремонт.
- Во избежание риска поражения электрическим током убедитесь, что колпак свечи зажигания и провод зажигания не повреждены.
- Проверьте надежность затяжки всех гаек и винтов.
- Убедитесь, что картер редуктора смазывается надлежащим образом. См. раздел *Смазка коробки передач на стр. 42*.
- Во время работы изделия картер редуктора нагревается. Во избежание ожогов не касайтесь картера редуктора.
- Перед началом работы все щитки и крышки должны быть установлены на свои места.
- Транспортный щиток всегда должен закрывать режущий блок в то время, когда изделие не используется.

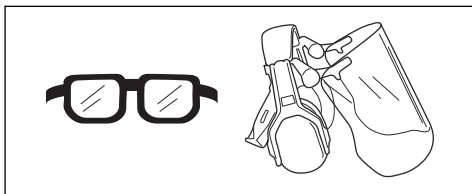
Средства индивидуальной защиты



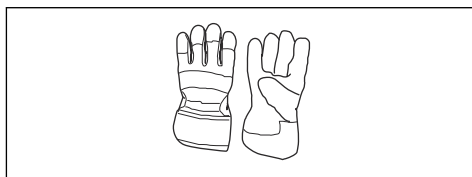
ПРЕДУПРЕЖДЕНИЕ: В обязательном порядке прочитайте следующие инструкции по технике безопасности, прежде чем приступать к эксплуатации изделия.

- Каждый раз при работе с изделием следует использовать одобренные средства индивидуальной защиты. Средства индивидуальной защиты не могут полностью исключить риск получения травмы, но при несчастном случае они снижают тяжесть травмы. За помощью по правильному выбору оборудования обращайтесь к дилеру.
- Следует пользоваться одобренными защитными наушниками с достаточным уровнем подавления шума. Продолжительное воздействие шума может повлечь неизлечимое ухудшение слуха.

- Пользуйтесь проверенными средствами защиты глаз. При использовании защитной маски следует пользоваться также одобренными защитными очками. Под одобренными защитными очками подразумеваются очки, отвечающие требованиям стандарта ANSI Z87.1 для США или EN 166 для стран ЕС.



- При необходимости надевайте перчатки, например, при закреплении, проверке или очистке режущего оборудования.



- На время работы надевайте устойчивую, нескользящую обувь.



- Надевайте одежду из прочного материала. Всегда надевайте длинные прочные брюки и верхнюю одежду с длинными рукавами. Запрещается надевать свободную одежду, которая может зацепиться за ветви или кустарник. Не надевайте ювелирные украшения, шорты, сандалии и не ходите босиком. Зафиксируйте волосы выше уровня плеч.
- Средства оказания первой помощи всегда должны быть под рукой.



Защитные устройства на изделии

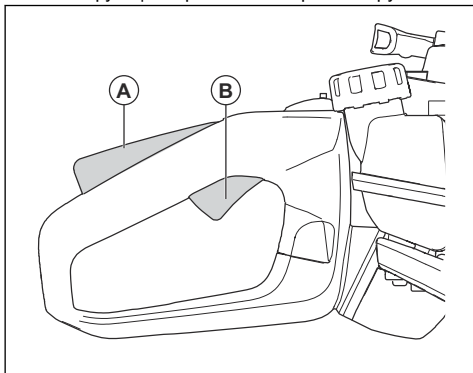


ПРЕДУПРЕЖДЕНИЕ: В обязательном порядке прочитайте следующие инструкции по технике безопасности, прежде чем приступить к эксплуатации изделия.

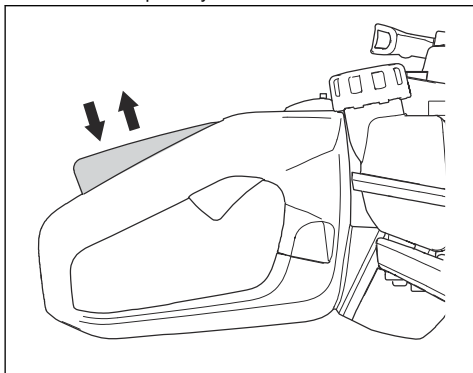
- Запрещается использовать изделие с неисправными защитными устройствами.
- Регулярно выполняйте проверку защитных устройств. Если защитные устройства неисправны, обратитесь в сервисный центр Husqvarna.

Проверка стопора дроссельного регулятора

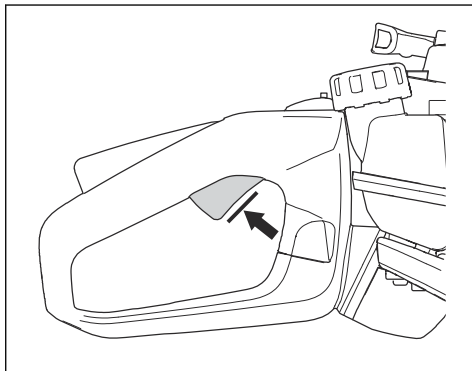
1. Проверьте плавность срабатывания дроссельного регулятора (B) и его стопора (A), а также функционирование возвратной пружины.



2. Нажмите на стопор дроссельного регулятора и убедитесь, что он возвращается в исходное положение при отпускании.



3. Убедитесь, что при отпускании стопора дроссельный регулятор блокируется в положении холостого хода.



4. Запустите изделие на полной мощности.
5. Отпустите дроссельный регулятор и убедитесь, что ножи останавливаются и остаются неподвижными.



ПРЕДУПРЕЖДЕНИЕ: Если ножи двигаются, когда дроссельный регулятор находится в положении холостого хода, необходимо отрегулировать холостой ход карбюратора. См. раздел *Регулировка оборотов холостого хода на стр. 40.*

Проверка выключателя

1. Запустите двигатель.
2. Переведите выключатель в положение останова и убедитесь, что двигатель останавливается.



ПРЕДУПРЕЖДЕНИЕ:

Выключатель автоматически возвращается в исходное положение. Во избежание случайного запуска снимите крышку с свечи зажигания перед сборкой или техническим обслуживанием изделия.

Проверка щитка для рук

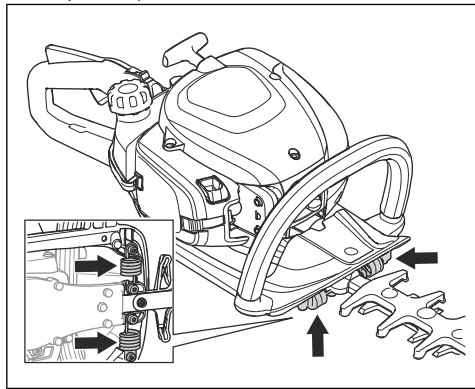
Щиток для рук предназначен для защиты рук от контакта с лезвиями.

1. Остановите двигатель.
2. Убедитесь, что щиток для рук установлен правильно.
3. Проверьте щиток для рук на наличие повреждений.

Проверка системы гашения вибраций

Система гашения вибраций снижает уровень вибрации на рукоятках. Амортизаторы функционируют в качестве элемента, изолирующего рукоятки от корпуса изделия.

1. Осмотрите на наличие повреждений и деформации.
2. Проверьте правильность установки виброгасящих элементов.



Проверка глушителя



ПРЕДУПРЕЖДЕНИЕ:

Запрещается использовать изделие без глушителя или с неисправным глушителем. Повреждение глушителя может привести к увеличению уровня шума и риску возгорания. Запрещается использовать изделие без искрогасительной сетки или со сломанной сеткой. В случае повреждения искрогасительную сетку следует заменить.



ПРЕДУПРЕЖДЕНИЕ:

Глушители сильно нагреваются в ходе работы и остаются нагретыми после окончания работы, а также во время работы двигателя на холостых оборотах.



ВНИМАНИЕ:

Если искрогасительная сетка часто бывает засорена, это может быть признаком нарушения работы катализатора. Обратитесь к своему сервисному дилеру для проверки глушителя. При засорении искрогасительной сетки возможен перегрев двигателя, что приведет к повреждению цилиндра и поршня.

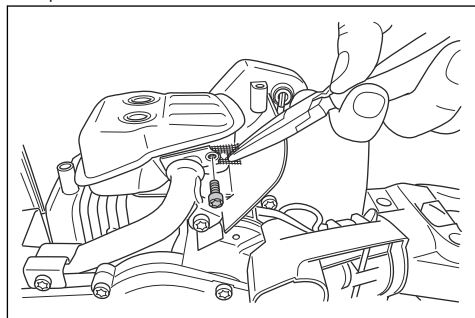


ПРЕДУПРЕЖДЕНИЕ:

На внутренней поверхности глушителя скапливаются химикаты, которые могут вызывать раковые заболевания. В случае повреждения глушителя соблюдайте осторожность и не касайтесь этих элементов.

Глушитель предназначен для максимального снижения уровня шума и отвода выхлопных газов в сторону от оператора. Глушитель, оборудованный каталитическим конвертером, предназначен также для снижения содержания в выхлопах вредных веществ.

1. Остановите двигатель.
2. Осмотрите на наличие повреждений и деформаций.
3. Проверьте правильность крепления глушителя к корпусу изделия.
4. Очистите искрогасительную сетку проволочной щеткой.



Проверка ножей и кожуха ножа

Внешняя часть ножей выполняет роль защитного кожуха. Кожух ножа предназначен для защиты от порезов.

1. Выключите двигатель и убедитесь, что ножи останавливаются.
2. Снимите колпак свечи зажигания со свечи зажигания.
3. Наденьте защитные перчатки.
4. Убедитесь, что нож и кожух ножа не повреждены и не погнуты. В обязательном порядке заменяйте поврежденный или погнутый нож, а также поврежденный кожух ножа.
5. Убедитесь, что винты ножей и кожуха ножа затянуты.

Правила безопасного обращения с топливом



ПРЕДУПРЕЖДЕНИЕ: В обязательном порядке прочитайте следующие инструкции по технике безопасности, прежде чем приступить к эксплуатации изделия.

- Запрещается запускать изделие, если на него попало топливо или моторное масло. Удалите постороннее топливо/масло и дайте изделию высохнуть.
- Если топливо попало на одежду, немедленно смените ее.
- Не допускайте попадания топлива на тело, это может причинить вред здоровью. При попадании топлива на тело смойте его водой с мылом.
- Запрещается запускать изделие при наличии утечки из двигателя. Регулярно проверяйте двигатель на наличие утечек.
- Соблюдайте осторожность при обращении с топливом. Топливо является легковоспламеняющейся жидкостью со взрывоопасными парами и может привести к серьезным или смертельным травмам.
- Запрещается вдыхать пары топлива, т. к. это может причинить вред здоровью. Убедитесь в наличии достаточного потока воздуха.
- Запрещается курить вблизи топлива или двигателя.
- Запрещается ставить теплые предметы рядом с топливом или двигателем.
- Запрещается доливать топливо при работающем двигателе.
- Прежде чем заправить изделие, убедитесь, что двигатель полностью остыл.
- Перед заправкой топлива медленно откройте крышку топливного бака и осторожно сбросьте давление.
- Запрещается заливать топливо в двигатель в помещении. Недостаточная вентиляция может привести к травме или смерти в результате удушья или отравления угарным газом.
- Плотно затяните крышку топливного бака. Если крышка топливного бака не затянута, возникает риск пожара.
- Переместите изделие минимум на 3 м / 10 футов от места заправки топливом, прежде чем запустить его.
- Никогда не заправляйте топливный бак полностью. Тепло приводит к расширению

топлива. Оставьте место в верхней части топливного бака.

Инструкции по технике безопасности во время технического обслуживания



ПРЕДУПРЕЖДЕНИЕ: В обязательном порядке прочитайте следующие инструкции по технике безопасности, прежде чем приступить к эксплуатации изделия.

- Выключите двигатель и убедитесь, что режущее оборудование останавливается. Дайте изделию остыть, прежде чем начинать техническое обслуживание.
- Перед проведением технического обслуживания отсоедините колпак свечи зажигания.
- Выхлопные газы из двигателя содержат окись углерода — не имеющий запаха, токсичный и чрезвычайно опасный газ, который может стать причиной смерти. Запрещается эксплуатировать изделие в помещении или в замкнутых пространствах.
- Выхлопные газы двигателя имеют высокую температуру и могут содержать искры. Запрещается использовать изделие в помещении или рядом с легковоспламеняющимися материалами.
- Использование принадлежностей или внесение изменений в конструкцию изделия, не одобренных производителем, может привести к серьезным или смертельным травмам. Запрещается вносить изменения в конструкцию изделия. Всегда пользуйтесь только оригинальными принадлежностями.
- При несоблюдении правил и сроков выполнения техобслуживания риск получения травмы или повреждения изделия возрастает.
- Выполняйте техобслуживание в строгом соответствии с инструкциями, приведенными в Руководстве по эксплуатации. Для проведения всех других работ по обслуживанию обращайтесь в сервисный центр Husqvarna.
- Регулярно обращайтесь в авторизованный сервисный центр Husqvarna для проведения техобслуживания изделия.
- Замените поврежденные, сломанные или изношенные детали.

Эксплуатация

Введение



ПРЕДУПРЕЖДЕНИЕ: Перед эксплуатацией изделия внимательно изучите раздел техники безопасности.

Топливо

Данное изделие оборудовано двухтактным двигателем.



ВНИМАНИЕ: Заправка неподходящим типом топлива может привести к повреждению двигателя. Используйте смесь бензина и масла для двухтактных двигателей.

Предварительно смешанное топливо

- Для обеспечения оптимальной производительности и продления срока службы двигателя используйте предварительно смешанное топливо-алкилат Husqvarna. Данный тип топлива содержит меньшее количество вредных веществ по сравнению с обычным топливом, что приводит к сокращению вредных выбросов. Такое топливо при сгорании образует меньшее количество остатков, благодаря чему компоненты двигателя остаются более чистыми.

Смешивание топлива

Бензин

- Используйте неэтилированный бензин надлежащего качества с максимальным содержанием этанола 10%.



ВНИМАНИЕ: Не используйте бензин с октановым числом меньше 90 RON/87 AKI. При более низком октановом числе двигатель может производить стук, что в свою очередь может привести к повреждению двигателя.

Масло для двухтактных двигателей

- Для достижения оптимальных результатов и мощности пользуйтесь маслом Husqvarna для двухтактных двигателей.
- Если у вас нет масла Husqvarna для двухтактных двигателей, вы можете использовать высококачественное масло, предназначенное для двухтактных двигателей с воздушным охлаждением. Для выбора правильного масла обратитесь к своему дилеру по обслуживанию.



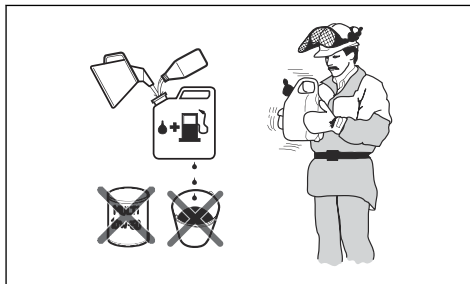
ВНИМАНИЕ: Запрещается использовать масло, предназначенное для двухтактных двигателей с внешним водяным охлаждением, т.н. "outboard oil". Использовать масло для четырехтактных двигателей запрещается.

Смешивание бензина и масла для двухтактных двигателей

Бензин, л	Масло для двухтактных двигателей, л
	2% (50:1)
5	0,10
10	0,20
15	0,30
20	0,40



ВНИМАНИЕ: Небольшие неточности при смешивании небольшого количества топлива могут значительно повлиять на соотношение компонентов в смеси. Внимательно измеряйте количество масла, чтобы обеспечить правильное соотношение компонентов.



1. Добавьте половину количества бензина в чистую емкость для топлива.
2. Добавьте все количество масла.
3. Взболтайте топливную смесь.
4. Добавьте оставшуюся часть бензина в емкость.
5. Осторожно взболтайте топливную смесь.



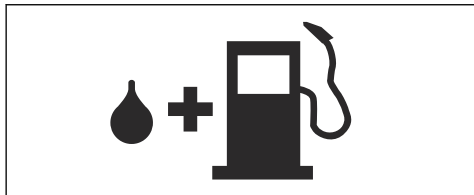
ВНИМАНИЕ: Срок хранения топливной смеси не должен превышать 1 месяца.

Заправка топливного бака



ПРЕДУПРЕЖДЕНИЕ: Следуйте приведенным ниже инструкциям для вашей безопасности.

1. Остановите двигатель и дайте ему остыть.
2. Очистите поверхность вокруг крышки топливного бака.



3. Взболтайте емкость и убедитесь, что топливо полностью смешалось.
4. Медленно снимите крышку топливного бака, чтобы стравить давление.
5. Заполните топливный бак.



ВНИМАНИЕ: Убедитесь, что в топливном баке не слишком много топлива. При нагреве топливо расширяется.

6. Аккуратно затяните крышку топливного бака.
7. Уберите пролитое топливо с изделия и вокруг него.
8. Перед запуском двигателя относите изделие в сторону не менее чем на 3 м / 10 футов от источника топлива и места заправки топливом.

Примечание: Информацию по расположению топливного бака на изделии см. в разделе *Обзор изделия на стр. 30*.

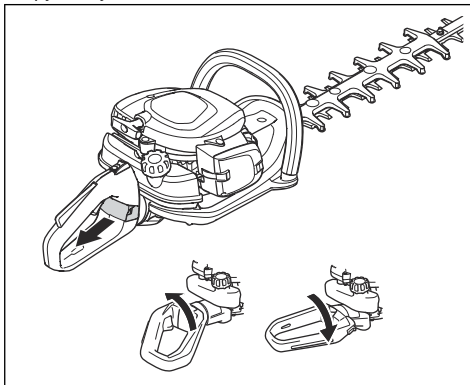
Установка защиты наконечника ножа

1. Отверните гайку и болт на наконечнике ножа.
2. Установите защиту наконечника ножа на наконечник ножа.
3. Установите болт и затяните его моментом 7 Нм.
4. Установите гайку и затяните ее моментом 5 Нм.

Регулировка рукоятки

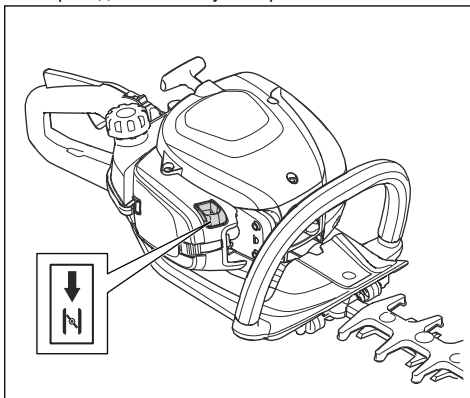
Существует 3 положения регулировки задней рукоятки.

- Снимите блокировку рукоятки и поверните рукоятку.



Запуск изделия с холодным двигателем

1. Переведите заслонку в закрытое положение.



2. Нажмите на грушу нагнетателя примерно 6 раз или нажимайте на нее, пока в грушу не начнет поступать топливо. Полностью заполнять грушу топливом не требуется.
3. Прижмите корпус изделия к земле левой рукой. Не наступайте на изделие.
4. Правой рукой медленно вытягивайте ручку шнура стартера, пока не почувствуете некоторое сопротивление, затем быстро и с усилием потяните ручку шнура.



ПРЕДУПРЕЖДЕНИЕ: Не накручивайте шнур стартера вокруг руки.



ВНИМАНИЕ: Не вытягивайте шнур стартера полностью и не выпускайте ручку шнура стартера.

5. Продолжайте тянуть ручку шнура стартера, пока двигатель не запустится, после чего переведите заслонку в исходное положение.



ПРЕДУПРЕЖДЕНИЕ: При запуске двигателя ножи приходят в движение.

6. Продолжайте тянуть ручку шнура стартера до запуска двигателя.
7. Нажмите и отпустите дроссельный регулятор, чтобы установить холостой ход двигателя.
8. Постепенно нажимайте на дроссельный регулятор, чтобы увеличить частоту вращения двигателя.
9. Убедитесь, что двигатель работает без рывков.

Запуск изделия с прогретым двигателем

1. Прижмите корпус изделия к земле левой рукой. Не наступайте на изделие.
2. Правой рукой медленно вытягивайте ручку шнура стартера, пока не почувствуете некоторое сопротивление, затем быстро и с усилием потяните ручку шнура. Продолжайте выполнять это действие, пока двигатель не запустится.

Примечание: Дополнительные сведения о процедуре запуска двигателя см. в разделе *Запуск изделия с холодным двигателем на стр. 38.*

Остановка изделия

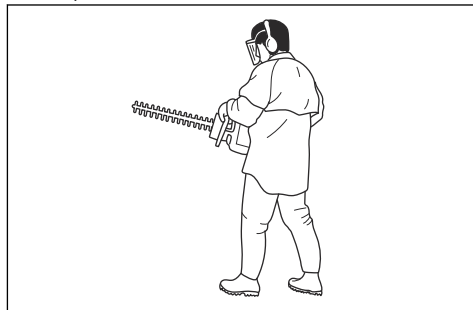
- Для остановки двигателя переведите выключатель в положение остановки.



ВНИМАНИЕ: Переключатель остановки автоматически возвращается в исходное положение.

Эксплуатация изделия

1. Включать изделие следует низко над землей, только после этого разрешается поднять его и приступить к обрезке живой изгороди. Следите за тем, чтобы корпус изделия не касался живой изгороди.



ПРЕДУПРЕЖДЕНИЕ:

Следите за тем, чтобы передняя часть режущего оборудования не касалась земли.

2. Отрегулируйте скорость в соответствии с рабочей нагрузкой.
3. Для большей устойчивости следует держать изделие на небольшом, но безопасном расстоянии от вашего тела.
4. Соблюдайте осторожность и не торопитесь при эксплуатации изделия.

Техническое обслуживание

Введение

внимательно изучите раздел техники безопасности.



ПРЕДУПРЕЖДЕНИЕ: Перед техническим обслуживанием изделия

График технического обслуживания

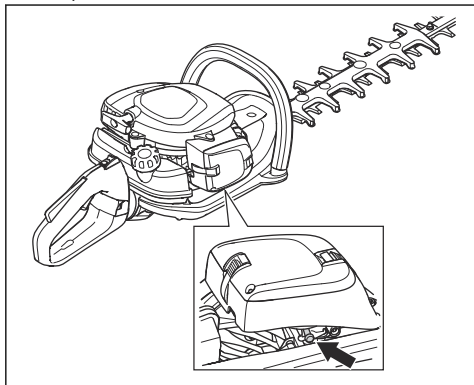
Техническое обслуживание	Перед эксплуатацией	После 40 ч	После 100 ч
Очистите наружные поверхности.	Каждый раз после эксплуатации.		

Техническое обслуживание	Перед эксплуатацией	После 40 ч	После 100 ч
Очистите глушитель, выхлопную трубу и двигатель от листьев, грязи и посторонних смазочных веществ.	Каждый раз после эксплуатации.		
Убедитесь в том, что режущее оборудование не движется, когда двигатель работает на холостых оборотах.	X		
Проверьте выключатель.	X		
Осмотрите режущее оборудование и его щиток на наличие повреждений и трещин. При необходимости выполните замену.	X		
Осмотрите щиток для рук на наличие повреждений и трещин. При необходимости выполните замену.	X		
Проверьте стопор дроссельного регулятора и сам дроссельный регулятор.	X		
Проверьте двигатель, топливный бак и топливопроводы на наличие утечек.	X		
Затяните гайки и винты.	X		
Проверьте топливный фильтр на наличие загрязнения и топливный шланг на наличие трещин или других дефектов. При необходимости выполните замену.	X		
Осмотрите стартер и шнур стартера на наличие повреждений.		X	
Очистите воздушный фильтр. При необходимости выполните замену.		X	
Осмотрите элементы системы гашения вибрации на наличие повреждений и трещин.		X	
Проверьте свечу зажигания (см. раздел <i>Проверка свечи зажигания на стр. 41</i>).		X	
Очистите систему охлаждения.		X	
Очистите наружные поверхности карбюратора и область вокруг него.		X	
Очистите или замените искрогасительную сетку.			X
Промойте бензином внутреннюю поверхность топливного бака.			X
Проверьте свечу зажигания.			X
Убедитесь, что картер редуктора заполнен смазкой.			X

Регулировка оборотов холостого хода

1. Очистите воздушный фильтр и установите крышку воздушного фильтра.
2. Запустите изделие (см. *Запуск изделия с холодным двигателем на стр. 38*).

3. Поворачивайте винт регулировки Т по часовой стрелке до тех пор, пока режущее оборудование не придет в движение.



4. Затем поворачивайте винт регулировки против часовой стрелки, пока режущее оборудование не остановится.



ПРЕДУПРЕЖДЕНИЕ: Если режущее оборудование не останавливается в ходе регулировки оборотов холостого хода, обратитесь к ближайшему сервисному дилеру. Запрещается пользоваться изделием, пока не будет выполнена его надлежащая регулировка или ремонт.

Примечание: Обороты холостого хода правильные, если двигатель работает ровно во всех положениях. Рекомендованные обороты холостого хода см. в разделе *Технические данные* на стр. 43.

Очистка системы охлаждения

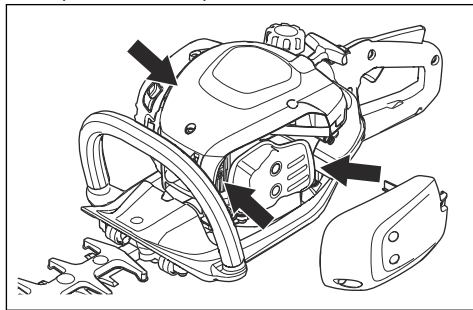
Система охлаждения поддерживает температуру двигателя на низком уровне. Система охлаждения включает охлаждающие ребра на цилиндре и корпусе стартера.



ВНИМАНИЕ: Воздухозаборник между топливным баком и картером легко забивается листьями. Полностью очищайте воздухозаборник.

1. Очищайте систему охлаждения щеткой еженедельно или чаще (при необходимости).

2. В системе охлаждения не должно быть загрязнений и засоров.

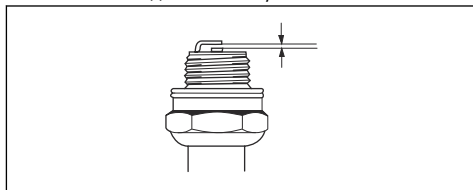


Проверка свечи зажигания



ВНИМАНИЕ: Всегда используйте только указанный тип свечи. Использование неправильного типа свечи зажигания может привести к повреждению изделия.

- Проверьте свечу зажигания, если двигатель не набирает мощность, плохо заводится или плохо работает на холостых оборотах.
- Чтобы уменьшить риск появления нежелательного материала на электродах свечи зажигания, соблюдайте следующие инструкции:
 - а) Убедитесь в правильности регулировки частоты оборотов холостого хода.
 - б) Убедитесь, что используется надлежащая топливная смесь.
 - в) Убедитесь, что воздушный фильтр чист.
- Если свеча зажигания загрязнена, очистите ее и проверьте зазор между электродами, см. раздел *Технические данные* на стр. 43.



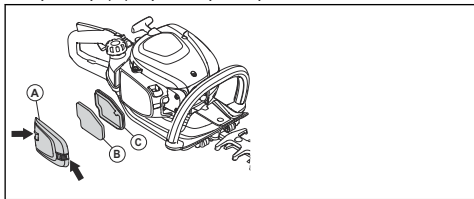
- При необходимости замените свечу зажигания.

Очистка воздушного фильтра

Регулярно очищайте воздушный фильтр от грязи и пыли. Регулярная очистка предотвращает неисправности карбюратора, проблемы при запуске, снижение мощности двигателя, износ деталей двигателя и повышенный расход топлива.

1. Снимите крышку воздушного фильтра (А).

- Снимите поролоновый фильтр (B) и фетровый фильтр (C) с рамы фильтра.



- Замените фетровый фильтр (C).
- Промойте поролоновый фильтр (B) теплой мыльной водой.

Примечание: Воздушный фильтр после эксплуатации в течение длительного времени невозможно полностью очистить. Регулярно выполняйте замену воздушного фильтра и всегда заменяйте неисправный фильтр.

- Убедитесь в том, что поролоновый фильтр (B) полностью высох.
- Нанесите масло для воздушных фильтров на поролоновый фильтр (B). См. раздел *Нанесение масла на воздушный фильтр на стр. 42*
- Очистите внутреннюю поверхность крышки воздушного фильтра (A). Используйте для очистки сжатый воздух или щетку.

Нанесение масла на воздушный фильтр



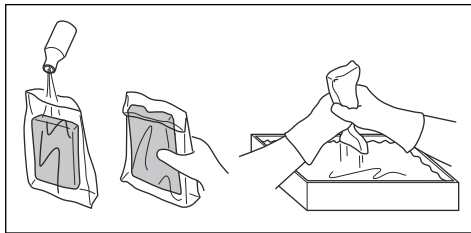
ВНИМАНИЕ: Необходимо использовать специальное масло для воздушных фильтров Husqvarna. Не используйте другие виды масла.



ПРЕДУПРЕЖДЕНИЕ: Наденьте защитные перчатки. Масло для воздушного фильтра может вызвать раздражение кожи.

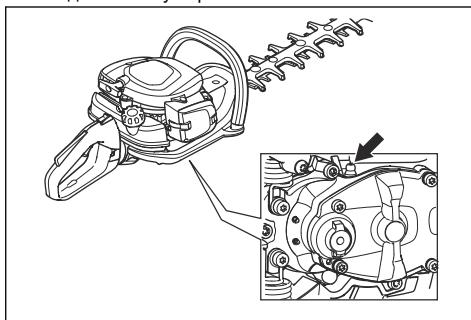
- Поместите воздушный фильтр в полиэтиленовый пакет.
- Налейте масло в полиэтиленовый пакет.
- Сожмите пакет, чтобы равномерно распределить масло по воздушному фильтру.

- Отожмите излишки масла из воздушного фильтра в пластиковый пакет.



Смазка коробки передач

- Используйте специальную смазку Husqvarna. Для получения информации о рекомендованной смазке обратитесь к своему дилеру по обслуживанию.
- Введите смазку через смазочный ниппель.



ВНИМАНИЕ: Не заполняйте коробку передач смазкой полностью.

Очистка и смазка ножей

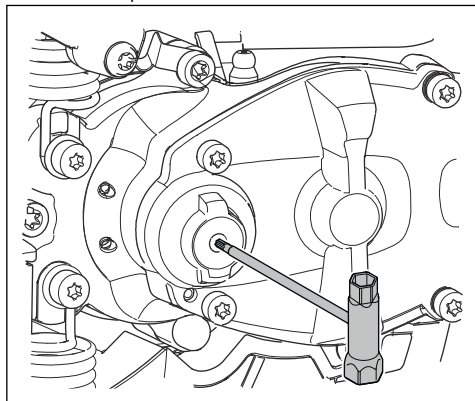
- Ножи необходимо очищать от посторонних материалов до и после эксплуатации.
- Смажьте ножи перед помещением изделия на продолжительное хранение.

Примечание: Для получения информации о рекомендованных чистящих средствах и смазке обратитесь к своему сервисному дилеру.

Проверка ножей

- Снимите крышку картера редуктора.

- Убедитесь, что ножи свободно перемещаются. Вставьте комбинированный ключ в картер редуктора и поверните его по часовой и против часовой стрелки.



- Проверьте края ножей на наличие повреждений и деформации.
- Удалите заусенцы на ножах с помощью напильника.

Транспортировка, хранение и утилизация

Транспортировка и хранение

- Перед помещением на хранение, в обязательном порядке, давайте изделию остыть.
- Перед помещением на хранение и транспортировкой изделия и топлива убедитесь в отсутствии утечек или испарения топлива. Искры или источники открытого огня, например, от электрических устройств или котлов, могут привести к пожару.
- Всегда используйте рекомендованные контейнеры для хранения и транспортировки топлива.
- Перед транспортировкой или помещением изделия на длительное хранение слейте топливо

из бака. Утилизируйте топливо в специально предназначенном для этого месте.

- На время транспортировки и хранения устанавливайте на изделие транспортировочный щиток.
- Снимите колпак свечи зажигания со свечи зажигания.
- Закрепляйте изделие на время транспортировки. Убедитесь, что изделие неподвижно зафиксировано.
- Перед помещением на длительное хранение очистите изделие и проведите его техобслуживание.

Технические данные

Технические данные

	522HD60X	522HDR60X	522HDR75X
Двигатель			
Объем цилиндра, см ³	21,7	21,7	21,7
Обороты холостого хода, об/мин	3000	3000	3000
Рекомендованные макс. обороты, об/мин	9200	9200	9200
Максимальная мощность двигателя, согласно ISO 8893, кВт/л.с. при об/мин	0,6/0,8 при 7800	0,6/0,8 при 7800	0,6/0,8 при 7800
Глушитель с каталитическим конвертером	Да	Да	Да

	522HD60X	522HDR60X	522HDR75X
Система зажигания			
Свеча зажигания	NGK CMR6A	NGK CMR6A	NGK CMR6A
Зазор между электродами, мм	0,5	0,5	0,5
Топливо			
Емкость топливного бака, л/см ³	0,45/450	0,45/450	0,45/450
Масса			
Без топлива, кг	4,9	5,0	5,2
Излучение шума ⁷			
Уровень мощности звука, измеренный, дБ(А)	101	101	101
Уровень мощности шума, гарантированный L _{WA} дБ (А)	102	102	102
Уровни шума ⁸			
Эквивалентный уровень давления звука на уровне уха пользователя, измеренный согласно EN ISO 10517, дБ(А)	93	93	93
Уровни вибрации ⁹			
Эквивалентный уровень вибрации (a _{hv,eq}) на рукоятках, измеренный согласно EN ISO 10517, м/с ² :			
Спереди/сзади, мм/с ²	2,7/1,2	2,8/1,3	2,1/2,2
Ножи			
Тип	Двухсторонние	Двухсторонние	Двухсторонние
Длина реза, мм	600	600	750
Скорость резания, ходов/мин	4400	3200	3200

⁷ Излучение шума в окружающую среду измеряется как мощность звука (L_{WA}) согласно директиве ЕС 2000/14/ЕС. Указанный уровень мощности звука для изделия измерен с оригинальным режущим оборудованием, дающим наивысший уровень. Разница между гарантированной и измеренной мощностью звука заключается в том, что гарантированная мощность звука включает результаты измерений диапазон и отклонения для изделий одной и той же модели согласно директиве 2000/14/ЕС.

⁸ Указанные данные об уровне шумового давления имеют типичный статистический разброс (стандартное отклонение) в 1 дБ (А).

⁹ Указанные данные об уровне вибрации имеют типичный статистический разброс (стандартное отклонение) 1 м/с².

Декларация о соответствии

Декларация соответствия требованиям ЕС

Мы, компания **Husqvarna AB**, SE-561 82
Husqvarna, Швеция, тел.: +46-36-146500, с полной
ответственностью заявляем, что изделие:

Описание	Ножницы для живой изгороди
Марка	Husqvarna
Тип / Модель	522HD60X, 522HDR60X, 522HDR75X
Идентификация	Серийные номера начиная с 2022 года и далее

полностью соответствует следующим директивам и
нормативам ЕС:

Норматив	Описание
2006/42/ЕС	"О механическом оборудовании"
2014/30/EU	"Об электромагнитной совместимости"
2000/14/ЕС	"Об излучении шума в окружающую среду"
2011/65/EU	"Об ограничении использования определенных опасных веществ в электрическом и электронном оборудовании"

а также требованиям следующих стандартов и/или
технических регламентов: EN ISO 12100:2021, CISPR
12: 2009, EN ISO 10517:2009/A1:2013, EN IEC
63000:2018.

Организация RISE SMP Svensk Maskinprovning AB,
осуществила добровольную типовую проверку от
имени компании Husqvarna AB. Номер сертификата:
SEC/18/2518.

RISE SMP Svensk Maskinprovning AB, подтвердила
соответствие требованиям Директивы Совета
ЕС от 8 мая 2000 года "об эмиссии
шума в окружающую среду" 2000/14/ЕС.
Номера сертификатов: 01/094/026-522HD60X,
01/094/027-522HDR60X, 522HDR75X.

Информацию по излучению шума см. в разделе
Технические данные на стр. 43.

Husqvarna, 2022-05-09

Стефан Холмберг (Stefan Holmberg), директор
отдела разработок, управление технологиями,
Husqvarna AB

Ответственный за техническую документацию



141400, Московская обл., Г. Химки, ул. Ленинградская,
владение 39, строение 6, здание II этаж 4,
помещение ОВ02_04,
телефон горячей линии 8-800-200-1689



www.husqvarna.com

Original instructions
원본 설명서
Оригинальные инструкции
1143268-38



2022-07-13