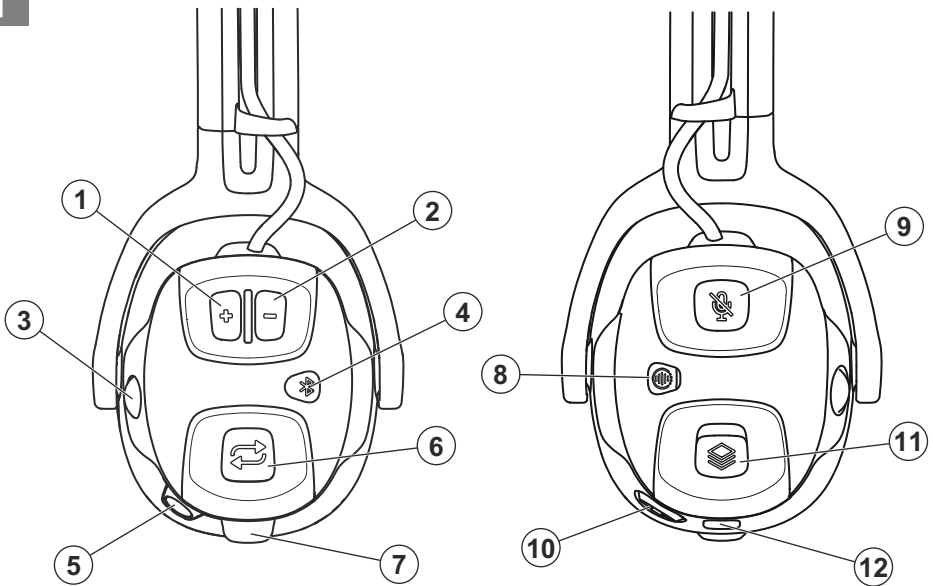




X-COM Active (HP500C-01, HP500C-02)

EN	Operator's manual	6-16
BG	Ръководство за експлоатация	17-26
BS	Korisnički priručnik	27-35
CS	Návod k použití	36-44
DA	Brugsanvisning	45-53
DE	Bedienungsanweisung	54-64
EL	Οδηγίες χρήσης	65-74
ES	Manual de usuario	75-83
ES-MX	Manual del usuario	84-92
ET	Kasutusjuhend	93-101
FI	Käyttöohje	102-110
FR	Manuel d'utilisation	111-120
FR-CA	Manuel d'utilisation	121-129
HR	Priručnik za korištenje	130-138
HU	Használati utasítás	139-147
IT	Manuale dell'operatore	148-156
LT	Operatoriaus vadovas	157-165
LV	Lietošanas pamācība	166-174
MK	Упатство за оператор	175-184
NL	Gebruiksaanwijzing	185-193
NO	Bruksanvisning	194-202
PL	Instrukcja obsługi	203-211
PT	Manual do utilizador	212-220
RO	Instrucțiuni de utilizare	221-229
RU	Руководство по эксплуатации	230-239
SK	Návod na obsluhu	240-248
SL	Navodila za uporabo	249-257
SR	Priručnik za rukovaoca	258-266
SV	Bruksanvisning	267-275
TR	Kullanım kılavuzu	276-284

1



2

HP500C-01

f(Hz)	63	125	250	500	1000	2000	4000	8000	H	M	L	SNR
Mf (dB)	19.3	17.7	24.6	32.3	36.7	37.4	39.0	39.9	38.0	32.8	25.1	34.7
Sf (dB)	3.3	2.6	3.0	3.6	3.3	3.3	3.3	3.0	2.5	2.0	2.0	1.9
APV (dB)	16.0	15.1	21.6	28.7	33.4	34.1	35.5	36.9	36	31	23	33



457

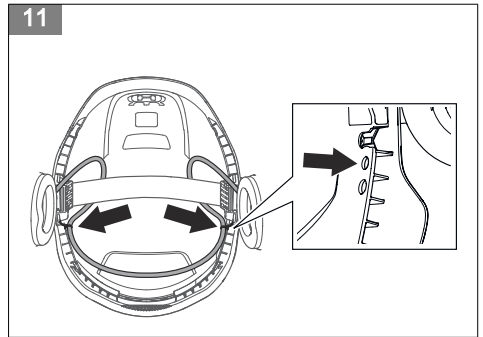
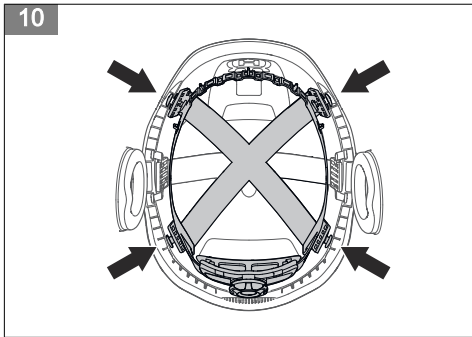
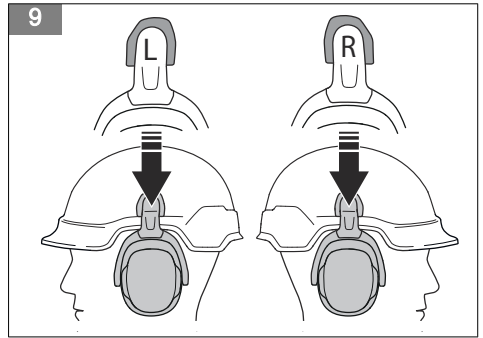
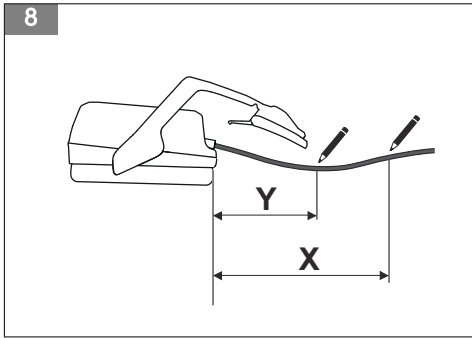
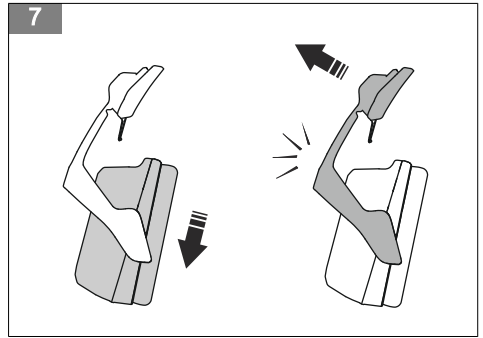
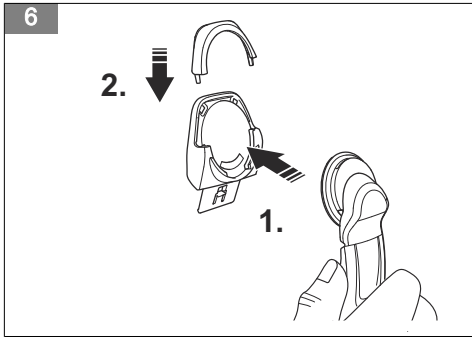
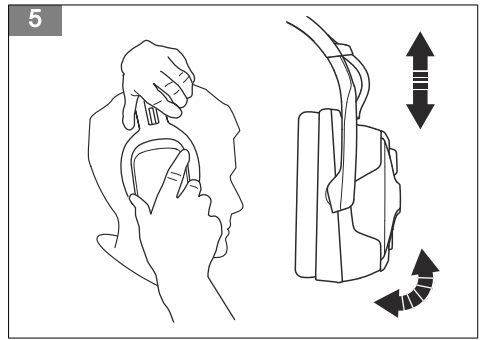
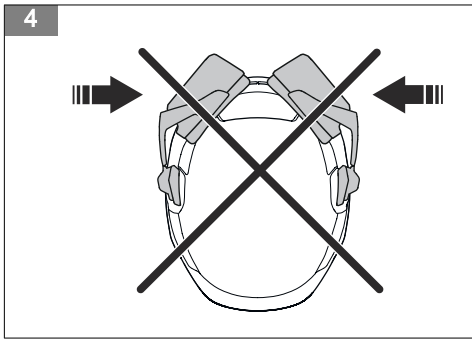
3

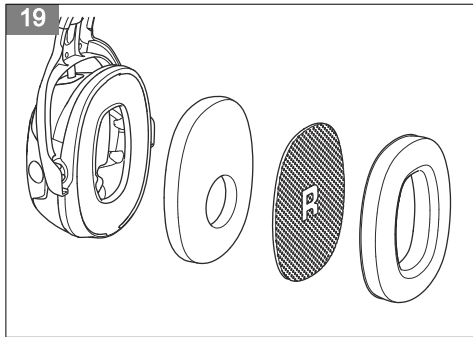
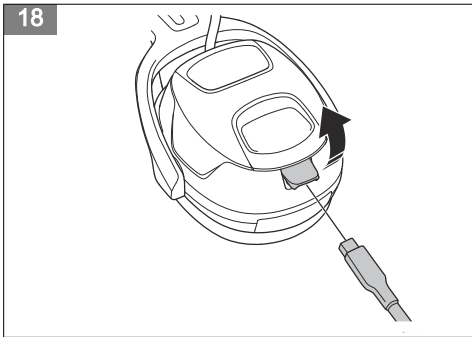
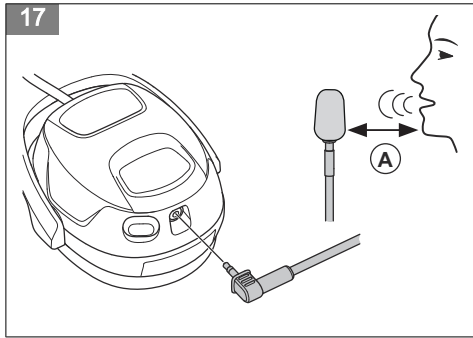
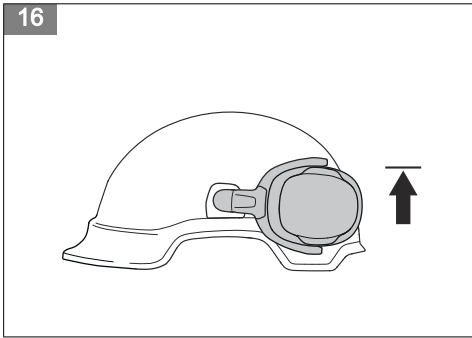
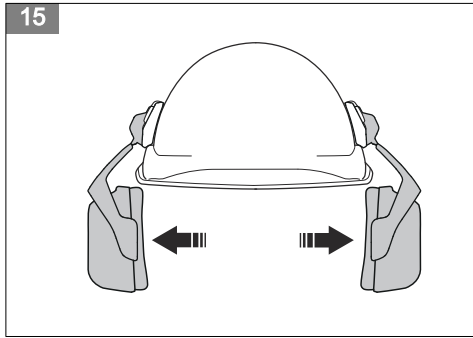
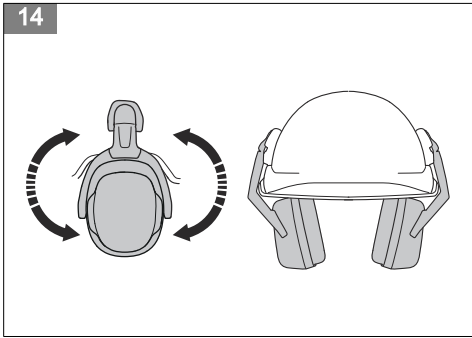
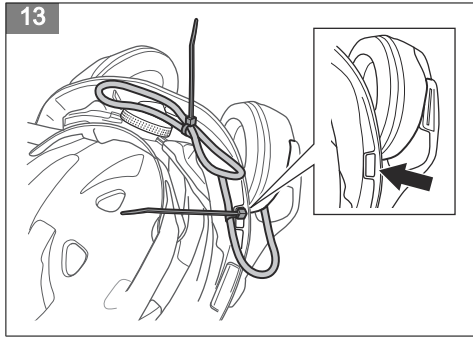
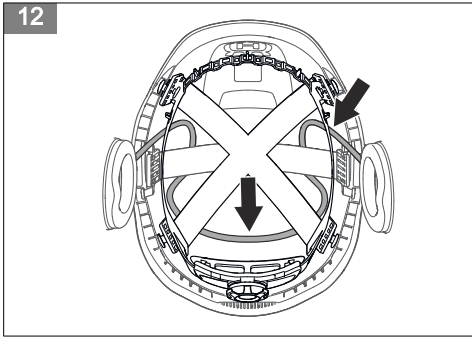
HP500C-02

f(Hz)	63	125	250	500	1000	2000	4000	8000	H	M	L	SNR
Mf (dB)	17.1	18.3	22.5	29.0	36.1	37.5	39.7	41.6	38.0	31.3	24.5	33.7
Sf (dB)	5.0	2.8	2.8	2.9	2.6	3.5	4.1	2.8	2.5	2.0	2.3	1.9
APV (dB)	12.1	15.5	19.7	26.1	33.5	34.0	35.6	38.8	36	29	22	32

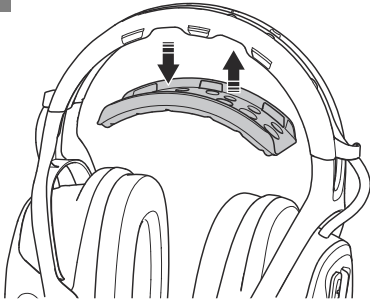


498

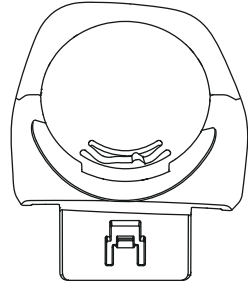




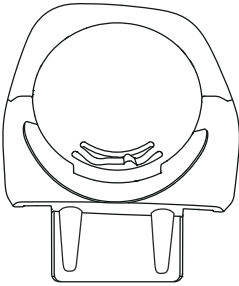
20



21



22



Contents

Introduction.....	6	Transportation, storage and disposal.....	13
Safety.....	7	Accessories.....	13
Assembly.....	8	Technical data.....	13
Operation.....	9	0
Maintenance.....	12		

Introduction

Product description

The product X-COM Active (HP500C-01, HP500C-02) is a hearing protection with integrated full-duplex communication, *Bluetooth® wireless technology* and FM

Product overview

(Fig. 1)

1. Volume up button
2. Volume down button
3. Level dependent microphone
4. Bluetooth® button
5. Speech microphone
6. Mode button
7. USB-C charger cable outlet
8. Ambient sound button
9. Mute button
10. On/Off button
11. Channel button
12. Boom microphone outlet

Compliance and approvals

Hereby, Husqvarna AB, SE-561 82 Huskvarna, Sweden, tel: +46-36-146500, declares that the radio equipment type HP500C-01 and HP500C-01 is in compliance with 2014/53/EU, 2011/65/EU and the regulation (EU) 2016/425. The full text of the EU declaration of conformity is available at the following internet address: www.husqvarna.com; search for X-COM Active, HP500C-01, HP500C-02.

The product attenuation values and noise levels are tested and approved according to: EN 352-1:2020 (headband), EN 352-3:2020 (helmet mounted), EN 352-4:2020, EN 352-6:2020 and EN 352-8:2020.

Notified body involved in the conformity assessment is: Notified body number 1974. PZT GmbH, Bismarckstraße 264 B, 26389 Wilhelmshaven, Germany.

Certification and Monitoring by PZT.

The battery is certified according to IEC62133 edition 2.



radio. The model HP500C-01 is a hearing protection with headband and the model HP500C-02 is a hearing protection for a helmet. The product gives protection from harmful noise.

UK Importer:
Husqvarna UK Ltd
Preston Road, Co. Durham
DL5 6UP

FCC ID: ZASHP500, IC: 23307-HP500

FCC Compliance Statement:

This device complies with Part 15 of the FCC Rules. Operation is subject to the following two conditions: (1) This device may not cause harmful interference, and (2) this device must accept any interference received, including interference that may cause undesired operation.

Changes or modifications not expressly approved by the party responsible for compliance could void the user's authority to operate the equipment.

This equipment has been tested and found to comply with the limits for a Class B digital device, pursuant to part 15 of the FCC Rules. These limits are designed to provide reasonable protection against harmful interference in a residential installation. This equipment generates, uses and can radiate radio frequency energy, and if not installed and used in accordance with the instructions, may cause harmful interference to radio communications. However, there is no guarantee that interference will not occur in a particular installation. If this equipment does cause harmful interference to radio or television reception, which can be determined by turning the equipment off and on, the user is encouraged to try to correct the interference by one or more of the following measures:

- Increase the separation between the equipment and receiver.
- Consult the dealer for help.

Marking on the product is found on the label on the right earmuff.

ISED Canada Compliance Statement

This device contains licence-exempt transmitter(s)/ receiver(s) that comply with Innovation, Science and Economic Development Canada's licence-exempt RSS(s). Operation is subject to the following two conditions:

- This device may not cause interference.
- This device must accept any interference, including interference that may cause undesired operation of the device.

CAN ICES-3 (B)/NMB-3(B)

L'émetteur/récepteur exempt de licence contenu dans le présent appareil est conforme aux CNR d'Innovation,

Sciences et Développement économique Canada applicables aux appareils radio exempts de licence. L'exploitation est autorisée aux deux conditions suivantes:

- L'appareil ne doit pas produire de brouillage.
- L'appareil doit accepter tout brouillage radioélectrique subi, même si le brouillage est susceptible d'en compromettre le fonctionnement.

CAN ICES-3 (B)/NMB-3(B)

Registered trademarks

The *Bluetooth*[®] word mark and logos are registered trademarks owned by *Bluetooth SIG, inc.* and any use of such marks by Husqvarna is under license.

Safety

Safety definitions

Warnings, cautions and notes are used to point out specially important parts of the manual.



WARNING: Used if there is a risk of injury or death for the operator or bystanders if the instructions in the manual are not obeyed.



CAUTION: Used if there is a risk of damage to the product, other materials or the adjacent area if the instructions in the manual are not obeyed.

Note: Used to give more information that is necessary in a given situation.

General safety



WARNING: Read the warning instructions that follow before you use the product.

- Use and save these instructions.
- For optimal fit and function, make sure that you have selected the correct product for your use.
- Do not change or remove parts on the product. Only do changes that are given in this operator's manual.
- The noise attenuation of the product will be severely impaired if you do not follow the instructions in this operator's manual. Ear-muffs, and in particular cushions, may deteriorate with use and should be examined at frequent intervals for cracking and leakage. Refer to *Maintenance on page 12*.

- This product may be adversely affected by certain chemical substances. Further information should be sought from the manufacturer. Keep away from aggressive substances and clean the product regularly. Use a cloth with water and soap. Do not wash or put fully into water.
- All service and repair work must be done by an approved service workshop. Only use Husqvarna original spare parts.
- Never use the ear-muffs longer than 10 years from the manufacturing date stated on the packaging.
- The functionality of the product may deteriorate with battery consumption.

Safety instructions for operation

- The wearer should ensure that the ear-muffs are worn at all times in noisy environments.
- Be more careful and listen for warning signals when you use the product. The noise from warning signals can be decreased when you use the product.
- The audibility of warning signals at specific workplace may be impaired while using the entertainment facility.
- Make sure that the product is not hit during transportation and use.
- Only use the product between temperatures -20°C and +55°C/-4°F and +131°F. If you use the product in other temperatures, this can cause damage to the electronics, battery and mechanical parts.
- Make sure that you know how to use the product before use. Speak to your servicing dealer if there is damage on the product. Do not open the casing!
- The fitting of hygiene covers to the cushions, may affect the acoustic performance of the ear-muffs. Always use original accessories.

- Do not push the earmuffs against the helmet shell. If you do that, it can cause cracks around the side of the helmet.

(Fig. 4)

- Do not put the product in storage at temperatures above +55°C/+131°F, for example on a dashboard. Do not put the product in storage at temperatures below -20°C/-4°F.
- The wearer should ensure that the ear-muffs are fitted, adjusted and maintained in accordance with this operator's manual.
- The ear-muff is provided with safety-related audio input. The user should check correct operation before use. If distortion or failure is detected, the user should refer to the manufacturer's advice for maintenance.

Battery safety

- The earmuff is provided with level-dependent attenuation. The user should check for correct operation before use. If a malfunction or fault is detected, the user should follow the manufacturer's instructions for maintenance.
- The product contains battery and electrical components that may cause ignition in flammable or explosive atmospheres. Do not use in environments where sparks may cause a fire or explosion.
- Only charge the product within temperature range 0°C to +40°C/+32°F to +104°F. Charging outside temperature range can damage the electronics and battery.

Assembly

Introduction



WARNING: Move your hair to the side before you assemble the product. Make sure that the sealing rings are tight against your head and around your ears before you operate the product.



CAUTION: Make sure that the cable is not twisted or has a small bend radius. Make sure that the cable can move smoothly into the opening of the helmet.

To put on the earmuffs with headband

- Put the headband across the top of your head.
- Move the earmuffs up or down to adjust the height. (Fig. 5)

To assemble the earmuffs to a helmet

- Assemble the correct adapter attachment type to the helmet shell. Refer to *Approved helmets on page 13*.
- Assemble the helmet fork on the attachment adapter. (Fig. 6)

Note: Refer to *Approved helmets on page 13* for more information about which helmet attachment is applicable to your helmet.

- Move the earmuffs to the lowest position.
- Lift the earmuffs out and up until they lock in standby position. (Fig. 7)
- Do a mark on the cable.
 - For helmet H300, do a mark 27 cm/11 in (X) from each earmuff.
 - For helmet Spire Vent X, do a mark 14.5 cm/6 in (Y) from each earmuff. (Fig. 8)
- Put the helmet attachment in the slot on the helmet. (Fig. 9)
- Continue to assembly instructions for your approved helmet.

To assemble the earmuffs to the helmet H300

- Release the head harness from the helmet. (Fig. 10)
- Attach the cable to the holes with the cable ties or clips. (Fig. 11)
- If you attach the cable with cable ties, cut the cable tie and push the cable tie lock into the side slot.
- Make a loop of the cable and attach the head harness and neck protection. Make sure that the cable is between the helmet shell and the head harness. (Fig. 12)

To assemble the earmuffs to the helmet Spire Vent X

- Put the cable in a loop rearward.
- Attach the cable to the head harness with cable ties. Attach the cable tie through the backstrap of the headband.
- Cut the cable tie.
- Put the remaining part of the cable in a loop rearward, behind the rear headband. (Fig. 13)

To put the earmuffs in operation position

- Put the helmet on your head.
- Adjust the earmuffs until they are tight around your ears and tight against your head. (Fig. 14)

To put the earmuffs in standby position

- Lift the earmuffs out and up until they lock in standby position. (Fig. 15)

To put the earmuffs in parking position

1. Put the earmuffs in standby position. Refer to *To put the earmuffs in standby position on page 8.*
2. Turn the earmuffs rearward along the side of the helmet until they lock in the parking position. (Fig. 16)

To connect the boom microphone

Use a boom microphone in environments with much noise.

1. Attach the wind filter on the boom microphone.
2. Connect the boom microphone to the microphone outlet on the right earmuff. (Fig. 17)
3. Put the boom microphone 1 cm/0.4 in. (A) from your mouth.

Operation

Introduction



WARNING: Before you operate the product, you must read and understand the safety chapter.

To charge the product

1. Connect the USB-C connector on the charger cable to the outlet on the left earmuff. (Fig. 18)
2. Connect the USB connector on the charger cable to a USB charger or other USB power outlet.

Note: The output of the power outlet must be 5 V and 2 A to charge at maximum capacity.

Note: The LED indicator on the Bluetooth® button flashes slowly green when the battery is charging. The LED indicator on the Bluetooth® button is solid green when the battery is fully charged.

LED indicator on the channel button	Battery state of charge
3 LEDs are on.	The battery is 90%–100% charged.
2 LEDs are on and 1 LED light flashes slowly.	The battery is 70%–90% charged.
1 LED is on and 1 LED light flashes slowly.	The battery is 20%–70% charged.
1 LED flashes slowly.	The battery is 10%–20% charged.
1 LED flashes quickly.	The battery is 0%–10% charged.

To start the product

- Push and hold the on/off button for 1 second.

Note: A beep sound tells you that the product is on. The middle LED indicator on the channel button is on for 2 seconds. An audio message tells you the battery status and the quantity of devices that are connected with Bluetooth® wireless technology. If the product finds a team, the audio message tells you which team you are connected to. Refer to the table below.

Audio message
BATTERY HIGH
BATTERY MEDIUM
BATTERY LOW
BATTERY CRITICAL

Audio message
ONE BLUETOOTH DEVICE CONNECTED
TWO BLUETOOTH DEVICES CONNECTED
CONNECTED TO TEAM CHANNEL 1
CONNECTED TO TEAM CHANNEL 2
CONNECTED TO TEAM CHANNEL 3

To show the battery status

- Push the on/off button.

Note: The LED indicator on the channel button shows a green light for 5 seconds. Refer to the table below.

LED indicator	Battery status
3 LEDs are on.	The battery is 90%–100% charged.
2 LEDs are on.	The battery is 70%–90% charged.

LED indicator	Battery status
1 LED is on.	The battery is 20%–70% charged.
1 LED flashes quickly.	The battery is 0%–10% charged.

To change between FM radio mode and Bluetooth® mode

- Push the mode button quickly 2 times to change between FM radio mode and Bluetooth® mode.

Note: An audio message tells you which mode you have selected. Refer to the table below.

Audio message
RADIO
BLUETOOTH

FM radio mode

In FM radio mode you get access to FM radio in urban areas or other areas with a strong FM radio signal. The performance of the FM radio may be impacted by rough terrain or dense vegetation.

To change FM radio station

- Push and hold the volume up button or the volume down button for 1 second to change FM radio station.

Bluetooth® mode

In Bluetooth® mode you can connect your product to a device with Bluetooth® wireless technology.

To do a Bluetooth® pairing operation

1. Push and hold the Bluetooth® button for 2 seconds to start the pairing operation on your product.

Note: The pairing operation starts when you hear a beep sound and the Bluetooth® button flashes blue. The pairing operation is on for 30 seconds.

2. Start the pairing operation for Bluetooth® wireless technology on the device.
3. If it is necessary, select Husqvarna X-COM Active in the list of units on your device.

Note: An audio message tells you about the product status. Refer to the table below.

Audio message	LED indicator on the Bluetooth® button	Information
BLUETOOTH DEVICE CONNECTED	Solid blue.	The product is connected to a device with Bluetooth® wireless technology.
BLUETOOTH CONNECTION FAILED	Solid red for 2 seconds.	The product is not connected to a device with Bluetooth® wireless technology.

Note: A device with Bluetooth® wireless technology that is connected to your product, connects automatically to your product the next time the product is used with the device.

To set up a team and add devices

A team is a communication group that lets you speak to all the devices that are connected to the team. If there is no team and you do this procedure, you set up a new team. Then you can do the procedure again to add new devices to the team. Only one person sets up a team and the other devices connect to the team as shown in *To connect to a team on page 11*. Only one person at a time can add a new device to the team. The new device must connect to the team as shown in *To connect to a team on page 11*.

1. Push the mode button for 1 second to enter the team management mode to enter team setup.

Note: An audio message tells you that you are in team management mode. Refer to the table below.

Audio message	LED indicator on the Bluetooth® button
TEAM MANAGEMENT	Solid white.

2. Push the Bluetooth® button.

Note: An audio message tells you the pairing operation status. The pairing operation starts when you hear a beep sound. Refer to the table below.

Audio message	LED indicator on the Bluetooth® button
SEARCHING FOR MEMBERS	LED flashes quickly.

Note: The pairing operation is on for 1 minute. The devices connects to the team in approximately 1

minute. The pairing operation is completed when you hear a beep sound and the Bluetooth® button shows a constant green light. A beep sound is heard each time a new device connects to the team. To connect to a team, refer to *To connect to a team on page 11*.

- If you want to stop the pairing operation in less than 1 minute, push the mode button.
- If you want to add a new device to the team, follow the same instructions again.

Note: A device that is connected to the team, connects automatically to the team next time you use it.

To connect to a team

You cannot connect to a team if no team is set up. To set up a team, refer to *To set up a team and add devices on page 10*. You can connect to a team at the same time a new team is set up. You can also connect to a team if a member of the team adds new devices to the team.

- Push the mode button for 1 second to enter the team management mode.

Note: An audio message tells you that you are in team management mode. Refer to the table below.

Audio message	LED indicator on the Bluetooth® button
TEAM MANAGEMENT	Solid white.

- Push the volume up button.

Note: The pairing operation starts when you hear a beep sound and the Bluetooth® button flashes slowly. The pairing operation is on for 1 minute. An audio message tells you that you are connected to the team. Refer to the table below.

Audio message	LED indicator on the Bluetooth® button
CONNECTED TO TEAM	Solid green.

Note: You can speak to the team after the audio message tells you that you are connected to the team.

To disconnect from a team

- Push the mode button for 1 second to enter the team management mode.

Note: An audio message tells you that you are in team management mode. Refer to the table below.

Audio message	LED indicator on the Bluetooth® button
TEAM MANAGEMENT	Solid white.

- Push the volume down button.

Note: An audio message tells you that you have disconnected from the team. Refer to the table below.

Audio message	LED indicator on the Bluetooth® button
LEAVING TEAM	LED flashes red 3 times.

To change communication channel

- Push the channel button to select communication channel 1, 2 or 3.

Note: An audio message tells you which channel you are in. Refer to the table below.

Audio message	Channel LED indicator
CHANNEL 1	Solid white on channel 1.
CHANNEL 2	Solid white on channel 2.
CHANNEL 3	Solid white on channel 3.

To speak to all communication channels

- Push and hold the channel button to speak to all communication channels at the same time.

Note: You are connected to all communication channels when you hear a beep sound. All channel LED indicators are solid white to show that you are connected to all channels.

- Release the channel button to go back to the previous channel.

To enable or disable the microphone

- Push the mute button until you hear a beep sound.

To change audio streaming

- Push and hold the volume up button for 0.5 seconds to select the next audio streaming.
- Push and hold the volume down button for 0.5 seconds to go back to the previous audio streaming.

To stop or start the audio streaming

- Push the mode button to stop or start the audio streaming.

To accept, end or dismiss a phone call

If your mobile device is connected to the product with Bluetooth® wireless technology, a signal is heard in the earmuffs when there is an incoming phone call.

- Push the mode button to accept or end the phone call.
- Push the mode button for 1 second to dismiss an incoming phone call.

Note: A beep sound tells you when the phone call is accepted or dismissed.

Audio message	Information
CALL ENDED	The phone call has ended.

To transfer the phone call to the team

1. Push the mode button to accept the phone call.
2. Push the mode button quickly 2 times to transfer the phone call to the team.

Note: An audio message tells you when the phone call has transferred. Refer to the table below.

Audio message	Information
CALL TRANSFERRED TO TEAM	The phone call has transferred to the team.

To disconnect the phone call in the team

- Push the mode button 2 times quickly.

Note: An audio message tells you when the phone call has disconnected. Refer to the table below.

Audio message	Information
CALL DISCONNECTED FROM TEAM	The phone call has disconnected from the team.

Maintenance

To do maintenance on the product



CAUTION: Do not flush or put the product fully into water.



CAUTION: Spray, liquids or other cleaning agents that contain solvents and/or alcohol can decrease the protective function.

To adjust the volume

- Push the volume up button or volume down button to adjust the volume. A beep sound tells you when the volume is at the minimum or maximum level.

To set to ambient sound mode

Ambient sound mode lets you hear the sounds around you.

- Push the ambient sound button.

Note: An audio message tells you the status of the ambient sound mode.

Audio message
AMBIENT LEVEL HIGH
AMBIENT LEVEL MEDIUM
AMBIENT LEVEL LOW
AMBIENT LEVEL OFF

To stop the product

- Push and hold the on/off button for 1 second.

Note: An audio message tells you the battery status and the LED indicators go out. A beep sound tells you that the product is off.

To stop the product by force

- Push and hold the on/off button for 12 seconds.



CAUTION: Use Husqvarna original spare parts.

1. Clean the product regularly. Use a cloth and a weak soap solution.
2. Do a check of the condition of the sealing rings and the foam rubber inserts before each use.

- Replace the sealing rings and the foam rubber inserts each 6 months or more frequently if it is necessary. Make sure that the air hole on the sealing ring points down during assembly. Use the original hygiene kit that includes the sealing rings and the foam rubber inserts. Refer to www.husqvarna.com for more information about the hygiene kit. (Fig. 19)

Note: If the earmuffs are wet on the inner side, let them dry in parking position. Refer to *To put the earmuffs in parking position on page 9.*

- Replace the membrane for the speech microphone if it is damaged.
- Replace the wind filter for the level dependent microphone if it is damaged.
- Replace the wind filter on the boom microphone if it is damaged.
- Replace the Comfort Pad of the headband if it is necessary. (Fig. 20)

Transportation, storage and disposal

Transportation and storage



CAUTION: During transportation and storage, put the earmuffs in operation position to decrease wear on the plastic material.

- Put the earmuffs in operation position. Refer to *To put the earmuffs in operation position on page 8.*
- Make sure that the sealing rings are not compressed.
- Put the product in a dry and clean space.
- Keep the product away from sunlight during storage.
- Charge the battery each 6 weeks to keep the quality of the battery.

- Put the product in a safe space during transportation.

Disposal

- Obey national regulations.
- Use the local recycling system.
- The product or package of the product is not domestic waste. Recycle it at a recycling station for electrical and electronic equipment.



Accessories

Approved helmets

Use the product with the helmets below only.

Model	Helmet attachment type	Adapter graphic	Approved dimensions
Husqvarna Technical, H300	Adapter H300	(Fig. 21)	M/L
Husqvarna Spire	Adapter Spire	(Fig. 22)	L
KASK Zenith X			

Technical data

Refer to the illustrations that follow for technical data on each product. For more technical data, refer to the technical data appendix sheet in this operator's manual.

(Fig. 2)

(Fig. 3)

For more information about the contents of the technical data, refer to the list that follows:

- F = Frequencies at which attenuation is measured.
- Mf = Mean value.
- Sf = Standard deviation.
- APV (Mf-Sf) = Assumed Protection Value.
- H = High frequency attenuation value (predicted noise level reduction for noise where $L_C - L_A = -2$ dB).
M = Medium frequency attenuation value (predicted noise level reduction for noise where $L_C - L_A = +2$ dB).
L = Low frequency attenuation value (predicted noise level reduction for noise where $L_C - L_A = +10$ dB).

- SNR = Single Number Rating (the value that is subtracted from the measured C-weighted sound pressure level, L_C , in order to estimate the effective A-weighted sound level inside the ear).

Responsible manufacturer: Husqvarna AB, SE-561 82 Huskvarna, Sweden, tel: +46-36-146500.

Sound level

The FM radio mode and Headset mode have a maximum equivalent sound level of 82 dB (A).

Materials

Part	Material	Part	Material
Inner ear cup	ABS	Headband	POM+TPE
Outer ear cup, left	ABS	Helmet fork	POM
Outer ear cup, right	ABS+TPE	Helmet fork spring	Steel
Inserts	PUR	Screws	Steel
Sealing rings	PVC and foam		

Bluetooth® and DECT for the US

Technical data	
Frequency spectrum for Bluetooth® wireless technology	
Bluetooth® wireless technology output power	

352-4. Criterion level EN 352-4:2020 H=114 dB, M=111 dB, L=99 dB.

352-6					
Bluetooth® wireless technology relationship between sound output level and input signal level					
Sound pressure level, dB(A)	60	65	70	75	79.7
Maximum sound pressure level ¹ , dB(A)	<82				
Input signal level, dBFS	-37.9	-32.8	-27.8	-22.4	-14.0
Maximum input signal level, dBFS	79.7 dB(A) at -14 dBFS				
Usage time for the maximum input signal that corresponds to an equivalent sound output level of 82 dB(A) over 8 h	8.0 h				

¹ No criterion level calculated.

DECT relationship between sound output level and input signal level						
Output sound pressure level, dB(A)	71.2	74.7	76.5	77.2	77.3	77.4
Maximum sound pressure level ² , dB(A)	<82					
Input signal level, dB SPL	74.3	79.3	84.3	89.3	94.3	99.3
Maximum input signal level, dBFS	77.4 dB(A) at -19.7 dBFS					

The output level of the audio circuit of this hearing protector may exceed the exposure limit.

352-8

- The product is equipped with an entertainment audio facility.

- The earmuffs provides audio signal sound pressure level limitation and limits the entertainment audio signal to 82 dB(A).

Sound pressure level	
Bluetooth® wireless technology maximum sound pressure level, dB(A)	80.1 at -10 dBFS
FM radio sound pressure level, dB(A)	78.2

Technical data for the US

Helmet mounted											
Headband force 2.9 lbs											
ANSI S3.19-1974											
Frequency, Hz	125	250	500	1000	2000	3150	4000	6300	8000	NRR	CSA class
Mean attenuation, dB	19.4	25.3	28.4	33.1	34.8	39.1	37.4	40.4	36.6	24	Class A
Standard deviation, dB	3.4	3.1	3.3	3.3	2.9	2.9	3.8	4.7	4.4		

Headband style											
Headband force 2.5 lbs											
ANSI S3.19-1974											
Frequency, Hz	125	250	500	1000	2000	3150	4000	6300	8000	NRR	CSA class
Mean attenuation, dB	19.4	24.8	33.1	38.8	37.9	40.8	39.5	41.5	38.8	27	Class A
Standard deviation, dB	2.9	2.6	3.8	2.8	3.2	4	3.8	3.6	5.2		

² No criterion level calculated

The level of noise entering a person's ear, when hearing protector is worn as directed, is closely approximated by the difference between the A-weighted environmental noise level and the NRR.

C-weighted environmental noise level should be used.

Example:

1. The environmental noise level as measured at the ear is 92 dB(A).
2. The NRR is 21 decibels (dB).
3. The level of noise entering the ear is approximately equal to 92 dB(A) - 21 dB(A).

Improper fit of this device will reduce its effectiveness in attenuating noise. Consult the enclosed instructions for proper fit (in example this manual).

Although hearing protectors can be recommended for protection against the harmful effects of impulsive noise, the Noise Reduction Rating (NRR) is based on the attenuation of continuous noise and may not be an accurate indicator of the protection attainable against impulsive noise such as gunfire.



CAUTION: For noise environments dominated by frequencies below 500 Hz the

Technical data for AU/NZ

Helmet mounted									
Mean headband force 11.1 N									
Au/NZs 1270									
Frequency, Hz	125	250	500	1000	2000	4000	8000	SLC 80	Class
Mean attenuation, dB	15.9	20.4	26.2	34.8	38.2	34	35.9	26.2	Class 5
Standard deviation, dB	5.3	5.4	7.9	5.7	4.2	5.6	8.1		
Mean - standard deviation	10.6	15	18.3	29.1	34	28.4	27.8		

Headband style									
Mean headband force 11.1 N									
AS/NZS 1270									
Frequency, Hz	125	250	500	1000	2000	4000	8000	SLC 80	Class
Mean attenuation, dB	21	24.2	30.1	35.1	37.4	35.8	37.8	32.1	Class 5
Standard deviation, dB	3.4	3.3	3.4	2.3	2.7	2.5	3.9		
Mean - standard deviation	17.6	20.9	26.7	32.8	34.7	33.3	33.9		

Hearing protection Class 5 tested to AS/NZS 1270. When selected, used and maintained as specified in AS/NZS 1269, these protectors may be used in noise up to 110 dB(A) assuming an 85 dB(A) criterion. A lower criterion may require a higher protection class. Testing according to ANSI S3.19 1974, AS/NZS 1270:2002 and CSAZ94.2-2014 by Michael & Associates, Inc., 2766 W. College Ave, Suite 1, State College, PA USA16801.

Съдържание

Въведение.....	17	Транспортиране, съхранение и изхвърляне.....	25
Безопасност.....	18	Принадлежности.....	25
Монтаж.....	19	Технически характеристики.....	25
Операция.....	20	0
Поддръжка.....	24		

Въведение

Описание на продукта

Продуктът X-COM Active (HP500C-01, HP500C-02) представлява средство за защита на слуха с вградена пълна дуплексна комуникация, *Bluetooth®*

безжична технология и FM радио. Моделът HP500C-01 представлява средство за защита на слуха с лента за глава, а моделът HP500C-02 представлява средство за защита на слуха за каска. Продуктът осигурява защита от вреден шум.

Общ преглед на продукта

(Фиг. 1)

1. Бутон за увеличаване на силата на звука
2. Бутон за намаляване на силата на звука
3. Микрофон, зависим от нивото
4. Бутон Bluetooth®
5. Микрофон за говор
6. Бутон за режим
7. USB-C изход за кабел на зарядно устройство
8. Бутон за околнен звук
9. Бутон за заглушаване
10. Бутон за вкл./изкл.
11. Бутон за канал
12. Изход за насочен микрофон



UK Importer:
Husqvarna UK Ltd
Preston Road, Co. Durham
DL5 6UP

Съответствие и одобрения

С настоящото Husqvarna AB, SE-561 82 Huskvarna, Sweden, tel: +46-36-146500, декларира, че радиооборудването, тип HP500C-01 и HP500C-01, е в съответствие с 2014/53/EU, 2011/65/EU и регламент (EU) 2016/425. Пълният текст на декларацията за съответствие на ЕС е на разположение на следния интернет адрес: www.husqvarna.com; търсете X-COM Active, HP500C-01, HP500C-02.

Стойностите за заглушаване и нивата на шума на продукта са тествани и одобрени съгласно стандарти: EN 352-1:2020 (лента за глава), EN 352-3:2020 (за поставена каска), EN 352-4:2020, EN 352-6:2020 и EN 352-8:2020.

Нотифициран орган, участвал в оценката за съответствие, е: Номер на нотифициран орган 1974, PZT GmbH, Bismarckstraße 264 B, 26389 Wilhelmshaven, Germany.

Сертификация и мониторинг от PZT.

Акумулаторната батерия е сертифицирана съгласно IEC62133, издание 2.

ИД на FCC: ZASHP500, ИД на IC: 23307-HP500

Декларация за съответствие на FCC доставчиците за отговорната страна HP500C-01, HP500C-02.

Husqvarna Professional Products, Inc. 9335 Harris Corners Parkway Suite 500 Charlotte, NC 28269 САЩ.

Информация за контакт за САЩ: Michael Campbell, мениджър по съответствие на продуктите, телефон: +1 704 597 5000.

Декларация за съответствие на FCC:

Това устройство е в съответствие с част 15 от правилата на FCC. Използването е обект на следните две условия: (1) Това устройство не може да причинява вредни смущения; и (2) това устройство трябва да приема всякакви получени смущения, включително такива, които може да причинят нежелана работа.

Това оборудване е изпитано и е установено, че съответства на ограниченията за цифрови устройства от клас В съгласно част 15 от правилата на FCC. Тези ограничения са предназначени да осигурят разумна защита срещу вредни смущения при инсталация в жилищна зона. Това оборудване генерира, използва и може да излъчва радиочестотна енергия и ако не се монтира и използва в съответствие с инструкциите, може да причини вредни смущения на радиокомуникациите.

Въпреки това няма гаранция, че при дадена инсталация няма да възникнат смущения. Ако това оборудване причинява вредни смущения при приемането на радио- или телевизионни сигнали, нещо, което може да се установи чрез изключване и включване на оборудването, потребителят се приканва да се опита да коригира смущенията чрез една или повече от следните мерки:

- Увеличаване на разстоянието между оборудването и приемника.

- Консултирайте се с дилъра за помощ.

Маркировката върху продукта се намира на етикета на десния шумозаглушител.

Регистрирани търговски марки

Словесният знак и логата на *Bluetooth®* са регистрирани търговски марки, собственост на *Bluetooth SIG, inc.*, и всяко използване на тези марки от Husqvarna е лицензирано.

Безопасност

Дефиниции за безопасност

Предупреждения, знаци за внимание и бележки се използват за указване на особено важни части на инструкцията.



ПРЕДУПРЕЖДЕНИЕ: Използва се, ако има опасност от нараняване или смърт за оператора или за околните, ако не се спазват инструкциите в ръководството.



ВНИМАНИЕ: Използва се, ако има опасност от повреждане на машината, други материали или съседната зона, ако не се спазват инструкциите в ръководството.

Забележка: Използва се за предоставяне на повече информация, която е необходима в дадена ситуация.

Обща безопасност



ПРЕДУПРЕЖДЕНИЕ: Прочетете следващите предупредителни инструкции, преди да използвате продукта.

- Използвайте и запазете тези инструкции.
- За оптимално прилягане и функционалност се уверете, че сте избрали правилния продукт за Вашата цел.
- Не променяйте и не отстранявайте части от продукта. Извършвайте единствено промени, които са посочени в това ръководство за оператора.
- Заглушаването на шума, осигурено от продукта, ще бъде сериозно нарушено, ако не следвате инструкциите в това ръководство за оператора. Качествата на шумозаглушителите, и в частност възглавничките, може да се влошат с експлоатацията и те трябва да се преглеждат на чести интервали за напукване и течове.

Направете справка с *Поддръжка на страница 24*.

- Този продукт може да бъде повреден от определени химични вещества. Трябва да потърсите допълнителна информация от производителя. Дръжте далеч от агресивни вещества и почиствайте продукта редовно. Използвайте кърпа, вода и сапун. Не мийте и не потапяйте във вода.
- Всякакви работи по обслужването и ремонта трябва да се извършват от одобрен сервиз. Използвайте само оригинални резервни части на Husqvarna.
- Никога не използвайте шумозаглушителите повече от 10 години след датата на производство, обозначена върху опаковката.
- Функционалността на продукта може да се влоши с изразходването на енергията на акумулаторната батерия.

Инструкции за безопасност за работа

- Потребителят винаги трябва да носи шумозаглушители в шумна среда.
- Бъдете по-внимателни и нащрек за предупредителни сигнали, когато използвате продукта. Звукът от предупредителни сигнали може да бъде намален, когато използвате продукта.
- Възможността за чуване на предупредителни сигнали на определено работно място може да се наруши при използване на функцията за развлечение.
- Уверете се, че продуктът не се удрия по време на транспортиране и употреба.
- Използвайте продукта само между температури от -20°C и $+55^{\circ}\text{C}/-4^{\circ}\text{F}$ и $+131^{\circ}\text{F}$. Ако използвате продукта при други температури, това може да причини повреда на електрониката, акумулаторната батерия и механичните части.
- Уверете се, че знаете как да използвате продукта преди употреба. Обърнете се към Вашия сервизен дилър, ако по продукта съществува повреда. Не отваряйте корпуса!

- Поставянето на хигиенните покрития на възглавничките може да се отрази на акустичната производителност на шумозаглушителите. Винаги използвайте оригинални принадлежности.
- Не натискайте шумозаглушителите към повърхността на каската. Ако го направите, това може да причини образуването на пукнатини по страничната част на каската.

(Фиг. 4)

- Не оставяйте продукта на съхранение при температури над $+55^{\circ}\text{C}/+131^{\circ}\text{F}$, например на арматурно табло. Не оставяйте продукта на съхранение при температури под $-20^{\circ}\text{C}/-4^{\circ}\text{F}$.
- Потребителят трябва да се увери, че шумозаглушителите са поставени, регулирани и поддържани в съответствие с това ръководство за оператора.
- Шумозаглушителят е снабден с безопасен аудиовод. Потребителят трябва да провери дали продуктът работи правилно преди употреба. Ако се открие неизправност или повреда, потребителят трябва да направи справка със

съветите на производителя за техническо обслужване.

Безопасност на акумулаторната батерия

- Шумозаглушителят е снабден със заглушаване, зависимо от нивото. Потребителят трябва да провери дали продуктът работи правилно преди употреба. Ако се открие неизправност или повреда, потребителят трябва да следва инструкциите на производителя за техническо обслужване.
- Продуктът съдържа акумулаторна батерия и електрически компоненти, които може да причинят запалване в запалими или експлозивни атмосфери. Не използвайте в среди, където искрите може да причинят избухването на пожар или експлозия.
- Зареждайте продукта само в рамките на температурния диапазон от 0°C до $+40^{\circ}\text{C}/+32^{\circ}\text{F}$ до $+104^{\circ}\text{F}$. Зареждането извън този температурен диапазон може да нанесе щети върху електрониката и акумулаторната батерия.

Монтаж

Въведение



ПРЕДУПРЕЖДЕНИЕ: Отместете косата си настрана, преди да монтирате продукта. Уверете се, че опорните пръстени са плътно прилегнали към главата и около ушите Ви, преди да работите с продукта.

За поставяне на шумозаглушителите с лента за глава

1. Поставете лентата за глава на горната част на главата си.
2. Преместете шумозаглушителите нагоре или надолу, за да регулирате височината. (Фиг. 5)

За монтиране на шумозаглушителите към каска

1. Монтирайте правилния тип адаптер за приставка към корпуса на каската. Направете справка с *Одобрени каски на страница 25*.
2. Монтирайте вилката за каска към адаптера за приставка. (Фиг. 6)

Забележка: Направете справка с *Одобрени каски на страница 25* за повече информация относно приставката за каска, която е приложима за Вашата каска.

3. Преместете шумозаглушителите до най-ниското положение.
4. Повдигнете шумозаглушителите навън и нагоре, докато се заключат в положение на готовност. (Фиг. 7)
5. Поставете маркировка на кабела.
 - a) За каска H300 поставете маркировка на 27 cm/11 in (X) от всеки шумозаглушител.
 - b) За каска Spire Vent X поставете маркировка на 14,5 cm/6 in (Y) от всеки шумозаглушител. (Фиг. 8)
6. Поставете приставката за каска в жлеба на каската. (Фиг. 9)
7. Преминете към инструкциите за монтиране за Вашата одобрена каска.



ВНИМАНИЕ: Уверете се, че кабелът не е усукан и че няма малък радиус на огъване. Уверете се, че кабелът може да се движи свободно в отвора на каската.

Монтиране на шумозаглушителите към каската H300

1. Освободете самара за глава от каската. (Фиг. 10)
2. Закрепете кабела към отворите с кабелните връзки или щипки. (Фиг. 11)
3. Ако закрепите кабела с кабелни връзки, отрежете кабелната връзка и натиснете закопчалката на кабелната връзка в страничния слот.

4. Направете контур с кабела и закрепете самара за глава и предпазителя за врата. Уверете се, че кабелът е между повърхността на каската и самара за глава. (Фиг. 12)

Монтиране на шумозаглушителите към каската Spire Vent X

1. Прокарайте кабела по задния контур.
2. Закрепете кабела към самара за глава с кабелни връзки. Закрепете кабелната връзка през задния ремък на лентата за глава.
3. Срежете кабелната връзка.
4. Прокарайте останалата част от кабела по задния контур, зад задната лента за глава. (Фиг. 13)

За задаване на шумозаглушителите в положение за работа

1. Поставете каската на главата си.
2. Регулирайте шумозаглушителите, докато не прилегнат плътно около ушите и към главата Ви. (Фиг. 14)

За поставяне на шумозаглушителите в положение за готовност

- Повдигнете шумозаглушителите навън и нагоре, докато се заключат в положение на готовност. (Фиг. 15)

За поставяне на шумозаглушителите в положение за престой

1. Поставете шумозаглушителите в положение за готовност. Направете справка с *За поставяне на шумозаглушителите в положение за готовност на страница 20*.
2. Завъртете шумозаглушителите назад по страничната част на каската, докато не се блокират в положение за престой. (Фиг. 16)

За свързване на насочения микрофон

Използвайте насочен микрофон в среди с много шум.

1. Закрепете противовятърния филтър към насочения микрофон.
2. Свържете насочения микрофон към изхода за микрофон на десния шумозаглушител. (Фиг. 17)
3. Поставете насочения микрофон на 1 cm/0,4 in (A) от устата си.

Операция

Въведение



ПРЕДУПРЕЖДЕНИЕ: Преди работа с продукта трябва да прочетете и разберете главата за безопасност.

За зареждане на продукта

1. Свържете USB-C конектора на кабела на зарядното устройство към изхода на левия шумозаглушител. (Фиг. 18)
2. Свържете USB конектора на кабела на зарядното устройство към USB зарядно устройство или друг USB захранващ контакт.

Забележка: Изходът на захранващия контакт трябва да бъде 5 V и 2 A, за да се зарежда при максимален капацитет.

Забележка: Светодиодният индикатор на бутона Bluetooth® мига бавно в зелено, когато акумулаторната батерия се зарежда. Светодиодният индикатор на бутона Bluetooth® свети непрекъснато в зелено, когато акумулаторната батерия е напълно заредена.

Светодиоден индикатор на бутона за ка-нал	Състояние на заряд на акумулаторната батерия
3 светодиода светят.	Акумулаторната батерия е заредена на 90% – 100%.
2 светодиода светят и 1 светодиод мига бавно.	Акумулаторната батерия е заредена на 70% – 90%.
1 светодиод свети и 1 светодиод мига бавно.	Акумулаторната батерия е заредена на 20% – 70%.
1 светодиод мига бавно.	Акумулаторната батерия е заредена на 10% – 20%.
1 светодиод мига бързо.	Акумулаторната батерия е заредена на 0% – 10%.

За стартиране на продукта

- Натиснете и задръжте бутона за вкл./изкл. за 1 секунда.

Забележка: Звук сигнал Ви уведомява, че продуктът е включен. Средният светодиолен

индикатор на бутона за канал свети в продължение на 2 секунди. Аудиосъобщение Ви уведомява за състоянието на акумулаторната батерия и количеството устройства, които са свързани с Bluetooth® безжична технология. Ако продуктът намери екип, аудиосъобщение Ви уведомява към кой екип сте свързани. Направете справка с таблицата по-долу.

Аудиосъобщение
BATTERY HIGH
BATTERY MEDIUM
BATTERY LOW
BATTERY CRITICAL

Аудиосъобщение
ONE BLUETOOTH DEVICE CONNECTED
TWO BLUETOOTH DEVICES CONNECTED
CONNECTED TO TEAM CHANNEL 1
CONNECTED TO TEAM CHANNEL 2
CONNECTED TO TEAM CHANNEL 3

За показване на състоянието на акумулаторната батерия

- Натиснете бутона за вкл./изкл.

Забележка: Светодиодният индикатор на бутона за канал показва зелена светлина в продължение на 5 секунди. Направете справка с таблицата по-долу.

Светодиоден индикатор	Състояние на акумулаторната батерия
3 светодиода светят.	Акумулаторната батерия е заредена на 90% – 100%.
2 светодиода светят.	Акумулаторната батерия е заредена на 70% – 90%.
1 светодиод свети.	Акумулаторната батерия е заредена на 20% – 70%.
1 светодиод мига бързо.	Акумулаторната батерия е заредена на 0% – 10%.

За превключване между режим на FM радио и режим Bluetooth®

- Натиснете бързо бутона за режим 2 пъти, за да превключите между режим на FM радио и режим Bluetooth®.

Забележка: Аудиосъобщение Ви уведомява за това кой режим сте избрали. Направете справка с таблицата по-долу.

Аудиосъобщение
RADIO
BLUETOOTH

Режим за FM радио

В режим за FM радио получавате достъп до FM радио в градски райони или други райони със силен FM радиосигнал. Работата на FM радиото може да бъде повлияна от неравен терен или гъста растителност.

За смяна на FM радиостанция

- Натиснете и задръжте бутона за увеличаване или намаляване на силата на звука за 1 секунда, за да промените FM радиостанцията.

Режим Bluetooth®

В режима Bluetooth® можете да свържете продукта си към устройство с Bluetooth® безжична технология.

За извършване на операция по сдвояване на Bluetooth®

- Натиснете и задръжте бутона Bluetooth® за 2 секунди, за да стартирате операцията по сдвояване на продукта си.

Забележка: Операцията по сдвояване стартира, когато чуете звуков сигнал и бутонът Bluetooth® започне да мига в синьо. Операцията по сдвояване е активна за 30 секунди.

- Стартирайте операцията по сдвояване за Bluetooth® безжична технология на устройството.
- Ако е необходимо, изберете Husqvarna X-COM Active от списъка с елементи на устройството си.

Забележка: Аудиосъобщение Ви уведомява за състоянието на продукта. Направете справка с таблицата по-долу.

Аудиосъобщение	Светодиоден индикатор на бутона Bluetooth®	Информация
BLUETOOTH DEVICE CONNECTED	Непрекъсната синя светлина.	Продуктът е свързан към устройство с Bluetooth® безжична технология.
BLUETOOTH CONNECTION FAILED	Непрекъсната червена светлина за 2 секунди.	Продуктът не е свързан към устройство с Bluetooth® безжична технология.

Забележка: Устройство с Bluetooth® безжична технология, което е свързано към продукта Ви, се свързва автоматично към него следващия път, в който продуктът се използва с устройството.

За създаване на екип и добавяне на устройства

Екипът е комуникационна група, която Ви позволява да говорите с всички устройства, които са свързани към екипа. Ако няма екип и извършите тази процедура, създавате нов екип. След това можете да повторите процедурата, за да добавите нови устройства към екипа. Само един човек създава екип, а другите устройства се свързват към екипа, както е показано в *За свързване към екип на страница 22*. Само един човек може да добавя ново устройство към екипа в даден момент. Новото устройство трябва да се свърже към екипа, както е показано в *За свързване към екип на страница 22*.

1. Натиснете бутона за режим за 1 секунда, за да влезете в режима за управление на екипа, за да влезете в създаването на екипа.

Забележка: Аудиосъобщение Ви уведомява, че сте в режим за управление на екипа. Направете справка с таблицата по-долу.

Аудиосъобщение	Светодиоден индикатор на бутона Bluetooth®
TEAM MANAGEMENT	Непрекъсната бяла светлина.

2. Натиснете бутона Bluetooth®.

Забележка: Аудиосъобщение Ви уведомява за състоянието на операцията по сдвояване. Операцията по сдвояване стартира, когато чуете

звук сигнал. Направете справка с таблицата по-долу.

Аудиосъобщение	Светодиоден индикатор на бутона Bluetooth®
SEARCHING FOR MEMBERS	Светодиодът мига бързо.

Забележка: Операцията по сдвояване е активна за 1 минута. Устройството се свързва към екипа за приблизително 1 минута. Операцията по сдвояване е завършена, когато чуете звук сигнал и бутонът Bluetooth® свети в постоянно зелено. Всеки път, когато ново устройство се свърже към екипа, се чува звук сигнал. За да се свържете към екип, направете справка с *За свързване към екип на страница 22*.

3. Ако искате да спрете операцията по сдвояване след по-малко от 1 минута, натиснете бутона за режим.
4. Ако искате да добавите ново устройство към екипа, следвайте отново същите инструкции.

Забележка: Устройство, което е свързано към екипа, се свързва автоматично към екипа следващия път, когато го използвате.

За свързване към екип

Не можете да се свържете към екип, ако няма създаден екип. За да създадете екип, направете справка с *За създаване на екип и добавяне на устройства на страница 22*. Можете да се свържете към екип едновременно със създаването на нов екип. Можете също да се свържете към екип, ако член на екипа добави нови устройства към екипа.

1. Натиснете бутона за режим за 1 секунда, за да влезете в режима за управление на екипа.

Забележка: Аудиосъобщение Ви уведомява, че сте в режим за управление на екипа. Направете справка с таблицата по-долу.

Аудиосъобщение	Светодиоден индикатор на бутона Bluetooth®
TEAM MANAGEMENT	Непрекъсната бяла светлина.

2. Натиснете бутона за увеличаване на силата на звука.

Забележка: Операцията по сдвояване стартира, когато чуете звук сигнал и

бутонът Bluetooth® започне да мига бавно. Операцията по вдвояване е активна за 1 минута. Аудиосъобщение Ви уведомява, че сте свързани към екипа. Направете справка с таблицата по-долу.

Аудиосъобщение	Светодиоден индикатор на бутона Bluetooth®
CONNECTED TO TEAM	Непрекъсната зелена светлина.

Забележка: Можете да говорите с екипа, след като аудиосъобщението Ви уведоми, че сте свързани към екипа.

За прекъсване на връзката с екип

1. Натиснете бутона за режим за 1 секунда, за да влезете в режима за управление на екипа.

Забележка: Аудиосъобщение Ви уведомява, че сте в режим за управление на екипа. Направете справка с таблицата по-долу.

Аудиосъобщение	Светодиоден индикатор на бутона Bluetooth®
TEAM MANAGEMENT	Непрекъсната бяла светлина.

2. Натиснете бутона за намаляване на силата на звука.

Забележка: Аудиосъобщение Ви уведомява, че връзката Ви с екипа е прекъсната. Направете справка с таблицата по-долу.

Аудиосъобщение	Светодиоден индикатор на бутона Bluetooth®
LEAVING TEAM	Светодиодът мига в червено 3 пъти.

За смяна на канала за комуникация

- Натиснете бутона за канал, за да изберете канал за комуникация 1, 2 или 3.

Забележка: Аудиосъобщение Ви съобщава в кой канал се намирате. Направете справка с таблицата по-долу.

Аудиосъобщение	Светодиоден индикатор за канал
CHANNEL 1	Непрекъсната бяла светлина на канал 1.
CHANNEL 2	Непрекъсната бяла светлина на канал 2.
CHANNEL 3	Непрекъсната бяла светлина на канал 3.

За разговор с всички канали за комуникация

- Натиснете и задръжте бутона за канал, за да говорите с всички канали за комуникация едновременно.

Забележка: Вие сте свързани към всички канали за комуникация, когато чуете звук от сигнал. Светодиодните индикатори на всички канали светят непрекъснато в бяло, за да покажат, че сте свързани към всички канали.

- Освободете бутона за канал, за да се върнете към предишния канал.

За активиране и деактивиране на микрофона

- Натиснете бутона за заглушаване на звука, докато чуете звук от сигнал.

За промяна на поточно аудио предаване

- Натиснете и задръжте бутона за увеличаване на силата на звука за 0,5 секунди, за да изберете следващото поточно аудио предаване.
- Натиснете и задръжте бутона за намаляване на силата на звука за 0,5 секунди, за да се върнете към предишното поточно аудио предаване.

За спиране или стартиране на поточно аудио предаване

- Натиснете бутона за режим, за да спрете или стартирате поточното аудио предаване.

За приемане, прекратяване или отхвърляне на телефонно обаждане

Ако Вашето мобилно устройство е свързано към продукта с Bluetooth® безжична технология, когато има входящо телефонно обаждане, в шумозаглушителите се чува сигнал.

- Натиснете бутона за режим, за да приемете или прекратите телефонното обаждане.
- Натиснете бутона за режим за 1 секунда, за да отхвърлите входящо телефонно обаждане.

Забележка: Звуков сигнал Ви уведомява кога телефонното обаждање е прието или отхвърлено.

Аудиосообщение	Информация
CALL ENDED	Телефонното обаждање е приключило.

За прехвърляне на телефонно обаждање към екипа

1. Натиснете бутона за режим, за да приемете телефонното обаждање.
2. Натиснете бързо бутона за режим 2 пъти, за да прехвърлите телефонното обаждање към екипа.

Забележка: Аудиосообщение Ви уведомява, кога телефонното обаждање е прехвърлено. Направете справка с таблицата по-долу.

Аудиосообщение	Информация
CALL TRANSFERRED TO TEAM	Телефонното обаждање е прехвърлено към екипа.

За прекратяване на телефонно обаждање от екипа

- Натиснете бързо бутона за режим 2 пъти.

Забележка: Аудиосообщение Ви уведомява, кога телефонното обаждање е прекратено. Направете справка с таблицата по-долу.

Аудиосообщение	Информация
CALL DISCONNECTED FROM TEAM	Телефонното обаждање е прекъснато от екипа.

За регулиране на силата на звука

- Натиснете бутона за увеличаване или намаляване на силата на звука за регулиране на силата на звука. Звуков сигнал Ви уведомява, кога силата на звука е на минимално или максимално ниво.

За задаване на режим за околнен звук

Режимът за околнен звук Ви позволява да чувате звуците около Вас.

- Натиснете бутона за околнен звук.

Забележка: Аудиосообщение Ви уведомява за състоянието на режима за околнен звук.

Аудиосообщение
AMBIENT LEVEL HIGH
AMBIENT LEVEL MEDIUM
AMBIENT LEVEL LOW
AMBIENT LEVEL OFF

За спиране на продукта

- Натиснете и задръжте бутона за вкл./изкл. за 1 секунда.

Забележка: Аудиосообщение Ви уведомява за състоянието на акумулаторната батерия и светодиодните индикатори изгасват. Звуков сигнал Ви уведомява, че продуктът е изключен.

За принудително спиране на продукта

- Натиснете и задръжте бутона за вкл./изкл. за 12 секунди.

Поддръжка

За извършване на техническо обслужване на продукта



ВНИМАНИЕ: Не промивайте и не потапяйте продукта във вода.



ВНИМАНИЕ: Спрейове, течности и други почистващи препарати, съдържащи разтворители и/или алкохол, могат да намалят защитните функции.



ВНИМАНИЕ: Използвайте оригинални резервни части на Husqvarna.

1. Почиствайте редовно продукта. Използвайте кърпа и слаб сапунен разтвор.
2. Извършете проверка на състоянието на уплътнителните пръстени и гумените вложки с пяна преди всяка употреба.

- Сменяйте уплътнителите пръстени и гумените вложки с пяна на всеки 6 месеца или по-често, ако е необходимо. Уверете се, че отворът за въздух на уплътнителния пръстен сочи надолу по време на монтирането. Използвайте оригиналния хигиенен комплект, който включва уплътнителните пръстени и гумените вложки с пяна. Направете справка с www.husqvarna.com за повече информация относно хигиенния комплект. (Фиг. 19)

Забележка: Ако шумозаглушителите са мокри от вътрешната страна, ги оставете да

изсъхнат в положение за престой. Направете справка с *За поставяне на шумозаглушителите в положение за престой на страница 20.*

- Сменете мембраната на микрофона за говор, ако е повредена.
- Сменете противовятърния филтър на микрофона, зависим от нивото, ако е повреден.
- Сменете противовятърния филтър на насочения микрофон, ако е повреден.
- Сменете подложката за удобство на лентата за глава, ако е необходимо. (Фиг. 20)

Транспортиране, съхранение и изхвърляне

Транспорт и съхранение



ВНИМАНИЕ: По време на транспортиране и съхранение поставете шумозаглушителите в работно положение, за да намалите износването на пластмасовия материал.

- Поставете шумозаглушителите в положение за работа. Направете справка с *За задаване на шумозаглушителите в положение за работа на страница 20.*
- Уверете се, че уплътнителните пръстени не са притиснати.
- Поставете продукта на сухо и чисто място.
- Дръжте продукта далеч от слънчева светлина по време на съхранение.

- Зареждайте акумулаторната батерия на всеки 6 седмици за запазване на качествата ѝ.
- Поставете продукта на безопасно място по време на транспортиране.

Изхвърляне

- Спазвайте националните регламенти.
- Използвайте местната система за рециклиране.
- Продуктът или опаковката на продукта не е битов отпадък. Рециклирайте го в станция за рециклиране за електрическо и електронно оборудване.



Принадлежности

Одобрени каски

Използвайте продукта само с каските по-долу.

Модел	Тип на приставката за каска	Схема на адаптера	Одобрени размери
Husqvarna Technical, H300	Адаптер H300	(Фиг. 21)	M/L
Husqvarna Spire	Адаптер Spire	(Фиг. 22)	L
KASK Zenith X			

Технически характеристики

Направете справка със следните илюстрации за техническите характеристики на всеки продукт. За повече технически данни направете справка с листа

с допълнение за техническите характеристики в това ръководство за оператора.

(Фиг. 2)

(Фиг. 3)

За повече информация относно съдържанието на техническите характеристики направете справка със следния списък:

- F = честоти, при които се измерва заглушаването.
- Mf = средна стойност.
- Sf = стандартно отклонение.
- APV (Mf-Sf) = предполагаема стойност на защита.
- H = високочестотна стойност на заглушаване (прогнозно намаляване на нивото на шума за шум, при който $L_C - L_A = -2$ dB). M = средночестотна стойност на заглушаване (прогнозно намаляване на нивото на шума за шум, при който $L_C - L_A = +2$ dB). L = нискочестотна стойност на заглушаване

(прогнозно намаляване на нивото на шума за шум, при който $L_C - L_A = +10$ dB).

- SNR = единична номинална стойност (стойността, която се изважда от измереното C-претеглено ниво на звуково налягане, L_C , за да се оцени ефективното A-претеглено звуково ниво вътре в ухото).

Отговорен производител: Husqvarna AB, SE-561 82 Huskvarna, Швеция, тел.: +46-36-146500.

Ниво на шум

Режимът за FM радио и режимът за слушалки разполагат с максимално еквивалентно ниво на шума от 82 dB (A).

Материали

Част	Материал	Част	Материал
Вътрешна чашка за ухо	ABS	Лента за глава	POM + TPE
Външна чашка за ухо, лява	ABS	Фиксатор на каската	POM
Външна чашка за ухо, дясна	ABS + TPE	Пружина на фиксатора на каската	Стомана
Вложки	PUR	Винтове	Стомана
Уплътнителни пръстени	PVC и пяна		

Sadržaj

Uvod.....	27	Transport, skladištenje i odbacivanje.....	34
Sigurnost.....	28	Dodatna oprema.....	34
Sastavljanje.....	29	Tehnički podaci.....	34
Rukovanje.....	30	0
Održavanje.....	33		

Uvod

Opis proizvoda

Proizvod X-COM Active (HP500C-01, HP500C-02) je zaštitna sluha koja ima integriranu potpunu dvosmjernu komunikaciju, *Bluetooth® bežičnu tehnologiju* i FM radio.

Pregled proizvoda

(Sl. 1)

1. Dugme za povećavanje jačine zvuka
2. Dugme za smanjivanje jačine zvuka
3. Mikrofon ovisan o nivou
4. Dugme Bluetooth®
5. Mikrofon za govor
6. Dugme za način rada
7. Utičnica za USB-C kabl punjača
8. Dugme za ambijentalni zvuk
9. Dugme za isključivanje zvuka
10. Dugme za uključivanje/isključivanje
11. Dugme kanala
12. Utičnica za teleskopski mikrofon

Usklađenost s propisima i odobrenja

Ovime, Husqvarna AB, SE-561 82 Huskvarna, Sweden, tel: +46-36-146500, izjavljuje da je radijska oprema vrste HP500C-01 i da je HP500C-01 u skladu s 2014/53/EU, 2011/65/EU i uredbom (EU) 2016/425. Cjeloviti tekst EU izjave o usklađenosti dostupan je na sljedećoj internetskoj adresi: www.husqvarna.com; pretražite X-COM Active, HP500C-01, HP500C-02.

Vrijednosti prigušenja i nivou buke testirani su i odobreni u skladu sa sljedećim standardima: EN 352-1:2020 (traka za glavu), EN 352-3:2020 (postavljeno na kacigu), EN 352-4:2020, EN 352-6:2020 i EN 352-8:2020.

Prijavljeno tijelo uključeno u procjenu usklađenosti je: Broj prijavljenog tijela 1974. PZT GmbH, Bismarckstraße 264 B, 26389 Wilhelmshaven, Germany.

Certifikacija i praćenje od strane PZT-a.

Baterija je certificirana u skladu sa standardom IEC62133, izdanje 2.



Model HP500C-01 predstavlja zaštitu sluha s trakom za glavu, dok je model HP500C-02 zaštitna sluha za nošenje na zaštitnoj kacigi. Proizvod pruža zaštitu od štetne buke.

UK Importer:
Husqvarna UK Ltd
Preston Road, Co. Durham
DL5 6UP

FCC ID: ZASHP500, IC ID: 23307-HP500

Izjava FCC dobavljača o usklađenosti za HP500C-01, HP500C-02 Odgovorna strana.

Husqvarna Professional Products, Inc. 9335 Harris Corners Parkway Suite 500 Charlotte, NC 28269, Sjedinjene Države.

Kontakt informacije za SAD: Michael Campbell, Menadžer odjela za usklađenost proizvoda, Telefon: +1 704 597 5000.

FCC Izjava o usklađenosti:

Ovaj uređaj usklađen je s Dijelom 15 FCC pravila. Rad uređaja podliježe dvama uslovima: (1) ovaj uređaj ne smije izazvati štetne smetnje i (2) ovaj uređaj mora prihvatiti sve smetnje koje prima, uključujući smetnje koje mogu izazvati neželjen način rada.

Ova oprema je testirana i usklađena s ograničenjima za digitalne uređaje Klase B, prema Članu 15 FCC propisa. Ova ograničenja sastavljena su kako bi se osigurala odgovarajuća zaštita od štetnih smetnji pri kućnoj instalaciji. Ova oprema generira, koristi i može zračiti energiju na radijskim frekvencijama i ako se ne instalira i ne koristi u skladu s uputama, može uzrokovati štetne smetnje u radijskoj komunikaciji. Međutim, ne može se garantirati da kod određene instalacije neće doći do smetnji. Ako oprema zaista uzrokuje štetne smetnje pri radijskom ili televizijskom prijemu, a to se može odrediti uključivanjem i isključivanjem opreme, korisniku se preporučuje sprečavanje smetnji pomoću sljedećih mjera:

- Povećajte razmak između opreme i prijemnika.

- Posavjetujte se s distributerom.

Oznake na ovom proizvodu se mogu pronaći na naljepnici na desnom štitniku za uši.

Registrirani zaštićeni znakovi

Riječ, znak i logotip *Bluetooth*[®] su registrirani zaštićeni znakovi u vlasništvu kompanije *Bluetooth SIG, inc.*

i svako korištenje tih znakova od strane kompanije Husqvarna podliježe licenciranju.

Sigurnost

Definicije sigurnosti

Upozorenja, pozivi na oprez i napomene se koriste za isticanje naročito važnih dijelova priručnika.



UPOZORENJE: Koriste se ukoliko postoji opasnost od povrede ili smrti rukovaoca ili osoba u blizini ako se uputstva iz priručnika ne poštuju.



OPREZ: Koriste se ukoliko postoji opasnost od oštećenja proizvoda, drugih materijala ili neposrednog okruženja ako se uputstva iz priručnika ne poštuju.

Napomena: Koriste se za pružanje više informacija koje su neophodne u datoj situaciji.

Opća sigurnost



UPOZORENJE: Prije upotrebe proizvoda pročitajte upozorenja u nastavku.

- Koristite ovaj priručnik i čuvajte ga.
- Da bi se ostvarile optimalna udobnost i funkcija, obavezno odaberite odgovarajući proizvod za datu upotrebu.
- Nemojte mijenjati ili uklanjati dijelove na proizvodu. Vršite samo one izmjene koje su navedene u ovom priručniku za upotrebu.
- Prigušivanje buke koje se ostvaruje primjenom proizvoda bit će bitno smanjeno ako ne slijedite upute u priručniku za upotrebu. Antifoni, a posebno jastučići, mogu se s vremenom istrošiti i treba redovno pregledati da li imaju pukotina i curenja. Pogledajte poglavlje *Održavanje na strani 33*.
- Ovom proizvodu mogu naškoditi određene hemijske supstance. Dodatne informacije možete dobiti od proizvođača. Proizvod držite dalje od agresivnih supstanci i redovno ga čistite. Koristite krpu navlaženu vodom i sapunom. Proizvod nemojte prati i potapati u vodu.
- Sve poslove servisiranja i održavanja mora obavljati ovlaštena servisna radionica. Koristite samo originalne rezervne dijelove Husqvarna.

- Štitnike za uši nemojte koristiti duže od 10 godina od datuma proizvodnje navedenog na pakovanju.
- Funkcionalnost proizvoda može se pogoršati s potrošnjom baterije.

Sigurnosne upute za rad

- Štitnici za uši moraju se nositi prilikom svakog boravka u bučnim okruženjima.
- Budite oprezniji i pratite signale upozorenja kad koristite proizvod. Kad koristite proizvod, može biti teže razaznati buku signala upozorenja.
- Čujnost signala upozorenja na određenom radnom mjestu može biti narušena pri korištenju sklopa za zabavu.
- Pazite da proizvod ne bude izložen mehaničkim udarima tokom transportiranja i korištenja.
- Proizvod koristite samo u rasponu temperatura od -20 °C do +55 °C (-4 °F i +131 °F). Ako proizvod koristite na drugim temperaturama, može doći do oštećenja elektronike, baterije i mehaničkih dijelova.
- Prije upotrebe provjerite znate li kako se koristi proizvod. Obratite se serviseru ako na proizvodu ima oštećenja. Ne otvarajte kućište!
- Postavljanje higijenskih poklopaca na jastučice može uticati na akustičke performanse štitnika za uši. Uvijek koristite originalni pribor.
- Ne gurajte štitnike za uši prema školjki kacige. Ako to radite, mogu nastati pukotine duž bočne stranice zaštitne kacige.

(Sl. 4)

- Nemojte držati proizvod na temperaturama iznad + 55 °C (+131 °F), npr. na upravljačkoj ploči. Nemojte skladištiti proizvod na temperaturama manjim od -20 °C (-4 °F).
- Korisnik mora osigurati da se štitnici za uši koriste, podešavaju i održavaju u skladu s korisničkim priručnikom.
- Štitnik za uši se isporučuje s audio ulazom namijenjenim za sigurnost. Korisnik prije upotrebe treba provjeriti radi li štitnik ispravno. Ukoliko se otkrije izobličenje ili kvar, korisnik treba potražiti savjete o održavanju od proizvođača.

Sigurnost baterije

- Štitnik za uši se isporučuje s prigušenjem ovisnim o nivou. Korisnik prije upotrebe treba provjeriti radi li štitnik ispravno. Ako se otkrije neispravan rad ili

- kvar, korisnik treba slijediti uputstva proizvođača o održavanju.
- Proizvod sadrži bateriju i električne komponente koje mogu izazvati paljenje u zapaljivim ili eksplozivnim okruženjima. Nemojte koristiti proizvod u okruženjima u kojim varnice mogu izazvati požar ili eksploziju.

- Proizvod punite samo u temperaturnom rasponu od 0 °C do +40 °C (od +32 °F do +104 °F). Punjenjem izvan tog temperaturnog raspona mogu se oštetiti elektronika i baterija.

Sastavljanje

Uvod



UPOZORENJE: Prije postavljanja proizvoda pomjerite kosu u stranu. Prije korištenja proizvoda provjerite jesu li vam zaptivni prstenovi čvrsto priprijeti uz glavu i oko ušiju.

Stavljanje štitnika za uši s trakom za glavu

1. Stavite traku za glavu preko vrha glave.
2. Pomjerite štitnik za uši gore ili dolje kako biste podesili visinu. (Sl. 5)

Postavljanje štitnika za uši u zaštitnu kacigu

1. Sastavite odgovarajuću vrstu adaptera dodatka na školjku kacige. Pogledajte poglavlje *Odobrene zaštitne kacige na strani 34*.
2. Sastavite vilicu kacige na adapter dodatka. (Sl. 6)

Napomena: Pogledajte poglavlje *Odobrene zaštitne kacige na strani 34* za više informacija o tome koji dodatak za zaštitnu kacigu odgovara vašoj kacigi.

3. Pomjerite štitnike za uši na najniži položaj.
4. Podižite štitnike za uši prema gore dok se ne zaključaju u položaj pripravnosti. (Sl. 7)
5. Ucrtajte oznaku na traci.
 - a) Za zaštitnu kacigu H300, ucrtajte oznaku 27 cm / 11 inča (Y) od oba štitnika za uši.
 - b) Za zaštitnu kacigu Spire Vent X ucrtajte oznaku 14,5 cm / 6 inča (Y) od oba štitnika za uši. (Sl. 8)
6. Umetnite dodatak za zaštitnu kacigu u utor na kacigi. (Sl. 9)
7. Stavite na upute za sklapanje kacige za odobrenu zaštitnu kacigu.



OPREZ: Provjerite da kabl nije uvrnut ili da ima mali radijus savijanja. Provjerite može li se kabl nesmetano pomjerati u otvoru kacige.

Postavljanje štitnika za uši u zaštitnu kacigu H300

1. Otpustite pojaseve za glavu s kacige. (Sl. 10)
2. Spojite kabl na otvore pomoću trakica za stezanje ili kopči. (Sl. 11)
3. Ako spojite kabl pomoću trakica za stezanje, prerežite trakicu za stezanje i gurnite zaključani dio trakice u bočni utor.
4. Napravite petlju na kabl u povežite pojaseve za glavu i zaštitu za vrat. Provjerite je li kabl postavljen između školjke kacige i pojaseva za glavu. (Sl. 12)

Postavljanje štitnika za uši u zaštitnu kacigu Spire Vent X

1. Kabl postavite u petlju prema natrag.
2. Povežite kabl i pojaseve za glavu pomoću trakica za stezanje. Postavite trakicu za stezanje kroz stražnji dio trake za glavu.
3. Prerežite trakicu za stezanje.
4. Postavite preostali dio kabla u petlju prema nazad, iza stražnje trake za glavu. (Sl. 13)

Postavljanje štitnika za uši u radni položaj

1. Stavite kacigu na glavu.
2. Podesite štitnike za uši tako da vam stoje čvrsto preko ušiju i na glavi. (Sl. 14)

Postavljanje štitnika za uši u položaj pripravnosti

- Podižite štitnike za uši prema gore dok se ne zaključaju u položaj pripravnosti. (Sl. 15)

Postavljanje štitnika za uši u položaj za transport

1. Postavite štitnike za uši u položaj pripravnosti. Pogledajte poglavlje *Postavljanje štitnika za uši u položaj pripravnosti na strani 29*.
2. Okrećite štitnike za uši unatrag duž bočne stranice zaštitne kacige dok se ne zaključaju u položaju za transport. (Sl. 16)

Povezivanje teleskopskog mikrofona

U veoma bučnim okruženjima koristite teleskopski mikrofona.

1. Pričvrstite filter za vjetar na nosač mikrofona.

2. Povežite teleskopski mikrofona na utičnicu za mikrofona na desnom štitniku za uši. (Sl. 17)

3. Postavite teleskopski mikrofona na udaljenost od 1 cm/0,4 inča (A) od usta.

Rukovanje

Uvod



UPOZORENJE: Prije rada s proizvodom, morate s razumijevanjem pročitati poglavlje o sigurnosti.

Punjenje proizvoda

1. Povežite USB-C priključak na kablun punjača u utičnicu na lijevom štitniku za uši. (Sl. 18)
2. Povežite USB priključak na kablun punjača na USB punjač ili drugu USB utičnicu.

Napomena: Izlaz utičnice mora biti 5 V i 2 A za punjenje pri maksimalnom kapacitetu.

Napomena: Kada se baterija puni LED indikator na dugmetu Bluetooth® polako treperi zelenom bojom. Kada je baterija u potpunosti napunjena LED indikator na dugmetu Bluetooth® stalno svijetli zelenom bojom.

LED indikator na dugmetu kanala	Status napunjenosti baterije
Uključena su 3 LED svjetla.	Baterija je napunjena 90% – 100%.
Uključena su 2 LED svjetla, a 1 LED svjetlo sporo treperi.	Baterija je napunjena 70% – 90%.
Uključeno je 1 LED svjetlo, a 1 LED svjetlo sporo treperi.	Baterija je napunjena 20% – 70%.
1 LED svjetlo sporo treperi.	Baterija je napunjena 10% – 20%.
1 LED svjetlo brzo treperi.	Baterija je napunjena 0% – 10%.

Pokretanje proizvoda

- Pritisnite i držite dugme za uključivanje/isključivanje 1 sekundu.

Napomena: Zvučni signal vas obavještava da je proizvod uključen. Srednji LED indikator na dugmetu kanala svijetli 2 sekunde. Zvučna poruka vas obavještava o stanju baterije i količini uređaja koji su povezani s bežičnom tehnologijom Bluetooth®. Ako proizvod pronađe tim, zvučna

poruka vas obavještava s kojim timom ste povezani. Pogledajte tabelu datu u nastavku.

Zvučna poruka
BATTERY HIGH
BATTERY MEDIUM
BATTERY LOW
BATTERY CRITICAL

Zvučna poruka
ONE BLUETOOTH DEVICE CONNECTED
TWO BLUETOOTH DEVICES CONNECTED
CONNECTED TO TEAM CHANNEL 1
CONNECTED TO TEAM CHANNEL 2
CONNECTED TO TEAM CHANNEL 3

Prikaz stanja baterije

- Pritisnite dugme za uključivanje/isključivanje.

Napomena: LED indikator na dugmetu kanala svijetli zeleno 5 sekundi. Pogledajte tabelu datu u nastavku.

LED indikator	Stanje baterije
Uključena su 3 LED svjetla.	Baterija je napunjena 90% – 100%.
Uključena su 2 LED svjetla.	Baterija je napunjena 70% – 90%.
Uključeno je jedno LED svjetlo.	Baterija je napunjena 20% – 70%.
1 LED svjetlo brzo treperi.	Baterija je napunjena 0% – 10%.

Prebacivanje između načina rada FM Radio i načina rada Bluetooth®

- Brzo pritisnite dugme za način rada 2 puta za prebacivanje između načina rada FM Radio i načina rada Bluetooth®.

Napomena: Zvučna poruka vas obavještava o način rada koji ste odabrali. Pogledajte tabelu datu u nastavku.

Zvučna poruka
RADIO
BLUETOOTH

Način rada FM Radio

U načinu rada FM Radio imate pristup FM radiju u urbanim područjima ili drugim područjima s jakim signalom FM radija. Na performanse FM radija može uticati neravan teren ili gusta vegetacija.

Mijenanje FM radio stanice

- Pritisnite i držite tipku za povećavanje jačine zvuka ili tipku za smanjivanje jačine zvuka 1 sekundu da promijenite FM radio stanicu.

Način rada Bluetooth®

U načinu rada Bluetooth® proizvod možete povezati s uređajem s bežičnom tehnologijom Bluetooth®.

Izvršavanje postupka uparivanja Bluetooth®

1. Pritisnite i držite dugme Bluetooth® 2 sekunde da pokrenete postupak uparivanja na svom proizvodu.

Napomena: Postupak uparivanja počinje kada čujete zvučni signal, a dugme Bluetooth® treperi plavo. Postupak uparivanja je uključen 30 sekundi.

2. Pokrenite postupak uparivanja za bežičnu tehnologiju Bluetooth® na uređaju.
3. Ako je potrebno odaberite Husqvarna X-COM Active na spisku jedinica na svom uređaju.

Napomena: Zvučna poruka vas obavještava o statusu proizvoda. Pogledajte tabelu datu u nastavku.

Zvučna poruka	LED indikator na dugmetu Bluetooth®	Informacije
BLUETOOTH DEVICE CONNECTED	Stalno plavo.	Proizvod je povezan s uređajem s bežičnom tehnologijom Bluetooth®.

Zvučna poruka	LED indikator na dugmetu Bluetooth®	Informacije
BLUETOOTH CONNECTION FAILED	Stalno crveno tokom 2 sekunde.	Proizvod je povezan na uređaj s bežičnom tehnologijom Bluetooth®.

Napomena: Uređaj s bežičnom tehnologijom Bluetooth® koji je povezan s vašim proizvodom automatski će se povezati s proizvodom prilikom sljedećeg korištenja proizvoda s uređajem.

Postavljanje tima i dodavanje uređaja

Tim je komunikacijska grupa koja vam omogućava da razgovarate sa svim uređajima koji su povezani s timom. Ako tim ne postoji, a izvršite ovaj postupak, postavljate novi tim. Zatim možete ponoviti postupak za dodavanje novih uređaja u tim. Samo jedna osoba postavlja tim, a ostali uređaji se povezuju s timom kao što je prikazano u *Povezivanje s timom na strani 32*. Samo jedna osoba može dodati novi uređaj u tim. Novi uređaj se mora povezati s timom kao što je prikazano u *Povezivanje s timom na strani 32*.

1. Pritisnite dugme za način rada 1 sekundu za ulazak u način upravljanja timom i ulazak u postavke tima.

Napomena: Zvučna poruka vas obavještava da ste u načinu upravljanja timom. Pogledajte tabelu datu u nastavku.

Zvučna poruka	LED indikator na dugmetu Bluetooth®
TEAM MANAGEMENT	Stalno bijelo.

2. Pritisnite dugme Bluetooth®.

Napomena: Zvučna poruka vas obavještava o statusu postupka uparivanja. Postupak uparivanja počinje kada čujete zvučni signal. Pogledajte tabelu datu u nastavku.

Zvučna poruka	LED indikator na dugmetu Bluetooth®
SEARCHING FOR MEMBERS	LED svjetlo brzo treperi.

Napomena: Postupak uparivanja je uključen 1 minutu. Uređaj se povezuje s timom za otprilike 1 minutu. Postupak uparivanja je dovršen kada čujete zvučni signal, a dugme Bluetooth® stalno svijetli

zeleno. Zvučni signal se čuje svaki put kada se novi uređaj poveže s timom. Za povezivanje s timom pogledajte *Povezivanje s timom na strani 32*.

3. Ako želite zaustaviti postupak uparivanja za manje od 1 minute, pritisnite dugme za način rada.
4. Ako želite dodati novi uređaj u tim, ponovno slijedite ista uputstva.

Napomena: Uređaj koji je povezan s timom se automatski povezuje s timom kada ga sljedeći put upotrijebite.

Povezivanje s timom

Ne možete se povezati s timom ako tim nije postavljen. Za postavljanje tima pogledajte *Postavljanje tima i dodavanje uređaja na strani 31*. Možete se povezati s timom u isto vrijeme kada se postavlja novi tim. Također se možete povezati s timom ako član tima doda nove uređaje timu.

1. Pritisnite dugme za način rada 1 sekundu za ulazak u način rada za upravljanje timom.

Napomena: Zvučna poruka vas obavještava da ste u načinu upravljanja timom. Pogledajte tabelu datu u nastavku.

Zvučna poruka	LED indikator na dugmetu Bluetooth®
TEAM MANAGEMENT	Stalno bijelo.

2. Pritisnite dugme za povećavanje jačine zvuka.

Napomena: Postupak uparivanja počinje kada čujete zvučni signal, a dugme Bluetooth® sporo treperi. Postupak uparivanja je uključen 1 minutu. Zvučna poruka vas obavještava da ste povezani s timom. Pogledajte tabelu datu u nastavku.

Zvučna poruka	LED indikator na dugmetu Bluetooth®
CONNECTED TO TEAM	Stalno zeleno.

Napomena: Možete razgovarati s timom nakon što vas zvučna poruka obavijesti da ste povezani s timom.

Prekid veze s timom

1. Pritisnite dugme za način rada 1 sekundu za ulazak u način rada za upravljanje timom.

Napomena: Zvučna poruka vas obavještava da ste u načinu upravljanja timom. Pogledajte tabelu datu u nastavku.

Zvučna poruka	LED indikator na dugmetu Bluetooth®
TEAM MANAGEMENT	Stalno bijelo.

2. Pritisnite dugme za smanjivanje jačine zvuka.

Napomena: Zvučna poruka vas obavještava da ste prekinuli vezu s timom. Pogledajte tabelu datu u nastavku.

Zvučna poruka	LED indikator na dugmetu Bluetooth®
LEAVING TEAM	LED svjetlo treperi crveno 3 puta.

Promjena kanala komunikacije

- Pritisnite dugme kanala da odaberete kanal komunikacije 1, 2 ili 3.

Napomena: Zvučna poruka vas obavještava na kojem kanalu se nalazite. Pogledajte tabelu u nastavku.

Zvučna poruka	LED indikator kanala
CHANNEL 1	Stalno bijelo na kanalu 1.
CHANNEL 2	Stalno bijelo na kanalu 2.
CHANNEL 3	Stalno bijelo na kanalu 3.

Razgovor na svim kanalima komunikacije

- Pritisnite i držite dugme kanala kako biste govorili na svim kanalima komunikacije u isto vrijeme.

Napomena: Spojeni ste na sve kanale komunikacije kada čujete zvučni signal. Svi LED indikatori kanala svijetle bijelo kako bi pokazali da ste spojeni na sve kanale.

- Otpustite dugme kanala za povratak na prethodni kanal.

Omogućavanje ili onemogućavanje mikrofona

- Pritisnite dugme za isključivanje zvuka dok ne čujete zvučni signal.

Promjena prijenosa zvuka

- Pritisnite i držite dugme za povećavanje jačine zvuka 0,5 sekundi da odaberete sljedeći prijenos zvuka.
- Pritisnite i držite dugme za smanjivanje jačine zvuka 0,5 sekundi da se vratite na prethodni prijenos zvuka.

Pokretanje ili zaustavljanje prijenosa zvuka

- Pritisnite dugme za način rada da pokrenete ili zaustavite prijenos zvuka.

Prihvatanje, završavanje ili odbijanje telefonskog poziva

Ako je vaš mobilni uređaj povezan s proizvodom s bežičnom tehnologijom Bluetooth®, u slučaju dolaznog telefonskog poziva, u štitnicima za uši se čuje signal.

- Pritisnite dugme za način rada kako biste prihvatili ili završili telefonski poziv.
- Pritisnite dugme za način rada 1 sekundu da odbijete dolazni telefonski poziv.

Napomena: Zvučni signal vas obavještava kada je telefonski poziv prihvaćen ili odbijen.

Zvučna poruka	Informacije
CALL ENDED	Telefonski poziv je završen.

Za prijenos telefonskog poziva na tim

1. Pritisnite dugme za način rada kako biste prihvatili telefonski poziv.
2. Brzo pritisnite dugme za način rada 2 puta kako biste telefonski poziv prenijeli na tim.

Napomena: Zvučna poruka vas obavještava kada je telefonski poziv prenesen. Pogledajte tabelu datu u nastavku.

Zvučna poruka	Informacije
CALL TRANSFERRED TO TEAM	Telefonski poziv je prebačen na tim.

Prekid telefonskog poziva u timu

- Brzo pritisnite dugme za način rada 2 puta.

Napomena: Zvučna poruka vas obavještava kada je telefonski poziv prekinut. Pogledajte tabelu datu u nastavku.

Zvučna poruka	Informacije
CALL DISCONNECTED FROM TEAM	Telefonski poziv u timu je prekinut.

Podešavanje jačine zvuka

- Pritisnite dugme za povećavanje ili dugme za smanjivanje jačine zvuka kako biste podesili jačinu zvuka. Zvučni signal vas obavještava kada je jačina zvuka na minimalnom ili maksimalnom nivou.

Postavljanje načina rada ambijentalnog zvuka

Način rada ambijentalnog zvuka vam omogućava da čujete zvukove oko sebe.

- Pritisnite dugme za ambijentalni zvuk.

Napomena: Zvučna poruka vas obavještava o statusu načina rada ambijentalnog zvuka.

Zvučna poruka
AMBIENT LEVEL HIGH
AMBIENT LEVEL MEDIUM
AMBIENT LEVEL LOW
AMBIENT LEVEL OFF

Zaustavljanje proizvoda

- Pritisnite i držite dugme za uključivanje/isključivanje jednu sekundu.

Napomena: Zvučna poruka vas obavještava o statusu baterije i LED indikatori se isključuju. Zvučni signal vas obavještava da je proizvod isključen.

Prisilno zaustavljanje rada proizvoda

- Pritisnite i držite dugme za uključivanje/isključivanje 12 sekundi.

Održavanje

Održavanje proizvoda



OPREZ: Ne ispirite proizvod i ne uranjajte ga u vodu.



OPREZ: Sprejevi, tekućine ili druga sredstva za čišćenje koja sadrže otapala i/ili alkohol mogu smanjiti zaštitnu funkciju.



OPREZ: Koristite originalne rezervne dijelove Husqvarna.

1. Redovno čistite proizvod. Koristite krpu i blagi rastvor sapuna.
2. Prije svakog korištenja provjerite stanje zaptivnih prstenova i pjenastih gumenih umetaka.
3. Zaptivne prstenove i pjenaste gumene umetke mijenjajte svakih 6 mjeseci ili češće ako je potrebno. Prilikom sklapanja pazite da otvor za zrak na zaptivnom prstenu bude okrenut prema dolje. Koristite originalni higijenski pribor koji uključuje brtvene prstenove i pjenaste gumene umetke. Za više informacija o higijenskom priboru, pogledajte www.husqvarna.com. (Sl. 19)

Pogledajte poglavlje *Postavljanje štitnika za uši u položaj za transport na strani 29*.

4. Zamijenite membranu mikrofona za govor ako je oštećena.
5. Zamijenite filter za vjetar za mikrofonski ovisan o nivou ako je oštećen.
6. Zamijenite filter za vjetar na teleskopskom mikrofonski ako je oštećen.
7. Zamijenite udobno jastuće trake za glavu ako je potrebno. (Sl. 20)

Napomena: Ako su štitnici za uši mokri iznutra, ostavite ih da se osuše u položaju za transport.

Transport, skladištenje i odbacivanje

Transport i skladištenje



OPREZ: Tokom transporta i skladištenja, stavite štitnike za uši u radni položaj kako biste smanjili trošenje plastičnog materijala.

- Postavite štitnike za uši u radni položaj. Pogledajte poglavlje *Postavljanje štitnika za uši u radni položaj na strani 29*.
- Provjerite da zaptivni prstenovi nisu stisnuti.
- Proizvod držite u suhom i čistom prostoru.
- Držite proizvod dalje od sunčeve svjetlosti tokom skladištenja.
- Bateriju puniti svakih 6 sedmica kako biste održali njen kvalitet.

- Tokom transporta proizvod stavite na sigurno mjesto.

Odlaganje

- Poštujte zakone date države.
- Koristite lokalni sistem za recikliranje.
- Proizvod ili ambalaža proizvoda ne predstavljaju kućanski otpad. Reciklirajte ga u reciklažnoj stanici za električnu i elektronsku opremu.



Dodatna oprema

Odobrene zaštitne kacige

Proizvod koristite samo s kacigama navedenim u nastavku.

Model	Vrsta dodatka za zaštitnu kacigu	Grafički prikaz adaptera	Odobrene dimenzije
Husqvarna Technical, H300	Adapter H300	(Sl. 21)	M/L
Husqvarna Spire	Adapter Spire	(Sl. 22)	L
KASK Zenith X			

Tehnički podaci

Tehničke podatke o pojedinačnim proizvodima potražite na ilustracijama u nastavku. Više tehničkih podataka

potražite u tabeli s tehničkim podacima u dodatku u ovom korisničkom priručniku.

(Sl. 2)
(Sl. 3)

Više informacija o sadržaju tehničkih podataka potražite na spisku u nastavku:

- F = Frekvencije na kojim se mjeri prigušenje.
- Mf = Srednja vrijednost.
- Sf = Standardno odstupanje.
- APV (Mf-Sf) = Pretpostavljena vrijednost zaštite.
- H = Vrijednost prigušenja na visokoj frekvenciji (predviđeno smanjenje nivoa buke za buku kad je $L_C-L_A = -2$ dB). M = Vrijednost prigušenja na srednjoj frekvenciji (predviđeno smanjenje nivoa buke za buku kad je $L_C-L_A = +2$ dB). L = Vrijednost prigušenja na niskoj frekvenciji (predviđeno smanjenje nivoa buke za buku kad je $L_C-L_A = +10$ dB).

- SNR = jednobrojna vrijednost prigušenja (vrijednost koja se oduzima od izmjenjenog nivoa C-ponderiranog zvučnog pritiska, L_C , radi procjenjivanja efektivnog A-ponderiranog nivoa zvuka unutar uha).

Odgovorni proizvođač: Husqvarna AB, SE-561 82
Huskvarna, Švedska, tel.: +46-36-146500.

Nivo jačine zvuka

Način rada FM Radio i način rada Slušalice imaju maksimalni ekvivalentni nivo jačine zvuka od 82 dB (A).

Materijali

Dio	Materijal	Dio	Materijal
Unutrašnja čašica za uši	ABS	Traka za glavu	POM+TPE
Vanjska čašica za uši, lijeva	ABS	Viljuška kacige	POM
Vanjska čašica za uši, desna	ABS+TPE	Opruga viljuške kacige	Čelik
Umeci	PUR	Vijak	Čelik
Zaptivni prstenovi	PVC i pjena		

Obsah

Úvod.....	36	Přeprava, skladování a likvidace.....	43
Bezpečnost.....	37	Příslušenství.....	43
Montáž.....	38	Technické údaje.....	43
Provoz.....	39	0
Údržba.....	42		

Úvod

Popis výrobku

Výrobek X-COM Active (HP500C-01, HP500C-02) je ochrana sluchu s integrovanou plně duplexní komunikací, *bezdrátovou technologií Bluetooth®*

Popis výrobku

(Obr. 1)

1. Tlačítko zvýšení hlasitosti
2. Tlačítko snížení hlasitosti
3. Mikrofon závislý na úrovni
4. Tlačítko Bluetooth®
5. Hovorový mikrofon
6. Tlačítko režimu
7. Výstup kabelu nabíječky USB-C
8. Tlačítko okolního zvuku
9. Tlačítko ztlumení
10. Tlačítko Zap/Vyp
11. Tlačítko kanálu
12. Výstup výklopného mikrofonu

Předpisy a schválení

Tímto společností Husqvarna AB, SE-561 82 Huskvarna, Sweden, tel: +46-36-146500 prohlašuje, že rádiové zařízení typu HP500C-01 a HP500C-02 je v souladu se směrnicí 2014/53/EU, 2011/65/EU a nařízením (EU) 2016/425. Úplný text EU prohlášení o shodě je k dispozici na následující internetové adrese: www.husqvarna.com; hledejte X-COM Active, HP500C-01, HP500C-02.

Hodnoty tlumení a hladiny hluku výrobku se testují a schvalují podle těchto norem: EN 352-1:2020 (náhlavní oblouk), EN 352-3:2020 (přípevnění na přilbu), EN 352-4:2020, EN 352-6:2020 a EN 352-8:2020.

Subjekt, kterému bylo předáno oznámení o tomto hodnocení shody: Číslo oznámeného subjektu 1974. PZT GmbH, Bismarckstraße 264 B, 26389 Wilhelmshaven, Germany.

Certifikace a monitorování společností PZT.

Baterie je certifikovaná podle normy IEC62133, 2. vydání.

a FM rádiem. Model HP500C-01 je ochrana sluchu s náhlavním obloukem a model HP500C-02 je ochrana sluchu určená pro přilbu. Výrobek poskytuje ochranu před škodlivým hlukem.



UK Importer:
Husqvarna UK Ltd
Preston Road, Co. Durham
DL5 6UP

FCC ID: ZASHP500, IC ID: 23307-HP500

Prohlášení o shodě FCC dodavatelů pro HP500C-01, HP500C-02 Odpovědná společnost.

Husqvarna Professional Products, Inc. 9335 Harris Corners Parkway Suite 500 Charlotte, NC 28269, USA.

Kontaktní údaje USA: Michael Campbell, manažer shody výrobků, telefon: +1 704 597 5000.

Prohlášení o shodě FCC:

Zařízení vyhovuje části 15 směrnic FCC. Provoz podléhá následujícím dvěma podmínkám: (1) Toto zařízení nesmí způsobovat škodlivé rušení; a (2) toto zařízení musí přijímat jakékoli obdržené rušení včetně rušení, které může způsobit nežádoucí fungování.

Toto zařízení bylo testováno a bylo shledáno, že splňuje limity pro digitální zařízení třídy B podle části 15 předpisů FCC. Tyto limity jsou určeny k zajištění přiměřené ochrany proti škodlivému rušení instalací v obytných oblastech. Toto zařízení generuje, využívá a může vyzařovat energii rádiové frekvence a může způsobovat škodlivé rušení rádiových komunikačních signálů, pokud není instalováno a používáno v souladu s pokyny. Není však zcela zaručeno, že nebude docházet k rušení v určitých konkrétních instalacích. Pokud toto zařízení způsobuje škodlivé rušení rádiového nebo televizního signálu, což lze určit vypnutím a zapnutím zařízení, může se uživatel pokusit eliminovat rušení jedním z následujících způsobů:

- Prodlužte vzdálenost mezi zařízením a přijímačem.
- Požádejte o pomoc prodejce.

Označení na výrobku je uvedeno na štítku na pravém náušníku.

Registrované ochranné známky

Slovo a loga *Bluetooth®* jsou registrované ochranné známky vlastněné společností *Bluetooth SIG, inc.* Použití těchto značek společností Husqvarna podléhá licenci.

Bezpečnost

Definice týkající se bezpečnosti

Varování, upozornění a poznámky slouží jako upozornění na specifické důležité části návodu.



VÝSTRAHA: Používá se v případě nebezpečí úrazu nebo usmrcení obsluhy nebo okolních osob, pokud nejsou dodrženy pokyny uvedené v této příručce.



VAROVÁNÍ: Používá se v případě nebezpečí poškození výrobku, dalších materiálů či škod na majetku v blízkém okolí, pokud nejsou dodrženy pokyny uvedené v této příručce.

Povšimněte si: Používá se k poskytnutí dalších informací, které jsou nezbytné v dané situaci.

Obecná bezpečnost



VÝSTRAHA: Před použitím výrobku si přečtěte následující varování.

- Jedněte podle těchto pokynů a uchovejte si je.
- V zájmu optimálního pohodlí a fungování zkontrolujte, zda jste si vybrali vhodný výrobek pro své účely.
- Nevyměňujte ani neodstraňujte díly výrobku. Provádějte pouze změny uvedené v tomto návodu k používání.
- Tlumení hluku, které výrobek zajišťuje, může být výrazně omezeno, pokud nebudete postupovat podle pokynů v tomto návodu k používání. Chrániče sluchu, zejména pak polštářky, se používáním opotřebovávají a je třeba je pravidelně kontrolovat, zda nejsou popraskané nebo uvolněné. Viz část *Údržba na straně 42*.
- Výrobek může být negativně ovlivněn působením některých chemikálií. Další informace vám poskytne výrobce. Výrobek nesmí být vystaven agresivním látkám a je třeba jej pravidelně čistit. Použijte hadřík s vodou a mýdlem. Výrobek neoplachujte ani zcela neponořujte do vody.
- Veškerý servis a opravy musí provádět schválená servisní dílna. Používejte pouze originální náhradní díly Husqvarna.

- Chrániče sluchu nepoužívejte více než 10 let od data výroby uvedeného na obalu.
- Funkčnost výrobku se může zhoršit se spotřebou baterie.

Bezpečnostní pokyny pro provoz

- Uživatel by měl v hlučném prostředí vždy používat chrániče sluchu.
- Při používání výrobku buďte opatrní a sledujte výstražné signály. Hluk výstražných signálů se může při používání výrobku snížit.
- Slyšitelnost výstražných signálů na konkrétním pracovišti může být omezena, když uživatel používá zábavní funkci.
- Během přepravy a používání je třeba zajistit, aby se výrobek během přepravy a používání neotloukl.
- Používejte výrobek pouze v teplotním rozmezí $-20\text{ }^{\circ}\text{C}$ až $+55\text{ }^{\circ}\text{C}$. Pokud jej budete používat při jiných teplotách, může dojít k poškození elektroniky, baterie a mechanických součástí.
- Před použitím je nutné vědět, jak s výrobkem zacházet. V případě poškození výrobku se obraťte na servisního prodejce. Neotevírejte kryt!
- Nasazení hygienických návleků na polštářky se mohou zhoršit akustické vlastnosti chráničů sluchu. Vždy používejte originální příslušenství.
- Netlačte chrániče sluchu proti přilbě. Pokud to uděláte, mohou vzniknout praskliny na straně přilby.

(Obr. 4)

- Neuchovávejte výrobek při teplotách nad $55\text{ }^{\circ}\text{C}$, například na palubní desce. Neuchovávejte výrobek při teplotách nižších než $-20\text{ }^{\circ}\text{C}$.
- Uživatel musí zajistit, aby chrániče sluchu byly nasazeny, seřizeny a udržovány podle tohoto návodu k používání.
- Chránič sluchu je vybaven zvukovým vstupem pro účely bezpečnosti. Uživatel musí před použitím zkontrolovat správnou funkci. Pokud odhalí deformaci nebo závadu, musí postupovat podle pokynů výrobce pro údržbu.

Bezpečnostní pokyny týkající se baterií

- Chránič sluchu je vybaven tlumením závislým na úrovni. Uživatel musí před použitím zkontrolovat správnou funkci. Pokud je odhalena nesprávná funkce nebo porucha, musí uživatel postupovat podle pokynů výrobce pro údržbu.
- Výrobek obsahuje baterii a elektrické komponenty, které se mohou v hořlavém nebo výbušném

prostředí vznítit. Nepoužívejte v prostředí, kde mohou jiskry způsobit požár nebo výbuch.

- Nabíjejte výrobek pouze v teplotním rozmezí 0 až 40 °C. Nabíjení mimo uvedený rozsah může poškodit elektroniku a baterii.

Montáž

Úvod



VÝSTRAHA: Před sestavou výrobku si odhrňte vlasy. Než začnete výrobek používat, zkontrolujte, zda těsnící kroužky pevně přiléhají k hlavě a kolem uší.

Nasazení chráničů sluchu s náhlavním obloukem

1. Položte náhlavní oblouk přes horní část hlavy.
2. Posunem chráničů sluchu nahoru nebo dolů upravte výšku. (Obr. 5)

Montáž chráničů sluchu na přílbu

1. Namontujte správný typ nástavce adaptéru na skořepinu přílby. Viz část *Schválené přílby na strani 43*.
2. Namontujte vidlici přílby k adaptéru nástavce. (Obr. 6)

Povšimněte si: Viz část *Schválené přílby na strani 43* s dalšími informacemi o tom, který nástavec přílby je vhodný pro vaši přílbu.

3. Nastavte chrániče sluchu do nejnižší polohy.
4. Zvedněte chrániče sluchu směrem ven a nahoru, dokud nezaklapnou v pohotovostní poloze. (Obr. 7)
5. Udělejte značku na kabelu.
 - a) U přílby H300 udělejte značku 27 cm (X) od každého chrániče.
 - b) U přílby Spire Vent X udělejte značku 14,5 cm (Y) od každého chrániče. (Obr. 8)
6. Vložte nástavec přílby do výřezu na přílbě. (Obr. 9)
7. Pokračujte podle montážních pokynů ke schválené přílbě.



VAROVÁNÍ: Zkontrolujte, zda není kabel pokroucený nebo nemá malý poloměr ohybu. Zkontrolujte, zda může kabel snadno vstupovat do otvoru v přílbě.

Montáž chráničů sluchu na přílbu H300

1. Uvolněte z přílby hlavový nástroj. (Obr. 10)

2. Připevněte kabel do otvorů pomocí stahovacích pásků nebo spon. (Obr. 11)
3. Pokud připevňujete kabel stahovacími pásky, přeřízněte pásek a zatlačte zámek kabelové svorky do bočního výřezu.
4. Složte kabel do smyčky a připevněte hlavový nástroj a ochranu krku. Zkontrolujte, zda se kabel nachází mezi skořepinou přílby a hlavovým nástrojem. (Obr. 12)

Montáž chráničů sluchu na přílbu Spire Vent X

1. Vložte kabelovou smyčku dozadu.
2. Připevněte kabel k hlavovému nástroji pomocí stahovacích pásků. Upevněte stahovací pásek skrz zadní pásek náhlavního oblouku.
3. Přeřízněte stahovací pásek.
4. Vložte zbývající část kabelové smyčky dozadu za zadní náhlavní oblouk. (Obr. 13)

Nastavení chráničů sluchu do provozní polohy

1. Nasaďte si přílbu na hlavu.
2. Upravte chrániče tak, aby pevně přiléhaly k uším a hlavě. (Obr. 14)

Nastavení chráničů sluchu do pohotovostní polohy

- Zvedněte chrániče sluchu směrem ven a nahoru, dokud nezaklapnou v pohotovostní poloze. (Obr. 15)

Nastavení chráničů sluchu do skladovací polohy

1. Nastavte chrániče sluchu do pohotovostní polohy. Viz část *Nastavení chráničů sluchu do pohotovostní polohy na strani 38*.
2. Otočte chrániče sluchu dozadu podél strany přílby, dokud nezapadnou do skladovací polohy. (Obr. 16)

Připojení výklopného mikrofonu

V prostředích s vysokou hladinou hluku používejte výklopný mikrofon.

1. Připevněte filtr větru na výklopný mikrofon.
2. Připojte výklopný mikrofon k výstupu mikrofonu na pravém chrániči. (Obr. 17)
3. Umístěte výklopný mikrofon 1 cm (A) od úst.

Provoz

Úvod



VÝSTRAHA: Před používáním produktu je třeba, abyste si přečetli a porozuměli kapitole o bezpečnosti.

Nabíjení výrobku

1. Připojte konektor USB-C na kabelu nabíječky do zásuvky v levém chrániči. (Obr. 18)
2. Připojte konektor USB na kabelu nabíječky k nabíječce USB nebo jiné zásuvce USB.

Povšimněte si: Výkon zásuvky musí být 5 V a 2 A pro nabíjení při maximální kapacitě.

Povšimněte si: Kontrolka LED na tlačítku Bluetooth® bliká pomalu zeleně, když se baterie nabíjí. Kontrolka LED na tlačítku Bluetooth® svítí zeleně, když je baterie zcela nabitá.

Kontrolka LED na tlačítku kanálu	Stav nabití baterie
Svítí 3 kontrolky LED.	Baterie je nabitá na 90–100 %.
Svítí 2 kontrolky LED a 1 kontrolka LED pomalu bliká.	Baterie je nabitá na 70–90 %.
Svítí 1 kontrolka LED a 1 kontrolka LED pomalu bliká.	Baterie je nabitá na 20–70 %.
1 kontrolka LED pomalu bliká.	Baterie je nabitá na 10–20 %.
1 kontrolka LED rychle bliká.	Baterie je nabitá na 0–10 %.

Spuštění výrobku

- Stiskněte tlačítko Zap/Vyp na 1 sekundu.

Povšimněte si: Zvukový signál oznámí, že je výrobek zapnutý. Prostřední kontrolka LED na tlačítku kanálu svítí po dobu 2 sekund. Zvuková zpráva vás informuje o stavu baterie a počtu zařízení, která jsou připojena pomocí bezdrátové technologie Bluetooth®. Pokud výrobek najde tým, zvuková zpráva vám oznámí, ke kterému týmu jste připojeni. Viz níže uvedená tabulka.

Zvuková zpráva

BATTERY HIGH
BATTERY MEDIUM
BATTERY LOW
BATTERY CRITICAL

Zvuková zpráva

ONE BLUETOOTH DEVICE CONNECTED
TWO BLUETOOTH DEVICES CONNECTED
CONNECTED TO TEAM CHANNEL 1
CONNECTED TO TEAM CHANNEL 2
CONNECTED TO TEAM CHANNEL 3

Zobrazení stavu baterie

- Stiskněte tlačítko Zap/Vyp.

Povšimněte si: Kontrolka LED na tlačítku kanálu svítí zeleně po dobu 5 sekund. Viz níže uvedená tabulka.

Kontrolka LED	Stav baterie
Svítí 3 kontrolky LED.	Baterie je nabitá na 90–100 %.
Svítí 2 kontrolky LED.	Baterie je nabitá na 70–90 %.
Svítí 1 kontrolka LED.	Baterie je nabitá na 20–70 %.
1 kontrolka LED rychle bliká.	Baterie je nabitá na 0–10 %.

Přepínání mezi režimem FM rádia a režimem Bluetooth®

- Rychle dvakrát stiskněte tlačítko režimu, chcete-li přepnout mezi režimem FM rádia a režimem Bluetooth®.

Povšimněte si: Zvuková zpráva vás informuje o zvoleném režimu. Viz níže uvedená tabulka.

Zvuková zpráva

RADIO

Zvuková zpráva
BLUETOOTH

Režim FM rádia

V režimu FM rádia máte přístup k FM rádiu v městských oblastech nebo jiných oblastech se silným rádiovým signálem FM. Výkon FM rádia může být ovlivněn nerovným terénem nebo hustou vegetací.

Změna stanice FM rádia

- Stisknutím tlačítka zvýšení hlasitosti nebo tlačítka snížení hlasitosti na 1 sekundu změníte stanici FM rádia.

Režim Bluetooth®

Režim Bluetooth® umožňuje připojit výrobek k zařízení s bezdrátovou technologií Bluetooth®.

Postup párování Bluetooth®

1. Stisknutím tlačítka Bluetooth® na 2 sekundy spustíte párování na výrobku.

Povšimněte si: Párování se zahájí, jakmile uslyšíte zvukový signál a tlačítko Bluetooth® začne blikat modře. Párování je zapnuto po dobu 30 sekund.

2. Spusťte párování Bluetooth® na svém zařízení.
3. V případě potřeby vyberte ze seznamu jednotek na zařízení možnost Husqvarna X-COM Active.

Povšimněte si: Zvuková zpráva vás informuje o stavu výrobku. Viz níže uvedená tabulka.

Zvuková zpráva	Kontrolka LED na tlačítku Bluetooth®	Informace
BLUETOOTH DEVICE CONNECTED	Svítil modře.	Výrobek je připojen k zařízení s bezdrátovou technologií Bluetooth®.
BLUETOOTH CONNECTION FAILED	Svítil červeně po dobu 2 sekund.	Výrobek není připojen k zařízení s bezdrátovou technologií Bluetooth®.

Povšimněte si: Zařízení s bezdrátovou technologií Bluetooth® připojené k výrobku se k němu automaticky připojí, až bude výrobek přístě použit v jeho blízkosti.

Nastavení týmu a přidání zařízení

Tým je komunikační skupina, která vám umožní hovořit se všemi zařízeními, která jsou k týmu připojena. Pokud tým neexistuje, tímto postupem můžete vytvořit nový tým. Poté můžete opětovným provedením postupu přidat nová zařízení do týmu. Tým nastaví pouze jedna osoba a ostatní zařízení se připojí k týmu, jak je ukázáno v části *Připojení k týmu na strani 40*. Do týmu může nové zařízení přidat vždy pouze jedna osoba. Nové zařízení se musí připojit k týmu, jak je ukázáno v části *Připojení k týmu na strani 40*.

1. Stisknutím tlačítka režimu na 1 sekundu přejdete do režimu správy týmu a vstoupíte do nastavení týmu.

Povšimněte si: Zvuková zpráva oznámí, že jste v režimu správy týmu. Viz níže uvedená tabulka.

Zvuková zpráva	Kontrolka LED na tlačítku Bluetooth®
TEAM MANAGEMENT	Svítil bíle.

2. Stiskněte tlačítko Bluetooth®.

Povšimněte si: Zvuková zpráva vás informuje o stavu párování. Párování se spustí, když uslyšíte zvukový signál. Viz níže uvedená tabulka.

Zvuková zpráva	Kontrolka LED na tlačítku Bluetooth®
SEARCHING FOR MEMBERS	Kontrolka LED rychle bliká.

Povšimněte si: Párování je zapnuto po dobu 1 minuty. Zařízení se připojí k týmu přibližně za 1 minutu. Párování je dokončeno, jakmile uslyšíte zvukový signál a tlačítko Bluetooth® svítí zeleně. Při každém připojení nového zařízení k týmu se ozve zvukový signál. Informace o připojení k týmu naleznete v části *Připojení k týmu na strani 40*.

3. Chcete-li párování zastavit za méně než 1 minutu, stiskněte tlačítko režimu.
4. Pokud chcete do týmu přidat nové zařízení, postupujte znovu podle stejných pokynů.

Povšimněte si: Zařízení, které je připojeno k týmu, se při příštím použití automaticky připojí k týmu.

Připojení k týmu

K týmu se nelze připojit, pokud není nastaven žádný tým. Informace o nastavení týmu naleznete v části *Nastavení týmu a přidání zařízení na strani 40*. K týmu se můžete připojit ve stejné době, kdy je nastavován nový tým. K týmu se lze rovněž připojit, pokud člen týmu přidá do týmu nová zařízení.

1. Stisknutím tlačítka režimu na 1 sekundu přejdete do režimu správy týmu.

Povšimněte si: Zvuková zpráva oznámí, že jste v režimu správy týmu. Viz níže uvedená tabulka.

Zvuková zpráva	Kontrolka LED na tlačítku Bluetooth®
TEAM MANAGEMENT	Svítil bíle.

2. Stiskněte tlačítko zvýšení hlasitosti.

Povšimněte si: Párování se spustí, jakmile uslyšíte zvukový signál a tlačítko Bluetooth® začne pomalu blikat. Párování je zapnuto po dobu 1 minuty. Zvuková zpráva vás informuje, že jste připojeni k týmu. Viz níže uvedená tabulka.

Zvuková zpráva	Kontrolka LED na tlačítku Bluetooth®
CONNECTED TO TEAM	Svítil zeleně.

Povšimněte si: S týmem můžete hovořit poté, co vás zvuková zpráva informuje, že jste připojeni k týmu.

Odpojení od týmu

1. Stisknutím tlačítka režimu na 1 sekundu přejdete do režimu správy týmu.

Povšimněte si: Zvuková zpráva oznámí, že jste v režimu správy týmu. Viz níže uvedená tabulka.

Zvuková zpráva	Kontrolka LED na tlačítku Bluetooth®
TEAM MANAGEMENT	Svítil bíle.

2. Stiskněte tlačítko snížení hlasitosti.

Povšimněte si: Zvuková zpráva vás informuje, že jste se odpojili od týmu. Viz níže uvedená tabulka.

Zvuková zpráva	Kontrolka LED na tlačítku Bluetooth®
LEAVING TEAM	Kontrolka LED blikne červeně 3krát.

Změna komunikačního kanálu

- Stisknutím tlačítka kanálu vyberte komunikační kanál 1, 2 nebo 3.

Povšimněte si: Zvuková zpráva vás informuje o tom, ve kterém kanálu se nacházíte. Viz tabulka níže.

Zvuková zpráva	Kontrolka LED kanálu
CHANNEL 1	Svítil bíle na kanálu 1.
CHANNEL 2	Svítil bíle na kanálu 2.
CHANNEL 3	Svítil bíle na kanálu 3.

Hovor se všemi komunikačními kanály

- Podržním tlačítka kanálu můžete hovořit současně se všemi komunikačními kanály.

Povšimněte si: Ke všem komunikačním kanálům budete připojeni, když uslyšíte zvukový signál. Všechny kontrolky LED kanálů svítí bíle, což znamená, že jste připojeni ke všem kanálům.

- Uvolněním tlačítka kanálu se vrátíte zpět na předchozí kanál.

Aktivace nebo deaktivace mikrofonu

- Stiskněte tlačítko ztlumení, dokud neuslyšíte zvukový signál.

Změna streamování zvuku

- Stisknutím tlačítka zvýšení hlasitosti na 0,5 sekundy přejdete na další stopu streamovaného zvuku.
- Stisknutím tlačítka snížení hlasitosti na 0,5 sekundy se vrátíte na předchozí stopu streamovaného zvuku.

Zastavení nebo spuštění streamování zvuku

- Streamování zvuku můžete zastavit nebo spustit pomocí tlačítka režimu.

Přijetí, ukončení nebo odmítnutí telefonního hovoru

Je-li vaše mobilní zařízení připojeno k výrobku pomocí bezdrátové technologie Bluetooth®, ozve se při příchozím telefonním hovoru v chráničích sluchu signál.

- Pokud chcete telefonní hovor přijmout nebo ukončit, stiskněte tlačítko režimu.
- Stisknutím tlačítka režimu na 1 sekundu přichodí telefonní hovor odmítnete.

Povšimněte si: Zvukový signál informuje, když je telefonní hovor přijat nebo odmítnut.

Zvuková zpráva	Informace
CALL ENDED	Telefonní hovor byl ukončen.

Přenos telefonního hovoru do týmu

1. Stisknutím tlačítka režimu přijmete telefonní hovor.
2. Rychle dvakrát stisknete tlačítko režimu pro přepojení telefonního hovoru do týmu.

Povšimněte si: Zvuková zpráva vás upozorní, že byl telefonní hovor přepojen. Viz níže uvedená tabulka.

Zvuková zpráva	Informace
CALL TRANSFERRED TO TEAM	Telefonní hovor byl přepojen do týmu.

Odpojení telefonního hovoru od týmu

- Rychle dvakrát stisknete tlačítko režimu.

Povšimněte si: Zvuková zpráva vás upozorní, že je telefonní hovor odpojen. Viz níže uvedená tabulka.

Zvuková zpráva	Informace
CALL DISCONNECTED FROM TEAM	Telefonní hovor byl odpojen od týmu.

Nastavení hlasitosti

- Pokud chcete upravit hlasitost, stisknete tlačítko zvýšení nebo snížení hlasitosti. Zvukový signál informuje o dosažení minimální nebo maximální hlasitosti.

Nastavení režimu okolního zvuku

Režim okolního zvuku umožňuje slyšet zvuky kolem vás.

- Stisknete tlačítko okolního zvuku.

Povšimněte si: Zvuková zpráva vás informuje o stavu režimu okolního zvuku.

Zvuková zpráva
AMBIENT LEVEL HIGH
AMBIENT LEVEL MEDIUM
AMBIENT LEVEL LOW
AMBIENT LEVEL OFF

Zastavení výrobku

- Stisknete tlačítko Zap/Vyp na 1 sekundu.

Povšimněte si: Zvuková zpráva vás informuje o stavu baterie a kontrolky LED zhasnou. Zvukový signál oznámí, že je výrobek vypnutý.

Vynucené zastavení výrobku

- Stisknete tlačítko Zap/Vyp na 12 sekund.

Údržba

Údržba výrobku



VAROVÁNÍ: Výrobek neoplachujte ani zcela neponořujte do vody.



VAROVÁNÍ: Spreje, kapaliny nebo jiné čisticí prostředky obsahující rozpouštědla nebo alkohol mohou snížit ochrannou funkci.



VAROVÁNÍ: Používejte pouze originální náhradní díly Husqvarna.

1. Výrobek pravidelně čistíte. Použijte hadřík a jemný mýdlový roztok.
2. Před každým použitím zkontrolujte stav těsnících kroužků a pěnových pryžových vložek.

3. Těsnící kroužky a pěnové pryžové vložky vyměňujte každých 6 měsíců nebo častěji, pokud to je nutné. Během montáže zkontrolujte, zda vzduchový otvor na těsnícím kroužku směřuje dolů. Použijte originální hygienickou sadu, která obsahuje těsnící kroužky a pěnové pryžové vložky. Další informace o hygienické sadě naleznete na adrese www.husqvarna.com. (Obr. 19)

Povšimněte si: Pokud jsou chrániče sluchu na vnitřní straně vlhké, nechte je uschnout ve skladovací poloze. Viz část *Nastavení chráničů sluchu do skladovací polohy na strani 38*.

4. V případě poškození vyměňte membránu pro hovorový mikrofon.
5. V případě poškození vyměňte filtr větru mikrofonu závislého na úrovni.
6. V případě poškození vyměňte filtr větru mikrofonu výklopného mikrofonu.
7. V případě potřeby vyměňte komfortní podložku náhlavního oblouku. (Obr. 20)

Přeprava, skladování a likvidace

Přeprava a skladování



VAROVÁNÍ: Během přepravy a skladování nastavte chrániče sluchu do provozní polohy, aby se snížilo opotřebení plastového materiálu.

- Nastavte chrániče sluchu do provozní polohy. Viz část *Nastavení chráničů sluchu do provozní polohy na straně 38*.
- Zkontrolujte, zda nejsou těsnící kroužky stlačené.
- Uchovávejte výrobek na suchém a čistém místě.
- Během skladování uchovávejte výrobek mimo dosah slunečních paprsků.
- V zájmu uchování kvality baterie ji nabíjejte každých 6 týdnů.

- Během přepravy zajistěte výrobku bezpečné místo.

Likvidace

- Dodržujte státní předpisy.
- Použijte místní recyklační systém.
- Výrobek ani obal výrobku nelze zlikvidovat jako domácí odpad. Odevzdejte jej ve stanici pro recyklaci elektrických a elektronických zařízení.



Příslušenství

Schválené přílby

Používejte výrobek pouze v přilbami uvedenými níže.

Model	Typ nástavce přílby	Grafika adaptéru	Schválené rozměry
Husqvarna Technical, H300	Adaptér H300	(Obr. 21)	M/L
Husqvarna Spire	Adaptér Spire	(Obr. 22)	L
KASK Zenith X			

Technické údaje

Technické údaje o jednotlivých výrobcích naleznete na následujících obrázcích. Další technické údaje

naleznete v příloze s technickými údaji v tomto návodu k používání.

(Obr. 2)
(Obr. 3)

Další informace o obsahu technických údajů jsou uvedeny v následujícím seznamu:

- F = Frekvence, při kterých se měří tlumení.
- Mf = Střední hodnota.
- Sf = Standardní odchylka.
- APV (Mf-Sf) = Předpokládaná hodnota ochrany.
- H = hodnota tlumení vysokých frekvencí (předem stanovená úroveň tlumení zvuku, kde $L_C - L_A = -2$ dB). M = hodnota tlumení středních frekvencí (předem stanovená úroveň tlumení zvuku, kde $L_C - L_A = +2$ dB). L = hodnota tlumení nízkých frekvencí

(předem stanovená úroveň tlumení zvuku, kde $L_C - L_A = +10$ dB).

- SNR = jednočíselné hodnocení (hodnota odvozená od naměřené hodnoty tlaku zvuku prostředí C, L_C , za účelem stanovení odhadované efektivní úrovně zvuku prostředí A uvnitř ucha).

Odpovědný výrobce: Husqvarna AB, SE-561 82 Huskvarna, Švédsko, tel.: +46-36-146500.

Hladina zvuku

Režim FM rádia a náhlavní soupravy mají maximální ekvivalentní hladinu zvuku 82 dB (A).

Materiály

Díl	Materiál	Díl	Materiál
Vnitřní náušník	ABS	Náhlavní oblouk	POM+TPE
Vnější náušník, levý	ABS	Vidlice přilby	POM
Vnější náušník, pravý	ABS+TPE	Pružina vidlice přilby	Ocel
Vložky	PUR	Šrouby	Ocel
Těsnicí kroužky	PVC a molitan		

Indhold

Indledning.....	45	Transport, opbevaring og bortskaffelse.....	52
Sikkerhed.....	46	Tilbehør.....	52
Montering.....	47	Tekniske data.....	52
Drift.....	48	0
Vedligeholdelse.....	51		

Indledning

Produktbeskrivelse

Produktet X-COM Active (HP500C-01, HP500C-02) er et høreværn med integreret fuld duplexkommunikation,

trådløs Bluetooth®-teknologi og FM-radio. Modellen HP500C-01 er et høreværn med bøjle, og modellen HP500C-02 er et høreværn til hjelm. Produktet yder beskyttelse mod skadelig støj.

Produktoversigt

(Fig. 1)

1. Lydstyrke op-knap
2. Lydstyrke ned-knap
3. Niveauafhængig mikrofon
4. Bluetooth®-knap
5. Talemikrofon
6. Tilstandsknap
7. Udgang til USB-C-opladerkabel
8. Knappen Omgivende lyd
9. Knappen Lydløs
10. Tænd/sluk-knap
11. Kanalknap
12. Udgang til mikrofonarm

UK Importer:
Husqvarna UK Ltd
Preston Road, Co. Durham
DL5 6UP

FCC-id: ZASHP500, IC-id: 23307-HP500

FCC-leverandørers overensstemmelseserklæring for HP500C-01, HP500C-02 Ansvarlig part.

Husqvarna Professional Products, Inc. 9335 Harris Corners Parkway Suite 500 Charlotte, NC 28269 United States.

Kontaktoplysninger, USA: Michael Campbell, Manager Product Compliance, telefon: +1 704 597 5000.

Overensstemmelse og godkendelser

Husqvarna AB, SE-561 82 Huskvarna, Sweden, tel: +46-36-146500, erklærer herved, at radioudstyrstypen HP500C-01 og HP500C-01 er i overensstemmelse med 2014/53/EU, 2011/65/EU og (EU) 2016/425-forordningen. EU-overensstemmelseserklæringens tekst findes i sin helhed på følgende internetadresse: www.husqvarna.com, søg efter X-COM Active, HP500C-01, HP500C-02.

Produkt dæmpningsværdierne og støjniveauerne testes og godkendes i henhold til: EN 352-1:2020 (bøjle), EN 352-3:2020 (monteret på hjelm) EN 352-4:2020, EN 352-6:2020 og EN 352-8:2020.

Bemyndigede organer, der medvirker i overensstemmelsesvurderingen, er: Nummer for bemyndiget organ 1974. PZT GmbH, Bismarckstraße 264 B, 26389 Wilhelmshaven, Germany.

Certificering og overvågning fra PZT.

Batteriet er certificeret i henhold til IEC62133 2. udgave.



Erklæring om FCC-overholdelse:

Denne enhed overholder afsnit 15 i FCC-reglerne. Betjening er underlagt følgende to betingelser: (1) Denne enhed må ikke forårsage skadelig interferens, og (2) denne enhed skal kunne tåle vilkårlig modtaget interferens, herunder interferens, der kan forårsage uønsket drift.

Dette udstyr er blevet testet og fundet i overensstemmelse med begrænsningerne for en klasse B digital enhed i henhold til kapitel 15 i FCC-reglerne. Disse begrænsninger er udformet for at yde rimelig beskyttelse mod skadelig interferens i en hjemmeinstallation. Dette udstyr genererer, bruger og kan udstråle radiofrekvensenergi. Hvis produktet ikke installeres og bruges i overensstemmelse med brugsanvisningen, kan det forårsage skadelig interferens for radiokommunikation. Der er imidlertid ingen garanti for, at interferens ikke vil forekomme i en bestemt installation. Hvis dette udstyr forårsager skadelig interferens for radio- eller tv-modtagelse, hvilket kan fastslås ved at tænde og slukke for udstyret, opfordres brugeren til at forsøge at afhjælpe

interferensen gennem en eller flere af følgende foranstaltninger:

- Øg afstanden mellem udstyret og modtageren.
- Kontakt forhandleren for at få hjælp.

Mærkningen på produktet findes på etiketten på højre høreværn.

Registrerede varemærker

Bluetooth®-navnet og -logoerne er registrerede varemærker tilhørende *Bluetooth SIG, inc.*, og al Husqvarnas brug deraf sker på licens.

Sikkerhed

Sikkerhedsdefinitioner

Advarsler, forholdsregler og bemærkninger bruges til at pege på særligt vigtige dele af brugsanvisningen.



ADVARSEL: Bruges, hvis føreren udsætter sig selv eller omkringstående personer for risiko for personskade eller dødsfald ved tilsidesættelse af instruktionerne i brugsanvisningen.



BEMÆRK: Bruges, hvis der er risiko for skader på produktet, andre materialer eller det omgivende område ved tilsidesættelse af instruktionerne i brugsanvisningen.

Bemærk: Bruges til at give yderligere oplysninger, der er nødvendige i en given situation.

Generel sikkerhed



ADVARSEL: Læs følgende advarselinstruktioner, inden du bruger produktet.

- Brug og opbevar disse instruktioner.
- Kontrollér, at du har valgt det rigtige produkt, så du får den optimale pasform og funktion.
- Undgå at ændre eller fjerne dele på produktet. Foretag kun ændringer, der er beskrevet i denne brugervejledning.
- Støjdæmpningen af produktet vil falde drastisk, hvis du ikke følger instruktionerne i denne brugervejledning. Høreværnet og især puder/skum kan forringes, efterhånden som de bruges, og de bør kontrolleres jævnligt for revnedannelse og lækage. Se *Vedligeholdelse på side 51*.
- Dette produkt kan blive påvirket negativt af visse kemiske stoffer. Der skal indhentes yderligere oplysninger fra producenten. Produktet må ikke komme i nærheden af aggressive stoffer og skal rengøres regelmæssigt. Brug en klud med vand og sæbe. Produktet må ikke vaskes eller nedsænkes i vand.
- Al service og alle reparationer skal udføres af et godkendt serviceværksted. Brug kun originale Husqvarna-reservedele.

- Brug aldrig høreværnet længere end 10 år fra fremstillingsdatoen, som er angivet på emballagen.
- Produktets funktionalitet kan forringes som følge af batteriforbruget.

Sikkerhedsinstruktioner for betjening

- Brugeren skal sikre, at høreværnet altid bæres i støjende omgivelser.
- Vær forsigtig, og lyt efter advarselssignaler, når du bruger produktet. Støjen fra advarselssignaler kan reduceres, når du bruger produktet.
- Hørbarheden af advarselssignaler på visse arbejdspladser kan blive nedsat under brug af underholdningsfunktionen.
- Sørg for, at produktet ikke rammes under transport og brug.
- Brug kun apparatet i temperaturer mellem -20°C og $+55^{\circ}\text{C}$. Hvis du bruger produktet i andre temperaturer, kan det medføre beskadigelse af elektronikken, batteriet og de mekaniske dele.
- Sørg for, at du ved, hvordan du bruger produktet før brug. Tal med din serviceforhandler, hvis der er skader på produktet. Åbn ikke kabinettet!
- Påsætning af hygiejnebetæk på puderne kan påvirke høreværnets akustiske egenskaber. Brug altid originalt tilbehør.
- Skub ikke høreværnet imod hjelmens skal. Hvis du gør det, kan det forårsage revner omkring siden af hjelmen.

(Fig. 4)

- Opbevar ikke produktet ved temperaturer over $+55^{\circ}\text{C}$, f.eks. på et instrumentbræt. Opbevar ikke produktet ved temperaturer under -20°C .
- Brugeren skal sikre, at høreværnet er monteret, justeret og vedligeholdt i overensstemmelse med denne brugervejledning.
- Høreværnet leveres med sikkerhedsrelateret lydindgang. Brugeren skal kontrollere, at produktet fungerer korrekt, før det tages i brug. Hvis der konstateres forvrængning eller fejl, skal brugeren følge producentens vejledning angående vedligeholdelse.

Batterisikkerhed

- Høreværnet er udstyret med niveaafhængig dæmpning. Brugeren skal kontrollere, at produktet fungerer korrekt, før det tages i brug. Hvis der

- registreres en fejlfunktion eller fejl, skal brugeren følge producentens anvisninger for vedligeholdelse.
- Produktet indeholder batteri og elektriske komponenter, som kan forårsage antændelse i brandbare eller eksplosive atmosfærer. Må ikke benyttes i omgivelser, hvor gnister kan forårsage brand eller eksplosion.

- Oplad kun produktet inden for et temperaturområde mellem 0°C til +40°C. Opladning uden for dette temperaturområde kan beskadige elektronikken og batteriet.

Montering

Indledning



ADVARSEL: Flyt dit hår til siden, før du samler produktet. Sørg for, at tætningsringene ligger stramt mod hovedet og omkring dine ører, før du betjener produktet.

Sådan tager du høreværnet med bøjle på

1. Placer bøjlen hen over hovedet.
2. Flyt høreværnet op eller ned for at justere højden. (Fig. 5)

Sådan monteres høreværnet til en hjelm

1. Monter den korrekte type adapterfastgørelse på hjelmens skal. Se *Godkendte hjelme på side 52*.
2. Monter hjelmgaflen på fastgørelsesadapteren. (Fig. 6)

Bemærk: Se *Godkendte hjelme på side 52* for nærmere oplysninger om, hvilken hjelmfastgørelse der passer til din hjelm.

3. Flyt høreværnet til den laveste position.
4. Løft høreværnet ud og op, indtil det låses i standbyposition. (Fig. 7)
5. Sæt et mærke på kablet.
 - a) Til hjelmen H300 skal du sætte et mærke 27 cm (Y) fra hvert høreværn.
 - b) Til hjelmen Spire Vent X skal du sætte et mærke 14,5 cm (Y) fra hvert høreværn. (Fig. 8)
6. Sæt hjelmfastgørelsen ind i åbningen på hjelmen. (Fig. 9)
7. Se monteringsanvisningen for din godkendte hjelm.



BEMÆRK: Kontrollér, at kablet ikke er bøjet eller har en lille bøjningsradius. Kontrollér, at kablet kan føres jævnt ind i åbningen på hjelmen.

Sådan monteres høreværnet til hjelmen H300

1. Løsn hovedbåndet fra hjelmen. (Fig. 10)
2. Fastgør kablet til hullerne med kabelbindere eller clips. (Fig. 11)
3. Hvis du fastgør kablet med kabelbindere, skal du skære kabelbinderen over og skubbe kabelbinderlåsen ind i sideåbningen.
4. Lav en løkke af kablet, og fastgør hovedbåndet og halsbeskyttelsen. Sørg for, at kablet er placeret mellem hjelmens skal og hovedbåndet. (Fig. 12)

Sådan monteres høreværnet til hjelmen Spire Vent X

1. Lav kablet i en bagudvendt løkke.
2. Fastgør kablet til hovedbåndet med kabelbindere. Fastgør kabelbinderen gennem bøjlsens bagrem.
3. Skær kabelbinderen over.
4. Lav en bagudvendt løkke af den resterende del af kablet bag den bageste del af bøjlen. (Fig. 13)

Sådan sættes høreværnet i driftsposition

1. Sæt hjelmen på hovedet.
2. Juster høreværnet, indtil de sidder tæt omkring øret og tæt mod hovedet. (Fig. 14)

Sådan sættes høreværnet i standbyposition

- Løft høreværnet ud og op, indtil det låses i standbyposition. (Fig. 15)

Sådan sættes høreværnet i parkeringsposition

1. Sæt høreværnet i standbyposition. Se *Sådan sættes høreværnet i standbyposition på side 47*.
2. Drej høreværnet bagud langs siden af hjelmen, indtil de låses i parkeringspositionen. (Fig. 16)

Sådan tilsluttes mikrofonarmen

Brug en mikrofonarm i omgivelser med megen støj.

1. Fastgør vindfilteret på mikrofonarmen.
2. Slut mikrofonarmen til mikrofonudgangen på højre høreværn. (Fig. 17)
3. Placer mikrofonarmen 1 cm (A) fra munden.

Drift

Indledning



ADVARSEL: Før du bruger produktet, skal du læse og forstå kapitlet om sikkerhed.

Sådan oplades produktet

1. Slut USB-C-stikket på opladerkablet til udgangen på venstre høreværn. (Fig. 18)
2. Slut USB-stikket på opladerkablet til en USB-oplader eller et andet USB-strømuttag.

Bemærk: Udgangseffekten skal være 5 V og 2 A for at lade ved maksimal kapacitet.

Bemærk: LED-indikatoren på Bluetooth®-knappen blinker langsomt grønt, når batteriet oplades. LED-indikatoren på Bluetooth®-knappen lyser konstant grønt, når batteriet er fuldt opladet.

LED-indikator på kanal-knappen	Batteriopladningsstatus
3 LED-indikatorer er tændt.	Batteriet er opladet 90-100 %.
2 LED-indikatorer er tændt, og 1 LED-indikator blinker langsomt.	Batteriet er opladet 70-90 %.
1 LED-indikator er tændt, og 1 LED-indikator blinker langsomt.	Batteriet er opladet 20-70 %.
1 LED-indikator blinker langsomt.	Batteriet er opladet 10-20 %.
1 LED-indikator blinker hurtigt.	Batteriet er opladet 0-10%.

Sådan startes produktet

- Tryk på tænd/sluk-knappen, og hold den nede i 1 sekund.

Bemærk: En biplyd angiver, at produktet er tændt. Den midterste LED-indikator på kanal-knappen er tændt i 2 sekunder. En lydmeddelelse angiver batteristatus og antallet af enheder, der er forbundet ved hjælp af trådløs Bluetooth®-teknologi. Hvis produktet finder et team, angiver lydbeskeden, hvilket team du er tilsluttet. Se nedenstående tabel.

Lydmeddelelse
BATTERY HIGH
BATTERY MEDIUM
BATTERY LOW
BATTERY CRITICAL

Lydmeddelelse
ONE BLUETOOTH DEVICE CONNECTED
TWO BLUETOOTH DEVICES CONNECTED
CONNECTED TO TEAM CHANNEL 1
CONNECTED TO TEAM CHANNEL 2
CONNECTED TO TEAM CHANNEL 3

Sådan vises batteristatus

- Tryk på tænd/sluk-knappen.

Bemærk: LED-indikatoren på kanal-knappen lyser grønt i 5 sekunder. Se nedenstående tabel.

LED-indikator	Batteristatus
3 LED-indikatorer er tændt.	Batteriet er opladet 90-100 %.
2 LED-indikatorer er tændt.	Batteriet er opladet 70-90 %.
1 LED-indikator er tændt.	Batteriet er opladet 20-70 %.
1 LED-indikator blinker hurtigt.	Batteriet er opladet 0-10%.

Sådan skifter du mellem FM-radiotilstand og Bluetooth®-tilstand

- Tryk hurtigt på tilstandsknappen 2 gange for at skifte mellem FM-radiotilstand og Bluetooth®-tilstand.

Bemærk: En lydmeddelelse angiver, hvilken tilstand du har valgt. Se nedenstående tabel.

Lydmeddelelse
RADIO
BLUETOOTH

FM-radiotilstand

I FM-radiotilstand får du adgang til FM-radio i byområder eller andre områder med et stærkt FM-radiosignal. FM-radioens ydeevne kan påvirkes af ujævn terræn eller tæt vegetation.

Sådan ændres FM-radiostation

- Tryk på Lydstyrke op-knappen eller Lydstyrke ned-knappen, og hold den nede i 1 sekund for at skifte FM-radiostation.

Bluetooth®-tilstand

I Bluetooth®-tilstand kan du forbinde dit produkt med trådløs Bluetooth®-teknologi.

Sådan foretages en Bluetooth®-parring

- Tryk og hold nede på Bluetooth®-knappen i 2 sekunder for at starte parringsprocessen på dit produkt.

Bemærk: Parringen starter, når du hører en biplyd, og Bluetooth®-knappen blinker blåt. Parringsprocessen er aktiveret i 30 sekunder.

- Start parring med trådløs Bluetooth®-teknologi på denne enhed.
- Hvis det er nødvendigt, skal du vælge Husqvarna X-COM Active på listen over enheder på din enhed.

Bemærk: En lydmeddelelse angiver produktets status. Se nedenstående tabel.

Lydmeddelelse	LED-indikator på Bluetooth®-knappen	Information
BLUETOOTH DEVICE CONNECTED	Lyser blåt.	Produktet er tilsluttet til en enhed med trådløs Bluetooth®-teknologi.
BLUETOOTH CONNECTION FAILED	Lyser rødt i 2 sekunder.	Produktet er tilsluttet til en enhed med trådløs Bluetooth®-teknologi.

Bemærk: En enhed med trådløs Bluetooth®-teknologi, der er knyttet til dit produkt, tilsluttes automatisk til dit produkt, næste gang produktet anvendes sammen med enheden.

Sådan konfigurerer du et team og tilføjer enheder

Et team er en kommunikationsgruppe, der giver dig mulighed for at tale med alle de enheder, der er

forbundet til teamet. Hvis der ikke er noget team, og du udfører denne procedure, opretter du et nyt team. Derefter kan du udføre proceduren igen for at tilføje nye enheder til teamet. Kun én person kan konfigurere et team, og de andre enheder opretter forbindelse til teamet som vist i *Sådan oprettes forbindelse til et team på side 49*. Kun én person ad gangen kan tilføje en ny enhed til teamet. Den nye enhed skal oprette forbindelse til teamet som vist i *Sådan oprettes forbindelse til et team på side 49*.

- Tryk på tilstandsknappen i 1 sekund for at gå til teamstyringstilstanden og gå til teamkonfigurationen.

Bemærk: En lydmeddelelse angiver, at du er i teamstyringstilstand. Se nedenstående tabel.

Lydmeddelelse	LED-indikator på Bluetooth®-knappen
TEAM MANAGEMENT	Konstant hvid.

- Tryk på Bluetooth®-knappen.

Bemærk: En lydmeddelelse angiver status for parringshandlingen. Parringen starter, når du hører en biplyd. Se nedenstående tabel.

Lydmeddelelse	LED-indikator på Bluetooth®-knappen
SEARCHING FOR MEMBERS	LED-indikatoren blinker hurtigt.

Bemærk: Parringstilstanden er aktiv i 1 minut. Enhederne opretter forbindelse til teamet inden for ca. 1 minut. Parringen er fuldført, når du hører en biplyd, og Bluetooth®-knappen lyser konstant grønt. Der høres en biplyd, hver gang en ny enhed opretter forbindelse til teamet. For oplysninger om at oprette forbindelse til et team, se *Sådan oprettes forbindelse til et team på side 49*.

- Hvis du vil stoppe parringen inden for mindre end 1 minut, skal du trykke på tilstandsknappen.
- Hvis du vil tilføje en ny enhed til teamet, skal du følge de samme instruktioner igen.

Bemærk: En enhed, der har forbindelse til teamet, opretter automatisk forbindelse til teamet, næste gang du bruger den.

Sådan oprettes forbindelse til et team

Du kan ikke oprette forbindelse til et team, hvis der ikke er oprettet noget team. For oplysninger om at oprette et team, se *Sådan konfigurerer du et team og tilføjer enheder på side 49*. Du kan oprette forbindelse til et team samtidig med, at der oprettes et nyt team. Du kan

også oprette forbindelse til et team, hvis et medlem af teamet følger nye enheder til teamet.

1. Tryk på tilstandsknappen i 1 sekund for at gå til teamstyringstilstand.

Bemærk: En lydmeddelelse angiver, at du er i teamstyringstilstand. Se nedenstående tabel.

Lydmeddelelse	LED-indikator på Bluetooth®-knappen
TEAM MANAGEMENT	Konstant hvid.

2. Tryk på Lydstyrke op-knappen.

Bemærk: Parringen starter, når du hører en biplyd, og Bluetooth®-knappen blinker langsomt. Parringstilstanden er aktiv i 1 minut. En lydmeddelelse angiver, at du har forbindelse til teamet. Se nedenstående tabel.

Lydmeddelelse	LED-indikator på Bluetooth®-knappen
CONNECTED TO TEAM	Konstant grøn.

Bemærk: Du kan tale med teamet, når lydbeskeden angiver, at du har forbindelse til teamet.

Sådan afbrydes forbindelsen til et team

1. Tryk på tilstandsknappen i 1 sekund for at gå til teamstyringstilstand.

Bemærk: En lydmeddelelse angiver, at du er i teamstyringstilstand. Se nedenstående tabel.

Lydmeddelelse	LED-indikator på Bluetooth®-knappen
TEAM MANAGEMENT	Konstant hvid.

2. Tryk på Lydstyrke ned-knappen.

Bemærk: En lydmeddelelse angiver, at du har afbrudt forbindelsen til teamet. Se nedenstående tabel.

Lydmeddelelse	LED-indikator på Bluetooth®-knappen
LEAVING TEAM	LED-indikatoren blinker rødt 3 gange.

Sådan skifter du kommunikationskanal

- Tryk på kanalknappen for at vælge kommunikationskanal 1, 2 eller 3.

Bemærk: En lydmeddelelse angiver, hvilken kanal er aktiv. Se tabellen nedenfor.

Lydmeddelelse	LED-indikator for kanal
CHANNEL 1	Lyser konstant hvidt på kanal 1.
CHANNEL 2	Lyser konstant hvidt på kanal 2.
CHANNEL 3	Lyser konstant hvidt på kanal 3.

Sådan taler du på alle kommunikationskanaler

- Tryk på kanalknappen, og hold den nede for at tale på alle kommunikationskanaler på samme tid.

Bemærk: Du er tilsluttet alle kommunikationskanaler, når du hører en biplyd. Alle LED-indikatorer for kanaler lyser konstant hvidt for at vise, at alle kanaler er tilsluttet.

- Slip kanalknappen for at gå tilbage til den forrige kanal.

Sådan aktiveres eller deaktiveres mikrofonen

- Tryk på knappen Lydløs, indtil du hører et bip.

Sådan ændres lydstreaming

- Tryk på Lydstyrke op-knappen, og hold den nede i 0,5 sekunder for at vælge den næste lydstreaming.
- Tryk på Lydstyrke ned-knappen, og hold den nede i 0,5 sekunder for at gå tilbage til den forrige lydstreaming.

Sådan stoppes eller startes lydstreaming

- Tryk på tilstandsknappen for at stoppe eller starte lydstreaming.

Sådan accepteres, afsluttes eller afvises et opkald

Hvis din mobilenhed er tilsluttet produktet med trådløs Bluetooth®-teknologi, høres der et signal i høreværnet, når der er et indgående telefonopkald.

- Tryk på tilstandsknappen for at acceptere eller afslutte opkaldet.
- Tryk på tilstandsknappen i 1 sekund for at afvise et indgående telefonopkald.

Bemærk: En biplyd angiver, når telefonopkaldet accepteres eller afvises.

Lydmeddelelse	Information
CALL ENDED	Telefonopkaldet er afsluttet.

Sådan videregives telefonopkaldet til teamet

1. Tryk på tilstandsknappen for at acceptere telefonopkaldet.
2. Tryk på tilstandsknappen 2 gange hurtigt efter hinanden for at videregive telefonopkaldet til teamet.

Bemærk: En lydmeddelelse angiver, når telefonopkaldet er overført. Se nedenstående tabel.

Lydmeddelelse	Information
CALL TRANSFERRED TO TEAM	Telefonopkaldet er overført til teamet.

Sådan afbrydes telefonopkaldet til teamet

- Tryk på tilstandsknappen 2 gange hurtigt efter hinanden.

Bemærk: En lydmeddelelse angiver, når telefonopkaldet er afbrudt. Se nedenstående tabel.

Lydmeddelelse	Information
CALL DISCONNECTED FROM TEAM	Telefonopkaldets forbindelse til teamet er afbrudt.

Sådan justeres lydstyrken

- Tryk på Lydstyrke op-knappen eller Lydstyrke ned-knappen for at justere lydstyrken. En biplyd angiver, når lydstyrken er på minimum- eller maksimumniveau.

Sådan indstilles tilstanden for omgivende lyd

Tilstanden for omgivende lyd giver dig mulighed for at høre lydene omkring dig.

- Tryk på knappen Omgivende lyd.

Bemærk: En lydmeddelelse angiver status for tilstanden for omgivende lyd.

Lydmeddelelse
AMBIENT LEVEL HIGH
AMBIENT LEVEL MEDIUM
AMBIENT LEVEL LOW
AMBIENT LEVEL OFF

Sådan standses produktet

- Tryk på tænd/sluk-knappen, og hold den nede i 1 sekund.

Bemærk: En lydmeddelelse angiver batteristatus, og LED-indikatorerne slukker. En biplyd angiver, at produktet er slukket.

Sådan gennemtvinges en standsning af produktet

- Tryk på tænd/sluk-knappen, og hold den nede i 12 sekunder.

Vedligeholdelse

Sådan vedligeholdes produktet



BEMÆRK: Undlad at skylle eller lægge produktet i vand.



BEMÆRK: Spray, væsker eller andre rengøringsmidler, der indeholder opløsningsmidler og/eller alkohol, kan forringe beskyttelsesfunktionen.



BEMÆRK: Brug originale reservedele fra Husqvarna.

1. Rengør produktet regelmæssigt. Brug en klud med vand og en mild sæbeopløsning.
2. Kontrollér tætningsringenes og skumgummiindsatsernes tilstand før hver brug.

3. Udskift tætningsringene og skumgummiindsatserne hver 6. måned eller oftere, hvis det er nødvendigt. Sørg for, at lufthullet på tætningsringen vender nedad under samlingen. Brug det originale hygiejnesæt, der indeholder tætningsringene og skumgummiindsatserne. Se www.husqvarna.com for yderligere oplysninger om hygiejnesættet. (Fig. 19)

Bemærk: Hvis høreværnet er vådt på indersiden, skal det tørre i parkeringsposition. Se *Sådan sættes høreværnet i parkeringsposition på side 47*.

4. Udskift membranen til talemikrofonen, hvis den er beskadiget.
5. Udskift vindfilteret til den niveaufhængige mikrofon, hvis det er beskadiget.
6. Udskift vindfilteret på mikrofonarmen, hvis det er beskadiget.
7. Udskift om nødvendigt pudsen på bøjlen. (Fig. 20)

Transport, opbevaring og bortskaffelse

Transport og opbevaring



BEMÆRK: Under transport og opbevaring skal høreværnet sættes i driftsposition for at mindske slidage på plastmaterialet.

- Sæt høreværnet i driftsposition. Se *Sådan sættes høreværnet i driftsposition på side 47*.
- Kontrollér, at tætningsringene ikke er trykket sammen.
- Anbring produktet på et tørt og rent sted.
- Hold produktet væk fra sollys under opbevaring.
- Oplad batteriet hver 6. uge for at opretholde kvaliteten af batteriet.

- Placer produktet et sikkert sted under transport.

Bortskaffelse

- Overhold nationale forordninger.
- Brug det lokale genanvendelsessystem.
- Produktet og produktemballagen er ikke almindeligt husholdningsaffald. Aflever det på en genbrugsstation til elektrisk og elektronisk udstyr.



Tilbehør

Godkendte hjelme

Anvend produktet med hjelme, som er angivet nedenfor.

Model	Type af hjelmfastgørelse	Adaptergrafik	Godkendte dimensioner
Husqvarna Technical, H300	Adapter H300	(Fig. 21)	M/L
Husqvarna Spire	Adapter Spire	(Fig. 22)	L
KASK Zenith X			

Tekniske data

Se de medfølgende illustrationer for oplysninger om tekniske data for hvert produkt. Der findes flere

tekniske data i bilaget med tekniske data i denne brugervejledning.

(Fig. 2)
(Fig. 3)

Yderligere oplysninger om indholdet af de tekniske data fremgår af følgende liste:

- F = frekvenser, hvor dæmpning måles.
- Mf = gennemsnitlig værdi.
- Sf = standardafvigelse.
- APV (Mf-Sf) = Antaget beskyttelsesværdi.
- H = Dæmpningsværdi ved høje frekvenser (forventet støjreduktionsniveau for støj, hvor $L_C - L_A = -2$ dB). M = Dæmpningsværdi ved mellemfrekvenser (forventet støjreduktionsniveau for støj, hvor $L_C - L_A = +2$ dB). L = Dæmpningsværdi ved lave frekvenser (forventet støjreduktionsniveau for støj, hvor $L_C - L_A = +10$ dB).

- SNR = Single Number Rating (den værdi, der fratrækkes fra det målte, C-vægtede lydtrykniveau, L_C , for at kunne vurdere det effektive, A-vægtede lydniveau inde i øret).

Ansvarshavende producent: Husqvarna AB, SE-561 82 Huskvarna, Sverige, tlf.: +46-36-146500.

Lydniveau

FM-radiotilstand og Headset-tilstand har et maksimalt ækvivalent lydniveau på 82 dB (A).

Materialer

Reservedel	Materiale	Reservedel	Materiale
Indre ørekop	ABS	Hovedbøjle	POM+TPE
Ydre ørekop, venstre	ABS	Hjelmgaffel	POM
Ydre ørekop, højre	ABS+TPE	Hjelmgaffelfjeder	Stål
Indsatser	PUR	Skruer	Stål
Tætningsringe	PVC og skum		

Inhalt

Einleitung.....	54	Transport, Lagerung und Entsorgung.....	62
Sicherheit.....	55	Zubehör.....	63
Montage.....	56	Technische Daten.....	63
Betrieb.....	57	0
Wartung.....	61		

Einleitung

Gerätebeschreibung

Bei dem Produkt X-COM Active (HP500C-01, HP500C-02) handelt es sich um einen Gehörschutz mit integrierter Full-Duplex-Kommunikation, *Bluetooth*[®]-

Drahtlostechnologie und einem FM-Radio. Bei dem Modell HP500C-01 handelt es sich um einen Gehörschutz mit Kopfbügel und bei dem Modell HP500C-02 um einen Gehörschutz für einen Helm. Das Produkt schützt vor schädlichen Geräuschpegeln.

Geräteübersicht

(Abb. 1)

1. Taste zum Erhöhen der Lautstärke
2. Taste zum Verringern der Lautstärke
3. Pegelabhängiges Mikrophon
4. Bluetooth[®]-Taste
5. Sprachmikrophon
6. Modustaste
7. USB-C-Ladeanschluss
8. Taste für Umgebungsgeräusche
9. Stummschalttaste
10. On/Off-Taste
11. Kanaltaste
12. Bügelmikrophon-Anschluss



UK Importer:
Husqvarna UK Ltd
Preston Road, Co. Durham
DL5 6UP

FCC-ID: ZASHP500, IC-ID: 23307-HP500

FCC Lieferanten-Konformitätserklärung für HP500C-01, HP500C-02 Verantwortliche Partei.

Husqvarna Professional Products, Inc. 9335 Harris
Corners Parkway Suite 500 Charlotte, NC 28269 USA.

Kontaktdaten USA: Michael Campbell, Manager Product
Compliance, Telefonnummer: +1 704 597 5000.

FCC-Konformitätserklärung:

Dieses Gerät entspricht Teil 15 der FCC-Bestimmungen. Der Betrieb unterliegt den beiden folgenden Bedingungen: (1) Das Gerät darf keine schädigenden Störungen verursachen, und (2) das Gerät muss alle schädigenden Störungen annehmen, einschließlich Störungen, die zu einem unerwünschten Betriebsverhalten führen.

Dieses Gerät wurde getestet und die gemäß Teil 15 der FCC-Vorschriften für digitale Geräte der Klasse B festgelegten Grenzwerte werden nachweislich eingehalten. Diese Grenzwerte dienen dem angemessenen Schutz vor schädigenden Störungen in häuslichen Installationen. Dieses Gerät erzeugt und verwendet hochfrequente Strahlung und kann diese abstrahlen. Wenn es nicht vorschriftsmäßig installiert und verwendet wird, kann es zu funktechnischen Störungen kommen. Es kann jedoch nicht garantiert werden, dass bei bestimmten Installationen nicht doch Störungen auftreten können.

Konformität und Zulassungen

Hiermit erklärt Husqvarna AB SE-561 82 Huskvarna, Sweden, tel: +46-36-146500, dass die Funkanlagentypen HP500C-01 und HP500C-01 die Verordnungen 2014/53/EU, 2011/65/EU und (EU) 2016/425 erfüllen. Der vollständige Text der EU-Konformitätserklärung ist unter dieser Internetadresse verfügbar: www.husqvarna.com. Suchen Sie nach X-COM Active, HP500C-01, HP500C-02.

Die Gerätdämpfungswerte und Geräuschpegel werden gemäß den folgenden Verordnungen geprüft und zugelassen: EN 352-1:2020 (Kopfbügel), EN 352-3:2020 (mit Helmbefestigung), EN 352-4:2020, EN 352-6:2020 und EN 352-8:2020.

Die an der Konformitätsbewertung beteiligte benannte Prüfstelle lautet: Kennnummer der benannten Stelle: 1974. PZT GmbH, Bismarckstraße 264 B, 26389 Wilhelmshaven, Germany.

Zertifizierung und Überwachung durch PZT.

Der Akku ist gemäß IEC62133 Ausgabe 2 zertifiziert.

Falls dieses Gerät Funkstörungen im Radio- oder Fernsehempfang verursacht, was durch Ein- und Ausschalten des Geräts überprüft werden kann, können solche Störungen möglicherweise wie folgt behoben werden:

- Vergrößern Sie den Abstand zwischen dem Gerät und dem Empfänger.
- Wenden Sie sich für Unterstützung an den Händler.

Die Kennzeichnung auf dem Gerät befindet sich auf dem Etikett am rechten Kapselgehörschutz.

Eingetragene Marken

Die *Bluetooth®*-Wortmarke und die Logos sind eingetragene Marken von *Bluetooth SIG, inc.* und die Verwendung dieser Marken durch Husqvarna erfolgt unter Lizenz.

Sicherheit

Sicherheitsdefinitionen

Warnungen, Vorsichtsmaßnahmen und Hinweise werden verwendet, um auf besonders wichtige Teile der Bedienungsanleitung hinzuweisen.



WARNUNG: Wird verwendet, wenn bei Nichtbeachtung der Anweisungen in diesem Handbuch die Gefahr von Verletzung oder Tod des Bedieners oder anderer Personen besteht.



ACHTUNG: Wird verwendet, wenn bei Nichtbeachtung der Anweisungen in diesem Handbuch die Gefahr von Schäden am Gerät, an anderen Materialien oder in der Umgebung besteht.

Hinweis: Für weitere Informationen, die in bestimmten Situationen nötig sind.

Allgemeine Sicherheit



WARNUNG: Lesen Sie die folgenden Warnhinweise, bevor Sie das Gerät verwenden.

- Wenden Sie diese Anweisungen an und speichern Sie sie.
- Stellen Sie sicher, dass Sie das richtige Produkt für Ihre Verwendung ausgewählt haben, um eine optimale Passform und Funktion zu gewährleisten.
- Ändern oder entfernen Sie keine Teile des Produkts. Führen Sie nur Veränderungen aus, die in dieser Bedienungsanleitung enthalten sind.
- Die Geräuschdämpfung des Produkts wird immens beeinträchtigt, wenn Sie die Anweisungen in dieser Betriebsanleitung nicht befolgen. Ohrenschützer und insbesondere Polsterungen können durch den Gebrauch abgenutzt werden und sollten in regelmäßigen Abständen auf Risse und Abnutzung überprüft werden. Siehe *Wartung auf Seite 61*.
- Dieses Produkt kann von bestimmten chemischen Substanzen ungünstig beeinflusst werden. Weitere Informationen erhalten Sie beim Hersteller. Halten Sie das Produkt von aggressiven Substanzen fern

und reinigen Sie es regelmäßig. Verwenden Sie dazu ein Tuch mit Wasser und Seife. Waschen Sie es nicht in Wasser und tauchen Sie es nicht vollständig in Wasser ein.

- Alle Wartungs- und Reparaturarbeiten müssen von einer zugelassenen Servicewerkstatt durchgeführt werden. Nur Husqvarna Originalersatzteile verwenden.
- Verwenden Sie den Gehörschutz maximal 10 Jahre ab dem auf der Verpackung angegebenen Herstellungsdatum.
- Die Funktionalität des Produkts kann sich durch die Akkunnutzung verschlechtern.

Sicherheitshinweise für den Betrieb

- Der Träger muss sicherstellen, dass die Kapselgehörschützer in lärmbelasteten Umgebungen stets getragen werden.
- Seien Sie beim Gebrauch des Geräts vorsichtiger und achten Sie auf Warnsignale. Die Geräusche von Warnsignalen können bei Verwendung des Produkts gedämpft sein.
- Die Hörbarkeit von Warnsignalen an bestimmten Arbeitsplätzen kann während der Nutzung der Unterhaltungseinrichtung beeinträchtigt sein.
- Stellen Sie sicher, dass das Produkt während des Transports und der Verwendung keine Schläge abbekommt.
- Verwenden Sie das Gerät nur bei Temperaturen zwischen -20 °C und +55 °C/-4 °F und +131 °F. Wenn Sie das Gerät bei anderen Temperaturen verwenden, kann dies zu Schäden an Elektronik, Akku und mechanischen Teilen führen.
- Stellen Sie sicher, dass Sie vor der Verwendung wissen, wie das Gerät verwendet wird. Wenden Sie sich an Ihren Servicehändler, wenn das Produkt beschädigt ist. Öffnen Sie niemals das Gehäuse!
- Das Beziehen der Ohrkissen mit Hygienebezügen kann die akustische Leistung der Kapselgehörschützer beeinträchtigen. Verwenden Sie immer Originalzubehör.
- Drücken Sie die Kapselgehörschützer nicht gegen die Helmschale. Wenn Sie dies tun, kann es zu Rissen an der Seite des Helms kommen.

(Abb. 4)

- Lagern Sie das Gerät nicht bei Temperaturen über +55 °C/+131 °F, z. B. auf einem Armaturenbrett.

Lagern Sie das Gerät nicht bei Temperaturen unter -20 °C/-4 °F.

- Der Träger muss sicherstellen, dass die Kapselgehörschützer in Übereinstimmung mit dieser Betriebsanleitung befestigt, eingestellt und gewartet werden.
- Der Gehörschutz ist mit einem sicherheitsgerichteten Audioeingang ausgestattet. Der Benutzer muss sich vorab mit der ordnungsgemäßen Anwendung des Gehörschutzes vertraut machen. Bei einer Verformung oder einer Fehlfunktion des Produkts muss sich der Benutzer zwecks Wartung an die Herstellerempfehlungen halten.

Sicherer Umgang mit Akku

- Der Kapselgehörschützer ist mit einer pegelabhängigen Schalldämpfung ausgestattet.

Der Benutzer muss sich vorab mit der ordnungsgemäßen Anwendung des Gehörschutzes vertraut machen. Bei einer Störung oder einer Fehlfunktion des Produkts muss sich der Benutzer an die Herstelleranweisungen für die Wartung halten.

- Das Produkt enthält einen Akku und elektrische Komponenten, die in Brand- oder explosionsgefährdeten Umgebungen zu einer Entzündung führen können. Das Produkt darf in explosionsgefährdeten Bereichen nicht eingesetzt werden.
- Laden Sie das Gerät nur im Temperaturbereich von 0 °C bis +40 °C/+32 °F bis +104°F auf. Das Laden außerhalb dieses Temperaturbereichs kann die Elektronik und den Akku beschädigen.

Montage

Einleitung



WARNUNG: Halten Sie bei der Montage Ihre Haare vom Gerät fern. Stellen Sie sicher, dass die Dichtringe eng an Ihrem Kopf und an Ihren Ohren sitzen, bevor Sie das Gerät bedienen.

So setzen Sie die Kapselgehörschützer mit Kopfbügel auf

1. Bringen Sie den Kopfbügel auf Ihren Kopf an.
2. Bewegen Sie die Kapselgehörschützer nach oben oder unten, um die Höhe einzustellen. (Abb. 5)

So montieren Sie die Gehörschutzmuscheln an einen Helm

1. Bringen Sie den richtigen Adapterbefestigungstyp an der Helmschale an. Siehe *Zugelassene Helme auf Seite 63*.
2. Montieren Sie die Helmgabel am Befestigungsadapter. (Abb. 6)

Hinweis: Siehe *Zugelassene Helme auf Seite 63* Dort finden Sie weitere Informationen darüber, welche Helmbefestigung für Ihren Helm geeignet ist.

3. Bringen Sie die Kapselgehörschützer in die niedrigste Position.
4. Heben Sie die Kapselgehörschützer heraus und nach oben, bis Sie in der Ruheposition einrasten. (Abb. 7)
5. Machen Sie eine Markierung auf dem Kabel.
 - a) Machen Sie beim Helm H300 eine Markierung bei 27 cm/11 Zoll (X) von jeder Gehörschutzmuschel aus.

b) Machen Sie beim Helm Spire Vent X eine Markierung bei 14,5 cm/6 Zoll (Y) von jeder Gehörschutzmuschel aus. (Abb. 8)

6. Setzen Sie die Helmbefestigung in den Schlitz am Helm. (Abb. 9)
7. Gehen Sie zur Montageanleitung für Ihren zugelassenen Helm.



ACHTUNG: Vergewissern Sie sich, dass das Kabel nicht verdreht ist oder einen kleinen Biegeradius aufweist. Vergewissern Sie sich, dass das Kabel leicht in die Öffnung des Helms eingeführt werden kann.

So montieren Sie die Kapselgehörschützer an den Helm H300

1. Lösen Sie die Kopfbänderung vom Helm. (Abb. 10)
2. Befestigen Sie das Kabel mit den Kabelbindern oder Klammern an den Löchern. (Abb. 11)
3. Wenn Sie das Kabel mit Kabelbindern befestigen, schneiden Sie den Kabelbinder durch und drücken Sie den Verschluss des Kabelbinders in den seitlichen Schlitz.
4. Machen Sie mit dem Kabel eine Schleife und befestigen Sie die Kopfbänderung und den Nackenschutz. Stellen Sie sicher, dass das Kabel zwischen der Helmschale und der Kopfbänderung liegt. (Abb. 12)

So montieren Sie die Kapselgehörschützer an den Helm Spire Vent X

1. Bringen Sie das Kabel in einer Schleife nach hinten.
2. Befestigen Sie das Kabel mit Kabelbindern an der Kopfbänderung. Befestigen Sie den Kabelbinder durch das hintere Band des Kopfbügels.
3. Schneiden Sie den Kabelbinder durch.

- Führen Sie den restlichen Teil des Kabels in einer Schleife nach hinten hinter den hinteren Kopfbügel. (Abb. 13)

So bringen Sie die Gehörschutzmuscheln in Betriebsposition

- Setzen Sie den Helm auf Ihren Kopf.
- Passen Sie die Kapselgehörschützer so an, dass sie eng um Ihre Ohren und eng am Kopf sitzen. (Abb. 14)

So bringen Sie die Kapselgehörschützer in die Ruheposition

- Heben Sie die Kapselgehörschützer heraus und nach oben, bis Sie in der Ruheposition einrasten. (Abb. 15)

So bringen Sie die Kapselgehörschützer in die Parkposition

- Bringen Sie die Kapselgehörschützer in die Ruheposition. Siehe *So bringen Sie die Kapselgehörschützer in die Ruheposition auf Seite 57*.

- Drehen Sie die Kapselgehörschützer entlang der Seite des Helms nach hinten, bis sie in der Parkposition einrasten. (Abb. 16)

So montieren Sie das Bügelmikrofon

Verwenden Sie in Umgebungen mit einem hohen Geräuschpegel ein Bügelmikrofon.

- Befestigen Sie den Windschutz am Bügelmikrofon.
- Verbinden Sie das Bügelmikrofon mit dem Mikrofoneingang an der rechten Gehörschutzmuschel. (Abb. 17)
- Stellen Sie das Bügelmikrofon so ein, dass es 1 cm/0,4 Zoll (A) von Ihrem Mund entfernt ist.

Betrieb

Einleitung



WARNUNG: Vor dem Betrieb des Gerätes müssen Sie die Sicherheitsinformationen lesen und verstehen.

So laden Sie das Gerät auf

- Verbinden Sie den USB-C-Stecker des Ladekabels mit dem Anschluss am linken Ohrenschützer. (Abb. 18)
- Schließen Sie den USB-Stecker des Ladekabels an ein USB-Ladegerät oder einen anderen USB-Anschluss an.

Hinweis: Die Ausgangsleistung der Steckdose muss 5 V und 2 A betragen, um mit maximaler Kapazität laden zu können.

Hinweis: Die LED-Anzeige auf der Bluetooth®-Taste blinkt langsam grün, wenn der Akku geladen wird. Die LED-Anzeige auf der Bluetooth®-Taste leuchtet dauerhaft grün, wenn der Akku vollständig geladen ist.

LED-Anzeige auf der Kanaltaste	Akku-Ladezustand
3 LEDs leuchten.	Der Akku ist zu 90–100 % geladen.
2 LEDs leuchten dauerhaft und 1 LED blinkt langsam.	Der Akku ist zu 70–90 % geladen.
1 LED leuchtet dauerhaft und 1 LED blinkt langsam.	Der Akku ist zu 20–70 % geladen.
1 LED blinkt langsam.	Der Akku ist zu 10–20 % geladen.
1 LED blinkt schnell.	Der Akku ist zu 0–10 % geladen.

So starten Sie das Gerät

- Halten Sie die ON/OFF-Taste 1 Sekunde lang gedrückt.

Hinweis: Ein akustisches Signal zeigt an, dass das Gerät eingeschaltet ist. Die mittlere LED-Anzeige auf der Kanaltaste leuchtet 2 Sekunden lang. Eine Audiomeldung informiert Sie über den Akkuladezustand und die Anzahl der Geräte, die über Bluetooth® verbunden sind. Wenn das Gerät ein Team findet, werden Sie über die

Audiomeldung darüber informiert, mit welchem Team Sie verbunden sind. Siehe Tabelle unten.

Audiomeldung
BATTERY HIGH
BATTERY MEDIUM
BATTERY LOW
BATTERY CRITICAL

Audiomeldung
ONE BLUETOOTH DEVICE CONNECTED
TWO BLUETOOTH DEVICES CONNECTED
CONNECTED TO TEAM CHANNEL 1
CONNECTED TO TEAM CHANNEL 2
CONNECTED TO TEAM CHANNEL 3

So können Sie den Akkuladestand einsehen

- Drücken Sie die ON/OFF-Taste.

Hinweis: Die LED-Anzeige auf der Kanalstufe leuchtet 5 Sekunden lang grün. Siehe Tabelle unten.

LED-Anzeigelampe	Akkuladestand
3 LEDs leuchten.	Der Akku ist zu 90–100 % geladen.
2 LEDs leuchten.	Der Akku ist zu 70–90 % geladen.
1 LED leuchtet.	Der Akku ist zu 20–70 % geladen.
1 LED blinkt schnell.	Der Akku ist zu 0–10 % geladen.

So wechseln Sie zwischen dem FM-Radiomodus und dem Bluetooth®-Modus

- Drücken Sie schnell 2 Mal hintereinander auf die Modus-Taste, um zwischen dem FM-Radiomodus und dem Bluetooth®-Modus zu wechseln.

Hinweis: Eine Audiomeldung informiert Sie darüber, welchen Modus Sie ausgewählt haben. Siehe Tabelle unten.

Audiomeldung
RADIO

Audiomeldung
BLUETOOTH

UKW-Radiomodus

Im UKW-Radiomodus können Sie in städtischen oder anderen Gebieten mit einem starken UKW-Radiosignal UKW-Radio empfangen. Der UKW-Radioempfang kann durch unebenes Gelände oder dichte Vegetation beeinträchtigt werden.

So ändern Sie den FM-Radiosender

- Halten Sie die Taste zum Erhöhen oder Verringern der Lautstärke 1 Sekunde lang gedrückt, um den FM-Radiosender zu wechseln.

Bluetooth®-Modus

Im Bluetooth®-Modus können Sie Ihr Produkt mit einem anderen Gerät mit Bluetooth®-Drahtlostechnik verbinden.

So führen Sie einen Bluetooth®-Kopplungsvorgang durch

1. Halten Sie die Bluetooth®-Taste 2 Sekunden lang gedrückt, um den Kopplungsvorgang auf Ihrem Produkt zu starten.

Hinweis: Der Kopplungsvorgang beginnt, wenn Sie einen Piepton hören und die Bluetooth®-Taste blau blinkt. Der Kopplungsvorgang ist 30 Sekunden lang aktiv.

2. Starten Sie die Funktion für Bluetooth®-Drahtlostechnik auf dem Gerät.
3. Wählen Sie bei Bedarf Husqvarna X-COM Active in der Liste der Geräte auf Ihrem Gerät.

Hinweis: Eine Audiomeldung informiert Sie über den Produktstatus. Siehe Tabelle unten.

Audiomeldung	LED-Anzeige auf der Bluetooth®-Taste	Information
BLUETOOTH DEVICE CONNECTED	Durchgehend blaues Licht	Das Produkt ist mit einem anderen Gerät mit Bluetooth®-Drahtlostechnik verbunden.
BLUETOOTH CONNECTION FAILED	2 Sekunden lang durchgehend rotes Licht	Das Produkt ist nicht mit einem Gerät mit Bluetooth®-Drahtlostechnik verbunden.

Hinweis: Ein Gerät mit Bluetooth®-Drahtlostechnik, das mit Ihrem Produkt verbunden ist, wird automatisch mit Ihrem Produkt verbunden, wenn das Produkt das nächste Mal mit dem Gerät verwendet wird.

So richten Sie ein Team ein und fügen Geräte hinzu

Ein Team ist eine Kommunikationsgruppe, über die Sie mit allen Geräten sprechen können, die mit dem Team verbunden sind. Wenn kein Team vorhanden ist und Sie diesen Vorgang ausführen, müssen Sie zunächst ein neues Team einrichten. Anschließend können Sie den Vorgang wiederholen, um dem Team neue Geräte hinzuzufügen. Es richtet nur eine Person ein Team ein, und die anderen Geräte verbinden sich mit dem Team, siehe *So verbinden Sie sich mit dem Team auf Seite 59*. Es kann jeweils nur eine Person dem Team gleichzeitig ein neues Gerät hinzufügen. Das neue Gerät muss sich mit dem Team verbinden, siehe *So verbinden Sie sich mit dem Team auf Seite 59*.

1. Drücken Sie die Modus-Taste 1 Sekunde lang, um in den Teamverwaltungs-Modus zu wechseln und die Team-Einrichtung aufzurufen.

Hinweis: Eine Audiomeldung informiert Sie darüber, dass Sie sich im Teamverwaltungs-Modus befinden. Siehe Tabelle unten.

Audiomeldung	LED-Anzeige auf der Bluetooth®-Taste
TEAM MANAGEMENT	Dauerhaft weiß.

2. Drücken Sie die Bluetooth®-Taste.

Hinweis: Eine Audiomeldung informiert Sie über den aktuellen Status des Kopplungsvorgangs. Der Kopplungsvorgang beginnt, wenn Sie einen Piepton hören. Siehe Tabelle unten.

Audiomeldung	LED-Anzeige auf der Bluetooth®-Taste
SEARCHING FOR MEMBERS	LED blinkt schnell.

Hinweis: Der Kopplungsvorgang ist 1 Minute lang aktiv. Die Geräte werden in ca. 1 Minute mit dem Team verbunden. Der Kopplungsvorgang ist abgeschlossen, wenn Sie einen Piepton hören und die Bluetooth®-Taste dauerhaft grün leuchtet. Jedes Mal, wenn ein neues Gerät mit dem Team verbunden wird, ertönt ein Piepton. Informationen zur Verbindung mit einem Team finden Sie unter *So verbinden Sie sich mit dem Team auf Seite 59*.

3. Wenn Sie den Kopplungsvorgang in weniger als 1 Minute beenden möchten, drücken Sie die Modus-Taste.
 4. Wenn Sie dem Team ein neues Gerät hinzufügen möchten, wiederholen Sie den Vorgang.
-

Hinweis: Ein Gerät, das mit dem Team verbunden ist, stellt automatisch eine Verbindung zum Team her, wenn Sie es das nächste Mal verwenden.

So verbinden Sie sich mit dem Team

Sie können keine Verbindung zu einem Team herstellen, wenn kein Team eingerichtet ist. Informationen zum Einrichten eines Teams finden Sie unter *So richten Sie ein Team ein und fügen Geräte hinzu auf Seite 59*. Sie können sich mit einem Team verbinden, während gleichzeitig ein neues Team eingerichtet wird. Sie können sich auch mit einem Team verbinden, wenn ein Mitglied des Teams neue Geräte zum Team hinzufügt.

1. Drücken Sie die Modus-Taste 1 Sekunde lang, um in den Team-Management-Modus zu wechseln.

Hinweis: Eine Audiomeldung informiert Sie darüber, dass Sie sich im Teamverwaltungs-Modus befinden. Siehe Tabelle unten.

Audiomeldung	LED-Anzeige auf der Bluetooth®-Taste
TEAM MANAGEMENT	Dauerhaft weiß.

2. Drücken Sie die Taste zum Erhöhen der Lautstärke.

Hinweis: Der Kopplungsvorgang beginnt, wenn Sie einen Piepton hören und die Bluetooth®-Taste langsam blinkt. Der Kopplungsvorgang ist 1 Minute lang aktiv. Eine Audiomeldung informiert Sie darüber, dass Sie mit dem Team verbunden sind. Siehe Tabelle unten.

Audiomeldung	LED-Anzeige auf der Bluetooth®-Taste
CONNECTED TO TEAM	Dauerhaft grün.

Hinweis: Sie können mit dem Team sprechen, nachdem die Audiomeldung Sie informiert hat, dass Sie mit dem Team verbunden sind.

So trennen Sie die Verbindung zum Team

1. Drücken Sie die Modus-Taste 1 Sekunde lang, um in den Team-Management-Modus zu wechseln.

Hinweis: Eine Audiomeldung informiert Sie darüber, dass Sie sich im Teamverwaltungs-Modus befinden. Siehe Tabelle unten.

Audiomeldung	LED-Anzeige auf der Bluetooth®-Taste
TEAM MANAGEMENT	Dauerhaft weiß.

2. Drücken Sie die Taste zum Verringern der Lautstärke.
-

Hinweis: Eine Audiomeldung informiert Sie darüber, dass Sie die Verbindung zum Team getrennt haben. Siehe Tabelle unten.

Audiomeldung	LED-Anzeige auf der Bluetooth®-Taste
LEAVING TEAM	LED blinkt 3 Mal rot.

So ändern Sie den Kommunikationskanal

- Drücken Sie die Kanaltaste, um den Kommunikationskanal 1, 2 oder 3 auszuwählen.
-

Hinweis: Eine Audiomeldung informiert Sie darüber, in welchem Kanal Sie sich befinden. Informationen finden Sie in der nachfolgenden Tabelle.

Audiomeldung	Kanal-LED-Anzeige
CHANNEL 1	Dauerhaft weiß auf Kanal 1.
CHANNEL 2	Dauerhaft weiß auf Kanal 2.
CHANNEL 3	Dauerhaft weiß auf Kanal 3.

So sprechen Sie auf allen Kommunikationskanälen

- Halten Sie die Kanaltaste gedrückt, um auf allen Kommunikationskanälen gleichzeitig zu sprechen.
-

Hinweis: Sie sind mit allen Kommunikationskanälen verbunden, wenn Sie einen Piepton hören. Wenn alle Kanal-LED-Anzeigen dauerhaft weiß leuchten, sind Sie mit allen Kanälen verbunden.

- Lassen Sie die Kanaltaste los, um zum vorherigen Kanal zurückzukehren.
-

So aktivieren und deaktivieren Sie das Mikrofon

- Drücken Sie die Stummschalttaste, bis Sie einen Piepton hören.
-

So ändern Sie den Audiostream

- Halten Sie die Taste zum Erhöhen der Lautstärke 0,5 Sekunden lang gedrückt, um den nächsten Audiostream auszuwählen.
- Halten Sie die Taste zum Verringern der Lautstärke 0,5 Sekunden lang gedrückt, um zum vorherigen Audiostream zurückzukehren.

So beginnen oder beenden Sie das Audiostreaming

- Drücken Sie die Modus-Taste, um das Audiostreaming zu beenden oder zu beginnen.

So nehmen Sie einen Telefonanruf an, lehnen ihn ab oder beenden ihn

Wenn Ihr Mobilgerät über die Bluetooth®-Drahtlostechnologie mit dem Produkt verbunden ist, ertönt ein Signal in den Gehörschutzmuscheln, sobald ein Telefonanruf eingeht.

- Drücken Sie die Modus-Taste, um einen Anruf anzunehmen oder zu beenden.
 - Halten Sie die Modus-Taste 1 Sekunde lang gedrückt, um einen eingehenden Anruf abzulehnen.
-

Hinweis: Ein Piepton weist Sie darauf hin, wenn der Anruf angenommen oder abgelehnt wurde.

Audiomeldung	Information
CALL ENDED	Der Anruf wurde beendet.

So leiten Sie einen Anruf an das Team weiter

1. Drücken Sie die Modus-Taste, um den Anruf anzunehmen.
 2. Drücken Sie die Modus-Taste schnell 2 Mal, um den Anruf an das Team zu leiten.
-

Hinweis: Eine Audiomeldung informiert Sie, wenn der Anruf weitergeleitet wurde. Siehe Tabelle unten.

Audiomeldung	Information
CALL TRANSFERRED TO TEAM	Der Anruf wurde an das Team weitergeleitet.

So beenden Sie den Anruf für das Team

- Drücken Sie die Modus-Taste 2 Mal schnell.
-

Hinweis: Eine Audiomeldung informiert Sie, wenn der Anruf beendet wurde. Siehe Tabelle unten.

Audiomeldung	Information
CALL DISCONNECTED FROM TEAM	Der Anruf wurde für das Team beendet.

Audiomeldung
AMBIENT LEVEL MEDIUM
AMBIENT LEVEL LOW
AMBIENT LEVEL OFF

So stellen Sie die Lautstärke ein

- Drücken Sie die Taste zum Erhöhen der Lautstärke oder die Taste zum Verringern der Lautstärke, um die Lautstärke anzupassen. Ein Piepton weist darauf hin, dass die Lautstärke auf dem Minimum oder Maximum ist.

So stellen Sie den Modus für Umgebungsgeräusche ein

Im Modus für Umgebungsgeräusche hören Sie die Geräusche um Sie herum.

- Drücken Sie die Taste für Umgebungsgeräusche.

Hinweis: Eine Audiomeldung informiert Sie über den Status des Modus für Umgebungsgeräusche.

Audiomeldung
AMBIENT LEVEL HIGH

So stoppen Sie das Gerät

- Halten Sie die ON/OFF-Taste 1 Sekunde lang gedrückt.

Hinweis: Eine Audiomeldung informiert Sie über den Akkustatus und die LED-Anzeigen erlöschen. Ein Piepton weist Sie darauf hin, dass das Gerät geladen wird.

So erzwingen Sie bei dem Produkt einen Stopp

- Halten Sie die ON/OFF-Taste 12 Sekunden lang gedrückt.

Wartung

So warten Sie das Gerät



ACHTUNG: Spülen Sie es nicht mit Wasser und tauchen Sie es nicht vollständig in Wasser ein.



ACHTUNG: Spray, Flüssigkeiten oder andere Reinigungsmittel, die Lösungsmittel und/oder Alkohol enthalten, können die Schutzwirkung beeinträchtigen.



ACHTUNG: Verwenden Sie Husqvarna Originalersatzteile.

1. Reinigen Sie das Gerät regelmäßig. Verwenden Sie ein Tuch und eine schwache Seifenlösung.
2. Überprüfen Sie den Zustand der Dichtungsringe und die Schaumgummiereinsätze vor jedem Gebrauch.

3. Tauschen Sie die Dichtungsringe und die Schaumgummiereinsätze alle 6 Monate, oder wenn nötig, häufiger aus. Stellen Sie sicher, dass der Luftspalt des Dichtungsringes bei der Montage nach unten zeigt. Verwenden Sie das Original-Hygiene-Set, das die Dichtungsringe und die Schaumgummiereinsätze enthält. Weitere Informationen zum Hygiene-Set finden Sie unter www.husqvarna.com. (Abb. 19)

Hinweis: Wenn die Gehörschutzmuscheln auf der Innenseite feucht sind, lassen Sie sie in der Parkposition trocknen. Siehe *So bringen Sie die Kapselgehörschützer in die Parkposition auf Seite 57*.

4. Ersetzen Sie die Membran für das Sprechmikrofon, wenn sie beschädigt ist.
5. Tauschen Sie den Windschutz für das pegelabhängige Mikrofon aus, wenn er beschädigt ist.
6. Tauschen Sie den Windschutz am Bügelmikrofon aus, wenn er beschädigt ist.
7. Ersetzen Sie das Polster des Kopfbügels, falls erforderlich. (Abb. 20)

Transport, Lagerung und Entsorgung

Transport und Lagerung



ACHTUNG: Bringen Sie die Kapselgehörschützer während des Transports und der Lagerung in die Betriebsposition, um den Verschleiß des Kunststoffmaterials zu verringern.

- Bringen Sie die Kapselgehörschützer in die Betriebsposition. Siehe *So bringen Sie die Gehörschutzmuscheln in Betriebsposition auf Seite 57*.
- Vergewissern Sie sich, dass die Dichtungsringe nicht zusammengepresst sind.
- Lagern Sie das Gerät in einem trockenen und sauberen Raum.
- Halten Sie das Gerät während der Lagerung von direkter Sonneneinstrahlung fern.
- Laden Sie den Akku alle 6 Wochen auf, um die Qualität des Akkus aufrecht zu erhalten.
- Legen Sie das Produkt während des Transports in einen sicheren Bereich.

Entsorgen

- Beachten Sie die nationalen Vorschriften.
- Nutzen Sie das lokale Recyclingsystem.
- Das Gerät und die Verpackung des Geräts dürfen nicht über den Hausmüll entsorgt werden. Recyceln Sie es an einer Recyclingstation für elektrische und elektronische Geräte.



Entsorgen von Elektro- und Elektronik-Altgeräten

Gilt nur für Deutschland



Die durchgestrichene Abfalltonne weist darauf hin, dass Sie gesetzlich verpflichtet sind, dieses Gerät getrennt vom unsortierten Siedlungsabfall zu entsorgen. Die Entsorgung im Restmüll oder im gelben Sack ist verboten. Wenn das Produkt Einwegbatterien oder Akkus enthält, die nicht dauerhaft installiert sind, müssen diese vor der Entsorgung des Produkts entfernt und separat als Batterien bzw. Akkus entsorgt werden.

Entfernen von Batterien, Akkus und Leuchtmitteln: GEB 803450

Batterien, Akkus oder Leuchtmittel, die aus dem Produkt entfernt werden können, ohne es zu beschädigen, müssen vor der Entsorgung entfernt und separat als Batterien, Akkus oder Leuchtmittel entsorgt werden. Die folgenden Batterien oder Akkus sind in diesem Produkt enthalten:

- **Akkutyp:** Li-ion
- **Chemie:** Litium

Informationen zur Rückgabe von Elektro- und Elektronik-Altgeräten für Privathaushalte:

Wie im Folgenden näher beschrieben, sind bestimmte Vertrieber verpflichtet, Elektro- und Elektronik-Altgeräte kostenlos zurückzunehmen.

Vertrieber von Elektro- und Elektronikgeräten mit einer Verkaufsfläche von mindestens 400 m² und Lebensmittelhändler mit einer Gesamtverkaufsfläche von mindestens 800 m², die mehrmals im Kalenderjahr oder beständig Elektro- und Elektronikgeräte abgeben und verkaufen, sind unter den folgenden Umständen zur Rücknahme von Geräten verpflichtet:

1. Beim Verkauf eines neuen Elektro- oder Elektronikgeräts muss der Vertrieber ein Altgerät desselben Gerätetyps kostenlos zurücknehmen, das im Wesentlichen die gleichen Funktionen wie das neue Gerät bereitstellt. Dies muss an dem Standort, an dem das Gerät abgegeben wird, oder in unmittelbarer Nähe geschehen. Privathaushalte gelten auch als der Ort, an dem das Gerät abgegeben wird, sofern das Produkt dorthin geliefert wird: In diesem Fall werden Altgeräte ohne Kosten für den Endbenutzer abgeholt.
2. Der Vertrieber muss Altgeräte mit einem Durchmesser von weniger als 25 cm auf Wunsch des Endbenutzers an der Verkaufsstelle oder in unmittelbarer Nähe zurücknehmen. Diese Rückgabe muss nicht mit dem Kauf von Elektro- oder Elektronikgeräten in Verbindung stehen und ist auf drei Altgeräte pro Gerätetyp beschränkt.

Bei Abschluss des Kaufvertrags für ein neues Elektro- oder Elektronikgerät muss der Vertrieber den Endbenutzer über sein Recht informieren, das Altgerät zurückzugeben oder kostenlos abholen zu lassen, und den Endbenutzer fragen, ob er beabsichtigt, ein Altgerät bei der Lieferung des neuen Geräts zurückzugeben.

Dies gilt auch für den Vertrieb über Telekommunikation, wenn die Lager- und Versandfläche für Elektro- und Elektronikgeräte mindestens 400 m² beträgt oder wenn die gesamte Lager- und Versandfläche mindestens 800 m² beträgt, wobei die kostenlose Abholung von Elektro- oder Elektronikgeräten auf die folgenden Kategorien beschränkt ist:

- 1 (Wärmeüberträger)
- 2 (Geräte mit Displays) und

- 4 (große Geräte mit mindestens einer äußeren Abmessung von mehr als 50 cm)

Für alle anderen Elektro- und Elektronikgeräte muss der Vertreiber entsprechende Rücknahmestellen in angemessener Nähe zum Endverbraucher sicherstellen. Dies gilt auch für Altgeräte, bei denen keine äußere Abmessung 25 cm überschreitet, die der Endbenutzer zurückgeben möchte, ohne ein neues Gerät zu erwerben.

Datenschutz

Alle Endbenutzer von Elektro- und Elektronik-Altgeräten sind dafür verantwortlich, alle personenbezogenen Daten von den zu entsorgenden Elektro- und Elektronik-Altgeräten zu löschen.

WEEE-Registrierungsnummer

Husqvarna 10168717

Sammlungs- und Verwertungsraten

Gemäß der WEEE-Richtlinie sind die EU-Mitgliedstaaten verpflichtet, Daten über Elektro- und Elektronik-Altgeräte zu sammeln und diese Daten an die Europäische Kommission zu übermitteln. Weitere Informationen hierzu finden Sie auf der BMUV-Website: <https://www.bmu.de/themen/wasser-ressourcen-abfall/kreislaufwirtschaft/statistiken/elektro-und-elektronikaltgeraete>

Zubehör

Zugelassene Helme

Verwenden Sie das Produkt ausschließlich mit den unten aufgeführten Helmen.

Model	Helmbefestigungstyp	Adaptergrafik	Genehmigte Dimensionen
Husqvarna Technical, H300	Adapter H300	(Abb. 21)	M/L
Husqvarna Spire	Adapter Spire	(Abb. 22)	L
KASK Zenith X			

Technische Daten

Technische Daten zu den einzelnen Geräten finden Sie in folgenden Abbildungen. Weitere technische Daten

(Abb. 2)
(Abb. 3)

Weitere Informationen zum Inhalt der technischen Daten finden Sie in der folgenden Liste:

- F = Frequenzen, bei denen die Dämpfung gemessen wird.
- Mf = Mittelwert.
- Sf = Standardabweichung.
- APV (Mf-Sf) = Angenommener Schutzwert.
- H = Dämpfungswert bei Hochfrequenz (vorhergesagte Reduzierung des Geräuschpegels bei Lärm, wobei $L_C - L_A = -2$ dB). M = Dämpfungswert bei mittlerer Frequenz (vorhergesagte Reduzierung des Geräuschpegels bei Lärm, wobei $L_C - L_A = +2$ dB). L = Dämpfungswert bei niedriger Frequenz

finden Sie im Anhang mit den technischen Daten in dieser Bedienungsanleitung.

(vorhergesagte Reduzierung des Geräuschpegels bei Lärm, wobei $L_C - L_A = +10$ dB).

- SNR = Single Number Rating (Einzelwert, der vom gemessenen C-bewerteten Schalldruckpegel, L_C , abgezogen wird, um den tatsächlichen A-bewerteten Schallpegel im Ohr zu schätzen).

Verantwortlicher Hersteller: Husqvarna AB, SE-561 82 Huskvarna, Schweden, Tel.: +46-36-146500.

Geräuschpegel

Der UKW-Radiomodus und der Headset-Modus haben eine maximale äquivalente Lautstärke von 82 dB (A).

Werkstoffe

Teil	Material	Teil	Material
Innere Ohrmuschel	ABS	Kopfbügel	POM+TPE
Äußere Ohrmuschel, links	ABS	Helmgabel	Polyoxymethylen (POM)
Äußere Ohrmuschel, rechts	ABS+TPE	Helmgabel-Feder	Stahl
Einsätze	PUR	Schrauben	Stahl
Dichtungsringe	PVC und Schaumstoff		

Περιεχόμενα

Εισαγωγή.....	65	Μεταφορά, αποθήκευση και απόρριψη.....	73
Ασφάλεια.....	66	Αξεσουάρ.....	73
Συναρμολόγηση.....	67	Τεχνικά στοιχεία.....	74
Λειτουργία.....	68	0
Συντήρηση.....	72		

Εισαγωγή

Περιγραφή προϊόντος

Το προϊόν X-COM Active (HP500C-01, HP500C-02) είναι προστατευτικό ακοής με ενσωματωμένη πλήρως αμφίδρομη επικοινωνία, *ασύρματη τεχνολογία*

Επισκόπηση προϊόντος

(Εικ. 1)

1. Κουμπί αύξησης έντασης ήχου
2. Κουμπί μείωσης έντασης ήχου
3. Μικρόφωνο που εξαρτάται από το επίπεδο
4. Κουμπί Bluetooth®
5. Μικρόφωνο ομιλίας
6. Κουμπί Λειτουργίας
7. Έξοδος καλωδίου φορτιστή USB-C
8. Κουμπί ήχου περιβάλλοντος
9. Κουμπί σίγασης
10. Κουμπί On/Off
11. Κουμπί καναλιού
12. Έξοδος τηλεσκοπικού μικροφώνου

Συμμόρφωση και εγκρίσεις

Δια του παρόντος, η Husqvarna ABSE-561 82 Huskvarna, Sweden, tel: +46-36-146500, δηλώνει ότι ο τύπος ραδιοεξοπλισμού HP500C-01 και HP500C-01 συμμορφώνονται με τις οδηγίες 2014/53/EU, 2011/65/EU και τον κανονισμό (ΕΥ) 2016/425. Το πλήρες κείμενο της δήλωσης συμμόρφωσης ΕΕ είναι διαθέσιμο στην εξής διεύθυνση στο Internet: www.husqvarna.com, αναζητήστε τα X-COM Active, HP500C-01, HP500C-02.

Οι τιμές εξασθένισης και οι στάθμες θορύβου του προϊόντος έχουν ελεγχθεί και εγκριθεί σύμφωνα με τα εξής πρότυπα: EN 352-1:2020 (ιμάντας κεφαλής), EN 352-3:2020 (τοποθετημένο σε κράνος), EN 352-4:2020, EN 352-6:2020 και EN 352-8:2020.

Ο κοινοποιημένος οργανισμός που συμμετέχει στη διαδικασία αξιολόγησης της συμμόρφωσης είναι ο εξής: Αριθμός κοινοποιημένου οργανισμού 1974. PZT GmbH, Bismarckstraße 264 B, 26389 Wilhelmshaven, Germany.

Πιστοποίηση και παρακολούθηση από την PZT.

Bluetooth® και ραδιόφωνο FM. Το μοντέλο HP500C-01 είναι προστατευτικό ακοής με ιμάντα κεφαλής και το μοντέλο HP500C-02 είναι προστατευτικό ακοής για κράνος. Το προϊόν παρέχει προστασία από επιβλαβείς θορύβους.

Η μπαταρία είναι πιστοποιημένη σύμφωνα με το πρότυπο IEC62133 έκδοση 2.



UK Importer:
Husqvarna UK Ltd
Preston Road, Co. Durham
DL5 6UP

FCC ID: ZASHP500, ID IC: 23307-HP500

Δήλωση συμμόρφωσης προμηθευτών FCC για το υπεύθυνο συμβεβλημένο μέρος HP500C-01, HP500C-02 .

Husqvarna Professional Products, Inc. 9335 Harris Corners Parkway Suite 500 Charlotte, NC 28269 Ηνωμένες Πολιτείες.

Στοιχεία επικοινωνίας στις Η.Π.Α.: Michael Campbell, Υπεύθυνος συμμόρφωσης προϊόντων, Τηλέφωνο: +1 704 597 5000.

Δήλωση συμμόρφωσης FCC:

Αυτή η συσκευή συμμορφώνεται με το Μέρος 15 των Κανονισμών FCC. Η λειτουργία υπόκειται στις ακόλουθες δύο προϋποθέσεις: (1) Αυτή η συσκευή δεν πρέπει να προκαλεί επιβλαβείς παρεμβολές και (2) αυτή η συσκευή πρέπει να αποδέχεται οποιαδήποτε παρεμβολή, συμπεριλαμβανομένων των παρεμβολών που ενδέχεται να προκαλέσουν ανεπιθύμητες λειτουργίες.

Ο παρών εξοπλισμός έχει ελεγχθεί και διαπιστώθηκε ότι συμμορφώνεται με τα όρια για ψηφιακές συσκευές Κατηγορίας Β, σύμφωνα με το Μέρος 15 των κανονισμών FCC. Αυτά τα όρια έχουν σχεδιαστεί ώστε να παρέχουν επαρκή προστασία από επιβλαβείς παρεμβολές σε οικιακές εγκαταστάσεις. Αυτός ο

εξοπλισμός παράγει, χρησιμοποιεί και μπορεί να εκπέμψει ακτινοβολία ραδιοσυχνότητας και, εάν δεν εγκατασταθεί και χρησιμοποιηθεί σύμφωνα με τις οδηγίες, μπορεί να προκαλέσει επιβλαβείς παρεμβολές στις ραδιοεπικοινωνίες. Ωστόσο, δεν υπάρχει εγγύηση ότι δεν θα παρουσιαστούν παρεμβολές σε μια συγκεκριμένη εγκατάσταση. Αν ο εξοπλισμός αυτός δημιουργεί επιβλαβείς παρεμβολές σε ραδιοφωνικές ή τηλεοπτικές λήψεις, γεγονός που μπορεί να διαπιστωθεί με απενεργοποίηση και ενεργοποίηση του εξοπλισμού, ο χρήστης ενθαρρύνεται να δοκιμάσει να διορθώσει την παρεμβολή λαμβάνοντας ένα ή περισσότερα από τα ακόλουθα μέτρα:

- Αύξηση της απόστασης μεταξύ του εξοπλισμού και του δέκτη.
- Για βοήθεια, συμβουλευτείτε τον αντιπρόσωπο.

Η σήμανση στο προϊόν βρίσκεται στην ετικέτα στο δεξί προστατευτικό ακοής.

Σήματα κατατεθέντα

Η λέξη *Bluetooth®* και τα σχετικά λογότυπα είναι σήματα κατατεθέντα και ανήκουν στην *Bluetooth SIG, inc.* Οποιαδήποτε χρήση αυτών των σημάτων από την Husqvarna γίνεται κατόπιν αδειάς.

Ασφάλεια

Ορισμοί για την ασφάλεια

Για την επισήμανση ειδικών σημαντικών τμημάτων του εγχειριδίου χρησιμοποιούνται προειδοποιήσεις, συστάσεις προσοχής και σημειώσεις.



ΠΡΟΕΙΔΟΠΟΙΗΣΗ: Χρησιμοποιείται όταν υπάρχει κίνδυνος τραυματισμού ή θανάτου του χειριστή ή άλλων παριστάμενων ατόμων, αν δεν τηρηθούν οι οδηγίες που παρέχονται στο εγχειρίδιο.



ΠΡΟΣΟΧΗ: Χρησιμοποιείται όταν υπάρχει κίνδυνος πρόκλησης ζημιάς στο προϊόν, σε άλλα υλικά ή στον παρακείμενο χώρο, αν δεν τηρηθούν οι οδηγίες που παρέχονται στο εγχειρίδιο.

Περιεχόμενα Χρησιμοποιείται για παροχή περισσότερων πληροφοριών, οι οποίες χρειάζονται σε μια δεδομένη κατάσταση.

Γενική ασφάλεια



ΠΡΟΕΙΔΟΠΟΙΗΣΗ: Προτού χρησιμοποιήσετε το προϊόν, διαβάστε τις παρακάτω προειδοποιητικές οδηγίες.

- Χρησιμοποιήστε και φυλάξτε αυτές τις οδηγίες.
- Για βέλτιστη εφαρμογή και λειτουργία, βεβαιωθείτε ότι έχετε επιλέξει το σωστό προϊόν για τη δική σας χρήση.
- Μην αλλάζετε και μην αφαιρείτε εξαρτήματα από το προϊόν. Θα πρέπει να εκτελείτε μόνο αλλαγές που περιγράφονται σε αυτό το εγχειρίδιο χρήσης.
- Η εξασθένιση θορύβου που προσφέρει το προϊόν μπορεί να μειωθεί σημαντικά, εάν δεν ακολουθήσετε τις οδηγίες αυτού του εγχειριδίου χρήσης. Τα προστατευτικά ακοής και ειδικότερα τα μαξιλαράκια ενδέχεται να υποβαθμιστούν με τη χρήση και πρέπει να εξετάζονται ανά τακτά διαστήματα για ρωγμές

και φθορά. Ανατρέξτε στην ενότητα *Συντήρηση στη σελίδα 72*.

- Αυτό το προϊόν ενδέχεται να επηρεαστεί αρνητικά από συγκεκριμένες χημικές ουσίες. Αναζητήστε περισσότερες πληροφορίες από τον κατασκευαστή. Διατηρείτε το προϊόν μακριά από δραστικές ουσίες και φροντίστε να το καθαρίζετε τακτικά. Χρησιμοποιήστε πανί με νερό και σαπούνι. Μην το πλένετε και μην το βάζετε ολόκληρο μέσα στο νερό.
- Όλες οι εργασίες σέρβις και επισκευής πρέπει να γίνονται από εγκεκριμένο συνεργείο. Πρέπει πάντα να χρησιμοποιείτε γνήσια ανταλλακτικά της Husqvarna.
- Μην χρησιμοποιείτε ποτέ τα προστατευτικά ακοής περισσότερο από 10 έτη από την ημερομηνία κατασκευής που αναγράφεται στη συσκευασία.
- Η λειτουργικότητα του προϊόντος ενδέχεται να υποβαθμιστεί με την κατανάλωση μπαταρίας.

Οδηγίες ασφαλείας για τη λειτουργία

- Ο χρήστης θα πρέπει να διασφαλίζει ότι φορά πάντα τα προστατευτικά ακοής σε θορυβώδη περιβάλλοντα.
- Όταν χρησιμοποιείτε το προϊόν, πρέπει να είστε πιο προσεκτικοί και να ακούτε για τυχόν προειδοποιητικά σήματα. Ο θόρυβος από τα προειδοποιητικά σήματα μπορεί να είναι μειωμένος όταν χρησιμοποιείτε το προϊόν.
- Η ακουστότητα των προειδοποιητικών σημάτων σε συγκεκριμένους χώρους εργασίας μπορεί να είναι μειωμένη όταν χρησιμοποιείτε τη λειτουργία ψυχαγωγίας.
- Φροντίστε να μην χτυπάτε το προϊόν κατά τη μεταφορά και τη χρήση.
- Θα πρέπει να χρησιμοποιείτε το προϊόν μόνο σε θερμοκρασίες μεταξύ -20 °C και +55 °C/-4 °F και +131 °F. Εάν χρησιμοποιήσετε το προϊόν σε άλλες θερμοκρασίες, μπορεί να προκληθεί ζημιά στα ηλεκτρονικά κυκλώματα, στην μπαταρία και στα μηχανικά εξαρτήματα.
- Φροντίστε να μάθετε τον τρόπο χρήσης του προϊόντος πριν το χρησιμοποιήσετε. Αν υπάρχει

ζημιά στο προϊόν, απευθυνθείτε στον αντιπρόσωπο σέρβις. Μην ανοίγετε το περίβλημα!

- Η εφαρμογή καλυμμάτων υγιεινής προστασίας στα μαξιλάρια μπορεί να επηρεάσει την ακουστική απόδοση των προστατευτικών ακοής. Πρέπει πάντα να χρησιμοποιείτε γνήσια αξεσουάρ.
- Μην πιέζετε τα προστατευτικά ακοής πάνω στο κέλυφος του κράνους. Αυτό μπορεί να προκαλέσει ρωγμές στην πλευρική επιφάνεια του κράνους.

(Εικ. 4)

- Μην αποθηκεύετε το προϊόν σε θερμοκρασίες πάνω από +55 °C/+131°F, για παράδειγμα πάνω στο ταμπλό ενός οχήματος. Μην αποθηκεύετε το προϊόν σε θερμοκρασίες κάτω από -20 °C/-4°F.
- Ο χρήστης θα πρέπει να διασφαλίζει ότι τα προστατευτικά ακοής έχουν τοποθετηθεί, ρυθμιστεί και συντηρηθεί σύμφωνα με το παρόν εγχειρίδιο χρήσης.
- Το προστατευτικό ακοής παρέχεται με είσοδο ήχου σχετικά με την ασφάλεια. Ο χρήστης θα πρέπει να ελέγχει τη σωστή λειτουργία πριν από τη χρήση. Εάν ανιχνευθεί παραμόρφωση ή αστοχία,

ο χρήστης πρέπει να ανατρέξει στις συστάσεις του κατασκευαστή για τη συντήρηση.

Ασφάλεια μπαταρίας

- Το προστατευτικό ακοής παρέχεται με εξασθένιση εξαρτώμενη από το επίπεδο. Ο χρήστης θα πρέπει να ελέγχει τη σωστή λειτουργία πριν από τη χρήση. Εάν εντοπιστεί δυσλειτουργία ή βλάβη, ο χρήστης πρέπει να ανατρέξει στις συστάσεις του κατασκευαστή για τη συντήρηση.
- Το προϊόν περιέχει μπαταρία και ηλεκτρικά εξαρτήματα που μπορεί να προκαλέσουν ανάφλεξη σε εύφλεκτες ή εκρηκτικές ατμόσφαιρες. Δεν πρέπει να γίνεται χρήση σε περιβάλλοντα όπου μπορεί να προκληθεί πυρκαγιά ή έκρηξη από σπινθήρες.
- Η φόρτιση του προϊόντος πρέπει να γίνεται μόνο εντός της περιοχής θερμοκρασιών 0 °C έως +40 °C/+32°F έως +104°F. Εάν η φόρτιση γίνει εκτός αυτής της περιοχής θερμοκρασιών μπορεί να προκληθεί ζημιά στα ηλεκτρονικά κυκλώματα και στην μπαταρία.

Συναρμολόγηση

Εισαγωγή



ΠΡΟΕΙΔΟΠΟΙΗΣΗ: Προτού συναρμολογήσετε το προϊόν, μετακινήστε τα μαλλιά σας στο πλάι. Βεβαιωθείτε ότι οι δακτύλιοι σφράγισης εφαρμόζουν σφισχτά γύρω από το κεφάλι και τα αυτιά σας προτού χρησιμοποιήσετε το προϊόν.

Τοποθέτηση των προστατευτικών ακοής με ιμάντα κεφαλής

1. Τοποθετήστε τον ιμάντα κεφαλής πάνω στο κεφάλι σας.
2. Μετακινήστε τα προστατευτικά ακοής προς τα επάνω ή προς τα κάτω για να ρυθμίσετε το ύψος. (Εικ. 5)

Συναρμολόγηση των προστατευτικών ακοής σε κράνος

1. Συναρμολογήστε τον σωστό τύπο εξαρτήματος του προσαρμογέα στο κέλυφος του κράνους. Ανατρέξτε στην ενότητα *Εγκεκριμένα κράνη στη σελίδα 73*.
2. Συναρμολογήστε την περόνη κράνους στον προσαρμογέα εξαρτήματος. (Εικ. 6)

Περιεχόμενα Ανατρέξτε στην ενότητα *Εγκεκριμένα κράνη στη σελίδα 73* για περισσότερες πληροφορίες σχετικά με τα κατάλληλα εξαρτήματα στερέωσης για το δικό σας κράνος.

3. Μετακινήστε τα προστατευτικά ακοής στην χαμηλότερη θέση.

4. Τραβήξτε προς τα έξω και ανασηκώστε τα προστατευτικά ακοής μέχρι να κλειδώσουν στη θέση αναμονής. (Εικ. 7)
5. Κάντε ένα σημάδι στο καλώδιο.
 - a) Στο κράνος H300, κάντε ένα σημάδι σε απόσταση 27 cm/11" (X) από κάθε προστατευτικό ακοής.
 - b) Στο κράνος Spire Vent X, κάντε ένα σημάδι σε απόσταση 14,5 cm/6" (Y) από κάθε προστατευτικό ακοής. (Εικ. 8)
6. Τοποθετήστε το εξάρτημα στερέωσης στην υποδοχή του κράνους. (Εικ. 9)
7. Συνεχίστε με τις οδηγίες συναρμολόγησης για το εγκεκριμένο κράνος σας.



ΠΡΟΣΟΧΗ: Βεβαιωθείτε ότι το καλώδιο δεν έχει συστραφεί και ότι δεν έχει καμπυλωθεί με μικρή ακτίνα. Βεβαιωθείτε ότι το καλώδιο μπορεί να κινείται ομαλά μέσα στο άνοιγμα του κράνους.

Τοποθέτηση των προστατευτικών ακοής στο κράνος H300

1. Απελευθερώστε την εξάρτηση από το κράνος. (Εικ. 10)
2. Στερεώστε το καλώδιο στις οπές με τα δεματικά ή τα κλιπ. (Εικ. 11)
3. Εάν συνδέσετε το καλώδιο με δεματικά, κόψτε το δεματικό καλωδίων και σπρώξτε το σημείο ασφάλισης του δεματικού μέσα στην πλευρική υποδοχή.

4. Κάντε μια θηλιά με το καλώδιο και στερεώστε την εξάρτηση και το προστατευτικό του αυχένα. Βεβαιωθείτε ότι το καλώδιο βρίσκεται ανάμεσα στο κέλυφος του κράνους και την εξάρτηση. (Εικ. 12)

Τοποθέτηση των προστατευτικών ακοής στο κράνος Spire Vent X

1. Σχηματίστε με το καλώδιο μια θηλιά με κατεύθυνση προς τα πίσω.
2. Στερεώστε το καλώδιο στην εξάρτηση με δεματικά. Στερεώστε το δεματικό μέσα από τον πίσω ιμάντα του κεφαλόδεσμου.
3. Κόψτε το δεματικό.
4. Σχηματίστε με το υπόλοιπο τμήμα του καλωδίου μια θηλιά με κατεύθυνση προς τα πίσω, πίσω από το οπίσθιο τμήμα του ιμάντα κεφαλής. (Εικ. 13)

Τοποθέτηση των προστατευτικών ακοής στη θέση λειτουργίας

1. Φορέστε το κράνος στο κεφάλι σας.
2. Ρυθμίστε τα προστατευτικά ακοής μέχρι να εφαρμόσουν σφιχτά γύρω από τα αυτιά σας και πάνω στο κεφάλι σας. (Εικ. 14)

Τοποθέτηση των προστατευτικών ακοής στη θέση αναμονής

- Τραβήξτε προς τα έξω και ανασηκώστε τα προστατευτικά ακοής μέχρι να κλειδώσουν στη θέση αναμονής. (Εικ. 15)

Τοποθέτηση των προστατευτικών ακοής στη θέση αδράνειας

1. Τοποθετήστε τα προστατευτικά ακοής στη θέση αναμονής. Ανατρέξτε στην ενότητα *Τοποθέτηση των προστατευτικών ακοής στη θέση αναμονής στη σελίδα 68*.
2. Περιστρέψτε τα προστατευτικά ακοής προς τα πίσω κατά μήκος της πλευράς του κράνους, μέχρι να ασφαλισουν στη θέση αδράνειας. (Εικ. 16)

Σύνδεση του τηλεσκοπικού μικροφώνου

Σε περιβάλλοντα με πολύ θόρυβο πρέπει να χρησιμοποιείται ένα τηλεσκοπικό μικρόφωνο.

1. Τοποθετήστε το φίλτρο αέρα στο τηλεσκοπικό μικρόφωνο.
2. Συνδέστε το τηλεσκοπικό μικρόφωνο στην έξοδο μικροφώνου στο δεξί προστατευτικό ακοής. (Εικ. 17)
3. Τοποθετήστε το τηλεσκοπικό μικρόφωνο 1 cm/0,4" (A) από το στόμα σας.

Λειτουργία

Εισαγωγή



ΠΡΟΕΙΔΟΠΟΙΗΣΗ: Προτού χρησιμοποιήσετε το προϊόν, πρέπει να διαβάσετε και να κατανοήσετε το κεφάλαιο για την ασφάλεια.

Φόρτιση του προϊόντος

1. Συνδέστε το βύσμα USB-C του καλωδίου του φορτιστή στην έξοδο, στο αριστερό προστατευτικό ακοής. (Εικ. 18)
2. Συνδέστε το βύσμα USB του καλωδίου του φορτιστή σε έναν φορτιστή USB ή άλλη έξοδο παροχής ρεύματος USB.

Περιεχόμενα Η έξοδος της παροχής ρεύματος πρέπει να είναι 5 V και 2 A για φόρτιση στη μέγιστη χωρητικότητα.

Περιεχόμενα Η ενδεικτική λυχνία LED στο κουμπι Bluetooth® αναβοσβήνει αργά με πράσινο χρώμα όταν η μπαταρία φορτίζεται. Η ενδεικτική λυχνία LED στο κουμπι Bluetooth® ανάβει σταθερά

με πράσινο χρώμα όταν η μπαταρία είναι πλήρως φορτισμένη.

Ενδεικτική λυχνία LED στο κουμπι καναλιού	Κατάσταση φόρτισης μπαταρίας
3 λυχνίες LED είναι αναμμένες.	Η μπαταρία είναι φορτισμένη κατά 90%–100%.
2 λυχνίες LED είναι αναμμένες και 1 λυχνία LED αναβοσβήνει αργά.	Η μπαταρία είναι φορτισμένη κατά 70%–90%.
1 λυχνία LED είναι αναμμένη και 1 λυχνία LED αναβοσβήνει αργά.	Η μπαταρία είναι φορτισμένη κατά 20%–70%.
1 λυχνία LED αναβοσβήνει αργά.	Η μπαταρία είναι φορτισμένη κατά 10%–20%.
1 λυχνία LED αναβοσβήνει γρήγορα.	Η μπαταρία είναι φορτισμένη κατά 0%–10%.

Εκκίνηση του προϊόντος

- Πατήστε παρατεταμένα το κουμπί On/Off για 1 δευτερόλεπτο.

Περιεχόμενα Θα ακουστεί ένας σύντομος ήχος, που σας ενημερώνει ότι το προϊόν είναι ενεργοποιημένο. Η μεσαία ενδεικτική λυχνία LED στο κουμπί καναλιού ανάβει για 2 δευτερόλεπτα. Ένα ηχητικό μήνυμα σας ενημερώνει για την κατάσταση μπαταρίας και τον αριθμό των συσκευών που είναι συνδεδεμένες μέσω ασύρματης τεχνολογίας Bluetooth®. Αν το προϊόν εντοπίσει μια ομάδα, το ηχητικό μήνυμα σας ενημερώνει με ποια ομάδα είστε συνδεδεμένοι. Ανατρέξτε στον παρακάτω πίνακα.

Ηχητικό μήνυμα
BATTERY HIGH
BATTERY MEDIUM
BATTERY LOW
BATTERY CRITICAL

Ηχητικό μήνυμα
ONE BLUETOOTH DEVICE CONNECTED
TWO BLUETOOTH DEVICES CONNECTED
CONNECTED TO TEAM CHANNEL 1
CONNECTED TO TEAM CHANNEL 2
CONNECTED TO TEAM CHANNEL 3

Εμφάνιση της κατάστασης μπαταρίας

- Πατήστε το κουμπί ενεργοποίησης/ απενεργοποίησης.

Περιεχόμενα Η ενδεικτική λυχνία LED στο κουμπί καναλιού ανάβει με πράσινο χρώμα για 5 δευτερόλεπτα. Ανατρέξτε στον παρακάτω πίνακα.

Ένδειξη LED	Κατάσταση μπαταρίας
3 λυχνίες LED είναι αναμμένες.	Η μπαταρία είναι φορτισμένη κατά 90%–100%.
2 λυχνίες LED είναι αναμμένες.	Η μπαταρία είναι φορτισμένη κατά 70%–90%.
1 λυχνία LED είναι αναμμένη.	Η μπαταρία είναι φορτισμένη κατά 20%–70%.
1 λυχνία LED αναβοσβήνει γρήγορα.	Η μπαταρία είναι φορτισμένη κατά 0%–10%.

Εναλλαγή μεταξύ της λειτουργίας ραδιοφώνου FM και της λειτουργίας Bluetooth®

- Πατήστε γρήγορα το κουμπί τρόπου λειτουργίας 2 φορές για εναλλαγή μεταξύ της λειτουργίας ραδιοφώνου FM και της λειτουργίας Bluetooth®.

Περιεχόμενα Ένα ηχητικό μήνυμα σας ενημερώνει για τη λειτουργία που έχετε επιλέξει. Ανατρέξτε στον παρακάτω πίνακα.

Ηχητικό μήνυμα
RADIO
BLUETOOTH

Λειτουργία ραδιοφώνου FM

Στη λειτουργία ραδιοφώνου FM, αποκτάτε πρόσβαση σε ραδιόφωνο FM στις αστικές περιοχές ή σε άλλες περιοχές με ισχυρό ραδιοφωνικό σήμα FM. Η απόδοση του ραδιοφώνου FM μπορεί να επηρεαστεί από ανώμαλο έδαφος ή πυκνή βλάστηση.

Αλλαγή ραδιοφωνικού σταθμού FM

- Πατήστε παρατεταμένα το κουμπί αύξησης έντασης ήχου ή το κουμπί μείωσης έντασης ήχου για 1 δευτερόλεπτο, για να αλλάξετε ραδιοφωνικό σταθμό FM.

Τρόπος λειτουργίας Bluetooth®

Στον τρόπο λειτουργίας Bluetooth®, μπορείτε να συνδέσετε το προϊόν σας σε μια συσκευή με ασύρματη τεχνολογία Bluetooth®.

Πραγματοποίηση λειτουργίας σύζευξης Bluetooth®

1. Πατήστε παρατεταμένα το κουμπί Bluetooth® για 2 δευτερόλεπτα, για να ξεκινήσει η λειτουργία σύζευξης στο προϊόν σας.

Περιεχόμενα Η λειτουργία σύζευξης ξεκινά όταν ακούσετε ένα ηχητικό σήμα και το κουμπί Bluetooth® αναβοσβήνει με μπλε χρώμα. Η λειτουργία σύζευξης είναι ενεργοποιημένη για 30 δευτερόλεπτα.

2. Εκκινήστε τη λειτουργία σύζευξης για ασύρματη τεχνολογία Bluetooth® στη συσκευή.
3. Εάν απαιτείται, επιλέξτε το Husqvarna X-COM Active στη λίστα μονάδων στη συσκευή σας.

Περιεχόμενα Ένα ηχητικό μήνυμα σας ενημερώνει για την κατάσταση του προϊόντος. Ανατρέξτε στον παρακάτω πίνακα.

Ηχητικό μήνυμα	Ενδεικτική λυχνία LED στο κουμπί Bluetooth®	Πληροφορίες
BLUETOOTH DEVICE CONNECTED	Σταθερά αναμμένη με μπλε χρώμα.	Το προϊόν είναι συνδεδεμένο σε μια συσκευή με ασύρματη τεχνολογία Bluetooth®.
BLUETOOTH CONNECTION FAILED	Σταθερά αναμμένη με κόκκινο χρώμα για 2 δευτερόλεπτα.	Το προϊόν δεν είναι συνδεδεμένο σε μια συσκευή με ασύρματη τεχνολογία Bluetooth®.

Περιεχόμενα Εάν συνδεθεί στο προϊόν μια συσκευή με ασύρματη τεχνολογία Bluetooth®, η σύνδεσή της με το προϊόν θα γίνει αυτόματα την επόμενη φορά που θα τη χρησιμοποιήσετε.

Ρύθμιση ομάδας και προσθήκη συσκευών

Η ομάδα είναι μια ομάδα επικοινωνίας που σας επιτρέπει να μιλάτε σε όλες τις συσκευές που είναι συνδεδεμένες με την ομάδα. Εάν δεν υπάρχει ομάδα και εκτελέσετε αυτήν τη διαδικασία, μπορείτε να ρυθμίσετε μια νέα ομάδα. Στη συνέχεια, μπορείτε να επαναλάβετε τη διαδικασία για να προσθέσετε νέες συσκευές στην ομάδα. Μόνο ένα άτομο ρυθμίζει μια ομάδα και οι άλλες συσκευές συνδέονται με την ομάδα όπως φαίνεται στην ενότητα *Σύνδεση με ομάδα στη σελίδα 70*. Μόνο ένα άτομο κάθε φορά μπορεί να προσθέσει μια νέα συσκευή στην ομάδα. Η νέα συσκευή πρέπει να συνδεθεί με την ομάδα όπως φαίνεται στην ενότητα *Σύνδεση με ομάδα στη σελίδα 70*.

1. Πατήστε το κουμπί τρόπου λειτουργίας για 1 δευτερόλεπτο, για να εισέλθετε στη λειτουργία διαχείρισης ομάδας.

Περιεχόμενα Ένα ηχητικό μήνυμα σας ενημερώνει ότι βρίσκεστε σε λειτουργία διαχείρισης ομάδας. Ανατρέξτε στον παρακάτω πίνακα.

Ηχητικό μήνυμα	Ενδεικτική λυχνία LED στο κουμπί Bluetooth®
TEAM MANAGEMENT	Σταθερά αναμμένη με λευκό χρώμα.

2. Πατήστε το κουμπί Bluetooth®.

Περιεχόμενα Ένα ηχητικό μήνυμα σας ενημερώνει για την κατάσταση της λειτουργίας σύζευξης. Η λειτουργία σύζευξης ξεκινά όταν

ακούσετε ένα ηχητικό σήμα "μπιπ". Ανατρέξτε στον παρακάτω πίνακα.

Ηχητικό μήνυμα	Ενδεικτική λυχνία LED στο κουμπί Bluetooth®
SEARCHING FOR MEMBERS	Η λυχνία LED αναβοσβήνει γρήγορα.

Περιεχόμενα Η λειτουργία σύζευξης είναι ενεργή για 1 λεπτό. Οι συσκευές συνδέονται με την ομάδα σε περίπου 1 λεπτό. Η λειτουργία σύζευξης ολοκληρώνεται όταν ακούσετε ένα ηχητικό σήμα "μπιπ" και το κουμπί Bluetooth® ανάβει σταθερά με πράσινο χρώμα. Κάθε φορά που μια νέα συσκευή συνδέεται στην ομάδα, ακούγεται ένας ήχος "μπιπ". Για σύνδεση με μια ομάδα, ανατρέξτε στην ενότητα *Σύνδεση με ομάδα στη σελίδα 70*.

3. Αν θέλετε να διακόψετε τη λειτουργία σύζευξης σε λιγότερο από 1 λεπτό, πατήστε το κουμπί τρόπου λειτουργίας.
4. Εάν θέλετε να προσθέσετε μια νέα συσκευή στην ομάδα, ακολουθήστε ξανά τις ίδιες οδηγίες.

Περιεχόμενα Μια συσκευή που είναι συνδεδεμένη στην ομάδα συνδέεται αυτόματα με την ομάδα την επόμενη φορά που θα τη χρησιμοποιήσετε.

Σύνδεση με ομάδα

Δεν μπορείτε να συνδεθείτε με μια ομάδα εάν δεν έχει ρυθμιστεί ομάδα. Για να ρυθμίσετε μια ομάδα, ανατρέξτε στην *Ρύθμιση ομάδας και προσθήκη συσκευών στη σελίδα 70*. Μπορείτε να συνδεθείτε με μια ομάδα ταυτόχρονα με τη ρύθμιση μιας νέας ομάδας. Μπορείτε επίσης να συνδεθείτε με μια ομάδα, αν κάποιο μέλος της ομάδας προσθέσει νέες συσκευές στην ομάδα.

1. Πατήστε το κουμπί τρόπου λειτουργίας για 1 δευτερόλεπτο, για να εισέλθετε στη λειτουργία διαχείρισης ομάδας.

Περιεχόμενα Ένα ηχητικό μήνυμα σας ενημερώνει ότι βρίσκεστε σε λειτουργία διαχείρισης ομάδας. Ανατρέξτε στον παρακάτω πίνακα.

Ηχητικό μήνυμα	Ενδεικτική λυχνία LED στο κουμπί Bluetooth®
TEAM MANAGEMENT	Σταθερά αναμμένη με λευκό χρώμα.

2. Πατήστε το κουμπί αύξησης έντασης ήχου.

Περιεχόμενα Η λειτουργία σύζευξης ξεκινά όταν ακούσετε ένα ηχητικό σήμα "μπιπ" και το κουμπί Bluetooth® αναβοσβήνει αργά. Η λειτουργία σύζευξης είναι ενεργή για 1 λεπτό. Ένα ηχητικό

μήνυμα σας ενημερώνει ότι είστε συνδεδεμένοι με την ομάδα. Ανατρέξτε στον παρακάτω πίνακα.

Ηχητικό μήνυμα	Ενδεικτική λυχνία LED στο κουμπί Bluetooth®
CONNECTED TO TEAM	Σταθερά αναμμένη με πράσινο χρώμα.

Περιεχόμενα Μπορείτε να μιλήσετε με την ομάδα αφού το ηχητικό μήνυμα σας ενημερώσει ότι είστε συνδεδεμένοι με την ομάδα.

Αποσύνδεση από ομάδα

1. Πατήστε το κουμπί τρόπου λειτουργίας για 1 δευτερόλεπτο, για να εισέλθετε στη λειτουργία διαχείρισης ομάδας.

Περιεχόμενα Ένα ηχητικό μήνυμα σας ενημερώνει ότι βρίσκεστε σε λειτουργία διαχείρισης ομάδας. Ανατρέξτε στον παρακάτω πίνακα.

Ηχητικό μήνυμα	Ενδεικτική λυχνία LED στο κουμπί Bluetooth®
TEAM MANAGEMENT	Σταθερά αναμμένη με λευκό χρώμα.

2. Πατήστε το κουμπί μείωσης έντασης ήχου.

Περιεχόμενα Ένα ηχητικό μήνυμα σας ενημερώνει ότι έχετε αποσυνδεθεί από την ομάδα. Ανατρέξτε στον παρακάτω πίνακα.

Ηχητικό μήνυμα	Ενδεικτική λυχνία LED στο κουμπί Bluetooth®
LEAVING TEAM	Η λυχνία LED αναβοσβήνει με κόκκινο χρώμα 3 φορές.

Αλλαγή καναλιού επικοινωνίας

- Πατήστε το κουμπί καναλιού για να επιλέξετε το κανάλι επικοινωνίας 1, 2 ή 3.

Περιεχόμενα Ένα ηχητικό μήνυμα σας ενημερώνει για το κανάλι στο οποίο βρίσκεστε. Ανατρέξτε στον παρακάτω πίνακα.

Ηχητικό μήνυμα	Ένδειξη LED καναλιού
CHANNEL 1	Σταθερά αναμμένη με λευκό χρώμα στο κανάλι 1.
CHANNEL 2	Σταθερά αναμμένη με λευκό χρώμα στο κανάλι 2.

Ηχητικό μήνυμα	Ένδειξη LED καναλιού
CHANNEL 3	Σταθερά αναμμένη με λευκό χρώμα στο κανάλι 3.

Ομιλία σε όλα τα κανάλια επικοινωνίας

- Πατήστε παρατεταμένα το κουμπί καναλιού για να μιλήσετε ταυτόχρονα σε όλα τα κανάλια επικοινωνίας.

Περιεχόμενα Όταν ακούσετε έναν ήχο "μπιπ", είστε συνδεδεμένοι σε όλα τα κανάλια επικοινωνίας. Όλες οι ενδεικτικές λυχνίες LED καναλιών είναι σταθερά αναμμένες με λευκό χρώμα, υποδεικνύοντας ότι είστε συνδεδεμένοι σε όλα τα κανάλια.

- Αφήστε το κουμπί καναλιού για να επιστρέψετε στο προηγούμενο κανάλι.

Ενεργοποίηση ή απενεργοποίηση του μικροφώνου

- Πατήστε το κουμπί σίγασης μέχρι να ακούσετε ένα ηχητικό σήμα "μπιπ".

Αλλαγή μετάδοσης ροής ήχου

- Πατήστε παρατεταμένα το κουμπί αύξησης έντασης ήχου για 0,5 δευτερόλεπτα, για να επιλέξετε την επόμενη μετάδοση ροής ήχου.
- Πατήστε παρατεταμένα το κουμπί μείωσης έντασης ήχου για 0,5 δευτερόλεπτα για να επιστρέψετε στην προηγούμενη μετάδοση ροής ήχου.

Διακοπή ή έναρξη μετάδοσης ροής ήχου

- Πατήστε το κουμπί τρόπου λειτουργίας για να διακόψετε ή να ξεκινήσετε τη μετάδοση ροής ήχου.

Αποδοχή ή τερματισμός ή απόρριψη τηλεφωνικής κλήσης

Αν η κινητή συσκευή σας είναι συνδεδεμένη στο προίον με ασύρματη τεχνολογία Bluetooth®, ακούγεται ένα σήμα στα προστατευτικά ακοής όταν υπάρχει εισερχόμενη κλήση.

- Πατήστε το κουμπί τρόπου λειτουργίας για να αποδεχθείτε ή να τερματίσετε την τηλεφωνική κλήση.
- Πατήστε το κουμπί τρόπου λειτουργίας για 1 δευτερόλεπτο, για να απορρίψετε μια εισερχόμενη τηλεφωνική κλήση.

Περιεχόμενα Ένας ήχος "μπιπ" σας ενημερώνει όταν η τηλεφωνική κλήση γίνει αποδεκτή ή απορριφθεί.

Ηχητικό μήνυμα	Πληροφορίες
CALL ENDED	Η τηλεφωνική κλήση τερματίστηκε.

Μεταφορά τηλεφωνικής κλήσης στην ομάδα

1. Πατήστε το κουμπί τρόπου λειτουργίας για να αποδεχθείτε την τηλεφωνική κλήση.
2. Πατήστε το κουμπί τρόπου λειτουργίας γρήγορα 2 φορές, για να μεταφέρετε την τηλεφωνική κλήση στην ομάδα.

Περιεχόμενα Ένα ηχητικό μήνυμα σας ενημερώνει όταν ολοκληρωθεί η μεταφορά της τηλεφωνικής κλήσης. Ανατρέξτε στον παρακάτω πίνακα.

Ηχητικό μήνυμα	Πληροφορίες
CALL TRANSFERRED TO TEAM	Η τηλεφωνική κλήση έχει μεταφερθεί στην ομάδα.

Αποσύνδεση της τηλεφωνικής κλήσης στην ομάδα

- Πατήστε το κουμπί τρόπου λειτουργίας 2 φορές γρήγορα.

Περιεχόμενα Ένα ηχητικό μήνυμα σας ενημερώνει όταν αποσυνδεθεί η τηλεφωνική κλήση. Ανατρέξτε στον παρακάτω πίνακα.

Ηχητικό μήνυμα	Πληροφορίες
CALL DISCONNECTED FROM TEAM	Η τηλεφωνική κλήση έχει αποσυνδεθεί από την ομάδα.

Ρύθμιση της έντασης ήχου

- Για να ρυθμίσετε την ένταση ήχου, πατήστε το κουμπί αύξησης της έντασης ήχου ή το κουμπί μείωσης της έντασης ήχου. Ένας ήχος "μπιπ" σας ενημερώνει τότε η ένταση ήχου είναι στην ελάχιστη ή στη μέγιστη ένταση.

Ορισμός της λειτουργίας ήχου περιβάλλοντος

Ο τρόπος λειτουργίας ήχου περιβάλλοντος σας επιτρέπει να ακούτε τους ήχους γύρω σας.

- Πατήστε το κουμπί ήχου περιβάλλοντος.

Περιεχόμενα Ένα ηχητικό μήνυμα σας ενημερώνει για την κατάσταση του τρόπου λειτουργίας ήχου περιβάλλοντος.

Ηχητικό μήνυμα
AMBIENT LEVEL HIGH
AMBIENT LEVEL MEDIUM
AMBIENT LEVEL LOW
AMBIENT LEVEL OFF

Διακοπή λειτουργίας του προϊόντος

- Πατήστε παρατεταμένα το κουμπί On/Off για 1 δευτερόλεπτο.

Περιεχόμενα Ένα ηχητικό μήνυμα σας ενημερώνει για την κατάσταση της μπαταρίας και οι ενδεικτικές λυχνίες LED σβήνουν. Θα ακουστεί ένας σύντομος ήχος, που σας ενημερώνει ότι το προϊόν είναι απενεργοποιημένο.

Εξαναγκασμένη διακοπή λειτουργίας του προϊόντος

- Πατήστε παρατεταμένα το κουμπί On/Off για 12 δευτερόλεπτα.

Συντήρηση

Συντήρηση του προϊόντος



ΠΡΟΣΟΧΗ: Μην ξεπλένετε το προϊόν με νερό και μην το βάζετε ολόκληρο μέσα στο νερό.



ΠΡΟΣΟΧΗ: Σπρέι, υγρά ή άλλα καθαριστικά που περιέχουν διαλυτικά ή/και αλκοόλ μπορεί να μειώσουν την προστατευτική λειτουργία.



ΠΡΟΣΟΧΗ: Χρησιμοποιείτε γνήσια ανταλλακτικά Husqvarna.

1. Φροντίστε να καθαρίζετε το προϊόν συχνά. Χρησιμοποιήστε ένα πανί με ήπιο διάλυμα σαπουνιού.
2. Πριν από κάθε χρήση, πρέπει να ελέγχετε την κατάσταση των δακτυλίων σφράγισης και των ένθετων από αφρώδες ελαστικό υλικό.

3. Θα πρέπει να αντικαθιστάτε τους δακτυλίους σφράγισης και τα ένθετα από αφρώδες ελαστικό υλικό κάθε 6 μήνες ή συχνότερα, εάν χρειάζεται. Κατά τη συναρμολόγηση, βεβαιωθείτε ότι η οπή αέρα στον δακτύλιο σφράγισης είναι στραμμένη προς τα κάτω. Χρησιμοποιήστε το αρχικό κιτ υγιεινής που περιλαμβάνει τους δακτυλίους σφράγισης και τα ένθετα από αφρώδες ελαστικό υλικό. Ανατρέξτε στη διεύθυνση www.husqvarna.com για περισσότερες πληροφορίες σχετικά με το κιτ υγιεινής. (Εικ. 19)

Περιεχόμενα Εάν τα προστατευτικά ακοής είναι νοτισμένα στην εσωτερική πλευρά τους, αφήστε τα να στεγνώσουν στη θέση αδράνειας. Ανατρέξτε στην

ενότητα *Τοποθέτηση των προστατευτικών ακοής στη θέση αδράνειας στη σελίδα 68.*

- Αντικαταστήστε τη μεμβράνη του μικροφώνου ομιλίας, εάν έχει υποστεί ζημιά.
- Αντικαταστήστε το φίλτρο αέρα για το μικρόφωνο που εξαρτάται από το επίπεδο, εάν έχει υποστεί ζημιά.
- Αντικαταστήστε το φίλτρο αέρα στο τηλεσκοπικό μικρόφωνο, εάν έχει υποστεί ζημιά.
- Αντικαταστήστε το Επίθεμα άνεσης του ιμάντα κεφαλής, εάν είναι απαραίτητο. (Εικ. 20)

Μεταφορά, αποθήκευση και απόρριψη

Μεταφορά και αποθήκευση



ΠΡΟΣΟΧΗ: Κατά τη μεταφορά και την αποθήκευση, τοποθετήστε τα προστατευτικά ακοής στη θέση λειτουργίας για να μειώσετε τη φθορά του πλαστικού υλικού.

- Τοποθετήστε τα προστατευτικά ακοής στη θέση λειτουργίας. Ανατρέξτε στην ενότητα *Τοποθέτηση των προστατευτικών ακοής στη θέση λειτουργίας στη σελίδα 68.*
- Βεβαιωθείτε ότι οι δακτύλιοι σφράγισης δεν είναι συμπιεσμένοι.
- Τοποθετήστε το προϊόν σε στεγνό και καθαρό χώρο.
- Κρατήστε το προϊόν μακριά από το φως του ήλιου κατά την αποθήκευση.
- Πρέπει να φορτίζετε την μπαταρία κάθε 6 εβδομάδες, για να διατηρείται η ποιότητά της.

- Κατά τη μεταφορά, πρέπει να τοποθετείτε το προϊόν σε ασφαλή χώρο.

Απόρριψη

- Πρέπει να τηρείτε τους κρατικούς κανονισμούς.
- Χρησιμοποιήστε το τοπικό σύστημα ανακύκλωσης.
- Το προϊόν ή η συσκευασία του προϊόντος δεν αποτελεί οικιακό απόρριμμα. Ανακυκλώστε το σε κέντρο ανακύκλωσης ηλεκτρικού και ηλεκτρονικού εξοπλισμού.



Αξεσουάρ

Εγκεκριμένα κράνη

Το προϊόν πρέπει να χρησιμοποιείται μόνο με τα παρακάτω κράνη.

Μοντέλο	Τύπος εξαρτήματος κράνους	Γραφικό προσαρμογέα	Εγκεκριμένες διαστάσεις
Husqvarna Technical, H300	Προσαρμογέας H300	(Εικ. 21)	M/L
Husqvarna Spire	Προσαρμογέας Spire	(Εικ. 22)	L
KASK Zenith X			

Τεχνικά στοιχεία

Για τα τεχνικά στοιχεία του κάθε προϊόντος, ανατρέξτε στις παρακάτω εικόνες. Για περισσότερα τεχνικά

στοιχεία, ανατρέξτε στο δελτίο παραρτήματος τεχνικών στοιχείων σε αυτό το εγχειρίδιο χρήσης.

(Εικ. 2)

(Εικ. 3)

Για περισσότερες πληροφορίες σχετικά με το περιεχόμενο των τεχνικών στοιχείων, ανατρέξτε στον παρακάτω κατάλογο:

- F = Συχνότητες στις οποίες γίνεται μέτρηση της εξασθένησης.
- Mf = Μέση τιμή.
- Sf = Τυπική απόκλιση.
- APV (Mf-Sf) = Θεωρούμενη τιμή προστασίας.
- H = Τιμή εξασθένησης στις υψηλές συχνότητες (προβλεπόμενη μείωση της στάθμης θορύβου όταν $L_C-L_A = -2$ dB). M = Τιμή εξασθένησης στις μεσαίες συχνότητες (προβλεπόμενη μείωση της στάθμης θορύβου όταν $L_C-L_A = +2$ dB). L = Τιμή εξασθένησης στις χαμηλές συχνότητες (προβλεπόμενη μείωση της στάθμης θορύβου όταν $L_C-L_A = +10$ dB).

- SNR = Αξιολόγηση μονού αριθμού (η τιμή που αφαιρείται από τη μετρούμενη C-σταθμισμένη στάθμη ηχητικής πίεσης L_C , προκειμένου να εκτιμηθεί η ενεργή A-σταθμισμένη στάθμη ήχου μέσα στο αυτί).

Υπεύθυνος κατασκευαστής: H Husqvarna AB, SE-561 82 Huskvarna, Σουηδία, τηλ.: +46-36-146500.

Στάθμη θορύβου

Η λειτουργία ραδιοφώνου FM και η λειτουργία ακουστικών-μικροφώνου έχουν μέγιστη ισχύοναμη στάθμη θορύβου 82 dB (A).

Υλικά

Εξάρτημα	Υλικό	Εξάρτημα	Υλικό
Προστατευτικό εσωτερικού αυτιού	ABS	Ιμάντας κεφαλής	POM+TPE
Εξωτερικό προστατευτικό αυτιού, αριστερά	ABS	Άγκιστρο κράνους	Πολυακετάλη (POM)
Εξωτερικό προστατευτικό αυτιού, δεξιά	ABS+TPE	Ελατήριο άγκιστρου κράνους	Χάλυβας
Ένθετα	PUR	Βίδες	Χάλυβας
Στεγανοποιητικά δαχτυλίδια	PVC και αφρός		

Contenido

Introducción.....	75	Transporte, almacenamiento y eliminación.....	82
Seguridad.....	76	Accesorios.....	83
Montaje.....	77	Datos técnicos.....	83
Funcionamiento.....	78	0
Mantenimiento.....	82		

Introducción

Descripción del producto

El producto X-COM Active (HP500C-01, HP500C-02) es un protector auricular con comunicación dúplex completa integrada, *tecnología inalámbrica Bluetooth®*

Descripción del producto

(Fig. 1)

1. Botón para subir el volumen
2. Botón para bajar el volumen
3. Micrófono dependiente del nivel
4. Botón Bluetooth®
5. Micrófono de voz
6. Botón de modo
7. Salida del cable del cargador USB-C
8. Botón de sonido ambiental
9. Botón de silencio
10. Botón ON/OFF
11. Botón de canal
12. Salida del micrófono boom

Conformidad y certificaciones

Por la presente, Husqvarna AB, SE-561 82 Huskvarna, Sweden, tel: +46-36-146500 declara que el tipo de equipo de radio HP500C-01 y HP500C-02 cumple con 2014/53/EU, 2011/65/EU y la normativa (EU) 2016/425. El texto íntegro de la declaración de conformidad CE está disponible en la siguiente dirección de Internet: www.husqvarna.com; busque X-COM Active, HP500C-01, HP500C-02.

Los valores de atenuación y niveles de ruido del producto se han probado y aprobado de conformidad con la normativa siguiente: EN 352-1:2020 (de diadema), EN 352-3:2020 (de montaje en casco), EN 352-4:2020, EN 352-6:2020 y EN 352-8:2020.

El organismo notificado competente a efectos de la declaración de conformidad es: Número de organismo notificado 1974. PZT GmbH, Bismarckstraße 264 B, 26389 Wilhelmshaven, Germany.

Certificación y supervisión de PZT.

La batería está certificada según IEC62133, edición 2.

y radio FM. El modelo HP500C-01 es un protector auricular con diadema y el modelo HP500C-02 es un protector auricular para casco. El producto ofrece protección contra ruidos perjudiciales.



UK Importer:
Husqvarna UK Ltd
Preston Road, Co. Durham
DL5 6UP

Id. de la FCC: ZASHP500, Id. de IC: 23307-HP500

Declaración de conformidad de proveedores de la FCC para la parte responsable HP500C-01, HP500C-02.

Husqvarna Professional Products, Inc. 9335 Harris Corners Parkway Suite 500 Charlotte, NC 28269 (Estados Unidos).

Información de contacto de EE. UU.: Michael Campbell, Manager Product Compliance, teléfono: +1 704 597 5000.

Declaración de conformidad de la FCC:

Este dispositivo cumple los requisitos de la normativa de la FCC, parte 15. El funcionamiento está sujeto a las siguientes dos condiciones: (1) Este dispositivo no causará interferencias dañinas; y (2) este dispositivo debe aceptar cualquier interferencia recibida, incluidas las interferencias que puedan causar un funcionamiento no deseado del dispositivo.

Este equipo ha sido probado y se ha determinado que cumple con los límites para un dispositivo digital de Clase B, de acuerdo con la parte 15 de las normas de la FCC. Estos límites están diseñados para proporcionar una protección razonable contra interferencias perjudiciales en una instalación residencial. Este equipo genera, utiliza y puede irradiar energía de radiofrecuencia y, si no se instala y utiliza de acuerdo con las instrucciones, puede causar

interferencias perjudiciales para las comunicaciones de radio. Sin embargo, no hay garantía de que no se produzcan interferencias en una instalación en particular. Si este equipo causa interferencias perjudiciales para la recepción de radio o televisión, lo que se puede determinar encendiendo y apagando el equipo, se recomienda al usuario que intente corregir la interferencia mediante una o más de las siguientes medidas:

- Aumente la distancia de separación entre el equipo y el receptor.

- Consulte a su distribuidor para recibir ayuda.

El marcado del producto se encuentra en la etiqueta de la orejera derecha.

Marcas comerciales registradas

Los logotipos y las denominaciones *Bluetooth®* son marcas comerciales registradas propiedad de *Bluetooth SIG, inc.* y su uso por parte de Husqvarna está sujeto a una licencia.

Seguridad

Definiciones de seguridad

Las advertencias, precauciones y notas se utilizan para destacar información especialmente importante del manual.



ADVERTENCIA: Indica un riesgo de lesiones o incluso de muerte del usuario o de las personas cercanas si no se respetan las instrucciones del manual.



PRECAUCIÓN: Indica un riesgo de daños en el producto, otros materiales o el área adyacente si no se respetan las instrucciones del manual.

Nota: Se usa para proporcionar más información necesaria en una situación determinada.

Seguridad general



ADVERTENCIA: Lea las siguientes instrucciones de advertencia antes de utilizar el producto.

- Utilice y conserve estas instrucciones.
- Para un ajuste y un funcionamiento óptimos, asegúrese de que ha seleccionado el producto correcto para su aplicación.
- No modifique ni desmonte piezas del producto. Realice únicamente los cambios que se indiquen en este manual de usuario.
- La capacidad del producto para atenuar el ruido se verá gravemente afectada si no sigue las instrucciones de este manual de usuario. Las orejeras, especialmente las almohadillas, pueden deteriorarse a causa del uso, por lo que se deben examinar con frecuencia para detectar posibles grietas o fugas. Consulte *Mantenimiento en la página 82*.
- Este producto puede verse afectado por algunas sustancias químicas. Si desea más información al respecto, puede solicitarla al fabricante. Mantenga el

producto alejado de sustancias agresivas y límpiolo con regularidad. Utilice un paño con agua y jabón. No lo lave ni lo sumerja en agua.

- Todos los servicios y trabajos de reparación debe llevarlos a cabo un servicio técnico autorizado. Utilice únicamente piezas de repuesto originales Husqvarna.
- No utilice nunca las orejeras durante más de 10 años a partir de la fecha de fabricación indicada en el embalaje.
- La funcionalidad del producto puede deteriorarse con el consumo de la batería.

Instrucciones de seguridad para el funcionamiento

- El usuario debe asegurarse de usar las orejeras siempre que se encuentre en entornos ruidosos.
- Extreme las precauciones y esté atento a escuchar las señales de advertencia cuando utilice el producto. El sonido de las señales de advertencia puede disminuir cuando utiliza el producto.
- Las señales de advertencia del lugar de trabajo específico pueden ser menos audibles mientras utiliza la función de entretenimiento.
- Asegúrese de que el producto no reciba golpes durante el transporte y el uso.
- Utilice el producto solo a temperaturas de entre -20 °C y +55 °C (-4 °F y +131 °F). Si lo utiliza a temperaturas fuera de este intervalo, el sistema electrónico, la batería y las partes mecánicas podrían sufrir daños.
- Asegúrese de que sabe cómo utilizar el producto antes de usarlo. Póngase en contacto con su taller de servicio si hay daños en el producto. ¡No abra la carcasa!
- La colocación de cubiertas higiénicas en las almohadillas puede afectar al rendimiento acústico de las orejeras. Utilice siempre accesorios originales.
- No presione las orejeras contra la calota del casco. Si lo hace, puede causar grietas en el lateral del casco.

(Fig. 4)

- No guarde el producto a temperaturas superiores a +55 °C (+131 °F), por ejemplo, en un salpicadero. No guarde el producto a temperaturas inferiores a -20 °C (-4 °F).
- El usuario debe asegurarse de colocarse, ajustarse y mantener las orejeras de acuerdo con las instrucciones de este manual de usuario.
- Las orejeras se suministran con una entrada de audio relacionada con la seguridad. El usuario debe consultar cómo utilizarlas correctamente antes de empezar. Si detecta alguna distorsión o avería, el usuario debe consultar las instrucciones del fabricante relativas al mantenimiento.
- El producto contiene batería y componentes eléctricos que pueden provocar un incendio en atmósferas inflamables o explosivas. No utilice el producto en entornos donde las chispas puedan provocar incendio o explosión.
- Cargue el producto solamente dentro del intervalo de temperatura de 0 °C a +40 °C (de +32 °F a +104 °F). La carga fuera de este rango puede dañar el sistema electrónico y la batería.

Seguridad de la batería

- Las orejeras se suministran con atenuación dependiente del nivel de ruido. El usuario debe

Montaje

Introducción



ADVERTENCIA: Mueva el pelo hacia un lado antes de montar el producto. Asegúrese de que los aros de sellado están apretados contra la cabeza y alrededor de las orejas antes de usar el producto.

Colocación de las orejeras con diadema

1. Colóquese la diadema encima de la cabeza.
2. Suba o baje las orejeras para ajustar la altura. (Fig. 5)

Montaje de las orejeras en un casco

1. Monte el tipo de adaptador de fijación correcto en la calota del casco. Consulte *Cascos homologados en la página 83*.
2. Monte la horquilla del casco en el adaptador de fijación. (Fig. 6)

Nota: Consulte *Cascos homologados en la página 83* para obtener más información sobre la fijación aplicable a su casco.

3. Mueva las orejeras a la posición más baja.
4. Tire de las orejeras hacia fuera y hacia arriba hasta que se bloqueen en la posición abierta. (Fig. 7)
5. Haga una marca en el cable.
 - a) Para el casco H300, haga una marca a 27 cm/11 pulg. (Y) de cada orejera.
 - b) Para el casco Spire Vent X, haga una marca a 14,5 cm/6 pulg. (Y) de cada orejera. (Fig. 8)
6. Ponga la fijación para el casco en la ranura del casco. (Fig. 9)

7. Siga las instrucciones de montaje para su casco homologado.



PRECAUCIÓN: Asegúrese de que el cable no esté torcido ni tenga un radio de curvatura pequeño. Asegúrese de que el cable se puede mover suavemente en la apertura del casco.

Montaje de las orejeras en el casco H300

1. Suelte el arnés de la cabeza del casco. (Fig. 10)
2. Fije el cable a los orificios con las bridas o los clips. (Fig. 11)
3. Si fija el cable con bridas, corte la brida y empuje el bloqueo de la brida hacia la ranura lateral.
4. Haga un lazo con el cable y fije el arnés de la cabeza y la protección del cuello. Asegúrese de que el cable esté entre la calota del casco y el arnés de la cabeza. (Fig. 12)

Montaje de las orejeras en el casco Spire Vent X

1. Coloque el cable en un lazo hacia atrás.
2. Fije el cable al arnés de la cabeza con bridas. Fije la brida pasándola a través de la banda trasera de la diadema.
3. Corte la brida.
4. Coloque el cable sobrante en un lazo hacia atrás, detrás de la parte trasera de la diadema. (Fig. 13)

Colocación de las orejeras en la posición de trabajo

1. Póngase el casco en la cabeza.
2. Ajuste las orejeras hasta que estén apretadas alrededor de las orejas y bien ceñidas a la cabeza. (Fig. 14)

Colocación de las orejeras en la posición abierta

- Tire de las orejeras hacia fuera y hacia arriba hasta que se bloqueen en la posición abierta. (Fig. 15)

Colocación de las orejeras hacia atrás

1. Ponga las orejeras en la posición abierta. Consulte *Colocación de las orejeras en la posición abierta en la página 78*.
2. Gire las orejeras hacia atrás por el lateral del casco hasta que queden encajadas atrás. (Fig. 16)

Conexión del micrófono con brazo

Utilice un micrófono con brazo en entornos con mucho ruido.

1. Coloque el filtro de viento en el micrófono con brazo.
2. Conecte el micrófono con brazo a la salida del micrófono en la orejera derecha. (Fig. 17)
3. Coloque el micrófono con brazo a 1 cm/0,4 pulg. (A) de la boca.

Funcionamiento

Introducción



ADVERTENCIA: Antes de utilizar el producto, debe leer y entender el capítulo sobre seguridad.

Carga del producto

1. Conecte el conector USB-C del cable del cargador a la salida de la orejera izquierda. (Fig. 18)
2. Conecte el conector USB del cable del cargador a un cargador USB u otra toma de corriente USB.

Nota: La salida de la toma de corriente debe ser de 5 V y 2 A para realizar la carga a la máxima capacidad.

Nota: El indicador LED del botón Bluetooth® parpadea lentamente en verde cuando la batería se está cargando. El indicador LED del botón Bluetooth® se ilumina en verde fijo cuando la batería está completamente cargada.

Puesta en marcha del producto

- Mantenga pulsado el botón ON/OFF durante 1 segundo.

Nota: El producto emitirá un pitido para indicar que está encendido. El indicador LED central del botón de canal se enciende durante 2 segundos. Un mensaje de audio le indica el estado de la batería y la cantidad de dispositivos que están conectados con la tecnología inalámbrica Bluetooth®. Si el producto encuentra un equipo, el mensaje de audio le indica a qué equipo está conectado. Consulte la tabla siguiente.

Mensaje de audio
BATTERY HIGH
BATTERY MEDIUM
BATTERY LOW
BATTERY CRITICAL

Mensaje de audio
ONE BLUETOOTH DEVICE CONNECTED
TWO BLUETOOTH DEVICES CONNECTED
CONNECTED TO TEAM CHANNEL 1
CONNECTED TO TEAM CHANNEL 2
CONNECTED TO TEAM CHANNEL 3

Visualización del estado de la batería

- Pulse el botón ON/OFF.

Nota: El indicador LED del botón de canal muestra una luz verde durante 5 segundos. Consulte la tabla siguiente.

Indicador LED del botón de canal	Estado de carga de la batería
Los 3 LED encendidos.	La batería tiene una carga del 90 %–100 %.
2 LED encendidos y 1 LED parpadeando lentamente.	La batería tiene una carga del 70 %–90 %.
1 LED encendido y 1 LED parpadeando lentamente.	La batería tiene una carga del 20 %–70 %.
1 LED parpadeando lentamente.	La batería tiene una carga del 10 %–20 %.
1 LED parpadeando rápidamente.	La batería tiene una carga del 0 %–10 %.

Indicador LED	Estado de la batería
Los 3 LED encendidos.	La batería tiene una carga del 90 %–100 %.
2 LED encendidos.	La batería tiene una carga del 70 %–90 %.
1 LED encendido.	La batería tiene una carga del 20 %–70 %.
1 LED parpadeando rápidamente.	La batería tiene una carga del 0 %–10 %.

Cambio entre el modo de radio FM y el modo Bluetooth®

- Pulse el botón de modo rápidamente 2 veces para cambiar entre el modo de radio FM y el modo Bluetooth®.

Nota: Un mensaje de audio le indica qué modo ha seleccionado. Consulte la tabla siguiente.

Mensaje de audio
RADIO
BLUETOOTH

Modo de radio FM

En el modo de radio FM se puede acceder a las emisoras FM en zonas urbanas u otras zonas con una señal de radio FM fuerte. El rendimiento de la banda de radio FM puede verse afectado por terrenos irregulares o vegetación densa.

Cambio de emisora de radio FM

- Mantenga pulsado el botón de subir o bajar el volumen durante 1 segundo para cambiar de emisora de radio FM.

Modo Bluetooth®

En el modo Bluetooth®, puede conectar el producto a un dispositivo con tecnología inalámbrica Bluetooth®.

Emparejamiento mediante Bluetooth®

1. Mantenga pulsado el botón Bluetooth® durante 2 segundos para iniciar la función de emparejamiento de su producto.

Nota: La función de emparejamiento se inicia cuando se oye un pitido y el botón Bluetooth® parpadea en azul. La función de emparejamiento permanece activa durante 30 segundos.

2. Inicie la función de emparejamiento mediante la tecnología inalámbrica Bluetooth® en el dispositivo.

3. Si es necesario, seleccione Husqvarna X-COM Active en la lista de unidades de su dispositivo.

Nota: Un mensaje de audio le indica el estado del producto. Consulte la tabla siguiente.

Mensaje de audio	Indicador LED del botón Bluetooth®	Información
BLUETOOTH DEVICE CONNECTED	Azul fijo.	El producto está conectado a un dispositivo con tecnología inalámbrica Bluetooth®.
BLUETOOTH CONNECTION FAILED	Rojo fijo durante 2 segundos.	El producto no está conectado a un dispositivo con tecnología inalámbrica Bluetooth®.

Nota: Un dispositivo con tecnología inalámbrica Bluetooth® que esté conectado a su producto, se conectará automáticamente a su producto la próxima vez que el producto se utilice con el dispositivo.

Configuración de un equipo y adición de dispositivos

Un equipo es un grupo de comunicación que le permite hablar con todos los dispositivos conectados a él. Si no hay ningún equipo y realiza este procedimiento, creará un nuevo equipo. A continuación, puede volver a realizar el procedimiento para añadir nuevos dispositivos al equipo. Únicamente una persona configura el equipo y los demás dispositivos se conectan a él, como se muestra en *Conexión a un equipo en la página 80*. Solo una persona a la vez puede añadir un nuevo dispositivo al equipo. El nuevo dispositivo debe conectarse al equipo como se muestra en *Conexión a un equipo en la página 80*.

1. Pulse el botón de modo durante 1 segundo para acceder al modo de gestión de equipos y, seguidamente, a la configuración del equipo.

Nota: Un mensaje de audio le indica que se encuentra en el modo de gestión de equipos. Consulte la tabla siguiente.

Mensaje de audio	Indicador LED del botón Bluetooth®
TEAM MANAGEMENT	Blanco fijo.

2. Pulse el botón Bluetooth®.

Nota: Un mensaje de audio le indica el estado de la operación de emparejamiento. La operación de emparejamiento se inicia cuando oye un pitido. Consulte la tabla siguiente.

Mensaje de audio	Indicador LED del botón Bluetooth®
SEARCHING FOR MEMBERS	El indicador LED parpadea rápidamente.

Nota: La operación de emparejamiento permanece activa durante 1 minuto. Los dispositivos se conectan al equipo en aproximadamente 1 minuto. La operación de emparejamiento finaliza cuando oye un pitido y el botón Bluetooth® muestra una luz verde fija. Se oye un pitido cada vez que se conecta un nuevo dispositivo al equipo. Para conectarse a un equipo, consulte *Conexión a un equipo en la página 80*.

- Si desea detener la operación de emparejamiento en menos de 1 minuto, pulse el botón de modo.
- Si desea añadir un nuevo dispositivo al equipo, siga las mismas instrucciones de nuevo.

Nota: Un dispositivo que esté conectado al equipo se conecta automáticamente a él la próxima vez que lo utilice.

Conexión a un equipo

No puede conectarse a un equipo si no hay ningún equipo configurado. Para configurar un equipo, consulte *Configuración de un equipo y adición de dispositivos en la página 79*. Puede conectarse a un equipo al mismo tiempo que se configura un nuevo equipo. También puede conectarse a un equipo si un miembro del equipo añade nuevos dispositivos a él.

- Pulse el botón de modo durante 1 segundo para acceder al modo de gestión de equipos.

Nota: Un mensaje de audio le indica que se encuentra en el modo de gestión de equipos. Consulte la tabla siguiente.

Mensaje de audio	Indicador LED del botón Bluetooth®
TEAM MANAGEMENT	Blanco fijo.

- Pulse el botón para subir el volumen.

Nota: La operación de emparejamiento se inicia cuando oye un pitido y el botón Bluetooth® parpadea lentamente. La operación de emparejamiento permanece activa durante 1 minuto. Un mensaje

de audio le indica que está conectado al equipo. Consulte la tabla siguiente.

Mensaje de audio	Indicador LED del botón Bluetooth®
CONNECTED TO TEAM	Verde fijo.

Nota: Puede hablar con el equipo después de que el mensaje de audio le indique que está conectado a él.

Desconexión de un equipo

- Pulse el botón de modo durante 1 segundo para acceder al modo de gestión de equipos.

Nota: Un mensaje de audio le indica que se encuentra en el modo de gestión de equipos. Consulte la tabla siguiente.

Mensaje de audio	Indicador LED del botón Bluetooth®
TEAM MANAGEMENT	Blanco fijo.

- Pulse el botón para bajar el volumen.

Nota: Un mensaje de audio le indica que se ha desconectado del equipo. Consulte la tabla siguiente.

Mensaje de audio	Indicador LED del botón Bluetooth®
LEAVING TEAM	EL indicador LED parpadea en rojo 3 veces.

Cambio del canal de comunicación

- Pulse el botón de canal para seleccionar el canal de comunicación 1, 2 o 3.

Nota: Un mensaje de audio le indica en qué canal se encuentra. Consulte la tabla siguiente.

Mensaje de audio	Indicador LED de canal
CHANNEL 1	Blanco fijo en el canal 1.
CHANNEL 2	Blanco fijo en el canal 2.
CHANNEL 3	Blanco fijo en el canal 3.

Transmisiones a todos los canales de comunicación

- Mantenga pulsado el botón de canal para hablar con todos los canales de comunicación al mismo tiempo.

Nota: Cuando oiga un pitido, estará conectado a todos los canales de comunicación. Todos los indicadores LED de canal se iluminan en blanco fijo para indicar que está conectado a todos los canales.

- Suelte el botón de canal para volver al canal anterior.

Activación o desactivación del micrófono

- Pulse el botón de silencio hasta que oiga un pitido.

Cambio de la transmisión de audio

- Mantenga pulsado el botón de subir el volumen durante 0,5 segundos para seleccionar la siguiente transmisión de audio.
- Mantenga pulsado el botón de bajar el volumen durante 0,5 segundos para volver a la transmisión de audio anterior.

Interrupción o inicio de la transmisión de audio

- Pulse el botón de modo para detener o iniciar la transmisión de audio.

Aceptación, finalización o rechazo de una llamada telefónica

Si su dispositivo móvil está conectado al producto mediante la tecnología inalámbrica Bluetooth®, se oirá una señal en las orejeras cuando haya una llamada telefónica entrante.

- Pulse el botón de modo para aceptar o finalizar la llamada telefónica.
- Pulse el botón de modo durante 1 segundo para rechazar una llamada entrante.

Nota: Suena un pitido cuando se acepta o se rechaza la llamada telefónica.

Mensaje de audio	Información
CALL ENDED	La llamada telefónica ha finalizado.

Transferencia de una llamada telefónica al equipo

1. Pulse el botón de modo para aceptar una llamada telefónica.
2. Pulse el botón de modo rápidamente 2 veces para transferir la llamada telefónica al equipo.

Nota: Un mensaje de audio le indica cuando se ha transferido la llamada telefónica. Consulte la tabla siguiente.

Mensaje de audio	Información
CALL TRANSFERRED TO TEAM	La llamada telefónica se ha transferido al equipo.

Desconexión de una llamada telefónica del equipo

- Pulse el botón de modo rápidamente 2 veces.

Nota: Un mensaje de audio le indica que la llamada telefónica se ha desconectado. Consulte la tabla siguiente.

Mensaje de audio	Información
CALL DISCONNECTED FROM TEAM	La llamada telefónica se ha desconectado del equipo.

Ajuste del volumen

- Pulse el botón de subir o bajar el volumen para ajustar el volumen. Un pitido le avisa al alcanzar el volumen mínimo o máximo.

Ajuste del modo de sonido ambiente

El modo de sonido ambiente le permite escuchar los sonidos que le rodean.

- Pulse el botón de sonido ambiente.

Nota: Un mensaje de audio le indica el estado del modo de sonido ambiente.

Mensaje de audio
AMBIENT LEVEL HIGH
AMBIENT LEVEL MEDIUM
AMBIENT LEVEL LOW
AMBIENT LEVEL OFF

Parada del producto

- Mantenga pulsado el botón de encendido/apagado durante 1 segundo.

Nota: Un mensaje de audio le indica el estado de la batería y los indicadores LED se apagan. El producto emitirá un pitido para indicar que está apagado.

Forzado de la detención del producto

- Mantenga pulsado el botón de encendido/apagado durante 12 segundos.

Mantenimiento

Mantenimiento del producto



PRECAUCIÓN: No enjuague ni sumerja el producto en agua.



PRECAUCIÓN: Los pulverizadores, líquidos u otros agentes de limpieza que contengan disolventes o alcohol pueden reducir la función de protección.



PRECAUCIÓN: Utilice piezas de repuesto originales Husqvarna.

1. Limpie el producto con regularidad. Utilice un paño con una solución jabonosa suave.
2. Realice una comprobación del estado de los aros de sellado y los insertos de gomaespuma antes de cada uso.
3. Sustituya los aros de sellado y los insertos de gomaespuma cada 6 meses o más a menudo si es necesario. Asegúrese de que el orificio de ventilación del aro de sellado apunte hacia abajo durante el montaje. Utilice el kit de higiene original que incluye los aros de sellado y los insertos de gomaespuma. Para obtener más información sobre el kit de higiene, consulte www.husqvarna.com. (Fig. 19)

Nota: Si el interior de las orejeras está húmedo, déjelas secar en la posición retirada hacia atrás. Consulte *Colocación de las orejeras hacia atrás en la página 78*.

4. Sustituya la membrana del micrófono de voz si está dañada.
5. Sustituya el filtro de viento del micrófono dependiente del nivel de ruido si está dañado.
6. Sustituya el filtro de viento situado en el micrófono con brazo si está dañado.
7. Sustituya la almohadilla de confort de la diadema si es necesario. (Fig. 20)

Transporte, almacenamiento y eliminación

Transporte y almacenamiento



PRECAUCIÓN: Durante el transporte y el almacenamiento, coloque las orejeras en la posición de funcionamiento para reducir el desgaste del material plástico.

- Coloque las orejeras en la posición de trabajo. Consulte *Colocación de las orejeras en la posición de trabajo en la página 77*.
- Asegúrese de que los aros de sellado no están comprimidos.
- Coloque el producto en un lugar seco y limpio.
- Proteja el producto de la luz del sol durante el almacenamiento.
- Cargue la batería cada 6 semanas para mantener la calidad de la batería.

- Coloque el producto en un lugar seguro durante el transporte.

Eliminación

- Cumpla con las normas nacionales.
- Respete el sistema de reciclaje local.
- Ni el producto ni su embalaje son residuos domésticos. Recíclelos en un centro de reciclaje para equipos eléctricos y electrónicos.



Accesorios

Cascos homologados

Utilice el producto solo con los cascos indicados a continuación.

Modelo	Tipo de fijación del casco	Imagen del adaptador	Tallas homologadas
Husqvarna Technical, H300	Adaptador H300	(Fig. 21)	M/L
Husqvarna Spire	Adaptador Spire	(Fig. 22)	L
KASK Zenith X			

Datos técnicos

Consulte las ilustraciones siguientes para conocer los datos técnicos de cada producto. Para obtener más

datos técnicos, consulte el apéndice de datos técnicos de este manual de usuario.

(Fig. 2)

(Fig. 3)

Para obtener más información sobre el contenido de los datos técnicos, consulte la lista siguiente:

- F = frecuencias a las que se mide la atenuación.
- Mf = valor medio.
- Sf = desviación estándar.
- APV (Mf-Sf) = valor de protección asumido.
- H = valor de atenuación de alta frecuencia (reducción estimada del nivel de ruido donde $L_C - L_A = -2$ dB). M = valor de atenuación de media frecuencia (reducción estimada del nivel de ruido donde $L_C - L_A = +2$ dB). L = valor de atenuación de baja frecuencia (reducción estimada del nivel de ruido donde $L_C - L_A = +10$ dB).

- SNR = valor numérico único (el valor que se restará de la media ponderada C del nivel de presión sonora medido, L_C , a fin de estimar el nivel sonoro ponderado A en el interior del oído).

Fabricante responsable: Husqvarna AB, SE-561 82 Huskvarna (Suecia), tel.: +46 36 146500.

Nivel sonoro

El modo de radio FM y el modo de auriculares cuentan con un nivel sonoro máximo equivalente de 82 dB(A).

Materiales

Pieza	Material	Pieza	Material
Cúpula interior auricular	ABS	Diadema	POM+TPE
Cúpula exterior auricular, izquierda	ABS	Horquilla de casco	POM
Cúpula exterior auricular, derecha	ABS+TPE	Muelle de horquilla de casco	Acero
Insertos	PUR	Tornillos	Acero
Aros de sellado	PVC y espuma		

Contenido

Introducción.....	84	Transporte, almacenamiento y eliminación de residuos.....	91
Seguridad.....	85	Accesorios.....	92
Montaje.....	86	Datos técnicos.....	92
Funcionamiento.....	87	0
Mantenimiento.....	91		

Introducción

Descripción del producto

El producto X-COM Active (HP500C-01, HP500C-02) son protectores auriculares con comunicación dúplex completa integrada, *tecnología inalámbrica con*

Descripción general del producto

(Fig. 1)

1. Botón para subir el volumen
2. Botón para bajar el volumen
3. Micrófono dependiente del nivel
4. Botón Bluetooth®
5. Micrófono de voz
6. Botón de modo
7. Salida de cable de carga USB-C
8. Botón de sonido ambiental
9. Botón de silencio
10. Botón de encendido/apagado
11. Botón de canal
12. Salida del micrófono con brazo

Cumplimiento y aprobaciones

Por el presente, Husqvarna AB, SE-561 82 Huskvarna, Sweden, tel: +46-36-146500, declara que el equipo de radio tipo HP500C-01 y HP500C-02 cumple con la norma 2014/53/EU, 2011/65/EU y la regulación (EU) 2016/425. El texto completo de la declaración de conformidad de la UE está disponible en la siguiente dirección de Internet: www.husqvarna.com; busque X-COM Active, HP500C-01, HP500C-02.

Los niveles de ruido y los valores de atenuación del producto se probaron y aprobaron de acuerdo con: EN 352-1:2020 (vincha), EN 352-3:2020 (montado en casco), EN 352-4:2020, EN 352-6:2020 y EN 352-8:2020.

El organismo notificado involucrado en la evaluación de conformidad es: Número de organismo notificado 1974. PZT GmbH, Bismarckstraße 264 B, 26389 Wilhelmshaven, Germany.

Certificación y monitoreo por PZT.

La batería está certificada según IEC62133 edición 2.

Bluetooth® y radio FM. El modelo HP500C-01 son protectores auriculares con vincha, y el modelo HP500C-02 corresponde a protectores auriculares para casco. El producto brinda protección contra ruidos nocivos.



UK Importer:
Husqvarna UK Ltd
Preston Road, Co. Durham
DL5 6UP

ID de FCC: ZASHP500, ID de IC: 23307-HP500

Declaración de conformidad del proveedor de FCC para parte responsable HP500C-01, HP500C-02.

Husqvarna Professional Products, Inc. 9335 Harris Corners Parkway Suite 500 Charlotte, NC 28269, Estados Unidos.

Información de contacto para EE. UU.: Michael Campbell, director de Cumplimiento de Productos, teléfono: +1 704 597 5000.

Declaración de conformidad de la FCC:

Este dispositivo cumple con el Segmento 15 de las Reglas de FCC. El funcionamiento está sujeto a las siguientes dos condiciones: 1) este dispositivo no debe provocar interferencias perjudiciales, y 2) este dispositivo debe aceptar cualquier interferencia recibida, incluso aquella que provoque un funcionamiento no deseado.

Este equipo se probó y se comprobó que cumple con los límites de un dispositivo digital de Clase B, conforme con el Segmento 15 de las Reglas de FCC. Estos límites están diseñados para proporcionar una protección razonable contra interferencias perjudiciales en una instalación residencial. Este equipo genera, utiliza y puede irradiar energía de radiofrecuencia y, si no se instala ni se utiliza según las instrucciones, puede causar interferencias perjudiciales para las

radiocomunicaciones. Sin embargo, no hay garantía de que no se producirán interferencias en una instalación particular. Si este equipo causa una interferencia perjudicial a la recepción de radio o televisión, lo que se puede determinar apagando o encendiendo el equipo, se aconseja al usuario que trate de corregir las interferencias mediante una de las siguientes medidas:

- Aumente la separación entre el equipo y el receptor.
- Consulte a su distribuidor para solicitar ayuda.

El marcado del producto se encuentra en la etiqueta de la orejera derecha.

Marcas comerciales

La marca denominativa y los logotipos de *Bluetooth®* son marcas comerciales de *Bluetooth SIG, inc.* y cualquier uso de dichas marcas por Husqvarna está sometido a un acuerdo de licencias.

Seguridad

Definiciones de seguridad

Las advertencias, precauciones y notas se utilizan para señalar las piezas particularmente importantes del manual.



ADVERTENCIA: Se utilizan para señalar el riesgo de lesiones graves o mortales para el operador o para aquellos que se encuentren cerca si no se siguen las instrucciones del manual.



AVISO: Se utilizan para señalar el riesgo de dañar la máquina, otros materiales o el área adyacente si no se siguen las instrucciones del manual.

Tenga en cuenta: Se utilizan para entregar más información necesaria en situaciones particulares.

Seguridad general



ADVERTENCIA: Lea atentamente las instrucciones de advertencia siguientes antes de usar el producto.

- Utilice y guarde estas instrucciones.
- Para lograr un funcionamiento y un ajuste perfectos, asegúrese de que haber seleccionado el producto correcto para su uso.
- No modifique ni desmonte las piezas del producto. Solo realice las modificaciones que se indican en este manual de usuario.
- La atenuación del ruido del producto se verá gravemente afectada si no sigue las instrucciones incluidas en este manual de usuario. Las orejeras, especialmente las almohadillas, pueden deteriorarse con el uso y deben examinarse de manera regular en busca de grietas o fugas. Consulte *Mantenimiento en la página 91*.
- Este producto puede ser afectado negativamente por algunas sustancias químicas. Para obtener más información al respecto, consulte al fabricante. Manténgase alejado de sustancias agresivas y limpie el producto con regularidad. Utilice un

pañó con agua y jabón. No lave ni sumerja completamente en agua.

- Todas las tareas de mantenimiento y reparación se deben realizar en un taller de servicio autorizado. Solo utilice piezas de repuesto originales Husqvarna.
- Nunca utilice las orejeras más de 10 años a partir de la fecha de fabricación que se indica en el envase.
- La funcionalidad del producto puede deteriorarse con el consumo de batería.

Instrucciones de seguridad para el funcionamiento

- El usuario debe asegurarse de utilizar las orejeras en todo momento en entornos ruidosos.
- Sea más cuidadoso y escuche si se producen señales de advertencia cuando utilice el producto. El ruido de las señales de advertencia se puede reducir cuando utilice el producto.
- Es posible que la audición de las señales de advertencia en un lugar de trabajo específico sea afectada mientras se utiliza la instalación recreativa.
- Asegúrese de que el producto no se golpee durante el transporte y el uso.
- Utilice el producto solo a temperaturas de entre -20 °C y 55 °C (entre -4 °F y 131 °F). Si utiliza el producto a otras temperaturas, se pueden producir daños en el sistema electrónico, la batería y en las partes mecánicas.
- Asegúrese de saber cómo utilizar el producto antes de usarlo. Póngase en contacto con su concesionario de servicio si hay daños en el producto. ¡No abra la cubierta!
- Es posible que el ajuste de los recubrimientos higiénicos en las almohadillas afecte el rendimiento acústico de las orejeras. Siempre utilice accesorios originales.
- No presione las orejeras contra la carcasa del casco. Si lo hace, puede causar grietas alrededor del lateral del casco.

(Fig. 4)

- No almacene el producto a temperaturas superiores a 55 °C (131 °F), por ejemplo, en un panel de control. No almacene el producto a temperaturas inferiores a -20 °C (-4 °F).

- El usuario debe asegurarse de que las orejas estén colocadas, ajustadas y de que se les realice mantenimiento en conformidad con este manual de usuario.
- La orejera se proporciona con entrada de audio de seguridad. El usuario debe comprobar el correcto funcionamiento antes de su uso. Si se detecta alguna distorsión o falla, el usuario debe consultar los consejos del fabricante para mantenimiento.

Seguridad de la batería

- La orejera cuenta con una atenuación dependiente del nivel. El usuario debe comprobar el correcto

funcionamiento antes de su uso. Si se detecta un funcionamiento incorrecto o falla, el usuario debe seguir las instrucciones del fabricante para su mantenimiento.

- El producto contiene una batería y componentes eléctricos que pueden provocar un incendio en atmósferas inflamables o explosivas. No lo utilice en entornos donde chispas podrían provocar un incendio o explosión.
- Solo cargue el producto dentro de un rango de temperatura de 0 °C (32 °F) a 40 °C (104 °F). La carga fuera del rango de temperatura puede dañar el sistema electrónico y la batería.

Montaje

Introducción



ADVERTENCIA: Mueva el pelo hacia un lado antes de montar el producto. Asegúrese de que los aros de sellado estén apretados contra su cabeza y alrededor de sus orejas antes de usar el producto.



AVISO: Asegúrese de que el cable no esté retorcido ni tenga un pequeño radio de curvatura. Asegúrese de que el cable se pueda mover suavemente en la apertura del casco.

Para colocar las orejas con vincha

1. Colóquese la vincha sobre la cabeza.
2. Mueva las orejas hacia arriba o hacia abajo para ajustar la altura. (Fig. 5)

Para montar las orejas en un casco

1. Monte el tipo de accesorio de adaptador correcto en la carcasa del casco. Consulte *Cascos aprobados en la página 92*.
2. Monte la horquilla del casco en el adaptador del accesorio. (Fig. 6)

Tenga en cuenta: Consulte *Cascos aprobados en la página 92* para obtener más información sobre qué accesorio del casco se aplica a su casco.

3. Mueva las orejas a la posición más baja.
4. Levante las orejas hacia fuera y hacia arriba hasta que queden en posición de espera. (Fig. 7)
5. Haga una marca en el cable.
 - a) Para el casco H300, haga una marca a 27 cm/11 in (X) de cada orejera.
 - b) Para el casco Spire Vent X, haga una marca a 14,5 cm/6 in (Y) de cada orejera. (Fig. 8)
6. Ponga el accesorio del casco en la ranura del casco. (Fig. 9)
7. Siga las instrucciones de montaje para su casco aprobado.

Para montar las orejas al casco H300

1. Suelte el arnés de cabeza del casco. (Fig. 10)
2. Fije el cable a los orificios con las bridas para cables o sujetadores. (Fig. 11)
3. Si fija el cable con bridas para cables, corte la brida para cables y empuje el bloqueo de la brida a través de la ranura lateral.
4. Haga un bucle del cable y fije el arnés de cabeza y la protección de cuello. Asegúrese de que el cable esté entre la carcasa del casco y el arnés de cabeza. (Fig. 12)

Para montar las orejas al casco Spire Vent X

1. Coloque el cable en un bucle hacia atrás.
2. Conecte el cable al arnés de cabeza con las bridas para cables. Conecte la brida para cables a través de la correa posterior de la diadema.
3. Corte la brida para cables.
4. Coloque la parte restante del cable en un bucle hacia atrás, detrás de la vincha trasera. (Fig. 13)

Para poner las orejas en posición de funcionamiento

1. Póngase el casco en la cabeza.
2. Ajuste las orejas hasta que estén apretadas alrededor de las orejas y contra su cabeza. (Fig. 14)

Para colocar las orejas en posición de espera

- Levante las orejas hacia fuera y hacia arriba hasta que queden en posición de espera. (Fig. 15)

Para colocar las orejas en posición de reposo

1. Ponga las orejas en posición de espera. Consulte *Para colocar las orejas en posición de espera en la página 86.*
2. Gire las orejas hacia atrás a lo largo del lateral del casco hasta que queden en la posición de estacionamiento. (Fig. 16)

Para conectar el micrófono con brazo

Utilice un micrófono con brazo en entornos con mucho ruido.

1. Conecte el filtro de viento en el micrófono con brazo.
2. Conecte el micrófono con brazo a la salida del micrófono en la orejera derecha. (Fig. 17)
3. Coloque el micrófono con brazo a 1 cm/0,4 in (A) de la boca.

Funcionamiento

Introducción



ADVERTENCIA: Antes de utilizar el producto, debe leer y entender el capítulo sobre seguridad.

Para cargar el producto

1. Enchufe el conector USB-C del cable del cargador a la salida de la orejera izquierda. (Fig. 18)
2. Enchufe el conector USB del cable del cargador a un cargador USB o a otra toma de corriente USB.

Tenga en cuenta: La salida de la toma de corriente debe ser de 5 V y 2 A para cargar a máxima capacidad.

Tenga en cuenta: El indicador LED del botón Bluetooth® parpadea lentamente en verde cuando la batería se está cargando. El indicador LED del botón Bluetooth® se ilumina en verde continuo cuando la batería está completamente cargada.

Indicador LED en el botón de canal	Estado de carga de la batería
Tres luces LED están encendidas.	La batería está un 90 %-100 % cargada.
Dos luces LED están encendidas y un indicador LED parpadea lentamente.	La batería está un 70 %-90 % cargada.
Una luz LED está encendida y un indicador LED parpadea lentamente.	La batería está un 20 %-70 % cargada.
Una luz LED parpadea lentamente.	La batería está un 10 %-20 % cargada.
Una luz LED parpadea rápidamente.	La batería está un 0 %-10 % cargada.

Para poner en marcha el producto

- Mantenga presionado el botón on/off durante 1 segundo.

Tenga en cuenta: Un pitido indica que el producto está encendido. El indicador LED central del botón de canal se enciende durante 2 segundos. Un mensaje de audio indica el estado de la batería y la cantidad de dispositivos conectados con tecnología inalámbrica Bluetooth®. Si el producto encuentra un equipo, el mensaje de audio indica a qué equipo está conectado. Consulte la tabla que aparece a continuación.

Mensaje de audio
BATTERY HIGH
BATTERY MEDIUM
BATTERY LOW
BATTERY CRITICAL

Mensaje de audio
ONE BLUETOOTH DEVICE CONNECTED
TWO BLUETOOTH DEVICES CONNECTED
CONNECTED TO TEAM CHANNEL 1
CONNECTED TO TEAM CHANNEL 2
CONNECTED TO TEAM CHANNEL 3

Para mostrar el estado de la batería

- Presione el botón on/off.

Tenga en cuenta: El indicador LED del botón de canal muestra una luz verde durante 5 segundos. Consulte la tabla que aparece a continuación.

Indicador LED	Estado de la batería
Tres luces LED están encendidas.	La batería está un 90 %-100 % cargada.
2 luces LED están encendidas.	La batería está un 70 %-90 % cargada.
Una luz LED está encendida.	La batería está un 20 %-70 % cargada.
Una luz LED parpadea rápidamente.	La batería está un 0 %-10 % cargada.

Para cambiar entre modo de radio FM y el modo Bluetooth®

- Presione el botón de la TDF rápidamente 2 veces para cambiar entre el modo de radio FM y el modo Bluetooth®.

Tenga en cuenta: Un mensaje de audio indica el modo que seleccionó. Consulte la tabla que aparece a continuación.

Mensaje de audio
RADIO
BLUETOOTH

Modo de radio FM

En el modo de radio FM, tiene acceso a la radio FM en zonas urbanas u otras áreas; con una potente señal de radio FM. Un terreno irregular o una densa vegetación podrían afectar el rendimiento de la radio FM.

Para cambiar la emisora de radio FM

- Mantenga presionado el botón para subir o bajar el volumen durante 1 segundo a fin de cambiar de emisora de radio FM.

Modo Bluetooth®

En el modo Bluetooth® puede conectar el producto a un dispositivo con tecnología inalámbrica Bluetooth®.

Para realizar una operación de emparejamiento Bluetooth®

1. Mantenga presionado el botón Bluetooth® durante 2 segundos para comenzar con la operación de emparejamiento de su producto.

Tenga en cuenta: La operación de emparejamiento se inicia cuando se escucha un pitido y el botón Bluetooth® parpadea en azul. La operación de emparejamiento está activa durante 30 minutos.

2. Inicie la operación de emparejamiento para la tecnología inalámbrica Bluetooth® en el dispositivo.
3. Si es necesario, seleccione Husqvarna X-COM Active en la lista de unidades del dispositivo.

Tenga en cuenta: Un mensaje de audio indica el estado del producto. Consulte la tabla que aparece a continuación.

Mensaje de audio	Indicador LED en el botón Bluetooth®	Información
BLUETOOTH DEVICE CONNECTED	Azul continuo.	El producto está conectado a un dispositivo con tecnología inalámbrica Bluetooth®.
BLUETOOTH CONNECTION FAILED	Rojo continuo durante 2 segundos.	El producto no está conectado a un dispositivo con tecnología inalámbrica Bluetooth®.

Tenga en cuenta: Un dispositivo con tecnología inalámbrica Bluetooth® que se conecta a su producto, se conecta automáticamente a su producto la próxima vez que el producto se utiliza con el dispositivo.

Para configurar un equipo y agregar dispositivos

Un equipo es un grupo de comunicación que le permite hablar con todos los dispositivos que están conectados al equipo. Si no hay ningún equipo y realiza este procedimiento, configura un nuevo equipo. Luego, puede volver a realizar el procedimiento para agregar nuevos dispositivos al equipo. Solo una persona configura un equipo y los otros dispositivos se conectan al equipo como se muestra en *Para conectarse a un equipo en la página 89*. Solo una persona a la vez puede agregar un nuevo dispositivo al equipo. El nuevo dispositivo debe conectarse al equipo como se muestra en *Para conectarse a un equipo en la página 89*.

1. Presione el botón de la TDF durante 1 segundo para ingresar al modo de administración del equipo y acceder a la configuración del equipo.

Tenga en cuenta: Un mensaje de audio indica que está en modo de administración del equipo. Consulte la tabla que aparece a continuación.

Mensaje de audio	Indicador LED en el botón Bluetooth®
TEAM MANAGEMENT	Blanco continuo.

- Presione el botón Bluetooth®.

Tenga en cuenta: Un mensaje de audio indica el estado de la operación de emparejamiento. La operación de emparejamiento se inicia cuando se escucha un pitido. Consulte la tabla que aparece a continuación.

Mensaje de audio	Indicador LED en el botón Bluetooth®
SEARCHING FOR MEMBERS	La luz LED parpadea rápidamente.

Tenga en cuenta: La operación de emparejamiento está activa durante 1 minuto. Los dispositivos se conectan al equipo en aproximadamente 1 minuto. La operación de emparejamiento se completa cuando se escucha un pitido y el botón Bluetooth® muestra una luz verde continua. Se escucha un pitido cada vez que un nuevo dispositivo se conecta al equipo. Para conectarse a un equipo, consulte *Para conectarse a un equipo en la página 89*.

- Si desea detener la operación de emparejamiento en menos de 1 minuto, presione el botón de la TDF.
- Si desea agregar un nuevo dispositivo al equipo, siga las mismas instrucciones nuevamente.

Tenga en cuenta: Un dispositivo que está conectado al equipo, se conecta automáticamente al equipo la próxima vez que lo utilice.

Para conectarse a un equipo

No puede conectarse con un equipo si no hay un equipo configurado. Para configurar un equipo, consulte *Para configurar un equipo y agregar dispositivos en la página 88*. Puede conectarse a un equipo al mismo tiempo que se configura un nuevo equipo. También puede conectarse a un equipo si un miembro del equipo agrega nuevos dispositivos al equipo.

- Presione el botón de la TDF durante 1 segundo para ingresar al modo de administración del equipo.

Tenga en cuenta: Un mensaje de audio indica que está en modo de administración del equipo. Consulte la tabla que aparece a continuación.

Mensaje de audio	Indicador LED en el botón Bluetooth®
TEAM MANAGEMENT	Blanco continuo.

- Presione el botón para subir el volumen.

Tenga en cuenta: La operación de emparejamiento se inicia cuando se escucha un pitido y el botón Bluetooth® parpadea lentamente. La operación de emparejamiento está activa durante 1 minuto. Un mensaje de audio indica que está conectado a un equipo. Consulte la tabla que aparece a continuación.

Mensaje de audio	Indicador LED en el botón Bluetooth®
CONNECTED TO TEAM	Verde continuo.

Tenga en cuenta: Puede hablar con el equipo después de que el mensaje de audio indique que está conectado con el equipo.

Para desconectarse de un equipo

- Presione el botón de la TDF durante 1 segundo para ingresar al modo de administración del equipo.

Tenga en cuenta: Un mensaje de audio indica que está en modo de administración del equipo. Consulte la tabla que aparece a continuación.

Mensaje de audio	Indicador LED en el botón Bluetooth®
TEAM MANAGEMENT	Blanco continuo.

- Presione el botón para bajar el volumen.

Tenga en cuenta: Un mensaje de audio indica que se ha desconectado del equipo. Consulte la tabla que aparece a continuación.

Mensaje de audio	Indicador LED en el botón Bluetooth®
LEAVING TEAM	La luz LED parpadea en rojo 3 veces.

Para cambiar el canal de comunicación

- Presione el botón de canal para seleccionar el canal de comunicación 1, 2 o 3.

Tenga en cuenta: Un mensaje de audio indica en qué canal se encuentra. Consulte la tabla a continuación.

Mensaje de audio	Indicador LED de canal
CHANNEL 1	Blanco continuo en el canal 1.
CHANNEL 2	Blanco continuo en el canal 2.
CHANNEL 3	Blanco continuo en el canal 3.

Para hablar con todos los canales de comunicación

- Mantenga presionado el botón de canal para hablar con todos los canales de comunicación al mismo tiempo.

Tenga en cuenta: Está conectado a todos los canales de comunicación cuando escucha un pitido. Todos los indicadores LED de canal están en blanco continuo para mostrar que está conectado a todos los canales.

- Suelte el botón de canal para volver al canal anterior.

Para activar o desactivar el micrófono

- Presione el botón de silencio hasta que oiga un pitido.

Para cambiar la transmisión de audio

- Mantenga presionado el botón para subir el volumen durante 0,5 segundos a fin de seleccionar la siguiente transmisión de audio.
- Mantenga presionado el botón para bajar el volumen durante 0,5 segundos a fin de volver a la transmisión de audio anterior.

Para detener o iniciar la transmisión de audio

- Presione el botón de la TDF para detener o iniciar una transmisión de audio.

Para aceptar, finalizar o descartar una llamada telefónica

Si su dispositivo móvil está conectado al producto con tecnología inalámbrica Bluetooth®, se oye una señal en las orejeras cuando hay una llamada entrante.

- Presione el botón de la TDF para aceptar o finalizar la llamada telefónica.
- Presione el botón de la TDF durante 1 segundo para descartar una llamada telefónica entrante.

Tenga en cuenta: Un pitido indica cuándo se acepta o se descarta la llamada telefónica.

Mensaje de audio	Información
CALL ENDED	La llamada telefónica ha finalizado.

Para transferir la llamada telefónica al equipo

- Presione el botón de la TDF para aceptar la llamada telefónica.
- Presione el botón de la TDF rápidamente 2 veces para transferir la llamada telefónica al equipo.

Tenga en cuenta: Un mensaje de audio indica cuándo se ha transferido la llamada telefónica. Consulte la tabla que aparece a continuación.

Mensaje de audio	Información
CALL TRANSFERRED TO TEAM	La llamada telefónica se transfirió al equipo.

Para desconectar la llamada telefónica en el equipo

- Presione el botón de la TDF 2 veces rápidamente.

Tenga en cuenta: Un mensaje de audio indica cuando la llamada telefónica se ha desconectado. Consulte la tabla que aparece a continuación.

Mensaje de audio	Información
CALL DISCONNECTED FROM TEAM	La llamada telefónica se ha desconectado del equipo.

Para ajustar el volumen

- Presione el botón para subir o bajar volumen para ajustar el volumen. Un pitido indica cuando el volumen está en el nivel mínimo o máximo.

Para establecer el modo de sonido ambiental

El modo de sonido ambiental permite escuchar los sonidos que lo rodean.

- Presione el botón de sonido ambiental.

Tenga en cuenta: Un mensaje de audio indica el estado del modo de sonido ambiental.

Mensaje de audio
AMBIENT LEVEL HIGH

Mensaje de audio
AMBIENT LEVEL MEDIUM
AMBIENT LEVEL LOW
AMBIENT LEVEL OFF

Tenga en cuenta: Un mensaje de audio indica el estado de la batería y los indicadores LED se apagan. Un pitido indica que el producto está apagado.

Para detener el producto

- Mantenga presionado el botón on/off durante 1 segundo.

Para detener el producto por la fuerza

- Mantenga presionado el botón on/off durante 12 segundos.

Mantenimiento

Para realizar mantenimiento en el producto



AVISO: No enjuague ni sumerja el producto completamente en agua.



AVISO: Los aerosoles, líquidos u otros productos de limpieza que contengan disolventes o alcohol pueden disminuir la función de protección.



AVISO: Use piezas de repuesto originales de Husqvarna.

1. Limpie el producto con regularidad. Utilice un paño y una solución de jabón suave.
2. Realice una comprobación del estado de los aros de sellado y los insertos de gomaespuma antes de cada uso.

3. Sustituya los aros de sellado y los insertos de gomaespuma cada 6 meses o más a menudo si es necesario. Asegúrese de que el orificio de aire en el aro de sellado apunte hacia abajo durante el montaje. Utilice el kit de higiene original que incluye los aros de sellado y los insertos de gomaespuma. Consulte www.husqvarna.com para obtener más información sobre el kit de higiene. (Fig. 19)

Tenga en cuenta: Si las orejeras están mojadas en el lado interior, déjelas secar en posición de estacionamiento. Consulte *Para colocar las orejeras en posición de reposo en la página 87*.

4. Reemplace la membrana del micrófono de voz si está dañada.
5. Reemplace el filtro de viento del micrófono dependiente del nivel si está dañado.
6. Cambie el filtro de viento del micrófono con brazo si está dañado.
7. Reemplace la almohadilla de comodidad de la vincha si es necesario. (Fig. 20)

Transporte, almacenamiento y eliminación de residuos

Transporte y almacenamiento



AVISO: Durante el transporte y el almacenamiento, coloque las orejeras en la posición de funcionamiento para disminuir el desgaste del material plástico.

- Colocar las orejeras en posición de funcionamiento. Consulte *Para poner las orejeras en posición de funcionamiento en la página 86*.
- Asegúrese de que los aros de sellado no estén comprimidos.
- Coloque el producto en un lugar limpio y seco.
- Mantenga el producto alejado de la luz solar durante el almacenamiento.
- Cargue la batería cada 6 semanas para mantener la calidad de la batería.

- Coloque el producto en un espacio seguro durante el transporte.

Eliminación

- Siga las normativas nacionales.
- Utilice el sistema de reciclaje local.
- El producto o paquete del producto no es residuo doméstico. Reciclelo en una planta de reciclaje para equipo eléctrico y electrónico.



Accesorios

Cascos aprobados

Utilice el producto solo con los cascos a continuación.

Modelo	Tipo del accesorio del casco	Gráfico del adaptador	Dimensiones aprobadas
Husqvarna Technical, H300	Adaptador H300	(Fig. 21)	M/L
Husqvarna Spire	Adaptador Spire	(Fig. 22)	L
KASK Zenith X			

Datos técnicos

Consulte las ilustraciones que se indican a continuación para conocer los datos técnicos de cada producto.

Para obtener más datos técnicos, consulte la hoja del apéndice de datos técnicos en este manual de usuario.

(Fig. 2)

(Fig. 3)

Para obtener más información sobre el contenido de los datos técnicos, consulte la lista que se presenta a continuación:

- F = Frecuencias en las que se mide la atenuación.
- Mf = Valor medio.
- Sf = Desviación estándar.
- APV (Mf-Sf) = Valor de protección asumido.
- H = Valor de atenuación de alta frecuencia (reducción de nivel de ruido previsto para ruidos donde $L_C - L_A = -2$ dB). M = Valor de atenuación de frecuencia media (reducción de nivel de ruido previsto para ruidos donde $L_C - L_A = +2$ dB). L = Valor

de atenuación de baja frecuencia (reducción de nivel de ruido previsto para ruidos donde $L_C - L_A = +10$ dB).

- SNR = Clasificación de único número (el valor que se resta del nivel de presión acústica C ponderado medido, L_C , a fin de calcular el nivel sonoro A ponderado efectivo en el interior del oído).

Fabricante responsable: Husqvarna AB, SE-561 82 Husqvarna, Suecia, tel.: +46-36-146500.

Nivel sonoro

El modo de radio FM y el modo de auriculares tienen un nivel sonoro máximo equivalente de 82 dB (A).

Materiales

Pieza	Material	Pieza	Material
Auricular interior	ABS	Vincha	POM+TPE
Auricular exterior, izquierdo	ABS	Horquilla del casco	POM
Auricular exterior, derecho	ABS+TPE	Resorte de horquilla de casco	Acero
Insertos	PUR	Tornillos	Acero
Anillos de estanqueidad	PVC y espuma		

Sisukord

Sissejuhatus.....	93	Transportimine, hoiulepanek ja utiliseerimine.....	99
Ohutus.....	94	Lisatarvikud.....	100
Kokkupanek.....	95	Tehnilised andmed.....	100
Töö.....	95	0
Hooldamine.....	99		

Sissejuhatus

Toote kirjeldus

Toode X-COM Active (HP500C-01, HP500C-02) on integreeritud täisduplekside, *Bluetooth® juhtmevaba*

tehnoloogia ja FM-raadioga kõrvaklapid. Mudel HP500C-01 on peavõruga kõrvaklapid ja mudel HP500C-02 on kiivri jaoks mõeldud kõrvaklapid. Toode kaitses kahjuliku müra eest.

Toote tutvustus

(Joon. 1)

1. Helitugevuse suurendamise nupp
2. Helitugevuse vähendamise nupp
3. Tasandist sõltuv mikrofon
4. Bluetooth®-i nupp
5. Kõnemiikrofon
6. Režiiminupp
7. USB-C laadijuhthe pistikupesa
8. Ümbritseva heli nupp
9. Vaigistusnupp
10. ON/OFF nupp
11. Kanali nupp
12. Poomiga mikrofoni pistikupesa

UK Importer:
Husqvarna UK Ltd
Preston Road, Co. Durham
DL5 6UP

FCC ID: ZASHP500, IC ID: 23307-HP500

FCC tarijate vastavusdeklaratsioon HP500C-01, HP500C-02 vastutavale osapolele.

Husqvarna Professional Products, Inc. 9335 Harris Corners Parkway Suite 500 Charlotte, NC 28269 United states.

Kontaktandmed Ameerika Ühendriikides: Michael Campbell, toote vastavuse juht, telefon: +1 704 597 5000.

FCC vastavusavaldus:

See seade vastab FCC eeskirjade 15. osa nõuetele. Kasutamisele kohalduvad kaks järgmist tingimust: (1) see seade ei tohi põhjustada kahjulikke häireid ja (2) see seade peab vastu võtma mis tahes häired, sealhulgas tööd soovimatult mõjutada võivad häired.

Seadet on katsetatud ja on jõutud järeldusele, et see vastab FCC reeglite 15. osas sätestatud B-klassi digitaalsete seadmete nõuetele. Nimetatud nõuete eesmärk on tagada piisav kaitsus kahjulike häirete eest tavakasutusel. Seade tekitab, kasutab ja võib kiirata raadiosageduslikku energiat. Kui seadet ei paigaldata ega kasutata vastavalt juhiste, võib see segada raadiosideseadmete tööd. Häireid võib siiski esineda iga paigalduse korral. Kui seade häirib raadio- või telesignaali vastuvõttu, mida saab kindlaks teha seadme korra sisse- ja väljalülitamisega, saab vastuvõetava signaali segamise vähendamiseks teha järgmist.

- Suurendage seadme ja vastuvõtja vahelist kaugust.
- Küsige abi edasimüüjalt.

Märgistus tootel on leitav paremal kõrvaklapi sildil.

Nõuetele vastavus ja heakskiidud

Käesolevaga kinnitab Husqvarna AB SE-561 82 Huskvarna, Sweden, tel: +46-36-146500, et raadioseadme tüüp HP500C-01 ning HP500C-01 on kooskõlas 2014/53/EU, 2011/65/EU ja määrusega (EU) 2016/425. EL-i vastavusdeklaratsiooni täistekst on saadaval järgmisel veebiaadressil. www.husqvarna.com; otsige X-COM Active, HP500C-01, HP500C-02.

Toote summutusväärtusi ja mürataseme väärtusi on testitud vastavalt järgmistele standarditele: EN 352-1:2020 (peavõru), EN 352-3:2020 (paigaldatud kiiver) EN 352-4:2020, EN 352-6:2020 ja EN 352-8:2020.

Vastavust hindas järgmine teavitatud asutus: Teavitatud asutuse number 1974. PZT GmbH, Bisumarckstraße 264 B, 26389 Wilhelmshaven, Germany.

Sertifitseerimine ja järelevalve PZT poolt.

Aku on sertifitseeritud vastavalt IEC62133 väljaande 2.



Registreeritud kaubamärgid

Bluetooth®-i sõnamärk ja logod on ettevõtte *Bluetooth SIG, inc.* registreeritud kaubamärgid ja ettevõtte Husqvarna kasutab neid litsentsi alusel.

Ohutus

Ohutuse määratlused

Mõistetega „hoiatus“, „ettevaatust“ ja „märkus“ juhitakse tähelepanu eriti olulistele kohtadele kasutusjuhendis.



HOIATUS: Tähistab kasutusjuhendi juhiste eiramise korral kasutaja või kõrvalseisjate kehavigastuse või surmaga lõppeva õnnetuse ohtu.



ETTEVAATUST: Tähistab kasutusjuhendi juhiste eiramise korral seadme, muude esemete või läheduses asuvate objektide kahjustamise ohtu.

Märkus: Tähistab antud olukorras vajalikku lisateavet.

Üldine ohutus



HOIATUS: Enne toote kasutamist lugege läbi järgmised hoiatused.

- Järgige neid juhiseid ja hoidke need alles.
- Optimaalse sobivuse ja talitluse tagamiseks veenduge, et olete valinud enda rakenduse jaoks sobiva toote.
- Ärge vahetage ega eemaldage toote osasid. Vahetage ainult selles kasutusjuhendis välja toodud osasid.
- Selle kasutusjuhendi eiramise tagajärjel võib toote mürasummutusvõime märkimisväärselt halveneda. Kõrvaklapid, eriti padjad, võivad kasutamisel kuluda ja neid tuleb regulaarselt kontrollida pragude ja lekete suhtes. Vt jaotisest *Hooldamine lk 99*.
- Teatud keemilised ained võivad seda toodet tugevalt kahjustada. Lisainfot saate tootjalt. Kaitske toodet agressiivsete ainete eest ja puhastage seda regulaarselt. Kasutage lappi vee ja seebiga. Ärge peske ega kastke täielikult vette.
- Kõik hooldus- ja remonditööd tuleb lasta teha heakskiidetud hooldustöökojas. Kasutage ainult Husqvarna originaalvaruosi.
- Ärge kunagi kasutage kõrvaklappe kauem kui 10 aastat pakendile märgitud tootmiskuupäevast.
- Toote funktsionaalsus võib akukulu tõttu halveneda.

Ohutusjuhised kasutamisel

- Kandja peab veenduma, et ta kannaks kõrvaklappe alati, kui ta viibib mürarikas keskkonnas.
- Olge toodet kasutades ettevaatlikum ja kuulake hoiatussignaale. Toodet kasutades võivad olla hoiatussignaalid vaiksemad.
- Hoiatussignaalide kuuldamine teatud töökohas võib olla meelelahutusfunktsiooni kasutades vähendatud.
- Veenduge, et toode ei saaks transportimise ja kasutamise ajal pörutada.
- Kasutage toodet ainult temperatuuril vahemikus $-20...+55$ °C. Kui kasutate toodet muudel temperatuuridel, võivad saada kahju elektroonika, aku ja mehaanilised osad.
- Enne kasutamist tehke toote kasutamine endale selgeks. Kui toode on saanud kahju, võtke ühendust hooldusesindajaga. Ärge avage korpust!
- Hügieenikatete paigaldamine kõrvapatjadele võib vähendada kõrvaklappide akustilist toimet. Kasutage alati originaalseid lisatarvikuid.
- Ärge suruge kõrvaklappe vastu kiivri kesta. See võib tekitada mõrasid ümber kiivri ääre.

(Joon. 4)

- Ärge hoidke toodet temperatuuril üle 55 °C, näiteks armatuurilaual. Ärge hoidke toodet temperatuuril alla -20 °C.
- Kandja peab veenduma, et kõrvaklapid oleksid paigaldatud, reguleeritud ja hooldatud selle kasutusjuhendi juhiste järgi.
- Kõrvaklapid on varustatud ohutuse tagamiseks ette nähtud helisisendiga. Kasutaja peab enne kasutamist veenduma, et ta mõistaks toote käsitsemisõhimoiteid. Moonutuse või rikke korral peab kasutaja järgima tootja hooldusjuhiseid.

Aku ohutus

- Kõrvaklapp on varustatud tasemest sõltuva sumbumisega. Kasutaja peab enne kasutamist kontrollima korrektset toimimist. Rikke või kahjustuse tuvastamisel peab kasutaja järgima tootja hooldusjuhiseid.
- Toode sisaldab akut ning elektrilisi komponente, mis võivad tule- või plahvatusohtlikus keskkonnas tulekahju põhjustada. Ärge kasutage toodet keskkonnas, kus sädemed võivad tulekahju või plahvatuse põhjustada.
- Laadige toodet ainult temperatuurivahemikus $0...40$ °C. Väljaspool seda temperatuurivahemikku laadimine võib kahjustada elektroonikat ja akut.

Kokkupanek

Sissejuhatus



HOIATUS: Enne toote kinnitamist lükake juuksed kõrvale. Enne toote kasutamist veenduge, et kõrvapadjad oleksid tihedalt vastu pead ja ümber kõrvade.

Peavõruga kõrvaklappide paigaldamine

1. Pange peavõru pea peale.
2. Suuruse reguleerimiseks liigutage kõrvaklappe üles või alla. (Joon. 5)

Kõrvaklappide kinnitamine kiivri külge

1. Paigaldage kiivri katile õige adapteri kinnituse tüüp. Vt jaotisest *Heaks kiidetud kiivrid lk 100*.
2. Paigaldage kiivri kahvel lisatarviku adapterile. (Joon. 6)

Märkus: Vt jaotisest *Heaks kiidetud kiivrid lk 100* lisateabe saamiseks selle kohta, milline kiivri lisatarvik teie kiivri jaoks sobib.

3. Reguleerige kõrvaklapid kõige alumisse asendisse.
4. Tõstke kõrvaklapid välja ja üles, kuni need lukustuvad ooteasendisse. (Joon. 7)
5. Tehke juhtmele märk.
 - a) Kiivri H300 puhul tehke märgistus kumbagist kõrvaklapist 27 cm/11 tolli (X) kauguselt.
 - b) Kiivri Spire Vent X puhul tehke märgistus kumbagist kõrvaklapist 14,5 cm/6 tolli (Y) kauguselt. (Joon. 8)
6. Pange kiivrikinnitus kiivri olevasse pesa. (Joon. 9)
7. Jätka vastavalt oma heakskiidetud kiivri paigaldusjuhistele.



ETTEVAATUST: Veenduge, et juhe poleks väändunud ega väikese väänderaadiusega. Veenduge, et juhe liigub sujuvalt kiivri avasse.

Kõrvaklappide kinnitamine kiivri külge H300

1. Vabastage kiivri pearihm. (Joon. 10)

2. Kinnitage kaabel kaablisidemete või klambritega avade külge. (Joon. 11)
3. Kui kinnitate kaabli kaablisidemetega, lõigake kaablise parajaks ja lükake kaablisideme kinnitus külgsessa.
4. Tehke juhtmesse silmus ning kinnitage pearihm ja kaelakaitse. Veenduge, et juhe oleks kiivri kesta ja pearihma vahel. (Joon. 12)

Kõrvaklappide kinnitamine kiivri külge Spire Vent X

1. Pange juhe tahapoole silmusesse.
2. Kinnitage juhe juhtmevitstega pearihma külge. Pange juhtmevits läbi peavõru tagumise rihma.
3. Lõigake juhtmevitsa ots maha.
4. Asetage kaabli ülejäänud osa ringikujuliselt tagumise peavõru taha. (Joon. 13)

Kõrvaklappide tööasendisse panemine

1. Pange kiiver pähe.
2. Reguleerige kõrvaklappe, kuni need on tihedalt ümber kõrvade ja tugevalt vastu pead. (Joon. 14)

Kõrvaklappide ooteasendisse panemine

- Tõstke kõrvaklapid välja ja üles, kuni need lukustuvad ooteasendisse. (Joon. 15)

Kõrvaklappide hoiuasendisse panemine

1. Pange kõrvaklapid ooteasendisse. Vt jaotisest *Kõrvaklappide ooteasendisse panemine lk 95*.
2. Pöörake kõrvaklapid tahapoole kiivri külgedele, kuni need lukustuvad hoiuasendisse. (Joon. 16)

Poomiga mikrofoni ühendamine

Kasutage varsmikrofoni valju müraga keskkondades.

1. Kinnitage tuulefilter poomiga mikrofoni külge.
2. Ühendage poomiga mikrofoni paremal kõrvaklapil oleva mikrofoni pistikupessa. (Joon. 17)
3. Asetage poomiga mikrofoni 1 cm/0,4 tolli (A) kaugusele suust.

Töö

Sissejuhatus



HOIATUS: Enne seadme kasutamist lugege põhjalikult läbi ohutust puudutav jaotis.

Toote laadimine

1. Ühendage laadija juhtme USB-C-pistik vasaku kõrvaklapi pistikupessa. (Joon. 18)

2. Ühendage laadijajuhtme USB-pistik USB-laadija või muu USB-pistikupesaga.

Märkus: Maksimaalsel võimsusel laadimiseks peab pistikupesa väljund olema 5 V ja 2 A.

Märkus: Bluetooth® nupu LED-märgutuli vilgub aku laadimise ajal aeglaselt roheliselt. Bluetooth® nupu LED-indikaator põleb roheliselt, kui aku on täielikult laetud.

Kanali nupu LED-indikaator	Aku laadimisolek
3 LED-märgutuld põlevad.	Aku on laetud 90–100%.
2 LED-tuld põlevad ja 1 LED-tuli vilgub aeglaselt.	Aku on 70-90% laetud.
1 LED-tuli põleb ja 1 LED-tuli vilgub aeglaselt.	Aku on 20-70% laetud.
1 LED-TULI vilgub aeglaselt.	Aku on 10-20% laetud.
1 LED-TULI vilgub kiiresti.	Aku on 0-10% laetud.

Toote käivitamine

- Vajutage ja hoidke ON/OFF nuppu üks sekund all.

Märkus: Piiks annab märku, et toode on sisse lüüritatud. Kanalipu keskmine LED-märgutuli põleb kaks sekundit. Helisõnum annab teada aku olekust ja Bluetooth® juhtmevaba tehnoloogiaga ühendatud seadmete arvust. Kui toode leiab meeskonna, ütleb helisõnum teile, millise meeskonnaga olete ühendatud. Vt allpool olevat tabelit.

Heliteade
BATTERY HIGH
BATTERY MEDIUM
BATTERY LOW
BATTERY CRITICAL

Heliteade
ONE BLUETOOTH DEVICE CONNECTED
TWO BLUETOOTH DEVICES CONNECTED
CONNECTED TO TEAM CHANNEL 1

Heliteade
CONNECTED TO TEAM CHANNEL 2
CONNECTED TO TEAM CHANNEL 3

Aku oleku näitamine

- Vajuta nuppu ON/OFF.

Märkus: Kanalipu LED-märgutuli näitab 5 sekundi jooksul rohelist tuld. Vt allpool olevat tabelit.

LED-märgutuli	Aku olek
3 LED-märgutuld põlevad.	Aku on laetud 90–100%.
2 LED-märgutuld põlevad.	Aku on 70-90% laetud.
1 LED-märgutuli põleb.	Aku on 20-70% laetud.
1 LED-TULI vilgub kiiresti.	Aku on 0-10% laetud.

FM-raadiorežiimi ja Bluetooth® režiimi vahetamine

- FM-raadiorežiimi ja Bluetooth® režiimi vahetamiseks vajutage 2 korda kiiresti režiiminuppu.

Märkus: Heliteade näitab, millise režiimi olete valinud. Vt allpool olevat tabelit.

Heliteade
RADIO
BLUETOOTH

FM-raadio režiim

Fm-raadio režiimis saate juurdepääsu FM-raadiote linnapiirkondades või muudes tugeva FM-raadiosignaali piirkondades. FM-raadio jõudlust võib mõjutada ebatasane maastik või tihedast taimestik.

FM-raadiojaama muutmise

- FM-raadiojaama vahetamiseks vajutage ja hoidke helitugevuse suurendamise nuppu või helitugevuse vähendamise nuppu 1 sekundi vältel all.

Bluetooth® režiim

Bluetooth® režiimis saate ühendada oma toote Bluetooth® juhtmevaba tehnoloogiaga seadmega.

Sidumistoimingu Bluetooth® sooritamine

- Seadme sidumise alustamiseks vajutage ja hoidke Bluetooth® nuppu 2 sekundit all.

Märkus: Sidumine algab, kui kuulete piiksu ja Bluetooth® nupp vilgub siniselt. Sidumistoiming kestab 30 sekundit.

2. Alustage seadmes Bluetooth® juhtmevaba tehnoloogia sidumist.
3. Vajaduse korral valige seadme ühikute loendist soovitud Husqvarna X-COM Active.

Märkus: Heliteade teavitab teid toote olekust. Vt allpool olevat tabelit.

Heliteade	Bluetooth® nupu LED-märgutüli	Teave
BLUETOOTH DEVICE CONNECTED	Ühtlane sinine.	Toode on ühendatud Bluetooth® juhtmevaba tehnoloogiaga seadmega.
BLUETOOTH CONNECTION FAILED	2 sekundit pidevalt punane.	Toode ei ole ühendatud Bluetooth® juhtmevaba tehnoloogiaga seadmega.

Märkus: Bluetooth® juhtmevaba tehnoloogiaga seade, mis on ühendatud teie tootega, ühendub järgmisel korral, kui toodet seadmega kasutatakse automaatselt.

Tiimi loomine ja seadmete lisamine

Tiim on suhtlusrühm, mis võimaldab teil rääkida kõigi tiimiga ühendatud seadmetega. Kui tiimi ei ole loodud, saate selle protseduuriga uue tiimi luua. Seejärel saate protseduuri uuesti teha, et lisada tiimi uusi seadmeid. Tiimi saab luua üks inimene ja teised seadmed ühenduvad tiimiga, nagu on näidatud *Tiimiga ühenduse loomine lk 97*. Tiimi saab uue seadme lisada ainult üks inimene korraga. Uus seade peab looma ühenduse tiimiga, nagu on näidatud *Tiimiga ühenduse loomine lk 97*.

1. Vajutage ühe sekundi vältel režiiminuppu, et siseneda tiimihaldusrežiimi ja tiimi seadistusse.

Märkus: Heliteade ütleb, et oled tiimihaldusrežiimis. Vt allpool olevat tabelit.

Heliteade	Bluetooth® nupu LED-märgutüli
TEAM MANAGEMENT	Ühtlane valge.

2. Vajutage Bluetooth® nuppu.

Märkus: Heliteade näitab sidumise olekut.

Sidumine algab, kui kuulete piiksu. Vt allpool olevat tabelit.

Heliteade	Bluetooth® nupu LED-märgutüli
SEARCHING FOR MEMBERS	LED-tuli vilgub kiiresti.

Märkus: Sidumistoiming kestab ühe minuti. Seadmed ühenduvad tiimiga umbes ühe minutiga. Sidumine on lõpetatud, kui kuulete piiksu ja Bluetooth® nupp näitab pidevat rohelist tuld. Iga kord, kui uus seade tiimiga ühenduse loob, kostab piiks. Tiimiga ühenduse loomiseks vaadake *Tiimiga ühenduse loomine lk 97*.

3. Kui soovite enne 1 minuti möödumist sidumise peatada, vajutage režiiminuppu.
4. Kui soovite tiimi uue seadme lisada, järgige uuesti samu juhiseid.

Märkus: Üks kord tiimiga ühendatud seade ühendub järgmisel kasutamisel tiimiga automaatselt.

Tiimiga ühenduse loomine

Kui ühtegi tiimi pole loodud ei saa tiimiga ühendust luua. Tiimi loomiseks vaadake jaotist *Tiimi loomine ja seadmete lisamine lk 97*. Saate tiimiga ühenduse luua samal ajal, kui uut tiimi luuakse. Saate tiimiga ühenduse luua ka siis, kui tiimilige tiimi uusi seadmeid lisab.

1. Tiimi haldusrežiimi sisenemiseks vajutage režiiminuppu ühe sekundi vältel.

Märkus: Heliteade ütleb, et oled tiimihaldusrežiimis. Vt allpool olevat tabelit.

Heliteade	Bluetooth® nupu LED-märgutüli
TEAM MANAGEMENT	Ühtlane valge.

2. Vajutage helitugevuse suurendamise nuppu.

Märkus: Sidumine algab, kui kuulete piiksu ja Bluetooth® nupp vilgub aeglaselt. Sidumistoiming kestab ühe minuti. Heliteade ütleb, et olete tiimiga ühendatud. Vt allpool olevat tabelit.

Heliteade	Bluetooth® nupu LED-märgutüli
CONNECTED TO TEAM	Ühtlane roheline.

Märkus: Saate tiimiga rääkida pärast seda, kui heliteade ütleb, et olete tiimiga ühendatud.

Tiimiga ühenduse katkestamine

1. Tiimi haldusrežiimi sisenemiseks vajutage režiiminuppu ühe sekundi vältel.

Märkus: Heliteade ütleb, et oled tiimihaldusrežiimis. Vt allpool olevat tabelit.

Heliteade	Bluetooth® nupu LED-märgutül
TEAM MANAGEMENT	Ühtlane valge.

2. Vajutage helitugevuse vähendamise nuppu.

Märkus: Heliteade ütleb, et olete tiimiga ühenduse katkestanud. Vt allpool olevat tabelit.

Heliteade	Bluetooth® nupu LED-märgutül
LEAVING TEAM	LED-tuli vilgub punaselt kolm korda.

Suhtluskanali vahetamine

- Vajutage kanali nuppu, et valida suhtluskanal 1, 2 või 3.

Märkus: Heliteade näitab, millises kanalis olete. Vaadake allolevat tabelit.

Heliteade	Kanali LED-märgutül
CHANNEL 1	Ühtlane valge kanalil 1.
CHANNEL 2	Ühtlane valge kanalil 2.
CHANNEL 3	Ühtlane valge kanalil 3.

Kõigi suhtluskanalitega rääkimine

- Vajutage ja hoidke all kanalinnuppu, et rääkida korraga kõigi suhtluskanalitega.

Märkus: Kui kuulete piiksu, olete ühendatud kõigi suhtluskanalitega. Kõik kanali LED-märgutuled on ühtlaselt valged, et näidata, et olete ühendatud kõigi kanalitega.

- Eelmisele kanalile naasmiseks vabastage kanalinnup.

Mikrofoni lubamine või keelamine

- Vajutage vaigistusnuppu, kuni kuulete piiksu.

Heli voogesituse muutmine

- Järgmise heli voogesituse valimiseks vajutage ja hoidke helitugevuse suurendamise nuppu 0,5 sekundit all.
- Eelmise heli voogesituse juurde naasmiseks vajutage ja hoidke helitugevuse vähendamise nuppu 0,5 sekundit all.

Heli voogesituse peatamine või alustamine

- Heli voogesituse peatamiseks või alustamiseks vajutage režiiminuppu.

Telefonikõne vastuvõtmiseks, lõpetamiseks või tühistamiseks

Kui teie mobiilsideseade on ühendatud tootega Bluetooth® juhtmevaba tehnoloogia abil, kostub sissetuleva telefonikõne ajal kõrvaklappides signaal.

- Telefonikõne vastuvõtmiseks või lõpetamiseks vajutage režiiminuppu.
- Sissetulevast telefonikõnest loobumiseks vajutage 1 sekund režiiminuppu.

Märkus: Piiks annab märku, kui telefonikõne on vastu võetud või tagasi lükatud.

Heliteade	Teave
CALL ENDED	Telefonikõne on lõpetatud.

Telefonikõne tiimile edastamine

1. Telefonikõne vastuvõtmiseks vajutage režiiminuppu.
2. Telefonikõne edastamiseks tiimile vajutage 2 korda kiiresti režiiminuppu.

Märkus: Heliteade annab teada, kui telefonikõne on edastatud. Vt allpool olevat tabelit.

Heliteade	Teave
CALL TRANSFERRED TO TEAM	Telefonikõne on tiimile edastatud.

Telefonikõne katkestamine tiimis

- Vajutage 2 korda kiiresti režiiminuppu.

Märkus: Heliteade annab teada, kui telefonikõne on katkenud. Vt allpool olevat tabelit.

Heliteade	Teave
CALL DISCONNECTED FROM TEAM	Telefonikõne ühendus tiimiga on katkenud.

Helitugevuse reguleerimine

- Helitugevuse reguleerimiseks vajutage helitugevuse suurendamise või vähendamise nuppu. Piiks annab märku, kui helitugevus on minimaalsel või maksimaalsel tasemel.

Ümbritseva heli režiimi valimine

Ümbritseva heli režiim võimaldab teil kuulata ümbritsevaid helisid.

- Vajutage ümbritseva heli nuppu.

Märkus: Heliteade näitab ümbritseva heli režiimi olekut.

Heliteade
AMBIENT LEVEL HIGH

Heliteade
AMBIENT LEVEL MEDIUM
AMBIENT LEVEL LOW
AMBIENT LEVEL OFF

Toote seiskamine

- Vajutage ja hoidke ON/OFF nuppu üks sekund all.

Märkus: Heliteade annab teada aku olekust ja LED-märgutuled kustuvad. Piiks annab märku, et toode on välja lülitatud.

Toote sundseiskamine

- Vajutage ja hoidke ON/OFF nuppu 12 sekundit all.

Hooldamine

Toote hooldamine



ETTEVAATUST: Ärge peske ega kastke toodet täielikult vette.



ETTEVAATUST: Pihustid, vedelikud või muud puhastusvahendid, mis sisaldavad lahusteid ja/või alkoholi, võivad vähendada kaitsefunktsiooni.



ETTEVAATUST: Kasutage Husqvarna originaalvaruosi.

- Puhastage toodet regulaarselt. Kasutage lappi ja nõrka seebilahust.
- Kontrollige enne igat kasutuskorda tihendusrõngaid ja nende vahtkummist sisu.

- Vahetage tihendusrõngaid ja vahtkummist sisu iga 6 kuu järel või vajaduse korral sagedamini. Veenduge, et tihendusrõngaste õhuauk oleks kokkupaneku ajal allapoole suunatud. Kasutage originaalhügieenikomplekti, mis sisaldab tihendusrõngaid ja vahtkummist sisu. Hügieenikomplekti kohta lisateabe saamiseks vt www.husqvarna.com (Joon. 19)

Märkus: Kui kõrvaklapid on seest niisked, laske neil hoiuasendis kuivada. Vt jaotisest *Kõrvaklappide hoiuasendisse panemine lk 95*.

- Kahjustatud mikrofone membraan tuleb asendada.
- Tasemest sõltuva mikrofone tuulefilter tuleb kahjustumise korral asendada.
- Poomiga mikrofone tuulefilter tuleb kahjustumise korral asendada.
- Vajaduse korral asendage kõrvaklappide peavõru Comfort Pad. (Joon. 20)

Transportimine, hoiepanek ja utiliseerimine

Transportimine ja hoiustamine



ETTEVAATUST: Transportimise ja hoiustamise ajal asetage kõrvaklapid tööasendisse, et vähendada plastmaterjali kulumist.

- Pange kõrvaklapid tööasendisse. Vt jaotisest *Kõrvaklappide tööasendisse panemine lk 95*.
- Veenduge, et kõrvapadjad poleks tugevalt kokku surutud.
- Pane toode kuiva ja puhtasse kohta.

- Hoidke toodet hoiustamise ajal päikesevalguse eest kaitstult.
- Aku kvaliteedi säilitamiseks laadige akut iga 6 nädala järel.
- Transportimise ajaks pane toode kindlasse kohta.

Utiliseerimine

- Järgige riiklikke eeskirju.
- Kasutage kohalikku ringlussevõtusüsteemi.
- Toode või toote pakend ei kuulu olmejäätmete hulka. Toimetage see elektri- ja elektroonikajäätmete vastuvõtupunkti.



Lisatarvikud

Heaks kiidetud kiivrid

Kasutage toodet ainult allpool loetletud kiivritega.

Mudel	Kiivri lisatarviku tüüp	Adapteri graafika	Heaks kiidetud mõõtmed
Husqvarna Technical, H300	Adapter H300	(Joon. 21)	M/L
Husqvarna Spire	Adapter Spire	(Joon. 22)	L
KASK Zenith X			

Tehnilised andmed

Vaadake toodete tehnilisi andmeid järgmistelt joonistelt. Täpsemaid tehnilisi andmeid saate vaadata käesoleva kasutusjuhendi tehniliste andmete lisalehelt.

(Joon. 2)

(Joon. 3)

Tehniliste andmete sisu kohta lisateabe saamiseks vaadake järgnevat nimekirja.

- F = sagedused, millel mürasummutust mõõdetakse.
- Mf = keskmine väärtus.
- Sf = standardhälve.
- APV (Mf-Sf) = eeldatav kaitseväärtus.
- H = kõrgsagedusliku müra summutusväärtus (prognoositav mürataseme vähenemine, kui $L_C-L_A = -2$ dB). M = kesksagedusliku müra summutusväärtus (prognoositav mürataseme vähenemine, kui $L_C-L_A = +2$ dB). L = madalsagedusliku müra summutusväärtus (prognoositav mürataseme vähenemine, kui $L_C-L_A = +10$ dB).

- SNR = hinnanguline keskmine mürasummutus (väärtus, mis lahutatakse C-filtriga korrigeeritud helirõhutasemes, L_C , et prognoosida tegelikku A-filtriga korrigeeritud mürataset kõrvas).

Vastutav tootja: Husqvarna AB, SE-561 82 Husqvarna, Rootsi, tel: +46 3614 6500.

Müratase

FM-raadio režiimi ja peakomplekti režiimi maksimaalne ekvivalentne helirõhutase on 82 dB (A).

Materjalid

Osa	Materjal	Osa	Materjal
Sisemine kõrvaklapp	ABS	Peavõru	POM+TPE
Väliline kõrvaklapp, vasak	ABS	Kiivri kahvel	POM
Väliline kõrvaklapp, parem	ABS+TPE	Kiivri kahvli vedru	Teras
Sisud	PUR	Kruvid	Teras

Osa	Materjal	Osa	Materjal
Kõrvapadjad	PVC Ja vahtplast		

Sisälllys

Johdanto.....	102	Kuljettaminen, säilyttäminen ja hävittäminen.....	109
Turvallisuus.....	103	Lisävarusteet.....	109
Asentaminen.....	104	Tekniset tiedot.....	109
Käyttö.....	105	0
Huolto.....	108		

Johdanto

Tuotekuvaus

Tuote X-COM Active (HP500C-01, HP500C-02) on kuulonsuojain, jossa on integroitu kaksisuuntainen tiedonsiirto ja joka on varustettu langattomalla

Tuotteen kuvaus

(Kuva 1)

1. Äänenvoimakkuuden lisäspainike
2. Äänenvoimakkuuden vähennyspainike
3. Äänenvoimakkuuden mukaan säätävä mikrofoni
4. Bluetooth®-painike
5. Puhemikrofoni
6. Tilapainike
7. USB-C-laturin kaapelin lähtö
8. Ympäristön äänet -painike
9. Mykistyspainike
10. Virtapainike
11. Kanavapainike
12. Puomimikrofonin lähtö

Vaatimustenmukaisuus ja hyväksynät

Husqvarna AB SE-561 82 Huskvarna, Sweden, tel: +46-36-146500, vakuuttaa täten, että radiolaitteet mallia HP500C-01 ja HP500C-01 täyttävät direktiivien 2014/53/EU, 2011/65/EU sekä asetuksen (EU) 2016/425 vaatimukset. EU:n vaatimustenmukaisuusvakuutuksen koko teksti on osoitteessa www.husqvarna.com, (käytettävät hakusanat: X-COM Active, HP500C-01, HP500C-02).

Tuotteen vaimennusarvot ja äänitasot on testattu ja hyväksytty seuraavien mukaisesti: EN 352-1:2020 (sankamalli), EN 352-3:2020 (kypäräkiinnitteinen), EN 352-4:2020, EN 352-6:2020 ja EN 352-8:2020.

Vaatimuksenmukaisuustarkistukseen osallistunut ilmoitettu tarkastuslaitos on: Ilmoitetun laitoksen numero on 1974. PZT GmbH, Bismarckstraße 264 B, 26389 Wilhelmshaven, Germany.

PZT:n sertifioima ja valvoma.

Akulla on IEC62133 2 version 2 -sertifointi.



Bluetooth®-yhteydellä sekä FM-radiolla. Malli HP500C-01 on sankamallaan kuulonsuojain ja malli HP500C-02 on kypäräkiinnitteinen kuulonsuojain. Tuote suojaa haitalliselta melulta.

UK Importer:
Husqvarna UK Ltd
Preston Road, Co. Durham
DL5 6UP

FCC ID: ZASHP500, IC ID: 23307-HP500

FCC-toimittajien tuotteista HP500C-01, HP500C-02 vastaavan osapuolen vaatimustenmukaisuusvakuutus.

Husqvarna Professional Products, Inc. 9335 Harris Corners Parkway Suite 500 Charlotte, NC 28269 United States.

Yhteystiedot Yhdysvalloissa: Michael Campbell, Manager Product Compliance, puhelin: +1 704 597 5000.

FCC-vaatimustenmukaisuusvakuutus

Tämä laite täyttää FCC:n sääntöjen osan 15 vaatimukset. Seuraavat kaksi ehtoa koskevat käyttöä: (1) laite ei saa aiheuttaa haitallisia häiriöitä ja (2) laitteeseen on hyväksyttävä kaikki vastaanotettu häiriö silloinkin, kun se aiheuttaa ei-toivottua toimintaa.

Tämä laite on testattu ja sen on havaittu noudattavan FCC:n sääntöjen osassa 15 kuvattuja luokan B digitaalisen laitteen rajoituksia. Rajoitusten tarkoitus on taata kohtuullinen suoja haitallisilta häiriöiltä asuinalueilla. Laite tuottaa, käyttää ja saattaa säteillä radiotaajuusenergiaa ja saattaa häiritä radioliikennettä, jos laitetta ei ole asennettu ja käyty ohjeiden mukaisesti. Minkään asennuksen häiriöttömyyttä ei kuitenkaan voida taata. Jos laite häiritsee radiotai televisiolikennettä, mikä voidaan määrittää katkaisemalla laitteen virta ja kytkemällä se uudelleen, käyttäjä voi yrittää korjata häiriön seuraavasti:

- Vie laite kauemmaksi vastaanottimesta.
- Kysy lisätietoja myyjältä.

Tuotteen merkinnät ovat oikeassa kuulonsuojaimessa olevassa tarrassa.

Rekisteröidyt tavamerkit

Bluetooth® -sanamerkki ja -logot ovat *Bluetooth SIG, inc.*:n omistamia rekisteröityjä tavamerkkejä. Husqvarna käyttää kyseisiä merkkejä luvanvaraisesti.

Turvallisuus

Turvallisuusmääritelmät

Varoituksia, huomioita ja huomautuksia käytetään, kun jotakin käyttöohjeen osaa halutaan erityisesti korostaa.



VAROITUS: Tätä käytetään, jos käyttöohjeen noudattamatta jättämisestä voi seurata käyttäjän tai sivullisen vamma tai kuolema.



HUOMAUTUS: Tätä käytetään, jos käyttöohjeen noudattamatta jättämisestä voi seurata koneen, muiden materiaalien tai ympäristön vaurioituminen.

Huomautus: Tätä käytetään tietyissä tilanteissa tarvittavien lisätietojen antamiseen.

Yleiset turvaohjeet



VAROITUS: Lue seuraavat varoitukset ennen tuotteen käyttöä.

- Säädä nämä ohjeet ja noudata niitä.
- Varmista, että olet valinnut itsellesi parhaiten istuvan ja toimivan tuotteen.
- Älä muuta tai poista tuotteen osia. Tee muutoksia ainoastaan tässä käyttöohjeessa annettujen ohjeiden mukaisesti.
- Tuotteen melunvaimennus heikkenee, jos et noudata tämän käyttöohjeen ohjeita. Kuulonsuojaimet, ja erityisesti niiden kupujen tyyntynyt, voivat kuluu käytössä. Ne on tarkastettava usein halkeamien ja kulumien varalta. Katso kohdasta *Huolto sivulla 108*.
- Tietty kemikaalit voivat heikentää tämän tuotteen tehoa. Lisätietoja saa valmistajalta. Pidä tuote poissa voimakkaiden aineiden läheltä ja puhdista se säännöllisesti. Käytä vedellä ja saippualla kostutettua liinaa. Älä pese äläkä upota kokonaan veteen.
- Kaikki huolto- ja korjaustyöt on tehtävä hyväksytyssä huoltoliikkeessä. Käytä vain alkuperäisiä Husqvarna-varaosia.
- Älä koskaan käytä kuulonsuojaimia yli 10:tä vuotta pakkauksessa ilmoitetusta valmistuspäivästä.
- Laitteen toiminta voi heikentyä akun kuluessa.

Turvallisuusohjeet käyttöä varten

- Käyttäjän on varmistettava, että meluisissa ympäristöissä käytetään aina kuulonsuojaimia.
- Ole tavallista huolellisempi ja kuuntele varoitussignaaleja, kun käytät tuotetta. Tuote vaimentaa varoitussignaaleja.
- Viihdetoiminnon käyttäminen voi heikentää varoitussignaalien kuulamista tietyillä työpaikoilla.
- Varmista, että tuote ei kolhiinnu kuljetuksen ja käytön aikana.
- Käytä tuotetta ainoastaan lämpötilassa -20 – +55 °C (-4°F – +131°F). Jos käytät tuotetta muissa lämpötiloissa, sen elektroniikka, akku ja mekaaniset osat voivat vioittua.
- Varmista ennen tuotteen käyttöä, että osaat käyttää sitä. Ota yhteyttä huoltoliikkeeseen, jos tuote on vioittunut. Älä avaa koteloa!
- Hygieniasuojien kiinnittäminen tyyntyihin voi vaikuttaa kuulonsuojainten akustisiin ominaisuuksiin. Käytä aina alkuperäisiä lisävarusteita.
- Älä paina kuulonsuojaimia kypärän ulkokuorta vasten. Se voi aiheuttaa halkeamia kypärän sivuille.

(Kuva 4)

- Älä säilytä tuotetta yli 55 °C:n (131 °F) lämpötilassa esimerkiksi kojelaudalla. Älä säilytä tuotetta alle -20 °C:n (-4°F) lämpötilassa.
- Käyttäjän on varmistettava, että kuulonsuojaimet sovitetaan ja niitä säädetään ja hoidetaan tämän käyttöohjeen mukaisesti.
- Kuulonsuojaimissa on turvallisuutta lisäävää audiotulo. Käyttäjän on tarkistettava suojaimen toimivuus ennen käyttöä. Jos toiminnassa ilmenee häiriöitä tai vikoja, käyttäjän on toimittava valmistajan antamien huolto-ohjeiden mukaisesti.

Akkuturvallisuus

- Kuulonsuojaimessa äänitasosta riippuva vaimennus. Käyttäjän on tarkistettava suojaimen toimivuus ennen käyttöä. Jos toiminnassa ilmenee häiriöitä tai vikoja, käyttäjän on toimittava valmistajan antamien huolto-ohjeiden mukaisesti.
- Tuote sisältää akun ja sähkökomponentteja, jotka voivat syttyä palamaan palo- tai räjähdysriskissä ympäristöissä. Tuotetta ei saa käyttää ympäristöissä, joissa kipinät voivat aiheuttaa tulipalon tai räjähdyksen.
- Lataa tuotetta ainoastaan lämpötilassa 0–40 °C (32–104°F). Lataaminen muissa lämpötiloissa voi vioittaa elektroniikkaa ja akkua.

Asentaminen

Johdanto



VAROITUS: Siirrä hiukset sivuun, ennen kuin kokoat tuotteen. Varmista, että tiivistysrenkaat ovat tiiviisti päätä vasten ja korvien ympärillä, ennen kuin käytät tuotetta.

Kuulosuojaimien käyttäminen sangan kanssa

1. Laita sanka pääsi päälle.
2. Säädä korkeutta liikuttamalla suojaimia ylös tai alas. (Kuva 5)

Kuulosuojaimen kiinnittäminen kypärään

1. Asenna kypärään kuulosuojaiminmalliin sopivat kiinnikesovittimet. Katso kohdasta *Hyväksytyt kypärät sivulla 109*.
2. Asenna kypäräkiinnike kiinnikesovittimeen. (Kuva 6)

Huomautus: Katso kohdasta *Hyväksytyt kypärät sivulla 109*, mikä kypäräkiinnike sopii kypärään.

3. Siirrä kuulosuojaimet ala-asentoon.
4. Nosta kuulosuojaimia ulos- ja ylöspäin, kunnes ne lukittuvat säilytysasentoon. (Kuva 7)
5. Tee merkintä johtoon.
 - a) Jos kypärän malli on H300, tee merkintä 27 cm:n / 11 tuuman (X) päähän kummastakin kuulosuojaimesta.
 - b) Jos kypärän malli on Spire Vent X, tee merkintä 14,5 cm:n / 6 tuuman (Y) päähän kummastakin kuulosuojaimesta. (Kuva 8)
6. Aseta kypäräkiinnike kypärässä olevaan aukkoon. (Kuva 9)
7. Jatka hyväksytyin kypärän kokoamisohjeiden mukaisesti.



HUOMAUTUS: Varmista, että johto ei taitu tai ettei sillä ole pieni taipumissäde. Varmista, että johto liikkuu sujuvasti kypärän aukossa.

Kuulosuojaimien kiinnittäminen kypärään H300

1. Irrota päävaljaat kypärästä. (Kuva 10)

2. Kiinnitä johto reikiin nippusiteillä tai kiinnikkeillä. (Kuva 11)
3. Jos kiinnität johdon nippusiteillä, katkaise nippuside ja työnnä nippusiteen lukko sivuaukkoon.
4. Aseta johto silmukaksi ja kiinnitä päävaljaat ja niskansuojus. Varmista, että johto on kypärän ulkokuoren ja päävaljaiden välissä. (Kuva 12)

Kuulosuojaimien kiinnittäminen kypärään Spire Vent X

1. Aseta johto silmukaksi taaksepäin.
2. Kiinnitä johto päävaljaisiin nippusiteillä. Kiinnitä nippuside sangan takahihnaan.
3. Katkaise nippuside.
4. Aseta loput johdosta silmukaksi taaksepäin niskaosan taakse. (Kuva 13)

Kuulosuojainten asettaminen käyttöasentoon

1. Aseta kypärä päähän.
2. Säädä kuulosuojaimet siten, että ne ovat tiiviisti korvien ympärillä ja päätä vasten. (Kuva 14)

Kuulosuojainten asettaminen valmiusasentoon

- Nosta kuulosuojaimia ulos- ja ylöspäin, kunnes ne lukittuvat säilytysasentoon. (Kuva 15)

Tuotteen asettaminen kuljetusasentoon

1. Aseta kuulosuojaimet valmiusasentoon. Katso kohdasta *Kuulosuojainten asettaminen valmiusasentoon sivulla 104*.
2. Käännä kuulosuojaimia taaksepäin kypärän sivuja pitkin, kunnes ne lukittuvat kuljetusasentoon. (Kuva 16)

Puomimikrofonin liittäminen

Käytä puomimikrofonia meluisissa ympäristöissä.

1. Kiinnitä tuulisuojaus puomimikrofoniin.
2. Liitä puomimikrofoni oikean kuulosuojaimen mikrofonilähtöön. (Kuva 17)
3. Aseta puomimikrofoni 1 cm:n (0,4 tuumaa) (A) etäisyydelle suusta.

Käyttö

Johdanto



VAROITUS: Lue turvallisuutta käsittelevä luku niin, että ymmärrät sen sisällön, ennen laitteen käyttämistä.

Tuotteen lataaminen

1. Liitä latauskaapelin USB-C-liitin vasemman kuulonsuojaimen liitäntään. (Kuva 18)
2. Liitä latauskaapelin USB-liitin USB-laturiin tai muuhun USB-porttiin.

Huomautus: Virtalähteen lähtövirran on oltava 5 V / 2 A, jotta tuote latautuu enimmäiskapasiteetilla.

Huomautus: Bluetooth®-painikkeen LED-merkkivalo vilkkuu hitaasti vihreänä, kun akku latautuu. Bluetooth®-painikkeen LED-merkkivalo palaa tasaisen vihreänä, kun akku on ladattu täyteen.

Kanavapainikkeen LED-merkkivalo	Akun varaustila
3 merkkivaloa palaa.	Akun varaustaso on 90–100 %.
2 merkkivaloa palaa ja 1 merkkivalo vilkkuu hitaasti.	Akun varaustaso on 70–90 %.
1 LED-merkkivalo palaa ja 1 LED-merkkivalo vilkkuu hitaasti.	Akun varaustaso on 20–70 %.
1 LED-merkkivalo vilkkuu hitaasti.	Akun varaustaso on 10–20 %.
1 LED-merkkivalo vilkkuu nopeasti.	Akun varaustaso on 0–10 %.

Laitteen käynnistäminen

- Paina virtapainiketta sekunnin ajan.

Huomautus: Äänimerkki ilmaisee, että tuote on päällä. Kanavapainikkeen keskimmainen LED-merkkivalo palaa 2 sekunnin ajan. Ääniviesti ilmoittaa akun tilan ja kuinka monta laitetta on liitetty langattomasti Bluetooth®-yhteydellä. Jos tuote löytää ryhmän, ääniviesti kertoo, mihin ryhmään olet yhteydessä. Katso alla oleva taulukko.

Ääniviesti
BATTERY HIGH
BATTERY MEDIUM
BATTERY LOW
BATTERY CRITICAL

Ääniviesti
ONE BLUETOOTH DEVICE CONNECTED
TWO BLUETOOTH DEVICES CONNECTED
CONNECTED TO TEAM CHANNEL 1
CONNECTED TO TEAM CHANNEL 2
CONNECTED TO TEAM CHANNEL 3

Akun tilan tarkistaminen

- Paina virtapainiketta.

Huomautus: Kanavapainikkeen LED-merkkivalo palaa vihreänä 5 sekunnin ajan. Katso alla oleva taulukko.

LED-merkkivalo	Akun tila
3 merkkivaloa palaa.	Akun varaustaso on 90–100 %.
2 merkkivaloa palaa.	Akun varaustaso on 70–90 %.
1 merkkivalo palaa.	Akun varaustaso on 20–70 %.
1 LED-merkkivalo vilkkuu nopeasti.	Akun varaustaso on 0–10 %.

Siirtyminen FM-radiotilan ja Bluetooth®-tilan välillä

- Siirry FM-radiotilan ja Bluetooth®-tilan välillä painamalla tilapainiketta nopeasti 2 kertaa.

Huomautus: Ääniviesti kertoo valitun tilan. Katso alla oleva taulukko.

Ääniviesti
RADIO
BLUETOOTH

FM-radiotila

FM-radiotilassa voit kuunnella FM-radiota kaupunkialueilla tai muilla alueilla, joilla on vahva FM-radiosignaali. FM-radion suorituskykyyn voi vaikuttaa epätasainen maasto tai tiheä kasvillisuus.

FM-radiokanavan vaihtaminen

- Vaihda FM-radiokanavaa pitämällä äänenvoimakkuuden lisäyspainiketta tai vähennyspainiketta painettuna 1 sekunnin ajan.

Bluetooth®-tila

Bluetooth®-tilassa voit yhdistää tuotteen laitteeseen, jossa käytetään langatonta Bluetooth®-tekniikkaa.

Bluetooth®-laitteparin muodostaminen

- Käynnistä laiteparin muodostaminen painamalla Bluetooth®-painiketta 2 sekunnin ajan.

Huomautus: Laitteparin muodostus käynnistyy, kun kuulet äänimerkin ja Bluetooth®-painike vilkkuu hitaasti sinisenä. Laitteparin muodostustila on aktiivinen 30 sekunnin ajan.

- Käynnistä laiteparin muodostus langatonta Bluetooth®-yhteyttä varten.
- Valitse laitteen laiteluettelosta tarvittaessa Husqvarna X-COM Active.

Huomautus: Ääniviesti kertoo tuotteen pariitoksen tilan. Katso alla oleva taulukko.

Ääniviesti	Bluetooth®-painikkeen LED-merkkivalo	Informaatio
BLUETOOTH DEVICE CONNECTED	Palaa tasainen sinisenä.	Tuote on yhdistetty laitteeseen, jossa käytetään langatonta Bluetooth®-tekniikkaa.
BLUETOOTH CONNECTION FAILED	Palaa tasainen punaisena 2 sekuntia.	Tuotetta ei ole yhdistetty laitteeseen, jossa käytetään langatonta Bluetooth®-tekniikkaa.

Huomautus: Tuotteeseen yhdistetty laite, jossa käytetään langatonta Bluetooth®-tekniikkaa, muodostaa yhteyden tuotteeseen automaattisesti seuraavan kerran, kun tuotetta käytetään laitteen kanssa.

Ryhmän määrittäminen ja laitteiden lisääminen

Ryhmä tarkoittaa viestintäryhmää, jonka kautta puhe välittyy kaikkiin ryhmään liitettyihin laitteisiin. Jos ryhmää ei ole, toiminto määrittää uuden ryhmän. Tämän jälkeen voit lisätä uusia laitteita ryhmään toistamalla toiminnon. Ryhmän määrittää yksi käyttäjä, ja muut laitteet yhdistetään ryhmään tavalla, joka esitetään kohdassa *Yhteyden muodostaminen ryhmään sivulla 107*. Vain yksi henkilö kerrallaan voi lisätä uuden laitteen ryhmään. Uusi laite on yhdistettävä ryhmään tavalla, joka esitetään kohdassa *Yhteyden muodostaminen ryhmään sivulla 107*.

- Siirry ryhmän määrittystilaan painamalla tilapainiketta 1 sekunnin ajan.

Huomautus: Ääniviesti kertoo, että olet ryhmän määrittämissä. Katso alla oleva taulukko.

Ääniviesti	Bluetooth®-painikkeen LED-merkkivalo
TEAM MANAGEMENT	Palaa tasainen valkoisena.

- Paina Bluetooth®-painiketta.

Huomautus: Ääniviesti kertoo pariitoksen tilan. Laitteparin muodostus käynnistyy, kun kuulet äänimerkin. Katso alla oleva taulukko.

Ääniviesti	Bluetooth®-painikkeen LED-merkkivalo
SEARCHING FOR MEMBERS	LED-merkkivalo vilkkuu nopeasti.

Huomautus: Laitteparin muodostustila on aktiivinen 1 minuutin ajan. Laitteet muodostavat yhteyden ryhmään noin minuutissa. Laitteparin muodostus on valmis, kun kuulet äänimerkin ja Bluetooth®-painikkeessa palaa tasainen vihreä valo. Äänimerkki kuuluu aina, kun uusi laite muodostaa yhteyden ryhmään. Lisätietoja yhteyden muodostamisesta tiimiin on kohdassa *Yhteyden muodostaminen ryhmään sivulla 107*.

- Jos haluat keskeyttää laiteparin muodostamisen alle 1 minuutissa, paina tilapainiketta.
- Jos haluat lisätä ryhmään uuden laitteen, tee sama toimenpide uudelleen.

Huomautus: Yhdistetty laite muodostaa automaattisesti yhteyden ryhmään kun sitä käytetään seuraavan kerran.

Yhteyden muodostaminen ryhmään

Ryhmään ei voi muodostaa yhteyttä, jos ryhmää ei ole määritetty. Lisätietoja ryhmän perustamisesta on kohdassa *Ryhmän määrittäminen ja laitteiden lisääminen sivulla 106*. Voit muodostaa yhteyden ryhmään samalla, kun uusi ryhmä määritetään. Voit myös muodostaa yhteyden, jos ryhmän jäsen lisää uusia laitteita ryhmään.

1. Siirry ryhmän hallintatilaan painamalla tilapainiketta sekunnin ajan.

Huomautus: Ääniviesti kertoo, että olet ryhmän määrittämissä. Katso alla oleva taulukko.

Ääniviesti	Bluetooth®-painikkeen LED-merkkivalo
TEAM MANAGEMENT	Palaa tasaisen valkoisena.

2. Paina äänenvoimakkuuden lisäyspainiketta.

Huomautus: Laiteparin muodostus käynnistyy, kun kuulet äänimerkin ja Bluetooth®-painike vilkkuu hitaasti. Laiteparin muodostustila on aktiivinen 1 minuutin ajan. Ääniviesti ilmoittaa, että yhteys ryhmään on muodostettu. Katso alla oleva taulukko.

Ääniviesti	Bluetooth®-painikkeen LED-merkkivalo
CONNECTED TO TEAM	Palaa tasaisen vihreänä.

Huomautus: Voit puhua ryhmälle sen jälkeen, kun ääniviesti ilmoittaa, että yhteys on muodostettu.

Poistuminen ryhmästä

1. Siirry ryhmän hallintatilaan painamalla tilapainiketta sekunnin ajan.

Huomautus: Ääniviesti kertoo, että olet ryhmän määrittämissä. Katso alla oleva taulukko.

Ääniviesti	Bluetooth®-painikkeen LED-merkkivalo
TEAM MANAGEMENT	Palaa tasaisen valkoisena.

2. Paina äänenvoimakkuuden vähennyspainiketta.

Huomautus: Ääniviesti kertoo, että olet poistunut ryhmästä. Katso alla oleva taulukko.

Ääniviesti	Bluetooth®-painikkeen LED-merkkivalo
LEAVING TEAM	Merkkivalo vilkkuu punaisena 3 kertaa.

Viestintäkanavan vaihtaminen

- Valitse kanavapainiketta painamalla kanava 1, 2 tai 3.

Huomautus: Ääniviesti kertoo käytössä olevan kanavan. Katso lisätietoja alla olevasta taulukosta.

Ääniviesti	Kanavan LED-merkkivalo
CHANNEL 1	Kanava 1: tasaisen valkoinen
CHANNEL 2	Kanava 2: tasaisen valkoinen
CHANNEL 3	Kanava 3: tasaisen valkoinen

Puhuminen kaikille kanaville

- Pidä kanavapainiketta painettuna, kun haluat puhua kaikille kanaville samanaikaisesti.

Huomautus: Kaikkiin kanaviin on muodostettu yhteys, kun kuulet äänimerkin. Kaikki kanavien LED-merkkivalot palavat valkoisena, kun yhteys on muodostettu kaikkiin kanaviin.

- Palaa edelliselle kanavalle vapauttamalla kanavapainike.

Mikrofonin ottaminen käyttöön tai poistaminen käytöstä

- Paina mykistyspainiketta, kunnes kuulet äänimerkin.

Toistettavan äänitiedoston vaihtaminen

- Valitse seuraava toistettava äänitiedosto painamalla äänenvoimakkuuden lisäyspainiketta 0,5 sekunnin ajan.
- Palaa edelliseen äänitiedostoon pitämällä äänenvoimakkuuden vähennyspainiketta painettuna 0,5 sekunnin ajan.

Äänitiedoston toiston pysäyttäminen tai käynnistäminen

- Äänitiedoston toiston voi pysäyttää tai käynnistää painamalla tilapainiketta.

Puheluun vastaaminen tai puhelun lopettaminen

Jos mobiililaitte on yhdistetty laitteeseen langattomalla Bluetooth®-yhteydellä, kuulonsuojaimista kuuluu äänimerkki, kun puhelu saapuu.

- Puheluun voi vastata tai sen voi lopettaa painamalla tilapainiketta.
- Hylkää saapuva puhelu painamalla tilapainiketta sekunnin ajan.

Huomautus: Äänimerkki ilmoittaa, kun puheluun vastataan tai se hylätään.

Ääniviesti	Informaatio
CALL ENDED	Puhelu on päättynyt.

Puhelun siirtäminen ryhmään

1. Vastaa puheluun painamalla tilapainiketta.
2. Siirrä puhelu ryhmään painamalla tilapainiketta nopeasti 2 kertaa.

Huomautus: Ääniviesti ilmoittaa, kun puhelu on siirretty. Katso alla oleva taulukko.

Ääniviesti	Informaatio
CALL TRANSFERRED TO TEAM	Puhelu on siirretty ryhmään.

Puhelun katkaiseminen ryhmässä

- Paina tilapainiketta nopeasti 2 kertaa.

Huomautus: Ääniviesti ilmoittaa, kun puhelu on katkaistu. Katso alla oleva taulukko.

Ääniviesti	Informaatio
CALL DISCONNECTED FROM TEAM	Puhelu on katkaistus ryhmästä.

Äänenvoimakkuuden säätäminen

- Säädä äänenvoimakkuutta painamalla äänenvoimakkuuden lisäys- tai vähennyspainiketta. Äänimerkki ilmoittaa vähimmäis- tai enimmäisäänenvoimakkuuden.

Ympäristön äänet -tilan määrittäminen

Ympäristön äänet -tilassa kuulet ympärillä olevat äänet.

- Paina ympäristön äänet -painiketta.

Huomautus: Ääniviesti kertoo, mikä ympäristön äänet -tila on valittuna.

Ääniviesti
AMBIENT LEVEL HIGH
AMBIENT LEVEL MEDIUM
AMBIENT LEVEL LOW
AMBIENT LEVEL OFF

Laitteen pysäyttäminen

- Paina virtapainiketta sekunnin ajan.

Huomautus: Ääniviesti kertoo akun tilan ja LED-merkkivalot sammuvat. Äänimerkki ilmaisee, että tuote ei ole päällä.

Tuotteen pakotettu sammuttaminen

- Paina virtapainiketta 12 sekunnin ajan.

Huolto

Tuotteen huoltaminen



HUOMAUTUS: Älä huuhtelee tuotetta äläkä upota sitä kokonaan veteen.



HUOMAUTUS: Suihkeet, nesteet ja muut liuotainaineita ja/tai alkoholia sisältävät puhdistusaineet voivat heikentää suojaominaisuuksia.



HUOMAUTUS: Käytä alkuperäisiä Husqvarna-varaosia.

1. Puhdista tuote säännöllisesti. Käytä miedolla saippualluoksella kostutettua liinaa.
2. Tarkista tiivistsrenkaiden ja vaahtokumipehmusteiden kunto aina ennen käyttöä.

3. Vaihda tiivistysrenkaat ja vaahtokumipehmusteet 6 kuukauden välein tai tarvittaessa useamminkin. Varmista, että tiivistysrenkaan ilma-aukko osoittaa alaspäin asennuksen aikana. Käytä alkuperäisvaraosana saatavaa hygieniasarjaa, joka sisältää tiivisterenkaat ja vaahtomuovisuojukset. Lisätietoja hygieniasarjasta on saatavana osoitteessa www.husqvarna.com. (Kuva 19)

Huomautus: Jos kuulonsuojaimet ovat sisältä märät, anna niiden kuivua kuljetusasennossa. Katso

kohdasta *Tuotteen asettaminen kuljetusasentoon sivulla 104*.

4. Vaihda puhemikrofonin kalvo, jos se on vaurioitunut.
5. Vaihda äänenvoimakkuuden mukaan säätyvän mikrofonin tuulisuojaus, jos se on vaurioitunut.
6. Vaihda puomimikrofonin tuulisuojaus, jos se on vaurioitunut.
7. Vaihda tarvittaessa sangan pehmuste. (Kuva 20)

Kuljettaminen, säilyttäminen ja hävittäminen

Kuljetus ja säilytys



HUOMAUTUS: Aseta kuulonsuojaimet kuljetuksen ja säilytyksen ajaksi käyttöasentoon, jotta muovimateriaali ei kulu.

- Aseta kuulonsuojaimet käyttöasentoon. Katso kohdasta *Kuulonsuojainten asettaminen käyttöasentoon sivulla 104*.
- Varmista, että tiivistysrenkaat eivät ole lytyssä.
- Aseta tuote kuivaan ja puhtaaseen tilaan.
- Suojaa tuote suoralta auringonvalolta.
- Varmista akun kestävyys lataamalla akku 6 viikon välein.

- Kuljeta tuotetta turvallisessa tilassa.

Hävittäminen

- Noudata kansallisia säädöksiä.
- Käytä paikallista kierrätysjärjestelmää.
- Laitetta tai sen pakkausta ei saa hävittää kotitalousjätteen mukana. Vie se asianmukaiseen sähkö- ja elektroniikkalaitteiden keräyspisteeseen.



Lisävarusteet

Hyväksytyt kypärät

Käytä tuotetta vain seuraavien kypärien kanssa.

Malli	Kypäräklinnikkeen tyyppi	Sovittimen kuva	Hyväksytyt mitat
Husqvarna Technical, H300	Sovitin H300	(Kuva 21)	M/L
Husqvarna Spire	Sovitin Spire	(Kuva 22)	L
KASK Zenith X			

Tekniset tiedot

Alla esitetään kunkin tuotteen teknisiä tietoja. Lisätietoja on käyttöohjeen teknisiä tietoja koskevassa liitteessä.

(Kuva 2)

(Kuva 3)

Lisätietoja teknisten tietojen sisällöstä on seuraavassa luettelossa:

- F = taajuudet, joilla vaimennus mitataan.
- Mf = keskiarvo.

- Sf = vakiopoikkeama.
- APV (Mf-Sf) = oletettu suojausarvo.
- H = suuritaajuinen vaimennusarvo (odotettu äänitason vaimennus äänelle, kun $L_C-L_A = -2$ dB). M = keskitaajuinen vaimennusarvo (odotettu äänitason vaimennus äänelle, kun $L_C-L_A = +2$ dB). L = pienitaajuinen vaimennusarvo (odotettu äänitason vaimennus äänelle, kun $L_C-L_A = +10$ dB).
- SNR = Single Number Rating (arvo, joka vähennetään mitatusta C-painotetusta

äänenpainetasosta L_C , jotta voidaan arvioida tehollinen A-painotettu äänitaso korvan sisällä).

Tuotteesta vastaava valmistaja: Husqvarna AB, SE-561 82 Huskvarna, Ruotsi, puh: +46 36 146 500.

Melutaso

FM-radiotilan ja kuulokemikrofonitilan enimmäisäänentaso vastaa 82 desibeliä (A).

Materiaalit

Osa	Materiaali	Osa	Materiaali
Sisäkupu	ABS	Päälakisanka	POM+TPE
Ulkokupu, vasen	ABS	Kypärän haarukka	POM
Ulkokupu, oikea	ABS+TPE	Kypärän haarukan jousi	Teräs
Lisäosat	PUR	Ruuvit	Teräs
Tiivistysrenkaat	PVC ja vaahto		

Sommaire

Introduction.....	111	Transport, entreposage et mise au rebut.....	119
Sécurité.....	112	Accessoires.....	119
Montage.....	113	Caractéristiques techniques.....	119
Utilisation.....	114	0
Entretien.....	118		

Introduction

Description du produit

Le produit X-COM Active (HP500C-01, HP500C-02) est un protège-oreilles avec communication Full Duplex intégrée, *technologie sans fil Bluetooth®* et radio FM. Le

modèle HP500C-01 est un protège-oreilles avec serre-tête et le modèle HP500C-02 est un protège-oreilles pour un casque. Le produit protège les oreilles des nuisances sonores.

Aperçu du produit

(Fig. 1)

1. Bouton d'augmentation du volume
2. Bouton de diminution du volume
3. Microphone dépendant du niveau sonore
4. Bouton Bluetooth®
5. Microphone vocal
6. Bouton de mode
7. Sortie du câble du chargeur USB-C
8. Bouton de son ambiant
9. Bouton de mise en sourdine
10. Bouton ON/OFF
11. Bouton de canal
12. Sortie du microphone à perche



UK Importer:
Husqvarna UK Ltd
Preston Road, Co. Durham
DL5 6UP

Conformité et homologations

Par la présente, Husqvarna AB, SE-561 82 Huskvarna, Sweden, tel: +46-36-146500 déclare que les équipements radio de type HP500C-01 et HP500C-02 sont conformes aux règlements 2014/53/EU, 2011/65/EU et (EU) 2016/425. Le texte intégral de la déclaration de conformité UE est disponible sur Internet à l'adresse suivante : www.husqvarna.com ; recherchez X-COM Active, HP500C-01, HP500C-02.

Les valeurs d'atténuation et les niveaux sonores du produit sont testés et approuvés conformément aux normes : EN 352-1:2020 (serre-tête), EN 352-3:2020 (monté sur casque), EN 352-4:2020, EN 352-6:2020 et EN 352-8:2020.

L'organisme notifié impliqué dans l'évaluation de conformité est le suivant : Numéro d'organisme notifié 1974. PZT GmbH, Bismarckstraße 264 B, 26389 Wilhelmshaven, Germany.

Certification et surveillance par PZT.

La batterie est certifiée conforme à l'édition 2 de la norme IEC62133.

ID FCC : ZASHP500, ID IC : 23307-HP500

Déclaration de conformité des fournisseurs (SDoC) de la FCC pour la Partie responsable HP500C-01, HP500C-02.

Husqvarna Professional Products, Inc. 9335 Harris Corners Parkway Suite 500 Charlotte, NC 28269, États-Unis.

Contact États-Unis : Michael Campbell, Directeur Conformité Produit, téléphone : +1 704 597 5000.

Déclaration de conformité de la FCC :

L'appareil est conforme à la réglementation FCC, partie 15. Son utilisation est soumise aux deux conditions suivantes : (1) Ce dispositif ne doit pas entraîner d'interférences dangereuses ; et (2) ce dispositif doit accepter toute interférence reçue, y compris les interférences pouvant provoquer un fonctionnement non souhaité.

cet équipement a été testé et jugé conforme aux limites imposées aux appareils numériques de classe B, conformément à la partie 15 de la réglementation FCC. Ces limites sont conçues pour fournir une protection raisonnable contre les interférences nuisibles dans les installations résidentielles. Cet équipement génère, utilise et peut émettre une énergie de fréquence radio, et, s'il n'est pas installé et utilisé conformément aux instructions, peut provoquer des interférences nuisibles aux communications radio. Cependant, rien ne

garantit l'absence d'interférences dans une installation particulière. Si cet appareil provoque des interférences nuisibles à la réception radiophonique ou télévisuelle, ce qui peut être déterminé en allumant et en éteignant l'appareil, l'utilisateur est encouragé à essayer de corriger ces interférences en appliquant une ou plusieurs des mesures suivantes :

- Augmentez la distance entre l'équipement et le récepteur.

- Si vous avez besoin d'aide, consultez un revendeur.

Le marquage sur le produit se trouve sur l'étiquette du protège-oreilles droit.

Marques déposées

La marque et les logos *Bluetooth®* sont des marques déposées appartenant à *Bluetooth SIG, inc.*, et toute utilisation de ces marques par Husqvarna est régie par une licence.

Sécurité

Définitions de sécurité

Des avertissements, des recommandations et des remarques sont utilisés pour souligner des parties spécialement importantes du manuel.



AVERTISSEMENT: Symbole utilisé en cas de risque de blessures ou de mort pour l'opérateur ou les personnes à proximité si les instructions du manuel ne sont pas respectées.



REMARQUE: Symbole utilisé en cas de risque de dommages pour le produit, d'autres matériaux ou les environs si les instructions du manuel ne sont pas respectées.

Remarque: Symbole utilisé pour donner des informations supplémentaires pour une situation donnée.

Consignes générales de sécurité



AVERTISSEMENT: lisez les instructions qui suivent avant d'utiliser le produit.

- Lisez et conservez ces instructions.
- Pour un confort et un fonctionnement optimaux, assurez-vous d'avoir choisi le produit adapté à votre utilisation.
- Ne modifiez pas et ne retirez pas de pièces sur le produit. Effectuez uniquement les modifications décrites dans le présent manuel d'utilisation.
- L'atténuation du bruit du produit peut être significativement moins efficace si vous ne suivez pas les instructions du présent manuel d'utilisation. Les protège-oreilles, en particulier les coussinets, peuvent se détériorer ou fuir à l'usage et doivent donc être fréquemment examinés. Reportez-vous à la section *Entretien à la page 118*.
- Ce produit peut être altéré par certaines substances chimiques. Pour plus d'informations, contactez le fabricant. Tenez-vous à l'écart des substances

agressives et nettoyez régulièrement le produit. Utilisez un chiffon ainsi que de l'eau et du savon. Ne rincez pas le produit et ne l'immergez pas complètement dans l'eau.

- Toutes les opérations d'entretien et de réparation doivent être effectuées par un atelier d'entretien agréé. Utilisez uniquement les pièces de rechange d'origine Husqvarna.
- N'utilisez jamais les protège-oreilles au-delà de 10 ans à compter de la date de fabrication figurant sur l'emballage.
- La fonctionnalité du produit peut se détériorer avec la consommation de la batterie.

Instructions de sécurité pour le fonctionnement

- L'utilisateur doit veiller à toujours porter les protège-oreilles dans les environnements bruyants.
- Soyez très prudent et écoutez les signaux d'avertissement lorsque vous utilisez le produit. Le bruit des signaux d'avertissement peut s'affaiblir lorsque vous utilisez le produit.
- L'audibilité des signaux d'avertissement sur un lieu de travail spécifique peut être altérée lorsque vous utilisez l'installation de divertissement.
- Assurez-vous de ne pas heurter le produit lors du transport et de l'utilisation.
- Utilisez uniquement le produit à des températures comprises entre -20 °C et +55 °C/-4 °F et +131 °F. Si vous utilisez le produit à d'autres températures, cela pourrait endommager les circuits électroniques, la batterie et les pièces mécaniques.
- Assurez-vous de savoir comment utiliser le produit avant de l'utiliser. Si le produit est endommagé, consultez votre atelier d'entretien. N'ouvrez pas le boîtier !
- Recouvrir les coussinets de bonnettes hygiéniques peut réduire l'efficacité acoustique des protège-oreilles. Utilisez uniquement des accessoires d'origine.
- Ne poussez pas les protège-oreilles contre la coque du casque. En effet, cela pourrait fissurer le côté du casque.

(Fig. 4)

- Ne rangez pas le produit à des températures supérieures à +55 °C/+131 °F, par exemple sur un tableau de bord. Ne rangez pas le produit à des températures inférieures à -20 °C/-4 °F.
- L'utilisateur doit s'assurer que les protège-oreilles sont portés, ajustés et entretenus conformément à ce manuel d'utilisation.
- Le protège-oreilles est fourni avec une entrée audio liée à la sécurité. L'utilisateur doit en vérifier le bon fonctionnement avant utilisation. Si une distorsion ou une panne est détectée, l'utilisateur doit se référer aux conseils du fabricant pour l'entretien.

Consignes de sécurité relatives à l'utilisation de la batterie

- Le protège-oreilles est doté d'une atténuation dépendante du niveau sonore. L'utilisateur doit en

vérifier le bon fonctionnement avant utilisation. Si un mauvais fonctionnement ou un défaut est détecté, l'utilisateur doit suivre les instructions du fabricant pour l'entretien.

- Le produit contient une batterie et des composants électriques susceptibles de provoquer une inflammation dans les atmosphères inflammables ou explosives. Ne l'utilisez pas dans des milieux où des étincelles peuvent générer un incendie ou une explosion.
- Chargez uniquement le produit à des températures comprises entre 0 °C et +40 °C/+32 °F et +104 °F. Charger le produit à des températures situées en dehors de la plage spécifiée pourrait endommager les circuits électroniques et la batterie.

Montage

Introduction



AVERTISSEMENT: Placez vos cheveux sur le côté avant d'assembler le produit. Assurez-vous que les bagues d'étanchéité sont bien serrées contre votre tête et autour de vos oreilles avant d'utiliser le produit.

Pour mettre les protège-oreilles avec serre-tête

1. Placez le serre-tête au sommet de votre tête.
2. Déplacez les protège-oreilles vers le haut ou le bas pour régler leur hauteur. (Fig. 5)

Pour monter les protège-oreilles sur un casque

1. Montez le type d'adaptateur de fixation approprié sur la coque du casque. Reportez-vous à la section *Casques homologués à la page 119*.
2. Montez la fourche du casque sur l'adaptateur de fixation. (Fig. 6)

Remarque: Reportez-vous à la section *Casques homologués à la page 119* pour obtenir plus d'informations sur la fixation de casque adaptée à votre casque.

3. Réglez les protège-oreilles dans la position la plus basse.
4. Tirez les protège-oreilles vers l'extérieur et vers le haut jusqu'à ce qu'ils se bloquent en position de veille. (Fig. 7)
5. Effectuez un repère sur le câble.

- a) Pour le casque H300, effectuez un repère à 27 cm/11 in (X) de chaque protège-oreilles.
 - b) Pour le casque Spire Vent X, effectuez un repère à 14,5 cm/6 in (Y) de chaque protège-oreilles. (Fig. 8)
6. Placez la fixation du casque dans la fente du casque. (Fig. 9)
 7. Continuez à suivre les instructions de montage de votre casque homologué.



REMARQUE: Assurez-vous que le câble n'est pas tordu ou présente un faible rayon de courbure. Assurez-vous que le câble peut se déplacer librement dans l'ouverture du casque.

Pour monter les protège-oreilles sur le casque H300

1. Dégagez le harnais de tête du casque. (Fig. 10)
2. Fixez le câble sur les orifices à l'aide des serre-câbles ou attaches. (Fig. 11)
3. Si vous fixez le câble à l'aide de serre-câbles, coupez le serre-câble et poussez le verrou du serre-câble dans la fente latérale.
4. Formez une boucle avec le câble puis fixez le harnais de tête et le protège-nuque. Assurez-vous que le câble se trouve entre la coque du casque et le harnais de tête. (Fig. 12)

Pour monter les protège-oreilles sur le casque Spire Vent X

1. Placez le câble dans une boucle vers l'arrière.
2. Fixez le câble sur le harnais de tête à l'aide des serre-câbles. Fixez le serre-câble à travers la sangle arrière du serre-tête.

- Coupez le serre-câble.
- Placez la partie restante du câble dans une boucle vers l'arrière, derrière le serre-tête arrière. (Fig. 13)

Pour régler les protège-oreilles en position de fonctionnement

- Placez le casque sur votre tête.
- Réglez les protège-oreilles jusqu'à ce qu'ils soient bien serrés autour de vos oreilles et contre votre tête. (Fig. 14)

Pour régler les protège-oreilles en position de veille

- Tirez les protège-oreilles vers l'extérieur et vers le haut jusqu'à ce qu'ils se bloquent en position de veille. (Fig. 15)

Pour régler les protège-oreilles en position de repos

- Réglez les protège-oreilles en position de veille. Reportez-vous à la section *Pour régler les protège-oreilles en position de veille à la page 114.*

- Faites tourner les protège-oreilles vers l'arrière, le long du côté du casque, jusqu'à ce qu'ils se bloquent en position de repos. (Fig. 16)

Pour connecter le microphone à perche

Utilisez le microphone à perche dans des environnements très bruyants.

- Fixez le filtre à vent sur le microphone à perche.
- Branchez le microphone à perche sur la sortie de microphone du protège-oreilles droit. (Fig. 17)
- Placez le microphone à perche à 1 cm/0,4 in (A) de votre bouche.

Utilisation

Introduction



AVERTISSEMENT: Avant d'utiliser le produit, vous devez lire et comprendre le chapitre sur la sécurité.

Chargement du produit

- Branchez le connecteur USB-C situé sur le câble du chargeur sur la sortie du protège-oreilles gauche. (Fig. 18)
- Branchez le connecteur USB situé sur le câble du chargeur sur un chargeur USB ou sur une prise de courant USB.

Remarque: la sortie de la prise de courant doit être de 5 V et 2 A pour une charge à la capacité maximale.

Remarque: le témoin LED sur le bouton Bluetooth® clignote lentement en vert lorsque la batterie est en charge. Le témoin LED sur le bouton Bluetooth® est vert fixe lorsque la batterie est complètement chargée.

Témoin LED sur le bouton de canal	État de charge de la batterie
2 LED sont allumées et 1 LED clignote lentement.	La batterie est chargée à 70 %–90 %.
1 LED est allumée et 1 LED clignote lentement.	La batterie est chargée à 20 %–70 %.
1 LED clignote lentement.	La batterie est chargée à 10 %–20 %.
1 LED clignote rapidement.	La batterie est chargée à 0 %–10 %.

Pour démarrer le produit

- Maintenez enfoncé le bouton ON/OFF pendant 1 seconde.

Remarque: un signal sonore vous indique que le produit est en marche. Le témoin LED central du bouton de canal s'allume pendant 2 secondes. Un message audio vous indique l'état de la batterie et le nombre d'appareils connectés via la technologie Bluetooth® sans fil. Si le produit trouve une équipe, le message audio vous indique à quelle équipe vous êtes connecté. Reportez-vous au tableau ci-dessous.

Témoin LED sur le bouton de canal	État de charge de la batterie
3 LED sont allumées.	La batterie est chargée à 90 %–100 %.

Message audio
BATTERY HIGH
BATTERY MEDIUM
BATTERY LOW
BATTERY CRITICAL

Message audio
ONE BLUETOOTH DEVICE CONNECTED
TWO BLUETOOTH DEVICES CONNECTED
CONNECTED TO TEAM CHANNEL 1
CONNECTED TO TEAM CHANNEL 2
CONNECTED TO TEAM CHANNEL 3

Pour afficher l'état de la batterie

- Appuyez sur le bouton ON/OFF.

Remarque: le témoin LED sur le bouton de canal s'allume en vert pendant 5 secondes. Reportez-vous au tableau ci-dessous.

Témoin LED	État de la batterie
3 LED sont allumées.	La batterie est chargée à 90 %–100 %.
2 LED sont allumées.	La batterie est chargée à 70 %–90 %.
1 LED est allumée.	La batterie est chargée à 20 %–70 %.
1 LED clignote rapidement.	La batterie est chargée à 0 %–10 %.

Pour basculer entre le mode Radio FM et le mode Bluetooth®

- Appuyez rapidement deux fois sur le bouton mode pour basculer entre le mode Radio FM et le mode Bluetooth®.

Remarque: Un message audio vous indique le mode que vous avez sélectionné. Reportez-vous au tableau ci-dessous.

Message audio
RADIO
BLUETOOTH

Mode Radio FM

En mode Radio FM, vous accédez à la radio FM dans les zones urbaines ou autres zones disposant d'un signal radio FM puissant. Les performances de la radio FM peuvent être affectées en cas de terrain accidenté ou de végétation dense.

Pour modifier la station de radio FM

- Maintenez enfoncé le bouton Augmenter le volume ou Baisser le volume pendant 1 seconde pour changer de station de radio FM.

Mode Bluetooth®

En mode Bluetooth®, vous pouvez connecter votre produit à un appareil grâce à la technologie sans fil Bluetooth®.

Pour effectuer une opération d'appariement Bluetooth®

- Appuyez sur le bouton Bluetooth® et maintenez-le enfoncé pendant 2 secondes pour lancer la fonction d'appariement sur votre produit.

Remarque: L'opération d'appariement démarre lorsque vous entendez un bip et que le bouton Bluetooth® clignote en bleu. Le mode d'appariement est actif pendant 30 secondes.

- Lancez l'opération d'appariement de la technologie sans fil Bluetooth® sur l'appareil.
- Si nécessaire, sélectionnez Husqvarna X-COM Active dans la liste de périphériques de votre appareil.

Remarque: Un message audio vous informe sur l'état du produit. Reportez-vous au tableau ci-dessous.

Message audio	Témoin LED du bouton Bluetooth®	Informations
BLUETOOTH DEVICE CONNECTED	Bleu fixe.	Le produit est connecté à un appareil avec technologie sans fil Bluetooth®.
BLUETOOTH CONNECTION FAILED	Rouge fixe pendant 2 secondes.	Le produit n'est pas connecté à un appareil avec technologie sans fil Bluetooth®.

Remarque: Un appareil avec technologie sans fil Bluetooth® connecté à votre produit se connectera

automatiquement à votre produit lors de la prochaine utilisation du produit avec cet appareil.

Pour configurer une équipe et ajouter des appareils

Une équipe est un groupe de communication qui vous permet de parler à tous les appareils connectés à l'équipe. Si aucune équipe n'est configurée et que vous effectuez cette procédure, vous configurez une nouvelle équipe. Vous pouvez ensuite répéter la procédure pour ajouter de nouveaux appareils à l'équipe. Une seule personne configure une équipe et les autres appareils se connectent à l'équipe, comme indiqué à la section *Pour se connecter à une équipe à la page 116*. Une seule personne à la fois peut ajouter un nouvel appareil à l'équipe. Le nouvel appareil doit être connecté à l'équipe, comme indiqué à la section *Pour se connecter à une équipe à la page 116*.

1. Appuyez sur le bouton de mode pendant 1 seconde pour accéder au mode de gestion d'équipe et configurer l'équipe.

Remarque: un message audio vous indique que vous êtes en mode de gestion d'équipe. Reportez-vous au tableau ci-dessous.

Message audio	Témoin LED sur le bouton Bluetooth®
TEAM MANAGEMENT	Blanc fixe.

2. Appuyez sur le bouton Bluetooth®.

Remarque: un message audio vous indique l'état de l'opération d'appairage. L'opération d'appairage démarre lorsque vous entendez un signal sonore. Reportez-vous au tableau ci-dessous.

Message audio	Témoin LED sur le bouton Bluetooth®
SEARCHING FOR MEMBERS	Témoin LED clignotant rapidement.

Remarque: l'opération d'appairage est active pendant 1 minute. Les appareils se connectent à l'équipe en 1 minute environ. L'opération d'appairage est terminée lorsque vous entendez un signal sonore et que le bouton Bluetooth® affiche un voyant vert continu. Un signal sonore retentit chaque fois qu'un nouvel appareil se connecte à l'équipe. Pour vous connecter à une équipe, reportez-vous à la section *Pour se connecter à une équipe à la page 116*.

3. Si vous souhaitez arrêter l'opération d'appairage avant 1 minute, appuyez sur le bouton de mode.
4. Si vous souhaitez ajouter un nouvel appareil à l'équipe, suivez à nouveau les mêmes instructions.

Remarque: un appareil connecté à l'équipe se connecte automatiquement à l'équipe la prochaine fois qu'il est utilisé.

Pour se connecter à une équipe

Vous ne pouvez pas vous connecter à une équipe si aucune équipe n'est configurée. Pour configurer une équipe, reportez-vous à la section *Pour configurer une équipe et ajouter des appareils à la page 116*. Vous pouvez vous connecter à une équipe en même temps qu'une nouvelle équipe est configurée. Vous pouvez également vous connecter à une équipe si un membre de l'équipe ajoute de nouveaux appareils à l'équipe.

1. Appuyez sur le bouton de mode pendant 1 seconde pour accéder au mode de gestion d'équipe.

Remarque: un message audio vous indique que vous êtes en mode de gestion d'équipe. Reportez-vous au tableau ci-dessous.

Message audio	Témoin LED sur le bouton Bluetooth®
TEAM MANAGEMENT	Blanc fixe.

2. Appuyez sur le bouton d'augmentation du volume.

Remarque: l'opération d'appairage démarre lorsque vous entendez un signal sonore et que le bouton Bluetooth® clignote lentement. L'opération d'appairage est active pendant 1 minute. Un message audio vous indique que vous êtes connecté à l'équipe. Reportez-vous au tableau ci-dessous.

Message audio	Témoin LED sur le bouton Bluetooth®
CONNECTED TO TEAM	Vert fixe.

Remarque: vous pouvez parler à l'équipe une fois que le message audio vous indique que vous êtes connecté à l'équipe.

Pour se déconnecter d'une équipe

1. Appuyez sur le bouton de mode pendant 1 seconde pour accéder au mode de gestion d'équipe.

Remarque: un message audio vous indique que vous êtes en mode de gestion d'équipe. Reportez-vous au tableau ci-dessous.

Message audio	Témoin LED sur le bouton Bluetooth®
TEAM MANAGEMENT	Blanc fixe.

- Appuyez sur le bouton de diminution du volume.

Remarque: un message audio vous indique que vous êtes déconnecté de l'équipe. Reportez-vous au tableau ci-dessous.

Message audio	Témoin LED sur le bouton Bluetooth®
LEAVING TEAM	Le témoin LED clignote en rouge 3 fois.

Pour changer de canal de communication

- Appuyez sur le bouton de canal pour sélectionner le canal de communication 1, 2 ou 3.

Remarque: un message audio vous indique le canal auquel vous êtes connecté. Reportez-vous au tableau ci-dessous.

Message audio	Témoin LED de canal
CHANNEL 1	Blanc fixe sur le canal 1.
CHANNEL 2	Blanc fixe sur le canal 2.
CHANNEL 3	Blanc fixe sur le canal 3.

Pour parler à tous les canaux de communication

- Maintenez le bouton de canal enfoncé pour parler à tous les canaux de communication en même temps.

Remarque: vous êtes connecté à tous les canaux de communication lorsque vous entendez un signal sonore. Tous les témoins LED des canaux sont allumés en blanc fixe pour indiquer que vous êtes connecté à tous les canaux.

- Relâchez le bouton de canal pour revenir au canal précédent.

Pour activer ou désactiver le microphone

- Appuyez sur le bouton de mise en sourdine jusqu'à ce que vous entendiez un signal sonore.

Pour changer de piste audio

- Appuyez sur le bouton Augmenter le volume et maintenez-le enfoncé pendant 0,5 seconde pour passer à la piste audio suivante.
- Appuyez sur le bouton Baisser le volume et maintenez-le enfoncé pendant 0,5 seconde pour revenir à la piste audio précédente.

Pour arrêter ou démarrer la diffusion audio

- Appuyez sur le bouton mode pour arrêter ou démarrer la diffusion audio.

Pour accepter, décliner ou mettre fin à un appel téléphonique

Si votre appareil mobile est connecté au produit avec la technologie sans fil Bluetooth®, un signal est émis dans le protège-oreilles lors d'un appel téléphonique entrant.

- Appuyez sur le bouton mode pour accepter ou mettre fin à l'appel téléphonique.
- Appuyez sur le bouton mode pendant 1 seconde pour décliner un appel téléphonique entrant.

Remarque: Un signal sonore vous avertit lorsque l'appel téléphonique est accepté ou annulé.

Message audio	Informations
CALL ENDED	L'appel téléphonique est terminé.

Pour transférer l'appel téléphonique à l'équipe

- Appuyez sur le bouton de mode pour accepter l'appel téléphonique.
- Appuyez rapidement 2 fois sur le bouton de mode pour transférer l'appel téléphonique à l'équipe.

Remarque: un message audio vous avertit lorsque l'appel téléphonique a été transféré. Reportez-vous au tableau ci-dessous.

Message audio	Informations
CALL TRANSFERRED TO TEAM	L'appel téléphonique a été transféré à l'équipe.

Pour déconnecter l'appel téléphonique de l'équipe

- Appuyez rapidement 2 fois sur le bouton de mode.

Remarque: un message audio vous avertit lorsque l'appel téléphonique a été déconnecté. Reportez-vous au tableau ci-dessous.

Message audio	Informations
CALL DISCONNECTED FROM TEAM	L'appel téléphonique a été déconnecté de l'équipe.

Pour régler le volume

- Appuyez sur le bouton Augmenter le volume ou Baisser le volume pour régler le volume. Un signal sonore vous avertit lorsque vous atteignez le volume minimal ou maximal.

Pour régler le mode bruit ambiant

Le mode bruit ambiant vous permet d'entendre les sons qui vous entourent.

- Appuyez sur le bouton bruit ambiant.

Remarque: Un message audio vous indique l'état du mode bruit ambiant.

Message audio

AMBIENT LEVEL HIGH

AMBIENT LEVEL MEDIUM

Message audio

AMBIENT LEVEL LOW

AMBIENT LEVEL OFF

Pour arrêter le produit

- Maintenez enfoncé le bouton ON/OFF pendant 1 seconde.

Remarque: Un message audio vous indique l'état de la batterie et les témoins LED s'éteignent. Un signal sonore vous indique que le produit est éteint.

Pour arrêter le produit de force

- Maintenez enfoncé le bouton on/off pendant 12 secondes.

Entretien

Pour entretenir le produit



REMARQUE: Ne rincez pas le produit et ne l'immergez pas complètement dans l'eau.



REMARQUE: Des vaporisateurs, liquides ou produits nettoyants contenant des solvants et/ou de l'alcool peuvent réduire les fonctionnalités de protection du produit.



REMARQUE: Utilisez des pièces de rechange Husqvarna d'origine.

- Nettoyez régulièrement le produit. Utilisez un chiffon ainsi qu'une solution savonneuse douce.
- Contrôlez l'état des bagues d'étanchéité et des inserts en caoutchouc mousse avant chaque utilisation.
- Remplacez les bagues d'étanchéité et les inserts en caoutchouc mousse tous les 6 mois ou plus fréquemment si nécessaire. Assurez-vous que l'évent sur la bague d'étanchéité est orienté vers le bas pendant le montage. Utilisez le kit d'hygiène d'origine qui comprend les bagues d'étanchéité et les inserts en caoutchouc mousse. Reportez-vous à la section www.husqvarna.com pour plus d'informations sur le kit d'hygiène. (Fig. 19)

Remarque: Si le côté intérieur des protège-oreilles est humide, laissez-les sécher en position de stationnement. Reportez-vous à la section *Pour régler les protège-oreilles en position de repos* à la page 114.

- Remplacez la membrane du microphone vocal si elle est endommagée.
- Remplacez le filtre à vent du microphone dépendant du niveau sonore s'il est endommagé.
- Remplacez le filtre à vent sur le microphone à perche s'il est endommagé.
- Remplacez le rembourrage confort du serre-tête si nécessaire. (Fig. 20)

Transport, entreposage et mise au rebut

Transport et stockage



REMARQUE: Pendant le transport et le remisage, placez le protège-oreilles en position de fonctionnement pour réduire l'usure du matériau plastique.

- Réglez les protège-oreilles en position de fonctionnement. Reportez-vous à la section *Pour régler les protège-oreilles en position de fonctionnement à la page 114.*
- Assurez-vous que les bagues d'étanchéité ne sont pas comprimées.
- Placez le produit dans un endroit sec et propre.
- Conservez le produit à l'abri de la lumière lors du remisage.
- Chargez la batterie toutes les 6 semaines afin de conserver sa qualité.

- Placez le produit dans un endroit sûr pendant le transport.

Mise au rebut

- Respectez les réglementations nationales.
- Utilisez le circuit de recyclage local.
- Le produit ou son emballage ne font pas partie des ordures ménagères. Déposez-le dans une station de recyclage pour équipements électriques et électroniques.



Accessoires

Casques homologués

Utilisez uniquement le produit avec les casques répertoriés ci-dessous.

Modèle	Type de fixation du casque	Schéma de l'adaptateur	Dimensions approuvées
Husqvarna Technical, H300	Adaptateur H300	(Fig. 21)	M/L
Husqvarna Spire	Adaptateur Spire	(Fig. 22)	L
KASK Zenith X			

Caractéristiques techniques

Reportez-vous aux illustrations qui suivent pour connaître les caractéristiques techniques de chaque produit. Pour obtenir plus de caractéristiques

techniques, reportez-vous à la fiche des caractéristiques techniques en annexe de ce manuel d'utilisation.

(Fig. 2)

(Fig. 3)

Pour plus d'informations sur le contenu des caractéristiques techniques, reportez-vous à la liste suivante :

- F = fréquence à laquelle est mesurée l'atténuation.
- Mf = valeur moyenne.
- Sf = déviation standard.
- APV (Mf-Sf) = valeur de protection supposée.
- H = valeur d'atténuation des hautes fréquences (réduction du niveau de bruit prévue où $L_C-L_A = -2$ dB). M = valeur d'atténuation des moyennes fréquences (réduction du niveau de bruit prévue où $L_C-L_A = +2$ dB). L = valeur d'atténuation des basses fréquences (réduction du niveau de bruit prévue où $L_C-L_A = +10$ dB).
- SNR = indice d'atténuation unique (la valeur qui est retranchée du niveau mesuré de pression)

acoustique pondéré C, L_C , afin d'estimer le niveau sonore pondéré réel A à l'intérieur de l'oreille).

Fabricant responsable : Husqvarna AB, SE-561 82 Huskvarna, Suède, tél. : +46-36-146500.

Niveau sonore

Le mode Radio FM et le mode Casque présentent un niveau sonore maximal équivalent de 82 dB (A).

Matériaux

Pièce	Matériau	Pièce	Matériau
Coquille intérieure	ABS	Serre-tête	POM+TPE
Coquille extérieure, gauche	ABS	Fourche du casque	POM
Coquille extérieure, droite	ABS+TPE	Ressort de fourche du casque	Acier
Inserts	PUR	Vis	Acier
Bagues d'étanchéité	PVC et mousse		

Table des matières

Introduction.....	121	Transport, entreposage et mise au rebut.....	128
Sécurité.....	122	Accessoires.....	129
Montage.....	123	Caractéristiques techniques.....	129
Fonctionnement.....	124	0
Entretien.....	128		

Introduction

Description du produit

Le produit X-COM Active (HP500C-01, HP500C-02) est un protecteur d'oreille avec une transmission bidirectionnelle intégrée, une *technologie sans fil*

Présentation de l'appareil

(Fig. 1)

1. Bouton d'augmentation de volume
2. Bouton de réduction de volume
3. Microphone dépendant du niveau
4. Bouton Bluetooth®
5. Microphone de communication
6. Bouton de mode
7. Prise de câble de chargement USB-C
8. Bouton du niveau sonore ambiant
9. Bouton de mise en sourdine
10. Bouton On/Off (marche/arrêt)
11. Bouton de canal
12. Sortie du microphone monté sur tige

Conformité aux normes et homologations

Par la présente, Husqvarna AB, SE-561 82 Huskvarna, Sweden, tel: +46-36-146500, déclare que l'équipement radio de type HP500C-01 et HP500C-02 est conforme à 2014/53/EU, 2011/65/EU et à la réglementation (EU) 2016/425. Le texte intégral de la déclaration de conformité de l'UE peut être obtenu à l'adresse Internet suivante : www.husqvarna.com; rechercher X-COM Active, HP500C-01, HP500C-02.

Les valeurs d'atténuation et les niveaux sonores du produit sont testés et approuvés conformément aux exigences suivantes : EN 352-1:2020 (serre-tête), EN 352-3:2020 (monté sur casque), EN 352-4:2020, EN 352-6:2020 et EN 352-8:2020.

L'organisme notifié impliqué dans l'évaluation de la conformité est le suivant : Numéro de l'organisme notifié 1974. PZT GmbH, Bismarckstraße 264 B, 26389 Wilhelmshaven, Germany.

Certification et suivi par PZT.

La batterie est certifiée conforme à la norme IEC62133 édition 2.

Bluetooth® et une radio FM. Le modèle HP500C-01 est un protecteur d'oreilles avec serre-tête et le modèle HP500C-02 est un protecteur d'oreilles pour casque. Le produit offre une protection contre les bruits nocifs.



UK Importer:
Husqvarna UK Ltd
Preston Road, Co. Durham
DL5 6UP

Déclaration de conformité d'ISDE Canada

L'émetteur/récepteur exempt de licence contenu dans le présent appareil est conforme aux CNR d'Innovation, Sciences et Développement économique Canada applicables aux appareils radio exempts de licence. Son utilisation est soumise aux deux conditions suivantes :

- Cet appareil ne doit pas causer d'interférences.
- Cet appareil doit accepter toutes les interférences, y compris les interférences pouvant causer un fonctionnement non désiré.

CAN ICES-3 (B)/NMB-3(B)

L'émetteur/récepteur exempt de licence contenu dans le présent appareil est conforme aux CNR d'Innovation, Sciences et Développement économique Canada applicables aux appareils radio exempts de licence. L'exploitation est autorisée aux deux conditions suivantes :

- L'appareil ne doit pas produire de brouillage.
- L'appareil doit accepter tout brouillage radioélectrique subi, même si le brouillage est susceptible d'en compromettre le fonctionnement.

CAN ICES-3 (B)/NMB-3(B)

Marques déposées

La marque et les logos *Bluetooth®* sont des marques déposées appartenant à *Bluetooth SIG, inc.* et tout

Sécurité

Définitions relatives à la sécurité

Les avertissements, recommandations et remarques soulignent des points du manuel qui revêtent une importance particulière.



AVERTISSEMENT : Indique la présence d'un risque de blessure ou de décès de l'utilisateur ou de personnes à proximité si les instructions du manuel ne sont pas suivies.



MISE EN GARDE : Indique la présence d'un risque de dommages au produit, à d'autres appareils ou à la zone adjacente si les instructions du manuel ne sont pas suivies.

Remarque : Utilisé pour donner des renseignements plus détaillés qui sont nécessaires dans une situation donnée.

Consignes générales de sécurité



AVERTISSEMENT : Lire les messages d'avertissement qui suivent avant d'utiliser l'appareil.

- Utiliser et conserver ces instructions.
- Pour une adaptation et une utilisation optimales, prendre soin de sélectionner le bon produit.
- Ne pas changer ou retirer des pièces du produit. N'effectuer que les modifications indiquées dans ce manuel d'utilisation.
- La fonction d'atténuation du bruit du produit sera gravement compromise si on ne suit pas les instructions du présent manuel d'utilisation. Les écouteurs, plus particulièrement les coussinets, peuvent se détériorer ou se fissurer à l'usage et doivent être régulièrement inspectés afin de vérifier la présence de fissures et de fuites. Se reporter à *Entretien à la page 128*.
- Ce produit peut être endommagé par certaines substances chimiques. Pour obtenir des renseignements supplémentaires, communiquer avec le fabricant. Rester à l'écart des substances agressives et nettoyer le produit régulièrement. Utiliser un chiffon avec de l'eau et du savon. Ne pas laver ou tremper complètement dans de l'eau.
- Tous les travaux d'entretien et de réparation doivent être effectués par un atelier d'entretien agréé. Utiliser des pièces de rechange d'origine Husqvarna.

- Ne jamais utiliser les protecteurs d'oreilles après plus de 10 ans à compter de la date de fabrication figurant sur l'emballage.
- La fonctionnalité du produit peut se détériorer au fil du temps avec la consommation de la batterie.

Consignes de sécurité pour l'utilisation

- Dans un environnement bruyant, l'utilisateur doit s'assurer de porter les protecteurs d'oreilles en permanence.
- Être plus prudent et écouter les signaux d'avertissement lors de l'utilisation du produit. Le bruit provenant de signaux d'avertissement peut être réduit lorsqu'on utilise le produit.
- L'audibilité des signaux d'avertissement sur un site de travail spécifique peut diminuer lorsqu'on utilise les fonctions de divertissement.
- S'assurer de ne pas heurter l'outil pendant le transport.
- Utiliser le produit seulement à des températures comprises entre -20 °C et +55 °C/-4 °F et +131 °F. Si on utilise le produit sous d'autres températures, cela peut causer des dommages au système électronique, à la batterie et aux pièces mécaniques.
- Avant de faire fonctionner le produit, s'assurer de savoir comment l'utiliser. En cas de dommages au produit, communiquer avec votre atelier d'entretien. Ne pas ouvrir le boîtier!
- L'adaptation de bonnettes hygiéniques aux coussinets peut réduire l'efficacité acoustique des protecteurs d'oreilles. Toujours utiliser des accessoires d'origine.
- Ne pas appuyer les protecteurs d'oreilles contre la coque du casque. Dans le cas contraire, cela pourrait engendrer des fissures autour du côté du casque.

(Fig. 4)

- Ne pas ranger le produit à des températures supérieures à +55 °C/+131 °F, par exemple sur un tableau de bord. Ne pas ranger le produit à des températures inférieures à -20 °C/-4 °F.
- L'utilisateur doit s'assurer que les protecteurs d'oreilles sont installés, ajustés et entretenus conformément à ce manuel de l'opérateur.
- Le protecteur d'oreille est fourni avec une entrée audio de sécurité. L'utilisateur doit vérifier le bon fonctionnement avant utilisation. Si une distorsion ou une panne est détectée, l'utilisateur doit consulter les conseils d'entretien du fabricant.

Sécurité en matière de batteries

- Les écouteurs offrent une atténuation du bruit dépendante du niveau. L'utilisateur doit vérifier le

bon fonctionnement du produit avant de l'utiliser. Si le produit ne fonctionne pas correctement ou est défectueux, l'utilisateur doit consulter les instructions d'entretien du fabricant.

- Le produit comporte une batterie et des composants électriques susceptibles de provoquer une inflammation dans les atmosphères inflammables ou explosives. Ne pas l'utiliser dans des milieux où des

étincelles peuvent engendrer une incendie ou une explosion.

- Toujours charger les produits dans la plage de température comprise entre 0 °C et +40 °C/+32 °F et +104 °F. Le fait de charger dans une plage de températures extérieures charge peut endommager l'électronique et la batterie.

Montage

Introduction



AVERTISSEMENT : Déplacer les cheveux sur le côté avant d'assembler le produit. S'assurer que les anneaux d'étanchéité sont serrés contre votre tête et autour de votre oreille avant d'utiliser le produit.

Pour porter le protecteur d'oreilles avec serre-tête

1. Placez le serre-tête sur le dessus de votre tête.
2. Déplacez le protecteur d'oreilles vers le haut ou vers le bas pour régler la hauteur. (Fig. 5)

Pour monter les protecteurs d'oreilles sur un casque

1. Fixer l'adaptateur approprié sur la coque du casque. Se reporter à *Casques homologués à la page 129*.
2. Fixer la fourche du casque sur l'adaptateur. (Fig. 6)

Remarque : Se reporter à *Casques homologués à la page 129* pour obtenir des renseignements supplémentaires sur l'accessoire adéquat pour votre casque.

3. Déplacer le protecteur d'oreilles à la position médiane.
4. Soulever le protecteur d'oreilles vers l'extérieur et vers le haut jusqu'à ce qu'il se bloque à la position d'attente. (Fig. 7)
5. Faire un repère sur le câble.
 - a) Pour le casque H300, tracer un repère (X) à 27 cm (11 po) de chaque écouteur.
 - b) Pour les casques Spire Vent X, tracer un repère (Y) à 14,5 cm (6 po) de chaque écouteur. (Fig. 8)
6. Placer l'accessoire de casque dans la fente située sur le casque. (Fig. 9)
7. Continuer de suivre les instructions de montage fournies avec le casque homologué.



MISE EN GARDE : S'assurer que le câble n'est pas tordu ni ne présente un petit rayon de courbure. S'assurer que le

câble peut se déplacer régulièrement dans l'ouverture du casque.

Pour fixer les écouteurs au casque H300

1. Détacher le harnais de tête du casque. (Fig. 10)
2. Fixer le câble dans les trous au moyen d'attaches de câble ou d'agrafes. (Fig. 11)
3. Si le câble est fixé avec des attaches de câble, couper l'embout de l'attache de câble et pousser son verrou dans la fente latérale.
4. Faire une boucle au moyen du câble et monter le harnais de tête et le protège-nuque. S'assurer que le câble ne se trouve pas entre la coque du casque et le harnais de tête. (Fig. 12)

Pour fixer les écouteurs au casque Spire Vent X

1. Placer les câbles dans une boucle vers l'arrière.
2. Brancher le câble sur le harnais de tête au moyen de serre-câbles. Fixer l'attache de câble à travers la courroie arrière du serre-tête.
3. Couper l'attache de câble.
4. Placer la partie restante du câble en boucle vers l'arrière, derrière le serre-tête. (Fig. 13)

Pour placer les protecteurs d'oreille à la position d'utilisation

1. Placer le casque sur la tête.
2. Ajuster les protecteurs d'oreilles jusqu'à ce qu'ils soient bien posés sur les oreilles et bien serrés contre la tête. (Fig. 14)

Pour placer les protecteurs d'oreilles à la position d'attente

- Soulever le protecteur d'oreilles vers l'extérieur et vers le haut jusqu'à ce qu'il se bloque à la position d'attente. (Fig. 15)

Pour placer les protecteurs d'oreilles à la position de stationnement

1. Placer les protecteurs d'oreille à la position de veille. Se reporter à *Pour placer les protecteurs d'oreilles à la position d'attente à la page 123*.

2. Tourner les protecteurs d'oreilles vers l'arrière le long du côté du casque jusqu'à ce qu'ils bloquent à la position de stationnement. (Fig. 16)

Pour brancher le microphone monté sur tige

Utiliser un microphone antibruit dans des milieux qui présentent beaucoup de bruit.

1. Fixer la bonnette anti-vent sur le microphone monté sur tige.
2. Brancher le microphone monté sur tige à la prise du microphone située sur l'écouteur de droite. (Fig. 17)
3. Placer le microphone monté sur tige à 1 cm (0,4 po) (A) de votre bouche.

Fonctionnement

Introduction



AVERTISSEMENT : Avant d'utiliser le produit, lire et bien comprendre le chapitre sur la sécurité.

Recharge du produit

1. Brancher le connecteur USB-C du câble de chargement à la prise située sur l'écouteur de gauche. (Fig. 18)
2. Brancher le connecteur USB du câble de chargement à un chargeur USB ou une autre prise d'alimentation USB.

Remarque : La sortie de la prise d'alimentation doit être de 5 V et de 2 A pour pouvoir charger à capacité maximale.

Remarque : Le voyant à DEL sur le bouton Bluetooth® clignote lentement en vert lorsque la batterie est en cours de chargement. Le voyant à DEL sur le bouton Bluetooth® est vert fixe lorsque la batterie est complètement chargée.

Voyant à DEL sur le bouton de canal	État de charge de la batterie
3 voyants à DEL sont allumés.	La batterie est chargée entre 90 % et 100 %.
2 voyants à DEL sont allumés et 1 voyant à DEL clignote lentement.	La batterie est chargée entre 70 % et 90 %.
1 voyant à DEL est allumé et 1 voyant à DEL clignote lentement.	La batterie est chargée entre 20 % et 70 %.
1 voyant à DEL clignote lentement.	La batterie est chargée entre 10 % et 20 %.
1 voyant à DEL clignote rapidement.	La batterie est chargée entre 0 % et 10 %.

Mise sous tension de l'appareil

- Appuyez sur le bouton on/off (marche/arrêt) et maintenez-le enfoncé pendant 1 seconde.

Remarque : Un bip indique que le produit est allumé. Le voyant à DEL central du bouton de canal est allumé pendant 2 secondes. Un message audio vous indique l'état de la batterie ainsi que le nombre d'appareils connectés à Bluetooth® la technologie sans fil. Si le produit trouve une équipe, le message audio vous indique à quelle équipe vous êtes connecté. Se reporter au tableau ci-dessous.

Message audio
BATTERY HIGH
BATTERY MEDIUM
BATTERY LOW
BATTERY CRITICAL

Message audio
ONE BLUETOOTH DEVICE CONNECTED
TWO BLUETOOTH DEVICES CONNECTED
CONNECTED TO TEAM CHANNEL 1
CONNECTED TO TEAM CHANNEL 2
CONNECTED TO TEAM CHANNEL 3

Pour afficher l'état de la batterie

- Appuyez sur le bouton on/off (marche/arrêt).

Remarque : Le voyant à DEL du bouton de canal devient vert pendant 5 secondes. Se reporter au tableau ci-dessous.

Voyant à DEL	État de la batterie
3 voyants à DEL sont allumés.	La batterie est chargée entre 90 % et 100 %.
2 voyants à DEL sont allumés.	La batterie est chargée entre 70 % et 90 %.
1 voyant à DEL est allumé.	La batterie est chargée entre 20 % et 70 %.

Voyant à DEL	État de la batterie
1 voyant à DEL clignote rapidement.	La batterie est chargée entre 0 % et 10 %.

Pour basculer entre le mode radio FM et le mode Bluetooth®

- Appuyer rapidement deux fois sur le bouton de mode pour basculer entre le mode radio FM et le mode Bluetooth®.

Remarque : Un message audio vous indique le mode sélectionné. Se reporter au tableau ci-dessous.

Message audio
RADIO
BLUETOOTH

Mode radio FM.

En mode radio FM, vous avez accès à la radio FM dans les zones urbaines ou dans d'autres zones avec un signal radio FM puissant. La performance de la radio FM peut être affectée par un terrain accidenté ou une végétation dense.

Pour changer une station de radio FM

- Maintenir le bouton d'augmentation du volume ou le bouton de réduction du volume enfoncé pendant 1 seconde pour changer de station de radio FM.

Mode Bluetooth®

En mode Bluetooth®, vous pouvez connecter votre produit à un appareil doté de la technologie sans fil Bluetooth®.

Pour effectuer un jumelage Bluetooth®

- Appuyer sur le bouton Bluetooth® et le maintenir enfoncé pendant 2 secondes pour démarrer le jumelage du produit.

Remarque : L'opération de jumelage commence lorsque vous entendez un bip et que le bouton Bluetooth® clignote en bleu. Le jumelage est actif pendant 30 secondes.

- Démarrer le jumelage avec la technologie sans fil Bluetooth® sur votre appareil.
- Sélectionner Husqvarna X-COM Active dans la liste des périphériques sur votre appareil, si nécessaire.

Remarque : Un message audio vous informe sur l'état du produit. Se reporter au tableau ci-dessous.

Message audio	Voyant à DEL sur le bouton Bluetooth®	Information
BLUETOOTH DEVICE CONNECTED	Bleu fixe.	Le produit est connecté à un appareil doté de la technologie sans fil Bluetooth®.
BLUETOOTH CONNECTION FAILED	Rouge fixe pendant 2 secondes.	Le produit n'est pas connecté à un appareil doté de la technologie sans fil Bluetooth®.

Remarque : Un appareil doté de la technologie sans fil Bluetooth® connecté à votre produit se connecte automatiquement à celui-ci lors de sa prochaine utilisation.

Pour configurer une équipe et ajouter des appareils

Une équipe est un groupe de communication qui vous permet de parler à tous les appareils connectés à l'équipe. S'il n'y a pas d'équipe et que vous effectuez cette procédure, vous créez alors une nouvelle équipe. Vous pouvez ensuite reproduire la procédure pour ajouter de nouveaux appareils à l'équipe. Une seule personne peut configurer une équipe et les autres appareils se connectent à l'équipe, comme illustré à la section *Pour se connecter à une équipe à la page 126*. Une seule personne à la fois peut ajouter un nouvel appareil à l'équipe. Le nouvel appareil doit être connecté à l'équipe, comme illustré à la section *Pour se connecter à une équipe à la page 126*.

- Appuyez sur le bouton de sélection de mode pendant 1 seconde pour accéder au mode de gestion d'équipe afin d'accéder à la configuration de l'équipe.

Remarque : Un message audio vous indique que vous êtes en mode de gestion d'équipe. Se reporter au tableau ci-dessous.

Message audio	Voyant à DEL sur le bouton Bluetooth®
TEAM MANAGEMENT	Blanc fixe.

- Appuyez sur le bouton Bluetooth®.

Remarque : Un message audio vous indique l'état de l'opération de jumelage. L'opération de

jumelage commence lorsque vous entendez un bip. Se reporter au tableau ci-dessous.

Message audio	Voyant à DEL sur le bouton Bluetooth®
SEARCHING FOR MEMBERS	Le voyant à DEL clignote rapidement.

Remarque : L'opération de jumelage est active pendant 1 minute. Les appareils se connectent à l'équipe en environ 1 minute. L'opération de jumelage est terminée lorsque vous entendez un bip et que le bouton Bluetooth® affiche un voyant vert fixe. Un bip est émis chaque fois qu'un nouvel appareil se connecte à l'équipe. Pour se connecter à une équipe, reportez-vous à la section *Pour se connecter à une équipe à la page 126*.

3. Si vous souhaitez interrompre le jumelage en moins d'une minute, appuyez sur le bouton de sélection de mode.
4. Si vous souhaitez ajouter un nouvel appareil à l'équipe, suivez de nouveau les mêmes instructions.

Remarque : Un appareil connecté à l'équipe se connecte automatiquement à l'équipe lors de la prochaine utilisation.

Pour se connecter à une équipe

Vous ne pouvez pas vous connecter à une équipe si aucune équipe n'est configurée. Pour configurer une équipe, reportez-vous à *Pour configurer une équipe et ajouter des appareils à la page 125*. Vous pouvez vous connecter à une équipe en même temps qu'une nouvelle équipe est créée. Vous pouvez également communiquer avec une équipe si un membre de l'équipe ajoute de nouveaux appareils à l'équipe.

1. Appuyez sur le bouton de sélection de mode pendant 1 seconde pour accéder au mode de gestion d'équipe.

Remarque : Un message audio vous indique que vous êtes en mode de gestion d'équipe. Se reporter au tableau ci-dessous.

Message audio	Voyant à DEL sur le bouton Bluetooth®
TEAM MANAGEMENT	Blanc fixe.

2. Appuyez sur le bouton d'augmentation du volume.

Remarque : L'opération de jumelage commence lorsque vous entendez un bip et que le bouton Bluetooth® clignote lentement. L'opération de jumelage est active pendant 1 minute. Un message

audio vous indique que vous êtes connecté à l'équipe. Se reporter au tableau ci-dessous.

Message audio	Voyant à DEL sur le bouton Bluetooth®
CONNECTED TO TEAM	Vert fixe.

Remarque : Vous pouvez parler à l'équipe après que le message audio vous indique que vous êtes connecté à l'équipe.

Pour se déconnecter d'une équipe

1. Appuyez sur le bouton de sélection de mode pendant 1 seconde pour accéder au mode de gestion d'équipe.

Remarque : Un message audio vous indique que vous êtes en mode de gestion d'équipe. Se reporter au tableau ci-dessous.

Message audio	Voyant à DEL sur le bouton Bluetooth®
TEAM MANAGEMENT	Blanc fixe.

2. Appuyez sur le bouton de réduction du volume.

Remarque : Un message audio vous indique que vous avez été déconnecté de l'équipe. Se reporter au tableau ci-dessous.

Message audio	Voyant à DEL sur le bouton Bluetooth®
LEAVING TEAM	Le voyant à DEL clignote en rouge 3 fois.

Pour changer de canal de communication

- Appuyez sur le bouton de canal pour sélectionner le canal de communication 1, 2 ou 3.

Remarque : Un message audio vous indique le canal dans lequel vous vous trouvez. Reportez-vous au tableau ci-dessous.

Message audio	Voyant à DEL du canal
CHANNEL 1	Blanc fixe sur le canal 1.
CHANNEL 2	Blanc fixe sur le canal 2.
CHANNEL 3	Blanc fixe sur le canal 3.

Pour parler à tous les canaux de communication

- Maintenez le bouton de canal enfoncé pour parler à tous les canaux de communication en même temps.

Remarque : Vous êtes connecté à tous les canaux de communication lorsque vous entendez un bip. Tous les voyants à DEL des canaux sont blancs fixes pour indiquer que vous êtes connecté à tous les canaux.

- Relâchez le bouton de canal pour revenir au canal précédent.

Pour activer ou désactiver le microphone

- Appuyez sur le bouton de mise en sourdine jusqu'à ce que vous entendiez un bip.

Pour modifier la diffusion audio

- Maintenir le bouton d'augmentation du volume enfoncé pendant 0,5 seconde pour sélectionner la prochaine diffusion audio.
- Maintenir le bouton de réduction du volume enfoncé pendant 0,5 seconde pour revenir à la diffusion audio précédente.

Pour arrêter ou démarrer la lecture audio

- Appuyer sur le bouton de mode pour arrêter ou démarrer la diffusion audio.

Pour accepter, refuser ou mettre fin à un appel téléphonique

Si votre appareil mobile est connecté au produit avec la technologie sans fil Bluetooth®, un signal est émis dans les écouteurs lors d'un appel entrant.

- Appuyer sur le bouton de mode pour accepter ou mettre fin à l'appel téléphonique.
- Appuyez sur le bouton de mode pendant 1 seconde pour ignorer un appel entrant.

Remarque : Un bip vous indique lorsque l'appel téléphonique est accepté ou ignoré.

Message audio	Information
CALL ENDED	L'appel téléphonique est terminé.

Pour transférer un appel téléphonique à l'équipe

1. Appuyez sur le bouton de mode pour accepter l'appel téléphonique.
2. Appuyez rapidement 2 fois sur le bouton de sélection de mode pour transférer l'appel téléphonique à l'équipe.

Remarque : Un message audio vous indique lorsque l'appel téléphonique a été transféré. Se reporter au tableau ci-dessous.

Message audio	Information
CALL TRANSFERRED TO TEAM	L'appel téléphonique a été transféré à l'équipe.

Pour déconnecter l'appel téléphonique dans l'équipe

- Appuyez 2 fois rapidement sur le bouton de sélection de mode.

Remarque : Un message audio vous indique lorsque l'appel téléphonique est déconnecté. Se reporter au tableau ci-dessous.

Message audio	Information
CALL DISCONNECTED FROM TEAM	L'appel téléphonique a été déconnecté de l'équipe.

Réglage du volume

- Pour régler le volume, appuyer le bouton d'augmentation ou de réduction de volume. Un signal sonore indique lorsque vous avez atteint le volume minimal ou maximal.

Pour régler le mode de son ambiant

Le mode de son ambiant vous permet d'entendre les sons autour de vous.

- Appuyer sur le bouton de son ambiant.

Remarque : Un message audio vous indique l'état du mode de son ambiant.

Message audio
AMBIENT LEVEL HIGH
AMBIENT LEVEL MEDIUM
AMBIENT LEVEL LOW
AMBIENT LEVEL OFF

Arrêt de la machine

- Appuyer sur le bouton on/off (marche/arrêt) et le maintenir enfoncé pendant 1 seconde.

Remarque : Un message audio vous indique l'état de la batterie et les voyants à DEL s'éteignent. Un bip indique que le produit est éteint.

Pour forcer l'arrêt du produit

- Appuyer sur le bouton on/off (marche/arrêt) et le maintenir enfoncé pendant 12 secondes.

Entretien

Pour entretenir le produit



MISE EN GARDE : Ne pas laver ou tremper complètement le produit dans de l'eau.



MISE EN GARDE : Les vaporisateurs, les liquides ou les autres produits de nettoyage contenant des solvants ou de l'alcool peuvent réduire les capacités de protection.



MISE EN GARDE : Utiliser les pièces de rechange d'origine Husqvarna.

1. Nettoyer le produit régulièrement. Utiliser un chiffon et une solution légèrement savonneuse.
2. Effectuer un contrôle de l'état des anneaux d'étanchéité et des insertions en caoutchouc mousse avant chaque utilisation.
3. Remplacer les bagues d'étanchéité et les coussinets en mousse de caoutchouc une fois à chaque 6 mois ou plus fréquemment, au besoin. S'assurer que l'orifice d'air sur la bague d'étanchéité est orienté vers le bas pendant le montage. Utiliser la trousse d'hygiène originale qui comprend les bagues d'étanchéité et les coussinets en mousse de caoutchouc. Se reporter à www.husqvarna.com pour obtenir de plus amples renseignements sur la trousse d'hygiène. (Fig. 19)

Remarque : Si l'intérieur des protecteurs d'oreilles est humide, laisser ceux-ci sécher à la position de stationnement. Se reporter à *Pour placer les protecteurs d'oreilles à la position de stationnement à la page 123.*

4. Remplacer la membrane du microphone de communication si celle-ci est endommagée.
5. Remplacer la bonnette anti-vent du microphone dépendant du niveau si celle-ci est endommagée.
6. Remplacer la bonnette anti-vent du microphone monté sur tige si celle-ci est endommagée.
7. Remplacez le coussinet de confort du serre-tête au besoin. (Fig. 20)

Transport, entreposage et mise au rebut

Transport et entreposage



MISE EN GARDE : Pendant le transport et du remisage, placer les écouteurs en position de fonctionnement pour réduire l'usure du plastique.

- Placer les protecteurs d'oreilles à la position d'utilisation. Se reporter à *Pour placer les protecteurs d'oreille à la position d'utilisation à la page 123.*
- S'assurer que les anneaux d'étanchéité ne sont pas comprimés.
- Placer le produit dans un endroit sec et propre.
- Garder le produit à l'abri de la lumière du soleil.

- Charger la batterie toutes les 6 semaines afin de maintenir la qualité de la batterie.
- Lors du transport, placer le produit à un endroit sûr.

Mise au rebut

- Respecter les règlements nationaux.
- Utiliser le système de recyclage local.
- Le produit ou l'emballage du produit n'est pas un déchet domestique. Recycler dans un centre de recyclage pour équipements électriques et électroniques.



Accessoires

Casques homologués

Utiliser le produit avec les casques ci-dessous seulement.

Modèle	Type d'accessoire du casque	Illustration de l'adaptateur	Dimensions homologuées
Husqvarna Technical, H300	Adaptateur H300	(Fig. 21)	M/L
Husqvarna Spire	Adaptateur Spire	(Fig. 22)	L
KASK Zenith X			

Caractéristiques techniques

Se reporter aux illustrations suivantes pour connaître les caractéristiques techniques de chaque produit. Pour plus de caractéristiques techniques, se reporter

à l'annexe des caractéristiques techniques dans ce manuel de l'opérateur.

(Fig. 2)
(Fig. 3)

Pour en savoir plus sur le contenu des données techniques, se reporter à la liste suivante :

- F = Fréquence à laquelle l'atténuation est mesurée.
- Mf = Valeur moyenne.
- Sf = Déviation standard.
- APV (Mf-Sf) = Valeur de protection assumée.
- H = valeur d'atténuation haute fréquence (prédiction de réduction de niveau de bruit avec $L_C-L_A = -2$ dB). M = valeur d'atténuation fréquence moyenne (prédiction de réduction de niveau de bruit avec $L_C-L_A = +2$ dB). L = valeur d'atténuation basse fréquence (prédiction de réduction de niveau de bruit avec $L_C-L_A = +10$ dB).

- SNR = valeur d'identification unique (valeur qui sera retranchée du niveau de pression acoustique pondéré en C mesuré, L_C , afin d'estimer le niveau sonore pondéré en A effectif à l'intérieur de l'oreille).

Fabricant responsable : Husqvarna AB, SE-561 82 Husqvarna, Suède, tél. : +46-36-146500.

Niveau sonore

Le mode radio FM et le mode casque ont un niveau sonore maximal équivalent de 82 dB (A).

Matériaux

Pièce	Matériau	Pièce	Matériau
Coquille intérieure	ABS	Serre-tête	POM+TPE
Coquille extérieure, gauche	ABS	Fourche du casque	POM
Coquille extérieure, droite	ABS+TPE	Ressort de fourche du casque	Acier
Inserts	PUR	Vis	Acier
Bagues d'étanchéité	PVC et mousse		

Sadržaj

Uvod.....	130	Prijevoz, spremanje i zbrinjavanje.....	137
Sigurnost.....	131	Dodatna oprema.....	137
Sastavljanje.....	132	Tehnički podaci.....	137
Rad.....	133	0
Održavanje.....	136		

Uvod

Opis proizvoda

Proizvod X-COM Active (HP500C-01, HP500C-02) štitnik je za uši s ugrađenom potpuno dvosmjernom

Pregled proizvoda

(Sl. 1)

1. Gumb za povećanje glasnoće
2. Gumb za smanjenje glasnoće
3. Mikrofon koji radi ovisno o razini
4. Gumb za Bluetooth®
5. Mikrofon za pričanje
6. Gumb za način rada
7. Izlaz za kabel punjača s USB-C priključkom
8. Gumb za zvuk iz okoline
9. Gumb za utišavanje
10. Gumb za uključivanje/isključivanje
11. Gumb za kanal
12. Izlaz za mikrofon na nosaču

Usklađenost i odobrenja

Husqvarna AB, SE-561 82 Huskvarna, Sweden, tel: +46-36-146500, ovime izjavljuje da je radijska oprema tipa HP500C-01 i HP500C-01 u skladu s 2014/53/EU, 2011/65/EU i propisom (EU) 2016/425. Kompletan tekst EU izjave o sukladnosti dostupan je na sljedećoj internetskoj stranici: www.husqvarna.com; potražite X-COM Active, HP500C-01, HP500C-02.

Vrijednosti prigušenja zvuka i razina buke ispitani su i odobreni u skladu s: EN 352-1:2020 (traka za glavu), EN 352-3:2020 (montirana na kacigu), EN 352-4:2020, EN 352-6:2020 i EN 352-8:2020.

Regulacijsko tijelo uključeno u procjenu sukladnosti je: Regulacijsko tijelo broj 1974, PZT GmbH, Bismarckstraße 264 B, 26389 Wilhelmshaven, Germany.

Certifikaciju i nadzor provela je tvrtka PZT.

Baterija je certificirana sukladno IEC62133 izdanju 2.



komunikacijom, bežičnom tehnologijom *Bluetooth®* i FM radijom. Model HP500C-01 štitnik je za uši s trakom za glavu, a model HP500C-02 štitnik je za uši za kacigu. Proizvod pruža zaštitu od štetne buke.

UK Importer:
Husqvarna UK Ltd
Preston Road, Co. Durham
DL5 6UP

FCC ID: ZASHP500, IC ID: 23307-HP500

Izjava o sukladnosti FCC-a za dobavljače osobe odgovorne za HP500C-01, HP500C-02.

Husqvarna Professional Products, Inc. 9335 Harris Corners Parkway Suite 500 Charlotte, NC 28269 Sjedinjene Američke Države.

Podaci za kontakt u SAD-u: Michael Campbell, menadžer za sukladnost proizvoda, telefon: +1 704 597 5000.

Izjava o sukladnosti FCC-a:

Ovaj je uređaj usklađen s dijelom 15. pravila Federalne komisije za komunikacije o smetnjama. Upotrebu uvjetuju sljedeća dva uvjeta: (1) Ovaj uređaj ne smije uzrokovati štetne smetnje i (2) ovaj uređaj mora prihvaćati sve primljene smetnje, uključujući smetnje koje mogu uzrokovati nepoželjan rad uređaja.

Oprema je ispitana i ispunjava ograničenja za digitalne uređaje razreda B u skladu s dijelom 15 pravila organizacije FCC. Ta ograničenja oblikovana su za pružanje razumne razine zaštite od štetnih smetnji u instalacijama u naseljenim područjima. Ova oprema stvara, upotrebljava i može odašiljati energiju radijskih frekvencija i, ako nije instalirana i ne upotrebljava se u skladu s uputama, može uzrokovati štetne smetnje u radijskoj komunikaciji. Međutim, nije zajamčeno kako se smetnje neće pojaviti u određenim instalacijama. Ako oprema uzrokuje smetnje štetne za radijski ili televizijski prijem, što se utvrđuje isključenjem i uključenjem opreme, korisnika potičemo da pokuša ispraviti smetnje pomoću jedne ili više od sljedećih mjera:

- Povećajte udaljenost između opreme i prijemnika.

- Za pomoć se obratite ovlaštenom trgovcu.

Oznake na proizvodu nalaze se na naljepnici na desnom štitniku za uši.

Registrirani zaštitni znakovi

Natpis i logotipi *Bluetooth®* registrirani su zaštitni znakovi u vlasništvu tvrtke *Bluetooth SIG, inc.* i tvrtka

Husqvarna za svaku upotrebu tih znakova posjeduje licenciju.

Sigurnost

Sigurnosne definicije

Upozorenjima, oprezima i napomenama naglašavaju se posebno važni dijelovi priručnika.



UPOZORENJE: Koristi se kada nepoštivanje uputa iz priručnika može uzrokovati smrt ili ozljede rukovatelja ili promatrača.



OPREZ: Koristi se kada nepoštivanje uputa iz priručnika može uzrokovati oštećenje proizvoda ili drugih materijala u neposrednoj blizini.

Napomena: Koristi se prikaz neophodnih dodatnih informacija za zadanu situaciju.

Opća sigurnost



UPOZORENJE: Prije upotrebe proizvoda pročitajte upute upozorenja u nastavku.

- Primjenjujte i sačuvajte ove upute.
- Za optimalno pristajanje i rad provjerite jeste li odabrali proizvod koji odgovara namjeni.
- Nemojte mijenjati dijelove proizvoda ili ih uklanjati. Provodite isključivo promjene navedene u ovom korisničkom priručniku.
- Prigušenje buke proizvodom znatno će se pogoršati ako se ne pridržavate uputa iz korisničkog priručnika. Štitnici za uši, poglavito jastučići, upotrebom se troše i trebate u redovnim intervalima pregledavati jesu li napukli ili propuštaju li. Pogledajte *Održavanje na stranici 136*.
- Određene kemijske tvari mogu nepovoljno utjecati na proizvod. Dodatne informacije zatražite od proizvođača. Proizvod držite podalje od agresivnih tvari i redovito ga čistite. Upotrebljavajte krpu sa sapunicom. Nemojte prati ili stavljati pod vodu.
- Sva servisiranja i popravci provode se u odobrenoj servisnoj radionici. Upotrebljavajte samo originalne rezervne dijelove tvrtke Husqvarna.

- Štitnike za uši nikada nemojte upotrebljavati nakon isteka 10 godina od datuma proizvodnje navedenog na ambalaži.
- Funkcionalnost uređaja može opadati sukladno trošenju baterije.

Sigurnosne upute za rad

- Nositelj koje je u bučnim okruženjima štitnike za uši trebao bi nositi cijelo vrijeme.
- Tijekom upotrebe proizvoda budite pažljivi i slušajte signale upozorenja. Glasnoća signala upozorenja može biti umanjena tijekom upotrebe proizvoda.
- Čujnost signala upozorenja na određenim radnim mjestima može biti umanjena pri upotrebi sustava za zabavu.
- Onemogućite udaranje proizvoda tijekom transporta i upotrebe.
- Proizvod upotrebljavajte na temperaturama između -20 i +55 °C / -4 i +131 °F. Ako proizvod upotrebljavate na drugim temperaturama, možete uzrokovati oštećenja elektronike, baterije i mehaničkih dijelova.
- Naučite primjenjivati proizvod prije upotrebe. Ako je proizvod oštećen, obratite se ovlaštenom serverisu. Nemojte otvarati kućište!
- Položaj higijenskih pokrova na jastučićima može utjecati na akustičnu izvedbu štitnika za uši. Obavezno upotrebljavajte originalnu dodatnu opremu.
- Štitnike za uši nemojte pritiskati uz školjku kacige. Ako to učinite, možete uzrokovati pukotine na strani kacige.

(Sl. 4)

- Proizvod nemojte skladištiti na temperaturama višima od 55 °C / 131 °F, primjerice na ploči s instrumentima. Proizvod nemojte skladištiti na temperaturama ispod -20 °C / -4 °F.
- Nositelj štitnike za uši treba postaviti, prilagoditi i održavati u skladu s ovim korisničkim priručnikom.
- Štitnici za uši opremljeni su sa sigurnosnim zvučnim ulazom. Korisnik bi prije uporabe trebao provjeriti ispravnost rada. Ako otkrije smetnju ili kvar, korisnik bi za održavanje trebao zatražiti savjet proizvođača.

Sigurnost baterije

- Štitnik za uši opremljen je s prigušenjem ovisnim o razini. Korisnik bi prije uporabe trebao provjeriti

ispravnost rada. Ako otkrije kvar ili pogrešku, korisnik treba pratiti proizvođačeve upute za održavanje.

- Uređaj sadrži baterije i električne komponente koje mogu uzrokovati zapaljenje u zapaljivim ili eksplozivnim atmosferama. Nemojte ga koristiti u

okruženjima u kojima iskre mogu uzrokovati požar ili eksploziju.

- Proizvod puniti isključivo u rasponu temperature od 0 – +40 °C / 32 – 104 °F. Punjenjem izvan raspona temperature možete oštetiti elektroniku i bateriju.

Sastavljanje

Uvod



UPOZORENJE: Prije postavljanja proizvoda sklonite kosu na stranu. Pri rada s proizvodom provjerite jesu li brtveni prsteni čvrsto priljubljeni uz glavu i oko ušiju.

Postavljanje štitnika za uši s trakom za glavu

1. Postavite traku za glavu oko glave.
2. Pomičite štitnike za uši gore ili dolje da biste podesili visinu. (Sl. 5)

Postavljanje štitnika za uši na kacigu

1. Na školjku kacige postavite odgovarajući priključak s adapterom. Pogledajte *Odobrene kacige na stranici 137*.
2. Postavite vilicu kacige na priključak s adapterom. (Sl. 6)

Napomena: Pogledajte *Odobrene kacige na stranici 137* za više informacija o priključcima za kacigu primjenjivima na vašoj kacigi.

3. Pomaknite štitnike za uši u najniži položaj.
4. Štitnike za uši podižite prema van i gore dok se ne zaključaju u položaju pripravnosti. (Sl. 7)
5. Postavite oznaku na kabel.
 - a) Na kacigi H300 oznaku postavite na 27 cm/11" (X) od pojedinog štitnika za uši.
 - b) Na kacigi Spire Vent X oznaku postavite na 14,5 cm/ 6" (Y) od pojedinog štitnika za uši. (Sl. 8)
6. Umetnite nastavak za kacigu u utor na kacigi. (Sl. 9)
7. Nastavite sukladno uputama za sastavljanje za odobrenu kacigu.



OPREZ: Kabel ne smije biti savijen ili biti savijen pod malim polumjerom. Provjerite pomiče li se kabel neometano u otvor na kacigi.

Postavljanje štitnika za uši na kacigu H300

1. Otpustite opremu za glavu s kacige. (Sl. 10)

2. Kabelskim spojnicama ili kopčama pričvrstite kabel u otvore. (Sl. 11)
3. Ako pričvršćujete s kabelskim spojnicama, odrežite kabelsku spojnicu i blokadu kabelske spojnice utisnite u bočni utor.
4. Napravite petlju na kabelu i pričvrstite opremu za glavu i štitnik vrata. Kabel mora biti između školjke kacige i opreme za glavu. (Sl. 12)

Postavljanje štitnika za uši na kacigu Spire Vent X

1. Kabel u petlji usmjerite na stražnju stranu.
2. Kabel pomoću kabelskih spojnica pričvrstite za opremu za glavu. Kabelsku spojnicu umetnite kroz stražnji remen trake za glavu.
3. Odrežite kabelsku spojnicu.
4. Preostali dio kabela u petlji postavite na stražnju stranu, iza stražnje trake za glavu. (Sl. 13)

Postavljanje štitnika za uši u položaj za rad

1. Stavite kacigu na glavu.
2. Podešavajte štitnike za uši dok ih ne postavite čvrsto oko ušiju i uz glavu. (Sl. 14)

Postavljanje štitnika za uši u položaj pripravnosti

- Štitnike za uši podižite prema van i gore dok se ne zaključaju u položaju pripravnosti. (Sl. 15)

Postavljanje štitnika za uši u položaj za parkiranje

1. Postavite štitnike za uši u položaj pripravnosti. Pogledajte *Postavljanje štitnika za uši u položaj pripravnosti na stranici 132*.
2. Okrećite štitnike za uši duž bočne strane kacige dok se ne zaustave u položaju za parkiranje. (Sl. 16)

Priključivanje mikrofona na nosaču

U bučnim okolinama upotrebljavajte mikrofona na nosaču.

1. Postavite filter vjetra na mikrofona na nosaču.
2. Priključite mikrofona na nosaču na izlaz za mikrofona na desnom štitniku za uši. (Sl. 17)
3. Mikrofona na nosaču postavite 1 cm/0,4" (A) od usta.

Rad

Uvod



UPOZORENJE: Prije rada s proizvodom morate pročitati i usvojiti poglavlje o sigurnosti.

Punjenje proizvoda

1. USB-C priključak na kabelu punjača priključite na izlaz na lijevom štitniku za uši. (Sl. 18)
2. USB priključak na kabelu punjača priključite na USB punjač ili drugu strujnu utičnicu za USB.

Napomena: Za punjenje s maksimalnim kapacitetom izlaz strujne utičnice mora biti na 5 V i omogućavati 2 A.

Napomena: Kada se baterija puni, LED indikator na gumbu za Bluetooth® polako treperi zeleno. Kada je baterija je potpuno napunjena, LED indikator na gumbu za Bluetooth® prestano svijetli zeleno.

LED indikator na gumbu za kanal	Stanje napunjenosti baterije
Svijetle tri LED indikatora.	Baterija je napunjena 90 % – 100 %.
Dva LED indikatora svijetle, a 1 LED indikator polako treperi.	Baterija je napunjena 70 % – 90 %.
Jedan LED indikator svijetli, a jedan LED indikator polako treperi.	Baterija je napunjena 20 % – 70 %.
Jedan LED indikator polako treperi.	Baterija je napunjena 10 % – 20 %.
Jedan LED indikator brzo treperi.	Baterija je napunjena 0 % – 10 %.

Pokretanje proizvoda

- Pritisnite i jednu sekundu zadržite gumb za uključivanje/isključivanje.

Napomena: Uključivanje proizvoda označava se zvučni signalom. Srednji LED indikator na gumbu za kanal uključuje se na dvije sekunde. Zvučna poruka obavještava vas o statusu baterije i broju uređaja povezanih bežičnom tehnologijom Bluetooth®. Ako proizvod pronađe tim, zvučna

poruka obavještava vas s kojim ste timom povezani. Pogledajte tablicu u nastavku.

Zvučna poruka

BATTERY HIGH

BATTERY MEDIUM

BATTERY LOW

BATTERY CRITICAL

Zvučna poruka

ONE BLUETOOTH DEVICE CONNECTED

TWO BLUETOOTH DEVICES CONNECTED

CONNECTED TO TEAM CHANNEL 1

CONNECTED TO TEAM CHANNEL 2

CONNECTED TO TEAM CHANNEL 3

Prikaz statusa baterije

- Pritisnite gumb za uključivanje/isključivanje.

Napomena: LED indikator na gumbu za kanal zeleno svijetli pet sekundi. Pogledajte tablicu u nastavku.

LED indikator	Status baterije
Svijetle tri LED indikatora.	Baterija je napunjena 90 % – 100 %.
Svijetle dva LED indikatora.	Baterija je napunjena 70 % – 90 %.
Svijetli jedan LED indikator.	Baterija je napunjena 20 % – 70 %.
Jedan LED indikator brzo treperi.	Baterija je napunjena 0 % – 10 %.

Zamjena načina rada za FM radio i načina rada za Bluetooth®

- Za zamjenu načina rada za FM radio i načina rada za Bluetooth® dvaput brzo pritisnite gumb za način rada.

Napomena: Iz zvučne poruke doznajete koji ste način rada odabrali. Pogledajte tablicu u nastavku.

Zvučna poruka
RADIO
BLUETOOTH

Način rada za FM radio

U načinu rada za FM radio možete pristupiti FM radiju u urbanim područjima ili ostalim područjima sa snažnim FM radijski signalom. Na rad FM radija mogu utjecati zahtjevni tereni ili gusta vegetacija.

Promjena postaje FM radija

- Za promjenu postaje FM radija pritisnite i jednu sekundu zadržite gumb za povećanje glasnoće ili gumb za smanjenje glasnoće.

Način rada za Bluetooth®

U načinu rada za Bluetooth® proizvod možete povezati s uređajem putem bežične tehnologije Bluetooth®.

Postupak uparivanja s tehnologijom Bluetooth®

1. Pritisnite i dvije sekunde zadržite i gumb za Bluetooth® kako biste pokrenuli funkciju uparivanja proizvoda.

Napomena: Postupak uparivanja započinje kada čujete zvučni signal i gumb za Bluetooth® počne treperiti plavom bojom. Postupak uparivanja uključen je 30 sekundi.

2. Pokrenite postupak uparivanja bežičnom tehnologijom Bluetooth® na uređaju.
3. Ako je potrebno, odaberite Husqvarna X-COM Active na popisu jedinica na uređaju.

Napomena: Zvučna poruka obavještava vas o statusu proizvoda. Pogledajte tablicu u nastavku.

Zvučna poruka	LED indikator na gumbu za Bluetooth®	Informacije
BLUETOOTH DEVICE CONNECTED	Stalno svijetli plavo.	Proizvod je povezan s uređajem bežičnom tehnologijom Bluetooth®.
BLUETOOTH CONNECTION FAILED	Stalno svijetli crveno na dvije sekunde.	Proizvod nije povezan s uređajem s bežičnom tehnologijom Bluetooth®.

Napomena: Uređaj s bežičnom tehnologijom Bluetooth® povezan s proizvodom automatski se povezuje pri sljedećoj upotrebi uređaja s proizvodom.

Postavljanje tima i dodavanje uređaja

Tim je komunikacijska grupa u kojoj možete razgovarati sa svim uređajima povezanim u tim. Ako provedete ovaj postupak dok nema tima, s njim ćete postaviti novi tim. Tada postupak možete ponoviti kako biste u tim dodali nove uređaje. Tim postavlja samo jedna osoba, a drugi uređaju povezuju se s timom na način prikazan u *Povezivanje u tim na stranici 135*. U danom trenutku samo jedna osoba može dodati novi uređaj u tim. Novi uređaj mora se povezati s timom na način prikazan u *Povezivanje u tim na stranici 135*.

1. Na jednu sekundu pritisnite gumb za način rada kako biste pristupili načinu rada za upravljanje timom.

Napomena: Zvučna poruka obavještava vas da ste pristupili načinu rada za upravljanje timom. Pogledajte tablicu u nastavku.

Zvučna poruka	LED indikator na gumbu za Bluetooth®
TEAM MANAGEMENT	Stalno bijel.

2. Pritisnite gumb za Bluetooth®.

Napomena: Zvučna poruka obavještava vas o statusu postupka uparivanja. Postupak uparivanja započinje kada čujete zvučni signal. Pogledajte tablicu u nastavku.

Zvučna poruka	LED indikator na gumbu za Bluetooth®
SEARCHING FOR MEMBERS	LED indikator brzo treperi.

Napomena: Postupak uparivanja uključen je jednu minutu. Uređaji se povezuju u tim za približno jednu minutu. Postupak uparivanja dovršen je kada čujete zvučni signal i gumb za Bluetooth® počne stalno svijetliti zeleno. Pri svakom priključivanju novog uređaja u tim oglašava se zvučni signal. Za povezivanje u tim pogledajte *Povezivanje u tim na stranici 135*.

3. Ako želite zaustaviti postupak uparivanja prije isteka jedne minute, pritisnite gumb za način rada.
4. Ako u tim želite dodati novi uređaj, slijedite iste upute.

Napomena: Uređaj povezan s timom pri sljedećoj se primjeni automatski povezuje s timom.

Povezivanje u tim

U tim se nije moguće povezati ako tim nije postavljen. Za postavljanje tima pogledajte *Postavljanje tima i dodavanje uređaja na stranici 134*. U tim se možete povezati pri postavljanju novog tima. U tim se također možete povezati ako član tima dodaje nove uređaje u tim.

1. Na jednu sekundu pritisnite gumb za način rada kako biste pristupili načinu rada za upravljanje timom.

Napomena: Zvučna poruka obavještava vas da ste pristupili načinu rada za upravljanje timom. Pogledajte tablicu u nastavku.

Zvučna poruka	LED indikator na gumbu za Bluetooth®
TEAM MANAGEMENT	Stalno bijel.

2. Pritisnite gumb za povećanje glasnoće.

Napomena: Postupak uparivanja započinje kada čujete zvučni signal i gumb za Bluetooth® počne polako treperiti. Postupak uparivanja uključen je jednu minutu. Zvučna poruka obavještava vas da ste se povezali u tim. Pogledajte tablicu u nastavku.

Zvučna poruka	LED indikator na gumbu za Bluetooth®
CONNECTED TO TEAM	Stalno zeleno.

Napomena: S timom možete pričati nakon što vas zvučna poruka obavijesti da ste povezani u tim.

Napuštanje tima

1. Na jednu sekundu pritisnite gumb za način rada kako biste pristupili načinu rada za upravljanje timom.

Napomena: Zvučna poruka obavještava vas da ste pristupili načinu rada za upravljanje timom. Pogledajte tablicu u nastavku.

Zvučna poruka	LED indikator na gumbu za Bluetooth®
TEAM MANAGEMENT	Stalno bijel.

2. Pritisnite gumb za smanjenje glasnoće.

Napomena: Zvučna poruka obavještava vas da ste napustili tim. Pogledajte tablicu u nastavku.

Zvučna poruka	LED indikator na gumbu za Bluetooth®
LEAVING TEAM	LED indikator crveno treperi tri puta.

Zamjena komunikacijskog kanala

- Pritisnite gumb za kanal kako biste odabrali komunikacijski kanal 1, 2 ili 3.

Napomena: Zvučna poruka obavještava vas u kojem ste kanalu. Pogledajte tablicu u nastavku.

Zvučna poruka	LED indikator kanala
CHANNEL 1	Stalno bijel na kanalu 1.
CHANNEL 2	Stalno bijel na kanalu 2.
CHANNEL 3	Stalno bijel na kanalu 3.

Pričanje sa svim komunikacijskim kanalima

- Pritisnite i zadržite gumb za kanal kako biste istovremeno pričali sa svim komunikacijskim kanalima.

Napomena: Sa svim komunikacijskim kanalima povezani ste nakon oglašavanja zvučnog signala. Kada ste povezani sa svim kanalima svi LED indikatori kanala stalno svijetle bijelom bojom.

- Otpuštanjem gumba za kanal vraćate se na prethodni kanal.

Omogućavanje ili onemogućavanje mikrofona

- Pritišćite gumb za utišavanje do oglašavanja zvučnog signala.

Zamjena zvučnog strujanja

- Pritisnite i 0,5 sekundi zadržite gumb za povećanje glasnoće kako biste odabrali sljedeće zvučno strujanje.
- Pritisnite i 0,5 sekundi zadržite gumb za smanjenje glasnoće kako biste odabrali prethodno zvučno strujanje.

Zaustavljanje ili pokretanje zvučnog strujanja

- Pritisnite gumb za način rada kako biste pokrenuli ili zaustavili zvučno strujanje.

Prihvatanje, završetak ili završetak telefonskog poziva

Ako je vaš mobilni uređaj povezan s proizvodom s bežičnom tehnologijom Bluetooth®, u štitnicima za uši čuje se signal pri dolaznom telefonskom pozivu.

- Za prihvatanje ili završetak telefonskog poziva pritisnite gumb za način rada.

- Za odbijanje dolaznog telefonskog poziva pritisnite gumb za način rada na jednu sekundu.

Napomena: Prihvaćanje ili odbijanje telefonskog poziva označava se zvučnim signalom.

Zvučna poruka	Informacije
CALL ENDED	Telefonski razgovor je završio.

Prijenos telefonskog poziva u tim

1. Pritisnite gumb za način rada da biste prihvatili poziv.
2. Za prijenos telefonskog poziva u tim dvaput brzo pritisnite gumb za način rada.

Napomena: Zvučna poruka obavještava vas o prijenosu telefonskog poziva. Pogledajte tablicu u nastavku.

Zvučna poruka	Informacije
CALL TRANSFERRED TO TEAM	Telefonski poziv prenesen je u tim.

Prekid telefonskog poziva u timu

- Dvaput brzo pritisnite gumb za način rada.

Napomena: Zvučna poruka obavještava vas o prekidu telefonskog poziva. Pogledajte tablicu u nastavku.

Zvučna poruka	Informacije
CALL DISCONNECTED FROM TEAM	Telefonski poziv prekinut je u timu.

Prilagodba glasnoće

- Pritisnite gumb za povećanje ili smanjenje glasnoće kako biste podesili glasnoću. Zvučni signal označava minimalnu ili maksimalnu razinu glasnoće.

Postavljanje načina rada za zvuk iz okoline

U načinu rada za zvuk iz okoline možete čuti zvukove iz vaše okoline.

- Pritisnite gumb za zvuk iz okoline.

Napomena: Status načina rada za zvuk iz okoline prijavljuje se zvučnom porukom.

Zvučna poruka
AMBIENT LEVEL HIGH
AMBIENT LEVEL MEDIUM
AMBIENT LEVEL LOW
AMBIENT LEVEL OFF

Zaustavljanje proizvoda

- Pritisnite i jednu sekundu zadržite gumb za uključivanje/isključivanje.

Napomena: Zvučna poruka obavještava vas o statusu baterije i isključuju se LED indikatori. Zvučni signal obavještava vas da je proizvod je isključen.

Prisilno zaustavljanje proizvoda

- Pritisnite i 12 sekundi zadržite gumb za uključivanje/isključivanje.

Održavanje

Održavanje proizvoda



OPREZ: Proizvod nemojte ispirati ili potpuno uranjati u vodu.



OPREZ: Sprejevi, tekućine i druga sredstva za čišćenje koji sadrže otapala i/ili alkohol mogu smanjiti zaštitno djelovanje.



OPREZ: Upotrebljavajte originalne rezervne dijelove tvrtke Husqvarna.

1. Redovito čistite proizvod. Upotrijebite krpu sa slabom sapunicom.
2. Prije svake primjene provjerite stanje brtvenih prstena i umetaka od pjenaste spužve.
3. Brtvene prstenove i umetke od pjenaste spužve zamijenite svakih šest mjeseci, ako je neophodno i češće. Zračni raspor na brtvnom prstenu pri postavljanju treba se usmjeriti prema dolje. Primijenite originalni higijenski pribor koji obuhvaća brtvene prstenove i umetke od pjenaste spužve. Više informacija o higijenskom priboru potražite na www.husqvarna.com. (Sl. 19)

Napomena: Ako su štitnici za uši mokri s unutarnje strane, osušite ih u položaju za parkiranje.

Pogledajte *Postavljanje štitnika za uši u položaj za parkiranje na stranici 132.*

- Ako je membrana mikrofona za pričanje oštećena, zamijenite je.
- Zamijenite oštećen filtar vjetra na mikrofону koji radi ovisno o razini, zamijenite ga.

- Ako je oštećen filtar vjetra na mikrofону na nosaču, zamijenite ga.
- Ako je potrebno, zamijenite podlogu Comfort Pad na traci za glavu. (Sl. 20)

Prijevoz, spremanje i zbrinjavanje

Prijevoz i skladištenje



OPREZ: Tijekom prijevoza i skladištenja štitnike za uši postavite u položaj za rad kako biste ublažili trošenje plastičnog materijala.

- Postavite štitnike za uši u položaj za rad. Pogledajte *Postavljanje štitnika za uši u položaj za rad na stranici 132.*
- Brtvni prstenovi ne smiju biti stlačeni.
- Stavite proizvod u suh i čist prostor.
- Proizvod uskladištite podalje od sunčeve svjetlosti.
- Bateriju napunite svakih šest tjedana kako biste zadržali njenu kvalitetu.

- Proizvod za transport postavite u siguran prostor.

Zbrinjavanje u otpad

- Poštujte državne propise.
- Poslužite se lokalnim sustavom za reciklažu.
- Ni proizvod ni njegova ambalaža ne spadaju u kućanski otpad. Reciklirajte ga u reciklažnoj stanici za električnu i elektroničku opremu.



Dodatna oprema

Odobrene kacige

Proizvod upotrebljavajte samo sa sljedećim kacigama.

Model	Vrsta priključka za kacigu	Grafički prikaz adaptera	Odobrene dimenzije
Husqvarna Technical, H300	Adapter H300	(Sl. 21)	M/L
Husqvarna Spire	Adapter Spire	(Sl. 22)	L
KASK Zenith X			

Tehnički podaci

Za tehničke podatke o svakom proizvodu pogledajte crteže u nastavku. Više tehničkih podataka potražite

u dodatnom tehničkom listu u ovom korisničkom priručniku.

(Sl. 2)
(Sl. 3)

Više informacija o sadržaju tehničkih podataka potražite u popisu u nastavku:

- F = frekvencije na kojima je mjereno prigušenje.
- Mf = srednja vrijednost.
- Sf = standardno odstupanje.
- APV (Mf - Sf) = pretpostavljena vrijednost zaštite.

- H = vrijednost prigušenja visoke frekvencije (predviđeno smanjenje razine buke za buku pri $L_C - L_A = -2$ dB). M = vrijednost prigušenja srednje frekvencije (predviđeno smanjenje razine buke za buku pri $L_C - L_A = +2$ dB). L = vrijednost prigušenja niske frekvencije (predviđeno smanjenje razine buke za buku pri $L_C - L_A = +10$ dB).

- SNR = jednobrojna ocjenska vrijednost (vrijednost oduzeta od izmjerene C-vrednovane razine tlaka zvuka, L_C , da bi se utvrdila efektivna A-vrednovana razina zvuka unutar uha.

Razina buke

U načinu rada za FM radio i načinu rada za slušalice maksimalna ekvivalentna razina zvuka je 82 dB (A).

Odgovorni proizvođač: Husqvarna AB, SE-561 82
Huskvarna, Švedska, tel: +46-36-146500.

Materijali

Dio	Materijal	Dio	Materijal
Unutarnja čašica	ABS	Traka za glavu	POM+TPE
Vanjska čašica, lijeva	ABS	Vilica kacige	POM
Vanjska čašica, desna	ABS+TPE	Opruga vilice kacige	Čelik
Umetci	PUR	Vijci	Čelik
Brtveni prsteni	PVC i pjena		

TARTALOMJEGYZÉK

Bevezető.....	139	Szállítás, tárolás és ártalmatlanítás.....	146
Biztonság.....	140	Tartozékok.....	147
Összeszerelés.....	141	Műszaki adatok.....	147
Üzemeltetés.....	142	0
Karbantartás.....	146		

Bevezető

Termékleírás

A X-COM Active (HP500C-01, HP500C-02) típusú termék egy integrált teljes duplex kommunikációval, *Bluetooth® vezeték nélküli technológiával* és FM-

rádióval ellátott hallásvédő. A HP500C-01 típusú modell fejpánttal rendelkező hallásvédő, a HP500C-02 típusú modell pedig sisakkal használható hallásvédő. A termék védelmet nyújt a káros zajok ellen.

A termék áttekintése

(ábra 1)

1. Hangerőnövelő gomb
2. Hangerőcsökkentő gomb
3. Szintfüggő mikrofon
4. Bluetooth® gomb
5. Beszédmikrofon
6. Módgomb
7. USB-C töltőkábel kimenet
8. Környezeti hang gomb
9. Némítás gomb
10. Be-/kikapcsoló gomb
11. Csatorna gomb
12. Karos mikrofon kimenet



UK Importer:
Husqvarna UK Ltd
Preston Road, Co. Durham
DL5 6UP

Megfelelőség és engedélyek

A Husqvarna AB, SE-561 82 Huskvarna, Sweden, tel: +46-36-146500 ezennel kijelenti, hogy a HP500C-01 és a HP500C-01 típusú rádióberendezés összhangban van a 2014/53/EU, 2011/65/EU és a (EU) 2016/425 rendeletekkel. Az EU-s megfelelőségi nyilatkozat teljes szövege a következő internetes címen érhető el: www.husqvarna.com; keresse az alábbi kulcsszavakat: X-COM Active, HP500C-01, HP500C-02.

A termék zajtompítási értékeinek és zajszintjeinek tesztelése és jóváhagyása a következőnek megfelelően történt: EN 352-1:2020 (fejpánt), EN 352-3:2020 (sisaktartó), EN 352-4:2020, EN 352-6:2020 és EN 352-8:2020.

A megfelelőségi felmérésben részt vevő bejelentett tanúsítási szervezet: Bejelentett tanúsítási szervezet száma 1974. PZT GmbH, Bismarckstraße 264 B, 26389 Wilhelmshaven, Germany.

A tanúsítást és a monitoringot a PZT végezte.

Az akkumulátor tanúsítványa az IEC621133 2 kiadása szerinti.

FCC ID: ZASHP500, IC ID: 23307-HP500

Az FCC beszállítók megfelelőségi nyilatkozata a HP500C-01, HP500C-02 típusú rádióberendezésre vonatkozóan Felelős fél.

Husqvarna Professional Products, Inc. 9335 Harris Corners Parkway Suite 500 Charlotte, NC 28269, Egyesült Államok.

Egyesült államokbeli kapcsolattartási adatok: Michael Campbell, termékmegfelelőségi menedzser, telefon: +1 704 597 5000.

FCC megfelelőségi nyilatkozat:

A készülék megfelel az FCC szabályzat 15. részének. A működtetésnek a következő két feltétele van: (1) ez a készülék nem okozhat káros interferenciát, és (2) a készüléknek fogadnia kell minden interferenciát, a nem kívánt működést okozó interferenciát is beleértve.

A berendezést tesztelésnek vetették alá, és megfelel a B osztályú digitális készülékekre vonatkozó határértékeknek, az FCC szabályzat 15. részének megfelelően. Ezeknek a határértékeknek az a célja, hogy megfelelő védelmet biztosítsanak a káros interferencia ellen lakossági környezetben történő használat esetén. A berendezés rádiófrekvenciás energiát hoz létre, használ fel és sugározhat, és ha nem az utasításoknak megfelelően szerelik fel és használják, az káros interferenciát okozhat a rádiókommunikációban. Ugyanakkor nincs arra

vonatkozó garancia, hogy egy adott telepítés esetében nem lép fel interferencia. Ha ez a berendezés káros interferenciát okoz a rádió- vagy televízióadás vételében, ami a berendezés ki- és bekapcsolásával ellenőrizhető, akkor azt javasoljuk a felhasználónak, hogy próbálja meg az alábbi lépésekkel korrigálni az interferenciát:

- A berendezés és a vevőkészülék közötti távolság megnövelése.

- Forduljon segítségért a szakkereskedőhöz.

A jelölés a terméken a jobb oldali hallásvédő címkéjén található.

Bejegyzett védjegyek

A *Bluetooth®* szövegdjegy és embléma a(z) *Bluetooth S/G, inc.* bejegyzett védjegye, és ezen jelzések Husqvarna általi használata licencelés keretében történik.

Biztonság

Biztonsági meghatározások

A figyelmeztetések, óvintézkedések és megjegyzések a használati utasítás kiemelten fontos részeire hívják fel a figyelmet.



FIGYELMEZTETÉS: Akkor használatos, ha a kézikönyv utasításainak be nem tartása esetén fennáll a kezelő vagy a közelben tartózkodók sérülésének vagy halálának veszélye.



VIGYÁZAT: Akkor használatos, ha a kézikönyv utasításainak be nem tartása esetén fennáll a vagyoni kár, illetve a termék vagy a környező terület károsodásának veszélye.

Megjegyzés: További információt biztosít az adott helyzetben szükséges tennivalókról.

Általános biztonság



FIGYELMEZTETÉS: A termék használata előtt olvassa el az alábbi figyelmeztetéseket.

- Használja és mentse a jelen utasításokat.
- Az opcionális illeszkedés és működés érdekében ügyeljen arra, hogy a megfelelő terméket válassza ki a saját maga általi használatra.
- Ne módosítsa és ne távolítsa el a termék alkatrészeit. Csak a használati utasításban megadott módosításokat végezze el.
- A termék zajtompító képessége jelentősen gyengülhet, ha nem követi a jelen Használati utasításban szereplő utasításokat. A hallásvédők – különösen a párnák – elhasználódnak, ezért gyakran ellenőrizni kell, nem láthatók-e rajtuk repedés vagy elhasználódás nyomai. Lásd: *Karbantartás 146. oldalon.*
- Bizonyos vegyi anyagok káros hatással lehetnek a termékre. További tájékoztatással a gyártó szolgálhat. A terméket tartsa maró hatású anyagoktól távol, és rendszeresen tisztítsa meg.

Használjon szappanos vízzel megnedvesített rongyot. Ne mossa le, és ne merítse teljesen vízbe.

- Minden szervizelési és javítási munkát hivatalos szakszerviznek kell elvégeznie. Kizárólag eredeti Husqvarna pótalkatrészeket használjon.
- A hallásvédőt soha ne használja a csomagoláson feltüntetett gyártási dátumtól számított 10 évnél tovább.
- A termék működése az akkumulátor-fogyasztás miatt romolhat.

Biztonsági utasítások az üzemeltetéshez

- A felhasználónak ügyelnie kell arra, hogy zajos környezetekben végzett munka esetén mindig viselje a hallásvédőt.
- A termék használata során nagyobb körültekintéssel járjon el, és figyeljen a figyelmeztető utasításokra. A termék használata során csökkenhet a figyelmeztető utasítások hangereje.
- Az adott munkavégzési területen csökkenhet a figyelmeztető utasítások hallhatósága.
- Ügyeljen arra, hogy a termék ne ütdőhessen meg a szállítása és a használata közben.
- A terméket kizárólag -20 °C és +55 °C közötti hőmérsékleten használja. Ha a terméket más hőmérsékleti tartományban használja, az az elektronika, az akkumulátor és a mechanikus alkatrészek károsodását okozhatja.
- A használata előtt győződjön meg arról, hogy tisztában van a termék használati módjával. Ha a terméken károsodás található, forduljon az illetékes szakszervizhez. Ne nyissa fel a termék burkolatát!
- A párnák higiéniai borításának illeszkedése hatással lehet a hallásvédő akusztikai teljesítményére. Mindig eredeti tartozékokat használjon.
- Ne nyomja neki a hallásvédő párnákat a sisak borításának. Ha így tesz, az repedéseket okozhat a sisak belsején.

(ábra 4)

- A terméket tilos +55 °C feletti hőmérsékleten, például autó műszerfalán tárolni. A terméket tilos -20 °C alatti hőmérsékleten tárolni.

- A felhasználónak meg kell győződnie arról, hogy a hallásvédő viselése, beállítása és karbantartása a jelen használati utasításnak megfelelően történik.
- A hallásvédő biztonsági audiobemenettel rendelkezik. Használat előtt a felhasználónak ellenőriznie kell, hogy megfelelően működik-e. Torzítás vagy hiba észlelése esetén lásd a gyártó karbantartásra vonatkozó tanácsait.

Az akkumulátorral kapcsolatos biztonsági előírások

- A hallásvédő szintfüggő zajtompítással rendelkezik. Használat előtt a felhasználónak ellenőriznie kell,

hogy megfelelően működik-e. Hibás működés vagy fizikai hiba észlelése esetén a felhasználónak követnie kell a gyártó karbantartásra vonatkozó utasításait.

- A termék akkumulátort vagy elektromos komponenseket tartalmaz, amelyek gyúlékony vagy robbanásveszélyes környezetben gyújtó hatásúak lehetnek. Ne használja olyan környezetben, ahol a szikra tüzet vagy robbanást okozhat.
- A terméket kizárólag 0 °C és +40 °C közötti hőmérsékleten töltsse. A megadott hőmérséklet-tartományon kívüli töltés az elektronika és az akkumulátor károsodását okozhatja.

Összeszerelés

Bevezető



FIGYELMEZTETÉS: A termék összeszerelése előtt simítsa el oldalra a haját. A termék működtetése előtt biztosítsa, hogy a tömítőgyűrűk szorosan illeszkedjenek a fejéhez és a füle köré.



VIGYÁZAT: Ügyeljen arra, hogy a kábel ne legyen megcsavarodva, illetve ne hajoljon meg kis sugarú körben. Ügyeljen arra, hogy a kábel akadálytalanul futhasson be a sisakon lévő nyílásba.

A fejpántra rögzített hallásvédő párnák felhelyezése

1. Helyezze a fejpántot a feje tetejére.
2. A magasság beállításához tolja feljebb vagy húzza lejjebb a hallásvédő párnákat. (ábra 5)

A hallásvédő párnák sisakhoz rögzítése

1. Szerelje fel a megfelelő típusú adaptert a sisakvázra. Lásd: *Jóváhagyott sisakok147. oldalon.*
2. Szerelje fel a sisakvillát az adapterre. (ábra 6)

Megjegyzés: Lásd: *Jóváhagyott sisakok147. oldalon* az adott sisak esetében megfelelő sisaktartozékok kiválasztását illetően tekintse át a következőt:

3. Állítsa a hallásvédő párnákat a legalacsonyabb helyzetbe.
4. Emelje kifelé és felfelé a hallásvédő párnákat, amíg nem reteszelődnék a készületi pozícióban. (ábra 7)
5. Helyezzen el egy jelölést a kábelen.
 - a) H300 sisakok esetében a hallásvédő párnáktól számított 27 cm/11 hüvelyk távolságban (X) helyezze el a jelölést.
 - b) Spire Vent X sisakok esetében a hallásvédő párnáktól számított 14,5 cm/6 hüvelyk távolságban (Y) helyezze el a jelölést. (ábra 8)
6. Helyezze el a sisaktartozékot a sisakon lévő nyílásban. (ábra 9)

7. Folytassa az összeszerelést a jóváhagyással rendelkező sisakra vonatkozó utasítások alapján.

A hallásvédő párnák sisakhoz rögzítése H300

1. Oldja ki a sisakon lévő fejpántot. (ábra 10)
2. Rögzítse a kábelt a nyílásokhoz a kábelkötegelők vagy kapcsok segítségével. (ábra 11)
3. Ha a kábelt kábelkötegelővel rögzíti, vágja el a kábelkötegelőt, és nyomja be a kábelkötegelő zárját az oldalsó nyílásba.
4. Hozzon létre hurkot a kábelben, és csatlakoztassa a fejpántot és a nyakvédőt. Ügyeljen arra, hogy a kábel a sisak borítása és a fejpánt között helyezkedjen el. (ábra 12)

A hallásvédő párnák sisakhoz rögzítése Spire Vent X

1. Helyezze el a kábelt hurokban hátrafelé.
2. Csatlakoztassa a kábelt a fejpánthoz a kábelkötegelők segítségével. Csatlakoztassa a kábelkötegelőt a fejpánt torkoszalagján keresztül.
3. Vágja el a kábelkötegelőt.
4. Helyezze el a kábel fennmaradó részét hurokban, hátrafelé, a hátsó fejpánt mögött. (ábra 13)

A hallásvédő párnák működési pozícióba állítása

1. Vegye fel a védősisakot.
2. Igazítsa el úgy a hallásvédő párnákat, hogy szorosan illeszkedjenek a füleire és a fejére. (ábra 14)

A hallásvédő párnák készenléti pozícióba állítása

- Emelje kifelé és felfelé a hallásvédő párnákat, amíg nem reteszeliődnek a készenléti pozícióban. (ábra 15)

A hallásvédő párnák parkoló pozícióba állítása

1. Helyezze készenléti pozícióba a hallásvédő párnákat. Lásd: *A hallásvédő párnák készenléti pozícióba állítása 142. oldalon.*
2. Fordítsa el a hallásvédő párnákat a sisak oldala mentén, amíg a parkoló pozíciójukban nem rögzülnek. (ábra 16)

A mikrofonkar csatlakoztatása

Magas zajszintű környezetekben használjon karos mikrofont.

1. Rögzítse a szélszűrőt a karos mikrofonra.
2. Csatlakoztassa a karos mikrofont a jobb oldali hallásvédő párnán található mikrofonkimenetbe. (ábra 17)
3. Helyezze a karos mikrofont 1 cm/0,4 hüvelyk (A) távolságra a szájától.

Üzemeltetés

Bevezető



FIGYELMEZTETÉS: A termék működtetése előtt el kell olvasnia és meg kell értenie a biztonságról szóló fejezetet.

A termék töltése

1. Csatlakoztassa a töltőkábel USB-C csatlakozóját a bal oldali hallásvédő párnán lévő kimenethez. (ábra 18)
2. Csatlakoztassa a töltőkábel USB csatlakozóját egy USB-töltőhöz vagy más USB töltőporthoz.

Megjegyzés: A maximális kapacitású töltéshez a töltőport kimenetének 5 V-nak és 2 A-nek kell lennie.

Megjegyzés: A Bluetooth® gombon lévő LED jelzőlámpa lassan zöld fénnel villog, amikor az akkumulátor töltődik. A Bluetooth® gombon lévő LED jelzőlámpa állandó zöld fénnel világít, ha az akkumulátor teljesen fel van töltve.

LED jelzőlámpa a csatorna gombon	Az akkumulátor töltöttségi állapota
3 LED világít.	Az akkumulátor töltöttsége 90–100%-os.
2 LED világít és 1 LED lassan villog.	Az akkumulátor töltöttsége 70–90%-os.
1 LED világít és 1 LED lassan villog.	Az akkumulátor töltöttsége 20–70%-os.
1 LED lassan villog.	Az akkumulátor töltöttsége 10–20%-os.
1 LED gyorsan villog.	Az akkumulátor töltöttsége 0–10%-os.

A termék elindítása

- Tartsa lenyomva 1 másodpercig a be-/kikapcsoló gombot.

Megjegyzés: Sípoló hang jelzi, hogy a termék be van kapcsolva. A csatorna gombjának középső LED jelzőlámpája 2 másodpercig világít. Egy hangüzenet tájékoztat az akkumulátor állapotáról és a Bluetooth® vezeték nélküli technológiával csatlakoztatott eszközök mennyiségéről. Ha a termék talál egy csapatot, a hangüzenet tájékoztat arról, hogy melyik csapathoz csatlakozik. Lásd a lenti táblázatot.

Hangüzenet
BATTERY HIGH
BATTERY MEDIUM
BATTERY LOW
BATTERY CRITICAL

Hangüzenet
ONE BLUETOOTH DEVICE CONNECTED
TWO BLUETOOTH DEVICES CONNECTED
CONNECTED TO TEAM CHANNEL 1
CONNECTED TO TEAM CHANNEL 2
CONNECTED TO TEAM CHANNEL 3

Az akkumulátor állapotának megjelenítése

- Nyomja meg a be-/ki kapcsoló gombot.

Megjegyzés: A csatorna gombon lévő LED jelzőlámpa 5 másodpercig zöld fényrel világít. Lásd a lenti táblázatot.

LED jelzőlámpa	Az akkumulátor állapota
3 LED világít.	Az akkumulátor töltöttsége 90–100%-os.
2 LED világít.	Az akkumulátor töltöttsége 70–90%-os.
1 LED világít.	Az akkumulátor töltöttsége 20–70%-os.
1 LED gyorsan villog.	Az akkumulátor töltöttsége 0–10%-os.

Az FM-rádió üzemmód és a Bluetooth® üzemmód közötti átváltás

- Az FM-rádió üzemmód és a Bluetooth® üzemmód közötti átváltáshoz nyomja le 2-szer gyorsan az üzemmód gombot.

Megjegyzés: Egy hangüzenet közli, hogy melyik üzemmódot választotta. Lásd a lenti táblázatot.

Hangüzenet
RADIO
BLUETOOTH

FM rádió üzemmód

FM rádió üzemmódban városi vagy egyéb területeken is hozzáférhet az FM rádióhoz, erős FM rádiójellel. Az FM rádió teljesítményét a nehéz terep vagy a sűrű növényzet befolyásolhatja.

Az FM-rádióállomás átváltása

- Az FM-rádióállomás átváltásához nyomja meg és tartsa lenyomva 1 másodpercig a hangerőnövelő vagy a hangerőcsökkentő gombot.

Bluetooth® üzemmód

Bluetooth® üzemmódban a terméket Bluetooth® vezeték nélküli technológiával ellátott készülékekhez lehet csatlakoztatni.

A Bluetooth® párosítási folyamat

- A termék párosításának megkezdéséhez nyomja le és 2 másodpercen át tartsa lenyomva a Bluetooth® gombot.

Megjegyzés: A párosítási művelet akkor kezdődik, amikor sípoló hangot hall, és a Bluetooth®

gomb kék fényrel villog. A párosítási művelet 30 másodpercig marad aktív.

- Indítsa el a Bluetooth® vezeték nélküli technológia párosítási műveletét a készüléken.
- Ha szükséges, válassza ki a Husqvarna X-COM Active lehetőséget a mértékegységek listájából a készüléken.

Megjegyzés: A termék állapotáról hangüzenet tájékoztat. Lásd a lenti táblázatot.

Hangüzenet	LED jelzőlámpa a Bluetooth® gombon	Információk
BLUETOOTH DEVICE CONNECTED	Állandó kék fény.	A termék csatlakoztatva van egy Bluetooth® vezeték nélküli technológiával ellátott készülékhez.
BLUETOOTH CONNECTION FAILED	Állandó piros fény 2 másodpercig.	A termék nincs csatlakoztatva Bluetooth® vezeték nélküli technológiával rendelkező készülékhez.

Megjegyzés: A Bluetooth® vezeték nélküli technológiával ellátott, a termékhez csatlakoztatott készülék automatikusan csatlakozni fog a termékhez a következő alkalommal, amikor a terméket a készülékkel együtt használja.

Csapat létrehozása és eszközök hozzáadása

A csapat egy olyan kommunikációs csoport, amely lehetővé teszi, hogy beszéljen a csapathoz csatlakoztatott összes eszközzel. Ha nincs csapat, és Ön elvégzi ezt az eljárást, azzal új csapatot hoz létre. Ezután megismételheti az eljárást, amivel új eszközöket adhat hozzá a csapathoz. Csapatot csak egy személy hozhat létre, a többi eszköz pedig csatlakozik a csapathoz, lásd: *A csapathoz való csatlakozás 144. oldalon*. Egyszerre csak egy személy adhat hozzá új eszközt a csapathoz. Az új eszköznek csatlakoznia kell a csapathoz, lásd: *A csapathoz való csatlakozás 144. oldalon*.

- Nyomja meg az üzemmód gombot 1 másodpercig, hogy belépjen a csapatkezelési üzemmódba, azután pedig a csapatbeállításba.

Megjegyzés: Egy hangüzenet jelzi, hogy belépett a csapatkezelési üzemmódba. Lásd a lenti táblázatot.

Hangüzenet	LED jelzőlámpa a Bluetooth® gombon
TEAM MANAGEMENT	Állandó fehér fény.

- Nyomja meg a Bluetooth® gombot.

Megjegyzés: Egy hangüzenet tájékoztat a párosítási művelet állapotáról. A párosítási művelet a sípoló hang után kezdődik. Lásd a lenti táblázatot.

Hangüzenet	LED jelzőlámpa a Bluetooth® gombon
SEARCHING FOR MEMBERS	A LED gyorsan villog.

Megjegyzés: A párosítási művelet 1 percig marad aktív. Az eszközök körülbelül 1 perc alatt csatlakoznak a csapathoz. A párosítási művelet akkor fejeződik be, amikor sípoló hangot hall, és a Bluetooth® gomb folyamatos zöld fényvel világít. Minden alkalommal sípoló hang hallható, amikor új eszköz csatlakozik a csapathoz. A csapathoz való csatlakozáshoz lásd: *A csapathoz való csatlakozás 144. oldalon.*

- Ha 1 percen belül le szeretné állítani a párosítási műveletet, nyomja meg az üzemmód gombot.
- Ha új eszközt szeretne hozzáadni a csapathoz, kövesse újra ugyanezeket az utasításokat.

Megjegyzés: A csapathoz csatlakoztatott eszköz a legközelebbi használat során automatikusan csatlakozik a csapathoz.

A csapathoz való csatlakozás

Nem csatlakozhat csapathoz, ha nincs létrehozva csapat. A csapat létrehozását lásd: *Csapat létrehozása és eszközök hozzáadása 143. oldalon.* A csapathoz az új csapat létrehozásával egyidejűleg csatlakozhat. Akkor is csatlakozhat egy csapathoz, ha a csapat egyik tagja új eszközöket ad hozzá a csapathoz.

- A csapatkezelési mód eléréséhez tartsa lenyomva 1 másodpercig a módgombot.

Megjegyzés: Egy hangüzenet jelzi, hogy belépett a csapatkezelési üzemmódba. Lásd a lenti táblázatot.

Hangüzenet	LED jelzőlámpa a Bluetooth® gombon
TEAM MANAGEMENT	Állandó fehér fény.

- Nyomja meg a hangerőnövelő gombot.

Megjegyzés: A párosítási művelet akkor kezdődik, amikor sípoló hangot hall, és a Bluetooth® gomb lassan villog. A párosítási művelet 1 percig marad aktív. Egy hangüzenet jelzi, hogy a csapathoz való csatlakozás megtörtént. Lásd a lenti táblázatot.

Hangüzenet	LED jelzőlámpa a Bluetooth® gombon
CONNECTED TO TEAM	Állandó zöld fény.

Megjegyzés: Miután a hangüzenet jelzi, hogy a csatlakozás megtörtént, beszélhet a csapattal.

Kilépés a csapattól

- A csapatkezelési mód eléréséhez tartsa lenyomva 1 másodpercig a módgombot.

Megjegyzés: Egy hangüzenet jelzi, hogy belépett a csapatkezelési üzemmódba. Lásd a lenti táblázatot.

Hangüzenet	LED jelzőlámpa a Bluetooth® gombon
TEAM MANAGEMENT	Állandó fehér fény.

- Nyomja meg a hangerőcsökkentő gombot.

Megjegyzés: Egy hangüzenet jelzi, hogy a csapattól való kilépés megtörtént. Lásd a lenti táblázatot.

Hangüzenet	LED jelzőlámpa a Bluetooth® gombon
LEAVING TEAM	A LED 3-szor pirosan villog.

A kommunikációs csatorna megváltoztatása

- Nyomja meg a csatorna gombot az 1., 2. vagy 3. kommunikációs csatorna kiválasztásához.

Megjegyzés: Egy hangüzenet közli, hogy melyik csatornán tartózkodik. Lásd a lenti táblázatot.

Hangüzenet	LED-es csatorna jelzőlámpa
CHANNEL 1	Állandó fehér fény az 1-es csatornán.
CHANNEL 2	Állandó fehér fény a 2-es csatornán.

Hangüzenet	LED-es csatorna jelzőlámpa
CHANNEL 3	Állandó fehér fény a 3-as csatornán.

2. A hívás csapathoz történő továbbításához nyomja meg az üzemmód gombot 2-szer gyorsan.

Megjegyzés: Egy hangüzenet jelzi a hívás továbbítását. Lásd a lenti táblázatot.

Hangüzenet	Információk
CALL TRANSFERRED TO TEAM	A telefonhívás továbbított a csapathoz.

Beszéd az összes kommunikációs csatornán

- Az összes kommunikációs csatornán való beszédhez nyomja meg és tartsa lenyomva a csatorna gombot.

Megjegyzés: A sípoló hang jelzi, hogy csatlakozott az összes kommunikációs csatornához. Az összes csatorna LED jelzőlámpája állandó fehér fényel világít, jelezve, hogy minden csatornához csatlakozott.

- Az előző csatornára való visszatéréshez engedje fel a csatorna gombot.

A mikrofon engedélyezése és letiltása

- Nyomja meg a némítás gombot, amíg sípoló hangot nem hall.

Audiostreamelés átváltása

- A következő audiostreamelés kiválasztásához nyomja meg és tartsa lenyomva a hangerőnövelő gombot 0,5 másodpercig.
- Az előző audiostreameléshez való visszatéréshez nyomja meg és tartsa lenyomva a hangerőcsökkentő gombot 0,5 másodpercig.

Audiostreamelés leállítása vagy elindítása

- Audiostreamelés leállításához vagy elindításához nyomja meg az üzemmód gombot.

Hívás fogadása, befejezése vagy elutasítása

Ha mobilkészüléke Bluetooth® vezeték nélküli technológiával csatlakozik a termékhez, bejövő telefonhívás esetén egy jelzés hallatszik a hallásvédőben.

- Telefonhívás fogadásához és befejezéséhez nyomja meg az üzemmód gombot.
- Bejövő telefonhívás elutasításához nyomja le 1 másodpercig az üzemmód gombot.

Megjegyzés: A hívás fogadását vagy elutasítását egy sípoló hang jelzi.

Hangüzenet	Információk
CALL ENDED	A hívás befejeződött.

Telefonhívás továbbítása a csapatnak

1. Telefonhívás fogadásához nyomja meg az üzemmód gombot.

A telefonhívás megszakítása a csapatban

- Nyomja meg a módgombot 2-szer gyorsan.

Megjegyzés: Egy hangüzenet jelzi a hívás megszakítását. Lásd a lenti táblázatot.

Hangüzenet	Információk
CALL DISCONNECTED FROM TEAM	A telefonhívás megszakadt a csapatban.

A hangerő módosítása

- A hangerő módosításához nyomja meg a hangerőnövelő vagy a hangerőcsökkentő gombot. Sípoló hang jelzi, ha a hangerő a minimális vagy a maximális szinten van.

Környezeti hang üzemmód beállítása

A környezeti hang üzemmód lehetővé teszi, hogy meghallja a környezetében lévő hangokat.

- Nyomja le a környezeti hang gombot.

Megjegyzés: Egy hangüzenet tájékoztat a környezeti hang üzemmód állapotáról.

Hangüzenet
AMBIENT LEVEL HIGH
AMBIENT LEVEL MEDIUM
AMBIENT LEVEL LOW
AMBIENT LEVEL OFF

A termék leállítása

- Tartsa lenyomva 1 másodpercig a be-/kikapcsoló gombot.

Megjegyzés: Egy hangüzenet tájékoztat az akkumulátor állapotáról, és a LED jelzőlámpák kialszanak. Sípoló hang jelzi, hogy a termék ki van kapcsolva.

A termék erőltetett leállítása

- Tartsa lenyomva 12 másodpercig a be-/kikapcsoló gombot.

Karbantartás

A termék karbantartása



VIGYÁZAT: Ne öblítse át és ne merítse teljesen vízbe a terméket.



VIGYÁZAT: Az oldószert vagy alkoholt tartalmazó permetek, folyadékok vagy egyéb tisztítószeresek csökkenthetik a védelmi képességet.



VIGYÁZAT: Használjon eredeti Husqvarna pótalkatrészeket.

1. Rendszeresen tisztítsa meg a terméket. Használjon tisztítókendőt és enyhe szappanos oldatot.
2. Minden használat előtt végezze el a tömítőgyűrűk és a habgumi borítás ellenőrzését.
3. Cserélje ki a tömítőgyűrűket és a habgumi borításokat 6 havonta vagy szükség esetén ennél gyakrabban. Összeszerelés közben ügyeljen rá, hogy a szigetelőgyűrű szellőzőnyílása lefelé nézzen. Használja az eredeti higiéniai készletet, amely tartalmazza a tömítőgyűrűket és a habgumi borítást. A higiéniai készletről további információkat a www.husqvarna.com weboldalon talál. (ábra 19)

Megjegyzés: Ha a hallásvédő párnák belső oldala nedves, hagyja parkoló pozícióban megszáradni őket. Lásd: *A hallásvédő párnák parkoló pozícióba állítása 142. oldalon.*

4. Cserélje ki a beszédmikrofon membránját, ha az sérült.
5. Cserélje ki a szintfüggő mikrofon szélszűrőjét, ha az sérült.
6. Cserélje ki a karos mikrofon szélszűrőjét, ha az sérült.
7. Ha szükséges, cserélje ki a fejpánt Comfort Pad alkatrészét. (ábra 20)

Szállítás, tárolás és ártalmatlanítás

Szállítás és raktározás



VIGYÁZAT: A műanyag részek kopásának csökkentése érdekében szállítás és tárolás közben állítsa a hallásvédő párnákat működési pozícióba.

- Állítsa a hallásvédő párnákat működési pozícióba. Lásd: *A hallásvédő párnák működési pozícióba állítása 141. oldalon.*
- Ügyeljen arra, hogy ne legyenek megnyomódva a tömítőgyűrűk.
- Helyezze a terméket egy száraz és tiszta helyre.
- Tárolás közben tartsa távol a terméket napfénytől.
- Az akkumulátor minőségének fenntartása érdekében az akkumulátort 6 hetente töltsé fel.

- A szállítás során biztonságosan helyezze el a terméket.

Hulladékkezelés

- Tartsa be a nemzeti előírásokat.
- Használja a helyi újrahasznosítási rendszert.
- A termék és a termék csomagolása nem minősül háztartási hulladéknak. Újrahasznosítását egy elektromos és elektronikus berendezések újrahasznosítására szolgáló ponton kell elvégezni.



Tartozékok

Jóváhagyott sisakok

A terméket kizárólag az alábbi sisakokkal szabad használni.

Típus	Sisaktartozék típusa	Adapter ábrája	Jóváhagyott méretek
Husqvarna Technical, H300	H300 adapter	(ábra 21)	M/L
Husqvarna Spire	Spire adapter	(ábra 22)	L
KASK Zenith X			

Műszaki adatok

Lásd az alábbi illusztrációkat az egyes termékek műszaki adataiért. További műszaki adatokért tekintse

meg a jelen kezelői kézikönyv műszaki adatokat tartalmazó mellékletét.

(ábra 2)
(ábra 3)

A műszaki adatok tartalmával kapcsolatos további információkért lásd az alábbi listát:

- F = azon frekvenciák, amelyeken elvégezték a csillapítás mérést.
- Mf = átlagérték.
- Sf = szórás.
- APV (Mf-Sf) = Védelem feltételezett értéke.
- H = magas frekvenciájú zajtompítási érték (előrelátható zajszintcsökkenés $L_C-L_A = -2$ dB-lel jellemzett zaj esetén). M = közepes frekvenciájú zajtompítási érték (előrelátható zajszintcsökkenés $L_C-L_A = +2$ dB-lel jellemzett zaj esetén). L = alacsony frekvenciájú zajtompítási érték

(előrelátható zajszintcsökkenés $L_C-L_A = +10$ dB-lel jellemzett zaj esetén).

- SNR = egyszámos értékelés (az az érték, amely levonásra kerül a mért C-súlyozású hangnyomásszintből, L_C , a fül belsejében fennálló tényleges A-súlyozású zajszint megbecsülése érdekében).

Felelős gyártó: A Husqvarna AB, SE-561 82 Huskvarna, Svédország, tel: +46-36-146500.

Hangszint

Az FM rádió üzemmód és a Headset üzemmód maximális hangereje 82 dB (A) zajszintnek felel meg.

Anyagok

Alkatrész	Anyag	Alkatrész	Anyag
Belső fülvédő	ABS	Fejpánt	POM+TPE
Külső fülvédő, bal oldali	ABS	Sisakvilla	POM
Külső fülvédő, jobb oldali	ABS+TPE	Sisakvilla rugója	Acél
Borítások	PUR	Csavarok	Acél
Tömítőgyűrűk	PVC és hab		

Sommario

Introduzione.....	148	Trasporto, stoccaggio e smaltimento.....	155
Sicurezza.....	149	Accessori.....	155
Montaggio.....	150	Dati tecnici.....	156
Utilizzo.....	151	0
Manutenzione.....	155		

Introduzione

Descrizione del prodotto

Il prodotto X-COM Active (HP500C-01, HP500C-02) è un paio di cuffie protettive con comunicazione full-duplex integrata, *tecnologia wireless Bluetooth®* e radio FM.

Panoramica del prodotto

(Fig. 1)

1. Pulsante Volume su
2. Pulsante Volume giù
3. Microfono dipendente dal livello
4. Pulsante Bluetooth®
5. Microfono vocale
6. Pulsante MODE (Modalità)
7. Uscita cavo caricabatterie USB-C
8. Pulsante Rumori ambiente
9. Pulsante di silenziamento del microfono
10. Pulsante On/Off
11. Pulsante del canale
12. Uscita microfono ad asta

Conformità e approvazioni

Con la presente, Husqvarna AB, SE-561 82 Huskvarna, Sweden, tel: +46-36-146500, dichiara che l'apparecchiatura radio di tipo HP500C-01 e HP500C-02 è conforme alle direttive 2014/53/EU, 2011/65/EU e al regolamento (EU) 2016/425. Il testo integrale della Dichiarazione di conformità UE è contenuto al seguente indirizzo Internet: www.husqvarna.com; cercare X-COM Active, HP500C-01, HP500C-02.

I valori di attenuazione del prodotto e i livelli acustici sono testati e approvati in base a: EN 352-1:2020 (fascia), EN 352-3:2020 (montaggio su casco), EN 352-4:2020, EN 352-6:2020 e EN 352-8:2020.

L'organismo notificato che partecipa alla valutazione della conformità è: numero dell'organismo notificato: 1974. PZT GmbH, Bismarckstraße 264 B, 26389 Wilhelmshaven, Germany.

Certificazione e monitoraggio eseguiti da PZT.

La batteria è certificata in conformità alla normativa IEC62133 edizione 2.

Il modello HP500C-01 è un paio di cuffie protettive con fascia e il modello HP500C-02 è un paio di cuffie protettive per casco. Il prodotto protegge dai rumori dannosi.



UK Importer:
Husqvarna UK Ltd
Preston Road, Co. Durham
DL5 6UP

FCC ID: ZASHP500, IC ID: 23307-HP500

Dichiarazione di conformità del fornitore FCC per HP500C-01, HP500C-02, parte responsabile.

Prodotti professionali Husqvarna, Inc. 9335 Harris Corners Green Parkway Suite 500 Charlotte, NC 28269 Stati Uniti.

Informazioni di contatto degli Stati Uniti: Michael Campbell, Manager Product Compliance, telefono: +1 704 597 5000.

Dichiarazione di conformità FCC:

Questo dispositivo è conforme alla Parte 15 delle norme FCC. Il funzionamento è soggetto alle due condizioni seguenti: (1) Questo dispositivo non deve causare interferenze dannose e (2) deve tollerare qualsiasi interferenza in ricezione, comprese le interferenze che potrebbero causare un funzionamento indesiderato.

Questo dispositivo è stato testato e ritenuto conforme ai limiti per un dispositivo digitale di Classe B, secondo la Parte 15 delle norme FCC. Tali limiti sono stati definiti per assicurare un'adeguata protezione contro le interferenze nocive in installazioni residenziali. L'apparecchiatura genera, utilizza e può irradiare energia a radiofrequenza e, se non installata e utilizzata secondo le istruzioni, può causare interferenze nocive alle radiocomunicazioni. Tuttavia, non esiste alcuna garanzia che tali interferenze non si verifichino in una particolare installazione. Qualora il dispositivo dovesse

generare interferenze nocive alla ricezione del segnale radio o televisivo, rilevate durante l'accensione o lo spegnimento del dispositivo, è opportuno eliminarle in uno o più dei modi seguenti:

- Aumentare la distanza tra il dispositivo e il ricevitore.
- Consultare il proprio rivenditore per ricevere assistenza.

Il contrassegno sul prodotto si trova sull'etichetta sulla cuffia destra.

Marchi registrati

Il marchio denominativo e i logo *Bluetooth®* sono marchi registrati di proprietà di *Bluetooth SIG, inc.* e qualsiasi utilizzo di tali marchi da parte di Husqvarna è soggetto a licenza.

Sicurezza

Definizioni di sicurezza

Le avvertenze, le precauzioni e le note sono utilizzate per evidenziare le parti importanti del manuale.



AVVERTENZA: Utilizzato se è presente un rischio di lesioni o morte dell'operatore o di passanti nel caso in cui le istruzioni del manuale non vengano rispettate.



ATTENZIONE: Utilizzato se è presente un rischio di danni al prodotto, ad altri materiali oppure alla zona adiacente nel caso in cui le istruzioni del manuale non vengano rispettate.

Nota: Utilizzato per fornire ulteriori informazioni necessarie in una determinata situazione.

Istruzioni di sicurezza generali



AVVERTENZA: Leggere le seguenti avvertenze prima di utilizzare il prodotto.

- Utilizzare e conservare queste istruzioni.
- Per il massimo comfort e funzione, accertarsi di aver selezionato il prodotto corretto per l'uso.
- Non modificare o rimuovere componenti del prodotto. Eseguire esclusivamente i cambiamenti riportati nel presente manuale operatore.
- L'attenuazione del rumore del prodotto sarà gravemente compromessa se non vengono seguite le istruzioni riportate in questo manuale dell'operatore. Le cuffie, in particolare i cuscinetti, possono deteriorarsi con l'uso e devono essere controllate frequentemente per individuare eventuali rotture o perdite. Fare riferimento a *Manutenzione alla pagina 155*.
- Il prodotto può essere danneggiato da alcune sostanze chimiche. Per maggiori informazioni contattare il produttore. Tenere lontano da sostanze di tipo aggressivo e pulire il prodotto regolarmente. Utilizzare un panno con acqua e sapone. Non lavare o inserire completamente in acqua.

- L'assistenza e la riparazione devono essere eseguite da un'officina di assistenza autorizzata. Utilizzare unicamente ricambi originali Husqvarna.
- L'utilizzo delle cuffie non deve mai superare i 10 anni a partire dalla data di fabbricazione riportata sulla confezione.
- La funzionalità del prodotto potrebbe deteriorarsi con il consumo della batteria.

Istruzioni di sicurezza per il funzionamento

- L'operatore deve assicurarsi di indossare sempre le cuffie negli ambienti rumorosi.
- Prestare maggiore attenzione e ascoltare i segnali di avvertimento quando si utilizza il prodotto. Il rumore proveniente dai segnali di allarme può diminuire quando si utilizza il prodotto.
- L'udibilità dei segnali di avvertimento sul posto di lavoro specifico può essere compromessa durante l'utilizzo della struttura di intrattenimento.
- Assicurarsi che il prodotto non venga colpito durante il trasporto e l'uso.
- Utilizzare il prodotto solo a una temperatura compresa tra -20 °C e +55 °C / -4 °F e +131 °F. Se si utilizza il prodotto ad altre temperature, ciò può causare danni ai componenti elettronici, batteria e parti meccaniche.
- Assicurarsi di sapere come utilizzare il prodotto prima di utilizzarlo. In caso di danni al prodotto, rivolgersi al proprio rivenditore di assistenza. Non aprire il rivestimento!
- Il montaggio delle protezioni igieniche sui cuscinetti può influire sulla prestazione acustica delle cuffie. Utilizzare sempre accessori originali.
- Non spingere le cuffie contro la struttura del casco. Questo potrebbe provocare delle crepe intorno al casco.

(Fig. 4)

- Non conservare il prodotto a temperature superiori a +55 °C / +131 °F, ad esempio su un cruscotto. Non conservare il prodotto a temperature inferiori a -20 °C / -4 °F.
- L'operatore deve assicurarsi che le cuffie siano montate, regolate e sottoposte a manutenzione secondo quanto indicato nel manuale dell'operatore.

- Le cuffie vengono fornite con ingresso audio di sicurezza. Prima dell'utilizzo, l'operatore deve controllarne il corretto funzionamento. In caso di distorsione o mancato funzionamento, l'operatore deve fare riferimento alle indicazioni di manutenzione del costruttore.

Sicurezza batterie

- Le cuffie sono dotate di attenuazione dipendente dal livello. Prima dell'utilizzo, l'operatore deve controllarne il corretto funzionamento. In caso di guasto o malfunzionamento, l'operatore deve

attenersi alle istruzioni per la manutenzione fornite dal produttore.

- Il prodotto contiene batterie e componenti elettrici che possono incendiare atmosfere infiammabili o esplosive. Non usare in ambienti in cui una scintilla possa causare incendio o esplosione.
- Caricare il prodotto solo a una temperatura compresa tra 0 °C e +40 °C / +32 °F to +104 °F. Ricaricare fuori dall'intervallo di temperatura potrebbe danneggiare i componenti elettronici e la batteria.

Montaggio

Introduzione



AVVERTENZA: Spostare i capelli di lato prima di montare il prodotto. Assicurarsi che gli anelli di tenuta siano ben saldi contro la testa e intorno alle orecchie prima di utilizzare il prodotto.

Indossare le cuffie con la fascia

- Posizionare la fascia sulla parte superiore della testa.
- Spostare le cuffie verso l'alto o verso il basso per regolare l'altezza. (Fig. 5)

Montare le cuffie su un casco

- Montare il tipo di attacco dell'adattatore corretto sulla struttura del casco. Fare riferimento a *Caschi omologati alla pagina 155*.
- Fissare la forcella del casco sull'attacco dell'adattatore. (Fig. 6)

Nota: Fare riferimento a *Caschi omologati alla pagina 155* per ulteriori informazioni sul tipo di attacco del casco applicabile al proprio casco.

- Spostare le cuffie nella posizione più bassa.
- Solleverle le cuffie verso l'esterno e verso l'alto finché non si bloccano in posizione di standby. (Fig. 7)
- Fare un segno sul cavo.
 - Per il casco H300, fare un segno a 27 cm/11 pollici (X) da ciascuna cuffia.
 - Per il casco Spire Vent X, fare un segno a 14,5 cm/6 pollici (Y) da ciascuna cuffia. (Fig. 8)
- Posizionare l'attacco del casco nella relativa fessura. (Fig. 9)
- Continuare con le istruzioni di montaggio per il casco omologato.



ATTENZIONE: Accertarsi che il cavo non sia attorcigliato o che abbia un piccolo raggio di curvatura. Accertarsi che il cavo

possa muoversi facilmente nell'apertura del casco.

Montaggio delle cuffie sul casco H300

- Slacciare il cinghiaggio della testa dal casco. (Fig. 10)
- Fissare il cavo ai fori con le fascette stringicavo o le clip. (Fig. 11)
- Se il cavo viene fissato con le fascette stringicavo, tagliare la fascetta stringicavo e spingere il blocco della fascetta stringicavo nella fessura laterale.
- Creare un anello del cavo e collegare il cinghiaggio della testata e la protezione collo. Assicurarsi che il cavo sia tra la struttura del casco e il cinghiaggio della testa. (Fig. 12)

Montaggio delle cuffie sul casco Spire Vent X

- Inserire il cavo in un anello all'indietro.
- Collegare il cavo al cinghiaggio della testa con le fascette stringicavo. Collegare la fascetta stringicavo attraverso l'imbracatura della fascia.
- Tagliare la fascetta stringicavo.
- Inserire la parte rimanente del cavo in un anello all'indietro, dietro alla fascia posteriore. (Fig. 13)

Per fissare le cuffie in posizione di funzionamento

- Mettere il casco sulla testa.
- Regolare le cuffie fino a quando sono strette intorno alle orecchie e contro la testa. (Fig. 14)

Posizionare le cuffie in posizione di rientro

- Solleverle le cuffie verso l'esterno e verso l'alto finché non si bloccano in posizione di standby. (Fig. 15)

Posizionare le cuffie in posizione di rientro

- Posizionare le cuffie in posizione standby. Fare riferimento a *Posizionare le cuffie in posizione di rientro alla pagina 150*.
- Ruotare le cuffie all'indietro lungo il lato del casco finché non scattano in posizione di rientro. (Fig. 16)

Collegamento del microfono ad asta

Utilizzare un microfono boom in ambienti con molto rumore.

1. Fissare il filtro antivento al microfono ad asta.

2. Collegare il microfono ad asta all'uscita del microfono sulla cuffia destra. (Fig. 17)
3. Posizionare il microfono ad asta a 1 cm/0,4 pollici (A) dalla bocca.

Utilizzo

Introduzione



AVVERTENZA: Prima di utilizzare il prodotto, è necessario leggere e comprendere il capitolo relativo alla sicurezza.

Caricare il prodotto

1. Collegare il connettore USB-C del cavo del caricabatteria all'uscita sulla cuffia sinistra. (Fig. 18)
2. Collegare il connettore USB del cavo del caricabatteria a un caricabatterie USB o a un'altra presa di corrente USB.

Nota: L'uscita della presa di corrente deve essere a 5 V e 2 A per eseguire la ricarica alla massima capacità.

Nota: La spia LED sul pulsante Bluetooth® lampeggia lentamente in verde mentre la batteria è in carica. La spia LED sul pulsante Bluetooth® è verde fissa quando la batteria è completamente carica.

Spia LED sul pulsante del canale	Stato di carica della batteria
3 LED sono accesi.	La carica della batteria è compresa tra il 90% e il 100%.
2 LED sono accesi e 1 LED lampeggia lentamente.	La carica della batteria è compresa tra il 70% e il 90%.
1 LED è acceso e 1 LED lampeggia lentamente.	La carica della batteria è compresa tra il 20% e il 70%.
1 LED lampeggia lentamente.	La carica della batteria è compresa tra il 10% e il 20%.
1 LED lampeggia rapidamente.	La carica della batteria è compresa tra lo 0% e il 10%.

Avviamento del prodotto

- Tenere premuto il pulsante On/Off per 1 secondo.

Nota: Un segnale acustico indica che il prodotto è acceso. La spia LED centrale sul pulsante del canale rimane accesa per 2 secondi. Un messaggio audio indica lo stato della batteria e la quantità di dispositivi collegati con tecnologia wireless Bluetooth®. Se il prodotto trova un team, il messaggio audio indica a quale team si è collegati. Fare riferimento alla tabella seguente.

Messaggio audio
BATTERY HIGH
BATTERY MEDIUM
BATTERY LOW
BATTERY CRITICAL

Messaggio audio
ONE BLUETOOTH DEVICE CONNECTED
TWO BLUETOOTH DEVICES CONNECTED
CONNECTED TO TEAM CHANNEL 1
CONNECTED TO TEAM CHANNEL 2
CONNECTED TO TEAM CHANNEL 3

Visualizzazione dello stato della batteria

- Premere il pulsante On/Off.

Nota: La spia LED sul pulsante del canale si illumina in verde per 5 secondi. Fare riferimento alla tabella seguente.

Spia LED	Stato della batteria
3 LED sono accesi.	La carica della batteria è compresa tra il 90% e il 100%.
2 LED sono accesi.	La carica della batteria è compresa tra il 70% e il 90%.

Spia LED	Stato della batteria
1 LED è acceso.	La carica della batteria è compresa tra il 20% e il 70%.
1 LED lampeggia rapidamente.	La carica della batteria è compresa tra lo 0% e il 10%.

Per passare dalla modalità radio FM alla modalità Bluetooth®

- Premere rapidamente il pulsante MODE 2 volte per passare dalla modalità radio FM alla modalità Bluetooth® e viceversa.

Nota: Un messaggio audio indica la modalità selezionata. Fare riferimento alla tabella seguente.

Messaggio audio
RADIO
BLUETOOTH

Modalità radio FM

In modalità radio FM è possibile accedere alla radio FM in aree urbane o in altre aree con un potente segnale radio FM. Le prestazioni della radio FM possono essere influenzate da terreni accidentati o vegetazione folta.

Cambiare stazione radio FM

- Tenere premuto per 1 secondo il pulsante Volume su o il pulsante Volume giù per cambiare stazione radio FM.

Modalità Bluetooth®

In modalità Bluetooth®, è possibile collegare il prodotto a un dispositivo con tecnologia wireless Bluetooth®.

Operazione di associazione Bluetooth®

1. Tenere premuto il pulsante Bluetooth® per 2 secondi per avviare l'operazione di associazione sul prodotto.

Nota: L'operazione di associazione inizia quando viene emesso un segnale acustico e il pulsante Bluetooth® lampeggia in blu. L'operazione di associazione è attiva per 30 secondi.

2. Avviare la funzione di associazione per la tecnologia wireless Bluetooth® sul dispositivo.
3. Se necessario, selezionare Husqvarna X-COM Active nell'elenco delle unità sul dispositivo.

Nota: Un messaggio audio indica lo stato del prodotto. Fare riferimento alla tabella seguente.

Messaggio audio	Spia LED sul pulsante Bluetooth®	Informazione
BLUETOOTH DEVICE CONNECTED	Spia blu fissa.	Il prodotto è collegato a un dispositivo con tecnologia wireless Bluetooth®.
BLUETOOTH CONNECTION FAILED	Spia rossa fissa per 2 secondi.	La batteria non è collegata a un dispositivo con tecnologia wireless Bluetooth®.

Nota: Un dispositivo con tecnologia wireless Bluetooth® collegato al prodotto, si collega automaticamente al prodotto la volta successiva che il prodotto viene utilizzato con il dispositivo.

Configurazione di un team e aggiunta di dispositivi

Un team è un gruppo di comunicazione che ti consente di parlare con tutti i dispositivi collegati al team. Se si esegue questa procedura quando non è presente alcun team, viene configurato un nuovo team. Quindi, è possibile ripetere la procedura per aggiungere nuovi dispositivi al team. Solo una persona configura un team e gli altri dispositivi si collegano al team come indicato in *Collegamento a un team alla pagina 153*. Solo una persona alla volta può aggiungere un nuovo dispositivo al team. Il nuovo dispositivo deve collegarsi al team come indicato in *Collegamento a un team alla pagina 153*.

1. Premere il pulsante MODE per 1 secondo per accedere alla modalità di gestione del team e configurare il team.

Nota: Un messaggio audio indica che ci si trova nella modalità di gestione del team. Fare riferimento alla tabella seguente.

Messaggio audio	Spia LED sul pulsante Bluetooth®
TEAM MANAGEMENT	Spia bianca fissa.

2. Premere il pulsante Bluetooth®.

Nota: Un messaggio audio indica lo stato dell'operazione di associazione. L'operazione di associazione inizia quando viene emesso un segnale acustico. Fare riferimento alla tabella seguente.

Messaggio audio	Spia LED sul pulsante Bluetooth®
SEARCHING FOR MEMBERS	Il LED lampeggia rapidamente.

Nota: L'operazione di associazione è attiva per 1 minuto. I dispositivi si collegano al team in 1 minuto circa. L'operazione di associazione termina quando viene emesso un segnale acustico e il pulsante Bluetooth® si illumina in verde fisso. Ogni volta che un nuovo dispositivo si collega al team, viene emesso un segnale acustico. Per il collegamento a un team, fare riferimento a *Collegamento a un team alla pagina 153*.

- Per interrompere l'operazione di associazione in meno di 1 minuto, premere il pulsante MODE.
- Per aggiungere un nuovo dispositivo al team, seguire nuovamente le stesse istruzioni.

Nota: Un dispositivo collegato al team si collega automaticamente al team al successivo utilizzo.

Collegamento a un team

Non è possibile collegarsi a un team se non è stato configurato alcun team. Per configurare un team, fare riferimento a *Configurazione di un team e aggiunta di dispositivi alla pagina 152*. È possibile collegarsi a un team contemporaneamente alla configurazione di un nuovo team. È anche possibile collegarsi a un team se un membro del team aggiunge nuovi dispositivi al team.

1. Premere il pulsante MODE per 1 secondo per accedere alla modalità di gestione del team.

Nota: Un messaggio audio indica che ci si trova nella modalità di gestione del team. Fare riferimento alla tabella seguente.

Messaggio audio	Spia LED sul pulsante Bluetooth®
TEAM MANAGEMENT	Spia bianca fissa.

2. Premere il pulsante Volume su.

Nota: L'operazione di associazione inizia quando viene emesso un segnale acustico e il pulsante Bluetooth® lampeggia lentamente. L'operazione di associazione è attiva per 1 minuto. Un messaggio audio indica che si è collegati al team. Fare riferimento alla tabella seguente.

Messaggio audio	Spia LED sul pulsante Bluetooth®
CONNECTED TO TEAM	Spia verde fissa.

Nota: È possibile parlare con il team dopo che il messaggio audio indica che si è collegati al team.

Scollegamento da un team

1. Premere il pulsante MODE per 1 secondo per accedere alla modalità di gestione del team.

Nota: Un messaggio audio indica che ci si trova nella modalità di gestione del team. Fare riferimento alla tabella seguente.

Messaggio audio	Spia LED sul pulsante Bluetooth®
TEAM MANAGEMENT	Spia bianca fissa.

2. Premere il pulsante Volume giù.

Nota: Un messaggio audio indica che si è scollegati dal team. Fare riferimento alla tabella seguente.

Messaggio audio	Spia LED sul pulsante Bluetooth®
LEAVING TEAM	Il LED lampeggia in rosso 3 volte.

Modifica del canale di comunicazione

- Premere il pulsante del canale per selezionare il canale di comunicazione 1, 2 o 3.

Nota: Un messaggio audio indica in quale canale ci si trova. Fare riferimento alla tabella seguente.

Messaggio audio	Spia LED del canale
CHANNEL 1	Spia bianca fissa sul canale 1.
CHANNEL 2	Spia bianca fissa sul canale 2.
CHANNEL 3	Spia bianca fissa sul canale 3.

Parlare con tutti i canali di comunicazione

- Tenere premuto il pulsante del canale per parlare con tutti i canali di comunicazione contemporaneamente.

Nota: Quando viene emesso un segnale acustico, si è collegati a tutti i canali di comunicazione. Tutte le spie LED del canale sono bianche fisse per indicare che si è collegati a tutti i canali.

- Rilasciare il pulsante del canale per tornare al canale precedente.

Attivazione o disattivazione del microfono

- Premere il pulsante di silenziamento del microfono fino a quando non viene emesso un segnale acustico.

Modifica dello streaming audio

- Tenere premuto il pulsante Volume su per 0,5 secondi per selezionare lo streaming audio successivo.
- Tenere premuto il pulsante Volume giù per 0,5 secondi per tornare allo streaming audio precedente.

Avvio o interruzione dello streaming audio

- Premere il pulsante MODE per interrompere o avviare lo streaming audio.

Accettare, terminare o ignorare una chiamata

Se il dispositivo mobile è collegato al prodotto con tecnologia wireless Bluetooth®, nelle cuffie è possibile sentire un segnale acustico in caso di chiamata in arrivo.

- Premere il pulsante MODE per accettare o terminare la chiamata.
- Premere il pulsante MODE per 1 secondo per ignorare una chiamata in arrivo.

Nota: Un segnale acustico indica quando la chiamata viene accettata o ignorata.

Messaggio audio	Informazione
CALL ENDED	La chiamata è terminata.

Trasferimento della chiamata al team

1. Premere il pulsante MODE per accettare la chiamata.
2. Premere rapidamente il pulsante MODE 2 volte per trasferire la chiamata al team.

Nota: Un messaggio audio indica quando la chiamata è stata trasferita. Fare riferimento alla tabella seguente.

Messaggio audio	Informazione
CALL TRANSFERRED TO TEAM	La chiamata è stata trasferita al team.

Interruzione della chiamata del team

- Premere rapidamente il pulsante MODE 2 volte.

Nota: Un messaggio audio indica quando la chiamata è stata interrotta. Fare riferimento alla tabella seguente.

Messaggio audio	Informazione
CALL DISCONNECTED FROM TEAM	La chiamata del team è stata interrotta.

Regolare il volume

- Premere il pulsante del Volume su o il pulsante del Volume giù per regolare il volume. Un segnale acustico indica quando il volume è al livello minimo o massimo.

Impostare la modalità Rumori ambiente

La modalità Rumori ambiente consente di ascoltare i rumori dell'ambiente circostante.

- Premere il pulsante Rumori ambiente.

Nota: Un messaggio audio indica lo stato della modalità Rumori ambiente.

Messaggio audio
AMBIENT LEVEL HIGH
AMBIENT LEVEL MEDIUM
AMBIENT LEVEL LOW
AMBIENT LEVEL OFF

Arresto del prodotto

- Tenere premuto il pulsante On/Off per 1 secondo.

Nota: Un messaggio audio indica lo stato della batteria e le spie LED si spengono. Un segnale acustico indica che il prodotto è spento.

Spegnere il prodotto in modo forzato

- Tenere premuto il pulsante On/Off per 12 secondi.

Manutenzione

Manutenzione del prodotto



ATTENZIONE: Non lavare o inserire il prodotto completamente in acqua.



ATTENZIONE: Spray, liquidi o altri detergenti contenenti solventi e/o alcol possono ridurre il livello di protezione.



ATTENZIONE: Utilizzare ricambi originali Husqvarna.

1. Pulire il prodotto regolarmente. Utilizzare un panno con una soluzione di sapone delicata.
2. Eseguire un controllo delle condizioni degli anelli di tenuta e gli inserti di gomma in schiuma prima di ogni utilizzo.
3. Sostituire gli anelli di tenuta e gli inserti di gomma in schiuma ogni 6 mesi o con maggiore frequenza, se necessario. Durante il montaggio, verificare che il foro per l'aria sull'anello di tenuta sia rivolto verso il basso. Utilizzare il kit igiene originale, che include gli anelli di tenuta e gli inserti di gomma in schiuma. Per ulteriori informazioni sul kit igiene, fare riferimento a www.husqvarna.com. (Fig. 19)

Nota: Se le cuffie sono bagnate sul lato interno, lasciarle asciugare in posizione di rientro. Fare riferimento a *Posizionare le cuffie in posizione di rientro alla pagina 150*.

4. Sostituire la membrana del microfono vocale, se danneggiata.
5. Sostituire il filtro antivento del microfono dipendente dal livello, se danneggiato.
6. Sostituire il filtro antivento sul microfono ad asta, se danneggiato.
7. Sostituire il Comfort Pad della fascia, se necessario. (Fig. 20)

Trasporto, stoccaggio e smaltimento

Trasporto e stoccaggio



ATTENZIONE: Durante il trasporto e lo stoccaggio, portare le cuffie in posizione di funzionamento per ridurre l'usura della plastica.

- Sistemare le cuffie in posizione di funzionamento. Fare riferimento a *Per fissare le cuffie in posizione di funzionamento alla pagina 150*.
- Assicurarsi che gli anelli di tenuta non siano compressi.
- Conservare il prodotto in un ambiente asciutto e pulito.
- Durante lo stoccaggio, tenere il prodotto al riparo dalla luce solare.

- Caricare la batteria ogni 6 settimane per mantenere la qualità della batteria.
- Mettere il prodotto in un posto sicuro durante il trasporto.

Smaltimento

- Rispettare le norme nazionali.
- Utilizzare il sistema di smaltimento locale.
- Il prodotto o l'imballaggio del prodotto non è un rifiuto domestico. Riciclarlo in una stazione di riciclaggio per apparecchiature elettriche ed elettroniche.



Accessori

Caschi omologati

Usare il prodotto solo con i seguenti caschi.

Modello	Tipo di attacco del casco	Immagine dell'adattatore	Dimensioni approvate
Husqvarna Technical, H300	Adattatore H300	(Fig. 21)	M/L
Husqvarna Spire	Adattatore Spire	(Fig. 22)	L
KASK Zenith X			

Dati tecnici

Per i dati tecnici di ciascun prodotto, fare riferimento alle seguenti illustrazioni. Per ulteriori dati tecnici, fare

riferimento alla scheda dei dati tecnici fornita come appendice al presente manuale dell'operatore.

(Fig. 2)
(Fig. 3)

Per ulteriori informazioni sul contenuto dei dati tecnici, fare riferimento all'elenco seguente:

- F = Frequenze in cui l'attenuazione viene misurata.
- MF = Valore medio.
- SF = Deviazione standard.
- APV (Mf-Sf) = Valore presunto protezione.
- H = Valore di attenuazione ad alta frequenza (riduzione del livello di rumore previsto per il rumore dove $L_C - L_A = -2$ dB). M = Valore di attenuazione a media frequenza (riduzione del livello di rumore previsto per il rumore dove $L_C - L_A = +2$ dB). L = Valore di attenuazione a bassa frequenza (riduzione

del livello di rumore previsto per il rumore dove $L_C - L_A = +10$ dB).

- SNR = Single Number Rating (il valore che viene sottratto dal livello di pressione sonora ponderato C misurato, L_C , per stimare il livello acustico effettivo ponderato A all'interno dell'orecchio).

Produttore responsabile: Husqvarna AB, SE-561 82 Huskvarna, Svezia, tel.: +46-36-146500.

Livello acustico

Le modalità Radio FM e Auricolari hanno un livello acustico equivalente massimo di 82 dB (A).

Materiali

Componente	Materiale	Componente	Materiale
Padiglione auricolare interno	ABS	Fascia	POM+TPE
Auricolare esterno sinistro	ABS	Forcella casco	POM
Auricolare esterno destro	ABS+TPE	Molla della forcella casco	Acciaio
Inserti	PUR	Viti	Acciaio
Anelli di tenuta	PVC e schiuma		

TURINYS

Įvadas.....	157	Transportavimas, saugojimas ir utilizavimas.....	164
Sauga.....	158	Priedai.....	164
Surinkimas.....	159	Techniniai duomenys.....	164
Naudojimas.....	160	0
Techninė priežiūra.....	163		

Įvadas

Gaminio aprašas

Gaminys „X-COM Active (HP500C-01, HP500C-02)“ – tai apsauginės ausinės su integruotu vienalaikiu abipusiu ryšiu, „Bluetooth®“ be laidė technologija ir FM

Gaminio apžvalga

(Pav. 1)

1. Garsumo didinimo mygtukas
2. Garsumo mažinimo mygtukas
3. Pagal garso lygį veikiantis mikrofonas
4. Bluetooth® mygtukas
5. Kalbos ryšio mikrofonas
6. Režimo mygtukas
7. USB-C įkroviklio kabelio lizdas
8. Aplinkos garso mygtukas
9. Nutildymo mygtukas
10. Įjungimo / išjungimo mygtukas
11. Kanalo mygtukas
12. Gervinio mikrofono lizdas

Atitikties ir patvirtinimai

„Husqvarna AB“, „SE-561 82 Huskvarna, Sweden, tel: +46-36-146500“ pareiškia, kad „HP500C-01“ ir „HP500C-01“ tipo radijo ryšio įrenginys atitinka „2014/53/EU, 2011/65/EU“ ir reglamentą „(EU) 2016/425“. Visą ES atitikties deklaracijos tekstą galite rasti adresu: www.husqvarna.com; ieškokite X-COM Active, HP500C-01, HP500C-02.

Gaminio garso slopinimo vertės ir triukšmo lygiai yra išbandyti ir patvirtinti remiantis: „EN 352-1:2020“ (su galvajuoste), „EN 352-3:2020“ (montuojamo ant šalmo), „EN 352-4:2020, EN 352-6:2020“ ir „EN 352-8:2020“.

Atitikties vertinime dalyvavusi notifikuoti įstaiga: Notifikuotosios įstaigos numeris 1974. PZT GmbH, Bismarckstraße 264 B, 26389 Wilhelmshaven, Germany.

Sertifikavimą ir stebėjimą vykdo PZT.

Akumulatorius sertifikuotas remiantis IEC62133 2 leidimu.



radiju. Modelis „HP500C-01“ – tai apsauginės ausinės su galvajuoste, o modelis „HP500C-02“ yra šalmui skirtos apsauginės ausinės. Gaminys apsaugo nuo kenksmingo triukšmo.

UK Importer:
Husqvarna UK Ltd
Preston Road, Co. Durham
DL5 6UP

FCC ID: ZASHP500, IC ID: 23307-HP500

FCC teikėjų atitikties deklaracija, skirta už „HP500C-01, HP500C-02“ atsakingai šaliai.

Husqvarna Professional Products, Inc. 9335 Harris Corners Parkway Suite 500 Charlotte, NC 28269 United States.

JAV kontaktinė informacija: Michael Campbell, gaminių atitikties vadovas, tel. +1 704 597 5000.

FCC atitikties pareiškimas

Šis įrenginys atitinka FCC taisyklių 15 dalį. Naudojimui taikomos dvi sąlygos: (1) šis įrenginys negali kelti kenksmingų trikdžių ir (2) šis įrenginys turi priimti visus trikdžius, įskaitant trikdžius, dėl kurių gali sutrikti veikimas.

Pagal atliktus testus ši įranga atitinka B klasės skaitmeninio įrenginio apribojimus pagal FCC taisyklių 15 dalį. Šie apribojimai skirti suteikti tinkamą apsaugą nuo kenksmingų trikdžių gyvenamojoje aplinkoje. Ši įranga generuoja, naudoja ir skleidžia radijo dažnio energiją, todėl, jei įrengta ir naudojama neatsižvelgiant į instrukcijas, ji gali skleisti kenksmingus trikdžius radijo ryšiu. Tačiau negalima garantuoti, kad konkrečioje aplinkoje šių trikdžių nebus. Jei ši įranga sukelia kenksmingus trikdžius gaunamam radijo arba televizijos signalui, kuriuos galima nustatyti išjungus ir įjungus įrangą, naudotojui rekomenduojama pamėginti pašalinti trikdžius toliau nurodomomis priemonėmis:

- Perkelkite įrangą toliau nuo antenos.
- Pagalbos kreipkitės į pardavėją.

Gaminio ženklimas pateiktas ant dešinėsios ausinės esančioje etiketėje.

Registruotieji prekiniai ženklai

Bluetooth® pavadinimas ir logotipai yra registruotieji prekės ženklai, priklausantys *Bluetooth SIG, inc.*, ir Husqvarna juos naudoja pagal licenciją.

Sauga

Saugos ženklų reikšmės

[spėjimai, perspėjimai ir pastabos yra skirtos atkreipti dėmesį į ypač svarbias vadovo dalis.



PERSPĖJIMAS: Naudojamas, kai naudotojui ar šalia esantiems asmenims kyla mirtino arba sunkaus sužeidimo pavojus arba, jei nesilaikoma vadove pateiktų nurodymų.



PASTABA: Naudojamas, kai kyla pavojus sugadinti gaminį, kitas medžiagas arba padaryti žalą aplinkai, jei nesilaikoma vadove pateiktų nurodymų.

Pasižymėkite: Naudojamas papildomai informacijai apie konkrečią situaciją pateikti.

Bendri saugumo reikalavimai



PERSPĖJIMAS: Prieš naudodami gaminį, perskaitykite toliau esančius įspėjimus.

- Naudokite šias instrukcijas ir išsaugokite ateičiai.
- Norėdami užtikrinti optimalų tinkamumą ir veikimą įsitikinkite, kad pasirinkote jums tinkantį gaminį.
- Nekeiskite ir nenuimkite gaminio dalių. Atlikite tik naudojimo instrukcijoje nurodytus pakeitimus.
- Gaminio triukšmo slopinimo savybės gali smarkiai pablogėti, jei nesivadovausite šioje naudojimo instrukcijoje pateiktais nurodymais. Naudojamos apsauginės ausinės, o ypač jų pagalvėlės, dėvisi, todėl jas reikia reguliariai tikrinti, ar neatsirado pažeidimų ar įtrūkimų. Žr. *Techninė priežiūra psl. 163*.
- Šiam gaminiui gali kenkti kai kurios cheminės medžiagos. Išsamesnę informaciją turi pateikti tokių medžiagų gamintojas. Venkite agresyvių medžiagų ir reguliariai valykite gaminį. Naudokite šluostę su vandeniu ir muilu. Neplaukite ir napanardinkite vandenyje.
- Visi techninės priežiūros ir remonto darbai turi būti atliekami patvirtintose techninės priežiūros dirbtuvėse. Naudokite tik „Husqvarna“ originalias atsargines dalis.
- Niekada nenaudokite ausinių ilgiau nei 10 metų nuo pakuotėje nurodytos pagaminimo datos.

- Gaminio funkcionalumas gali pablogėti pagal akumulatoriaus energijos sąnaudas.

Naudojimo saugos instrukcijos

- Dirbdamas triukšmingoje aplinkoje naudotojas visada turi dėvėti ausines.
- Naudodami gaminį būkite atsargūs ir klausykitės, ar nėra įspėjamųjų signalų. Naudojant gaminį įspėjamųjų signalų keliamas triukšmas gali būti mažesnis.
- Įspėjamųjų signalų girdimumas tam tikrose darbo vietose gali būti sumažėjęs, kai naudojamas pramogų įrenginys.
- Pasirūpinkite, kad naudojant ir gabenant gaminys nebūtų sutrenktas.
- Gaminį naudokite tik aplinkoje, kurios temperatūra yra nuo -20 C (-4 °F) iki +55 C (+131 °F). Jei naudosite gaminį esant kitai temperatūrai, gali sugesti elektronika, akumulatorius ir mechaninės dalys.
- Prieš naudodami gaminį įsitikinkite, kad mokate juo naudotis. Jei gaminys pažeistas, kreipkitės į techninę priežiūrą atliekantį pardavėją. Neatidarykite korpuso!
- Uždėjus ant ausinių pagalvėlių higieninius uždangalus, gali pablogėti ausinių akustinės savybės. Būtinai naudokite originalias atsargines dalis.
- Nespauskite ausinių prie šalmo korpuso. Priešingai atveju aplink šalmo šoną gali atsirasti įtrūkių.

(Pav. 4)

- Nelaikykite gaminio aplinkoje, kurios temperatūra viršija +55 °C (+131 °F), pavyzdžiui, ant prietaisų skydo. Nelaikykite gaminio žemesnėje nei -20 °C (-4 °F) temperatūroje.
- Dėvintysis asmuo turi užtikrinti, kad ausinės yra pritvirtintos, sureguliuotos ir prižiūrimos pagal šią naudojimo instrukciją.
- Ausinės pateikiamos su saugumui skirta garso įvestimi. Prieš naudodamas naudotojas privalo patikrinti veikimą. Aptikus iškraipymų ar gedimų naudotojas turi kreiptis į gamintoją patarimo dėl priežiūros darbų.

Akumuliatorių naudojimo sauga

- Ausinėms būdingas slopinimas pagal garso lygį. Prieš naudojant būtina patikrinti veikimą. Aptikęs gedimą ar netinkamą veikimą, naudotojas turi vadovautis gamintojo nurodymais dėl priežiūros darbų.

- Gaminyje yra akumulatorius ir elektrinės sudedamosios dalys, galinčios uždegti degią ar sprogią aplinką. Nenaudokite aplinkoje, kurioje kibirkštys gali sukelti gaisrą ar sprogimą.

- Gaminį įkraukite tik esant nuo 0 °C (+32 °F) iki +40 °C (+104 °F) temperatūrai. Kraunant už šio temperatūros diapazono ribų, elektronika ir akumulatorius gali būti sugadinti.

Surinkimas

Įvadas



PERSPĖJIMAS: Prieš surinkdami gaminį perkelkite plaukus į šoną. Prieš naudodami gaminį įsitikinkite, kad sandarinimo žiedai tvirtai užsideda ant galvos ir aplink ausis.

Ausinių su lankeliu užsidėjimas

1. Užsidėkite lankelį galvos viršuje.
2. Judinkite ausines aukštyn arba žemyn, norėdami sureguliuoti aukštį. (Pav. 5)

Ausinių montavimas ant šalmo

1. Pritvirtinkite tinkamo tipo adapterį prie šalmo korpuso. Žr. *Patvirtinti šalmai psl. 164*.
2. Pritvirtinkite šalmo šakutę prie adapterio. (Pav. 6)

Pasižymėkite: Žr. *Patvirtinti šalmai psl. 164* dėl papildomos informacijos apie jūsų šalmui tinkamus priedus.

3. Perkelkite ausines į žemiausią padėtį.
4. Lenkite ausines į viršų, kol jos užsifiksuos parengties padėtyje. (Pav. 7)
5. Pažymėkite kabelį.
 - a) Jei naudojate H300 šalną, pažymėkite 27 cm / 11 col. (X) atstumą nuo kiekvienos ausinės.
 - b) Jei naudojate „Spire Vent X“ šalną, pažymėkite 14,5 cm / 6 col. (X) atstumą nuo kiekvienos ausinės. (Pav. 8)
6. Įstatykite šalmo priedą į šalme esantį lizdą. (Pav. 9)
7. Pereikite prie patvirtinto šalmo surinkimo nurodymų.



PASTABA: Įsitikinkite, kad kabelis nebūtų susuktas ir neturėtų mažo lenkimo spindulio. Įsitikinkite, kad kabelį galima lengvai įkišti į šalme esančią angą.

Ausinių montavimas ant šalmo „H300“

1. Atsekite galvos dirželį nuo šalmo. (Pav. 10)

2. Pritvirtinkite kabelį prie angų tvirtinimo dirželiais arba spaustukais. (Pav. 11)
3. Jei kabelį tvirtinsite dirželiais, nupjaukite dirželį ir įstumkite jo fikساتorių į šoninį lizdą.
4. Padarykite kilpą iš kabelio ir pritvirtinkite galvos dirželį ir kaklo apsaugą. Įsitikinkite, kad kabelis yra tarp korpuso ir galvos dirželio. (Pav. 12)

Ausinių montavimas ant šalmo „Spire Vent X“

1. Padarykite kilpą iš kabelio ir įdėkite į galinę dalį.
2. Pritvirtinkite kabelį prie galvos dirželio naudodami tvirtinimo dirželius. Pritvirtinkite tvirtinimo dirželį perkidami jį per galvajuostės užpakalinį dirželį.
3. Nupjaukite tvirtinimo dirželį.
4. Padarykite kilpą iš likusio kabelio ir perkelkite į galą, už galvajuostės užpakalinės dalies. (Pav. 13)

Ausinių perkėlimas į darbinę padėtį

1. Užsidėkite šalną ant galvos.
2. Reguluokite ausines tol, kol jos gerai prilgus prie ausų ir galvos. (Pav. 14)

Ausinių perkėlimas į parengties padėtį

- Lenkite ausines į viršų, kol jos užsifiksuos parengties padėtyje. (Pav. 15)

Ausinių perkėlimas į stovėjimo padėtį

1. Perkelkite ausines į parengties padėtį. Žr. *Ausinių perkėlimas į parengties padėtį psl. 159*.
2. Pasukite ausines atgal palei šalmo šoną, kol jos užsifiksuos parengties padėtyje. (Pav. 16)

Kaip prijungti gervinį mikrofoną

Gervinį mikrofoną naudokite triukšmingoje aplinkoje.

1. Pritvirtinkite prie gervinio mikrofono apsaugą nuo vėjo.
2. Prijunkite gervinį mikrofoną prie mikrofono lizdo, esančio dešinėje ausinėje. (Pav. 17)
3. Gervinis mikrofonas turi būti 1 cm / 0,4 col. (A) atstumu nuo burnos.

Naudojimas

Įvadas



PERSPĖJIMAS: Prieš naudodami gaminį perskaitykite ir supraskite saugos skyriaus informaciją.

Gaminio įkrovimas

1. Prijunkite įkrovimo kabelio USB-C jungtį prie kairiosios ausinės lizdo. (Pav. 18)
2. Prijunkite įkrovimo kabelio USB jungtį prie USB įkroviklio arba kito USB elektros lizdo.

Pasižymėkite: Kad būtų galima įkrauti maksimalia galia, elektros lizde turi būti 5 V srovė ir 2 A srovės stipris.

Pasižymėkite: Kai akumuliatorius įkraunamas, „Bluetooth®“ mygtuko LED indikatorius lėtai mirksės žaliai. Kai akumuliatorius bus visiškai įkrautas, „Bluetooth®“ mygtuko LED indikatorius pastoviai švies žaliai.

Kanalo mygtuko LED indikatorius	Akumuliatoriaus įkrovimo būseną
Šviečia 3 LED.	Akumuliatorius įkrautas 90–100 %.
Pastoviai šviečia 2 LED lemputės, o 1 LED lemputė lėtai mirksi.	Akumuliatorius įkrautas 70–90 %.
Pastoviai šviečia 1 LED lemputė ir 1 LED lemputė lėtai mirksi.	Akumuliatorius įkrautas 20–70 %.
1 LED lemputė lėtai mirksi.	Akumuliatorius įkrautas 10–20 %.
1 LED lemputė greitai mirksi.	Akumuliatorius įkrautas 0–10 %

Gaminio paleidimas

- Paspauskite ir 1 sekundę palaikykite įjungimo / išjungimo mygtuką.

Pasižymėkite: Pytelėjimas praneš, kad gaminy yra įjungtas. Kanalo mygtuko vidurinis LED indikatorius degs 2 sekundes. Garsiniu pranešimu bus nurodyta akumuliatoriaus būseną ir skaičius įrenginių, prijungtų naudojant „Bluetooth®“ belaidę technologiją. Jei gaminy ras komandą, garsiniu

pranešimu bus nurodyta, prie kurios komandos esate prisijungę. Žr. toliau pateiktą lentelę.

Garsinis pranešimas
BATTERY HIGH
BATTERY MEDIUM
BATTERY LOW
BATTERY CRITICAL

Garsinis pranešimas
ONE BLUETOOTH DEVICE CONNECTED
TWO BLUETOOTH DEVICES CONNECTED
CONNECTED TO TEAM CHANNEL 1
CONNECTED TO TEAM CHANNEL 2
CONNECTED TO TEAM CHANNEL 3

Kaip sužinoti apie akumuliatoriaus būseną

- Nuspauskite įjungimo / išjungimo mygtuką.

Pasižymėkite: Kanalo mygtuko LED indikatorius švies žaliai 5 sekundes. Žr. toliau pateiktą lentelę.

LED indikatoriaus lemputė	Akumuliatoriaus būseną
Šviečia 3 LED.	Akumuliatorius įkrautas 90–100 %.
Šviečia 2 LED.	Akumuliatorius įkrautas 70–90 %.
Šviečia 1 LED.	Akumuliatorius įkrautas 20–70 %.
1 LED lemputė greitai mirksi.	Akumuliatorius įkrautas 0–10 %

Perjungimas iš FM radijo režimo į „Bluetooth®“ režimą ir atvirkščiai

- Greitai 2 kartus paspauskite režimo mygtuką, kad vietoje FM radijo režimo įjungtumėte „Bluetooth®“ režimą ir atvirkščiai.

Pasižymėkite: Garsiniu pranešimu bus nurodyta, kuris režimas pasirinktas. Žr. toliau pateiktą lentelę.

Garsinis pranešimas
RADIO
BLUETOOTH

FM radijo režimas

Kai įjungtas FM radijo režimas, galite klausytis FM radijo gyvenamosiose ar kitose zonos, kuriose veikia stiprus FM radijo signalas. FM radijo veikimą gali paveikti nelygus reljefas ar tanki augmenija.

FM radijo stoties keitimas

- Kad pakeistumėte FM radijo stotį, paspauskite ir 1 sekundę palaikykite garsumo didinimo arba mažinimo mygtuką.

„Bluetooth®“ režimas

Kai įjungtas „Bluetooth®“ režimas, galite prijungti gaminį prie įrenginio naudodami „Bluetooth®“ belaidę technologiją.

Kaip atlikti „Bluetooth®“ susiejimo procedūrą

1. Paspauskite ir palaikykite Bluetooth® mygtuką 2 sekundes, kad pradėtumėte gaminio susiejimo procedūrą.

Pasižymėkite: Susiejimas prasidės, kai išgirsite pyptelėjimą, o „Bluetooth®“ mygtukas mirksės mėlynai. Susiejimo procedūra trunka 30 sekundžių.

2. Įrenginyje įjunkite susiejimą per „Bluetooth®“ belaidę technologiją.
3. Jei būtina, įrenginio ekrane iš galimų prietaisų sąrašo pasirinkite „Husqvarna X-COM Active“.

Pasižymėkite: Garsiniu pranešimu bus nurodyta gaminio būsena. Žr. toliau pateiktą lentelę.

Garsinis pranešimas	„Bluetooth®“ mygtuko LED indikatorius	Informacija
BLUETOOTH DEVICE CONNECTED	Pastoviai šviečia mėlynai.	Gaminys yra prijungtas prie įrenginio naudojant „Bluetooth®“ belaidę technologiją.

Garsinis pranešimas	„Bluetooth®“ mygtuko LED indikatorius	Informacija
BLUETOOTH CONNECTION FAILED	2 sekundes šviečia raudonai.	Gaminys neprijungtas prie įrenginio naudojant „Bluetooth®“ belaidę technologiją.

Pasižymėkite: Prie jūsų gaminio prijungtas įrenginys su „Bluetooth®“ belaidę technologija kitą kartą prie jūsų gaminio prisijungs automatiškai.

Kaip nustatyti komandą ir pridėti įrenginių

Komanda – tai komunikacijos grupė, leidžianti bendrauti su visais prie komandos prijungtais įrenginiais. Jei komandos nėra, galite suburti naują komandą atlikę toliau nurodytus veiksmus. Tuomet, atlikę veiksmus dar kartą, galite įtraukti į komandą naujų įrenginių. Komandą nustato tik vienas asmuo, o kiti įrenginiai prijungiami prie komandos, kaip nurodyta *Kaip prisijungti prie komandos psl. 162*. Tik vienas asmuo vienu metu gali pridėti naują įrenginį prie komandos. Naujas įrenginys turi prisijungti prie komandos, kaip nurodyta *Kaip prisijungti prie komandos psl. 162*.

1. Paspauskite ir palaikykite režimo mygtuką 1 sekundę, kad įjungtumėte komandos valdymo režimą ir įeitumėte į komandos sąranką.

Pasižymėkite: Garsiniu pranešimu bus nurodyta, kad įjungtas komandos valdymo režimas. Žr. toliau pateiktą lentelę.

Garsinis pranešimas	„Bluetooth®“ mygtuko LED indikatorius
TEAM MANAGEMENT	Šviečia baltai.

2. Paspauskite „Bluetooth®“ mygtuką.

Pasižymėkite: Garsiniu pranešimu bus nurodyta susiejimo procedūros būsena. Susiejimo procedūra prasidės, kai pasigirs pyptelėjimas. Žr. toliau pateiktą lentelę.

Garsinis pranešimas	„Bluetooth®“ mygtuko LED indikatorius
SEARCHING FOR MEMBERS	LED lemputė greitai mirksi.

Pasižymėkite: Susiejimo procedūra trunka 1 minutę. Prietaisai prie komandos prisijungia maždaug per 1 minutę. Susiejimas bus baigtas,

kai išgirsite pyptelėjimą, o „Bluetooth®“ mygtukas pastoviai švies žaliai. Kaskart, kai prie komandos prisijungs naujas įrenginys, pasigirs pyptelėjimas. Kaip prisijungti prie komandos, žr. *Kaip prisijungti prie komandos psl. 162.*

3. Jei norite sustabdyti susiejimo procedūrą nepraėjus 1 minutei, paspauskite režimo mygtuką.
4. Jei norite ištraukti į komandą naują įrenginį, dar kartą vadovaukitės tomis pačiomis instrukcijomis.

Pasižymėkite: Prie komandos prijungtas įrenginys automatiškai prisijungs prie komandos, kai kitą kartą jį naudosite.

Kaip prisijungti prie komandos

Negalima prisijungti prie komandos, jei komanda nenustatyta. Kaip nustatyti komandą, žr. *Kaip nustatyti komandą ir pridėti įrenginių psl. 161.* Galite prisijungti prie komandos tuo pačiu metu, kai sukuriamą naują komanda. Prie komandos taip pat galima prisijungti, kai komandos narys prideda prie komandos naujų įrenginių.

1. Paspauskite ir palaikykite režimo mygtuką 1 sekundę, kad įjungtumėte komandos valdymo režimą.

Pasižymėkite: Garsiniu pranešimu bus nurodyta, kad įjungtas komandos valdymo režimas. Žr. toliau pateiktą lentelę.

Garsinis pranešimas	„Bluetooth®“ mygtuko LED indikatorius
TEAM MANAGEMENT	Šviečia baltai.

2. Paspauskite garsumo didinimo mygtuką.

Pasižymėkite: Susiejimas prasidės, kai išgirsite pyptelėjimą, o „Bluetooth®“ mygtukas lėtai mirksės. Susiejimo procedūra trunka 1 minutę. Garsiniu pranešimu bus nurodyta, kad prisijungėte prie komandos. Žr. toliau pateiktą lentelę.

Garsinis pranešimas	„Bluetooth®“ mygtuko LED indikatorius
CONNECTED TO TEAM	Pastoviai šviečia žaliai.

Pasižymėkite: Su komanda galėsite bendrauti po to, kai garsiniu pranešimu bus nurodyta, kad esate prisijungę prie komandos.

Kaip atsijungti nuo komandos

1. Paspauskite ir palaikykite režimo mygtuką 1 sekundę, kad įjungtumėte komandos valdymo režimą.

Pasižymėkite: Garsiniu pranešimu bus nurodyta, kad įjungtas komandos valdymo režimas. Žr. toliau pateiktą lentelę.

Garsinis pranešimas	„Bluetooth®“ mygtuko LED indikatorius
TEAM MANAGEMENT	Šviečia baltai.

2. Paspauskite garsumo mažinimo mygtuką.

Pasižymėkite: Garsiniu pranešimu bus nurodyta, kad atsijungėte nuo komandos. Žr. toliau pateiktą lentelę.

Garsinis pranešimas	„Bluetooth®“ mygtuko LED indikatorius
LEAVING TEAM	LED lemputė 3 kartus sumirksės raudonai.

Kaip pakeisti komunikacijos kanalą

- Kad pasirinktumėte komunikacijos kanalą, paspauskite 1, 2 arba 3 kanalo mygtuką.

Pasižymėkite: Garsiniu pranešimu bus nurodyta, prie kurio kanalo esate prisijungę. Žr. toliau pateiktą lentelę.

Garsinis pranešimas	Kanalo LED indikatorius
CHANNEL 1	1 kanalo lemputė pastoviai šviečia baltai.
CHANNEL 2	2 kanalo lemputė pastoviai šviečia baltai.
CHANNEL 3	3 kanalo pastoviai šviečia baltai.

Kaip bendrauti visais komunikacijos kanalais

- Paspauskite ir palaikykite kanalo mygtuką, kad galėtumėte kalbėti visais komunikacijos kanalais vienu metu.

Pasižymėkite: Jei išgirdote pyptelėjimą, vadinasi, esate prisijungę prie visų komunikacijos kanalų. Pastoviai baltai šviečiantys visų kanalų LED indikatoriai nurodys, kad esate prisijungę prie visų kanalų.

- Norėdami grįžti į ankstesnį kanalą, atleiskite kanalo mygtuką.

Mikrofono įjungimas / išjungimas

- Paspauskite nutildymo mygtuką ir palaikykite tol, kol išgirsite pyptelėjimą.

Kaip pakeisti garso transliaciją

- Paspauskite ir palaikykite garsumo didinimo mygtuką 0,5 sek., kad pasirinktumėte kitą garso transliaciją.
- Paspauskite ir palaikykite garsumo mažinimo mygtuką 0,5 sek., kad grįžtumėte į ankstesnę garso transliaciją.

Kaip sustabdyti arba pradėti garso transliaciją

- Paspauskite režimo mygtuką norėdami sustabdyti arba pradėti garso transliaciją.

Telefono skambučio priėmimas, užbaigimas arba atmetimas

Jei jūsų mobilusis įrenginys yra prijungtas prie gaminio su „Bluetooth®“ be laidės technologija, esant gaunamajam skambučiui ausinėse pasigirs signalas.

- Paspauskite režimo mygtuką, kad priimtumėte arba užbaigtumėte telefono skambutį.
- Paspauskite ir palaikykite režimo mygtuką 1 sekundę, kad atstumtumėte gaunamąjį telefono skambutį.

Pasižymėkite: Pyptelėjimu bus pranešta apie telefono skambučio priėmimą arba atmetimą.

Garsinis pranešimas	Informacija
CALL ENDED	Telefono pokalbis baigtas.

Kaip perduoti skambutį komandai

1. Paspauskite režimo mygtuką, kad priimtumėte telefono skambutį.
2. Greitai 2 kartus paspauskite režimo mygtuką, kad telefono skambutis būtų perduotas komandai.

Pasižymėkite: Garsiniu pranešimu bus nurodyta, kad telefono skambutis perduotas. Žr. toliau pateiktą lentelę.

Garsinis pranešimas	Informacija
CALL TRANSFERRED TO TEAM	Telefono skambutis perduotas komandai.

Kaip atjungti telefono skambutį komandoje

- Greitai 2 kartus paspauskite režimo mygtuką.

Pasižymėkite: Garsiniu pranešimu bus nurodyta, kad telefono skambutis atjungtas. Žr. toliau pateiktą lentelę.

Garsinis pranešimas	Informacija
CALL DISCONNECTED FROM TEAM	Telefono skambutis atjungtas nuo komandos.

Garsumo reguliavimas

- Norėdami reguliuoti garsumą, paspauskite garsumo didinimo arba mažinimo mygtuką. Pasiekus minimalų arba maksimalų garsumo lygį pasigirs pyptelėjimas.

Kaip nustatyti aplinkos garso režimą

Aplinkos garso režimas suteikia galimybę girdėti aplink jus esančius garsus.

- Paspauskite aplinkos garso mygtuką.

Pasižymėkite: Garsiniu pranešimu bus nurodyta aplinkos garso režimo būseną.

Garsinis pranešimas
AMBIENT LEVEL HIGH
AMBIENT LEVEL MEDIUM
AMBIENT LEVEL LOW
AMBIENT LEVEL OFF

Gaminio sustabdymas

- Paspauskite ir 1 sekundę palaikykite įjungimo / išjungimo mygtuką.

Pasižymėkite: Garsiniu pranešimu bus nurodyta akumuliatoriaus būseną, o LED indikatoriai užges. Pyptelėjimas praneša, kad gaminys yra išjungtas.

Priverstinis gaminio stabdymas

- Paspauskite ir palaikykite įjungimo / išjungimo mygtuką 12 sek.

Techninė priežiūra

Gaminio techninė priežiūra



PASTABA: Neplaukite ir visiškai neparinkite gaminio vandenyje.



PASTABA: Purškalai, skysčiai ir kiti valikliai su tirpikliais ir (arba) alkoholiu gali pabloginti apsaugines savybes.



PASTABA: Naudokite originalias „Husqvarna“ atsargines dalis.

1. Reguliariai valykite gaminį. Naudokite šluostę ir praskiestą muilo tirpalą.
2. Prieš kiekvieną naudojimą patikrinkite sandarinimo žiedų ir akytos gumos įdėklų būklę.
3. Sandarinimo žiedus ir akytosios gumos įdėklus keiskite kas 6 mėnesius arba dažniau, jei to reikia. Montavimo metu įsitikinkite, kad sandarinimo žiedo skylutė yra nukreipta žemyn. Naudokite originalų higieninį rinkinį su sandarinimo žiedais ir akytosios gumos įdėklais. Dėl papildomos informacijos apie higieninį rinkinį žr. www.husqvarna.com. (Pav. 19)

Pasižymėkite: Jei vidinė ausinių pusė yra drėgna, leiskite joms išdžiūti perkėlę jas į stovėjimo padėtį. Žr. *Ausinių perkėlimas į stovėjimo padėtį psl. 159*.

4. Pakeiskite kalbos ryšio mikrofono membraną, jei ji pažeista.
5. Pakeiskite pagal garso lygį veikiančio mikrofono apsaugą nuo vėjo, jei ji pažeista.
6. Pakeiskite gervinio mikrofono apsaugą nuo vėjo, jei ji pažeista.
7. Jei reikia, pakeiskite galvajuostės „Comfort Pad“ pagalvėlę. (Pav. 20)

Transportavimas, saugojimas ir utilizavimas

Gabenimas ir laikymas



PASTABA: Gabendami ir sandėliuodami ausines perkelkite į darbinę padėtį, kad plastikinė medžiaga mažiau nusidėvėtų.

- Perkelkite ausines į darbinę padėtį. Žr. *Ausinių perkėlimas į darbinę padėtį psl. 159*.
- Pasirūpinkite, kad sandarinimo žiedai nebūtų suspausti.
- Laikykite gaminį sausoje, švarioje vietoje.
- Sandėliuojamą gaminį saugokite nuo saulės šviesos.
- Įkraukite akumuliatorių kas 6 savaites, kad išlaikytumėte gerą jo būklę.

- Gabendami gaminį, padėkite jį saugioje vietoje.

Šalinimas

- Laikykites šalyje galiojančių nuostatų.
- Naudokite vietinę perdirbimo sistemą.
- Gaminys ar gaminio pakuotė nepriskiriami buitiniams atliekoms. Nuvežkite jį į elektros ir elektronikos įrenginių perdirbimo punktą.



Priedai

Patvirtinti šalmai

Įrenginį naudokite tik su toliau išvardytais šalmais.

Modelis	Šalmo priedo tipas	Adapterio vaizdas	Patvirtinti išmatavimai
Husqvarna Technical, H300	Adapteris „H300“	(Pav. 21)	M/L
Husqvarna Spire	Adapteris „Spire“	(Pav. 22)	L
KASK Zenith X			

Techniniai duomenys

Kiekvieno gaminio techninių duomenų ieškokite toliau pateikiamose iliustracijose. Daugiau techninių duomenų

rasite šios naudojimo instrukcijos techninių duomenų priede.

(Pav. 2)

(Pav. 3)

Daugiau informacijos apie techninių duomenų turinį ieškokite toliau pateiktame sąrašė:

- F = dažniai, kuriuos nustačius matuojamas slopinimas.
- Mf = vidutinė vertė.
- Sf = standartinis nuokrypis.
- APV (Mf–Sf) = numanoma apsaugos vertė.
- H = aukštų dažnių slopinimo vertė (numatomas triukšmo lygio sumažinimas, kai $L_C-L_A = -2$ dB).
- M = vidutinių dažnių slopinimo vertė (numatomas triukšmo lygio sumažinimas, kai $L_C-L_A = +2$ dB).
- L = Žemų dažnių slopinimo vertė (numatomas triukšmo lygio sumažinimas, kai $L_C-L_A = +10$ dB).

- SNR = vieno skaičiaus vertinimas (vertė, kuri atimama iš išmatuoto C svertinio garso slėgio lygio – L_C , siekiant apskaičiuoti faktinį A svertinio garso lygį ausyje).

Atsakingas gamintojas: Husqvarna AB, SE-561 82 Huskvarna, Švedija, tel. +46-36-146500.

Garso lygis

FM radijo ir ausinių režimų maksimalus ekvivalentinis garso lygis yra 82 dB (A).

Medžiagos

Dalis	Medžiaga	Dalis	Medžiaga
Vidinis ausies kaušelis	ABS	Lankelis ant galvos	POM+TPE
Išorinis ausies kaušelis, kairės pusės	ABS	Šalmo šakutė	POM
Išorinis ausies kaušelis, dešinės pusės	ABS+TPE	Šalmo šakutės spyruoklė	Plienas
Įdėklai	PUR	Varžtai	Plienas
Sandarinimo žiedai	PVC ir putplastis		

Saturs

Ievads.....	166	Pārvadāšana, glabāšana un utilizēšana.....	173
Drošība.....	167	Piederumi.....	173
Montāža.....	168	Tehniskie dati.....	173
Lietošana.....	169	0
Apkope.....	172		

Ievads

Izstrādājuma apraksts

Izstrādājums X-COM Active (HP500C-01, HP500C-02) ir dzirdes aizsarglīdzeklis ar iebūvētu pilnduplekso sakaru funkciju, *Bluetooth® bezvadu tehnoloģiju* un FM radio.

Izstrādājuma pārskats

(Att. 1)

1. Skaluma palielināšanas poga
2. Skaluma samazināšanas poga
3. No līmeņa atkarīgais mikrofons
4. Poga Bluetooth®
5. Runas mikrofons
6. Režīma poga
7. USB-C lādētāja kabeļa izvads
8. Apkārtējās skaņas poga
9. Skaņas izslēgšanas poga
10. Ieslēgšanas/izslēgšanas poga
11. Kanālu poga
12. Stieņa mikrofona izvads

Atbilstība un apstiprinājumi

Ar šo Husqvarna AB, SE-561 82 Huskvarna, Sweden, tel: +46-36-146500 paziņo, ka radio aprīkojuma tips HP500C-01 un HP500C-01 atbilst 2014/53/EU, 2011/65/EU un regulai (EU) 2016/425. ES atbilstības deklarācijas pilnais teksts ir pieejams šajā interneta vietnē: www.husqvarna.com; meklēt X-COM Active, HP500C-01, HP500C-02.

Izstrādājuma trokšņu vājināšanas vērtības un trokšņa līmeņi ir pārbaudīti un apstiprināti atbilstoši tālāk norādītajiem standartiem. EN 352-1:2020 (galvas saite), EN 352-3:2020 (ķīverei uzstādāmais variants), EN 352-4:2020, EN 352-6:2020 un EN 352-8:2020.

Pilnvarotā iestāde, kas iesaistīta atbilstības novērtējumā: Pilnvarotās iestādes numurs 1974. PZT GmbH, Bismarckstraße 264 B, 26389 Wilhelmshaven, Germany.

Sertifikācija un uzraudzība, PZT.

Akumulators ir sertificēts atbilstoši IEC62133 2. izdevumam.

Modelis HP500C-01 ir dzirdes aizsarglīdzeklis ar galvas saiti, un modelis HP500C-02 ir dzirdes aizsarglīdzeklis ķīverei. Izstrādājums nodrošina aizsardzību pret kaitīgiem trokšņiem.



UK Importer:
Husqvarna UK Ltd
Preston Road, Co. Durham
DL5 6UP

FCC ID: ZASHP500, IC ID: 23307-HP500

FCC piegādātāju sniegtā atbilstības deklarācija HP500C-01, HP500C-02 atbildīgajai personai.

Husqvarna Professional Products, Inc. 9335 Harris Corners Parkway Suite 500 Charlotte, NC 28269 United states.

Kontaktinformācija ASV: Maikls Kembels (Michael Campbell), produktu atbilstības daļas vadītājs, tālrunis: +1 704 597 5000.

FCC atbilstības paziņojums:

Šī ierīce atbilst FCC noteikumu 15. daļā norādītajām prasībām. Uz darbību attiecas divi šādi nosacījumi: (1) Šī ierīce nedrīkst radīt traucējumus; un (2) šai ierīcei ir jāpieņem saņemtie traucējumi, tostarp traucējumi, kas var izraisīt nevēlamu ierīces darbību.

Šis aprīkojums ir pārbaudīts, un ir atzīta tā atbilstība B klases digitālās ierīces ierobežojumiem atbilstoši Federālās Sakaru komisijas (Federal Communications Commission — FCC) noteikumu 15. daļai. Šie ierobežojumi ir izstrādāti, lai nodrošinātu saprātīgu aizsardzību pret kaitīgiem traucējumiem no ietaisēm apdzīvotās vietās. Šis aprīkojums ģenerē, izmanto un var izstarot radiofrekvenču enerģiju. Ja aprīkojums nav uzstādīts un netiek lietots atbilstoši norādījumiem, tas var radīt kaitīgus radiosakaru traucējumus. Tomēr nevar garantēt, ka konkrēta ietaise neradīs traucējumus. Ja šis aprīkojums rada kaitīgus radio vai televīzijas

uztveršanas traucējumus, ko var noteikt, izslēdzot un ieslēdzot aprīkojumu, lietotājam ir ieteicams labot traucējumus, īstenojot vienu vai vairākus tālāk aprakstītos pasākumus.

- Palieliniet attālumu starp aprīkojumu un uztvērēju.
- Lai saņemtu palīdzību, sazinieties ar izplatītāju.

Produkta marķējums ir atrodams etiķetē uz labās austiņas.

Reģistrētās preču zīmes

Bluetooth® preču zīme un logotipi ir *Bluetooth SIG, inc.* reģistrētas preču zīmes, un Husqvarna tās izmanto atbilstoši licencei.

Drošība

Drošības definīcijas

Brīdinājumi, norādes "Uzmanību!" un piezīmes tiek izmantotas, lai izceltu īpaši svarīgas lietotāja rokasgrāmatas daļas.



BRĪDINĀJUMS: Tiek izmantota tad, ja rokasgrāmatā sniegto instrukciju neievērošanas dēļ operatoram vai blakus esošajām personām draud traumu vai nāves risks.



IEVĒROJIET: Tiek izmantota tad, ja rokasgrāmatā sniegto instrukciju neievērošanas dēļ rodas izstrādājuma, citu materiālu vai blakus esošās teritorijas bojājuma risks.

Piezīme: Tiek izmantota, lai sniegtu plašāku informāciju, kas nepieciešama attiecīgajā situācijā.

Vispārīga drošība



BRĪDINĀJUMS: Pirms izstrādājuma lietošanas izlasiet tālāk izklāstītos brīdinājumus.

- Izmantojiet un saglabājiet šos norādījumus.
- Lai nodrošinātu optimālu piemērotību un darbību, noteikti atlasiet pareizo izstrādājumu jūsu izmantošanas mērķim.
- Nemainiet un nenopemiet izstrādājuma daļas. Veiciet tikai tādas izmaiņas, kas norādītas lietotāja rokasgrāmatā.
- Izstrādājuma trokšņa vājināšana var ievērojami pasliktināties, ja neievērosit norādījumus šajā lietotāja rokasgrāmatā. Austiņas un it īpaši to spilventiņi var nolietoties, tādēļ ir regulāri jāpārbauda, vai tām nav radušās kādas plaisas vai bojājumi. Skatiet šeit: *Apkope lpp. 172*.
- Šo izstrādājumu var nelabvēlīgi ietekmēt noteiktu ķīmisko vielu iedarbība. Par sīkaku informāciju jautājiet ražotājam. Nepieļaujiet saskari ar agresīvām vielām un regulāri tīriet izstrādājumu. Izmantojiet drānu ar ūdeni un ziepēm. Nemazgājiet un neievietojiet pilnībā ūdenī.

- Visi apkopes un remontdarbi ir jāveic pilnvarotai apkopes darbnīcai. Izmantojiet tikai Husqvarna oriģinālās rezerves daļas.
- Nekad nelietojiet austiņas ilgāk par 10 gadiem no ražošanas datuma, kas norādīts uz iepakojuma.
- Nolietojoties akumulatoram, izstrādājuma darbības kvalitāte var pasliktināties.

Darba drošības norādījumi

- Lietotājam jānodrošina, lai trokšņainā vidē vienmēr tiktu lietotas austiņas.
- Kad izmantojat izstrādājumu, esiet uzmanīgs un klausieties, vai neatskan brīdinājumu signāli. Izmantojot izstrādājumu, brīdinājumu signālu troksnis var samazināties.
- Brīdinājumu signālu dzirdamība konkrētā darbavietā var tikt traucēta, kamēr tiek izmantota izklaides iespēja.
- Nodrošiniet, lai izstrādājums transportēšanas un lietošanas laikā netiktu pakļauts triecieniem.
- Izmantojiet produktu tikai temperatūrā no -20 °C līdz +55 °C / no -4 °F līdz +131 °F. Ja produktu izmantojat citā temperatūrā, tas var izraisīt elektronikas, akumulatora un mehānisko daļu bojājumus.
- Pārliecinieties, vai zināt, kā izstrādājumu lietot, pirms to lietojat. Ja novērojat izstrādājuma bojājumus, sazinieties ar apkopes sniedzēju. Nekādā gadījumā neatveriet korpusu.
- Higiēnisko pārsegu uzstādīšana uz austiņu ieliktņiem var ietekmēt austiņu akustiskās īpašības. Vienmēr izmantojiet oriģinālos piederumus.
- Nespiediet austiņas pret ķiveres apvalku. Pretējā gadījumā ķiveres sānos var rasties plaisas.

(Att. 4)

- Neuzglabājiet produktu temperatūrā, kas pārsniedz +55 °C / +131 °F, piemēram, uz automašīnas paneļa. Neuzglabājiet produktu temperatūrā, kas ir zemāka par -20 °C / -4 °F.
- Austiņām ir jābūt atbilstošā izmērā, un tās ir jāpieplāgo un jāfīra saskaņā ar lietotāja rokasgrāmatu.
- Drošības iemeslu dēļ austiņas ir aprīkotas ar audio ieeju. Pirms lietošanas valkātājam jāpārliecinās par pareizu darbību. Ja tiek konstatēta kropļošana vai kļūme, lietotājam jāskata ražotāja ieteikumi par apkopi.

Akumulatora drošība

- Austiņas ir aprīkotas ar no līmeņa atkarīgu slāpēšanas funkciju. Pirms lietošanas valkātājam jāpārliedz par pareizu darbību. Ja tiek konstatēts defekts vai kļūme, lietotājam jāskata ražotāja sniegtie apkopes norādījumi.
- Produkts sastāv no akumulatora un elektriskajiem komponentiem, kas var izraisīt aizdegšanos viegli

uzliesmojošā vai sprādzienbīstamā vidē. Neizmantojiet šādā vidē, kurā dzirksteles var izraisīt materiāla aizdegšanos vai eksploziju.

- Produkta uzlādi veiciet tikai temperatūrā no 0 °C līdz +40 °C / no +32 °F līdz +104 °F. Veicot uzlādi ārpus šīs temperatūras diapazona, var tikt bojāta elektronika un akumulators.

Montāža

Ievads



BRĪDINĀJUMS: Pirms montējiet izstrādājumu, pārvietojiet matus uz sāniem. Pārliedzieties, vai bīvdredzeni cieši pieguļ galvai un ap ausīm, pirms ekspluatējiet izstrādājumu

Austiņu uzlikšana ar galvas lentu

1. Pārliedziet galvas lentu sev pār galvu.
2. Virziet austiņas uz augšu vai leju, noregulējot augstumu. (Att. 5)

Austiņu montāža pie ķiveres

1. Ķiveres korpusam piestipriniet pareizā veida adaptera pierīci. Skatiet šeit: *Apstiprinātās ķiveres lpp. 173.*
2. Piestipriniet ķiveres dakšu adaptera pierīcei. (Att. 6)

Piezīme: Skatiet šeit: *Apstiprinātās ķiveres lpp. 173* papildinformāciju par to, kura ķiveres pierīce attiecas uz jūsu ķiveri.

3. Noregulējiet austiņas zemākajā pozīcijā.
4. Celiet austiņas uz āru un augšu, līdz tās tiek nofiksētas gaidstāves pozīcijā. (Att. 7)
5. Veiciet atzīmi uz kabeļa.
 - a) Ķiveri H300 veiciet atzīmi 27 cm / 11 collas (X) no katras austiņas.
 - b) Ķiveri Spire Vent X veiciet atzīmi 14,5 cm / 6 collas (Y) no katras austiņas. (Att. 8)
6. Ievietojiet ķiveres pierīci ķiveres atverē. (Att. 9)
7. Pārejiet pie montāžas instrukcijām jūsu apstiprinātajai ķiveri.



IEVĒROJIET: Pārliedzieties, vai kabelis nav savijies un vai tam nav mazs izliekuma rādiuss. Pārliedzieties, vai kabelis var brīvi pārvietoties ķiveres atverē.

Austiņu montāža pie ķiveres H300

1. Atbrīvojiet galvas stiprinājumu no ķiveres. (Att. 10)

2. Piestipriniet kabeli atverēm, izmantojot kabeļu saites vai skavas. (Att. 11)
3. Ja piestiprināt kabeli ar saitēm, nogrieziet kabeļa saiti un ievietojiet saites fiksatoru sānu padziļinājumā.
4. Izveidojiet kabeļa cilpu un piestipriniet galvas stiprinājumu un kakla aizsargu. Pārliedzieties, vai kabelis ir starp ķiveres apvalku un galvas stiprinājumu. (Att. 12)

Austiņu montāža pie ķiveres Spire Vent X

1. Ievietojiet kabeli cilpā, kas vērstā atpakaļ.
2. Piestipriniet kabeli galvas stiprinājumam, izmantojot kabeļu saites. Piestipriniet kabeļa auklu caur stiprinājuma ap galvu aizmugures siksnu.
3. Nogrieziet kabeļu auklu.
4. No atlikušās kabeļa daļas izveidojiet uz aizmuguri vērstu cilpu (aiz aizmugurējās galvas saites). (Att. 13)

Austiņu novietošana ekspluatācijas pozīcijā

1. Uzlieciet ķiveri galvā.
2. Regulējiet austiņas, līdz tās cieši pieguļ ap ausīm un galvai. (Att. 14)

Austiņu novietošana uzgaides pozīcijā

- Celiet austiņas uz āru un augšu, līdz tās tiek nofiksētas gaidstāves pozīcijā. (Att. 15)

Austiņu novietošana novietošanas pozīcijā

1. Novietojiet austiņas gaidstāves pozīcijā. Skatiet šeit: *Austiņu novietošana uzgaides pozīcijā lpp. 168.*
2. Grieziet austiņas uz aizmuguri gar ķiveres sāniem, līdz tās tiek nofiksētas novietošanas pozīcijā. (Att. 16)

Stieņa mikroфона pievienošana

Izmantojiet stieņa mikrofonu vidē, kur ir liels troksnis.

1. Stieņa mikrofonam piestipriniet vēja filtru.
2. Savienojiet stieņa mikrofonu ar mikroфона izeju uz labās austiņas. (Att. 17)
3. Novietojiet stieņa mikrofonu 1 cm / 0,4 collu (A) attālumā no mutes.

Lietošana

Ievads



BRĪDINĀJUMS: Pirms sākat darbu ar produktu, izlasiet nodaļu par drošību un pārliecinieties, vai saprotat to.

Produkta lādēšana

1. Savienojiet lādētāja kabeļa USB-C savienotāju ar izvadu uz kreisās austiņas. (Att. 18)
2. Savienojiet lādētāja kabeļa USB savienotāju ar USB lādētāju vai citu USB strāvas avotu.

Piezīme: Lai panāktu maksimālu uzlādes efektivitāti, strāvas izvada parametriem jābūt 5 V un 2 A.

Piezīme: Akumulatora uzlādes laikā gaismas diodes indikators uz pogas Bluetooth® lēni mirgo zaļā krāsā. Kad akumulators ir pilnībā uzlādēts, gaismas diodes indikators uz pogas Bluetooth® nepārtraukti deg zaļā krāsā.

Gaismas diodes indikators uz kanālu pogas	Akumulatora uzlādes stāvoklis
Deg 3 LED indikatori.	Akumulatora uzlādes līmenis ir 90%–100%.
2 gaismas diodes deg, un 1 gaismas diode lēni mirgo.	Akumulatora uzlādes līmenis ir 70%-90%.
1 gaismas diode deg, un 1 gaismas diode lēni mirgo.	Akumulatora uzlādes līmenis ir 20%-70%.
1 gaismas diode lēni mirgo.	Akumulatora uzlādes līmenis ir 10%-20%.
1 gaismas diode ātri mirgo.	Akumulatora uzlādes līmenis ir 0%-10%.

Izstrādājuma ieslēgšana

- Nospiediet un 1 sekundi turiet nospiestu ieslēgšanas/izslēgšanas pogu.

Piezīme: Piktustiens norāda, ka izstrādājums ir ieslēgts. Vidējais gaismas diodes indikators uz kanālu pogas iedegas uz 2 sekundēm. Audio ziņojums norāda akumulatora statusu un ierīču, kas pievienotas, izmantojot Bluetooth® bezvadu tehnoloģiju, skaitu. Ja izstrādājums atrod komandu,

audio ziņojums norāda, ar kuru komandu ir izveidots savienojums. Skatiet tālāk sniegto tabulu.

Audio ziņojums
BATTERY HIGH
BATTERY MEDIUM
BATTERY LOW
BATTERY CRITICAL

Audio ziņojums
ONE BLUETOOTH DEVICE CONNECTED
TWO BLUETOOTH DEVICES CONNECTED
CONNECTED TO TEAM CHANNEL 1
CONNECTED TO TEAM CHANNEL 2
CONNECTED TO TEAM CHANNEL 3

Akumulatora statusa skatīšana

- Nospiediet ieslēgšanas/izslēgšanas slēdzi.

Piezīme: Gaismas diodes indikators uz kanālu pogas iedegas zaļā krāsā uz 5 sekundēm. Skatiet tālāk sniegto tabulu.

Gaismas diodes indikators	Akumulatora statuss
Deg 3 LED indikatori.	Akumulatora uzlādes līmenis ir 90%–100%.
Deg 2 LED indikatori.	Akumulatora uzlādes līmenis ir 70%-90%.
Deg 1 LED indikators.	Akumulatora uzlādes līmenis ir 20%-70%.
1 gaismas diode ātri mirgo.	Akumulatora uzlādes līmenis ir 0%-10%.

Pārslēgšanas starp FM radio režīmu un Bluetooth® režīmu

- Lai pārslēgtos starp FM radio režīmu un Bluetooth® režīmu, 2 reizes ātri nospiediet režīma pogu.

Piezīme: Audio ziņojums norāda, kurš režīms ir atlasīts. Skatiet tālāk sniegto tabulu.

Audio ziņojums
RADIO
BLUETOOTH

FM radio režīms

FM radio režīmā var piekļūt FM radio pilsētās vai citās vietās ar spēcīgu FM radio signālu. FM radio darbību var ietekmēt nelīdzens reljefs vai blīva veģetācija.

FM radiostacijas maiņa

- Nospiediet un 1 sekundi turiet nospiešu skaļuma palielināšanas vai samazināšanas pogu, lai mainītu FM radio staciju.

Režīms Bluetooth®

Bluetooth® režīmā izstrādājumu var savienot ar ierīci, izmantojot Bluetooth® bezvadu tehnoloģiju.

Bluetooth® savienošana pārī

- Nospiediet un turiet nospiešu pogu Bluetooth® 2 sekundes, lai aktivizētu izstrādājuma savienošanas pārī funkciju.

Piezīme: Pārī savienošana sākas, kad atskan pīkstiens un poga Bluetooth® lēni mirgo zilā krāsā. Savienošanas pārī režīms ir aktīvs 30 sekundes.

- Ierīcē startējiet Bluetooth® bezvadu tehnoloģijas savienošanu pārī.
- Ja nepieciešams, ierīcē sarakstā atlasiet Husqvarna X-COM Active.

Piezīme: Audio ziņojums norāda izstrādājuma statusu. Skatiet tālāk sniegto tabulu.

Audio ziņojums	Gaismas diodes indikators uz poga Bluetooth®	Informācija
BLUETOOTH DEVICE CONNECTED	Nepārtraukti deg zilā krāsā.	Izstrādājums ir savienots ar ierīci, izmantojot Bluetooth® bezvadu tehnoloģiju.
BLUETOOTH CONNECTION FAILED	2 sekundes nepārtraukti deg sarkanā krāsā.	Izstrādājums nav savienots ar ierīci, izmantojot Bluetooth® bezvadu tehnoloģiju.

Piezīme: Ierīce ar Bluetooth® bezvadu tehnoloģiju, kas savienota ar izstrādājumu, automātiski savienojas ar izstrādājumu, kad izstrādājums tiek nākamreiz lietots kopā ar ierīci.

Komandas iestatīšana un ierīču pievienošana

Komanda ir saziņas grupa, kas ļauj sazināties ar visām komandai pievienotajām ierīcēm. Ja komandas nav un jūs veicat šo procedūru, jūs iestatāt jaunu komandu. Pēc tam varat atkārtot procedūru, lai komandā pievienotu jaunas ierīces. Komandu iestata tikai viens cilvēks; pārējās ierīces tiek pievienotas komandai, kā norādīts šeit: *Savienojuma ar komandu izveide lpp. 171.*

Vienlaikus pievienot komandai jaunu ierīci var tikai viens cilvēks. Jauno ierīci pievieno komandai, kā norādīts šeit: *Savienojuma ar komandu izveide lpp. 171.*

1. sekundi turiet nospiešu režīma pogu, lai pārietu uz komandas pārvaldības režīmu un sāktu komandas iestatīšanu.

Piezīme: Audio ziņojums norāda, ka ir aktivizēts komandas pārvaldības režīms. Skatiet tālāk sniegto tabulu.

Audio ziņojums	Gaismas diodes indikators uz poga Bluetooth®
TEAM MANAGEMENT	Nepārtraukti deg baltā krāsā.

- Nospiediet pogu Bluetooth®.

Piezīme: Audio ziņojums norāda pārī savienošanas statusu. Pārī savienošana sākas, kad atskan pīkstiens. Skatiet tālāk sniegto tabulu.

Audio ziņojums	Gaismas diodes indikators uz poga Bluetooth®
SEARCHING FOR MEMBERS	Gaismas diode ātri mirgo.

Piezīme: Savienošana pārī ir aktīva 1 minūti.

Ierīces savienošana ar komandu notiek aptuveni 1 minūti. Pārī savienošana ir pabeigta, kad atskan pīkstiens un poga Bluetooth® nepārtraukti deg zaļā krāsā. Pīkstiens atskan ikreiz, kad komandai tiek pievienota jauna ierīce. Lai izveidotu savienojumu ar komandu, skatiet informāciju šeit: *Savienojuma ar komandu izveide lpp. 171.*

- Ja vēlaties apturēt savienošanu pārī ātrāk kā pēc 1 minūtes, nospiediet režīma pogu.
- Ja komandā vēlaties pievienot jaunu ierīci, atkārtoti izpildiet tos pašus norādījumus.

Piezīme: Komandai pievienota ierīce nākamajā ierīces lietošanas reizē automātiski savienojas ar attiecīgo komandu.

Savienojuma ar komandu izveide

Komandai nevar pievienoties, ja nav iestatīta neviena komanda. Lai iestatītu komandu, skatiet informāciju šeit: *Komandas iestatīšana un ierīču pievienošana lpp. 170*. Savienojumu ar komandu var izveidot, kamēr tiek iestatīta jauna komanda. Varat izveidot savienojumu ar komandu arī, kad kāds komandas dalībnieks pievieno komandai jaunas ierīces.

1. sekundi turiet nospiestu režīma pogu, lai pārietu uz komandas pārvaldības režīmu.

Piezīme: Audio ziņojums norāda, ka ir aktivizēts komandas pārvaldības režīms. Skatiet tālāk sniegto tabulu.

Audio ziņojums	Gaismas diodes indikators uz pogas Bluetooth®
TEAM MANAGEMENT	Nepārtraukti deg baltā krāsā.

2. Nospiediet skaļuma palielināšanas pogu.

Piezīme: Pārī savienošana sākas, kad atskan pīkstiens un poga Bluetooth® lēni mirgo. Savienošana pārī ir aktīva 1 minūti. Audio ziņojums norāda, ka ir izveidots savienojums ar komandu. Skatiet tālāk sniegto tabulu.

Audio ziņojums	Gaismas diodes indikators uz pogas Bluetooth®
CONNECTED TO TEAM	Nepārtraukti deg zaļā krāsā.

Piezīme: Kad audio ziņojums ir norādījis, ka ir izveidots savienojums ar komandu, varat sarunāties ar komandas dalībniekiem.

Atvienošanās no komandas

1. sekundi turiet nospiestu režīma pogu, lai pārietu uz komandas pārvaldības režīmu.

Piezīme: Audio ziņojums norāda, ka ir aktivizēts komandas pārvaldības režīms. Skatiet tālāk sniegto tabulu.

Audio ziņojums	Gaismas diodes indikators uz pogas Bluetooth®
TEAM MANAGEMENT	Nepārtraukti deg baltā krāsā.

2. Nospiediet skaļuma samazināšanas pogu.

Piezīme: Audio ziņojums norāda, ka savienojums ar komandu ir pārtraukts. Skatiet tālāk sniegto tabulu.

Audio ziņojums	Gaismas diodes indikators uz pogas Bluetooth®
LEAVING TEAM	Gaismas diode nomirgo 3 reizes.

Sakaru kanāla maiņa

- Nospiediet kanālu pogu, lai atlasītu 1., 2. vai 3. sakaru kanālu.

Piezīme: Audio ziņojums norāda, kurš kanāls ir aktīvs. Skatiet tabulu zemāk.

Audio ziņojums	Kanāla gaismas diodes indikators
CHANNEL 1	Nepārtraukti deg baltā krāsā, 1. kanāls.
CHANNEL 2	Nepārtraukti deg baltā krāsā, 2. kanāls.
CHANNEL 3	Nepārtraukti deg baltā krāsā, 3. kanāls.

Saziņa ar visiem sakaru kanāliem

- Nospiediet un turiet nospiestu kanālu pogu, lai vienlaikus sazinātos ar visiem sakaru kanāliem.

Piezīme: Kad atskan pīkstiens, jūsu ierīce ir savienota ar visiem sakaru kanāliem. Visu kanālu gaismas diožu indikatori nepārtraukti deg baltā krāsā, norādot, ka ir izveidots savienojums ar visiem kanāliem.

- Atlaidiet kanālu pogu, lai atgrieztos iepriekšējā kanālā.

Mikrofona iespējošana un atspējošana

- Spiediet skaņas izslēgšanas pogu, līdz atskan pīkstiens.

Audio straumēšanas mainīšana

- Nospiediet un 0,5 sekundes turiet nospiestu skaļuma palielināšanas pogu, lai atlasītu nākamo audio straumēšanas avotu.
- Nospiediet un 0,5 sekundes turiet nospiestu skaļuma samazināšanas pogu, lai atlasītu iepriekšējo audio straumēšanas avotu.

Audio straumēšanas apturēšana un sākšana

- Lai apturētu vai sāktu audio straumēšanu, nospiediet režīma pogu.

Tālruņa zvana pieņemšana, beigšana vai noraidīšana

Ja jūsu mobilā ierīce ir savienota ar izstrādājumu, izmantojot Bluetooth® bezvadu tehnoloģiju, ienākoša tālruņa zvana gadījumā austiņās atskan signāls.

- Lai pieņemtu vai beigtu tālruņa zvānu, nospiediet režīma pogu.
- 1 sekundi turiet nospiestu režīma pogu, lai noraidītu ienākošo tālruņa zvānu.

Piezīme: Piktieni norāda, ka tālruņa zvans ir apstiprināts vai noraidīts.

Audio ziņojums	Informācija
CALL ENDED	Tālruņa zvans ir izbeigts.

Tālruņa zvana pāradresēšana komandai

1. Lai pieņemtu tālruņa zvānu, nospiediet režīma pogu.
2. 2 reizes ātri nospiediet skaņas izslēgšanas pogu, lai pāradresētu tālruņa zvānu komandai.

Piezīme: Audio ziņojums norāda, ka tālruņa zvans ir pāradresēts. Skatiet tālāk sniegto tabulu.

Audio ziņojums	Informācija
CALL TRANSFERRED TO TEAM	Tālruņa zvans ir pāradresēts komandai.

Tālruņa zvana atvienošana komandā

- 2 reizes ātri nospiediet režīma pogu.

Piezīme: Audio ziņojums norāda, ka tālruņa zvans ir atvienots. Skatiet tālāk sniegto tabulu.

Audio ziņojums	Informācija
CALL DISCONNECTED FROM TEAM	Tālruņa zvans ir atvienots no komandas.

Skaljuma regulēšana

- Nospiediet skaļuma palielināšanas vai samazināšanas pogu, lai regulētu skaļumu. Piktieni norāda, ka ir sasniegts minimālais vai maksimālais skaļums.

Apkārtējās skaņas režīma iestatīšana

Apkārtējās skaņas režīmā ir dzirdamas apkārt esošās skaņas.

- Nospiediet apkārtējās skaņas režīmu.

Piezīme: Audio ziņojums norāda apkārtējās skaņas režīma statusu.

Audio ziņojums
AMBIENT LEVEL HIGH
AMBIENT LEVEL MEDIUM
AMBIENT LEVEL LOW
AMBIENT LEVEL OFF

Izstrādājuma apturēšana

- Nospiediet un 1 sekundi turiet nospiestu ieslēgšanas/izslēgšanas pogu.

Piezīme: Audio ziņojums norāda akumulatora statusu, un gaismas diožu indikatori nodziest. Piktieni norāda, ka izstrādājums ir izslēgts.

Izstrādājuma apstādīnāšana piespiedu kārtā

- Nospiediet un 12 sekundes turiet nospiestu ieslēgšanas/izslēgšanas pogu.

Apkope

Izstrādājuma kopšana



IEVĒROJIET: Neskalojiet un neievietojiet izstrādājumu pilnībā ūdenī.



IEVĒROJIET: Aerosoli, šķidrums vai citi tīrīšanas līdzekļi, kas satur šķīdinātājus un/vai spirtu, var samazināt aizsargspējas.



IEVĒROJIET: Izmantojiet Husqvarna oriģinālās rezerves daļas.

1. Regulāri tīriet izstrādājumu. Lietojiet drānu un vājas koncentrācijas ziepjūdeni.
2. Veiciet blīvredzenu stāvokļa un putu gumijas ieliktnu pārbaudi pirms katras lietošanas reizes.

- Nomainiet blīvgredzenus un putu gumijas ieliktnus reizi 6 mēnešos vai biežāk, ja nepieciešams. Pārļiecinieties, vai montāžas laikā blīvgredzena gaisa atvere ir vērsta lejup. Izmantojiet oriģinālo higiēnas komplektu, kurā iekļauti blīvgredzeni un putu gumijas ieliktni. Papildinformāciju par higiēnas komplektu skatiet šeit: www.husqvarna.com. (Att. 19)
- Ja runas mikrofona membrāna ir bojāta, nomainiet to.
- Ja no līmeņa atkarīgā mikrofona vēja filtrs ir bojāts, nomainiet to.
- Ja stieņa mikrofona vēja filtrs ir bojāts, nomainiet to.
- Ja nepieciešams, nomainiet galvas saites paliktņi Comfort Pad. (Att. 20)

Piezīme: Ja ausiņas iekšpusē ir mitras, ļaujiet tām nožūt novietošanas pozīcijā. Skatiet šeit: *Austiņu novietošana novietošanas pozīcijā lpp. 168.*

Pārvadāšana, glabāšana un utilizēšana

Pārvadāšana un uzglabāšana



IEVĒROJIET: Pārvadāšanas un uzglabāšanas laikā novietojiet ausiņas darba pozīcijā, lai samazinātu plastmasas daļu nodilumu.

- Novietojiet ausiņas ekspluatācijas pozīcijā. Skatiet šeit: *Austiņu novietošana ekspluatācijas pozīcijā lpp. 168.*
- Pārļiecinieties, vai blīvgredzeni nav saspiesti.
- Novietojiet izstrādājumu sausā un tīrā vietā.
- Uzglabāšanas laikā sargiet izstrādājumu no saules gaismas.
- Uzlādējiet akumulatoru ik pēc 6 nedēļām, lai uzturētu akumulatora kvalitāti.

- Transportēšanas laikā novietojiet izstrādājumu drošā vietā.

Utilizācija

- Ievērojiet savas valsts normatīvus.
- Izmantojiet vietējo pārstrādes sistēmu.
- Izstrādājums vai iepakojums nav sadzīves atkritumi. Utilizējiet to elektrisko un elektronisko ierīču pārstrādes uzņēmumā.



Piederumi

Apstiprinātās ķiveres

Izmantojiet izstrādājumu tikai ar tālāk norādītajām ķiverēm.

Modelis	Ķiveres pierīces tips	Adaptēra diagramma	Apstiprinātie izmēri
Husqvarna Technical, H300	Adapteris H300	(Att. 21)	M/L
Husqvarna Spire	Adapteris Spire	(Att. 22)	L
KASK Zenith X			

Tehniskie dati

Katra izstrādājuma tehniskos datus skatiet tālāk sniegtajās instrukcijās. Papildu tehnisko informāciju

skatiet šīs lietotāja rokasgrāmatas tehnisko datu pielikumā.

(Att. 2)

(Att. 3)

Papildinformāciju par tehnisko datu saturu skatiet šajā sarakstā:

- F = frekvences, kādās tiek mērīts trokšņa samazinājums.
- Mf = vidējā vērtība.
- Sf = standartnovirze.
- APV (Mf-Sf) = pieņemtā aizsardzības vērtība.
- H = augstas frekvences trokšņa vājinājuma vērtība (prognozētais trokšņa līmeņa samazinājums troksnim, kur $L_C-L_A = -2$ dB). M = vidējas frekvences trokšņa vājinājuma vērtība (prognozētais trokšņa līmeņa samazinājums troksnim, kur $L_C-L_A = +2$ dB). L = zemas frekvences trokšņa vājinājuma vērtība (prognozētais trokšņa līmeņa samazinājums troksnim, kur $L_C-L_A = +10$ dB).

- SNR = atsevišķa skaitļa vērtējums (vērtība, kas tiek atņemta no izmērītā C svērtā skaņas spiediena līmeņa, L_C , lai aprēķinātu efektīvo A svērtu skaņas līmeni auss iekšpusē).

Atbildīgais ražotājs: Husqvarna AB,
SE-561 82 Huskvarna, Zviedrija, tālr. nr.:
+46-36-146500.

Skaņas līmenis

FM radio režīma un austiņu režīma maksimālais ekvivalentais nepārtrauktais skaņas spiediena līmenis ir 82 dB (A).

Materiāli

Daļa	Materiāls	Daļa	Materiāls
Iekšējais austiņu kauss	ABS	Galvas sīpa	POM+TPE
Ārējais austiņu kauss, kreisais	ABS	Ķiveres dakša	POM
Ārējais austiņu kauss, labais	ABS+TPE	Ķiveres dakšas atspere	Tērauds
Ieliktni	PUR	Skrūves	Tērauds
Bļīvgredzeni	PVC un putas		

Содржина

Вовед.....	175	Транспорт, чување и фрлање.....	183
Безбедност.....	176	Дополнителна опрема.....	183
Склопување.....	177	Технички податоци.....	183
Работа.....	178	0
Одржување.....	182		

Вовед

Опис на производот

Овој производ X-COM Active (HP500C-01, HP500C-02) претставува заштитник за уши со интегрирана и целосно двострана комуникација,

Преглед на производот

(Слика 1)

1. Копче за зголемување на јачината на звукот
2. Копче за намалување на јачината на звукот
3. Микрофон што е зависен од нивото
4. Копче Bluetooth®
5. Микрофон за говор
6. Копче за режим
7. Приклучок за кабел за полнење преку USB-C
8. Копче за амбиентален звук
9. Копче за исклучување на звукот
10. Копче за вклучување/исклучување
11. Копче за канали
12. Приклучок за телескопски микрофон

Усогласеност и одобрувања

Со овој документ, Husqvarna AB, SE-561 82 Huskvarna, Sweden, tel: +46-36-146500 изјавува дека видот на радиоопрема HP500C-01 и HP500C-01 е во согласност со 2014/53/EU, 2011/65/EU и регулативата (EU) 2016/425. Целосниот текст на декларацијата за усогласеност на ЕУ е достапен на следната интернет-адреса: www.husqvarna.com; преbaraјте X-COM Active, HP500C-01, HP500C-02.

Вредностите за придрушување на звукот и нивоата на бучава на производот се тестирани и одобрени во согласност со: EN 352-1:2020 (лента за на глава), EN 352-3:2020 (прицврстени на шлем), EN 352-4:2020, EN 352-6:2020 и EN 352-8:2020.

Овластеното тело што е вклучено во оценувањето на усогласеноста е: Број на овластено тело 1974. PZT GmbH, Bismarckstraße 264 B, 26389 Wilhelmshaven, Germany.

Сертификат и надгледување од страна на PZT.

Батеријата е сертифицирана според IEC62133, издание 2.

Bluetooth® безжична технологија и FM-радио.
Моделот HP500C-01 е заштитник за уши со лента за на глава, а моделот HP500C-02 е заштитник за уши за шлем. Производот штити од штетна бучава.



UK Importer:
Husqvarna UK Ltd
Preston Road, Co. Durham
DL5 6UP

ID-број на FCC: ZASHP500, ID-број на IC: 23307-HP500

Декларација за усогласеност за снабдувачи на FCC за HP500C-01, HP500C-02 одговорното лице.

Husqvarna Professional Products, Inc. 9335 Harris Corners Parkway Suite 500 Charlotte, NC 28269 United states.

Информации за контакт во САД: Michael Campbell, управник за усогласеност на производи, телефон: +1 704 597 5000.

Изјава за усогласеност на FCC:

Овој уред е усогласен со Дел 15 од Правилата на FCC. Работата е предмет на следниве два услови: (1) Овој уред не смее да предизвика штетни интерференции и (2) овој уред мора да ја прифати секоја интерференција што ја прима, вклучувајќи ја и интерференцијата што може да предизвика несакана работа на уредот.

Оваа опрема е тестирана и е утврдено дека ги исполнува ограничувањата за дигитални уреди од Класа Б според дел 15 од Правилата на FCC. Овие ограничувања се дизајнирани за да обезбедат разумна заштита од штетна интерференција во резидентни услови. Оваа опрема создава, користи и може да емитува радиорефреквентна енергија и, ако не е монтиран и ако не се користи според упатствата, може да предизвика штетна

интерференција на радиокомуникациите. Сепак, нема гаранција дека интерференцијата нема да се случи во одредено монтирање. Ако оваа опрема предизвика штетна интерференција на радио или телевизиски прием, што може да се утврди со исклучување и вклучување на опремата, корисникот треба да се обиде да ја поправи интерференцијата со една или повеќе од следниве мерки:

- Зголемување на растојанието помеѓу опремата и приемникот.

- Консултирајте се со продавачот за да добиете помош.

Ознаката на производот се наоѓа на етикетата на десниот штитник за уши.

Регистрирани заштитни знаци

Знакот-збор и логоата *Bluetooth®* се регистрирани заштитни знаци во сопственост на *Bluetooth SIG, inc.* и секог користење на тие знаци од страна на Husqvarna е под лиценца.

Безбедност

Дефиниции за безбедност

Предупредувањата, мерките на претпазливост и забелешките се користат за да укажат на особено важни делови од упатството.



ПРЕДУПРЕДУВАЊЕ: Тие се користат ако постои ризик од повреда или смрт на операторот или на присутните лица поради непочитување на упатствата.



ВНИМАНИЕ: Тие се користат ако постои ризик од оштетување на производот, на други материјали или на соседните области поради непочитување на упатствата.

Напомена: Тие се користат за давање повеќе информации кои се неопходни во дадена ситуација.

Општа безбедност



ПРЕДУПРЕДУВАЊЕ: Прочитајте ги следните упатствата за предупредување пред да го користите производот.

- Користете ги и зачувајте ги овие упатства.
- За оптимална погодност и функција, уверете се дека сте го избрале точниот производ за користење.
- Не променувајте и не отстранувајте делови од производот. Вршете ги само промените што се наведени во овој прирачник за корисници.
- Способноста за придрушување на бучавата на производот значително ќе се намали ако не се придржувате до упатствата што се наведени во овој прирачник за корисници. Квалитетот на слушалките, а особено на перничината, може да се намали со употребата и треба редовно да се проверуваат поради можни напукнувања или протекувања. Погледнете во *Одржувањена страница 182*.

- На производот може негативно да влијаат одредени хемиски супстанции. Дополнителни информации може да се добијат од производителот. Чувајте го производот подалеку од агресивни супстанции и чистете го редовно. Користете крпа со вода и сапун. Не мијте го и не потопувајте го целосно во вода.
- Целата работа за сервисирање и поправање мора да се врши од одобрена работилница за сервисирање. Користете само оригинални резервни делови од Husqvarna.
- Никогаш не користете ги слушалките подолго од 10 години од датумот на производството што на наведен на амбалажата.
- Функционалноста на производот може да се намали со потрошувачката на батеријата.

Упатства за безбедност при работа

- Лицето кое ги носи слушалките треба да се погрижи слушалките постојано да се носат во бучна околина.
- Бидете повнимателни и слушајте ги сигналите за предупредување кога го користите производот. Бучавата од сигналите за предупредување може да се намали кога го користите производот.
- Јачината на звукот на сигналите за предупредување на одредено работно место може да се намали кога се користи објект за забава.
- Внимавајте производот да не се удира при транспортот и при користењето.
- Користете го производот само на температура од -20 °C до +55 °C/од -4 °F до +131 °F. Ако го користите производот на друга температура, тоа може да предизвика оштетување на електрониката, батеријата и механичките делови.
- Уверете се дека знаете како да го користите производот пред да го користите. Разговарајте со сервисерот ако има оштетување на производот. Не отворајте го куќиштето!
- Постапувањето на хигиенските прекривки врз перничината може да влијае врз акустичните перформанси на слушалките. Секогаш користете оригинални додатоци.

- Не туркајте ги штитниците за уши кон оклопот на шлемот. Ако го направите тоа, може да се појават пукнатини на страничниот дел од шлемот.

(Слика 4)

- Не чувајте го производот на температури над +55 °C/+131 °F, на пример, на контролна табла. Не чувајте го производот на температури под -20 °C/-4 °F.
- Лицето кое ги носи слушалките треба да провери дали слушалките се поставуваат, приспособуваат и одржуваат според ова упатство за операторот.
- Слушалките се доставени со аудиолез што е поврзан со безбедноста. Корисникот треба да ја провери исправноста на оваа опрема пред користење. Ако открие изобличување или дефект, корисникот треба да ги погледне советите на производителот за одржување.

Безбедност на батеријата

- Штитникот за уши има способност за придрушување што зависи нивото. Корисникот треба да ја провери исправноста на оваа опрема пред користење. Ако открие неисправност или дефект, корисникот треба да ги следи советите на производителот за одржување.
- Производот содржи батерија и електрични компоненти што може да предизвикаат палење во запаливи и експлозивни атмосфери. Не користете го во околини каде што искрите може да предизвикаат пожар или експлозија.
- Полнењето го производот само во температурен опсег од 0 °C до +40 °C/од +32 °F до +104 °F. Полнењето надвор од овој температурен опсег може да ги оштети електронските делови и батеријата.

Склопување

Вовед



ПРЕДУПРЕДУВАЊЕ: Тргнете ја косата настрана пред да го склопите производот. Уверете се дека заптивните прстени се цврсто поставени на главата и околу ушите пред да ракувате со производот.

За да ги ставите слушалките со лентата за на глава

1. Ставете ја лентата за на глава на горниот дел од главата.
2. Поместете ги слушалките нагоре или надолу за да ја приспособите висината. (Слика 5)

За да ги склопите слушалките на шлемот

1. Поставете го точниот вид на приклучок за адаптер на оклопот на шлемот. Погледнете во *Одобрени шлемовина страница 183*.
2. Склопете ја виљушката на шлемот на приклучокот за адаптер. (Слика 6)

Напомена: Погледнете во *Одобрени шлемовина страница 183* за подетални информации за тоа кој додаток за шлем е соодветен за вашиот шлем.

3. Ставете ги слушалките на најдолната положба.
4. Подигнете ги слушалките нанадвор и нагоре додека не се прицврстат во позиција на подготвеност. (Слика 7)
5. Означете ја позицијата на кабелот.

- a) За шлемот H300, означете ја позицијата на 27 cm/11 инчи (X) од секоја слушалка.
 - b) За шлемот Spire Vent X, означете ја позицијата на 14,5 cm/6 инчи (Y) од секоја слушалка. (Слика 8)
6. Ставете го додатокот за шлемот во отворот на шлемот. (Слика 9)
 7. Продолжете до упатствата за склопување за вашиот одобрен шлем.



ВНИМАНИЕ: Уверете се дека кабелот не е извиткан и дека нема мал радиус на виткање. Уверете се дека кабелот може да се движи лесно во отворот на шлемот.

За да ги склопите слушалките на шлемот H300

1. Ослободете го лежиштето за главата од шлемот. (Слика 10)
2. Прицврстете го кабелот на отворите со врвките за кабелот. (Слика 11)
3. Ако го прицврстите кабелот со врвки за кабел, пресечете ја врвката за кабел и вметнете ја бравата за врвка за кабел во страничниот отвор.
4. Направете јамка од кабелот и прицврстете ги лежиштето за главата и заштитата за вратот. Уверете се дека кабелот се наоѓа помеѓу оклопот на шлемот и лежиштето за главата. (Слика 12)

За да ги склопите слушалките на шлемот Spire Vent X

1. Ставете го кабелот во јамката нананазад.

- Прицврстете го кабелот за лежиштето за главата со врските за кабелот. Прицврстете ја врската за кабелот низ задниот ремен на лентата за на глава.
- Пресечете ја врската за кабелот.
- Ставете го преостанатиот дел од кабелот во јамка напред, зад задната лента за на глава. (Слика 13)

За да ги ставите заштитниците за уши во работна положба

- Ставете го шлемот на главата.
- Приспособете ги заштитниците за уши цврсто на ушите и цврсто на главата. (Слика 14)

За да ги ставите слушалките во положба на подготвеност

- Подигнете ги слушалките нанадвор и нагоре додека не се прицврстат во позиција на подготвеност. (Слика 15)

За да ги ставите слушалките во неактивна положба

- Ставете ги слушалките во положба на подготвеност. Погледнете во *За да ги ставите слушалките во положба на подготвеност на страница 178*.
- Свртете ги слушалките наназад покрај страната од шлемот додека не се заклучат во неактивна положба. (Слика 16)

За да го поврзете телескопскиот микрофон

Користете телескопски микрофон во околини со многу бучава.

- Прикачете го филтерот за ветер на телескопскиот микрофон.
- Поврзете го телескопскиот микрофон со приклучокот за микрофон на десната слушалка. (Слика 17)
- Ставете го телескопскиот микрофон на растојание од 1 cm/0,4 in. (A) од вашата уста.

Работа

Вовед



ПРЕДУПРЕДУВАЊЕ: Пред да ракувате со производот, мора да го прочитате и да го разберете делот за безбедност.

За да го полните производот

- Поврзете го приклучокот USB-C на кабелот за полнење со приклучокот на левата слушалка. (Слика 18)
- Поврзете го USB-приклучокот на кабелот за полнење со USB-полнач или друг приклучок за напојување преку USB.

Напомена: Излезната моќност на приклучокот за напојување мора да биде 5 V и 2 A за да се полни со максимален капацитет.

Напомена: LED-индикаторот на копчето Bluetooth® трепнува зелено бавно кога батеријата се полни. LED-индикаторот на копчето Bluetooth® е чисто зелено кога батеријата е целосно наполнета.

LED-индикатор на копчето за канали	Состојба на полнење на батеријата
Вклучени се 2 LED-светилки, а 1 LED-светилка бавно трепка.	Батеријата е 70%-90% наполнета.
1 LED-светилка е вклучена, а 1 LED-светилка бавно трепка.	Батеријата е 20%-70% наполнета.
1 LED-светилка бавно трепка.	Батеријата е 10%-20% наполнета.
1 LED-светилка брзо трепка.	Батеријата е 0%-10% наполнета.

За да го стартувате производот

- Притиснете и задржете го копчето за вклучување/исклучување во времетраење од 1 секунда.

Напомена: Звукот што се слуша ве известува дека производот е вклучен. Средниот LED-индикатор на копчето за канали е вклучено 2 секунди. Аудиопорака ве известува за статусот на батеријата и бројот на уреди што се поврзани со безжичната технологија Bluetooth®. Ако производот најде тим, аудиопораката ве известува со кој тим сте поврзани. Погледнете ја табелата подолу.

LED-индикатор на копчето за канали	Состојба на полнење на батеријата
Вклучени се 3 LED-светилки.	Батеријата е 90%-100% наполнета.

Аудиопорака
BATTERY HIGH
BATTERY MEDIUM
BATTERY LOW
BATTERY CRITICAL

Аудиопорака
ONE BLUETOOTH DEVICE CONNECTED
TWO BLUETOOTH DEVICES CONNECTED
CONNECTED TO TEAM CHANNEL 1
CONNECTED TO TEAM CHANNEL 2
CONNECTED TO TEAM CHANNEL 3

За приказ на статусот на батеријата

- Притиснете го копчето за вклучување/исклучување.

Напомена: LED-индикаторот на копчето за канали прикажува зелено светло во времетраење од 5 секунди. Погледнете ја табелата подолу.

LED-индикатор	Статус на батеријата
Вклучени се 3 LED-светилки.	Батеријата е 90%-100% наполнета.
Вклучени се 2 LED-светилки.	Батеријата е 70%-90% наполнета.
Вклучена е 1 LED-светилка.	Батеријата е 20%-70% наполнета.
1 LED-светилка брзо трепка.	Батеријата е 0%-10% наполнета.

За да променувате помеѓу режим на FM-радио и режим на Bluetooth®

- Брзо притиснете го копчето за режим 2 пати за да променувате помеѓу режим на FM-радио и режим на Bluetooth®.

Напомена: Аудиопорака ве известува кој режим сте го избрале. Погледнете ја табелата подолу.

Аудиопорака
RADIO
BLUETOOTH

Режим на FM-радио

Во режим на FM-радио добивате пристап до FM-радио во урбани области или други области со силен FM-сигнал. Нерамни предели или густа вегетација може да влијаат на перформансите на FM-радио.

За да промените станица на FM-радио

- Притиснете го и задржете го копчето за зголемување на јачината на звукот или копчето за намалување на јачината на звукот во времетраење од 1 секунда за да ја промените станицата на FM-радио.

Режим Bluetooth®

Во режим на Bluetooth®, може да го поврзете производот со уред преку безжична технологија Bluetooth®.

За операција за спарување со Bluetooth®

1. Притиснете го и задржете го копчето Bluetooth® во времетраење од 2 секунди за да ја започнете операцијата за спарување на вашиот производ.

Напомена: Операцијата за спарување започнува кога слушате звук и копчето Bluetooth® светнува со сина боја. Операцијата за спарување е активна 30 секунди.

2. Стартувајте ја функцијата за безжична технологија Bluetooth® на уредот.
3. Ако треба, изберете Husqvarna X-COM Active во списокот на единици на уредот.

Напомена: Аудиопорака ве известува за статусот на производот. Погледнете ја табелата подолу.

Аудиопорака	LED-индикатор на копчето Bluetooth®	Информации
BLUETOOTH DEVICE CONNECTED	Чисто сино.	Производот е поврзан со уред преку безжичната технологија Bluetooth®.
BLUETOOTH CONNECTION FAILED	Чисто црвено во времетраење од 2 секунди.	Производот е поврзан со уред преку безжичната технологија Bluetooth®.

Напомена: Уред со безжична технологија Bluetooth® што е поврзан со вашиот производ

автоматски се поврзува со вашиот производ следниот пат кога производот се користи со уредот.

За да поставите тим и да додадете уреди

Тим претставува група за комуникација што ви овозможува да комуницирате со сите уреди што се поврзани со тимот. Ако нема тим, а ја извршите оваа поставка, тогаш поставувате нов тим. Тогаш можете повторно да ја извршите постапката за да додадете нови уреди на тимот. Само една личност поставува тим, а другите уреди се поврзуваат со тимот како што е прикажано во *За да се поврзете со тимна страница 180*. Само една личност наеднаш може да додаде нов уред на тимот. Новиот уред мора да се поврзе со тимот како што е прикажано во *За да се поврзете со тимна страница 180*.

1. Притиснете го копчето за режим во времетраење од 1 секунда за да влезете во режим на управување со тим за да влезете во поставување на тимот.

Напомена: Аудиопорака ве известува дека сте во режим на управување со тим. Погледнете ја табелата подолу.

Аудиопорака	LED-индикатор на копчето Bluetooth®
TEAM MANAGEMENT	Чисто бело.

2. Притиснете го копчето Bluetooth®.

Напомена: Аудиопорака ве известува за статусот на операцијата за спарување. Операцијата за спарување започнува кога слушате звук. Погледнете ја табелата подолу.

Аудиопорака	LED-индикатор на копчето Bluetooth®
SEARCHING FOR MEMBERS	LED-светилка брзо трепка.

Напомена: Операцијата за спарување е активна 1 минута. Уредите се поврзуваат со тимот приближно 1 минута. Операцијата за спарување завршува кога слушате звук, а копчето Bluetooth® прикажува постојано зелено светло. Се слуша звук при секое поврзување на нов уред со тимот. За да се поврзете со тим, погледнете во *За да се поврзете со тимна страница 180*.

3. Ако сакате да ја запрете операцијата за спарување за помалку од 1 минута, притиснете го копчето за режими.
4. Ако сакате да додадете нов уред на тимот, повторно следете ги истите упатства.

Напомена: Уред што е поврзан со тимот автоматски се поврзува со тимот при следното користење.

За да се поврзете со тим

Не можете да се поврзете со тим ако тим не е поставен. За да поставите тим, погледнете во *За да поставите тим и да додадете уредина страница 180*. Можете да се поврзете со тим во исто време додека се поставува нов тим. Можете да се поврзете со тим и ако член на тимот додава нови уреди на тимот.

1. Притиснете го копчето за режими во времетраење од 1 секунда за да влезете во режим на управување со тим.

Напомена: Аудиопорака ве известува дека сте во режим на управување со тим. Погледнете ја табелата подолу.

Аудиопорака	LED-индикатор на копчето Bluetooth®
TEAM MANAGEMENT	Чисто бело.

2. Притиснете го копчето за зголемување на јачината на звукот.

Напомена: Операцијата за спарување започнува кога слушате звук и копчето Bluetooth® бавно трепка. Операцијата за спарување е активна 1 минута. Аудиопорака ве известува дека сте поврзани со тимот. Погледнете ја табелата подолу.

Аудиопорака	LED-индикатор на копчето Bluetooth®
CONNECTED TO TEAM	Чисто зелено.

Напомена: Можете да зборувате со тимот откако аудиоопораката ќе ве извести дека сте поврзани со тимот.

За да се исклучите од тим

1. Притиснете го копчето за режими во времетраење од 1 секунда за да влезете во режим на управување со тим.

Напомена: Аудиопорака ве известува дека сте во режим на управување со тим. Погледнете ја табелата подолу.

Аудиопорака	LED-индикатор на копчето Bluetooth®
TEAM MANAGEMENT	Чисто бело.

2. Притиснете го копчето за намалување на јачината на звукот.

Напомена: Аудиопорака ве известува дека сте исклучени од тимот. Погледнете ја табелата подолу.

Аудиопорака	LED-индикатор на копчето Bluetooth®
LEAVING TEAM	LED-светилката трепнува црвено 3 пати.

За да го смените каналот за комуникација

- Притиснете го копчето за канали за да изберете канал за комуникација 1, 2 или 3.

Напомена: Аудиопорака ве известува на кој канал се наоѓате. Погледнете ја табелата подолу.

Аудиопорака	LED-индикатор за канали
CHANNEL 1	Чисто бело на канал 1.
CHANNEL 2	Чисто бело на канал 2.
CHANNEL 3	Чисто бело на канал 3.

За да зборувате со сите канали за комуникација

- Притиснете и задржете го копчето за канали за да зборувате со сите канали за комуникација во исто време.

Напомена: Поврзани сте со сите канали за комуникација кога слушате звук. Сите LED-индикатори за канали се чисто бели за да ве известат дека сте поврзани со сите канали.

- Отпуштете го копчето за канали за да се вратите на претходниот канал.

За да го овозможите или оневозможите микрофонот

- Притиснете го копчето за исклучување на звукот додека не слушнете звук.

За да го промените проследувањето на аудио

- Притиснете го и задржете го копчето за зголемување на јачината на звукот во времетраење од 0,5 секунди за да го изберете следното проследување на аудио.
- Притиснете го и задржете го копчето за намалување на јачината на звукот во времетраење од 0,5 секунди за да се вратите назад на претходното проследување на аудио.

За да го запрете или започнете проследувањето на аудио

- Притиснете го копчето за режим за да го запрете или започнете проследувањето на аудио.

За да прифатите, завршите или отфрлите телефонски повик

Ако вашиот мобилен уред е поврзан со производител со безжичната технологија Bluetooth®, се слуша сигнал во слушалките кога има дојдовен телефонски повик.

- Притиснете го копчето за режим за да прифатите или да завршите телефонски повик.
- Притиснете го копчето за режим во времетраење од 1 секунда за да отфрлите дојдовен телефонски повик.

Напомена: Звук ве известува кога телефонскиот повик е прифатен или отфрлен.

Аудиопорака	Информации
CALL ENDED	Телефонскиот повик заврши.

За да префрлите телефонски повик на тимот

1. Притиснете го копчето за режими за да го прифатите телефонскиот повик.
2. Брзо притиснете го копчето за режими 2 пати за да го префрлите телефонскиот повик на тимот.

Напомена: Аудиопорака ве известува кога повикот е префрлен. Погледнете ја табелата подолу.

Аудиопорака	Информации
CALL TRANSFERRED TO TEAM	Телефонскиот повик е префрлен на тимот.

За да го исклучите телефонскиот повик во тимот

- Брзо притиснете го копчето за режими 2 пати.

Напомена: Аудиопорака ве известува кога повикот е исклучен. Погледнете ја табелата подолу.

Аудиопорака	Информации
CALL DISCONNECTED FROM TEAM	Телефонскиот повик е исклучен од тимот.

За да ја приспособите јачината на звукот

- Притиснете го копчето за зголемување или за намалување на јачината на звукот за да ја приспособите јачината на звукот. Звук ве известува кога јачината на звукот е на минимално или максимално ниво.

За да поставите на режим на амбиентален звук

Режимот на амбиентален звук ви овозможува да ги слушнете звуците околу вас.

- Притиснете го копчето за амбиентален звук.

Напомена: Аудиопорака ве известува за статусот на режимот на амбиентален звук.

Аудиопорака
AMBIENT LEVEL HIGH
AMBIENT LEVEL MEDIUM
AMBIENT LEVEL LOW
AMBIENT LEVEL OFF

За да го исклучите производот

- Притиснете и задржете го копчето за вклучување/исклучување во времетраење од 1 секунда.

Напомена: Аудиопорака ве известува за статусот на батеријата и LED-индикаторите се исклучуваат. Звукот што се слуша ве известува дека производот е исклучен.

За да го исклучите производот принудно

- Притиснете и задржете го копчето за вклучување/исклучување во времетраење од 12 секунди.

Одржување

За да извршите одржување на производот



ВНИМАНИЕ: Не плакнете го производот и не потопувајте го целосно во вода.



ВНИМАНИЕ: Спрејот, течностите или другите средства за чистење што содржат раствори и/или алкохол може да ја намалат заштитната функција.



ВНИМАНИЕ: Користете оригинални резервни делови од Husqvarna.

1. Редовно чистете го производот. Користете крпа и благ раствор на сапун.
2. Проверувајте ја состојбата на заптивните прстени и на гумените пени пред секое користење.

3. Заменете ги заптивните прстени и гумените пени по еднаш на секои 6 месеци или почесто ако е потребно. Проверете дали испакнатиот дел на заптивниот прстен е свртен надолу при склопувањето. Користете го оригиналниот комплет за хигиена што ги вклучува заптивните прстени и гумените пени. Погледнете го www.husqvarna.com за повеќе информации за комплетот за хигиена. (Слика 19)

Напомена: Ако слушалките се мокри од внатрешната страна, оставете ги да се исушат во неактивна положба. Погледнете во *За да ги ставите слушалките во неактивна положба на страница 178*.

4. Заменете ја мембраната на микрофонот за говор доколку истата е оштетена.
5. Заменете го филтерот за ветер за микрофонот што е зависен од нивото доколку истиот е оштетен.
6. Заменете го филтерот за ветер на телескопскиот микрофон доколку истиот е оштетен.
7. Заменете го перничето за удобност на лентата за на глава ако има потреба. (Слика 20)

Транспорт, чување и фрлање

Транспорт и складирање



ВНИМАНИЕ: За време на транспортот и складирањето, ставете ги слушалките во работна положба за да се намали амортизацијата на пластичниот материјал.

- Ставете ги слушалките во работна положба. Погледнете во *За да ги ставите заштитниците за уши во работна положбана страница 178*.
- Уверете се дека заптивните прстени не се притиснати.
- Ставете го производот на суво и чисто место.
- За време на складирањето, чувајте го производот подалеку од сончева светлина.
- Полнете ја батеријата по еднаш на секои 6 седмици за да го одржувате квалитетот на батеријата.

- Производот треба да биде на безбедно место за време на транспортот.

Фрлање

- Почитувајте ги националните прописи.
- Користете го локалниот систем за рециклирање.
- Производот или амбалажата на производот не е домашен отпад. Рециклирајте го во најблиската станица за електрична и електронска опрема.



Дополнителна опрема

Одобрени шлемови

Користете го производот само со шлемовите наведени подолу.

Модел	Вид на додаток за шлем	Графика на адаптер	Одобрени димензии
Husqvarna Technical, H300	Адаптер H300	(Слика 21)	M/L
Husqvarna Spire	Адаптер Spire	(Слика 22)	L
KASK Zenith X			

Технички податоци

Погледнете ги следните илустрации за технички податоци за секој производ. За повеќе технички

податоци, погледнете во листот за додаток на технички податоци во ова упатство за оператор.

(Слика 2)
(Слика 3)

За повеќе информации за содржината на техничките податоци, погледнете ја следната листа:

- F = фреквенции на кои се мери придушувањето на звукот.
- Mf = средна вредност.
- Sf = стандардно отстапување.
- APV (Mf-Sf) = претпоставена вредност на заштита.

- H = Вредност на придушување на висока фреквенција (претпоставено ниво на намалување на бучава за бучава каде што $L_C - L_A = -2$ dB). M = Вредност на придушување на средна фреквенција (претпоставено ниво на намалување на бучава за бучава каде што $L_C - L_A = +2$ dB). L = Вредност на придушување на ниска фреквенција (претпоставено ниво на намалување на бучава за бучава каде што $L_C - L_A = +10$ dB).

- SNR = Степен на придушвање на бучава (вредноста која се одзема од измереното C-пондерирано ниво на звучен притисок, L_C , за да се процени ефективното A-пондерирано ниво на звучен притисок во увото).

Одговорен производител: Husqvarna AB, SE-561 82
Husqvarna, Sweden, тел.: +46-36-146500.

Ниво на звук

Режимот на FM-радио и режимот на слушалки имаат максимално еквивалентно ниво на звук од 82 dB (A).

Материјали

Дел	Материјал	Дел	Материјал
Внатрешна школка	ABS	Лента за на глава	POM+TPE
Надворешна школка, лева	ABS	Виљушка на шлемот	POM
Надворешна школка, десна	ABS+TPE	Пружина на виљушката од шлемот	Челик
Влошки	PUR	Завртки	Челик
Заптивни прстени	PVC и пена		

Inhoud

Inleiding.....	185	Vervoer, opslag en verwerking.....	192
Veiligheid.....	186	Accessoires.....	192
Montage.....	187	Technische gegevens.....	193
Werking.....	188	0
Onderhoud.....	192		

Inleiding

Productbeschrijving

Het product X-COM Active (HP500C-01, HP500C-02) is een gehoorbescherming met geïntegreerde full-duplex communicatie, *Bluetooth® draadloze technologie* en FM-

radio. Het model HP500C-01 is gehoorbescherming met hoofdband en het model HP500C-02 is gehoorbescherming voor een helm. Het product biedt bescherming tegen schadelijk geluid.

Productoverzicht

(Fig. 1)

1. Knop volume omhoog
2. Knop volume omlaag
3. Niveau-afhankelijke microfoon
4. Bluetooth®-knop
5. Spraakmicrofoon
6. Mode-knop
7. Aansluiting voor kabel van USB-C-oplader
8. Knop voor omgevingsgeluid
9. Mute-knop
10. ON/OFF-knop
11. Kanaalknop
12. Aansluiting voor microfoonarm

Naleving en goedkeuringen

Hierbij verklaart Husqvarna AB SE-561 82 Huskvarna, Sweden, tel: +46-36-146500, dat het type radioapparatuur HP500C-01 en HP500C-02 voldoet aan 2014/53/EU, 2011/65/EU en de verordening (EU) 2016/425. De volledige tekst van de EU-verklaring van overeenstemming is beschikbaar op het volgende internetadres: www.husqvarna.com; zoek naar X-COM Active, HP500C-01, HP500C-02.

De dempingswaarden en geluidsniveaus van het product zijn getest en goedgekeurd overeenkomstig: EN 352-1:2020 (hoofdband), EN 352-3:2020 (op helm gemonteerd), EN 352-4:2020, EN 352-6:2020 en EN 352-8:2020.

Aangemelde instantie die betrokken is bij de conformiteitsbeoordeling is: Nummer van aangemelde instantie 1974. PZT GmbH, Bismarckstraße 264 B, 26389 Wilhelmshaven, Germany.

Certificering en bewaking door PZT.

De accu is gecertificeerd conform IEC62133 editie 2.



UK Importer:
Husqvarna UK Ltd
Preston Road, Co. Durham
DL5 6UP

FCC ID: ZASHP500, IC ID: 23307-HP500

Verklaring van overeenstemming van FCC-leveranciers voor HP500C-01, HP500C-02 verantwoordelijke partij.

Husqvarna Professional Products, Inc. 9335 Harris Corners Parkway Suite 500 Charlotte, NC 28269 Verenigde Staten.

Contactgegevens VS: Michael Campbell, Manager Product Compliance, telefoon: +1 704 597 5000.

Verklaring van overeenstemming FCC:

Dit apparaat voldoet aan Deel 15 van de FCC-regels. Het gebruik is onderworpen aan de volgende twee voorwaarden: (1) dit apparaat mag geen schadelijke interferentie veroorzaken, en (2) dit apparaat moet elke ontvangen interferentie accepteren, inclusief interferentie die een ongewenste werking kan veroorzaken.

Dit apparaat is getest en voldoet aan de normen voor een digitaal apparaat van klasse B, volgens Deel 15 van de FCC-voorschriften. Deze limieten zijn opgesteld om een redelijke bescherming te bieden tegen schadelijke interferentie bij installatie in een woonwijk. Dit apparaat genereert en gebruikt radiogolven en kan mogelijk radiogolven uitzenden die communicatie via radiogolven kunnen verstoren wanneer dit apparaat niet wordt geïnstalleerd en gebruikt volgens de instructies. Er is echter geen garantie dat er geen interferentie zal optreden bij een bepaalde installatie. Als deze

apparatuur schadelijke interferentie veroorzaakt bij uw radio- of televisieontvangst (dat kan worden vastgesteld door de apparatuur uit en in te schakelen), wordt de gebruiker aangeraden deze interferentie te corrigeren door een of meer van de volgende maatregelen:

- Vergroot de afstand tussen het apparaat en de ontvanger.
- Raadpleeg de dealer voor hulp.

De markering op het product bevindt zich op het label op de rechter oorkap.

Geregistreerde handelsmerken

Het *Bluetooth*[®]-woordmerk en de logo's zijn geregistreerde handelsmerken die eigendom zijn van *Bluetooth SIG, inc.* en het gebruik van deze merken door Husqvarna vindt plaats onder licentie.

Veiligheid

Veiligheidsdefinities

Waarschuwingen, voorzorgsmaatregelen en opmerkingen worden gebruikt om te wijzen op belangrijke delen van de handleiding.



WAARSCHUWING: Wordt gebruikt om te wijzen op de kans op ernstig of fataal letsel voor de gebruiker of omstanders wanneer de instructies in de handleiding niet worden gevolgd.



OPGELET: Wordt gebruikt indien er een risico bestaat op schade aan het product en andere eigendommen of aan de omgeving wanneer de instructies in de handleiding niet worden gevolgd.

Let op: Geven verdere informatie die nodig is in een bepaalde situatie.

Algemene veiligheid



WAARSCHUWING: Lees de volgende waarschuwingen voordat u het product gaat gebruiken.

- Gebruik en bewaar deze instructies.
- Voor een optimale pasvorm en functie moet u ervoor zorgen dat u het juiste product voor uw gebruik hebt geselecteerd.
- Vervang en verwijder geen onderdelen op het product. Breng alleen wijzigingen aan die in deze bedieningshandleiding beschreven staan.
- De geluidsdemping van het product kan ernstig worden verminderd als u de instructies in deze bedieningshandleiding niet opvolgt. Oorkappen, en met name kussens, kunnen door gebruik verslechteren en dienen regelmatig te worden gecontroleerd op scheurvorming en lekkage. Raadpleeg *Onderhoud op pagina 192*.
- Dit product kan slecht reageren op bepaalde chemische stoffen. Neem voor meer informatie contact op met de fabrikant. Houd de gehoorbescherming uit de buurt van agressieve stoffen en reinig het product regelmatig. Gebruik een

doek met water en zeep. Niet wassen of volledig in water leggen.

- Alle onderhoudswerkzaamheden en reparaties moeten worden uitgevoerd door een erkende servicewerkplaats. Gebruik alleen originele reserveonderdelen van Husqvarna.
- Gebruik de oorkappen nooit langer dan 10 jaar vanaf de productiedatum op de verpakking.
- De functionaliteit van het product kan verslechteren door accugebruik.

Veiligheidsinstructies voor bediening

- De drager dient ervoor te zorgen dat de oorkappen te allen tijde wordt gedragen in lawaaierige omgevingen.
- Wees voorzichtig en blijf alert op waarschuwingssignalen wanneer u het product gebruikt. Het geluid van waarschuwingssignalen kan afnemen wanneer u het product gebruikt.
- De hoorbaarheid van waarschuwingssignalen op een specifieke werkplek kan worden beïnvloed tijdens het gebruik van de entertainment-faciliteit.
- Zorg ervoor dat het product niet wordt geraakt tijdens transport en gebruik.
- Gebruik het product alleen tussen temperaturen van 20 °C tot +55 °C/-4 °F tot +131 °F. Als u het product bij andere temperaturen gebruikt, kan dit leiden tot beschadiging van de elektronica, de accu en de mechanische onderdelen.
- Zorg ervoor dat u weet hoe u het product gebruikt alvorens het in gebruik te nemen. Neem contact op met uw onderhoudsmonteur als er schade aan het product is. Open de behuizing niet!
- Het aanbrengen van hygiënehoesjes over de kussens kan de akoestische werking van de oorkappen negatief beïnvloeden. Gebruik altijd originele accessoires.
- Duw de oorkappen niet tegen de helmschaal. Indien u dat wel doet, dan kunnen er scheurtjes rond de zijkant van de helm ontstaan.

(Fig. 4)

- Sla het product niet op bij temperaturen boven +55 °C/+131 °F, bijvoorbeeld op een dashboard. Sla het product niet op bij temperaturen onder -20 °C/-4 °F.

- De drager dient ervoor te zorgen dat de oorkappen worden aangebracht, afgesteld en onderhouden overeenkomstig deze bedieningshandleiding.
- De oorkap is voorzien van een veiligheidsgebonden audio-ingang. De gebruiker dient vóór gebruik het product op een goede werking te controleren. Indien er vervorming of een defect wordt gedetecteerd, dient de gebruiker het advies van de fabrikant voor onderhoud op te volgen.

Veiligheid bij accu's

- De oorkap is voorzien van niveaafhankelijke demping. De gebruiker dient vóór gebruik het

product op een goede werking te controleren. Indien er een defect of fout wordt gedetecteerd, dient de gebruiker het advies van de fabrikant voor onderhoud op te volgen.

- Het product bevat een accu en elektrische onderdelen, die in ontvlambare of explosieve omgevingen voor ontsteking kunnen zorgen. Gebruik dit product niet in omgevingen waar brand of een ontploffing door vonken kunnen ontstaan.
- Laad het product alleen op binnen een temperatuurbereik van 0 °C tot +40 °C/+32 °F tot +104 °F. Opladen buiten dit temperatuurbereik kan de elektronica en de accu beschadigen.

Montage

Inleiding



WAARSCHUWING: Beweeg uw haar naar de zijkant voordat u het product monteert. Zorg ervoor dat de afdichtingen strak tegen uw hoofd en rond uw oren zitten voordat u het product gebruikt.

De oorkappen met hoofdband opzetten

1. Plaats de hoofdband op uw hoofd.
2. Beweeg de oorkappen omhoog of omlaag om de hoogte af te stellen. (Fig. 5)

De oorkappen aan een helm monteren

1. Bevestig het juiste type adapter op de helmschaal. Raadpleeg *Goedgekeurde helmen op pagina 192*.
2. Bevestig de helmschaal op de hulpstukadapter. (Fig. 6)

Let op: Raadpleeg *Goedgekeurde helmen op pagina 192* voor meer informatie over welke bevestiging geschikt is voor uw helm.

3. Beweeg de oorkappen naar de laagste positie.
4. Til de oorkappen naar buiten en omhoog tot ze in de ruststand vastklikken. (Fig. 7)
5. Markeer de kabel.
 - a) Plaats voor de helm H3000 een markering op 27 cm/11 inch (X) van elke oorkap.
 - b) Plaats voor de helm Spire Vent X een markering op 14,5 cm/6 inch (Y) van elke oorkap. (Fig. 8)
6. Plaats de helmbevestiging in de sleuf op de helm. (Fig. 9)
7. Ga verder met montageinstructies voor uw goedgekeurde helm.



OPGELET: Zorg ervoor dat de kabel niet verdraaid is of een kleine buigradius

heeft. Zorg ervoor dat de kabel soepel kan bewegen in de opening van de helm.

De oorkappen aan een helm bevestigen H300

1. Maak de hoofdband los van de helm. (Fig. 10)
2. Bevestig de kabels met kabelbinders of kabelklemmen aan de gaten. (Fig. 11)
3. Als u de kabel met de kabelbinders bevestigt, knipt u de kabelbinder door en duwt u het slotje van de kabelbinder in de sleuf aan de zijkant.
4. Maak een lus van de kabel en bevestig de hoofdband en de nekbescherming. Zorg ervoor dat de kabel tussen de helmschaal en de hoofdband ligt. (Fig. 12)

De oorkappen aan een helm bevestigen Spire Vent X

1. Plaats de kabel in een lus naar achteren.
2. Bevestig de kabel met kabelbinders aan de hoofdband. Bevestig de kabelbinder via de achterband van de hoofdband.
3. Knip de kabelbinder door.
4. Plaats het resterende deel van de kabel in een lus naar voren, achter de achterste hoofdband. (Fig. 13)

De oorkappen in de werkstand zetten

1. Zet de helm op uw hoofd.
2. Pas de oorkappen aan totdat ze strak rond uw oren en strak tegen uw hoofd zitten. (Fig. 14)

De oorkappen in de ruststand zetten

- Til de oorkappen naar buiten en omhoog tot ze in de ruststand vastklikken. (Fig. 15)

De oorkappen in de parkeerstand zetten

1. Zet de oorkappen in de ruststand. Raadpleeg *De oorkappen in de ruststand zetten op pagina 187*.

2. Draai de oorkappen naar achteren langs de zijkant van de helm tot ze in de parkeerstand vastklikken. (Fig. 16)

De microfoonarm aansluiten

Gebruik een microfoonarm in omgevingen met veel lawaai.

1. Bevestig het windfilter op de microfoonarm.
2. Sluit de microfoonarm aan op de microfoon-aansluiting op de rechter oorkap. (Fig. 17)
3. Plaats de microfoonarm op 1 cm/0,4 inch (A) van uw mond.

Werking

Inleiding



WAARSCHUWING: Voordat u het product gaat gebruiken, dient u het hoofdstuk over veiligheid te lezen en hebben begrepen.

Het product opladen

1. Sluit de USB-C-connector op de laadkabel aan op de aansluiting aan de linker oorkap. (Fig. 18)
2. Sluit de USB-connector op de laadkabel aan op een USB-oplader of een ander USB-stopcontact.

Let op: De uitgang van het stopcontact moet 5 V en 2 A zijn om op maximale capaciteit op te laden.

Let op: De led-indicator op de Bluetooth® knop knippert langzaam groen wanneer de accu wordt opgeladen. De led-indicator op de Bluetooth® knop brandt continu groen wanneer de accu volledig is opgeladen.

Led-indicator op de kanaalknop	Laadstatus accu
3 leds branden.	De accu is 90%-100% geladen.
2 leds branden en 1 ledlampje knippert langzaam.	De accu is 70%-90% geladen.
1 led brandt en 1 ledlampje knippert langzaam.	De accu is 20%-70% geladen.
1 led knippert langzaam.	De accu is 10%-20% geladen.
1 led knippert snel.	De accu is 0%-10% geladen.

Product starten

- Houd de knop ON/OFF gedurende 1 seconde ingedrukt.

Let op: Een geluidssignaal geeft aan dat het product is ingeschakeld. De middelste led-indicator op de kanaalknop brandt gedurende 2 seconden. Een audiobERICHT geeft aan wat de accustatus en het aantal apparaten dat is verbonden met Bluetooth® draadloze technologie is. Als het product een team vindt, wordt in het audiobERICHT aangegeven met welk team u verbonden bent. Zie de onderstaande tabel.

AudiobERICHT
BATTERY HIGH
BATTERY MEDIUM
BATTERY LOW
BATTERY CRITICAL

AudiobERICHT
ONE BLUETOOTH DEVICE CONNECTED
TWO BLUETOOTH DEVICES CONNECTED
CONNECTED TO TEAM CHANNEL 1
CONNECTED TO TEAM CHANNEL 2
CONNECTED TO TEAM CHANNEL 3

Accustatus weergeven

- Druk op de ON/OFF-knop.

Let op: De led-indicator op de kanaalknop brandt gedurende 5 seconden groen. Zie de onderstaande tabel.

Led-indicator	Accustatus
3 leds branden.	De accu is 90%-100% geladen.
2 leds branden.	De accu is 70%-90% geladen.
1 led brandt.	De accu is 20%-70% geladen.

Led-indicator	Accustatus
1 led knippert snel.	De accu is 0%-10% geladen.

Schakelen tussen de FM-radio- en Bluetooth®-modus

- Druk de modusknop snel 2 keer in om te schakelen tussen de FM-radiomodus en Bluetooth®-modus.

Let op: Een audiobericht geeft aan welke modus u hebt geselecteerd. Zie de onderstaande tabel.

Audiobericht
RADIO
BLUETOOTH

FM-radiomodus

In de FM-radiomodus hebt u toegang tot FM-radio in stedelijke gebieden of andere gebieden met een sterk FM-radiosignaal. De prestaties van de FM-radio kunnen worden beïnvloed door ruw terrein of dichte begroeiing.

Het FM-radiostation wijzigen

- Houd de knop volume omhoog of knop voor volume omlaag 1 seconde ingedrukt om van FM-radiozender te wisselen.

Bluetooth®-modus

In Bluetooth®-modus kunt u uw product aansluiten op een apparaat met draadloze Bluetooth®-technologie.

Bluetooth® koppelen

- Houd de Bluetooth®-knop 2 seconden ingedrukt om de koppelfunctie op uw product te starten.

Let op: Het koppelen begint wanneer u een piepton hoort en de Bluetooth®-knop blauw knippert. Het koppelen is 30 seconden ingeschakeld.

- Start het koppelen voor draadloze Bluetooth®-technologie op het apparaat.
- Selecteer indien nodig Husqvarna X-COM Active in de lijst met eenheden op uw apparaat.

Let op: Een audiobericht geeft de status van het product aan. Zie de onderstaande tabel.

Audiobericht	Led-indicator op de Bluetooth® knop	Informatie
BLUETOOTH DEVICE CONNECTED	Constant blauw.	Het product is verbonden met een apparaat met draadloze Bluetooth®-technologie.
BLUETOOTH CONNECTION FAILED	2 seconden constant rood.	Het product is niet verbonden met een apparaat met draadloze Bluetooth®-technologie.

Let op: Een apparaat met draadloze Bluetooth®-technologie dat is verbonden met uw product maakt de volgende keer dat u het product met het apparaat gebruikt automatisch verbinding.

Een team samenstellen en apparaten toevoegen

Een team is een communicatiegroep waarmee u kunt spreken met alle apparaten die zijn verbonden met het team. Als er geen team is en u deze procedure uitvoert, stelt u een nieuw team samen. Vervolgens kunt u de procedure opnieuw uitvoeren om nieuwe apparaten aan het team toe te voegen. Slechts één persoon stelt een team samen en de andere apparaten maken verbinding met het team, zoals weergegeven in *Verbinding maken met een team op pagina 190*. Er kan slechts één persoon tegelijk een nieuw apparaat aan het team toevoegen. Het nieuwe apparaat moet verbinding maken met het team zoals weergegeven in *Verbinding maken met een team op pagina 190*.

- Houd de modusknop 1 seconde ingedrukt om de teammanagementmodus te openen en de teamconfiguratie te openen.

Let op: Een audiobericht geeft aan dat u zich in de teammanagementmodus bevindt. Zie de onderstaande tabel.

Audiobericht	Led-indicator op de Bluetooth® knop
TEAM MANAGEMENT	Constant wit.

- Druk op de Bluetooth®-knop.

Let op: Een audiobericht geeft aan wat de status van de koppeling is. Het koppelen begint wanneer u een piepton hoort. Zie de onderstaande tabel.

Audiob bericht	Led-indicator op de Bluetooth® knop
SEARCHING FOR MEMBERS	Led knippert snel.

Let op: Het koppelen is 1 minuut ingeschakeld. De apparaten maken binnen ongeveer 1 minuut verbinding met het team. Het koppelen is voltooid wanneer u een pieptoon hoort en de Bluetooth® knop constant groen brandt. Telkens wanneer een nieuw apparaat verbinding maakt met het team, hoort u een pieptoon. Om verbinding te maken met een team, zie *Verbinding maken met een team op pagina 190*.

- Als u het koppelen binnen 1 minuut wilt stoppen, drukt u op de modusknop.
- Als u een nieuw apparaat aan het team wilt toevoegen, volgt u dezelfde instructies opnieuw.

Let op: Een apparaat dat is verbonden met het team, maakt automatisch verbinding met het team wanneer u het apparaat de volgende keer gebruikt.

Verbinding maken met een team

U kunt geen verbinding maken met een team als er geen team is samengesteld. Voor het samenstellen van een team, zie *Een team samenstellen en apparaten toevoegen op pagina 189*. U kunt verbinding maken met een team terwijl er een nieuw team wordt samengesteld. U kunt ook verbinding maken met een team als een lid van het team nieuwe apparaten aan het team toevoegt.

- Houd de modusknop 1 seconde ingedrukt om de teammanagementmodus te openen.

Let op: Een audiob bericht geeft aan dat u zich in de teammanagementmodus bevindt. Zie de onderstaande tabel.

Audiob bericht	Led-indicator op de Bluetooth® knop
TEAM MANAGEMENT	Constant wit.

- Druk op de knop volume omhoog.

Let op: Het koppelen begint wanneer u een pieptoon hoort en de Bluetooth®-knop langzaam knippert. Het koppelen is 1 minuut ingeschakeld. Een audiob bericht geeft aan dat u verbonden bent met het team. Zie de onderstaande tabel.

Audiob bericht	Led-indicator op de Bluetooth® knop
CONNECTED TO TEAM	Constant groen.

Let op: U kunt met het team spreken nadat het audiob bericht heeft aangegeven dat u verbonden bent met het team.

Verbinding met een team verbreken

- Houd de modusknop 1 seconde ingedrukt om de teammanagementmodus te openen.

Let op: Een audiob bericht geeft aan dat u zich in de teammanagementmodus bevindt. Zie de onderstaande tabel.

Audiob bericht	Led-indicator op de Bluetooth® knop
TEAM MANAGEMENT	Constant wit.

- Druk op de knop volume omlaag.

Let op: Een audiob bericht geeft aan dat u de verbinding met het team hebt verbroken. Zie de onderstaande tabel.

Audiob bericht	Led-indicator op de Bluetooth® knop
LEAVING TEAM	Led knippert 3 keer rood.

Communicatiekanaal wijzigen

- Druk op de kanaalknop om communicatiekanaal 1, 2 of 3 te selecteren.

Let op: Een audiob bericht geeft aan op welk kanaal u zich bevindt. Raadpleeg de onderstaande tabel.

Audiob bericht	Led-indicator kanaal
CHANNEL 1	Constant wit op kanaal 1.
CHANNEL 2	Constant wit op kanaal 2.
CHANNEL 3	Constant wit op kanaal 3.

Spreken met alle communicatiekanalen

- Houd de kanaalknop ingedrukt om tegelijkertijd met alle communicatiekanalen te spreken.

Let op: U bent verbonden met alle communicatiekanalen wanneer u een pieptoon hoort. Alle led-indicatoren voor kanalen branden constant wit om aan te geven dat u met alle kanalen bent verbonden.

- Laat de kanaalknop los om terug te keren naar het vorige kanaal.

De microfoon in- of uitschakelen

- Druk op de mute-knop totdat u een pieptoon hoort.

Audiostreaming wijzigen

- Houd de knop voor volume omhoog 0,5 seconden ingedrukt om de volgende audiostream te selecteren.
- Houd de knop voor volume omlaag 0,5 seconden ingedrukt om terug te keren naar de vorige audiostream.

Audiostream stoppen of starten

- Druk op de modusknop om audiostream te stoppen of te starten.

Een telefoongesprek aannemen, beëindigen, of weigeren

Als uw mobiele apparaat is verbonden met het product met draadloze Bluetooth®-technologie, hoort u een signaal in de oorkappen wanneer er een inkomende oproep is.

- Druk op de modusknop om een telefoongesprek te accepteren of te beëindigen.
- Houd de modusknop 1 seconde ingedrukt om een inkomende oproep te weigeren.

Let op: U hoort een pieptoon wanneer de oproep wordt geaccepteerd of geweigerd.

Audiobericht	Informatie
CALL ENDED	Het telefoongesprek is beëindigd.

Het telefoongesprek doorschakelen naar het team

1. Druk op de modusknop om het telefoongesprek te accepteren.
2. Druk 2 keer snel op de modusknop om het telefoongesprek door te schakelen naar het team.

Let op: Een audiobericht geeft aan wanneer het telefoongesprek is doorgeschakeld. Zie de onderstaande tabel.

Audiobericht	Informatie
CALL TRANSFERRED TO TEAM	Het telefoongesprek is doorgeschakeld naar het team.

Het doorschakelen van het telefoongesprek in het team beëindigen

- Druk 2 keer snel op de modusknop.

Let op: Een audiobericht geeft aan wanneer het telefoongesprek is beëindigd. Zie de onderstaande tabel.

Audiobericht	Informatie
CALL DISCONNECTED FROM TEAM	Het telefoongesprek is niet meer doorgeschakeld naar het team.

Het volume aanpassen

- Druk op de knop volume omhoog of volume omlaag om het volume aan te passen. Een geluidssignaal geeft aan wanneer het volume het minimum- of maximumniveau heeft bereikt.

Omgevingsgeluidsmodus instellen

In de omgevingsgeluidsmodus hoort u het geluid om u heen.

- Druk op de knop voor omgevingsgeluid.

Let op: Een audiobericht geeft de status van de omgevingsgeluidsmodus aan.

Audiobericht
AMBIENT LEVEL HIGH
AMBIENT LEVEL MEDIUM
AMBIENT LEVEL LOW
AMBIENT LEVEL OFF

Product stoppen

- Houd de knop ON/OFF gedurende 1 seconde ingedrukt.

Let op: Een audiobericht geeft de accustatus aan en de led-indicatoren gaan uit. Een geluidssignaal geeft aan dat het product uitgeschakeld is.

Het product geforceerd stoppen

- Houd de knop ON/OFF gedurende 12 seconden ingedrukt.

Onderhoud

Onderhoud uitvoeren aan het product



OPGELET: Spoel het product niet af en leg het niet volledig in water.



OPGELET: Het gebruik van verstuivers, vloeistoffen of andere reinigingsmiddelen die oplosmiddelen en/of alcohol bevatten, kan de beschermende eigenschappen verminderen.



OPGELET: Gebruik originele Husqvarna-reserveonderdelen.

1. Maak het product regelmatig schoon. Gebruik een doek en een milde zeepoplossing.
2. Controleer de staat van de afdichtringen en de schuimrubber inzetstukken voor elk gebruik.

3. Vervang de afdichtringen en de schuimrubber inzetstukken elke 6 maanden, of vaker indien nodig. Zorg ervoor dat het luchtgat op de afdichtring naar beneden wijst tijdens de montage. Gebruik de originele hygiëneset met afdichtringen en schuimrubber inzetstukken. Raadpleeg www.husqvarna.com voor meer informatie over de hygiëneset. (Fig. 19)

Let op: Als de oorkappen nat zijn aan de binnenzijde, moet u ze laten drogen in parkeerstand. Raadpleeg *De oorkappen in de parkeerstand zetten op pagina 187*.

4. Vervang het membraan voor de spraakmicrofoon als deze beschadigd is.
5. Vervang het windfilter voor de niveauafhankelijke microfoon als dit beschadigd is.
6. Vervang het windfilter op de microfoonarm als dit beschadigd is.
7. Vervang het Comfort Pad van de hoofdband indien nodig. (Fig. 20)

Vervoer, opslag en verwerking

Transport en opslag



OPGELET: Zet tijdens transport en opslag de oorkappen in de bedrijfsstand om slijtage van het kunststof materiaal te verminderen.

- Zet de oorkappen in de werkstand. Raadpleeg *De oorkappen in de werkstand zetten op pagina 187*.
- Controleer of de afdichtringen niet ingedrukt zijn.
- Bewaar het product in een droge en schone ruimte.
- Bewaar het product buiten het zonlicht.
- Laad de accu elke 6 weken op om de kwaliteit van de accu te behouden.

- Plaats het product tijdens transport in een veilige ruimte.

Afvoer

- Houd u aan de nationale regelgeving.
- Gebruik het lokale recyclingsstelsel.
- Het product of de verpakking ervan is geen huishoudelijk afval. Lever het in bij een recyclepunt voor elektrische en elektronische apparatuur.



Accessoires

Goedgekeurde helmen

Gebruik het product uitsluitend met de hieronder genoemde helmen.

Model	Type helmbevestiging	Afbeelding adapter	Goedgekeurde afmetingen
Husqvarna Technical, H300	Adapter H300	(Fig. 21)	M/L

Model	Type helmbevestiging	Afbeelding adapter	Goedgekeurde afmetingen
Husqvarna Spire	Adapter Spire	(Fig. 22)	L
KASK Zenith X			

Technische gegevens

Raadpleeg de volgende afbeeldingen voor de technische gegevens van elk product. Raadpleeg voor

meer technische gegevens het bijgevoegde blad met technische gegevens in deze bedieningshandleiding.

(Fig. 2)
(Fig. 3)

Raadpleeg de onderstaande lijst voor meer informatie over de inhoud van de technische gegevens:

- F = frequenties waarop demping is gemeten.
- Mf = gemiddelde waarde.
- Sf = standaardafwijking.
- APV (Mf-Sf) = aangenomen beschermingswaarde.
- H = Dempingswaarde bij hoge frequentie (verwachte demping van het geluidsniveau voor geluid met $L_C - L_A = -2$ dB). M = Dempingswaarde bij middelhoge frequentie (verwachte demping van het geluidsniveau voor geluid met $L_C - L_A = +2$ dB). L = Dempingswaarde bij lage frequentie (verwachte

demping van het geluidsniveau voor geluid met $L_C - L_A = +10$ dB).

- SNR = Single Number Rating (de waarde die wordt afgetrokken van het gemeten C-gewogen geluidsdrukkniveau, L_C , om het effectieve A-gewogen geluidsniveau in het oor te schatten).

Verantwoordelijke fabrikant: Husqvarna AB, SE-561 82 Huskvarna, Zweden, tel: +46-36-146500.

Geluidsniveau

De FM-radio-modus en Headset-modus hebben een maximaal equivalent geluidsniveau van 82 dB (A).

Materialen

Onderdeel	Materiaal	Onderdeel	Materiaal
Binnenste oorkussen	ABS	Hoofdband	POM+TPE
Buitenste oorkussen, links	ABS	Helmvork	POM
Buitenste oorkussen, rechts	ABS+TPE	Veer van de helmvork	Staal
Insetstukken	PUR	Schroeven	Staal
Afdichtingen	PVC en schuim		

INNHold

Innledning.....	194	Transport, oppbevaring og avhending.....	201
Sikkerhet.....	195	Tilbehør.....	201
Montering.....	196	Tekniske data.....	201
Drift.....	197	0
Vedlikehold.....	200		

Innledning

Produktbeskrivelse

Produktet X-COM Active (HP500C-01, HP500C-02) er et hørselsvern med integrert full duplekskommunikasjon,

Bluetooth® trådløs teknologi og FM-radio. Modellen HP500C-01 er et hørselsvern med hodebøyle, og modellen HP500C-02 er et hørselsvern for hjelm. Produktet beskytter mot skadelig støy.

Produktoversikt

(Fig. 1)

1. Volum opp-knapp
2. Volum ned-knapp
3. Nivåavhengig mikrofon
4. Bluetooth®-knapp
5. Talemikrofon
6. Modusknapp
7. Utgang for USB-C-ladekabel
8. Knapp for omgivelseslyd
9. Demp-knapp
10. På/av-knapp
11. Kanal-knapp
12. Utgang for ekstern mikrofon

UK Importer:
Husqvarna UK Ltd
Preston Road, Co. Durham
DL5 6UP

FCC ID: ZASHP500, IC ID: 23307-HP500

FCC-leverandørers samsvarserklæring for HP500C-01, HP500C-02 ansvarlig part.

Husqvarna Professional Products, Inc. 9335 Harris
Corners Parkway Suite 500 Charlotte, NC 28269, USA.

Kontaktinformasjon for USA: Michael Campbell,
ansvarlig for produktsamsvar, tlf.: +1 704 597 5000.

FCC-erklæring om overholdelse:

Denne enheten samsvarer med del 15 i FCC-reglene. Bruken av produktet er underlagt følgende to forhold: (1) Denne enheten skal ikke forårsake skadelig interferens. (2) Denne enheten må godta mottatt interferens, inkludert interferens som kan forårsake uønsket drift.

Denne utstyret er testet og funnet å være i samsvar med grensene for digitalt utstyr i klasse B, i henhold til del 15 av FCC-reglene. Disse grensene er utformet for å gi rimelig beskyttelse mot skadelig interferens ved installasjon i bolig. Dette utstyret genererer, bruker og kan utstråle radiofrekvent energi. Hvis det ikke installeres og brukes i samsvar med instruksjonene, kan det forårsake skadelig interferens på radiokommunikasjon. Det er imidlertid ingen garanti for at interferens ikke vil forekomme i en bestemt installasjon. Hvis dette utstyret forårsaker skadelig interferens på radio- eller TV-mottak, noe som kan fastslås ved å slå utstyret av og på, anbefales det at brukeren prøver å korrigere interferensen med ett eller flere av følgende tiltak:

- Øk avstanden mellom utstyret og mottakeren.
- Ta kontakt med forhandleren for å få hjelp.

Samsvar og godkjenninger

Herved erklærer Husqvarna AB, SE-561 82 Huskvarna, Sweden, tel: +46-36-146500 at radioutstyrstypen HP500C-01 og HP500C-01 er i samsvar med 2014/53/EU, 2011/65/EU og forskriften (EU) 2016/425. Den fullstendige EU-samsvarserklæringen er tilgjengelig på følgende Internett-adresse: www.husqvarna.com; søk etter X-COM Active, HP500C-01, HP500C-02.

Produktets lyddempingsverdier og lydnivåer er testet og godkjent i henhold til: EN 352-1:2020 (hodebøyle), EN 352-3:2020 (hjelmmontert) EN 352-4:2020, EN 352-6:2020 og EN 352-8:2020.

Kontrollorganet som var involvert i samsvarsvurderingen, er: Nummer på kontrollorgan 1974. PZT GmbH, Bismarckstraße 264 B, 26389 Wilhelmshaven, Germany.

Sertifisering og overvåking av PZT.

Batteriet er sertifisert i henhold til IEC62133 utgave 2.



Du finner merkingen på produktet på etiketten på høyre øreklokke.

Registrerte varemerker

Bluetooth® -ordmerket og -logoene er registrerte varemerker for *Bluetooth SIG, inc.*, og bruk av slike merker fra Husqvarna skjer under lisens.

Sikkerhet

Sikkerhetsdefinisjoner

Advarsler, oppfordringer og merknader brukes for å understreke spesielt viktige deler av bruksanvisningen.



ADVARSEL: Brukes hvis det er fare for personskade eller død for brukeren eller andre personer om instruksjonene i håndboken ikke følges.



OBS: Brukes hvis det er fare for skade på produktet, annet materiell eller nærliggende områder om instruksjonene i håndboken ikke følges.

Merk: Brukes for å gi mer nødvendig informasjon for en spesifikk situasjon.

Generell sikkerhet



ADVARSEL: Les de følgende advarselsinstruksjonene før du bruker produktet.

- Følg og ta vare på disse instruksjonene.
- For optimal tilpasning og funksjon må forsikre deg om at du har valgt riktig produkt til din bruk.
- Ikke endre eller fjern deler av produktet. Bare utfør endringer som beskrevet i denne bruksanvisningen.
- Støydempingen til produktet vil reduseres kraftig hvis du ikke følger instruksjonene i denne bruksanvisningen. Øreklokkene og særlig øreputene kan bli svekket gjennom bruk og må derfor undersøkes regelmessig med tanke på sprekker og lekkasje. Se *Vedlikehold på side 200*.
- Dette produktet kan bli skadet av bestemte kjemiske stoffer. Kontakt forhandleren hvis du ønsker mer informasjon. Hold produktet unna aggressive stoffer, og rengjør produktet regelmessig. Bruk en klut med vann og såpe. Ikke legg produktet i vann.
- Alt av service og reparasjoner må utføres av et godkjent serviceverksted. Bruk bare originale Husqvarna-reservedeler.
- Bruk aldri øreklokkene lenger enn 10 år fra produksjonsdatoen som er angitt på emballasjen.
- Produktets funksjon kan svekkes ved batteriforbruk.

Sikkerhetsinstruksjoner for drift

- Brukeren må sørge for at øreklokkene brukes til enhver tid i støyende omgivelser.
- Vær mer varsom, og lytt etter faresignaler når du bruker produktet. Lyden fra faresignaler kan bli redusert når du bruker produktet.
- Når du bruker underholdningstjenestene, kan det hende du hører faresignalene dårligere.
- Pass på at produktet ikke får slag under transport og bruk.
- Produktet skal bare brukes i temperaturer mellom -20 og $+55$ °C / -4 og $+131$ °F. Hvis du bruker produktet i andre temperaturer, kan det oppstå skade på elektronikken, batteriet og mekaniske deler.
- Før bruk må du sørge for at du vet hvordan du bruker produktet. Snakk med serviceforhandleren din hvis det er skade på produktet. Ikke åpne huset!
- Bruk av hygienetrekk på putene kan påvirke øreklokkens akustiske egenskaper. Bruk alltid originalt tilbehør.
- Ikke skyv øreklokkene mot hjelmkallet. Dette kan forårsake sprekker på sidene på hjelmen.

(Fig. 4)

- Ikke oppbevar produktet ved temperaturer over $+55$ °C / $+131$ °F, for eksempel på et dashbord. Ikke oppbevar produktet ved temperaturer under -20 °C / -4 °F.
- Brukeren må sørge for at øreklokkene er montert, justert og vedlikeholdt i samsvar med denne bruksanvisningen.
- Øreklokkene er utstyrt med sikkerhetsrelatert lydningang. Brukeren bør kontrollere at den fungerer riktig før bruk. Hvis det forekommer forstyrrelser eller feil, må brukeren se til produsentens råd for vedlikehold.

Batterisikkerhet

- Øreklokkene er utstyrt med nivåavhengig demping. Brukeren bør kontrollere at de fungerer som de skal før bruk. Hvis det oppdages forstyrrelser eller feil, må brukeren følge produsentens instruksjoner for vedlikehold.
- Produktet inneholder et batteri og elektriske komponenter, som kan forårsake antenning i brennbare eller eksplosive miljøer. Må ikke brukes i miljøer der gnister kan forårsake brann eller eksplosjon.
- Lad kun produktet innenfor temperaturområdet fra 0 til $+40$ °C / fra $+32$ til $+104$ °F. Lading utenfor

dette temperaturområdet kan føre til skade på elektronikken og batteriet.

Montering

Innledning



ADVARSEL: Flytt håret ditt til siden før du setter på produktet. Kontroller at tetningsringene sitter tett mot hodet og rundt ørene før du begynner å bruke produktet.

Slik setter du på øreklokker med hodebøyle

1. Plasser hodebøylen over toppen av hodet.
2. Flytt øreklokkene opp eller ned for å justere høyden. (Fig. 5)

Slik fester du øreklokkene til en hjelm

1. Fest riktig type adapterfeste til hjelmkallet. Se *Godkjente hjelmer på side 201*.
2. Fest hjelmgaffelen på festeadapteren. (Fig. 6)

Merk: Se *Godkjente hjelmer på side 201* for mer informasjon om hvilket hjelmtilbehør som passer til hjelmen din.

3. Flytt øreklokkene til den laveste posisjonen.
4. Løft øreklokkene ut og opp til de låses i standby-posisjon. (Fig. 7)
5. Merk kabelen.
 - a) For hjelmen H300, bør du merke kabelen 27 cm / 11 tommer (X) fra hver øreklokke.
 - b) For hjelmen Spire Vent X, bør du merke kabelen 14,5 cm / 6 tommer (Y) fra hver øreklokke. (Fig. 8)
6. Sett hjelmtilbehøret i sporet på hjelmen. (Fig. 9)
7. Gå til monteringsanvisningene for din godkjente hjelm.



OBS: Kontroller at kabelen ikke er vridd eller har en liten bøyingsradius. Kontroller at kabelen kan bevege seg jevnt inn i åpningen på hjelmen.

Slik fester du øreklokkene til hjelmen H300

1. Løsne hodeselen fra hjelmen. (Fig. 10)

2. Fest kabelen til hullene ved hjelp av kabelstripsene eller klipsene. (Fig. 11)
3. Hvis du fester kabelen med kabelstrips, kutt kabelstripsen og skyv låsen på kabelstripsen inn i sidesporet.
4. Lag en løkke av kabelen, og fest hodeselen og nakkebeskyttelsen. Kontroller at kabelen er mellom hjelmkallet og hodeselen. (Fig. 12)

Slik fester du øreklokkene til hjelmen Spire Vent X

1. Legg kabelen i en løkke bakover.
2. Fest kabelen til hodeselen ved hjelp av kabelstripsene. Fest kabelstripsen gjennom den bakre stroppen på hodebøylen.
3. Kutt kabelstripsen.
4. Legg den gjenværende delen av kabelen i en løkke bakover, bak den bakre hodebøylen. (Fig. 13)

Slik setter du øreklokkene i driftsposisjon

1. Sett hjelmen på hodet.
2. Juster øreklokkene til de sitter stramt rundt ørene og tett opp mot hodet. (Fig. 14)

Slik setter du øreklokkene i standby-posisjon

- Løft øreklokkene ut og opp til de låses i standby-posisjon. (Fig. 15)

Slik setter du øreklokkene i parkeringsposisjon

1. Sett øreklokkene i standby-posisjon. Se *Slik setter du øreklokkene i standby-posisjon på side 196*.
2. Skyv øreklokkene bakover langs siden av hjelmen til de låses i parkeringsposisjonen. (Fig. 16)

Slik kobler du til den eksterne mikrofonen

Bruk en ekstern mikrofon i miljøer med mye støy.

1. Fest vindfilteret på den eksterne mikrofonen.
2. Koble den eksterne mikrofonen til mikrofonutgangen på høyre øreklokke. (Fig. 17)
3. Plasser den eksterne mikrofonen 1 cm / 0,4 tommer (A) fra munnen.

Innledning



ADVARSEL: Før du bruker produktet, må du lese og forstå kapittelet om sikkerhet.

Slik lader du produktet

1. Koble USB-C-kontakten på ladekabelen til utgangen på venstre øreklokke. (Fig. 18)
2. Koble USB-kontakten på ladekabelen til en USB-lader eller en USB-strømforsyning.

Merk: Utgangen må ha en effekt på 5 V og 2 A for å lade ved maksimal kapasitet.

Merk: LED-indikatoren på Bluetooth®-knappen blinker sakte grønt når batteriet lader. LED-indikatoren på Bluetooth®-knappen lyser fast grønt når batteriet er fulladet.

LED-indikator på kanal-knappen	Batteriets ladestatus
3 LED-lamper lyser.	Batteriet er 90–100 % ladet.
2 LED-lamper lyser, og 1 LED-lampe blinker sakte.	Batteriet er 70–90 % ladet.
1 LED-lampe lyser, og 1 LED-lampe blinker sakte.	Batteriet er 20–70 % ladet.
1 LED-lampe blinker sakte.	Batteriet er 10–20 % ladet.
1 LED-lampe blinker raskt.	Batteriet er 0–10 % ladet.

Slik starter du produktet

- Trykk på og hold inne på/av-knappen i 1 sekund.

Merk: En pipelyd forteller deg at produktet er på. Den midtre LED-lampen på kanal-knappen lyser i to sekunder. En lydmelding forteller deg batteristatus og antall enheter som er koblet til Bluetooth® med trådløs teknologi. Hvis produktet finner et team, forteller lydmeldingen deg hvilket team du er koblet til. Se tabellen nedenfor.

Lydmelding
BATTERY HIGH

Lydmelding
BATTERY MEDIUM
BATTERY LOW
BATTERY CRITICAL

Lydmelding
ONE BLUETOOTH DEVICE CONNECTED
TWO BLUETOOTH DEVICES CONNECTED
CONNECTED TO TEAM CHANNEL 1
CONNECTED TO TEAM CHANNEL 2
CONNECTED TO TEAM CHANNEL 3

Slik ser du batteristatusen

- Trykk på på/av-knappen.

Merk: LED-lampen på kanal-knappen viser et grønt lys i 5 sekunder. Se tabellen nedenfor.

LED-indikator	Batteristatus
3 LED-lamper lyser.	Batteriet er 90–100 % ladet.
2 LED-lamper lyser.	Batteriet er 70–90 % ladet.
1 LED-lampe lyser.	Batteriet er 20–70 % ladet.
1 LED-lampe blinker raskt.	Batteriet er 0–10 % ladet.

Slik skifter du mellom FM-radio-modus og Bluetooth®-modus

- Trykk på modus-knappen raskt to ganger for å skifte mellom FM-radio-modus og Bluetooth®-modus.

Merk: En lydmelding forteller deg hvilken modus du har valgt. Se tabellen nedenfor.

Lydmelding
RADIO
BLUETOOTH

FM-radio-modus

I FM-radio-modus får du tilgang til FM-radio i byområder eller andre områder med sterkt FM-radiosignal. Ytelsen til FM-radioen kan påvirkes av ulendt terreng eller tett vegetasjon.

Slik bytter du FM-radiostasjon

- Trykk på og hold inne volum opp-knappen eller volum ned-knappen i ett sekund for å bytte FM-radiostasjon.

Bluetooth®-modus

I Bluetooth®-modusen kan du koble produktet til en enhet med trådløs Bluetooth®-teknologi.

Slik utfører du en Bluetooth®-sammenkobling

1. Trykk på og hold inne Bluetooth®-knappen og foroverknappen i to sekunder for å starte sammenkoblingen av produktet.

Merk: Sammenkoblingen starter når du hører en pipelyd og Bluetooth®-knappen blinker blått. Sammenkoblingsfunksjonen er på i 30 sekunder.

2. Start sammenkoblingen for trådløs Bluetooth®-teknologi på enheten.
3. Om nødvendig må du velge Husqvarna X-COM Active i listen over enheter på produktet ditt.

Merk: En lydmelding forteller deg om statusen til produktet. Se tabellen nedenfor.

Lydmelding	LED-indikator på Bluetooth®-knappen	Informasjon
BLUETOOTH DEVICE CONNECTED	Fast blått.	Produktet er koblet til en enhet med trådløs Bluetooth®-teknologi.
BLUETOOTH CONNECTION FAILED	Fast rødt i to sekunder.	Produktet er ikke koblet til en enhet med trådløs Bluetooth®-teknologi.

Merk: En enhet med trådløs Bluetooth®-teknologi som er koblet til produktet ditt, kobles automatisk til produktet ditt neste gang produktet brukes med enheten.

Slik konfigurerer du et team og legger til enheter

Et team er en kommunikasjonsgruppe der du kan snakke med alle enhetene som er koblet til teamet.

Hvis det ikke finnes noe team og du utfører denne prosedyren, opprettes et nytt team. Deretter kan du utføre prosedyren på nytt for å legge til nye enheter i teamet. Bare én person konfigurerer et team, og de andre enhetene kobles til teamet, som vist i *Slik kobler du til et team på side 198*. Bare én person om gangen kan legge til en ny enhet i teamet. Den nye enheten må kobles til teamet, som vist i *Slik kobler du til et team på side 198*.

1. Trykk på modus-knappen i ett sekund for å gå inn i teamadministrasjonsmodus og teamoppsettet.

Merk: En lydmelding forteller deg at du er i teamadministrasjonsmodus. Se tabellen nedenfor.

Lydmelding	LED-indikator på Bluetooth®-knappen
TEAM MANAGEMENT	Fast hvitt lys.

2. Trykk på Bluetooth®-knappen.

Merk: En lydmelding forteller deg om status for sammenkoblingen. Sammenkoblingen starter når du hører en pipelyd. Se tabellen nedenfor.

Lydmelding	LED-indikator på Bluetooth®-knappen
SEARCHING FOR MEMBERS	LED-lampen blinker raskt.

Merk: Sammenkoblingsmodus er aktiv i ett minutt. Enhetene kobles til teamet innen ca. ett minutt. Sammenkoblingen er fullført når du hører en pipelyd og Bluetooth®-knappen viser et konstant grønt lys. Du hører en pipelyd hver gang en ny enhet kobles til teamet. Hvis du vil koble til et team, kan du se *Slik kobler du til et team på side 198*.

3. Hvis du vil stoppe sammenkoblingen før det har gått ett minutt, trykk på modus-knappen.
4. Hvis du vil legge til en ny enhet i teamet, følger du de samme instruksjonene en gang til.

Merk: En enhet som er koblet til teamet, kobles automatisk til teamet neste gang du bruker den.

Slik kobler du til et team

Du kan ikke koble til et team hvis det ikke er konfigurert noe team. Hvis du vil konfigurere et team, kan du se *Slik konfigurerer du et team og legger til enheter på side 198*. Du kan koble til et team samtidig som du konfigurerer et nytt team. Du kan også koble til et team hvis et medlem av teamet legger til nye enheter i teamet.

1. Trykk på modus-knappen i ett sekund for å gå inn i teamadministrasjonsmodus.

Merk: En lydmelding forteller deg at du er i teamadministrasjonsmodus. Se tabellen nedenfor.

Lydmelding	LED-indikator på Bluetooth®-knappen
TEAM MANAGEMENT	Fast hvitt lys.

2. Trykk på volum opp-knappen.

Merk: Sammenkoblingen starter når du hører en pipelyd og Bluetooth®-knappen blinker sakte. Sammenkoblingsmodus er aktiv i ett minutt. En lydmelding forteller deg at du er koblet til teamet. Se tabellen nedenfor.

Lydmelding	LED-indikator på Bluetooth®-knappen
CONNECTED TO TEAM	Fast grønt lys.

Merk: Du kan snakke med teamet etter at lydmeldingen forteller deg at du er koblet til teamet.

Slik kobler du fra et team

1. Trykk på modusknappen i ett sekund for å gå inn i teamadministrasjonsmodus.

Merk: En lydmelding forteller deg at du er i teamadministrasjonsmodus. Se tabellen nedenfor.

Lydmelding	LED-indikator på Bluetooth®-knappen
TEAM MANAGEMENT	Fast hvitt lys.

2. Trykk på volum ned-knappen.

Merk: En lydmelding forteller deg at du har koblet deg fra teamet. Se tabellen nedenfor.

Lydmelding	LED-indikator på Bluetooth®-knappen
LEAVING TEAM	LED-lampen blinker rødt 3 ganger.

Slik endrer du kommunikasjonskanal

- Trykk på kanal-knappen for å velge kommunikasjonskanal 1, 2 eller 3.

Merk: En lydmelding forteller deg hvilken kanal du er i. Se tabellen nedenfor.

Lydmelding	Kanal-LED-indikator
CHANNEL 1	Fast hvitt lys på kanal 1.
CHANNEL 2	Fast hvitt lys på kanal 2.
CHANNEL 3	Fast hvitt lys på kanal 3.

Slik snakker du til alle kommunikasjonskanaler

- Trykk på og hold inne kanal-knappen for å snakke til alle kommunikasjonskanaler samtidig.

Merk: Du er koblet til alle kommunikasjonskanaler når du hører en pipelyd. Alle kanal-LED-indikatorer lyser hvitt for å vise at du er koblet til alle kanaler.

- Slipp kanal-knappen for å gå tilbake til forrige kanal.

Slik aktiverer eller deaktiverer du mikrofonen

- Trykk på demp-knappen til du hører en pipelyd.

Slik endrer du lydstrømming

- Trykk på og hold inne volum opp-knappen i 0,5 sekunder for å velge neste lydstrømming.
- Trykk på og hold inne volum ned-knappen i 0,5 sekunder for å gå tilbake til forrige lydstrømming.

Slik stopper eller starter du lydstrømmingen

- Trykk på modus-knappen for å stoppe eller starte lydstrømmingen.

Slik godtar, avslutter eller avviser du et telefonanrop

Hvis mobilenheten er koblet til produktet med trådløs Bluetooth®-teknologi, høres et signal i øreklokkene ved et innkommende anrop.

- Trykk på modus-knappen for å godta eller avslutte telefonanropet.
- Trykk på modus-knappen i ett sekund for å avviser et innkommende anrop.

Merk: En pipelyd varsler deg når telefonsamtalen er godtatt eller avvist.

Lydmelding	Informasjon
CALL ENDED	Telefonsamtalen er avsluttet.

Slik overfører du telefonsamtalen til teamet

1. Trykk på modus-knappen for å godta telefonanropet.
2. Trykk raskt to ganger på modus-knappen for å overføre telefonsamtalen til teamet.

Merk: En lydmelding forteller deg når telefonsamtalen er overført. Se tabellen nedenfor.

Lydmelding	Informasjon
CALL TRANSFERRED TO TEAM	Telefonsamtalen er overført til teamet.

Slik kobler du fra telefonsamtalen i teamet

- Trykk raskt to ganger på modus-knappen.

Merk: En lydmelding forteller deg når telefonsamtalen er frakoblet. Se tabellen nedenfor.

Lydmelding	Informasjon
CALL DISCONNECTED FROM TEAM	Telefonsamtalen er koblet fra teamet.

Slik justerer du volumet

- Trykk på volum opp- eller volum ned-knappen for å justere volumet. En pipelyd varsler deg når volumet er på minimums- eller maksimumsnivå.

Slik angir du til modus for omgivelseslyd

Med modus for omgivelseslyd, kan du høre lydene rundt deg.

- Trykk på knappen for omgivelseslyd.

Merk: En lydmelding forteller deg statusen for omgivelseslydmodus.

Lydmelding
AMBIENT LEVEL HIGH
AMBIENT LEVEL MEDIUM
AMBIENT LEVEL LOW
AMBIENT LEVEL OFF

Slik stopper du produktet

- Trykk på og hold inne på/av-knappen i 1 sekund.

Merk: En lydmelding informerer deg om batteristatus, og LED-indikatorene slukkes. En pipelyd forteller deg at produktet er av.

Slik stopper du produktet med makt

- Trykk på og hold inne på/av-knappen i 12 sekunder.

Vedlikehold

Slik utfører du vedlikehold på produktet



OBS: Ikke spyl produktet eller legg det i vann.



OBS: Spray, væske eller andre rengjøringsmidler som inneholder løsemidler og/eller alkohol, kan svekke beskyttelsesegenskapene.



OBS: Bruk Husqvarna originale reservedeler.

- Rengjør produktet regelmessig. Bruk en klut med vann og mild såpe.
- Sjekk tilstanden til tetningsringene og skumgummiinnleggene før hver gangs bruk.

- Skift ut tetningsringene og skumgummiinnleggene hver sjettede måned, eller oftere om nødvendig. Kontroller at luftehullet på tetningsringen vender nedover under montering. Bruk det originale hygienesettet som inneholder tetningsringene og skumgummiinnleggene. Se www.husqvarna.com for mer informasjon om hygienesettet. (Fig. 19)

Merk: Hvis øreklokkene er våte på innsiden, må du la dem tørke i parkeringsposisjonen. Se *Slik setter du øreklokkene i parkeringsposisjon på side 196*.

- Bytt ut membranen for talemikrofonen hvis den er skadet.
- Bytt ut vindfilteret for den nivåavhengige mikrofonen hvis det er skadet.
- Bytt ut vindfilteret på den eksterne mikrofonen hvis det er skadet.
- Bytt ut Comfort Pad på hodebåndet hvis det er nødvendig. (Fig. 20)

Transport, oppbevaring og avhending

Transport og oppbevaring



OBS: Under transport og oppbevaring, bør du sette øreklokkene i bruksposisjon for å redusere slitasje på plastmaterialet.

- Sett øreklokkene i bruksposisjon. Se *Slik setter du øreklokkene i driftsposisjon på side 196*.
- Pass på at tetningsringene ikke presses sammen.
- Plasser produktet på et tørt og rent sted.
- Produktet må holdes unna sollys ved oppbevaring.
- Lad batteriet én gang hver sjette uke for å opprettholde kvaliteten på batteriet.

- Legg produktet på et trygt sted under transport.

Kassering

- Følg nasjonale forskrifter.
- Bruk det lokale gjenvinningsystemet.
- Produktet og produktemballasjen er ikke restavfall. Resirkuler det på et gjenvinningsanlegg for elektrisk og elektronisk utstyr.



Tilbehør

Godkjente hjelmer

Bruk produktet kun med hjelmene nedenfor.

Modell	Type hjelmtilbehør	Adaptergrafikk	Godkjente dimensjoner
Husqvarna Technical, H300	Adapter H300	(Fig. 21)	M/L
Husqvarna Spire	Adapter Spire	(Fig. 22)	L
KASK Zenith X			

Tekniske data

Se illustrasjonene som følger, for tekniske data om hvert produkt. Du finner flere tekniske data i tillegget om tekniske data i denne brukerhåndboken.

(Fig. 2)
(Fig. 3)

Hvis du vil ha mer informasjon om innholdet i de tekniske dataene, kan du se listen som følger:

- F = frekvensen dempingen ble målt ved.
- Mf = gjennomsnittsverdi.
- Sf = standardavvik.
- APV (Mf-Sf) = antatt beskyttelsesverdi.
- H = dempingsverdi ved høy frekvens (antatt støynivåreduksjon for støy der $L_C - L_A = -2$ dB).
- M = dempingsverdi ved middels frekvens (antatt støynivåreduksjon for støy der $L_C - L_A = +2$ dB).
- L = dempingsverdi ved lav frekvens (antatt støynivåreduksjon for støy der $L_C - L_A = +10$ dB).

- SNR = Single Number Rating (klassifisering i tall) (Verdien som trekkes fra det målte C-vektede lydtryknivået, L_C , for å anslå det effektive A-vektede lydtryknivået inne i øret).

Ansvarlig produsent: Husqvarna AB, SE-561 82 Huskvarna, Sverige, tlf: +46 36 146500.

Lydnivå

FM-radio-modusen og Hodetelefon-modusen har et maksimal ekvivalent lydnivå på 82 dB(A).

Materialer

Del	Materiale	Del	Materiale
Indre øreklokke	ABS	Hodebøyle	POM+TPE
Ytre øreklokke, venstre	ABS	Hjelmgaffel	POM
Ytre øreklokke, høyre	ABS+TPE	Hjelmgaffelfjær	Stål
Innlegg	PUR	Skruer	Stål
Tetningsringer	PVC og skum		

SPIS TREŚCI

Wstęp.....	203	Transport, przechowywanie i utylizacja.....	210
Bezpieczeństwo.....	204	Akcesoria.....	211
Montaż.....	205	Dane techniczne.....	211
Przeznaczenie.....	206	0
Przegląd.....	210		

Wstęp

Opis produktu

Produkt X-COM Active (HP500C-01, HP500C-02) jest ochronnikiem słuchu ze zintegrowaną komunikacją pełnodupleksową, *technologią bezprzewodową*

Przegląd produktu

(Rys. 1)

1. Przycisk zwiększania głośności
2. Przycisk zmniejszania głośności
3. Mikrofon z regulacją poziomu
4. Przycisk Bluetooth®
5. Mikrofon rozmów
6. Przycisk trybu
7. Gniazdo kabla ładowarki USB-C
8. Przycisk dźwięku otoczenia
9. Przycisk wyciszenia
10. Przycisk Wł./Wyt.
11. Przycisk kanału
12. Wyjście mikrofonu pałkowego

Zgodność i normy

Niniejszym Husqvarna AB, SE-561 82 Huskvarna, Sweden, tel: +46-36-146500, oświadcza, że typ urządzenia radiowego HP500C-01 i HP500C-02 jest zgodny z dyrektywami 2014/53/EU, 2011/65/EU i rozporządzeniem (EU) 2016/425. Kompletna treść deklaracji zgodności z wymogami UE jest dostępna na stronie internetowej: www.husqvarna.com; należy wyszukać X-COM Active, HP500C-01, HP500C-02.

Wartości tłumienia i poziomów hałasu produktu zostały przetestowane i zatwierdzone zgodnie z normami: EN 352-1:2020 (pałak), EN 352-3:2020 (mocowanie na kasku), EN 352-4:2020, EN 352-6:2020 i EN 352-8:2020.

Jednostka notyfikowana oceniająca zgodność:
Numer organu notyfikowanego 1974. PZT GmbH,
Bismarckstraße 264 B, 26389 Wilhelmshaven,
Germany.

Certyfikacja i monitorowanie przez PZT.

Akumulator jest zgodny z normą IEC62133, wersja 2.

Bluetooth® i radiem FM. Model HP500C-01 to ochronnik słuchu z pałakiem, a model HP500C-02 to ochronnik słuchu do kasku. Produkt zapewnia ochronę przed szkodliwym hałasem.



UK Importer:
Husqvarna UK Ltd
Preston Road, Co. Durham
DL5 6UP

FCC ID: ZASHP500, IC ID: 23307-HP500

Deklaracja zgodności FCC dostawcy dla podmiotu odpowiedzialnego HP500C-01, HP500C-02.

Husqvarna Professional Products, Inc. 9335 Harris
Corners Parkway Suite 500 Charlotte, NC 28269 Stany
Zjednoczone.

Dane kontaktowe (Stany Zjednoczone): Michael
Campbell, kierownik ds. zgodności produktów, telefon:
+1 704 597 5000.

Oświadczenie o zgodności z wymogami FCC

Urządzenie jest zgodne z wymogami FCC, część 15. Użytkowanie jest dozwolone pod dwoma następującymi warunkami: (1) Urządzenie nie może powodować zakłóceń; (2) urządzenie musi akceptować wszelkie odbierane zakłócenia, w tym zakłócenia mogące powodować niepożądane działanie urządzenia.

Urządzenie zostało przetestowane i uznane za kompatybilne z ograniczeniami dla klasy B urządzenia cyfrowego, zgodnie z wymogami FCC część 15. Niniejsze ograniczenia zostały określone w celu zapewnienia odpowiedniej ochrony przed szkodliwymi zakłóceniami w instalacjach mieszkalnych. Niniejsze urządzenie generuje, wykorzystuje i może emitować energię o częstotliwości radiowej oraz, jeśli nie jest używane zgodnie z niniejszymi instrukcjami, może powodować zakłócenia odbioru w systemach komunikacji radiowej. Nie można jednak

zagwarantować, że w przypadku konkretnej instalacji zakłócenia nie wystąpią. Jeśli urządzenie powoduje szkodliwe zakłócenia odbioru sygnału radiowego lub telewizyjnego, co można sprawdzić włączając je i wyłączając, zachęca się użytkowników do podjęcia próby zmniejszenia tych zakłóceń za pomocą następujących środków:

- Zwiększenie odległości pomiędzy urządzeniem i odbiornikiem.
- Aby uzyskać pomoc, należy skontaktować się z dealermem.

Oznaczenie na produkcie znajduje się na etykiecie na prawym nuszniku.

Zarejestrowane znaki handlowe

Nazwa handlowa *Bluetooth®* i logo są zastrzeżonymi znakami towarowymi stanowiącymi własność *Bluetooth SIG, inc.*. Każde wykorzystanie takich znaków przez Husqvarna odbywa się w ramach umowy licencyjnej.

Bezpieczeństwo

Definicje dotyczące bezpieczeństwa

Ostrzeżenia, uwagi i informacje są używane do zwrócenia uwagi na szczególnie ważne sekcje instrukcji obsługi.



OSTRZEŻENIE: Jest używane, gdy istnieje ryzyko poważnych obrażeń, śmierci operatora lub uszkodzenia otoczenia w wyniku nieprzestrzegania instrukcji obsługi.



UWAGA: Jest używane, gdy istnieje ryzyko uszkodzenia materiałów lub urządzenia w wyniku nieprzestrzegania instrukcji obsługi.

Uwaga: Stosuje się, aby przekazać więcej informacji, które są przydatne w danej sytuacji.

Ogólne zasady bezpieczeństwa



OSTRZEŻENIE: Przed rozpoczęciem użytkowania produktu przeczytać następujące ostrzeżenia.

- Stosować się do niniejszych instrukcji i zachować je w celu wykorzystania w przyszłości.
- Aby zapewnić optymalne dopasowanie i działanie, upewnić się, że wybrano produkt odpowiedni dla danego zastosowania.
- Nie wymieniać ani nie usuwać części z produktu. Zmiany należy wprowadzać wyłącznie w sposób określony w instrukcji użytkownika.
- W przypadku nieprzestrzegania wytycznych zawartych w niniejszej instrukcji obsługi tłumienie hałasu ulegnie znacznemu pogorszeniu. Nauszniki, a szczególnie poduszeczki, mogą się zużywać, dlatego należy je regularnie sprawdzać pod kątem pęknięć i uszkodzeń. Patrz *Przegląd na stronie 210*.
- Niektóre substancje chemiczne mogą wpływać negatywnie na ten produkt. Więcej informacji można uzyskać u producenta. Trzymać z dala od

agresywnych substancji i regularnie czyścić produkt. Używać ściereczki nasączonej wodą z mydłem. Nie myć ani nie zanurzać w wodzie.

- Wszystkie prace serwisowe i naprawy muszą zostać wykonane przez autoryzowany warsztat serwisowy. Używać wyłącznie Husqvarna oryginalnych części zamiennych.
- Nigdy nie używać nauszników dłużej niż 10 lat od daty produkcji umieszczonej na opakowaniu.
- Działanie produktu może ulec pogorszeniu wraz ze zużyciem baterii.

Instrukcje bezpieczeństwa dotyczące obsługi

- W głośnym środowisku nauszniki powinny być noszone przez cały czas.
- Zachować szczególną ostrożność i słuchać sygnałów ostrzegawczych podczas użytkowania produktu. Poziom hałasu powodowany sygnałami ostrzegawczymi można zmniejszyć podczas eksploatacji produktu.
- Słyszalność sygnałów ostrzegawczych w określonym miejscu pracy może być zakłócona w przypadku korzystania z funkcji rozrywkowych.
- Upewnić się, że produkt nie uderzy w żadne przedmioty podczas transportu i użytkowania.
- Używać produktu tylko w temperaturze od -20°C do +55°C (od -4°F do +131°F). Jeśli produkt będzie użytkowany w innych temperaturach, może to spowodować uszkodzenie podzespołów elektronicznych, akumulatora lub części mechanicznych.
- Przed rozpoczęciem użytkowania produktu należy poznać sposób jego obsługi. Jeśli produkt jest uszkodzony, należy skontaktować się z centrum serwisowym. Nie otwierać obudowy!
- Dopasowanie nakładek higienicznych do poduszczek może wpływać na wydajność nauszników. Zawsze należy korzystać z oryginalnych akcesoriów.

- Nie nakładać nauszników na skorupę kasku. W takim przypadku może to powodować występowanie pęknięć z boku kasku.

(Rys. 4)

- Nie przechowywać produktu w temperaturze przekraczającej +55°C/+131°F, np. na desce rozdzielczej. Nie przechowywać produktu w temperaturze poniżej -20°C/-4°F.
- Użytkownik powinien zadbać o to, by nauszniki były poprawnie nałożone, dopasowane i konserwowane zgodnie z wytycznymi zawartymi w niniejszej instrukcji obsługi.
- Nauszniki są wyposażone w bezpieczne wejście audio. Przed użyciem nauszników należy sprawdzić prawidłowość ich działania. Jeżeli występują zniekształcenia lub usterki, użytkownik powinien zasięgnąć rady producenta w celu konserwacji.

Zasady bezpieczeństwa związane z akumulatorem

- Nauszniki są wyposażone w funkcję regulowanego tłumienia. Przed użyciem należy sprawdzić prawidłowość działania. Jeżeli występują zniekształcenia lub usterki, użytkownik powinien postępować zgodnie z instrukcjami producenta w celu konserwacji.
- Niniejszy produkt zawiera akumulator oraz podzespoły elektryczne, które mogą spowodować zapłon w środowiskach łatwopalnych lub wybuchowych. Nie wolno używać w środowiskach, gdzie iskry mogą spowodować pożar lub wybuch.
- Ładować produkt tylko w temperaturze od 0°C do +40°C (od +32°F do +104°F). Ładowanie poza tym zakresem temperatur może uszkodzić podzespoły elektroniczne i akumulator.

Montaż

Wstęp



OSTRZEŻENIE: Przed założeniem produktu odsunąć włosy na bok. Przed rozpoczęciem korzystania z produktu upewnić się, że pierścienie uszczelniające odpowiednio przylegają do głowy i uszu.

Zakładanie nauszników z pałąkiem

1. Umieścić pałąk na czubku głowy.
2. Przesunąć nauszniki w górę lub w dół w celu wyregulowania wysokości. (Rys. 5)

Mocowanie nauszników do kasku

1. Zamontować odpowiedni typ mocowania adaptera do skorupy kasku. Patrz *Zatwierdzone kaski na stronie 211*.
2. Zamontować widełki kasku na adapterze mocowania. (Rys. 6)

Uwaga: Patrz *Zatwierdzone kaski na stronie 211*, aby uzyskać więcej informacji na temat dopasowania mocowania do danego kasku.

3. Przesunąć nauszniki do najniższego położenia.
4. Podnosić nauszniki, aż do zablokowania w położeniu gotowości. (Rys. 7)
5. Oznaczyć kabel.
 - a) W przypadku kasku H300 wykonać oznaczenie w odległości 27 cm/11 cali (Y) od każdego nauszniaka.
 - b) W przypadku kasku Spire Vent X wykonać oznaczenie w odległości 14,5 cm/6 cali (Y) od każdego nauszniaka. (Rys. 8)

6. Umieścić mocowanie kasku w gnieździe na kasku. (Rys. 9)
7. Kontynuować wykonywanie instrukcji montażu dotyczących zatwierdzonego kasku.



UWAGA: Upewnić się, że kabel nie został skręcony oraz że jest delikatnie wygięty. Upewnić się, że kabel porusza się swobodnie w otworze kasku.

Mocowanie nauszników do kasku H300

1. Odłączyć uprząż od kasku. (Rys. 10)
2. Zamocować kabel do otworów za pomocą opasek kablowych lub zacisków. (Rys. 11)
3. W przypadku mocowania kabla za pomocą opasek kablowych przeciąć opaskę i wcisnąć jej blokadę do bocznego otworu.
4. Utworzyć pętlę z kabla i zamocować uprząż oraz osłonę szyną. Upewnić się, że kabel znajduje się między skorupą kasku i uprzążą. (Rys. 12)

Mocowanie nauszników do kasku Spire Vent X

1. Umieścić kabel w tylnej pętli.
2. Zamocować kabel do uprząży za pomocą opasek kablowych. Zamocować opaskę kablową poprzez tylny pasek pałąka.
3. Uciąć opaskę kablową.
4. Umieścić pozostałą część kabla w pętli od tyłu, za tylną częścią pałąka. (Rys. 13)

Ustawienie nauszników w pozycji roboczej

1. Założyć kask na głowę.
2. Regulować nauszniki, aż będą odpowiednio przylegały do uszu i do głowy. (Rys. 14)

Ustawianie nauszników w pozycji gotowości

- Podnosić nauszniki, aż do zablokowania w położeniu gotowości. (Rys. 15)

Ustawianie nauszników w pozycji spoczynkowej

1. Ustawić nauszniki w pozycji spoczynkowej. Patrz *Ustawianie nauszników w pozycji gotowości na stronie 206*.
2. Obrócić nauszniki do tyłu wzdłuż boku kasku, aż do zablokowania w pozycji spoczynkowej. (Rys. 16)

Podłączanie mikrofonu pałkowego

Mikrofonu pałkowego należy używać w środowisku o wysokim poziomie hałasu.

1. Przymocować filtr wiatru do mikrofonu pałkowego.
2. Podłączyć mikrofon pałkowy do wyjścia mikrofonu na prawym nauszniku. (Rys. 17)
3. Ustawić mikrofon pałkowy w odległości 1 cm/0,4 cala (A) od ust.

Przeznaczenie

Wstęp



OSTRZEŻENIE: Przed użyciem urządzenia należy przeczytać ze zrozumieniem rozdział poświęcony bezpieczeństwu.

Ładowanie produktu

1. Podłączyć złącze USB-C kabla ładowarki do wyjścia na lewym nauszniku. (Rys. 18)
2. Podłączyć złącze USB kabla ładowarki do ładowarki USB lub innego portu zasilania USB.

Uwaga: Moc wyjściowa źródła zasilania musi wynosić 5 V i 2 A, aby możliwe było ładowanie przy maksymalnej wydajności.

Uwaga: Kontrolka LED na przycisku Bluetooth® miga powoli na zielono podczas ładowania akumulatora. Gdy akumulator jest w pełni naładowany, kontrolka LED na przycisku Bluetooth® świeci się stale na zielono.

Uruchamianie produktu

- Nacisnąć i przytrzymać przycisk Wł./Wył. przez 1 sekundę.

Uwaga: Sygnał dźwiękowy informuje, że urządzenie jest włączone. Środkowa kontrolka LED na przycisku kanału świeci przez 2 sekundy. Komunikat dźwiękowy informuje o stanie akumulatora i liczbie urządzeń podłączonych za pomocą technologii bezprzewodowej Bluetooth®. Jeśli urządzenie znajdzie zespół, komunikat dźwiękowy poinformuje o tym, z którym zespołem nawiązano połączenie. Należy zapoznać się z poniższą tabelą.

Komunikat dźwiękowy
BATTERY HIGH
BATTERY MEDIUM
BATTERY LOW
BATTERY CRITICAL

Komunikat dźwiękowy
ONE BLUETOOTH DEVICE CONNECTED
TWO BLUETOOTH DEVICES CONNECTED
CONNECTED TO TEAM CHANNEL 1
CONNECTED TO TEAM CHANNEL 2
CONNECTED TO TEAM CHANNEL 3

Kontrolka LED na przycisku kanału	Poziom naładowania akumulatora
Świecą 3 diody LED.	Poziom naładowania akumulatora: 90–100%.
2 diody LED świecą i 1 dioda LED miga powoli.	Poziom naładowania akumulatora: 70%–90%.
1 dioda LED świeci i 1 dioda LED miga powoli.	Poziom naładowania akumulatora: 20%–70%.
1 dioda LED miga powoli.	Poziom naładowania akumulatora: 10%–20%.
1 dioda LED miga szybko.	Poziom naładowania akumulatora: 0%–10%.

Wyświetlanie stanu akumulatora

- Naciśnij przycisk Wł./Wył.

Uwaga: Kontrolka LED na przycisku kanału świeci na zielono przez 5 sekund. Należy zapoznać się z poniższą tabelą.

Wskaźnik diodowy	Stan akumulatora
Świecą 3 diody LED.	Poziom naładowania akumulatora: 90–100%.
Świecą 2 diody LED.	Poziom naładowania akumulatora: 70%–90%.
Świeci 1 dioda LED.	Poziom naładowania akumulatora: 20%–70%.
1 dioda LED miga szybko.	Poziom naładowania akumulatora: 0%–10%.

Przełączanie się z trybu radia FM na tryb Bluetooth®

- Nacisnąć szybko 2 razy przycisk zmiany trybu, aby przełączyć się z trybu radia FM na tryb Bluetooth®.

Uwaga: Komunikat dźwiękowy informuje o wybranym trybie. Należy zapoznać się z poniższą tabelą.

Komunikat dźwiękowy
RADIO
BLUETOOTH

Tryb radia FM

W trybie radia FM można uzyskać dostęp do radia FM na obszarach miejskich lub innych obszarach o silnym sygnale radiowym FM. Na działanie radia FM może mieć wpływ nierówny teren lub gęsta roślinność.

Zmiana stacji radiowej FM

- Nacisnąć i przytrzymać przycisk zwiększania lub zmniejszania głośności przez 1 sekundę, aby zmienić stację radiową FM.

Tryb Bluetooth®

W trybie Bluetooth® urządzenie może nawiązać połączenie z innym urządzeniem obsługującym technologię bezprzewodową Bluetooth®.

Proces parowania Bluetooth®

- Nacisnąć i przytrzymać przycisk Bluetooth® przez 2 sekundy, aby rozpocząć parowanie urządzenia.

Uwaga: Proces parowania rozpoczyna się po usłyszeniu sygnału dźwiękowego i mignięciu przycisku Bluetooth® na niebiesko. Proces parowania jest włączony przez 30 sekund.

- Aktywować proces parowania poprzez technologię bezprzewodową Bluetooth® w urządzeniu.
- Jeśli jest to konieczne, wybrać Husqvarna X-COM Active z listy jednostek w urządzeniu.

Uwaga: Komunikat dźwiękowy informuje o stanie urządzenia. Należy zapoznać się z poniższą tabelą.

Komunikat dźwiękowy	Kontrolka LED na przycisku Bluetooth®	Informacja
BLUETOOTH DEVICE CONNECTED	Ciągłe niebieskie światło.	Produkt jest podłączony do urządzenia poprzez technologię bezprzewodową Bluetooth®.
BLUETOOTH CONNECTION FAILED	Ciągłe czerwone światło przez 2 sekundy.	Produkt nie jest podłączony do urządzenia poprzez technologię bezprzewodową Bluetooth®.

Uwaga: Urządzenie obsługujące łączność bezprzewodową Bluetooth®, z którym nawiązano połączenie, automatycznie połączy się następnym razem z tym urządzeniem.

Konfiguracja zespołu i dodawanie urządzeń

Zespół to grupa komunikacyjna, która umożliwia rozmowę pomiędzy wszystkimi urządzeniami, które są połączone z zespołem. W przypadku braku zespołu po wykonaniu tej procedury zostanie utworzony nowy zespół. Następnie można ponownie wykonać tę procedurę, aby dodać nowe urządzenia do zespołu. Tylko jedna osoba może utworzyć zespół, a pozostałe urządzenia nawiązują połączenie z zespołem, jak opisano w części *Nawiązywanie połączenia z zespołem na stronie 208*. Tylko jedna osoba na raz może dodać nowe urządzenie do zespołu. Nowe urządzenie musi połączyć się z zespołem, jak opisano w części *Nawiązywanie połączenia z zespołem na stronie 208*.

- Nacisnąć i przytrzymać przycisk zmiany trybu przez 1 sekundę, aby przejść do trybu zarządzania zespołem, a następnie do konfiguracji zespołu.

Uwaga: Komunikat dźwiękowy informuje o przejściu do trybu zarządzania zespołem. Należy zapoznać się z poniższą tabelą.

Komunikat dźwiękowy	Kontrolka LED na przycisku Bluetooth®
TEAM MANAGEMENT	Ciągłe białe światło.

- Wcisnąć przycisk Bluetooth®.

Uwaga: Komunikat dźwiękowy informuje o stanie procesu parowania. Proces parowania rozpocznie się po usłyszeniu sygnału dźwiękowego. Należy zapoznać się z poniższą tabelą.

Komunikat dźwiękowy	Kontrolka LED na przycisku Bluetooth®
SEARCHING FOR MEMBERS	Dioda LED miga szybko.

Uwaga: Proces parowania jest aktywny przez 1 minutę. Urządzenia łączą się z zespołem w ciągu około 1 minuty. Proces parowania jest ukończony po usłyszeniu sygnału dźwiękowego i zapaleniu się stałego zielonego światła na przycisku Bluetooth®. Za każdym razem, gdy nowe urządzenie połączy się z zespołem, słychać sygnał dźwiękowy. Aby połączyć się z zespołem, patrz *Nawiązywanie połączenia z zespołem na stronie 208*.

3. Aby zatrzymać proces parowania w czasie krótszym niż 1 minuta, nacisnąć przycisk trybu.
4. W celu dodania nowego urządzenia do zespołu należy ponownie wykonać te same czynności.

Uwaga: Urządzenie połączone z zespołem automatycznie połączy się z nim następnym razem.

Nawiązywanie połączenia z zespołem

Nie można połączyć się z zespołem, jeśli nie utworzono żadnego zespołu. Aby utworzyć zespół, patrz *Konfiguracja zespołu i dodawanie urządzeń na stronie 207*. Z zespołem można się połączyć w momencie konfigurowania nowego zespołu. Można również połączyć się z zespołem, gdy członek zespołu dodaje nowe urządzenia do zespołu.

1. Nacisnąć i przytrzymać przycisk trybu przez 1 sekundę, aby przejść do trybu zarządzania zespołem.

Uwaga: Komunikat dźwiękowy informuje o przejściu do trybu zarządzania zespołem. Należy zapoznać się z poniższą tabelą.

Komunikat dźwiękowy	Kontrolka LED na przycisku Bluetooth®
TEAM MANAGEMENT	Ciągłe białe światło.

2. Nacisnąć przycisk zwiększania głośności.

Uwaga: Proces parowania rozpoczyna się po usłyszeniu sygnału dźwiękowego i gdy przycisk Bluetooth® miga powoli. Proces parowania jest aktywny przez 1 minutę. Komunikat dźwiękowy

informuje o połączeniu się z zespołem. Należy zapoznać się z poniższą tabelą.

Komunikat dźwiękowy	Kontrolka LED na przycisku Bluetooth®
CONNECTED TO TEAM	Ciągłe zielone światło.

Uwaga: Można rozmawiać z zespołem po usłyszeniu komunikatu dźwiękowego informującego o połączeniu z zespołem.

Rozłączanie się z zespołem

1. Nacisnąć i przytrzymać przycisk trybu przez 1 sekundę, aby przejść do trybu zarządzania zespołem.

Uwaga: Komunikat dźwiękowy informuje o przejściu do trybu zarządzania zespołem. Należy zapoznać się z poniższą tabelą.

Komunikat dźwiękowy	Kontrolka LED na przycisku Bluetooth®
TEAM MANAGEMENT	Ciągłe białe światło.

2. Nacisnąć przycisk zmniejszania głośności.

Uwaga: Komunikat dźwiękowy informuje o odłączeniu się od zespołu. Należy zapoznać się z poniższą tabelą.

Komunikat dźwiękowy	Kontrolka LED na przycisku Bluetooth®
LEAVING TEAM	Kontrolka LED miga na czerwono 3 razy.

Zmiana kanału komunikacji

- Nacisnąć przycisk kanału, aby wybrać kanał komunikacji 1, 2 lub 3.

Uwaga: Komunikat dźwiękowy informuje, na który kanał się przełączono. Patrz tabela poniżej.

Komunikat dźwiękowy	Kontrolka LED kanału
CHANNEL 1	Ciągłe białe światło na kanale 1.
CHANNEL 2	Ciągłe białe światło na kanale 2.
CHANNEL 3	Ciągłe białe światło na kanale 3.

Opcja rozmowy na wszystkich kanałach komunikacji

- Nacisnąć i przytrzymać przycisk kanału, aby rozmawiać jednocześnie na wszystkich kanałach komunikacji.

Uwaga: O nawiązaniu połączenia ze wszystkimi kanałami komunikacji informuje sygnał dźwiękowy. Wszystkie kontrolki LED kanałów świecą stale na biało, sygnalizując nawiązanie połączenia ze wszystkimi kanałami.

- Zwolnić przycisk kanału, aby powrócić do poprzedniego kanału.

Włączanie lub wyłączenie mikrofonu

- Nacisnąć przycisk wyciszenia mikrofonu, aż do usłyszenia sygnału dźwiękowego.

Zmiana strumieniowego przesyłania dźwięku

- Nacisnąć i przytrzymać przycisk zwiększania głośności przez 0,5 sekundy, aby wybrać następny kanał strumieniowego przesyłania dźwięku.
- Nacisnąć i przytrzymać przycisk zmniejszania głośności przez 0,5 sekundy, aby powrócić do poprzedniego kanału strumieniowego przesyłania dźwięku.

Zatrzymywanie i rozpoczynanie strumieniowego przesyłania dźwięku

- Nacisnąć przycisk zmiany trybu, aby zatrzymać lub rozpocząć strumieniowe przesyłanie dźwięku.

Odbieranie, kończenie i odrzucanie połączenia telefonicznego

Jeśli urządzenie mobilne jest połączone z produktem za pomocą łączności bezprzewodowej Bluetooth®, w nausznikach słychać sygnał przychodzącego połączenia telefonicznego.

- Nacisnąć przycisk trybu, aby odebrać lub zakończyć połączenie telefoniczne.
- Nacisnąć i przytrzymać przycisk trybu przez 1 sekundę, aby odrzucić przychodzące połączenie telefoniczne.

Uwaga: Sygnał dźwiękowy informuje o odebraniu lub odrzuceniu połączenia telefonicznego.

Komunikat dźwiękowy	Informacja
CALL ENDED	Połączenie telefoniczne zostało zakończone.

Przekazywanie połączeń telefonicznych do zespołu

- Nacisnąć przycisk trybu, aby odebrać połączenie telefoniczne.

- Nacisnąć szybko przycisk trybu 2 razy, aby przekazać połączenie telefoniczne do zespołu.

Uwaga: Komunikat dźwiękowy informuje o przekazaniu połączenia telefonicznego. Należy zapoznać się z poniższą tabelą.

Komunikat dźwiękowy	Informacja
CALL TRANSFERRED TO TEAM	Połączenie telefoniczne zostało przekazane do zespołu.

Rozłączanie połączenia telefonicznego w zespole

- Nacisnąć szybko przycisk trybu 2 razy.

Uwaga: Komunikat dźwiękowy informuje o rozłączeniu połączenia telefonicznego. Należy zapoznać się z poniższą tabelą.

Komunikat dźwiękowy	Informacja
CALL DISCONNECTED FROM TEAM	Połączenie telefoniczne zostało rozłączone z zespołem.

Regulacja głośności

- Nacisnąć przycisk zwiększania lub zmniejszania głośności, aby dostosować głośność. Sygnał dźwiękowy informuje o osiągnięciu najniższego lub najwyższego poziomu głośności.

Ustawianie trybu dźwięku otoczenia

Tryb dźwięku otoczenia umożliwia słuchanie dźwięków dobiegających z otoczenia.

- Nacisnąć przycisk dźwięku otoczenia.

Uwaga: Komunikat dźwiękowy informuje o stanie trybu dźwięku otoczenia.

Komunikat dźwiękowy
AMBIENT LEVEL HIGH
AMBIENT LEVEL MEDIUM
AMBIENT LEVEL LOW
AMBIENT LEVEL OFF

Wyłączanie produktu

- Nacisnąć i przytrzymać przycisk Wł./Wył. przez 1 sekundę.

Uwaga: Komunikat dźwiękowy informuje o stanie akumulatora, a kontrolki LED zgasną. Sygnał dźwiękowy informuje, że urządzenie jest wyłączone.

Wymuszone zatrzymywanie pracy produktu

- Nacisnąć i przytrzymać przycisk Wł./Wył. przez 12 sekund.

Przegląd

Konserwacja produktu



UWAGA: Nie splukiwać produktu ani nie zanurzać go w wodzie.



UWAGA: Spraye, płyny lub inne środki czyszczące zawierające rozpuszczalniki i/lub alkohol mogą obniżyć właściwości ochronne.



UWAGA: Używać wyłącznie oryginalnych części zamiennych Husqvarna.

1. Należy regularnie czyścić produkt. Używać ściereczki i wody z odrobiną mydła.
2. Przed każdym użyciem przeprowadzić kontrolę stanu pierścieni uszczelniających i gumowych wkładek piankowych.
3. Wymieniać pierścienie uszczelniające i gumowe wkładki piankowe co 6 miesięcy lub częściej w razie konieczności. Upewnić się, że podczas montażu otwór wentylacyjny na punktach pierścienia uszczelniającego jest skierowany w dół. Używać oryginalnego zestawu higienicznego, który zawiera pierścienie uszczelniające i gumowe wkładki z pianki. Informacje na temat zestawu higienicznego można znaleźć na stronie www.husqvarna.com. (Rys. 19)

Uwaga: Jeśli nauszники są mokre po stronie wewnętrznej, poczekać na ich wyschnięcie w położeniu spoczynkowym. Patrz *Ustawianie nauszników w pozycji spoczynkowej na stronie 206*.

4. Wymienić membranę mikrofonu mowy, jeśli jest uszkodzona.
5. Wymienić filtr wiatru mikrofonu z regulacją poziomu, jeśli jest uszkodzony.
6. Wymienić filtr wiatru mikrofonu pałkowego, jeśli jest uszkodzony.
7. Wymienić poduszeczkę Comfort Pad pałaka, jeśli jest to konieczne. (Rys. 20)

Transport, przechowywanie i utylizacja

Transport i przechowywanie



UWAGA: Podczas transportu i przechowywania należy ustawić nauszники w położeniu roboczym, aby ograniczyć zużycie tworzywa sztucznego.

- Ustawić nauszники w pozycji roboczej. Patrz *Ustawienie nauszników w pozycji roboczej na stronie 205*.
- Upewnić się, że pierścienie uszczelniające nie są ściśnięte.
- Należy umieścić produkt w suchym i czystym miejscu.
- Podczas przechowywania nie należy wystawiać produktu na działanie promieni słonecznych.

- Ładować akumulator co 6 tygodni, aby utrzymać jego pojemność na odpowiednim poziomie.
- Umieścić produkt w bezpiecznym miejscu na czas transportu.

Utylizacja

- Należy przestrzegać krajowych przepisów.
- Należy użyć lokalnego systemu recyklingu.
- Tego produktu ani opakowania nie można traktować jak odpadów domowych. Należy poddawać je recyklingowi w zatwierdzonym punkcie zbiórki sprzętu elektrycznego i elektronicznego.



Akcesoria

Zatwierdzone kaski

Używać produktu tylko w połączeniu z kaskami przedstawionymi poniżej.

Model	Typ mocowania kasku	Rysunek adaptera	Zatwierdzone wymiary
Husqvarna Technical, H300	Adapter H300	(Rys. 21)	M/L
Husqvarna Spire	Adapter Spire	(Rys. 22)	L
KASK Zenith X			

Dane techniczne

Dane techniczne każdego produktu znajdują się na następujących ilustracjach. Więcej danych technicznych

można znaleźć w arkuszu danych technicznych załączonym do niniejszej instrukcji obsługi.

(Rys. 2)

(Rys. 3)

Więcej informacji na temat zawartości danych technicznych można znaleźć na poniższej liście:

- F = częstotliwości, przy których mierzone jest tłumienie.
- Mf = wartość średnia.
- Sf = odchylenie standardowe.
- APV (Mf-Sf) = zakładana wartość ochrony.
- H = wartość tłumienia wysokich częstotliwości (przewidywane zmniejszenie poziomu hałasu, gdzie $L_C-L_A = -2$ dB). M = wartość tłumienia średnich częstotliwości (przewidywane zmniejszenie poziomu hałasu, gdzie $L_C-L_A = +2$ dB). L = wartość tłumienia niskich częstotliwości (przewidywane zmniejszenie poziomu hałasu, gdzie $L_C-L_A = +10$ dB).

- SNR = klasyfikacja jednolicebowa (wartość odjęta od ważonego poziomu dźwięku C , L_C w celu oszacowania efektywnego ważonego poziomu dźwięku A wewnątrz ucha).

Producent odpowiedzialny: Firma Husqvarna AB, SE-561 82 Huskvarna, Szwecja, tel.: +46-36-146500.

Poziom głośności

Tryb radia FM i tryb zestawu słuchawkowego cechują się maksymalnym poziomem dźwięku wynoszącym 82 dB (A).

Materiały

Część	Materiał	Część	Materiał
Wewnętrzna nakładka uszna	ABS	Pałak	POM+TPE
Zewnętrzna nakładka uszna, lewa	ABS	Widelec kasku	POM
Zewnętrzna nakładka uszna, prawa	ABS+TPE	Sprężyna widelca kasku	Stal
Wkładki	PUR	Śruby	Stal
Pierścienie uszczelniające	PVC i pianka		

ÍNDICE

Introdução.....	212	Transporte, armazenamento e eliminação.....	219
Segurança.....	213	Acessórios.....	220
Montagem.....	214	Especificações técnicas.....	220
Funcionamento.....	215	0
Manutenção.....	219		

Introdução

Descrição do produto

O produto X-COM Active (HP500C-01, HP500C-02) é um protetor acústico com comunicação full-duplex integrada, *tecnologia Bluetooth® sem fios* e rádio FM.

Vista geral do produto

(Fig. 1)

1. Botão de aumento do volume
2. Botão de diminuição do volume
3. Microfone dependente do nível
4. Botão Bluetooth®
5. Microfone de voz
6. Botão de modo
7. Saída do cabo do carregador USB-C
8. Botão de som ambiente
9. Botão de desativação do som
10. Botão ON/OFF
11. Botão de canal
12. Saída do microfone de cabeça

Conformidade e aprovações

A Husqvarna AB, SE-561 82 Huskvarna, Sweden, tel: +46-36-146500, declara pelo presente que os tipos de equipamento de rádio HP500C-01 e HP500C-02 estão em conformidade as diretivas 2014/53/EU, 2011/65/EU e com o regulamento (EU) 2016/425. O texto completo da declaração UE de conformidade está disponível no seguinte endereço da Internet: www.husqvarna.com; pesquisar "X-COM Active, HP500C-01, HP500C-02".

Os valores de atenuação e os níveis de ruído do produto foram testados e aprovados de acordo com: EN 352-1:2020 (fita para a cabeça), EN 352-3:2020 (montagem no capacete), EN 352-4:2020, EN 352-6:2020 e EN 352-8:2020.

Organismo notificado envolvido na avaliação da conformidade: Número da entidade notificada 1974. PZT GmbH, Bismarckstraße 264 B, 26389 Wilhelmshaven, Germany.

Certificação e monitorização pela PZT.

A bateria está certificada de acordo com a norma IEC62133, edição 2.

O modelo HP500C-01 é um protetor acústico com fita para a cabeça e o modelo HP500C-02 é um protetor acústico para capacete. O produto proporciona proteção contra ruídos nocivos.



UK Importer:
Husqvarna UK Ltd
Preston Road, Co. Durham
DL5 6UP

ID FCC: ZASHP500, IC ID: 23307-HP500

Declaração de conformidade dos fornecedores da FCC para a parte responsável HP500C-01, HP500C-02.

Husqvarna Professional Products, Inc. 9335 Harris Corners Parkway Suite 500 Charlotte, NC 28269, Estados Unidos da América.

Informações de contacto dos EUA: Michael Campbell, Gestor de conformidade do produto, Telefone: +1 704 597 5000.

Declaração de conformidade da FCC:

Este dispositivo está em conformidade com a parte 15 das Normas da FCC. O funcionamento está sujeito às duas condições seguintes: (1) Este dispositivo pode não provocar interferências nocivas, e (2) este dispositivo tem de aceitar quaisquer interferências recebidas, incluindo interferências que possam provocar um funcionamento não pretendido.

Este equipamento foi testado e está em conformidade com os limites de um dispositivo digital de Classe B, de acordo com a parte 15 das Normas da FCC. Estes limites foram concebidos para proporcionar uma proteção razoável contra interferências nocivas em instalações residenciais. Este equipamento gera, utiliza e pode irradiar energia de radiofrequência e, se não for instalado e utilizado de acordo com as instruções, pode causar interferência nociva às comunicações via rádio. No entanto, não é possível garantir que não ocorrerão

interferências numa determinada instalação. Se este equipamento causar interferências nocivas na recepção de rádio ou televisão, o que pode ser determinado desligando e ligando o equipamento, o utilizador é aconselhado a tentar corrigir a interferência através de uma ou mais das seguintes medidas:

- Aumente a distância entre o equipamento e o recetor.
- Para obter assistência, consulte o revendedor.

A marcação no produto encontra-se na etiqueta do protetor auricular direito.

Marcas comerciais registadas

A palavra e os logótipos *Bluetooth®* são marcas comerciais registadas propriedade da *Bluetooth SIG, inc.* e qualquer utilização de tais marcas pela Husqvarna é feita mediante licença.

Segurança

Definições de segurança

Os avisos, as precauções e as notas são utilizados para indicar partes especialmente importantes do manual.



ATENÇÃO: Utilizado no caso de existir risco de ferimento ou morte para o utilizador ou transeuntes, se não forem respeitadas as instruções do manual.



CUIDADO: Utilizado se existir risco de danos para o produto, para outros materiais ou para a área adjacente, se não forem respeitadas as instruções do manual.

Nota: Utilizado para disponibilizar informações adicionais necessárias numa determinada situação.

Segurança geral



ATENÇÃO: Leia as instruções de aviso que se seguem antes de utilizar o produto.

- Utilize e guarde estas instruções.
- Para um ajuste e funcionamento ideais, certifique-se de que selecionou o produto correto para a utilização que pretende.
- Não altere ou retire partes do produto. Realize apenas as alterações indicadas neste manual do utilizador.
- A atenuação do ruído do produto é gravemente prejudicada se não seguir as instruções indicadas neste manual do utilizador. Os protetores auriculares, em especial os almofadados, podem deteriorar-se com a sua utilização, devendo ser examinados em intervalos frequentes para detetar possíveis fissuras e fugas. Consulte *Manutenção na página 219*.
- Este produto pode ser afetado adversamente por determinadas substâncias químicas. Para mais informações, contacte o fabricante. Mantenha o produto afastado de substâncias agressivas e limpe-o regularmente. Utilize um pano com água e sabão.

Não lave o produto nem o coloque totalmente dentro de água.

- Todos os trabalhos de manutenção e reparação têm de ser realizados por uma oficina aprovada. Utilize sempre peças sobresselentes originais Husqvarna.
- Nunca utilize os protetores auriculares durante mais de 10 anos a contar da data de fabrico indicada na embalagem.
- A funcionalidade do produto pode deteriorar-se com o consumo da bateria.

Instruções de segurança para funcionamento

- O utilizador deve certificar-se de que os protetores auriculares são sempre utilizados em ambientes ruidosos.
- Tenha mais cuidado e esteja mais atento a sinais de aviso quando estiver a utilizar o produto. O ruído dos sinais de aviso pode ser atenuado durante a utilização do produto.
- A audibilidade dos sinais de aviso em locais de trabalho específicos pode ser prejudicada durante a utilização da unidade de entretenimento.
- Certifique-se de que o produto não é atingido durante o transporte e utilização do mesmo.
- Utilize o produto apenas a temperaturas compreendidas entre -20 °C e +55 °C/-4 °F e +131 °F. Utilizar o produto a outras temperaturas pode resultar em danos nos componentes eletrónicos, mecânicos e da bateria.
- Certifique-se de que sabe como utilizar o produto antes de o utilizar. Caso o produto se encontre danificado, contacte o seu revendedor com assistência técnica. Não abra a estrutura!
- A colocação de coberturas higiénicas nas almofadas pode afetar o desempenho acústico dos protetores auriculares. Utilize sempre acessórios originais.
- Não pressione os protetores auriculares contra o casco do capacete. Se o fizer, poderá provocar fissuras nas partes laterais do capacete.

(Fig. 4)

- Não armazene o produto a temperaturas superiores a +55 °C/+131 °F, por exemplo num painel de navegação. Não armazene o produto a temperaturas inferiores a -20 °C/-4 °F.

- O utilizador deve certificar-se de que os protetores auriculares são instalados, ajustados e mantidos de acordo com este manual do utilizador.
- O protetor auricular é fornecido com uma entrada de áudio relacionada com a segurança. O utilizador deve verificar o funcionamento correto antes da utilização. Se for detetada distorção ou avaria, o utilizador deve consultar as orientações do fabricante para manutenção.

Segurança da bateria

- O protetor auricular é fornecido com atenuação em função do nível. O utilizador deve verificar o

funcionamento correto antes da utilização. Se for detetado um mau funcionamento ou uma falha, o utilizador deve seguir as instruções do fabricante para a manutenção.

- O produto contém bateria e componentes elétricos que podem resultar em ignição quando em ambientes inflamáveis ou explosivos. Não utilize o produto em ambientes em que as faíscas possam provocar um incêndio ou uma explosão.
- Carregue o produto apenas a temperaturas num intervalo entre 0 °C e +40 °C / +32 °F a +104 °F. Carregar a temperaturas fora deste intervalo pode danificar o sistema eletrónico e a bateria.

Montagem

Introdução



ATENÇÃO: Mova o cabelo para o lado antes de colocar o produto. Certifique-se de que os vedantes circulares estão bem apertados na cabeça e em redor das suas orelhas antes de utilizar o produto.

Colocar os protetores auriculares com a fita para a cabeça

1. Coloque a fita para a cabeça na parte superior da sua cabeça.
2. Desloque os protetores auriculares para cima ou para baixo para ajustar a altura. (Fig. 5)

Instalar os protetores auriculares num capacete

1. Instale o tipo correto de fixação do adaptador no casco do capacete. Consulte *Capacetes aprovados na página 220*.
2. Coloque a forquilha do capacete no adaptador de fixação. (Fig. 6)

Nota: Consulte *Capacetes aprovados na página 220* para obter mais informações sobre que acessórios de capacete são aplicáveis ao seu capacete.

3. Desloque os protetores auriculares para a posição mais baixa.
4. Levante os protetores auriculares para cima e para fora até que encaixem na posição de espera. (Fig. 7)
5. Efetue uma marca no cabo.
 - a) Para o capacete H300, efetue uma marca a 27 cm/11 pol. (X) de cada protetor auricular.
 - b) Para o capacete Spire Vent X, efetue uma marca a 14,5 cm/6 pol. (Y) de cada protetor auricular. (Fig. 8)

6. Coloque o acessório do capacete na ranhura do capacete. (Fig. 9)
7. Continue a seguir as instruções de montagem do seu capacete aprovado.



CUIDADO: Certifique-se de que o cabo não se encontra torcido nem dobrado. Certifique-se de que o cabo se pode mover suavemente na abertura do capacete.

Instalar os protetores auriculares no capacete H300

1. Solte o ornês para a cabeça do capacete. (Fig. 10)
2. Fixe o cabo aos orifícios com os grampos ou as abraçadeiras. (Fig. 11)
3. Se fixar o cabo com abraçadeiras, corte a abraçadeira e coloque o bloqueio da mesma na ranhura lateral.
4. Curve o cabo e fixe o ornês para a cabeça e a proteção do pescoço. Certifique-se de que o cabo se encontra entre o casco do capacete e o ornês para a cabeça. (Fig. 12)

Instalar os protetores auriculares no capacete Spire Vent X

1. Coloque o cabo curvado para trás.
2. Fixe o cabo ao ornês para a cabeça com abraçadeiras. Fixe as abraçadeiras através da correia traseira da fita para a cabeça.
3. Corte a braçadeira.
4. Coloque a parte restante do cabo curvada para trás, atrás da fita para a testa. (Fig. 13)

Colocar os protetores auriculares na posição de funcionamento

1. Coloque o capacete na cabeça.
2. Ajuste os protetores auriculares até que estejam justos à volta das orelhas e da cabeça. (Fig. 14)

Colocar os protetores auriculares na posição de espera

- Levante os protetores auriculares para cima e para fora até que encaixem na posição de espera. (Fig. 15)

Colocar os protetores auriculares na posição de repouso

1. Coloque os protetores auriculares na posição de espera. Consulte *Colocar os protetores auriculares na posição de espera na página 215*.
2. Vire os protetores auriculares para trás ao longo da lateral do capacete até que encaixem na posição de repouso. (Fig. 16)

Ligar o microfone de cabeça

Utilize um microfone de cabeça em ambientes com bastante ruído.

1. Fixe o filtro de vento ao microfone de cabeça.
2. Ligue o microfone de cabeça à saída para microfone do protetor auricular direito. (Fig. 17)
3. Coloque o microfone de cabeça a uma distância de 1 cm (0,4 pol.) (A) da boca.

Funcionamento

Introdução



ATENÇÃO: Antes de utilizar o produto, tem ler e compreender o capítulo sobre segurança.

Carregar o produto

1. Ligue o conector USB-C do cabo do carregador à saída no protetor auricular esquerdo. (Fig. 18)
2. Ligue o conector USB do cabo do carregador a um carregador USB ou a outra tomada de alimentação USB.

Nota: A saída da tomada de alimentação tem de ser de 5 V e 2 A para carregar até à capacidade máxima.

Nota: O indicador LED no botão Bluetooth® pisca lentamente a verde quando a bateria está a carregar. O indicador LED no botão Bluetooth® apresenta uma luz verde contínua quando a bateria está totalmente carregada.

Indicador LED no botão de canal	Estado de carga da bateria
Estão acesos 3 LED.	A bateria tem uma carga de 90% – 100%.
2 LED acesos e 1 luz LED a piscar lentamente.	A bateria tem uma carga de 70% – 90%.
1 LED aceso e 1 luz LED a piscar lentamente.	A bateria tem uma carga de 20% – 70%.
1 LED a piscar lentamente.	A bateria tem uma carga de 10% – 20%.

Indicador LED no botão de canal	Estado de carga da bateria
1 LED a piscar rapidamente.	A bateria tem uma carga de 0% – 10%.

Arrancar o produto

- Mantenha pressionado o botão On/Off durante 1 segundo.

Nota: Um sinal sonoro indica que o produto está ligado. O indicador LED central do botão de canal fica aceso durante 2 segundos. Uma mensagem de áudio indica o estado da bateria e a quantidade de dispositivos ligados através da tecnologia Bluetooth® sem fios. Se o produto encontrar uma equipa, a mensagem áudio indica a que equipa está ligado. Consulte a tabela a seguir.

Mensagem de áudio
BATTERY HIGH
BATTERY MEDIUM
BATTERY LOW
BATTERY CRITICAL

Mensagem de áudio
ONE BLUETOOTH DEVICE CONNECTED
TWO BLUETOOTH DEVICES CONNECTED
CONNECTED TO TEAM CHANNEL 1
CONNECTED TO TEAM CHANNEL 2
CONNECTED TO TEAM CHANNEL 3

Apresentar o estado da bateria

- Prima o botão On/Off.

Nota: O indicador LED do botão de canal apresenta uma luz verde durante 5 segundos. Consulte a tabela a seguir.

Indicador LED	Estado da bateria
Estão acesos 3 LED.	A bateria tem uma carga de 90% – 100%.
Estão acesos 2 LED.	A bateria tem uma carga de 70% – 90%.
Está aceso 1 LED.	A bateria tem uma carga de 20% – 70%.
1 LED a piscar rapidamente.	A bateria tem uma carga de 0% – 10%.

Alternar entre o modo de rádio FM e o modo Bluetooth®

- Pressione o botão Mode durante 2 segundos para alternar entre o modo de rádio FM e o modo Bluetooth®.

Nota: Uma mensagem de áudio indica o modo que selecionou. Consulte a tabela a seguir.

Mensagem de áudio
RADIO
BLUETOOTH

Modo de rádio FM

No modo de rádio FM, pode aceder ao rádio FM em áreas urbanas ou noutras áreas com um sinal de rádio FM forte. O desempenho do rádio FM pode ser afetado por terreno irregular ou vegetação densa.

Mudar de estação de rádio FM

- Mantenha premido o botão de aumento do volume ou o botão de diminuição do volume durante 1 segundo para mudar a estação de rádio FM.

Modo Bluetooth®

No modo Bluetooth® pode ligar o seu produto a um dispositivo com tecnologia Bluetooth® sem fios.

Realizar uma operação de emparelhamento por Bluetooth®

1. Pressione o botão Bluetooth® e o botão de avanço e mantenha-os pressionados durante 2 segundos para iniciar a operação de emparelhamento do seu produto.

Nota: A operação de emparelhamento começa quando se ouve um sinal sonoro e o botão Bluetooth® pisca a azul. A operação de emparelhamento é ativada durante 30 segundos.

2. Inicie a operação de emparelhamento da tecnologia Bluetooth® sem fios no dispositivo.
3. Se necessário, selecione "Husqvarna X-COM Active" na lista de unidades do seu dispositivo.

Nota: Uma mensagem de áudio indica o estado do produto. Consulte a tabela a seguir.

Mensagem de áudio	Indicador LED no botão Bluetooth®	Informação
BLUETOOTH DEVICE CONNECTED	Continuamente aceso a azul.	O produto está ligado a um dispositivo com tecnologia Bluetooth® sem fios.
BLUETOOTH CONNECTION FAILED	Continuamente aceso a vermelho durante 2 segundos.	O produto não está ligado a um dispositivo com tecnologia Bluetooth® sem fios.

Nota: Qualquer dispositivo com tecnologia Bluetooth® sem fios que se encontre ligado ao seu produto irá ligar-se automaticamente a este da próxima vez que o utilizar em conjunto com o mesmo.

Configurar uma equipa e adicionar dispositivos

Uma equipa é um grupo de comunicação que lhe permite falar com todos os dispositivos que estão ligados à equipa. Se não existir uma equipa e este procedimento for efetuado, será configurada uma nova equipa. Em seguida, pode realizar novamente o procedimento para adicionar novos dispositivos à equipa. Apenas uma pessoa configura uma equipa e os outros dispositivos ligam-se à equipa, conforme apresentado em *Ligar-se a uma equipa na página 217*. Apenas uma pessoa de cada vez pode adicionar um novo dispositivo à equipa. O novo dispositivo tem de ligar-se à equipa, conforme apresentado em *Ligar-se a uma equipa na página 217*.

1. Prima o botão Mode durante 1 segundo para entrar no modo de gestão de equipa e aceder à configuração da equipa.

Nota: Uma mensagem de áudio informa-o de que está no modo de gestão de equipa. Consulte a tabela a seguir.

Mensagem de áudio	Indicador LED no botão Bluetooth®
TEAM MANAGEMENT	Branco contínuo.

2. Prima o botão Bluetooth®.

Nota: Uma mensagem de áudio indica o estado da operação de emparelhamento. A operação de emparelhamento começa quando se ouve um sinal sonoro. Consulte a tabela a seguir.

Mensagem de áudio	Indicador LED no botão Bluetooth®
SEARCHING FOR MEMBERS	O LED pisca rapidamente.

Nota: A operação de emparelhamento é ativada durante 1 minuto. Os dispositivos ligam-se à equipa em, aproximadamente, 1 minuto. A operação de emparelhamento está concluída quando se ouve um sinal sonoro e o botão Bluetooth® apresenta uma luz verde constante. Ouve-se um sinal sonoro sempre que um novo dispositivo se liga à equipa. Para ligar-se a uma equipa, consulte *Ligar-se a uma equipa na página 217*.

3. Se pretender parar a operação de emparelhamento em menos de 1 minuto, prima o botão Mode.
4. Se pretender adicionar um novo dispositivo à equipa, siga novamente as mesmas instruções.

Nota: Um dispositivo ligado à equipa liga-se automaticamente à equipa da próxima vez que o utilizar.

Ligar-se a uma equipa

Não é possível ligar-se a uma equipa se não estiver configurada uma. Para configurar uma equipa, consulte *Configurar uma equipa e adicionar dispositivos na página 216*. Pode ligar-se a uma equipa ao mesmo tempo que é configurada uma nova equipa. Também pode ligar-se a uma equipa se um membro da equipa adicionar novos dispositivos à equipa.

1. Prima o botão Mode durante 1 segundo para entrar no modo de gestão de equipa.

Nota: Uma mensagem de áudio informa-o de que está no modo de gestão de equipa. Consulte a tabela a seguir.

Mensagem de áudio	Indicador LED no botão Bluetooth®
TEAM MANAGEMENT	Branco contínuo.

2. Prima o botão de aumento do volume.

Nota: A operação de emparelhamento começa quando se ouve um sinal sonoro e o botão Bluetooth® pisca lentamente. A operação de emparelhamento é ativada durante 1 minuto. Uma mensagem áudio informa-o de que está ligado à equipa. Consulte a tabela a seguir.

Mensagem de áudio	Indicador LED no botão Bluetooth®
CONNECTED TO TEAM	Verde contínuo.

Nota: Pode falar com a equipa depois de a mensagem áudio lhe indicar que está ligado à equipa.

Desligar-se de uma equipa

1. Prima o botão Mode durante 1 segundo para entrar no modo de gestão de equipa.

Nota: Uma mensagem de áudio informa-o de que está no modo de gestão de equipa. Consulte a tabela a seguir.

Mensagem de áudio	Indicador LED no botão Bluetooth®
TEAM MANAGEMENT	Branco contínuo.

2. Prima o botão de diminuição do volume.

Nota: Uma mensagem áudio informa-o de que se desligou da equipa. Consulte a tabela a seguir.

Mensagem de áudio	Indicador LED no botão Bluetooth®
LEAVING TEAM	O LED pisca a vermelho 3 vezes.

Alterar o canal de comunicação

- Prima o botão de canal para selecionar o canal de comunicação 1, 2 ou 3.

Nota: Uma mensagem áudio indica o canal em que se encontra. Consulte a tabela abaixo.

Mensagem de áudio	Indicador LED de canal
CHANNEL 1	Branco contínuo no canal 1.
CHANNEL 2	Branco contínuo no canal 2.
CHANNEL 3	Branco contínuo no canal 3.

Falar com todos os canais de comunicação

- Mantenha premido o botão de canal para falar para todos os canais de comunicação ao mesmo tempo.

Nota: Está ligado a todos os canais de comunicação quando ouve um sinal sonoro. Todos os indicadores LED de canal ficam continuamente acesos a branco para mostrar que está ligado a todos os canais.

- Solte o botão de canal para regressar ao canal anterior.

Ativar ou desativar o microfone

- Prima o botão de desativação do som até ouvir um sinal sonoro.

Alterar a transmissão de áudio

- Mantenha premido o botão de aumento do volume durante 0,5 segundos para selecionar a próxima transmissão de áudio.
- Mantenha premido o botão de diminuição do volume durante 0,5 segundos para voltar para a transmissão de áudio anterior.

Parar ou iniciar a transmissão de áudio

- Pressione o botão Mode para parar ou iniciar a transmissão de áudio.

Aceitar, terminar ou rejeitar uma chamada telefónica

Se o seu dispositivo móvel estiver ligado ao produto com tecnologia Bluetooth® sem fios, ouve-se um sinal nos protetores auriculares quando é recebida uma chamada telefónica.

- Pressione o botão Mode para aceitar ou terminar a chamada telefónica.
- Pressione o botão Mode durante 1 segundo para rejeitar uma chamada telefónica recebida.

Nota: É emitido um sinal sonoro quando a chamada telefónica é aceite ou rejeitada.

Mensagem de áudio	Informação
CALL ENDED	A chamada telefónica terminou.

Transferir a chamada telefónica para a equipa

1. Pressione o botão Mode para aceitar a chamada telefónica.
2. Prima rapidamente o botão Mode 2 vezes para transferir a chamada telefónica para a equipa.

Nota: Uma mensagem áudio indica-lhe quando a chamada telefónica foi transferida. Consulte a tabela a seguir.

Mensagem de áudio	Informação
CALL TRANSFERRED TO TEAM	A chamada telefónica foi transferida para a equipa.

Desligar a chamada telefónica da equipa

- Prima o botão Mode 2 vezes rapidamente.

Nota: Uma mensagem áudio indica-lhe quando a chamada telefónica foi desligada. Consulte a tabela a seguir.

Mensagem de áudio	Informação
CALL DISCONNECTED FROM TEAM	A chamada telefónica foi desligada da equipa.

Ajustar o volume

- Pressione o botão de aumento do volume ou o botão de diminuição do volume para ajustar o volume. Um sinal sonoro indica-lhe quando o volume está no nível mínimo ou máximo.

Definir o modo de som ambiente

O modo de som ambiente permite-lhe ouvir os sons circundantes.

- Pressione o botão de som ambiente.

Nota: Uma mensagem de áudio indica o estado do modo de som ambiente.

Mensagem de áudio
AMBIENT LEVEL HIGH
AMBIENT LEVEL MEDIUM
AMBIENT LEVEL LOW
AMBIENT LEVEL OFF

Parar o produto

- Mantenha pressionado o botão On/Off durante 1 segundo.

Nota: Uma mensagem de áudio indica o estado da bateria, e os indicadores LED apagam-se. Um sinal sonoro indica que o produto está desligado.

Forçar a paragem do produto

- Mantenha pressionado o botão On/Off durante 12 segundos.

Manutenção

Efetuar a manutenção do produto



CUIDADO: Não verta água no produto nem o coloque totalmente dentro de água.



CUIDADO: Os sprays, líquidos ou outros agentes de limpeza que contenham solventes e/ou álcool podem diminuir a função de proteção.



CUIDADO: Utilize peças sobresselentes originais Husqvarna.

1. Limpe regularmente o produto. Utilize um pano e uma solução de sabão diluída.
2. Verifique o estado dos vedantes circulares e dos perfis de espuma de borracha antes de cada utilização.
3. Substitua os vedantes circulares e os perfis de espuma de borracha a cada 6 meses ou com maior frequência, se necessário. Certifique-se de que o orifício de ar no vedante circular está voltado para baixo durante a montagem. Utilize o kit de higiene original que inclui os anéis de vedação e os perfis de espuma de borracha. Consulte www.husqvarna.com para obter mais informações sobre o kit de higiene. (Fig. 19)

Nota: Se a parte interior dos protetores auriculares se encontrar molhada, deixe-os secar na posição de repouso. Consulte *Colocar os protetores auriculares na posição de repouso na página 215*.

4. Substitua a membrana do microfone de voz, se estiver danificada.
5. Substitua o filtro de vento do microfone dependente do nível, se estiver danificado.
6. Substitua o filtro de vento do microfone de cabeça, se estiver danificado.
7. Substitua a almofada de conforto da fita para a cabeça, se necessário. (Fig. 20)

Transporte, armazenamento e eliminação

Transporte e armazenamento



CUIDADO: Durante o transporte e o armazenamento, coloque os protetores auriculares na posição de funcionamento para diminuir o desgaste do material de plástico.

- Coloque os protetores auriculares na posição de utilização. Consulte *Colocar os protetores auriculares na posição de funcionamento na página 214*.
- Certifique-se de que os vedantes circulares não se encontram comprimidos.
- Coloque o produto num local seco e limpo.
- Mantenha o produto afastado da exposição à luz solar durante o armazenamento.

- Carregue a bateria a cada 6 semanas para conservar a qualidade da mesma.
- Durante o transporte, coloque o produto num local seguro.

Eliminação

- Respeite os regulamentos nacionais.
- Utilize o sistema de reciclagem local.
- O produto ou a respetiva embalagem não são resíduos domésticos. Recicle o equipamento numa estação de reciclagem para equipamentos elétricos e eletrónicos.



Acessórios

Capacetes aprovados

Utilize o produto apenas com os capacetes abaixo indicados.

Modelo	Tipo de acessório para capacete	Gráfico do adaptador	Dimensões aprovadas
Husqvarna Technical, H300	Adaptador H300	(Fig. 21)	M/L
Husqvarna Spire	Adaptador Spire	(Fig. 22)	L
KASK Zenith X			

Especificações técnicas

Consulte as ilustrações que se seguem para obter as especificações técnicas de cada produto. Para obter

mais dados técnicos, consulte a folha de especificações técnicas anexa deste manual do utilizador.

(Fig. 2)
(Fig. 3)

Para obter mais informações sobre o conteúdo das especificações técnicas, consulte a lista que se segue:

- F = Frequências às quais é medida a atenuação.
- Mf = Valor médio.
- Sf = Desvio padrão.
- APV (Mf-Sf) = Valor de proteção assumido.
- H = Valor de atenuação de alta frequência (redução do nível previsto de ruído para ruídos em que $L_C - L_A = -2$ dB). M = Valor de atenuação de média frequência (redução do nível previsto de ruído para ruídos em que $L_C - L_A = +2$ dB). L = Valor de atenuação de baixa frequência (redução do nível

previsto de ruído para ruídos em que $L_C - L_A = +10$ dB).

- SNR = Classificação de Número Único (valor que é subtraído ao nível de pressão sonora ponderado C medido, L_C , para determinar o nível sonoro ponderado A efetivo no interior do ouvido).

Fabricante responsável: A Husqvarna AB, SE-561 82 Huskvarna, Suécia, tel.: +46-36-146500.

Nível sonoro

O modo de rádio FM e o modo auricular têm um nível sonoro máximo equivalente de 82 dB (A).

Materiais

Peça	Material	Peça	Material
Parte interior do auscultador	ABS	Fita para a cabeça	POM+TPE
Parte exterior do auscultador, lado esquerdo	ABS	Forquilha do capacete	POM
Parte exterior do auscultador, lado direito	ABS+TPE	Mola da forquilha do capacete	Aço
Inserções	PUR	Parafusos	Aço
Vedantes circulares	PVC e espuma		

CUPRINS

Introducere.....	221	Transportul, depozitarea și eliminarea.....	228
Siguranță.....	222	Accesorii.....	228
Asamblarea.....	223	Date tehnice.....	229
Funcționarea.....	224	0
Întreținerea.....	228		

Introducere

Descrierea produsului

Produsul X-COM Active (HP500C-01, HP500C-02) este o protecție pentru auz cu comunicare full-duplex integrată, *Bluetooth® tehnologie wireless* și radio FM.

Prezentare generală a produsului

(Fig. 1)

1. Buton creștere volum
2. Buton reducere volum
3. Microfon dependent de nivel
4. Butonul Bluetooth®
5. Microfon pentru vorbire
6. Butonul mod
7. Mufă pentru cablul încărcătorului USB-C
8. Buton pentru sunet ambient
9. Buton pentru dezactivare sunet
10. Buton ON/OFF (Pornire/oprire)
11. Buton pentru canale
12. Mufă microfon cu braț

Conformitate și aprobări

Prin prezentul document, Husqvarna AB, SE-561 82 Huskvarna, Sweden, tel: +46-36-146500 declară că tipul de echipamente radio HP500C-01 și HP500C-02 este conform cu 2014/53/EU, 2011/65/EU și cu reglementarea (EU) 2016/425. Textul integral al declarației de conformitate a UE este disponibil la următoarea adresă de internet: www.husqvarna.com; căutați X-COM Active, HP500C-01, HP500C-02.

Valorile de atenuare și nivelurile de zgomot ale produsului sunt testate și aprobate în conformitate cu: EN 352-1:2020 (bandă de susținere pe cap), EN 352-3:2020 (montată pe cască), EN 352-4:2020, EN 352-6:2020 și EN 352-8:2020.

Organismul notificat implicat în evaluarea de conformitate este: Număr organism notificat 1974. PZT GmbH, Bismarckstraße 264 B, 26389 Wilhelmshaven, Germany.

Certificare și monitorizare de PZT.

Bateria este omologată în conformitate cu IEC62133 ediția 2.

Modelul HP500C-01 este o protecție pentru auz cu bandă de susținere pe cap și modelul HP500C-02 este o protecție pentru auz pentru cască. Produsul oferă protecție împotriva zgomotelor dăunătoare.



UK Importer:
Husqvarna UK Ltd
Preston Road, Co. Durham
DL5 6UP

FCC ID: ZASHP500, IC ID: 23307-HP500

Declarația de conformitate a furnizorilor FCC pentru partea responsabilă HP500C-01, HP500C-02.

Produse profesionale Husqvarna, Inc. 9335 Harris Corners Parkway Suite 500 Charlotte, NC 28269 Statele Unite ale Americii.

Datei de contact pentru SUA: Michael Campbell, Director conformitatea produselor, Telefon: +1 704 597 5000.

Declarație de Conformitate FCC:

Acest dispozitiv este conform cu Partea 15 din Regulamentele FCC. Funcționarea sa face obiectul următoarelor două condiții: (1) acest dispozitiv nu poate provoca interferențe dăunătoare și (2) acest dispozitiv trebuie să accepte orice interferențe primite, inclusiv interferențele care pot provoca o funcționare nedorită.

Acest echipament a fost testat și declarat în conformitate cu limitele pentru un dispozitiv digital de clasă B, conform reglementărilor FCC, partea 15. Aceste limite au fost concepute pentru a furniza protecție rezonabilă împotriva interferențelor dăunătoare pentru o instalație în mediu rezidențial. Echipamentul generează, utilizează și poate radia energie de radio frecvență, iar dacă nu este instalat și utilizat conform instrucțiunilor, poate provoca interferențe dăunătoare asupra comunicațiilor radio. Cu toate acestea, nu se poate garanta că acest fapt poate avea loc pentru o instalare anume. Dacă

acest echipament provoacă interferență dăunătoare asupra recepției semnalelor de radio sau televiziune, care poate fi verificată prin oprirea și repornirea echipamentului, utilizatorul este încurajat să încerce corectarea interferenței prin luarea următoarelor măsuri:

- Mărirea distanței de separare dintre echipament și receptor.
- Consultați distribuitorul pentru ajutor.

Marcajul pe produs se găsește pe eticheta de pe casca dreaptă.

Mărci comerciale înregistrate

Marca și siglele *Bluetooth®* sunt mărci comerciale înregistrate ale *Bluetooth SIG, inc.*, iar utilizarea lor de către Husqvarna se face sub licență.

Siguranță

Definiții privind siguranța

Avertismentele, atenționările și notele sunt utilizate pentru a desemna părți foarte importante din manual.



AVERTISMENT: Se utilizează dacă există risc de vătămare sau de deces pentru operator sau pentru trecători, în cazul în care instrucțiunile din manual nu sunt respectate.



ATENȚIE: Se utilizează dacă există un risc de deteriorare a produsului, a altor materiale sau a zonelor învecinate, dacă instrucțiunile din manual nu sunt respectate.

Nota: Se utilizează pentru a furniza mai multe informații care sunt necesare într-o situație dată.

Siguranța generală



AVERTISMENT: Înainte de a utiliza produsul, citiți instrucțiunile de avertizare de mai jos.

- Utilizați și păstrați aceste instrucțiuni.
- Pentru confort și funcționare optime, asigurați-vă că ați selectat produsul corect pentru utilizarea proprie.
- Nu schimbați și nu eliminați piese de pe produs. Efectuați numai modificările care se regăsesc în acest manual al operatorului.
- Atenuarea zgomotului produsului poate fi serios afectată dacă nu urmați instrucțiunile din acest manual al operatorului. Căștile pentru ureche și, în special, pernuțele se pot deteriora prin utilizare și trebuie examinate la intervale frecvente pentru a se depista fisurile și scurgerile. Consultați *Întreținerea la pagina 228*.
- Acest produs poate fi afectat negativ de anumite substanțe chimice. Solicitați informații suplimentare de la producător. Feriți produsul de substanțele agresive și curățați-l periodic. Utilizați o lavetă cu apă și săpun. Nu spălați și nu scufundați complet în apă.
- Toate lucrările de service și reparații trebuie efectuate de un atelier de service aprobat. Utilizați doar piese de schimb originale Husqvarna.

- Nu utilizați niciodată căști pentru urechi mai mult de 10 ani de la data de fabricație indicată pe ambalaj.
- Funcționalitatea produsului se poate diminua pe măsură ce se consumă bateria.

Instrucțiuni de siguranță pentru utilizare

- Purtătorul trebuie să se asigure de purtarea în permanență în medii zgomotoase a căștilor pentru urechi.
- Fiți mai prudenți și ascultați dacă există semnale de avertizare atunci când utilizați produsul. Zgomotul provenit de la semnalele de avertizare poate fi redus atunci când utilizați produsul.
- Audibilitatea semnalelor de avertizare la respectivul loc de muncă poate fi afectată în timpul utilizării funcției de divertisment.
- Asigurați-vă că produsul nu este supus loviturilor în timpul transportului și al utilizării.
- Utilizați produsul numai la temperaturi cuprinse între -20°C și +55°C/-4°F și +131°F. Dacă utilizați produsul la alte temperaturi, aceasta poate cauza deteriorarea componentelor electronice, a bateriei și a părților mecanice.
- Asigurați-vă că știți cum să utilizați produsul înainte de utilizare. Contactați reprezentantul de service dacă produsul prezintă deteriorări. Nu deschideți carcasa!
- Aplicarea capacelor igienice pe pernuțe poate afecta performanța acustică a căștilor pentru urechi. Utilizați întotdeauna accesoriile originale.
- Nu apăsați căștile pentru ureche pe scutul căștii de protecție. Dacă faceți acest lucru, pot fi cauzate fisuri în jurul părții laterale a căștii de protecție.

(Fig. 4)

- Nu depozitați produsul la temperaturi de peste +55°C/+131°F, de exemplu pe un tablou de bord. Nu depozitați produsul la temperaturi sub -20°C/-4°F.
- Purtătorul trebuie să se asigure de purtarea, reglarea și întreținerea căștilor pentru urechi în conformitate cu acest manual al operatorului.
- Căștile pentru urechi sunt prevăzute cu intrare audio sigură. Utilizatorul trebuie să verifice funcționarea corectă înainte de utilizare. Dacă sunt detectate distorsiuni sau disfuncții, utilizatorul trebuie să consulte recomandările producătorului pentru întreținere.

Siguranța bateriei

- Casca pentru ureche este prevăzută cu atenuare în funcție de nivel. Utilizatorul trebuie să verifice funcționarea corectă înainte de utilizare. Dacă sunt detectate defecte sau disfuncții, utilizatorul trebuie să urmeze indicațiile pentru întreținere ale producătorului.

- Produsul conține bateria și componente electrice care ar putea produce aprinderea în medii inflamabile sau explozive. Nu le utilizați în medii în care scântelele pot provoca incendii sau explozii.
- Încărcați produsul numai în intervalul de temperatură de la 0°C la +40°C/+32°F la +104°F. Încărcarea în afara intervalului de temperatură poate deteriora componentele electronice și bateria.

Asamblarea

Introducere



AVERTISMENT: Dați-vă părul într-o parte înainte de a asambla produsul. Asigurați-vă că inelele de etanșare sunt strânse pe cap și în jurul urechilor înainte de a utiliza produsul.

Pentru fixarea căștilor pentru urechi cu banda de fixare pe cap

1. Plasați banda de fixare pe cap pe creștetul capului.
2. Pentru a ajusta înălțimea, deplasați căștile pentru urechi în sus sau în jos. (Fig. 5)

Pentru a monta căștile pentru urechi pe o cască de protecție

1. Asamblați tipul de accesoriu corect pentru adaptorul de pe scutul căștii. Consultați *Căști de protecție aprobate la pagina 228*.
2. Asamblați furca căștii pe adaptorul cu accesoriu. (Fig. 6)

Nota: Consultați *Căști de protecție aprobate la pagina 228* pentru mai multe informații despre accesoriul căștii de protecție care se aplică în cazul căștii dvs. de protecție.

3. Mutăți căștile pentru urechi în poziția cea mai coborâtă.
4. Ridicați căștile pentru urechi până când se blochează în poziția de stand-by. (Fig. 7)
5. Faceți un semn pe cablu.
 - a) Pentru casca de protecție H300, faceți un semn de 27 cm/11 in (X) la distanță de fiecare cască pentru ureche.
 - b) Pentru casca de protecție Spire Vent X, faceți un semn de 14,5 cm/6 in (Y) la distanță de fiecare cască pentru ureche. (Fig. 8)
6. Așezați accesoriul pentru casca de protecție în fanta de pe casca de protecție. (Fig. 9)
7. Continuați cu instrucțiunile de asamblare pentru casca de protecție aprobată.



ATENȚIE: Cablul nu trebuie să fie răsucit sau să aibă o mică rază de îndoire. Cablul trebuie să se poată mișca fără probleme în orificiul căștii de protecție.

Pentru a monta căștile pentru ureche pe casca de protecție H300

1. Eliberați hamul pentru cap de pe casca de protecție. (Fig. 10)
2. Atașați cablul la orificiul cu colierele pentru cabluri sau cleme. (Fig. 11)
3. Dacă prindeți cablul folosind coliere, tăiați colierul pentru cablu și apăsați elementul de blocare al acestuia în slotul lateral.
4. Faceți o buclă a cablului și atașați hamul pentru cap și protecția pentru gât. Cablul trebuie să se afle între scutul căștii de protecție și hamul pentru cap. (Fig. 12)

Pentru a monta căștile pentru ureche pe casca de protecție Spire Vent X

1. Așezați cablul într-o buclă posterioară.
2. Atașați cablul la hamul pentru cap cu colierele pentru cabluri. Atașați colierul pentru cablu prin cureaua posterioară a benzii de fixare pe cap.
3. Tăiați colierul pentru cablu.
4. Așezați partea rămasă a cablului într-o buclă posterioară, în spatele benzii de fixare pe ceafă. (Fig. 13)

Așezarea căștilor pentru ureche în poziția de funcționare

1. Așezați casca de protecție pe cap.
2. Reglați căștile pentru urechi până când acestea sunt strânse în jurul urechilor și pe cap. (Fig. 14)

Pentru a pune căștile pentru urechi în poziția de standby

- Ridicați căștile pentru urechi până când se blochează în poziția de stand-by. (Fig. 15)

Pentru a pune căștile pentru urechi în poziția de repaus

1. Puneți căștile pentru urechi în poziția de standby. Consultați *Pentru a pune căștile pentru urechi în poziția de standby la pagina 223.*
2. Rotiți căștile pentru urechi spre partea din spate de-a lungul părții laterale a căștii de protecție până când acestea se blochează în poziția de repaus. (Fig. 16)

Conectarea microfonului cu braț

Utilizați un microfon cu braț în mediile cu mult zgomot.

1. Atașați filtrul de vânt pe microfonul cu braț.
2. Conectați microfonul cu braț la ieșirea microfonului de pe casca pentru urechea dreaptă. (Fig. 17)
3. Poziționați microfonul cu braț la distanță de 1 cm/0,4 in. (A) de gură.

Funcționarea

Introducere



AVERTISMENT: Înainte de a utiliza produsul, trebuie să citiți și să înțelegeți capitolul privind siguranța.

Încărcarea produsului

1. Conectați conectorul USB-C de pe cablul încărcătorului la mufa de pe casca pentru urechea stângă. (Fig. 18)
2. Conectați conectorul USB de pe cablul de încărcare la un încărcător prin USB sau la altă mufă de alimentare USB.

Nota: Mufa de alimentare trebuie să aibă valorile de 5 V și 2 A pentru a încărca la capacitate maximă.

Nota: Indicatorul cu LED de pe butonul Bluetooth® se aprinde intermitent lent verde când bateria se încarcă. Indicatorul cu LED de pe butonul Bluetooth® rămâne aprins verde continuu când bateria este încărcată complet.

Indicatorul cu LED de pe butonul pentru canale	Starea de încărcare a bateriei
3 LED-uri sunt aprinse.	Bateria este încărcată în porție de 90%-100%.
2 LED-uri sunt aprinse și 1 LED se aprinde intermitent lent.	Bateria este încărcată în porție de 70%-90%.
1 LED este aprins și 1 LED se aprinde intermitent lent.	Bateria este încărcată în porție de 20%-70%.
1 LED se aprinde intermitent lent.	Bateria este încărcată în porție de 10%-20%.
1 LED se aprinde intermitent rapid.	Bateria este încărcată în porție de 0%-10%.

Pornirea produsului

- Apăsăți și țineți apăsat butonul ON/OFF (Pornire/Oprire) timp de 1 secundă.

Nota: Un semnal sonor vă indică faptul că produsul este pornit. Indicatorul cu LED din mijloc, de pe butonul pentru canale rămâne aprins 2 secunde. Un mesaj audio vă anunță care este starea bateriei și câte dispozitive sunt conectate prin tehnologia Bluetooth® wireless. Dacă produsul găsește o echipă, mesajul audio vă anunță la ce echipă v-ați conectat. Consultați tabelul de mai jos.

Mesaj audio
BATTERY HIGH
BATTERY MEDIUM
BATTERY LOW
BATTERY CRITICAL

Mesaj audio
ONE BLUETOOTH DEVICE CONNECTED
TWO BLUETOOTH DEVICES CONNECTED
CONNECTED TO TEAM CHANNEL 1
CONNECTED TO TEAM CHANNEL 2
CONNECTED TO TEAM CHANNEL 3

Afișarea stării bateriei

- Apăsăți butonul On/Off (Pornire/oprire).

Nota: Indicatorul cu LED de pe butonul pentru canale se aprinde în verde timp de 5 secunde. Consultați tabelul de mai jos.

Indicator cu LED	Stare baterie
3 LED-uri sunt aprinse.	Bateria este încărcată în proporție de 90%-100%.

Indicator cu LED	Stare baterie
2 LED-uri sunt aprinse.	Bateria este încărcată în proporție de 70%-90%.
1 LED este aprins.	Bateria este încărcată în proporție de 20%-70%.
1 LED se aprinde intermitent rapid.	Bateria este încărcată în proporție de 0%-10%.

Pentru a comuta între modul de radio FM și modul Bluetooth®

- Apăsați butonul pentru modul rapid de 2 ori pentru a comuta între modul de radio FM și modul Bluetooth®.

Nota: Mesajul audio vă anunță ce mod ați selectat. Consultați tabelul de mai jos.

Mesaj audio
RADIO
BLUETOOTH

Modul Radio FM

În modul Radio FM aveți acces la posturile de radio FM din zonele urbane sau din alte zone, care au semnal radio FM puternic. Performanța radioului FM poate fi afectată de terenul accidentat sau de vegetația densă.

Schimbarea postului de radio FM

- Apăsați și țineți apăsat butonul de mărire sau de reducere a volumului timp de 1 secundă pentru schimbarea postului de radio FM.

Modul Bluetooth®

În modul Bluetooth®, vă puteți conecta produsul la un dispozitiv cu tehnologia wireless Bluetooth®.

Efectuarea unei operații de asociere Bluetooth®

1. Apăsați și țineți apăsat pe butonul Bluetooth® timp de 2 secunde pentru a începe operația de asociere de pe produs.

Nota: Operația de asociere începe când auziți un semnal sonor și când butonul Bluetooth® se aprinde intermitent în albastru. Operația de asociere este activă 30 de secunde.

2. Începeți operația de asociere pentru tehnologia wireless Bluetooth® pe dispozitiv.
3. Dacă este necesar, selectați Husqvarna X-COM Active din lista de unități de pe dispozitivul dvs.

Nota: Un mesaj audio vă informează cu privire la starea produsului. Consultați tabelul de mai jos.

Mesaj audio	Indicatorul cu LED de pe butonul Bluetooth®	Informații
BLUETOOTH DEVICE CONNECTED	Albastru continuu.	Produsul este conectat la un dispozitiv cu tehnologia wireless Bluetooth®.
BLUETOOTH CONNECTION FAILED	Roșu continuu timp de 2 secunde.	Produsul nu este conectat la un dispozitiv cu tehnologia wireless Bluetooth®.

Nota: Un dispozitiv cu tehnologia wireless Bluetooth®, care este conectat la produsul dvs. se conectează automat la produsul dvs. la următoarea utilizare a produsului cu dispozitivul.

Configurarea unei echipe și adăugarea dispozitivelor

O echipă este un grup de comunicare care vă permite să comunicați cu toate dispozitivele care sunt conectate la echipă. Dacă nu există nicio echipă și urmați această procedură, veți configura o echipă nouă. Apoi puteți repeta procedura pentru a adăuga dispozitive noi la echipă. O singură persoană poate configura o echipă, iar celelalte dispozitive se conectează la echipă după cum se indică în *Conectarea la o echipă la pagina 226*. Dispozitivele noi pot fi adăugate la echipă doar de către o persoană, pe rând. Noul dispozitiv trebuie să se conecteze la echipă după cum se indică în *Conectarea la o echipă la pagina 226*.

1. Apăsați butonul de mod timp de 1 secundă pentru a trece în modul de gestionare a echipei, pentru a intra în meniul de configurare a echipei.

Nota: Un mesaj audio vă anunță că sunteți în modul de gestionare a echipei. Consultați tabelul de mai jos.

Mesaj audio	Indicatorul cu LED de pe butonul Bluetooth®
TEAM MANAGEMENT	Alb continuu.

2. Apăsați butonul Bluetooth®.

Nota: Un mesaj audio vă informează cu privire la starea operației de asociere. Operația de asociere începe când auziți un semnal sonor. Consultați tabelul de mai jos.

Mesaj audio	Indicatorul cu LED de pe butonul Bluetooth®
SEARCHING FOR MEMBERS	LED-ul se aprinde intermitent rapid.

Nota: Operația de asociere este activă 1 minut. Dispozitivele se conectează la echipă în aproximativ 1 minut. Operația de asociere este finalizată când auziți un semnal sonor și când butonul Bluetooth® rămâne aprins continuu în verde. Un semnal sonor se aude de fiecare dată când la echipă se conectează un dispozitiv nou. Pentru informații despre conectarea la o echipă, consultați *Conectarea la o echipă la pagina 226.*

3. Dacă doriți să opriți operația de asociere în mai puțin de 1 minut, apăsați butonul de mod.
4. Dacă doriți să adăugați un dispozitiv nou la echipă, urmați aceleași instrucțiuni din nou.

Nota: Un dispozitiv care este conectat la echipă, se conectează automat la echipă la următoarea utilizare.

Conectarea la o echipă

Nu vă puteți conecta la o echipă dacă nu a fost configurată nicio echipă. Pentru a configura o echipă, consultați *Configurarea unei echipe și adăugarea dispozitivelor la pagina 225.* Vă puteți conecta la o echipă în același timp când este configurată o echipă nouă. De asemenea, vă puteți conecta la o echipă dacă un membru al acesteia adaugă dispozitive noi la echipă.

1. Apăsați butonul de mod timp de 1 secundă pentru a trece în modul de gestionare a echipei.

Nota: Un mesaj audio vă anunță că sunteți în modul de gestionare a echipei. Consultați tabelul de mai jos.

Mesaj audio	Indicatorul cu LED de pe butonul Bluetooth®
TEAM MANAGEMENT	Alb continuu.

2. Apăsați butonul de mărire a volumului.

Nota: Operația de asociere începe când auziți un semnal sonor și când butonul Bluetooth® se aprinde intermitent lent. Operația de asociere este activă 1 minut. Un mesaj audio vă anunță că sunteți conectat la echipă. Consultați tabelul de mai jos.

Mesaj audio	Indicatorul cu LED de pe butonul Bluetooth®
CONNECTED TO TEAM	Verde continuu.

Nota: Puteți comunica cu echipa după ce mesajul audio vă anunță că v-ați conectat la echipă.

Deconectarea de la o echipă

1. Apăsați butonul de mod timp de 1 secundă pentru a trece în modul de gestionare a echipei.

Nota: Un mesaj audio vă anunță că sunteți în modul de gestionare a echipei. Consultați tabelul de mai jos.

Mesaj audio	Indicatorul cu LED de pe butonul Bluetooth®
TEAM MANAGEMENT	Alb continuu.

2. Apăsați butonul de reducere a volumului.

Nota: Un mesaj audio vă anunță că sunteți v-ați deconectat de la echipă. Consultați tabelul de mai jos.

Mesaj audio	Indicatorul cu LED de pe butonul Bluetooth®
LEAVING TEAM	LED-ul se aprinde intermitent în roșu, de 3 ori.

Schimbarea canalului de comunicare

- Apăsați butonul pentru canale pentru a selecta canalul de comunicare 1, 2 sau 3.

Nota: Un mesaj audio vă informează pe ce canal vă aflați. Consultați tabelul de mai jos.

Mesaj audio	Indicatorul cu LED al canalului
CHANNEL 1	Alb continuu pe canalul 1.
CHANNEL 2	Alb continuu pe canalul 2.
CHANNEL 3	Alb continuu pe canalul 3.

Comunicarea pe toate canalele

- Apăsați lung pe butonul pentru canale pentru a vorbi pe toate canalele de comunicare în același timp.

Nota: Sunteți conectat la toate canalele de comunicare când auziți un semnal sonor. Indicatoarele cu LED ale tuturor canalelor sunt aprinse în alb continuu pentru a indica faptul că v-ați conectat la toate canalele.

- Eliberați butonul pentru canale pentru a reveni la canalul anterior.

Activarea sau dezactivarea microfonului

- Apăsăți butonul pentru dezactivarea sunetului până auziți un semnal sonor.

Schimbarea fluxului audio

- Apăsăți și țineți apăsat butonul de mărire a volumului timp de 0,5 secunde, pentru a selecta următorul flux audio.
- Apăsăți și țineți apăsat butonul de reducere a volumului timp de 0,5 secunde, pentru a reveni la fluxul audio anterior.

Oprirea sau pornirea redării în flux audio

- Apăsăți butonul de mod pentru a opri sau a porni redarea în flux audio.

Acceptarea, încheierea sau respingerea unui apel telefonic

Dacă dispozitivul mobil este conectat la un produs cu tehnologie wireless Bluetooth®, se aude un semnal în căștile pentru ureche când primiți un apel telefonic.

- Apăsăți butonul de mod, pentru a accepta sau a încheia apelul telefonic.
- Apăsăți butonul de mod timp de 1 secundă pentru a respinge un apel telefonic primit.

Nota: Un semnal sonor vă anunță când apelul telefonic este acceptat sau respins.

Mesaj audio	Informații
CALL ENDED	Apelul telefonic s-a încheiat.

Transferarea unui apel telefonic către echipă

1. Apăsăți butonul de mod, pentru a accepta apelul telefonic.
2. Apăsăți butonul de mod rapid de 2 ori pentru a transfera apel telefonic către echipă.

Nota: Un mesaj audio vă informează când este transferat apelul telefonic. Consultați tabelul de mai jos.

Mesaj audio	Informații
CALL TRANSFERRED TO TEAM	Apelul telefonic a fost transferat către echipă.

Deconectarea unui apel telefonic de la echipă

- Apăsăți rapid butonul de mod de 2 ori.

Nota: Un mesaj audio vă informează când a fost deconectat apelul telefonic. Consultați tabelul de mai jos.

Mesaj audio	Informații
CALL DISCONNECTED FROM TEAM	Apelul telefonic a fost deconectat de la echipă.

Reglarea volumului

- Apăsăți butonul de mărire a volumului sau butonul de reducere a volumului pentru a regla volumul. Un semnal sonor vă indică atunci când volumul a ajuns la nivelul minim sau maxim.

Setarea la modul de sunet ambient

Modul de sunet ambient vă permite să auziți sunetele din jurul dvs.

- Apăsăți butonul pentru sunet ambient.

Nota: Un mesaj audio vă informează asupra stării modului pentru sunet ambient.

Mesaj audio
AMBIENT LEVEL HIGH
AMBIENT LEVEL MEDIUM
AMBIENT LEVEL LOW
AMBIENT LEVEL OFF

Oprirea produsului

- Apăsăți și țineți apăsat butonul ON/OFF (Pornire/Oprire) timp de 1 secundă.

Nota: Un mesaj audio vă informează asupra stării bateriei și indicatoarele cu LED se sting. Un semnal sonor vă indică faptul că produsul este oprit.

Oprirea forțată a produsului

- Apăsăți și țineți apăsat butonul ON/OFF (Pornire/Oprire) timp de 12 secunde.

Întreținerea

Întreținerea produsului



ATENȚIE: Nu spălați și nu scufundați produsul complet în apă.



ATENȚIE: Sprayurile, lichidele sau alți agenți de curățare care conțin solvenți și/sau alcool pot reduce funcția de protecție.



ATENȚIE: Utilizați piese de schimb Husqvarna originale.

1. Curățați produsul periodic. Folosiți o lavetă și o soluție slabă de săpun.
2. Verificați starea inelelor de etanșare și a inserțiilor din spumă de cauciuc înainte de fiecare utilizare.
3. Înlocuiți inelele de etanșare și inserțiile din spumă o dată la 6 luni sau mai frecvent dacă este necesar. Asigurați-vă că orificiul cu aer de pe punctele inelului de etanșare este îndreptată în jos în timpul asamblării. Utilizați kitul original de igienizare, care include inelele de etanșare și inserțiile din spumă. Consultați www.husqvarna.com pentru mai multe informații despre kitul de igienizare. (Fig. 19)

Nota: În cazul în care căștile pentru ureche sunt umede pe partea interioară, lăsați-le la uscat în poziția de repaus. Consultați *Pentru a pune căștile pentru urechi în poziția de repaus la pagina 224.*

4. Schimbați membrana microfonului pentru vorbire dacă este deteriorată.
5. Schimbați filtrul de vânt pentru microfonul dependent de nivel dacă este deteriorat.
6. Schimbați filtrul de vânt de pe microfonul cu braț dacă este deteriorat.
7. Înlocuiți pernuța Comfort Pad a benzii de susținere pe cap dacă este necesar. (Fig. 20)

Transportul, depozitarea și eliminarea

Transportul și depozitarea



ATENȚIE: În timpul transportului și a depozitării, poziționați căștile pentru urechi în poziția de funcționare pentru a reduce uzura materialului plastic.

- Puneți căștile pentru urechi în poziția de funcționare. Consultați *Așezarea căștilor pentru ureche în poziția de funcționare la pagina 223.*
- Asigurați-vă că inelele de etanșare nu sunt comprimate.
- Așezați produsul într-un spațiu uscat și curat.
- Nu lăsați produsul în lumina directă a soarelui în timpul depozitării.
- Încărcați bateria o dată la 6 săptămâni pentru a menține calitatea bateriei.

- În timpul transportului, așezați produsul într-un spațiu sigur.

Eliminarea la deșeurii

- Respectați regulamentele naționale.
- Utilizați sistemul local de reciclare.
- Nici produsul și nici ambalajul său nu sunt deșeurii menajere. Reciclați la un centru de reciclare pentru echipamente electrice și electronice.



Accesorii

Căști de protecție aprobate

Utilizați produsul numai cu căștile de protecție de mai jos.

Model	Tipul de accesoriu pentru casca de protecție	Schemă adaptor	Dimensiuni aprobate
Husqvarna Technical, H300	Adaptorul H300	(Fig. 21)	M/L
Husqvarna Spire	Adaptorul Spire	(Fig. 22)	L
KASK Zenith X			

Date tehnice

Consultați ilustrațiile de mai jos pentru datele tehnice ale fiecărui produs. Pentru mai multe date tehnice,

consultați fișa cu datele tehnice din anexa la acest manual al operatorului.

(Fig. 2)

(Fig. 3)

Pentru mai multe informații despre conținutul datelor tehnice, consultați lista de mai jos:

- F = frecvențele la care este măsurată atenuarea.
- Mf = valoarea medie.
- Sf = abatere standard.
- APV (Mf-Sf) = valoarea estimată a protecției.
- H = valoarea de atenuare pentru frecvențe înalte (reducerea nivelului de zgomot prevăzută pentru zgomot unde $L_C-L_A = -2$ dB). M = valoarea de atenuare pentru frecvențe medii (reducerea nivelului de zgomot prevăzută pentru zgomot unde $L_C-L_A = +2$ dB). L = valoarea de atenuare pentru frecvențe

joase (reducerea nivelului de zgomot prevăzută pentru zgomot unde $L_C-L_A = +10$ dB).

- SNR = număr unic nominal (valoarea care este scăzută din nivelul de presiune sonoră ponderată C măsurată, L_C , pentru a estima nivelul de zgomot ponderat efectiv A în ureche.

Producător responsabil: Husqvarna AB, SE-561 82 Huskvarna, Suedia, tel.: +46-36-146500.

Nivel de zgomot

Modul radio FM și modul Headset (Căști) au un nivel maxim de zgomot echivalent de 82 dB (A).

Materiale

Piesă	Material	Piesă	Material
Cupă interioară pentru ureche	ABS	Bandă de fixare pe cap	POM+TPE
Cupă exterioră pentru ureche, stânga	ABS	Furca destinată căștii de protecție	POM
Cupă exterioră pentru ureche, dreapta	ABS+TPE	Arcul furcii destinate căștii de protecție	Oțel
Insertii	PUR	Șuruburi	Oțel
Inele de etanșare	PVC și spumă		

Содержание

Введение.....	230	Транспортировка, хранение и утилизация.....	238
Безопасность.....	231	Принадлежности.....	238
Сборка.....	232	Технические данные.....	238
Эксплуатация.....	233	0
Техническое обслуживание.....	237		

Введение

Описание изделия

Изделие X-COM Active (HP500C-01, HP500C-02) представляет собой средство защиты органов слуха со встроенной полнодуплексной связью, *технологией*

беспроводной связи Bluetooth® и FM-радио. Модель HP500C-01 представляет собой защитные наушники с оголовьем, а модель HP500C-02 — защитные наушники, устанавливаемые на шлем. Изделие обеспечивает защиту от вредного шума.

Обзор изделия

(Рис. 1)

1. Кнопка увеличения громкости
2. Кнопка уменьшения громкости
3. Микрофон с шумоподавлением
4. Кнопка Bluetooth®
5. Речевой микрофон
6. Кнопка выбора режима
7. Разъем USB-C кабеля зарядного устройства
8. Кнопка режима окружающего звука
9. Кнопка выключения микрофона
10. Кнопка включения/выключения
11. Кнопка выбора канала
12. Разъем для съемного микрофона



UK Importer:
Husqvarna UK Ltd
Preston Road, Co. Durham
DL5 6UP

**Идентификатор FCC: ZASHP500,
идентификатор IC: 23307-HP500**

**Декларация поставщика о соответствии HP500C-01,
HP500C-02 требованиям FCC, ответственная
сторона.**

Husqvarna Professional Products, Inc. 9335 Harris
Corners Parkway Suite 500 Charlotte, NC 28269, США.

Контактное лицо на территории США: Майкл Кэмпбелл (Michael Campbell), руководитель отдела тестирования продукции на соответствие установленным стандартам, тел.: +1 704 597 5000.

Заявление о соответствии требованиям FCC:

Данное устройство соответствует предписаниям Правил FCC, часть 15. Эксплуатация регламентируется двумя условиями: (1) Устройство не должно вызывать недопустимые помехи, и (2) устройство должно принимать любые полученные помехи, включая помехи, которые могут вызвать сбои в работе.

Данное оборудование проверено на соответствие ограничениям для цифрового устройства класса В согласно части 15 Правил FCC. Эти ограничения разработаны для обеспечения надлежащей защиты от недопустимых помех при установке в жилых районах. Данное оборудование генерирует, использует и может излучать радиочастотную энергию, поэтому в случае несоблюдения

Соответствие и одобрения

Настоящим Husqvarna AB, SE-561 82 Huskvarna, Sweden, tel: +46-36-146500, заявляет, что тип радиооборудования HP500C-01 и HP500C-01 соответствует требованиям 2014/53/EU, 2011/65/EU и нормативам (EU) 2016/425. Полный текст декларации соответствия требованиям ЕС доступен на сайте: www.husqvarna.com; выполните поиск по запросу X-COM Active, HP500C-01, HP500C-02.

Изделие прошло проверку на значения подавления и уровни шума и получило одобрение в соответствии с EN 352-1:2020 (оголовье), EN 352-3:2020 (модель для установки на шлем), EN 352-4:2020, EN 352-6:2020 и EN 352-8:2020.

Уполномоченная организация, проводившая оценку соответствия: Номер уполномоченной организации 1974. PZT GmbH, Bismarckstraße 264 B, 26389 Wilhelmshaven, Germany.

Сертификация и мониторинг компаний PZT.

Аккумулятор сертифицирован в соответствии с IEC62133, редакция 2.

инструкций по установке и эксплуатации оно может вызвать недопустимые помехи в радиосвязи. Тем не менее, мы не можем гарантировать, что такие помехи не возникнут при установке в конкретных условиях. Если данное оборудование все же вызывает недопустимые помехи при приеме радиои- или ТВ-сигнала (это можно определить, выключив и снова включив оборудование), пользователь может попытаться устранить помехи одним из следующих способов:

- Увеличьте расстояние между оборудованием и приемником сигнала.

- Обратитесь за помощью в дилерский центр.

Маркировка изделия указана на бирке на правом наушнике.

Зарегистрированные товарные знаки

Словесный знак *Bluetooth®* и логотипы являются зарегистрированными товарными знаками, принадлежащими компании *Bluetooth SIG, inc.* Любое использование этих знаков компанией Husqvarna регулируется лицензионным соглашением.

Безопасность

Инструкции по технике безопасности

Предупреждения, предостережения и примечания используются для выделения особо важных пунктов руководства.



ПРЕДУПРЕЖДЕНИЕ:

Используется, когда несоблюдение инструкций руководства может привести к травмам или смерти оператора или находящихся рядом посторонних лиц.



ВНИМАНИЕ: Используется, когда несоблюдение инструкций руководства может привести к повреждению изделия, других материалов или прилегающей территории.

Примечание: Используется для предоставления дополнительных сведений о конкретной ситуации.

Общие правила техники безопасности



ПРЕДУПРЕЖДЕНИЕ: В обязательном порядке прочитайте следующие инструкции по технике безопасности, прежде чем приступать к эксплуатации изделия.

- Сохраните эти инструкции для дальнейшего использования.
- Правильный выбор изделия гарантирует его оптимальное прилегание и функционирование.
- Не заменяйте и не снимайте детали изделия. Допустимыми считаются только те замены, которые указаны в данном руководстве по эксплуатации.
- Несоблюдение инструкций из руководства по эксплуатации может значительно ухудшить шумоподавляющую способность изделия.

Наушники, и в частности амбушюры, изнашиваются по мере использования и должны проверяться через короткие промежутки времени на предмет растрескивания и износа. См. раздел *Техническое обслуживание на стр. 237.*

- Определенные химические вещества могут оказывать негативное воздействие на данное изделие. Дополнительную информацию можно получить у производителя. Не допускайте контакта изделия с агрессивными веществами. Регулярно очищайте изделие. Для очистки изделия используйте ткань, смоченную в мыльном растворе. Не промывайте изделие и не погружайте его в воду.
- Все работы по обслуживанию и ремонту должны выполняться в официальном сервисном центре. Используйте только оригинальные запчасти Husqvarna.
- Запрещается использовать наушники по прошествии 10 лет с даты изготовления, указанной на упаковке.
- Работа изделия может ухудшаться по мере разрядки аккумулятора.

Инструкции по технике безопасности во время эксплуатации

- При работе в шумных условиях пользователь должен следить за тем, чтобы наушники всегда были надеты.
- При использовании изделия будьте бдительны и прислушивайтесь к предупреждающим сигналам. Надетые наушники могут понизить громкость предупреждающих сигналов.
- При использовании развлекательной функции слышимость предупреждающих сигналов в месте работы может быть снижена.
- Не допускайте ударов по изделию во время транспортировки и использования.
- Изделие разрешается использовать только при температуре от -20 до +55 °C (от -4 до +131 °F). Температуры вне этого диапазона могут стать причиной повреждения электроники, аккумулятора и механических деталей.

- Перед началом эксплуатации изделия убедитесь, что вы понимаете правила пользования им. При повреждении изделия обратитесь в сервисный центр. Не вскрывайте корпус!
- Гигиенические чехлы на амбушюрах могут влиять на акустические характеристики наушников. Используйте только оригинальные принадлежности.
- Не прижимайте наушники к шлему. Это может привести к образованию трещин по бокам шлема.

(Рис. 4)

- Не храните изделие при температуре выше +55 °C (+131 °F), например на приборной панели. Не храните изделие при температуре ниже -20 °C (-4 °F).
- Пользователь должен следить за тем, чтобы наушники использовались, регулировались и обслуживались в соответствии с настоящим руководством по эксплуатации.
- На наушниках предусмотрен аудиовход, исправность которого важна для обеспечения безопасности. Перед началом эксплуатации пользователь должен проверить исправность изделия. В случае обнаружения искажений

или неисправностей пользователь должен обратиться к производителю за рекомендациями по ремонту.

Техника безопасности при работе с аккумулятором

- Наушники имеют уровневнезависимую функцию шумоподавления. Перед началом эксплуатации пользователь должен проверить исправность изделия. В случае обнаружения искажений или неисправностей пользователь должен обратиться к производителю за рекомендациями по ремонту.
- Изделие оснащено аккумулятором и электрическими компонентами, которые могут вызвать возгорание в горючих или взрывоопасных средах. Не используйте наушники в условиях, в которых искры могут вызвать пожар или взрыв.
- Температура во время зарядки изделия должна быть в диапазоне от 0 до +40 °C (от +32 до +104 °F). Зарядка при температуре вне указанного диапазона может стать причиной повреждения электроники и аккумулятора.

Сборка

Введение



ПРЕДУПРЕЖДЕНИЕ: Прежде чем надеть изделие, уберите волосы в сторону. Перед включением изделия убедитесь, что уплотнительные кольца плотно прилегают к голове и ушам.

Надевание наушников с оголовьем

1. Наденьте оголовье на голову.
2. Для регулировки по высоте перемещайте наушники вверх или вниз. (Рис. 5)

Установка наушников на шлем

1. Установите переходник подходящего типа на шлем. См. раздел *Одобрённые шлемы на стр. 238*.
2. Установите вилку шлема на переходник. (Рис. 6)

Примечание: См. раздел *Одобрённые шлемы на стр. 238*, где приведена дополнительная информация о переходниках для различных шлемов.

3. Установите наушники в крайнее нижнее положение.
4. Потяните наушники наружу и вверх таким образом, чтобы они зафиксировались в положении готовности к работе. (Рис. 7)

5. Нанесите отметки на провод.

- a) Для шлема H300 отметка наносится на расстоянии 27 см (11 дюймов) (X) от каждого наушника.
- b) Для шлема Spire Vent X отметка наносится на расстоянии 14,5 см (6 дюймов) (Y) от каждого наушника. (Рис. 8)

6. Вставьте переходник в паз на шлеме. (Рис. 9)

7. Продолжите сборку в соответствии с инструкциями для вашего шлема.



ВНИМАНИЕ: Не допускайте перекручивания провода и малого радиуса изгиба. Проверьте, что провод свободно движется в отверстии на шлеме.

Установка наушников на шлем H300

1. Снимите оголовье со шлема. (Рис. 10)
2. Зафиксируйте провод в отверстиях с помощью кабельных стяжек или фиксаторов. (Рис. 11)
3. При креплении провода с помощью кабельных стяжек обрежьте стяжку и вставьте фиксатор стяжки в боковой паз.
4. Сложите провод петлей и установите оголовье и защиту шеи. Провод должен проходить между шлемом и оголовьем. (Рис. 12)

Установка наушников на шлем Spire Vent X

1. Сложите провод петлей, обращенной назад.
2. Зафиксируйте провод на оголовье с помощью кабельных стяжек. Закрепите кабельную стяжку, пропустив ее вокруг заднего ремешка оголовья.
3. Обрежьте кабельную стяжку.
4. Сложите оставшийся провод петлей, обращенной назад, за задней частью оголовья. (Рис. 13)

Установка наушников в рабочее положение

1. Наденьте шлем на голову.
2. Отрегулируйте положение наушников таким образом, чтобы они плотно прилегали к ушам и голове. (Рис. 14)

Установка наушников в положение готовности к работе

- Потяните наушники наружу и вверх таким образом, чтобы они зафиксировались в положении готовности к работе. (Рис. 15)

Установка наушников в положение хранения

1. Переведите наушники в положение готовности к работе. См. раздел *Установка наушников в положение готовности к работе на стр. 233*.
2. Поворачивайте наушники назад вдоль боковой поверхности шлема до тех пор, пока они не зафиксируются в положении хранения. (Рис. 16)

Подключение съемного микрофона

Съемный микрофон предназначен для использования в местах с высоким уровнем шума.

1. Установите ветрозащиту на съемный микрофон.
2. Подсоедините съемный микрофон к разъему для микрофона на правом наушнике. (Рис. 17)
3. Установите съемный микрофон на расстоянии 1 см (0,4 дюйма) (A) от рта.

Эксплуатация

Введение



ПРЕДУПРЕЖДЕНИЕ: Перед эксплуатацией прибора необходимо внимательно изучить раздел безопасности.

Зарядка изделия

1. Подсоедините разъем USB-C кабеля зарядки к разъему на левом наушнике. (Рис. 18)
2. Подключите USB-разъем кабеля зарядного устройства к USB-разъему зарядного устройства или другому USB-разъему питания.

Примечание: Для зарядки при максимальных характеристиках выходные напряжение и сила тока разъема должны составлять 5 В и 2 А соответственно.

Примечание: Во время зарядки аккумулятора светодиодный индикатор на кнопке Bluetooth® медленно мигает зеленым. Когда аккумулятор полностью заряжен, светодиодный индикатор на кнопке Bluetooth® горит ровным зеленым светом.

Светодиодный индикатор на кнопке выбора канала	Состояние заряда аккумулятора
Горят 3 светодиодных индикатора.	Аккумулятор заряжен на 90–100%.
2 светодиодных индикатора горят, 1 светодиодный индикатор медленно мигает.	Аккумулятор заряжен на 70–90%.
1 светодиодный индикатор горит, 1 светодиодный индикатор медленно мигает.	Аккумулятор заряжен на 20–70%.
1 светодиодный индикатор медленно мигает.	Аккумулятор заряжен на 10–20%.
1 светодиодный индикатор быстро мигает.	Аккумулятор заряжен на 0–10%.

Запуск изделия

- Нажмите и удерживайте кнопку включения/выключения в течение 1 секунды.

Примечание: Раздастся звуковой сигнал, указывающий на включение изделия. Средний светодиодный индикатор на кнопке выбора канала включится на 2 секунды. Будет выведено аудиосообщение о состоянии аккумулятора и количестве устройств, подключенных по

беспроводной технологии Bluetooth®. Если изделие обнаружит рабочую группу, будет выведено аудиосообщение о том, к какой рабочей группе выполнено подключение. См. таблицу ниже.

Аудиосообщение
BATTERY HIGH
BATTERY MEDIUM
BATTERY LOW
BATTERY CRITICAL

Аудиосообщение
ONE BLUETOOTH DEVICE CONNECTED
TWO BLUETOOTH DEVICES CONNECTED
CONNECTED TO TEAM CHANNEL 1
CONNECTED TO TEAM CHANNEL 2
CONNECTED TO TEAM CHANNEL 3

Отображение состояния аккумулятора

- Нажмите кнопку включения/выключения.

Примечание: Светодиодный индикатор на кнопке выбора канала включится на 5 секунд. См. таблицу ниже.

Светодиодный индикатор	Состояние аккумулятора
Горят 3 светодиода индикатора.	Аккумулятор заряжен на 90–100%.
Горят 2 светодиода индикатора.	Аккумулятор заряжен на 70–90%.
Горит 1 светодиодный индикатор.	Аккумулятор заряжен на 20–70%.
1 светодиодный индикатор быстро мигает.	Аккумулятор заряжен на 0–10%.

Переключение между режимом FM-радио и режимом Bluetooth®

- Чтобы переключиться между режимом FM-радио и режимом Bluetooth®, быстро нажмите кнопку выбора режима 2 раза.

Примечание: Будет выведено аудиосообщение о выбранном режиме. См. таблицу ниже.

Аудиосообщение
RADIO
BLUETOOTH

Режим FM-радио

В режиме FM-радио вы можете прослушивать FM-радиостанции в городской среде и других местах с высоким уровнем приема FM-радиосигнала. На качество работы FM-радио может негативно влиять неровная местность или густой растительный покров.

Переключение между FM-радиостанциями

- Нажмите и удерживайте кнопку увеличения или уменьшения громкости в течение 1 секунды, чтобы переключить FM-радиостанцию.

Режим Bluetooth®

В режиме Bluetooth® изделие можно подключить к устройству с технологией беспроводной связи Bluetooth®.

Процедура сопряжения по Bluetooth®

- Нажмите и удерживайте кнопку Bluetooth® в течение 2 секунд, чтобы активировать режим сопряжения на устройстве.

Примечание: Режим сопряжения включится, когда будет подан звуковой сигнал и кнопка Bluetooth® будет мигать синим. Режим сопряжения активен в течение 30 секунд.

- Включите режим сопряжения по Bluetooth® на устройстве.
- При необходимости выберите Husqvarna X-COM Active в списке на устройстве.

Примечание: Будет выведено аудиосообщение о состоянии изделия. См. таблицу ниже.

Аудиосообщение	Светодиодный индикатор на кнопке Bluetooth®	Информация
BLUETOOTH DEVICE CONNECTED	Горит ровным синим светом.	Изделие подключено к устройству по Bluetooth®.

Аудиосообщение	Светодиодный индикатор на кнопке Bluetooth®	Информация
BLUETOOTH CONNECTION FAILED	Горит ровным красным светом в течение 2 секунд.	Изделие не подключено к устройству по Bluetooth®.

Примечание: При следующем использовании изделия с устройством с технологией беспроводной связи Bluetooth®, которое было подключено ранее, это устройство автоматически устанавливает связь с изделием.

Создание рабочей группы и добавление устройств

Рабочая группа позволяет общаться со всеми людьми, чьи устройства добавлены в эту группу. Если вы выполните эту процедуру, когда рабочая группа отсутствует, будет создана новая рабочая группа. После этого можно еще раз выполнить эту процедуру, чтобы добавить новые устройства в рабочую группу. Создает рабочую группу только один человек, а все остальные подключают свои устройства к ней. См. раздел *Подключение к рабочей группе на стр. 235*. Только один человек за раз может добавить новое устройство в рабочую группу. Новое устройство добавляется в рабочую группу, как описано в разделе *Подключение к рабочей группе на стр. 235*.

1. Нажмите и удерживайте кнопку выбора режима в течение 1 секунды, чтобы войти в режим управления рабочей группой и перейти к созданию группы.

Примечание: Будет выведено аудиосообщение о переходе в режим управления рабочей группой. См. таблицу ниже.

Аудиосообщение	Светодиодный индикатор на кнопке Bluetooth®
TEAM MANAGEMENT	Постоянно горит белым.

2. Нажмите кнопку Bluetooth®.

Примечание: Будет выведено аудиосообщение о состоянии сопряжения. Режим сопряжения включится, когда будет подан звуковой сигнал. См. таблицу ниже.

Аудиосообщение	Светодиодный индикатор на кнопке Bluetooth®
SEARCHING FOR MEMBERS	Светодиодный индикатор быстро мигает.

Примечание: Режим сопряжения активен в течение 1 минуты. Устройства подключаются к рабочей группе в течение примерно 1 минуты. Режим сопряжения отключится, когда будет подан звуковой сигнал и кнопка Bluetooth® будет постоянно гореть зеленым. При каждом подключении нового устройства к рабочей группе подается звуковой сигнал. Инструкции по подключению к рабочей группе приведены в разделе *Подключение к рабочей группе на стр. 235*.

3. Если необходимо прервать процесс сопряжения раньше, чем через 1 минуту, нажмите кнопку выбора режима.
4. Если необходимо добавить новое устройство в рабочую группу, повторите приведенные выше инструкции.

Примечание: Устройство, добавленное в рабочую группу, автоматически подключается к группе при следующем включении.

Подключение к рабочей группе

Если нет созданных рабочих групп, подключиться к рабочей группе невозможно. Инструкции по созданию рабочей группы приведены в разделе *Создание рабочей группы и добавление устройств на стр. 235*. Подключиться к рабочей группе можно в процессе создания новой рабочей группы. Также подключение к рабочей группе может быть выполнено путем добавления в нее новых устройств членом группы.

1. Нажмите и удерживайте кнопку выбора режима в течение 1 секунды, чтобы войти в режим управления рабочей группой.

Примечание: Будет выведено аудиосообщение о переходе в режим управления рабочей группой. См. таблицу ниже.

Аудиосообщение	Светодиодный индикатор на кнопке Bluetooth®
TEAM MANAGEMENT	Постоянно горит белым.

2. Нажмите кнопку увеличения громкости.

Примечание: Режим сопряжения включится, когда будет подан звуковой сигнал и кнопка Bluetooth® будет медленно мигать. Режим сопряжения активен в течение 1 минуты. Будет выведено аудиосообщение о подключении к рабочей группе. См. таблицу ниже.

Аудиосообщение	Светодиодный индикатор на кнопке Bluetooth®
CONNECTED TO TEAM	Постоянно горит зеленым.

Примечание: После аудиосообщения о подключении к рабочей группе можно общаться с членами рабочей группы.

Отключение от рабочей группы

1. Нажмите и удерживайте кнопку выбора режима в течение 1 секунды, чтобы войти в режим управления рабочей группой.

Примечание: Будет выведено аудиосообщение о переходе в режим управления рабочей группой. См. таблицу ниже.

Аудиосообщение	Светодиодный индикатор на кнопке Bluetooth®
TEAM MANAGEMENT	Постоянно горит белым.

2. Нажмите кнопку уменьшения громкости.

Примечание: Будет выведено аудиосообщение об отключении от рабочей группы. См. таблицу ниже.

Аудиосообщение	Светодиодный индикатор на кнопке Bluetooth®
LEAVING TEAM	Светодиод индикатор мигает красным 3 раза.

Изменение канала связи

- Нажмите кнопку выбора канала, чтобы выбрать канал связи 1, 2 или 3.

Примечание: Будет выведено аудиосообщение о выбранном канале. См. таблицу ниже.

Аудиосообщение	Светодиодный индикатор канала
CHANNEL 1	Постоянно горит белым на канале 1.
CHANNEL 2	Постоянно горит белым на канале 2.
CHANNEL 3	Постоянно горит белым на канале 3.

Трансляция по всем каналам связи

- Нажмите и удерживайте кнопку выбора канала, чтобы одновременно говорить по всем каналам связи.

Примечание: При подключении ко всем каналам связи будет подан звуковой сигнал. Все светодиодные индикаторы каналов будут непрерывно гореть белым, указывая на подключение ко всем каналам.

- Отпустите кнопку выбора канала, чтобы вернуться к предыдущему каналу.

Включение и выключение микрофона

- Нажимайте кнопку выключения микрофона, пока не будет подан звуковой сигнал.

Переключение каналов потоковой передачи аудио

- Нажмите и удерживайте кнопку увеличения громкости в течение 0,5 секунды, чтобы выбрать следующий канал потоковой передачи аудио.
- Нажмите и удерживайте кнопку уменьшения громкости в течение 0,5 секунды, чтобы вернуться к предыдущему каналу потоковой передачи аудио.

Запуск и остановка потоковой передачи аудио

- Нажмите кнопку выбора режима, чтобы начать или остановить потоковую передачу аудио.

Принятие, завершение или отклонение телефонного звонка

Если мобильное устройство подключено к изделию по Bluetooth®, то при поступлении входящего звонка в наушниках будет слышен соответствующий сигнал.

- Нажмите кнопку выбора режима, чтобы принять или завершить телефонный звонок.
- Нажмите и удерживайте кнопку выбора режима в течение 1 секунды, чтобы отклонить входящий звонок.

Примечание: При принятии или отклонении телефонного звонка подается звуковой сигнал.

Аудиосообщение	Информация
CALL ENDED	Телефонный звонок завершен.

Установка режима окружающего звука

Режим окружающего звука позволяет слышать звуки окружающей среды.

- Нажмите кнопку режима окружающего звука.

Примечание: Будет выведено аудиосообщение о состоянии режима окружающего звука.

Перевод телефонного звонка на рабочую группу

- Нажмите кнопку выбора режима, чтобы принять телефонный звонок.
- Быстро нажмите кнопку выбора режима 2 раза, чтобы перевести вызов на рабочую группу.

Примечание: Будет выведено аудиосообщение о переадресации вызова. См. таблицу ниже.

Аудиосообщение	Информация
CALL TRANSFERRED TO TEAM	Телефонный звонок переведен на рабочую группу.

Аудиосообщение
AMBIENT LEVEL HIGH
AMBIENT LEVEL MEDIUM
AMBIENT LEVEL LOW
AMBIENT LEVEL OFF

Отключение рабочей группы от телефонного звонка

- Быстро нажмите кнопку выбора режима 2 раза.

Примечание: Будет выведено аудиосообщение об отключении рабочей группы от телефонного звонка. См. таблицу ниже.

Аудиосообщение	Информация
CALL DISCONNECTED FROM TEAM	Рабочая группа отключена от телефонного звонка.

Выключение изделия

- Нажмите и удерживайте кнопку включения/выключения в течение 1 секунды.

Примечание: Будет выведено аудиосообщение о состоянии аккумулятора, и светодиодные индикаторы погаснут. Раздастся звуковой сигнал, указывающий на выключение изделия.

Принудительное выключение изделия

- Нажмите и удерживайте кнопку включения/выключения в течение 12 секунд.

Регулировка громкости

- Для регулировки громкости нажмите на кнопку уменьшения или увеличения громкости. Звуковой сигнал указывает на достижение минимальной или максимальной громкости.

Техническое обслуживание

Техническое обслуживание изделия



ВНИМАНИЕ: Не промывайте изделие и не погружайте его в воду.



ВНИМАНИЕ: Аэрозоль, жидкости и другие чистящие средства, содержащие растворители и/или спирт, могут снизить защитные свойства изделия.



ВНИМАНИЕ: Используйте оригинальные запчасти Husqvarna.

- Регулярно очищайте изделие. Используйте ткань, смоченную в слабом мыльном растворе.
- Перед каждым использованием проверяйте состояние уплотнительных колец и поролоновых вставок.

3. Замена уплотнительных колец и поролоновых вставок выполняется каждые 6 месяцев или чаще, если требуется. Следите, чтобы воздушное отверстие на уплотнительном кольце во время сборки было направлено вниз. Используйте оригинальный гигиенический комплект, в который входят уплотнительные кольца и поролоновые вставки. Дополнительную информацию о гигиеническом комплекте см. на сайте www.husqvarna.com. (Рис. 19)

Примечание: Если наушники влажные внутри, дайте им просохнуть в положении

хранения. См. раздел *Установка наушников в положение хранения на стр. 233*.

4. Замените мембрану речевого микрофона, если она повреждена.
5. Замените ветрозащиту микрофона с шумоподавлением, если она повреждена.
6. Замените ветрозащиту съемного микрофона, если она повреждена.
7. При необходимости замените мягкую подкладку оголовья. (Рис. 20)

Транспортировка, хранение и утилизация

Транспортировка и хранение



ВНИМАНИЕ: На время транспортировки и хранения установите наушники в рабочее положение, чтобы уменьшить износ пластиковых деталей.

- Переведите наушники в рабочее положение. См. раздел *Установка наушников в рабочее положение на стр. 233*.
- Проверьте, что уплотнительные кольца не сжаты.
- Поместите изделие в сухое и чистое место.
- Храните изделие вдали от солнечных лучей.
- Для сохранения емкости аккумулятора заряжайте его с периодичностью раз в 6 недель.
- На время транспортировки поместите изделие в безопасное место.

Утилизация

- Соблюдайте местное законодательство.
- Воспользуйтесь услугами местной системы переработки.
- Запрещается утилизировать данное изделие и его упаковку в качестве бытовых отходов. Изделие необходимо передать в пункт переработки электрического и электронного оборудования.



Принадлежности

Одобранные шлемы

Изделие совместимо только с перечисленными ниже шлемами.

Модель	Тип переходника шлема	Изображение переходника	Одобранные размеры
Husqvarna Technical, H300	Переходник H300	(Рис. 21)	M/L
Husqvarna Spire KASK Zenith X	Переходник Spire	(Рис. 22)	L

Технические данные

Технические данные каждого изделия см. на следующих изображениях. Дополнительную информацию о технических характеристиках см.

в приложении к техническим данным в этом руководстве по эксплуатации.

(Рис. 2)

(Рис. 3)

Дополнительные сведения о технических данных см. в следующем списке:

- F = частоты, на которых измеряется подавление.
- Mf = среднее значение.
- Sf = стандартное отклонение.
- APV (Mf-Sf) = принятый уровень защиты.
- H = значение подавления на высоких частотах (ожидаемое снижение уровня шума, где $L_C - L_A = -2$ дБ). M = значение подавления на средних частотах (ожидаемое снижение уровня шума, где $L_C - L_A = +2$ дБ). L = значения подавления на низких частотах (ожидаемое снижение уровня шума, где $L_C - L_A = +10$ дБ).

- SNR = одиночный показатель поглощения шума (значение, которое вычитается из измеренного C-взвешенного уровня звукового давления, L_C , для получения эффективного A-взвешенного уровня звука в ухе).

Ответственный производитель: Husqvarna AB, SE-561 82 Huskvarna, Швеция, тел.: +46-36-146500.

Уровень шума

Максимальный эквивалентный уровень шума в режимах ЧМ-радиостанции и гарнитуры равен 82 дБ (A).

Материалы

Деталь	Материал	Деталь	Материал
Внутренняя чашка наушника	ABS	Оголовье	ПОМ+ТРЕ
Наружная чашка наушника, левая	ABS	Вилка шлема	ПОМ
Наружная чашка наушника, правая	ABS+ТРЕ	Пружина вилки шлема	Сталь
Вставки	PUR	Винты	Сталь
Уплотнительные кольца	PVC и поролон		

Obsah

Úvod.....	240	Preprava, skladovanie a likvidácia.....	247
Bezpečnosť.....	241	Prislušenstvo.....	247
Montáž.....	242	Technické údaje.....	247
Prevádzka.....	243	0
Údržba.....	246		

Úvod

Popis výrobku

Výrobok X-COM Active (HP500C-01, HP500C-02) je ochrana sluchu so zabudovanou plnohodnotnou obojsmernou komunikáciou, *bezdrôtovou technológiou*

Prehľad výrobku

(Obr. 1)

1. Tlačidlo na zvýšenie hlasitosti
2. Tlačidlo na zníženie hlasitosti
3. Mikrofón závislý od úrovne hluku
4. Tlačidlo Bluetooth®
5. Hlasový mikrofón
6. Tlačidlo režimu
7. Výstup kábla nabíjačky USB-C
8. Tlačidlo zvuku z okolia
9. Tlačidlo stlmenia zvuku
10. Vypínač
11. Tlačidlo kanála
12. Výstup pre mikrofón s ramienkom

Súlad a schválenia

Týmto spoločnosť Husqvarna AB, SE-561 82 Huskvarna, Sweden, tel: +46-36-146500, vyhlasuje, že typ rádiového zariadenia HP500C-01 a HP500C-01 je v súlade so smernicou 2014/53/EU, 2011/65/EU a s nariadením (EÚ) 2016/425. Celý text vyhlásenia o zhode EÚ nájdete na tejto internetovej adrese: www.husqvarna.com, výraz pre vyhľadávanie: X-COM Active, HP500C-01, HP500C-02.

Hodnoty utlmenia a hladiny hluku sa v prípade výrobku testovali a schválili v súlade s požiadavkami noriem: EN 352-1:2020 (hlavový pás), EN 352-3:2020 (upevnenie na prilbu), EN 352-4:2020, EN 352-6:2020 a EN 352-8:2020.

Notifikovaný orgán vykonávajúci posúdenie súladu je: číslo notifikovaného orgánu 1974. PZT GmbH, Bismarckstraße 264 B, 26389 Wilhelmshaven, Germany.

Osvedčovanie a monitorovanie spoločnosťou PZT.

Batéria má osvedčenie v súlade s požiadavkami normy IEC62133, vydanie 2.

Bluetooth® a rádiom FM. Model HP500C-01 je ochrana sluchu s hlavovým pásom a model HP500C-02 je ochrana sluchu k prilbe. Výrobok poskytuje ochranu pred škodlivým hlukom.



UK Importer:
Husqvarna UK Ltd
Preston Road, Co. Durham
DL5 6UP

FCC ID: ZASHP500, IC ID: 23307-HP500

Vyhľadanie dodávateľa o zhode FCC pre zodpovednú stranu produktu HP500C-01, HP500C-02.

Husqvarna Professional Products, Inc. 9335 Harris Corners Parkway Suite 500 Charlotte, NC 28269, USA.

Kontaktné informácie v USA: Michael Campbell, Manager Product Compliance, tel. č.: +1 704 597 5000.

Vyhľadanie o zhode FCC:

Toto zariadenie je v súlade s časťou 15 pravidiel FCC. Pri prevádzke musia byť dodržané tieto dve podmienky: (1) Toto zariadenie nesmie spôsobovať škodlivé rušenie a (2) toto zariadenie musí tolerovať akékoľvek prijaté rušenie vrátane rušenia, ktoré môže viesť k neželanému fungovaniu zariadenia.

Toto zariadenie bolo testované a zistilo sa, že je v súlade s obmedzeniami pre digitálne zariadenie triedy B podľa časti 15 pravidiel FCC. Tieto obmedzenia sú navrhnuté tak, aby poskytovali náležitú ochranu pred škodlivým rušením pri domácich inštaláciách. Toto zariadenie vytvára, používa a môže vyžarovať rádiovú frekvenčnú energiu a v prípade, že nie je nainštalované a nepoužíva sa v súlade s pokynmi, môže spôsobovať škodlivé rušenie rádiovkej komunikácie. Neexistuje však žiadna záruka, že pri konkrétnej inštalácii k rušeniu nedôjde. V prípade, že toto zariadenie spôsobí škodlivé rušenie rádiového alebo televízneho prijmu, ktoré je možné zistiť vypnutím a

zapnutím zariadenia, používateľovi odporúčame pokúsiť sa o odstránenie rušenia prijatím jedného alebo viacerých z nasledujúcich opatrení:

- Zväčšením vzdialenosti medzi zariadením a prijímačom.
- Obráťte sa na predajcu so žiadosťou o pomoc.

Označenie na výrobku sa nachádza na štítiku pravého chrániča sluchu.

Registrované ochranné známky

Slovné označenie *Bluetooth®* a súvisiace logá sú registrované ochranné známky spoločnosti *Bluetooth SIG, inc.* a každé použitie takýchto značiek spoločnosťou Husqvarna vychádza z licencie.

Bezpečnosť

Bezpečnostné definície

Výstrahy, upozornenia a poznámky slúžia na zdôraznenie mimoriadne dôležitých častí návodu.



VÝSTRAHA: Používa sa, ak pre obsluhu alebo osoby v okolí existuje nebezpečenstvo poranenia alebo smrti v prípade nedodržania pokynov v návode.



VAROVANIE: Používa sa, ak hrozí nebezpečenstvo poškodenia produktu, iných materiálov alebo okolitej oblasti v prípade nedodržania pokynov v návode.

Poznámka: Používa sa na poskytnutie informácií nad rámec nevyhnutných informácií v danej situácii.

Všeobecné bezpečnostné pokyny



VÝSTRAHA: Skôr než budete výrobok používať, prečítajte si nasledujúce výstrahy.

- Používajte a odložte si tieto pokyny.
- Na zaistenie optimálneho prispôsobenia a funkcie vyberte správny výrobok na príslušné použitie.
- Nemeňte ani neodstraňujte súčasti výrobku. Vykonávajte len zmeny uvedené v tomto návode na obsluhu.
- Účinnosť tlmenia hluku výrobkom môže byť vážne narušená v prípade nedodržania pokynov uvedených v tomto návode na obsluhu. Chrániče sluchu, najmä ušnice, sa používaním môžu opotrebovať a v pravidelných intervaloch by sa na nich mali kontrolovať prípadné praskliny a prenikanie hluku. V časti *Údržba na strane 246*.
- Tento výrobok môže byť nepriaznivo ovplyvnený určitými chemickými látkami. Ďalšie informácie si vyžiadajte od výrobcu. Výrobok nevystavujte pôsobeniu agresívnych látok a pravidelne ho čistite. Používajte handričku a mydlovú vodu. Neumývajte ani úplne neponárajte do vody.

- Všetky servisné a opravné práce musí vykonať autorizovaný servis. Používajte iba originálne náhradné diely Husqvarna.
- Nikdy nepoužívajte chrániče sluchu dlhšie ako 10 rokov od dátumu výroby uvedeného na obale.
- Funkčnosť výrobku sa môže so znižujúcim sa stavom batérie zhoršiť.

Bezpečnostné pokyny pre prevádzku

- Používateľ musí zabezpečiť, aby mal v hlučnom prostredí po celý čas nasadené chrániče sluchu.
- Pri používaní výrobku venujte zvýšenú pozornosť výstražným signálom. Pri používaní výrobku sa intenzita výstražných signálov môže znížiť.
- Vnímanie výstražných signálov na danom pracovisku sa môže narušiť pri používaní zábavnej funkcie.
- Zaisťte, aby sa výrobok nepoškodil nárazom počas prepravy alebo používania.
- Výrobok používajte len v teplotnom rozsahu od -20 °C do +55 °C/od -4 °F do +131 °F. Ak výrobok používate pri iných teplotách, môže to spôsobiť poškodenie elektroniky, batérie a mechanických častí.
- Pred používaním výrobku sa oboznáňte so spôsobom jeho používania. V prípade poškodenia výrobku sa obráťte na servisného predajcu. Neotvárajte puzdro!
- Nasadenie hygienických krytov na ušnice môže ovplyvniť akustickú výkonnosť chráničov sluchu. Vždy používajte originálne príslušenstvo.
- Chrániče sluchu neprítlačajte o prilbu. Mohlo by to spôsobiť praskliny na boku prilby.

(Obr. 4)

- Výrobok neodkladajte na miesta s teplotou presahujúcou +55 °C/+131 °F, napríklad na palubnú dosku. Výrobok neodkladajte na miesta s teplotou nižšou než -20 °C/-4 °F.
- Používateľ musí zabezpečiť, aby bolo nasadenie, upravenie a udržiavanie chráničov sluchu v súlade s návodom na obsluhu.
- Chrániče sluchu sú vybavené bezpečnostným zvukovým vstupom. Pred použitím je potrebné, aby používateľ skontroloval správnu funkčnosť výrobku. V prípade zistenia skreslenia alebo poruchy

musí používateľ postupovať podľa pokynov výrobcu týkajúcich sa údržby.

Bezpečnosť batérie

- Chránič sluchu je vybavený funkciou tlmenia, ktoré sa mení podľa úrovne hluku. Pred použitím je potrebné, aby používateľ skontroloval správnu funkčnosť výrobku. V prípade zistenia poruchy musí používateľ postupovať podľa pokynov výrobcu týkajúcich sa údržby.

- Výrobok obsahuje batériu a elektrické komponenty, ktoré môžu v horľavej alebo výbušnej atmosfére spôsobiť zapálenie. Nepoužívajte v prostrediach, kde môžu iskry spôsobiť požiar alebo výbuch.
- Výrobok nabíjajte len v teplotnom rozsahu 0 °C až +40 °C/+32 °F až +104 °F. Nabíjanie mimo tohto teplotného rozsahu môže spôsobiť poškodenie elektroniky a batérie.

Montáž

Úvod



VÝSTRAHA: Pred zostavením výrobku si presuňte vlasy nabok. Pred používaním výrobku skontrolujte, či vám tesniace krúžky tesne priliehajú k hlave a ušiam.

Nasadenie chráničov sluchu s hlavovým pásmo

1. Nasadte si hlavový pás cez vrch hlavy.
2. Nastavte výšku chráničov sluchu posúvaním nahor alebo nadol. (Obr. 5)

Montáž chráničov sluchu na prilbu

1. Namontujte na prilbu správny upevňovací adaptér. V časti *Schválené prilby na strane 247*.
2. Namontujte na upevňovací adaptér vidlicu prilby. (Obr. 6)

Poznámka: V časti *Schválené prilby na strane 247* nájdete ďalšie informácie o tom, ktoré upevnenie vyhovuje vašej prilbe.

3. Nastavte chrániče sluchu do najnižšej polohy.
4. Nadvihnite chrániče sluchu a posuňte ich smerom von a nahor, aby sa zaistili v pohotovostnej polohe. (Obr. 7)
5. Na kábli urobte značku.
 - a) V prípade prilby H300 urobte značku 27 cm/11 palcov (X) od každého z chráničov sluchu.
 - b) V prípade prilby Spire Vent X urobte značku 14,5 cm/6 palcov (Y) od každého z chráničov sluchu. (Obr. 8)
6. Vložte upevnenie k prilbe do štrbiny na prilbe. (Obr. 9)
7. Pokračujte podľa pokynov na montáž k vašej schválenej prilbe.



VAROVANIE: Zaisťte, aby kábel nebol skrútený ani sa príliš prudko neohýbal. Zaisťte, aby sa kábel mohol hladko pohybovať v otvore helmy.

Montáž chráničov sluchu na prilbu H300

1. Uvoľnite hlavový popruh z prilby. (Obr. 10)
2. Pomocou káblových spŕn alebo svoriek upevnite kábel k otvorom. (Obr. 11)
3. Ak kábel upevňujete pomocou káblových spŕn, skráťte kábelovú sponu a zatlačte zámok kábelovej spony do bočnej drážky.
4. Urobte kábelovú slučku a pripojte hlavový popruh a chránič krku. Zaisťte, aby sa kábel nachádzal medzi pláštom prilby a hlavovým popruhom. (Obr. 12)

Montáž chráničov sluchu na prilbu Spire Vent X

1. Založte kábel v slučke dozadu.
2. Pomocou káblových spŕn upevnite kábel k hlavovému popruhu. Upevnite kábelovú sponu na zadný popruh hlavového pásu.
3. Skráťte kábelové spony.
4. Zvyšnú časť kábla v slučke presuňte dozadu za zadný hlavový pás. (Obr. 13)

Nastavenie chráničov sluchu do prevádzkovej polohy

1. Nasadte si prilbu na hlavu.
2. Upravte chrániče sluchu tak, aby vám pevne sedeli na ušiach a na hlave. (Obr. 14)

Nastavenie chráničov sluchu do pohotovostnej polohy

- Nadvihnite chrániče sluchu a posuňte ich smerom von a nahor, aby sa zaistili v pohotovostnej polohe. (Obr. 15)

Nastavenie chráničov sluchu do odkladacej polohy

1. Nastavte chrániče sluchu do pohotovostnej polohy. V časti *Nastavenie chráničov sluchu do pohotovostnej polohy na strane 242*.
2. Otočte chrániče sluchu dozadu po boku prilby tak, aby sa zaistili v odkladacej polohe. (Obr. 16)

Pripojenie mikrofónu s ramienkom

V prostredí s veľkým hlukom používajte mikrofón s ramienkom.

1. Pripojte na mikrofón s ramienkom redukciu šumu vetra.

2. Pripojte mikrofón s ramienkom k výstupu mikrofónu na pravom chrániči sluchu. (Obr. 17)
3. Umiestnite mikrofón s ramienkom 1 cm/0,4 palca (A) od úst.

Prevádzka

Úvod



VÝSTRAHA: Pred používaním výrobku si musíte prečítať kapitolu o bezpečnosti a porozumieť informáciám, ktoré sa v nej uvádzajú.

Nabíjanie výrobku

1. Pripojte konektor USB-C kábla nabíjačky k výstupu na ľavom chrániči sluchu. (Obr. 18)
2. Pripojte konektor USB kábla nabíjačky k nabíjačke USB alebo k inému napájaciemu výstupu USB.

Poznámka: Napájací výstup musí mať 5 V a 2 A, aby nabíjal maximálnou rýchlosťou.

Poznámka: Keď sa batéria nabíja, indikátor LED na tlačidle Bluetooth® pomaly bliká nazeleno. Keď je batéria úplne nabitá, indikátor LED na tlačidle Bluetooth® svieti nazeleno.

Indikátor LED na tlačidle kanála	Indikátory stavu nabitia akumulátora
Svietia 3 diódy LED.	Batéria je nabitá na 90 % – 100 %.
Svietia 2 diódy LED a pomaly bliká 1 dióda LED.	Batéria je nabitá na 70 % – 90 %.
Svieti 1 dióda LED a pomaly bliká 1 dióda LED.	Batéria je nabitá na 20 % – 70 %.
Pomaly bliká 1 dióda LED.	Batéria je nabitá na 10 % – 20 %.
Rýchlo bliká 1 dióda LED.	Batéria je nabitá na 0 % – 10 %.

Zapnutie výrobku

- Stlačte a na 1 sekundu podržte vypínač.

Poznámka: Pipnutie signalizuje, že výrobok je zapnutý. Stredný indikátor LED na tlačidle kanála sa rozsvieti 2 sekundy. Zvukové hlásenie informuje o stave batérie a množstve zariadení pripojených

pomocou bezdrôtovej technológie Bluetooth®. Ak výrobok nájde tím, zvukové hlásenie vám oznámi, ku ktorému tímu ste pripojení. Pozrite si nižšie uvedenú tabuľku.

Zvukové hlásenie

BATTERY HIGH

BATTERY MEDIUM

BATTERY LOW

BATTERY CRITICAL

Zvukové hlásenie

ONE BLUETOOTH DEVICE CONNECTED

TWO BLUETOOTH DEVICES CONNECTED

CONNECTED TO TEAM CHANNEL 1

CONNECTED TO TEAM CHANNEL 2

CONNECTED TO TEAM CHANNEL 3

Zobrazenie stavu batérie

- Stlačte vypínač.

Poznámka: Indikátor LED na tlačidle kanála sa na 5 sekúnd rozsvieti nazeleno. Pozrite si nižšie uvedenú tabuľku.

Indikátor LED	Stav batérie
Svietia 3 diódy LED.	Batéria je nabitá na 90 % – 100 %.
Svietia 2 diódy LED.	Batéria je nabitá na 70 % – 90 %.
Svieti 1 dióda LED.	Batéria je nabitá na 20 % – 70 %.
Rýchlo bliká 1 dióda LED.	Batéria je nabitá na 0 % – 10 %.

Prepínanie medzi režimom rádia FM a režimom Bluetooth®

- Prepínanie medzi režimom rádia FM a režimom Bluetooth® vykonajte stlačením tlačidla režimu 2-krát v rýchlom slede.

Poznámka: Zvukové hlásenie vás informuje, ktorý režim ste vybrali. Pozrite si nižšie uvedenú tabuľku.

Zvukové hlásenie
RADIO
BLUETOOTH

Režim rádia FM

V režime rádia FM získate prístup k rádiu FM v mestských oblastiach alebo iných oblastiach so silným rádiovým signálom FM. Výkon rádia FM môže byť ovplyvnený nerovným terénom alebo hustou vegetáciou.

Prepnutie rozhlasovej stanice v pásme FM

- Ak chcete zmeniť stanicu rádia FM, stlačte a podržte tlačidlo na zvýšenie hlasitosti alebo tlačidlo na zníženie hlasitosti na 1 sekundu.

Režim Bluetooth®

V režime Bluetooth® môžete spárovať svoj výrobok so zariadením podporujúcim bezdrôtovú technológiu Bluetooth®.

Vykonanie párovania Bluetooth®

1. Ak chcete spustiť párovanie výrobku, stlačte a na 2 sekundy podržte tlačidlo Bluetooth®.

Poznámka: Párovanie sa spustí, keď zaznie pípnutie a tlačidlo Bluetooth® bliká namodro. Párovanie je zapnuté počas 30 sekúnd.

2. Spustíte párovanie pre bezdrôtovú technológiu Bluetooth® na zariadení.
3. V prípade potreby zo zoznamu jednotiek vo svojom zariadení vyberte možnosť Husqvarna X-COM Active.

Poznámka: Zvukové hlásenie vás bude informovať o stave párovania. Pozrite si nižšie uvedenú tabuľku.

Zvukové hlásenie	Indikátor LED na tlačidle Bluetooth®	Informácia
BLUETOOTH DEVICE CONNECTED	Svieti namodro.	Výrobok je pripojený k zariadeniu pomocou technológie bezdrôtovej komunikácie Bluetooth®.
BLUETOOTH CONNECTION FAILED	Svieti načerveno 2 sekundy.	Výrobok nie je pripojený k zariadeniu pomocou technológie bezdrôtovej komunikácie Bluetooth®.

Poznámka: Zariadenie s bezdrôtovou technológiou Bluetooth® pripojené k výrobku sa nabadúce automaticky pripojí k výrobku pri nasledujúcom použití výrobku spolu so zariadením.

Nastavenie tímu a pridanie zariadení

Tím je komunikačná skupina, ktorá vám umožní hovoriť so všetkými zariadeniami, ktoré sú pripojené k tímu. Ak neexistuje žiadny tím a vykonáte tento postup, vytvoríte nový tím. Potom môžete postup opakovať, aby ste pridali nové zariadenia do tohto tímu. Tím vytvára len jedna osoba a ostatné zariadenia sa k nemu pripájajú, ako je uvedené v časti *Pripojenie k tímu na strane 245*. Nové zariadenie môže do tímu naraz pridať iba jedna osoba. Nové zariadenie sa musí pripojiť k tímu, ako je uvedené v časti *Pripojenie k tímu na strane 245*.

1. Stlačením tlačidla režimu na 1 sekundu prejdite do režimu správy tímu, kde môžete vytvoriť tím.

Poznámka: Zvukové hlásenie vás bude informovať, že ste v režime správy tímu. Pozrite si nižšie uvedenú tabuľku.

Zvukové hlásenie	Indikátor LED na tlačidle Bluetooth®
TEAM MANAGEMENT	Svieti bielo.

2. Stlačte tlačidlo Bluetooth®.

Poznámka: Zvukové hlásenie vás bude informovať o stave párovania. Párovanie sa spustí, keď zaznie pípnutie. Pozrite si nižšie uvedenú tabuľku.

Zvukové hlásenie	Indikátor LED na tlačidle Bluetooth®
SEARCHING FOR MEMBERS	Indikátor LED rýchlo bliká.

Poznámka: Párovanie je zapnuté 1 minútu. Zariadenia sa k tímu pripoja približne za 1 minútu. Párovanie sa dokončí, keď zaznie pípnutie a na tlačidlo Bluetooth® svieti zelená dióda. Po každom pripojení nového zariadenia k tímu zaznie pípnutie. Informácie o pripojení k tímu nájdete v časti *Pripojenie k tímu na strane 245.*

3. Ak chcete zastaviť párovanie predtým, ako ubehne 1 minúta, stlačte tlačidlo režimu.
4. Ak chcete pridať do tímu nové zariadenie, opäť postupujte podľa rovnakých pokynov.

Poznámka: Zariadenie, ktoré je pripojené k tímu, sa automaticky pripojí k tímu pri jeho ďalšom použití.

Pripojenie k tímu

Ak nie je vytvorený žiadny tím, nie je možné sa pripojiť k tímu. Informácie o vytvorení tímu nájdete v časti *Nastavenie tímu a pridanie zariadení na strane 244.* K tímu sa môžete pripojiť súčasne s vytváraním nového tímu. K tímu sa môžete pripojiť aj vtedy, ak člen tímu pridáva do tímu nové zariadenia.

1. Stlačením a podržaním tlačidla režimu na 1 sekundu prejdite do režimu správy tímu.

Poznámka: Zvukové hlásenie vás bude informovať, že ste v režime správy tímu. Pozrite si nižšie uvedenú tabuľku.

Zvukové hlásenie	Indikátor LED na tlačidle Bluetooth®
TEAM MANAGEMENT	Svieti bielo.

2. Stlačte tlačidlo na zvýšenie hlasitosti.

Poznámka: Párovanie sa spustí, keď zaznie pípnutie a tlačidlo Bluetooth® pomaly bliká. Párovanie je zapnuté 1 minútu. Zvukové hlásenie vás bude informovať, že ste pripojení k tímu. Pozrite si nižšie uvedenú tabuľku.

Zvukové hlásenie	Indikátor LED na tlačidle Bluetooth®
CONNECTED TO TEAM	Svieti zeleno.

Poznámka: S tímom môžete hovoriť po tom, ako vám zvukové hlásenie oznámi, že ste k nemu pripojení.

Odpojenie od tímu

1. Stlačením a podržaním tlačidla režimu na 1 sekundu prejdite do režimu správy tímu.

Poznámka: Zvukové hlásenie vás bude informovať, že ste v režime správy tímu. Pozrite si nižšie uvedenú tabuľku.

Zvukové hlásenie	Indikátor LED na tlačidle Bluetooth®
TEAM MANAGEMENT	Svieti bielo.

2. Stlačte tlačidlo na zníženie hlasitosti.

Poznámka: Zvukové hlásenie vás bude informovať, že ste odpojení od tímu. Pozrite si nižšie uvedenú tabuľku.

Zvukové hlásenie	Indikátor LED na tlačidle Bluetooth®
LEAVING TEAM	Indikátor LED 3-krát blikne načerveno.

Zmena komunikačného kanála

- Stlačením tlačidla kanála vyberte komunikačný kanál 1, 2 alebo 3.

Poznámka: Zvukové hlásenie vás bude informovať, v ktorom kanáli sa nachádzate. Pozrite si tabuľku nižšie.

Zvukové hlásenie	Indikátor LED kanála
CHANNEL 1	Biele svetlo na kanáli 1.
CHANNEL 2	Biele svetlo na kanáli 2.
CHANNEL 3	Biele svetlo na kanáli 3.

Rozprávanie ku všetkým kanálom

- Stlačením a podržaním tlačidla kanála môžete súčasne hovoriť so všetkými komunikačnými kanálmi.

Poznámka: Keď začujete pípnutie, budete pripojení ku všetkým komunikačným kanálom. Všetky indikátory LED kanálov budú svietiť neprerušovane nabiele, čo znamená, že ste pripojení ku všetkým kanálom.

- Uvoľnením tlačidla kanála sa vrátite na predchádzajúci kanál.

Zapnutie alebo vypnutie mikrofónu

- Stlačte tlačidlo stlmenia, kým nezaznie pípnutie.

Zmena streamovania zvuku

- Ak chcete vybrať ďalší zdroj zvuku, stlačte a podržte tlačidlo na zvýšenie hlasitosti 0,5 sekundy.
- Ak sa chcete vrátiť k predchádzajúcemu zdroju zvuku, na 0,5 sekundy stlačte a podržte tlačidlo na zníženie hlasitosti.

Zastavenie alebo spustenie streamovania zvuku

- Ak chcete zastaviť alebo spustiť streamovanie zvuku, stlačte tlačidlo režimu.

Prijatie, ukončenie alebo odmietnutie telefonického hovoru

Ak je vaše mobilné zariadenie pripojené k výrobku pomocou bezdrôtovej technológie Bluetooth®, pri prichádzajúcom telefonickom hovore sa v chráničoch sluchu ozve signál.

- Telefonický hovor prijmete alebo ukončíte stlačením tlačidla režimu.
- Stlačením tlačidla režimu na 1 sekundu prichádzajúci hovor odmietnete.

Poznámka: Po prijatí alebo zamietnutí telefonického hovoru zaznie pípnutie.

Zvukové hlásenie	Informácia
CALL ENDED	Telefonický hovor sa skončil.

Presmerovanie telefonického hovoru do tímu

1. Prijmite telefonický hovor stlačením tlačidla režimu.
2. Stlačením tlačidla režimu 2-krát v rýchlom slede presmerujte telefonický hovor do tímu.

Poznámka: Zvukové hlásenie vás bude informovať, keď bude hovor presmerovaný. Pozrite si nižšie uvedenú tabuľku.

Zvukové hlásenie	Informácia
CALL TRANSFERRED TO TEAM	Telefonický hovor bol presmerovaný do tímu.

Odpojenie telefonického hovoru v tíme

- Stlačte tlačidlo režimu 2-krát v rýchlom slede.

Poznámka: Zvukové hlásenie vás bude informovať, keď bude hovor odpojený. Pozrite si nižšie uvedenú tabuľku.

Zvukové hlásenie	Informácia
CALL DISCONNECTED FROM TEAM	Telefonický hovor bol odpojený od tímu.

Nastavenie hlasitosti

- Nastavenie hlasitosti vykonajte podržaním tlačidla na zvýšenie alebo zníženie hlasitosti. Pípnutie vás upozorní, že hlasitosť je na minimálnej alebo maximálnej úrovni.

Nastavenie režimu zvuku z okolia

Režim zvuku z okolia umožňuje počuť zvuky okolo vás.

- Stlačte tlačidlo zvuku z okolia.

Poznámka: O stave režimu zvuku z okolia vás bude informovať zvukové hlásenie.

Zvukové hlásenie
AMBIENT LEVEL HIGH
AMBIENT LEVEL MEDIUM
AMBIENT LEVEL LOW
AMBIENT LEVEL OFF

Zastavenie výrobku

- Stlačte a na 1 sekundu podržte vypínač.

Poznámka: Zvukové hlásenie vás bude informovať o stave batérie a indikátory LED zhasnú. Pípnutie signalizuje, že sa výrobok vypol.

Nútené zastavenie výrobku

- Stlačte vypínač na 12 sekúnd.

Údržba

Údržba výrobku



VAROVANIE: Výrobok neoplachujte ani ho úplne neponárajte do vody.



VAROVANIE: Spreje, kvapaliny alebo iné čistiace prostriedky, ktoré obsahujú rozpúšťadlá a/alebo alkohol môžu zhoršiť ochranné vlastnosti.



VAROVANIE: Používajte originálne náhradné diely Husqvarna.

1. Výrobok pravidelne čistite. Používajte handričku so slabým mydlovým roztokom.
2. Pred každým použitím skontrolujte stav tesniacich krúžkov a vložiek z penovej gumy.
3. Tesniace krúžky a vložky z penovej gumy vymieňajte raz za 6 mesiacov, prípadne častejšie. Vzduchový otvor na tesniacom krúžku musí smerovať počas montáže nadol. Použite originálnu hygienickú súpravu, ktorá obsahuje tesniace krúžky a vložky z penovej gumy. Informácie o hygienickej súprave nájdete na stránke www.husqvarna.com. (Obr. 19)

Poznámka: Ak sú chrániče sluchu na vnútornej strane mokré, nechajte ich vyschnúť v odkladacej polohe. V časti *Nastavenie chráničov sluchu do odkladacej polohy na strane 242*.

4. Vymeňte membránu hlasového mikrofónu, ak je poškodená.
5. V prípade poškodenia vymeňte redukciu šumu vetra na mikrofóne závislom od úrovne hluku.
6. V prípade poškodenia vymeňte redukciu šumu vetra na mikrofóne s ramienkom.
7. V prípade potreby vymeňte vložku Comfort Pad hlavového pásu. (Obr. 20)

Preprava, skladovanie a likvidácia

Preprava a uskladnenie



VAROVANIE: Počas prepravy a uskladnenia nastavte chrániče sluchu do prevádzkovej polohy, aby sa znížilo opotrebovanie plastového materiálu.

- Nastavte chrániče sluchu do prevádzkovej polohy. V časti *Nastavenie chráničov sluchu do prevádzkovej polohy na strane 242*.
- Skontrolujte, či tesniace krúžky nie sú stlačené.
- Výrobok odložte na suché a čisté miesto.
- Výrobok počas skladovania nevystavujte slnečnému žiareniu.
- Batériu nabíjajte každých 6 týždňov, aby si zachovala kvalitu.

- Pri preprave odložte výrobok na bezpečné miesto.

Likvidácia

- Dodržiavajte vnútroštátne predpisy.
- Použite miestny recyklačný systém.
- Výrobok alebo jeho obal nepredstavuje komunálny odpad. Recyklujte ho v recyklačnej stanici určenej pre elektrické a elektronické zariadenia.



Príslušenstvo

Schválené prílby

Výrobok používajte len s nasledujúcimi prílbami.

Model	Typ upevnenia k prílbe	Ilustrácia adaptéra	Schválené rozmery
Husqvarna Technical, H300	Adaptér H300	(Obr. 21)	M/L
Husqvarna Spire	Adaptér Spire	(Obr. 22)	L
KASK Zenith X			

Technické údaje

Pozrite si nasledujúce schémy s technickými údajmi o každom výrobku. Ďalšie technické údaje nájdete

v prílohe s technickými údajmi v tomto návode na obsluhu.

(Obr. 2)

(Obr. 3)

Ďalšie informácie o obsahu technických údajov sú uvedené v nasledujúcom zozname:

- F = frekvencie, pri ktorých sa meria útlm.
- Mf = priemerná hodnota.
- Sf = štandardná odchýlka.
- APV (Mf – Sf) = predpokladaná hodnota ochrany.
- H = hodnota útlmu pri vysokých frekvenciách (predpokladané zníženie hladiny hluku pre hluk, kde $L_C - L_A = -2$ dB). M = hodnota útlmu pri stredných frekvenciách (predpokladané zníženie hladiny hluku pre hluk, kde $L_C - L_A = +2$ dB). L = hodnota útlmu pri nízkych frekvenciách (predpokladané zníženie hladiny hluku pre hluk, kde $L_C - L_A = +10$ dB).

- SNR = jednočíselné ohodnotenie (hodnota, ktorá sa odčíta od nameranej úrovne váženého akustického tlaku na stupnici C – L_C – s cieľom získať odhad efektívneho váženého akustického tlaku na stupnici A vnútri ucha.

Zodpovedný výrobca: Husqvarna AB, SE-561 82
Husqvarna, Švédsko, tel.: +46-36-146500.

Hladina hluku

V režime rádia FM a v režime náhlavnej súpravy má maximálna ekvivalentná hladina hluku hodnotu 82 dB (A).

Materiály

Diel	Materiál	Diel	Materiál
Vnútorná ušnica	ABS	Hlavový pás	POM + TPE
Vonkajšia ušnica, ľavá	ABS	Vidlica prilby	POM
Vonkajšia ušnica, pravá	ABS+TPE	Pružina vidlice prilby	Oceľ
Vložky	PUR	Skrutky	Oceľ
Tesniace krúžky	PVC a pena		

VSEBINA

Uvod.....	249	Transport skladiščenje in odstranitev.....	256
Varnost.....	250	Dodatki.....	256
Montaža.....	251	Tehnični podatki.....	256
Delovanje.....	252	0
Vzdrževanje.....	255		

Uvod

Opis izdelka

Izdelek X-COM Active (HP500C-01, HP500C-02) so zaščitne slušalke z integriranim komunikacijskim sistemom s polnim dupleksom, brezžično tehnologijo

Pregled izdelka

(Sl. 1)

1. Gumb za zvišanje glasnosti
2. Gumb za znižanje glasnosti
3. Aktivni mikrofonski
4. Gumb Bluetooth®
5. Mikrofonski za govor
6. Gumb za način
7. Vtičnica za kabel polnilnika s priključkom USB-C
8. Gumb za zvok iz okolice
9. Gumb za utišanje zvoka
10. Gumb za vklop/izklop
11. Gumb za izbiro kanala
12. Vtičnica za mikrofonski na nosilcu

Skladnost in odobritve

Družba Husqvarna AB, SE-561 82 Huskvarna, Sweden, tel: +46-36-146500 izjavlja, da je radijska oprema vrst HP500C-01 in HP500C-01 skladna s standardom 2014/53/EU, 2011/65/EU in uredbo (EU) 2016/425. Celotno besedilo izjave o skladnosti EU je na voljo na naslednjem spletnem naslovu: www.husqvarna.com; iščite X-COM Active, HP500C-01, HP500C-02.

Ravni zmanjšanja in ravni hrupa so preizkušene in odobrene v skladu z naslednjimi standardi: EN 352-1:2020 (z naglavnim trakom), EN 352-3:2020 (nameščene na čeladi), EN 352-4:2020, EN 352-6:2020 in EN 352-8:2020.

Priglašeni organ, odgovoren za oceno skladnosti: Številka priglašenega organa 1974. PZT GmbH, Bismarckstraße 264 B, 26389 Wilhelmshaven, Germany.

Izdaja certifikata in nadzor: PZT.

Akumulatorska baterija je potrjena v skladu s standardom IEC62133, izdajo 2.

Bluetooth® in radiom FM. Model HP500C-01 so zaščitne slušalke z naglavnim trakom, model HP500C-02 pa so zaščitne slušalke za čelado. Izdelek ščiti pred škodljivim hrupom.



UK Importer:
Husqvarna UK Ltd
Preston Road, Co. Durham
DL5 6UP

ID komisije FCC: ZASHP500, IC ID: 23307-HP500

Izjava o skladnosti dobaviteljev FCC za HP500C-01, HP500C-02 odgovorna stranka.

Husqvarna Professional Products, Inc. 9335 Harris Corners Parkway Suite 500 Charlotte, NC 28269 United States.

Kontaktna oseba za ZDA: Michael Campbell, direktor skladnosti izdelkov, telefon: +1 704 597 5000.

Izjava o skladnosti FCC:

Ta naprava je skladna s 15. delom pravil komisije FCC. Za delovanje veljata naslednja pogoja: (1) ta naprava ne sme povzročati škodljivih motenj; in (2) ta naprava mora sprejeti vse motnje, vključno z motnjami, ki lahko povzročijo neželeno delovanje.

Ta oprema je preskušena in je v skladu z mejnimi vrednostmi za digitalne naprave razreda B v skladu s 15. delom pravil komisije FCC. Te mejne vrednosti zagotavljajo primerno zaščito pred škodljivimi motnjami pri uporabi na stanovanjskih območjih. Ta oprema ustvarja, uporablja in lahko oddaja radiofrekvenčno energijo; če se ne namesti in uporablja v skladu z navodili, lahko povzroči škodljive motnje radijskih komunikacij. Kljub temu ni mogoče zagotoviti, da se pri določenih namestitvah ne bodo pojavile motnje. Če ta oprema povzroča škodljive motnje za sprejem radijskih ali televizijskih frekvenc, kar je mogoče ugotoviti z

vklopom in izklopom opreme, lahko uporabnik poskusi odpraviti motnje z enim ali več naslednjimi ukrepi:

- Povečajte razdaljo med opremo in sprejemnikom.
- Za pomoč se obrnite na prodajalca.

Oznako na izdelku najdete na nalepki na desnem glušniku.

Registrirane blagovne znamke

Besedna znamka in logotipi *Bluetooth®* so registrirane blagovne znamke v lasti *Bluetooth SIG, inc.* Vsaka uporaba teh oznak s strani Husqvarna je na podlagi licence.

Varnost

Varnostne definicije

Opozorila, svarila in opombe opozarjajo na posebej pomembne dele priročnika.



OPOZORILO: Se uporabi, če obstaja nevarnost telesne poškodbe ali smrti uporabnika ali opazovalcev ob neupoštevanju navodil v tem priročniku.



POZOR: Se uporabi, če obstaja nevarnost poškodbe izdelka, drugih materialov ali okolice ob neupoštevanju navodil v tem priročniku.

Opomba: Se uporabi za podajanje podrobnejših informacij, potrebnih v dani situaciji.

Splošna varnost



OPOZORILO: Pred uporabo izdelka preberite navodila v povezavi z opozorili v nadaljevanju.

- Uporaba in shranjevanje teh navodil.
- Za optimalno prileganje in delovanje preverite, ali ste izbrali pravi izdelek za namen uporabe.
- Ne spreminjajte ali odstranjujte delov izdelka. Izvajajte samo spremembe, ki so navedene v teh navodilih za uporabo.
- Stopnja zmanjševanja hrupa izdelka se lahko ob neupoštevanju navodil za uporabo močno zmanjša. Glušniki, še posebej blazinice, se lahko sčasoma obrabijo, zato morate biti redno pozorni na morebitne razpoke in poškodbe. Glejte, *Vzdrževanje na strani 255*.
- Nekatere kemične snovi lahko škodljivo vplivajo na ta izdelek. Za dodatne informacije se je treba obrniti na proizvajalca. Ne izpostavljajte agresivnim sredstvom in izdelek redno čistite. Uporabljajte krpo in milnico. Ne operite ali potopite v vodo.
- Vse servise in popravila lahko izvaja samo pooblaščen servisna delavnica. Uporabljajte samo originalne nadomestne dele Husqvarna.
- Glušnikov nikoli ne uporabljajte, če so starejši od 10 let, od datuma izdelave, navedenega na embalaži.

- Delovanje izdelka se lahko poslabša s porabo akumulatorske baterije.

Varnostna navodila za uporabo

- Uporabnik mora glušnike uporabljati, kadar koli je v hrupnem okolju.
- Med uporabo izdelka bodite previdnejši in pozornejši na opozorilne signale. Med uporabo izdelka so opozorilni zvočni signali lahko pridrušeni.
- Slišnost opozorilnih signalov na nekaterih delovnih mestih je lahko znižana med uporabo funkcije središča zabave.
- Med transportom in uporabo izdelkov ne sme biti izpostavljen udarcem.
- Izdelek uporabljajte samo v temperaturnem območju med -20 °C in $+55\text{ °C}/-4\text{ °F}$ in $+131\text{ °F}$. Med uporabo izdelka v drugih temperaturnih območjih lahko pride do poškodb elektronskih delov, akumulatorske baterije in mehanskih delov.
- Pred začetkom uporabe se morate seznaniti z načinom uporabe izdelka. V primeru poškodbe izdelka se obrnite na serviserja. Ne odpirajte ohišja!
- Če na blazinice namestite higiensko zaščito, lahko to vpliva na akustično zmogljivost glušnikov. Uporabljajte samo originalno dodatno opremo.
- Glušnikov ne pritiskajte ob lupino čelade. V tem primeru lahko pride do razpok ob straneh čelade.

(Sl. 4)

- Izdelka ne shranjujte pri temperaturah nad $+55\text{ °C}/+131\text{ °F}$, na primer na armaturni plošči. Izdelka ne shranjujte pri temperaturah pod $-20\text{ °C}/-4\text{ °F}$.
- Uporabnik mora glušnike nositi in vzdrževati v skladu s temi navodili za uporabo.
- Glušniki so opremljeni z varnostnim zvočnim vhodom. Uporabnik mora pred uporabo preveriti pravilno delovanje. Če uporabnik opazi deformacije ali napako, se mora seznaniti z nasveti proizvajalca glede vzdrževanja.

Varna uporaba baterije

- Glušnik se ponaša s funkcijo nivojskega zniževanja ravni hrupa. Uporabnik mora pred uporabo preveriti pravilno delovanje. Če uporabnik opazi deformacije ali napako, mora slediti navodilom proizvajalca glede vzdrževanja.
- V izdelku so akumulatorska baterija in električni sestavni deli, ki lahko v vnetljivih ali eksplozivnih

ozračjih povzročijo vžig. Ne uporabljajte v okoljih, kjer lahko iskre povzročijo požar ali eksplozijo.

- Polnite samo v temperaturnem območju med 0 °C in +40 °C/+32 °F in +104 °F. Polnjenje zunaj

tega temperaturnega območja lahko poškoduje elektroniko in akumulatorsko baterijo.

Montaža

Uvod



OPOZORILO: Pred nameščanjem izdelka, odmaknite lase. Pred uporabo izdelka se morajo tesnilni obročki tesno prilegati glavi in okrog ušes.

Namestitev glušnikov z naglavnim trakom

1. Naglavni trak položite prek glave.
2. Glušnika premaknite navzgor ali navzdol, da prilagodite višino. (Sl. 5)

Namestitev glušnikov na čelado

1. Pritrdite ustrezno vrsto nastavka na lupino čelade. Glejte, *Homologirane čelade na strani 256*.
2. Pritrdite vilice čelade na nastavek. (Sl. 6)

Opomba: Glejte, *Homologirane čelade na strani 256* za več informacij o tem, kateri nastavek za čelado je primeren za vašo čelado.

3. Glušnika spustite v najnižji položaj.
4. Glušnika povlecite navzven in ju dvignite dokler se ne zaskočita v položaj za stanje pripravljenosti. (Sl. 7)
5. Označite kabel.
 - a) Pri čeladi H300 napravite oznako 27 cm/11 palcev (Y) od posameznega glušnika.
 - b) Pri čeladi Spire Vent X napravite oznako 14,5 cm/6 palcev (Y) od posameznega glušnika. (Sl. 8)
6. Nastavek vstavite v režo v čeladi. (Sl. 9)
7. Sledite navodilom za sestavljanje, ki veljajo za vašo čelado.



POZOR: Kabel ne sme biti zviti ali preozko prelomljen. Kabel se mora prosto premikati v odprtini čelade.

Namestitev glušnikov na čelado H300

1. Naglavni pašček odprite s čelade. (Sl. 10)

2. Kabel pritrdite v odprtine s kabelskimi vezicami ali sponkami. (Sl. 11)
3. Če pritrdite kabel s kabelskimi vezicami, odrežite kabelsko vezico in del kabelske vezice z jezičkom potisnite v stransko režo.
4. Kabel zvijte v zanko in namestite naglavni pašček ter zaščitno za vrat. Kabel mora biti med lupino čelade in naglavnim paščkom. (Sl. 12)

Namestitev glušnikov na čelado Spire Vent X

1. Kabel vstavite v zanki proti zadnjemu delu.
2. Kabel pritrdite na naglavni pašček s kabelskimi vezicami. Kabelsko vezico speljite skozi zadnji del naglavnega traku.
3. Odrežite kabelsko vezico.
4. Preostali del kabla v zanki speljite nazaj za zadnji del naglavnega traku. (Sl. 13)

Prestavitev glušnikov v delovni položaj

1. Nataknite čelado na glavo.
2. Glušnika prilagodite tako, da se bosta tesno prilegala ušesom in glavi. (Sl. 14)

Postavitev glušnikov v položaj za mirovanje

- Glušnika povlecite navzven in ju dvignite dokler se ne zaskočita v položaj za stanje pripravljenosti. (Sl. 15)

Postavitev glušnikov v vmesni položaj

1. Glušnika premaknite v položaj za stanje pripravljenosti. Glejte, *Postavitev glušnikov v položaj za mirovanje na strani 251*.
2. Glušnika zasukajte nazaj na stran čelade, dokler se ne zakleneta v vmesnem položaju. (Sl. 16)

Priključitev mikrofona na nosilcu

V hrupnih okoljih uporabljajte mikrofona na nosilcu.

1. Pritrdite vetrni filter na mikrofona na nosilcu.
2. Mikrofona na nosilcu priključite v vtičnico za mikrofona na desnem glušniku. (Sl. 17)
3. Mikrofona na nosilcu namestite 1 cm/0,4 palca (A) od ust.

Delovanje

Uvod



OPOZORILO: Pred uporabo izdelka morate prebrati in razumeti poglavje o varnosti.

Polnjenje izdelka

1. Priključek USB-C polnilnega kabla priključite v vtičnico na levem glušniku. (Sl. 18)
2. Priključek USB polnilnega kabla priključite v polnilnik USB ali drugo vtičnico USB.

Opomba: Zmogljivost vtičnice mora biti 5 V in 2 A za polnjenje z najvišjo hitrostjo.

Opomba: LED-indikator na gumbu Bluetooth® počasi utripa zeleno, ko se akumulatorska baterija polni. LED-indikator na gumbu Bluetooth® sveti zeleno, ko je akumulatorska baterija polna.

LED-indikator na gumbu za izbiro kanala	Stanje napoljenosti baterije
3 LED-indikatorji svetijo.	Napoljenost akumulatorske baterije je med 90–100 %.
Dva LED-indikatorja svetita in en LED-indikator počasi utripa.	Napoljenost akumulatorske baterije je med 70–90 %.
En LED-indikator sveti in en LED-indikator počasi utripa.	Napoljenost akumulatorske baterije je med 20–70 %.
1 LED-indikator počasi utripa.	Napoljenost akumulatorske baterije je med 10–20 %.
1 LED-indikator hitro utripa.	Napoljenost akumulatorske baterije je med 0–10 %.

Zagon izdelka

- Pritisnite in za 1 sekundo pridržite gumb za vklop/izklop.

Opomba: Zvočni signal sporoči, da je izdelek vklopljen. Srednji LED-indikator na gumbu za izbiro kanala sveti 2 sekundi. Zvočno sporočilo vam sporoči stanje akumulatorske baterije in količino naprav, ki so povezane prek brezžične tehnologije Bluetooth®. Če izdelek najde ekipo, vam zvočno sporočilo sporoči, s katero ekipo ste povezani. Glejte spodnjo tabelo.

Zvočna sporočila
BATTERY HIGH
BATTERY MEDIUM
BATTERY LOW
BATTERY CRITICAL

Zvočna sporočila
ONE BLUETOOTH DEVICE CONNECTED
TWO BLUETOOTH DEVICES CONNECTED
CONNECTED TO TEAM CHANNEL 1
CONNECTED TO TEAM CHANNEL 2
CONNECTED TO TEAM CHANNEL 3

Prikaz stanja akumulatorske baterije

- Pritisnite gumb za vklop/izklop.

Opomba: LED-indikator na gumbu za izbiro kanala 5 sekund prikazuje zeleno lučko. Glejte spodnjo tabelo.

Indikator LED	Stanje baterije
3 LED-indikatorji svetijo.	Napoljenost akumulatorske baterije je med 90–100 %.
2 LED-indikatorja svetita.	Napoljenost akumulatorske baterije je med 70–90 %.
1 LED-indikator sveti.	Napoljenost akumulatorske baterije je med 20–70 %.
1 LED-indikator hitro utripa.	Napoljenost akumulatorske baterije je med 0–10 %.

Preklop med načinom radia FM in načinom Bluetooth®

- Dvakrat hitro pritisnite gumb za preklop načina, ko želite preklopiti med načinom radia FM in načinom Bluetooth®.

Opomba: Zvočno sporočilo vam sporoči, kateri način ste izbrali. Glejte spodnjo tabelo.

Zvočna sporočila
RADIO
BLUETOOTH

Način FM-radia

V načinu FM-radia imate v urbanih območjih ali drugih območjih z močno pokritostjo FM-signalov dostop do FM-radijskih postaj. Na delovanje FM-radia lahko vpliva razgiban teren ali gosto rastlinje.

Spreminjanje radijskih postaj FM

- Pritisnite in za 1 sekundo pridržite gumb za zvišanje glasnosti ali gumb za znižanje glasnosti, če želite zamenjati radijsko postajo FM.

Način Bluetooth®

V načinu Bluetooth® lahko svoj izdelek povežete z napravo prek brezžične tehnologije Bluetooth®.

Seznanjanje naprav Bluetooth®

1. Pritisnite in za 2 sekundi pridržite gumb Bluetooth®, da začnete postopek seznanjanja v svoji napravi.

Opomba: Postopek seznanjanja se prične, ko se oglasi zvočni signal in gumb Bluetooth® utripa modro. Postopek seznanjanja je aktiven 30 sekund.

2. Začnite postopek seznanjanja za brezžično tehnologijo Bluetooth® v napravi.
3. Po potrebi s seznama enot v svoji napravi izberite Husqvarna X-COM Active.

Opomba: Zvočno sporočilo vas seznanja s stanjem izdelka. Glejte spodnjo tabelo.

Zvočna sporočila	LED-indikator na gumbu Bluetooth®	Informacije
BLUETOOTH DEVICE CONNECTED	Neprekinjeno sveti modro.	Izdelek je povezan z napravo prek brezžične tehnologije Bluetooth®.
BLUETOOTH CONNECTION FAILED	2 sekundi sveti neprekinjeno rdeče.	Izdelek ni povezan z napravo prek brezžične tehnologije Bluetooth®.

Opomba: Naprava z brezžično tehnologijo Bluetooth®, ki je povezana z vašim izdelkom, se ob naslednji uporabi izdelka samodejno poveže z vašim izdelkom.

Nastavitev ekipe in dodajanje naprav

Ekipa je komunikacijska skupina, ki vam omogoča komunikacijo z vsemi napravami, ki so povezane z ekipo. Če ni ekipe in opravite ta postopek, nastavite novo ekipo. Nato lahko opravite postopek znova, če želite dodati nove naprave ekipi. Samo ena oseba nastavi ekipo in druge naprave se povežejo z ekipo, kot je prikazano v *Povezava z ekipo na strani 253*. Samo ena oseba hkrati lahko doda novo napravo ekipi. Nova naprava se mora povezati z ekipo, kot je prikazano v *Povezava z ekipo na strani 253*.

1. Za 1 sekundo pritisnite gumb za preklon načina, če želite odpreti način upravljanja ekipe in nastaviti ekipo.

Opomba: Zvočno sporočilo vam sporoči, da ste v načinu upravljanja ekipe. Glejte spodnjo tabelo.

Zvočna sporočila	LED-indikator na gumbu Bluetooth®
TEAM MANAGEMENT	Sveti belo.

2. Pritisnite gumb Bluetooth®.

Opomba: Zvočno sporočilo vas seznanja s stanjem postopka seznanjanja. Postopek seznanjanja se prične, ko se oglasi zvočni signal. Glejte spodnjo tabelo.

Zvočna sporočila	LED-indikator na gumbu Bluetooth®
SEARCHING FOR MEMBERS	LED-indikator hitro utripa.

Opomba: Postopek seznanjanja je aktiven 1 minuto. Naprave se povežejo z ekipo v približno 1 minuti. Postopek seznanjanja je dokončan, ko se oglasi zvočni signal in gumb Bluetooth® sveti zeleno. Vsakič, ko se nova naprava poveže z ekipo, se oglasi zvočni signal. Za povezavo z ekipo glejte *Povezava z ekipo na strani 253*.

3. Če želite prekiniti postopek seznanjanja v manj kot 1 minuti, znova pritisnite gumb za preklon načina.
4. Če želite ekipi dodati novo napravo, znova sledite istim navodilom.

Opomba: Naprava, ki je povezana z ekipo, se ob naslednji uporabi samodejno poveže z ekipo.

Povezava z ekipo

Če ni nastavljena nobena ekipa, ne morete vzpostaviti povezave z njo. Za nastavitev ekipe glejte *Nastavitev ekipe in dodajanje naprav na strani 253*. Povezavo z ekipo lahko vzpostavite sočasno, ko nastavite novo

ekipo. Povezavo z ekipo lahko vzpostavite tudi takrat, ko član ekipe doda nove naprave ekipe.

1. Za 1 sekundo pritisnete gumb za preklon načina, če želite odpreti način upravljanja ekipe.

Opomba: Zvočno sporočilo vam sporoči, da ste v načinu upravljanja ekipe. Glejte spodnjo tabelo.

Zvočna sporočila	LED-indikator na gumbu Bluetooth®
TEAM MANAGEMENT	Sveti belo.

2. Pritisnete gumb za zvišanje glasnosti.

Opomba: Postopek seznanjanja se prične, ko se oglasi zvočni signal in gumb Bluetooth® počasi utripa. Postopek seznanjanja je aktiven 1 minuto. Zvočno sporočilo vam sporoči, da ste povezani z ekipo. Glejte spodnjo tabelo.

Zvočna sporočila	LED-indikator na gumbu Bluetooth®
CONNECTED TO TEAM	Sveti zeleno.

Opomba: Z ekipo lahko komunicirate, ko vam zvočno sporočilo sporoči, da ste povezani z ekipo.

Prekinitev povezave z ekipo

1. Za 1 sekundo pritisnete gumb za preklon načina, če želite odpreti način upravljanja ekipe.

Opomba: Zvočno sporočilo vam sporoči, da ste v načinu upravljanja ekipe. Glejte spodnjo tabelo.

Zvočna sporočila	LED-indikator na gumbu Bluetooth®
TEAM MANAGEMENT	Sveti belo.

2. Pritisnete gumb za znižanje glasnosti.

Opomba: Zvočno sporočilo vam sporoči, da ste prekinili povezavo z ekipo. Glejte spodnjo tabelo.

Zvočna sporočila	LED-indikator na gumbu Bluetooth®
LEAVING TEAM	LED-indikator trikrat utripne rdeče.

Zamenjava komunikacijskega kanala

- Pritisnete gumb za izbiro kanala, če želite izbrati komunikacijski kanal 1, 2 ali 3.

Opomba: Zvočno sporočilo vam sporoči, v katerem kanalu ste. Glejte spodnjo tabelo.

Zvočna sporočila	LED-indikator kanala
CHANNEL 1	Sveti belo na kanalu 1.
CHANNEL 2	Sveti belo na kanalu 2.
CHANNEL 3	Sveti belo na kanalu 3.

Komunikacija z vsemi komunikacijskimi kanali

- Pritisnete in pridržite gumb za izbiro kanala, če želite sočasno komunicirati z vsemi komunikacijskimi kanali.

Opomba: Ko se oglasi zvočni signal, ste povezani z vsemi komunikacijskimi kanali. Vsi LED-indikatorji kanalov svetijo belo, kar pomeni, da ste povezani z vsemi kanali.

- Sprostite gumb za izbiro kanala, če se želite vrniti na prejšnji kanal.

Vklop ali izklop mikrofona

- Pritisnete gumb za utišanje zvoka, dokler se ne oglasi zvočni signal.

Sprememba pretakanja zvoka

- Pritisnete in za 0,5 sekunde pridržite gumb za zvišanje glasnosti, da izberete naslednje pretakanje zvoka.
- Pritisnete in za 0,5 sekunde pridržite gumb za znižanje glasnosti, da izberete prejšnje pretakanje zvoka.

Konec ali začetek pretakanja zvoka

- Pritisnete gumb za preklon načina, če želite končati ali začeti pretakanje zvoka.

Sprejem, konec ali zavrnitev telefonskega klica

Če je vaša mobilna naprava povezana z izdelkom prek brezžične tehnologije Bluetooth®, boste v primeru dohodnega klica v glušnikih slišali signal.

- Za sprejem ali konec telefonskega klica pritisnete gumb za preklon načina.
- Za 1 sekundo pritisnete gumb za preklon načina, če želite zavrniti dohodni telefonski klic.

Opomba: Zvočni signal vam sporoči, ko sprejmete ali zavrnete telefonski klic.

Zvočna sporočila	Informacije
CALL ENDED	Telefonski klic je končan.

Prenos telefonskega klica ekipi

1. Za sprejem telefonskega klica pritisnite gumb za preklop načina.
2. Za prenos telefonskega klica ekipi dvakrat hitro pritisnite gumb za preklop načina.

Opomba: Zvočno sporočilo vam sporoči, da je telefonski klic prenesen. Glejte spodnjo tabelo.

Zvočna sporočila	Informacije
CALL TRANSFERRED TO TEAM	Telefonski klic je bil prenesen ekipi.

Prekinitev telefonskega klica v ekipi

- Dvakrat hitro pritisnite gumb za preklop načina.

Opomba: Zvočno sporočilo vam sporoči, da je telefonski klic prekinjen. Glejte spodnjo tabelo.

Zvočna sporočila	Informacije
CALL DISCONNECTED FROM TEAM	Telefonski klic ekipi je prekinjen.

Nastavitev glasnosti

- Za nastavitev glasnosti pritisnite gumb za zvišanje ali znižanje glasnosti. Zvočni signal vam sporoči, ko je glasnost na najnižji ali najvišji ravni.

Preklop v način zvoka iz okolice

Način zvoka iz okolice vam omogoča, da slišite zvoke okoli sebe.

- Pritisnite gumb za način zvoka iz okolice.

Opomba: Zvočno sporočilo vas seznani s stanjem načina zvoka iz okolice.

Zvočna sporočila
AMBIENT LEVEL HIGH
AMBIENT LEVEL MEDIUM
AMBIENT LEVEL LOW
AMBIENT LEVEL OFF

Zaustavitev izdelka

- Pritisnite in za 1 sekundo pridržite gumb za vklop/izklop.

Opomba: Zvočno sporočilo vas seznani s stanjem akumulatorske baterije in LED-indikatorji prenehajo svetiti. Zvočni signal sporoči, da je izdelek izklopljen.

Prisilni izklop izdelka

- Pritisnite in za 12 sekund pridržite gumb za vklop/izklop.

Vzdrževanje

Vzdrževanje izdelka



POZOR: Izdelka ne izpirajte ali potaplajte v vodo.



POZOR: Razpršila, tekočine ali druga čistilna sredstva, ki vsebujejo topila in/ali alkohol, lahko zmanjšajo učinkovitost zaščitne funkcije.



POZOR: Uporabljajte originalne nadomestne dele Husqvarna.

1. Redno čistite izdelek. Uporabite krpo in blago milnico.
2. Pred vsako uporabo preverite stanje tesnilnih obročkov in vložkov iz penaste gume.

3. Na vsakih 6 mesecev ali po potrebi pogosteje zamenjajte tesnilne obročke in vložke iz penaste gume. Zračna odprtina na tesnilnem obročku naj bo med sestavljanjem obrnjena navzdol. Uporabite originalni komplet za higieno, ki vključuje tesnilne obročke in vložke iz penaste gume. Za več informacij o kompletu za higieno glejte www.husqvarna.com. (Sl. 19)

Opomba: Če so glušniki na notranji strani mokri, naj se posušijo v vmesnem položaju. Glejte, *Postavitev glušnikov v vmesni položaj na strani 251*.

4. Zamenjajte membrano za mikrofonski govornik, če je poškodovana.
5. Zamenjajte vetrni filter na od ravni odvisnem mikrofonski, če je poškodovan.
6. Zamenjajte vetrni filter na mikrofonski na nosilcu, če je poškodovan.
7. Po potrebi zamenjajte mehko blazinicico na naglavnem traku. (Sl. 20)

Transport skladiščenje in odstranitev

Prevoz in skladiščenje



POZOR: Med prevozom in shranjevanjem naj bodo glušniki v delovnem položaju, da omejite obrabo plastičnega materiala.

- Glušnike premaknite v delovni položaj. Glejte, *Prestavitve glušnikov v delovni položaj na strani 251.*
- Tesnilni obročki ne smejo biti stisnjeni.
- Izdelek postavite v suh in čist prostor.
- Med shranjevanjem naj izdelek ne bo izpostavljen sončni svetlobi.
- Akumulatorsko baterijo napolnite na vsakih 6 tednov in tako ohranjajte kakovost baterije.

- Izdelek mora biti med prevozom varno spravljen.

Odlaganje

- Spoštujte državne predpise.
- Uporabite lokalni reciklažni sistem.
- Izdelek ali embalaža izdelka ne spadata med gospodinjne odpadke. Treba ga je reciklirati v zbirnem centru za reciklažo električne in elektronske opreme.



Dodatki

Homologirane čelade

Izdelek uporabljajte samo skupaj s spodaj navedenimi čeladami.

Model	Vrsta nastavka za čelado	Grafika adapterja	Homologirane dimenzije
Husqvarna Technical, H300	Adapter H300	(Sl. 21)	M/L
Husqvarna Spire	Adapter Spire	(Sl. 22)	L
KASK Zenith X			

Tehnični podatki

Za tehnične podatke o posameznem izdelku glejte slike v nadaljevanju. Za več tehničnih podatkov glejte dodatni list s tehničnimi podatki v teh navodilih za uporabo.

(Sl. 2)
(Sl. 3)

Za več informacij o vsebini tehničnih podatkov glejte naslednji seznam:

- F = frekvence, pri katerih je izmerjena raven zniževanja.
- Mf = povprečna vrednost.
- Sf = standardno odstopanje.
- APV (Mf-Sf) = ocenjena stopnja zaščite.
- H = rednost zniževanja visokih frekvenc (predvideno zniževanje ravni hrupa pri $L_C-L_A = -2$ dB). M = vrednost zniževanja srednjih frekvenc (predvideno zniževanje ravni hrupa pri $L_C-L_A = +2$ dB). L =

vrednost zniževanja nizkih frekvenc (predvideno zniževanje ravni hrupa pri $L_C-L_A = +10$ dB).

- SNR = enoštevilska ocena (vrednost odštetá od C-vrednotene ravni zvočnega tlaka, L_C , za oceno A-vrednotene ravni zvoka znotraj ušesa).

Odgovoren proizvajalec: Husqvarna AB, SE-561 82 Huskvarna, Švedska, tel.: +46-36-146500.

Raven hrupa

Način FM-radia in načina slušalk imata najvišjo ekvivalentno raven zvoka pri 82 dB (A).

Materiali

Del	Material	Del	Material
Notranja ušesna čašica	ABS	Naglavni trak	POM+TPE
Zunanja ušesna čašica, levo	ABS	Vilice čelade	POM
Zunanja ušesna čašica, desno	ABS+TPE	Vzmet vilic čelade	Jeklo
Vložki	PUR	Vijaki	Jeklo
Tesnilni obroči	PVC in pena		

Sadržaj

Uvod.....	258	Transport, skladištenje i odlaganje.....	265
Bezbednost.....	259	Dodaci.....	265
Sklapanje.....	260	Tehnički podaci.....	265
Rukovanje.....	261	0
Održavanje.....	264		

Uvod

Opis proizvoda

Proizvod X-COM Active (HP500C-01, HP500C-02) je štitnik za uši sa ugrađenom dvosmernom

Pregled proizvoda

(Sl. 1)

1. Dugme za pojačanje jačine zvuka
2. Dugme za smanjenje jačine zvuka
3. Mikrofon zavisao od nivoa
4. Bluetooth® dugme
5. Mikrofon za govor
6. Dugme režim
7. Priključak za USB-C kabl punjača
8. Dugme za ambijentalni zvuk
9. Dugme za isključivanje zvuka
10. Dugme On/Off (za uključivanje/isključivanje)
11. Dugme kanala
12. Izlaz za podesivi mikrofon na držaču

Usaglašenost i odobrenja

Ovim putem, Husqvarna AB, SE-561 82 Huskvarna, Sweden, tel: +46-36-146500, izjavljuje da je radio oprema tipa HP500C-01 i HP500C-01 usaglašena sa 2014/53/EU, 2011/65/EU i uredbom (EU) 2016/425. Celokupan tekst EU deklaracije o usaglašenosti je dostupan na sledećoj internet adresi: www.husqvarna.com; potražite X-COM Active, HP500C-01, HP500C-02.

Vrednosti prigušenja buke proizvoda i nivoi buke su testirani i odobreni u skladu sa: EN 352-1:2020 (traka za glavu), EN 352-3:2020 (montirano na šlem), EN 352-4:2020, EN 352-6:2020 i EN 352-8:2020.

Ovlašćeno telo uključeno u procenu usaglašenosti je: Broj ovlašćenog tela 1974. PZT GmbH, Bismarckstraße 264 B, 26389 Wilhelmshaven, Germany.

Sertifikacija i monitoring od strane PZT.

Baterija je sertifikovana u skladu sa IEC62133 izdanje 2.



komunikacijom, *Bluetooth® bežičnom tehnologijom* i FM radijom. Model HP500C-01 je štitnik za uši sa trakom za glavu, a model HP500C-02 je štitnik za uši za šlem. Proizvod pruža zaštitu od štetne buke.

UK Importer:
Husqvarna UK Ltd
Preston Road, Co. Durham
DL5 6UP

FCC ID: ZASHP500, IC ID: 23307-HP500

Deklaracija o usaglašenosti FCC dobavljača za HP500C-01, HP500C-02 odgovornu stranu.

Husqvarna Professional Products, Inc. 9335 Harris Corners Parkway Suite 500 Charlotte, NC 28269 Sjedinjene Države.

SAD informacije za kontakt: Michael Campbell, menadžer za usaglašenost proizvoda, telefon: +1 704 597 5000.

FCC izjava o usaglašenosti:

Ovaj uređaj je usaglašen sa delom 15 FCC pravila. Rad je podložan sledećim dvama uslovima: (1) Ovaj uređaj ne sme izazivati štetne smetnje i (2) ovaj uređaj mora prihvatati primljene smetnje, uključujući smetnje koje mogu izazvati neželjeni rad.

Ova oprema je testirana i utvrđeno je da je u skladu sa ograničenjima za digitalne uređaje klase B, u skladu sa delom 15 pravila FCC. Ova ograničenja su uspostavljena radi osiguranja razumne zaštite od štetnih smetnji u stambenim instalacijama. Ova oprema generiše, koristi i može da zrači radiofrekventnu energiju i stoga, u slučaju da nije instalirana i da se ne koristi u skladu sa uputstvima, može izazvati štetne smetnje koje ometaju radio-komunikacije. Međutim, ne postoje garancije da do smetnji neće doći u određenoj instalaciji. Ako ova oprema izaziva štetne smetnje radio ili televizijskog prijema, što se može utvrditi isključivanjem i uključivanjem opreme, korisniku se savetuje da proba da otkloni smetnje primenom jedne ili više sledećih mera:

- Povećajte rastojanje između opreme i prijemnika.

- Obratite se prodavcu za pomoć.

Oznaka na proizvodu se nalazi na nalepnici na desnom antifonu.

Registrovani žigovi

Oznaka reči *Bluetooth®* i logotipi su registrovani žigovi u vlasništvu kompanije *Bluetooth SIG, inc.* i svaka

njihova upotreba od strane kompanije Husqvarna je pod licencom.

Bezbednost

Bezbednosne definicije

Upozorenja, mere opreza i napomene se koriste da ukažu na naročito važne delove korisničkog uputstva.



UPOZORENJE: Koristi se ako, usled nepoštovanja uputstava, postoji rizik od nastanka telesnih povreda ili smrti kod rukovaoca ili prisutnih osoba.



OPREZ: Koristi se ako, usled nepoštovanja uputstava, postoji rizik od nastanka oštećenja na proizvodu, drugim materijalima ili susednim oblastima.

Napomena: Koristi se za pružanje više informacija koje su neophodne u datoj situaciji.

Opšta bezbednost



UPOZORENJE: Pročitajte upozoravajuća uputstva koja slede pre korišćenja proizvoda.

- Pročitajte i sačuvajte ova uputstva.
- Za optimalno uklapanje i funkcionisanje, pobrinite se da izaberete odgovarajući proizvod za svoju upotrebu.
- Nemojte menjati niti uklanjati delove na proizvodu. Vršite samo one izmene koje su navedene u ovom korisničkom priručniku.
- Stepem prigušenja buke proizvoda će se ozbiljno smanjiti ako ne pratite uputstva u ovom korisničkom priručniku. Antifoni, a posebno jastučici, mogu se oštetiti upotrebom i trebalo bi ih redovno pregledati da bi se utvrdilo da li imaju pukotina i oštećenja. Pogledajte *Održavanje na stranici 264*.
- Određene hemijske supstance mogu da imaju negativan uticaj na ovaj proizvod. Dodatne informacije možete zatražiti od proizvođača. Držite proizvod dalje od agresivnih supstanci i redovno ga čistite. Koristite krpu sa vodom i sapunicom. Nemojte ga prati ili potapati u vodu.
- Sve servisne i radove popravke mora vršiti ovlašćena servisna radionica. Koristite samo Husqvarna originalne rezervne delove.

- Nikada nemojte da koristite antifone duže od 10 godina od datuma proizvodnje navedenog na pakovanju.
- Funkcionalnost proizvoda može da se pogorša sa potrošnjom baterije.

Bezbednosna uputstva za rukovanje

- Korisnik bi trebalo da se postara da u bučnim okruženjima sve vreme nosi antifone.
- Budite pažljiviji i oslušujte signale upozorenja kada koristite proizvod. Jačina signala upozorenja može biti umanjena kada koristite proizvod.
- Čujnost signala upozorenja na određenom radnom mestu može biti umanjena prilikom korišćenja uređaja za zabavu.
- Vodite računa da proizvod ne bude udaren tokom transporta i korišćenja.
- Koristite proizvod samo na temperaturama između -20 i +55 °C / -4 i +131 °F. Ako koristite proizvod na drugim temperaturama, to može uzrokovati oštećenje elektronike, baterije i mehaničkih delova.
- Postarajte se da znate kako da koristite proizvod pre njegovog korišćenja. Obratite se servisnom predstavniku ako postoji oštećenje na proizvodu. Nemojte otvarati oblogu!
- Postavljanje higijenskih prevlaka na jastučice može uticati na akustične performanse antifona. Uvek upotrebljavajte originalnu opremu.
- Nemojte pritiskati antifone o školjku šlema. Ako to uradite, može doći do pukotina oko strane šlema.

(Sl. 4)

- Nemojte ostavljati proizvod na temperaturama iznad +55 °C / +131 °F, na primer, na komandnu tablu.
- Nemojte skladištiti proizvod na temperaturama ispod -20 °C / -4 °F.
- Korisnik bi trebalo da se postara da su antifoni na mestu, kao i da su podešeni i održavani u skladu sa ovim korisničkim uputstvom.
- Antifon se isporučuje uz bezbednosni audio ulaz. Potrebno je da korisnik proveri ispravan rad pre korišćenja. Ako se otkrije izobličenje ili kvar, potrebno je da korisnik pogleda proizvođačeve preporuke za održavanje.

Bezbedna upotreba baterije

- Antifon se isporučuje sa prigušenjem zavisnim od nivoa. Potrebno je da korisnik proveri ispravan

rad pre korišćenja. Ako se otkrije kvar ili greška, potrebno je da korisnik prati proizvođačeve preporuke za održavanje.

- Proizvod sadrži bateriju i električne komponente koje mogu da dovedu do zapaljenja u zapaljivom ili eksplozivnom okruženju. Ne koristite ih u

okruženjima gde varnice mogu da dovedu do požara ili eksplozije.

- Punitel proizvod samo u temperaturnom opsegu od 0 °C do +40 °C / od +32 °F do +104 °F. Punjenje izvan temperaturnog opsega može oštetiti elektroniku i bateriju.

Sklapanje

Uvod



UPOZORENJE: Pomerite kosu u stranu pre nego što sklopite proizvod. Pobrinite se da zapitivni prstenovi dobro naležu na vašu glavu i oko ušiju pre nego što pustite proizvod u rad.

Postavljanje antifona sa trakom za glavu

1. Postavite traku za glavu preko vrha glave.
2. Pomerite antifone nagore ili nadole da biste prilagodili visinu. (Sl. 5)

Postavljanje antifona na šlem

1. Sklopote ispravan tip priključka adaptera na školjku šlema. Pogledajte *Odobreni šlemovi na stranici 265*.
2. Sklopote viljušku za šlem na priključak adaptera. (Sl. 6)

Napomena: Pogledajte *Odobreni šlemovi na stranici 265* za više informacija o tome koji je držač za šlem pogodan za vaš šlem.

3. Pomerite antifone u najniži položaj.
4. Podignite antifone izvan i nagore dok se ne zaključaju u položaju mirovanja. (Sl. 7)
5. Napravite oznaku na kablju.
 - a) Za šlem H300, napravite oznaku 27 cm / 11 inča (X) od svakog antifona.
 - b) Za šlem Spire Vent X, napravite oznaku 14,5 cm / 6 inča (Y) od svakog antifona. (Sl. 8)
6. Postavite držač za šlem u prerez na šlemu. (Sl. 9)
7. Nastavite da pratite uputstva za sklapanje za vaš odobreni šlem.



OPREZ: Pobrinite se da kabl nije uvijen i da nema mali radijus savijanja. Pobrinite se da kabl može lako da prođe kroz otvor šlema.

Postavljanje antifona na šlem H300

1. Otpustite traku za glavu sa šlema. (Sl. 10)

2. Pričvrstite kabl na otvore pomoću vezica kabla ili spojnice. (Sl. 11)
3. Ako kabl pričvršćujete pomoću vezica kabla, isecite vezicu i gurnite vezicu u bočni otvor.
4. Napravite petlju od kabla i pričvrstite traku za glavu i zaštitu za vrat. Uverite se da je kabl između školjke šlema i trake za glavu. (Sl. 12)

Postavljanje antifona na šlem Spire Vent X

1. Postavite kabl u petlju nazad.
2. Pričvrstite kabl na traku za glavu pomoću vezica kabla. Pričvrstite vezicu kabla kroz zadnju traku trake za glavu.
3. Presecite vezicu kabla.
4. Postavite preostali deo kabla u petlju nazad, iza zadnjeg dela trake za glavu. (Sl. 13)

Stavljanje antifona u položaj za rad

1. Stavite šlem na glavu.
2. Podesite antifone dok ne nalegnu dobro na vaše uši i čvrsto oko vaše glave. (Sl. 14)

Stavljanje antifona u položaj mirovanja

- Podignite antifone izvan i nagore dok se ne zaključaju u položaju mirovanja. (Sl. 15)

Stavljanje antifona u neaktivni položaj

1. Stavite antifone u položaj mirovanja. Pogledajte *Stavljanje antifona u položaj mirovanja na stranici 260*.
2. Okrenite antifone unazad duž ivice šlema dok se ne zaključaju u neaktivnom položaju. (Sl. 16)

Povezivanje podesivog mikrofona na držaču

Koristite podesivi mikrofona na držaču u okruženjima sa jakim bukom.

1. Postavite filter za vetar na podesivi mikrofona na držaču.
2. Povežite podesivi mikrofona na držaču na izlaz za mikrofona na desnom antifonu. (Sl. 17)
3. Postavite podesivi mikrofona na držaču na 1 cm / 0,4 inča (A) od usta.

Rukovanje

Uvod



UPOZORENJE: Pre rada sa proizvodom, morate pročitati i razumeti poglavlje o bezbednosti.

Punjenje proizvoda

1. Povežite USB-C konektor na kablju punjača na priključak na levom antifonu. (Sl. 18)
2. Povežite USB konektor na kablju punjača na USB punjač ili drugi USB priključak.

Napomena: Priključak utičnice mora biti 5 V i 2 A za punjenje pri maksimalnom kapacitetu.

Napomena: LED indikator na Bluetooth® dugmetu trepće polako zeleno kada se baterija puni. LED indikator na Bluetooth® dugmetu je postojane zelene boje kada je baterija u potpunosti napunjena.

LED indikator na dugmetu kanala	Status napunjenosti baterije
3 LED indikatora su uključena.	Baterija je napunjena 90% – 100%.
2 LED indikatora su uključena i 1 LED lampica polako trepće.	Baterija je napunjena 70% – 90%.
1 LED indikator je uključen i 1 LED lampica polako trepće.	Baterija je napunjena 20% – 70%.
1 LED indikator polako trepće.	Baterija je napunjena 10% – 20%.
1 LED indikator brzo trepće.	Baterija je napunjena 0% – 10%.

Pokretanje proizvoda

- Pritisnite i držite dugme za uključivanje/isključivanje 1 sekundu.

Napomena: Zvučni signal vas obaveštava da je proizvod uključen. Središnji LED indikator na dugmetu kanala je uključen 2 sekunde. Audio poruka vas obaveštava o statusu baterije i broju uređaja koji su povezani Bluetooth® bežičnom tehnologijom. Ako proizvod pronađe tim, audio poruka vas obaveštava sa kojim timom ste povezani. Pogledajte tabelu ispod.

Audio poruka
BATTERY HIGH
BATTERY MEDIUM
BATTERY LOW
BATTERY CRITICAL

Audio poruka
ONE BLUETOOTH DEVICE CONNECTED
TWO BLUETOOTH DEVICES CONNECTED
CONNECTED TO TEAM CHANNEL 1
CONNECTED TO TEAM CHANNEL 2
CONNECTED TO TEAM CHANNEL 3

Prikaz statusa baterije

- Pritisnite dugme za uključivanje/isključivanje.

Napomena: LED indikator na dugmetu kanala prikazuje se zelenom bojom 5 sekundi. Pogledajte tabelu ispod.

LED indikator	Status baterije
3 LED indikatora su uključena.	Baterija je napunjena 90% – 100%.
2 LED indikatora su uključena.	Baterija je napunjena 70% – 90%.
1 LED indikator je uključen.	Baterija je napunjena 20% – 70%.
1 LED indikator brzo trepće.	Baterija je napunjena 0% – 10%.

Promena između režima FM radija i Bluetooth® režima

- Brzo pritisnite dugme režim 2 sekunde da biste promenili između režima FM radija i Bluetooth® režima.

Napomena: Audio poruka vas obaveštava koji ste režim izabrali. Pogledajte tabelu ispod.

Audio poruka
RADIO

Audio poruka

BLUETOOTH

Režim FM radija

U režimu FM radija imate pristup FM radiju u urbanim ili drugim područjima gde je FM radio-signal jak. Na FM radio mogu uticati loši uslovi na terenu ili gusta vegetacija.

Promena FM radio-stanice

- Pritisnite i držite dugme za pojačanje jačine zvuka ili dugme za smanjenje jačine zvuka 1 sekundu da biste promenili FM radio-stanicu.

Bluetooth® režim

U Bluetooth® režimu možete povezati proizvod sa uređajem pomoću Bluetooth® bežične tehnologije.

Obavljanje Bluetooth® operacije uparivanja

1. Pritisnite i držite Bluetooth® dugme 2 sekunde da biste pokrenuli operaciju uparivanja na vašem proizvodu.

Napomena: Operacija uparivanja počinje kada čujete zvučni signal a Bluetooth® dugme trepće plavom bojom. Operacija uparivanja je uključena 30 sekundi.

2. Pokrenite operaciju uparivanja za Bluetooth® bežičnu tehnologiju na uređaju.
3. Ako je potrebno, izaberite Husqvarna X-COM Active na listi jedinica na vašem uređaju.

Napomena: Audio poruka vas obaveštava o statusu proizvoda. Pogledajte tabelu ispod.

Audio poruka	LED indikator na Bluetooth® dugmetu	Informacije
BLUETOOTH DEVICE CONNECTED	Postojana plava boja.	Proizvod je povezan na uređaj pomoću Bluetooth® bežične tehnologije.
BLUETOOTH CONNECTION FAILED	Postojana crvena boja 2 sekunde.	Proizvod nije povezan na uređaj pomoću Bluetooth® bežične tehnologije.

Napomena: Uređaj sa Bluetooth® bežičnom tehnologijom koji je povezan na vaš proizvod, automatski se povezuje na vaš proizvod kada se sledeći put proizvod koristi sa uređajem.

Podešavanje tima i dodavanje uređaja

Tim je komunikaciona grupa koja vam omogućava da razgovarate sa svim uređajima koji su povezani sa timom. Ako tim ne postoji a vi obavite ovu proceduru, podesićete novi tim. Zatim možete ponovo obaviti proceduru za dodavanje novih uređaja timu. Samo jedna osoba podešava tim a ostali uređaji se povezuju sa timom kako je prikazano u *Povezivanje sa timom na stranici 263*. Samo jedna po jedna osoba može dodati novi uređaj timu. Novi uređaj mora biti povezan sa timom kako je prikazano u *Povezivanje sa timom na stranici 263*.

1. Pritisnite dugme režim 1 sekundu da biste ušli u režim upravljanja timom preko kojeg ulazite u podešavanje tima.

Napomena: Audio poruka vas obaveštava da ste u režimu upravljanja timom. Pogledajte tabelu ispod.

Audio poruka	LED indikator na Bluetooth® dugmetu
TEAM MANAGEMENT	Postojana bela boja.

2. Pritisnite Bluetooth® dugme.

Napomena: Audio poruka vas obaveštava o statusu operacije uparivanja. Operacija uparivanja počinje kada čujete zvučni signal. Pogledajte tabelu ispod.

Audio poruka	LED indikator na Bluetooth® dugmetu
SEARCHING FOR MEMBERS	LED indikator brzo trepće.

Napomena: Operacija uparivanja je uključena 1 minut. Uređaji se povezuju sa timom za otprilike 1 minut. Operacija uparivanja je završena kada čujete zvučni signal a Bluetooth® dugme se prikazuje stalnom zelenom bojom. Zvučni signal se čuje svaki put kada se novi uređaj poveže sa timom. Za povezivanje sa timom, pogledajte *Povezivanje sa timom na stranici 263*.

3. Ako želite da prekinete operaciju uparivanja za manje od 1 minuta, pritisnite dugme režim.
4. Ako želite da dodate novi uređaj timu, ponovo pratite ista uputstva.

Napomena: Uređaj koji je povezan sa timom, automatski se povezuje sa timom prilikom vašeg sledećeg korišćenja.

Povezivanje sa timom

Ne možete da se povežete sa timom ako nijedan tim nije podešen. Da biste podesili tim, pogledajte *Podešavanje tima i dodavanje uređaja na stranici 262*. Možete se povezati sa timom u isto vreme kada se podešava novi tim. Takođe možete da se povežete sa timom ako član tima dodaje nove uređaje timu.

1. Pritisnite dugme režim 1 sekundu da biste ušli u režim upravljanja timom.

Napomena: Audio poruka vas obaveštava da ste u režimu upravljanja timom. Pogledajte tabelu ispod.

Audio poruka	LED indikator na Bluetooth® dugmetu
TEAM MANAGEMENT	Postojana bela boja.

2. Pritisnite dugme za pojačanje jačine zvuka.

Napomena: Operacija uparivanja počinje kada čujete zvučni signal a Bluetooth® dugme polako trepće. Operacija uparivanja je uključena 1 minut. Audio poruka vas obaveštava da ste povezani sa timom. Pogledajte tabelu ispod.

Audio poruka	LED indikator na Bluetooth® dugmetu
CONNECTED TO TEAM	Postojana zelena boja.

Napomena: Možete da razgovarate sa timom kada vas audio poruka obavesti da ste povezani sa timom.

Prekidanje veze sa timom

1. Pritisnite dugme režim 1 sekundu da biste ušli u režim upravljanja timom.

Napomena: Audio poruka vas obaveštava da ste u režimu upravljanja timom. Pogledajte tabelu ispod.

Audio poruka	LED indikator na Bluetooth® dugmetu
TEAM MANAGEMENT	Postojana bela boja.

2. Pritisnite dugme za smanjenje jačine zvuka.

Napomena: Audio poruka vas obaveštava da ste prekinuli vezu sa timom. Pogledajte tabelu ispod.

Audio poruka	LED indikator na Bluetooth® dugmetu
LEAVING TEAM	LED indikator trepće crveno 3 puta.

Promena komunikacionog kanala

- Pritisnite dugme kanala da biste izabrali komunikacioni kanal 1, 2 ili 3.

Napomena: Audio poruka vas obaveštava na kom ste kanalu. Pogledajte tabelu ispod.

Audio poruka	LED indikator kanala
CHANNEL 1	Postojana bela boja na kanalu 1.
CHANNEL 2	Postojana bela boja na kanalu 2.
CHANNEL 3	Postojana bela boja na kanalu 3.

Razgovor sa svim komunikacionim kanalima

- Pritisnite i držite dugme kanala da biste razgovarali sa svim komunikacionim kanalima u isto vreme.

Napomena: Kada čujete zvučni signal povezani ste sa svim komunikacionim kanalima. Svi LED indikatori kanala se prikazuju postojanom belom bojom da bi se prikazalo da ste povezani sa svim kanalima.

- Pustite dugme kanala da biste se vratili na prethodni kanal.

Isključivanje ili uključivanje mikrofona

- Pritisnite dugme za isključivanje zvuka dok ne čujete zvučni signal.

Promena audio striminga

- Pritisnite i držite dugme za pojačanje jačine zvuka 0,5 sekundi da biste izabrali sledeći audio striming.
- Pritisnite i držite dugme za smanjenje jačine zvuka 0,5 sekundi da biste se vratili na prethodni audio striming.

Zaustavljanje ili pokretanje audio striminga

- Pritisnite dugme režim da biste zaustavili ili pokrenuli audio striming.

Prihvatanje, završavanje ili odbacivanje telefonskog poziva

Ako je vaš mobilni uređaj povezan sa proizvodom pomoću Bluetooth® bežične tehnologije, signal se čuje u antifonima kada postoji dolazni telefonski poziv.

- Pritisnite dugme režim da biste prihvatili ili završili telefonski poziv.
- Pritisnite dugme režim 1 sekundu da biste odbacili dolazni telefonski poziv.

Napomena: Zvučni signal vas obaveštava kada je telefonski poziv prihvaćen ili odbačen.

Audio poruka	Informacije
CALL ENDED	Telefonski poziv je završen.

Prenos telefonskog poziva na tim

1. Pritisnite dugme režim da biste prihvatili telefonski poziv.
2. Brzo pritisnite dugme režim 2 puta da biste preneli telefonski poziv na tim.

Napomena: Audio poruka vas obaveštava kada je telefonski poziv prenet. Pogledajte tabelu ispod.

Audio poruka	Informacije
CALL TRANSFERRED TO TEAM	Telefonski poziv je prenet na tim.

Prekidanje veze telefonskog poziva u timu

- Brzo pritisnite dugme režim 2 puta.

Napomena: Audio poruka vas obaveštava kada je veza sa telefonskim pozivom prekinuta. Pogledajte tabelu ispod.

Audio poruka	Informacije
CALL DISCONNECTED FROM TEAM	Prekinuta je veza telefonskog poziva sa timom.

Podešavanje jačine zvuka

- Pritisnite dugme za pojačanje jačine zvuka ili dugme za smanjenje jačine zvuka da biste prilagodili jačinu zvuka. Zvučni signal vas obaveštava kada je jačina zvuka na minimalnom ili maksimalnom nivou.

Podešavanje režima ambijentalnog zvuka

Režim ambijentalnog zvuka vam omogućava da čujete zvukove oko sebe.

- Pritisnite dugme za ambijentalni zvuk.

Napomena: Audio poruka vas obaveštava o statusu režima ambijentalnog zvuka.

Audio poruka
AMBIENT LEVEL HIGH
AMBIENT LEVEL MEDIUM
AMBIENT LEVEL LOW
AMBIENT LEVEL OFF

Zaustavljanje proizvoda

- Pritisnite i držite dugme za uključivanje/isključivanje 1 sekundu.

Napomena: Audio poruka vas obaveštava o statusu baterije i LED indikatori se isključuju. Zvučni signal vas obaveštava da je proizvod isključen.

Zaustavljanje proizvoda na silu

- Pritisnite i držite dugme za uključivanje/isključivanje 12 sekundi.

Održavanje

Održavanje proizvoda



OPREZ: Nemojte stavljati proizvod pod mlaz vode ili ga potapati u vodu.



OPREZ: Sprej, tečnosti ili ostala sredstva za čišćenje koja sadrže razređivače i/ili alkohol mogu da umanje zaštitnu funkciju.



OPREZ: Koristite Husqvarna originalne rezervne delove.

1. Redovno čistite proizvod. Koristite krpu i blagi rastvor sapuna.
2. Proverite stanje zaptivnih prstenova i umetaka od sunderaste gume pre svake upotrebe.

- Zamenite zaptivne prstenove i umetke od sunderaste gume na svakih 6 meseci ili češće ako je potrebno. Uverite se da je otvor za vazduh na zaptivnom prstenu okrenut ka dole za vreme sklapanja. Koristite originalne higijenske komplete koji sadrže zaptivne prstenove i umetke od sunderaste gume. Pogledajte www.husqvarna.com za više informacija o higijenskim kompletima. (Sl. 19)

Napomena: Ako su antifoni vlažni na unutrašnjoj strani, ostavite ih da se osuše u

neaktivnom položaju. Pogledajte *Stavljanje antifona u neaktivni položaj na stranici 260.*

- Zamenite membranu za mikrofonski govornik ako je oštećena.
- Zamenite filter za vetar za mikrofonski govornik ako je oštećen.
- Zamenite filter za vetar na podnesivom mikrofonskom držaču ako je oštećen.
- Zamenite podlogu za udobnost trake za glavu ako je potrebno. (Sl. 20)

Transport, skladištenje i odlaganje

Transport i skladištenje



OPREZ: Tokom transporta i skladištenja postavite antifone u položaj za rad kako bi se smanjilo habanje plastičnog materijala.

- Stavite antifone u položaj za rad. Pogledajte *Stavljanje antifona u položaj za rad na stranici 260.*
- Uverite se da zaptivni prstenovi nisu sabijeni.
- Čuvajte proizvod na suvom i čistom mestu.
- Držite proizvod podalje od sunčeve svetlosti tokom skladištenja.
- Napunite bateriju na svakih 6 nedelja kako bi se očuvao kvalitet baterije.

- Stavite proizvod u siguran prostor tokom transporta.

Odlaganje

- Poštujte nacionalne propise.
- Koristite lokalni sistem za reciklažu.
- Ovaj proizvod ili pakovanje ne treba tretirati kao kućni otpad. Reciklirajte ga na lokaciji za recikliranje električne i elektronske opreme.



Dodaci

Odobreni šlemovi

Koristite proizvod samo sa šlemovima navedenim u nastavku.

Model	Tip držača za šlem	Grafički prikaz adaptera	Odobrene dimenzije
Husqvarna Technical, H300	Adapter H300	(Sl. 21)	M/L
Husqvarna Spire	Adapter Spire	(Sl. 22)	L
KASK Zenith X			

Tehnički podaci

Pogledajte ilustracije u nastavku da biste videli tehničke podatke o svakom proizvodu. Za više tehničkih

podataka, pogledajte prilog sa tehničkim podacima u ovom uputstvu za upotrebu.

(Sl. 2)
(Sl. 3)

Dodatne informacije o sadržaju tehničkih podataka potražite u spisku u nastavku:

- F = frekvencije pri kojima se prigušenje buke meri.
- Mf = srednja vrednost.

- Sf = standardno odstupanje.
- APV (Mf-Sf) = pretpostavljena vrednost zaštite.
- H = vrednost prigušenja buke visoke frekvencije (predviđeno smanjenje nivoa buke za buku gde je $L_C - L_A = -2$ dB). M = vrednost prigušenja buke srednje frekvencije (predviđeno smanjenje nivoa buke za buku gde je $L_C - L_A = +2$ dB). L = vrednost prigušenja buke niske frekvencije (predviđeno smanjenje nivoa buke za buku gde je $L_C - L_A = +10$ dB).
- SNR = stepen prigušenja buke (vrednost koja se oduzima od izmerenog C-ponderisanog nivoa

zvučnog pritiska, L_C , kako bi se procenio efektivni A-ponderisani nivo zvuka u uvu).

Odgovorni proizvođač: Husqvarna AB, SE-561 82 Huskvarna, Švedska, tel: +46-36-146500.

Nivo zvuka

Režim FM radija i režim slušalice imaju maksimalni ekvivalentni nivo zvuka od 82 dB (A).

Materijali

Deo	Materijal	Deo	Materijal
Unutrašnja školjka	ABS	Traka za glavu	POM+TPE
Spoljna školjka, leva	ABS	Račva šlema	POM
Spoljna školjka, desna	ABS+TPE	Opruga račve šlema	Čelik
Umeci	PUR	Zavrtnji	Čelik
Zaptivni prstenovi	PVC i pena		

Innehåll

Introduktion.....	267	Transport, förvaring och kassering.....	274
Säkerhet.....	268	Tillbehör.....	274
Montering.....	269	Tekniska data.....	274
Drift.....	270	0
Underhåll.....	273		

Introduktion

Produktbeskrivning

Produkten X-COM Active (HP500C-01, HP500C-02) är ett hörselskydd med inbyggd kommunikation i full

duplex, *trådlös Bluetooth®-teknik* och FM-radio. Modell HP500C-01 är ett hörselskydd med hjässbygel och modell HP500C-02 är ett hörselskydd för hjälmar. Produkten skyddar mot skadligt ljud.

Produktöversikt

(Fig. 1)

1. Knapp för att höja volymen
2. Knapp för att sänka volymen
3. Nivåanpassad mikrofon
4. Bluetooth®-knapp
5. Röstmikrofon
6. Lägesknapp
7. Kabeluttag för USB-C-laddare
8. Knapp för omgivningsljud
9. Ljud av-knapp
10. På/Av-knapp
11. Kanalknapp
12. Uttag för bommikrofon

UK Importer:
Husqvarna UK Ltd
Preston Road, Co. Durham
DL5 6UP

FCC ID: ZASHP500, IC ID: 23307-HP500

Leverantörens försäkring om FCC-överensstämmelse för HP500C-01, HP500C-02 ansvarig part.

Husqvarna Professional Products, Inc. 9335 Harris Corners Parkway Suite 500 Charlotte, NC 28269 USA.

Kontaktuppgifter i USA: James Campbell, Manager Product Compliance, telefon: +1 704 597 5000.

FCC-överensstämmelse:

Enheten uppfyller avsnitt 15 i FCC:s regler. Driften är föremål för följande två villkor: (1) Enheten får inte orsaka skadliga störningar, och (2) enheten måste acceptera alla mottagna störningar, inklusive störningar som kan orsaka oönskad drift.

Denna utrustning har testats och uppfyller gränsvärdena för en digital enhet av klass B enligt avsnitt 15 i FCC:s regler. Dessa begränsningar har utformats för att ge rimligt skydd mot skadliga störningar i bostadsmiljö. Utrustningen genererar, använder och kan utstråla radiofrekvensenergi och den kan, om den inte installeras och används i enlighet med instruktionerna, orsaka skadliga radiokommunikationsstörningar. Det finns emellertid ingen garanti för att störning inte kan inträffa i en viss installation. Om utrustningen orsakar skadliga störningar på radio- eller tv-mottagning, vilket kan avgöras genom att utrustningen stängs av och slås på, bör användaren försöka korrigera störningen med hjälp av en eller flera av följande åtgärder:

- Öka avståndet mellan utrustningen och mottagaren.
- Kontakta återförsäljaren för hjälp.

Överensstämmelse och godkännanden

Husqvarna AB, SE-561 82 Huskvarna, Sweden, tel: +46-36-146500, försäkrar härmed att radioutrustningen av typen HP500C-01 och HP500C-01 uppfyller kraven i 2014/53/EU, 2011/65/EU och förordning (EU) 2016/425. Den fullständiga EU-försäkringen om överensstämmelse finns på följande webbplats: www.husqvarna.com: sök efter X-COM Active, HP500C-01, HP500C-02.

Produktens dämpningsvärden och ljudnivåer är testade och godkända enligt: EN 352-1:2020 (hjässbygel), EN 352-3:2020 (hjälmmontering), EN 352-4:2020, EN 352-6:2020 och EN 352-8:2020.

Anmälda organ som deltar i bedömningen av överensstämmelse är: Nummer för anmält organ 1974. PZT GmbH, Bismarckstraße 264 B, 26389 Wilhelmshaven, Germany.

Certifiering och övervakning av PZT.

Batteriet är certifierat enligt IEC62133 utgåva 2.



Märkningen på produkten finns på etiketten på den högra hörselkåpan.

användning av sådana märken av Husqvarna sker med licens.

Registrerade varumärken

Ordmärket och logotypen *Bluetooth®* är registrerade varumärken som ägs av *Bluetooth SIG, inc.*, och all

Säkerhet

Säkerhetsdefinitioner

Varningar, försiktighetsåtgärder och anmärkningar används för att betona speciellt viktiga delar i bruksanvisningen.



WARNING: Används om det finns risk för skador eller dödsfall för användaren eller kringstående om anvisningarna i bruksanvisningen inte följs.



OBSERVERA: Används om det finns risk för skada på produkten, annat material eller det angränsande området om anvisningarna i bruksanvisningen inte följs.

Notera: Används för att ge mer information som är nödvändig i en viss situation.

Allmän säkerhet



WARNING: Läs varningsinstruktionerna nedan innan du använder produkten.

- Använd och spara dessa anvisningar.
- För optimal passform och funktion ska du se till att du har valt rätt produkt för din användning.
- Ändra inte och ta inte bort delar på produkten. Utför endast ändringar enligt den här bruksanvisningen.
- Produktens ljuddämpning minskar drastiskt om du inte följer anvisningarna i den här bruksanvisningen. Hörselkåpor, och särskilt kuddar, kan försämrats med användning, och du bör med jämna mellanrum kontrollera att de inte har spruckit eller försämrats. Se *Underhåll på sida 273*.
- Vissa kemiska ämnen kan ha negativ inverkan på denna produkt. Vid behov av ytterligare information bör tillverkaren kontaktas. Håll dig borta från aggressiva ämnen och rengör produkten regelbundet. Använd en trasa med vatten och tvål. Tvätta inte och sänk in ner den helt i vatten.
- Service och reparationer får endast utföras av en auktoriserad serviceverkstad. Använd endast originaltillbehör från Husqvarna.
- Använd aldrig hörselkåpor längre än tio år från tillverkningsdatumet som anges på förpackningen.

- Produktens funktion kan försämrats med batteriförbrukningen.

Säkerhetsinstruktioner för drift

- Du måste alltid använda hörselkåporna i högljudna miljöer.
- Var försiktigare och lyssna efter varningssignaler när du använder produkten. Ljudet från varningssignaler kan minskas när du använder produkten.
- Varningssignalernas hörbarhet vid en viss arbetsplats kan försämrats vid användning av underhållningsfunktionerna.
- Se till att produkten inte utsätts för stötar under transport och användning.
- Använd endast produkten vid temperaturer mellan -20°C och $+55^{\circ}\text{C}$. Om du använder produkten vid andra temperaturer kan det orsaka skador på elektronik, batteri och mekaniska delar.
- Se till att du vet hur du ska använda produkten före användning. Prata med en serviceverkstad om det finns skador på produkten. Öppna inte höljet!
- Om du använder hygienskydd på kuddarna kan det påverka hörselkåporas akustiska prestanda. Använd alltid originaltillbehör.
- Tryck inte hörselkåporna mot hjälmskalet. Om du gör det kan det leda till sprickor på sidan av hjälmen.

(Fig. 4)

- Förvara inte produkten i temperaturer över $+55^{\circ}\text{C}$, exempelvis på en instrumentpanel. Förvara inte produkten i temperaturer under -20°C .
- Du måste se till att hörselkåporna sitter ordentligt fast och underhålls enligt den här bruksanvisningen.
- Hörselkåporna har en säkerhetsrelaterad ljudingång. Användaren kontrollerar att produkten fungerar som den ska före användning. Om användaren upptäcker förvrängning eller bristande funktion ska tillverkarens anvisningar för underhåll följas.

Batterisäkerhet

- Hörselkåpan är försedd med nivåanpassad dämpning. Användaren kontrollerar att produkten fungerar som den ska före användning. Om användaren upptäcker felfunktion eller andra fel ska tillverkarens anvisningar för underhåll följas.
- Produkten innehåller ett batteri och elektriska komponenter som kan orsaka antändning i lättantändliga och explosiva miljöer. Använd inte produkten i miljöer där gnistor kan orsaka eldsväda eller explosion.

- Ladda endast produkten inom temperaturintervallet 0 °C till +40 °C. Laddning utanför

temperaturintervallet kan skada elektroniken och batteriet.

Montering

Inledning



VARNING: För undan håret innan du monterar produkten. Se till att tätningringarna sitter tätt mot huvudet och runt öronen innan du använder produkten.

Sätta på sig hörselkåpor med hjässbygel

1. Sätt hjässbygeln på huvudet.
2. Flytta kåporna uppåt eller nedåt för att justera höjden. (Fig. 5)

Montera hörselkåporna på en hjälm

1. Montera rätt typ av adapterfäste på hjälmskalet. Se *Godkända hjälmar på sida 274*.
2. Montera hjälmgaffeln på tillbehörsadaptern. (Fig. 6)

Notera: Se *Godkända hjälmar på sida 274* för mer information om vilket hjälmfäste som gäller för din hjälm.

3. Flytta hörselkåporna till det lägsta läget.
4. Lyft hörselkåporna utåt och uppåt så att de låser sig i standbyläge. (Fig. 7)
5. Gör en markering på kabeln.
 - a) För hjälmen H300 ska du göra en markering 27 cm (X) från varje hörselkåpa.
 - b) För hjälmen Spire Vent X ska du göra en markering 14,5 cm (Y) från varje hörselkåpa. (Fig. 8)
6. Placera hjälmfästet i spåret på hjälmen. (Fig. 9)
7. Gå vidare till monteringsanvisningar för just din godkända hjälm.



OBSERVERA: Se till att kabeln inte är vriden eller har liten böjningsradie. Se till att kabeln löper smidigt in i öppningen på hjälmen.

Montera hörselkåporna på hjälmen H300

1. Lossa inredningen från hjälmen. (Fig. 10)

2. Anslut kabeln till hålen med buntbanden eller klämmorna. (Fig. 11)
3. Om du fäster kabeln med buntband klipper du av buntbandet och trycker in buntbandets lås i sidospåret.
4. Gör en ögla på kabeln och fäst inredningen och nackskyddet. Se till att kabeln är mellan hjälmskalet och inredningen. (Fig. 12)

Montera hörselkåporna på hjälmen Spire Vent X

1. Lägg kabeln i en ögla bakåt.
2. Fäst kabeln vid inredningen med buntband. Sätt fast buntbandet genom hjässbygelns bakersta rem.
3. Klipp av buntbandet.
4. Lägg den återstående delen av kabeln i en ögla bakåt, bakom den bakre hjässbygeln. (Fig. 13)

Sätta hörselkåporna i arbetsläge

1. Sätt hjälmen på huvudet.
2. Justera hörselkåporna tills de sitter tätt runt öronen och tätt mot huvudet. (Fig. 14)

Sätta hörselkåporna i standbyläge ()

- Lyft hörselkåporna utåt och uppåt så att de låser sig i standbyläge. (Fig. 15)

Sätta hörselkåporna i parkeringsläge ()

1. Sätt hörselkåporna i standbyläge. Se *Sätta hörselkåporna i standbyläge () på sida 269*.
2. Vrid hörselkåporna bakåt längs sidan av hjälmen tills de låser sig i parkeringsläge. (Fig. 16)

Ansluta bommikrofonen

Använd en bommikrofon i miljöer med högt ljud.

1. Montera vindfiltret på bommikrofonen.
2. Anslut bommikrofonen till mikrofonuttaget på höger hörselkåpa. (Fig. 17)
3. Placera bommikrofonen 1 cm (A) från munnen.

Drift

Introduktion



VARNING: Innan du använder produkten måste du läsa igenom och förstå kapitlet om säkerhet.

Ladda produkten

1. Anslut USB-C-kontakten på laddningskabeln till utgången på vänster hörselkäpa. (Fig. 18)
2. Anslut USB-kontakten på laddningskabeln till en USB-laddare eller ett annat USB-eluttag.

Notera: Eluttags uteffekt måste vara 5 V och 2 A för att ladda med maximal kapacitet.

Notera: LED-kontrollampen på Bluetooth®-knappen blinkar långsamt grönt när batteriet laddas. LED-kontrollampen på Bluetooth®-knappen lyser med fast grönt sken när batteriet är fulladdat.

LED-kontrollampen på kanalknappen	Batteriets laddningsstatus
Tre lampor lyser.	Batteriet är 90–100 % laddat.
Två lampor lyser och en lampa blinkar långsamt.	Batteriet är 70–90 % laddat.
En lampa lyser och en lampa blinkar långsamt.	Batteriet är 20–70 % laddat.
En lampa blinkar långsamt.	Batteriet är 10–20 % laddat.
En lampa blinkar snabbt.	Batteriet är 0–10 % laddat.

Starta produkten

- Håll på/av-knappen intryckt en sekund.

Notera: En ljudsignal indikerar att produkten är påslagen. Den mellersta LED-kontrollampen på kanalknappen lyser i två sekunder. Ett ljudmeddelande uppger batteristatusen och antalet enheter som är anslutna via trådlös Bluetooth®-teknik. Om produkten hittar ett team uppger ljudmeddelandet vilket team du är ansluten till. Se tabellen nedan.

Ljudmeddelande
BATTERY HIGH

Ljudmeddelande
BATTERY MEDIUM
BATTERY LOW
BATTERY CRITICAL

Ljudmeddelande
ONE BLUETOOTH DEVICE CONNECTED
TWO BLUETOOTH DEVICES CONNECTED
CONNECTED TO TEAM CHANNEL 1
CONNECTED TO TEAM CHANNEL 2
CONNECTED TO TEAM CHANNEL 3

Visa batteristatus

- Tryck på på/av-knappen.

Notera: LED-kontrollampen på kanalknappen lyser grönt i fem sekunder. Se tabellen nedan.

LED-kontrollampa	Batteristatus
Tre lampor lyser.	Batteriet är 90–100 % laddat.
Två lampor lyser.	Batteriet är 70–90 % laddat.
En lampa lyser.	Batteriet är 20–70 % laddat.
En lampa blinkar snabbt.	Batteriet är 0–10 % laddat.

Växla mellan FM-radioläge och Bluetooth®-läge

- Tryck snabbt två gånger på lägesknappen för att växla mellan FM-radioläge och Bluetooth®-läge.

Notera: Ett ljudmeddelande uppger vilket läge du har valt. Se tabellen nedan.

Ljudmeddelande
RADIO
BLUETOOTH

FM-radioläge

I FM-radioläge får du tillgång till FM-radio i stadsmiljöer eller andra områden med stark FM-radiosignal. FM-radios prestanda kan påverkas av ojämn terräng eller tät vegetation.

Byta FM-radiostation

- Håll knappen för att höja volymen eller knappen för att sänka volymen intryckt en sekund för att byta FM-radiostation.

Bluetooth®-läge

I Bluetooth®-läge kan du ansluta produkten till en enhet med trådlös Bluetooth®-teknik.

Parkoppla med Bluetooth®

- Håll Bluetooth®-knappen intryckt två sekunder för att starta produktens parkopplingsfunktion.

Notera: Parkopplingen startar när du hör ett pip och Bluetooth®-knappen blinkar blått. Parkopplingen är aktiverad i 30 sekunder.

- Starta parkopplingsfunktionen för trådlös Bluetooth®-teknik på enheten.
- Välj Husqvarna X-COM Active i listan över enheter på din enhet om det behövs.

Notera: Ett ljudmeddelande uppger produktens status. Se tabellen nedan.

Ljudmeddelande	LED-kontrolllampan på Bluetooth®-knappen	Information
BLUETOOTH DEVICE CONNECTED	Fast blått sken.	Produkten är ansluten till en enhet med trådlös Bluetooth®-teknik.
BLUETOOTH CONNECTION FAILED	Fast rött sken i två sekunder.	Produkten är inte ansluten till en enhet med trådlös Bluetooth®-teknik.

Notera: En enhet med trådlös Bluetooth®-teknik som är ansluten till produkten ansluter automatiskt till din produkt nästa gång produkten används med enheten.

Skapa ett team och lägga till enheter

Ett team är en kommunikationsgrupp där du kan tala med alla enheter som är anslutna till teamet. Om det inte finns något team när du utför den här proceduren skapar du ett nytt team. Sedan kan du göra om proceduren för att lägga till nya enheter i teamet. Endast

en person upprättar ett team och de andra enheterna ansluter till teamet enligt *Ansluta till ett team på sida 271*. Endast en person åt gången kan lägga till en ny enhet i teamet. Den nya enheten måste anslutas till teamet enligt *Ansluta till ett team på sida 271*.

- Tryck på lägesknappen i en sekund för att aktivera teamhanteringsläget och öppna gruppkonfigurationen.

Notera: Ett ljudmeddelande uppger att du är i teamhanteringsläget. Se tabellen nedan.

Ljudmeddelande	LED-kontrolllampan på Bluetooth®-knappen
TEAM MANAGEMENT	Fast vitt sken.

- Tryck på Bluetooth®-knappen.

Notera: Ett ljudmeddelande uppger status för parkopplingen. Parkopplingen startar när du hör ett pip. Se tabellen nedan.

Ljudmeddelande	LED-kontrolllampan på Bluetooth®-knappen
SEARCHING FOR MEMBERS	Lampen blinkar snabbt.

Notera: Parkopplingen är på i en minut.

Enheterna ansluter till teamet om cirka en minut. Parkopplingen är klar när du hör ett pip och Bluetooth®-knappen lyser med fast grönt sken. Ett pip hörs varje gång en ny enhet ansluter till teamet. För att ansluta till ett team, se *Ansluta till ett team på sida 271*.

- Om du vill stoppa parkopplingen inom mindre än en minut trycker du på lägesknappen.
- Om du vill lägga till en ny enhet i teamet följer du samma instruktioner igen.

Notera: En enhet som är ansluten till teamet ansluter automatiskt till teamet nästa gång du använder den.

Ansluta till ett team

Du kan inte ansluta till ett team om inget team är konfigurerat. Information om hur du konfigurerar ett team finns i *Skapa ett team och lägga till enheter på sida 271*. Du kan ansluta till ett team samtidigt som ett nytt team konfigureras. Du kan också ansluta till ett team om en medlem i teamet lägger till nya enheter i teamet.

- Tryck på lägesknappen i en sekund för att aktivera teamhanteringsläget.

Notera: Ett ljudmeddelande uppger att du är i teamhanteringsläget. Se tabellen nedan.

Ljudmeddelande	LED-kontrolllampan på Bluetooth®-knappen
TEAM MANAGEMENT	Fast vitt sken.

- Tryck på knappen för att höja volymen.

Notera: Parkopplingen startar när du hör ett pip och Bluetooth®-knappen blinkar långsamt. Parkopplingen är på i en minut. Ett ljudmeddelande talar om att du är ansluten till teamet. Se tabellen nedan.

Ljudmeddelande	LED-kontrolllampan på Bluetooth®-knappen
CONNECTED TO TEAM	Fast grönt sken.

Notera: Du kan tala med teamet efter att ljudmeddelandet har uppgett att du är ansluten till teamet.

Koppla bort ett team

- Tryck på lägesknappen i en sekund för att aktivera teamhanteringsläget.

Notera: Ett ljudmeddelande uppger att du är i teamhanteringsläget. Se tabellen nedan.

Ljudmeddelande	LED-kontrolllampan på Bluetooth®-knappen
TEAM MANAGEMENT	Fast vitt sken.

- Tryck på knappen för att sänka volymen.

Notera: Ett ljudmeddelande uppger att du är bortkopplad från teamet. Se tabellen nedan.

Ljudmeddelande	LED-kontrolllampan på Bluetooth®-knappen
LEAVING TEAM	Lampan blinkar rött tre gånger.

Byta kommunikationskanal

- Tryck på kanalknappen för att välja kommunikationskanal 1, 2 eller 3.

Notera: Ett ljudmeddelande uppger vilken kanal du befinner dig i. Se tabellen nedan.

Ljudmeddelande	Kanalens LED-kontroll-lampa
CHANNEL 1	Fast vitt sken på kanal 1.
CHANNEL 2	Fast vitt sken på kanal 2.
CHANNEL 3	Fast vitt sken på kanal 3.

Tala med alla kommunikationskanaler

- Håll kanalknappen intryckt för att tala med alla kommunikationskanaler samtidigt.

Notera: När du hör ett pip är du ansluten till alla kommunikationskanaler. Alla kanallampor lyser med fast vitt sken för att visa att du är ansluten till alla kanaler.

- Släpp kanalknappen för att gå tillbaka till föregående kanal.

Aktivera eller avaktivera mikrofonen

- Tryck på ljud av-knappen tills du hör ett pip.

Ändra ljudströmning

- Håll knappen för att höja volymen intryckt 0,5 sekunder för att välja nästa ljudströmning.
- Håll knapp för att sänka volymen intryckt 0,5 sekunder för att välja föregående ljudströmning.

Stoppa eller starta ljudströmning

- Tryck på lägesknappen för att stoppa eller starta ljudströmningen.

Ta emot, avsluta eller avvisa ett telefonsamtal

Om din mobila enhet är ansluten till produkten via trådlös Bluetooth®-teknik hörs en signal i hörselkåporna när du får ett inkommande telefonsamtal.

- Tryck på lägesknappen för att ta emot eller avsluta ett samtal.
- Tryck på lägesknappen en sekund om du vill avvisa ett inkommande telefonsamtal.

Notera: En ljudsignal anger när samtalet har tagits emot eller avvisats.

Ljudmeddelande	Information
CALL ENDED	Telefonsamtalet har avslutats.

Överföra telefonsamtalet till teamet

- Tryck på lägesknappen för att ta emot telefonsamtalet.

- Tryck snabbt på lägesknappen två gånger för att överföra telefonsamtalet till teamet.

Notera: Ett ljudmeddelande talar om när samtalet har överförts. Se tabellen nedan.

Ljudmeddelande	Information
CALL TRANSFERRED TO TEAM	Telefonsamtalet har överförts till teamet.

Koppla bort telefonsamtalet från teamet

- Tryck på lägesknappen två gånger snabbt.

Notera: Ett ljudmeddelande talar om när samtalet har kopplats bort. Se tabellen nedan.

Ljudmeddelande	Information
CALL DISCONNECTED FROM TEAM	Telefonsamtalet har kopplats bort från teamet.

Justera volymen

- Tryck på knappen för att höja volymen eller knappen för att sänka volymen för att ställa in ljudvolymen. En ljudsignal anger när volymen nått den lägsta eller högsta nivån.

Ställa in läget för omgivningsljud

Med läget för omgivningsljud kan du höra ljuden omkring dig.

- Tryck på knappen för omgivningsljud.

Notera: Ett ljudmeddelande uppger statusen för läget för omgivningsljud.

Ljudmeddelande
AMBIENT LEVEL HIGH
AMBIENT LEVEL MEDIUM
AMBIENT LEVEL LOW
AMBIENT LEVEL OFF

Stoppa produkten

- Håll på/av-knappen intryckt en sekund.

Notera: Ett ljudmeddelande uppger batteristatusen och lamporna slocknar. En ljudsignal indikerar att produkten är avstängd.

Tvinga fram produktstopp

- Håll på/av-knappen intryckt tolv sekunder.

Underhåll

Underhålla produkten



OBSERVERA: Spola inte och placera inte produkten helt i vatten.



OBSERVERA: Spray, vätskor och andra rengöringsmedel som innehåller lösningsmedel och/eller alkohol kan försämra skyddsfunktionen.



OBSERVERA: Använd Husqvarna-originaldelar.

- Rengör produkten regelbundet. Använd en trasa och mild tvållösning.
- Kontrollera skicket på tätningringarna och skumgummiinläggen före varje användning.

- Byt ut tätningringarna och skumgummiinläggen var sjätte månad eller oftare om det behövs. Se till att lufthålet på tätningringen pekar nedåt vid montering. Använd det ursprungliga hygienkitet som innehåller tätningringarna och skumgummiinläggen. Se www.husqvarna.com för information om hygienkitet. (Fig. 19)

Notera: Om hörselkåporna är våta på insidan ska du låta dem torka i parkeringsläge. Se *Sätta hörselkåporna i parkeringsläge ()* på sida 269.

- Byt ut röstmikrofonens membran om det är skadat.
- Byt ut vindfiltret på den nivåanpassade mikrofonen om det är skadat.
- Byt ut vindfiltret på bommikrofonen om det är skadat.
- Byt ut vadderingen på hjässa-bygeln om det behövs. (Fig. 20)

Transport, förvaring och kassering

Transport och förvaring



OBSERVERA: Placera hörselkåporna i arbetsläge för att minska slitaget på plastmaterialet under transport och förvaring.

- Sätt hörselkåporna i arbetsläget. Se *Sätta hörselkåporna i arbetsläge på sida 269*.
- Se till att tätningsringarna inte är komprimerade.
- Placera produkten i ett torrt och rent utrymme.
- Se till att produkten inte utsätts för solljus vid förvaring.
- Ladda batteriet var sjätte vecka för att behålla kvaliteten på batteriet.

- Placera produkten på en säker plats under transport.

Avfallshantering

- Följ nationella föreskrifter.
- Använd det lokala återvinningssystemet.
- Produkten eller dess förpackning är inte hushållsavfall. Återvinn den vid en återvinningsstation för elektrisk och elektronisk utrustning.



Tillbehör

Godkända hjälmar

Använd endast produkten med hjälmarna nedan.

Modell	Typ av hjälmfäste	Bild på adapter	Godkända mått
Husqvarna Technical, H300	Adapter H300	(Fig. 21)	M/L
Husqvarna Spire	Adapter Spire	(Fig. 22)	L
KASK Zenith X			

Tekniska data

Bilderna nedan innehåller tekniska data för alla produkter. Fler tekniska data finns i bilagan med tekniska data i den här bruksanvisningen.

(Fig. 2)

(Fig. 3)

Mer information om innehållet i avsnittet om tekniska data finns i följande lista:

- F = frekvenser där dämpning mäts.
- Mf = medelvärde.
- Sf = standardavvikelse.
- APV (Mf-Sf) = förväntat skyddsvärde.
- H = dämpningsvärde vid högfrekvent buller (förväntad ljudnivåreducering för buller där $L_C - L_A = -2$ dB). M = dämpningsvärde vid mellanfrekvent buller (förväntad ljudnivåreducering för buller där $L_C - L_A = +2$ dB). L = dämpningsvärde vid lågfrekvent

buller (förväntad ljudnivåreducering för buller $L_C - L_A = +10$ dB).

- SNR = Single Number Rating (det värde som dras bort från uppmätt C-viktad ljudtrycksnivå, L_C , för att uppskatta effektiv A-viktad ljudnivå i örat).

Ansvarig tillverkare: Husqvarna AB, 561 82 Huskvarna, Sverige, tel: +46-36-146500.

Ljudnivå

FM-radioläge och headsetläge har en maximal ekvivalent ljudnivå 82 dB (A).

Material

Del	Material	Del	Material
Inre öronkåpa	ABS	Hjässbygel	POM+TPE
Yttre öronkåpa, vänster	ABS	Hjälmgaffel	POM
Yttre öronkåpa, höger	ABS+TPE	Hjälmgaffelfjäder	Stål
Inlägg	PUR	Skrubar	Stål
Tätningringar	PVC och skum		

İçindekiler

Giriş.....	276	Taşıma, depolama ve atma.....	282
Güvenlik.....	277	Aksesuarlar.....	283
Montaj.....	278	Teknik veriler.....	283
Çalışma.....	279	0
Bakım.....	282		

Giriş

Ürün açıklaması

X-COM Active (HP500C-01, HP500C-02) ürünü, entegre tam çift taraflı iletişim, *Bluetooth® kablolu teknoloji* ve FM radyo özelliklerine sahip bir kulak koruma

Ürüne genel bakış

(Şek. 1)

1. Ses seviyesi artırma düğmesi
2. Ses seviyesi azaltma düğmesi
3. Seviyeye bağlı mikrofon
4. Bluetooth® düğmesi
5. Konuşma mikrofonu
6. Mod düğmesi
7. USB-C şarj kablosu çıkışı
8. Ortam sesi düğmesi
9. Sessiz düğmesi
10. On/Off düğmesi
11. Kanal düğmesi
12. Boom mikrofon çıkışı

Uyumluluk ve onaylar

Husqvarna AB, SE-561 82 Huskvarna, Sweden, tel: +46-36-146500 işbu belgeyle HP500C-01 ve HP500C-01 radyo ekipmanı türünün 2014/53/EU, 2011/65/EU ve (EU) 2016/425 düzenlemesine uygun olduğunu beyan eder. AB uyumluluk bildirim metninin tamamı şu internet adresinde mevcuttur: www.husqvarna.com; X-COM Active, HP500C-01, HP500C-02 öğesini arayın.

Ürün azaltma değerleri ve gürültü düzeyleri şunlara göre test edilip onaylanmıştır: EN 352-1:2020 (kafa bandı), EN 352-3:2020 (barete monte) EN 352-4:2020, EN 352-6:2020 ve EN 352-8:2020.

Uyumluluk değerlendirmesini yapan onaylanmış kuruluş: Onaylanmış kuruluş numarası 1974. PZT GmbH, Bismarckstraße 264 B, 26389 Wilhelmshaven, Germany.

PZT tarafından Sertifikalandırma ve İzleme.

Akü, IEC62133 sürüm 2 uyarınca sertifikalıdır.



ekipmandır. HP500C-01 modeli, kafa bantlı bir kulak koruma ekipmandır ve HP500C-02 modeli baret için bir kulak koruma ekipmandır. Ürün zararlı gürültüye karşı koruma sağlar.

UK Importer:
Husqvarna UK Ltd
Preston Road, Co. Durham
DL5 6UP

FCC ID: ZASHP500, IC ID: 23307-HP500

HP500C-01, HP500C-02 Sorumlu Taraf için FCC Tedarikçi Uyumluluk Bildirimi.

Husqvarna Professional Products, Inc. 9335 Harris Corners Parkway Suite 500 Charlotte, NC 28269, ABD.

ABD İletişim Bilgileri: Michael Campbell, Ürün Uyumluluğu Müdürü, Telefon: +1 704 597 5000.

FCC Uyumluluk Bildirimi:

Bu cihaz FCC Kuralları Bölüm 15 ile uyumludur. Cihazın kullanımı şu iki koşula bağlıdır: (1) Bu cihaz zararlı girişime neden olamaz ve (2) bu cihaz, istenmeyen çalışmalara neden olabilecek girişimler dahil olmak üzere tüm girişimleri kabul etmelidir.

Bu ekipman test edilmiş ve ekipmanın FCC Kuralları kısım 15'e uygun olarak B Sınıfı dijital cihaz sınırlamalarına uyduğu tespit edilmiştir. Bu sınırlar, konut için kurulmuş zararlı girişime karşı makul koruma sağlamak üzere tasarlanmıştır. Bu ekipman radyo frekansı enerjisi üretir, kullanır ve yayabilir; talimatlara uygun olarak kurulmaz ve kullanılmazsa radyo iletişiminde zararlı girişime neden olabilir. Bununla birlikte, belirli bir kurulmuş girişime neden olmayacağına dair bir garanti bulunmamaktadır. Bu cihaz, açık kapatılması ile belirlenebilen şekilde, radyo veya televizyon sinyallerinin alımında zararlı girişimlere neden oluyorsa kullanıcı aşağıdaki önlemlerden birini veya birkaçını kullanarak girişimi düzeltmeye çalışmalıdır:

- Cihaz ile alıcı arasındaki mesafeyi arttırın.
- Yardım için bayiyi danışın.

Ürünün üzerindeki işaret, sağ kulaklığın üzerindeki etikette bulunur.

ve Husqvarna, bu tür markaları ruhsatlı olarak kullanmaktadır.

Tescilli ticari markalar

Bluetooth® marka ismi ve logoları, *Bluetooth SIG, inc.* mülkiyetinde olan tescilli ticari markalardır

Güvenlik

Güvenlik tanımları

Kılavuzdaki önemli kısımları vurgulamak için uyarılar ve notlar kullanılmıştır.



UYARI: Kılavuzdaki talimatlara uyulmadığı takdirde operatör veya çevredeki kişiler için ciddi yaralanma veya ölüm tehlikesi varsa kullanılır.



DİKKAT: Kılavuzdaki talimatlara uyulmadığı takdirde ürünün, diğer malzemelerin veya çevrenin zarar görme riski olduğunda kullanılır.

Not: Belirli bir durumda bilgi verilmesi gerektiğinde kullanılır.

Genel güvenlik



UYARI: Ürünü kullanmadan önce aşağıdaki uyarı talimatlarını okuyun.

- Bu talimatları uygulayın ve kaybetmeyin.
- En iyi uyumu ve işlevselliği sağlayabilmek için kullanımınıza uygun doğru ürünü seçtiğinizden emin olun.
- Üründeki parçaları değiştirmeyin veya çıkarmayın. Yalnızca bu kullanım kılavuzunda belirtilen değişiklikleri gerçekleştirin.
- Bu kullanım kılavuzundaki talimatları izlemediğiniz takdirde ürünün gürültü azaltma performansı önemli ölçüde düşer. Kulaklıklar ve özellikle kulak yastıkları kullanıldıkça yıpranabilir, bunlar çatlak ve sızıntı bakımından düzenli aralıklarla incelenmelidir. Bkz. *Bakım sayfa: 282.*
- Bu ürün belli kimyasal maddelerden olumsuz etkilenebilir. Daha ayrıntılı bilgiler üreticiden talep edilmelidir. Ürünü aşındırıcı maddelerden uzak tutun ve düzenli olarak temizleyin. Su ve sabun ile birlikte bir bez kullanın. Yıkamayın veya tamamen suya batırmayın.
- Tüm servis ve onarım işleri onaylı bir servis atölyesi tarafından gerçekleştirilmelidir. Yalnızca orijinal Husqvarna yedek parçaları kullanın.

- Kulaklığı, ambalajda belirtilen üretim tarihinden sonraki 10 yıldan daha uzun bir süre boyunca kullanmayın.
- Ürünün işlevselliği, akü tüketimi nedeniyle bozulabilir.

Kullanım için güvenlik talimatları

- Kullanıcının, gürültülü ortamlarda kulaklığı daima takması gerekir.
- Ürünü kullanırken daha dikkatli olun ve uyarı sinyallerini dinleyin. Ürünü kullanırken uyarı sinyallerinden gelen ses azalabilir.
- Eğlence özelliği kullanılırken belirli iş yerindeki uyarı sinyallerinin duyulabilirliği olumsuz etkilenebilir.
- Ürünün taşıma ve kullanım esnasında herhangi bir yere çarpılmadığından emin olun.
- Ürünü yalnızca -20°C ve +55°C / -4°F ve +131°F arasındaki sıcaklıklarda kullanın. Ürünü bu aralık dışındaki sıcaklıklarda kullanmanız elektronik parçalarda, aküde ve mekanik parçalarda hasara neden olabilir.
- Kullanmadan önce ürünün nasıl kullanılacağını bildiğinizden emin olun. Üründe hasar varsa servis bayinizle görüşün. Muhafazayı açmayın!
- Kulak yastıklarına hijyen kılıflarının takılması kulaklıkların akustik performansını olumsuz etkileyebilir. Her zaman orijinal aksesuarlar kullanın.
- Kulaklıkları baret gövdesine doğru bastırmayın. Bunu yaparsanız baretin yan kısmında çatlaklar oluşabilir.

(Şek. 4)

- Ürünü +55°C/+131°F üzerindeki sıcaklıklarda depolamayın (örneğin araba torpidosu üzerinde). Ürünü -20°C/-4°F altındaki sıcaklıklarda depolamayın.
- Kullanıcının, kulaklığın kullanım kılavuzuna uygun şekilde takıldığından, ayarlandığından ve bakımının yapıldığından emin olması gerekir.
- Kulaklık, güvenlikle ilgili ses girişi özelliğine sahiptir. Kullanıcı, ürünü kullanmadan önce doğru çalışıp çalışmadığını kontrol etmelidir. Bozulma veya arıza tespit edilirse kullanıcı, bakımla ilgili konularda üretici tavsiyelerine başvurmalıdır.

Akü güvenliği

- Kulaklık, seviyeye bağlı azaltma özelliğine sahiptir. Kullanıcı, ürünü kullanmadan önce doğru çalışıp çalışmadığını kontrol etmelidir. Bir arıza veya hata

tespit edilirse kullanıcı, bakımla ilgili konularda üreticinin talimatlarına uymalıdır.

- Üründe, yanıcı veya patlayıcı ortamlarda tutuşmaya neden olabilecek akü ve elektrikli bileşenler bulunur. Kıvılcıkların yangına veya patlamaya neden olabileceği ortamlarda kullanmayın.

- Ürünü yalnızca 0°C - +40°C / +32°F - +104°F arasındaki sıcaklıklarda şarj edin. Bu aralık dışındaki sıcaklıklarda şarj edilmesi elektronik parçalarda ve aküde hasara neden olabilir.

Montaj

Giriş



UYARI: Ürünü takmadan önce saçınızı yüzünüzden çekin. Ürünü çalıştırmadan önce keçe bileziklerinin başınıza ve kulaklarınızın çevresine sıkıca oturduğundan emin olun.

Kafa bandı ile kulaklıkların takılması

1. Kafa bandını başınızın üstünden geçirin.
2. Yüksekliği ayarlamak için kulaklığı yukarı veya aşağı hareket ettirin. (Şek. 5)

Kulaklıkların barete takılması

1. Baret gövdesine, doğru adaptör ataşman türünü takın. Bkz. *Onaylı baretler sayfa: 283.*
2. Baret çatalını ataşman adaptörünün üzerine takın. (Şek. 6)

Not: Bkz. *Onaylı baretler sayfa: 283* Baretinize hangi baret ataşmanın uygun olduğu hakkında daha fazla bilgi için.

3. Kulaklıkları en düşük konuma getirin.
4. Kulaklıkları, bekleme konumunda sabitlenene kadar dışa ve yukarı doğru kaldırın. (Şek. 7)
5. Kablo üzerine bir işaret koyun.
 - a) H300 barette her kulaklıktan 27 cm/11 inç mesafeye bir işaret (X) koyun.
 - b) Spire Vent X barette her kulaklıktan 14,5 cm/6 inç mesafeye bir işaret (Y) koyun. (Şek. 8)
6. Baret ataşmanını baret üzerindeki yuvaya yerleştirin. (Şek. 9)
7. Onaylı baretinize yönelik montaj talimatlarına devam edin.



DİKKAT: Kablonun bükülmediğinden veya küçük bir kıvrılma yarıçapına sahip olmadığından emin olun. Kablonun, baretin açıklığına sorunsuz şekilde girebildiğinden emin olun.

Kulaklıkların H300 barete takılması

1. Kafa kuşam askılığını baretten ayırın. (Şek. 10)

2. Kablo bağlarını veya klipsleri kullanarak kabloyu deliklere tutturun. (Şek. 11)
3. Kabloyu kablo bağları ile tutturursanız kablo başını kesin ve kablo bağı kilidini yan yuvaya itin.
4. Kabloyla bir halka yapın ve kafa kuşam askılığı ile boyun korumasını tutturun. Kablonun baret gövdesi ve kafa kuşam askılığı arasında olduğundan emin olun. (Şek. 12)

Kulaklıkların Spire Vent X barete takılması

1. Kabloyla geriye doğru bir halka yapın.
2. Kablo bağlarını kullanarak kabloyu kafa kuşam askılığına tutturun. Kabloyu kafa bandının arka kayışından geçirerek tutturun.
3. Kablo başını kesin.
4. Kablonun geri kalan kısmını geriye doğru bir halka yaparak arka kafa bandının arkasına yerleştirin. (Şek. 13)

Kulaklıkları çalışma konumuna getirme

1. Baret başınıza takın.
2. Kulaklıkları, kulaklarınızın çevresine ve başınıza sıkıca oturacak şekilde ayarlayın. (Şek. 14)

Kulaklığı bekleme konumuna getirme

- Kulaklıkları, bekleme konumunda sabitlenene kadar dışa ve yukarı doğru kaldırın. (Şek. 15)

Kulaklığı park konumuna getirme

1. Kulaklıkları bekleme konumuna getirin. Bkz. *Kulaklığı bekleme konumuna getirme sayfa: 278.*
2. Kulaklıkları, park konumunda sabitlenene kadar baretin yan tarafından geriye doğru çevirin. (Şek. 16)

Boom mikrofonun bağlanması

Çok gürültülü ortamlarda bir boom mikrofon kullanın.

1. Rüzgar filtresini boom mikrofonu takın.
2. Boom mikrofonu sağ kulaklıktaki mikrofon çıkışına bağlayın. (Şek. 17)
3. Boom mikrofonu ağızınızdan 1 cm/0,4 inç (A) mesafeye yerleştirin.

Çalışma

Giriş



UYARI: Ürünü kullanmadan önce güvenlik bölümünü okuyup anlamalısınız.

Ürünün şarj edilmesi

- Şarj kablosu üzerindeki USB-C konektörünü sol kulaklıktaki çıkışa bağlayın. (Şek. 18)
- Şarj kablосundaki USB konektörünü bir USB şarj cihazına veya başka bir USB güç çıkışına bağlayın.

Not: Maksimum kapasitede şarj etmek için güç çıkışının 5 V ve 2 A çıkışa sahip olması gerekir.

Not: Akü şarj olurken Bluetooth® düğmesinin üzerindeki LED gösterge yavaşça yeşil renkte yanıp söner. Akü tamamen şarj olduğunda Bluetooth® düğmesinin üzerindeki LED gösterge sürekli yeşil yanar.

Kanal düğmesindeki LED gösterge	Akü şarj olma durumu
3 LED yanar.	Akü %90 - %100 doludur.
2 LED yanar ve 1 LED yavaşça yanıp söner.	Akü %70 - %90 doludur.
1 LED yanar ve 1 LED yavaşça yanıp söner.	Akü %20 - %70 doludur.
1 LED yavaşça yanıp söner.	Akü %10 - %20 doludur.
1 LED hızlıca yanıp söner.	Akü %0 - %10 doludur.

Ürünü çalıştırma

- On/off düğmesini 1 saniye basılı tutun.

Not: Ürünün açıldığını belirten bir uyarı sesi duyulur. Kanal düğmesi üzerindeki orta LED gösterge 2 saniye boyunca yanar. Bir sesli mesaj, akü durumunu ve Bluetooth® kablosuz teknolojiyle bağlı cihazların sayısını bildirir. Ürün bir ekip bulursa sesli mesaj hangi ekibe bağlandığınızı bildirir. Aşağıdaki tabloya bakın.

Sesli mesaj
BATTERY HIGH
BATTERY MEDIUM

Sesli mesaj

BATTERY LOW
BATTERY CRITICAL

Sesli mesaj

ONE BLUETOOTH DEVICE CONNECTED
TWO BLUETOOTH DEVICES CONNECTED
CONNECTED TO TEAM CHANNEL 1
CONNECTED TO TEAM CHANNEL 2
CONNECTED TO TEAM CHANNEL 3

Akü durumunun gösterilmesi

- On/off düğmesine basın.

Not: Kanal düğmesindeki LED gösterge 5 saniye boyunca yeşil renkte yanar. Aşağıdaki tabloya bakın.

LED göstergesi	Akü durumu
3 LED yanar.	Akü %90 - %100 doludur.
2 LED yanar.	Akü %70 - %90 doludur.
1 LED yanar.	Akü %20 - %70 doludur.
1 LED hızlıca yanıp söner.	Akü %0 - %10 doludur.

FM radyo modu ve Bluetooth® modu arasında geçiş yapma

- FM radyo modu ve Bluetooth® modu arasında geçiş yapmak için mod düğmesine 2 kez hızlıca basın.

Not: Bir sesli mesaj hangi modu seçtiğinizi bildirir. Aşağıdaki tabloya bakın.

Sesli mesaj

RADIO
BLUETOOTH

FM radyo modu

FM radyo modunda, kentsel alanlarda veya güçlü FM radyo sinyaline sahip diğer alanlarda FM radyoya erişebilirsiniz. FM radyonun performansı, engeli arazilerde veya yoğun bitki örtüsü bulunan alanlarda etkilenebilir.

FM radyo istasyonunun deęiřtirilmesi

- FM radyo istasyonunu deęiřtirmek için ses artırma düęmesini veya ses azaltma düęmesini 1 saniye boyunca basılı tutun.

Bluetooth® modu

Bluetooth® modunda ürününüzü Bluetooth® kablosuz teknolojisine sahip bir cihaza bağlayabilirsiniz.

Bluetooth® eşleştirme işlemi yapılması

1. Ürününüzdeki eşleştirme işlemi başlatmak için Bluetooth® düęmesini 2 saniye basılı tutun.

Not: Eşleştirme işlemi, bir uyarı sesi duyduğunuzda ve Bluetooth® düęmesi mavi renkte yanıp söndüğünde başlar. Eşleştirme işlemi 30 saniye devam eder.

2. Cihazdaki Bluetooth® kablosuz teknolojisi için eşleştirme işlemi başlatın.
3. Gerekiyorsa cihazınızdaki birimlerin listesinden Husqvarna X-COM Active öęesini seçin.

Not: Bir sesli mesaj, ürünün durumu hakkında bilgi verir. Aşağıdaki tabloya bakın.

Sesli mesaj	Bluetooth® düęmesindeki LED gösterge	Bilgi
BLUETOOTH DEVICE CONNECTED	Sürekli mavi yanar.	Ürün, Bluetooth® kablosuz teknolojisine sahip bir cihaza bağlandı.
BLUETOOTH CONNECTION FAILED	2 saniye boyunca sürekli kırmızı yanar.	Ürün, Bluetooth® kablosuz teknolojisine sahip bir cihaza bağlanmadı.

Not: Bluetooth® kablosuz teknolojisine sahip ve ürününüze bağlanmış bir cihazı, ürününüzle tekrar kullandığınızda cihaz ürününüze otomatik olarak bağlanır.

Ekip kurma ve cihaz ekleme

Ekip, ekibe bağlanmış tüm cihazlarla konuşmanızı sağlayan bir iletişim grubudur. Hiçbir ekip yokken bu prosedürü gerçekleştirseniz yeni bir ekip kurarsınız. Ardından, ekibe yeni cihazlar eklemek için prosedürü tekrar gerçekleştirebilirsiniz. Yalnızca bir kişi ekip oluşturur ve diğer cihazlar, şurada gösterildiği gibi ekibe bağlanır: *Bir ekibe bağlanma sayfa: 280*. Ekibe aynı anda yalnızca bir kişi yeni bir cihaz ekleyebilir. Yeni cihaz, ekibe şurada gösterildiği gibi bağlanmalıdır: *Bir ekibe bağlanma sayfa: 280*.

1. Ekip kurulumuna girmek üzere ekip yönetimi moduna girmek için mod düęmesine 1 saniye basın.

Not: Bir sesli mesaj, ekip yönetimi modunda olduğunuzu bildirir. Aşağıdaki tabloya bakın.

Sesli mesaj	Bluetooth® düęmesindeki LED gösterge
TEAM MANAGEMENT	Sürekli beyaz yanar.

2. Bluetooth® düęmesine basın.

Not: Bir sesli mesaj, eşleştirme işlemi durumunu bildirir. Bir uyarı sesi duyduğunuzda eşleştirme işlemi başlar. Aşağıdaki tabloya bakın.

Sesli mesaj	Bluetooth® düęmesindeki LED gösterge
SEARCHING FOR MEMBERS	LED hızlıca yanıp söner.

Not: Eşleştirme modu 1 dakika devam eder. Cihazlar ekibe yaklaşık 1 dakika içinde bağlanır. Bir uyarı sesi duyduğunuzda ve Bluetooth® düęmesi sabit yeşil ışık gösterdiğinde eşleştirme işlemi tamamlanır. Ekibe her yeni cihaz bağlandığında bir uyarı sesi duyulur. Bir ekibe bağlanmak için bkz. *Bir ekibe bağlanma sayfa: 280*.

3. Eşleştirme işlemi 1 dakikadan kısa bir süre durdurmak istiyorsanız mod düęmesine basın.
4. Ekibe yeni bir cihaz eklemek istiyorsanız aynı talimatları tekrar uygulayın.

Not: Ekibe bağlı bir cihaz, bir sonraki kullanımınızda otomatik olarak ekibe bağlanır.

Bir ekibe bağlanma

Hiçbir ekip kurulmamışsa bir ekibe bağlanamazsınız. Bir ekip kurmak için bkz. *Ekip kurma ve cihaz ekleme sayfa: 280*. Yeni bir ekip kurulduğunda bir ekibe bağlanabilirsiniz. Ayrıca ekip üyelerinden biri ekibe yeni cihazlar eklerse bir ekibe bağlanabilirsiniz.

1. Ekip yönetimi moduna girmek için mod düęmesine 1 saniye basın.

Not: Bir sesli mesaj, ekip yönetimi modunda olduğunuzu bildirir. Aşağıdaki tabloya bakın.

Sesli mesaj	Bluetooth® düęmesindeki LED gösterge
TEAM MANAGEMENT	Sürekli beyaz yanar.

2. Ses seviyesi artırma düęmesine basın.

Not: Eşleştirme işlemi, bir uyarı sesi duyduğunuzda ve Bluetooth® düğmesi yavaşça yanıp söndüğünde başlar. Eşleştirme modu 1 dakika devam eder. Bir sesli mesaj, ekibe bağlandığınızı bildirir. Aşağıdaki tabloya bakın.

Sesli mesaj	Bluetooth® düğmesindeki LED gösterge
CONNECTED TO TEAM	Sürekli yeşil yanar.

Not: Sesli mesaj ekibe bağlandığınızı bildirdikten sonra ekiple konuşabilirsiniz.

Ekiple bağlantının kesilmesi

1. Ekip yönetimi moduna girmek için mod düğmesine 1 saniye basın.

Not: Bir sesli mesaj, ekip yönetimi modunda olduğunuzu bildirir. Aşağıdaki tabloya bakın.

Sesli mesaj	Bluetooth® düğmesindeki LED gösterge
TEAM MANAGEMENT	Sürekli beyaz yanar.

2. Ses seviyesi azaltma düğmesine basın.

Not: Bir sesli mesaj, ekiple bağlantınızın kesildiğini bildirir. Aşağıdaki tabloya bakın.

Sesli mesaj	Bluetooth® düğmesindeki LED gösterge
LEAVING TEAM	LED 3 kez kırmızı renkte yanıp söner.

İletişim kanalının değiştirilmesi

- İletişim kanalı 1, 2 veya 3'ü seçmek için kanal düğmesine basın.

Not: Bir sesli mesaj hangi kanalda olduğunuzu bildirir. Aşağıdaki tabloya bakın.

Sesli mesaj	Kanal LED göstergesi
CHANNEL 1	Kanal 1'de sabit beyaz yanar.
CHANNEL 2	Kanal 2'de sabit beyaz yanar.
CHANNEL 3	Kanal 3'te sabit beyaz yanar.

Tüm iletişim kanallarıyla konuşma

- Tüm iletişim kanallarıyla aynı anda konuşmak için kanal düğmesini basılı tutun.

Not: Bir uyarı sesi duyduğunuzda tüm iletişim kanallarına bağlanmış olursunuz. Tüm kanal LED göstergeleri, tüm kanallara bağlı olduğunuzu göstermek için sürekli beyaz renkte yanar.

- Önceki kanala dönmek için kanal düğmesini bırakın.

Mikrofonun etkinleştirilmesi veya devre dışı bırakılması

- Bir uyarı sesi duyana kadar sessiz düğmesine basın.

Ses akışının değiştirilmesi

- Bir sonraki ses akışını seçmek için ses artırma düğmesini 0,5 saniye boyunca basılı tutun.
- Önceki ses akışına geri dönmek için ses azaltma düğmesini 0,5 saniye basılı tutun.

Ses akışının durdurulması veya başlatılması

- Ses akışını durdurmak veya başlatmak için mod düğmesine basın.

Bir telefon görüşmesinin kabul edilmesi, sonlandırılması veya yok sayılması

Mobil cihazınızın Bluetooth® kablosuz teknolojisine sahip ürüne bağlıysa bir telefon görüşmesi geldiğinde kulaklıklarda bir sinyal duyulur.

- Telefon görüşmesini kabul etmek veya sonlandırmak için mod düğmesine basın.
- Gelen bir telefon görüşmesini yok saymak için mod düğmesine 1 saniye basın.

Not: Telefon görüşmesi kabul edildiğinde veya yok sayıldığında bir uyarı sesi duyulur.

Sesli mesaj	Bilgi
CALL ENDED	Telefon görüşmesi sona erdi.

Telefon görüşmesini ekibe aktarma

1. Telefon görüşmesini kabul etmek için mod düğmesine basın.
2. Telefon görüşmesini ekibe aktarmak için mod düğmesine 2 kez hızlıca basın.

Not: Bir sesli mesaj, telefon görüşmesinin aktarıldığını bildirir. Aşağıdaki tabloya bakın.

Sesli mesaj	Bilgi
CALL TRANSFERRED TO TEAM	Telefon görüşmesi ekibe aktarıldı.

Ekipteki telefon görüşmesini kesme

- Mod düğmesine 2 kez hızlıca basın.

Not: Bir sesli mesaj, telefon görüşmesinin bağlantısının kesildiğini bildirir. Aşağıdaki tabloya bakın.

Sesli mesaj	Bilgi
CALL DISCONNECTED FROM TEAM	Telefon görüşmesinin ekiple bağlantısı kesildi.

Ses seviyesinin ayarlanması

- Ses seviyesini ayarlamak için ses artırma düğmesine veya ses azaltma düğmesine basın. Ses seviyesi minimum veya maksimum seviyede olduğunda bir uyarı sesi duyulur.

Ortam sesi modunun ayarlanması

Ortam sesi modu etrafınızdaki sesleri duymanızı sağlar.

- Ortam sesi düğmesine basın.

Not: Bir sesli mesaj, ortam sesi modunun durumunu bildirir.

Sesli mesaj
AMBIENT LEVEL HIGH
AMBIENT LEVEL MEDIUM
AMBIENT LEVEL LOW
AMBIENT LEVEL OFF

Ürünü durdurma

- On/off düğmesini 1 saniye basılı tutun.

Not: Bir sesli mesaj, akü durumunu bildirir ve LED göstergeleri söner. Ürünün kapandığını belirten bir uyarı sesi duyulur.

Ürünün zorla durdurulması

- On/off düğmesini 12 saniye basılı tutun.

Bakım

Üründe bakım yapılması



DİKKAT: Ürüne su tutmayın veya ürünü tamamen suya batırmayın.



DİKKAT: Püskürtme, sıvılar veya çözücü ve/veya alkol içeren diğer temizlik maddeleri koruyucu fonksiyonu azaltabilir.



DİKKAT: Husqvarna orijinal yedek parçaları kullanın.

1. Ürünü düzenli olarak temizleyin. Hafif bir sabun çözümü ve bez kullanın.
2. Her kullanımdan önce keçe bileziklerinin ve köpük lastik parçaların durumunu kontrol edin.

3. Keçe bileziklerini ve köpük lastik parçaları her 6 ayda veya gerekirse daha sık değiştirin. Montaj sırasında keçe bileziği üzerindeki hava deliğinin aşağıya dönük olduğundan emin olun. Keçe bilezikleri ve köpük lastik parçaları içeren orijinal hijyen kitini kullanın. Hijyen kiti hakkında daha fazla bilgi için bkz. www.husqvarna.com. (Şek. 19)

Not: Kulaklıkların için ıslaksa park konumunda kurumaya bırakın. Bkz. *Kulaklığı park konumuna getirme sayfa: 278.*

4. Hasar görmüşse konuşma mikrofonunun membranını değiştirin.
5. Hasar görmüşse seviyeye bağlı mikrofonun rüzgar filtresini değiştirin.
6. Hasar görmüşse boom mikrofondaki rüzgar filtresini değiştirin.
7. Gerekirse kafa bandındaki Konfor Pedini değiştirin. (Şek. 20)

Taşıma, depolama ve atma

Taşıma ve depolama



DİKKAT: Taşıma ve depolama sırasında, plastik malzemede aşınmayı azaltmak için kulaklıkları çalışma konumuna getirin.

- Kulaklıkları çalışma konumuna getirin. Bkz. *Kulaklıkları çalışma konumuna getirme sayfa: 278.*
- Keçe bileziklerinin sıkışmadığından emin olun.
- Ürünü kuru ve temiz bir yere koyun.
- Depolama sırasında ürünü güneş ışığından uzak tutun.
- Akünün kalitesini korumak için aküyü her 6 haftada bir şarj edin.

- Taşıma esnasında ürünü güvenli bir yere koyun.

Bertaraf

- Ulusal düzenlemelere uyun.
- Yerel geri dönüşüm sistemini kullanın.
- Ürün ya da ürünün ambalajı evsel atık değildir. Ürünü, elektrikli ve elektronik ekipmanlar için bir geri dönüşüm istasyonunda geri dönüştürün.



Aksesuarlar

Onaylı baretler

Ürünü yalnızca aşağıda belirtilen baretlerle kullanın.

Model	Baret ataşmanı tipi	Adaptör grafiği	Onaylı boyutlar
Husqvarna Technical, H300	H300 adaptör	(Şek. 21)	M/L
Husqvarna Spire	Spire adaptör	(Şek. 22)	L
KASK Zenith X			

Teknik veriler

Her bir ürünle ilgili teknik veriler için aşağıdaki resimlere bakın. Daha fazla teknik veri için bu kullanım kılavuzundaki teknik veri ek sayfasına bakın.

(Şek. 2)
(Şek. 3)

Teknik verilerin içeriği hakkında daha fazla bilgi için aşağıdaki listeye bakın:

- F = Azaltmanın ölçüldüğü frekanslar.
- Mf = Ortalama değer.
- Sf = Standart sapma.
- APV (Mf-Sf) = Varsayılan Koruma Değeri.
- H = Yüksek frekans azaltma değeri ($L_C-L_A = -2$ dB olan gürültü ortamı için tahmini gürültü düzeyi azaltma). M = Orta frekans azaltma değeri ($L_C-L_A = +2$ dB olan gürültü ortamı için tahmini gürültü düzeyi azaltma). L = Düşük frekans azaltma değeri ($L_C-L_A = +10$ dB olan gürültü ortamı için tahmini gürültü düzeyi azaltma).

- SNR = Tek Sayı Oranı (kulağın içindeki etkili A ağırlıklı ses düzeyini tahmin etmek için ölçülen C ağırlıklı ses basıncı düzeyinden çıkarılmış değer, L_C).

Sorumlu üretici: Husqvarna AB, SE-561 82 Huskvarna, İsveç, tel: +46-36-146500.

Ses düzeyi

FM radyo modu ve Kulaklık modu, maksimum 82 dB (A) eşdeğer ses seviyesine sahiptir.

Malzemeler

Parça	Malzeme	Parça	Malzeme
İç kulaklık çanağı	ABS	Kafa bandı	POM+TPE
Dış kulaklık çanağı, sol	ABS	Baret çatalı	POM

Parça	Malzeme	Parça	Malzeme
Dış kulaklık çanağı, sağ	ABS+TPE	Baret çatalı yayı	Çelik
Ara parçalar	PUR	Vidalar	Çelik
Keçe bilezikler	PVC ve köpük		



FR

Cet appareil,
ses cordons,
et batterie
se recyclent

À DÉPOSER
EN MAGASIN

OU

À DÉPOSER
EN DÉCHÈTERIE

Points de collecte sur www.quefairedemesdechets.fr
Privilégiez la réparation ou le don de votre appareil !

Husqvarna®

www.husqvarna.com

Original instructions
Оригинални инструкции
Originalna uputstva
Původní pokyny
Originale instruktioner
Originalanweisungen
Αρχικές οδηγίες
Instrucciones originales
Instrucciones originales
Originalaajuhend

Alkuperäiset ohjeet
Instructions d'origine
Instruccions d'origine
Originalne upute
Eredeti útmutatás

Istruzioni originali
Originalios instrukcijos
Lietošanas pamācība
Оригинални упатства
Originale instructies
Originale instruksjoner
Originalne instrukcje
Instruções originais
Instrucțiuni inițiale
Оригинальные инструкции
Pôvodné pokyny
Izvirna navodila
Originalna uputstva
Bruksanvisning i original
Original talimatlar



FR



1143305-38

Rev. D



2024-07-05