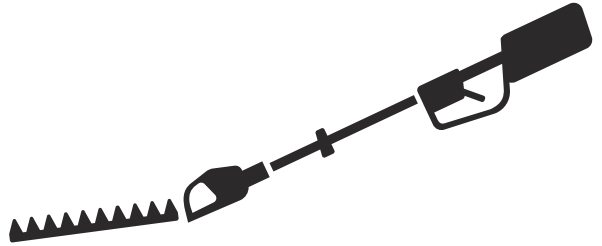




**Husqvarna**<sup>®</sup>



**525HE3, 525HE4**

# Contents

Introduction.....	2	Troubleshooting.....	17
Safety.....	4	Transportation, storage and disposal.....	18
Assembly.....	8	Technical data.....	18
Operation.....	9	Declaration of Conformity.....	20
Maintenance.....	13		

# Introduction

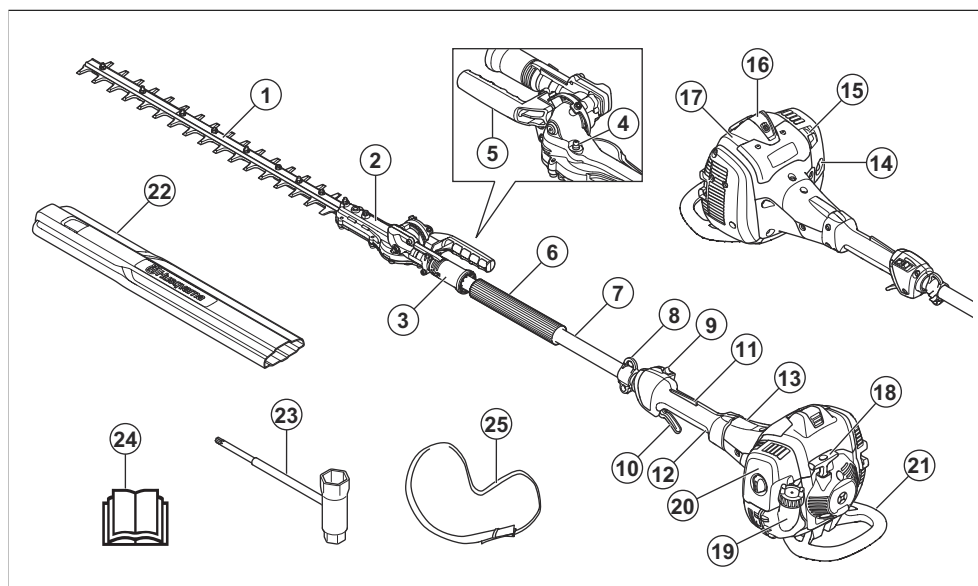
## Product description

The product is a hedge trimmer with a combustion engine.

## Intended use

Use the product to cut branches and twigs. Do not use the product for other tasks.

## Product overview



1. Blade
2. Gearbox
3. Position adjustment handle
4. Grease nipple
5. Handle
6. Front handle
7. Shaft
8. Harness support hook (525HE4)
9. Stop switch
10. Throttle trigger
11. Throttle trigger lockout
12. Rear handle
13. Clutch cover

14. Air purge bulb
15. Choke control
16. Spark plug cap and spark plug
17. Cylinder cover
18. Starter rope handle
19. Fuel tank
20. Air filter cover
21. Impact guard
22. Transport guard
23. Combination wrench
24. Operator's manual
25. Harness (525HE4)

## Symbols on the product



Stop.



This product can be dangerous and cause serious injury or death to the operator or others. Be careful and use the product correctly.



Read the operator's manual carefully and make sure that you understand the instructions before you use this product.



Use a protective helmet in locations where objects can fall on you. Use approved hearing protection. Use approved eye protection.



Always wear approved protective gloves.



Use stable boots with non-slip soles.



Stop the product fully before you touch the cutting tool.



Keep all parts of your body away from the hot surfaces.



Fuel.



Choke.



Air purge bulb.

yyyywwxxxx

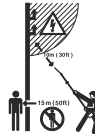
The rating plate shows the serial number. **yyyy** is the production year and **ww** is the production week.

T  
H  
L

Idle adjustment screw.

High speed needle.

Low speed needle.



There is no electrical insulation in this product. If the product touches or comes near high voltage power lines, it can cause serious injury or death to the operator. Electricity can move between different objects by a curve. The higher the voltage, the longer the electricity can move. Electricity can also move through branches and other objects, especially if the object is wet. Always keep a distance at a minimum of 10 m/33 ft between the product and high voltage power lines. Make sure that the power is off before you start the work near the power lines. Keep a distance at a minimum of 15 m/50 ft to other persons or animals during the operation.



This product applies with the applicable EC Directives.



This product conforms to the applicable UK regulations.



Noise emission to the environment label as per EU and UK directives and regulations, and New South Wales legislation "Protection of the Environment Operations (Noise Control) Regulation 2017". The guaranteed sound power level of the product is specified in *Technical data on page 18* and on the label.

---

**Note:** Other symbols/decals on the product refer to special certification requirements for some markets.

---

## Euro V Emissions

---



**WARNING:** Tampering with the engine voids the EU type-approval of this product.

---

## Product liability

As referred to in the product liability laws, we are not liable for damages that our product causes if:

---

## Safety

---

### Safety definitions

Warnings, cautions and notes are used to point out specially important parts of the manual.

---



**WARNING:** Used if there is a risk of injury or death for the operator or bystanders if the instructions in the manual are not obeyed.

---



**CAUTION:** Used if there is a risk of damage to the product, other materials or the adjacent area if the instructions in the manual are not obeyed.

---

**Note:** Used to give more information that is necessary in a given situation.

---

### General safety instructions



**WARNING:** Read the warning instructions that follow before you use the product.

---

- Incorrect or careless use of the product can turn it into a dangerous tool that can cause serious or even fatal injury. It is extremely important that you read and understand the contents of this operator's manual.
- This product produces an electromagnetic field during operation. This field may under some circumstances interfere with active or passive medical implants. To reduce the risk of serious or fatal injury, we recommend persons with medical implants to consult their physician and the medical implant manufacturer before operating this product.
- Overexposure to vibration can lead to circulatory damage or nerve damage in people who have impaired circulation. Contact your doctor if you experience symptoms of overexposure to vibration.

- the product is incorrectly repaired.
- the product is repaired with parts that are not from the manufacturer or not approved by the manufacturer.
- the product has an accessory that is not from the manufacturer or not approved by the manufacturer.
- the product is not repaired at an approved service center or by an approved authority.

Such symptoms include numbness, loss of feeling, tingling, pricking, pain, loss of strength, changes in skin color or condition. These symptoms normally appear in the fingers, hands or wrists. The risk increases at low temperatures.

- If you encounter a situation where you are uncertain how to proceed you should ask an expert. Contact your dealer or your service workshop. Avoid all usage which you consider to be beyond your capability.
- Keep in mind that the operator is responsible for accidents or hazards occurring to other people or their property.
- Never allow anyone else to use the product without first ensuring that they have understood the contents of the operator's manual.
- Never allow children to use or be in the vicinity of the product. As the product is equipped with a spring-loaded stop switch and can be started by low speed and force on the starter handle, even small children under some circumstances can produce the force necessary to start the product. This can mean a risk of serious personal injury. Therefore remove the spark plug cap when the product is not under close supervision.
- Store the product out of reach of children.
- Never use the product if you are tired, if you have drunk alcohol, or if you are taking medication that could affect your vision, your judgement or your coordination.
- Never use a product that is faulty. Carry out the checks, maintenance and service instructions described in this manual. Some maintenance and service measures must be carried out by trained and qualified specialists. Refer to instructions under the heading Maintenance.
- Never use a product that has been modified in any way from its original specification.

## Safety instructions for operation



**WARNING:** Read the warning instructions that follow before you use the product.

- Never use the product in extreme weather conditions such as severe cold, very hot and/or humid climates.
- Faulty blades can increase the risk of accidents.
- Ensure that no people or animals comes closer than 15 m / 50 ft while you work.
- Observe your surroundings and make sure that there is no risk of people or animals coming into contact with the cutting equipment.
- Inspect the working area. Remove any objects that could be thrown out.
- Always ensure you have a safe and stable working position.
- Never leave the product unsupervised with the engine running.
- Make sure that your hands and feet do not come near the cutting unit when the engine is running.
- If anything jams in the blades while you are working, switch off the engine and wait until it has stopped completely before cleaning the blades. Disconnect the spark plug cap from the spark plug.
- When the engine is switched off, keep your hands and feet away from the cutting unit until it has stopped completely.
- Watch out for stumps of branches that can be thrown out during cutting.
- Listen out for warning signals or shouts when you are wearing hearing protection. Always remove your hearing protection as soon as the engine stops.
- Never work from a ladder, stool or any other raised position that is not fully secured.
- Always use both hands to hold the product. Hold the product in front of your body.
- If any foreign object is hit or if vibrations occur stop the product immediately. Disconnect the spark plug cap from the spark plug. Check that the product is not damaged. Repair any damage.
- Ensure that the spark plug cap and ignition lead are undamaged to avoid the risk of electric shock.
- Check that all nuts and screws are tight.
- Make sure the gearbox is lubricated correctly. Refer to *To lubricate the bevel gear and gearbox on page 16*.
- The gearbox gets hot when the product has been in use. To avoid burning yourself do not touch the gearbox.
- All covers and guards must be fitted before starting.
- If the blades get stuck, they can be loosened by sticking the combination wrench into the gearbox. Stick the combination wrench into the gearing and turn it back and forth. Refer to *To examine the blades on page 16*.

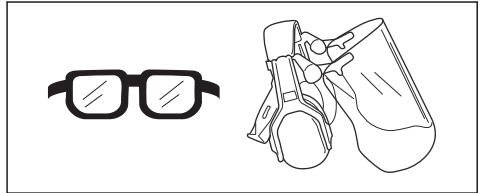
- The transport guard should always be fitted to the cutting unit when the product is not in use.

## Personal protective equipment

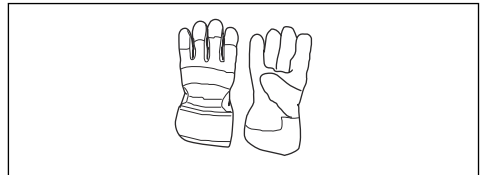


**WARNING:** Read the warning instructions that follow before you use the product.

- Always use approved personal protective equipment when you use the product. Personal protective equipment cannot fully prevent injury but it decreases the degree of injury if an accident does occur. Let your dealer help you select the right equipment.
- Use approved hearing protection that provides adequate noise reduction. Long-term exposure to noise can result in permanent hearing impairment.
- Use approved eye protection. If you use a visor, you must also use approved protective goggles. Approved protective goggles must comply with the ANSI Z87.1 standard in the USAs or EN 166 in EU countries.



- Always use protective gloves.

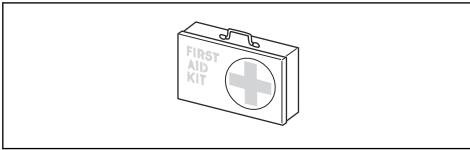


- Use sturdy non-slip boots or shoes.



- Use clothing made of a strong fabric. Always use heavy, long pants and long sleeves. Do not use loose clothing that can catch on twigs and branches. Do not wear jewelry, short pants, sandals or go with bare feet. Put your hair up safely above shoulder level.

- Keep first aid equipment close at hand.



5. Release the throttle trigger and make sure that the blades stop and stay stationary.



**WARNING:** If the blades move when the throttle trigger is in the idle position, adjust the idle speed. Refer to *To adjust the idle speed on page 14.*

## Safety devices on the product

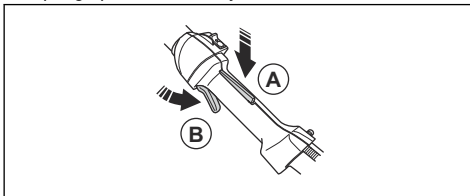


**WARNING:** Read the warning instructions that follow before you use the product.

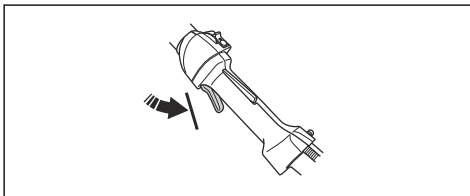
- Do not use a product with defective safety devices.
- Do a check of the safety devices regularly. If the safety devices are defective, speak to your Husqvarna service agent.

### To do a check of the throttle trigger lockout

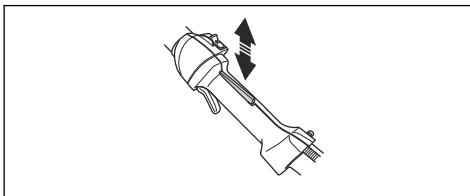
1. Make sure that the throttle trigger lockout (A) and throttle trigger (B) move freely and that the return spring operates correctly.



2. Make sure that the throttle trigger is locked at the idle position when the throttle trigger lockout is released.



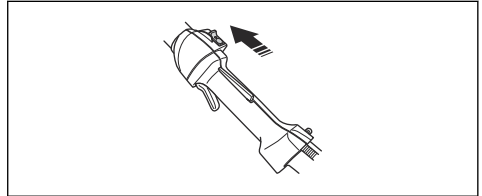
3. Push down the throttle trigger lockout and make sure that it goes back to its initial position when you release it.



4. Start the product and apply full throttle. Refer to *To start the engine on page 10.*

### To do a check of the stop switch

1. Start the engine.
2. Move the stop switch to the stop position and make sure that the engine stops.

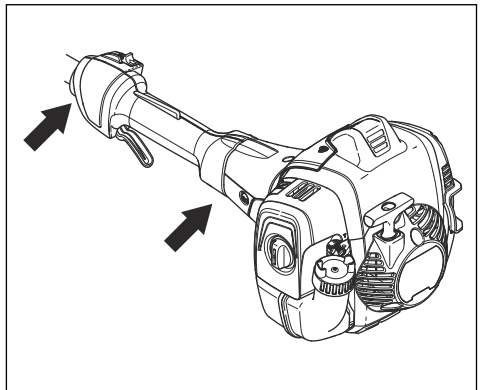


### To do a check of the vibration damping system



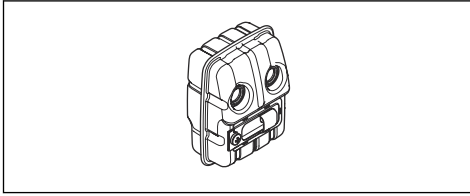
**WARNING:** Use of an incorrect cutting attachment increases the level of vibration.

The vibration damping system decreases vibration in the handles to a minimum. The vibration damping system decreases the vibrations between the engine unit and the shaft unit.



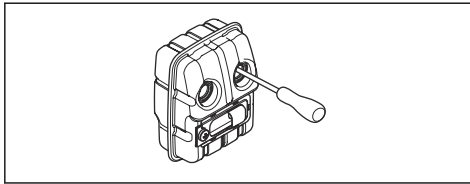
1. Stop the engine.
2. Do a visual check for deformation and damage, for example cracks.
3. Make sure that the vibration damping units are attached correctly.

### To do a check of the muffler

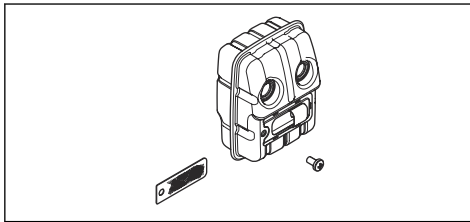


The muffler keeps noise levels to a minimum and sends exhaust fumes away from the operator.

- Do a visual check for damage and deformation.
- Make sure that the muffler is correctly attached to the product.



- If the muffler on your product has a spark arrester screen, do a visual check. Replace the spark arrester screen if it is damaged.
  - a) Clean the spark arrester screen if it is blocked. A blocked spark arrester screen causes the engine to become too hot which causes damage to the engine.
  - b) Make sure that the spark arrestor mesh is attached correctly.



### To do a check of the blades

1. Stop the engine and make sure that the blades stop.
2. Remove the spark plug cap from the spark plug.
3. Put on protective gloves.
4. Make sure that the blades are not damaged or bent. Always replace a damaged or bent blade.
5. Make sure that the screws to the blades are tight.

### To do a check of the bevel gear and gearbox



**WARNING:** To prevent burn injuries, let the product become cool before you touch the bevel gear and gearbox.

- Do a visual check for damage and deformation.

### Fuel safety



**WARNING:** Read the warning instructions that follow before you use the product.

- Do not mix the fuel indoor or near a heat source.
- Do not start the product if there is fuel or engine oil on the product. Remove the unwanted fuel/oil and let the product dry. Remove unwanted fuel from the product.
- If you spill fuel on your clothing, change clothing immediately.
- Do not get fuel on your body, it can cause injury. If you get fuel on your body, use a soap and water to remove the fuel.
- Do not start the engine if you spill oil or fuel on the product or on your body.
- Do not start the product if the engine has a leak. Examine the engine for leaks regularly.
- Be careful with fuel. Fuel is flammable and the fumes are explosive and can cause injuries or death.
- Do not breathe in the fuel fumes, it can cause injury. Make sure that there is sufficient airflow.
- Do not smoke near the fuel or the engine.
- Do not put warm objects near the fuel or the engine.
- Do not add the fuel when the engine is on.
- Make sure that the engine is cool before you refuel.
- Before you refuel, open the fuel tank cap slowly and release the pressure carefully.
- Make sure there are sufficient airflow when refueling and mixing fuel (petrol and two-stroke oil) or draining the fuel tank.
- Fuel and fuel vapor are highly flammable and can cause serious injury when inhaled or allowed to come into contact with the skin. For this reason, observe caution when handling fuel and make sure there is sufficient airflow.
- Tighten the fuel tank cap carefully or a fire can occur.
- Move the product at a minimum of 3 m (10 ft) from the position where you filled the tank before a start.
- Do not put too much fuel in the fuel tank.
- Make sure that a leak cannot occur when you move the product or fuel container.
- Do not put the product or a fuel container where there is an open flame, spark or pilot light. Make sure that the storage area does not contain an open flame.
- Only use approved containers when you move the fuel or put the fuel into storage.
- Empty the fuel tank before long-term storage. Obey the local law on where to dispose fuel.
- Clean the product before long-term storage.

- Remove the spark plug cap before you put the product into storage to make sure that the engine does not start accidentally.

## Safety instructions for maintenance



**WARNING:** Read the warning instructions that follow before you use the product.

- Stop the engine and make sure that the cutting equipment stops. Let the product become cool before you do the maintenance.
- Disconnect the spark plug cap before you do the maintenance.
- The exhaust fumes from the engine contain carbon monoxide, an odourless, poisonous and very dangerous gas that can cause death. Do not run the product indoors or in closed spaces.
- The exhaust fumes from the engine are hot and can contain sparks. Do not run the product indoors or near flammable material.
- Accessories and changes to the product that are not approved by the manufacturer, can cause serious injury or death. Do not change the product. Always use original accessories.
- If the maintenance is not done correctly and regularly, there is an increased risk of injury and damage to the product.
- Only do the maintenance as this operator's manual recommends. Let an approved Husqvarna service agent do all other servicing.
- Let an approved Husqvarna service agent do servicing on the product regularly.
- Replace damaged, worn or broken parts.

## Assembly

### Introduction

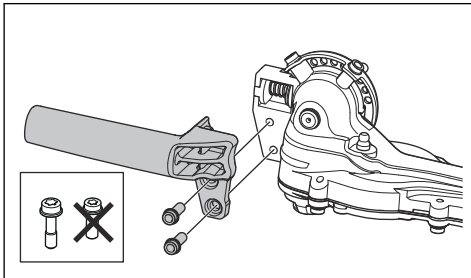
This section describes how to assemble and adjust the product.



**WARNING:** Before you assemble the product, read the safety chapter and the assembly instructions.

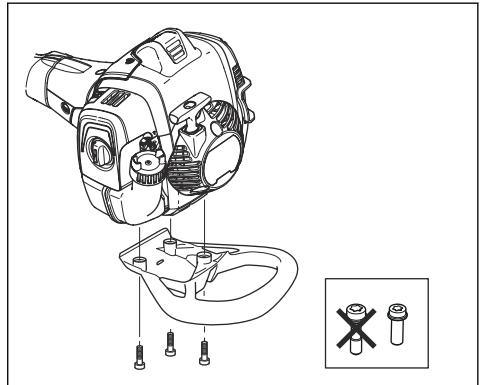
### To install the handle

- Install the handle with the 2 screws.



### To install the impact guard (optional)

- Install the impact guard with the 3 screws.



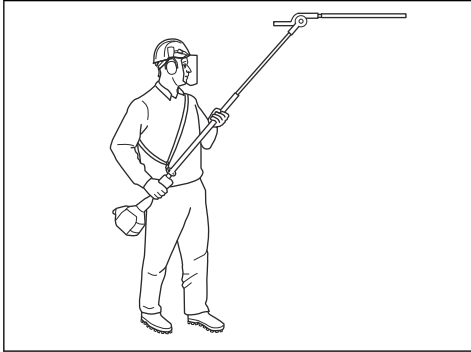
### To adjust the harness (525HE4)

Always use the harness when you operate the product. The harness gives maximum control during operation of the product. The harness decreases the risk of tiredness in your body.

1. Put on the harness.
2. Attach the product to the harness support hook.



- Adjust the length of the harness until the support hook is level with your hip.



## Operation

### Introduction



**WARNING:** Before you operate the product, you must read and understand the safety chapter.

### To do before you operate the product

- Examine the work area and remove loose objects.
- Do a check of the cutting unit. Refer to *To examine the blades on page 16*.
- Make sure that the safety devices of the product operate correctly. Do not use the product without all safety devices installed correctly.
- Make sure that all screws and nuts are tight.
- Make sure that all covers are attached correctly and not damaged before you start the product.
- Make sure that the cutting unit stops when the engine is at idle speed.

### Fuel

This product has a two-stroke engine.



**CAUTION:** Incorrect type of fuel can result in engine damage. Use a mixture of gasoline and two-stroke oil.

### Premixed fuel

- Use Husqvarna premixed alkylate fuel for best performance and extension of the engine life. This fuel contains less harmful chemicals compared to regular fuel, which decreases harmful exhaust fumes. The quantity of remains after combustion is lower with this fuel, which keeps the components of the engine more clean.

### To mix fuel

#### Gasoline

- Use good quality unleaded gasoline with a maximum of 10% ethanol contents.



**CAUTION:** Do not use gasoline with an octane grade less than 90 RON/87 AKI. Use of a lower octane grade can cause engine knocking, which causes engine damages.

#### Two-stroke oil

- For best results and performance use Husqvarna two-stroke oil.
- If Husqvarna two-stroke oil is not available, use a two-stroke oil of good quality for air-cooled engines. Speak to your servicing dealer to select the correct oil.



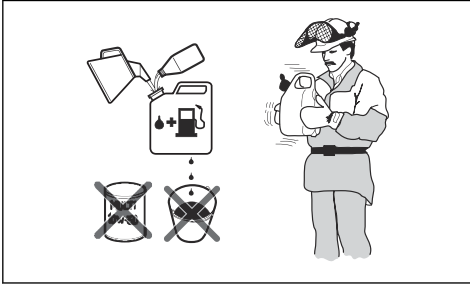
**CAUTION:** Do not use two-stroke oil for water-cooled outboard engines, also referred to as outboard oil. Do not use oil for four-stroke engines.

### To mix gasoline and two-stroke oil

Gasoline, liter	Two-stroke oil, liter
	<b>2% (50:1)</b>
5	0.10
10	0.20
15	0.30



**CAUTION:** Small errors can influence the ratio of the mixture drastically when you mix small quantities of fuel. Measure the quantity of oil carefully and make sure that you get the correct mixture.



1. Fill half the quantity of gasoline in a clean container for fuel.
2. Add the full quantity of oil.
3. Shake the fuel mixture.
4. Add the remaining quantity of gasoline to the container.
5. Carefully shake the fuel mixture.



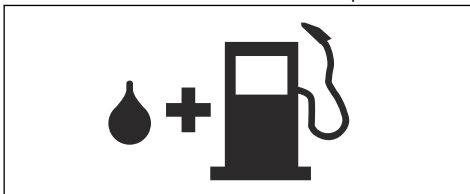
**CAUTION:** Do not mix fuel for more than 1 month at a time.

#### To fill the fuel tank



**WARNING:** Obey the procedure that follows for your safety.

1. Stop the engine and let the engine become cool.
2. Clean the area around the fuel tank cap.



3. Shake the container and make sure that the fuel is fully mixed.
4. Remove the fuel tank cap slowly to release the pressure.
5. Fill the fuel tank.



**CAUTION:** Make sure that there is not too much fuel in the fuel tank. The fuel expands when it becomes hot.

6. Tighten the fuel tank cap carefully.
7. Clean fuel spillage on and around the product.
8. Move the product 3 m/10 ft or more away from the refueling area and fuel source before you start the engine.

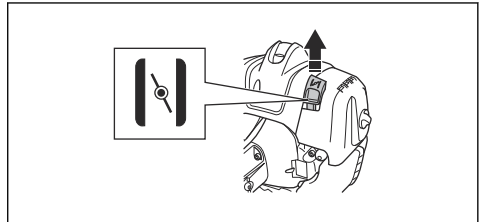
**Note:** To see where the fuel tank is on your product, refer to *Product overview on page 2*.

#### To start the engine

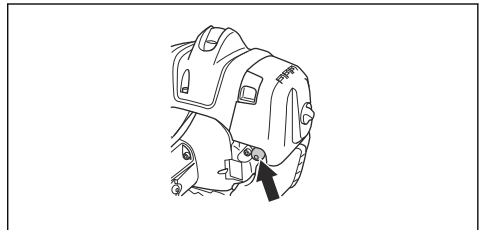


**WARNING:** Keep a minimum distance of 15 m/50 ft from persons or animals when you start the product. There is a risk that the cutting attachment starts to move.

1. Set the choke control in the choke position.

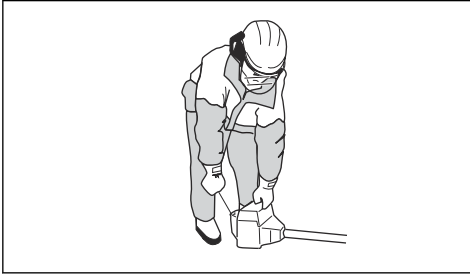


2. Push the air purge bulb until the bulb starts to fill with fuel.



**Note:** It is not necessary to fill the air purge bulb fully.

3. Hold the body of the product on the ground with your left hand. Do not put your feet on the product.



4. Pull the starter rope handle slowly until you feel some resistance, then pull the starter rope handle with force.



**WARNING:** Do not wind the starter rope around your hand.

5. Continue to pull the starter rope handle until the engine starts.

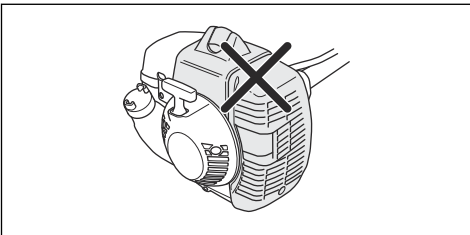


**CAUTION:** Do not pull the starter rope to full extension and do not let go of the starter rope handle. Release the starter rope slowly to prevent damage to the product.

6. When the engine starts, put the choke control in the run position and apply full throttle. The throttle trigger automatically disengages from the start position.
7. Make sure that the engine operates smoothly.

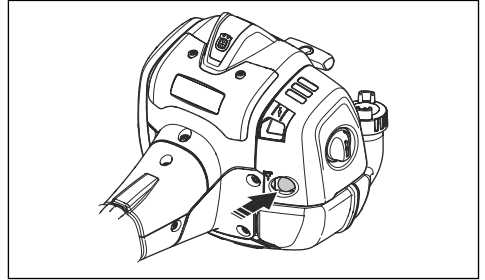


**WARNING:** Do not use the product with a damaged spark plug cap to prevent electrical shock.



## To prepare a warm engine for start

1. Push the air purge bulb again and again until fuel starts to fill the bulb. It is not necessary to fill the air purge bulb fully.



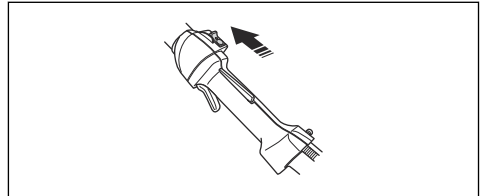
2. Pull the starter rope handle until the engine starts. Push the throttle trigger slowly to increase the speed gradually.



**CAUTION:** Do not pull the starter rope to full extension. Do not let go of the starter rope handle when the starter rope is fully extended. This can cause damage to the product.

## To stop the product

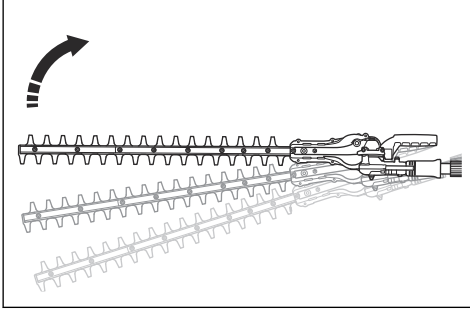
1. Move the stop switch into the stop position to stop the engine.



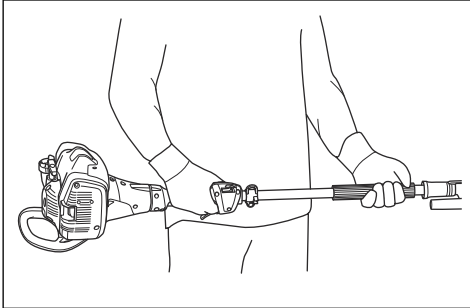
**CAUTION:** The stop switch automatically goes back to its initial position. In order to prevent accidental starting, the spark plug cap must be removed from the spark plug when assembling, checking and/or maintenance is done.

## To operate the product

- Start near the ground and move the product up along the hedge when you cut the sides.



- Make sure that the engine does not touch the hedge.
- Hold the product near your body for a stable work position.



- Make sure that the cutting unit does not touch the ground.
- Be careful and work slowly until all the branches are correctly cut.

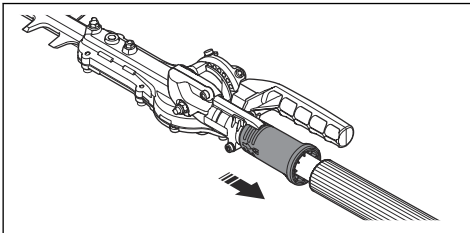
## To adjust the angle of the cutting unit

The cutting unit can be adjusted in 10 different positions.



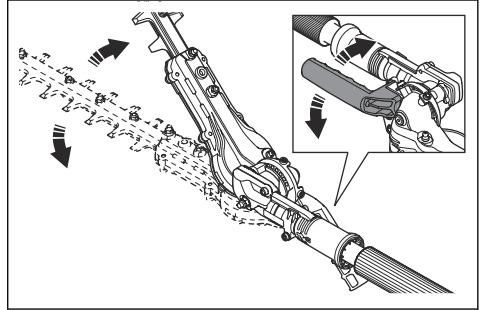
**WARNING:** Do not operate the cutting unit when you adjust the angle.

1. Let the engine run at idle speed and make sure the cutting unit does not move.
2. Pull down the position adjustment handle.

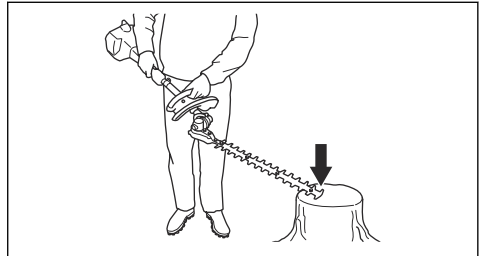


3. Tilt the cutting unit to the correct position. Use 1 of the procedures that follow.

- a) Use the handle.



- b) Push the end of the cutting unit against a stable surface.



4. Release the position adjustment handle to lock the cutting unit.
5. Push the cutting unit against the hedge to make sure that it is locked.

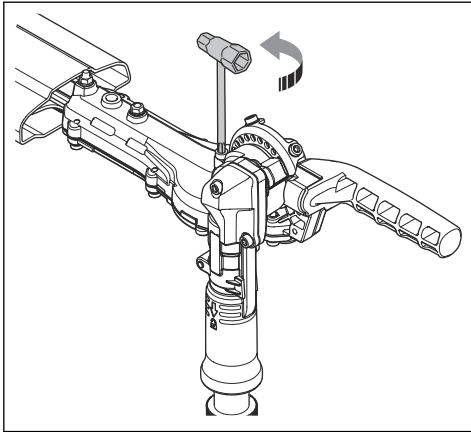
## To adjust the friction for angle adjustment



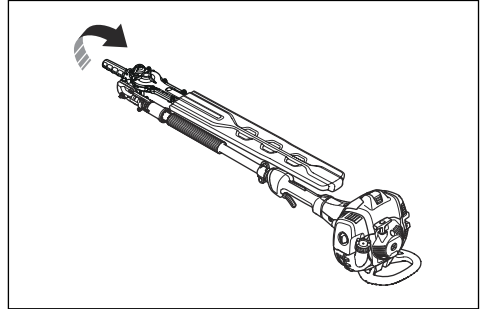
**WARNING:** Do not operate the cutting unit when you adjust the friction.

1. Push the stop switch to stop the product.
2. Install the transport guard on the cutting unit
3. Pull down the position adjustment handle.

4. Tilt the cutting unit to the applicable position.



1. Push the stop switch to stop the product.
2. Install the transport guard on the cutting unit.
3. Pull down the position adjustment handle.
4. Fold the cutting unit to make it parallel to the shaft.



5. Adjust the screw to set the friction.
6. Set the cutting unit in different positions to try the friction.

### To set the product in transport position



**WARNING:** Do not start the product when the product is in transport position.

## Maintenance

### Introduction



**WARNING:** Read and understand the safety chapter before you do maintenance on the product.

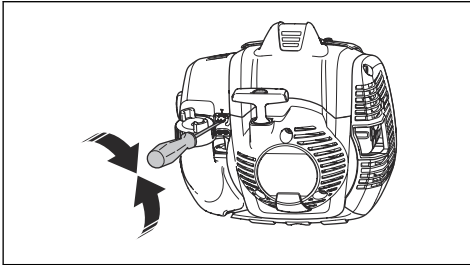
### Maintenance schedule

Maintenance	Daily	Weekly	Monthly
Clean the external surface.	After each operation.		
Clean the muffler, exhaust pipe and engine from leaves, dirt and unwanted lubricant.	After each operation.		
Make sure that the cutting unit does not move at idle speed.	X		
Do a check of the stop switch.	X		
Examine the cutting unit for damages and cracks. Replace if it is damaged.	X		
Do a check of the throttle trigger lockout and the throttle trigger.	X		
Examine the engine, the fuel tank and the fuel lines for leaks.	X		
Tighten nuts and screws.	X		

Maintenance	Daily	Weekly	Monthly
Examine the fuel filter for contamination and the fuel hose for cracks and other defects. Replace if necessary.	X		
Examine the starter and the starter rope for damages.		X	
Clean the air filter. Replace if it is necessary.		X	
Examine the vibration damping units for damages and cracks.		X	
Examine the spark plug, refer to <i>Technical data on page 18</i> .		X	
Clean the cooling system.		X	
Clean the external surface of the carburetor and the area around it.		X	
Clean or replace the spark arrester mesh.			X
Clean the inner surface of the fuel tank.			X
Make sure that the gearbox is filled with grease.			X

## To adjust the idle speed

1. Clean the air filter and attach the air filter cover.
2. Start the product. Refer to *To start the engine on page 10*.
3. Turn the idle adjustment screw T clockwise until the cutting unit starts to move.



4. Turn the idle adjustment screw counterclockwise until the cutting unit stops.



**WARNING:** If the cutting unit does not stop when you adjust the idle speed, speak to your nearest servicing dealer. Do not use the product until it is correctly adjusted or repaired

**Note:** The idle speed is correct when the engine operates smoothly in all positions. Refer to *Technical data on page 18* for the recommended idle speed.

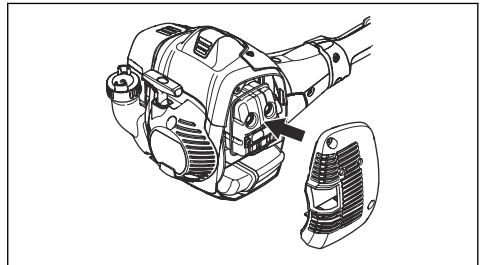
## To do maintenance on the muffler

The muffler decreases the noise level and directs the exhaust gases away from the operator.



**WARNING:** Mufflers that have catalytic converters get very hot during operation and will stay hot for some time after you stop the product. This also applies at idle speed. If you touch the product it can result in burns to the skin. Think about of the risk of fire.

1. Stop the product and let it cool down.
2. Remove the cover to the muffler.



3. Remove the screw holding the spark arrester mesh.



4. Clean the spark arrestor mesh if it is blocked or replace it if it is damaged.



**CAUTION:** The spark arrestor mesh must be replaced if it is damaged. Do not use a product if the spark arrestor mesh on the muffler is missing or defective.



**CAUTION:** If the spark arrestor mesh is frequently blocked it can be a sign that performance of the catalytic converter is decreased. Turn to your servicing dealer to examine the muffler. A blocked spark arrestor mesh will cause overheating and result in damage to the cylinder and piston.

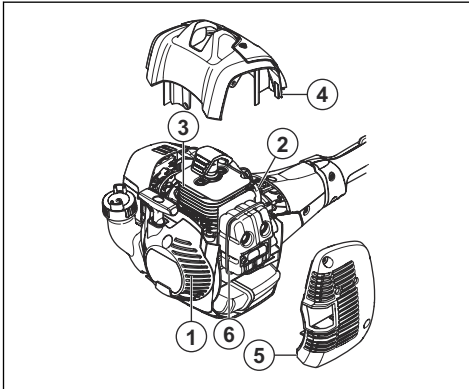
## Cooling system

The product has a cooling system to keep the operation temperature as low as possible.

Clean the components of the cooling system with a brush weekly or more frequently in rougher conditions. A dirty or blocked cooling system makes the product too hot which causes damage to the piston and cylinder.

The cooling system has the following components:

1. Air intake on the starter.
2. Fins on the flywheel.
3. Cooling fins on the cylinder.
4. Cylinder cover.
5. Muffler cover.
6. Muffler plate.

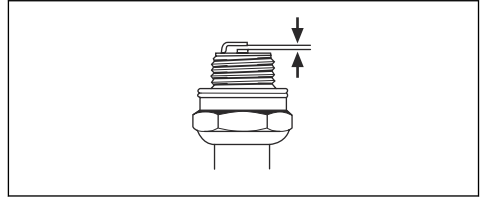


## To do a check of the spark plug



**CAUTION:** Use the recommended spark plug. Refer to *Technical data on page 18*. An incorrect spark plug can cause damage to the product.

1. If the product is not easy to start or to operate or if the product operates incorrectly at idle speed, examine the spark plug for unwanted material. To decrease the risk of unwanted material on the spark plug electrodes, do these steps:
  - a) make sure that the idle speed is correctly adjusted.
  - b) make sure that the fuel mixture is correct.
  - c) make sure that the air filter is clean.
2. Clean the spark plug if it is dirty.
3. Make sure that the electrode gap is correct. Refer to, *Technical data on page 18*.



4. Replace the spark plug monthly or more frequently if necessary.

## To clean the air filter

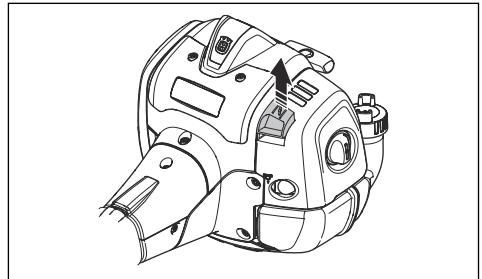


**CAUTION:** An air filter that is damaged, very dirty, or soaked with fuel must always be replaced.

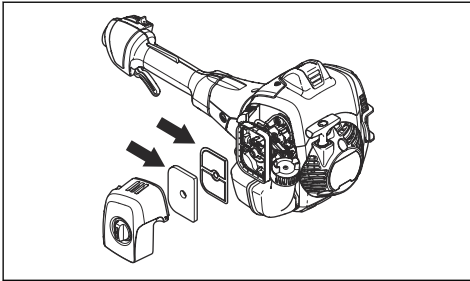
Clean the air filter from dirt and dust regularly. This prevents carburetor malfunctions, starting problems, loss of engine power, wear to engine parts and more fuel consumption than usual.

If you use an air filter for a long time, it cannot be fully cleaned. Replace the air filter with a new one at regular intervals. Refer to *Maintenance schedule on page 13*.

1. Move the choke lever up to close the choke valve.



- Remove the air filter cover and the air filters.



- Clean the air filters with warm soap water.
- Replace the air filters if they cannot be fully cleaned. Always replace a damaged air filter.
- Clean the inner surface of the air filter cover. Use compressed air or a brush.
- Do a check of the rubber seal on the air filter. Replace the air filter if the rubber seal is damaged.
- Make sure that the air filter is dry before you install it.

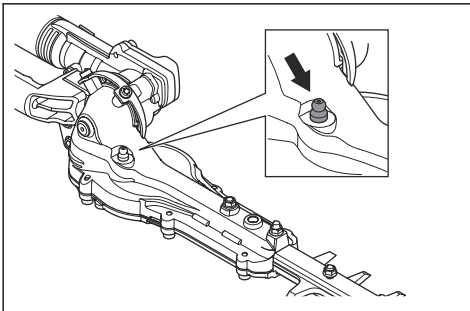
## To lubricate the bevel gear and gearbox



**WARNING:** To prevent burn injuries, let the product become cool before you touch the bevel gear and gearbox.

**Note:** New products are first filled with grease after approximately 20 hours of operation.

- Use special grease. Speak to your servicing dealer for more information.
- Add the grease through the grease nipple.



**CAUTION:** Do not fill the gearbox fully.

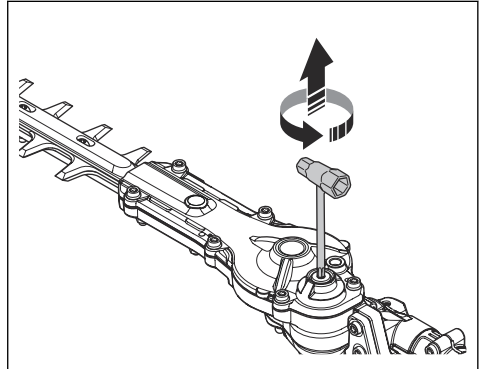
## To clean and lubricate the blades

- Clean the blades from unwanted materials before and after you use the product.
- Lubricate the blades before long periods of storage.

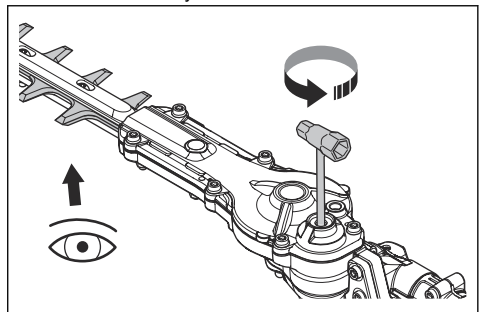
**Note:** Speak to your servicing dealer for more information about recommended cleaning agents and lubricants.

## To examine the blades

- Remove the screw from the gearbox.



- Put the combination wrench in the gearbox and turn clockwise and counterclockwise. Make sure that the blades move freely.



- Examine the edges of the blades for damages and deformation.
- Use a file to remove burrs on the blades.
- Install in the opposite sequence.



# Troubleshooting

## Troubleshooting

The engine does not start		
Problem	Possible cause	Recommended step
Starter pawls	The starter pawls cannot move freely.	Adjust or replace the starter pawls.
		Clean around the starter pawls.
		Speak to an approved servicing dealer.
Fuel tank	Incorrect fuel type.	Drain it and use correct fuel.
Carburetor	Incorrect idle speed.	Adjust the idle speed.
No spark	The spark plug is dirty or wet.	Make sure that the spark plug is dry and clean.
	Incorrect electrode gap.	Clean the spark plug. Make sure that the electrode gap of the spark plug is correct. Make sure that the spark plug is installed with a suppressor.
		Refer to <i>Technical data on page 18</i> for correct electrode gap.
Spark plug	The spark plug is loose.	Tighten the spark plug.

The engine starts but stops again		
Problem	Possible cause	Recommended step
Fuel tank	Incorrect fuel type.	Drain it and use correct fuel.
Carburetor	Incorrect idle speed.	Adjust the idle speed. Refer to <i>To adjust the idle speed on page 14</i> . Speak to your servicing dealer if it is necessary.
Air filter	Clogged air filter.	Clean the air filter.

Blade		
Problem	Possible causes	Recommended step
The blade moves slowly or does not move.	The blade is blocked or it is damaged.	Clean the blades from unwanted materials. Refer to <i>To clean and lubricate the blades on page 16</i> . Remove burrs from the blade, refer to <i>To examine the blades on page 16</i> . Replace the blade if it is damaged.
The blade does not cut easily.	The blade is not sharp or it is damaged.	Sharpen the blade, refer to <i>To examine the blades on page 16</i> . Replace the blade if it is damaged.

Blade		
Problem	Possible causes	Recommended step
The blade becomes hot.	There is friction between the blades.	Remove burrs from the blade and lubricate the blade. Refer to <i>To examine the blades on page 16</i> .

---

## Transportation, storage and disposal

---

### Transportation and storage

- Always allow the product to cool down before storage.
  - For storage and transportation of the product and fuel, make sure that there are no leaks or fumes. Sparks or open flames, for example from electrical devices or boilers, can start a fire.
  - Always use approved containers for storage and transportation of fuel.
  - Empty the fuel before transportation or before long-term storage. Discard the fuel at an applicable disposal location.
- Attach the transport guard during transportation and storage.
  - Remove the spark plug cap from the spark plug.
  - Attach the product during transportation. Make sure that it cannot move.
  - Clean and do servicing on the product before long-term storage.

---

## Technical data

---

### Technical data

	525HE3	525HE4
<b>Engine</b>		
Cylinder displacement, cm <sup>3</sup>	25.4	25.4
Idle speed, rpm	2800-3200	2800-3200
Recommended max speed, rpm	11000-12000	11000-12000
Maximum engine power acc. to ISO 8893, kW/hp @ rpm	1.0/1.3@8500	1.0/1.3@8500
Catalytic converter muffler	Yes	Yes
<b>Ignition system</b>		
Spark plug	Husqvarna HQT-2	Husqvarna HQT-2
Electrode gap, mm	0.65	0.65
<b>Fuel</b>		
Fuel tank capacity, l/cm <sup>3</sup>	0.5	0.5
<b>Weight</b>		
Weight, kg	5.9	6.3

	525HE3	525HE4
<b>Noise emissions</b> <sup>1</sup>		
Sound power level, measured dB (A)	106	106
Sound power level, guaranteed L <sub>WA</sub> dB (A)	107	107
<b>Sound levels</b> <sup>2</sup>		
Equivalent sound pressure level at the operator's ear, measured according to EN ISO 10517, dB(A)	96	95
<b>Vibration levels</b> <sup>3</sup>		
Equivalent vibration levels (a <sub>h<sub>v,eq</sub></sub> ) at handles, measured according to EN ISO 10517, m/s <sup>2</sup> :		
Front/Rear, m/s <sup>2</sup>	5.6/4.4	4.6/3.9
<b>Blades</b>		
Type	Double sided	Double sided
Cutting length, mm	600	600
Cutting speed, cuts/min	4400	4400

<sup>1</sup> Noise emissions in the environment measured as sound power (L<sub>WA</sub>) in conformity with EC directive 2000/14/EC. Reported sound power level for the product has been measured with the original cutting attachment that gives the highest level. The difference between guaranteed and measured sound power is that the guaranteed sound power also includes dispersion in the measurement result and the variations between different products of the same model according to Directive 2000/14/EC.

<sup>2</sup> Reported data for noise pressure level has a typical statistical dispersion (standard deviation) of 1 dB (A).

<sup>3</sup> Reported data for vibration level has a typical statistical dispersion (standard deviation) of 1 m/s<sup>2</sup>.

# Declaration of Conformity

## EU Declaration of Conformity

We, **Husqvarna AB**, SE-561 82 Huskvarna, Sweden, tel: +46-36-146500, declares on our sole responsibility that the product:

<b>Description</b>	Hedge trimmers
<b>Brand</b>	Husqvarna
<b>Type/Model</b>	525HE3, 525HE4
<b>Identification</b>	Serial numbers dating from 2022 and onwards

complies fully with the following EU directives and regulations:

<b>Regulation</b>	<b>Description</b>
2006/42/EC	"relating to machinery"
2014/30/EU	"relating to electromagnetic compatibility"
2000/14/EC	"relating to the noise emissions in the environment, Annex V"
2011/65/EU	"on the restriction of the use of certain hazardous substances in electrical and electronic equipment"

and that the following standards and/or technical specifications are applied;

**EN ISO 12100:2010, EN ISO 10517:2019, EN IEC 63000:2018, EN ISO 14982:2009**

RISE SMP Svensk Maskinprovning AB, Box 7035, SE-750 07 Uppsala, Sweden, has performed voluntary type examination on behalf of Husqvarna AB. Certificate number: SEC/20/2543

RISE SMP Svensk Maskinprovning AB, Box 7035, SE-750 07 Uppsala, Sweden, has also verified conformity with the council's directive of May 8, 2000/14/EC.

Huskvarna, 2022-03-14

Stefan Holmberg

R&D Director, Technology Management

Husqvarna AB

Responsible for technical documentation



Two handwritten signatures in black ink are present. The first signature is on the left and the second is on the right, both appearing to be in cursive script.

# UK Declaration of conformity

We, **Husqvarna AB**, SE-561 82 Huskvarna, Sweden, tel: +46-36-146500, declare on our sole responsibility that the product:

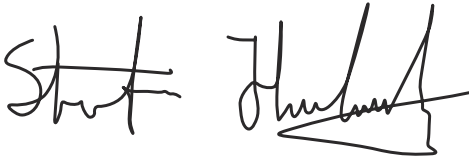
<b>Description</b>	Hedge trimmers
<b>Brand</b>	Husqvarna
<b>Type / Model</b>	525HE3, 525HE4
<b>Identification</b>	Serial numbers dating from 2022 and onwards

complies fully with the following UK regulations:

<b>Description</b>
The Supply of Machinery (Safety) Regulations 2008
Electromagnetic Compatibility Regulations 2016
The Noise Emission in the Environment by Equipment for use Outdoors Regulations 2001, schedule 8
The Restriction of the Use of Certain Hazardous Substances in Electrical and Electronic Equipment Regulations 2012

and that the following standards and/or technical specifications are applied: EN ISO 12100:2010, EN ISO 10517:2019, EN IEC 63000:2018, EN ISO 14982:2009.

Huskvarna, 2022-03-14



Stefan Holmberg, R&D Director, Technology Management, Husqvarna AB

Responsible for technical documentation

**UK  
CA**

UK Importer:  
Husqvarna UK Ltd  
Preston Road, Co. Durham  
DL5 6UP







[www.husqvarna.com](http://www.husqvarna.com)

Original instructions



1143318-26



2022-10-28