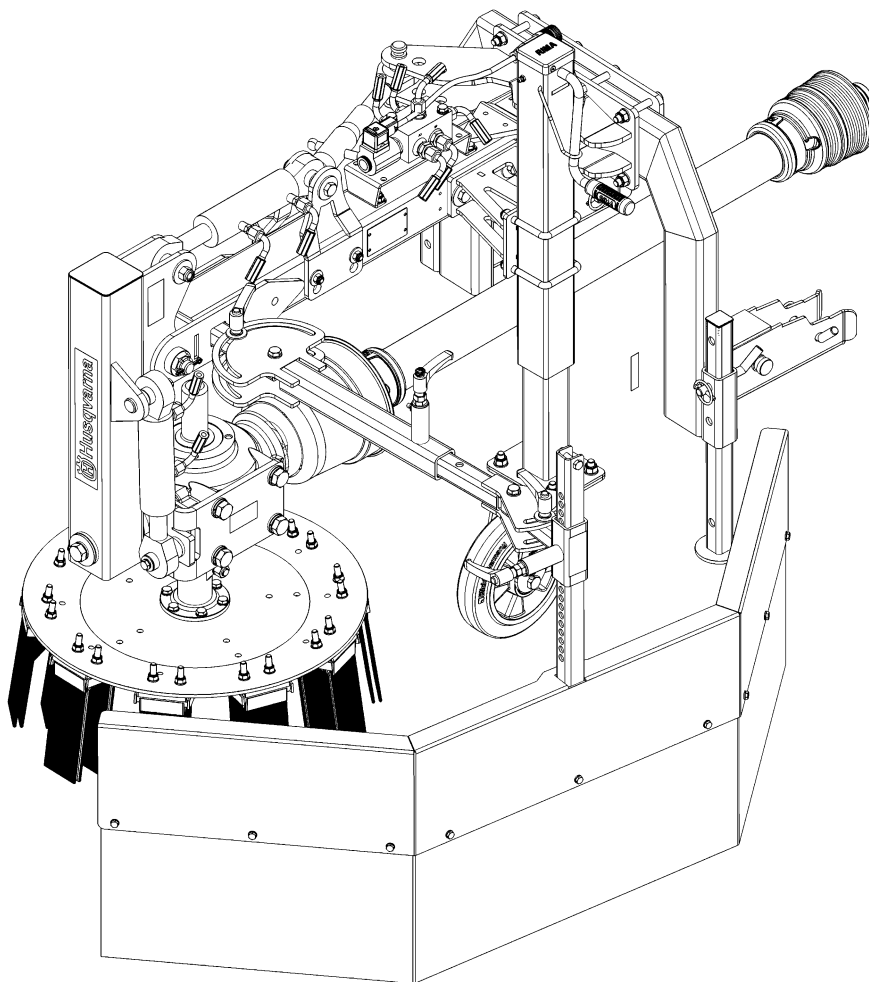




Original operating manual

Weed brush UB 6080 MK

Husqvarna 597 75 08-01



Order number: B00111

From machine no.:
67594

Rev.: R02

Last updated: 2023-05-
08

All rights reserved. This documentation is protected by copyright. Kersten Arealmaschinen GmbH reserves all rights that have not been expressly granted. Except as permitted by law, this documentation may not be reproduced, distributed, or otherwise made publicly available without prior written consent.

We reserve the right to make changes without prior notice. The original document was published in German. All translations are copies of the original document.

Copyright 2022 by Kersten Arealmaschinen GmbH

Kersten Arealmaschinen GmbH
Empeler Strasse 95
46459 Rees
Germany

Telephone: +49 (0) 2851 9234-10
Fax: +49 (0) 2851 9234-44
Info@kersten-maschinen.de
<http://www.kersten-maschinen.de/>

Information about this operating manual

This manual enables safe and efficient use of the machine. The manual forms part of the machine and must be stored in the immediate vicinity of the machine and must be accessible to personnel at all times.

Personnel must read this manual carefully and understand it before starting any work. The basic prerequisite for safe working is compliance with all the safety instructions and operating instructions stated in this manual.



Risk of accident and damage to property if used improperly!

As self-propelled equipment and attachments are a significant source of accidents or hazards if they are used incorrectly, qualified and authorised personnel must provide instructions for use the first time the Kersten tool is used. To familiarise yourself as best as possible with the basic functions and handling, we recommend driving the equipment initially on open and level terrain.

- For further information, and in case of any difficulties, please contact the dealer, importer or the manufacturer directly.
- Share all safety instructions with other users.

In addition, the local health and safety regulations and general safety regulations apply for the machine's area of application.

Applicable documents

In addition to this manual, the following documents and the safety information listed therein must be observed:

- Operating manual for supplied components
- Operating manual for the tractor

Manufacturer's central service team

For technical information, please contact the machine manufacturer's central service department:

Manufacturer address	Kersten Arealmaschinen GmbH Empeler Strasse 95 46459 Rees Germany
Service phone number	+ 49 (0) 2851 9234-10
Fax	+ 49 (0) 2851 9234-44
Email address	Info@kersten-maschinen.de
Internet	http://www.kersten-maschinen.de



Please provide the following information for enquiries:

- Machine/equipment type
- Machine order number
- In the event of problems: Provide precise description or exact fault messages

1	Safety	5
1.1	Pictograms	5
1.2	Intended use.....	7
1.3	Work areas and hazardous areas	7
1.4	Safety while working.....	8
1.5	Safety devices	10
1.6	Safety signs.....	11
1.7	Environmental protection.....	11
1.8	Safety instructions for maintenance/troubleshooting	12
2	Functional description	15
3	Transportation, packaging and storage	16
3.1	Safety information	16
3.2	Transport inspection.....	16
3.3	Packaging.....	16
3.4	Transporting the machine.....	16
4	Assembly/setup, installation, initial commissioning	18
4.1	Safety information	18
4.2	Mechanical coupling/uncoupling	18
5	Operation	19
5.1	Adjusting the working height	19
5.2	Tilting the brush plate	20
5.3	Swivelling the weed brush sideways.....	21
5.4	Adjusting the splash guard	22
5.5	Raising and lowering the attachment.....	24
5.6	Engaging the drive for the attachments	24
5.7	Swivelling the brush plate.....	25
6	Maintenance	26
6.1	Safety information	26
6.2	Spare parts.....	26
6.3	Maintenance work	26
6.3.1	Daily checks	26
6.3.2	Maintenance after 50 operating hours/extended downtime.....	27
6.3.3	Changing brush elements	29
6.3.4	Changing the brush plate	30
6.3.5	Checking the safety device functions.....	31
6.4	Action to take following maintenance.....	31
7	Disassembly, disposal	32
7.1	Safety information	32
7.2	Disassembly	32
7.3	Disposal.....	32
8	Technical data	33
9	EU Declaration of conformity	34
10	UK Declaration of conformity	35

1 Safety

1.1 Pictograms

Follow the instructions



Do not use the highlighted machine until having read the instructions.

Wear protective clothing



This label indicates that protective clothing must be worn in the area concerned. Protective clothing is tight-fitting work clothing with low tear resistance, with tight sleeves and no protruding parts.

Wear safety shoes



This label indicates that safety shoes must be worn in the area concerned. Safety shoes protect feet from being crushed, from falling parts and from slipping on slippery surfaces.

Wear protective gloves



This label indicates that protective gloves must be worn in the area concerned. Protective gloves are used to protect hands from friction, abrasions, piercing, cuts, or deeper injuries, and from contact with hot surfaces.

Wear protective goggles



This label indicates that protective goggles must be worn in the area concerned. Protective goggles are designed to protect eyes from flying parts and splashing liquid.

Operating manual and safety instructions



Read and observe the operating manual and safety instructions prior to first use.



Never open or remove guards while the engine is running.



Observe the instructions in the technical manual.
Lubrication point!



Only touch machine parts when they have come to a complete stop.



Risk caused by parts thrown from the machine when the engine is running.
Maintain a safe distance.

1.2 Intended use

⚠ WARNING



Risk of injury/risk of environmental damage due to improper use of the machine!

Improper use of the machine can result in the risk of injury, environmental damage and damage to property (on the machine or system)!

- The machine is to be used exclusively for the standard or conventional application in plant maintenance for removing weeds on solid surfaces.
- The weed brush is intended for the use on a towing machine with front lifting.
- Any use beyond this is deemed not to be in accordance with the intended purpose. The manufacturer shall not be liable for any damage resulting from such, the risk of which shall be borne solely by the operator.
- Proper use includes compliance with the operating, maintenance and servicing conditions specified by the manufacturer.
- The attachment must only be used, serviced and repaired by persons who are familiar with the equipment and have been instructed on the relevant hazards.
- The relevant accident prevention regulations as well as other generally recognised safety and occupational health regulations must be observed.
- Unauthorised modifications to the machine shall result in exclusion of liability on the part of the manufacturer for resulting damage.

1.3 Work areas and hazardous areas

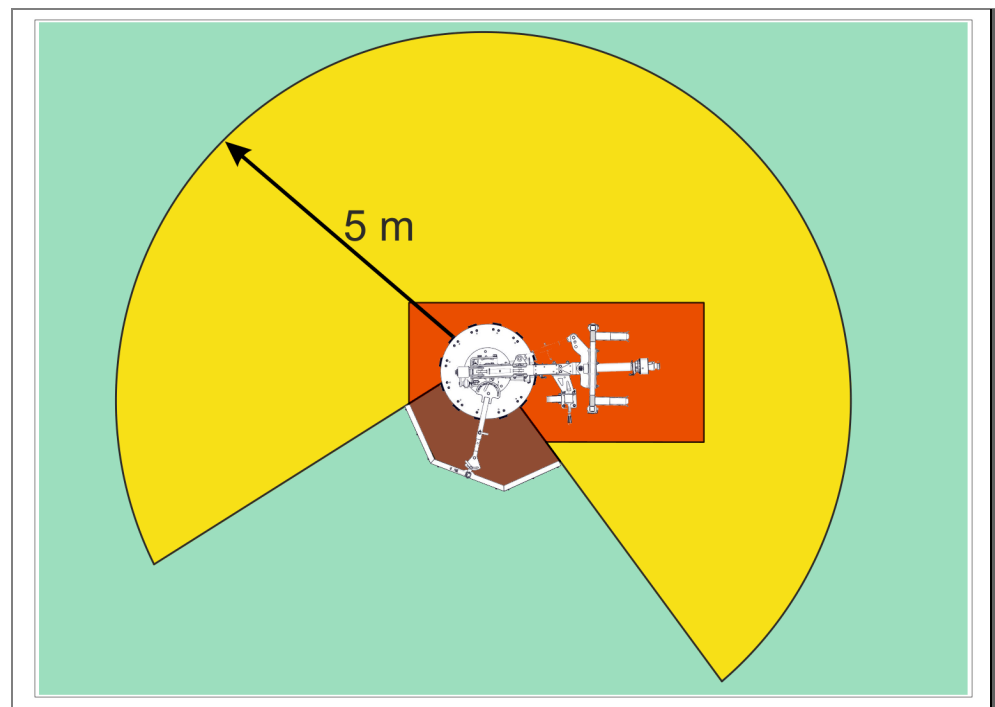


Fig. 1: Work area, safety area and hazardous area.

- RED → hazardous area

- YELLOW → safety area (radius of five metres around the brush plate)
- GREEN → work area

WARNING



Risk of injury/risk of environmental damage caused by work/remaining in hazardous area!

There is a risk of injury, environmental damage and damage to property (on the machine or system) caused by working/remaining in the hazardous area.

- The user is responsible for third parties in the hazardous and safety areas of the machine.
- It is forbidden to remain in the machine's hazardous and safety areas. Instruct all persons to leave the hazardous and safety areas. The safety area has a radius of five metres around the brush plate.
- The machine must be stopped if persons approach the hazardous and safety areas.
- The operator must ensure that there are no persons or material objects in the discharge area (safety area).
- Check both the hazardous and safety areas before switching on the attachment and starting off. Pay particular attention to children and animals. Ensure sufficient visibility.
- Switch off the attachment in areas with restricted visibility and ensure that no one is in the hazardous and safety areas.
- Foreign objects must be removed from the area to be processed prior to starting work. When working, look out for any further foreign objects and remove them quickly.
- When working in enclosed areas, the safety clearance to the perimeter must be maintained to prevent damage to the machine or brushes.
- When working in the immediate vicinity of public roads and pathways, these should not be approached lengthwise where possible, but at right angles to the extent feasible. This is to keep the risk of injury to third parties from flying objects to a minimum.
- When working on public roads and squares or in the immediate vicinity of such, information and hazard signage must be placed to ensure that third parties are made aware.

1.4 Safety while working

Before starting work

WARNING



Risk of injury/risk of environmental damage due to non-compliance with safety measures.

Failure to observe the safety measures may result in injury, environmental damage and damage to property (on the machine or the tractor).

- Prior to starting work, familiarise yourself with all equipment and controls and their function, and ensure that all guards are properly installed and in the protective position. Doing the above while working will be too late.
- Prior to commissioning the machine each time, check the machine for operational safety.
- Prior to each use, check that the propeller shaft is securely seated on the drive stub on the tractor and on the attachment.

- Check the hydraulic connections and hoses for leaks, and replace where necessary.
- Never operate the machine with defective or missing guards.

During operation

WARNING



Risk of injury/risk of environmental damage due to non-compliance with safety measures.

Failure to observe the safety measures may result in injury, environmental damage and damage to property (on the machine or the tractor).

- If persons or vehicles approach the hazardous or safety areas (radius of 5 m or 25 x 5 m in the discharge area of the VertiBrush), switch off the attachment immediately.
- Never leave the operating position while driving.
- The operating position must only be left once the attachment brushes have come to a stop.
- Do not make any adjustments to the attachment during operation – risk of accident.
- It is prohibited to transport persons and objects.
- For example, if the attachment picks up a foreign object and the result is a blockage, stop the engine and clear the attachment using a suitable tool. Always switch off the engine and remove the spark plug connector, where necessary, when carrying out any work on or clearing the attachment. The tractor safety instructions must be observed.
- If the self-propelled equipment or the attachment is damaged, stop the engine immediately and have the damage rectified.

Leaving the machine

WARNING



Risk of injury/risk of environmental damage due to non-compliance with safety measures.

Failure to observe the safety measures may result in injury, environmental damage and damage to property (on the machine or the tractor).

- Secure the tractor against rolling away when you leave it. Use wheel chocks for this or apply the parking brake if necessary.
- Secure the device against unauthorised use.
- Never leave the device unattended while it is still in operation.

Attaching and detaching attachments

WARNING



Risk of injury/risk of environmental damage due to non-compliance with safety measures.

Failure to observe the safety measures may result in injury, environmental damage and damage to property (on the machine or system).

- The appropriate operating instructions and safety regulations of the carrier vehicle must be observed.

- Use suitable tools and wear gloves when changing attachments and their parts.
- When attaching and detaching, place the required support devices in the respective positions to provide sufficient stability.
- Secure the self-propelled work machine and attachment against rolling away (parking brake, wheel chocks).
- There is a risk of injury (crushing) when attaching attachments. Particular care is required.
- Connect attachments in accordance with the regulations and secure them in the prescribed places.

1.5 Safety devices

DANGER



Risk of death or injury due to non-functioning safety devices!

If safety devices are not functional or are out of service, there is a risk of serious injury or death.

- Prior to starting work, check that all safety devices are in working order and correctly installed.
- Never put safety devices out of service or bypass safety devices.
- Ensure that all safety devices are always accessible.

Spray protection frame with signal tape and rubber splash guards

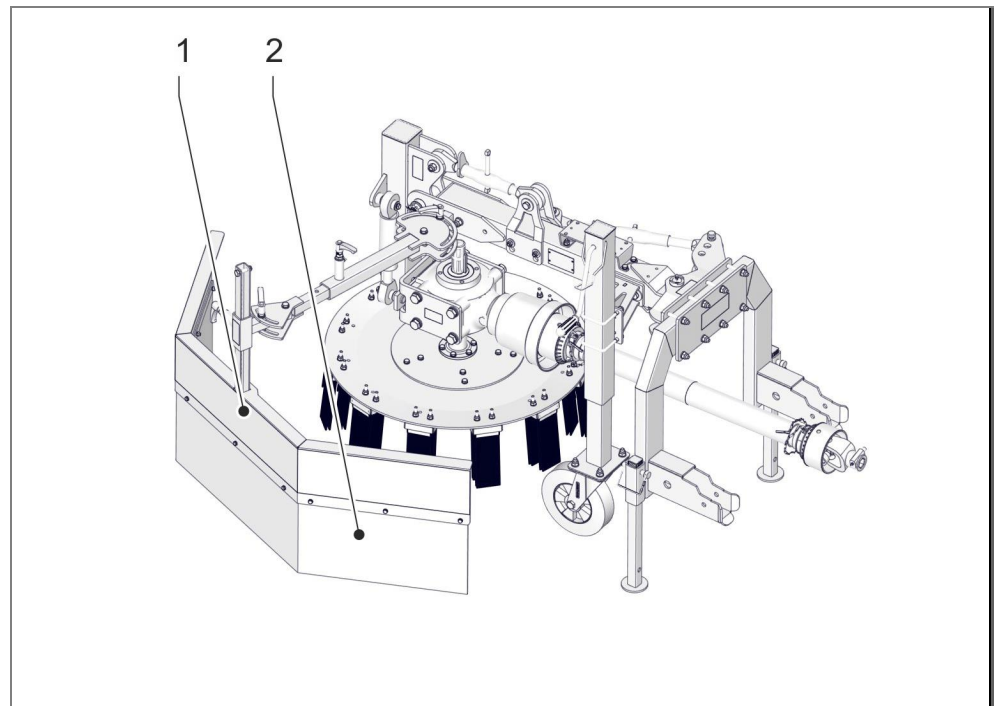


Fig. 2: Spray protection frame with signal tape

- 1 Spray protection frame with signal tape
- 2 Rubber splash guards

The spray protection frame with signal tape (1) and rubber splash guards (2) delineates the machine's hazardous area and protects persons from foreign objects, dirt and liquids.

1.6 Safety signs

The following symbols and signs are located in the work area. They refer to the immediate surroundings in which they are located.

WARNING



Risk of injury due to illegible or missing signs!

Missing and illegible labels and signs can have serious health ramifications, including causing life-threatening injuries.

- Keep all safety, warning and operating instructions in a clearly legible condition.
- Replace damaged signs or labels immediately.

1.7 Environmental protection

WARNING



Risk of environmental damage due to improper handling of operating materials and/or substances as well as cleaning materials and/or cleaning substances!

Improper handling of operating materials and/or substances as well as cleaning materials and/or cleaning substances can result in extensive environmental and property damage.

- Read the material safety data sheets and instructions of the manufacturers that apply to the operating materials and/or substances and cleaning materials and/or cleaning substances.
- Store operating materials and/or substances that are hazardous to water and soil, such as oil-contaminated parts, assemblies or components, in secure areas or collecting trays.
- Soak up any leaked operating materials, substances or cleaning agents or substances with a binding agent and dispose of such in accordance with local regulations.
- If necessary, clean parts, assemblies or components of any adhering oils, greases or other dirt.
- Do not allow leaked operating materials, substances or cleaning agents or substances to seep into soil or into the sewage system.

The following environmentally hazardous substances are used:

Lubricants

Lubricants such as greases and oils contain toxic substances. They must not be allowed to enter the environment. Disposal must be carried out by a specialist waste disposal company.

Oils

Oils (e.g. lubricating, hydraulic or cleaning oils) must not be released into the environment. Oils cause long-term adverse effects in bodies of water. Disposal must be carried out by a specialist waste disposal company.

Observe the manufacturer's safety data sheets.

1.8 Safety instructions for maintenance/troubleshooting

What to do in the event of hazardous faults

As a general rule:

1. In the event of faults that pose an immediate risk to persons or property, initiate an emergency stop immediately.
2. Determine the cause of the fault.
3. If troubleshooting requires work to be undertaken in the hazardous area, switch off the machine and secure it against being switched on again.
4. Depending on the type of fault, it must be rectified by authorised specialist personnel, or rectify it yourself.

DANGER



Risk of death or injury due to improperly performed maintenance tasks/troubleshooting tasks!

Improper maintenance tasks/troubleshooting can result in a risk to life or injury and damage to the machine or system.

- Observe all safety information in this chapter as well as the relevant local safety and accident prevention regulations.
- Do not perform any troubleshooting, maintenance or cleaning work until it is ensured that the machine is stationary and secured against being switched on again.
- Only release blocks if it is ensured that no dangerous movement of machine parts will occur as a result of doing so.
- Prior to starting, ensure that there is sufficient room to carry out the work.
- Ensure that the assembly location is clean and tidy. Components and tools left lying around or in a loose pile may cause an accident.
- Wait until the oil has cooled down to below 50°C before starting work.
- Keep to hand a temperature-resistant collection container of suitable size before starting work.
- Prior to recommissioning, note the following:
 - Ensure that all work has been carried out and completed in accordance with the information and instructions in this manual.
 - Ensure that no one is in the hazardous area.
 - Ensure that all caps and safety devices are installed and functioning properly.
 - If components have been removed, ensure that they are installed correctly. Refit all fasteners.

⚠ WARNING**Risk of injury/risk of environmental damage due to lack of/incorrectly performed maintenance (general)!**

Lack of maintenance may result in injury, environmental damage and damage to property (on the machine or system)!

- Maintenance and cleaning tasks must only be carried out when the drive is at a standstill.
- Simple cleaning and adjustment tasks may be carried out by operating personnel. Maintenance and repair work may only be carried out by trained and qualified personnel.
- Notes and instructions from the original operating manuals relating to supplied parts installed must be observed.
- If safety devices and working tools are subject to wear, they must be checked at regular intervals and replaced where necessary.
- When changing cutting tools, the appropriate tools must be carried and suitable protective equipment worn.
- Following maintenance and cleaning tasks, the safety devices must be reattached and placed in the protective position.
- Only use genuine spare parts from the manufacturer, as these meet the technical requirements and therefore keep the risk of accidents to a minimum.
- Cleaning tasks using the high-pressure cleaner should be carried out such that the water jet is not held directly over bearings, rotating parts, lubricating nipples, shaft sealing rings, wheel hubs etc. The lubrication points must be re-greased after each time they are cleaned with the high-pressure cleaner. If this is not done, warranty claims will not be accepted.
- Check the nuts and bolts after five operating hours and then at regular intervals for secure positioning; tighten them where necessary.
- Following maintenance work, install the safety devices and place them in the protective position.
- Always use suitable support elements to secure the lifted unit during maintenance, cleaning and repair work.
- Repair work such as welding, drilling, grinding etc. must not be carried out on load-bearing safety-related parts.

⚠ WARNING**Risk of injury/risk of environmental damage due to lack of/ incorrectly performed maintenance on the hydraulics!**

Lack of maintenance on the hydraulics may result in injury, environmental damage and damage to property (on the machine or system).

- Before carrying out repairs, ensure that the hydraulic system is depressurised, as fluids under pressure can penetrate the skin and cause serious injury. Consult a doctor immediately in this case – risk of infection.
- Check hydraulic connections after the first five operating hours; tighten where necessary.

Tightening only is insufficient.

Loosen a leaking hydraulic fitting first, then move the hose or fitting. The fitting can then be tightened again.



- Check hydraulic hose lines for damage and deterioration at regular intervals, and replace where necessary.
- Hydraulic hose lines must be replaced in full no later than every six years. The date of manufacture is stamped on the hose line.
- Recycle waste oils and greases.
- Immediately remove any flowing oil with an oil binder.
- Remove excess grease.

NOTE**Incorrect quantities of oil or grease and contamination can cause damage to gears and components!**

Component damage can shorten the service life of components.

- The amount of oil and the position of the sealing elements of gearboxes depend on the design and mounting position.
- The oil level must not be more than 3 to 5 mm below the specified fill level after removing the oil level screw.
- Close the gearbox immediately after checking the oil level or changing the oil.
- Flush components (gears, bearings etc.) with cleaning agents only after consulting the manufacturer.
- When re-greasing lubrication points via lubricating nipples, the lubricant must not be pressed in under high pressure or with forceful lubricating strokes. The maximum permissible lubricating pressure is 15 bar.

2 Functional description

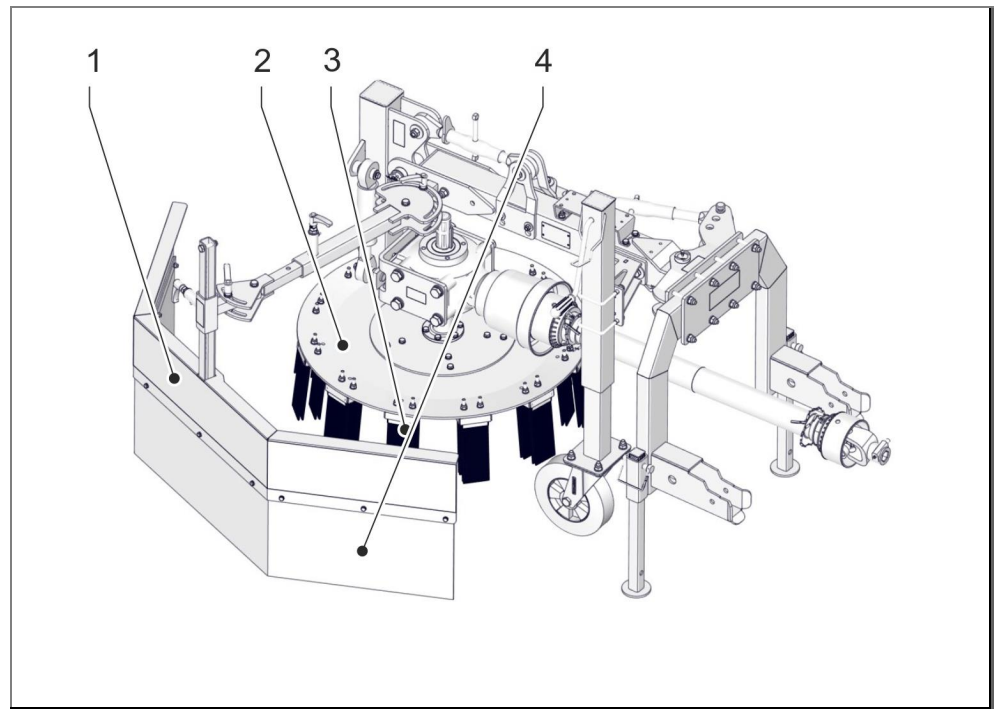


Fig. 3: Overview

- 1 Spray protection frame with signal tape
- 2 Brush plate
- 3 Versa brush
- 4 Rubber splash guards

The weed brush is made up of a steel construction with an angular gearbox mounted on the brush plate (2). The brush plate (2) can be equipped with a versa brush (3) or braided wire cable. By rotating the brush plate (2) and driving the tractor forwards, weeds are removed from joints and collected by a side-mounted spray protection frame with signal tape (1) and rubber splash guards (4).

3 Transportation, packaging and storage



Assembly, installation and initial commissioning are carried out exclusively by dealer personnel or personnel authorised by the dealer.

However, the operator or its maintenance personnel may be entrusted during the installation process and use thereafter with the handling of packages. Always observe the information listed below in this regard.

3.1 Safety information



Always observe all safety information listed in the safety section!

(See chapter **Fehler! Verweisquelle konnte nicht gefunden werden. Fehler! Verweisquelle konnte nicht gefunden werden.** on page **Fehler! Textmarke nicht definiert.**)

3.2 Transport inspection

Upon receipt, immediately check that the delivery is complete and that no damage has been sustained during transport.

In the event of visible transport damage, proceed as follows:

- Do not accept the delivery or only accept delivery subject to reservation.
- Make a note the extent of the damage on the transport documents or on the shipping carrier's delivery note.
- Submit a complaint.



Lodge a complaint regarding any fault as soon as it is discovered. Claims for damages can only be asserted within the time limits valid for complaints.

3.3 Packaging

Handling packaging materials

The packaging material must be disposed of in accordance with the applicable legal regulations and local provisions.

NOTE



Risk to the environment due to improper disposal!

Packaging materials are valuable raw materials and, in many cases, can be reused or processed and recycled in a meaningful way. Incorrect disposal of packaging materials can create environmental hazards.

- Dispose of packaging materials in an environmentally friendly manner. Observe local disposal regulations. Where necessary, commission a specialist company to dispose of the waste.

3.4 Transporting the machine

The machine is usually transported together with the required tractor.

NOTE**Property damage due to improper handling!**

Improper handling of the machine may result in damage.

- Do not tilt the machine or rotate around the horizontal axes.
- Vehicles, aids and slings must be suitable for the weight of the transport units.
- The driver must be authorised to drive the vehicle.

Protective equipment

- Protective clothing
- Protective gloves
- Safety shoes

The following points must be observed when transporting the machine/tractor:

- Suitable transport vehicles and trailers approved for transport on public roads must be used for loading, unloading and transporting the machine.
- The transport vehicles must be suitable for the transport weight and dimensions of the machine/tractor combination to be transported.
- The machine and tractor must be attached at the marked attachment points (see Functional description on page 15).
- Slings/lashing equipment in the appropriate size must be used.
- Slings/lashing equipment must not exhibit any signs of damage.
- Only vehicles, aids and slings/lashing equipment that are suitable for the task, in the appropriate condition to ensure safety and adequate for the load must be used for transport.
- Do not stack the individual transport units on top of each other.

4 Assembly/setup, installation, initial commissioning

4.1 Safety information



Always observe all safety information listed in the safety section!
(See chapter Fehler! Verweisquelle konnte nicht gefunden werden. Fehler! Verweisquelle konnte nicht gefunden werden. on page Fehler! Textmarke nicht definiert.)

4.2 Mechanical coupling/uncoupling

CAUTION



Risk of injury/risk of environmental damage when coupling and uncoupling!

Coupling and uncoupling can result in injury due to crushing, environmental damage and damage to property (on the machine or system).

- Observe the information in the tractor operating manual.
- Take special care.

Coupling

The following points must be observed when coupling the attachment:

1. Attach the weed brush mounting frame to the tractor front hydraulics and lock it in place.
2. Adjust the top link, so that the machine is parallel to the ground.
3. Slide the propeller shaft onto the tractor profile shaft and attach the chain to the carrier machine; this is to prevent the propeller shaft guard from rotating. If the propeller shaft is too long, it must be shortened by qualified personnel.
4. Where necessary, secure the joystick electric cable (along the bonnet) to the tractor.
5. Insert the plug into the three-pin socket on the tractor.

Uncoupling

Uncoupling is carried out in reverse order

5 Operation

5.1 Adjusting the working height

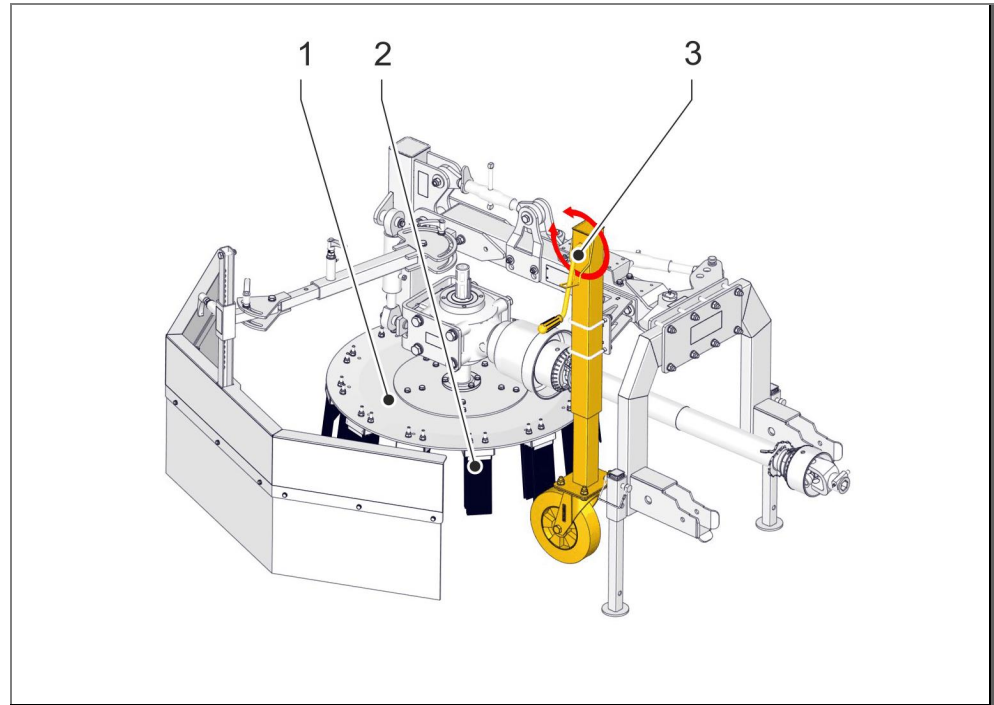


Fig. 4: Adjusting the brush plate

- 1 Brush plate
- 2 Versa brush
- 3 Support wheel, trailing

The working height of the brush plate (1) is adjusted via the trailing support wheel (3). The working height depends on the position of the brush plate (1) and the degree of wear of the versa brush (2).

Particularly good work results can be achieved following rain and wet weather. The driving speed is determined by the thickness of weed coverage.

5.2 Tilting the brush plate

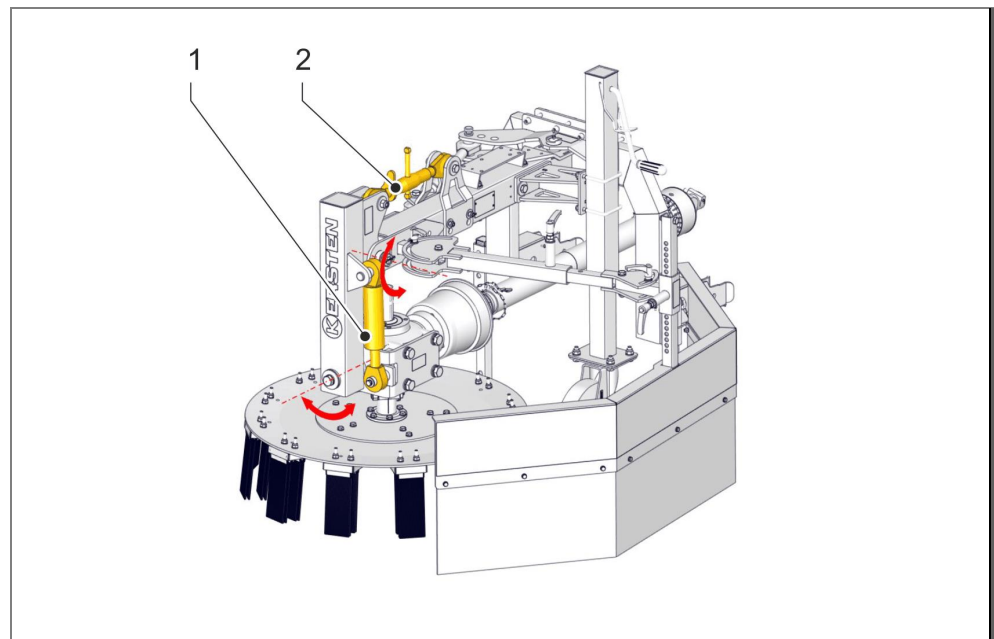


Fig. 5: Adjusting the brush plate

- 1 Hydraulic cylinder
- 2 Hydraulic cylinder

The tilt angle of the brush plate is adjusted via the hydraulic cylinders (1, 2). The weed brush must be positioned parallel to the tractor when driving on the road. The position of the brush plate depends on the thickness of weed coverage. Good performance is achieved when the brush plate is tilted to the right and slightly to the rear when viewed in the direction of travel.

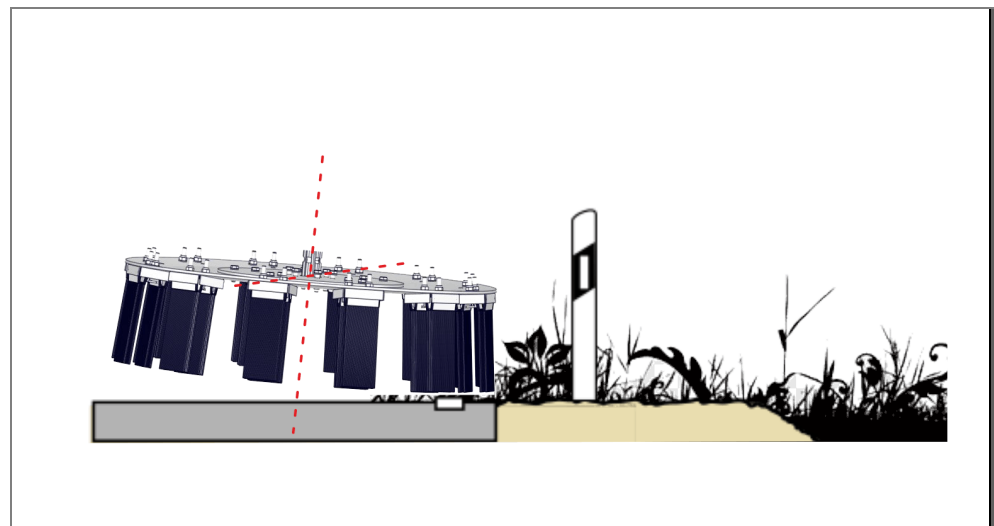


Fig. 6: Tilting the brush plate for optimum performance

5.3 Swivelling the weed brush sideways

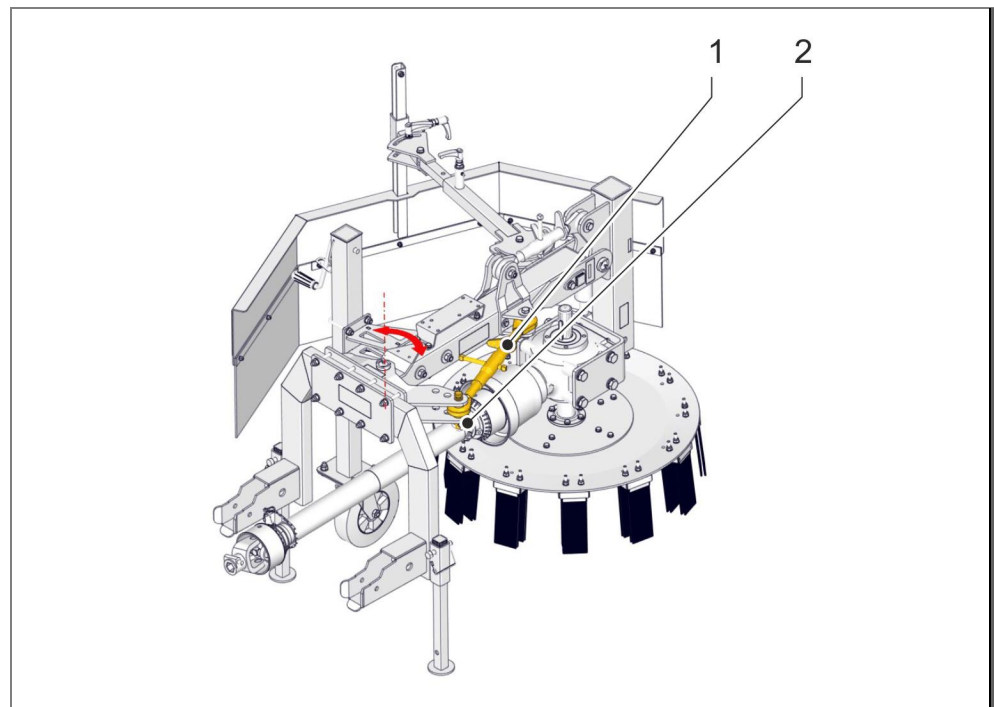


Fig. 7: Swivelling the weed brush

- 1 Top link
- 2 Row of holes for mounting the top link

The work area is determined by swivelling the support arm sideways.

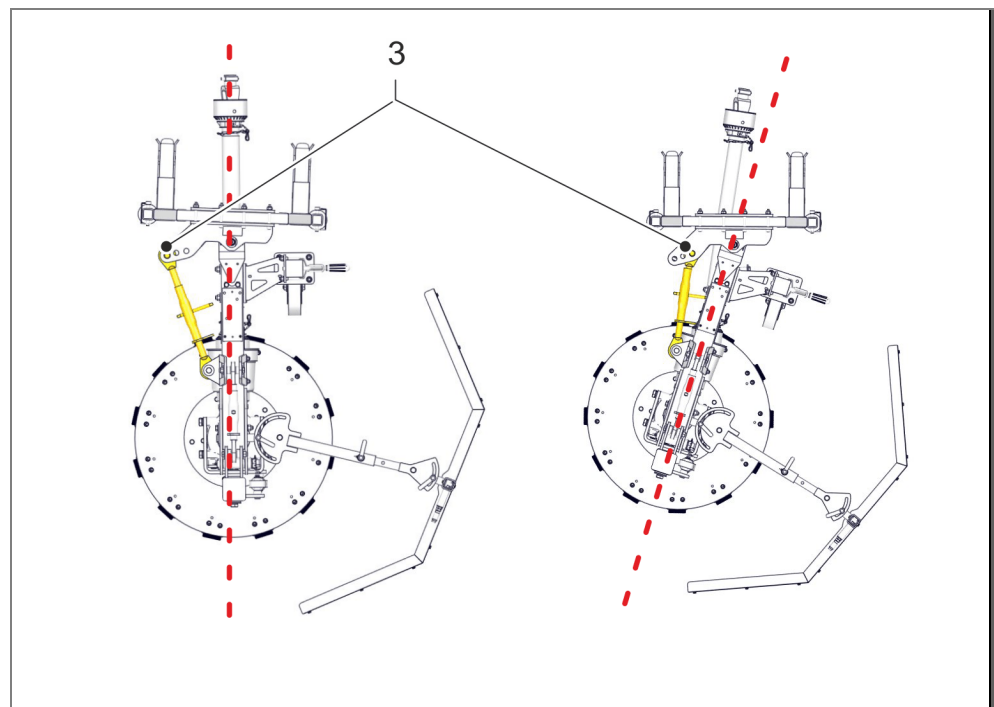


Fig. 8: Gradual adjustment via the intermediate frame

3 Rear stem of the top link

The lateral deflection of the weed brush can be adjusted via the top link (1) of the support arm.

Gradual adjustment is possible using a row of holes for mounting the top link (2):

1. Park the tractor on a level surface and lift the weed brush out approx. 5 cm.
2. Remove the cotter pin and stem from the top link support.
3. Swivel the intermediate frame to the left or right side to the desired hole (2).
4. Insert the stem into the top link holder and secure with the cotter pin.

The maximum work area can be set by re-pinning the rear stem (3), to ensure smooth operation of the propeller shaft.

5.4 Adjusting the splash guard

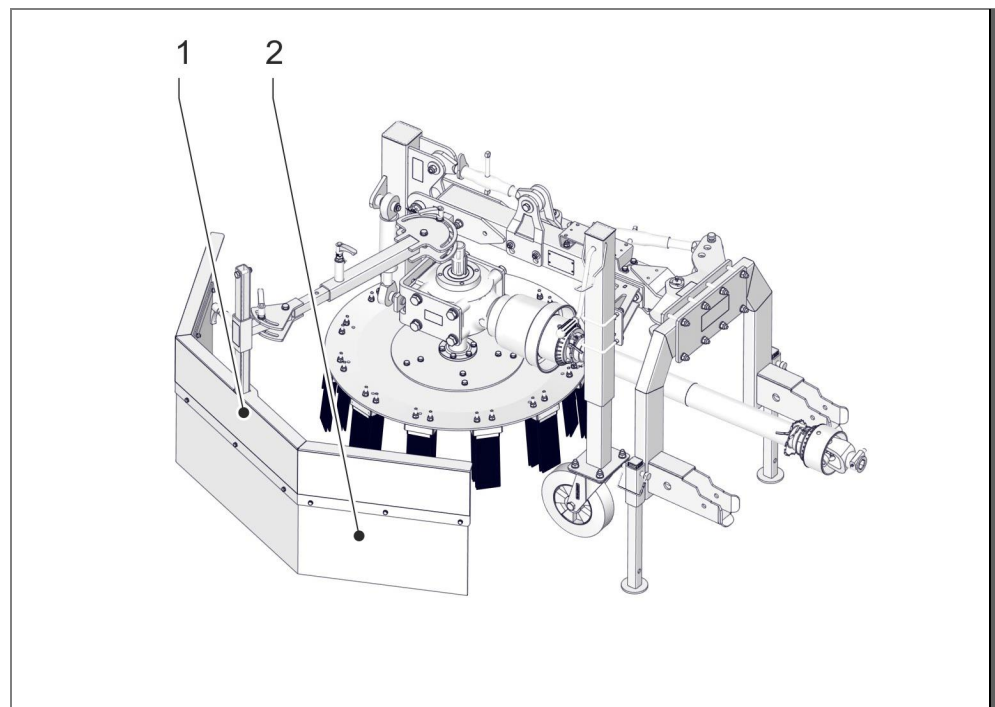


Fig. 9: Spray protection frame with signal tape

- 1 Spray protection frame with signal tape
- 2 Rubber splash guards

The rotating motion of the brush plate causes materials such as weeds, stones and other objects to be ejected. To prevent this material from leaving the work area, a side splash guard (1 and 2) is attached to the machine.

⚠ WARNING



Risk of injury/risk of environmental damage due to improper adjustment of splash guard!

An incorrectly set splash guard can result in injury, environmental damage and damage to property (on the machine or system).

- The splash guard must always be set up correctly

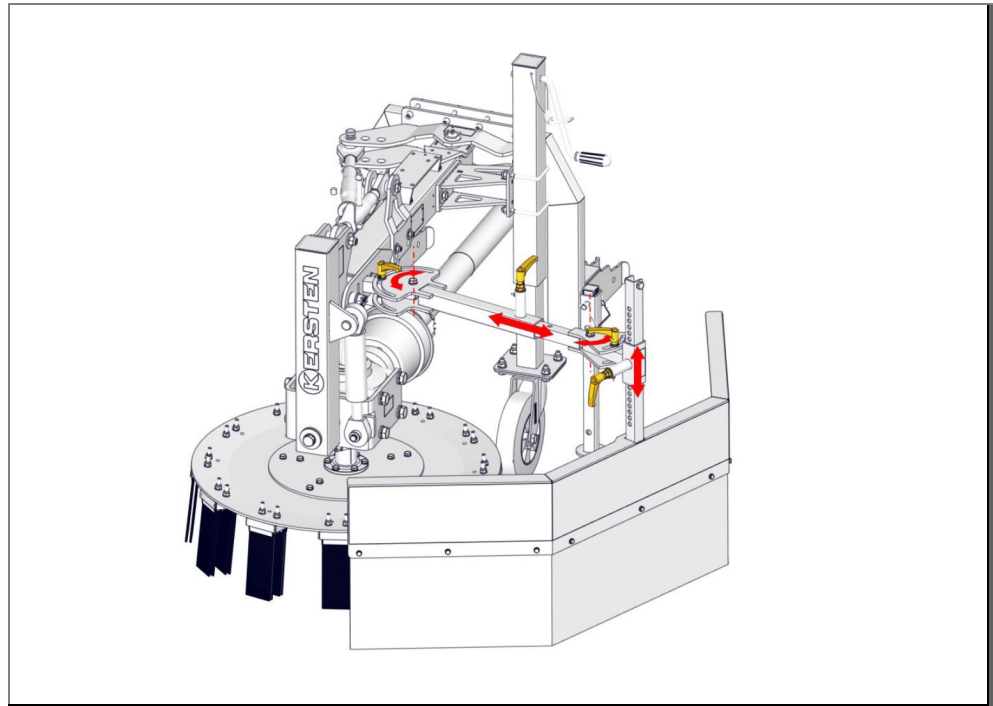


Fig. 10: Adjusting the splash guard

Adjusting the splash guard depends on the configuration of the brush plate and local conditions. Several clamping and gripping levers for tilting and adjusting the height of the splash guard are located on the splash guard's support arm.

In the working position, the splash guard's rubber splash lugs (2) must rest slightly on the ground.

5.5 Raising and lowering the attachment

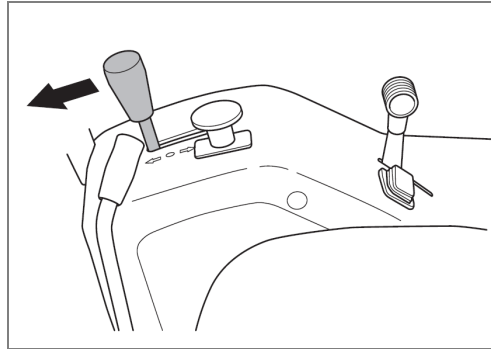


Fig. 11: Lowering the attachment

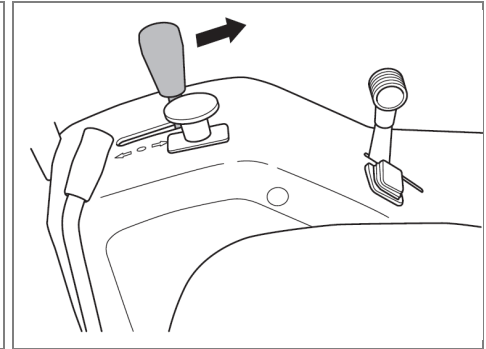


Fig. 12: Raising the attachment

The lever for lifting the cutting unit is used to raise the attachment and move it into the floating position. Pulling the lever will raise (Fig. 12) the attachment and pushing it forward will lower it (Fig. 11).

5.6 Engaging the drive for the attachments

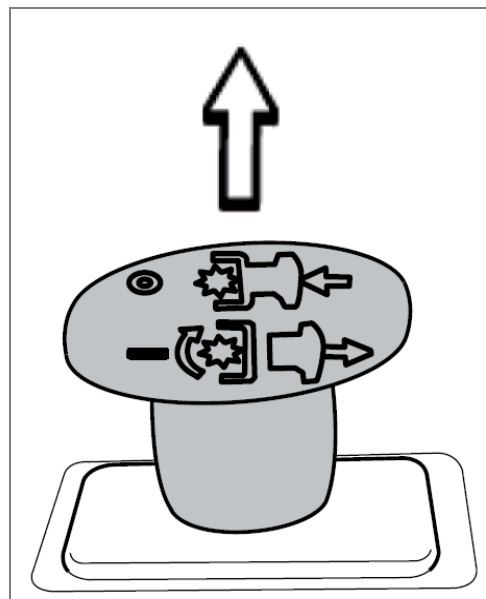


Fig. 13: Switching on the brush drive

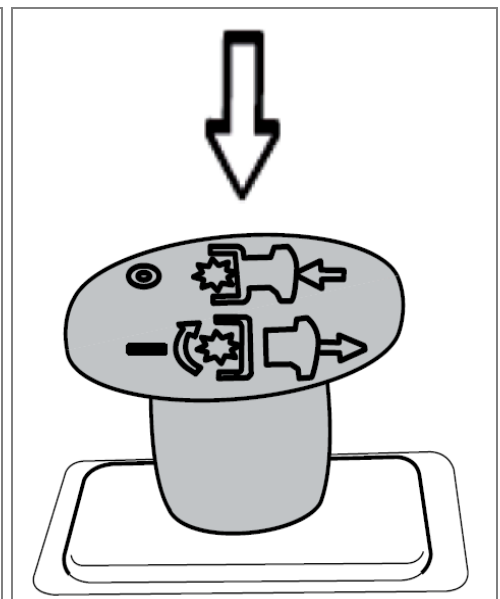


Fig. 14: Switching off the brush drive

Pulling the PTO drive knob engages the brush plate drive (Fig. 13) and pressing the knob disengages it (Fig. 14).

⚠ WARNING



Risk of injury/risk of environmental damage due to excessively high speeds!

Operating at excessively high speeds can result in a risk of injury, environmental damage and damage to property (on the machine or system).

- Always set the PTO speed correctly

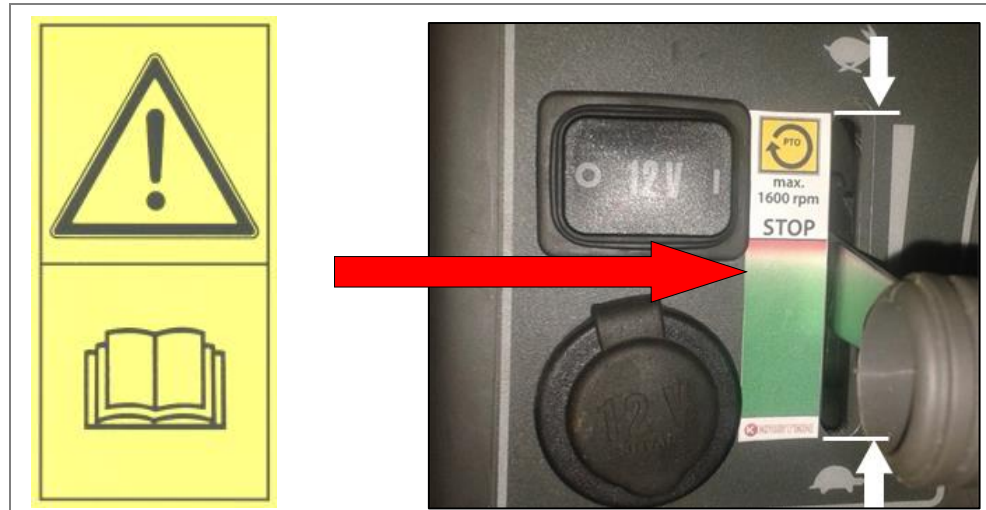


Fig. 15: Speed restriction label

The supplied speed restriction label (Fig. 15) must be applied as shown. The PTO speed must not exceed 1600 rpm when the weed brush is being operated.

5.7 Swivelling the brush plate

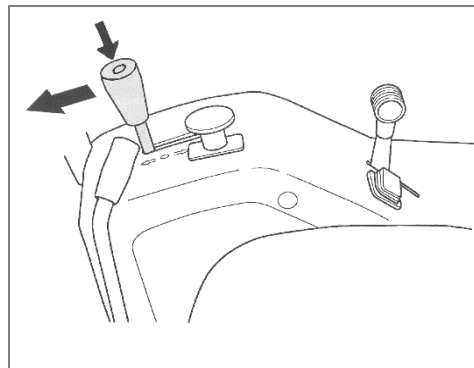


Fig. 16: Swivelling the brush to the left

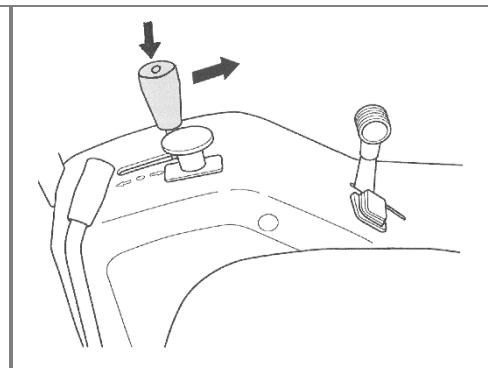


Fig. 17: Swivelling the brush to the right

The swivel angle of the brush plate is controlled via the hydraulic connections. The weed brush is equipped with two hydraulic cylinders (Fig. 5), which can be used to swivel the weed plate to the right and left or backwards and forwards. This is controlled by the cutting unit lift control lever. The brush plate is swivelled to the right or left by simultaneously actuating the operating button and moving the operating lever forwards or backwards. If the 12-V supply of the electromagnetic valve is also activated, simultaneously actuating the operating button and moving the operating lever forwards or backwards swivels the brush plate forwards or backwards.

6 Maintenance

6.1 Safety information



Always observe all safety information listed in the safety section!
(See chapter Fehler! Verweisquelle konnte nicht gefunden werden. Fehler! Verweisquelle konnte nicht gefunden werden. on page Fehler! Textmarke nicht definiert.)

6.2 Spare parts

Improper spare parts

DANGER



Risk of death or injury due to the use of improper spare parts!

This symbol warns of an immediate risk to the life and health of persons.

The use of improper or faulty spare parts can result in a risk to life or injury as well as a risk of material damage to the machine or system.

- Only use genuine manufacturer spare parts or spare parts approved by the manufacturer.
- If you are unsure, contact our central service department/the manufacturer's customer service department (see Manufacturer's central service team on page 3).

Procuring spare parts

Spare parts and wearing parts must be ordered through the central service department (see Manufacturer's central service team on page 3).

6.3 Maintenance work

6.3.1 Daily checks

Personnel:

- Private and commercial operators

Protective equipment:

- Protective clothing
- Protective gloves
- Protective goggles

Checks must be planned, executed and documented by the operator, taking into account the applicable regulations and legislation.

To ensure safe operation of the machine, the safety devices must be checked:

The following items on the machine must be checked on a daily basis:

- Check the safety devices for wear, and replace where necessary.
- Check brush elements for wear, and replace where necessary.

- Check that the brush elements are firmly seated.
- Ensure that damaged brush elements are replaced by trained personnel.
- Remove anything wrapped around the brush plate (e.g. wiring).
- Check that the moving parts move freely.
- Before each use, check the hydraulic connections for leaks.
- Lubricate the propeller shaft according to the manufacturer's instructions.
- Lubricate the grease nipples before use.
- Perform a test run before each use.

6.3.2 Maintenance after 50 operating hours/extended downtime

DANGER



Risk of death or injury from machine operating!

There is a risk of death or injury as well as damage to the machine or system when the machine is operating.

- The machine must be disconnected from the power supply and secured against being switched on again before maintenance work is carried out.

Checks must be planned, executed and documented, taking into account the applicable regulations and legislation.

To ensure safe operation of the machine, the safety devices must be checked:

All moving parts of the machine must be greased or oiled at maximum intervals of 50 operating hours, as well as at the beginning and end of the season.

Lubrication points

Personnel:

- Private and commercial operators

Protective equipment:

- Protective clothing
- Protective gloves
- Protective goggles

Lubrication points with grease nipples must be lubricated with a grease gun.

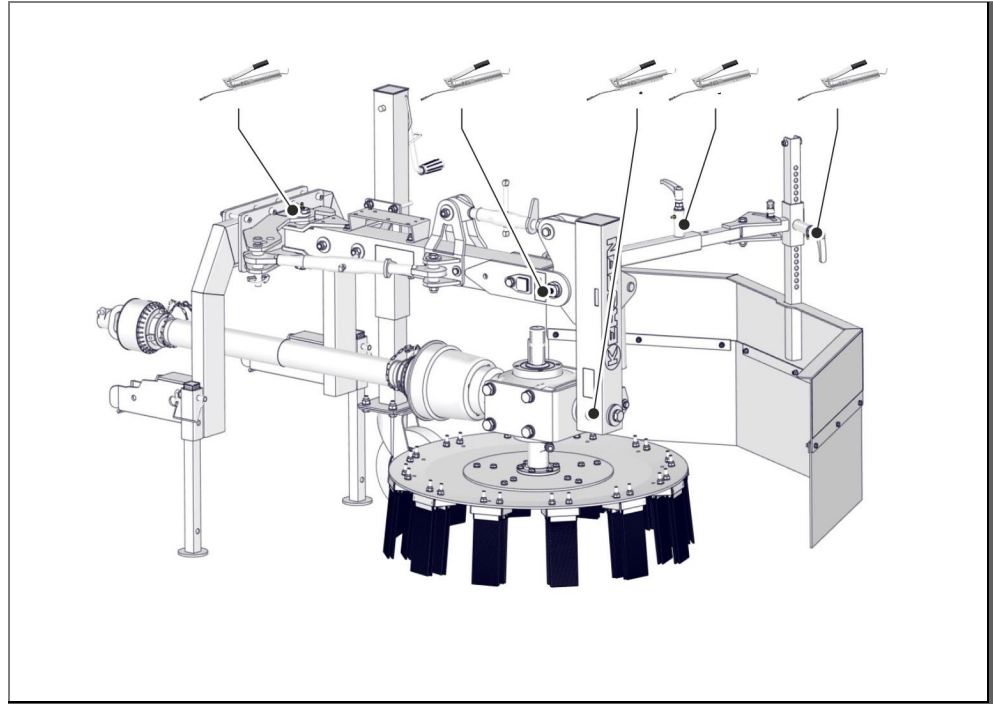


Fig. 18: Lubrication points with grease nipples

Moving parts that do not have a grease nipple must be lubricated with a suitable solid lubricant where necessary.

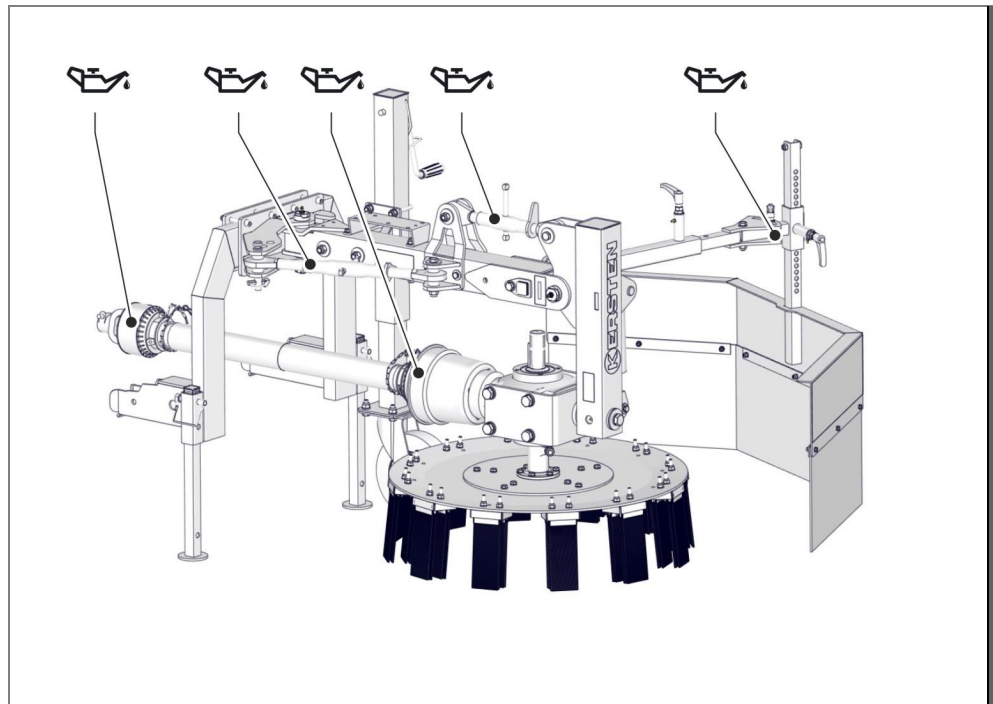


Fig. 19: Lubrication points

6.3.3 Changing brush elements

DANGER



Risk of death or injury from machine operating!

There is a risk of death or injury as well as damage to the machine or system when the machine is operating.

- The machine must be disconnected from the power supply and secured against being switched on again before changing the brush elements.

Personnel:

- Trained specialist personnel

Protective equipment:

- Protective clothing
- Protective gloves
- Protective goggles

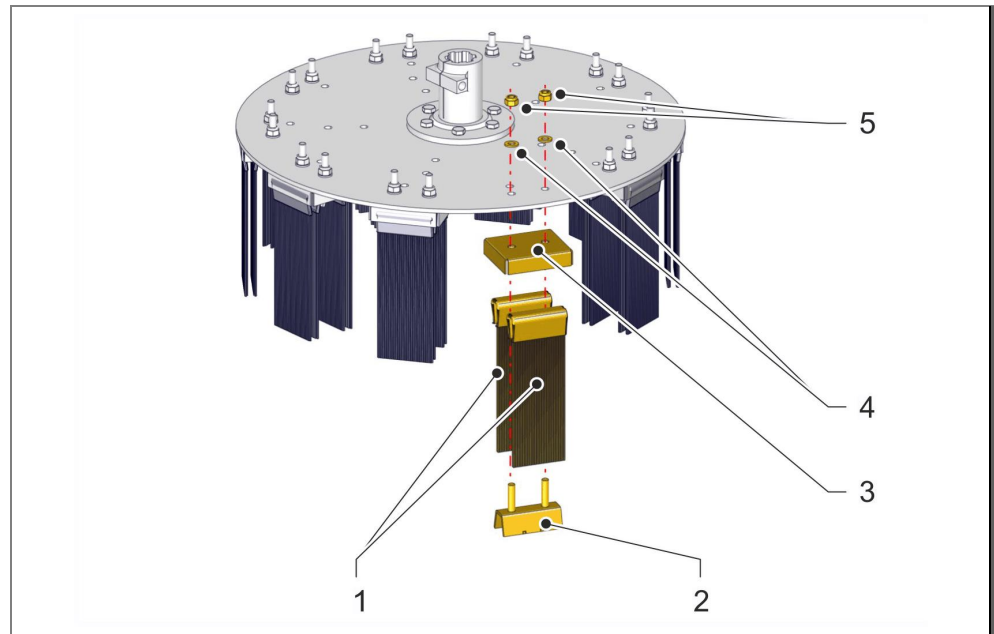


Fig. 20: Brush elements

- 1 Weed tufts
- 2 Brush holder inner part
- 3 Brush holder outer part
- 4 Washers
- 5 Stop nuts

Before changing the individual brush elements, the weed tufts (1) must be detached together with the brush holder inner and outer parts (2 and 3). To do so, remove the stop nuts (5) and the washers (4). The weed tufts (1) can then be removed and replaced.

6.3.4 Changing the brush plate

⚠ DANGER



Risk of death or injury from machine operating!

There is a risk of death or injury as well as damage to the machine or system when the machine is operating.

- The machine must be disconnected from the power supply and secured against being switched on again before changing the brush plate.

Personnel:

- Trained specialist personnel

Protective equipment:

- Protective clothing
- Protective gloves
- Protective goggles

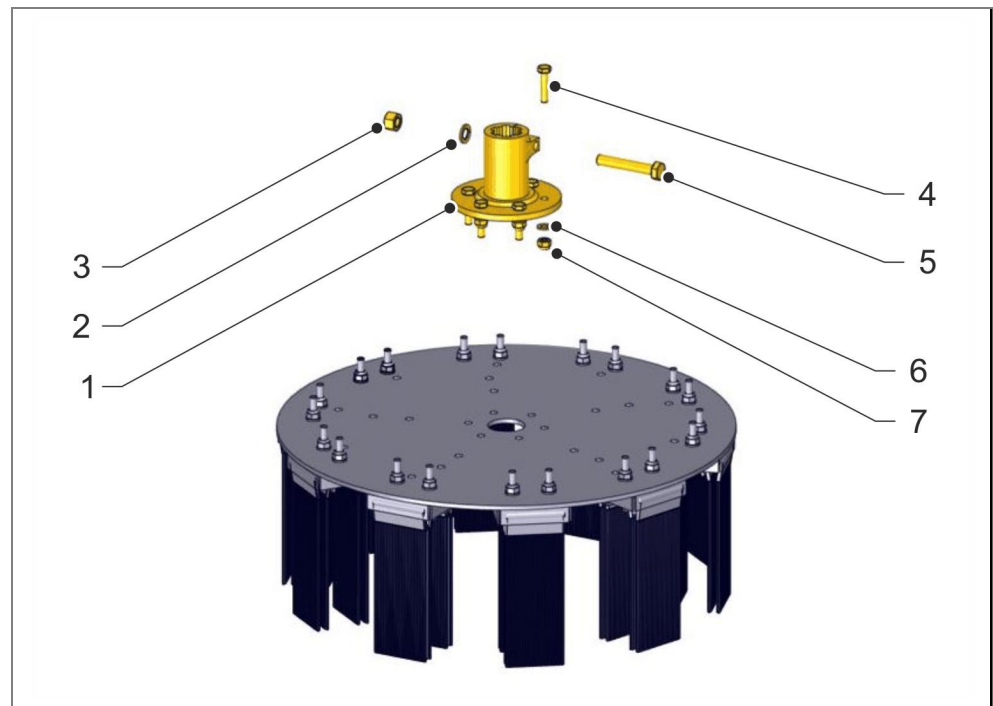


Fig. 21: Changing the brush plate

- 1 Mounting flange
- 2 Spring ring
- 3 Hexagon nut
- 4 Hexagon bolts
- 5 Hexagon bolt
- 6 Washers
- 7 Stop nuts

In addition to individual weed bushes, the entire brush plate can also be replaced. To do so, first loosen the hexagon bolt (5) together with the spring ring (2) and

hexagon nut (3). Then loosen the individual hexagon bolts (4) on the mounting flange (1) together with the washers (6) and stop nuts (7).

6.3.5 Checking the safety device functions

Personnel:

- Operating personnel

Protective equipment:

- Protective clothing
- Protective gloves

Checks must be planned, executed and documented by the operator, taking into account the applicable regulations and legislation.

To ensure safe operation of the machine, the safety devices must be checked:

Separating safety devices (covers)	
Interval	Upon commissioning, when the machine is switched on
Scope	Visual inspection for integrity
Person performing the checks	Operating personnel
Action in the event of faults	<ul style="list-style-type: none"> • Close off the hazardous area • Repairs

6.4 Action to take following maintenance

Personnel:

- Private and commercial operators

Perform the following steps once maintenance tasks are complete and before switching on the machine:

1. Check that all previously loosened screw connections are secure.
2. Check that all guards and caps previously removed are reinstalled correctly.
3. Ensure that all tools, materials and other equipment used have been removed from the work area.
4. Clear the work area and remove any substances that may have escaped, such as liquids, processing materials or similar.
5. Ensure that all safety devices on the machine are operating correctly.

7 Disassembly, disposal

7.1 Safety information



Always observe all safety information listed in the safety section!

(See chapter Fehler! Verweisquelle konnte nicht gefunden werden. Fehler! Verweisquelle konnte nicht gefunden werden. on page Fehler! Textmarke nicht definiert.)

7.2 Disassembly

Before commencing disassembly:

- Switch off the machine and secure it against being switched on again.
- Physically disconnect the entire power supply from the machine, discharge stored residual energy.
- Remove operating and auxiliary materials and residual processing materials and dispose of them in an environmentally friendly manner.

Subsequently clean the assemblies and components properly and disassemble them in accordance with applicable local occupational health and safety regulations and environmental protection regulations.

7.3 Disposal

If no return or disposal agreement has been made, recycle disassembled components:

- Dispose of metals as scrap.
- Send plastic elements to recycling.
- Sort and dispose of other components by material property.

CAUTION



Risk to the environment due to improper disposal!

Incorrect disposal can create environmental hazards.

- Dispose of electrical waste, electronic components, lubricants and other auxiliary materials using approved specialist companies.
- In case of doubt, contact the local municipal authorities or special waste disposal companies for information on environmentally sound disposal.



Machine components marked with the adjacent symbol must never be disposed of in household waste. These components may only be disposed of by specialist companies approved at the place of use.

Lubricants

CAUTION



Risk to the environment from lubricants

Lubricants such as greases and oils contain toxic substances. They must not be allowed to enter the environment.

- Disposal must be carried out by a specialist waste disposal company.

8 Technical data

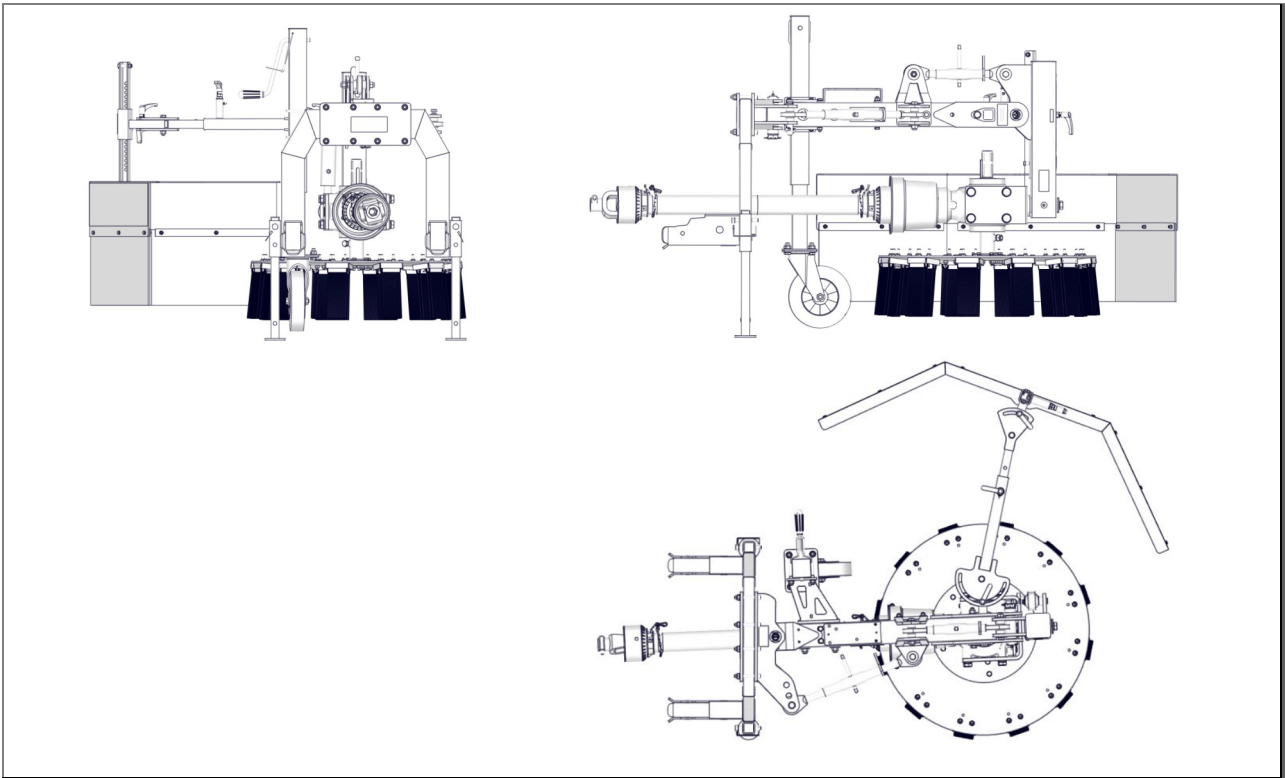


Fig. 22: Layout

	UB6080
Working width	Ø 60 cm
Number of tools	20 tufts
Tool type	Versa brush
Drive type	Mechanical, via PTO
Attachment mounting	Surface mowing attachment
Max. brush plate speed	360 rpm
Sound pressure level $L_{pA,eq}$	dB(A) at the operator's ear Measurement based on DIN EN 12733:2009
Weight of attachment	approx. 157 kg
Length/width/height	235/107/128 (in cm)

9 EU Declaration of conformity

This declaration of conformity is issued under the sole responsibility of the manufacturer. We

Kersten Arealmaschinen GmbH
Empeler Strasse 95, D-46459 Rees, Germany

hereby declare that the product

Weed Brush

Type: UB 6080 MK Model no.: 597 75 08-01

Serial no.: 67594 - 99999

conforms to all relevant provisions of

EC Machinery Directive 2006/42/EC.

The machine also conforms to all the relevant provisions of the following EC directives:

Pressure Equipment Directive 2014/68/EU

In addition, the following standards were applied:

DIN EN ISO 12100: 2011-03

Mr.

Dipl. Ing. (FH) Robert Bosch
Empeler Straße 95, D-46459 Rees, Germany

is authorised to compile the technical documentation.

Rees, 08.05.2023



Dipl. Ing. (FH) Robert Bosch
Managing Director

10 UK Declaration of conformity

This declaration of conformity is issued under the sole responsibility of the manufacturer. We

Kersten Arealmaschinen GmbH
Empeler Strasse 95, D-46459 Rees, Germany

hereby declare that the product

Weed Brush

Type: UB 6080 MK Model no.: 597 75 08-01

Serial no.: 67594 - 99999

conforms to all relevant provisions of

The Supply of Machinery (Safety) Regulations 2008 (S.I. 2008/1597).

The machine also conforms to all the relevant provisions of the following EC directives:

Pressure Equipment (Safety) Regulations 2016 (S.I. 2016/1105)

In addition, the following standards were applied:

BS EN ISO 12100: 2010-12

Mr.

Dipl. Ing. (FH) Robert Bosch
Empeler Straße 95, D-46459 Rees, Germany

is authorised to compile the technical documentation.

Rees, 08.05.2023



Dipl. Ing. (FH) Robert Bosch
Managing Director