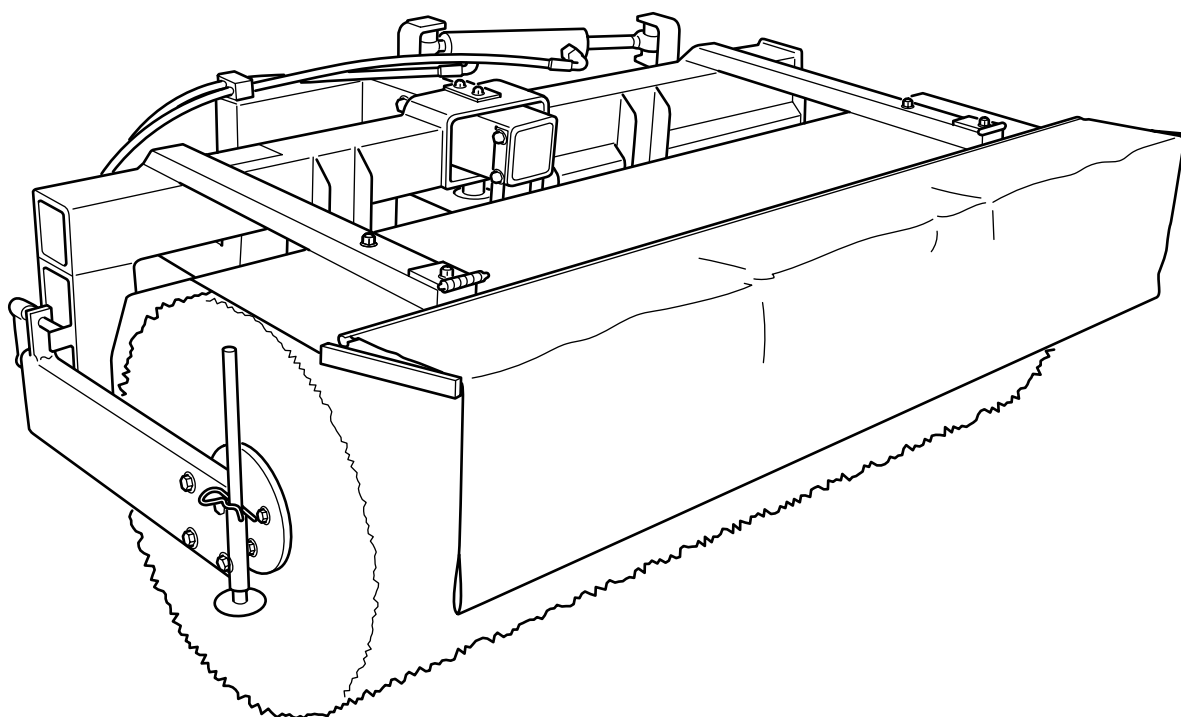


**User manual**

# Sweeper unit HB 130

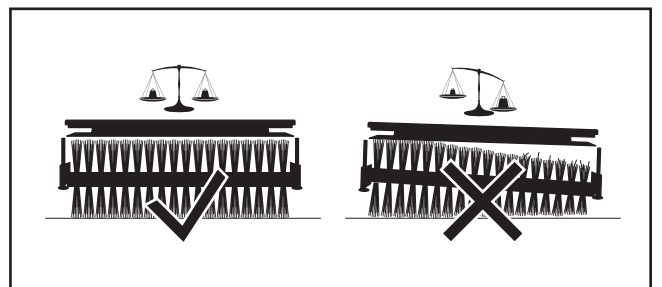
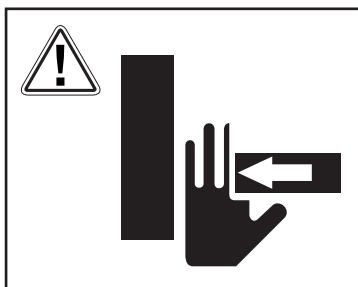
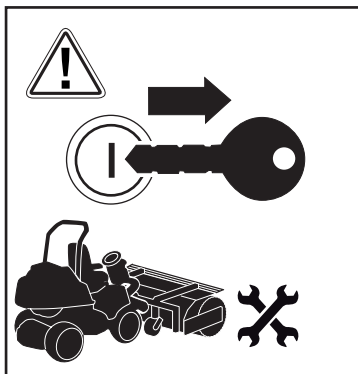
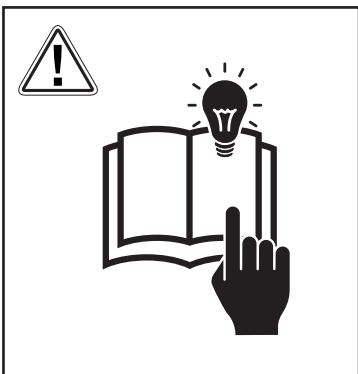
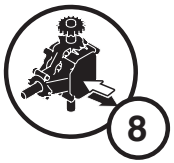
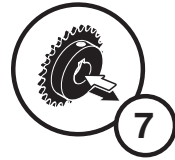
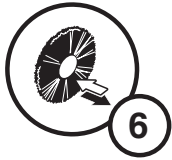
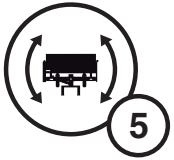
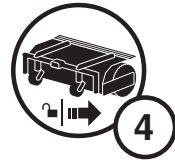
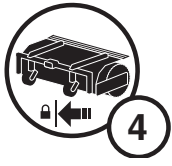
590 45 00-01

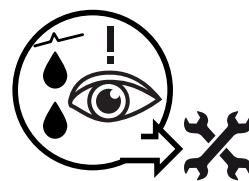
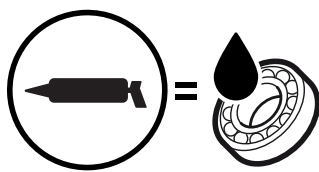
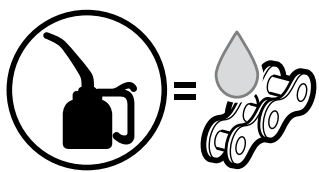
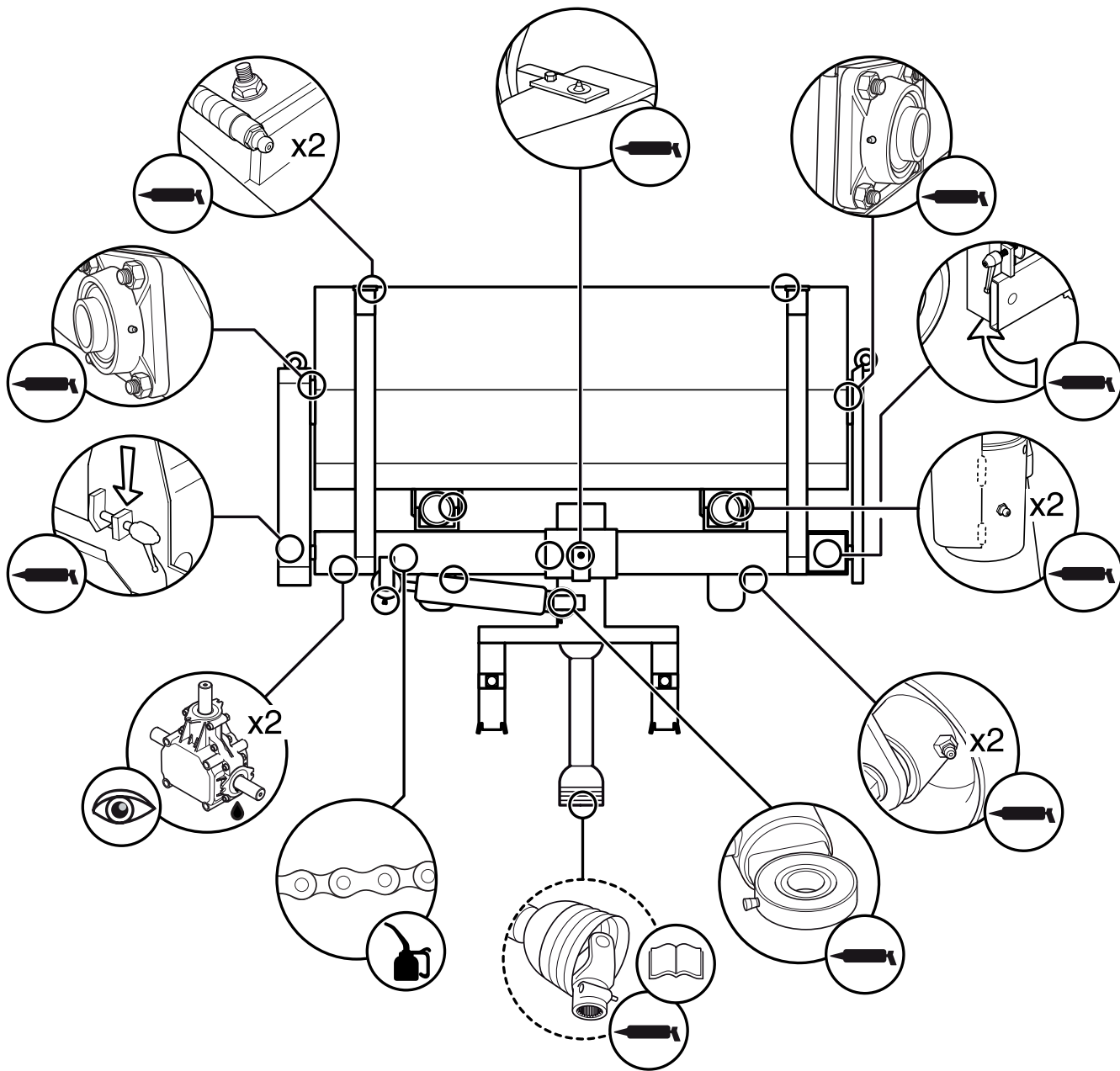
**Read the user manual carefully before using this product**

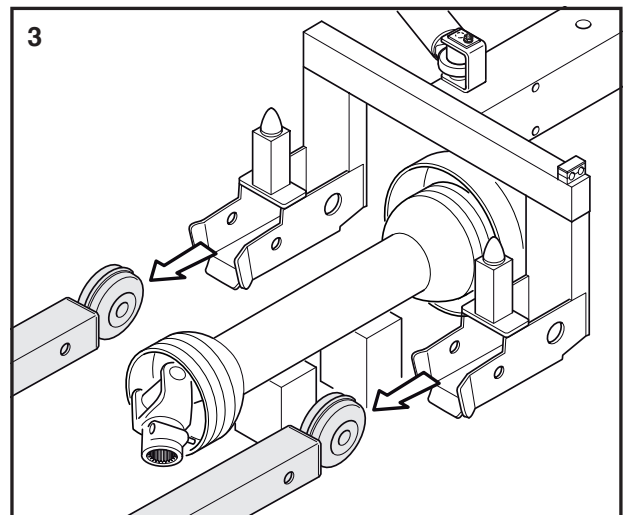
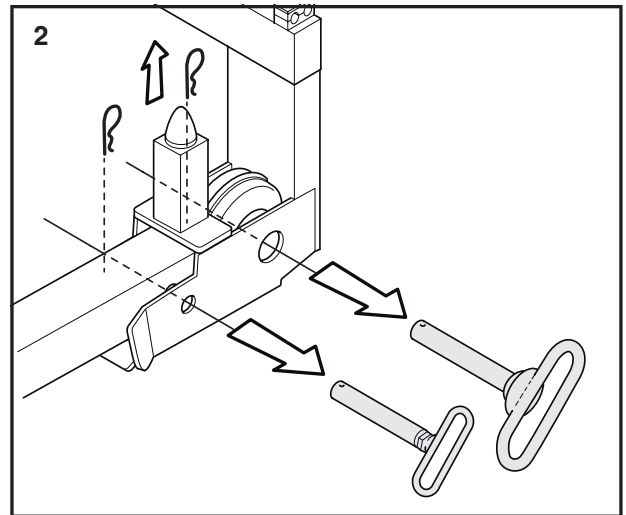
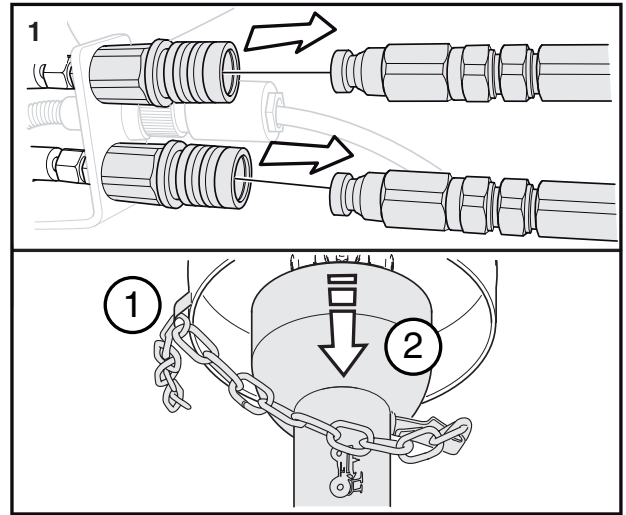
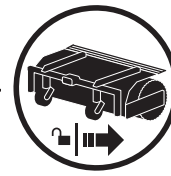
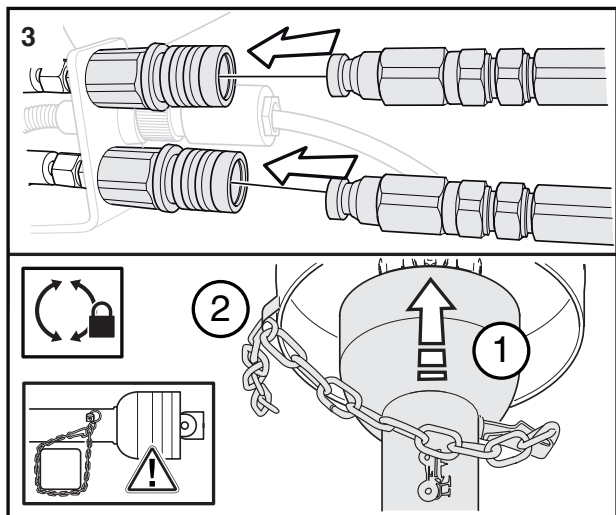
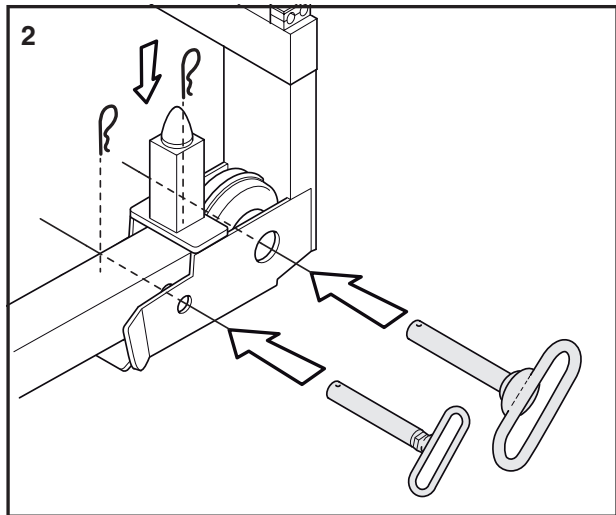
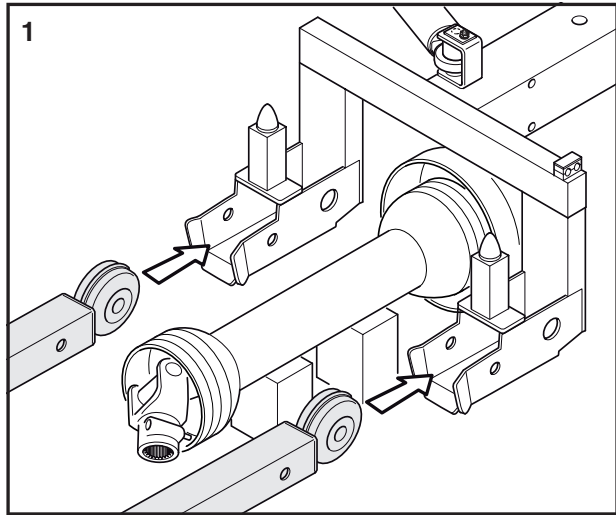
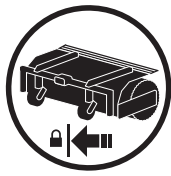


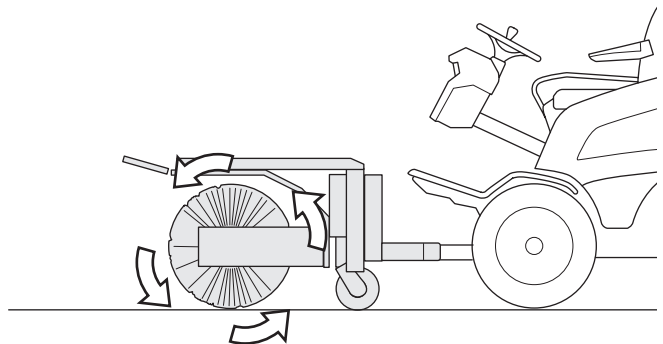
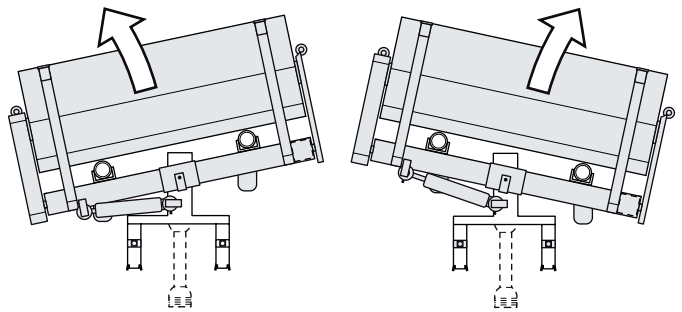
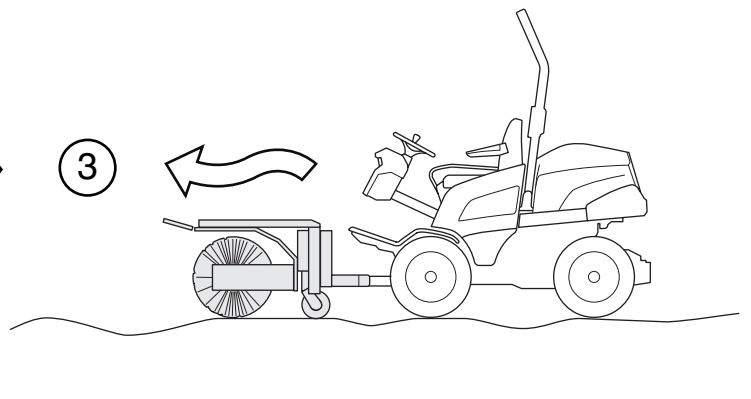
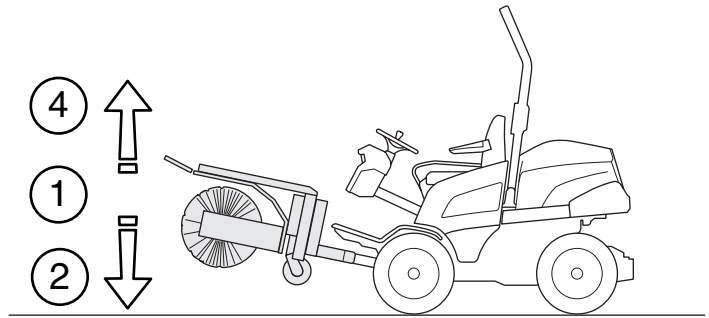
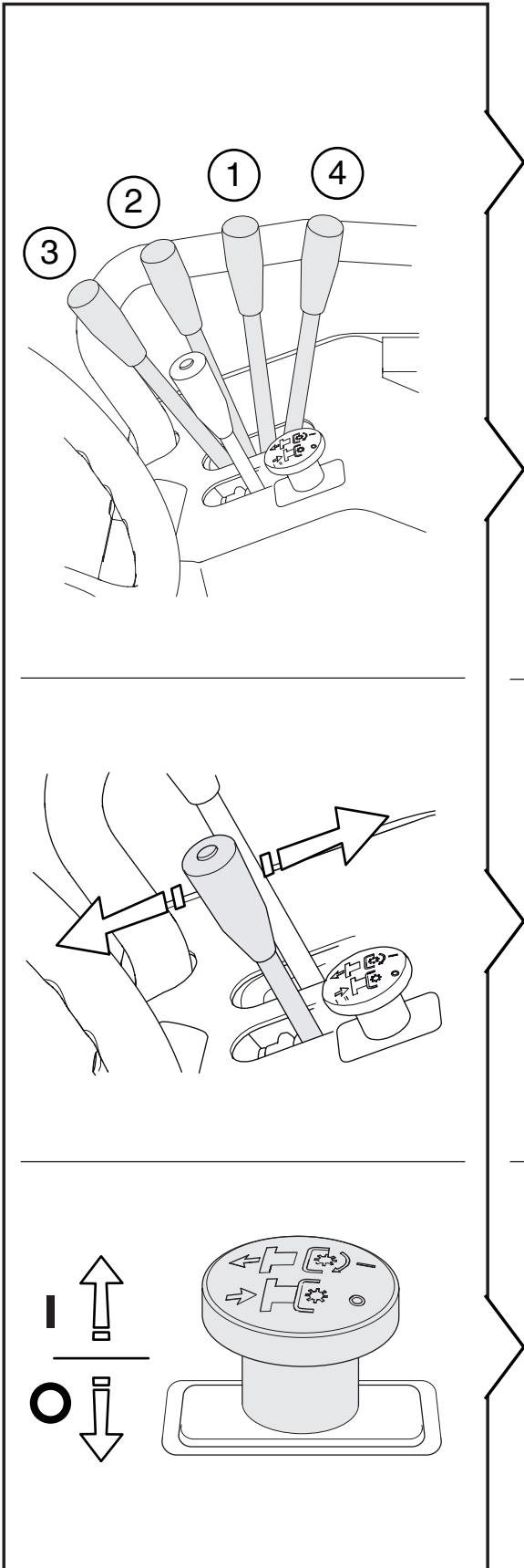
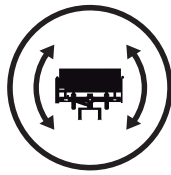
**P. Olssons AB**

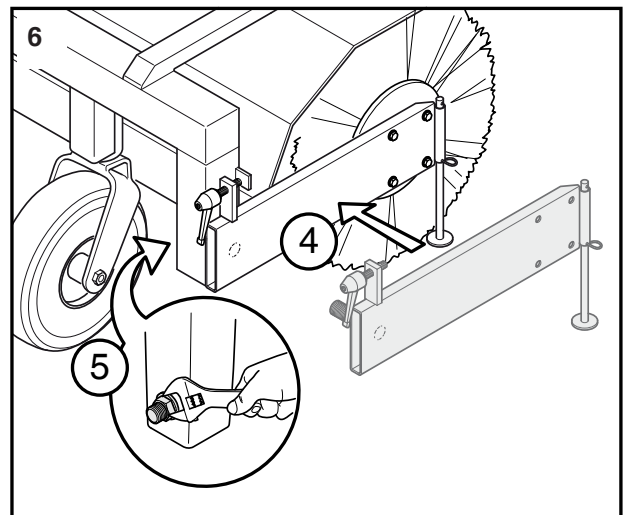
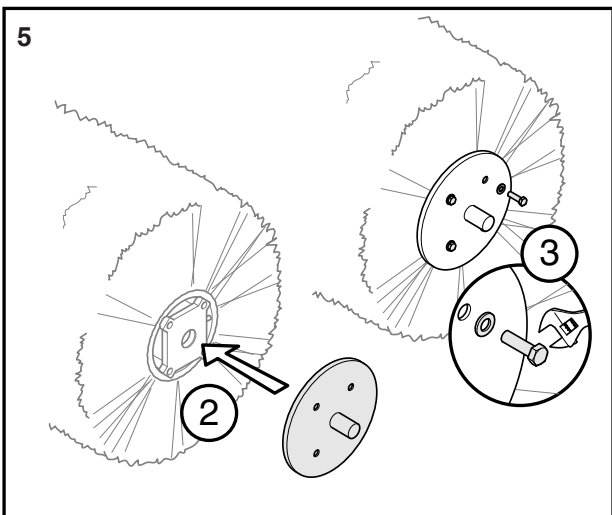
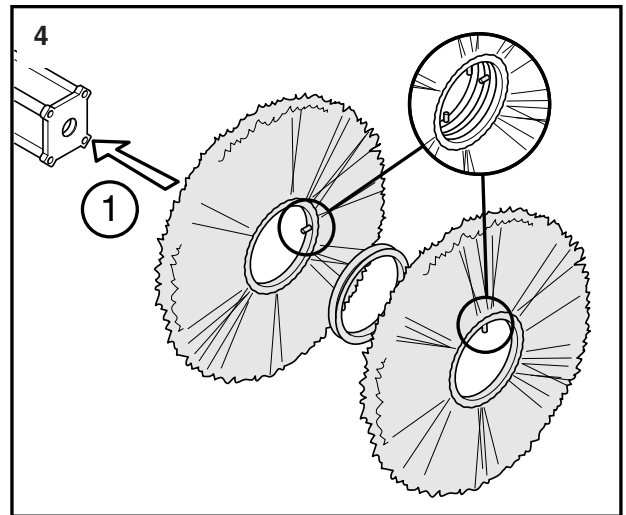
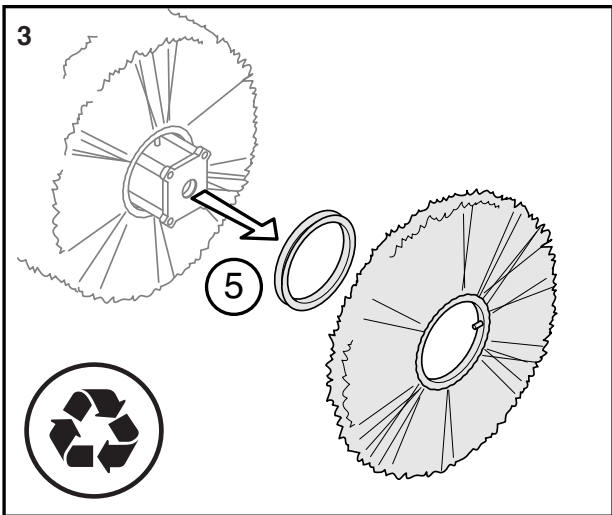
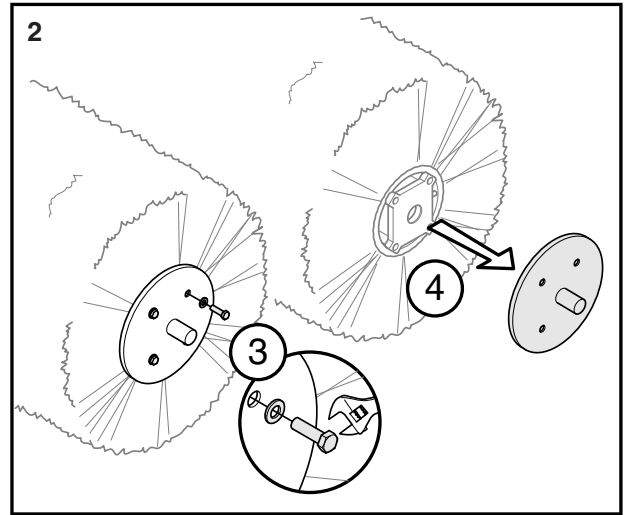
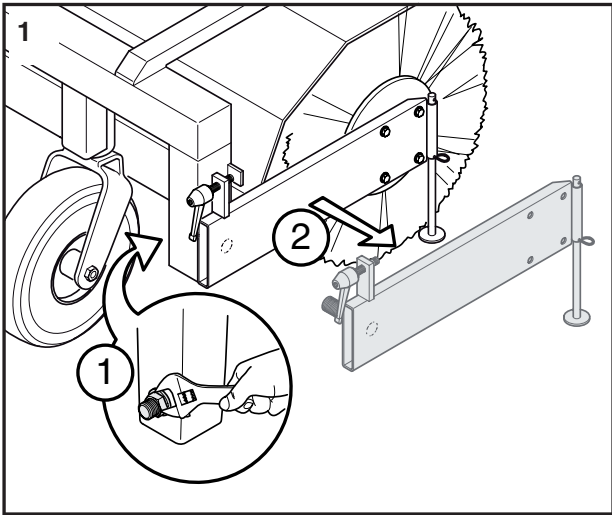
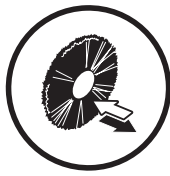
114 35 73-38

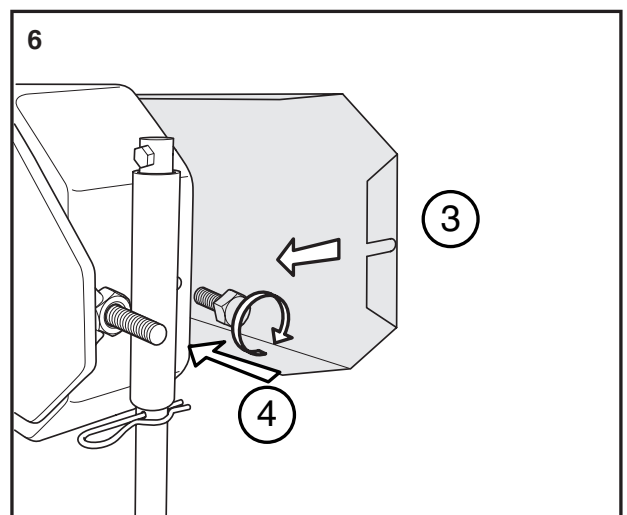
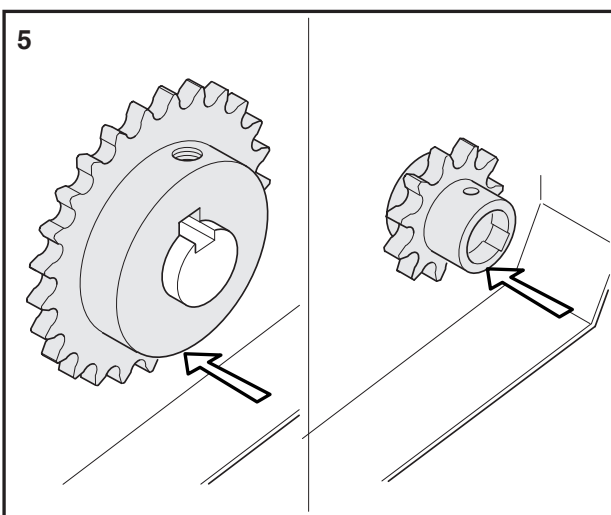
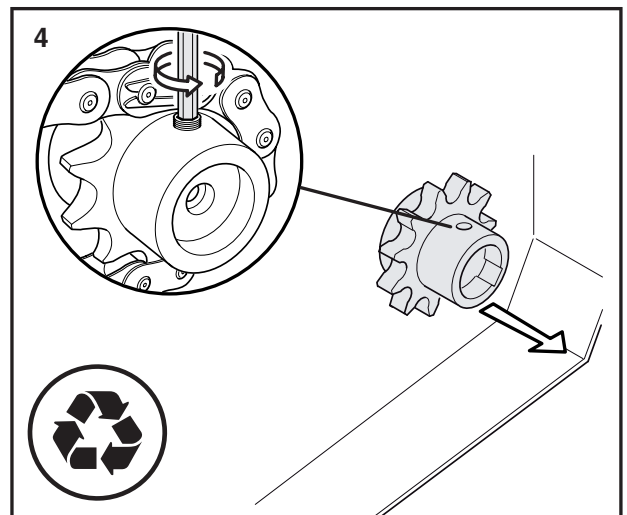
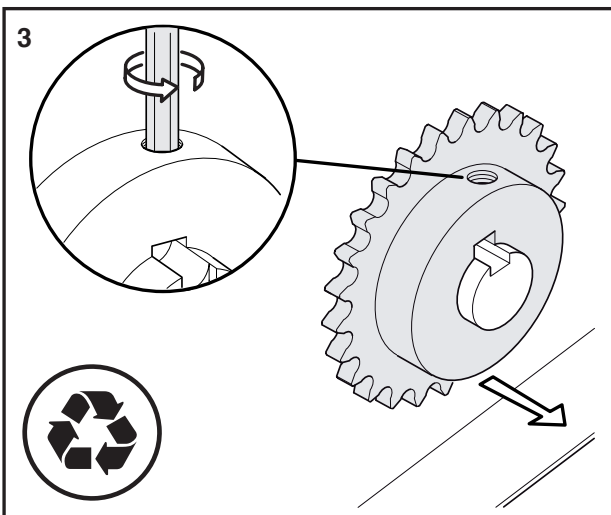
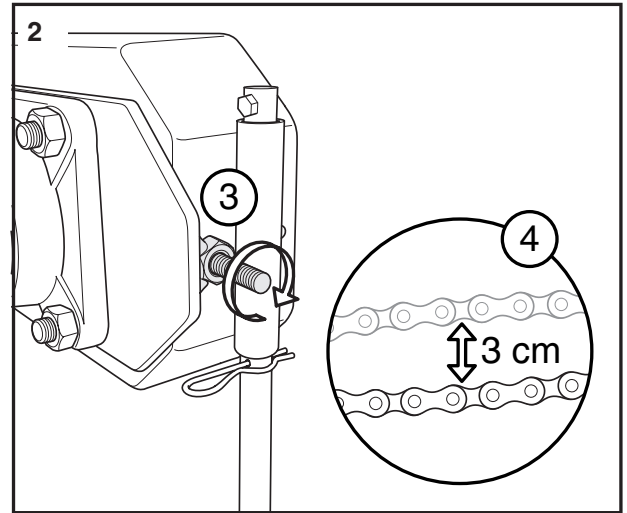
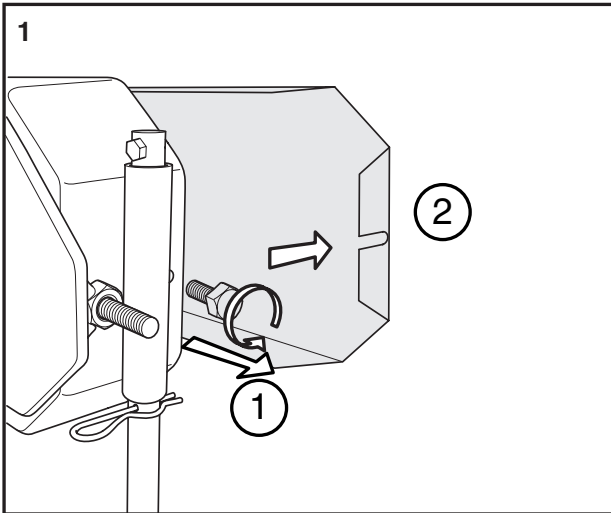


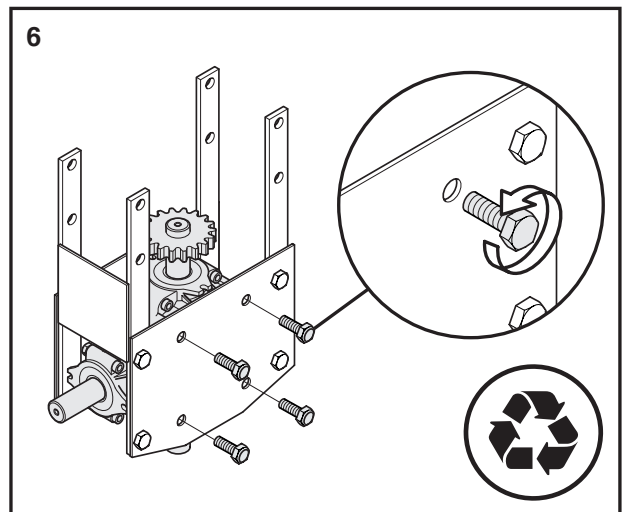
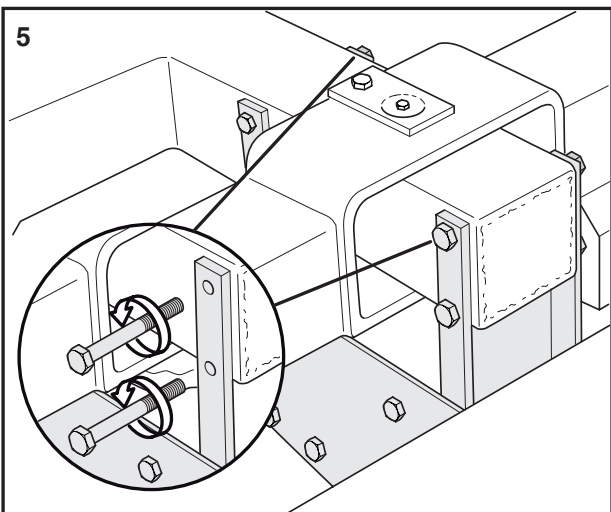
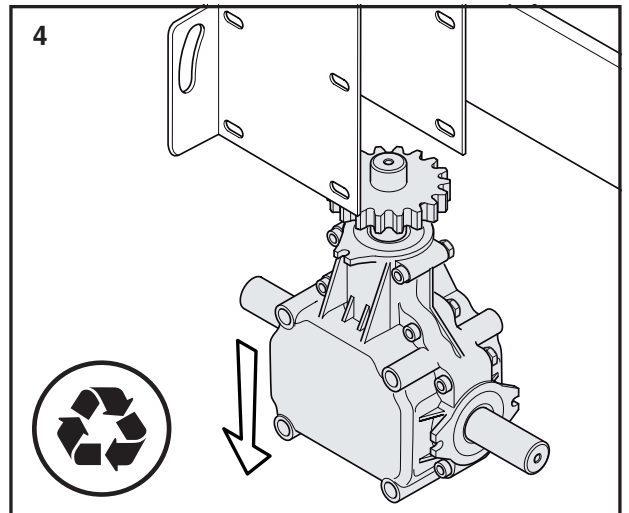
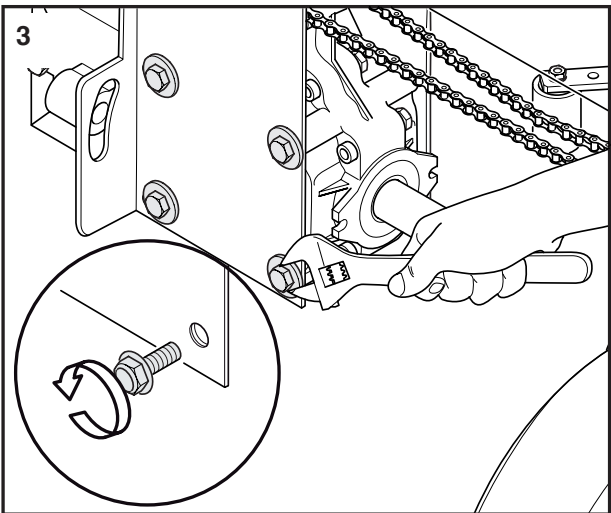
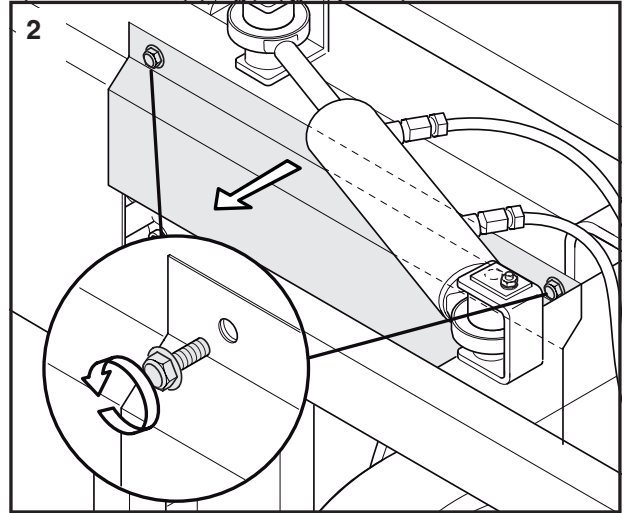
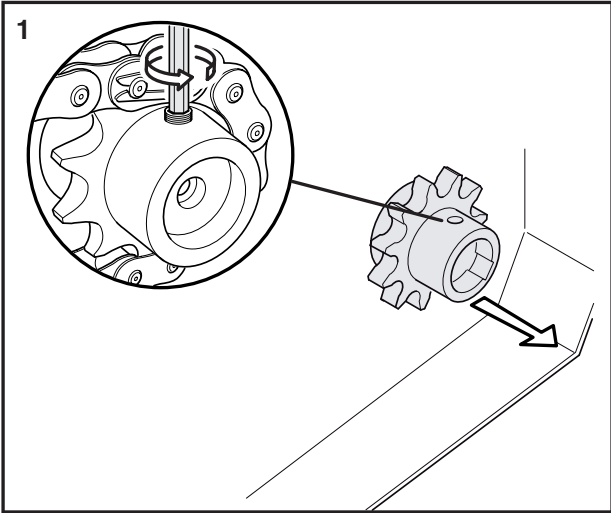




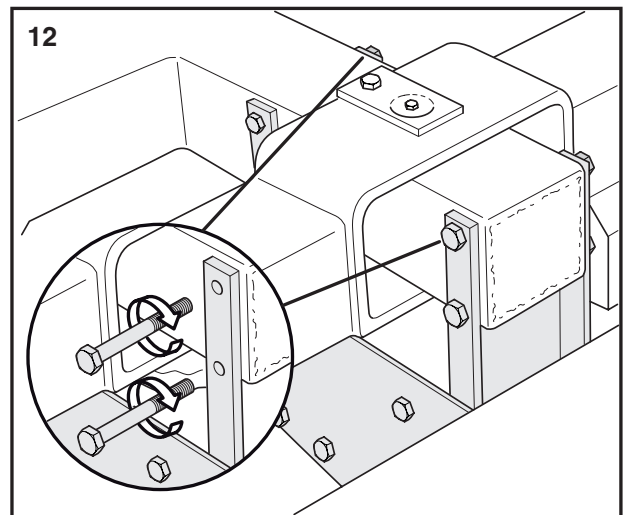
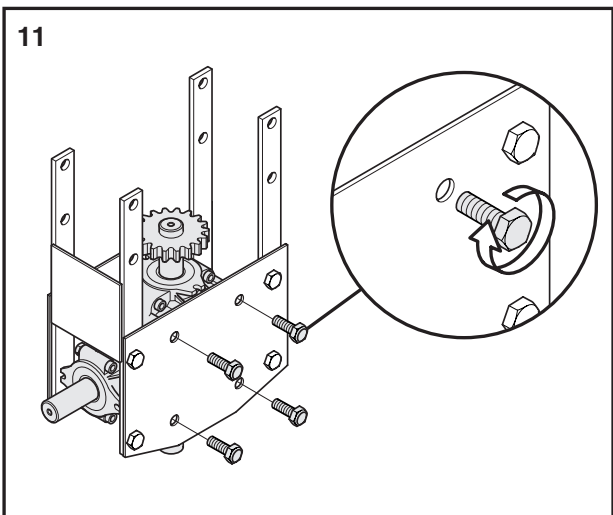
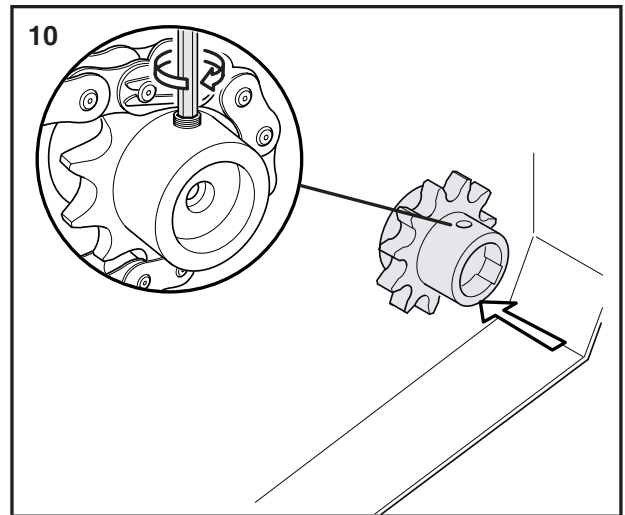
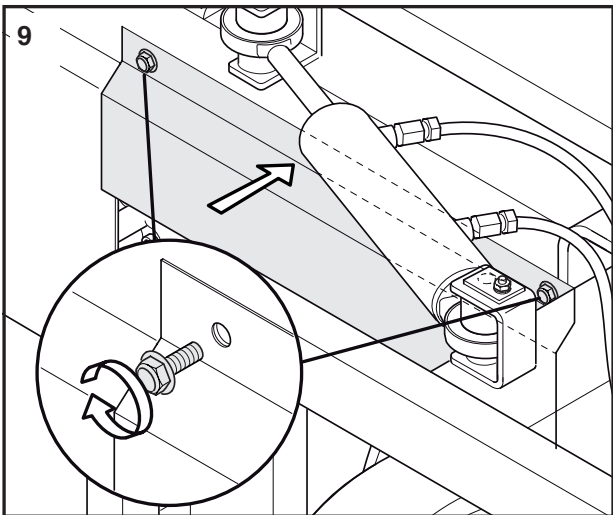
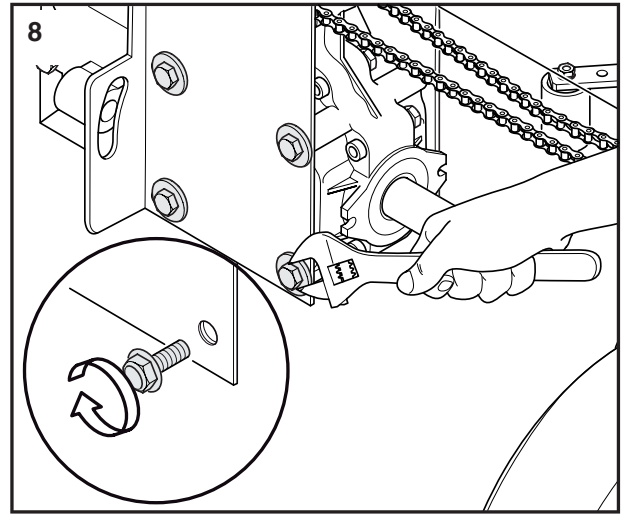
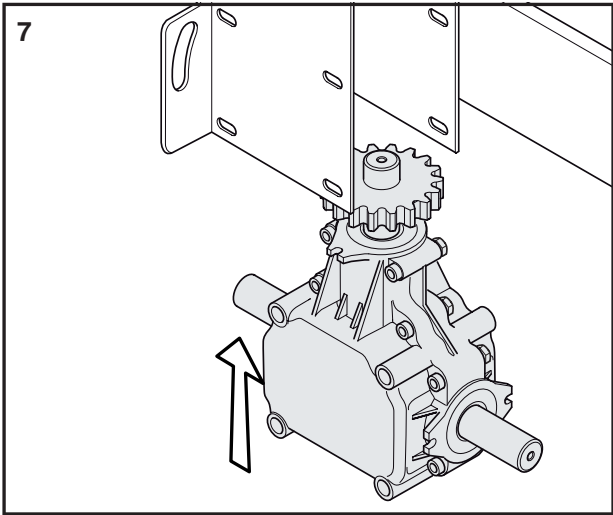


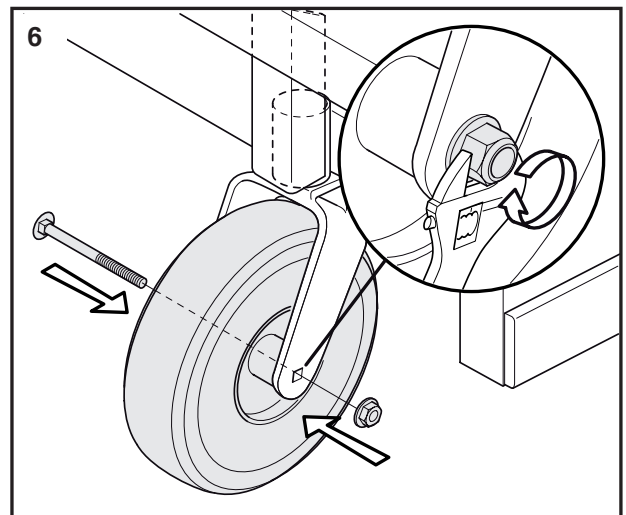
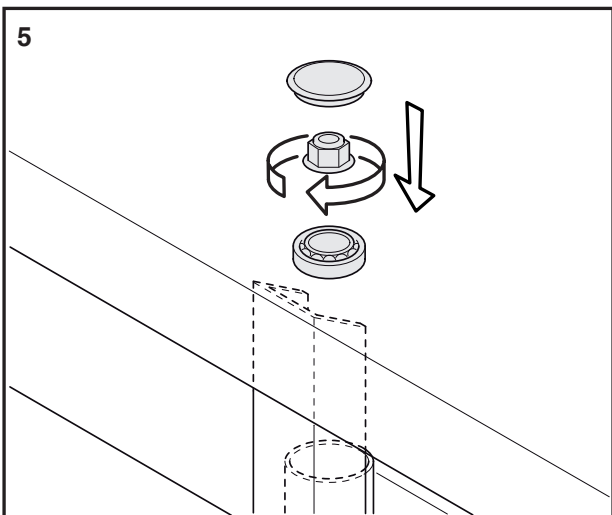
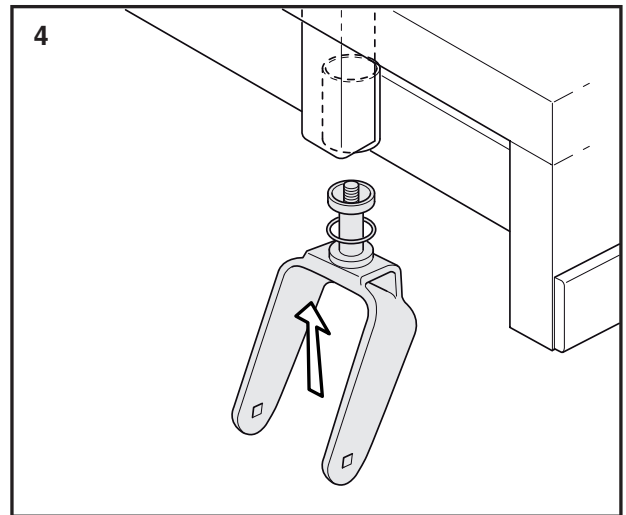
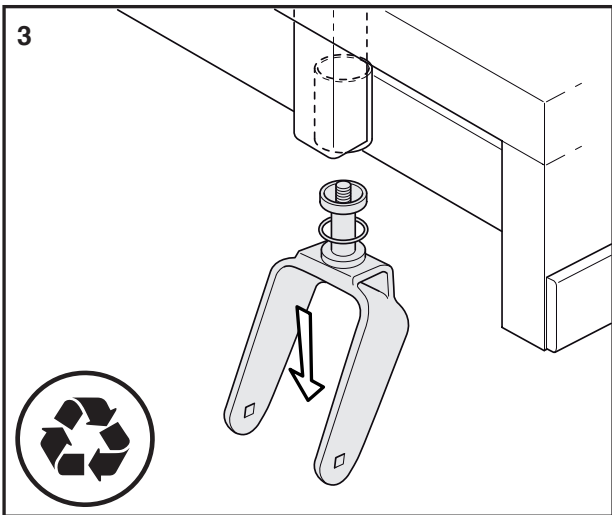
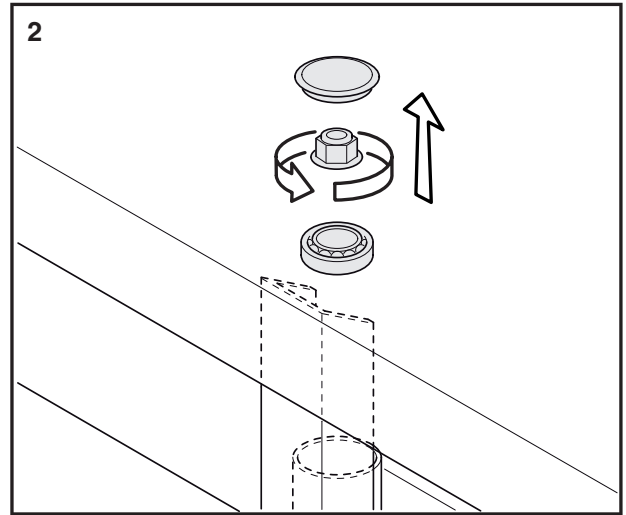
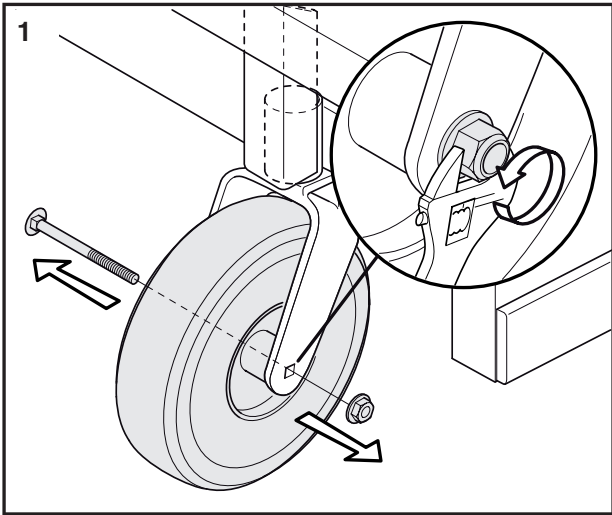


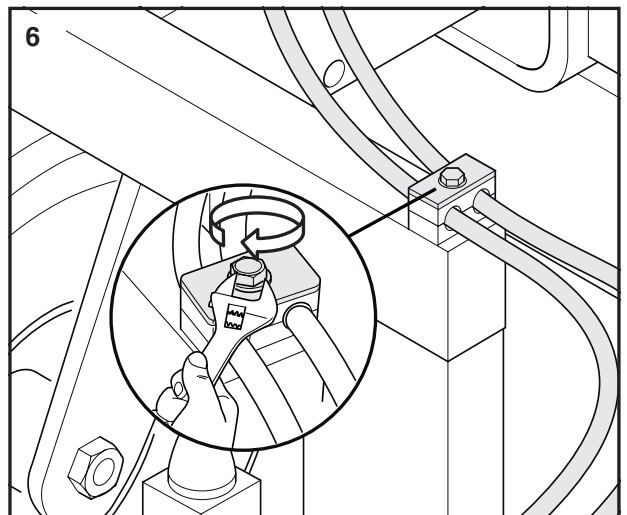
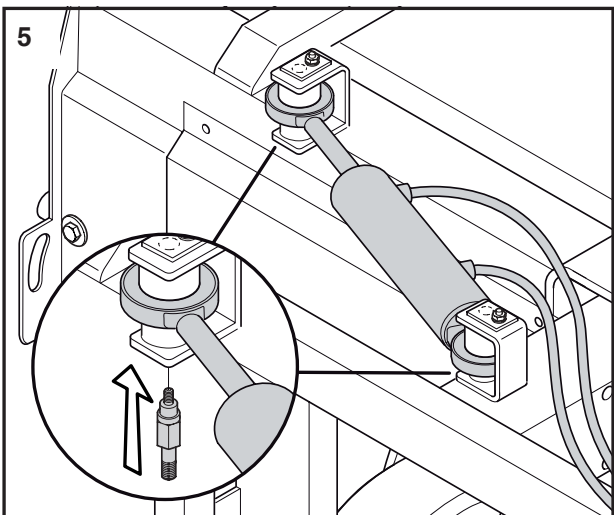
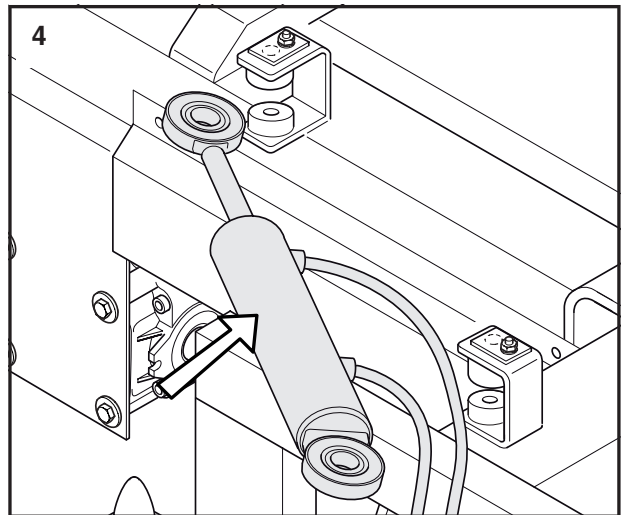
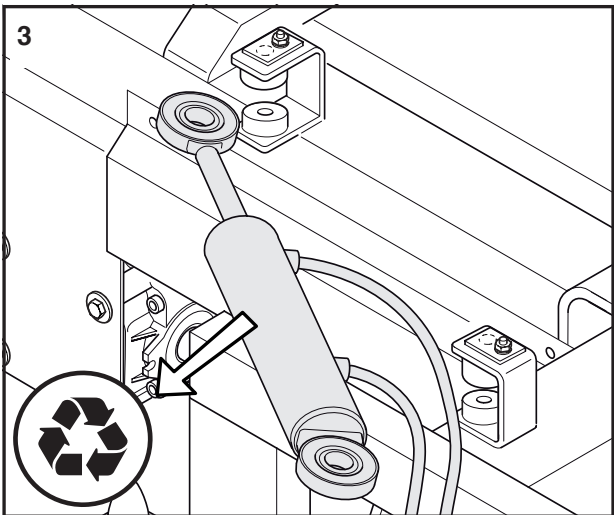
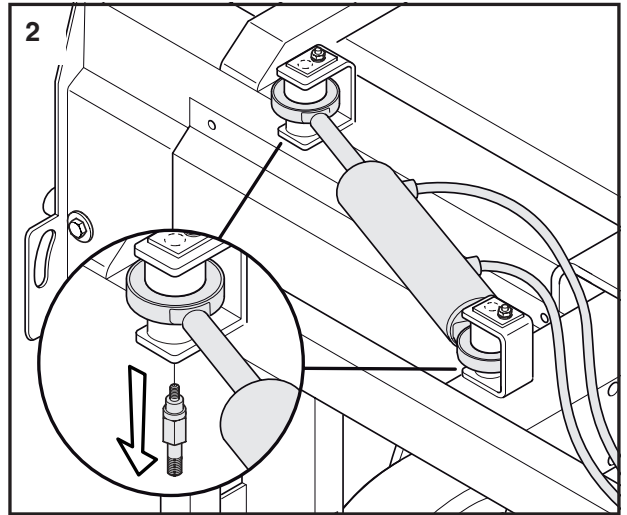
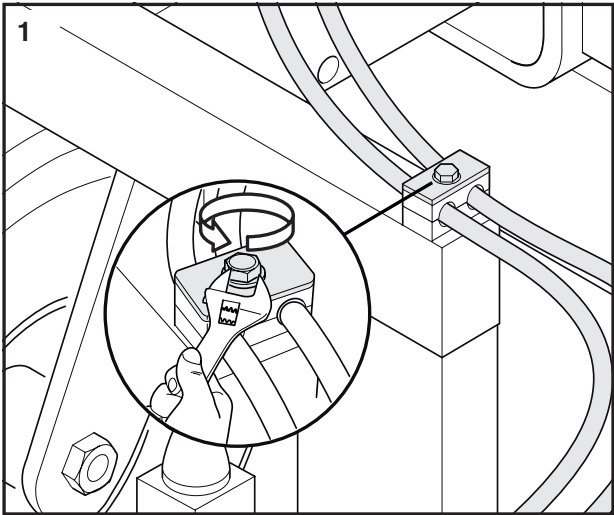


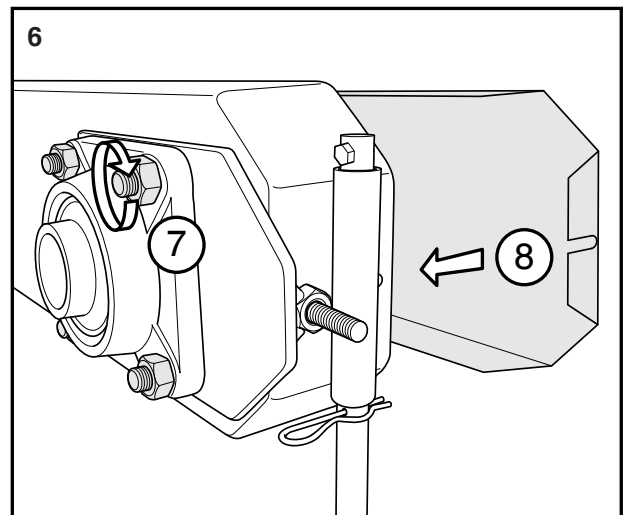
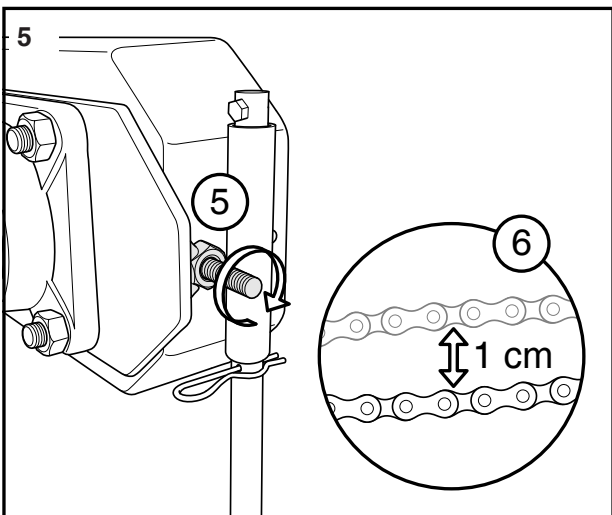
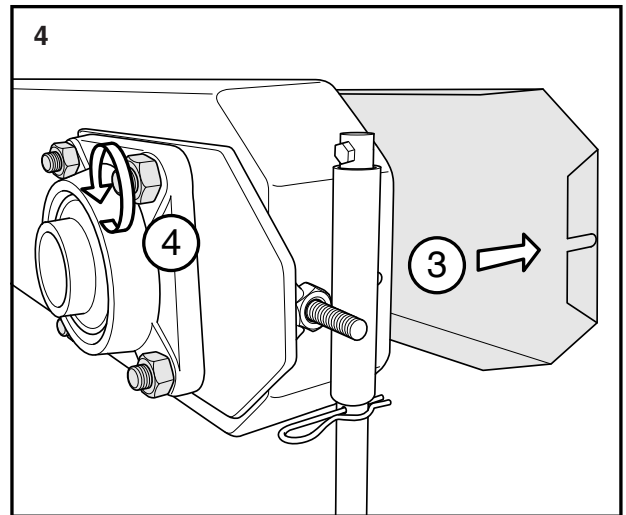
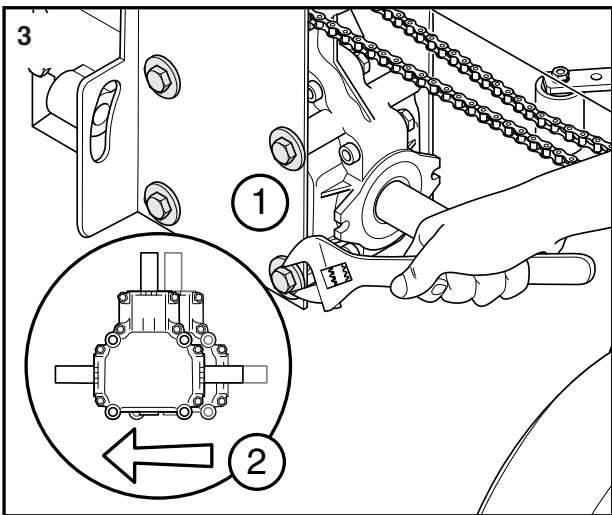
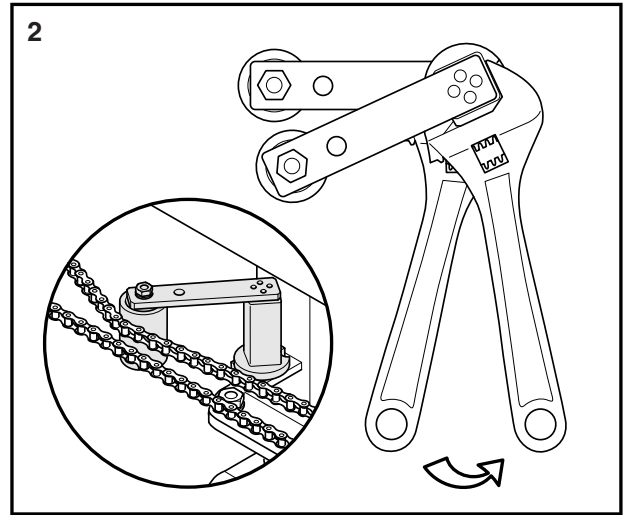
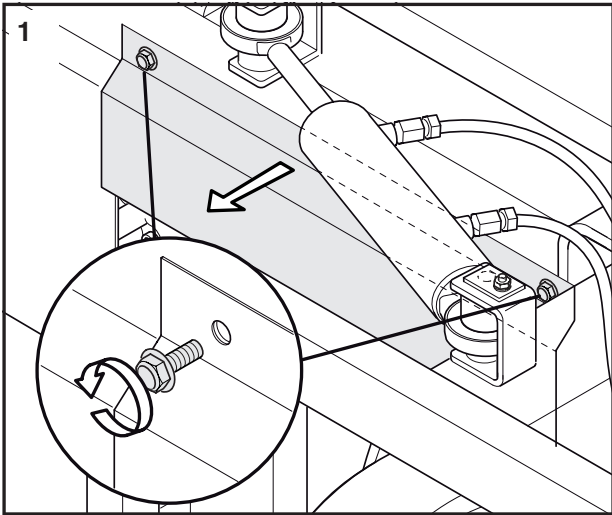






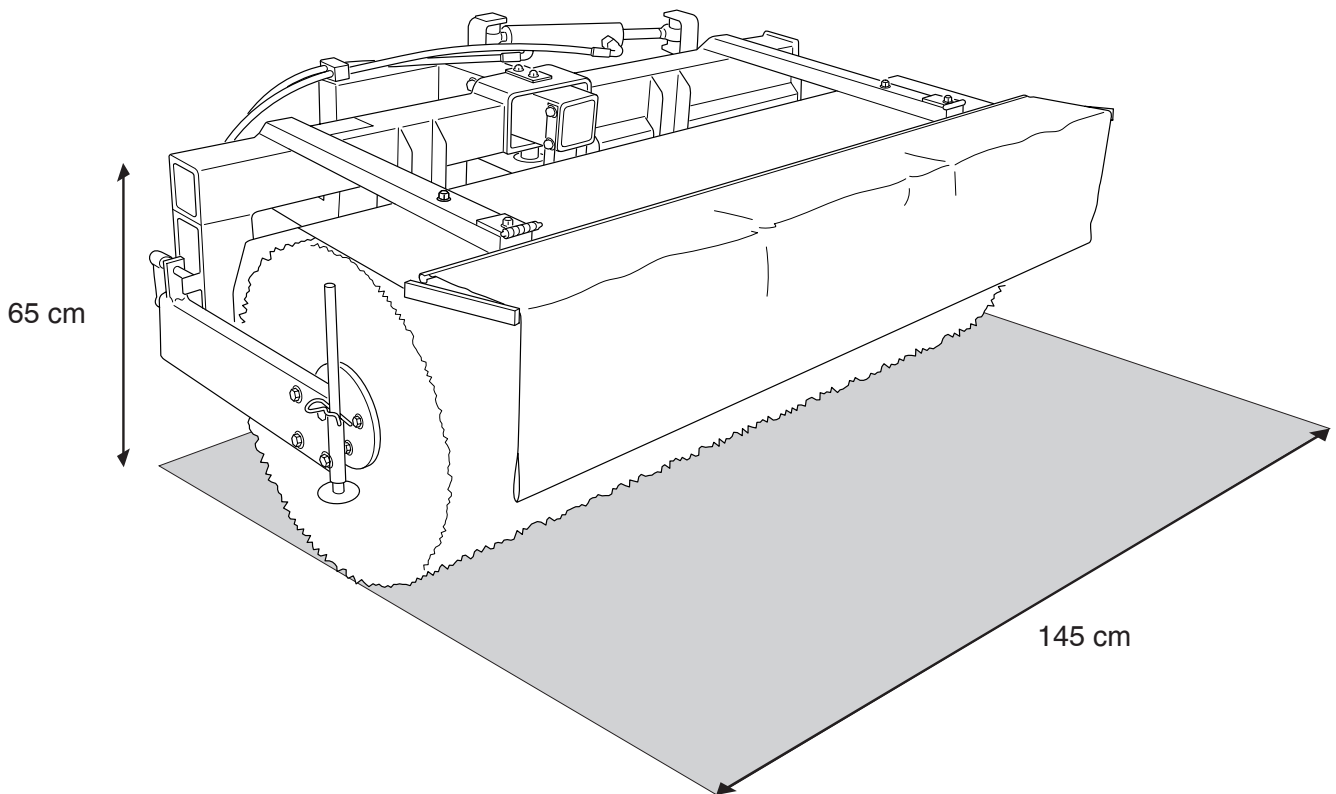








163 kg







Declaration of conformity

We – P Olssons i Linderöd AB , Steglitsvägen 6 , 291 67 Fjälkinge , Sweden

+46 44 340011 , info@polssons.se

declare that the product

Type	Sweeper
Model	LS M50/130
Part nr.	590 45 00-01

Complies with EN 13021 and A1:2008 (the supply of Machinery 2008)

A handwritten signature in black ink, appearing to read 'Ola Olsson', followed by a horizontal line extending to the right.

Ola Olsson

P Olsson i Linderöd AB

Steglitsvägen 6  
291 67 Fjälkinge  
SWEDEN

**UK Importer:**  
**Husqvarna UK Ltd**  
**Preston Road, Co. Durham**  
**DL5 6UP**



## **P. Olssons AB**

Steglitsvägen 6, SE-290 34 Fjälkinge

**Phone:** +46(0)44-340 011

**Mobile:** +46 (0) 70-567 00 11

**Fax:** +46 (0) 44-340 350

**E-mail:** [ola.olsson@polssons.se](mailto:ola.olsson@polssons.se)

**Website:** [www.polssons.se](http://www.polssons.se)