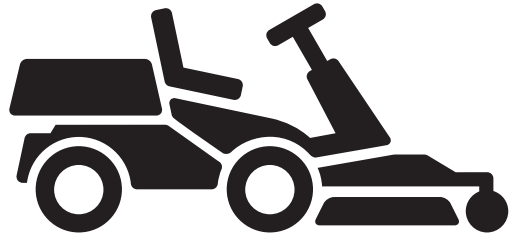




Husqvarna®



R 200iX

EN	Operator's manual	2-40
ES	Manual de usuario	41-81
PT	Manual do utilizador	82-122
IT	Manuale dell'operatore	123-162

Contents

Introduction.....	2	Transportation, storage and disposal.....	33
Safety.....	7	Technical data.....	35
Assembly.....	12	Service.....	37
Operation.....	13	Declaration of Conformity.....	38
Maintenance.....	21	Registered trademarks.....	40
Troubleshooting.....	27		

Introduction

Pre-delivery inspection and product numbers

Note: A pre-delivery inspection has been done of this product. Make sure that you receive a signed copy of the pre-delivery inspection document from your dealer.

Service agent contact information:	
This operator's manual belongs to product with product number / serial number:	
/	
Motor:	

Product description

The product is a ride-on lawn mower. Forward and reverse pedals let the operator adjust the speed steplessly. The product is used with a 2-in-1 cutting deck with mulch plug.

Intended use

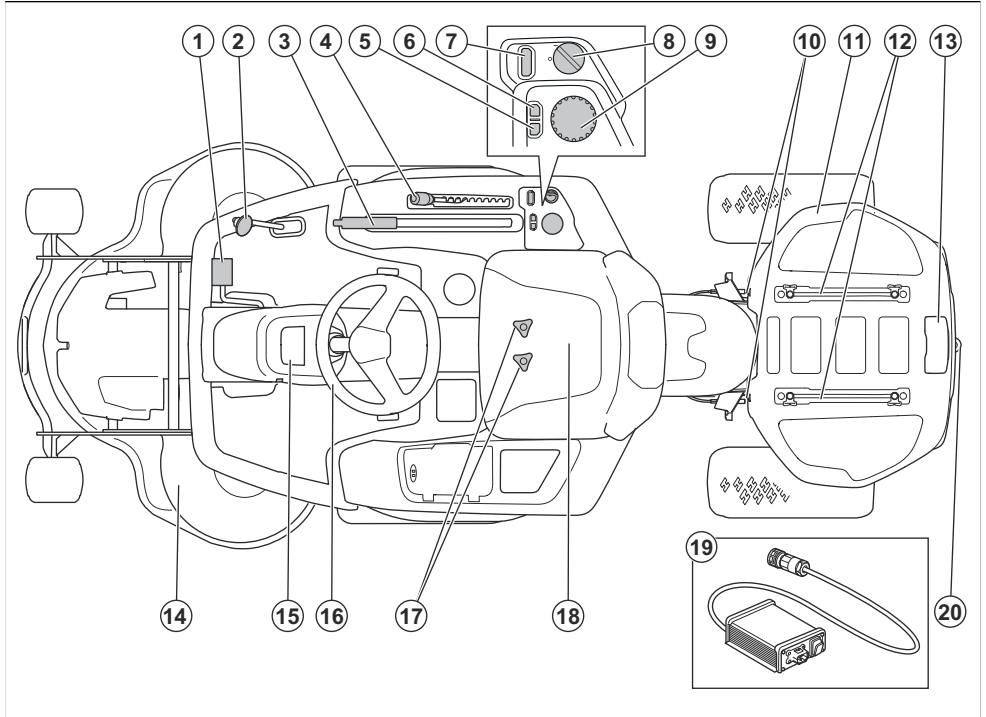
The product is made to cut grass on open and level ground in residential areas and gardens. Attach an

optional accessory to use the product for other tasks. Speak to your Husqvarna dealer for more information about which accessories that are available.

Insure your product

Make sure that you have insurance coverage for your new product. Speak to your insurance company if you are not sure. We recommend a fully comprehensive insurance that includes third party, fire, damage, theft and liability.

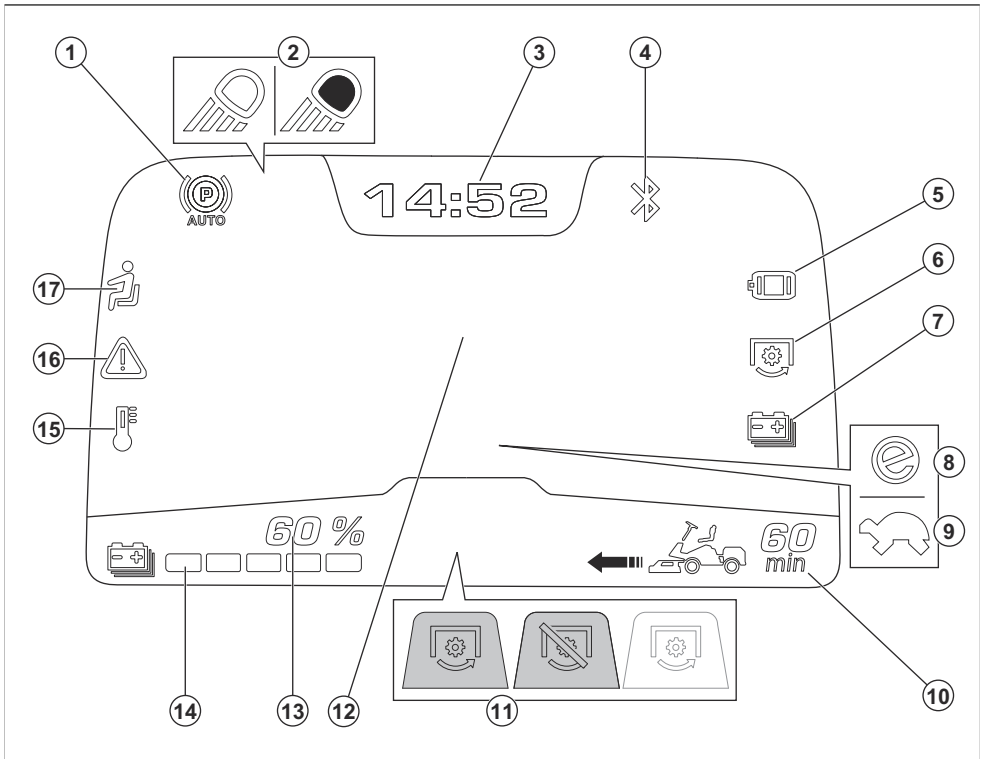
Product overview



- | | |
|------------------------------------|------------------------------------|
| 1. Forward pedal | 11. Battery cover |
| 2. Rearward pedal | 12. Rails |
| 3. Lift lever for the cutting deck | 13. Socket for the battery charger |
| 4. Cutting height lever | 14. Cutting deck |
| 5. Button to go back in the menu | 15. Display |
| 6. Drive mode button | 16. Steering wheel |
| 7. Start button | 17. Seat adjustment |
| 8. Power switch | 18. Seat |
| 9. Jog wheel | 19. Battery charger |
| 10. Lock for the battery cover | 20. Tow bar |

Display overview

The display shows information about the condition of the product. There are 4 types of messages on the display, refer to *Message types on page 4*.



1. Automatic parking brake indicator. The indicator comes on when the automatic parking brake is engaged.
2. Work light or headlight indicator
3. Clock
4. Bluetooth® indicator. The indicator comes on when a Bluetooth® device is connected to the product.
5. Indicator for the drive motor / the drive motor controller
6. Indicator for the cutting deck motor / the controller for the cutting deck motor
7. Battery indicator
8. Drive mode indicator. SavE drive mode is on. Refer to *To select a drive mode on page 20*.
9. Drive mode indicator. Decreased performance mode is on. Refer to *Display indicator messages on page 29*.
10. Battery level, in minutes of operation time
11. e-PTO (electrical Power Take-Off)¹ indicator. Mowing position and engaged / Mowing position and disengaged / Transport position and disengaged.
12. The center of the display. Refer to *Display modes on page 5*.
13. Battery level indicator, %
14. Battery level indicator
15. Temperature indicator. If the temperature indicator on the display comes on, stop the product and refer to *Display - Troubleshooting on page 29*.
16. Warning indicator. If the warning indicator on the display comes on, stop the product and refer to *Display - Troubleshooting on page 29*.
17. Operator presence control (OPC). The indicator comes on when the operator is not seated.

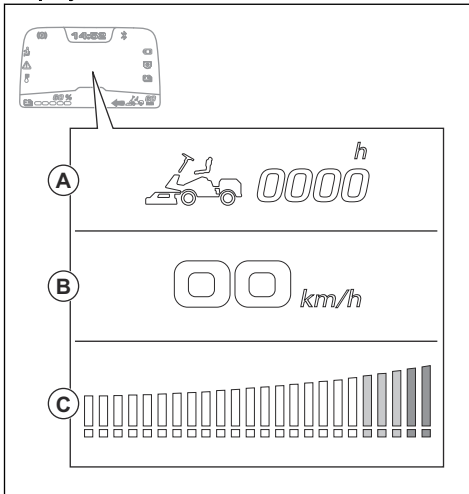
Message types

There are 4 types of messages that can show on the display.

¹ Electrically powered cutting deck or other front attached accessory

Message type	Description
Display indicator message	Indicator symbols on the display show an engaged function or information about the condition of the product. When there is a display indicator message, the product can usually operate but there are recommended actions. Refer to <i>Display overview on page 4</i> and <i>Display indicator messages on page 29</i> .
Warning message	A combination of yellow symbols that first show as large symbols in the center of the display. Shows a condition that is not correct. When there is a warning message, the product can usually operate but it is slower than usual. Refer to <i>Warning messages on the display on page 30</i> .
Error message	A combination of red symbols that first show as large symbols in the center of the display. Shows a safety warning or a problem with the product. When there is an error, the product is usually set to idle mode and cannot start until the error is gone. Refer to <i>Error messages on the display on page 31</i> .
Start prevented	One large symbol on the display that shows a condition that prevents a start of the product. Refer to <i>Messages when start is prevented on page 31</i> .

Display modes

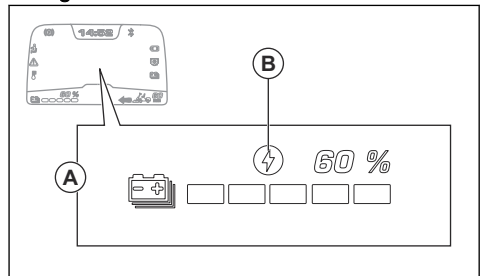


The center of the display shows different information in the different display modes.

- The idle mode (A) shows when the power switch is set to the "1" position. In idle mode, the display shows the total operation time.
- The drive mode with cutting deck in transport position (B) shows when the product is started. In the drive mode with cutting deck in transport position, the display shows the current speed, in km/h.
- The drive mode with cutting deck in mow position (C) shows when the cutting deck or other accessory is on. When only green indicators are on, the power consumption of the cutting deck or accessory is as recommended. If yellow or red indicators are on,

the power consumption is higher than recommended and the operation time decreases.

Charge view



When a charger is connected to the product, and the power switch is set to the "1" position, the center of the display shows the charge view.

(A): The charge view shows the state of charge in %. The charge symbol (B) comes on when the product charges. The charge symbol (B) goes off when the charger is connected but does not charge.

Start prevented

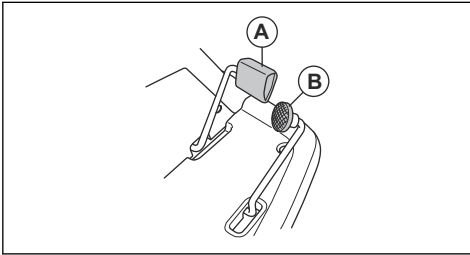
Before the product can start, the operation conditions must be obeyed. Refer to *To start the product on page 19*. If the start button is pushed when operation conditions are not obeyed, the display shows a symbol for start prevented. Refer to *Messages when start is prevented on page 31*.

Operator presence control (OPC)

The OPC sets the product in safe mode when the operator lifts from the seat. The motor stop and the cutting deck motors stop if the blades are engaged. Refer to *To do a check of the operation conditions on page 11*.

Forward and rearward pedals

The speed is gradually adjusted with 2 pedals. The left pedal (A) is used to move forward, and the right pedal (B) is used to move rearward. The product stops when the pedals are released.



Cutting deck

The cutting decks for this product are Combi cutting decks with BioClip. BioClip cuts the grass into fertilizer. The Combi cutting decks can also be used without BioClip. Without BioClip the grass is ejected to the rear.

Husqvarna Connect

The product has *Bluetooth®* wireless technology and can connect to mobile devices that have the Husqvarna Connect app installed. The Husqvarna Connect app is a free app for your mobile device. The Husqvarna Connect app gives extended functions for your Husqvarna product:

- Lock and unlock function to prevent not approved operation of the product.
- Extended product information.
- Information about, and help with, product parts and servicing.

Symbols on the product



WARNING: This product can be dangerous and cause serious injury or death to the operator or others. Be careful and use the product correctly.



Read the operator's manual carefully and make sure that you understand the instructions before you use this product.



Keep body parts away from rotating blades.



Keep body parts away from rotating parts.



Look out for ejecting objects and ricochets.



Keep bystanders away.



Stop the product before maintenance.



MAX. XXXN / (XXkg)

Max. permitted vertical force on the towbar is specified in *Technical data on page 35* and on the label.



MAX. XXXN / (XXkg)

Max. permitted horizontal force on the towbar is specified in *Technical data on page 35* and on the label.



Look behind you before and while you move the product in reverse.



Do not cut grass across a slope. Do not cut grass on ground that slopes more than 10°. Refer to *To cut grass on slopes on page 10*.



Never carry passengers on the product or equipment.



Automatic parking brake.



Move forward.



Neutral gear.



Move rearward.



Seat switch.



Start drive mode.



The product agrees with the applicable EU directives.



This product conforms to the applicable UK regulations.



Noise emission to the environment label as per EU and UK directives and regulations, and New South Wales legislation "Protection of the Environment Operations (Noise Control) Regulation 2017". The guaranteed sound power level of the product is specified in *Technical data on page 35* and on the label.



Always use approved hearing protection.



Servicing position for the cutting deck.



Operation position for the cutting deck.



Cutting height.



Servicing position for the cutting height lever.



The blades are disengaged.



The blades are engaged.



Engage the electric parking brake system.



Disengage the electric parking brake system.



Environmental mark. The product or package of the product is not domestic waste. Recycle it at a recycling station for electrical and electronic equipment.



Scannable code

yyyywwxxxx

The rating plate shows serial number. **yyyy** is the production year and **ww** is the production week.

Note: Other symbols/decals on the product refer to certification requirements for some commercial areas.

Product liability

As referred to in the product liability laws, we are not liable for damages that our product causes if:

- the product is incorrectly repaired.
- the product is repaired with parts that are not from the manufacturer or not approved by the manufacturer.
- the product has an accessory that is not from the manufacturer or not approved by the manufacturer.
- the product is not repaired at an approved service center or by an approved authority.

Safety

Safety definitions

Warnings, cautions and notes are used to point out specially important parts of the manual.



WARNING: Used if there is a risk of injury or death for the operator or bystanders

if the instructions in the manual are not obeyed.



CAUTION: Used if there is a risk of damage to the product, other materials or the adjacent area if the instructions in the manual are not obeyed.

Note: Used to give more information that is necessary in a given situation.

General safety instructions



WARNING: This product can cut off hands and feet and throw objects. Serious injury or death may occur if you do not obey the safety instructions.



WARNING: Do not continue to use a product with damaged cutting equipment. Damaged cutting equipment can throw objects and cause serious injury or death. Replace damaged blades immediately.



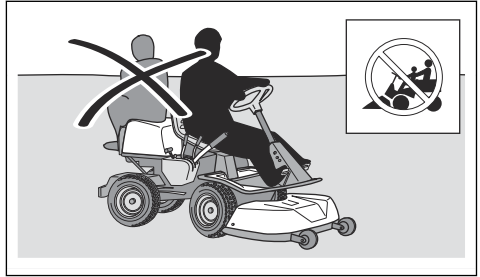
WARNING: This product produces an electromagnetic field during operation. This field may under some circumstances interfere with active or passive medical implants. To reduce the risk of serious or fatal injury we recommend persons with medical implants to consult their physician and the medical implant manufacturer before operating this product.



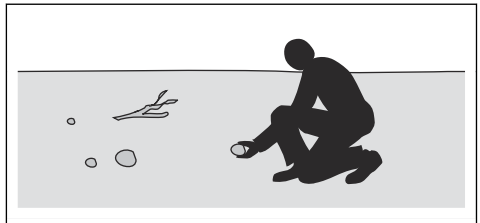
WARNING: Read the warning instructions that follow before you use the product.

- Always be careful and use your common sense. Avoid all situations which you consider to be beyond your capability. If you feel uncertainty about the operating procedures after you read the operator's manual, consult an expert before you continue.
- Read and understand the operator's manual and the instructions on the product carefully before you start the product.
- Learn how to use the product and its controls safely and learn how to stop the product quickly.
- Learn to recognize the safety decals.
- Keep the product clean to make sure that you can clearly read signs and stickers.
- Keep in mind that the operator will be held responsible for accidents that involve other persons or their property.

- Do not transport passengers. The product must only be used by one person.



- Do not let the product stay unsupervised with the power on. Always stop the blades, make sure that the parking brake is engaged, stop the motor and remove the key to the power switch before you let the product stay unsupervised.
- Only use the product in daylight or in other well-lit conditions. Keep the product at a safe distance from holes or other irregularities in the ground. Look out for other possible risks.
- Do not use the product in bad weather, for example in fog, in rain, moist or in wet locations, strong winds, intense cold, risk of lightning, etc.
- Find and mark stones and other fixed objects to prevent collision.
- Clear the area of objects such as stones, toys, wires, etc. that may become caught in the blades and be thrown out.



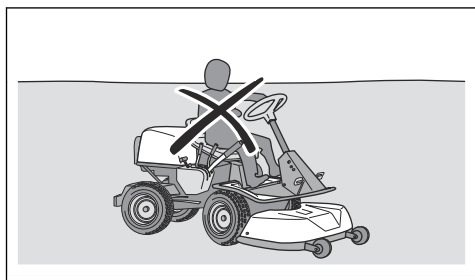
- Do not let children or other persons not approved for operation of the product to use or do servicing on it. Local laws may regulate the age of the user.
- Make sure that nobody else is in the vicinity of the product when you start the motor, engage the drive or start to move the product.
- Keep an eye on the traffic when you mow near a road or move across a road.
- Do not use the product if you are fatigued, while under the influence of alcohol or drugs, medicine or anything that can have a negative effect on your vision, alertness, coordination or judgement.
- Always park the product on a level surface with the power off.

Safety instructions regarding children



WARNING: Read the warning instructions that follow before you use the product.

- Serious accidents can occur if you are not on your guard for children in the vicinity of the product. Children can be attracted to the product and to mowing. It is very possible that children do not stay where you last saw them.
- Keep children away from the area to be mowed. Make sure that an adult is responsible for the children.
- Keep an eye out and stop the product if children enter the work area. Be very careful near corners, bushes, trees or other objects that prevents a clear view.
- Before and while you move the product in reverse, look behind you and look down to make sure there are no small children in the vicinity of the product.
- Do not let children ride along. They can fall off and get seriously injured or prevent safe maneuvering of the product.
- Do not let children operate the product.



Battery safety



WARNING: Read the warning instructions that follow before you use the product.

General:

- Read all safety warnings and all instructions. Failure to follow the warnings and instructions may result in electric shock and fire and/or serious injury.
- The product can be equipped with an additional battery. Entrust installation and repairs to your authorized servicing dealer only. Never attempt to install or repair the batteries.
- Regularly check that the batteries are intact. Damaged or modified batteries may exhibit unpredictable behavior resulting in fire, explosion or risk of injury. Never repair or open damaged batteries.

- A damaged battery can cause an explosion and cause injury. If the battery has a deformation or is damaged, do not use the product and speak to an approved Husqvarna service agent.
- Do not dismantle, open or shred batteries.
- Do not subject batteries to mechanical shock.
- Do not expose cells or batteries to heat or fire. Avoid storage in direct sunlight.
- Do not short circuit batteries. Do not keep batteries in storage where they can short circuit each other or be short circuited by other metal objects.
- Do not allow battery content to come in contact with the skin or eyes. If contact has been made, wash the affected area with copious amounts of water and seek medical advice.
- Do not use any battery which is not designed for use with the equipment.
- Do not mix cells of different manufacture, capacity, size or type within a device.
- Keep cells or batteries out of the reach of children.
- Keep the battery clean and dry.
- Use only the battery in the application for which it was intended.

48 V batteries:

- The Husqvarna 48 V batteries are exclusively used as power supply for the Husqvarna battery ride-on products. To avoid injury, the battery must not be used as a power source for other devices.
- Never use batteries or appliances that is faulty, modified or damaged.
- Never attempt to modify or repair the appliances or the batteries. Entrust all repairs to your authorized servicing dealer only.

Safety instructions for operation



WARNING: Read the warning instructions that follow before you use the product.

- Always look down and behind you before and while you move in reverse. Look out for large and small obstacles.
- Decrease the speed before you turn around a corner.
- Stop the blades when you move across areas that you do not cut.



CAUTION: Read the caution instructions that follow before you use the product.

- Move around stones and other larger objects carefully and make sure that the blades do not hit the objects.
- Do not operate the product across objects. Stop and examine the product and cutting deck if you

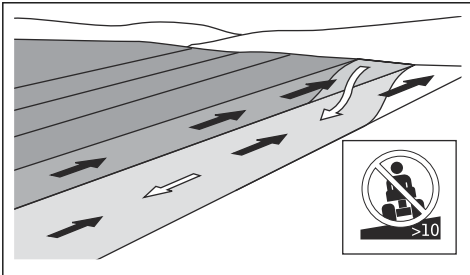
operate the product across or into an object. If it is necessary, make repairs before you restart.

To cut grass on slopes

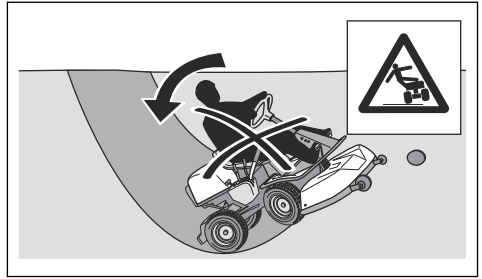


WARNING: Read the warning instructions that follow before you use the product.

- To cut grass on slopes increases the risk that you can not control the product and that it overturns. This can cause injury or death. It is necessary to cut the grass carefully on all slopes. If you cannot reverse up a slope or if you do not feel safe, do not cut it.
- Remove stones, branches and other obstacles.
- Cut up and down the slope, not from side to side.
- Do not move down a slope with the cutting deck lifted.
- Do not operate the product on ground that slopes more than 10°.



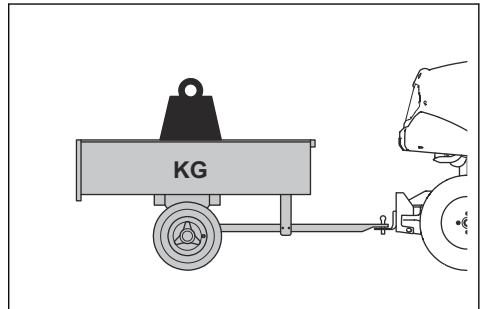
- Do not start or stop on a slope.
- Do not use the forward pedal and the rearward pedal to stay in a slope. This will make the system too hot.
- Move smoothly and slowly on slopes.
- Do not make sudden changes in speed or direction.
- Do not turn more than necessary. Turn slowly and gradually when you move down a slope. Move at low speed. Turn the wheel carefully.
- Look out for and do not move across furrows, holes and bumps. There is a higher risk that the product overturns on ground that is not flat. Long grass can hide obstacles.
- Do not cut grass near edges, ditches or banks. The product can suddenly overturn if a wheel moves across the edge of a steep slope or a ditch, or if an edge gives way. If the product falls into water, there is a risk of drowning.



- Do not mow wet grass. It is slippery, and tires can lose their grip so that the product skids.
- Do not put your foot on the ground to try to make the product more stable.
- Move very carefully if an accessory or other object is attached that can make the product less stable.

Tow safety

- Only use tow equipment approved by Husqvarna.
- Use the tow bar to attach the equipment.
- Do not tow equipment that is heavier than the maximum permitted tow equipment weight. Refer to *Technical data on page 35*.



- Make sure that no other persons are near the product when you tow equipment.
- Be careful when you tow equipment on slopes or rough ground.
- Operate the product at low speed when you tow equipment.

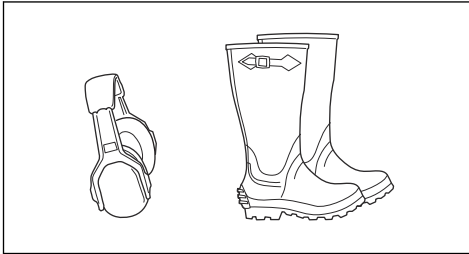
Personal protective equipment



WARNING: Read the warning instructions that follow before you use the product.

- Use approved personal protective equipment when you use the product. Personal protective equipment cannot fully prevent injury but it decreases the degree of injury if an accident does occur. Let your dealer help you select the right equipment.

- Use approved hearing protection. Long-term exposure to noise can result in permanent hearing impairment.
- Use heavy-duty slip-resistant boots or shoes. Steel toes are recommended. Do not use open shoes or go with bare feet.



- Use protective gloves when necessary, for example when you attach, examine or clean the cutting equipment.
- Do not wear loose-fitting clothing, jewelry or other items that can get caught in moving parts.
- Keep first aid equipment and fire extinguisher near.

Safety devices on the product



WARNING: Read the warning instructions that follow before you use the product.

- Do not use a product with safety devices that are damaged or do not operate correctly.
- Do not remove or do modifications to safety devices.
- Do a check of the safety devices regularly. If the safety devices are damaged or do not operate correctly, speak to your Husqvarna service agent.

To do a check of the power switch

- Disconnect the battery charge cable.
- Set the power switch to the "1" position. Make sure that the display comes on.
- Set the power switch to the "0" position. Make sure that the product stops immediately and that the display goes off.

To do a check of the operation conditions

Do a check of the operation conditions daily.

1. Make sure that you cannot start drive mode when the cutting deck is in the mow position.
2. Make sure that you cannot start drive mode when you push the pedals.
3. Make sure that you cannot start drive mode when you are lifted from the seat.
4. Make sure that you cannot start drive mode when the charger is connected to the product.

5. Make sure that you cannot start drive mode when the electric parking brake system is disengaged.
6. Make sure that the product stops when the cutting deck motors are engaged and you lift from the seat.

To do a check of the forward pedal and rearward pedal

1. Start the product and set drive mode to on.
2. Make sure that the forward pedal and rearward pedal are not blocked and can be operated freely.
3. Push the forward pedal carefully to move forward.
4. Release the forward pedal to brake. Make sure that the brake engages when the forward pedal is released.

Note: The product has an automatic brake that engages when you release the pedals. For more brake power when you decrease the speed, push the other pedal.

5. Do the same procedure for the rearward pedal.
6. Make sure that the product does not move when the forward and rearward pedals are not engaged.

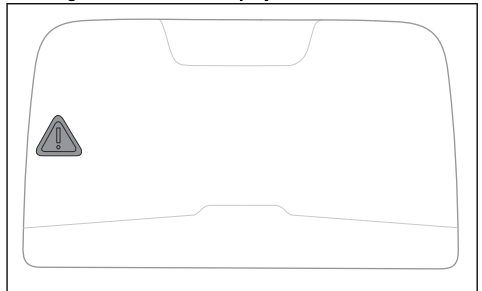
Parking brake



WARNING: If the parking brake does not work, the product can start to move and cause injury or damage. Make sure that the parking brake is regularly examined and adjusted.

Refer to *To do a check of the parking brake on page 23*.

Warning indicator on the display



CAUTION: If the warning indicator on the display comes on, stop the product and refer to *Display - Troubleshooting on page 29*.

Protective covers

Missing or damaged protective covers increase the risk of injury on moving parts and hot surfaces. Do

a check of the protective covers before you operate the product. Make sure that the protective covers are correctly attached and do not have cracks or other damages. Replace damaged covers.

Safety instructions for maintenance



WARNING: The product is heavy and can cause injury or damage to property or the adjacent area. Do not do maintenance on the product and cutting deck without these conditions:

- The power switch is set to the "0" position and the key to the power switch is removed.
- The product is parked on a level surface.
- The parking brake is engaged.
- The cutting deck is disengaged.
- The cable to the battery charger is disconnected.



WARNING: Read the warning instructions that follow before you use the product.

- For best performance and safety, do maintenance on the product regularly as given in the maintenance schedule. Refer to *Maintenance schedule on page 21*.

- Electrical shocks can cause injuries. Do not do maintenance on the battery. Do not touch the cables when the motor is on. Do not do a function test with your fingers.
- Do not start the product if the protective covers are removed. There is a high risk of injury caused by moving or hot parts.
- Let the product become cool before you do maintenance on it.
- The blades are sharp and can cause cuts. Wind protection around the blades or use protective gloves when you do work on the blades.
- Always put the cutting deck in the servicing position to clean it. Do not park the product near the edge of a ditch or slope to get access to the cutting deck.



CAUTION: Read the caution instructions that follow before you use the product.

- Make sure that all nuts and bolts are tightened correctly and that the equipment is in good condition.
- Do not change the adjustment of governors. If the motor speed is too high, the product components can become damaged. Refer to *Technical data on page 35* for highest permitted motor speed.
- The product is approved only with the equipment supplied or recommended by the manufacturer.

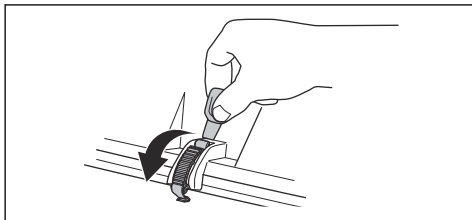
Assembly

Introduction

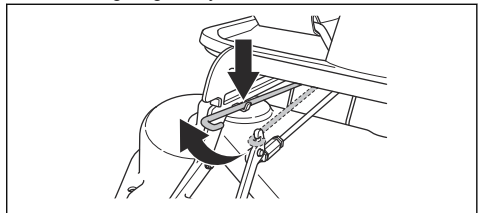
Instructions for how to remove and attach the cutting deck are also on a label on the inner surface of the front cover.

To remove and attach the cutting deck

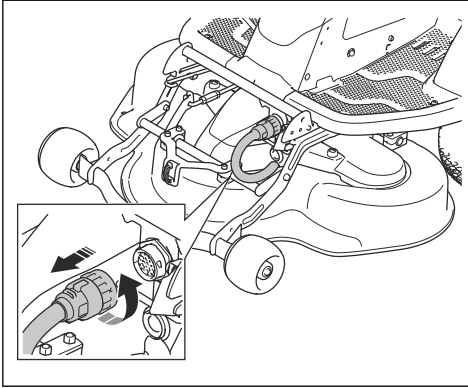
1. Park the product on level ground.
2. Set the power switch to the "0" position.
3. Set the cutting height lever in the servicing position.
4. Release the clip on the front cover with the tool attached to the power switch key, and remove the cover.



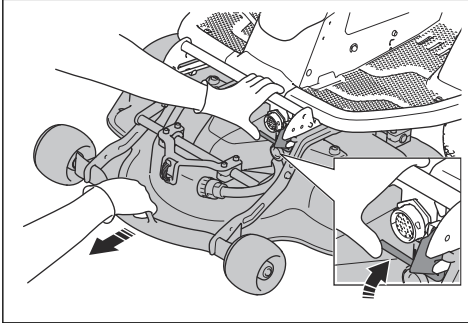
5. Lift the cutting height stay and put it in the holder for the cutting height stay.



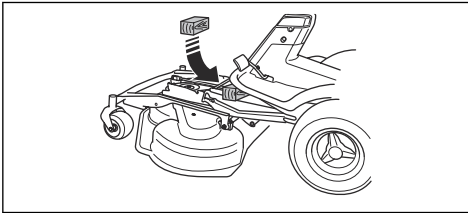
6. Disconnect the cable to the cutting deck.



7. Disengage the lock to the cutting deck with your left hand. Pull the cutting deck out with your right hand.

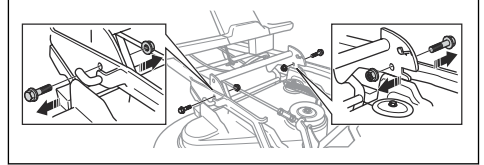


8. Put a wooden block between the equipment frame and the chassis. This makes sure that the cutting deck does not spring back when removed.

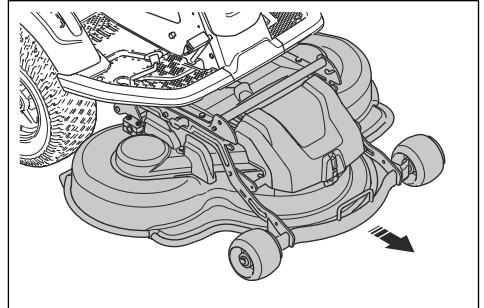


WARNING: Be careful. There is a risk of injury if your hand is caught between the equipment frame and the chassis.

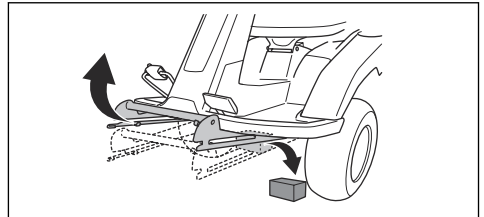
9. Remove the 2 screws on the equipment frame.



10. Hold the front edge of the cutting deck and pull it out.



11. Remove the wooden block.



12. Attach the cutting deck in opposite sequence.

Operation

Introduction

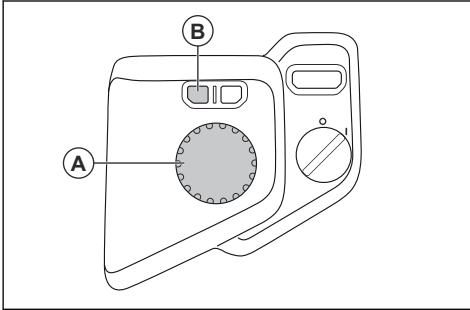


WARNING: Before you operate the product, you must read and understand the safety chapter.

Display

To use the display menu

1. Push the jog wheel (A) to see the display menu.



2. Turn the jog wheel (A) to scroll through the available menus.
3. Push the jog wheel (A) to select a menu.
4. Push the button (B) to go back and to close the display menu.

Note: Most menus are only available from idle mode or when the product is stationary. Refer to *Display modes on page 5*. The menu automatically closes when you push the start button or the pedals.

Accessory speed



The accessory menu is only available when your product has an accessory with adjustable speed. Refer to the operator's manual for the accessory. For more information about available accessories for the product, speak to your Husqvarna dealer.

To set the light menu to ON

Note: Light is an optional accessory. For more information about available accessories for the product, speak to your Husqvarna dealer.

Note: Before you can operate and adjust the light, the light menu must be set to ON.

1. Push the jog wheel to see the display menu.
2. Select the settings menu.



3. Scroll to the light menu.



4. Push the jog wheel to set the light menu to ON.



Note: The light menu is set to ON the next time you start the product.

To adjust the lights

Note: The light menu must be set to ON after lights are installed. Refer to *To set the light menu to ON on page 14*.

1. Push the jog wheel to see the display menu.
2. Scroll to the lights off symbol.



3. Push the jog wheel to set the work lights to ON.



4. Push the jog wheel to set the work lights and headlights to ON.



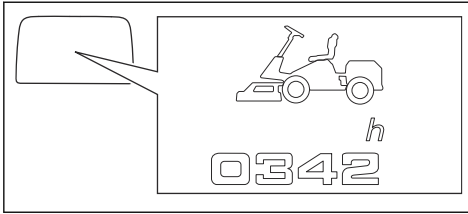
To read system information

1. Push the jog wheel to see the display menu.
2. Select the information symbol.

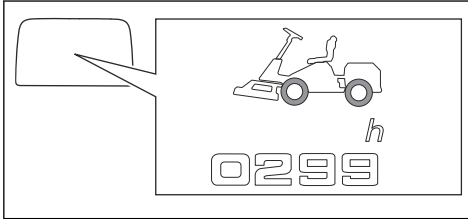


3. Turn the jog wheel to scroll between these system information views:

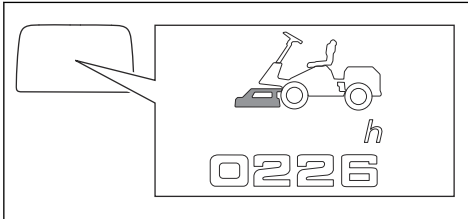
a) Total power on time in drive mode.



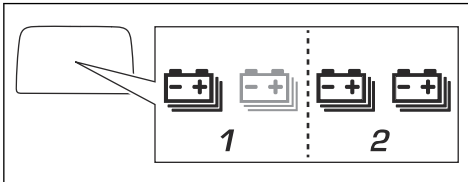
b) Total traction time.



c) Total cut time or use of other front accessory.



d) Number of installed batteries.



Note: A second battery can be installed in the product. Speak to your Husqvarna dealer for installation.



WARNING: Risk of electrical shock. Do not try to install or repair the batteries. Only let an approved servicing dealer do installations and repairs.

To set the time on the display

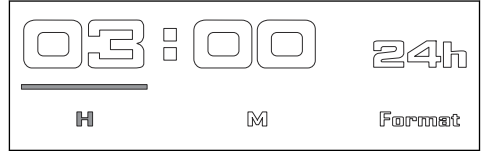
1. Push the jog wheel to see the display menu.
2. Select the settings menu.



3. Select the clock symbol.



4. Turn and push the jog wheel to set the hours, minutes and time format (24h / 12h).



To set the sound to on or off

Note: When the sound is set to off, you do not hear the notification sounds for warnings, errors or start.

1. Push the jog wheel to see the display menu.
2. Select the settings menu.



3. Select the loudspeaker symbol.



4. Push the jog wheel to set the sound to on or off.

To read error messages

Note: An error message is a combination of symbols. Refer to *Error messages on the display on page 31*.

1. Push the jog wheel to see the display menu.
2. Select the warnings symbol on the display menu.



Note: The error menu shows a maximum of 3 error messages. If there are more than 3 error messages, the error menu shows the first 3 error messages.

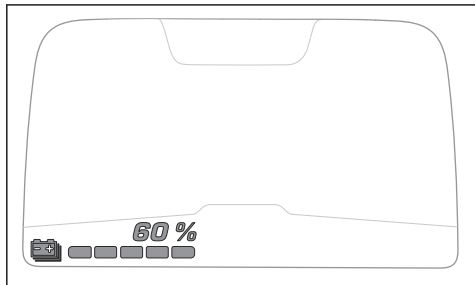
Note: When an error is gone from the system, its error message is not saved in the error menu.

3. Refer to *Error messages on the display on page 31* for information and instructions.

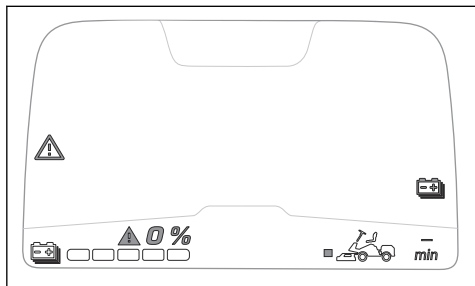
To start to use Husqvarna Connect

1. Download the Husqvarna Connect app on your mobile device.
2. Register in the Husqvarna Connect app.
3. Do the instruction steps in the Husqvarna Connect app to connect and register the product.

Battery indication when the product is set to on



The display shows the state of charge in % when the product is on. Each green indicator is 20% state of charge. When the state of charge is 20% or lower, the indicator to the far left is yellow. When the state of charge is 5% or lower, the indicator to the far left is red. When the battery is empty, the indicator to the far left is grey.



To charge the battery



WARNING: An incorrectly used or damaged battery charger can cause an electrical shock, battery leakage or too high temperatures. Regularly examine the battery charger and the battery for damage.



CAUTION: Charge the battery before you use it the first time. A new battery is not fully charged.



CAUTION: Only use approved chargers. Refer to *Technical data on page 35*.



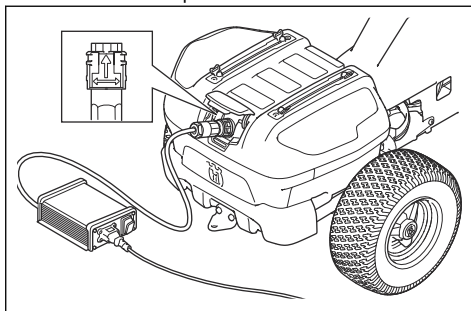
CAUTION: The charge process is only possible when the temperature of the battery is in the permitted charge temperature range (0–38 °C).



CAUTION: Use the battery in conditions where temperatures are between 0°C and 40°C.

Note: The battery can go into sleep mode when the product is in storage or the state of charge is very low. To start the battery, the start button must be pushed for 2 seconds. If the battery does not start it must be charged continuously until it is fully charged. The charge time is longer when the battery is in sleep mode.

1. Connect the battery charger to a grounded mains socket and to the product.



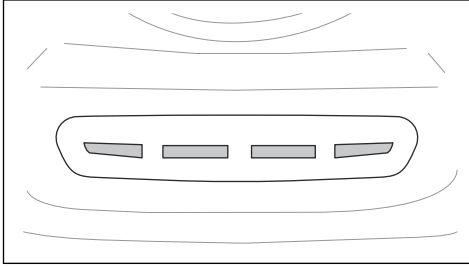
2. Set the charger ON/OFF switch to ON.
3. Set the charger ON/OFF switch to OFF before you disconnect the charger.

Note: A second battery can be installed in the product. Speak to your Husqvarna dealer for installation.

Battery indication when the battery charges

When a charger is connected to the product and the power switch is set to the "1" position, the display shows the charge view. Refer to *Charge view on page 5*.

When a charger is connected, 4 LEDs below the socket for the battery charger show the state of charge.



Note: All 4 LEDs come on momentarily when the battery charger is connected.



CAUTION: If no LEDs come on or if red LEDs flash when the battery charger is connected, there is an error. Look for warning symbols or an error message on the display. Disconnect the charger and refer to *Troubleshooting on page 27*.

When the battery is fully charged, all 4 LEDs are on.



CAUTION: If the charger is connected and the charger ON/OFF switch is set to OFF, all charge indicators will go off. Make sure that you disconnect the charger before you operate the product.

LEDs	State of charge
All 4 LEDs are on.	The battery is 76–100% charged.
LEDs 1–3 are on.	The battery is 51–75% charged.
LEDs 1–2 are on.	The battery is 26–50% charged.
LED 1 is on.	The battery is 0–25% charged.

Note: If a charger is connected when the temperature of the battery is higher than 38°C, the charge does not start. Yellow LEDs show the state of charge. When the temperature of the battery is in the permitted charge

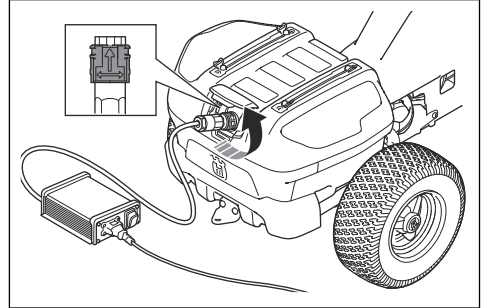
temperature range (0–38°C), the charge automatically starts.

Note: If you use the product in cold temperatures, the operation time can decrease.

To disconnect the battery charger

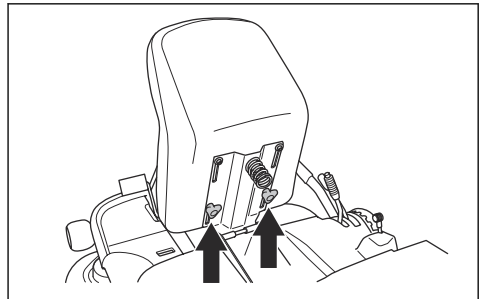
Note: It is not possible to start the product when the battery charger is connected.

1. Set the charger ON/OFF switch to OFF.
2. Turn the charger plug to disconnect the charger.



To adjust the seat

The seat can be tilted forward. It can also be adjusted lengthways. Loosen the handles below the seat to adjust it forward or rearward.

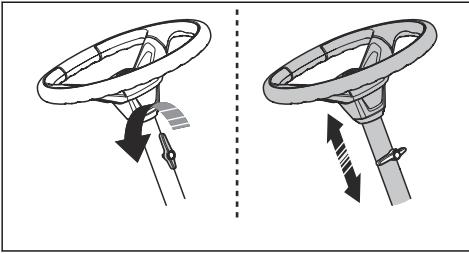


To adjust height of the steering wheel



WARNING: Do not adjust the height of the steering wheel during operation of the product.

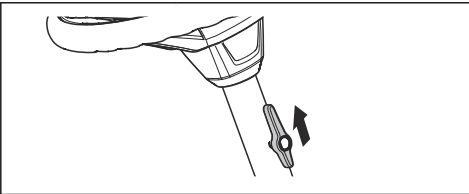
1. Turn the knob counterclockwise to loosen.



2. Adjust the height of the steering wheel.
3. Turn the knob clockwise to tighten.

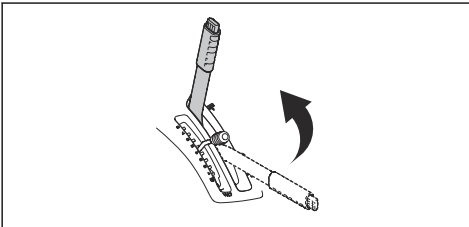


CAUTION: Make sure that the long end of the knob points up.

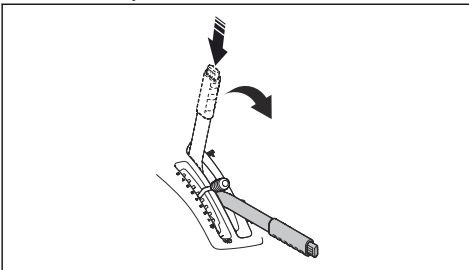


To lift and lower the cutting deck

- To lift the cutting deck to transport position, pull the lift lever rearward. If the drive mode is on, the blades stop to rotate automatically.

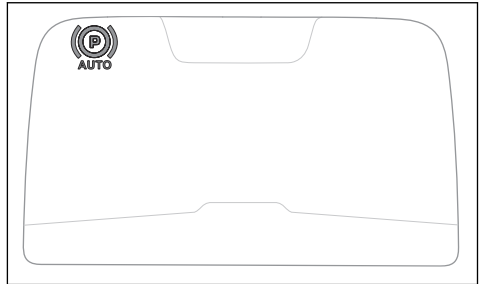


- To lower the cutting deck to mow position, push the lock button and move the lift lever forward. If the drive mode is on, the blades start to rotate automatically.



Parking brake

The parking brake is electric. The parking brake is automatically applied when the product is stationary and released when you push the pedals. A parking brake symbol shows on the display when the parking brake is applied.



To move the product manually



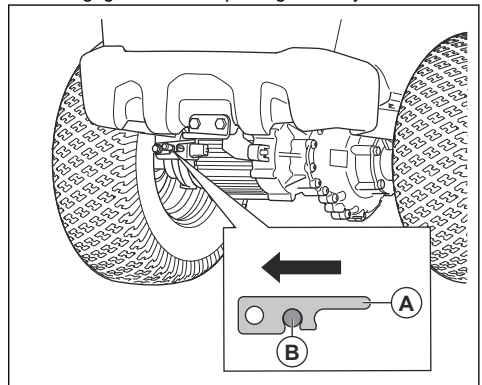
WARNING: Before you operate the product, make sure that the electric parking brake system is engaged.



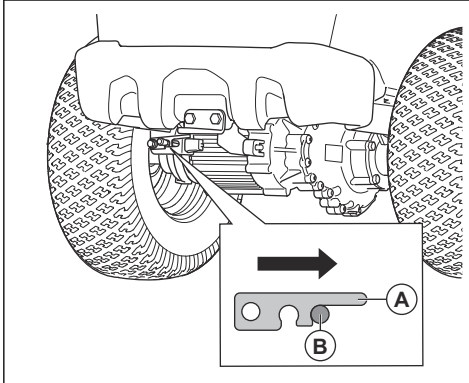
CAUTION: Do not push the product longer than necessary or at a speed higher than 6 km/h.

To move the product with the motor off, the electric parking brake system must be disengaged. The lever for the electric parking brake system is behind the left rear wheel.

- Release the lock to the electric parking brake system (A) and move the lever (B) to the left position to disengage the electric parking brake system.

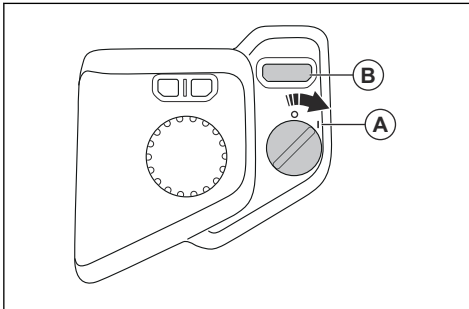


- Release the lock to the electric parking brake system (A) and move the lever (B) to the right position to engage the electric parking brake system.

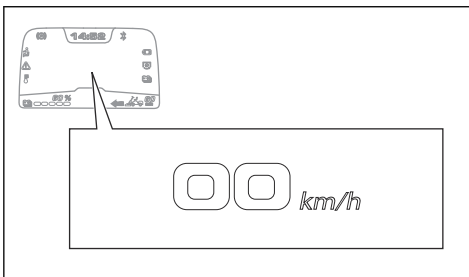


To start the product

1. Disconnect the cable to the battery charger.
2. Sit on the seat.
3. Lift the cutting deck to transport position. Refer to *To lift and lower the cutting deck on page 18*.
4. Set the power switch to the "1" position (A). The product is set to idle mode.



5. Make sure that you do not push the pedals.
6. Push the start button (B) until there is a sound and the display view changes. This shows that drive mode is on.

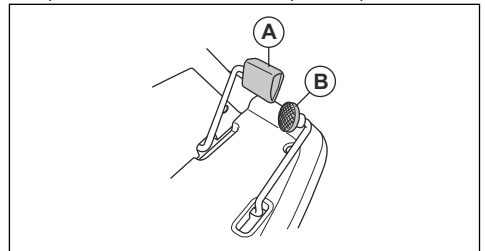


Note: You do not hear the sound if the sound is set to off. Refer to *To set the sound to on or off on page 15*.

Note: The battery can go into sleep mode when the product is in storage or the state of charge is very low. To start the battery, the start button must be pushed for 2 seconds. If the battery does not start, it must be charged continuously until it is fully charged. The charge time is longer when the battery is in sleep mode.

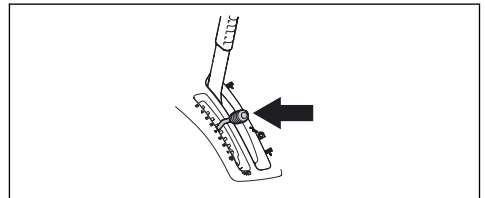
To operate the product

1. Start the product. Refer to *To start the product on page 19*.
2. Carefully push down 1 pedal. Use pedal (A) to move forward, and pedal (B) to move in reverse. The speed increases the more the pedal is pushed down.

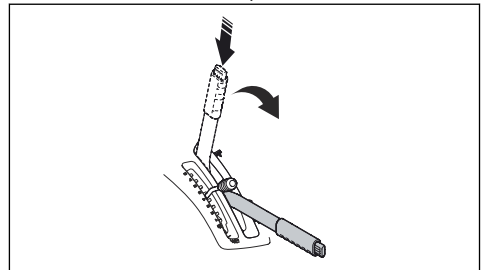


Note: The parking brake is automatically released when you push a pedal.

3. Release the pedal to engage the brakes.
4. Select cutting height (1-10) with the cutting height lever.



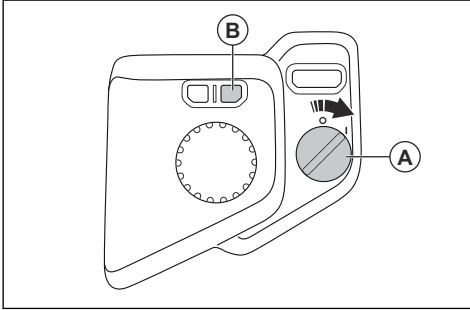
5. Push the lock button on the lift lever for the cutting deck and lower it to mow position.



To select a drive mode

You can set the product in 2 different drive modes: Standard drive mode or a battery save function, SavE. The SavE function gives longer operation time. The SavE function decreases the speed of the product and the speed of the blades.

1. Set the power switch (A) to the "1" position. The display comes on.
2. Push the drive mode button (B) to change drive mode.



Note: The drive mode indicator on the display shows which drive mode is on. Refer to *Display overview on page 4*.

Note: If the indicator for Low battery drive mode comes on, refer to *Display indicator messages on page 29*.

To stop the product

1. Park the product on level ground. The parking brake is automatically applied when the product is stationary.
2. Pull the lift lever for the cutting deck rearward to lift the cutting deck to transport position.
3. Set the power switch to the "0" position.

To get a good mow result

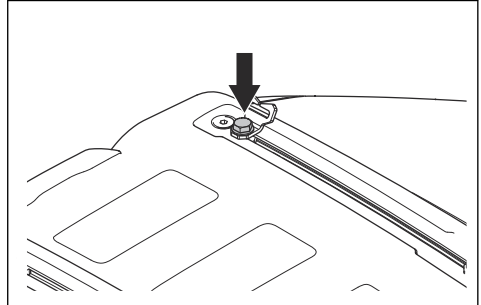
- Do not cut a wet lawn. Wet grass can give a bad result.
- Start with a high cutting height and decrease it gradually.
- To get the best result, use standard drive mode. Move the product forward at low speed. If the grass is not too high and thick, you can get a good result also at a higher speed.

- To get the best result, cut the grass frequently and use the mulch function. Refer to *To remove and install the BioClip plug on the cutting deck on page 26*.

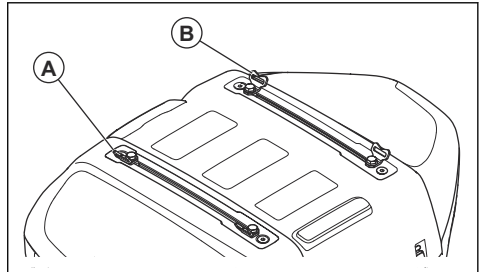
To attach load to the rails

The product has rails and rail brackets on the battery cover to attach load.

1. Adjust the rail brackets to fit the load.
 - a) Loosen the screw and move the rail bracket forward or rearward on the rail.



- b) Tighten the screw.
2. Put a strap through the hole in the rail bracket (A).



3. Put the strap through the rail bracket (B) on the opposite side.
4. Use the rail brackets to attach the load with straps.



CAUTION: Do not overload the rails. Refer to *Technical data on page 35*.

Maintenance

Introduction



WARNING: Read and understand the safety chapter before you do maintenance on the product.

Maintenance schedule

Daily maintenance before use
Make sure that nuts and screws are tightened.
Clean the product and the inner surfaces of the cutting deck.
Make sure that the safety devices are not broken.
Examine the steering cables.
Examine the blades in the cutting deck.
Make sure that the tire pressure is correct.

X = The instructions are given in this operator's manual.

O = The instructions are not given in this operator's manual. Let an approved service agent do the maintenance.

Maintenance	Each 50 h or yearly
Clean the outer and inner surface of the cutting deck. Clean below the cutting deck cover and around the blades.	X
Make sure that the tire pressure is correct.	X
Connect the product to Husqvarna Service Hub (HSH) and do an update of the firmware and a calibration if it is necessary.	O
Charge the battery to a minimum of 80 %. Do a check of the battery status in HSH.	O
Make sure that nuts and screws are tightened to the correct torque.	O
Do an inspection, lubricate and adjust all wires.	O
Do a check of the steering chain of the inner side of the frame tunnel.	O
Lubricate the pedals on the inner side of the frame tunnel.	O
Lubricate the operators seat.	O
Remove the drive wheels and lubricate the axles with grease.	O
Lubricate the cutting deck frame and the cutting deck presence control.	O
Lubricate the pivot wheels on the cutting deck.	O
Examine the blades. Sharpen and balance the blades if it is necessary.	O
Do a check of and adjust the parallelism of the cutting deck.	X

Maintenance	Each 50 h or yearly
Do a check of the switch on the cutting deck lift.	○
Do a check of the blade engagement and the OPC switch.	○
Do a check of the forward drive and rearward drive on different speeds.	○

To clean the product



CAUTION: Do not use a high-pressure washer or a steam cleaner. Water can go into bearings and electrical connections and cause corrosion which causes damage to the product.

Clean the product immediately after use.

- Before you clean with a wet cloth, clean with a brush. Remove grass and dirt on and around the propulsion system and the inlet to the cooling fan of the motor.
- Use a wet cloth to clean the product.
- Do not use water at electrical components or bearings. Detergent usually increases the damage.
- Make sure that the battery and battery charger are clean before the battery charger is connected to the product.
- To clean the cutting deck, put it in servicing position and hose it down with water. Make sure that the power switch is set to the "0" position.
- When the product is clean, start the cutting deck for a short period to blow off remaining water.

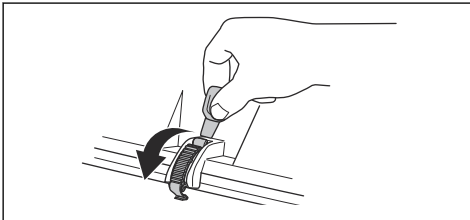
To remove the covers

To open and close the battery cover

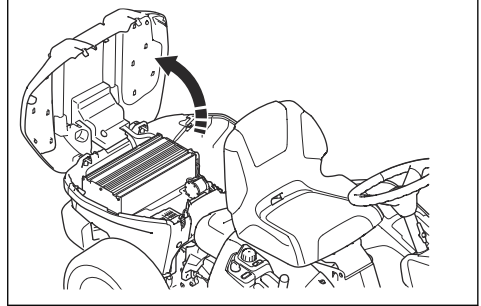


CAUTION: Remove load attached to the rails before you open the battery cover.

1. Release the 2 clips on the front of the battery cover with the tool attached to the power switch key.



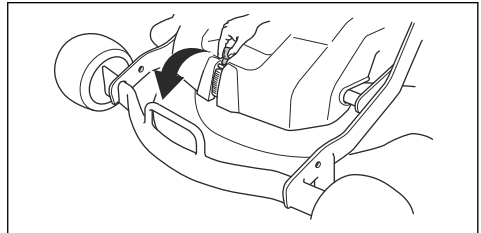
2. Lift the front of the battery cover and tilt it rearward.



3. Close in the opposite sequence.

To remove the front cover

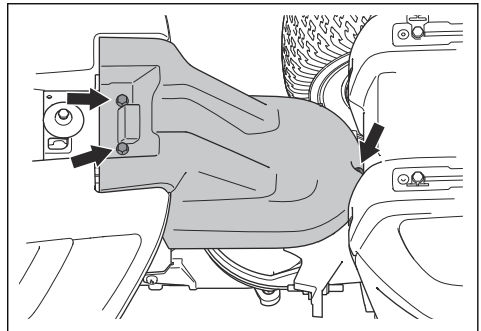
1. Release the clip on the front cover with the tool attached to the power switch key.



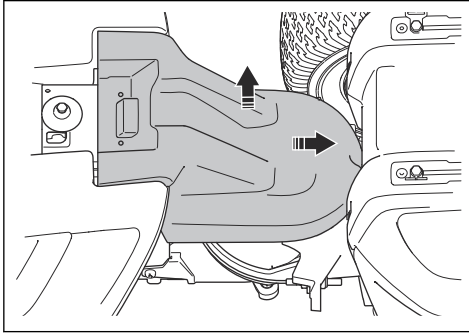
2. Remove the front cover.

To remove and install the frame cover

1. Tilt the seat forward.
2. Remove the 3 screws.



3. Push the frame cover rearward and lift the frame cover.



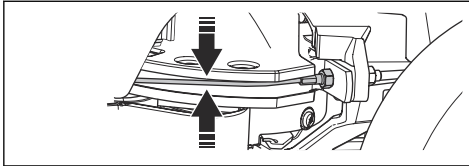
4. Install in the opposite sequence.

To examine the steering wires

The tension of the steering wires can decrease after a period of time. This causes the adjustment of the steering to change.

Examine and adjust the steering as follows:

1. The steering wires are correctly tightened if you can manually move them 5 mm up or down in the groove on the steering collar.



2. If the wires are too loose, let an authorized service agent adjust them.

To do a check of the parking brake

1. Park the product on a hard surface that slopes maximum 10°. Keep the product on.



WARNING: Do not park the product on a grass slope when you do a check of the parking brake.

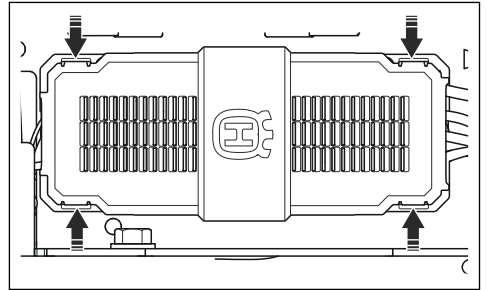
Note: The parking brake is electric. The parking brake is automatically applied when the product is stationary.

2. Make sure that the parking brake symbol shows on the display and that the product does not move. If the product moves, speak to your Husqvarna servicing dealer.

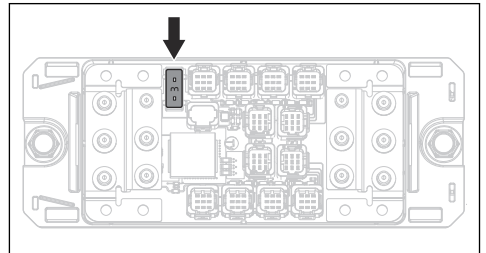
To replace the fuse for the power control unit

A broken fuse for the power control unit is identified by a burned fuse wire.

1. Make sure that the charger ON/OFF switch is set to OFF and that the charger is disconnected from the product. Refer to *To disconnect the battery charger on page 17*.
2. Set the power switch to the "0" position and remove the power switch key.
3. Remove the frame cover. Refer to *To remove and install the frame cover on page 22*.
4. Push the 4 clips and remove the cover of the power control unit.



5. Pull out the fuse for the power control unit from the holder.

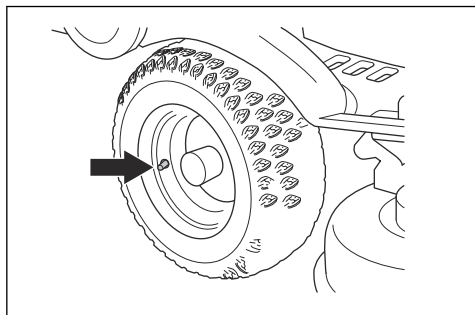


6. Replace the broken fuse for the power control unit with a new fuse of the same type. Refer to *Technical data on page 35*.

Note: If the fuse for the power control unit breaks again a short period of time after you replace it, speak to your Husqvarna servicing dealer.

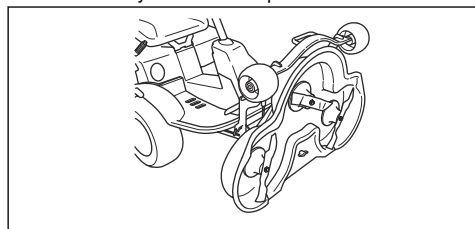
Tire pressure

The correct tire pressure is 60 kPa (0.6 bar / 8.5 PSI) on all 4 tires.



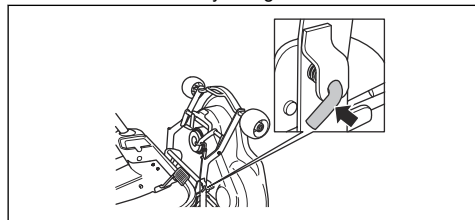
To put the cutting deck in servicing position

1. Do step 1–7 in *To remove and attach the cutting deck on page 12*.
2. Lift the cutting deck to vertical position until a click sound is heard. The cutting deck is locked automatically in the vertical position.

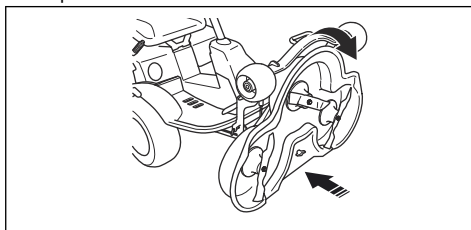


To put the cutting deck in mow position

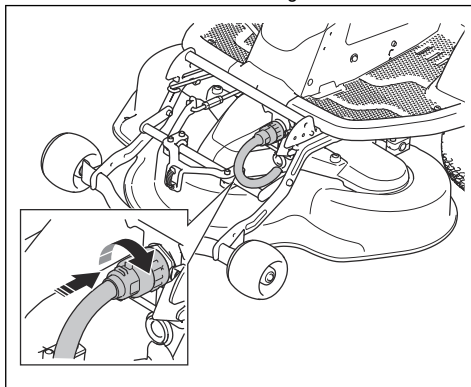
1. Hold the front edge of the cutting deck with your left hand.
2. Loosen the lock with your right hand.



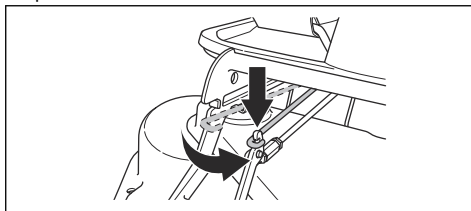
3. Fold down the cutting deck and push it in until it stops.



4. Connect the cable to the cutting deck.



5. Lift the cutting height stay from the stay holder and put it in the hole.



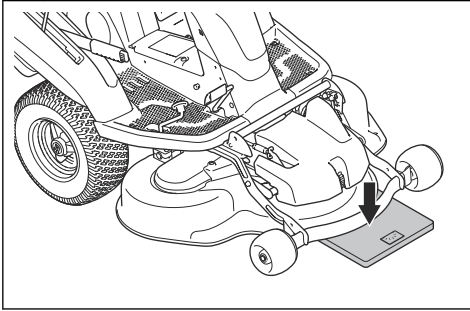
6. Attach the front cover.
7. Move the cutting height lever from the servicing position to one of the positions with a number.

To examine and adjust the ground pressure from the cutting deck

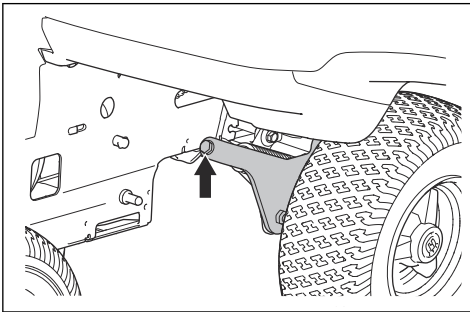
A correct ground pressure makes sure that the cutting deck moves along the surface but does not press too hard against it.

1. Make sure that the air pressure in the tires is 60 kPa (0.6 bar / 9.0 PSI).
2. Park the product on a level surface.
3. Lower the cutting deck to mow position.

- Put a bathroom scale below the front edge of the cutting deck.



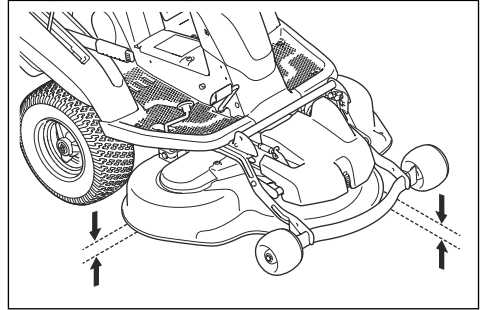
- To make sure that no weight is applied on the support wheels, put a wooden block between the frame and the bathroom scale.
- To adjust the ground pressure, turn the adjustment screws found behind the front wheels on the right and left sides.
- Turn the screws right or left until the ground pressure is between 12 and 15 kg (26.5-33 lb).



To do a check of the parallelism of the cutting deck

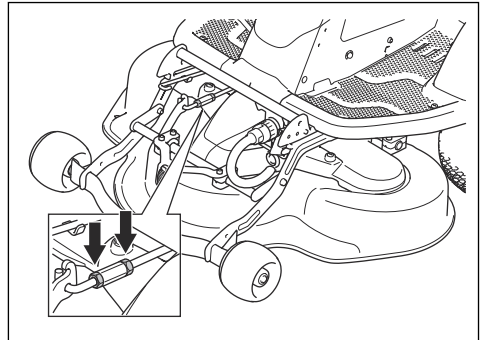
- Make sure that the air pressure in the tires is correct. Refer to *Technical data on page 35*.
- Park the product on a level surface.
- Lower the cutting deck to mow position.
- Set the cutting height lever to the middle position.

- Measure the distance between the ground and the front and rear edges of the cutting deck. Make sure that the rear edge is 4–6 mm or 1/5 in. higher than the front edge.

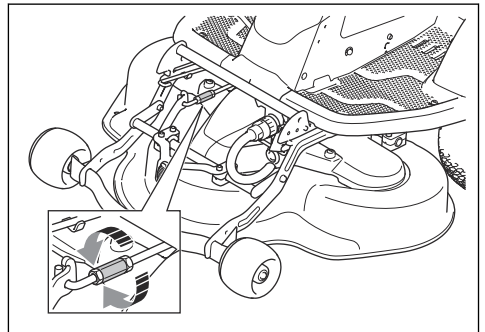


To adjust the parallelism of the cutting deck

- Remove the front cover.
- Loosen the nuts on the lift stay.



- Turn the lift stay to extend it or make it shorter. Extend the lift stay to lift the rear edge of the cover. Make the lift stay shorter to lower the rear edge of the cover.



- Tighten the nuts on the lift stay when the adjustment is done.

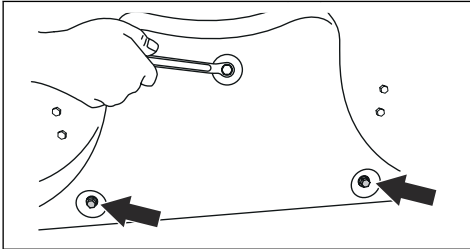
- Do a check of the parallelism. Refer to *To do a check of the parallelism of the cutting deck on page 25*.
- Attach the front cover.

To remove the BioClip plug

- Remove the BioClip plug to change a Combi cutting deck from BioClip to rear discharge of the grass.

To remove and install the BioClip plug on the cutting deck

- Put the cutting deck in servicing position. Refer to *To put the cutting deck in servicing position on page 24*.
- Remove the 3 screws that hold the BioClip plug and remove the plug.



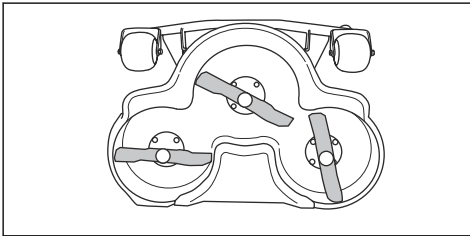
- Attach 1 M8x15 mm screws in the top screw hole for the BioClip plug to prevent damage to the threads.
- Put the cutting deck in the mow position.
- Install the BioClip plug in the opposite sequence.

To examine the blades



CAUTION: Damaged or incorrectly balanced blades can cause damage to the product. Replace damaged blades. Let an approved service agent help you sharpen and balance blunt blades.

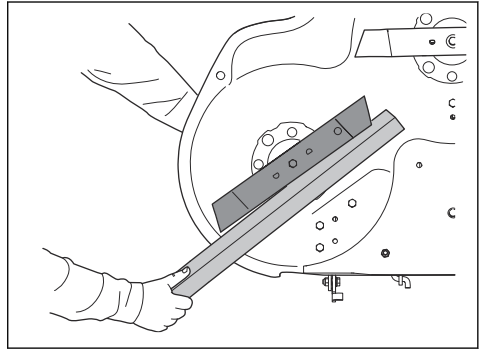
- Put the cutting deck in servicing position.
- Look at the blades to see if they are damaged and if it is necessary to sharpen them.



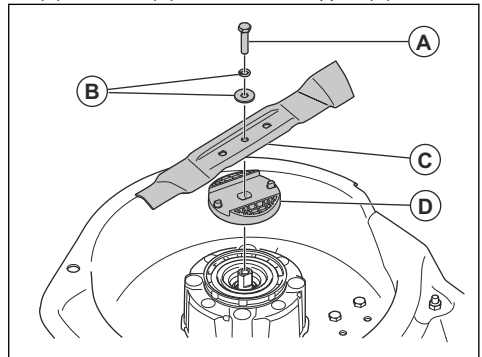
- Tighten the blade bolts with tightening torque 25 Nm.

To replace the blades

- Remove the cutting deck. Refer to *To remove and attach the cutting deck on page 12*.
- Lock the blade with a wooden block.



- Loosen and remove the blade bolt (A), the washers (B) the blade (C) and the blade support (D).



- Install in the opposite sequence. Install the new blade with the bent ends in the direction of the cutting deck.



WARNING: Incorrect blade type can cause objects to eject from the cutting deck and cause serious injury. Use only the blades given in *Technical data on page 35*.

Troubleshooting

Introduction

If you cannot find a solution to your problems in this operator's manual, speak to your Husqvarna servicing dealer.

Note: Make sure that the battery is charged before you do troubleshooting on the product. Refer to *To charge the battery on page 16*.

Troubleshooting schedule

Problem	Cause	Action
The display does not come on when the power switch is set to position "1".	The battery is empty. Refer to <i>To charge the battery on page 16</i> .	Charge the battery.
	The battery is in sleep mode.	To start the battery, push the start button for 2 seconds. If the battery does not start, it must be charged continuously until it is fully charged. The charge time is longer when the battery is in sleep mode.
	The fuse for the power control unit is broken.	Replace the fuse for the power control unit, refer to <i>To replace the fuse for the power control unit on page 23</i> . Speak to your Husqvarna servicing dealer if the problem continues.
	The display, or the cable to the display unit, is broken.	Speak to your Husqvarna servicing dealer.
	The power switch is broken.	
Drive mode does not start when you push the start button.	Incorrect start procedure.	Refer to <i>To start the product on page 19</i> and <i>Start prevented on page 5</i> .
	The start button is pushed down for less than 1 second.	Push down the start button for 1 second. A sound and/or a display change shows that drive mode is on. When the sound is set to off, you do not hear the notification sound for start. Refer to <i>To set the sound to on or off on page 15</i> .
	The control panel is broken.	Speak to your Husqvarna servicing dealer.



Problem	Cause	Action
The cutting deck motors do not start.	The cutting deck is not in mow position.	Move the cutting deck to mow position, refer to <i>To put the cutting deck in mow position on page 24</i> .
	The cable to the cutting deck is not connected correctly.	Connect the cutting deck to the product, refer to <i>To remove and attach the cutting deck on page 12</i> .
	The cutting deck is full of grass.	Clean the cutting deck, refer to <i>To clean the product on page 22</i> .
	The grass is too high.	Adjust the cutting height to the grass conditions.
	The temperature of the controls for the cutting deck motors are too high.	Stop the product and wait for the temperature to decrease. Restart after 20 minutes.
	The cutting deck motors are broken.	Speak to your Husqvarna servicing dealer.
	The controls for the cutting deck motors are broken.	
There is no power in the cable to the cutting deck.		
The battery does not charge. The LEDs below the socket for the battery charger do not come on.	The battery charger is not correctly connected to the mains outlet or to the product.	Refer to <i>To charge the battery on page 16</i> .
	The charger ON/OFF switch is set to OFF.	Set the charger ON/OFF switch to ON.
	The battery charger is broken.	Disconnect the battery charger and speak to your Husqvarna servicing dealer.
	There is an internal error.	
	The mains outlet is broken.	Put the charger plug into a mains outlet that has the voltage and frequency that is specified on the rating plate.
The battery does not charge. The LEDs below the socket for the battery charger flash red.	The temperature is not in the charge temperature range.	Wait until the battery temperature is in the permitted charge temperature range (0-38 °C). Look for error messages or warning symbols on the display. Refer to <i>Warning messages on the display on page 30</i> and <i>Error messages on the display on page 31</i> .
	The battery is broken.	Disconnect the battery charger and speak to your Husqvarna servicing dealer.
	There is an internal error.	
The battery does not charge. The LEDs below the socket for the battery charger show the state of charge in yellow.	The battery temperature is higher than 38 °C.	Make sure that the charger and the product is in a location that is in the permitted charge temperature range (0-38 °C). If the charger is connected, the charge starts automatically when the battery temperature is lower than 38 °C. If the problem continues, speak to your Husqvarna servicing dealer.





Problem	Cause	Action
The operation time is not increased after a second battery is installed.	The second battery is not correctly installed in the product.	Make sure that the second battery show on the display. Refer to <i>To read system information on page 14</i> . Speak to your Husqvarna servicing dealer if there is only 1 battery symbol in the display or if the problem continues.
There is vibration in the product during cutting mode.	The blades are loose/damaged.	Do a visual inspection. Refer to <i>To examine the blades on page 26</i> . Speak to your Husqvarna servicing dealer if the problem continues.
	One or more blades are not balanced.	
	The cutting deck motor is loose.	
There is vibration in the product during transport mode.	One or more wheels are loose.	Do a visual inspection. Speak to your Husqvarna servicing dealer if the problem continues.
	The product has a flat tire.	
	There are loose screws in the product.	
	The drive motor is loose.	
The cutting result is unsatisfactory.	The blades are blunt.	Refer to <i>To examine the blades on page 26</i> .
	The grass is long or wet.	Refer to <i>To get a good mow result on page 20</i> .
	The cutting deck is not parallel to the ground.	Refer to <i>To do a check of the parallelism of the cutting deck on page 25</i> .
	There is grass blockage in the cutting deck.	Refer to <i>To clean the product on page 22</i> .
	The tire pressure is different on the right and left sides.	Refer to <i>Tire pressure on page 24</i> .
	The product is operated at too high speed.	Speak to your Husqvarna servicing dealer.
	The motor speed is too low.	Speak to your Husqvarna servicing dealer.

Display - Troubleshooting

Display indicator messages

Display indicator messages show an engaged function or information about the condition of the product. Refer to *Display overview on page 4*. One or more display indicators come on. When there is a display indicator message, the product can still operate but there are recommended actions.




Symbols	Name	Cause / Action
	System error	There is a system error on the product. Stop the product and set the power switch to the "0" position. Wait for 5 minutes. Speak to your Husqvarna servicing dealer if the problem continues.
	Battery error	There is a battery error. Stop the product and set the power switch to the "0" position. Wait for 5 minutes before you start. Speak to your Husqvarna servicing dealer if the problem continues.

Symbols	Name	Cause / Action
	Drive motor warning	The drive motor is stalled. Possibly because the product operates on a hill where the necessary discharge power is too high. Do not operate in conditions that cause the drive motor to stop.
	Temperature error	There is a temperature error. Refer to the combination of symbols for more information.
	Decreased performance mode	Decreased performance mode is on. Decreased performance mode is automatically set when the level of charge is low. Charge the product and do not operate on a hill.
	Decreased performance mode	The product is automatically set to Decreased performance mode. The level of charge is low and/or the temperature in the battery, the drive motor or the drive motor controller is too high. In this drive mode the blades are disengaged and the speed decreases gradually. Refer to the combination of symbols for more information.

Warning messages on the display

A warning message is a combination of yellow symbols that first show as large symbols in the center of the display. When there is a warning, the product can operate but it is slower than usual. To prevent error, stop the product and wait for the warning symbols to go off. If the product is stopped, it cannot start again until the warning message is gone.







Note: For warnings on the cutting deck motor/motor controller, lift the cutting deck/accessory to transport position to restart or operate.

Symbols	Name	Cause / Action
	Battery temperature warning	The battery temperature is higher than recommended. The product operates slower than usual until the temperature is decreased. Stop the product and wait for the battery temperature to decrease before you start.
	Temperature warning for the drive motor or the drive motor controller	The temperature in the drive motor or the drive motor controller is higher than recommended. The product operates slower than usual until the temperature is decreased. Stop the product and wait for the temperature of the drive motor to decrease before you start.
	Temperature warning for the cutting deck motor or the controller for the cutting deck motor	The temperature in the cutting deck motor or the controller for the cutting deck motor is higher than recommended. The product operates slower than usual until the temperature is decreased. Lift the cutting deck / front accessory to transport position and wait for the temperature to decrease before you start.

Error messages on the display

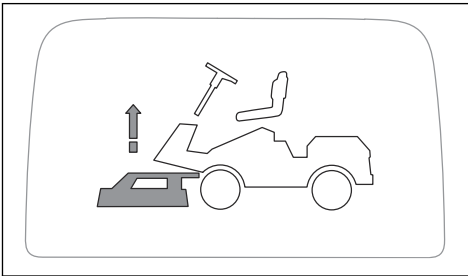
An error message is a combination of red symbols that first show as large symbols in the center of the display. When there is an error, the product is automatically set to idle mode and cannot start until the error is gone. You can see error messages in the error menu. Refer to *To read error messages on page 15*.

Note: For errors on the cutting deck motor/motor controller, lift the cutting deck/accessory to transport position to restart or operate.

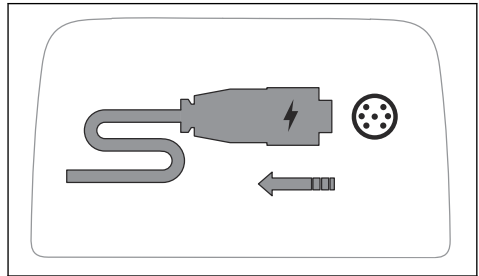
Symbols	Name	Cause / Action
	Battery temperature error	The battery temperature is too high. Wait for the temperature of the battery to decrease. Speak to your Husqvarna servicing dealer if the problem continues.
	Temperature error for the drive motor or the drive motor controller	The temperature of the drive motor or the drive motor controller is too high. Wait for the temperature of the drive motor or drive motor controller to decrease. Speak to your Husqvarna servicing dealer if the problem continues.
	Temperature error for the cutting deck motor or the controller for the cutting deck motor	The temperature of the cutting deck motor or the controller for the cutting deck motor is too high. Lift the cutting deck or other front accessory to transport position and wait for the temperature to decrease. Speak to your Husqvarna servicing dealer if the problem continues.
	Error in the drive motor or the drive motor controller	There is an error in the drive motor or the drive motor controller. Stop the product and set the power switch to the "0" position. Wait for 5 minutes before you start. Speak to your Husqvarna servicing dealer if the problem continues.
	Error in the cutting deck motor or the controller for the cutting deck motor	There is an error in the cutting deck motor or the controller for the cutting deck motor. Lift the cutting deck or other front accessory to transport position. If the problem continues, stop the product and wait for 5 minutes before you start. Speak to your Husqvarna servicing dealer if the problem continues.
	Battery empty error	The battery is empty. Charge the battery.

Messages when start is prevented

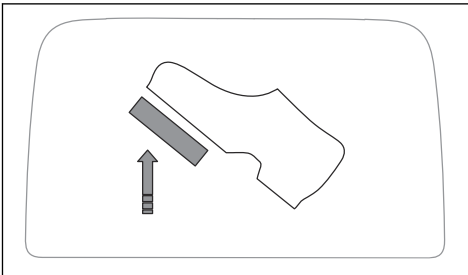
Start prevented symbols show when the conditions for start are not obeyed. The start prevented symbol stays on the display until the conditions for start are obeyed. Refer to *To start the product on page 19*.



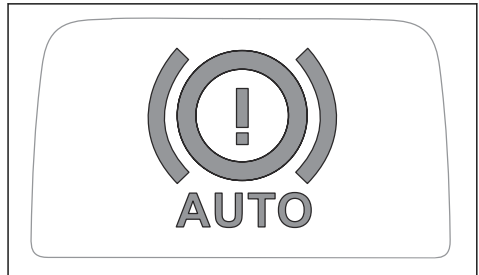
Description	Action
Start is prevented because the cutting deck is in mow position.	Lift the cutting deck to transport position before start. Refer to <i>To lift and lower the cutting deck on page 18.</i>



Description	Action
Start is prevented because the charger is connected.	Disconnect the charger from the product before start. Refer to <i>To disconnect the battery charger on page 17.</i>



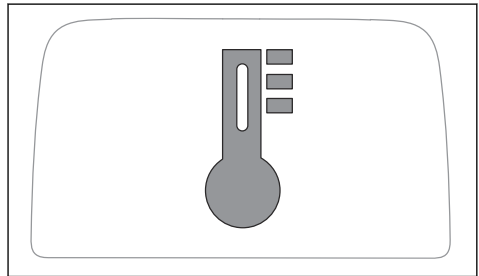
Description	Action
Start is prevented because pedals are pushed.	Do not push the pedals when the product starts.



Description	Action
Start is prevented because the electric parking brake system is disengaged.	Engage the electric parking brake system before start. Refer to <i>To move the product manually on page 18.</i>



Description	Action
Start is prevented because the operator is lifted from the seat.	The operator must sit in the seat when the product starts. Refer to <i>Operator presence control (OPC) on page 5.</i>



Description	Action
Start is prevented because there is a temperature error.	Refer to <i>Display - Troubleshooting on page 29.</i>

Transportation, storage and disposal

Transportation

- The product is heavy and can cause crush injuries. Be careful when you load it onto or off a vehicle or trailer.
- Do not lift the product. The transport eyelets are not approved lifting points and must only be used to attach the product safely to a trailer.
- Use an approved trailer for transportation of the product.
- Make sure that you have knowledge of local road traffic regulations before transportation of the product in a trailer or on roads.

To tow the product

To move the product with the power off, the electric parking brake system must be disengaged.

1. Disengage the electric parking brake system. Refer to *To move the product manually on page 18*.
2. Tow the product at low speed and short distances only.

To safely attach the product on a trailer for transport



WARNING: The parking brake is not sufficient to lock the product during transport. Attach the product tightly to the trailer.

Equipment: 2 approved tension belts and 4 wedge shaped wheel blocks.

1. Attach the tension belts around the frame or rear wagon.
2. Tighten the tension belts in the direction of the rear and the front of the trailer to secure the product.
3. Put the wheel blocks in front of and behind the rear wheels.

Transportation of batteries

- The supplied 48 V batteries obey the requirements of the Dangerous Goods Legislation.
- Obey the special requirement for packaging and labels for commercial transportation by third parties and forwarding agents.
- Speak to a person with special training in dangerous material before you send the product. Obey all applicable national regulations.
- Use tape on open contacts when you put the battery in a package. Put the battery in a tight package to prevent movement.

Storage

Prepare the product for storage at the end of the season and before more than 30 days of storage.



WARNING: Remove grass, leaves and other flammable materials from the product to decrease the risk of fire. Let the product become cool before you put it in storage.

- Set the power switch to the "0" position.
- Clean the product, refer to *To clean the product on page 22*. Fill in paint damages to prevent corrosion.
- Examine the product for worn or damaged parts and tighten loose screws and nuts.
- Fully charge the battery before storage. Make sure that the charge of the batteries is 50 % or more during storage.

Note: The battery can go into sleep mode when the product is in storage or the state of charge is very low. To start the battery the start button must be pushed for 2 seconds. If the battery does not start, it must be charged continuously until it is fully charged. The charging time is longer when the battery is in sleep mode.

- Lubricate all grease nipples, joints and axles.
- Keep the product in a clean and dry area. Put a protective cover on the product.

Note: A protective cover for protection of your product during storage or transport is available at your dealer.

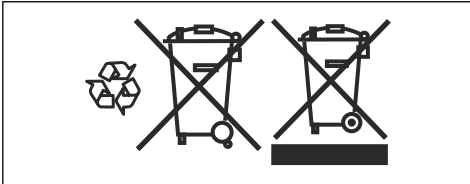
- Keep the product in a locked area to prevent access for children or persons that are not approved.
- Keep the product and the power supply in a dry and frost-free area.
- If you will use the product, keep the product in storage where the ambient temperature is between 0 °C/32 °F and 50°C/122 °F. If you will not use the product, you can keep the product in storage where the ambient temperature is between -20 °C/-4 °F and 50°C/122 °F.
- Keep the product out of sunlight.
- Do not keep the product in areas where static electricity can occur.

Disposal of the battery and battery charger

Symbols on the product or its packaging indicate that this product cannot be handled as domestic waste. It must instead be submitted to an appropriate recycling

station for the recovery of electrical and electronic equipment.

By ensuring that this product is taken care of correctly, you can help to counteract the potential negative impact on the environment and people that can otherwise result through the incorrect waste management of this product. For more detailed information about recycling this product, contact your municipality, your domestic waste service or the shop from where you purchased the product.



Disposal

- Chemicals can be dangerous and must not be discarded on the ground. Always discard used chemicals at a service center or an applicable disposal location.
- When the product is worn out, send it to the dealer or to an applicable recycling location.
- Oil and the battery can have negative effects on the environment. Obey the local recycling requirements and applicable regulations.
- Do not discard the battery as domestic waste.
- Send the battery to a Husqvarna service agent or discard it at a disposal location for used batteries.

Technical data

Technical data

Dimensions	
Length without cutting deck, mm	1999
Width without cutting deck, mm	883
Length including cutting deck, mm ²	2296
Width including cutting deck, mm ³	994
Height, mm	1128
Weight without cutting deck (incl. 1 battery), kg	186
Wheel base, mm	907
Tire dimensions	170/60-8
Tire pressure, rear – front, kPa / bar / PSI	60 / 0.6 / 8.7
Max. gradient, degrees °	10
Max. tow equipment weight at 10 ° gradient, kg	110
Max. permitted vertical force on the tow bar, N / kg	250 / 25
Max. permitted horizontal force on the tow bar, N / kg	250 / 25
Max. load on the battery cover, kg	25
Drive motor	
Motor type	Brushless DC motor
Voltage, V	48
Nominal motor output, kW	1.5
Max. motor speed, rpm	3500
Transmission	
Brand/Model	Omnigear/Husqvarna TP400R
Grease	NLGI-00 EP GREASE
Grease volume, l	0.6
Number of forward drive gears	–
Number of reverse gears	–
Max. forward speed, km/h	9
Max. reverse speed, km/h	5
Electrical system	
Type	48 V. DC, negative earthed

² Measured with cutting deck Combi 94i

³ Measured with cutting deck Combi 94i

Main fuse, A	80
Cutting deck fuse, A	80
Fuse for the power control unit, A / V	3 / 58
Noise emissions ⁴	
Sound power level, measured dB(A)	95
Sound power level, guaranteed dB(A)	96
Sound levels ⁵	
Sound pressure level at the operators ear, dB(A)	78
Vibration levels ⁶	
Vibration level on the steering wheel, m/s ²	0.1
Vibration level in the seat, m/s ²	0.2
Cutting deck	
Type	Combi 94i Combi 103i

Cutting deck	Combi 94i	Combi 103i
Cutting width, mm	940	1030
Width, mm	994	1081
Cutting deck motor output, kW	3x0.9	3x0.9
Cutting height, 10 positions, mm	25-75	25-75
Blade length, mm	359	389
Blade		
Article number	598 88 55-10	536 15 76-10



WARNING: To use a cutting deck that is not approved for the product can cause objects to eject at high speed and cause

serious injury. Do not use other cutting deck types than specified in this operator's manual.

Radio frequency data

	R 200iX
Frequency range, MHz	2402-2480

⁴ Noise emissions in the environment measured as sound power (L_{WA}) in conformity with EC directive 2000/14/EC.

⁵ Noise pressure level according to EN ISO 5395. Reported data for noise pressure level has a typical statistical dispersion (standard deviation) of 1.2 dB(A).

⁶ Vibration level according to EN ISO 5395. Reported data for vibration level has a typical statistical dispersion (standard deviation) of 0.2 m/s² (steering wheel) and 0.8 m/s² (seat).

	R 200IX
Output power ⁷ , dBm	-7.0

Approved batteries

Only use original batteries for this product.

Battery	EM-5240Li
Article number	598 84 43-01
Type	Lithium-ion
Battery capacity, Ah	38.5
Nominal voltage, V	50.4
Weight, kg/lbs	17/38

Approved battery chargers

Battery charger	PS 300C
Input voltage, V	220–240
Input current, A	1.8
Frequency, Hz	50
Power, W	300
Output voltage, V	58
Output current, A	5.3

Service

Service

Do a yearly check at an authorized service center to make sure that the product functions safely and at its best during high season. The best time to do a servicing or overhaul of the product is low season.

When you send an order for the spare parts, give information about the purchase year, model, type, and serial number.

Always use original spare parts.

⁷ Measured at 2402 MHz.

Declaration of Conformity

EU Declaration of Conformity

We, **Husqvarna AB**, SE-561 82 Huskvarna, Sweden, tel: +46-36-146500, declare on our sole responsibility that the product:

Description	Ride-on Lawn Mower
Brand	Husqvarna
Type / Model	R 200iX
Identification	Serial numbers dating from 2023 and onwards

complies fully with the following EU directives and regulations:

Directive/Regulation	Description
2006/42/EC	"relating to machinery"
2014/53/EU	"relating to radio equipment"
2000/14/EC	"relating to the noise emissions in the environment"
2011/65/EU	"on the restriction of the use of certain hazardous substances in electrical and electronic equipment"

and that the following standards and/or technical specifications are applied: EN ISO 12100:2010, EN ISO 13849-1:2015, EN ISO 13849-2:2012, EN ISO 5395-1:2013+A1:2018, EN ISO 5395-3:2013+A1:2017+A2:2018, EN ISO 14982:2009, EN 61000-6-2:2005, EN 61000-6-3:2007+A1:2011+AC:2012, ETSI EN 300 328 V2.2.2, ETSI EN 301 489-1 V1.9.2, ETSI EN 301 489-17 V3.2.4, EN 50665:2017, EN IEC 63000:2018 .



Notified Body: 0404, SMP Svensk Maskinprovning AB, Box 4053, SE-904 03 Umeå, Sweden has certified conformity with the council's directive 2000/14/EC, conformity assessment procedure: Annex VI.

For information relating to noise emissions, refer to *Technical data on page 35*.

Huskvarna, 2023-07-05

A handwritten signature in black ink, appearing to be 'Claes Losdal', written over a horizontal line.

Claes Losdal, Development Manager/Garden Products, Husqvarna AB

Responsible for technical documentation

UK Declaration of Conformity

We, **Husqvarna AB**, SE-561 82 Huskvarna, Sweden, tel: +46-36-146500, declare on our sole responsibility that the product:

Description	Ride-on Lawn Mower
Brand	Husqvarna
Type / Model	R 200iX
Identification	Serial numbers dating from 2023 and onwards

complies fully with the following UK regulations:

Description
The Supply of Machinery (Safety) Regulations 2008
The Radio Equipment Regulations 2017
The Noise Emission in the Environment by Equipment for use Outdoors Regulations 2001, schedule 9
The Restriction of the Use of Certain Hazardous Substances in Electrical and Electronic Equipment Regulations 2012

and that the following standards and/or technical specifications are applied: EN ISO 12100:2010, EN ISO 13849-1:2015, EN ISO 13849-2:2012, EN ISO 5395-1:2013+A1:2018, EN ISO 5395-3:2013+A1:2017+A2:2018, EN ISO 14982:2009, EN 61000-6-2:2005, EN 61000-6-3:2007+A1:2011+AC:2012, ETSI EN 300 328 V2.2.2, ETSI EN 301 489-1 V1.9.2, ETSI EN 301 489-17 V3.2.4, EN 50665:2017, EN IEC 63000:2018 .

UK Importer:
Husqvarna UK Ltd
Preston Road, Co. Durham
DL5 6UP

Notified body: 0404, SMP Svensk Maskinprovning AB, Box 4053, SE-904 03 Umeå, Sweden, has certified conformity with the council's directive 2000/14/EC, conformity assessment procedure: Annex VI.

For information relating to noise emissions, refer to *Technical data on page 35*.

Husqvarna, 2023-07-05



Claes Losdal, Development Manager/Garden Products, Husqvarna AB

Responsible for technical documentation

**UK
CA**

Registered trademarks

The *Bluetooth*[®] word mark and logos are registered trademarks owned by *Bluetooth SIG, inc.* and any use of such marks by Husqvarna is under license.

Contenido

Introducción.....	41	Transporte, almacenamiento y eliminación.....	75
Seguridad.....	47	Datos técnicos.....	77
Montaje.....	52	Servicio técnico.....	79
Funcionamiento.....	53	Declaración de conformidad.....	80
Mantenimiento.....	61	Marcas comerciales registradas.....	81
Resolución de problemas.....	67		

Introducción

Inspección previa a la entrega y números de producto

copia firmada del documento de inspección previa a la entrega de su distribuidor.

Nota: Se ha realizado una inspección previa a la entrega de este producto. Asegúrese de que recibe una

Información de contacto del taller de servicio:	
Este manual de usuario pertenece a un producto con número de producto/número de serie:	
/	
Potencia del motor:	

Descripción del producto

El producto es un tractor cortacésped. Los pedales de marcha adelante y marcha atrás permiten al operador ajustar la velocidad directamente. El producto se utiliza con un equipo de corte 2 en 1 con accesorio triturador.

Uso previsto

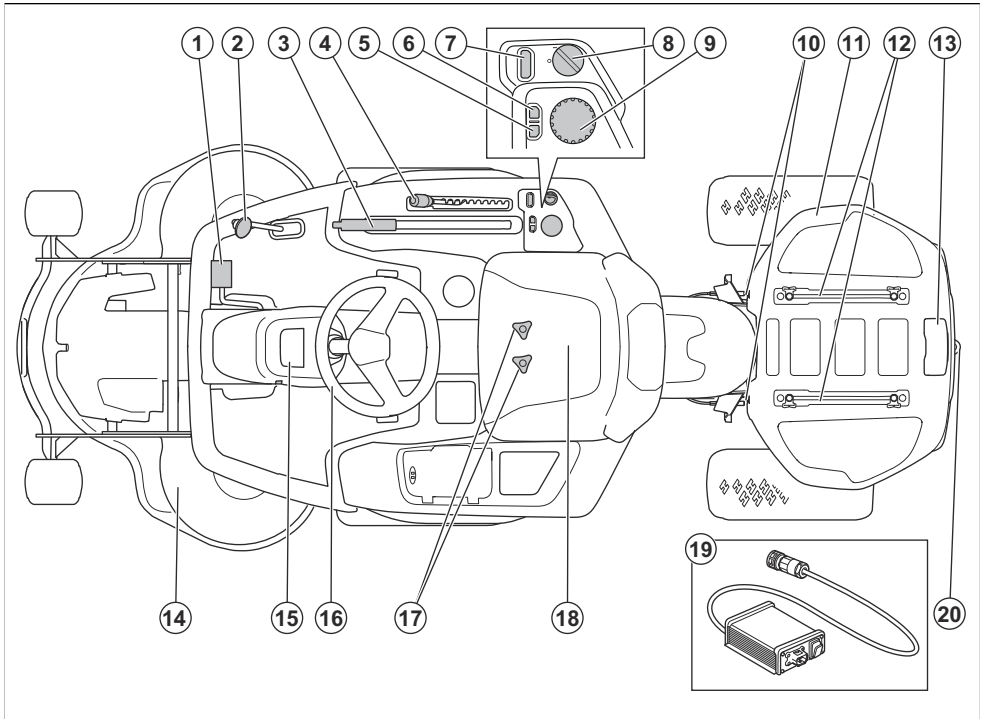
Los productos están diseñados para cortar hierba en espacios abiertos con suelo nivelado como zonas residenciales y jardines. Conecte accesorios opcionales

para utilizar el producto para otras tareas. Póngase en contacto con su distribuidor de Husqvarna para obtener más información sobre los accesorios disponibles.

Asegure su producto

Asegúrese de que tiene su seguro cubre el nuevo producto. Si tiene cualquier duda, hable con su compañía de seguros. Se recomienda un seguro a todo riesgo que incluya terceros, incendio, daños, robo y responsabilidad.

Descripción del producto

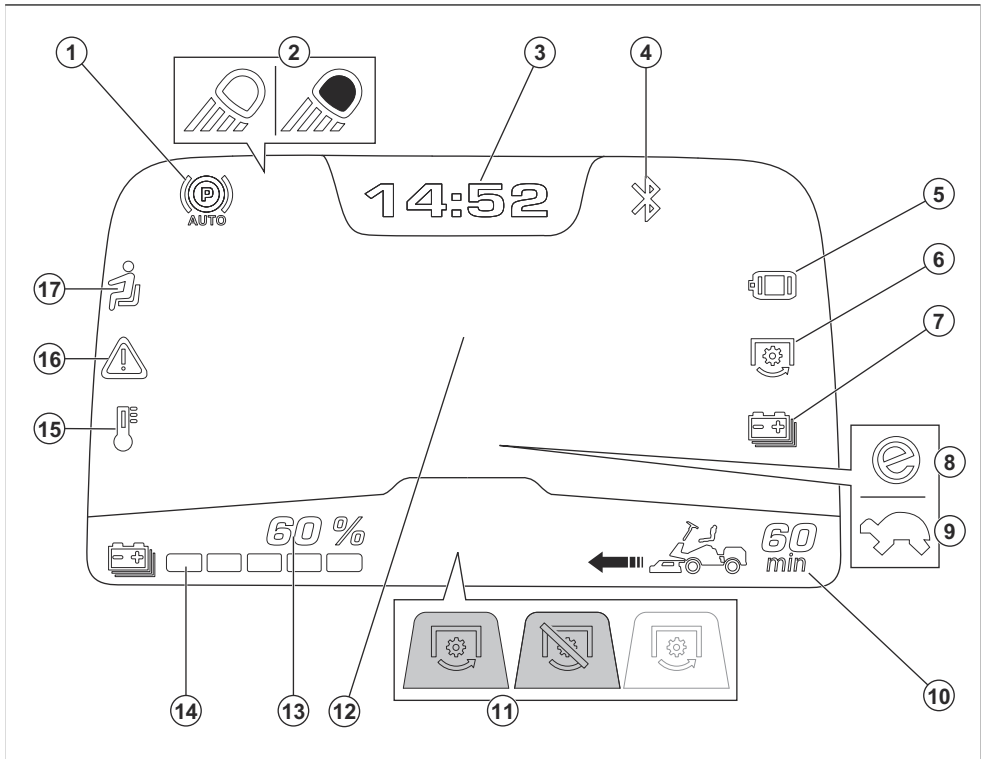


1. Pedal de avance
2. Pedal de marcha atrás
3. Palanca de elevación del equipo de corte
4. Palanca de altura de corte
5. Botón para volver atrás en el menú
6. Botón de modo de conducción
7. Botón de arranque
8. Interruptor de encendido
9. Rueda de selección
10. Bloqueo de la cubierta de la batería

11. Cubierta de la batería
12. Raíles
13. Toma para el cargador de batería
14. Equipo de corte
15. Pantalla
16. Volante
17. Ajuste del asiento
18. Asiento
19. Cargador de batería
20. Barra de remolque

Descripción general de la pantalla

La pantalla muestra información sobre el estado del producto. Hay 4 tipos de mensajes en la pantalla; consulte *Tipos de mensaje en la página 44*.



- Indicador de freno de estacionamiento automático. El indicador se enciende cuando se acciona el freno de estacionamiento automático.
- Indicador de faro o luz de trabajo.
- Reloj
- Indicador Bluetooth® El indicador se enciende cuando se conecta un dispositivo Bluetooth® al producto.
- Indicador del motor de accionamiento/del controlador del motor de accionamiento
- Indicador del motor del equipo de corte/controlador del motor del equipo de corte
- Indicador de batería
- Indicador de modo de conducción. El modo de conducción SavE está activado. Consulte *Selección de un modo de conducción en la página 60*.
- Indicador de modo de conducción. El modo de rendimiento reducido está activado. Consulte
- Mensajes indicadores de la pantalla en la página 71.
- Nivel de la batería, en minutos de funcionamiento
- Indicador de e-TDF (toma de fuerza eléctrica)⁸ Posición de corte y acoplada / Posición de corte y desacoplada / Posición de transporte y desacoplada.
- El centro de la pantalla. Consulte *Modos de pantalla en la página 44*.
- Indicador de carga de la batería, %
- Indicador de carga de la batería
- Indicador de temperatura. Si se enciende el indicador de temperatura de la pantalla, detenga el producto y consulte *Pantalla - Resolución de problemas en la página 71*.
- Indicador de advertencia. Si se enciende el indicador de advertencia de la pantalla, detenga el producto y consulte *Pantalla - Resolución de problemas en la página 71*.

⁸ Equipo de corte eléctrico u otro accesorio delantero

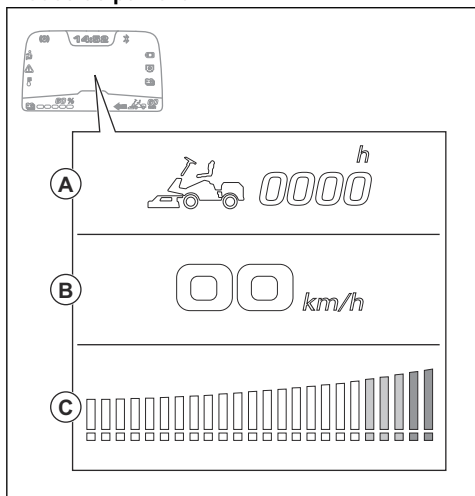
17. Control de presencia del usuario (OPC) El indicador se enciende cuando el usuario no está sentado.

Tipos de mensaje

Pueden aparecer cuatro tipos de mensajes de error en la pantalla.

Tipo de mensaje	Descripción
Mensaje de indicador de la pantalla	Los símbolos de indicadores de la pantalla muestran una función activada o información sobre el estado del producto. Cuando aparece un mensaje de indicador de la pantalla, el producto normalmente puede funcionar, pero hay acciones que se recomienda efectuar. Consulte <i>Descripción general de la pantalla en la página 43</i> y <i>Mensajes indicadores de la pantalla en la página 71</i> .
Mensaje de advertencia	Combinación de símbolos amarillos que aparecen primero como símbolos grandes en el centro de la pantalla. Muestra un estado que no es correcto. Cuando aparece un mensaje de advertencia, el producto normalmente puede funcionar, pero de modo más lento que lo habitual. Consulte <i>Mensajes de advertencia de la pantalla en la página 71</i> .
Mensaje de error	Combinación de símbolos rojos que aparecen primero como símbolos grandes en el centro de la pantalla. Muestra una advertencia de seguridad o un problema con el producto. Cuando se produce un error, el producto se suele establecer en modo de inactividad y no se puede arrancar hasta que desaparezca el error. Consulte <i>Mensajes de error en la pantalla en la página 72</i> .
Arranque impedido	Un símbolo grande en la pantalla que muestra un estado que impide el arranque del producto. Consulte <i>Mensajes cuando se impide el arranque en la página 73</i> .

Modos de pantalla



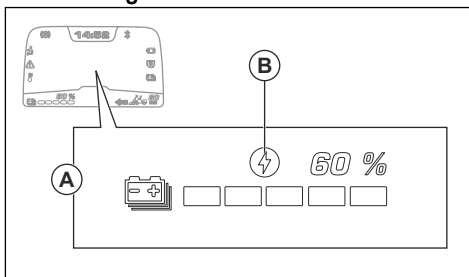
El centro de la pantalla muestra información diferente en los diferentes modos de pantalla.

- El modo de inactividad (A) se muestra cuando el interruptor de encendido se encuentra en la posición "1". En el modo de inactividad, la pantalla muestra el tiempo total de funcionamiento.
- El modo de conducción con el equipo de corte en la posición de transporte (B) aparece cuando se arranca el producto. En el modo de conducción con

el equipo de corte en posición de transporte, la pantalla muestra la velocidad actual, en km/h.

- El modo de conducción con el equipo de corte en la posición de corte (C) aparece cuando el equipo de corte u otro accesorio están encendidos. Cuando solo están encendidos los indicadores verdes, el consumo de energía del equipo de corte o el accesorio es el recomendado. Si los indicadores amarillos o rojos están encendidos, el consumo de energía es superior al recomendado y el tiempo de funcionamiento disminuye.

Vista de carga



Cuando se conecta un cargador al producto y el interruptor de encendido está en la posición 1, el centro de la pantalla muestra la vista de carga.

(A): La vista de carga muestra el estado de la carga en %. El símbolo de carga (B) se enciende cuando el producto se carga. El símbolo de carga (B) se apaga cuando el cargador está conectado pero no se carga.

Arranque impedido

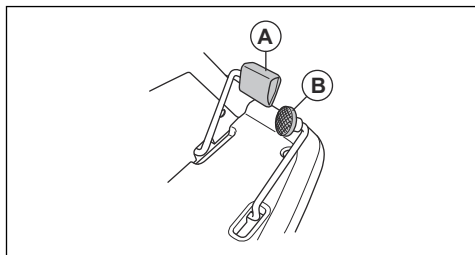
Antes de que el producto pueda arrancar, se deben respetar las condiciones de funcionamiento. Consulte *Puesta en marcha del producto en la página 59*. Si se pulsa el botón de arranque cuando no se cumplen las condiciones de funcionamiento, la pantalla muestra un símbolo de arranque impedido. Consulte *Mensajes cuando se impide el arranque en la página 73*.

Control de presencia del usuario (OPC)

El OPC pone el producto en modo seguro cuando el usuario se levanta del asiento. El motor se detiene y los motores del equipo de corte se detienen si las cuchillas están activadas. Consulte *Comprobación de las condiciones de funcionamiento en la página 50*.

Pedales de marcha adelante y marcha atrás

La velocidad se ajusta gradualmente con dos pedales. El pedal izquierdo (A) se utiliza para desplazarse hacia delante y el pedal derecho (B) para desplazarse marcha atrás. El producto se detiene al soltar los pedales.



Equipo de corte

Los equipos de corte para este producto son equipos Combi con BioClip. BioClip corta la hierba y la convierte en fertilizante. Los equipos de corte Combi también se pueden utilizar sin BioClip. Sin BioClip, la hierba se expulsa por la parte trasera.

Husqvarna Connect

El producto tiene *Bluetooth®* tecnología inalámbrica y puede conectarse a dispositivos móviles que tengan la aplicación Husqvarna Connect instalada. La aplicación Husqvarna Connect es gratuita para su dispositivo móvil. La aplicación Husqvarna Connect proporciona más funciones para su producto Husqvarna:

- Función de bloqueo y desbloqueo para evitar una puesta en marcha no autorizada del producto.
- Información ampliada sobre el producto.
- Información y asistencia sobre piezas y mantenimiento de productos.

Símbolos que aparecen en el producto



ADVERTENCIA: Este producto puede ser peligroso y ocasionar daños graves o mortales tanto al usuario como a cualquier otra persona. Tenga cuidado y utilice el producto correctamente.



Lea atentamente el manual de usuario y asegúrese de que entiende las instrucciones antes de utilizar este producto.



Mantenga todas las partes del cuerpo alejadas de las cuchillas giratorias.



Mantenga todas las partes del cuerpo alejadas de las piezas giratorias.



Tenga cuidado con los objetos que salgan despedidos o rebotados.



Mantenga alejados a los transeúntes.



Pare el motor antes de efectuar mantenimiento.



La fuerza vertical máxima permitida sobre la barra de remolque se especifica en *Datos técnicos en la página 77* y en la etiqueta.



La fuerza horizontal máxima permitida sobre la barra de remolque se especifica en *Datos técnicos en la página 77* y en la etiqueta.



Mire hacia atrás antes y durante el desplazamiento del producto marcha atrás.



No corte la hierba de forma trasversal en una pendiente. No corte la hierba en terrenos con pendientes de más de 10°. Consulte *Corte del césped en pendientes en la página 49*.



No lleve nunca pasajeros en el producto o el equipo.



Freno de estacionamiento automático.



Desplazamiento hacia delante.



Punto muerto.



Desplazamiento marcha atrás.



Interruptor del asiento.

START

Inicie el modo de conducción.



El producto cumple con las directivas de la UE vigentes.



Este producto cumple con las directivas del Reino Unido vigentes.



Etiqueta de emisiones sonoras al medio ambiente conforme con las directivas y normativas europeas y del Reino Unido, y con la regulación de 2017 sobre de protección del medioambiente (control de ruidos) (Protection of the Environment Operations - Noise Control) de la legislación de Nueva Gales del Sur. El nivel de potencia acústica garantizado del producto se especifica en el apartado *Datos técnicos en la página 77* y en la etiqueta.



Utilice siempre una protección de oídos homologada.



Posición de mantenimiento del equipo de corte.



Posición de funcionamiento del equipo de corte.



Altura de corte.



Posición de mantenimiento de la palanca de la altura de corte.



Las cuchillas no están engranadas.



Las cuchillas están engranadas.



Ponga el sistema del freno de estacionamiento eléctrico.



Desactive el sistema del freno de estacionamiento eléctrico.



Marca medioambiental. Ni el producto ni su embalaje son residuos domésticos. Recícelos en un centro de reciclaje para equipos eléctricos y electrónicos.



Código escaneable

aaaassxxxx

La placa de características técnicas indica el número de serie. **aaaa** es el año de producción **yss** es la semana de producción.

Nota: Los demás símbolos y etiquetas que aparecen en el producto corresponden a requisitos de homologación específicos de otras zonas comerciales.

Responsabilidad sobre el producto

Como se estipula en las leyes de responsabilidad del producto, no nos hacemos responsables de los daños y perjuicios causados por nuestro producto si:

- El producto se ha reparado incorrectamente.

- El producto se ha reparado con piezas que no eran del fabricante o no autorizadas por el fabricante.
- El producto tiene un accesorio que no es del fabricante o no está autorizado por este.
- El producto no se ha reparado en un centro de servicio autorizado o por un organismo homologado.

Seguridad

Definiciones de seguridad

Las advertencias, precauciones y notas se utilizan para destacar información especialmente importante del manual.



ADVERTENCIA: Indica un riesgo de lesiones o incluso de muerte del usuario o de las personas cercanas si no se respetan las instrucciones del manual.



PRECAUCIÓN: Indica un riesgo de daños en el producto, otros materiales o el área adyacente si no se respetan las instrucciones del manual.

Nota: Se usa para proporcionar más información necesaria en una situación determinada.

Instrucciones generales de seguridad



ADVERTENCIA: Este producto puede cortar las manos y los pies, y arrojar objetos. Puede causar lesiones graves o incluso la muerte si no se siguen las instrucciones de seguridad.



ADVERTENCIA: No se debe continuar utilizando un producto con un equipo de corte dañado, ya que este puede arrojar objetos y causar lesiones graves o incluso la muerte. Sustituya las cuchillas dañadas inmediatamente.

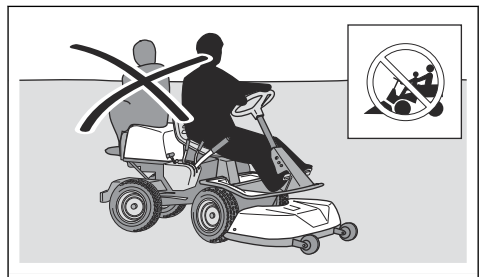


ADVERTENCIA: Este producto genera un campo electromagnético durante el funcionamiento. Este campo magnético puede, en determinadas circunstancias, interferir con implantes médicos activos o pasivos. Para reducir el riesgo de que se den condiciones que provocarían lesiones graves o letales, las personas que utilizan implantes médicos deben consultar con su médico y con el fabricante del implante antes de poner en marcha este producto.



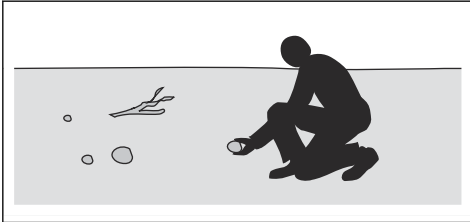
ADVERTENCIA: Lea las siguientes instrucciones de advertencia antes de utilizar el producto.

- Proceda siempre con cuidado y utilice el sentido común. Evite todas aquellas situaciones que considere que sobrepasan sus capacidades. Si después de leer el manual de usuario no se siente seguro respecto a los procedimientos de funcionamiento, consulte con un experto antes de continuar.
- Lea detenidamente y comprenda el manual de usuario y las instrucciones del producto antes de arrancar el producto.
- Aprenda a utilizar el producto y sus controles de forma segura, y aprenda a detener el producto con rapidez.
- Aprenda a reconocer las etiquetas de seguridad.
- Mantenga el producto limpio para asegurarse de que puede leer claramente los símbolos y las pegatinas.
- Tenga en cuenta que el usuario será el responsable de los accidentes que involucren a otras personas o a su propiedad.
- No transporte pasajeros. El producto debe ser usado únicamente por una persona.



- No deje el producto sin supervisión cuando esté encendido. Siempre detenga las cuchillas, asegúrese de que el freno de estacionamiento está activado, detenga el motor y retire la llave de contacto antes de dejar el producto sin supervisión.
- Utilice el producto únicamente con la luz del día o en áreas con buena iluminación. No se acerque con el producto a socavones o a cualquier otra irregularidad del terreno. Tenga cuidado con otros posibles riesgos.

- No utilice el producto en condiciones climáticas desfavorables, por ejemplo, con niebla, lluvia, humedad, lugares húmedos, viento fuerte, frío intenso, posibilidad de relámpagos, etc.
- Localice y marque piedras y otros objetos fijos para no colisionar con ellos.
- Limpie la zona de objetos tales como piedras, juguetes, cables, etc., que se podrían quedar atrapados en las cuchillas y ser lanzados.



- No deje que los niños u otras personas no autorizadas utilicen el producto ni realicen su mantenimiento. La legislación local regula la edad del usuario.
- Asegúrese de que no hay nadie en las proximidades del producto cuando arranque el motor, accione la transmisión o el producto comience a desplazarse.
- Preste atención al tráfico cuando utilice la máquina cerca de una carretera o se desplace por una carretera.
- No utilice el producto si está cansado, si ha ingerido alcohol o drogas, o si toma medicamentos o cualquier otra sustancia que puedan afectar la vista, su capacidad de discernimiento o el control del cuerpo.
- Estacione el producto siempre sobre una superficie plana y apagado.

Instrucciones de seguridad relativas a los niños

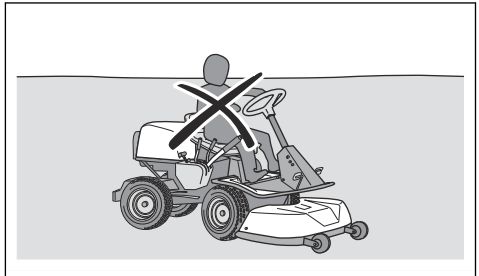


ADVERTENCIA: Lea las siguientes instrucciones de advertencia antes de utilizar el producto.

- Pueden producirse accidentes graves si no vigila a los niños que estén cerca del producto. Los niños pueden sentirse atraídos por el producto y por cortar el césped. Es muy posible que los niños no se queden quietos donde los vio por última vez.
- Mantenga a los niños alejados de la zona de corte. Asegúrese de que hay presente un adulto responsable de los niños.
- Preste atención y detenga el producto si un niño entra en la zona de trabajo. Tenga mucho cuidado cuando se acerque a esquinas, arbustos, árboles u otros objetos que podrían bloquear su buena visibilidad.
- Antes de desplazar el producto marcha atrás, mire hacia atrás y hacia abajo para asegurarse de que

no hay niños pequeños en las proximidades del producto.

- No deje que los niños monten con usted. Pueden caerse y sufrir graves lesiones o impedir el manejo seguro del producto.
- No deje que los niños manejen el producto.



Seguridad de la batería



ADVERTENCIA: Lea las siguientes instrucciones de advertencia antes de utilizar el producto.

General:

- Lea todas las advertencias e instrucciones de seguridad. El incumplimiento de las advertencias e instrucciones puede ocasionar descargas eléctricas, incendios o lesiones graves.
- El producto puede equiparse con una batería adicional. Todas las reparaciones deberán realizarse únicamente en su taller de servicio autorizado. Nunca intente instalar o reparar las baterías.
- Compruebe regularmente que las baterías estén intactas. Las baterías dañadas o modificadas pueden comportarse de forma impredecible y provocar incendios, explosiones o riesgo de lesiones. Nunca repare ni abra las baterías dañadas.
- Una batería dañada puede explotar y causar lesiones. Si la batería está deformada o dañada, no use el producto y póngase en contacto con un taller de servicio de Husqvarna autorizado.
- No desmonte, abra ni triture las baterías.
- No someta la batería a fuerzas mecánicas.
- No exponga las celdas ni las baterías al calor ni al fuego. Se debe evitar la exposición a la luz solar directa.
- No provoque cortocircuitos en las baterías. No guarde las baterías en un lugar donde se puedan cortocircuitar entre ellas o con otros objetos metálicos.
- Evite que el contenido de la batería entre en contacto con la piel o los ojos. Si entra en contacto, lave la zona afectada con abundante agua y acuda al médico.
- No utilice ninguna batería que no esté diseñada para utilizarse con el equipo.

- No mezcle celdas de diferente fabricación, capacidad, tamaño o tipo en un dispositivo.
- Mantenga las celdas o las baterías fuera del alcance de los niños.
- Mantenga la batería limpia y seca.
- Utilice la batería solo para la aplicación para la que se diseñó.

Baterías de 48 V:

- Las baterías Husqvarna de 48 V se utilizan exclusivamente como fuente de alimentación para los productos con asiento Husqvarna a batería. Para evitar daños o lesiones, la batería no debe utilizarse como fuente de alimentación de otros dispositivos.
- Nunca utilice baterías ni aparatos defectuosos, modificados o dañados.
- No intente modificar ni reparar los aparatos ni las baterías. Todas las reparaciones deberán realizarse únicamente en un taller de servicio autorizado.

Instrucciones de seguridad para el funcionamiento



ADVERTENCIA: Lea las siguientes instrucciones de advertencia antes de utilizar el producto.

- Antes del desplazamiento marcha atrás, y durante el mismo, mire hacia atrás y hacia abajo. Tenga cuidado con los obstáculos grandes y pequeños.
- Reduzca la velocidad antes de doblar una esquina.
- Detenga las cuchillas cuando se mueva por zonas que no requieran corte.



PRECAUCIÓN: Lea las siguientes instrucciones de precaución antes de utilizar el producto.

- Maniobre con cuidado alrededor de piedras y otros objetos grandes, y asegúrese de que las cuchillas no los golpeen.
- No pase con el producto por encima de objetos. Si pasa con el producto por encima de algún objeto o choca con él, deténgase y examine el producto y el equipo de corte. Si es necesario, realice cualquier reparación necesaria antes de volver a ponerse en marcha.

Corte del césped en pendientes

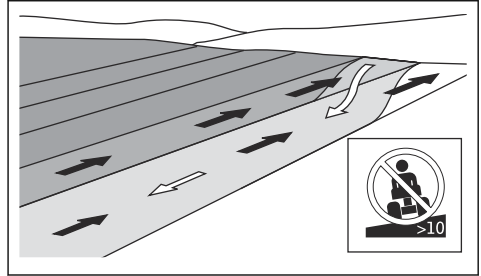


ADVERTENCIA: Lea las siguientes instrucciones de advertencia antes de utilizar el producto.

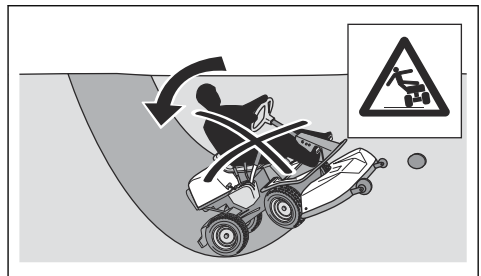
- Cortar el césped en pendientes aumenta el riesgo de perder el control del producto y que este vuelque, lo que puede provocar lesiones graves o la muerte. Es necesario cortar el césped con cuidado en todas las pendientes. Si no puede dar marcha atrás en

una pendiente o si no se siente seguro en ella, no utilice la máquina.

- Quite piedras, ramas y otros obstáculos.
- En las pendientes, trabaje de arriba abajo y no de lado a lado.
- No baje por una pendiente con el equipo de corte elevado.
- No utilice el producto en pendientes de más de 10°.



- No arranque ni detenga el producto en una pendiente.
- No utilice el pedal de avance y el pedal de marcha atrás para mantenerse en una pendiente. Esto hará que el sistema se sobrecaliente.
- En pendientes, desplácese con suavidad y lentamente.
- No realice cambios súbitos de velocidad ni dirección.
- No gire más de lo necesario. Cuando baje por una pendiente, gire de forma lenta y gradual. Muévase a baja velocidad. Gire el volante con cuidado.
- Tenga cuidado y no atraviese surcos, agujeros y baches, ya que existe un alto riesgo de que el producto vuelque al circular sobre una superficie que no es plana. El césped crecido puede esconder obstáculos.
- No corte el césped cerca de bordes, zanjas o terraplenes. El producto puede volcar repentinamente si alguna de las ruedas pasa por el borde de una fuerte pendiente o una zanja, o si falta un trozo de bordillo. Si el producto cae al agua, existe riesgo de ahogamiento.

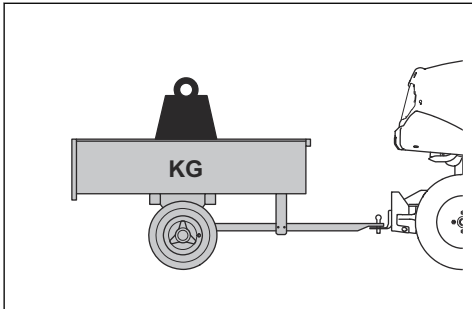


- No corte hierba mojada. Es resbaladiza y las ruedas pueden perder adherencia, y el producto puede patinar.

- No ponga el pie en el suelo para intentar que el producto sea más estable.
- Muévase con mucho cuidado si hay conectado un accesorio u otro objeto que pueda hacer que el producto sea menos estable.

Seguridad durante el remolque

- Utilice únicamente el equipo de remolque aprobado por Husqvarna.
- Use la barra de remolque para acoplar el equipo.
- No remolque equipo cuyo peso sea superior al peso máximo autorizado de remolcado. Consulte *Datos técnicos en la página 77*.



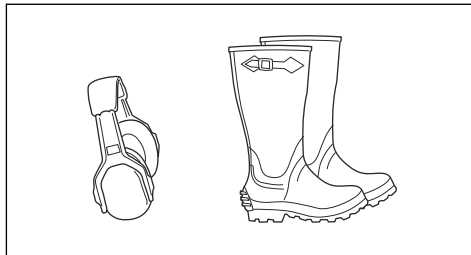
- Asegúrese de que no haya otras personas cerca del producto al remolcar cualquier equipo.
- Tenga cuidado cuando remolque equipo en pendientes o terreno irregular.
- Al remolcar equipo, conduzca el producto a baja velocidad.

Equipo de protección individual



ADVERTENCIA: Lea las siguientes instrucciones de advertencia antes de utilizar el producto.

- Para trabajar con el producto debe utilizar un equipo de protección individual homologado. El equipo de protección individual no elimina completamente el riesgo de lesiones, pero reduce la gravedad de estas en caso de accidente. Deje que el distribuidor le ayude a seleccionar el equipo adecuado.
- Utilice protectores auriculares homologados. La exposición prolongada al ruido puede causar daños crónicos en el oído.
- Utilice botas o zapatos de trabajo antideslizantes. Se recomienda llevar punteras de acero. No utilice calzado abierto ni vaya descalzo.



- Utilice guantes protectores cuando sea necesario, por ejemplo, para el montaje, inspección o limpieza del equipo de corte.
- No lleve ropa suelta, joyas u otros objetos que puedan quedar atrapados en las piezas móviles.
- Mantenga el equipo de primeros auxilios y el extintor de incendios cerca.

Safety devices on the product



ADVERTENCIA: Read the warning instructions that follow before you use the product.

- Do not use a product with safety devices that are damaged or do not operate correctly.
- Do not remove or do modifications to safety devices.
- Do a check of the safety devices regularly. If the safety devices are damaged or do not operate correctly, speak to your Husqvarna service agent.

Comprobación del interruptor de encendido

- Desconecte el cable de carga de la batería.
- Ponga el interruptor de encendido en la posición "1". Asegúrese de que la pantalla se enciende.
- Ponga el interruptor de encendido en la posición "0". Asegúrese de que el producto se detiene inmediatamente y la pantalla se apaga.

Comprobación de las condiciones de funcionamiento

Compruebe las condiciones de funcionamiento a diario.

1. Asegúrese de que no puede iniciar el modo de conducción cuando el equipo de corte está en la posición de corte.
2. Asegúrese de que no puede iniciar el modo de conducción al pisar los pedales.
3. Asegúrese de que no puede iniciar el modo de conducción al abandonar el asiento.
4. Asegúrese de que no puede iniciar el modo de conducción si el cargador está conectado al producto.
5. Asegúrese de que no puede iniciar el modo de conducción cuando el sistema del freno de estacionamiento eléctrico está desactivado.

6. Asegúrese de que el producto se detiene cuando los motores del equipo de corte están activados y se levanta del asiento.

Revisión del pedal de avance y el pedal de marcha atrás

1. Arranque el producto y active el modo de conducción.
2. Asegúrese de que los pedales de avance y marcha atrás no están bloqueados y se pueden accionar libremente.
3. Pise el pedal de avance con cuidado para avanzar.
4. Suelte el pedal de avance para frenar. Asegúrese de que el freno se activa cuando se suelta el pedal de avance.

Nota: El producto dispone de un freno automático que se activa al soltar los pedales. Para obtener más potencia de frenado al reducir la velocidad, pise el otro pedal.

5. Realice el mismo procedimiento con el pedal de marcha atrás.
6. Asegúrese de que el producto no se mueve sin accionar los pedales de avance y marcha atrás.

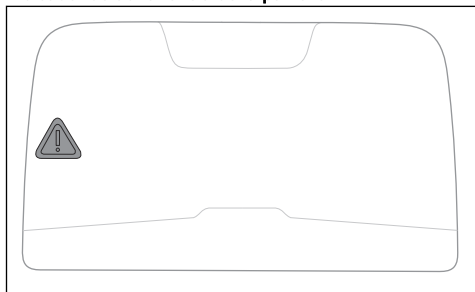
Freno de estacionamiento



ADVERTENCIA: Si el freno de estacionamiento no funciona, el producto puede comenzar a moverse y provocar daños o lesiones. Asegúrese de que el freno de estacionamiento se examina y ajusta con frecuencia.

Consulte la sección *Comprobación del freno de estacionamiento en la página 63*.

Indicador de advertencia de la pantalla



PRECAUCIÓN: Si se enciende el indicador de advertencia de la pantalla, detenga el producto y consulte *Pantalla - Resolución de problemas en la página 71*.

Tapas protectoras

Si el producto no dispone de tapas protectoras o estas están dañadas, aumenta el riesgo de lesiones por piezas móviles y superficies calientes. Compruebe las tapas protectoras antes de poner en marcha el producto. Asegúrese de que las tapas protectoras están montadas correctamente y no tienen grietas u otros daños. Sustituya las tapas dañadas.

Instrucciones de seguridad para el mantenimiento



ADVERTENCIA: El producto es pesado y puede ocasionar lesiones o daños materiales o en las inmediaciones. No realice tareas de mantenimiento en el producto ni en el equipo de corte si no se cumplen estas condiciones:

- El interruptor de encendido está en la posición "0" y se ha retirado la llave de contacto.
- El producto está estacionado en una superficie nivelada.
- El freno de estacionamiento está activado.
- El equipo de corte está desactivado.
- El cable del cargador de batería está desconectado.



ADVERTENCIA: Lea las siguientes instrucciones de advertencia antes de utilizar el producto.

- Para lograr un mejor rendimiento y seguridad, realice el mantenimiento del producto periódicamente según lo establecido en el programa de mantenimiento. Consulte *Programa de mantenimiento en la página 61*.
- Las descargas eléctricas pueden causar lesiones. No realice operaciones de mantenimiento en la batería. No toque los cables cuando el motor está encendido. No realice una prueba de funcionamiento con los dedos.
- No arranque el producto si se han retirado las cubiertas de protección. Existe un alto riesgo de lesiones causadas por las piezas móviles o calientes.
- Deje que el producto se enfríe antes de llevar a cabo cualquier tarea de mantenimiento.
- Las cuchillas están afiladas y pueden provocar cortes. Cuando trabaje en las cuchillas, use una protección contra el viento alrededor de las mismas o lleve guantes protectores.
- Coloque siempre el equipo de corte en la posición de servicio para limpiarlo. No estacione el producto cerca del borde de una zanja ni de una pendiente si va a acceder al equipo de corte.



PRECAUCIÓN: Lea las siguientes instrucciones de precaución antes de utilizar el producto.

- Asegúrese de que todas las tuercas y pernos están apretados correctamente y que el equipo está en buen estado.

- No cambie el ajuste de los reguladores. Si el régimen del motor es demasiado alto, los componentes del producto podrían dañarse. Consulte *Datos técnicos en la página 77* para conocer el régimen del motor máximo permitido.
- El producto está homologado con el equipo original proporcionado o recomendado por el fabricante.

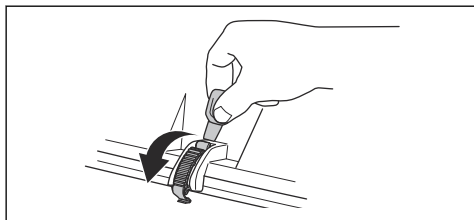
Montaje

Introducción

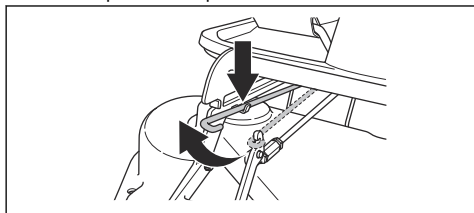
Las instrucciones para retirar y colocar el equipo de corte también se encuentran en una etiqueta en la superficie interior de la cubierta delantera.

Retirada y colocación del equipo de corte

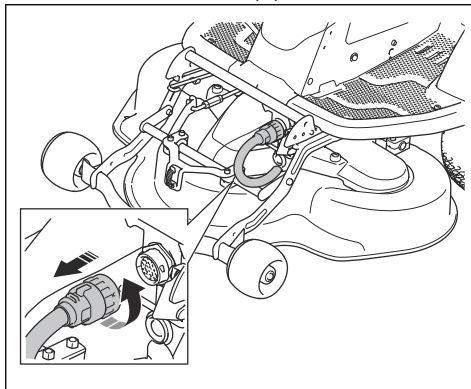
1. Estacione el producto en un suelo nivelado.
2. Ponga el interruptor de encendido en la posición "0".
3. Coloque la palanca de la altura de corte en la posición de servicio.
4. Suelte el clip de la cubierta delantera con la herramienta acoplada a la llave de contacto y retire la cubierta.



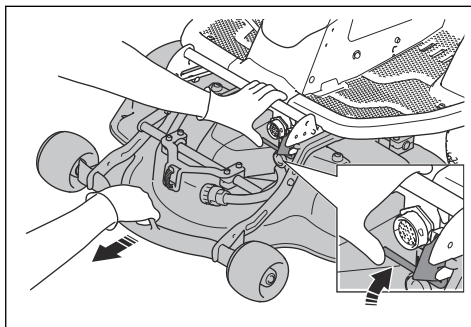
5. Levante el tirante de la altura de corte y colóquelo en su soporte correspondiente.



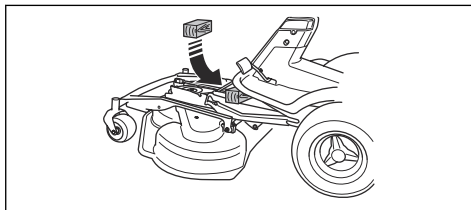
6. Desconecte el cable del equipo de corte.



7. Suelte el bloqueo del equipo de corte con la mano izquierda. Extraiga el equipo de corte tirando de él con la mano derecha.



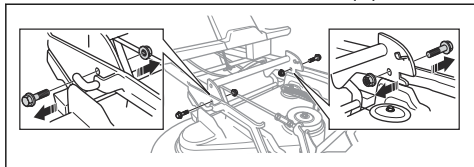
8. Coloque un bloque de madera entre el bastidor del equipo y el chasis. Esto garantizará que el equipo de corte no rebote bruscamente al retirarlo.



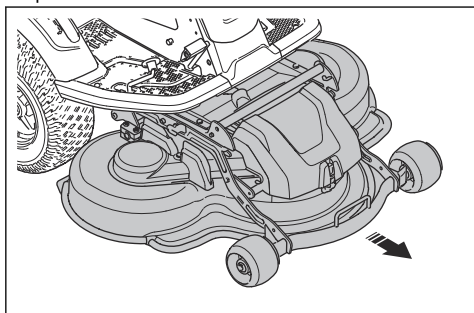


ADVERTENCIA: Tenga cuidado. Existe riesgo de lesiones si la mano se le queda atrapada entre el bastidor del equipo y el chasis.

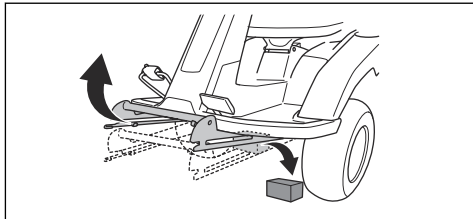
9. Retire los 2 tornillos del bastidor del equipo.



10. Sujete el borde delantero del equipo de corte y tire para sacarlo.



11. Retire el bloque de madera.



12. Para colocar el equipo de corte, efectúe el mismo procedimiento en el orden inverso.

Funcionamiento

Introducción

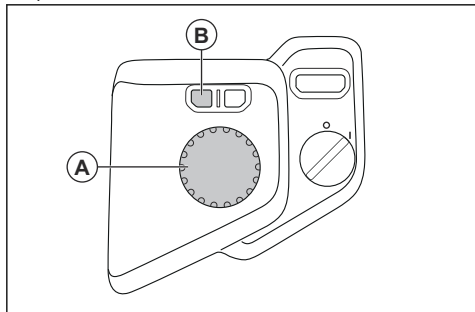


ADVERTENCIA: Antes de utilizar el producto, debe leer y entender el capítulo sobre seguridad.

Pantalla

Uso del menú de pantalla

1. Pulse la rueda de selección (A) para ver el menú de pantalla.



2. Gire la rueda de selección (A) para desplazarse por los menús disponibles.
3. Pulse la rueda de selección (A) para seleccionar un menú.
4. Pulse el botón (B) para retroceder y para cerrar el menú de pantalla.

Nota: La mayoría de los menús solo están disponibles desde el modo de inactividad o cuando el producto está parado. Consulte *Modos de pantalla en la página 44*. El menú se cierra automáticamente al pulsar el botón de arranque o los pedales.

Velocidad del accesorio



El menú de accesorios solo está disponible cuando el producto tiene un accesorio con velocidad ajustable. Consulte el manual de usuario del accesorio. Para obtener más información sobre los accesorios disponibles para el producto, póngase en contacto con su distribuidor de Husqvarna.

Activación del menú de luz

Nota: La luz es un accesorio opcional. Para obtener más información sobre los accesorios disponibles para el producto, póngase en contacto con su distribuidor de Husqvarna.

Nota: Para poder utilizar y ajustar la luz, el menú de luz debe establecerse en la posición ON (activado).

1. Pulse la rueda de selección para ver el menú de pantalla.
2. Seleccione el menú de ajustes.



3. Desplácese hasta el menú Luz.



4. Pulse la rueda de selección para establecer el menú de luces en ON (activado).



Nota: El menú de luces estará en posición ON (activado) la próxima vez que encienda el producto.

Para ajustar las luces

Nota: El menú de luces debe ajustarse en posición ON (activado) después de instalar las luces. Consulte *Activación del menú de luz en la página 54*.

1. Pulse la rueda de selección para ver el menú de pantalla.
2. Desplácese hasta el símbolo de luces apagadas.



3. Pulse la rueda de selección para ajustar en posición ON (activado) las luces de trabajo.



4. Pulse la rueda de selección para ajustar en posición ON (activado) las luces de trabajo y los faros.



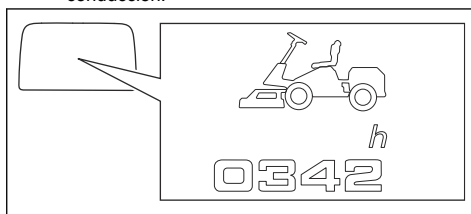
Para leer la información del sistema

1. Pulse la rueda de selección para ver el menú de pantalla.
2. Seleccione el símbolo de información.

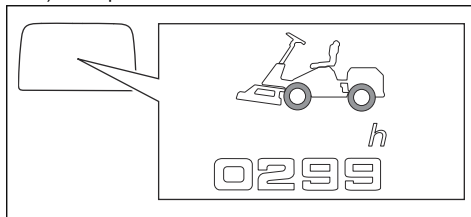


3. Gire la rueda de selección para desplazarse entre estas vistas de información del sistema:

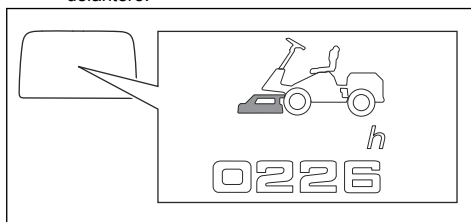
- a) Tiempo total de encendido en el modo de conducción.



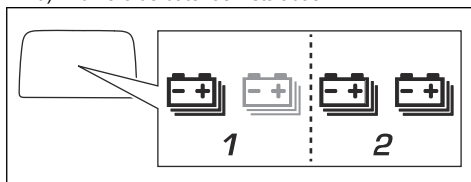
- b) Tiempo total de tracción.



- c) Tiempo total de corte o uso de otro accesorio delantero.



- d) Número de baterías instaladas.



Nota: Se puede instalar una segunda batería en el producto. Póngase en contacto con su distribuidor Husqvarna para la instalación.



ADVERTENCIA: Riesgo de descarga eléctrica. No intente instalar ni reparar las baterías. Las instalaciones y reparaciones las debe realizar solamente un taller de servicio autorizado.

Ajuste de la hora en la pantalla

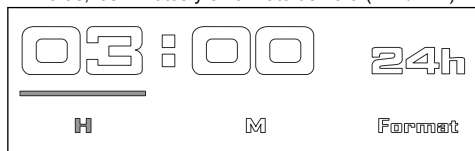
1. Pulse la rueda de selección para ver el menú de pantalla.
2. Seleccione el menú de ajustes.



3. Seleccione el símbolo del reloj.



4. Gire y pulse la rueda de selección para ajustar las horas, los minutos y el formato de hora (24 h/12 h).



Activación o desactivación del sonido

Nota: Cuando el sonido está desactivado, no oírás los sonidos de notificación de advertencias, errores o inicio.

1. Pulse la rueda de selección para ver el menú de pantalla.
2. Seleccione el menú de ajustes.



3. Seleccione el símbolo del altavoz.



4. Pulse la rueda de selección para activar o desactivar el sonido.

Lectura de mensajes

Nota: Un mensaje de error es una combinación de símbolos. Consulte *Mensajes de error en la pantalla en la página 72*.

1. Pulse la rueda de selección para ver el menú de pantalla.
2. Seleccione el símbolo de advertencias en el menú de la pantalla.



Nota: El menú de errores muestra un máximo de 3 mensajes de error. Si hay más de 3 mensajes de error, el menú de errores muestra los primeros 3 mensajes de error.

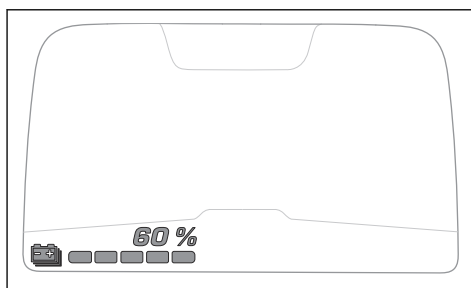
Nota: Cuando desaparece un error del sistema, su mensaje de error no se guarda en el menú de errores.

3. Consulte *Mensajes de error en la pantalla en la página 72* para obtener información e instrucciones.

Para empezar a utilizar Husqvarna Connect

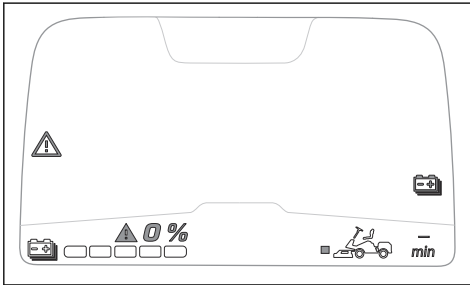
1. Descargue la aplicación Husqvarna Connect en su dispositivo móvil.
2. Registre una cuenta en la aplicación Husqvarna Connect.
3. Siga las instrucciones de la aplicación Husqvarna Connect para conectarse y registrar el producto.

Indicación de la batería cuando el producto está encendido



La pantalla muestra el estado de carga en % cuando el producto está encendido. Cada indicador verde indica un estado de carga del 20 %. Cuando el estado de carga es del 20 % o inferior, el indicador situado más a la izquierda es de color amarillo. Cuando el estado

de carga es del 5 % o inferior, el indicador situado más a la izquierda es de color rojo. Cuando la batería está descargada, el indicador situado más a la izquierda es de color gris.



Carga de la batería



ADVERTENCIA: Un cargador de baterías dañado o utilizado incorrectamente puede provocar una descarga eléctrica, fugas de la batería o temperaturas demasiado altas. Compruebe periódicamente que el cargador de batería y la batería no están dañados.



PRECAUCIÓN: Cargue la batería antes de utilizarla por primera vez. Las baterías nuevas no están completamente cargadas.



PRECAUCIÓN: Utilice únicamente cargadores homologados. Consulte *Datos técnicos en la página 77*.



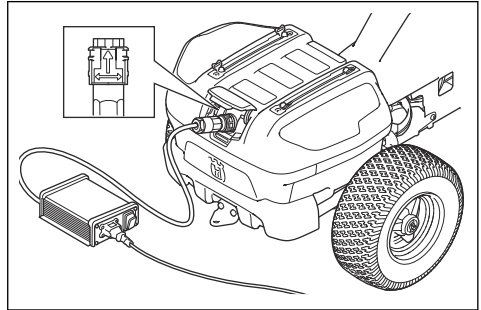
PRECAUCIÓN: El proceso de carga solo es posible cuando la temperatura de la batería se encuentra dentro del intervalo de temperaturas de carga permitido (de 0 °C a 38 °C).



PRECAUCIÓN: Utilice la batería en condiciones en las que la temperatura esté entre 0 °C y 40 °C.

Nota: La batería puede entrar en el modo de suspensión cuando el producto está almacenado o el estado de carga es muy bajo. Para activar la batería, es preciso pulsar el botón de arranque durante 2 segundos. Si la batería no se activa, es preciso cargarla de forma continua hasta que esté completamente cargada. El tiempo de carga será mayor cuando la batería se encuentre en modo de suspensión.

1. Conecte el cargador de batería a una toma de corriente con toma de tierra y al producto.



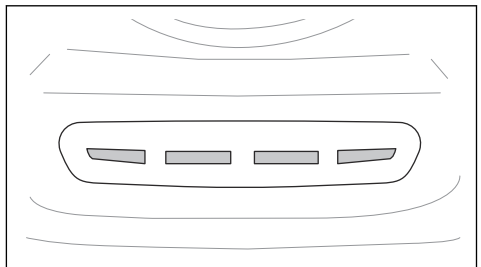
2. Coloque el interruptor de encendido/apagado del cargador en la posición de apagado.
3. Coloque el interruptor de encendido/apagado del cargador en LA posición de apagado antes de desconectar el cargador.

Nota: Se puede instalar una segunda batería en el producto. Póngase en contacto con su distribuidor Husqvarna para la instalación.

Indicación de batería cuando la batería se carga

Cuando se conecta un cargador al producto y el interruptor de alimentación está en la posición "1", la pantalla muestra la vista de carga. Consulte *Vista de carga en la página 44*.

Cuando se conecta un cargador, 4 indicadores LED debajo de la toma del cargador de batería indican el estado de carga.



Nota: Los 4 indicadores LED se encienden momentáneamente cuando el cargador de batería se conecta.



PRECAUCIÓN: Si no se enciende ningún LED, o si parpadean LED rojos cuando el cargador de batería se conecta, hay un error. Busque símbolos de advertencia o un mensaje de error en la

pantalla. Desconecte el cargador y consulte *Resolución de problemas en la página 67.*

Cuando la batería está completamente cargada, los 4 LED están encendidos.



PRECAUCIÓN: Si el cargador está conectado y el interruptor de encendido/apagado del cargador está en la posición de apagado, todos los indicadores de carga se apagarán. Asegúrese de desconectar el cargador antes de utilizar el producto.

Indicadores LED	Estado de carga
Los 4 indicadores LED están encendidos.	La batería tiene una carga del 76 % al 100 %.
Los indicadores LED del 1 al 3 están encendidos.	La batería tiene una carga del 51 % al 75 %.
Los indicadores LED 1 y 2 están encendidos.	La batería tiene una carga del 26 % al 50 %.
El indicador LED 1 está encendido.	La batería tiene una carga del 0 % al 25 %.

Nota: Si se conecta un cargador cuando la temperatura de la batería es superior a 38 °C, la carga no se inicia. Los indicadores LED amarillos muestran el estado de la carga. Cuando la temperatura de la batería se encuentra en el rango de temperatura de carga permitido (de 0 a 38 °C), la carga se inicia automáticamente.

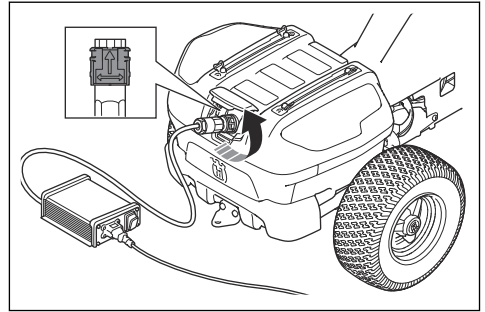
Nota: Si utiliza el producto a bajas temperaturas, el tiempo de funcionamiento puede disminuir.

Desconexión del cargador de batería

Nota: No es posible arrancar el producto cuando el cargador de batería está conectado.

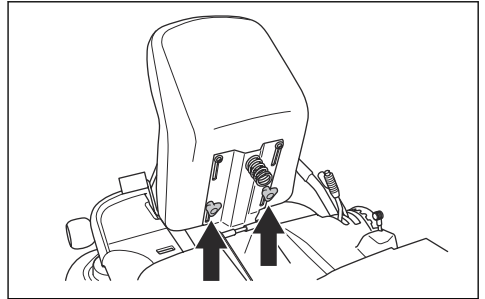
1. Coloque el interruptor de encendido/apagado del motor en la posición de apagado.

2. Gire el enchufe del cargador para desconectar este.



Ajuste del asiento

El asiento se puede inclinar hacia delante. También se puede ajustar longitudinalmente. Afloje las manivelas situadas debajo del asiento para ajustar el asiento hacia delante o hacia atrás.

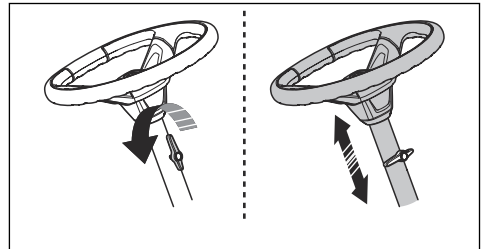


Ajuste de la altura del volante



ADVERTENCIA: No ajuste la altura del volante mientras utiliza el producto.

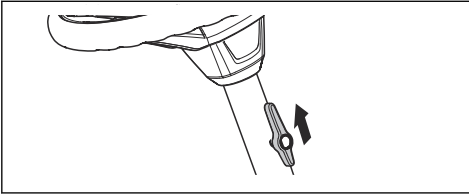
1. Gire la palomilla hacia la izquierda para aflojarla.



2. Ajuste la altura del volante.
3. Gire la palomilla hacia la derecha para apretarla.

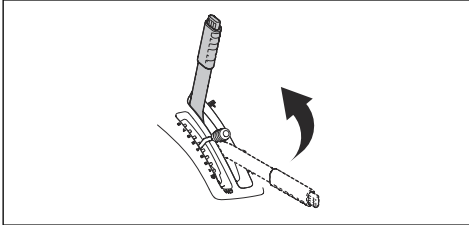


PRECAUCIÓN: Asegúrese de que el extremo largo de la palomilla apunta hacia arriba.

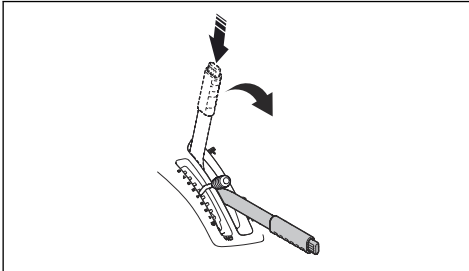


Elevación y bajada del equipo de corte

- Para elevar el equipo de corte a la posición de transporte, tire de la palanca de elevación hacia atrás. Si el modo de conducción está activado, las cuchillas dejan de girar automáticamente.

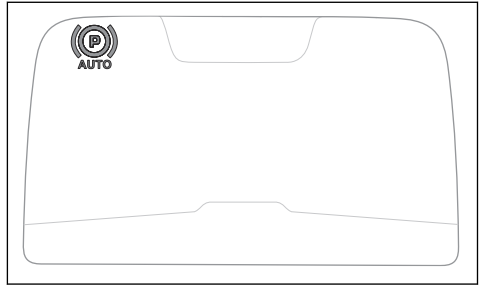


- Para bajar el equipo de corte a la posición de corte, presione el botón de bloqueo y mueva la palanca de elevación hacia delante. Si el modo de conducción está activado, las cuchillas empiezan a girar automáticamente.



Freno de estacionamiento

El freno de estacionamiento es eléctrico. El freno de estacionamiento se aplica automáticamente cuando el producto está parado y se suelta cuando se pisan los pedales. Aparece un símbolo de freno de estacionamiento en la pantalla cuando se acciona el freno de estacionamiento.



Movimiento manual del producto



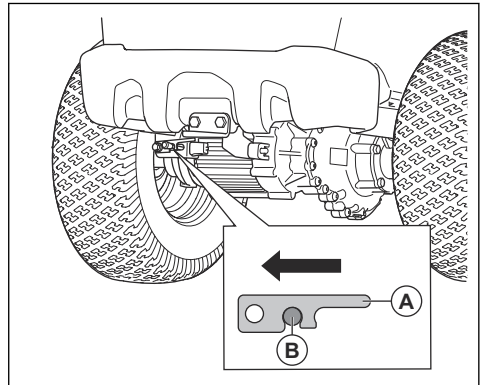
ADVERTENCIA: Antes de utilizar el producto, asegúrese de que el sistema del freno de estacionamiento eléctrico está activado.



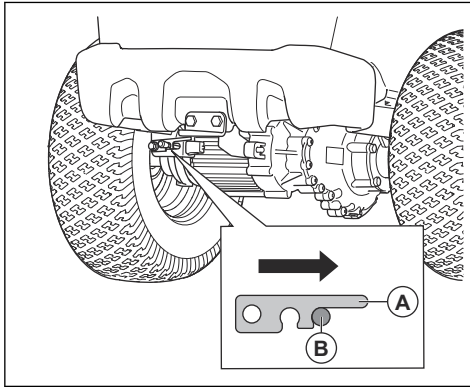
PRECAUCIÓN: No empuje el producto durante más tiempo del necesario o a una velocidad superior a 6 km/h.

Para mover el producto con el motor apagado, el sistema de freno de estacionamiento eléctrico debe estar desactivado. La palanca del sistema del freno de estacionamiento eléctrico se encuentra detrás de la rueda trasera izquierda.

- Suelte el bloqueo del sistema de freno de estacionamiento eléctrico (A) y mueva la palanca (B) a la posición izquierda para desactivar el sistema de freno de estacionamiento eléctrico.

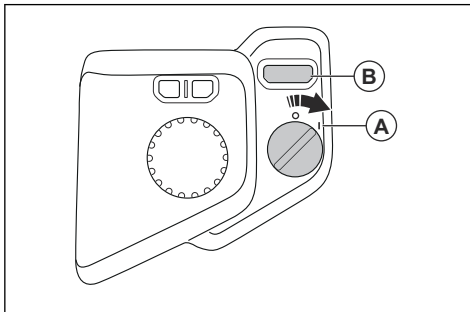


- Suelte el bloqueo del sistema del freno de estacionamiento eléctrico (A) y mueva la palanca (B) a la posición derecha para activar el sistema del freno de estacionamiento eléctrico.



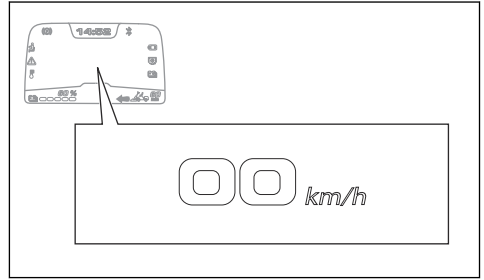
Puesta en marcha del producto

- Desconecte el cable del cargador de batería.
- Siéntese en el asiento.
- Levante el equipo de corte a la posición de transporte. Consulte *Elevación y bajada del equipo de corte en la página 58*.
- Coloque el interruptor de encendido en la posición "1" (A). El producto está configurado en el modo de inactividad.



- Asegúrese de no pisar los pedales.

- Pulse el botón de arranque (B) hasta que se oiga un sonido y cambie la vista de la pantalla. Esto indica que el modo de conducción está activado.

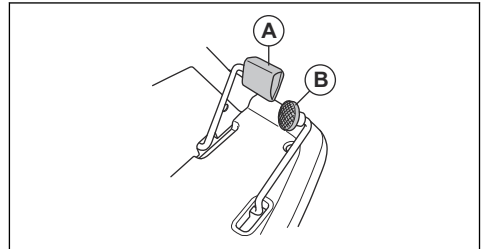


Nota: No oírás el sonido si el sonido está desactivado. Consulte *Activación o desactivación del sonido en la página 55*.

Nota: La batería puede entrar en el modo de suspensión cuando el producto está almacenado o el estado de carga es muy bajo. Para activar la batería, es preciso pulsar el botón de arranque durante 2 segundos. Si la batería no se activa, es preciso cargarla de forma continua hasta que esté completamente cargada. El tiempo de carga será mayor cuando la batería se encuentre en modo de suspensión.

Manejo del producto

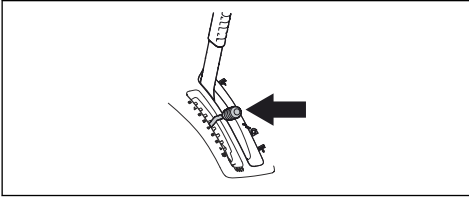
- Encienda el producto. Consulte *Puesta en marcha del producto en la página 59*.
- Pise con cuidado uno de los pedales. Utilice el pedal (A) para desplazarse hacia adelante y el pedal (B) para desplazarse hacia atrás. Cuanto más pise el pedal, mayor será la velocidad.



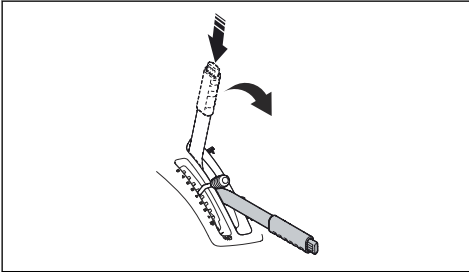
Nota: El freno de estacionamiento se desactiva automáticamente cuando se pisa un pedal.

- Suelte el pedal para activar los frenos.

4. Seleccione la altura de corte (1–10) con la palanca de altura de corte.



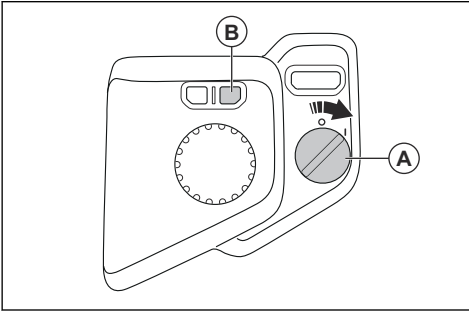
5. Pulse el botón de bloqueo de la palanca de elevación del equipo de corte y bájela a la posición de corte.



Selección de un modo de conducción

Puede poner el producto en 2 modos de conducción diferentes: Modo de conducción estándar o una función de ahorro de batería, SavE. La función SavE prolonga el tiempo de funcionamiento. La función SavE reduce la velocidad del producto y la velocidad de las cuchillas.

1. Coloque el interruptor de encendido (A) en la posición "1". La pantalla se enciende.
2. Pulse el botón de modo de conducción (B) para cambiar el modo de conducción.



Nota: El indicador de modo de conducción de la pantalla muestra qué modo de conducción está activado. Consulte *Descripción general de la pantalla en la página 43*.

Nota: Si se enciende el indicador del modo de conducción con batería baja, consulte *Mensajes indicadores de la pantalla en la página 71*.

Parada del producto

1. Estacione el producto en un suelo nivelado. El freno de estacionamiento se aplica automáticamente cuando el producto está parado.
2. Tire de la palanca de elevación del equipo de corte hacia atrás para levantar el equipo de corte a la posición de transporte.
3. Ponga el interruptor de encendido en la posición "0".

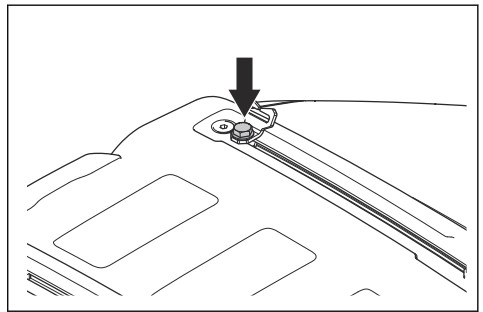
Condiciones para un buen resultado de corte

- No corte el césped si está húmedo. La hierba mojada puede dar lugar a un mal resultado.
- Empiece con una altura de corte elevada y redúzcala gradualmente.
- Para obtener los mejores resultados, utilice el modo de conducción estándar. Avance con el producto a baja velocidad. Si la hierba no está demasiado alta y espesa, también puede obtener un buen resultado de corte a una velocidad superior.
- Para obtener los mejores resultados, corte el césped con frecuencia y utilice la función de trituración. Consulte *Retirada y colocación del tapón BioClip en el equipo de corte en la página 66*.

Fijación de carga a los raíles

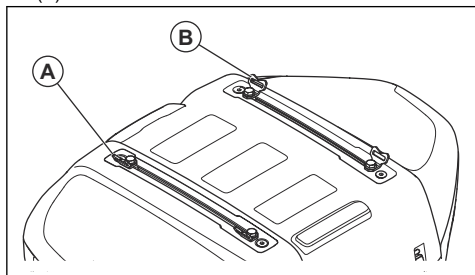
El producto dispone de raíles y soportes de raíles en la cubierta del motor para fijar carga.

1. Ajuste los soportes de los raíles para adaptarlos a la carga.
 - a) Afloje el tornillo y mueva el soporte del rail hacia adelante o hacia atrás sobre el rail.



- b) Apriete el tornillo.

2. Pase una correa por el orificio del soporte del raíl (A).



3. Pase la correa por el soporte del raíl (B) en el lado opuesto.

4. Utilice los soportes de raíl para fijar la carga con correas.



PRECAUCIÓN: No sobrecargue los raíles. Consulte *Datos técnicos en la página 77.*

Mantenimiento

Introducción

antes de realizar tareas de mantenimiento en el producto.



ADVERTENCIA: Asegúrese de leer y comprender el capítulo sobre seguridad

Programa de mantenimiento

Mantenimiento diario antes de usar el producto
Asegúrese de que las tuercas y los tornillos están bien apretados.
Limpie el producto y las superficies interiores del equipo de corte.
Asegúrese de que los dispositivos de seguridad no estén dañados.
Examine los cables de la dirección.
Examine las cuchillas del equipo de corte.
Asegúrese de que la presión de los neumáticos sea la correcta.

X = Estas instrucciones se indican en este manual de usuario.

O = Estas instrucciones no se indican en este manual de usuario. Deje que un taller de servicio homologado haga el mantenimiento.

Mantenimiento	Cada 50 horas o anualmente
Limpie la superficie interior y exterior del equipo de corte. Limpie debajo de la cubierta del equipo de corte y alrededor de las cuchillas.	X
Asegúrese de que la presión de los neumáticos sea la correcta.	X
Conecte el producto a Husqvarna Service Hub (HSH), actualice el firmware y realice una calibración si es necesario.	O
Cargue la batería al 80 % como mínimo. Compruebe el estado de la batería en HSH.	O
Asegúrese de que todos los tornillos y tuercas están apretados al par adecuado.	O

Mantenimiento	Cada 50 horas o anualmente
Inspeccione, lubrique y ajuste todos los cables.	O
Compruebe la cadena de dirección situada dentro del túnel de chasis.	O
Lubrique los pedales por la parte interior del túnel de chasis.	O
Lubrique el asiento del usuario.	O
Desmonte las ruedas motrices y lubrique los ejes con grasa.	O
Lubrique el bastidor del equipo de corte y el control de presencia del equipo de corte.	O
Lubrique las ruedas giratorias del equipo de corte.	O
Examine las cuchillas. Afíle y equilibre las cuchillas si es necesario.	O
Compruebe y ajuste el paralelismo del equipo de corte.	X
Compruebe el interruptor del elevador del equipo de corte.	O
Compruebe la activación de las cuchillas y el interruptor OPC.	O
Compruebe la marcha adelante y la marcha atrás a diferentes velocidades.	O

Limpeza del producto



PRECAUCIÓN: No utilice un equipo de limpieza de alta presión o de vapor. El agua puede introducirse en los cojinetes y las conexiones eléctricas, y provocar corrosión y daños al producto.

Limpe el producto inmediatamente después de usarlo.

- Antes de limpiar con un paño húmedo, limpie con un cepillo. Elimine la hierba y la tierra del sistema de propulsión y alrededor del mismo, así como de la entrada al ventilador de refrigeración del motor.
- Utilice un paño húmedo para limpiar el producto.
- No utilice agua en los componentes eléctricos ni en los cojinetes. El detergente generalmente aumenta el daño.
- Asegúrese de que la batería y el cargador de batería están limpios antes de conectar el cargador de batería al producto.
- Para limpiar el equipo de corte, colóquelo en la posición de servicio y lávelo con agua con una manguera. Asegúrese de que el interruptor de encendido se encuentra en la posición "0".
- Cuando el producto esté limpio, arranque el equipo de corte durante un corto período para drenar el agua restante.

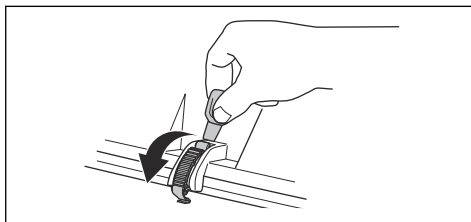
Para retirar las cubiertas

Apertura y cierre de la cubierta de la batería

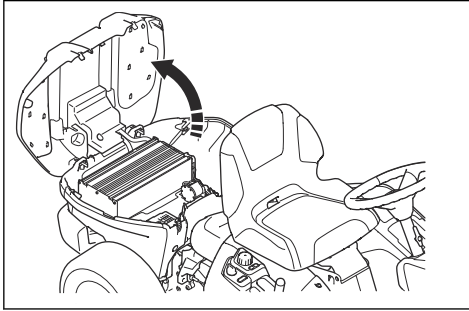


PRECAUCIÓN: Retire la carga fijada a los raíles antes de abrir la cubierta de la batería.

1. Suelte los 2 clips de la parte delantera de la cubierta de la batería con la herramienta acoplada a la llave de contacto.



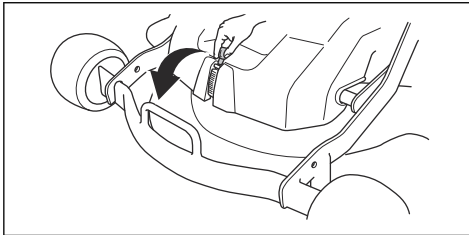
- Levante la parte delantera de la cubierta de la batería e inclínela hacia atrás.



- Para cerrar, efectúe el mismo procedimiento en el orden inverso.

Desmontaje de la cubierta delantera

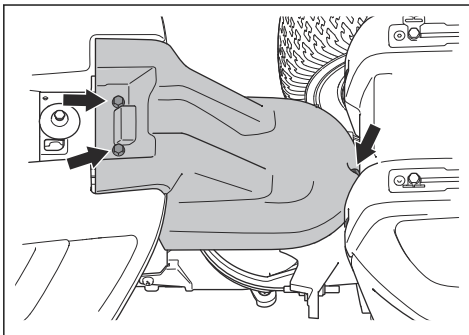
- Suelte el clip de la cubierta delantera con la herramienta acoplada a la llave de contacto.



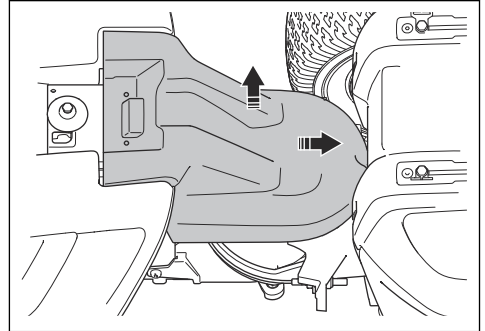
- Quite la tapa frontal.

Extracción e instalación de la cubierta del bastidor

- Incline el asiento hacia delante.
- Retire los 3 tornillos.



- Empuje la cubierta del bastidor hacia atrás y levante la cubierta del bastidor.



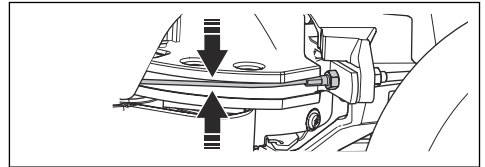
- Para el montaje, efectúe el mismo procedimiento en el orden inverso.

Examinar los cables de la dirección

La tensión de los cables de la dirección puede disminuir después de un período de tiempo. Esto hace que el ajuste de la dirección cambie.

Examine y ajuste los cables de la dirección de la siguiente manera:

- Los cables de la dirección están apretados correctamente si se pueden mover manualmente 5 mm hacia arriba o hacia abajo en la ranura de la columna de dirección.



- Si los cables están demasiado flojos, deje que un taller de servicio autorizado los ajuste.

Comprobación del freno de estacionamiento

- Estacione el producto sobre una superficie firme con una pendiente de 10°. Mantenga encendido el producto.



ADVERTENCIA: No estacione el producto sobre una pendiente con hierba cuando realice una comprobación del freno de estacionamiento.

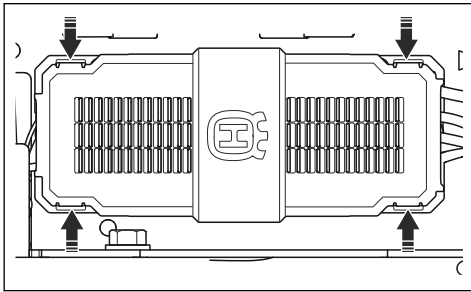
Nota: El freno de estacionamiento es eléctrico. El freno de estacionamiento se aplica automáticamente cuando el producto está parado.

2. Asegúrese de que el símbolo del freno de estacionamiento aparece en la pantalla y de que el producto no se mueve. Si el producto se mueve, póngase en contacto con su taller de servicio Husqvarna.

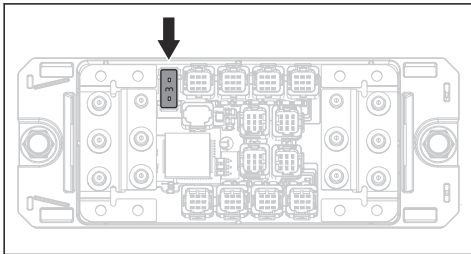
Para sustituir el fusible de la unidad de control de potencia

Un fusible fundido de la unidad de control de potencia se identifica porque el filamento de fusible está quemado.

1. Asegúrese de que el interruptor de encendido/apagado del cargador esté en la posición de apagado y de que el cargador esté desconectado del producto. Consulte *Desconexión del cargador de batería en la página 57*.
2. Coloque el interruptor de encendido en la posición "0" y retire la llave de contacto.
3. Retire la cubierta del bastidor. Consulte *Extracción e instalación de la cubierta del bastidor en la página 63*.
4. Presione los 4 clips y retire la cubierta de la unidad de control de alimentación.



5. Extraiga el fusible de la unidad de control de alimentación del portafusibles.

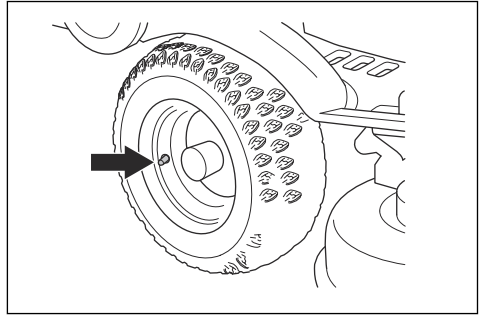


6. Cambie el fusible fundido de la unidad de control de alimentación por uno nuevo del mismo tipo. Consulte *Datos técnicos en la página 77*.

Nota: Si el fusible de la unidad de control de alimentación se funde de nuevo poco después de sustituirlo, póngase en contacto con su taller de servicio Husqvarna.

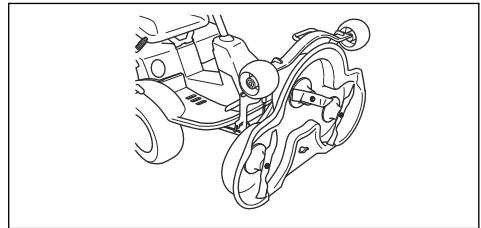
Presión de los neumáticos

La presión de los neumáticos correcta es de 60 kPa (0,6 bares / 8,5 PSI) en las 4 ruedas.



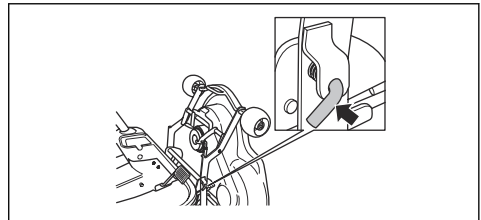
Colocación del equipo de corte en posición de servicio

1. Lleve a cabo los pasos del 1 al 7 de *Retirada y colocación del equipo de corte en la página 52*.
2. Levante el equipo de corte para colocarlo en posición vertical hasta que se oiga un clic. El equipo de corte se bloquea automáticamente en la posición vertical.

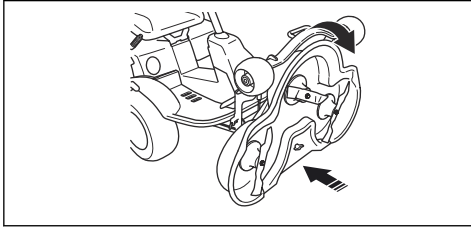


Colocación del equipo de corte en posición de corte

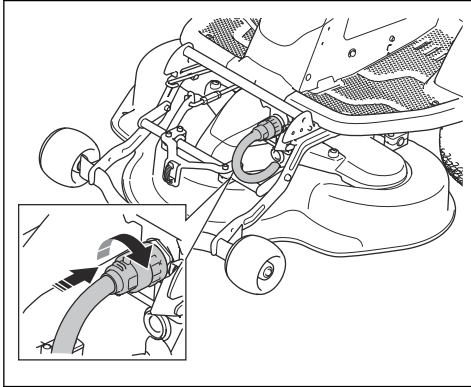
1. Sujete el borde delantero del equipo de corte con la mano izquierda.
2. Afloje el bloqueo con la mano derecha.



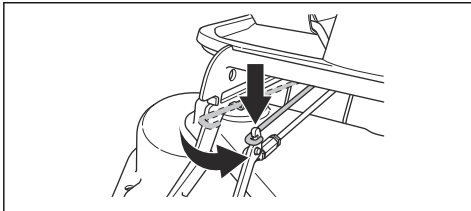
3. Doble hacia abajo el equipo de corte y presiónelo hasta que se detenga.



4. Conecte el cable al equipo de corte.



5. Levante el tirante de la altura de corte de su soporte y colóquelo en el orificio.



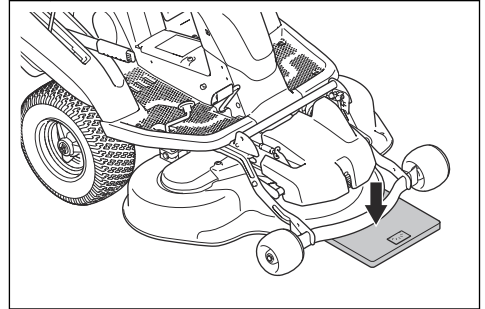
6. Monte la cubierta delantera.
7. Retire la palanca de la altura de corte de la posición de servicio a una de las posiciones con un número.

Comprobación y ajuste de la presión sobre el suelo del equipo de corte

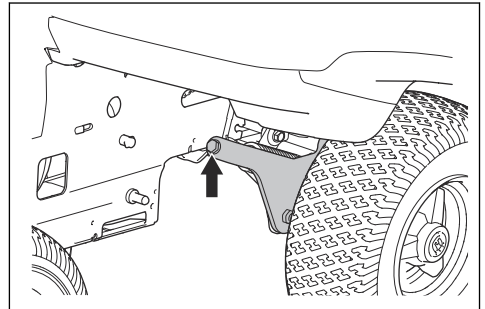
Una presión sobre el suelo correcta garantiza que el equipo de corte se pueda mover por la superficie sin presionarla demasiado.

1. Asegúrese de que la presión de aire de los neumáticos es de 60 kPa (0,6 bares/9,0 psi).
2. Estacione el cortacésped en una superficie nivelada.
3. Baje el equipo de corte a la posición de corte.

4. Coloque una báscula de baño debajo del borde delantero del equipo de corte.



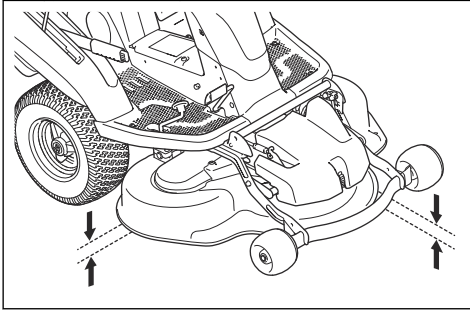
5. Para asegurarse de que no se aplica peso sobre las ruedas de apoyo, coloque un bloque de madera entre el bastidor y la báscula de baño.
6. Para ajustar la presión sobre el suelo, gire los tornillos de ajuste ubicados detrás de las ruedas delanteras a los lados izquierdo y derecho.
7. Gire los tornillos a derecha o izquierda hasta que la presión sobre el suelo se encuentre entre 12 y 15 kg (26,5-33 libras).



Comprobación del paralelismo del equipo de corte

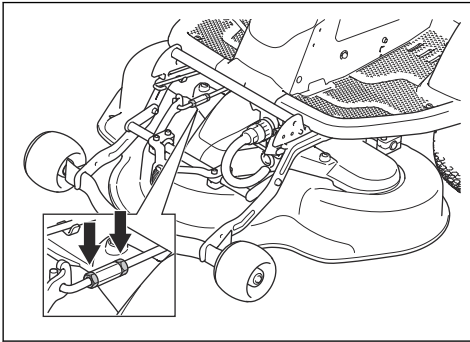
1. Asegúrese de que la presión de aire de los neumáticos es la correcta. Consulte *Datos técnicos en la página 77*.
2. Estacione el cortacésped en una superficie nivelada.
3. Baje el equipo de corte a la posición de corte.
4. Coloque la palanca de la altura de corte en la posición intermedia.

- Mida la distancia entre el suelo y los bordes delantero y trasero del equipo de corte. Asegúrese de que el borde trasero esté 4-6 mm o 1/5 pulg. más alto que el delantero.

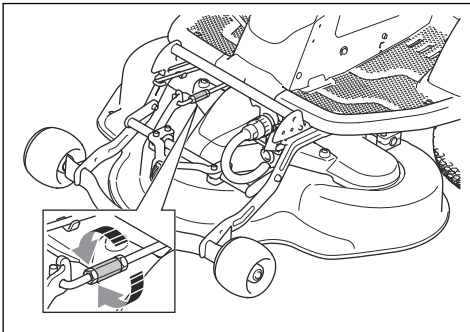


Ajuste del paralelismo del equipo de corte

- Quite la tapa frontal.
- Afloje las tuercas del tirante de elevación.



- Gire el tirante de elevación para alargarlo o acortarlo. Extienda el tirante de elevación para levantar el borde trasero de la cubierta. Acorte el tirante de elevación para bajar el borde trasero de la cubierta.



- Una vez realizado el ajuste, apriete las tuercas del tirante de elevación.

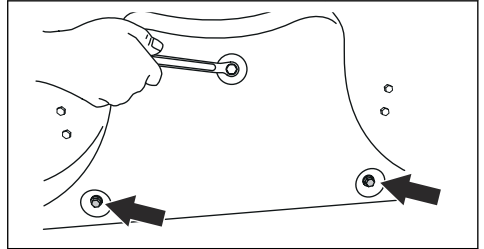
- Compruebe el paralelismo. Consulte *Comprobación del paralelismo del equipo de corte en la página 65*.
- Monte la cubierta delantera.

Extracción del tapón de BioClip

- Quite el tapón BioClip para cambiar un equipo de corte Combi de BioClip a descarga trasera de hierba.

Retirada y colocación del tapón BioClip en el equipo de corte

- Coloque el equipo de corte en la posición de servicio. Consulte la sección *Colocación del equipo de corte en posición de servicio en la página 64*.
- Extraiga los 3 tornillos que sujetan el tapón BioClip y quite el tapón.



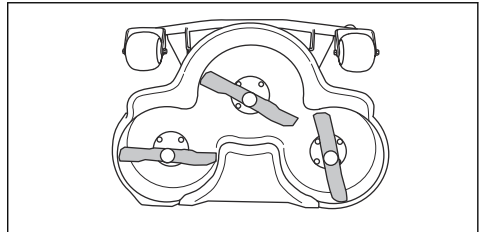
- Coloque 1 tornillo M8x15 mm en el orificio superior del tapón BioClip para evitar dañar las roscas.
- Coloque el equipo de corte en la posición de corte.
- Coloque el tapón BioClip siguiendo la secuencia opuesta.

Examinar las cuchillas



PRECAUCIÓN: Unas cuchillas dañadas o mal equilibradas pueden causar daños al producto. Sustituya las cuchillas dañadas. Deje que un taller de servicio homologado le ayude a afilar y equilibrar las cuchillas romas.

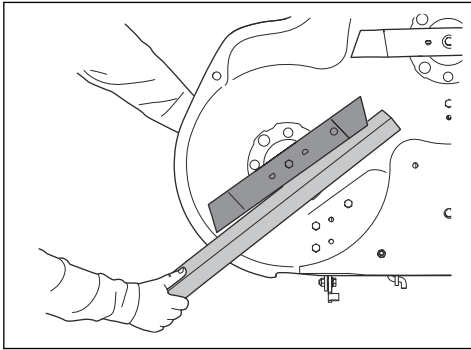
- Coloque el equipo de corte en la posición de servicio.
- Observe las cuchillas para ver si están dañadas y, si es necesario, afílaslas.



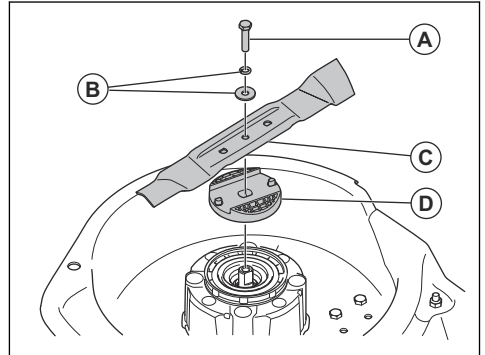
3. Apriete los pernos de las cuchillas con un par de apriete de 25 Nm.

Sustitución de las cuchillas

1. Retire el equipo de corte. Consulte *Retirada y colocación del equipo de corte en la página 52*.
2. Bloquee las cuchillas con un bloque de madera.



3. Afloje y extraiga el perno de la cuchilla (A), las arandelas (B), la cuchilla (C) y el soporte de la cuchilla (D).



4. Para el montaje, efectúe el mismo procedimiento en el orden inverso. Instale las nuevas cuchillas con los extremos doblados orientados hacia el equipo de corte.



ADVERTENCIA: Usar un tipo de cuchillas incorrecto puede causar que el equipo de corte arroje objetos y causar así lesiones graves. Utilice únicamente las cuchillas que aparecen en *Datos técnicos en la página 77*.

Resolución de problemas

Introducción

Si no puede encontrar una solución a sus problemas en este manual de usuario, hable con su taller de servicio de Husqvarna.

Nota: Asegúrese de que la batería está cargada antes de efectuar cualquier tarea de resolución de problemas en el producto. Consulte *Carga de la batería en la página 56*.

Programa de resolución de problemas

Problema	Causa	Acción
La pantalla no se enciende cuando el interruptor de encendido se coloca en la posición "1".	La batería está descargada. Consulte <i>Carga de la batería en la página 56</i> .	Cargue la batería.
	La batería está en modo de reposo.	Para activar la batería, pulse el botón de inicio durante 2 segundos. Si la batería no se activa, es preciso cargarla de forma continua hasta que esté completamente cargada. El tiempo de carga será mayor cuando la batería se encuentre en modo de suspensión.
	El fusible de la unidad de control de alimentación está fundido.	Sustituya el fusible de la unidad de control de alimentación; consulte <i>Para sustituir el fusible de la unidad de control de potencia en la página 64</i> . Si el problema persiste, póngase en contacto con su taller de servicio Husqvarna.
	La pantalla o el cable de la unidad de pantalla están estropeados.	Acuda a un taller de servicio Husqvarna.
	El interruptor de encendido está estropeado.	
El modo de conducción no se inicia al pulsar el botón de arranque.	Procedimiento de arranque incorrecto.	Consulte <i>Puesta en marcha del producto en la página 59 y Arranque impedido en la página 45</i> .
	El botón de arranque se pulsa durante menos de 1 segundo.	Pulse el botón de arranque durante 1 segundo. Un sonido o un cambio en la pantalla indican que el modo de conducción está activado. Cuando el sonido está desactivado, no se oye el sonido de notificación de inicio. Consulte <i>Activación o desactivación del sonido en la página 55</i> .
	El panel de control está roto.	Acuda a un taller de servicio Husqvarna.







Problema	Causa	Acción
Los motores del equipo de corte no arrancan.	El equipo de corte no está en la posición de corte.	Mueva el equipo de corte a la posición de corte; consulte <i>Colocación del equipo de corte en posición de corte en la página 64</i> .
	El cable del equipo de corte está mal conectado.	Conecte el equipo de corte al producto; consulte <i>Retirada y colocación del equipo de corte en la página 52</i> .
	El equipo de corte está lleno de hierba.	Limpie el equipo de corte; consulte <i>Limpieza del producto en la página 62</i> .
	La hierba está demasiado alta.	Ajuste la altura de corte a las condiciones de la hierba.
	La temperatura de los controles de los motores del equipo de corte es demasiado alta.	Pare el producto y espere a que la temperatura disminuya. Reinicie después de 20 minutos.
	Los motores del equipo de corte están averiados.	Acuda a un taller de servicio Husqvarna.
	Los controles de los motores del equipo de corte están averiados.	
	No hay alimentación en el cable que va al equipo de corte.	
La batería no se carga. Los LED situados debajo de la toma para el cargador de batería no se encienden.	El cargador de batería no está enchufado correctamente a la toma de corriente o al producto.	Consulte <i>Carga de la batería en la página 56</i> .
	El interruptor de encendido/apagado del motor está en la posición OFF (apagado).	Coloque el interruptor de encendido/apagado del cargador en la posición de encendido.
	El cargador de batería está averiado.	Desconecte el cargador de batería y póngase en contacto con su taller de servicio Husqvarna.
	Hay un error interno.	
	La toma de corriente está averiada.	Enchufe el cargador de batería a una toma de corriente cuya tensión y frecuencia coincidan con los valores indicados en la placa de características técnicas.
La batería no se carga. Los indicadores LED situados debajo de la toma del cargador de batería parpadean en rojo.	La temperatura no está dentro del intervalo de temperatura de carga.	Espere hasta que la temperatura de la batería vuelva a estar dentro del intervalo de temperatura de carga permitido (de 0 °C a 38 °C). Busque mensajes de error o símbolos de advertencia en la pantalla. Consulte <i>Mensajes de advertencia de la pantalla en la página 71</i> y <i>Mensajes de error en la pantalla en la página 72</i> .
	La batería está averiada.	Desconecte el cargador de batería y póngase en contacto con su taller de servicio Husqvarna.
	Hay un error interno.	

Problema	Causa	Acción
La batería no se carga. Los indicadores LED situados debajo de la toma del cargador de batería muestran el estado de carga en amarillo.	La temperatura de las baterías es superior a 38 °C.	Asegúrese de que el cargador y el producto se encuentran en una ubicación que esté dentro del intervalo de temperatura de carga permitido (0-38 °C). Si el cargador está conectado, la carga se inicia automáticamente cuando la temperatura de la batería es inferior a 38 °C. Si el problema persiste, póngase en contacto con su taller de servicio Husqvarna.
El tiempo de funcionamiento no aumenta después de instalar una segunda batería.	La segunda batería no está instalada correctamente en el producto.	Asegúrese de que la segunda batería aparece en la pantalla. Consulte <i>Para leer la información del sistema en la página 54</i> . Póngase en contacto con su taller de servicio Husqvarna si solo aparece 1 símbolo de batería en la pantalla o si el problema continúa.
El producto vibra durante el modo de corte.	Las cuchillas están flojas/dañadas.	Realice una inspección visual. Consulte <i>Examinar las cuchillas en la página 66</i> . Si el problema persiste, póngase en contacto con su taller de servicio Husqvarna.
	Una o más cuchillas no están equilibradas.	
	El motor del equipo de corte está defectuoso.	
El producto vibra durante el modo de transporte.	Una o más ruedas están sueltas.	Realice una inspección visual. Si el problema persiste, póngase en contacto con su taller de servicio Husqvarna.
	El producto tiene una rueda desinflada.	
	Hay tornillos sueltos en el producto.	
	El motor de accionamiento está flojo.	
El resultado del corte no es satisfactorio.	Las cuchillas están romas.	Consulte <i>Examinar las cuchillas en la página 66</i> .
	El césped está crecido o húmedo.	Consulte <i>Condiciones para un buen resultado de corte en la página 60</i> .
	El equipo de corte no queda paralelo al suelo.	Consulte <i>Comprobación del paralelismo del equipo de corte en la página 65</i> .
	El equipo de corte presenta una obstrucción por hierba.	Consulte <i>Limpieza del producto en la página 62</i> .
	La presión de los neumáticos es distinta en el lado derecho e izquierdo.	Consulte <i>Presión de los neumáticos en la página 64</i> .
	El producto se hace funcionar a una velocidad excesiva.	Acuda a un taller de servicio Husqvarna.
	El régimen del motor es demasiado bajo.	Acuda a un taller de servicio Husqvarna.

Pantalla - Resolución de problemas

Mensajes indicadores de la pantalla




Los mensajes indicadores de la pantalla muestran una función activada o información sobre el estado del producto. Consulte *Descripción general de la pantalla en la página 43*. Se encienden uno o más indicadores en la pantalla. Cuando aparece un mensaje indicador en la pantalla, el producto puede seguir funcionando, pero se recomiendan acciones a seguir.

Símbolos	Nombre	Causa / Acción
	Error del sistema.	Hay un error de sistema en el producto. Pare el producto y ponga el interruptor de encendido en la posición "0". Espere 5 minutos. Si el problema persiste, póngase en contacto con su taller de servicio Husqvarna.
	Error de batería	Hay un error de batería. Pare el producto y ponga el interruptor de encendido en la posición "0". Espere 5 minutos antes de arrancar. Si el problema persiste, póngase en contacto con su taller de servicio Husqvarna.
	Advertencia del motor de accionamiento	El motor de accionamiento está calado. Posiblemente porque el producto funciona en una pendiente donde la potencia de descarga necesaria es demasiado alta. No utilice el producto en condiciones que provoquen que el motor de accionamiento se detenga.
	Error de temperatura	Hay un error de temperatura. Consulte la combinación de símbolos para obtener más información.
	Modo de rendimiento reducido	El modo de rendimiento reducido está activado. El modo de rendimiento reducido se establece automáticamente cuando el nivel de carga es bajo. Cargue el producto y no lo utilice en una pendiente.
	Modo de rendimiento reducido	El producto se establece automáticamente en el modo de rendimiento reducido. El nivel de carga es bajo o la temperatura de la batería, el motor de accionamiento o el controlador del motor de accionamiento es demasiado alta. En este modo de conducción, las cuchillas se desactivan y la velocidad disminuye gradualmente. Consulte la combinación de símbolos para obtener más información.

Mensajes de advertencia de la pantalla

Un mensaje de advertencia es una combinación de símbolos amarillos que aparecen primero como símbolos grandes en el centro de la pantalla. Cuando hay una advertencia, el producto puede funcionar, pero de modo más lento de lo normal. Para evitar errores, detenga el producto y espere a que se apaguen los símbolos de advertencia. Si el producto se detiene, no podrá volver a arrancar hasta que desaparezca el mensaje de advertencia.



Nota: Para ver las advertencias sobre el motor del equipo de corte/controlador del motor, levante el equipo de corte/accesorio a la posición de transporte para volver a arrancarlo o ponerlo en funcionamiento.





Símbolos	Nombre	Causa / Acción
	Advertencia de temperatura de la batería	La temperatura de la batería es superior a la recomendada. El producto funciona más lento de lo normal hasta que la temperatura disminuye. Detenga el producto y espere a que la temperatura de la batería se enfríe antes de volver a arrancarlo.
	Advertencia de temperatura para el motor de accionamiento o el controlador del motor de accionamiento	La temperatura del motor de accionamiento o del controlador del motor de accionamiento es superior a la recomendada. El producto funciona más lento de lo normal hasta que la temperatura disminuye. Pare el producto y espere a que la temperatura del motor de accionamiento disminuya antes de arrancar.
	Advertencia de temperatura para el motor del equipo de corte o el controlador del motor del equipo de corte	La temperatura del motor del equipo de corte o del controlador del motor del equipo de corte es superior a la recomendada. El producto funciona más lento de lo normal hasta que la temperatura disminuye. Levante el equipo de corte/accesorio delantero a la posición de transporte y espere a que la temperatura disminuya antes de comenzar.

Mensajes de error en la pantalla

Un mensaje de error es una combinación de símbolos rojos que aparecen primero como símbolos grandes en el centro de la pantalla. Cuando se produce un error, el producto se establece automáticamente en modo de inactividad y no se puede arrancar hasta que desaparezca el error. Puede ver los mensajes de error en el menú de errores. Consulte *Lectura de mensajes en la página 55*.

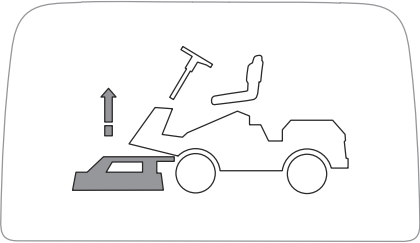
Nota: En caso de errores en el motor del equipo de corte o el controlador del motor del equipo de corte, levante el equipo de corte o el accesorio a la posición de transporte para volver a arrancar o poner en funcionamiento.

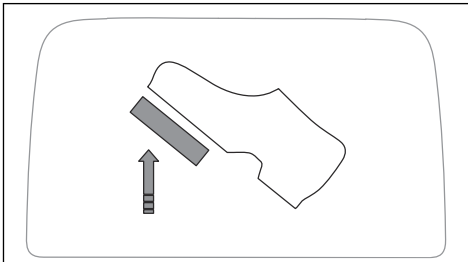
Símbolos	Nombre	Causa / Acción
	Error de temperatura de la batería	La temperatura de la batería es demasiado alta. Espere a que la temperatura de la batería disminuya. Si el problema persiste, póngase en contacto con su taller de servicio Husqvarna.
	Error de temperatura del motor de accionamiento o del controlador del motor de accionamiento	La temperatura del motor de accionamiento o del controlador del motor de accionamiento es demasiado alta. Espere a que disminuya la temperatura del motor de accionamiento o del controlador del motor de accionamiento. Si el problema persiste, póngase en contacto con su taller de servicio Husqvarna.

Símbolos	Nombre	Causa / Acción
	Error de temperatura del motor del equipo de corte o del controlador del motor del equipo de corte	La temperatura del motor del equipo de corte o del controlador del motor del equipo de corte es demasiado alta. Levante el equipo de corte u otro accesorio delantero a la posición de transporte y espere a que disminuya la temperatura. Si el problema persiste, póngase en contacto con su taller de servicio Husqvarna.
	Error en el motor de accionamiento o en el controlador del motor de accionamiento	Hay un error en el motor de accionamiento o en el controlador del motor de accionamiento. Pare el producto y ponga el interruptor de encendido en la posición "0". Espere 5 minutos antes de arrancar. Si el problema persiste, póngase en contacto con su taller de servicio Husqvarna.
	Error en el motor del equipo de corte o en el controlador del motor del equipo de corte	Hay un error en el motor del equipo de corte o en el controlador del motor del equipo de corte. Levante el equipo de corte u otro accesorio delantero a la posición de transporte. Si el problema persiste, detenga el producto y espere 5 minutos antes de comenzar. Si el problema persiste, póngase en contacto con su taller de servicio Husqvarna.
	Error de batería descargada	La batería está descargada. Cargue la batería.

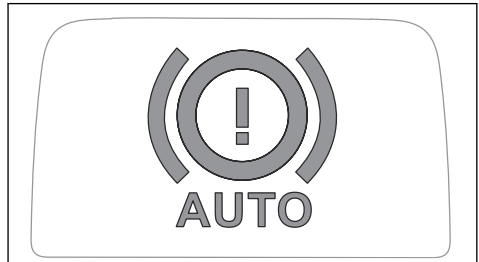
Mensajes cuando se impide el arranque

Los símbolos de arranque impedido se muestran cuando no se cumplen las condiciones de arranque. El símbolo de arranque impedido permanece en la pantalla hasta que se satisfacen las condiciones para el arranque. Consulte *Puesta en marcha del producto en la página 59*.

	
Descripción	Acción
Se impide el arranque porque el equipo de corte está en posición de corte.	Levante el equipo de corte a la posición de transporte antes del arranque. Consulte <i>Elevación y bajada del equipo de corte en la página 58</i> .



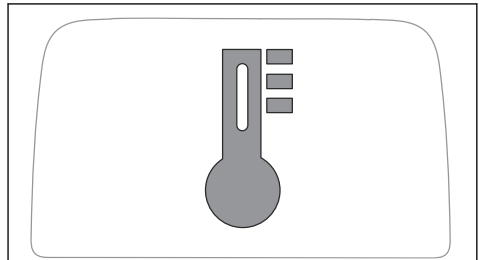
Descripción	Acción
Se impide el arranque porque se están pisando los pedales.	No pise los pedales al arrancar el producto.



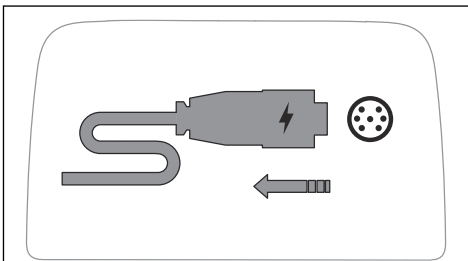
Descripción	Acción
No es posible arrancar porque el sistema del freno de estacionamiento eléctrico está desactivado.	Active el sistema del freno de estacionamiento eléctrico antes de arrancar. Consulte <i>Movimiento manual del producto en la página 58.</i>



Descripción	Acción
Se impide el arranque porque el usuario está levantado del asiento.	El usuario debe sentarse en el asiento al arrancar el producto. Consulte <i>Control de presencia del usuario (OPC) en la página 45.</i>



Descripción	Acción
Se impide el arranque porque hay un error de temperatura.	Consulte <i>Pantalla - Resolución de problemas en la página 71.</i>



Descripción	Acción
Se impide el arranque porque el cargador está conectado.	Desconecte el cargador del producto antes de arrancar. Consulte <i>Desconexión del cargador de batería en la página 57.</i>

Transporte, almacenamiento y eliminación

Transporte

- El producto es pesado y puede causar lesiones por aplastamiento. Tenga cuidado al cargarlo o descargarlo de un vehículo o remolque.
- No levante el producto. Las argollas de transporte no son puntos de elevación y solo deben utilizarse para enganchar el producto de forma segura a un remolque.
- Utilice solo un remolque homologado para el transporte del producto.
- Asegúrese de que conoce las normas de tráfico locales antes de transportar el producto en un remolque o circular por carretera.

Remolque del producto

Para mover el producto con la alimentación apagada, el freno de estacionamiento eléctrico debe estar desactivado.

1. Desactive el sistema del freno de estacionamiento eléctrico. Consulte *Movimiento manual del producto en la página 58*.
2. Remolque el producto únicamente a baja velocidad y en distancias cortas.

Amarre seguro del producto en un remolque para su transporte



ADVERTENCIA: El freno de estacionamiento no es suficiente para bloquear el producto durante el transporte. Acople firmemente el producto al remolque.

Equipo: 2 correas de tensión homologadas y 4 calzos con forma de cuña para las ruedas.

1. Fije las correas de tensión alrededor del bastidor o el vagón trasero.
2. Apriete las correas de tensión en el sentido de la parte trasera y delantera del remolque para fijar el producto.
3. Coloque los calzos por delante y detrás de las ruedas traseras.

Transporte de las baterías

- Las baterías de 48 V suministradas cumplen los requisitos de la legislación sobre mercancías peligrosas.
- Siga el requisito especial sobre el embalaje y las indicaciones de las etiquetas para el transporte comercial realizado por terceros y agentes de transporte.
- Hable con alguien con formación especial en materiales peligrosos antes de enviar el producto. Respete todas las normativas nacionales.

- Cubra con cinta los contactos abiertos cuando ponga la batería en un paquete. Coloque la batería en un embalaje estrecho para evitar que se mueva.

Almacenamiento

Prepare el producto para guardarlo al final de la temporada o antes si va a almacenarlo durante más de 30 días.



ADVERTENCIA: Retire la hierba, las hojas y otros materiales inflamables del producto para disminuir el riesgo de incendio. Deje que el producto se enfríe antes de guardarlo.

- Ponga el interruptor de encendido en la posición "0".
- Limpie el producto; consulte *Limpieza del producto en la página 62*. Repare los daños en la pintura para evitar la corrosión.
- Examine el producto por si hubiera piezas dañadas o desgastadas, y apriete las tuercas y tornillos flojos.
- Cargue la batería completamente antes de su almacenamiento. Asegúrese de que la carga de las baterías es del 50 % o más durante el almacenamiento.

Nota: La batería puede entrar en el modo de suspensión cuando el producto está almacenado o el estado de carga es muy bajo. Para activar la batería, se debe pulsar el botón de arranque durante 2 segundos. Si la batería no se activa, es preciso cargarla de forma continua hasta que esté completamente cargada. El tiempo de carga será mayor cuando la batería se encuentre en modo de suspensión.

- Lubrique todas las boquillas de engrase, las juntas y los ejes.
- Guarde el producto en un lugar limpio y seco. Tape el producto con una cubierta protectora.

Nota: Su distribuidor puede proporcionarle una cubierta de protección para el almacenamiento o transporte de su producto.

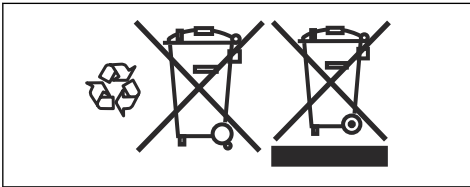
- Mantenga el producto en un área cerrada para impedir el acceso a niños o personas no autorizadas.
- Guarde el producto y la fuente de alimentación en un lugar seco y al abrigo de las heladas.
- Si va a utilizar el producto, manténgalo almacenado en un lugar donde la temperatura ambiente esté comprendida entre 0 °C/32 °F y 50 °C/122 °F. Si no va a utilizar el producto, puede guardarlo en un lugar donde la temperatura ambiente esté comprendida entre -20 °C/-4 °F y 50 °C/122 °F.
- Proteja el producto de la luz del sol.

- No almacene el producto en lugares donde pueda generarse electricidad estática.

Desecho de la batería y del cargador

Los símbolos del producto o del embalaje indican que este producto no puede desecharse como residuo doméstico. En lugar de ello, debe enviarse a una estación de reciclaje apropiada para la recuperación de aparatos eléctricos y electrónicos.

Si se asegura de que se trata este producto correctamente, puede ayudar a contrarrestar el posible impacto negativo para el medio ambiente y las personas que podría darse por una gestión incorrecta de los residuos del mismo. Si desea información más detallada sobre el reciclaje de este producto, póngase en contacto con su ayuntamiento, el servicio de recogida de basuras o la tienda donde lo adquirió.



Eliminación

- Las sustancias químicas pueden ser peligrosas y no deben verterse al suelo. Deseche siempre los productos químicos en su centro de servicio o en una ubicación adecuada para su eliminación.
- Cuando el producto se desgaste, envíelo al distribuidor o llévalo a un lugar donde se recicle de forma adecuada.
- El aceite y las baterías pueden tener efectos perjudiciales para el medio ambiente. Respete los requisitos y las normas de reciclaje locales aplicables.
- No deseche la batería como residuo doméstico.
- Envíe la batería a un taller de servicio Husqvarna o deséchela en una ubicación de residuos para las baterías agotadas.

Datos técnicos

Datos técnicos

Dimensiones	
Longitud sin equipo de corte, mm	1999
Anchura sin equipo de corte, mm	883
Longitud con equipo de corte, mm ⁹	2296
Anchura con equipo de corte, mm ¹⁰	994
Altura, mm	1128
Peso sin equipo de corte (incl. 1 batería), kg	186
Distancia entre ejes, mm	907
Dimensiones de los neumáticos	170/60-8
Presión de aire, traseros y delanteros, kPa/bar/PSI	60/0,6/8,7
Máx. pendiente, grados	10
Peso máx. de remolcado con una pendiente de 10°, kg	110
Fuerza vertical máxima permitida sobre la barra de remolque, N/kg	250/25
Fuerza horizontal máxima permitida sobre la barra de remolque, N/kg	250/25
Carga máxima sobre la cubierta de la batería, kg	25
Motor de accionamiento	
Tipo de motor	Motor de CC sin escobillas
Tensión, V	48
Potencia nominal del motor, kW	1,5
Régimen máximo del motor, rpm	3500
Transmisión	
Marca/modelo	Omnigear/Husqvarna TP400R
Grasa	Grasa NLGI-00 EP
Volumen de grasa, litros	0,6
Número de marchas de avance	–
Número de marchas de retroceso	–
Máx. velocidad de avance, km/h	9
Máx. velocidad de marcha atrás, km/h	5
Sistema eléctrico	
Tipo	48 V CC, negativo a tierra

⁹ Medido con el equipo de corte Combi 94i

¹⁰ Medido con el equipo de corte Combi 94i

Fusible principal, A	80
Fusible del equipo de corte, A	80
Fusible para la unidad de control de alimentación, A/V.	3/58
Emisiones de ruido ¹¹	
Nivel de potencia acústica medida, dB(A)	95
Nivel de potencia acústica garantizada, dB(A)	96
Niveles acústicos ¹²	
Nivel de presión sonora en el oído del usuario, dB(A)	78
Niveles de vibración ¹³	
Nivel de vibración en el volante, m/s ²	0,1
Nivel de vibración en el asiento, m/s ²	0,2
Equipo de corte	
Tipo	Combi 94i
	Combi 103i

Equipo de corte	Combi 94i	Combi 103i
Anchura de corte, mm	940	1030
Anchura, mm	994	1081
Potencia del motor del equipo de corte, kW	3x0.9	3x0.9
Altura de corte, 10 posiciones, mm	25-75	25-75
Longitud de las cuchillas, mm	359	389
Cuchillas		
Referencia	598 88 55-10	536 15 76-10



ADVERTENCIA: Utilizar un equipo de corte que no esté homologado para el producto puede causar proyección de objetos a alta velocidad, lo que podría

causar lesiones graves. No utilice otros tipos de equipo de corte diferentes a los especificados en este manual de usuario.

Transmisión de datos por radiofrecuencia

	R 200iX
Intervalo de frecuencias, MHz	2402-2480

¹¹ Emisiones sonoras en el entorno medidas como potencia acústica (L_{WA}) según la directiva 2000/14/CE.

¹² Nivel de presión sonora conforme a la norma EN ISO 5395. Los datos referidos del nivel de presión sonora tienen una dispersión estadística habitual (desviación típica) de 1,2 dB (A).

¹³ Nivel de vibración conforme a EN ISO 5395. Los datos referidos del nivel de vibración poseen una dispersión estadística habitual (desviación típica) de 0,2 m/s² (volante) y 0,8 m/s² (asiento).

	R 200IX
Potencia ¹⁴ , dBm	-7.0

Baterías homologadas

Utilice solo baterías originales para este producto.

Batería	EM-5240Li
Referencia	598 84 43-01
Tipo	Ion-litio
Capacidad de la batería, Ah	38,5
Tensión nominal, V	50,4
Peso, kg/lb	17/38

Cargadores de batería homologados

Cargador de batería	PS 300C
Tensión de entrada, V	220–240
Corriente de entrada, A	1,8
Frecuencia, Hz	50
Potencia, W	300
Tensión de salida, V	58
Corriente de salida, A	5,3

Servicio técnico

Servicio técnico

Haga una comprobación anual en un centro de servicio autorizado para asegurarse de que el producto funcione de manera segura y sin problemas durante la temporada alta. El mejor momento para realizar el mantenimiento o la revisión de este producto es la temporada baja.

Al enviar un pedido de piezas de repuesto, proporcione información sobre el año de compra, el modelo, el tipo y el n.º de serie.

Utilice siempre piezas de repuesto originales.

¹⁴ Medición efectuada a 2402 MHz.

Declaración de conformidad

Declaración de conformidad CE

Nosotros, **Husqvarna AB**, SE-561 82 Huskvarna (Suecia), tel. +46-36-146500, declaramos bajo nuestra exclusiva responsabilidad que el producto:

Descripción	Cortacésped con asiento
Marca	Husqvarna
Tipo/Modelo	R 200iX
Identificación	Números de serie a partir del año 2023

Cumple las siguientes directivas y normas de la UE:

Directiva/Norma	Descripción
2006/42/CE	"relativa a las máquinas"
2014/53/UE	"relativa a equipos de radio"
2000/14/CE	"relativa a las emisiones sonoras en el entorno"
2011/65/UE	"relativa a restricciones de utilización de determinadas sustancias peligrosas en aparatos eléctricos y electrónicos"

Y que se aplican las especificaciones técnicas o los estándares siguientes: EN ISO 12100:2010, EN ISO 13849-1:2015, EN ISO 13849-2:2012, EN ISO 5395-1:2013+A1:2018, EN ISO 5395-3:2013+A1:2017+A2:2018, EN ISO 14982:2009, EN 61000-6-2:2005, EN 61000-6-3:2007+A1:2011+AC:2012, ETSI EN 300 328 V2.2.2, ETSI EN 301 489-1 V1.9.2, ETSI EN 301 489-17 V3.2.4, EN 50665:2017, EN IEC 63000:2018 .



Organismo notificado: 0404, SMP Svensk Maskinprovning AB, Box 4053, SE-904 03 Umeå, Sweden ha certificado la conformidad con la Directiva del Consejo 2000/14/CE, Procedimiento de evaluación de conformidad: Anexo VI.

Para obtener información respecto a las emisiones sonoras, consulte *Datos técnicos en la página 77*.

Huskvarna, 2023-07-05

Claes Losdal, Director de desarrollo/Productos para jardín, Husqvarna AB

Responsable de la documentación técnica

Marcas comerciales registradas

Los logotipos y las denominaciones *Bluetooth*[®] son marcas comerciales registradas propiedad de *Bluetooth SIG, inc.* y su uso por parte de Husqvarna está sujeto a una licencia.

ÍNDICE

Introdução.....	82	Transporte, armazenamento e eliminação.....	116
Segurança.....	88	Especificações técnicas.....	118
Montagem.....	93	Assistência.....	120
Funcionamento.....	94	Declaração de conformidade.....	121
Manutenção.....	102	Marcas comerciais registadas.....	122
Resolução de problemas.....	108		

Introdução

Inspeção pré-entrega e números de produto

assinada do documento de inspeção pré-entrega do seu concessionário.

Nota: Foi realizada uma inspeção pré-entrega deste produto. Certifique-se de que recebe uma cópia

Informação de contacto da oficina autorizada:	
Este manual do utilizador pertence ao produto com o número de produto/número de série:	
/	
Motor:	

Descrição do produto

O produto é um trator corta-relva. Os pedais de marcha em frente e de marcha-atrás permitem que o utilizador ajuste a velocidade gradualmente. O produto é utilizado com uma plataforma de corte 2 em 1 com tampão de trituração.

Finalidade

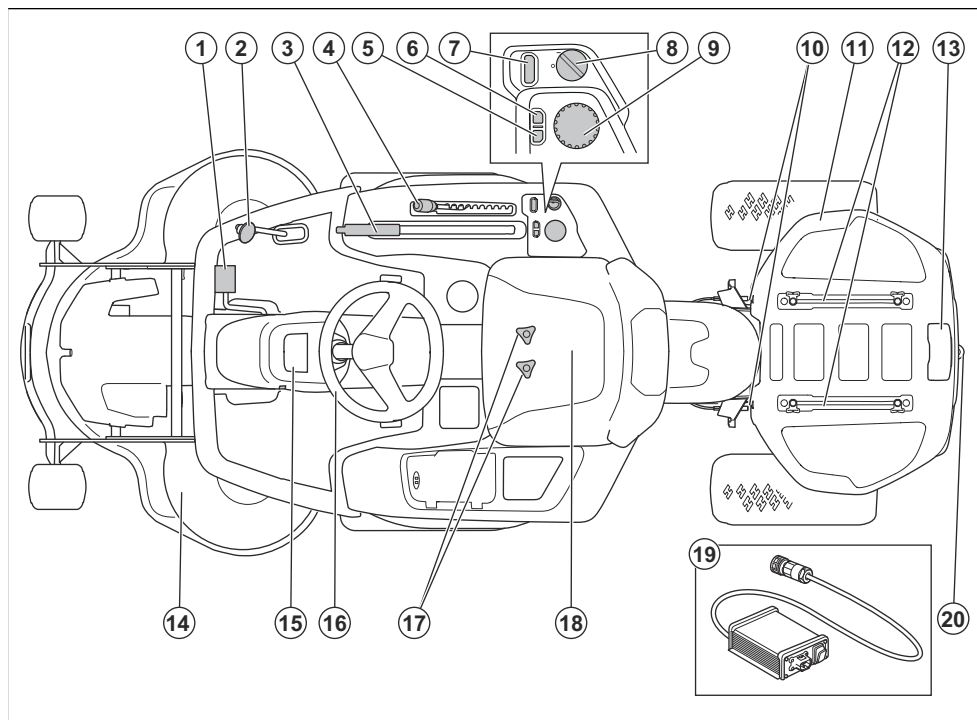
O produto foi concebido para cortar relva em áreas abertas e planas em jardins e zonas residenciais. Fixe um acessório opcional para utilizar o produto para

outras tarefas. Fale com o seu revendedor Husqvarna para obter mais informações sobre os acessórios disponíveis.

Faça um seguro para o seu produto

Certifique-se de que o seu seguro cobre o seu novo produto. Fale com a sua companhia de seguros caso não tenha a certeza. Recomendamos um seguro totalmente abrangente que inclua proteção contra terceiros, incêndios, danos, roubo e responsabilidade civil.

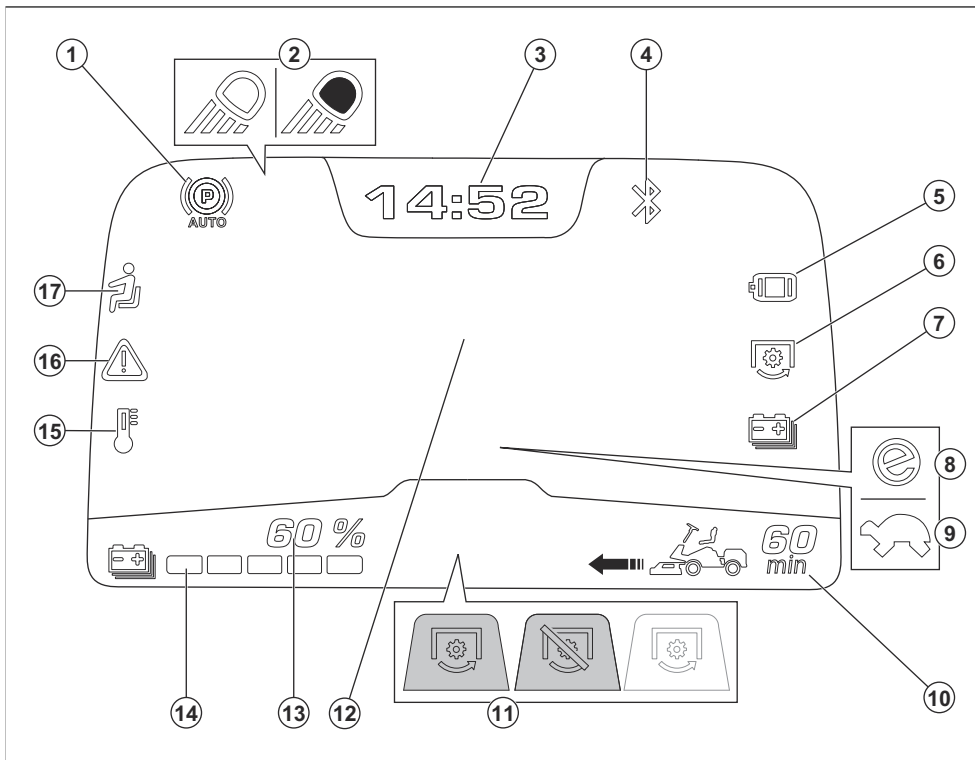
Vista geral do produto



- | | |
|--|---|
| 1. Pedal de avanço | 11. Cobertura da bateria |
| 2. Pedal de marcha-atrás | 12. Carris |
| 3. Alavanca de elevação da plataforma de corte | 13. Tomada para o carregador de bateria |
| 4. Alavanca da altura de corte | 14. Plataforma de corte |
| 5. Botão para retroceder no menu | 15. Visor |
| 6. Botão de modo de condução | 16. Volante |
| 7. Botão Start | 17. Ajuste do banco |
| 8. Interruptor de alimentação | 18. Banco |
| 9. Botão rotativo | 19. Carregador de bateria |
| 10. Bloqueio da cobertura da bateria | 20. Barra de reboque |

Descrição geral do visor

O visor apresenta informações acerca do estado do produto. Existem 4 tipos de mensagens no visor; consulte *Tipos de mensagem na página 85*.



1. Indicador do travão de estacionamento automático. O indicador acende-se quando o travão de estacionamento automático é engatado.
2. Indicador de luzes de trabalho ou de faróis
3. Relógio
4. Indicador de Bluetooth® O indicador acende-se quando um dispositivo Bluetooth® é ligado ao produto.
5. Indicador do motor de acionamento/controlador do motor de acionamento
6. Indicador do motor da plataforma de corte/controlador do motor da plataforma de corte
7. Indicador da bateria
8. Indicador do modo de condução. O modo de condução SaveE está ativado. Consulte *Selecionar um modo de condução na página 101*.
9. Indicador do modo de condução. O modo de desempenho reduzido está ativado. Consulte *Mensagens indicadoras no visor na página 112*.
10. Nível da bateria, em minutos de tempo de funcionamento
11. e-PTO (tomada de força elétrica)¹⁵ na dianteira. Posição de corte e engatada/Posição de corte e desengatada/Posição de transporte e desengatada.
12. Centro do visor. Consulte *Modos de apresentação na página 85*.
13. Indicador de nível da bateria, %
14. Indicador de nível da bateria
15. Indicador de temperatura. Se o indicador de temperatura no visor se acender, pare o produto e consulte *Visor - Resolução de problemas na página 112*.
16. Indicador de aviso. Se o indicador de aviso no visor se acender, pare o produto e consulte *Visor - Resolução de problemas na página 112*.
17. Controlo de presença do utilizador (OPC). O indicador acende-se quando o utilizador não está sentado.

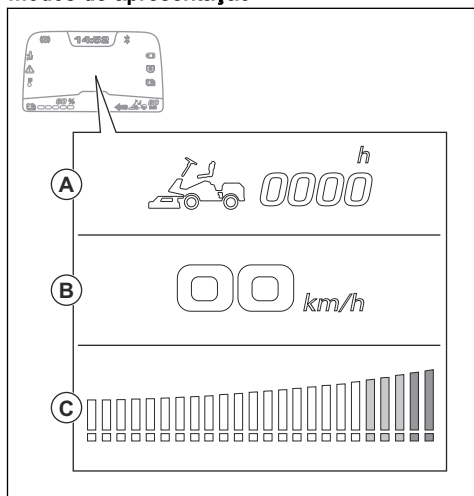
¹⁵ Indicador de plataforma de corte de alimentação elétrica ou outro acessório acoplado

Tipos de mensagem

Existem 4 tipos de mensagem que podem ser apresentados no visor.

Tipo de mensagem	Descrição
Mensagem indicadora no visor	Os símbolos indicadores no visor mostram uma função ativada ou informação acerca do estado do produto. Em geral, quando há uma mensagem indicadora no visor, o produto pode funcionar, mas existem ações recomendadas. Consulte <i>Descrição geral do visor na página 84</i> e <i>Mensagens indicadoras no visor na página 112</i> .
Mensagem de aviso	Uma combinação de símbolos amarelos que aparecem primeiro como símbolos grandes no centro do visor. Mostra um estado que não é correto. Em geral, quando há uma mensagem de aviso, o produto pode funcionar, mas é mais lento do que o habitual. Consulte <i>Mensagens de aviso no visor na página 112</i> .
Mensagem de erro	Uma combinação de símbolos vermelhos que aparecem primeiro como símbolos grandes no centro do visor. Apresenta um aviso de segurança ou um problema com o produto. Em geral, quando há um erro, é definido no produto o modo de marcha em vazio e o produto não pode arrancar até que o erro desapareça. Consulte <i>Mensagens de erro no visor na página 113</i> .
Arranque impedido	Um símbolo grande no visor que mostra um estado que impede o arranque do produto. Consulte <i>Mensagens quando o arranque é impedido na página 114</i> .

Modos de apresentação

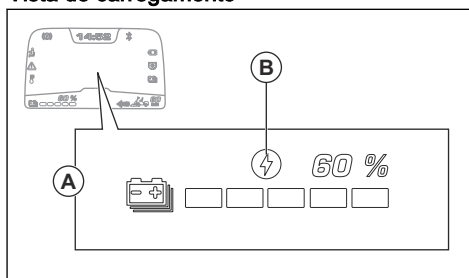


O centro do visor apresenta informações diferentes nos diferentes modos de apresentação.

- O modo de marcha em vazio (A) é apresentado quando o interruptor de alimentação é colocado na posição "1". No modo de marcha em vazio, o visor apresenta o tempo total de funcionamento.
- O modo de condução com a plataforma de corte na posição de transporte (B) é apresentado quando o produto é ligado. No modo de condução com a plataforma de corte na posição de transporte, o visor apresenta a velocidade atual, em km/h.

- O modo de condução com a plataforma de corte na posição de corte (C) é apresentado quando a plataforma de corte ou outro acessório estão ligados. Quando apenas os indicadores verdes estão acesos, o consumo de energia da plataforma de corte ou do acessório é o recomendado. Se os indicadores amarelos ou vermelhos estiverem acesos, o consumo de energia é superior ao recomendado e o tempo de funcionamento diminui.

Vista de carregamento



Quando um carregador é ligado ao produto e o interruptor de alimentação é colocado na posição "1", o centro do visor apresenta a vista de carregamento.

(A): A vista de carregamento apresenta o estado de carga em %. O símbolo de carregamento (B) acende-se quando o produto carrega. O símbolo de carregamento (B) apaga-se quando o carregador está conectado mas não carrega.

Arranque impedido

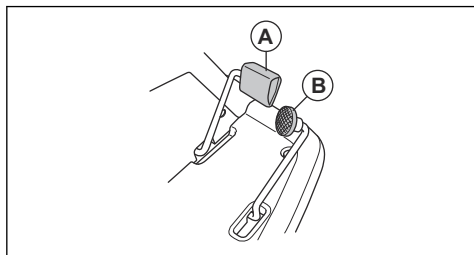
Antes de o produto poder arrançar, as condições de funcionamento têm de estar cumpridas. Consulte *Arrançar o produto na página 100*. Se o botão Start for premido sem que as condições para funcionamento estejam cumpridas, o visor apresenta um símbolo de arranque impedido. Consulte *Mensagens quando o arranque é impedido na página 114*.

Controlo de presença do utilizador (OPC)

O OPC coloca o produto no modo de segurança quando o utilizador se levanta do banco. O motor para e os motores da plataforma de corte param se as lâminas forem engatadas. Consulte *Verificar as condições de funcionamento na página 91*.

Pedais de marcha em frente e marcha-atrás

A velocidade é gradualmente ajustada com os 2 pedais. O pedal esquerdo (A) é utilizado para a marcha em frente e o pedal direito (B) é utilizado para a marcha-atrás. O produto para quando os pedais são libertados.



Bancada de corte

As plataformas de corte para este produto são plataformas de corte combinadas com BioClip. O BioClip corta a relva e torna-a em fertilizante. As plataformas de corte combinadas também podem ser utilizadas sem o BioClip. Sem o BioClip, a relva é projetada para a parte traseira.

Husqvarna Connect

O produto dispõe de tecnologia sem fios *Bluetooth®* e pode estabelecer ligação a dispositivos móveis com a aplicação Husqvarna Connect instalada. A Husqvarna Connect é uma aplicação gratuita para o seu dispositivo móvel. A aplicação Husqvarna Connect disponibiliza funções alargadas para o seu produto Husqvarna:

- Função de bloqueio e desbloqueio para evitar o funcionamento não aprovado do produto.
- Informações alargadas sobre o produto.
- Informações sobre, e ajuda relacionada com peças e manutenção do produto.

Símbolos no produto



AVISO: Este produto pode ser perigoso e provocar ferimentos graves ou a morte do operador ou de terceiros. Seja cuidadoso e utilize o produto corretamente.



Leia o manual do utilizador com atenção e certifique-se de que compreende as instruções antes de utilizar este produto.



Mantenha o corpo afastado das lâminas rotativas.



Mantenha o corpo afastado das peças rotativas.



Tenha cuidado com objetos projetados e ricochetes.



Mantenha as outras pessoas afastadas.



Pare o produto antes da manutenção.



A força vertical máxima permitida na barra de reboque está especificada em *Especificações técnicas na página 118* e na etiqueta.



A força horizontal máxima permitida na barra de reboque está especificada em *Especificações técnicas na página 118* e na etiqueta.



Olhe para trás antes e durante as deslocações em marcha-atrás.



Não corte relva ao longo de um declive. Não corte relva em terrenos com um declive superior a 10°. Consulte *Cortar relva em declives na página 90*.



Nunca transporte passageiros no produto ou equipamento.



Travão de estacionamento automático.



Marcha em frente.

N

Neutro.



Marcha-atrás.



Interrutor do banco.

START

Iniciar o modo de condução.



O produto está em conformidade com as diretivas aplicáveis da UE.



Este produto está em conformidade com os regulamento aplicáveis do Reino Unido.



Emissão de ruído para a etiqueta ambiental de acordo com as diretivas e regulamentos da União Europeia e do Reino Unido e o regulamento "Protection of the Environment Operations (Noise Control) Regulation 2017" (regulamento de proteção de operações no meio ambiente [controlo do ruído] de 2017) da Nova Gales do Sul. O nível de potência sonora garantido do produto está especificado nas *Especificações técnicas na página 118* e na etiqueta.



Utilize sempre protetores acústicos aprovados.



Posição de manutenção da bancada de corte.



Posição de funcionamento da plataforma de corte.



Altura de corte.



Posição de manutenção da alavanca da altura de corte.



As lâminas não estão ativadas.



As lâminas estão ativadas.



Ative o sistema do travão de estacionamento elétrico.



Desative o sistema do travão de estacionamento elétrico.



Marca ambiental. O produto ou a respetiva embalagem não são resíduos domésticos. Recicle o equipamento numa estação de reciclagem para equipamentos elétricos e eletrónicos.



Código para leitura

aaaaassxxx

A etiqueta de tipo apresenta o número de série. **aaaa** é o ano de fabrico e **ss** é a semana de fabrico.

Nota: Os restantes símbolos/autocolantes existentes no produto dizem respeito a requisitos para homologação em algumas áreas comerciais.

Responsabilidade pelo produto

Como referido nas leis de responsabilidade pelo produto, não somos responsáveis por danos causados pelo nosso produto se:

- o produto tiver sido incorretamente reparado.
- o produto tiver sido reparado com peças que não sejam do fabricante ou que não sejam aprovadas pelo fabricante.
- o produto tiver um acessório que não seja do fabricante ou que não seja aprovado pelo fabricante.

- o produto não tiver sido reparado por um centro de assistência autorizado ou por uma autoridade aprovada.

Segurança

Definições de segurança

Os avisos, as precauções e as notas são utilizados para indicar partes especialmente importantes do manual.



ATENÇÃO: Utilizado no caso de existir risco de ferimento ou morte para o utilizador ou transeuntes, se não forem respeitadas as instruções do manual.



CUIDADO: Utilizado se existir risco de danos para o produto, para outros materiais ou para a área adjacente, se não forem respeitadas as instruções do manual.

Nota: Utilizado para disponibilizar informações adicionais necessárias numa determinada situação.

Instruções de segurança gerais



ATENÇÃO: Este produto pode amputar mãos e pés, e projetar objetos. Se não respeitar as instruções de segurança, tal pode resultar em ferimentos graves ou morte.



ATENÇÃO: Não continue a utilizar o produto com um equipamento de corte danificado. O equipamento de corte danificado pode projetar objetos e causar ferimentos graves ou a morte. Substitua as lâminas danificadas de imediato.

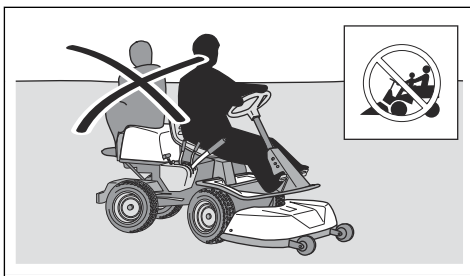


ATENÇÃO: Este produto produz um campo eletromagnético durante o funcionamento. Em determinadas circunstâncias, este campo pode interferir com o funcionamento de implantes médicos ativos ou passivos. Para diminuir o risco de ferimentos graves ou mortais, recomendamos que os portadores de implantes médicos consultem o seu médico e o fabricante do implante antes de utilizar este produto.



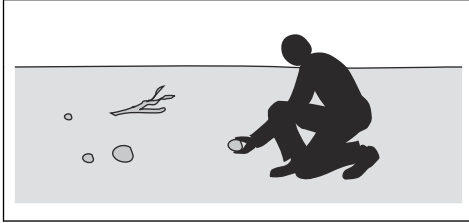
ATENÇÃO: Leia as instruções de aviso que se seguem antes de utilizar o produto.

- Seja sempre cuidadoso e use o seu senso comum. Evite todas as situações que considere estarem para além das suas capacidades. Se não se sentir seguro quanto aos procedimentos de funcionamento após a leitura do manual do utilizador, consulte um especialista antes de continuar.
- Leia e compreenda o manual do utilizador e as instruções presentes no produto com atenção antes de o ligar.
- Aprenda a utilizar o produto e os respetivos controlos em segurança, e saiba como parar o produto rapidamente.
- Aprenda a reconhecer os autocolantes de segurança.
- Mantenha o produto limpo para se certificar de que consegue ler bem os sinais e os autocolantes.
- Tenha em atenção que o utilizador é responsável pelos acidentes que incluam outras pessoas ou a respetiva propriedade.
- Não transporte passageiros. O produto apenas pode ser utilizado por uma pessoa.



- Não deixe o produto sem supervisão enquanto está ligado. Antes de deixar o produto sem supervisão, pare sempre as lâminas, certifique-se de que o travão de estacionamento está engatado, pare o motor e remova a chave do interruptor de alimentação.
- Apenas utilize o produto durante o dia ou em condições de boa iluminação. Mantenha o produto a uma distância de segurança de orifícios ou outras irregularidades no solo. Tenha atenção com outros possíveis riscos.
- Não utilize o produto em condições atmosféricas desfavoráveis, por exemplo, nevoeiro, chuva, localizações molhadas ou com humidade, ventos fortes, frio intenso, risco de trovoada, etc.
- Procure e marque as pedras e outros objetos fixos para prevenir colisões.

- Retire da área quaisquer objetos como pedras, brinquedos, fios, etc., que possam ficar presos ou ser projetados.



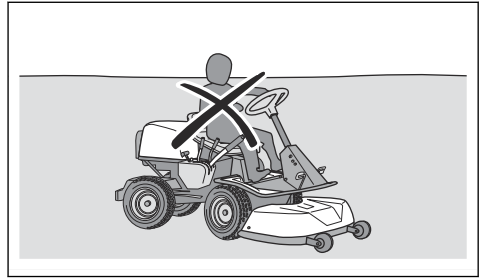
- Não permita a utilização ou a manutenção do produto por crianças ou outras pessoas sem aprovação para utilizar o produto. A legislação local pode regular a idade do utilizador permitida.
- Certifique-se de que ninguém permanece nas imediações do produto quando ligar o motor, ativar a transmissão ou começar a deslocar o produto.
- Esteja atento ao trânsito ao cortar junto a uma estrada ou atravessar uma estrada.
- Não utilize o produto quando estiver cansado, sob o efeito de álcool ou drogas, tiver tomado medicamentos ou outros produtos que possam afetar negativamente a sua visão, atenção, capacidade de discernimento ou o seu controlo físico.
- Estacione sempre o produto numa superfície nivelada com a alimentação desligada.

Instruções de segurança relativamente a crianças



ATENÇÃO: Leia as instruções de aviso que se seguem antes de utilizar o produto.

- Podem ocorrer acidentes graves se não prestar atenção às crianças que se encontram nas proximidades do produto. As crianças podem ser atraídas pelo produto e pelo corte da relva. É muito provável que as crianças não se mantenham onde as viu pela última vez.
- Mantenha as crianças afastadas da área a cortar. Certifique-se de que está presente um adulto responsável pelas crianças.
- Mantenha-se vigilante e pare o produto caso se encontrem crianças na zona de trabalho. Tenha muito cuidado perto de cantos, arbustos, árvores ou outros objetos que previnam uma visão clara.
- Antes e durante a deslocação do produto em marcha-atrás, olhe para trás e para baixo para se certificar de que não estão presentes crianças pequenas nas proximidades do produto.
- Não permita o transporte das crianças. Podem cair e sofrer ferimentos graves ou prevenir a realização de manobras seguras do produto.
- Não permita que as crianças operem o produto.



Segurança da bateria



ATENÇÃO: Leia as instruções de aviso que se seguem antes de utilizar o produto.

Geral:

- Leia todos os avisos de segurança e todas as instruções. O incumprimento dos avisos e das instruções poderá resultar em choques elétricos, incêndios e/ou ferimentos graves.
- O produto pode ser equipado com uma bateria adicional. As instalações e reparações devem ser efetuadas exclusivamente pelo distribuidor com assistência técnica autorizado. Nunca tente instalar nem reparar as baterias.
- Verifique regularmente se as baterias estão intactas. As baterias danificadas ou modificadas podem apresentar um comportamento imprevisível que pode resultar em incêndios, explosões ou ferimentos graves. Nunca repare nem abra baterias danificadas.
- Uma bateria danificada pode causar uma explosão e provocar ferimentos. Se a bateria estiver deformada ou danificada, não a utilize e fale com uma oficina autorizada Husqvarna.
- Não desmonte, abra ou destrua baterias.
- Não sujeite as baterias a choques mecânicos.
- Não exponha as células ou baterias ao calor nem ao fogo. Evite o armazenamento à luz solar direta.
- Não provoque um curto-circuito das baterias. Não armazene baterias num local onde possam provocar curtos-circuitos nas outras ou onde outros objetos metálicos possam provocar curto-circuitos.
- Não permita que o conteúdo da bateria entre em contacto com a pele ou os olhos. Se houver contacto, lave a área afetada com quantidades abundantes de água e consulte um médico.
- Não utilize baterias que não tenham sido concebidas para utilização com o equipamento.
- Não misture células de fabrico, capacidade, tamanho ou tipo diferentes no mesmo equipamento.
- Mantenha as células ou baterias fora do alcance de crianças.
- Mantenha a bateria limpa e seca.

- Utilize a bateria apenas para a função a que se destina.

Baterias de 48 V:

- As baterias de 48 V Husqvarna são utilizadas exclusivamente como fonte de alimentação para os produtos com condutor Husqvarna a bateria. Para evitar ferimentos, a bateria não deve ser usada como fonte de alimentação em outras ferramentas.
- Nunca utilize baterias em aparelhos defeituosos, modificados ou danificados.
- Nunca tente modificar nem reparar os aparelhos ou as baterias. Todas as reparações devem ser efetuadas exclusivamente pelo revendedor com assistência técnica autorizada.

Instruções de segurança para funcionamento



ATENÇÃO: Leia as instruções de aviso que se seguem antes de utilizar o produto.

- Olhe sempre para baixo e para trás antes e durante as deslocações em marcha-atrás. Esteja atento aos obstáculos de todas as dimensões.
- Diminua a velocidade antes de fazer uma curva.
- Pare as lâminas quando se deslocar em zonas que não irá cortar.



CUIDADO: Leia as instruções de precaução que se seguem antes de utilizar o produto.

- Desloque-se com cuidado junto a pedras e outros objetos de maiores dimensões e certifique-se de que as lâminas não embatem nos objetos.
- Não utilize o produto ao longo de objetos. Se utilizar o produto ao longo ou em algum objeto, pare e examine o produto e a plataforma de corte. Se necessário, repare quaisquer danos antes de recomeçar.

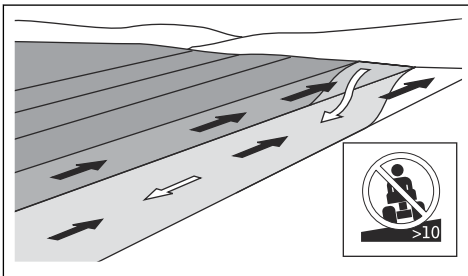
Cortar relva em declives



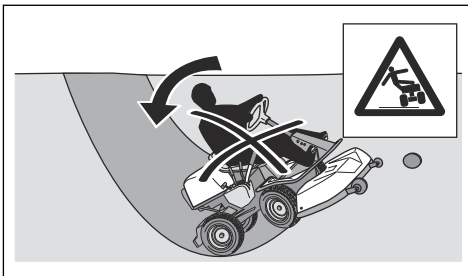
ATENÇÃO: Leia as instruções de aviso que se seguem antes de utilizar o produto.

- Cortar relva em declives aumenta o risco de perda de controlo e de capotamento do produto. Estas ocorrências podem resultar em ferimentos ou morte. É necessário ter cuidado ao cortar relva em todos os declives. Se não conseguir sair de um declive ou se não se sentir em segurança, não corte nesse local.
- Remova pedras, ramos e outros obstáculos.
- Corte a relva a subir e a descer o declive, e nunca de lado a lado.

- Não corte um declive a descer com a bancada de corte levantada.
- Não utilize o produto em terrenos com um declive superior a 10°.



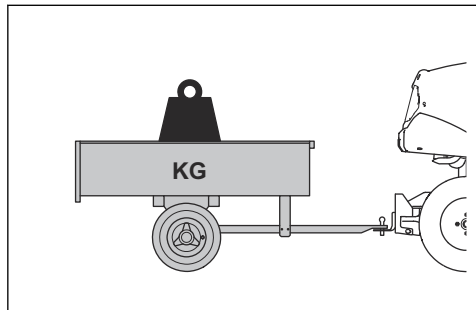
- Não arranque nem pare num declive.
- Não utilize o pedal de marcha em frente e o pedal de marcha-atrás para permanecer num declive. Isto fará com que o sistema aqueça demasiado.
- Desloque-se devagar e suavemente em declives.
- Não faça mudanças súbitas de velocidade ou de direção.
- Não vire mais do que o necessário. Vire lenta e gradualmente ao descer um declive. Desloque-se a baixa velocidade. Vire o volante com cuidado.
- Tenha atenção para não se deslocar sobre trincheiras, orifícios e lombas. Existe um risco mais elevado de capotamento do produto num piso desnivelado. A relva longa pode ocultar obstáculos.
- Não corte a relva próximo de bermas, valas ou inclinações. O produto pode capotar subitamente se uma das rodas se deslocar ao longo da bermas de um declive íngreme ou de uma vala, ou se uma bermas ceder. Se o produto cair em água, existe o risco de afogamento.



- Não corte relva molhada. É escorregadia e os pneus podem perder a aderência, provocando a derrapagem do produto.
- Não coloque o pé no chão para tentar estabilizar o produto.
- Desloque-se com muito cuidado se um acessório ou outro objeto que torne o produto menos estável estiver fixo.

Segurança de reboque

- Utilize apenas equipamento de reboque aprovado pela Husqvarna.
- Utilize a barra de reboque para prender o equipamento.
- Não reboque equipamento mais pesado do que o peso máximo permitido do equipamento de reboque. Consulte *Especificações técnicas na página 118*.



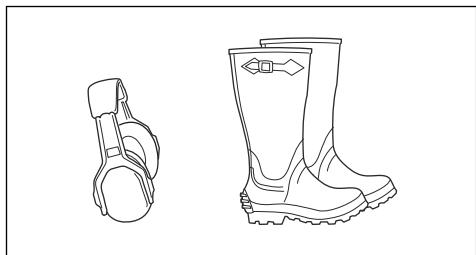
- Certifique-se de que não se encontra mais ninguém perto do produto quando rebocar equipamento.
- Tenha cuidado ao rebocar equipamento em declives ou terreno acidentado.
- Utilize o produto a uma velocidade baixa quando rebocar equipamento.

Equipamento de proteção pessoal



ATENÇÃO: Leia as instruções de aviso que se seguem antes de utilizar o produto.

- Utilize equipamento de proteção pessoal aprovado ao utilizar o produto. O equipamento de proteção pessoal não previne totalmente os ferimentos mas diminui a respetiva gravidade em caso de acidente. Obtenha ajuda junto do seu distribuidor para selecionar o equipamento certo.
- Utilize protetores acústicos aprovados. A exposição prolongada a ruídos pode provocar danos auditivos permanentes.
- Use botas ou sapatos antiderrapantes resistentes. Recomenda-se calçado com biqueira de aço. Não use calçado aberto nem ande com os pés descalços.



- Use luvas de proteção sempre que necessário, por exemplo, ao fixar, examinar ou limpar o equipamento de corte.
- Não utilize vestuário largo, joias ou outros itens que possam ficar presos nas peças móveis.
- Mantenha equipamentos de primeiros socorros e um extintor de incêndio por perto.

Safety devices on the product



ATENÇÃO: Read the warning instructions that follow before you use the product.

- Do not use a product with safety devices that are damaged or do not operate correctly.
- Do not remove or do modifications to safety devices.
- Do a check of the safety devices regularly. If the safety devices are damaged or do not operate correctly, speak to your Husqvarna service agent.

Verificar o interruptor de alimentação

- Desligue o cabo do carregador de bateria.
- Coloque o interruptor de alimentação na posição "1". Certifique-se de que o visor se acende.
- Coloque o interruptor de alimentação na posição "0". Certifique-se de que o produto para imediatamente e de que o visor se apaga.

Verificar as condições de funcionamento

Verifique diariamente as condições de funcionamento.

1. Certifique-se de que não é possível iniciar o modo de condução quando a plataforma de corte está na posição de corte.
2. Certifique-se de que não é possível iniciar o modo de condução quando carrega nos pedais.
3. Certifique-se de que não é possível iniciar o modo de condução quando não está sentado no banco.
4. Certifique-se de que não é possível iniciar o modo de condução quando o carregador está ligado ao produto.
5. Certifique-se de que não é possível iniciar o modo de condução quando o sistema do travão de estacionamento elétrico está desativado.
6. Certifique-se de que o produto para quando os motores da plataforma de corte estão ativos e se levanta do banco.

Verificar o pedal de marcha em frente e o pedal de marcha-atrás

1. Proceda ao arranque do produto e defina o modo de condução como ativado.
2. Certifique-se de que o pedal de marcha em frente e o pedal de marcha-atrás não estão bloqueados e podem ser utilizados livremente.

3. Pressione cuidadosamente o pedal de marcha em frente para avançar.
4. Solte o pedal de marcha em frente para travar. Certifique-se de que o travão é engatado quando liberta o pedal de marcha em frente.

Nota: O produto tem um travão automático que é engatado quando solta os pedais. Para obter mais potência de travagem ao diminuir a rotação, pressione o outro pedal.

5. Efetue o mesmo procedimento para o pedal de marcha-atrás.
6. Certifique-se de que o produto não se move quando os pedais de marcha em frente e marcha-atrás não estão engatados.

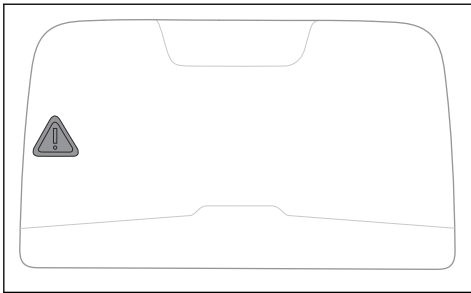
Travão de estacionamento



ATENÇÃO: Se o travão de estacionamento não funcionar, o produto pode começar a deslocar-se e causar ferimentos ou danos. Certifique-se de que examina e ajusta regularmente o travão de estacionamento.

Consulte *Verificar o travão de estacionamento na página 104.*

Indicador de aviso no visor



CUIDADO: Se o indicador de aviso no visor se acender, pare o produto e consulte *Visor - Resolução de problemas na página 112.*

Coberturas de proteção

As coberturas de proteção danificadas ou em falta aumentam o risco de ferimentos em peças móveis ou superfícies quentes. Verifique as coberturas de proteção antes de utilizar o produto. Certifique-se de que as coberturas de proteção estão bem fixas e que não têm fissuras nem outros danos. Substituir as coberturas danificadas.

Instruções de segurança para manutenção



ATENÇÃO: O produto é pesado e pode causar ferimentos ou danos na propriedade ou na área adjacente. Não efetue a manutenção do produto ou da plataforma de corte sem reunir as seguintes condições:

- Interruptor de alimentação colocado na posição "0" e chave do interruptor de alimentação removida.
- O produto está estacionado numa superfície nivelada.
- O travão de estacionamento está engatado.
- A plataforma de corte está desengatada.
- O cabo do carregador de bateria está desligado.



ATENÇÃO: Leia as instruções de aviso que se seguem antes de utilizar o produto.

- Para obter o melhor desempenho e segurança, efetue regularmente a manutenção do produto, de acordo com o esquema de manutenção. Consulte *Esquema de manutenção na página 102.*
- Os choques elétricos podem causar ferimentos. Não efetue a manutenção da bateria. Não toque nos cabos com o motor em funcionamento. Não efetue um teste de funcionamento com os dedos.
- Não ligue o produto se as coberturas de proteção tiverem sido removidas. Existe um risco elevado de ferimentos causados por peças quentes ou em movimento.
- Deixe o produto arrefecer antes de efetuar a respetiva manutenção.
- As lâminas são afiadas e podem causar cortes. Coloque proteções contra o vento em redor das lâminas ou utilize luvas de proteção quando trabalhar nas mesmas.
- Coloque sempre a plataforma de corte na posição de manutenção para efetuar a respetiva limpeza. Não estacione o produto perto da bermagem de uma vala ou de um declive para ter acesso à plataforma de corte.



CUIDADO: Leia as instruções de precaução que se seguem antes de utilizar o produto.

- Certifique-se de que aperta corretamente todos os parafusos e porcas, e que o equipamento está em bom estado.
- Não faça alterações ao ajuste dos reguladores. Se a velocidade do motor for demasiado elevada, os

componentes do produto podem ficar danificados. Consulte *Especificações técnicas na página 118* para saber qual é a rotação máxima permitida do motor.

- O produto é apenas aprovado com o equipamento fornecido ou recomendado pelo fabricante.

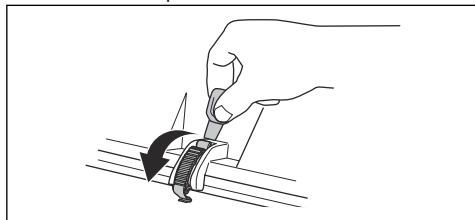
Montagem

Introdução

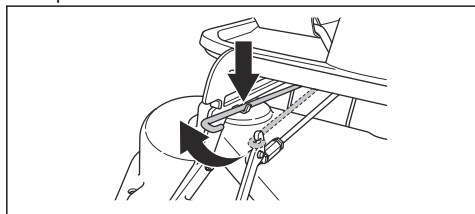
As instruções acerca de como remover e acoplar a plataforma de corte encontram-se também numa etiqueta na superfície interna da tampa dianteira.

Remover e fixar a plataforma de corte

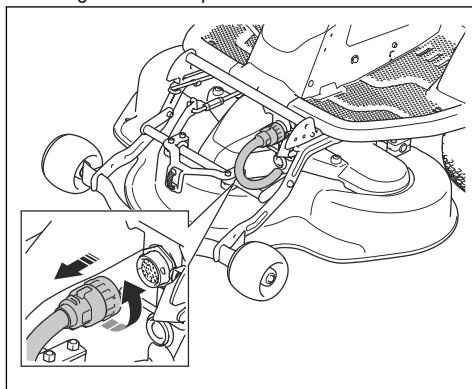
1. Estacione o produto num piso nivelado.
2. Coloque o interruptor de alimentação na posição "0".
3. Coloque a alavanca da altura de corte na posição de manutenção.
4. Solte o grampo da tampa dianteira com a ferramenta que está presa à chave do interruptor de alimentação e remova a tampa.



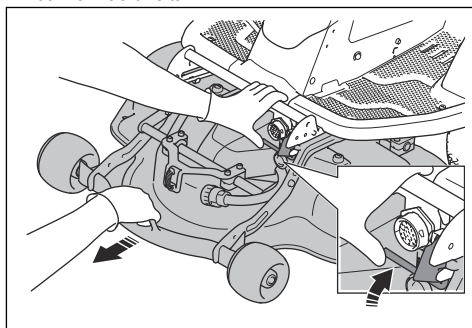
5. Levante o fixador da altura de corte e coloque-o no suporte do fixador da altura de corte.



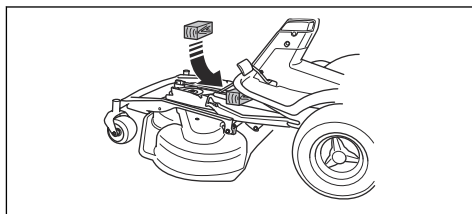
6. Desligue o cabo da plataforma de corte.



7. Desengate o bloqueio da plataforma de corte com a mão esquerda. Puxe a plataforma de corte para fora com a mão direita.



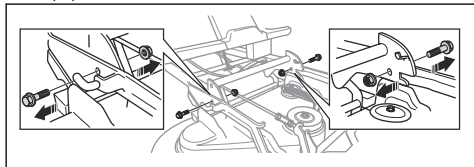
8. Coloque um bloco de madeira entre a estrutura do equipamento e o chassis. Isto garante que a plataforma de corte não se desprende quando for removida.



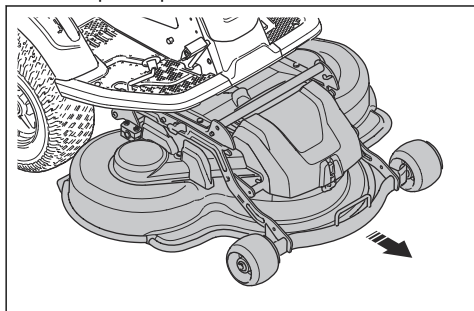
ATENÇÃO: Tenha cuidado. Existe risco de ferimentos se a mão ficar presa

entre a estrutura do equipamento e o chassis.

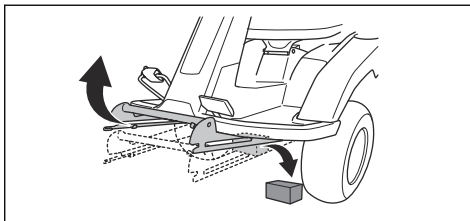
9. Remova os 2 parafusos da estrutura do equipamento.



10. Segure na extremidade dianteira da plataforma de corte e puxe-a para fora.



11. Remova o bloco de madeira.



12. Fixe a plataforma de corte na sequência oposta.

Funcionamento

Introdução

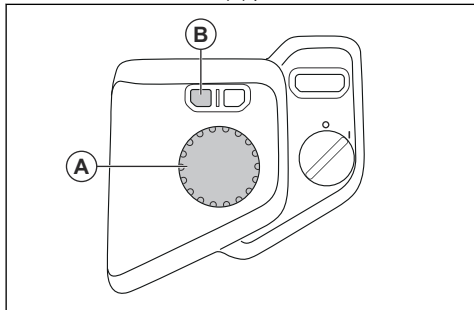


ATENÇÃO: Antes de utilizar o produto, tem ler e compreender o capítulo sobre segurança.

Visor

Utilizar o menu do visor

1. Prima o botão rotativo (A) para ver o menu do visor.



2. Rode o botão rotativo (A) para percorrer os menus disponíveis.
3. Prima o botão rotativo (A) para selecionar um menu.

4. Prima o botão (B) para retroceder e fechar o menu do visor.

Nota: A maioria dos menus só está disponível no modo de marcha em vazio ou quando o produto está parado. Consulte *Modos de apresentação na página 85*. O menu fecha-se automaticamente quando prime o botão Start ou carrega nos pedais.

Velocidade do acessório



O menu de acessório só está disponível quando o produto tem um acessório com velocidade regulável. Consulte o manual do utilizador do acessório. Para obter mais informações acerca dos acessórios disponíveis para o produto, contacte o seu distribuidor Husqvarna.

Definir o menu de luzes como ligado

Nota: A luz é um acessório opcional. Para obter mais informações acerca dos acessórios disponíveis para o produto, contacte o seu distribuidor Husqvarna.

Nota: Antes de poder utilizar e regular a luz, é necessário definir o menu de luzes como ligado.

1. Prima o botão rotativo para ver o menu do visor.
2. Selecione o menu de definições.



3. Desloque até ao menu de luzes.



4. Prima o botão rotativo para definir o menu de luzes como ligado.



Nota: O menu de luzes é definido como ligado da próxima vez que ligar o produto.

Regular as luzes

Nota: O menu de luzes deve ser definido como ligado depois de as luzes serem instaladas. Consulte *Definir o menu de luzes como ligado na página 94*.

1. Prima o botão rotativo para ver o menu do visor.
2. Desloque até ao símbolo de luzes apagadas.



3. Prima o botão rotativo para definir as luzes de trabalho como ligadas.



4. Prima o botão rotativo para definir as luzes de trabalho e os faróis como ligados.

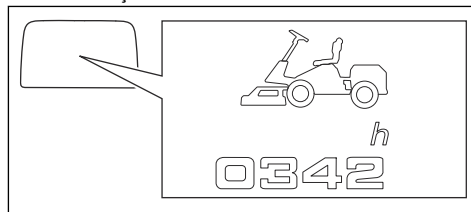


Ler informações do sistema

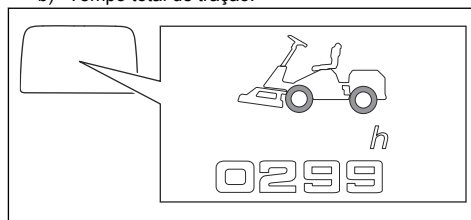
1. Prima o botão rotativo para ver o menu do visor.
2. Selecione o símbolo de informações.



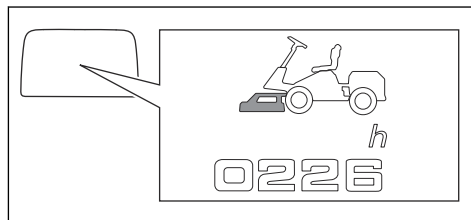
3. Rode o botão rotativo para percorrer estas vistas de informações do sistema:
 - a) Tempo total de alimentação ligada no modo de condução.



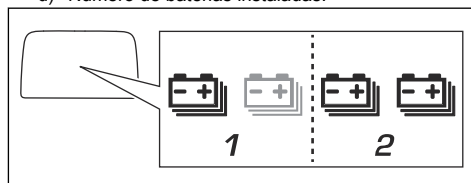
- b) Tempo total de tração.



- c) Tempo total de corte ou utilização de outro acessório dianteiro.



- d) Número de baterias instaladas.



Nota: É possível instalar uma segunda bateria no produto. Para a instalação, contacte o seu distribuidor Husqvarna.



ATENÇÃO: Risco de choque elétrico. Não tente instalar nem reparar as baterias. As instalações e reparações devem ser realizadas apenas por um

distribuidor com assistência técnica aprovado.

Definir a hora no visor

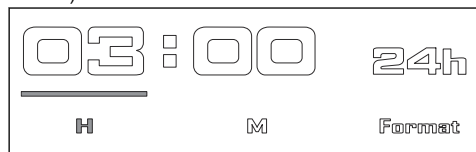
1. Prima o botão rotativo para ver o menu do visor.
2. Selecione o menu de definições.



3. Selecione o símbolo de relógio.



4. Rode e prima o botão rotativo para acertar as horas e os minutos e para definir o formato da hora (24h/12h).



Definir o som como ligado ou desligado

Nota: Quando o som está definido como desligado, não se ouvem os sons de notificação de avisos, erros ou arranque.

1. Prima o botão rotativo para ver o menu do visor.
2. Selecione o menu de definições.



3. Selecione o símbolo de altifalante.



4. Prima o botão rotativo para definir o som como ligado ou desligado.

Ler mensagens de erro

Nota: Uma mensagem de erro é constituída por uma combinação de símbolos. Consulte *Mensagens de erro no visor na página 113*.

1. Prima o botão rotativo para ver o menu do visor.
2. Selecione o símbolo de avisos no menu do visor.



Nota: O menu de erros apresenta um máximo de 3 mensagens de erro. Se existirem mais de 3 mensagens de erro, o menu de erros apresenta as primeiras 3 mensagens de erro.

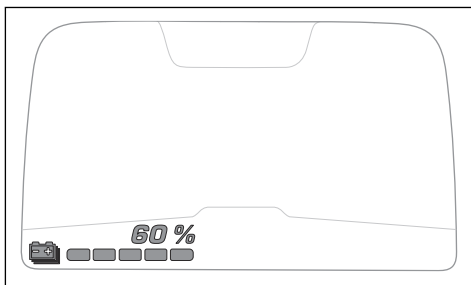
Nota: Quando um erro desaparece do sistema, a respetiva mensagem de erro não é guardada no menu de erros.

3. Consulte *Mensagens de erro no visor na página 113* para obter mais informações e instruções.

Começar a utilizar Husqvarna Connect

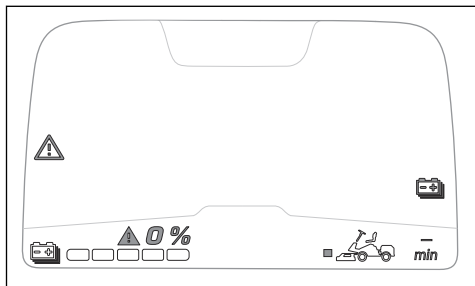
1. Transfira a aplicação Husqvarna Connect para o seu dispositivo móvel.
2. Registe-se na aplicação Husqvarna Connect.
3. Siga os passos das instruções na aplicação Husqvarna Connect para ligar e registar o produto.

Indicação da bateria quando o produto está definido como ligado



O visor apresenta o estado de carga em % quando o produto está ligado. Cada indicador verde corresponde a um estado de carga de 20%. Quando o estado de carga é igual ou inferior a 20%, o indicador no extremo esquerdo é amarelo. Quando o estado de carga é igual ou inferior a 5%, o indicador no extremo esquerdo

é vermelho. Quando a bateria está descarregada, o indicador no extremo esquerdo é cinzento.



Carregar a bateria



ATENÇÃO: Um carregador de bateria danificado ou incorretamente utilizado pode causar eletrocussão, fuga da bateria ou temperaturas demasiado elevadas. Examine regularmente o carregador de bateria e a bateria quanto a danos.



CUIDADO: Carregue a bateria antes de a utilizar a primeira vez. Uma bateria nova não está totalmente carregada.



CUIDADO: Utilize apenas carregadores aprovados. Consulte *Especificações técnicas* na página 118.



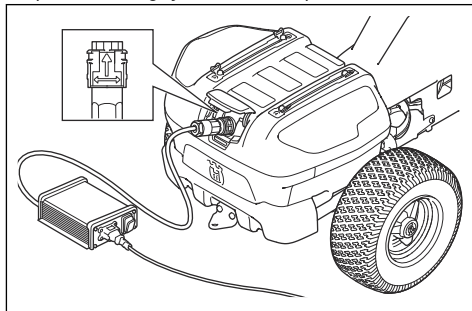
CUIDADO: O processo de carregamento só é possível quando a temperatura da bateria se encontra dentro do intervalo permitido para carregamento (0 a 38 °C).



CUIDADO: Utilize a bateria em condições em que as temperaturas se encontrem entre 0 °C e 40 °C.

Nota: A bateria pode entrar no modo de baixo consumo quando o produto está armazenado ou quando o estado de carga é muito baixo. Para ligar a bateria, é necessário premir o botão Start durante 2 segundos. Se a bateria não arrancar, é necessário carregá-la de modo contínuo até estar totalmente carregada. O tempo de carregamento é mais longo quando a bateria está no modo de baixo consumo.

1. Ligue o carregador de bateria a uma tomada de parede com ligação à terra e ao produto.



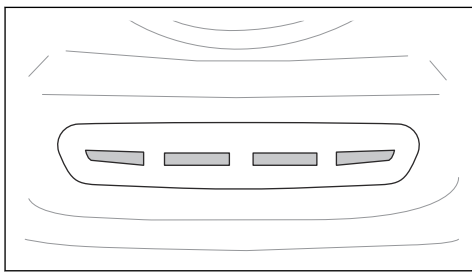
2. Coloque o interruptor ON/OFF do carregador na posição ON.
3. Coloque o interruptor ON/OFF do carregador na posição OFF antes de desconetar o carregador.

Nota: É possível instalar uma segunda bateria no produto. Para a instalação, contacte o seu distribuidor Husqvarna.

Indicação da bateria quando esta está a carregar

Quando um carregador é ligado ao produto e o interruptor de alimentação é colocado na posição "1", o visor apresenta a vista de carregamento. Consulte *Vista de carregamento* na página 85.

Quando é conetado um carregador, 4 LED por baixo da tomada destinada ao carregador de bateria indicam o estado de carga.



Nota: Os 4 LED acendem-se por breves instantes quando o carregador de bateria é conetado.



CUIDADO: Se nenhum LED se acender ou se piscarem LED vermelhos quando o carregador de bateria é conetado, significa que existe um erro. Procure símbolos de aviso ou uma mensagem de erro no visor. Desconete o carregador e

consulte *Resolução de problemas na página 108*.

Quando a bateria estiver totalmente carregada, os 4 LED acendem-se.



CUIDADO: Se o carregador estiver conectado e o interruptor ON/OFF do carregador estiver na posição OFF, todos os indicadores de carga se apagam. Certifique-se de que desconeta o carregador antes de utilizar o produto.

LED	Estado de carga
Os 4 LED estão acesos.	A bateria tem uma carga entre 76 e 100%.
Os LED 1 a 3 estão acesos.	A bateria tem uma carga entre 51 e 75%.
Os LED 1 a 2 estão acesos.	A bateria tem uma carga entre 26 e 50%.
O LED 1 está aceso.	A bateria tem uma carga entre 0 e 25%.

Nota: Se um carregador for conectado quando a temperatura da bateria é superior a 38 °C, o carregamento não é iniciado. Os LED amarelos indicam o estado de carga. Quando a temperatura da bateria se encontra dentro do intervalo permitido para carregamento (0 a 38 °C), o carregamento é automaticamente iniciado.

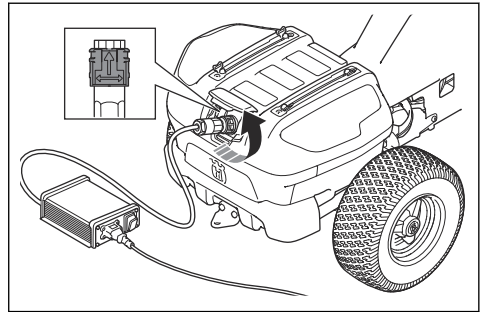
Nota: Se utilizar o produto em temperaturas frias, o tempo de funcionamento pode ser reduzido.

Desconetar o carregador de bateria

Nota: Não é possível ligar o produto quando o carregador de bateria está conectado.

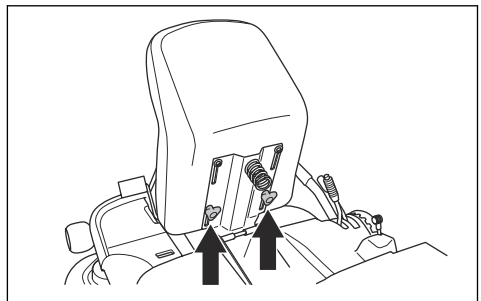
1. Coloque o interruptor ON/OFF do carregador na posição OFF.

2. Rode a ficha do carregador para o desconetar.



Ajustar o banco

O banco pode ser inclinado para a frente. Também pode ser ajustado no sentido do comprimento. Desaperte as pegas debaixo do banco para ajustar para a frente ou para trás.

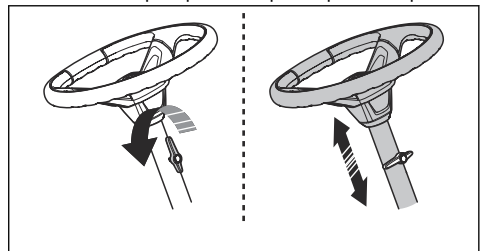


Ajustar a altura do volante



ATENÇÃO: Não ajuste a altura do volante durante o funcionamento do produto.

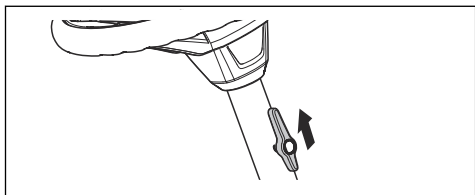
1. Rode o manípulo para a esquerda para desapertar.



2. Ajuste a altura do volante.
3. Rode o manípulo para a direita para apertar.

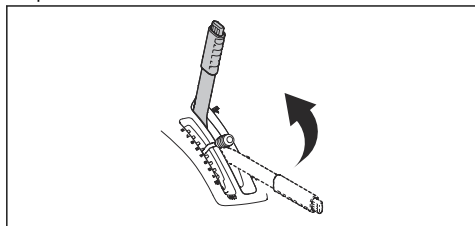


CUIDADO: Certifique-se de que a extremidade comprida do manípulo aponta para cima.

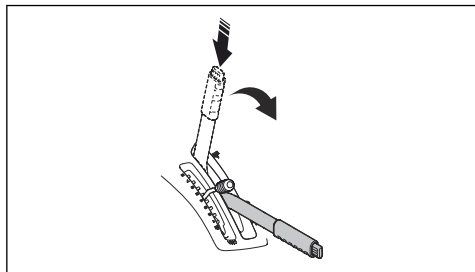


Levantar e baixar a bancada de corte

- Para levantar a bancada de corte para a posição de transporte, puxe a alavanca de elevação para trás. Se o modo de condução estiver ativado, as lâminas param automaticamente de rodar.

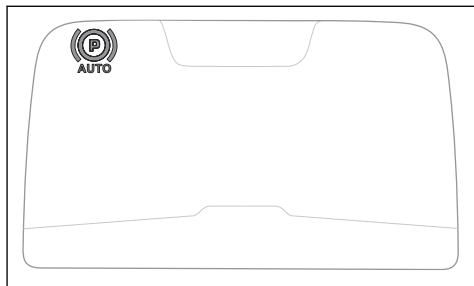


- Para baixar a plataforma de corte para a posição de corte, prima o botão de bloqueio e desloque a alavanca de elevação para a frente. Se o modo de condução estiver ativado, as lâminas começam a rodar automaticamente.



Travão de estacionamento

O travão de estacionamento é elétrico. O travão de estacionamento é automaticamente aplicado quando o produto está parado, e libertado quando carrega nos pedais. É apresentado um símbolo do travão de estacionamento no visor quando o travão de estacionamento é aplicado.



Deslocar o produto manualmente



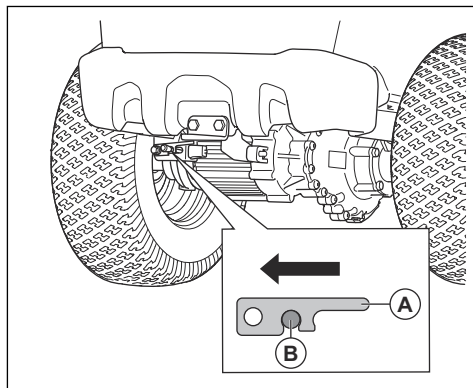
ATENÇÃO: Antes de utilizar o produto, certifique-se de que o sistema do travão de estacionamento elétrico está ativado.



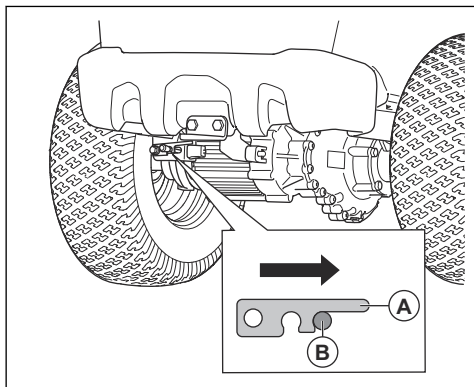
CUIDADO: Não empurre o produto durante períodos de tempo superiores ao necessário ou a velocidades superiores a 6 km/h.

Para deslocar o produto com o motor desligado, o sistema do travão de estacionamento elétrico tem de estar desativado. A alavanca do sistema do travão de estacionamento elétrico encontra-se atrás da roda traseira esquerda.

- Solte o bloqueio do sistema do travão de estacionamento elétrico (A) e desloque a alavanca (B) para a posição esquerda a fim de desativar o sistema do travão de estacionamento elétrico.

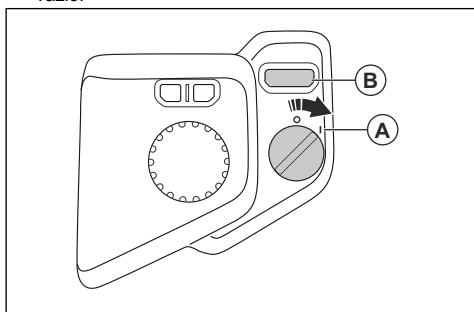


- Solte o bloqueio do sistema do travão de estacionamento elétrico (A) e desloque a alavanca (B) para a posição direita a fim de ativar o sistema do travão de estacionamento elétrico.



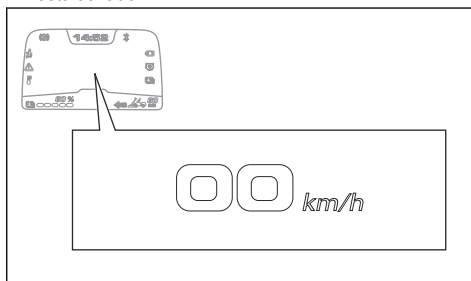
Arrancar o produto

1. Desligue o cabo do carregador de bateria.
2. Sente-se no banco.
3. Eleve a plataforma de corte até à posição de transporte. Consulte *Levantar e baixar a bancada de corte na página 99*.
4. Coloque o interruptor de alimentação na posição "1" (A). O produto é colocado no modo de marcha em vazio.



5. Certifique-se de que não carrega nos pedais.

6. Prima o botão Start (B) até ouvir um som e a vista do visor mudar. Isto indica que o modo de condução está ativado.

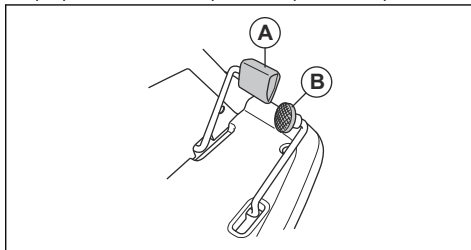


Nota: Não se ouve som se o som estiver definido como desligado. Consulte *Definir o som como ligado ou desligado na página 96*.

Nota: A bateria pode entrar no modo de baixo consumo quando o produto está armazenado ou quando o estado de carga é muito baixo. Para ligar a bateria, é necessário premir o botão Start durante 2 segundos. Se a bateria não arrancar, é necessário carregá-la de modo contínuo até estar totalmente carregada. O tempo de carregamento é mais longo quando a bateria está no modo de baixo consumo.

Utilizar o produto

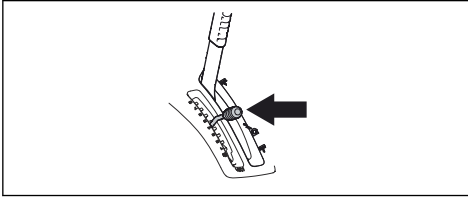
1. Ligue o produto. Consulte *Arrancar o produto na página 100*.
2. Pressione cuidadosamente o pedal 1. Utilize o pedal (A) para a marcha em frente e o pedal (B) para a marcha-atrás. A velocidade aumenta proporcionalmente à pressão aplicada no pedal.



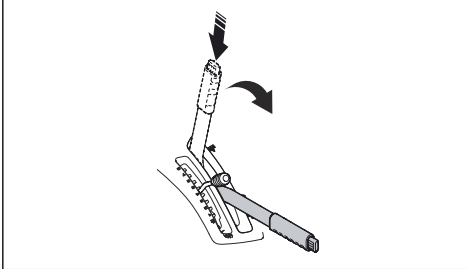
Nota: O travão de estacionamento é automaticamente libertado quando carrega num pedal.

3. Solte o pedal para engatar os travões.

4. Selecione a altura de corte (1 a 10) com a alavanca da altura de corte.



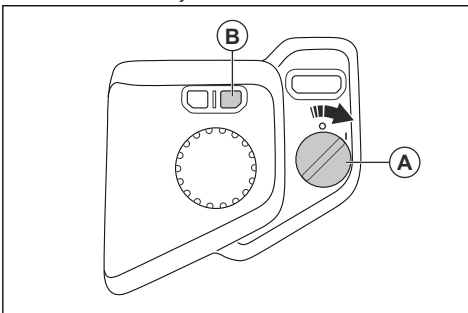
5. Prima o botão de bloqueio na alavanca de elevação da plataforma de corte e baixe-a até à posição de corte.



Selecionar um modo de condução

Pode definir no produto 2 modos de condução diferentes: Modo de condução standard ou função de poupança da bateria, SavE. A função SavE proporciona tempo de funcionamento mais longo. A função SavE diminui a velocidade do produto e a velocidade das lâminas.

1. Coloque o interruptor de alimentação (A) na posição "1". O visor acende-se.
2. Prima o botão de modo de condução (B) para alterar o modo de condução.



Nota: O indicador do modo de condução no visor mostra qual é o modo de condução que se encontra ativado. Consulte *Descrição geral do visor na página 84*.

Nota: Se o indicador de modo de condução com bateria fraca se acender, consulte *Mensagens indicadoras no visor na página 112*.

Parar o produto

1. Estacione o produto num piso nivelado. O travão de estacionamento é automaticamente aplicado quando o produto está parado.
2. Puxe a alavanca de elevação para a plataforma de corte para trás para elevar a plataforma de corte para a posição de transporte.
3. Coloque o interruptor de alimentação na posição "0".

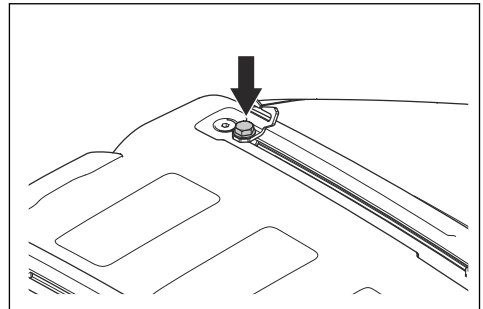
Obter bons resultados de corte

- Não corte um relvado molhado. A relva molhada pode originar resultados de fraca qualidade.
- Comece com uma altura de corte elevada e diminua-a gradualmente.
- Para obter os melhores resultados, utilize o modo de condução standard. Desloque o produto para a frente a uma velocidade baixa. Se a relva não for muito alta nem muito espessa, pode obter bons resultados também a velocidades mais elevadas.
- Para obter o melhor resultado, corte a relva com frequência e utilize a função de trituração. Consulte *Retirar e instalar o adaptador BioClip na plataforma de corte na página 107*.

Acoplar a carga aos carris

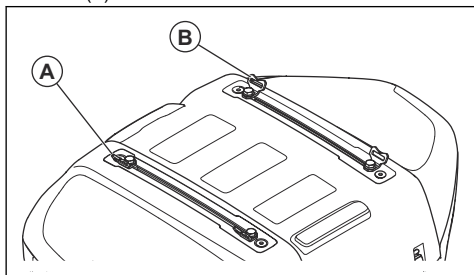
O produto tem carris e suportes dos carris na cobertura da bateria, para acoplamento da carga.

1. Ajuste os suportes das calhas para ajustar a carga.
 - a) Desaperte o parafuso e desloque o suporte da calha para a frente ou para trás na calha.



- b) Aperte o parafuso.

2. Insira uma correia através do orifício no suporte da calha (A).



3. Insira a correia através do suporte do carril (B) no lado oposto.
4. Utilize os suportes das calhas para fixar a carga com correias.



CUIDADO: Não sobrecarregue as calhas. Consulte *Especificações técnicas* na página 118.

Manutenção

Introdução

antes de realizar tarefas de manutenção no produto.



ATENÇÃO: Certifique-se de que leu e compreendeu o capítulo sobre segurança

Esquema de manutenção

Manutenção diária antes da utilização
Certifique-se de que as porcas e os parafusos estão apertados.
Limpe o produto e as superfícies interiores da plataforma de corte.
Certifique-se de que os dispositivos de segurança não estão avariados.
Examine os cabos da direção.
Examine as lâminas da plataforma de corte.
Certifique-se de que a pressão dos pneus está correta.

X = As instruções estão disponíveis neste manual do utilizador.

O = As instruções não estão disponíveis neste manual do utilizador. Solicite a realização da manutenção numa oficina autorizada.

Manutenção	A cada 50 h ou anualmente
Limpe as superfícies exteriores e interiores da plataforma de corte. Limpe abaixo da tampa da plataforma de corte e à volta das lâminas.	X
Certifique-se de que a pressão dos pneus está correta.	X
Ligue o produto a Husqvarna Service Hub (HSH), atualize o firmware e efetue uma calibragem, se necessário.	O
Carregue a bateria até um mínimo de 80%. Verifique o estado da bateria no HSH.	O
Certifique-se de que todos os parafusos e porcas estão apertados com o binário correto.	O

Manutenção	A cada 50 h ou anualmente
Inspecione, lubrifique e ajuste todos os fios.	O
Verifique a corrente da direção no interior do túnel da estrutura.	O
Lubrifique os pedais no interior do túnel da estrutura.	O
Lubrifique o banco do condutor.	O
Remova as rodas motrizes e lubrifique os eixos com massa lubrificante.	O
Lubrifique a estrutura da plataforma de corte e o controle de presença da plataforma de corte.	O
Lubrifique as rodas pivô da plataforma de corte.	O
Examine as lâminas. Afie e equilibre as lâminas, se necessário.	O
Verifique e ajuste a posição paralela da plataforma de corte.	X
Verifique o interruptor no elevador da plataforma de corte.	O
Verifique a ativação das lâminas e o interruptor OPC.	O
Verifique a marcha em frente e a marcha-atrás a diferentes velocidades.	O

Limpar o produto



CUIDADO: Não utilize uma máquina de lavar de alta pressão nem uma máquina de limpeza a vapor. A possível entrada de água nos rolamentos e nas ligações elétricas pode causar corrosão, o que danifica o produto.

Limpe o produto imediatamente após cada utilização.

- Antes de limpar com um pano húmido, limpe com uma escova. Remova a relva e a sujidade do sistema de propulsão e da entrada da ventoinha de arrefecimento do motor, bem como em torno dos mesmos.
- Utilize um pano húmido para limpar o produto.
- Não utilize água em componentes elétricos ou rolamentos. Geralmente, o detergente aumenta os danos.
- Certifique-se de que a bateria e o carregador de bateria estão limpos antes de este último ser ligado ao produto.
- Para limpar a plataforma de corte, coloque-a na posição de manutenção e utilize uma mangueira para a enxaguar com água. Certifique-se de que o interruptor de alimentação se encontra na posição "0".
- Quando o produto estiver limpo, ligue a plataforma de corte durante um curto período de tempo para eliminar a água restante.

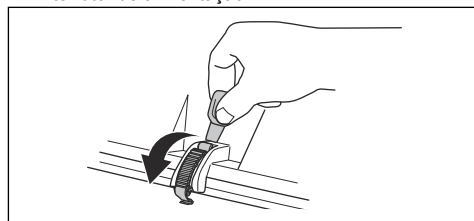
Remover as coberturas

Abrir e fechar a cobertura da bateria

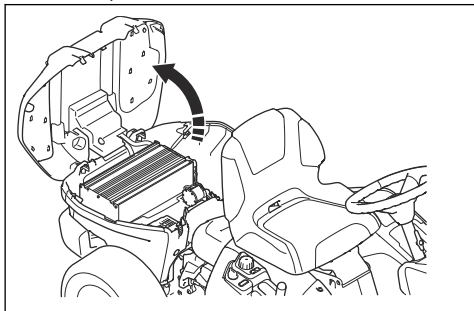


CUIDADO: Remova a carga que está acoplada aos carris antes de abrir a cobertura da bateria.

1. Solte os 2 grampos na dianteira da cobertura da bateria com a ferramenta que está presa à chave do interruptor de alimentação.



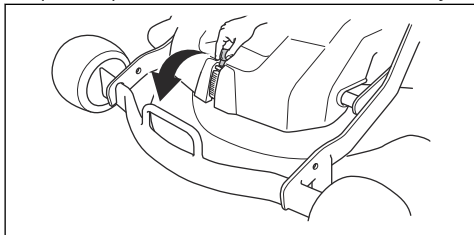
2. Eleve a parte dianteira da cobertura da bateria e incline-a para trás.



3. Feche na sequência inversa.

Remover a proteção dianteira

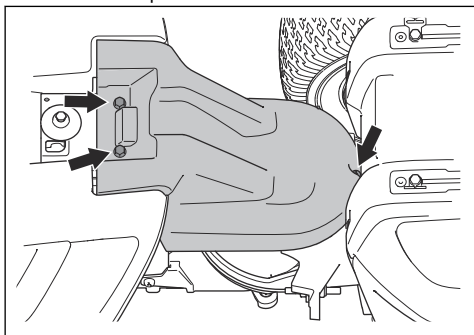
1. Solte o grampo da tampa dianteira com a ferramenta que está presa à chave do interruptor de alimentação.



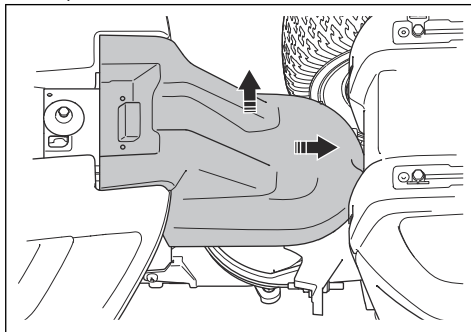
2. Retire a cobertura dianteira.

Remover e instalar a cobertura da estrutura

1. Incline o banco para a frente.
2. Remova os 3 parafusos.



3. Empurre a tampa da estrutura para trás e eleve a tampa.



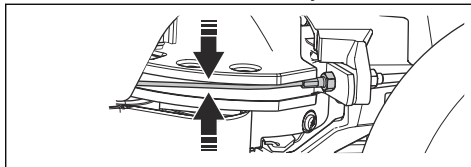
4. Instale na sequência inversa.

Examinar os cabos da direção

A tensão dos cabos da direção pode diminuir após um período de tempo. Tal provoca alterações no ajuste da direção.

Examine e ajuste a direção da seguinte forma:

1. Os cabos da direção estão bem apertados se os conseguir mover 5 mm para cima ou para baixo na ranhura existente do anel de direção.



2. Se os fios estiverem demasiado soltos, solicite o respetivo ajuste numa oficina autorizada.

Verificar o travão de estacionamento

1. Estacione o produto numa superfície rígida com um declive máximo de 10°. Mantenha o produto ligado.



ATENÇÃO: Não estacione o produto num declive com relva quando verificar o travão de estacionamento.

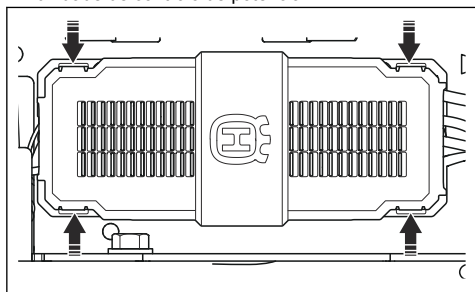
Nota: O travão de estacionamento é elétrico. O travão de estacionamento é automaticamente aplicado quando o produto está parado.

2. Certifique-se de que o símbolo do travão de estacionamento é apresentado no visor e de que o produto não se move. Se o produto se mover, contacte o seu distribuidor com assistência técnica Husqvarna.

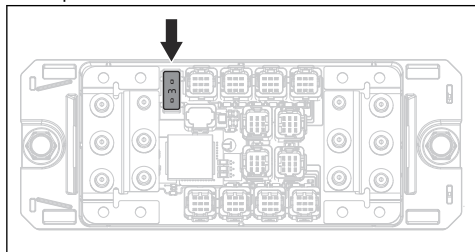
Substituir o fusível da unidade de controle de potência

Um fusível avariado da unidade de controle de potência é identificado por um fio queimado do fusível.

1. Certifique-se de que o interruptor ON/OFF do carregador está na posição OFF e de que o carregador está desligado do produto. Consulte *Desconectar o carregador de bateria na página 98*.
2. Coloque o interruptor de alimentação na posição "0" e remova a chave do interruptor de alimentação.
3. Retire a cobertura da estrutura. Consulte *Remover e instalar a cobertura da estrutura na página 104*.
4. Empurre os 4 grampos e remova a cobertura da unidade de controle de potência.



5. Extraia do suporte o fusível da unidade de controle de potência.

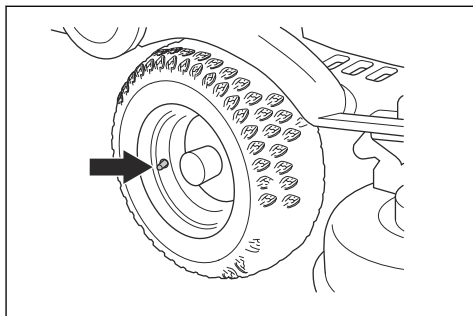


6. Substitua o fusível avariado da unidade de controle de potência por um fusível novo do mesmo tipo. Consulte *Especificações técnicas na página 118*.

Nota: Se o fusível da unidade de controle de potência voltar a avariar pouco tempo depois da substituição, contacte o seu distribuidor com assistência técnica Husqvarna.

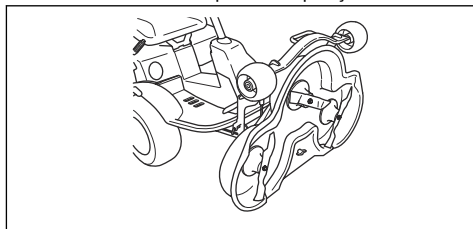
Pressão dos pneus

A pressão correta dos pneus é 60 kPa (0,6 bar/8,5 PSI) nos 4 pneus.



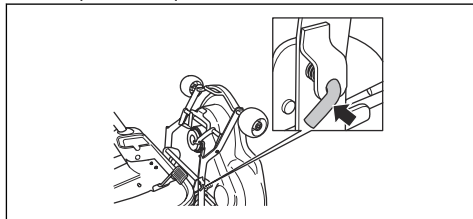
Colocar a bancada de corte na posição de manutenção

1. Efetue os passos 1 a 7 em *Remover e fixar a plataforma de corte na página 93*.
2. Levante a bancada de corte até à posição vertical, até ouvir um som de clique. A bancada de corte é automaticamente bloqueada na posição vertical.

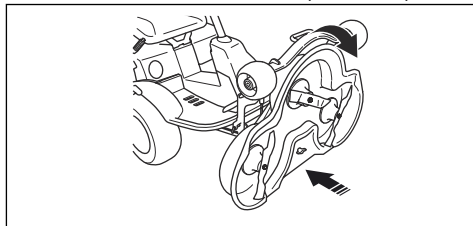


Colocar a plataforma de corte na posição de corte

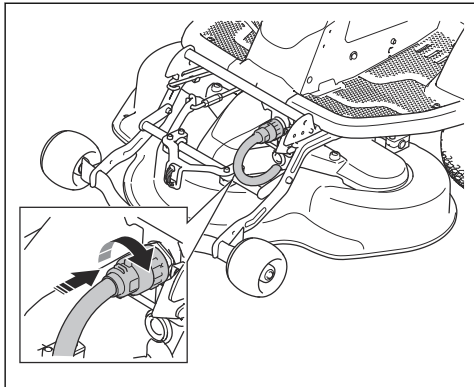
1. Segure na extremidade dianteira da bancada de corte com a mão esquerda.
2. Desaperte o bloqueio com a mão direita.



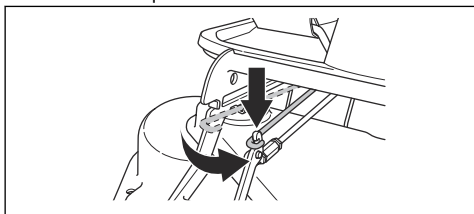
3. Rebata a bancada de corte e empurre-a até parar.



4. Ligue o cabo à plataforma de corte.



5. Levante o fixador da altura de corte do suporte do fixador e coloque-o no orifício.



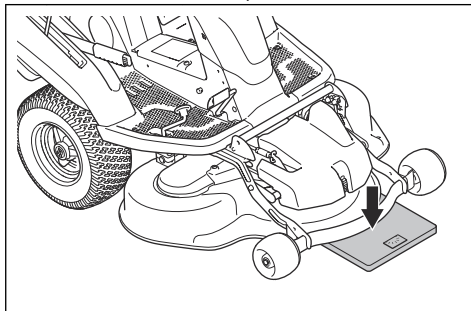
6. Fixe a cobertura dianteira.
7. Desloque a alavanca de altura de corte da posição de manutenção para uma das posições com um número.

Examinar e ajustar a pressão exercida na terra pela plataforma de corte

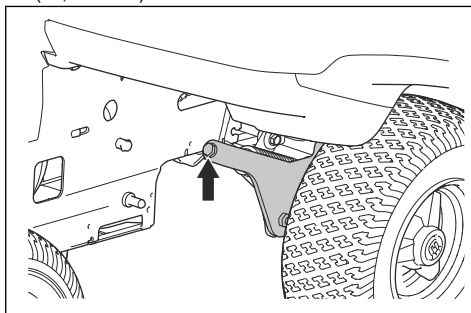
Uma pressão correta sobre a terra garante que a plataforma de corte se desloca ao longo da superfície mas que não exerce pressão excessiva sobre esta.

1. Certifique-se de que a pressão do ar nos pneus é 60 kPa (0,6 bar/9,0 PSI).
2. Estacione o produto numa superfície nivelada.
3. Baixe a plataforma de corte até à posição de corte.

4. Coloque uma balança de casa de banho sob a extremidade dianteira da plataforma de corte.



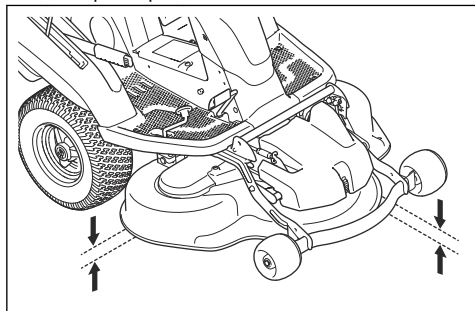
5. Para garantir que não está a ser aplicado peso sobre as rodas de suporte, coloque um bloco de madeira entre a estrutura e a balança de casa de banho.
6. Para ajustar a pressão exercida na terra, rode os parafusos de ajuste situados atrás das rodas dianteiras no lado direito e esquerdo.
7. Rode os parafusos para direita ou esquerda até que a pressão exercida na terra esteja entre 12 e 15 kg (26,5 a 33 lb).



Verificar a posição paralela da bancada de corte

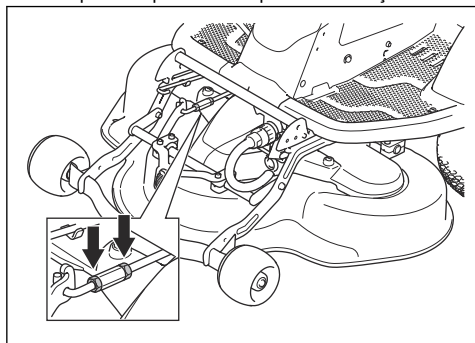
1. Certifique-se de que a pressão de ar nos pneus está correta. Consulte *Especificações técnicas na página 118*.
2. Estacione o produto numa superfície nivelada.
3. Baixe a plataforma de corte até à posição de corte.
4. Coloque a alavanca da altura de corte na posição intermédia.

- Meça a distância entre o solo e as arestas dianteira e traseira da plataforma de corte. Certifique-se de que a extremidade traseira tem uma altura 4 a 6 mm ou 1/5 pol. superior à da extremidade dianteira.

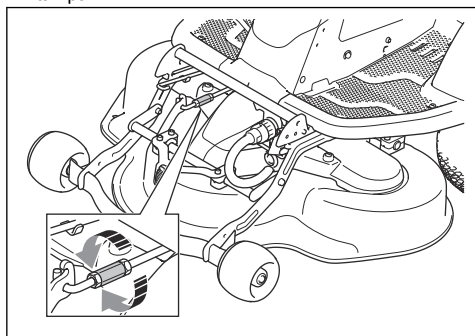


Ajustar a posição paralela da plataforma de corte

- Retire a cobertura dianteira.
- Desaperte as porcas do suporte de elevação.



- Rode o suporte de elevação para o alongar ou encurtar. Alongue o suporte de elevação para elevar a extremidade traseira da tampa. Encurte o suporte de elevação para baixar a extremidade traseira da tampa.



- Quando o ajuste estiver concluído, aperte as porcas do suporte de elevação.

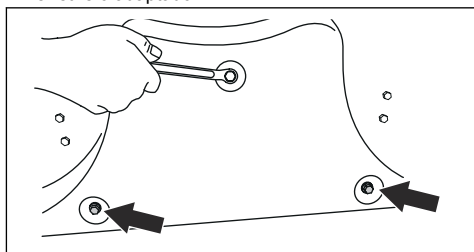
- Verifique o paralelismo. Consulte *Verificar a posição paralela da bancada de corte na página 106*.
- Fixe a cobertura dianteira.

Retirar o adaptador BioClip

- Retire o adaptador BioClip para alterar uma plataforma de corte combinada de BioClip para descarga traseira da relva.

Retirar e instalar o adaptador BioClip na plataforma de corte

- Coloque a bancada de corte na posição de manutenção. Consulte *Colocar a bancada de corte na posição de manutenção na página 105*.
- Retire os 3 parafusos que fixam o adaptador BioClip e retire o adaptador.



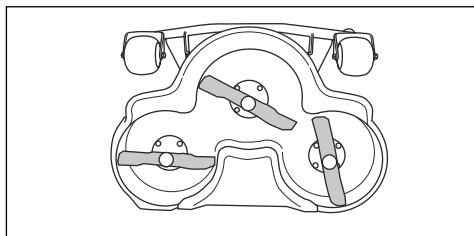
- Fixe 1 parafuso M8X15 mm no orifício do parafuso superior para o adaptador BioClip, para impedir danos nas roscas.
- Coloque a plataforma de corte na posição de corte.
- Instale o adaptador BioClip na sequência oposta.

Examinar as lâminas



CUIDADO: As lâminas danificadas ou incorretamente equilibradas podem provocar danos no produto. Substitua as lâminas danificadas. Solicite ajuda numa oficina autorizada para afiar e equilibrar as lâminas rombas.

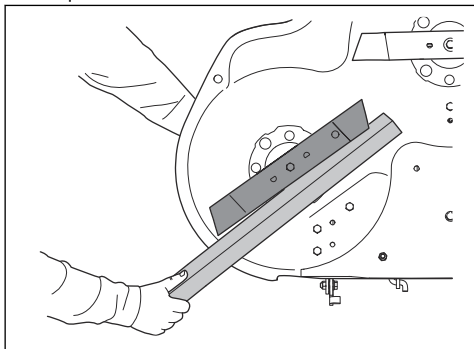
- Coloque a bancada de corte na posição de manutenção.
- Observe as lâminas para verificar se estão danificadas e se é necessário afiá-las.



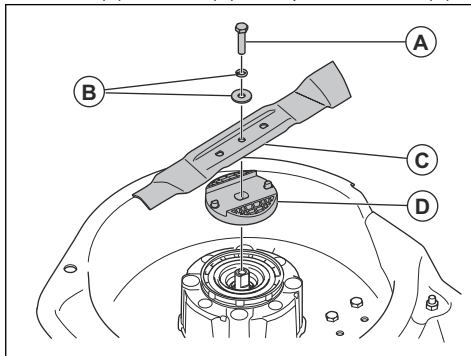
3. Aperte os parafusos das lâminas com um binário de aperto de 25 Nm.

Substituir as lâminas

1. Retire a plataforma de corte. Consulte *Remover e fixar a plataforma de corte na página 93*.
2. Bloquee a lâmina com um bloco de madeira.



3. Desaperte e remova o parafuso da lâmina (A), as anilhas (B), a lâmina (C) e o suporte da lâmina (D).



4. Instale na sequência inversa. Instale a nova lâmina com as extremidades dobradas na direção da plataforma de corte.



ATENÇÃO: O tipo de lâmina incorreto pode causar a projeção de objetos da bancada de corte e resultar em ferimentos graves. Utilize apenas as lâminas indicadas *Especificações técnicas na página 118*.

Resolução de problemas

Introdução

Se não encontrar uma solução para determinados problemas neste manual do utilizador, contacte o seu distribuidor com assistência técnica Husqvarna.

Nota: Certifique-se de que a bateria está carregada antes de efetuar a resolução de problemas do produto. Consulte *Carregar a bateria na página 97*.

Esquema de resolução de problemas

Problema	Causa	Ação
O visor não se acende quando o interruptor de alimentação é colocado na posição "1".	A bateria está descarregada. Consulte <i>Carregar a bateria na página 97</i> .	Carregue a bateria.
	A bateria está em modo de baixo consumo.	Para ligar a bateria, prima o botão Start durante 2 segundos. Se a bateria não arrancar, é necessário carregá-la de modo contínuo até estar totalmente carregada. O tempo de carregamento é mais longo quando a bateria está no modo de baixo consumo.
	O fusível da unidade de controlo de potência está avariado.	Substitua o fusível da unidade de controlo de potência; consulte <i>Substituir o fusível da unidade de controlo de potência na página 105</i> . Se o problema persistir, contacte o seu distribuidor com assistência técnica Husqvarna.
	O visor ou o cabo da unidade do visor está partido.	Contacte o seu distribuidor com assistência técnica Husqvarna.
	O interruptor de alimentação está avariado.	
O modo de condução não é iniciado quando se prime o botão Start.	Procedimento de arranque incorreto.	Consulte <i>Arrancar o produto na página 100 e Arranque impedido na página 86</i> .
	O botão Start é premido durante menos de 1 segundo.	Prima o botão Start durante 1 segundo. Um som e/ou uma alteração no visor indica(m) que o modo de condução está ativado. Quando o som está definido como desligado, não se ouve o som de notificação de arranque. Consulte <i>Definir o som como ligado ou desligado na página 96</i> .
	O painel de controlo está avariado.	Contacte o seu distribuidor com assistência técnica Husqvarna.







Problema	Causa	Ação
Os motores da plataforma de corte não arrancam.	A plataforma de corte não se encontra na posição de corte.	Coloque a plataforma de corte na posição de corte; consulte <i>Colocar a plataforma de corte na posição de corte na página 105</i> .
	O cabo da plataforma de corte não está corretamente ligado.	Ligue a plataforma de corte ao produto; consulte <i>Remover e fixar a plataforma de corte na página 93</i> .
	A plataforma de corte está cheia de relva.	Limpe a plataforma de corte; consulte <i>Limpar o produto na página 103</i> .
	A relva está demasiado alta.	Ajuste a altura de corte às condições da relva.
	A temperatura dos controlos dos motores da plataforma de corte é demasiado elevada.	Pare o produto e aguarde que a temperatura desça. Volte a arrancar após 20 minutos.
	Os motores da plataforma de corte estão avariados.	Contacte o seu distribuidor com assistência técnica Husqvarna.
	Os controlos dos motores da plataforma de corte estão avariados.	
Não existe alimentação no cabo da plataforma de corte.		
A bateria não carrega. Os LED por baixo da tomada destinada ao carregador de bateria não se acendem.	O carregador de bateria não está corretamente ligado à tomada de alimentação ou ao produto.	Consulte <i>Carregar a bateria na página 97</i> .
	O interruptor ON/OFF do carregador está na posição OFF.	Coloque o interruptor ON/OFF do carregador na posição ON.
	O carregador de bateria está avariado.	Desconete o carregador de bateria e contacte o seu distribuidor com assistência técnica Husqvarna.
	Existe um erro interno.	
	A tomada de alimentação está avariada.	Ligue a ficha do carregador a uma tomada de alimentação com a tensão e a frequência especificadas na etiqueta de tipo.
A bateria não carrega. Os LED por baixo da tomada destinada ao carregador de bateria piscam a vermelho.	A temperatura não está dentro do intervalo para carregamento.	Aguarde até que a temperatura da bateria volte a estar dentro do intervalo permitido para carregamento (0 a 38 °C). Procure mensagens de erro ou símbolos de aviso no visor. Consulte <i>Mensagens de aviso no visor na página 112</i> e <i>Mensagens de erro no visor na página 113</i> .
	A bateria está avariada.	Desconete o carregador de bateria e contacte o seu distribuidor com assistência técnica Husqvarna.
	Existe um erro interno.	

Problema	Causa	Ação
A bateria não carrega. Os LED por baixo da tomada destinada ao carregador de bateria indicam o estado de carga a amarelo.	A temperatura da bateria é superior a 38 °C.	Certifique-se de que a temperatura no local onde o carregador e o produto se encontram está dentro do intervalo permitido para carregamento (0 a 38 °C). Se o carregador estiver conectado, o carregamento é automaticamente iniciado quando a temperatura da bateria é inferior a 38 °C. Se o problema persistir, contacte o seu distribuidor com assistência técnica Husqvarna.
O tempo de funcionamento não aumenta após a instalação de uma segunda bateria.	A segunda bateria não está corretamente instalada no produto.	Certifique-se de que a segunda bateria aparece no visor. Consulte <i>Ver informações do sistema na página 95</i> . Contacte o seu distribuidor com assistência técnica Husqvarna se aparecer apenas 1 símbolo de bateria no visor ou se o problema persistir.
Existe vibração no produto durante o modo de corte.	As lâminas estão soltas/danificadas.	Efetue uma inspeção visual. Consulte <i>Examinar as lâminas na página 107</i> . Se o problema persistir, contacte o seu distribuidor com assistência técnica Husqvarna.
	Uma ou mais lâminas estão desequilibradas.	
	O motor da plataforma de corte está solto.	
Existe vibração no produto durante o modo de transporte.	Uma ou mais rodas estão soltas.	Efetue uma inspeção visual. Se o problema persistir, contacte o seu distribuidor com assistência técnica Husqvarna.
	O produto tem um pneu furado.	
	Existem parafusos soltos no produto.	
	O motor de acionamento está solto.	
O resultado de corte não é satisfatório.	As lâminas estão rombas.	Consulte <i>Examinar as lâminas na página 107</i> .
	A relva é comprida ou está molhada.	Consulte <i>Obter bons resultados de corte na página 101</i> .
	A plataforma de corte não se encontra paralela ao solo.	Consulte <i>Verificar a posição paralela da bancada de corte na página 106</i> .
	Existe uma obstrução de relva na plataforma de corte.	Consulte <i>Limpar o produto na página 103</i> .
	A pressão dos pneus é diferente nos lados esquerdo e direito.	Consulte <i>Pressão dos pneus na página 105</i> .
	O produto é utilizado a uma velocidade demasiado elevada.	Contacte o seu distribuidor com assistência técnica Husqvarna.
	A velocidade do motor é demasiado baixa.	Contacte o seu distribuidor com assistência técnica Husqvarna.

Visor - Resolução de problemas

Mensagens indicadoras no visor




As mensagens indicadoras no visor mostram uma função ativada ou informações acerca do estado do produto. Consulte *Descrição geral do visor na página 84*. Um ou mais indicadores do visor acendem-se. Quando existe uma mensagem indicadora no visor, o produto pode continuar a funcionar, mas existem ações recomendadas.

Símbolos	Nome	Causa/ação
	Erro do sistema	Existe um erro do sistema no produto. Pare o produto e coloque o interruptor de alimentação na posição "0". Aguarde 5 minutos. Se o problema persistir, contacte o seu distribuidor com assistência técnica Husqvarna.
	Erro da bateria	Existe um erro da bateria. Pare o produto e coloque o interruptor de alimentação na posição "0". Aguarde 5 minutos antes de arrancar. Se o problema persistir, contacte o seu distribuidor com assistência técnica Husqvarna.
	Aviso do motor de acionamento	O motor de acionamento está encravado. Possivelmente, porque o produto está a funcionar numa encosta onde a potência de descarga necessária é demasiado elevada. Não utilize em condições que causam paragem do motor de acionamento.
	Erro de temperatura	Existe um erro de temperatura. Consulte a combinação de símbolos para obter mais informações.
	Modo de desempenho reduzido	O modo de desempenho reduzido está ativado. O modo de desempenho reduzido é definido automaticamente quando o nível de carga é baixo. Carregue o produto e não utilize em encostas.
	Modo de desempenho reduzido	O modo de desempenho reduzido é automaticamente definido no produto. O nível de carga é baixo e/ou a temperatura da bateria, do motor de acionamento ou do controlador do motor de acionamento é demasiado elevada. Neste modo de condução, as lâminas são desativadas e a velocidade diminui gradualmente. Consulte a combinação de símbolos para obter mais informações.

Mensagens de aviso no visor

Uma mensagem de aviso é constituída por uma combinação de símbolos amarelos que aparecem primeiro como símbolos grandes no centro do visor. Quando existe um aviso, o produto pode funcionar, mas é mais lento do que o habitual. Para evitar erros, pare o produto e aguarde que os símbolos de aviso desapareçam. Se o produto for parado, não poderá voltar a arrancar até que a mensagem de aviso desapareça.



Nota: Para avisos acerca do motor/controlador do motor da plataforma de corte, eleve a plataforma de corte/o acessório até à posição de transporte para voltar a arrancar ou para utilizar.





Símbolos	Nome	Causa/ação
	Aviso de temperatura da bateria	A temperatura da bateria é superior ao recomendado. O produto funciona mais lentamente do que o habitual até a temperatura descer. Pare o produto e aguarde que a temperatura desça antes de arrancar.
	Aviso de temperatura do motor de acionamento ou do controlador do motor de acionamento	A temperatura no motor de acionamento ou no controlador do motor de acionamento é superior ao recomendado. O produto funciona mais lentamente do que o habitual até a temperatura descer. Pare o produto e aguarde que a temperatura do motor de acionamento desça antes de arrancar.
	Aviso de temperatura do motor da plataforma de corte ou do controlador do motor da plataforma de corte	A temperatura no motor da plataforma de corte ou no controlador do motor da plataforma de corte é superior ao recomendado. O produto funciona mais lentamente do que o habitual até a temperatura descer. Eleve a plataforma de corte/o acessório dianteiro até à posição de transporte e aguarde que a temperatura desça antes de arrancar.

Mensagens de erro no visor

Uma mensagem de erro é constituída por uma combinação de símbolos vermelhos que aparecem primeiro como símbolos grandes no centro do visor. Quando há um erro, o produto é automaticamente definido para o modo de marcha em vazio e não pode arrancar até que o erro desapareça. Pode ver as mensagens de erro no menu de erros. Consulte *Ler mensagens de erro na página 96*.

Nota: Para erros acerca do motor/controlador do motor da plataforma de corte, eleve a plataforma de corte/o acessório até à posição de transporte para voltar a arrancar ou para utilizar.

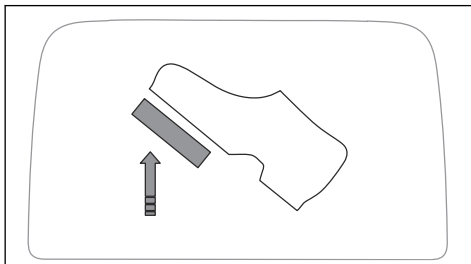
Símbolos	Nome	Causa/ação
	Erro de temperatura da bateria	A temperatura da bateria está demasiado elevada. Aguarde que a temperatura da bateria desça. Se o problema persistir, contacte o seu distribuidor com assistência técnica Husqvarna.
	Erro de temperatura do motor de acionamento ou do controlador do motor de acionamento	A temperatura do motor de acionamento ou do controlador do motor de acionamento está demasiado elevada. Aguarde que a temperatura do motor de acionamento ou do controlador do motor de acionamento desça. Se o problema persistir, contacte o seu distribuidor com assistência técnica Husqvarna.

Símbolos	Nome	Causa/ação
	Erro de temperatura do motor da plataforma de corte ou do controlador do motor da plataforma de corte	A temperatura do motor da plataforma de corte ou do controlador do motor da plataforma de corte está demasiado elevada. Eleve a plataforma de corte ou outro acessório dianteiro até à posição de transporte e aguarde que a temperatura desça. Se o problema persistir, contacte o seu distribuidor com assistência técnica Husqvarna.
	Erro no motor de acionamento ou no controlador do motor de acionamento	Existe um erro no motor de acionamento ou no controlador do motor de acionamento. Pare o produto e coloque o interruptor de alimentação na posição "0". Aguarde 5 minutos antes de arrancar. Se o problema persistir, contacte o seu distribuidor com assistência técnica Husqvarna.
	Erro no motor da plataforma de corte ou no controlador do motor da plataforma de corte	Existe um erro no motor da plataforma de corte ou no controlador do motor da plataforma de corte. Eleve a plataforma de corte ou outro acessório dianteiro até à posição de transporte. Se o problema persistir, pare o produto e aguarde 5 minutos antes de arrancar. Se o problema persistir, contacte o seu distribuidor com assistência técnica Husqvarna.
	Erro de bateria descarregada	A bateria está descarregada. Carregue a bateria.

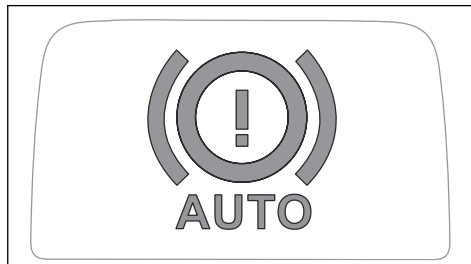
Mensagens quando o arranque é impedido

Os símbolos de arranque impedido indicam quando as condições para arranque não estão cumpridas. O símbolo de arranque impedido permanece no visor até que as condições para arranque se encontrem cumpridas. Consulte *Arrancar o produto na página 100*.

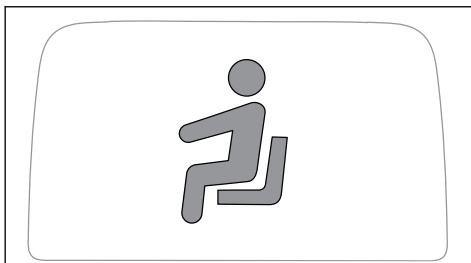
	
Descrição	Ação
O arranque é impedido porque a plataforma de corte está na posição de corte.	Antes de arrancar, eleve a plataforma de corte até à posição de transporte. Consulte <i>Levantar e baixar a bancada de corte na página 99</i> .



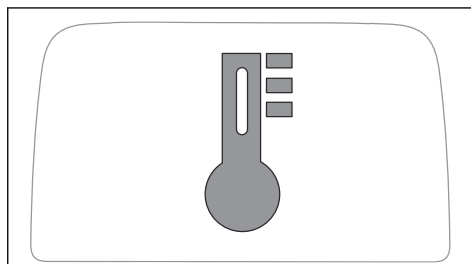
Descrição	Ação
O arranque é impedido porque está a carregar nos pedais.	Não carregue nos pedais durante o arranque do produto.



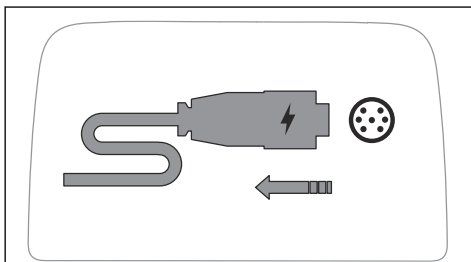
Descrição	Ação
O arranque é impedido porque o sistema do travão de estacionamento elétrico está desativado.	Ative o sistema do travão de estacionamento elétrico antes do arranque. Consulte <i>Deslocar o produto manualmente na página 99</i> .



Descrição	Ação
O arranque é impedido porque o utilizador não está sentado no banco.	O utilizador deve estar sentado no banco durante o arranque do produto. Consulte <i>Controlo de presença do utilizador (OPC) na página 86</i> .



Descrição	Ação
O arranque é impedido porque existe um erro de temperatura.	Consulte <i>Visor - Resolução de problemas na página 112</i> .



Descrição	Ação
O arranque é impedido porque o carregador não está conectado.	Desconete o carregador do produto antes do arranque. Consulte <i>Desconectar o carregador de bateria na página 98</i> .

Transporte, armazenamento e eliminação

Transporte

- O produto é pesado e pode causar ferimentos graves por esmagamento. Tenha cuidado ao carregá-lo e descarregá-lo de um veículo ou reboque.
- Não levante o produto. Os ilhós de transporte não são pontos de elevação aprovados e só podem ser utilizados para fixar o produto em segurança a um reboque.
- Utilize um reboque aprovado para o transporte do produto.
- Certifique-se de que conhece as regras de trânsito locais antes de transportar o produto num reboque ou em estradas.

Rebocar o produto

Para deslocar o produto com a alimentação desligada, o sistema do travão de estacionamento elétrico tem de estar desativado.

1. Desative o sistema do travão de estacionamento elétrico. Consulte *Deslocar o produto manualmente* na página 99.
2. Reboque o produto apenas a baixa velocidade e em distâncias curtas.

Fixar o produto em segurança num reboque para transportar



ATENÇÃO: O travão de estacionamento não é suficiente para bloquear o produto durante o transporte. Fixe o produto com firmeza no reboque.

Equipamento: 2 cintas tensoras aprovadas e 4 calços de rodas em forma de cunha.

1. Fixe as cintas tensoras em redor da estrutura ou do vagão traseiro.
2. Aperte as cintas tensoras na direção da traseira e da dianteira do reboque para fixar o produto em segurança.
3. Coloque os calços de rodas em frente e atrás das rodas traseiras.

Transporte de baterias

- As baterias de 48 V fornecidas cumprem os requisitos da legislação relativa a mercadorias perigosas.
- Cumpra o requisito especial para embalagens e as etiquetas de transporte comercial, incluindo por terceiros e agentes transitários.
- Contacte uma pessoa com formação específica em material perigoso antes de enviar o produto. Cumpra todos os regulamentos nacionais aplicáveis.

- Utilize fita em contactos abertos quando colocar a bateria numa embalagem. Coloque a bateria numa embalagem ajustada para impedir movimentos.

Armazenamento

Prepare o produto para armazenamento no final da estação e antes de mais de 30 dias de armazenamento.



ATENÇÃO: Remova a relva, as folhas e outros materiais inflamáveis do produto para reduzir o risco de incêndio. Deixe o produto arrefecer antes de o armazenar.

- Coloque o interruptor de alimentação na posição "0".
- Limpe o produto; consulte *Limpar o produto na página 103*. Repare os danos na pintura para prevenir a corrosão.
- Examine o produto quanto a peças gastas ou danificadas e aperte as porcas e os parafusos soltos.
- Carregue totalmente a bateria antes do armazenamento. Certifique-se de que a carga das baterias é igual ou superior a 50% durante o armazenamento.

Nota: A bateria pode entrar no modo de baixo consumo quando o produto está armazenado ou quando o estado de carga é muito baixo. Para ligar a bateria, é necessário premir o botão Start durante 2 segundos. Se a bateria não arrancar, é necessário carregá-la de modo contínuo até estar totalmente carregada. O tempo de carregamento é mais longo quando a bateria está no modo de baixo consumo.

- Lubrifique todos os copos de lubrificação, juntas e eixos.
- Mantenha o produto num local limpo e seco. Coloque uma cobertura de proteção no produto.

Nota: Pode adquirir uma cobertura de proteção para o produto durante o armazenamento ou o transporte no seu concessionário.

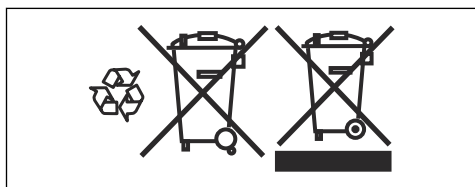
- Mantenha o produto numa área trancada para impedir o acesso a crianças ou pessoas que não disponham de aprovação.
- Mantenha o produto e a fonte de alimentação num local seco e sem gelo.
- Se vai utilizar o produto, mantenha-o armazenado num local onde a temperatura ambiente esteja entre 0 °C/32 °F e 50 °C/122 °F. Se não vai utilizar o produto, pode mantê-lo armazenado num local onde a temperatura ambiente esteja entre -20 °C/-4 °F e 50 °C/122 °F.
- Mantenha o produto afastado da exposição à luz solar.

- Não armazene o produto em áreas onde possa haver eletricidade estática.

Eliminação da bateria e do carregador da bateria

Este símbolo no produto ou na respectiva embalagem indica que o produto não deve ser tratado como resíduo doméstico comum. Em vez disso, deve ser enviado para uma estação de reciclagem adequada para a recuperação de equipamentos elétricos e eletrónicos.

Ao garantir que este produto é tratado corretamente, pode ajudar a neutralizar o potencial impacto negativo sobre o meio ambiente e as pessoas, que de outra forma pode resultar da gestão incorreta dos resíduos deste produto. Para informações mais detalhadas sobre a reciclagem deste produto, contacte o seu município, o serviço de recolha de resíduos domésticos ou a loja onde adquiriu o produto.



Eliminação

- Os produtos químicos podem ser perigosos e não podem ser eliminados no solo. Elimine sempre os químicos usados num centro de assistência ou numa localização de eliminação aplicável.
- Quando o produto estiver gasto, proceda ao respetivo envio para o concessionário ou para uma localização de reciclagem adequada.
- O óleo e a bateria podem ter efeitos negativos no meio ambiente. Respeite os requisitos de reciclagem locais e os regulamentos aplicáveis.
- Não elimine a bateria como lixo doméstico.
- Envie a bateria para uma oficina autorizada Husqvarna ou elimine-a numa localização de eliminação de baterias usadas.

Especificações técnicas

Especificações técnicas

Dimensão	
Comprimento sem plataforma de corte, mm	1999
Largura sem plataforma de corte, mm	883
Comprimento com plataforma de corte, mm ¹⁶	2296
Largura com plataforma de corte, mm ¹⁷	994
Altura, mm	1128
Peso sem plataforma de corte (incl. 1 bateria), kg	186
Distância entre eixos, mm	907
Dimensões dos pneus	170/60-8
Pressão dos pneus, traseiros – dianteiros, kPa / bar / PSI	60 / 0,6 / 8,7
Declive máx., graus °	10
Peso máx. do equipamento de reboque com declive de 10°, kg	110
Força vertical máx. permitida na barra de reboque, N / kg	250 / 25
Força horizontal máx. permitida na barra de reboque, N / kg	250 / 25
Carga máx. na cobertura da bateria, kg	25
Motor direto	
Tipo de motor	Motor CC sem escovas
Tensão, V	48
Potência nominal do motor, kW	1,5
Rotação máxima do motor, rpm	3500
Transmissão	
Marca/Modelo	Omnigear/Husqvarna TP400R
Massa lubrificante	MASSA LUBRIFICANTE NLGI-00 EP
Volume de massa lubrificante, l	0,6
Número de velocidades de marcha em frente	–
Número de velocidades de marcha-atrás	–
Velocidade máxima em marcha em frente, km/h	9
Velocidade máxima em marcha atrás, km/h	5
Sistema elétrico	
Tipo	48 V CC, negativo ligado à terra

¹⁶ Medido com plataforma de corte Combi 94i

¹⁷ Medido com plataforma de corte Combi 94i

Fusível principal, A	80
Fusível da plataforma de corte, A	80
Fusível da unidade de controlo de potência, A / V	3 / 58
Emissões de ruído ¹⁸	
Nível de potência sonora, medido, dB(A)	95
Nível de potência sonora, garantido, dB(A)	96
Níveis sonoros ¹⁹	
Nível de pressão sonora ao nível do ouvido do operador, dB(A)	78
Níveis de vibração ²⁰	
Nível de vibração no volante, m/s ²	0,1
Nível de vibração no banco, m/s ²	0,2
Plataforma de corte	
Tipo	Combi 94i
	Combi 103i

Plataforma de corte	Combi 94i	Combi 103i
Largura de corte, mm	940	1030
Largura, mm	994	1081
Potência do motor da plataforma de corte, kW	3x0,9	3x0,9
Altura de corte, 10 posições, mm	25-75	25-75
Comprimento da lâmina, mm	359	389
Lâmina		
Artigo n.º	598 88 55-10	536 15 76-10



ATENÇÃO: Utilizar uma plataforma de corte que não esteja aprovada para o produto pode provocar a projeção de objetos a velocidades elevadas e

causar ferimentos graves. Não utilize outros tipos de plataforma de corte que não o especificado neste manual do utilizador.

Dados de frequência de rádio

	R 200iX
Gama de frequência, MHz	2402–2480

¹⁸ Emissões de ruído para as imediações, medidas sob forma de potência sonora (L_{WA}) em conformidade com a diretiva da CE 2000/14/CE.

¹⁹ Nível de pressão sonora em conformidade com a norma EN ISO 5395. Os dados comunicados relativamente ao nível de pressão de ruído têm uma dispersão estatística típica (desvio padrão) de 1,2 dB(A).

²⁰ Nível de vibração em conformidade com a norma EN ISO 5395. Os dados comunicados relativos ao nível de vibração têm uma dispersão estatística típica (desvio padrão) de 0,2 m/s² (volante) e 0,8 m/s² (banco).

	R 200iX
Potência de saída ²¹ , dBm	-7.0

Baterias aprovadas

Utilize apenas baterias originais neste produto.

Bateria	EM-5240Li
Artigo n.º	598 84 43-01
Tipo	Iões de lítio
Capacidade da bateria, Ah	38,5
Tensão nominal, V	50,4
Peso, kg/lbs	17/38

Carregadores de bateria aprovados

Carregador de bateria	PS 300C
Tensão de entrada, V	220–240
Corrente de entrada, A	1,8
Frequência, Hz	50
Potência, W	300
Tensão de saída, V	58
Corrente de saída, A	5,3

Assistência

Assistência

Efetue uma verificação anual num centro de assistência autorizado para se certificar de que o produto funciona em segurança e nas melhores condições durante a estação de grande utilização. A melhor altura para a manutenção ou revisão geral do produto é a época baixa.

Quando fizer uma encomenda de peças sobresselentes, forneça informações sobre o ano de compra, o modelo, o tipo e o número de série.

Utilize sempre peças sobresselentes originais.

²¹ Medida a 2402 MHz.

Declaração de conformidade

Declaração UE de conformidade

A **Husqvarna AB**, SE-561 82 Huskvarna, Suécia,
tel.: +46-36-146500, declara, sob sua inteira
responsabilidade, que o produto:

Descrição	Trator corta-relva
Marca	Husqvarna
Tipo / Modelo	R 200iX
Identificação	Números de série referentes a 2023 e posteriores

está em plena conformidade com as seguintes diretivas
e regulamentos da UE:

Diretiva/Regulamen- to	Descrição
2006/42/CE	"relativa a máquinas"
2014/53/UE	"relativa ao equipamento de rádio"
2000/14/CE	"relativa a emissões de ruído para o ambiente"
2011/65/UE	"relativa à restrição do uso de determinadas substâncias perigosas em equipamento elétrico e eletrônico"

e que as seguintes normas e/ou
especificações técnicas são aplicadas: EN ISO
12100:2010, EN ISO 13849-1:2015, EN ISO
13849-2:2012, EN ISO 5395-1:2013+A1:2018,
EN ISO 5395-3:2013+A1:2017+A2:2018, EN
ISO 14982:2009, EN 61000-6-2:2005, EN
61000-6-3:2007+A1:2011+AC:2012, ETSI EN 300 328
V2.2.2, ETSI EN 301 489-1 V1.9.2, ETSI EN 301 489-17
V3.2.4, EN 50665:2017, EN IEC 63000:2018 .



Entidade competente: 0404, SMP Svensk
Maskinprovning AB, Box 4053, SE-904 03 Umeå,
Sweden atribuiu a certificação de conformidade com
a Diretiva 2000/14/CE do Conselho, procedimento de
avaliação de conformidade: Anexo VI.

Para mais informações sobre as emissões de ruído,
consulte *Especificações técnicas na página 118*.

Huskvarna, 2023-07-05

Claes Losdal, chefe de desenvolvimento/produtos de
jardinagem, Husqvarna AB

Responsável pela documentação técnica

Marcas comerciais registadas

A palavra e os logótipos *Bluetooth*[®] são marcas comerciais registadas propriedade da *Bluetooth SIG, inc.* e qualquer utilização de tais marcas pela Husqvarna é feita mediante licença.

Sommario

Introduzione.....	123	Trasporto, stoccaggio e smaltimento.....	155
Sicurezza.....	129	Dati tecnici.....	158
Montaggio.....	134	Assistenza.....	160
Utilizzo.....	135	Dichiarazione di conformità.....	161
Manutenzione.....	143	Marchi registrati.....	162
Ricerca guasti.....	149		

Introduzione

Ispezione di preconsegna e numeri di prodotto

firmata del documento di ispezione pre-consegna dal rivenditore.

Nota: Un'ispezione di preconsegna è stata effettuata per questo prodotto. Assicurarsi di ricevere una copia

Informazioni di contatto dell'officina:	
Il presente manuale operatore si riferisce al prodotto con codice/numero di serie:	
/	
Motore:	

Descrizione del prodotto

Il prodotto è un trattorino rasaerba. I pedali di marcia avanti e retromarcia consentono all'operatore di regolare la velocità senza interruzione. Il prodotto viene utilizzato con un piatto di taglio 2-in-1 dotato di tappo di pacciamatura.

Uso previsto

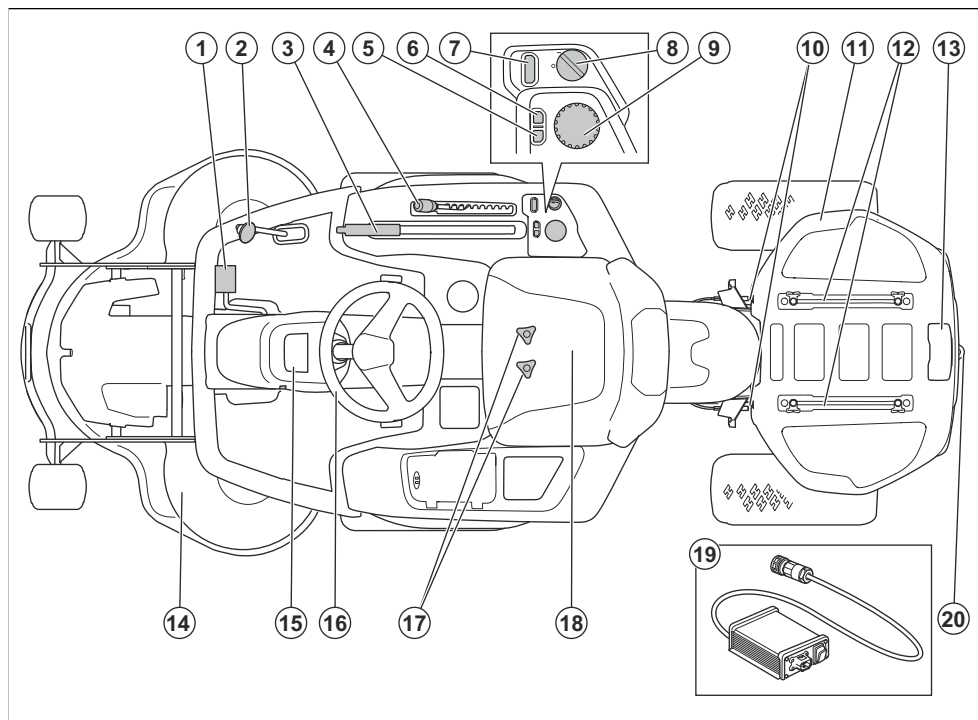
Il prodotto è concepito per falciare l'erba su terreni piani e aperti in aree residenziali e giardini. Montare un accessorio opzionale per usare il prodotto per

altre attività. Rivolgersi al proprio rivenditore Husqvarna per maggiori informazioni sulla disponibilità dei singoli accessori.

Assicurazione del prodotto

Accertarsi di disporre della copertura assicurativa per il nuovo prodotto. Contattare la propria compagnia assicurativa se non si è sicuri di disporre della copertura. Si raccomanda un'assicurazione completa che copra lesioni contro terzi, incendio, danni, furto e responsabilità civile.

Panoramica del prodotto

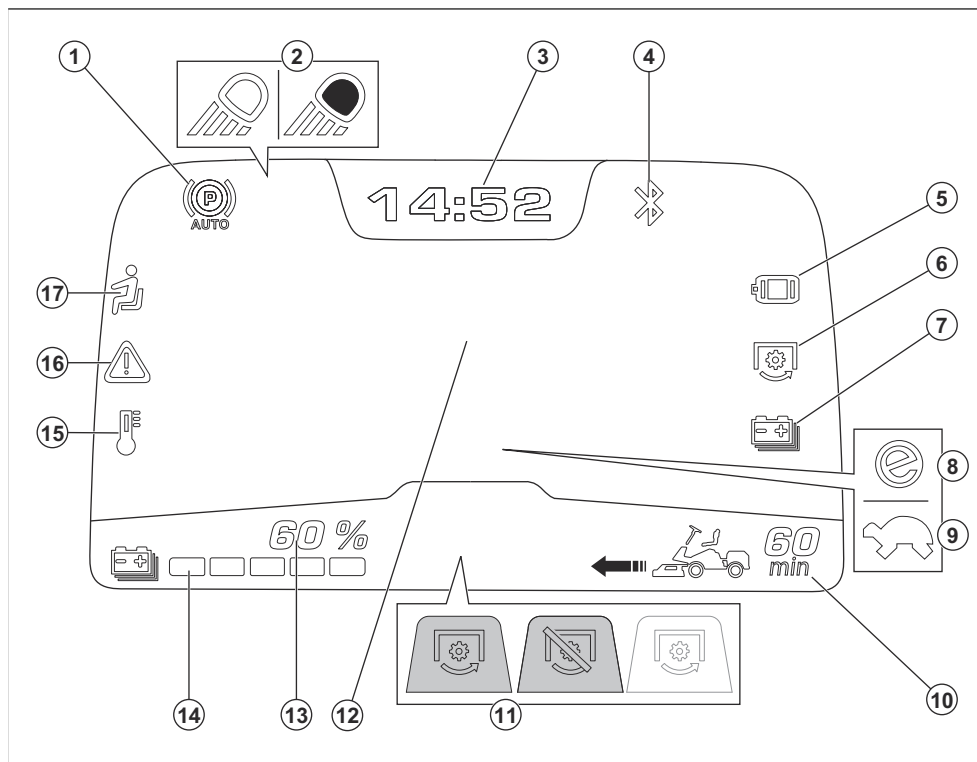


1. Pedale di avanzamento
2. Pedale di retromarcia
3. Leva di sollevamento per il piatto di taglio
4. Leva altezza di taglio
5. Pulsante per tornare nel menu
6. Pulsante modalità di guida
7. Pulsante di avvio
8. Interruttore di accensione
9. Rotellina
10. Blocco dello sportello del vano batteria

11. Sportello del vano batteria
12. Guide
13. Presa per il caricabatterie
14. Piatto di taglio
15. Display
16. Volante
17. Regolazione del sedile
18. Sedile
19. Caricabatterie
20. Barra di traino

Panoramica del display

Il display mostra informazioni sulla condizione del prodotto. Sul display sono disponibili 4 tipi di messaggi. Fare riferimento a *Tipi di messaggi alla pagina 126*.



1. Spia freno di stazionamento automatico. La spia si accende quando è inserito il freno di stazionamento automatico.
2. Spia fari anteriori o luce di lavoro
3. Orologio
4. Spia Bluetooth®. La spia si accende quando un dispositivo Bluetooth® è collegato al prodotto.
5. Spia del motore di azionamento o della centralina del motore di azionamento
6. Spia del motore del piatto di taglio o della centralina del motore del piatto di taglio
7. Indicatore della batteria
8. Spia modalità di guida. La modalità di guida SaveE è attiva. Fare riferimento a *Per selezionare una modalità di guida alla pagina 141*.
9. Spia modalità di guida. La modalità prestazioni ridotte è attiva. Fare riferimento a *Messaggi delle spie del display alla pagina 151*.
10. Livello della batteria, in minuti di funzionamento
11. Spia e-PTO (presa di forza elettrica)²² collegato
Posizione di traino inserita/Posizione di traino disinserita/Posizione di trasporto disinserita.
12. Centro del display. Fare riferimento a *Modalità di visualizzazione alla pagina 126*.
13. Spia livello batteria, %
14. Spia livello batteria
15. Spia temperatura. Se si accende la spia della temperatura sul display, arrestare il prodotto e fare riferimento a *Display - Risoluzione dei problemi alla pagina 151*.
16. Spia di avvertenza. Se si accende la spia di avvertenza sul display, arrestare il prodotto e fare riferimento a *Display - Risoluzione dei problemi alla pagina 151*.
17. Controllo presenza operatore (OPC). La spia si accende quando l'operatore non è seduto.

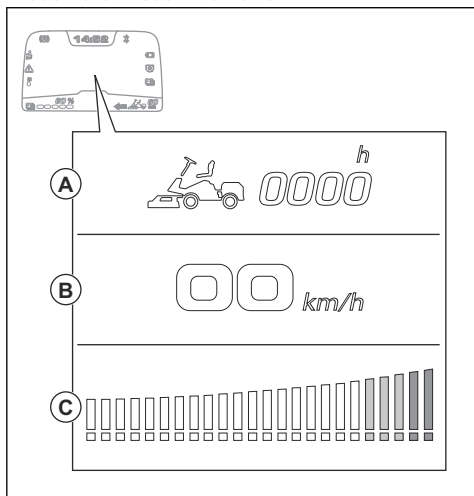
²² Piatto di taglio elettrico o altro accessorio anteriore

Tipi di messaggi

Il display può visualizzare 4 tipi di messaggi.

Tipo di messaggio	Descrizione
Messaggio della spia sul display	I simboli delle spie sul display mostrano una funzione attivata o informazioni sulle condizioni del prodotto. Quando viene visualizzato il messaggio di una spia sul display, il prodotto funziona normalmente ma sono consigliate alcune operazioni. Fare riferimento a <i>Panoramica del display alla pagina 125</i> e <i>Messaggi delle spie del display alla pagina 151</i> .
Messaggio di avvertenza	Una combinazione di simboli gialli che vengono visualizzati per primi come simboli grandi al centro del display. Mostra una condizione non corretta. Quando viene visualizzato un messaggio di avvertenza, il prodotto funziona normalmente ma è più lento del normale. Fare riferimento a <i>Messaggi di avvertenza sul display alla pagina 152</i> .
Messaggio di errore	Una combinazione di simboli rossi che vengono visualizzati per primi come simboli grandi al centro del display. Mostra un avvertenza di sicurezza o un problema con il prodotto. Quando si verifica un errore, il prodotto generalmente è impostato in modalità inattiva e non può essere avviato fino a quando l'errore non viene risolto. Fare riferimento a <i>Messaggi di errore sul display alla pagina 153</i> .
Avvio impedito	Un simbolo grande sul display che mostra una condizione che impedisce l'avvio del prodotto. Fare riferimento a <i>Messaggi quando l'avvio è impedito alla pagina 154</i> .

Modalità di visualizzazione



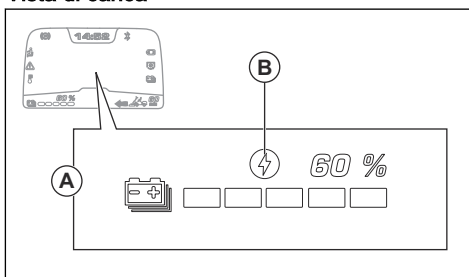
Il centro del display diverse mostra informazioni nelle diverse modalità di visualizzazione.

- La modalità inattiva (A) viene visualizzata quando l'interruttore di accensione è impostato in posizione "1". In modalità inattiva, il display mostra il tempo di funzionamento totale.
- La modalità di guida con il piatto di taglio in posizione di trasporto (B) viene visualizzata quando il prodotto viene avviato. Nella modalità di guida con

il piatto di taglio in posizione di trasporto, il display mostra la velocità corrente, in km/h.

- La modalità di guida con il piatto di taglio in posizione di falciatura (C) viene visualizzata quando è acceso il piatto di taglio o un altro accessorio. Quando sono accese solo le spie verdi, il consumo energetico del piatto di taglio o dell'accessorio è quello consigliato. Se sono accese le spie gialle o rosse, il consumo energetico è superiore a quello consigliato e il tempo di funzionamento diminuisce.

Vista di carica



Quando al prodotto è collegato un caricatore e l'interruttore di accensione è impostato in posizione "1", il centro del display mostra la vista di carica.

(A): La vista di carica mostra lo stato della carica in %. Il simbolo di carica (B) si accende quando il prodotto si carica. Il simbolo di carica (B) si spegne quando il caricabatterie è collegato ma non carica.

Avvio impedito

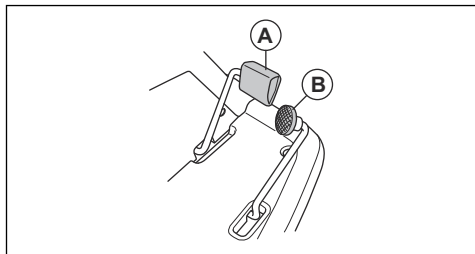
Prima che il prodotto possa avviarsi, è necessario attenersi le condizioni di funzionamento. Fare riferimento a *Avviamento del prodotto alla pagina 140*. Se si preme il pulsante di avvio quando le condizioni di funzionamento non sono rispettate, il display visualizza un simbolo di avvio impedito. Fare riferimento a *Messaggi quando l'avvio è impedito alla pagina 154*.

Controllo presenza operatore (OPC)

Il controllo presenza operatore (OPC) imposta il prodotto in modalità di sicurezza se l'operatore abbandona il sedile. Se le lame sono innestate, il motore e i motori del piatto di taglio si arrestano. Fare riferimento a *Controllo delle condizioni di funzionamento alla pagina 132*.

Pedali di marcia avanti e retromarcia

La velocità viene regolata continuamente con 2 pedali. Il pedale sinistro (A) serve per la marcia avanti, il pedale destro (B) per la marcia indietro. Il prodotto si arresta quando i pedali vengono rilasciati.



Piatto di taglio

I piatti di taglio per questo prodotto sono piatti di taglio Combi con BioClip. BioClip taglia l'erba trasformandola in concime. I piatti di taglio Combi possono essere utilizzati anche senza BioClip. Senza BioClip, l'erba è espulsa nella parte posteriore.

Husqvarna Connect

Il prodotto è dotato di tecnologia wireless *Bluetooth®* e può collegarsi a dispositivi portatili che hanno l'applicazione Husqvarna Connect installata. L'app Husqvarna Connect è un'app gratuita per dispositivi mobili. L'app Husqvarna Connect fornisce funzioni estese per il prodotto Husqvarna:

- Funzione di blocco e sblocco per evitare l'utilizzo non approvato del prodotto.
- Informazioni aggiuntive sul prodotto.
- Dettagli, guida, parti del prodotto e manutenzione.

Simboli riportati sul prodotto



AVVERTENZA: questo prodotto può essere pericoloso e causare lesioni gravi o mortali all'operatore o a terzi.

Prestare attenzione e utilizzare il prodotto correttamente.



Leggere attentamente il Manuale dell'operatore e accertarsi di aver compreso le istruzioni prima di utilizzare questo prodotto.



Tenere il corpo lontano dalle lame rotanti.



Tenere il corpo lontano dalle parti rotanti.



Attenzione all'espulsione o al rimbalzo di oggetti.



Tenere lontano persone e animali dalla zona di lavoro.



Arrestare il motore prima della manutenzione.



MAX. XXXN / (XXXkg)

La forza verticale max. consentita sulla barra di traino è specificata in *Dati tecnici alla pagina 158* nonché sull'etichetta.



MAX. XXXN / (XXXkg)

La forza orizzontale max. consentita sulla barra di traino è specificata in *Dati tecnici alla pagina 158* nonché sull'etichetta.



Guardare all'indietro prima e durante lo spostamento del prodotto in retromarcia.



Non tagliare l'erba su terreni in pendenza. Non tagliare l'erba su superfici con pendenze superiori al 10°. Fare riferimento a *Taglio dell'erba in pendenza alla pagina 131*.



Non trasportare passeggeri sul prodotto o sull'apparecchiatura.



Freno di stazionamento automatico.



Spostarsi in avanti.

N

Cambio in folle.



Spostarsi in retromarcia.



Interruttore sedile.

START

Avviare la modalità di guida.



Il prodotto è conforme alle direttive UE vigenti.



Il presente prodotto è conforme alle direttive del Regno Unito vigenti.



Emissioni di rumore nell'ambiente in conformità alle direttive e alle norme UE e UK e alla norma del Nuovo Galles del Sud in materia di protezione dell'ambiente "Protection of the Environment Operations (Noise Control) Regulation 2017". Il livello di potenza sonora garantito del prodotto è specificato in *Dati tecnici alla pagina 158* nonché sull'etichetta.



Indossare sempre protezioni acustiche approvate.



Posizione di servizio per il piatto di taglio.



Posizione di funzionamento del piatto di taglio.



Altezza di taglio.



Posizione di servizio per leva dell'altezza di taglio.



Le lame sono disinserite.



Le lame sono inserite.



Inserire il freno di stazionamento elettrico.



Disinserire il freno di stazionamento elettrico.



Marchio ecologico. Il prodotto o l'imballaggio del prodotto non è un rifiuto domestico. Riciclarlo in una stazione di riciclaggio per apparecchiature elettriche ed elettroniche.



Codice scansionabile

aaaassxxxx

La targhetta dati di funzionamento mostra il numero di serie. **aaaa** è l'anno di produzione e **aa** è la settimana di produzione.

Nota: I restanti simboli/decalcomanie sul prodotto riguardano particolari requisiti necessari per ottenere la certificazione in determinate aree commerciali.

Responsabilità del prodotto

Come indicato nelle leggi vigenti in materia di responsabilità obbligatoria sul prodotto, non siamo responsabili per eventuali danni causati dal nostro prodotto se:

- Il prodotto viene riparato in modo errato.
- Il prodotto viene riparato con parti che non provengono o non sono omologate dal produttore.
- Il prodotto contiene un accessorio che non proviene o non è omologato dal produttore.
- Il prodotto non viene riparato presso un centro di assistenza autorizzato o presso un'autorità competente.

Sicurezza

Definizioni di sicurezza

Le avvertenze, le precauzioni e le note sono utilizzate per evidenziare le parti importanti del manuale.



AVVERTENZA: Utilizzato se è presente un rischio di lesioni o morte dell'operatore o di passanti nel caso in cui le istruzioni del manuale non vengano rispettate.



ATTENZIONE: Utilizzato se è presente un rischio di danni al prodotto, ad altri materiali oppure alla zona adiacente nel caso in cui le istruzioni del manuale non vengano rispettate.

Nota: Utilizzato per fornire ulteriori informazioni necessarie in una determinata situazione.

Istruzioni di sicurezza generali



AVVERTENZA: Questo prodotto può tagliare mani e piedi e scagliare oggetti. Lesioni gravi o mortali possono verificarsi se non si rispettano le istruzioni di sicurezza.



AVVERTENZA: Non continuare a utilizzare un prodotto che presenti l'attrezzatura di taglio danneggiata. Un'attrezzatura di taglio danneggiata può scagliare oggetti e causare lesioni gravi o mortali. Sostituire immediatamente le lame danneggiate.



AVVERTENZA: Durante il funzionamento, questo prodotto genera un campo elettromagnetico. Tale campo può interferire, in alcuni casi, con persone portatrici di impianti medici attivi o passivi. Per ridurre il rischio di condizioni che possono implicare lesioni gravi o mortali, i portatori di tali impianti devono consultare il proprio medico e il produttore dell'impianto prima di utilizzare questo prodotto.

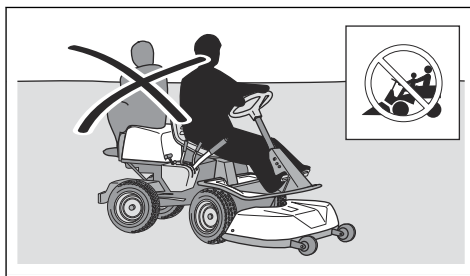


AVVERTENZA: Leggere le seguenti avvertenze prima di utilizzare il prodotto.

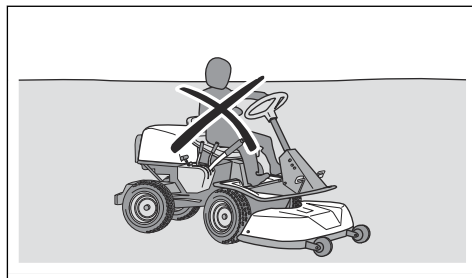
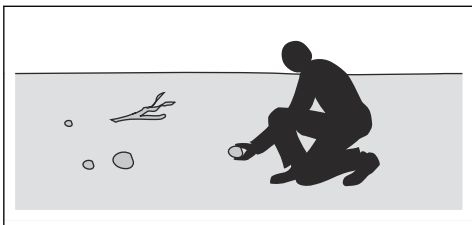
- Usare la massima cautela e il buon senso. Evitare tutte le situazioni che richiedono capacità superiori alle proprie. Se non si è sicuri delle

procedure operative anche dopo aver letto il manuale dell'operatore, rivolgersi a un esperto prima di continuare.

- Leggere con attenzione e comprendere il manuale dell'operatore e le istruzioni sul prodotto prima di avviarlo.
- Apprendere l'uso del prodotto e i comandi e imparare come arrestare il prodotto rapidamente.
- Apprendere a riconoscere le decalcomanie di sicurezza.
- Conservare il prodotto pulito in modo che sia possibile leggere chiaramente i simboli e gli adesivi.
- Tenere presente che l'operatore potrà essere ritenuto responsabile di eventuali incidenti che coinvolgano altre persone o i loro beni.
- Non trasportare passeggeri. Il prodotto deve essere utilizzato da una sola persona.



- Non lasciare il prodotto incustodito con l'alimentazione inserita. Prima di lasciare incustodito il prodotto, arrestare sempre le lame, inserire il freno di stazionamento, arrestare il motore e rimuovere la chiave dall'interruttore di accensione.
- Utilizzare il prodotto solo alla luce solare o in altre condizioni di sufficiente illuminazione. Tenere il prodotto a distanza di sicurezza da buche o altre irregolarità nel suolo. Prestare attenzione ad altri possibili rischi.
- Non utilizzare mai il prodotto in condizioni meteorologiche sfavorevoli, ad esempio nebbia, pioggia, umidità o luoghi molto umidi, vento forte, freddo intenso, rischio di fulmini ecc.
- Trovare e marcare eventuali pietre e altri oggetti fissi per evitarli durante il taglio.
- Liberare l'area da oggetti come pietre, giocattoli, fili, ecc. che possono rimanere incastrati nelle lame ed essere scagliati in aria.



- Non consentire ai bambini, o ad altre persone non autorizzate all'utilizzo del prodotto, di utilizzarlo o eseguirne la manutenzione. Verificare l'esistenza di norme locali che fissano l'età minima dell'utilizzatore.
- Assicurarsi che nessuno si trovi in prossimità del prodotto quando si avvia il motore, si inserisce la marcia o quando il prodotto si inizia a muovere.
- Tenere d'occhio il traffico quando si taglia in prossimità di una strada o la si attraversa.
- Non utilizzare mai il prodotto in condizioni di stanchezza oppure sotto l'effetto di alcolici, stupefacenti o farmaci in grado di compromettere la vista, l'attenzione, la coordinazione o il giudizio.
- Parcheggiare sempre il prodotto su una superficie piana con l'alimentazione disinserita.

Istruzioni di sicurezza relative ai bambini



AVVERTENZA: Leggere le seguenti avvertenze prima di utilizzare il prodotto.

- In caso di mancata supervisione dei bambini nei pressi del prodotto, si potrebbero verificare gravi incidenti. I bambini possono essere attratti dal prodotto e dalla falciatura. È molto probabile che i bambini non rimangano fermi in luogo in cui sono stati visti l'ultima volta.
- Tenere i bambini lontani dall'area da falciare. Accertarsi che sia presente un adulto che supervisioni i bambini.
- Restare vigili e spegnere il prodotto se i bambini accedono all'area di lavoro. Prestare estrema attenzione nei pressi di angoli, cespugli, alberi o altri oggetti che ostacolano la visuale.
- Prima e durante lo spostamento del prodotto in retromarcia, guardare all'indietro e verso il basso per assicurarsi che non ci siano bambini piccoli nelle vicinanze del prodotto.
- Non lasciar salire i bambini sul prodotto. Potrebbero cadere e ferirsi gravemente o impedire di manovrare in sicurezza il prodotto.
- Non lasciare che i bambini utilizzino il prodotto.

Sicurezza batterie



AVVERTENZA: Leggere le seguenti avvertenze prima di utilizzare il prodotto.

Informazioni generali:

- Leggere attentamente tutte le avvertenze e le istruzioni di sicurezza. La mancata osservanza delle avvertenze e delle istruzioni può dare luogo a scosse elettriche e incendi e/o gravi lesioni.
- Il prodotto può essere dotato di una batteria supplementare. L'installazione e le riparazioni devono essere eseguite solo dal proprio rivenditore con servizio di assistenza autorizzato. Non tentare mai di installare o riparare le batterie.
- Controllare regolarmente che le batterie siano integre. Batterie danneggiate o modificate possono manifestare un comportamento imprevedibile, con rischio di incendi, esplosioni e lesioni. Non riparare o aprire le batterie danneggiate.
- Una batteria danneggiata può esplodere e causare lesioni. Se la batteria è deformata o danneggiata, non utilizzare il prodotto e rivolgersi a un rappresentante dell'assistenza Husqvarna autorizzato.
- Non smontare, aprire né distruggere le batterie.
- Non causare shock meccanico a una batteria.
- Non esporre le celle o le batterie a fonti di calore o fuoco. Evitare di conservare la batteria alla luce diretta del sole.
- Non provocare il corto circuito della batteria. Non conservare le batterie in un deposito dove potrebbero andare in corto circuito a causa di altre batterie o di materiale metallico.
- Evitare che il contenuto della batteria venga a contatto con la pelle o gli occhi. Qualora il contatto fosse avvenuto, sciacquare abbondantemente l'area interessata con acqua e consultare un medico.
- Non utilizzare alcuna batteria non progettata specificamente per l'uso con il presente dispositivo.
- Non combinare celle di diversa manifattura, capacità, dimensioni o tipologia in uno stesso dispositivo.
- Tenere le celle e batterie fuori dalla portata dei bambini.

- Tenere la batteria pulita e asciutta.
- Utilizzare la batteria esclusivamente per gli scopi previsti.

Batterie da 48 V:

- Le batterie da 48 V Husqvarna vengono utilizzate esclusivamente per alimentare i prodotti con operatore a bordo a batteria Husqvarna. Per evitare lesioni, la batteria non deve essere utilizzata come fonte di alimentazione per altri dispositivi.
- Non usare mai batterie o apparecchi guasti, modificati o danneggiati.
- Non tentare di modificare o riparare gli apparecchi o le batterie. Affidare tutte le riparazioni esclusivamente al proprio rivenditore autorizzato.

Istruzioni di sicurezza per il funzionamento



AVVERTENZA: Leggere le seguenti avvertenze prima di utilizzare il prodotto.

- Guardare sempre in basso e indietro prima e durante lo spostamento in retromarcia. Evitare ostacoli grandi e piccoli.
- Ridurre la velocità prima di svoltare ad angolo.
- Arrestare le lame prima di spostarsi attraverso aree che non richiedono la falciatura.



ATTENZIONE: Leggere le seguenti istruzioni prima di utilizzare il prodotto.

- Spostare con attenzione pietre e altri oggetti più grandi e accertarsi che le lame non colpiscano gli oggetti.
- Non utilizzare il prodotto sugli oggetti. Fermarsi ed esaminare il prodotto e il piatto di taglio se si falcia o si urta un oggetto. Se necessario, effettuare riparazioni prima di riavviare il prodotto.

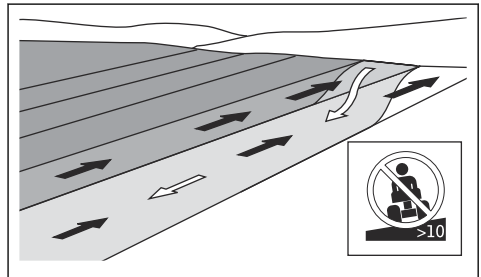
Taglio dell'erba in pendenza



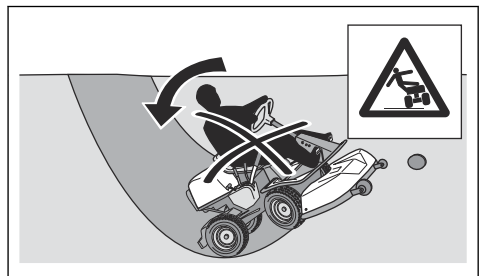
AVVERTENZA: Leggere le seguenti avvertenze prima di utilizzare il prodotto.

- La falciatura dell'erba su terreni in pendenza aumenta il rischio di perdita di controllo e di ribaltamento del prodotto. Ciò può causare lesioni anche mortali. È necessario falciare l'erba con cautela su qualsiasi terreno in pendenza. Se non è possibile effettuare la retromarcia su un terreno in pendenza o se ci si sente insicuri, non effettuare la falciatura.
- Rimuovere pietre, rami o altri ostacoli.
- Eseguire il taglio guidando parallelamente alla direzione di inclinazione del piano, non lateralmente.

- Non spostarsi su un pendio con il piatto di taglio sollevato.
- Non azionare il prodotto su terreni con pendenze superiori a 10°.



- Non avviare o arrestare il prodotto su terreni in pendenza.
- Non utilizzare il pedale di avanzamento e il pedale di retromarcia per avanzare o arretrare su terreni in pendenza. Il mancato rispetto di tale indicazione provocherà il surriscaldamento del sistema.
- Spostarsi gradualmente e lentamente su terreni in pendenza.
- Non effettuare bruschi cambiamenti di velocità o di direzione di marcia.
- Non effettuare più svolte del necessario. Girare lentamente e gradualmente quando ci si sposta su un pendio. Viaggiare a bassa velocità. Girare la ruota con cautela.
- Evitare di attraversare solchi, buche e dossi. Vi è un rischio più elevato che il prodotto si ribalti su un terreno non piano. L'erba alta può nascondere eventuali ostacoli.
- Non tagliare in prossimità di bordi, fossi o argini. Il prodotto può ribaltarsi improvvisamente se una ruota si muove oltre il bordo di una pendenza ripida o un fosso, o se un bordo cede. Se il prodotto cade in acqua sussiste il rischio di annegare.

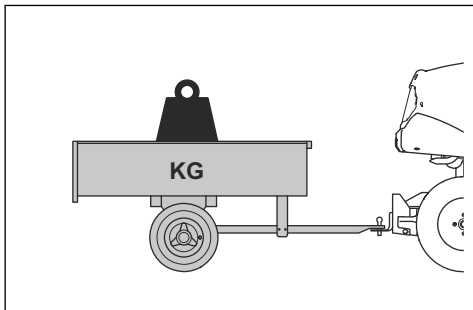


- Non falciare l'erba bagnata. È scivolosa e gli pneumatici possono perdere aderenza facendo slittare il prodotto.
- Non appoggiare il piede a terra per tentare di rendere il prodotto più stabile.

- Spostarsi con molta attenzione nel caso in cui un accessorio o un qualsiasi altro oggetto si sia impigliato, rendendo il prodotto meno stabile.

Sicurezza per il traino

- Utilizzare esclusivamente attrezzature di traino approvate da Husqvarna.
- Utilizzare la barra di traino per fissare l'attrezzatura.
- Non trainare attrezzature più pesanti del peso massimo consentito. Fare riferimento a *Dati tecnici alla pagina 158*.



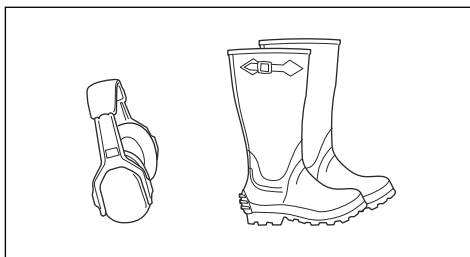
- Accertarsi che non vi siano persone nelle vicinanze del prodotto quando si traina l'attrezzatura.
- Prestare attenzione quando si traina l'attrezzatura su terreni in pendenza o accidentati.
- Azionare il prodotto a bassa velocità quando si traina l'attrezzatura.

Dispositivi di protezione individuale



AVVERTENZA: Leggere le seguenti avvertenze prima di utilizzare il prodotto.

- Usare sempre abbigliamento protettivo personale omologato quando si utilizza il prodotto. L'uso di dispositivi di protezione individuale non elimina il rischio di lesioni, ma ne riduce la gravità in caso di incidente. Farsi consigliare dal rivenditore per la scelta dell'attrezzatura adatta.
- Usare cuffie protettive omologate. Una lunga esposizione al rumore può comportare lesioni permanenti all'udito.
- Utilizzare robusti stivali o scarpe antiscivolo. Si raccomanda l'uso di punte in acciaio. Non utilizzare il prodotto con calzature aperte o a piedi nudi.



- Indossare guanti protettivi ove necessario, ad esempio per montare, ispezionare o pulire l'attrezzatura di taglio.
- Non indossare abbigliamento non aderente, gioielli o altri oggetti che potrebbero impigliarsi nelle parti in movimento.
- Tenere a portata di mano il kit di primo soccorso e un estintore.

Safety devices on the product



AVVERTENZA: Read the warning instructions that follow before you use the product.

- Do not use a product with safety devices that are damaged or do not operate correctly.
- Do not remove or do modifications to safety devices.
- Do a check of the safety devices regularly. If the safety devices are damaged or do not operate correctly, speak to your Husqvarna service agent.

Controllo dell'interruttore di accensione

- Scollegare il cavo del caricabatterie.
- Portare l'interruttore di accensione in posizione "1". Accertarsi che il display si accenda.
- Portare l'interruttore di accensione in posizione "0". Accertarsi che il prodotto si arresti immediatamente e che il display si spenga.

Controllo delle condizioni di funzionamento

Effettuare quotidianamente il controllo delle condizioni di funzionamento.

1. Accertarsi che non sia possibile avviare la modalità di guida quando il piatto di taglio è in posizione di falciatura.
2. Accertarsi che non sia possibile avviare la modalità di guida quando si premono i pedali.
3. Accertarsi che non sia possibile avviare la modalità di guida quando si è sollevati dal sedile.
4. Accertarsi che non sia possibile avviare la modalità di guida quando il caricatore è collegato al prodotto.
5. Accertarsi che non sia possibile avviare la modalità di guida quando il freno di stazionamento elettrico è disinserito.

6. Assicurarsi che il prodotto si arresti quando i motori del piatto di taglio sono innestati e l'operatore abbandona il sedile.

Controllare il pedale di marcia avanti e quello di retromarcia

1. Avviare il prodotto e attivare la modalità di guida.
2. Accertarsi che i pedali di marcia avanti e retromarcia non siano bloccati e che possano essere azionati liberamente.
3. Premere con cautela il pedale di marcia avanti per spostarsi in avanti.
4. Rilasciare il pedale di avanzamento per frenare. Assicurarsi che il freno si innesti quando viene rilasciato il pedale di marcia avanti.

Nota: Il prodotto è provvisto di freno automatico che si innesta quando si rilasciano i pedali. Per una maggiore potenza frenante quando si diminuisce la velocità, premere l'altro pedale.

5. Eseguire la stessa procedura per il pedale di retromarcia.
6. Assicurarsi che il prodotto non si muova quando i pedali di avanzamento e retromarcia non sono innestati.

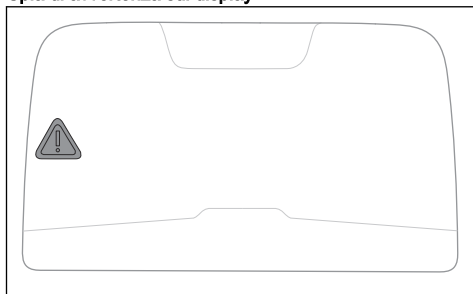
Freno di stazionamento



AVVERTENZA: Se il freno di stazionamento non funziona, il prodotto può iniziare a muoversi e causare lesioni o danni. Assicurarsi che il freno di stazionamento venga controllato e regolato periodicamente.

Fare riferimento a *Per controllare il freno di stazionamento alla pagina 145.*

Spia di avvertenza sul display



ATTENZIONE: Se si accende la spia di avvertenza sul display, arrestare il prodotto e fare riferimento a *Display - Risoluzione dei problemi alla pagina 151.*

Coperture protettive

Coperture protettive mancanti o danneggiate aumentano il rischio di lesioni sulle parti in movimento e sulle superfici calde. Controllare le condizioni delle coperture protettive prima di utilizzare il prodotto. Assicurarsi che le coperture protettive siano collegate correttamente e non presentino crepe o altri danni. Sostituire le coperture danneggiate.

Istruzioni di sicurezza per la manutenzione



AVVERTENZA: Il prodotto ha un peso elevato e può causare lesioni o danni alle cose o alla zona adiacente. Effettuare la manutenzione del prodotto e del piatto di taglio solo se vengono soddisfatte le seguenti condizioni:

- L'interruttore di accensione è impostato in posizione "0" e la chiave dell'interruttore di accensione è stata rimossa.
- Il prodotto è parcheggiato su una superficie piana.
- Il freno di stazionamento è inserito.
- Il piatto di taglio è disinserito.
- Il cavo del caricabatterie è scollegato.



AVVERTENZA: Leggere le seguenti avvertenze prima di utilizzare il prodotto.

- Per garantire le migliori prestazioni e la sicurezza, effettuare la manutenzione del prodotto a intervalli regolari come indicato nel programma di manutenzione. Fare riferimento a *Programma di manutenzione alla pagina 143.*
- Le scosse elettriche possono causare lesioni. Non effettuare la manutenzione sulla batteria. Non toccare i cavi quando il motore è in funzione. Non utilizzare le dita per effettuare una prova.
- Non avviare il prodotto se i coperchi protettivi sono stati rimossi. Vi è un alto rischio di lesioni provocate da parti calde o in movimento.
- Attendere che il prodotto si raffreddi prima di effettuare la manutenzione.
- Le lame sono affilate e possono causare tagli. Posizionare paraventi attorno alle lame o usare guanti protettivi quando si lavora su di esse.
- Mettere sempre il piatto di taglio in posizione di manutenzione per pulirlo. Non parcheggiare il prodotto vicino al bordo di un fosso o in pendenza per accedere al piatto di taglio.



ATTENZIONE: Leggere le seguenti istruzioni prima di utilizzare il prodotto.

- Assicurarsi che tutti i dadi e i bulloni siano serrati correttamente e che l'attrezzatura sia in buone condizioni.
- Non modificare la regolazione dei limitatori. Se il regime motore è troppo elevato, i componenti del prodotto possono danneggiarsi. Fare riferimento a

Dati tecnici alla pagina 158 per informazioni sul regime massimo del motore consentito.

- Il prodotto è testato e approvato solo con l'attrezzatura in dotazione o raccomandata dal produttore.

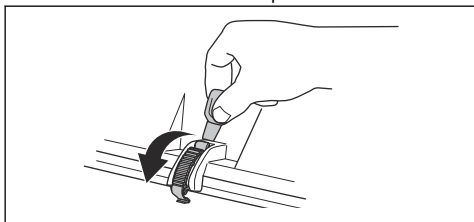
Montaggio

Introduzione

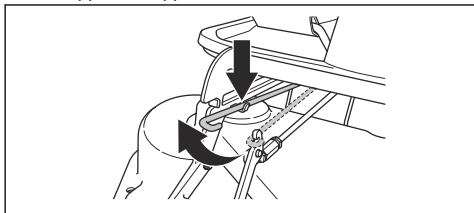
Le istruzioni per la rimozione e l'applicazione del piatto di taglio sono riportate anche sull'etichetta applicata alla superficie interna del coperchio anteriore.

Rimozione e applicazione del piatto di taglio

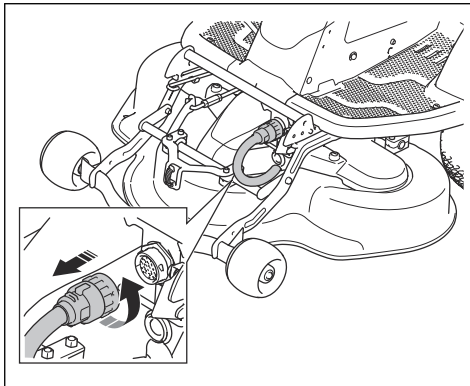
1. Parcheggiare il prodotto su un terreno piano.
2. Portare l'interruttore di accensione in posizione "0".
3. Portare la leva dell'altezza di taglio nella posizione di servizio.
4. Rilasciare il fermo sul coperchio anteriore con l'utensile applicato alla chiave dell'interruttore di accensione e rimuovere il coperchio.



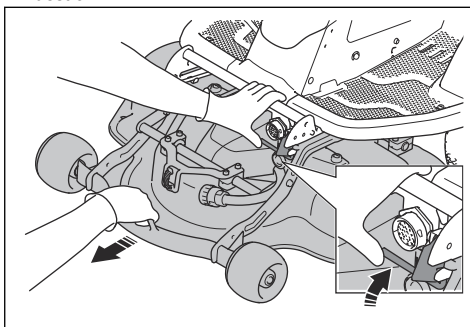
5. Sollevare il sostegno dell'altezza di taglio e metterlo nell'apposito supporto.



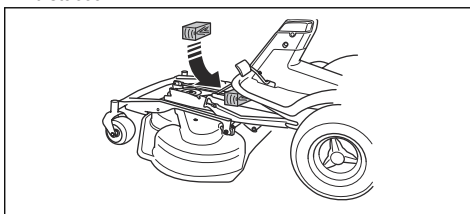
6. Scollegare il cavo dal piatto di taglio.



7. Disattivare il blocco del piatto di taglio con la mano sinistra. Estrarre il piatto di taglio con la mano destra.



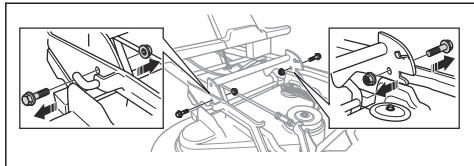
8. Collocare un blocco di legno tra la struttura dell'apparecchiatura e il telaio. In questo modo, il piatto di taglio non torna indietro al momento del distacco.



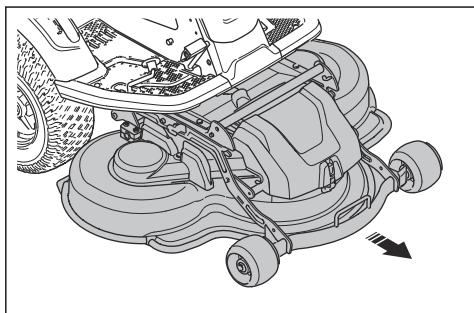


AVVERTENZA: Prestare molta attenzione. Rischio di lesioni personali se la mano viene intrappolata tra la struttura e il telaio dell'apparecchiatura.

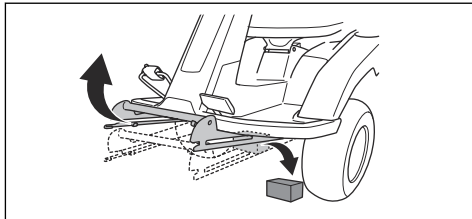
9. Rimuovere le 2 viti sulla struttura dell'attrezzatura.



10. Afferrare il bordo anteriore del piatto di taglio ed estrarlo.



11. Rimuovere il blocco di legno.



12. Montare il piatto di taglio eseguendo le operazioni in sequenza opposta.

Utilizzo

Introduzione

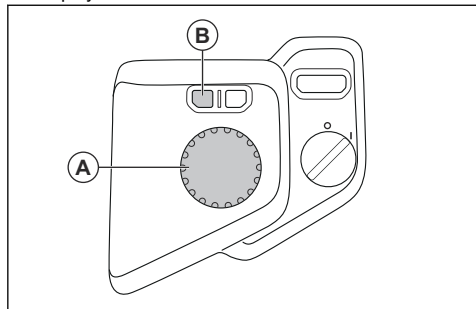


AVVERTENZA: Prima di utilizzare il prodotto, è necessario leggere e comprendere il capitolo relativo alla sicurezza.

Display

Uso del menu del display

1. Premere la rotellina (A) per visualizzare il menu del display.



2. Girare la rotellina (A) per scorrere i menu disponibili.
3. Premere la rotellina (A) per selezionare un menu.
4. Premere il pulsante (B) per tornare indietro e chiudere il menu del display.

Nota: La maggior parte dei menu è disponibile solo in modalità inattiva o quando il prodotto è fermo. Fare riferimento a *Modalità di visualizzazione alla pagina 126*. Il menu si chiude automaticamente quando si premono i pedali o il pulsante di avvio.

Velocità degli accessori



Il menu degli accessori è disponibile solo quando il prodotto è dotato di un accessorio con velocità regolabile. Fare riferimento al Manuale dell'operatore per l'accessorio. Per ulteriori informazioni sugli accessori disponibili per il prodotto, rivolgersi al rivenditore Husqvarna.

Attivazione del menu delle luci

Nota: La luce è un accessorio opzionale. Per ulteriori informazioni sugli accessori disponibili per il prodotto, rivolgersi al rivenditore Husqvarna.

Nota: Per accendere e regolare la luce il menu delle luci deve essere attivato.

1. Premere la rotellina per visualizzare il menu del display.
2. Selezionare il menu delle impostazioni.



3. Scorrere fino al menu delle luci.



4. Premere la rotellina per attivare il menu delle luci.



Nota: Il menu delle luci viene attivato al successivo avvio del prodotto.

Regolazione delle luci

Nota: Dopo l'installazione delle luci, deve essere attivato il menu delle luci. Fare riferimento a *Attivazione del menu delle luci alla pagina 136*.

1. Premere la rotellina per visualizzare il menu del display.
2. Scorrere fino al simbolo delle luci spente.



3. Premere la rotellina per accendere le luci di lavoro.



4. Premere la rotellina per accendere le luci di lavoro e i fari anteriori.



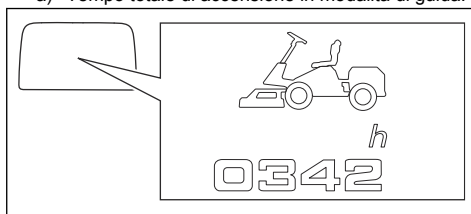
Letture delle informazioni sul sistema

1. Premere la rotellina per visualizzare il menu del display.
2. Selezionare il simbolo delle informazioni.

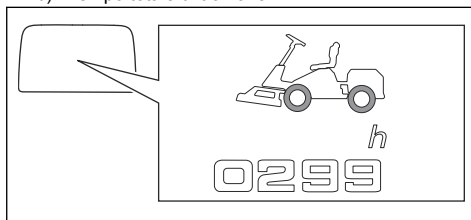


3. Girare la rotellina per scorrere tra le seguenti viste di informazioni sul sistema:

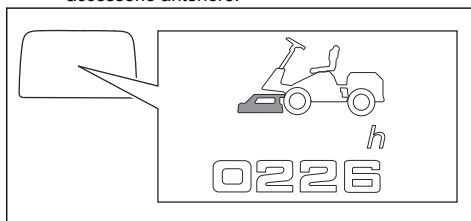
- a) Tempo totale di accensione in modalità di guida.



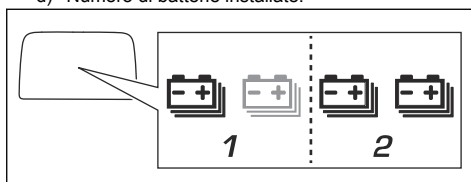
- b) Tempo totale di trazione.



- c) Tempo totale di taglio o uso di un altro accessorio anteriore.



- d) Numero di batterie installate.



Nota: Nel prodotto è possibile installare una seconda batteria. Per istruzioni, rivolgersi al rivenditore Husqvarna.



AVVERTENZA: Rischio di scosse elettriche. Non tentare di installare o riparare le batterie. L'installazione e le riparazioni devono essere eseguite solo da un rivenditore con servizio di assistenza autorizzato.

Impostazione dell'ora sul display

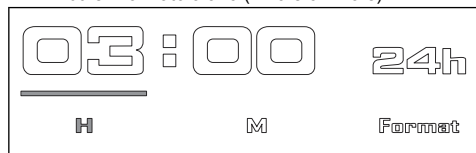
1. Premere la rotellina per visualizzare il menu del display.
2. Selezionare il menu delle impostazioni.



3. Selezionare il simbolo dell'orologio.



4. Girare e premere la rotellina per impostare l'ora, i minuti e il formato orario (24 ore o 12 ore).



Attivazione/disattivazione dell'audio

Nota: Quando l'audio è disattivato, non vengono emessi segnali acustici in caso di avvertenze, errore o avvio.

1. Premere la rotellina per visualizzare il menu del display.
2. Selezionare il menu delle impostazioni.



3. Selezionare il simbolo dell'altoparlante.



4. Premere la rotellina per attivare o disattivare l'audio.

Letture dei messaggi di errore

Nota: Un messaggio di errore è una combinazione di simboli. Fare riferimento a *Messaggi di errore sul display alla pagina 153*.

1. Premere la rotellina per visualizzare il menu del display.
2. Selezionare il simbolo di avvertenza sul menu del display.



Nota: Il menu degli errori mostra fino a 3 messaggi di errore. Se esistono più di 3 messaggi di errore, il menu degli errori visualizza i primi 3 messaggi di errore.

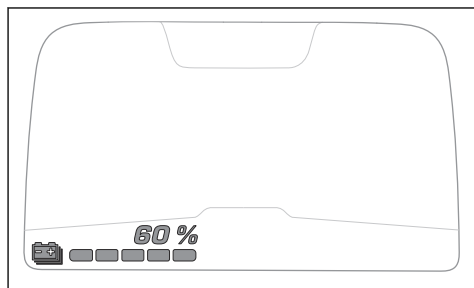
Nota: Quando un errore viene eliminato dal sistema, il relativo messaggio di errore non viene salvato nel menu degli errori.

3. Fare riferimento a *Messaggi di errore sul display alla pagina 153* per informazioni e istruzioni.

Primo utilizzo Husqvarna Connect

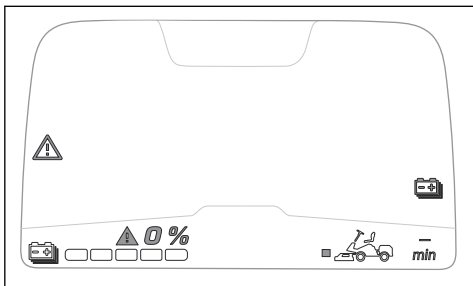
1. Scaricare l'app Husqvarna Connect sul proprio dispositivo mobile.
2. Registrarsi nell'app Husqvarna Connect.
3. Attenersi alle istruzioni dell'app Husqvarna Connect per collegare e registrare il prodotto.

Spia della batteria quando il prodotto è acceso



Quando il prodotto è acceso, il display mostra lo stato di carica in %. Ogni spia verde indica uno stato di carica del 20%. Quando lo stato di carica è pari o inferiore al 20%, la spia all'estrema sinistra è gialla. Quando lo stato di carica è pari o inferiore al 5%, la spia all'estrema

sinistra è rossa. Quando la batteria è scarica, la spia all'estrema sinistra è grigia.



Ricarica della batteria



AVVERTENZA: Un caricabatterie danneggiato o non utilizzato correttamente può causare scosse elettriche, perdite della batteria o temperature eccessive. Esaminare regolarmente il caricabatterie e la batteria per accertarsi dell'assenza di danni.



ATTENZIONE: Caricare la batteria prima di usarla per la prima volta. Una batteria nuova non è completamente carica.



ATTENZIONE: Utilizzare solo batterie approvate. Fare riferimento a *Dati tecnici alla pagina 158*.



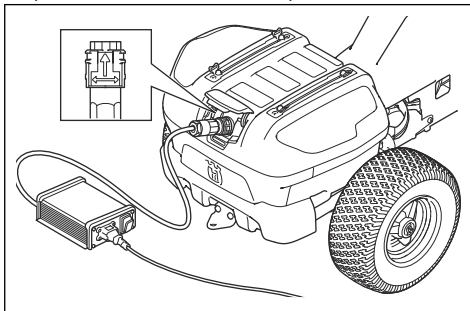
ATTENZIONE: Il processo di carica è possibile solo quando la temperatura della batteria rientra nell'intervallo di temperatura di carica consentito (0-38 °C).



ATTENZIONE: Utilizzare la batteria in ambienti con una temperatura compresa tra 0 °C e 40 °C.

Nota: La batteria può entrare in modalità di sospensione quando il prodotto è rimesso o lo stato della carica è bassissimo. Per avviare la batteria, premere per 2 secondi il pulsante di avvio. Se la batteria non si avvia, tenerla in carica continuamente fino a quando si carica completamente. Quando la batteria è in modalità di sospensione, il tempo di ricarica è maggiore.

1. Collegare il caricabatterie a una presa a muro provvista di messa a terra e al prodotto.



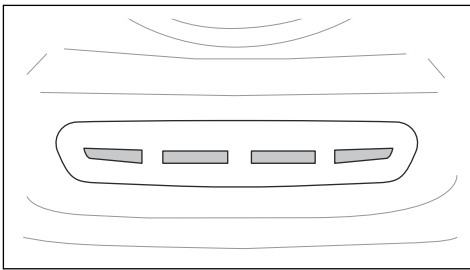
2. Portare l'interruttore di accensione/spegnimento del caricatore in posizione di ON.
3. Prima di scollegare il caricatore, portare l'interruttore di accensione/spegnimento del caricatore in posizione OFF.

Nota: Nel prodotto è possibile installare una seconda batteria. Per istruzioni, rivolgersi al rivenditore Husqvarna.

Spia della batteria quando la batteria si carica

Quando al prodotto è collegato un caricatore e l'interruttore di accensione è impostato in posizione "1", il display mostra la vista di carica. Fare riferimento a *Vista di carica alla pagina 126*.

Quando è collegato un caricatore, lo stato della carica è indicato da 4 LED sotto la presa del caricabatterie.



Nota: Quando si collega il caricabatterie, tutti e 4 i LED si accendono momentaneamente.



ATTENZIONE: Se non si accende alcun LED o lampeggiano i LED rossi quando si collega il caricabatterie, si è verificato un errore. Cercare i simboli di avvertenza o un messaggio di errore sul display. Scollegare il caricabatterie e fare riferimento a *Ricerca guasti alla pagina 149*.

Quando la batteria è completamente carica, tutti e 4 i LED sono accesi.



ATTENZIONE: Se il caricabatterie è collegato e l'interruttore di accensione/spengimento del caricatore è impostato su OFF, tutte le spie di carica si spengono. Accertarsi di aver scollegato il caricatore prima di utilizzare il prodotto.

LED	Stato di carica
Sono accesi tutti i 4 i LED.	La stato della carica della batteria è 76-100%.
Sono accesi i LED 1-3.	La stato della carica della batteria è 51-75%.
Sono accesi i LED 1-2.	La stato della carica della batteria è 26-50%.
È acceso il LED 1.	La stato della carica della batteria è 0-25%.

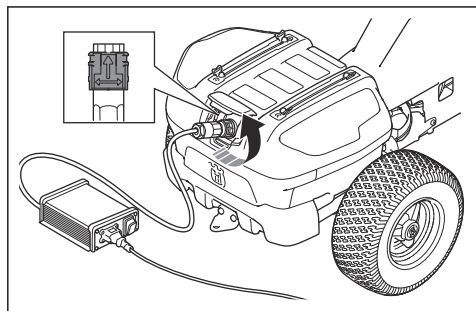
Nota: Se viene collegato un caricatore quando la temperatura della batteria è superiore a 38 °C, la carica non si avvia. I LED gialli mostrano lo stato della carica. Quando la temperatura della batteria rientra nell'intervallo di temperatura di carica consentito (0-38°C), la carica si avvia automaticamente.

Nota: Se si utilizza il prodotto a basse temperature, il tempo di funzionamento può diminuire.

Scollegamento del caricabatterie

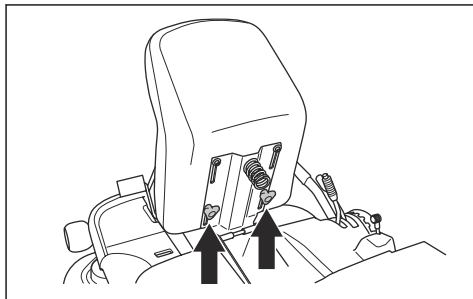
Nota: Non è possibile avviare il prodotto quando è collegato il caricabatterie.

1. Portare l'interruttore di accensione/spengimento del caricatore in posizione OFF.
2. Ruotare spinotto del caricatore per scollegare il caricatore.



Per regolare il sedile

Il sedile può essere inclinato in avanti. Inoltre, può essere regolato in lunghezza. Allentare le leve sotto il sedile e regolarlo in avanti o indietro.

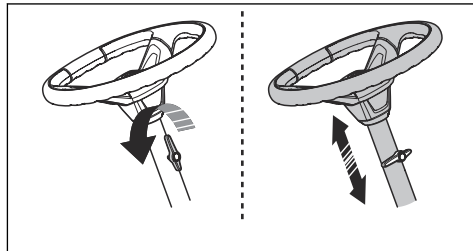


Per regolare l'altezza del volante



AVVERTENZA: Non regolare l'altezza del volante con il prodotto in funzione.

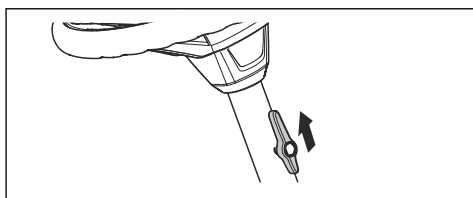
1. Girare la manopola in senso antiorario per allentarla.



2. Regolare l'altezza del volante.
3. Girare la manopola in senso orario per serrarla.

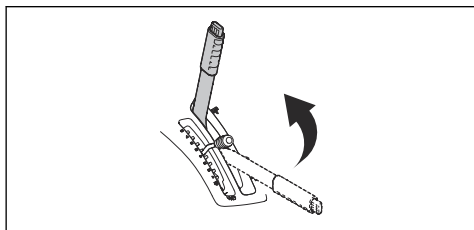


ATTENZIONE: Assicurarsi che l'estremità più lunga della manopola sia rivolta verso l'alto.

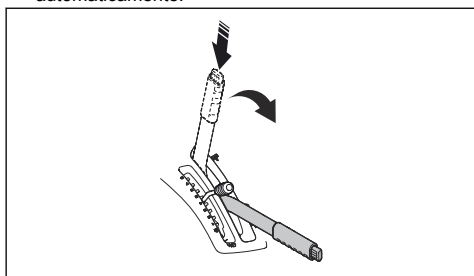


Sollevamento e abbassamento del piatto di taglio

- Per sollevare il piatto di taglio in posizione di trasporto, tirare la leva di sollevamento all'indietro. Se la modalità di guida è attivata, le lame smettono di ruotare automaticamente.

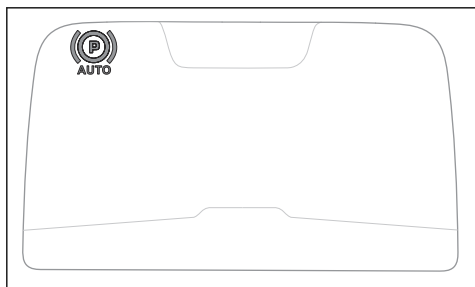


- Per abbassare il piatto di taglio in posizione di falciatura, premere il pulsante di blocco e spostare la leva di sollevamento in avanti. Se la modalità di guida è attivata, le lame iniziano a ruotare automaticamente.



Freno di stazionamento

Il freno di stazionamento è elettrico. Il freno di stazionamento viene inserito automaticamente quando il prodotto è fermo e viene rilasciato quando si premono i pedali. Quando il freno di stazionamento è inserito, sul display viene visualizzato il simbolo del freno di stazionamento.



Spostamento manuale del prodotto



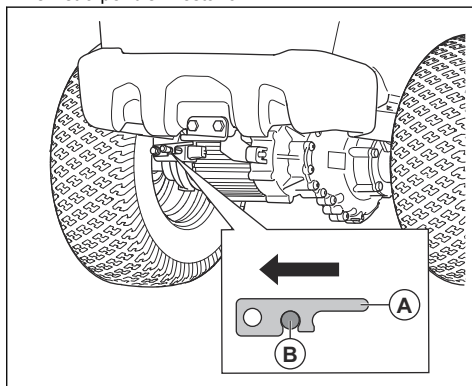
AVVERTENZA: Prima di azionare il prodotto, accertarsi che il freno di stazionamento elettrico sia inserito.



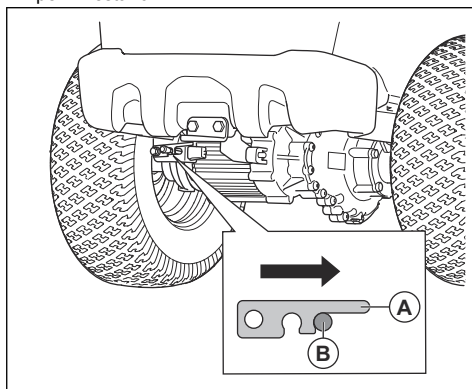
ATTENZIONE: Non utilizzare il prodotto più a lungo del necessario o a velocità superiori a 6 km/h.

Per spostare il prodotto con il motore spento, il freno di stazionamento elettrico deve essere disinserito. La leva del freno di stazionamento elettrico si trova dietro la ruota posteriore sinistra.

- Rilasciare il blocco del freno di stazionamento elettrico (A) e spostare la leva (B) in posizione sinistra per disinnestarlo.



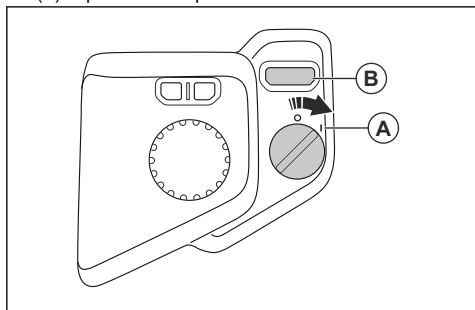
- Rilasciare il blocco del freno di stazionamento elettrico (A) e spostare la leva (B) in posizione destra per innestarlo.



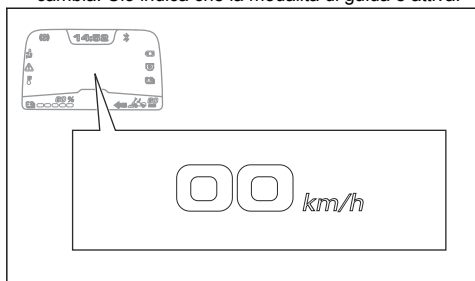
Avviamento del prodotto

1. Scollegare il cavo dal caricabatterie.
2. Sedere sul sedile.

3. Sollevare il piatto di taglio fino alla posizione di trasporto. Fare riferimento a *Sollevamento e abbassamento del piatto di taglio alla pagina 140*.
4. Portare l'interruttore di accensione in posizione "1" (A). Il prodotto è impostato in modalità inattiva.



5. Accertarsi di non premere i pedali.
6. Premere il pulsante di avvio (B) fino a quando viene emesso un segnale acustico e la vista del display cambia. Ciò indica che la modalità di guida è attiva.



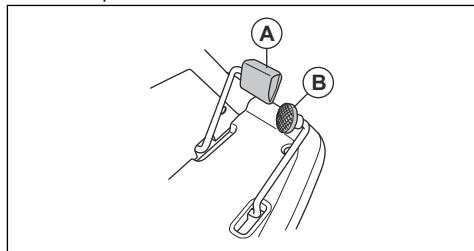
Nota: Se l'audio è disattivato, non viene emesso alcun segnale acustico. Fare riferimento a *Attivazione/disattivazione dell'audio alla pagina 137*.

Nota: La batteria può entrare in modalità di sospensione quando il prodotto è rimessato o lo stato della carica è bassissimo. Per avviare la batteria, premere per 2 secondi il pulsante di avvio. Se la batteria non si avvia, tenerla in carica continuamente fino a quando si carica completamente. Quando la batteria è in modalità di sospensione, il tempo di ricarica è maggiore.

Utilizzo del prodotto

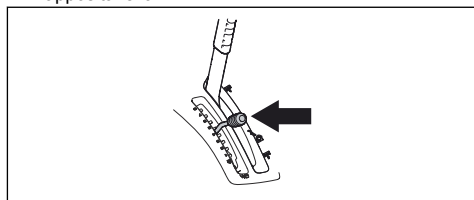
1. Avviare il prodotto. Fare riferimento a *Avviamento del prodotto alla pagina 140*.

2. Prestando attenzione, premere il pedale 1. Utilizzare il pedale (A) per la marcia avanti e il pedale (B) per la retromarcia. La velocità aumenta premendo più a fondo il pedale.

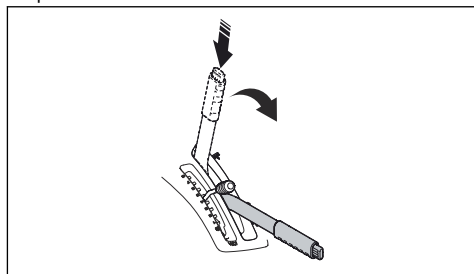


Nota: Il freno di stazionamento viene rilasciato automaticamente quando si preme un pedale.

3. Rilasciare il pedale per inserire i freni.
4. Selezionare l'altezza di taglio (1-10) utilizzando l'apposita leva.



5. Premere il pulsante di bloccaggio sulla leva di sollevamento del piatto di taglio e abbassarlo in posizione di falciatura.

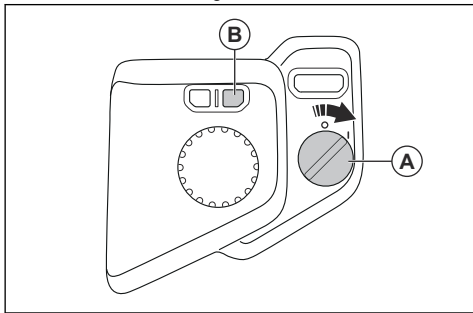


Per selezionare una modalità di guida

È possibile impostare il prodotto in 2 modalità di guida differenti: Modalità di guida standard o funzione di risparmio batteria (SavE). La funzione SavE prolunga il tempo di funzionamento. La funzione SavE riduce la velocità del prodotto e delle lame.

1. Portare l'interruttore di accensione (A) in posizione "1". Il display si accende.

2. Premere il pulsante della modalità di guida (B) per cambiare modalità di guida.



Nota: L'indicatore della modalità di guida sul display mostra la modalità di guida attivata. Fare riferimento a *Panoramica del display alla pagina 125*.

Nota: Se si accende la spia della modalità di guida con batteria scarica, fare riferimento a *Messaggi delle spie del display alla pagina 151*.

Arresto del prodotto

1. Parcheggiare il prodotto su un terreno piano. Il freno di stazionamento viene inserito automaticamente quando il prodotto è fermo.
2. Tirare all'indietro la leva di sollevamento del piatto di taglio per sollevare quest'ultimo fino alla posizione di trasporto.
3. Portare l'interruttore di accensione in posizione "0".

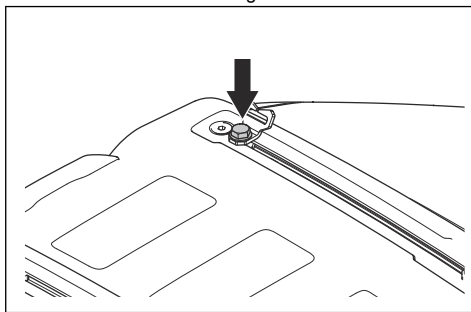
Ottimizzazione dei risultati della falciatura

- Non tagliare il prato bagnato. L'erba bagnata può causare scarsi risultati di taglio.
- Iniziare con un'altezza di taglio elevata e ridurla gradualmente.
- Per ottimizzare i risultati, utilizzare la modalità di guida standard. Spostare in avanti il prodotto a bassa velocità. Se l'erba non è troppo alta e fitta, è possibile ottenere un taglio ottimale anche a una velocità maggiore.
- Per ottenere risultati migliori, tagliare l'erba regolarmente e utilizzare la funzione di pacciamatura. Fare riferimento a *Rimozione e fissaggio del tappo BioClip sul piatto di taglio alla pagina 148*.

Fissaggio del carico alle guide

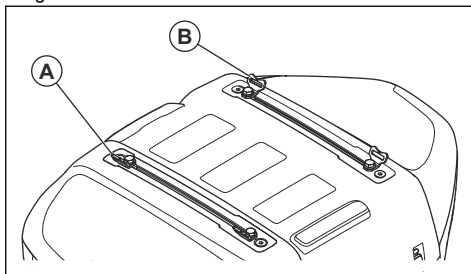
Il prodotto è dotato di guide con staffe collocate sul coperchio della batteria per il fissaggio di un carico.

1. Regolare le staffe della guida per montare il carico.
 - a) Allentare la vite e spostare la staffa della guida in avanti o indietro sulla guida.



b) Serrare la vite.

2. Inserire una cinghia nel foro della staffa (A) della guida.



3. Inserire la cinghia nella staffa della guida (B) sul lato opposto.
4. Utilizzare le staffe della guida per fissare il carico con le cinghie.



ATTENZIONE: Non sovraccaricare le guide. Fare riferimento a *Dati tecnici alla pagina 158*.

Manutenzione

Introduzione

prima di eseguire la manutenzione del prodotto.



AVVERTENZA: Leggere attentamente il capitolo sulla sicurezza

Programma di manutenzione

Manutenzione giornaliera prima dell'uso
Accertarsi che le viti e i dadi siano stretti.
Pulire il prodotto e le superfici interne del piatto di taglio.
Accertarsi che i dispositivi di sicurezza non siano guasti.
Esaminare i cavi dello sterzo.
Esaminare le lame nel piatto di taglio.
Accertarsi che la pressione degli pneumatici sia corretta.

X = Le istruzioni sono riportate in questo manuale dell'operatore.

O = Le istruzioni non sono riportate in questo manuale dell'operatore. Affidare la manutenzione a un'officina autorizzata.

Manutenzione	Ogni 50 ore oppure ogni anno
Pulire le superfici interne ed esterne del piatto di taglio. Pulire la zona sotto il coperchio del piatto di taglio e la zona attorno alle lame.	X
Accertarsi che la pressione degli pneumatici sia corretta.	X
Collegare il prodotto a Husqvarna Service Hub (HSH) ed eseguire un aggiornamento del firmware e una calibrazione, se necessario.	O
Caricare la batteria almeno all'80%. Verificare lo stato della batteria in HSH.	O
Assicurarsi che tutti i dadi e le viti siano serrati alla coppia corretta.	O
Eseguire un'ispezione, lubrificare e regolare tutti i cavi.	O
Eseguire un controllo della catena dello sterzo del lato interno del tunnel del telaio.	O
Lubrificare i pedali sul lato interno del tunnel del telaio.	O
Lubrificare il sedile dell'operatore.	O
Rimuovere le ruote di trazione e lubrificare gli assi con del grasso.	O
Lubrificare il telaio del piatto di taglio e il controllo presenza del piatto di taglio.	O
Lubrificare le ruote girevoli sul piatto di taglio.	O
Esaminare le lame. Se necessario, affilare e allineare le lame.	O

Manutenzione	Ogni 50 ore oppure ogni anno
Controllare e regolare il parallelismo del piatto di taglio.	X
Controllare l'interruttore di sollevamento del piatto di taglio.	O
Controllare l'innesto delle lame e l'interruttore OPC.	O
Controllare la marcia avanti e la retromarcia a velocità diverse.	O

Pulizia del prodotto



ATTENZIONE: Non utilizzare una lancia ad alta pressione o a vapore. L'acqua può entrare nei cuscinetti e nei collegamenti elettrici e causare una corrosione che può danneggiare il prodotto.

Pulire il prodotto subito dopo l'uso.

- Pulire con una spazzola prima di passare un panno umido. Rimuovere l'erba e la sporcizia sopra e attorno al sistema di propulsione e all'ingresso della ventola di raffreddamento del motore.
- Utilizzare un panno umido per pulire il prodotto.
- Non utilizzare acqua su componenti elettrici o cuscinetti. L'impiego di un detergente solitamente aumenta il danno.
- Accertarsi che la batteria e il caricabatterie siano puliti prima di collegare il caricabatterie al prodotto.
- Per pulire il piatto di taglio, collocarlo in posizione di servizio e lavarlo con acqua. Accertarsi che l'interruttore di accensione sia impostato in posizione "0".
- Quando il prodotto è pulito, avviare il piatto di taglio per un breve periodo di tempo per scaricare l'acqua residua.

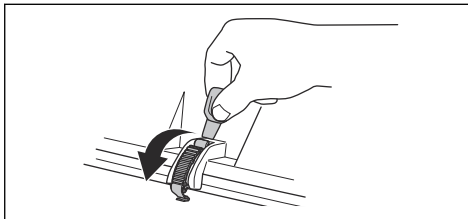
Per rimuovere i coperchi

Apertura o chiusura dello sportello del vano batteria

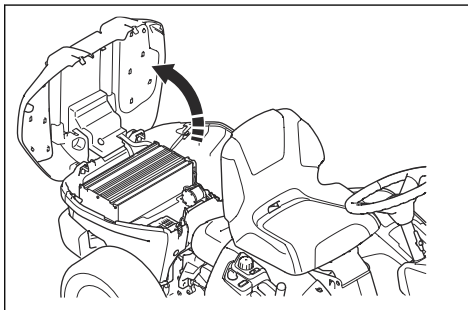


ATTENZIONE: Prima di aprire lo sportello del vano batteria, rimuovere il carico fissato alle guide.

1. Sganciare i 2 fermi sulla parte anteriore dello sportello del vano batteria con l'attrezzo fissato alla chiave di accensione.



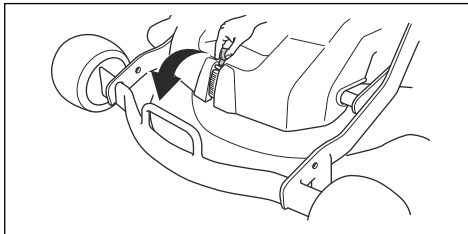
2. Sollevare la parte anteriore dello sportello del vano batteria e inclinarla all'indietro.



3. Per la chiusura eseguire la procedura nell'ordine inverso.

Rimozione del coperchio anteriore

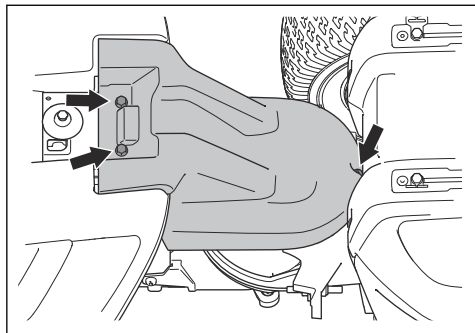
1. Rilasciare il fermo sul coperchio anteriore con l'utensile applicato alla chiave dell'interruttore di accensione.



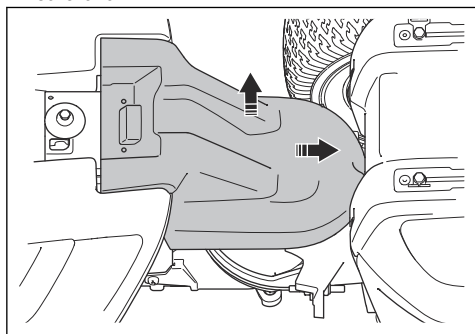
2. Rimuovere il coperchio anteriore.

Rimozione e installazione del coperchio del telaio

1. Inclinare il sedile in avanti.
2. Rimuovere le 3 viti.



3. Spingere all'indietro il coperchio del telaio e sollevarlo.



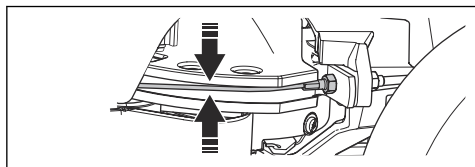
4. Montare, seguendo i passaggi nell'ordine inverso.

Per esaminare i cavi dello sterzo

La tensione dei cavi dello sterzo può diminuire dopo un certo periodo di tempo. Questo fa sì che la regolazione dello sterzo cambi.

Esaminare e regolare lo sterzo nel seguente modo:

1. I cavi dello sterzo sono serrati correttamente se è possibile spostarli manualmente di 5 mm verso l'alto o verso il basso nella scanalatura sul collarino dello sterzo.



2. Se i cavi sono troppo lenti, affidarne la regolazione a un'officina autorizzata.

Per controllare il freno di stazionamento

1. Parcheggiare il prodotto su una superficie dura con una pendenza massima di 10°. Tenere acceso il prodotto.



AVVERTENZA: Non parcheggiare il prodotto su un prato in pendenza quando si esegue un controllo del freno di stazionamento.

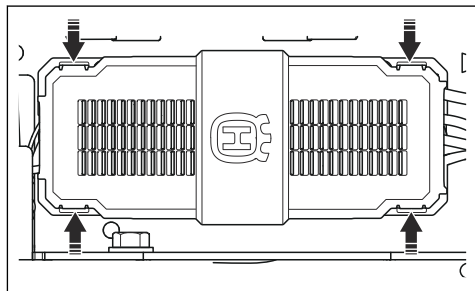
Nota: Il freno di stazionamento è elettrico. Il freno di stazionamento viene inserito automaticamente quando il prodotto è fermo.

2. Accertarsi che il display visualizzi il simbolo del freno di stazionamento e che il prodotto non si muova. Se il prodotto si muove, rivolgersi al centro assistenza Husqvarna.

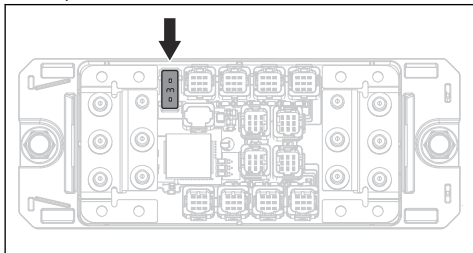
Sostituzione del fusibile della centralina di alimentazione

Un fusibile guasto della centralina di alimentazione si identifica dal filo del fusibile bruciato.

1. Accertarsi che l'interruttore di accensione/spengimento del caricatore sia impostato su OFF e che il caricatore sia scollegato dal prodotto. Fare riferimento a *Scollegamento del caricabatterie alla pagina 139*.
2. Portare l'interruttore di accensione in posizione "0" ed estrarre la chiave dell'interruttore di accensione.
3. Rimuovere il coperchio del telaio. Fare riferimento a *Rimozione e installazione del coperchio del telaio alla pagina 145*.
4. Premere i 4 fermi e rimuovere il coperchio della centralina di alimentazione.



5. Estrarre il fusibile della centralina di alimentazione dal portafusibile.

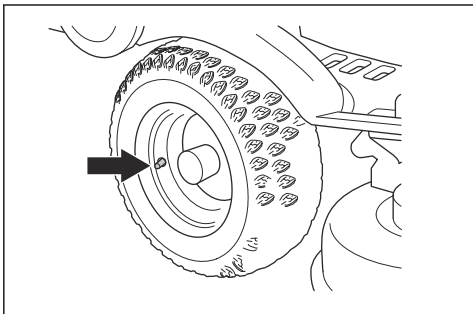


6. Sostituire il fusibile bruciato della centralina di alimentazione con un nuovo fusibile dello stesso tipo. Fare riferimento a *Dati tecnici alla pagina 158*.

Nota: Se il fusibile della centralina di alimentazione si brucia nuovamente dopo un breve periodo di tempo, rivolgersi al centro assistenza Husqvarna.

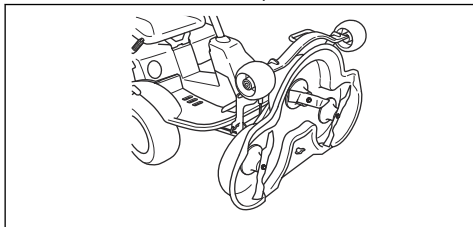
Pressioni degli pneumatici

La pressione degli pneumatici corretta è di 60 kPa (0,6 bar / 8,5 PSI) su tutti e 4 gli pneumatici.



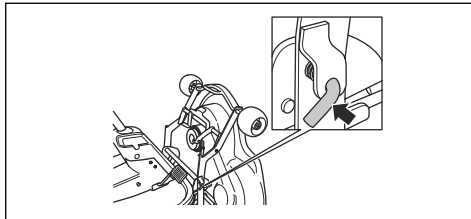
Per mettere il piatto di taglio in posizione di servizio

1. Effettuare i passaggi 1-7 in *Rimozione e applicazione del piatto di taglio alla pagina 134*.
2. Sollevare il piatto di taglio in posizione verticale fino a quando non si avverte un clic. Il piatto di taglio si blocca automaticamente in posizione verticale.

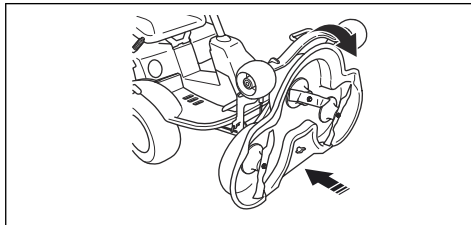


Per mettere il piatto di taglio in posizione di falciatura

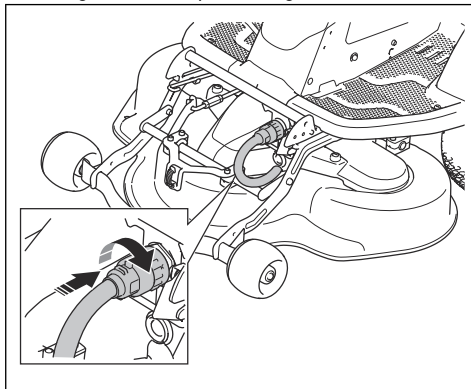
1. Afferrare il bordo anteriore del piatto di taglio con la mano sinistra.
2. Allentare il blocco con la mano destra.



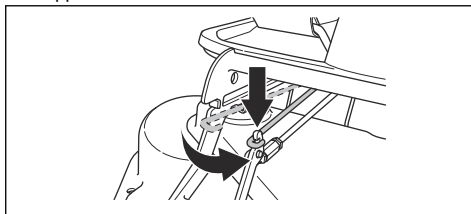
3. Piegarlo il piatto di taglio e premere fino alla battuta.



4. Collegare il cavo al piatto di taglio.



5. Sollevare il sostegno dell'altezza di taglio dal supporto e inserirlo nel foro.

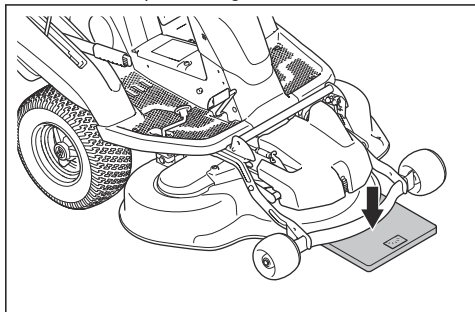


6. Collegare il coperchio anteriore.
7. Spostare la leva dell'altezza di taglio dalla posizione di servizio a una delle posizioni con un numero.

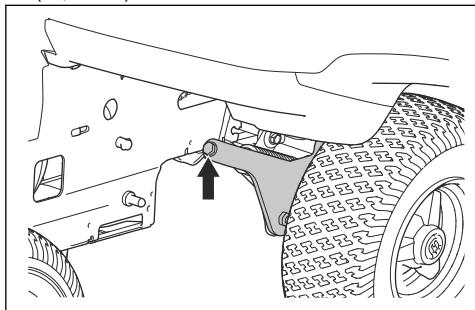
Per esaminare e regolare la pressione al suolo dal piatto di taglio

Una pressione al suolo corretta fa sì che il piatto di taglio si sposti lungo la superficie, senza premervi contro.

1. Accertarsi che la pressione dell'aria nei pneumatici sia 60 kPa (0,6 bar / 9,0 PSI).
2. Parcheggiare il prodotto su una superficie piana.
3. Abbassare il piatto di taglio fino alla posizione di falciatura.
4. Mettere una bilancia pesapersona sotto il bordo anteriore del piatto di taglio.



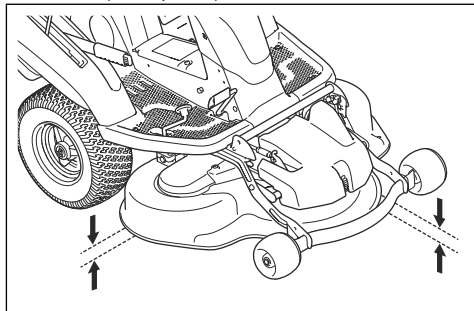
5. Per accertarsi che non vi sia alcun peso applicato sulle ruote di supporto, inserire un blocco di legno tra la struttura e la bilancia pesapersona.
6. Per regolare la pressione sul terreno, ruotare le viti di regolazione dietro le ruote anteriori sui lati destro e sinistro.
7. Ruotare le viti a destra o sinistra fino a quando la pressione sul terreno non è compresa tra 12 e 15 Kg (26,5-33 lb).



Controllo del parallelismo del piatto di taglio

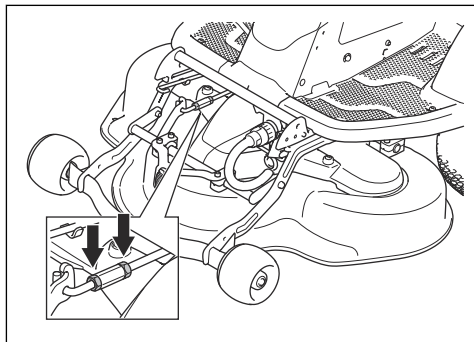
1. Accertarsi che la pressione degli pneumatici sia corretta. Fare riferimento a *Dati tecnici alla pagina 158*.
2. Parcheggiare il prodotto su una superficie piana.
3. Abbassare il piatto di taglio fino alla posizione di falciatura.

4. Impostare la leva dell'altezza di taglio nella posizione centrale.
5. Misurare la distanza tra il suolo e i bordi anteriore e posteriore del piatto di taglio. Assicurarsi che il bordo posteriore sia più in alto rispetto al bordo anteriore di 4-6 mm (1/5 di pollice).

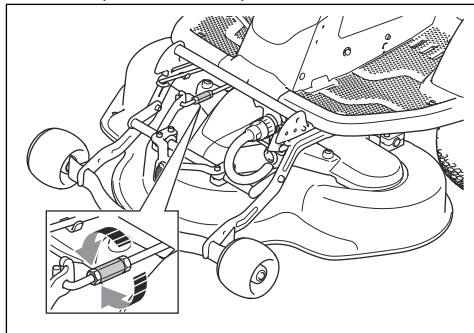


Per regolare il parallelismo del piatto di taglio

1. Rimuovere il coperchio anteriore.
2. Allentare i dadi del fermo di sollevamento.



3. Girare il fermo di sollevamento per estenderlo o accorciarlo. Estendere il fermo di sollevamento per sollevare il bordo posteriore del coperchio. Accorciare il fermo di sollevamento per abbassare il bordo posteriore del coperchio.



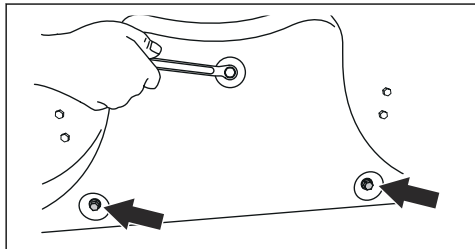
- Una volta effettuata la regolazione, stringere i dadi sul fermo di sollevamento.
- Eseguire un controllo del parallelismo. Fare riferimento a *Controllo del parallelismo del piatto di taglio alla pagina 147*.
- Collegare il coperchio anteriore.

Per rimuovere il tappo BioClip

- Rimuovere il tappo BioClip per modificare un piatto di taglio Combi da BioClip a scarico posteriore dell'erba.

Rimozione e fissaggio del tappo BioClip sul piatto di taglio

- Mettere il piatto di taglio in posizione di servizio. Fare riferimento a *Per mettere il piatto di taglio in posizione di servizio alla pagina 146*.
- Rimuovere le 3 viti che fissano il tappo BioClip e rimuovere il tappo.



- Inserire 1 vite M8x15 mm nel foro della vite superiore per il tappo BioClip per evitare di danneggiare la filettatura.
- Mettere il piatto di taglio nella posizione di falciatura.
- Montare il tappo BioClip nella sequenza opposta.

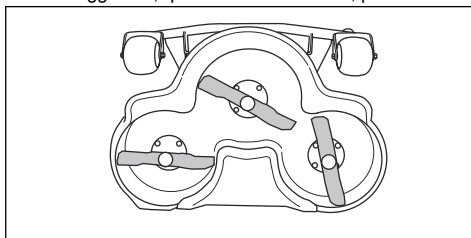
Per esaminare le lame



ATTENZIONE: Lame danneggiate o bilanciate in modo errato possono causare danni al prodotto. Sostituire le lame danneggiate. Affidare a un'officina autorizzata l'affilatura e il bilanciamento delle lame.

- Mettere il piatto di taglio in posizione di servizio.

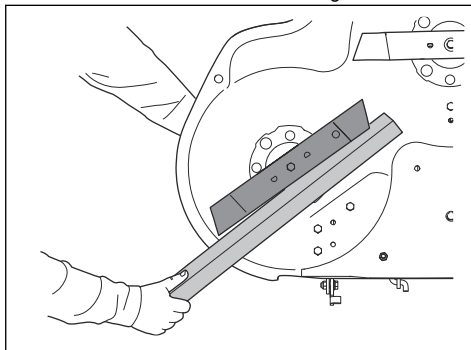
- Esaminare le lame per verificare se sono danneggiate e, qualora sia necessario, per affilarle.



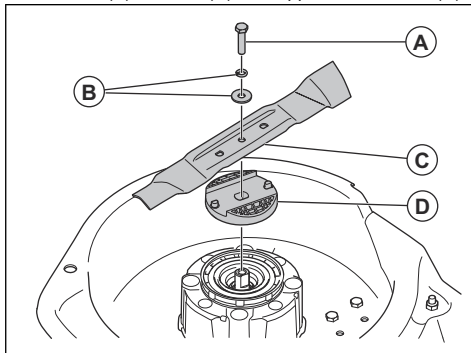
- Serrare i bulloni delle lame a una coppia di 25 Nm.

Sostituzione delle lame

- Rimuovere il piatto di taglio. Fare riferimento a *Rimozione e applicazione del piatto di taglio alla pagina 134*.
- Bloccare la lama con un cuneo di legno.



- Allentare e rimuovere il bullone della lama (A), le rondelle (B), la lama (C) e il supporto della lama (D).



- Montare, seguendo i passaggi nell'ordine inverso. Montare la nuova lama con le estremità piegate nella direzione del piatto di taglio.



AVVERTENZA: Un tipo di lama errato può causare l'espulsione di oggetti dal piatto di taglio e lesioni gravi.

Ricerca guasti

Introduzione

Se non si riesce a trovare la soluzione a un problema in questo manuale dell'operatore, rivolgersi al centro assistenza Husqvarna.

Nota: Prima di risolvere un problema del prodotto, accertarsi che la batteria sia carica. Fare riferimento a *Ricarica della batteria alla pagina 138.*

Programma di ricerca guasti

Problema	Causa	Azione
Il display non si accende quando l'interruttore di accensione è in posizione "1".	La batteria è scarica. Fare riferimento a <i>Ricarica della batteria alla pagina 138.</i>	Caricare la batteria.
	La batteria è in modalità di sospensione.	Per avviare la batteria, premere il pulsante Start per 2 secondi. Se la batteria non si avvia, tenerla in carica continuamente fino a quando si carica completamente. Quando la batteria è in modalità di sospensione, il tempo di ricarica è maggiore.
	Il fusibile della centralina di alimentazione è guasto.	Sostituire il fusibile della centralina di alimentazione. Fare riferimento a <i>Sostituzione del fusibile della centralina di alimentazione alla pagina 145.</i> Se il problema persiste, rivolgersi al centro assistenza Husqvarna.
	Il display o il cavo della centralina di alimentazione è guasto.	Contattare il rivenditore con servizio di assistenza Husqvarna.
	L'interruttore di accensione è guasto.	
La modalità di guida non si avvia quando si preme il pulsante di avvio.	Procedura di avviamento non corretta.	Fare riferimento a <i>Avviamento del prodotto alla pagina 140</i> e <i>Avvio impedito alla pagina 127.</i>
	Il pulsante di avvio viene premuto per meno di 1 secondo.	Premere il pulsante di avvio per 1 secondo. Un segnale acustico e una variazione del display mostra che la modalità di guida è attiva. Quando l'audio è disattivato, non viene emesso alcun segnale acustico per l'avvio. Fare riferimento a <i>Attivazione/disattivazione dell'audio alla pagina 137.</i>
	Il pannello di controllo è rotto.	Contattare il rivenditore con servizio di assistenza Husqvarna.







Problema	Causa	Azione
I motori del piatto di taglio non si avviano.	Il piatto di taglio non è in posizione di falciatura.	Spostare il piatto di taglio in posizione di falciatura. Fare riferimento a <i>Per mettere il piatto di taglio in posizione di falciatura alla pagina 146.</i>
	Il cavo del piatto di taglio non è collegato correttamente.	Collegare il piatto di taglio al prodotto. Fare riferimento a <i>Rimozione e applicazione del piatto di taglio alla pagina 134.</i>
	Il piatto di taglio è pieno di erba.	Pulire il piatto di taglio. Fare riferimento a <i>Pulizia del prodotto alla pagina 144.</i>
	L'erba è troppo alta.	Regolare l'altezza di taglio in base alle condizioni dell'erba.
	La temperatura dei comandi dei motori del piatto di taglio è troppo alta.	Arrestare il prodotto e attendere che la temperatura diminuisca. Riavviarlo dopo 20 minuti.
	I motori del piatto di taglio sono guasti.	Contattare il rivenditore con servizio di assistenza Husqvarna.
	I comandi dei motori del piatto di taglio sono guasti.	
	Il cavo del piatto di taglio non è alimentato.	
La batteria non si ricarica. I LED sotto la presa del caricabatterie non si accendono.	Il caricabatterie non è collegato correttamente alla presa di corrente o al prodotto.	Fare riferimento a <i>Ricarica della batteria alla pagina 138.</i>
	L'interruttore di accensione/spegnimento del caricatore è in posizione OFF.	Portare l'interruttore di accensione/spegnimento del caricatore in posizione di ON.
	Il caricabatterie è guasto.	Scollegare il caricabatterie e rivolgersi al centro di assistenza Husqvarna.
	Si è verificato un errore interno.	
	La presa di corrente è guasta.	Collegare il caricabatterie a una presa di corrente con la tensione e la frequenza indicate sulla targhetta dei dati di funzionamento.
La batteria non si ricarica. I LED sotto la presa del caricabatterie lampeggiano in rosso.	La temperatura non rientra nell'intervallo della temperatura di carica.	Attendere che la temperatura della batteria rientri nell'intervallo della temperatura di carica consentito (0-38 °C). Cercare messaggi di errore o simboli di avvertenza sul display. Fare riferimento a <i>Messaggi di avvertenza sul display alla pagina 152</i> e <i>Messaggi di errore sul display alla pagina 153.</i>
	La batteria è guasta.	Scollegare il caricabatterie e rivolgersi al centro di assistenza Husqvarna.
	Si è verificato un errore interno.	
La batteria non si ricarica. I LED sotto la presa del caricabatterie mostrano lo stato della carica in giallo.	La temperatura della batteria è superiore a 38 °C.	Accertarsi che il caricatore e il prodotto si trovino in un luogo in cui la temperatura è compresa nell'intervallo della temperatura di carica consentito (0-38 °C). Se il caricatore è collegato, la carica si avvia automaticamente quando la temperatura della batteria è inferiore a 38 °C. Se il problema persiste, rivolgersi al centro assistenza Husqvarna.

Problema	Causa	Azione
Il tempo di funzionamento non è aumentato dopo l'installazione di una seconda batteria.	La seconda batteria non è installata correttamente nel prodotto.	Accertarsi che sul display sia visualizzata la seconda batteria. Fare riferimento a <i>Letture delle informazioni sul sistema alla pagina 136</i> . Se sul display viene visualizzato un solo simbolo della batteria o se il problema persiste, rivolgersi al centro assistenza Husqvarna.
Il prodotto in modalità di taglio vibra.	Le lame sono allentate o danneggiate.	Controllare visivamente. Fare riferimento a <i>Per esaminare le lame alla pagina 148</i> . Se il problema persiste, rivolgersi al centro assistenza Husqvarna.
	Una o più lame non sono bilanciate.	
	Un motore del piatto di taglio è allentato.	
Il prodotto in modalità di trasporto vibra.	Una o più ruote sono allentate.	Controllare visivamente. Se il problema persiste, rivolgersi al centro assistenza Husqvarna.
	Un pneumatico del prodotto è sgonfio.	
	Alcune viti del prodotto sono allentate.	
	Il motore di azionamento è allentato.	
Il risultato del taglio è insoddisfacente.	Le lame non sono affilate.	Fare riferimento a <i>Per esaminare le lame alla pagina 148</i> .
	L'erba è alta o bagnata.	Fare riferimento a <i>Ottimizzazione dei risultati della falciatura alla pagina 142</i> .
	Il piatto di taglio non è parallelo al terreno.	Fare riferimento a <i>Controllo del parallelismo del piatto di taglio alla pagina 147</i> .
	C'è dell'erba bloccata nel piatto di taglio.	Fare riferimento a <i>Pulizia del prodotto alla pagina 144</i> .
	La pressione degli pneumatici è diversa sui lati destro e sinistro.	Fare riferimento a <i>Pressioni degli pneumatici alla pagina 146</i> .
	Il prodotto funziona a un regime troppo elevato.	Contattare il rivenditore con servizio di assistenza Husqvarna.
	Il regime motore è troppo basso.	Contattare il rivenditore con servizio di assistenza Husqvarna.

Display - Risoluzione dei problemi

Messaggi delle spie del display


I messaggi delle spie del display mostrano una funzione innestata o informazioni sulle condizioni del prodotto. Fare riferimento a *Panoramica del display alla pagina 125*. Si accendono una o più spie del display. Quando viene visualizzato il messaggio di una spia sul display, il prodotto funziona ancora ma sono consigliate alcune operazioni.



Simboli	Nome	Causa/Azione
	Errore di sistema	Si è verificato un errore di sistema nel prodotto. Arrestare il prodotto e portare l'interruttore di accensione in posizione "0". Attendere 5 minuti. Se il problema persiste, rivolgersi al centro assistenza Husqvarna.
	Errore della batteria	Si è verificato un errore della batteria. Arrestare il prodotto e portare l'interruttore di accensione in posizione "0". Attendere 5 minuti prima dell'avvio. Se il problema persiste, rivolgersi al centro assistenza Husqvarna.
	Avvertenza del motore di azionamento	Il motore di azionamento è in stallo. È probabile che il prodotto sia utilizzato su un pendio dove la potenza di scarica necessaria è troppo elevata. Non utilizzarlo in condizioni che causano l'arresto del motore di azionamento.
	Errore della temperatura	Si è verificato un errore della temperatura. Per ulteriori informazioni, fare riferimento alla combinazione di simboli.
	Modalità prestazioni ridotte	La modalità prestazioni ridotte è attiva. La modalità prestazioni ridotte viene impostata automaticamente quando il livello di carica è basso. Caricare il prodotto e non utilizzarlo su un pendio.
	Modalità prestazioni ridotte	La modalità prestazioni ridotte del prodotto viene impostata automaticamente. Il livello di carica è basso e/o la temperatura nella batteria, nel motore di azionamento o nella centralina del motore di azionamento è troppo alta. In questa modalità di guida le lame vengono disinserite e la velocità diminuisce gradualmente. Per ulteriori informazioni, fare riferimento alla combinazione di simboli.

Messaggi di avvertenza sul display

Un messaggio di avvertenza è una combinazione di simboli gialli che vengono prima visualizzati come simboli grandi al centro del display. Quando viene visualizzata un'avvertenza, il prodotto può funzionare ma è più lento del solito. Per evitare errori, arrestare il prodotto e attendere lo spegnimento dei simboli di avvertenza. Se il prodotto viene arrestato, non può essere riavviato fino a quando il messaggio di avvertenza non scompare.

Nota: Per le avvertenze sulla centralina del motore o sul motore del piatto di taglio, sollevare il piatto di taglio o l'accessorio in posizione di trasporto per il riavvio o l'uso.




Simboli	Nome	Causa/Azione
	Avvertenza della temperatura della batteria	La temperatura della batteria è superiore a quella consigliata. Il prodotto funziona più lentamente del normale fino a quando la temperatura non diminuisce. Arrestare il prodotto e attendere che la temperatura della batteria diminuisca prima dell'avvio.




Simboli	Nome	Causa/Azione
	Avvertenza della temperatura per il motore di azionamento o la centralina del motore di azionamento	La temperatura nel motore di azionamento o nella centralina del motore di azionamento è superiore a quella consigliata. Il prodotto funziona più lentamente del normale fino a quando la temperatura non diminuisce. Arrestare il prodotto e attendere che la temperatura del motore di azionamento diminuisca prima dell'avvio.
	Avvertenza della temperatura per il motore del piatto di taglio o la centralina del motore del piatto di taglio	La temperatura nel motore del piatto di taglio o nella centralina del motore del piatto di taglio è superiore a quella consigliata. Il prodotto funziona più lentamente del normale fino a quando la temperatura non diminuisce. Sollevare il piatto di taglio o l'accessorio anteriore in posizione di trasporto e attendere che la temperatura diminuisca prima dell'avvio.

Messaggi di errore sul display

Un messaggio di errore è una combinazione di simboli rossi che vengono prima visualizzati come simboli grandi al centro del display. In caso di errore, viene impostata automaticamente la modalità di inattività del prodotto che non può essere avviato fino a quando l'errore non scompare. È possibile visualizzare i messaggi di errore nel menu degli errori. Fare riferimento a *Letture dei messaggi di errore alla pagina 137*.

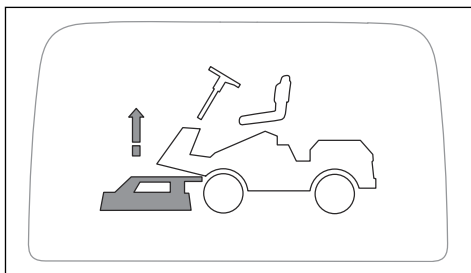
Nota: Per gli errori sulla centralina del motore o sul motore del piatto di taglio, sollevare il piatto di taglio o l'accessorio in posizione di trasporto per il riavvio o l'uso.

Simboli	Nome	Causa/Azione
	Errore della temperatura della batteria	La temperatura della batteria è troppo elevata. Attendere che la temperatura della batteria diminuisca. Se il problema persiste, rivolgersi al centro assistenza Husqvarna.
	Errore della temperatura per il motore di azionamento o la centralina del motore di azionamento	La temperatura del motore di azionamento o della centralina del motorino di azionamento è troppo alta. Attendere che la temperatura del motore di azionamento o della centralina del motorino di azionamento diminuisca. Se il problema persiste, rivolgersi al centro assistenza Husqvarna.
	Errore della temperatura per il motore del piatto di taglio o la centralina del motore del piatto di taglio	La temperatura del motore del piatto di taglio o della centralina del motore del piatto di taglio è troppo alta. Sollevare il piatto di taglio o l'altro accessorio anteriore in posizione di trasporto e attendere che la temperatura diminuisca. Se il problema persiste, rivolgersi al centro assistenza Husqvarna.

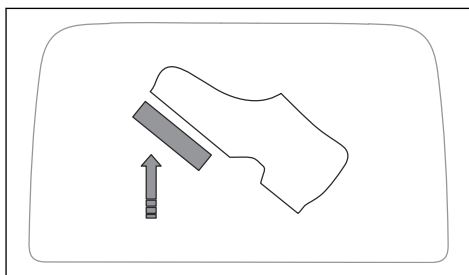
Simboli	Nome	Causa/Azione
	Errore nel motore di azionamento o nella centralina del motore di azionamento	Si è verificato un errore nel motore di azionamento o nella centralina del motorino di azionamento. Arrestare il prodotto e portare l'interruttore di accensione in posizione "0". Attendere 5 minuti prima dell'avvio. Se il problema persiste, rivolgersi al centro assistenza Husqvarna.
	Errore nel motore del piatto di taglio o nella centralina del motore del piatto di taglio	Si è verificato un errore nel motore del piatto di taglio o nella centralina del motore del piatto di taglio. Sollevare il piatto di taglio o l'altro accessorio anteriore in posizione di trasporto. Se il problema persiste, arrestare il prodotto e attendere 5 minuti prima dell'avvio. Se il problema persiste, rivolgersi al centro assistenza Husqvarna.
	Errore batteria scarica	La batteria è scarica. Caricare la batteria.

Messaggi quando l'avvio è impedito

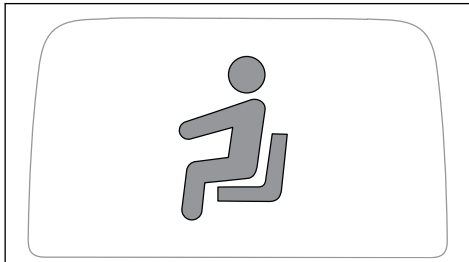
I simboli di avvio impedito vengono visualizzati quando le condizioni di avvio non sono rispettate. Il simbolo di avvio non consentito rimane sul display fino a quando non vengono rispettate le condizioni per l'avvio. Fare riferimento a *Avviamento del prodotto alla pagina 140*.



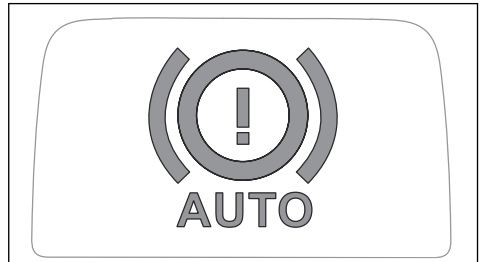
Descrizione	Azione
L'avvio è impedito perché il piatto di taglio è in posizione di falciatura.	Sollevare il piatto di taglio in posizione di trasporto prima dell'avvio. Fare riferimento a <i>Sollevamento e abbassamento del piatto di taglio alla pagina 140</i> .



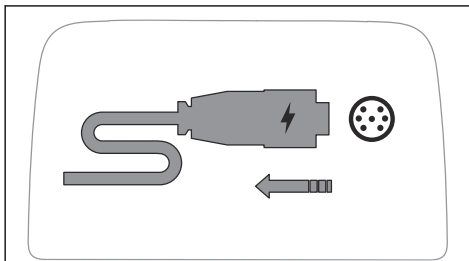
Descrizione	Azione
L'avvio è impedito perché vengono premuti i pedali.	Non premere i pedali quando il prodotto si avvia.



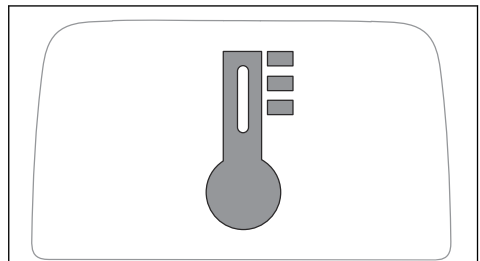
Descrizione	Azione
L'avvio è impedito perché l'operatore è sollevato dal sedile.	L'operatore deve essere seduto sul sedile quando il prodotto si avvia. Fare riferimento a <i>Controllo presenza operatore (OPC)</i> alla pagina 127.



Descrizione	Azione
L'avvio è impedito perché il freno di stazionamento elettrico è disinserito.	Inserire il freno di stazionamento elettrico prima dell'avvio. Fare riferimento a <i>Spostamento manuale del prodotto</i> alla pagina 140.



Descrizione	Azione
L'avvio è impedito perché il caricatore è collegato.	Scollegare il caricatore dal prodotto prima dell'avvio. Fare riferimento a <i>Scollegamento del caricabatterie</i> alla pagina 139.



Descrizione	Azione
L'avvio è impedito a causa di un errore della temperatura.	Fare riferimento a <i>Display - Risoluzione dei problemi</i> alla pagina 151.

Trasporto, stoccaggio e smaltimento

Trasporto

- Il prodotto ha un peso elevato e può causare lesioni da schiacciamento. Prestare attenzione durante il caricamento su un veicolo o rimorchio o durante lo scaricamento.
- Non sollevare il prodotto. Gli occhielli di trasporto non sono punti di sollevamento approvati e devono essere utilizzati solo per fissare il prodotto in modo sicuro a un rimorchio.
- Utilizzare un rimorchio omologato per il trasporto del prodotto.
- Accertarsi di conoscere le norme sulla circolazione stradale prima del trasporto del prodotto in un rimorchio o su strada.

Per il traino del prodotto

Per spostare il prodotto con il motore spento, il freno di stazionamento automatico deve essere disinserito.

1. Disinserire il freno di stazionamento elettrico. Fare riferimento a *Spostamento manuale del prodotto* alla pagina 140.
2. Trainare il prodotto solo a bassa velocità e per brevi distanze.

Per fissare il prodotto in modo sicuro a un rimorchio per il trasporto



AVVERTENZA: Il freno di stazionamento non è sufficiente per

bloccare il prodotto durante il trasporto.
Fissare saldamente il prodotto al rimorchio.

Attrezzatura: 2 cinghie di tensionamento approvate e 4 blocchi fermaruote a forma di cuneo.

1. Fissare le cinghie di tensionamento intorno al telaio o al vagone posteriore.
2. Stringere le cinghie di tensionamento in direzione della parte posteriore e anteriore del rimorchio per fissare il prodotto.
3. Posizionare i fermaruote davanti e dietro alle ruote posteriori.

Trasporto delle batterie

- Le batterie da 48 V in dotazione soddisfano i requisiti della legislazione sulle merci pericolose.
- Rispettare i requisiti speciali riportati sulla confezione e sulle etichette per il trasporto commerciale effettuato da terzi e da corrieri.
- Parlare con personale che ha seguito una formazione specifica in materiali pericolosi prima di inviare il prodotto. Rispettare tutte le norme nazionali vigenti.
- Quando si inserisce la batteria in un contenitore, applicare del nastro adesivo sui contatti aperti. Inserire la batteria in un contenitore compatto per evitare che si sposti.

Stoccaggio

Preparare il prodotto per il rimessaggio al termine della stagione e in caso di inutilizzo per un periodo superiore a 30 giorni.



AVVERTENZA: Rimuovere l'erba, le foglie e altri materiali infiammabili dal prodotto per ridurre il rischio di incendio. Lasciare raffreddare il prodotto prima del rimessaggio.

- Portare l'interruttore di accensione in posizione "0".
- Pulire il prodotto, fare riferimento a *Pulizia del prodotto alla pagina 144*. Ritoccare la vernice danneggiata per evitare la corrosione.
- Esaminare il prodotto per verificare la presenza di componenti usurati o danneggiati e stringere le viti e i dadi allentati.
- Caricare completamente la batteria prima dello stoccaggio. Assicurarsi che la carica delle batterie sia pari o superiore al 50% durante l'immagazzinamento.

Nota: La batteria può entrare in modalità di sospensione quando il prodotto è rimessato o lo stato della carica è bassissimo. Per avviare la batteria, premere il pulsante di avvio per 2 secondi. Se la batteria non si avvia, tenerla in carica continuamente fino a quando si carica

completamente. Il tempo di ricarica è maggiore quando la batteria è in modalità di sospensione.

- Lubrificare tutti gli ingrassatori, i giunti e gli assali.
- Conservare il prodotto in un luogo asciutto e pulito. Posizionare una copertura protettiva sul prodotto.

Nota: Per proteggere il prodotto durante

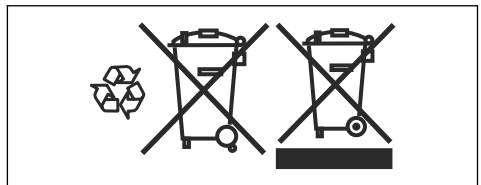
l'immagazzinamento o il trasporto è possibile acquistare un coperchio apposito presso il proprio rivenditore.

- Conservare il prodotto in un'area chiusa a chiave per impedire l'accesso a bambini o persone non autorizzate.
- Conservare il prodotto e l'alimentatore in un luogo asciutto e al riparo dal gelo.
- Se si utilizza il prodotto, conservarlo in un luogo in cui la temperatura ambiente sia compresa tra 0 °C/32 °F e 50 °C/122 °F. Se non si utilizza il prodotto, è possibile conservarlo in luoghi in cui la temperatura ambiente è compresa tra -20 °C/-4 °F e 50 °C/122 °F.
- Tenere il prodotto lontano dalla luce solare.
- Non conservare il prodotto in aree elettricamente statiche.

Smaltimento della batteria e del caricabatterie

I simboli sul prodotto o sul relativo imballaggio indicano che il presente prodotto non può essere trattato come rifiuto domestico. Deve invece essere portato presso un centro di raccolta specializzato nel recupero di apparecchiature elettriche ed elettroniche.

Trattando questo prodotto correttamente, si contribuisce a contrastare il potenziale impatto negativo sull'ambiente e sulle persone che può altrimenti sortire da una gestione impropria del prodotto come rifiuto. Per informazioni più dettagliate sul riciclaggio di questo prodotto, contattare l'autorità municipale, il servizio rifiuti domestici o il punto vendita in cui è stato acquistato.



Smaltimento

- Le sostanze chimiche possono essere pericolose e non devono essere disperse nel suolo. Smaltire sempre le sostanze chimiche utilizzate presso un centro assistenza o un centro di smaltimento autorizzato.
- Quando il prodotto è usurato, inviarlo al rivenditore o a un centro di riciclaggio autorizzato.

- L'olio e la batteria possono contaminare l'ambiente. Rispettare le norme locali sul riciclaggio e le normative vigenti.
- Non smaltire la batteria come un rifiuto domestico.
- Inviare la batteria a un centro assistenza Husqvarna o smaltirla in un centro specializzato nello smaltimento delle batterie usate.

Dati tecnici

Dati tecnici

Dimensioni	
Lunghezza senza piatto di taglio, mm	1999
Larghezza senza piatto di taglio, mm	883
Lunghezza compreso il piatto di taglio, mm ²³	2296
Larghezza, piatto di taglio incluso, mm ²⁴	994
Altezza, mm	1128
Peso senza piatto di taglio (inclusa 1 batteria), kg	186
Passo, mm	907
Dimensioni degli pneumatici	170/60-8
Pressioni degli pneumatici, posteriore - anteriore, kPa/bar/psi	60/0,6/8,7
Pendenza massima, gradi °	10
Peso massimo attrezzatura trainata con pendenza di 10°, kg	110
Forza verticale max consentita sulla barra di traino, N/kg	250/25
Forza orizzontale max consentita sulla barra di traino, N/kg	250/25
Carico max sul coperchio della batteria, kg	25
Motore di azionamento	
Tipo di motore	Motore CC senza spazzole
Tensione, V	48
Potenza nominale motore, kW	1,5
Regime max motore, giri/min	3500
Trasmissione	
Marca/Modello	Omnigear/Husqvarna TP400R
Grasso	GRASSO NLGI-00 EP
Volume grasso, l	0,6
Numero di marce avanti	-
Numero di marce indietro	-
Velocità max. marcia avanti, km/h	9
Velocità max. marcia indietro, km/h	5
Impianto elettrico	
Tipo	48 V CC, messa a terra negativa

²³ Misura effettuata con il piatto di taglio Combi 94i

²⁴ Misura effettuata con il piatto di taglio Combi 94i

Fusibile principale, A	80
Fusibile piatto di taglio, A	80
Fusibile per la centralina di alimentazione, A/V.	3/58
Emissioni di rumore ²⁵	
Livello potenza acustica, misurato dB(A)	95
Livello potenza acustica, garantito dB(A)	96
Livelli di rumorosità ²⁶	
Livello di pressione sonora all'orecchio dell'operatore, dB(A)	78
Livelli di vibrazioni ²⁷	
Livello di vibrazioni sul volante, m/s ²	0,1
Livello di vibrazioni sul sedile, m/s ²	0,2
Piatto di taglio	
Tipo	Combi 94i
	Combi 103i

Piatto di taglio	Combi 94i	Combi 103i
Larghezza di taglio, mm	940	1030
Larghezza, mm	994	1081
Potenza motore piatto di taglio, kW	3×0,9	3×0,9
Altezza di taglio, 10 posizioni, mm	25-75	25-75
Lunghezza della lama, mm	359	389
Lama		
Codice articolo	598 88 55-10	536 15 76-10



AVVERTENZA: Utilizzare un piatto di taglio non omologato per il prodotto può causare l'espulsione ad alta velocità di

oggetti e lesioni gravi. Non utilizzare tipi di piatti di taglio diversi da quelli indicati nel presente manuale dell'operatore.

Dati di frequenza radio

	R 200IX
Gamma di frequenza, MHz	2402–2480

²⁵ Emissioni di rumore nell'ambiente misurate come potenza sonora (L_{WA}) in base alla direttiva CE 2000/14/CE.

²⁶ Livello di pressione acustica in ottemperanza alla norma EN ISO 5395. I dati riportati per il livello di pressione acustica hanno una dispersione statistica tipica (deviazione standard) di 1,2 dB(A).

²⁷ Livello di vibrazioni in ottemperanza alla norma EN ISO 5395. I dati riportati per il livello di vibrazioni hanno una dispersione statistica tipica (deviazione standard) di 0,2 m/s² (volante) e 0,8 m/s² (sedile).

	R 200iX
Potenza erogata ²⁸ , dBm	-7,0

Batterie approvate

Per questo prodotto, utilizzare esclusivamente batterie originali.

Batteria	EM-5240Li
Codice articolo	598 84 43-01
Tipo	Ioni di litio
Capacità batteria, Ah	38,5
Tensione nominale, V	50,4
Peso, kg/lb	17/38

Caricabatterie omologati

Caricabatterie	PS 300C
Tensione di entrata, V	220–240
Corrente di entrata, A	1,8
Frequenza, Hz	50
Potenza, W	300
Tensione di uscita, V	58
Corrente di uscita, A	5,3

Assistenza

Assistenza

Eseguire un controllo annuale presso un centro di assistenza autorizzato per assicurarsi che il prodotto funzioni in modo sicuro e al meglio durante l'alta stagione. Il momento migliore per eseguire la manutenzione o la revisione del prodotto è la bassa stagione.

Quando si ordinano i ricambi, fornire le informazioni sull'anno di acquisto, il modello, il tipo e il numero di serie.

Utilizzare sempre ricambi originali.

²⁸ Misurata a 2402 MHz.

Dichiarazione di conformità

Dichiarazione di conformità UE

Husqvarna AB, SE-561 82 Huskvarna, Svezia, tel.:
+46-36-146500, dichiara sotto la propria esclusiva
responsabilità che il prodotto indicato:

Descrizione	Trattorini tagliaerba
Marchio	Husqvarna
Tipo/Modello	R 200iX
Identificazione	Numeri di serie a partire da 2023 e successivi

È pienamente conforme alle seguenti norme e direttive
UE:

Direttiva/norma	Descrizione
2006/42/CE	"sulle macchine"
2014/53/UE	"riguardante le apparecchiature radio"
2000/14/CE	"sull'emissione di rumore nell'ambiente"
2011/65/UE	"sulle restrizioni dell'uso di determinate sostanze pericolose nelle apparecchiature elettriche ed elettroniche"

e che sono applicati gli standard e/o
le specifiche tecniche seguenti: EN ISO
12100:2010, EN ISO 13849-1:2015, EN ISO
13849-2:2012, EN ISO 5395-1:2013+A1:2018,
EN ISO 5395-3:2013+A1:2017+A2:2018, EN
ISO 14982:2009, EN 61000-6-2:2005, EN
61000-6-3:2007+A1:2011+AC:2012, ETSI EN 300 328
V2.2.2, ETSI EN 301 489-1 V1.9.2, ETSI EN 301 489-17
V3.2.4, EN 50665:2017, EN IEC 63000:2018 .



Organo competente: 0404, SMP Svensk
Maskinprovning AB, Box 4053, SE-904 03 Umeå,
Sweden ha certificato la conformità alla Direttiva del
Consiglio 2000/14/CE, procedura di valutazione della
conformità: Allegato VI

Per informazioni sulle emissioni acustiche, fare
riferimento a *Dati tecnici alla pagina 158*.

Huskvarna, 2023-07-05

Claes Lossdal, Responsabile sviluppo/Prodotti da
giardino, Husqvarna AB

Responsabile della documentazione tecnica

Marchi registrati

Il marchio denominativo e i logo *Bluetooth*[®] sono marchi registrati di proprietà di *Bluetooth SIG, inc.* e qualsiasi utilizzo di tali marchi da parte di Husqvarna è soggetto a licenza.



www.husqvarna.com

Original instructions
Instrucciones originales
Instruções originais
Istruzioni originali

1143286-30



2023-08-21