



Husqvarna®

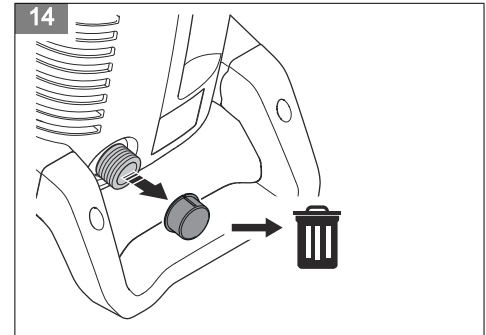
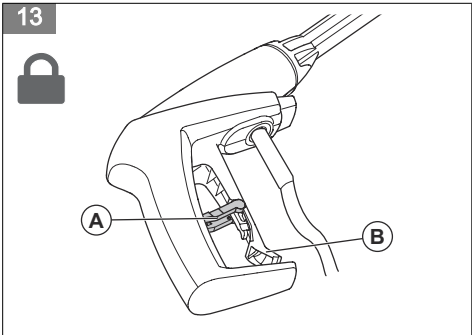
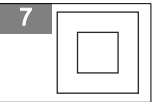
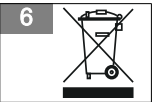
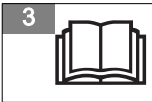
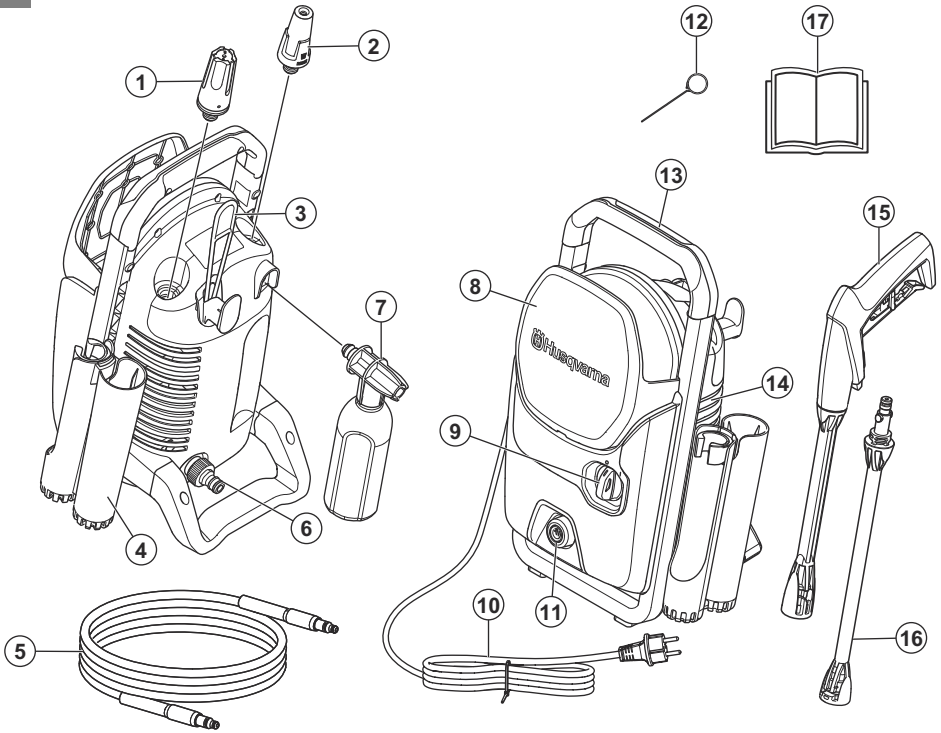


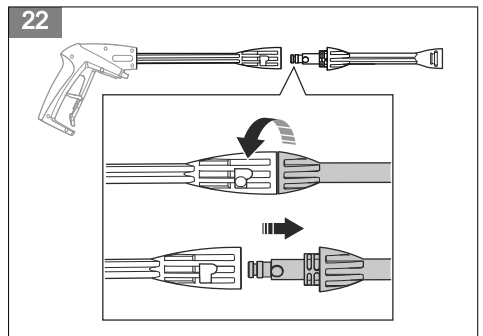
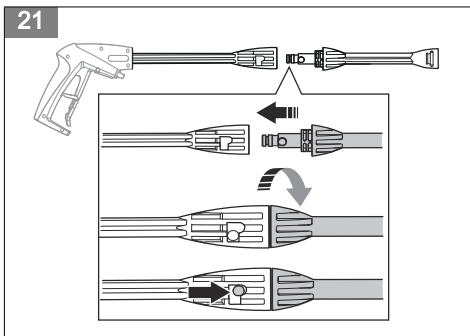
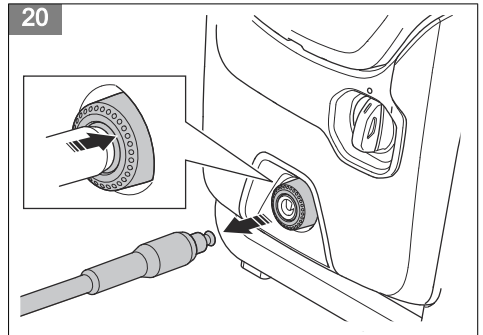
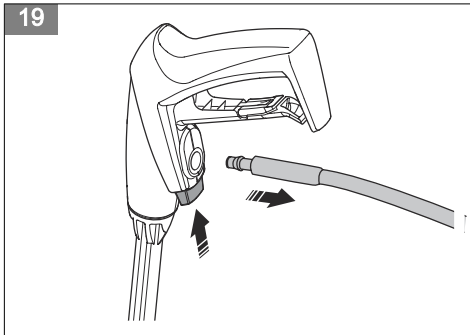
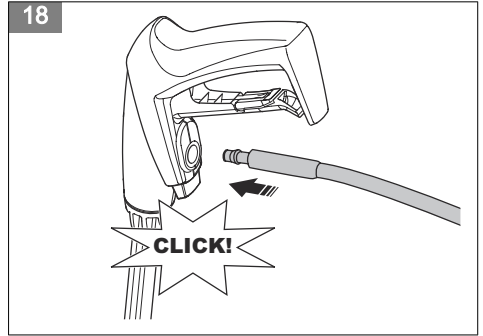
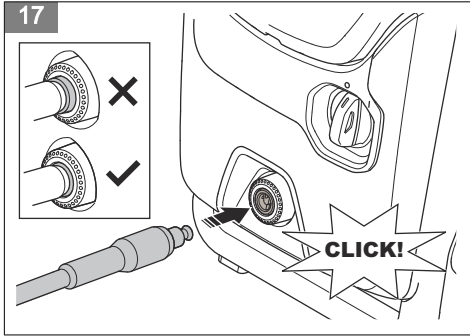
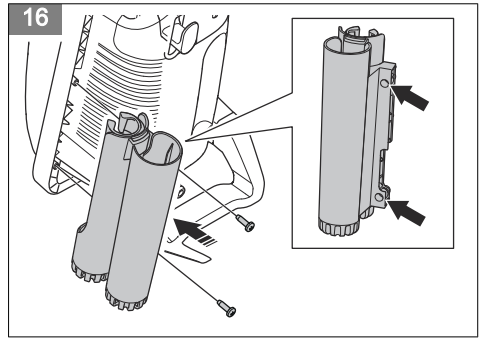
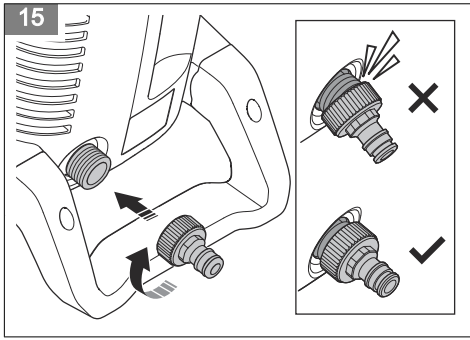
PW 130



EN	Operator's manual	8-24
BG	Ръководство за експлоатация	25-43
CS	Návod k použití	44-59
DA	Brugsanvisning	60-75
DE	Bedienungsanweisung	76-94
EL	Οδηγίες χρήσης	95-113
ES	Manual de usuario	114-131
ET	Kasutusjuhend	132-146
FI	Käyttöohje	147-162
FR	Manuel d'utilisation	163-180
HR	Priručnik za korištenje	181-196
HU	Használati utasítás	197-213
IT	Manuale dell'operatore	214-230
LT	Operatoriaus vadovas	231-246
LV	Lietošanas pamācība	247-262
NL	Gebbruiksaanwijzing	263-279
NO	Bruksanvisning	280-294
PL	Instrukcja obsługi	295-312
PT	Manual do utilizador	313-329
RO	Instrucțiuni de utilizare	330-347
RU	Руководство по эксплуатации	348-367
SK	Návod na obsluhu	368-384
SL	Navodila za uporabo	385-400
SR	Priručnik za rukovaoca	401-416
SV	Bruksanvisning	417-432
TR	Kullanım kılavuzu	433-448
UK	Посібник користувача	449-467
AR	دليل المشغل	468-481

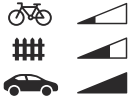
1





23

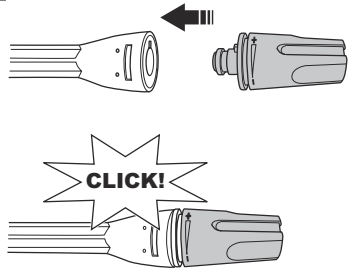
GENTLE NOZZLE



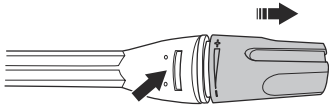
ROUGH NOZZLE



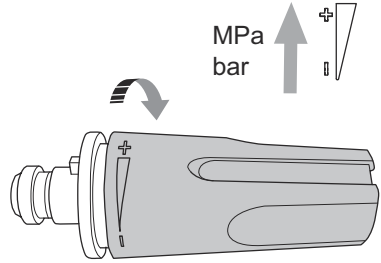
24



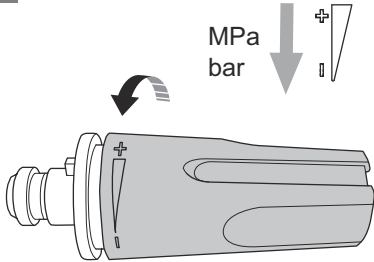
25



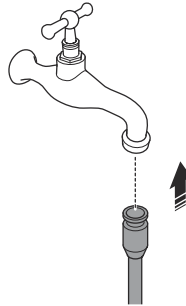
26



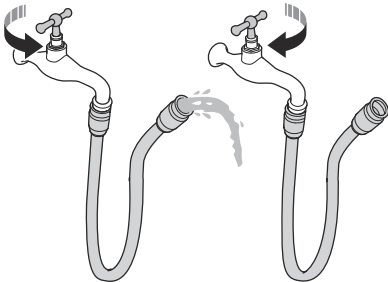
27



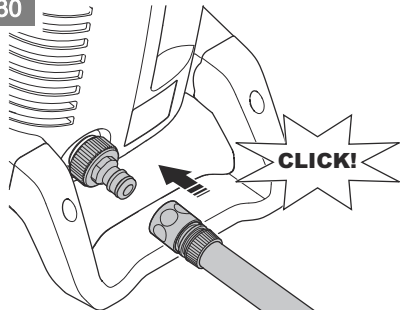
28

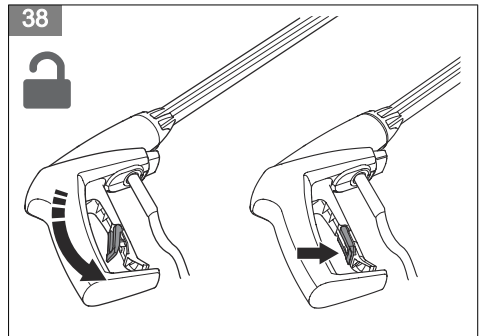
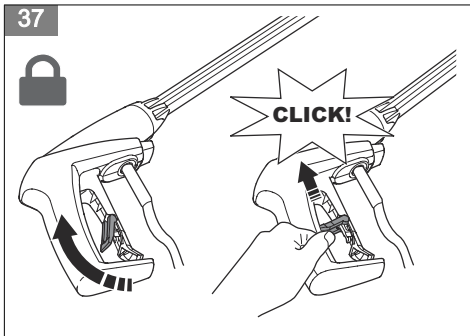
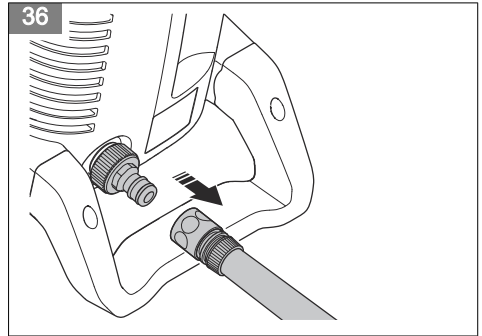
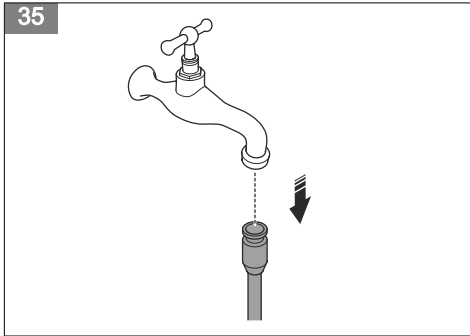
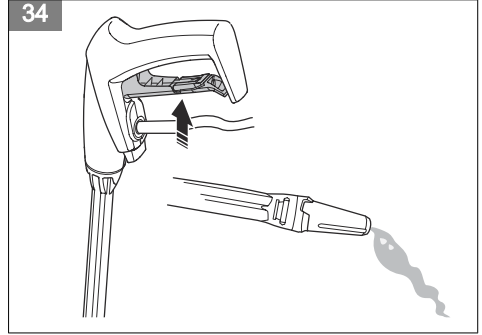
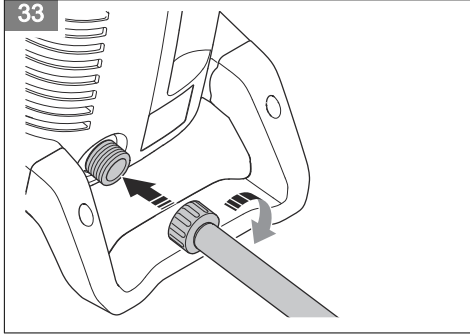
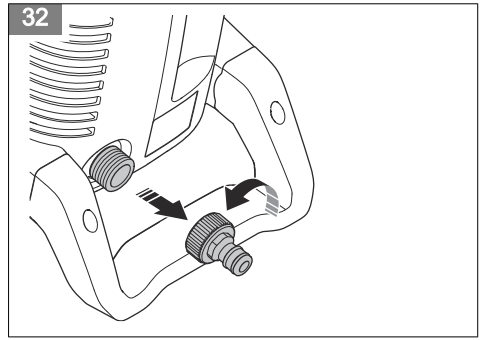
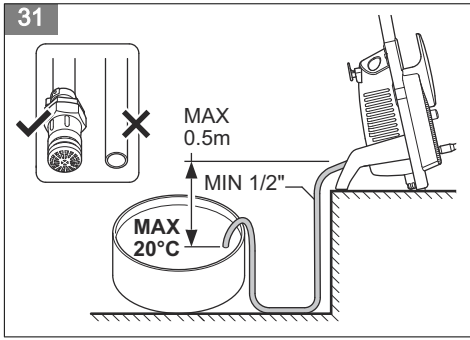


29

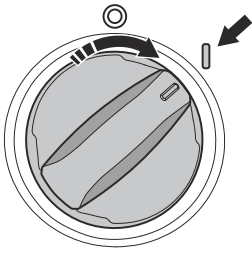


30

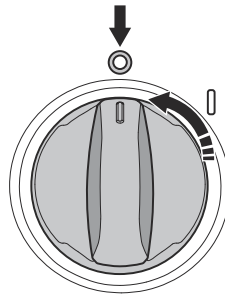




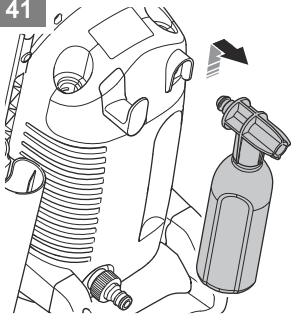
39



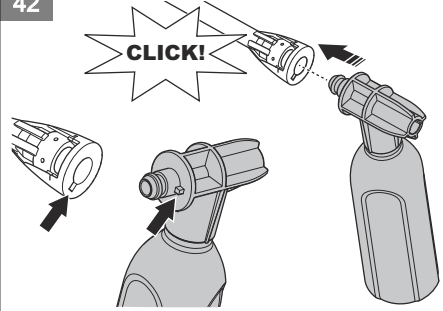
40



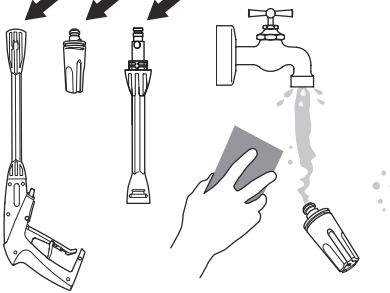
41



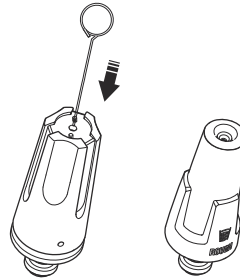
42



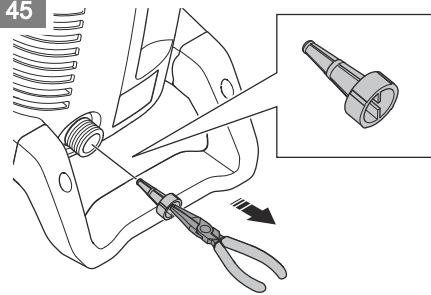
43



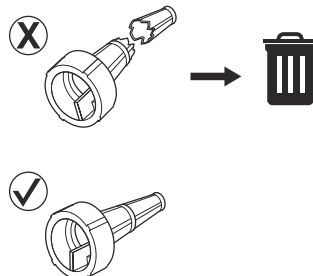
44



45



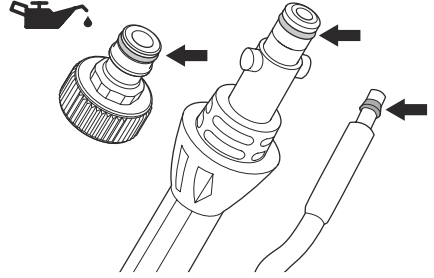
46



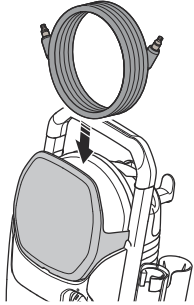
47



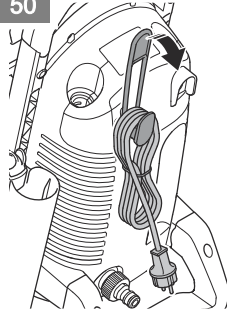
48



49



50



Contents

Introduction.....	8	Troubleshooting.....	19
Safety.....	9	Transportation, storage and disposal.....	20
Assembly.....	14	Technical data.....	20
Operation.....	15	Accessories.....	22
Maintenance.....	17	Declaration of Conformity.....	23

Introduction

Product description

The product is an electrical high-pressure washer. The product can be operated with different levels of water pressure and different cleaning agents.

Intended use

Use the product for domestic cleaning only. Do not use the product for other tasks. Use the product in an upright position only.

Product overview

(Fig. 1)

1. Nozzle with straight water jet
2. Nozzle with rotating water jet
3. Rubber strap for power cord holder
4. Holder for spray handle and spray lance
5. High-pressure water hose
6. Water inlet
7. Foam sprayer
8. Storage for high-pressure water hose
9. Power switch
10. Power cord
11. Water outlet with quick connection
12. Cleaning tool for nozzles
13. Transport handle
14. Air intake
15. Spray handle
16. Spray lance
17. Operator's manual

Symbols on the product

(Fig. 2)

WARNING: This product can be dangerous and cause serious injury or death to the operator or others. Be careful and use the product correctly.

Note: National regulations can set limit to the operation of the product.

(Fig. 3)

Read the operator's manual carefully and make sure that you understand the instructions before you use this product.

(Fig. 4)

The product is not suitable for connection to the potable water mains.

(Fig. 5)

High-pressure water jets can be dangerous if subject to misuse. The jet must not be directed at persons, electrical equipment or the product.

(Fig. 6)

Environmental mark.
The product or

package of the product is not domestic waste. Recycle it at an approved disposal location for electrical and electronic equipment.

(Fig. 7) Class II tool.

(Fig. 8) Noise emission to the environment label as per EU and UK directives and regulations, and New South Wales legislation "Protection of the Environment Operations (Noise Control) Regulations 2017". The guaranteed sound power level of the product is specified in

Technical data on page 20 and on the label.

(Fig. 9) Protected against low pressure water stream from any angle.

(Fig. 10) Keep away from frost.

(Fig. 11) The product agrees with applicable EC directives.

(Fig. 12) This product conforms to the applicable UK regulations.

Note: Other symbols/decals on the product refer to certification requirements for some markets.

Product damage

We are not responsible for damages to our product if:

- the product is incorrectly repaired.
- the product is repaired with parts that are not from the manufacturer or not approved by the manufacturer.
- the product has an accessory that is not from the manufacturer or not approved by the manufacturer.
- the product is not repaired at an approved service center or by an approved authority.

Safety

Safety definitions

Warnings, cautions and notes are used to point out specially important parts of the manual.



WARNING: Used if there is a risk of injury or death for the operator or bystanders

if the instructions in the manual are not obeyed.



CAUTION: Used if there is a risk of damage to the product, other materials or the adjacent area if the instructions in the manual are not obeyed.

Note: Used to give more information that is necessary in a given situation.

General safety instructions



WARNING: Read the warning instructions that follow before you use the product.

- This product is dangerous if used incorrectly or if you are not careful. Injury or death can occur if you do not obey the safety instructions.
- Always be careful and use your common sense. If you are not sure how to operate the product in a special situation, stop and speak to your Husqvarna service agent before you continue.
- Keep in mind that the operator will be held responsible for accidents that involve other persons or their property.
- Keep the product clean. Make sure that you can clearly read signs and decals.
- Never allow children or people unfamiliar with these instructions to use the appliance. Local regulations may restrict the age of the operator.

- This product can be operated by persons with reduced physical, sensory, or mental capabilities if they are supervised or given the instructions for how to operate the product safely and understand the hazards involved.
- This product can be operated by persons who do not have the necessary experience or knowledge if they are supervised or given the instructions for how to operate the product safely and understand the hazards involved.
- Do not use the product if you are tired, ill, or under the influence of alcohol, drugs or medicine. This has a negative effect on your vision, alertness, coordination and judgement.
- Do not use a damaged product.
- Do not change this product or use it if it is possible that it has been changed by others.

Safety instructions for operation



WARNING: Read the warning instructions that follow before you use the product.

- Do not use the product if the power cord, high-pressure hose, trigger lockout or spray handle is damaged.
- Do a check for damage before you operate the product. Do not use the product if parts are damaged or missing.
- Hold the spray handle tightly with both hands. A kickback force occurs when you pull the power trigger.
- Be careful when you operate the product. The high pressure supplied by the product is dangerous and can cause injury.
- Do not point the jet in the direction of you, other persons or animals.
- Do not point the jet in the direction of yourself or others to clean footwear.
- Do not point the jet in the direction of electrical equipment or the product itself.
- Use personal protective equipment when you operate the product. Refer to *Personal protective equipment on page 13*.
- Do not operate the product near persons unless they wear protective equipment.
- If you use a cleaning agent, follow the safety instructions for the cleaning agent.
- Use Husqvarna cleaning agents only.
- Use correct water pressure and cleaning agents, and use the product only for the tasks given in this manual. If you use incorrect water pressure, cleaning agent, or use the product for other tasks than the tasks given in this manual, it can cause damage to the product, surfaces, materials or other devices. Husqvarna does not accept liability for damage that is caused by incorrect use.
- It is not recommended that you connect the product to potable water mains. If you must connect the product to potable water mains, obey local and national regulations. Use a backflow preventer (not included) if it is necessary. Water that has flowed through a backflow preventer is considered to be non-potable.
- Do not spray flammable liquids. Risk of explosion.
- Do not let children operate the product.
- Do not let children play with the product.

- Do not let persons operate the product without training.
- Use only accessories and spare parts that are approved by Husqvarna.
- Make sure that the electric connection is made by an approved electrician and that it complies with IEC 60364-1.
- Use a residual-current device that stops the electricity if the leakage current is more than 30 mA for 30 ms. If you do not have a residual-current device, use a device that will prove earth circuit.
- Use motor start/delayed fuses with characteristic C or D according to IEC 898-1 or IEC947-2, or corresponding standards outside IEC.
- No actions are needed for adjusting products marked with dual voltage and frequency.
- If it is necessary to use an extension cable, make sure that it is applicable for operation outdoors. Make sure that the socket is at a minimum distance of 60 mm from the ground. The connection must always be kept dry.
- Put the power switch in the off (0) position, disconnect the power plug, and engage the power trigger lockout before you go away from the product.
- Put the power switch in the off (0) position and disconnect the power plug before you change accessory.
- Put the power switch in the off (0) position and disconnect the power plug before you clean or do maintenance on the product.
- Do not operate the product in environments where the ambient temperature is less than 0°C.
- Do not start a frozen product.
- Do not operate the product indoors.
- Do not put objects on the product when it is in operation.
- Do not drink water that has been used with the product.
- Do not operate the product near open windows.
- Watch out for thrown objects. Stones and loose objects can be thrown up into the eyes causing blindness or serious injury.
- If the product does not operate correctly, refer to *Troubleshooting schedule on page 19*.

Personal protective equipment



WARNING: Read the warning instructions that follow before you use the product.

- Personal protective equipment cannot fully prevent injury but it decreases the degree of injury if an accident does occur. Let your dealer help you select the right equipment.
- Use heavy-duty, slip-resistant, boots or shoes. Do not use open shoes or go with bare feet.
- Use protective clothes.
- Use approved hearing protection.
- Use protective goggles.
- Use breathing protection with class FFP2 or equivalent if you operate the product in environments where dangerous aerosols can be formed.

Safety devices on the product



WARNING: Read the warning instructions that follow before you use the product.

- Do not use a product with safety devices that are

damaged or do not operate correctly.

- Do not remove or make modifications to safety devices.
- Do a check of the safety devices regularly. If the safety devices are damaged or do not operate correctly, speak to your Husqvarna service agent.

Power trigger lockout

The power trigger lockout (A) prevents accidental operation of the power trigger (B). When the power trigger lockout is in the locked position, the power trigger cannot be pushed in.

(Fig. 13)

Power trigger

The product starts when the power trigger is pushed in. The product stops when the power trigger is released.

Thermal protector

The product has an automatic thermal protector. If the product becomes too hot, the thermal protector will stop the power supply to the product. If the thermal protector has stopped the power, wait until the product is cool. The thermal protector

will reset automatically when the product is sufficiently cool.

Hydraulic relief valve

The product has an integrated hydraulic relief valve that prevents too high pressure in the system.

Safety instructions for maintenance



WARNING: Read the warning instructions that follow before you do maintenance on the product.



CAUTION: Always do maintenance before you start the product after a long time in storage.

- Put the power switch in the off (0) position and disconnect the power plug from the power source before you do maintenance on the product.

- Disconnect the product from the water source and make sure that all parts are dry before you do maintenance on the product.
- Do the maintenance work written in this operator's manual only.
- Use only spare parts recommended by Husqvarna. High pressure water hoses, fittings and couplings are important for the safety when you operate the product. Use only hoses, fittings and couplings that are recommended by the manufacturer.
- Do not repair the product. Speak to your Husqvarna service agent.
- Speak to your Husqvarna service agent if the power plug or power cord is damaged.
- Do not let children clean or do maintenance on the product.

Assembly

Introduction



WARNING: Read and understand the safety chapter before you assemble the product.

To install the garden hose adapter

1. Remove the transport cover from the water inlet and discard it. (Fig. 14)

2. Install the garden hose adapter on the water inlet. (Fig. 15)



CAUTION: Make sure that you install the garden hose adapter straight on the water inlet. If the garden hose adapter is not installed straight, it can cause damage to the threads and leakage can occur.

3. Tighten the garden hose adapter fully.

4. Remove the garden hose adapter in the opposite sequence.

To install the holder for the spray handle and the spray lance

- Install the holder with the 2 screws. (Fig. 16)

Operation

Introduction



WARNING: Read and understand the safety chapter before you use the product.

Husqvarna Connect

Husqvarna Connect is a free app for your mobile device. The Husqvarna Connect app gives extended functions for your Husqvarna product:

- Extended product information.
- Information about, and help with, product parts and servicing.

To start to use Husqvarna Connect

1. Download the Husqvarna Connect app on your mobile device.
2. Register in the Husqvarna Connect app.
3. Follow the instruction steps in the Husqvarna Connect app to connect and register the product.

Note: Husqvarna Connect app is not available for download in all markets. Speak to your servicing dealer for more information.

To install the spray handle

1. Push the high-pressure water hose into the quick connection until it locks in position. (Fig. 17)



CAUTION: To prevent leakage, make sure that the high-pressure hose is fully connected to the quick connection on the product.

2. Hold the spray handle tightly with one hand and push the high-pressure water hose into the quick connection on the spray handle. (Fig. 18)

To remove the spray handle

1. Push the button on the spray handle and pull out the high-pressure water hose. (Fig. 19)
2. Push the outer ring on quick connection and pull out the high-pressure water hose. (Fig. 20)

To install the spray lance

1. Hold the spray handle with one hand and push the coupling on the spray lance into the spray handle. (Fig. 21)

2. Turn the spray lance clockwise and release the spray lance. The spray lance locks in position.

To remove the spray lance

1. Push in the spray lance and turn it counterclockwise. (Fig. 22)
2. Pull out the spray lance from the spray handle.

To install and remove a nozzle

The product is supplied with 2 nozzles: 1 nozzle with a straight water jet (identified with "gentle nozzle") and 1 rough nozzle with a rotating water jet (identified with "rough nozzle". The nozzle with a straight water jet can be used to clean sensitive surfaces, for example vehicles. The rough nozzle can be used to clean surfaces that are not sensitive, for example driveways.

(Fig. 23)



CAUTION: Do not use the nozzle with a rotating water jet on sensitive surfaces, for example painted surfaces on a vehicle. The rotating water jet can cause damage to the surface.

- To install a nozzle, hold the spray lance with one hand and push in the nozzle until it locks in position. (Fig. 24)
- To remove a nozzle, push in the tab on the spray lance and pull out the nozzle from the spray lance. (Fig. 25)

To adjust the pressure of the water jet

The nozzle with a straight water jet has adjustable pressure.

- To increase the pressure of the water jet, turn the nozzle clockwise. (Fig. 26)
- To decrease the pressure of the water jet, turn the nozzle counterclockwise. (Fig. 27)

To operate the product

1. Connect the product to a water source. Refer to *To connect the product to a water source on page 16*.
2. Bleed the system. Refer to *To bleed the system on page 16*.
3. Start the product. Refer to *To start the product on page 17*.

To connect the product to a water source

The product can be used with water from the water mains or water from an open water source, for example a lake or a water barrel.

- To connect the product to the water mains, refer to *To connect the product to the water mains on page 16*.
- To connect the product to an open water source, refer to *To connect the product to an open water source on page 16*.

To connect the product to the water mains

1. Install the garden hose adapter and the water filter to the water inlet on the product if they are not installed. Refer to *To install the garden hose adapter on page 14*.
2. Connect the garden hose to the water mains. Use a ½ in. garden hose that is 10–25 m long. (Fig. 28)



CAUTION: The water pressure in the water mains must not be more than 1 MPa (10 bar).



CAUTION: The water temperature in the water mains must not be more than 40°C.

3. Open the valve on the water mains and make sure that water can flow freely from the garden hose. (Fig. 29)
4. Close the valve on the water mains.
5. Connect the garden hose to the water inlet on the product. (Fig. 30)
6. Connect the power plug to a power source.
7. Open the valve on the water mains.
8. Bleed the system before you operate the product. Refer to *To bleed the system on page 16*.

To connect the product to an open water source

The product can be used with water from an open water source, for example a lake or a water barrel. Use a ½ in. suction hose (not included) that is maximum 3 m long. (Fig. 31)



CAUTION: The water temperature in the water source must not be more than 20°C.



CAUTION: The product must not be more than 0.5 m above the water source.

1. If the garden hose adapter is installed, remove it from the water inlet on the product. (Fig. 32)



CAUTION: Do not remove the water filter in the water inlet.

2. Install a suction hose (not included) to the water inlet on the product. (Fig. 33)
3. Put the suction hose in the water source and make sure that the filter is fully submerged.



CAUTION: Do not use a suction hose without a filter.

4. Push in the button on the spray handle and pull out the high-pressure hose from the spray handle. (Fig. 19)
5. Connect the power plug to a power source.
6. Turn the power switch to the on (I) position and let the product operate for 2 minutes.
7. Turn the power switch to the off (O) position.
8. Hold the spray handle tightly with one hand and push the high-pressure hose into the quick coupling on the spray handle. (Fig. 18)
9. Bleed the system before you operate the product. Refer to *To bleed the system on page 16*.

To bleed the system



CAUTION: Make sure that the power switch is in the off (O) position before you bleed the system.

1. Connect the product to a water source. Refer to *To connect the product to a water source on page 16*.
2. Install the spray lance on the spray gun. Refer to *To install the spray lance on page 15*.
3. Disengage the power trigger lockout. Refer to *To engage and disengage the power trigger lockout on page 17*.
4. Push the power trigger and keep it pushed in until water comes out of the nozzle on the spray lance. (Fig. 34)

To disconnect the product from the water source

1. Turn the power switch to the off (O) position.
2. If the product is connected to the water mains, close the valve on the water mains.
3. If the product is connected to the water mains, disconnect the garden hose from the water mains. (Fig. 35)
4. If the product is connected to an open water source, remove the suction hose from the water source.

5. Push the power trigger and keep it pushed in until no water comes out of the nozzle.
6. Disconnect the garden hose from the water inlet on the product. (Fig. 36)

Note: If the product is connected to an open water source, disconnect the suction hose.

7. Push the button on the spray handle and pull out the high-pressure hose from the spray handle. (Fig. 19)
8. Turn the power switch to the on (I) position. Let the product operate until no water comes out of the high-pressure hose.
9. Turn the power switch to the off (0) position.
10. Let the spray handle, the spray lance, and the nozzles become dry before you put the product in storage.

To engage and disengage the power trigger lockout

- To engage the power trigger lockout, turn the power trigger lockout clockwise until you hear a click. (Fig. 37)
- To disengage the power trigger lockout, turn the power trigger lockout counterclockwise fully. (Fig. 38)

To start the product

1. Connect the product to a water source. Refer to *To connect the product to a water source on page 16*.
2. Connect the power plug to a power source.
3. Turn the power switch to the on (I) position. (Fig. 39)
4. Disengage the power trigger lockout. Refer to *To engage and disengage the power trigger lockout on page 17*.
5. Push the power trigger on the spray handle.

Note: The product stops automatically when you release the power trigger.

To stop the product

Note: The product stops automatically when you release the power trigger.

1. Release the power trigger on the spray handle.
2. Engage the power trigger lockout. Refer to *To engage and disengage the power trigger lockout on page 17*.
3. Turn the power switch to the off (0) position. (Fig. 40)
4. Disconnect the power plug from the power source.
5. Disconnect the product from the water source. Refer to *To disconnect the product from the water source on page 16*.

Note: Always disconnect the product from the water source if you go away from the product for more than 5 minutes.

To use the foam sprayer

1. Remove the foam sprayer from its holder. (Fig. 41)
2. Fill the container on the foam sprayer with cleaning agent.



CAUTION: Use only cleaning agents that are recommended by Husqvarna.

3. Push the quick connection on the foam sprayer into the quick connection on the spray lance until it locks in position. (Fig. 42)

Note: The flange on the foam sprayer must align with the groove in the spray lance.

4. Connect the product to a water source. Refer to *To connect the product to a water source on page 16*.
5. Start the product. Refer to *To start the product on page 17*.

Maintenance

Introduction



WARNING: Before you do maintenance, you must read and understand the safety chapter.

For all servicing and repair work on the product, special training is necessary. We guarantee the availability of professional repairs and servicing.

For more detailed information, refer to www.husqvarna.com.

Maintenance schedule

Maintenance	Before use	After use
Do a general inspection. Refer to <i>To do a general inspection on page 18</i> .	X	

Maintenance	Before use	After use
Clean the product. Refer to <i>To clean the product on page 18.</i>		X
Clean the spray lance and the nozzles. Refer to <i>To clean the spray lance and the nozzles on page 18.</i>		X
Clean the water filter. Replace the water filter if it is damaged. Refer to <i>To clean the water filter on page 18.</i>		X
Lubricate the O-rings on the couplings. Refer to <i>To lubricate the O-rings on the couplings on page 19.</i>		X

To do a general inspection



WARNING: Put the power switch in the off (0) position and disconnect the power plug from the power source before you do maintenance on the product.



CAUTION: Disconnect the product from the water source and make sure that all parts are dry before you do maintenance on the product.

- Make sure that the nuts and the screws on the product are tightened.
- Make sure that the cables on the product are not in a position where they can become damaged.
- Examine the high-pressure hose for wear and damage.



WARNING: Do not operate the product if the high-pressure hose is worn or damaged.

To clean the product



WARNING: Put the power switch in the off (0) position and disconnect the power plug from the power source before you do maintenance on the product.



CAUTION: Disconnect the product from the water source and make sure that all parts are dry before you do maintenance on the product.

- Clean all external parts with a dry cloth.
- Do not use a high-pressure washer to clean the product.
- Keep the air inlets clean to make sure that the product always has sufficiently cool temperature.

To clean the spray lance and the nozzles



WARNING: Put the power switch in the off (0) position and disconnect the power plug from the power source before you do maintenance on the product.



CAUTION: Disconnect the product from the water source and make sure that all parts are dry before you do maintenance on the product.

1. If a nozzle is installed on the spray lance, remove it from the spray lance. Refer to *To install and remove a nozzle on page 15.*
2. Clean the nozzles, the coupling on the spray lance, and the coupling on the spray handle with soap and water. (Fig. 43)
3. If there is blockage in the nozzles, remove it with the cleaning tool. (Fig. 44)

To clean the water filter



WARNING: Put the power switch in the off (0) position and disconnect the power plug from the power source before you do maintenance on the product.



CAUTION: Disconnect the product from the water source and make sure that all parts are dry before you do maintenance on the product.

1. If the garden hose adapter is installed, remove it from the water inlet on the product. (Fig. 32)
2. Pull out the water filter. Use a pair of pliers. (Fig. 45)
3. Do a check for damage on the water filter. Replace the water filter if it is damaged. (Fig. 46)
4. Flush the water filter with clean water. (Fig. 47)

To lubricate the O-rings on the couplings

parts are dry before you do maintenance on the product.



WARNING: Put the power switch in the off (0) position and disconnect the power plug from the power source before you do maintenance on the product.



CAUTION: Disconnect the product from the water source and make sure that all

1. Remove the spray lance from the spray handle and the spray handle from the high-pressure hose. Refer to *To install the spray lance on page 15* and *To install the spray handle on page 15*.
2. Lubricate the O-rings on the garden hose adapter, the spray lance, and the high-pressure hose with grease. Refer to *Technical data on page 20* for the correct type of grease. (Fig. 48)

Troubleshooting

Troubleshooting schedule

Problem	Possible cause	Solution
The product does not start.	The power plug is not connected to a power source.	Connect the power plug to a power source
	The power switch is in the off (0) position.	Turn the power switch to the on (I) position.
	There is no electricity in the power source.	Speak to an approved electrician.
	The power cord is damaged.	Speak to an approved service agent.
	The thermal protector has stopped the power.	Wait until the product becomes cool before you operate the product again.
	An incorrect type of extension cable is used.	Make sure that the extension cable is unwound fully and that the voltage supply agrees with the voltage of the product.
The fuse blows during start or operation.	An incorrect type of fuse is used.	Make sure that you use a slow-blow fuse that has class "C" or "K".
The product does not stop.	The product is damaged.	Disconnect the power plug and speak to an approved service agent.
The product becomes too hot.	The air flow is not sufficient.	Clean the air intakes.
The product does not operate smoothly.	There is air in the system.	Bleed the system.

Problem	Possible cause	Solution
The water pressure is unsatisfactory.	The hose is bent	Make sure that there are no bends on the hoses.
	The power switch is in the off (0) position.	Turn the power switch to the on (I) position.
	The water flow is not sufficient.	Make sure that the product is connected to the water source correctly. Make sure that the water flow is sufficient.
	The water filter is clogged.	Clean the water filter.
	There is air in the system.	Bleed the system.
	The accessory is not correct.	Make sure that you use the correct accessory.

Transportation, storage and disposal

Transportation

- Disconnect the power plug from the power source before transportation of the product.
- Disconnect the product from the water source before transportation of the product.
- Attach the product to prevent movement during transportation.

Storage

- Drain all water from the product, the high-pressure water hose, and the accessories before you put the product in storage.
- Prepare the product for storage. Refer to *To prepare the product for storage on page 20*.
- Keep the product in a dry and frost-free environment.

To prepare the product for storage

1. Stop the product and disconnect the power plug from the power source.
2. Disconnect the product from the water source. Refer to *To disconnect the product from the water source on page 16*.

3. Make sure that all accessories are dry.

4. Put the spray handle, the spray lance, and the nozzles in their holders.

5. Disconnect the high-pressure water hose and put it in its holder. (Fig. 49)

6. Put the power cord on its holder and attach the strap. (Fig. 50)

Disposal

Husqvarna products are not domestic waste and must only be discarded as given in this manual.

- Obey the local disposal requirements and applicable regulations.
- Recycle the product and package at an applicable disposal location.
- Speak to your local Husqvarna dealer for more information on how to recycle and discard the product.

Technical data

	PW 130
Motor and pump	
Type	Series AC Motor
Power, W	1500
Voltage range, V	220–240

	PW 130
Frequency, Hz	50
Rated current, A	6.5
Max. water flow, l/min	7.7
Max. water output pressure, bar/MPa	130/13
Max. water inlet pressure, bar/MPa	10/1
Max. water inlet temperature, °C/°F	40/104
Max. water inlet temperature (in suction mode), °C/°F	20/68
IP rating	IPX5
Safety class	Class II
Lubrication	
Type of grease for lubrication of O-rings	Universal white silicone grease
Weight	
Weight, kg	6.5
Noise emissions ¹	
Sound power level, measured dB(A)	85
Sound power level, guaranteed L _{WA} dB(A)	89
Sound levels ²	
Equivalent sound pressure level at the operator's ear, dB(A)	72
Vibration levels ³	
Hand/arm (with standard nozzle) m/s ²	2.5
Equivalent vibration levels ⁴	
Hand/arm (with standard nozzle) m/s ²	1.8

¹ Noise emissions in the environment measured as sound power (L_{WA}) in conformity with EC directive 2000/14/EC.

² Equivalent sound pressure level, according to ISO 22868, is calculated as the time-weighted energy total for different sound pressure levels under various working conditions. Typical statistical dispersion for equivalent sound pressure level is a standard deviation of 1 dB (A).

³ Vibration level, according to EN 60745-2-13. Reported data for vibration level has a typical statistical dispersion (standard deviation) of 1 m/s². Declared vibration data from measurements when the machine is fitted with a bar length and recommended chain type. If the machine is fitted with a different bar length, the vibration level may vary by max ± 1.5 m/s².

⁴ Equivalent vibration level is measured and calculated as for combustion engine powered chainsaws. These figures are quoted to be able to compare vibration data regardless of type of engine according to ISO 22867:2011.

Accessories

Approved accessories

Approved accessories	Art. no.
Surface cleaner SC 300	590 65 79-01
Foam sprayer FS 300	590 66 04-01
Pipe cleaning hose, 15 m	590 66 10-01
Water filter	590 65 93-01
Backflow preventer	590 65 95-01
Suction hose	590 65 97-01
Vehicle kit	590 66 07-01
Rotating brush kit	590 66 06-01
Angled spray lance	590 66 11-01
Water suction nozzle	590 66 05-01
Extension hose, 8 m	590 66 08-01

Declaration of Conformity

EU Declaration of Conformity

We, Husqvarna AB, SE-561 82 Huskvarna, Sweden, tel: +46-36-146500, declare on our sole responsibility that the product:

Description	Pressure washer
Brand	Husqvarna
Type / Model	PW 130
Identification	Serial numbers dating from 2022 and onwards

complies fully with the following EU directives and regulations:

Regulation	Description
2006/42/EC	"relating to machinery"
2014/30/EU	"relating to electromagnetic compatibility"
2000/14/EC Annex V	"relating to the noise emissions in the environment"
2011/65/EU	"on the restriction of the use of certain hazardous substances in electrical and electronic equipment"

and that the following standards and/or technical specifications are applied: EN 60335-1:2012/A11:2014/A13:2017/A1:2019/A14:2019/A2:2019/A15:2021, EN 60335-2-79:2012, EN 62233:2008, EN 55014-1:2021, EN 55014-2:2021, EN IEC 61000-3-2:2019/A1:2021, EN 61000-3-3:2013/A2:2021, EN IEC 63000:2018.

For information relating to noise emissions, refer to *Technical data on page 20*.

Huskvarna, 2023-01-19



Claes Losdal, Development Manager/Garden Products,
Husqvarna AB

Responsible for technical documentation



UK Declaration of Conformity

We, **Husqvarna AB**, SE-561 82 Huskvarna, Sweden, tel: +46-36-146500, declare on our sole responsibility that the product:

Description	Pressure washer
Brand	Husqvarna
Type / Model	PW 130
Identification	Serial numbers dating from 2022 and onwards

complies fully with the following UK regulations:

Description
The Supply of Machinery (Safety) Regulations 2008
Electromagnetic Compatibility Regulations 2016
The Noise Emission in the Environment by Equipment for use Outdoors Regulations 2001, schedule 8
The Restriction of the Use of Certain Hazardous Substances in Electrical and Electronic Equipment Regulations 2012

and that the following standards and/or technical specifications are applied: EN 60335-1:2012/A11:2014/ A13:2017/A1:2019/A14:2019/A2:2019/A15:2021, EN 60335-2-79:2012, EN 62233:2008, EN 55014-1:2021, EN 55014-2:2021, EN IEC 61000-3-2:2019/A1:2021, EN 61000-3-3:2013/A2:2021, EN IEC 63000:2018.

For information relating to noise emissions, refer to *Technical data on page 20*.

Huskvarna, 2023-01-19



Claes Losdal, Development Manager/Garden Products,
Husqvarna AB

Responsible for technical documentation

**UK
CA**

UK Importer:
Husqvarna UK Ltd
Preston Road, Co. Durham
DL5 6UP

Съдържание

Въведение.....	25	Отстраняване на проблеми.....	39
Безопасност.....	27	Транспортиране, съхранение и изхвърляне.....	40
Монтаж.....	33	Технически характеристики.....	40
Операция.....	33	Принадлежности.....	41
Поддръжка.....	37	Декларация за съответствие.....	43

Въведение

Описание на продукта

Продуктът е електрическа водоструйка. Продуктът може да работи с различни нива на водно налягане и с различни почистващи препарати.

Предназначение

Използвайте продукта само за битово почистване. Не използвайте продукта за други задачи. Използвайте продукта само в изправено положение.

Общ преглед на продукта

(Фиг. 1)

1. Дюза с права водна струя
2. Дюза с въртяща се водна струя
3. Гумен ремък за държач на захранващ шнур
4. Държач за ръкохватка на пръскачка и удължен разпръсквач
5. Маркуч за вода под високо налягане
6. Входен отвор за вода
7. Пръскачка за пяна
8. Съхранение за маркуч за вода под високо налягане
9. Прекъсвач
10. Захранващ шнур
11. Изходен отвор за вода с бърза връзка
12. Инструмент за почистване на дюзите
13. Транспортна ръкохватка
14. Смукателен въздухопровод
15. Ръкохватка на пръскачка
16. Удължен разпръсквач
17. Ръководство за оператора

Символи върху продукта

(Фиг. 2)

ПРЕДУПРЕЖДЕНИЕ:
този продукт може да бъде опасен и да причини сериозно нараняване или смърт на

Забележка: Националните регламенти могат да поставят ограничения за работата с продукта.

оператора или други хора. Внимавайте и използвайте продукта правилно.

(Фиг. 3)

Прочетете внимателно ръководството за оператора и се уверете, че разбирате инструкциите, преди да използвате този продукт.

(Фиг. 4)

Продуктът не е подходящ за свързване към водопроводната мрежа за питейна вода.

(Фиг. 5)

Водните струи под високо налягане могат да бъдат опасни

при подлагане на неправилна употреба. Струята не трябва да се насочва към лица, електрическо оборудване или продукта.

(Фиг. 6)

Маркировка, свързана с околната среда.

Продуктът или опаковката на продукта не е битов отпадък. Рециклирайте го в одобрен пункт за изхвърляне за електрическо и електронно оборудване.

(Фиг. 7)

Инструмент от клас II.

(Фиг. 8)

Етикет за шумовите емисии за околната среда съгласно директивите и регламентите на ЕС и Обединеното кралство и законодателството на Нов Южен Уелс "Регламенти относно защитата от дейности, оказващи влияние на околната среда (контрол на шума) от 2017 г.". Гарантираното

ниво на звуковата мощност на продукта е посочено в *Технически характеристики на страница 40* и на етикета.

(Фиг. 9)

Защитено срещу водна струя с ниско налягане от всякакъв ъгъл.

(Фиг. 10)

Пазете от замръзване.

(Фиг. 11)

Този продукт е в съответствие с приложимите директиви на ЕО.

(Фиг. 12)

Този продукт съответства на приложимите регламенти на Обединеното кралство.

Забележка: Останалите символи/стикери на продукта се отнасят до изисквания по отношение на сертификати за определени пазари.

Повреда на продукта

Ние не носим отговорност за повреди по нашия продукт, ако:

- продуктът е неправилно ремонтиран.
- продуктът е ремонтиран с части, които не са от производителя или не са одобрени от производителя.
- продуктът има принадлежност, която не е от производителя или не е одобрена от производителя.
- продуктът не е ремонтиран в одобрен сервизен център или от одобрен орган.

Дефиниции за безопасност

Предупреждения, знаци за внимание и бележки се използват за указване на особено важни части на инструкцията.



ПРЕДУПРЕЖДЕНИЕ:

Използва се, ако има опасност от нараняване или смърт за оператора или за околните, ако не се спазват инструкциите в ръководството.



ВНИМАНИЕ: Използва се, ако има опасност от повреждане на машината, други материали или съседната зона, ако не се спазват инструкциите в ръководството.

Забележка: Използва се за предоставяне на повече информация, която е необходима в дадена ситуация.

Общи инструкции за безопасност



ПРЕДУПРЕЖДЕНИЕ:

Прочетете следващите предупредителни инструкции, преди да използвате продукта.

- Този продукт е опасен, ако се използва неправилно или ако не сте внимателни. Неспазването на инструкциите за безопасност може да доведе до нараняване или смърт.
- Винаги бъдете внимателни и подхождайте разумно. Ако не сте сигурни как да работите с продукта при специална ситуация, спрете и се обърнете към Вашия сервиз на Husqvarna, преди да продължите.
- Имайте предвид, че операторът носи отговорност за злополуки, включващи други лица или тяхното имущество.
- Поддържайте продукта чист. Уверете се, че разчитате ясно знаците и стикерите.
- Никога не позволявайте на деца или на хора,

незапознати с тези инструкции, да използват уреда. Местните регламенти може да поставят възрастови ограничения за оператора.

- Този продукт може да се използва от лица с намалени физически, сетивни или умствени способности, ако са под наблюдение или са им дадени инструкции как да работят безопасно с продукта и разбират свързаните с това опасности.
- Този продукт може да се използва от лица, които нямат необходимия опит или познания, ако са под надзор или са им дадени инструкции как да работят безопасно с продукта и разбират свързаните с това опасности.
- Не използвайте продукта, ако сте уморени, болни или под въздействието на алкохол, наркотици или лекарства. Това оказва отрицателно въздействие върху Вашето зрение, бдителност, координация и преценка.
- Не използвайте повреден продукт.

- Не променяйте този продукт и не го използвайте, ако има вероятност той да е бил променен от други лица.

Инструкции за безопасност за работа



ПРЕДУПРЕЖДЕНИЕ:

Прочетете следващите предупредителни инструкции, преди да използвате продукта.

- Не използвайте продукта, ако охранващият шнур, маркучът под високо налягане, блокировката на спусъка или ръкохватката на пръскачката е повредена.
- Извършете проверка за повреда, преди да работите с продукта. Не използвайте продукта, ако има повредени или липсващи части.
- Хванете здраво ръкохватката на пръскачката с две ръце. Отскачане възниква, когато дръпнете охранващия спусък.
- Бъдете внимателни, когато работите с продукта. Високото налягане, предоставено от продукта,

е опасно и може да причини нараняване.

- Не насочвайте струята по посока към Вас, други лица или животни.
- Не насочвайте струята по посока към Вас или към други лица за почистване на обувки.
- Не насочвайте струята по посока към електрическо оборудване или към самия продукт.
- При работа с продукта използвайте лични предпазни средства. Направете справка с *Лични предпазни средства на страница 31*.
- Не работете с продукта близо до лица, освен ако не носят защитно оборудване.
- Ако използвате почистващ препарат, спазвайте инструкциите за безопасност за почистващия препарат.
- Използвайте само почистващи препарати на Husqvarna.
- Използвайте правилно водно налягане и почистващи препарати и използвайте продукта само за посочените в това ръководство задачи. Ако използвате

грешно водно налягане, почистващ препарат или ако използвате продукта за други задачи от посочените в това ръководство, това може да причини повреда на продукта, повърхностите, материалите или на други устройства. Husqvarna не поема отговорност за повреда, причинена от неправилно използване.

- Не се препоръчва да свързвате продукта към водопроводна мрежа за питейна вода. Ако се налага да свържете продукта към водопроводна мрежа за питейна вода, спазвайте местните и националните регламенти. Използвайте еднопътен клапан (не е включен), ако е необходимо. Водата, преминала през еднопосочен клапан, се счита за негодна за пиене.
- Не пръскайте запалими течности. Риск от експлозия.
- Не позволявайте на деца да работят с продукта.
- Не позволявайте на деца да си играят с продукта.
- Не позволявайте на лица да работят с продукта без обучение.

- Използвайте само принадлежности и резервни части, които са одобрени от Husqvarna.
- Уверете се, че електрическата връзка е извършена от одобрен електротехник и е в съответствие с IEC 60364-1.
- Използвайте дефектнотокова защита, която спира електричеството, ако токът на утечката е повече от 30 mA за 30 ms. Ако не разполагате с дефектнотокова защита, използвайте устройство, което ще осигури верига за заземяване.
- Използвайте предпазители за стартиране на двигателя/ забавяне с характеристика C или D съгласно IEC 898-1 или IEC947-2, или съответните стандарти извън IEC.
- Не са необходими действия за регулиране на продукти, които са маркирани с двойно напрежение и честота.
- Ако се налага да използвате удължителен кабел се уверете, че е подходящ за работа на открито. Уверете се, че контактът е на минимално разстояние от 60 mm от земята. Връзката трябва винаги да бъде суха.
- Поставете прекъсвача в изключено положение (0), разкачете захранващия щепсел и включете блокировката на захранващия спусък, преди да се отдалечите от продукта.
- Поставете прекъсвача в изключено положение (0) и разкачете захранващия щепсел, преди да смените принадлежността.
- Поставете прекъсвача в изключено положение (0) и разкачете захранващия щепсел, преди да почистите или да извършите техническо обслужване на продукта.
- Не работете с продукта в среди, където околната температура е по-ниска от 0°C.
- Не стартирайте замразен продукт.
- Не работете с продукта на закрито.
- Не поставяйте предмети върху продукта, когато работи.
- Не пийте вода, която е била използвана с продукта.

- Не работете с продукта в близост до отворени прозорци.
 - Внимавайте за хвърчащи предмети. В очите Ви могат да попаднат камъчета и изхвърлени предмети, които могат да причинят слепота или сериозно нараняване.
 - Ако продуктът не работи правилно, направете справка с *Разписание за търсене и отстраняване на неизправности на страница 39*.
- отворени обувки и не ходете боси.
 - Използвайте защитно облекло.
 - Използвайте одобрена защита на слуха.
 - Използвайте предпазни очила.
 - Използвайте средства за защита на дихателната система с клас FFP2 или еквивалентен, ако работите с продукта в среди, където могат да се образуват опасни аерозоли.

Лични предпазни средства



ПРЕДУПРЕЖДЕНИЕ:

Прочетете следващите предупредителни инструкции, преди да използвате продукта.

- Личните предпазни средства не изключват изцяло риска от нараняване, но намаляват степента на нараняването при възникване на злополука. Нека Вашият дилър Ви помогне да изберете подходящото оборудване.
- Носете ботуши или обувки за тежък режим на работа, които са устойчиви на хлъзгане. Не носете

Устройства за безопасност на продукта



ПРЕДУПРЕЖДЕНИЕ:

Прочетете следващите предупредителни инструкции, преди да използвате продукта.

- Не използвайте продукт с устройства за безопасност, които са повредени или не работят правилно.
- Не отстранявайте и не правете модификации по устройствата за безопасност.
- Извършвайте редовно проверка на устройствата за безопасност. Ако устройствата за

безопасност са повредени или не работят правилно, се обърнете към Вашия сервиз на Husqvarna.

Блокировка на захранващия спусък

Блокировката на захранващия спусък (А) предотвратява случайното му (В) задействане. Когато блокировката на захранващия спусък е в заключено положение, той не може да се натиска.

(Фиг. 13)

Захранващ спусък

Продуктът стартира при натискане на захранващия спусък. Продуктът спира при освобождаване на захранващия спусък.

Термичен предпазител

Продуктът разполага с автоматичен термичен предпазител. Ако продуктът се нагорещи прекалено много, термичният предпазител ще спре захранването към продукта. Ако термичният предпазител е спрял захранването, изчакайте докато продуктът не се охлади. Термичният предпазител ще се

нулира автоматично, когато продуктът е достатъчно охладен.

Хидравличен предпазен клапан

Продуктът разполага с вграден хидравличен предпазен клапан, който предотвратява прекалено високо налягане в системата.

Инструкции за безопасност при техническо обслужване



ПРЕДУПРЕЖДЕНИЕ:

Прочетете следващите предупредителни инструкции, преди да извършвате техническо обслужване на продукта.



ВНИМАНИЕ: Винаги извършвайте

техническо обслужване, преди да стартирате продукта след дълго време на съхранение.

- Поставете прекъсвача в изключено (0) положение и разкачете захранващия щепсел от източника на захранване, преди

да извършите техническо обслужване на продукта.

- Разкачете продукта от източника на вода и се уверете, че всички части са сухи, преди да извършите техническо обслужване на продукта.
 - Извършвайте само техническото обслужване, посочено в това ръководство за оператора.
 - Използвайте само резервни части, препоръчани от Husqvarna. Маркучите за вода под високо налягане, фитингите и съединенията са важни за безопасността,
- когато работите с продукта. Използвайте само маркучи, фитинги и съединения, препоръчани от производителя.
 - Не ремонтирайте продукта. Обърнете се към Вашия сервиз на Husqvarna.
 - Обърнете се към Вашия сервиз на Husqvarna, ако храняващият щепсел или храняващият шнур е повреден.
 - Не допускайте деца да почистват или да извършват техническо обслужване на продукта.

Монтаж

Въведение



ПРЕДУПРЕЖДЕНИЕ: Прочетете и разберете главата за безопасност, преди да монтирате продукта.

маркуч направо във входния отвор за вода. Ако накрайникът за градински маркуч не е монтиран прав, това може да причини повреда на резбите, както и да възникне теч.

За монтиране на накрайника за градински маркуч

1. Отстранете транспортния капак от входния отвор за вода и го изхвърлете. (Фиг. 14)
2. Монтирайте накрайника за градински маркуч на входния отвор за вода. (Фиг. 15)

3. Затегнете докрай накрайника за градински маркуч.
4. Отстранете накрайника за градински маркуч в обратна последователност.

За монтиране на държача за ръкохватката на пръскачката и удължения разпръсквач

- Монтирайте държача с 2-та винта. (Фиг. 16)



ВНИМАНИЕ: Не забравяйте да монтирате накрайника за градински

Операция

Въведение



ПРЕДУПРЕЖДЕНИЕ: Прочетете и разберете раздела с инструкции

за безопасност преди използване на продукта.

Husqvarna Connect

Husqvarna Connect е безплатно приложение за Вашето мобилно устройство. Приложението Husqvarna Connect осигурява разширени функции за Вашия продукт на Husqvarna:

- Разширена продуктова информация.
- Информация и помощ за частите на продукта и сервисното обслужване.

За да започнете да използвате Husqvarna Connect

1. Изтеглете приложението Husqvarna Connect на Вашето мобилно устройство.
2. Регистрирайте се в приложението Husqvarna Connect.
3. Следвайте стъпките с инструкции в приложението Husqvarna Connect, за да свържете и регистрирате продукта.

Забележка: Приложението Husqvarna Connect не е налично за изтегляне на всички пазари. Свържете се с дистрибутор по обслужването за повече информация.

За монтиране на ръкохватката на пръскачката

1. Натиснете маркуча за вода под високо налягане в бързата връзка, докато не се заключи на място. (Фиг. 17)



ВНИМАНИЕ: За да предотвратите изтичане, се уверете, че маркучът под високо налягане е напълно свързан към бързата връзка на продукта.

2. Хванете здраво ръкохватката на пръскачката с една ръка и натиснете маркуча за вода под високо налягане в бързата връзка на ръкохватката на пръскачката. (Фиг. 18)

За отстраняване на ръкохватката на пръскачката

1. Натиснете бутона на ръкохватката на пръскачката и издърпайте маркуча за вода под високо налягане. (Фиг. 19)
2. Натиснете външния пръстен на бързата връзка и издърпайте маркуча за вода под високо налягане. (Фиг. 20)

За монтиране на удължения разпръсквач

1. Хванете ръкохватката на пръскачката с една ръка и натиснете съединението върху удължения разпръсквач в ръкохватката на пръскачката. (Фиг. 21)
2. Завъртете удължения разпръсквач по часовниковата стрелка и освободете удължения разпръсквач. Удълженият разпръсквач се заключва на място.

За отстраняване на удължения разпръсквач

1. Натиснете удължения разпръсквач и го завъртете обратно на часовниковата стрелка. (Фиг. 22)
2. Издърпайте удължения разпръсквач от ръкохватката на пръскачката.

За монтиране и отстраняване на дюза

Продуктът се доставя с 2 дюзи: 1 дюза с права водна струя (идентифицирана като "нежна дюза") и 1 груба дюза с въртяща се водна струя (идентифицирана като "груба дюза"). Дюзата с права водна струя може да се използва за почистване на чувствителни повърхности, например превозни средства. Грубата дюза може да се използва за почистване на повърхности, които не са чувствителни, например алеи.

(Фиг. 23)



ВНИМАНИЕ: Не използвайте дюзата с въртяща се водна струя върху чувствителни повърхности, например боядисани повърхности на превозно средство. Въртящата се водна струя може да причини повреда на повърхността.

- За да монтирате дюза, хванете удължения разпръсквач с една ръка и натиснете дюзата, докато не се фиксира на място. (Фиг. 24)
- За да отстраните дюза, натиснете езичето на удължения разпръсквач и издърпайте дюзата от удължения разпръсквач. (Фиг. 25)

За регулиране на налягането на водната струя

Дюзата с права водна струя има регулируемо налягане.

- За да увеличите налягането на водната струя, завъртете дюзата по часовниковата стрелка. (Фиг. 26)

- За да намалите налягането на водната струя, завъртете дюзата обратно на часовниковата стрелка. (Фиг. 27)

За работа с продукта

1. Свържете продукта към източник на вода. Направете справка с *За свързване на продукта към източник на вода на страница 35*.
2. Обезвъздушете системата. Направете справка с *За обезвъздушаване на системата на страница 36*.
3. Стартирайте продукта. Направете справка с *За стартиране на продукта на страница 36*.

За свързване на продукта към източник на вода

Продуктът може да се използва с вода от водопроводната мрежа или вода от отворен източник на вода, например езеро или варел с вода.

- За да свържете продукта към водопроводната мрежа, направете справка с *За свързване на продукта към водопроводната мрежа на страница 35*.
- За да свържете продукта към отворен източник на вода, направете справка с *За свързване на продукта към отворен източник на вода на страница 35*.

За свързване на продукта към водопроводната мрежа

1. Монтирайте крайника за градински маркуч и водния филтър към входния отвор за вода на продукта, ако не са монтирани. Направете справка с *За монтиране на крайника за градински маркуч на страница 33*.
2. Свържете градинския маркуч към водопроводната мрежа. Използвайте $\frac{1}{2}$ in градински маркуч, който е с дължина от 10 – 25 m. (Фиг. 28)



ВНИМАНИЕ: Налягането на водата във водопроводната мрежа не трябва да бъде повече от 1 MPa (10 bar).



ВНИМАНИЕ: Температурата на водата във водопроводната мрежа не трябва да бъде повече от 40°C.

3. Отворете клапана на водопроводната мрежа и се уверете, че водата може да тече свободно от градинския маркуч. (Фиг. 29)
4. Затворете клапана на водопроводната мрежа.
5. Свържете градинския маркуч към входния отвор за вода на продукта. (Фиг. 30)

6. Свържете захранващия щепсел към източник на захранване.
7. Отворете клапана на водопроводната мрежа.
8. Обезвъздушете системата преди работа с продукта. Направете справка с *За обезвъздушаване на системата на страница 36*.

За свързване на продукта към отворен източник на вода

Продуктът може да се използва с вода от отворен източник на вода, например езеро или варел с вода. Използвайте $\frac{1}{2}$ in смукателен маркуч (не е включен), който е с дължина от максимум 3 m.

(Фиг. 31)



ВНИМАНИЕ: Температурата на водата в източника на вода не трябва да бъде повече от 20°C.



ВНИМАНИЕ: Продуктът не трябва да бъде на повече от 0,5 m над източника на вода.

1. Ако крайникът за градински маркуч е монтиран, го отстранете от входния отвор за вода на продукта. (Фиг. 32)



ВНИМАНИЕ: Не отстранявайте водния филтър във входния отвор за вода.

2. Монтирайте смукателен маркуч (не е включен) към входния отвор за вода на продукта. (Фиг. 33)
3. Поставете смукателния маркуч в източника на вода и се уверете, че филтърът е напълно потопен.



ВНИМАНИЕ: Не използвайте смукателен маркуч без филтър.

4. Натиснете бутона на ръкохватката на пръскачката и издърпайте маркуча под високо налягане от ръкохватката на пръскачката. (Фиг. 19)
5. Свържете захранващия щепсел към източник на захранване.
6. Завъртете прекъсвача на включено (I) положение и оставете продукта да работи за 2 минути.
7. Завъртете прекъсвача на изключено (O) положение.
8. Хванете здраво ръкохватката на пръскачката с една ръка и натиснете маркуча под високо налягане в съединението за бърза връзка на ръкохватката на пръскачката. (Фиг. 18)

9. Обезвъздушете системата преди работа с продукта. Направете справка с *За обезвъздушаване на системата на страница 36.*

За обезвъздушаване на системата



ВНИМАНИЕ: Уверете се, че прекъсвачът е в изключено (0) положение, преди да обезвъздушите системата.

1. Свържете продукта към източник на вода. Направете справка с *За свързване на продукта към източник на вода на страница 35.*
2. Монтирайте удължения разпръсквач върху pistolетния разпръсквач. Направете справка с *За монтиране на удължения разпръсквач на страница 34.*
3. Изключете блокировката на захранващия спусък. Направете справка с *За включване и изключване на блокировката на захранващия спусък на страница 36.*
4. Натиснете захранващия спусък и го оставете натиснат, докато от дюзата на удължения разпръсквач започне да излиза вода. (Фиг. 34)

За разкачване на продукта от източника на вода

1. Завъртете прекъсвача на изключено (0) положение.
2. Ако продуктът е свързан към водопроводната мрежа, затворете клапана на водопроводната мрежа.
3. Ако продуктът е свързан към водопроводната мрежа, разкачете градинския маркуч от водопроводната мрежа. (Фиг. 35)
4. Ако продуктът е свързан към отворен източник на вода, отстранете смукателния маркуч от източника на вода.
5. Натиснете захранващия спусък и го оставете натиснат, докато от дюзата повече не излиза вода.
6. Разкачете градинския маркуч от входния отвор за вода на продукта. (Фиг. 36)

Забележка: Ако продуктът е свързан към отворен източник на вода, разкачете смукателния маркуч.

7. Натиснете бутона на ръкохватката на пръскачката и издърпайте маркуча под високо налягане от ръкохватката на пръскачката. (Фиг. 19)
8. Завъртете прекъсвача на включено (I) положение. Оставете продукта да работи, докато от маркуча под високо налягане повече не излиза вода.

9. Завъртете прекъсвача на изключено (0) положение.
10. Оставете ръкохватката на пръскачката, удължения разпръсквач и дюзите да изсъхнат, преди да поставите продукта на съхранение.

За включване и изключване на блокировката на захранващия спусък

- За да включите блокировката на захранващия спусък, я завъртете по часовниковата стрелка, докато не чуете щракване. (Фиг. 37)
- За да изключите блокировката на захранващия спусък, я завъртете докрай обратно на часовниковата стрелка. (Фиг. 38)

За стартиране на продукта

1. Свържете продукта към източник на вода. Направете справка с *За свързване на продукта към източник на вода на страница 35.*
2. Свържете захранващия щепсел към източник на захранване.
3. Завъртете прекъсвача на включено (I) положение. (Фиг. 39)
4. Изключете блокировката на захранващия спусък. Направете справка с *За включване и изключване на блокировката на захранващия спусък на страница 36.*
5. Натиснете захранващия спусък на ръкохватката на пръскачката.

Забележка: Продуктът спира автоматично, когато освободите захранващия спусък.

За спиране на продукта

Забележка: Продуктът спира автоматично, когато освободите захранващия спусък.

1. Освободете захранващия спусък на ръкохватката на пръскачката.
2. Включете блокировката на захранващия спусък. Направете справка с *За включване и изключване на блокировката на захранващия спусък на страница 36.*
3. Завъртете прекъсвача на изключено (0) положение. (Фиг. 40)
4. Разкачете захранващия щепсел от източника на захранване.
5. Разкачете продукта от източника на вода. Направете справка с *За разкачване на продукта от източника на вода на страница 36.*

Забележка: Винаги разкачвайте продукта от източника на вода, ако се отдалечите от продукта за повече от 5 минути.

За използване на пръскачката за пяна

1. Отстранете пръскачката за пяна от държача ѝ. (Фиг. 41)
2. Напълнете контейнера на пръскачката за пяна с почистващ препарат.



ВНИМАНИЕ: Използвайте само почистващи препарати, които се препоръчват от Husqvarna.

3. Натиснете бързата връзка на пръскачката за пяна в бързата връзка на удължения разпръсквач, докато не се заключи на място. (Фиг. 42)

Забележка: Фланецът на пръскачката за пяна трябва да се подравни с канала в удължения разпръсквач.

4. Свържете продукта към източник на вода. Направете справка с *За свързване на продукта към източник на вода на страница 35*.
5. Стартирайте продукта. Направете справка с *За стартиране на продукта на страница 36*.

Поддръжка

Въведение



ПРЕДУПРЕЖДЕНИЕ: Преди да извършите техническо обслужване, трябва да прочетете и разберете главата за безопасност.

За всички работи по обслужването и поправката на продукта е необходимо специално обучение. Осигуряваме предлагане на професионални ремонти и обслужване.

За по-подробна информация направете справка с www.husqvarna.com.

Разписание за техническо обслужване

Техническо обслужване	Преди употреба	След употреба
Извършете обща проверка. Направете справка с <i>За извършване на обща проверка на страница 37</i> .	X	
Почистете продукта. Направете справка с <i>За почистване на продукта на страница 38</i> .		X
Почистете удължения разпръсквач и дюзите. Направете справка с <i>За почистване на удължения разпръсквач и дюзите на страница 38</i> .		X
Почистете водния филтър. Сменете водния филтър, ако е повреден. Направете справка с <i>За почистване на водния филтър на страница 38</i> .		X
Смажете О-пръстените на съединенията. Направете справка с <i>За смазване на О-пръстените на съединенията на страница 38</i> .		X

За извършване на обща проверка



ПРЕДУПРЕЖДЕНИЕ: Поставете прекъсвача в изключено (0) положение и разкачете захранващия щепсел от източника на захранване, преди да извършите техническо обслужване на продукта.

всички части са сухи, преди да извършите техническо обслужване на продукта.

- Уверете се, че гайките и винтовете на продукта са затегнати.
- Уверете се, че кабелите на продукта не са в положение, в което могат да бъдат повредени.
- Прегледайте маркуча под високо налягане за износване и повреда.



ВНИМАНИЕ: Разкачете продукта от източника на вода и се уверете, че



ПРЕДУПРЕЖДЕНИЕ: Не работете с продукта, ако маркучът под високо налягане е износен или повреден.

За почистване на продукта



ПРЕДУПРЕЖДЕНИЕ: Поставете прекъсвача в изключено (0) положение и разкачете захранващия щепсел от източника на захранване, преди да извършите техническо обслужване на продукта.



ВНИМАНИЕ: Разкачете продукта от източника на вода и се уверете, че всички части са сухи, преди да извършите техническо обслужване на продукта.

- Почистете всички външни части със суха кърпа.
- Не използвайте водоструйка за почистване на продукта.
- Поддържайте входните отвори за въздух чисти, за да сте сигурни, че продуктът винаги има достатъчно хладна температура.

За почистване на удължения разпръсквач и дюзите



ПРЕДУПРЕЖДЕНИЕ: Поставете прекъсвача в изключено (0) положение и разкачете захранващия щепсел от източника на захранване, преди да извършите техническо обслужване на продукта.



ВНИМАНИЕ: Разкачете продукта от източника на вода и се уверете, че всички части са сухи, преди да извършите техническо обслужване на продукта.

1. Ако има монтирана дюза на удължения разпръсквач, я отстранете от него. Направете справка с *За монтиране и отстраняване на дюза на страница 34*.
2. Почистете дюзите, съединението на удължения разпръсквач и съединението на ръкохватката на пръскачката със сапун и вода. (Фиг. 43)
3. Ако дюзите са блокирани с материал, отстранете материала с инструмента за почистване. (Фиг. 44)

За почистване на водния филтър



ПРЕДУПРЕЖДЕНИЕ: Поставете прекъсвача в изключено (0) положение и разкачете захранващия щепсел от източника на захранване, преди да извършите техническо обслужване на продукта.



ВНИМАНИЕ: Разкачете продукта от източника на вода и се уверете, че всички части са сухи, преди да извършите техническо обслужване на продукта.

1. Ако накрайникът за градински маркуч е монтиран, го отстранете от входния отвор за вода на продукта. (Фиг. 32)
2. Извадете водния филтър. Използвайте чифт плоски клещи. (Фиг. 45)
3. Извършете проверка за повреда на водния филтър. Сменете водния филтър, ако е повреден. (Фиг. 46)
4. Промийте водния филтър с чиста вода. (Фиг. 47)

За смазване на О-пръстените на съединенията



ПРЕДУПРЕЖДЕНИЕ: Поставете прекъсвача в изключено (0) положение и разкачете захранващия щепсел от източника на захранване, преди да извършите техническо обслужване на продукта.



ВНИМАНИЕ: Разкачете продукта от източника на вода и се уверете, че всички части са сухи, преди да извършите техническо обслужване на продукта.

1. Отстранете удължения разпръсквач от ръкохватката на пръскачката и ръкохватката на пръскачката от маркуча под високо налягане. Направете справка с *За монтиране на удължения разпръсквач на страница 34* и *За монтиране на ръкохватката на пръскачката на страница 34*.
2. Смажете О-пръстените на накрайника за градински маркуч, удължения разпръсквач и маркуча под високо налягане с грес. Направете справка с *Технически характеристики на страница 40* за правилния тип грес. (Фиг. 48)

Отстраняване на проблеми

Разписание за търсене и отстраняване на неизправности

Проблем	Възможна причина	Решение
Продуктът не стартира.	Захранващият щепсел не е свързан към източник на захранване.	Свържете захранващия щепсел към източник на захранване
	Прекъсвачът е в изключено (0) положение.	Завъртете прекъсвача на включено (I) положение.
	В източника на захранване няма електричество.	Говорете с одобрен електротехник.
	Захранващият шнур е повреден.	Обърнете се към одобрен сервис.
	Термичният предпазител е спрял захранването.	Изчакайте, докато продуктът не се охлади, преди да работите отново с продукта.
	Използван е грешен тип удължителен кабел.	Уверете се, че удължителният кабел е развит докрай и че напрежението е в съответствие с напрежението на продукта.
Предпазителят изгаря по време на стартиране или работа.	Използван е грешен тип предпазител.	Уверете се, че използвате предпазител със забавено действие, който е от клас "С" или "К".
Продуктът не спира.	Продуктът е повреден.	Разкачете захранващия щепсел и се обърнете към одобрен сервис.
Продуктът става прекалено горещ.	Въздушният поток не е достатъчен.	Почистете смукателните въздуховоди.
Продуктът не работи равномерно.	В системата има въздух.	Обезвъздушете системата.
Водното налягане е незадоволително.	Маркучет е огънат	Уверете се, че по маркучите няма огъвания.
	Прекъсвачът е в изключено (0) положение.	Завъртете прекъсвача на включено (I) положение.
	Водният дебит не е достатъчен.	Уверете се, че продуктът е свързан правилно към източника на вода. Уверете се, че водният дебит е достатъчен.
	Водният филтър е задръстен.	Почистете водния филтър.
	В системата има въздух.	Обезвъздушете системата.
	Принадлежността не е свързана.	Уверете се, че използвате правилната принадлежност.

Транспортиране, съхранение и изхвърляне

Транспортиране

- Разкачете захранващия щепсел от източника на захранване преди транспортиране на продукта.
- Разкачете продукта от източника на вода преди транспортиране на продукта.
- Закрепете продукта, за да предотвратите движение по време на транспортиране.

Съхранение

- Източете цялата вода от продукта, маркуча под високо налягане и принадлежностите, преди да поставите продукта на съхранение.
- Подгответе продукта за съхранение. Направете справка с *За подготвяне на продукта за съхранение на страница 40*.
- Съхранявайте продукта в суха и незамръзваща среда.

За подготвяне на продукта за съхранение

1. Спрете продукта и разкачете захранващия щепсел от източника на захранване.
2. Разкачете продукта от източника на вода. Направете справка с *За разкачване на продукта от източника на вода на страница 36*.

3. Уверете се, че всички принадлежности са сухи.
4. Поставете ръкохватката на пръскачката, удължения разпръсквач и дюзите в държачите им.
5. Разкачете маркуча под високо налягане и го поставете в държача му. (Фиг. 49)
6. Поставете захранващия шнур на държача му и закрепете ремъка. (Фиг. 50)

Изхвърляне

Продуктите на Husqvarna не са битови отпадъци и трябва да се изхвърлят само в съответствие с посоченото в това ръководство.

- Съблюдавайте местните изисквания за изхвърляне и приложимите разпоредби.
- Рециклирайте продукта и опаковката на приложимо място за изхвърляне.
- Говорете със своя местен дистрибутор на Husqvarna за повече информация относно начина на рециклиране и изхвърляне на продукта.

Технически характеристики

	PW 130
Двигател и помпа	
Тип	Двигател, серия AC
Мощност, W	1500
Обхват на напрежението, V	220 – 240
Честота, Hz	50
Номинален ток, A	6,5
Макс. воден дебит, l/min	7,7
Макс. изходно водно налягане, bar/MPa	130/13
Макс. входно водно налягане, bar/MPa	10/1
Макс. входна температура на вода, °C/°F	40/104
Макс. входна температура на вода (при смукателен режим), °C/°F	20/68
IP оценка	IPX5
Клас на защита	Клас II
Смазване	

	PW 130
Тип грес за смазване на О-пръстени	Универсална бяла силиконова грес
Тегло	
Тегло, kg	6,5
Шумови емисии ⁵	
Ниво на звуковата мощност, измерена в dB(A)	85
Ниво на звуковата мощност, гарантирано L _{WA} dB(A)	89
Нива на шума ⁶	
Еквивалентни нива на звуковото налягане на нивото на ухото на оператора, dB(A)	72
Нива на вибрациите ⁷	
Длан/ръка (със стандартна дюза) m/s ²	2,5
Еквивалентни нива на вибрациите ⁸	
Длан/ръка (със стандартна дюза) m/s ²	1,8

Принадлежности

Одобрени принадлежности

Одобрени принадлежности	№ на артикула
Почистващ препарат за повърхности SC 300	590 65 79-01
Пръскачка за пяна FS 300	590 66 04-01
Маркуч за почистване на тръба, 15 m	590 66 10-01
Воден филтър	590 65 93-01
Еднопътен клапан	590 65 95-01
Смукателен маркуч	590 65 97-01

⁵ Емисии на шума в околната среда, измерени като звукова мощност (L_{WA}) в съответствие с директива на ЕО 2000/14/ЕО.

⁶ Еквивалентното ниво на звуковото налягане според ISO 22868 се изчислява като претеглена по време сума на енергията за различни нива на звуковото налягане при различни условия на работа. Типичната статистическа дисперсия за еквивалентно ниво на звуковото налягане е стандартно отклонение от 1 dB (A).

⁷ Ниво на вибрациите съгласно EN 60745-2-13. Отчетените данни за нивото на вибрациите имат типична статистическа дисперсия (стандартно отклонение) от 1 m/s². Обявените данни за вибрациите са от измервания, при които машината е оборудвана с препоръчвана дължина на шината и тип верига. Ако машината е оборудвана с различна дължина на шината, равнището на вибрациите може да варира с максимум ± 1,5 m/s².

⁸ Еквивалентното ниво на вибрациите се измерва и изчислява като за верижни триони, задвижвани от двигател с вътрешно горене. С тези стойности може да се извършва сравнение на данни за вибрации независимо от вида на двигателя съгласно ISO 22867:2011.

Одобрени принадлежности	№ на артикула
Комплект за превозно средство	590 66 07-01
Комплект за въртяща се четка	590 66 06-01
Извит удължен разпръсквач	590 66 11-01
Смукателна дюза за вода	590 66 05-01
Удължителен маркуч, 8 m	590 66 08-01

Декларация за съответствие

Декларация за съответствие на ЕС

Ние, Husqvarna AB, SE-561 82 Huskvarna, Швеция,
тел.: +46-36-146500, декларираме на своя собствена
отговорност, че продуктът:

Описание	Водоструйка
Марка	Husqvarna
Тип/модел	PW 130
Идентификация	Серийни номера от 2022 и нататък

отговаря напълно на следните директиви и
регламенти на ЕС:

Регламент	Описание
2006/42/ЕО	"относно машините"
2014/30/ЕС	"относно електромагнитната съвместимост"
2000/14/ЕО, приложение V	"относно шумовите емисии в околната среда"
2011/65/ЕС	"по отношение на ограничението за използване на определени опасни вещества в електрическо и електронно оборудване"

и че следните стандарти
и/или технически спецификации са
приложени: EN 60335-1:2012/A11:2014/A13:2017/
A1:2019/A14:2019/A2:2019/A15:2021, EN
60335-2-79:2012, EN 62233:2008, EN 55014-1:2021,
EN 55014-2:2021, EN IEC 61000-3-2:2019/A1:2021, EN
61000-3-3:2013/A2:2021, EN IEC 63000:2018.

За информация относно шумовите емисии
направете справка с *Технически характеристики на
страница 40.*

Husqvarna, 2023-01-19



Claes Losdal, Мениджър "Разработки и развитие/
градински продукти", Husqvarna AB

Отговорен за техническата документация



Obsah

Úvod.....	44	Odstraňování problémů.....	55
Bezpečnost.....	45	Přeprava, skladování a likvidace.....	56
Montáž.....	51	Technické údaje.....	56
Provoz.....	51	Příslušenství.....	58
Údržba.....	54	Prohlášení o shodě.....	59

Úvod

Popis výrobku

Výrobek je elektrický vysokotlaký čistič. Výrobek lze používat s různými úrovněmi tlaku vody a různými čisticími prostředky.

Zamýšlené použití

Výrobek používejte pouze k domácímu čištění. K jiným činnostem výrobek nepoužívejte. Výrobek používejte pouze ve vzpřímené poloze.

Popis výrobku

(Obr. 1)

1. Tryska s přímým proudem vody
2. Tryska s rotujícím proudem vody
3. Pryžový pásek pro držák napájecího kabelu
4. Držák pro stříkací rukojeť a stříkací tyč
5. Vysokotlaká vodní hadice
6. Přívod vody
7. Pěnovací rozprašovač
8. Úložný prostor pro vysokotlakou vodní hadici
9. Vypínač
10. Napájecí kabel
11. Výstup vody s rychlospojkou
12. Čisticí nástroj na trysky
13. Přepravní rukojeť
14. Přívod vzduchu
15. Stříkací rukojeť
16. Stříkací tyč
17. Návod k používání

Symbole na výrobku

(Obr. 2)

VAROVÁNÍ: Tento výrobek může být nebezpečný a způsobit obsluze či dalším osobám vážné zranění. Buďte opatrní a výrobek používejte správně.

Povšimněte si: Věk pro používání výrobku může být omezen místními předpisy.

(Obr. 3)

Pečlivě si prostudujte návod k použití a ujistěte se, že pokynům rozumíte, než tento výrobek budete používat.

(Obr. 4)

Výrobek není vhodný pro připojení k vodovodu s pitnou vodou.

(Obr. 5)

Proud vody pod vysokým tlakem může být při nesprávném použití nebezpečný. Proud nesmí být směřován na osoby, elektrická zařízení ani výrobek.

(Obr. 6)

Označení týkající se ochrany životního

prostředí. Výrobek ani obal výrobku nelze zlikvidovat jako domácí odpad. Odevzdejte jej ve sběrném dvoře pro recyklaci elektrických a elektronických zařízení.

(Obr. 7) Nástroj třídy II.

(Obr. 8) Štítek s emisemi hluku do okolí podle směrnic a předpisů Evropské unie a Spojeného království a nařízení o regulaci hluku v australském Novém Jižním Walesu „Protection of the Environment Operations (Noise Control) Regulations 2017“. Garantovaná hladina akustického výkonu tohoto výrobku je uvedena v části

Technické údaje na strani 56 a na štítku.

(Obr. 9) Chráněno proti proudu vody pod nízkým tlakem z jakéhokoli úhlu.

(Obr. 10) Chraňte před mrazem.

(Obr. 11) Výrobek odpovídá příslušným směrnici ES.

(Obr. 12) Tento výrobek vyhovuje platným předpisům Spojeného království.

Povšimněte si: Další symboly/štítky na výrobku se týkají certifikačních požadavků pro určité obchodní trhy.

Poškození výrobku

Neneseme odpovědnost za poškození výrobku, pokud:

- byl výrobek nesprávně opraven.
- byl výrobek opraven pomocí součástí od jiného výrobce nebo součástí, které nejsou výrobcem schváleny.
- má výrobek příslušenství od jiného výrobce nebo příslušenství, které není výrobcem schváleno.
- výrobek nebyl opraven ve schváleném servisním středisku nebo schváleným odborníkem.

Bezpečnost

Definice týkající se bezpečnosti

Varování, upozornění a poznámky slouží jako upozornění na specifické důležité části návodu.

úrazu nebo usmrcení obsluhy nebo okolních osob, pokud nejsou dodrženy pokyny uvedené v této příručce.



VÝSTRAHA: Používá se v případě nebezpečí



VAROVÁNÍ: Používá se v případě nebezpečí poškození výrobku, dalších materiálů či škod na majetku v blízkém okolí, pokud nejsou dodrženy pokyny uvedené v této příručce.

Povšimněte si: Používá se k poskytnutí dalších informací, které jsou nezbytné v dané situaci.

Obecné bezpečnostní pokyny



VÝSTRAHA: Před použitím výrobku si přečtěte následující varování.

- Tento výrobek je nebezpečný, nepoužívá-li se správně nebo není-li věnována provozu řádná pozornost. Nedodržení bezpečnostních pokynů může vést ke zranění nebo usmrcení.
- Bud'te stále opatrní a používejte zdravý rozum. Pokud si nejste jisti, jak výrobek ovládat ve zvláštních situacích, vypněte jej a obraťte se na servis Husqvarna, než budete pokračovat v práci.
- Mějte na paměti, že obsluha je odpovědná za nehody a škody vzniklé jiným osobám nebo na jejich majetku.
- Udržujte výrobek čistý. Ujistěte se, že jsou značky a štítky dobře čitelné.
- Nikdy nedovolte dětem nebo osobám, které se neseznámily s těmito pokyny, aby zařízení používaly. Věk obsluhy může být omezen místními předpisy.
- Tento výrobek mohou obsluhovat osoby se sníženými fyzickými, smyslovými nebo duševními schopnostmi, pokud jsou pod dohledem nebo jim byly poskytnuty pokyny k bezpečnému provozu výrobku a rozumí souvisejícím rizikům.
- Tento výrobek mohou obsluhovat osoby, které nemají potřebné zkušenosti nebo znalosti, pokud jsou pod dohledem nebo jim byly poskytnuty pokyny k bezpečnému provozu výrobku a rozumí souvisejícím rizikům.
- Nepoužívejte výrobek, jste-li unavení, nemocní nebo pod vlivem alkoholu, drog nebo léků. To by mohlo ovlivnit váš

zrak, ostražitost, koordinaci a úsudek.

- Nepoužívejte poškozený výrobek.
- Nikdy neupravujte výrobek a nepoužívejte jej, pokud je možné, že jej upravil někdo jiný.

Bezpečnostní pokyny pro provoz



VÝSTRAHA: Před použitím výrobku si přečtěte následující varování.

- Výrobek nepoužívejte, pokud je poškozen napájecí kabel, vysokotlaká hadice, pojistka spínače nebo stříkací rukojeť.
- Před uvedením výrobku do provozu zkontrolujte, zda není poškozený. Nepoužívejte výrobek, pokud jsou díly poškozené nebo chybí.
- Držte stříkací rukojeť pevně oběma rukama. Při zmáčknutí páčky spínače vzniká síla zpětného vrhu.
- Při provozu výrobku buďte opatrní. Vysoký tlak vytvářený výrobkem je nebezpečný a může způsobit zranění.
- Nemiřte proud na sebe, další osoby nebo zvířaty.
- Nemiřte proud na sebe ani další osoby, abyste vyčistili obuv.
- Nemiřte proud na elektrická zařízení nebo samotný výrobek.
- Při použití výrobku je nutné používat osobní ochranné prostředky. Viz část *Osobní ochranné prostředky na strani 49*.
- Nepoužívejte výrobek v blízkosti osob, které nemají ochranné prostředky.
- Pokud používáte čisticí prostředek, dodržujte bezpečnostní pokyny pro čisticí prostředek.
- Používejte pouze čisticí prostředky Husqvarna.
- Používejte správný tlak vody a čisticí prostředky. Výrobek používejte pouze k činnostem uvedeným v této příručce. Pokud použijete nesprávný tlak vody nebo čisticí prostředek nebo použijete výrobek k jiným činnostem, než které jsou uvedeny v této příručce, může dojít k poškození výrobku, povrchů, materiálů nebo jiných zařízení. Společnost Husqvarna nenese odpovědnost za škody způsobené nesprávným použitím.

- Nedoporučuje se připojovat výrobek k vodovodu s pitnou vodou. Pokud musíte výrobek připojit k vodovodu s pitnou vodou, dodržujte místní a národní předpisy. V případě potřeby použijte zpětnou klapku (není součástí balení). Voda, která protekla přes zpětnou klapku, není pitná.
- Nestříkejte hořlavé kapaliny. Nebezpečí výbuchu.
- Nedovolte dětem používat výrobek.
- Nedovolte dětem hrát si s výrobkem.
- Nenechte nikoho používat výrobek bez zaškolení.
- Používejte pouze příslušenství a náhradní díly schválené společností Husqvarna.
- Zajistěte, aby elektrické připojení bylo provedeno schváleným elektrikářem a aby splňovalo normu IEC 60364-1.
- Použijte proudový chránič, který zastaví elektrickou energii, pokud je svodový proud větší než 30 mA po dobu 30 ms. Pokud nemáte proudový chránič, použijte zařízení, které prokáže uzemnění.
- Používejte pojistky pro spouštění motorů / zpožděné pojistky s charakteristikou C nebo D podle normy IEC 898-1 nebo IEC947-2 nebo odpovídajících norem mimo oblast IEC.
- Pro úpravu výrobků označených dvojitým napětím a frekvencí nejsou nutné žádné akce.
- Pokud je nutné použít prodlužovací kabel, ujistěte se, že je vhodný pro venkovní použití. Ujistěte se, že zásuvka je minimálně 60 mm od země. Připojení musí být vždy udržováno suché.
- Než odejdete od výrobku, přepněte vypínač do polohy vypnuto (0), odpojte elektrickou zástrčku a aktivujte pojistku páčky spínače.
- Před výměnou příslušenství přepněte vypínač do polohy vypnuto (0) a odpojte elektrickou zástrčku.
- Před čištěním nebo údržbou výrobku přepněte vypínač do polohy vypnuto (0) a odpojte elektrickou zástrčku.
- Nepoužívejte výrobek v prostředí, kde je okolní teplota nižší než 0 °C.
- Nespouštějte zmrzlý výrobek.
- Nepoužívejte výrobek ve vnitřních prostorech.

- Během provozu na výrobek nepokládejte žádné předměty.
- Nepijte vodu, která byla použita ve výrobku.
- Nepoužívejte výrobek v blízkosti otevřených oken.
- Dejte pozor na odmrštěné předměty. Odlétávající kamínky a volné předměty mohou zasáhnout oči a způsobit oslepnutí nebo jiná vážná zranění.
- Pokud výrobek nefunguje správně, přečtěte si část *Tabulka řešení problémů na strani 55*.
- Používejte ochranné oblečení.
- Vždy používejte schválenou ochranu sluchu.
- Používejte ochranné brýle.
- Pokud provozujete výrobek v prostředí, kde se mohou vytvářet nebezpečné aerosoly, používejte ochranu dýchacích cest třídy FFP2 nebo ekvivalentní.

Bezpečnostní zařízení na produktu



VÝSTRAHA: Před použitím výrobku si přečtěte následující varování.

Osobní ochranné prostředky



VÝSTRAHA: Před použitím výrobku si přečtěte následující varování.

- Osobní ochranné prostředky nemohou zcela eliminovat nebezpečí úrazu, ale v případě nehody pomáhají snížit míru poranění. Požádejte prodejce, aby vám pomohl vybrat správné vybavení.
- Používejte odolnou obuv s protiskluzovou podrážkou. Nepoužívejte otevřenou obuv ani nepracujte naboso.
- Nepoužívejte výrobek s poškozenými bezpečnostními zařízeními nebo se zařízeními, která nefungují správně.
- Neodstraňujte ani neupravujte bezpečnostní zařízení.
- Pravidelně kontrolujte bezpečnostní zařízení. Pokud jsou bezpečnostní zařízení poškozená nebo nefungují správně, obraťte se na schválený servis Husqvarna.

Pojistka páčky spínače

Pojistka páčky spínače (A) brání nechtěné aktivaci páčky spínače (B). Když je pojistka

páčky spínače v zajištěné poloze, nelze páčku spínače stisknout.

(Obr. 13)

Páčka spínače

Výrobek se spustí po stisknutí páčky spínače. Po uvolnění páčky spínače se výrobek zastaví.

Tepelná ochrana

Výrobek je vybaven automatickou tepelnou ochranou. Pokud se výrobek příliš zahřeje, tepelná ochrana zastaví napájení výrobku. Pokud tepelná ochrana zastaví napájení, počkejte, než výrobek vychladne. Tepelná ochrana se automaticky resetuje, když je výrobek dostatečně chladný.

Hydraulický přetlakový ventil

Výrobek je vybaven integrovaným hydraulickým přetlakovým ventilem, který zabraňuje příliš vysokému tlaku v systému.

Bezpečnostní pokyny pro údržbu



VÝSTRAHA: Před prováděním údržby

výrobku si přečtěte následující varování.



VAROVÁNÍ: Před spuštěním výrobku po delším skladování vždy proveďte údržbu.

- Před prováděním údržby výrobku nastavte vypínač do polohy vypnuto (0) a odpojte elektrickou zástrčku od zdroje napájení.
- Před prováděním údržby výrobku odpojte výrobek od zdroje vody a ujistěte se, že jsou všechny součásti suché.
- Provádějte pouze údržbu uvedenou v tomto návodu k používání.
- Používejte pouze náhradní díly doporučené společností Husqvarna. Vysokotlaké vodní hadice, armatury a spojky jsou důležité pro bezpečnost při provozu výrobku. Používejte pouze hadice, armatury a spojky doporučené výrobcem.
- Neopravujte výrobek. Obrátte se na servis Husqvarna.
- Při poškození elektrické zástrčky nebo napájecího kabelu se obraťte na servis Husqvarna.

- Nedovolte dětem provádět čištění nebo údržbu na výrobku.

Montáž

Úvod



VÝSTRAHA: Než začnete montovat výrobek, přečtěte si pozorně kapitolu o bezpečnosti.

rovně na přívodu vody. Pokud adaptér zahradní hadice není nainstalován rovně, může dojít k poškození závitů a netěsnosti.

Montáž adaptéru zahradní hadice

1. Odstraňte přepravní kryt z přívodu vody a zlikvidujte jej. (Obr. 14)
2. Namontujte adaptér zahradní hadice na přívod vody. (Obr. 15)

3. Zcela utáhněte adaptér zahradní hadice.
4. Demontáž adaptéru zahradní hadice proveďte v opačném pořadí.

Montáž držáku pro stříkací rukojeť a stříkací tyč

- Namontujte držák pomocí 2 šroubů. (Obr. 16)



VAROVÁNÍ: Zkontrolujte, zda je adaptér zahradní hadice nainstalován

Provoz

Úvod



VÝSTRAHA: Než začnete s výrobkem pracovat, přečtěte si důkladně kapitolu o bezpečnosti.

Husqvarna Connect

Husqvarna Connect je bezplatná aplikace pro mobilní zařízení. Aplikace Husqvarna Connect dodá vašemu výrobku Husqvarna doplňkové funkce:

- Rozšířené informace o výrobku.
- Informace o dílech a servisu a nápověda pro tyto položky.

Jak začít používat aplikaci Husqvarna Connect

1. Stáhněte si aplikaci Husqvarna Connect do svého mobilního zařízení.
2. V aplikaci Husqvarna Connect se zaregistrujte.
3. Při připojování a registraci výrobku postupujte podle pokynů v aplikaci Husqvarna Connect.

Povšimněte si: Aplikace Husqvarna Connect není dostupná ke stažení na všech trzích. Další informace získáte u svého prodejce poskytujícího servis.

Montáž stříkací rukojeti

1. Zatlačte vysokotlakou vodní hadici do rychlospojky, dokud se nezajistí na místě. (Obr. 17)



VAROVÁNÍ: Aby nedocházelo k úniku, ujistěte se, že je vysokotlaká hadice řádně připojena k rychlospojce na výrobku.

2. Držte stříkací rukojeť pevně jednou rukou a zatlačte vysokotlakou vodní hadici do rychlospojky na stříkací rukojeti. (Obr. 18)

Demontáž stříkací rukojeti

1. Stiskněte tlačítko na stříkací rukojeti a vytáhněte vysokotlakou vodní hadici. (Obr. 19)
2. Stiskněte vnější kroužek na rychlospojce a vytáhněte vysokotlakou vodní hadici. (Obr. 20)

Montáž stříkací tyče

1. Jednou rukou držte stříkací rukojeť a zatlačte spojku na stříkací tyči do stříkací rukojeti. (Obr. 21)
2. Otočte stříkací tyč ve směru hodinových ručiček a uvolněte ji. Stříkací tyč se zajistí na místě.

Demontáž stříkací tyče

1. Zatlačte stříkací tyč dovnitř a otočte ji proti směru hodinových ručiček. (Obr. 22)
2. Vytáhněte stříkací tyč ze stříkací rukojeti.

Montáž a demontáž trysky

Výrobek se dodává se 2 tryskami: jednu tryskou s přímým proudem vody (označená jako „gentle nozzle“ (jemná tryska)) a jednu hrubou tryskou s rotujícím proudem vody (označená jako „rough nozzle“ (hrubá tryska)). Trysku s přímým proudem vody lze použít k čištění citlivých povrchů, například vozidel. Hrubou trysku lze použít k čištění povrchů, které nejsou citlivé, například příjezdových cest.

(Obr. 23)



VAROVÁNÍ: Nepoužívejte trysku s rotujícím proudem vody na citlivé povrchy, například na lakované povrchy vozidel. Rotující proud vody může povrch poškodit.

- Chcete-li nainstalovat trysku, držte stříkací tyč jednou rukou a zatlačte trysku, dokud se nezajistí na místě. (Obr. 24)
- Chcete-li vyjmout trysku, zatlačte na západku na stříkací tyči a vytáhněte trysku ze stříkací tyče. (Obr. 25)

Nastavení tlaku proudu vody

Tryska s přímým proudem vody má nastavitelný tlak.

- Chcete-li zvýšit tlak proudu vody, otáčejte tryskou ve směru hodinových ručiček. (Obr. 26)
- Chcete-li tlak proudu vody snížit, otáčejte tryskou proti směru hodinových ručiček. (Obr. 27)

Obsluha výrobku

1. Připojte výrobek ke zdroji vody. Viz část *Připojení výrobku ke zdroji vody na strani 52*.
2. Odvzdušněte systém. Viz část *Odvzdušnění systému na strani 53*.
3. Nastartujte výrobek. Viz část *Spuštění výrobku na strani 53*.

Připojení výrobku ke zdroji vody

Výrobek lze používat s vodou z vodovodního rozvodu nebo z otevřeného zdroje vody, například jezírka nebo sudu na vodu.

- Informace o připojení výrobku k vodovodnímu rozvodu naleznete v části *Připojení výrobku k vodovodnímu rozvodu na strani 52*.
- Informace o připojení výrobku k otevřenému zdroji vody naleznete v části *Připojení výrobku k otevřenému zdroji vody na strani 52*.

Připojení výrobku k vodovodnímu rozvodu

1. Nainstalujte adaptér zahradní hadice a vodní filtr na přívod vody na výrobku, pokud nejsou nainstalovány. Viz část *Montáž adaptéru zahradní hadice na strani 51*.

2. Připojte zahradní hadici k vodovodnímu rozvodu. Použijte ½palcovou (12,7mm) zahradní hadici o délce 10 až 25 m. (Obr. 28)



VAROVÁNÍ: Tlak vody ve vodovodním rozvodu nesmí být vyšší než 1 MPa (10 bar).



VAROVÁNÍ: Teplota vody ve vodovodním rozvodu nesmí být vyšší než 40 °C.

3. Otevřete ventil na vodovodu a ujistěte se, že voda může volně proudit ze zahradní hadice. (Obr. 29)
4. Zavřete ventil na vodovodu.
5. Připojte zahradní hadici k přívodu vody na výrobku. (Obr. 30)
6. Připojte elektrickou zástrčku ke zdroji napájení.
7. Otevřete ventil na vodovodu.
8. Před použitím výrobku odvzdušněte systém. Viz část *Odvzdušnění systému na strani 53*.

Připojení výrobku k otevřenému zdroji vody

Výrobek lze používat s vodou z otevřeného zdroje vody, například z jezírka nebo sudu na vodu. Použijte ½palcovou (12,7mm) sací hadici (není součástí balení) o délce maximálně 3 m.

(Obr. 31)



VAROVÁNÍ: Teplota vody ve zdroji vody nesmí být vyšší než 20 °C.



VAROVÁNÍ: Výrobek nesmí být výše než 0,5 m nad zdrojem vody.

1. Pokud je nainstalován adaptér zahradní hadice, odpojte jej od přívodu vody na výrobku. (Obr. 32)



VAROVÁNÍ: Nevýjímejte vodní filtr z přívodu vody.

2. Namontujte sací hadici (není součástí balení) na přívod vody na výrobku. (Obr. 33)
3. Vložte sací hadici do zdroje vody a ujistěte se, že je filtr zcela ponořen.



VAROVÁNÍ: Nepoužívejte sací hadici bez filtru.

4. Stiskněte tlačítko na stříkací rukojeti a vytáhněte vysokotlakou hadici ze stříkací rukojeti. (Obr. 19)
5. Připojte elektrickou zástrčku ke zdroji napájení.

6. Nastavte vypínač do polohy zapnuto (I) a nechte výrobek v provozu 2 minuty.
7. Nastavte vypínač do polohy vypnuto (0).
8. Držte stříkací rukojeť pevně jednou rukou a zatlačte vysokotlakou hadici do rychlospojky na stříkací rukojeti. (Obr. 18)
9. Před použitím výrobku odvzdušněte systém. Viz část *Odvzdušnění systému na strani 53*.

Odvzdušnění systému



VAROVÁNÍ: Před odvzdušněním systému se ujistěte, že hlavní vypínač je v poloze vypnuto (0).

1. Připojte výrobek ke zdroji vody. Viz část *Připojení výrobku ke zdroji vody na strani 52*.
2. Namontujte stříkací tyč na stříkací pistol. Viz část *Montáž stříkací tyče na strani 51*.
3. Deaktivujte pojistku páčky spínače. Viz část *Aktivace a deaktivace pojistky páčky spínače na strani 53*.
4. Stiskněte páčku spínače a držte ji stisknutou, dokud z trysky na stříkací tyči nezačne vytékat voda. (Obr. 34)

Odpojení výrobku od zdroje vody

1. Nastavte vypínač do polohy vypnuto (0).
2. Pokud je výrobek připojen k vodovodu, zavřete ventil na vodovodu.
3. Pokud je výrobek připojen k vodovodu, odpojte zahradní hadici od vodovodu. (Obr. 35)
4. Pokud je výrobek připojen k otevřenému zdroji vody, vyjměte sací hadici ze zdroje vody.
5. Stiskněte páčku spínače a držte ji stisknutou, dokud voda nepřestane vytékat z trysky.
6. Odpojte zahradní hadici od přívodu vody na výrobku. (Obr. 36)

Povšimněte si: Pokud je výrobek připojen k otevřenému zdroji vody, odpojte sací hadici.

7. Stiskněte tlačítko na stříkací rukojeti a vytáhněte vysokotlakou hadici ze stříkací rukojeti. (Obr. 19)
8. Nastavte vypínač do polohy zapnuto (I). Nechte výrobek v provozu, dokud z vysokotlaké hadice nepřestane vytékat voda.
9. Nastavte vypínač do polohy vypnuto (0).
10. Před uskladněním výrobku nechte stříkací rukojeť, stříkací tyč a trysky vyschnout.

Aktivace a deaktivace pojistky páčky spínače

- Chcete-li aktivovat pojistku páčky spínače, otočte pojistku páčky spínače ve směru hodinových ručiček, dokud neuslyšíte cvaknutí. (Obr. 37)

- Chcete-li pojistku páčky spínače deaktivovat, otočte pojistku páčky spínače proti směru hodinových ručiček až na doraz. (Obr. 38)

Spuštění výrobku

1. Připojte výrobek ke zdroji vody. Viz část *Připojení výrobku ke zdroji vody na strani 52*.
2. Připojte elektrickou zástrčku ke zdroji napájení.
3. Nastavte vypínač do polohy zapnuto (I). (Obr. 39)
4. Deaktivujte pojistku páčky spínače. Viz část *Aktivace a deaktivace pojistky páčky spínače na strani 53*.
5. Stiskněte páčku spínače na stříkací rukojeti.

Povšimněte si: Výrobek se automaticky zastaví po uvolnění páčky spínače.

Zastavení výrobku

Povšimněte si: Výrobek se automaticky zastaví po uvolnění páčky spínače.

1. Uvolněte páčku spínače na stříkací rukojeti.
2. Aktivujte pojistku páčky spínače. Viz část *Aktivace a deaktivace pojistky páčky spínače na strani 53*.
3. Nastavte vypínač do polohy vypnuto (0). (Obr. 40)
4. Odpojte elektrickou zástrčku od zdroje napájení.
5. Odpojte výrobek od zdroje vody. Viz část *Odpojení výrobku od zdroje vody na strani 53*.

Povšimněte si: Pokud se od výrobku vzdálíte na déle než 5 minut, vždy jej odpojte od zdroje vody.

Použití pěnovacího rozprašovače

1. Vyjměte pěnovací rozprašovač z držáku. (Obr. 41)
2. Naplňte nádobu pěnovacího rozprašovače čistícím prostředkem.



VAROVÁNÍ: Používejte pouze čistící prostředky doporučené společností Husqvarna.

3. Zatlačte rychlospojku pěnovacího rozprašovače do rychlospojky na stříkací tyči, dokud se nezajistí na místě. (Obr. 42)

Povšimněte si: Příruba pěnovacího rozprašovače musí být zarovnána s drážkou ve stříkací tyči.

4. Připojte výrobek ke zdroji vody. Viz část *Připojení výrobku ke zdroji vody na strani 52*.
5. Nastartujte výrobek. Viz část *Spuštění výrobku na strani 53*.

Údržba

Úvod



VÝSTRAHA: Před prováděním údržby je třeba, abyste si přečetli kapitolu o bezpečnosti a porozuměli jí.

Pro servis a opravy výrobku je nezbytné speciální školení. Garantujeme dostupnost profesionálních oprav a servisu.

Podrobnější informace jsou uvedeny v části www.husqvarna.com.

Plán údržby

Údržba	Před každým použitím	Po použití
Provedte běžnou kontrolu. Viz část <i>Provedení běžné kontroly na strani 54</i> .	X	
Vyčistěte výrobek. Viz část <i>Čištění výrobku na strani 54</i> .		X
Vyčistěte stříkací tyč a trysky. Viz část <i>Čištění stříkací tyče a trysky na strani 54</i> .		X
Vyčistěte vodní filtr. Pokud je vodní filtr poškozený, vyměňte jej. Viz část <i>Čištění vodního filtru na strani 55</i> .		X
Namažte O-kroužky na spojkách. Viz část <i>Mazání O-kroužků na spojkách na strani 55</i> .		X

Provedení běžné kontroly



VÝSTRAHA: Před prováděním údržby výrobku nastavte vypínač do polohy vypnuto (0) a odpojte elektrickou zástrčku od zdroje napájení.



VAROVÁNÍ: Před prováděním údržby výrobku odpojte výrobek od zdroje vody a ujistěte se, že jsou všechny součásti suché.

- Zajistěte, aby byly matice a šrouby na výrobku správně dotažené.
- Zkontrolujte, že kabely výrobku nejsou na místě, kde by mohlo dojít k jejich poškození.
- Zkontrolujte, zda vysokotlaká hadice není opotřebená nebo poškozená.



VÝSTRAHA: Pokud je vysokotlaká hadice opotřebená nebo poškozená, výrobek nepoužívejte.

Čištění výrobku



VÝSTRAHA: Před prováděním údržby výrobku nastavte vypínač do polohy vypnuto (0) a odpojte elektrickou zástrčku od zdroje napájení.



VAROVÁNÍ: Před prováděním údržby výrobku odpojte výrobek od zdroje vody a ujistěte se, že jsou všechny součásti suché.

- Suchým hadříkem očistěte všechny vnější díly.
- K čištění výrobku nepoužívejte vysokotlaký čistič.
- Udržujte vstupy vzduchu čisté, aby bylo zajištěno dostatečné chlazení výrobku.

Čištění stříkací tyče a trysky



VÝSTRAHA: Před prováděním údržby výrobku nastavte vypínač do polohy vypnuto (0) a odpojte elektrickou zástrčku od zdroje napájení.



VAROVÁNÍ: Před prováděním údržby výrobku odpojte výrobek od zdroje vody a ujistěte se, že jsou všechny součásti suché.

1. Je-li na stříkací tyč nasazena tryska, sejměte ji ze stříkací tyče. Viz část *Montáž a demontáž trysky na strani 52*.
2. Vyčistěte trysky, spojku na stříkací tyči a spojku na stříkací rukojeti mýdlem a vodou. (Obr. 43)
3. Pokud jsou trysky ucpané, odstraňte nečistoty pomocí čisticího nástroje. (Obr. 44)

Čištění vodního filtru



VÝSTRAHA: Před prováděním údržby výrobku nastavte vypínač do polohy vypnuto (0) a odpojte elektrickou zástrčku od zdroje napájení.



VAROVÁNÍ: Před prováděním údržby výrobku odpojte výrobek od zdroje vody a ujistěte se, že jsou všechny součásti suché.

1. Pokud je nainstalován adaptér zahradní hadice, odpojte jej od přívodu vody na výrobku. (Obr. 32)
2. Vytáhněte vodní filtr. Použijte kleště. (Obr. 45)
3. Zkontrolujte, zda vodní filtr není poškozený. Pokud je vodní filtr poškozený, vyměňte jej. (Obr. 46)
4. Propláchněte vodní filtr čistou vodou. (Obr. 47)

Mazání O-kroužků na spojkách



VÝSTRAHA: Před prováděním údržby výrobku nastavte vypínač do polohy vypnuto (0) a odpojte elektrickou zástrčku od zdroje napájení.



VAROVÁNÍ: Před prováděním údržby výrobku odpojte výrobek od zdroje vody a ujistěte se, že jsou všechny součásti suché.

1. Demontujte stříkací tyč ze stříkací rukojeti a stříkací rukojeť z vysokotlaké hadice. Viz část *Montáž stříkací tyče na strani 51* a *Montáž stříkací rukojeti na strani 51*.
2. Namažte O-kroužky na adaptéru zahradní hadice, stříkací tyči a vysokotlaké hadici mazivem. Viz část *Technické údaje na strani 56* se správným typem maziva. (Obr. 48)

Odstraňování problémů

Tabulka řešení problémů

Problém	Možná příčina	Řešení
Výrobek nespouští.	Elektrická zástrčka není připojena ke zdroji napájení.	Připojte elektrickou zástrčku ke zdroji napájení.
	Vypínač je nastaven do polohy vypnuto (0).	Nastavte vypínač do polohy zapnuto (I).
	Zdroj napájení je bez proudu.	Obratě se na schváleného elektrikáře.
	Napájecí kabel je poškozený.	Obratě se na schválený servis.
	Tepelná ochrana zastavila napájení.	Před opětovným použitím výrobku počkejte, než výrobek vychladne.
	Je použit nesprávný typ prodlužovacího kabelu.	Zkontrolujte, zda je prodlužovací kabel zcela odvinutý a zda napětí odpovídá napětí výrobku.
Během spouštění nebo provozu se přepálí pojistka.	Je použit nesprávný typ pojistky.	Ujistěte se, že používáte pomalou pojistku třídy C nebo K.
Výrobek se nezastaví.	Výrobek je poškozený.	Odpojte elektrickou zástrčku a obraťte se na schválený servis.
Výrobek se příliš přehřívá.	Proudění vzduchu není dostatečné.	Vyčistěte přívody vzduchu.

Problém	Možná příčina	Řešení
Výrobek nepracuje plynule.	Uvnitř systému je vzduch.	Odvzdušněte systém.
Tlak vody je neuspokojivý.	Hadice je ohnutá.	Zajistěte, aby na hadicích nebyly ohyby.
	Vypínač je nastaven do polohy vypnuto (0).	Nastavte vypínač do polohy zapnuto (I).
	Průtok vody není dostatečný.	Ujistěte se, že je výrobek správně připojen ke zdroji vody. Ujistěte se, že je průtok vody dostatečný.
	Vodní filtr je ucpaný.	Vyčistěte vodní filtr.
	Uvnitř systému je vzduch.	Odvzdušněte systém.
	Nesprávné příslušenství.	Ujistěte se, že používáte správné příslušenství.

Přeprava, skladování a likvidace

Přeprava

- Před přepravou výrobku odpojte elektrickou zástrčku od zdroje napájení.
- Před přepravou výrobku odpojte výrobek od zdroje vody.
- Během přepravy musí být výrobek upevněný, aby se zabránilo jeho pohybu.

Skladování

- Před uskladněním výrobku vypusťte veškerou vodu z výrobku, vysokotlaké vodní hadice a příslušenství.
- Připravte výrobek k uskladnění. Viz část *Příprava výrobku na uskladnění na strani 56*.
- Uchovávejte výrobek v suchém a bezprašném prostředí.

Příprava výrobku na uskladnění

1. Vypněte výrobek a odpojte elektrickou zástrčku od zdroje napájení.
2. Odpojte výrobek od zdroje vody. Viz část *Odpojení výrobku od zdroje vody na strani 53*.

3. Zajistěte, aby bylo veškeré příslušenství suché.
4. Vložte stříkací rukojeť, stříkací tyč a trysky do příslušných držáků.
5. Odpojte vysokotlakou vodní hadici a umístěte ji do příslušného držáku. (Obr. 49)
6. Vložte napájecí kabel do držáku a připevněte jej páskem. (Obr. 50)

Likvidace

Výrobky Husqvarna nepatří do domovního odpadu a musí být zlikvidovány výhradně způsobem uvedeným v tomto návodu.

- Dodržujte místní požadavky ohledně likvidace a platné předpisy.
- Výrobek a jeho balení je třeba recyklovat na příslušném sběrném místě.
- Další informace o recyklaci a likvidaci výrobku získáte od místního prodejce Husqvarna.

Technické údaje

PW 130	
Motor a čerpadlo	
Typ	Sériový motor na střídavý proud
Výkon, W	1500
Rozsah napětí, V	220–240

	PW 130
Frekvence, Hz	50
Jmenovitý proud, A	6,5
Max. průtok vody, l/min	7,7
Max. výstupní tlak vody, bar/MPa	130/13
Max. vstupní tlak vody, bar/MPa	10/1
Max. vstupní teplota vody, °C / °F	40/104
Max. vstupní teplota vody (v sacím režimu), °C/°F	20/68
Krytí IP	IPX5
Bezpečnostní třída	Třída II
Mazání	
Typ maziva pro mazání O-kroužků	Univerzální bílé silikonové mazivo
Hmotnost	
Hmotnost, kg	6,5
Emise hluku⁹	
Hladina akustického výkonu, změřená dB(A)	85
Hladina akustického výkonu, zaručená L _{WA} dB (A)	89
Hladiny hluku¹⁰	
Ekvivalentní hladina akustického tlaku v uších uživatele, dB(A)	72
Úroveň vibrací¹¹	
Ruka/paže (se standardní tryskou) m/s ²	2,5
Ekvivalentní úroveň vibrací¹²	
Ruka/paže (se standardní tryskou) m/s ²	1,8

⁹ Emise hluku do okolního prostředí měřené jako akustický výkon (L_{WA}) v souladu se směrnicí 2000/14/ES.

¹⁰ Ekvivalentní hladina akustického tlaku, podle normy ISO 22868, se počítá jako časově vážená celková energie pro různé hladiny akustického tlaku za různých pracovních podmínek. Typická statistická odchylka 1 dB (A).

¹¹ Úroveň vibrací podle normy EN 60745-2-13. Uvedená data o úrovni vibrací mají typickou statistickou odchylku (standardní odchylku) 1 m/s². Deklarovaná data o úrovni vibrací pocházejí z měření provedených u řetězové pily osazené vodící lištou a doporučeným typem řetězu. Pokud je řetězová pila osazena jinou vodící lištou, úroveň vibrací se může změnit maximálně o ± 1,5 m/s².

¹² Ekvivalentní úroveň vibrací je měřena a vypočítána pro řetězové pily se spalovacím motorem. Tyto hodnoty je možné využít ke srovnání dat o vibracích bez ohledu na typ motoru podle normy ISO 22867:2011.

Příslušenství

Schválené příslušenství

Schválené příslušenství	Obj. č.
Čistič povrchů SC 300	590 65 79-01
Pěnovací rozprašovač FS 300	590 66 04-01
Hadice na čištění potrubí, 15 m	590 66 10-01
Vodní filtr	590 65 93-01
Zpětná klapka	590 65 95-01
Sací hadice	590 65 97-01
Sada pro vozidla	590 66 07-01
Sada rotujících kartáčů	590 66 06-01
Zahnutá stříkací tyč	590 66 11-01
Sací tryska	590 66 05-01
Prodlužovací hadice, 8 m	590 66 08-01

Prohlášení o shodě

Prohlášení o shodě EU

Společnost, Husqvarna AB, SE-561 82 Huskvarna,
Švédsko, tel.: +46-36-146500, na svou výhradní
odpovědnost prohlašuje, že výrobek:

Popis	Vysokotlaký čistič
Značka	Husqvarna
Typ/Model	PW 130
Identifikace	Výrobní čísla od roku 2022 a dále

je zcela ve shodě s následujícími směrnici a předpisy
EU:

Nařízení	Popis
2006/42/ES	„o strojních zařízeních“
2014/30/EU	„o elektromagnetické kompatibilitě“
2000/14/ES, příloha V	„týkající se emisí hluku do okolního prostředí“
2011/65/EU	„o omezení používání některých nebezpečných látek v elektrických a elektronických zařízeních“

a že byly použity následující normy nebo
technické specifikace: EN 60335-1:2012/A11:2014/
A13:2017/A1:2019/A14:2019/A2:2019/A15:2021, EN
60335-2-79:2012, EN 62233:2008, EN 55014-1:2021,
EN 55014-2:2021, EN IEC 61000-3-2:2019/A1:2021, EN
61000-3-3:2013/A2:2021, EN IEC 63000:2018.

Informace o emisích hluku najdete v části *Technické
údaje na strani 56*.

Huskvarna, 2023-01-19



Claes Losdal, ředitel vývoje zahradního sortimentu,
Husqvarna AB

Osoba odpovědná za technickou dokumentaci



Indhold

Indledning.....	60	Fejlfinding.....	71
Sikkerhed.....	61	Transport, opbevaring og bortskaffelse.....	72
Montering.....	67	Tekniske data.....	72
Drift.....	67	Tilbehør.....	73
Vedligeholdelse.....	70	Overensstemmelseserklæring.....	75

Indledning

Produktbeskrivelse

Produktet er en elektrisk højtryksrensere. Produktet kan betjenes med forskellige niveauer af vandtryk og forskellige rengøringsmidler.

Anvendelsesformål

Brug kun produktet til rengøring i hjemmet. Brug ikke produktet til andre opgaver. Brug kun produktet i opretstående position.

Produktoversigt

(Fig. 1)

1. Dyse med lige vandstråle
2. Dyse med roterende vandstråle
3. Gummistrop til holder til strømkabel
4. Holder til sprøjtehandtag og sprøjtelanse
5. Højtryksvandslange
6. Vandindløb
7. Skumsprøjte
8. Opbevaring til højtryksvandslange
9. Strømafbryder
10. Strømkabel
11. Vandudtag med lynkobling
12. Rengøringsværktøj til dyser
13. Transporthåndtag
14. Luftindtag
15. Sprøjtehandtag
16. Sprøjtelanse
17. Brugervejledning

Symboler på produktet

(Fig. 2)

ADVARSEL: Dette produkt kan være farligt og forårsage alvorlig personskade eller død for brugeren eller andre. Vær forsigtig, og brug produktet korrekt.

Bemærk: National lovgivning kan definere begrænsninger på betjeningen af produktet.

(Fig. 3)

Læs brugervejledningen, og sørg for at have forstået indholdet, inden du bruger dette produkt.

(Fig. 4)

Produktet er ikke egnet til tilslutning til drikkevandsforsyningen.

(Fig. 5)

Højtryksvandstråler kan være farlige, hvis de bruges forkert. Strålen må ikke rettes mod personer, elektrisk udstyr eller produktet.

(Fig. 6)

Miljømærke. Produktet og produktemballagen er ikke almindeligt husholdningsaffald. Aflever det på

en godkendt genbrugsstation til elektrisk og elektronisk udstyr.

(Fig. 7) Klasse II-værktøj.

(Fig. 8) Mærkat vedrørende støjemission til omgivelserne i henhold til direktiver og regulativer i EU og Storbritannien og New South Wales' lovgivning om "Beskyttelse af miljøet (støjbe­grænsning) forordning 2017". Produktets garanterede lydeffektniveau er angivet i *Tekniske data på side 72* og på mærkaten.

(Fig. 9) Beskyttet mod lavtryksvandstrøm fra alle vinkler.

(Fig. 10) Skal holdes væk fra frost.

(Fig. 11) Produktet er i overensstemmelse med de gældende EF-direktiver.

(Fig. 12) Dette produkt er i overensstemmelse med gældende UK-bestemmelser.

Bemærk: Andre symboler/mærkater på produktet henviser til certificeringskrav på visse markeder.

Skader på produktet

Vi er ikke ansvarlige for skader på vores produkt, hvis:

- produktet er forkert repareret.
- produktet er repareret med dele, der ikke er fra producenten eller ikke er godkendt af producenten
- produktet har tilbehør, der ikke er fra producenten eller ikke er godkendt af producenten.
- produktet ikke er repareret på et godkendt servicecenter eller af en godkendt myndighed.

Sikkerhed

Sikkerhedsdefinitioner

Advarsler, forholdsregler og bemærkninger bruges til at pege på særligt vigtige dele af brugsanvisningen.



ADVARSEL: Bruges, hvis føreren

udsætter sig selv eller omkringstående personer for risiko for personskade eller dødsfald ved tilsidesættelse af instruktionerne i brugsanvisningen.



BEMÆRK: Bruges, hvis der er risiko for skader på produktet, andre materialer eller det omgivende område ved tilsidesættelse af instruktionerne i brugsanvisningen.

Bemærk: Bruges til at give yderligere oplysninger, der er nødvendige i en given situation.

Generelle sikkerhedsinstruktioner



ADVARSEL: Læs følgende advarselsinstruktioner, inden du bruger produktet.

- Dette produkt er farligt, hvis det bruges forkert, eller hvis du ikke er forsigtig. Personskade eller dødsfald kan forekomme, hvis du ikke overholder sikkerhedsinstruktionerne.
- Vær altid forsigtig, og brug din sunde fornuft. Hvis du ikke er sikker på, hvordan produktet betjenes i en særlig situation: Stop, og kontakt dit

Husqvarna-serviceværksted, inden du fortsætter.

- Vær opmærksom på, at brugeren er ansvarlig for ulykker, der involverer andre personer eller disses ejendom.
- Hold produktet rent. Sørg for, at skilte og mærkater er tydeligt læsbare.
- Lad aldrig børn eller personer, der ikke kender apparatet, bruge det. Der kan være lokale regler for, hvor gammel brugeren skal være.
- Dette produkt kan betjenes af personer med reducerede fysiske, sensoriske eller mentale evner, hvis de er under opsyn eller har fået instruktioner i, hvordan produktet betjenes sikkert og forstår de involverede risici.
- Dette produkt kan betjenes af personer, der ikke har den nødvendige erfaring eller viden, hvis de er under opsyn eller har fået instruktioner i, hvordan produktet betjenes sikkert og forstår de involverede risici.
- Brug ikke produktet, hvis du er træt, syg eller påvirket af alkohol, narkotika eller medicin. Det har en negativ virkning på synet, overblikket,

koordinationsevnen og dømmekraften.

- Brug ikke et beskadiget produkt.
- Foretag ikke ændringer på produktet, og undlad at bruge det, hvis der er risiko for, at det er blevet ændret af andre.

Sikkerhedsinstruktioner for betjening



ADVARSEL:

Læs følgende advarselsinstruktioner, inden du bruger produktet.

- Brug ikke produktet, hvis strømkablet, højtryksslangen, udløserlåsen eller sprøjtehandtaget er beskadiget.
- Foretag en kontrol for skader, før du betjener produktet. Brug ikke produktet, hvis dets dele er beskadigede eller mangler.
- Hold godt fast i sprøjtehandtaget med to hænder. Der opstår tilbageslagskraft, når du trækker i strømuløseren.
- Vær forsigtig, når du betjener produktet. Det høje tryk, der leveres af produktet, er farligt og kan forårsage personskade.
- Ret ikke strålen i retning af dig selv, andre personer eller dyr.
- Ret ikke strålen i retning af dig selv eller andre for at rengøre fodtøj.
- Ret ikke strålen mod elektrisk udstyr eller selve produktet.
- Brug godkendt personligt beskyttelsesudstyr, når du betjener produktet. Se *Personligt beskyttelsesudstyr på side 65*.
- Betjen ikke produktet i nærheden af personer, medmindre de bærer beskyttelsesudstyr.
- Hvis du bruger et rengøringsmiddel, skal du følge sikkerhedsanvisningerne for rengøringsmidlet.
- Brug kun rengøringsmidler fra Husqvarna.
- Brug korrekt vandtryk og rengøringsmidler, og brug kun produktet til de opgaver, der er angivet i denne vejledning. Hvis du bruger forkert vandtryk, rengøringsmiddel eller bruger produktet til andre opgaver end de opgaver, der er angivet i denne vejledning, kan det medføre beskadigelse af produktet,

overflader, materialer eller andre enheder. Husqvarna påtager sig intet ansvar for skader, der skyldes forkert brug.

- Det anbefales ikke at tilslutte produktet til drikkevandsforsyningen. Hvis du er nødt til at tilslutte produktet til drikkevandsforsyningen, skal du overholde lokale og nationale bestemmelser. Brug en tilbageløbsspærring (ikke inkluderet), hvis det er nødvendigt. Vand, der er strømmet gennem en tilbagestrømsspærring, anses for ikke at være drikkevand.
- Sprøjt ikke mod brændbare væsker. Risiko for eksplosion.
- Lad ikke børn betjene produktet.
- Lad ikke børn lege med produktet.
- Lad ikke personer betjene produktet uden oplæring.
- Brug kun tilbehør og reservedele, der er godkendt af Husqvarna.
- Sørg for, at den elektriske tilslutning foretages af en autoriseret elektriker, og at den overholder IEC 60364-1.
- Brug en fejlstrømsafbryder, der stopper strømmen, hvis lækstrømmen er mere end 30

mA i 30 ms. Hvis du ikke har en fejlstrømsafbryder, skal du bruge en enhed, der kan håndtere jordkredsløb.

- Brug sikringer med motorstart-/forsinkelse med karakteristisk C eller D i henhold til IEC 898-1 eller IEC 947-2 eller tilsvarende standarder uden for IEC.
- Der kræves ingen handlinger for at justere produkter, der er mærket med dobbelt spænding og frekvens.
- Hvis det er nødvendigt at bruge et forlænger-kabel, skal du sørge for, at det er egnet til udendørs brug. Sørg for, at stikket er i en afstand af mindst 60 mm fra jorden. Forbindelsen skal altid holdes tør.
- Sæt afbryderen i OFF-position (0), tag stikket ud, og aktivér strømudløserlåsen, før du går væk fra produktet.
- Sæt tænd/sluk-knappen i OFF-position (0), og tag stikket ud, før du skifter tilbehør.
- Sæt afbryderen i OFF-position (0), og tag stikket ud af stikkontakten, før du rengør eller udfører vedligeholdelse på produktet.
- Betjen ikke produktet i omgivelser, hvor den

omgivende temperatur er under 0 °C.

- Betjen ikke et frosset produkt.
- Betjen ikke produktet indendørs.
- Placer ikke genstande på produktet, når det er i drift.
- Drik ikke vand, der har været brugt sammen med produktet.
- Betjen ikke produktet nær åbentstående vinduer.
- Pas på udslyngede genstande. Sten og løse genstande kan blive slynget op i øjnene og forårsage blindhed eller alvorlige skader.
- Hvis produktet ikke fungerer korrekt, skal du se *Fejlsøgningsdiagram på side 71.*

Personligt beskyttelsesudstyr



ADVARSEL:

Læs følgende advarselsinstruktioner, inden du bruger produktet.

-
- Personligt beskyttelsesudstyr udelukker ikke fuldstændigt risikoen for personskader, men det mindsker graden af skaderne i tilfælde af, at der skulle ske en ulykke. Lad

forhandleren hjælpe dig med at vælge det rigtige udstyr.

- Brug kraftige, skridsikre støvler eller sko. Brug ikke åbne sko, og gå heller ikke på bare fødder.
- Bær beskyttelsestøj.
- Brug godkendt høreværn.
- Bær altid beskyttelsesbriller.
- Brug åndedrætsværn med klasse FFP2 eller tilsvarende, hvis du betjener produktet i miljøer, hvor der kan dannes farlige aerosoler.

Sikkerhedsanordninger på produktet



ADVARSEL:

Læs følgende advarselsinstruktioner, inden du bruger produktet.

-
- Brug ikke et produkt med sikkerhedsanordninger, der er beskadigede eller ikke fungerer korrekt.
 - Du må ikke fjerne eller foretage ændringer af sikkerhedsanordninger.
 - Kontrollér sikkerhedsanordningerne regelmæssigt. Hvis sikkerhedsanordningerne er beskadigede eller ikke fungerer korrekt, skal

du kontakte dit Husqvarna-serviceværksted.

Lås på strømudløser

Strømudløserlåsen (A) forhindrer utilsigtet betjening af strømudløseren (B). Når strømudløserlåsen er i låst position, kan strømudløseren ikke skubbes ind.

(Fig. 13)

Strømudløser

Produktet starter, når strømudløseren skubbes ind. Produktet stopper, når strømudløseren slippes.

Termisk beskytter

Produktet har en automatisk termisk beskytter. Hvis produktet bliver for varmt, stopper den termiske beskytter strømforsyningen til produktet. Hvis den termiske beskytter har stoppet strømmen, skal du vente, indtil produktet er kølet af. Den termiske beskytter nulstilles automatisk, når produktet er tilstrækkeligt afkølet.

Hydraulisk overtryksventil

Produktet har en integreret hydraulisk overtryksventil, der forhindrer for højt tryk i systemet.

Sikkerhedsinstruktioner for vedligeholdelse



ADVARSEL:

Læs følgende advarselsinstruktioner, inden du udfører vedligeholdelse på produktet.



BEMÆRK: Udfør altid vedligeholdelse, før du starter produktet efter lang tids opbevaring.

- Sæt afbryderen i OFF-position (0), og tag stikket ud af stikkontakten, før du udfører vedligeholdelse på produktet.
- Kobl produktet fra vandkilden, og sørg for, at alle dele er tørre, før du udfører vedligeholdelse på produktet.
- Foretag kun den form for vedligeholdelsesarbejde, der er angivet i denne brugervejledning.
- Brug kun reservedele anbefalet af Husqvarna. Højtryksvandslanger, fittings og koblinger er vigtige for sikkerheden, når du betjener produktet. Brug kun slanger, fittings og koblinger, der er anbefalet af producenten.

- Reparer ikke produktet selv. Kontakt dit Husqvarna-serviceværksted.
- Kontakt dit Husqvarna-serviceværksted, hvis

strømsstikket eller strømkablet er beskadiget.

- Lad ikke børn rengøre eller vedligeholde produktet.

Montering

Indledning



ADVARSEL: Læs og forstå kapitlet om sikkerhed, før du monterer produktet.

Sådan installeres haveslangeadapteren

1. Fjern transportdækslet fra vandindløbet, og bortskaf det. (Fig. 14)
2. Installer haveslangeadapteren på vandindløbet. (Fig. 15)



BEMÆRK: Sørg for, at du installerer haveslangeadapteren lige på

vandindløbet. Hvis haveslangeadapteren ikke er installeret lige, kan det medføre beskadigelse af gevindet, og der kan opstå lækage.

3. Spænd haveslangeadapteren helt.
4. Fjern haveslangeadapteren i den modsatte rækkefølge.

Sådan installeres holderen til sprøjtehandtaget og dyserøret

- Installer holderen med de to skruer. (Fig. 16)

Drift

Indledning



ADVARSEL: Læs og forstå kapitlet om sikkerhed, før du bruger produktet.

Husqvarna Connect

Husqvarna Connect er en gratis app til din mobile enhed. Appen Husqvarna Connect giver udvidede funktioner til dit Husqvarna produkt:

- Yderligere produktoplysninger.
- Oplysninger om, og hjælp til, dele og service.

Sådan kommer du i gang med at bruge Husqvarna Connect

1. Download Husqvarna Connect appen på din mobile enhed.
2. Tilmeld dig i Husqvarna Connect appen.
3. Følg instruktionerne i Husqvarna Connect-appen for at tilslutte og registrere produktet.

Bemærk: Husqvarna Connect-appen er ikke tilgængelig for download på alle markeder. Spørg en serviceforhandler for at få yderligere oplysninger.

Sådan installeres sprøjtehandtaget

1. Skub højtryksvandslangen ind i lynkoblingen, indtil den låses på plads. (Fig. 17)



BEMÆRK: For at undgå lækage skal du sørge for, at højtryksslangen er helt tilsluttet til lyntilslutningen på produktet.

2. Hold godt fast i sprøjtehandtaget med den ene hånd, og skub højtryksvandslangen ind i lyntilslutningen på sprøjtehandtaget. (Fig. 18)

Sådan fjernes sprøjtehandtaget

1. Tryk på knappen på sprøjtehandtaget, og træk højtryksvandslangen ud. (Fig. 19)
2. Skub den udvendige ring på lynkoblingen, og træk højtryksvandslangen ud. (Fig. 20)

Sådan installeres sprøjtelansen

1. Hold fast i sprøjtehandtaget med den ene hånd, og skub koblingen på sprøjtelansen ind i sprøjtehandtaget. (Fig. 21)
2. Drej sprøjtelansen med uret, og slip sprøjtelansen. Sprøjtelansen låses på plads.

Sådan fjernes sprøjtelansen

1. Tryk sprøjtelansen ind, og drej den mod uret. (Fig. 22)
2. Træk sprøjtelansen ud af sprøjtehåndtaget.

Sådan installeres og fjernes en dyse

Produktet leveres med to dyser: En dyse med en lige vandstråle (identificeret med "blid dyse") og en grov dyse med en roterende vandstråle (identificeret med "grov dyse"). Dysen med en lige vandstråle kan bruges til rengøring af følsomme overflader, f.eks. køretøjer. Det hårdføre mundstykke kan bruges til at rengøre overflader, der ikke er følsomme, f.eks. indkørsler.

(Fig. 23)



BEMÆRK: Brug ikke dysen med en roterende vandstråle på følsomme overflader, f.eks. malede overflader på et køretøj. Den roterende vandstråle kan beskadige overfladen.

- En dyse installeres ved at holde sprøjtelansen med den ene hånd og skubbe lansen ind, indtil den låser på plads. (Fig. 24)
- En dyse fjernes ved at trykke tappen på sprøjtelansen ind og trække dysen ud af sprøjtelansen. (Fig. 25)

Sådan justeres trykket i vandstrålen

Dysen med en lige vandstråle har justerbart tryk.

- For at øge trykket i vandstrålen skal du dreje dysen mod uret. (Fig. 26)
- Hvis du vil reducere trykket i vandstrålen, skal du dreje dysen mod uret. (Fig. 27)

Betjening af produktet

1. Slut produktet til en vandkilde. Se *Sådan tilsluttes produktet til en vandkilde på side 68*.
2. Dræn systemet. Se *Sådan drænes systemet på side 69*.
3. Start produktet. Se *Sådan startes produktet på side 69*.

Sådan tilsluttes produktet til en vandkilde

Produktet kan bruges med vand fra vandforsyningsnettet eller en åben vandkilde, f.eks. en sø eller en vandcylinder.

- For at tilslutte produktet til vandforsyningsnettet, se *Sådan tilsluttes produktet til vandforsyningsnettet på side 68*.
- For at tilslutte produktet til en åben vandkilde, se *Sådan tilsluttes produktet til en åben vandkilde på side 68*.

Sådan tilsluttes produktet til vandforsyningsnettet

1. Installer haveslangeadapteren og vandfilteret på vandindløbet på produktet, hvis de ikke er installeret. Se *Sådan installeres haveslangeadapteren på side 67*.
2. Tilslut vandslangen til vandforsyningsnettet. Brug en haveslange på ½ tomme, der er 10-25 m lang. (Fig. 28)



BEMÆRK: Vandtrykket i vandforsyningsnettet må ikke overstige 1 MPa (10 bar).



BEMÆRK: Vandtemperaturen i vandforsyningsnettet må ikke overstige 40 °C.

3. Åbn ventilen på vandforsyningsnettet, og sørg for, at vandet kan strømme frit fra haveslangen. (Fig. 29)
4. Luk ventilen på vandforsyningsnettet.
5. Tilslut vandslangen til den indgående vandtilslutning på produktet. (Fig. 30)
6. Tilslut strømstikket til en strømkilde.
7. Åbn ventilen på vandforsyningsnettet.
8. Dræn systemet, før du betjener produktet. Se *Sådan drænes systemet på side 69*.

Sådan tilsluttes produktet til en åben vandkilde

Produktet kan bruges med vand fra en åben vandkilde, f.eks. en sø eller en vandcylinder. Brug en sugeslange på ½ tomme (medfølger ikke), der er maks. 3 m lang.

(Fig. 31)



BEMÆRK: Vandtemperaturen i vandkilden må ikke overstige 20 °C.



BEMÆRK: Produktet må ikke være mere end 0,5 m over vandkilden.

1. Hvis haveslangeadapteren er installeret, skal du fjerne den fra vandindløbet på produktet. (Fig. 32)



BEMÆRK: Fjern ikke vandfilteret i vandindløbet.

2. Installer en sugeslange (medfølger ikke) på produktets vandindløb. (Fig. 33)
3. Sæt sugeslangen i vandkilden, og sørg for, at filteret er helt nedsænket.



BEMÆRK: Brug ikke en sugeslange uden et filter.

- Tryk knappen på sprøjtehåndtaget ind, og træk højtryksslangen ud af sprøjtehåndtaget. (Fig. 19)
- Tilslut strømstikket til en strømkilde.
- Drej tænd/sluk-knappen til ON-position (I), og lad produktet køre i to minutter.
- Drej strømkontakten til OFF-position (0).
- Hold godt fast i sprøjtehåndtaget med den ene hånd, og skub højtryksslangen ind i lynkoblingen på sprøjtehåndtaget. (Fig. 18)
- Dræn systemet, før du betjener produktet. Se *Sådan drænes systemet på side 69*.

Sådan drænes systemet



BEMÆRK: Sørg for, at strømafbryderen er i OFF-position (0), før du dræner systemet.

- Slut produktet til en vandkilde. Se *Sådan tilsluttes produktet til en vandkilde på side 68*.
- Installer sprøjtelansen på sprøjtepipstolen. Se *Sådan installeres sprøjtelansen på side 67*.
- Deaktiver strømløserlåsen. Se *Til- og frakobling af strømløserlåsen på side 69*.
- Tryk på strømløseren, og hold den trykket ind, indtil der kommer vand ud af dysen på sprøjtelansen. (Fig. 34)

Sådan kobles produktet fra vandkilden

- Drej strømkontakten til OFF-position (0).
- Hvis produktet er tilsluttet til vandforsyningsnettet, skal du lukke ventilen på vandforsyningsnettet.
- Hvis produktet er tilsluttet til vandforsyningsnettet, skal du frakoble haveslangen fra vandforsyningsnettet. (Fig. 35)
- Hvis produktet er tilsluttet en åben vandkilde, skal sugeslangen frakobles vandkilden.
- Tryk på strømløseren, og hold den trykket ind, indtil der ikke kommer vand ud af dysen.
- Frakobl haveslangen fra vandindløbet på produktet. (Fig. 36)

Bemærk: Hvis produktet er tilsluttet en åben vandkilde, skal sugeslangen frakobles.

- Tryk på knappen på sprøjtehåndtaget, og træk højtryksslangen ud af sprøjtehåndtaget. (Fig. 19)
- Drej strømkontakten til ON-position (I). Lad produktet køre, indtil der ikke kommer vand ud af højtryksslangen.
- Drej strømkontakten til OFF-position (0).

- Lad sprøjtehåndtaget, sprøjtelansen og dyserne tørre, før du stiller produktet til opbevaring.

Til- og frakobling af strømløserlåsen

- For at aktivere strømløserlåsen skal du dreje strømløserlåsen med uret, indtil du hører et klik. (Fig. 37)
- For at deaktivere strømløserlåsen skal du dreje strømløserlåsen helt mod uret. (Fig. 38)

Sådan startes produktet

- Slut produktet til en vandkilde. Se *Sådan tilsluttes produktet til en vandkilde på side 68*.
- Tilslut strømstikket til en strømkilde.
- Drej strømkontakten til ON-position (I). (Fig. 39)
- Deaktiver strømløserlåsen. Se *Til- og frakobling af strømløserlåsen på side 69*.
- Tryk på strømløseren på sprøjtehåndtaget.

Bemærk: Produktet stopper automatisk, når du slipper strømløseren.

Sådan standses produktet

Bemærk: Produktet stopper automatisk, når du slipper strømløseren.

- Slip strømløseren på sprøjtehåndtaget.
- Aktivér strømløserlåsen. Se *Til- og frakobling af strømløserlåsen på side 69*.
- Drej strømkontakten til OFF-position (0). (Fig. 40)
- Træk strømstikket ud af strømkilden.
- Kobl produktet fra vandkilden. Se *Sådan kobles produktet fra vandkilden på side 69*.

Bemærk: Kobl altid produktet fra vandkilden, hvis du forlader produktet i mere end fem minutter.

Sådan bruges skumsprøjten

- Fjern skumsprøjten fra holderen. (Fig. 41)
- Fyld beholderen på skumsprøjten med rengøringsmiddel.



BEMÆRK: Brug kun rengøringsmidler, der anbefales af Husqvarna.

- Skub lynkoblingen på skumsprøjten ind i lyntilslutningen på sprøjtelansen, indtil den låses på plads. (Fig. 42)

Bemærk: Flangen på skumsprøjten skal flugte med rillen i sprøjtelansen.

4. Slut produktet til en vandkilde. Se *Sådan tilsluttes produktet til en vandkilde på side 68.*

5. Start produktet. Se *Sådan startes produktet på side 69.*

Vedligeholdelse

Indledning



ADVARSEL: Inden der foretages vedligeholdelse, skal du læse og forstå kapitlet om sikkerhed.

Alt service- og reparationsarbejde på produktet kræver specialuddannelse. Vi garanterer faglig korrekt reparation og service.

Se www.husqvarna.com for at få mere detaljerede oplysninger.

Vedligeholdelsesskema

Vedligeholdelse	Før hver anvendelse	Efter brugen
Foretag et generelt eftersyn. Se <i>Sådan udføres et generelt eftersyn på side 70.</i>	X	
Rengør produktet. Se <i>Sådan rengøres produktet på side 70.</i>		X
Rengør sprøjtelansen og dyserne. Se <i>Sådan rengøres sprøjtelansen og dyserne på side 70.</i>		X
Rengør vandfilteret. Udskift vandfilteret, hvis det er beskadiget. Se <i>Sådan rengøres vandfilteret på side 71.</i>		X
Smør O-ringene på koblingerne. Se <i>Sådan smøres O-ringene på koblingerne på side 71.</i>		X

Sådan udføres et generelt eftersyn



ADVARSEL: Sæt afbryderen i OFF-position (0), og tag stikket ud af stikkontakten, før du udfører vedligeholdelse på produktet.



BEMÆRK: Kobl produktet fra vandkilden, og sørg for, at alle dele er tørre, før du udfører vedligeholdelse på produktet.



BEMÆRK: Kobl produktet fra vandkilden, og sørg for, at alle dele er tørre, før du udfører vedligeholdelse på produktet.

- Sørg for, at møtrikker og skruer på produktet er spændt.
- Sørg for, at kablerne på produktet ikke er placeret på en måde, så de kan blive beskadiget.
- Undersøg højtryksslangen for slitage og skader.



ADVARSEL: Sæt afbryderen i OFF-position (0), og tag stikket ud af stikkontakten, før du udfører vedligeholdelse på produktet.



ADVARSEL: Betjen ikke produktet, hvis højtryksslangen er slidt eller beskadiget.



BEMÆRK: Kobl produktet fra vandkilden, og sørg for, at alle dele er tørre, før du udfører vedligeholdelse på produktet.

Sådan rengøres produktet



ADVARSEL: Sæt afbryderen i OFF-position (0), og tag stikket ud af stikkontakten, før du udfører vedligeholdelse på produktet.

1. Hvis der er installeret en dyse på sprøjtelansen, skal den fjernes fra sprøjtelansen. Se *Sådan installeres og fjernes en dyse på side 68.*
2. Rengør dyserne, koblingen på sprøjtelansen og koblingen på sprøjtehåndtaget med sæbe og vand. (Fig. 43)

3. Hvis der er en blokering i dyserne, skal du fjerne den med rensværktøjet. (Fig. 44)

Sådan rengøres vandfilteret



ADVARSEL: Sæt afbryderen i OFF-position (0), og tag stikket ud af stikkontakten, før du udfører vedligeholdelse på produktet.



BEMÆRK: Kobl produktet fra vandkilden, og sørg for, at alle dele er tørre, før du udfører vedligeholdelse på produktet.

1. Hvis haveslangeadapteren er installeret, skal du fjerne den fra vandindløbet på produktet. (Fig. 32)
2. Træk vandfilteret ud. Brug en tang. (Fig. 45)
3. Foretag en kontrol af beskadigelse af vandfilteret. Udskift vandfilteret, hvis det er beskadiget. (Fig. 46)
4. Skyl vandfilteret med rent vand. (Fig. 47)

Sådan smøres O-ringene på koblingerne



ADVARSEL: Sæt afbryderen i OFF-position (0), og tag stikket ud af stikkontakten, før du udfører vedligeholdelse på produktet.



BEMÆRK: Kobl produktet fra vandkilden, og sørg for, at alle dele er tørre, før du udfører vedligeholdelse på produktet.

1. Fjern sprøjtelansen fra sprøjtehåndtaget og sprøjtehåndtaget fra højtryksslangen. Se *Sådan installeres sprøjtelansen på side 67* og *Sådan installeres sprøjtehåndtaget på side 67*.
2. Smør O-ringene på haveslangeadapteren, sprøjtelansen og højtryksslangen med fedt. Se *Tekniske data på side 72* for den korrekte type smøremiddel. (Fig. 48)

Fejlfinding

Fejlsøgningsdiagram

Problem	Mulig årsag	Løsning
Produktet starter ikke.	Strømskikket er ikke tilsluttet til en strømkilde.	Tilslut strømskikket til en strømkilde
	Strømkontakten er i OFF-positionen (0).	Drej strømkontakten til ON-position (I).
	Der kommer ingen strøm fra strømkilden.	Kontakt en autoriseret elektriker.
	Netledningen er beskadiget.	Kontakt et godkendt serviceværksted.
	Den termiske beskytter har stoppet strømmen.	Vent, indtil produktet bliver køligt, før du betjener produktet igen.
	Der anvendes en forkert type forlænger-kabel.	Sørg for, at forlænger-kablet er rullet helt ud, og at spændingsforsyningen er i overensstemmelse med produktets spænding.
Sikringen går under start eller drift.	Der anvendes en forkert type sikring.	Sørg for at bruge en træg sikring af klasse "C" eller "K".
Produktet stopper ikke.	Produktet er beskadiget.	Tag stikket ud, og kontakt et godkendt serviceværksted.
Produktet bliver for varmt.	Luftstrømmen er ikke tilstrækkelig.	Rengør luftindtagene.
Produktet kører ikke jævnt.	Der er luft i systemet.	Dræn systemet.

Problem	Mulig årsag	Løsning
Vandtrykket er utilfredsstillende.	Slangen er bøjet	Kontrollér, at slangerne ikke er bøje- de.
	Strømkontakten er i OFF-positionen (0).	Drej strømkontakten til ON-position (I).
	Vandstrømmen er ikke tilstrækkelig.	Sørg for, at produktet er tilsluttet kor- rekt til vandkilden. Sørg for, at vand- tilstrømningen er tilstrækkelig.
	Vandfilteret er tilstoppet.	Rengør vandfilteret.
	Der er luft i systemet.	Dræn systemet.
	Tilbehøret er ikke korrekt.	Sørg for, at du anvender det korrekte tilbehør.

Transport, opbevaring og bortskaffelse

Transport

- Frakobl strømstikket fra strømkilden før transport af produktet.
- Frakobl produktet fra vandkilden før transport af produktet.
- Fastgør produktet for at forhindre bevægelse under transport.

3. Sørg for, at alt tilbehør er tørt.
4. Sæt sprøjtehåndtaget, sprøjtelansen og dyserne i holderne.
5. Frakobl højtryksvandslangen, og sæt den i holderen. (Fig. 49)
6. Sæt strømkablet i holderen, og fastgør stroppen. (Fig. 50)

Opbevaring

- Dræn alt vand fra produktet, højtryksvandslangen og tilbehøret, før du lægger produktet til opbevaring.
- Klargør produktet til opbevaring. Se *Sådan klargøres produktet til opbevaring på side 72*.
- Opbevar produktet et tørt og frostfrit sted.

Bortskaffelse

Husqvarna-produkter er ikke husholdningsaffald og må kun bortskaffes som angivet i denne manual.

- Overhold de lokale krav til bortskaffelse og de gældende regler.
- Genbrug produktet og emballagen på en relevant godkendt miljøstation.
- Tal med din lokale Husqvarna-forhandler for yderligere oplysninger om, hvordan du genbruger og kasserer produktet.

Sådan klargøres produktet til opbevaring

1. Stop motoren, og tag strømstikket ud af stikkontakten.
2. Kobl produktet fra vandkilden. Se *Sådan kobles produktet fra vandkilden på side 69*.

Tekniske data

PW 130	
Motor og pumpe	
Type	Serie-AC-motor
Effekt, watt	1500
Spændingsområde, V	220–240
Frekvens, Hz	50
Nominel strøm, A	6,5

	PW 130
Maks. olieflow, l/min.	7,7
Maks. vandudgangstryk, bar/MPa	130/13
Maks. vandindgangstryk, bar	10
Maks. indløbstemperatur for vand, °C	40
Maks. vandindløbstemperatur (i sugetilstand), °C	20
IP-klassificering	IPX5
Sikkerhedsklasse	Klasse II
Smøring	
Type fedt til smøring af O-ringe	Hvidt universalsilikonfedt
Vægt	
Vægt, kg	6,5
Støjemissioner ¹³	
Lydeffektniveau, målt dB(A)	85
Lydeffektniveau, garanteret L _{WA} dB(A)	89
Lydniveauer ¹⁴	
Ækvivalent lydtrykniveau ved brugerens øre, dB(A)	72
Vibrationsniveauer ¹⁵	
Hånd/arm (med standardmundstykke) m/s ²	2,5
Ækvivalente vibrationsniveauer ¹⁶	
Hånd/arm (med standardmundstykke) m/s ²	1,8

Tilbehør

Godkendt tilbehør

Godkendt tilbehør	Varenr.
Overfladerenser SC 300	590 65 79-01

¹³ Støjemissioner til omgivelserne målt som lydeffekt (L_{WA}) i henhold til EF-direktiv 2000/14/EF.

¹⁴ Ækvivalent lydtrykniveau i henhold til ISO 22868 beregnes som den tidsvægtede energisum for forskellige lydtrykniveauer ved forskellige driftstilstande. Typisk statistisk spredning for et ækvivalent lydtrykniveau er en standardafvigelse på 1 dB (A).

¹⁵ Vibrationsniveau iht. EN 60745-2-13. Rapporterede data for vibrationsniveau har en typisk statistisk spredning (standardafvigelse) på en m/s². De angivne vibrationsdata gælder målinger, hvor maskinen er installeret med en specifik sværdlængde og den anbefalede kædetype. Hvis maskinen er installeret med en anden sværdlængde, kan vibrationsniveauet variere med maks. ± 1,5 m/s².

¹⁶ Tilsvarende vibrationsniveau er målt og beregnet for kædesave med forbrændingsmotor. Disse tal er godkendt til at kunne anvendes ved sammenligninger af vibrationsdata uanset motortype i overensstemmelse med ISO 22867:2011.

Godkendt tilbehør	Varenr.
Skumsprøjte FS 300	590 66 04-01
Rørrensningsslange, 15 m	590 66 10-01
Vandfilter	590 65 93-01
Tilbageløbssikring	590 65 95-01
Sugeslange	590 65 97-01
Bilsæt	590 66 07-01
Roterende børstesæt	590 66 06-01
Vinklet sprøjtelanse	590 66 11-01
Mundstykke til opsugning af vand	590 66 05-01
Forlængerslange, 8 m	590 66 08-01

Overensstemmelseserklæring

EU-overensstemmelseserklæring

Vi, Husqvarna AB, SE-561 82 Huskvarna, Sverige,
tlf.: +46-36-146500 erklærer under eneansvar, at det
pågældende produkt:

Beskrivelse	Højtryksrensere
Varemærke	Husqvarna
Type / model	PW 130
Identifikation	Serienumrene fra 2022 og fremefter

overholder følgende EU-direktiver og bestemmelser:

Regulativ	Beskrivelse
2006/42/EF	"vedrørende maskiner"
2014/30/EU	"vedrørende elektromagnetisk kompatibilitet"
2000/14/EF bilag V	"vedrørende støjemissioner til omgivelserne"
2011/65/EU	"om begrænsning af anvendelsen af visse farlige stoffer i elektrisk og elektronisk udstyr"

og at følgende standarder og/eller tekniske
specifikationer anvendes: EN 60335-1:2012/A11:2014/
A13:2017/A1:2019/A14:2019/A2:2019/A15:2021, EN
60335-2-79:2012, EN 62233:2008, EN 55014-1:2021,
EN 55014-2:2021, EN IEC 61000-3-2:2019/A1:2021, EN
61000-3-3:2013/A2:2021, EN IEC 63000:2018.

Vedr. oplysninger om støjemission, se *Tekniske data på
side 72*.

Huskvarna, 2023-01-19



Claes Losdal, udviklingschef/haveprodukter, Husqvarna
AB

Ansvarlig for teknisk dokumentation



Inhalt

Einleitung.....	76	Fehlerbehebung.....	89
Sicherheit.....	77	Transport, Lagerung und Entsorgung.....	90
Montage.....	84	Technische Daten.....	91
Betrieb.....	84	Zubehör.....	92
Wartung.....	87	Konformitätserklärung.....	94

Einleitung

Gerätebeschreibung

Bei diesem Gerät handelt es sich um einen elektrisch betriebenen Hochdruckreiniger. Es kann mit verschiedenen Wasserdruckstufen und Reinigungsmitteln betrieben werden.

andere Arbeiten. Verwenden Sie das Gerät in aufrechter Position.

Hinweis: Der Betrieb des Geräts kann durch nationale Vorschriften eingeschränkt werden.

Bestimmungsgemäße Verwendung

Verwenden Sie das Gerät nur für Reinigungsarbeiten im häuslichen Bereich. Verwenden Sie das Gerät nicht für

Geräteübersicht

(Abb. 1)

1. Düse für geraden Wasserstrahl
2. Düse für rotierenden Wasserstrahl
3. Gummieriemen für Netzkabelhalter
4. Halter für Sprühgriff und Sprühlanze
5. Hochdruckwasserschlauch
6. Wassereinlass
7. Schaumprüher
8. Aufbewahrung des Hochdruckwasserschlauchs
9. Netzschalter
10. Netzkabel
11. Wasserauslass mit Schnellkupplung
12. Reinigungswerkzeug für Düsen
13. Tragegriff
14. Lufteinlass
15. Sprühgriff
16. Sprühlanze
17. Bedienungsanleitung

vorsichtig vor, und verwenden Sie das Gerät ordnungsgemäß.

(Abb. 3)

Lesen Sie die Bedienungsanleitung sorgfältig durch, und machen Sie sich mit den Anweisungen vertraut, bevor Sie das Gerät benutzen.

(Abb. 4)

Das Gerät ist nicht für den Anschluss an das Trinkwassernetz geeignet.

Symbole auf dem Gerät

(Abb. 2)

WARNUNG: Dieses Gerät kann gefährlich sein und schwere oder tödliche Verletzungen des Bedieners oder anderer Personen verursachen. Gehen Sie

(Abb. 5)

Hochdruckwasserstrahlen können bei falscher Anwendung gefährlich sein. Der Strahl darf nicht auf Personen,

elektrische Geräte oder das Gerät selbst gerichtet werden.

(Abb. 6)

Umweltkennzeichen.
Das Gerät und die Verpackung des Geräts dürfen nicht über den Hausmüll entsorgt werden. Recyceln Sie es an einer offiziellen Recyclingstation für elektrische und elektronische Geräte.

(Abb. 7)

Gerät der Klasse II.

(Abb. 8)

Etikett mit Geräuschemissionen gemäß EU- und UK-Richtlinien und Verordnungen sowie der australischen „Protection of the Environment Operations (Noise Control) Regulation 2017“ (Umweltschutz-/Lärmschutzbestimmung) von New South Wales. Der garantierte

Schalleistungspegel des Geräts ist unter *Technische Daten auf Seite 91* und auf dem Etikett angegeben.

(Abb. 9)

Geschützt gegen Niederdruckwasserstrahlen aus jedem Winkel.

(Abb. 10)

Vor Frost schützen.

(Abb. 11)

Dieses Gerät stimmt mit den geltenden EG-Richtlinien überein.

(Abb. 12)

Dieses Gerät entspricht den geltenden UK-Richtlinien.

Hinweis: Sonstige Symbole/Aufkleber auf dem Gerät beziehen sich auf Zertifizierungsanforderungen, die in einigen Märkten gelten.

Produktschäden

Wir haften nicht für Schäden an unserem Produkt, wenn:

- das Gerät nicht ordnungsgemäß repariert wird.
- das Gerät mit Teilen repariert wird, die nicht vom Hersteller stammen oder nicht vom Hersteller zugelassen sind.
- ein Zubehörteil mit dem Gerät verwendet wird, das nicht vom Hersteller stammt oder nicht vom Hersteller zugelassen ist.
- das Gerät nicht bei einem zugelassenen Service Center oder von einem zugelassenen Fachmann repariert wird.

Sicherheit

Sicherheitsdefinitionen

Warnungen, Vorsichtsmaßnahmen und Hinweise werden verwendet,

um auf besonders wichtige Teile der Bedienungsanleitung hinzuweisen.



WARNUNG: Wird verwendet, wenn bei Nichtbeachtung der Anweisungen in diesem Handbuch die Gefahr von Verletzung oder Tod des Bedieners oder anderer Personen besteht.



ACHTUNG: Wird verwendet, wenn bei Nichtbeachtung der Anweisungen in diesem Handbuch die Gefahr von Schäden am Gerät, an anderen Materialien oder in der Umgebung besteht.

Hinweis: Für weitere Informationen, die in bestimmten Situationen nötig sind.

Allgemeine Sicherheitshinweise



WARNUNG: Lesen Sie die folgenden Warnhinweise, bevor Sie das Gerät verwenden.

- Dieses Gerät ist gefährlich, wenn es falsch bedient wird oder Sie unvorsichtig sind.

Wenn die Sicherheitshinweise nicht befolgt werden, kann dies zu Verletzungen oder zum Tod führen.

- Lassen Sie immer Vorsicht walten, und arbeiten Sie mit gesundem Menschenverstand. Wenn Sie sich nicht sicher sind, wie das Gerät in einer bestimmten Situation zu bedienen ist, unterbrechen Sie die Arbeit und wenden sich an Ihre Husqvarna-Servicewerkstatt, bevor Sie fortfahren.
- Denken Sie daran, dass der Bediener für Unfälle mit anderen Personen oder deren Eigentum verantwortlich ist.
- Halten Sie das Gerät sauber. Stellen Sie sicher, dass Symbole und Aufkleber deutlich lesbar sind.
- Verhindern Sie, dass Kinder oder Personen, die mit den Anweisungen nicht vertraut sind, das Gerät benutzen. Unter Umständen gelten gesetzlich vorgeschriebene Altersbeschränkungen für den Bediener.
- Dieses Gerät kann von Personen mit verringerten physischen, sensorischen oder mentalen Fähigkeiten bedient werden, solange

sie beaufsichtigt werden oder die Anweisungen zur sicheren Bedienung des Geräts erhalten und die daraus resultierenden Gefahren verstanden haben.

- Dieses Gerät kann von Personen bedient werden, die nicht über die erforderlichen Erfahrungen oder Kenntnisse verfügen, solange sie beaufsichtigt werden oder Anweisungen zur sicheren Bedienung des Geräts erhalten und die damit verbundenen Gefahren verstehen.
- Verwenden Sie das Gerät nicht, wenn Sie müde oder krank sind oder unter Einfluss von Alkohol, Drogen oder Medikamenten stehen. Dies wirkt sich negativ auf Ihre Sehkraft, Ihre Aufmerksamkeit sowie Ihr Koordinations- und Urteilsvermögen aus.
- Verwenden Sie das Gerät nicht, wenn es beschädigt ist.
- Verändern oder verwenden Sie dieses Gerät nicht, wenn die Möglichkeit besteht, dass es durch Dritte verändert wurde.

Sicherheitshinweise für den Betrieb



WARNUNG: Lesen Sie die folgenden Warnhinweise, bevor Sie das Gerät verwenden.

- Verwenden Sie das Gerät nicht, wenn das Netzkabel, der Hochdruckschlauch, die Gashebelsperre oder der Sprühgriff beschädigt sind.
- Überprüfen Sie das Gerät auf Schäden, bevor Sie es in Betrieb nehmen. Verwenden Sie das Gerät nicht, wenn Teile beschädigt sind oder fehlen.
- Halten Sie den Sprühgriff gut mit beiden Händen fest. Beim Ziehen des Gashebels gibt es einen Rückschlag.
- Seien Sie bei der Bedienung des Geräts vorsichtig. Der vom Gerät erzeugte Hochdruck ist gefährlich und kann Verletzungen verursachen.
- Richten Sie den Strahl nicht auf sich selbst, auf andere Personen oder auf Tiere.
- Richten Sie den Strahl nicht auf sich oder andere, um Schuhe zu reinigen.
- Richten Sie den Strahl nicht in Richtung elektrischer

Geräte oder auf das Gerät selbst.

- Verwenden Sie beim Umgang mit dem Gerät persönliche Schutzausrüstung. Siehe *Persönliche Schutzausrüstung auf Seite 82*.
- Betreiben Sie das Gerät nicht in der Nähe von Personen, es sei denn, diese tragen eine Schutzausrüstung.
- Befolgen Sie bei der Verwendung von Reinigungsmitteln die entsprechenden Sicherheitshinweise.
- Verwenden Sie ausschließlich Husqvarna-Reinigungsmittel.
- Verwenden Sie den richtigen Wasserdruck und die richtigen Reinigungsmittel, und nutzen Sie das Gerät nur für die in diesem Handbuch beschriebenen Aufgaben. Wenn Sie einen falschen Wasserdruck oder ein falsches Reinigungsmittel verwenden oder das Gerät für andere Aufgaben als die in diesem Handbuch beschriebenen verwenden, kann es zu Schäden am Gerät, an Oberflächen, Materialien oder anderen Geräten kommen. Husqvarna haftet nicht für Schäden

durch eine unsachgemäße Verwendung.

- Es wird davon abgeraten, das Gerät an eine Trinkwasserleitung anzuschließen. Wenn Sie das Gerät dennoch an eine Trinkwasserleitung anschließen müssen, befolgen Sie die regionalen und nationalen Vorschriften. Nutzen Sie gegebenenfalls einen Rückflusstopp (nicht im Lieferumfang enthalten). Wasser, das durch einen Rückflusstopp geflossen ist, gilt als nicht trinkbar.
- Versprühen Sie keine brennbaren Flüssigkeiten. Explosionsgefahr.
- Lassen Sie keine Kinder das Gerät bedienen.
- Lassen Sie keine Kinder mit dem Gerät spielen.
- Lassen Sie keine Personen das Gerät ohne Einweisung bedienen.
- Verwenden Sie nur Zubehör und Ersatzteile, die von Husqvarna zugelassen sind.
- Achten Sie darauf, dass der Stromanschluss von einem zugelassenen Elektriker vorgenommen wurde und der Norm IEC 60364-1 entspricht.
- Verwenden Sie einen Fehlerstromschutzschalter,

- der die Stromversorgung unterbricht, wenn der Leckstrom 30 Millisekunden lang mehr als 30 mA beträgt. Wenn Sie keinen Fehlerstromschutzschalter haben, verwenden Sie ein Gerät, das den Erdschluss nachweisen kann.
- Verwenden Sie Motorstart-/ Verzögerungssicherungen mit den Kennung C oder D gemäß IEC 898-1 oder IEC947-2 oder entsprechenden Normen außerhalb von IEC.
 - Zur Einstellung von Produkten, die mit einer doppelten Spannung und Frequenz gekennzeichnet sind, sind keine Maßnahmen erforderlich.
 - Wenn ein Verlängerungskabel verwendet werden muss, achten Sie darauf, dass dieses für den Betrieb im Freien geeignet ist. Stellen Sie sicher, dass der Abstand zwischen Steckdose und Boden mindestens 60 mm beträgt. Der Anschluss muss stets trocken gehalten werden.
 - Stellen Sie den Netzschalter in die Position AUS (0), ziehen Sie den Netzstecker, und aktivieren Sie die Gashebelsperre, bevor Sie sich vom Gerät entfernen.
 - Stellen Sie den Netzschalter in die Position AUS (0) und ziehen Sie den Netzstecker, bevor Sie Zubehör austauschen.
 - Stellen Sie den Netzschalter in die Position AUS (0) und ziehen Sie den Netzstecker, bevor Sie das Gerät reinigen oder warten.
 - Betreiben Sie das Gerät nicht in Umgebungen, in denen die Umgebungstemperatur weniger als 0 °C beträgt.
 - Starten Sie das Gerät nicht, wenn es eingefroren ist.
 - Betreiben Sie das Gerät nicht in Innenräumen.
 - Stellen Sie keine Gegenstände auf das Gerät, wenn es in Betrieb ist.
 - Trinken Sie kein Wasser, das mit dem Gerät verwendet wurde.
 - Verwenden Sie das Gerät niemals in der Nähe offener Fenster.
 - Achten Sie auf hochgeschleuderte Gegenstände. Steine und lose Gegenstände könnten in die Augen geschleudert werden und zu Erblindung oder schweren Verletzungen führen.

- Wenn das Gerät nicht richtig funktioniert, lesen Sie bitte *Fehlerbehebungsplan auf Seite 89*.

Persönliche Schutzausrüstung



WARNUNG: Lesen Sie die folgenden Warnhinweise, bevor Sie das Gerät verwenden.

- Die persönliche Schutzausrüstung kann Verletzungen nicht vollständig vermeiden, vermindert aber den Umfang der Verletzungen und Schäden bei einem Unfall. Lassen Sie sich von Ihrem Händler bei der Auswahl der richtigen Ausrüstung unterstützen.
- Tragen Sie rutschfeste Sicherheitsstiefel oder -schuhe. Verwenden Sie keine offenen Schuhe und gehen Sie nicht barfuß.
- Tragen Sie Schutzkleidung.
- Tragen Sie einen zugelassenen Gehörschutz.
- Tragen Sie eine Schutzbrille.
- Verwenden Sie einen Atemschutz mit Klasse FFP2 oder gleichwertig, wenn Sie das Gerät in Umgebungen betreiben, in denen sich

gefährliche Aerosole bilden können.

Sicherheitsvorrichtungen am Gerät



WARNUNG: Lesen Sie die folgenden Warnhinweise, bevor Sie das Gerät verwenden.

- Verwenden Sie kein Gerät mit Sicherheitsvorrichtungen, die beschädigt sind oder nicht ordnungsgemäß funktionieren.
- Sicherheitsvorrichtungen dürfen nicht entfernt oder verändert werden.
- Führen Sie regelmäßig eine Überprüfung der Sicherheitsvorrichtungen durch. Wenn die Sicherheitsvorrichtungen beschädigt sind oder nicht ordnungsgemäß funktionieren, wenden Sie sich an den Kundendienst von Husqvarna.

Gashebelsperre

Die Gashebelsperre (A) verhindert ein versehentliches Auslösen des Gashebels (B). Wenn sich die Gashebelsperre in der verriegelten Position

befindet, kann der Gashebel nicht gedrückt werden.

(Abb. 13)

Gashebel

Das Gerät startet, wenn der Gashebel gedrückt wird, und es stoppt, wenn der Gashebel losgelassen wird.

Thermoschutz

Das Gerät verfügt über einen automatischen Thermoschutz. Wenn es zu heiß wird, unterbricht der Thermoschutz die Stromversorgung des Geräts. Wenn der Thermoschutz die Stromversorgung unterbrochen hat, warten Sie, bis das Gerät abgekühlt ist. Der Thermoschutz wird automatisch zurückgesetzt, wenn das Gerät ausreichend abgekühlt ist.

Hydraulisches Überdruckventil

Das Gerät verfügt über ein integriertes hydraulisches Überdruckventil, das einen zu hohen Druck im System verhindert.

Sicherheitshinweise für die Wartung



WARNUNG: Lesen Sie folgende Warnhinweise,

bevor Sie das Gerät warten.



ACHTUNG: Führen Sie nach einer längeren Einlagerung immer die Wartungsarbeiten durch, bevor Sie das Gerät starten.

- Stellen Sie den Netzschalter auf AUS (0) und ziehen Sie den Netzstecker aus der Steckdose, bevor Sie Wartungsarbeiten am Gerät durchführen.
- Trennen Sie das Gerät von der Wasserversorgung und stellen Sie sicher, dass alle Teile trocken sind, bevor Sie Wartungsarbeiten am Gerät durchführen.
- Führen Sie nur die in dieser Bedienungsanleitung beschriebenen Wartungsarbeiten durch.
- Verwenden Sie nur von Husqvarna empfohlene Ersatzteile. Hochdruckwasserschläuche, Anschlussstücke und Kupplungen sind für die Sicherheit beim Betrieb des Geräts wichtig. Verwenden Sie nur Schläuche, Anschlussstücke

und Kupplungen, die vom Hersteller empfohlen werden.

- Reparieren Sie das Gerät nie selbst. Wenden Sie sich an Ihre Husqvarna-Servicewerkstatt.
- Wenden Sie sich an Ihre Husqvarna-Servicewerkstatt,

wenn der Netzstecker oder das Netzkabel beschädigt sind.

- Lassen Sie keine Kinder das Gerät reinigen oder warten.

Montage

Einleitung



WARNUNG: Lesen Sie vor der Montage des Geräts das Kapitel über Sicherheit, und machen Sie sich damit vertraut.

So befestigen Sie den Gartenschlauchadapter

1. Entfernen Sie die Transportabdeckung vom Wassereinlass und entsorgen Sie sie. (Abb. 14)
2. Befestigen Sie den Gartenschlauchadapter am Wassereinlass. (Abb. 15)



ACHTUNG: Achten Sie darauf, den Gartenschlauchadapter gerade am

Wassereinlass anzuschließen. Wenn der Gartenschlauchadapter nicht gerade angeschlossen wird, kann es zu Schäden am Gewinde und zu Leckagen kommen.

3. Ziehen Sie den Gartenschlauchadapter vollständig fest.
4. Entfernen Sie den Gartenschlauchadapter in umgekehrter Reihenfolge.

Befestigen der Halterung für den Sprühgriff und die Sprühlanze

- Befestigen Sie den Griff mit den zwei Schrauben. (Abb. 16)

Betrieb

Einleitung



WARNUNG: Lesen Sie vor Gebrauch des Geräts das Kapitel über Sicherheit, und machen Sie sich damit vertraut.

Husqvarna Connect

Husqvarna Connect ist eine kostenlose App für Ihr Mobilgerät. Die Husqvarna Connect App bietet erweiterte Funktionen für Ihr Gerät:

- Erweiterte Produktinformationen
- Informationen über Produktteile und -wartung sowie entsprechende Hilfe dazu.

Erste Verwendung von Husqvarna Connect

1. Laden Sie die Husqvarna Connect-App auf Ihr Mobiltelefon.
2. Anmeldung bei der Husqvarna Connect-App.

3. Befolgen Sie die Anweisungen in der Husqvarna Connect-App, um sich zu verbinden und das Gerät zu registrieren.

Hinweis: Die Husqvarna Connect-App ist nicht überall zum Download erhältlich. Ihr Servicehändler steht Ihnen gerne für weitere Informationen zur Verfügung.

So installieren Sie den Sprühgriff

1. Schieben Sie den Hochdruckwasserschlauch in die Schnellkupplung, bis er einrastet. (Abb. 17)



ACHTUNG: Achten Sie zur Vermeidung von Leckagen darauf, dass der Hochdruckschlauch vollständig mit der Schnellkupplung am Gerät verbunden ist.

- Halten Sie den Sprühgriff mit einer Hand fest und drücken Sie den Hochdruckwasserschlauch in die Schnellkupplung am Sprühgriff. (Abb. 18)

Ausbau des Sprühgriffs

- Drücken Sie die Taste am Sprühgriff und ziehen Sie den Hochdruckwasserschlauch heraus. (Abb. 19)
- Drücken Sie den Außenring an der Schnellkupplung und ziehen Sie den Hochdruckwasserschlauch heraus. (Abb. 20)

So installieren Sie die Sprühlanze

- Halten Sie den Sprühgriff mit einer Hand fest und drücken Sie die Kupplung der Sprühlanze in den Sprühgriff. (Abb. 21)
- Drehen Sie die Sprühlanze im Uhrzeigersinn und lassen Sie sie los. Die Sprühlanze rastet ein.

So entfernen Sie die Sprühlanze

- Drücken Sie die Sprühlanze hinein und drehen Sie sie gegen den Uhrzeigersinn. (Abb. 22)
- Ziehen Sie die Sprühlanze aus dem Sprühgriff.

So bauen Sie eine Düse ein und aus

Das Gerät wird mit zwei Düsen geliefert: Eine Düse für einen geraden Wasserstrahl (gekennzeichnet mit „Gentle Nozzle“) und eine Düse für einen rotierenden Wasserstrahl (gekennzeichnet mit „Rough Nozzle“). Die Düse für den geraden Wasserstrahl kann zum Reinigen empfindlicher Oberflächen, z. B. von Fahrzeugen, verwendet werden. Die Düse mit rotierendem Wasserstrahl kann auch zum Reinigen von unempfindlichen Oberflächen verwendet werden, z. B. Fahrwege.

(Abb. 23)



ACHTUNG: Verwenden Sie die Düse für den rotierenden Wasserstrahl nicht auf empfindlichen Oberflächen, z. B. lackierten Oberflächen an einem Fahrzeug. Der rotierende Wasserstrahl kann die Oberflächen beschädigen.

- Halten Sie die Sprühdüse zum Einbau einer Düse mit einer Hand fest und drücken Sie sie hinein, bis sie einrastet. (Abb. 24)
- Drücken Sie zum Ausbau einer Düse die Taste an der Sprühlanze hinein und ziehen Sie die Düse aus der Sprühlanze heraus. (Abb. 25)

So stellen Sie den Wasserstrahl Druck ein

Die Düse für den geraden Wasserstrahl hat einen einstellbaren Druck.

- Drehen Sie die Düse im Uhrzeigersinn, um den Wasserstrahl Druck zu erhöhen. (Abb. 26)

- Drehen Sie die Düse gegen den Uhrzeigersinn, um den Wasserstrahl Druck zu verringern. (Abb. 27)

So bedienen Sie das Produkt

- Schließen Sie das Gerät an einen Wasseranschluss an. Siehe *Anschließen des Geräts an einen Wasseranschluss auf Seite 85*.
- Entlüften Sie das System. Siehe *Entlüften des Systems auf Seite 86*.
- Starten Sie das Gerät. Siehe *So starten Sie das Gerät auf Seite 87*.

Anschließen des Geräts an einen Wasseranschluss

Das Gerät kann mit Wasser aus der Wasserleitung oder einer offenen Wasserquelle, z. B. einem See oder einem Wasserfass, betrieben werden.

- Informationen zum Anschluss des Geräts an die Wasserleitung finden Sie unter *So schließen Sie das Gerät an eine Wasserleitung an auf Seite 85*.
- Informationen zum Anschluss des Geräts an eine offene Wasserquelle finden Sie unter *So schließen Sie das Gerät an eine offene Wasserquelle an auf Seite 86*.

So schließen Sie das Gerät an eine Wasserleitung an

- Befestigen Sie den Gartenschlauchadapter und den Wasserfilter am Wassereinlass des Geräts, sofern diese nicht bereits installiert sind. Siehe *So befestigen Sie den Gartenschlauchadapter auf Seite 84*.
- Schließen Sie den Gartenschlauch an die Wasserleitung an. Verwenden Sie einen Gartenschlauch mit 1/2 Zoll Durchmesser und 10 bis 25 Metern Länge. (Abb. 28)



ACHTUNG: Der Druck im Wassernetz darf nicht mehr als 1 MPa (10 bar) betragen.



ACHTUNG: Die Wassertemperatur im Wassernetz darf nicht mehr als 40 °C betragen.

- Öffnen Sie das Ventil der Wasserleitung und stellen Sie sicher, dass das Wasser frei durch den Gartenschlauch fließen kann. (Abb. 29)
- Schließen Sie das Ventil der Wasserleitung.
- Schließen Sie den Gartenschlauch an den Wasseranschluss des Geräts an. (Abb. 30)
- Verbinden Sie den Netzstecker mit einem Netzanschluss.
- Öffnen Sie das Ventil der Wasserleitung.

8. Entlüften Sie das System, bevor Sie das Gerät in Betrieb nehmen. Siehe *Entlüften des Systems auf Seite 86*.

So schließen Sie das Gerät an eine offene Wasserquelle an

Das Gerät kann mit Wasser aus einer offenen Wasserquelle, z. B. einem See oder einem Wasserfass, verwendet werden. Verwenden Sie einen Saugschlauch mit ½ Zoll Durchmesser und einer Länge von höchstens 3 Metern (nicht im Lieferumfang enthalten).

(Abb. 31)



ACHTUNG: Die Wassertemperatur der Wasserquelle darf nicht mehr als 20 °C betragen.



ACHTUNG: Das Gerät darf sich nicht mehr als 0,5 m oberhalb der Wasserquelle befinden.

1. Wenn der Gartenschlauchadapter befestigt ist, entfernen Sie ihn vom Wassereinlass des Geräts. (Abb. 32)



ACHTUNG: Entfernen Sie nicht den Wasserfilter aus dem Wassereinlass.

2. Befestigen Sie einen Saugschlauch (nicht im Lieferumfang enthalten) am Wassereinlass des Geräts. (Abb. 33)
3. Legen Sie den Saugschlauch in die Wasserquelle und achten Sie darauf, dass der Filter vollständig eingetaucht ist.



ACHTUNG: Verwenden Sie keinen Saugschlauch ohne Filter.

4. Drücken Sie die Taste am Sprühgriff und ziehen Sie den Hochdruckschlauch aus dem Sprühgriff. (Abb. 19)
5. Verbinden Sie den Netzstecker mit einem Netzanschluss.
6. Stellen Sie den Netzschalter auf die Position EIN (I), und lassen Sie das Gerät 2 Minuten lang laufen.
7. Stellen Sie den Netzschalter in die Position AUS (0).
8. Halten Sie den Sprühgriff mit einer Hand fest und stecken Sie den Hochdruckschlauch in die Schnellkupplung am Sprühgriff. (Abb. 18)
9. Entlüften Sie das System, bevor Sie das Gerät in Betrieb nehmen. Siehe *Entlüften des Systems auf Seite 86*.

Entlüften des Systems



ACHTUNG: Stellen Sie sicher, dass sich der Netzschalter in der Position AUS (0) befindet, bevor Sie das System entlüften.

1. Schließen Sie das Gerät an einen Wasseranschluss an. Siehe *Anschließen des Geräts an einen Wasseranschluss auf Seite 85*.
2. Befestigen Sie die Sprühlanze an der Sprühpistole. Siehe *So installieren Sie die Sprühlanze auf Seite 85*.
3. Lösen Sie die Gashebelsperre. Siehe *So aktivieren und deaktivieren Sie die Gashebelsperre auf Seite 86*.
4. Drücken Sie den Gashebel und halten Sie ihn gedrückt, bis Wasser aus der Düse der Sprühlanze austritt. (Abb. 34)

Trennen Sie das Gerät von der Wasserversorgung

1. Stellen Sie den Netzschalter in die Position AUS (0).
2. Wenn das Gerät an die Wasserleitung angeschlossen ist, schließen Sie das Ventil der Wasserleitung.
3. Wenn das Gerät an die Wasserleitung angeschlossen ist, trennen Sie den Gartenschlauch von der Wasserleitung. (Abb. 35)
4. Wenn das Gerät an eine offene Wasserquelle angeschlossen ist, entfernen Sie den Saugschlauch aus der Wasserquelle.
5. Halten Sie den Gashebel gedrückt, bis kein Wasser mehr aus der Düse austritt.
6. Ziehen Sie den Gartenschlauch vom Wassereinlass des Geräts ab. (Abb. 36)

Hinweis: Wenn das Gerät an eine offene Wasserquelle angeschlossen ist, trennen Sie den Saugschlauch.

7. Drücken Sie die Taste am Sprühgriff und ziehen Sie den Hochdruckschlauch aus dem Sprühgriff. (Abb. 19)
8. Stellen Sie den Netzschalter in die Position EIN (I). Lassen Sie das Gerät laufen, bis kein Wasser mehr aus dem Hochdruckschlauch austritt.
9. Stellen Sie den Netzschalter in die Position AUS (0).
10. Lassen Sie den Sprühgriff, die Sprühlanze und die Düsen trocknen, bevor Sie das Gerät einlagern.

So aktivieren und deaktivieren Sie die Gashebelsperre

- Aktivieren: drehen Sie die Gashebelsperre im Uhrzeigersinn, bis Sie ein Klicken hören. (Abb. 37)
- Deaktivieren: drehen Sie die Gashebelsperre vollständig gegen den Uhrzeigersinn. (Abb. 38)

So starten Sie das Gerät

1. Schließen Sie das Gerät an einen Wasseranschluss an. Siehe *Anschließen des Geräts an einen Wasseranschluss auf Seite 85*.
2. Verbinden Sie den Netzstecker mit einem Netzanschluss.
3. Stellen Sie den Netzschalter in die Position EIN (I). (Abb. 39)
4. Lösen Sie die Gashebelsperre. Siehe *So aktivieren und deaktivieren Sie die Gashebelsperre auf Seite 86*.
5. Drücken Sie den Gashebel am Sprühgriff.

Hinweis: Das Gerät stoppt automatisch, wenn Sie den Gashebel loslassen.

So stoppen Sie das Gerät

Hinweis: Das Gerät stoppt automatisch, wenn Sie den Gashebel loslassen.

1. Lösen Sie den Gashebel am Sprühgriff.
2. Aktivieren Sie die Gashebelsperre. Siehe *So aktivieren und deaktivieren Sie die Gashebelsperre auf Seite 86*.
3. Stellen Sie den Netzschalter in die Position AUS (0). (Abb. 40)
4. Trennen Sie den Netzstecker von der Stromversorgung.

5. Trennen Sie das Gerät von der Wasserversorgung. Siehe *Trennen Sie das Gerät von der Wasserversorgung auf Seite 86*.

Hinweis: Trennen Sie das Gerät immer von der Wasserversorgung, wenn Sie sich länger als 5 Minuten von dem Gerät entfernen.

So verwenden Sie den Schaumprüher

1. Nehmen Sie den Schaumprüher aus seiner Halterung. (Abb. 41)
2. Befüllen Sie den Behälter des Schaumprühers mit Reinigungsmittel.



ACHTUNG: Verwenden Sie nur von Husqvarna empfohlene Reinigungsmittel.

3. Schieben Sie die Schnellkupplung am Schaumprüher in die Schnellkupplung der Sprühlanze, bis sie einrastet. (Abb. 42)

Hinweis: Der Flansch am Schaumprüher muss an der Nut in der Sprühlanze ausgerichtet sein.

4. Schließen Sie das Gerät an einen Wasseranschluss an. Siehe *Anschließen des Geräts an einen Wasseranschluss auf Seite 85*.
5. Starten Sie das Gerät. Siehe *So starten Sie das Gerät auf Seite 87*.

Wartung

Einleitung



WARNUNG: Bevor Sie eine Wartung durchführen, müssen Sie das Kapitel über die Sicherheit lesen und verstehen.

Für alle Wartungs- und Reparaturarbeiten am Produkt ist eine spezielle Schulung erforderlich. Wir garantieren die Verfügbarkeit von professionellen Reparaturen und Wartungsarbeiten.

Genauere Informationen finden Sie unter www.husqvarna.com.

Wartungsplan

Instand halten	Vor der Verwendung	Nach dem Gebrauch
Allgemeine Inspektion durchführen. Siehe <i>So führen Sie eine allgemeine Inspektion durch auf Seite 88</i> .	X	
Das Gerät reinigen. Siehe <i>So reinigen Sie das Produkt auf Seite 88</i> .		X
Reinigen der Sprühlanze und der Düsen. Siehe <i>So reinigen Sie Sprühlanze und Düsen auf Seite 88</i> .		X
Reinigen des Wasserfilters. Tauschen Sie den Wasserfilter aus, wenn er beschädigt ist. Siehe <i>So reinigen Sie den Wasserfilter auf Seite 88</i> .		X

Instand halten	Vor der Verwendung	Nach dem Gebrauch
Schmieren Sie die O-Ringe an den Kupplungen. Siehe <i>Schmieren der O-Ringe an den Kupplungen auf Seite 89</i> .		X

So führen Sie eine allgemeine Inspektion durch



WARNUNG: Stellen Sie den Netzschalter auf AUS (0) und ziehen Sie den Netzstecker aus der Steckdose, bevor Sie Wartungsarbeiten am Gerät durchführen.



ACHTUNG: Trennen Sie das Gerät von der Wasserversorgung und stellen Sie sicher, dass alle Teile trocken sind, bevor Sie Wartungsarbeiten am Gerät durchführen.

- Vergewissern Sie sich, dass die Muttern und Schrauben am Gerät fest angezogen sind.
- Stellen Sie sicher, dass die Kabel des Geräts nicht so liegen, dass diese beschädigt werden könnten.
- Überprüfen Sie den Hochdruckschlauch auf Verschleiß und Schäden.



WARNUNG: Nehmen Sie das Gerät nicht in Betrieb, wenn der Hochdruckschlauch verschlissen oder beschädigt ist.

So reinigen Sie das Produkt



WARNUNG: Stellen Sie den Netzschalter auf AUS (0) und ziehen Sie den Netzstecker aus der Steckdose, bevor Sie Wartungsarbeiten am Gerät durchführen.



ACHTUNG: Trennen Sie das Gerät von der Wasserversorgung und stellen Sie sicher, dass alle Teile trocken sind, bevor Sie Wartungsarbeiten am Gerät durchführen.

- Reinigen Sie alle außenliegenden Teile mit einem trockenen Tuch.
- Reinigen Sie das Gerät nicht mit einem Hochdruckreiniger.
- Halten Sie die Lufteinlässe sauber, um sicherzustellen, dass das Gerät immer eine ausreichend kühle Temperatur hat.

So reinigen Sie Sprühlanze und Düsen



WARNUNG: Stellen Sie den Netzschalter auf AUS (0) und ziehen Sie den Netzstecker aus der Steckdose, bevor Sie Wartungsarbeiten am Gerät durchführen.



ACHTUNG: Trennen Sie das Gerät von der Wasserversorgung und stellen Sie sicher, dass alle Teile trocken sind, bevor Sie Wartungsarbeiten am Gerät durchführen.

1. Wenn eine Düse auf der Sprühlanze installiert ist, entfernen Sie sie von der Sprühlanze. Siehe *So bauen Sie eine Düse ein und aus auf Seite 85*.
2. Reinigen Sie die Düsen, die Kupplung an der Sprühlanze und die Kupplung am Sprühgriff mit Wasser und Seife. (Abb. 43)
3. Wenn die Düsen verstopft sind, entfernen Sie die Verstopfung mit dem Reinigungswerkzeug. (Abb. 44)

So reinigen Sie den Wasserfilter



WARNUNG: Stellen Sie den Netzschalter auf AUS (0) und ziehen Sie den Netzstecker aus der Steckdose, bevor Sie Wartungsarbeiten am Gerät durchführen.



ACHTUNG: Trennen Sie das Gerät von der Wasserversorgung und stellen Sie sicher, dass alle Teile trocken sind, bevor Sie Wartungsarbeiten am Gerät durchführen.

1. Wenn der Gartenschlauchadapter befestigt ist, entfernen Sie ihn vom Wassereinfluss des Geräts. (Abb. 32)
2. Ziehen Sie den Wasserfilter heraus. Verwenden Sie eine Zange. (Abb. 45)
3. Überprüfen Sie den Wasserfilter auf Schäden. Tauschen Sie den Wasserfilter aus, wenn er beschädigt ist. (Abb. 46)
4. Spülen Sie den Wasserfilter mit klarem Wasser aus. (Abb. 47)

Schmieren der O-Ringe an den Kupplungen

bevor Sie Wartungsarbeiten am Gerät durchführen.



WARNUNG: Stellen Sie den Netzschalter auf AUS (0) und ziehen Sie den Netzstecker aus der Steckdose, bevor Sie Wartungsarbeiten am Gerät durchführen.



ACHTUNG: Trennen Sie das Gerät von der Wasserversorgung und stellen Sie sicher, dass alle Teile trocken sind,

1. Entfernen Sie die Sprühlanze vom Sprühgriff und den Sprühgriff vom Hochdruckschlauch. Siehe *So installieren Sie die Sprühlanze auf Seite 85* und *So installieren Sie den Sprühgriff auf Seite 84*.
2. Schmieren Sie die O-Ringe am Gartenschlauchadapter, an der Sprühlanze und am Hochdruckschlauch mit Schmierfett. Siehe *Technische Daten auf Seite 91* für weitere Informationen zum richtigen Schmierfetttyp. (Abb. 48)

Fehlerbehebung

Fehlerbehebungsplan

Problem	Mögliche Ursache	Lösung
Das Gerät springt nicht an.	Der Netzstecker ist nicht an eine Stromquelle angeschlossen.	Den Netzstecker in eine Steckdose stecken
	Der Netzschalter befindet sich in der Stellung AUS (0).	Stellen Sie den Netzschalter in die Position EIN (I).
	An dieser Steckdose gibt es keinen Strom.	Einen autorisierten Elektriker kontaktieren.
	Das Netzkabel ist beschädigt.	Bitte eine autorisierte Servicewerkstatt kontaktieren.
	Der Thermoschutz hat die Stromversorgung unterbrochen.	Warten, bis das Gerät abgekühlt ist, dann das Gerät erneut starten.
	Es wird ein falsches Verlängerungskabel verwendet.	Sicherstellen, dass das Verlängerungskabel vollständig abgewickelt ist und dass die Spannungsversorgung mit der Spannung des Gerätes übereinstimmt.
Die Sicherung brennt beim Starten oder Betrieb durch.	Es wird ein falscher Sicherungstyp verwendet.	Sicherstellen, dass eine träge Sicherung der Klasse „C“ oder „K“ verwendet wird.
Das Gerät stoppt nicht.	Das Gerät ist beschädigt.	Den Netzstecker ziehen und eine autorisierte Servicewerkstatt kontaktieren.
Das Gerät wird zu heiß.	Der Luftstrom ist zu schwach.	Die Lufteinlässe reinigen.
Das Gerät läuft unrund.	Es befindet sich Luft im System.	Das System entlüften.

Problem	Mögliche Ursache	Lösung
Der Wasserdruck ist unzureichend.	Der Schlauch ist geknickt	Darauf achten, dass sich keine Knicke im Schlauch befinden.
	Der Netzschalter befindet sich in der Stellung AUS (0).	Stellen Sie den Netzschalter in die Position EIN (I).
	Der Wasserdurchfluss ist unzureichend.	Sicherstellen, dass das Gerät korrekt an die Wasserversorgung angeschlossen ist. Für einen ausreichenden Wasserdurchfluss sorgen.
	Der Wasserfilter ist verstopft.	Den Wasserfilter reinigen.
	Es befindet sich Luft im System.	Das System entlüften.
	Das Zubehör passt nicht.	Sicherstellen, dass das richtige Zubehör verwendet wird.

Transport, Lagerung und Entsorgung

Transport

- Ziehen Sie den Netzstecker aus der Steckdose, bevor Sie das Gerät transportieren.
- Trennen Sie das Gerät von der Wasserversorgung, bevor Sie es transportieren.
- Befestigen Sie das Gerät, um Bewegungen während des Transports zu verhindern.

Lagerung

- Lassen Sie das gesamte Wasser aus dem Gerät, dem Hochdruckwasserschlauch und dem Zubehör ab, bevor Sie das Gerät einlagern.
- Bereiten Sie das Gerät für die Lagerung vor. Siehe *So bereiten Sie das Gerät für die Lagerung vor auf Seite 90*.
- Lagern Sie das Gerät in einem trockenen und frostfreien Raum.

So bereiten Sie das Gerät für die Lagerung vor

1. Stoppen Sie das Gerät und ziehen Sie den Netzstecker aus der Steckdose.
2. Trennen Sie das Gerät von der Wasserversorgung. Siehe *Trennen Sie das Gerät von der Wasserversorgung auf Seite 86*.
3. Vergewissern Sie sich, dass alle Zubehörteile trocken sind.
4. Setzen Sie den Sprühgriff, die Sprühdüse und die Düsen in ihre Halter ein.
5. Trennen Sie den Hochdruckwasserschlauch und setzen Sie ihn in seine Halterung ein. (Abb. 49)
6. Legen Sie das Netzkabel in seine Halterung und befestigen Sie es mit dem Riemen. (Abb. 50)

Entsorgung

Geräte von Husqvarna sind kein Hausmüll und dürfen nur wie in dieser Betriebsanleitung beschrieben entsorgt werden.

- Befolgen Sie die örtlichen Entsorgungsaufgaben und geltenden Vorschriften.
- Recyceln Sie das Gerät und die Verpackung an einer geeigneten Entsorgungsstelle.
- Wenden Sie sich an Ihren Husqvarna-Händler vor Ort, wenn Sie Informationen zum Recycling oder zur Entsorgung Ihres Geräts benötigen.

Entsorgen von Elektro- und Elektronik-Altgeräten

Gilt nur für Deutschland



Die durchgestrichene Abfalltonne weist darauf hin, dass Sie gesetzlich verpflichtet sind, dieses Gerät getrennt vom unsortierten Siedlungsabfall zu entsorgen. Die Entsorgung im Restmüll oder im gelben Sack ist verboten. Wenn das Produkt Einwegbatterien oder Akkus enthält, die nicht dauerhaft installiert sind, müssen diese vor der Entsorgung des Produkts entfernt und separat als Batterien bzw. Akkus entsorgt werden.

Informationen zur Rückgabe von Elektro- und Elektronik-Altgeräten für Privathaushalte:

Wie im Folgenden näher beschrieben, sind bestimmte Vertreiber verpflichtet, Elektro- und Elektronik-Altgeräte kostenlos zurückzunehmen.

Vertreiber von Elektro- und Elektronikgeräten mit einer Verkaufsfläche von mindestens 400 m² und Lebensmittelhändler mit einer Gesamtverkaufsfläche von mindestens 800 m², die mehrmals im Kalenderjahr oder beständig Elektro- und Elektronikgeräte abgeben und verkaufen, sind unter den folgenden Umständen zur Rücknahme von Geräten verpflichtet:

1. Beim Verkauf eines neuen Elektro- oder Elektronikgeräts muss der Vertreiber ein Altgerät desselben Gerätetyps kostenlos zurücknehmen, das im Wesentlichen die gleichen Funktionen wie das neue Gerät bereitstellt. Dies muss an dem Standort, an dem das Gerät abgegeben wird, oder in unmittelbarer Nähe geschehen. Privathaushalte gelten auch als der Ort, an dem das Gerät abgegeben wird, sofern das Produkt dorthin geliefert wird: In diesem Fall werden Altgeräte ohne Kosten für den Endbenutzer abgeholt.
2. Der Vertreiber muss Altgeräte mit einem Durchmesser von weniger als 25 cm auf Wunsch des Endbenutzers an der Verkaufsstelle oder in unmittelbarer Nähe zurücknehmen. Diese Rückgabe muss nicht mit dem Kauf von Elektro- oder Elektronikgeräten in Verbindung stehen und ist auf drei Altgeräte pro Gerätetyp beschränkt.

Bei Abschluss des Kaufvertrags für ein neues Elektro- oder Elektronikgerät muss der Vertreiber den Endbenutzer über sein Recht informieren, das Altgerät zurückzugeben oder kostenlos abholen zu lassen, und den Endbenutzer fragen, ob er beabsichtigt, ein Altgerät bei der Lieferung des neuen Geräts zurückzugeben.

Dies gilt auch für den Vertrieb über Telekommunikation, wenn die Lager- und Versandfläche für Elektro- und Elektronikgeräte mindestens 400 m² beträgt oder wenn die gesamte Lager- und Versandfläche mindestens 800

m² beträgt, wobei die kostenlose Abholung von Elektro- oder Elektronikgeräten auf die folgenden Kategorien beschränkt ist:

- 1 (Wärmeüberträger)
- 2 (Geräte mit Displays) und
- 4 (große Geräte mit mindestens einer äußeren Abmessung von mehr als 50 cm)

Für alle anderen Elektro- und Elektronikgeräte muss der Vertreiber entsprechende Rücknahmestellen in angemessener Nähe zum Endverbraucher sicherstellen. Dies gilt auch für Altgeräte, bei denen keine äußere Abmessung 25 cm überschreitet, die der Endbenutzer zurückgeben möchte, ohne ein neues Gerät zu erwerben.

Datenschutz

Alle Endbenutzer von Elektro- und Elektronik-Altgeräten sind dafür verantwortlich, alle personenbezogenen Daten von den zu entsorgenden Elektro- und Elektronik-Altgeräten zu löschen.

WEEE-Registrierungsnummer

Husqvarna 10168717

Sammlungs- und Verwertungsraten

Gemäß der WEEE-Richtlinie sind die EU-Mitgliedstaaten verpflichtet, Daten über Elektro- und Elektronik-Altgeräte zu sammeln und diese Daten an die Europäische Kommission zu übermitteln. Weitere Informationen hierzu finden Sie auf der BMUV-Website: <https://www.bmuv.de/themen/wasser-ressourcen-abfall/kreislaufwirtschaft/statistiken/elektro-und-elektronikaltgeraete>

Technische Daten

	PW 130
Motor und Pumpe	
Typ	Wechselstrommotor
Leistung, W	1500
Spannungsbereich, V	220–240
Frequenz, Hz	50
Nennstrom, A	6,5
Max. Wasserdurchfluss, l/min	7,7
Max. Wasserauslassdruck, bar/MPa	130/13
Max. Wassereinlassdruck, bar/MPa	10/1
Max. Wassereinlasstemperatur, °C/°F	40/104
Max. Wassereinlasstemperatur (im Saugmodus), °C/°F	20/68

	PW 130
IP-Schutzart	IPX5
Sicherheitsklasse	Klasse II
Schmierung	
Schmierfetttyp für die Schmierung von O-Ringen	Weißes Universal-Silikonfett
Gewicht	
Gewicht, kg	6,5
Geräuschemissionen ¹⁷	
Schalleistungspegel, gemessen dB (A)	85
Schalleistungspegel, garantiert L _{WA} dB (A)	89
Schallpegel ¹⁸	
Äquivalenter Schalldruckpegel am Ohr des Bedieners, dB (A)	72
Vibrationspegel ¹⁹	
Hand/Arm (mit Standarddüse) m/s ²	2,5
Äquivalente Vibrationspegel ²⁰	
Hand/Arm (mit Standarddüse) m/s ²	1,8

Zubehör

Zugelassenes Zubehör

Zugelassenes Zubehör	Art.-Nr.
Oberflächenreiniger SC 300	590 65 79-01
Schaumprüher FS 300	590 66 04-01
Rohrreinigungsschlauch, 15 m	590 66 10-01
Wasserfilter	590 65 93-01
Rückflusstopp	590 65 95-01

¹⁷ Umweltbelastende Geräuschemissionen, gemessen als Schalleistung (L_{WA}) gemäß EG-Richtlinie 2000/14/EG.

¹⁸ Der äquivalente Schalldruckpegel ergibt sich gemäß ISO-Norm ISO 22868 durch die energetische Addition zeitgewichteter Schalldruckpegel bei verschiedenen Betriebsarten. Die typische Ausbreitungsklasse für einen äquivalenten Schalldruckpegel ist eine standardmäßige Ausbreitung von 1 dB (A).

¹⁹ Vibrationspegel gemäß EN 60745-2-13. Berichten zufolge liegt der Vibrationspegel normalerweise bei einer Ausbreitungsklasse (Standardabweichung) von 1 m/s². Angegebene Vibrationsdaten aus Messungen, bei denen das Gerät mit einer Schienenlänge und dem empfohlenen Kettentyp ausgestattet ist. Ist das Gerät mit einer anderen Schienenlänge ausgestattet, kann der Vibrationspegel um maximal ± 1,5 m/s² variieren.

²⁰ Bei Motorsägen mit Verbrennungsmotor kann ein äquivalenter Vibrationspegel gemessen und berechnet werden. Gemäß ISO 22867:2011 können anhand dieser Angaben Vibrationsdaten aller Motortypen verglichen werden.

Zugelassenes Zubehör	Art.-Nr.
Saugschlauch	590 65 97-01
Fahrzeugsatz	590 66 07-01
Rotierender Bürstensatz	590 66 06-01
Abgewinkelte Sprühlanze	590 66 11-01
Wasseransaugdüse	590 66 05-01
Verlängerungsschlauch, 8 m	590 66 08-01

Konformitätserklärung

EU-Konformitätserklärung

Husqvarna AB, SE-561 82 Huskvarna, Schweden, Tel:
+46-36-146500, erklärt in alleiniger Verantwortung, dass
das Gerät:

Beschreibung	Hochdruckreiniger
Marke	Husqvarna
Typ/Modell	PW 130
Identifizierung	Seriennummern ab 2022

die folgenden EU-Richtlinien und -Verordnungen erfüllt:

Verordnung	Beschreibung
2006/42/EG	„Maschinenrichtlinie“
2014/30/EU	„EMV-Richtlinie“
2000/14/EG Anhang V	„über umweltbelastende Geräuschemissionen von zur Verwendung im Freien vorgesehenen Geräten und Maschinen“
2011/65/EU	„zur Beschränkung der Verwendung bestimmter gefährlicher Stoffe in Elektro- und Elektronikgeräten“

und dass die folgenden Normen
und/oder technischen Daten angewendet
werden: EN 60335-1:2012/A11:2014/A13:2017/A1:2019/
A14:2019/A2:2019/A15:2021, EN 60335-2-79:2012, EN
62233:2008, EN 55014-1:2021, EN 55014-2:2021,
EN IEC 61000-3-2:2019/A1:2021, EN 61000-3-3:2013/
A2:2021, EN IEC 63000:2018.

Informationen zu Geräuschemissionen finden Sie unter
Technische Daten auf Seite 91.

Huskvarna, 2023-01-19



Claes Losdal, Entwicklungsleiter/Gartenprodukte,
Husqvarna AB

Verantwortlich für die technische Dokumentation



Περιεχόμενα

Εισαγωγή.....	95	Αντιμετώπιση προβλημάτων.....	109
Ασφάλεια.....	96	Μεταφορά, αποθήκευση και απόρριψη.....	110
Συναρμολόγηση.....	103	Τεχνικά στοιχεία.....	110
Λειτουργία.....	103	Αξεσουάρ.....	111
Συντήρηση.....	106	Δήλωση Συμμόρφωσης.....	113

Εισαγωγή

Περιγραφή προϊόντος

Το προϊόν είναι μια ηλεκτρική συσκευή πλύσης με υψηλή πίεση. Το προϊόν μπορεί να λειτουργήσει με διαφορετικά επίπεδα πίεσης νερού και διαφορετικά καθαριστικά μέσα.

Προβλεπόμενη χρήση

Χρησιμοποιείτε το προϊόν μόνο για οικιακό καθαρισμό. Μην χρησιμοποιείτε το προϊόν για άλλες εργασίες. Χρησιμοποιήστε το προϊόν μόνο σε όρθια θέση.

Επισκόπηση προϊόντος

(Εικ. 1)

1. Ακροφύσιο με ίσιο πίδακα νερού
2. Ακροφύσιο με περιστρεφόμενο πίδακα νερού
3. Ελαστικός ιμάντας για στήριγμα καλωδίου ρεύματος
4. Υποδοχή για τη λαβή ψεκασμού και το πιστόλι ψεκασμού
5. Σωλήνας νερού υψηλής πίεσης
6. Είσοδος νερού
7. Ψεκαστήρας αφρού
8. Φύλαξη για σωλήνα νερού υψηλής πίεσης
9. Διακόπτης ισχύος
10. Καλώδιο τροφοδοσίας
11. Εξοδος νερού με ταχυσύνδεσμο
12. Εργαλείο καθαρισμού ακροφυσίων
13. Λαβή μεταφοράς
14. Εισαγωγή αέρα
15. Λαβή ψεκασμού
16. Πιστόλι ψεκασμού
17. Εγχειρίδιο χρήσης

Σύμβολα στο προϊόν

(Εικ. 2)

ΠΡΟΕΙΔΟΠΟΙΗΣΗ:
Αυτό το προϊόν μπορεί να είναι επικίνδυνο και να προκαλέσει σοβαρό τραυματισμό ή θάνατο του χειριστή

Περιεχόμενα Μπορεί να ισχύουν εθνικοί κανονισμοί που θέτουν όρια στη χρήση του προϊόντος.

ή άλλων ατόμων. Να είστε προσεκτικοί και να χρησιμοποιείτε το προϊόν σωστά.

(Εικ. 3)

Διαβάστε προσεκτικά το εγχειρίδιο χρήσης και βεβαιωθείτε ότι έχετε κατανοήσει τις οδηγίες προτού χρησιμοποιήσετε αυτό το προϊόν.

(Εικ. 4)

Το προϊόν δεν είναι κατάλληλο για σύνδεση στην παροχή πόσιμου νερού.

(Εικ. 5)

Οι πίδακες νερού υψηλής πίεσης μπορεί να είναι επικίνδυνοι, εάν χρησιμοποιηθούν

με λάθος τρόπο.
Ο πίδακας δεν
πρέπει να κατευθύνεται
προς άτομα, ηλεκτρικό
εξοπλισμό ή το προϊόν.

(Εικ. 6) **Περιβαλλοντική
σήμανση.** Το προϊόν
ή η συσκευασία του
προϊόντος δεν αποτελεί
οικιακό απόρριμμα.
Ανακυκλώστε το σε
εγκεκριμένη τοποθεσία
απόρριψης ηλεκτρικού
και ηλεκτρονικού
εξοπλισμού.

(Εικ. 7) Εργαλείο κλάσης II.

(Εικ. 8) Ετικέτα εκπομπών
θορύβου στο
περιβάλλον σύμφωνα με
οδηγίες και κανονισμούς
της ΕΕ και του
H.B. και τη νομοθεσία
της Νότιας Νέας
Ουαλίας "Κανονισμός
για την προστασία
των περιβαλλοντικών
δράσεων (έλεγχος
θορύβου) του 2017".
Η εγγυημένη στάθμη

θορύβου του προϊόντος
καθορίζεται στην
ενότητα *Τεχνικά στοιχεία*
στη σελίδα 110 και στην
ετικέτα.

(Εικ. 9) Προστασία από ροή
νερού χαμηλής πίεσης
από οποιαδήποτε γωνία.

(Εικ. 10) Προστατέψτε από τον
παγετό.

(Εικ. 11) Το προϊόν
συμμορφώνεται με τις
ισχύουσες οδηγίες ΕΚ.

(Εικ. 12) Αυτό το προϊόν
συμμορφώνεται με τις
ισχύουσες οδηγίες του
H.B.

Περιεχόμενα Άλλα σύμβολα/σήματα που
υπάρχουν στο προϊόν αναφέρονται σε απαιτήσεις
πιστοποίησης για ορισμένες αγορές.

Ζημιά στο προϊόν

Δεν φέρουμε ευθύνη για ζημιές στο προϊόν μας εάν:

- Το προϊόν έχει επισκευαστεί λανθασμένα.
- Το προϊόν έχει επισκευαστεί με εξαρτήματα που δεν προέρχονται από τον κατασκευαστή ή που δεν έχουν εγκριθεί από τον κατασκευαστή.
- Το προϊόν διαθέτει ένα αξεσουάρ που δεν προέρχεται από τον κατασκευαστή ή που δεν έχει εγκριθεί από τον κατασκευαστή.
- Το προϊόν δεν έχει επισκευαστεί σε εγκεκριμένο κέντρο σέρβις ή από εγκεκριμένη αρχή.

Ασφάλεια

Ορισμοί για την ασφάλεια

Για την επισήμανση ειδικών
σημαντικών τμημάτων του

εγχειριδίου χρησιμοποιούνται
προειδοποιήσεις, συστάσεις
προσοχής και σημειώσεις.



ΠΡΟΕΙΔΟΠΟΙΗΣΗ:

Χρησιμοποιείται όταν υπάρχει κίνδυνος τραυματισμού ή θανάτου του χειριστή ή άλλων παριστάμενων ατόμων, αν δεν τηρηθούν οι οδηγίες που παρέχονται στο εγχειρίδιο.



ΠΡΟΣΟΧΗ:

Χρησιμοποιείται όταν υπάρχει κίνδυνος πρόκλησης ζημιάς στο προϊόν, σε άλλα υλικά ή στον παρακείμενο χώρο, αν δεν τηρηθούν οι οδηγίες που παρέχονται στο εγχειρίδιο.

Περιεχόμενα Χρησιμοποιείται για παροχή περισσότερων πληροφοριών, οι οποίες χρειάζονται σε μια δεδομένη κατάσταση.

Γενικές οδηγίες ασφαλείας



ΠΡΟΕΙΔΟΠΟΙΗΣΗ:

Προτού χρησιμοποιήσετε το προϊόν, διαβάστε τις παρακάτω προειδοποιητικές οδηγίες.

- Αυτό το προϊόν είναι επικίνδυνο αν δεν χρησιμοποιηθεί σωστά ή αν δεν είστε προσεκτικοί. Αν δεν τηρείτε τις οδηγίες ασφαλείας, μπορεί να προκληθεί τραυματισμός ή θάνατος.
- Πρέπει πάντα να προσέχετε και να χρησιμοποιείτε την κοινή λογική. Αν δεν είστε βέβαιοι πώς να χειριστείτε το προϊόν σε μια ιδιαίτερη κατάσταση, σταματήστε και μιλήστε με τον αντιπρόσωπο σέρβις της Husqvarna προτού συνεχίσετε.
- Πρέπει να θυμάστε ότι ο χειριστής θεωρείται υπεύθυνος για ατυχήματα που μπορεί να προκληθούν σε άλλα άτομα ή στην περιουσία τους.
- Να διατηρείτε το προϊόν καθαρό. Βεβαιωθείτε ότι μπορείτε να διαβάσετε καθαρά τις ενδείξεις και τα σήματα.
- Μην επιτρέπτε ποτέ σε παιδιά ή άλλα άτομα, που δεν έχουν εξοικειωθεί με αυτές τις οδηγίες, να χρησιμοποιήσουν τη συσκευή. Οι τοπικοί κανονισμοί μπορεί να θέτουν περιορισμούς για την ηλικία του χειριστή.
- Αυτό το προϊόν μπορεί να χρησιμοποιηθεί από άτομα

με περιορισμένες σωματικές, αισθητήριες ή διανοητικές ικανότητες, εφόσον βρίσκονται υπό επίβλεψη ή έχουν λάβει οδηγίες για τον ασφαλή χειρισμό του προϊόντος και κατανοούν τους συνεπαγόμενους κινδύνους.

- Αυτό το προϊόν μπορεί να χρησιμοποιηθεί από άτομα που δεν έχουν την απαιτούμενη εμπειρία ή γνώση, εφόσον βρίσκονται υπό επίβλεψη ή έχουν λάβει οδηγίες για τον ασφαλή χειρισμό του προϊόντος και κατανοούν τους συνεπαγόμενους κινδύνους.
- Μην χρησιμοποιείτε το προϊόν, αν είστε κουρασμένοι, άρρωστοι ή υπό την επήρεια αλκοόλ, ναρκωτικών ή φαρμάκων. Αυτά έχουν αρνητικές συνέπειες στην όραση, την αυτοσυγκέντρωση, τον συντονισμό και την κρίση σας.
- Δεν πρέπει να χρησιμοποιείτε το προϊόν αν έχει υποστεί ζημιά.
- Μην τροποποιείτε το προϊόν και μην το χρησιμοποιείτε αν είναι εμφανές ότι έχει τροποποιηθεί από άλλους.

Οδηγίες ασφαλείας για τη λειτουργία



ΠΡΟΕΙΔΟΠΟΙΗΣΗ:

Προτού χρησιμοποιήσετε το προϊόν, διαβάστε τις παρακάτω προειδοποιητικές οδηγίες.

- Μην χρησιμοποιείτε το προϊόν εάν το καλώδιο τροφοδοσίας, ο εύκαμπτος σωλήνας υψηλής πίεσης, η ασφάλεια σκανδάλης ή η λαβή ψεκασμού έχουν υποστεί ζημιά.
- Πρέπει να ελέγχετε για ζημιές προτού χρησιμοποιήσετε το προϊόν. Μην χρησιμοποιείτε το προϊόν αν εξαρτήματα έχουν υποστεί ζημιά ή λείπουν.
- Κρατήστε σφιχτά τη λαβή ψεκασμού με τα δύο χέρια. Δύναμη κλωσήματος προκύπτει όταν τραβάτε τη σκανδάλη γκαζιού.
- Να είστε προσεκτικοί όταν λειτουργείτε το μηχάνημα. Η υψηλή πίεση που παρέχεται από το προϊόν είναι επικίνδυνη και μπορεί να προκαλέσει τραυματισμό.
- Μην στρέφετε τον πίδακα προς τα εσάς ή προς

την κατεύθυνση άλλων ανθρώπων ή ζώων.

- Μην στρέφεται τον πίδακα προς τα εσάς ή προς την κατεύθυνση άλλων ατόμων για τον καθαρισμό υποδημάτων.
- Μην στρέφεται τον πίδακα προς την κατεύθυνση του ηλεκτρικού εξοπλισμού ή του ίδιου του προϊόντος.
- Όταν χρησιμοποιείτε το προϊόν, πρέπει να φοράτε εγκεκριμένο εξοπλισμό ατομικής προστασίας. Ανατρέξτε στην ενότητα *Εξοπλισμός ατομικής προστασίας στη σελίδα 101*.
- Μην χρησιμοποιείτε το προϊόν κοντά σε άτομα, εκτός εάν χρησιμοποιούν εξοπλισμό προστασίας.
- Εάν χρησιμοποιείτε καθαριστικό, ακολουθήστε τις οδηγίες ασφαλείας για το καθαριστικό μέσο.
- Χρησιμοποιείτε μόνο καθαριστικά μέσα Husqvarna.
- Χρησιμοποιείτε τη σωστή πίεση νερού και τα σωστά καθαριστικά και χρησιμοποιείτε το προϊόν μόνο για τις εργασίες που αναφέρονται στο παρόν εγχειρίδιο. Εάν χρησιμοποιήσετε εσφαλμένη πίεση νερού, καθαριστικό

ή άλλο προϊόν για άλλες εργασίες εκτός από αυτές που αναφέρονται στο παρόν εγχειρίδιο, μπορεί να προκληθεί ζημιά στο προϊόν, τις επιφάνειες, τα υλικά ή άλλες συσκευές. Η Husqvarna δεν αποδέχεται καμία ευθύνη για ζημιά που προκλήθηκε από εσφαλμένη χρήση.

- Δεν συνιστάται η σύνδεση του προϊόντος σε παροχή πόσιμου νερού. Εάν πρέπει να συνδέσετε το προϊόν σε παροχή πόσιμου νερού, τηρείτε τους τοπικούς και εθνικούς κανονισμούς. Χρησιμοποιήστε σύστημα αντεπιστροφής (δεν περιλαμβάνεται), εάν είναι απαραίτητο. Το νερό που έχει διέλθει από έναν το σύστημα αντεπιστροφής δεν θεωρείται πόσιμο.
- Μην ψεκάσετε εύφλεκτα υγρά. Κίνδυνος έκρηξης.
- Μην επιτρέπετε σε παιδιά να χρησιμοποιούν το προϊόν.
- Μην επιτρέπετε σε παιδιά να παίζουν με το προϊόν.
- Μην επιτρέπετε σε άτομα να χειρίζονται το προϊόν χωρίς εκπαίδευση.
- Χρησιμοποιείτε μόνο εξαρτήματα και ανταλλακτικά εγκεκριμένα από τη Husqvarna.

- Βεβαιωθείτε ότι η ηλεκτρική σύνδεση πραγματοποιείται από εγκεκριμένο ηλεκτρολόγο και ότι συμμορφώνεται με το πρότυπο IEC 60364-1.
- Χρησιμοποιήστε μια διάταξη προστασίας από ρεύματα διαρροής που διακόπτει την παροχή ρεύματος, εάν το ρεύμα διαρροής είναι μεγαλύτερο από 30 mA για 30 ms. Εάν δεν διαθέτετε διάταξη προστασίας από ρεύματα διαρροής, χρησιμοποιήστε μια συσκευή με κύκλωμα γείωσης.
- Χρησιμοποιήστε ασφάλειες εκκίνησης/καθυστέρησης κινητήρα με τα χαρακτηριστικά C ή D, σύμφωνα με το πρότυπο IEC 898-1 ή IEC947-2 ή αντίστοιχα πρότυπα εκτός IEC.
- Δεν απαιτούνται ενέργειες για την προσαρμογή προϊόντων που φέρουν σήμανση διπλής τάσης και συχνότητας.
- Εάν είναι απαραίτητο να χρησιμοποιήσετε καλώδιο επέκτασης, βεβαιωθείτε ότι είναι κατάλληλο για χρήση σε εξωτερικούς χώρους. Βεβαιωθείτε ότι η πρίζα βρίσκεται σε ελάχιστη απόσταση 60 mm από το έδαφος. Η σύνδεση πρέπει να διατηρείται πάντα στεγνή.
- Τοποθετήστε τον διακόπτη λειτουργίας στη θέση απενεργοποίησης (0), αποσυνδέστε το φισ ρεύματος και ενεργοποιήστε την ασφάλεια της σκανδάλης γκαζιού πριν απομακρυνθείτε από το προϊόν.
- Τοποθετήστε τον διακόπτη λειτουργίας στη θέση απενεργοποίησης (0) και αποσυνδέστε το φισ ρεύματος προτού αλλάξετε αξεσουάρ.
- Τοποθετήστε τον διακόπτη λειτουργίας στη θέση απενεργοποίησης (0) και αποσυνδέστε το φισ ρεύματος πριν από τον καθαρισμό ή τη συντήρηση του προϊόντος.
- Μην χρησιμοποιείτε το προϊόν σε περιβάλλοντα όπου η θερμοκρασία περιβάλλοντος είναι χαμηλότερη από 0°C.
- Μην εκκινείτε ένα προϊόν που έχει παγώσει.
- Μην χρησιμοποιείτε το προϊόν σε εσωτερικούς χώρους.
- Μην τοποθετείτε αντικείμενα πάνω στο προϊόν όταν βρίσκεται σε λειτουργία.
- Μην πίνετε νερό που έχει χρησιμοποιηθεί με το προϊόν.
- Μην χρησιμοποιείτε το προϊόν κοντά σε ανοικτά παράθυρα.
- Να προσέχετε τυχόν αντικείμενα που εκτοξεύονται. Υπάρχει κίνδυνος να

εκτοξευθούν πέτρες και χαλαρά αντικείμενα στα μάτια σας, προκαλώντας τύφλωση ή σοβαρό τραυματισμό.

- Εάν το προϊόν δεν λειτουργεί σωστά, ανατρέξτε στην *Πρόγραμμα αντιμετώπισης προβλημάτων στη σελίδα 109.*

Εξοπλισμός ατομικής προστασίας



ΠΡΟΕΙΔΟΠΟΙΗΣΗ:

Προτού χρησιμοποιήσετε το προϊόν, διαβάστε τις παρακάτω προειδοποιητικές οδηγίες.

- Ο εξοπλισμός ατομικής προστασίας δεν μπορεί να εξαλείψει τον κίνδυνο τραυματισμών, ωστόσο μειώνει τη σοβαρότητά τους σε περίπτωση ατυχήματος. Ο αντιπρόσωπος θα σας βοηθήσει να επιλέξετε τον σωστό εξοπλισμό.
- Να χρησιμοποιείτε αντιολισθητικές μπότες ή παπούτσια βαρέος τύπου. Να μην χρησιμοποιείτε το προϊόν με ανοιχτά παπούτσια ή ξυπόλυτοι.
- Χρησιμοποιήστε ρουχισμό προστασίας.

- Χρησιμοποιείτε εγκεκριμένη προστασία ακοής.
- Χρησιμοποιείτε προστατευτικά γυαλιά.
- Χρησιμοποιείτε μέσα προστασίας της αναπνοής κατηγορίας FFP2 ή ισοδύναμα, εάν χρησιμοποιείτε το προϊόν σε περιβάλλοντα όπου μπορούν να σχηματιστούν επικίνδυνα αερολύματα.

Συσκευές ασφαλείας στο προϊόν



ΠΡΟΕΙΔΟΠΟΙΗΣΗ:

Προτού χρησιμοποιήσετε το προϊόν, διαβάστε τις παρακάτω προειδοποιητικές οδηγίες.

- Μην χρησιμοποιείτε το προϊόν με συσκευές ασφαλείας που έχουν υποστεί ζημιά ή δεν λειτουργούν σωστά.
- Μην αφαιρείτε ή μην τροποποιείτε τις συσκευές ασφαλείας.
- Πρέπει να κάνετε τακτικά έλεγχο των συσκευών ασφαλείας. Εάν οι συσκευές ασφαλείας έχουν υποστεί ζημιά ή δεν λειτουργούν σωστά, απευθυνθείτε στον αντιπρόσωπο σέρβις της Husqvarna.

Ασφάλεια σκανδάλης γκαζιού

Η ασφάλεια της σκανδάλης γκαζιού (Α) αποτρέπει την ακούσια λειτουργία της σκανδάλης γκαζιού (Β). Όταν η ασφάλεια της σκανδάλης γκαζιού είναι στη θέση ασφάλισης, η σκανδάλη γκαζιού δεν μπορεί να πιεστεί προς τα μέσα.

(Εικ. 13)

Σκανδάλη γκαζιού

Το προϊόν εκκινεί όταν πιέζετε τη σκανδάλη γκαζιού προς τα μέσα. Η λειτουργία του προϊόντος διακόπτεται όταν απελευθερώνεται η σκανδάλη γκαζιού.

Θερμική προστασία

Το προϊόν διαθέτει αυτόματη θερμική προστασία. Αν η συσκευή υπερθερμανθεί, η θερμική προστασία θα διακόψει την παροχή ρεύματος στο προϊόν. Αν η θερμική προστασία έχει διακόψει την παροχή ρεύματος, περιμένετε μέχρι να κρυώσει το προϊόν. Η θερμική προστασία επανέρχεται αυτόματα όταν η θερμοκρασία του προϊόντος είναι επαρκώς χαμηλή.

Υδραυλική βαλβίδα εκτόνωσης

Το προϊόν διαθέτει ενσωματωμένη υδραυλική βαλβίδα εκτόνωσης που αποτρέπει την υπερβολικά υψηλή πίεση στο σύστημα.

Οδηγίες ασφαλείας για τη συντήρηση



ΠΡΟΕΙΔΟΠΟΙΗΣΗ:

Προτού εκτελέσετε εργασίες συντήρησης στο προϊόν, διαβάστε τις παρακάτω προειδοποιητικές οδηγίες.



ΠΡΟΣΟΧΗ:

Εκτελείτε πάντα τις εργασίες συντήρησης πριν εκκινήσετε το προϊόν μετά από μεγάλο χρονικό διάστημα αποθήκευσης.

- Τοποθετήστε τον διακόπτη λειτουργίας στη θέση απενεργοποίησης (0) και αποσυνδέστε το φως ρεύματος από την πηγή τροφοδοσίας προτού εκτελέσετε εργασίες συντήρησης στο προϊόν.
- Αποσυνδέστε το προϊόν από την πηγή νερού και βεβαιωθείτε ότι όλα τα εξαρτήματα είναι στεγνά

πριν εκτελέσετε εργασίες συντήρησης στο προϊόν.

- Να πραγματοποιείτε μόνο τις εργασίες συντήρησης που περιλαμβάνονται στο παρόν εγχειρίδιο χρήσης.
- Να χρησιμοποιείτε μόνο ανταλλακτικά που συνιστώνται από την Husqvarna. Οι εύκαμπτοι σωλήνες, τα εξαρτήματα και οι σύνδεσμοι νερού υψηλής πίεσης είναι σημαντικά για την ασφάλεια κατά τη λειτουργία του προϊόντος. Να χρησιμοποιείτε μόνο εύκαμπτους σωλήνες,

εξαρτήματα και συνδέσμους που συνιστώνται από τον κατασκευαστή.

- Μην επισκευάζετε το προϊόν. Απευθυνθείτε στον αντιπρόσωπο σέρβις της Husqvarna.
- Αν το φινιρίσμα ή το καλώδιο τροφοδοσίας έχει υποστεί ζημιά, απευθυνθείτε στον αντιπρόσωπο σέρβις Husqvarna.
- Μην επιτρέπετε σε παιδιά να καθαρίζουν ή να πραγματοποιούν εργασίες συντήρησης στο προϊόν.

Συναρμολόγηση

Εισαγωγή



ΠΡΟΕΙΔΟΠΟΙΗΣΗ: Προτού συναρμολογήσετε το προϊόν, διαβάστε και κατανοήστε το κεφάλαιο για την ασφάλεια.

κήπου απευθείας στην είσοδο νερού. Εάν ο προσαρμογέας λάστιχου κήπου δεν τοποθετηθεί ίσια, μπορεί να προκληθεί ζημιά στα σπειρώματα και διαρροή.

Εγκατάσταση προσαρμογέα λάστιχου κήπου

1. Αφαιρέστε το κάλυμμα μεταφοράς από την είσοδο νερού και απορρίψτε το. (Εικ. 14)
2. Τοποθετήστε τον προσαρμογέα λάστιχου κήπου στην είσοδο νερού. (Εικ. 15)

3. Σφίξτε πλήρως τον προσαρμογέα λάστιχου κήπου.
4. Αφαιρέστε τον προσαρμογέα λάστιχου κήπου με την αντίστροφη σειρά.

Τοποθέτηση βάσης για τη λαβή ψεκασμού και το πιστόλι ψεκασμού

- Τοποθετήστε τη βάση με τις 2 βίδες. (Εικ. 16)



ΠΡΟΣΟΧΗ: Βεβαιωθείτε ότι έχετε εγκαταστήσει τον προσαρμογέα λάστιχου

Λειτουργία

Εισαγωγή



ΠΡΟΕΙΔΟΠΟΙΗΣΗ: Προτού χρησιμοποιήσετε το προϊόν, διαβάστε και κατανοήστε το κεφάλαιο για την ασφάλεια.

Husqvarna Connect

Η Husqvarna Connect είναι μια δωρεάν εφαρμογή για τη φορητή συσκευή σας. Η εφαρμογή Husqvarna Connect παρέχει εκτεταμένες λειτουργίες για το προϊόν σας Husqvarna:

- Περισσότερες πληροφορίες για το προϊόν.

- Πληροφορίες και βοήθεια για τα ανταλλακτικά και το σέρβις του προϊόντος.

Εκκίνηση χρήσης του Husqvarna Connect

1. Κατεβάστε την εφαρμογή Husqvarna Connect στη φορητή συσκευή σας.
2. Εγγραφείτε στην εφαρμογή Husqvarna Connect.
3. Ακολουθήστε τα βήματα των οδηγιών που θα βρείτε στην εφαρμογή Husqvarna Connect για να συνδέσετε και να καταχωρήσετε το προϊόν.

Περιεχόμενα Η εφαρμογή Husqvarna Connect δεν είναι διαθέσιμη για λήψη σε όλες τις αγορές. Απευθυνθείτε στον αντιπρόσωπο σέρβις για περισσότερες πληροφορίες.

Εγκατάσταση της λαβής ψεκασμού

1. Πιέστε τον σωλήνα νερού υψηλής πίεσης στον ταχυσύνδεσμο μέχρι να ασφαλίσει στη θέση του. (Εικ. 17)



ΠΡΟΣΟΧΗ: Για να αποφύγετε τις διαρροές, βεβαιωθείτε ότι ο εύκαμπτος σωλήνας υψηλής πίεσης είναι πλήρως συνδεδεμένος στον ταχυσύνδεσμο του προϊόντος.

2. Κρατήστε καλά τη λαβή ψεκασμού με το ένα χέρι και πιέστε τον σωλήνα νερού υψηλής πίεσης στον ταχυσύνδεσμο στη λαβή ψεκασμού. (Εικ. 18)

Αφαίρεση της λαβής ψεκασμού

1. Πατήστε το κουμπί στη λαβή ψεκασμού και τραβήξτε προς τα έξω τον σωλήνα νερού υψηλής πίεσης. (Εικ. 19)
2. Πιέστε τον εξωτερικό δακτύλιο στον ταχυσύνδεσμο και τραβήξτε έξω τον σωλήνα νερού υψηλής πίεσης. (Εικ. 20)

Εγκατάσταση πιστολιού ψεκασμού

1. Κρατήστε τη λαβή ψεκασμού με το ένα χέρι και πιέστε τη σύνδεση του πιστολιού ψεκασμού μέσα στη λαβή ψεκασμού. (Εικ. 21)
2. Στρέψτε το πιστόλι ψεκασμού δεξιόστροφα και απελευθερώστε το πιστόλι ψεκασμού. Το πιστόλι ψεκασμού ασφαλίζει στη θέση του.

Αφαίρεση πιστολιού ψεκασμού

1. Πιέστε προς τα μέσα το πιστόλι ψεκασμού και γυρίστε το αριστερόστροφα. (Εικ. 22)
2. Τραβήξτε προς τα έξω το πιστόλι ψεκασμού από τη λαβή ψεκασμού.

Τοποθέτηση και αφαίρεση ακροφυσίου

Το προϊόν παρέχεται με 2 ακροφύσια: 1 ακροφύσιο με ίσιο πίδακα νερού (αναγνωρίζεται από την ένδειξη "μαλακό ακροφύσιο") και 1 τραχύ ακροφύσιο με

περιστρεφόμενο πίδακα νερού (αναγνωρίζεται από την ένδειξη "τραχύ ακροφύσιο"). Το ακροφύσιο με ίσιο πίδακα νερού μπορεί να χρησιμοποιηθεί για τον καθαρισμό ευαίσθητων επιφανειών, για παράδειγμα οχημάτων. Το τραχύ ακροφύσιο μπορεί να χρησιμοποιηθεί για τον καθαρισμό μη ευαίσθητων επιφανειών, π.χ. δρόμων κυκλοφορίας.

(Εικ. 23)



ΠΡΟΣΟΧΗ: Μην χρησιμοποιείτε το ακροφύσιο με περιστρεφόμενους πίδακες νερού σε ευαίσθητες επιφάνειες, για παράδειγμα, βαμμένες επιφάνειες σε όχημα. Ο περιστρεφόμενος πίδακας νερού μπορεί να προκαλέσει ζημιά στην επιφάνεια.

- Για να τοποθετήσετε ένα ακροφύσιο, κρατήστε το πιστόλι ψεκασμού με το ένα χέρι και πιέστε το ακροφύσιο προς τα μέσα μέχρι να ασφαλίσει στη θέση του. (Εικ. 24)
- Για να αφαιρέσετε ένα ακροφύσιο, πιέστε προς τα μέσα τη γλωττίδα του πιστολιού ψεκασμού και τραβήξτε το ακροφύσιο από το πιστόλι ψεκασμού. (Εικ. 25)

Ρύθμιση της πίεσης του πίδακα νερού

Το ακροφύσιο με ίσιο πίδακα νερού έχει ρυθμιζόμενη πίεση.

- Για να αυξήσετε την πίεση του πίδακα νερού, γυρίστε το ακροφύσιο δεξιόστροφα. (Εικ. 26)
- Για να μειώσετε την πίεση του πίδακα νερού, γυρίστε το ακροφύσιο αριστερόστροφα. (Εικ. 27)

Λειτουργία του προϊόντος

1. Συνδέστε το προϊόν σε μια παροχή νερού. Ανατρέξτε στην ενότητα *Σύνδεση του προϊόντος σε παροχή νερού στη σελίδα 104*.
2. Εξαερώστε το σύστημα. Ανατρέξτε στην ενότητα *Εξαέρωση του συστήματος στη σελίδα 105*.
3. Θέστε το προϊόν σε λειτουργία. Ανατρέξτε στην ενότητα *Εκκίνηση του προϊόντος στη σελίδα 106*.

Σύνδεση του προϊόντος σε παροχή νερού

Το προϊόν μπορεί να χρησιμοποιηθεί με νερό από την παροχή νερού ή με νερό από μια ανοιχτή πηγή νερού, για παράδειγμα, λίμνη ή βαρέλι νερού.

- Για να συνδέσετε το προϊόν στην παροχή νερού, ανατρέξτε στην ενότητα *Σύνδεση του προϊόντος στην παροχή νερού στη σελίδα 105*.
- Για σύνδεση του προϊόντος σε μια ανοιχτή πηγή νερού, ανατρέξτε στην ενότητα *Σύνδεση του προϊόντος σε μια ανοιχτή πηγή νερού στη σελίδα 105*.

Σύνδεση του προϊόντος στην παροχή νερού

1. Τοποθετήστε τον προσαρμογέα λάστιχου κήπου και το φίλτρο νερού στην είσοδο νερού του προϊόντος, εάν δεν έχουν τοποθετηθεί. Ανατρέξτε στην ενότητα *Εγκατάσταση προσαρμογέα λάστιχου κήπου στη σελίδα 103*.
2. Συνδέστε το λάστιχο νερού στην παροχή νερού. Χρησιμοποιήστε λάστιχο κήπου ½ ίντσας, μήκους 10–25 μέτρων. (Εικ. 28)



ΠΡΟΣΟΧΗ: Η πίεση νερού στην παροχή νερού δεν πρέπει να είναι μεγαλύτερη από 1 MPa (10 bar).



ΠΡΟΣΟΧΗ: Η θερμοκρασία του νερού στην παροχή νερού δεν πρέπει να υπερβαίνει τους 40°C.

3. Ανοίξτε τη βαλβίδα στην παροχή νερού και βεβαιωθείτε ότι το νερό μπορεί να ρέει ελεύθερα από το λάστιχο κήπου. (Εικ. 29)
4. Κλείστε τη βαλβίδα στην παροχή νερού.
5. Συνδέστε το λάστιχο κήπου στην είσοδο νερού του προϊόντος. (Εικ. 30)
6. Συνδέστε το φως ρεύματος σε μια πηγή ισχύος.
7. Ανοίξτε τη βαλβίδα στην παροχή νερού.
8. Εξαερώστε το σύστημα προτού χρησιμοποιήσετε το προϊόν. Ανατρέξτε στην ενότητα *Εξαέρωση του συστήματος στη σελίδα 105*.

Σύνδεση του προϊόντος σε μια ανοιχτή πηγή νερού

Το προϊόν μπορεί να χρησιμοποιηθεί με νερό από ανοικτή πηγή νερού, για παράδειγμα, λίμνη ή βαρέλι νερού. Χρησιμοποιήστε σωλήνα αναρρόφησης ½ ίντσας (δεν περιλαμβάνεται) μήκους το πολύ 3 m.

(Εικ. 31)



ΠΡΟΣΟΧΗ: Η θερμοκρασία του νερού στην πηγή νερού δεν πρέπει να υπερβαίνει τους 20°C.



ΠΡΟΣΟΧΗ: Το προϊόν δεν πρέπει να βρίσκεται περισσότερο από 0,5 m πάνω από την πηγή του νερού.

1. Εάν έχει εγκατασταθεί ο προσαρμογέας λάστιχου κήπου, αφαιρέστε τον από την είσοδο νερού στο προϊόν. (Εικ. 32)



ΠΡΟΣΟΧΗ: Μην αφαιρείτε το φίλτρο νερού από την είσοδο νερού.

2. Τοποθετήστε έναν σωλήνα αναρρόφησης (δεν περιλαμβάνεται) στην είσοδο νερού του προϊόντος. (Εικ. 33)
3. Τοποθετήστε τον σωλήνα αναρρόφησης στην πηγή νερού και βεβαιωθείτε ότι το φίλτρο είναι πλήρως βυθισμένο.



ΠΡΟΣΟΧΗ: Μην χρησιμοποιείτε σωλήνα αναρρόφησης χωρίς φίλτρο.

4. Πιέστε προς τα μέσα το κουμπί στη λαβή ψεκασμού και τραβήξτε προς τα έξω τον εύκαμπτο σωλήνα υψηλής πίεσης από τη λαβή ψεκασμού. (Εικ. 19)
5. Συνδέστε το φως ρεύματος σε μια πηγή ισχύος.
6. Γυρίστε τον διακόπτη λειτουργίας στη θέση ενεργοποίησης (I) και αφήστε το προϊόν να λειτουργήσει για 2 λεπτά.
7. Γυρίστε τον διακόπτη λειτουργίας στη θέση απενεργοποίησης (0).
8. Κρατήστε καλά τη λαβή ψεκασμού με το ένα χέρι και πιέστε τον σωλήνα υψηλής πίεσης στον ταχυσύνδεσμο στη λαβή ψεκασμού. (Εικ. 18)
9. Εξαερώστε το σύστημα προτού χρησιμοποιήσετε το προϊόν. Ανατρέξτε στην ενότητα *Εξαέρωση του συστήματος στη σελίδα 105*.

Εξαέρωση του συστήματος



ΠΡΟΣΟΧΗ: Βεβαιωθείτε ότι ο διακόπτης λειτουργίας βρίσκεται στη θέση απενεργοποίησης (0) πριν εξαερώσετε το σύστημα.

1. Συνδέστε το προϊόν σε μια παροχή νερού. Ανατρέξτε στην ενότητα *Σύνδεση του προϊόντος σε παροχή νερού στη σελίδα 104*.
2. Τοποθετήστε τη λόγχη ψεκασμού στο πιστόλι ψεκασμού. Ανατρέξτε στην ενότητα *Εγκατάσταση πιστολιού ψεκασμού στη σελίδα 104*.
3. Απασφαλίστε την ασφάλεια της σκανδάλης γκαζιού. Ανατρέξτε στην ενότητα *Ασφάλιση και απασφάλιση της ασφάλειας της σκανδάλης γκαζιού στη σελίδα 106*.
4. Πιέστε τη σκανδάλη γκαζιού και κρατήστε την πιεσμένη μέχρι να αρχίσει να βγαίνει νερό από το ακροφύσιο στο πιστόλι ψεκασμού. (Εικ. 34)

Αποσύνδεση προϊόντος από την παροχή νερού

1. Γυρίστε τον διακόπτη λειτουργίας στη θέση απενεργοποίησης (0).
2. Εάν το προϊόν είναι συνδεδεμένο στην παροχή νερού, κλείστε τη βαλβίδα στην παροχή νερού.
3. Εάν το προϊόν είναι συνδεδεμένο στην παροχή νερού, αποσυνδέστε το λάστιχο κήπου από την παροχή νερού. (Εικ. 35)

- Εάν το προϊόν είναι συνδεδεμένο σε ανοικτή πηγή νερού, αφαιρέστε τον σωλήνα αναρρόφησης από την πηγή νερού.
- Πιέστε τη σκανδάλη γκαζιού και κρατήστε την πιεσμένη μέχρι να μην βγαίνει νερό από το ακροφύσιο.
- Αποσυνδέστε το λάστιχο κήπου από την είσοδο νερού του προϊόντος. (Εικ. 36)

Περιεχόμενα Εάν το προϊόν είναι συνδεδεμένο σε μια ανοιχτή πηγή νερού, αποσυνδέστε τον σωλήνα αναρρόφησης.

- Πιέστε προς τα μέσα το κουμπί στη λαβή ψεκασμού και τραβήξτε προς τα έξω τον εύκαμπτο σωλήνα υψηλής πίεσης από τη λαβή ψεκασμού. (Εικ. 19)
- Γυρίστε τον διακόπτη λειτουργίας στη θέση ενεργοποίησης (I). Αφήστε το προϊόν να λειτουργήσει μέχρι να μην βγαίνει νερό από τον σωλήνα υψηλής πίεσης.
- Γυρίστε τον διακόπτη λειτουργίας στη θέση απενεργοποίησης (0).
- Αφήστε τη λαβή ψεκασμού, το πιστόλι ψεκασμού και τα ακροφύσια να στεγνώσουν προτού αποθηκεύσετε το προϊόν.

Ασφάλιση και απασφάλιση της ασφάλειας της σκανδάλης γκαζιού

- Για να κλειδώσετε την ασφάλεια της σκανδάλης γκαζιού, στρέψτε την ασφάλεια της σκανδάλης γκαζιού δεξιόστροφα μέχρι να ακούσετε ένα κλικ. (Εικ. 37)
- Για να ξεκλειδώσετε την ασφάλεια της σκανδάλης γκαζιού, στρέψτε την ασφάλεια της σκανδάλης γκαζιού αριστερόστροφα μέχρι τέρμα. (Εικ. 38)

Εκκίνηση του προϊόντος

- Συνδέστε το προϊόν σε μια παροχή νερού. Ανατρέξτε στην ενότητα *Σύνδεση του προϊόντος σε παροχή νερού στη σελίδα 104*.
- Συνδέστε το φως ρεύματος σε μια πηγή ισχύος.
- Γυρίστε τον διακόπτη λειτουργίας στη θέση ενεργοποίησης (I). (Εικ. 39)
- Απασφαλίστε την ασφάλεια της σκανδάλης γκαζιού. Ανατρέξτε στην ενότητα *Ασφάλιση και απασφάλιση της ασφάλειας της σκανδάλης γκαζιού στη σελίδα 106*.
- Πατήστε τη σκανδάλη γκαζιού στη λαβή ψεκασμού.

Περιεχόμενα Το προϊόν σταματά αυτόματα όταν αφήνετε τη σκανδάλη γκαζιού.

Διακοπή λειτουργίας του προϊόντος

Περιεχόμενα Το προϊόν σταματά αυτόματα όταν αφήνετε τη σκανδάλη γκαζιού.

- Αφήστε τη σκανδάλη γκαζιού στη λαβή ψεκασμού.
- Κλειδώστε την ασφάλεια της σκανδάλης γκαζιού. Ανατρέξτε στην ενότητα *Ασφάλιση και απασφάλιση της ασφάλειας της σκανδάλης γκαζιού στη σελίδα 106*.
- Γυρίστε τον διακόπτη λειτουργίας στη θέση απενεργοποίησης (0). (Εικ. 40)
- Αποσυνδέστε το φως ρεύματος από την πηγή ρεύματος.
- Αποσυνδέστε το προϊόν από την πηγή νερού. Ανατρέξτε στην ενότητα *Αποσύνδεση προϊόντος από την παροχή νερού στη σελίδα 105*.

Περιεχόμενα Να αποσυνδέετε πάντα το προϊόν από την πηγή νερού, εάν απομακρύνετε από το προϊόν για περισσότερο από 5 λεπτά.

Χρήση του ψεκαστήρα αφρού

- Αφαιρέστε τον ψεκαστήρα αφρού από τη βάση του. (Εικ. 41)
- Γεμίστε το δοχείο στον ψεκαστήρα αφρού με καθαριστικό.



ΠΡΟΣΟΧΗ: Χρησιμοποιείτε μόνο καθαριστικά που συνιστώνται από την Husqvarna.

- Πιέστε τον ταχυσύνδεσμο του ψεκαστήρα αφρού στον ταχυσύνδεσμο του πιστολιού ψεκασμού μέχρι να ασφαλίσει στη θέση του. (Εικ. 42)

Περιεχόμενα Η φλάντζα στον ψεκαστήρα αφρού πρέπει να ευθυγραμμιστεί με την αυλάκωση στο πιστόλι ψεκασμού.

- Συνδέστε το προϊόν σε μια παροχή νερού. Ανατρέξτε στην ενότητα *Σύνδεση του προϊόντος σε παροχή νερού στη σελίδα 104*.
- Θέστε το προϊόν σε λειτουργία. Ανατρέξτε στην ενότητα *Εκκίνηση του προϊόντος στη σελίδα 106*.

Συντήρηση

Εισαγωγή



ΠΡΟΕΙΔΟΠΟΙΗΣΗ: Προτού εκτελέσετε εργασίες συντήρησης, πρέπει να

διαβάσετε και να κατανοήσετε το κεφάλαιο για την ασφάλεια.

Για όλες τις εργασίες συντήρησης και επισκευής στο προϊόν, είναι απαραίτητη ειδική εκπαίδευση.

Πρόγραμμα συντήρησης

Συντήρηση	Πριν από τη χρήση	Μετά τη χρήση
Πραγματοποιήστε γενική επιθεώρηση. Ανατρέξτε στην ενότητα <i>Εκτέλεση γενικής επιθεώρησης στη σελίδα 107</i> .	X	
Καθαρίστε το προϊόν. Ανατρέξτε στην ενότητα <i>Καθαρισμός του προϊόντος στη σελίδα 107</i> .		X
Καθαρίστε το πιστόλι ψεκασμού και τα ακροφύσια. Ανατρέξτε στην ενότητα <i>Καθαρισμός του πιστολιού ψεκασμού και των ακροφυσίων στη σελίδα 107</i> .		X
Καθαρίστε το φίλτρο νερού. Αντικαταστήστε το φίλτρο νερού, εάν έχει υποστεί ζημιά. Ανατρέξτε στην ενότητα <i>Καθαρισμός του φίλτρου νερού στη σελίδα 108</i> .		X
Λιπάνετε τους δακτυλιούς στεγανοποίησης στους συνδέσμους. Ανατρέξτε στην ενότητα <i>Λίπανση των δακτυλίων στεγανοποίησης στους συνδέσμους στη σελίδα 108</i> .		X

Εκτέλεση γενικής επιθεώρησης



ΠΡΟΕΙΔΟΠΟΙΗΣΗ: Τοποθετήστε τον διακόπτη λειτουργίας στη θέση απενεργοποίησης (0) και αποσυνδέστε το φως ρεύματος από την πηγή τροφοδοσίας προτού εκτελέσετε εργασίες συντήρησης στο προϊόν.



ΠΡΟΣΟΧΗ: Αποσυνδέστε το προϊόν από την πηγή νερού και βεβαιωθείτε ότι όλα τα εξαρτήματα είναι στεγνά πριν εκτελέσετε εργασίες συντήρησης στο προϊόν.

- Βεβαιωθείτε ότι τα παξιμάδια και οι βίδες πάνω στο προϊόν είναι σφιγμένα.
- Βεβαιωθείτε ότι τα καλώδια στο προϊόν δεν βρίσκονται σε σημείο όπου μπορούν να υποστούν ζημιά.
- Εξετάστε τον σωλήνα υψηλής πίεσης για φθορά και ζημιά.



ΠΡΟΕΙΔΟΠΟΙΗΣΗ: Μην χρησιμοποιείτε το προϊόν εάν ο σωλήνας υψηλής πίεσης είναι φαρμμένος ή κατεστραμμένος.

Καθαρισμός του προϊόντος



ΠΡΟΕΙΔΟΠΟΙΗΣΗ: Τοποθετήστε τον διακόπτη λειτουργίας στη θέση απενεργοποίησης (0) και αποσυνδέστε το φως ρεύματος από την πηγή τροφοδοσίας προτού εκτελέσετε εργασίες συντήρησης στο προϊόν.



ΠΡΟΣΟΧΗ: Αποσυνδέστε το προϊόν από την πηγή νερού και βεβαιωθείτε ότι όλα τα εξαρτήματα είναι στεγνά πριν εκτελέσετε εργασίες συντήρησης στο προϊόν.

- Καθαρίστε όλα τα εξωτερικά εξαρτήματα με ένα στεγνό πανί.
- Μην χρησιμοποιείτε σύστημα πλύσης με υψηλή πίεση για να καθαρίσετε το προϊόν.
- Φροντίστε να διατηρείτε τις εισόδους αέρα καθαρές, για να εξασφαλίζετε επαρκώς χαμηλή θερμοκρασία για την ψύξη του προϊόντος.

Καθαρισμός του πιστολιού ψεκασμού και των ακροφυσίων



ΠΡΟΕΙΔΟΠΟΙΗΣΗ: Τοποθετήστε τον διακόπτη λειτουργίας στη θέση απενεργοποίησης (0) και αποσυνδέστε το φως ρεύματος από την πηγή τροφοδοσίας προτού εκτελέσετε εργασίες συντήρησης στο προϊόν.



ΠΡΟΣΟΧΗ: Αποσυνδέστε το προϊόν από την πηγή νερού και βεβαιωθείτε ότι όλα τα εξαρτήματα είναι στεγνά πριν εκτελέσετε εργασίες συντήρησης στο προϊόν.

1. Εάν έχει τοποθετηθεί ακροφύσιο στο πιστόλι ψεκασμού, αφαιρέστε το από το πιστόλι ψεκασμού. Ανατρέξτε στην ενότητα *Τοποθέτηση και αφαίρεση ακροφυσίου στη σελίδα 104*.
2. Καθαρίστε τα ακροφύσια, τη σύνδεση στο πιστόλι ψεκασμού και τη σύνδεση στη λαβή ψεκασμού με σαπουνί και νερό. (Εικ. 43)

- Εάν υπάρχει εμπλοκή στα ακροφύσια, αφαιρέστε την με το εργαλείο καθαρισμού. (Εικ. 44)

Καθαρισμός του φίλτρου νερού



ΠΡΟΕΙΔΟΠΟΙΗΣΗ: Τοποθετήστε τον διακόπτη λειτουργίας στη θέση απενεργοποίησης (0) και αποσυνδέστε το φιν ρεύματος από την πηγή τροφοδοσίας προτού εκτελέσετε εργασίες συντήρησης στο προϊόν.



ΠΡΟΣΟΧΗ: Αποσυνδέστε το προϊόν από την πηγή νερού και βεβαιωθείτε ότι όλα τα εξαρτήματα είναι στεγνά πριν εκτελέσετε εργασίες συντήρησης στο προϊόν.

- Εάν έχει εγκατασταθεί ο προσαρμογέας λάσπης κήπου, αφαιρέστε τον από την είσοδο νερού στο προϊόν. (Εικ. 32)
- Τραβήξτε έξω το φίλτρο νερού. Χρησιμοποιήστε μια πένσα. (Εικ. 45)
- Ελέγξτε το φίλτρο νερού για ζημιά. Αντικαταστήστε το φίλτρο νερού, εάν έχει υποστεί ζημιά. (Εικ. 46)
- Ξεπλύνετε το φίλτρο νερού με καθαρό νερό. (Εικ. 47)

Λίπανση των δακτυλίων στεγανοποίησης στους συνδέσμους



ΠΡΟΕΙΔΟΠΟΙΗΣΗ: Τοποθετήστε τον διακόπτη λειτουργίας στη θέση απενεργοποίησης (0) και αποσυνδέστε το φιν ρεύματος από την πηγή τροφοδοσίας προτού εκτελέσετε εργασίες συντήρησης στο προϊόν.



ΠΡΟΣΟΧΗ: Αποσυνδέστε το προϊόν από την πηγή νερού και βεβαιωθείτε ότι όλα τα εξαρτήματα είναι στεγνά πριν εκτελέσετε εργασίες συντήρησης στο προϊόν.

- Αφαιρέστε το πιστόλι ψεκασμού από τη λαβή ψεκασμού και τη λαβή ψεκασμού από τον σωλήνα υψηλής πίεσης. Ανατρέξτε στην ενότητα *Εγκατάσταση πιστολιού ψεκασμού στη σελίδα 104* και *Εγκατάσταση της λαβής ψεκασμού στη σελίδα 104*.
- Λιπάνετε τους δακτυλίους στεγανοποίησης στον προσαρμογέα λάσπης κήπου, το πιστόλι ψεκασμού και τον σωλήνα υψηλής πίεσης με γράσο. Ανατρέξτε στην ενότητα *Τεχνικά στοιχεία στη σελίδα 110* για τον σωστό τύπο γράσου. (Εικ. 48)

Αντιμετώπιση προβλημάτων

Πρόγραμμα αντιμετώπισης προβλημάτων

Πρόβλημα	Πιθανή αιτία	Λύση
Το προϊόν δεν τίθεται σε λειτουργία.	Το φως ρεύματος δεν είναι συνδεδεμένο σε πηγή ρεύματος.	Συνδέστε το φως ρεύματος σε μια πηγή τροφοδοσίας
	Ο διακόπτης λειτουργίας βρίσκεται στη θέση απενεργοποίησης (0).	Γυρίστε τον διακόπτη λειτουργίας στη θέση ενεργοποίησης (I).
	Δεν υπάρχει ρεύμα στην πηγή ρεύματος.	Απευθυνθείτε σε έναν εγκεκριμένο ηλεκτρολόγο.
	Το καλώδιο ρεύματος έχει υποστεί ζημιά.	Επικοινωνήστε με έναν εγκεκριμένο αντιπρόσωπο σέρβις.
	Η θερμική προστασία έχει διακόψει την παροχή ρεύματος.	Περιμένετε να κρυώσει το προϊόν προτού το χρησιμοποιήσετε ξανά.
	Χρησιμοποιείται λανθασμένος τύπος καλωδίου επέκτασης.	Βεβαιωθείτε ότι το καλώδιο επέκτασης είναι πλήρως τυλιγμένο και ότι η παροχή τάσης συμφωνεί με την τάση του προϊόντος.
Η ασφάλεια καίγεται κατά την εκκίνηση ή τη λειτουργία.	Χρησιμοποιείται λάθος τύπος ασφαλείας.	Βεβαιωθείτε ότι χρησιμοποιείτε ασφαλεία βραδείας τήξης κατηγορίας "C" ή "K".
Η λειτουργία του προϊόντος δεν σταματά.	Το προϊόν έχει υποστεί ζημιά.	Αποσυνδέστε το φως ρεύματος και απευθυνθείτε σε έναν εγκεκριμένο αντιπρόσωπο σέρβις.
Το προϊόν υπερθερμαίνεται.	Η παροχή αέρα δεν είναι επαρκής.	Καθαρίστε τα στόμια εισαγωγής αέρα.
Το προϊόν δεν λειτουργεί ομαλά.	Υπάρχει αέρας στο σύστημα.	Εξαερώστε το σύστημα.
Η πίεση νερού δεν είναι ικανοποιητική.	Ο σωλήνας είναι λυγισμένος	Βεβαιωθείτε ότι δεν υπάρχει λύγισμα στους σωλήνες.
	Ο διακόπτης λειτουργίας βρίσκεται στη θέση απενεργοποίησης (0).	Γυρίστε τον διακόπτη λειτουργίας στη θέση ενεργοποίησης (I).
	Η παροχή νερού δεν είναι επαρκής.	Βεβαιωθείτε ότι το προϊόν είναι συνδεδεμένο σωστά στην παροχή νερού. Βεβαιωθείτε ότι υπάρχει επαρκής ροή νερού.
	Το φίλτρο νερού είναι φραγμένο.	Καθαρίστε το φίλτρο νερού.
	Υπάρχει αέρας στο σύστημα.	Εξαερώστε το σύστημα.
	Το αξεσουάρ δεν είναι σωστό.	Βεβαιωθείτε ότι χρησιμοποιείτε το σωστό αξεσουάρ.

Μεταφορά, αποθήκευση και απόρριψη

Μεταφορά

- Αποσυνδέστε το φινιρίσμα από την πηγή τροφοδοσίας πριν από τη μεταφορά του προϊόντος.
- Αποσυνδέστε το προϊόν από την παροχή νερού πριν από τη μεταφορά του προϊόντος.
- Κατά τη μεταφορά, στερεώνετε το προϊόν για να αποφύγετε τη μετακίνησή του.

Αποθήκευση

- Αποσυναρμολογήστε όλο το νερό από το προϊόν, τον σωλήνα νερού υψηλής πίεσης και τα αξεσουάρ πριν αποθηκεύσετε το προϊόν.
- Προετοιμάστε το προϊόν για φύλαξη. Ανατρέξτε στην ενότητα *Προετοιμασία του προϊόντος για φύλαξη στη σελίδα 110*.
- Διατηρείτε το προϊόν σε στεγνό περιβάλλον προστατευμένο από τον παγετό.

Προετοιμασία του προϊόντος για φύλαξη

1. Διακόψτε τη λειτουργία του προϊόντος και αποσυνδέστε το φινιρίσμα από την πηγή ρεύματος.
2. Αποσυνδέστε το προϊόν από την πηγή νερού. Ανατρέξτε στην ενότητα *Αποσύνδεση προϊόντος από την παροχή νερού στη σελίδα 105*.

3. Βεβαιωθείτε ότι όλα τα αξεσουάρ είναι στεγνά.
4. Τοποθετήστε τη λαβή ψεκασμού, το πιστόλι ψεκασμού και τα ακροφύσια στις βάσεις τους.
5. Αποσυνδέστε τον σωλήνα νερού υψηλής πίεσης και τοποθετήστε τον στη βάση του. (Εικ. 49)
6. Τοποθετήστε το καλώδιο τροφοδοσίας στη βάση του και προσαρτήστε τον ιμάντα. (Εικ. 50)

Απόρριψη

Τα προϊόντα Husqvarna δεν αποτελούν οικιακά απορρίμματα και πρέπει να απορρίπτονται μόνο όπως περιγράφεται στο παρόν εγχειρίδιο.

- Πρέπει να συμμορφώνεστε με τις τοπικές απαιτήσεις απόρριψης και τους ισχύοντες κανονισμούς.
- Ανακυκλώστε το προϊόν και τη συσκευασία σε μια κατάλληλη τοποθεσία απόρριψης.
- Επικοινωνήστε με τον τοπικό αντιπρόσωπο Husqvarna για περισσότερες πληροφορίες σχετικά με τον τρόπο ανακύκλωσης και απόρριψης του προϊόντος.

Τεχνικά στοιχεία

	PW 130
Κινητήρας και αντλία	
Τύπος	Σειρά κινητήρα AC
Ισχύς, W	1500
Εύρος τάσης, V	220–240
Συχνότητα, Hz	50
Ονομαστικό ρεύμα, A	6,5
Μέγ. παροχή νερού, l/min	7,7
Μέγ. πίεση εξόδου νερού, bar/MPa	130/13
Μέγ. πίεση εισόδου νερού, bar/MPa	10/1
Μέγ. θερμοκρασία εισόδου νερού, °C/°F	40/104
Μέγ. θερμοκρασία εισόδου νερού (στη λειτουργία αναρρόφησης), °C/°F	20/68
Βαθμός IP	IPX5
Κατηγορία ασφαλείας	Κατηγορία II
Λίπανση	

	PW 130
Τύπος γράσου για τη λίπανση των δακτυλίων στεγανοποίησης	Λευκό γράσο σιλικόνης γενικής χρήσης
Βάρος	
Βάρος, κιλά	6,5
Εκπομπές θορύβου ²¹	
Στάθμη ηχητικής ισχύος, μετρούμενη τιμή dB(A)	85
Εγγυημένη στάθμη ηχητικής ισχύος L _{WA} dB(A)	89
Στάθμες ήχου ²²	
Ισοδύναμη στάθμη ηχητικής πίεσης στο αυτί του χειριστή, dB(A)	72
Στάθμες κραδασμών ²³	
Χέρι/βραχίονας (με στάνταρ ακροφύσιο) m/s ²	2,5
Ισοδύναμες στάθμες δονήσεων ²⁴	
Χέρι/βραχίονας (με στάνταρ ακροφύσιο) m/s ²	1,8

Αξεσουάρ

Εγκεκριμένα αξεσουάρ

Εγκεκριμένα αξεσουάρ	Κωδ. είδους
Καθαριστικό επιφανειών SC 300	590 65 79-01
Ψεκαστήρας αφρού FS 300	590 66 04-01
Σωλήνας καθαρισμού σωλήνων, 15 m	590 66 10-01
Φίλτρο νερού	590 65 93-01
Σύστημα αντεπιστροφής	590 65 95-01
Σωλήνας αναρρόφησης	590 65 97-01
Κιτ οχημάτων	590 66 07-01

²¹ Οι εκπομπές θορύβου στο περιβάλλον μετρούνται ως ηχητική ισχύς (L_{WA}) σε συμμόρφωση με την Οδηγία 2000/14/EK.

²² Η ισοδύναμη στάθμη ηχητικής πίεσης, κατά ISO 22868, υπολογίζεται ως το χρονικά σταθμισμένο σύνολο ενέργειας για διάφορες στάθμες ηχητικής πίεσης υπό διάφορες συνθήκες εργασίας. Η τυπική στατιστική διασπορά για την ισοδύναμη στάθμη ηχητικής πίεσης είναι μια τυπική απόκλιση της τάξης του 1 dB (A).

²³ Επίπεδο κραδασμών σύμφωνα με το πρότυπο EN 60745-2-13. Τα καταγεγραμμένα στοιχεία για το επίπεδο κραδασμών έχουν τυπική στατιστική διασπορά (τυπική απόκλιση) ίση με 1 m/s². Δηλωθέντα δεδομένα κραδασμών από μετρήσεις, όταν το μηχάνημα είναι εξοπλισμένο με μήκος λάμας και συνιστώμενο τύπο αλυσίδας. Εάν το μηχάνημα είναι εξοπλισμένο με διαφορετικό μήκος λάμας, το επίπεδο κραδασμών ενδέχεται να ποικίλει έως και κατά 1,5 m/s².

²⁴ Μετράται και υπολογίζεται αντίστοιχο επίπεδο κραδασμών με τα αλυσοπρίονα που διαθέτουν κινητήρα εσωτερικής καύσης. Αυτές οι τιμές αναφέρονται προκειμένου να μπορείτε να συγκρίνετε τα δεδομένα κραδασμών, ανεξαρτήτως τύπου κινητήρα σύμφωνα με το πρότυπο ISO 22867:2011.

Εγκεκριμένα αξεσουάρ	Κωδ. είδους
Κιτ με περιστρεφόμενες βούρτσες	590 66 06-01
Σπαστό πιστόλι ψεκασμού	590 66 11-01
Ακροφύσιο αναρρόφησης νερού	590 66 05-01
Σωλήνας επέκτασης , 8 m	590 66 08-01

Δήλωση Συμμόρφωσης

Δήλωση συμμόρφωσης ΕΕ

Εμείς στη Husqvarna AB, SE-561 82 Huskvarna,
Σουηδία, τηλ.: +46-36-146500, δηλώνουμε με
αποκλειστική μας ευθύνη ότι το προϊόν:

Περιγραφή	Πλυστικό υψηλής πίεσης
Μάρκα	Husqvarna
Τύπος / Μοντέλο	PW 130
Αναγνώριση	Αριθμοί σειράς με ημερομηνία από το 2022 και έπειτα

συμμορφώνεται πλήρως με τις ακόλουθες οδηγίες και
τους κανονισμούς της ΕΕ:

Κανονισμός	Περιγραφή
2006/42/EK	"σχετικά με τα μηχανήματα"
2014/30/EE	"σχετικά με την ηλεκτρομαγνητική συμβατότητα"
2000/14/EK Παράρτημα V	"σχετικά με τις εκπομπές θορύβου στο περιβάλλον"
2011/65/EE	"σχετικά με τον περιορισμό της χρήσης ορισμένων επικίνδυνων ουσιών σε είδη ηλεκτρικού και ηλεκτρονικού εξοπλισμού"

και ότι εφαρμόζονται τα παρακάτω πρότυπα ή/και
τεχνικές προδιαγραφές: EN 60335-1:2012/A11:2014/
A13:2017/A1:2019/A14:2019/A2:2019/A15:2021, EN
60335-2-79:2012, EN 62233:2008, EN 55014-1:2021,
EN 55014-2:2021, EN IEC 61000-3-2:2019/A1:2021, EN
61000-3-3:2013/A2:2021, EN IEC 63000:2018.

Για πληροφορίες σχετικά με τις εκπομπές θορύβου,
ανατρέξτε στην ενότητα *Τεχνικά στοιχεία στη σελίδα 110*.

Husqvarna, 2023-01-19



Claes Losdal, Διευθυντής ανάπτυξης/Προϊόντα κήπου,
Husqvarna AB

Υπεύθυνος για την τεχνική τεκμηρίωση



Contenido

Introducción.....	114	Resolución de problemas.....	127
Seguridad.....	115	Transporte, almacenamiento y eliminación.....	128
Montaje.....	121	Datos técnicos.....	128
Funcionamiento.....	122	Accesorios.....	129
Mantenimiento.....	125	Declaración de conformidad.....	131

Introducción

Descripción del producto

El producto es una hidrolimpiadora eléctrica. El producto se puede utilizar con diferentes niveles de presión del agua y varios productos de limpieza.

Uso previsto

Utilice el producto solo para limpieza doméstica. No utilice el producto para otras tareas. Utilice el producto en posición vertical solamente.

Descripción del producto

(Fig. 1)

1. Boquilla con chorro de agua recto
2. Boquilla con chorro de agua giratorio
3. Correa de goma para el soporte del cable de alimentación
4. Soporte para la pistola pulverizadora y la lanza pulverizadora
5. Manguera de agua de alta presión
6. Toma de agua
7. Pulverizador de espuma
8. Espacio de almacenamiento de la manguera de agua de alta presión
9. Interruptor de encendido
10. Cable de alimentación
11. Salida de agua con conexión rápida
12. Herramienta de limpieza de boquillas
13. Asa de transporte
14. Toma de aire
15. Pistola pulverizadora
16. Lanza pulverizadora
17. Manual de usuario

Símbolos que aparecen en el producto

(Fig. 2)

ADVERTENCIA: Este producto puede ser peligroso y ocasionar daños graves o mortales tanto al usuario como a

Nota: El uso de este producto podría estar limitado por la legislación nacional.

cualquier otra persona. Tenga cuidado y utilice el producto correctamente.

(Fig. 3)

Lea atentamente el manual de usuario y asegúrese de que entiende las instrucciones antes de utilizar este producto.

(Fig. 4)

El producto no se ha diseñado para conectarlo a la red de suministro de agua potable.

(Fig. 5)

Los chorros de agua a alta presión pueden ser peligrosos si no se utilizan correctamente.

El chorro no se debe dirigir hacia las personas ni a equipos eléctricos ni al propio producto.

(Fig. 6)

Marca medioambiental.

Ni el producto ni su embalaje son residuos domésticos. Recíclelos en una ubicación homologada para la eliminación de equipos eléctricos y electrónicos.

(Fig. 7)

Herramienta de clase II.

(Fig. 8)

Etiqueta de emisiones sonoras al medio ambiente conforme con las directivas y normativas europeas y del Reino Unido, y con la regulación de 2017 de protección del medioambiente (control de ruidos) (Protection of the Environment Operations - Noise Control) de la legislación de Nueva Gales del Sur. El nivel de potencia

acústica garantizado del producto se especifica en el apartado *Datos técnicos en la página 128* y en la etiqueta.

(Fig. 9)

Protegido contra chorros de agua a baja presión desde cualquier ángulo.

(Fig. 10)

Mantener al abrigo de las heladas.

(Fig. 11)

El producto cumple con las directivas CE vigentes.

(Fig. 12)

Este producto cumple con las directivas del Reino Unido vigentes.

Nota: Los demás símbolos y etiquetas que aparecen en el producto corresponden a requisitos de homologación específicos en algunos mercados.

Daños en el producto

No nos hacemos responsables de los daños que pueda sufrir el producto si:

- El producto se ha reparado incorrectamente.
- El producto se ha reparado con piezas que no eran del fabricante o no autorizadas por el fabricante.
- El producto tiene un accesorio que no es del fabricante o no está autorizado por este.
- El producto no se ha reparado en un centro de servicio autorizado o por un organismo homologado.

Seguridad

Definiciones de seguridad

Las advertencias, precauciones y notas se utilizan

para destacar información especialmente importante del manual.



ADVERTENCIA: Indica un riesgo de lesiones o incluso de muerte del usuario o de las personas cercanas si no se respetan las instrucciones del manual.



PRECAUCIÓN: Indica un riesgo de daños en el producto, otros materiales o el área adyacente si no se respetan las instrucciones del manual.

Nota: Se usa para proporcionar más información necesaria en una situación determinada.

Instrucciones generales de seguridad



ADVERTENCIA: Lea las siguientes instrucciones de advertencia antes de utilizar el producto.

- Este producto es una herramienta peligrosa si se usa incorrectamente o si no se tiene cuidado. Puede causar lesiones graves o incluso la muerte si no siguen las instrucciones de seguridad.
- Proceda siempre con cuidado y utilice el sentido común. Si no está seguro de cómo manejar el producto en una situación especial, pare y consulte a un taller de servicio Husqvarna antes de continuar.
- Tenga en cuenta que el usuario será el responsable de los accidentes que involucren a otras personas o a su propiedad.
- Mantenga el producto limpio. Asegúrese de que puede leer claramente las etiquetas.
- No permita que niños ni adultos que no estén familiarizados con estas instrucciones utilicen el aparato. La legislación local puede restringir la edad del usuario.
- Este producto puede ser utilizado por personas con habilidades físicas, sensoriales o mentales disminuidas si se les supervisa o reciben las instrucciones de uso seguro del producto y comprenden los riesgos que conlleva.
- Este producto puede ser utilizado por personas que no tengan la experiencia o los conocimientos necesarios si se les supervisa o reciben las

instrucciones de uso seguro del producto y comprenden los riesgos que conlleva.

- No utilice el producto si está cansado, enfermo o si se encuentra bajo los efectos de alcohol, drogas o medicamentos. Esto tiene un efecto negativo en su visión, capacidad de reacción, coordinación y capacidad de decisión.
- No utilice un producto dañado.
- No modifique este producto ni lo utilice si puede haber sido modificado por otras personas.

Instrucciones de seguridad para el funcionamiento



ADVERTENCIA: Lea las siguientes instrucciones de advertencia antes de utilizar el producto.

- No utilice el producto si el cable de alimentación, la manguera de alta presión, el bloqueo del gatillo o la pistola pulverizadora están dañados.
- Compruebe si el producto está dañado antes de usarlo. No utilice el producto si faltan piezas o hay alguna dañada.
- Sujete firmemente la pistola pulverizadora con las dos manos. El producto empuja hacia atrás cuando se pulsa el gatillo.
- Tenga cuidado cuando utilice el producto. La alta presión suministrada por el producto es peligrosa y puede causar lesiones.
- No dirija el chorro hacia usted, ni hacia otras personas o animales.
- No dirija el chorro hacia usted ni hacia otras personas para limpiar el calzado.
- No dirija el chorro hacia equipos eléctricos ni hacia el propio producto.
- Para trabajar con el producto debe utilizar equipo de protección personal. Consulte *Equipo de protección personal en la página 119*.
- No utilice el producto cerca de otras personas a menos que lleven equipo de protección.
- Si utiliza un producto de limpieza, siga las instrucciones de seguridad de dicho producto.
- Utilice solamente productos de limpieza Husqvarna.
- Utilice la presión de agua adecuada y los productos de limpieza correctos, y utilice el producto únicamente para las tareas indicadas en este

- manual. Si utiliza una presión de agua o un producto de limpieza incorrectos, o si utiliza el producto para otras tareas que no sean las indicadas en este manual, puede dañar el producto, las superficies, los materiales u otros dispositivos. Husqvarna no se hace responsable de los daños causados por un uso incorrecto.
- No se recomienda conectar el producto a la red de suministro de agua potable. Si debe conectar el producto a la red de suministro de agua potable, siga las normativas locales y nacionales. Utilice una válvula antirretorno (no incluida) si es necesario. El agua que ha circulado por una válvula antirretorno se considera no potable.
 - No pulverice líquidos inflamables. Riesgo de explosión.
 - No deje que los niños manejen el producto.
 - No deje que los niños jueguen con el producto.
 - Si una persona desconoce cómo se debe utilizar el producto, no permita que lo use.
 - Utilice únicamente accesorios y piezas de repuesto aprobados por Husqvarna.
 - Asegúrese de que la conexión eléctrica la realiza un electricista cualificado y de que cumple la norma IEC 60364-1.
 - Utilice un interruptor diferencial que corte el suministro eléctrico si la corriente de fuga es superior a 30 mA durante 30 ms. Si no dispone de un interruptor diferencial, utilice un dispositivo que controle el circuito de tierra.
 - Utilice fusibles retardados/de arranque del motor de tipo C o D de acuerdo con la norma IEC 898-1 o IEC 947-2, u otras normas equivalentes.
 - No es necesario realizar ajustes en los productos marcados con dos valores de tensión y frecuencia.
 - Si fuera necesario utilizar un cable alargador, asegúrese de que es adecuado para su uso en exteriores. Asegúrese de que la toma está a una distancia mínima de 60 mm del suelo. La conexión debe mantenerse siempre seca.
 - Coloque el interruptor de alimentación en la posición de apagado (0), desconecte el enchufe de alimentación

y active el bloqueo del gatillo antes de alejarse del producto.

- Coloque el interruptor de alimentación en la posición de apagado (0) y desconecte el enchufe de alimentación antes de cambiar el accesorio.
- Coloque el interruptor de alimentación en la posición de apagado (0) y desconecte el enchufe de alimentación antes de limpiar o realizar tareas de mantenimiento en el producto.
- No utilice el producto en entornos en los que la temperatura ambiente sea inferior a 0 °C.
- No ponga en marcha el producto si está congelado.
- No utilice el producto en interiores.
- No coloque ningún objeto sobre el producto cuando esté en funcionamiento.
- No beba el agua que se haya utilizado con el producto.
- No utilice el producto cerca de una ventana abierta.
- Cuidado con los objetos que salen despedidos. La máquina puede despedir piedras y otros objetos contra los ojos y causar ceguera o heridas graves.

- Si el producto no funciona correctamente, consulte *Programa de resolución de problemas en la página 127.*

Equipo de protección personal



ADVERTENCIA: Lea las siguientes instrucciones de advertencia antes de utilizar el producto.

- El equipo de protección personal no elimina completamente el riesgo de lesiones, pero reduce la gravedad de las lesiones en caso de accidente. Deje que el distribuidor le ayude a seleccionar el equipo adecuado.
- Utilice calzado de trabajo antideslizante. No utilice calzado abierto ni vaya descalzo.
- Utilice ropa de protección.
- Utilice protectores auriculares homologados.
- Utilice gafas protectoras.
- Utilice protección respiratoria de nivel FFP2 o equivalente si utiliza el producto en entornos en los que puedan formarse aerosoles peligrosos.

Dispositivos de seguridad en el producto



ADVERTENCIA: Lea las siguientes instrucciones de advertencia antes de utilizar el producto.

- No utilice ningún producto con dispositivos de seguridad dañados o que no funcionen correctamente.
- No retire ni modifique los dispositivos de seguridad.
- Realice una comprobación de los dispositivos de seguridad con frecuencia. Si los dispositivos de seguridad están dañados o no funcionan correctamente, póngase en contacto con su taller de servicio Husqvarna.

Bloqueo del gatillo del acelerador

El bloqueo del gatillo (A) evita el uso accidental de dicho gatillo (B). Cuando el bloqueo del gatillo se encuentra activado, no se puede presionar el gatillo.

(Fig. 13)

Gatillo de alimentación

El producto se pone en marcha cuando se presiona el gatillo. El producto se detiene cuando se suelta el gatillo.

Protector térmico

El producto cuenta con un protector térmico automático. Si el producto se calienta demasiado, el protector térmico corta el suministro eléctrico del producto. Si el protector térmico ha cortado la corriente, espere hasta que el producto se enfríe. El protector térmico se restablecerá automáticamente cuando el producto se haya enfriado lo suficiente.

Válvula de descarga hidráulica

El producto dispone de una válvula de descarga hidráulica integrada que evita que el sistema alcance una presión demasiado elevada.

Instrucciones de seguridad para el mantenimiento



ADVERTENCIA: Lea las instrucciones de advertencia siguientes antes de realizar el mantenimiento del producto.



PRECAUCIÓN: Realice siempre el mantenimiento del producto antes de ponerlo en marcha tras

haber pasado mucho tiempo guardado.

- Coloque el interruptor de alimentación en la posición de apagado (0) y desenchufe de cable de alimentación antes de realizar tareas de mantenimiento en el producto.
- Desconecte el producto de la fuente de agua y asegúrese de que todas las piezas estén secas antes de realizar tareas de mantenimiento en el producto.
- Realice únicamente las tareas de mantenimiento que figuran en este manual de usuario.
- Utilice únicamente las piezas de repuesto recomendadas por Husqvarna. En este producto, es importante que las mangueras, los racores y los acoplamientos sean apropiados para agua a alta presión. Utilice únicamente mangueras, racores y acoplamientos recomendados por el fabricante.
- No repare el producto usted mismo. Póngase en contacto con su taller de servicio Husqvarna.
- Póngase en contacto con su taller de servicio Husqvarna si el enchufe o el cable de alimentación están dañados.
- No permita que los niños limpien el producto ni hagan tareas de mantenimiento en él.

Montaje

Introducción



ADVERTENCIA: Asegúrese de leer y comprender el capítulo sobre seguridad antes de montar el producto.

directamente en la toma de agua. Si el adaptador de manguera no se instala recto, puede dañar las roscas y provocar fugas.

Instalación del adaptador de manguera

1. Retire la cubierta de transporte de la toma de agua y deséchela. (Fig. 14)
2. Instale el adaptador de manguera en la toma de agua. (Fig. 15)

3. Apriete completamente el adaptador de manguera.
4. Para quitar el adaptador de manguera, efectúe este procedimiento en el orden inverso.

Instalación del soporte de la pistola pulverizadora y la lanza pulverizadora

- Instale el soporte con los 2 tornillos. (Fig. 16)



PRECAUCIÓN: Asegúrese de instalar el adaptador de manguera

Funcionamiento

Introducción



ADVERTENCIA: Asegúrese de leer y comprender el capítulo sobre seguridad antes de usar el producto.

Husqvarna Connect

Husqvarna Connect es una aplicación gratuita para su dispositivo móvil. La aplicación Husqvarna Connect proporciona más funciones para su producto Husqvarna:

- Información ampliada sobre el producto.
- Información y asistencia sobre piezas y mantenimiento de productos.

Uso de Husqvarna Connect

1. Descargue la aplicación Husqvarna Connect en su dispositivo móvil.
2. Registre una cuenta en la aplicación Husqvarna Connect.
3. Siga las instrucciones de la aplicación Husqvarna Connect para conectarse y registrar el producto.

Nota: La aplicación Husqvarna Connect no se puede descargar en todos los mercados. Póngase en contacto con su distribuidor para obtener más información.

Instalación de la pistola pulverizadora

1. Presione la manguera de agua de alta presión contra la conexión rápida hasta que encaje en su posición. (Fig. 17)



PRECAUCIÓN: Para evitar fugas, asegúrese de que la manguera de alta presión está bien acoplada a la conexión rápida del producto.

2. Sujete firmemente la pistola pulverizadora con una mano y presione la manguera de agua de alta presión contra la conexión rápida de dicha pistola. (Fig. 18)

Desmontaje de la pistola pulverizadora

1. Pulse el botón de la pistola pulverizadora y extraiga la manguera de agua de alta presión. (Fig. 19)
2. Presione el anillo exterior de la conexión rápida y extraiga la manguera de agua de alta presión. (Fig. 20)

Instalación de la lanza pulverizadora

1. Sujete la pistola pulverizadora con una mano y presione el acoplamiento de la lanza pulverizadora contra la pistola pulverizadora. (Fig. 21)
2. Gire la lanza pulverizadora hacia la derecha y suéltela. La lanza pulverizadora quedará bloqueada en su posición.

Desmontaje de la lanza pulverizadora

1. Presione la lanza pulverizadora y gírela hacia la izquierda. (Fig. 22)
2. Retire la lanza pulverizadora de la pistola pulverizadora.

Instalación y desmontaje de una boquilla

El producto se suministra con 2 boquillas: 1 boquilla con chorro de agua recto (identificada como "boquilla suave") y 1 boquilla con chorro de agua giratorio (identificada como "boquilla dura"). La boquilla con chorro de agua recto se puede utilizar para limpiar superficies delicadas, por ejemplo, vehículos. La boquilla con chorro a presión se puede utilizar para limpiar superficies no delicadas, por ejemplo, el suelo del patio.

(Fig. 23)



PRECAUCIÓN: No utilice la boquilla con chorro de agua giratorio sobre superficies delicadas, por ejemplo, las superficies pintadas de un vehículo. El chorro de agua giratorio puede dañar la superficie.

- Para instalar una boquilla, sujete la lanza pulverizadora con una mano y presione la boquilla hasta que encaje en su posición. (Fig. 24)
- Para retirar una boquilla, presione la lengüeta de la lanza pulverizadora y tire de la boquilla para retirarla de la lanza. (Fig. 25)

Ajuste de la presión del chorro de agua

Es posible ajustar la presión de la boquilla con chorro de agua recto.

- Para aumentar la presión del chorro de agua, gire la boquilla hacia la derecha. (Fig. 26)
- Para reducir la presión del chorro de agua, gire la boquilla hacia la izquierda. (Fig. 27)

Manejo del producto

1. Conecte el producto a una fuente de agua. Consulte *Conexión del producto a una fuente de agua en la página 123*.
2. Purgue el sistema. Consulte *Purga del sistema en la página 123*.
3. Encienda el producto. Consulte *Puesta en marcha del producto en la página 124*.

Conexión del producto a una fuente de agua

El producto se puede utilizar con agua de la red de suministro o de una fuente abierta, como un lago o un bidón.

- Para conectar el producto a la red de suministro de agua, consulte *Conexión del producto a la red de suministro de agua en la página 123*.
- Para conectar el producto a una fuente de agua abierta, consulte *Conexión del producto a una fuente de agua abierta en la página 123*.

Conexión del producto a la red de suministro de agua

1. Instale el adaptador de manguera y el filtro de agua en la toma de agua del producto si no están instalados. Consulte *Instalación del adaptador de manguera en la página 121*.
2. Conecte la manguera a la red de suministro de agua. Utilice una manguera de 0,5 pulg. de diámetro y de 10-25 m de longitud. (Fig. 28)



PRECAUCIÓN: La presión del agua de la red de suministro debe ser como máximo de 1 MPa (10 bar).



PRECAUCIÓN: La temperatura del agua de la red de suministro debe ser como máximo de 40 °C.

3. Abra el grifo de la red de suministro y asegúrese de que el agua salga sin problemas por la manguera. (Fig. 29)
4. Cierre el grifo de la red de suministro de agua.
5. Conecte la manguera a la toma de agua del producto. (Fig. 30)
6. Enchufe el cable de alimentación a una toma de corriente.
7. Abra el grifo de la red de suministro de agua.
8. Antes de usar el producto, purgue el sistema. Consulte *Purga del sistema en la página 123*.

Conexión del producto a una fuente de agua abierta

El producto se puede utilizar con agua procedente de una fuente abierta, como un lago o un bidón. Utilice una manguera de aspiración de 0,5 pulg. de diámetro (no incluida) y de 3 m de longitud como máximo.

(Fig. 31)



PRECAUCIÓN: La temperatura del agua de la fuente empleada no debe ser superior a 20 °C.



PRECAUCIÓN: El producto no debe estar a más de 0,5 m por encima de la fuente de agua.

1. Si el adaptador de manguera está instalado en la toma de agua del producto, retírelo. (Fig. 32)



PRECAUCIÓN: No retire el filtro de agua de la toma de agua.

2. Instale una manguera de aspiración (no incluida) en la toma de agua del producto. (Fig. 33)
3. Introduzca la manguera de aspiración en la fuente de agua y asegúrese de que el filtro está completamente sumergido.



PRECAUCIÓN: No utilice una manguera de aspiración sin filtro.

4. Pulse el botón de la pistola pulverizadora y extraiga la manguera de alta presión de la pistola. (Fig. 19)
5. Enchufe el cable de alimentación a una toma de corriente.
6. Ponga el interruptor de alimentación en la posición de encendido (I) y deje que el producto funcione durante 2 minutos.
7. Coloque el interruptor de alimentación en la posición de apagado (0).
8. Sujete firmemente la pistola pulverizadora con una mano y presione la manguera de alta presión contra el acoplamiento rápido de dicha pistola. (Fig. 18)
9. Antes de usar el producto, purgue el sistema. Consulte *Purga del sistema en la página 123*.

Purga del sistema



PRECAUCIÓN: Asegúrese de que el interruptor de alimentación está en la posición de apagado (0) antes de purgar el sistema.

1. Conecte el producto a una fuente de agua. Consulte *Conexión del producto a una fuente de agua en la página 123*.
2. Instale la lanza pulverizadora en la pistola pulverizadora. Consulte *Instalación de la lanza pulverizadora en la página 122*.
3. Desactive el bloqueo del gatillo. Consulte *Activación y desactivación del bloqueo del gatillo en la página 124*.
4. Presione el gatillo hasta que salga agua por la boquilla de la lanza pulverizadora. (Fig. 34)
5. Enchufe el cable de alimentación a una toma de corriente.
6. Coloque el interruptor de encendido en la posición de encendido (I). (Fig. 39)
7. Desactive el bloqueo del gatillo. Consulte *Activación y desactivación del bloqueo del gatillo en la página 124*.
8. Pulse el gatillo de la pistola pulverizadora.

Nota: El producto se detiene automáticamente al soltar el gatillo.

Desconexión del producto de la fuente de agua

1. Coloque el interruptor de alimentación en la posición de apagado (0).
2. Si el producto está conectado a la red de suministro de agua, cierre el grifo de la red de suministro.
3. Si el producto está conectado a la red de suministro de agua, desconecte la manguera de la red de suministro. (Fig. 35)
4. Si el producto está conectado a una fuente de agua abierta, extraiga la manguera de aspiración de la fuente de agua.
5. Presione el gatillo hasta que deje de salir agua por la boquilla.
6. Desconecte la manguera de la toma de agua del producto. (Fig. 36)

Nota: Si el producto está conectado a una fuente de agua abierta, desconecte la manguera de aspiración.

7. Pulse el botón de la pistola pulverizadora y extraiga la manguera de alta presión de la pistola. (Fig. 19)
8. Coloque el interruptor de encendido en la posición de encendido (I). Deje el producto en marcha hasta que no salga agua por la manguera de alta presión.
9. Coloque el interruptor de alimentación en la posición de apagado (0).
10. Espere a que la pistola pulverizadora, la lanza pulverizadora y las boquillas se sequen antes de guardar el producto.

Activación y desactivación del bloqueo del gatillo

- Para activar el bloqueo del gatillo, gire el bloqueo hacia la derecha hasta que oiga un clic. (Fig. 37)
- Para desactivar el bloqueo del gatillo, gire el bloqueo hacia la izquierda hasta el tope. (Fig. 38)

Puesta en marcha del producto

1. Conecte el producto a una fuente de agua. Consulte *Conexión del producto a una fuente de agua en la página 123*.

Parada del producto

Nota: El producto se detiene automáticamente al soltar el gatillo.

1. Suelte el gatillo de la pistola pulverizadora.
2. Active el bloqueo del gatillo. Consulte *Activación y desactivación del bloqueo del gatillo en la página 124*.
3. Coloque el interruptor de alimentación en la posición de apagado (0). (Fig. 40)
4. Desconecte el enchufe de alimentación de la toma de corriente.
5. Desconecte el producto de la fuente de agua. Consulte *Desconexión del producto de la fuente de agua en la página 124*.

Nota: Desconecte siempre el producto de la fuente de agua si va a dejar el producto desatendido durante más de 5 minutos.

Uso del pulverizador de espuma

1. Retire el pulverizador de espuma de su soporte. (Fig. 41)
2. Llene el depósito del pulverizador de espuma con un producto de limpieza.



PRECAUCIÓN: Utilice únicamente productos de limpieza recomendados por Husqvarna.

3. Presione la conexión rápida del pulverizador de espuma contra la conexión rápida de la lanza pulverizadora hasta que quede bloqueado en su posición. (Fig. 42)

Nota: La brida del pulverizador de espuma debe estar alineada con la ranura de la lanza pulverizadora.

4. Conecte el producto a una fuente de agua. Consulte *Conexión del producto a una fuente de agua en la página 123*.

5. Encienda el producto. Consulte *Puesta en marcha del producto en la página 124.*

Mantenimiento

Introducción



ADVERTENCIA: Antes de realizar cualquier trabajo de mantenimiento, debe leer y entender el capítulo sobre seguridad.

especial. Husqvarna garantiza que los trabajos de mantenimiento y reparación sean realizados por profesionales.

Para obtener información detallada, consulte www.husqvarna.com.

Para todos los trabajos de mantenimiento y reparación del producto, es necesario realizar una formación

Programa de mantenimiento

Mantenimiento	Antes del uso	Después de cada uso
Realice una inspección general. Consulte <i>Inspección general en la página 125.</i>	X	
Limpie el producto. Consulte <i>Limpieza del producto en la página 125.</i>		X
Limpie la lanza pulverizadora y las boquillas. Consulte <i>Limpieza de la lanza pulverizadora y las boquillas en la página 126.</i>		X
Limpie el filtro de agua. Sustituya el filtro de agua si está dañado. Consulte <i>Limpieza del filtro de agua en la página 126.</i>		X
Lubrique las juntas tóricas de los acoplamientos. Consulte <i>Lubricación de las juntas tóricas de los acoplamientos en la página 126.</i>		X

Inspección general



ADVERTENCIA: Coloque el interruptor de alimentación en la posición de apagado (0) y desenchufe de cable de alimentación antes de realizar tareas de mantenimiento en el producto.



PRECAUCIÓN: Desconecte el producto de la fuente de agua y asegúrese de que todas las piezas estén secas antes de realizar tareas de mantenimiento en el producto.

- Asegúrese de que las tuercas y los tornillos del producto estén bien apretados.
- Asegúrese de que los cables del producto no están en una posición en la que puedan resultar dañados.
- Revise la manguera de alta presión para comprobar si está desgastada o dañada.



ADVERTENCIA: No utilice el producto si la manguera de alta presión está desgastada o dañada.

Limpieza del producto



ADVERTENCIA: Coloque el interruptor de alimentación en la posición de apagado (0) y desconecte el enchufe de alimentación antes de realizar tareas de mantenimiento en el producto.



PRECAUCIÓN: Desconecte el producto de la fuente de agua y asegúrese de que todas las piezas estén secas antes de realizar tareas de mantenimiento en el producto.

- Limpie la superficie externa con un paño seco.
- No utilice una hidrolimpiadora para limpiar el producto.
- Mantenga las tomas de aire limpias para asegurarse de que la temperatura del producto sea siempre lo suficientemente baja.

Limpieza de la lanza pulverizadora y las boquillas



ADVERTENCIA: Coloque el interruptor de alimentación en la posición de apagado (0) y desenchufe de cable de alimentación antes de realizar tareas de mantenimiento en el producto.



PRECAUCIÓN: Desconecte el producto de la fuente de agua y asegúrese de que todas las piezas estén secas antes de realizar tareas de mantenimiento en el producto.

1. Si hay una boquilla instalada en la lanza pulverizadora, retírela. Consulte *Instalación y desmontaje de una boquilla en la página 122*.
2. Limpie las boquillas, el acoplamiento de la lanza pulverizadora y el acoplamiento de la pistola pulverizadora con agua y jabón. (Fig. 43)
3. Si la boquilla está obstruida, desatásquela con la herramienta de limpieza. (Fig. 44)

Limpieza del filtro de agua



ADVERTENCIA: Coloque el interruptor de alimentación en la posición de apagado (0) y desenchufe de cable de alimentación antes de realizar tareas de mantenimiento en el producto.



PRECAUCIÓN: Desconecte el producto de la fuente de agua y asegúrese de que todas las piezas estén secas antes

de realizar tareas de mantenimiento en el producto.

1. Si el adaptador de manguera está instalado en la toma de agua del producto, retírelo. (Fig. 32)
2. Extraiga el filtro de agua. Utilice unos alicates. (Fig. 45)
3. Compruebe si el filtro de agua está dañado. Sustituya el filtro de agua si está dañado. (Fig. 46)
4. Enjuague el filtro de agua con agua limpia. (Fig. 47)

Lubricación de las juntas tóricas de los acoplamientos



ADVERTENCIA: Coloque el interruptor de alimentación en la posición de apagado (0) y desenchufe de cable de alimentación antes de realizar tareas de mantenimiento en el producto.



PRECAUCIÓN: Desconecte el producto de la fuente de agua y asegúrese de que todas las piezas estén secas antes de realizar tareas de mantenimiento en el producto.

1. Retire la lanza pulverizadora de la pistola pulverizadora, y la pistola pulverizadora de la manguera de alta presión. Consulte *Instalación de la lanza pulverizadora en la página 122* y *Instalación de la pistola pulverizadora en la página 122*.
2. Lubrique con grasa las juntas tóricas del adaptador de manguera, la lanza pulverizadora y la manguera de alta presión. Consulte *Datos técnicos en la página 128* para saber cuál es el tipo de grasa correcto. (Fig. 48)

Resolución de problemas

Programa de resolución de problemas

Problema	Causa posible	Solución
El producto no se pone en marcha.	El cable de alimentación no está enchufado a una toma de corriente.	Enchufe el cable de alimentación a una toma de corriente.
	El interruptor de encendido está en la posición de apagado (0).	Coloque el interruptor de encendido en la posición de encendido (I).
	La toma de corriente no tiene electricidad.	Hable con un electricista cualificado.
	El cable de alimentación está dañado.	Acuda a un taller de servicio autorizado.
	El protector térmico ha cortado la corriente.	Espere a que el producto se enfríe antes de ponerlo en marcha otra vez.
	Se está utilizando un cable alargador incorrecto.	Asegúrese de que el cable alargador esté totalmente desenrollado y de que la tensión de suministro coincida con la tensión del producto.
El fusible se funde durante el arranque o el funcionamiento.	Se ha utilizado un fusible incorrecto.	Asegúrese de utilizar un fusible lento de tipo "C" o "K".
El producto no se para.	El producto está dañado.	Desenchufe el cable de alimentación y acuda a un taller de servicio autorizado.
El producto se calienta demasiado.	El caudal de aire no es suficiente.	Limpie las tomas de aire.
El producto no funciona correctamente.	Hay aire en el sistema.	Purgue el sistema.
La presión del agua no es correcta.	La manguera está doblada.	Asegúrese de que la manguera no esté doblada.
	El interruptor de encendido está en la posición de apagado (0).	Coloque el interruptor de encendido en la posición de encendido (I).
	El caudal de agua no es suficiente.	Asegúrese de que el producto está conectado correctamente a una fuente de agua. Asegúrese de que tenga un caudal de agua suficiente.
	El filtro de agua está obstruido.	Limpie el filtro de agua.
	Hay aire en el sistema.	Purgue el sistema.
	El accesorio no es correcto.	Utilice un accesorio adecuado.

Transporte, almacenamiento y eliminación

Transporte

- Desconecte el enchufe de alimentación de la toma de corriente antes de transportar el producto.
- Desconecte el producto de la fuente de agua antes de transportarlo.
- Sujete el producto firmemente para que no se mueva durante el transporte.

Almacenamiento

- Drene el agua del producto, de la manguera de agua de alta presión y de los accesorios antes de guardar el producto.
- Prepare el producto para su almacenamiento. Consulte *Preparación del producto para su almacenamiento en la página 128*.
- Guarde el producto en un lugar seco y al abrigo de las heladas.

Preparación del producto para su almacenamiento

1. Detenga el producto y desenchufe el cable de alimentación de la toma de corriente.

2. Desconecte el producto de la fuente de agua. Consulte *Desconexión del producto de la fuente de agua en la página 124*.
3. Asegúrese de que todos los accesorios estén secos.
4. Coloque la pistola pulverizadora, la lanza pulverizadora y las boquillas en sus soportes.
5. Desconecte la manguera de agua de alta presión y colóquela en su soporte. (Fig. 49)
6. Coloque el cable de alimentación en su soporte y fije la correa. (Fig. 50)

Eliminación

Los productos Husqvarna no son residuos domésticos y se deben desechar como se indica en este manual.

- Respete los requisitos locales y las normas aplicables relativos a los residuos.
- Recicle el producto y el envase en un lugar apropiado.
- Póngase en contacto con su distribuidor local Husqvarna para obtener más información sobre cómo reciclar y desechar el producto.

Datos técnicos

PW 130	
Motor y bomba	
Tipo	Motor de serie CA
Potencia, W	1500
Intervalo de tensión, V	220–240
Frecuencia, Hz	50
Corriente nominal, A	6,5
Caudal de agua máx., l/min	7,7
Presión máx. de salida de agua, bar/MPa	130/13
Presión máx. de entrada de agua, bar/MPa	10/1
Temperatura máx. de entrada de agua, °C/°F	40/104
Temperatura máx. de entrada de agua (en modo de aspiración), °C/°F	20/68
Nivel de protección IP	IPX5
Clase de seguridad	Clase II
Lubricación	
Tipo de grasa para la lubricación de las juntas tóricas	Grasa universal de silicona blanca
Peso	

	PW 130
Peso, kg	6,5
Emisiones de ruido ²⁵	
Nivel de potencia acústica medida, dB(A)	85
Nivel de potencia acústica garantizado L _{WA} dB(A)	89
Niveles acústicos ²⁶	
Nivel de presión sonora equivalente en el oído del usuario, dB(A)	72
Niveles de vibración ²⁷	
Mano/brazo (con boquilla estándar) m/s ²	2,5
Niveles de vibración equivalentes ²⁸	
Mano/brazo (con boquilla estándar) m/s ²	1,8

Accesorios

Accesorios homologados

Accesorios homologados	Referencia
Limpiador de superficies SC 300	590 65 79-01
Pulverizador de espuma FS 300	590 66 04-01
Manguera de limpieza de tubos, 15 m	590 66 10-01
Filtro de agua	590 65 93-01
Válvula antirretorno	590 65 95-01
Manguera de aspiración	590 65 97-01
Kit para vehículo	590 66 07-01
Kit de cepillo giratorio	590 66 06-01
Lanza en ángulo	590 66 11-01
Boquilla de aspiración de agua	590 66 05-01

²⁵ Emisiones sonoras en el entorno medidas como potencia acústica (L_{WA}) según la directiva 2000/14/CE.

²⁶ El nivel de presión sonora equivalente, según la norma ISO 22868, se calcula como la suma de energía, ponderada en el tiempo, de los niveles de presión sonora en diferentes condiciones de trabajo. La dispersión estadística habitual del nivel de presión sonora equivalente tiene una desviación típica de 1 dB (A).

²⁷ Nivel de vibración conforme a EN 60745-2-13. Los datos referidos del nivel de vibración tienen una dispersión estadística habitual (desviación típica) de 1 m/s². Lecturas de vibración cuando la máquina está equipada con una longitud de espada y un tipo de cadena recomendados. Si la máquina está equipada con una espada de diferente longitud, el nivel de vibración puede variar aproximadamente $\pm 1,5$ m/s².

²⁸ El nivel de vibración equivalente se mide y calcula del mismo modo que para las motosierras con motor de combustión. Estos números se proporcionan para poder comparar los datos de vibración independientemente del tipo de motor según ISO 22867:2011.

Accesorios homologados	Referencia
Manguera de extensión, 8 m	590 66 08-01

Declaración de conformidad

Declaración de conformidad CE

Nosotros, Husqvarna AB, SE-561 82 Huskvarna, Suecia, tel. +46-36-146500, declaramos bajo nuestra exclusiva responsabilidad que el producto:

Descripción	Hidrolimpiadora
Marca	Husqvarna
Tipo/Modelo	PW 130
Identificación	Números de serie a partir del año 2022

Cumple las siguientes directivas y normas de la UE:

Norma	Descripción
2006/42/CE	"relativa a las máquinas"
2014/30/UE	"relativa a la compatibilidad electromagnética"
2000/14/CE Anexo V	"relativa a las emisiones sonoras en el entorno"
2011/65/UE	"relativa a restricciones de utilización de determinadas sustancias peligrosas en aparatos eléctricos y electrónicos"

Y que se aplican las especificaciones técnicas o los estándares siguientes: EN 60335-1:2012/A11:2014/A13:2017/A1:2019/A14:2019/A2:2019/A15:2021, EN 60335-2-79:2012, EN 62233:2008, EN 55014-1:2021, EN 55014-2:2021, EN IEC 61000-3-2:2019/A1:2021, EN 61000-3-3:2013/A2:2021, EN IEC 63000:2018.

Para obtener información respecto a las emisiones sonoras, consulte *Datos técnicos en la página 128*.

Huskvarna, 2023-01-19



Claes Losdal, Director de desarrollo/productos de jardín, Husqvarna AB

Responsable de la documentación técnica



Sisukord

Sissejuhatus.....	132	Veaoosing.....	143
Ohutus.....	133	Transportimine, hoialepanek ja utiliseerimine.....	143
Kokkupanek.....	138	Tehnilised andmed.....	144
Töö.....	139	Lisatarvikud.....	145
Hooldamine.....	141	Vastavusdeklaratsioon.....	146

Sissejuhatus

Toote kirjeldus

See seade on elektriline survepesur. Seadet saab kasutada erineva veeurve ja erinevate puhastusvahenditega.

Kasutusotstarve

Kasutage seadet ainult koduseks puhastamiseks. Ärge kasutage seadet muude tööde tegemiseks. Kasutage seadet ainult selle püstises asendis.

Toote tutvustus

(Joon. 1)

1. Otsik sirge veejoaga
2. Pöörleva veejoaga otsik
3. Kummist rihm toitekaabli hoidiku jaoks
4. Pihusti käepideme ja pihustusvarre hoidik
5. Kõrgsurve veevoolik
6. Vee sisselaskeava
7. Vahuprits
8. Kõrgsurve veevooliku hoiustamisüksus
9. Toitelüliti
10. Toitekaabel
11. Kiirkinnitusega vee väljalaskeava
12. Otsikute puhastusvahend
13. Transpordikäepide
14. Ohuvõtuava
15. Pihusti käepide
16. Pihustusvars
17. Kasutusjuhend

Sümbolid tootel

(Joon. 2)

HOIATUS! Toode võib olla ohtlik ja põhjustada kasutaja või kõrvaliste isikute ohtliku kehavigastuse või surma. Olge

Märkus: Riiklikud õigusaktid võivad selle toote kasutamist piirata.

ettevaatlik ja kasutage toodet õigesti.

(Joon. 3)

Enne seadme kasutamist lugege kasutusjuhend hoolikalt läbi ja veenduge, et oleksite juhistest aru saanud.

(Joon. 4)

Seade ei sobi ühendamiseks joogiveetorustikuga.

(Joon. 5)

Kõrgsurve veejoad võivad olla valesti kasutamisel ohtlikud. Juga ei tohi suunata inimestele, elektriseadmetele ega seadmele.

(Joon. 6) **Keskkonnamärgis.**
Toode või toote pakend ei kuulu olmejäätmete hulka. Toimetage see elektri- ja elektroonikajäätmete heakskiidetud vastuvõtupunkti.

(Joon. 7) II klassi tööriist.

(Joon. 8) Müraremissioonile viitav keskkonnasilt vastavalt ELi ja UK direktiividele ja määrustele ja Uus Lõuna-Walesi õigusaktile „Protection of the Environment Operations (Noise Control) Regulations 2017“. Toote garanteeritud helivõimsuse taseme andmed leiate jaotisest

Tehnilised andmed lk 144 ja sildil.

(Joon. 9) Kaitstud madala surve all oleva veevoolu eest mis tahes nurga alt.

(Joon. 10) Hoida eemal külmast.

(Joon. 11) See seade vastab kehtivatele EÜ direktiividele.

(Joon. 12) See toode vastab kehtivatele UK direktiividele.

Märkus: Ülejäänud seadmel toodud sümbolid/ tähised vastavad teatud riikides kehtivatele sertifitseerimisnõuetele.

Toote kahjustused

Me ei vastuta meie tootele tekitatud kahjude eest, kui:

- toodet on valesti parandatud;
- toote parandamisel on kasutatud osi, mis ei ole tootja poolt valmistatud või heaks kiidetud;
- tootel on kasutatud tarvikut, mis ei ole tootja poolt valmistatud või heaks kiidetud;
- toodet ei ole parandatud volitatud hoolduskeskuses või volitatud isiku poolt.

Ohutus

Ohutuse määratlused

Mõistetega „hoiatus“, „ettevaatust“ ja „märkus“ juhitakse tähelepanu eriti olulistele kohtadele kasutusjuhendis.



HOIATUS: Tähistab kasutusjuhendi juhiste

eiramise korral kasutaja või kõrvalseisjate kehavigastuse või surmaga lõppeva õnnetuse ohtu.



ETTEVAATUST: Tähistab kasutusjuhendi juhiste eiramise korral

seadme, muude esemete või läheduses asuvate objektide kahjustamise ohtu.

Märkus: Tähistab antud olukorras vajalikku lisateavet.

Üldised ohutusjuhised



HOIATUS: Enne toote kasutamist lugege läbi järgmised hoiatused.

- Seade on ohtlik, kui seda kasutada valesti või ettevaatamatult. Ohutuseeskirjade eiramine võib põhjustada kehavigastuse või surma.
- Olge alati ettevaatlik ja toimige arukalt. Kui te pole kindel, kuidas seadet eriolukorras kasutada, lõpetage töö ja pidage enne jätkamist nõu Husqvarna hooldustöökajaga.
- Arvestage, et teiste isikute ja nende varaga seotud õnnetuste korral kannab vastutust seadme kasutaja.
- Hoidke seade puhas. Veenduge, et märgid ja tähised oleksid selgelt loetavad.
- Ärge kunagi lubage lastel või nende juhustega mittetutvunud

inimestel seadet kasutada. Kohalikud kehtivad eeskirjad võivad piirata kasutaja lubatud vanust.

- Seda toodet võivad kasutada nõrgemate füüsiliste, sensoorsete või vaimsete võimetega inimesed, kui neid jälgib või juhendab vastutav isik, kes tagab, et nad kasutavad seadet ohutult ning mõistavad seotud ohtusid.
- Seda toodet võivad kasutada isikud, kellel ei ole vajalikke kogemusi või teadmisi, kui neid jälgib või juhendab vastutav isik, kes tagab, et nad kasutavad seadet ohutult ning mõistavad seotud ohtusid.
- Ärge kasutage toodet, kui olete väsinud, haige või tarvitanud alkoholi, narkootikume või ravimeid. Sellel on negatiivne mõju teie nägemisele, tähelepanuvõimele, liikumisele ja otsustusvõimele.
- Ärge kasutage kahjustatud seadet.
- Ärge muutke seadet, nii et see ei vasta enam tehase originaalmudelile; ärge kasutage seadet, kui arvate, et seda on muutnud keegi teine.

Ohutusjuhised kasutamisel



HOIATUS: Enne toote kasutamist lugege läbi järgmised hoiatused.

- Ärge kasutage seadet, kui toitekaabel, kõrgsurvevoolik, toitelüliti lukusti või pihusti käepide on kahjustatud.
- Enne seadme kasutamist kontrollige selle kahjustusi. Ärge kasutage seadet, kui selle osad on kahjustatud või puuduvad.
- Hoidke pihusti käepidemest mõlema käega tugevalt kinni. Toitelüliti vajutamisel tekib tagasilöökk.
- Olge seadme kasutamisel ettevaatlik. Seadme kõrge rõhk on ohtlik ja võib põhjustada vigastusi.
- Ärge suunake juga enda, teiste inimeste või loomade suunas.
- Jalatsite puhastamisel ärge suunake juga enda ega teiste suunas.
- Ärge suunake juga elektriseadmete ega seadme enda suunas.
- Seadmega töötamisel tuleb kasutada isikukaitsevahendeid. Vt jaotist *Isikukaitsevahendid lk 137*.
- Ärge kasutage seadet inimeste läheduses, välja arvatud juhul, kui nad kannavad kaitsevahendeid.
- Kui kasutate puhastusvahendit, järgige puhastusvahendi ohutusjuhiseid.
- Kasutage ainult Husqvarna puhastusvahendeid.
- Kasutage õiget veesurvet ja õigeid puhastusvahendeid ning kasutage seadet ainult selles juhendis kirjeldatud puhastustööde tegemiseks. Kui kasutate valet veesurvet, puhastusvahendit või kasutate seadet muudeks kui selles juhendis toodud puhastustöödeks, võib see kahjustada seadet, pindu, materjale või teisi seadmeid. Husqvarna ei vastuta ebaõigest kasutamisest tulenevate kahjude eest.
- Seadet ei soovitata ühendada joogiveetorustikuga. Kui seadme ühendamine joogiveetorustikuga on siiski vajalik, järgige kohalike ja riiklike eeskirju. Vajadusel kasutage tagasivoolutõkestit (ei kuulu komplekti). Joogikõlbmatuks loetakse vett, mis on voolanud läbi tagasivoolutõkesti.
- Ärge pihustage kergsüttivaid vedelikke. Plahvatusoht!

- Ärge lubage lastel seadet käsitseda.
 - Ärge lubage lastel seadmega mängida.
 - Ärge laske inimestel seadet ilma väljaõppeta kasutada.
 - Kasutage ainult selliseid tarvikuid ja varuosi, mille Husqvarna on heaks kiitnud.
 - Veenduge, et elektriühenduse loob volitatud elektrik ja see vastab standardile IEC 60364-1.
 - Kasutage rikkevoolukaitset, mis peatab elektrivoolu, kui lekkevool on 30 ms jooksul üle 30 mA. Kui teil pole rikkevoolukaitset, kasutage seadet, mis tõestab maandusahela olemasolu.
 - Kasutage mootori käivitamise/ viivitusega kaitsmeid, mille karakteristikud on C või D vastavalt standardile IEC 898-1 või IEC947-2 või vastavatele standarditele väljaspool IEC-d.
 - Kahe pinge ja sagedusega märgistatud seadmete reguleerimiseks pole vaja mingeid toiminguid teha.
 - Kui on vaja kasutada pikendusjuhet, veenduge, et see sobib kasutamiseks välitingimustes. Veenduge, et pistikupesa oleks maapinnast vähemalt 60 mm kaugusel.
- Ühendus tuleb alati kuivana hoida.
- Enne toote juurest lahkumist seadke toitelüliti väljalülitatud asendisse (0), lahutage toitepistik ja lülitage toitelüliti lukustus sisse.
 - Enne tarviku vahetamist seadke toitelüliti väljalülitatud (0) asendisse ja lahutage toitepistik.
 - Enne seadme puhastamist või hooldust seadke toitelüliti väljalülitatud (0) asendisse ja lahutage toitepistik.
 - Ärge kasutage seadet keskkonnas, kus õhutemperatuur on alla 0°C.
 - Ärge käivitage külmunud seadet.
 - Ärge kasutage seadet siseruumides.
 - Ärge asetage esemeid töötavale seadmele.
 - Ärge jooge seadmes kasutatud vett.
 - Ärge kasutage seadet avatud akende läheduses.
 - Hoiduge eemalepaiskuvate esemete eest. Kivid ja lahtised esemed võivad õhku paiskudes sattuda silma ja põhjustada pimedaks jäämist või ohtlikke kehavigastusi.
 - Kui seade ei tööta korralikult, vt jaotist *Tõrkeotsingu ajakava lk 143*.

Isikukaitsevahendid



HOIATUS: Enne toote kasutamist lugege läbi järgmised hoiatused.

- Isikukaitsevarustus ei välista täielikult kehavigastuste ohtu, kuid vähendab õnnetusjuhtumi korral kehavigastuse raskusastet. Õige varustuse valimiseks pöörduge edasimüüja poole.
- Kandke vastupidavaid saapaid või jalatseid, mis on libisemiskindlad. Ärge kandke avatud jalatseid ega olge paljajalu.
- Kandke kaitseriietust.
- Kandke heakskiidetud kõrvaklappe.
- Kasutage kaitseprille.
- Kui kasutate seadet keskkonnas, kus võivad tekkida ohtlikud aerosoolid, kasutage hingamiskaitset klassiga FFP2 või samaväärsega.

Toote ohutusseadised



HOIATUS: Enne toote kasutamist lugege läbi järgmised hoiatused.

- Ärge kasutage toodet, mille ohutusseadmed on

kahjustatud või ei tööta korralikult.

- Ärge eemaldage ohutusseadmeid ega tehke neis muudatusi.
- Kontrollige ohutusseadiseid regulaarselt. Kui ohutusseadmed on kahjustatud või ei tööta korralikult, pöörduge Husqvarnahooldustöökoja poole.

Toitelüliti lukustus

Toitelüliti lukustus (A) takistab toitelüliti (B) juhuslikku kasutamist. Kui toitelüliti lukustus on lukustatud asendis, ei saa toitelüliti sisse vajutada.

(Joon. 13)

Toitelüliti

Seade käivitub toitelüliti vajutamisel. Seade seiskub toitelüliti vabastamisel.

Termokaitse

Seadmel on automaatne termokaitse. Kui seade muutub liiga kuumaks, katkestab termokaitse seadme toiteallika. Kui termokaitse on voolu katkestanud, oodake, kuni seade on jahtunud. Termokaitse lähtestatakse automaatselt, kui seade on piisavalt jahtunud.

Hüdrauliline kaitseklapp

Seadmel on integreeritud hüdrauliline kaitseklapp, mis hoiab süsteemis ära liiga kõrge rõhu tekkimise.

Ohutusjuhised hooldamisel



HOIATUS: Enne seadme hooldustööde tegemist lugege läbi järgmised hoiatused.



ETTEVAATUST: Enne seadme käivitamist pärast pikka hoiustamisperiodi tehke seadmele alati hooldus.

- Enne seadme hooldustööde tegemist seadke toitelüliti väljalülitatud asendisse (0) ja eemaldage toitepistik toiteallikast.

- Ühendage seade enne seadme hooldust lahti veeallikast ja veenduge, et kõik osad on kuivad.
- Hooldage seadet ainult selle kasutusjuhendi järgi.
- Kasutage ainult Husqvarna soovitatud varuosi. Kõrgsurveveevoolikud, liitmikud ja ühendused on toote kasutamise ajal ohutuse tagamiseks olulised. Kasutage ainult tootja soovitatud voolikuid, liitmikke ja ühendusi.
- Ärge püüdke seadet parandada. Pöörduge Husqvarna hooldustöökoja poole.
- Kui toitepistik või toitekaabel on kahjustatud, pöörduge Husqvarna hooldustöökoja poole.
- Ärge lubage lastel seadet puhastada ega hooldada.

Kokkupanek

Sissejuhatus



HOIATUS: Enne toote kokkupanekut lugege ohutuspeatükki ja tehke selles olev teave endale arusaadavaks.

sisselaskeavale. Kui aiavooliku adapterit ei paigaldata otse, võib see keermeid kahjustada ja lekkima hakata.

3. Pingutage aiavooliku adapter täielikult kinni.
4. Aiavooliku adapteri eemaldamiseks toimige vastupidises järjekorras.

Aiavooliku adapteri paigaldamine

1. Eemaldage vee sisselaskeavalt transpordikate ja visake see ära. (Joon. 14)
2. Paigaldage aiavooliku adapter vee sisselaskeava külge. (Joon. 15)

Pihusti käepideme ja pihustusvarre hoidiku paigaldamine

- Kinnitage hoidik kahe kruviga. (Joon. 16)



ETTEVAATUST: Veenduge, et paigaldate aiavooliku adapteri otse vee

Sissejuhatus



HOIATUS: Enne toote kasutamist lugege läbi ohutuspeatükk ja veenduge, et oleksite kõigest aru saanud.

Husqvarna Connect

Husqvarna Connect on mobiilsideseadmetele mõeldud tasuta rakendus. Rakendus Husqvarna Connect annab teie Husqvarna tootele lisafunktsionaalsuse:

- Täiendav tooteteave.
- Toote osade ja hoolduse alane teave ja abi.

Toote Husqvarna Connect kasutamise alustamine

1. Laadi rakendus Husqvarna Connect oma mobiilsideseadmesse.
2. Registreeruge Husqvarna Connect rakenduses.
3. Toote ühendamiseks ja registreerimiseks järgige Husqvarna Connect rakenduse juhiseid.

Märkus: Kõigis riikides ei saa rakendust Husqvarna Connect alla laadida. Lisateabe saamiseks võta ühendust hooldusesindajaga.

Pihusti käepideme paigaldamine

1. Lükake kõrgsurve veevoolik kiirühendusse, kuni see lukustub. (Joon. 17)



ETTEVAATUST: Lekete ennetamiseks veenduge, et kõrgsurvevoolik on täielikult ühendatud toote kiirühendusega.

2. Hoidke pihusti käepidemest ühe käega tihedalt kinni ja suruge kõrgsurve veevoolik pihusti käepideme kiirühendusse. (Joon. 18)

Pihusti käepideme eemaldamine

1. Vajutage pihusti käepidemel olevat nuppu ja tõmmake kõrgsurve veevoolik välja. (Joon. 19)
2. Lükake välimine rõngas kiirühendusele ja tõmmake kõrgsurve veevoolik välja. (Joon. 20)

Pihustusvarre paigaldamine

1. Hoidke pihusti käepidemest ühe käega ja suruge pihustusvarre ühendus pihusti käepidemesse. (Joon. 21)
2. Pöörake pihustusvart päripäeva ja vabastage pihustusvars. Pihustusvars lukustub oma kohale.

Pihustusvarre eemaldamine

1. Lükake pihustusvars sisse ja keerake seda vastupäeva. (Joon. 22)
2. Tõmmake pihustusvars pihusti käepidemest välja.

Otsikute paigaldamine ja eemaldamine

Seade on varustatud kahe otsikuga: Üks otsik sirge veejoaga (tähistus: „õrn otsik“) ja üks kare otsik pöörleva veejoaga (tähistus: „kare otsik“). Sirge veejoaga otsikut saab kasutada tundlike pindade, näiteks sõidukite puhastamiseks. Tugeva survega otsikut saab kasutada mittetundlike pindade, näiteks sõiduteede puhastamiseks.

(Joon. 23)



ETTEVAATUST: Ärge kasutage pöörleva veejoaga otsikut tundlikel pindadel, näiteks sõiduki värvitud pindadel. Pöörlev veejuga võib pinda kahjustada.

- Otsiku paigaldamiseks hoidke pihustusvart ühe käega kinni ja lükake otsik sisse, kuni see oma kohale lukustub. (Joon. 24)
- Otsiku eemaldamiseks suruge pihustusvarre sakk sisse ja tõmmake otsik pihustusvarre küljest lahti. (Joon. 25)

Veejoa surve reguleerimine

Sirge veejoaga otsik on reguleeritava survega.

- Veejoa surve suurendamiseks keerake otsikut päripäeva. (Joon. 26)
- Veejoa surve vähendamiseks keerake otsikut vastupäeva. (Joon. 27)

Seadme kasutamine

1. Ühendage seade veeallikaga. Vt jaotist *Seadme ühendamine veeallikaga lk 139*.
2. Õhutage süsteemi. Vt jaotist *Süsteemi õhutamine lk 140*.
3. Käivitage seade. Vt jaotist *Toote käivitamine lk 141*.

Seadme ühendamine veeallikaga

Seadet võib kasutada veetorustiku veega või avatud veeallika veega ühendatult, näiteks järvest või veetünnist.

- Toote ühendamiseks veetorustikuga vt jaotist *Seadme ühendamine veetorustikuga lk 140*.
- Toote ühendamiseks avatud veeallikaga vt jaotist *Seadme ühendamine avatud veeallikaga lk 140*.

Seadme ühendamine veetorstikuga

1. Paigaldage aiavooliku adapter ja veefilter seadme vee sisselaskevasse, kui need pole paigaldatud. Vt jaotist *Aiavooliku adapteri paigaldamine lk 138*.
2. Ühendage aiavoolik veetorstikuga. Kasutage 12,7 mm aiavoolikut, mis on 10–25 m pikk. (Joon. 28)



ETTEVAATUST: Veesurve veetorstikus ei tohi olla suurem kui 1 MPa (10 baari).



ETTEVAATUST: Vee temperatuur veetorstikus ei tohi olla üle 40°C.

3. Avage veetorstiku klapp ja veenduge, et vesi saaks aiavoolikust vabalt voolata. (Joon. 29)
4. Sulgege veetorstiku klapp.
5. Ühendage aiavoolik seadme vee sisselaskeavaga. (Joon. 30)
6. Ühendage toitepistik toiteallikaga.
7. Avage veetorstiku klapp.
8. Õhutage süsteem enne seadme kasutamist. Vt jaotist *Süsteemi õhutamine lk 140*.

Seadme ühendamine avatud veeallikaga

Seadet võib kasutada avatud veeallikaga ühendatult, näiteks järvest või veetünnist pärit veega. Kasutage 12,7 mm imivoolikut (ei ole komplektis kaasas), mis on maksimaalselt 3 m pikk.

(Joon. 31)



ETTEVAATUST: Vee temperatuur veeallikas ei tohi olla üle 20°C.



ETTEVAATUST: Seade ei tohi olla veeallikast kõrgemal kui 0,5 m.

1. Kui aiavooliku adapter on paigaldatud, eemaldage see seadme vee sisselaskeavast. (Joon. 32)



ETTEVAATUST: Ärge eemaldage vee sisselaskeavast veefiltrit.

2. Paigaldage imivoolik (ei kuulu komplekti) seadme vee sisselaskevasse. (Joon. 33)
3. Paigaldage imivoolik veeallikasse ja veenduge, et filter oleks täielikult vee all.



ETTEVAATUST: Ärge kasutage ilma filtrita imivoolikut.

4. Vajutage pihusti käepidemel olevat nuppu ja tõmmake kõrgsurvevoolik pihusti käepidemest välja. (Joon. 19)
5. Ühendage toitepistik toiteallikaga.
6. Keerake toitelüliti sisselülitatud (I) asendisse ja laske seadmel kaks minutit töötada.
7. Keerake toitelüliti väljalülitatud (0) asendisse.
8. Hoidke pihusti käepidemest ühe käega tihedalt kinni ja suruge kõrgsurvevoolik pihusti käepideme kiirühendusse. (Joon. 18)
9. Õhutage süsteem enne seadme kasutamist. Vt jaotist *Süsteemi õhutamine lk 140*.

Süsteemi õhutamine



ETTEVAATUST: Enne süsteemi õhutamist veenduge, et toitelüliti on väljalülitatud (0) asendis.

1. Ühendage seade veeallikaga. Vt jaotist *Seadme ühendamine veeallikaga lk 139*.
2. Paigaldage pihustusvars pihustuspüstolile. Vt jaotist *Pihustusvarre paigaldamine lk 139*.
3. Vabastage toitelüliti lukustus. Vt jaotist *Toitelüliti lukustuse sisse- ja väljalülitamine lk 141*.
4. Vajutage toitelüliti ja hoidke seda sissevajatuna, kuni pihustusvarre otsikust tuleb vett välja. (Joon. 34)

Seadme lahutamine veeallikast

1. Keerake toitelüliti väljalülitatud (0) asendisse.
2. Kui seade on ühendatud veetorstikuga, sulgege veetorstiku klapp.
3. Kui seade on ühendatud veetorstikuga, ühendage aiavoolik veetorstiku küljest lahti. (Joon. 35)
4. Kui seade on ühendatud avatud veeallikaga, eemaldage imivoolik veeallikast.
5. Vajutage toitelüliti ja hoidke seda sisse lükatuna, kuni otsikust ei tule vett välja.
6. Lahutage aiavoolik seadme sisendvee ühendusest. (Joon. 36)

Märkus: Kui seade on ühendatud avatud veeallikaga, ühendage imivoolik lahti.

7. Vajutage pihusti käepidemel olevat nuppu ja tõmmake kõrgsurvevoolik pihusti käepidemest välja. (Joon. 19)
8. Keerake toitelüliti sisselülitatud (I) asendisse. Laske seadmel töötada, kuni kõrgsurvevoolikust ei välju vett.
9. Keerake toitelüliti väljalülitatud (0) asendisse.
10. Laske pihusti käepidemel, pihustusvarrel ja otsikutel kuivada, enne kui seadme hoiule panete.

Toitelüliti lukustuse sisse- ja väljalülitamine

- Toitelüliti lukustuse sisselülitamiseks keerake toitelüliti lukustit päripäeva, kuni kuulete klõpsatust. (Joon. 37)
- Toitelüliti lukustuse väljalülitamiseks keerake toitelüliti lukusti täielikult vastupäeva. (Joon. 38)

Toote käivitamine

1. Ühendage seade veeallikaga. Vt jaotist *Seadme ühendamine veeallikaga lk 139*.
2. Ühendage toitepistik toiteallikaga.
3. Keerake toitelüliti sisselülitatud (I) asendisse. (Joon. 39)
4. Vabastage toitelüliti lukustus. Vt jaotist *Toitelüliti lukustuse sisse- ja väljalülitamine lk 141*.
5. Vajutage pihusti käepidemel asuvat toitelülitit.

Märkus: Seade seiskub automaatselt toitelüliti vabastamisel.

Toote seiskamine

Märkus: Seade seiskub automaatselt toitelüliti vabastamisel.

1. Vabastage pihusti käepidemel asuv toitelüliti.
2. Lülitage sisse toitelüliti lukustus. Vt jaotist *Toitelüliti lukustuse sisse- ja väljalülitamine lk 141*.

3. Keerake toitelüliti väljalülitatud (0) asendisse. (Joon. 40)
4. Lahutage toitepistik toiteallikast.
5. Lahutage seade veeallikast. Vt jaotist *Seadme lahutamine veeallikast lk 140*.

Märkus: Lahutage seade veeallikast alati, kui lahkute seadme juurest kauemaks kui viieks minutiks.

Vahupritsi kasutamine

1. Võtke vahuprits oma hoidikust välja. (Joon. 41)
2. Täitke vahupritsi anum puhastusvahendiga.



ETTEVAATUST: Kasutage ainult Husqvarna soovitatud puhastusvahendeid.

3. Lükake vahupritsi kiirühendus pihustusvarre kiirühendusse, kuni see oma kohale lukustub. (Joon. 42)

Märkus: Vahupritsi äärik peab ühtima pihustusvarre soonega.

4. Ühendage seade veeallikaga. Vt jaotist *Seadme ühendamine veeallikaga lk 139*.
5. Käivitage seade. Vt jaotist *Toote käivitamine lk 141*.

Hooldamine

Sissejuhatus



HOIATUS: Enne seadme hooldamist lugege põhjalikult läbi ohutust puudutav peatükk.

Seadme hooldamiseks ja remontimiseks on vaja erioskusi. Tagame asjatundliku remondi- ja hooldustöö.

Lisateavet vt www.husqvarna.com.

Hooldusgraafik

Hooldus	Enne kasutamist	Pärast kasutamist
Tehke üldkontroll. Vt jaotist <i>Üldülevaatus läbiviimine lk 142</i> .	X	
Puhastage toode. Vt jaotist <i>Seadme puhastamine lk 142</i> .		X
Puhastage pihustusvars ja otsikud. Vt jaotist <i>Pihustusvarre ja otsikute puhastamine lk 142</i> .		X
Puhastage veefilter. Vahetage välja kahjustatud veefilter. Vt jaotist <i>Veefiltri puhastamine lk 142</i> .		X
Määrige liitmike rõngastihendeid. Vt jaotist <i>Rõngastihendite liitmike määrimine lk 142</i> .		X

Üldülevaatuse läbiviimine



HOIATUS: Enne seadme hooldustööde tegemist seadke toitelüliti väljalülitatud asendisse (0) ja eemaldage toitepistik toiteallikast.



ETTEVAATUST: Ühendage seade enne seadme hooldust lahti veeallikast ja veenduge, et kõik osad on kuivad.

- Veenduge, et seadme mutrid ja kruvid oleksid pingutatud.
- Veendu, et toote juhtmed ei oleks sellises asendis, kus need võiksid kahjustada saada.
- Kontrollige kõrgsurvevoolikut kulumise ja kahjustuste suhtes.



HOIATUS: Ärge kasutage seadet, kui kõrgsurvevoolik on kulunud või kahjustatud.

Seadme puhastamine



HOIATUS: Enne seadme hooldustööde tegemist seadke toitelüliti väljalülitatud asendisse (0) ja eemaldage toitepistik toiteallikast.



ETTEVAATUST: Ühendage seade enne seadme hooldust lahti veeallikast ja veenduge, et kõik osad on kuivad.

- Puhastage kõik välised osad kuiva lapiga.
- Ärge kasutage seadme puhastamiseks survepesurit.
- Hoidke õhuvõtuavad puhtad, et vältida seadme ülekuumenemist.

Pihustusvarre ja otsikute puhastamine



HOIATUS: Enne seadme hooldustööde tegemist seadke toitelüliti väljalülitatud asendisse (0) ja eemaldage toitepistik toiteallikast.



ETTEVAATUST: Ühendage seade enne seadme hooldust lahti veeallikast ja veenduge, et kõik osad on kuivad.

1. Kui pihustusvarrele on paigaldatud otsik, eemaldage see pihustusvarre küljest. Vt jaotist *Otsikute paigaldamine ja eemaldamine lk 139*.
2. Puhastage otsikud, pihustusvarre ühendus ja pihusti käepideme ühendus seebi ja veega. (Joon. 43)
3. Kui otsikutes on ummistus, eemaldage see puhastusvahendiga. (Joon. 44)

Veefiltri puhastamine



HOIATUS: Enne seadme hooldustööde tegemist seadke toitelüliti väljalülitatud asendisse (0) ja eemaldage toitepistik toiteallikast.



ETTEVAATUST: Ühendage seade enne seadme hooldust lahti veeallikast ja veenduge, et kõik osad on kuivad.

1. Kui aiavooliku adapter on paigaldatud, eemaldage see seadme vee sisselaskeavast. (Joon. 32)
2. Tõmmake veefilter välja. Kasutage näpitsaid. (Joon. 45)
3. Veenduge, et veefilter ei oleks kahjustatud. Vahtage välja kahjustatud veefilter. (Joon. 46)
4. Loputage veefiltrit puhta veega. (Joon. 47)

Rõngastihendite liitmike määrimine



HOIATUS: Enne seadme hooldustööde tegemist seadke toitelüliti väljalülitatud asendisse (0) ja eemaldage toitepistik toiteallikast.



ETTEVAATUST: Ühendage seade enne seadme hooldust lahti veeallikast ja veenduge, et kõik osad on kuivad.

1. Eemaldage pihustusvars pihusti käepidemest ja pihusti käepide kõrgsurvevoolikust. Vt jaotisest *Pihustusvarre paigaldamine lk 139* ja *Pihusti käepideme paigaldamine lk 139*.
2. Määrige aiavooliku adapteri, pihustusvarre ja kõrgsurvevooliku rõngastihendeid määrdega. Vt jaotisest *Tehnilised andmed lk 144* õiget tüüpi määrde leidmiseks. (Joon. 48)

Veotsing

Tõrkeotsingu ajakava

Probleem	Võimalik põhjus	Lahendus
Toode ei käivitu.	Toitepistik ei ole toiteallikaga ühendatud.	Ühendage toitepistik toiteallikaga.
	Toitelüliti on väljalülitatud (0) asendis.	Keerake toitelüliti sisselülitatud (I) asendisse.
	Toiteallikas pole elektrit.	Võtke ühendust volitatud elektrikuga.
	Toitejuhe on kahjustatud.	Pöörduge volitatud hooldustöökoja poole.
	Termokaitse on voolu katkestanud.	Enne seadme käivitamist oodake, kuni seade on jahtunud.
	Kasutatakse vale tüüpi pikendusjuhet.	Veenduge, et pikendusjuhe on täielikult lahti keritud ja toitepinge ühtiks seadme pingega.
Kaitse põleb käivitamise või töötamise ajal.	Kasutatakse vale tüüpi kaitset.	Veenduge, et kasutate aeglaselt läbi põlevat sulavkaitset, mis kuulub klassi „C“ või „K“.
Seade ei seisku.	Toode on kahjustatud.	Lahutage toitepistik ja pöörduge volitatud hooldustöökoja poole.
Seade muutub liiga kuumaks.	Õhuvool pole piisav.	Puhastage õhuvõtuavad.
Seade ei tööta sujuvalt.	Süsteemis on õhk.	Õhutage süsteemi.
Veesurve ei ole korrektne.	Voolik on paindus	Veenduge, et voolikul ei oleks paindekohti.
	Toitelüliti on väljalülitatud (0) asendis.	Keerake toitelüliti sisselülitatud (I) asendisse.
	Veevool pole piisav.	Veenduge, et seade on korralikult veeallikaga ühendatud. Veenduge, et veevool oleks piisav.
	Veefilter on ummistunud.	Puhastage veefilter.
	Süsteemis on õhk.	Õhutage süsteemi.
	Tarvik pole õige.	Veenduge, et kasutate õiget tarvikut.

Transportimine, hoialepanek ja utiliseerimine

Transportimine

- Enne seadme transportimist lahutage toitepistik toiteallikast.
- Enne seadme transportimist lahutage seade veeallikast.

- Kinnitage seade turvaliselt, et vältida selle liikumist transportimise ajal.

Hoiustamine

- Enne seadme hoiustamist tühjendage seade, kõrgsurve veevoolik ja tarvikud veest täielikult.
- Valmistage seade hoiustamiseks ette. Vt jaotist *Seadme ettevalmistamine hoiustamiseks lk 144*.
- Hoidke seadet kuivas keskkonnas, mis ei külmu.

Seadme ettevalmistamine hoiustamiseks

1. Lülitage seade välja ja eemaldage toitepistik toiteallikast.
2. Lahutage seade veeallikast. Vt jaotist *Seadme lahutamine veeallikast lk 140*.
3. Veenduge, et kõik tarvikud oleksid kuivad.
4. Asetage pihusti käepide, pihustusvars ja otsikud vastavatesse hoidikutesse.

5. Lahutage kõrgsurve veevoolik ja asetage see hoidikusse. (Joon. 49)
6. Pange toitekaabel hoidikusse ja kinnitage rihtm. (Joon. 50)

Kõrvaldamine

Husqvarna Tooted ei kuulu olmejäätmete hulka ja need tuleb utiliseerida vastavalt käesolevas juhendis toodud juhisteile.

- Järgige kohalikke utiliseerimiseeskirju ja kehtivaid seadusi.
- Taaskäidelge toode ja pakend sobivad jäätmekäitlusjaamas.
- Põhjalikumate teavete toote taaskäitlemise ja utiliseerimise kohta saate kohalikult Husqvarna edasimüüjalt.

Tehnilised andmed

PW 130	
Mootor ja pump	
Tüüp	Jadaergutusega vahelduvvoolumootor
Võimsus, W	1500
Pingevahemik, V	220–240
Sagedus, Hz	50
Voolutugevus, A	6,5
Max vee vooluhulk, l/min	7,7
Max. vee väljundsurve, bar	130
Max. vee sisselaskesurve, bar	10
Max. vee sisselasketemperatuur, °C	40
Max. vee sisselasketemperatuur (imemisrežiimis), °C	20
IP reiting	IPX5
Ohutusklass	II klass
Määrimine	
Määrde tüüp rõngastihendite määrimiseks	Universaalne valge silikoonmäärde
Kaal	
Kaal, kg	6,5
Müratasemed ²⁹	
Helivõimsuse tase, mõõdetud dB(A)	85

²⁹ Müraemissioon ümbritsevasse keskkonda, mõõdetud helivõimsuse tasemenähtena (L_{WA}) vastavalt EÜ direktiivile 2000/14/EÜ

	PW 130
Helivõimsuse tase, garanteeritud L_{WA} dB(A)	89
Helitasemed ³⁰	
Ekvivalentne helirõhutase kasutaja kõrva juures, dB(A)	72
Vibratsioonitase ³¹	
Käelaba/käsivars (standardse otsikuga) m/s^2	2,5
Ekvivalentsed vibratsioonitasemed ³²	
Käelaba/käsivars (standardse otsikuga) m/s^2	1,8

Lisatarvikud

Heakskiidetud tarvikud

Heakskiidetud tarvikud	Art. nr
Pinnapuhasti SC 300	590 65 79-01
Vahuprits FS 300	590 66 04-01
Torupuhastusvoolik, 15 m	590 66 10-01
Veefilter	590 65 93-01
Tagasivoolutõkesti	590 65 95-01
Imivoolik	590 65 97-01
Sõidukikomplekt	590 66 07-01
Pöördharjade komplekt	590 66 06-01
Nurga all pihustusvars	590 66 11-01
Vee imiotsik	590 66 05-01
Pikendusvoolik, 8 m	590 66 08-01

³⁰ ISO 22868 järgi arvutatakse helirõhutase ekvivalent erinevate helirõhutasemete kaalutud dünaamilise energia summana erinevates töötingimustes. Helirõhutase ekvivalendi statistilise tüüplevi standardhälve on 1 dB(A).

³¹ Vibratsioonitase vastavalt standardile EN 60745-2-13. Vibratsioonitase kohta toodud andmete tüüpiline statistiline dispersioon (standardhälve) on $1 m/s^2$. Mõõtmiste käigus kinnitatud vibratsioonandmed on tõesed juhul, kui kasutatakse standardset juhtplaadi pikkust ja soovitatud ketitüüpi. Kui masinal on muu juhtplaadi pikkus, võib vibratsioonitase varieeruda maksimaalselt $\pm 1,5 m/s^2$.

³² Ekvivalentset vibratsioonitaset mõõdetakse ja arvutatakse samamoodi nagu sisepõlemismootoriga mootor-saagide puhul. Need arvud on välja toodud selleks, et võimaldada vibratsioonandmete võrdlemist olenemata mootori tüübist vastavalt standardile ISO 22867:2011.

Vastavusdeklaratsioon

EÜ vastavusdeklaratsioon

Husqvarna AB, SE-561 82 Huskvarna, Rootsi, tel: +46
3614 6500, kinnitab ainuvastutusel, et toode:

Kirjeldus	Survepesur
Kaubamärk	Husqvarna
Tüüp/mudel	PW 130
Identifitseerimine	Seerianumbrid alates 2022. aastast

vastab täielikult järgmistele EÜ direktiividele ja määrustele:

Määrus	Kirjeldus
2006/42/EÜ	„masinadirektiiv“
2014/30/EL	„elektromagnetilise ühilduvuse direktiiv“
2000/14/EÜ lisa V	„välistingimustes kasutatavate seadmete müra kohta käiv direktiiv“
2011/65/EL	„elektri- ja elektroonikaseadmetes teatavate ohtlike ainete kasutamise piiramise direktiiv“

ja et kohalduvad järgmised standardid ja/või tehnilised spetsifikatsioonid: EN 60335-1:2012/A11:2014/A13:2017/A1:2019/A14:2019/A2:2019/A15:2021, EN 60335-2-79:2012, EN 62233:2008, EN 55014-1:2021, EN 55014-2:2021, EN IEC 61000-3-2:2019/A1:2021, EN 61000-3-3:2013/A2:2021, EN IEC 63000:2018.

Lisateavet mürataseme kohta vt jaotisest *Tehnilised andmed lk 144*.

Huskvarna, 2023-01-19



Claes Losdal, aiandusseadete arendusdirektor,
Husqvarna AB

Tehnilise dokumentatsiooni eest vastutaja



Sisällys

Johdanto.....	147	Vianmääritys.....	158
Turvallisuus.....	148	Kuljettaminen, säilyttäminen ja hävittäminen.....	159
Asentaminen.....	154	Tekniset tiedot.....	159
Käyttö.....	154	Lisävarusteet.....	160
Huolto.....	157	Vaatimustenmukaisuusvakuutus.....	162

Johdanto

Tuotekuvaus

Laitte on sähkökäyttöinen painepesuri. Laitteen tuottamaa vedenpainetta voi säätää, ja sitä voi käyttää erilaisten puhdistusaineiden kanssa.

Käyttötarkoitus

Tuotetta saa käyttää ainoastaan siivoukseen kotitalouksissa. Älä käytä laitetta muihin tarkoituksiin. Käytössä olevan laitteen on oltava pystyasennossa.

Laitteen kuvaus

(Kuva 1)

1. Suutin, jossa on suora vesisuihku
2. Suutin, jossa on pyörivä vesisuihku
3. Virtajohdon pidikkeen kuminen hihna
4. Ruiskutuskahvan ja ruiskuvarren pidike
5. Korkeapaineinen vesiletku
6. Veden tuloliitäntä
7. Vaahtoruisku
8. Korkeapaineisen vesiletkun säiliö
9. Virtakytkin
10. Virtajohto
11. Pikaliitännällä varustettu veden ulostulo
12. Suuttimien puhdistustyökalu
13. Kuljetuskahva
14. Ilmanottoaukko
15. Ruiskutuskahva
16. Ruiskuvarsi
17. Käyttöohje

Tuotteen symbolit

(Kuva 2)

VAROITUS: Tämä laite voi olla vaarallinen ja aiheuttaa käyttäjälle tai sivullisille vakavia vahinkoja tai kuoleman. Ole varovainen ja käytä tuotetta oikein.

Huomautus: Kansalliset määräykset saattavat rajoittaa laitteen käyttöä.

(Kuva 3)

Lue käyttöohje huolellisesti ja varmista, että ymmärrät sen sisällön, ennen kuin alat käyttää tätä tuotetta.

(Kuva 4)

Laitetta ei pidä liittää juomavesiverkkoon.

(Kuva 5)

Korkeapaineiset vesisuihkut voivat olla vaarallisia väärin käytettyinä. Suihkua ei saa suunnata kohti henkilöitä, sähkölaitteita tai itse tuotetta.

(Kuva 6)

Ympäristömerkintä. Laitetta tai sen pakkausta ei saa hävittää kotitalousjätteen

mukana. Vie se asianmukaiseen sähkö- ja elektroniikkalaitteiden keräyspisteeseen.

(Kuva 10) Suojaa tuote pakkaselta.

(Kuva 11) Laite täyttää soveltuvien EY-direktiivien vaatimukset.

(Kuva 7) Luokan II työkalu.

(Kuva 12) Tämä tuote täyttää sovellettavissa olevien UK-säädösten vaatimukset.

(Kuva 8) Melupäästöt ympäristöön -tarra EU:n ja Yhdistyneen kuningaskunnan direktiivien ja säädösten mukaisesti sekä Uuden Etelä-Walesin "Protection of the Environment Operations (Noise Control) Regulation 2017" -asetuksen mukaisesti. Tuotteen taattu äänentehotasoa on määritelty kohdassa *Tekniset tiedot sivulla 159* ja arvokilvessä.

Huomautus: Muita laitteen symboleita/tarroja tarvitaan joillakin markkina-alueilla ilmaisemaan sertifiointivaatimuksia.

Tuotteen vaurioituminen

Emme ole vastuussa tuotteen vaurioitumisesta, jos:

- tuote on korjattu virheellisesti
- tuotteen korjaamiseen on käytetty muita kuin valmistajan omia tai sen hyväksymiä osia
- tuotteessa on muu kuin valmistajan oma tai sen hyväksymä lisävaruste
- tuotetta ei ole korjattu valtuutetussa huoltopisteessä tai hyväksytyllä asiantuntijalla.

(Kuva 9) Suojattu joka puolelta alhaisella vedenpaineella virtaavalta vedeltä.

Turvallisuus

Turvallisuusmääritelmät

Varoituksia, huomioita ja huomautuksia käytetään, kun jotakin käyttöohjeen osaa halutaan erityisesti korostaa.



VAROITUS: Tätä käytetään, jos käyttöohjeen noudattamatta jättämisestä voi seurata

käyttäjän tai sivullisen vamma tai kuolema.



HUOMAUTUS:

Tätä käytetään, jos käyttöohjeen noudattamatta jättämisestä voi seurata koneen, muiden materiaalien tai ympäristön vaurioituminen.

Huomautus: Tätä käytetään tietyissä tilanteissa tarvittavien lisätietojen antamiseen.

Yleiset turvallisuusohjeet



VAROITUS: Lue seuraavat varoitukset ennen tuotteen käyttöä.

- Tämä laite on vaarallinen, jos sitä käytetään huolimattomasti tai virheellisesti. Turvaohjeiden noudattamatta jättäminen voi aiheuttaa vammoja tai kuoleman.
- Ole aina varovainen ja käytä tervettä järkeä. Jos et ole varma, miten laitetta käytetään erityistilanteessa, sammuta laite ja ota yhteys Husqvarna-huoltoliikkeeseen, ennen kuin jatkat.
- Muista, että käyttäjä on vastuussa muille ihmisille tai heidän omaisuudelleen aiheutuvista vahingoista.
- Pidä laite puhtaana. Varmista, että tuotteen merkit ja tarrat ovat luettavissa.
- Älä anna lasten tai henkilöiden, jotka eivät ole tutustuneet näihin ohjeisiin, käyttää laitetta. Paikalliset määräykset saattavat rajoittaa käyttäjän ikää.
- Henkilöt, joiden fyysinen, sensorinen tai henkinen toimintakyky on alentunut, saavat käyttää tuotetta, mikäli heitä valvotaan tai heille on annettu ohjeita tuotteen turvallisesta käytöstä ja he ymmärtävät siihen liittyvät vaarat.
- Henkilöt, joilla ei ole tarvittavia tietoja tai kokemusta, saavat käyttää tuotetta, mikäli heitä valvotaan tai heille on annettu ohjeita tuotteen turvallisesta käytöstä ja he ymmärtävät siihen liittyvät vaarat.
- Älä käytä laitetta jos olet väsynyt tai sairas tai alkoholin, huumaavien aineiden tai lääkkeiden vaikutuksen alaisena. Niillä

on negatiivinen vaikutus näkökykyysi, vireytesi, harkintakykyysi ja kehosi hallintaan.

- Älä käytä vaurioitunutta tuotetta.
- Älä tee koneeseen muutoksia tai käytä konetta, mikäli epäilet jonkun muun muuttaneen sitä.

Turvallisuusohjeet käyttöä varten



VAROITUS: Lue seuraavat varoitukset ennen tuotteen käyttöä.

- Älä käytä laitetta, jos virtajohto, korkeapaineletku, liipaisimen varmistin tai ruiskutuskahva on vaurioitunut.
- Tarkista laitteen kunto ennen kuin käynnistät sen. Älä käytä laitetta, jos siinä on vahingoittuneita tai puuttuvia osia.
- Pidä ruiskutuskahvasta tiukasti kiinni molemmin käsin. Käyttöliipaisimesta vetäminen aiheuttaa takapotkun.
- Ole varovainen käyttäessäsi laitetta. Laitteen tuottama korkea paine on vaarallista ja saattaa aiheuttaa vammoja.

- Älä suuntaa vesisuihkua itseäsi, muita ihmisiä tai eläimiä kohti.
- Älä suuntaa suihkua itseäsi tai muita ihmisiä kohti jalkineiden puhdistamisesta varten.
- Älä suuntaa suihkua sähkölaitteiden tai itse laitteen suuntaan.
- Käytä henkilökohtaisia suojarusteita, kun käytät laitetta. Katso *Henkilönsuojaimet sivulla 152*.
- Älä käytä tuotetta lähellä ihmisiä, joilla ei ole asianmukaisia suojarusteita.
- Jos käytät puhdistusainetta, noudata puhdistusaineen turvallisuusohjeita.
- Käytä ainoastaan Husqvarna-puhdistusaineita.
- Laitetta saa käyttää ainoastaan asianmukaisella vedenpaineella ja asianmukaisten puhdistusaineiden kanssa vain tässä käyttöoppaassa määriteltyihin käyttötarkoituksiin. Jos käytät väärää vedenpainetta tai käytät laitetta muihin kuin tässä käyttöoppaassa määriteltyihin käyttötarkoituksiin, saatat

- vaurioittaa laitetta, pintoja, materiaaleja tai muita laitteita. Husqvarna ei vastaa laitteen virheellisestä käytöstä aiheutuvista vahingoista.
- Laitetta ei ole suositeltavaa liittää juomavesiverkkoon. Jos laite on liitettävä juomavesiverkkoon, noudata paikallisia ja kansallisia määräyksiä. Käytä tarvittaessa takaiskuventtiiliä (ei sisälly tuotteeseen). Takaiskuventtiilin läpi virrannut vesi on juomakelvotonta.
 - Älä ruiskuta palavia nesteitä. Räjähdysvaara.
 - Älä anna lasten käyttää laitetta.
 - Älä anna lasten leikkiä laitteella.
 - Älä anna kenenkään käyttää laitetta ilman koulutusta.
 - Käytä vain lisävarusteita ja varaosia, jotka Husqvarna on hyväksynyt.
 - Varmista, että sähköliitäntä on valtuutetun sähköasentajan tekemä ja että se on IEC 60364-1 -standardin mukainen.
 - Käytä vikavirtasuojaa, joka pysäyttää sähköä, jos vuotovirta on yli 30 mA 30 ms:n ajan. Jos sinulla ei ole vikavirtasuojaa, käytä laitetta, joka osoittaa piirin maadoituksen.
 - Käytä moottorin käynnistys-/viivesulakkeita, joissa on IEC 898-1- tai IEC947-2-standardin mukainen ominaisuus C tai D tai jotka vastaavat vastaavia IEC:n ulkopuolisia standardeja.
 - Tuotteita, joissa on kaksoisjännitteen ja -taajuuden merkki, ei tarvitse säätää.
 - Jos jatkoakaapelia on käytettävä, varmista, että se sopii ulkokäyttöön. Varmista, että pistorasia on vähintään 60 mm:n etäisyydellä maasta. Liitäntä on pidettävä aina kuivana.
 - Aseta virtakytkin Off-asentoon (0), irrota virtapistoke ja kytke käyttöliipaisimen varmistin ennen kuin poistut laitteen läheltä.
 - Aseta virtakytkin Off-asentoon (0) ja irrota virtapistoke ennen lisävarusteen vaihtamista.
 - Aseta virtakytkin Off-asentoon (0) ja irrota virtapistoke ennen laitteen puhdistamista tai huoltamista.
 - Älä käytä laitetta silloin, kun ympäristön lämpötila on alle 0 °C.
 - Älä käynnistä jäätyneitä laitetta.

- Älä käytä laitetta sisätiloissa.
- Älä aseta laitteen päälle mitään, kun se on käytössä.
- Älä juo laitteessa käytettyä vettä.
- Älä käytä laitetta avoimien ikkunoiden lähellä.
- Varo sinkoutuvia esineitä. Kivet ja irtoesineet saattavat sinkoutua silmiin ja aiheuttaa sokeutumisen tai vakavia vahinkoja.
- Jos laitteessa on toimintahäiriö, katso kohta *Vianmäärityskaavio sivulla 158.*

Henkilönsuojaimet



VAROITUS: Lue seuraavat varoitukset ennen tuotteen käyttöä.

- Henkilönsuojaimet eivät poista tapaturmien vaaraa, mutta ne lieventävät vammoja onnettomuustilanteessa. Anna jälleenmyyjän auttaa oikeiden varusteiden valinnassa.
- Käytä kestäviä ja luistamattomia saappaita tai kenkiä. Älä käytä avonaisia jalkineita tai kulje paljain jaloin.
- Käytä suojavaatteita.
- Käytä hyväksytyjä kuulonsuojaimia.
- Käytä suojalaseja.

- Käytä luokan FFP2 tai vastaavaa hengityssuojainta, jos käytät laitetta ympäristöissä, joissa voi muodostua vaarallisia aerosoleja.

Tuotteen turvalaitteet



VAROITUS: Lue seuraavat varoitukset ennen tuotteen käyttöä.

- Älä käytä tuotetta vahingoittuneiden tai viallisten turvalaitteiden kanssa.
- Älä poista turvalaitteita tai tee niihin muutoksia.
- Tarkasta turvalaitteet säännöllisesti. Jos turvalaitteet ovat vahingoittuneet tai eivät toimi oikein, ota yhteys Husqvarna-huoltoliikkeeseen.

Käyttöliipaisimen varmistin

Käyttöliipaisimen varmistin (A) estää tahattoman käyttöliipaisimen (B) käytön. Kun käyttöliipaisimen varmistin on lukittu, käyttöliipaisinta ei voi painaa sisään.

(Kuva 13)

Käyttöliipaisin

Laite käynnistyy, kun käyttöliipaisinta painetaan. Laite

sammuu, kun käyttöliipaisin vapautetaan.

Lämpösuoja

Laitteessa on automaattinen lämpösuoja. Jos laite kuumenee liikaa, lämpösuoja katkaisee laitteen virransyötön. Jos lämpösuoja on katkaissut virran, on odotettava kunnes laite jäähtyy. Lämpösuoja nollautuu automaattisesti, kun laite on jäähtynyt riittävästi.

Hydraulinen

paineenrajoitusventtiili

Laitteessa on sisäinen paineenrajoitusventtiili, joka estää liian korkean paineen hydraulijärjestelmässä.

Kunnossapitoon liittyvät turvallisuusohjeet



VAROITUS: Lue seuraavat varoitukset ja ohjeet ennen laitteen huoltamista.



HUOMAUTUS: Aina kun laite on ollut varastoituna pitkään,

huolla laite ennen sen käynnistämistä.

- Aseta virtakytkin Off-asentoon (0) ja irrota virtapistoke virtalähteestä ennen kuin aloitat huoltotoimet.
- Irrota laite vesilähteestä ja varmista, että kaikki osat ovat kuivia, ennen kuin suoritat huoltotoiminpiteitä.
- Tee laitteelle ainoastaan tässä käyttöoppaassa mainitut huoltotoimenpiteet.
- Käytä ainoastaan alkuperäisiä varaosia, joita Husqvarna suosittelee. Korkeapaineiset vesiletkut, liitoskappaleet ja liittimet ovat tärkeitä turvallisuuden kannalta, kun tuotetta käytetään. Käytä vain valmistajan suosittelemia letkuja, liitoskappaleita ja liittimiä.
- Älä korjaa laitetta itse. Ota yhteys Husqvarna-huoltoliikkeeseen.
- Ota yhteys Husqvarna-huoltoliikkeeseen, jos virtajohto tai pistoke on vahingoittunut.
- Älä anna lasten puhdistaa tai huoltaa laitetta.

Asentaminen

Johdanto



VAROITUS: Lue ja sisäistä turvallisuutta käsittelevä luku ennen laitteen asentamista.

suoraan veden tuloliitäntään. Jos puutarhaletkun sovittinta ei ole asennettu suoraan, se voi vahingoittaa kierteitä ja aiheuttaa vuotoja.

Puutarhaletkun sovittimen asentaminen

1. Poista veden tuloliitäntän kuljetussuojus ja hävitä se. (Kuva 14)
2. Asenna puutarhaletkun sovitin veden tuloliitäntään. (Kuva 15)

3. Kiristä puutarhaletkun sovitin tiukaksi.
4. Irrota puutarhaletkun sovitin päinvastaisessa järjestyksessä.

Ruiskutuskahvan ja ruiskuvarren pidikkeen asentaminen

- Asenna pidiike kahdella ruuvilla. (Kuva 16)



HUOMAUTUS: Varmista, että asennat puutarhaletkun sovittimen

Käyttö

Johdanto



VAROITUS: Lue ja sisäistä turvallisuutta käsittelevä luku ennen laitteen käyttöä.

2. Pidä ruiskutuskahvasta tiukasti kiinni yhdellä kädellä ja työnnä korkeapaineinen vesiletku ruiskutuskahvan pikaliittimeen. (Kuva 18)

Husqvarna Connect

Husqvarna Connect on ilmainen mobiililaitesovellus. Husqvarna Connect -sovellus saat lisätoimintoja Husqvarna-koneeseen:

- Enemmän tuotetietoja.
- Tietoja koneen osista ja huolto-ohjeita.

Husqvarna Connect -käytön aloittaminen

1. Lataa Husqvarna Connect -sovellus mobiililaitteeseesi.
2. Rekisteröi Husqvarna Connect -sovelluksessa.
3. Liitä ja rekisteröi laite Husqvarna Connect -sovelluksen ohjeiden mukaan.

Ruiskutuskahvan irrottaminen

1. Paina ruiskutuskahvan painiketta ja vedä korkeapaineinen vesiletku irti. (Kuva 19)
2. Paina pikaliittimen ulointa rengasta ja vedä korkeapaineinen vesiletku irti. (Kuva 20)

Ruiskuvarren asentaminen

1. Pidä ruiskutuskahvasta kiinni yhdellä kädellä ja työnnä ruiskuvarren liitäntä ruiskutuskahvaan. (Kuva 21)
2. Käännä ruiskuvartta myötäpäivään ja vapauta se. Ruiskuvarsi lukkiutuu paikalleen.

Ruiskuvarren irrottaminen

1. Paina ruiskuvartta sisään ja käännä sitä vastapäivään. (Kuva 22)
2. Vedä ruiskuvarsi irti ruiskutuskahvasta.

Suuttimen asentaminen ja irrottaminen

Laitteen mukana toimitetaan kaksi suutinta: Yksi suutin, jossa on suora vesisuihku (hellävarainen suutin) ja yksi suutin, jossa on pyörivä vesisuihku (vahva suutin). Suutinta, jossa on suora vesisuihku, voidaan käyttää herkempien kohteiden, kuten ajoneuvojen pintojen, puhdistamiseen. Karkealla suuttimella voi myös puhdistaa pintoja, jotka eivät ole herkkiä, kuten kulkuväyliä.

(Kuva 23)

Ruiskutuskahvan asentaminen

1. Työnnä korkeapaineista vesiletkua pikaliittimeen, kunnes se lukkiutuu paikalleen. (Kuva 17)



HUOMAUTUS: Estä vuodot varmistamalla, että korkeapaineletku on liitetty tiukasti laitteen pikaliitäntään.



HUOMAUTUS: Älä pese herkkiä pintoja, esimerkiksi ajoneuvon maalattuja pintoja, pyörivällä vesisuihkulla varustetulla suuttimella. Pyörivä vesisuihku saattaa vaurioittaa pintaa.

- Asenna suutin pitämällä ruiskuvartta paikallaan toisella kädellä ja työntämällä suutinta siihen toisella, kunnes suutin lukittuu paikalleen. (Kuva 24)
- Irrota suutin työntämällä ruiskuvarren kieleke sisään ja vetämällä suutin irti ruiskuvarrasta. (Kuva 25)

Vesisuihkun paineen säätäminen

Suoralla vesisuihkulla varustetun suuttimen painetta voi säätää.

- Lisää vesisuihkun painetta kääntämällä suutinta myötäpäivään. (Kuva 26)
- Laske vesisuihkun painetta kääntämällä suutinta vastapäivään. (Kuva 27)

Tuotteen käyttö

1. Kytke laite vesilähteeseen. Katso kohta *Laitteen kytkeminen vesilähteeseen sivulla 155*.
2. Ilmaa järjestelmä. Katso kohta *Järjestelmän ilmaaminen sivulla 156*.
3. Käynnistä kone. Katso kohta *Laitteen käynnistäminen sivulla 156*.

Laitteen kytkeminen vesilähteeseen

Laitetta voi käyttää vesijohtoveden tai avoimen vesilähteen, esimerkiksi järven tai vesitynnyrin, veden kanssa.

- Lisätietoja laitteen liittämisestä vesijohtoverkkoon on kohdassa *Tuotteen liittäminen vesijohtoon sivulla 155*.
- Lisätietoja laitteen liittämisestä avoimeen vesilähteeseen on kohdassa *Laitteen kytkeminen avoimeen vesilähteeseen sivulla 155*.

Tuotteen liittäminen vesijohtoon

1. Asenna puutarhaletkun sovitin ja vedensuodatin laitteen tuloliitännään, jos niitä ei ole asennettu. Katso kohdasta *Puutarhaletkun sovittimen asentaminen sivulla 154*.
2. Liitä puutarhaletku vesijohtoon. Käytä 10–25 metrin pituisista ½ tuuman puutarhaletkua. (Kuva 28)



HUOMAUTUS: Vesijohdon sallittu enimmäisvedenpaine on 1 MPa (10 baaria).



HUOMAUTUS: Vesijohdon suurin sallittu veden lämpötila on 40 °C.

3. Avaa vesijohdon venttiili ja varmista, että vesi pääsee virtaamaan vapaasti puutarhaletkusta. (Kuva 29)
4. Sulje vesijohdon venttiili.
5. Liitä puutarhaletku laitteen veden tuloliitännään. (Kuva 30)
6. Kytke virtapistoke virtalähteeseen.
7. Avaa vesijohdon venttiili.
8. Ilmaa järjestelmä ennen laitteen käyttöä. Katso kohdasta *Järjestelmän ilmaaminen sivulla 156*.

Laitteen kytkeminen avoimeen vesilähteeseen

Laitetta voi käyttää avoimesta vesilähteestä, kuten järvestä tai vesitynnyristä, tulevan veden kanssa. Käytä enintään 3 metriä pitkää puolen tuuman imuletkua (ei sisälly laitteeseen).

(Kuva 31)



HUOMAUTUS: Vesilähteen suurin sallittu veden lämpötila on 20 °C.



HUOMAUTUS: Laite saa olla enintään 0,5 metriä vesilähteen yläpuolella.

1. Jos puutarhaletkun sovitin on asennettuna, irrota se laitteen veden tuloliitännästä. (Kuva 32)



HUOMAUTUS: Älä irrota veden tuloliitännän vedensuodatinta.

2. Asenna imuletku (ei sisälly pakkaukseen) laitteen vedentuloliitännään. (Kuva 33)
3. Laita imuletku vesilähteeseen ja varmista, että suodatin on kokonaan upoksissa.



HUOMAUTUS: Älä käytä imuletkua ilman suodatinta.

4. Paina ruiskutuskahvan painiketta ja vedä korkeapaineletku irti ruiskutuskahvasta. (Kuva 19)
5. Kytke virtapistoke virtalähteeseen.
6. Käännä virtakytkin On-asentoon (I) ja anna laitteen käydä kahden minuutin ajan.
7. Käännä virtakytkin Off-asentoon (O).
8. Pidä ruiskutuskahvasta tiukasti kiinni yhdellä kädellä ja työnnä korkeapaineletku ruiskutuskahvan pikaliitännään. (Kuva 18)
9. Ilmaa järjestelmä ennen laitteen käyttöä. Katso kohdasta *Järjestelmän ilmaaminen sivulla 156*.

Järjestelmän ilmaaminen



HUOMAUTUS: Varmista ennen järjestelmän ilmaamista, että virtakytkin on Off-asennossa (0).

1. Kytke laite vesilähteeseen. Katso kohta *Laitteen kytkeminen vesilähteeseen sivulla 155*.
2. Asenna ruiskuvarsi ruiskupistooliin. Katso kohta *Ruiskuvarren asentaminen sivulla 154*.
3. Vapauta käyttöliipaisimen varmistin. Katso kohta *Käyttöliipaisimen varmistimen kytkeminen ja vapauttaminen sivulla 156*.
4. Paina käyttöliipaisinta, kunnes ruiskuvarren suuttimesta tulee vettä. (Kuva 34)

Laitteen irrottaminen vesilähteestä

1. Käännä virtakytkin Off-asentoon (0).
2. Jos laite on kytkettynä vesijohtoon, sulje vesijohtoon venttiili.
3. Jos laite on kytkettynä vesijohtoon, irrota puutarhaletku vesijohtodosta. (Kuva 35)
4. Jos laite on kytkettynä avoimeen vesilähteeseen, poista imuletku vesilähteestä.
5. Paina käyttöliipaisinta, kunnes vettä ei enää tule suuttimesta.
6. Irrota puutarhaletku laitteen veden tuloliitännästä. (Kuva 36)

Huomautus: Jos laite on kytkettynä avoimeen vesilähteeseen, irrota imuletku.

7. Paina ruiskutuskahvan painiketta ja vedä korkeapaineinen vesiletku irti ruiskutuskahvasta. (Kuva 19)
8. Käännä virtakytkin On-asentoon (I). Anna laitteen käydä, kunnes vettä ei enää tule korkeapaineletkusta.
9. Käännä virtakytkin Off-asentoon (0).
10. Anna ruiskutuskahvan, ruiskuvarren ja suuttimien kuivua ennen kuin varastoit laitteen.

Käyttöliipaisimen varmistimen kytkeminen ja vapauttaminen

- Kytke käyttöliipaisimen varmistin käyttöön kääntämällä sitä myötäpäivään, kunnes kuulet naksahduksen. (Kuva 37)
- Vapauta käyttöliipaisimen varmistin kääntämällä sitä vastapäivään ääriasentoon asti. (Kuva 38)

Laitteen käynnistäminen

1. Kytke laite vesilähteeseen. Katso kohdasta *Laitteen kytkeminen vesilähteeseen sivulla 155*.
2. Kytke virtapistoke virtalähteeseen.
3. Käännä virtakytkin On-asentoon (I). (Kuva 39)
4. Vapauta käyttöliipaisimen varmistin. Katso kohdasta *Käyttöliipaisimen varmistimen kytkeminen ja vapauttaminen sivulla 156*.
5. Paina ruiskutuskahvan käyttöliipaisinta.

Huomautus: Laite pysähtyy automaattisesti, kun käyttöliipaisin vapautetaan.

Laitteen pysäyttäminen

Huomautus: Laite pysähtyy automaattisesti, kun käyttöliipaisin vapautetaan.

1. Vapauta ruiskutuskahvan käyttöliipaisin.
2. Kytke käyttöliipaisimen varmistin käyttöön. Katso kohdasta *Käyttöliipaisimen varmistimen kytkeminen ja vapauttaminen sivulla 156*.
3. Käännä virtakytkin Off-asentoon (0). (Kuva 40)
4. Irrota virtapistoke virtalähteestä.
5. Irrota laite vesilähteestä. Katso kohdasta *Laitteen irrottaminen vesilähteestä sivulla 156*.

Huomautus: Irrota laite vesilähteestä aina, kun poistut laitteen luota yli viiden minuutin ajaksi.

Vaahtoruiskun käyttö

1. Irrota vaahtoruisku pidikkeestä. (Kuva 41)
2. Täytä vaahtoruiskun säiliö puhdistusaineella.



HUOMAUTUS: Käytä vain puhdistusaineita, joita Husqvarna on suositellut.

3. Työnnä vaahtoruiskun pikaliitin ruiskuvarren pikaliittimeen, kunnes se lukittuu paikalleen. (Kuva 42)

Huomautus: Vaahtoruiskun laipan on oltava linjassa ruiskuvarren uran kanssa.

4. Kytke laite vesilähteeseen. Katso kohdasta *Laitteen kytkeminen vesilähteeseen sivulla 155*.
5. Käynnistä kone. Katso kohdasta *Laitteen käynnistäminen sivulla 156*.

Huolto

Johdanto



VAROITUS: Ennen minkäänlaisten huoltotöiden aloittamista sinun on luettava

turvallisuutta käsittelevä luku niin, että ymmärrät sen sisällön.

Kaikkiin tuotteelle tehtäviin huolto- ja korjaustöihin tarvitaan erityiskoulutus. Takaamme, että tuotteemme huolletaan ja korjataan ammattimaisesti.

Katso lisätietoja kohdasta www.husqvarna.com.

Huoltokaavio

Huolto	Aina ennen käyttöä	Käytön jälkeen
Tee yleistarkastus. Katso kohta <i>Yleistarkastus sivulla 157.</i>	X	
Puhdista laite. Katso kohta <i>Tuotteen puhdistaminen sivulla 157.</i>		X
Puhdista ruiskuvarsi ja suuttimet. Katso kohta <i>Ruiskuvarren ja suuttimien puhdistaminen sivulla 157.</i>		X
Puhdista vedensuodatin. Vaihda vedensuodatin, jos se on vaurioitunut. Katso kohta <i>Vedensuodattimen puhdistaminen sivulla 158.</i>		X
Voitele liittimien O-renkaat. Katso kohta <i>Liittimien O-renkaiden voiteleminen sivulla 158.</i>		X

Yleistarkastus



VAROITUS: Aseta virtakytkin Off-asentoon (0) ja irrota virtapistoke virtalähteestä ennen kuin aloitat huoltotoimet.



HUOMAUTUS: Irrota laite vesilähteestä ja varmista, että kaikki osat ovat kuivia, ennen kuin suoritat huoltotoimenpiteitä.

- Varmista, että kaikki laitteen ruuvit ja mutterit on kiristetty.
- Varmista, että tuotteen johdot on asetettu siten, että ne eivät vahingoitu.
- Tarkista korkeapaineletku kulumien ja vaurioiden varalta.



VAROITUS: Älä käytä laitetta, jos korkeapaineletku on kulunut tai vaurioitunut.

Tuotteen puhdistaminen



VAROITUS: Aseta virtakytkin Off-asentoon (0) ja irrota virtapistoke virtalähteestä ennen huoltotoimenpiteitä.



HUOMAUTUS: Irrota laite vesilähteestä ja varmista, että kaikki osat ovat kuivia, ennen kuin suoritat huoltotoimenpiteitä.

- Puhdista kaikki ulkoiset osat kuivalla liinalla.
- Älä käytä laitteen puhdistamiseen painepesuria.
- Pidä ilma-aukot puhtaina, jotta laite pysyy aina riittävän viileänä.

Ruiskuvarren ja suuttimien puhdistaminen



VAROITUS: Aseta virtakytkin Off-asentoon (0) ja irrota virtapistoke virtalähteestä ennen kuin aloitat huoltotoimet.



HUOMAUTUS: Irrota laite vesilähteestä ja varmista, että kaikki osat ovat kuivia, ennen kuin suoritat huoltotoimenpiteitä.

1. Jos suutin on asennettu ruiskuvarteen, irrota se ruiskuvarresta. Katso kohdasta *Suuttimien asentaminen ja irrottaminen sivulla 154.*
2. Puhdista suuttimet sekä ruiskuvarren ja ruiskutuskahvan liitännät vedellä ja saippualla. (Kuva 43)

3. Jos suuttimessa on tukos, poista se puhdistustyökalulla. (Kuva 44)

Vedensuodattimen puhdistaminen



VAROITUS: Aseta virtakytkin Off-asentoon (0) ja irrota virtapistoke virtalähteestä ennen kuin aloitat huoltotoimet.



HUOMAUTUS: Irrota laite vesilähteestä ja varmista, että kaikki osat ovat kuivia, ennen kuin suoritat huoltotoiminpiteitä.

1. Jos puutarhaletkun sovitin on asennettuna, irrota se laitteen veden tuloliitännästä. (Kuva 32)
2. Vedä vedensuodatin ulos. Käytä pihtejä. (Kuva 45)
3. Tarkista vedensuodatin vaurioiden varalta. Vaihda vedensuodatin, jos se on vaurioitunut. (Kuva 46)
4. Huuhtelee vedensuodatin puhtaalla vedellä. (Kuva 47)

Liittimien O-renkaiden voiteleminen



VAROITUS: Aseta virtakytkin Off-asentoon (0) ja irrota virtapistoke virtalähteestä ennen kuin aloitat huoltotoimet.



HUOMAUTUS: Irrota laite vesilähteestä ja varmista, että kaikki osat ovat kuivia, ennen kuin suoritat huoltotoiminpiteitä.

1. Irrota ruiskuvarsi ruiskutuskehästä ja ruiskutuskehä korkeapaineletkusta. Katso kohdasta *Ruiskuvarren asentaminen sivulla 154* ja *Ruiskutuskehän asentaminen sivulla 154*.
2. Voitele puutarhaletkun sovittimen, ruiskuvarren ja korkeapaineletkun O-renkaat rasvalla. Katso kohdasta *Tekniset tiedot sivulla 159* tarkistaaksesi oikean rasvatyyppin. (Kuva 48)

Vianmääritys

Vianmäärityskaavio

Ongelma	Mahdollinen syy	Ratkaisu
Tuote ei käynnisty.	Virtapistoketta ei ole kytketty virtalähteeseen.	Kytke virtapistoke virtalähteeseen.
	Virtakytkin on Off-asennossa (0).	Käännä virtakytkin On-asentoon (I).
	Virtalähteestä ei tule virtaa.	Ota yhteyttä valtuutettuun sähköasentajaan.
	Virtajohto on vaurioitunut.	Ota yhteys valtuutettuun huoltoliikkeeseen.
	Lämpösuoja on katkaissut virran.	Odota, että laite jäähtyy, ennen kuin käytät sitä uudelleen.
	Käytössä on vääränmallinen jatkojohto.	Varmista, että jatkojohto on kokonaan vapaa ja että jännitesyöttö vastaa laitteen jännitettä.
Sulake palaa käynnistyksen tai käytön aikana.	Käytössä on vääränmallinen sulake.	Varmista, että käytät hidasta C- tai K-luokan sulaketta.
Laite ei sammu.	Tuote on vaurioitunut.	Irrota sähköpistoke ja ota yhteyttä valtuutettuun huoltoliikkeeseen.
Laite kuumenee liikaa.	Ilmavirtaus ei ole riittävä.	Puhdista ilmanottoaukot.
Laite ei käy tasaisesti.	Järjestelmässä on ilmaa.	Ilmaa järjestelmä.

Ongelma	Mahdollinen syy	Ratkaisu
Vedenpaine on väärä.	Letku on taitteella.	Varmista, etteivät letkut ole taitteella.
	Virtakytkin on Off-asennossa (0).	Käännä virtakytkin On-asentoon (I).
	Veden virtaus ei ole riittävää.	Varmista, että laite on liitetty oikein vesilähteeseen. Varmista, että vesi virtaa riittävän hyvin.
	Vedensuodatin on tukossa.	Puhdista vedensuodatin.
	Järjestelmässä on ilmaa.	Ilmaa järjestelmä.
	Lisävaruste ei ole oikea.	Varmista, että käytät oikeaa lisävarustetta.

Kuljettaminen, säilyttäminen ja hävittäminen

Kuljettaminen

- Irrota virtapistoke virtalähteestä ennen laitteen kuljettamista.
- Irrota laite vesilähteestä ennen laitteen kuljettamista.
- Kiinnitä laite niin, ettei se pääse liikkumaan kuljetuksen aikana.

Säilytys

- Tyhjennä kaikki vesi laitteesta, korkeapaineisesta vesiletkusta ja lisävarusteista, ennen laitteen varastointia.
- Valmistele laite varastointia varten. Katso kohta *Laitteen varastoinnin valmistelu sivulla 159*.
- Säilytä laitetta kuivassa paikassa, jossa lämpötila ei laske pakkasen puolelle.

Laitteen varastoinnin valmistelu

1. Sammuta laite ja irrota virtapistoke virtalähteestä.
2. Irrota laite vesilähteestä. Katso kohdasta *Laitteen irrottaminen vesilähteestä sivulla 156*.

3. Varmista, että kaikki lisävarusteet ovat kuivia.
4. Aseta ruiskutusahva, ruiskuvarsi ja suuttimet pidikkeisiinsä.
5. Irrota korkeapaineinen vesiletku ja aseta se pidikkeeseen. (Kuva 49)
6. Aseta virtajohto pidikkeeseensä ja kiinnitä hihna. (Kuva 50)

Hävittäminen

Husqvarna-laitteet eivät ole kotitalousjätettä. Ne on hävitettävä vain tässä oppaassa kuvatulla tavalla.

- Noudata paikallisia hävittämisvaatimuksia ja säädöksiä.
- Kierrätä laite ja pakkaus asianmukaisessa kierrätyspisteessä.
- Lisätietoja laitteen kierrätyksestä ja hävittämisestä saat paikalliselta Husqvarna-jälleenmyyjältä.

Tekniset tiedot

PW 130	
Moottori ja pumppu	
Tyyppi	Sarjan AC moottori
Teho, W	1 500
Jännitealue, V	220–240
Taajuus, Hz	50
Nimellisvirta, A	6,5
Veden enimmäisvirtaus, l/min	7,7

	PW 130
Veden enimmäisulostulopaine, baaria / MPa	130/13
Veden enimmäissisääntulopaine, baaria / MPa	10/1
Veden enimmäissisääntulolämpötila, °C / °F	40 / 104
Veden enimmäissisääntulolämpötila (imutilassa), °C / °F	20/68
IP-luokitus	IPX5
Turvallisuusluokka	Luokka II
Voiteluaine	
O-renkaiden voiteluun tarkoitettu rasva	Valkoinen silikonirasva
Paino	
Paino, kg	6,5
Melupäästöt ³³	
Äänentehotaso, mitattu dB(A)	85
Äänentehotaso, taattu L _{WA} dB(A)	89
Äänitasot ³⁴	
Ekvivalentti äänenpainetaso käyttäjän korvan tasalla, dB(A)	72
Tärinätasot ³⁵	
Käsi/käsivarsi (vakioosuittimella) m/s ²	2,5
Vastaavat tärinätasot ³⁶	
Käsi/käsivarsi (vakioosuittimella) m/s ²	1,8

Lisävarusteet

Hyväksytyt lisävarusteet

Hyväksytyt lisävarusteet	Tuotenumero
Pintapesuri SC 300	590 65 79-01
Vaahtoruisku FS 300	590 66 04-01
Putkenpesuletku, 15 m	590 66 10-01

³³ Melupäästö ympäristöön äänitehona (L_{WA}) EY-direktiivin 2000/14/EY mukaisesti mitattuna.

³⁴ Standardin ISO 22868 mukainen ekvivalentti äänenpainetaso lasketaan eri äänenpainetasojen aikapainotteisena energiasummana eri käyttöolosuhteissa. Tyypillinen ekvivalentin äänenpainetason tilastollinen hajonta on 1 dB (A):n vakiopoikkeama.

³⁵ Tärinätaaso standardin EN 60745-2-13 mukaan. Tärinätasolle ilmoitetuissa tiedoissa tyypillinen tilastollinen hajonta (vakiopoikkeama) on 1 m/s². Ilmoitetut tärinäarvot on mitattu, kun laite on varustettu suositellulla terälevyn pituisella teräketjulla. Jos laite on varustettu eripituisella terälevyllä, tärinätaaso voi vaihdella enintään ±1,5 m/s².

³⁶ Vastaava tärinätaaso on mitattu ja laskettu polttomoottorikäyttöisellä moottorisahalla. Näitä lukuja on lainattu, jotta tärinäarvoja voidaan vertailla moottorin tyypistä riippumatta standardin ISO 22867:2011 mukaan.

Hyväksytyt lisävarusteet	Tuotenumero
Vedensuodatin	590 65 93-01
Takaiskuventtiili	590 65 95-01
Imuletku	590 65 97-01
Ajoneuvosarja	590 66 07-01
Pyörivä harjasarja	590 66 06-01
Vino ruiskuvarsi	590 66 11-01
Veden imusuutin	590 66 05-01
Jatkoletku, 8 m	590 66 08-01

Vaatimustenmukaisuusvakuutus

EU-vaatimustenmukaisuusvakuutus

Husqvarna AB, SE-561 82 Husqvarna, Ruotsi, puh. +46
36 146500, vakuuttaa täten, että tuote:

Kuvaus	Painepesuri
Tuotemerkki	Husqvarna
Tyyppi/malli	PW 130
Tunniste	Sarjanumerot vuodesta 2022 alkaen

vastaavat täysin seuraavien EU:n direktiivien ja
asetusten vaatimuksia:

Asetus	Kuvaus
2006/42/EC	konedirektiivi
2014/30/EU	EMC-direktiivi
2000/14/EY, liite V	Melupäästädirektiivi
2011/65/EU	Direktiivi tiettyjen vaarallisten aineiden käytön rajoittamisesta sähkö- ja elektroniikka-laitteissa

ja että asiassa sovelletaan seuraavia standardeja
ja/tai teknisiä tietoja: EN 60335-1:2012/A11:2014/
A13:2017/A1:2019/A14:2019/A2:2019/A15:2021, EN
60335-2-79:2012, EN 62233:2008, EN 55014-1:2021,
EN 55014-2:2021, EN IEC 61000-3-2:2019/A1:2021, EN
61000-3-3:2013/A2:2021, EN IEC 63000:2018.

Katso lisätietoja melupäästöistä osiosta *Tekniset tiedot*
sivulla 159.

Husqvarna, 2023-01-19



Claes Losdal, kehityspäällikkö/puutarhatuotteet,
Husqvarna AB

Teknisestä dokumentaatiosta vastaava edustaja



Sommaire

Introduction.....	163	Dépannage.....	176
Sécurité.....	164	Transport, entreposage et mise au rebut.....	177
Montage.....	171	Caractéristiques techniques.....	177
Utilisation.....	171	Accessoires.....	179
Entretien.....	174	Déclaration de conformité.....	180

Introduction

Description du produit

Ce produit est un nettoyeur haute pression électrique. Il peut être utilisé avec différents niveaux de pression d'eau et différents produits de nettoyage.

Utilisation prévue

Utilisez le produit à des fins de nettoyage domestique uniquement. N'utilisez pas ce produit pour d'autres

Aperçu du produit

(Fig. 1)

1. Buse à jet d'eau droit
2. Buse à jet d'eau rotatif
3. Sangle en caoutchouc pour le support du cordon d'alimentation
4. Support pour poignée de pulvérisation et lance d'arrosage
5. Tuyau d'eau haute pression
6. Admission d'eau
7. Pulvérisateur moussant
8. Dispositif de rangement pour tuyau d'eau haute pression
9. Interrupteur d'alimentation
10. Cordon d'alimentation
11. Sortie d'eau avec raccord rapide
12. Outil de nettoyage pour buses
13. Poignée de transport
14. Prise d'air
15. Poignée de pulvérisation
16. Lance d'arrosage
17. Manuel d'utilisation

Symboles concernant le produit

(Fig. 2)

AVERTISSEMENT :
ce produit peut être dangereux et causer des blessures graves, voire mortelles, au conducteur ou à

travaux. Placez impérativement le produit en position verticale.

Remarque: La législation nationale peut imposer des limites à l'utilisation du produit.

d'autres personnes.
soyez prudent et utilisez le produit correctement.

(Fig. 3)

Lisez le manuel d'utilisation et assurez-vous de bien comprendre les instructions avant d'utiliser ce produit.

(Fig. 4)

Le produit n'est pas adapté au raccordement au réseau d'eau potable.

(Fig. 5)

Les jets d'eau haute pression peuvent être dangereux s'ils font l'objet d'une mauvaise utilisation. Ne dirigez pas le jet vers des personnes, des

équipements électriques ou le produit.

(Fig. 6)

Marquage environnemental. Le produit ou son emballage ne font pas partie des ordures ménagères. Déposez-le dans une déchetterie agréée pour équipements électriques et électroniques.

(Fig. 7)

Outil de classe II.

(Fig. 8)

Étiquette relative aux émissions sonores dans l'environnement selon les directives et réglementations européennes et du Royaume-Uni et la législation de la Nouvelle Galles du Sud « Protection of the Environment Operations (Noise Control) Regulation 2017 ». Le niveau de puissance sonore garanti du produit

est spécifié à la section *Caractéristiques techniques à la page 177* et sur l'étiquette.

(Fig. 9)

Protection contre les jets d'eau basse pression, quel que soit l'angle.

(Fig. 10)

Tenir à l'abri du gel.

(Fig. 11)

Le produit est conforme aux directives CE en vigueur.

(Fig. 12)

Ce produit est conforme aux directives en vigueur au Royaume-Uni.

Remarque: les autres symboles/autocollants présents sur le produit concernent des exigences de certification spécifiques à certains marchés.

Endommagement du produit

Nous ne sommes pas responsables des dommages subis par le produit si :

- le produit n'est pas correctement réparé ;
- le produit est réparé avec des pièces qui ne proviennent pas du fabricant ou qui ne sont pas homologuées par le fabricant ;
- le produit est équipé d'un accessoire qui ne provient pas du fabricant ou qui n'est pas homologué par le fabricant ;
- le produit n'est pas réparé par un centre d'entretien agréé ou par une autorité homologuée.

Sécurité

Définitions de sécurité

Des avertissements, des recommandations et des

remarques sont utilisés pour souligner des parties spécialement importantes du manuel.

**AVERTISSEMENT:**

Symbole utilisé en cas de risque de blessures ou de mort pour l'opérateur ou les personnes à proximité si les instructions du manuel ne sont pas respectées.

**REMARQUE:** Symbole

utilisé en cas de risque de dommages pour le produit, d'autres matériaux ou les environs si les instructions du manuel ne sont pas respectées.

Remarque: Symbole utilisé pour donner des informations supplémentaires pour une situation donnée.

Instructions générales de sécurité



AVERTISSEMENT: lisez les instructions qui suivent avant d'utiliser le produit.

- Ce produit est dangereux s'il est utilisé de manière incorrecte ou imprudente. Des

blessures graves ou mortelles peuvent se produire si vous ne respectez pas les instructions de sécurité.

- Soyez toujours prudent et utilisez votre bon sens. Si vous ne savez pas comment faire fonctionner le produit dans une situation particulière, arrêtez-le et contactez votre atelier spécialisé Husqvarna avant de poursuivre.
- N'oubliez pas que l'opérateur sera tenu responsable des accidents occasionnés à des tiers et à leurs biens.
- Maintenez le produit propre. Assurez-vous que vous pouvez lire clairement les avertissements et les autocollants.
- N'autorisez jamais des enfants ou des personnes qui ne sont pas familiarisées avec ces instructions à se servir de cet appareil. Les réglementations locales peuvent limiter l'âge de l'utilisateur.
- Ce produit peut être utilisé par des personnes dont les capacités physiques, sensorielles ou mentales sont réduites, si elles sont supervisées ou si elles disposent des instructions leur permettant d'utiliser le

produit en toute sécurité et si elles comprennent les dangers encourus.

- Ce produit peut être utilisé par des personnes qui n'ont pas l'expérience ou les connaissances nécessaires, si elles sont supervisées ou si elles disposent des instructions leur permettant d'utiliser le produit en toute sécurité et si elles comprennent les dangers encourus.
- N'utilisez jamais le produit si vous êtes fatigué ou malade, ou si vous êtes sous l'emprise d'alcool, de drogues ou de médicaments. En effet, cela a un effet négatif sur votre vision, votre vigilance, votre coordination et votre jugement.
- N'utilisez pas de produit endommagé.
- Ne modifiez jamais le produit et ne l'utilisez jamais s'il est susceptible d'avoir été modifié par un tiers.

- N'utilisez pas le produit si le cordon d'alimentation, le tuyau haute pression, le blocage de la gâchette ou la poignée de pulvérisation sont endommagés.
- Assurez-vous que le produit n'est pas endommagé avant de l'utiliser. N'utilisez pas le produit si des pièces sont endommagées ou manquantes.
- Tenez fermement la poignée de pulvérisation à deux mains. Une force de rebond est générée lorsque vous tirez sur la gâchette de puissance.
- Soyez prudent lorsque vous utilisez le produit. La haute pression fournie par le produit est dangereuse et peut provoquer des blessures.
- Ne dirigez pas le jet vers vous-même, vers d'autres personnes ou vers des animaux.
- Ne dirigez pas le jet vers vous-même ou vers d'autres personnes afin de nettoyer des chaussures.
- Ne dirigez pas le jet vers un équipement électrique ou vers le produit lui-même.
- Utilisez un équipement de protection individuel lorsque vous utilisez le produit.

Instructions de sécurité pour le fonctionnement



AVERTISSEMENT:
Lisez les instructions qui suivent avant d'utiliser le produit.

Reportez-vous à la section *Équipement de protection individuel* à la page 168.

- N'utilisez pas le produit à proximité de personnes qui ne portent pas d'équipement de protection.
- Si vous utilisez un produit de nettoyage, suivez les consignes de sécurité relatives à ce produit.
- Utilisez des produits de nettoyage Husqvarna uniquement.
- Respectez les instructions d'utilisation applicables à la pression de l'eau et aux produits de nettoyage et utilisez le produit uniquement pour les tâches décrites dans ce manuel. Une pression d'eau ou un produit de nettoyage incorrects peuvent endommager le produit, les surfaces, les matériaux ou d'autres dispositifs, tout comme l'utilisation du produit pour d'autres tâches que celles décrites dans ce manuel. Husqvarna décline toute responsabilité en cas de dommages causés par une utilisation incorrecte.
- Il n'est pas recommandé de brancher le produit au réseau d'eau potable. Si vous devez brancher le produit au réseau d'eau potable, respectez les réglementations locales et nationales applicables. Utilisez un clapet anti-retour (non fourni) si nécessaire. L'eau qui s'écoule à travers un clapet anti-retour est considérée comme non potable.
- Ne pulvérisez pas de liquides inflammables. Risque d'explosion.
- Ne laissez pas des enfants utiliser la machine.
- Ne laissez pas les enfants jouer avec le produit.
- Ne laissez personne utiliser le produit sans formation.
- Utilisez uniquement des accessoires et des pièces de rechange approuvés par Husqvarna.
- Veillez à ce que le raccordement électrique soit effectué par un électricien agréé et qu'il soit conforme à la norme CEI 60364-1.
- Utilisez un disjoncteur différentiel de fuite à la terre qui coupe l'électricité si le courant de fuite est supérieur à 30 mA pendant 30 ms. Si vous ne disposez pas d'un disjoncteur différentiel de fuite à la terre, utilisez un dispositif qui assure un circuit de terre.
- Utilisez des fusibles de démarrage/à retardement du

moteur de catégorie C ou D conformes à la norme CEI 898-1/CEI 947-2 ou à des normes équivalentes émises par d'autres organismes.

- Aucune action n'est nécessaire pour le réglage des produits affichant une tension et une fréquence doubles.
- S'il est nécessaire d'utiliser un câble de rallonge, assurez-vous que celui-ci peut être utilisé à l'extérieur. Vérifiez que la prise se trouve à au moins 60 mm du sol. Le raccord doit toujours rester au sec.
- Placez l'interrupteur d'alimentation en position d'arrêt (0), débranchez la fiche d'alimentation et engagez le blocage de la gâchette de puissance avant de vous éloigner du produit.
- Placez l'interrupteur d'alimentation en position d'arrêt (0) et débranchez la fiche d'alimentation avant de changer d'accessoire.
- Placez l'interrupteur d'alimentation en position d'arrêt (0) et débranchez la fiche d'alimentation avant de nettoyer ou d'effectuer des opérations d'entretien sur le produit.

- N'utilisez pas le produit dans des environnements où la température ambiante est inférieure à 0 °C.
- Ne démarrez pas le produit s'il est gelé.
- N'utilisez pas le produit en intérieur.
- Ne placez pas d'objets sur le produit lorsqu'il est en marche.
- Ne buvez pas l'eau qui a été utilisée avec le produit.
- N'utilisez pas le produit à proximité d'une fenêtre ouverte.
- Attention aux objets projetés. Des cailloux ou des corps étrangers peuvent être projetés dans les yeux et causer des blessures graves, voire la cécité.
- Si le produit ne fonctionne pas correctement, reportez-vous à *Schéma de dépannage à la page 176*.

Équipement de protection individuel



AVERTISSEMENT:

Lisez les instructions qui suivent avant d'utiliser le produit.

- L'équipement de protection individuel ne protège pas

complètement des blessures, mais il diminue la gravité des blessures en cas d'accident. Faites appel à votre revendeur pour vous aider à sélectionner l'équipement adéquat.

- Portez des bottes ou des chaussures antidérapantes à usage intensif. Ne portez pas de chaussures ouvertes et ne soyez pas pieds nus lorsque vous utilisez le produit.
- Utilisez des vêtements de protection.
- Utilisez des protège-oreilles homologués.
- Utilisez des lunettes de protection.
- Utilisez un masque respiratoire de classe FFP2 ou équivalente si vous utilisez le produit dans des environnements propices à la formation d'aérosols dangereux.

Dispositifs de sécurité sur le produit



AVERTISSEMENT: lisez les instructions qui suivent avant d'utiliser le produit.

- N'utilisez pas un produit dont les dispositifs de sécurité sont endommagés

ou ne fonctionnent pas correctement.

- Ne retirez ou ne modifiez pas les dispositifs de sécurité.
- Contrôlez les dispositifs de sécurité régulièrement. Si les dispositifs de sécurité sont endommagés ou ne fonctionnent pas correctement, contactez votre agent d'entretien Husqvarna.

Blocage de la gâchette de puissance

Le blocage de la gâchette de puissance (A) empêche toute activation accidentelle de cette dernière (B). Lorsque le blocage de la gâchette de puissance est en position verrouillée, la gâchette de puissance ne peut pas être enfoncée.

(Fig. 13)

Gâchette de puissance

Le produit démarre lorsque la gâchette de puissance est enfoncée. Le produit s'arrête lorsque la gâchette de puissance est relâchée.

Protection thermique

L'appareil est équipé d'une protection thermique automatique. Si le produit devient trop chaud, la protection thermique coupe l'alimentation

électrique du produit. Si la protection thermique a coupé l'alimentation, attendez que le produit refroidisse. La protection thermique se réinitialise automatiquement lorsque le produit est suffisamment froid.

Soupape de décharge hydraulique

Le produit est doté d'une soupape de décharge hydraulique intégrée qui empêche l'apparition d'une pression trop élevée dans le circuit.

Instructions de sécurité pour l'entretien



AVERTISSEMENT:

Lisez les instructions qui suivent avant d'effectuer l'entretien du produit.



REMARQUE:

Procédez toujours à l'entretien avant de démarrer le produit après une longue période de remisage.

- Placez l'interrupteur d'alimentation en position d'arrêt (0) et débranchez la fiche d'alimentation de la

source d'alimentation avant de procéder à l'entretien du produit.

- Débranchez le produit de la source d'alimentation en eau et assurez-vous que toutes les pièces sont sèches avant de procéder à l'entretien du produit.
- Effectuez uniquement les tâches d'entretien décrites dans le présent manuel d'utilisation.
- Utilisez uniquement les pièces de rechange recommandées par Husqvarna. L'utilisation de tuyaux et de raccords à haute pression est primordiale pour assurer la sécurité lors de l'utilisation du produit. Utilisez uniquement des flexibles et raccords recommandés par le fabricant.
- Ne réparez pas le produit. Contactez votre agent d'entretien Husqvarna.
- Contactez votre agent d'entretien Husqvarna si la fiche d'alimentation ou le cordon d'alimentation est endommagé.
- Ne laissez aucun enfant nettoyer le produit ou procéder à son entretien.

Montage

Introduction



AVERTISSEMENT: Assurez-vous de lire et de comprendre le chapitre dédié à la sécurité avant de monter l'appareil.

Installation de l'adaptateur de tuyau d'arrosage

1. Retirez le couvercle de transport de l'admission d'eau et jetez-le. (Fig. 14)
2. Installez l'adaptateur de tuyau d'arrosage sur l'admission d'eau. (Fig. 15)



REMARQUE: Veillez à installer l'adaptateur de tuyau d'arrosage

bien droit sur l'admission d'eau. Si l'adaptateur de tuyau d'arrosage n'est pas droit, cela peut endommager les filetages et provoquer des fuites.

3. Serrez complètement l'adaptateur de tuyau d'arrosage.
4. Pour retirer l'adaptateur de tuyau d'arrosage, effectuez les opérations dans l'ordre inverse.

Installation du support de la poignée de pulvérisation et de la lance d'arrosage

- Installez le support avec les 2 vis. (Fig. 16)

Utilisation

Introduction



AVERTISSEMENT: Assurez-vous de lire et de comprendre le chapitre dédié à la sécurité avant d'utiliser l'appareil.

Husqvarna Connect

Husqvarna Connect est une application gratuite pour votre appareil mobile. L'application Husqvarna Connect offre des fonctions étendues à votre produit Husqvarna :

- Informations produit détaillées.
- Informations et aide sur les pièces et l'entretien du produit.

Pour commencer à utiliser Husqvarna Connect

1. Téléchargez l'application Husqvarna Connect sur votre appareil mobile.
2. Enregistrez-vous sur l'application Husqvarna Connect.
3. Suivez les instructions de l'application Husqvarna Connect pour vous connecter et enregistrer le produit.

Remarque: L'application Husqvarna Connect n'est pas disponible au téléchargement sur tous les marchés. Pour davantage d'informations, contactez votre atelier d'entretien.

Installation de la poignée de pulvérisation

1. Enfoncez le tuyau d'eau haute pression dans le raccord rapide jusqu'à ce qu'il se verrouille en position. (Fig. 17)



REMARQUE: Pour éviter toute fuite, assurez-vous que le tuyau haute pression est entièrement connecté au raccord rapide du produit.

2. Tenez fermement la poignée de pulvérisation d'une main et enfoncez le tuyau d'eau haute pression dans le raccord rapide de la poignée de pulvérisation. (Fig. 18)

Dépose de la poignée de pulvérisation

1. Appuyez sur le bouton de la poignée de pulvérisation et retirez le tuyau d'eau haute pression. (Fig. 19)
2. Poussez la bague extérieure sur le raccord rapide et retirez le tuyau d'eau haute pression. (Fig. 20)

Installation de la lance d'arrosage

1. Tenez la poignée de pulvérisation d'une main et enfoncez le raccord de la lance d'arrosage dans la poignée de pulvérisation. (Fig. 21)
2. Tournez la lance d'arrosage dans le sens des aiguilles d'une montre, puis relâchez-la. La lance d'arrosage se verrouille en position.

Dépose de la lance d'arrosage

1. Enfoncez la lance d'arrosage et tournez-la dans le sens contraire des aiguilles d'une montre. (Fig. 22)
2. Retirez la lance d'arrosage de la poignée de pulvérisation.

Pour installer et déposer une buse

2 buses sont fournies avec le produit : 1 buse à jet d'eau droit (étiquetée « buse douce ») et 1 buse intensive à jet d'eau rotatif (étiquetée « buse intensive »). La buse à jet d'eau droit peut être utilisée pour nettoyer les surfaces fragiles, comme les véhicules. La buse intensive peut être utilisée pour nettoyer les surfaces non fragiles, comme les voies d'accès.

(Fig. 23)



REMARQUE: N'utilisez pas la buse à jet d'eau rotatif sur des surfaces fragiles, comme les surfaces peintes d'un véhicule. Le jet d'eau rotatif risque d'endommager la surface.

- Pour installer une buse, tenir la lance d'arrosage d'une main et enfoncer la buse jusqu'à ce qu'elle se verrouille en position. (Fig. 24)
- Pour retirer une buse, enfoncer la languette de la lance d'arrosage et retirer la buse de cette dernière. (Fig. 25)

Réglage de la pression du jet d'eau

Il est possible de régler la pression de la buse à jet d'eau droit.

- Pour augmenter la pression du jet d'eau, tournez la buse dans le sens des aiguilles d'une montre. (Fig. 26)
- Pour diminuer la pression du jet d'eau, tournez la buse dans le sens contraire des aiguilles d'une montre. (Fig. 27)

Pour utiliser le produit

1. Branchez le produit à une source d'alimentation en eau. Reportez-vous à la section *Branchement du produit à une source d'alimentation en eau à la page 172*.
2. Vidangez le système. Reportez-vous à la section *Vidange du système à la page 173*.
3. Faites démarrer le produit. Reportez-vous à la section *Pour démarrer le produit à la page 173*.

Branchement du produit à une source d'alimentation en eau

Le produit peut être utilisé avec de l'eau provenant du réseau d'eau ou d'une source d'alimentation en eau libre, comme un lac ou une citerne d'eau.

- Pour raccorder le produit au réseau d'eau, reportez-vous à la section *Raccordement du produit au réseau d'eau à la page 172*.
- Pour raccorder le produit à une source d'alimentation en eau libre, reportez-vous à la section *Raccordement du produit à une source d'alimentation en eau libre à la page 172*.

Raccordement du produit au réseau d'eau

1. Installez l'adaptateur de tuyau d'arrosage et le filtre à eau sur l'admission d'eau du produit s'ils ne sont pas en place. Reportez-vous à la section *Installation de l'adaptateur de tuyau d'arrosage à la page 171*.
2. Raccordez le tuyau d'arrosage au réseau d'eau. Utilisez un tuyau d'arrosage d'1/2 pouce de diamètre et de 10-25 m de long. (Fig. 28)



REMARQUE: La pression de l'eau dans le réseau d'eau ne doit pas dépasser 1 MPa (10 bar).



REMARQUE: La température de l'eau dans le réseau d'eau ne doit pas dépasser 40 °C.

3. Ouvrez la vanne du réseau d'eau et assurez-vous que l'eau peut s'écouler librement du tuyau d'arrosage. (Fig. 29)
4. Fermez la vanne du réseau d'eau.
5. Raccordez le tuyau d'arrosage à l'admission d'eau sur le produit. (Fig. 30)
6. Branchez la fiche d'alimentation à une source d'alimentation.
7. Ouvrez la vanne du réseau d'eau.
8. Purgez le système avant d'utiliser le produit. Reportez-vous à la section *Vidange du système à la page 173*.

Raccordement du produit à une source d'alimentation en eau libre

Le produit peut être utilisé avec de l'eau provenant d'une source d'alimentation en eau libre, comme un lac ou une citerne d'eau. Utilisez un tuyau d'aspiration d'1/2 pouce de diamètre et de 3 m de long maximum (non fourni).

(Fig. 31)



REMARQUE: La température de l'eau dans la source d'alimentation en eau ne doit pas dépasser 20 °C.



REMARQUE: Le produit ne doit pas se trouver à plus de 0,5 m au-dessus de la source d'alimentation en eau.

1. Si l'adaptateur de tuyau d'arrosage est installé, retirez-le de l'admission d'eau sur le produit. (Fig. 32)



REMARQUE: Ne retirez pas le filtre à eau de l'admission d'eau.

2. Installez un tuyau d'aspiration (non fourni) sur l'admission d'eau du produit. (Fig. 33)
3. Placez le tuyau d'aspiration dans la source d'alimentation en eau et assurez-vous que le filtre est entièrement immergé.



REMARQUE: N'utilisez pas de tuyau d'aspiration sans filtre.

4. Appuyez sur le bouton de la poignée de pulvérisation et retirez le tuyau haute pression de la poignée de pulvérisation. (Fig. 19)
5. Branchez la fiche d'alimentation à une source d'alimentation.
6. Mettez l'interrupteur d'alimentation en position de marche (I) et laissez le produit fonctionner pendant 2 minutes.
7. Mettez l'interrupteur d'alimentation en position d'arrêt (0).
8. Tenez fermement la poignée de pulvérisation d'une main et enfoncez le tuyau haute pression dans le raccord rapide de la poignée de pulvérisation. (Fig. 18)
9. Purgez le système avant d'utiliser le produit. Reportez-vous à la section *Vidange du système à la page 173*.

Vidange du système



REMARQUE: Assurez-vous que l'interrupteur d'alimentation est en position d'arrêt (0) avant de vidanger le système.

1. Branchez le produit à une source d'alimentation en eau. Reportez-vous à la section *Branchement du produit à une source d'alimentation en eau à la page 172*.
2. Installez la lance d'arrosage sur le pistolet arrosoir. Reportez-vous à la section *Installation de la lance d'arrosage à la page 171*.
3. Désengagez le blocage de la gâchette de puissance. Reportez-vous à la section *Engagement et désengagement du blocage de la gâchette de puissance à la page 173*.
4. Appuyez sur la gâchette de puissance et maintenez-la enfoncée jusqu'à ce que l'eau sorte de la buse de la lance d'arrosage. (Fig. 34)

Débranchement du produit de la source d'alimentation en eau

1. Mettez l'interrupteur d'alimentation en position d'arrêt (0).
2. Si le produit est raccordé au réseau d'eau, fermez la vanne du réseau d'eau.
3. Si le produit est raccordé au réseau d'eau, débranchez le tuyau d'arrosage du réseau d'eau. (Fig. 35)
4. Si le produit est raccordé à une source d'alimentation en eau libre, retirez le tuyau d'aspiration de cette source.
5. Appuyez sur la gâchette de puissance et maintenez-la enfoncée jusqu'à ce que l'eau cesse de s'écouler de la buse.
6. Débranchez le tuyau d'arrosage de l'admission d'eau sur le produit. (Fig. 36)

Remarque: Si le produit est raccordé à une source d'alimentation en eau libre, débranchez le tuyau d'aspiration.

7. Appuyez sur le bouton de la poignée de pulvérisation et retirez le tuyau haute pression de la poignée de pulvérisation. (Fig. 19)
8. Mettez l'interrupteur d'alimentation en position de marche (I). Laissez fonctionner le produit jusqu'à ce que l'eau cesse de s'écouler du tuyau haute pression.
9. Mettez l'interrupteur d'alimentation en position d'arrêt (0).
10. Laissez sécher la poignée de pulvérisation, la lance d'arrosage et les buses avant de remiser le produit.

Engagement et désengagement du blocage de la gâchette de puissance

- Pour engager le blocage de la gâchette de puissance, tournez le dispositif dans le sens des aiguilles d'une montre jusqu'au dé clic. (Fig. 37)
- Pour désengager le blocage de la gâchette de puissance, tournez le dispositif au maximum dans le sens contraire des aiguilles d'une montre. (Fig. 38)

Pour démarrer le produit

1. Branchez le produit à une source d'alimentation en eau. Reportez-vous à la section *Branchement du produit à une source d'alimentation en eau à la page 172*.
2. Branchez la fiche d'alimentation à une source d'alimentation.
3. Mettez l'interrupteur d'alimentation en position de marche (I). (Fig. 39)

- Désengagez le blocage de la gâchette de puissance. Reportez-vous à la section *Engagement et désengagement du blocage de la gâchette de puissance à la page 173*.
- Appuyez sur la gâchette de puissance de la poignée de pulvérisation.

Remarque: Le produit s'arrête automatiquement lorsque vous relâchez la gâchette de puissance.

Pour arrêter le produit

Remarque: Le produit s'arrête automatiquement lorsque vous relâchez la gâchette de puissance.

- Relâchez la gâchette de puissance sur la poignée de pulvérisation.
- Engagez le blocage de la gâchette de puissance. Reportez-vous à la section *Engagement et désengagement du blocage de la gâchette de puissance à la page 173*.
- Mettez l'interrupteur d'alimentation en position d'arrêt (0). (Fig. 40)
- Débranchez la fiche d'alimentation de la source d'alimentation.
- Débranchez le produit de la source d'alimentation en eau. Reportez-vous à la section *Débranchement du produit de la source d'alimentation en eau à la page 173*.

Remarque: Débranchez toujours le produit de la source d'alimentation en eau si vous vous en éloignez pendant plus de 5 minutes.

Utilisation du pulvérisateur moussant

- Retirez le pulvérisateur moussant de son support. (Fig. 41)
- Remplissez le réservoir du pulvérisateur moussant de produit de nettoyage.



REMARQUE: Utilisez uniquement des produits de nettoyage recommandés par Husqvarna.

- Enfoncez le raccord rapide du pulvérisateur moussant dans le raccord rapide de la lance d'arrosage jusqu'à ce qu'il se verrouille en position. (Fig. 42)

Remarque: La bride du pulvérisateur moussant doit être alignée avec la rainure de la lance d'arrosage.

- Branchez le produit à une source d'alimentation en eau. Reportez-vous à la section *Branchement du produit à une source d'alimentation en eau à la page 172*.
- Faites démarrer le produit. Reportez-vous à la section *Pour démarrer le produit à la page 173*.

Entretien

Introduction



AVERTISSEMENT: Avant d'effectuer des travaux d'entretien, vous devez lire et comprendre le chapitre sur la sécurité.

Une formation spécifique est nécessaire pour effectuer tous les travaux d'entretien et de réparation du produit. Nous garantissons qu'il vous est possible d'obtenir des services de réparation et d'entretien effectués par des professionnels.

Pour des informations plus détaillées, reportez-vous à www.husqvarna.com.

Calendrier d'entretien

Entretien	Avant chaque utilisation	Après utilisation
Faites une inspection générale. Reportez-vous à la section <i>Pour faire une inspection générale à la page 175</i> .	X	
Nettoyez le produit. Reportez-vous à la section <i>Pour nettoyer le produit à la page 175</i> .		X
Nettoyez la lance d'arrosage et les buses. Reportez-vous à la section <i>Nettoyage de la lance d'arrosage et des buses à la page 175</i> .		X
Nettoyez le filtre à eau. Remplacez le filtre à eau s'il est endommagé. Reportez-vous à la section <i>Pour nettoyer le filtre à eau à la page 175</i> .		X

Entretien	Avant cha- que utiliza- tion	Après utili- sation
Lubrifiez les joints toriques installés au niveau des raccords. Reportez-vous à la section <i>Lubrification des joints toriques sur les raccords à la page 176.</i>		X

Pour faire une inspection générale



AVERTISSEMENT: Placez l'interrupteur d'alimentation en position d'arrêt (0) et débranchez la fiche d'alimentation de la source d'alimentation avant de procéder à l'entretien du produit.



REMARQUE: Débranchez le produit de la source d'alimentation en eau et assurez-vous que toutes les pièces sont sèches avant de procéder à l'entretien du produit.

- Assurez-vous que les vis et les écrous du produit sont serrés.
- Assurez-vous que les câbles du produit ne se trouvent pas à un emplacement où ils risquent d'être endommagés.
- Vérifiez que le tuyau haute pression n'est pas usé ni endommagé.



AVERTISSEMENT: N'utilisez pas le produit si le tuyau haute pression est usé ou endommagé.

Pour nettoyer le produit



AVERTISSEMENT: Placez l'interrupteur d'alimentation en position d'arrêt (0) et débranchez la fiche d'alimentation de la source d'alimentation avant de procéder à l'entretien du produit.



REMARQUE: Débranchez le produit de la source d'alimentation en eau et assurez-vous que toutes les pièces sont sèches avant de procéder à l'entretien du produit.

- Nettoyez les pièces externes avec un chiffon sec.
- n'utilisez pas de nettoyeur haute pression pour nettoyer le produit.
- Maintenez les admissions d'air propres pour éviter toute surchauffe du produit.

Nettoyage de la lance d'arrosage et des buses



AVERTISSEMENT: Placez l'interrupteur d'alimentation en position d'arrêt (0) et débranchez la fiche d'alimentation de la source d'alimentation avant de procéder à l'entretien du produit.



REMARQUE: Débranchez le produit de la source d'alimentation en eau et assurez-vous que toutes les pièces sont sèches avant de procéder à l'entretien du produit.

1. Si une buse est installée sur la lance d'arrosage, retirez-la. Reportez-vous à la section *Pour installer et déposer une buse à la page 172.*
2. Nettoyez les buses, le raccord de la lance d'arrosage et le raccord de la poignée de pulvérisation avec de l'eau savonneuse. (Fig. 43)
3. Si les buses sont obstruées, retirez l'obstruction à l'aide de l'outil de nettoyage. (Fig. 44)

Pour nettoyer le filtre à eau



AVERTISSEMENT: Placez l'interrupteur d'alimentation en position d'arrêt (0) et débranchez la fiche d'alimentation de la source d'alimentation avant de procéder à l'entretien du produit.



REMARQUE: Débranchez le produit de la source d'alimentation en eau et assurez-vous que toutes les pièces sont sèches avant de procéder à l'entretien du produit.

1. Si l'adaptateur de tuyau d'arrosage est installé, retirez-le de l'admission d'eau sur le produit. (Fig. 32)
2. Sortez le filtre à eau. Utilisez une pince. (Fig. 45)
3. Vérifiez que le filtre à eau n'est pas endommagé. Remplacez le filtre à eau s'il est endommagé. (Fig. 46)
4. Rincez le filtre à eau avec de l'eau propre. (Fig. 47)

Lubrification des joints toriques sur les raccords

sèches avant de procéder à l'entretien du produit.



AVERTISSEMENT: Placez l'interrupteur d'alimentation en position d'arrêt (0) et débranchez la fiche d'alimentation de la source d'alimentation avant de procéder à l'entretien du produit.



REMARQUE: Débranchez le produit de la source d'alimentation en eau et assurez-vous que toutes les pièces sont

1. Retirez la lance d'arrosage de la poignée de pulvérisation, puis retirez la poignée de pulvérisation du tuyau haute pression. Reportez-vous à la section *Installation de la lance d'arrosage à la page 171* et *Installation de la poignée de pulvérisation à la page 171*.
2. Lubrifiez les joints toriques de l'adaptateur de tuyau d'arrosage, la lance d'arrosage et le tuyau haute pression avec de la graisse. Reportez-vous à la section *Caractéristiques techniques à la page 177* pour connaître le type de graisse approprié. (Fig. 48)

Dépannage

Schéma de dépannage

Problème	Cause possible	Solution
Le produit ne démarre pas.	La fiche d'alimentation n'est pas connectée à une source d'alimentation.	Branchez la fiche d'alimentation à une source d'alimentation.
	L'interrupteur d'alimentation est en position d'arrêt (0).	Mettez l'interrupteur d'alimentation en position de marche (I).
	Il n'y a pas de courant au niveau de la source d'alimentation.	Contactez un électricien agréé.
	Le cordon d'alimentation est endommagé.	Adressez-vous à un atelier de réparation agréé.
	La protection thermique a coupé l'alimentation.	Attendez que le produit refroidisse avant de le redémarrer.
	Un câble de rallonge de type incorrect est utilisé.	Assurez-vous que le câble de rallonge est complètement déroulé et que la tension d'alimentation correspond à celle du produit.
Le fusible fond au démarrage ou pendant le fonctionnement.	Un fusible de type incorrect est utilisé.	Veillez à utiliser un fusible à fusion lente de catégorie « C » ou « K ».
Le produit ne s'arrête pas.	Le produit est endommagé.	Débranchez la fiche d'alimentation et contactez un atelier spécialisé agréé.
Le produit surchauffe.	Le débit d'air est insuffisant.	Nettoyez les prises d'air.
Le produit ne fonctionne pas correctement.	De l'air est présent dans le système.	Vidangez le système.

Problème	Cause possible	Solution
La pression de l'eau n'est pas satisfaisante.	Le tuyau est tordu.	Vérifiez que les tuyaux ne sont pas tordus.
	L'interrupteur d'alimentation est en position d'arrêt (0).	Mettez l'interrupteur d'alimentation en position de marche (I).
	Le débit d'eau est insuffisant.	Assurez-vous que le produit est correctement raccordé à une source d'alimentation en eau. Assurez-vous que le débit d'eau est suffisant.
	Le filtre à eau est obstrué.	Nettoyez le filtre à eau.
	De l'air est présent dans le système.	Vidangez le système.
	L'accessoire n'est pas correct.	Veillez à utiliser le bon accessoire.

Transport, entreposage et mise au rebut

Transport

- Débranchez la fiche d'alimentation de la source d'alimentation avant de transporter le produit.
- Débranchez le produit de la source d'alimentation en eau avant de le transporter.
- Fixez le produit afin d'éviter tout mouvement pendant le transport.

Remisage

- Vidangez toute l'eau du produit, du tuyau d'eau haute pression et des accessoires avant de remiser le produit.
- Préparez le produit pour le remisage. Reportez-vous à la section *Préparation du produit pour le remisage à la page 177*.
- Remisez le produit dans un endroit sec et à l'abri du gel.

Préparation du produit pour le remisage

1. Arrêtez le moteur et débranchez la fiche d'alimentation de la source d'alimentation.
2. Débranchez le produit de la source d'alimentation en eau. Reportez-vous à la section *Débranchement du produit de la source d'alimentation en eau à la page 173*.

3. Assurez-vous que tous les accessoires sont secs.
4. Placez la poignée de pulvérisation, la lance d'arrosage et les buses dans leurs supports.
5. Débranchez le tuyau d'eau haute pression et placez-le dans son support. (Fig. 49)
6. Placez le cordon d'alimentation sur son support et fixez la sangle. (Fig. 50)

Mise au rebut

Les produits Husqvarna ne sont pas des déchets ménagers et doivent être mis au rebut suivant la procédure indiquée dans ce manuel.

- Respectez les consignes locales de gestion des déchets et les réglementations applicables.
- Recyclez le produit et l'emballage dans un site de traitement approprié.
- Contactez votre revendeur Husqvarna local pour plus d'informations concernant le recyclage et la mise au rebut du produit.

Caractéristiques techniques

	PW 130
Moteur et pompe	
Type	Moteur série CA
Puissance, W	1 500

	PW 130
Plage de tension, V	220-240
Fréquence, Hz	50
Intensité nominale, A	6,5
Débit d'eau max., l/min	7,7
Pression de sortie d'eau max., bar/MPa	130/13
Pression d'admission d'eau max., bar/MPa	10/1
Température d'admission d'eau max., °C/°F	40/104
Température d'admission d'eau max. (en mode aspiration), °C/°F	20/68
Indice de protection IP	IPX5
Classe de sécurité	Classe II
Lubrification	
Type de graisse pour la lubrification des joints toriques	Graisse universelle blanche à base de silicone
Poids	
Poids, kg	6,5
Émissions sonores ³⁷	
Niveau de puissance acoustique mesuré dB (A)	85
Niveau de puissance sonore, garanti L _{WA} dB(A)	89
Niveaux sonores ³⁸	
Niveau acoustique équivalent à l'oreille de l'utilisateur, dB(A)	72
Niveaux de vibrations ³⁹	
Main/bras (avec buse standard) m/s ²	2,5
Niveaux de vibrations équivalents ⁴⁰	
Main/bras (avec buse standard) m/s ²	1,8

³⁷ Émissions sonores dans l'environnement mesurées comme puissance acoustique (L_{WA}) selon la directive européenne CE 2000/14/CE.

³⁸ Le niveau de pression sonore équivalent, selon la norme ISO 22868, correspond à la somme d'énergie pondérée en fonction du temps pour divers niveaux de pression sonore à différents régimes. La dispersion statistique type pour le niveau de pression sonore équivalent se traduit par une déviation standard de 1 dB (A).

³⁹ Niveau de vibrations conformément à la norme EN 60745-2-13. Les données reportées pour le niveau de vibrations montrent une dispersion statistique typique (déviation standard) de 1 m/s². Mesures des vibrations déclarées lorsque la machine est équipée d'une longueur de guide et du type de chaîne recommandé. Si la machine est équipée d'une longueur de guide différente, le niveau de vibrations peut varier de ± 1,5m/s² au maximum.

⁴⁰ Le niveau de vibrations équivalent est mesuré et calculé de la même façon que pour les tronçonneuses alimentées par un moteur à combustion. Ces chiffres sont indiqués afin de comparer les données de vibrations, quel que soit le type de moteur, selon la norme ISO 22867:2011.

Accessoires

Accessoires homologués

Accessoires homologués	N° de réf.
Nettoyant de surface SC 300	590 65 79-01
Pulvérisateur moussant FS 300	590 66 04-01
Tuyau de nettoyage pour conduite, 15 m	590 66 10-01
Filtre à eau	590 65 93-01
Clapet anti-retour	590 65 95-01
Tuyau d'aspiration	590 65 97-01
Kit pour véhicule	590 66 07-01
Kit de brosses rotatives	590 66 06-01
Lance d'arrosage coudée	590 66 11-01
Buse d'aspiration d'eau	590 66 05-01
Tuyau de rallonge, 8 m	590 66 08-01

Déclaration de conformité

Déclaration de conformité UE

Nous, Husqvarna AB, SE-561 82 Huskvarna, Suède,
tél. : +46-36-146500, déclarons sous notre entière
responsabilité que le produit :

Description	Nettoyeur haute pression
Marque	Husqvarna
Type/Modèle	PW 130
Identification	Les numéros de série à partir de 2022 et ultérieurs

est entièrement conforme à la réglementation et aux
directives de l'UE suivantes :

Réglementation	Description
2006/42/EC	« relative aux machines »
2014/30/UE	« relative à la compatibilité électromagnétique »
2000/14/CE, annexe V	« relative aux émissions sonores dans l'environnement »
2011/65/UE	« relative à la limitation de l'utilisation de certaines substances dangereuses au sein d'équipements électriques et électroniques »

et que les normes et/ou les spécifications techniques
suivantes sont appliquées : EN 60335-1:2012/A11:2014/
A13:2017/A1:2019/A14:2019/A2:2019/A15:2021, EN
60335-2-79:2012, EN 62233:2008, EN 55014-1:2021,
EN 55014-2:2021, EN IEC 61000-3-2:2019/A1:2021, EN
61000-3-3:2013/A2:2021, EN IEC 63000:2018.

Pour toute information relative aux émissions sonores,
voir *Caractéristiques techniques à la page 177*.

Huskvarna, 2023-01-19



Claes Losdal, Directeur du développement/Articles de
jardinage, Husqvarna AB

Responsable de la documentation technique



Sadržaj

Uvod.....	181	Rješavanje problema.....	192
Sigurnost.....	182	Prijevoz, spremanje i zbrinjavanje.....	193
Sastavljanje.....	188	Tehnički podaci.....	193
Rad.....	188	Dodatna oprema.....	194
Održavanje.....	191	Izjava o sukladnosti.....	196

Uvod

Opis proizvoda

Proizvod je električni visokotlačni perač. Proizvod je moguće upotrebljavati s različitim razinama tlaka vode i raznim sredstvima za čišćenje.

Namjena

Proizvod upotrebljavajte samo za čišćenja u domu. Proizvod nemojte upotrebljavati za druge zadatke. Proizvod upotrebljavajte samo u okomitom položaju.

Pregled proizvoda

(Sl. 1)

1. Mlaznica za ravni mlaz vode
2. Mlaznica za okretni mlaz vode
3. Gumeni remen držača kabela napajanja
4. Držač ručke za raspršivanje i nastavka za raspršivanje
5. Visokotlačno crijevo za vodu
6. Ulaz vode
7. Raspršivač pjene
8. Spremnik za visokotlačno crijevo za vodu
9. Sklopka napajanja
10. Kabel napajanja
11. Izlaz vode s brzospojnim priključkom
12. Alat za čišćenje mlaznica
13. Ručka za prijenos
14. Dovod zraka
15. Ručka za raspršivanje
16. Nastavak za raspršivanje
17. Korisnički priručnik

Simboli na proizvodu

(Sl. 2)

UPOZORENJE: Ovaj proizvod može biti opasan i izazvati teške ozljede ili smrt rukovatelja ili drugih osoba. Budite oprezni i

Napomena: Nacionalni propisi mogu ograničiti upotrebu ovog proizvoda.

pravilno upotrebljavajte ovaj proizvod.

(Sl. 3)

Pažljivo pročitajte korisnički priručnik i dobro usvojite sadržaj uputa prije upotrebe proizvoda.

(Sl. 4)

Proizvod nije prikladan za priključivanje na vodovodne mreže pitke vode.

(Sl. 5)

Ako se pogrešno upotrebljavaju, visokotlačni mlazovi vode mogu biti opasni. Mlaznicu nije dopušteno usmjeravati prema osobama, električnoj opremi ili proizvodu.

(Sl. 6) **Oznaka zaštite okoliša.**
Ni proizvod ni njegova ambalaža ne spadaju u kućanski otpad. Reciklirajte ga na odobrenom odlagalištu otpada za električnu i elektroničku opremu.

(Sl. 7) **Alat II. razreda.**

(Sl. 8) **Naljepnica emisije buke u okoliš u skladu s direktivama i propisima EU i UK te propisom Novog Južnog Walesa „Zaštita od radova u okolišu (kontrola buke) iz 2017“. Zajamčena razina jačine zvuka proizvoda naznačena je u *Tehnički podaci***

na stranici 193 i na naljepnici.

(Sl. 9) **Zaštita od niskotlačnog mlaza vode iz svakog kuta.**

(Sl. 10) **Nemojte izlagati mrazu.**

(Sl. 11) **Proizvod ispunjava mjerodavne direktive EC.**

(Sl. 12) **Ovaj je proizvod u skladu s važećim direktivama UK-a.**

Napomena: Drugi simboli/naljepnice na proizvodu odnose se na zahtjeve za certifikaciju na pojedinim tržištima.

Oštećenje proizvoda

U sljedećim okolnostima nećemo biti odgovorni za oštećenja proizvoda:

- proizvod nepravilno popravljen
- proizvod popravljen dijelovima koje nije proizveo proizvođač ili nemaju odobrenje proizvođača
- proizvod ima dodatnu opremu koje nije proizveo proizvođač ili nemaju odobrenje proizvođača
- proizvod nije popravljen u odobrenom servisnom centru ili kod ovlaštene osobe.

Sigurnost

Sigurnosne definicije

Upozorenjima, oprezima i napomenama naglašavaju se posebno važni dijelovi priručnika.



UPOZORENJE: Koristi se kada nepoštivanje uputa iz priručnika

može uzrokovati smrt ili ozljede rukovatelja ili promatrača.



OPREZ: Koristi se kada nepoštivanje uputa iz priručnika može uzrokovati oštećenje

proizvoda ili drugih materijala u neposrednoj blizini.

Napomena: Koristi se prikaz neophodnih dodatnih informacija za zadanu situaciju.

Opće sigurnosne upute



UPOZORENJE: Prije upotrebe proizvoda pročitajte upute upozorenja u nastavku.

- Proizvod je opasan ako ga koristite nepravilno ili ako niste oprezni. Nepoštivanje sigurnosnih uputa može uzrokovati ozljede ili smrt.
- Uvijek budite pažljivi i razumni. Ako u posebnim situacijama niste sigurni u način upotrebe stroja, prije nastavka stanite i obratite se servisnom zastupniku tvrtke Husqvarna.
- Imajte na umu kako se rukovatelj smatra odgovornim za nezgode koje uključuju druge osobe ili njihovo vlasništvo.
- Proizvod održavajte čistim. Znakovi i naljepnice moraju biti jasno čitljivi.
- Djeci ili osobama koje nisu upoznate s ovim uputama ne

dopuštajte da upotrebljavaju uređaj. Dob korisnika može biti ograničena lokalnim propisima.

- Ovim proizvodom mogu upravljati osobe sa umanjenim fizičkim, osjetilnim ili mentalnim sposobnostima ako je osiguran njihov nadzor ili ako su upućeni u sigurnu upotrebu uređaja te razumiju obuhvaćene opasnosti.
- Ovim proizvodom mogu upravljati osobe koje nemaju potrebno iskustvo ili znanje ako je osiguran njihov nadzor ili ako su upućeni u sigurnu upotrebu uređaja te razumiju obuhvaćene opasnosti.
- Proizvod nemojte upotrebljavati kada ste umorni, bolesni ili pod utjecajem alkohola, droge ili lijekova. To negativno utječe na vaš vid, pažnju, koordinaciju i prosudbu.
- Nemojte upotrebljavati oštećen proizvod.
- Nemojte izmjenjivati proizvod ili ga upotrebljavati ako postoji mogućnost da je izmijenjen.

Sigurnosne upute za rad



UPOZORENJE: Prije upotrebe proizvoda

pročitajte upute
upozorenja u nastavku.

- Proizvod nemojte upotrebljavati ako je oštećen kabel napajanja, visokotlačno crijevo, blokada okidača ili ručka za raspršivanje.
- Prije upotrebe proizvoda provjerite je li neoštećen. Ako su dijelovi proizvoda oštećeni ili nedostaju, nemojte upotrebljavati proizvod.
- Ručku za raspršivanje držite čvrsto s obje ruke. Pri povlačenju okidača paljenja razvija se sila povratnog trzaja.
- Budite pažljivi pri radu s proizvodom. Visoki tlak koji proizvodi proizvod opasan je i može izazvati ozljede.
- Mlaz nemojte usmjeravati prema sebi, drugim osobama ili životinjama.
- Mlaz nemojte usmjeravati prema sebi ili drugima kako biste očistili obuću.
- Mlaz nemojte usmjeravati prema električnoj opremi ili samom proizvodu.
- Pri radu s proizvodom nosite opremu za osobnu zaštitu. Pogledajte *Oprema za osobnu zaštitu na stranici 186*.
- Proizvod nemojte upotrebljavati u blizini osoba, osim ako nose zaštitnu opremu.
- Ako upotrebljavate sredstvo za čišćenje, pratite sigurnosne upute za sredstvo za čišćenje.
- Upotrebljavajte samo sredstva za čišćenje tvrtke Husqvarna.
- Upotrebljavajte odgovarajući tlak vode i sredstva za čišćenje, a proizvod upotrebljavajte samo za zadatke navedene u priručniku. Ako upotrebljavate pogrešan tlak vode, sredstvo za čišćenje ili proizvod upotrebljavate za zadatke koji nisu navedeni u ovom priručniku, možete oštetiti proizvod, površine, materijale ili druge uređaje. Husqvarna ne prihvaća odgovornost za oštećenje nastalo neispravnom upotrebom.
- Proizvod se ne preporučuje priključivati na vodovodne mreže pitke vode. Ako proizvod morate priključiti na vodovodne mreže pitke vode, poštujujte lokalne i nacionalne propise. Ako je potrebno, upotrijebite zapornik povratnog toka (nije obuhvaćen isporukom). Voda koja prolazi kroz

- uređaj za sprječavanje povratnog protoka smatra se neprikladnom za piće.
- Nemojte raspršivati zapaljive tekućine. Opasnost od eksplozije.
 - Djeci nemojte dopustiti rad s proizvodom.
 - Djeci nemojte dopustiti igru s proizvodom.
 - Osobama bez obuke nemojte dopustiti rad s proizvodom.
 - Upotrebljavajte samo dodatnu opremu i rezervne dijelove s odobrenjem tvrtke Husqvarna.
 - Električni priključak mora izvesti ovlašteni električar u skladu s IEC 60364-1.
 - Upotrijebite zaštitni uređaj diferencijalne struje koji prekida struju ako je struja propuštanja 30 ms jača od 30 mA. Ako nemate zaštitni uređaj diferencijalne struje, upotrijebite uređaj koji osigurava uzemljivački krug.
 - Upotrebljavate osigurače za pokretanje motora/s odgodom s karakteristikom C ili D prema IEC 898-1 ili IEC947-2, ili odgovarajućim standardima izvan IEC.
 - Uređaje označene s dva napona i frekvencije nije potrebno podešavati.
- Ako je upotreba produžnog kabela neophodna, provjerite je li prikladan za primjenu na otvorenom. Utičnice moraju biti najmanje 60 mm od tla. Priključak uvijek mora biti suh.
 - Prije napuštanja proizvoda sklopku napajanja postavite u položaj za isključivanje (0), odspojite električni utikač i primijenite blokadu okidača paljenja.
 - Prije zamjene dodatne opreme sklopku napajanja postavite u položaj za isključivanje (0) i odspojite električni utikač.
 - Prije čišćenja ili održavanja proizvoda sklopku napajanja postavite u položaj za isključivanje (0), odspojite električni utikač i primijenite blokadu okidača paljenja.
 - Proizvod nemojte upotrebljavati u okruženjima s temperaturama nižima od 0°C.
 - Zamrznuti proizvod nemojte pokretati.
 - Proizvod nemojte upotrebljavati u zatvorenom prostoru.
 - Kada je proizvod u pogonu, nemojte stavljati predmete na njega.

- Nemojte piti vodu iz proizvoda.
- Proizvod nemojte upotrebljavati u blizini otvorenih prozora.
- Pazite na izbačene predmete. Kamenje i nepričvršćeni predmeti mogu biti izbačeni u oči i prouzročiti sljepoću ili ozbiljne ozlijede.
- Ako proizvod ne radi ispravno, pogledajte *Raspored rješavanja problema na stranici 192.*

Oprema za osobnu zaštitu



UPOZORENJE: Prije upotrebe proizvoda pročitajte upute upozorenja u nastavku.

- Oprema za osobnu zaštitu ne može u potpunosti spriječiti ozljede, no smanjuje stupanj ozljede u slučaju nezgode. Pri odabiru odgovarajuće opreme zatražite pomoć ovlaštenog trgovca.
- Nosite protuklizne čizme ili cipele za teške uvjete rada. Nemojte nositi otvorene cipele ili biti bos.
- Nosite zaštitnu odjeću.
- Upotrebljavajte odobrenu zaštitu sluha.
- Nosite zaštitne naočale.

- Ako proizvod upotrebljavate u okruženjima u kojima se mogu oblikovati opasni aerosoli, nosite zaštitu za disanje razreda FFP2 ili njoj jednako značajnu zaštitu.

Sigurnosni uređaji na proizvodu



UPOZORENJE: Prije upotrebe proizvoda pročitajte upute upozorenja u nastavku.

- Proizvod nemojte upotrebljavati sa sigurnosnim uređajima koji su oštećeni ili nisu ispravni.
- Sigurnosne uređaje nije dopušteno uklanjati ili izmjenjivati.
- Redovito pregledavajte sigurnosne uređaje. Ako su sigurnosni uređaji oštećeni ili nisu ispravni, obratite se ovlaštenom serviseru tvrtke Husqvarna.

Blokada okidača paljenja

Blokada okidača paljenja (A) sprječava nehotičnu primjenu okidača paljenja (B). Kada se blokada okidača paljenja nalazi u zaključanom položaju, okidač paljenja nije moguće pritisnuti.

(Sl. 13)

Okidač paljenja

Proizvod se pokreće po pritisku okidača paljenja. Proizvod se zaustavlja po otpuštanju okidača paljenja.

Toplinska zaštita

Proizvod je opremljen automatskom toplinskom zaštitom. Ako se proizvod previše zagrije, toplinska zaštita obustavlja napajanje proizvoda. Ako je toplinska zaštita obustavila napajanje, pričekajte da se proizvod ohladi. Toplinska zaštita automatski se ponovno postavlja kada se proizvod dovoljno ohladi.

Hidraulički ispusni ventil

U proizvod je ugrađen hidraulički ispusni ventil koji sprječava previsok tlak u sustavu.

Sigurnosne upute za održavanje



UPOZORENJE: Prije održavanja proizvoda pročitajte upozoravajuće upute u nastavku.



OPREZ: Prije pokretanja proizvoda nakon dugotrajnog skladištenja

obavezno provedite održavanje.

- Prije održavanja proizvoda sklopku napajanja postavite u položaj za isključivanje (0) i odspojite električni utikač od izvora napajanja.
- Odvojite proizvod od izvora vode i prije održavanja proizvoda provjerite jesu li svi dijelovi suhi.
- Provodite isključivo postupke održavanja iz ovog korisničkog priručnika.
- Upotrebljavajte isključivo originalne rezervne dijelove koje preporučuje tvrtka Husqvarna. Visokotlačna crijeva za vodu, priključci i spojnice važni su za sigurnost tijekom rada s proizvodom. Koristite samo crijeva, priključke i spojnice koje preporučuje proizvođač.
- Proizvod nemojte popravljati. Obratite se servisnom zastupniku tvrtke Husqvarna.
- Ako je oštećen električni utikač ili kabel napajanja, obratite se servisnom zastupniku tvrtke Husqvarna.
- Djeci nemojte dopustiti čišćenje ili održavanje proizvoda.

Sastavljanje

Uvod



UPOZORENJE: Prije sklapanja proizvoda s razumijevanjem pročitajte poglavlje o sigurnosti.

adapter za vrtno crijevo ne postavite ravno, možete oštetiti navoje i uzrokovati propuštanje.

Ugradnja adaptera za vrtno crijevo

1. Uklonite transportni poklopac s ulaza vode i bacite ga u otpad. (Sl. 14)
2. Postavite adapter za vrtno crijevo na ulaz vode. (Sl. 15)



OPREZ: Adapter za vrtno crijevo na ulaz vode morate postaviti ravno. Ako

3. Potpuno zategnite adapter za vrtno crijevo.
4. Adapter za vrtno crijevo uklonite obrnutim redoslijedom.

Ugradnja držača za ručku za raspršivanje i nastavak za raspršivanje

- Ugradite držač s dva vijka. (Sl. 16)

Rad

Uvod



UPOZORENJE: Prije upotrebe proizvoda pročitajte i usvojite poglavlje o sigurnosti.

crijevo potpuno priključeno na brzospojni priključak na proizvodu.

Husqvarna Connect

Husqvarna Connect besplatna je aplikacija za mobilni uređaj. Aplikacija Husqvarna Connect pruža vam dodatne funkcije za proizvod Husqvarna.

- Opširnije informacije o proizvodu.
- Dodatne informacije i pomoć za dijelove i servisiranje proizvoda.

Početak rada s Husqvarna Connect

1. Preuzmite aplikaciju Husqvarna Connect na svoj mobilni uređaj.
2. Registrirajte se u aplikaciji Husqvarna Connect.
3. Pratite korake iz uputa u aplikaciji Husqvarna Connect kako biste se povezali i registrirali proizvod.

Napomena: Aplikacija Husqvarna Connect nije na svim tržištima dostupna za preuzimanje. Za više informacija obratite se servisnom distributeru.

Montaža ručke za raspršivanje

1. Visokotlačno crijevo za vodu pritišćite u brzospojni priključak dok ga ne pričvrstite. (Sl. 17)



OPREZ: Kako biste spriječili propuštanje, provjerite je li visokotlačno

2. Ručku za raspršivanje čvrsto držite jednom rukom, a drugom visokotlačno crijevo za vodu utisnite u brzospojni priključak na ručki za raspršivanje. (Sl. 18)

Uklanjanje ručke za raspršivanje

1. Pritisnite gumb na ručki za raspršivanje i izvucite visokotlačno crijevo za vodu. (Sl. 19)
2. Pritisnite vanjski prsten na brzospojni priključak i izvucite visokotlačno crijevo za vodu. (Sl. 20)

Postavljanje nastavka za raspršivanje

1. Ručku za raspršivanje držite jednom rukom, a drugom spojnicu na nastavku za raspršivanje pritišćite u ručku za raspršivanje. (Sl. 21)
2. Okrenite nastavak za raspršivanje u smjeru kazaljke na satu i otpustite ga. Nastavak za raspršivanje sada je pričvršćen.

Uklanjanje nastavka za raspršivanje

1. Nastavak za raspršivanje utisnite i okrenite u smjeru suprotnom od kazaljke na satu. (Sl. 22)
2. Izvucite nastavak za raspršivanje iz ručke za raspršivanje.

Postavljanje i uklanjanje mlaznice

Ovaj se proizvod isporučuje s dvije mlaznice: jedna mlaznica s ravnim mlazom vode („nježna mlaznica“) i jedna mlaznica s okretnim mlazom vode („gruba mlaznica“). Mlaznicom s ravnim mlazom vode mogu se čistiti osjetljive površine, primjerice vozila. Grubom

mlaznicom se mogu čistiti grube površine, primjerice prilazi.

(Sl. 23)



OPREZ: Mlaznicu s okretnim mlazom vode nemojte upotrebljavati na osjetljivim površinama, primjerice obojanim površinama vozila. Okretni mlaz vode može oštetiti površinu.

- Da biste ugradili mlaznicu, jednom rukom držite nastavak za raspršivanje, a drugom pritišćite mlaznicu dok ne sjedne na mjesto. (Sl. 24)
- Za uklanjanje mlaznice pritisnite jezičak na nastavku za raspršivanje i izvucite mlaznicu s nastavka za raspršivanje. (Sl. 25)

Podešavanje tlaka mlaza vode

Tlak mlaznice s ravnim mlazom vode je podesiv.

- Za povećanje tlaka mlaza vode mlaznicu okrećite u smjeru kazaljke na satu. (Sl. 26)
- Za smanjenje tlaka mlaza vode mlaznicu okrećite u smjeru suprotnom od kazaljke na satu. (Sl. 27)

Upotreba proizvoda

1. Priključite proizvod na izvor vode. Pogledajte *Priključivanje proizvoda na izvor vode na stranici 189*.
2. Odzračite sustav. Pogledajte *Odzračivanje sustava na stranici 190*.
3. Pokrenite proizvod. Pogledajte *Pokretanje proizvoda na stranici 190*.

Priključivanje proizvoda na izvor vode

Proizvod je moguće upotrebljavati s vodom iz vodovodne mreže ili iz otvorenog izvora vode, primjerice jezera ili bačve s vodom.

- Za priključivanje proizvoda na vodovodne mreže pogledajte *Priključivanje proizvoda na vodovodne mreže na stranici 189*.
- Za povezivanje proizvoda s otvorenim izvorom vode pogledajte *Povezivanje proizvoda s otvorenim izvorom vode na stranici 189*.

Priključivanje proizvoda na vodovodne mreže

1. Ako nisu postavljeni, na ulaz vode na proizvodu postavite adapter za vrtno crijevo i filter za vodu. Pogledajte *Ugradnja adaptera za vrtno crijevo na stranici 188*.
2. Vrtno crijevo priključite na vodovodne mreže. Upotrebljavajte vrtno crijevo od ½" duljine od 10 – 25 m. (Sl. 28)



OPREZ: Tlak vode iz vodovodne mreže ne smije biti viši od 1 MPa (10 bar).



OPREZ: Temperatura vode iz vodovodne mreže ne smije biti viša od 40 °C.

3. Otvorite ventil vodovodne mreže i provjerite istječe li voda neometano iz vrtnog crijeva. (Sl. 29)
4. Zatvorite ventil vodovodne mreže.
5. Vrtno crijevo priključite na ulaz vode na proizvodu. (Sl. 30)
6. Električni utikač priključite na izvor napajanja.
7. Otvorite ventil vodovodne mreže.
8. Prije upotrebe proizvoda odzračite sustav. Pogledajte *Odzračivanje sustava na stranici 190*.

Povezivanje proizvoda s otvorenim izvorom vode

Proizvod je moguće upotrebljavati s vodom iz otvorenog izvora vode, primjerice jezera ili bačve s vodom. Upotrebljavajte usisno crijevo od ½" (nije obuhvaćeno isporukom) maksimalne duljine od 3 m.

(Sl. 31)



OPREZ: Temperatura vode iz izvora vode ne smije biti viša od 20°C.



OPREZ: Proizvod mora biti najmanje 0,5 m iznad površine vode.

1. Ako je na ulaz vode na proizvodu postavljen adapter za vrtno crijevo, uklonite ga. (Sl. 32)



OPREZ: S ulaza vode nemojte ukloniti filter za vodu.

2. Usisno crijevo (nije obuhvaćeno isporukom) priključite na ulaz vode na proizvodu. (Sl. 33)
3. Usisno crijevo umetnite i izvor vode i obavezno potpuno unosite filter.



OPREZ: Usisno crijevo nemojte upotrebljavati bez filtra.

4. Utisnite gumb na ručki za raspršivanje i izvucite visokotlačno crijevo iz ručke za raspršivanje. (Sl. 19)
5. Električni utikač priključite na izvor napajanja.
6. Sklopku napajanja postavite u položaj za uključivanje (I) i ostavite da proizvod radi oko 2 minute.
7. Sklopku napajanja postavite u položaj za isključivanje (O).

- Ručku za raspršivanje čvrsto držite jednom rukom, a drugom visokotlačno crijevo utisnite u brzu spojnicu na ručki za raspršivanje. (Sl. 18)
- Prije upotrebe proizvoda odzračite sustav. Pogledajte *Odzračivanje sustava na stranici 190*.

Odzračivanje sustava



OPREZ: Prije odzračivanja sustava provjerite je li sklopka napajanja u položaju za isključivanje (0).

- Priključite proizvod na izvor vode. Pogledajte *Priključivanje proizvoda na izvor vode na stranici 189*.
- Nastavak za raspršivanje postavite na pištolj za raspršivanje. Pogledajte *Postavljanje nastavka za raspršivanje na stranici 188*.
- Otpustite blokadu okidača paljenja. Pogledajte *Primjena i otpuštanje blokade okidača paljenja na stranici 190*.
- Pritisnite i zadržite okidač paljenja dok na mlaznici nastavka za raspršivanje ne poteče voda. (Sl. 34)

Odspajanje proizvoda od izvora vode

- Sklopku napajanja postavite u položaj za isključivanje (0).
- Ako je proizvod priključen na vodovodnu mrežu, zatvorite ventil vodovodne mreže.
- Ako je proizvod priključen na vodovodnu mrežu, odspojite vrtno crijevo od vodovodne mreže. (Sl. 35)
- Ako je proizvod povezan s otvorenim izvorom vode, izvucite usisno crijevo iz izvora vode.
- Pritisnite i zadržite okidač paljenja dok na mlaznici nastavka za raspršivanje ne prestane teći voda.
- Odspojite vrtno crijevo od ulaza vode na proizvodu. (Sl. 36)

Napomena: Ako je proizvod povezan s otvorenim izvorom vode, odspojite usisno crijevo.

- Pritisnite gumb na ručki za raspršivanje i izvucite visokotlačno crijevo iz ručke za raspršivanje. (Sl. 19)
- Sklopku napajanja postavite u položaj za uključivanje (I). Dopustite pogon proizvoda sve dok iz visokotlačnog crijeva ne prestane izlaziti voda.
- Sklopku napajanja postavite u položaj za isključivanje (0).
- Dopustite da se ručka za raspršivanje, nastavak za raspršivanje i mlaznice osuše prije nego uskladištite proizvod.

Primjena i otpuštanje blokade okidača paljenja

- Blokada okidača paljenja primjenjuje se okretanjem do škljocaja. (Sl. 37)

- Blokada okidača paljenja otpušta se potpunim okretanjem u smjeru suprotnom od kazaljke na satu. (Sl. 38)

Pokretanje proizvoda

- Priključite proizvod na izvor vode. Pogledajte *Priključivanje proizvoda na izvor vode na stranici 189*.
- Električni utikač priključite na izvor napajanja.
- Sklopku napajanja postavite u položaj za uključivanje (I). (Sl. 39)
- Otpustite blokadu okidača paljenja. Pogledajte *Primjena i otpuštanje blokade okidača paljenja na stranici 190*.
- Pritisnite okidač paljenja na ručki za raspršivanje.

Napomena: Proizvod se po otpuštanju ručke za raspršivanje automatski zaustavlja.

Zaustavljanje proizvoda

Napomena: Proizvod se po otpuštanju ručke za raspršivanje automatski zaustavlja.

- Otpustite okidač paljenja na ručki za raspršivanje.
- Primijenite blokadu okidača paljenja. Pogledajte *Primjena i otpuštanje blokade okidača paljenja na stranici 190*.
- Sklopku napajanja postavite u položaj za isključivanje (0). (Sl. 40)
- Odspojite električni utikač od izvora napajanja.
- Odspojite proizvod od izvora vode. Pogledajte *Odspajanje proizvoda od izvora vode na stranici 190*.

Napomena: Ako se od proizvoda udaljavate na dulje od 5 minuta, obavezno ga odspojite od izvora vode.

Upotreba raspršivača pjene

- Izvadite raspršivač pjene iz držača. (Sl. 41)
- Spremnik raspršivača pjene napunite sredstvom za čišćenje.



OPREZ: Upotrebljavajte samo sredstva za čišćenje koje preporučuje tvrtka Husqvarna.

- Brzospojni priključak na raspršivaču pjene pritisčite u brzospojni priključak na nastavku za raspršivanje dok ga ne pričvrstite. (Sl. 42)

Napomena: Prirubnica na raspršivaču pjene mora se poravnati s utorom na nastavku za raspršivanje.

4. Priključite proizvod na izvor vode. Pogledajte *Priključivanje proizvoda na izvor vode na stranici 189.*

5. Pokrenite proizvod. Pogledajte *Pokretanje proizvoda na stranici 190.*

Održavanje

Uvod



UPOZORENJE: Prije održavanja morate pročitati i usvojiti poglavlje o sigurnosti.

Za sve radove servisiranja i održavanja na proizvodu potrebna je posebna obuka. Jamčimo dostupnost profesionalnih popravaka i servisa.

Detaljnije informacije potražite pod www.husqvarna.com.

Raspored održavanja

Održavanje	Prije upotrebe	Nakon upotrebe
Provedite opći pregled. Pogledajte <i>Opći pregled na stranici 191.</i>	X	
Očistite proizvod. Pogledajte <i>Čišćenje proizvoda na stranici 191.</i>		X
Očistite nastavak za raspršivanje i mlaznice. Pogledajte <i>Čišćenje nastavka za raspršivanje i mlaznica na stranici 191.</i>		X
Očistite filtar za vodu. Ako je filtar za vodu oštećen, zamijenite ga. Pogledajte <i>Čišćenje filtra za vodu na stranici 192.</i>		X
Podmažite O-prstene i spojnice. Pogledajte <i>Podmazivanje O-prstena i spojnica na stranici 192.</i>		X

Opći pregled

položaj za isključivanje (0) i odspojite električni utikač od izvora napajanja.



UPOZORENJE: Prije održavanja proizvoda sklopku napajanja postavite u položaj za isključivanje (0) i odspojite električni utikač od izvora napajanja.



OPREZ: Odvojite proizvod od izvora vode i prije održavanja proizvoda provjerite jesu li svi dijelovi suhi.



OPREZ: Odvojite proizvod od izvora vode i prije održavanja proizvoda provjerite jesu li svi dijelovi suhi.

- Provjerite jesu li zategnuti matice i vijci na proizvodu.
- Kabeli na proizvodu ne smiju biti u položaju u kojem se mogu oštetiti.
- Provjerite je li visokotlačno crijevo istrošeno ili oštećeno.

- Sve vanjske dijelove proizvoda očistite suhom krpom.
- Proizvod nemojte prati visokotlačnim peračem.
- Usise zraka održavajte čistima kako biste osigurali uvijek dovoljno nisku temperaturu proizvoda.

Čišćenje nastavka za raspršivanje i mlaznica



UPOZORENJE: Prije održavanja proizvoda sklopku napajanja postavite u položaj za isključivanje (0) i odspojite električni utikač od izvora napajanja.



OPREZ: Odvojite proizvod od izvora vode i prije održavanja proizvoda provjerite jesu li svi dijelovi suhi.

Čišćenje proizvoda



UPOZORENJE: Prije održavanja proizvoda sklopku napajanja postavite u

1. Ako je na nastavak za raspršivanje postavljena mlaznica, uklonite je s nastavka za raspršivanje. Pogledajte *Postavljanje i uklanjanje mlaznice na stranici 188*.
2. Sapunicom očistite mlaznice, spojnicu na nastavku za raspršivanje te spojnicu na ručki za raspršivanje. (Sl. 43)
3. Ako su mlaznice neprohodne, uklonite blokadu alatom za čišćenje. (Sl. 44)

Čišćenje filtra za vodu



UPOZORENJE: Prije održavanja proizvoda sklopku napajanja postavite u položaj za isključivanje (0) i odspojite električni utikač od izvora napajanja.



OPREZ: Odvojite proizvod od izvora vode i prije održavanja proizvoda provjerite jesu li svi dijelovi suhi.

1. Ako je na ulaz vode na proizvodu postavljen adapter za vrtno crijevo, uklonite ga. (Sl. 32)
2. Izvucite filter za vodu. Upotrijebite klijesta. (Sl. 45)

3. Provjerite je li filter za vodu neoštećen. Ako je filter za vodu oštećen, zamijenite ga. (Sl. 46)
4. Isperite filter za vodu čistom vodom. (Sl. 47)

Podmazivanje O-prstena i spojnica



UPOZORENJE: Prije održavanja proizvoda sklopku napajanja postavite u položaj za isključivanje (0) i odspojite električni utikač od izvora napajanja.



OPREZ: Odvojite proizvod od izvora vode i prije održavanja proizvoda provjerite jesu li svi dijelovi suhi.

1. Uklonite nastavak za raspršivanje s ručke za raspršivanje, a ručku za raspršivanje odvojite od visokotlačnog crijeva. Pogledajte *Postavljanje nastavka za raspršivanje na stranici 188* i *Montaža ručke za raspršivanje na stranici 188*.
2. O-prstene na adapteru vrtnog crijeva, nastavku za raspršivanje te visokotlačnom crijevu podmažite mazivom. Pogledajte *Tehnički podaci na stranici 193* za ispravnu vrstu maziva. (Sl. 48)

Rješavanje problema

Raspored rješavanja problema

Problem	Mogući uzrok	Rješenje
Proizvod se ne pokreće.	Električni utikač nije priključen na izvor napajanja.	Električni utikač priključite na izvor napajanja
	Sklopka napajanja je u položaju za isključivanje (0).	Sklopku napajanja postavite u položaj za uključivanje (I).
	Na izvoru napajanja nema struje.	Obratite se ovlaštenom električaru.
	Kabel napajanja je oštećen.	Obratite se ovlaštenom serviseru.
	Toplinska zaštita obustavila je napajanje.	Prije ponovne upotrebe proizvoda pričekajte da se proizvod ohladi.
	Upotrebljava se neodgovarajuća vrsta produžnog kabela.	Provjerite je li produžni kabel potpuno odmotan te podudara li se njegov napon s naponom proizvoda.
Tijekom pokretanja izbija osigurač.	Upotrebljava se neodgovarajuća vrsta osigurača.	Upotrebljavajte tromi osigurač razreda „C“ ili „K“.
Proizvod se ne zaustavlja.	Proizvod je oštećen.	Odspojite električni utikač i obratite se ovlaštenom servisnom zastupniku.
Proizvod se prekomjerno zagrijava.	Protok zraka nije dovoljan.	Očistite usise zraka.
Proizvod ne radi ugladeno.	U sustavu ima zraka.	Odzračite sustav.

Problem	Mogući uzrok	Rješenje
Tlak vode je preslab.	Crijevo je savijeno	Uvjerite se kako crijeva nisu savijena.
	Sklopka napajanja je u položaju za isključivanje (0).	Sklopku napajanja postavite u položaj za uključivanje (I).
	Protok vode nije dovoljan.	Provjerite je li proizvod pravilno povezan s izvorom vode. Osigurajte dovoljan protok vode.
	Filtar za vodu je neprohodan.	Očistite filtari za vodu.
	U sustavu ima zraka.	Odzračite sustav.
	Neprikladna dodatna oprema.	Obavezno upotrebljavajte prikladnu dodatnu opremu.

Prijevoz, spremanje i zbrinjavanje

Transportiranje

- Prije transporta proizvoda odspojite električni utikač od izvora napajanja.
- Proizvod prije transporta odvojite od izvora vode.
- Pričvrstite proizvod kako biste spriječili njegovo pomicanje tijekom transporta.

Skladištenje

- Prije skladištenja proizvoda ispuštite svu vodu iz proizvoda, visokotlačnog crijeva za vodu i dodatne opreme.
- Pripremite proizvod za skladištenje. Pogledajte *Priprema proizvoda za skladištenje na stranici 193*.
- Proizvod čuvajte u suhom prostoru bez mraza.

Priprema proizvoda za skladištenje

1. Zaustavite proizvod i odspojite električni utikač od izvora napajanja.
2. Odspojite proizvod od izvora vode. Pogledajte *Odspajanje proizvoda od izvora vode na stranici 190*.

3. Provjerite je li sva dodatna oprema suha.
4. Ručku za raspršivanje, nastavak za raspršivanje i mlaznice stavite u njihove držače.
5. Odspojite visokotlačno crijevo za vodu u stavite ga u njegov držač. (Sl. 49)
6. Postavite kabel napajanja njegov držač i pričvrstite remenom. (Sl. 50)

Odlaganje

Proizvodi Husqvarna nisu kućanski otpad i smiju se odlagati u otpad jedino u skladu s uputama iz ovog priručnika.

- Poštujte lokalne zahtjeve za odlaganje u otpad i važeće propise.
- Reciklirajte proizvod i ambalažu u odgovarajućem odlagalištu otpada.
- Više informacija o reciklaži i odlaganju proizvoda u otpad potražite od svog lokalnog zastupnika tvrtke Husqvarna.

Tehnički podaci

	PW 130
Motor i pumpa	
Vrsta	Serijski izmjenični motor
Snaga, W	1500
Raspon napona, V	220 – 240
Frekvencija, Hz	50
Nazivna struja, A	6,5

	PW 130
Maks. protok vode, l/min	7,7
Maks. izlazni tlak vode, bar/MPa	130/13
Maks. ulazni tlak vode, bar/MPa	10/1
Maks. temperatura na ulazu vode, °C/°F	40/104
Maks. temperatura na izlazu vode (u načinu rada za usisavanje), °C/°F	20/68
Razred IP	IPX5
Razred sigurnosti:	II. razred
Podmazivanje	
Vrsta maziva za podmazivanje O-prstena	Univerzalno bijelo silikonsko mazivo
Težina	
Težina, kg	6,5
Emisije buke ⁴¹	
Izmjerena jačina zvuka dB(A)	85
Jamčena razina jakosti zvuka L _{WA} dB (A)	89
Jačina zvuka ⁴²	
Ekvivalentne razine tlaka zvuka na uhu rukovatelja, dB(A)	72
Razine vibracije ⁴³	
Šaka/ruka (sa standardnom mlaznicom) m/s ²	2,5
Ekvivalentna razina vibracija ⁴⁴	
Šaka/ruka (sa standardnom mlaznicom) m/s ²	1,8

Dodatna oprema

Odobrena dodatna oprema

Odobrena dodatna oprema	Kat. br.
Čistač površina SC 300	590 65 79-01

⁴¹ Emisije buke u okoliš izmjerene kao jačina zvuka (L_{WA}) u skladu s Direktivom EZ 2000/14/EC.

⁴² Ekvivalentna razina tlaka zvuka prema normi ISO 22868 izračunava se kao vremenski ponderirana ukupna energija za različite razine tlaka zvuka u različitim radnim uvjetima. Tipično statističko raspršenje za ekvivalentnu razinu tlaka zvuka standardno je odstupanje od 1 dB(A).

⁴³ Razina vibracija, u skladu s EN 60745-2-13. Navedeni podaci o razini vibracije pokazuju tipičnu statističku disperziju (standardno odstupanje) od 1 m/s². Navedeni podaci vibracija iz mjerenja kada je stroj opremljen s dužinom vodilice i preporučenom vrstom lanca. Ako je stroj opremljen vodilicom drugačije duljine, razina vibracije može varirati maksimalno ± 1,5 m/s².

⁴⁴ Ekvivalentna razina vibracija mjeri se i izračunava kao kod motornih pila s motorom s unutarnjim sagorijevanjem. Ove brojke su navedene kako biste mogli usporediti podatke o vibracijama, bez obzira na vrstu motora, a u skladu s ISO 22867:2011.

Odobrena dodatna oprema	Kat. br.
Raspršivač pjene FS 300	590 66 04-01
Crijevo za čišćenje cijevi, 15 m	590 66 10-01
Filtar za vodu	590 65 93-01
Zapornik povratnog toka	590 65 95-01
Usisno crijevo	590 65 97-01
Komplet vozila	590 66 07-01
Komplet okretno četkica	590 66 06-01
Kutni nastavak za raspršivanje	590 66 11-01
Mlaznica za usis vode	590 66 05-01
Produžno crijevo, 8 m	590 66 08-01

Izjava o sukladnosti

EU izjava o sukladnosti

Mi, Husqvarna AB, SE-561 82 Huskvarna, Švedska, tel:
+46-36-146500, pod punom odgovornošću izjavljujemo
da proizvod:

Opis	Tlačni perač
Marka	Husqvarna
Vrsta/model	PW 130
Identifikacija	Serijski brojevi iz 2022 i noviji

u potpunosti su sukladni sljedećim EU direktivama i
propisima:

Propis	Opis
2006/42/EC	„o strojevima“
2014/30/EU	„o elektromagnetskoj kompatibilnosti“
2000/14/EC, prilog V	„koji se odnosi na emisije buke u okoliš“
2011/65/EU	„o ograničenoj upotrebi određenih opasnih tvari u električnoj i elektroničkoj opremi“

i primjenjuju se sljedeće norme i/ili
tehničke specifikacije: EN 60335-1:2012/A11:2014/
A13:2017/A1:2019/A14:2019/A2:2019/A15:2021, EN
60335-2-79:2012, EN 62233:2008, EN 55014-1:2021,
EN 55014-2:2021, EN IEC 61000-3-2:2019/A1:2021, EN
61000-3-3:2013/A2:2021, EN IEC 63000:2018.

Informacije o emisiji buke potražite u odjeljku *Tehnički
podaci na stranici 193.*

Huskvarna, 2023-01-19



Claes Losdal, razvojni menadžer/proizvodi za vrtove,
Husqvarna AB

Osoba odgovorna za tehničku dokumentaciju



TARTALOMJEGYZÉK

Bevezető.....	197	Hibaelhárítás.....	209
Biztonság.....	198	Szállítás, tárolás és ártalmatlanítás.....	210
Összeszerelés.....	204	Műszaki adatok.....	210
Üzemeltetés.....	205	Tartozékok.....	212
Karbantartás.....	207	Megfelelőségi nyilatkozat.....	213

Bevezető

Termékleírás

A termék egy elektromos nagynyomású mosóberendezés. A termék különböző víznyomásszintekkel és különféle tisztítószerrel működtethető.

Rendeltetésszerű használat

A terméket kizárólag háztartási feladatok ellátására használja. Ne használja a terméket egyéb feladatokra. A terméket függőleges állásba állítva használja.

A termék áttekintése

(ábra 1)

1. Fúvóka egyenes vízszaggárral
2. Fúvóka forgó vízszaggárral
3. Tápkábelt tartó gumipánt
4. Szórófej- és hosszabbítócső-tartó
5. Nagynyomású víztömlő
6. Vízbevezető
7. Habszóró
8. Nagynyomású víztömlő tárolója
9. Főkapcsoló
10. Hálózati csatlakozókábel
11. Vízkimenet gyorscsatlakozóval
12. Fúvókatisztító eszköz
13. Szállítófogantyú
14. Levegőbeömlő nyílás
15. Szórófej
16. Hosszabbítócső
17. Kezelői kézikönyv

A terméken található jelzések

(ábra 2)

FIGYELMEZTETÉS:
A termék veszélyes lehet a kezelőre és másokra, valamint a súlyos sérülésüket és halálukat okozhatja.

Megjegyzés: A termék működtetésére nemzeti jogszabályok általi korlátozások vonatkozhatnak.

Körültekintően járjon el, és megfelelően használja a terméket.

(ábra 3)

Olvassa el a használati utasítást, és a termék használatba vétele előtt mindenképpen legyen tisztában a benne foglaltakkal.

(ábra 4)

A termék nem alkalmas ivóvízhálózathoz való csatlakoztatásra.

(ábra 5)

Helytelen használat esetén a nagynyomású vízszaggár veszélyes lehet. A vízszaggart tilos személyek, elektromos

berendezések vagy a termék felé irányítani.

(ábra 6)

Környezetvédelmi jelzés. A termék és a termék csomagolása nem minősül háztartási hulladéknak. Újrahasznosítását egy jóváhagyott, az elektromos és elektronikus berendezések újrahasznosítására szolgáló ponton kell elvégezni.

(ábra 7)

II. osztályú eszköz.

(ábra 8)

Az EU és az Egyesült Királyság irányelveinek és jogszabályainak, és New South Wales „Környezetben történő munkavégzés szabályozása (zajszabályozás), 2017” irányelveinek megfelelő környezeti zajkibocsátási címke. A termék garantált hangteljesítményszintjér

e vonatkozó adatok megtalálhatók az alábbi részen: *Műszaki adatok210. oldalon* és a címkén.

(ábra 9)

Bármilyen szögből védett a kisnyomású vízszugár ellen.

(ábra 10)

Óvja a fagytól.

(ábra 11)

Ez a termék megfelel az Európai Unió vonatkozó előírásainak.

(ábra 12)

A termék megfelel a vonatkozó egyesült királyságbeli irányelveknek.

Megjegyzés: A terméken szereplő többi jel/címke egyes piacok specifikus vizsgáztatási követelményeire vonatkozik.

A termék károsodása

A termékben keletkezett károkért nem vállalunk felelősséget, amennyiben:

- a termék javítását helytelenül végezték;
- a termék javítása nem a gyártótól származó vagy általa jóváhagyott alkatrészekkel történt;
- a terméket nem a gyártótól származó vagy általa jóváhagyott kiegészítővel szerelték fel;
- a termék javítását nem hivatalos szakszerviz vagy jóváhagyott egyéb szerviz végezte.

Biztonság

Biztonsági meghatározások

A figyelmeztetések, óvintézkedések és

megjegyzések a használati utasítás kiemelten fontos részeire hívják fel a figyelmet.

**FIGYELMEZTETÉS:**

Akkor használatos, ha a kézikönyv utasításainak be nem tartása esetén fennáll a kezelő vagy a közelben tartózkodók sérülésének vagy halálának veszélye.

**VIGYÁZAT:** Akkor

használatos, ha a kézikönyv utasításainak be nem tartása esetén fennáll a vagyoni kár, illetve a termék vagy a környező terület károsodásának veszélye.

Megjegyzés: További információt biztosít az adott helyzetben szükséges tennivalókról.

Általános biztonsági utasítások**FIGYELMEZTETÉS:**

A termék használata előtt olvassa el az alábbi figyelmeztetéseket.

- Ez a termék veszélyes, ha helytelenül használja, vagy ha nem vigyáz. A biztonsági

utasítások be nem tartása sérüléssel vagy halállal járhat.

- Mindig megfontoltan és előrelátóan cselekedjen. Ha nem biztos benne, hogyan kell a terméket speciális helyzetben üzemeltetni, akkor hagyja abba a tevékenységet, és beszéljen a Husqvarna szakszervizzel a folytatás előtt.
- Ne feledje, hogy a kezelő felelős a másokat és a mások tulajdonát érő balesetekért is.
- Tartsa tisztán a terméket. Ügyeljen arra, hogy a jelek és címkék jól olvashatóak legyenek.
- Soha ne engedje, hogy gyermekek vagy a kezelési utasításokat nem ismerő személyek használják a készüléket. A helyi rendelkezések adott esetben kezelési korhatárt szabhatnak meg.
- A terméket csökkent fizikai, érzékszervi vagy szellemi képességekkel rendelkező személyek is működtethetik, amennyiben felügyelik őket, illetve ha a termék biztonságos működtetésére vonatkozó utasításokat kapnak, és megértették az azzal járó veszélyeket.

- A terméket olyan személyek is működtethetik, akik nem rendelkeznek a szükséges tapasztalattal vagy tudással, amennyiben felügyelik őket, illetve ha a termék biztonságos működtetésére vonatkozó utasításokat kapnak, és megértették az azzal járó veszélyeket.
- Ne használja a terméket, ha fáradt, beteg, illetve alkohol, drog vagy gyógyszer hatása alatt áll. Ez negatív hatással van a látására, az éberségére, a koordinációjára és az ítélőképességére.
- Ne használjon sérült terméket.
- Ne változtassa meg a terméket, vagy ne használja, ha feltehetőleg valaki más változtatásokat hajtott végre rajta.
- A termék működtetése előtt keressen sérüléseket. Ne használja a terméket, ha az alkatrészek sérültek vagy hiányoznak.
- Tartsa erősen, két kézzel a szórófejet. Visszarúgási erő lép fel a kapcsológomb meghúzásakor.
- Legyen óvatos a termék működtetésekor. A termék által biztosított nagy nyomás veszélyes, és sérülést okozhat.
- Ne irányítsa a vízsugarat saját maga, mások vagy állatok felé.
- Ne irányítsa a vízsugarat saját maga vagy mások felé lábbeli tisztítása céljából.
- Ne irányítsa a vízsugarat elektromos berendezés vagy maga a termék felé.
- A termék használata során viseljen személyi védőfelszerelést. Lásd: *Személyi védőfelszerelés202. oldalon.*
- Ne működtesse a terméket más személyek közelében, ha nem viselnek védőfelszerelést.
- Ha tisztítószerrel használ, kövesse a tisztítószerre vonatkozó biztonsági utasításokat.

Biztonsági utasítások az üzemeltetéshez



FIGYELMEZTETÉS:

A termék használata előtt olvassa el az alábbi figyelmeztetéseket.

- Ne használja a terméket, ha a tápkábel, a nagynyomású tömlő, a gázadagoló retesze vagy a szórófej sérült.

- Kizárólag Husqvarna tisztítószeret használjon.
- Használjon megfelelő víznyomást és tisztítószeret, a terméket pedig csak a jelen kézikönyvben leírt feladatokhoz használja. Ha nem megfelelő víznyomást vagy tisztítószeret használ, vagy ha a terméket a jelen kézikönyvben leírtaktól eltérő feladatokra használja, az károsíthatja a terméket, a felületeket, az anyagokat vagy más eszközöket. A Husqvarna nem vállal felelősséget a nem megfelelő használatból eredő károkért.
- Nem ajánlott a készüléket ivóvízhálózatra csatlakoztatni. Ha a terméket ivóvízhálózathoz kell csatlakoztatni, tartsa be a helyi és országos előírásokat. Szükség esetén használjon visszafolyásgátlót (nem tartozék). A visszafolyásgátlón áthaladt víz nem minősül ivóvíznek.
- Ne permetezzen a termékkel gyúlékony folyadékokat. Robbanásveszély.
- Ne engedje, hogy gyermekek működtessék a terméket.
- Ne engedje, hogy gyermekek játszanak a géppel.
- Ne engedje, hogy a terméket megfelelő képzésben nem részesült személyek használják.
- Csak Husqvarna által jóváhagyott tartozékokat és pótalkatrészeket használjon.
- Győződjön meg arról, hogy az elektromos csatlakoztatást szakképzett villanyszerelő végzi, és megfelel az IEC 60364-1 szabványnak.
- Használjon életvédelmi relét, amely megszakítja az elektromosságot, ha a szivárgóáram 30 ms-ig meghaladja a 30 mA-t. Ha nem rendelkezik életvédelmi relével, használjon olyan eszközt, amellyel ellenőrizhető a földáramkör.
- Az IEC 898-1 szabványnak, az IEC947-2 szabványnak vagy az IEC-n kívüli szabványoknak megfelelő, C vagy D jellemzővel rendelkező motorindító/ késleltetett biztosítékokat használjon.
- A kettős feszültségüként és frekvenciájuként megjelölt termékek beállítása esetén nincs szükség intézkedésekre.
- Ha hosszabbítókábelt kell használnia, győződjön meg arról, hogy az alkalmas kültéri

használatra. Győződjön meg arról, hogy a konnektor legalább 60 mm távolságra van a talajtól. A csatlakozást mindig szárazon kell tartani.

- Mielőtt eltávolodna a terméktől, állítsa a főkapcsolót kikapcsolt (0) állásba, húzza ki a tápcsatlakozó-dugaszt, és kapcsolja be a kapcsológomb reteszét.
- A kiegészítő cseréje előtt állítsa a főkapcsolót kikapcsolt (0) állásba, és húzza ki a tápcsatlakozó-dugaszt.
- A termék tisztítása vagy karbantartása előtt állítsa a főkapcsolót kikapcsolt (0) állásba, és húzza ki a tápcsatlakozó-dugaszt.
- Ne használja a terméket olyan környezetben, ahol a környezeti hőmérséklet 0 °C alatt van.
- Ne indítsa el a terméket, ha fagyott.
- A terméket ne működtesse beltéren.
- Üzem közben ne helyezzen tárgyakat a termékre.
- Ne fogyasszon olyan vizet, amelyet a termékhez használt.
- Nyitott ablakok közelében ne működtesse a terméket.

- Vigyázzon a felcsapódó tárgyaktól. Kövek és laza tárgyak repülhetnek a szemébe, amelyek vakságot és súlyos sérüléseket okozhatnak.
- Ha a termék nem működik megfelelően, lásd: *Hibakeresési séma209. oldalon.*

Személyi védőfelszerelés



FIGYELMEZTETÉS:

A termék használata előtt olvassa el az alábbi figyelmeztetéseket.

- A személyi védőfelszerelés nem küszöböli ki teljes mértékben a sérülés kockázatát, de csökkenti a sérülés mértékét, ha bekövetkezik a baleset. A megfelelő felszerelés kiválasztásában kérje a márkakereskedő segítségét.
- Használjon nagy teherbírású, csúszásmentes bakancsot vagy lábbelit. Ne használja nyitott cipőben vagy mezítláb a terméket.
- Viseljen védőruházatot.
- Használjon jóváhagyott fülvédőt.
- Használjon védőszemüveget.

- Ha a terméket olyan környezetben működteti, ahol veszélyes aeroszolok képződhetnek, használjon FFP2 vagy azzal egyenértékű osztályú légzésvédőt.

Biztonsági eszközök a terméken



FIGYELMEZTETÉS:

A termék használata előtt olvassa el az alábbi figyelmeztetéseket.

- Ne használja a terméket sérült vagy nem megfelelően működő biztonsági eszközökkel.
- Ne távolítsa el és ne végezzen módosításokat a biztonsági eszközökön.
- Rendszeresen ellenőrizze a biztonsági eszközöket. Ha a biztonsági eszközök sérültek vagy nem működnek megfelelően, forduljon a Husqvarna szakszervizhez.

Kapcsológomb retesze

A kapcsológomb retesze (A) megakadályozza a kapcsológomb véletlen megnyomását. Ha a kapcsológomb retesze reteszelt helyzetben van, a kapcsológombot nem lehet benyomni.

(ábra 13)

Kapcsológomb

A termék a kapcsológomb benyomásakor indul el. A termék a kapcsológomb elengedésekor leáll.

Hővédő

A termék automatikus hővédővel rendelkezik. Ha a termék túl forróvá válik, a hővédő megszakítja a termék tápellátását. Ha a hővédő megszakította a tápellátást, várja meg, amíg a termék lehűl. A hővédő automatikusan visszaáll alaphelyzetbe, amikor a termék kellően lehűt.

Hidraulikus nyomáscsökkentő szelep

A termék beépített hidraulikus nyomáscsökkentő szeleppel rendelkezik, amely megakadályozza a túl magas nyomást a rendszerben.

Biztonsági utasítások a karbantartáshoz



FIGYELMEZTETÉS:

A terméken végzett karbantartási műveletek előtt olvassa el az alábbi figyelmeztetéseket.



VIGYÁZAT: A termék huzamosabb ideig tartó tárolása előtt mindig végezzen karbantartást.

- A termék karbantartása előtt állítsa a főkapcsolót kikapcsolt (0) állásba, és húzza ki a tápcsatlakozó-dugaszt az áramforrásból.
- A termék karbantartása előtt válassza le a terméket a vízforrásról, és győződjön meg arról, hogy minden alkatrésze száraz.
- Csak a kezelői kézikönyvben megadott karbantartást végezze el.
- Kizárólag a Husqvarna által ajánlott pótalkatrészeket

használjon. A termék használata során a nagynyomású víztömlők, szerelések és csatlakozók fontosak a biztonság szempontjából. Csak a gyártó által javasolt tömlőket, szereléseket és csatlakozókat használjon.

- A terméket ne próbálja meg megjavítani. Forduljon egy hivatalos Husqvarna szervizműhelyhez.
- Ha a tápcsatlakozó-dugasz vagy a tápkábel sérült, forduljon egy Husqvarna szakszervizhez.
- Ne engedje, hogy gyermekek tisztítsák meg vagy végezzenek karbantartást a terméken.

Összeszerelés

Bevezető



FIGYELMEZTETÉS: Figyelmesen olvassa el a biztonságról szóló fejezetet, mielőtt összeállítaná a terméket.

A kertiömlő-adapter felszerelése

1. Vegye le a szállítótokot a vízbevezetőről, és dobja ki. (ábra 14)
2. Szerelje fel a kertiömlő-adaptert a vízbevezetőre. (ábra 15)



VIGYÁZAT: Ügyeljen arra, hogy a kertiömlő-adaptert egyenesen szerelje

fel a vízbevezetőre. Ha a kertiömlő-adaptert nem egyenesen szereli fel, az károsíthatja a meneteket, ami szivárgáshoz vezethet.

3. Húzza meg teljesen a kertiömlő-adaptert.
4. A kertiömlő-adapter eltávolításához fordított sorrendben végezze el a fenti lépéseket.

A szórófej és a hosszabbítócső tartójának felszerelése

- Szerelje fel a tartót a 2 csavar segítségével. (ábra 16)

Üzemeltetés

Bevezető



FIGYELMEZTETÉS: A termék használata előtt figyelmesen olvassa el a biztonságról szóló fejezetet.

Husqvarna Connect

A Husqvarna Connect egy ingyenes mobilalkalmazás. A Husqvarna Connect alkalmazás kibővített funkciókat biztosít Husqvarna termékéhez:

- Bővebb termékinformációk.
- Információk és segítség a termékalkatrészekkel és a szervizeléssel kapcsolatban.

A Husqvarna Connect használatának megkezdése

1. Töltse le az Husqvarna Connect alkalmazást mobilkészletére.
2. Regisztráljon egy fiókot a Husqvarna Connect alkalmazásban.
3. A termék csatlakoztatásához és regisztrálásához kövesse a Husqvarna Connect alkalmazásban megjelenő utasításokat.

Megjegyzés: A Husqvarna Connect alkalmazás nem érhető el minden piacon. További tájékoztatásért forduljon az illetékes szakszervizhez.

A szórófej felszerelése

1. Nyomja be a nagynyomású víztömlőt a gyorscsatlakozóba, amíg a helyére nem kattán. (ábra 17)



VIGYÁZAT: A szivárgás megelőzése érdekében győződjön meg arról, hogy a nagynyomású tömlő megfelelően csatlakozik a termék gyorscsatlakozójához.

2. Tartsa erősen a szórófejet egy kézzel, és nyomja be a nagynyomású víztömlőt a szórófej gyorscsatlakozójába. (ábra 18)

A szórófej eltávolítása

1. Nyomja meg a gombot a szórófejen, és húzza ki a nagynyomású víztömlőt. (ábra 19)
2. Nyomja meg a gyorscsatlakozó külső gyűrűjét, és húzza ki a nagynyomású víztömlőt. (ábra 20)

A hosszabbítócső felszerelése

1. Fogja meg a szórófejet egy kézzel, és nyomja be a hosszabbítócső csatlakozóját a szórófejbe. (ábra 21)
2. Fordítsa el a hosszabbítócsövet az óramutató járásával megegyező irányba, majd engedje el a hosszabbítócsövet. A hosszabbítócső a helyén rögzül.

A hosszabbítócső eltávolítása

1. Nyomja be a hosszabbítócsövet, és fordítsa el az óramutató járásával ellentétes irányba. (ábra 22)
2. Húzza ki a hosszabbítócsövet a szórófejből.

A fúvóka felszerelése és eltávolítása

A termék 2 fúvókával kerül kiszállításra: 1 fúvóka egyenes vízsugárral („gyengéd fúvókaként” hivatkozunk rá) és 1 durva fúvóka forgó vízsugárral („durva fúvókaként” hivatkozunk rá). Az egyenes vízsugarú fúvóka érzékeny felületek (például járművek) tisztítására használható. A durva fúvóka nem érzékeny felületek (például autófelhajtók) tisztítására is használható.

(ábra 23)



VIGYÁZAT: Ne használja a forgó vízsugarú fúvókát érzékeny felületeken (például a járművek festett felületein). A forgó vízsugár károsíthatja a felületet.

- A fúvóka felszereléséhez egyik kezével tartsa meg a hosszabbítócsövet, és nyomja be a fúvókát, amíg a helyén nem rögzül. (ábra 24)
- A fúvóka eltávolításához nyomja be a hosszabbítócső fülét, és húzza ki a fúvókát a hosszabbítócsőből. (ábra 25)

A vízsugár nyomásának beállítása ()

Az egyenes vízsugarú fúvóka nyomása szabályozható.

- A vízsugár nyomásának növeléséhez fordítsa el a fúvókát az óramutató járásával megegyező irányba. (ábra 26)
- A vízsugár nyomásának csökkentéséhez fordítsa el a fúvókát az óramutató járásával ellentétes irányba. (ábra 27)

A termék működtetése

1. Csatlakoztassa a terméket vízforráshoz. Lásd: *A termék csatlakoztatása vízforráshoz206. oldalon.*
2. Légtelenítse a rendszert. Lásd: *A rendszer légtelenítése206. oldalon.*
3. Indítsa be a terméket. Lásd: *A termék elindítása207. oldalon.*

A termék csatlakoztatása vízforráshoz

A termék vízhálózatról vagy nyílt vízforrásból (például tóból vagy hordóból) származó vízzel használható.

- A termék vízhálózatra történő csatlakoztatásával kapcsolatban lásd: *A termék csatlakoztatása a vízhálózathoz206. oldalon.*
- A termék nyílt vízforráshoz való csatlakoztatásával kapcsolatban lásd: *A termék csatlakoztatása nyílt vízforráshoz206. oldalon.*

A termék csatlakoztatása a vízhálózathoz

1. Szerelje fel a kertitömlő-adaptert és a vízszűrőt a termék vízbevezetőjére, ha nincsenek felszerelve. Lásd: *A kertitömlő-adapter felszerelése204. oldalon.*
2. Csatlakoztassa a kerti tömlőt a vízhálózathoz. 10–25 m hosszú, ½ hüvelykes csatlakozóval ellátott kerti tömlőt használjon. (ábra 28)



VIGYÁZAT: A vízhálózat víznyomása nem lehet nagyobb 1 MPa-nál (10 bar).



VIGYÁZAT: A vízhálózat vízhőmérséklete nem lehet magasabb 40 °C-nál.

3. Nyissa ki a vízhálózat szelepét, és ellenőrizze, hogy a víz szabadon folyik-e ki a kerti tömlőből. (ábra 29)
4. Zárja el a vízhálózat szelepét.
5. Csatlakoztassa a kerti tömlőt a termék vízbevezetőjéhez. (ábra 30)
6. Csatlakoztassa a tápcsatlakozó-dugaszt egy áramforráshoz.
7. Nyissa ki a vízhálózat szelepét.
8. A termék működtetése előtt légtelenítse a rendszert. Lásd: *A rendszer légtelenítése206. oldalon.*

A termék csatlakoztatása nyílt vízforráshoz

A termék nyílt vízforrásból (például tóból vagy hordóból) származó vízzel is használható. Legfeljebb 3 m hosszú, ½ hüvelykes csatlakozóval ellátott szívótömlőt használjon (nincs mellékelve).

(ábra 31)



VIGYÁZAT: A vízforrás vízhőmérséklete nem lehet magasabb 20 °C-nál.



VIGYÁZAT: A termék legfeljebb 0,5 m-rel lehet a vízforrás felett.

1. Ha a kertitömlő-adapter fel van szerelve, távolítsa el a termék vízbevezetőjéről. (ábra 32)



VIGYÁZAT: Ne távolítsa el a vízbevezető vízszűrőjét.

2. Szereljen fel szívótömlőt (nincs mellékelve) a termék vízbevezetőjére. (ábra 33)
3. Helyezze a szívótömlőt a vízforrásba, és győződjön meg arról, hogy a szűrő teljesen elmerül.



VIGYÁZAT: Ne használjon szűrő nélküli szívótömlőt.

4. Nyomja be a gombot a szórófejen, és húzza ki a nagynyomású tömlőt a szórófejből. (ábra 19)
5. Csatlakoztassa a tápcsatlakozó-dugaszt egy áramforráshoz.
6. Kapcsolja a főkapcsolót bekapcsolt (I) állásba, és hagyja a terméket 2 percig működni.
7. Fordítsa a főkapcsolót kikapcsolt (0) állásba.
8. Tartsa erősen a szórófejet egy kézzel, és nyomja be a nagynyomású tömlőt a szórófej gyorscsatlakozójába. (ábra 18)
9. A termék működtetése előtt légtelenítse a rendszert. Lásd: *A rendszer légtelenítése206. oldalon.*

A rendszer légtelenítése



VIGYÁZAT: A rendszer légtelenítése előtt győződjön meg arról, hogy a főkapcsoló kikapcsolt (0) állásban van.

1. Csatlakoztassa a terméket vízforráshoz. Lásd: *A termék csatlakoztatása vízforráshoz206. oldalon.*
2. Szerelje fel a hosszabbítócsövet a szórópisztolyra. Lásd: *A hosszabbítócső felszerelése205. oldalon.*
3. Oldja ki a kapcsológomb reteszét. Lásd: *A kapcsológomb reteszének be- és kikapcsolása207. oldalon.*
4. Nyomja meg a kapcsológombot, és tartsa benyomva, amíg a hosszabbítócsövön lévő fűvókából nem áramlik ki víz. (ábra 34)

A termék leválasztásra a vízhálózatról

1. Fordítsa a főkapcsolót kikapcsolt (0) állásba.
2. Ha a termék a vízhálózathoz csatlakozik, zárja el a vízhálózat szelepét.
3. Ha a termék a vízhálózathoz csatlakozik, válassza le a kerti tömlőt a vízhálózatról. (ábra 35)
4. Ha a termék nyílt vízforráshoz csatlakozik, távolítsa el a szívótömlőt a vízforrásból.
5. Nyomja meg a kapcsológombot, és tartsa benyomva, amíg a fűvókából megszűnik a vízáramlás.
6. Válassza le a kerti tömlőt a termék vízbevezetőjéről. (ábra 36)

Megjegyzés: Ha a termék nyílt vízforráshoz csatlakozik, válassza le a szívótömlőt.

7. Nyomja meg a gombot a szórófejen, és húzza ki a nagynyomású tömlőt a szórófejből. (ábra 19)
8. Állítsa a főkapcsolót bekapcsolt (I) állásba. Addig működtesse a terméket, amíg már nem áramlik ki víz a nagynyomású tömlőből.
9. Fordítsa a főkapcsolót kikapcsolt (0) állásba.
10. A termék eltávolítása előtt várja meg, amíg a szórófej, a hosszabbítócső és a fúvókák megszáradnak.

A kapcsológomb reteszének be- és kikapcsolása

- A kapcsológomb reteszének bekapcsolásához fordítsa el a kapcsológomb reteszét az óramutató járásával megegyező irányba, amíg kattantást nem hall. (ábra 37)
- A kapcsológomb reteszének kikapcsolásához fordítsa el a kapcsológomb reteszét az óramutató járásával ellentétes irányba teljesen. (ábra 38)

A termék elindítása

1. Csatlakoztassa a terméket vízforráshoz. Lásd: *A termék csatlakoztatása vízforráshoz206. oldalon.*
2. Csatlakoztassa a tápcsatlakozó-dugaszt egy áramforráshoz.
3. Állítsa a főkapcsolót bekapcsolt (I) állásba. (ábra 39)
4. Oldja ki a kapcsológomb reteszét. Lásd: *A kapcsológomb reteszének be- és kikapcsolása207. oldalon.*
5. Nyomja meg a szórófejen lévő kapcsológombot.

Megjegyzés: A termék automatikusan leáll, amikor elengedi a kapcsológombot.

A termék leállítása

Megjegyzés: A termék automatikusan leáll, amikor elengedi a kapcsológombot.

1. Engedje fel a szórófejen lévő kapcsológombot.
2. Kapcsolja be a kapcsológomb reteszét. Lásd: *A kapcsológomb reteszének be- és kikapcsolása207. oldalon.*
3. Fordítsa a főkapcsolót kikapcsolt (0) állásba. (ábra 40)
4. Válassza le a tápcsatlakozó-dugaszt az áramforrásról.
5. Válassza le a terméket a vízforrásról. Lásd: *A termék leválasztásra a vízhálózatról206. oldalon.*

Megjegyzés: Mindig válassza le a terméket a vízforrásról, ha 5 percnél hosszabb időre eltávolodik a készüléktől.

A habszóró használata

1. Vegye ki tartójából a habszórót. (ábra 41)
2. Töltse fel a habszóró tartályát tisztítószerral.



VIGYZAT: Csak a Husqvarna által ajánlott tisztítószereket használja.

3. Nyomja be a habszóró gyorscsatlakozóját a hosszabbítócső gyorscsatlakozójába, amíg az a helyén nem rögzül. (ábra 42)

Megjegyzés: A habszóró peremének egy vonalba kell esnie a hosszabbítócsövön lévő horonnyal.

4. Csatlakoztassa a terméket vízforráshoz. Lásd: *A termék csatlakoztatása vízforráshoz206. oldalon.*
5. Indítsa be a terméket. Lásd: *A termék elindítása207. oldalon.*

Karbantartás

Bevezetés



FIGYELMEZTETÉS: Karbantartás előtt el kell olvasnia és meg kell értenie a biztonságról szóló fejezetet.

A gépen végzett minden szerviz- és javítási munkát szakképzettséget igényel. Garantáljuk a professzionális javítások és szervizelés lehetőségét.

Részletesebb információért lásd: www.husqvarna.com.

Karbantartási terv

Karbantartás	Használat előtt	Használat után
Végezzen általános ellenőrzést. Lásd: <i>Általános ellenőrzés</i> 208. oldalon.	X	
Tisztítsa meg a terméket. Lásd: <i>A termék tisztítása</i> 208. oldalon.		X
Tisztítsa meg a hosszabbítócsövet és a fűvókákat. Lásd: <i>A hosszabbítócső és a fűvókák tisztítása</i> 208. oldalon.		X
Tisztítsa ki a vízszűrőt. Ha a vízszűrő sérült, cserélje ki. Lásd: <i>A vízszűrő megtisztítása</i> 208. oldalon.		X
Kenje meg a csatlakozók O-gyűrűit. Lásd: <i>A csatlakozók O-gyűrűinek kenése</i> 209. oldalon.		X

Általános ellenőrzés



FIGYELMEZTETÉS: A termék karbantartása előtt állítsa a főkapcsolót kikapcsolt (0) állásba, és húzza ki a tápcsatlakozó-dugaszt az áramforrásból.



VIGYÁZAT: A termék karbantartása előtt válassza le a terméket a vízforrásról, és győződjön meg arról, hogy minden alkatrésze száraz.

- Győződjön meg arról, hogy az anyák és csavarok meg vannak szorítva a terméken.
- Ellenőrizze, hogy a termék kábelelei úgy helyezkednek el, hogy ne tudjanak megsérülni.
- Vizsgálja meg a nagynyomású tömlőt kopás és sérülések szempontjából.



FIGYELMEZTETÉS: Ne működtesse a terméket, ha a nagynyomású tömlő kopott vagy sérült.

A termék tisztítása



FIGYELMEZTETÉS: A termék karbantartása előtt állítsa a főkapcsolót kikapcsolt (0) állásba, és húzza ki a tápcsatlakozó-dugaszt az áramforrásból.



VIGYÁZAT: A termék karbantartása előtt válassza le a terméket a vízforrásról, és győződjön meg arról, hogy minden alkatrésze száraz.

- A termék összes külső részét nedves törlőruha segítségével tisztítsa meg.

- Ne használjon nagynyomású mosóberendezést a termék tisztításához.
- Tartsa tisztán a levegőbemeneteket, hogy a termék mindig megfelelően hideg hőmérsékletű legyen.

A hosszabbítócső és a fűvókák tisztítása



FIGYELMEZTETÉS: A termék karbantartása előtt állítsa a főkapcsolót kikapcsolt (0) állásba, és húzza ki a tápcsatlakozó-dugaszt az áramforrásból.



VIGYÁZAT: A termék karbantartása előtt válassza le a terméket a vízforrásról, és győződjön meg arról, hogy minden alkatrésze száraz.

1. Ha a hosszabbítócsőre fűvóka van felszerelve, távolítsa el azt a hosszabbítócsőről. Lásd: *A fűvóka felszerelése és eltávolítása* 205. oldalon.
2. Szappanos vízzel tisztítsa meg a fűvókákat, a hosszabbítócső csatlakozóját és a szűrőfej csatlakozóját. (ábra 43)
3. Ha a fűvókák eltömödtek, szüntesse meg az eltömődést a tisztítóeszközzel. (ábra 44)

A vízszűrő megtisztítása



FIGYELMEZTETÉS: A termék karbantartása előtt állítsa a főkapcsolót kikapcsolt (0) állásba, és húzza ki a tápcsatlakozó-dugaszt az áramforrásból.



VIGYÁZAT: A termék karbantartása előtt válassza le a terméket a vízforrásról, és győződjön meg arról, hogy minden alkatrésze száraz.

1. Ha a kertitömlő-adapter fel van szerelve, távolítsa el a termék vízbevezetőjéről. (ábra 32)
2. Húzza ki a vízsűrőt. Használjon fogót. (ábra 45)
3. Ellenőrizze, hogy nem sérült-e meg a vízsűrő. Ha a vízsűrő sérült, cserélje ki. (ábra 46)
4. Öblítse le tiszta vízzel a vízsűrőt. (ábra 47)

A csatlakozók O-gyűrűinek kenése



FIGYELMEZTETÉS: A termék karbantartása előtt állítsa a főkapcsolót kikapcsolt (0) állásba, és húzza ki a tápcsatlakozó-dugaszt az áramforrásból.



VIGYÁZAT: A termék karbantartása előtt válassza le a terméket a vízforrásról, és győződjön meg arról, hogy minden alkatrésze száraz.

1. Távolítsa el a hosszabbítócsövet a szórófejről, a szórófejet pedig a nagynyomású tömlőről. Lásd: *A hosszabbítócső felszerelése205. oldalon* és *A szórófej felszerelése205. oldalon*.
2. Kenje meg zsírral a kertitömlő-adapter, a hosszabbítócső és a nagynyomású tömlő O-gyűrűit. Lásd: *Műszaki adatok210. oldalon* a megfelelő kenőzsírtípust illetően. (ábra 48)

Hibaelhárítás

Hibakeresési séma

Probléma	Lehetséges ok	Megoldás
A termék nem indul.	A tápcsatlakozó-dugasz nincs áramforráshoz csatlakoztatva.	Csatlakoztassa a tápcsatlakozó-dugaszt egy áramforráshoz
	A főkapcsoló kikapcsolt (0) állásban van.	Állítsa a főkapcsolót bekapcsolt (I) állásba.
	Nincs áram az áramforrásban.	Forduljon egy szakképzett villanyszerelőhöz.
	Sérült a tápkábel.	Forduljon egy hivatalos szakszervizhez.
	A hővédő megszakította a tápellátást.	A termék ismételt működtetése előtt várja meg, amíg a termék lehűl.
	Nem megfelelő típusú hosszabbítókábelt használ.	Ellenőrizze, hogy a hosszabbítókábel teljesen le van-e csévélve, és hogy a tápfeszültség megegyezik-e a termék feszültségével.
Indításkor vagy működéskor kiég a biztosíték.	Nem megfelelő típusú biztosítékot használ.	Ügyeljen arra, hogy „C” vagy „K” osztályú, lassú kiolvadású biztosítékot használjon.
A termék nem áll le.	A termék megsérült.	Húzza ki a tápcsatlakozó-dugaszt, és forduljon hivatalos szakszervizhez.
A termék túl forróvá válik.	A levegőáramlás nem elegendő.	Tisztítsa meg a levegőbeömlő nyílásokat.
A termék nem egyenletesen működik.	A rendszerben levegő van.	Légtelenítse a rendszert.

Probléma	Lehetséges ok	Megoldás
A víznyomás nem kielégítő.	A tömlő meghajlott	Győződjön meg arról, hogy nem hajlottak meg a tömlők.
	A főkapcsoló kikapcsolt (0) állásban van.	Állítsa a főkapcsolót bekapcsolt (I) állásba.
	A vízáramlás nem elegendő.	Ellenőrizze, hogy a termék megfelelően van-e csatlakoztatva vízforráshoz. Gondoskodjon elégséges vízáramlásról.
	A vízsűrű eltömődött.	Tisztítsa ki a vízsűrűt.
	A rendszerben levegő van.	Légtelenítse a rendszert.
	A kiegészítő nem megfelelő.	Megfelelő kiegészítőt használjon.

Szállítás, tárolás és ártalmatlanítás

Szállítás

- A termék szállítása előtt húzza ki a tápcsatlakozódugaszt az áramforrásból.
- A termék szállítása előtt válassza le a terméket a vízforrásról.
- Szállítás közben rögzítse a terméket a mozgás megakadályozásához.

Tárolás

- A termék tárolása előtt eressze le az összes vizet a termékből, a nagynyomású víztömlőből és a tartozékokból.
- Készítse elő a terméket az eltárolásra. Lásd: *A termék előkészítése az eltárolásra* 210. oldalon.
- Tartsa a terméket száraz és fagymentes környezetben.

A termék előkészítése az eltárolásra

- Állítsa le a terméket, és húzza ki a tápcsatlakozódugaszt az áramforrásból.
- Válassza le a terméket a vízforrásról. Lásd: *A termék leválasztása a vízhálózatról* 206. oldalon.

- Győződjön meg arról, hogy az összes tartozék száraz.
- Tegye a szórófejet, a hosszabbítócsövet és a fűvókákat a tartójukba.
- Válassza le a nagynyomású víztömlőt, és helyezze a tartójába. (ábra 49)
- Tegye a tápkábelt a tartójára, és rögzítse a pántot. (ábra 50)

Hulladékkezelés

A Husqvarna termékek nem minősülnek háztartási hulladéknak, és ártalmatlanításukat kizárólag a kézikönyvben leírtaknak megfelelően szabad elvégezni.

- Kövesse a helyi ártalmatlanítási előírásokat és a vonatkozó szabályozásokat.
- A termék és a csomagolás újrahasznosítását egy megfelelő, újrahasznosításra szolgáló ponton kell elvégezni.
- A termék újrahasznosításával és ártalmatlanításával kapcsolatos további információkért forduljon az illetékes Husqvarna márkakereskedőhöz.

Műszaki adatok

PW 130	
Motor és szivattyú	
Típus	Váltóáramú motor
Teljesítmény, W	1500
Feszültségtartomány, V	220–240

	PW 130
Frekvencia, Hz	50
Névleges áramerősség, A	6,5
Max. vízáramlás, l/perc	7,7
Max. kimeneti víznyomás, bar/MPa	130/13
Max. bemeneti víznyomás, bar/MPa	10/1
Max. bemeneti vízhőmérséklet, °C/°F	40/104
Max. bemeneti vízhőmérséklet (szívó üzemmódban), °C/°F	20/68
IP-besorolás	IPX5
Biztonsági osztály	II. osztály
Kenés	
Az O-gyűrűk kenéséhez szükséges zsír típusa	Univerzális fehér szilikonzsír
Tömeg	
Tömeg, kg	6,5
Zajkibocsátás ⁴⁵	
Hangteljesítményszint, dB(A)-ben mérve	85
Hangteljesítményszint, garantált, L _{WA} dB(A)	89
Zajszintek ⁴⁶	
Hangnyomásszint a felhasználó fülénél, dB(A)	72
Rezgésszintek ⁴⁷	
Kéz/kar (standard fűvőkával) m/s ²	2,5
Ekvivalens rezgésszintek ⁴⁸	
Kéz/kar (standard fűvőkával) m/s ²	1,8

⁴⁵ A környezetben a 2000/14/EK sz. EK irányelvvel összhangban hangteljesítményként mért zajkibocsátás (L_{WA}).

⁴⁶ Az ekvivalens hangnyomásszintet az ISO 22868 értelmében a különböző hangnyomásszintek időhöz viszonyított összenergiájaként számítják ki, változó munkakörülmények között. Az ekvivalens hangnyomásszint tipikus statisztikai eloszlása 1 dB (A) szórást mutat.

⁴⁷ Rezgésszint az EN 60745-2-13 szabványnak megfelelően. A rezgésszintre vonatkozó jelentési adatok az 1 m/s² tipikus statisztikus ingadozásával (szórásával) rendelkeznek. Vágószerkezettel és az ajánlott lánc típusal felszerelt gépen mért eredmények alapján megállapított rezgési adatok. Ha a gép ettől eltérő vágószerkezettel van felszerelve, a rezgési szint max. ± 1,5 m/s² mértékben változhat.

⁴⁸ A mért és kiszámított rezgési szint a belsőégésű motorral működő láncfűrészekével ekvivalens. Megállapították, hogy ezekkel a számadatokkal – a motor típusától függetlenül – az ISO 22867:2011 szabvánnyal összhangban összehasonlíthatók a rezgési adatok.

Tartozékok

Eredeti tartozékok

Eredeti tartozékok	Cikkszám
Felület tisztító, SC 300	590 65 79-01
Habszóró, FS 300	590 66 04-01
Csőtisztító tömlő, 15 m	590 66 10-01
Vízszűrő	590 65 93-01
Visszafolyásgátló	590 65 95-01
Szívótömlő	590 65 97-01
Járműkészlet	590 66 07-01
Forgó kefékészlet	590 66 06-01
Hajlított szórószár	590 66 11-01
Vízszívó előtét	590 66 05-01
Hosszabbítótömlő, 8 m	590 66 08-01

Megfelelőségi nyilatkozat

EU megfelelési nyilatkozat

A Husqvarna AB, SE-561 82 Huskvarna, Svédország,
(tel: +46-36-146500), a saját felelősségére kijelenti,
hogy a termék:

Leírás	Nagynyomású mosóberendezés
Márka	Husqvarna
Típus/modell	PW 130
Megjelölés	2022-as és újabb sorozatszámok

teljes mértékben megfelelnek a következő EU-
irányelveknek és szabályozásoknak:

Szabályozás	Leírás
2006/42/EK	„gépre vonatkozó”
2014/30/EU	„elektromágneses megfelelésre vonatkozó”
2000/14/EK, V. függelék	„környezeti zajkibocsátásra vonatkozó”
2011/65/EU	„az egyes veszélyes anyagok elektromos és elektronikus berendezésekben való alkalmazásának korlátozására vonatkozó”

valamint hogy az alábbi szabványok
és/vagy műszaki előírások kerültek
alkalmazásra: EN 60335-1:2012/A11:2014/
A13:2017/A1:2019/A14:2019/A2:2019/A15:2021, EN
60335-2-79:2012, EN 62233:2008, EN 55014-1:2021,
EN 55014-2:2021, EN IEC 61000-3-2:2019/A1:2021, EN
61000-3-3:2013/A2:2021, EN IEC 63000:2018.

A zajkibocsátásra vonatkozó tájékoztatást illetően
tekintse át a következőt: *Műszaki adatok210. oldalon.*

Huskvarna, 2023-01-19



Claes Losdal, fejlesztési Igazgató/kerti termékek,
Husqvarna AB

A műszaki dokumentációk felelőse



Sommario

Introduzione.....	214	Ricerca guasti.....	226
Sicurezza.....	215	Trasporto, stoccaggio e smaltimento.....	227
Montaggio.....	221	Dati tecnici.....	228
Utilizzo.....	222	Accessori.....	229
Manutenzione.....	225	Dichiarazione di conformità.....	230

Introduzione

Descrizione del prodotto

Il prodotto è un'idropulitrice ad alta pressione. Il prodotto può essere utilizzato con diversi livelli di pressione dell'acqua e detersivi.

Uso previsto

Utilizzare il prodotto solo per la pulizia domestica. Non utilizzare il prodotto per altre attività. Utilizzare il prodotto solo in posizione verticale.

Panoramica del prodotto

(Fig. 1)

1. Ugello con getto d'acqua diretto
2. Ugello con getto d'acqua rotante
3. Cinghia in gomma per supporto del cavo di alimentazione
4. Supporto per impugnatura di nebulizzazione e lancia
5. Tubo flessibile dell'acqua ad alta pressione
6. Ingresso dell'acqua
7. Spruzzatore di schiuma
8. Vano per tubo flessibile dell'acqua ad alta pressione
9. Interruttore di corrente
10. Cavo di alimentazione
11. Presa d'acqua con attacco rapido
12. Strumento per la pulizia degli ugelli
13. Maniglie di trasporto
14. Presa d'aria
15. Impugnatura di nebulizzazione
16. Lancia
17. Manuale dell'operatore

Simboli riportati sul prodotto

(Fig. 2)

AVVERTENZA: questo prodotto può essere pericoloso e causare lesioni gravi o mortali all'operatore o a terzi. Prestare attenzione e

Nota: I regolamenti nazionali possono imporre restrizioni sull'uso del prodotto.

utilizzare il prodotto correttamente.

(Fig. 3)

Leggere attentamente il Manuale dell'operatore e accertarsi di aver compreso le istruzioni prima di utilizzare questo prodotto.

(Fig. 4)

Il prodotto non è adatto per il collegamento alla rete idrica dell'acqua potabile.

(Fig. 5)

I getti d'acqua ad alta pressione possono essere pericolosi se soggetti a uso improprio. Il getto non deve essere diretto verso persone,

apparecchiature elettriche o il prodotto.

(Fig. 6)

Marchio ecologico. Il prodotto o l'imballaggio del prodotto non è un rifiuto domestico. Riciclarlo in un punto di riciclaggio approvato per apparecchiature elettriche ed elettroniche.

(Fig. 7)

Strumento di classe II.

(Fig. 8)

Emissioni di rumore nell'ambiente in conformità alle direttive e alle norme UE e UK e alla norma del Nuovo Galles del Sud in materia di protezione dell'ambiente "Protection of the Environment Operations (Noise Control) Regulation 2017". Il livello di potenza sonora garantito del prodotto è

specificato in *Dati tecnici alla pagina 228* nonché sull'etichetta.

(Fig. 9)

Protezione contro il flusso d'acqua a bassa pressione da qualsiasi angolazione.

(Fig. 10)

Tenere al riparo dal gelo.

(Fig. 11)

Il prodotto è conforme alle direttive CE vigenti.

(Fig. 12)

Il presente prodotto è conforme alle direttive del Regno Unito vigenti.

Nota: I restanti simboli/decalcomanie sul prodotto riguardano particolari requisiti necessari per ottenere la certificazione in alcuni mercati.

Danni al prodotto

Non siamo responsabili dei danni al prodotto se:

- Il prodotto viene riparato in modo errato.
- Il prodotto viene riparato con parti che non provengono o non sono omologate dal produttore.
- Il prodotto contiene un accessorio che non proviene o non è omologato dal produttore.
- Il prodotto non viene riparato presso un centro di assistenza autorizzato o presso un'autorità competente.

Sicurezza

Definizioni di sicurezza

Le avvertenze, le precauzioni e le note sono utilizzate per evidenziare le parti importanti del manuale.



AVVERTENZA: Utilizzato se è presente un rischio di lesioni o morte dell'operatore o di passanti nel caso in cui

le istruzioni del manuale non vengano rispettate.



ATTENZIONE: Utilizzato se è presente un rischio di danni al prodotto, ad altri materiali oppure alla zona adiacente nel caso in cui le istruzioni del manuale non vengano rispettate.

Nota: Utilizzato per fornire ulteriori informazioni necessarie in una determinata situazione.

Istruzioni di sicurezza generali



AVVERTENZA: Leggere le seguenti avvertenze prima di utilizzare il prodotto.

- Questo prodotto è pericoloso se utilizzato in maniera impropria o se non si presta attenzione. La mancata osservanza delle istruzioni di sicurezza può causare lesioni anche fatali.
- Usare la massima cautela e il buon senso. Se non si è sicuri di come utilizzare il prodotto in una particolare situazione, fermarsi e rivolgersi

al proprio rappresentante dell'officina Husqvarna prima di continuare.

- Tenere presente che l'operatore potrà essere ritenuto responsabile di eventuali incidenti che coinvolgano altre persone o i loro beni.
- Tenere pulito il prodotto. Assicurarsi che sia possibile leggere chiaramente simboli e decalcomanie.
- Non consentire mai l'uso dell'apparecchio a bambini o persone che non conoscono le presenti istruzioni. Alcune normative locali possono limitare l'età dell'operatore.
- Questo prodotto può essere utilizzato da persone con capacità mentali, fisiche o sensoriali ridotte, in caso di supervisione o in cui siano fornite le istruzioni per utilizzare il prodotto in modo sicuro e comprendano i pericoli associati a tale uso.
- Questo prodotto può essere utilizzato da persone che non dispongono dell'esperienza o delle conoscenze necessarie, in caso di supervisione o in cui siano fornite le istruzioni su come utilizzare il prodotto in

- modo sicuro e comprendano i pericoli associati.
- Non utilizzare il prodotto quando si è stanchi, ammalati o sotto effetto di alcool, farmaci o medicinali. Essi potrebbero compromettere la vista, l'attenzione, il coordinamento e il giudizio.
 - Non utilizzare un prodotto danneggiato.
 - Non modificare il prodotto né utilizzarlo nel caso in cui vi sia la possibilità che sia stato modificato da altri.

Istruzioni di sicurezza per il funzionamento



AVVERTENZA: Leggere le seguenti avvertenze prima di utilizzare il prodotto.

- Non utilizzare il prodotto se il cavo di alimentazione, il tubo flessibile ad alta pressione, il fermo della leva di comando o l'impugnatura di nebulizzazione sono danneggiati.
- Controllare che non siano presenti danni prima di utilizzare il prodotto. Non utilizzare il prodotto con parti danneggiate o mancanti.
- Mantenere saldamente l'impugnatura di nebulizzazione con due mani. Quando si tira la leva di comando, potrebbe verificarsi un contraccolpo.
- Prestare attenzione durante l'uso del prodotto. L'alta pressione erogata dal prodotto è pericolosa e può causare lesioni.
- Non puntare il getto verso se stessi o altre persone e animali.
- Non puntare il getto verso se stessi o altre persone per pulire le calzature.
- Non puntare il getto in direzione di apparecchiature elettriche o del prodotto stesso.
- Indossare sempre i dispositivi di protezione individuale adatti quando si utilizza il prodotto. Fare riferimento a *Dispositivi di protezione individuale alla pagina 219*.
- Non utilizzare il prodotto vicino a persone, a meno che non indossino dispositivi di protezione individuale adatti.
- Se si utilizza un detergente, attenersi alle relative istruzioni di sicurezza.
- Utilizzare soltanto detergenti Husqvarna.

- Utilizzare i detergenti e la pressione dell'acqua corretti e servirsi del prodotto solo per le attività descritte nel presente manuale. Se si utilizza una pressione dell'acqua, un detergente o un prodotto non corretti per attività diverse da quanto indicato nel presente manuale, si possono causare danni al prodotto, alle superfici, ai materiali o ad altri dispositivi. Husqvarna non si assume alcuna responsabilità per danni causati da un uso errato.
- Non è consigliabile collegare il prodotto alla rete idrica dell'acqua potabile. Se è necessario collegare il prodotto alla rete idrica dell'acqua potabile, attenersi alle normative locali e nazionali. Se necessario, utilizzare un meccanismo di prevenzione del riflusso (non incluso). L'acqua che ha attraversato una valvola di fondo è considerata non potabile.
- Non spruzzare liquidi infiammabili. Rischio di esplosione.
- Non lasciare che i bambini utilizzino il prodotto.
- Non lasciare che i bambini giochino con il prodotto.
- Non consentire ad altri di utilizzare il prodotto senza che abbiano ricevuto un'adeguata formazione.
- Utilizzare solo accessori e parti di ricambio approvati da Husqvarna.
- Assicurarsi che i collegamenti elettrici vengano effettuati da un elettricista autorizzato e siano conformi alla norma IEC 60364-1.
- Utilizzare un salvavita per interrompere l'erogazione di elettricità se la corrente di dispersione è superiore a 30 mA per 30 ms. Se non si dispone di un salvavita, utilizzare un dispositivo che dimostri l'adeguata messa a terra.
- Utilizzare fusibili di avviamento/ritardo del motore con la caratteristica C o D in conformità a IEC 898-1 o IEC947-2 o norme corrispondenti al di fuori di IEC.
- Non sono necessarie azioni per la regolazione dei prodotti contrassegnati con doppia tensione e frequenza.
- Se è necessario utilizzare una prolunga, assicurarsi che sia adatta per il funzionamento all'aperto. Assicurarsi che la presa si trovi a una distanza minima di 60 mm dal suolo.

Il collegamento deve essere sempre mantenuto asciutto.

- Portare l'interruttore di corrente su OFF (0), scollegare la spina di alimentazione e attivare il fermo della leva di comando prima di allontanarsi dal prodotto.
- Portare l'interruttore di corrente su OFF (0) e scollegare la spina di alimentazione prima di cambiare accessorio.
- Portare l'interruttore di corrente su OFF (0) e scollegare la spina di alimentazione prima di pulire o eseguire interventi di manutenzione sul prodotto.
- Non utilizzare il prodotto in aree in cui la temperatura ambiente è inferiore a 0 °C.
- Non avviare il prodotto, se congelato.
- Non utilizzare il prodotto in un ambiente interno.
- Non collocare oggetti sul prodotto quando è in funzione.
- Non bere acqua utilizzata con il prodotto.
- Non utilizzare il prodotto vicino a finestre aperte.
- Rischio di oggetti volanti. Vi è la possibilità di essere colpiti agli occhi da pietre o altri

oggetti sollevatisi dal terreno, con conseguenti gravi lesioni o cecità.

- Se il prodotto non funziona correttamente, fare riferimento a *Programma di ricerca guasti alla pagina 226*.

Dispositivi di protezione individuale



AVVERTENZA: Leggere le seguenti avvertenze prima di utilizzare il prodotto.

- L'uso di dispositivi di protezione individuale non elimina il rischio di lesioni, ma ne riduce la gravità in caso di incidente. Farsi consigliare dal rivenditore per la scelta dell'attrezzatura adatta.
- Utilizzare robusti stivali o scarpe antiscivolo. Non utilizzare il prodotto con calzature aperte o a piedi nudi.
- Usare indumenti protettivi.
- Usare cuffie protettive omologate.
- Usare occhiali protettivi.
- Indossare una protezione per le vie respiratorie di classe FFP2 o equivalente se si utilizza il prodotto in ambienti in cui possono formarsi aerosol pericolosi.

Dispositivi di sicurezza sul prodotto



AVVERTENZA: Leggere le seguenti avvertenze prima di utilizzare il prodotto.

- Non utilizzare un prodotto usando dispositivi di sicurezza danneggiati o che non funzionano correttamente.
- Non rimuovere o apportare modifiche ai dispositivi di sicurezza.
- Effettuare regolarmente un controllo dei dispositivi di sicurezza. Se i dispositivi di sicurezza sono danneggiati o non funzionano correttamente, rivolgersi al centro di assistenza Husqvarna.

Fermo della leva di comando

Il fermo della leva di comando (A) previene l'avviamento accidentale della leva di comando (B). Quando il fermo della leva di comando è in posizione bloccata, non è possibile spingere la leva di comando.

(Fig. 13)

Leva di comando

Il prodotto si avvia quando la leva di comando viene premuta. Il prodotto si arresta quando la leva di comando viene rilasciata.

Protezione termica

Il prodotto è dotato di una protezione termica automatica. Se il prodotto si surriscalda, la protezione termica interrompe l'alimentazione. Se la protezione termica ha interrotto l'alimentazione, attendere che il prodotto si raffreddi. La protezione termica si ripristina automaticamente una volta che il prodotto si è sufficientemente raffreddato.

Valvola di scarico idraulica

Il prodotto è dotato di una valvola di scarico idraulica integrata che impedisce la formazione di una pressione eccessiva nel sistema.

Istruzioni di sicurezza per la manutenzione



AVVERTENZA: Leggere le seguenti avvertenze prima di eseguire la manutenzione del prodotto.



ATTENZIONE: Eseguire sempre la manutenzione prima di avviare il prodotto dopo un lungo periodo di stoccaggio.

- Portare l'interruttore di corrente su OFF (0) e scollegare la spina di alimentazione dalla presa di alimentazione prima di eseguire interventi di manutenzione sul prodotto.
- Scollegare il prodotto dalla presa d'acqua e assicurarsi che tutte le parti siano asciutte prima di eseguire interventi di manutenzione sul prodotto.
- Eseguire esclusivamente gli interventi di manutenzione riportati nel presente manuale operatore.
- Utilizzare esclusivamente parti di ricambio raccomandate da Husqvarna. Durante l'uso del prodotto, i tubi flessibili dell'acqua ad alta pressione, i raccordi e i relativi accessori sono importanti per la sicurezza. Utilizzare solo tubi flessibili, raccordi e accessori consigliati dal produttore.
- Non tentare di riparare il prodotto. Consultare la propria officina Husqvarna.
- Se la spina di alimentazione o il cavo di alimentazione sono danneggiati, rivolgersi a un rappresentante dell'officina Husqvarna.
- Non permettere che i bambini tentino di pulire o eseguire interventi di manutenzione sul prodotto.

Montaggio

Introduzione



AVVERTENZA: Leggere e comprendere il capitolo sulla sicurezza prima di montare il prodotto.

giardino direttamente sull'ingresso dell'acqua. Se l'adattatore per tubo da giardino non è installato correttamente, può causare danni alle filettature e perdite.

Installazione dell'adattatore per tubo da giardino

1. Rimuovere il coperchio di trasporto dall'ingresso dell'acqua e smaltirlo. (Fig. 14)
2. Montare l'adattatore per tubo da giardino sull'ingresso dell'acqua. (Fig. 15)

3. Serrare completamente l'adattatore per tubo da giardino.
4. Rimuovere l'adattatore per tubo da giardino attenendosi alla procedura in ordine inverso.

Installazione del supporto per impugnatura di nebulizzazione e lancia

- Installare il supporto con le 2 viti. (Fig. 16)



ATTENZIONE: Assicurarsi di installare l'adattatore per tubo da

Introduzione



AVVERTENZA: Leggere e comprendere il capitolo sulla sicurezza prima di utilizzare la macchina.

Husqvarna Connect

Husqvarna Connect è un'app gratuita per i dispositivi mobili. L'app Husqvarna Connect fornisce funzioni estese per il prodotto Husqvarna:

- Informazioni aggiuntive sul prodotto.
- Dettagli, guida, parti del prodotto e manutenzione.

Primo utilizzo di Husqvarna Connect

1. Scaricare l'app Husqvarna Connect sul proprio dispositivo mobile.
2. Registrarsi nell'app Husqvarna Connect.
3. Seguire le istruzioni dell'app Husqvarna Connect per collegare e registrare il prodotto.

Nota: L'app Husqvarna Connect non è disponibile per il download in tutti i mercati. Rivolgersi al centro di assistenza per maggiori informazioni.

Installazione dell'impugnatura di nebulizzazione

1. Spingere il tubo flessibile dell'acqua ad alta pressione nell'attacco rapido finché non si blocca in posizione. (Fig. 17)



ATTENZIONE: Per evitare perdite, assicurarsi che il tubo flessibile ad alta pressione sia collegato completamente all'attacco rapido sul prodotto.

2. Tenere saldamente l'impugnatura di nebulizzazione con una mano e spingere il tubo flessibile dell'acqua ad alta pressione nell'attacco rapido sull'impugnatura di nebulizzazione. (Fig. 18)

Rimozione dell'impugnatura di nebulizzazione

1. Premere il pulsante sull'impugnatura di nebulizzazione ed estrarre il tubo flessibile dell'acqua ad alta pressione. (Fig. 19)
2. Spingere l'anello esterno sull'attacco rapido ed estrarre il tubo flessibile dell'acqua ad alta pressione. (Fig. 20)

Installazione della lancia

1. Tenere l'impugnatura di nebulizzazione con una mano e spingere il giunto sulla lancia nell'impugnatura di nebulizzazione. (Fig. 21)
2. Ruotare la lancia in senso orario, quindi rilasciarla. La lancia si blocca in posizione.

Rimozione della lancia

1. Spingere la lancia e ruotarla in senso antiorario. (Fig. 22)
2. Estrarre la lancia dall'impugnatura di nebulizzazione.

Installazione e rimozione degli ugelli

Il prodotto viene fornito con 2 ugelli: 1 ugello con getto d'acqua diretto (identificato come "ugello morbido") e 1 ugello smerigliato con getto d'acqua rotante (identificato come "ugello ruvido"). L'ugello con getto d'acqua diretto può essere utilizzato per pulire le superfici sensibili, ad esempio i veicoli. L'ugello smerigliato può essere utilizzato per pulire superfici non sensibili, ad esempio i vialetti.

(Fig. 23)



ATTENZIONE: Non utilizzare l'ugello con getto d'acqua rotante su superfici sensibili, ad esempio sulla carrozzeria verniciata di un veicolo. Il getto d'acqua rotante può danneggiare la superficie.

- Per installare un ugello, tenere la lancia con una mano e spingere l'ugello finché non si blocca in posizione. (Fig. 24)
- Per rimuovere un ugello, spingere la linguetta sulla lancia ed estrarre l'ugello dalla stessa. (Fig. 25)

Regolazione della pressione del getto d'acqua

L'ugello con getto d'acqua diretto ha una pressione regolabile.

- Per aumentare la pressione del getto d'acqua, ruotare l'ugello in senso orario. (Fig. 26)
- Per ridurre la pressione del getto d'acqua, ruotare l'ugello in senso antiorario. (Fig. 27)

Utilizzo del prodotto

1. Collegare il prodotto a una presa d'acqua. Fare riferimento a *Collegamento del prodotto a una presa d'acqua alla pagina 223*.
2. Spurgare l'impianto. Fare riferimento a *Spurgo dell'impianto alla pagina 223*.

3. Avviare il prodotto. Fare riferimento a *Avviamento del prodotto alla pagina 224*.

Collegamento del prodotto a una presa d'acqua

Il prodotto può essere utilizzato con acqua proveniente dalla rete idrica o da una presa d'acqua aperta, ad esempio da un lago o da un pozzo.

- Per collegare il prodotto alla rete idrica, fare riferimento a *Collegamento del prodotto alla rete idrica alla pagina 223*.
- Per collegare il prodotto a una presa d'acqua aperta, fare riferimento a *Collegamento del prodotto a una presa d'acqua aperta alla pagina 223*.

Collegamento del prodotto alla rete idrica

1. Installare l'adattatore per tubo da giardino e il filtro dell'acqua sull'ingresso dell'acqua del prodotto, se non sono già montati. Fare riferimento a *Installazione dell'adattatore per tubo da giardino alla pagina 221*.
2. Collegare il tubo da giardino alla rete idrica. Utilizzare un tubo da giardino da ½ pollice lungo 10–25 m. (Fig. 28)



ATTENZIONE: La pressione dell'acqua nella rete idrica non deve essere superiore a 1 MPa (10 bar).



ATTENZIONE: La temperatura dell'acqua nella rete idrica non deve essere superiore a 40 °C.

3. Aprire la valvola della rete idrica e assicurarsi che l'acqua possa scorrere liberamente dal tubo da giardino. (Fig. 29)
4. Chiudere la valvola della rete idrica.
5. Collegare il tubo da giardino all'ingresso dell'acqua sul prodotto. (Fig. 30)
6. Collegare la spina di alimentazione alla presa di alimentazione.
7. Aprire la valvola della rete idrica.
8. Spurgare l'impianto prima di utilizzare il prodotto. Fare riferimento a *Spurgo dell'impianto alla pagina 223*.

Collegamento del prodotto a una presa d'acqua aperta

Il prodotto può essere utilizzato con acqua proveniente da una presa d'acqua aperta, ad esempio da un lago o da un pozzo. Utilizzare un tubo pescante da ½ pollici (non incluso) lungo al massimo 3 m.

(Fig. 31)



ATTENZIONE: La temperatura dell'acqua nella presa d'acqua non deve essere superiore a 20 °C.



ATTENZIONE: Il prodotto non deve trovarsi a più di 0,5 m sopra la presa d'acqua.

1. Se l'adattatore per tubo da giardino è installato, rimuoverlo dall'ingresso dell'acqua sul prodotto. (Fig. 32)



ATTENZIONE: Non rimuovere il filtro dell'acqua dall'ingresso dell'acqua.

2. Installare un tubo pescante (non incluso) sull'ingresso dell'acqua del prodotto. (Fig. 33)
3. Inserire il tubo pescante nella presa d'acqua e assicurarsi che il filtro sia completamente immerso.



ATTENZIONE: Non utilizzare un tubo pescante senza filtro.

4. Premere il pulsante sull'impugnatura di nebulizzazione ed estrarre il tubo flessibile ad alta pressione dall'impugnatura di nebulizzazione. (Fig. 19)
5. Collegare la spina di alimentazione alla presa di alimentazione.
6. Portare l'interruttore di corrente su ON (I) e lasciare il prodotto in funzione per 2 minuti.
7. Portare l'interruttore di corrente su OFF (O).
8. Tenere saldamente l'impugnatura di nebulizzazione con una mano e spingere il tubo flessibile ad alta pressione nell'attacco rapido sull'impugnatura di nebulizzazione. (Fig. 18)
9. Spurgare l'impianto prima di utilizzare il prodotto. Fare riferimento a *Spurgo dell'impianto alla pagina 223*.

Spurgo dell'impianto



ATTENZIONE: Assicurarsi che l'interruttore di corrente sia in posizione OFF (0) prima di spurgare l'impianto.

1. Collegare il prodotto a una presa d'acqua. Fare riferimento a *Collegamento del prodotto a una presa d'acqua alla pagina 223*.
2. Installare la lancia sulla spruzzatrice. Fare riferimento a *Installazione della lancia alla pagina 222*.
3. Disinserire il fermo della leva di comando. Fare riferimento a *Inserimento e disinserimento del fermo della leva di comando alla pagina 224*.

4. Premere la leva di comando e tenerla premuta finché l'acqua non fuoriesce dall'ugello sulla lancia. (Fig. 34)

Scollegamento del prodotto dalla presa d'acqua

1. Portare l'interruttore di corrente su OFF (0).
2. Se il prodotto è collegato alla rete idrica, chiudere la valvola della stessa.
3. Se il prodotto è collegato alla rete idrica, scollegare il tubo da giardino dalla rete idrica. (Fig. 35)
4. Se il prodotto è collegato a una presa d'acqua aperta, rimuovere il tubo pescante dalla presa d'acqua.
5. Premere la leva di comando e tenerla premuta fino a quando dall'ugello non fuoriesce più acqua.
6. Scollegare il tubo da giardino dall'ingresso dell'acqua sul prodotto. (Fig. 36)

Nota: Se il prodotto è collegato a una presa d'acqua aperta, scollegare il tubo pescante.

7. Premere il pulsante sull'impugnatura di nebulizzazione ed estrarre il tubo flessibile ad alta pressione dall'impugnatura di nebulizzazione. (Fig. 19)
8. Portare l'interruttore di corrente su ON (I). Lasciare il prodotto in funzione fino a quando non fuoriesce più acqua dal tubo flessibile ad alta pressione.
9. Portare l'interruttore di corrente su OFF (0).
10. Lasciare asciugare l'impugnatura di nebulizzazione, la lancia e gli ugelli prima di riporre il prodotto.

Inserimento e disinserimento del fermo della leva di comando

- Per inserire il fermo della leva di comando, ruotarlo in senso orario fino a quando non si ode uno scatto. (Fig. 37)
- Per disinserire il fermo della leva di comando, ruotarlo completamente in senso antiorario. (Fig. 38)

Avviamento del prodotto

1. Collegare il prodotto a una presa d'acqua. Fare riferimento a *Collegamento del prodotto a una presa d'acqua alla pagina 223*.
2. Collegare la spina di alimentazione alla presa di alimentazione.
3. Portare l'interruttore di corrente su ON (I). (Fig. 39)
4. Disinserire il fermo della leva di comando. Fare riferimento a *Inserimento e disinserimento del fermo della leva di comando alla pagina 224*.

5. Premere la leva di comando sull'impugnatura di nebulizzazione.

Nota: Il prodotto si arresta automaticamente quando si rilascia la leva di comando.

Arresto del prodotto

Nota: Il prodotto si arresta automaticamente quando si rilascia la leva di comando.

1. Rilasciare la leva di comando sull'impugnatura di nebulizzazione.
2. Inserire il fermo della leva di comando. Fare riferimento a *Inserimento e disinserimento del fermo della leva di comando alla pagina 224*.
3. Portare l'interruttore di corrente su OFF (0). (Fig. 40)
4. Scollegare la spina di alimentazione alla presa di alimentazione.
5. Scollegare il prodotto dalla presa d'acqua. Fare riferimento a *Scollegamento del prodotto dalla presa d'acqua alla pagina 224*.

Nota: Scollegare sempre il prodotto dalla presa d'acqua se ci si allontana dal prodotto per più di 5 minuti.

Utilizzo dello spruzzatore a schiuma

1. Rimuovere lo spruzzatore a schiuma dal supporto. (Fig. 41)
2. Riempire il contenitore sullo spruzzatore a schiuma di detergente.



ATTENZIONE: Utilizzare solo detersivi consigliati da Husqvarna.

3. Spingere l'attacco rapido dello spruzzatore a schiuma nell'attacco rapido della lancia finché non si blocca in posizione. (Fig. 42)

Nota: La flangia sullo spruzzatore a schiuma deve essere allineata con la scanalatura nella lancia.

4. Collegare il prodotto a una presa d'acqua. Fare riferimento a *Collegamento del prodotto a una presa d'acqua alla pagina 223*.
5. Avviare il prodotto. Fare riferimento a *Avviamento del prodotto alla pagina 224*.

Manutenzione

Introduzione



AVVERTENZA: Prima di svolgere la manutenzione, leggere e comprendere il capitolo relativo alla sicurezza.

Per tutti gli interventi di assistenza e riparazione sul prodotto, è necessaria una formazione specifica. La nostra azienda garantisce la disponibilità di personale qualificato per le riparazioni e l'assistenza.

Per ulteriori informazioni dettagliate, fare riferimento a www.husqvarna.com.

Programma di manutenzione

Manutenzione	Prima dell'uso	Dopo l'uso
Effettuare un'ispezione generale. Fare riferimento a <i>Ispezione generale alla pagina 225</i> .	X	
Pulire il prodotto. Fare riferimento a <i>Pulizia del prodotto alla pagina 225</i> .		X
Pulire la lancia e gli ugelli. Fare riferimento a <i>Pulizia della lancia e degli ugelli alla pagina 225</i> .		X
Pulire il filtro dell'acqua. Se danneggiato, sostituire il filtro dell'acqua. Fare riferimento a <i>Pulizia del filtro dell'acqua alla pagina 226</i> .		X
Lubrificare gli O-ring sui giunti. Fare riferimento a <i>Lubrificare gli o-ring sui giunti alla pagina 226</i> .		X

Ispezione generale



AVVERTENZA: Portare l'interruttore di corrente su OFF (0) e scollegare la spina di alimentazione dalla presa di alimentazione prima di eseguire interventi di manutenzione sul prodotto.

alimentazione prima di eseguire interventi di manutenzione sul prodotto.



ATTENZIONE: Scollegare il prodotto dalla presa d'acqua e assicurarsi che tutte le parti siano asciutte prima di eseguire interventi di manutenzione sul prodotto.



ATTENZIONE: Scollegare il prodotto dalla presa d'acqua e assicurarsi che tutte le parti siano asciutte prima di eseguire interventi di manutenzione sul prodotto.

- Pulire le parti esterne con un panno asciutto.
- Non utilizzare idropulitrici per pulire il prodotto.
- Mantenere pulite le aperture dell'aria per assicurarsi che il prodotto abbia sempre una temperatura sufficientemente fredda.

- Controllare che i dadi e le viti del prodotto siano ben serrati.
- Accertarsi che i cavi del prodotto non siano in una posizione in cui possono danneggiarsi.
- Esaminare il tubo flessibile ad alta pressione per verificare che non sia usurato o danneggiato.

Pulizia della lancia e degli ugelli



AVVERTENZA: Portare l'interruttore di corrente su OFF (0) e scollegare la spina di alimentazione dalla presa di alimentazione prima di eseguire interventi di manutenzione sul prodotto.



AVVERTENZA: Non utilizzare il prodotto se il tubo flessibile ad alta pressione è usurato o danneggiato.



ATTENZIONE: Scollegare il prodotto dalla presa d'acqua e assicurarsi che tutte le parti siano asciutte prima di eseguire interventi di manutenzione sul prodotto.

Pulizia del prodotto



AVVERTENZA: Portare l'interruttore di corrente su OFF (0) e scollegare la spina di alimentazione dalla presa di

1. Se sulla lancia è installato un ugello, rimuoverlo. Fare riferimento a *Installazione e rimozione degli ugelli alla pagina 222*.

2. Pulire gli ugelli, il giunto della lancia e il giunto dell'impugnatura di nebulizzazione con acqua e sapone. (Fig. 43)
3. Se sono presenti ostruzioni negli ugelli, rimuoverle con lo strumento per la pulizia. (Fig. 44)

Pulizia del filtro dell'acqua



AVVERTENZA: Portare l'interruttore di corrente su OFF (0) e scollegare la spina di alimentazione dalla presa di alimentazione prima di eseguire interventi di manutenzione sul prodotto.



ATTENZIONE: Scollegare il prodotto dalla presa d'acqua e assicurarsi che tutte le parti siano asciutte prima di eseguire interventi di manutenzione sul prodotto.

1. Se l'adattatore per tubo da giardino è installato, rimuoverlo dall'ingresso dell'acqua sul prodotto. (Fig. 32)
2. Estrarre il filtro dell'acqua. Utilizzare un paio di pinze. (Fig. 45)
3. Verificare che non siano presenti danni sul filtro dell'acqua. Se danneggiato, sostituire il filtro dell'acqua. (Fig. 46)

4. Sciacquare il filtro dell'acqua con acqua pulita. (Fig. 47)

Lubrificare gli o-ring sui giunti



AVVERTENZA: Portare l'interruttore di corrente su OFF (0) e scollegare la spina di alimentazione dalla presa di alimentazione prima di eseguire interventi di manutenzione sul prodotto.



ATTENZIONE: Scollegare il prodotto dalla presa d'acqua e assicurarsi che tutte le parti siano asciutte prima di eseguire interventi di manutenzione sul prodotto.

1. Rimuovere la lancia dall'impugnatura di nebulizzazione e quest'ultima dal tubo flessibile ad alta pressione. Fare riferimento a *Installazione della lancia alla pagina 222* e *Installazione dell'impugnatura di nebulizzazione alla pagina 222*.
2. Lubrificare con grasso gli O-ring sull'adattatore per tubo da giardino, la lancia e il tubo flessibile ad alta pressione. Fare riferimento a *Dati tecnici alla pagina 228* per il tipo di grasso corretto. (Fig. 48)

Ricerca guasti

Programma di ricerca guasti

Problema	Possibile causa	Soluzione
Il prodotto non si avvia.	La spina di alimentazione non è collegata a una presa di alimentazione.	Collegare la spina di alimentazione a una presa di alimentazione
	L'interruttore di corrente è in posizione OFF (0).	Portare l'interruttore di corrente su ON (I).
	Non è presente elettricità nella presa di alimentazione.	Rivolgersi a un elettricista autorizzato.
	Il cavo di alimentazione è danneggiato.	Rivolgersi a un tecnico dell'assistenza autorizzato.
	La protezione termica ha interrotto la corrente.	Attendere che il prodotto si raffreddi prima di utilizzarlo nuovamente.
	È in uso un tipo di prolunga errato.	Assicurarsi che la prolunga sia completamente srotolata e che la tensione di alimentazione corrisponda a quella del prodotto.
Il fusibile si brucia durante l'avviamento o il funzionamento.	È in uso un tipo di fusibile errato.	Assicurarsi di utilizzare un fusibile ritardato di classe "C" o "K".

Problema	Possibile causa	Soluzione
Il prodotto non si arresta.	Il prodotto è danneggiato.	Scollegare la spina di alimentazione e rivolgersi a un rappresentante dell'officina autorizzato.
Il prodotto si è surriscaldato.	Il flusso d'aria non è sufficiente.	Pulire le prese d'aria.
Il prodotto gira in maniera irregolare.	È presente aria all'interno del sistema.	Spurgare l'impianto.
La pressione dell'acqua non è soddisfacente.	Il tubo flessibile è piegato	Assicurarsi che i tubi flessibili non presentino piegature.
	L'interruttore di corrente è in posizione OFF (0).	Portare l'interruttore di corrente su ON (1).
	Il flusso d'acqua non è sufficiente.	Assicurarsi che il prodotto sia collegato correttamente a una presa d'acqua. Assicurarsi che vi sia un sufficiente flusso d'aria.
	Il filtro dell'acqua è ostruito.	Pulire il filtro dell'acqua.
	È presente aria all'interno del sistema.	Spurgare l'impianto.
	L'accessorio in uso non è corretto.	Assicurarsi di utilizzare l'accessorio corretto.

Trasporto, stoccaggio e smaltimento

Trasporto

- Scollegare la spina di alimentazione dalla presa di alimentazione prima di trasportare il prodotto.
- Prima di trasportare il prodotto, scollegarlo dalla presa d'acqua.
- Fissare il prodotto per impedire qualsiasi movimento durante il trasporto.

Stoccaggio

- Scaricare tutta l'acqua dal prodotto, dal tubo flessibile dell'acqua ad alta pressione e dagli accessori prima di riporre il prodotto.
- Preparare il prodotto per lo stoccaggio. Fare riferimento a *Preparazione del prodotto per lo stoccaggio alla pagina 227*.
- Conservare il prodotto in un ambiente asciutto e al riparo dal gelo.

Preparazione del prodotto per lo stoccaggio

1. Arrestare il prodotto e scollegare la spina di alimentazione dalla presa di alimentazione.
2. Scollegare il prodotto dalla presa d'acqua. Fare riferimento a *Scollegamento del prodotto dalla presa d'acqua alla pagina 224*.

3. Assicurarsi che tutti gli accessori siano asciutti.
4. Posizionare l'impugnatura di nebulizzazione, la lancia e gli ugelli nei rispettivi supporti.
5. Scollegare il tubo flessibile dell'acqua ad alta pressione e inserirlo nel relativo supporto. (Fig. 49)
6. Posizionare il cavo di alimentazione sul relativo supporto e fissare la cinghia. (Fig. 50)

Smaltimento

I prodotti Husqvarna non sono rifiuti domestici e devono essere smaltiti secondo le indicazioni fornite in questo manuale.

- Rispettare le norme locali e le normative vigenti sullo smaltimento.
- Riciclare il prodotto e la confezione presso un apposito centro di smaltimento.
- Consultare il proprio rivenditore locale Husqvarna per maggiori informazioni su come riciclare e smaltire il prodotto.

Dati tecnici

PW 130	
Motore e pompa	
Tipo	Serie motore AC
Potenza, W	1500
Gamma di tensione, V	220–240
Frequenza, Hz	50
Corrente nominale, A	6,5
Flusso d'acqua massimo, l/min	7,7
Pressione di uscita dell'acqua massima, bar/MPa	130/13
Pressione di ingresso dell'acqua massima, bar/MPa	10/1
Temperatura di ingresso dell'acqua massima, °C/°F	40/104
Temperatura di ingresso dell'acqua massima (in modalità di aspirazione), °C/°F	20/68
Classificazione IP	IPX5
Classe di protezione	Classe II
Lubrificazione	
Tipo di grasso per la lubrificazione degli O-ring	Grasso al silicone bianco universale
Peso	
Peso, kg	6,5
Emissioni di rumore ⁴⁹	
Livello potenza acustica, misurato dB(A)	85
Livello di potenza acustica, garantito L _{WA} dB(A)	89
Livelli di rumorosità ⁵⁰	
Livello di pressione acustica equivalente all'orecchio dell'operatore, dB(A)	72
Livelli di vibrazioni ⁵¹	
Mano/Braccio (con ugello standard) m/s ²	2,5

⁴⁹ Emissioni di rumore nell'ambiente misurate come potenza sonora (L_{WA}) in base alla direttiva CE 2000/14/CE.

⁵⁰ Il livello di pressione acustica equivalente, ai sensi della norma ISO 22868, è calcolato come la quantità di energia, in media ponderata rispetto al tempo, dei livelli di pressione acustica a diverse condizioni di esercizio. La dispersione statistica tipica del livello di pressione acustica equivalente è una deviazione standard di 1 dB (A).

⁵¹ Livello di vibrazioni in conformità alla norma EN 60745-2-13. I dati riportati per il livello di vibrazioni presentano una dispersione statistica tipica (deviazione standard) di 1 m/s². Dati dichiarati sulle vibrazioni provenienti da misurazioni nel caso in cui la macchina presenti una lunghezza barra e il tipo di catena raccomandati. Se la macchina presenta una lunghezza barra differente, il livello di vibrazioni potrebbe variare di ± 1,5 m/s² max.

	PW 130
Livelli di vibrazioni equivalenti ⁵²	
Mano/Braccio (con ugello standard) m/s ²	1,8

Accessori

Accessori omologati

Accessori omologati	Cod. art.
Detergente per superfici SC 300	590 65 79-01
Spruzzatore a schiuma FS 300	590 66 04-01
Flessibile per pulizia dei tubi, 15 m	590 66 10-01
Filtro dell'acqua	590 65 93-01
Meccanismo di prevenzione del riflusso	590 65 95-01
Tubo pescante	590 65 97-01
Kit per veicoli	590 66 07-01
Kit con spazzole rotanti	590 66 06-01
Lancia angolata	590 66 11-01
Ugello di aspirazione dell'acqua	590 66 05-01
Tubo di prolunga, 8 m	590 66 08-01

⁵² Il livello di vibrazioni equivalente viene misurato e calcolato come avviene per le motoseghe con motore a combustione. I valori citati possono essere utilizzati per confrontare i livelli di vibrazioni a prescindere dal tipo di motore in base allo standard ISO 22867:2011.

Dichiarazione di conformità

Dichiarazione di conformità UE

Husqvarna AB, SE-561 82 Husqvarna, Svezia, tel:
+46-36-146500, dichiara sotto la propria esclusiva
responsabilità che il prodotto indicato:

Descrizione	Idropulitrice
Marchio	Husqvarna
Tipo/Modello	PW 130
Identificazione	Numeri di serie a partire da 2022 e successivi

È pienamente conforme alle seguenti norme e direttive
UE:

Regolamento	Descrizione
2006/42/CE	"sulle macchine"
2014/30/UE	"sulla compatibilità elettromagnetica"
2000/14/CE Allegato V	"sull'emissione di rumore nell'ambiente"
2011/65/UE	"sulla restrizione dell'uso di determinate sostanze pericolose nelle apparecchiature elettriche ed elettroniche"

e che sono applicati gli standard e/o le specifiche
tecniche seguenti: EN 60335-1:2012/A11:2014/
A13:2017/A1:2019/A14:2019/A2:2019/A15:2021, EN
60335-2-79:2012, EN 62233:2008, EN 55014-1:2021,
EN 55014-2:2021, EN IEC 61000-3-2:2019/A1:2021, EN
61000-3-3:2013/A2:2021, EN IEC 63000:2018.

Per informazioni sulle emissioni acustiche, fare
riferimento a *Dati tecnici alla pagina 228*.

Husqvarna, 2023-01-19



Claes Losdal, Responsabile sviluppo/Prodotti da
giardino, Husqvarna AB

Responsabile della documentazione tecnica



TURINYS

Įvadas.....	231	Gedimai ir jų šalinimas.....	242
Sauga.....	232	Transportavimas, saugojimas ir utilizavimas.....	243
Surinkimas.....	238	Techniniai duomenys.....	243
Naudojimas.....	238	Priedai.....	245
Techninė priežiūra.....	241	Atitikties deklaracija.....	246

Įvadas

Gaminio aprašas

Šis gaminys yra elektrinis aukšto slėgio plovimo įrenginys. Šį gaminį galima naudoti su skirtingais vandens slėgio lygiais ir įvairiomis plovimo priemonėmis.

Numatytasis naudojimas

Gaminį naudokite tik plovimo darbams buityje. Nenaudokite gaminio kitiems darbams. Gaminį naudokite tik statmenoje padėtyje.

Gaminio apžvalga

(Pav. 1)

1. Tiesiog vandens srovės antgalis
2. Besisukantis vandens srovės antgalis
3. Guminis dirželis maitinimo laido laikikliui
4. Purškimo rankenos ir ilgakočio purkštuvu laikiklis
5. Aukšto slėgio vandens žarna
6. Vandens įleidimo anga
7. Putų purkštuvus
8. Dėtuvė aukšto slėgio vandens žarnai
9. Maitinimo jungiklis
10. Maitinimo laidas
11. Vandens išvadas su greitąja jungtimi
12. Valymo įrankis antgaliams
13. Transportavimo rankena
14. Oro įleidimo anga
15. Purškimo rankena
16. Ilgakotis purkštuvus
17. Naudojimo instrukcija

Simboliai ant gaminio

(Pav. 2)

ĮSPĖJIMAS. Šis gaminys gali būti pavojingas ir rimtai sužeisti arba pražudyti naudotoją arba aplinkinius. Būkite

Pasižymėkite: Nacionaliniai įstatymai gali nustatyti apribojimus šio produkto naudojimui.

atsargūs ir tinkamai naudokite gaminį.

(Pav. 3)

Prieš naudodami gaminį atidžiai perskaitykite naudojimo instrukciją ir įsitikinkite, kad instrukcijas suprantate.

(Pav. 4)

Gaminys nėra pritaikytas jungti prie geriamojo vandens tinklo.

(Pav. 5)

Naudojant netinkamai aukšto slėgio vandens srovė gali būti pavojinga. Srovę draudžiama nukreipti į žmogų, elektros įrangą ar gaminį.

(Pav. 6)

Aplinkosaugos simbolis.

Gaminys ar gaminio pakuotė nepriskiriami buitiniems atliekoms. Nuvežkite jį į įgaliotą elektros ir elektronikos įrenginių utilizavimo vietą.

(Pav. 7)

II klasės įrankis.

(Pav. 8)

Triukšmo emisijos į aplinką ženklimas atitinka ES ir Jungtinės Karalystės direktyvas bei reglamentus ir Naujojo Pietų Velso įstatymą „2017 m. aplinkos apsaugos (triukšmo kontrolės) reglamentas“. Gaminio garantuotasis garso galios lygis nurodytas

*Techniniai duomenys
psl. 243 ir etiketėje.*

(Pav. 9)

Apsaugota nuo žemo slėgio vandens srovės bet kuriuo kampu.

(Pav. 10)

Saugokite nuo šalčio.

(Pav. 11)

Šis gaminys atitinka taikomas ES direktyvas.

(Pav. 12)

Šis gaminys atitinka taikytinų JK reglamentų nuostatas.

Pasižymėkite: Kiti ant gaminio pateikti simboliai (etiketės) skirti kai kurių rinkų sertifikavimo reikalavimams.

Produkto pažeidimai

Mes neatsakome už mūsų gaminio sugadinimą, jei:

- gaminys netinkamai suremontuotas;
- gaminys suremontuotas naudojant kito gamintojo arba gamintojo nepatvirtintas dalis;
- gaminys turi kito gamintojo arba gamintojo nepatvirtintą priedą;
- gaminys suremontuotas ne patvirtintame techninės priežiūros centre arba jį suremontavo ne patvirtintas atstovas.

Sauga

Saugos ženklų reikšmės

Įspėjimai, perspėjimai ir pastabos yra skirtos atkreipti dėmesį į ypač svarbias instrukcijos dalis.



PERSPĖJIMAS:

Naudojamas, kai naudotojui ar šalia esantiems asmenims

kyla mirtino arba sunkaus sužeidimo pavojus arba, jei nesilaikoma naudotojo instrukcijoje pateiktų nurodymų.



PASTABA: Naudojamas, kai kyla pavojus

sugadinti gaminį, kitas medžiagas arba padaryti žalą aplinkai, jei nesilaikoma naudotojo instrukcijoje pateiktų nurodymų.

Pasižymėkite: Naudojama pateikti daugiau, nei būtina esamoje situacijoje, informacijos.

Bendrieji saugos nurodymai



PERSPĖJIMAS: Prieš naudodami gaminį, perskaitykite toliau esančius įspėjimus.

- Netinkamai arba neatidžiai naudojant šis gaminys yra pavojingas. Jei nesilaikysite saugos nurodymų, kyla sužeidimų arba mirties pavojus.
- Visada elkitės atsargiai ir vadovaukitės sveiku protu. Jei tiksliai nežinote, kaip naudoti gaminį konkrečioje situacijoje, sustabdykite darbą ir prieš tęsdami pasitarkite su „Husqvarna“ techninės priežiūros specialistu.
- Atsiminkite, kad už nelaimingus atitikimus, kurių metu nukentės asmenys

ar turtas, bus atsakingas naudotojas.

- Rūpinkitės gaminio švara. Įsitinkinkite, kad galite aiškiai perskaityti ženklus ir lipdukus.
- Neleiskite vaikams bei suaugusiesiems, nesusipažinusiems su instrukcijomis, naudotis įrenginiu. Gali būti, kad pagal vietos teisės aktus ribojamas naudotojo amžius.
- Šį gaminį gali naudoti asmenys su ribotais fiziniais, jutimaisiais ar protiniais gebėjimais, jei jie yra prižiūrimi arba jiems yra pateikti nurodymai, kaip saugiai naudoti gaminį, ir jie supranta su tuo susijusius pavojus.
- Šį gaminį gali naudoti asmenys, neturintys reikiamos patirties ar žinių, jei jie yra prižiūrimi arba jiems yra pateikti nurodymai, kaip saugiai naudoti gaminį, ir jie supranta su tuo susijusius pavojus.
- Nedirbkite su gaminiu, jeigu esate pavargę, sergate arba esate apsvaigę alkoholio, narkotinių medžiagų ar vaistų. Tai neigiamai veikia jūsų regėjimą, nuovoką, koordinaciją ar gebėjimą priimti sprendimus.

- Sugadinto gaminio nenaudokite.
- Nekeiskite gaminio ir nenaudokite jo, jei jį galėjo pakeisti kiti.

Naudojimo saugos instrukcijos



PERSPĖJIMAS: Prieš naudodami gaminį, perskaitykite toliau esančius įspėjimus.

- Gaminio nenaudokite, jei pažeistas maitinimo laidas, aukšto slėgio žarna, gaiduko fiksatorius arba purškimo rankena.
- Prieš naudodami gaminį patikrinkite, ar jis nesugadintas. Nenaudokite gaminio, jei yra sugadintų dalių arba jų trūksta.
- Purškimo rankeną tvirtai laikykite abiem rankomis. Paspaudus įjungimo gaiduką juntama atatrakos jėga.
- Naudodami gaminį būkite atsargūs. Gaminio sukuriama aukšto slėgio srovė yra pavojinga ir gali sužeisti.
- Srovės nenukreipkite į save, kitus žmones ar gyvūnus.
- Nenukreipkite srovės į save ar kitus žmones norėdami nuplauti avalynę.
- Nenukreipkite srovės į elektros įrangą ar patį gaminį.
- Naudodami gaminį visada dėvėkite asmenines apsaugines priemones. Žr. *Asmeninės apsauginės priemonės psl. 236.*
- Nenaudokite gaminio prie žmonių, jei jie nedėvi apsaugos priemonių.
- Jei naudojate plovimo priemonę, laikykitės plovimo priemonės saugos instrukcijų.
- Naudokite tik Husqvarna plovimo priemones.
- Naudokite tinkamą vandens slėgį ir plovimo priemones, be to, gaminį naudokite tik šiame vadove aprašytiems darbams. Jei naudosite netinkamą vandens slėgį, plovimo priemonę arba gaminį naudosite kitiems nei šiame vadove aprašytiems darbams atlikti, galite sugadinti gaminį, pažeisti paviršius, medžiagas ar kitus įrenginius. „Husqvarna“ nepriima atsakomybės už pažeidimus, atsiradusius dėl netinkamo naudojimo.
- Gaminio nerekomenduojama jungti prie geriamojo vandens tinklo. Jei gaminį turite jungti prie geriamojo vandens tinklo, laikykitės vietinių ir šalyje galiojančių taisyklių. Prireikus naudokite atgalinio srauto

- vožtuvą (nepridedamas). Pro atbulinį vožtuvą pratekėjęs vanduo yra laikomas negeriamu.
- Nepurškite degių skysčių. Sprogimo pavojus.
 - Neleiskite vaikams valdyti gaminio.
 - Neleiskite vaikams žaisti su gaminiu.
 - Neleiskite gaminiu naudotis nemokantiems juo naudotis žmonėms.
 - Naudokite tik Husqvarna patvirtintus priedus ir atsargines dalis.
 - Pasirūpinkite, kad elektros jungtis sujungtų kvalifikuotas elektrikas ir kad darbai būtų atlikti laikantis IEC 60364-1 reikalavimų.
 - Naudokite liekamosios srovės įtaisą, kuris nutraukia elektros tiekimą, jei nuotėkio srovė 30 ms išlieka didesnė nei 30 mA. Jei neturite įrengto liekamosios srovės įtaiso, naudokite įtaisą, kuriuo grandinė būtų įžeminta.
 - Naudokite varikliams skirtus paleidimo / uždelsto veikimo saugiklius, kurie atitinka C ar D charakteristikas pagal IEC 898-1 arba IEC947-2 ar atitinkamus ne IEC standartus.
 - Gminių, paženklintų dviejų įtampų ir dažnių etiketėmis, reguliuoti nereikia.
 - Jei būtina naudoti ilginamąjį laidą, įsitikinkite, kad jis tinkamas naudoti lauke. Pasirūpinkite, kad lizdas yra ne mažesniu kaip 60 mm atstumu nuo žemės. Jungtis visada turi išlikti sausa.
 - Prieš nueidami nuo gaminio maitinimo jungiklį nustatykite į išjungimo padėtį (0), atjunkite maitinimo kištuką ir paspauskite gaiduko fiksatorių.
 - Prieš keisdami priedą maitinimo jungiklį nustatykite į išjungimo padėtį (0) ir atjunkite maitinimo kištuką.
 - Prieš atlikdami gaminio valymo ar priežiūros darbus maitinimo jungiklį nustatykite į išjungimo padėtį (0) ir atjunkite maitinimo kištuką.
 - Nenaudokite gaminio, jei aplinkos temperatūra yra žemesnė nei 0 °C.
 - Nebandykite įjungti užšalusio gaminio.
 - Nenaudokite gaminio patalpoje.
 - Nedėkite daiktų ant gaminio, kai jis naudojamas.
 - Negerkite vandens, kuris buvo naudojamas su gaminiu.

- Nenaudokite gaminio šalia atvirų langų.
- Saugokitės į orą išsviedžiamų objektų. Akmenukai ir palaidos šiukšlės gali pataikyti į akis ir apakinti ar sunkiai jas sužaloti.
- Jei gaminys veikia netinkamai, žr. *Trikčių šalinimo schema psl. 242*.

Asmeninės apsauginės priemonės



PERSPĖJIMAS: Prieš naudodami gaminį, perskaitykite toliau esančius įspėjimus.

- Asmeninės apsauginės priemonės nepadės visiškai išvengti pavojaus susižeisti, tačiau nelaimingo atsitikimo atveju mažiau nukentėsite. Leiskite prekybos atstovui padėti pasirinkti tinkamą įrangą.
- Avėkite patvarius, neslystančius batus. Neavėkite atvirų batų ir nebūkite basi.
- Dėvėkite apsauginius drabužius.
- Naudokite patvirtintas apsaugines ausines.
- Dėvėkite apsauginius akinius.

- Jei gaminį naudojate aplinkoje, kurioje susidaro pavojingi aerozoliai, naudokite FFP2 klasės ar joms lygiavertės kvėpavimo takų apsaugos priemones.

Gaminio apsauginės priemonės



PERSPĖJIMAS: Prieš naudodami gaminį, perskaitykite toliau esančius įspėjimus.

- Nenaudokite gaminio su saugos įtaisais, kurie yra pažeisti arba tinkamai neveikia.
- Nepašalinkite ir nemodifikuokite saugos įtaisų.
- Reguliariai tikrinkite apsaugines priemones. Jei saugos įtaisai pažeisti arba tinkamai neveikia, kreipkitės į Husqvarna techninės priežiūros atstovą.

Maitinimo jungiklio fiksatorius

Gaiduko fiksatorius (A) neleidžia netyčia nuspausti gaiduko (B). Kai gaiduko fiksatorius yra užfiksuotas, gaiduko paspausti negalima.

(Pav. 13)

Maitinimo jungiklis

Gaminys pradeda veikti nuspaudus gaiduką. Gaminys sustoja gaiduką atleidus.

Apsauga nuo šilumos

Gaminyje yra automatinė apsauga nuo šilumos. Jei gaminys per daug įkaista, apsauga nuo šilumos nutraukia gaminio maitinimą. Jei apsauga nuo šilumos nutraukė maitinimą, palaukite, kol gaminys atvės. Apsauga nuo šilumos vėl pradės veikti automatiškai, kai gaminys pakankamai atvės.

Hidraulinis apsauginis vožtuvas

Gaminyje yra integruotas hidraulinis apsauginis vožtuvas, kuris saugo sistemą nuo per didelio slėgio.

Priežiūros saugos instrukcijos



PERSPĖJIMAS: Prieš atlikdami gaminio techninę priežiūrą, perskaitykite toliau esančius įspėjimus.



PASTABA: Prieš pradėdami gaminį naudoti po ilgo

sandėliavimo visada atlikite priežiūros darbus.

- Maitinimo jungiklį nustatykite į išjungimo padėtį (0) ir atjunkite maitinimo kištuką nuo maitinimo šaltinio, tik tada atlikite gaminio priežiūros darbus.
- Prieš atlikdami gaminio priežiūros darbus atjunkite gaminį nuo vandens šaltinio ir įsitikinkite, kad visos dalys yra sausos.
- Atlikite tik šiame naudotojo vadove nurodytus priežiūros darbus.
- Naudokite tik Husqvarna rekomenduojamas atsargines dalis. Aukšto slėgio vandens žarnos, jungiamieji elementai ir jungtys yra svarbios užtikrinant saugumą naudojant gaminį. Naudokite tik gamintojo rekomenduojamas žarnas, jungiamuosius elementus ir jungtis.
- Netaisykite gaminio patys. Kreipkitės į Husqvarna techninės priežiūros atstovą.
- Jei maitinimo kištukas arba maitinimo laidas pažeistas, kreipkitės į Husqvarna techninės priežiūros specialistą.

- Neleiskite vaikams gaminio valyti ar atlikti jo priežiūros darbų.

Surinkimas

Įvadas



PERSPĖJIMAS: Prieš surinkdami gaminį perskaitykite ir supraskite skyrių apie saugą.

pasirūpinkite, kad jis įstatytas tiesiai. Jei sodo žarnos adapteris nebus įstatytas tiesiai, gali būti sugadintas sriegis ir tekėti vanduo.

Sodo žarnos adapterio montavimas

1. Nuimkite transportavimo dangtelį nuo vandens įvado ir išmeskite jį. (Pav. 14)
2. Ant vandens įvado sumontuokite sodo žarnos adapterį. (Pav. 15)

3. Sodo žarnos adapterį priveržkite iki galo.
4. Sodo žarnos adapterį nuimkite atlikdami veiksmus priešinga tvarka.

Purškimo rankenos ir ilgakočio purkštuvo laikiklio montavimas

- Laikiklį pritvirtinkite 2 varžtais. (Pav. 16)



PASTABA: Montuodami sodo žarnos adapterį ant vandens įvado

Naudojimas

Įvadas



PERSPĖJIMAS: Prieš naudodami gaminį perskaitykite ir supraskite skyrių apie saugą.

Husqvarna Connect

Husqvarna Connect yra nemokama programėlė, skirta mobiliesiems įrenginiams. Programėlė Husqvarna Connect suteikia Husqvarna gaminiui papildomas funkcijas:

- Papildoma informacija apie gaminį.
- Informacija ir patarimai apie gaminio dalis ir priežiūrą.

Norėdami pradėti naudoti Husqvarna Connect

1. Atsisiųskite „Husqvarna Connect“ programėlę į mobilųjį įrenginį.
2. Užsiregistruokite „Husqvarna Connect“ programėlėje.
3. Norėdami prisijungti ir užregistruoti gaminį, vadovaukitės programėlėje Husqvarna Connect pateiktomis instrukcijomis.

Pasižymėkite: Programėlė Husqvarna Connect nėra prieinama visose programėlių parduotuvėse. Dėl išsamesnės informacijos kreipkitės į savo techninės priežiūros atstovą.

Purškimo rankenos montavimas

1. Įstatykite aukšto slėgio vandens žarną į greitą jungtį, kad ji užsifiksuotų vietoje. (Pav. 17)



PASTABA: Kad netekėtų vanduo, įsitikinkite, kad aukšto slėgio žarna iki galo prijungta prie gaminio greitos jungties.

2. Viena ranka tvirtai laikydami purškimo rankeną pastumkite aukšto slėgio vandens žarną į greitą jungtį purškimo rankenoje. (Pav. 18)

Purškimo rankenos nuėmimas

1. Paspauskite purškimo rankenos mygtuką ir ištraukite aukšto slėgio vandens žarną. (Pav. 19)
2. Pastumkite išorinį žiedą ant greitos jungties ir ištraukite aukšto slėgio žarną. (Pav. 20)

Ilgakočio purkštuvo montavimas

1. Viena ranka laikydami purškimo rankeną pastumkite movą ant ilgakočio purkštuvo purškimo rankenos link. (Pav. 21)
2. Pasukite ilgakotį purkštuvą pagal laikrodžio rodyklę, tada jį atleiskite. Ilgakotis purkštuvą užsifiksuoja savo vietoje.

Ilgakočio purkštuvu nuėmimas

1. Pastumkite ilgakočį purkštuvą į vidų ir pasukite jį prieš laikrodžio rodyklę. (Pav. 22)
2. Ištraukite ilgakočį purkštuvą iš purškimo rankenos.

Antgalio uždėjimas ir nuėmimas

Gaminys parduodamas su 2 antgaliais: 1 tiesios vandens srovės antgalis (vadinamas „švelniu antgaliu“) ir 1 stiprios besisukančios vandens srovės antgalis (vadinamas „stiprios srovės antgalium“). Tiesios vandens srovės antgalis gali būti naudojamas jautriems paviršiams, pvz., automobiliui, plauti. Šis stiprios srovės antgalis gali būti naudojamas paviršiams, kurie nėra jautrūs, pvz., įvažiavimams, plauti.

(Pav. 23)



PASTABA: Besisukančios vandens srovės antgalio nenaudokite jautriems paviršiams, pvz., dažytiems automobilio paviršiams. Besisukanti vandens srovė gali pažeisti paviršų.

- Jei norite uždėti antgalį, viena ranka suimkite ilgakočį purkštuvą ir paspauskite antgalį į vidų, kad jis užsifikuotų. (Pav. 24)
- Jei antgalį norite nuimti, į vidų pastumkite fiksatorių ant ilgakočio purkštuvo ir ištraukite antgalį iš purkštuvo. (Pav. 25)

Vandens srovės slėgio reguliavimas

Tiesios vandens srovės antgalio slėgį galima reguliuoti.

- Jei vandens srovės slėgį norite padidinti, pasukite antgalį pagal laikrodžio rodyklę. (Pav. 26)
- Jei vandens srovės slėgį norite sumažinti, pasukite antgalį prieš laikrodžio rodyklę. (Pav. 27)

Gaminio naudojimas

1. Prijunkite gaminį prie vandens šaltinio. Žr. *Gaminio prijungimas prie vandens šaltinio psl. 239.*
2. Iš sistemos išleiskite orą. Žr. *Oro išleidimas iš sistemos psl. 240.*
3. Paleiskite gaminį. Žr. *Gaminio paleidimas psl. 240.*

Gaminio prijungimas prie vandens šaltinio

Gaminys gali būti naudojamas su vandeniu iš tinklo arba vandeniu iš atviro vandens telkinio, pvz., ežero ar vandens stalinės.

- Jei gaminį norite prijungti prie vandens tinklo, žr. *Gaminio prijungimas prie vandens tinklo psl. 239.*
- Jei gaminį norite prijungti prie atviro vandens telkinio, žr. *Gaminio prijungimas prie atviro vandens telkinio psl. 239.*

Gaminio prijungimas prie vandens tinklo

1. Ant gaminio vandens įvado uždėkite sodo žarnos adapterį ir įstatykite vandens filtrą (jei jie neįstatyti). Žr. *Sodo žarnos adapterio montavimas psl. 238.*
2. Prijunkite sodo žarną prie vandens tinklo. Naudokite ½ in diametro ir 10–25 m ilgio sodo žarną. (Pav. 28)



PASTABA: Vandens slėgis vandens tinkle turi būti ne didesnis nei 1 MPa (10 bar).



PASTABA: Vandens tinklo vandens temperatūra negali būti aukštesnė kaip 40 °C.

3. Atidarykite vandens tinklo vožtuvą ir įsitikinkite, kad vanduo laisvai teka iš sodo žarnos. (Pav. 29)
4. Uždarykite vandens tinklo vožtuvą.
5. Prijunkite sodo žarną prie gaminio vandens įvado. (Pav. 30)
6. Prijunkite maitinimo kištuką prie maitinimo lizdo.
7. Atidarykite vandens tinklo vožtuvą.
8. Prieš naudodami gaminį iš sistemos išleiskite orą. Žr. *Oro išleidimas iš sistemos psl. 240.*

Gaminio prijungimas prie atviro vandens telkinio

Gaminys gali būti naudojamas su vandeniu iš atviro vandens telkinio, pvz., ežero ar vandens stalinės. Naudokite ½ in diametro siurbimo žarną (nepriedama), kuri nebūtų ilgesnė nei 3 m ilgio.

(Pav. 31)



PASTABA: Vandens šaltinio vandens temperatūra negali būti aukštesnė nei 20 °C.



PASTABA: Gaminys negali būti daugiau nei 0,5 m virš vandens šaltinio.

1. Jei uždėtas sodo žarnos adapteris, nuimkite jį nuo gaminio vandens įvado. (Pav. 32)



PASTABA: Neišimkite vandens filtro iš vandens įvado.

2. Siurbimo žarną (nepriedama) prijunkite prie gaminio vandens įvado. (Pav. 33)
3. Įmerkite siurbimo žarną į vandens šaltinį ir įsitikinkite, kad filtras yra visiškai panardintas.



PASTABA: Nenaudokite siurbimo žarnos be filtro.

4. Paspauskite mygtuką ant purškimo rankenos ir ištraukite aukšto slėgio žarną iš purškimo rankenos. (Pav. 19)
5. Prijunkite maitinimo kištuką prie maitinimo lizdo.
6. Maitinimo jungiklį nustatykite į įjungimo padėtį (I) ir leiskite gaminiui veikti 2 minutes.
7. Maitinimo jungiklį nustatykite į išjungimo padėtį (0).
8. Viena ranka tvirtai laikydami purškimo rankeną pastumkite aukšto slėgio žarną į greitą movą purškimo rankenoje. (Pav. 18)
9. Prieš naudodami gaminį iš sistemos išleiskite orą. *Žr. Oro išleidimas iš sistemos psl. 240.*

Oro išleidimas iš sistemos



PASTABA: Prieš išleidami orą iš sistemos įsitinkite, kad maitinimo jungiklis nustatytas į išjungimo padėtį (0).

1. Prijunkite gaminį prie vandens šaltinio. *Žr. Gaminio prijungimas prie vandens šaltinio psl. 239.*
2. Uždėkite ilgakotį purkštuvą ant purškimo pistoleto. *Žr. Ilgakočio purkštuvu montavimas psl. 238.*
3. Išjunkite gaiduko fiksatorių. *Žr. Gaiduko fiksatoriaus įjungimas ir išjungimas psl. 240.*
4. Paspauskite gaiduką ir laikykite jį nuspaudę, kol vanduo pradės tekėti per ilgakočio purkštuvo antgalį. (Pav. 34)

Gaminio atjungimas nuo vandens šaltinio

1. Maitinimo jungiklį nustatykite į išjungimo padėtį (0).
2. Jei gaminys atjungiamas nuo vandens tinklo, uždarykite vandens tinklo vožtuvą.
3. Jei gaminys prijungtas prie vandens tinklo, atjunkite sodo žarną nuo vandens tinklo. (Pav. 35)
4. Jei gaminys prijungtas prie atviro vandens telkinio, išimkite siurbimo žarną iš vandens šaltinio.
5. Paspauskite gaiduką ir laikykite jį nuspaudę, kol vanduo pradės tekėti per antgalį.
6. Atjunkite vandens žarną nuo gaminio vandens įvado. (Pav. 36)

Pasižymėkite: Jei gaminys prijungtas prie atviro vandens telkinio, atjunkite siurbimo žarną.

7. Paspauskite mygtuką ant purškimo rankenos ir ištraukite aukšto slėgio žarną iš purškimo rankenos. (Pav. 19)
8. Maitinimo jungiklį pasukite į įjungimo padėtį (I). Leiskite gaminiui veikti, kol iš aukšto slėgio žarnos nebetekės vanduo.
9. Maitinimo jungiklį nustatykite į išjungimo padėtį (0).
10. Prieš padėdami gaminį sandėliuoti leiskite purškimo rankenai, ilgakočiam purkštuvui ir antgaliams išdžiūti.

Gaiduko fiksatoriaus įjungimas ir išjungimas

- Jei norite įjungti gaiduko fiksatorių, sukite gaiduko fiksatorių pagal laikrodžio rodyklę, kol pasigirs spragtelėjimas. (Pav. 37)
- Jei gaiduko fiksatorių norite išjungti, iki galo pasukite gaiduko fiksatorių prieš laikrodžio rodyklę. (Pav. 38)

Gaminio paleidimas

1. Prijunkite gaminį prie vandens šaltinio. *Žr. Gaminio prijungimas prie vandens šaltinio psl. 239.*
2. Prijunkite maitinimo kištuką prie maitinimo lizdo.
3. Maitinimo jungiklį pasukite į įjungimo padėtį (I). (Pav. 39)
4. Išjunkite gaiduko fiksatorių. *Žr. Gaiduko fiksatoriaus įjungimas ir išjungimas psl. 240.*
5. Paspauskite gaiduką ant purškimo rankenos.

Pasižymėkite: Atleiskus gaiduką gaminys automatiškai sustoja.

Gaminio sustabdymas

Pasižymėkite: Atleiskus gaiduką gaminys automatiškai sustoja.

1. Atleiskite gaiduką ant purškimo rankenos.
2. Įjunkite gaiduko fiksatorių. *Žr. Gaiduko fiksatoriaus įjungimas ir išjungimas psl. 240.*
3. Maitinimo jungiklį nustatykite į išjungimo padėtį (0). (Pav. 40)
4. Atjunkite maitinimo kištuką nuo maitinimo šaltinio.
5. Atjunkite gaminį nuo maitinimo šaltinio. *Žr. Gaminio atjungimas nuo vandens šaltinio psl. 240.*

Pasižymėkite: Visada atjunkite gaminį nuo vandens šaltinio, jei reikia nuo gaminio nueiti ilgiau 5 minutėms.

Putų purkštuvu naudojimas

1. Išimkite putų purkštuvą iš laikiklio. (Pav. 41)
2. Pripildykite putų purkštuvo talpyklą plovimo priemone.



PASTABA: Naudokite tik Husqvarna rekomenduojamas plovimo priemones.

3. Pastumkite putų purkštuvą greitai jungtį į ilgakočio purkštuvu greitą jungtį, kad užsifiksuotų. (Pav. 42)

Pasižymėkite: Putų purkštuvu jungė turi būti sulgyjuota su grioveliu ant ilgakočio purkštuvu.

4. Prijunkite gaminį prie vandens šaltinio. Žr. *Gaminio prijungimas prie vandens šaltinio psl. 239.*

5. Paleiskite gaminį. Žr. *Gaminio paleidimas psl. 240.*

Techninė priežiūra

Įvadas



PERSPĖJIMAS: Prieš atlikdami priežiūros darbus perskaitykite ir supraskite saugos skyriaus informaciją.

Visiems gaminio techninės priežiūros ir remonto darbams reikia specialių apmokymų. Garantuojame profesionalaus remonto ir techninės priežiūros darbų pasiekiamumą.

Išsamesnės informacijos žr. www.husqvarna.com.

Techninės priežiūros grafikas

Techninė priežiūra	Prieš pradėdami darbą	Po naudojimo
Atlikite bendrąją apžiūrą. Žr. <i>Bendroji apžiūra psl. 241.</i>	X	
Nuvalykite gaminį. Žr. <i>Gaminio valymas psl. 241.</i>		X
Išplaukite ilgakotį purkštuvą ir antgalius. Žr. <i>Ilgakotis purkštuvu ir antgalių valymas psl. 241.</i>		X
Išvalykite vandens filtrą. Jeigu vandens filtras sugadintas, jį pakeiskite. Žr. <i>Vandens filtro valymas psl. 242.</i>		X
Sutepkite movų sandarinimo žiedus. Žr. <i>Movų sandarinimo žiedų tepimas psl. 242.</i>		X

Bendroji apžiūra



PERSPĖJIMAS: Maitinimo jungiklį nustatykite į išjungimo padėtį (0) ir atjunkite maitinimo kištuką nuo maitinimo šaltinio, tik tada atlikite gaminio priežiūros darbus.



PASTABA: Prieš atlikdami gaminio priežiūros darbus atjunkite gaminį nuo vandens šaltinio ir įsitikinkite, kad visos dalys yra sausas.

- Įsitikinkite, kad gaminio veržlės ir varžtai priveržti.
- Įsitikinkite, kad gaminio kabeliai nėra tokioje padėtyje, kurioje jie galėtų būti pažeisti.
- Patikrinkite, ar aukšto slėgio žarna nesusidėvėjusi ir nepažeista.



PERSPĖJIMAS: Gaminio nenaudokite, jei aukšto slėgio žarna yra susidėvėjusi arba pažeista.

Gaminio valymas



PERSPĖJIMAS: Maitinimo jungiklį nustatykite į išjungimo padėtį (0) ir atjunkite maitinimo kištuką nuo maitinimo šaltinio, tik tada atlikite gaminio priežiūros darbus.



PASTABA: Prieš atlikdami gaminio priežiūros darbus atjunkite gaminį nuo vandens šaltinio ir įsitikinkite, kad visos dalys yra sausas.

- Visas išorines dalis nuvalykite sausa šluoste.
- Gaminio neplaukite aukšto slėgio plovimo aparatu.
- Visada palaikykite oro įsiurbimo angų švarą, kad gaminyje užtikrintumėte pakankamai nedidelę temperatūrą.

Ilgakotis purkštuvu ir antgalių valymas



PERSPĖJIMAS: Maitinimo jungiklį nustatykite į išjungimo padėtį (0) ir atjunkite maitinimo kištuką nuo maitinimo šaltinio, tik tada atlikite gaminio priežiūros darbus.



PASTABA: Prieš atlikdami gaminio priežiūros darbus atjunkite gaminį nuo vandens šaltinio ir įsitikinkite, kad visos dalys yra sausas.

1. Jei ant ilgakočio purkštuvo uždėtas antgalis, nuimkite jį. Žr. *Antgalio uždėjimas ir nuėmimas psl. 239.*
2. Antgalius, ilgakočio purkštuvu ir purškimo rankenos movas nuplaukite muilu ir vandeniu. (Pav. 43)

3. Jei antgaliai užsikišo, išvalykite juos valymo įrankiu. (Pav. 44)

Vandens filtro valymas



PERSPĖJIMAS: Maitinimo jungiklį nustatykite į išjungimo padėtį (0) ir atjunkite maitinimo kištuką nuo maitinimo šaltinio, tik tada atlikite gaminio priežiūros darbus.



PASTABA: Prieš atlikdami gaminio priežiūros darbus atjunkite gaminį nuo vandens šaltinio ir įsitinkinkite, kad visos dalys yra sausas.

1. Jei uždėtas sodo žarnos adapteris, nuimkite jį nuo gaminio vandens įvado. (Pav. 32)
2. Ištraukite vandens filtrą. Naudokite reples. (Pav. 45)
3. Patikrinkite, ar vandens filtras nepažeistas. Jeigu vandens filtras sugadintas, jį pakeiskite. (Pav. 46)
4. Praskalaukite vandens filtrą švari vandeniu. (Pav. 47)

Movų sandarinimo žiedų tepimas



PERSPĖJIMAS: Maitinimo jungiklį nustatykite į išjungimo padėtį (0) ir atjunkite maitinimo kištuką nuo maitinimo šaltinio, tik tada atlikite gaminio priežiūros darbus.



PASTABA: Prieš atlikdami gaminio priežiūros darbus atjunkite gaminį nuo vandens šaltinio ir įsitinkinkite, kad visos dalys yra sausas.

1. Nuimkite ilgąjį purkštuvą nuo purškimo rankenos, o purškimo rankeną nuo aukšto slėgio žarnos. Žr. *Ilgakočio purkštuvo montavimas psl. 238* ir *Purškimo rankenos montavimas psl. 238*.
2. Sutepkite sodo žarnos adapterio, ilgakočio purkštuvo ir aukšto slėgio žarnos sandarinimo žiedus tepalu. Žr. *Techniniai duomenys psl. 243*, jei reikia informacijos apie tinkamą naudoti tepalą. (Pav. 48)

Gedimai ir jų šalinimas

Trikčių šalinimo schema

Problema	Galima priežastis	Sprendimas
Nepavyksta paleisti gaminio.	Maitinimo kištukas neprijungtas prie maitinimo lizdo.	Prijunkite maitinimo kištuką prie maitinimo lizdo.
	Maitinimo jungiklis nustatytas į išjungimo padėtį (0).	Maitinimo jungiklį pasukite į įjungimo padėtį (I).
	Maitinimo lizde netiekama elektros energija.	Kreipkitės į kvalifikuotą elektriką.
	Pažeistas maitinimo laidas.	Kreipkitės į patvirtintą techninės priežiūros atstovą.
	Maitinimą nutraukė apsauga nuo šilumos.	Prieš vėl naudodami gaminį, palaukite, kol jis atvės.
	Naudojate netinkamą ilginamąjį kabelį.	Įsitinkinkite, kad ilginamasis kabelis visiškai išvyniotas ir kad jo tiekiamas įtampa atitinka gaminio įtampą.
Paleidžiant arba dirbant perdega saugiklis.	Naudojamas netinkamo tipo saugiklis.	Būtinai naudokite automatinį C arba K klasės saugiklį.
Gaminys nesustoja.	Gaminys pažeistas.	Atjunkite maitinimo kištuką ir kreipkitės į kvalifikuotą techninės priežiūros specialistą.
Gaminys per daug įkaista.	Oro srautas nepakankamas.	Išvalyti oro įleidimo angas.
Gaminys veikia netolygiai.	Sistemoje yra oro.	Iš sistemos išleiskite orą.

Problema	Galima priežastis	Sprendimas
Netinkamas vandens slėgis.	Užlanko žarna.	Įsitinkinkite, kad žarnos niekur neužlankusios.
	Maitinimo jungiklis nustatytas į išjungimo padėtį (0).	Maitinimo jungiklį pasukite į įjungimo padėtį (I).
	Vandens srautas nepakankamas.	Įsitinkinkite, kad gaminys tinkamai prijungtas prie vandens šaltinio. Įsitinkinkite, kad vandens srautas pakankamas.
	Užsikimšęs vandens filtras.	Išvalykite vandens filtrą.
	Sistemoje yra oro.	Iš sistemos išleiskite orą.
	Naudojamas netinkamas priedas.	Įsitinkinkite, kad naudojate tinkamą priedą.

Transportavimas, saugojimas ir utilizavimas

Gabenimas

- Prieš transportuodami gaminį atjunkite maitinimo kištuką nuo maitinimo šaltinio.
- Prieš transportuodami gaminį atjunkite jį nuo vandens šaltinio.
- Transportavimo metu gaminį pritvirtinkite, kad jis nejudėtų.

Sandėliavimas

- Prieš padėdami gaminį sandėliuoti išleiskite iš jo visą vandenį, ištuštinkite aukšto slėgio vandens žarną ir priedus.
- Paruoškite gaminį sandėliavimui. Žr. *Gaminio paruošimas sandėliavimui psl. 243*.
- Laikykite gaminį sausoje ir neužšąlančioje vietoje.

Gaminio paruošimas sandėliavimui

1. Sustabdykite gaminį ir atjunkite maitinimo kištuką nuo maitinimo šaltinio.
2. Atjunkite gaminį nuo maitinimo šaltinio. Žr. *Gaminio atjungimas nuo vandens šaltinio psl. 240*.

3. Įsitinkinkite, kad visi priedai sausi.
4. Purškimo rankeną, ilgakotį purkštuvą ir antgalius įstatykite į jiems skirtus laikiklius.
5. Atjunkite aukšto slėgio vandens žarną ir uždėkite ją ant laikiklio. (Pav. 49)
6. Užkabinkite maitinimo laidą ant laikiklio ir užsekite dirželį. (Pav. 50)

Šalinimas

„Husqvarna“ gaminiai nėra buitinės atliekos ir turi būti išmesti šiame vadove nurodytu būdu.

- Laikykites vietinių atliekų šalinimo reikalavimų ir galiojančių teisės aktų.
- Perdirbkite gaminį ir pakuotę atitinkamoje atliekų šalinimo vietoje.
- Norėdami gauti daugiau informacijos apie tai, kaip perdirbti ir išmesti gaminį, kreipkitės į vietinį Husqvarna prekybos atstovą.

Techniniai duomenys

	PW 130
Variklis ir siurblys	
Tipas	AC serijos variklis
Galia, W	1500
Įtampas diapazonas, V	220–240

	PW 130
Dažnis, Hz	50
Vardinė srovė, A	6,5
Maks. vandens srautas, l/min.	7,7
Maks. vandens purškimo slėgis, bar/MPa	130/13
Maks. vandens įleidimo slėgis, bar/MPa	10/1
Maks. vandens įleidimo temperatūra, °C/°F	40/104
Maks. vandens įleidimo temperatūra (veikiant siurbimo režimui), °C/°F	20/68
IP kategorija	IPX5
Saugos klasės	II klasė
Tepimas	
Sandarinimo žiedams tepti tinkamas tepalas	Universalus baltas silikoninis tepalas
Svoris	
Svoris, kg	6,5
Skleidžiamas triukšmas ⁵³	
Garso galios lygis, matuojamas dB (A)	85
Garso galios lygis, garantuojamas L _{WA} dB (A)	89
Garso lygiai ⁵⁴	
Ekvivalentinis operatoriaus ausį veikiantis garso slėgis, dB (A)	72
Vibracijos lygis ⁵⁵	
Delnas / ranka (naudojant standartinį antgalį) m/s ²	2,5
Atitinkama vibracija ⁵⁶	
Delnas / ranka (naudojant standartinį antgalį) m/s ²	1,8

⁵³ Triukšmas, skleidžiamas į aplinką, išmatuotas kaip garso galia (L_{WA}) pagal EB direktyvą 2000/14/EB.

⁵⁴ Pagal ISO 22868 ekvivalentiškas garso slėgio lygis apskaičiuojamas kaip skirtingų garso slėgio lygių įvairiomis darbo sąlygomis dinaminės svertinės energijos suma. Tipiška ekvivalentiško garso slėgio lygio statistinė sklaida turi standartinį 1 dB (A) nuokrypį.

⁵⁵ Vibracijos lygis atitinka EN 60745-2-13 standarto reikalavimus. Pateiktuose vibracijos lygio duomenyse yra 1 m/s² tipiška statistinė sklaida (standartinis nuokrypis). Nurodyti vibracijos duomenys nustatyti atliekant matavimus, kai įrenginyje įrengtas juostos ilgis ir rekomenduojamas grandinės tipas. Jei įrenginyje yra kitoks juostos ilgis, vibracijos lygis gali skirtis priklausomai nuo maks. ± 1,5 m/s².

⁵⁶ Atitinkamas vibracijos lygis išmatuojamas ir apskaičiuojamas kaip vidaus degimo varikliais varomiems grandininiais pjūklams. Laikoma, kad šie skaičiai leidžia palyginti vibracijos duomenis neatsižvelgiant į variklio tipą pagal ISO 22867:2011.

Priedai

Patvirtinti priedai

Patvirtinti priedai	Gam. nr.
Paviršių plovimo įrenginys SC 300	590 65 79-01
Putų purkštuvai FS 300	590 66 04-01
Vadžių plovimo žarna, 15 m	590 66 10-01
Vandens filtras	590 65 93-01
Atgalinio srauto vožtuvas	590 65 95-01
Siurbimo žarna	590 65 97-01
Automobiliams skirtas komplektas	590 66 07-01
Besisukančių šepečių komplektas	590 66 06-01
Kampinis ilgakotis purkštuvai	590 66 11-01
Vandens siurbimo antgalis	590 66 05-01
Ilginamoji žarna, 8 m	590 66 08-01

Atitikties deklaracija

ES atitikties deklaracija

Mes, Husqvarna AB, SE-561 82 Huskvarna, Švedija, tel.
+46-36-146500, atsakingai patvirtiname, kad gaminys:

Aprašymas	Aukšto slėgio plovykla
Gamintojas	Husqvarna
Tipas / modelis	PW 130
Identifikacijos numeris	Serijos numeriai nuo šios datos: 2022 ir vėlesni

visiškai atitinka šias ES direktyvas ir reglamentus:

Reglamentas	Aprašymas
2006/42/EB	„dėl mašinų“
2014/30/ES	„dėl elektromagnetinio suderinamumo“
2000/14/EB, V priedas	„dėl į aplinką skleidžiamo triukšmo“
2011/65/ES	„dėl tam tikrų pavojingų medžiagų naudojimo elektros ir elektroninėje įrangoje apribojimo“

ir kad laikomasi šių standartų ir (arba)
techninių specifikacijų: EN 60335-1:2012/A11:2014/
A13:2017/A1:2019/A14:2019/A2:2019/A15:2021, EN
60335-2-79:2012, EN 62233:2008, EN 55014-1:2021,
EN 55014-2:2021, EN IEC 61000-3-2:2019/A1:2021, EN
61000-3-3:2013/A2:2021, EN IEC 63000:2018.

Daugiau informacijos apie triukšmo emisiją žr. *Techniniai duomenys psl. 243*.

Huskvarna, 2023-01-19



Claes Losdal, plėtros vadovas / sodo gaminiai,
Husqvarna AB

Atsakingas už techninę dokumentaciją



Saturs

Ievads.....	247	Problēmu novēršana.....	258
Drošība.....	248	Pārvadāšana, glabāšana un utilizēšana.....	259
Montāža.....	254	Tehniskie dati.....	259
Lietošana.....	254	Piederumi.....	261
Apkope.....	257	Atbilstības deklarācija.....	262

Ievads

Produkta apraksts

Produkts ir elektriskais augstspiediena mazgātājs. Produktu var darbināt ar dažādiem ūdens spiediena līmeņiem un dažādiem tīrīšanas līdzekļiem.

Paredzētā lietošana

Izmantojiet produktu tikai tīrīšanai māsaimniecībā. Nelietojiet produktu citiem uzdevumiem. Novietojiet produktu tikai vertikālā stāvoklī.

Izstrādājuma pārskats

(Att. 1)

1. Sprausla ar taisnu ūdens strūklu
2. Sprausla ar rotējošu ūdens strūklu
3. Strāvas vada turētāja gumijas sikсна
4. Smidzinātāja roktura un smidzinātāja caurules turētājs
5. Augstspiediena ūdens šļūtene
6. Ūdens ievade
7. Putu smidzinātājs
8. Augstspiediena ūdens šļūtenes uzglabāšanas nodalījums
9. Barošanas slēdzis
10. Barošanas kabelis
11. Ūdens izvads ar ātro savienojumu
12. Tīrīšanas līdzeklis smidzinātājiem
13. Transportēšanas rokturis
14. Gaisa iepļūde
15. Smidzinātāja rokturis
16. Smidzinātāja caurule
17. Lietošanas rokasgrāmata

Simboli uz izstrādājuma

(Att. 2)

BRĪDINĀJUMS. Šis izstrādājums var būt bīstams un radīt smagas vai nāvējošas traumas operatoram vai citām personām. Esiet

Piezīme: Šī izstrādājuma lietošanu var ierobežot valsts normatīvie akti.

uzmanīgi un lietojiet izstrādājumu pareizi.

(Att. 3)

Rūpīgi izlasiet šo lietotāja rokasgrāmatu un pirms šī izstrādājuma lietošanas parliecinieties, vai izprotat norādījumus.

(Att. 4)

Izstrādājums nav piemērots savienojumam ar dzeramā ūdens ūdensvadu.

(Att. 5)

Augstspiediena ūdens strūkļa var būt bīstama, ja netiek lietota pareizi. Strūkļu nedrīkst vērst pret cilvēkiem,

elektroaprīkojumu un izstrādājumu.

(Att. 6)

Vides marķējums.

Izstrādājums vai iepakojums nav sadzīves atkritumi. Nododiet to pārstrādei apstiprinātā elektrisko un elektronisko ierīču savākšanas punktā.

(Att. 7)

II klases instruments.

(Att. 8)

Trokšņa emisijas vidē uzlīme atbilstoši ES un Apvienotās Karalistes direktīvām un noteikumiem, kā arī Jaundienvidvelsas tiesību aktam “Darba vides aizsardzības (trokšņa kontroles) regula (2017)”. Izstrādājuma garantētais

skaņas jaudas līmenis ir norādīts *Tehniskie dati lpp. 259* un uz etiķetes.

(Att. 9)

Aizsargāts pret zema spiediena ūdens padevi jebkurā leņķī.

(Att. 10)

Sargiet no sala.

(Att. 11)

Šis izstrādājums atbilst spēkā esošajām EK direktīvām.

(Att. 12)

Šis izstrādājums atbilst spēkā esošajiem AK regulām.

Piezīme: Pārējie uz izstrādājuma norādītie simboli/ norādes atbilst dažu valstu sertifikācijas prasībām.

Produkta bojājumi

Mēs neatbildam par mūsu produkta bojājumiem, ja:

- ir veikts nepareizs produkta remonts;
- produkta remonts ir veikts, izmantojot detaļas, ko nav nodrošinājis vai apstiprinājis ražotājs;
- produktam tiek pievienots piederums, ko nav nodrošinājis vai apstiprinājis ražotājs;
- produkta remonts nav veikts pilnvarotā remontdarbnīcā vai pie pilnvarota speciālista.

Drošība

Drošības definīcijas

Brīdinājumi, norādes “Uzmanību!” un piezīmes tiek izmantotas, lai izceltu īpaši svarīgas lietotāja rokasgrāmatas daļas.

rokasgrāmatā sniegto instrukciju neievērošanas dēļ operatoram vai blakus esošajām personām draud traumu vai nāves risks.



BRĪDINĀJUMS: Tiek izmantota tad, ja



IEVĒROJIET: Tiek izmantota tad, ja

rokasgrāmatā sniegto instrukciju neievērošanas dēļ rodas izstrādājuma, citu materiālu vai blakus esošās teritorijas bojājuma risks.

Piezīme: Tiek izmantota, lai sniegtu plašāku informāciju, kas nepieciešama attiecīgajā situācijā.

Vispārīgi drošības norādījumi



BRĪDINĀJUMS: Pirms zaru zāģa lietošanas izlasiet zemāk minētos brīdinājumus.

- Šis zaru zāģis ir bīstams, ja to lieto nepareizi vai ja nerīkojaties piesardzīgi. Drošības norādījumu neievērošana var radīt traumas vai nāvējošas traumas.
- Vienmēr rīkojieties piesardzīgi un saprātīgi. Ja neesat pārliecināti par to, kā izmantot zaru zāģi konkrētā situācijā, pārtrauciet darbu un sazinieties ar Husqvarna apkopes dienesta pārstāvi, un tikai tad turpiniet darbu.
- Paturiet prātā, ka operators ir atbildīgs par negadījumiem, kuros iesaistītas citas personas.
- Gādājiet, lai zaru zāģis ir tīrs. Pārliecinieties, ka varat skaidri izlasīt zīmes un uzlīmes.
- Nekādā gadījumā neļaujiet lietot zaru zāģi bērniem vai cilvēkiem, kas nepārzina norādījumus. Vietējie normatīvi var ierobežot operatora vecumu.
- Šo zaru zāģi drīkst lietot cilvēki ar ierobežotām fiziskām, uztveres vai garīgām spējām, ja viņi tiek uzraudzīti vai viņiem tiek sniegti norādījumi par to, kā droši lietot zaru zāģi, un viņi izprot ar to saistīto apdraudējumu.
- Šo zaru zāģi drīkst lietot cilvēki, kuriem nav nepieciešamās pieredzes vai zināšanu, ja viņi tiek uzraudzīti, vai ir instruēti, kā droši lietot zaru zāģi, un viņi izprot ar to saistīto apdraudējumu.
- Neizmantojiet zaru zāģi, ja esat noguris, slims vai esat alkohola, narkotiku vai medikamentu izraisītā reibumā. Šāds stāvoklis negatīvi ietekmē jūsu redzi, modrību, koordināciju un spriestspēju.
- Nelietojiet bojātu zaru zāģi.

- Nepārveidojiet šo zaru zāģi un neizmantojiet to, ja izmaiņas ir veikuši citi.

Darba drošības norādījumi



BRĪDINĀJUMS: Pirms izstrādājuma lietošanas izlasiet tālāk izklāstītos brīdinājumus.

- Nelietojiet izstrādājumu, ja bojāts ir barošanas kabelis, augstspiediena šļūtene, mēlītes bloķētājs vai smidzinātāja rokturis.
- Pirms izstrādājuma lietošanas pārbaudiet, vai nav bojājumu. Nelietojiet izstrādājumu, ja tā daļas ir bojātas vai to nav.
- Stingri satveriet smidzinātāja rokturi ar abām rokām. Atsitiens notiek, kad pavelkat piedziņas mēlīti.
- Esiet piesardzīgi, lietojot izstrādājumu. Izstrādājumā radītais augstspiediens ir bīstams un var radīt traumas.
- Nevērsiet strūklu pret sevi, citām personām vai dzīvniekiem.
- Nevērsiet strūklu pret sevi un citām personām, lai tīrītu apavus.
- Nevērsiet strūklu pret elektroaprīkojumu vai pašu izstrādājumu.
- Izmantojot izstrādājumu, lietojiet individuālos aizsardzības līdzekļus. Skatiet šeit: *Individuālie aizsarglīdzekļi lpp. 252.*
- Nedarbiniet izstrādājumu citu personu tuvumā, ja tās nelieto aizsardzības līdzekļus.
- Ja izmantojat tīrīšanas līdzekli, ievērojiet tīrīšanas līdzekļa norādījumus par drošību.
- Izmantojiet tikai Husqvarna tīrīšanas līdzekļus.
- Izmantojiet pareizo ūdens spiedienu un tīrīšanas līdzekļus un lietojiet izstrādājumu tikai šajā rokasgrāmatā norādītajiem mērķiem. Ja izmantojat nepareizu ūdens spiedienu, tīrīšanas līdzekli vai lietojat izstrādājumu darbiem, kas nav norādīti šajā rokasgrāmatā, var tikt radīti izstrādājuma, virsmu, materiālu un citu ierīču bojājumi. Husqvarna neuzņemas atbildību par bojājumiem, kas radušies nepareizas lietošanas rezultātā.
- Nav ieteicams pievienot izstrādājumu dzeramā ūdens ūdensvadam. Ja izstrādājums ir jāpievieno dzeramā ūdens ūdensvadam, ievērojiet vietējos un valsts normatīvus.

- Ja nepieciešams, izmantojiet atplūdes vārstu (nav iekļauts). Ūdens, kas plūst pa atplūdes vārstu, nav uzskatāms par dzeramo ūdeni.
- Nedrīkst izsmidzināt uzliesmojošus šķidrumus. Var notikt sprādziens.
 - Neļaujiet bērniem lietot izstrādājumu.
 - Neļaujiet bērniem spēlēties ar izstrādājumu.
 - Neļaujiet nevienam bez apmācības lietot izstrādājumu.
 - Izmantojiet tikai Husqvarna piegādātos piederumus un rezerves daļas.
 - Nodrošiniet, ka elektrības savienojumu izveido apstiprināts elektriķis un tas atbilst IEC 60364-1 prasībām.
 - Izmantojiet paliekošās strāvas ierīci, kas aptur strāvas plūsmu, ja 30 ms vajadzībām noplūde strāva ir lielāka par 30 mA. Ja netiek izmantota paliekošās strāvas ierīce, izmantojiet ierīci, kurai darbojas sazemējums.
 - Izmantojiet motora palaišanas/aizkaves C vai D klases drošinātājus atbilstoši standartam IEC 898-1 vai IEC947-2 vai atbilstošajiem standartiem ārpus IEC.
 - Izstrādājumiem, kas marķēti ar dubulto spriegumu vai frekvenci, nav nepieciešama regulēšana.
 - Ja nepieciešams izmantot pagarinātāju, nodrošiniet, ka to var izmantot ārpus telpām. Nodrošiniet, lai kontaktligzda atrodas vismaz 60 mm augstumā no zemes. Savienojums vienmēr jāuztur sauss.
 - Pirms izstrādājuma atstāšanas pārslēdziet barošanas slēdzi izslēgtā stāvoklī (0), atvienojiet kontaktspraudni un nospiediet piedziņas mēlītes bloķētāju.
 - Pirms piederuma maiņas pārslēdziet slēdzi izslēgtā stāvoklī (0) un atvienojiet kontaktspraudni.
 - Pirms izstrādājuma tīrīšanas vai apkopes pārslēdziet slēdzi izslēgtā stāvoklī (0) un atvienojiet kontaktspraudni.
 - Nedarbiniet izstrādājumu vidē, kur apkārtējās vides temperatūra ir zemāka par 0 °C.
 - Neieslēdziet sasalušu izstrādājumu.
 - Nelietojiet izstrādājumu telpās.
 - Nenovietojiet uz izstrādājuma nekādus priekšmetus, kad tas darbojas.

- Nedzeriet ūdeni, kas tiek izmantots izstrādājumā.
- Nelietojiet izstrādājumu atvērtu logu tuvumā.
- Sargieties no izsviestiem priekšmetiem. Akmeņi un vaļīgi priekšmeti var tikt izsviesti un trāpīt acīs, izraisot aklumu vai citas smagas traumas.
- Ja izstrādājums nedarbojas pareizi, informāciju skatiet šeit: *Problēmu novēršanas grafiks lpp. 258.*

Individuālie aizsarglīdzekļi



BRĪDINĀJUMS: Pirms izstrādājuma lietošanas izlasiet tālāk izklāstītos brīdinājumus.

- Šādi līdzekļi nevar pilnībā novērst traumu gūšanas risku, taču samazina traumu smaguma pakāpi, ja negadījums tomēr notiek. Ļaujiet izplatītājam palīdzēt jums izvēlēties pareizo aprīkojumu.
- Velciet izturīgus, zābakus vai kurpes, kas neslīd. Nevelciet vaļējas kurpes un neejiet ar basām kājām.
- Valkājiet aizsargapģērbus.
- Izmantojiet apstiprinātus dzirdes aizsarglīdzekļus.

- Lietojiet aizsargbrilles.
- Ja lietojat produktu vidē, kur var izgarot bīstami aerosoli, lietojiet FFP2 klases vai līdzvērtīgus elpceļu aizsarglīdzekļus.

Izstrādājuma drošības ierīces



BRĪDINĀJUMS: Pirms izstrādājuma lietošanas izlasiet tālāk izklāstītos brīdinājumus.

- Nelietojiet izstrādājumu ar drošības ierīcēm, kas ir bojātas vai nedarbojas pareizi.
- Nenoņemiet un nepārveidojiet drošības ierīces.
- Regulāri pārbaudiet drošības ierīces. Ja drošības ierīces ir bojātas vai nedarbojas pareizi, sazinieties ar Husqvarna apkopes dienesta pārstāvi.

Piedziņas mēlītes bloķētājs

Piedziņas mēlītes bloķētājs (A) novērš nejaušu barošanas mēlītes (B) darbību. Kad piedziņas mēlītes bloķētājs ir nofiksētā pozīcijā, barošanas mēlīti nevar nospiest.

(Att. 13)

Piedziņas mēlīte

Produkts tiek ieslēgts, kad piedziņas mēlīte tiek nospiesta. Produkts izslēdzas, kad piedziņas mēlīte tiek atlaista.

Termiskā aizsargierīce

Izstrādājumam ir automātiskā termiskā aizsargierīce. Ja izstrādājums pārmērīgi sakarst, termiskā aizsargierīce aptur izstrādājuma barošanu. Ja termiskā aizsargierīce izslēdz barošanu, uzgaidiet, līdz izstrādājums ir atdziest. Termiskā aizsargierīce tiek atiestatīta automātiski, kad izstrādājums ir pietiekami atdzisis.

Hidrauliskais drošības vārsts

Produktam ir iebūvēts hidrauliskais drošības vārsts, kas novērš pārāk augsta spiediena veidošanos sistēmā.

Tehniskās apkopes drošības norādījumi



BRĪDINĀJUMS: Pirms veicat izstrādājuma apkopi, izlasiet brīdinājuma norādījumus.



IEVĒROJIET: Pirms izstrādājuma darbināšanas pēc ilgākas

uzglabāšanas vienmēr veiciet izstrādājuma apkopi.

- Pirms izstrādājuma apkopes pārslēdziet barošanas slēdzi izslēgtā stāvoklī (0), atvienojiet kontaktspraudni no barošanas avota.
- Atvienojiet izstrādājumu no ūdens avota un pirms tā apkopes pārliecinieties, vai visas daļas ir sausas.
- Veiciet tikai tos apkopes darbus, kas norādīti lietošanas rokasgrāmatā.
- Izmantojiet tikai Husqvarna ieteiktās rezerves daļas. Augstspiediena ūdens šļūtenes, stiprinājumi un savienojumi ir svarīgi drošībai, lietojot izstrādājumu. Izmantojiet tikai tās šļūtenes, stiprinājumus un savienojumus, ko ieteicis ražotājs.
- Neremontējiet izstrādājumu. Sazinieties ar Husqvarna apkopes dienesta pārstāvi.
- Sazinieties ar Husqvarna apkopes dienesta pārstāvi, ja kontaktspraudnis vai barošanas kabelis ir bojāts.
- Neļaujiet bērniem tīrīt izstrādājumu vai veikt tā apkopi.

Montāža

Ievads



BRĪDINĀJUMS: Pirms izstrādājuma montāžas izlasiet un izprotiet drošības norādījumus.

Dārza šļūtenes adaptera uzstādīšana

1. No ūdens ieklūdes vietas noņemiet transportēšanas aizsargu un izmetiet to. (Att. 14)
2. Uz ūdens ieklūdes vietas uzstādiet dārza šļūtenes adapteri. (Att. 15)



IEVĒROJIET: Dārza šļūtenes adapteri uzstādiet tieši uz ūdens

ieklūdes vietas. Ja dārza šļūtenes adapteris nav uzstādīts taisni, tas var radīt vītņu bojājumus un var rasties noplūde.

3. Pilnībā pievelciet dārza šļūtenes adapteri.
4. Noņemiet dārza šļūtenes adapteri, veicot uzstādīšanas darbības pretējā secībā.

Smidzinātāja roktura un smidzinātāja caurules turētāja uzstādīšana

- Uzstādiet rokturi ar 2 skrūvēm. (Att. 16)

Lietošana

Ievads



BRĪDINĀJUMS: Pirms produkta lietošanas izlasiet un izprotiet drošības norādījumus.

Husqvarna Connect

Husqvarna Connect ir bezmaksas lietotne jūsu mobilajai ierīcei. Lietotne Husqvarna Connect nodrošina paplašinātas funkcijas jūsu Husqvarna izstrādājumam:

- Paplašināta izstrādājuma informācija.
- Informācija par izstrādājuma daļām un apkopi un palīdzība ar to.

Lai sāktu izmantot Husqvarna Connect

1. Lejupielādējiet lietotni Husqvarna Connect savā mobilajā ierīcē.
2. Reģistrējieties Husqvarna Connect lietotnē.
3. Izpildiet Husqvarna Connect lietotnē sniegtos norādījumus, lai pievienotu un reģistrētu izstrādājumu.

Piezīme: Lietotne Husqvarna Connect nav pieejama lejupielādei visos reģionos. Lai iegūtu plašāku informāciju, sazinieties ar apkopes sniedzēju.

Smidzinātāja roktura uzstādīšana

1. Spiediet augstspiediena ūdens šļūteni uz ātrā savienojuma, līdz tas nofiksējas vietā. (Att. 17)



IEVĒROJIET: Lai novērstu noplūdi, pārliecinieties, vai augstspiediena šļūtene ir pilnībā pievienota pie produkta ātrā savienojuma.

2. Ar vienu roku satveriet smidzinātāja rokturi un spiediet augstspiediena ūdens šļūteni uz smidzinātāja roktura ātrā savienojuma. (Att. 18)

Smidzinātāja roktura noņemšana

1. Stumiet pogu uz smidzinātāja roktura un velciet augstspiediena ūdens šļūteni uz āru. (Att. 19)
2. Spiediet ātrā savienojuma ārējo gredzenu un velciet augstspiediena ūdens šļūteni uz āru. (Att. 20)

Smidzinātāja caurules uzstādīšana

1. Ar vienu roku satveriet smidzinātāja rokturi un spiediet smidzinātāja caurules savienojumu uz smidzinātāja roktura. (Att. 21)
2. Grieziet smidzinātāja cauruli pulksteņrādītāju kustības virzienā un atlaidiet smidzinātāja cauruli. Smidzinātāja caurule nofiksējas vietā.

Smidzinātāja caurules noņemšana

1. Spiediet smidzinātāja cauruli un grieziet to pretēji pulksteņrādītāju kustības virzienam. (Att. 22)
2. Velciet smidzinātāja cauruli uz āru no smidzinātāja roktura.

Uzgaļu uzstādīšana un noņemšana

Zaru zāga komplektā ir 2 uzgaļi: 1 uzgalis ar taisnu ūdens strūklu (norādīts kā "saudzīgs uzgalis") un 1 apaļš uzgalis ar rotējošo ūdens strūklu (norādīts kā "jaudīgs

uzgalis"). Uzgali ar taisno ūdens strūklu var izmantot, lai tīrītu sensitīvas virsmas, piemēram, transportlīdzekļu virsmas. Uzgali var izmantot, lai tīrītu virsmas, kas nav sensitīvas, piemēram, piebraucamos celiņus.

(Att. 23)



IEVĒROJIET: Neizmantojiet uzgali ar rotējošo ūdens strūklu sensitīvām virsmām, piemēram, uz transportlīdzekļa krāsotajām virsmām. Rotējošā ūdens strūkļa var radīt virsmas bojājumus.

- Lai uzstādītu uzgali, ar vienu roku satveriet smidzināšanas kātu un iespiediet uzgali, līdz tas fiksējas. (Att. 24)
- Lai noņemtu uzgali, spiediet smidzināšanas kāta izcīlni un novelciet uzgali no smidzināšanas kāta. (Att. 25)

Ūdens strūklas spiediena regulēšana

Uzgalim ar taisno ūdens strūklu ir regulējams spiediens.

- Lai paaugstinātu ūdens strūklas spiedienu, grieziet uzgali pulksteņrādītāju kustības virzienā. (Att. 26)
- Lai pazeminātu ūdens strūklas spiedienu, grieziet uzgali pretēji pulksteņrādītāju kustības virzienam. (Att. 27)

Izstrādājuma darbināšana

1. Pievienojiet produktu ūdens avotam. Ja mirgo brīdinājuma indikators (C), informāciju par ieteicamo tukšgaitas ātrumu skatiet šeit: *Produkta pievienošana ūdens avotam lpp. 255.*
2. Atgaisojiet sistēmu. Ja mirgo brīdinājuma indikators (C), informāciju par ieteicamo tukšgaitas ātrumu skatiet šeit: *Sistēmas atgaisošana lpp. 256.*
3. Iedarbiniet ierīci. Ja mirgo brīdinājuma indikators (C), informāciju par ieteicamo tukšgaitas ātrumu skatiet šeit: *Izstrādājuma ieslēgšana lpp. 256.*

Produkta pievienošana ūdens avotam

Produktu var izmantot ar ūdensvada ūdeni vai atvērta ūdenskrātuves ūdeni, piemēram, ezera vai ūdens mucas.

- Lai pievienotu produktu pie ūdensvada, skatiet šeit: *Izstrādājuma pievienošana ūdensvadam lpp. 255.*
- Lai pievienotu produktu pie atvērta ūdenskrātuves, skatiet šeit: *Izstrādājuma pievienošana atvērta ūdenskrātuvei lpp. 255.*

Izstrādājuma pievienošana ūdensvadam

1. Izstrādājuma ūdens ieplūdes vietā uzstādiat dārza šļūtenes adapteri un ūdens filtru, ja tie nav uzstādīti. Skatiet šeit: *Dārza šļūtenes adaptera uzstādīšana lpp. 254.*

2. Pievienojiet dārza šļūteni pie ūdensvada. Izmantojiet 10–25 m garu un ½ collas platu dārza šļūteni. (Att. 28)



IEVĒROJIET: Ūdensvada ūdens spiediens nedrīkst būt lielāks par 1 MPa (10 bāriem).



IEVĒROJIET: Ūdensvada ūdens temperatūra nedrīkst būt augstāka par 40 °C.

3. Atveriet ūdensvada vārstu un pārliecinieties, vai ūdens brīvi plūst no dārza šļūtenes. (Att. 29)
4. Aizveriet ūdensvada vārstu.
5. Pievienojiet dārza šļūteni Izstrādājuma ūdens ieplūdes vietai. (Att. 30)
6. Ievietojiet kontaktdakšu kontaktlīdždā.
7. Atveriet ūdensvada vārstu.
8. Pirms Izstrādājuma lietošanas atgaisojiet sistēmu. Skatiet šeit: *Sistēmas atgaisošana lpp. 256.*

Izstrādājuma pievienošana atvērta ūdenskrātuvei

Izstrādājumu var izmantot ar atvērta ūdenskrātuves ūdeni, piemēram, ezera vai ūdens mucas. Izmantojiet maksimāli 3 m garu un ½ collas platu iesūkšanas šļūteni (nav ietverta komplektācijā).

(Att. 31)



IEVĒROJIET: Ūdensvada ūdens temperatūra nedrīkst būt augstāka par 20 °C.



IEVĒROJIET: Izstrādājums nedrīkst atrasties vairāk nekā 0,5 m augstāk par ūdens avotu.

1. Ja ir uzstādīts dārza šļūtenes adapteris, noņemiet to no izstrādājuma ūdens ieplūdes vietas. (Att. 32)



IEVĒROJIET: Nenoņemiet ūdens ieplūdes vietas ūdens filtru.

2. Izstrādājuma ūdens ieplūdes vietā uzstādiat iesūkšanas šļūteni. (Att. 33)
3. Ievietojiet iesūkšanas šļūteni ūdens avotā un pārliecinieties, vai filtrs ir pilnībā iemērķts.



IEVĒROJIET: Nelietojiet iesūkšanas šļūteni bez filtra.

4. Spiediet smidzinātāja roktura pogu un velciet augstspiediena šļūteni uz āru no smidzinātāja roktura. (Att. 19)

5. Ievietojiet kontaktdakšu kontaktlīdzdā.
6. Pagrieziet barošanas slēdzi ieslēgtā (I) stāvoklī un ļaujiet izstrādājumam aptuveni 2 minūtes darboties.
7. Pagrieziet barošanas slēdzi izslēgtā (0) stāvoklī.
8. Ar vienu roku stingri satveriet smidzinātāja rokturi un spiediet augstspiediena šļūteni smidzinātāja roktura ātrajā savienojumā. (Att. 18)
9. Pirms izstrādājuma lietošanas atgaisojiet sistēmu. Skatiet šeit: *Sistēmas atgaisošana lpp. 256.*

Sistēmas atgaisošana



IEVĒROJIET: Pirms sistēmas atgaisošanas pārliecinieties, vai barošanas slēdzis ir izslēgtā (0) pozīcijā.

1. Pievienojiet produktu ūdens avotam. Ja mirgo brīdinājuma indikators (C), informāciju par ieteicamo tukšgaitas ātrumu skatiet šeit: *Produkta pievienošana ūdens avotam lpp. 255.*
2. Uzstādiet smidzinātāja cauruli uz smidzinātāja. Ja mirgo brīdinājuma indikators (C), informāciju par ieteicamo tukšgaitas ātrumu skatiet šeit: *Smidzinātāja caurules uzstādīšana lpp. 254.*
3. Atlaidiet piedziņas mēlītes bloķētāju. Ja mirgo brīdinājuma indikators (C), informāciju par ieteicamo tukšgaitas ātrumu skatiet šeit: *Piedziņas mēlītes bloķētāja nospiešana un atlaišana lpp. 256.*
4. Spiediet piedziņas mēlīti un turiet to nospiestu, līdz ūdens tek pa smidzinātāja caurules sprauslu. (Att. 34)

Izstrādājuma atvienošana no ūdens avota

1. Pagrieziet barošanas slēdzi izslēgtā (0) stāvoklī.
2. Ja izstrādājums ir pievienots ūdensvadam, aizveriet ūdensvada vārstu.
3. Ja izstrādājums ir pievienots ūdensvadam, atvienojiet dārza šļūteni no ūdensvada. (Att. 35)
4. Ja izstrādājums ir pievienots atvērtam ūdens avotam, izņemiet iesūkšanas šļūteni no ūdens avota.
5. Spiediet piedziņas mēlīti un turiet to nospiestu līdz, ūdens vairs netek pa smidzinātāja caurules sprauslu.
6. Atvienojiet dārza šļūteni no izstrādājuma ūdens ieplūdes. (Att. 36)

Piezīme: Ja izstrādājums ir pievienots atvērtam ūdens avotam, atvienojiet iesūkšanas šļūteni.

7. Spiediet smidzinātāja roktura pogu un velciet uz āru augstspiediena šļūteni no smidzinātāja roktura. (Att. 19)
8. Pagrieziet barošanas slēdzi ieslēgtā (I) stāvoklī. Ļaujiet izstrādājumam darboties, līdz no augstspiediena šļūtenes vairs neizplūst ūdens.
9. Pagrieziet barošanas slēdzi izslēgtā (0) stāvoklī.

10. Pirms novietot izstrādājumu uzglabāšanai, ļaujiet smidzinātāja rokturim, smidzinātāja caurulei un sprauslām nožūt.

Piedziņas mēlītes bloķētāja nospiešana un atlaišana

- Lai nospiestu piedziņas mēlītes bloķētāju, grieziet piedziņas mēlītes bloķētāju pulksteņrādītāju kustības virzienā, līdz dzirdat klikšķi. (Att. 37)
- Lai atlaistu piedziņas mēlītes bloķētāju, grieziet piedziņas mēlītes bloķētāju līdz galam pretēji pulksteņrādītāju kustības virzienam. (Att. 38)

Izstrādājuma ieslēgšana

1. Pievienojiet izstrādājumu ūdens avotam. Skatiet šeit: *Produkta pievienošana ūdens avotam lpp. 255.*
2. Ievietojiet kontaktdakšu kontaktlīdzdā.
3. Pagrieziet barošanas slēdzi ieslēgtā (I) stāvoklī. (Att. 39)
4. Atlaidiet piedziņas mēlītes bloķētāju. Skatiet šeit: *Piedziņas mēlītes bloķētāja nospiešana un atlaišana lpp. 256.*
5. Nospiediet piedziņas mēlīti uz smidzinātāja roktura.

Piezīme: Izstrādājums automātiski apstājas, kad atlaižat piedziņas mēlīti.

Izstrādājuma apturēšana

Piezīme: Izstrādājums automātiski apstājas, kad atlaižat piedziņas mēlīti.

1. Atlaidiet piedziņas mēlīti uz smidzinātāja roktura.
2. Nospiediet piedziņas mēlītes bloķētāju. Skatiet šeit: *Piedziņas mēlītes bloķētāja nospiešana un atlaišana lpp. 256.*
3. Pagrieziet barošanas slēdzi izslēgtā (0) stāvoklī. (Att. 40)
4. Atvienojiet kontaktdakšu no barošanas avota.
5. Atvienojiet izstrādājumu no ūdens avota. Skatiet šeit: *Izstrādājuma atvienošana no ūdens avota lpp. 256.*

Piezīme: Ja atstājat izstrādājumu uz laiku, kas ilgāks par 5 minūtēm, vienmēr atvienojiet to no ūdens avota.

Putu smidzinātāja izmantošana

1. Noņemiet putu smidzinātāju no tā turētāja. (Att. 41)
2. Piepildiet putu smidzinātāja tvertni ar tīrīšanas līdzekli.



IEVĒROJIET: Izmantojiet tikai Husqvarna ieteiktus tīrīšanas līdzekļus.

3. Spiediet putu smidzinātāja ātro savienojumu uz smidzinātāja caurules ātrā savienojuma, līdz tas nofiksējas vietā. (Att. 42)

Piezīme: Putu smidzinātāja atloks ir jāsalāgo ar smidzinātāja caurules gropi.

4. Pievienojiet izstrādājumu ūdens avotam. Skatiet šeit: *Produkta pievienošana ūdens avotam lpp. 255.*
5. Iedarbiniet ierīci. Skatiet šeit: *Izstrādājuma ieslēgšana lpp. 256.*

Apkope

Ievads



BRĪDINĀJUMS: Pirms veicat apkopi, izlasiet nodaļu par drošību un pārliecinieties, vai izprotat to.

Lai veiktu visus izstrādājuma apkopes un remonta darbus, ir nepieciešama īpaša apmācība. Mēs garantējam profesionāla remonta un apkopes pieejamību.

Papildinformāciju skatiet šeit: www.husqvarna.com.

Apkopes grafiks

Apkope	Pirms izmantošanas	Pēc lietošanas
Veiciet vispārīgu pārbaudi. Ja mirgo brīdinājuma indikators (C), informāciju par ieteicamo tukšgaitas ātrumu skatiet šeit: <i>Vispārējās pārbaudes veikšana lpp. 257.</i>	X	
Noīriet izstrādājumu. Ja mirgo brīdinājuma indikators (C), informāciju par ieteicamo tukšgaitas ātrumu skatiet šeit: <i>Produkta tīrīšana lpp. 257.</i>		X
Noīriet smidzinātāja cauruli un sprauslas. Ja mirgo brīdinājuma indikators (C), informāciju par ieteicamo tukšgaitas ātrumu skatiet šeit: <i>Smidzinātāja caurules un sprauslu tīrīšana lpp. 258.</i>		X
Iztīriet ūdens filtru. Ja ūdens filtrs ir bojāts, mainiet to. Ja mirgo brīdinājuma indikators (C), informāciju par ieteicamo tukšgaitas ātrumu skatiet šeit: <i>Ūdens filtra tīrīšana lpp. 258.</i>		X
Iesmērijiet savienojumu O-veida gredzenus. Ja mirgo brīdinājuma indikators (C), informāciju par ieteicamo tukšgaitas ātrumu skatiet šeit: <i>Savienojumu blīvģredzenu eļļošana lpp. 258.</i>		X

Vispārējās pārbaudes veikšana



BRĪDINĀJUMS: Pirms izstrādājuma apkopes pārslēdziet barošanas slēdzi izslēgtā stāvoklī (0), atvienojiet kontaktspraudni no barošanas avota.



IEVĒROJIET: Atvienojiet izstrādājumu no ūdens avota un pirms tā apkopes pārliecinieties, vai visas daļas ir sausas.

- Pārliecinieties, ka uzgriežņi un skrūves uz produkta ir cieši pievilkts.
- Pārbaudiet, vai izstrādājuma kabeli nav novietoti tā, ka tie var tikt bojāti.
- Pārbaudiet, vai augstspiediena šļūtene nav nodilusi un bojāta.



BRĪDINĀJUMS: Nelietojiet izstrādājumu, ja augstspiediena šļūtene ir nodilusi vai bojāta.

Produkta tīrīšana



BRĪDINĀJUMS: Pirms produkta apkopes pārslēdziet barošanas slēdzi izslēgtā (0) pozīcijā, atvienojiet kontaktdakšu no barošanas avota.



IEVĒROJIET: Atvienojiet produktu no ūdens avota un pirms produkta apkopes pārliecinieties, vai visas daļas ir sausas.

- Noīriet visas ārējās daļas ar sausu drānu.
- Nemazgājiet produktu ar augstspiediena mazgātāju.
- Uzturiet gaisa ieplūdes vietas tīras, lai vienmēr nodrošinātu pietiekamu produkta dzesēšanu.

Smidzinātāja caurules un sprauslu tīrīšana



BRĪDINĀJUMS: Pirms izstrādājuma apkopes pārslēdziet barošanas slēdzi izslēgtā (0) stāvoklī, atvienojiet kontaktdakšu no barošanas avota.



IEVĒROJIET: Atvienojiet izstrādājumu no ūdens avota un pirms tā apkopes pārliecinieties, vai visas daļas ir sausas.

1. Ja sprausla ir uzstādīta uz smidzinātāja caurules, noņemiet smidzinātāja cauruli. Skatiet šeit: *Uzgaļu uzstādīšana un noņemšana lpp. 254.*
2. Notīriet sprauslas, smidzinātāja caurules savienojumu un smidzinātāja roktura savienojumu ar ziepjuūdeni. (Att. 43)
3. Ja sprauslas ir nosprostotas, likvidējiet aizsērējumu, izmantojot tīrīšanas instrumentu. (Att. 44)

Ūdens filtra tīrīšana



BRĪDINĀJUMS: Pirms izstrādājuma apkopes pārslēdziet barošanas slēdzi izslēgtā (0) stāvoklī, atvienojiet kontaktdakšu no barošanas avota.



IEVĒROJIET: Atvienojiet izstrādājumu no ūdens avota un pirms tā apkopes pārliecinieties, vai visas daļas ir sausas.

1. Ja ir uzstādīts dārza šļūtenes adapteris, noņemiet to no izstrādājuma ūdens iepļūdes vietas. (Att. 32)
2. Izvelciet ūdens filtru. Izmantojiet plakanknaibles. (Att. 45)
3. Pārbaudiet, vai ūdens filtrs nav bojāts. Ja ūdens filtrs ir bojāts, mainiet to. (Att. 46)
4. Noskalojiet ūdens filtru tīrā ūdenī. (Att. 47)

Savienojumu blīvgredzenu eļļošana



BRĪDINĀJUMS: Pirms izstrādājuma apkopes pārslēdziet barošanas slēdzi izslēgtā stāvoklī (0), atvienojiet kontaktspraudni no barošanas avota.



IEVĒROJIET: Atvienojiet izstrādājumu no ūdens avota un pirms tā apkopes pārliecinieties, vai visas daļas ir sausas.

1. Noņemiet smidzinātāja cauruli no smidzinātāja roktura un smidzinātāja rokturi no augstspiediena šļūtenes. Skatiet šeit: *Smidzinātāja caurules uzstādīšana lpp. 254* un *Smidzinātāja roktura uzstādīšana lpp. 254.*
2. Ieeļļojiet dārza šļūtenes adaptera, smidzinātāja caurules un augstspiediena šļūtenes blīvgredzenus, izmantojot smērvielu. Skatiet šeit: *Tehniskie dati lpp. 259* informāciju par pareizu smērvielas veidu. (Att. 48)

Problēmu novēršana

Problēmu novēršanas grafiks

Problēma	Iespējamais iemesls	Risinājums
Zaru zāģis nesāk darboties.	Kontaktspraudnis nav pievienots barošanas avotam.	Ievietojiet kontaktspraudni barošanas kontaktligzdā.
	Barošanas slēdzis ir izslēgtā stāvoklī (0).	Pagrieziet barošanas slēdzi ieslēgtā stāvoklī (I).
	Kontaktligzdā nav elektrības.	Sazinieties ar apstiprinātu elektriķi.
	Barošanas kabelis ir bojāts.	Sazinieties ar pilnvarotu apkopes dienesta pārstāvi.
	Termiskā aizsargierīce pārtrauc barošanu.	Pirms zaru zāģa atkārtotas ieslēgšanas uzgaidiet, līdz tas atdziest.
	Tiek izmantots nepareiza veida pagarinātājs.	Pārliecinieties, ka pagarinātājs ir pilnībā atīts un spriegums atbilst izstrādājuma sprieguma datiem.
Drošinātājs izdeg ieslēgšanas vai darbības laikā.	Tiek izmantots nepareiza veida drošinātājs.	Pārliecinieties, vai izmantojat "C" vai "K" klases lēndarbīgu drošinātāju.

Problēma	Iespējamais iemesls	Risinājums
Zaru zāģis neapstājas.	Zaru zāģis ir bojāts.	Atvienojiet kontaktspraudni un sazinieties ar pilnvarota apkopes dienesta pārstāvi.
Zaru zāģis pārmērīgi sakarst.	Nepietiekama gaisa plūsma.	Izīriet gaisa ieplūdes atveres.
Zaru zāģis darbojas nevienmērīgi.	Sistēmā ir gaiss.	Atgaisojiet sistēmu.
Ūdens spiediens nav apmierinošs.	Šļūtene ir saliekta	Pārbaudiet, vai šļūtenes nav saliekta.
	Barošanas slēdzis ir izslēgtā stāvoklī (0).	Pagrieziet barošanas slēdzi ieslēgtā stāvoklī (I).
	Nepietiekama ūdens plūsma.	Pārbaudiet, vai zaru zāģis ir pareizi pievienots ūdens avotam. Nodrošiniet pietiekamu ūdens plūsmu.
	Aizsērējis ūdens filtrs.	Izīriet ūdens filtru.
	Sistēmā ir gaiss.	Atgaisojiet sistēmu.
	Piederums nav pareizs.	Izmantojiet pareizu piederumu.

Pārvadāšana, glabāšana un utilizēšana

Transportēšana

- Pirms izstrādājuma transportēšanas atvienojiet kontaktspraudni no kontaktligzdas.
- Pirms izstrādājuma transportēšanas atvienojiet to no barošanas avota.
- Transportēšanas laikā nostipriniet izstrādājumu, lai nepieļautu tā izkustēšanos.

Uzglabāšana

- Pirms produkta novietošanas uzglabāšanai noteciniet ūdeni no produkta, augstspiediena ūdens šļūtenes un piederumiem.
- Sagatavojiet produktu uzglabāšanai. Ja mirgo brīdinājuma indikators (C), informāciju par ieteicamo tukšgaitas ātrumu skatiet šeit: *Izstrādājuma sagatavošana uzglabāšanai lpp. 259.*
- Glabājiet produktu sausā, no sala pasargātā vidē.

Izstrādājuma sagatavošana uzglabāšanai

- Apturiet izstrādājumu un atvienojiet kontaktdakšu no kontaktligzdas.

- Atvienojiet izstrādājumu no ūdens avota. Skatiet šeit: *Izstrādājuma atvienošana no ūdens avota lpp. 256.*
- Pārliecinieties, vai visi piederumi ir sausi.
- Ievietojiet smidzinātāja rokturi, smidzinātāja cauruli un sprauslas turētājos.
- Atvienojiet augstspiediena ūdens šļūteni un ievietojiet to tās turētājā. (Att. 49)
- Ievietojiet barošanas kabeli turētājā un uzlieciet siksnu. (Att. 50)

Utilizēšana

Husqvarna izstrādājumi nav sadzīves atkritumi un tie ir jāutilizē atbilstoši rokasgrāmatas norādījumiem.

- Ievērojiet vietējās utilizēšanas prasības un piemērojamus noteikumus.
- Nododiet izstrādājumu un iepakojumu atbilstošā pārstrādes vietā.
- Lai iegūtu papildinformāciju par izstrādājuma pārstrādi un utilizēšanu, sazinieties ar vietējo Husqvarna izplatītāju.

Tehniskie dati

	PW 130
Motors un sūknis	
Tips	Maīnstrāvas virknes slēguma motors

	PW 130
Jauda, W	1500
Sprieguma diapazons, V	220–240
Frekvence, Hz	50
Nominālā strāva, A	6,5
Maks. ūdens plūsma, l/min	7,7
Maks. ūdens izplūdes spiediens, bāri/MPa	130/13
Maks. ūdens ieplūdes spiediens, bāri/MPa	10/1
Maks. ūdens ieplūdes temperatūra, °C/°F	40/104
Maks. ūdens ieplūdes temperatūra (sūkšanas režīmā), °C/°F	20/68
IP klase	IPX5
Drošības klase	II klase
Elļošana	
Bļivgredzenu smērvielas veids	Universāla baltā silikona smērviela
Svars	
Svars, kg	6,5
Trokšņa emisija ⁵⁷	
Skaņas jaudas līmenis, izmēritais dB (A)	85
Skaņas jaudas līmenis, garantētais L _{WA} dB(A)	89
Skaņas līmeņi ⁵⁸	
Ekvivalents skaņas spiediena līmenis pie operatora auss, dB(A)	72
Vibrācijas līmeņi ⁵⁹	
Turētājs/svira (ar standarta uzgali) m/s ²	2,5
Ekvivalents vibrāciju līmenis ⁶⁰	
Turētājs/svira (ar standarta uzgali) m/s ²	1,8

⁵⁷ Atbilstoši EK direktīvai 2000/14/EK trokšņa emisija apkārtņē ir mērīta kā akustiskā jauda (L_{WA}).

⁵⁸ Ekvivalents skaņas spiediena līmenis saskaņā ar standartu ISO 22868 tiek aprēķināts kā laika sprīdi svērti kopīgie skaņas spiediena līmeņi dažādos darba apstākļos. Ekvivalentā skaņas spiediena līmeņa tipiska statistiskā izkliede ir standartnovirze 1 dB (A).

⁵⁹ Vibrācijas līmenis atbilstoši standartam EN 60745-2-13. Sniegtajos datos par vibrācijas līmeni tipiska statistiskā izkliede ir 1 m/s² (standartnovirze). Norādītie vibrāciju dati no mērījumiem, ja zaru zāģis ir aprīkots ar sliedi un ieteicamo ķēdes veidu. Ja zaru zāģis ir aprīkots ar cita garuma sliedi, vibrācijas līmenis var mainīties maksimāli par ± 1,5 m/s².

⁶⁰ Ekvivalents vibrāciju līmenis tiek mērīts un aprēķināts, ņemot vērā ar iekšdedzes dzinēju darbināmus motorzāģus. Šie skaitļi tiek norādīti, lai varētu salīdzināt vibrāciju datus, neņemot vērā dzinēja veidu, saskaņā ar ISO 22867:2011.

Piederumi

Apstiprinātie piederumi

Apstiprinātie piederumi	Izstr. nr.
Virsmas tīrīšanas līdzeklis SC 300	590 65 79-01
Putu smidzinātājs FS 300	590 66 04-01
Cauruļu tīrīšanas šļūtene, 15 m	590 66 10-01
Ūdens filtrs	590 65 93-01
Atpakaļplūsmas vārsts	590 65 95-01
Sūkšanas šļūtene	590 65 97-01
Transportlīdzekļu komplekts	590 66 07-01
Rotējošo suku komplekts	590 66 06-01
Izliekta smidzinātāja caurule	590 66 11-01
Ūdens sūkšanas sprausla	590 66 05-01
Pagarinājuma šļūtene, 8 m	590 66 08-01

Atbilstības deklarācija

ES atbilstības deklarācija

Mēs, Husqvarna AB, SE-561 82 Huskvarna, Zviedrija, tālr. +46-36-146500, ar pilnu atbildību apliecinām, ka šis izstrādājums:

Apraksts	Augstspiediena mazgātājs
Zīmols	Husqvarna
Tips/modelis	PW 130
Identifikācija	Ar sērijas numuriem no 2022 un turpmākiem sērijas numuriem

pilnībā atbilst šādām ES direktīvām un noteikumiem:

Regula	Apraksts
2006/42/EK	“par mehānismiem”
2014/30/ES	“par elektromagnētisko savietojamību”
2000/14/EK V pielikums	“par trokšņa emisiju vidē”
2011/65/ES	Par dažādu bīstamo vielu lietošanas ierobežojumiem elektriskajos un elektroniskajos aprīkojumos

un ir ievēroti zemāk norādītie saskaņotie standarti un/vai tehniskie dati: EN 60335-1:2012/A11:2014/A13:2017/A1:2019/A14:2019/A2:2019/A15:2021, EN 60335-2-79:2012, EN 62233:2008, EN 55014-1:2021, EN 55014-2:2021, EN IEC 61000-3-2:2019/A1:2021, EN 61000-3-3:2013/A2:2021, EN IEC 63000:2018.

Informāciju par trokšņa emisiju skatiet šeit: *Tehniskie dati lpp. 259.*

Huskvarna, 2023-01-19



Claes Losdal, atbilstības nodaļas vadītājs/dārzkopības produkti, Husqvarna AB

Atbildīgais par tehnisko dokumentāciju



Inhoud

Inleiding.....	263	Probleemoplossing.....	275
Veiligheid.....	264	Vervoer, opslag en verwerking.....	276
Montage.....	270	Technische gegevens.....	277
Werking.....	271	Accessoires.....	278
Onderhoud.....	274	Verklaring van overeenstemming.....	279

Inleiding

Productbeschrijving

Het product is een elektrische hogedrukreiniger. Het product kan met verschillende waterdruk niveaus en verschillende reinigingsmiddelen worden gebruikt.

Gebruik

Gebruik het product alleen voor reiniging thuis. Gebruik het product niet voor andere taken. Gebruik het product alleen rechtop.

Productoverzicht

(Fig. 1)

1. Mondstuk met rechte waterstraal
2. Mondstuk met draaiende waterstraal
3. Rubberen band voor voedingskabelhouder
4. Houder voor spuihandvat en spuitlans
5. Hogedrukwaterslang
6. Waterinlaat
7. Schuimspuit
8. Opslag voor hogedrukwaterslang
9. Aan/uitschakelaar
10. Snoer
11. Wateruitlaat met snelkoppeling
12. Reinigingsgereedschap voor mondstukken
13. Transporthandgreep
14. Luchtinlaat
15. Spuihandvat
16. Spuitlans
17. Bedieningshandleiding

Symbolen op het product

(Fig. 2)

WAARSCHUWING: Dit product kan gevaarlijk zijn en ernstig of fataal letsel toebrengen aan de gebruiker of anderen. Wees voorzichtig en

Let op: Nationale wetgeving kan het gebruik van dit product mogelijk beperken.

gebruik het product op de juiste manier.

(Fig. 3)

Lees de bedieningshandleiding goed door en zorg dat u de instructies hebt begrepen voordat u dit product gaat gebruiken.

(Fig. 4)

Het product is niet geschikt voor aansluiting op drinkwaterleidingen.

(Fig. 5)

Hogedrukwaterstralen kunnen gevaarlijk zijn bij oneigenlijk gebruik. De straal mag niet worden gericht op personen, elektrische apparatuur of het product.

(Fig. 6) **Milieumarkering.** Het product of de verpakking ervan is geen huishoudelijk afval. Lever het in bij een erkende verwijderingslocatie voor elektrische en elektronische apparatuur.

(Fig. 7) **Klasse II-gereedschap.**

(Fig. 8) **Geluidsemissie naar het omgevingslabel volgens de richtlijnen en voorschriften van de EU en het VK en de wetgeving van Nieuw-Zuid-Wales "Protection of the Environment Operations (Noise Control) Regulations 2017". Het gegarandeerde geluidsvermogensniveau van het product staat vermeld in *Technische***

gegevens op pagina 277 en op het label.

(Fig. 9) **Beschermd tegen lagedrukwaterstroom vanuit alle hoeken.**

(Fig. 10) **Houd uit de buurt van vorst.**

(Fig. 11) **Het product voldoet aan de geldende EG-richtlijnen.**

(Fig. 12) **Dit product voldoet aan de geldende VK-regelgeving.**

Let op: Andere symbolen/stickers op het product hebben betrekking op certificeringseisen voor bepaalde markten.

Schade aan het product

We zijn niet verantwoordelijk voor schade aan ons product als:

- het product niet goed is gerepareerd.
- het product is gerepareerd met onderdelen die niet van de fabrikant afkomstig zijn, of onderdelen die niet zijn goedgekeurd door de fabrikant.
- het product een accessoire bevat dat niet afkomstig is van de fabrikant of niet is goedgekeurd door de fabrikant.
- het product niet is gerepareerd door een erkend servicepunt of door een erkende autoriteit.

Veiligheid

Veiligheidsdefinities

Waarschuwingen, voorzorgsmaatregelen en opmerkingen worden gebruikt om te wijzen op belangrijke delen van de handleiding.



WAARSCHUWING:

Wordt gebruikt om te wijzen op de kans op ernstig of fataal letsel voor de gebruiker of omstanders wanneer

de instructies in de handleiding niet worden gevolgd.



OPGELET: Wordt gebruikt indien er een risico bestaat op schade aan het product en andere eigendommen of aan de omgeving wanneer de instructies in de handleiding niet worden gevolgd.

Let op: Geven verdere informatie die nodig is in een bepaalde situatie.

Algemene veiligheidsinstructies



WAARSCHUWING: Lees de volgende waarschuwingen voordat u het product gaat gebruiken.

- Dit product is gevaarlijk als het verkeerd wordt gebruikt, of als u niet voorzichtig bent. Letsel of overlijden kunnen het gevolg zijn als u de veiligheidsvoorschriften negeert.
- Wees altijd voorzichtig en gebruik uw gezond verstand.

Als u niet zeker weet hoe u het product moet bedienen in een bepaalde situatie, stop dan en informeer bij uw Husqvarna servicewerkplaats voordat u verdergaat.

- Denk erom dat de bediener of gebruiker verantwoordelijk is voor ongelukken of beschadigingen aan eigendommen.
- Houd het product schoon. Zorg ervoor dat u de aanduidingen en stickers duidelijk kunt lezen.
- Laat kinderen of mensen die niet bekend zijn met deze gebruiksaanwijzing het apparaat niet gebruiken. Er kunnen plaatselijke regels zijn met betrekking tot de minimumleeftijd voor het bedienen van dit apparaat.
- Dit product kan worden bediend door personen met verminderde lichamelijke, zintuiglijke of geestelijke vermogens, mits zij onder toezicht staan of instructies krijgen voor een veilige bediening van het product en zij de gevaren van het gebruik begrijpen.
- Dit product kan worden bediend door personen die niet over de noodzakelijke

ervaring of kennis beschikken, mits zij onder toezicht staan of instructies krijgen voor het veilig bedienen van het product en zij de gevaren begrijpen.

- Gebruik het product nooit als u moe of ziek bent, of onder invloed van alcohol, drugs of medicijnen verkeert. Dit heeft een negatief effect op uw gezichtsvermogen, alertheid, coördinatie en beoordelingsvermogen.
- Gebruik nooit een beschadigd product.
- Wijzig dit product niet of gebruik het niet als het door anderen kan zijn gewijzigd.

Veiligheidsinstructies voor bediening



WAARSCHUWING:

Lees de volgende waarschuwingen voordat u het product gaat gebruiken.

- Gebruik het product niet als voedingskabel, hogedrukslang, vergrendeling van de schakelaar of spuihandvat beschadigd is.
- Controleer op schade voordat u het product gebruikt. Gebruik het product niet als

onderdelen beschadigd zijn of ontbreken.

- Houd het spuihandvat met twee handen stevig vast. Een terugslag treedt op wanneer u de activeringsschakelaar indrukt.
- Wees voorzichtig wanneer u het product gebruikt. De hoge druk van het product is gevaarlijk en kan letsel veroorzaken.
- Richt de straal niet op uzelf, andere personen of dieren.
- Richt de straal niet op uzelf of anderen om schoeisel te reinigen.
- Richt de straal niet op elektrische apparatuur of het product zelf.
- Draag persoonlijke beschermingsmiddelen tijdens het gebruik van het product. Zie *Persoonlijke beschermingsuitrusting op pagina 268*.
- Gebruik het product niet in de buurt van personen, tenzij ze beschermingsmiddelen dragen.
- Als u een reinigingsmiddel gebruikt, moet u de veiligheidsinstructies voor het reinigingsmiddel in acht nemen.
- Gebruik alleen Husqvarna reinigingsmiddelen.

- Gebruik de correcte waterdruk en reinigingsmiddelen en gebruik het product alleen voor de taken die in deze handleiding worden vermeld. Als u de verkeerde waterdruk gebruikt, het verkeerde reinigingsmiddel gebruikt of het product voor andere taken dan de in deze handleiding vermelde taken gebruikt, kan er schade aan het product, oppervlakken, materialen of andere apparaten ontstaan. Husqvarna is niet aansprakelijk voor schade veroorzaakt door verkeerd gebruik.
- Het wordt afgeraden om het product op een drinkwaterleiding aan te sluiten. Als u het product op een drinkwaterleiding aansluit, moet de lokale en nationale regelgeving in acht worden genomen. Gebruik een terugslagklep (niet inbegrepen) als dit nodig is. Water dat door een terugslagklep is gestroomd, wordt beschouwd als niet-drinkbaar.
- Spuit geen brandbare vloeistoffen. Explosiegevaar.
- Laat het product niet door kinderen bedienen.
- Laat kinderen niet met het product spelen.
- Laat het product niet door personen zonder training bedienen.
- Gebruik alleen accessoires en reserveonderdelen die zijn goedgekeurd door Husqvarna.
- Zorg ervoor dat de elektrische aansluiting wordt uitgevoerd door een erkende elektricien en dat deze voldoet aan IEC 60364-1.
- Gebruik een aardlekschakelaar die de elektriciteit stopt als de lekstroom hoger is dan 30 mA gedurende 30 ms. Als u geen aardlekschakelaar hebt, moet u een apparaat gebruiken dat een aardingsketen heeft.
- Gebruik motorstart-/trage zekeringen met karakteristieke C of D in overeenstemming met IEC 898-1 of IEC947-2 of overeenkomstige normen buiten IEC.
- Er is geen actie nodig voor het afstellen van producten die gemarkeerd zijn met dubbele spanning en frequentie.
- Als het nodig is om een verlengkabel te gebruiken, moet u ervoor zorgen

dat deze geschikt is voor buitengebruik. Zorg ervoor dat de contactdoos minimaal 60 mm boven de grond staat. De aansluiting moet altijd droog blijven.

- Zet de aan-/uitschakelaar in de uit (0)-stand, haal de stekker uit het stopcontact en activeer de vergrendeling voor de activeringsschakelaar voordat u weggaat bij het product.
- Zet de aan-/uitschakelaar in de uit (0)-stand en haal de stekker uit het stopcontact voordat u de accessoire verwisselt.
- Zet de aan-/uitschakelaar in de uit (0)-stand en haal de stekker uit het stopcontact voordat u reinigings- of onderhoudswerkzaamheden aan het product uitvoert.
- Gebruik het product niet in omgevingen waar de omgevingstemperatuur lager is dan 0°C.
- Start een bevroren product niet.
- Gebruik het product niet binnenshuis.
- Plaats geen voorwerpen op het product als het product in gebruik is.
- Drink geen water dat gebruikt is door het product.

- Gebruik het product niet in de buurt van geopende ramen.
- Kijk uit voor wegschietende objecten. Stenen en losse voorwerpen kunnen omhoog schieten in uw ogen en blindheid of ernstig letsel veroorzaken.
- Als het product niet correct werkt, zie *Probleemoplossingsschema op pagina 275*.

Persoonlijke beschermingsuitrusting



WAARSCHUWING:

Lees de volgende waarschuwingen voordat u het product gaat gebruiken.

- Persoonlijke beschermingsuitrusting kunnen niet alle risico's uitsluiten maar kunnen de ernst van eventueel letsel helpen beperken. Vraag uw dealer u te helpen bij het kiezen van de juiste beschermingsmiddelen.
- Gebruik zware antisliplaarzen of -schoenen. Draag geen open schoenen en loop niet op blote voeten.
- Draag beschermende kleding.

- Gebruik goedgekeurde gehoorbescherming.
- Draag een veiligheidsbril.
- Gebruik adembescherming met klasse FFP2 of soortgelijk als u het product in omgevingen gebruikt waarin gevaarlijke aerosolen gevormd kunnen worden.

Veiligheidsvoorzieningen op het product



WAARSCHUWING:

Lees de volgende waarschuwingen voordat u het product gaat gebruiken.

- Gebruik geen producten met veiligheidsvoorzieningen die beschadigd zijn of niet correct werken.
- Verwijder geen veiligheidsvoorzieningen en voer er geen veranderingen aan uit.
- Controleer de veiligheidsvoorzieningen regelmatig op een juiste werking. Als de veiligheidsvoorzieningen beschadigd zijn of niet goed werken, neem dan contact op met uw Husqvarna-servicewerkplaats.

Vergrendeling voedingsschakelaar

De vergrendeling van de activeringsschakelaar (A) voorkomt dat de activeringsschakelaar (B) per ongeluk wordt ingeschakeld. Als de vergrendeling van de activeringsschakelaar in de vergrendelde stand staat, kan de activeringsschakelaar niet worden ingedrukt.

(Fig. 13)

Voedingsschakelaar

Het product start als de activeringsschakelaar wordt ingedrukt. Het product stopt als de activeringsschakelaar wordt losgelaten.

Thermische bescherming

Het product is voorzien van automatische thermische bescherming. Als het product te heet wordt, stopt de thermische bescherming de stroomvoorziening naar het product. Als de thermische bescherming de stroomvoorziening heeft gestopt, moet worden gewacht tot het product is afgekoeld. De thermische bescherming wordt automatisch gereset als het product voldoende is afgekoeld.

Hydraulische ontlastingsklep

Het product heeft een geïntegreerde hydraulische ontlastingsklep die voorkomt dat er te hoge druk in het systeem ontstaat.

Veiligheidsinstructies voor onderhoud



WAARSCHUWING:

Lees de volgende waarschuwingen voordat u onderhoud aan het product gaat uitvoeren.



OPGELET: Voer altijd onderhoud uit voordat u het product na langdurige opslag weer in gebruik neemt.

- Zet de aan-/uitschakelaar in de uit (0)-stand en haal de stekker uit het stopcontact voordat u onderhoud aan het product uitvoert.
- Koppel het product los van de waterbron en zorg ervoor dat alle onderdelen droog zijn

voordat u onderhoud aan het product uitvoert.

- Voer alleen onderhoudswerkzaamheden uit die worden beschreven in deze bedieningshandleiding.
- Gebruik alleen reserveonderdelen die worden aanbevolen door Husqvarna. Hogedrukwaterslangen, fittingen en koppelingen zijn belangrijk voor de veiligheid wanneer u het product gebruikt. Gebruik uitsluitend slangen, fittingen en koppelingen die door de fabrikant worden aanbevolen.
- Repareer het product niet. Neem contact op met uw erkende Husqvarna servicewerkplaats.
- Neem contact op met uw erkende Husqvarna servicewerkplaats als de stekker of voedingskabel beschadigd is.
- Laat kinderen geen reinigungs- of onderhoudswerkzaamheden aan het product uitvoeren.

Montage

Inleiding



WAARSCHUWING: Zorg dat u het hoofdstuk over veiligheid hebt gelezen en begrepen voordat u het apparaat monteert.

De tuinslangadapter installeren

1. Verwijder de transportafscherming van de waterinlaat en gooi deze weg. (Fig. 14)
2. Installeer de tuinslangadapter op de waterinlaat. (Fig. 15)



OPGELET: Zorg ervoor dat u de tuinslangadapter recht op de waterinlaat installeert. Als de tuinslangadapter niet recht wordt geïnstalleerd, kan er schade aan de schroefdraden ontstaan en kan er lekkage optreden.

3. Draai de tuinslangadapter helemaal vast.

4. Verwijder de tuinslangadapter in de omgekeerde volgorde.

De houder voor het spuithandvat en de spuitlans installeren

- Breng de houder aan met de 2 schroeven. (Fig. 16)

Werking

Inleiding



WAARSCHUWING: Zorg dat u het hoofdstuk over veiligheid hebt gelezen en begrepen voordat u het product gebruikt.

Husqvarna Connect

Husqvarna Connect is een gratis app voor uw mobiele apparaat. De Husqvarna Connect-app biedt uitgebreide functies voor uw Husqvarna-product:

- Uitgebreide productinformatie.
- Informatie over, en hulp bij, onderdelen en onderhoud van uw product.

Husqvarna Connect gebruiken

1. Download de Husqvarna Connect-app op uw mobiele apparaat.
2. Registreer in de Husqvarna Connect-app.
3. Volg de instructies in de Husqvarna Connect-app om verbinding te maken met het product en dit te registreren.

Let op: De Husqvarna Connect-app kan niet in alle markten worden gedownload. Neem voor meer informatie contact op met uw servicedealer.

Het spuithandvat installeren

1. Druk de hogedrukwaterslang in de snelkoppeling tot deze in positie wordt vergrendeld. (Fig. 17)



OPGELET: Om lekkage te voorkomen, moet ervoor worden gezorgd dat de hogedrukslang volledig is aangesloten op de snelkoppeling op het product.

2. Houd het spuithandvat met één hand goed vast en druk de hogedrukwaterslang in de snelkoppeling op het spuithandvat. (Fig. 18)

Het spuithandvat verwijderen

1. Druk de knop op het spuithandvat in en trek de hogedrukwaterslang uit. (Fig. 19)

2. Druk de buitenste ring op de snelkoppeling in en trek de hogedrukwaterslang uit. (Fig. 20)

De spuitlans installeren

1. Houd de spuitlans met één hand vast en druk de koppeling op de spuitlans in het spuithandvat. (Fig. 21)
2. Draai de spuitlans rechtsom en geef de spuitlans vrij. De spuitlans wordt in positie vergrendeld.

De spuitlans verwijderen

1. Druk de spuitlans in en draai deze linksom. (Fig. 22)
2. Trek de spuitlans van het spuithandvat.

Een mondstuk installeren en verwijderen

Het product wordt met 2 mondstukken geleverd:

1 mondstuk met een rechte waterstraal (aangeduid als 'zacht mondstuk') en 1 grof mondstuk met roterende waterstraal (aangeduid als 'grof mondstuk'). Het mondstuk met een rechte waterstraal kan worden gebruikt om gevoelige oppervlakken, zoals voertuigen, te reinigen. Het groffe mondstuk kan worden gebruikt om oppervlakken te reinigen die niet gevoelig zijn, zoals oppritten.

(Fig. 23)



OPGELET: Gebruik het mondstuk met een roterende waterstraal niet voor gevoelige oppervlakken, bijvoorbeeld gelakte oppervlakken op een voertuig. De roterende waterstraal kan schade aan het oppervlak veroorzaken.

- Om een mondstuk te installeren moet de spuitlans met een hand worden vastgehouden en moet het mondstuk worden ingedrukt tot het in positie wordt vergrendeld. (Fig. 24)
- Om een mondstuk te verwijderen, moet het lipje op de spuitlans worden ingedrukt en moet het mondstuk van de spuitlans worden getrokken. (Fig. 25)

Afstelling van de druk van de waterstraal

Het mondstuk met rechte waterstraal heeft instelbare druk.

- Om de druk van de waterstraal te verhogen, moet het mondstuk rechtersom worden gedraaid. (Fig. 26)
- Om de druk van de waterstraal te verlagen, moet het mondstuk linksom worden gedraaid. (Fig. 27)

Het product gebruiken

1. Sluit het product aan op een waterbron. Zie *Het product op een waterbron aansluiten op pagina 272*.
2. Ontlucht het systeem. Zie *Het systeem ontluichten op pagina 272*.
3. Start het product. Zie *Product starten op pagina 273*.

Het product op een waterbron aansluiten

Het product kan worden gebruikt met water uit de waterleiding of water uit een open waterbron, bijvoorbeeld een meer of een vat met water.

- Voor het aansluiten van het product op de waterleiding, zie *Het product op de waterleiding aansluiten op pagina 272*.
- Om het product op een open waterbron aan te sluiten, zie *Het product op een open waterbron aansluiten op pagina 272*.

Het product op de waterleiding aansluiten

1. Installeer de tuinslangadapter en het waterfilter op de waterinlaat op het product als ze niet geïnstalleerd zijn. Zie *De tuinslangadapter installeren op pagina 270*.
2. Sluit de tuinslang aan op de waterleiding. Gebruik een tuinslang van ½ inch die 10–25 m lang is. (Fig. 28)



OPGELET: De waterdruk in de waterleiding mag niet hoger zijn dan 1 MPa (10 bar).



OPGELET: De watertemperatuur in de waterleiding mag niet hoger zijn dan 40°C.

3. Open de kraan van de waterleiding en zorg ervoor dat het water vrij vanaf de tuinslang kan stromen. (Fig. 29)
4. Sluit de kraan van de waterleiding.
5. Sluit de tuinslang aan op de waterinlaat op het product. (Fig. 30)
6. Sluit de stekker aan op een stopcontact.
7. Open de kraan op de waterleiding.

8. Ontlucht het systeem voordat u het product gebruikt. Zie *Het systeem ontluichten op pagina 272*.

Het product op een open waterbron aansluiten

Het product kan worden gebruikt met water van een open waterbron, bijvoorbeeld een meer of een vat met water. Gebruik een aanzuigslang van ½ inch (niet inbegrepen) die maximaal 3 m lang is.

(Fig. 31)



OPGELET: De watertemperatuur in de waterbron mag niet hoger zijn dan 20°C.



OPGELET: Het product mag niet meer dan 0,5 m boven de waterbron zijn.

1. Als de tuinslangadapter is geïnstalleerd, moet deze van de waterinlaat op het product worden verwijderd. (Fig. 32)



OPGELET: Verwijder niet het waterfilter in de waterinlaat.

2. Installeer een aanzuigslang (niet inbegrepen) op de waterinlaat op het product. (Fig. 33)
3. Plaats de aanzuigslang in de waterbron en zorg ervoor dat het filter volledig is ondergedompeld.



OPGELET: Gebruik geen aanzuigslang zonder filter.

4. Druk de knop op het spuihandvat in en trek de hogedrukslang van het spuihandvat. (Fig. 19)
5. Sluit de stekker aan op een stopcontact.
6. Zet de aan-/uitschakelaar in de aan (I)-stand en laat het product 2 minuten werken.
7. Zet de aan-/uitschakelaar in de uit (O)-stand.
8. Houd het spuihandvat met één hand goed vast en druk de hogedrukwaterslang in de snelaansluiting op het spuihandvat. (Fig. 18)
9. Ontlucht het systeem voordat u het product gebruikt. Zie *Het systeem ontluichten op pagina 272*.

Het systeem ontluichten



OPGELET: Zorg ervoor dat de aan-/uitschakelaar in de uit (O)-stand staat voordat u het systeem ontluicht.

1. Sluit het product aan op een waterbron. Zie *Het product op een waterbron aansluiten op pagina 272*.
2. Installeer de spuitlans op het spuitpistool. Zie *De spuitlans installeren op pagina 271*.

3. Deactiveer de vergrendeling van de activeringsschakelaar. Zie *De vergrendeling van de activeringsschakelaar activeren en deactiveren op pagina 273*.
4. Druk de activeringsschakelaar in en houd deze ingedrukt totdat water uit het mondstuk op de spuitlans komt. (Fig. 34)

Het product loskoppelen van de waterbron

1. Zet de aan-/uitschakelaar in de uit (0)-stand.
2. Als het product is aangesloten op de waterleiding moet de kraan op de waterleiding worden gesloten.
3. Als het product is aangesloten op de waterleiding, moet de tuinslang worden losgekoppeld van de waterleiding. (Fig. 35)
4. Als het product is aangesloten op een open waterbron, moet de aanzuigslang uit de waterbron worden verwijderd.
5. Druk de activeringsschakelaar in en houd deze ingedrukt totdat er geen water meer uit het mondstuk komt.
6. Koppel de tuinslang los van de waterinlaat op het product. (Fig. 36)

Let op: Als het product is aangesloten op een open waterbron, moet de aanzuigslang worden losgekoppeld.

7. Druk de knop op het spuihandvat in en trek de hogedrukslang van het spuihandvat. (Fig. 19)
8. Zet de aan-/uitschakelaar in de aan (I)-stand. Laat het product werken totdat er geen water meer uit de hogedrukslang komt.
9. Zet de aan-/uitschakelaar in de uit (0)-stand.
10. Laat het spuihandvat, de spuitlans en de mondstukken drogen voordat u het product opbergt.

De vergrendeling van de activeringsschakelaar activeren en deactiveren

- Om de vergrendeling van de activeringsschakelaar te activeren, moet de vergrendeling van de activeringsschakelaar rechtsom worden gedraaid totdat u een klik hoort. (Fig. 37)
- Om de vergrendeling van de activeringsschakelaar te deactiveren, moet de vergrendeling van de activeringsschakelaar helemaal linksom worden gedraaid. (Fig. 38)

Product starten

1. Sluit het product aan op een waterbron. Zie *Het product op een waterbron aansluiten op pagina 272*.
2. Sluit de stekker aan op een stopcontact.

3. Zet de aan-/uitschakelaar in de aan (I)-stand. (Fig. 39)
4. Deactiveer de vergrendeling van de activeringsschakelaar. Zie *De vergrendeling van de activeringsschakelaar activeren en deactiveren op pagina 273*.
5. Druk de activeringsschakelaar op het spuihandvat in.

Let op: Het product stopt automatisch als u de activeringsschakelaar loslaat.

Product stoppen

Let op: Het product stopt automatisch als u de activeringsschakelaar loslaat.

1. Laat de activeringsschakelaar op het spuihandvat los.
2. Activeer de vergrendeling van de activeringsschakelaar. Zie *De vergrendeling van de activeringsschakelaar activeren en deactiveren op pagina 273*.
3. Zet de aan-/uitschakelaar in de uit (0)-stand. (Fig. 40)
4. Haal de stekker uit het stopcontact.
5. Koppel het product los van de waterbron. Zie *Het product loskoppelen van de waterbron op pagina 273*.

Let op: Koppel het product altijd los van de waterbron als u langer dan 5 minuten weggaat van het product.

De schuimsput gebruiken

1. Verwijder de schuimsput uit de houder. (Fig. 41)
2. Vul het reservoir op de schuimsput met reinigingsmiddel.



OPGELET: Gebruik alleen reinigingsmiddelen die worden aanbevolen door Husqvarna.

3. Druk de snelkoppeling op de schuimsput in de snelkoppeling op de spuitlans totdat deze in de positie wordt vergrendeld. (Fig. 42)

Let op: De flens op de schuimsput moet op één lijn staan met de groef in de spuitlans.

4. Sluit het product aan op een waterbron. Zie *Het product op een waterbron aansluiten op pagina 272*.
5. Start het product. Zie *Product starten op pagina 273*.

Onderhoud

Inleiding



WAARSCHUWING: Voordat u onderhoud gaat uitvoeren, dient u het hoofdstuk over veiligheid te lezen en hebben begrepen.

Voor alle onderhouds- en reparatiewerkzaamheden aan het product is speciale training nodig. Wij garanderen de beschikbaarheid van professionele reparaties en onderhoud.

Zie www.husqvarna.com voor meer gedetailleerde informatie.

Onderhoudsschema

Onderhoud	Vóór gebruik	Na gebruik
Voer een algemene inspectie uit. Zie <i>Algemene inspectie uitvoeren op pagina 274</i> .	X	
Reinig het product. Zie <i>Product reinigen op pagina 274</i> .		X
De spuitlans en de mondstukken reinigen. Zie <i>De spuitlans en de mondstukken reinigen op pagina 274</i> .		X
Het waterfilter reinigen. Vervang het waterfilter als het beschadigd is. Zie <i>Het waterfilter reinigen op pagina 275</i> .		X
Smeer de O-ringen op de koppelingen. Zie <i>De O-ringen op de koppelingen smeren op pagina 275</i> .		X

Algemene inspectie uitvoeren



WAARSCHUWING: Zet de aan-/uitschakelaar in de uit (0)-stand en haal de stekker uit het stopcontact voordat u onderhoud aan het product uitvoert.



OPGELET: Koppel het product los van de waterbron en zorg ervoor dat alle onderdelen droog zijn voordat u onderhoud aan het product uitvoert.



OPGELET: Koppel het product los van de waterbron en zorg ervoor dat alle onderdelen droog zijn voordat u onderhoud aan het product uitvoert.

- Controleer of de moeren en de schroeven op het product goed zijn vastgedraaid.
- Zorg dat de kabels van het product zich in een positie vinden waarin ze niet beschadigd kunnen raken.
- Controleer de hogedrukslang op slijtage en beschadiging.

- Reinig alle externe onderdelen met een droge doek.
- Reinig het product niet met een hogedrukspuit.
- Houd de luchtinlaten schoon om ervoor te zorgen dat het product altijd een voldoende koele temperatuur heeft.

De spuitlans en de mondstukken reinigen



WAARSCHUWING: Zet de aan-/uitschakelaar in de uit (0)-stand en haal de stekker uit het stopcontact voordat u onderhoud aan het product uitvoert.



OPGELET: Koppel het product los van de waterbron en zorg ervoor dat alle onderdelen droog zijn voordat u onderhoud aan het product uitvoert.

Product reinigen



WAARSCHUWING: Zet de aan-/uitschakelaar in de uit (0)-stand en haal

1. Als een mondstuk op de spuitlans is geïnstalleerd, moet deze van de spuitlans worden verwijderd. Zie *Een mondstuk installeren en verwijderen op pagina 271*.
2. Reinig de mondstukken, de koppeling op de spuitlans en de koppeling op het spuitbandvat met zeep en water. (Fig. 43)
3. Als er een blokkade in de mondstukken is, moet deze worden verwijderd met het reinigingsgereedschap. (Fig. 44)

Het waterfilter reinigen



WAARSCHUWING: Zet de aan-/uitschakelaar in de uit (0)-stand en haal de stekker uit het stopcontact voordat u onderhoud aan het product uitvoert.



OPGELET: Koppel het product los van de waterbron en zorg ervoor dat alle onderdelen droog zijn voordat u onderhoud aan het product uitvoert.

1. Als de tuinslangadapter is geïnstalleerd, moet deze van de waterinlaat op het product worden verwijderd. (Fig. 32)

2. Trek het waterfilter eruit. Gebruik een tang. (Fig. 45)
3. Controleer het waterfilter op beschadiging. Vervang het waterfilter als het beschadigd is. (Fig. 46)
4. Spoel het waterfilter met schoon water. (Fig. 47)

De O-ringen op de koppelingen smeren



WAARSCHUWING: Zet de aan-/uitschakelaar in de uit (0)-stand en haal de stekker uit het stopcontact voordat u onderhoud aan het product uitvoert.



OPGELET: Koppel het product los van de waterbron en zorg ervoor dat alle onderdelen droog zijn voordat u onderhoud aan het product uitvoert.

1. Verwijder de spuitlans van het spuitbandvat en verwijder het spuitbandvat van de hogedrukslang. Raadpleeg *De spuitlans installeren op pagina 271* en *Het spuitbandvat installeren op pagina 271*.
2. Smeer de O-ringen op de tuinslangadapter, de spuitlans en de hogedrukslang met vet. Raadpleeg *Technische gegevens op pagina 277* voor het juiste type vet. (Fig. 48)

Probleemoplossing

Probleemoplossingsschema

Probleem	Mogelijke oorzaak	Oplossing
Het product start niet.	De stekker is niet aangesloten op een stopcontact.	Sluit de stekker aan op een stopcontact
	De aan/uitschakelaar staat in uit (0)-stand.	Zet de aan/uitschakelaar in de aan (I)-stand.
	Er is geen elektriciteit in het stopcontact.	Raadpleeg een erkende elektricien.
	De voedingskabel is beschadigd.	Neem contact op met een erkende servicewerkplaats.
	De thermische bescherming heeft de voeding gestopt.	Wacht tot het product is afgekoeld voordat u het product weer gaat gebruiken.
De zekering springt tijdens de start of het bedrijf.	Er is een verkeerd type verlengkabel gebruikt.	Zorg ervoor dat de verlengkabel volledig is afgewikkeld en dat de voedingsspanning overeenkomt met de spanning van het product.
	Er is een verkeerd type zekering gebruikt.	Zorg ervoor dat u een trage zekering van klasse 'C' of 'K' gebruikt.

Probleem	Mogelijke oorzaak	Oplossing
Het product stopt niet.	Het product is beschadigd.	Haal de stekker uit het stopcontact en neem contact op met een erkende servicewerkplaats.
Het product wordt te heet.	De luchtstroom is onvoldoende.	Reinig de luchtinlaten.
Het product werkt niet gelijkmatig.	Er zit lucht in het systeem.	Ontlucht het systeem.
De waterdruk is ontoereikend.	De slang is geknikt	Controleer of de slangen niet geknikt zijn.
	De aan/uitschakelaar staat in uit (0)-stand.	Zet de aan/uitschakelaar in de aan (I)-stand.
	De waterdoorvoer is onvoldoende.	Zorg ervoor dat het product correct is aangesloten op de waterbron. Zorg dat de waterdoorvoer voldoende is.
	Het waterfilter is verstopt.	Het waterfilter reinigen.
	Er zit lucht in het systeem.	Ontlucht het systeem.
	De accessoire is niet correct.	Zorg ervoor dat u de juiste accessoire gebruikt.

Vervoer, opslag en verwerking

Transport

- Haal de stekker uit het stopcontact voordat het product wordt getransporteerd.
- Koppel het product los van de waterbron voordat het product wordt getransporteerd.
- Bevestig het product om beweging tijdens het transport te voorkomen.

Opslag

- Leeg al het water uit het product, de hogedrukwaterslang en de accessoires voordat u het product opbergt.
- Het product voorbereiden voor opslag. Zie *Het product voorbereiden voor opslag op pagina 276*.
- Bewaar het product in een droge en vorstvrije omgeving.

Het product voorbereiden voor opslag

1. Stop het product en koppel de voedingskabel los van de voedingsbron.
2. Koppel het product los van de waterbron. Zie *Het product loskoppelen van de waterbron op pagina 273*.

3. Controleer of alle accessoires droog zijn.
4. Plaats het spuihandvat, de spuitlans en de mondstukken in de betreffende houders.
5. Koppel de hogedrukwaterslang los en plaats deze in de houder. (Fig. 49)
6. Plaats de voedingskabel in de houder en bevestig de band. (Fig. 50)

Afvoeren

Producten van Husqvarna zijn geen huishoudelijk afval en mogen alleen worden afgevoerd zoals beschreven in deze handleiding.

- Neem de plaatselijk geldende wet- en regelgeving voor afvoering in acht.
- Recycle het product en de verpakking op een geschikte afvoerlocatie.
- Neem contact op met uw plaatselijke Husqvarna-dealer voor meer informatie over het recyclen en afvoeren van het product.

Technische gegevens

PW 130	
Motor en pomp	
Type	Motor van AC-serie
Vermogen, W	1500
Spanningsbereik, V	220–240
Frequentie, Hz	50
Nominale stroom, A	6,5
Max. waterdoorvoer, l/min.	7,7
Max. wateruitlaatdruk, bar/MPa	130/13
Max. waterinlaatdruk, bar/MPa	10/1
Max. waterinlaattemperatuur, °C/°F	40/104
Max. waterinlaattemperatuur (in aanzuigstand), °C/°F	20/68
IP-klasse	IPX5
Veiligheidsklasse	Klasse II
Smering	
Type vet voor het smeren van O-ringen	Universeel wit siliconenvet
Gewicht	
Gewicht, kg	6,5
Geluidsemissies ⁶¹	
Geluidsvermogeniveau, gemeten dB(A)	85
Geluidsvermogeniveau, gegarandeerd L _{WA} dB(A)	89
Geluidsniveaus ⁶²	
Equivalent geluidsdruk niveau bij het oor van de gebruiker, dB(A)	72
Trillingsniveau ⁶³	
Hand/arm (met standaard mondstuk) m/s ²	2,5

⁶¹ Geluidsemissie naar de omgeving gemeten als geluidsvermogen (L_{WA}) volgens EG-richtlijn 2000/14/EG.

⁶² Vergelijkbaar geluidsdruk niveau, conform ISO 22868, is berekend als de totale tijdgewogen energie voor verschillende geluidsdruk niveaus onder verschillende bedrijfsomstandigheden. Typische statistische spreiding voor een vergelijkbaar geluidsdruk niveau is een standaardafwijking van 1 dB(A).

⁶³ Trillingsniveau volgens EN 60745-2-13. De gerapporteerde gegevens voor een trillingsniveau vertonen een typische statistische spreiding (standaardafwijking) van 1 m/s². De opgegeven trillingsgegevens komen uit metingen waarbij de machine is voorzien van een zaagbladlengte en een aanbevolen type ketting. Als de machine is voorzien van een andere zaagbladlengte, kan het trillingsniveau met maximaal ± 1,5 m/s² variëren.

	PW 130
Gelijkwaardige trillingsniveaus ⁶⁴	
Hand/arm (met standaard mondstuk) m/s ²	1,8

Accessoires

Goedgekeurde accessoires

Goedgekeurde accessoires	Art.nr.
Oppervlaktereiniger SC 300	590 65 79-01
Schuimspuit FS 300	590 66 04-01
Pijpreinigingslang, 15 m	590 66 10-01
Waterfilter	590 65 93-01
Terugslagklep	590 65 95-01
Aanzuigslang	590 65 97-01
Voertuigset	590 66 07-01
Roterende borstelset	590 66 06-01
Gebogen spuitlans	590 66 11-01
Wateraanzuigmondstuk	590 66 05-01
Verlengslang, 8 m	590 66 08-01

⁶⁴ Gelijkwaardige trillingsniveaus worden gemeten en berekend voor met een verbrandingsmotor aangedreven kettingzagen. Deze cijfers worden geciteerd om trillingsgegevens te kunnen vergelijken, ongeacht het type motor, volgens ISO 22867:2011.

Verklaring van overeenstemming

EU-verklaring van overeenstemming

Wij, Husqvarna AB, SE-561 82 Huskvarna,
Zweden, tel: +46-36-146500, verklaren onder onze
alleenverantwoordelijkheid dat het product:

Beschrijving	Hogedrukreiniger
Merk	Husqvarna
Type / model	PW 130
Identificatie	Serienummers vanaf 2022 en verder

voldoen volledig aan de volgende EU-richtlijnen en
-regelgeving:

Verordening	Beschrijving
2006/42/EG	"betreffende machines"
2014/30/EU	"betreffende elektromagnetische compatibiliteit"
2000/14/EG, Bijlage V	"betreffende de geluidsemissies in het milieu"
2011/65/EU	"inzake beperking van het gebruik van bepaalde gevaarlijke stoffen in elektrische en elektronische apparatuur"

en dat de volgende normen
en/of technische specificaties zijn
toegepast: EN 60335-1:2012/A11:2014/A13:2017/
A1:2019/A14:2019/A2:2019/A15:2021, EN
60335-2-79:2012, EN 62233:2008, EN 55014-1:2021,
EN 55014-2:2021, EN IEC 61000-3-2:2019/A1:2021, EN
61000-3-3:2013/A2:2021, EN IEC 63000:2018.

Voor informatie over geluidsemissies, zie *Technische
gegevens op pagina 277*.

Huskvarna, 2023-01-19



Claes Losdal, Development Manager/Garden Products,
Husqvarna AB

Verantwoordelijk voor technische documentatie



INNHold

Innledning.....	280	Feilsøking.....	291
Sikkerhet.....	281	Transport, oppbevaring og avhending.....	291
Montering.....	286	Tekniske data.....	292
Drift.....	287	Tilbehør.....	293
Vedlikehold.....	289	Samsvarserklæring.....	294

Innledning

Produktbeskrivelse

Produktet er en elektrisk høytrykksspyler. Produktet kan brukes med ulike vanntrykk og forskjellige rengjøringsmidler.

Bruksområder

Produktet skal bare brukes til rengjøring hjemme. Ikke bruk produktet til andre oppgaver. Bruk produktet kun i stående stilling.

Produktoversikt

(Fig. 1)

1. Munnstykke med rett vannstråle
2. Munnstykke med roterende vannstråle
3. Gummistropp for strømledningsholder
4. Holder for sprøytehåndtak og sprøytelanse
5. Høytrykksvannslange
6. Vanninntak
7. Skumsprøyte
8. Oppbevaring for høytrykksvannslange
9. Strømbryter
10. Strømledning
11. Vannuttak med hurtigkobling
12. Rengjøringsverktøy for munnstykker
13. Transporthåndtak
14. Luftinntak
15. Sprøytehåndtak
16. Sprøytelanse
17. Bruksanvisning

Symboler på produktet

(Fig. 2)

ADVARSEL: Dette produktet kan være farlig og føre til alvorlig personskade eller død for brukeren eller andre. Vær forsiktig, og bruk produktet riktig.

Merk: Nasjonale forskrifter kan sette grenser for bruken av produktet.

(Fig. 3)

Les bruksanvisningen nøye, og forsikre deg om at du forstår instruksjonene før du bruker produktet.

(Fig. 4)

Produktet er ikke egnet for tilkobling til drikkevannsforsyningen.

(Fig. 5)

Vannstråler med høyt trykk kan være farlige hvis de brukes feil. Strålen må ikke rettes mot personer, elektrisk utstyr eller produktet.

(Fig. 6)

Miljømerke. Produktet og produktemballasjen er ikke restavfall. Lever det til et godkjent gjenvinningsanlegg for

elektrisk og elektronisk utstyr.

(Fig. 10) Må ikke utsettes for frost.

(Fig. 7) Verktøy i klasse II.

(Fig. 11) Dette produktet samsvarer med gjeldende EF-direktiver.

(Fig. 8) Støyutslipp til omgivelsene som i EU-direktiver og -forordninger, britiske forskrifter og New South Wales-forskriften «Protection of the Environment Operations (Noise Control) Regulation 2017». Garantert lydeffektnivå for produktet er angitt i *Tekniske data på side 292* og på etiketten.

(Fig. 12) Dette produktet samsvarer med gjeldende britiske direktiver.

(Fig. 9) Beskyttet mot vann med lavt trykk fra alle vinkler.

Merk: Øvrige symboler/klistremærker angitt på produktet gjelder sertifiseringskrav for visse markeder.

Skader på produktet

Vi er ikke ansvarlige for skader på produktet vårt hvis:

- Produktet er reparert på feil måte.
- Produktet er reparert med deler som ikke kommer fra produsenten eller som ikke er godkjent av produsenten.
- Produktet har et tilbehør som ikke kommer fra produsenten eller som ikke er godkjent av produsenten.
- Produktet er ikke reparert på et godkjent servicesenter eller av en godkjent aktør.

Sikkerhet

Sikkerhetsdefinisjoner

Advarsler, oppfordringer og merknader brukes for å understreke spesielt viktige deler av bruksanvisningen.



ADVARSEL: Brukes hvis det er fare for personskade eller død for føreren eller andre personer om instruksjonene i håndboken ikke følges.



OBS: Brukes hvis det er fare for skade på produktet, annet materiell eller nærliggende områder om instruksjonene i håndboken ikke følges.

Merk: Brukes for å gi mer nødvendig informasjon for en spesifikk situasjon.

Generelle sikkerhetsinstruksjoner



ADVARSEL: Les de følgende advarselsinstruksjonene før du bruker produktet.

- Dette produktet er farlig hvis det brukes feil, eller hvis du ikke er forsiktig. Personskade eller død kan forekomme hvis du ikke følger sikkerhetsinstruksjonene.
- Vær alltid forsiktig, og bruk sunn fornuft. Hvis du ikke er sikker på hvordan du skal bruke produktet i en bestemt situasjon, må du stoppe og snakke med Husqvarna-serviceverkstedet før du fortsetter.
- Husk at brukeren er ansvarlig for ulykker som involverer andre personer eller deres eiendom.
- Hold produktet rent. Sørg for at du kan lese skilt og merker.
- La aldri barn eller personer som ikke har satt seg inn i bruksanvisningen, bruke apparatet. Brukerens lavalder kan være fastsatt i lokale forskrifter.
- Dette produktet kan brukes av personer med nedsatt

sanseevne eller fysisk eller mental kapasitet hvis de har tilsyn eller får instruksjoner om hvordan de bruker produktet på en sikker måte og forstår farene ved produktet.

- Dette produktet kan brukes av personer med nedsatt sanseevne eller fysisk eller mental kapasitet hvis de har tilsyn eller får instruksjoner om hvordan de bruker produktet på en sikker måte og forstår farene ved produktet.
- Ikke bruk produktet dersom du er trett eller syk eller under påvirkning av alkohol, andre rusmidler eller medisiner. Disse tingene har en negativ effekt på synet, årvåkenheten, koordinasjonen og dømmekraften din.
- Ikke bruk et skadet produkt.
- Ikke modifier dette produktet, og ikke bruk det dersom det er mulig at andre har modifisert det.

Sikkerhetsinstruksjoner for drift



ADVARSEL: Les de følgende advarselsinstruksjonene før du bruker produktet.

- Ikke bruk produktet hvis strømleningen,

- høytrykkslangen, effektregulatorsperren eller sprøytehåndtaket er skadet.
- Kontroller produktet for skader før du bruker produktet. Ikke bruk produktet hvis deler er skadet eller mangler.
 - Hold godt fast i sprøytehåndtaket med begge hender. Det oppstår en kastkraft når du trekker i kraftutløseren.
 - Vær forsiktig når du bruker produktet. Produktet leverer høyt trykk som er farlig og kan forårsake personskade.
 - Pek aldri vannstrålen på apparatet mot deg selv, andre personer eller dyr.
 - Pek aldri vannstrålen mot deg selv eller andre for å rengjøre fottøy.
 - Pek aldri vannstrålen mot elektrisk utstyr eller selve produktet.
 - Benytt personlig verneutstyr når du bruker produktet. Se *Personlig verneutstyr på side 284*.
 - Ikke bruk produktet i nærheten av personer med mindre de bruker verneutstyr.
 - Hvis du bruker et rengjøringsmiddel, må du følge sikkerhetsanvisningene for rengjøringsmiddelet.
 - Bruk bare rengjøringsmidler fra Husqvarna.
 - Bruk riktig vanntrykk og rengjøringsmidler, og bruk produktet bare til de oppgavene som er beskrevet i denne håndboken. Hvis du bruker feil vanntrykk eller rengjøringsmiddel eller bruker produktet til andre oppgaver enn de som er beskrevet i denne håndboken, kan det føre til skade på produktet, overflater, materialer eller andre enheter. Husqvarna påtar seg ikke ansvar for skader som skyldes feil bruk.
 - Det anbefales ikke at du kobler produktet til en drikkevannsforsyning. Hvis du må koble produktet til drikkevannsforsyningen, må du overholde lokale og nasjonale forskrifter. Bruk en tilbakestrømsperre (ikke inkludert) hvis det er nødvendig. Vann som har strømmet gjennom en tilbakestrømsperre, anses som ikke drikkbart.
 - Ikke sprøyt ut brennbare væsker. Eksplosjonsfare.
 - Ikke la barn bruke produktet.
 - Ikke la barn leke med produktet.
 - Ikke la personer bruke produktet uten opplæring.

- Bruk bare tilbehør og reservedeler som er godkjent av Husqvarna.
- Kontroller at den elektriske tilkoblingen er laget av en godkjent elektriker, og at den samsvarer med IEC 60364-1.
- Bruk en reststrømenhet som stopper elektrisiteten hvis lekkasjestrømmen er mer enn 30 mA i 30 ms. Hvis du ikke har en reststrømenhet, må du bruke en enhet som jorder kretsen.
- Bruk motorstarter/ forsinkelsessikringer med egenskap C eller D i henhold til IEC 898-1 eller IEC947-2, eller tilsvarende standarder utenfor IEC.
- Ingen tiltak for å justere produkter som er merket med dobbel spenning og frekvens, er nødvendige.
- Hvis det er nødvendig å bruke en skjøteledning, må du kontrollere at den er egnet for utendørs bruk. Kontroller at stikkontakten er minimum 60 mm opp fra bakken. Tilkoblingen må alltid holdes tørr.
- Sett strømbryteren i avposisjon (0), koble fra støpselet, og koble inn effektregulatorsperren før du går bort fra produktet.
- Sett strømbryteren i avposisjon (0) og koble fra støpselet før du bytter tilbehør.
- Sett strømbryteren i avposisjon (0) og koble fra støpselet før du rengjør eller utfører vedlikehold på produktet.
- Ikke bruk produktet i omgivelser der omgivelsestemperaturen er lavere enn 0 °C.
- Ikke start et frossent produkt.
- Ikke bruk produktet innendørs.
- Ikke plasser gjenstander på produktet når det er i bruk.
- Ikke drikk vann som er brukt sammen med produktet.
- Ikke bruk produktet i nærheten av åpne vinduer.
- Se opp for gjenstander som slynges ut. Steiner og løse objekter kan kastes opp i øynene og forårsake blindhet eller alvorlige skader.
- Hvis produktet ikke fungerer som det skal, kan du se *Feilsøkingsoversikt på side 291*.

Personlig verneutstyr



ADVARSEL: Les de følgende

advarselsinstruksjonene før du bruker produktet.

- Verneutstyr kan aldri fullstendig forhindre skade, men det reduserer skadeomfanget hvis ulykken inntreffer. Spør forhandleren din om hjelp til å velge riktig utstyr.
- Bruk kraftige, sklisikre støvler eller sko. Ikke bruk åpne sko eller gå barbeint.
- Bruk verneklær.
- Bruk godkjent hørselsvern.
- Bruk vernebriller.
- Bruk åndedrettsvern av klasse FFP2 eller tilsvarende hvis du bruker produktet i omgivelser der det kan dannes farlige aerosoler.

Sikkerhetsutstyr på produktet



ADVARSEL: Les de følgende advarselsinstruksjonene før du bruker produktet.

- Ikke bruk et produkt med sikkerhetsutstyr som er skadet eller ikke fungerer som det skal.
- Ikke fjern eller gjør endringer på sikkerhetsutstyr.
- Utfør regelmessig kontroll av sikkerhetsutstyret. Hvis

sikkerhetsutstyret er skadet eller ikke fungerer som det skal, må du kontakte Husqvarna-serviceverkstedet.

Kraftutløasersperre

Kraftutløasersperren (A) er konstruert for å hindre at kraftutløseren (B) aktiveres utilsiktet. Når kraftutløasersperren er i låst stilling, kan ikke kraftutløseren trykkes inn.

(Fig. 13)

Kraftutløser

Produktet starter når kraftutløseren trykkes inn. Produktet stopper når kraftutløseren slippes.

Varmebeskyttelse

Produktet har en automatisk varmebeskyttelse. Hvis produktet blir for varmt, stopper varmebeskyttelsen strømtilførselen til produktet. Hvis varmebeskyttelsen har stoppet strømmen, må du vente til produktet er avkjølt. Varmebeskyttelsen tilbakestilles automatisk når produktet er tilstrekkelig avkjølt.

Hydraulisk avlastningsventil

Produktet har en integrert hydraulisk avlastningsventil som

hindrer at trykket i systemet blir for høyt.

Sikkerhetsinstruksjoner for vedlikehold



ADVARSEL: Les følgende advarsler før du utfører vedlikehold på produktet.



OBS: Utfør alltid vedlikehold før du starter produktet etter lang tids oppbevaring.

- Sett strømbryteren i avposisjon (0) og koble støpselet fra strømkilden før du utfører vedlikehold på produktet.
- Koble produktet fra vannkilden og kontroller at alle delene er tørre før

du utfører vedlikehold på produktet.

- Utfør bare vedlikeholdsarbeid som er beskrevet i denne bruksanvisningen.
- Bruk bare reservedeler anbefalt av Husqvarna. Høytrykksvannslanger, fester og koblinger er viktige for sikkerheten når du bruker produktet. Bruk bare slanger, fester og koblinger som er anbefalt av produsenten.
- Ikke reparer produktet. Ta kontakt med Husqvarna-serviceverkstedet ditt.
- Ta kontakt med Husqvarna-serviceverkstedet hvis støpselet eller strømleningen er skadet.
- Ikke la barn rengjøre eller utføre vedlikehold på produktet.

Montering

Innledning



ADVARSEL: Les og forstå kapittelet om sikkerhet før du monterer produktet.

Slik monterer du hageslangeadapteren

1. Fjern transportdekslet fra vanninntaket, og kast det. (Fig. 14)
2. Monter hageslangeadapteren på vanninntaket. (Fig. 15)



OBS: Pass på at du monterer hageslangeadapteren rett på

vanninntaket. Hvis hageslangeadapteren ikke monteres riktig, kan det føre til skade på gjengene, og det kan oppstå lekkasje.

3. Trekk hageslangeadapteren helt til.
4. Fjern hageslangeadapteren i motsatt rekkefølge.

Slik monterer du holderen for sprøytehåndtaket og sprøytelansen

- Monter holderen med de to skruene. (Fig. 16)

Innledning



ADVARSEL: Les og forstå kapittelet om sikkerhet før du bruker produktet.

Husqvarna Connect

Husqvarna Connect er en kostnadsfri app for mobilenheten din. Husqvarna Connect-appen gir utvidede funksjoner for Husqvarna-produktet ditt:

- utvidet produktinformasjon
- informasjon om og hjelp med produktdele og service

Slik begynner du å bruke Husqvarna Connect

1. Last ned Husqvarna Connect-appen på mobilenheten din.
2. Utfør registrering i Husqvarna Connect-appen.
3. Følg instruksjonene i Husqvarna Connect-appen for å koble til og registrere produktet.

Merk: Husqvarna Connect-appen er ikke tilgjengelig for nedlasting i alle markeder. Kontakt serviceforhandleren din for mer informasjon.

Slik monterer du sprøytehåndtaket

1. Dytt høytrykksvannslangen inn i hurtigkoblingen til den låses på plass. (Fig. 17)



OBS: For å unngå lekkasje må du sørge for at høytrykksslangen er helt koblet til hurtigkoblingen på produktet.

2. Hold fast i sprøytehåndtaket med én hånd, og skyv høytrykksvannslangen inn i hurtigkoblingen på sprøytehåndtaket. (Fig. 18)

Slik fjerner du sprøytehåndtaket

1. Trykk på knappen på sprøytehåndtaket, og trekk ut høytrykksvannslangen. (Fig. 19)
2. Dytt på den ytre ringen på hurtigkoblingen og trekk ut høytrykksvannslangen. (Fig. 20)

Slik monterer du sprøytelansen

1. Hold sprøytehåndtaket med én hånd, og skyv koblingen på sprøytelansen inn i sprøytehåndtaket. (Fig. 21)
2. Drei sprøytelansen med klokken, og slipp sprøytelansen. Sprøytelansen låses på plass.

Slik fjerner du sprøytelansen

1. Trykk inn sprøytelansen og vri den mot klokken. (Fig. 22)
2. Trekk ut sprøytelansen fra sprøytehåndtaket.

Slik monterer og fjerner du et munnstykke

Produktet leveres med to munnstykker: Et munnstykke med rett vannstråle (merket med «skånsomt munnstykke») og et grovt munnstykke med roterende vannstråle (merket med «grovt munnstykke»). Munnstykket med rett vannstråle kan brukes til å rengjøre følsomme overflater, for eksempel kjøretøy. Det grove munnstykket kan brukes til å rengjøre overflater som ikke er følsomme, for eksempel innkjørsler.

(Fig. 23)



OBS: Ikke bruk munnstykket med en roterende vannstråle på følsomme overflater, for eksempel lakkerte overflater på en bil. Den roterende vannstrålen kan skade overflaten.

- Når du skal montere et munnstykke, holder du i sprøytelansen med én hånd og skyver munnstykket inn til den låses på plass. (Fig. 24)
- Når du skal fjerne et munnstykke, trykker du inn tappen på sprøytelansen og trekker ut munnstykket fra sprøytelansen. (Fig. 25)

Slik justerer du trykket på vannstrålen

Munnstykket med rett vannstråle har justerbart trykk.

- Drei munnstykket med klokken for å øke trykket på vannstrålen. (Fig. 26)
- Drei munnstykket mot klokken for å redusere trykket på vannstrålen. (Fig. 27)

Slik bruker du produktet

1. Koble produktet til en vannkilde. Se *Slik kobler du produktet til en vannkilde på side 287*.
2. Luft ut systemet. Se *Slik lufter du ut systemet på side 288*.
3. Start produktet. Se *Slik starter du produktet på side 289*.

Slik kobler du produktet til en vannkilde

Produktet kan brukes med vann fra vannforsyningen eller vann fra en åpen vannkilde, for eksempel en innsjø eller et vannrør.

- Hvis du vil koble produktet til vannforsyningen, kan du se *Slik kobler du produktet til vannforsyningen på side 288*.
- Hvis du vil koble produktet til en åpen vannkilde, kan du se *Slik kobler du produktet til en åpen vannkilde på side 288*.

Slik kobler du produktet til vannforsyningen

1. Monter hageslangeadapteren og vannfilteret i vanninntaket på produktet hvis de ikke er montert. Se *Slik monterer du hageslangeadapteren på side 286*.
2. Koble hageslangen til vannforsyningen. Bruk en ½-tommers hageslange som er 10–25 m lang. (Fig. 28)



OBS: Vanntrykket i vannforsyningen må ikke være høyere enn 1 MPa (10 bar).



OBS: Vanntemperaturen i vannforsyningen må ikke være høyere enn 40 °C.

3. Åpne ventilen på vannforsyningen og kontroller at vannet kan strømme fritt fra hageslangen. (Fig. 29)
4. Lukk ventilen på vannforsyningen.
5. Koble hageslangen til vanninntaket på produktet. (Fig. 30)
6. Koble støpselet til et strømuttak.
7. Åpne ventilen på vannforsyningen.
8. Luft ut systemet før du bruker det. Se *Slik lufter du ut systemet på side 288*.

Slik kobler du produktet til en åpen vannkilde

Produktet kan brukes med vann fra en åpen vannkilde, for eksempel en innsjø eller en tønne. Bruk en sugeslange som er ½ tomme tykk og maksimalt 3 m lang (ikke inkludert).

(Fig. 31)



OBS: Vanntemperaturen i vannkilden må ikke være over 20 °C.



OBS: Produktet må ikke være mer enn 0,5 m over vannkilden.

1. Hvis hageslangeadapteren er montert, fjerner du den fra vanninntaket på produktet. (Fig. 32)



OBS: Ikke fjern vannfilteret i vanninntaket.

2. Monter en sugeslange (ikke inkludert) på vanninntaket på produktet. (Fig. 33)

3. Plasser sugeslangen i vannkilden, og kontroller at filteret er helt nedsenket.



OBS: Ikke bruk en sugeslange uten filter.

4. Trykk inn knappen på sprøytehåndtaket, og trekk ut høytrykkslangen fra sprøytehåndtaket. (Fig. 19)
5. Koble støpselet til et strømuttak.
6. Sett strømbryteren i på-posisjon (I), og la produktet gå i 2 minutter.
7. Sett strømbryteren i av-posisjon (0).
8. Hold sprøytehåndtaket godt med én hånd, og skyv høytrykkslangen inn i hurtigkoblingen på sprøytehåndtaket. (Fig. 18)
9. Luft ut systemet før du bruker det. Se *Slik lufter du ut systemet på side 288*.

Slik lufter du ut systemet



OBS: Kontroller at strømbryteren står i av-posisjon (0) før du lufter ut systemet.

1. Koble produktet til en vannkilde. Se *Slik kobler du produktet til en vannkilde på side 287*.
2. Monter sprøytelansen på sprøytepipetten. Se *Slik monterer du sprøytelansen på side 287*.
3. Deaktiver kraftutløsserpennen. Se *Slik aktiverer og deaktiverer du kraftutløsserpennen på side 289*.
4. Trykk på kraftutløseren, og hold den inne til det kommer vann ut av munnstykket på sprøytelansen. (Fig. 34)

Slik kobler du produktet fra vannkilden

1. Sett strømbryteren i av-posisjon (0).
2. Hvis produktet er koblet til vannforsyningen, lukker du kranen på vannforsyningen.
3. Hvis produktet er koblet til vannforsyningen, kobler du hageslangen fra vannforsyningen. (Fig. 35)
4. Hvis produktet er koblet til en åpen vannkilde, fjerner du sugeslangen fra vannkilden.
5. Trykk på kraftutløseren, og hold den inne til det ikke kommer vann ut av munnstykket.
6. Koble hageslangen fra vanninntaket på produktet. (Fig. 36)

Merk: Hvis produktet er koblet til en åpen vannkilde, kobler du fra sugeslangen.

7. Trykk på knappen på sprøytehåndtaket, og trekk ut høytrykkslangen fra sprøytehåndtaket. (Fig. 19)
8. Sett strømbryteren i på-posisjon (I). La produktet gå til det ikke kommer vann ut av høytrykkslangen.
9. Sett strømbryteren i av-posisjon (0).

10. La sprøytehåndtaket, sprøytelansen og munnstykkene tørke før du setter produktet til oppbevaring.

Slik aktiverer og deaktiverer du kraftutløserperren

- Hvis du vil aktivere kraftutløserperren, dreier du kraftutløserperren med klokken til du hører et klikk. (Fig. 37)
- Hvis du vil deaktivere kraftutløserperren, dreier du kraftutløserperren helt mot klokken. (Fig. 38)

Slik starter du produktet

1. Koble produktet til en vannkilde. Se *Slik kobler du produktet til en vannkilde på side 287*.
2. Koble støpselet til et strømuttak.
3. Sett strømbryteren i på-posisjon (I). (Fig. 39)
4. Deaktiver kraftutløserperren. Se *Slik aktiverer og deaktiverer du kraftutløserperren på side 289*.
5. Trykk inn kraftutløseren på sprøytehåndtaket.

Merk: Produktet stopper automatisk når du slipper kraftutløseren.

Slik stopper du produktet

Merk: Produktet stopper automatisk når du slipper kraftutløseren.

1. Slipp kraftutløseren på sprøytehåndtaket.

2. Aktiver kraftutløserperren. Se *Slik aktiverer og deaktiverer du kraftutløserperren på side 289*.
3. Sett strømbryteren i av-posisjon (0). (Fig. 40)
4. Koble støpselet fra strømkilden.
5. Koble produktet fra vannkilden. Se *Slik kobler du produktet fra vannkilden på side 288*.

Merk: Koble alltid produktet fra vannkilden hvis du forlater produktet i mer enn 5 minutter.

Slik bruker du skumsprøyten

1. Fjern skumsprøyten fra holderen. (Fig. 41)
2. Fyll beholderen på skumsprøyten med rengjøringsmiddel.



OBS: Bruk bare rengjøringsmidler som anbefales av Husqvarna.

3. Skyv hurtigkoblingen på skumsprøyten inn i hurtigkoblingen på sprøytelansen til den låses på plass. (Fig. 42)

Merk: Flensen på skumsprøyten må være på linje med sporet i sprøytelansen.

4. Koble produktet til en vannkilde. Se *Slik kobler du produktet til en vannkilde på side 287*.
5. Start produktet. Se *Slik starter du produktet på side 289*.

Vedlikehold

Innledning



ADVARSEL: Før du utfører vedlikeholdsarbeid, må du lese og forstå kapittelet om sikkerhet.

Før alt vedlikehold og reparasjonsarbeid på produktet er det nødvendig med spesiell opplæring. Vi garanterer fagmessig reparasjon og service.

Hvis du vil ha mer detaljert informasjon, kan du se www.husqvarna.com.

Vedlikeholdsskjema

Vedlikehold	Før bruk	Etter bruk
Utfør en generell inspeksjon. Se <i>Slik utfører du en generell inspeksjon på side 290</i> .	X	
Rengjør produktet. Se <i>Slik rengjør du produktet på side 290</i> .		X
Rengjør sprøytelansen og munnstykkene. Se <i>Slik rengjør du sprøytelansen og munnstykkene på side 290</i> .		X
Rengjør vannfilteret. Skift vannfilteret hvis det er skadet. Se <i>Slik rengjør du vannfilteret på side 290</i> .		X
Smør O-ringene på koblingene. Se <i>Slik smører du O-ringene på koblingene på side 290</i> .		X

Slik utfører du en generell inspeksjon



ADVARSEL: Sett strømbryteren i av-posisjon (0) og koble støpselet fra strømkilden før du utfører vedlikehold på produktet.



OBS: Koble produktet fra vannkilden og kontroller at alle delene er tørre før du utfører vedlikehold på produktet.

- Kontroller at mutrene og skruene på produktet er trukket til.
- Sørg for at kablene på produktet ikke er i en posisjon der de kan bli skadet.
- Kontroller høytrykksslangen for slitasje og skade.



ADVARSEL: Ikke bruk produktet hvis høytrykksslangen er slitt eller skadet.

Slik rengjør du produktet



ADVARSEL: Sett strømbryteren i av-posisjon (0) og koble støpselet fra strømkilden før du utfører vedlikehold på produktet.



OBS: Koble produktet fra vannkilden og kontroller at alle delene er tørre før du utfører vedlikehold på produktet.

- Rengjør alle utvendige deler med en tørr klut.
- Produktet må ikke rengjøres med høytrykksspyler.
- Hold luftehullene rene for å sikre at produktet alltid har tilstrekkelig lav temperatur.

Slik rengjør du sprøytelansen og munnstykkene



ADVARSEL: Sett strømbryteren i av-posisjon (0) og koble støpselet fra strømkilden før du utfører vedlikehold på produktet.



OBS: Koble produktet fra vannkilden og kontroller at alle delene er tørre før du utfører vedlikehold på produktet.

1. Hvis det er montert et munnstykke på sprøytelansen, må du ta det av sprøytelansen. Se *Slik monterer og fjerner du et munnstykke på side 287*.
2. Rengjør munnstykkene, koblingen på sprøytelansen og koblingen på sprøytehåndtaket med såpe og vann. (Fig. 43)
3. Hvis det er en blokkering i munnstykkene, fjerner du den med rengjøringsverktøyet. (Fig. 44)

Slik rengjør du vannfilteret



ADVARSEL: Sett strømbryteren i av-posisjon (0) og koble støpselet fra strømkilden før du utfører vedlikehold på produktet.



OBS: Koble produktet fra vannkilden og kontroller at alle delene er tørre før du utfører vedlikehold på produktet.

1. Hvis hageslangeadapteren er montert, fjerner du den fra vanninntaket på produktet. (Fig. 32)
2. Trekk ut vannfilteret. Bruk en tang. (Fig. 45)
3. Kontroller at det ikke er skader på vannfilteret. Skift vannfilteret hvis det er skadet. (Fig. 46)
4. Skyll vannfilteret i rent vann. (Fig. 47)

Slik smører du O-ringene på koblingene



ADVARSEL: Sett strømbryteren i av-posisjon (0) og koble støpselet fra strømkilden før du utfører vedlikehold på produktet.



OBS: Koble produktet fra vannkilden og kontroller at alle delene er tørre før du utfører vedlikehold på produktet.

1. Fjern sprøytelansen fra sprøytehåndtaket og sprøytehåndtaket fra høytrykksslangen. Se *Slik monterer du sprøytelansen på side 287* og *Slik monterer du sprøytehåndtaket på side 287*.
2. Smør O-ringene på hageslangeadapteren, sprøytelansen og høytrykksslangen med fett. Se *Tekniske data på side 292* for informasjon om riktig type fett. (Fig. 48)

Feilsøking

Feilsøkingsoversikt

Problem	Mulig årsak	Løsning
Produktet starter ikke.	Støpselet er ikke koblet til et strømuttak.	Koble støpselet til et strømuttak
	Strømbryteren står i av-posisjon (0).	Sett strømbryteren i på-posisjon (I).
	Det er ikke strøm i strømuttaket.	Kontakt en godkjent elektriker.
	Strømkabelen er skadet.	Ta kontakt med et godkjent serviceverksted.
	Varmebeskyttelsen har stoppet strømmen.	Vent til produktet er avkjølt før du starter produktet igjen.
	Det brukes feil type skjøteledning.	Kontroller at skjøteledningen er trukket helt ut, og at tilførselsspenningen samsvarer med spenningen til produktet.
Sikringen går under oppstart eller drift.	Det brukes feil type sikring.	Kontroller at du bruker en sikring av typen «slow blow» i klasse C eller K.
Produktet stopper ikke.	Produktet er skadet.	Koble fra støpselet og snakk med et godkjent serviceverksted.
Produktet blir for varmt.	Luftstrømmen er ikke tilstrekkelig.	Rengjør luftinntakene.
Produktet går ujevnt.	Det er luft inne i systemet.	Luft ut systemet.
Vanntrykket er ikke tilfredsstillende.	Slangen er bøyd	Kontroller at slangene ikke er bøyd.
	Strømbryteren står i av-posisjon (0).	Sett strømbryteren i på-posisjon (I).
	Vannstrømmen er ikke tilstrekkelig.	Kontroller at produktet er koblet til en vannkilde på riktig måte. Kontroller at vannstrømmen er tilstrekkelig.
	Vannfilteret er tett.	Rengjør vannfilteret.
	Det er luft inne i systemet.	Luft ut systemet.
	Tilbehøret er ikke riktig.	Kontroller at du bruker riktig tilbehør.

Transport, oppbevaring og avhending

Transport

- Koble støpselet fra strømkilden før du transporterer produktet.
- Koble produktet fra vannkilden før du transporterer produktet.
- Fest produktet, så det ikke beveger seg under transport.

Oppbevaring

- Tøm ut alt vann fra produktet, høytrykksvannslangen og tilbehøret før du setter produktet til oppbevaring.
- Klargjør produktet for oppbevaring. Se *Slik klargjør du produktet for oppbevaring på side 292.*
- Oppbevar produktet på et tørt og frostfritt sted.

Slik klargjør du produktet for oppbevaring

1. Stopp produktet og koble støpselet fra strømkilden.
2. Koble produktet fra vannkilden. Se *Slik kobler du produktet fra vannkilden på side 288*.
3. Kontroller at alt tilbehøret er tørt.
4. Sett sprøytehåndtaket, sprøytelansen og munnstykkene i holderne.
5. Koble fra høytrykksvannslangen, og sett den i holderen. (Fig. 49)
6. Sett strømledningen i holderen, og fest stroppen. (Fig. 50)

Kassering

Husqvarna-produkter er ikke husholdningsavfall og skal bare kastes som angitt i denne håndboken.

- Følg lokale bestemmelser og gjeldende regelverk.
- Resirkuler produktet og pakken på et egnet sted for avhending.
- Ta kontakt med din lokale Husqvarna-forhandler hvis du vil ha mer informasjon om hvordan du resirkulerer og kaster produktet.

Tekniske data

	PW 130
Motor og pumpe	
Type	AC-motorserie
Effekt, W	1500
Spenningsområde, V	220–240
Frekvens, Hz	50
Merkestrøm, A	6,5
Maks. vannstrøm, l/min.	7,7
Maks. vannutløpsstrykk, bar/MPa	130/13
Maks. vanninntakstrykk, bar/MPa	10 / 1
Maks. temperatur ved vanninntak, °C/°F	40/104
Maks. temperatur ved vanninntak (i sugemodus), °C/°F	20/68
IP-klassifisering	IPX5
Sikkerhetsklasse	Klasse II
Smøring	
Type fett for smøring av O-ringer	Universelt hvitt silikonfett
Vekt	
Vekt, kg	6,5
Støyutslipp ⁶⁵	
Lydeffektnivå, målt dB(A)	85
Lydeffektnivå, garantert L _{WA} dB(A)	89
Lydnivåer ⁶⁶	

⁶⁵ Utslipp av støy til omgivelsene målt som lydeffekt (L_{WA}) samsvarer med EF-direktiv 2000/14/EF.

⁶⁶ Ekvivalent lydtryknivå i henhold til ISO 22868 beregnes som tidsvektet total energi for ulike lydtryknivåer under forskjellige driftsforhold. Typisk statistisk spredning for ekvivalent lydtryknivå er et standard avvik på 1 dB(A).

	PW 130
Ekvivalent lydtrykknivå ved brukerens øre, dB(A)	72
Vibrasjonsnivåer ⁶⁷	
Hånd/arm (med standardmunnstykke) m/s ²	2,5
Ekvivalente vibrasjonsnivåer ⁶⁸	
Hånd/arm (med standardmunnstykke) m/s ²	1,8

Tilbehør

Godkjent tilbehør

Godkjent tilbehør	Art.nr.
Overflatespyler SC 300	590 65 79-01
Skumsprøyte FS 300	590 66 04-01
Rørrengjøringslange, 15 m	590 66 10-01
Vannfilter	590 65 93-01
Tilbakestrømsperre	590 65 95-01
Sugeslange	590 65 97-01
Kjøretøysett	590 66 07-01
Sett med roterende børster	590 66 06-01
Vinklet sprøytelanse	590 66 11-01
Vannsugemunnstykke	590 66 05-01
Forlengesslange, 8 m	590 66 08-01

⁶⁷ Vibrasjonsnivå i henhold til EN 60745-2-13. Rapporterte data for vibrasjonsnivå har en typisk statistisk spredning (standardavvik) på 1 m/s². Oppgitte vibrasjonsdata fra målinger når maskinen er utstyrt med en sverdlengde og anbefalt kjedetype. Hvis maskinen er utstyrt med en annen sverdlengde, kan vibrasjonsnivået variere med maksimalt ±1,5 m/s².

⁶⁸ Ekvivalent vibrasjonsnivå måles og beregnes som for motorsager med forbrenningsmotor. Disse tallene er oppgitt slik at de kan brukes til å sammenligne vibrasjonsdata uavhengig av motortype i henhold til ISO 22867:2011.

Samsvarserklæring

EU-samsvarserklæring

Vi, Husqvarna AB, SE-561 82 Huskvarna, Sverige, tlf.:
+46 36 146500, erklærer på eget ansvar at produktet:

Beskrivelse	Høytrykksspyler
Merke	Husqvarna
Type/modell	PW 130
ID	Serienumre datert 2022 og senere

fullstendig overholder følgende EU-direktiver og
-forskrifter:

Regulering	Beskrivelse
2006/42/EC	«angående maskiner»
2014/30/EU	«om elektromagnetisk kompatibilitet»
2000/14/EF Tillegg V	«angående utslipp av støy til omgivelsene»
2011/65/EU	«om begrensning av bruk av visse farlige stoffer i elektrisk og elektronisk utstyr»

og at følgende standarder eller tekniske
spesifikasjoner er anvendt: EN 60335-1:2012/A11:2014/
A13:2017/A1:2019/A14:2019/A2:2019/A15:2021, EN
60335-2-79:2012, EN 62233:2008, EN 55014-1:2021,
EN 55014-2:2021, EN IEC 61000-3-2:2019/A1:2021, EN
61000-3-3:2013/A2:2021, EN IEC 63000:2018.

For informasjon som gjelder støyutslipp, kan du se
Tekniske data på side 292.

Huskvarna, 2023-01-19



Claes Losdal, Utviklingssjef/hageproduktansvarlig,
Husqvarna AB

Ansvarlig for teknisk dokumentasjon



SPIS TREŚCI

Wstęp.....	295	Rozwiązywanie problemów.....	308
Bezpieczeństwo.....	297	Transport, przechowywanie i utylizacja.....	309
Montaż.....	303	Dane techniczne.....	309
Przeznaczenie.....	303	Akcesoria.....	311
Przeгляд.....	306	Deklaracja zgodności.....	312

Wstęp

Opis produktu

To urządzenie to wysokociśnieniowa myjka przewodowa. Urządzenie może być używane przy różnych poziomach ciśnienia wody i z różnymi środkami czyszczącymi.

Przeznaczenie

Urządzenie jest przeznaczone wyłącznie do czyszczenia w zastosowaniach domowych. Nie używać produktu do innych zadań. Ustawić urządzenie w pozycji pionowej.

Przeгляд produktu

(Rys. 1)

1. Dysza wyrzucająca prosty strumień wody
2. Dysza wyrzucająca obrotowy strumień wody
3. Gumowy pasek do zaczepu do mocowania przewodu zasilającego
4. Zaczep do mocowania uchwytu spryskiwacza i lancy natryskowej
5. Wąż wysokociśnieniowy wody
6. Dopływ wody
7. Pianownica
8. Miejsce do przechowywania węża wysokociśnieniowego wody
9. Wyłącznik zasilania
10. Przewód zasilający
11. Wylot wody z szybkozłączką
12. Narzędzie do czyszczenia dysz
13. Uchwyt transportowy
14. Wlot powietrza
15. Uchwyt spryskiwacza
16. Lanca natryskowa
17. Instrukcja obsługi

Symbole znajdujące się na produkcie

(Rys. 2)

OSTRZEŻENIE:
Produkt może spowodować poważne obrażenia ciała lub

Uwaga: Przepisy państwowe lub lokalne mogą określać limit zastosowania produktu.

śmierć operatora lub innych osób. Należy zachować ostrożność i prawidłowo korzystać z produktu.

(Rys. 3)

Przed użyciem produktu należy dokładnie i ze zrozumieniem przeczytać instrukcję obsługi.

(Rys. 4)

Urządzenie nie jest przystosowane do podłączania do sieci wodociągowej dostarczającej wodę pitną.

(Rys. 5)

Niewłaściwe używanie myjki wysokociśnieniowej

może być niebezpieczne. Nie wolno kierować strumienia wody na osoby, urządzenia elektryczne ani samo urządzenie.

(Rys. 6)

Oznaczenia dotyczące ochrony środowiska.

Tego produktu ani opakowania nie można traktować jak odpadów domowych. Należy poddawać je recyklingowi w zatwierdzonym punkcie zbiórki sprzętu elektrycznego i elektronicznego.

(Rys. 7)

Narzędzie klasy II.

(Rys. 8)

Etykieta emisji hałasu do środowiska zgodnie z dyrektywami oraz przepisami UE i Wielkiej Brytanii, a także przepisami Nowej Południowej Walii „Protection of the Environment Operations (Noise Control) Regulation 2017”.
Gwarantowany poziom

mocy akustycznej urządzenia jest określony w *Dane techniczne na stronie 309* oraz na etykiecie.

(Rys. 9)

Zabezpieczenie przed strumieniem wody pod niskim ciśnieniem docierającym pod dowolnym kątem.

(Rys. 10)

Chronić przed mrozem.

(Rys. 11)

Produkt jest zgodny z odpowiednimi Dyrektywami WE.

(Rys. 12)

Ten produkt jest zgodny z przepisami obowiązującymi w Wielkiej Brytanii.

Uwaga: Pozostałe symbole/naklejki samoprzylepne umieszczone na produkcie dotyczą wymogów związanych z certyfikatami w niektórych krajach.

Uszkodzenie produktu

Nie odpowiadamy za uszkodzenia naszego produktu, w przypadku gdy:

- produkt jest nieprawidłowo naprawiany.
- produkt jest naprawiany przy użyciu części nie pochodzących od producenta lub niezatwierdzonych przez producenta.
- produkt jest wyposażony w akcesoria nie pochodzące od producenta lub niezatwierdzone przez producenta.
- produkt nie jest naprawiany w autoryzowanym centrum serwisowym lub przez autoryzowaną placówkę.

Definicje dotyczące bezpieczeństwa

Ostrzeżenia, uwagi i informacje są używane do zwrócenia uwagi na szczególnie ważne sekcje instrukcji obsługi.



OSTRZEŻENIE: Stosuje się, gdy istnieje ryzyko poważnych obrażeń lub śmierci operatora albo osób postronnych w wyniku nieprzestrzegania instrukcji obsługi.



UWAGA: Stosuje się, gdy istnieje ryzyko uszkodzenia produktu, innych materiałów lub otoczenia w wyniku nieprzestrzegania instrukcji obsługi.

Uwaga: stosuje się, aby przekazać więcej informacji, które są przydatne w danej sytuacji.

Ogólne zasady bezpieczeństwa



OSTRZEŻENIE: Przed rozpoczęciem

użytkowania produktu przeczytać następujące ostrzeżenia.

- Produkt ten może być niebezpieczny w przypadku jego nieprawidłowego użytkowania i niezachowania ostrożności. Nieprzestrzeganie instrukcji bezpieczeństwa może spowodować obrażenia ciała lub śmierć.
- Zawsze zachowywać ostrożność i kierować się zdrowym rozsądkiem. Jeśli nie ma pewności, w jaki sposób należy obsługiwać to urządzenie w konkretnej sytuacji, przed wznowieniem pracy należy porozmawiać z autoryzowanym punktem serwisowym Husqvarna.
- Pamiętać o tym, że operator ponosi odpowiedzialność za wypadki z udziałem innych ludzi i ich własności.
- Utrzymywać produkt czystym. Upewnić się, że można łatwo odczytać oznaczenia i naklejki.
- Nie wolno pozwalać dzieciom ani osobom, które nie zapoznały się z niniejszymi instrukcjami obsługi, na obsługiwanie

urządzenia. Przepisy lokalne mogą narzucać ograniczenia dotyczące wieku operatora urządzenia.

- Niniejszy produkt może być obsługiwany przez osoby o ograniczonych zdolnościach fizycznych, sensorycznych lub umysłowych pod warunkiem, że są one pod nadzorem lub zostały poinstruowane w zakresie bezpiecznego użytkowania urządzenia i rozumieją wiążące się z nim zagrożenia.
- Produkt może być obsługiwany przez osoby, które nie mają wymaganego doświadczenia lub wiedzy pod warunkiem, że są one pod nadzorem lub zostały poinstruowane w zakresie bezpiecznego użytkowania urządzenia i rozumieją wiążące się z nim zagrożenia.
- Osoba, która jest zmęczona, chora lub pod wpływem alkoholu, narkotyków lub leków nie może obsługiwać urządzenia. Stany te mają negatywny wpływ na wzrok, uwagę, koordynację i osąd.
- Nie wolno używać uszkodzonego produktu.
- Nie wolno dokonywać w maszynie zmian

stanowiących modyfikację jej oryginalnej wersji. Nie używać maszyny, jeżeli istnieje podejrzenie, że ktoś inny wprowadził w niej zmiany.

Instrukcje bezpieczeństwa dotyczące obsługi



OSTRZEŻENIE:

Przed rozpoczęciem użytkowania produktu przeczytać następujące ostrzeżenia.

- Nie wolno używać urządzenia, jeśli przewód zasilający, wąż wysokociśnieniowy, blokada spustu lub uchwyt spryskiwacza są uszkodzone.
- Przed rozpoczęciem eksploatacji należy sprawdzić urządzenie pod kątem ewentualnych uszkodzeń. W razie uszkodzenia lub braku jakichkolwiek części nie wolno używać urządzenia.
- Mocno trzymać uchwyt spryskiwacza obiema rękami. Siła odbicia pojawia się w momencie pociągnięcia spustu.
- Podczas eksploatacji urządzenia zachować ostrożność. Wysokie ciśnienie generowane przez urządzenie jest

- niebezpieczne i może spowodować obrażenia ciała.
- Nie wolno kierować wyrzucanego strumienia na siebie ani w stronę innych osób lub zwierząt.
 - Nie wolno kierować wyrzucanego strumienia na siebie ani w stronę innych osób w celu wyczyszczenia obuwia.
 - Nie wolno kierować wyrzucanego strumienia w stronę urządzeń elektrycznych ani samego urządzenia.
 - Podczas używania urządzenia należy zawsze nosić zatwierdzone środki ochrony osobistej. Patrz *Środki ochrony osobistej na stronie 301*.
 - Nie wolno używać urządzenia w pobliżu osób, które nie noszą środków ochrony osobistej.
 - Przy stosowaniu środka czyszczącego należy przestrzegać instrukcji bezpieczeństwa dotyczących tego środka.
 - Używać wyłącznie środków czyszczących Husqvarna.
 - Należy utrzymywać odpowiednie ciśnienie wody, stosować odpowiednie środki czyszczące oraz używać urządzenia wyłącznie do prac przedstawionych w niniejszej instrukcji. Niewłaściwe ciśnienie wody, stosowanie niewłaściwych środków czyszczących lub używanie urządzenia do prac innych niż opisane w niniejszej instrukcji może spowodować uszkodzenie urządzenia, powierzchni, materiałów lub innych urządzeń. Firma Husqvarna nie ponosi odpowiedzialności za szkody spowodowane nieprawidłowym użytkowaniem.
 - Nie zaleca się podłączania urządzenia do sieci wodociągowej dostarczającej wodę pitną. Jeśli konieczne jest podłączenie urządzenia do sieci wodociągowej dostarczającej wodę pitną, należy przestrzegać przepisów lokalnych i krajowych. W razie potrzeby użyć zaworu zwrotnego (nie wchodzi w skład zestawu). Woda przepływająca przez zawór zwrotny jest uważana za niezdatną do picia.
 - Nie wolno rozpylać łatwopalnych cieczy. Ryzyko eksplozji.
 - Nie wolno pozwalać dzieciom na obsługę produktu.

- Nie wolno pozwalać, aby dzieci bawiły się urządzeniem.
- Nie wolno dopuszczać, aby urządzenie obsługiwały osoby bez przeszkolenia.
- Należy używać wyłącznie akcesoriów i części zamiennych zatwierdzonych przez firmę Husqvarna.
- Upewnić się, że podłączenie elektryczne zostało wykonane przez uprawnionego elektryka i że jest zgodne z normą IEC 60364-1.
- Jeśli prąd upływu przekracza 30 mA przez 30 ms, należy zamontować wyłącznik różnicowoprądowy które przerywa obwód. W przypadku braku wyłącznika różnicowoprądowego należy użyć urządzenia, które zapewni uziemienie.
- Należy stosować bezpieczniki rozruchowe silnika/zwłoczne o charakterystyce C lub D, zgodne z normą IEC 898-1 lub IEC947-2, lub odpowiednimi normami innymi niż normy IEC.
- Urządzenia oznaczone podwójnym napięciem i częstotliwością nie wymagają żadnych regulacji.
- Jeśli konieczne jest użycie przedłużacza, należy upewnić się, że jest on odpowiedni do pracy na otwartych przestrzeniach. Upewnić się, że gniazdo znajduje się w odległości co najmniej 60 mm od podłoża. Złącze zawsze musi być suche.
- Przed odejściem od urządzenia należy ustawić wyłącznik zasilania w pozycji wyłączonej (0), odłączyć wtyczkę zasilania i załączyć blokadę dzwigni zasilania.
- Przed wymianą akcesoriów należy ustawić wyłącznik zasilania w pozycji wyłączonej (0) i odłączyć wtyczkę zasilania.
- Przed przystąpieniem do czyszczenia lub konserwacji urządzenia należy ustawić wyłącznik zasilania w pozycji wyłączonej (0) i odłączyć wtyczkę zasilania.
- Nie wolno używać urządzenia w miejscach, w których temperatura otoczenia jest niższa niż 0°C.
- Nie wolno uruchamiać zamrożonego urządzenia.
- Nie wolno używać urządzenia w pomieszczeniach.
- Nie wolno przeprowadzać prac przy urządzeniu, gdy silnik jest włączony.

- Nie wolno pić wody użytej podczas pracy tego urządzenia.
- Nie obsługiwać produktu w pobliżu otwartych okien.
- Należy uważać na odrzucane przedmioty. Odrzucane przez urządzenie kamienie lub inne przedmioty mogą trafić w oczy, powodując utratę wzroku lub inne poważne obrażenia.
- Jeśli urządzenie nie działa prawidłowo, patrz *Schemat diagnostyki na stronie 308*.

Środki ochrony osobistej



OSTRZEŻENIE:

Przed rozpoczęciem użytkowania produktu przeczytać następujące ostrzeżenia.

- Środki ochrony osobistej nie eliminują ryzyka odniesienia obrażeń, ograniczają natomiast ich rozmiar w razie zaistnienia wypadku. Skorzystać z pomocy dealera przy wyborze odpowiedniego sprzętu.
- Należy używać mocnego, przeciwpoślizgowego obuwia ochronnego lub obuwia roboczego. Nie należy używać

otwartego obuwia lub chodzić boso.

- Stosować odzież ochronną.
- Stosować atestowane ochronniki słuchu.
- Stosować okulary ochronne.
- Jeśli urządzenie jest używane w środowisku, w którym mogą występować niebezpieczne aerozole, należy stosować środki ochrony dróg oddechowych klasy FFP2 lub równoważne.

Urządzenia zabezpieczające na produkcie



OSTRZEŻENIE:

Przed rozpoczęciem użytkowania produktu przeczytać następujące ostrzeżenia.

- Nie używać produktu z urządzeniami zabezpieczającymi, które są uszkodzone lub nie działają prawidłowo.
- Nie wolno wymontowywać ani modyfikować urządzeń zabezpieczających.
- Regularnie przeprowadzać kontrole urządzeń zabezpieczających. Jeśli urządzenia zabezpieczające są uszkodzone lub nie działają prawidłowo,

należy skontaktować się z warsztatem obsługi technicznej Husqvarna.

Blokada spustu

Blokada spustu (A) zabezpiecza przed przypadkowym naciśnięciem spustu (B). Gdy blokada spustu jest w pozycji zablokowanej, nie można nacisnąć spustu.

(Rys. 13)

Spust

Urządzenie uruchamia się po naciśnięciu spustu i wyłącza się po zwolnieniu spustu.

Wyłącznik termiczny

Urządzenie jest wyposażone w automatyczny wyłącznik termiczny. Jeśli urządzenie nagrzej się zbyt mocno, wyłącznik termiczny odłączy zasilanie urządzenia. Jeśli wyłącznik termiczny odłączy zasilanie, należy odczekać, aż urządzenie ostygnie. Wyłącznik termiczny zostanie automatycznie zresetowany, gdy urządzenie będzie wystarczająco chłodne.

Hydrauliczny zawór nadmiarowy

Urządzenie jest wyposażone w zintegrowany hydrauliczny

zawór nadmiarowy, który zapobiega zbyt wysokiemu ciśnieniu w układzie.

Instrukcje bezpieczeństwa dotyczące konserwacji



OSTRZEŻENIE: Przed rozpoczęciem prac konserwacyjnych przy urządzeniu przeczytać poniższe ostrzeżenia.



UWAGA: Po długim okresie przechowywania należy zawsze przeprowadzać konserwację przed uruchomieniem urządzenia.

- Przed przystąpieniem do konserwacji urządzenia należy ustawić wyłącznik zasilania w pozycji wyłączonej (0) i odłączyć wtyczkę zasilania od źródła zasilania.
- Przed przystąpieniem do konserwacji urządzenia należy odłączyć je od źródła wody i upewnić się, że wszystkie części są suche.
- Należy wykonywać jedynie prace konserwacyjne opisane w instrukcji obsługi.

- Stosować wyłącznie oryginalne akumulatory zalecane przez firmę Husqvarna. Węże wysokociśnieniowe, złączki i złącza mają duże znaczenie dla bezpieczeństwa podczas obsługi urządzenia. Należy używać wyłącznie węży, złączek i złączy zalecanych przez producenta.
- Nie wolno naprawiać urządzenia. Skonsultować się z punktem serwisowym Husqvarna.
- W przypadku uszkodzenia wtyczki zasilania lub przewodu zasilającego należy skontaktować się z autoryzowanym punktem serwisowym Husqvarna.
- Dzieci nie mogą czyścić ani konserwować urządzenia.

Montaż

Wstęp



OSTRZEŻENIE: Przed zmontowaniem produktu należy zapoznać się z rozdziałem dotyczącym bezpieczeństwa.

prosto na wlocie wody. Jeśli adapter węża ogrodowego nie zostanie zamontowany prosto, może dojść do uszkodzenia gwintu i wycieku.

Montaż adaptera węża ogrodowego

1. Zdjąć osłonę transportową z wlotu wody i wyrzucić ją. (Rys. 14)
2. Zamontować adapter węża ogrodowego na wlocie wody. (Rys. 15)

3. Całkowicie dokręcić adapter węża ogrodowego.
4. Wymontować adapter węża ogrodowego, wykonując czynności w odwrotnej kolejności.

Montaż zaczepu do mocowania uchwytu spryskiwacza i lancy natryskowej

- Zamontować zaczep do mocowania za pomocą 2 śrub. (Rys. 16)



UWAGA: Upewnić się, że adapter węża ogrodowego jest zainstalowany

Przeznaczenie

Wstęp



OSTRZEŻENIE: Przed użyciem produktu należy zapoznać się z rozdziałem dotyczącym bezpieczeństwa.

Husqvarna Connect

Husqvarna Connect to darmowa aplikacja na urządzenia mobilne. Husqvarna Connect/Husqvarna

- Extended product information.
- Information about, and help with, product parts and servicing.

Rozpoczęcie użytkowania Husqvarna Connect

1. Pobrać aplikację Husqvarna Connect na urządzeniu przenośnym.
2. Łączenie w aplikacji Husqvarna Connect.
3. Wykonać instrukcje wyświetlane w aplikacji Husqvarna Connect, aby nawiązać połączenie i zarejestrować produkt.

Uwaga: Aplikacja Husqvarna Connect nie jest dostępna do pobrania na wszystkich rynkach. Dodatkowe informacje można uzyskać w centrum serwisowym.

Montaż uchwyty spryskiwacza

1. Wcisnąć wąż wysokociśnieniowy wody do szybkozłącza, aż zablokuje się na swoim miejscu. (Rys. 17)



UWAGA: Aby zapobiec wyciekom, należy upewnić się, że wąż wysokociśnieniowy jest całkowicie podłączony do szybkozłącza urządzenia.

2. Chwycić mocno uchwyt spryskiwacza jedną ręką i wcisnąć wąż wysokociśnieniowy wody do szybkozłącza w dyszy natryskowej. (Rys. 18)

Zdejmowanie uchwyty spryskiwacza

1. Nacisnąć przycisk na uchwycie spryskiwacza i wyciągnąć wąż wysokociśnieniowy wody. (Rys. 19)
2. Nacisnąć pierścień zewnętrzny na szybkozłączu i wyciągnąć wąż wysokociśnieniowy wody. (Rys. 20)

Montaż lancy natryskowej

1. Przytrzymać uchwyt spryskiwacza jedną ręką i wcisnąć złącze na lancy natryskowej do uchwytu spryskiwacza. (Rys. 21)
2. Obrócić lancę natryskową w prawo i zwolnić. Lanca natryskowa blokuje się we właściwym położeniu.

Wymywanie lancy natryskowej

1. Nacisnąć lancę natryskową i obrócić w lewo. (Rys. 22)
2. Wyjąć lancę natryskową z uchwytu spryskiwacza.

Montaż i demontaż dyszy

Produkt jest dostarczany z 2 dyszami: 1 dysza wyrzucająca prosty strumień wody (oznaczona jako „dysza do prac lekkich”) i 1 dysza wyrzucająca obrotowy strumień wody (oznaczona jako „dysza do prac ciężkich”). Dysza wyrzucająca prosty strumień wody może być używana do czyszczenia delikatnych powierzchni, na przykład pojazdów. Dysza do prac ciężkich może być używana do czyszczenia powierzchni, które nie są podatne na uszkodzenia, np. podjazdów.

(Rys. 23)



UWAGA: Nie należy używać dyszy wyrzucającej obrotowy strumień wody do czyszczenia powierzchni podatnych na uszkodzenia, na przykład lakierowanych powierzchni pojazdu. Obrotowy strumień wody może spowodować uszkodzenie powierzchni.

- Aby zainstalować dyszę, przytrzymać lancę natryskową jedną ręką i wcisnąć dyszę, aż zablokuje się na swoim miejscu. (Rys. 24)

- Aby wyjąć dyszę, nacisnąć klapkę na lancy natryskowej i wyciągnąć dyszę z lancy natryskowej. (Rys. 25)

Regulacja ciśnienia strumienia wody

Dysza wyrzucająca prosty strumień wody ma funkcję regulacji ciśnienia.

- Aby zwiększyć ciśnienie strumienia wody, obrócić dyszę w prawo. (Rys. 26)
- Aby zmniejszyć ciśnienie strumienia wody, obrócić dyszę w lewo. (Rys. 27)

Obsługa produktu

1. Podłączyć urządzenie do źródła wody. Patrz *Podłączanie urządzenia do źródła wody na stronie 304*.
2. Odpowietrzyć układ. Patrz *Odpowietrzanie układu na stronie 305*.
3. Uruchomić urządzenie. Patrz *Uruchamianie produktu na stronie 306*.

Podłączanie urządzenia do źródła wody

Urządzenie może działać wykorzystując wodę z sieci wodociągowej lub wodę z otwartego źródła, na przykład z jeziora lub beczki na wodę.

- Podłączanie urządzenia do sieci wodociągowej, patrz *Podłączanie produktu do sieci wodociągowej na stronie 304*.
- Podłączanie urządzenia do otwartego źródła wody, patrz *Podłączanie urządzenia do otwartego źródła wody na stronie 305*.

Podłączanie produktu do sieci wodociągowej

1. Zainstalować adapter węża ogrodowego i filtr wody na wlocie wody urządzenia, jeśli nie zostały zainstalowane wcześniej. Patrz *Montaż adaptera węża ogrodowego na stronie 303*.
2. Podłączyć wąż ogrodowy do sieci wodociągowej. Użyć węża ogrodowego o średnicy 1/2" i długości 10–25 m. (Rys. 28)



UWAGA: Ciśnienie wody w sieci wodociągowej nie może przekraczać 1 MPa (10 bar).



UWAGA: Temperatura wody w sieci wodociągowej nie może przekraczać 40°C.

3. Otworzyć zawór sieci wodociągowej i upewnić się, że woda może swobodnie wypływać z węża ogrodowego. (Rys. 29)
4. Zamknąć zawór sieci wodociągowej.

5. Podłączyć wąż ogrodowy do złącza wlotu wody urządzenia. (Rys. 30)
6. Włożyć wtyczkę zasilania do gniazda zasilania.
7. Otworzyć zawór instalacji wodociągowej.
8. Przed użyciem urządzenia należy odpowietrzyć układ. Patrz *Odpowietrzanie układu na stronie 305*.

Podłączanie urządzenia do otwartego źródła wody

Urządzenie może działać wykorzystując wodę z otwartego źródła, na przykład z jeziora lub beczki na wodę. Użyć węża ssącego o średnicy ½" i długości maksymalnie 3 m (nie wchodzi w skład zestawu).

(Rys. 31)



UWAGA: Temperatura wody w źródle wody nie może przekraczać 20°C.



UWAGA: Urządzenie nie może znajdować się wyżej niż 0,5 m nad źródłem wody.

1. Jeśli jest zainstalowany adapter węża ogrodowego, wymontować go z wlotu wody urządzenia. (Rys. 32)



UWAGA: Nie demontować filtra wody z wlotu wody.

2. Podłączyć wąż ssący (nie wchodzi w skład zestawu) do wlotu wody urządzenia. (Rys. 33)
3. Włożyć wąż ssący do źródła wody i upewnić się, że filtr jest całkowicie zanurzony.



UWAGA: Nie używać węża ssącego bez filtra.

4. Nacisnąć przycisk na uchwycie spryskiwacza i wyciągnąć wąż wysokociśnieniowy z uchwytu spryskiwacza. (Rys. 19)
5. Włożyć wtyczkę zasilania do gniazda zasilania.
6. Ustawić przełącznik zasilania w pozycji ON (I) i włączyć urządzenie na 2 minuty.
7. Ustawić przełącznik zasilania w pozycji wyłączenia (0).
8. Chwyć mocno uchwyt spryskiwacza jedną ręką i wcisnąć wąż wysokociśnieniowy do szybkozłącza w uchwycie spryskiwacza. (Rys. 18)
9. Przed użyciem urządzenia należy odpowietrzyć układ. Patrz *Odpowietrzanie układu na stronie 305*.

Odpowietrzanie układu



UWAGA: Przed przystąpieniem do odpowietrzania układu należy upewnić się, że wyłącznik zasilania jest w pozycji wyłączenia (0).

1. Podłączyć urządzenie do źródła wody. Patrz *Podłączanie urządzenia do źródła wody na stronie 304*.
2. Zamontować lancę natryskową na pistolecie natryskowym. Patrz *Montaż lancy natryskowej na stronie 304*.
3. Wyłączyć blokadę spustu. Patrz *Włączanie i wyłączanie blokady spustu na stronie 305*.
4. Nacisnąć spust i przytrzymać do czasu, aż z dyszy na lancy natryskowej zacznie wypływać woda. (Rys. 34)

Odlączenie urządzenie od źródła wody

1. Ustawić przełącznik zasilania w pozycji wyłączenia (0).
2. Jeśli urządzenie jest podłączone do sieci wodociągowej, zamknąć zawór sieci wodociągowej.
3. Jeśli urządzenie jest podłączone do sieci wodociągowej, odłączyć wąż ogrodowy od sieci wodociągowej. (Rys. 35)
4. Jeśli urządzenie jest podłączone do otwartego źródła wody, wyjąć wąż ssący ze źródła wody.
5. Nacisnąć spust i przytrzymać, aż z dyszy przestanie wypływać woda.
6. Odłączyć wąż ogrodowy od złącza wlotu wody urządzenia. (Rys. 36)

Uwaga: Jeśli urządzenie jest podłączone do otwartego źródła wody, odłączyć wąż ssący.

7. Nacisnąć przycisk na uchwycie opryskiwacza i wyciągnąć wąż wysokociśnieniowy z uchwytu spryskiwacza. (Rys. 19)
8. Ustawić przełącznik zasilania w pozycji (I). Pozwolić urządzeniu działać, aż z węża wysokociśnieniowego przestanie wypływać woda.
9. Ustawić przełącznik zasilania w pozycji wyłączenia (0).
10. Przed pozostawieniem urządzenia do przechowywania odczekać, aż uchwyt natryskowy, lancy natryskowa i dysze wyschną.

Włączanie i wyłączanie blokady spustu

- Aby włączyć blokadę spustu, obrócić blokadę w prawo, aż będzie słyszalne kliknięcie. (Rys. 37)
- Aby wyłączyć blokadę spustu, obrócić blokadę spustu całkowicie w lewo. (Rys. 38)

Uruchamianie produktu

1. Podłączyć urządzenie do źródła wody. Patrz *Podłączanie urządzenia do źródła wody na stronie 304*.
2. Włożyć wtyczkę zasilania do gniazda zasilania.
3. Ustawić przełącznik zasilania w pozycji (I). (Rys. 39)
4. Wyłączyć blokadę spustu. Patrz *Włączanie i wyłączanie blokady spustu na stronie 305*.
5. Nacisnąć spust na uchwycie spryskiwacza.

Uwaga: Po zwolnieniu spustu urządzenie zatrzyma się automatycznie.

Wyłączanie produktu

Uwaga: Po zwolnieniu spustu urządzenie zatrzyma się automatycznie.

1. Zwolnić spust na uchwycie spryskiwacza.
2. Załączyć blokadę spustu. Patrz *Włączanie i wyłączanie blokady spustu na stronie 305*.
3. Ustawić przełącznik zasilania w pozycji wyłączenia (0). (Rys. 40)
4. Odłączyć wtyczkę zasilania od źródła zasilania.
5. Odłączyć urządzenie od źródła wody. Patrz *Odłączanie urządzenia od źródła wody na stronie 305*.

Uwaga: Zawsze przed oddaleniem się od urządzenia na dłużej niż 5 minut należy je odłączyć od źródła wody.

Używanie pianownicy

1. Wyjąć pianownicę z zaczepu do mocowania. (Rys. 41)
2. Napełnić pojemnik pianownicy środkiem czyszczącym.



UWAGA: Należy używać wyłącznie środków czyszczących zalecanych przez firmę Husqvarna.

3. Wcisnąć szybkozłącze pianownicy do szybkozłącza lancy natryskowej, aż zablokuje się na swoim miejscu. (Rys. 42)

Uwaga: Kolnierz na pianownicy musi być wyrównany z rowkiem w lancy natryskowej.

4. Podłączyć urządzenie do źródła wody. Patrz *Podłączanie urządzenia do źródła wody na stronie 304*.
5. Uruchomić urządzenie. Patrz *Uruchamianie produktu na stronie 306*.

Przegląd

Wstęp



OSTRZEŻENIE: Przed przeprowadzeniem konserwacji należy przeczytać i zrozumieć rozdział o bezpieczeństwie.

Do wykonywania wszelkich prac serwisowych i naprawczych konieczne jest specjalistyczne przeszkolenie. Gwarantujemy dostępność profesjonalnych napraw i usług serwisowych.

Aby uzyskać więcej szczegółowych informacji, patrz www.husqvarna.com.

Plan konserwacji

Konserwacja	Przed użytkowaniem	Po użyciu
Przeprowadzić ogólny przegląd. Patrz <i>Przegląd ogólny na stronie 307</i> .	X	
Wyczyścić urządzenie. Patrz <i>Czyszczenie produktu na stronie 307</i> .		X
Wyczyścić lancę natryskową i dysze. Patrz <i>Czyszczenie lancy natryskowej i dysz na stronie 307</i> .		X
Wyczyścić filtr wody. Wymienić filtr powietrza, jeśli jest uszkodzony. Patrz <i>Czyszczenie filtra wody na stronie 307</i> .		X
Nasmarować pierścienie o-ring na złączach. Patrz <i>Smarowanie pierścieni o-ring na złączach na stronie 308</i> .		X

Przegląd ogólny



OSTRZEŻENIE: Przed przystąpieniem do konserwacji urządzenia należy ustawić wyłącznik zasilania w pozycji wyłączzonej (0) i odłączyć wtyczkę zasilania od źródła zasilania.



UWAGA: Przed przystąpieniem do konserwacji urządzenia należy odłączyć je od źródła wody i upewnić się, że wszystkie części są suche.

- Należy upewnić się, że nakrętki i śruby urządzenia są dokręcone.
- Upewnić się, że przewody produktu nie znajdują się w położeniu, w którym mogłyby ulec uszkodzeniu.
- Sprawdzić wąż wysokociśnieniowy pod kątem zużycia lub uszkodzenia.



OSTRZEŻENIE: Jeśli wąż wysokociśnieniowy jest zużyty lub uszkodzony, nie wolno używać urządzenia.

Czyszczenie produktu



OSTRZEŻENIE: Przed przystąpieniem do konserwacji urządzenia należy ustawić wyłącznik zasilania w pozycji wyłączzonej (0) i odłączyć wtyczkę zasilania od źródła zasilania.



UWAGA: Przed przystąpieniem do konserwacji urządzenia należy odłączyć je od źródła wody i upewnić się, że wszystkie części są suche.

- Oczyszczyć wszystkie powierzchnie zewnętrzne suchą ściereczką.
- Nie używać myjek wysokociśnieniowych do czyszczenia urządzenia.
- Należy dbać o czystość i drożność otworów powietrznych, aby temperatura urządzenia była zawsze odpowiednio niska.

Czyszczenie lancy natryskowej i dysz



OSTRZEŻENIE: Przed przystąpieniem do konserwacji urządzenia należy ustawić wyłącznik zasilania w pozycji wyłączzonej (0) i odłączyć wtyczkę zasilania od źródła zasilania.



UWAGA: Przed przystąpieniem do konserwacji urządzenia należy odłączyć je od źródła wody i upewnić się, że wszystkie części są suche.

1. Jeśli dysza jest zamontowana w lancy natryskowej, należy ją wyjąć z lancy natryskowej. Patrz *Montaż i demontaż dyszy na stronie 304*.
2. Umyć dysze, złącze lancy i złącze uchwytu spryskiwacza wodą z mydłem. (Rys. 43)
3. Jeśli dysze są niedrożne, udroźnić je za pomocą narzędzia do czyszczenia. (Rys. 44)

Czyszczenie filtra wody



OSTRZEŻENIE: Przed przystąpieniem do konserwacji urządzenia należy ustawić wyłącznik zasilania w pozycji wyłączzonej (0) i odłączyć wtyczkę zasilania od źródła zasilania.



UWAGA: Przed przystąpieniem do konserwacji urządzenia należy odłączyć je od źródła wody i upewnić się, że wszystkie części są suche.

1. Jeśli jest zainstalowany adapter węża ogrodowego, wymontować go z wlotu wody urządzenia. (Rys. 32)
2. Wyciągnąć filtr wody. Użyć kombinerek. (Rys. 45)
3. Sprawdzić filtr wody pod kątem uszkodzeń. Wymienić filtr powietrza, jeśli jest uszkodzony. (Rys. 46)
4. Przepłukać filtr wody czystą wodą. (Rys. 47)

Smarowanie pierścieni o-ring na złączach



OSTRZEŻENIE: Przed przystąpieniem do konserwacji urządzenia należy ustawić wyłącznik zasilania w pozycji

wyłączonej (0) i odłączyć wtyczkę zasilania od źródła zasilania.



UWAGA: Przed przystąpieniem do konserwacji urządzenia należy odłączyć je od źródła wody i upewnić się, że wszystkie części są suche.

1. Odłączyć lancę natryskową od uchwyty spryskiwacza, a uchwyt spryskiwacza od węża wysokociśnieniowego. Patrz *Montaż lancy natryskowej na stronie 304* oraz *Montaż uchwyty spryskiwacza na stronie 304*.
2. Nasmarować pierścienie o-ring adaptera węża ogrodowego, lancy natryskowej i węża wysokociśnieniowego smarem. Patrz *Dane techniczne na stronie 309* w celu uzyskania informacji na temat prawidłowego typu smaru. (Rys. 48)

Rozwiązywanie problemów

Schemat diagnostyki

Problem	Możliwa przyczyna	Rozwiązanie
Produkt nie uruchamia się.	Wtyczka zasilania nie jest podłączona do gniazda zasilania.	Podłączyć wtyczkę zasilania do gniazda zasilania
	Przełącznik zasilania jest w pozycji (0).	Ustawić przełącznik zasilania w pozycji (I).
	Gniazdo zasilania nie jest pod napięciem.	Skontaktować się z autoryzowanym elektrykiem.
	Przewód zasilający jest uszkodzony.	Skontaktować się z autoryzowanym punktem serwisowym.
	Wyłącznik termiczny przerwał obwód zasilania.	Odczekać na ostygnięcie urządzenia przed ponownym uruchomieniem.
	Użyto niewłaściwego typu kabla przedłużającego.	Upewnić się, że przedłużacz jest całkowicie rozwinięty i że napięcie odpowiada parametrom napięciowym urządzenia.
Bezpiecznik wyzwała się podczas rozruchu lub pracy.	Użyto niewłaściwego typu bezpiecznika.	Upewnić się, że używany jest bezpiecznik zwłoczny o klasie „C” lub „K”.
Urządzenie nie zatrzymuje się.	Produkt jest uszkodzony.	Odłączyć wtyczkę zasilania i skontaktować się z autoryzowanym punktem serwisowym.
Produkt staje się zbyt gorący.	Przepływ powietrza jest niewystarczający.	Oczyścić wloty powietrza.
Produkt nie pracuje płynnie.	Układ jest zapowietrzony.	Odpowietrzyć układ.

Problem	Możliwa przyczyna	Rozwiązanie
Ciśnienie wody nie jest odpowiednie.	Wąż jest zagięty	Sprawdzić, czy węże nie są zagięte.
	Przełącznik zasilania jest w pozycji (0).	Ustawić przełącznik zasilania w pozycji (I).
	Przepływ wody nie jest wystarczający.	Upewnić się, że produkt jest prawidłowo podłączony do źródła wody. Upewnić się, że przepływ wody jest wystarczający.
	Filtr wody jest niedrożny.	Wyczyścić filtr wody.
	Układ jest zapowietrzony.	Odpowietrzyć układ.
	Nieprawidłowe akcesorium.	Upewnić się, że jest używane prawidłowe akcesorium.

Transport, przechowywanie i utylizacja

Transportowanie

- Przed transportem urządzenia należy odłączyć wtyczkę zasilania od źródła zasilania.
- Przed transportem urządzenia należy odłączyć urządzenie od źródła wody.
- Zamocować urządzenie na czas transportu tak, aby było unieruchomione.

Przechowywanie

- Przed włożeniem urządzenia do miejsca przechowywania należy spuścić całą wodę z urządzenia, węża wysokociśnieniowego wody i akcesoriów.
- Przygotować urządzenie do przechowywania. Patrz *Przygotowanie urządzenia do przechowywania na stronie 309*.
- Przechowywać urządzenie w suchym miejscu, nie narażonym na przymrozki.

Przygotowanie urządzenia do przechowywania

1. Wyłączyć urządzenie i odłączyć przewód zasilający od źródła zasilania.

2. Odłączyć urządzenie od źródła wody. Patrz *Odłączanie urządzenie od źródła wody na stronie 305*.
3. Upewnić się, że wszystkie akcesoria są suche.
4. Umieścić uchwyt spryskiwacza, lancę natryskową i dysze w ich zaczepach do mocowania.
5. Odłączyć wąż wysokociśnieniowy wody i umieścić w zaczepie do mocowania. (Rys. 49)
6. Umieścić przewód zasilający w zaczepie do mocowania i założyć pasek. (Rys. 50)

Utylizacja

Produkty Husqvarna nie stanowią odpadów komunalnych i należy je utylizować jedynie w sposób podany w tej instrukcji.

- Należy przestrzegać lokalnych wymogów dotyczących utylizacji oraz wszystkich innych obowiązujących przepisów.
- Produkt i opakowanie należy poddawać recyklingowi we właściwym punkcie.
- Aby uzyskać więcej informacji na temat recyklingu i utylizacji produktu, należy skontaktować się z lokalnym dealerem Husqvarna.

Dane techniczne

	PW 130
Silnik i pompa	
Typ	Silnik AC
Moc, W	1500
Zakres napięcia, V	220–240

	PW 130
Częstotliwość, Hz	50
Prąd znamionowy, A	6,5
Maks. przepływ wody, l/min	7,7
Maks. ciśnienie wody na wylocie, bar/MPa	130/13
Maks. ciśnienie wody na wlocie, bar/MPa	10/1
Maks. temperatura wody na wlocie, °C/°F	40/104
Maks. temperatura wody na wlocie (w trybie ssania), °C/°F.	20/68
Stopień ochrony IP	IPX5
Klasa bezpieczeństwa	Klasa II
Smarowanie	
Typ smaru do smarowania pierścieni o-ring	Uniwersalny biały smar silikonowy
Waga	
Masa, kg	6,5
Poziom hałasu ⁶⁹	
Zmierzony poziom mocy akustycznej, w dB(A)	85
Poziom głośności, gwarantowana moc akustyczna L _{WA} dB(A)	89
Poziomy głośności ⁷⁰	
Równoważny poziom ciśnienia akustycznego przy uchu operatora, dB(A)	72
Poziomy drgań ⁷¹	
Dłoń/ramię (ze standardową dyszą) m/s ²	2,5
Równoważny poziom drgań ⁷²	
Dłoń/ramię (ze standardową dyszą) m/s ²	1,8

⁶⁹ Emisję hałasu do otoczenia zmierzono jako moc akustyczną (L_{WA}), zgodnie z dyrektywą Rady 2000/14/WE.

⁷⁰ Równoważny poziom ciśnienia akustycznego, zgodny z ISO 22868, obliczany jest jako całkowita, czasowo wyważona energia dla różnych poziomów dźwięku w różnych warunkach pracy. Typowe rozproszenie statystyczne dla równoważnego poziomu ciśnienia akustycznego to odchylenie standardowe o wartości 1 dB (A).

⁷¹ Poziom wibracji zgodnie z normą EN 60745-2-13. Odnotowane dane dla poziomu wibracji mają typowe rozproszenie statystyczne (odchylenie standardowe) w wysokości 1 m/s². Deklarowane dane z pomiarów drgań w przypadku, gdy maszyna wyposażona jest w prowadnicę o zalecanej długości oraz w zalecany typ łańcucha. Jeśli maszyna wyposażona jest w prowadnicę o innej długości, poziom wibracji może się wahać w granicach ± 1,5 m/s².

⁷² Równoważny poziom drgań został zmierzony i obliczony jak dla pilarek zasilanych silnikami spalinowymi. Liczby te podane są w celu porównania danych dotyczących drgań niezależnie od rodzaju silnika zgodnie z normą ISO 22867:2011.

Aksesoria

Zatwierdzone akcesoria

Zatwierdzone akcesoria	Nr art.
Środek do czyszczenia powierzchni SC 300	590 65 79-01
Pianownica FS 300	590 66 04-01
Wąż do czyszczenia rur, 15 m	590 66 10-01
Filtr wody	590 65 93-01
Zawór zwrotny	590 65 95-01
Wąż ssący	590 65 97-01
Zestaw do pojazdów	590 66 07-01
Zestaw szczotek obrotowych	590 66 06-01
Kątowa lanca natryskowa	590 66 11-01
Dysza ssąca do wody	590 66 05-01
Przewód przedłużający, 8 m	590 66 08-01

Deklaracja zgodności

Deklaracja zgodności UE

My, Husqvarna AB, SE-561 82 Huskvarna,
Szwecja, tel: +46-36-146500, deklarujemy z pełną
odpowiedzialnością, że produkt:

Opis	Myjka ciśnieniowa
Marka	Husqvarna
Typ/model	PW 130
Identyfikacja	Numer seryjny z roku 2022 i nowsze

spełnia wszystkie wymagania określone w odpowiednich
dyrektywach i przepisach UE:

Przepis	Opis
2006/42/WE	„w sprawie maszyn”
2014/30/UE	„w sprawie kompatybilności elektromagnetycznej”
2000/14/WE, załącznik V	„dotycząca emisji hałasu do środowiska”
2011/65/UE	„dotycząca ograniczenia użycia niektórych substancji niebezpiecznych w sprzęcie elektrycznym i elektronicznym”

oraz został zaprojektowany zgodnie
z następującymi normami i specyfikacjami
technicznymi: EN 60335-1:2012/A11:2014/
A13:2017/A1:2019/A14:2019/A2:2019/A15:2021, EN
60335-2-79:2012, EN 62233:2008, EN 55014-1:2021,
EN 55014-2:2021, EN IEC 61000-3-2:2019/A1:2021, EN
61000-3-3:2013/A2:2021, EN IEC 63000:2018.

Informacje dotyczące emisji hałasu, patrz *Dane
techniczne na stronie 309*.

Huskvarna, 2023-01-19



Claes Losdal, Szef ds. Rozwoju Produkcji/Produkty
ogrodowe, Husqvarna AB

Osoba odpowiedzialna za dokumentację techniczną



ÍNDICE

Introdução.....	313	Resolução de problemas.....	325
Segurança.....	315	Transporte, armazenamento e eliminação.....	326
Montagem.....	320	Especificações técnicas.....	327
Funcionamento.....	321	Acessórios.....	328
Manutenção.....	324	Declaração de conformidade.....	329

Introdução

Descrição do produto

O produto é uma máquina de lavar de pressão elétrica. O produto pode ser utilizado com diferentes níveis de pressão da água e diferentes agentes de limpeza.

Finalidade

Utilize o produto apenas para limpeza doméstica. Não utilize o produto para outras tarefas. Utilize o produto apenas numa posição vertical.

Vista geral do produto

(Fig. 1)

1. Bocal com jato de água reto
2. Bocal com jato de água rotativo
3. Correia de borracha para o suporte do cabo de alimentação
4. Suporte para punho de pulverização e lança de pulverização
5. Mangueira de água de alta pressão
6. Entrada de água
7. Aspersionador de espuma
8. Armazenamento para mangueira de água de alta pressão
9. Interruptor de alimentação
10. Cabo de alimentação
11. Saída de água com ligação rápida
12. Ferramenta de limpeza de bocais
13. Punho de transporte
14. Admissão de ar
15. Punho de pulverização
16. Lança de pulverização
17. Manual do utilizador

Símbolos no produto

(Fig. 2)

AVISO: Este produto pode ser perigoso e provocar ferimentos graves ou a morte do operador ou

Nota: A legislação nacional pode limitar a utilização deste produto.

de terceiros. Seja cuidadoso e utilize o produto corretamente.

(Fig. 3)

Leia o manual do utilizador com atenção e certifique-se de que compreende as instruções antes de utilizar este produto.

(Fig. 4)

O produto não é adequado para ligação à conduta de água potável.

(Fig. 5)

Os jatos de água de alta pressão podem ser perigosos se forem alvo de utilização incorreta. O jato não deve ser dirigido a pessoas, a

equipamento elétrico ou ao produto.

(Fig. 6)

Marca ambiental.

O produto ou a respetiva embalagem não são resíduos domésticos. Recicle-os numa localização de eliminação aprovada para equipamentos elétricos e eletrónicos.

(Fig. 7)

Ferramenta de classe II.

(Fig. 8)

Emissão de ruído para a etiqueta ambiental de acordo com as diretivas e regulamentos da União Europeia e do Reino Unido e o regulamento "Protection of the Environment Operations (Noise Control) Regulations 2017" (regulamentos de proteção de operações no meio ambiente [controlo do ruído] de 2017) da Nova Gales do Sul. O nível de potência sonora garantido do produto

está especificado nas *Especificações técnicas na página 327* e na etiqueta.

(Fig. 9)

Proteção contra fluxo de água de baixa pressão a partir de qualquer ângulo.

(Fig. 10)

Manter afastado do gelo.

(Fig. 11)

O produto está em conformidade com as diretivas CE aplicáveis.

(Fig. 12)

Este produto está em conformidade com os regulamento aplicáveis do Reino Unido.

Nota: Os restantes símbolos/autocolantes existentes no produto dizem respeito às exigências de homologação de alguns países.

Danos no produto

Não somos responsáveis por danos no nosso produto se:

- o produto tiver sido incorretamente reparado.
- o produto tiver sido reparado com peças que não sejam do fabricante ou que não sejam aprovadas pelo fabricante.
- o produto tiver um acessório que não seja do fabricante ou que não seja aprovado pelo fabricante.
- o produto não tiver sido reparado por um centro de assistência autorizado ou por uma autoridade aprovada.

Segurança

Definições de segurança

Os avisos, as precauções e as notas são utilizados para indicar partes especialmente importantes do manual.



ATENÇÃO: Utilizado no caso de existir risco de ferimento ou morte para o utilizador ou transeuntes, se não forem respeitadas as instruções do manual.



CUIDADO: Utilizado se existir risco de danos para o produto, para outros materiais ou para a área adjacente, se não forem respeitadas as instruções do manual.

Nota: Utilizado para disponibilizar informações adicionais necessárias numa determinada situação.

Instruções de segurança gerais



ATENÇÃO: Leia as instruções de aviso que se seguem antes de utilizar o produto.

- Este produto é perigoso se for utilizado de forma incorreta ou se não o utilizador for cuidadoso. Podem ocorrer ferimentos graves ou mesmo morte se as instruções de segurança não forem respeitadas.
- Tenha sempre cuidado e use o seu senso comum. Se não tiver a certeza sobre como utilizar o produto numa situação especial, pare e fale com a sua oficina autorizada Husqvarna antes de continuar.
- Tenha em atenção que o utilizador é responsável pelos acidentes que incluam outras pessoas ou a respetiva propriedade.
- Mantenha o produto limpo. Certifique-se de que pode ler claramente os sinais e os autocolantes.
- Não permita a utilização do equipamento por crianças ou pessoas não familiarizadas com estas instruções. As normas locais podem restringir a idade do utilizador.
- Este produto pode ser utilizado por pessoas com capacidades físicas, sensoriais ou mentais

reduzidas, se forem supervisionadas ou se lhes forem dadas instruções sobre como utilizar o produto em segurança e compreenderem os perigos envolvidos.

- Este produto pode ser utilizado por pessoas sem os conhecimentos e a experiência necessários, se forem supervisionadas ou se lhes forem dadas instruções sobre como utilizar o produto em segurança e compreenderem os perigos envolvidos.
- Não utilize o produto se estiver cansado, doente ou sob a influência de álcool, drogas ou medicamentos. Estes têm um efeito negativo na sua visão, atenção, capacidade de discernimento ou controlo físico.
- Não utilize um produto danificado.
- Não altere este produto e não o utilize se houver a possibilidade de ter sido alterado por outros.

Instruções de segurança para funcionamento



ATENÇÃO: Leia as instruções de aviso que

se seguem antes de utilizar o produto.

- Não utilize o produto se o cabo de alimentação, a mangueira de alta pressão, o bloqueio do acionador ou o punho de pulverização estiverem danificados.
- Verifique se existem danos antes de utilizar o produto. Não utilize o produto se existirem peças danificadas ou em falta.
- Segure bem o punho de pulverização com as duas mãos. A força de retrocesso ocorre quando puxa o interruptor de alimentação.
- Tenha cuidado ao operar o produto. A alta pressão fornecida pelo produto é perigosa e pode causar ferimentos.
- Não aponte o jato na sua direção, nem na direção de outras pessoas ou de animais.
- Não aponte o jato na sua direção ou na direção de terceiros para limpar calçado.
- Não aponte o jato na direção do equipamento elétrico nem do próprio produto.
- Use equipamento de proteção pessoal ao utilizar o produto. Consulte

Equipamento de proteção pessoal na página 318.

- Não utilize o produto perto de pessoas, exceto se estiverem a utilizar equipamento de proteção.
- Se utilizar um agente de limpeza, siga as instruções de segurança do mesmo.
- Utilize apenas agentes de limpeza Husqvarna.
- Utilize a pressão da água e os agentes de limpeza corretos e utilize o produto apenas para as tarefas indicadas neste manual. Se utilizar uma pressão da água ou um agente de limpeza incorreto, ou se utilizar o produto para outras tarefas que não as indicadas neste manual, pode causar danos no produto, superfícies, materiais ou outros dispositivos. A Husqvarna não se responsabiliza por danos decorrentes de uma utilização incorreta.
- Não se recomenda a ligação do produto à conduta de água potável. Se tiver de ligar o produto à conduta de água potável, respeite os regulamentos locais e nacionais. Se necessário, utilize uma válvula de segurança de refluxo (não incluída). A água que atravessa uma válvula de segurança de refluxo é considerada não potável.
- Não pulverize líquidos inflamáveis. Risco de explosão.
- Não permita que as crianças utilizem o produto.
- Não permita que as crianças brinquem com o produto.
- Não permita que as pessoas operem o produto sem formação.
- Utilize apenas acessórios e peças sobresselentes aprovados pela Husqvarna.
- Certifique-se de que a ligação elétrica é efetuada por um electricista aprovado e que está em conformidade com a norma IEC 60364-1.
- Utilize um dispositivo diferencial residual que interrompa a eletricidade se a corrente de fuga for superior a 30 mA durante 30 ms. Se não tiver um dispositivo diferencial residual, utilize um dispositivo que prove o circuito de terra.
- Utilize fusíveis de arranque/retardamento do motor com características C ou D, de acordo com a norma IEC 898-1 ou IEC947-2, ou normas correspondentes fora da IEC.

- Não são necessárias quaisquer ações para ajustar produtos marcados com dupla tensão e frequência.
- Se for necessário utilizar um cabo de extensão, certifique-se de que este é aplicável para utilização no exterior. Certifique-se de que a tomada está a uma distância mínima de 60 mm do solo. A ligação deve ser sempre mantida seca.
- Coloque o interruptor de alimentação na posição de desligado (0), desligue a ficha de alimentação e engate o bloqueio do interruptor de alimentação antes de se afastar do produto.
- Coloque o interruptor de alimentação na posição de desligado (0) e desligue a ficha de alimentação antes de mudar o acessório.
- Coloque o interruptor de alimentação na posição de desligado (0) e desligue a ficha de alimentação antes de limpar ou efetuar a manutenção do produto.
- Não utilize o produto em ambientes onde a temperatura ambiente é inferior a 0 °C.
- Não ligue um produto congelado.

- Não utilize o produto em espaços interiores.
- Não coloque objetos no produto quando este estiver em funcionamento.
- Não beba água que tenha sido utilizada com o produto.
- Não utilize o produto perto de janelas abertas.
- Atenção a objetos arremessados. Pedras e objetos soltos podem ser arremessados contra os olhos e causar cegueira ou ferimentos graves nos olhos.
- Se o produto não funcionar corretamente, consulte *Esquema de resolução de problemas na página 325*.

Equipamento de proteção pessoal



ATENÇÃO: Leia as instruções de aviso que se seguem antes de utilizar o produto.

- O equipamento de proteção pessoal não previne totalmente os ferimentos mas diminui a respetiva gravidade em caso de acidente. Obtenha ajuda junto do seu distribuidor para selecionar o equipamento certo.

- Use botas ou sapatos antiderrapantes resistentes. Não use calçado aberto nem ande com os pés descalços.
- Use vestuário de proteção.
- Utilize protetores acústicos aprovados.
- Use óculos de proteção.
- Utilize proteção respiratória com classe FFP2 ou equivalente se utilizar o produto em ambientes onde possam ser formados aerossóis perigosos.

Dispositivos de segurança no produto



ATENÇÃO: Leia as instruções de aviso que se seguem antes de utilizar o produto.

- Não utilize um produto com dispositivos de segurança danificados ou que não funcionem corretamente.
- Não remova os dispositivos de segurança, nem os modifique.
- Verifique regularmente os dispositivos de segurança. Se os dispositivos de segurança estiverem danificados ou não funcionarem corretamente, contacte a sua oficina autorizada Husqvarna.

Bloqueio do interruptor de alimentação

O bloqueio do interruptor de alimentação (A) impede o funcionamento acidental do interruptor de alimentação (B). Quando o bloqueio do interruptor de alimentação está na posição de bloqueio, o interruptor de alimentação não pode ser premido.

(Fig. 13)

Interruptor de alimentação

O produto arranca quando o interruptor de alimentação é premido. O produto para quando o interruptor de alimentação é libertado.

Proteção térmica

O produto tem uma proteção térmica automática. Se o produto ficar demasiado quente, a proteção térmica para a fonte de alimentação do produto. Se a proteção térmica parar a alimentação, aguarde até que o produto arrefeça. A proteção térmica reinicia automaticamente quando o produto estiver suficientemente frio.

Válvula de descarga hidráulica

O produto tem uma válvula de descarga hidráulica integrada

que impede uma pressão excessiva no sistema.

Instruções de segurança para manutenção



ATENÇÃO: Leia as instruções de aviso que se seguem antes de efetuar tarefas de manutenção no produto.



CUIDADO: Proceda sempre à manutenção antes de ligar o produto após um longo período de armazenamento.

- Coloque o interruptor de alimentação na posição de desligado (0) e desligue a ficha de alimentação da fonte de alimentação antes de efetuar a manutenção do produto.
- Desligue o produto da fonte de água e certifique-se de que todas as peças estão

secas antes de efetuar a manutenção do produto.

- Efetue apenas os trabalhos de manutenção indicados neste manual do utilizador.
- Utilize apenas peças sobresselentes recomendadas pela Husqvarna. As mangueiras de água de alta pressão, os encaixes e os acoplamentos são importantes para a segurança ao utilizar o produto. Utilize apenas mangueiras, encaixes e acoplamentos recomendados pelo fabricante.
- Não repare o produto. Contacte a sua oficina autorizada Husqvarna.
- Contacte a sua oficina autorizada Husqvarna se a ficha de alimentação ou o cabo de alimentação estiverem danificados.
- Não permita que as crianças limpem ou efetuem a manutenção do produto.

Montagem

Introdução



ATENÇÃO: Certifique-se de que lê e compreende o capítulo sobre segurança antes de montar o produto.

Instalar o adaptador de mangueira de jardim

1. Retire a tampa de transporte da entrada de água e elimine-a. (Fig. 14)
2. Instale o adaptador de mangueira de jardim na entrada de água. (Fig. 15)



CUIDADO: Certifique-se de que instala o adaptador de mangueira de jardim diretamente na entrada de água. Se o adaptador de mangueira de jardim não estiver corretamente instalado, pode danificar as roscas e podem ocorrer fugas.

3. Aperte completamente o adaptador de mangueira de jardim.

4. Retire o adaptador de mangueira de jardim pela sequência inversa.

Instalar o suporte do punho de pulverização e a lança de pulverização

- Instale o suporte com os 2 parafusos. (Fig. 16)

Funcionamento

Introdução



ATENÇÃO: Certifique-se de que lê e compreende o capítulo sobre segurança antes de usar o produto.

Husqvarna Connect

A Husqvarna Connect é uma aplicação gratuita para o seu dispositivo móvel. A aplicação Husqvarna Connect disponibiliza funções alargadas para o seu produto Husqvarna:

- Informações alargadas sobre o produto.
- Informações sobre, e ajuda relacionada com peças e manutenção do produto.

Começar a utilizar o Husqvarna Connect

1. Transfira a aplicação Husqvarna Connect para o seu dispositivo móvel.
2. Registe-se na aplicação Husqvarna Connect.
3. Siga os passos das instruções na aplicação Husqvarna Connect para ligar e registar o produto.

Nota: A aplicação Husqvarna Connect não está disponível para transferência em todos os mercados. Para mais informações, contacte o revendedor com assistência técnica.

Instalar o punho de pulverização

1. Empurre a mangueira de água de alta pressão para a ligação rápida até esta bloquear na devida posição. (Fig. 17)



CUIDADO: Para evitar fugas, certifique-se de que a mangueira de alta pressão está totalmente encaixada na ligação rápida do produto.

2. Segure firmemente o punho de pulverização com uma mão e empurre a mangueira de água de alta pressão para a ligação rápida do punho de pulverização. (Fig. 18)



CUIDADO: Não utilize o bocal com um jato de água rotativo em superfícies sensíveis como, por exemplo, nas superfícies pintadas de um veículo. O jato de água rotativo pode causar danos na superfície.

- Para instalar um bocal, segure a lança de pulverização com uma mão e empurre o bocal até este bloquear na devida posição. (Fig. 24)
- Para remover um bocal, empurre a patilha na lança de pulverização e retire o bocal da lança. (Fig. 25)

Remover o punho de pulverização

1. Prima o botão no punho de pulverização e retire a mangueira de água de alta pressão. (Fig. 19)
2. Empurre o anel exterior na ligação rápida e retire a mangueira de água de alta pressão. (Fig. 20)

Instalar a lança de pulverização

1. Segure o punho de pulverização com uma mão e empurre o acoplamento da lança de pulverização para o interior do punho. (Fig. 21)
2. Rode a lança de pulverização para a direita e solte-a. A lança de pulverização bloqueia na devida posição.

Remover a lança de pulverização

1. Empurre a lança de pulverização e rode-a para a esquerda. (Fig. 22)
2. Puxe a lança de pulverização para fora do punho de pulverização.

Instalar e remover um bocal

O produto é fornecido com 2 bocais: 1 bocal com um jato de água reto (identificado com "bocal suave") e 1 bocal irregular com um jato de água rotativo (identificado com "bocal irregular"). O bocal com um jato de água reto pode ser utilizado para limpar superfícies sensíveis como, por exemplo, veículos. O bocal irregular pode ser utilizado para limpar superfícies que não são sensíveis como, por exemplo, acessos.

(Fig. 23)

Ajustar a pressão do jato de água

A pressão do bocal com um jato de água reto é ajustável.

- Para aumentar a pressão do jato de água, rode o bocal para a direita. (Fig. 26)
- Para diminuir a pressão do jato de água, rode o bocal para a esquerda. (Fig. 27)

Utilizar o produto

1. Ligue o produto a uma fonte de água. Consulte *Ligar o produto a uma fonte de água na página 322*.
2. Purgue o sistema. Consulte *Purgar o sistema na página 322*.
3. Ligue o produto. Consulte *Arrancar o produto na página 323*.

Ligar o produto a uma fonte de água

O produto pode ser utilizado com água proveniente das condutas de água ou de uma fonte de água aberta como, por exemplo, um lago ou um recipiente de água.

- Para ligar o produto à conduta de água, consulte *Ligar o produto à conduta de água na página 322*.
- Para ligar o produto a uma fonte de água aberta, consulte *Ligar o produto a uma fonte de água aberta na página 322*.

Ligar o produto à conduta de água

1. Instale o adaptador de mangueira de jardim e o filtro de água na entrada de água do produto, se não estiverem instalados. Consulte *Instalar o adaptador de mangueira de jardim na página 320*.
2. Ligue a mangueira de jardim à conduta de água. Utilize uma mangueira de jardim de ½ pol. com 10–25 m de comprimento. (Fig. 28)



CUIDADO: A pressão da água na conduta não deve ser superior a 1 MPa (10 bar).



CUIDADO: A temperatura da água na conduta não deve ser superior a 40 °C.

3. Abra a válvula na conduta de água e certifique-se de que a água flui livremente da mangueira de jardim. (Fig. 29)
4. Feche a válvula da conduta de água.
5. Ligue a mangueira de jardim à entrada de água no produto. (Fig. 30)
6. Ligue a ficha de alimentação a uma fonte de alimentação.
7. Abra a válvula na conduta de água.
8. Purgue o sistema antes de utilizar o produto. Consulte *Purgar o sistema na página 322*.

Ligar o produto a uma fonte de água aberta

O produto pode ser utilizado com água de uma fonte de água aberta como, por exemplo, um lago ou um recipiente de água. Utilize uma mangueira de sucção de ½ pol. (não incluída) com um comprimento máximo de 3 m.

(Fig. 31)



CUIDADO: A temperatura da água na fonte de água não deve ser superior a 20 °C.



CUIDADO: O produto não deve estar mais de 0,5 m acima da fonte de água.

1. Se o adaptador de mangueira de jardim estiver instalado, retire-o da entrada de água do produto. (Fig. 32)



CUIDADO: Não retire o filtro de água da entrada de água.

2. Instale uma mangueira de sucção (não incluída) na entrada de água do produto. (Fig. 33)
3. Coloque a mangueira de sucção na fonte de água e certifique-se de que o filtro está totalmente submerso.



CUIDADO: Não utilize uma mangueira de sucção sem um filtro.

4. Pressione o botão no punho de pulverização e retire a mangueira de alta pressão do punho. (Fig. 19)
5. Ligue a ficha de alimentação a uma fonte de alimentação.
6. Rode o interruptor de alimentação para a posição de ligado (I) e deixe o produto funcionar durante 2 minutos.
7. Coloque o interruptor de alimentação na posição de desligado (O).
8. Segure firmemente o punho de pulverização com uma mão e empurre a mangueira de alta pressão para o acoplamento rápido do punho de pulverização. (Fig. 18)
9. Purgue o sistema antes de utilizar o produto. Consulte *Purgar o sistema na página 322*.

Purgar o sistema



CUIDADO: Certifique-se de que o interruptor de alimentação está na posição de desligado (O) antes de purgar o sistema.

1. Ligue o produto a uma fonte de água. Consulte *Ligar o produto a uma fonte de água na página 322*.
2. Instale a lança de pulverização na pistola de pulverização. Consulte *Instalar a lança de pulverização na página 321*.
3. Desengate o bloqueio do interruptor de alimentação. Consulte *Engatar e desengatar o bloqueio do interruptor de alimentação na página 323*.
4. Prima o interruptor de alimentação e mantenha-o premido até sair água pelo bocal da lança de pulverização. (Fig. 34)
3. Rode o interruptor de alimentação para a posição de ligado (I). (Fig. 39)
4. Desengate o bloqueio do interruptor de alimentação. Consulte *Engatar e desengatar o bloqueio do interruptor de alimentação na página 323*.
5. Prima o interruptor de alimentação do punho de pulverização.

Nota: O produto para automaticamente quando solta o interruptor de alimentação.

Desligar o produto da fonte de água

1. Coloque o interruptor de alimentação na posição de desligado (0).
2. Se o produto estiver ligado à conduta de água, feche a válvula na conduta.
3. Se o produto estiver ligado à conduta de água, desligue a mangueira de jardim da conduta. (Fig. 35)
4. Se o produto estiver ligado a uma fonte de água aberta, retire a mangueira de sucção da fonte de água.
5. Prima o interruptor de alimentação e mantenha-o premido até não sair água do bocal.
6. Desligue a mangueira de jardim da entrada de água no produto. (Fig. 36)

Nota: Se o produto estiver ligado a uma fonte de água aberta, desligue a mangueira de sucção.

7. Prima o botão no punho de pulverização e retire a mangueira de alta pressão do punho. (Fig. 19)
8. Rode o interruptor de alimentação para a posição de ligado (I). Deixe o produto funcionar até não sair água da mangueira de alta pressão.
9. Coloque o interruptor de alimentação na posição de desligado (0).
10. Aguarde até que o punho de pulverização, a lança de pulverização e os bocais sequem antes de armazenar o produto.

Engatar e desengatar o bloqueio do interruptor de alimentação

- Para engatar o bloqueio do interruptor de alimentação, rode-o para a direita até ouvir um clique. (Fig. 37)
- Para desengatar o bloqueio do interruptor de alimentação, rode-o totalmente para a esquerda. (Fig. 38)

Arrancar o produto

1. Ligue o produto a uma fonte de água. Consulte *Ligar o produto a uma fonte de água na página 322*.
2. Ligue a ficha de alimentação a uma fonte de alimentação.

Parar o produto

Nota: O produto para automaticamente quando solta o interruptor de alimentação.

1. Solte o interruptor de alimentação do punho de pulverização.
2. Engate o bloqueio do interruptor de alimentação. Consulte *Engatar e desengatar o bloqueio do interruptor de alimentação na página 323*.
3. Coloque o interruptor de alimentação na posição de desligado (0). (Fig. 40)
4. Desligue a ficha de alimentação da fonte de alimentação.
5. Desligue o produto da fonte de água. Consulte *Desligar o produto da fonte de água na página 323*.

Nota: Desligue sempre o produto da fonte de água se se afastar do produto durante mais de 5 minutos.

Utilizar o aspersor de espuma

1. Retire o aspersor de espuma do respetivo suporte. (Fig. 41)
2. Encha o recipiente no aspersor de espuma com agente de limpeza.



CUIDADO: Utilize apenas agentes de limpeza recomendados pela Husqvarna.

3. Empurre a ligação rápida do aspersor de espuma para a ligação rápida da lança de pulverização até esta bloquear na devida posição. (Fig. 42)

Nota: O flange no aspersor de espuma deve estar alinhado com a ranhura na lança de pulverização.

4. Ligue o produto a uma fonte de água. Consulte *Ligar o produto a uma fonte de água na página 322*.
5. Ligue o produto. Consulte *Arrancar o produto na página 323*.

Manutenção

Introdução



ATENÇÃO: Antes de efetuar a manutenção, tem de ler e compreender o capítulo sobre segurança.

É necessário ter formação especial para realizar qualquer tarefa de manutenção ou reparação. Garantimos a disponibilidade de reparações e manutenção profissionais.

Para obter informações mais detalhadas, consulte www.husqvarna.com.

Esquema de manutenção

Manutenção	Antes de utilizar	Depois de utilizar
Proceda a uma inspeção geral. Consulte <i>Proceder a uma inspeção geral na página 324</i> .	X	
Limpe o produto. Consulte <i>Limpar o produto na página 324</i> .		X
Limpe a lança de pulverização e os bocais. Consulte <i>Limpar a lança de pulverização e os bocais na página 324</i> .		X
Limpe o filtro de água. Substitua o filtro de água se este estiver danificado. Consulte <i>Limpar o filtro de água na página 325</i> .		X
Lubrifique os O-rings dos acoplamentos. Consulte <i>Lubrificar os O-rings dos acoplamentos na página 325</i> .		X

Proceder a uma inspeção geral



ATENÇÃO: Coloque o interruptor de alimentação na posição de desligado (0) e desligue a ficha de alimentação da fonte de alimentação antes de efetuar a manutenção do produto.

alimentação antes de efetuar a manutenção do produto.



CUIDADO: Desligue o produto da fonte de água e certifique-se de que todas as peças estão secas antes de efetuar a manutenção do produto.



CUIDADO: Desligue o produto da fonte de água e certifique-se de que todas as peças estão secas antes de efetuar a manutenção do produto.

- Certifique-se de que as porcas e os parafusos do produto estão apertados.
- Certifique-se de que os cabos no produto não estão numa posição suscetível a danos.
- Examine a mangueira de alta pressão quanto a sinais de desgaste e danos.

- Limpe todas as peças externas com um pano seco.
- Não utilize uma máquina de lavar de alta pressão para limpar o produto.
- Mantenha as aberturas de ar limpas para garantir que o produto está sempre a uma temperatura suficientemente baixa.



ATENÇÃO: Não utilize o produto se a mangueira de alta pressão estiver gasta ou danificada.

Limpar a lança de pulverização e os bocais



ATENÇÃO: Coloque o interruptor de alimentação na posição de desligado (0) e desligue a ficha de alimentação da fonte de alimentação antes de efetuar a manutenção do produto.

Limpar o produto



ATENÇÃO: Coloque o interruptor de alimentação na posição de desligado (0) e desligue a ficha de alimentação da fonte de



CUIDADO: Desligue o produto da fonte de água e certifique-se de que todas as peças estão secas antes de efetuar a manutenção do produto.

1. Se estiver instalado um bocal na lança de pulverização, retire-o da lança. Consulte *Instalar e remover um bocal na página 321*.
2. Limpe os bocais, o acoplamento da lança de pulverização e o acoplamento do punho de pulverização com água e sabão. (Fig. 43)
3. Se existir obstrução nos bocais, elimine-a com a ferramenta de limpeza. (Fig. 44)

Limpar o filtro de água



ATENÇÃO: Coloque o interruptor de alimentação na posição de desligado (0) e desligue a ficha de alimentação da fonte de alimentação antes de efetuar a manutenção do produto.



CUIDADO: Desligue o produto da fonte de água e certifique-se de que todas as peças estão secas antes de efetuar a manutenção do produto.

1. Se o adaptador de mangueira de jardim estiver instalado, retire-o da entrada de água do produto. (Fig. 32)
2. Retire o filtro de água. Utilize um alicate. (Fig. 45)
3. Verifique se existem danos no filtro de água. Substitua o filtro de água se este estiver danificado. (Fig. 46)

4. Lave o filtro de água com água limpa. (Fig. 47)

Lubrificar os O-rings dos acoplamentos



ATENÇÃO: Coloque o interruptor de alimentação na posição de desligado (0) e desligue a ficha de alimentação da fonte de alimentação antes de efetuar a manutenção do produto.



CUIDADO: Desligue o produto da fonte de água e certifique-se de que todas as peças estão secas antes de efetuar a manutenção do produto.

1. Retire a lança de pulverização do punho de pulverização e o punho de pulverização da mangueira de alta pressão. Consulte *Instalar a lança de pulverização na página 321* e *Instalar o punho de pulverização na página 321*.
2. Lubrifique os O-rings do adaptador de mangueira de jardim, da lança de pulverização e da mangueira de alta pressão com massa lubrificante. Consulte *Especificações técnicas na página 327* para saber qual o tipo de massa lubrificante correto. (Fig. 48)

Resolução de problemas

Esquema de resolução de problemas

Problema	Causa possível	Solução
O produto não arranca.	A ficha de alimentação não está ligada a uma fonte de alimentação.	Ligue a ficha de alimentação a uma fonte de alimentação.
	O interruptor de alimentação está na posição de desligado (0).	Rode o interruptor de alimentação para a posição de ligado (I).
	Não existe eletricidade na fonte de alimentação.	Contacte um electricista aprovado.
	O cabo de alimentação está danificado.	Contacte uma oficina autorizada.
	A proteção térmica interrompeu a alimentação.	Aguarde até que o produto arrefeça antes de o utilizar novamente.
	É utilizado um tipo incorreto de cabo de extensão.	Certifique-se de que o cabo de extensão está totalmente desenrolado e de que a tensão de alimentação está em conformidade com a tensão do produto.

Problema	Causa possível	Solução
O fusível funde-se durante o arranque ou o funcionamento.	É utilizado um tipo de fusível incorreto.	Certifique-se de que utiliza um fusível de ação retardada com classe "C" ou "K".
O produto não para.	O produto está danificado.	Desligue a ficha de alimentação e contacte uma oficina autorizada.
O produto aquece demasiado.	O fluxo de ar não é suficiente.	Limpar as admissões de ar.
O produto não funciona corretamente.	Existe ar no sistema.	Purgue o sistema.
A pressão da água é insuficiente.	A mangueira está dobrada	Certifique-se de que não existem dobras nas mangueiras.
	O interruptor de alimentação está na posição de desligado (0).	Rode o interruptor de alimentação para a posição de ligado (I).
	O fluxo de água não é suficiente.	Certifique-se de que o produto está corretamente ligado a uma fonte de água. Certifique-se de que o fluxo de água é suficiente.
	O filtro de água está obstruído.	Limpe o filtro de água.
	Existe ar no sistema.	Purgue o sistema.
	O acessório não é o correto.	Certifique-se de que utiliza o acessório correto.

Transporte, armazenamento e eliminação

Transporte

- Desligue a ficha de alimentação da fonte de alimentação antes de transportar o produto.
- Desligue o produto da fonte de água antes de transportar o produto.
- Fixe o produto para evitar a respetiva deslocação durante o transporte.

Armazenamento

- Drene toda a água do produto, da mangueira de água de alta pressão e dos acessórios antes de armazenar o produto.
- Prepare o produto para armazenamento. Consulte *Preparar o produto para armazenamento na página 326*.
- Mantenha o produto num ambiente seco e sem gelo.

Preparar o produto para armazenamento

1. Pare o produto e desligue a ficha de alimentação da fonte de alimentação.
2. Desligue o produto da fonte de água. Consulte *Desligar o produto da fonte de água na página 323*.

3. Certifique-se de que todos os acessórios estão secos.
4. Coloque o punho de pulverização, a lança de pulverização e os bocais nos respetivos suportes.
5. Desligue a mangueira de água de alta pressão e coloque-a no respetivo suporte. (Fig. 49)
6. Coloque o cabo de alimentação no respetivo suporte e fixe a correia. (Fig. 50)

Eliminação

Os produtos Husqvarna não são resíduos domésticos e têm de ser eliminados conforme indicado neste manual.

- Respeite os regulamentos aplicáveis e os requisitos locais de eliminação de resíduos.
- Recicle o produto e a embalagem numa localização de eliminação aplicável.
- Contacte o seu revendedor Husqvarna local para obter mais informações sobre como reciclar e eliminar o produto.

Especificações técnicas

PW 130	
Motor e bomba	
Tipo	Motor CC de série
Potência, W	1500
Gama de tensão, V	220–240
Frequência, Hz	50
Corrente nominal, A	6,5
Fluxo máximo de água, l/min	7,7
Pressão máxima de saída de água, bar/MPa	130/13
Pressão máxima de entrada de água, bar/MPa	10/1
Temperatura máxima de entrada de água, °C/°F	40/104
Temperatura máxima de entrada de água (no modo de sucção), °C / °F	20/68
Classificação IP	IPX5
Classe de segurança	Classe II
Lubrificação	
Tipo de massa lubrificante para lubrificação dos O-rings	Massa lubrificante de silicone branca universal
Peso	
Peso, kg	6,5
Emissões de ruído ⁷³	
Nível de potência sonora, medido, dB(A)	85
Nível de potência sonora, garantido L _{WA} dB(A)	89
Níveis sonoros ⁷⁴	
Nível de pressão sonora equivalente junto ao ouvido do utilizador, dB(A)	72
Níveis de vibração ⁷⁵	
Mão/braço (com bocal padrão) m/s ²	2,5

⁷³ Emissões de ruído para as imediações, medidas sob forma de potência sonora (L_{WA}) em conformidade com a diretiva da CE 2000/14/CE.

⁷⁴ O nível de pressão sonora equivalente, segundo a norma ISO 22868, é calculado como a soma energética dos diferentes níveis de pressão sonora ponderados no tempo, em diferentes condições de funcionamento. A dispersão estatística típica de pressão sonora equivalente é um desvio padrão de 1 dB (A).

⁷⁵ Nível de vibração em conformidade com a norma EN 60745-2-13. Os dados comunicados relativamente ao nível de vibração têm uma dispersão estatística típica (desvio padrão) de 1 m/s². Dados de vibração declarados a partir de medições efetuadas com a máquina equipada com um determinado comprimento de lâmina e o tipo de corrente recomendado. Se a máquina estiver equipada com um comprimento de lâmina diferente, o nível de vibrações pode variar no máx. ± 1,5 m/s².

	PW 130
Níveis de vibração equivalentes ⁷⁶	
Mão/braço (com bocal padrão) m/s ²	1,8

Acessórios

Acessórios aprovados

Acessórios aprovados	Artigo n.º
Produto de limpeza de superfícies SC 300	590 65 79-01
Aspersor de espuma FS 300	590 66 04-01
Mangueira de limpeza de tubos, 15 m	590 66 10-01
Filtro de água	590 65 93-01
Válvula de segurança de refluxo	590 65 95-01
Mangueira de sucção	590 65 97-01
Kit do veículo	590 66 07-01
Kit de escova rotativa	590 66 06-01
Lança de pulverização angular	590 66 11-01
Bocal de sucção de água	590 66 05-01
Mangueira de extensão, 8 m	590 66 08-01

⁷⁶ O nível de vibração equivalente é medido e calculado do mesmo modo que para as motosserras com motor de combustão. Estes números são fornecidos para ser possível comparar os dados de vibração independentemente do tipo de motor, de acordo com a norma ISO 22867:2011.

Declaração de conformidade

Declaração UE de conformidade

A, Husqvarna AB, SE-561 82 Huskvarna, Sweden,
tel: +46-36-146500, declara, sob sua inteira
responsabilidade, que o produto:

Descrição	Máquina de lavar de pressão
Marca	Husqvarna
Tipo / Modelo	PW 130
Identificação	Números de série referentes a 2022 e posteriores

está em plena conformidade com as seguintes diretivas
e regulamentos da UE:

Regulamento	Descrição
2006/42/CE	"relativa a máquinas"
2014/30/UE	"relativa à compatibilidade eletromagnética"
2000/14/CE Anexo V	"relativa a emissões de ruído para o ambiente"
2011/65/UE	"relativa à restrição do uso de determinadas substâncias perigosas em equipamento elétrico e eletrônico"

e que as seguintes normas e/ou especificações técnicas são aplicadas: EN 60335-1:2012/A11:2014/A13:2017/A1:2019/A14:2019/A2:2019/A15:2021, EN 60335-2-79:2012, EN 62233:2008, EN 55014-1:2021, EN 55014-2:2021, EN IEC 61000-3-2:2019/A1:2021, EN 61000-3-3:2013/A2:2021, EN IEC 63000:2018.

Para mais informações sobre as emissões de ruído,
consulte *Especificações técnicas na página 327*.

Huskvarna, 2023-01-19



Claes Losdal, chefe de desenvolvimento/produtos de
jardinagem, Husqvarna AB

Responsável pela documentação técnica



CUPRINS

Introducere.....	330	Depanarea.....	343
Siguranță.....	331	Transportul, depozitarea și eliminarea.....	344
Asamblarea.....	337	Date tehnice.....	344
Funcționarea.....	338	Accesorii.....	345
Întreținerea.....	341	Declarație de conformitate.....	347

Introducere

Descrierea produsului

Produsul este un aparat de spălat cu presiune înaltă. Produsul poate fi utilizat cu diferite niveluri de presiune a apei și cu diferiți agenți de curățare.

Domeniul de utilizare

Utilizați produsul numai pentru curățare de uz casnic. Nu utilizați produsul pentru alte operațiuni. Folosiți produsul numai în poziție verticală.

Prezentarea generală a produsului

(Fig. 1)

1. Duză cu jet de apă drept
2. Duză cu jet de apă rotativ
3. Bandă de cauciuc pentru suportul cablului de alimentare
4. Suport pentru mânerul și tija de pulverizare
5. Furtun de apă de înaltă presiune
6. Admisie apă
7. Pulverizator de spumă
8. Depozitare pentru furtunul de apă de înaltă presiune
9. Întrerupător
10. Cablu de alimentare
11. Ieșire apă cu mufă rapidă
12. Unealtă de curățare a duzelor
13. Mâner de transport
14. Priză de aer
15. Mâner pulverizator
16. Tijă de pulverizare
17. Manualul operatorului

Simbolurile de pe produs

(Fig. 2)

AVERTISMENT: Acest produs poate fi periculos și poate cauza vătămări corporale grave sau decesul operatorului sau al altor persoane. Aveți

Nota: Reglementările la nivel național pot stabili limite ale funcționării produsului.

grijă să utilizați corect produsul.

(Fig. 3)

Citiți cu atenție manualul de utilizare și asigurați-vă că înțelegeți instrucțiunile, înainte de a utiliza acest produs.

(Fig. 4)

Produsul nu este adecvat pentru conectarea la rețeaua de alimentare cu apă potabilă.

(Fig. 5)

Jeturile de apă de înaltă presiune pot fi periculoase dacă sunt supuse utilizării necorespunzătoare. Jetul nu trebuie să fie direcționat către

persoane, echipamente electrice sau către produs.

(Fig. 6)

Marcaj privind mediului înconjurător. Nici produsul și nici ambalajul său nu sunt deșeuri menajere. Reciclați-l la o unitate de eliminare autorizată pentru echipamente electrice și electronice.

(Fig. 7)

Unealtă clasa II.

(Fig. 8)

Etichetă privind emisiile de zgomot în mediu, conform directivelor și reglementărilor din UE și Regatul Unit și legislației din New South Wales „Regulamentele privind măsurile de protecție a mediului (controlul zgomotului) din 2017”. Nivelul de putere sonoră garantat al produsului

este specificat în *Date tehnice la pagina 344* și pe etichetă.

(Fig. 9)

Protejat împotriva fluxului de apă de joasă presiune din orice unghi.

(Fig. 10)

A se feri de îngheț.

(Fig. 11)

Produsul este conform cu directivele CE aplicabile.

(Fig. 12)

Acest produs este în conformitate cu reglementările aplicabile din Regatul Unit.

Nota: Celelalte simboluri/autocolante de pe produs se referă la cerințele de certificare pentru unele piețe.

Deteriorarea produsului

Nu suntem responsabili pentru deteriorarea produsului dacă:

- produsul este reparat necorespunzător.
- produsul este reparat cu piese care nu provin de la producător sau care nu sunt aprobate de acesta.
- produsul are un accesoriu care nu provine de la producător sau care nu este aprobat de acesta.
- produsul nu este reparat la un centru de service omologat sau de o autoritate omologată.

Siguranță

Definiții privind siguranța

Avertismentele, atenționările și notele sunt utilizate pentru a desemna părți foarte importante din manual.



AVERTISMENT: Se utilizează dacă există risc de vătămare sau de deces pentru operator sau pentru trecători, în cazul în care

instrucțiunile din manual nu sunt respectate.



ATENȚIE: Se utilizează dacă există un risc de deteriorare a produsului, a altor materiale sau a zonelor învecinate, dacă instrucțiunile din manual nu sunt respectate.

Nota: Se utilizează pentru a furniza mai multe informații care sunt necesare într-o situație dată.

Instrucțiuni generale de siguranță



AVERTISMENT: Înainte de a utiliza produsul, citiți instrucțiunile de avertizare de mai jos.

- Acest produs este periculos dacă este utilizat incorect sau dacă nu sunteți atent. Nerespectarea instrucțiunilor de siguranță poate cauza vătămări corporale sau decesul.
- Procedați întotdeauna cu atenție și folosiți-vă judecata. Dacă nu sunteți sigur cum să utilizați produsul într-o situație specială, opriți-l și adresați-vă agentului de service Husqvarna înainte de a continua.
- Rețineți că operatorul poartă responsabilitatea privind orice accidente care implică alte persoane sau bunurile lor.
- Păstrați produsul curat. Asigurați-vă că puteți citi clar semnele și autocolantele.
- Nu lăsați niciodată copiii sau persoanele nefamiliarizate cu aceste instrucțiuni să folosească aparatul. Este posibil ca reglementările locale să limiteze vârsta operatorului.
- Acest produs poate fi folosit de persoane cu capacități fizice, senzoriale sau mintale reduse dacă sunt supravegheate sau primesc instrucțiuni despre operarea în siguranță a produsului și dacă înțeleg pericolele aferente.
- Acest produs poate fi operat de persoane care nu au experiența sau cunoștințele necesare dacă sunt supravegheate sau primesc instrucțiuni despre operarea în siguranță a produsului și dacă înțeleg pericolele aferente.
- Nu utilizați produsul atunci când sunteți obosit, bolnav

sau dacă ați consumat alcool, droguri sau ați luat medicamente. Acest lucru vă afectează negativ acuitatea vizuală, atenția, coordonarea și judecata.

- Nu utilizați un produs deteriorat.
- Nu modificați acest produs și nu îl utilizați dacă este posibil să fi fost modificat de către alte persoane.

Instrucțiuni de siguranță pentru utilizare



AVERTISMENT: Înainte de a utiliza produsul, citiți instrucțiunile de avertizare de mai jos.

- Nu utilizați produsul în cazul în care cablul de alimentare, furtunul de înaltă presiune, dispozitivul de blocare a declanșatorului sau mânerul pulverizator sunt deteriorate.
- Efectuați o verificare pentru depistarea deteriorărilor înainte de a utiliza produsul. Nu folosiți produsul dacă există componente deteriorate sau lipsă.
- Țineți strâns mânerul pulverizator cu ambele mâini. Când apăsați pe declanșator, apare o forță de recul.
- Aveți grijă când utilizați produsul. Presiunea ridicată furnizată de produs este periculoasă și poate cauza vătămări corporale.
- Nu îndreptați jetul în direcția dumneavoastră, a persoanelor sau a animalelor din jur.
- Nu îndreptați jetul în direcția dvs. sau a altor persoane pentru a curăța încălțăminte.
- Nu îndreptați jetul în direcția echipamentelor electrice sau a produsului în sine.
- Utilizați echipament individual de protecție omologat atunci când folosiți produsul. Consultați *Echipament de protecție personală la pagina 335*.
- Nu utilizați produsul în apropierea persoanelor, cu excepția cazului în care acestea poartă echipament de protecție.
- Dacă utilizați un agent de curățare, urmați instrucțiunile de siguranță pentru agentul de curățare în cauză.
- Utilizați numai agenți de curățare Husqvarna.
- Utilizați presiunea apei și agenții de curățare corespunzători și utilizați produsul numai pentru sarcinile indicate în acest

- manual. Dacă utilizați o presiune a apei sau un agent de curățare necorespunzători, sau utilizați produsul pentru alte sarcini decât cele specificate în acest manual, acest lucru poate cauza deteriorarea produsului, a suprafețelor, a materialelor sau a altor dispozitive. Husqvarna nu își asumă răspunderea pentru daunele cauzate de utilizarea incorectă.
- Nu se recomandă conectarea produsului la rețeaua de alimentare cu apă potabilă. Dacă trebuie să conectați produsul la rețeaua de alimentare cu apă potabilă, respectați reglementările locale și naționale. Utilizați o supapă de sens (nu este inclusă), dacă este necesar. Apa care a curs printr-o supapă de sens este considerată nepotabilă.
 - Nu pulverizați pe lichide inflamabile. Risc de explozie.
 - Nu permiteți copiilor să utilizeze produsul.
 - Nu permiteți copiilor să se joace cu produsul.
 - Nu permiteți persoanelor să opereze produsul fără instruire.
 - Utilizați numai accesorii și piese de schimb aprobate de Husqvarna.
 - Asigurați-vă că legătura electrică este realizată de un electrician autorizat și că este în conformitate cu IEC 60364-1.
 - Utilizați un dispozitiv de curent rezidual care oprește electricitatea dacă scurgerea de curent este mai mare de 30 mA timp de 30 ms. Dacă nu aveți un dispozitiv de curent rezidual, utilizați un dispozitiv cu circuit de împământare.
 - Utilizați siguranțe de pornire/întârziere a motorului cu caracteristicile C sau D, în conformitate cu IEC 898-1 sau IEC947-2 sau cu standardele corespunzătoare în afara IEC.
 - Nu sunt necesare acțiuni pentru ajustarea produselor marcate cu tensiune și frecvență duble.
 - Dacă este necesar să utilizați un cablu prelungitor, asigurați-vă că acesta este corespunzător pentru utilizarea în exterior. Asigurați-vă că priza se află la o distanță minimă de 60 mm față de sol. Conexiunea trebuie păstrată întotdeauna uscată.

- Puneți comutatorul de alimentare în poziția oprit (0), deconectați fișa de alimentare și cuplați dispozitivul de blocare a întrerupătorului înainte de a vă îndepărta de produs.
- Puneți comutatorul de alimentare în poziția oprit (0) și deconectați fișa de alimentare înainte de a schimba accesoriul.
- Puneți comutatorul de alimentare în poziția oprit (0) și deconectați fișa de alimentare înainte de a curăța produsul sau de a efectua lucrări de întreținere asupra produsului.
- Nu utilizați produsul în medii în care temperatura ambiantă este mai mică de 0 °C.
- Nu porniți un produs înghețat.
- Nu operați produsul în spații închise.
- Nu puneți obiecte pe produs în timpul funcționării acestuia.
- Nu beți apa care a fost utilizată în produs.
- Nu utilizați produsul în apropierea ferestrelor deschise.
- Fiți atenți la obiectele azvârlite. Pietrele și obiectele desprinse pot fi aruncate în ochi, cauzând orbire sau vătămare gravă.

- Dacă produsul nu funcționează corect, consultați *Program de depanare la pagina 343*.

Echipment de protecție personală



AVERTISMENT: Înainte de a utiliza produsul, citiți instrucțiunile de avertizare de mai jos.

- Echipamentul individual de protecție nu poate elimina complet riscul de rănire, însă poate reduce gravitatea rănilor în cazul unui accident. Distribuitorul vă poate ajuta să alegeți echipamentul corect.
- Utilizați întotdeauna ghete sau pantofi pentru regim greu de lucru, cu rezistență la alunecare. Nu folosiți pantofi decupați și nu operați produsul desculț.
- Utilizați îmbrăcăminte de protecție.
- Utilizați un sistem omologat de protecție a auzului.
- Utilizați ochelari de protecție.
- Utilizați protecție respiratorie clasa FFP2 sau un produs echivalent dacă utilizați produsul în medii în care se pot forma aerosoli periculoși.

Dispozitivele de siguranță de pe produs



AVERTISMENT: Înainte de a utiliza produsul, citiți instrucțiunile de avertizare de mai jos.

- Nu utilizați un produs cu dispozitive de siguranță care sunt deteriorate sau care nu funcționează corect.
- Nu demontați și nu aduceți modificări la dispozitivele de siguranță.
- Verificați regulat dispozitivele de siguranță. În cazul în care dispozitivele de siguranță sunt deteriorate sau nu funcționează corect, adresați-vă Husqvarna agentului de service.

Dispozitiv de blocare întrerupător

Dispozitivul de blocare a întrerupătorului (A) este conceput pentru prevenirea operării accidentale a întrerupătorului (B). Atunci când dispozitivul de blocare a întrerupătorului este în poziția blocat, întrerupătorul nu poate fi împins înapoi.

(Fig. 13)

Întrerupător

Produsul pornește atunci când întrerupătorul este apăsat. Produsul se oprește când întrerupătorul este eliberat.

Protecție termică

Produsul dispune de o protecție termică automată. Dacă produsul devine prea fierbinte, protecția termică va opri alimentarea cu energie a produsului. Dacă protecția termică a oprit alimentarea, așteptați până când produsul se răcește. Protecția termică se va reseta automat atunci când produsul este suficient de rece.

Supapă de siguranță hidraulică

Produsul are o supapă de siguranță hidraulică integrată, care previne acumularea unei presiuni prea mari în sistem.

Instrucțiuni de siguranță pentru întreținere



AVERTISMENT: Înainte de a efectua lucrări de întreținere asupra produsului, citiți instrucțiunile de avertisment de mai jos.



ATENȚIE: După o perioadă îndelungată

de neutilizare, efectuați întotdeauna lucrări de întreținere înainte de a porni produsul.

- Puneți comutatorul de alimentare în poziția oprit (0) și deconectați fișa de alimentare de la sursa de alimentare înainte de a efectua lucrări de întreținere asupra produsului.
- Deconectați produsul de la sursa de apă și asigurați-vă că toate componentele sunt uscate înainte de a efectua lucrări de întreținere asupra produsului.
- Efectuați procedurile de întreținere descrise în acest manual.
- Utilizați numai piesele de schimb originale, recomandate de Husqvarna. Furtunurile de apă de înaltă presiune, fittingurile și cuplajele sunt importante pentru siguranță când operați produsul. Folosiți numai furtunuri, fittinguri și cuplaje recomandate de producător.
- Nu reparați produsul. Discutați cu un agent de service Husqvarna.
- Discutați cu un agent de service Husqvarna dacă ștecherul de alimentare sau cablul de alimentare sunt deteriorate.
- Nu permiteți copiilor să curețe sau să realizeze lucrări de întreținere asupra produsului.

Asamblarea

Introducere



AVERTISMENT: Citiți și înțelegeți capitolul referitor la siguranță înainte de asamblarea produsului.

direct pe orificiul de intrare a apei. Dacă adaptorul pentru furtunul de grădină nu este instalat drept, acesta poate cauza deteriorarea filetelor și pot apărea scurgeri.

Pentru a instala adaptorul pentru furtunul de grădină

1. Scoateți capacul de transport de pe orificiul de intrare a apei și aruncați-l. (Fig. 14)
2. Instalați adaptorul pentru furtunul de grădină pe orificiul de intrare a apei. (Fig. 15)

3. Strângeți complet adaptorul pentru furtunul de grădină.
4. Demontați adaptorul furtunului de grădină în ordinea inversă a operațiunilor.

Pentru a instala suportul pentru mânerul pulverizator și tija de pulverizare

- Montați suportul cu cele 2 șuruburi. (Fig. 16)



ATENȚIE: Asigurați-vă că instalați adaptorul pentru furtunul de grădină

Funcționarea

Introducere



AVERTISMENT: Citiți și înțelegeți capitolul referitor la siguranță înainte de utilizarea produsului.

Husqvarna Connect

Husqvarna Connect este o aplicație gratuită pentru dispozitivul dvs. mobil. Aplicația Husqvarna Connect vă oferă funcții extinse pentru produsul dvs. Husqvarna:

- Informații pe larg despre produs.
- Informații despre piese pentru produse și servicii și asistență pentru acestea.

Cum se începe utilizarea Husqvarna Connect

1. Descărcați aplicația Husqvarna Connect pe dispozitivul dvs. mobil.
2. Înregistrați-vă în aplicația Husqvarna Connect.
3. Urmăriți pașii cu instrucțiuni din aplicația Husqvarna Connect pentru a conecta și înregistra produsul.

Nota: Aplicația Husqvarna Connect nu este disponibilă pentru descărcare pe toate piețele. Adresați-vă reprezentantului de servicii pentru informații suplimentare.

Pentru instalarea mânerului pulverizator

1. Împingeți furtunul de apă de înaltă presiune în conexiunea rapidă până când se blochează în poziție. (Fig. 17)



ATENȚIE: Pentru a preveni scurgerile, asigurați-vă că furtunul de înaltă presiune este conectat complet la conexiunea rapidă a produsului.

2. Țineți strâns mânerul pulverizator cu o mână și împingeți furtunul de apă de înaltă presiune în racordul rapid de pe mânerul pulverizator. (Fig. 18)

Pentru a demonta mânerul pulverizator

1. Apăsăți butonul de pe mânerul pulverizator și trageți afară furtunul de apă de înaltă presiune. (Fig. 19)
2. Împingeți inelul exterior de pe conexiunea rapidă și scoateți furtunul de apă de înaltă presiune. (Fig. 20)

Pentru a instala tija de stropire

1. Țineți mânerul pulverizator cu o mână și împingeți cuplajul de pe tija de pulverizare în mânerul pulverizator. (Fig. 21)

2. Rotiți tija de pulverizare în sens orar și eliberați tija de pulverizare. Tija de pulverizare se blochează în poziție.

Pentru a demonta tija de pulverizare

1. Împingeți tija de pulverizare și rotiți-o în sens antiorar. (Fig. 22)
2. Scoateți tija de pulverizare de pe mânerul pulverizator.

Montarea și demontarea unei duze

Produsul este livrat cu 2 duze: 1 duză cu jet de apă drept (identificată cu „duză delicată”) și 1 duză dură cu jet de apă rotativ (identificată cu „duză dură”). Duza cu jet de apă drept poate fi utilizată pentru curățarea suprafețelor sensibile, de exemplu a vehiculelor. Duza dură poate fi utilizată pentru a curăța suprafețe care nu sunt sensibile, de exemplu căi de acces.

(Fig. 23)



ATENȚIE: Nu utilizați duza cu jet de apă rotativ pe suprafețe sensibile, de exemplu, pe suprafețe vopsite pe un vehicul. Jetul de apă rotativ poate cauza deteriorarea suprafeței.

- Pentru a instala o duză, țineți tija de pulverizare cu o mână și împingeți duza până când se fixează în poziție. (Fig. 24)
- Pentru a demonta o duză, împingeți clapeta de pe tija de pulverizare și trageți duza afară din tija de pulverizare. (Fig. 25)

Reglarea presiunii jetului de apă

Duza cu jet de apă drept are presiune reglabilă.

- Pentru a mări presiunea jetului de apă, rotiți duza în sens orar. (Fig. 26)
- Pentru a reduce presiunea jetului de apă, rotiți duza în sens antiorar. (Fig. 27)

Pentru a utiliza produsul

1. Conectați produsul la o sursă de apă. Consultați *Conectarea produsului la o sursă de apă la pagina 339*.
2. Purjați sistemul. Consultați *Purjarea sistemului la pagina 339*.
3. Porniți produsul. Consultați *Pornirea produsului la pagina 340*.

Conectarea produsului la o sursă de apă

Produsul poate fi utilizat cu apă de la rețeaua de apă sau de la o sursă de apă deschisă, de exemplu un lac sau un butoi de apă.

- Pentru a conecta produsul la rețeaua de alimentare cu apă, consultați *Conectarea produsului la rețeaua de apă la pagina 339*.
- Pentru a conecta produsul la o sursă de apă deschisă, consultați *Conectarea produsului la o sursă de apă deschisă la pagina 339*.

Conectarea produsului la rețeaua de apă

1. Instalați adaptorul pentru furtunul de grădină și filtrul de apă la orificiul de intrare a apei de pe produs, dacă nu sunt instalate. Consultați *Pentru a instala adaptorul pentru furtunul de grădină la pagina 337*.
2. Conectați furtunul de grădină la sursa de alimentare cu apă. Utilizați un furtun de grădină de ½ inch, cu lungimea de 10–25 m. (Fig. 28)



ATENȚIE: Presiunea apei din rețeaua de alimentare cu apă nu trebuie să depășească 1 MPa (10 bar).



ATENȚIE: Temperatura apei din rețeaua de alimentare cu apă nu trebuie să depășească 40 °C.

3. Deschideți robinetul de la rețeaua de alimentare cu apă și asigurați-vă că apa poate curge liber din furtunul de grădină. (Fig. 29)
4. Închideți robinetul de la rețeaua de alimentare cu apă.
5. Conectați furtunul de grădină la racordul de intrare a apei de pe produs. (Fig. 30)
6. Conectați fișa de alimentare la o sursă de alimentare.
7. Deschideți robinetul de la rețeaua de alimentare cu apă.
8. Purjați sistemul înainte de a utiliza produsul. Consultați *Purjarea sistemului la pagina 339*.

Conectarea produsului la o sursă de apă deschisă

Produsul poate fi utilizat cu apă dintr-o sursă de apă deschisă, de exemplu un lac sau un butoi de apă. Utilizați un furtun de aspirație de ½ inch (nu este inclus) cu lungimea maximă de 3 m.

(Fig. 31)



ATENȚIE: Temperatura apei din sursa de apă nu trebuie să depășească 20 °C.



ATENȚIE: Produsul nu trebuie să fie la mai mult de 0,5 m deasupra sursei de apă.

1. Dacă este instalat adaptorul pentru furtunul de grădină, scoateți-l din orificiul de admisie a apei de pe produs. (Fig. 32)



ATENȚIE: Nu scoateți filtrul de apă din orificiul de intrare a apei.

2. Instalați un furtun de aspirație (nu este inclus) la orificiul de admisie a apei de pe produs. (Fig. 33)
3. Introduceți furtunul de aspirație în sursa de apă și asigurați-vă că filtrul este complet scufundat.



ATENȚIE: Nu utilizați un furtun de aspirație fără filtru.

4. Apăsăți butonul de pe mânerul pulverizator și trageți furtunul de înaltă presiune din mânerul de stropire. (Fig. 19)
5. Conectați fișa de alimentare la o sursă de alimentare.
6. Rotiți comutatorul de alimentare în poziția PORNIT (I) și lăsați produsul să funcționeze timp de 2 minute.
7. Rotiți comutatorul în poziția oprit (0).
8. Țineți strâns mânerul pulverizator cu o mână și împingeți furtunul de înaltă presiune în racordul rapid de pe mânerul pulverizator. (Fig. 18)
9. Purjați sistemul înainte de a utiliza produsul. Consultați *Purjarea sistemului la pagina 339*.

Purjarea sistemului



ATENȚIE: Asigurați-vă că întrerupătorul este în poziția oprit (0) înainte de a purja sistemul.

1. Conectați produsul la o sursă de apă. Consultați *Conectarea produsului la o sursă de apă la pagina 339*.
2. Instalați tija de pulverizare pe pistolul pulverizator. Consultați *Pentru a instala tija de stropire la pagina 338*.
3. Deconectați dispozitivul de blocare a întrerupătorului. Consultați *Pentru a cupla și decupla dispozitivul de blocare a întrerupătorului la pagina 340*.
4. Apăsăți întrerupătorul și mențineți-l apăsat până cândiese apă din duza de pe tija de pulverizare. (Fig. 34)

Pentru a deconecta produsul de la sursa de alimentare

1. Rotiți comutatorul în poziția oprit (0).

2. Dacă produsul este conectat la rețeaua de alimentare cu apă, închideți robinetul de la rețeaua de alimentare cu apă.
3. Dacă produsul este conectat la rețeaua de alimentare cu apă, deconectați furtunul de grădină de la rețeaua de alimentare cu apă. (Fig. 35)
4. Dacă produsul este conectat la o sursă de apă deschisă, scoateți furtunul de sucțiune de la sursa de apă.
5. Apăsăți întrerupătorul și mențineți-l apăsat până când nu iese apă din duză.
6. Deconectați furtunul de grădină de la admisia de apă de pe produs. (Fig. 36)

Nota: Dacă produsul este conectat la o sursă de apă deschisă, deconectați furtunul de sucțiune.

7. Apăsăți butonul de pe mânerul pulverizator și trageți furtunul de înaltă presiune din mânerul pulverizator. (Fig. 19)
8. Puneți întrerupătorul în poziția pornit (I). Lăsați produsul să funcționeze până când nu iese apă din furtunul de înaltă presiune.
9. Rotiți comutatorul în poziția oprit (0).
10. Lăsați mânerul pulverizator, tija de pulverizare și duzele să se usuce înainte de a depozita produsul.

Pentru a cupla și decupla dispozitivul de blocare a întrerupătorului

- Pentru a cupla dispozitivul de blocare a întrerupătorului, rotiți dispozitivul de blocare a întrerupătorului în sens orar până când auziți un clic. (Fig. 37)
- Pentru a decupla dispozitivul de blocare a întrerupătorului, rotiți complet dispozitivul de blocare a întrerupătorului în sens antiorar. (Fig. 38)

Pornirea produsului

1. Conectați produsul la o sursă de apă. Consultați *Conectarea produsului la o sursă de apă la pagina 339*.
2. Conectați fișa de alimentare la o sursă de alimentare.
3. Puneți întrerupătorul în poziția pornit (I). (Fig. 39)
4. Deconectați dispozitivul de blocare a întrerupătorului. Consultați *Pentru a cupla și decupla dispozitivul de blocare a întrerupătorului la pagina 340*.

5. Apăsăți întrerupătorul de pe mânerul pulverizator.

Nota: Produsul se oprește automat la eliberarea întrerupătorului.

Oprirea produsului

Nota: Produsul se oprește automat la eliberarea întrerupătorului.

1. Eliberați întrerupătorul de pe mânerul pulverizator.
2. Cuplați dispozitivul de blocare a întrerupătorului. Consultați *Pentru a cupla și decupla dispozitivul de blocare a întrerupătorului la pagina 340*.
3. Rotiți comutatorul în poziția oprit (0). (Fig. 40)
4. Deconectați fișa de alimentare de la priza electrică.
5. Deconectați produsul de la sursa de apă. Consultați *Pentru a deconecta produsul de la sursa de alimentare la pagina 339*.

Nota: Deconectați întotdeauna produsul de la sursa de apă dacă vă îndepărtați de produs mai mult de 5 minute.

Pentru a utiliza pulverizatorul cu spumă

1. Scoateți pulverizatorul din spumă din suport. (Fig. 41)
2. Umpleți recipientul pulverizatorului cu spumă cu agent de curățare.



ATENȚIE: Utilizați numai agenți de curățare recomandați de Husqvarna.

3. Împingeți conexiunea rapidă a pulverizatorului cu spumă în conexiunea rapidă de pe tija de stropire până când se blochează în poziție. (Fig. 42)

Nota: Flanșa de pe pulverizatorul cu spumă trebuie să se alinieze cu canelura din tija de pulverizare.

4. Conectați produsul la o sursă de apă. Consultați *Conectarea produsului la o sursă de apă la pagina 339*.
5. Porniți produsul. Consultați *Pornirea produsului la pagina 340*.

Întreținerea

Introducere



AVERTISMENT: Înainte de a efectua orice operații de întreținere, citiți și înțelegeți capitolul privind siguranța.

Toate lucrările de service și de reparații la produs necesită instruire specială. Garantăm disponibilitatea unor lucrări profesionale de reparații și service.

Pentru informații mai detaliate, consultați www.husqvarna.com.

Program de întreținere

Întreținere	Înainte de utilizare	După utilizare
Efectuați o inspecție generală. Consultați <i>Pentru a efectua o inspecție generală la pagina 341.</i>	X	
Curățați produsul. Consultați <i>Curățarea produsului la pagina 341.</i>		X
Curățați tija de pulverizare și duzele. Consultați <i>Pentru a curăța tija de pulverizare și duzele la pagina 341.</i>		X
Curățați filtrul de apă. Înlocuiți filtrul de apă dacă este deteriorat. Consultați <i>Curățarea filtrului de apă la pagina 342.</i>		X
Lubrificați garniturile inelare de pe cuplaje. Consultați <i>Pentru a lubrifia inelele de etanșare de pe cuplaje la pagina 342.</i>		X

Pentru a efectua o inspecție generală



AVERTISMENT: Puneți comutatorul de alimentare în poziția oprit (0) și deconectați fișa de alimentare de la sursa de alimentare înainte de a efectua lucrări de întreținere asupra produsului.



ATENȚIE: Deconectați produsul de la sursa de apă și asigurați-vă că toate componentele sunt uscate înainte de a efectua lucrări de întreținere asupra produsului.

- Asigurați-vă că șuruburile și piulițele produsului sunt strânse.
- Asigurați-vă că niciun cablu de pe produs nu este într-o poziție în care să poată fi deteriorat.
- Verificați furtunul de înaltă presiune pentru uzură și deteriorare.



AVERTISMENT: Nu utilizați produsul dacă furtunul de înaltă presiune este uzat sau deteriorat.



AVERTISMENT: Puneți comutatorul de alimentare în poziția oprit (0) și deconectați fișa de alimentare de la sursa de alimentare înainte de a efectua lucrări de întreținere asupra produsului.



ATENȚIE: Deconectați produsul de la sursa de apă și asigurați-vă că toate componentele sunt uscate înainte de a efectua lucrări de întreținere asupra produsului.

- Curățați piesele externe cu o lavetă uscată.
- Nu utilizați o instalație de spălare cu presiune ridicată pentru a curăța produsul.
- Păstrați orificiile de admisie a aerului curate pentru a vă asigura că produsul are întotdeauna o temperatură suficient de redusă.

Pentru a curăța tija de pulverizare și duzele



AVERTISMENT: Puneți comutatorul de alimentare în poziția oprit (0) și deconectați fișa de alimentare de la sursa de alimentare înainte de a efectua lucrări de întreținere asupra produsului.



ATENȚIE: Deconectați produsul de la sursa de apă și asigurați-vă că toate componentele sunt uscate înainte de a efectua lucrări de întreținere asupra produsului.

1. Dacă o duză este instalată pe tija de pulverizare, îndepărtați-o de pe tija de pulverizare. Consultați *Montarea și demontarea unei duze la pagina 338*.
2. Curățați duzele, cuplajul de pe tija de pulverizare și cuplajul de pe mânerul pulverizator cu apă și săpun. (Fig. 43)
3. Dacă există blocaje în duze, îndepărtați-le cu ajutorul instrumentului de curățare. (Fig. 44)

Curățarea filtrului de apă



AVERTISMENT: Puneți comutatorul de alimentare în poziția oprit (0) și deconectați fișa de alimentare de la sursa de alimentare înainte de a efectua lucrări de întreținere asupra produsului.



ATENȚIE: Deconectați produsul de la sursa de apă și asigurați-vă că toate componentele sunt uscate înainte de a efectua lucrări de întreținere asupra produsului.

1. Dacă este instalat adaptorul pentru furtunul de grădină, scoateți-l din orificiul de admisie a apei de pe produs. (Fig. 32)

2. Scoateți filtrul de apă. Utilizați un clește. (Fig. 45)
3. Verificați dacă filtrul de apă este deteriorat. Înlocuiți filtrul de apă dacă este deteriorat. (Fig. 46)
4. Spălați filtrul de apă cu apă curată. (Fig. 47)

Pentru a lubrifia inelele de etanșare de pe cuplaje



AVERTISMENT: Puneți comutatorul de alimentare în poziția oprit (0) și deconectați fișa de alimentare de la sursa de alimentare înainte de a efectua lucrări de întreținere asupra produsului.



ATENȚIE: Deconectați produsul de la sursa de apă și asigurați-vă că toate componentele sunt uscate înainte de a efectua lucrări de întreținere asupra produsului.

1. Scoateți tija de pulverizare de pe mânerul pulverizator și mânerul pulverizator de pe furtunul de înaltă presiune. Consultați *Pentru a instala tija de stropire la pagina 338* și *Pentru instalarea mânerului pulverizator la pagina 338*.
2. Lubrifiați cu vaselină inelele de etanșare de pe adaptorul furtunului de grădină, tija de pulverizare și furtunul de înaltă presiune. Consultați *Date tehnice la pagina 344* pentru tipul corect de lubrifiant. (Fig. 48)

Depanarea

Program de depanare

Problemă	Cauza posibilă	Soluție
Produsul nu pornește.	Fișa de alimentare nu este conectată la o priză electrică.	Conectați fișa de alimentare la o priză electrică
	Înterupătorul este în poziția oprit (0).	Puneți înterupătorul în poziția pornit (I).
	Prin priza electrică nu circulă curent.	Discutați cu un electrician autorizat.
	Cablul de alimentare este deteriorat.	Discutați cu un agent de service autorizat.
	Protecția termică a oprit alimentarea.	Așteptați până când produsul se răcește înainte de a folosi produsul din nou.
	Se utilizează un tip incorect de cablu prelungitor.	Asigurați-vă că ați desfășurat complet cablul prelungitor și că alimentarea cu tensiune corespunde tensiunii produsului.
Siguranța se arde în timpul pornirii sau funcționării.	Este utilizat un tip incorect de siguranță.	Asigurați-vă că utilizați o siguranță temporizată, din clasa „C” sau „K”.
Produsul nu se oprește.	Produsul este deteriorat.	Deconectați fișa de alimentare și discutați cu un agent de service autorizat.
Produsul devine prea fierbinte.	Debitul de aer nu este suficient.	Curățați prizele de aer.
Produsul nu funcționează uniform.	Există aer în sistem.	Purjați sistemul.
Presiunea apei este nesatisfăcătoare.	Furtunul este îndoit	Asigurați-vă că furtunul nu este îndoit.
	Înterupătorul este în poziția oprit (0).	Puneți înterupătorul în poziția pornit (I).
	Debitul de apă nu este suficient.	Asigurați-vă că produsul este conectat corespunzător la sursa de apă. Asigurați-vă că există un debit de apă suficient.
	Filtrul de apă este înfundat.	Curățați filtrul de apă.
	Există aer în sistem.	Purjați sistemul.
	Accesorii nu este corespunzător.	Asigurați-vă că utilizați accesoriul corespunzător.

Transportul, depozitarea și eliminarea

Transport

- Deconectați ștecherul de alimentare de la priza electrică înainte de transportarea produsului.
- Deconectați produsul de la sursa de apă înainte de transportarea produsului.
- Pentru a împiedica deplasarea, fixați bine produsul în timpul transportului.

Depozitarea

- Scurgeți toată apa din produs, furtunul de apă de înaltă presiune și accesoriile înainte de a depozita produsul.
- Pregătiți produsul pentru depozitare. Consultați *Pentru a pregăti produsul pentru depozitare la pagina 344.*
- Păstrați produsul într-un spațiu uscat și ferit de îngheț.

Pentru a pregăti produsul pentru depozitare

1. Opriți produsul și deconectați cablul de alimentare de la priza electrică.
2. Deconectați produsul de la sursa de apă. Consultați *Pentru a deconecta produsul de la sursa de alimentare la pagina 339.*

3. Asigurați-vă că toate accesoriile sunt uscate.
4. Puneți mânerul pulverizator, tija de pulverizare și duzele în suporturile lor.
5. Deconectați furtunul de apă de înaltă presiune și puneți-l în suport. (Fig. 49)
6. Puneți cablul de alimentare în suport și atașați cureaua. (Fig. 50)

Dezafectarea

Produsele Husqvarna nu sunt deșeuri menajere și trebuie aruncate doar în conformitate cu instrucțiunile din acest manual.

- Respectați cerințele locale de eliminare a deșeurilor și reglementările aplicabile.
- Reciclați produsul și ambalajul la o locație de eliminare aprobată.
- Contactați distribuitorul Husqvarna local pentru mai multe informații despre modul de reciclare și eliminare a produsului.

Date tehnice

	PW 130
Motor și pompă	
Tip	Motor seria AC
Putere, W	1500
Interval tensiune, V	220–240
Frecvență, Hz	50
Curent nominal, A	6,5
Debit de apă maxim, l/min	7,7
Presiune de ieșire maximă apă, bar/ MPa	130/13
Presiune de intrare maximă apă, bar/ MPa	10/1
Temperatură maximă de intrare a apei, °C/°F	40/104
Temperatura maximă de intrare a apei (în modul de aspirare), °C/°F	20/68
Clasificare IP	IPX5
Clasă de siguranță	Clasa II
Lubrifierea	

	PW 130
Tip de vâșelină pentru lubrifierea inelelor de etanșare	Vâșelină universală albă din silicon
Greutate	
Greutate, kg	6,5
Emisii de zgomot ⁷⁷	
Nivel de putere acustică, măsurat dB(A)	85
Nivel de putere acustică, garantat L _{WA} dB(A)	89
Niveluri de zgomot ⁷⁸	
Nivelul de presiune echivalentă a sunetului la urechea operatorului, dB(A)	72
Niveluri de vibrații ⁷⁹	
Mână/braț (cu duză standard) m/s ²	2,5
Nivelul de vibrații echivalent ⁸⁰	
Mână/braț (cu duză standard) m/s ²	1,8

Accesorii

Accesorii aprobate

Accesorii aprobate	Art. nr.
Agent de curățare pentru suprafețe SC 300	590 65 79-01
Pulverizator spumă FS 300	590 66 04-01
Furtun de curățare a conductelor, 15 m	590 66 10-01
Filtrul de apă	590 65 93-01
Supapă de sens	590 65 95-01
Furtun de sucțiune	590 65 97-01
Kit vehicul	590 66 07-01
Kit perie rotativă	590 66 06-01

⁷⁷ Emisiile de zgomot în mediu măsurate ca putere acustică (L_{WA}) în conformitate cu directiva CE 2000/14/CE.

⁷⁸ Nivelul echivalent de presiune a sunetului, conform ISO 22868, este calculat ca totalul energiei măsurate în timpul unei ore pentru diferite niveluri de presiune a sunetului în diferite condiții de lucru. Dispersia statistică tipică pentru nivelul echivalent de presiune a zgomotului este reprezentată printr-o deviere standard de 1 dB (A).

⁷⁹ Nivel de vibrații, conform EN 60745-2-13. Datele raportate pentru nivelul de vibrații prezintă o dispersie statistică tipică (abatere standard) de 1 m/s². Datele declarate privind vibrațiile sunt determinate în urma măsurătorilor, când aparatul este echipat cu lungimea șinei și tipul de lanț recomandate. Dacă aparatul este prevăzut cu o altă lungime a șinei, nivelul de vibrații poate varia cu max. ± 1,5 m/s².

⁸⁰ Nivelul de vibrații echivalent este măsurat și calculat la fel ca în cazul motoferăștraielor acționate de motoare cu combustie. Aceste date sunt furnizate pentru a putea compara datele privind vibrațiile, indiferent de tipul motorului, în conformitate cu ISO 22867:2011.

Accesorii aprobate	Art. nr.
Tijă de pulverizare unghiulară	590 66 11-01
Duză de aspirare a apei	590 66 05-01
Furtun prelungitor, 8 m	590 66 08-01

Declarație de conformitate

Declarație de conformitate UE

Noi, Husqvarna AB, SE-561 82 Huskvarna, Suedia, tel.:
+46-36-146500, declarăm pe propria răspundere, că
produsul:

Descriere	Sistem de spălare sub presiune
Marcă	Husqvarna
Tip/Model	PW 130
Identificare	Numerele de serie începând cu 2022

respectă în totalitate următoarele directive și
reglementări UE:

Reglementare	Descriere
2006/42/CE	„privind echipamentele tehnice”
2014/30/UE	„privind compatibilitatea electromagnetică”
2000/14/CE Anexa V	„privind zgomotul emis de echipamentele utilizate în exterior”
2011/65/UE	„privind restricțiile de utilizare a anumitor substanțe periculoase la echipamente electrice și electronice”

și că au fost aplicate următoarele standarde
și/sau specificații tehnice: EN 60335-1:2012/A11:2014/
A13:2017/A1:2019/A14:2019/A2:2019/A15:2021, EN
60335-2-79:2012, EN 62233:2008, EN 55014-1:2021,
EN 55014-2:2021, EN IEC 61000-3-2:2019/A1:2021, EN
61000-3-3:2013/A2:2021, EN IEC 63000:2018.

Pentru informații privind emisiile de zgomot, consultați
Date tehnice la pagina 344.

Huskvarna, 2023-01-19



Claes Losdal, Director de Dezvoltare/Produse de
grădinărit Husqvarna AB

Responsabil pentru documentația tehnică



Содержание

Введение.....	348	Поиск и устранение неисправностей.....	363
Безопасность.....	350	Транспортировка, хранение и утилизация.....	364
Сборка.....	357	Технические данные.....	364
Эксплуатация.....	357	Принадлежности.....	365
Техническое обслуживание.....	360	Декларация о соответствии.....	367

Введение

Описание изделия

Изделие представляет собой электрическую мойку высокого давления. Изделие может работать при разном давлении воды и с использованием различных чистящих средств.

Использование по назначению

Изделие предназначено для уборки. Используйте его только в бытовых целях. Запрещается использовать

изделие для других видов работ. Во время работы изделие должно находиться в вертикальном положении.

Примечание: Государственные нормативы могут накладывать ограничения на эксплуатацию изделия.

Обзор изделия

(Рис. 1)

1. Форсунка "Прямая струя"
2. Форсунка "Ротор"
3. Резиновая стяжка для держателя шнура питания
4. Держатель для пистолета-распылителя и штанги-распылителя
5. Водяной шланг высокого давления
6. Впускной штуцер для воды
7. Распылитель пены
8. Отделение для хранения водяного шланга высокого давления
9. Главный выключатель
10. Шнур питания
11. Выпускной штуцер для воды с быстроразъемным соединением
12. Инструмент для очистки форсунок
13. Рукоятка для транспортировки
14. Воздухозаборник
15. Пистолет-распылитель
16. Штанга-распылитель
17. Руководство по эксплуатации

Символы на изделии

(Рис. 2)

ПРЕДУПРЕЖДЕНИЕ.
Изделие может представлять опасность и стать причиной

тяжелой травмы или смерти оператора или окружающих.
Соблюдайте осторожность и правила эксплуатации изделия.

(Рис. 3)

Перед началом работы с изделием внимательно прочитайте руководство по эксплуатации и убедитесь, что понимаете приведенные здесь инструкции.

(Рис. 4)

Изделие не предназначено для подключения к

водопроводной сети с питьевой водой.

(Рис. 5) При неправильном использовании струи воды под высоким давлением могут быть опасны. Запрещается направлять струю на людей, электрическое оборудование или изделие.

(Рис. 6) **Обозначения, касающиеся охраны окружающей среды.** Запрещается утилизировать данное изделие и его упаковку в качестве бытовых отходов. Изделие необходимо передать в авторизованный пункт переработки электрического и электронного оборудования.

(Рис. 7) Инструмент класса II.

(Рис. 8) Табличка с уровнем эмиссии шума в окружающей среде в соответствии с директивами и нормативами Европейского союза, Великобритании и

законодательством Нового Южного Уэльса "Регламент 2017 года по защите окружающей среды (контроль уровня шума)". Гарантированный уровень мощности звука изделия указан в разделе *Технические данные на стр. 364* и на табличке.

(Рис. 9) Защита от подачи воды под низким давлением под любым углом.

(Рис. 10) Не допускайте замерзания.

(Рис. 11) Данное изделие отвечает требованиям действующих директив ЕС.

(Рис. 12) Данное изделие отвечает требованиям действующих директив Великобритании.

Примечание: Другие символы/наклейки на изделии относятся к специальным требованиям сертификации на определенных рынках.

Повреждение изделия

Мы не несем ответственности за повреждение изделия в следующих случаях:

- ненадлежащий ремонт изделия;

- использование для ремонта изделия неоригинальных деталей или деталей, не одобренных производителем;
- использование неоригинальных дополнительных принадлежностей или принадлежностей, не одобренных производителем;
- ремонт изделия в неавторизованном сервисном центре или неквалифицированным специалистом.

Безопасность

Инструкции по технике безопасности

Предупреждения, предостережения и примечания используются для выделения особо важных пунктов руководства.



ПРЕДУПРЕЖДЕНИЕ: Используется, когда несоблюдение инструкций руководства может привести к травмам или смерти оператора или находящихся рядом посторонних лиц.



ВНИМАНИЕ: Используется, когда несоблюдение инструкций руководства может привести к повреждению изделия, других материалов или прилегающей территории.

Примечание: Используется для предоставления дополнительных сведений о конкретной ситуации.

Общие инструкции по технике безопасности



ПРЕДУПРЕЖДЕНИЕ: В обязательном порядке прочитайте следующие инструкции по технике безопасности, прежде чем приступить к эксплуатации изделия.

- При небрежном или неправильном обращении изделие может представлять собой опасность. Несоблюдение инструкций по технике безопасности может привести к травмам или смерти.
- Всегда соблюдайте осторожность и руководствуйтесь здравым смыслом. Если вы не уверены, как правильно эксплуатировать изделие

в определенной ситуации, прекратите работу и проконсультируйтесь со специалистом сервисного центра Husqvarna, прежде чем продолжать.

- Помните: ответственность за несчастные случаи, угрожающие другим людям или их имуществу, несет оператор изделия.
- Содержите изделие в чистоте. Следите за тем, чтобы знаки и наклейки были легко читаемыми.
- Ни в коем случае не позволяйте использовать оборудование детям или лицам, не ознакомившимся с данными инструкциями. Допустимый возраст пользователя может быть ограничен местным законодательством.
- Данное изделие могут использовать лица с ограниченными физическими, сенсорными или умственными способностями, но только под надзором или после получения инструкций относительно безопасной эксплуатации оборудования и возможных рисков.

- Данное изделие могут использовать лица с недостаточным опытом или знаниями, но только под надзором или после получения инструкций относительно безопасной эксплуатации оборудования и возможных рисков.
- Ни в коем случае не используйте изделие, если вы устали, больны или находитесь под воздействием алкоголя, наркотических веществ или лекарственных препаратов. Это может повлиять на ваше зрение, реакцию, координацию или оценку действительности.
- Не используйте поврежденное изделие.
- Запрещается вносить изменения в изделие или использовать его, если вы подозреваете, что конструкция была модифицирована.

Инструкции по технике безопасности во время эксплуатации



ПРЕДУПРЕЖДЕНИЕ: В обязательном порядке прочитайте следующие инструкции по технике

безопасности, прежде чем приступить к эксплуатации изделия.

- Не используйте изделие, если поврежден шнур питания, шланг высокого давления, предохранитель нажатия курка или пистолет-распылитель.
- Проверьте компоненты на отсутствие повреждений перед запуском изделия. Запрещается использовать изделие, если его детали повреждены или отсутствуют.
- Крепко держите пистолет-распылитель двумя руками. При нажатии на курок возникает отдача.
- Во время работы с изделием соблюдайте осторожность. Высокое давление, создаваемое изделием, опасно и может привести к травме.
- Не направляйте струю на себя, других людей или животных.
- Не направляйте струю на себя или других людей, чтобы очистить обувь.
- Не направляйте струю на электрическое оборудование или на само изделие.
- При работе с изделием используйте средства индивидуальной защиты. См. раздел *Средства индивидуальной защиты на стр. 354*.
- Не работайте с изделием вблизи людей, которые не используют средства индивидуальной защиты.
- При использовании чистящего средства следуйте инструкциям по технике безопасности, применимым к этому чистящему средству.
- Используйте только чистящие средства Husqvarna.
- Выбирайте правильное давление воды и подходящие чистящие средства. Используйте изделие только для выполнения работ, описанных в данном руководстве. При неправильном давлении воды и использовании неподходящего чистящего средства или выполнении работ, не указанных в данном руководстве, возникает риск повреждения изделия, поверхностей, материалов или других устройств. Husqvarna не

несет ответственности за повреждения, вызванные неправильным использованием.

- Не рекомендуется подсоединять изделие к водопроводной сети с питьевой водой. При необходимости подсоединения изделия к водопроводной сети с питьевой водой необходимо соблюдать местные и государственные нормативы. При необходимости используйте устройство защиты от обратного тока (не входит в комплект). Вода, прошедшая через устройство защиты от обратного тока, непригодна для питья.
- Не распыляйте легковоспламеняющиеся жидкости. Опасность взрыва.
- Не позволяйте детям использовать изделие.
- Не позволяйте детям играть с изделием.
- Не позволяйте людям без надлежащей подготовки использовать изделие.
- Используйте только принадлежности и запасные части, одобренные Husqvarna.
- Убедитесь, что электрическое соединение выполнено квалифицированным электриком и соответствует стандарту IEC 60364-1.
- Используйте устройство защитного отключения, которое прекращает подачу питания, если ток утечки превышает 30 мА в течение 30 мс. При отсутствии устройства защитного отключения используйте устройство, которое будет выполнять функцию заземляющей цепи.
- Используйте предохранители с задержкой срабатывания типа "C" или "D" для электродвигателей в соответствии с IEC 898-1 или IEC947-2 или аналогами этих стандартов IEC.
- Для регулировки изделий с двойными значениями напряжения и частоты никаких действий не требуется.
- Если требуется использовать удлинительный кабель, убедитесь, что он предназначен для эксплуатации вне

- помещений. Розетка должна находиться на расстоянии не менее 60 мм от земли. Соединение всегда должно быть сухим.
- Перед тем как отойти от изделия переведите главный выключатель в положение ВЫКЛ (0), извлеките вилку из розетки и заблокируйте предохранитель курка.
 - Перед сменой принадлежности переведите главный выключатель в положение ВЫКЛ (0) и извлеките вилку из розетки.
 - Перед очисткой или проведением обслуживания изделия переведите главный выключатель в положение ВЫКЛ (0) и извлеките вилку из розетки.
 - Не используйте изделие при температуре окружающей среды ниже 0 °С.
 - Не запускайте замерзшее изделие.
 - Запрещается использовать изделие в помещении.
 - Не кладите на изделие посторонние предметы во время его работы.
 - Не пейте воду, которая использовалась в изделии.

- Запрещается использовать изделие рядом с открытыми окнами.
- Остерегайтесь отбрасываемых предметов. Камни и незакрепленные предметы могут попасть в глаза и привести к слепоте или тяжелым травмам.
- Если изделие не работает надлежащим образом, см. раздел *Таблица процедур по поиску и устранению неисправностей на стр. 363.*

Средства индивидуальной защиты



ПРЕДУПРЕЖДЕНИЕ: В обязательном порядке прочитайте следующие инструкции по технике безопасности, прежде чем приступить к эксплуатации изделия.

- Средства индивидуальной защиты не могут полностью исключить риск получения травмы, но при несчастном случае они снижают тяжесть травмы. За помощью по правильному выбору СИЗ обращайтесь к дилеру.
- Надевайте защитные ботинки с нескользкой подошвой. Запрещается

- надевать открытую обувь или работать босиком.
- Надевайте защитную одежду.
 - Используйте одобренные средства защиты органов слуха.
 - Используйте защитные очки.
 - Используйте средства защиты органов дыхания класса FFP2 или аналогичные, если вы работаете с изделием в условиях, где могут образовываться опасные пары.

Защитные устройства на изделии



ПРЕДУПРЕЖДЕНИЕ: В обязательном порядке прочитайте следующие инструкции по технике безопасности, прежде чем приступить к эксплуатации изделия.

- Не используйте изделие, если защитные устройства повреждены или работают неправильно.
- Не вносите никакие изменения в защитные устройства и не снимайте их.

- Регулярно выполняйте проверку защитных устройств. Если защитные устройства повреждены или работают неправильно, обратитесь в сервисный центр Husqvarna.

Предохранитель нажатия курка

Предохранитель нажатия курка (А) предназначен для того, чтобы избежать непреднамеренного нажатия курка (В). Когда предохранитель нажатия курка находится в заблокированном положении, курок не может быть нажат.

(Рис. 13)

Курок

Изделие запускается при нажатии курка. При отпускании курка изделие останавливается.

Устройство защиты от перегрева

Изделие оснащено автоматическим устройством защиты от перегрева. Если изделие перегревается, устройство защиты от перегрева прекращает подачу питания на изделие. Если устройство защиты от

перегрева остановило подачу питания, подождите, пока изделие остынет. Устройство защиты от перегрева автоматически отключится, когда изделие остынет.

Гидравлический предохранительный клапан

Изделие оснащено встроенным гидравлическим предохранительным клапаном, который предотвращает нагнетание чрезмерного давления в системе.

Инструкции по технике безопасности во время технического обслуживания



ПРЕДУПРЕЖДЕНИЕ: В обязательном порядке прочитайте следующие инструкции по технике безопасности, прежде чем приступить к обслуживанию изделия.



ВНИМАНИЕ: Всегда выполняйте техническое обслуживание перед запуском изделия после длительного хранения.

- Перед проведением обслуживания изделия переведите главный выключатель в положение ВЫКЛ (0) и извлеките вилку из розетки.
- Перед проведением обслуживания изделия отсоедините его от источника воды и убедитесь, что все детали сухие.
- Выполняйте только те процедуры техобслуживания, которые описаны в данном руководстве по эксплуатации.
- Используйте только запасные части, рекомендованные Husqvarna. Водяные шланги высокого давления, фитинги и муфты имеют большое значение для безопасной эксплуатации изделия. Используйте только шланги, фитинги и муфты, рекомендованные производителем.
- Не выполняйте ремонт изделия самостоятельно. Обратитесь в сервисный центр Husqvarna.
- Если вилка или шнур питания повреждены,

обратиться в сервисный центр Husqvarna.

- Не позволяйте детям выполнять очистку или обслуживание изделия.

Сборка

Введение



ПРЕДУПРЕЖДЕНИЕ: Перед сборкой изделия внимательно изучите раздел техники безопасности.

установлен на впускной штуцер для воды. Если переходник садового шланга установлен неровно, это может привести к повреждению резьбы и утечке.

Установка переходника садового шланга

1. Снимите транспортировочную крышку с впускного штуцера для воды и утилизируйте ее. (Рис. 14)
2. Установите переходник садового шланга на впускной штуцер для воды. (Рис. 15)

3. Полностью затяните переходник садового шланга.
4. Снятие переходника садового шланга выполняется в обратной последовательности.

Установка держателя для пистолета-распылителя и штанги-распылителя

- Установите держатель с помощью 2 винтов. (Рис. 16)



ВНИМАНИЕ: Убедитесь, что переходник садового шланга ровно

Эксплуатация

Введение



ПРЕДУПРЕЖДЕНИЕ: Перед эксплуатацией изделия внимательно изучите раздел техники безопасности.

Примечание: Приложение Husqvarna Connect доступно для загрузки не на всех рынках. Для получения более подробной информации обратитесь в свой сервисный центр.

Husqvarna Connect

Husqvarna Connect представляет собой бесплатное приложение для мобильного устройства. Приложение Husqvarna Connect позволяет пользоваться расширенными функциями вашего изделия Husqvarna:

- Дополнительная информация об изделии.
- Сведения о деталях и помощь в техническом обслуживании.

Начало работы с Husqvarna Connect

1. Загрузите приложение Husqvarna Connect на свое мобильное устройство.
2. Зарегистрируйтесь в приложении Husqvarna Connect.
3. Выполните пошаговые инструкции в приложении Husqvarna Connect для подключения и регистрации агрегата.

Установка пистолета-распылителя

1. Вставьте водяной шланг высокого давления в быстроразъемное соединение до фиксации. (Рис. 17)



ВНИМАНИЕ: Во избежание утечки убедитесь, что шланг высокого давления полностью подсоединен к быстроразъемному соединению на изделии.

2. Крепко удерживая пистолет-распылитель одной рукой, вставьте шланг высокого давления в быстроразъемное соединение на пистолете-распылителе. (Рис. 18)

Снятия пистолета-распылителя

1. Нажмите кнопку на пистолете-распылителе и вытяните водяной шланг высокого давления. (Рис. 19)
2. Надавите на наружное кольцо быстроразъемного соединения и извлеките водяной шланг высокого давления. (Рис. 20)

Установка штанги-распылителя

1. Удерживая пистолет-распылитель одной рукой, вставьте муфту на штанге-распылителе в пистолет-распылитель. (Рис. 21)
2. Поверните штангу-распылитель по часовой стрелке и отпустите ее. Штанга-распылитель фиксируется на месте.

Снятие штанги-распылителя

1. Надавите на штангу-распылитель и поверните ее против часовой стрелки. (Рис. 22)
2. Отсоедините штангу-распылитель от пистолета-распылителя.

Установка и снятие насадки

В комплект поставки изделия входят 2 насадки: 1 насадка "Прямая струя" (обозначается как "gentle nozzle" (насадка с умеренным напором)) и 1 насадка "Ротор" (обозначается как "rough nozzle" (насадка с сильным напором)). Насадка "Прямая струя" подходит для очистки поверхностей, менее устойчивых к внешним воздействиям, например автомобилей. Данную насадку также можно использовать для очистки устойчивых к внешним воздействиям поверхностей, например подъездных дорожек.

(Рис. 23)



ВНИМАНИЕ: Не используйте роторную насадку для очистки поверхностей, менее устойчивых к внешним воздействиям, например окрашенных поверхностей автомобиля. Вражущаяся струя воды может повредить поверхность.

- Чтобы установить насадку, одной рукой удерживайте штангу-распылитель, а второй вставьте насадку до фиксации. (Рис. 24)
- Чтобы снять насадку, нажмите на выступ на штанге-распылителе и извлеките насадку. (Рис. 25)

Регулировка напора воды

Насадка с прямой струей позволяет регулировать давление подачи воды.

- Чтобы увеличить напор, поверните насадку по часовой стрелке. (Рис. 26)
- Чтобы уменьшить напор, поверните насадку против часовой стрелки. (Рис. 27)

Эксплуатация изделия

1. Подсоедините изделие к источнику воды. См. раздел *Подсоединение изделия к источнику воды на стр. 358.*

2. Стравите воздух из системы. См. раздел *Стравливание воздуха из системы на стр. 359.*
3. Запустите изделие. См. раздел *Запуск изделия на стр. 359.*

Подсоединение изделия к источнику воды

Изделие может работать от водопроводной сети или забирать воду из альтернативных источников, например, из озера или бочки.

- Инструкции по подсоединению изделия к водопроводной сети см. в разделе *Подсоединение изделия к водопроводной сети на стр. 358.*
- Инструкции по использованию изделия с альтернативными источниками воды см. в разделе *Использование изделия с альтернативными источниками воды на стр. 358.*

Подсоединение изделия к водопроводной сети

1. Установите переходник садового шланга и фильтр для воды на впускной штуцер для воды на изделии, если они не установлены. См. раздел *Установка переходника садового шланга на стр. 357.*
2. Подсоедините садовый шланг к водопроводной сети. Используйте садовый шланг диаметром ½" и длиной 10–25 м. (Рис. 28)



ВНИМАНИЕ: Давление воды в водопроводной сети не должно превышать 1 МПа (10 бар).



ВНИМАНИЕ: Температура воды в водопроводной сети не должна превышать 40 °С.

3. Откройте вентиль на водопроводной трубе и убедитесь, что вода свободно течет из садового шланга. (Рис. 29)
4. Закройте вентиль на водопроводной трубе.
5. Подсоедините садовый шланг к впускному штуцеру для воды на изделии. (Рис. 30)
6. Подключите вилку питания к розетке.
7. Откройте вентиль на водопроводной трубе.
8. Перед началом эксплуатации изделия стравите воздух из системы. См. раздел *Стравливание воздуха из системы на стр. 359.*

Использование изделия с альтернативными источниками воды

Изделие может работать с водой, например, из озера или бочки. Используйте всасывающий шланг (не входит в комплект) диаметром ½" и длиной не более 3 м.



ВНИМАНИЕ: Температура воды в источнике не должна превышать 20 °С.



ВНИМАНИЕ: Изделие должно находиться на высоте не более 0,5 м над источником воды.

1. Если установлен переходник садового шланга, снимите его с впускного штуцера для воды на изделии. (Рис. 32)



ВНИМАНИЕ: Не извлекайте фильтр для воды из впускного штуцера для воды.

2. Подсоедините всасывающий шланг (не входит в комплект) к впускному штуцеру для воды на изделии. (Рис. 33)
3. Поместите всасывающий шланг в источник воды и убедитесь, что фильтр полностью погружен в воду.



ВНИМАНИЕ: Не используйте всасывающий шланг без фильтра.

4. Нажмите кнопку на пистолете-распылителе и вытяните водяной шланг высокого давления из пистолета-распылителя. (Рис. 19)
5. Подключите вилку питания к розетке.
6. Переведите главный выключатель в положение ВКЛ (I) и дайте изделию поработать в течение 2 минут.
7. Переведите выключатель в положение ВЫКЛ (0).
8. Крепко удерживая пистолет-распылитель одной рукой, вставьте шланг высокого давления в быстроразъемное соединение на пистолете-распылителе. (Рис. 18)
9. Перед началом эксплуатации изделия стравите воздух из системы. См. раздел *Стравливание воздуха из системы на стр. 359*.

Стравливание воздуха из системы



ВНИМАНИЕ: Перед стравливанием воздуха из системы убедитесь, что главный выключатель находится в положении ВЫКЛ (0).

1. Подсоедините изделие к источнику воды. См. раздел *Подсоединение изделия к источнику воды на стр. 358*.
2. Установите штангу-распылитель на пистолет-распылитель. См. раздел *Установка штанги-распылителя на стр. 358*.

3. Разблокируйте предохранитель нажатия курка. См. раздел *Блокировка и разблокировка предохранителя нажатия курка на стр. 359*.
4. Нажмите на курок и удерживайте его в нажатом положении, пока вода не начнет поступать из форсунки на штанге-распылителе. (Рис. 34)

Отсоединение изделия от источника воды

1. Переведите выключатель в положение ВЫКЛ (0).
2. Если изделие подсоединено к водопроводной сети, закройте вентиль на водопроводной трубе.
3. Если изделие подсоединено к водопроводной сети, отсоедините садовый шланг от водопроводной трубы. (Рис. 35)
4. Если изделие использовалось с альтернативным источником воды, извлеките всасывающий шланг из источника воды.
5. Нажмите на курок и удерживайте его в нажатом положении, пока из форсунки не перестанет идти вода.
6. Отсоедините садовый шланг от впускного штуцера для воды на изделии. (Рис. 36)

Примечание: Если изделие использовалось с альтернативным источником воды, отсоедините всасывающий шланг.

7. Нажмите кнопку на пистолете-распылителе и вытяните водяной шланг высокого давления из пистолета-распылителя. (Рис. 19)
8. Переведите главный выключатель в положение ВКЛ (I). Дайте изделию поработать до тех пор, пока из шланга высокого давления не перестанет идти вода.
9. Переведите выключатель в положение ВЫКЛ (0).
10. Перед помещением изделия на хранение просушите пистолет-распылитель, штангу-распылитель и форсунки.

Блокировка и разблокировка предохранителя нажатия курка

- Чтобы заблокировать предохранитель нажатия курка, поверните его по часовой стрелке до щелчка. (Рис. 37)
- Чтобы разблокировать предохранитель нажатия курка, поверните его против часовой стрелки до упора. (Рис. 38)

Запуск изделия

1. Подсоедините изделие к источнику воды. См. раздел *Подсоединение изделия к источнику воды на стр. 358*.
2. Подключите вилку питания к розетке.
3. Переведите главный выключатель в положение ВКЛ (I). (Рис. 39)

4. Разблокируйте предохранитель нажатия курка. См. раздел *Блокировка и разблокировка предохранителя нажатия курка на стр. 359*.
5. Нажмите курок на пистолете-распылителе.

Примечание: При отпускании курка изделие автоматически останавливается.

Остановка изделия

Примечание: При отпускании курка изделие автоматически останавливается.

1. Отпустите курок на пистолете-распылителе.
2. Заблокируйте предохранитель нажатия курка. См. раздел *Блокировка и разблокировка предохранителя нажатия курка на стр. 359*.
3. Переведите выключатель в положение ВЫКЛ (0). (Рис. 40)
4. Отсоедините вилку питания от розетки.
5. Отсоедините изделие от источника воды. См. раздел *Отсоединение изделия от источника воды на стр. 359*.

Примечание: Всегда отсоединяйте изделие от источника воды, если оно не используется более 5 минут.

Использование распылителя пены

1. Снимите распылитель пены с держателя. (Рис. 41)
2. Заполните емкость распылителя пены чистящим средством.



ВНИМАНИЕ: Используйте только чистящие средства, рекомендованные компанией Husqvarna.

3. Вставьте быстроразъемное соединение на распылителе пены в быстроразъемное соединение на штанге-распылителе до фиксации. (Рис. 42)

Примечание: Фланец распылителя пены должен быть совмещен с канавкой в штанге-распылителе.

4. Подсоедините изделие к источнику воды. См. раздел *Подсоединение изделия к источнику воды на стр. 358*.
5. Запустите изделие. См. раздел *Запуск изделия на стр. 359*.

Техническое обслуживание

Вводная информация



ПРЕДУПРЕЖДЕНИЕ: Перед выполнением техобслуживания необходимо внимательно изучить и понять информацию в разделе по технике безопасности.

Для выполнения любых работ по сервисному обслуживанию и ремонту изделия необходимо пройти специальное обучение. Мы гарантируем доступность услуг по профессиональному ремонту и сервисному обслуживанию.

Дополнительную информацию см. в разделе www.husqvarna.com.

График технического обслуживания

Техническое обслуживание	Перед использованием	После использования
Выполните общий осмотр. См. раздел <i>Общий осмотр на стр. 361</i> .	X	
Очистите изделие. См. раздел <i>Очистка изделия на стр. 361</i> .		X
Очистите штангу-распылитель и форсунки. См. раздел <i>Очистка штанги-распылителя и форсунок на стр. 361</i> .		X
Очистите фильтр для воды. Если фильтр для воды поврежден, замените его. См. раздел <i>Очистка фильтра для воды на стр. 361</i> .		X
Смажьте уплотнительные кольца на муфтах. См. раздел <i>Смазка уплотнительных колец на муфтах на стр. 361</i> .		X

Общий осмотр



ПРЕДУПРЕЖДЕНИЕ: Перед проведением обслуживания изделия переведите главный выключатель в положение ВЫКЛ (0) и извлеките вилку из розетки.



ВНИМАНИЕ: Перед проведением обслуживания изделия отсоедините его от источника воды и убедитесь, что все детали сухие.

- Проверьте затяжку гаек и винтов на изделии.
- Проверьте, что кабели на изделии расположены в тех местах, где они не могут быть повреждены.
- Осмотрите шланг высокого давления на наличие износа и повреждений.



ПРЕДУПРЕЖДЕНИЕ: Не используйте изделие, если шланг высокого давления изношен или поврежден.

Очистка изделия



ПРЕДУПРЕЖДЕНИЕ: Перед проведением обслуживания изделия переведите главный выключатель в положение ВЫКЛ (0) и извлеките вилку из розетки.



ВНИМАНИЕ: Перед проведением обслуживания изделия отсоедините его от источника воды и убедитесь, что все детали сухие.

- Очистите все внешние детали сухой тканью.
- Не используйте мойку высокого давления для очистки изделия.
- Поддерживайте воздухозаборники в чистоте, чтобы обеспечить достаточное охлаждение изделия.

Очистка штанги-распылителя и форсунок



ПРЕДУПРЕЖДЕНИЕ: Перед проведением обслуживания изделия переведите главный выключатель в положение ВЫКЛ (0) и извлеките вилку из розетки.



ВНИМАНИЕ: Перед проведением обслуживания изделия отсоедините его от источника воды и убедитесь, что все детали сухие.

1. Если форсунка установлена на штангу-распылитель, снимите ее со штанги-распылителя. См. раздел *Установка и снятие насадки на стр. 358*.
2. Очистите форсунки, муфту на штанге-распылителе и муфту на пистолете-распылителе водой с мылом. (Рис. 43)
3. При засорении форсунок прочистите их с помощью инструмента для очистки. (Рис. 44)

Очистка фильтра для воды



ПРЕДУПРЕЖДЕНИЕ: Перед проведением обслуживания изделия переведите главный выключатель в положение ВЫКЛ (0) и извлеките вилку из розетки.



ВНИМАНИЕ: Перед проведением обслуживания изделия отсоедините его от источника воды и убедитесь, что все детали сухие.

1. Если установлен переходник садового шланга, снимите его с впускного штуцера для воды на изделии. (Рис. 32)
2. Извлеките фильтр для воды. Используйте плоскогубцы. (Рис. 45)
3. Проверьте фильтр для воды на наличие повреждений. Если фильтр для воды поврежден, замените его. (Рис. 46)
4. Промойте фильтр для воды чистой водой. (Рис. 47)

Смазка уплотнительных колец на муфтах



ПРЕДУПРЕЖДЕНИЕ: Перед проведением обслуживания изделия переведите главный выключатель в положение ВЫКЛ (0) и извлеките вилку из розетки.



ВНИМАНИЕ: Перед проведением обслуживания изделия отсоедините его от источника воды и убедитесь, что все детали сухие.

1. Снимите штангу-распылитель с пистолета-распылителя и отсоедините пистолет-распылитель от шланга высокого давления. См. раздел *Установка штанги-распылителя на стр. 358* и *Установка пистолета-распылителя на стр. 357*.

2. Смажьте уплотнительные кольца на переходнике садового шланга, штанге-распылителе и шланге высокого давления консистентной смазкой. См. раздел *Технические данные* на стр. 364, где приведены сведения о подходящем типе смазки. (Рис. 48)

Поиск и устранение неисправностей

Таблица процедур по поиску и устранению неисправностей

Проблема	Возможная причина	Решение
Изделие не запускается.	Вилка питания не подключена к розетке.	Подключите вилку питания к розетке.
	Главный выключатель находится в положении ВЫКЛ (0).	Переведите главный выключатель в положение ВКЛ (I).
	В розетке отсутствует напряжение.	Обратитесь к квалифицированному электрику.
	Шнур питания поврежден.	Обратитесь в официальный сервисный центр.
	Сработало устройство защиты от перегрева (питание не подается на изделие).	Подождите, пока изделие остынет, прежде чем запустить его снова.
	Используется удлинительный кабель неправильного типа.	Убедитесь, что удлинительный кабель полностью размотан и что напряжение сети соответствует напряжению изделия.
Предохранитель перегорает во время запуска или работы.	Используется предохранитель неправильного типа.	Убедитесь, что используется плавкий предохранитель класса "С" или "К".
Изделие не останавливается.	Изделие повреждено.	Извлеките вилку питания из розетки и обратитесь в авторизованный сервисный центр.
Перегрев изделия.	Недостаточный поток воздуха.	Очистите воздухозаборники.
Изделие работает рывками.	Воздух внутри системы.	Стравите воздух из системы.
Недостаточное давление воды.	Перегиб шланга	Убедитесь в отсутствии перегибов шланга.
	Главный выключатель находится в положении ВЫКЛ (0).	Переведите главный выключатель в положение ВКЛ (I).
	Недостаточный поток воды.	Убедитесь, что изделие правильно подсоединено к источнику воды. Убедитесь в наличии достаточного напора воды.
	Засорен фильтр для воды.	Очистите фильтр для воды.
	Воздух внутри системы.	Стравите воздух из системы.
	Неподходящая принадлежность.	Убедитесь, что используете подходящую принадлежность.

Транспортировка, хранение и утилизация

Транспортировка

- Перед транспортировкой изделия отключите вилку питания от розетки.
- Перед транспортировкой отключите изделие от источника воды.
- Надежно закрепите изделие во избежание его перемещения при транспортировке.

Хранение

- Перед помещением изделия на хранение слейте всю воду из самого изделия, шланга высокого давления и принадлежностей.
- Подготовьте изделие к хранению. См. раздел *Подготовка изделия к хранению на стр. 364*.
- Храните изделие в сухом и защищенном от низких температур месте.

Подготовка изделия к хранению

1. Остановите изделие и извлеките вилку из розетки.
2. Отсоедините изделие от источника воды. См. раздел *Отсоединение изделия от источника воды на стр. 359*.

3. Убедитесь, что все принадлежности сухие.
4. Установите пистолет-распылитель, шлангу-распылитель и форсунки в держатели.
5. Отсоедините водяной шланг высокого давления и поместите его в держатель. (Рис. 49)
6. Разместите шнур питания на держателе и закрепите его. (Рис. 50)

Утилизация

Изделия Husqvarna не являются бытовыми отходами и подлежат утилизации в соответствии с указаниями в данном руководстве.

- Соблюдайте местное законодательство и действующие нормы в области переработки.
- Утилизируйте изделие и упаковку в специально предназначенном для этого месте.
- Для получения дополнительной информации о переработке и утилизации изделия обратитесь к местному дилеру Husqvarna.

Технические данные

	PW 130
Двигатель и насос	
Тип	Серийный электродвигатель переменного тока
Мощность, Вт	1500
Диапазон напряжения, В	220–240
Частота, Гц	50
Номинальная сила тока, А	6,5
Макс. расход воды, л/мин	7,7
Макс. давление воды на выпуске, бар / МПа	130 / 13
Макс. давление воды на впуске, бар / МПа	10 / 1
Макс. температура воды на впуске, °C / °F	40 / 104
Макс. температура воды на впуске (в режиме всасывания), °C / °F	20 / 68
Степень защиты IP	IPX5
Классы защиты	Класс II
Смазка	

	PW 130
Тип смазки для уплотнительных колец	Универсальная белая силиконовая смазка
Вес	
Вес, кг	6,5
Излучение шума ⁸¹	
Уровень мощности звука, измеренный, дБ(А)	85
Уровень мощности звука, гарантированный, L _{WA} , дБ(А)	89
Уровни шума ⁸²	
Уровень шумового давления на уши оператора, эквивалентный, дБ(А)	72
Уровни вибрации ⁸³	
Воздействие на кисть/руку (со стандартной насадкой), м/с ²	2,5
Эквивалентный уровень вибрации ⁸⁴	
Воздействие на кисть/руку (со стандартной насадкой), м/с ²	1,8

Принадлежности

Одобрённые принадлежности

Одобрённые принадлежности	Артикул
Насадка для очистки поверхностей SC 300	590 65 79-01
Распылитель пены FS 300	590 66 04-01
Шланг для прочистки труб, 15 м	590 66 10-01
Фильтр для воды	590 65 93-01
Устройство защиты от обратного тока	590 65 95-01
Всасывающий шланг	590 65 97-01
Комплект для мойки автомобиля	590 66 07-01

⁸¹ Излучение шума в окружающую среду измеряется как мощность звука (L_{WA}) согласно директиве ЕС 2000/14/ЕС.

⁸² Эквивалент уровня шумового давления, согласно ISO 22868, вычисляется как взвешенная по времени сумма энергии для разных значений шумового давления при различных условиях работы. Типичный статистический разброс для эквивалентного шумового давления — это стандартное отклонение 1 дБ(А).

⁸³ Уровень вибрации в соотв. с EN 60745-2-13. Указанные данные об уровне вибрации имеют типичный статистический разброс (стандартное отклонение) 1 м/с². Эти данные о вибрации основаны на измерениях на изделии, оборудованном шиной и цепью рекомендованного типа и длины. Если изделие оборудовано шиной другой длины, уровень вибрации может отличаться макс. на ± 1,5 м/с².

⁸⁴ Эквивалентный уровень вибрации измеряется и рассчитывается для цепных пил с питанием от двигателя внутреннего сгорания. Эти показатели приведены для сравнения данных об уровне вибрации независимо от типа двигателя в соответствии с ISO 22867:2011.

Одобрённые принадлежности	Артикул
Комплект вращающихся щеток	590 66 06-01
Изогнутая штанга-распылитель	590 66 11-01
Насадка для откачивания воды	590 66 05-01
Удлинительный шланг, 8 м	590 66 08-01

Декларация о соответствии

Декларация соответствия требованиям ЕС

Мы, **Husqvarna AB**, SE-561 82 Huskvarna, Швеция,
тел.: +46-36-146500, с полной ответственностью
заявляем, что изделие:

Описание	Мойка высокого давления
Марка	Husqvarna
Тип / Модель	PW 130
Идентификация	Серийные номера начиная с 2022 года и далее

полностью соответствует следующим директивам и
нормативам ЕС:

Норматив	Описание
2006/42/ЕС	"О механическом оборудовании"
2014/30/EU	"Об электромагнитной совместимости"
2000/14/ЕС, Прило- жение V	"Об излучении шума в окружающую среду"
2011/65/EU	"Об ограничении использования определенных опасных веществ в электрическом и электронном оборудовании"

а также требованиям следующих
стандартов и/или технических
регламентов: EN 60335-1:2012/A11:2014/
A13:2017/A1:2019/A14:2019/A2:2019/A15:2021, EN
60335-2-79:2012, EN 62233:2008, EN 55014-1:2021,
EN 55014-2:2021, EN IEC 61000-3-2:2019/A1:2021, EN
61000-3-3:2013/A2:2021, EN IEC 63000:2018

141400, Московская обл., Г. Химки, ул. Ленинградская,
владение 39, строение 6, здание II этаж 4,
помещение ОВ02_04,
телефон горячей линии 8-800-200-1689

Информацию по излучению шума см. в разделе
Технические данные на стр. 364.

Husqvarna, 2023-01-19



Клаес Лосдал (Claes Losdal), директор отдела
разработок/садовая техника, Husqvarna AB

Ответственный за техническую документацию



Obsah

Úvod.....	368	Riešenie problémov.....	380
Bezpečnosť.....	369	Preprava, skladovanie a likvidácia.....	381
Montáž.....	375	Technické údaje.....	381
Prevádzka.....	375	Príslušenstvo.....	382
Údržba.....	378	Vyhľadanie o zhode.....	384

Úvod

Popis výrobku

Tento výrobok je elektrický vysokotlakový čistič. Výrobok je možné používať pri rôznych úrovniach tlaku vody a s rôznymi čistiacimi prostriedkami.

Plánované použitie

Výrobok používajte výhradne na čistenie v domácnosti. Výrobok nepoužívajte na iné účely. Výrobok používajte výhradne vo vzpriamenej polohe.

Prehľad výrobku

(Obr. 1)

1. Striekacia hlavica s priamym prúdom vody
2. Striekacia hlavica s rotujúcim prúdom vody
3. Gumený popruh na držiak napájacieho kábla
4. Puzdro na rukoväť a predlžovací nadstavec čističa
5. Vysokotlaková hadica na vodu
6. Prívod vody
7. Napeňovač
8. Skladovací priestor na vysokotlakovú hadicu na vodu
9. Vypínač
10. Napájací kábel
11. Výstup vody s rýchlospojku
12. Čistiaci nástroj na hlavice
13. Prepravná rukoväť
14. Nasávanie vzduchu
15. Rukoväť čističa
16. Predlžovací nadstavec
17. Návod na obsluhu

Symbyly na výrobku

(Obr. 2)

UPOZORNENIE: Tento výrobok môže byť nebezpečný a spôsobiť vážne poranenie alebo usmrtenie obsluhujúceho

Poznámka: Používanie tohto výrobku môže byť obmedzené vnútroštátnymi predpismi.

pracovníka alebo iných osôb. Postupujte opatrne a používajte výrobok správnym spôsobom.

(Obr. 3)

Pred používaním tohto výrobku si prečítajte návod na obsluhu a uistite sa, že porozumiete uvedeným pokynom.

(Obr. 4)

Výrobok nie je vhodný na pripojenie k rozvodom pitnej vody.

(Obr. 5)

Vysokotlakové prúdy vody môžu predstavovať nebezpečenstvo v prípade ich nesprávneho použitia.

Prúd vody sa nesmie smerovať na osoby, elektrické zariadenia alebo výrobok.

(Obr. 6)

Označenia týkajúce sa ochrany životného prostredia. Výrobok alebo jeho obal nepredstavuje komunálny odpad. Recyklujte ho v schválenom zariadení na likvidáciu elektrických a elektronických zariadení.

(Obr. 7)

Nástroj triedy II.

(Obr. 8)

Označenie týkajúce sa emisie hluku do okolia podľa smerníc a nariadení EÚ a UK a legislatívy v štáte New South Wales „Protection of the Environment Operations (Noise Control) Regulations 2017“ (Nariadenia o ochrane životného prostredia pri prevádzke (kontrola hluku) z roku

2017). Garantovaná hladina akustického výkonu produktu je uvedená v *Technické údaje na strane 381* a na štítku.

(Obr. 9)

Chránené proti prúdu vody pod nízkym tlakom zo všetkých uhlov.

(Obr. 10)

Chráňte pred mrazom.

(Obr. 11)

Tento výrobok je v súlade s príslušnými smernicami EÚ.

(Obr. 12)

Tento výrobok je v súlade s príslušnými právnymi predpismi Spojeného kráľovstva.

Poznámka: Ostatné symboly/emblémy na výrobku odkazujú na zvláštne požiadavky certifikácie pre určité trhy.

Poškodenie výrobku

Nie sme zodpovední za škody na našom výrobku v prípade:

- nesprávne vykonanej opravy výrobku,
- opravy výrobku, pri ktorej neboli použité diely od výrobcu alebo diely schválené výrobcom,
- používania príslušenstva od iného výrobcu alebo príslušenstva, ktoré nie je schválené výrobcom,
- opravy výrobku, ktoré neboli vykonané v schválenom servisnom stredisku alebo schválenými kompetentnými osobami.

Bezpečnosť

Bezpečnostné definície

Výstrahy, upozornenia a poznámky slúžia na

zdôraznenie mimoriadne dôležitých častí návodu.



VÝSTRAHA: Používa sa, ak pre obsluhu alebo osoby v okolí existuje nebezpečenstvo poranenia alebo smrti v prípade nedodržania pokynov v návode.



VAROVANIE: Používa sa, ak hrozí nebezpečenstvo poškodenia produktu, iných materiálov alebo okolitej oblasti v prípade nedodržania pokynov v návode.

Poznámka: Používa sa na poskytnutie informácií nad rámec nevyhnutných informácií v danej situácii.

Všeobecné bezpečnostné pokyny



VÝSTRAHA: Skôr než budete výrobok používať, prečítajte si nasledujúce výstrahy.

- Tento výrobok je nebezpečný, ak sa nepoužíva správne alebo ak nie ste pri jeho používaní opatrní. V prípade nedodržania bezpečnostných

pokynov hrozí poranenie alebo usmrtenie.

- Vždy zachovávajte opatrnosť a riadte sa zdravým úsudkom. Ak si v určitých situáciách nie ste istí, ako máte výrobok používať, výrobok nepoužívajte a pred pokračovaním v práci sa poraďte so servisným zástupcom spoločnosti Husqvarna.
- Nezabudnite, že operátor bude zodpovedný za nehody zahŕňajúce iné osoby alebo ich majetok.
- Výrobok udržiavajte čistý. Symboly a emblémy musia byť čitateľné.
- Nikdy nedovoľte používať zariadenie deťom ani osobám, ktoré sa neoboznámili s návodom na používanie. Miestne predpisy môžu obmedzovať vek používateľa.
- Tento výrobok smú obsluhovať osoby so zníženými fyzickými, zmyslovými alebo mentálnymi schopnosťami, pokiaľ sú tieto osoby pod dohľadom alebo boli poučené o bezpečnom používaní výrobku a rozumejú súvisiacim rizikám.
- Tento výrobok smú obsluhovať osoby

s nedostatkom skúseností a vedomostí, pokiaľ sú tieto osoby pod dohľadom alebo boli poučené o bezpečnom používaní výrobku a rozumejú súvisiacim rizikám.

- Výrobok nepoužívajte, ak ste unavení, chorí alebo ste pod vplyvom alkoholu, drog alebo liekov. Vyššie uvedené prípady majú negatívny vplyv na váš zrak, ostražitosť, koordináciu a úsudok.
- Ak sa výrobok poškodí, nepoužívajte ho.
- Výrobok žiadnym spôsobom neupravujte ani nepoužívajte, ak existuje možnosť, že bol upravený inými osobami.

Bezpečnostné pokyny pre prevádzku



VÝSTRAHA: Skôr než budete výrobok používať, prečítajte si nasledujúce výstrahy.

- Výrobok nepoužívajte, ak je poškodený napájací kábel, vysokotlaková hadica, blokovanie páčky plynu alebo rukoväť čističa.
- Pred používaním výrobku skontrolujte, či nemá známky poškodenia. Výrobok nepoužívajte, ak má

poškodené alebo chýbajúce diely.

- Rukoväť čističa držte pevne oboma rukami. Pri stlačení páčky vypínača dochádza k spätnému nárazu.
- Pri prevádzke výrobku buďte opatrný. Vysoký tlak, ktorý výrobok vyvinie, je nebezpečný a môže spôsobiť úraz.
- Nemierte prúdom vody na seba, iné osoby alebo zvieratá.
- Nemierte prúdom vody na seba alebo iné osoby za účelom čistenia obuvi.
- Nemierte prúdom vody na elektrické zariadenia alebo na samotný výrobok.
- Pri obsluhu výrobku používajte osobné ochranné prostriedky. V časti *Osobné ochranné prostriedky na strane 373*.
- Nepoužívajte výrobok v blízkosti iných osôb, ak nepoužívajú osobné ochranné pomôcky.
- Ak používate čistiaci prostriedok, riadte sa bezpečnostnými pokynmi uvedenými pre daný prostriedok.
- Používajte len čistiace prostriedky Husqvarna.

- Používajte správny tlak vody a čistiace prostriedky a výrobok používajte výhradne na účely uvedené v tomto návode. Ak použijete nesprávny tlak vody, čistiaci prostriedok alebo použijete výrobok na odlišné účely, ako sú uvedené v tomto návode, môže dôjsť k poškodeniu výrobku, povrchov, materiálov alebo iných zariadení. Spoločnosť Husqvarna nepreberá záväzky za škody spôsobené nesprávnym používaním.
- Neodporúča sa pripájať tento výrobok k rozvodom pitnej vody. Ak je výrobok nutné pripojiť k rozvodom pitnej vody, riadte sa miestnymi a štátnymi predpismi. V prípade potreby používajte zabraňovač spätného toku (nie je súčasťou balenia). Voda, ktorá prešla zariadením na zamedzenie spätnému toku sa považuje za nepitnú (úžitkovú) vodu.
- Nestriekajte vodu na horľavé kvapaliny. Nebezpečenstvo výbuchu.
- Nenechajte deti používať výrobok.
- Nenechajte deti hrať sa s výrobkom.
- Nenechajte nevyškolené osoby používať výrobok.
- Používajte iba príslušenstvo a náhradné diely, ktoré boli schválené spoločnosťou Husqvarna.
- Elektrické pripojenie musí vykonať kvalifikovaný elektrotechnik, pripojenie musí vyhovovať norme IEC 60364-1.
- Používajte prúdový chránič, ktorý preruší prívod elektrickej energie, ak hodnota zvodového prúdu presiahne 30 mA po dobu 30 ms. Ak nemáte prúdový chránič, použite zariadenie, ktoré reaguje na problémy s uzemnením.
- Použité oneskorené poistky alebo poistky štartu motora triedy C alebo D podľa normy IEC 898-1 alebo IEC947-2 alebo zodpovedajúcich noriem mimo priestoru EIC.
- Nie je potrebné uskutočniť žiadne úpravy na zariadeniach, ktoré sú označené dvojitým napätím a frekvenciou.
- Ak je nevyhnutné použiť predlžovací kábel, uistite sa, že je vhodný na vonkajšie použitie. Dbajte na to, aby bola zásuvka najmenej 60 mm od zeme. Pripojenie musí byť vždy suché.
- Otočte vypínač do vypnutej polohy (0), odpojte elektrickú

zástrčku a zamknite blokovanie páčky vypínača, než sa vzdialite od výrobku.

- Otočte vypínač do vypnutej polohy (0) a odpojte elektrickú zástrčku predtým, než začnete vymieňať príslušenstvo.
- Otočte vypínač do vypnutej polohy (0) a odpojte elektrickú zástrčku predtým, než výrobok začnete čistiť alebo na ňom vykonávať údržbu.
- Výrobok nepoužívajte na miestach, kde je teplota okolia menej ako 0 °C.
- Zamrznutý výrobok nezapínajte.
- Výrobok nepoužívajte vo vnútri.
- Na výrobok, ktorý je v prevádzke, neumiestňujte žiadne predmety.
- Nepite vodu, ktorá bola používaná s výrobkom.
- Výrobok nepoužívajte v blízkosti otvorených okien.
- Dávajte pozor na odletujúce predmety. Kamene a iné nepripevnené predmety môžu zasiahnuť oči a spôsobiť slepotu alebo vážne poranenie.
- Ak výrobok nefunguje správne, pozrite si časť *Plán*

riešenia problémov na strane 380.

Osobné ochranné prostriedky



VÝSTRAHA: Skôr než budete výrobok používať, prečítajte si nasledujúce výstrahy.

- Osobné ochranné prostriedky nedokážu úplne vylúčiť riziko, ale môžu znížiť vážnosť zranenia v prípade nehody. Váš predajca vám pomôže pri výbere správnych prostriedkov.
- Noste odolné protišmykové topánky alebo podobnú obuv. Výrobok neobsluhujte v otvorených topánkach ani s bosými nohami.
- Používajte ochranné oblečenie.
- Používajte schválené chrániče sluchu.
- Používajte ochranné okuliare.
- Používajte ochranu dýchania triedy FFP2 alebo ekvivalentnú, ak výrobok používate v priestoroch, kde sa môžu vytvárať nebezpečné aerosóly.

Bezpečnostné zariadenia na výrobku



VÝSTRAHA: Skôr než budete výrobok používať, prečítajte si nasledujúce výstrahy.

- Výrobok nepoužívajte s bezpečnostnými zariadeniami, ktoré sú poškodené alebo nefungujú správne.
- Neodstraňujte ani neupravujte bezpečnostné zariadenia.
- Pravidelne kontrolujte bezpečnostné zariadenia. Ak sú bezpečnostné zariadenia poškodené alebo nefungujú správne, obráťte sa na servisného zástupcu Husqvarna.

Blokovanie páčky vypínača

Blokovanie páčky vypínača (A) bráni náhodnému posunu páčky vypínača (B). Keď je blokované páčky vypínača v zamknutej polohe, páčka vypínača nemôže zatlačená.

(Obr. 13)

Spúšťač

Výrobok sa spustí stlačením páčky vypínača. Zastaví sa, keď je páčka vypínača uvoľnená.

Systém tepelnej ochrany

Výrobok je vybavený automatickým systémom tepelnej ochrany. Ak sa výrobok príliš zahreje, systém tepelnej ochrany preruší napájanie výrobku. V prípade, že systém tepelnej ochrany prerušil napájanie, počkajte, kým výrobok vychladne. Systém tepelnej ochrany sa automaticky obnoví do pôvodného stavu, keď výrobok dostatočne vychladne.

Hydraulický poistný ventil

Výrobok disponuje zabudovaným hydraulickým poistným ventilom, ktorý zabraňuje príliš vysokému tlaku v systéme.

Bezpečnostné pokyny pre údržbu



VÝSTRAHA: Skôr než začnete s údržbou výrobku, prečítajte si nasledujúce výstrahy.



VAROVANIE: Pred každým uvedením výrobku do prevádzky po dlhšom čase uskladnenia vykonajte údržbu.

- Otočte vypínač do vypnutej polohy (0) a odpojte elektrickú zástrčku zo zdroja napájania predtým, než začnete vykonávať údržbu na výrobku.
 - Odstavte výrobok od vodného zdroja a uistite sa, že sú všetky diely suché, než začnete vykonávať údržbu na výrobku.
 - Vykonávajte len údržbu uvedenú v tomto návode na obsluhu.
 - Používajte iba originálne náhradné diely odporúčané spoločnosťou Husqvarna.
- Vysokotlakové hadice na vodu, tvarovky a spojky sú dôležité pre bezpečnosť pri používaní výrobku. Používajte iba hadice, tvarovky a spojky odporúčané výrobcom.
 - Výrobok neopravujte. Obráťte sa na servisného zástupcu Husqvarna.
 - Obráťte sa na servisného zástupcu Husqvarna v prípade poškodenia napájacieho kábla alebo zástrčky.
 - Nedovoľte deťom, aby výrobok čistili alebo na ňom vykonávali údržbu.

Montáž

Úvod



VÝSTRAHA: Pred montážou výrobku si prečítajte kapitolu o bezpečnosti a uistite sa, že rozumiete informáciám, ktoré sa v nej uvádzajú.

prívodu vody. Keď sa adaptér záhradnej hadice nenamontuje priamo, môže dôjsť k poškodeniu závitov a k úniku kvapaliny.

Montáž adaptéra záhradnej hadice

1. Odstráňte prepravný kryt z prívodu vody a vyhodte ho. (Obr. 14)
2. Namontujte adaptér záhradnej hadice na prívod vody. (Obr. 15)

3. Adaptér záhradnej hadice úplne utiahnite.
4. Ak chcete adaptér záhradnej hadice odmontovať, postupujte rovnako, ale v opačnom poradí.

Montáž puzdra na rukoväť a predlžovací nadstavec čističa

- Namontujte puzdro pomocou 2 skrutiek. (Obr. 16)



VAROVANIE: Adaptér záhradnej hadice sa musí namontovať priamo na

Prevádzka

Úvod



VÝSTRAHA: Pred používaním výrobku si prečítajte kapitolu o bezpečnosti a uistite sa, že rozumiete informáciám, ktoré sa v nej uvádzajú.

Husqvarna Connect

Husqvarna Connect je bezplatná aplikácia pre mobilné zariadenia. Aplikácia Husqvarna Connect prináša rozšírené funkcie pre výrobok Husqvarna:

- Rozšírené informácie o výrobku.

- Informácie a podpora vzťahujúce sa na súčasť výrobku a servis.

Ako používať Husqvarna Connect

1. Stiahnite si aplikáciu Husqvarna Connect do mobilného zariadenia.
2. Zaregistrujte sa v aplikácii Husqvarna Connect.
3. Ak chcete pripojiť a zaregistrovať produkt, postupujte podľa pokynov v aplikácii Husqvarna Connect.

Poznámka: Aplikácia Husqvarna Connect je k dispozícii na prevzatie iba v niektorých trhoch. Ak potrebujete ďalšie informácie, obráťte sa na servisného predajcu.

Pripojenie rukoväte čističa

1. Vtlačte koncovku vysokotlakovej hadice na vodu do rýchlospojky tak, aby zaklapla na miesto. (Obr. 17)



VAROVANIE: Aby ste predišli úniku vody, ubezpečte sa, že vysokotlaková hadica na bodu je úplne pripojená k rýchlospojke na výrobku.

2. Pevne držte rukoväť čističa jednou rukou a vtlačte koncovku vysokotlakovej hadice na vodu do rýchlospojky na rukoväti. (Obr. 18)

Odpojenie rukoväte čističa

1. Zatlačte tlačidlo na rukoväti čističa a vytiahnite vysokotlakovú hadicu na vodu. (Obr. 19)
2. Zatlačte vonkajší prstenec na rýchlospojke a vytiahnite vysokotlakovú hadicu na vodu. (Obr. 20)

Pripojenie predlžovacieho nadstavca

1. Držte rukoväť čističa jednou rukou a zatlačte spojku predlžovacieho nadstavca do rukoväte. (Obr. 21)
2. Otočte predlžovací nadstavec v smere hodinových ručičiek a uvoľnite ho. Predlžovací nadstavec zaklapne na miesto.

Odpojenie predlžovacieho nadstavca

1. Zatlačte predlžovací nadstavec smerom k rukoväti a otočte ho proti smeru hodinových ručičiek. (Obr. 22)
2. Vyberte predlžovací nadstavec z rukoväte.

Nasadenie a odstránenie hlavice

Výrobok je dodávaný s 2 hlaviciami: 1 striekacia hlavica s priamym prúdom vody (na obrázku ako „gentle nozzle“ (jemná hlavica)) a 1 silnejšia striekacia hlavica s rotujúcim prúdom vody (na obrázku ako „rough nozzle“ (silná hlavica)). Striekacia hlavica s priamym prúdom vody môže byť používaná na čistenie citlivých povrchov, aké sú napríklad na vozidle. Silnú hlavicu je možné

používať na čistenie povrchov, ktoré nie sú citlivé, ako napríklad príjazdové cesty.

(Obr. 23)



VAROVANIE: Striekaciu hlavicu s rotujúcim prúdom vody nepoužívajte na citlivé povrchy, ako napríklad nátery vozidla. Striekacia hlavica s rotujúcim prúdom vody môže takýto povrch poškodiť.

- Pri nasadzovaní hlavice jednou rukou držte rukoväť čističa a druhou vtlačte hlavicu na rukoväť tak, aby zaklapla na miesto. (Obr. 24)
- Pri odstraňovaní hlavice zatlačte západku na predlžovacom nadstavci a vytiahnite z neho hlavicu. (Obr. 25)

Úprava tlaku prúdu vody

Striekacia hlavica s priamym prúdom vody umožňuje nastavenie tlaku.

- Tlak prúdu vody zvýšite otočením hlavice v smere hodinových ručičiek. (Obr. 26)
- Tlak prúdu vody znížite otočením hlavice proti smeru hodinových ručičiek. (Obr. 27)

Obsluha výrobku

1. Pripojte výrobok k vodnému zdroju. V časti *Pripojenie výrobku k vodnému zdroju na strane 376*.
2. Systém odvzdušnite. V časti *Odvzdušnenie systému na strane 377*.
3. Zapnite výrobok. V časti *Zapnutie výrobku na strane 378*.

Pripojenie výrobku k vodnému zdroju

Výrobok je možné používať s vodou z vodovodného potrubia alebo z otvoreného vodného zdroja, napríklad jazera alebo sudu s vodou.

- Ako výrobok pripojiť k vodovodnému potrubiu nájdete v časti *Pripojenie výrobku k vodovodnému potrubiu na strane 376*.
- Ako výrobok pripojiť k otvorenému vodnému zdroju nájdete v časti *Pripojenie výrobku k otvorenému vodnému zdroju na strane 377*.

Pripojenie výrobku k vodovodnému potrubiu

1. Namontujte adaptér záhradnej hadice a filter vody na prívod vody na výrobku, ak nie sú namontované. V časti *Montáž adaptéra záhradnej hadice na strane 375*.
2. Pripojte záhradnú hadicu k vodovodnému potrubiu. Použite ½" záhradnú hadicu s dĺžkou 10 – 25 m. (Obr. 28)



VAROVANIE: Tlak vody vo vodovodnom potrubí nesmie presahovať 1 MPa (10 barov).



VAROVANIE: Teplota vody vo vodovodnom potrubí nesmie presahovať 40 °C.

3. Otvorte ventil na vodovodnom potrubí a uistite sa, že voda môže voľne pretekať záhradnou hadicou. (Obr. 29)
4. Zatvorte ventil na vodovodnom potrubí.
5. Pripojte záhradnú hadicu k prívodu vody na výrobku. (Obr. 30)
6. Elektrickú zástrčku zapojte do zdroja napájania.
7. Otvorte ventil na vodovodnom potrubí.
8. Pred používaním výrobku systém odvzdušnite. V časti *Odvzdušnenie systému na strane 377*.

Pripojenie výrobku k otvorenému vodnému zdroju

Výrobok je možné používať s vodou z otvoreného vodného zdroja, napríklad jazera alebo suda s vodou. Použite ½" saciu hadičku (nie je súčasťou balenia) s dĺžkou najviac 3 m.

(Obr. 31)



VAROVANIE: Teplota vody zdroja vody nesmie presahovať 20 °C.



VAROVANIE: Výrobok sa nesmie nachádzať viac ako 0,5 m nad hladinou zdroja vody.

1. Ak je adaptér záhradnej hadice namontovaný, odstráňte ho z prívodu vody na výrobku. (Obr. 32)



VAROVANIE: Filter vody v prívode vody neodstraňujte.

2. Namontujte saciu hadičku (nie je súčasťou balenia) k prívodu vody na výrobku. (Obr. 33)
3. Saciu hadičku vložte do zdroja vody a uistite sa, že filter je kompletne ponorený.



VAROVANIE: Nepoužívajte saciu hadičku bez filtra.

4. Zatláčajte tlačidlo na rukoväti čističa a vytiahnite vysokotlakovú hadicu na vodu z rukoväte. (Obr. 19)
5. Elektrickú zástrčku zapojte do zdroja napájania.
6. Otočte vypínač do zapnutej polohy (I) a nechajte výrobok bežať po dobu 2 minút.
7. Otočte vypínač do vypnutej polohy (0).
8. Pevne držte rukoväť čističa jednou rukou a vtlačte koncovku vysokotlakovej hadice na vodu do rýchlospojky na rukoväti. (Obr. 18)

9. Pred používaním výrobku systém odvzdušnite. V časti *Odvzdušnenie systému na strane 377*.

Odvzdušnenie systému



VAROVANIE: Uistite sa, že vypínač je vo vypnutej polohe (0) predtým, než budete odvzdušňovať systém.

1. Pripojte výrobok k vodnému zdroju. V časti *Pripojenie výrobku k vodnému zdroju na strane 376*.
2. Pripojte predlžovací nadstavec na rukoväť čističa. V časti *Pripojenie predlžovacieho nadstavca na strane 376*.
3. Odomknite blokovanie páčky vypínača. V časti *Uzamknutie a odomknutie blokovania páčky vypínača na strane 377*.
4. Stlačte a podržte vypínač stlačený, kým z hlavice na predlžovacom nastavci nezačne vychádzať voda. (Obr. 34)

Odpojenie výrobku od vodného zdroja

1. Otočte vypínač do vypnutej polohy (0).
2. Ak je výrobok pripojený k vodovodnému potrubiu, zatvorte ventil na vodovodnom potrubí.
3. Ak je výrobok pripojený k vodovodnému potrubiu, odpojte záhradnú hadicu od vodovodného potrubia. (Obr. 35)
4. Ak je výrobok napojený na otvorený vodný zdroj, odpojte saciu hadicu od zdroja.
5. Stlačte a podržte stlačenú páčku vypínača, kým z hlavice neprestane vytekať voda.
6. Odpojte záhradnú hadicu od prívodu vody na výrobku. (Obr. 36)

Poznámka: Ak je výrobok napojený na otvorený vodný zdroj, odpojte saciu hadicu.

7. Zatláčajte tlačidlo na rukoväti čističa a vytiahnite vysokotlakovú hadicu na vodu z rukoväte. (Obr. 19)
8. Otočte vypínač do zapnutej polohy (I). Ponechajte výrobok spustený, kým z vysokotlakovej hadice neprestane vytekať voda.
9. Otočte vypínač do vypnutej polohy (0).
10. Pred uskladnením výrobku nechajte rukoväť, predlžovací nadstavec a hlavice čističa vyschnúť.

Uzamknutie a odomknutie blokovania páčky vypínača

- Aby ste uzamkli blokovanie páčky vypínača, otáčajte blokovanie páčky vypínača v smere hodinových ručičiek, kým nepočujete kliknutie. (Obr. 37)
- Aby ste odomkli blokovanie páčky vypínača, úplne otočte blokovanie páčky vypínača proti smeru hodinových ručičiek. (Obr. 38)

Zapnutie výrobku

1. Pripojte výrobok k vodnému zdroju. V časti *Pripojenie výrobku k vodnému zdroju na strane 376*.
2. Elektrickú zástrčku zapojte do zdroja napájania.
3. Otočte vypínač do zapnutej polohy (I). (Obr. 39)
4. Odomknite blokovanie páčky vypínača. V časti *Uzamknutie a odomknutie blokovania páčky vypínača na strane 377*.
5. Zatláčte páčku vypínača na rukoväti čističa.

Poznámka: Výrobok sa automaticky zastaví, keď uvoľníte páčku vypínača.

Zastavenie výrobku

Poznámka: Výrobok sa automaticky zastaví, keď uvoľníte páčku vypínača.

1. Uvoľníte páčku vypínača na rukoväti čističa.
2. Zamkníte blokovania páčky vypínača. V časti *Uzamknutie a odomknutie blokovania páčky vypínača na strane 377*.
3. Otočte vypínač do vypnutej polohy (0). (Obr. 40)
4. Vytiahnite zástrčku zo zdroja napájania.

5. Odstavte výrobok od vodného zdroja. V časti *Odpojenie výrobku od vodného zdroja na strane 377*.

Poznámka: Vždy výrobok odstavte od vodného zdroja, keď sa od výrobku vzdialíte na viac ako 5 minút.

Použitie napeňovača

1. Odnímte napeňovač z jeho držiaka. (Obr. 41)
2. Naplňte nádobu napeňovača čistiacim prostriedkom.



VAROVANIE: Používajte iba čistiace prostriedky, ktoré odporúča Husqvarna.

3. Zatláčte rýchlospojku napeňovača do rýchlospojky na predlžovacom nastavci tak, aby zaklapla na miesto. (Obr. 42)

Poznámka: Príruba na napeňovači musí byť zarovnaná s drážkou v predlžovacom nastavci.

4. Pripojte výrobok k vodnému zdroju. V časti *Pripojenie výrobku k vodnému zdroju na strane 376*.
5. Zapnite výrobok. V časti *Zapnutie výrobku na strane 378*.

Údržba

Úvod



VÝSTRAHA: Pred vykonávaním akejkoľvek údržby si musíte prečítať kapitolu o bezpečnosti a porozumieť jej.

Údržba a opravné práce na výrobku si vyžadujú špeciálne školenie. Zaručujeme dostupnosť profesionálnych opravných prác a údržby.

Podrobnejšie informácie nájdete na stránke www.husqvarna.com.

Plán údržby

Údržba	Pred použitím	Po použití
Vykonajte všeobecnú kontrolu. V časti <i>Vykonanie všeobecnej kontroly na strane 379</i> .	X	
Vyčistite výrobok. V časti <i>Čistenie výrobku na strane 379</i> .		X
Vyčistite predlžovací nastavec a hlavice. V časti <i>Čistenie predlžovacieho nastavca a hlavíc na strane 379</i> .		X
Vyčistite filter vody. Ak je filter vody poškodený, vymeňte ho. V časti <i>Čistenie vodného filtra na strane 379</i> .		X
Namažte kruhové tesnenia na spojkách. V časti <i>Namazanie kruhových tesnení na spojkách na strane 379</i> .		X

Vykonanie všeobecnej kontroly

diely suché, než začnete vykonávať údržbu na výrobku.



VÝSTRAHA: Otočte vypínač do vypnutej polohy (0) a odpojte elektrickú zástrčku zo zdroja napájania predtým, než začnete vykonávať údržbu na výrobku.



VAROVANIE: Odstavte výrobok od vodného zdroja a uistite sa, že sú všetky diely suché, než začnete vykonávať údržbu na výrobku.

- Skontrolujte, či sú matice a skrutky na výrobku dotiahnuté.
- Uistite sa, že káble produktu nie sú v polohe, v ktorej by sa mohli poškodiť.
- Skontrolujte, či vysokotlaková hadica nie je opotrebovaná alebo poškodená.



VÝSTRAHA: Výrobok nepoužívajte, ak je vysokotlaková hadica opotrebovaná alebo poškodená.

Čistenie výrobku



VÝSTRAHA: Otočte vypínač do vypnutej polohy (0) a odpojte elektrickú zástrčku zo zdroja napájania predtým, než začnete vykonávať údržbu na výrobku.



VAROVANIE: Odstavte výrobok od vodného zdroja a uistite sa, že sú všetky diely suché, než začnete vykonávať údržbu na výrobku.

- Očistite všetky vonkajšie diely suchou handričkou.
- Na čistenie výrobku nepoužívajte vysokotlakový čistič.
- Zabezpečte, aby boli všetky vstupné vzduchové otvory čisté, aby teplota výrobku bola vždy dostatočne nízka.

Čistenie predlžovacieho nadstavca a hlavíc



VÝSTRAHA: Otočte vypínač do vypnutej polohy (0) a odpojte elektrickú zástrčku zo zdroja napájania predtým, než začnete vykonávať údržbu na výrobku.



VAROVANIE: Odstavte výrobok od vodného zdroja a uistite sa, že sú všetky



VÝSTRAHA: Otočte vypínač do vypnutej polohy (0) a odpojte elektrickú zástrčku zo zdroja napájania predtým, než začnete vykonávať údržbu na výrobku.



VAROVANIE: Odstavte výrobok od vodného zdroja a uistite sa, že sú všetky diely suché, než začnete vykonávať údržbu na výrobku.

1. Ak je adaptér záhradnej hadice namontovaný, odstráňte ho z prívodu vody na výrobku. (Obr. 32)
2. Vytiahnite filter vody. Použite kliešte. (Obr. 45)
3. Skontrolujte, či filter vody nie je poškodený. Ak je filter vody poškodený, vymeňte ho. (Obr. 46)
4. Prepláchnite filter vody čistou vodou. (Obr. 47)

Namazanie kruhových tesnení na spojkách



VÝSTRAHA: Otočte vypínač do vypnutej polohy (0) a odpojte elektrickú zástrčku zo zdroja napájania predtým, než začnete vykonávať údržbu na výrobku.



VAROVANIE: Odstavte výrobok od vodného zdroja a uistite sa, že sú všetky diely suché, než začnete vykonávať údržbu na výrobku.

1. Odpojte predlžovací nadstavce od rukoväte čističa a rukoväť čističa od vysokotlakovej hadice. V časti *Pripojenie predlžovacieho nadstavca na strane 376* a *Pripojenie rukoväte čističa na strane 376*.
2. Namažte kruhové tesnenia na adaptéry záhradnej hadice, predlžovacom nadstavci a vysokotlakovej hadici mazaním. V časti *Technické údaje na strane 381* nájdete informácie o správnom type mazania. (Obr. 48)

Riešenie problémov

Plán riešenia problémov

Problém	Možná príčina	Riešenie
Výrobok sa nedá spustiť.	Elektrická zástrčka nie je pripojená k zdroju napájania.	Elektrickú zástrčku zapojte do zdroja napájania.
	Vypínač je vo vypnutej polohe (0).	Otočte vypínač do zapnutej polohy (I).
	Zdroj napájania neposkytuje napájanie.	Obráťte sa na kvalifikovaného elektrikára.
	Napájací kábel je poškodený.	Kontaktujte schváleného servisného zástupcu spoločnosti.
	Systém tepelnej ochrany prerušil napájanie.	Pred opätovným spustením výrobku počkajte, kým výrobok vychladne.
	Bol použitý nesprávny typ predžvaciaho kábla.	Ubezpečte sa, že predžvovací kábel je úplne rozvinutý a napájacie napätie sa zhoduje s napätím výrobku.
Došlo k vypáleniu poistky pri spustení alebo počas prevádzky.	Bol použitý nesprávny typ poistky.	Uistite sa, že používate pomalú poistku triedy „C“ alebo „K“.
Výrobok sa nezastavuje.	Výrobok je poškodený.	Odpojte elektrickú zástrčku a obráťte sa na schváleného servisného zástupcu.
Výrobok sa príliš zahrieva.	Prietok vzduchu je nedostatočný.	Vyčistite otvory nasávania vzduchu.
Výrobok nebeží plynule.	Vo vnútri systému je prítomný vzduch.	Systém odvzdušnite.
Tlak vody nie je uspokojivý.	Hadica je ohnutá.	Uistite sa, že sa po dĺžke hadice nevyskytujú žiadne ohyby.
	Vypínač je vo vypnutej polohe (0).	Otočte vypínač do zapnutej polohy (I).
	Prietok vody je nedostatočný.	Uistite sa, že je výrobok napojený k vodnému zdroju správne. Uistite sa, že je prietok vody dostatočný.
	Filter vody je upchatý.	Vyčistite filter vody.
	Vo vnútri systému je prítomný vzduch.	Systém odvzdušnite.
	Príslušenstvo nie je správne.	Uistite sa, že používate správne príslušenstvo.

Preprava, skladovanie a likvidácia

Preprava

- Pred prepravou výrobku odpojte elektrickú zástrčku od zdroja napájania.
- Pred prepravou výrobku odpojte výrobok od vodného zdroja.
- Pred prepravou výrobok bezpečne pripevnite, aby ste zabránili jeho pohybu.

Skladovanie

- Pred uskladnením vypustíte všetku vodu z výrobku, vysokotlakovej hadice a príslušenstva.
- Pripravte výrobok na uskladnenie. V časti *Príprava výrobku na uskladnenie na strane 381*.
- Výrobok skladujte v suchom prostredí, ktoré je chránené pred mrazom.

Príprava výrobku na uskladnenie

1. Zastavte výrobok a odpojte elektrickú zástrčku od zdroja napájania.
2. Odstavte výrobok od vodného zdroja. V časti *Odpojenie výrobku od vodného zdroja na strane 377*.

3. Skontrolujte, či je všetko príslušenstvo suché.
4. Vložte rukoväť, predlžovací nadstavec a hlavice do svojich puzdiar a držiakov.
5. Odpojte vysokotlakovú hadicu na vodu a vložte ju do držiaka. (Obr. 49)
6. Umiestnite napájaci kábel na držiak a upevnite popruh. (Obr. 50)

Likvidácia

Výrobky Husqvarna nie sú domácim odpadom a musia sa likvidovať len v súlade s pokynmi uvedenými v tomto návode.

- Dodržiavajte miestne požiadavky v oblasti likvidácie a platné predpisy.
- Výrobok a obal recyklujte vo vhodnom zariadení na likvidáciu.
- Ďalšie informácie o recyklácii a likvidácii výrobku vám poskytne miestny predajca značky Husqvarna.

Technické údaje

	PW 130
Motor a čerpadlo	
Typ	Sériový motor AC
Výkon, W	1500
Rozsah napätia, V	220 – 240
Frekvencia, Hz	50
Menovitý prúd, A	6,5
Max. prietok vody, l/min	7,7
Max. tlak vody na výstupe, bary/MPa	130/13
Max. tlak vody na vstupe, bary/MPa	10/1
Max. teplota vody na vstupe, °C/°F	40/104
Max. teplota vody na vstupe (v režime sania), °C/°F	20/68
Stupeň IP	IPX5
Bezpečnostná trieda	Trieda II
Mazanie	
Typ mazania pre kruhové tesnenia	Univerzálne biele silikónové mazivo

	PW 130
Hmotnosť	
Hmotnosť, kg	6,5
Emisie hluku⁸⁵	
Nameraná úroveň hlučnosti dB(A)	85
Zaručená L _{WA} úroveň hlučnosti dB(A)	89
Úrovně hlučnosti⁸⁶	
Ekvivalentná úroveň akustického tlaku pri uchu používateľa, dB(A)	72
Úrovně vibrácií⁸⁷	
Horná končatina (so štandardnou hlavickou) m/s ²	2,5
Ekvivalentné stupne vibrácií⁸⁸	
Horná končatina (so štandardnou hlavickou) m/s ²	1,8

Príslušenstvo

Schválené príslušenstvo

Schválené príslušenstvo	Číslo dielu
Čistiaci prípravok na povrchy SC 300	590 65 79-01
Napeňovač FS 300	590 66 04-01
Hadica na čistenie potrubí, 15 m	590 66 10-01
Filter vody	590 65 93-01
Zabraňovač spätného toku	590 65 95-01
Sacia hadička	590 65 97-01
Súprava na vozidlo	590 66 07-01
Súprava rotujúcich kief	590 66 06-01
Zahnutý predlžovací nadstavec	590 66 11-01
Hlavica na nasávanie vody	590 66 05-01

⁸⁵ Hladina hluku meraná ako akustický tlak (L_{WA}) v súlade s európskou smernicou 2000/14/ES.

⁸⁶ Podľa normy ISO 22868 sa ekvivalentná hladina akustického tlaku vypočíta ako časovo vážená celková energia pre jednotlivé hladiny akustického tlaku za rôznych pracovných podmienok. Typický štatistický rozptyl hladiny akustického tlaku je štandardná odchýlka 1 dB (A).

⁸⁷ Stupeň vibrácií podľa smernice EN 60745-2-13. Uvádzané údaje pre ekvivalentný stupeň vibrácií majú typický štatistický rozptyl (štandardnú odchýlku) 1 m/s². Deklarované údaje o vibráciách z meraní, keď je zariadenie vybavené dĺžkou lišty a odporúčaným typom reťaze. Ak je zariadenie vybavené odlišnou dĺžkou lišty, stupeň vibrácií sa môže líšiť o max. ± 1,5 m/s².

⁸⁸ Ekvivalentný stupeň vibrácií sa meria a vypočítava ako pre reťazové pily poháňané spaľovacím motorom. Tieto čísla sú uvedené na účel porovnania údajov o vibráciách bez ohľadu na typ motora podľa normy ISO 22867:2011.

Schválené príslušenstvo	Číslo dielu
Predžovacia hadica, 8 m	590 66 08-01

Vyhlasenie o zhode

Vyhlasenie o zhode EÚ

My, Husqvarna AB, SE-561 82 Huskvarna,
Švédsko, tel.: +46-36-146500, vyhlasujeme s plnou
zodpovednosťou, že výrobok:

Popis	Tlakový čistič
Značka	Husqvarna
Typ/model	PW 130
Identifikácia	Výrobné čísla od roku 2022 a novšie

plne spĺňa nasledujúce smernice a nariadenia EÚ:

Nariadenie	Popis
2006/42/ES	„o strojových zariadeniach“
2014/30/EÚ	„o elektromagnetickej kompatibilite“
2000/14/ES, príloha V	„týkajúca sa emisie hluku v prostredí pochádzajúceho zo zariadení používaných na voľnom priestranstve“
2011/65/EÚ	„o obmedzení používania určitých nebezpečných látok v elektrických a elektronických zariadeniach“

a že sa pri ňom uplatňujú nasledujúce normy
a technické špecifikácie: EN 60335-1:2012/A11:2014/
A13:2017/A1:2019/A14:2019/A2:2019/A15:2021, EN
60335-2-79:2012, EN 62233:2008, EN 55014-1:2021,
EN 55014-2:2021, EN IEC 61000-3-2:2019/A1:2021, EN
61000-3-3:2013/A2:2021, EN IEC 63000:2018.

Informácie týkajúce sa emisií hluku nájdete v časti
Technické údaje na strane 381.

Huskvarna, 2023-01-19



Claes Losdal, Manažér vývoja/výrobky pre záhradu,
Husqvarna AB

Zodpovedný za technickú dokumentáciu



VSEBINA

Uvod.....	385	Odpravljanje težav.....	396
Varnost.....	386	Transport skladiščenje in odstranitev.....	397
Montaža.....	391	Tehnični podatki.....	397
Delovanje.....	392	Dodatki.....	398
Vzdrževanje.....	394	Izjava o skladnosti.....	400

Uvod

Opis izdelka

Izdelek je električni visokotlačni čistilnik. Izdelek lahko upravljate z različnimi stopnjami tlaka vode in različnimi čistilnimi sredstvi.

Namen uporabe

Izdelek uporabljajte samo za domače čiščenje. Izdelka ne uporabljajte za druga opravila. Izdelek uporabljajte le v pokončnem položaju.

Pregled izdelka

(Sl. 1)

1. Šoba z ravnim vodnim curkom
2. Šoba z vrtljivim vodnim curkom
3. Gumijasti trak za držalo napajalnega kabla
4. Držalo za ročaj za pršenje in paličasto prho
5. Visokotlačna cev za vodo
6. Dovod za vodo
7. Razpršilnik za peno
8. Shramba za visokotlačno cev za vodo
9. Vklonno stikalo
10. Napajalni kabel
11. Odvod za vodo s hitrim priključkom
12. Čistilno orodje za šobe
13. Ročaj za prenašanje
14. Dovod zraka
15. Ročaj za pršenje
16. Paličasta prha
17. Navodila za uporabo

Simboli na izdelku

(Sl. 2)

OPOZORILO: Ta izdelek je lahko nevaren in lahko povzroči hude poškodbe oziroma smrt uporabnika ali drugih. Bodite previdni

Opomba: Uporaba tega izdelka je lahko omejena z nacionalnimi predpisi.

in uporabljajte izdelek pravilno.

(Sl. 3)

Pred uporabo tega izdelka morate pozorno prebrati navodila za uporabo ter jih razumeti.

(Sl. 4)

Izdelek ni primeren za priklon na cevovod s pitno vodo.

(Sl. 5)

Visokotlačni curki so lahko pri nepravilni uporabi nevarni. Curek ne sme biti usmerjen proti osebam, električni opremi ali izdelku.

(Sl. 6)

Okoljska oznaka. Izdelek ali embalaža izdelka ne spadata med

gospodinjske odpadke. Treba ga je reciklirati v odobrenem zbirnem centru za električno in elektronsko opremo.

(Sl. 7) Orodje Razreda II.

(Sl. 8) Emisija hrupa v okolje je skladna z direktivami in uredbami EU, ZK ter zakonodajo Novega južnega Walesa, in sicer z direktivo "Zaščita okolja pri delu (nadzor hrupa) iz 2017". Zajamčena raven zvočne moči izdelka je navedena na in v *Tehnični podatki na strani 397* in na oznaki.

(Sl. 9) Zaščiten pred nizkotlačnim vodnim

tokom iz katerega koli kota.

(Sl. 10) Ne izpostavljajte zmrzali.

(Sl. 11) Izdelek je skladen z veljavnimi direktivami ES.

(Sl. 12) Izdelek je v skladu z veljavnimi direktivami ZK.

Opomba: Ostali simboli in oznake na izdelku se nanašajo na zahteve za certifikacijo, ki veljajo za nekatere trge.

Škoda izdelka

Za škodo na izdelku ne odgovarjamo, če:

- Izdelek ni pravilno popravljen.
- Izdelek je popravljen z deli, ki jih ni izdelal ali odobril proizvajalec.
- Na izdelku je nameščena dodatna oprema, ki je ni izdelal ali odobril proizvajalec.
- Izdelek ni bil popravljen v pooblaščenem servisnem centru ali pri pooblaščenem organu.

Varnost

Varnostne definicije

Opozorila, svarila in opombe opozarjajo na posebje pomembne dele priročnika.



OPOZORILO: Se uporabi, če obstaja nevarnost telesne poškodbe ali smrti uporabnika ali opazovalcev ob

neupoštevanju navodil v tem priročniku.



POZOR: Se uporabi, če obstaja nevarnost poškodbe izdelka, drugih materialov ali okolice ob neupoštevanju navodil v tem priročniku.

Opomba: Se uporabi za podajanje podrobnejših informacij, potrebnih v dani situaciji.

Splošna varnostna navodila



OPOZORILO: Pred uporabo izdelka preberite navodila v povezavi z opozorili v nadaljevanju.

- Ta izdelek je lahko nevaren, če ga ne uporabljate pravilno ali če niste previdni. Če ne upoštevate varnostnih navodil, lahko nastopijo poškodbe ali celo smrt.
- Vedno bodite previdni in ravnajte razumno. Če niste prepričani, kako upravljati ta izdelek v določeni situaciji, prenehajte z delom in se obrnite na pooblaščenega servisnega zastopnika družbe Husqvarna.
- Ne pozabite, da je uporabnik odgovoren za nesreče, ki jih povzroči drugim ljudem ali njihovi lastnini.
- Izdelek redno čistite. Pozorno preberite znake in nalepke.
- Naprave ne smejo uporabljati otroci ali osebe, ki niso seznanjene z navodili. Lokalni

predpisi lahko omejujejo starost uporabnika.

- Ta izdelek lahko uporabljajo osebe z omejenimi telesnimi, zaznavalnimi ali duševnimi sposobnostmi, če so pri tem pod nadzorom ali so podučeni o varni uporabi ter morebitnih nevarnostih.
- Ta izdelek lahko uporabljajo osebe, ki nimajo potrebnih izkušenj ali znanj, če so pri tem pod nadzorom ali so podučeni o varni uporabi ter morebitnih nevarnostih.
- Izdelka ne uporabljajte, ko ste utrujeni, bolni, ali pod vplivom alkohola, drog ali zdravil. To negativno vpliva na vaš vid, pozornost, koordinacijo in presojo.
- Ne uporabljajte poškodovanega izdelka.
- Izdelka ne spreminjajte ali uporabljajte, če obstaja možnost, da so ga spremenile tretje osebe.

Varnostna navodila za uporabo



OPOZORILO: Pred uporabo izdelka preberite navodila v povezavi z opozorili v nadaljevanju.

- Ne uporabljajte izdelka, če ima poškodovan napajalni

- kabel, visokotlačno cev, gumb za zaklep ročice plina ali ročaj za pršenje.
- Pred uporabo izdelka preverite, ali je morebiti poškodovan. Ne uporabljajte izdelka, če so njegovi deli poškodovani ali pa manjkajo.
 - Ročaj za pršenje držite trdno z obema rokama. Ko pritisnete vklopni sprožilec, pride do povratnega udarca.
 - Pri uporabi izdelka bodite previdni. Visok tlak, ki ga ustvarja izdelek, je nevaren in lahko povzroči poškodbe.
 - Curka ne usmerjajte proti sebi, drugim osebam ali živalim.
 - Curka ne usmerjajte proti sebi ali drugim za čiščenje obutve.
 - Curka ne usmerjajte proti električni opremi ali samemu izdelku.
 - Pri uporabi izdelka uporabljajte osebno zaščitno opremo. Glejte, *Osebna zaščitna oprema na strani 389*.
 - Izdelka ne uporabljajte v bližini oseb, razen če nosijo zaščitno opremo.
 - Če uporabljate čistilno sredstvo, upoštevajte varnostna navodila za čistilno sredstvo.
 - Uporabljajte samo čistilna sredstva družbe Husqvarna.
 - Uporabljajte pravilen tlak vode in čistilna sredstva, izdelek pa uporabljajte samo za opravila, navedena v tem priročniku. Če uporabljate neustrezen tlak vode, čistilno sredstvo ali pa izdelek uporabljate za opravila, ki niso navedena v tem priročniku, lahko poškodujete izdelek, površine, materiale ali druge naprave. Družba Husqvarna ne prevzema odgovornosti za škodo, ki nastane zaradi nepravilne uporabe.
 - Izdelka ni priporočljivo priklopljati na cevovod s pitno vodo. Če morate izdelek priklopiti na cevovod s pitno vodo, upoštevajte lokalne in nacionalne predpise. Če je potrebno, uporabite varovalo pred povratnim tokom (ni priloženo). Voda, ki teče skozi protipovratno enoto, ni več pitna.
 - Ne pršite gorljivih tekočin. Nevarnost eksplozije.
 - Ne dovolite, da izdelek uporabljajo otroci.
 - Ne dovolite otrokom, da se igrajo z izdelkom.
 - Ne dovolite, da izdelek uporabljajo osebe, ki niso usposobljene.

- Uporablajte le pribor, dodatno opremo in nadomestne dele, ki jih je odobrila družba Husqvarna.
- Prepričajte se, da električni priključek izvede pooblaščen električar in da je v skladu s standardom IEC 60364-1.
- Uporabite napravo na diferenčni tok, ki prekine elektriko, če je uhajavi tok večji od 30 mA za 30 ms. Če nimate naprave na diferenčni tok, uporabite napravo, ki bo dokazala ozemljitev.
- Uporabite varovalke za zakasneli zagon motorja s karakteristiko C ali D v skladu s standardom IEC 898-1 ali IEC947-2 ali ustreznimi standardi zunaj IEC.
- Za prilagajanje izdelkov, ki so označeni z dvojno napetostjo in frekvenco, niso potrebni nobeni ukrepi.
- Če morate uporabiti podaljšek, zagotovite, da je primeren za zunanjo uporabo. Prepričajte se, da je vtičnica vsaj 60 mm nad tlemi. Priključek mora biti vedno suh.
- Preden se oddaljite od izdelka, preklopite vklopno stikalo v položaj za izklop (0), izvalcite napajalni vtič in vklopite zaklep sprožilca plina.
- Pred menjavo pribora in dodatne opreme preklopite vklopno stikalo v položaj za izklop (0) in izvalcite napajalni vtič.
- Pred čiščenjem ali vzdrževanjem izdelka preklopite vklopno stikalo v položaj za izklop (0) in izvalcite napajalni vtič.
- Izdelka ne uporabljajte v okoljih, kjer je temperatura okolice nižja od 0 °C.
- Ne zaženite zamrznjenega izdelka.
- Izdelka ne uporabljajte v zaprtih prostorih.
- Med delovanjem izdelka nanj ne postavljajte nobenih predmetov.
- Ne pijte vode, ki se je uporabljala z izdelkom.
- Izdelka ne uporabljajte v bližini odprtih oken.
- Pozor pred izmetom predmetov. Kamenje in nepritrjene predmete lahko stroj vrže v oči, to pa lahko povzroči slepoto ali resne poškodbe.
- Če izdelek ne deluje pravilno, glejte *Urnik odpravljanja težav na strani 396*.

Osebna zaščitna oprema



OPOZORILO: Pred uporabo izdelka preberite

navodila v povezavi z opozorili v nadaljevanju.

- Osebna zaščitna oprema ne more popolnoma preprečiti poškodb, vendar v primeru nesreče omili posledice. Prodajalec naj vam pomaga izbrati ustrezno opremo.
- Uporabljajte trpežno obutev, ki ne drsi. Ne bodite bosí ali nosite odprtih čevljev.
- Uporabljajte zaščitna oblačila.
- Uporabljajte odobreno zaščito za sluh.
- Uporabljajte zaščitna očala.
- Če izdelek uporabljate v okoljih, kjer lahko nastajajo nevarni aerosoli, uporabljajte dihalno masko, ki ustreza razredu zaščite FFP2 ali enakovredno.

Varnostne naprave na izdelku



OPOZORILO: Pred uporabo izdelka preberite navodila v povezavi z opozorili v nadaljevanju.

- Ne uporabljajte izdelka z varnostnimi napravami, ki so poškodovane ali ne delujejo pravilno.
- Ne odstranjajte in ne spreminjajte varnostnih naprav.

- Redno preverjajte varnostne naprave. Če so varnostne naprave poškodovane ali ne delujejo pravilno, se obrnite na servisnega zastopnika Husqvarna.

Zaklep sprožilca plina

Zaklep sprožilca plina (A) preprečuje neželjeno uporabo sprožilca plina (B). Ko je zaklep sprožilca plina v zaklenjenem položaju, sprožilca plina ni mogoče potisniti navznoter.

(Sl. 13)

Sprožilec plina

Izdelek se zažene, ko je sprožilec plina potisnjen navznoter. Izdelek se zaustavi, ko je sprožilec plina sproščen.

Toplotna zaščita

Izdelek ima samodejno toplotno zaščito. Če se izdelek preveč segreje, toplotna zaščita zaustavi njegovo napajanje. Če je toplotna zaščita zaustavila napajanje, počakajte, da se izdelek ohladi. Toplotna zaščita se samodejno ponastavi, ko je izdelek dovolj hladen.

Hidravlični odtočni ventil

Izdelek je opremljen z vgrajenim hidravličnim odtočnim ventilom,

ki preprečuje previsok tlak v sistemu.

Varnostna navodila za vzdrževanje



OPOZORILO: Pred vzdrževanjem izdelka preberite naslednja opozorilna navodila.



POZOR: Pred uporabo izdelka, ki je bil dlje časa skladiščen, vedno izvedite vzdrževalna dela.

- Pred vzdrževanjem izdelka preklopite vklopno stikalo v položaj za izklop (0) in izvlecite napajalni vtič iz vira napajanja.
- Pred vzdrževanjem izdelka ga odklopite od vodnega vira in se prepričajte, da so vsi deli suhi.
- Vzdrževalna dela opravite tako, kot je navedeno v teh navodilih za uporabo.
- Uporabljajte samo nadomestne dele, ki jih priporoča družba Husqvarna. Za varnost med uporabo izdelka so pomembni visokotlačne cevi za vodo, priključki in spojke. Uporabljajte samo cevi, priključke in spojke, ki jih priporoča proizvajalec.
- Ne popravljajte izdelka. Obrnite se na pooblaščenega servisnega zastopnika družbe Husqvarna.
- Če je napajalni vtič ali napajalni kabel poškodovan, se obrnite na pooblaščenega servisnega zastopnika družbe Husqvarna.
- Ne dovolite otrokom, da čistijo ali vzdržujejo izdelek.

Montaža

Uvod



OPOZORILO: Preden začnete sestavljati izdelek, morate prebrati in razumeti poglavje o varnosti.



POZOR: Adapter vrtno cevi namestite neposredno na dovod za vodo. Če adapter vrtno cevi ni nameščen naravnost, lahko pride do poškodb navojev in puščanja.

Namestitev adapterja za vrtno cev

1. Odstranite transportni pokrov iz dovoda za vodo in ga zavrzite. (Sl. 14)
2. Namestite adapter vrtno cevi na dovodu za vodo. (Sl. 15)

3. Adapter za vrtno cev tesno privijte.
4. Adapter za vrtno cev odstranite v nasprotnem vrstnem redu.

Namestitev držala za ročaj za pršenje in paličasto prho

- Držalo namestite z dvema vijakoma. (Sl. 16)

Uvod



OPOZORILO: Preden začnete uporabljati izdelek, morate prebrati in razumeti poglavje o varnosti.

Husqvarna Connect

Husqvarna Connect je brezplačna aplikacija za vašo mobilno napravo. Aplikacija Husqvarna Connect omogoča razširitev funkcij vašega izdelka Husqvarna:

- Dodatne informacije o izdelku.
- Informacije o izdelku, delih in servisu ter pomoč.

Začetek uporabe aplikacije

1. V mobilno napravo si prenesite aplikacijo Husqvarna Connect.
2. Registrirajte se v aplikaciji Husqvarna Connect.
3. Za vzpostavitev povezave in registracijo izdelka sledite navodilom v aplikaciji Husqvarna Connect.

Opomba: Aplikacija Husqvarna Connect ni na voljo za prenos na vseh trgih. Če potrebujete več informacij, se obrnite na servisnega zastopnika.

Namestitev ročaja za pršenje

1. Potisnite visokotlačno cev za vodo v hitri priključek, dokler se ne zaskoči v položaju. (Sl. 17)



POZOR: Prepričajte se, da je visokotlačna cev popolnoma priključena na hitri priključek na izdelku, in tako preprečite puščanje.

2. Z eno roko trdno držite ročaj za pršenje in potisnite visokotlačno cev za vodo v hitri priključek na ročaju za pršenje. (Sl. 18)

Odstranitev ročaja za pršenje

1. Pritisnite gumb na ročaju za pršenje in izvlecite visokotlačno cev za vodo. (Sl. 19)
2. Pritisnite zunanji obroč na hitrem priključku in izvlecite visokotlačno cev za vodo. (Sl. 20)

Namestitev paličaste prhe

1. Z eno roko držite ročaj za pršenje in potisnite spojko na paličasti prhi v ročaj za pršenje. (Sl. 21)
2. Obrnite paličasto prho v smeri urinega kazalca, nato pa jo sprostite. Paličasta prha se zaskoči v položaju.

Odstranitev paličaste prhe

1. Potisnite paličasto prho navznoter in jo obrnite v nasprotni smeri urinega kazalca. (Sl. 22)
2. Izvlecite paličasto prho iz ročaja za pršenje.

Namestitev in odstranitev šobe

Izdelek je dobavljen z 2 šobama: 1 šoba z ravnim vodnim curkom (označena kot "nežna šoba") in 1 groba šoba z vrtljivim vodnim curkom (označena kot "groba šoba"). Šoba z ravnim vodnim curkom se lahko uporablja za čiščenje občutljivih površin, na primer vozil. Grobo šobo lahko uporabljate za čiščenje neobčutljivih površin, na primer dovozov.

(Sl. 23)



POZOR: Šobe z vrtljivim vodnim curkom ne uporabljajte na občutljivih površinah, na primer pobarvanih površinah na vozilu. Vrtljivi vodni curek lahko poškoduje površino.

- Šobo namestite tako, da z eno roko držite paličasto prho in potisnete šobo navznoter, dokler se ne zaskoči v položaju. (Sl. 24)
- Za odstranitev šobe pritisnite jeziček na paličasti prhi navznoter in izvlecite šobo iz paličaste prhe. (Sl. 25)

Nastavitev tlaka vodnega curka

Šoba z ravnim vodnim curkom ima nastavljen tlak.

- Če želite povečati tlak vodnega curka, obrnite šobo v smeri urinega kazalca. (Sl. 26)
- Če želite zmanjšati tlak vodnega curka, obrnite šobo v nasprotni smeri urinega kazalca. (Sl. 27)

Upravljanje izdelka

1. Izdelek priklopite na vodni vir. Glejte *Prikllop izdelka na vodni vir na strani 392*.
2. Odzračite sistem. Glejte *Odzračevanje sistema na strani 393*.
3. Zaženite izdelek. Glejte *Zagon izdelka na strani 394*.

Prikllop izdelka na vodni vir

Izdelek lahko uporabljate z vodo iz vodovodnega omrežja ali z vodo iz odprtega vodnega vira, na primer iz jezera ali sodov z vodo.

- Za prikllop izdelka na vodovodno omrežje glejte *Prikllop izdelka na vodovodno omrežje na strani 393*.
- Za prikllop izdelka na odprt vodni vir glejte *Prikllop izdelka na odprt vodni vir na strani 393*.

Priklop izdelka na vodovodno omrežje

1. Na dovod za vodo na izdelku namestite adapter za vrtno cev in filter za vodo, če nista nameščena. Glejte *Namestitvev adapterja za vrtno cev na strani 391*.
2. Vrtno cev priključite na vodovodno omrežje. Uporabite vrtno cev s premerom 13 mm in dolžino od 10 do 25 m. (Sl. 28)



POZOR: Tlak vode v vodovodnem omrežju ne sme presežati 1 MPa (10 barov).



POZOR: Temperatura vode v vodovodnem omrežju ne sme presežati 40 °C.

3. Odprite ventil na vodovodnem omrežju in se prepričajte, da lahko voda prosto teče iz vrtno cevi. (Sl. 29)
4. Zaprite ventil na vodovodnem omrežju.
5. Priključite vrtno cev na dovod za vodo na izdelku. (Sl. 30)
6. Priključite napajalni vtič na vir napajanja.
7. Odprite ventil na vodovodnem omrežju.
8. Pred uporabo izdelka odzračite sistem. Glejte *Odzračevanje sistema na strani 393*.

Priklop izdelka na odprt vodni vir

Izdelek lahko uporabljate z vodo iz odprtega vodnega vira, na primer iz jezera ali sodov z vodo. Uporabite sesalno cev (ni priložena) s premerom 13 mm in dolžino, ki ne presega 3 m.

(Sl. 31)



POZOR: Temperatura vode v vodnem viru ne sme presežati 20 °C.



POZOR: Izdelek ne sme biti več kot 0,5 m nad vodnim virom.

1. Če je nameščen adapter za vrtno cev, ga odstranite z dovoda za vodo na izdelku. (Sl. 32)



POZOR: Ne odstranite filtra za vodo v dovodu za vodo.

2. Namestite sesalno cev (ni priložena) na dovod za vodo na izdelku. (Sl. 33)
3. Vstavite sesalno cev v vodni vir in se prepričajte, da je filter v celoti potopljen.



POZOR: Ne uporabljajte sesalne cevi brez filtra.

4. Pritisnite gumb na ročaju za pršenje in izvlecite visokotlačno cev iz ročaja za pršenje. (Sl. 19)
5. Priključite napajalni vtič na vir napajanja.
6. Preklopite vklopno stikalo v položaj za vklop (I) in pustite izdelek delovati 2 minuti.
7. Preklopite vklopno stikalo v položaj za izklop (0).
8. Z eno roko trdno držite ročaj za pršenje in potisnite visokotlačno cev v hitro spojko na ročaju za pršenje. (Sl. 18)
9. Pred uporabo izdelka odzračite sistem. Glejte *Odzračevanje sistema na strani 393*.

Odzračevanje sistema



POZOR: Pred odzračevanjem sistema se prepričajte, da je vklopno stikalo v položaju za izklop (0).

1. Izdelek priključite na vodni vir. Glejte *Priklop izdelka na vodni vir na strani 392*.
2. Paličasto prho namestite na pištolo za škropljenje. Glejte *Namestitvev paličaste prhe na strani 392*.
3. Izklopite zaklep sprožilca plina. Glejte *Vklop in izklop zaklepa sprožilca plina na strani 394*.
4. Pritisnite sprožilec plina in ga pridržite, dokler iz šobe na paličasti prhi ne priteče voda. (Sl. 34)

Odklop izdelka od vodnega vira

1. Preklopite vklopno stikalo v položaj za izklop (0).
2. Če je izdelek priključen na vodovodno omrežje, zaprite ventil na vodovodnem omrežju.
3. Če je izdelek priključen na vodovodno omrežje, odklopite vrtno cev od vodovodnega omrežja. (Sl. 35)
4. Če je izdelek priključen na odprt vodni vir, odstranite sesalno cev iz vodnega vira.
5. Pritisnite sprožilec plina in ga pridržite, dokler iz šobe ne izteka več voda.
6. Odklopite vrtno cev od dovoda za vodo na izdelku. (Sl. 36)

Opomba: Če je izdelek priključen na odprt vodni vir, odklopite sesalno cev.

7. Pritisnite gumb na ročaju za pršenje in izvlecite visokotlačno cev iz ročaja za pršenje. (Sl. 19)
8. Preklopite vklopno stikalo v položaj za vklop (I). Pustite, da izdelek obratuje, dokler iz visokotlačne cevi ne izteka več voda.
9. Preklopite vklopno stikalo v položaj za izklop (0).

10. Pred skladiščenjem izdelka počakajte, da se ročaj za pršenje, paličasta prha in šobi posušijo.

Vklop in izklop zaklepa sprožilca plina

- Če želite vklopiti zaklep sprožilca plina, obrnite zaklep sprožilca plina v smeri urinega kazalca, dokler ne zaslišite klika. (Sl. 37)
- Če želite izklopiti zaklep sprožilca plina, obrnite zaklep sprožilca plina v celoti v nasprotni smeri urinega kazalca. (Sl. 38)

Zagon izdelka

1. Izdelek priklopite na vodni vir. Glejte *Priklop izdelka na vodni vir na strani 392*.
2. Priklopite napajalni vtič na vir napajanja.
3. Preklopite vklopno stikalo v položaj za vklop (I). (Sl. 39)
4. Izklopite zaklep sprožilca plina. Glejte *Vklop in izklop zaklepa sprožilca plina na strani 394*.
5. Pritisnite sprožilec plina na ročaju za pršenje.

Opomba: Izdelek se samodejno zaustavi, ko sproстите sprožilec plina.

Zaustavitev izdelka

Opomba: Izdelek se samodejno zaustavi, ko sproстите sprožilec plina.

1. Sprostite sprožilec plina na ročaju za pršenje.

2. Vključite zaklep sprožilca plina. Glejte *Vklop in izklop zaklepa sprožilca plina na strani 394*.
3. Preklopite vklopno stikalo v položaj za izklop (0). (Sl. 40)
4. Izvlecite napajalni vtič iz vira napajanja.
5. Odklopite izdelek od vodnega vira. Glejte *Odklop izdelka od vodnega vira na strani 393*.

Opomba: Izdelek vedno odklopite od vodnega vira, če se od izdelka oddaljate za več kot 5 minut.

Uporaba razpršilnika za peno

1. Razpršilnik za peno snemite iz njegovega držala. (Sl. 41)
2. Posodo na razpršilniku za peno napolnite s čistilnim sredstvom.



POZOR: Uporabljajte samo čistilna sredstva, ki jih priporoča družba Husqvarna.

3. Pritisnite hitri priključek na razpršilniku za peno v hitri priključek na paličasti prhi, dokler se ne zaskoči v položaju. (Sl. 42)

Opomba: Prirobnica na razpršilniku za peno se mora ujemati z utorom v paličasti prhi.

4. Izdelek priklopite na vodni vir. Glejte *Priklop izdelka na vodni vir na strani 392*.
5. Zaženite izdelek. Glejte *Zagon izdelka na strani 394*.

Vzdrževanje

Uvod



OPOZORILO: Pred izvajanjem vzdrževalnih del morate prebrati in razumeti poglavje o varnosti.

Za servisiranje in popravila na izdelku posebno usposabljanje ni potrebno. Zagotavljamo, da vam bodo na voljo strokovna popravila in servisiranje.

Za več informacij glejte www.husqvarna.com.

Urnik vzdrževanja

Vzdrževanje	Pred uporabo	Po uporabi
Opravite splošen pregled. Glejte <i>Izvajanje splošnih pregledov na strani 395</i> .	X	
Izdelek očistite. Glejte <i>Čiščenje izdelka na strani 395</i> .		X
Očistite paličasto prho in šobi. Glejte <i>Čiščenje paličaste prhe in šob na strani 395</i> .		X
Očistite filter za vodo. Če je filter za vodo poškodovan, ga zamenjajte. Glejte <i>Čiščenje filtra za vodo na strani 395</i> .		X
Namažite O-tesnila na spojkah. Glejte <i>Mazanje O-tesnil na spojkah na strani 395</i> .		X

Izvajanje splošnih pregledov



OPOZORILO: Pred vzdrževanjem izdelka preklopite vklopno stikalo v položaj za izklop (0) in izvlecite napajalni vtič iz vira napajanja.



POZOR: Pred vzdrževanjem izdelka ga odklopite od vodnega vira in se prepričajte, da so vsi deli suhi.

- Prepričajte se, da so matice in vijaki na izdelku dobro priviti.
- Prepričajte se, da kablji na izdelku niso v položaju, v katerem bi se lahko poškodovali.
- Preverite, ali je visokotlačna cev obrabljena in poškodovana.



OPOZORILO: Ne uporabljajte izdelka, če je visokotlačna cev obrabljena ali poškodovana.

Čiščenje izdelka



OPOZORILO: Pred vzdrževanjem izdelka preklopite vklopno stikalo v položaj za izklop (0) in izvlecite napajalni vtič iz vira napajanja.



POZOR: Pred vzdrževanjem izdelka ga odklopite od vodnega vira in se prepričajte, da so vsi deli suhi.

- Vse zunanje dele očistite s suho krpo.
- Izdelka ne čistite z visokotlačnim čistilnikom.
- Poskrbite, da so dovodi za zrak čisti, in tako zagotovite, da ima izdelek vedno dovolj nizko temperaturo.

Čiščenje paličaste prhe in šob



OPOZORILO: Pred vzdrževanjem izdelka preklopite vklopno stikalo v položaj za izklop (0) in izvlecite napajalni vtič iz vira napajanja.



POZOR: Pred vzdrževanjem izdelka ga odklopite od vodnega vira in se prepričajte, da so vsi deli suhi.

1. Če je na paličasti prhi nameščena šoba, jo odstranite s paličaste prhe. Glejte *Namestitve in odstranitev šobe na strani 392*.
2. Šobi, spojko na paličasti prhi in spojko na ročaju za pršenje očistite z milom in vodo. (Sl. 43)
3. Če so v šobah zamašitve, jih odstranite s čistilnim orodjem. (Sl. 44)

Čiščenje filtra za vodo



OPOZORILO: Pred vzdrževanjem izdelka preklopite vklopno stikalo v položaj za izklop (0) in izvlecite napajalni vtič iz vira napajanja.



POZOR: Pred vzdrževanjem izdelka ga odklopite od vodnega vira in se prepričajte, da so vsi deli suhi.

1. Če je nameščen adapter za vrtno cev, ga odstranite z dovoda za vodo na izdelku. (Sl. 32)
2. Izvlecite filter za vodo. Uporabite klešče. (Sl. 45)
3. Preverite, ali je filter za vodo poškodovan. Če je filter za vodo poškodovan, ga zamenjajte. (Sl. 46)
4. Filter za vodo izperite s čisto vodo. (Sl. 47)

Mazanje O-tesnil na spojkah



OPOZORILO: Pred vzdrževanjem izdelka preklopite vklopno stikalo v položaj za izklop (0) in izvlecite napajalni vtič iz vira napajanja.



POZOR: Pred vzdrževanjem izdelka ga odklopite od vodnega vira in se prepričajte, da so vsi deli suhi.

1. Odstranite paličasto prho z ročaja za pršenje, nato pa ročaj za pršenje z visokotlačne cevi. Glejte, *Namestitve paličaste prhe na strani 392* in *Namestitve ročaja za pršenje na strani 392*.
2. Z mastjo namažite O-tesnila na adapterju za vrtno cev, paličasti prhi in visokotlačni cevi. Glejte, *Tehnični podatki na strani 397* za pravilno vrsto masti. (Sl. 48)

Odpravljanje težav

Urniki odpravljanja težav

Težava	Možen vzrok	Rešitev
Izdelka ni mogoče zagnati.	Napajalni vtič ni priklopljen na vir napajanja.	Priklopite napajalni vtič na vir napajanja.
	Vklopno stikalo je v položaju za izklop (0).	Preklopite vklopno stikalo v položaj za vklop (I).
	V viru napajanja ni električne energije.	Obrnite se na pooblaščenega električarja.
	Napajalni kabel je poškodovan.	Obrnite se na pooblaščenega servisnega zastopnika.
	Toplotna zaščita je zaustavila napajanje.	Počakajte, da se izdelek ohladi, preden ga ponovno uporabite.
	Uporabljen je napačen tip podaljška.	Prepričajte se, da je podaljšek v celoti odvit in je napajalna napetost skladna z napetostjo, ki je navedena na izdelku.
Varovalka pregori med zagonom ali delovanjem.	Uporabljen je napačen tip varovalke.	Prepričajte se, da uporabljate počasno varovalko razreda "C" ali "K".
Izdelek ni mogoče zaustaviti.	Izdelek je poškodovan.	Izvalcite napajalni vtič in se obrnite na pooblaščenega servisnega zastopnika.
Izdelek se preveč segreje.	Pretok zraka ni zadosten.	Očistite odprtine za dovod zraka.
Izdelek ne deluje gladko.	V sistemu je zrak.	Odzračite sistem.
Tlak vode ni zadosten.	Cev je zvita.	Prepričajte se, da cevi niso prepognjene.
	Vklopno stikalo je v položaju za izklop (0).	Preklopite vklopno stikalo v položaj za vklop (I).
	Pretok vode ni zadosten.	Zagotovite, da je izdelek pravilno priklopljen na vodni vir. Prepričajte se, da pretok vode zadostuje.
	Filter za vodo je zamašen.	Očistite filter za vodo.
	V sistemu je zrak.	Odzračite sistem.
	Pribor ni ustrezen.	Prepričajte se, da uporabljate ustrezen pribor.

Transport skladiščenje in odstranitev

Prevoz

- Pred prevozom izdelka izvlecite napajalni vtič iz vira napajanja.
- Pred prevozom izdelka odklopite izdelek od vodnega vira.
- Zagotovite, da bo izdelek med prevozom pritrjen in se ne bo mogel premikati.

Skladiščenje

- Pred skladiščenjem izdelka poskrbite, da boste iz izdelka, visokotlačne cevi za vodo ter pribora in dodatne opreme spustili vso vodo.
- Izdelek pripravite na skladiščenje. Glejte *Priprava izdelka na skladiščenje na strani 397*.
- Izdelek skladiščite na suhem mestu brez zmrzali.

Priprava izdelka na skladiščenje

1. Zaustavite izdelek in izvlecite napajalni vtič iz vira napajanja.
2. Odklopite izdelek od vodnega vira. Glejte *Odklop izdelka od vodnega vira na strani 393*.

3. Prepričajte se, da sta pribor in dodatna oprema suha.
4. Ročaj za pršenje, paličasto prho in šobi vstavite v držalo.
5. Odklopite visokotlačno cev za vodo in jo pospravite v držalo. (Sl. 49)
6. Napajalni kabel namestite na njegovo držalo in pritrдите trak. (Sl. 50)

Odstranitev

Izdelki Husqvarna ne sodijo med običajne odpadke, zato pri odlaganju sledite navodilom v tem priročniku.

- Upoštevajte lokalne zahteve za recikliranje in veljavne predpise.
- Izdelek in embalažo reciklirajte na primernem zbirnem mestu.
- Za dodatne informacije o recikliranju in odlaganju izdelka se obrnite na lokalnega prodajalca Husqvarna.

Tehnični podatki

	PW 130
Motor in črpalka	
Vrsta	Zaporedni izmenični motor
Moč, W	1500
Območje napetosti, V	220–240
Frekvenca, Hz	50
Nazivni tok, A	6,5
Največji pretok vode, l/min	7,7
Največji izhodni tlak vode, bar/MPa	130/13
Največji vhodni tlak vode, bar/MPa	10/1
Največja vhodna temperatura vode, °C/°F	40/104
Največja vhodna temperatura vode (v sesalnem načinu), °C/°F	20/68
Stopnja zaščite IP	IPX5
Varnostni razred	Razred II
Mazanje	
Vrsta masti za mazanje O-tesnil	Univerzalna bela silikonska mast
Teža	

	PW 130
Teža, kg	6,5
Emisije hrupa ⁸⁹	
Raven zvočne moči, izmerjena v dB(A)	85
Raven zvočne moči, zajamčena L _{WA} dB(A)	89
Nivoji hrupa ⁹⁰	
Ekvivalentna raven zvočnega tlaka pri uporabnikovem ušesu, dB (A)	72
Ravni vibracij ⁹¹	
Dlan/roka (s standardno šobo) m/s ²	2,5
Ekvivalentne ravni vibracij ⁹²	
Dlan/roka (s standardno šobo) m/s ²	1,8

Dodatki

Odobren pribor

Odobren pribor	Št. izd.
Čistilnik za površino SC 300	590 65 79-01
Razpršilnik za peno FS 300	590 66 04-01
Cev za čiščenje cevi, 15 m	590 66 10-01
Filter za vodo	590 65 93-01
Varovalo pred povratnim tokom	590 65 95-01
Sesalna cev	590 65 97-01
Komplet za vozilo	590 66 07-01
Komplet vrtljivih krtač	590 66 06-01
Kotna paličasta prha	590 66 11-01
Sesalna šoba za vodo	590 66 05-01

⁸⁹ Emisije hrupa v okolje, merjene kot moč zvoka (L_{WA}), v skladu z direktivo ES 2000/14/ES.

⁹⁰ Ekvivalentna raven zvočnega tlaka, skladna s standardom ISO 22868, je izračunana kot vsota energije v odvisnosti od časa za različne ravni zvočnega tlaka pod različnimi delovnimi pogoji. Tipična statistična razpršitev za ekvivalentno raven zvočnega tlaka je standardni odklon 1 dB (A).

⁹¹ Raven vibracij v skladu s standardom EN 60745-2-13. Zabeleženi podatki za raven vibracij imajo tipično statistično razpršitev (standardni odklon) 1 m/s². Navedeni podatki o vibracijah so podatki, ki so izmerjeni in veljajo za priporočeno dolžino meča ter vrsto verige. Če je stroj opremljen z mečem drugačne dolžine, se lahko vibracije razlikujejo za ± 1,5 m/s².

⁹² Meritev in izračun ekvivalentne ravni vibracij in sta enaka kot pri verižnih žagah z motorjem z notranjim zgorevanjem. Te številke so namenjene primerjavi podatkov o vibracijah ne glede na vrsto motorja, skladno s standardom ISO 22867:2011.

Odobren pribor	Št. izd.
Podaljšek cevi, 8 m	590 66 08-01

Izjava o skladnosti

Izjava EU o skladnosti

Mi, Husqvarna AB, SE-561 82 Huskvarna, Švedska, tel.:
+46-36-146500, izjavljamo na lastno odgovornost, da je
izdelek:

Opis	Tlačni čistilnik
Znamka	Husqvarna
Vrsta/model	PW 130
Identifikacija	Serijske številke od letnika 2022 dalje

v celoti skladen z naslednjimi direktivami in uredbami
EU:

Uredba	Opis
2006/42/ES	"o strojih"
2014/30/EU	"o elektromagnetni združljivosti"
2000/14/ES, priloga V	"o emisijah hrupa v okolico"
2011/65/EU	"o omejevanju uporabe nekaterih nevarnih snovi v električni in elektronski opremi"

in so pri tem v veljavi naslednji standardi in/ali
tehnične specifikacije: EN 60335-1:2012/A11:2014/
A13:2017/A1:2019/A14:2019/A2:2019/A15:2021, EN
60335-2-79:2012, EN 62233:2008, EN 55014-1:2021,
EN 55014-2:2021, EN IEC 61000-3-2:2019/A1:2021, EN
61000-3-3:2013/A2:2021, EN IEC 63000:2018.

Za informacije v zvezi z emisijami hrupa glejte poglavje
Tehnični podatki na strani 397.

Huskvarna, 2023-01-19



Claes Losdahl, vodja razvoja/vrtni izdelki, Husqvarna AB

Odgovorni za tehnično dokumentacijo



Sadržaj

Uvod.....	401	Rešavanje problema.....	412
Bezbednost.....	402	Transport, skladištenje i odlaganje.....	413
Sklapanje.....	408	Tehnički podaci.....	413
Rukovanje.....	408	Dodaci.....	415
Održavanje.....	411	Deklaracija o usaglašenosti.....	416

Uvod

Opis proizvoda

Proizvod je električni perlač sa kompresorom. Proizvod može da se koristi na raznim pritiscima vode i sa raznim sredstvima za čišćenje.

Namena

Proizvod je namenjen samo za domaćinstva. Nemojte koristiti proizvod za druge zadatke. Koristite proizvod samo u uspravnom položaju.

Pregled proizvoda

(Sl. 1)

1. Mlaznica sa pravim mlazom vode
2. Mlaznica sa rotirajućim mlazom vode
3. Gumena traka za držač kabla za napajanje
4. Držač drške i cevi mlaznice
5. Crevo za vodu pod visokim pritiskom
6. Priključak za vodu
7. Raspršivač pene
8. Komora za crevo za vodu pod visokim pritiskom
9. Prekidač za paljenje
10. Kabl za napajanje
11. Priključak za vodu sa brzom spojnicom
12. Alatka za čišćenje mlaznice
13. Ručka za transport
14. Dovod vazduha
15. Drška puške
16. Cev mlaznice
17. Uputstvo za rukovaoca

Simboli na proizvodu

(Sl. 2)

UPOZORENJE: Ovaj proizvod može biti opasan i prouzrokovati teške povrede ili smrt rukovaoca ili drugih osoba. Budite pažljivi

Napomena: Državni propisi mogu da definišu ograničenja pri radu proizvoda.

i koristite proizvod na pravilan način.

(Sl. 3)

Pre korišćenja proizvoda pažljivo pročitajte korisničko uputstvo i budite sigurni da ste ga razumeli.

(Sl. 4)

Proizvod nije prikladan za priključivanje na vodovodnu mrežu sa pitkom vodom.

(Sl. 5)

Mlazovi vode pod visokim pritiskom mogu biti opasni ako se nepravilno koriste. Mlaz se ne sme usmeravati ka osobama, električnim uređajima i proizvodu.

(Sl. 6) **Oznaka zaštite životne sredine** Ovaj proizvod ili pakovanje ne treba tretirati kao kućni otpad. Reciklirajte ga na odobrenoj lokaciji za odlaganje električne i elektronske opreme.

(Sl. 7) **Alatka klase II.**

(Sl. 8) **Oznaka emisije buke u okruženje u skladu sa direktivama i propisima EU i UK i propisom o zaštiti radova u okruženju (kontrola buke) Novog Južnog Velsa iz 2017. Garantovani nivo zvučne snage za ovaj proizvod naveden je u *Tehnički podaci na***

stranici 413 i na nalepnici.

(Sl. 9) **Zaštićeno od mlaza vode pod malim pritiskom iz ma kog ugla.**

(Sl. 10) **Držite dalje od mraza.**

(Sl. 11) **Proizvod je usaglašen sa važećim EZ direktivama.**

(Sl. 12) **Proizvod je usaglašen sa važećim direktivama UK.**

Napomena: Ostali simboli/nalepnice koji su navedeni na proizvodu važe za specifične zahteve sertifikata na određenim tržištima.

Oštećenje proizvoda

Nismo odgovorni za oštećenja proizvoda u sledećim slučajevima:

- proizvod je popravljen na pogrešan način
- proizvod je popravljen korišćenjem delova koji nisu napravljeni ili odobreni od strane proizvođača
- proizvod ima opremu koja ne potiče ili nije odobrena od strane proizvođača
- proizvod nije popravljen u ovlašćenom servisnom centru ili od strane ovlašćenog stručnjaka

Bezbednost

Bezbednosne definicije

Upozorenja, mere opreza i napomene se koriste da ukažu na naročito važne delove korisničkog uputstva.

nepoštovanja uputstava, postoji rizik od nastanka telesnih povreda ili smrti kod rukovaoca ili prisutnih osoba.



UPOZORENJE: Koristi se ako, usled



OPREZ: Koristi se ako, usled nepoštovanja uputstava, postoji rizik od nastanka oštećenja na proizvodu, drugim materijalima ili susednim oblastima.

Napomena: Koristi se za pružanje više informacija koje su neophodne u datoj situaciji.

Opšta bezbednosna uputstva



UPOZORENJE: Pročitajte upozoravajuća uputstva koja slede pre korišćenja proizvoda.

- Proizvod je opasan ako se koristi na nepravilan način ili ako niste oprezni. Može doći do telesne povrede ili smrti ako se ne pridržavate bezbednosnih uputstava.
- Uvek budite pažljivi i koristite zdrav razum. Ako niste sigurni kako da rukujete proizvodom u određenoj situaciji, prekinite rad i obratite se Husqvarna ovlašćeni serviser pre nastavka rada.
- Imajte na umu da će se rukovalac smatrati odgovornim za nesrećne slučajeve koji uključuju druge osobe ili njihovu imovinu.
- Održavajte proizvod čistim. Pobrinite se da jasno možete pročitati znakove i nalepnice.
- Nikada nemojte dozvoliti deci ili osobama koje nisu pročitale ova uputstva da koriste uređaj. Uzrast rukovaoca je možda ograničen lokalnim propisima.
- Ovaj proizvod mogu da koriste osobe sa smanjenim fizičkim, čulnim ili mentalnim sposobnostima ako su pod nadzorom ili su upućene u korišćenje proizvoda na bezbedan način i ako razumeju povezane opasnosti.
- Ovaj proizvod mogu da koriste osobe koje nemaju potrebno iskustvo i znanje ako su pod nadzorom ili su upućene u korišćenje proizvoda na bezbedan način i ako razumeju povezane opasnosti.
- Nemojte koristiti proizvod kada ste umorni, bolesni ili pod uticajem alkohola, droge ili lekova. To negativno utiče na vaš vid, opreznost, koordinaciju i rasuđivanje.
- Oštećeni proizvod ne sme da se koristi.
- Nemojte vršiti izmene na proizvodu i nemojte

koristiti proizvod ako postoji mogućnost da su druge osobe vršile izmene na njemu.

Bezbednosna uputstva za rukovanje



UPOZORENJE:

Pročitajte upozoravajuća uputstva koja slede pre korišćenja proizvoda.

- Ne koristite proizvod ako su kabl, crevo visokog pritiska, blokada obarača ili ručka puške oštećeni.
- Proverite ima li oštećenja pre korišćenja proizvoda. Ne koristite proizvod ako su delovi oštećeni ili nedostaju.
- Čvrsto držite ručku puške sa obe ruke. Kad pritisnete prekidač, dolazi do povratnog udara.
- Budite pažljivi kad rukujete proizvodom. Visok pritisak koji stvara proizvod je opasan i može prouzrokovati povrede.
- Nemojte usmeravati mlaz u sebe ni u pravcu ljudi i životinja.
- Ne čistite svoju ili tuđu obuću mlazom.
- Ne usmeravajte mlaz u električnu opremu ni u proizvod.
- Koristite zaštitnu opremu dok koristite proizvod. Pogledajte *Lična zaštitna oprema na stranici 406*.
- Ne koristite proizvod u blizini lica koja ne nose zaštitnu opremu.
- Ako koristite sredstva za čišćenje, pratite bezbednosna uputstva sa sredstva za čišćenje.
- Koristite samo Husqvarna sredstva za čišćenje.
- Koristite proizvod samo za poslove opisane u ovom priručniku i samo uz odgovarajući pritisak vode i sredstva za čišćenje. Ako koristite pogrešan pritisak vode, sredstva za čišćenje ili koristiti proizvod za druge zadatke, to može da ošteti proizvod, površine, materijale i druge uređaje. Husqvarna nije odgovorna za oštećenja nastala pogrešnom upotrebom.
- Ne preporučuje se da povezujete proizvod na vodovodnu mrežu sa pitkom vodom. Ako povezujete proizvod na vodovodnu mrežu sa pitkom vodom, pridržavajte se lokalnih i državnih propisa. Koristite uređaja za sprečavanje povratnog toka (nije u opremi) ako je potrebno. Voda

- koja protiče kroz ventile za sprečavanje povratnog toka ne smatra se pitkom.
- Ne raspršujte zapaljive tečnosti. Rizik od eksplozije.
 - Ne dozvolite deci da rukuju proizvodom.
 - Ne dozvolite deci da se igraju proizvodom.
 - Ne dozvolite neobučanim licima da rukuju proizvodom.
 - Koristite samo opremu i rezervne delove koje je odobrila Husqvarna.
 - Uverite se da je električni priključak postavio kvalifikovani električar i da je usaglašen sa IEC 60364-1.
 - Koristite zaštitni uređaj rezidualne struje, koji prekida napajanje ako je struja curenja veća od 30 mA tokom 30 ms. Ako nemate zaštitni uređaj diferencijalne struje, koristite uređaj koji obezbeđuje uzemljenje.
 - Koristite osigurače za pokretanje/odlaganje motora karakteristike C ili D u skladu sa standardom IEC 898-1 ili IEC947-2, ili odgovarajućim standardima izvan IEC-a.
 - Na proizvodima označenim dvostrukim naponom i frekvencijom nisu potrebna prilagođavanja.
 - Ako je potrebno koristiti produžni kabl, uverite se da je prikladan za upotrebu na otvorenom. Utičnica mora da bude bar 60 mm od tla. Spoj uvek mora da bude suv.
 - Prebacite prekidač za napajanje u isključen položaj (0), izvucite utikač i blokirajte obarač pre nego što se udaljite od proizvoda.
 - Prebacite prekidač za napajanje u isključen položaj (0) i izvucite utikač pre zamene dodatka.
 - Prebacite prekidač za napajanje u isključen položaj (0) i izvucite utikač pre čišćenja ili održavanja proizvoda.
 - Ne koristite proizvod na temperaturi okoline manjoj od 0 °C.
 - Ne pokrećite zamrznut proizvod.
 - Ne koristite proizvod u zatvorenom prostoru.
 - Ne stavljajte ništa na proizvod ako mu radi motor.
 - Ne pijte vodu koja je bila u proizvodu.
 - Ne koristite proizvod blizu otvorenih prozora.
 - Upozorenje zbog izbačenih predmeta. Kamenje i nepričvršćeni predmeti mogu

da udare u oko i izazovu slepilo ili teške povrede.

- Ako proizvod ne radi kako bi trebalo, pogledajte *Plan za pronalaženje kvara na stranici 412*.

Lična zaštitna oprema



UPOZORENJE:

Pročitajte upozoravajuća uputstva koja slede pre korišćenja proizvoda.

- Lična zaštitna oprema ne može da u potpunosti spreči telesnu povredu, ali ona umanjuje stepen telesne povrede ako dođe do nesrećnog slučaja. Neka vam vaš prodavac pomogne u izboru odgovarajuće opreme.
- Nosite ojačanu obuću koja ne kliže. Nemojte nositi obuću sa otvorenim prstima ili ići bosonogi.
- Nosite zaštitnu odeću.
- Koristite odobrenu zaštitu za sluh.
- Nosite zaštitne naočari.
- Koristite zaštitu za disajne organe klase FFP2 ili ekvivalentne ako koristite proizvod u okruženjima u kojima mogu da se stvore opasni aerosoli.

Bezbednosni uređaji na proizvodu



UPOZORENJE:

Pročitajte upozoravajuća uputstva koja slede pre korišćenja proizvoda.

- Nemojte da koristite bezbednosne uređaje koji su oštećeni ili neispravni.
- Ne uklanjajte i ne prepravljajte bezbednosne uređaje.
- Redovno proveravajte bezbednosne uređaje. Ako su bezbednosni uređaji oštećeni ili neispravni, obratite se svom Husqvarna servisnim agentu.

Zaključavanje obarača gasa

Zaključavanje obarača gasa (A) sprečava slučajno aktiviranje obarača gasa (B). Kada je zaključavanje obarača gasa u poziciji zaključano, obarač gasa se ne može gurnuti unutra.

(Sl. 13)

Obarač gasa

Proizvod se pokreće kad je obarač pritisnut, i zaustavlja se kad je pušten.

Termalna zaštita

Proizvod je opremljen automatskom termalnom zaštitom. Ako se proizvod previše zagreje, termalna zaštita zaustavlja napajanje proizvoda. Ako termalna zaštita zaustavi napajanje, sačekajte da se proizvod ohladi. Termalna zaštita se automatski resetuje kad se proizvod dovoljno ohladi.

Hidraulični odušni ventil

Proizvod sadrži hidraulični odušni ventil koji sprečava stvaranje prevelikog pritiska u sistemu.

Bezbednosna uputstva za održavanje



UPOZORENJE:

Pročitajte upozoravajuća uputstva koja slede pre održavanja proizvoda.



OPREZ: Posle dužeg skladištenja je potrebno održavanje proizvoda.

- Postavite prekidač za paljenje u isključenu poziciju (0)

i odvojite utikač od izvora napajanja pre nego što pristupite održavanju proizvoda.

- Odvojite proizvod od izvora vode i pobrinite se da svi delovi budu suvi pre nego što pristupite održavanju proizvoda.
- Dozvoljeni su samo zahvati održavanja koji su navedeni u ovom korisničkom priručniku.
- Koristite samo rezervne delove koje preporučuje Husqvarna. Creva za vodu visokog pritiska, priključci i spojnice su važni za bezbednost kada koristite proizvod. Koristite samo creva, priključke i spojnice koje preporučuje proizvođač.
- Ne popravljajte proizvod. Obratite se ovlašćenom Husqvarna serviseru.
- Obratite se Husqvarna serviseru ako su utikač ili kabl za napajanje oštećeni.
- Deca ne smeju da čiste ili održavaju proizvod.

Sklapanje

Uvod



UPOZORENJE: Pre sklapanja proizvoda je potrebno da pročitate i razumete poglavlje o bezbednosti.

Postavljanje adaptera baštenskog creva

1. Uklonite transportni poklopac s ulaza za vodu i odložite ga. (Sl. 14)
2. Postavite adapter baštenskog creva na ulaz za vodu. (Sl. 15)



OPREZ: Proverite da li ste adapter baštenskog creva postavili ravno na ulaz za vodu. Ukoliko adapter nije postavljen ravno, može doći do oštećenja vlakana i pojava se curenje.

3. Dobro zategnite adapter baštenskog creva.
4. Uklonite adapter baštenskog creva obrnutim redom.

Montaža držača puške i cevi mlaznice

- Montirajte držač pomoću 2 zavrtnja. (Sl. 16)

Rukovanje

Uvod



UPOZORENJE: Pre korišćenja proizvoda je potrebno da pročitate i razumete poglavlje o bezbednosti.

Husqvarna Connect

Husqvarna Connect je besplatna aplikacija za mobilne uređaje. Aplikacija Husqvarna Connect pruža proširene funkcije za proizvod Husqvarna:

- Dodatne informacije o proizvodu.
- Informacije o delovima proizvoda i servisiranju i pomoći u vezi s njima.

Početak upotrebe Husqvarna Connect

1. Preuzmite aplikaciju Husqvarna Connect na svoj mobilni uređaj.
2. Registrirajte se u aplikaciji Husqvarna Connect.
3. Pratite uputstva u aplikaciji Husqvarna Connect da biste se povezali i registrovali proizvod.

Napomena: Aplikacija Husqvarna Connect nije dostupna na svim tržištima. Obratite se serviseru za više informacija.

Ugradnja drške raspršivača

1. Gurajte crevo za vodu pod visokim pritiskom u brzu spojnicu dok se ne zabravi. (Sl. 17)



OPREZ: Da biste sprečili curenje, uverite se da je crevo visokog pritiska potpuno povezano sa brzom spojnicom na proizvodu.

2. Čvrsto držite dršku raspršivača jednom rukom i gurnite crevo za visoki pritisak u brzo povezivanje na dršci raspršivača. (Sl. 18)

Uklanjanje drške puške

1. Pritisnite dugme na dršci puške i izvucite crevo za vodu pod visokim pritiskom. (Sl. 19)
2. Gurnite spoljni prsten na brzoj spojnici i izvucite crevo za vodu pod visokim pritiskom. (Sl. 20)

Postavljanje raspršivača uskog mlaza

1. Držite dršku raspršivača jednom rukom i gurnite spojnicu na raspršivaču uskog mlaza u dršku raspršivača. (Sl. 21)
2. Okrenite raspršivač uskog mlaza u smeru kazaljke na satu i pustite raspršivač uskog mlaza. Raspršivač uskog mlaza će se zaključati u tom položaju.

Uklanjanje raspršivača uskog mlaza

1. Gurnite raspršivač uskog mlaza i okrenite ga suprotno kazaljci na satu. (Sl. 22)
2. Izvucite raspršivač uskog mlaza iz drške raspršivača.

Postavljanje i uklanjanje mlaznice

Proizvod se isporučuje sa 2 mlaznice: 1 mlaznica sa pravim mlazom vode („nežna mlaznica“) i 1 mlaznica sa rotirajućim mlazom vode („gruba mlaznica“). Mlaznica sa pravim mlazom može da se koristi za osetljive površine, npr. vozila. Gruba mlaznica može da se koristi za manje osetljive površine, npr. trotoare.

(Sl. 23)



OPREZ: Ne koristite mlaznica sa rotirajućim mlazom vode na osetljivim

površinama, kao što su bojeni delovi vozila. Rotirajući mlaz može da ošteti površinu.

- Da biste montirali mlaznicu, držite cev mlaznice jednom rukom i gurajte mlaznicu na nju dok se ne zabravi. (Sl. 24)
- Da biste uklonili mlaznicu, pritisnite jezičak na cevi mlaznice i svucite mlaznicu sa cevi mlaznice. (Sl. 25)

Podešavanje pritiska mlaza vode

Pritisak mlaznice sa pravim mlazom se može podešavati.

- Da biste povećali pritisak mlaza, rotirajte mlaznicu udesno. (Sl. 26)
- Da biste smanjili pritisak mlaza, rotirajte mlaznicu ulevo. (Sl. 27)

Rad proizvodom

1. Povežite proizvod na izvor vode. Pogledajte *Povezivanje proizvoda na izvor vode na stranici 409*.
2. Ispustite vazduh iz sistema. Pogledajte *Ispuštanje vazduha iz sistema na stranici 409*.
3. Pokrenite proizvod. Pogledajte *Pokretanje proizvoda na stranici 410*.

Povezivanje proizvoda na izvor vode

Proizvod može da se koristi sa vodovodnom mrežom ili otvorenom vodom, npr. iz jezera ili bureta.

- Da biste povezali proizvod na vodovodnu mrežu, pogledajte *Povezivanje proizvoda na priključak za vodu na stranici 409*.
- Da biste povezali proizvod na vodu iz otvorenog izvora, pogledajte *Povezivanje proizvoda na otvoreno snabdevanje vodom na stranici 409*.

Povezivanje proizvoda na priključak za vodu

1. Postavite adapter za baštensko crevo i filter za vodu na priključak za vodu na proizvodu ako nisu već postavljeni. Pogledajte *Postavljanje adaptera baštenskog creva na stranici 408*.
2. Povežite baštensko crevo na priključak za vodu. Koristite ½ in. baštensko crevo dugačko 10–25 m. (Sl. 28)



OPREZ: Pritisak vode u priključku za vodu ne sme biti veći od 1 MPa (10 bar).



OPREZ: Temperatura vode u priključku za vodu ne sme biti veća od 40 °C.

3. Otvorite ventil na priključku za vodu i proverite da li voda može nesmetano da teče iz baštenskog creva. (Sl. 29)
4. Zatvorite ventil na priključku za vodu.

5. Povežite baštensko crevo na ulaz za vodu na proizvodu. (Sl. 30)
6. Utikač utaknite u izvor napajanja.
7. Otvorite ventil na priključku za vodu.
8. Ispraznite sistem pre upotrebe proizvoda. Pogledajte *Ispuštanje vazduha iz sistema na stranici 409*.

Povezivanje proizvoda na otvoreno snabdevanje vodom

Proizvod se može koristiti s vodom iz otvorenog snabdevanja vodom, na primer iz jezera ili cilindra. Koristite ½ in. usisno crevo (nije uključeno) koje je dugačko najviše 3 m.

(Sl. 31)



OPREZ: Temperatura vode u izvoru vode ne sme biti veća od 20 °C.



OPREZ: Proizvod ne sme biti na visini većoj od 0,5 m iznad izvora vode.

1. Ukoliko je postavljen adapter za baštensko crevo, uklonite ga s ulaza za vodu na proizvodu. (Sl. 32)



OPREZ: Nemojte uklanjati filter za vodu s ulaza za vodu.

2. Povežite usisno crevo (nije u opremi) sa priključkom za vodu na proizvodu. (Sl. 33)
3. Stavite usisno crevo u vodu i proverite da li je filter potpuno potopljen.



OPREZ: Ne koristite usisno crevo bez filtera.

4. Pritisnite dugme na dršci puške i skinite crevo visokog pritiska sa drške puške. (Sl. 19)
5. Utikač utaknite u izvor napajanja.
6. Okrenite prekidač za paljenje u poziciju uključeno (I) i pustite da proizvod radi 2 minuta.
7. Okrenite prekidač napajanja u položaj isključeno (0).
8. Čvrsto držite dršku raspršivača jednom rukom i gurnite crevo za visoki pritisak u poziciju uključeno na dršci raspršivača. (Sl. 18)
9. Ispraznite sistem pre upotrebe proizvoda. Pogledajte *Ispuštanje vazduha iz sistema na stranici 409*.

Ispuštanje vazduha iz sistema



OPREZ: Uverite se da je prekidač napajanja u isključenom položaju (0) pre ispuštanja vazduha iz sistema.

1. Povežite proizvod na izvor vode. Pogledajte *Povezivanje proizvoda na izvor vode na stranici 409*.
2. Postavite cev mlaznice na pušku. Pogledajte *Postavljanje raspršivača uskog mlaza na stranici 408*.
3. Isključite blokadu obarača. Pogledajte *Aktiviranje i deaktiviranje zaključavanja obarača gasa na stranici 410*.
4. Pritisnite i držite obarač dok voda ne počne da izlazi iz mlaznice na pušci. (Sl. 34)

Odvajanje proizvoda od izvora vode

1. Okrenite prekidač napajanja u položaj isključeno (0).
2. Ako je proizvod povezan na priključak za vodu, zatvorite ventil na priključku za vodu.
3. Ako je proizvod povezan na priključak za vodu, odvojite baštensko crevo od priključka za vodu. (Sl. 35)
4. Ako je proizvod povezan na otvoreni izvor vode, uklonite usisno crevo iz izvora vode.
5. Pritisnite prekidač napajanja i držite ga dok voda ne izađe iz mlaznice.
6. Odvojite baštensko crevo sa ulaza za vodu na proizvodu. (Sl. 36)

Napomena: Ako je proizvod povezan na otvoreni izvor vode, odvojite usisno crevo.

7. Pritisnite dugme na dršci puške i skinite crevo visokog pritiska sa drške puške. (Sl. 19)
8. Okrenite prekidač napajanja u položaj uključeno (I). Pustite da proizvod radi dok voda ne izađe iz creva za visoki pritisak.
9. Okrenite prekidač napajanja u položaj isključeno (0).
10. Pustite da se raspršivač uskog mlaza i mlaznica osuše pre nego što spakujete proizvod.

Aktiviranje i deaktiviranje zaključavanja obarača gasa

- Da biste uključili blokadu obarača, okrećite obarač udesno dok ne čujete klik. (Sl. 37)
- Da biste isključili blokadu obarača, okrenite obarač ulevo do kraja. (Sl. 38)

Pokretanje proizvoda

1. Povežite proizvod sa izvorom vode. Pogledajte *Povezivanje proizvoda na izvor vode na stranici 409*.
2. Utikač utaknite u izvor napajanja.
3. Okrenite prekidač napajanja u položaj uključeno (I). (Sl. 39)

4. Deaktivirajte zaključavanje obarača gasa. Pogledajte *Aktiviranje i deaktiviranje zaključavanja obarača gasa na stranici 410*.
5. Pritisnite obarač na ručki puške.

Napomena: Proizvod se automatski zaustavlja kad pustite obarač.

Zaustavljanje proizvoda

Napomena: Proizvod se automatski zaustavlja kad pustite obarač.

1. Pustite obarač na ručki puške.
2. Uključite blokadu obarača. Pogledajte *Aktiviranje i deaktiviranje zaključavanja obarača gasa na stranici 410*.
3. Okrenite prekidač napajanja u položaj isključeno (0). (Sl. 40)
4. Izvucite utikač iz utičnice.
5. Odvojite proizvod od izvora vode. Pogledajte *Odvajanje proizvoda od izvora vode na stranici 410*.

Napomena: Uvek odvojite proizvod od priključka za vodu ako se udaljavate od proizvoda na duže od 5 minuta.

Korišćenje raspršivača pene

1. Uklonite raspršivač pene iz držača. (Sl. 41)
2. Napunite posudu na raspršivaču pene tečnošću za čišćenje.



OPREZ: Koristite samo tečnosti za čišćenje koje preporučuje Husqvarna.

3. Gurnite brzo povezivanje na raspršivaču pene u brzo povezivanje na raspršivaču uskog mlaza dok se ne zaključa. (Sl. 42)

Napomena: Priрубnica na raspršivaču pene mora biti u ravni sa žlebom na raspršivaču uskog mlaza.

4. Povežite proizvod sa izvorom vode. Pogledajte *Povezivanje proizvoda na izvor vode na stranici 409*.
5. Pokrenite proizvod. Pogledajte *Pokretanje proizvoda na stranici 410*.

Održavanje

Uvod



UPOZORENJE: Pre održavanja, morate pročitati i razumeti poglavlje o bezbednosti.

Za sva servisiranja i popravke proizvoda, potrebna je specijalna obuka. Garantujemo dostupnost stručnih popravki i servisiranja.

Za detaljnije informacije pogledajte www.husqvarna.com.

Šema održavanja

Održavanje	Pre upotrebe	Posle upotrebe
Izvršite generalni pregled. Pogledajte <i>Vršenje opšteg pregleda na stranici 411</i> .	X	
Očistite proizvod. Pogledajte <i>Čišćenje proizvoda na stranici 411</i> .		X
Očistite cev mlaznice i mlaznice. Pogledajte <i>Čišćenje raspršivača uskog mlaza i mlaznica na stranici 411</i> .		X
Očistite filter za vodu. Zamenite filter za vodu ako je oštećen. Pogledajte <i>Čišćenje filtera za vodu na stranici 412</i> .		X
Podmažite O-prstenove u spojnica. Pogledajte <i>Podmazivanje O-prstenova u spojnica na stranici 412</i> .		X

Vršenje opšteg pregleda



UPOZORENJE: Postavite prekidač za paljenje u isključenu poziciju (0) i odvojite utikač od izvora napajanja pre nego što pristupite održavanju proizvoda.



OPREZ: Odvojite proizvod od izvora vode i pobrinite se da svi delovi budu suvi pre nego što pristupite održavanju proizvoda.

- Uverite se da su navrtke i zavrtnji na proizvodu zategnuti.
- Uverite se da kablovi na proizvodu nisu u položaju u kojem se mogu oštetiti.
- Proverite da li je crevo visokog pritiska pohabano ili oštećeno.



UPOZORENJE: Ne koristite proizvod ako je crevo visokog pritiska oštećeno ili pohabano.

Čišćenje proizvoda



UPOZORENJE: Prebacite prekidač za napajanje u isključen položaj (0) i izvucite utikač iz utičnice pre održavanja proizvoda.



OPREZ: Pre održavanja, odvojite proizvod od izvora vode i uverite se da su mu svi delovi suvi.

- Očistite sve spoljne delove suvom krpom.
- Nemojte da koristite čistač pod visokim pritiskom za čišćenje proizvoda.
- Usisnici za vazduh moraju da budu čisti, da bi se proizvod uvek pravilno rashlađivao.

Čišćenje raspršivača uskog mlaza i mlaznica



UPOZORENJE: Postavite prekidač za paljenje u isključenu poziciju (0) i odvojite utikač od izvora napajanja pre nego što pristupite održavanju proizvoda.



OPREZ: Odvojite proizvod od izvora vode i pobrinite se da svi delovi budu suvi pre nego što pristupite održavanju proizvoda.

1. Ukoliko je na raspršivač uskog mlaza postavljena mlaznica, uklonite je. Pogledajte *Postavljanje i uklanjanje mlaznice na stranici 408*.
2. Očistite mlaznice, spojnicu na raspršivaču uskog mlaza i spojnicu na dršci raspršivača sapunom i vodom. (Sl. 43)
3. Ukoliko je mlaznica zapušena, uklonite predmete alatom za čišćenje. (Sl. 44)

Čišćenje filtera za vodu



UPOZORENJE: Postavite prekidač za paljenje u isključenu poziciju (0) i odvojite utikač od izvora napajanja pre nego što pristupite održavanju proizvoda.



OPREZ: Odvojite proizvod od izvora vode i pobrinite se da svi delovi budu suvi pre nego što pristupite održavanju proizvoda.

1. Ukoliko je postavljen adapter za baštensko crevo, uklonite ga s ulaza za vodu na proizvodu. (Sl. 32)
2. Izvucite filter za vodu. Koristite klešta. (Sl. 45)
3. Proverite da li ima oštećenja na filteru za vodu. Zamenite filter za vodu ako je oštećen. (Sl. 46)
4. Isperite filter za vodu čistom vodom. (Sl. 47)

Podmazivanje O-prstenova u spojnica



UPOZORENJE: Postavite prekidač za paljenje u isključenu poziciju (0) i odvojite utikač od izvora napajanja pre nego što pristupite održavanju proizvoda.



OPREZ: Odvojite proizvod od izvora vode i pobrinite se da svi delovi budu suvi pre nego što pristupite održavanju proizvoda.

1. Skinite cev mlaznice sa drške i odvojite creva visokog pritiska od drške. Pogledajte *Postavljanje raspršivača uskog mlaza na stranici 408* i *Ugradnja drške raspršivača na stranici 408*.
2. Podmažite O-prstenove na adapteru za baštensko crevo, cevi mlaznice i crevu visokog pritiska mazivom. Pogledajte *Tehnički podaci na stranici 413* za potreban tip maziva. (Sl. 48)

Rešavanje problema

Plan za pronalaženje kvara

Problem	Mogući uzrok	Rešenje
Proizvod ne može da se pokrene.	Utikač nije povezan s izvorom napajanja.	Utikač utaknite u utičnicu napajanja
	Prekidač napajanja je u položaju isključeno (0).	Okrenite prekidač napajanja u položaj uključeno (I).
	U utičnici nema struje.	Razgovarajte sa ovlašćenim električarem.
	Kabel za napajanje je oštećen.	Obratite se ovlašćenom servisnom agentu.
	Zaštita od pregrevanja je zaustavila napajanje.	Sačekajte da se proizvod ohladi pre nego što ga ponovo uključite.
	Koristi se pogrešan produžni kabl.	Proverite da li je produžni kabl u potpunosti odmotan i da li je izvor napajanja u skladu s naponom proizvoda.
Osigurač iskače prilikom uključivanja ili rada.	Koristi se pogrešan osigurač.	Proverite da li koristite osigurač s vremenskim kašnjenjem klase „C“ ili „K“.

Problem	Mogući uzrok	Rešenje
Proizvod ne može da se zaustavi.	Proizvod je oštećen.	Izvucite utikač i obratite se ovlašćenom servisnom agentu.
Proizvod se pregreva.	Protok vazduha nije dovoljan.	Očistite dovode vazduha.
Proizvod ne radi glatko.	Vazduh u sistemu.	Ispraznite sistem.
Nedovoljan pritisak vode.	Crevo je savijeno	Proverite da crevo nije savijeno.
	Prekidač napajanja je u položaju isključeno (0).	Okrenite prekidač napajanja u položaj uključeno (I).
	Protok vode nije dovoljan.	Proverite da li je proizvod pravilno povezan na izvor vode. Uverite se da postoji dovoljan protok vode.
	Filter za vodu je začepljen.	Očistite filter za vodu.
	Vazduh u sistemu.	Ispraznite sistem.
	Dodaci nisu odgovarajući.	Uverite se da koristite odgovarajuće dodatke.

Transport, skladištenje i odlaganje

Transport

- Izvucite utikač iz utičnice pre transporta proizvoda.
- Odvojite proizvod od izvora vode pre transporta proizvoda.
- Dobro pričvrstite proizvod da biste sprečili pomeranje tokom transporta.

Skladištenje

- Ispustite svu vodu iz proizvoda, creva za vodu pod visokim pritiskom i opreme pre skladištenje proizvoda.
- Pripremite proizvod za skladištenje. Pogledajte *Priprema proizvoda za odlaganje na stranici 413*.
- Čuvajte proizvod na suvom mestu bez mraza.

Priprema proizvoda za odlaganje

- Zaustavite proizvod i izvucite kabl za napajanje iz utičnice.
- Odvojite proizvod od izvora vode. Pogledajte *Odvajanje proizvoda od izvora vode na stranici 410*.

- Proverite da li su svi dodaci suvi.
- Postavite dršku raspršivača, raspršivač uskog mlaza i mlaznice na njihove držače.
- Odvojite crevo za vodu pod visokim pritiskom i stavite ga u držač. (Sl. 49)
- Stavite kabl za napajanje na njegov držač i prikačite traku. (Sl. 50)

Odlaganje

Husqvarna proizvode ne treba tretirati kao kućni otpad i moraju se odložiti na način opisan u ovom priručniku.

- Pratite lokalne zakone i propise o odlaganju.
- Reciklirajte proizvod i pakovanje na odobrenoj lokaciji za odlaganje.
- Obratite se lokalnom prodavcu kompanije Husqvarna za više informacija o recikliranju i odlaganju proizvoda.

Tehnički podaci

	PW 130
Motor i pumpa	
Tip	Serija AC motora
Snaga, W	1500

	PW 130
Raspon napona, V	220–240
Frekvencija, Hz	50
Nazivni napon, A	6,5
Maks. protok vode, l/min	7,7
Maks. izlazni pritisak vode bar/MPa	130 / 13
Maks. ulazni pritisak vode, bar/MPa	10/1
Maks. temperatura ulazne vode, °C/°F	40/104
Maks. temperatura izlazne vode (u usisnom režimu), °C/°F	20/68
IP ocena	IPX5
Bezbednosna klasa	Klasa II
Podmazivanje	
Vrsta masti za podmazivanje O-prstenova	Univerzalno belo silikonsko mazivo
Težina	
Težina, kg	6,5
Emisija buke ⁹³	
Nivo zvučne snage, mereno dB (A)	85
Nivo zvučne snage, garantovano L _{WA} dB(A)	89
Nivoi zvuka ⁹⁴	
Ekvivalentni nivo pritiska zvuka u uhu rukovaoca, dB (A)	72
Nivoi vibracije ⁹⁵	
Šaka/ruka (sa standardnim mlaznicama) m/s ²	2,5
Ekvivalentni nivoi vibracija ⁹⁶	
Šaka/ruka (sa standardnim mlaznicama) m/s ²	1,8

⁹³ Emisije buke u životnoj sredini merene kao zvučna snaga (L_{WA}) u skladu sa direktivom 2000/14/EZ.

⁹⁴ Ekvivalentni nivo pritiska zvuka, prema ISO standardu 22868, računa se kao ukupna energija u odnosu na vreme za različite nivoe pritiska zvuka pod različitim radnim uslovima. Tipična statistička disperzija za ekvivalentni nivo pritiska zvuka predstavlja standardno odstupanje od 1 dB (A).

⁹⁵ Nivo vibracija, prema standardu EN 60745-2-13. Podaci o nivou vibracije imaju tipičnu statističku disperziju (standardnu devijaciju) od 1°m/s². Navedeni podaci o vibracijama sa merenja pri kojima je mašina opremljena preporučenim tipom lanca i dužinom vodilice. Ako je mašina opremljena vodilicom druge dužine, nivo vibracija može da varira najviše ± 1,5 m/s².

⁹⁶ Ekvivalentni nivo vibracija se meri i računa za motorne testere sa motorima sa unutrašnjim sagorevanjem. Ove brojke su navedene radi mogućnosti poređenja podataka o vibraciji bez obzira na tip motora, prema standardu ISO 22867:2011.

Dodaci

Odobrena oprema

Odobrena oprema	Br. artikla
Čistač površine SC 300	590 65 79-01
Raspršivač pene FS 300	590 66 04-01
Crevo za čišćenje cevi, 15 m	590 66 10-01
Filter za vodu	590 65 93-01
Uređaj za sprečavanje povratnog toka	590 65 95-01
Uisni crevo	590 65 97-01
Komplet za vozilo	590 66 07-01
Komplet rotirajuće četke	590 66 06-01
Zakrivljena cev mlaznice	590 66 11-01
Uisna mlaznica za vodu	590 66 05-01
Produžno crevo, 8 m	590 66 08-01

Deklaracija o usaglašenosti

EU deklaracija o usaglašenosti

Mi, Husqvarna AB, SE-561 82 Huskvarna, Švedska, tel:
+46-36-146500, izjavljujemo pod punom odgovornošću
da je proizvod:

Opis	Perač sa kompresorom
Marka	Husqvarna
Tip/model	PW 130
Identifikacija	Serijski brojevi od 2022 i nadalje

su u potpunosti usaglašeni sa sledećim EU direktivama i
propisima:

Propis	Opis
2006/42/EZ	"koji se odnose na mašine"
2014/30/EU	„koji se odnose na elektromagnetsku kompatibilnost“
2000/14/EZ Dodatak V	„koji se odnose na emisiju buke u okruženju“
2011/65/EU	„koji se odnose na ograničenje upotrebe određenih opasnih supstanci u električnoj i elektronskoj opremi“

i da su sledeći standardi i/ili tehničke
specifikacije primenjeni: EN 60335-1:2012/A11:2014/
A13:2017/A1:2019/A14:2019/A2:2019/A15:2021, EN
60335-2-79:2012, EN 62233:2008, EN 55014-1:2021,
EN 55014-2:2021, EN IEC 61000-3-2:2019/A1:2021, EN
61000-3-3:2013/A2:2021, EN IEC 63000:2018.

Za informacije o emisiji buke pogledajte *Tehnički podaci*
na stranici 413.

Huskvarna, 2023-01-19



Claes Losdal, menadžer razvoja / baštenski proizvodi,
Husqvarna AB

Odgovoran za tehničku dokumentaciju



Innehåll

Introduktion.....	417	Felsökning.....	428
Säkerhet.....	418	Transport, förvaring och kassering.....	429
Montering.....	424	Tekniska data.....	429
Drift.....	424	Tillbehör.....	430
Underhåll.....	427	Försäkran om överensstämmelse.....	432

Introduktion

Produktbeskrivning

Produkten är en eldriven högtryckstvätt. Produkten kan användas med olika vattentrycksnivåer och olika rengöringsmedel.

Avsedd användning

Använd produkten endast för städning i hemmet. Använd inte produkten till annat. Använd produkten endast i upprätt läge.

Produktöversikt

(Fig. 1)

1. Munstycke med rak vattenstråle
2. Munstycke med roterande vattenstråle
3. Gummirem för strömkabelhållare
4. Hållare för spruthandtag och sprinklerstav
5. Högtrycksvattenslang
6. Vatteninlopp
7. Skumspruta
8. Förvaring för högtrycksvattenslang
9. Strömbrytare
10. Strömkabel
11. Vattenutlopp med snabbkoppling
12. Rengöringsverktyg för munstycken
13. Transporthandtag
14. Luftintag
15. Spruthandtag
16. Sprinklerstav
17. Bruksanvisning

Symboler på produkten

(Fig. 2)

WARNING! Den här produkten kan vara farlig och kan orsaka allvarlig eller livshotande skada för användaren och andra. Var försiktig

Notera: Nationella regler kan begränsa användningen av produkten.

och använd produkten på rätt sätt.

(Fig. 3)

Läs noggrant igenom bruksanvisningen och se till att du förstår innehållet innan du använder produkten.

(Fig. 4)

Produkten är inte lämplig för anslutning till dricksvattenledningarna.

(Fig. 5)

Vattenstrålar med högt tryck kan vara farliga om de används på fel sätt. Strålen får inte riktas mot personer, elutrustning eller produkten.

(Fig. 6)

Miljömärkning.

Produkten eller dess förpackning är inte hushållsavfall. Återvinn den vid en godkänd plats för kassering av elektrisk och elektronisk utrustning.

(Fig. 7)

Verktyg i klass II.

(Fig. 8)

Miljömärkning för bulleremission enligt direktiv och bestämmelser för EU och Storbritannien samt New South Wales-lagstiftningen "Protection of the Environment Operations (Noise Control) Regulations 2017". Produktens garanterade ljudeffektnivå anges i

Tekniska data på sida 429 och på etiketten.

(Fig. 9)

Skyddad mot vattenflöden med lågt tryck från alla vinklar.

(Fig. 10)

Förvaras avskilt från frost.

(Fig. 11)

Produkten överensstämmer med gällande EG-direktiv.

(Fig. 12)

Denna produkt överensstämmer med gällande brittiska direktiv.

Notera: Övriga symboler/etiketter på produkten avser specifika krav för certifieringar på vissa marknader.

Produktskada

Vi ansvarar inte för skador på vår produkt om:

- produkten repareras felaktigt
- produkten repareras med delar som inte kommer från tillverkaren eller inte har godkänts av tillverkaren
- produkten har ett tillbehör som inte kommer från tillverkaren eller inte har godkänts av tillverkaren
- produkten inte repareras vid ett godkänt servicecenter eller av en godkänd person.

Säkerhet

Säkerhetsdefinitioner

Varningar, försiktighetsåtgärder och anmärkningar används för att betona speciellt viktiga delar i bruksanvisningen.



VARNING: Används om det finns risk för skador

eller dödsfall för föraren eller kringstående om anvisningarna i bruksanvisningen inte följs.



OBSERVERA: Används om det finns risk för

skada på produkten, annat material eller det angränsande området om anvisningarna i bruksanvisningen inte följs.

Notera: Används för att ge mer information som är nödvändig i en viss situation.

Allmänna säkerhetsanvisningar



WARNING: Läs varningsinstruktionerna nedan innan du använder produkten.

- Denna produkt är farlig om den används på fel sätt, och om du inte är försiktig. Skada eller dödsfall kan inträffa om du inte följer säkerhetsinstruktionerna.
- Var alltid försiktig och använd sunt förnuft. Om du inte vet hur du ska använda produkten i en särskild situation ska du stanna den och tala med en serviceverkstad för Husqvarna innan du fortsätter.
- Tänk på att användaren kommer att hållas ansvarig för olyckor som involverar andra människor eller deras egendom.
- Håll produkten ren. Se till att du kan läsa skyltar och dekaler tydligt.
- Låt aldrig barn eller personer som inte känner till de här instruktionerna använda produkten. Lokala föreskrifter kan ange en åldersgräns för användning.
- Denna produkt kan användas av personer med nedsatt fysisk, sensorisk eller mental förmåga om de övervakas eller ges instruktioner för hur produkten ska användas på ett säkert sätt och förstår de faror som föreligger.
- Denna produkt kan användas av personer som inte har nödvändig erfarenhet eller kunskap om de övervakas eller ges instruktioner för hur produkten ska användas på ett säkert sätt och förstår de risker som föreligger.
- Använd aldrig produkten om du är trött, sjuk eller om du är påverkad av alkohol, droger eller läkemedel. Detta har en negativ inverkan på din syn, ditt omdöme och din kroppskontroll.
- Använd inte en skadad produkt.
- Modifiera aldrig den här produkten och använd den

inte om det är möjligt att den har blivit modifierad av andra.

Säkerhetsinstruktioner för drift



WARNING: Läs varningsinstruktionerna nedan innan du använder produkten.

- Använd inte produkten om strömkabeln, högtrycksslangen, avtryckarens spärr eller spruthandtaget är skadade.
- Kontrollera att det inte förekommer några skador innan du använder produkten. Använd inte produkten om delar är skadade eller saknas.
- Håll spruthandtagen stadigt med båda händerna. Ett kast uppstår när du drar i aktiveringsreglaget.
- Var försiktig när du använder produkten. Det höga tryck som levereras av produkten är farligt och kan orsaka personskador.
- Rikta inte strålen mot dig själv, andra personer eller djur.
- Rikta inte strålen mot dig själv eller andra för att rengöra skor.
- Rikta inte strålen mot elutrustning eller själva produkten.
- Använd personlig skyddsutrustning när du använder produkten. Se *Personlig skyddsutrustning på sida 422*.
- Använd inte produkten i närheten av personer om de inte bär skyddsutrustning.
- Om du använder ett rengöringsmedel ska du följa säkerhetsanvisningarna för rengöringsmedlet.
- Använd endast rengöringsmedel från Husqvarna.
- Använd korrekt vattentryck och rengöringsmedel och använd produkten endast för de uppgifter som anges i denna handbok. Om du använder felaktigt vattentryck eller rengöringsmedel eller använder produkten för andra uppgifter än de som anges i denna handbok kan det orsaka skador på produkten, ytorna, materialet eller andra enheter. Husqvarna åtar sig inget ansvar för skador som orsakas av felaktig användning.
- Vi rekommenderar inte att du ansluter produkten till dricksvattenledningarna. Om du måste ansluta produkten till dricksvattenledningarna måste du följa lokala och nationella föreskrifter. Använd

- en backventil (ingår inte) om det är nödvändigt. Vatten som har runnit igenom en backventil anses vara icke drickbart.
- Spruta inte brandfarliga vätskor. Risk för explosion.
 - Låt inte barn använda produkten.
 - Låt inte barn leka med produkten.
 - Låt inte personer använda produkten utan utbildning.
 - Använd endast tillbehör och reservdelar som är godkända av Husqvarna.
 - Se till att elanslutningen upprättas av en godkänd elektriker och att den uppfyller IEC 60364-1.
 - Använd en jordfelsbrytare som stoppar elen om läckströmmen överstiger 30 mA under 30 ms. Om du inte har en jordfelsbrytare ska du använda en enhet som kan visa att enheten är jordad.
 - Använd motors start-/fördröjda säkringar med egenskap C eller D enligt IEC 898-1 eller IEC947-2 eller motsvarande standarder utanför IEC.
 - Inga åtgärder behövs för att justera produkter som är märkta för två spännings- och frekvensvärden.
 - Om det är nödvändigt att använda en förlängningskabel måste du se till att den är lämplig för användning utomhus. Se till att eluttaget sitter minst 60 mm över marken. Anslutningen måste alltid hållas torr.
 - Ställ om strömbrytaren i frånslaget läge (0), koppla ur stickkontakten och koppla in avtryckarens spärr innan du lämnar produkten.
 - Ställ om strömbrytaren i frånslaget läge (0) och koppla ur stickkontakten innan du byter tillbehör.
 - Ställ om strömbrytaren i frånslaget läge (0) och koppla ur stickkontakten innan du rengör eller utför underhåll på produkten.
 - Använd inte produkten i miljöer där omgivningens temperatur är lägre än 0 °C.
 - Starta inte en fryst produkt.
 - Använd inte produkten inomhus.
 - Placera inte föremål på produkten när den är i drift.
 - Drick inte vatten som har använts med produkten.
 - Använd inte produkten nära öppna fönster.
 - Varning för utslungade föremål. Stenar och lösa föremål kan kastas upp i

ögonen och orsaka blindhet eller allvarliga skador.

- Om produkten inte fungerar korrekt bör du se *Felsökningsschema på sida 428.*

Personlig skyddsutrustning



VARNING: Läs varningsinstruktionerna nedan innan du använder produkten.

- Personlig skyddsutrustning kan inte eliminera skaderisken helt, men den reducerar effekten av en skada vid ett eventuellt olyckstillbud. Be din återförsäljare om hjälp med att välja rätt utrustning.
- Bär kraftiga hals säkra kängor eller skor. Använd inte öppna skor och var inte barfota.
- Bär skyddskläder.
- Använd godkända hörselskydd.
- Använd skyddsglasögon.
- Bär ett andningsskydd i klass FFP2 eller motsvarande om du använder produkten i miljöer där farliga aerosoler kan bildas.

Säkerhetsanordningar på produkten



VARNING: Läs varningsinstruktionerna nedan innan du använder produkten.

- Använd inte en produkt med säkerhetsanordningar som är skadade eller som inte fungerar korrekt.
- Ta inte bort och gör inga ändringar på säkerhetsanordningar.
- Kontrollera säkerhetsanordningarna regelbundet. Om säkerhetsanordningarna är skadade eller om de inte fungerar korrekt ska du kontakta en Husqvarna-serviceverkstad.

Gasreglagespär

Avtryckarens spärr (A) förhindrar ofrivillig aktivering av avtryckaren (A). När avtryckarens spärr är i låst läge kan avtryckare inte tryckas in.

(Fig. 13)

Gasreglage

Produkten startar när avtryckaren trycks in. Produkten stannar när avtryckaren släpps.

Värmeskydd

Produkten har ett automatiskt värmeskydd. Om produkten blir för varm stoppar värmeskyddet strömförsörjningen till produkten. Vänta tills produkten har svalnat om värmeskyddet har stoppat strömmen. Värmeskyddet återställs automatiskt när produkten är tillräckligt sval.

Hydraulisk övertrycksventil

Produkten har en inbyggd hydraulisk övertrycksventil som förhindrar för högt tryck i systemet.

Säkerhetsinstruktioner för underhåll



VARNING: Läs varningsinstruktionerna nedan innan du utför underhåll på produkten.



OBSERVERA: Utför alltid underhåll innan du startar produkten efter längre tids förvaring.

- Ställ om strömbrytaren i frånslaget läge (0) och

koppla ut stickkontakten ur strömkällan innan du utför underhåll på produkten.

- Koppla bort produkten från vattenkällan och se till att alla delar är torra innan du utför underhåll på produkten.
- Utför det underhållsarbete som anges i denna bruksanvisning.
- Använd endast reservdelar som rekommenderas av Husqvarna. Högtrycksvattenslangar, tillbehör och kopplingar är viktiga för säkerheten när du använder produkten. Använd endast slangar, tillbehör och kopplingar som rekommenderas av tillverkaren.
- Reparera inte produkten. Kontakta en Husqvarna-serviceverkstad.
- Tala med en serviceverkstad för Husqvarna om stickkontakten eller strömkabeln är skadad.
- Låt inte barn rengöra eller utföra underhåll på produkten.

Montering

Introduktion



VARNING: Läs och förstå säkerhetskapitlet innan du monterar produkten.

Montera trädgårdsslangens adapter

1. Avlägsna transportskyddet från vattenanslutningen och kassera det. (Fig. 14)
2. Montera trädgårdsslangens adapter på vattenanslutningen. (Fig. 15)



OBSERVERA: Se till att du installerar trädgårdsslangens

adapter rakt på vattenanslutningen. Om trädgårdsslangens adapter inte monteras rakt kan gångorna skadas och läckage kan uppstå.

3. Dra åt trädgårdsslangens adapter helt.
4. Ta bort trädgårdsslangens adapter i omvänd ordning.

Installera hållaren till spruthandtaget och sprinklerstaven

- Installera hållaren med de två skruvarna. (Fig. 16)

Drift

Introduktion



VARNING: Läs och förstå säkerhetskapitlet innan du använder produkten.

Husqvarna Connect

Husqvarna Connect är en kostnadsfri app för mobila enheter. Husqvarna Connect-appen utökar funktionerna för Husqvarna-produkten:

- Mer produktinformation.
- Information om, och hjälp med, produktdelar och service.

Börja använda Husqvarna Connect

1. Ladda ner Husqvarna Connect-appen på din mobila enhet.
2. Utför registreringen i Husqvarna Connect-appen.
3. Följ instruktionerna i Husqvarna Connect-appen för att ansluta och registrera produkten.

Notera: Husqvarna Connect-appen är inte tillgänglig för hämtning på alla marknader. Prata med en serviceverkstad för mer information.

Installera spruthandtaget

1. Tryck in högtrycksvattenslangen i snabbkopplingen tills den låser fast på plats. (Fig. 17)



OBSERVERA: Förhindra läckage genom att se till att högtrycksslangen

är helt ansluten till produktens snabbkoppling.

2. Håll i spruthandtaget ordentligt med en hand och tryck in högtrycksvattenslangen i snabbkopplingen på spruthandtaget. (Fig. 18)

Ta bort det främre handtaget

1. Tryck på knappen på spruthandtaget och dra ut högtrycksvattenslangen. (Fig. 19)
2. Tryck på den yttre ringen på snabbkopplingen och dra ut högtrycksvattenslangen. (Fig. 20)

Installera sprinklerstaven

1. Håll spruthandtaget med en hand och tryck in kopplingen på sprinklerstaven i spruthandtaget. (Fig. 21)
2. Vrid sprinklerstaven medurs och släpp sprinklerstaven. Sprinklerstaven låser fast på plats.

Ta bort sprinklerstaven

1. Tryck in sprinklerstaven och vrid den moturs. (Fig. 22)
2. Dra ut sprinklerstaven ur spruthandtaget.

Installera och ta bort ett munstycke

Produkten levereras med två munstycken: Ett munstycke med rak vattenstråle (märkt med "mjukt munstycke") och ett munstycke med roterande vattenstråle (märkt med "grovt munstycke"). Munstycket med rak vattenstråle kan användas för att rengöra känsliga ytor, t.ex. fordon. Det grova munstycket kan användas för att rengöra ytor som inte är känsliga, t.ex. garageupparter.

(Fig. 23)



OBSERVERA: Använd inte munstycket med roterande vattenstråle på känsliga ytor, t.ex. lackerade ytor på ett fordon. Den roterande vattenstrålen kan orsaka skador på ytan.

- Installera ett munstycke genom att hålla sprinklerstaven med en hand och trycka in munstycket tills det låser fast på plats. (Fig. 24)
- Ta bort ett munstycke genom att trycka in fliken på sprinklerstaven och dra ut munstycket ur sprinklerstaven. (Fig. 25)

Justera vattenstrålens tryck

Munstycket med rak vattenstråle har justerbart tryck.

- Öka vattenstrålens tryck genom att vrida munstycket medurs. (Fig. 26)
- Minska vattenstrålens tryck genom att vrida munstycket moturs. (Fig. 27)

Använda produkten

1. Anslut produkten till en strömkälla. Se *Ansluta produkten till en vattenkälla på sida 425*.
2. Lufta systemet. Se *Lufta systemet på sida 426*.
3. Starta produkten. Se *Starta produkten på sida 426*.

Ansluta produkten till en vattenkälla

Produkten kan användas med vatten från vattenledningen eller vatten från en öppen vattenkälla, t.ex. en sjö eller en vattentunna.

- Information om hur du ansluter produkten till vattenledningen finns i *Ansluta produkten till vattenledningen på sida 425*.
- Information om hur du ansluter produkten till en öppen vattenkälla finns i *Ansluta produkten till en öppen vattenkälla på sida 425*.

Ansluta produkten till vattenledningen

1. Installera trädgårdsslangens adapter och vattenfiltret på vattenanslutningen på produkten om de inte är installerade. Se *Montera trädgårdsslangens adapter på sida 424*.
2. Anslut trädgårdsslangens till vattenledningen. Använd en 10–25 m lång ½-tums trädgårdsslang. (Fig. 28)



OBSERVERA: Vattentrycket i vattenledningen får inte vara högre än 1 MPa (10 bar).



OBSERVERA: Vattentemperaturen i vattenledningen får inte överstiga 40 °C.

3. Öppna ventilen på vattenledningen och se till att vattnet kan flöda fritt från trädgårdsslangen. (Fig. 29)
4. Stäng ventilen på vattenledningen.
5. Anslut trädgårdsslangen till vattenanslutningen på produkten. (Fig. 30)
6. Sätt i stickkontakten i ett eluttag.
7. Öppna ventilen på vattenledningen.
8. Lufta systemet innan du använder produkten. Se *Lufta systemet på sida 426*.

Ansluta produkten till en öppen vattenkälla

Produkten kan användas med vatten från en öppen vattenkälla, t.ex. en sjö eller en vattentunna. Använd en 3 m lång ½-tums sugslang (medföljer inte).

(Fig. 31)



OBSERVERA: Vattentemperaturen i vattenkällan får inte vara högre än 20 °C.



OBSERVERA: Produkten får inte stå mer än 0,5 m ovanför vattenkällan.

1. Om du har installerat en adapter för trädgårdsslangen ska du ta bort den från vattenanslutningen på produkten. (Fig. 32)
- OBSERVERA:** Ta inte bort vattenfiltret i vattenanslutningen.
2. Installera en sugslang (medföljer inte) på vattenanslutningen på produkten. (Fig. 33)
 3. Placera sugslangen i vattenkällan och se till att filtret är helt nedsänkt.



OBSERVERA: Använd inte en sugslang utan filter.

4. Tryck in knappen på spruthandtaget och dra ut högtrycksslangen ur spruthandtaget. (Fig. 19)
5. Sätt i stickkontakten i ett eluttag.
6. Vrid strömbrytaren till påslaget läget (I) och låt produkten vara påslagen under två minuter.
7. Vrid strömbrytaren till fränslaget läge (O).
8. Håll i spruthandtaget stadigt med en hand och tryck in högtrycksslangen i snabbkopplingen på spruthandtaget. (Fig. 18)
9. Lufta systemet innan du använder produkten. Se *Lufta systemet på sida 426*.

Lufta systemet



OBSERVERA: Se till att strömbrytaren är i frånslaget läge (0) innan du luftar systemet.

1. Anslut produkten till en strömkälla. Se *Ansluta produkten till en vattenkälla på sida 425*.
2. Installera sprinklerstaven på sprutpipstolen. Se *Installera sprinklerstaven på sida 424*.
3. Koppla loss avtryckarens spärr. Se *Koppla in och koppla loss avtryckarens spärr på sida 426*.
4. Tryck på avtryckaren och håll den intryckt tills vatten kommer ut ur munstycket på sprinklerstaven. (Fig. 34)

Koppla bort produkten från strömkällan

1. Vrid strömbrytaren till frånslaget läge (0).
2. Om produkten är ansluten till vattenledningen ska du stänga ventilen på vattenledningen.
3. Om produkten är ansluten till vattenledningen ska du koppla bort trädgårdsslangen från vattenledningen. (Fig. 35)
4. Om produkten är ansluten till en öppen vattenkälla ska du ta ut sugslangen ur vattenkällan.
5. Tryck på avtryckaren och håll den intryckt tills inget vatten kommer ut ur munstycket.
6. Koppla bort trädgårdsslangen från vattenanslutningen på produkten. (Fig. 36)

Notera: Om produkten är ansluten till en öppen vattenkälla ska du koppla bort sugslangen.

7. Tryck in knappen på spruthandtaget och dra ut högtrycksslangen ur spruthandtaget. (Fig. 19)
8. Vrid strömbrytaren till påslaget läge (I). Låt produkten vara påslagen tills inget vatten kommer ut ur högtrycksslangen.
9. Vrid strömbrytaren till frånslaget läge (0).
10. Låt spruthandtaget, sprinklerstaven och munstyckena torka innan du placerar produkten på förvaring.

Koppla in och koppla loss avtryckarens spärr

- Koppla in avtryckarens spärr genom att vrida spärren medurs tills du hör ett klickljud. (Fig. 37)
- Koppla loss avtryckarens spärr genom att vrida spärren helt moturs. (Fig. 38)

Starta produkten

1. Anslut produkten till en strömkälla. Se *Ansluta produkten till en vattenkälla på sida 425*.
2. Sätt i stickkontakten i ett eluttag.
3. Vrid strömbrytaren till påslaget läge (I). (Fig. 39)
4. Koppla loss avtryckarens spärr. Se *Koppla in och koppla loss avtryckarens spärr på sida 426*.
5. Tryck in avtryckaren på spruthandtaget.

Notera: Produkten stoppar automatiskt när du släpper avtryckaren.

Stoppa produkten

Notera: Produkten stoppar automatiskt när du släpper avtryckaren.

1. Släpp avtryckaren på spruthandtaget.
2. Koppla in avtryckarens spärr. Se *Koppla in och koppla loss avtryckarens spärr på sida 426*.
3. Vrid strömbrytaren till frånslaget läge (0). (Fig. 40)
4. Koppla ut stickkontakten ur eluttaget.
5. Koppla bort produkten från vattenkällan. Se *Koppla bort produkten från strömkällan på sida 426*.

Notera: Koppla alltid bort produkten från vattenkällan om du ska vara borta från produkten längre än fem minuter.

Använda skumsprutan

1. Ta bort skumsprutan från hållaren. (Fig. 41)
2. Fyll behållaren på skumsprutan med rengöringsmedel.



OBSERVERA: Använd endast rengöringsmedel som rekommenderas av Husqvarna.

3. Tryck in snabbkopplingen på skumsprutan i snabbkopplingen på sprinklerstaven tills den låser fast på plats. (Fig. 42)

Notera: Flänsen på skumsprutan måste vara i linje med spåret i sprinklerstaven.

4. Anslut produkten till en strömkälla. Se *Ansluta produkten till en vattenkälla på sida 425*.
5. Starta produkten. Se *Starta produkten på sida 426*.

Underhåll

Introduktion



VARNING: Innan du utför underhåll måste du läsa och förstå kapitlet om säkerhet.

För allt service- och reparationsarbete på produkten krävs särskild utbildning. Vi garanterar att du kan få en fackmannamässig reparation och service utförd.

Mer information finns här i www.husqvarna.com.

Underhållsschema

Underhåll	Före användning	Efter användning
Utför en allmän inspektion. Se <i>Allmän inspektion på sida 427</i> .	X	
Rengöra produkten. Se <i>Rengöra produkten på sida 427</i> .		X
Rengör sprinklerstaven och munstyckena. Se <i>Rengöra sprinklerstaven och munstyckena på sida 427</i> .		X
Rengör vattenfiltret. Byt ut vattenfiltret om det är skadat. Se <i>Rengöra vattenfiltret på sida 428</i> .		X
Smörj O-ringarna på kopplingarna. Se <i>Smörja O-ringarna på kopplingarna på sida 428</i> .		X

Allmän inspektion



VARNING: Ställ om strömbrytaren i fränslaget läge (0) och koppla ut stickkontakten ur strömkällan innan du utför underhåll på produkten.



OBSERVERA: Koppla bort produkten från vattenkällan och se till att alla delar är torra innan du utför underhåll på produkten.

- Rengör alla utvändiga delar med en torr trasa.
- Använd inte högtryckstvätt för att rengöra produkten.
- Håll luftintagen rena och fria för att säkerställa att produkten alltid har tillräckligt låg temperatur.



OBSERVERA: Koppla bort produkten från vattenkällan och se till att alla delar är torra innan du utför underhåll på produkten.



VARNING: Ställ om strömbrytaren i fränslaget läge (0) och koppla ut stickkontakten ur strömkällan innan du utför underhåll på produkten.

- Se till att muttrarna och skruvarna på produkten är åtdragna.
- Se till att produktens kablar inte är i ett läge där de kan skadas.
- Undersök högtrycksslangen med avseende på slitage och skador.



OBSERVERA: Koppla bort produkten från vattenkällan och se till att alla delar är torra innan du utför underhåll på produkten.



VARNING: Använd inte produkten om högtrycksslangen är sliten eller skadad.

Rengöra produkten



VARNING: Ställ om strömbrytaren i fränslaget läge (0) och koppla ut stickkontakten ur strömkällan innan du utför underhåll på produkten.

1. Om ett munstycke är monterat på sprinklerstaven ska du ta bort det från sprinklerstaven. Se *Installera och ta bort ett munstycke på sida 424*.
2. Rengör munstyckena, kopplingen på sprinklerstaven och kopplingen på spruthandtaget med tvål och vatten. (Fig. 43)
3. Om munstyckena är igensatta ska du ta bort dem med rengöringsverktyget. (Fig. 44)

Rengöra vattenfiltret



VARNING: Ställ om strömbrytaren i fränslaget läge (0) och koppla ut stickkontakten ur strömkällan innan du utför underhåll på produkten.



OBSERVERA: Koppla bort produkten från vattenkällan och se till att alla delar är torra innan du utför underhåll på produkten.

1. Om du har installerat en adapter för trädgårdsslangen ska du ta bort den från vattenanslutningen på produkten. (Fig. 32)
2. Dra ut vattenfiltret. Använd en tång. (Fig. 45)
3. Kontrollera om vattenfiltret är skadat. Byt ut vattenfiltret om det är skadat. (Fig. 46)
4. Spola vattenfiltret med rent vatten. (Fig. 47)

Smörja O-ringarna på kopplingarna



VARNING: Ställ om strömbrytaren i fränslaget läge (0) och koppla ut stickkontakten ur strömkällan innan du utför underhåll på produkten.



OBSERVERA: Koppla bort produkten från vattenkällan och se till att alla delar är torra innan du utför underhåll på produkten.

1. Ta bort sprinklerstaven från spruthandtaget och spruthandtaget från högtrycksslangen. Se *Installera sprinklerstaven på sida 424* och *Installera spruthandtaget på sida 424*.
2. Smörj O-ringarna på trädgårdsslangens adapter, sprinklerstaven och högtrycksslangen med fett. Se *Tekniska data på sida 429* för rätt typ av fett. (Fig. 48)

Felsökning

Felsökningsschema

Problem	Möjlig orsak	Lösning
Produkten startar inte.	Stickkontakten är inte ansluten till en strömkälla.	Ansluta stickkontakten till ett eluttag
	Strömbrytaren är i fränslaget läge (0).	Vrid strömbrytaren till påslaget läge (I).
	Det finns ingen ström i strömkällan.	Kontakta en godkänd elektriker.
	Strömsladden är skadad.	Tala med en godkänd serviceverkstad.
	Värmskyddet har stoppat strömmen.	Vänta tills produkten har svalnat innan du använder den igen.
	En felaktig typ av förlängningskabel används.	Se till att förlängningskabeln rullas ut helt och att strömkällans spänning överensstämmer med produktens spänning.
Säkring löser ut under start eller drift.	En felaktig typ av säkring används.	Se till att du använder en trög säkring i klass C eller K.
Produkten stannar inte.	Produkten är skadad.	Koppla ut stickkontakten och tala med en godkänd serviceverkstad.
Produkten blir för varm.	Luftflödet är inte tillräckligt.	Rengör luftintagen.
Produkten går ojämnt.	Det finns luft i systemet.	Lufta systemet.

Problem	Möjlig orsak	Lösning
Vattentrycket är otillfredsställande.	Slangen är böjd.	Se till att det inte finns några böjda delar på slangen.
	Strömbrytaren är i fränslaget läge (0).	Vrid strömbrytaren till påslaget läge (I).
	Vattenflödet är inte tillräckligt.	Se till att produkten är korrekt ansluten till vattenkällan. Se till att vattenflödet är tillräckligt.
	Vattenfiltret är igensatt.	Rengör vattenfiltret.
	Det finns luft i systemet.	Lufta systemet.
	Fel tillbehöret.	Se till att använda rätt tillbehör.

Transport, förvaring och kassering

Transport

- Koppla ut stickkontakten ur eluttaget innan produkten transporteras.
- Koppla bort produkten från vattenkällan innan produkten transporteras.
- Spänn fast produkten för att förhindra rörelse under transport.

- Se till att alla tillbehör är torra.
- Placera spruthandtaget, sprinklerstaven och munstyckena i deras hållare.
- Koppla bort högtrycksvattenslangen och placera den dess hållare. (Fig. 49)
- Placera strömkabeln i dess hållare och sätt fast remmen. (Fig. 50)

Förvaring

- Töm ut allt vatten ur produkten, högtrycksslangen och tillbehören innan du placerar produkten på förvaring.
- Förbered produkten för förvaring. Se *Förbereda produkten för förvaring på sida 429*.
- Förvara produkten i en torr och frostfri miljö.

Förbereda produkten för förvaring

- Stoppa produkten och koppla ut stickkontakten ur eluttaget.
- Koppla bort produkten från vattenkällan. Se *Koppla bort produkten från strömkällan på sida 426*.

Kassering

Husqvarna-produkter är inte hushållssopor och får endast kasseras enligt anvisningarna i den här handboken.

- Följ lokala kasseringsbestämmelser och tillämpliga förordningar.
- Återvinn produkten och förpackningen på lämplig anvisad plats.
- Om du vill ha mer information om hur du återvinner och kasserar produkten kontaktar du en lokal Husqvarna-återförsäljare.

Tekniska data

	PW 130
Motor och pump	
Typ	Seriens AC-motor
Effekt, W	1500
Spänningsintervall, V	220–240
Frekvens, Hz	50
Märkström, A	6,5

	PW 130
Max. vattenflöde, l/min	7,7
Max. vattenutloppstryck, bar/MPa	130/13
Max. vatteninloppstryck, bar/MPa	10/1
Max. vatteninloppstemperatur, °C/°F	40/104
Max. vatteninloppstemperatur (i sugläge), °C/°F	20/68
IP-klass	IPX5
Skyddsklass	Klass II
Smörjning	
Typ av fett för smörjning av O-ringar	Universellt vitt silikonfett
Vikt	
Vikt, kg	6,5
Bulleremission ⁹⁷	
Ljudeffektnivå, uppmätt dB(A)	85
Ljudeffektnivå, garanterad L _{WA} dB(A)	89
Ljudnivåer ⁹⁸	
Ekvivalent ljudtrycksnivå vid användarens öra, dB(A)	72
Vibrationsnivåer ⁹⁹	
Hand/arm (med standardmunstycke) m/s ²	2,5
Ekvivalent vibrationsnivå ¹⁰⁰	
Hand/arm (med standardmunstycke) m/s ²	1,8

Tillbehör

Godkända tillbehör

Godkända tillbehör	Art.nr.
Yt rengörare SC 300	590 65 79-01

⁹⁷ Bulleremission till omgivningen uppmätt som ljudeffekt (L_{WA}) enligt EG-direktiv 2000/14/EG.

⁹⁸ Ekvivalent ljudtrycksnivå, enligt ISO 22868, beräknas som den tidsvägda totalenergin för olika ljudtrycksnivåer under olika arbetsförhållanden. Typisk statistisk spridning för ekvivalent ljudtrycksnivå är en standardavvikelse på 1 dB(A).

⁹⁹ Vibrationsnivå enligt SS-EN 60745-2-13. Rapporterade data för vibrationsnivå har en typisk statistisk spridning (standardavvikelse) på 1 m/s². Deklarerade vibrationsdata från mätningar med maskinen utrustad med en svärslängd och rekommenderad kedjetyp. Utrustas maskinen med annan svärslängd kan vibrationsnivån variera med maximalt ± 1,5 m/s².

¹⁰⁰ Ekvivalent vibrationsnivå mäts och beräknas som för motorsågar med förbränningsmotor. Dessa siffror anges för att man ska kunna jämföra vibrationsdata oavsett motortyp enligt ISO 22867:2011.

Godkända tillbehör	Art.nr.
Skumspruta FS 300	590 66 04-01
Rörrengöringsslang, 15 m	590 66 10-01
Vattenfilter	590 65 93-01
Backventil	590 65 95-01
Sugslang	590 65 97-01
Fordonskit	590 66 07-01
Kit med roterande borstar	590 66 06-01
Vinklad sprinklerstav	590 66 11-01
Sugmunstycke för vatten	590 66 05-01
Förlängningsslang, 8 m	590 66 08-01

Försäkran om överensstämmelse

EU-försäkran om överensstämmelse

Vi, Husqvarna AB, 561 82 Huskvarna, tel:
+46-36-146500, försäkrar på eget ansvar att produkten:

Beskrivning	Högtryckstvätt
Varumärke	Husqvarna
Typ/Modell	PW 130
Identifiering	Serienummer daterade 2022 och framåt

uppfyller alla krav i följande EU-direktiv och förordningar:

Lagstiftning	Beskrivning
2006/42/EG	"om maskiner"
2014/30/EU	"angående elektromagnetisk kompatibilitet"
2000/14/EG, bilaga V	"angående emission av buller till omgivningen"
2011/65/EU	"angående begränsning av användning av vissa farliga ämnen i elektrisk och elektronisk utrustning"

och att följande standarder och/eller tekniska specifikationer tillämpas: EN 60335-1:2012/A11:2014/A13:2017/A1:2019/A14:2019/A2:2019/A15:2021, EN 60335-2-79:2012, EN 62233:2008, EN 55014-1:2021, EN 55014-2:2021, EN IEC 61000-3-2:2019/A1:2021, EN 61000-3-3:2013/A2:2021, EN IEC 63000:2018.

För information om bulleremissioner, se *Tekniska data på sida 429*.

Huskvarna, 2023-01-19



Claes Losdal, utvecklingschef/trädgårdsprodukter,
Husqvarna AB

Ansvarig för teknisk dokumentation



İçindekiler

Giriş.....	433	Sorun giderme.....	444
Güvenlik.....	434	Taşıma, depolama ve atma.....	445
Montaj.....	439	Teknik veriler.....	445
Çalışma.....	440	Aksesuarlar.....	446
Bakım.....	442	Uyumluluk Bildirimi.....	448

Giriş

Ürün açıklaması

Ürün, elektrikli basınçlı yıkama makinesidir. Ürün, farklı su basıncı seviyeleri ve farklı temizleme maddeleriyle çalıştırılabilir.

Kullanım amacı

Ürünü yalnızca evde temizlik için kullanın. Ürünü başka işler için kullanmayın. Ürünü yalnızca dik bir konumda kullanın.

Ürüne genel bakış

(Şek. 1)

1. Düz su püskürtücülü nozül
2. Döner su püskürtücülü nozül
3. Güç kablosu tutucusu için kauçuk kayış
4. Püskürtme tutma yeri ve püskürtme borusu için tutucu
5. Yüksek basınçlı su hortumu
6. Su girişi
7. Köpük püskürtücü
8. Yüksek basınçlı su hortumu için depolama
9. Güç anahtarı
10. Güç kablosu
11. Hızlı bağlantılı su çıkış yolu
12. Nozüller için temizleme aracı
13. Taşıma tutma yeri
14. Hava girişi
15. Püskürtme tutma yeri
16. Püskürtme borusu
17. Kullanım kılavuzu

Ürün üzerindeki semboller

(Şek. 2)

UYARI: Bu ürün, tehlikeli olabilir ve operatör ya da başkaları açısından ciddi yaralanmalara veya ölüme neden

Not: Ulusal düzenlemeler ürünün kullanımını kısıtlayabilir.

olabilir. Dikkatli olun ve ürünü doğru kullanın.

(Şek. 3)

Bu ürünü kullanmadan önce kullanım kılavuzunu dikkatlice okuyun ve talimatları anladığınızdan emin olun.

(Şek. 4)

Ürün, içme suyu şebekesine bağlanmak için uygun değildir.

(Şek. 5)

Yüksek basınçlı su püskürtücüleri, yanlış kullanıma maruz kalmaları halinde tehlikeli olabilir. Püskürtücü insanlara, elektrikli

ekipmanlara veya ürüne dođrultulmamalıdır.

(Şek. 6)

Çevreyle ilgili işaret.

Ürün ya da ürünün ambalajı evsel atık değildir. Ürünü elektrikli ve elektronik ekipmanlara özel onaylı bir atık merkezinde geri dönüştürün.

(Şek. 7)

Sınıf II araç.

(Şek. 8)

AB ve BK direktifleri ile düzenlemeleri ve Yeni Güney Galler mevzuatı "Çevre Koruma Operasyonları (Gürültü Kontrolü) Yönetmelikleri 2017" uyarınca çevreye yayılan gürültü emisyonu etiketi. Ürünün garantili ses gücü düzeyi *Teknik veriler sayfada: 445*

bölümünde ve etiketin üstünde belirtilmektedir.

(Şek. 9)

Her açıdan düşük basınçlı su akışına karşı korumalıdır.

(Şek. 10)

Don koşullarından uzak tutun.

(Şek. 11)

Ürün, geçerli AT direktiflerine uygundur.

(Şek. 12)

Bu ürün yürürlükteki Birleşik Krallık yönetmeliklerine uygundur.

Not: Ürünün üzerindeki diğer semboller/etiketler, bazı pazarların sertifikalandırma gereklilikleri ile ilgilidir.

Üründe oluşabilecek hasarlar

Aşağıdaki durumlarda ürünümüzde oluşabilecek hasarlardan sorumlu olmayız:

- ürünün hatalı bir şekilde onarılması,
- ürünün, üretici tarafından onaylanmayan veya üreticiden alınmayan parçalarla tamir edilmesi,
- üründe, üreticiden alınmayan veya üretici tarafından onaylanmayan bir aksesuar bulunması,
- ürünün, onaylı bir servis merkezinde veya yetkili bir kurum tarafından tamir edilmemesi.

Güvenlik

Güvenlik tanımları

Kılavuzdaki önemli kısımları vurgulamak için uyarılar ve notlar kullanılmıştır.



UYARI: Kılavuzdaki talimatlara uyulmadığı takdirde operatör veya

çevredeki kişiler için ciddi yaralanma veya ölüm tehlikesi varsa kullanılır.



DİKKAT: Kılavuzdaki talimatlara uyulmadığı takdirde ürünün, diğer malzemelerin veya

çevrenin zarar görme riski olduğunda kullanılır.

Not: Belirli bir durumda bilgi verilmesi gerektiğinde kullanılır.

Genel güvenlik talimatları



UYARI: Ürünü kullanmadan önce aşağıdaki uyarı talimatlarını okuyun.

- Bu ürün yanlış kullanıldığında veya dikkatli olmazsanız tehlikelidir. Güvenlik talimatlarına uyulmaması yaralanmalara veya ölüme yol açabilir.
- Her zaman dikkatli olun ve sağduyunuzu kullanın. Özel bir durumda aracı nasıl kullanacağınızdan emin değilseniz durun ve devam etmeden önce Husqvarna servis noktasıyla görüşün.
- Diğer insanları veya bu insanlara ait mülkleri içeren kazalardan operatörün sorumlu tutulacağını unutmayın.
- Ürünü temiz tutun. İşaretleri ve etiketleri net bir şekilde okuyabildiğinizden emin olun.
- Çocukların veya bu kullanma talimatlarını bilmeyen kişilerin

cihazı kullanmasına asla izin vermeyin. Yerel yönetmeliklerde operatör yaşı konusunda bir sınırlama olabilir.

- Bu ürün, gözetim altında tutuldukları ya da ürünün güvenli şekilde kullanımına ilişkin talimatlar sağlandığı ve gerçekleştirilecek tehlikeler açıklandığı sürece fiziksel, duyuşsal veya zihinsel yetenekleri sınırlı olan kişiler tarafından kullanılabilir.
- Bu ürün, gözetim altında tutuldukları ya da ürünün güvenli şekilde kullanımına ilişkin talimatlar sağlandığı ve gerçekleştirilecek tehlikeler açıklandığı sürece gerekli deneyim ve bilgiye sahip olmayan kişiler tarafından kullanılabilir.
- Ürünü yorgunken, hastayken veya alkol ya da ilaç etkisi altındayken kullanmayın. Bu durum görüşünüzü, dikkatinizi, koordinasyonunuzu ve doğru düşünmenizi olumsuz etkiler.
- Hasarlı ürünü kullanmayın.
- Başkaları tarafından değiştirilmiş olma olasılığı varsa bu ürünü değiştirmeyin veya kullanmayın.

Kullanım için güvenlik talimatları



UYARI: Ürünü kullanmadan önce aşağıdaki uyarı talimatlarını okuyun.

- Güç kablosu, yüksek basınçlı hortum, tetik kilidi veya püskürtme tutma yeri hasarlıysa ürünü kullanmayın.
- Ürünü çalıştırmadan önce hasar olup olmadığını kontrol edin. Parçalar hasarlı veya eksikse ürünü kullanmayın.
- Püskürtme tutma yerlerini iki elinizle sıkıca tutun. Güç tetiğini çektiğinizde geri tepme kuvveti oluşur.
- Ürünü kullanırken dikkatli olun. Ürünün sağladığı yüksek basınç tehlikelidir ve yaralanmaya neden olabilir.
- Püskürtücünün ucunu kendinize, insanlara veya hayvanlara doğrultmayın.
- Ayakkabıları temizlemek için püskürtücüyü kendinize veya başkalarına doğrultmayın.
- Püskürtücüyü elektrikli ekipmana veya ürünün kendisine doğrultmayın.
- Ürünü kullanırken kişisel koruyucu ekipmanları kullanın. Bkz. *Kişisel koruyucu ekipman sayfa: 438.*
- Koruyucu ekipman kullanmadıkları takdirde ürünü insanların yakınında kullanmayın.
- Temizlik maddesi kullanıyorsanız temizlik maddesiyle ilgili güvenlik talimatlarına uyun.
- Yalnızca Husqvarna temizlik maddeleri kullanın.
- Doğru su basıncı ve temizlik maddeleri kullanın ve ürünü yalnızca bu kılavuzda belirtilen görevler için kullanın. Yanlış su basıncı ve temizlik maddesi kullanır veya ürünü bu kılavuzda belirtilen görevler dışında kullanırsanız bu; üründe, yüzeylerde, malzemelerde veya diğer cihazlarda hasara neden olabilir. Husqvarna, yanlış kullanımdan kaynaklanan hasarlardan sorumlu değildir.
- Ürünü içme suyu şebekesine bağlamanız önerilmez. Ürünü içme suyu şebekesine bağlamanız gerekiyorsa yerel ve ulusal yönetmeliklere uyun. Gerekirse geri akış önleyici (dahil değildir) kullanın. Geri akış önleyicisinden gelen suyun içilebilir olmadığı kabul edilir.
- Yanıcı sıvıları püskürtmeyin. Patlama tehlikesi.
- Çocukların ürünü kullanmasına izin vermeyin.

- Çocukların ürün ile oynamasına izin vermeyin.
- İnsanların eğitim almadan ürünü kullanmalarına izin vermeyin.
- Yalnızca Husqvarna tarafından onaylanmış aksesuarları ve yedek parçaları kullanın.
- Elektrik bağlantısının onaylı bir elektrikçi tarafından yapıldığından ve IEC 60364-1 ile uyumlu olduğundan emin olun.
- Kaçak akım 30 ms boyunca 30 mA'dan fazlaysa elektriği durduran bir artık akım cihazı kullanın. Artık akım cihazınız yoksa topraklama devresi sağlayacak bir cihaz kullanın.
- IEC 898-1 veya IEC947-2'ye veya IEC dışındaki ilgili standartlara uygun C veya D karakteristiklerine sahip motor çalıştırma/gecikmeli sigortaları kullanın.
- Çift voltaj ve frekans işaretli ürünleri ayarlamak için herhangi bir işlem gerekmez.
- Uzatma kablosu kullanılması gerekiyorsa kablonun dış mekanda kullanıma uygun olduğundan emin olun. Soketin zeminden en az 60 mm uzakta olduğundan emin olun. Bağlantı her zaman kuru tutulmalıdır.
- Üründen uzaklaşmadan önce güç anahtarını kapalı (0) konuma getirin, elektrik fişinin bağlantısını kesin ve güç tetiği kilidini devreye alın.
- Aksesuarı değiştirmeden önce güç düğmesini kapalı (0) konuma getirin ve elektrik fişinin bağlantısını kesin.
- Ürünü temizlemeden veya ürün üzerinde bakım yapmadan önce güç anahtarını kapalı (0) konuma getirin ve elektrik fişinin bağlantısını kesin.
- Ürünü ortam sıcaklığının 0°C'den düşük olduğu ortamlarda çalıştırmayın.
- Donmuş bir ürünü çalıştırmayın.
- Ürünü iç mekanlarda kullanmayın.
- Ürün çalışırken üzerine herhangi bir nesne koymayın.
- Ürünle birlikte kullanılan suyu içmeyin.
- Ürünü açık pencerelerin yakınında çalıştırmayın.
- Savrulan nesnelere dikkat edin. Taşlar ve sabit olmayan nesnelere gözlerle fırlayabilir ve körlüğe veya ciddi yaralanmalara neden olabilir.
- Ürün düzgün çalışmıyorsa şuraya bakın *Sorun giderme çizelgesi sayfa: 444*.

Kişisel koruyucu ekipman



UYARI: Ürünü kullanmadan önce aşağıdaki uyarı talimatlarını okuyun.

- Kişisel koruyucu ekipmanlar yaralanma riskini tamamen engelleyemez ancak bir kaza durumunda yaralanmanın derecesini azaltır. Bayinizin doğru ekipmanı seçmenize yardımcı olmasını sağlayın.
- Ağır hizmet tipi kaymayan botlar veya ayakkabılar kullanın. Açık ayakkabılar giymeyin veya çıplak ayakla yürümeyin.
- Koruyucu kıyafet kullanın.
- Onaylı kulak koruma ekipmanı kullanın.
- Koruyucu gözlük kullanın.
- Ürünü tehlikeli aerosollerin oluşabileceği ortamlarda kullanıyorsanız FFP2 sınıfı veya eşdeğeri solunum koruması kullanın.

Ürünün üzerindeki güvenlik araçları



UYARI: Ürünü kullanmadan önce aşağıdaki uyarı talimatlarını okuyun.

- Güvenlik cihazları hasarlı olan veya düzgün çalışmayan bir ürünü kullanmayın.
- Güvenlik cihazlarını çıkarmayın veya cihazların üzerinde değişiklik yapmayın.
- Güvenlik araçlarını düzenli olarak kontrol edin. Güvenlik cihazları hasarlıysa veya düzgün çalışmıyorsa Husqvarna servis nokتانızla görüşün.

Güç tetiği kilidi

Güç tetiği kilidi (A), güç tetiğinin (B) kazayla çalıştırılmasını önler. Güç tetiği kilidi kilitli konumdayken güç tetiği içeri itilemez.

(Şek. 13)

Güç tetiği

Ürün, güç tetiğine basıldığında çalışmaya başlar. Güç tetiği serbest bırakıldığında ürün durur.

Termal koruyucu

Ürünün otomatik termal koruyucusu vardır. Ürün çok ısınırsa termal koruyucu, ürünün güç kaynağını durdurur. Termal koruyucu gücü durdurduysa ürün soğuyana kadar bekleyin. Ürün yeterince soğuduğunda termal koruyucu otomatik olarak sıfırlanır.

Hidrolik tahliye valfi

Üründe, sistemde çok yüksek basıncı önleyen entegre bir hidrolik tahliye valfi bulunur.

Bakım için güvenlik talimatları



UYARI: Ürün üzerinde bakım yapmadan önce aşağıdaki uyarı talimatlarını okuyun.



DİKKAT: Ürünü uzun süre depoladıktan sonra çalıştırmadan önce mutlaka bakım yapın.

- Ürün üzerinde bakım yapmadan önce güç anahtarını kapalı (0) konuma getirin ve elektrik fişinin güç kaynağı ile bağlantısını kesin.
- Ürünün su kaynağıyla bağlantısını kesin ve ürün

üzerinde bakım yapmadan önce tüm parçaların kuru olduğundan emin olun.

- Yalnızca bu kullanım kılavuzunda belirtilen bakım çalışmasını yapın.
- Yalnızca Husqvarna tarafından önerilen yedek parçaları kullanın. Yüksek basınçlı su hortumları, bağlantılar ve kaplinler ürünü kullanırken güvenlik açısından önemlidir. Yalnızca üretici tarafından önerilen hortumları, bağlantıları ve kaplinleri kullanın.
- Ürünü onarmayın. Husqvarna servis nokتانızla görüşün.
- Elektrik fişi veya güç kablosu hasarlıysa Husqvarna servis nokتانızla görüşün.
- Çocukların ürünü temizlemesine veya ürünün bakımını yapmasına izin vermeyin.

Montaj

Giriş



UYARI: Ürünü monte etmeden önce güvenlik bölümünü okuyup anlayın.

Bahçe hortumu adaptörünü takma

1. Su girişindeki taşıma kapağını çıkarın ve atın. (Şek. 14)
2. Bahçe hortumu adaptörünü su girişine takın. (Şek. 15)



DİKKAT: Bahçe hortumu adaptörünü doğrudan su girişine taktığınızdan emin

olun. Bahçe hortumu adaptörü doğrudan takılmazsa dişlere zarar verebilir ve sızıntı meydana gelebilir.

3. Bahçe hortumu adaptörünü tamamen sıkın.
4. Bahçe hortumu adaptörünü ters sırayla çıkarın.

Püskürtme tutma yeri ve püskürtme borusu tutucusunu takma

- Tutucuyu 2 vidayla takın. (Şek. 16)

Giriş



UYARI: Ürünü kullanmadan önce güvenlik bölümünü okuyup anlayın.

Husqvarna Connect

Husqvarna Connect, mobil cihazınız için ücretsiz bir uygulamadır. Husqvarna Connect uygulaması, Husqvarna ürününüz için ayrıntılı işlevler sunar:

- Ayrıntılı ürün bilgileri.
- Ürün parçaları ve servis hakkında bilgi ve yardım.

Husqvarna Connect uygulamasını kullanmaya başlamak için

1. Husqvarna Connect uygulamasını mobil cihazınıza indirin.
2. Husqvarna Connect uygulamasında kaydolun.
3. Ürünü bağlamak ve kaydetmek için Husqvarna Connect uygulamasındaki talimatları izleyin.

Not: Husqvarna Connect uygulaması tüm pazarlarda indirilemez. Daha fazla bilgi için lütfen servis bayinizle görüşün.

Püskürtme tutma yerini takma

1. Yüksek basınçlı su hortumunu yerine kilitlemeye kadar hızlı bağlantıya itin. (Şek. 17)



DİKKAT: Sızıntıyı önlemek için yüksek basınçlı hortumun ürün üzerindeki hızlı bağlantıya tam olarak bağlandığından emin olun.

2. Püskürtme tutma yerini bir elinizle sıkıca tutun ve yüksek basınçlı su hortumunu püskürtme tutma yerindeki hızlı bağlantıya itin. (Şek. 18)

Püskürtme tutma yerini çıkarma

1. Püskürtme tutma yerindeki düğmeye basın ve yüksek basınçlı su hortumunu çekip çıkarın. (Şek. 19)
2. Hızlı bağlantı üzerindeki dış halkayı itin ve yüksek basınçlı su hortumunu çekip çıkarın. (Şek. 20)

Püskürtme borusunu takma

1. Püskürtme tutma yerini bir elinizle tutun ve püskürtme borusunda bulunan kaplini püskürtme tutma yerine doğru itin. (Şek. 21)
2. Püskürtme borusunu saat yönünde çevirin ve püskürtme borusunu serbest bırakın. Püskürtme borusu yerine kilitletir.

Püskürtme borusunu çıkarma

1. Püskürtme borusunu içeri itin ve saat yönünün tersine çevirin. (Şek. 22)
2. Püskürtme borusunu püskürtme tutma yerinden çekip çıkarın.

Nozülü takma ve çıkarma

Ürün 2 nozül ile birlikte tedarik edilir: Düz su püskürtücü 1 nozül ("yumuşak nozül" olarak ifade edilir) ve döner su püskürtücü 1 sert nozül ("sert nozül" olarak ifade edilir). Düz su püskürtücü nozül, örneğin araçlar gibi hassas yüzeyleri temizlemek için kullanılabilir. Sert nozül, örneğin garaj yolları gibi hassas olmayan yüzeyleri temizlemek için kullanılabilir.

(Şek. 23)



DİKKAT: Döner su püskürtücü nozülü örneğin bir araç üzerindeki boyalı yüzeyler gibi hassas yüzeylerde kullanmayın. Döner su püskürtücüsü yüzeye zarar verebilir.

- Bir nozülü takmak için püskürtme borusunu bir elinizle tutun ve yerine kilitlemeye kadar nozül içerisine itin. (Şek. 24)
- Bir nozülü çıkarmak için püskürtme borusundaki tırnağı itin ve nozülü püskürtme borusundan çekin. (Şek. 25)

Su püskürtücünün basıncını ayarlama

Düz su püskürtücü nozülün basıncı ayarlanabilir.

- Su püskürtücüsünün basıncını artırmak için nozülü saat yönünde çevirin. (Şek. 26)
- Su püskürtücüsünün basıncını azaltmak için nozülü saat yönünün tersine çevirin. (Şek. 27)

Ürünü kullanma

1. Ürünü bir su kaynağına bağlayın. Bkz. *Ürünü bir su kaynağına bağlama sayfa: 440.*
2. Sistemi tahliye edin. Bkz. *Sistemi tahliye etme sayfa: 441.*
3. Ürünü çalıştırın. Bkz. *Ürünü çalıştırma sayfa: 442.*

Ürünü bir su kaynağına bağlama

Ürün, su şebekesinden gelen su ya da bir göl veya su varili gibi bir açık su kaynağından gelen suyla kullanılabilir.

- Ürünü su şebekesine bağlamak için bkz. *Ürünü su şebekesine bağlama sayfa: 441.*
- Ürünü açık su kaynağına bağlamak için bkz. *Ürünü bir açık su kaynağına bağlama sayfa: 441.*

Ürünü su şebekesine bağlama

1. Bahçe hortumu adaptörünü ve su filtresini takılı değilse üründeki su girişine takın. Bkz. *Bahçe hortumu adaptörünü takma sayfada: 439.*
2. Bahçe hortumunu su şebekesine bağlayın. 10-25 m uzunluğunda ½ inçlik bir bahçe hortumu kullanın. (Şek. 28)



DİKKAT: Su şebekesinde su basıncı 1 MPa değerinden (10 bar) fazla olmamalıdır.



DİKKAT: Su şebekesinde su sıcaklığı 40°C'den fazla olmamalıdır.

3. Su şebekesi üzerindeki valfi açın ve suyun bahçe hortumundan serbestçe akabildiğinden emin olun. (Şek. 29)
4. Su şebekesi üzerindeki valfi kapatın.
5. Bahçe hortumunu ürün üzerindeki su girişine bağlayın. (Şek. 30)
6. Elektrik fişini bir güç kaynağına bağlayın.
7. Su şebekesi üzerindeki valfi açın.
8. Ürünü çalıştırmadan önce sistemi tahliye edin. Bkz. *Sistemi tahliye etme sayfada: 441.*

Ürünü bir açık su kaynağına bağlama

Ürün, bir göl veya su varili gibi bir açık su kaynağından gelen suyla kullanılabilir. Maksimum 3 m uzunluğunda bir ½ inç emme hortumu (dahil değildir) kullanın.

(Şek. 31)



DİKKAT: Su kaynağındaki su sıcaklığı 20°C'den fazla olmamalıdır.



DİKKAT: Ürün, su kaynağının 0,5 m üzerinde olmamalıdır.

1. Bahçe hortumu adaptörü takılıysa ürünü su girişinden çıkarın. (Şek. 32)



DİKKAT: Su girişindeki su filtresini çıkarmayın.

2. Ürünün su girişine bir emme hortumu (dahil değildir) takın. (Şek. 33)
3. Emme hortumunu su kaynağına yerleştirin ve filtresinin tamamen suyun altında olduğundan emin olun.



DİKKAT: Emme hortumunu filtresiz kullanmayın.

4. Püskürtme tutma yerindeki düğmeye basın ve yüksek basınçlı hortumu püskürtme tutma yerinden çekip çıkarın. (Şek. 19)
5. Elektrik fişini bir güç kaynağına bağlayın.
6. Güç düğmesini açık (I) konuma getirin ve ürünün 2 dakika boyunca çalışmasına izin verin.
7. Güç anahtarını kapalı (0) konuma çevirin.
8. Püskürtme tutma yerini bir elinizle sıkıca tutun ve yüksek basınçlı hortumu püskürtme tutma yerindeki hızlı kaplına itin. (Şek. 18)
9. Ürünü çalıştırmadan önce sistemi tahliye edin. Bkz. *Sistemi tahliye etme sayfada: 441.*

Sistemi tahliye etme



DİKKAT: Sistemi tahliye etmeden önce güç anahtarının kapalı (0) konumda olduğundan emin olun.

1. Ürünü bir su kaynağına bağlayın. Bkz. *Ürünü bir su kaynağına bağlama sayfada: 440.*
2. Püskürtme borusunu püskürtme tabancasına takın. Bkz. *Püskürtme borusunu takma sayfada: 440.*
3. Güç tetiği kilidini devre dışı bırakın. Bkz. *Güç tetiği kilidini devreye alma ve devre dışı bırakma sayfada: 442.*
4. Güç tetiğine basın ve püskürtme borusundaki nozülден su gelene kadar basılı tutun. (Şek. 34)

Ürünün su kaynağıyla bağlantısını kesme

1. Güç anahtarını kapalı (0) konuma çevirin.
2. Ürün su şebekesine bağlıysa su şebekesi üzerindeki valfi kapatın.
3. Ürün su şebekesine bağlıysa bahçe hortumunun su şebekesiyle bağlantısını kesin. (Şek. 35)
4. Ürün açık bir su kaynağına bağlıysa emme hortumunu su kaynağından çıkarın.
5. Güç tetiğine basın ve nozülден su gelmeye kadar basılı tutun.
6. Bahçe hortumunu ürün üzerindeki su girişinden çıkarın. (Şek. 36)

Not: Ürün açık bir su kaynağına bağlıysa emme hortumunu çıkarın.

7. Püskürtme tutma yerindeki düğmeye basın ve yüksek basınçlı hortumu püskürtme tutma yerinden çekip çıkarın. (Şek. 19)
8. Güç anahtarını açık (I) konuma çevirin. Yüksek basınçlı hortumdan su çıkmayana kadar ürünün çalışmasına izin verin.
9. Güç anahtarını kapalı (0) konuma çevirin.

10. Ürünü depoya kaldırmadan önce püskürtme tutma yerinin, püskürtme borusunun ve nozüllerin kurumasını bekleyin.

Güç tetiği kilidini devreye alma ve devre dışı bırakma

- Güç tetiği kilidini devreye almak için güç tetiği kilidini tık sesi duyana kadar saat yönünde çevirin. (Şek. 37)
- Güç tetiği kilidini devre dışı bırakmak için güç tetiği kilidini saat yönünün tersine tamamen döndürün. (Şek. 38)

Ürünü çalıştırma

1. Ürünü bir su kaynağına bağlayın. Bkz. *Ürünü bir su kaynağına bağlama sayfa: 440.*
2. Elektrik fişini bir güç kaynağına bağlayın.
3. Güç anahtarını açık (I) konuma çevirin. (Şek. 39)
4. Güç tetiği kilidini devre dışı bırakın. Bkz. *Güç tetiği kilidini devreye alma ve devre dışı bırakma sayfa: 442.*
5. Püskürtme tutma yerindeki güç tetiğini itin.

Not: Güç tetiğini serbest bıraktığınızda ürün otomatik olarak durur.

Ürünü durdurma

Not: Güç tetiğini serbest bıraktığınızda ürün otomatik olarak durur.

1. Püskürtme tutma yerindeki güç tetiğini serbest bırakın.

2. Güç tetiği kilidini devreye alın. Bkz. *Güç tetiği kilidini devreye alma ve devre dışı bırakma sayfa: 442.*
3. Güç anahtarını kapalı (0) konuma çevirin. (Şek. 40)
4. Elektrik fişinin güç kaynağıyla bağlantısını kesin.
5. Ürünün su kaynağıyla bağlantısını kesin. Bkz. *Ürünün su kaynağıyla bağlantısını kesme sayfa: 441.*

Not: Üründen 5 dakikadan daha uzun bir süre uzaklaşırsanız ürünü her zaman su kaynağıyla bağlantısını kesin.

Köpük püskürtücüyü kullanma

1. Köpük püskürtücüyü tutucusundan çıkarın. (Şek. 41)
2. Köpük püskürtücü üzerindeki kabı temizlik maddesiyle doldurun.



DİKKAT: Yalnızca Husqvarna tarafından önerilen temizlik maddelerini kullanın.

3. Köpük püskürtücü üzerindeki hızlı bağlantıyı yerine kilitlene kadar püskürtme borusundaki hızlı bağlantıya itin. (Şek. 42)

Not: Köpük püskürtücü üzerindeki flanş, püskürtme borusundaki olukla hizalanmalıdır.

4. Ürünü bir su kaynağına bağlayın. Bkz. *Ürünü bir su kaynağına bağlama sayfa: 440.*
5. Ürünü çalıştırın. Bkz. *Ürünü çalıştırma sayfa: 442.*

Bakım

Giriş



UYARI: Bakım yapmadan önce güvenlik bölümünü okuyup anlamanız gerekir.

Bakım takvimi

Bakım	Kullanmadan önce	Kullandıktan sonra
Genel inceleme yapın. Bkz. <i>Genel denetim yapma sayfa: 443.</i>	X	
Ürünü temizleyin. Bkz. <i>Ürünü temizleme sayfa: 443.</i>		X
Püskürtme borusunu ve nozülleri temizleyin. Bkz. <i>Püskürtme borusunu ve nozülleri temizleme sayfa: 443.</i>		X
Su filtresini temizleyin. Hasarlıysa su filtresini değiştirin. Bkz. <i>Su filtresini temizleme sayfa: 443.</i>		X

Ürüne uygulanacak tüm servis ve onarım işlemleri için özel eğitim gereklidir. Profesyonel onarım ve servis hizmetlerinin mevcut bulunduğunu garanti etmekteyiz.

Daha ayrıntılı bilgi için bkz. www.husqvarna.com.

Bakım	Kullanma- dan önce	Kullandık- tan sonra
Kaplinlerdeki O-halkalarını yağlayın. Bkz. <i>Kaplinlerdeki O-halkalarını yağlama sayfa: 443.</i>		X

Genel denetim yapma



UYARI: Ürün üzerinde bakım yapmadan önce güç anahtarını kapalı (0) konuma getirin ve elektrik fişinin güç kaynağı ile bağlantısını kesin.



DİKKAT: Ürünün su kaynağıyla bağlantısını kesin ve ürün üzerinde bakım yapmadan önce tüm parçaların kuru olduğundan emin olun.

- Ürünün üzerindeki somun ve vidaların sıkı olduğundan emin olun.
- Üründeki kabloların hasar görebilecekleri bir konumda olmadığından emin olun.
- Yüksek basınçlı hortumda aşınma veya hasar olup olmadığını kontrol edin.



UYARI: Yüksek basınçlı hortum aşınmış veya hasar görmüşse ürünü kullanmayın.

Ürünü temizleme



UYARI: Ürün üzerinde bakım yapmadan önce güç anahtarını kapalı (0) konuma getirin ve elektrik fişinin güç kaynağı ile bağlantısını kesin.



DİKKAT: Ürünün su kaynağıyla bağlantısını kesin ve ürün üzerinde bakım yapmadan önce tüm parçaların kuru olduğundan emin olun.

- Tüm dış parçaları kuru bir bezle temizleyin.
- Ürünü temizlemek için basınçlı yıkama makinesi kullanmayın.
- Ürünün her zaman yeterince soğuk olduğundan emin olmak için hava girişlerini temiz tutun.

Püskürtme borusunu ve nozülleri temizleme



UYARI: Ürün üzerinde bakım yapmadan önce güç anahtarını kapalı (0) konuma getirin ve elektrik fişinin güç kaynağı ile bağlantısını kesin.



DİKKAT: Ürünün su kaynağıyla bağlantısını kesin ve ürün üzerinde bakım yapmadan önce tüm parçaların kuru olduğundan emin olun.

1. Püskürtme borusuna bir nozül takılıysa püskürtme borusundan çıkarın. Bkz. *Nozülü takma ve çıkarma sayfa: 440.*
2. Püskürtme borusunda bulunan nozülleri, kaplini ve püskürtme tutma yerindeki kaplini sabun ve suyla temizleyin. (Şek. 43)
3. Nozülde tıkanma varsa temizleme aracıyla gidirin. (Şek. 44)

Su filtresini temizleme



UYARI: Ürün üzerinde bakım yapmadan önce güç anahtarını kapalı (0) konuma getirin ve elektrik fişinin güç kaynağı ile bağlantısını kesin.



DİKKAT: Ürünün su kaynağıyla bağlantısını kesin ve ürün üzerinde bakım yapmadan önce tüm parçaların kuru olduğundan emin olun.

1. Bahçe hortumu adaptörü takılıysa ürünü su girişinden çıkarın. (Şek. 32)
2. Su filtresini çekerek çıkarın. Pense kullanın. (Şek. 45)
3. Su filtresinde hasar olup olmadığını kontrol edin. Hasarlıysa su filtresini değiştirin. (Şek. 46)
4. Su filtresini temiz suyla yıkayın. (Şek. 47)

Kaplinlerdeki O-halkalarını yağlama



UYARI: Ürün üzerinde bakım yapmadan önce güç anahtarını kapalı (0) konuma getirin ve elektrik fişinin güç kaynağı ile bağlantısını kesin.



DİKKAT: Ürünün su kaynağıyla bağlantısını kesin ve ürün üzerinde bakım yapmadan önce tüm parçaların kuru olduğundan emin olun.

1. Püskürtme borusunu püskürtme tutma yerinden ve püskürtme tutma yerini yüksek basınçlı hortumdan çıkarın. Bkz. *Püskürtme borusunu takma sayfa: 440 ve Püskürtme tutma yerini takma sayfa: 440.*

2. Bahçe hortumu adaptörü, püskürtme borusu ve yüksek basınçlı hortumdaki O-halkalarını gresle yağlayın. Doğru gres tipi için bkz. *Teknik veriler sayfa: 445* . (Şek. 48)

Sorun giderme

Sorun giderme çizelgesi

Sorun	Olası neden	Çözüm
Ürün çalışmıyor.	Elektrik fişi bir güç kaynağına bağlı değildir.	Elektrik fişini bir güç kaynağına bağlayın
	Güç anahtarı kapalı (0) konumdadır.	Güç anahtarını açık (I) konuma çevirin.
	Güç kaynağında elektrik yoktur.	Onaylı bir elektrikçiyle iletişime geçin.
	Güç kablosu hasarlıdır.	Onaylı bir servis noktasıyla görüşün.
	Termal koruyucu gücü durdurdu.	Ürünü tekrar çalıştırmadan önce ürünün soğumasını bekleyin.
	Yanlış türde bir uzatma kablosu kullanılmıştır.	Uzatma kablosunun tamamen açıldığından ve voltaj kaynağının ürünün voltajıyla uyumlu olduğundan emin olun.
Başlatma veya çalışma sırasında sigorta atıyor.	Yanlış türde bir sigorta kullanılmıştır.	"C" veya "K" sınıfı bir yavaş atan tip sigorta kullandığınızdan emin olun.
Ürün durmuyor.	Ürün hasarlıdır.	Elektrik fişinin bağlantısını kesin ve onaylı bir servis noktasıyla görüşün.
Ürün çok ısınıyor.	Hava akışı yeterli değildir.	Hava girişlerini temizleyin.
Ürün düzgün şekilde çalışmıyor.	Sistemin içinde hava vardır.	Sistemi tahliye edin.
Su basıncı tatmin edici düzeyde değil.	Hortum bükülmüş	Hortumlarda bükülme olmadığından emin olun.
	Güç anahtarı kapalı (0) konumdadır.	Güç anahtarını açık (I) konuma çevirin.
	Su akışı yeterli değil.	Ürünün su kaynağına doğru şekilde bağlandığından emin olun. Su akışının yeterli olduğundan emin olun.
	Su filtresi tıkalıdır.	Su filtresini temizleyin.
	Sistemin içinde hava vardır.	Sistemi tahliye edin.
	Aksesuar doğru değil.	Doğru aksesuarı kullandığınızdan emin olun.

Taşıma, depolama ve atma

Taşıma

- Ürünü taşımadan önce elektrik fişinin güç kaynağıyla bağlantısını kesin.
- Ürünü taşımadan önce ürünün su kaynağıyla bağlantısını kesin.
- Taşıma sırasında ürünün hareket etmesini engellemek için sabitleyin.

Depolama

- Ürünü depoya kaldırmadan önce üründeki, yüksek basınçlı su hortumundaki ve aksesuarlardaki tüm suyu tahliye edin.
- Ürünü depolama için hazırlama. Bkz. *Ürünü depolama için hazırlama sayfa: 445.*
- Ürünü kuru ve donmayan bir ortamda tutun.

Ürünü depolama için hazırlama

1. Ürünü durdurun ve elektrik fişini güç kaynağından ayırın.
2. Ürünün su kaynağıyla bağlantısını kesin. Bkz. *Ürünün su kaynağıyla bağlantısını kesme sayfa: 441.*

3. Tüm aksesuarların kuru olduğundan emin olun.
4. Püskürtme tutma yerini, püskürtme borusunu ve nozülleri tutucularına yerleştirin.
5. Yüksek basınçlı su hortumunun bağlantısını kesin ve tutucusuna yerleştirin. (Şek. 49)
6. Güç kablosunu tutucusuna yerleştirin ve kayışı takın. (Şek. 50)

Atma

Husqvarna ürünleri evsel atık değildir ve yalnızca bu kılavuzda belirtilen şekilde bertaraf edilmelidir.

- Yerel bertaraf gerekliliklerine ve geçerli düzenlemelere uyun.
- Ürünü ve ambalajı uygun bir atık tesisinde geri dönüştürün.
- Ürünün geri dönüşümü ve bertarafı hakkında daha fazla bilgi için yerel Husqvarna bayinizle görüşün.

Teknik veriler

PW 130	
Motor ve pompa	
Tip	AC Serisi Motor
Güç, W	1500
Voltaj aralığı, V	220-240
Frekans, Hz	50
Nominal akım, A	6,5
Maks. yağ akışı , l/dak	7,7
Maks. su çıkış basıncı, bar / MPa	130 / 13
Maks. su giriş basıncı, bar / MPa	10 / 1
Maks. su giriş sıcaklığı, °C / °F	40 / 104
Maks. su giriş sıcaklığı (emme modunda), °C / °F	20 / 68
IP sınıflandırması	IPX5
Emniyet sınıfları	Sınıf II
Yağlama	
O-halkalarının yağlanması için gres tipi	Evrensel beyaz silikon gres

	PW 130
Ağırlık	
Ağırlık, kg	6,5
Gürültü emisyonu ¹⁰¹	
Ses gücü düzeyi, ölçülmüş dB(A)	85
Ses gücü düzeyi, garantili L _{WA} dB(A)	89
Ses düzeyleri ¹⁰²	
Operatörün kulağındaki eş değer ses basıncı düzeyi, dB(A)	72
Titreşim düzeyleri ¹⁰³	
El/kol (standart nozül ile) m/s ²	2,5
Eş değer titreşim düzeyleri ¹⁰⁴	
El/kol (standart nozül ile) m/s ²	1,8

Aksesuarlar

Onaylı aksesuarlar

Onaylı aksesuarlar	Parça no.
Yüzey temizleyici SC 300	590 65 79-01
Köpük püskürtücü FS 300	590 66 04-01
Boru temizleme hortumu, 15 m	590 66 10-01
Su filtresi	590 65 93-01
Geri akış önleyici	590 65 95-01
Emme hortumu	590 65 97-01
Araç kiti	590 66 07-01
Döner fırça kiti	590 66 06-01
Açılı püskürtme borusu	590 66 11-01
Su emme nozülü	590 66 05-01

¹⁰¹ 2000/14/AT sayılı AT direktifi uyarınca ses gücü (L_{WA}) olarak çevrede ölçülen gürültü emisyonu düzeyi.

¹⁰² ISO 22868'e göre, eş değer ses basınç düzeyi, çeşitli çalışma koşullarında farklı ses basınç düzeyleri için zaman ağırlıklı enerji toplamı olarak hesaplanır. Eş değer ses basıncı düzeyi için tipik istatistik dağılımı, 1 dB (A) değerinde bir standart sapmadır.

¹⁰³ EN 60745-2-13'e göre titreşim düzeyi. Titreşim düzeyi için bildirilen verilerdeki tipik istatistik dağılımı (standart sapma) 1 m/s² şeklindedir. Makineye farklı bir kılavuz uzunluğu ve önerilen zincir türü takıldığına alınan ölçümlere göre beyan edilen titreşim verileri. Makineye farklı bir kılavuz uzunluğu takılırsa titreşim düzeyi maksimum $\pm 1,5$ m/s² olmak üzere değişiklik gösterebilir.

¹⁰⁴ Eş değer titreşim düzeyi, yanmalı motorlu testereler baz alınarak ölçülmüş ve hesaplanmıştır. Bu değerler, ISO 22867:2011'e göre titreşim verilerini motor türünden bağımsız olarak karşılaştırabilmek için verilmiştir.

Onaylı aksesuarlar	Parça no.
Uzatma hortumu, 8 m	590 66 08-01

Uyumluluk Bildirimi

AB Uyumluluk Bildirimi

Biz, **Husqvarna AB**, SE-561 82 Huskvarna, İsveç, tel: +46-36-146500 olarak tek sorumlu vasfıyla ürüne ilişkin aşağıdaki beyanlarda bulunmaktayız:

Açıklama	Basıncılı yıkama makinesi
Marka	Husqvarna
Tip/Model	PW 130
Kimlik	2022 ve sonrası tarihli seri numaraları

aşağıdaki AB direktifleri ve yönetmelikleriyle tamamen uyumludur:

Düzenleme	Açıklama
2006/42/AT	"makinelele ilgili"
2014/30/AB	"elektromanyetik uyumlulukla ilgili"
2000/14/EC Ek V	"çevredeki gürültü emisyonlarıyla ilgili"
2011/65/AB	"elektrikli ve elektronik ekipmanlarda belirli tehlikeli maddelerin kullanımının kısıtlanmasıyla ilgili"

ve aşağıdaki standartlar ve/veya teknik özellikler uygulanmıştır: EN 60335-1:2012/A11:2014/A13:2017/A1:2019/A14:2019/A2:2019/A15:2021, EN 60335-2-79:2012, EN 62233:2008, EN 55014-1:2021, EN 55014-2:2021, EN IEC 61000-3-2:2019/A1:2021, EN 61000-3-3:2013/A2:2021, EN IEC 63000:2018

Gürültü emisyonları ile ilgili bilgi için bkz. *Teknik veriler sayfa: 445*.

Huskvarna, 2023-01-19



Claes Losdal, Geliştirme Müdürü/Bahçe Ürünleri,
Husqvarna AB

Teknik dokümantasyon sorumlusu

Türk ithalat şirketi daha fazla bilgi için temas edilecek:

Çullas Orman Bahçe ve Tarım Mak. San. Tic. A.Ş.

Suadiye Mh. Bağdat Cd. No:455/4

Kadıköy – 34740 İstanbul / Türkiye

Telefon: +90 216 519 88 82

Faks: +90 216 519 88 78

info@cullas.com.tr



Зміст

Вступ.....	449	Усунення несправностей.....	463
Безпека.....	451	Транспортування, зберігання й утилізація.....	464
Збирання.....	457	Технічні характеристики.....	464
Експлуатація.....	458	Додаткове приладдя.....	465
ТЕХНІЧНЕ ОБСЛУГОВУВАННЯ.....	461	Декларація відповідності.....	467

Вступ

Опис виробу

Виріб є електричною мийкою високого тиску. Під час користування виробом можна налаштувати різні рівні тиску води та застосовувати різні мийні засоби.

Призначення

Використовуйте виріб лише для прибирання вдома. Забороняється використовувати виріб для інших

Огляд виробу

(Мал. 1)

1. Насадка з прямим струменем води
2. Насадка зі струменем води, що обертається
3. Гумова стрічка для тримача шнура живлення
4. Тримач для ручки розпилювача та штанги розпилювача
5. Водяний шланг високого тиску
6. Впуск води
7. Розпилювач піни
8. Місце для зберігання шланга високого тиску
9. Вимикач живлення
10. Шнур живлення
11. Отвір для води з роз'ємом швидкого під'єднання
12. Інструмент для очищення насадок
13. Ручка для транспортування
14. Усмоктувач повітря
15. Ручка розпилювача
16. Штанга розпилювача
17. Посібник користувача

Символи на виробі

(Мал. 2)

УВАГА! Цей виріб може бути небезпечним і здатний спричинити тяжкі травми або смерть оператора чи сторонніх осіб.

завдань. Під час користування виробом він має бути лише у вертикальному положенні.

Зверніть увагу: Норми внутрішнього законодавства можуть накладати обмеження на використання цього виробу.

Будьте обережні й використовуйте виріб належним чином.

(Мал. 3)

Перед використанням виробу уважно прочитайте посібник користувача й переконайтеся в тому, що ви зрозуміли наведені в ньому вказівки.

(Мал. 4)

Виріб не призначений для під'єднання до джерел питної води.

(Мал. 5)

У разі неправильного використання струмені води під високим тиском можуть становити небезпеку. Заборонено

направляти струмінь на людей, електрообладнання або сам виріб.

(Мал. 6)

Екологічне маркування. Цей виріб і його пакування не можна утилізувати разом із побутовими відходами. Утилізацію виробу необхідно проводити на сертифікованому підприємстві з переробки відходів електричного й електронного обладнання.

(Мал. 7)

Інструмент класу II.

(Мал. 8)

Етикетка з інформацією щодо шумових викидів у навколишнє середовище відповідно до вимог директив і нормативних актів ЄС і Сполученого Королівства та Законів про збереження навколишнього середовища (контроль шуму) 2017 р. Нового Південного Уельсу.

Гарантований рівень звукової потужності виробу вказано в розділі *Технічні характеристики на сторінці 464* і на етикетці.

(Мал. 9)

Захищено від потоку води низького тиску під будь-яким кутом.

(Мал. 10)

Уникайте впливу низьких температур.

(Мал. 11)

Виріб відповідає вимогам застосовних директив ЄС.

(Мал. 12)

Цей виріб відповідає вимогам застосовних норм Сполученого Королівства.

Зверніть увагу: Інші позначення на виробі відповідають вимогам сертифікації для певних ринків.

Пошкодження виробу

Ми не несемо відповідальності за пошкодження, якщо:

- виріб було неправильно відремонтовано;
- виріб було відремонтовано із використанням деталей, виготовлених не виробником або не затверджених ним;
- виріб обладнано аксесуаром, виготовленим не виробником або не затвердженим ним;
- виріб було відремонтовано в неавторизованому сервісному центрі або неавторизованою компанією;

Визначення щодо безпеки

Попередження, застереження й примітки служать для наголошення на особливо важливих положеннях посібника.



ПОПЕРЕДЖЕННЯ:

Вказує на те, що в разі порушення інструкцій, наведених у цьому посібнику, існує небезпека поранення або смерті оператора чи інших осіб, що знаходяться поруч.



УВАГА: Вказує на те, що в разі порушення інструкцій, наведених у цьому посібнику, існує небезпека пошкодження виробу, інших матеріалів або навколишніх об'єктів.

Зверніть увагу:

Використовується для надання додаткової інформації щодо певної ситуації.

Загальні правила техніки безпеки



ПОПЕРЕДЖЕННЯ:

Перш ніж розпочати використання виробу, уважно прочитайте наведені нижче попередження.

- Цей виріб може бути небезпечним у разі неправильного або недбалого використання. Порушення правил техніки безпеки може призвести до травм або смерті.
- Завжди будьте обережні й керуйтеся здоровим глуздом. Якщо ви маєте сумніви щодо того, як користуватися виробом у певній ситуації, припиніть роботу та проконсультуйтеся з представником центру обслуговування Husqvarna.
- Пам'ятайте, що оператор несе відповідальність за нещасні випадки, у результаті яких постраждали інші особи або їхнє майно.
- Тримайте пристрій у чистоті. Переконайтеся, що знаки та наклейки читабельні.

- У жодному разі не дозволяйте користуватися приладом дітям або людям, які не ознайомилися із цим посібником. Вік оператора може обмежуватися місцевими нормами.
- Цим виробом можуть керувати особи з обмеженими фізичними, сенсорними або психічними можливостями за умови нагляду або належного інструктажу щодо безпечного використання виробу та якщо ці особи розуміють пов'язані з таким використанням ризики.
- Цим виробом можуть керувати особи, які не мають необхідного досвіду та знань, за умови нагляду або належного інструктажу щодо безпечного використання виробу та якщо ці особи розуміють пов'язані з таким використанням ризики.
- Забороняється використовувати виріб, якщо ви втомлені, хворі, чи перебуваєте під впливом наркотиків, алкоголю або медикаментів. Ці фактори мають негативний вплив на ваш зір, зосередженість,

свідомість і координацію рухів.

- Не користуйтеся пошкодженим виробом.
- Заборонено вносити зміни в конструкцію виробу чи використовувати виріб, якщо є підозра, що його було змінено сторонніми особами.

Правила техніки безпеки під час використання виробу



ПОПЕРЕДЖЕННЯ:

Перш ніж розпочати використання виробу, уважно прочитайте наведені нижче попередження.

- Не користуйтеся виробом, якщо шнур живлення, шланг високого тиску, фіксатор механічного пускового пристрою або ручку розпилювача пошкоджено.
- Перед роботою з виробом необхідно перевірити його на наявність пошкоджень. Не користуйтеся виробом, якщо його деталі пошкоджені або відсутні.
- Міцно утримуйте ручку розпилювача обома руками. Коли натискається механічний пусковий пристрій, виникає віддача.

- Будьте обережні під час роботи з виробом. Високий тиск, що забезпечується виробом, становить небезпеку та може стати причиною травмування.
- Не спрямовуйте струмінь на себе, інших людей або тварин.
- Не спрямовуйте струмінь на себе чи інших людей для очищення взуття.
- Не спрямовуйте струмінь у бік електричного обладнання або самого виробу.
- Під час роботи з виробом використовуйте особисте захисне спорядження. Дивіться розділ *Засоби індивідуального захисту на сторінці 455*.
- Не користуйтеся виробом поблизу людей без захисного спорядження.
- Якщо використовується мийний засіб, дотримуйтеся інструкцій техніки безпеки для мийного засобу.
- Використовуйте лише мийні засоби Husqvarna.
- Застосовуйте правильний тиск води й належні мийні засоби та використовуйте виріб лише для завдань, зазначених у цьому посібнику. Якщо застосовується неправильний тиск води чи неналежний мийний засіб або виріб використовується для завдань, не зазначених у цьому посібнику, це може спричинити пошкодження виробу, поверхонь, матеріалів чи інших пристроїв. Husqvarna не несе відповідальності за пошкодження внаслідок неправильного використання.
- Не рекомендується під'єднувати виріб до водопроводу з питною водою. Якщо необхідно під'єднати виріб до водопроводу з питною водою, дотримуйтеся місцевих і державних нормативних вимог. Використовуйте зворотний клапан (не входить у комплект), якщо це необхідно. Вода, що пройшла через запобіжник зворотного потоку, вважається непридатною для пиття.
- Не розпилюйте легкозаймисті рідини. Небезпека вибуху.
- Не дозволяйте дітям керувати виробом.

- Не дозволяйте дітям гратися інструментом.
- Не дозволяйте людям користуватися виробом без підготовки.
- Використовуйте аксесуари та запасні частини, які схвалено Husqvarna.
- Переконайтеся, що електричне з'єднання виконується сертифікованим електриком із дотриманням вимог IEC 60364-1.
- Використовуйте пристрій захисного вимкнення, який вимикає електрику, якщо струм витoku перевищує 30 мА на 30 мс. Якщо у вас немає пристрою захисного вимкнення, використовуйте пристрій, який забезпечить наявність ланцюга заземлення.
- Використовуйте запобіжники запуску/затримки двигуна з характеристикою C або D відповідно до IEC 898-1 чи IEC947-2 або відповідних стандартів за межами IEC.
- Для налаштування виробів, на яких зазначені подвійні значення напруги та частоти, нічого робити не треба.
- Якщо потрібно використати подовжувач, переконайтеся, що він підходить для використання надворі. Переконайтеся, що відстань від землі до розетки становить принаймні 60 мм. З'єднання завжди має бути сухим.
- Перш ніж залишити виріб без нагляду, установіть вимикач живлення в положення вимкнення (0), від'єднайте вилку електроживлення та заблокуйте живлення фіксатором механічного пускового пристрою.
- Перед заміною аксесуарів установіть вимикач живлення в положення вимкнення (0) та від'єднайте вилку електроживлення.
- Перед очищенням або технічним обслуговуванням виробу встановіть вимикач живлення в положення вимкнення (0) та від'єднайте вилку електроживлення.
- Не користуйтеся виробом у середовищі, температура якого нижча за 0 °С.
- Не запускайте замерзлий виріб.
- Не користуйтеся виробом у приміщенні.

- Не ставте предмети на виріб, коли він працює.
- Не пийте воду, що використовувалася виробом.
- Не використовуйте виріб біля відкритих вікон.
- Остерігайтеся предметів, що відскакують. Каміння й незакріплені предмети можуть відскочити й потрапити в очі, спричинивши втрату зору чи тяжку травму.
- Якщо виріб працює неправильно, див. розділ *Таблиця пошуку несправностей на сторінці 463*.

Засоби індивідуального захисту



ПОПЕРЕДЖЕННЯ:

Перш ніж розпочати використання виробу, уважно прочитайте наведені нижче попередження.

- Засоби індивідуального захисту не можуть повністю усунути небезпеку травмування, але в разі нещасного випадку знизять ступінь тяжкості травми. Дозвольте дилеру допомогти

вам із вибором підходящого обладнання.

- Використовуйте взуття із захистом від ковзання для роботи в тяжких умовах. Заборонено використовувати відкрите взуття або працювати босоніж.
- Використовуйте захисний одяг.
- Користуйтеся відповідними захисними навушниками.
- Використовуйте захисні окуляри.
- Користуйтеся засобами захисту органів дихання класу FFP2 або аналогічного, якщо виріб використовується в середовищі, де можуть утворюватися небезпечні аерозолі.

Запобіжне обладнання на виробі



ПОПЕРЕДЖЕННЯ:

Перш ніж розпочати використання виробу, уважно прочитайте наведені нижче попередження.

- Не використовуйте виріб із запобіжними пристроями,

які пошкоджені або не працюють належним чином.

- Не демонтуйте захисні пристрої й не вносьте в їх конструкцію зміни.
- Регулярно перевіряйте захисні пристрої. Якщо запобіжні пристрої пошкоджені або не працюють належним чином, зверніться до центру обслуговування Husqvarna.

Фіксатор механічного пускового пристрою

Фіксатор механічного пускового пристрою (А) запобігає його випадковому спрацьовуванню (В). Коли фіксатор механічного пускового пристрою перебуває в положенні блокування, натиснути механічний пусковий пристрій неможливо.

(Мал. 13)

Механічний пусковий пристрій

Виріб запускається, коли механічний пусковий пристрій натиснуто. Виріб зупиняється, коли механічний пусковий пристрій вивільнено.

Тепловий захист

Виріб має функцію автоматичного теплового

захисту. Якщо виріб стане занадто гарячим, функція теплового захисту вимкне живлення виробу. Якщо функція теплового захисту вимкне живлення виробу, зачекайте, доки виріб охолоне. Скидання функції теплового захисту відбудеться автоматично, коли виріб достатньо охолоне.

Гідравлічний запобіжний клапан

Виріб має вбудований гідравлічний запобіжний клапан, який запобігає надмірному тиску в системі.

Правила техніки безпеки під час обслуговування



ПОПЕРЕДЖЕННЯ:

Перш ніж розпочати технічне обслуговування виробу, уважно прочитайте наведені нижче попередження.



УВАГА: Завжди виконуйте технічне обслуговування перед початком роботи з виробом після його тривалого зберігання.

- Установіть вимикач живлення в положення вимкнення (0) та від'єднайте вилку від джерела живлення перед технічним обслуговуванням виробу.
- Від'єднайте виріб від джерела подачі води та переконайтеся, що всі його частини сухі, перш ніж виконувати технічне обслуговування виробу.
- Виконуйте лише ті роботи з технічного обслуговування, які описано в цьому посібнику користувача.
- Використовуйте лише запасні частини, рекомендовані компанією Husqvarna. Шланги для води, фітинги та з'єднання, призначені для високого тиску, є важливим фактором безпеки під час використання виробу. Використовуйте лише шланги, фітинги та з'єднання, рекомендовані виробником.
- Не ремонтуйте виріб. Зверніться до центру обслуговування Husqvarna.
- Якщо штепсельну вилку або шнур живлення пошкоджено, зверніться до представника центру обслуговування Husqvarna.
- Не дозволяйте дітям чистити виріб або виконувати його технічне обслуговування.

Збирання

Вступ



ПОПЕРЕДЖЕННЯ: Перед збиранням виробу уважно прочитайте розділ про правила техніки безпеки.

встановлюється на впускний отвір для води рівно. Якщо адаптер для садового шланга встановлюється нерівно, можна пошкодити різьбу, що призведе до протікання.

Установлення адаптера для садового шланга

1. Зніміть транспортувальну кришку зі впускного отвору для води та викиньте її. (Мал. 14)
2. Установіть адаптер для садового шланга на впускний отвір для води. (Мал. 15)

3. Повністю затягніть адаптер для садового шланга.
4. Знімайте адаптер для садового шланга у зворотній послідовності.

Установлення тримача ручки розпилювача та штанги розпилювача

- Установіть тримач за допомогою 2 гвинтів. (Мал. 16)



УВАГА: Переконайтеся, що адаптер для садового шланга

Експлуатація

Вступ



ПОПЕРЕДЖЕННЯ: Перед використанням виробу уважно прочитайте розділ про правила техніки безпеки.

Husqvarna Connect

Husqvarna Connect є безкоштовною програмою для мобільного пристрою. У програмі Husqvarna Connect доступна ціла низка розширених функцій для користування Husqvarna:

- розширена інформація про виріб;
- відомості про деталі й обслуговування виробу, а також довідкова інформація.

Щоб почати користуватися Husqvarna Connect

1. Завантажте програму Husqvarna Connect на свій мобільний пристрій.
2. Зареєструйтеся в програмі Husqvarna Connect.
3. Виконайте вказівки з підключення та реєстрації виробу, наведені в програмі Husqvarna Connect.

Зверніть увагу: У деяких країнах програма Husqvarna Connect може бути недоступною для завантаження. По додаткову інформацію звертайтеся до свого сервісного дилера.

Установлення ручки розпилювача

1. Вставте водяний шланг високого тиску в роз'єм швидкого під'єднання й натисніть, щоб він зафіксувався на місці. (Мал. 17)



УВАГА: Щоб запобігти протіканню, переконайтеся, що шланг високого тиску добре під'єднано до роз'єму швидкого під'єднання на виробі.

2. Міцно втримуючи ручку розпилювача однією рукою, вставте водяний шланг високого тиску в роз'єм швидкого під'єднання на ручці розпилювача. (Мал. 18)

Зняття ручки розпилювача

1. Натисніть кнопку на ручці розпилювача та витягніть водяний шланг високого тиску. (Мал. 19)
2. Натисніть зовнішнє кільце роз'єму швидкого під'єднання й витягніть водяний шланг високого тиску. (Мал. 20)

Установлення штанги розпилювача

1. Утримуючи ручку розпилювача однією рукою, вставте муфту на штанзі розпилювача в ручку розпилювача. (Мал. 21)
2. Поверніть штангу розпилювача за годинниковою стрілкою й відпустіть штангу. Штанга розпилювача зафіксується на своєму місці.

Зняття штанги розпилювача

1. Натисніть на штангу розпилювача й поверніть її проти годинникової стрілки. (Мал. 22)
2. Вийміть штангу розпилювача з ручки розпилювача.

Установлення та зняття насадки

Виріб постачається з 2 насадками: 1 насадка з прямим струменем води (яка називається «насадкою для м'якого миття») і 1 насадка для інтенсивного миття зі струменем води, що обертається (називається «насадкою для інтенсивного миття»). Насадку з прямим струменем води можна використовувати для очищення делікатних поверхонь, як-от автомобілів. Насадку для інтенсивного миття можна використовувати для очищення поверхонь, що не є делікатними, наприклад під'їзних доріг.

(Мал. 23)



УВАГА: Не використовуйте насадку зі струменем води, що обертається, на делікатних поверхнях, як-от фарбованій верхній автомобіля. Струмінь води, що обертається, може пошкодити поверхню.

- Щоб установити насадку, візьміть штангу розпилювача однією рукою й натисніть на насадку, щоб вона зафіксувалася на своєму місці. (Мал. 24)
- Щоб зняти насадку, натисніть виступ на штанзі розпилювача й витягніть насадку зі штанги. (Мал. 25)

Регулювання тиску струменя води

Насадка з прямим струменем води дає змогу регулювати тиск води.

- Щоб збільшити тиск струменя води, поверніть насадку за годинниковою стрілкою. (Мал. 26)
- Щоб зменшити тиск струменя води, поверніть насадку проти годинникової стрілки. (Мал. 27)

Робота з виробом

1. Під'єднайте виріб до джерела водопостачання. Дивіться розділ *Під'єднання виробу до джерела водопостачання на сторінці 459*.
2. Видаліть повітря із системи. Дивіться розділ *Видалення повітря із системи на сторінці 460*.
3. Запустіть виріб. Дивіться розділ *Запуск виробу на сторінці 460*.

Під'єднання виробу до джерела водопостачання

Для роботи з виробом можна використовувати воду з водопроводу або з відкритого джерела води, наприклад з озера або бочки з водою.

- Щоб під'єднати виріб до водопроводу, дивіться розділ *Під'єднання виробу до водопроводу на сторінці 459*.
- Щоб під'єднати виріб до відкритого джерела води, дивіться розділ *Під'єднання виробу до відкритого джерела води на сторінці 459*.

Під'єднання виробу до водопроводу

1. Під'єднайте адаптер для садового шланга й водний фільтр до отвору впуску води на виробі, якщо вони ще не під'єднані. Дивіться розділ *Установлення адаптера для садового шланга на сторінці 457*.
2. Під'єднайте садовий шланг до водопроводу. Використовуйте садовий шланг із діаметром ½ дюйма завдовжки 10–25 м. (Мал. 28)



УВАГА: Тиск води у водопроводі не повинен перевищувати 1 МПа (10 бар).



УВАГА: Температура води у водопроводі не повинна перевищувати 40 °С.

3. Відкрийте водопровідний кран і переконайтеся, що вода вільно витікає із садового шланга. (Мал. 29)
4. Закрийте водопровідний кран.
5. Під'єднайте садовий шланг до роз'єму впуску води на виробі. (Мал. 30)
6. Під'єднайте штепсельну вилку до джерела живлення.
7. Відкрийте водопровідний кран.
8. Перед початком експлуатації виробу видаліть повітря із системи. Дивіться розділ *Видалення повітря із системи на сторінці 460*.

Під'єднання виробу до відкритого джерела води

Для роботи з виробом можна використовувати воду з відкритого джерела, наприклад з озера або бочки з водою. Використовуйте всмоктувальний шланг із діаметром ½ дюйма (не входить у комплект) завдовжки щонайбільше 3 м.

(Мал. 31)



УВАГА: Температура води у джерелі водопостачання не повинна перевищувати 20 °С.



УВАГА: Виріб має розташовуватися щонайбільше на 0,5 м вище джерела водопостачання.

1. Якщо встановлено адаптер для садового шланга, зніміть його з роз'єму впуску води на виробі. (Мал. 32)



УВАГА: Не знімайте водяний фільтр із роз'єму впуску води.

2. Під'єднайте всмоктувальний шланг (не входить у комплект) до роз'єму впуску води на виробі. (Мал. 33)
3. Опустіть усмоктувальний шланг у воду джерела водопостачання та переконайтеся, що фільтр повністю занурений.



УВАГА: Не використовуйте всмоктувальний шланг без фільтра.

4. Натисніть кнопку на ручці розпилювача й витягніть шланг високого тиску з ручки розпилювача. (Мал. 19)
5. Під'єднайте штепсельну вилку до джерела живлення.
6. Переведіть вимикач живлення в положення ввімкнення (I) та дайте виробу попрацювати протягом 2 хвилин.
7. Переведіть вимикач живлення в положення вимкнення (O).
8. Міцно утримуючи ручку розпилювача однією рукою, вставте шланг високого тиску в роз'єм швидкого під'єднання на ручці розпилювача. (Мал. 18)
9. Перед початком експлуатації виробу видаліть повітря із системи. Дивіться розділ *Видалення повітря із системи на сторінці 460*.

Видалення повітря із системи



УВАГА: Перед видаленням повітря із системи переконайтеся, що вимикач живлення встановлено в положення вимкнення (0).

1. Під'єднайте виріб до джерела водопостачання. Дивіться розділ *Під'єднання виробу до джерела водопостачання на сторінці 459*.
2. Установіть штангу розпилювача на розпилювач. Дивіться розділ *Установлення штанги розпилювача на сторінці 458*.
3. Розблокуйте фіксатор механічного пускового пристрою. Дивіться розділ *Блокування та розблокування фіксатора механічного пускового пристрою на сторінці 460*.
4. Натисніть механічний пусковий пристрій і втримуйте його, доки вода не почне витікати з насадки на штанзі розпилювача. (Мал. 34)

Від'єднання виробу від джерела водопостачання

1. Переведіть вимикач живлення в положення вимкнення (0).
2. Якщо виріб під'єднано до водопроводу, закрийте кран водопроводу.
3. Якщо виріб під'єднано до водопроводу, від'єднайте садовий шланг від водопроводу. (Мал. 35)
4. Якщо виріб під'єднано до відкритого джерела водопостачання, вийміть усмоктувальний шланг із джерела водопостачання.
5. Натисніть механічний пусковий пристрій і втримуйте його, доки вода не припинить витікати з насадки.
6. Від'єднайте садовий шланг від роз'єму впуску води на виробі. (Мал. 36)

Зверніть увагу: Якщо виріб під'єднано до відкритого джерела водопостачання, від'єднайте всмоктувальний шланг.

7. Натисніть кнопку на ручці розпилювача й витягніть шланг високого тиску з ручки розпилювача. (Мал. 19)
8. Переведіть вимикач живлення в положення вимкнення (I). Дайте виробу попрацювати, доки вода не припинить витікати зі шланга високого тиску.
9. Переведіть вимикач живлення в положення вимкнення (0).
10. Зачекайте, доки ручка розпилювача, штанга розпилювача та насадки висохнуть, а потім покладіть виріб у місце для зберігання.

Блокування та розблокування фіксатора механічного пускового пристрою

- Щоб заблокувати фіксатор механічного пускового пристрою, поверніть фіксатор механічного пускового пристрою за годинниковою стрілкою до клацання. (Мал. 37)
- Щоб розблокувати фіксатор механічного пускового пристрою, повністю поверніть фіксатор механічного пускового пристрою проти годинникової стрілки. (Мал. 38)

Запуск виробу

1. Під'єднайте виріб до джерела водопостачання. Дивіться розділ *Під'єднання виробу до джерела водопостачання на сторінці 459*.
2. Під'єднайте штепсельну вилку до джерела живлення.
3. Переведіть вимикач живлення в положення ввімкнення (I). (Мал. 39)
4. Розблокуйте фіксатор механічного пускового пристрою. Дивіться розділ *Блокування та розблокування фіксатора механічного пускового пристрою на сторінці 460*.
5. Натисніть механічний пусковий пристрій на ручці розпилювача.

Зверніть увагу: Виріб автоматично зупиняється, коли ви відпускаєте механічний пусковий пристрій.

Зупинення виробу

Зверніть увагу: Виріб автоматично зупиняється, коли ви відпускаєте механічний пусковий пристрій.

1. Відпустіть механічний пусковий пристрій на ручці розпилювача.
2. Заблокуйте фіксатор механічного пускового пристрою. Дивіться розділ *Блокування та розблокування фіксатора механічного пускового пристрою на сторінці 460*.
3. Переведіть вимикач живлення в положення вимкнення (0). (Мал. 40)
4. Від'єднайте штепсельну вилку від джерела живлення.
5. Від'єднайте виріб від джерела водопостачання. Дивіться розділ *Від'єднання виробу від джерела водопостачання на сторінці 460*.

Зверніть увагу: Завжди від'єднуйте виріб від джерела водопостачання, якщо залишаєте виріб без нагляду більш ніж на 5 хвилин.

Використання розпилювача піни

1. Вийміть розпилювач піни з тримача. (Мал. 41)
2. Заповніть контейнер на розпилювачі піни мийним засобом.



УВАГА: Використовуйте лише мийні засоби, рекомендовані Husqvarna.

3. Вставте роз'єм швидкого під'єднання на розпилювачі піни в роз'єм швидкого під'єднання на штанзі розпилювача й натисніть до клацання, що свідчить про фіксацію на місці. (Мал. 42)

Зверніть увагу: Фланець на розпилювачі піни потрібно сумістити з канавкою в штанзі розпилювача.

4. Під'єднайте виріб до джерела водопостачання. Дивіться розділ *Під'єднання виробу до джерела водопостачання на сторінці 459*.
5. Запустіть виріб. Дивіться розділ *Запуск виробу на сторінці 460*.

ТЕХНІЧНЕ ОБСЛУГОВУВАННЯ

Вступ



ПОПЕРЕДЖЕННЯ: Перед виконанням робіт із технічного обслуговування обов'язково прочитайте

й усвідомте зміст розділу про заходи безпеки.

Для всіх робіт з обслуговування та ремонту необхідна спеціальна підготовка. Ми гарантуємо доступність послуг із професійного ремонту та обслуговування.

Для отримання більш детальної інформації див. www.husqvarna.com.

Графік технічного обслуговування

Технічне обслуговування	Перед використанням	Після використання
Загальна перевірка. Дивіться розділ <i>Процедура загальної перевірки на сторінці 461</i> .	X	
Чищення виробу. Дивіться розділ <i>Чищення виробу на сторінці 462</i> .		X
Чищення штанги розпилювача й насадок. Дивіться розділ <i>Чищення штанги розпилювача й насадок на сторінці 462</i> .		X
Чищення водяного фільтра. Заміна водяного фільтра, якщо він пошкоджений. Дивіться розділ <i>Чищення водяного фільтра на сторінці 462</i> .		X
Змащування ущільнювальних кілець на муфтах. Дивіться розділ <i>Змащування ущільнювальних кілець на муфтах на сторінці 462</i> .		X

Процедура загальної перевірки



ПОПЕРЕДЖЕННЯ: Установіть вимикач живлення в положення вимкнення (0) та від'єднайте вилку від джерела живлення перед технічним обслуговуванням виробу.

- Переконайтеся, що всі гайки й гвинти на виробі затягнуті.
- Переконайтеся, що кабелі на виробі прокладено таким чином, що їх не буде пошкоджено.
- Перевірте шланг високого тиску на наявність ознак зношування та пошкоджень.



УВАГА: Від'єднайте виріб від джерела подачі води та переконайтеся, що всі його частини сухі, перш ніж виконувати технічне обслуговування виробу.



ПОПЕРЕДЖЕННЯ: Не користуйтеся виробом, якщо шланг високого тиску зношений або пошкоджений.

Чищення виробу



ПОПЕРЕДЖЕННЯ: Установіть вимикач живлення в положення вимкнення (0) та від'єднайте вилку від джерела живлення перед технічним обслуговуванням виробу.



УВАГА: Від'єднайте виріб від джерела подачі води та переконайтеся, що всі його частини сухі, перш ніж виконувати технічне обслуговування виробу.

- Протріть усі зовнішні частини пристрою сухою ганчіркою.
- Не використовуйте для чищення виробу мийку високого тиску.
- Дбайте про чистоту вентиляційних отворів, щоб охолодження виробу завжди було достатнім.

Чищення штанги розпилювача й насадок



ПОПЕРЕДЖЕННЯ: Установіть вимикач живлення в положення вимкнення (0) та від'єднайте вилку від джерела живлення перед технічним обслуговуванням виробу.



УВАГА: Від'єднайте виріб від джерела подачі води та переконайтеся, що всі його частини сухі, перш ніж виконувати технічне обслуговування виробу.

1. Якщо на штангу розпилювача встановлено насадку, зніміть її зі штанги розпилювача. Дивіться розділ *Установлення та зняття насадки на сторінці 458*.
2. Помийте насадки, муфту на штанзі розпилювача та муфту на ручці розпилювача мильною водою. (Мал. 43)
3. Якщо насадки забиті брудом, усуньте його за допомогою інструмента для очищення. (Мал. 44)

Чищення водяного фільтра



ПОПЕРЕДЖЕННЯ: Установіть вимикач живлення в положення

вимкнення (0) та від'єднайте вилку від джерела живлення перед технічним обслуговуванням виробу.



УВАГА: Від'єднайте виріб від джерела подачі води та переконайтеся, що всі його частини сухі, перш ніж виконувати технічне обслуговування виробу.

1. Якщо встановлено адаптер для садового шланга, зніміть його з роз'єму впуску води на виробі. (Мал. 32)
2. Витягніть водяний фільтр. Скористайтеся пінцетом. (Мал. 45)
3. Перевірте водяний фільтр на наявність пошкоджень. Заміна водяного фільтра, якщо він пошкоджений. (Мал. 46)
4. Промийте водяний фільтр чистою водою. (Мал. 47)

Змащування ущільнювальних кілець на муфтах



ПОПЕРЕДЖЕННЯ: Установіть вимикач живлення в положення вимкнення (0) та від'єднайте вилку від джерела живлення перед технічним обслуговуванням виробу.



УВАГА: Від'єднайте виріб від джерела подачі води та переконайтеся, що всі його частини сухі, перш ніж виконувати технічне обслуговування виробу.

1. Від'єднайте штангу розпилювача від ручки розпилювача, а ручку розпилювача – від шланга високого тиску. Дивіться розділ *Установлення штанги розпилювача на сторінці 458* і *Установлення ручки розпилювача на сторінці 458*.
2. Змастіть ущільнювальні кільця на адаптері для садового шланга, штанзі розпилювача та шлангу високого тиску. Дивіться розділ *Технічні характеристики на сторінці 464* для визначення правильного типу мастила. (Мал. 48)

Усунення несправностей

Таблиця пошуку несправностей

Несправність	Можлива причина	Вирішення
Виріб не запускається.	Штепсельну вилку не під'єднано до джерела живлення.	Під'єднайте штепсельну вилку до джерела живлення
	Вимикач живлення встановлено в положення вимкнення (0).	Переведіть вимикач живлення в положення ввімкнення (I).
	У джерелі живлення відсутній струм.	Зверніться до кваліфікованого електрика.
	Шнур живлення пошкоджений.	Зверніться в авторизований центр обслуговування.
	Живлення вимкнено внаслідок спрацювання функції теплового захисту.	Зачекайте, доки виріб охолоне, перш ніж продовжити роботу з ним.
	Використовується подовжувач неправильного типу.	Переконайтеся, що подовжувач повністю розмотано та що напруга живлення відповідає напрузі виробу.
Під час початку роботи перегорає запобіжник.	Використовується запобіжник неправильного типу.	Переконайтеся, що використовується запобіжник повільного спрацювання класу «С» або «К».
Виріб не зупиняється.	Виріб пошкоджено.	Від'єднайте штепсельну вилку та зверніться в авторизований центр обслуговування.
Виріб перегрівається.	Недостатній потік повітря.	Почистьте всмоктувачі повітря.
Виріб працює не плавно.	У системі присутнє повітря.	Видаліть повітря із системи.
Тиск води незадовільний.	Шланг перегнутий	Переконайтеся, що на шлангах немає перегинів.
	Вимикач живлення встановлено в положення вимкнення (0).	Переведіть вимикач живлення в положення ввімкнення (I).
	Недостатній потік води.	Переконайтеся, що виріб під'єднано до джерела водопостачання правильно. Переконайтеся, що потік води достатній.
	Засмічено водяний фільтр.	Чищення водяного фільтра.
	У системі присутнє повітря.	Видаліть повітря із системи.
	Неналежний аксесуар.	Переконайтеся, що використовується належний аксесуар.

Транспортування, зберігання й утилізація

Транспортування

- Перед транспортуванням виробу від'єднайте штепсельну вилку від джерела живлення.
- Перед транспортуванням від'єднайте виріб від джерела водопостачання.
- Надійно закріпліть виріб, щоб запобігти його переміщенню під час транспортування.

Зберігання

- Злийте всю воду з виробу, шланга високого тиску та аксесуарів, перш ніж класти виріб у місце для зберігання.
- Підготуйте виріб до зберігання. Дивіться розділ *Підготовка виробу до зберігання на сторінці 464*.
- Зберігайте виріб у сухому місці, захищеному від впливу морозу.

Підготовка виробу до зберігання

1. Зупиніть виріб і від'єднайте штепсельну вилку від джерела живлення.
2. Від'єднайте виріб від джерела водопостачання. Дивіться розділ *Від'єднання виробу від джерела водопостачання на сторінці 460*.

3. Переконайтеся, що всі аксесуари сухі.
4. Помістіть ручку розпилювача, штангу розпилювача та насадки у відповідні тримачі.
5. Від'єднайте водяний шланг високого тиску та помістіть його у відповідний тримач. (Мал. 49)
6. Розташуйте шнур живлення на відповідному тримачі та прикріпіть стрічку. (Мал. 50)

Утилізація

Вироби Husqvarna не належать до побутових відходів і мають утилізуватися згідно з вимогами, наведеними в цьому посібнику.

- Дотримуйтеся місцевих вимог і застосовних норм та правил щодо утилізації.
- Утилізацію виробу й упаковки слід здійснювати на відповідному підприємстві з переробки відходів.
- Додаткову інформацію щодо переробки й утилізації виробу можна отримати від місцевого дилера Husqvarna.

Технічні характеристики

	PW 130
Двигун і насос	
Тип	Серія двигунів змінного струму
Потужність, Вт	1500
Діапазон напруги, В	220–240
Частота, Гц	50
Номинальна сила струму, А	6,5
Макс. потік води, л/хв	7,7
Макс. тиск води на виході, бар / МПа	130/13
Макс. тиск води на вході, бар / МПа	10/1
Макс. температура води на вході, °C / °F	40/104
Макс. температура води на вході (у режимі всмоктування), °C / °F	20/68
Рівень захисту від проникнення	IPX5
Клас безпеки	Клас II
Змащування	

	PW 130
Тип мастила для змащування ущільнювальних кілець	Універсальне біле силіконове мастило
Маса	
Маса, кг	6,5
Випромінювання шуму ¹⁰⁵	
Рівень звукової потужності, вимірний, дБ(А)	85
Гарантований рівень звукової потужності, L _{WA} дБ(А)	89
Рівні звуку ¹⁰⁶	
Еквівалентний рівень звукового тиску на вухо оператора, дБ(А)	72
Рівні вібрації ¹⁰⁷	
Кисть / рука (зі стандартною насадкою) м/с ²	2,5
Еквівалентні рівні вібрації ¹⁰⁸	
Кисть / рука (зі стандартною насадкою) м/с ²	1,8

Додаткове приладдя

Схвалені аксесуари

Схвалені аксесуари	Арт. №
Очищувач поверхонь SC 300	590 65 79-01
Розпилювач піни FS 300	590 66 04-01
Шланг для очищення труб, 15 м	590 66 10-01
Водний фільтр	590 65 93-01
Зворотний клапан	590 65 95-01
Усмоктувальний шланг	590 65 97-01
Автомобільний набір	590 66 07-01

¹⁰⁵ Випромінювання шуму в середовище, виміряне як звукова потужність (L_{WA}), відповідає директиві ЄС 2000/14/ЄС.

¹⁰⁶ Еквівалентний рівень звукового тиску, згідно зі стандартом ISO 22868, обчислюється у вигляді загальної кількості енергії за певний проміжок часу для різних рівнів звукового тиску за різних робочих умов. Типова статистична розбіжність для еквівалентних рівнів звукового тиску являє собою стандартне відхилення в розмірі 1 дБ(А).

¹⁰⁷ Рівень вібрації відповідає стандарту EN 60745-2-13. Указані дані щодо рівня вібрації мають стандартну статистичну розбіжність (стандартне відхилення) у 1 м/с². Дані про вібрацію заявлені, виходячи з вимірювань, зроблених на пристрої, оснащеному шиною та ланцюгом рекомендованого типу. Якщо машину оснащено шиною іншого типу, рівень вібрації може коливатися в межах $\pm 1,5$ м/с² максимум.

¹⁰⁸ Еквівалентний рівень вібрації вимірюється та розраховується так само, що й для ланцюгових пилок із приводом від двигуна внутрішнього згоряння. Ці числа вказано для того, щоб можна було порівняти значення вібрації незалежно від типу двигуна. Відповідний стандарт – ISO 22867:2011.

Схвалені аксесуари	Арт. №
Набір з обертальною щіткою	590 66 06-01
Кутова штанга розпилювача	590 66 11-01
Насадка для всмоктування води	590 66 05-01
Подовжувач шланга, 8 м	590 66 08-01

Декларація відповідності

Декларація відповідності ЄС

Ми, Husqvarna AB, SE-561 82 Huskvarna, Sweden (Швеція), тел.: +46-36-146500, заявляємо під свою виключну відповідальність, що представлений виріб:

Опис	Мийка високого тиску
Бренд	Husqvarna
Тип / модель	PW 130
Ідентифікація	Серійні номери за 2022 рік і пізніше

повністю відповідає таким директивам і нормам ЄС:

Норма	Опис
2006/42/EC	«Про механічне обладнання»
2014/30/EU	«Про електромагнітну сумісність»
2000/14/EC, Додаток V	«Про виділення шуму в навколишнє середовище»
2011/65/EU	«Про обмеження використання деяких небезпечних речовин в електричному й електронному обладнанні»

і що до нього застосовуються вказані далі узгоджені стандарти та (або) технічні специфікації: EN 60335-1:2012/A11:2014/A13:2017/A1:2019/A14:2019/A2:2019/A15:2021, EN 60335-2-79:2012, EN 62233:2008, EN 55014-1:2021, EN 55014-2:2021, EN IEC 61000-3-2:2019/A1:2021, EN 61000-3-3:2013/A2:2021, EN IEC 63000:2018.

Відомості стосовно випромінювання шуму дивіться в розділі *Технічні характеристики на сторінці 464*.

Husqvarna, 2023-01-19



Клаес Лосдал (Claes Losdal), директор із питань розвитку / продукції для садівництва, Husqvarna AB

Відповідальний за технічну документацію



المحتويات

478	استكشاف الأخطاء وإصلاحها	468	مقدمة
478	النقل والتخزين وطريقة التخلص من المنتج	469	السلامة
479	البيانات الفنية	473	التجميع
480	الملحقات	474	التشغيل
481	بيان التوافق	476	الصيانة

مقدمة

وصف المنتج

المنتج هو آلة غسل كهربائية ذات ضغط عالٍ. يمكن تشغيل المنتج بمستويات مختلفة من ضغط المياه وعوامل التنظيف المختلفة.

الغرض من الاستخدام

استخدم المنتج للتنظيف المنزلي فقط. لا تستخدم المنتج لأداء المهام الأخرى. استخدم المنتج في وضع مستقيم فقط.

نظرة عامة على المنتج

(الشكل 1)

1. فوهة برشاش مياه مستقيم
2. فوهة برشاش مياه دوار
3. حزام مصاطي لحامل سلك الطاقة
4. حامل لمقبض الرش وقناة الرش
5. خرطوم مياه عالي الضغط
6. مدخل المياه
7. ماكينة رش الرغوة
8. مخزن لخرطوم المياه عالي الضغط
9. مفتاح الطاقة
10. سلك الطاقة
11. مخرج المياه مزود بوصلة سريعة
12. أداة تنظيف للفوهات
13. مقبض النقل
14. مدخل الهواء
15. مقبض الرش
16. قناة الرش
17. دليل المشغل

الرموز الموجودة على المنتج

(الشكل 2)

تحذير: من الممكن أن يكون هذا المنتج خطراً وقد يسبب إصابة جسيمة أو الوفاة للمشغل أو الآخرين. كن حذراً واستخدم المنتج بشكل صحيح.

ملاحظة: يمكن أن تتعبد اللوائح المحلية تشغيل هذا المنتج.

اقرأ دليل المشغل بعناية وتأكد من فهم الإرشادات قبل استخدام هذا المنتج. (الشكل 3)

المنتج غير مناسب للتوصيل بأنابيب المياه الرئيسية الصالحة للشرب. (الشكل 4)

ويمكن أن تكون رشاشات المياه عالية الضغط خطيرة إذا تعرضت لسوء الاستخدام. يجب عدم توجيه الرشاش إلى الأشخاص أو المعدات الكهربائية أو المنتج. (الشكل 5)

العلامة البيئية. لا يُعدّ المنتج أو علبة تغليفه من النفايات المنزلية. لذلك احرص على إعادة تدويره في موقع معتمد للتخلص من المعدات الكهربائية والإلكترونية. (الشكل 6)

أداة من الفئة الثانية. (الشكل 7)

ملصق انبعاث الضوضاء في البيئة وفقاً لتوجيهات ولوائح الاتحاد الأوروبي والمملكة المتحدة، وتشريعات ولاية نيوساوث ويلز "لوائح حماية العمليات البيئية (التحكم في الضوضاء) لعام 2017". ويتم توضيح مستوى طاقة الصوت المضمون في البيانات الفنية في الصفحة 479 وعلى الملصق.

يتوافق هذا المنتج مع توجيهات الاتحاد الأوروبي المعمول بها.

يتوافق هذا المنتج مع لوائح المملكة المتحدة المعمول بها.

ملاحظة: تشير الرموز/الملصقات الأخرى الموجودة على المنتج إلى متطلبات اعتماد موجهة لبعض الأسواق.

الضرر الملحق بالمنتج

نحن غير مسؤولين عن الأضرار التي تلحق بمنتجاتنا في الحالات التالية:

- إصلاح المنتج بطريقة خاطئة.
- إصلاح المنتج باستخدام أجزاء ليست من إنتاج الشركة المصنعة أو غير معتمدة منها.
- استخدام المنتج مع ملحق ليس من إنتاج الشركة المصنعة أو غير معتمد منها.
- عدم إصلاح المنتج في مركز خدمة معتمد أو بواسطة جهة معتمدة.

يتمتع بحماية من تيار المياه منخفض الضغط من أي زاوية.

احتفظ بالمنتج بعيداً عن الصقيع.


السلامة


تعريفات السلامة

تُستخدم التحذيرات والتنبهات والملاحظات للإشارة إلى أجزاء مهمة للغاية من الدليل.


ملاحظة: تُستخدم لإعطاء المزيد من المعلومات اللازمة في حالة معينة.

إرشادات السلامة العامة

تحذير: اقرأ الإرشادات التحذيرية التالية قبل استخدام المنتج. 

تحذير: يُستخدم إذا ثمة احتمال تعرض المشغل أو المارة للإصابة أو الوفاة إذا لم يتم اتباع الإرشادات الواردة في الدليل. 

- هذا المنتج خطير إذا استُخدم بشكل غير صحيح أو إذا لم تكن حذراً. يمكن أن تحدث الإصابة أو الوفاة إذا لم تمتثل لتعليمات السلامة.
- احرص دوماً على توجي الحذر واستخدام المنطق السليم. إذا لم تكن متأكداً من كيفية تشغيل المنتج

تنبيه: يُستخدم إذا ثمة احتمال لتلف المنتج أو المواد الأخرى أو المنطقة المجاورة إذا لم يتم اتباع الإرشادات الواردة في الدليل. 

- لا تغيّر هذا المنتج أو تستخدمه إذا كان من المحتمل أن يكون قد تم تغييره من قبل آخرين.

إرشادات السلامة المتعلقة بالتشغيل

تحذير: اقرأ الإرشادات التحذيرية التالية قبل استخدام المنتج.



- لا تستخدم المنتج في حالة تلف سلك الطاقة أو الخرطوم عالي الضغط أو قفل الزناد أو مقبض الرش.
- افحص بحثاً عن أي تلف قبل تشغيل المنتج. لا تستخدم المنتج إذا كانت أجزاء منه تالفة أو مفقودة.
- أمسك مقبض الرش بإحكام بكلتا يديك. تحدث قوة ارتداد عندما تضغط على زناد الطاقة.
- كن حذراً عند تشغيل المنتج. فالضغط العالي الذي يوفره المنتج خطر ويمكن أن يسبب إصابة.
- لا توجه الرشاش في اتجاهك أو في اتجاه الأشخاص الآخرين أو الحيوانات.
- لا توجه الرشاش في اتجاهك أو في اتجاه الآخرين لتنظيف الأحذية.
- لا توجه الرشاش في اتجاه المعدات الكهربائية أو في اتجاه المنتج نفسه.
- استخدم معدات الوقاية الشخصية عند تشغيل المنتج. راجع معدات الوقاية الشخصية في الصفحة 472.
- لا تشغل المنتج بالقرب من الأشخاص ما لم يرتدوا معدات الوقاية.

في حالة خاصة، فتوقف وتحدث إلى وكيل خدمة Husqvarna لديك قبل المتابعة.

- تذكر أن مشغل الآلة سيكون مسؤولاً عن الحوادث التي يتعرض لها أشخاص آخرون أو ممتلكاتهم.
- حافظ على نظافة المنتج. وتأكد من أنك تستطيع قراءة اللافتات والملصقات بوضوح.
- لا يُسمح باستخدام هذه الآلة من طرف الأطفال أو الأشخاص الذين لم يطلعوا على هذه التعليمات. من المحتمل أن تفرض اللوائح القانونية المحلية حد أدنى لسن الاستخدام.
- يمكن للأشخاص ذوي القدرات الجسدية أو الحسية أو العقلية المنخفضة تشغيل هذا المنتج في حال تم الإشراف عليهم أو تزويدهم بالتعليمات المتعلقة بتشغيل المنتج بأمان وكانوا على دراية بالمخاطر ذات الصلة.
- ويمكن للأشخاص الذين تنقصهم الخبرة أو المعرفة اللازمة تشغيل هذا المنتج في حال تم الإشراف عليهم أو تزويدهم بالتعليمات المتعلقة بتشغيل المنتج بأمان وكانوا على دراية بالمخاطر ذات الصلة.
- لا تستخدم المنتج إذا كنت تشعر بالتعب أو إذا كنت مريضاً أو تحت تأثير الكحول أو المخدرات أو الأدوية. إذ إن ذلك يؤثر سلباً في قدرتك على الرؤية أو انتباهك أو تديرك أو حكمك.
- لا تستخدم أي منتج تالف.

- إذا كنت تستخدم مادة منظفة، فاتبع تعليمات السلامة الخاصة بالمادة المنظفة.
- استخدم المواد المنظفة الخاصة بـ Husqvarna فقط.
- استخدم ضغط المياه والمواد المنظفة الصحيحة، واستخدام المنتج فقط للمهام الواردة في هذا الدليل. إذا استخدمت ضغط مياه أو مادة منظفة غير صحيحة أو استخدمت المنتج لمهام أخرى غير المهام الواردة في هذا الدليل، فقد يؤدي ذلك إلى تلف المنتج أو الأسطح أو المواد أو الأجهزة الأخرى. لا تتحمل شركة Husqvarna المسؤولية عن الأضرار الناجمة عن الاستخدام غير الصحيح.
- لا يُنصح بتوصيل المنتج بأنابيب المياه الرئيسية الصالحة للشرب. إذا كان يلزم توصيل المنتج بأنابيب المياه الرئيسية الصالحة للشرب، فالتزم باللوائح المحلية والوطنية. استخدم أداة منع التدفق العكسي (غير مضمنة) إذا لزم الأمر. تعد المياه التي تدفقت من خلال أداة منع التدفق العكسي غير صالحة للشرب.
- لا ترش السوائل القابلة للاشتعال. حيث يوجد خطر حدوث انفجار.
- لا تسمح للأطفال باستخدام المنتج.
- لا تسمح للأطفال باللعب بالمنتج.
- لا تسمح للأشخاص بتشغيل المنتج من دون تدريب.
- استخدم فقط الملحقات وقطع الغيار المعتمدة من Husqvarna.
- تأكد من إجراء التوصيل الكهربائي من قبل كهربائي معتمد وأنه يتوافق مع التوجيه IEC 60364-1.
- استخدم قاطع التيار المتبقي الذي يوقف الكهرباء إذا كان التيار المتسرب أكثر من 30 مللي أمبير لمدة 30 مللي ثانية. إذا لم يكن لديك قاطع التيار المتبقي، فاستخدم جهازًا يثبت وجود دائرة أرضية.
- استخدم مصاهر بدء تشغيل/تأخير الموتور ذات خاصية المنحنى C أو D وفقاً للمعيار IEC 898-1 أو المعيار IEC947-2 أو المعايير المقابلة خارج اللجنة الكهروتقنية الدولية (IEC).
- لا توجد حاجة إلى إجراءات لتعديل المنتجات التي تحمل علامة الجهد والتردد المزدوجين.
- إذا كان من الضروري استخدام كابل تمديد، فتأكد من أنه قابل للتشغيل في الأماكن المفتوحة. تأكد من أن المقبس على مسافة لا تقل عن 60 مم من الأرض. يجب أن تبقى الوصلة جافة دائماً.
- ضع مفتاح الطاقة في وضع إيقاف التشغيل (0) وافصل قابس الطاقة وعشق فقل زناد الطاقة قبل الابتعاد عن المنتج.
- ضع مفتاح الطاقة في وضع إيقاف التشغيل (0) وافصل قابس الطاقة قبل تغيير الملحق.
- ضع مفتاح الطاقة في وضع إيقاف التشغيل (0) وافصل قابس الطاقة قبل تنظيف المنتج أو إجراء الصيانة له.
- لا تقم بتشغيل المنتج في البيئات التي تكون فيها درجة الحرارة المحيطة أقل من 0 درجة مئوية.
- لا تشغل منتجاً مجمداً.

المنتج في البيئات التي يمكن أن تشكل فيها جزيئات الهواء الخطرة.
أجهزة السلامة الموجودة على المنتج

تحذير: اقرأ الإرشادات التحذيرية التالية قبل استخدام المنتج.



- لا تستخدم منتجاً تكون أجهزة السلامة فيه تالفة أو لا تعمل بشكل صحيح.
- لا تُزل أجهزة السلامة أو تُجرّ تعديلات عليها.
- افحص أجهزة السلامة بانتظام. إذا كانت أجهزة السلامة تالفة أو لا تعمل بشكل صحيح، فنحدث إلى وكيل خدمة Husqvarna لديك.

تأمين قفل زناد الطاقة

يمنع قفل زناد الطاقة (A) تشغيل زناد الطاقة (B) عن طريق الخطأ. عندما يكون قفل زناد الطاقة في وضع القفل، لا يمكن دفع زناد الطاقة إلى الداخل.

(الشكل 13)

زناد الطاقة

يعمل المنتج عند دفع زناد الطاقة إلى الداخل. ويتوقف المنتج عند تحرير زناد الطاقة.

الواقى الحراري

يحتوي المنتج على واقٍ حراري تلقائي. إذا أصبح المنتج ساخناً جداً، فسيوقف الواقى الحراري مصدر إمداد الطاقة إلى المنتج. إذا أوقف الواقى الحراري

لا تشغل المنتج في الأماكن المغلقة.

لا تضع أشياء على المنتج في أثناء تشغيله.

لا تشرب المياه التي تم استخدامها مع المنتج.

لا تشغل المنتج بالقرب من النوافذ المفتوحة.

إحترس من الأجسام المتطايرة. قد تُقذف الأحجار والأشياء السائبة إلى العينين ما يسبب العمى أو الإصابة الخطرة.

إذا كان المنتج لا يعمل بشكل صحيح، فارجع إلى جدول حل المشكلات في الصفحة 478.

معدات الوقاية الشخصية

تحذير: اقرأ الإرشادات التحذيرية التالية قبل استخدام المنتج.



لا يمكن لمعدات الوقاية الشخصية أن تمنع التعرض للإصابة بالكامل، ولكنها تقلل من درجة الإصابة عند وقوع حادث. دع الوكيل يساعدك في اختيار المعدات المناسبة.

استخدم أحذية برفقة عالية أو أحذية عادية شديدة التحمل ومقاومة للانزلاق. لا تستخدم الأحذية المفتوحة أو تمش حافي القدمين.

استخدم الملابس الواقية.

استخدم معدات معتمدة لحماية السمع.

استخدم النظارات الواقية.

استخدم واقى التنفس من الفئة FFP2 أو ما يعادلها إذا كنت تشغل

عن مصدر الطاقة قبل إجراء الصيانة للمنتج.

• أفضل المنتج عن مصدر المياه وتأكد من أن كل الأجزاء جافة قبل إجراء الصيانة للمنتج.

• أجر عمليات الصيانة الموضحة في دليل المشغل هذا فقط.

• استخدم قطع الغيار الموصى بها فقط من قبل Husqvarna.

خراطيم المياه ذات الضغط العالي وأدوات التركيب ووصلات الاقتران مهمة للسلامة عند تشغيل المنتج.

استخدم فقط الخراطيم وأدوات التركيب ووصلات الاقتران الموصى بها من قبل الشركة المصنعة.

• لا تقم بإصلاح المنتج. تحدث إلى وكيل خدمة Husqvarna لديك.

• تحدث إلى وكيل خدمة Husqvarna لديك في حالة تلف قابس الطاقة أو سلك الطاقة.

• لا تسمح للأطفال بتنظيف المنتج أو صيانته.

الطاقة، فانتظر حتى يبرد المنتج. سيتم إعادة ضبط الواقي الحراري تلقائياً عندما يكون المنتج بارداً بما فيه الكفاية.

صمام التخفيف الهيدروليكي

يحتوي المنتج على صمام تخفيف هيدروليكي متكامل يمنع الضغط العالي للغاية في النظام.

إرشادات السلامة المتعلقة بالصيانة

تحذير: اقرأ الإرشادات التحذيرية التالية قبل إجراء صيانة للمنتج.



تنبيه: أجر الصيانة دائماً قبل بدء تشغيل المنتج بعد فترة طويلة من تخزينه.



• ضع مفتاح الطاقة في وضع إيقاف التشغيل (0) وافصل قابس الطاقة

التجميع

مقدمة

مهاين خرطوم الحديقة بشكل مستقيم، فقد يتسبب ذلك في إلحاق ضرر بالخرزوز ويمكن أن يحدث تسرب.

3. أحكم ربط مهاين خرطوم الحديقة بالكامل.

4. أزل مهاين خرطوم الحديقة بالتسلسل العكسي.

لتركيب حامل مقبض الرش وقناة الرش

• ركب الحامل باستخدام البرغيين. (الشكل 16)

تحذير: اقرأ فصل السلامة وافهمه قبل تجميع المنتج.



لتركيب مهاين خرطوم الحديقة

1. أزل غطاء النقل من مدخل المياه وتخلص منه. (الشكل 14)

2. ركب مهاين خرطوم الحديقة على مدخل المياه. (الشكل 15)

تنبيه: تأكد من تركيب مهاين خرطوم الحديقة مباشرة على مدخل المياه. إذا لم يتم تركيب



التشغيل

2. اسحب قناة الرش للخارج من مقبض الرش.

تركيب فوهة وإزالتها

المنتج مزود بفوهتين: فوهة ذات رشاش مياه مستقيم (تُعرف "بالفوهة الناعمة") وفوهة خشنة ذات رشاش مياه دوار (تُعرف "بالفوهة الخشنة"). يمكن استخدام الفوهة ذات رشاش المياه المستقيم لتنظيف الأسطح الحساسة، على سبيل المثال المركبات. ويمكن استخدام الفوهة الخشنة لتنظيف الأسطح غير الحساسة، على سبيل المثال ممرات السيارات.

(الشكل 23)

تنبيه: لا تستخدم الفوهة ذات رشاش المياه الدوار على الأسطح الحساسة، على سبيل المثال الأسطح المطلية في السيارة. يمكن أن يسبب رشاش المياه الدوار أضراراً للسطح.



- لتركيب إحدى الفوهتين، امسك قناة الرش بيد واحدة وادفع الفوهة إلى الداخل حتى تستقر في مكانها. (الشكل 24)
- لإزالة إحدى الفوهتين، ادفع اللسان الموجود في قناة الرش واسحب الفوهة من قناة الرش إلى الخارج. (الشكل 25)

لضبط ضغط رشاش المياه

- الفوهة ذات رشاش المياه المستقيم لها ضغط قابل للتعديل.
- ولزيادة ضغط رشاش المياه، أدر الفوهة في اتجاه عقارب الساعة. (الشكل 26)
- ولتقليل ضغط رشاش المياه، أدر الفوهة عكس اتجاه عقارب الساعة. (الشكل 27)

لتشغيل المنتج

1. وصل المنتج بمصدر مياه. راجع لتوصيل المنتج بمصدر مياه في الصفحة 474.
2. فرِّغ النظام. راجع لتفريغ الجهاز في الصفحة 475.
3. شغِّل المنتج. راجع لبدء تشغيل المنتج في الصفحة 475.

لتوصيل المنتج بمصدر مياه

- يمكن استخدام المنتج مع المياه من أنابيب المياه الرئيسية أو المياه من مصدر مائي مفتوح، على سبيل المثال بحيرة أو برمبل مياه.
- لتوصيل المنتج بأنابيب المياه الرئيسية، راجع لتوصيل المنتج بأنابيب المياه الرئيسية في الصفحة 474.
- لتوصيل المنتج بمصدر مائي مفتوح، راجع لتوصيل المنتج بمصدر مائي مفتوح في الصفحة 475.

لتوصيل المنتج بأنابيب المياه الرئيسية

1. ركب مهايئ خرطوم الحديقة وقلتر المياه على مدخل المياه الموجود على المنتج إذا لم يتم تركيبها. راجع لتركيب مهايئ خرطوم الحديقة في الصفحة 473.
2. وصل خرطوم المياه بأنابيب المياه الرئيسية. استخدم خرطوم حديقة مقاس نصف ½ بوصة يبلغ طوله 10 إلى 25 م. (الشكل 28)

مقدمة

تحذير: اقرأ فصل السلامة وافهمه قبل استخدام المنتج.



Husqvarna Connect

Husqvarna Connect هو تطبيق مجاني لجهازك المحمول. يوفر تطبيق Husqvarna Connect مزيداً من الوظائف لمنتج Husqvarna الخاص بك:

- معلومات المنتج الموسَّعة.
- معلومات عن أجزاء المنتج وخدمته والمساعدة على ذلك.

لبدء استخدام

1. قم بتنزيل تطبيق Husqvarna Connect على جهازك المحمول.
2. قم بالتسجيل في تطبيق Husqvarna Connect.
3. اتبع خطوات التعليمات في تطبيق Husqvarna Connect لتوصيل المنتج وتسجيله.

ملاحظة: لا يتوفر تطبيق Husqvarna Connect للتزويد في كل الأسواق. تحدث مع وكيل الخدمة الخاص بك لمزيد من المعلومات.

لتركيب مقبض الرش

1. ادفع خرطوم المياه عالي الضغط في الوصلة السريعة حتى يستقر في مكانه. (الشكل 17)

تنبيه: لمنع التسرب، تأكد من أن الخرطوم عالي الضغط متصل بالكامل بالوصلة السريعة في المنتج.



2. امسك مقبض الرش بإحكام بيد واحدة وادفع خرطوم المياه عالي الضغط في الوصلة السريعة الموجودة على مقبض الرش. (الشكل 18)

لإزالة مقبض الرش

1. اضغط على الزر الموجود على مقبض الرش واسحب خرطوم المياه عالي الضغط. (الشكل 19)
2. ادفع الحلقة الخارجية الموجودة على الوصلة السريعة واسحب خرطوم المياه عالي الضغط. (الشكل 20)

لتركيب قناة الرش

1. امسك مقبض الرش بيد واحدة وادفع وصلة الاقتران الموجودة على قناة الرش في مقبض الرش. (الشكل 21)
2. أدر قناة الرش في اتجاه عقارب الساعة واترك قناة الرش. ستثبت قناة الرش في موضعها.

لإزالة قناة الرش

1. ادفع قناة الرش للداخل وأدركها عكس اتجاه عقارب الساعة. (الشكل 22)



تنبيه: يجب ألا يزيد ضغط المياه في أنابيب المياه الرئيسية على 1 ميجاباسكال (10 بار).



تنبيه: يجب ألا تزيد درجة حرارة المياه في أنابيب المياه الرئيسية على 40 درجة مئوية.

3. افتح الصمام الموجود على أنابيب المياه الرئيسية وتأكد من تدفق المياه بسهولة من خرطوم الحديقة. (الشكل 29)

4. أغلق الصمام على أنابيب المياه الرئيسية.

5. وصل خرطوم المياه بمدخل المياه الموجود على المنتج. (الشكل 30)

6. وصل قابس الطاقة بمصدر طاقة.

7. افتح الصمام الموجود على أنابيب المياه الرئيسية.

8. فرغ النظام قبل تشغيل المنتج. راجع لتفريغ الجهاز في الصفحة 475.

لتوصيل المنتج بمصدر مائي مفتوح

يمكن استخدام المنتج مع المياه من مصدر مائي مفتوح، على سبيل المثال بحيرة أو برميل مياه. استخدم خرطوم شفت مقاس نصف 1/2 بوصة (غير مضمن) يبلغ طوله 3 م كحد أقصى.

(الشكل 31)



تنبيه: يجب ألا تزيد درجة حرارة المياه في مصدر المياه على 20 درجة مئوية.



تنبيه: يجب ألا يزيد ارتفاع المنتج على 0.5 م فوق مصدر المياه.

1. إذا كان مهايئ خرطوم الحديقة مركبًا، فأزله من مدخل المياه الموجود على المنتج. (الشكل 32)



تنبيه: لا تزل فلتير المياه الموجود في مدخل المياه.

2. ركب خرطوم الشفت (غير مضمن) على مدخل المياه على المنتج. (الشكل 33)

3. ضع خرطوم الشفت في مصدر المياه وتأكد من أن الفلتير معومور بالكامل.



تنبيه: لا تستخدم خرطوم الشفت من دون فلتير.

4. اضغط على الزر الموجود على مقبض الرش واسحب خرطوم الضغط العالي من مقبض الرش. (الشكل 19)

5. وصل قابس الطاقة بمصدر طاقة.

6. أدر مفتاح الطاقة إلى وضع التشغيل (I) واترك المنتج يعمل لمدة دقيقتين.

7. أدر مفتاح الطاقة إلى وضع إيقاف التشغيل (0).

8. امسك مقبض الرش بإحكام بيد واحدة وادفع خرطوم الضغط العالي إلى وصلات الاقتران السريعة الموجودة على مقبض الرش. (الشكل 18)

9. فرغ النظام قبل تشغيل المنتج. راجع لتفريغ الجهاز في الصفحة 475.

لتفريغ الجهاز



تنبيه: تأكد من أن مفتاح الطاقة في وضع إيقاف التشغيل (0) قبل أن تفرغ الجهاز.

1. وصل المنتج بمصدر مياه. راجع لتوصيل المنتج بمصدر مياه في الصفحة 474.

2. ركب قناة الرش على مسدس الرش. راجع لترتيب قناة الرش في الصفحة 474.

3. افصل قفل زناد الطاقة. راجع لتعشيق قفل زناد الطاقة وفصله في الصفحة 475.

4. اضغط على زناد الطاقة وأبقه مدفوعًا إلى الداخل حتى تخرج المياه من الفوهة على قناة الرش. (الشكل 34)

لفصل المنتج عن مصدر المياه

1. أدر مفتاح الطاقة إلى وضع إيقاف التشغيل (0).

2. إذا كان المنتج متصلًا بأنابيب المياه الرئيسية، فأغلق الصمام الموجود على أنابيب المياه الرئيسية.

3. إذا كان المنتج متصلًا بأنابيب المياه الرئيسية، فافصل خرطوم الحديقة عن أنابيب المياه الرئيسية. (الشكل 35)

4. إذا كان المنتج متصلًا بمصدر مائي مفتوح، فأزل خرطوم الشفت من مصدر المياه.

5. اضغط على زناد الطاقة وأبقه مدفوعًا إلى الداخل حتى لا تخرج المياه من الفوهة.

6. افصل خرطوم المياه عن مدخل المياه الموجود على المنتج. (الشكل 36)

ملاحظة: إذا كان المنتج متصلًا بمصدر مائي مفتوح، فافصل خرطوم الشفت.

7. اضغط على الزر الموجود على مقبض الرش واسحب خرطوم الضغط العالي من مقبض الرش. (الشكل 19)

8. أدر مفتاح الطاقة إلى وضع التشغيل (I). اترك المنتج يعمل حتى لا تخرج المياه من خرطوم الضغط العالي.

9. أدر مفتاح الطاقة إلى وضع إيقاف التشغيل (0).

10. اترك مقبض الرش وقناة الرش والفوهات تجف قبل تخزين المنتج.

لتعشيق قفل زناد الطاقة وفصله

• لتعشيق قفل زناد الطاقة، أدر قفل زناد الطاقة في اتجاه عقارب الساعة حتى تسمع طقطعة. (الشكل 37)

• لفصل قفل زناد الطاقة، أدر قفل زناد الطاقة عكس اتجاه عقارب الساعة بالكامل. (الشكل 38)

لبدء تشغيل المنتج

1. وصل المنتج بمصدر مياه. راجع لتوصيل المنتج بمصدر مياه في الصفحة 474.

2. وصل قابس الطاقة بمصدر طاقة.

لاستخدام ماكينة رش الرغوة

1. أزل ماكينة رش الرغوة من حاملها. (الشكل 41)
2. املا الحاوية الموجودة على ماكينة رش الرغوة بمادة منظّفة.

تنبيه: استخدم فقط مواد التنظيف الموصى بها من فيل Husqvarna.



3. ادفع الوصلات السريعة على ماكينة رش الرغوة داخل الوصلات السريعة على قناة الرش حتى يتم تثبيتها في مكانها. (الشكل 42)

ملاحظة: يجب أن تتطابق الشفة الموجودة على ماكينة رش الرغوة مع التجويف الموجود في قناة الرش.

4. وصل المنتج بمصدر مياه. راجع لتوصيل المنتج بمصدر مياه في الصفحة 474.
5. شغل المنتج. راجع لبدء تشغيل المنتج في الصفحة 475.

3. أدر مفتاح الطاقة إلى وضع التشغيل (1). (الشكل 39)
4. افصل قفل زناد الطاقة. راجع لتعشيق قفل زناد الطاقة وفصله في الصفحة 475.
5. اضغط على زناد الطاقة الموجود على مقبض الرش.

ملاحظة: يتوقف المنتج تلقائيًا عند ترك زناد الطاقة.

إيقاف المنتج

ملاحظة: يتوقف المنتج تلقائيًا عند ترك زناد الطاقة.

1. حرّر زناد الطاقة الموجود على مقبض الرش.
2. عشّق قفل زناد الطاقة. راجع لتعشيق قفل زناد الطاقة وفصله في الصفحة 475.
3. أدر مفتاح الطاقة إلى وضع إيقاف التشغيل (0). (الشكل 40)
4. افصل قابس الطاقة عن مصدر الطاقة.
5. افصل المنتج عن مصدر المياه. راجع لفصل المنتج عن مصدر المياه في الصفحة 475.

ملاحظة: افصل المنتج دائمًا عن مصدر المياه إذا ابتعدت عن المنتج لأكثر من 5 دقائق.

الصيانة

لتنفيذ كل أعمال الصيانة والإصلاح في المنتج، يلزم الحصول على تدريب خاص. نضمن توفر عمليات الإصلاح والصيانة الاحترافية. لمزيد من المعلومات المفصلة، راجع www.husqvarna.com

مقدمة

تحذير: قبل تنفيذ الصيانة، يجب عليك قراءة فصل السلامة وفهمه.



جدول الصيانة

الصيانة	قبل الاستخدام	بعد الاستخدام
قم بإجراء فحص عام. راجع لإجراء فحص عام في الصفحة 476.	X	
نظّف المنتج. راجع لتنظيف المنتج في الصفحة 477.		X
نظّف قناة الرش والفوهات. راجع لتنظيف قناة الرش والفوهات في الصفحة 477.		X
نظّف فلتري المياه. استبدل فلتري المياه إذا كان تالفًا. راجع لتنظيف فلتري المياه في الصفحة 477.		X
قم بتزيت الحلقات الدائرية الموجودة على وصلات الاقتران. راجع لتزيت الحلقات الدائرية الموجودة على وصلات الاقتران في الصفحة 477.		X

- تأكد من إحكام ربط الصواميل والبراغي الموجودة في المنتج.
- تأكد من أن الكابلات الموجودة على المنتج ليست في موضع قد تتعرّض فيه للضرر.
- افحص خرطوم الضغط العالي بحثًا عن أي تآكل أو تلف.

إجراء فحص عام

تحذير: ضع مفتاح الطاقة في وضع إيقاف التشغيل (0) وافصل قابس الطاقة عن مصدر الطاقة قبل إجراء الصيانة للمنتج.



تحذير: لا تشغّل المنتج إذا كان خرطوم الضغط العالي متآكلًا أو تالفًا.



تنبيه: افصل المنتج عن مصدر المياه وتأكد من أن كل الأجزاء جافة قبل إجراء الصيانة للمنتج.



لتنظيف المنتج

تنبيه: افصل المنتج عن مصدر المياه وتأكد من أن كل الأجزاء جافة قبل إجراء الصيانة للمنتج.



تحذير: ضع مفتاح الطاقة في وضع إيقاف التشغيل (0) وافصل قابس الطاقة عن مصدر الطاقة قبل إجراء الصيانة للمنتج.

1. إذا كان مهابى خرطوم الحديقة مركبًا، فأزله من مدخل المياه الموجود على المنتج. (الشكل 32)

2. اسحب فلتر المياه إلى الخارج. استخدم زردية. (الشكل 45)

3. افحص بحثًا عن أي تلف في فلتر المياه. استبدل فلتر المياه إذا كان تالفًا. (الشكل 46)

4. اشطف فلتر المياه بماء نظيف. (الشكل 47)

لتزيت الحلقات الدائرية الموجودة على وصلات الاقتران

تحذير: ضع مفتاح الطاقة في وضع إيقاف التشغيل (0) وافصل قابس الطاقة عن مصدر الطاقة قبل إجراء الصيانة للمنتج.



تنبيه: افصل المنتج عن مصدر المياه وتأكد من أن كل الأجزاء جافة قبل إجراء الصيانة للمنتج.



1. أزل قناة الرش من مقبض الرش ومقبض الرش من خرطوم الضغط العالي. راجع لتركيب قناة الرش في الصفحة 474 ولتركيب مقبض الرش في الصفحة 474.

2. قم بتزيت الحلقات الدائرية الموجودة على مهابى خرطوم الحديقة وقناة الرش وخرطوم الضغط العالي بالشحم. راجع البيانات الفنية في الصفحة 479 لمعرفة نوع الشحم الصحيح. (الشكل 48)

تنبيه: افصل المنتج عن مصدر المياه وتأكد من أن كل الأجزاء جافة قبل إجراء الصيانة للمنتج.



- نظّف الأجزاء الخارجية بقطعة قماش جافة.
- لا تستخدم أجهزة غسل عالية الضغط لتنظيف المنتج.
- حافظ على نظافة مداخل الهواء لضمان أن تكون درجة حرارة المنتج باردة بما يكفي بشكل دائم.

لتنظيف قناة الرش والفوهات

تحذير: ضع مفتاح الطاقة في وضع إيقاف التشغيل (0) وافصل قابس الطاقة عن مصدر الطاقة قبل إجراء الصيانة للمنتج.



تنبيه: افصل المنتج عن مصدر المياه وتأكد من أن كل الأجزاء جافة قبل إجراء الصيانة للمنتج.



1. إذا كانت الفوهة مركبة على قناة الرش، فأزلها من قناة الرش. راجع لتركيب فوهة وإزالتها في الصفحة 474.
2. نظّف الفوهات ووصلة الاقتران الموجود على قناة الرش، ووصلة الاقتران الموجود على مقبض الرش بالصابون والمياه. (الشكل 43)
3. إذا كان هناك انسداد في الفوهات، فأزله باستخدام أداة التنظيف. (الشكل 44)

لتنظيف فلتر المياه

تحذير: ضع مفتاح الطاقة في وضع إيقاف التشغيل (0) وافصل قابس الطاقة عن مصدر الطاقة قبل إجراء الصيانة للمنتج.



استكشاف الأخطاء وإصلاحها

جدول حل المشكلات

المشكلة	السبب المحتمل	الحل
لا يبدأ تشغيل المنتج.	لم يتم توصيل قابس الطاقة بمصدر طاقة.	وصّل قابس الطاقة بمصدر الطاقة
	مفتاح الطاقة في وضع إيقاف التشغيل (0).	أدر مفتاح الطاقة إلى وضع التشغيل (1).
	عدم وجود كهرباء في مصدر الطاقة.	اسأل كهربائياً معتمداً.
	سلك الطاقة تالف.	تحدّث إلى وكيل خدمة معتمد.
	قام الواقي الحراري بإيقاف الطاقة.	انتظر حتى يصبح المنتج بارداً قبل تشغيله مرة أخرى.
	يستخدم نوع غير صحيح من كابل التمديد.	تأكد من فك كابل التمديد تماماً وأن مصدر الجهد يتوافق مع جهد المنتج.
يحترق المصهر خلال بدء التشغيل أو التشغيل.	يستخدم نوع غير صحيح من المصاهر.	تأكد من استخدام مصهر ببطء الاحتراق يحتوي على الفئـة "C" أو "K".
المنتج لا يتوقف.	المنتج تالف.	افصل قابس الطاقة وتواصل مع وكيل خدمة معتمد.
يصبح المنتج ساخناً للغاية.	تدفق الهواء غير كافي.	نظّف مدخل الهواء.
لا يعمل المنتج بسلاسة.	يوجد هواء في النظام.	فرّغ النظام.
مستوى ضغط المياه غير مرض.	الخرطوم متبني	تأكد من عدم وجود تبات في الخرطوم.
	مفتاح الطاقة في وضع إيقاف التشغيل (0).	أدر مفتاح الطاقة إلى وضع التشغيل (1).
	تدفق المياه غير كافي.	تأكد من توصيل المنتج بمصدر المياه بشكل صحيح. وتأكد من أن كمية المياه المتدفقة كافية.
	فلتر المياه مسدود.	نظّف فلتر المياه.
	يوجد هواء في النظام.	فرّغ النظام.
	الملحق ليس صحيحاً.	تأكد من استخدام الملحق الصحيح.

النقل والتخزين وطريقة التخلص من المنتج

لتحضير المنتج للتخزين

- أوقف تشغيل المنتج وافصل قابس الطاقة عن مصدر الطاقة.
- افصل المنتج عن مصدر المياه. راجع لفصل المنتج عن مصدر المياه في الصفحة 475.
- تأكد من أن كل الملحقات جافة.
- ضع مقبض الرش وقناة الرش والفوهات في حواملها.
- افصل خرطوم الضغط العالي وضعه في حامله. (الشكل 49)
- ضع سلك الطاقة على حامله وثبت الحزام. (الشكل 50)

النقل

- افصل قابس الطاقة عن مصدر الطاقة قبل نقل المنتج.
- افصل المنتج عن مصدر المياه قبل نقل المنتج.
- ثبّت المنتج لمنع الحركة أثناء النقل.

التخزين

- صرّف كل المياه من المنتج وخرطوم الضغط العالي والملحقات قبل تخزين المنتج.
- حضر المنتج للنقل. راجع لتحضير المنتج للتخزين في الصفحة 478.
- أبق المنتج في منطقة جافة وخالية من الصقيع.

التخلص

- أعد تدوير المنتج والعلبة في موقع مناسب للتخلص من هذه المنتجات.
- تواصل مع وكيل Husqvarna المحلي الذي تتعامل معه للحصول على مزيد من المعلومات حول كيفية إعادة تدوير المنتج والتخلص منه.
- لا تعتبر منتجات Husqvarna من النفايات المنزلية ويجب التخلص منها كما هو محدد في هذا الدليل فقط.
- التزم بالمتطلبات المحلية للتخلص من المنتجات وباللوائح المطبقة.

البيانات الفنية

PW 130	
الموتور والمضخة	
النوع	موتور تيار مستمر تسلسلي
الطاقة، واط	1500
نطاق الجهد الكهربائي، بالفولت	من 220 إلى 240
التردد، هرتز	50
التيار المقدر، أمبير	6.5
الحد الأقصى لتدفق المياه، لتر/الدقيقة	7,7
الحد الأقصى لضغط مخرج المياه، بار/ميجاباسكال	130/13
الحد الأقصى. لضغط مدخل المياه، بار/ميجاباسكال	10/1
الحد الأقصى. لدرجة حرارة مدخل المياه، درجة مئوية/درجة فهرنهايت	40/104
الحد الأقصى. لدرجة حرارة مدخل المياه (في وضع الشفط)، درجة مئوية/درجة فهرنهايت	20/68
تصنيف IP	IPX5
فئة السلامة	الفئة الثانية
التزيت	
نوع الشحم لتزيت الحلقات الدائرية	شحم السيليكون الأبيض متعدد الاستخدامات
الوزن	
الوزن، كجم	6.5
انبعاثات الضوضاء¹⁰⁹	
مستوى طاقة الصوت، المقيس بالديسيبل (A)	85
مستوى طاقة الصوت المضمون بالديسيبل dB(A) L _{WA}	89
مستويات الصوت¹¹⁰	
مستوى ضغط الصوت المكافئ في أذن المُشغِّل، ديسيبل (A)	72
مستويات الاهتزاز¹¹¹	

¹⁰⁹ تم قياس انبعاثات الضوضاء في البيئة كطاقة الصوت (L_{WA}) وفقًا لتوجيه الاتحاد الأوروبي رقم 2000/14/EC. يتم حساب مستوى ضغط الصوت المكافئ، وفقًا للمعيار ISO 22868، على أساس إجمالي الطاقة المقيسة بالوقت لمستويات ضغط الصوت المختلفة في ظروف العمل المختلفة. يبلغ التشتت الإحصائي النموذجي لمستوى ضغط الصوت المكافئ انحرافًا معياريًا قدره 1 ديسيبل (A).

¹¹¹ مستوى الاهتزاز وفق المعيار EN 60745-2-13. تشمل البيانات المُعلن عنها لمستوى الاهتزاز على تشتت إحصائي نموذجي (انحراف معياري) يبلغ 1 م/ث². وبيانات الاهتزاز المعلنة تأتي من القياسات عند تزويد الماكينة بطول القضيب ونوع السلسلة الموصى بهما. وفي حالة تزويد الماكينة بطول قضيب مختلف، قد يختلف مستوى الاهتزاز بحد أقصى ± 1.5 متر/ثانية².

PW 130	
2.5	سرعة الذراع/اليد (مع فوهة قياسية) متر/ثانية ²
	مستويات الاهتزاز المكافئة ¹¹²
1,8	سرعة الذراع/اليد (مع فوهة قياسية) متر/ثانية ²

الملحقات

الملحقات المعتمدة

المادة رقم	الملحقات المعتمدة
590 65 79-01	منظف الأسطح SC 300
590 66 04-01	ماكينة رش الرغوة FS 300
590 66 10-01	خرطوم تنظيف الأنابيب، 15 م
590 65 93-01	فلتر المياه
590 65 95-01	مانع التدفق العكسي
590 65 97-01	خرطوم الشفط
590 66 07-01	مجموعة المركبة
590 66 06-01	مجموعة الفرشاة الدوارة
590 66 11-01	قناة الرش المنحنية
590 66 05-01	فوهة شفط المياه
590 66 08-01	خرطوم تمديد، 8 م

¹¹² يتم قياس مستوى الاهتزاز المكافئ وحسابه بالنسبة إلى مناشير السلسلة التي تعمل بمحرك الاحتراق. تم اقتباس هذه الأرقام لتتمكن من مقارنة بيانات الاهتزاز بغض النظر عن نوع المحرك وفقاً لمعيار ISO 22867: 2011.

بيان التوافق

بيان التوافق مع توجيهات الاتحاد الأوروبي (EU)

نحن، Husqvarna AB، شركة، Husqvarna AB، SE-561 82 Huskvarna، Sweden، رقم الهاتف: +46-36-146500، نعلن على مسؤوليتنا الخاصة عن أن المنتج:

الوصف	آلة الغسل الضغطية
الماركة	Husqvarna
النوع / الطراز	PW 130
الهوية	الأرقام المسلسلة من 2022 وما بعد ذلك

بممثل تماماً للتوجيهات واللوائح الأوروبية التالية:

اللائحة	الوصف
EC/2006/42	"بخصوص المعدات"
EU/2014/30	"بخصوص التوافق الكهرومغناطيسي"
EC/2000/14 الملحق الخامس	"متعلق بانبعثات الضوضاء في البيئة"
EU/2011/65	"بشأن تقييد استخدام مواد خطيرة معينة في المعدات الكهربائية والإلكترونية"

وأن المعايير وأو المواصفات الفنية الآتية مطبقة: EN 60335-1:2012/A11:2014/A13:2017/A1:2019/A14:2019/A2:2019/A15:2021، EN 60335-2-79:2012، EN 62233:2008، EN 55014-1:2021، EN 55014-2:2021، EN IEC 61000-3-2:2019/A1:2021، EN 61000-3-3:2013/A2:2021، EN IEC 63000:2018

للحصول على معلومات في ما يتعلق بانبعثات الضوضاء، راجع البيانات الفنية في الصفحة 479.

Huskvarna, 2023-01-19



كلاوس لوسدال، مدير قسم التطوير/منتجات الحدائق، Husqvarna AB

مسؤول المستندات الفنية





FR

Cet appareil,
ses cordons,
et batterie
se recyclent

À DÉPOSER
EN MAGASIN

OU

À DÉPOSER
EN DÉCHÈTERIE

Points de collecte sur www.quefairedemesdechets.fr
Privilégiez la réparation ou le don de votre appareil !

Husqvarna®

www.husqvarna.com

Original instructions
Оригинални инструкции
Původní pokyny
Originale instruktioner
Originalanweisungen
Αρχικές οδηγίες
Instrucciones originales
Originaljuhend
Alkuperäiset ohjeet
Instructions d'origine

Originalne upute
Eredeti útmutatás
Istruzioni originali
Originalios instrukcijos

Lietošanas pamācība
Originele instructies
Originale instruksjoner
Oryginalne instrukcje
Instruções originais
Instrucțiuni inițiale
Оригинальные инструкции
Põvodné pokyny
Izvirna navodila
Originalna uputstva
Bruksanvisning i original
Orjinal talimatlar
Оригинальні інструкції
الإرشادات الأصلية



FR



1143065-38



2024-05-31