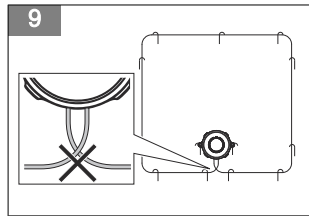
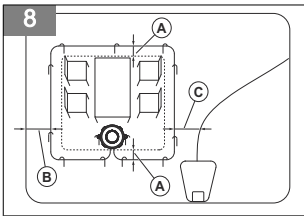
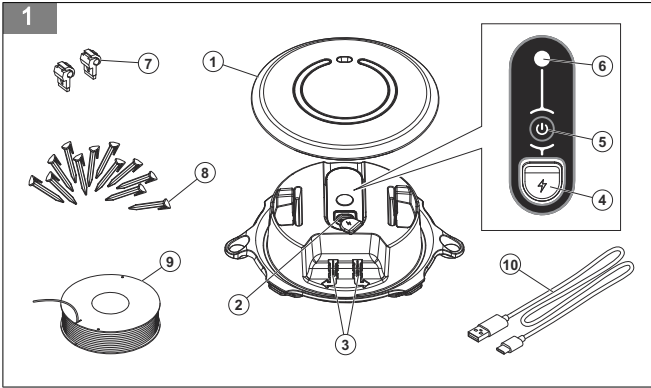


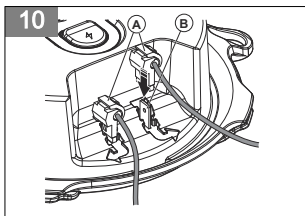


AUTOMOWER® FlexiFence

EN	Operator's manual	4-18
SV	Bruksanvisning	19-32
DA	Bruksanvisning	33-46
FI	Käyttöohje	47-60
NO	Bruksanvisning	61-74
FR	Manuel d'utilisation	75-89
NL	Gebbruiksaanwijzing	90-103
IT	Manuale dell'operatore	104-117
ES	Manual de usuario	118-132
DE	Bedienungsanweisung	133-149
UK	Посібник користувача	150-165
HU	Használati utasítás	166-179
PT	Manual do utilizador	180-193
BG	Ръководство за експлоатация	194-209
PL	Instrukcja obsługi	210-224
RO	Instrucțiuni de utilizare	225-239
ET	Kasutusjuhend	240-253
LV	Lietošanas pamācība	254-268
LT	Operatoriaus vadovas	269-282
SK	Návod na obsluhu	283-296
EL	Οδηγίες χρήσης	297-311
TR	Kullanım kılavuzu	312-325
SL	Navodila za uporabo	326-339
CS	Návod k použití	340-353







Contents

Introduction.....	4
Safety.....	6
Installation.....	7
Operation.....	9
Maintenance.....	11
Troubleshooting.....	11
Storage and disposal.....	13
Technical data.....	14
EU Declaration of Conformity.....	16
UK Declaration of Conformity.....	17

Introduction

Support

For support about the product, speak to your Husqvarna representative.

Product description

Note: Husqvarna regularly updates the appearance and function of the products. Refer to *Support on page 4*.

With Automower® FlexiFence you can install a stay-out zone in the work area for the robotic lawn mower in which it cannot enter and cut the grass.

To use the Automower® FlexiFence with the Automower® robotic lawn mower it can be necessary to update the firmware for the Automower® robotic lawn mower. Speak to your Husqvarna representative for more information.

The Automower® FlexiFence must not be used in public areas, parks, sport arenas, or in agriculture or forestry.

Product overview

(Fig. 1)

1. Cover
2. Charging socket
3. Connections
4. Sealing cap
5. ON/OFF button
6. LED indicator
7. Connectors
8. Stakes
9. Wire for the zone boundary wire
10. USB-C charging cable

Symbols on the product

These symbols can be found on the product. Make sure that you understand them.

- (Fig. 2) This product complies with the applicable EU Directives.
- (Fig. 3) This product complies with the applicable UK Directives.
- (Fig. 4) It is not permitted to dispose the product as usual domestic waste. Obey national regulations and use the local recycling system.
- (Fig. 5) Do not use the product in temperatures that are less than 0°C/32 °F.
- (Fig. 6) **WARNING:** Read the operator instructions before you operate the product.

Symbols on the battery

These symbols can be found on the battery. Make sure that you understand them.

- (Fig. 7) **WARNING:** Do not dispose the battery as usual domestic waste. The battery contains lithium-ion cells.

Safety

Safety definitions

Warnings, cautions and notes are used to point out specially important parts of the manual.



WARNING: Used if there is a risk of injury or death for the operator or bystanders if the instructions in the manual are not obeyed.



CAUTION: Used if there is a risk of damage to the product, other materials or the adjacent area if the instructions in the manual are not obeyed.

Note: Used to give more information that is necessary in a given situation.

Safety instructions for operation



WARNING: Read the warning instructions that follow before you use the product.

- This product may be used under supervision, or if instruction regarding the safe use of the product has been provided and the resulting dangers have been understood, by persons with physical, sensory or mental disabilities or a lack of experience and knowledge. Children must not play with the product.
- Children are not allowed to be unsupervised in the stay-out zone. When the battery is empty or if the FlexiFence is overheated, the zone is no longer protected.
- This product makes an electromagnetic field while it operates. This field may under some conditions interfere with active or passive medical implants. To decrease the risk of conditions that can possibly injure or kill, we recommend persons with medical implants to speak with their

physician and the medical implant manufacturer before you operate the product.

- Small parts can be easily swallowed. There is also a risk that the polybag can suffocate toddlers. Keep toddlers away when you assemble the product.
- If used incorrectly or if the batteries are damaged, flammable liquid may be ejected from the batteries. Contact with this liquid should be avoided. If contact accidentally occurs, rinse off with water. If the liquid comes into contact with your eyes, seek additional medical attention.
- Only charge the product in dry indoor areas.
- Do not remove the battery from the product.
- An USB power supply unit is not included with this product. It is recommended to use a third party power supply according to the power supply unit specification, refer to *Technical data on page 14*. Before you use the third-party USB power adapter, check that it complies with national and international safety standards for safety extra low voltage (SELV).
- Do not use the product and its peripherals in bad weather conditions, especially when there is a risk of lightning.
- Follow the maintenance instructions, refer to *Maintenance on page 11*.
- For safe disposal of the battery, refer to *Disposal on page 14*.
- Operation and storage temperature range is 0-40 °C / 32-104 °F. Too high temperatures can cause damage to the product.
- Charge the battery at ambient temperatures 4-30 °C / 39-86 °F. The full charging power is available from 15 °C / 59 °F.

Installation

Introduction - Installation



WARNING: Read and understand the safety chapter before you install the product.



CAUTION: Use original spare parts and installation material.

Note: Refer to the Operator's manual for the robotic lawn mower or www.husqvarna.com for more information about installation.

Installation of the product

To prepare for the installation of the product

- Charge the battery of the product. Refer to *To charge the battery on page 9*.
- Install the stay-out zone in the work area of the robotic lawn mower, but not across a guide wire.
- Make sure that the FlexiFence and all objects in the FlexiFence area are minimum 35 cm / 14 in. from the zone boundary wire (A). (Fig. 8)
- Make sure that the minimum distance from the zone boundary wire to the boundary wire of the work area (B) is 60 cm / 24 in.
- Make sure that the minimum distance from the zone boundary wire to the guide wire (C) is 60 cm / 24 in.
- If you use more than 1 FlexiFence unit, make sure that the minimum distance between the 2 zone boundary wires is 60 cm / 24 in.
- Make sure that the slopes in the FlexiFence area are not more than 10%.
- Make sure that the length of the zone boundary wire is maximum 15 m / 50 ft.
- Do not put the zone boundary wire across the same zone boundary wire or a different zone boundary wire installation. This can cause interference with the product and the zone boundary wire. (Fig. 9)
- To put the FlexiFence at a distance to objects, read the section To examine where to put the boundary wire in the Operator's manual for the robotic lawn mower.

Note: Use the included parts for installation. You can speak to your Husqvarna representative to get more parts for installation.

To install the product

1. Put the zone boundary wire around the stay-out zone.
2. Cut the 2 ends of the zone boundary wire.
3. Attach 1 connector to each end of the zone boundary wire.

4. Attach the 2 connectors (A) to the 2 connections on the product (B). (Fig. 10)
5. Use a hammer or a plastic mallet to attach the zone boundary wire with stakes into the ground. Put the stakes at a maximum of 75 cm / 30 in. distance from each other.
6. Put the product in the stay-out zone and attach it to the ground with stakes with a hammer or a plastic mallet.
7. Enable the Zone Generator function of your robotic lawn mower. Refer to Operator's manual of the robotic lawn mower.

Note: If the product does not have the Zone Generator menu, a firmware update of the robotic lawn mower is necessary.

To do a test of the installation

1. Set the product to ON and make sure that the LED indicator is green.
2. Make sure that ECO mode of the robotic lawn mower is disabled. Refer to ECO Mode in the Operator's Manual for the robotic lawn mower.
3. Put the robotic lawn mower 1-2 m in front of the stay-out zone. Make sure that the robotic lawn mower points forward to the stay-out zone.
4. Start the robotic lawn mower and make sure that it stops by the zone boundary wire.

Note: If there is problems with the installation, refer to *Troubleshooting on page 11*.

Operation

To charge the battery

Charge the battery fully before you start the product for the first time. The battery is fully charged when the LED indicator is constant orange. The product does not operate while it charges.

1. Remove the cover of the product.
2. Remove the sealing cap of the product.
3. Connect the USB-C charging cable into the charging socket.

4. Connect the USB-A charging cable into a power supply unit.
5. Connect the power supply unit to a power outlet.
6. Examine if the LED indicator on the product flashes orange to make sure that the battery charges.

Note: The 5 V power supply unit with USB socket is not included.

Note: If the product is not used for a long time, charge the battery to a minimum of 60% each 3 months. Charge the battery of the product to a minimum of 60% before you start the product after long-term storage.

LED indicator of the battery capacity

The LED indicator comes on when the battery state of charge of the product is less than 10%. To show the LED indicator when the battery state of charge is more than 10%, push the ON/OFF button for 5 seconds.

Light	Cause
Green solid LED	The product is on and the battery state of charge is more than 30%.
Green LED flashes slowly	The product is on and the battery state of charge is 10-30%.
Green LED flashes quickly	The product is on and the battery state of charge is less than 10%.
Orange solid LED	The battery is fully charged.
Orange LED flashes	The battery charges.

To start the product

1. Push the ON/OFF button on the product for 2 seconds.
2. Examine if the LED indicator on the product is green to make sure that the product is on.

To stop the product

1. Push the ON/OFF button on the product for 2 seconds.
2. Examine if the LED indicator on the product flashes white. The product is off when the LED indicator goes out.

Maintenance

To clean the product



CAUTION: Do not use a high-pressure washer or running water to clean the product. Do not use solvents for cleaning.

- Use a moist cloth to clean the product.

Troubleshooting

LED indicator of the product

The LED indicator comes on when the battery capacity of the product is less than 10%. To show the LED indicator when the battery state of charge is more than 10%, push the ON/OFF button for 5 seconds.

Solid light - The battery state of charge is more than 30%.

Flashes slowly - The battery state of charge is 10-30%.

Flashes quickly - The battery state of charge is less than 10%.

Light	Cause	Solution
Flashes white 5 times	The battery is empty or there is an error.	Push the ON/OFF button for 5 seconds to see the status.
Blue LED	The zone boundary wire is defective or not connected.	Replace or connect the zone wire.

Light	Cause	Solution
Purple LED	The product cannot find the boundary wire for the work area. The ECO mode is enabled or the zone range is incorrect.	<p>Examine the boundary wire for the work area, replace the boundary wire if it is defective.</p> <p>Make sure that the boundary wire for the work area is installed correctly.</p> <p>Make sure that the charging station of the robotic lawn mower is connected to a power outlet.</p> <p>Disable the ECO mode.</p>
Red LED	The temperature of the product is too high.	<p>Put the product in an area with protection from the sun. Let the temperature of the product decrease before you start the product.</p> <p>If the problem remains, speak to your local Husqvarna representative.</p>

Symptoms

Symptom	Cause	Solution
The robotic lawn mower stops with the fault message "Zone generator problem".	The battery of the FlexiFence is low. The FlexiFence does not operate when the battery is empty. The robotic lawn mower can cut in the stay-out zone if you start the robotic lawn mower before you charge the FlexiFence.	Charge the battery of the FlexiFence before you start the robotic lawn mower.
	The FlexiFence is automatically set to off because the temperature in the FlexiFence is a higher than the maximum limit.	Put the product in an area with protection from the sun. Let the temperature of the product decrease before you start the product.
The robotic lawn mower enters the FlexiFence zone.	Software transfer problem.	Push the ON/OFF button for 15 seconds to restart the product.

Storage and disposal

To put the product into storage



WARNING: Put the product in an area where a child cannot get access to the product.

1. Charge the battery of the product.
 2. Clean the product. Refer to *To clean the product on page 11*.
 3. Put the product into storage in a dry, closed and frost-free area.
-

Disposal

- Obey national regulations.
- Use the local recycling system.
- Do not dispose the battery as usual domestic waste. The battery contains lithium-ion cells.



CAUTION: Only qualified personnel can remove the battery.

For more information about removal of the battery, speak to your Husqvarna representative.

Technical data

Product data	
Battery operation time, approximately, days	30
Battery charging voltage, V	5
Battery charging current, A	1
Battery charging time, h	6
IP code	IPX4

Boundary wire antenna	
Operating Frequency Band, Hz	100-80000
Maximum magnetic field ¹ , dBuA/m	82

¹ Measured according to EN 303 447.

Boundary wire antenna	
Maximum Radio-frequency power ² , mW @60m	<25

Full compatibility cannot be guaranteed between the product and other types of wireless systems such as remote controls and radio transmitters.

Power supply unit specification	
Frequency, Hz, single phase	50-60
Mains voltage, V AV	100-240
Output voltage, V DC	5
Output current, A	1
Minimum output power, W	5
Output connector	USB-C

Accessories

Approved accessories	Quantity
Boundary wire, m	50
	150
Stakes, pcs	100
Connectors, pcs	5

² Maximum active output power to antennas in the frequency band in which the radio equipment operates.

EU Declaration of Conformity

The undersigned hereby certifies as the authorized representative of the manufacturer, GARDENA Germany AB, PO Box 7454, S-103 92, Stockholm, Sweden, that when leaving our factory, the unit(s) indicated below is/are in accordance with the harmonized EU guidelines, EU standards of safety and product specific standards. This certificate becomes void if the units are modified without our approval.

Description	Mobile Loop
Type/Model	Automower® FlexiFence
Art. No.	529880501

EU directive	Description
2014/53/EU	RED
2011/65/EU	RoHS

Harmonized standards:

- EN ISO 12100:2010
- EN 60335-1:2012+A11:2014+A13:2017+A1:2019+A14:2019+A2:2019
- EN 50636-2-107:2015+A1:2018
- ETSI EN 301 489-1 V2.2.3 (2019-11)
- ETSI EN 301 489-3 V2.1.1 (2019-03)
- Draft ETSI EN 303 447 V1.2.1 (2021-03)
- EN IEC 62311:2020
- EN IEC 63000:2018
- IEC 62133-2:2017

Deposited Documentation: GARDENA Technische Dokumentation M.Jäger
D-89079 Ulm, Hans-Lorensen-Str.40

Year of CE marking: 2021

Ulm, 04.02.2022



Reinhard Pompe,
Vice President Products



Wolfgang Engelhardt,
Vice President Supply Chain

UK Declaration of Conformity

The manufacturer GARDENA Germany AB, PO Box 7454, S-103 92, Stockholm, Sweden

hereby certifies that, when leaving our factory, the unit(s) indicated below is/are in accordance with the UK Regulations, designated standards of safety and product specific designated standards. This certificate becomes void if the units are modified without our approval.

Description	Mobile Loop
Type/Model	Automower® FlexiFence
Art. No.	529880501

UK Regulation	Description
S.I. 2017/1206	Radio Equipment Regulations 2017
S.I. 2012/3032	The Restriction of the Use of Certain Hazardous Substances in Electrical and Electronic Equipment Regulations 2012

Designated Standards:

- EN ISO 12100:2010
- EN 60335-1:2012+A11:2014+A13:2017+A1:2019+A14:2019+A2:2019
- EN 50636-2-107:2015+A1:2018
- ETSI EN 301 489-1 V2.2.3 (2019-11)
- ETSI EN 301 489-3 V2.1.1 (2019-03)

- Draft ETSI EN 303 447 V1.2.1 (2021-03)
- EN IEC 62311:2020
- EN IEC 63000:2018
- IEC 62133-2:2017

Authorised Representative: Husqvarna UK Limited

Deposited Documentation: Preston Road, Aycliffe, County Durham, UK DL5 6UP

Aycliffe, 04.02.2022



John Thompson, Director Authorised Representative

Innehåll

Introduktion.....	19
Säkerhet.....	21
Installation.....	22
Drift.....	24
Underhåll.....	26
Felsökning.....	26
Förvaring och kassering.....	28
Tekniska data.....	29
EU-försäkran om överensstämmelse.....	31

Introduktion

Support

Prata med din Husqvarna-representant om support för produkten.

Produktbeskrivning

Notera: Husqvarna uppdaterar regelbundet produkternas utseende och funktion. Se *Support på sida 19*.

Med Automower® FlexiFence kan du installera en förbjuden zon i robotgräsklipparens arbetsområde, där den inte kan komma in och klippa gräset.

För att använda Automower® FlexiFence med Automower®-robotgräsklipparen kan det vara nödvändigt att uppdatera programvaran för Automower®-robotgräsklipparen. Prata med en Husqvarna-representant för mer information.

Automower® FlexiFence får inte användas i offentliga områden, parker, idrottsarenor eller inom jord- och skogsbruk.

Produktöversikt

(Fig. 1)

1. Kåpa
2. Laddningsuttag
3. Anslutningar
4. Tätningslock
5. ON/OFF-knapp
6. LED-kontrollampa
7. Kopplingar
8. Pinnar
9. Zonbegränsningskabel
10. USB-C-laddningskabel

Symboler på produkten

Dessa symboler kan finnas på produkten. Se till att du förstår dem.

- (Fig. 2) Den här produkten överensstämmer med gällande EU-direktiv.
- (Fig. 3) Den här produkten överensstämmer med gällande direktiv för Storbritannien.
- (Fig. 4) Det är inte tillåtet att kassera produkten som vanligt hushållsavfall. Följ nationella bestämmelser och använd det lokala återvinningssystemet.
- (Fig. 5) Använd inte produkten i temperaturer under 0 °C.
- (Fig. 6) **VARNING!** Läs bruksanvisningen innan du använder produkten.

Symboler på batteriet

Dessa symboler kan finnas på batteriet. Se till att du förstår dem.

(Fig. 7)

VARNING! Kasta inte batteriet som vanligt hushållsavfall. Batteriet innehåller litiumjonceller.

Säkerhet

Säkerhetsdefinitioner

Varningar, försiktighetsåtgärder och anmärkningar används för att betona speciellt viktiga delar i bruksanvisningen.



VARNING: Används om det finns risk för skador eller dödsfall för användaren eller kringstående om anvisningarna i bruksanvisningen inte följs.



OBSERVERA: Används om det finns risk för skada på produkten, annat material eller det angränsande området om anvisningarna i bruksanvisningen inte följs.

Notera: Används för att ge mer information som är nödvändig i en viss situation.

Säkerhetsinstruktioner för drift



VARNING: Läs varningsinstruktionerna nedan innan du använder produkten.

- Den här produkten kan användas under övervakning, eller om instruktioner om säker användning av produkten har tillhandahållits och resulterande faror har uppfattats av personer med olika funktionshinder eller med brist på kunskap och erfarenhet. Barn får inte leka med produkten.
- Barn får inte vistas i den förbjudna zonen oövervakade. När batteriet är tomt eller om FlexiFence är överhettad är zonen inte längre skyddad.
- Denna produkt alstrar ett elektromagnetiskt fält under drift. Detta fält kan under vissa omständigheter ge påverkan på aktiva eller passiva medicinska implantat. För att reducera risken för omständigheter som

kan leda till allvarliga eller livshotande skador rekommenderar vi därför personer med implantat att rådgöra med läkare samt tillverkaren av det medicinska implantatet innan denna maskin används.

- Små delar kan lätt sväljas. Det finns också risk för att plastpåsen kan orsaka kvävning hos små barn. Ha inga små barn i närheten under monteringen.
- Om batterierna används felaktigt eller om de är skadade kan brandfarlig vätska läcka ut från batterierna. Kontakt med denna vätska bör undvikas. Om kontakt inträffar av misstag ska du skölja med vatten. Om vätskan kommer i kontakt med ögon ska du söka läkarvård.
- Ladda endast produkten i torra inomhusmiljöer.
- Ta inte bort batteriet från produkten.
- USB-enhet för strömförsörjning medföljer inte den här produkten. Vi rekommenderar att du använder en enhet för strömförsörjning från tredje part som uppfyller specifikationerna för enheter för strömförsörjning, se *Tekniska data på sida 29*. Innan du använder USB-strömadaptern från tredje part ska du kontrollera att den uppfyller nationella och internationella säkerhetsstandarder för säkerhetsklenspänning (SELV).
- Använd inte produkten eller dess tillbehör i dåligt väder, i synnerhet vid risk för blixtnedslag.
- Följ underhållsinstruktionerna, se *Underhåll på sida 26*.
- Om du vill ha mer information om hur du kasserar batterier på ett säkert sätt läser du i *Avfallshantering på sida 29*.
- Temperaturspannet för drift och förvaring är 0–40 °C. För höga temperaturer kan skada produkten.
- Ladda batteriet vid en omgivande temperatur på 4–30 °C. Den fullständiga laddningskraften fungerar från 15 °C.

Installation

Inledning – installation



WARNING: Läs och förstå säkerhetskapitlet innan du installerar produkten.



OBSERVERA: Använd originaldelar och originalinstallationsmaterial.

Notera: Se bruksanvisningen för robotgräsklipparen eller www.husqvarna.com för mer information gällande installation.

Installation av produkten

Förbereda installationen av produkten

- Ladda produktens batteri. Se *Ladda batteriet på sida 24*.
- Installera den förbjudna zonen i robotgräsklipparens arbetsområde, men inte över en guidekabel.
- Se till att FlexiFence och alla föremål i FlexiFence-området är minst 35 cm från zombegränsningskabeln (A). (Fig. 8)
- Se till att minsta avstånd från zombegränsningskabeln till begränsningskabeln för arbetsområdet (B) är 60 cm.
- Se till att minsta avstånd från zombegränsningskabeln till guidekabeln (C) är 60 cm.
- Om du använder mer än en FlexiFence-enhet ska du se till att det minsta avståndet mellan de två zombegränsningskablarna är 60 cm.
- Se till att lutningarna i FlexiFence-området inte är mer än 10 %.
- Se till att zombegränsningskabelns längd är högst 15 m.
- Placera inte zombegränsningskabeln över sig själv eller någon annan zombegränsningskabel. Detta kan orsaka störningar i produkten och i zombegränsningskabeln. (Fig. 9)
- Läs avsnittet Undersöka var begränsningskabeln ska placeras i robotgräsklipparens bruksanvisning för att lägga FlexiFence på avstånd till föremål.

Notera: Använd de medföljande delarna för installation. Prata med din Husqvarna-representant för att få fler delar för installation.

Installera produkten

1. Placera zombegränsningskabeln runt den förbjudna zonen.

2. Skär av de två ändarna av zombegränsningskabeln.
3. Anslut en kontakt till varje ände av zombegränsningskabeln.
4. Anslut de två kontaktorna (A) till de två kontaktorna på produkten (B). (Fig. 10)
5. Använd en hammare eller en plastklubba för att fästa zombegränsningskabeln i marken med pinnar. Placera pinnarna högst 75 cm från varandra.
6. Placera produkten i den förbjudna zonen och använd en hammare eller en plastklubba för att fästa den på marken med pinnar.
7. Aktivera Zone Generator-funktionen på din robotgräsklippare. Se robotgräsklipparens bruksanvisning.

Notera: Om produkten inte har Zone Generator-menyn måste du uppdatera robotgräsklipparens programvara.

Testa installationen

1. Starta produkten och kontrollera att LED-kontrolllampan lyser grönt.
2. Se till att robotgräsklipparens ECO-läge är avaktiverat. Se ECO-läge i robotgräsklipparens bruksanvisning.
3. Placera robotgräsklipparen 1–2 m framför den förbjudna zonen. Se till att robotgräsklipparen pekar framåt mot den förbjudna zonen.
4. Starta robotgräsklipparen och se till att den stannar vid zombegränsningskabeln.

Notera: Om det uppstår problem med installationen, se *Felsökning på sida 26*.

Drift

Ladda batteriet

Ladda batteriet fullt innan du använder det för första gången. Batteriet är fulladdat när LED-kontrolllampan lyser med ett orange fast sken. Produkten fungerar inte medan den laddas.

1. Avlägsna produktens kåpa.

2. Avlägsna produktens tätning.
3. Anslut USB-C-laddningskabeln till laddningsuttaget.
4. Anslut USB-A-laddningskabeln till en enhet för strömförsörjning.
5. Anslut enheten för strömförsörjning till ett eluttag.
6. Undersök om LED-kontrolllampan på produkten blinkar orange för att kontrollera att batteriet laddas.

Notera: Enheten för strömförsörjning på 5 V med USB-uttag medföljer inte.

Notera: Om produkten inte används under en längre tid laddar du batteriet till minst 60 % var 3:e månad. Ladda produktens batteri till minst 60 % innan du startar produkten efter långtidsförvaring.

LED-kontrollampa för batterikapacitet

LED-kontrollampan tänds när batteriets batterikapacitet är mindre än 10 %. Om du vill visa LED-lampan när batteriets batterikapacitet är mer än 10 % trycker du på ON/OFF-knappen i 5 sekunder.

Lampa	Orsak
Grön lysdiod lyser med fast sken	Produkten är påslagen och batteriets batterikapacitet är mer än 30 %.
Grön lysdiod blinkar långsamt	Produkten är påslagen och batteriets batterikapacitet är 10–30 %.
Grön lysdiod blinkar snabbt	Produkten är påslagen och batteriets batterikapacitet är mindre än 10 %.
Orange lysdiod lyser med fast sken	Batteriet är fulladdat.
Orange lysdiod blinkar	Batteriet laddas.

Starta produkten

1. Håll ON/OFF-knappen intryckt i 2 sekunder.
2. Undersök om LED-lampan på produkten är grön för att kontrollera att produkten är på.

Stoppa produkten

1. Håll ON/OFF-knappen intryckt i 2 sekunder.
2. Kontrollera om LED-lampan på produkten blinkar vitt. Produkten är avstängd när LED-lampan släcks.

Underhåll

Rengöra produkten



OBSERVERA: Använd inte en högtryckstvätt eller rinnande vatten vid rengöring av produkten. Använd inte lösningsmedel vid rengöring.

- Rengör produkten med en fuktig trasa.
-

Felsökning

LED-lampa på produkten

LED-lampan tänds när produktens batterikapacitet är mindre än 10 %. Om du vill visa LED-lampan när batteriets batterikapacitet är mer än 10 % trycker du på ON/OFF-knappen i 5 sekunder.

Fast sken – batteriets batterikapacitet är mer än 30 %.

Blinkar långsamt – batteriets batterikapacitet är 10–30 %.

Blinkar snabbt – batteriets batterikapacitet är mindre än 10 %.

Lampa	Orsak	Lösning
Blinkar vitt 5 gånger	Batteriet är tomt eller så har ett fel uppstått.	Håll ON/OFF-knappen intryckt i 5 sekunder för att se kapaciteten.
Blå lysdiod	Zonbegränsningskabeln är defekt eller inte ansluten.	Byt ut eller anslut zonkabeln.
Lila lysdiod	Produkten kan inte hitta arbetsområdets begränsningskabel. ECO-läget är aktiverat eller så är zonområdet är felaktigt.	Undersök begränsningskabeln för arbetsområdet och byt ut begränsningskabeln om den är defekt. Se till att begränsningskabeln för arbetsområdet är korrekt installerad. Se till att robotgräsklipparens laddstation är ansluten till ett eluttag. Avaktivera ECO-läget.
Röd lysdiod	Produktens temperatur är för hög.	Placera produkten i ett område med skydd från solen. Låt temperaturen i produkten sjunka innan du startar produkten. Om problemet kvarstår ska du kontakta din lokala Husqvarna-representant.

Symptom

Symptom	Orsak	Lösning
Robotgräsklipparen stannar med felmeddelandet "Zone generator problem".	Batteriet i FlexiFence är svagt. FlexiFence fungerar inte när batteriet är tomt. Robotgräsklipparen kan klippa i den förbjudna zonen om du startar robotgräsklipparen innan du laddar FlexiFence.	Ladda batteriet i FlexiFence innan du startar robotgräsklipparen.
	FlexiFence stängs automatiskt av eftersom temperaturen i FlexiFence är högre än maxgränsen.	Placera produkten i ett område med skydd från solen. Låt temperaturen i produkten sjunka innan du startar produkten.
Robotgräsklipparen går in i FlexiFence-zonen.	Problem med programvaruöverföring.	Håll ON/OFF-knappen intryckt i 15 sekunder för att starta om produkten.

Förvaring och kassering

Ställa in produkten i förvaring



WARNING: Ställ produkten på en plats där barn inte kan få åtkomst till produkten.

1. Ladda produktens batteri.
 2. Rengör produkten. Se *Rengöra produkten på sida 26*.
 3. Ställ produkten på en torr, stängd och frostfri plats.
-

Avfallshantering

- Följ nationella bestämmelser.
- Använda det lokala återvinningssystemet.
- Kasta inte batteriet som vanligt hushållsavfall. Batteriet innehåller litiumjonceller.



OBSERVERA: Endast kvalificerad personal får ta bort batteriet.

Om du vill ha mer information om hur du tar ut batteriet kan du tala med din Husqvarna-representant.

Tekniska data

Produktdata	
Batteriets drifttid, cirka, dagar	30
Batteriladdningsspänning, V	5
Batteriladdström, A	1
Batteriets laddtid, timmar	6
IP-kod	IPX4

Begränsningsslingans antenn	
Driftsfrekvensband, Hz	100–80 000
Maximalt magnetfält ³ , dBuA/m	82

³ Uppmätt enligt EN 303 447.

Begränsningsslingans antenn	
Maximal radiofrekvenseffekt ⁴ , mW vid 60 m	<25

Fullständig kompatibilitet kan inte garanteras mellan produkten och andra typer av trådlösa system, till exempel fjärrkontroller och radiosändare.

Specifikationer för enhet för strömförsörjning	
Frekvens, Hz, enfas	50–60
Nätspänning, V AV	100–240
Utspänning, V DC	5
Utström, A	1
Minsta uteffekt, W	5
Utkontakt	USB-C

Tillbehör

Godkända tillbehör	Antal
Begränsningskabel, meter	50
	150
Pinnar, antal	100
Kontakter, antal	5

⁴ Maximal aktiv uteffekt till antenner på frekvensbandet där radioutrustningen används.

EU-försäkran om överensstämmelse

Undertecknad intygar härmed i egenskap av bemyndigad representant för tillverkaren, GARDENA Germany AB, PO Box 7454, S-103 92, Stockholm, Sweden, att nedan nämnda produkt(-er) överensstämmer med EU:s harmoniserade riktlinjer, EU:s säkerhetsstandarder och produktspecifika standarder när de lämnar vår fabrik, . Detta intyg skall ogiltigförklaras om produkten ändras utan vårt godkännande.

Beskrivning	Mobil slinga
Typ/Modell	Automower® FlexiFence
Art.nr	529880501

EU-direktiv	Beskrivning
2014/53/EU	RED
2011/65/EU	RoHS

Harmoniserade standarder:

- EN ISO 12100:2010
- EN 60335-1:2012+A11:2014+A13:2017+A1:2019+A14:2019+A2:2019
- EN 50636-2-107:2015+A1:2018
- ETSI EN 301 489-1 V2.2.3 (2019-11)
- ETSI EN 301 489-3 V2.1.1 (2019-03)
- Draft ETSI EN 303 447 V1.2.1 (2021-03)
- EN IEC 62311:2020
- EN IEC 63000:2018
- IEC 62133-2:2017

Anvisad dokumentation: GARDENA Technische Documentation M.Jäger
D-89079 Ulm, Hans-Lorenser-Str.40

År för CE-märkning: 2021

Ulm, 04.02.2022



Reinhard Pompe,
Vice President Produkter



Wolfgang Engelhardt,
Vice President Leveranskedja

Indhold

Indledning.....	33
Sikkerhed.....	35
Installation.....	36
Drift.....	38
Vedligeholdelse.....	40
Fejlfinding.....	40
Opbevaring og bortskaffelse.....	42
Tekniske data.....	43
EU-overensstemmelseserklæring.....	45

Indledning

Support

Tal med din Husqvarna-repræsentant for at få support til produktet.

Produktbeskrivelse

Bemærk: Husqvarna opdaterer regelmæssigt sine produkters udseende og funktion. Se *Support på side 33*.

Med Automower® FlexiFence kan du i robotplæneklipperens arbejdsområde indrette en stay-out-zone, som den ikke kan køre ind i for at slå græsset.

Brug af Automower® FlexiFence sammen med Automower®-robotplæneklipperen kan kræve en opdatering af firmwaren i Automower®-robotplæneklipperen. Tal med din Husqvarna-repræsentant for at få flere oplysninger.

Automower® FlexiFence må ikke anvendes på offentligt tilgængelige arealer, parker, sportsarenaer eller i landbrug eller skovbrug.

Produktoversigt

(Fig. 1)

1. Dæksel
2. Opladningsstik
3. Forbindelser
4. Forseglingshætte
5. ON/OFF-knap
6. LED-indikator
7. Stik
8. Pløkker
9. Afgrænsningskabel
10. USB-C-ladekabel

Symboler på produktet

Disse symboler forekommer på produktet. Sørg for, at du forstår dem.

- (Fig. 2) Produktet overholder gældende EU-direktiver.
- (Fig. 3) Dette produkt overholder gældende UK-direktiver.
- (Fig. 4) Det er ikke tilladt at bortskaffe dette produkt som almindeligt husholdningsaffald. Overhold de nationale bestemmelser, og brug det lokale genbrugssystem.
- (Fig. 5) Brug ikke produktet, hvis temperaturerne er lavere end 0 °C.
- (Fig. 6) **ADVARSEL:** Læs brugervejledningen før betjening af produktet.

Symboler på batteriet

Disse symboler forekommer på batteriet. Sørg for, at du forstår dem.

- (Fig. 7) **ADVARSEL:** Bortskaf ikke batteriet som almindeligt husholdningsaffald. Batteriet indeholder litium-ion-celler.

Sikkerhed

Sikkerhedsdefinitioner

Advarsler, forholdsregler og bemærkninger bruges til at pege på særligt vigtige dele af brugsanvisningen.



ADVARSEL: Bruges, hvis føreren udsætter sig selv eller omkringstående personer for risiko for personskade eller dødsfald ved tilsidesættelse af instruktionerne i brugsanvisningen.



BEMÆRK: Bruges, hvis der er risiko for skader på produktet, andre materialer eller det omgivende område ved tilsidesættelse af instruktionerne i brugsanvisningen.

Bemærk: Bruges til at give yderligere oplysninger, der er nødvendige i en given situation.

Sikkerhedsinstruktioner for betjening



ADVARSEL: Læs følgende advarselsinstruktioner, inden du bruger produktet.

- Dette produkt må anvendes under opsyn, eller hvis der givet instruktion om sikker brug, hvor de deraf følgende farer forstås af personer med fysisk, sensorisk eller mentalt handicap, eller forstås af personer med manglende erfaring og viden. Børn må ikke lege med produktet.
- Børn må ikke være uden opsyn i stay-out-zonen. Når batteriet er afladet, eller hvis FlexiFence overophedes, vil zonen ikke længere være beskyttet.
- Dette produkt danner et elektromagnetisk felt under drift. Dette felt kan i nogle tilfælde påvirke aktive og passive medicinske implantater. For at reducere risikoen for alvorlige eller dødbringende kvæstelser anbefaler vi, at personer med medicinske implantater kontakter deres læge og producenten af det medicinske implantat, før de tager produktet i brug.

- Små dele kan nemt sluges. Der er også risiko for, at småbørn kan blive kvalt i kunststofposen. Hold småbørn væk, når produktet samles.
- Hvis de anvendes forkert, eller hvis batterierne bliver beskadiget, kan der trænge brandfarlig væske ud af batterierne. Kontakt med denne væske skal undgås. Hvis der alligevel sker utilsigtet kontakt med væsken, skal den skylles af med vand. Hvis væsken kommer i kontakt med øjnene, skal du søge yderligere lægehjælp.
- Oplad kun produktet på tørre steder indendørs.
- Fjern ikke batteriet fra produktet.
- Der følger ikke en USB-strømforsyningsenhed med til dette produkt. Det anbefales at bruge en tredjepartsstrømforsyning i overensstemmelse med specifikationen for strømforsyningsenheden, se *Tekniske data på side 43*. Før du bruger USB-strømadapteren fra tredjepart, skal du kontrollere, at den overholder nationale og internationale sikkerhedsstandarder for sikkerhed ved ekstra lav spænding (SELV).
- Brug ikke produktet eller tilbehøret i dårligt vejr, i særdeleshed ikke, hvis der er risiko for lynnedslag.
- Følg vedligeholdelsesinstruktionerne, se *Vedligeholdelse på side 40*.
- For forsvarlig bortskaffelse af batteriet, se *Bortskaffelse på side 43*.
- Drifts- og opbevaringstemperaturintervallet er 0-40 °C. For høje temperaturer kan forårsage beskadigelse af produktet.
- Lad batteriet op ved omgivelsestemperaturer på 4-30 °C. Den fulde ladestrøm er til rådighed fra 15 °C.

Installation

Introduktion – Installation



ADVARSEL: Læs, og sørg for at have forstået kapitlet om sikkerhed, før du installerer produktet.



BEMÆRK: Brug originale reservedele og installationsmateriale.

Bemærk: Se i brugervejledningen til robotplæneklipperen eller www.husqvarna.com for at få flere oplysninger om installation.

Installation af produktet

Forberedelser forud for installation af produktet

- Lad batteriet i produktet op. Se *Sådan oplades batteriet på side 38*.
- Installer stay-out-zonen i robotplæneklipperens arbejdsområde, men ikke hen over et guidekabel.
- Sørg for, at FlexiFence og alle genstande i FlexiFence-området er mindst 35 cm fra zoneafgrænsningskablet (A). (Fig. 8)
- Sørg for, at mindsteafstanden fra zoneafgrænsningskablet til arbejdsområdets (B) afgrænsningskabel er 60 cm.
- Sørg for, at mindsteafstanden fra zoneafgrænsningskablet til guidekablet (C) er 60 cm.
- Hvis du bruger mere end 1 FlexiFence-enhed, skal du sørge for, at mindsteafstanden mellem de 2 zoners afgrænsningskabler er 60 cm.
- Sørg for, at skråningerne i FlexiFence-området ikke er stejlere end 10%.
- Sørg for, at længden på zoneafgrænsningskablet er maks. 15 m.
- Anbring ikke zoneafgrænsningskablet hen over afgrænsningskablet til den samme zone eller en anden zones afgrænsningskabelinstallation. Dette kan forårsage interferens i produktet og zoneafgrænsningskablet. (Fig. 9)
- Hvis FlexiFence skal holde afstand til genstande, henvises du til afsnittet 'Undersøgelse af, hvor afgrænsningskablet skal lægges' i brugervejledningen til robotplæneklipperen.

Bemærk: Brug de medfølgende dele til installation. Du kan kontakte din Husqvarna-repræsentant for at få flere dele til installation.

Sådan installeres produktet

1. Før zoneafgrænsningskablet omkring stay-out-zonen.
2. Skær de 2 ender af zoneafgrænsningskablet over.
3. Sæt 1 stik på hver ende af zoneafgrænsningskablet.
4. Fastgør de 2 stik (A) i de 2 forbindelsespunkter i produktet (B). (Fig. 10)

5. Brug en hammer eller en plasthammer til at fastgøre zoneafgrænsningskablet i jorden med pløkker. Anbring pløkkerne med højst 75 cm afstand til hinanden.
6. Anbring produktet i stay-out-zonen, og fastgør det til jorden med pløkker ved hjælp af en hammer eller en plasthammer.
7. Aktivér robotplæneklipperens zonegeneratorfunktion. Se i brugervejledningen til robotplæneklipperen.

Bemærk: Hvis produktet ikke har zonegeneratormenuen, kræves der en opdatering af firmwaren i robotplæneklipperen.

Sådan afprøves installationen

1. Stil produktet på ON, og kontrollér, at LED-indikatoren lyser grønt.
2. Sørg for, at robotplæneklipperens ECO-tilstand er deaktiveret. Oplysninger om ECO-tilstand findes i brugervejledningen til robotplæneklipperen.
3. Anbring robotplæneklipperen 1-2 m foran stay-out-zonen. Sørg for, at robotplæneklipperen peger fremad mod stay-out-zonen.
4. Start robotplæneklipperen, og kontrollér, at den standser ved zoneafgrænsningskablet.

Bemærk: Hvis der er problemer med installationen, henvises du til *Fejlfinding på side 40*.

Drift

Sådan oplades batteriet

Lad batteriet helt op, før du starter produktet første gang. Batteriet er ladet helt op, når LED-indikatoren lyser orange konstant. Produktet fungerer ikke, mens det lades op.

1. Fjern dækslet fra produktet.
2. Fjern forseglingshætten fra produktet.
3. Slut USB-C-ladekablet til ladebøsningen.
4. Slut USB-A-ladekablet til en strømforsyningsenhed.
5. Slut strømforsyningen til en stikkontakt.

6. Undersøg, om LED-indikatoren på produktet blinker orange for at sikre, at batteriet lades op.

Bemærk: 5 V-strømforsyningsenheden med USB-bøsning medfølger ikke.

Bemærk: Hvis produktet i længere tid ikke skal bruges, skal batteriet lades op til mindst 60% hver 3. måned. Lad batteriet i produktet op til mindst 60%, før du sætter produktet i gang efter langtidsopbevaring.

LED-indikator for batterikapaciteten

LED-indikatoren tændes, når batteriets ladetilstand er lavere end 10%. Hvis du vil have vist LED-indikatoren, når batteriets ladetilstand er højere end 10%, skal du trykke på ON/OFF-knappen i 5 sekunder.

Lys	Årsag
LED'en lyser grønt konstant	Produktet er tændt, og batteriets ladetilstand er højere end 30%.
LED'en blinker grønt langsomt	Produktet er tændt, og batteriets ladetilstand er 10-30%.
LED'en blinker grønt hurtigt	Produktet er tændt, og batteriets ladetilstand er lavere end 10%.
LED'en lyser orange konstant	Batteriet er fuldt opladet.
LED'en blinker orange	Batteriet lades op.

Sådan startes produktet

1. Tryk på ON/OFF-knappen på produktet i 2 sekunder.
2. Undersøg, om LED-indikatoren på produktet lyser grønt, for på denne måde at sikre, at produktet er tændt.

Sådan standses produktet

1. Tryk på ON/OFF-knappen på produktet i 2 sekunder.
2. Kontrollér, om LED-indikatoren på produktet blinker hvidt. Produktet er slukket, når LED-indikatoren går ud.

Vedligeholdelse

Sådan rengøres produktet



BEMÆRK: Brug ikke en højtryksrenser eller rindende vand til at rengøre produktet. Brug ikke opløsningsmiddel til rengøring.

- Brug en fugtig klud til at rengøre produktet.

Fejlfinding

LED-indikatoren på produktet

LED-indikatoren tændes, når produktets batterikapacitet er lavere end 10%. Hvis du vil have vist LED-indikatoren, når batteriets ladetilstand er højere end 10%, skal du trykke på ON/OFF-knappen i 5 sekunder.

Konstant lys - batteriets ladetilstand er højere end 30%.

Blinker langsomt - batteriets ladetilstand er 10-30%.

Blinker hurtigt - batteriets ladetilstand er lavere end 10%.

Lys	Årsag	Løsning
Blinker hvidt 5 gange	Batteriet er afladet, eller der foreligger en fejl.	Tryk på ON/OFF-knappen i 5 sekunder for at få vist statussen.
Blå LED	Zoneafgrænsningskablet er defekt eller ikke tilsluttet.	Udskift eller tilslut zonekablet.

Lys	Årsag	Løsning
Lilla LED	Produktet kan ikke finde afgrænsningskablet til arbejdsområdet. ECO-tilstand er aktiveret, eller zonerækkevidden er forkert.	<p>Kontrollér afgrænsningskablet til arbejdsområdet, og udskift afgrænsningskablet, hvis det er defekt.</p> <p>Sørg for, at afgrænsningskablet til arbejdsområdet er installeret korrekt.</p> <p>Sørg for, at ladestationen til robotplæneklipperen er sluttet til en stikkontakt.</p> <p>Deaktiver ECO-tilstand.</p>
Rød LED	Produktets temperatur er for høj.	<p>Placer produktet i et område, som er beskyttet mod solen. Lad temperaturen på produktet falde, før du starter produktet.</p> <p>Kontakt den lokale Husqvarna-repræsentant, hvis problemet fortsætter.</p>

Symptomer

Symptom	Årsag	Løsning
Robotplæneklipperen standser med fejlmeddelelsen "Problem med zonegenerator".	Batteriladetilstanden i FlexiFence er lav. FlexiFence fungerer ikke, når batteriet er afladet. Robotplæneklipperen kan slå græs i stay-out-zonen, hvis du starter robotplæneklipperen, inden du har ladet FlexiFence op.	Lad batteriet i FlexiFence op, før du starter robotplæneklipperen.
	FlexiFence indstilles automatisk til OFF, fordi temperaturen i FlexiFence er højere end maksimumgrænsen.	Placer produktet i et område, som er beskyttet mod solen. Lad temperaturen på produktet falde, før du starter produktet.
Robotplæneklipperen kommer ind i FlexiFence-zonen.	Problem med softwareoverførsel.	Tryk på ON/OFF-knappen i 15 sekunder for at genstarte produktet.

Opbevaring og bortskaffelse

Sådan sættes produktet til opbevaring



ADVARSEL: Anbring produktet i et område, hvor et barn ikke kan få adgang til produktet.

1. Lad batteriet i produktet op.
 2. Rengør produktet. Se *Sådan rengøres produktet på side 40*.
 3. Opbevar produktet på et aflukket, tørt og frostfrit sted.
-

Bortskaffelse

- Overhold nationale forordninger.
- Brug det lokale genanvendelsessystem.
- Bortskaf ikke batteriet som almindeligt husholdningsaffald. Batteriet indeholder litium-ion-celler.



BEMÆRK: Batteriet må kun fjernes af uddannet personale.

Tal med din Husqvarna-repræsentant for at få flere oplysninger om fjernelse af batteriet.

Tekniske data

Produktdata	
Batteridriftstid, ca., dage	30
Batteriladepænding, V	5
Batteriladestrøm, A	1
Batteriladetid, timer	6
IP-kode	IPX4

Afgrænsningskablets antenne	
Driftsfrekvensbånd, Hz	100-80000
Maksimalt magnetfelt ⁵ , dBuA/m	82

⁵ Målt i henhold til EN 303 447.

Afgrænsningskablets antenne	
Maksimal radiofrekvenseffekt ⁶ , mW @60m	< 25

Der kan ikke garanteres fuld kompatibilitet mellem produktet og andre typer trådløse systemer som f.eks. fjernbetjening og radiosendere.

Specifikation for strømforsyning	
Frekvens, Hz, enkeltfaset	50-60
Netspænding, V AC	100-240
Udgangsspænding, V DC	5
Udgangsstrømstyrke, A	1
Min. udgangseffekt, W	5
Udgangsstikbøsning	USB-C

Tilbehør

Godkendt tilbehør	Antal/mængde
Afgreænsningskabel, m	50
	150
Pløkker, stk.	100
Stik, stk.	5

⁶ Maks. aktiv udgangseffekt til antenner i frekvensbåndet, hvor radioudstyret arbejder.

EU-overensstemmelseserklæring

Undertegnede erklærer hermed som autoriseret repræsentant for producenten, GARDENA Germany AB, PO Box 7454, S-103 92, Stockholm, Sweden, at nedenfor anførte enheder, når de forlader vores fabrik, er i overensstemmelse med de harmoniserede EU-retningslinjer, EU-standarderne for sikkerhed og produktspecifikke standarder. Denne erklæring ugyldiggøres, hvis enhederne ændres uden vores godkendelse.

Beskrivelse	Mobil løkke
Type/model	Automower® FlexiFence
Varenr.	529880501

EU-direktiv	Beskrivelse
2014/53/EU	RED (Radioudstyrdirektivet)
2011/65/EU	RoHS

Harmoniserede standarder:

- EN ISO 12100:2010
- EN 60335-1:2012+A11:2014+A13:2017+A1:2019+A14:2019+A2:2019
- EN 50636-2-107:2015+A1:2018
- ETSI EN 301 489-1 V2.2.3 (2019-11)
- ETSI EN 301 489-3 V2.1.1 (2019-03)
- Draft ETSI EN 303 447 V1.2.1 (2021-03)
- EN IEC 62311:2020
- EN IEC 63000:2018
- IEC 62133-2:2017

Deponeret dokumentation: GARDENA Technische Documentation M.Jäger
D-89079 Ulm, Hans-Lorenser-Str.40

År for CE-mærkning: 2021

Ulm, 04.02.2022



Reinhard Pompe,
Vicepræsident Produkter



Wolfgang Engelhardt,
Vicepræsident Forsyningskæde

Sisällys

Johdanto.....	47
Turvallisuus.....	49
Asennus.....	50
Käyttö.....	52
Huolto.....	54
Vianmääritys.....	54
Säilyttäminen ja hävittäminen.....	56
Tekniset tiedot.....	57
EU-vaatimustenmukaisuusvakuutus.....	59

Johdanto

Tukipalvelut

Voit kysyä tuotteen tukipalveluista Husqvarna-edustajalta.

Tuotekuvaus

Huomaus: Husqvarna päivittää tuotteidensa ulkonäköä ja toimintoja säännöllisesti. Katso kohta *Tukipalvelut sivulla 47*.

Automower® FlexiFence-tuotteen avulla voit määrittää leikkuukieltalueita, joihin robottiruohonleikkuri ei pääse leikkaamaan ruohoa.

Jotta Automower® FlexiFence-tuotetta voidaan käyttää Automower®-robottiruohonleikkurin kanssa, Automower®-robottiruohonleikkurin laiteohjelman päivittäminen voi olla tarpeen. Lisätietoja saat Husqvarna-edustajalta.

Automower® FlexiFence -tuotetta ei saa käyttää julkisilla viheralueilla, puistoissa, urheiluareenoilla eikä maa- ja metsätaloudessa.

Laitteen kuvaus

(Kuva 1)

1. Suojus
2. Latauspistoke
3. Liitännät
4. Tiiviste
5. Virtapainike
6. Merkkivalo
7. Liittimet
8. Kaapelikiinnikkeet
9. Vaijeri alueen rajakaapeliin
10. USB-C-latauskaapeli

Laitteen symbolit

Nämä symbolit ovat laitteessa. Varmista, että ymmärrät, mitä ne tarkoittavat.

- (Kuva 2) Laite täyttää sovellettavien EU-direktiivien vaatimukset.
- (Kuva 3) Laite täyttää sovellettavien UK-direktiivien vaatimukset.
- (Kuva 4) Laitetta ei saa hävittää normaalin kotitalousjätteen mukana. Noudata kansallisia säädöksiä ja käytä paikallista kierrätysjärjestelmää.
- (Kuva 5) Älä käytä tuotetta, jos ulkolämpötila on alle 0 °C.
- (Kuva 6) **VAROITUS:** Lue käyttöohjeet ennen laitteen käyttämistä.

Akun symbolit

Nämä symbolit ovat akussa. Varmista, että ymmärrät, mitä ne tarkoittavat.

- (Kuva 7) **VAROITUS:** Älä hävitä akkua tavallisen kotitalousjätteen mukana. Akku sisältää litiumionikenoja.

Turvallisuus

Turvallisuusmääritelmät

Varoituksia, huomioita ja huomautuksia käytetään, kun jotakin käyttöohjeen osaa halutaan erityisesti korostaa.



VAROITUS: Tätä käytetään, jos käyttöohjeen noudattamatta jättämisestä voi seurata käyttäjän tai sivullisen vamma tai kuolema.



HUOMAUTUS: Tätä käytetään, jos käyttöohjeen noudattamatta jättämisestä voi seurata koneen, muiden materiaalien tai ympäristön vaurioituminen.

Huomautus: Tätä käytetään tietyissä tilanteissa tarvittavien lisätietojen antamiseen.

Turvallisuusohjeet käyttöä varten



VAROITUS: Lue seuraavat varoitukset ennen tuotteen käyttöä.

- Henkilöt, joiden fyysinen, sensorinen tai henkinen toimintakyky on alentunut tai joilla ei ole riittävää kokemusta tai taitoja tuotteen käyttöön, saavat käyttää tuotetta valvonnan alaisina tai mikäli he ovat saaneet ohjeita tuotteen turvallisesta käytöstä ja ymmärtävät siihen liittyvät vaarat. Lapset eivät saa leikkiä tuotteella.
- Lapset eivät saa oleskella leikkuukieltoalueella ilman valvontaa. Kun akku on tyhjä tai kun FlexiFence on ylikuumentunut, alue ei ole enää suojattu.
- Tuote muodostaa käytön aikana sähkömagneettisen kentän. Kenttä saattaa joissakin olosuhteissa häiritä aktiivisten tai passiivisten lääketieteellisten implanttien toimintaa. Vakavien tai hengenvaarallisten tapaturmien ehkäisemiseksi kehotamme lääketieteellisiä implantteja

käytäviä henkilöitä neuvottelemaan lääkärin ja lääketieteellisen implantin valmistajan kanssa ennen tuotteen käyttöä.

- Pienet osat voivat joutua nieluun, ja muovipussi aiheuttaa tukehtumisvaaran. Pidä lapset etäällä asennuksen aikana.
- Jos akkuja käytetään väärin tai ne ovat vahingoittuneet, akusta voi tihkua syttyviä nestettä. Vältä kontaktia tämän nesteen kanssa. Jos nestettä joutuu vahingossa iholle, huuhtelee se vedellä. Jos nestettä joutuu silmiin, hakeudu lisäksi lääkärin hoitoon.
- Lataa tuotteen akku ainoastaan kuivassa sisätilassa.
- Älä irrota akkua tuotteesta.
- Tuotteen mukana ei toimiteta USB-virtalähdettä. Suosittelemme käyttämään virtalähteen teknisissä tiedoissa mainittua kolmannen osapuolen virtalähdettä. Lisätietoja on kohdassa *Tekniset tiedot sivulla 57*. Ennen kolmannen osapuolen USB-virtasovittimen käyttöä on syytä varmistaa, että se täyttää kansalliset ja kansainväliset turvallisuusstandardit, jotka koskevat SELV (Safety Extra Low Voltage) -laitteita.
- Älä käytä tuotetta ja sen varustuksia epäsuotuisissa sääolosuhteissa etenkin, jos salamointi on mahdollista.
- Noudata huolto-ohjeita, katso kohta *Huolto sivulla 54*.
- Lisätietoja akun turvallisuudesta hävittämisestä on kohdassa *Hävittäminen sivulla 57*.
- Käyttö- ja säilytyslämpötila on 0–40 °C. Liian korkeat lämpötilat voivat vahingoittaa tuotetta.
- Lataa akku 4–30 °C:n lämpötilassa. Täysi latausteho on käytettävissä 15 °C:n lämpötilassa.

Asennus

Johdanto – Asennus



VAROITUS: Lue ja sisäistä turvallisuutta käsittelevä luku ennen tuotteen asentamista.



HUOMAUTUS: Käytä alkuperäisiä varaosia ja asennusmateriaaleja.

Huomautus: Katso lisätietoja asennuksesta robottiruohonleikkurin käyttöohjeesta tai osoitteesta www.husqvarna.com.

Laitteen asennus

Tuotteen asentamisen valmistelu

- Lataa tuotteen akku. Katso kohta *Akun lataaminen sivulla 52*.
- Määritä robottiruohonleikkurin leikkuukieltoalue työalueella siten, että se ei kulje hakukaapelin poikki.
- Varmista, että FlexiFence ja kaikki FlexiFence-alueen kohteet ovat vähintään 35 cm:n päässä alueen rajakaapelista (A). (Kuva 8)
- Varmista, että alueen rajakaapelin ja työalueen rajakaapelin (B) välinen vähimmäisetäisyys on 60 cm.
- Varmista, että alueen rajakaapelin ja hakukaapelin (C) välinen vähimmäisetäisyys on 60 cm.
- Jos käytät useampaa kuin yhtä FlexiFence-yksikköä, varmista, että alueen kahden rajakaapelin vähimmäisetäisyys on 60 cm.
- Varmista, että FlexiFence-alueen rinteet ovat jyrkkyydeltään enintään 10 %.
- Varmista, että alueen rajakaapelin pituus on enintään 15 m.
- Älä aseta alueen rajakaapelia saman tai eri rajakaapelin poikki. Tämä voi aiheuttaa häiriön tuotteessa tai alueen rajakaapelissa. (Kuva 9)
- Jos haluat asettaa FlexiFence-tuotteen etäälle kohteista, katso robottiruohonleikkurin käyttöohjeen kohta Rajakaapelin paikan määrittäminen.

Huomautus: Käytä asennuksessa tuotteen mukana toimitettuja osia. Voit ottaa yhteyttä Husqvarna-edustajaan, jos tarvitset lisäosia asennusta varten.

Laitteen asentaminen

1. Aseta alueen rajakaapeli leikkuukieltoalueen ympäri.

2. Leikkaa alueen rajakaapelin molemmat päät.
3. Kiinnitä yksi liitin alueen rajakaapelin kumpaankin päähän.
4. Kiinnitä molemmat liittimet (A) tuotteen (B) kahteen liitäntään. (Kuva 10)
5. Käytä vasaraa tai muovinuijaa, jotta saat kiinnitettyä alueen rajakaapelin maahan kepeillä. Aseta kepit enintään 75 cm:n päähän toisistaan.
6. Aseta tuote leikkuukieltoalueelle ja kiinnitä se maahan kepeillä käyttämällä vasaraa tai muovinuijaa.
7. Ota käyttöön robottiruohonleikkurin Vyöhykkeen luonti -toiminto. Katso lisätietoja robottiruohonleikkurin käyttöohjeesta.

Huomautus: Jos robottiruohonleikkurissa ei ole Vyöhykkeen luonti -toimintoa, laiteohjelma on päivitettävä.

Asennuksen testaaminen

1. Kytke tuotteeseen virta ja varmista, että LED-merkkivalo palaa vihreänä.
2. Varmista, että robottiruohonleikkurin ECO-tila on poissa käytöstä. Katso lisätietoja ECO-tilasta robottiruohonleikkurin käyttöohjeesta.
3. Aseta robottiruohonleikkuri 1–2 metrin päähän leikkuukieltoalueesta. Varmista, että robottiruohonleikkuri osoittaa eteenpäin leikkuukieltoalueen suuntaan.
4. Käynnistä robottiruohonleikkuri ja varmista, että se pysähtyy alueen rajakaapeliin.

Huomautus: Jos asennuksessa on ongelmia, katso kohta *Vianmääritys sivulla 54*.

Käyttö

Akun lataaminen

Lataa akku täyteen ennen tuotteen ensimmäistä käyttökertaa. Akku on ladattu täyteen, kun LED-merkkivalo palaa oranssina. Tuote ei toimi latauksen aikana.

1. Poista tuotteen suojus.
2. Poista tuotteen tiiviste.
3. Liitä USB-C-latauskaapeli latauspistokkeeseen.

4. Liitä USB-A-latauskaapeli virtalähteeseen.
5. Liitä virtalähde pistorasiaan.
6. Tarkista, että LED-merkkivalo vilkkuu oranssina merkiksi siitä, että akku latautuu.

Huomaus: 5 voltin virtalähde, jossa on USB-liitäntä, ei sisälly toimitukseen.

Huomaus: Jos tuote on pitkän aikaa käyttämättä, lataa akku vähintään 60 %:n lataustilaan kolmen kuukauden välein. Lataa tuotteen akku vähintään 60 %:n lataustilaan ennen tuotteen käynnistämistä pitkän säilytysajan jälkeen.

Akun keston LED-merkkivalo

LED-merkkivalo syttyy, kun akun lataustila on alle 10 %. Voit tuoda LED-merkkivalon näkyviin, kun akun lataustila on yli 10 %, painamalla ON/OFF-painiketta 5 sekunnin ajan.

Merkkivalo	Syy
Tasainen vihreä LED-merkkivalo	Tuote on käynnissä ja akun lataustila on yli 30 %.
Vihreä LED-merkkivalo vilkkuu hitaasti	Tuote on käynnissä ja akun lataustila on 10–30 %.
Vihreä LED-merkkivalo vilkkuu nopeasti	Tuote on käynnissä ja akun lataustila on alle 10 %.
Oranssi LED-merkkivalo palaa yhtäjaksoisesti	Akku on ladattu täyteen.
Oranssi LED-merkkivalo vilkkuu	Akku latautuu.

Laitteen käynnistäminen

1. Paina ON/OFF-painiketta kahden sekunnin ajan.

2. Tarkista, että tuotteen LED-merkkivalo on vihreä. Näin voit varmistaa, että tuote on käynnissä.

Laitteen pysäyttäminen

1. Paina ON/OFF-painiketta kahden sekunnin ajan.
2. Tarkista, että tuotteen LED-merkkivalo vilkkuu valkoisena. Tuote ei ole käynnissä, kun LED-merkkivalo ei pala.

Huolto

Tuotteen puhdistaminen



HUOMAUTUS: Älä puhdistu tuotetta painepesurilla tai juoksevalla vedellä. Älä käytä puhdistamiseen liuotinta.

- Puhdistu tuote kostealla liinalla.
-

Vianmääritys

Tuotteen LED-merkkivalo

LED-merkkivalo syttyy, kun akun varaustila on alle 10 %. Voit tuoda LED-merkkivalon näkyviin, kun akun lataustila on yli 10 %, painamalla ON/OFF-painiketta 5 sekunnin ajan.

Merkkivalo palaa yhtäjaksoisesti – akun varaustila on yli 30 %.

Merkkivalo vilkkuu hitaasti – akun varaustila on 10–30 %.

Merkkivalo vilkkuu nopeasti – akun varaustila on alle 10 %.

Merkkiva- lo	Syy	Ratkaisu
Merkkiva- lo vilkkuu valkoise- na viisi kertaa	Akku on tyhjä tai on tapahtunut virhe.	Tarkista akun tila painamalla ON/OFF-painiketta viiden sekunnin ajan.
Sininen LED- merkkiva- lo	Alueen rajakaapeli on viallinen tai sitä ei ole liitetty.	Vaihda tai liitä alueen rajakaapeli.
Violetti LED- merkkiva- lo	Tuote ei löydä työalueen rajakaapelia. ECO-tila on käytössä tai vyöhyke on virheellinen.	Tarkista työalueen rajakaapeli ja vaihda viallinen rajakaapeli. Varmista, että työalueen rajakaapeli on asennettu oikein. Varmista, että robottiruohonleikkurin latausasema on liitetty pistorasiaan. Ota ECO-tila pois käytöstä.
Punainen LED- merkkiva- lo	Tuotteen lämpötila on liian korkea.	Aseta laite sellaiseen paikkaan, jossa se on suojassa auringonvalolta. Anna tuotteen lämpötilan laskea ennen tuotteen käynnistämistä. Jos ongelma ei poistu, ota yhteys paikalliseen Husqvarna-edustajaan.

Oireet

Oire	Syy	Ratkaisu
Robottiruohonleikkuri pysähtyy, ja näyttöön ilmestyy virheilmoitus "Vyöhykkeen luontiongelma".	FlexiFence-tuotteen akun virta on vähissä. FlexiFence ei toimi, kun akku on tyhjä. Robottiruohonleikkuri voi leikata leikkuukieltöalueella, jos käynnistät sen ennen FlexiFence-tuotteen lataamista.	Lataa FlexiFence-tuotteen akku ennen robottiruohonleikkurin käynnistämistä.
	FlexiFence on poistettu käytöstä automaattisesti, koska FlexiFence-tuotteen lämpötila on enimmäisarvoa korkeampi.	Aseta laite sellaiseen paikkaan, jossa se on suojassa auringonvalolta. Anna tuotteen lämpötilan laskea ennen tuotteen käynnistämistä.
Robottiruohonleikkuri siirtyy FlexiFence-alueelle.	Ohjelmiston siirtovirhe.	Käynnistä tuote uudelleen painamalla ON/OFF-virtapainiketta 15 sekunnin ajan.

Säilyttäminen ja hävittäminen

Koneen varastoiminen



VAROITUS: Aseta tuote sellaiseen paikkaan, jossa lapset eivät pääse siihen käsiksi.

1. Lataa tuotteen akku.
 2. Puhdista laite. Katso kohta *Tuotteen puhdistaminen sivulla 54*.
 3. Säilytä tuote suljetussa, kuivassa ja pakkaselta suojatussa tilassa.
-

Hävittäminen

- Noudata kansallisia säädöksiä.
- Käytä paikallista kierrätysjärjestelmää.
- Älä hävitä akkua tavallisen kotitalousjätteen mukana. Akku sisältää litiumionikennoja.



HUOMAUTUS: Akun saa irrottaa ainoastaan pätevä huoltohenkilökunta.

Lisätietoja akun irrottamisesta saat Husqvarna-edustajalta.

Tekniset tiedot

Tuotetiedot	
Akun arvioitu käyttöaika (päivissä)	30
Akun latausjännite, V	5
Akun latausvirta, A	1
Akun latausaika, h	6
IP-koodi	IPX4

Rajakaapelin antenni	
Taajuusalue, Hz	100–80000
Magneettikenttä enintään ⁷ , dBuA/m	82

⁷ Mitattu standardin EN 303 447 mukaan.

Rajakaapelin antenni	
Suurin radiotaajuuden teho ⁸ , mW @ 60 m	<25

Laitteen ja muiden langattomien järjestelmien, kuten kaukosäätimien ja radiolähettimien, täydellistä yhteensopivuutta ei voida taata.

Virtalähteen tekniset tiedot	
Taajuus, Hz, 1-vaiheinen	50–60
Verkkovirta, V AV	100–240
Lähtöjännite, V DC	5
Lähtövirta, A	1
Vähimmäislähtöteho, W	5
Lähtöliitin	USB-C

Lisävarusteet

Hyväksytyt lisävarusteet	Määrä
Rajakaapeli, m	50
	150
Kepit, kpl	100
Liittimet, kpl	5

⁸ Suurin aktiivinen lähtöteho antenneihin taajuusalueella, jolla radiolaitte toimii.

EU-vaatimustenmukaisuusvakuutus

Valmistajan GARDENA Germany AB, PO Box 7454, S-103 92, Stockholm, Sweden valtuuttamana edustajana vakuutamme täten, että alla mainitut tuotteet ovat tehtaalta lähtiessään yhdenmukaistettujen EU-säännösten, EU:n turvastandardien ja tuotekohtaisten standardien mukaisia. Tämä vakuutus mitätöityy, jos tuotteita muokataan ilman hyväksyntäämme.

Kuvaus	Siirrettävä tuote
Tyyppi/malli	Automower® FlexiFence
Tuotenumero	529880501

EU-direktiivi	Kuvaus
2014/53/EU	RED
2011/65/EU	RoHS

Yhdenmukaistetut standardit:

- EN ISO 12100:2010
- EN 60335-1:2012+A11:2014+A13:2017+A1:2019+A14:2019+A2:2019
- EN 50636-2-107:2015+A1:2018
- ETSI EN 301 489-1 V2.2.3 (2019-11)
- ETSI EN 301 489-3 V2.1.1 (2019-03)
- Draft ETSI EN 303 447 V1.2.1 (2021-03)
- EN IEC 62311:2020
- EN IEC 63000:2018
- IEC 62133-2:2017

Dokumentaatio: GARDENA Technische Documentation M.Jäger D-89079
Ulm, Hans-Lorenser-Str.40

CE-merkinnän vuosi: 2021

Ulm, 04.02.2022



Reinhard Pompe,

Tuotteista vastaava varapääjohtaja



Wolfgang Engelhardt,

Toimitusketjusta vastaava varapääjohtaja

INNHold

Innledning.....	61
Sikkerhet.....	63
Installasjon.....	64
Drift.....	66
Vedlikehold.....	68
Feilsøking.....	68
Oppbevaring og kassering.....	70
Tekniske data.....	71
EU-samsvarserklæring.....	73

Innledning

Støtte

Snakk med den lokale Husqvarna-representanten for støtte for produktet.

Produktbeskrivelse

Merk: Husqvarna oppdaterer jevnlig utseendet og funksjonen til produktene. Se *Støtte på side 61*.

Med Automower® FlexiFence kan du installere en sone som ikke klippes i arbeidsområdet for robotgressklipperen, der den ikke kan komme inn i og klippe gresset.

For å bruke Automower® FlexiFence med Automower®-robotgressklipperen kan det være nødvendig å oppdatere fastvaren for Automower®-robotgressklipperen. Kontakt Husqvarna-representanten din for mer informasjon.

Automower® FlexiFence må ikke brukes i offentlige områder, parker eller idrettsarenaer, eller i landbruk eller skogbruk.

Produktoversikt

(Fig. 1)

1. Deksel
2. Ladekontakt
3. Koblinger
4. Tetningslokk
5. På/av-knapp
6. Indikatorlampe
7. Kontakter
8. Plugger
9. Ledning for sonens grenseledning
10. USB-C-ladekabel

Symboler på produktet

Disse symbolene finnes på produktet. Sørg for at du forstår dem.

(Fig. 2) Dette produktet samsvarer med gjeldende EU-direktiver.

(Fig. 3) Dette produktet samsvarer med gjeldende UK-direktiver.

(Fig. 4) Det er ikke tillatt å kaste dette produktet som vanlig husholdningsavfall. Følg nasjonale forskrifter, og bruk det lokale gjenvinningssystemet.

(Fig. 5) Ikke bruk produktet i temperaturer under 0 °C / 32 °F.

(Fig. 6) **ADVARSEL:** Les bruksanvisningen før du bruker produktet.

Symboler på batteriet

Disse symbolene finnes på batteriet. Sørg for at du forstår dem.

(Fig. 7) **ADVARSEL:** Ikke kast batteriet som vanlig husholdningsavfall. Batteriet inneholder litium-ion-celler.

Sikkerhet

Sikkerhetsdefinisjoner

Advarsler, oppfordringer og merknader brukes for å understreke spesielt viktige deler av bruksanvisningen.



ADVARSEL: Brukes hvis det er fare for personskade eller død for brukeren eller andre personer om instruksjonene i håndboken ikke følges.



OBS: Brukes hvis det er fare for skade på produktet, annet materiell eller nærliggende områder om instruksjonene i håndboken ikke følges.

Merk: Brukes for å gi mer nødvendig informasjon for en spesifikk situasjon.

Sikkerhetsinstruksjoner for drift



ADVARSEL: Les de følgende advarselsinstruksjonene før du bruker produktet.

- Dette produktet kan brukes av personer med nedsatt fysisk, sansemessig eller mental kapasitet eller personer uten erfaring og kunnskap, såfremt de er under tilsyn eller har blitt gitt instruksjoner om hvordan de bruker produktet på en sikker måte og er klar over farene som er forbundet med bruk av apparatet. Barn skal ikke leke med produktet.
- Barn kan ikke være uten tilsyn i sonen som ikke klippes. Når batteriet er tomt eller hvis FlexiFence er overopphetet, er sonen ikke lenger beskyttet.
- Dette produktet danner et elektromagnetisk felt når det er i bruk. Dette feltet kan under visse forhold forstyrre aktive eller passive medisinske implantater. For å redusere faren for forhold som kan føre til alvorlig eller livstruende skade, anbefaler vi at personer med medisinske implantater rådfører seg med sin lege og produsenten av det medisinske implantatet før dette produktet tas i bruk.

- Små deler kan svelges. Det er også fare for at plastposen kan forårsake kvelning hos små barn. Hold små barn på avstand når du monterer produktet.
- Hvis batteriene brukes på feil måte, eller hvis de er skadet, kan brennbar væske komme ut av batteriene. Unngå kontakt med denne væsken. Skyll med vann hvis kontakt oppstår ved et uhell. Oppsøk lege hvis væsken kommer i kontakt med øynene.
- Produktet må bare lades i tørre områder innendørs.
- Ikke fjern batteriet fra produktet.
- Dette produktet leveres ikke med en USB-strømforsyningsenhet. Det anbefales å bruke en strømforsyning fra en tredjepart i henhold til spesifikasjonen for strømforsyningsenheten. Se *Tekniske data på side 71*. Før du bruker en tredjeparts USB-strømadapter må du kontrollere at den er i samsvar med nasjonale og internasjonale sikkerhetsstandarder for ekstra lav spenning (SELV).
- Ikke bruk produktet eller tilleggsutstyret i dårlig vær, spesielt når det er fare for tordenvær.
- Følg vedlikeholdsinstruksjonene. Se *Vedlikehold på side 68*.
- For informasjon om sikker kassering av batteriet kan du se *Kassering på side 71*.
- Drifts- og oppbevaringstemperaturområdet er 0–40 °C / 32–104 °F. For høye temperaturer kan føre til skade på produktet.
- Lad batteriet ved omgivelsestemperaturer på 4–30 °C / 39–86 °F. Full ladeeffekt er tilgjengelig fra 15 °C / 59 °F.

Installasjon

Innledning – installasjon



ADVARSEL: Les og forstå kapittelet om sikkerhet før du installerer produktet.



OBS: Bruk originale reservedeler og originalt installasjonsmateriale.

Merk: Se brukerhåndboken for robotgressklipperen eller www.husqvarna.com hvis du vil ha mer informasjon om installering.

Produktinstallasjon

Slik klargjør du for installasjon av produktet

- Lad batteriet i produktet. Se *Slik lader du batteriet på side 66*.
- Monter sonen som ikke klippes i arbeidsområdet til robotgressklipperen, men ikke over en guidekabel.
- Kontroller at FlexiFence og alle objekter i FlexiFence-området er minst 35 cm / 14 tommer fra sonens grenseledning (A). (Fig. 8)
- Kontroller at minimumsavstanden fra sonens grenseledning til avgrensningssløyfen for arbeidsområdet (B) er 60 cm / 24 tommer
- Kontroller at minimumsavstanden fra sonens grenseledning til guidekabelen (C) er 60 cm / 24 tommer.
- Hvis du bruker mer enn 1 FlexiFence-enhet, må du sørge for at minimumsavstanden mellom de to grenseledningene for sonene er 60 cm / 24 tommer
- Kontroller at skråningene i FlexiFence-området ikke heller mer enn 10 %.
- Kontroller at lengden på sonens grenseledning er maksimalt 15 m / 50 fot.
- Ikke legg sonens grenseledning over den samme sonens grenseledning eller en annen sones grenseledninginstallasjon. Dette kan føre til interferens med produktet og sonens grenseledning. (Fig. 9)
- Les delen Slik finner du ut hvor du skal plassere avgrensningssløyfen i brukerhåndboken for robotgressklipperen, for å plassere FlexiFence på avstand til andre objekter.

Merk: Bruk de medfølgende delene til installasjon. Du kan snakke med Husqvarna-representanten din for å få flere deler til installasjonen.

Hvordan robotklipperen installeres

1. Plasser sonens grenseledning rundt sonen som ikke klippes.
2. Klipp av de to endene av sonens grenseledning.
3. Fest én kontakt til hver ende av sonens grenseledning.
4. Fest de to kontaktene (A) til de to koblingene på produktet (B). (Fig. 10)

5. Bruk en hammer eller en plastklubbe til å feste sonens grenseledning til bakken med staker. Plasser stakene maksimalt 75 cm / 30 tommer fra hverandre.
6. Sett produktet i sonen som ikke klippes, og bruk en hammer eller plastklubbe til å feste det til bakken med staker.
7. Aktiver funksjonen for sonegenerering på robotgressklipperen. Se brukerhåndboken for robotgressklipperen.

Merk: Hvis produktet ikke har menyen Sonegenerator, må du oppdatere fastvaren på robotgressklipperen.

Slik tester du installasjonen

1. Sett produktet til PÅ, og kontroller at LED-indikatoren er grønn.
2. Kontroller at ECO-modus på robotgressklipperen er deaktivert. Se ECO-modus i brukerhåndboken for robotgressklipperen.
3. Plasser robotgressklipperen 1–2 m foran sonen som ikke klippes. Sørg for at robotgressklipperen peker forover mot sonen som ikke klippes.
4. Start robotgressklipperen, og kontroller at den stopper ved sonens grenseledning.

Merk: Hvis det er problemer med installasjonen, kan du se *Feilsøking på side 68*.

Drift

Slik lader du batteriet

Lad batteriet helt opp før du starter produktet for første gang. Batteriet er fulladet når LED-indikatoren lyser konstant oransje. Produktet er ikke i drift mens det lades.

1. Fjern dekselet på produktet.
2. Fjern tetningslokket på produktet.
3. Koble USB-C-ladekabelen til ladekontakten.
4. Koble USB-A-ladekabelen til en strømforsyningsenhet.
5. Koble strømforsyningskabelen til et strømuttak.

6. Undersøk om LED-indikatoren på produktet blinker oransje, for å kontrollere at batteriet lades.

Merk: 5 V strømforsyning med USB-kontakt følger ikke med.

Merk: Hvis produktet ikke skal brukes på lang tid, må du lade batteriet til minst 60 % hver 3. måned. Lad batteriet i produktet til minst 60 % før du starter produktet etter langvarig oppbevaring.

LED-indikator for batterikapasiteten

LED-indikatoren tennes når batteriets ladestatus for produktet er lavere enn 10 %. Hvis du vil vise LED-indikatoren når batteriets ladestatus er høyere enn 10 %, trykker du på og holder inne ON/OFF-knappen i 5 sekunder.

Lys	Årsak
Konstant grønt LED-lys	Produktet er på, og batteriets ladetilstand er høyere enn 30 %.
Grønn LED-indikator blinker sakte	Produktet er på, og batteriets ladetilstand er mellom 10–30 %.
Grønn LED-indikator blinker raskt	Produktet er på, og batteriets ladetilstand er lavere enn 10 %.
Konstant oransje LED-lys	Batteriet er fullt oppladet.
Oransje LED-indikator blinker	Batteriet lader.

Hvordan robotklipperen startes

1. Hold ON/OFF-knappen på produktet inne i to sekunder.
2. Undersøk om LED-indikatoren på produktet er grønn, for å kontrollere at produktet er slått på.

Hvordan robotklipperen stoppes

1. Hold ON/OFF-knappen på produktet inne i to sekunder.
2. Undersøk om LED-indikatoren på produktet blinker hvitt. Produktet er slått av når LED-indikatoren slukkes.

Vedlikehold

Slik rengjør du produktet



OBS: Produktet må ikke rengjøres med høytrykksspyler eller rennende vann. Ikke bruk løsemidler til rengjøringen.

- Bruk en fuktig klut til å rengjøre produktet.
-

Feilsøking

LED-indikator på produktet

LED-indikatoren tennes når produktets batterikapasitet er lavere enn 10 %. Hvis du vil vise LED-indikatoren når batteriets ladestatus er mer enn 10 %, trykker du på og holder inne ON/OFF-knappen i 5 sekunder.

Kontinuerlig lys – batteriets ladetilstand er høyere enn 30 %.

Blinker sakte – batteriets ladetilstand er 10–30 %.

Blinker raskt – batteriets ladetilstand er lavere enn 10 %.

Lys	Årsak	Løsning
Blinker hvitt 5 ganger	Batteriet er tomt, eller det har oppstått en feil.	Hold inne ON/OFF-knappen i fem sekunder for å se status.
Blå LED	Sonens grenseledning er defekt eller ikke tilkoblet.	Skift eller koble til soneledningen.

Lys	Årsak	Løsning
Lilla LED	Produktet finner ikke avgrensningssløyfen for arbeidsområdet. ECO-modus er aktivert, eller soneområdet er feil.	Undersøk grenseledningen til arbeidsområdet. Skift grenseledningen hvis den er defekt. Kontroller at grenseledningen for arbeidsområdet er riktig installert. Kontroller at ladestasjonen til robotgressklipperen er koblet til et strømuttak. Deaktiver ECO-modus.
Rød LED	Temperaturen til produktet er for høy.	Plasser produktet i et område som er beskyttet mot solen. La temperaturen på produktet synke før du starter produktet. Snakk med den lokale Husqvarna-representanten hvis problemet vedvarer.

Symptomer

Symptom	Årsak	Løsning
Robotgressklipperen stopper med feilmeldingen «Problem med soneregulator».	Batterinivået til FlexiFence er lavt. FlexiFence fungerer ikke når batteriet er tomt. Robotgressklipperen kan komme til å klippe i sonen som ikke skal klippes, hvis du starter robotgressklipperen før du lader FlexiFence.	Lad batteriet til FlexiFence før du starter robotgressklipperen.
	FlexiFence settes automatisk til av fordi temperaturen i FlexiFence er høyere enn maksimumsgrensen.	Plasser produktet i et område som er beskyttet mot solen. La temperaturen på produktet synke før du starter produktet.
Robotgressklipperen kjører inn i FlexiFence-sonen.	Problem med overføring av programvare.	Hold inne ON/OFF-knappen i minst 15 sekunder før du starter produktet på nytt.

Oppbevaring og kassering

Slik setter du produktet på lager



ADVARSEL: Plasser produktet i et område der et barn ikke får tilgang til produktet.

1. Lad batteriet i produktet.
 2. Rengjør produktet. Se *Slik rengjør du produktet på side 68*.
-

3. Oppbevar produktet på et tørt, lukket og frostfritt sted.

Kassering

- Følg nasjonale forskrifter.
- Bruk det lokale gjenvinningsystemet.
- Ikke kast batteriet som vanlig husholdningsavfall. Batteriet inneholder litium-ion-celler.



OBS: Kun kvalifisert personell kan ta ut batteriet.

Hvis du vil ha mer informasjon om hvordan du tar ut batteriet, kan du snakke med Husqvarna-representanten.

Tekniske data

Produktinformasjon	
Batteriets driftstid, ca. dager	30
Batteriet ladespenning, V	5
Batteriets ladestrøm, A	1
Batteriets ladetid, t	6
IP-kode	IPX4

Antenne til avgrensingsløyfe	
Frekvensbånd for drift, Hz	100-80000

Antenne til avgrensningsløyfe	
Maksimalt magnetfelt ⁹ , dBuA/m	82
Maksimal radiofrekvenseffekt ¹⁰ , mW ved 60 m	<25

Det kan ikke garanteres full kompatibilitet mellom produktet og andre typer trådløse systemer, for eksempel fjernkontroller og radiosendere.

Spesifikasjon for strømforsyningsenhet	
Frekvens, Hz, enfaset	50–60
Nettspenning, V vekselstrøm	100–240
Utgangsspenning, V likestrøm	5
Utgangsstrøm, A	1
Minimum utgangseffekt, W	5
Utgangskontakt	USB-C

Tilbehør

Godkjent tilbehør	Antall
Avgrensningsløyfe, m	50
	150
Staker, stk.	100
Kontakter, stk.	5

⁹ Målt i henhold til EN 303 447.

¹⁰ Maksimum aktiv utgangseffekt til antenner i frekvensområdet der radioutstyret fungerer.

EU-samsvarserklæring

Undertegnede bekrefter herved, som autorisert representant for produsenten, GARDENA Germany AB, PO Box 7454, S-103 92, Stockholm, Sweden, at enheten(e) angitt nedenfor, er i samsvar med harmoniserte EU-retningslinjer, EU-standarder for sikkerhet og produktspesifikke standarder når de forlater vår fabrikk. Denne bekreftelsen blir ugyldig hvis enhetene endres uten vårt samtykke.

Beskrivelse	Mobil løkke
Type/modell	Automower® FlexiFence
Art.nr.	529880501

EU-direktiv	Beskrivelse
2014/53/EU	RØD
2011/65/EU	RoHS

Harmoniserte standarder:

- EN ISO 12100:2010
- EN 60335-1:2012+A11:2014+A13:2017+A1:2019+A14:2019+A2:2019
- EN 50636-2-107:2015+A1:2018
- ETSI EN 301 489-1 V2.2.3 (2019-11)
- ETSI EN 301 489-3 V2.1.1 (2019-03)
- Draft ETSI EN 303 447 V1.2.1 (2021-03)
- EN IEC 62311:2020
- EN IEC 63000:2018
- IEC 62133-2:2017

Deponert dokumentasjon: GARDENA Technische Documentation M.Jäger
D-89079 Ulm, Hans-Lorenser-Str.40

CE-merkingsår: 2021

Ulm, 04.02.2022



Reinhard Pompe,
Visepresident, produkter



Wolfgang Engelhardt,
Visepresident, forsyningskjede

Sommaire

Introduction.....	75
Sécurité.....	77
Installation.....	79
Utilisation.....	81
Entretien.....	82
Dépannage.....	83
Remisage et mise au rebut.....	85
Caractéristiques techniques.....	86
Déclaration de conformité UE.....	88

Introduction

Assistance

Pour obtenir de l'aide concernant le produit, contactez votre représentant Husqvarna.

Description du produit

Remarque: Husqvarna met régulièrement à jour l'apparence et la fonctionnalité de ses produits. Reportez-vous à la section *Assistance à la page 75*.

Avec Automower® FlexiFence, vous pouvez définir une zone d'exclusion dans la zone de travail du robot tondeuse, au sein de laquelle il ne peut pas pénétrer ni couper l'herbe.

Pour utiliser Automower® FlexiFence avec le robot tondeuse Automower®, il peut s'avérer nécessaire de mettre à jour le firmware du robot tondeuse Automower®. Pour plus d'informations, contactez votre représentant Husqvarna.

Le Automower® FlexiFence ne doit pas être utilisé dans les espaces publics, les parcs, les stades de sport ou dans le secteur de l'agriculture ou de la sylviculture.

Aperçu du produit

(Fig. 1)

1. Couvercle
2. Prise de charge
3. Connexions
4. Bouchon d'étanchéité
5. Bouton ON/OFF
6. Témoin LED
7. Connecteurs
8. Piquets
9. Câble périphérique de la zone
10. Câble de charge USB-C

Symboles concernant le produit

Ces symboles se trouvent sur le produit. Assurez-vous de bien les comprendre.

- (Fig. 2) Ce produit est conforme aux directives CE en vigueur.
- (Fig. 3) Ce produit est conforme aux directives en vigueur au Royaume-Uni.
- (Fig. 4) Ce produit ne doit pas être jeté avec les ordures ménagères. Respectez les réglementations nationales et utilisez le système de recyclage local.
- (Fig. 5) N'utilisez pas le produit si la température est inférieure à 0 °C (32 °F).
- (Fig. 6) **AVERTISSEMENT** : lisez attentivement les instructions d'utilisation avant d'utiliser le produit.

Symboles sur la batterie

Ces symboles se trouvent sur la batterie. Assurez-vous de bien les comprendre.

(Fig. 7)

AVERTISSEMENT : Ne jetez pas la batterie dans les déchets ménagers. La batterie contient des cellules lithium-ion.

Sécurité

Définitions de sécurité

Des avertissements, des recommandations et des remarques sont utilisés pour souligner des parties spécialement importantes du manuel.



AVERTISSEMENT: Symbole utilisé en cas de risque de blessures ou de mort pour l'opérateur ou les personnes à proximité si les instructions du manuel ne sont pas respectées.



REMARQUE: Symbole utilisé en cas de risque de dommages pour le produit, d'autres matériaux ou les environs si les instructions du manuel ne sont pas respectées.

Remarque: Symbole utilisé pour donner des informations supplémentaires pour une situation donnée.

Instructions de sécurité pour le fonctionnement



AVERTISSEMENT: Lisez les instructions qui suivent avant d'utiliser le produit.

- Ce produit peut être utilisé par des personnes ayant des handicaps physiques, sensoriels ou mentaux ou manquant d'expérience et de connaissances, à condition qu'ils bénéficient d'une surveillance ou d'instructions appropriées concernant l'utilisation du produit en toute sécurité et qu'ils aient bien compris les risques encourus. Les enfants ne doivent pas jouer avec le produit.
- Les enfants ne doivent pas se trouver dans la zone d'exclusion sans surveillance. Lorsque la batterie est déchargée ou si le FlexiFence est en surchauffe, la zone n'est plus protégée.

- Cet appareil génère un champ électromagnétique pendant son fonctionnement. Ce champ peut, dans certaines circonstances, perturber le fonctionnement d'implants médicaux actifs ou passifs. Pour réduire le risque de blessures graves ou mortelles, les personnes portant des implants médicaux doivent consulter leur médecin et le fabricant de leur implant avant d'utiliser cet appareil.
- Les pièces de petites dimensions peuvent être avalées. Le sachet en polyéthylène peut également provoquer l'étouffement des enfants. Éloignez les enfants lors du montage du produit.
- En cas d'utilisation inadéquate ou si les batteries sont endommagées, du liquide inflammable peut être éjecté des batteries. Évitez tout contact avec ce liquide. En cas de contact accidentel, rincez à l'eau. Si le liquide entre en contact avec les yeux, consultez un médecin.
- Chargez le produit uniquement dans des endroits intérieurs secs.
- Ne retirez pas la batterie du produit.
- Aucune unité d'alimentation USB n'est fournie avec ce produit. Il est recommandé d'utiliser une source d'alimentation électrique tierce conformément aux spécifications de l'unité d'alimentation électrique. Reportez-vous à la section *Caractéristiques techniques à la page 86*. Avant d'utiliser l'adaptateur d'alimentation USB tiers, vérifiez qu'il est conforme aux normes de sécurité nationales et internationales en matière de très basse tension de sécurité (TBTS).
- N'utilisez pas le produit en cas de conditions météorologiques défavorables, en particulier lorsqu'il existe un risque de foudre.
- Suivez les instructions d'entretien ; reportez-vous à la section *Entretien à la page 82*.
- Pour mettre la batterie au rebut en toute sécurité, consultez la section *Mise au rebut à la page 86*.
- La plage de température de fonctionnement et de remisage est de 0-40 °C (32-104 °F). Une température trop élevée risque d'endommager le produit.
- Chargez la batterie à une température ambiante comprise entre 4 et 30 °C (39 et 86 °F). La pleine puissance de charge est disponible à partir de 15 °C (59 °F).

Installation

Introduction - Installation



AVERTISSEMENT: Assurez-vous de lire et de comprendre le chapitre dédié à la sécurité avant d'installer le produit.



REMARQUE: Utilisez des pièces de rechange et du matériel d'installation d'origine.

Remarque: Reportez-vous au manuel d'utilisation du robot tondeuse ou consultez le site www.husqvarna.com pour obtenir de plus amples informations sur l'installation.

Installation du produit

Pour préparer l'installation du produit

- Chargez la batterie du produit. Reportez-vous à la section *Pour charger la batterie à la page 81*.
- Définissez la zone d'exclusion dans la zone de travail du robot tondeuse, sans qu'elle ne croise aucun câble guide.
- Assurez-vous que le FlexiFence et tous les objets dans la zone du FlexiFence se trouvent à au moins 35 cm (14 po) du câble périphérique de la zone (A). (Fig. 8)
- Assurez-vous que la distance minimale entre le câble périphérique de la zone et le câble périphérique de la zone de travail (B) est de 60 cm (24 po).
- Assurez-vous que la distance minimale entre le câble périphérique de la zone et le câble guide (C) est de 60 cm (24 po).
- Si vous utilisez plusieurs unités FlexiFence, assurez-vous que la distance minimale entre les câbles périphériques de 2 zones est de 60 cm (24 po).
- Assurez-vous que l'inclinaison des pentes dans la zone du FlexiFence ne dépasse pas 10 %.

- Assurez-vous que la longueur du câble périphérique de la zone est de 15 m (50 pi) maximum.
- Évitez que le câble périphérique de la zone ne croise le câble périphérique de la même zone ou le câble périphérique d'une autre zone. Cela peut provoquer des interférences entre le produit et le câble périphérique de la zone. (Fig. 9)
- Pour mettre le FlexiFence à distance des objets, lisez la section Détermination de l'emplacement du câble périphérique du manuel d'utilisation du robot tondeuse.

Remarque: Utilisez les pièces fournies pour l'installation. Vous pouvez contacter votre représentant Husqvarna pour obtenir plus de pièces pour l'installation.

Pour installer le produit

1. Placez le câble périphérique de la zone autour de la zone d'exclusion.
2. Coupez les 2 extrémités du câble périphérique de la zone.
3. Branchez 1 connecteur à chaque extrémité du câble périphérique de la zone.
4. Fixez les 2 connecteurs (A) aux 2 raccords du produit (B). (Fig. 10)
5. Utilisez un marteau ou un maillet en plastique pour fixer le câble périphérique de la zone dans le sol avec des piquets. Espacez les piquets de 75 cm (30 po) maximum.
6. Placez le produit dans la zone d'exclusion et fixez-le au sol avec des piquets à l'aide d'un marteau ou d'un maillet en plastique.
7. Activez la fonction Générateur de zone de votre robot tondeuse. Reportez-vous au manuel d'utilisation du robot tondeuse.

Remarque: Si le produit ne dispose pas du menu Générateur de zone, une mise à jour du firmware du robot tondeuse est nécessaire.

Pour tester l'installation

1. Mettez le produit sous tension et assurez-vous que le témoin LED est vert.
2. Assurez-vous que le mode ECO du robot tondeuse est désactivé. Consultez la section relative au mode ECO du manuel d'utilisation du robot tondeuse.

3. Placez le robot tondeuse à 1-2 m devant la zone d'exclusion. Assurez-vous que le robot tondeuse est orienté en direction de la zone d'exclusion.
4. Démarrez le robot tondeuse et assurez-vous qu'il s'arrête au niveau du câble périphérique de la zone.

Remarque: En cas de problème lors de l'installation, reportez-vous à la section *Dépannage à la page 83*.

Utilisation

Pour charger la batterie

Chargez complètement la batterie avant de démarrer le produit pour la première fois. La batterie est complètement chargée lorsque le témoin LED est orange fixe. Le produit ne fonctionne pas pendant la charge.

1. Retirez le couvercle du produit.
2. Retirez le bouchon d'étanchéité du produit.
3. Branchez le câble de charge USB-C sur la prise de charge.
4. Branchez le câble de charge USB-A sur une unité d'alimentation électrique.
5. Branchez l'unité d'alimentation électrique sur une prise de courant.
6. Vérifiez si le témoin LED du produit clignote en orange pour vous assurer que la batterie se charge.

Remarque: L'unité d'alimentation électrique 5 V avec prise USB n'est pas incluse.

Remarque: Si le produit n'est pas utilisé pendant une longue période, chargez la batterie à au moins 60 % tous les 3 mois. Chargez la batterie du produit à au moins 60 % avant de démarrer le produit suite à un remisage prolongé.

Témoin LED de capacité de la batterie

Le témoin LED s'allume lorsque l'état de charge de la batterie du produit est inférieur à 10 %. Pour afficher le témoin LED lorsque l'état de charge de

la batterie est supérieur à 10 %, appuyez sur le bouton ON/OFF pendant 5 secondes.

Voyant	Cause
Témoin LED vert fixe	Le produit est allumé et l'état de charge de la batterie est supérieur à 30 %.
Témoin LED vert, clignotant lentement	Le produit est allumé et l'état de charge de la batterie est compris entre 10 et 30 %.
Témoin LED vert, clignotant rapidement	Le produit est allumé et l'état de charge de la batterie est inférieur à 10 %.
Témoin LED orange fixe	La batterie est complètement chargée.
Témoin LED orange clignotant	La batterie se charge.

Pour démarrer le produit

1. Appuyez sur le bouton ON/OFF du produit pendant 2 secondes.
2. Vérifiez si le témoin LED du produit est vert pour vous assurer que le produit est allumé.

Pour arrêter le produit

1. Appuyez sur le bouton ON/OFF du produit pendant 2 secondes.
2. Vérifiez si le témoin LED du produit clignote en blanc. Le produit est hors tension lorsque le témoin LED est éteint.

Entretien

Pour nettoyer le produit



REMARQUE: N'utilisez pas de nettoyeur haute pression ni d'eau courante pour nettoyer le produit. N'utilisez pas de solvants pour le nettoyage.

- Utilisez un chiffon humide pour nettoyer le produit.

Dépannage

Témoin LED du produit

Le témoin LED s'allume lorsque la capacité de la batterie du produit est inférieure à 10 %. Pour afficher le témoin LED lorsque l'état de charge de la batterie est supérieur à 10 %, appuyez sur le bouton ON/OFF pendant 5 secondes.

Voyant fixe : l'état de charge de la batterie est supérieur à 30 %.

Clignote lentement : l'état de charge de la batterie est compris entre 10 et 30 %.

Clignote rapidement : l'état de charge de la batterie est inférieur à 10 %.

Voyant	Cause	Solution
Clignote en blanc 5 fois	La batterie est déchargée ou il y a une erreur.	Appuyez sur le bouton ON/OFF pendant 5 secondes pour voir l'état.
Témoin LED bleu	Le câble périphérique de la zone est défectueux ou n'est pas connecté.	Remplacez ou connectez le câble de la zone.

Voyant	Cause	Solution
Témoin LED violet	Le produit ne détecte pas le câble périphérique de la zone de travail. Le mode ECO est activé ou la plage de zones est incorrecte.	<p>Examinez le câble périphérique de la zone de travail ; remplacez-le s'il est défectueux.</p> <p>Assurez-vous que le câble périphérique de la zone de travail est installé correctement.</p> <p>Assurez-vous que la station de charge du robot tondeuse est connectée à une prise de courant.</p> <p>Désactivez le mode ECO.</p>
Témoin LED rouge	La température du produit est trop élevée.	<p>placez le produit dans une zone à l'abri des rayons du soleil. Laissez la température du produit diminuer avant de le démarrer.</p> <p>Si le problème persiste, contactez votre représentant Husqvarna local.</p>

Symptômes

Symptôme	Cause	Solution
Le robot tondeuse s'arrête et affiche le message d'erreur « Problème de générateur de zone ».	La batterie du FlexiFence est faible. L'accessoire FlexiFence ne fonctionne pas lorsque la batterie est vide. Le robot tondeuse peut tondre dans la zone d'exclusion si vous le démarrez avant de charger le FlexiFence.	Chargez la batterie du FlexiFence avant de démarrer le robot tondeuse.
	Le FlexiFence est automatiquement désactivé, car la température du FlexiFence est supérieure à la limite maximale.	placez le produit dans une zone à l'abri des rayons du soleil. Laissez la température du produit diminuer avant de le démarrer.
Le robot tondeuse entre dans la zone du FlexiFence.	Problème de transfert du logiciel.	Appuyez sur le bouton ON/OFF pendant 15 secondes pour redémarrer le produit.

Remisage et mise au rebut

Stockage du produit



AVERTISSEMENT: Placez le produit dans un endroit hors de portée des enfants.

1. Chargez la batterie du produit.

- Nettoyez le produit. Reportez-vous à la section *Pour nettoyer le produit à la page 82*.
- Remisez le produit dans un endroit sec, fermé et à l'abri du gel.

Mise au rebut

- Respectez les réglementations nationales.
- Utilisez le circuit de recyclage local.
- Ne jetez pas la batterie dans les déchets ménagers. La batterie contient des cellules lithium-ion.



REMARQUE: Seul un personnel qualifié peut retirer la batterie.

Pour plus d'informations sur le retrait de la batterie, contactez votre représentant Husqvarna.

Caractéristiques techniques

Données relatives au produit	
Durée de fonctionnement de la batterie approximative, jours	30
Tension de charge de la batterie, V	5
Courant de charge de la batterie, A	1
Temps de charge de la batterie, h	6
Code IP	IPX4

Antenne du câble périphérique	
Bande de fréquence d'exploitation, Hz	100-80000

Antenne du câble périphérique	
Champ magnétique maximum ¹¹ , dBuA/m	82
Puissance de radiofréquence maximale ¹² , mW à 60 m	<25

La compatibilité totale entre le produit et d'autres types de systèmes sans fil tels que les télécommandes et les émetteurs radio ne peut pas être garantie.

Spécifications de l'unité d'alimentation électrique	
Fréquence monophasée, Hz	50-60
Tension secteur, V CA	100-240
Tension de sortie, V CC	5
Courant de sortie, A	1
Puissance de sortie minimale, W	5
Connecteur de sortie	USB-C

Accessoires

Accessoires homologués	Quantité
Câble périphérique, m	50
	150
Piquets, pièces	100
Connecteurs, pcs	5

¹¹ Mesuré conformément à la norme EN 303 447.

¹² Puissance de sortie active maximum au niveau des antennes dans la bande de fréquence dans laquelle l'équipement radio fonctionne.

Déclaration de conformité UE

Le constructeur soussigné, GARDENA Germany AB, PO Box 7454, S-103 92, Stockholm, Sweden, déclare par la présente, en tant que mandataire, qu'à la sortie de ses usines, le ou les appareil(s) désigné(s) ci-dessous étai(en)t conforme(s) aux directives européennes harmonisées, aux normes de sécurité européennes et aux normes spécifiques aux produits. Toute modification apportée à cet appareil sans notre accord annule la validité de ce certificat.

Description	Boucle mobile
Type/Modèle	Automower® FlexiFence
Réf.	529880501

Directive européenne	Description
2014/53/EU	RED
2011/65/EU	RoHS

Normes harmonisées :

- EN ISO 12100:2010
- EN 60335-1:2012+A11:2014+A13:2017+A1:2019+A14:2019+A2:2019
- EN 50636-2-107:2015+A1:2018
- ETSI EN 301 489-1 V2.2.3 (2019-11)
- ETSI EN 301 489-3 V2.1.1 (2019-03)
- Draft ETSI EN 303 447 V1.2.1 (2021-03)
- EN IEC 62311:2020
- EN IEC 63000:2018
- IEC 62133-2:2017

Documentation déposée : GARDENA Technische Documentation M.Jäger
D-89079 Ulm, Hans-Lorensen-Str.40

Année de marquage CE : 2021

Ulm, 04.02.2022



Reinhard Pompe

Reinhard Pompe,

Vice-président Produits



W. Engelhardt

Wolfgang Engelhardt,

Vice-président Chaîne d'approvisionnement

Inhoud

Inleiding.....	90
Veiligheid.....	92
Installatie.....	94
Werking.....	96
Onderhoud.....	97
Probleemoplossing.....	98
Opbergen en afdanken.....	100
Technische gegevens.....	100
EU-verklaring van overeenstemming.....	102

Inleiding

Ondersteuning

Neem contact op met uw Husqvarna-vertegenwoordiger voor ondersteuning met betrekking tot het product.

Productbeschrijving

Let op: Husqvarna werkt het uiterlijk en de werking van producten regelmatig bij. Zie *Ondersteuning op pagina 90*.

Met Automower® FlexiFence kunt u een te vermijden zone in het werkgebied van de robotmaaier installeren, die de robotmaaier niet kan binnenrijden en maaien.

Om de Automower® FlexiFence met de Automower® robotmaaier te gebruiken is het noodzakelijk om de firmware voor de Automower®-robotmaaier bij te werken. Neem voor meer informatie contact op met uw Husqvarna-vertegenwoordiger.

De Automower® FlexiFence mag niet worden gebruikt in openbare gebieden, parken, stadions of in land- of bosbouw.

Productoverzicht

(Fig. 1)

1. Kap
2. Laadcontact
3. Aansluitingen
4. Afsluitdop
5. ON/OFF-knop
6. Led-indicator
7. Verbinder
8. Krammen
9. Draad voor de zonebegrenzingsdraad
10. USB-C-laadkabel

Symbolen op het product

Deze symbolen staan op het product. Zorg ervoor dat u deze begrijpt.

(Fig. 2) Dit product voldoet aan de geldende EU-richtlijnen.

(Fig. 3) Dit product voldoet aan de geldende UK-richtlijnen.

(Fig. 4) Het is niet toegestaan om het product als normaal huishoudelijk afval af te voeren. Houd u aan de nationale voorschriften en gebruik het lokale recyclingsstelsel.

(Fig. 5) Gebruik het product niet in temperaturen lager dan 0 °C/32 °F.

(Fig. 6) **WAARSCHUWING:** Lees de gebruikersinstructies voordat u het product gebruikt.

Symbolen op de accu

Deze symbolen staan op de accu. Zorg ervoor dat u deze begrijpt.

(Fig. 7)

WAARSCHUWING: Gooi de accu niet bij het huishoudelijk afval. De accu bevat lithium-ion-cellen.

Veiligheid

Veiligheidsdefinities

Waarschuwingen, voorzorgsmaatregelen en opmerkingen worden gebruikt om te wijzen op belangrijke delen van de handleiding.



WAARSCHUWING: Wordt gebruikt om te wijzen op de kans op ernstig of fataal letsel voor de gebruiker of omstanders wanneer de instructies in de handleiding niet worden gevolgd.



OPGELET: Wordt gebruikt indien er een risico bestaat op schade aan het product en andere eigendommen of aan de omgeving wanneer de instructies in de handleiding niet worden gevolgd.

Let op: Geven verdere informatie die nodig is in een bepaalde situatie.

Veiligheidsinstructies voor bediening



WAARSCHUWING: Lees de volgende waarschuwingen voordat u het product gaat gebruiken.

- Dit product mag worden gebruikt door personen met verminderde lichamelijke, sensorische of mentale capaciteiten of gebrek aan ervaring en kennis, wanneer zij onder toezicht staan of m.b.t. het veilige gebruik van het product werden geïnstrueerd en de daaruit voortvloeiende risico's begrijpen. Kinderen mogen niet spelen met het product.
- Kinderen mogen niet zonder toezicht de te vermijden zone betreden. Als de accu leeg is of de FlexiFence oververhit is, is de zone niet langer beschermd.

- Dit product genereert tijdens bedrijf een elektromagnetisch veld. Dit veld kan onder bepaalde omstandigheden de werking van actieve of passieve medische implantaten verstoren. Om het risico op ernstig of dodelijk letsel te beperken, raden we personen met een medisch implantaat aan om contact op te nemen met hun arts en de fabrikant van het medische implantaat voordat ze dit product gaan bedienen.
- Kleine onderdelen kunnen eenvoudig worden ingeslikt. De polyzak vormt ook verstikkingsgevaar voor kinderen. Houd kinderen uit de buurt tijdens de montage van het product.
- Bij verkeerd gebruik of als de accu's beschadigd zijn, kan brandbare vloeistof uit de accu's lopen. Contact met deze vloeistof moet vermeden worden. Als u per ongeluk in contact komt met de vloeistof, afspoeien met water. Als de vloeistof in contact met uw ogen komt, moet u medische hulp inroepen.
- Laad het product alleen op in droge binnenruimten.
- Verwijder de accu niet van het product.
- Een USB-voedingseenheid is niet inbegrepen bij dit product. Het is toegestaan om een voeding van derden te gebruiken, als deze in overeenstemming is met de voeding specificaties, raadpleeg hiervoor *Technische gegevens op pagina 100*. Voordat u de externe USB-voedingsadapter gebruikt, moet u controleren of deze voldoet aan de nationale en internationale veiligheidsnormen voor extra lage veiligheidsspanning (SELV, safety extra low voltage).
- Gebruik het product en de randapparatuur niet bij slechte weersomstandigheden, vooral niet wanneer er een risico op bliksem bestaat.
- Volg de onderhoudsinstructies, raadpleeg *Onderhoud op pagina 97*.
- Voor veilig afvoeren van de accu raadpleegt u *Afvoeren op pagina 100*.
- Bedrijfs- en opslagtemperatuurbereik is 0-40 °C/32-104 °F. Te hoge temperaturen kunnen schade aan het product veroorzaken.
- Laad de accu op in omgevingstemperaturen van 4-30 °C / 39-86 °F. Het volledige laadvermogen is beschikbaar vanaf 15 °C / 59 °F.

Installatie

Inleiding - installatie



WAARSCHUWING: Zorg dat u het hoofdstuk over veiligheid hebt gelezen en begrepen voordat u het product monteert.



OPGELET: Gebruik originele reserveonderdelen en origineel installatiemateriaal.

Let op: Raadpleeg de bedieningshandleiding voor de robotmaaier of www.husqvarna.com voor meer informatie over installatie.

Montage van het product

Installatie van het product voorbereiden

- Laad de accu van het product. Zie *De accu opladen op pagina 96*.
- Installeer de te vermijden zone in het werkgebied van de robotmaaier, maar niet over een geleidingsdraad.
- Zorg ervoor dat de FlexiFence en alle objecten in het FlexiFence gebied zich minimaal 35 cm / 14 inch van de zonebegrenzingsdraad (A) bevinden. (Fig. 8)
- Zorg ervoor dat de minimale afstand van de zonebegrenzingsdraad tot de begrenzingsdraad van het werkgebied (B) 60 cm / 24 inch is.
- Zorg ervoor dat de minimale afstand van de zonebegrenzingsdraad tot de geleidingsdraad (C) 60 cm / 24 inch is.
- Als u meer dan 1 FlexiFence eenheid gebruikt, moet u ervoor zorgen dat de minimale afstand tussen de 2 zonebegrenzingsdraden 60 cm / 24 inch is.
- Zorg ervoor dat de hellingen in het FlexiFence gebied niet steiler zijn dan 10%.
- Zorg ervoor dat de lengte van de zonebegrenzingsdraad maximaal 15 m / 50 ft is.

- Plaats de zonebegrenzingsraad niet over dezelfde zonebegrenzingsdraad of een andere zonebegrenzingsdraadinstallatie. Dit kan interferentie met het product en de zonebegrenzingsdraad veroorzaken. (Fig. 9)
- Om de FlexiFence op afstand van de objecten te plaatsen, moet u het gedeelte 'Onderzoeken waar u de begrenzingsdraad plaatst' in de bedieningshandleiding voor de robotmaaier doorlezen.

Let op: Gebruik de inbegrepen onderdelen voor installatie. Neem contact op met uw Husqvarna-vertegenwoordiger voor meer onderdelen voor installatie.

Het product installeren

1. Plaats de zonebegrenzingsdraad rond de te vermijden zone.
2. Snij de 2 uiteinden van de zonebegrenzingsdraad door.
3. Sluit 1 connector aan elk uiteinde van de zonebegrenzingsdraad aan.
4. Sluit de 2 connectoren (A) op de 2 aansluitingen op het product (B) aan. (Fig. 10)
5. Gebruik een (plastic) hamer om de zonebegrenzingsdraad met krammen in de grond te bevestigen. Zet de krammen maximaal 75 cm / 30 inch van elkaar.
6. Plaats het product in de te vermijden zone en bevestig deze aan de grond met krammen met een (plastic) hamer.
7. Schakel de Zonenerator-functie van uw robotmaaier in. Raadpleeg de bedieningshandleiding van de robotmaaier.

Let op: Als het product geen Zonenerator-menu heeft, is een firmware-update van de robotmaaier noodzakelijk.

De installatie testen

1. Zet het product op ON en controleer of het led-indicatielampje groen brandt.
2. Zorg ervoor dat ECO-modus van de robotmaaier uitgeschakeld is. Raadpleeg de ECO-modus in de bedieningshandleiding van de robotmaaier.
3. Plaats de robotmaaier 1-2 m voor de te vermijden zone. Zorg ervoor dat de robotmaaier voorwaarts naar de te vermijden zone is gericht.

4. Start de robotmaaier en controleer of deze stopt bij de zonebegrenzingsdraad.

Let op: Als er problemen met de installatie zijn, moet u *Probleemoplossing op pagina 98* raadplegen.

Werking

De accu opladen

Laad de accu volledig op voordat u het product voor de eerste keer start. De accu is volledig opgeladen wanneer het led-indicatielampje continu oranje brandt. Het product werkt niet tijdens het opladen.

1. Verwijder de kap van het product.
2. Verwijder de afdichtingskap van het product.
3. Sluit de USB-C-laadkabel aan op het laadcontact.
4. Sluit de USB-A-laadkabel aan op een voedingseenheid.
5. Sluit de voedingseenheid aan op een stopcontact.
6. Controleer of het led-indicatielampje op het product oranje knippert om er zeker van te zijn dat de accu wordt opgeladen.

Let op: De 5 V-voedingseenheid met USB-contact is niet inbegrepen.

Let op: Als het product langere tijd niet wordt gebruikt, moet de accu elke 3 maanden tot minimaal 60% worden opgeladen. Laad de accu van het product tot minimaal 60% op voordat u het product na langdurige opslag start.

Led-indicatielampje van de accucapaciteit

Het led-indicatielampje brandt als de acculaadstatus van het product minder dan 10% is. Om het led-indicatielampje te laten branden als de acculaadstatus meer dan 10% is, moet 5 seconden lang de knop ON/OFF worden ingedrukt.

Licht	Oorzaak
Groene led brandt continu	Het product is ingeschakeld en de acculaadstatus is meer dan 30%.
Groene led knippert langzaam	Het product is ingeschakeld en de acculaadstatus is 10-30%.
Groene led knippert snel	Het product is ingeschakeld en de acculaadstatus is minder dan 10%.
Oranje led brandt continu	De accu is volledig opgeladen.
Oranje led knippert	De accu wordt opgeladen.

Product starten

1. Druk op het product 2 seconden lang op de knop ON/OFF op het product.
2. Controleer of het led-indicatielampje op het product groen brandt om er zeker van te zijn dat het product ingeschakeld is.

Product stoppen

1. Druk op het product 2 seconden lang op de knop ON/OFF op het product.
2. Controleer of het led-indicatielampje op het product wit knippert. Het product is uitgeschakeld wanneer het led-indicatielampje uitgaat.

Onderhoud

Product reinigen



OPGELET: Gebruik geen hogedrukreiniger of stromend water om het product te reinigen. Gebruik geen oplosmiddelen voor reiniging.

- Gebruik een vochtige doek om het product te reinigen.

Probleemoplossing

Led-indicatielampje van het product

Het led-indicatielampje brandt als de accucapaciteit van het product minder dan 10% is. Om het led-indicatielampje te laten branden als de acculaadstatus meer dan 10% is, moet 5 seconden lang de knop ON/OFF worden ingedrukt.

Continu brandend lampje - De acculaadstatus is meer dan 30%.

Knippert langzaam - De acculaadstatus is 10-30%.

Knippert snel - De acculaadstatus is minder dan 10%.

Licht	Oorzaak	Oplossing
Knippert 5 keer wit	De accu is leeg of er is een fout.	Druk 5 seconden lang op de knop ON/OFF om de status te bekijken.
Blauwe LED	De zonebegrenzingsdraad is defect of niet aangesloten.	Vervang de zonedraad of sluit deze aan.
Paarse LED	Het product kan de begrenzingsdraad voor het werkgebied niet vinden. De ECO-modus is ingeschakeld of het zonebereik is verkeerd.	Controleer de begrenzingsdraad voor het werkgebied, vervang de begrenzingsdraad als deze defect is. Controleer of de begrenzingsdraad voor het werkgebied correct is gemonteerd. Controleer of het laadstation van de robotmaaier is aangesloten op een stopcontact. Schakel de ECO-modus uit.

Licht	Oorzaak	Oplossing
Rode LED	De temperatuur van het product is te hoog.	Plaats het product in een gebied met bescherming tegen de zon. Laat de temperatuur van het product dalen voordat u het product start. Neem contact op met uw lokale Husqvarna-vertegenwoordiger als het probleem zich blijft voordoen.

Symptomen

Symptoom	Oorzaak	Oplossing
De robotmaaier stopt met de foutmelding "Zoneregulator probleem".	De accu van de FlexiFence is bijna leeg. De FlexiFence werkt niet wanneer de accu leeg is. De robotmaaier kan in de te vermijden zone maaien als u de robotmaaier start voordat u de FlexiFence oplaadt.	Laad de accu van de FlexiFence op voordat u de robotmaaier start.
	De FlexiFence wordt automatisch uitgeschakeld omdat de temperatuur in de FlexiFence hoger is dan de maximale limiet.	Plaats het product in een gebied met bescherming tegen de zon. Laat de temperatuur van het product dalen voordat u het product start.
De robotmaaier gaat in de FlexiFence zone.	Software overdrachtprobleem.	Druk 15 seconden lang op de knop ON/OFF om het product opnieuw op te starten.

Opbergen en afdanken

De machine in opslag zetten



WAARSCHUWING: Plaats het product in een ruimte waar een kind geen toegang kan krijgen tot het product.

1. Laad de accu van het product.
2. Reinig het product. Zie *Product reinigen op pagina 97*.
3. Bewaar het product in een droge, afgesloten en vorstvrije ruimte.

Afvoeren

- Houd u aan de nationale regelgeving.
 - Gebruik het lokale recyclingsysteem.
 - Gooi de accu niet bij het huishoudelijk afval. De accu bevat lithium-ion-cellen.
-



OPGELET: Alleen gekwalificeerd personeel kan de accu verwijderen.

Voor meer informatie over het verwijderen van de accu, kunt u contact opnemen met uw Husqvarna-vertegenwoordiger.

Technische gegevens

Productgegevens	
Accubedrijfstijd, circa, dagen	30
Acculaadspanning, V	5
Acculaadstroom, A	1

Productgegevens	
Acculaadtijd, u	6
IP-code	IPX4

Antenne begrenzingsdraad	
Bedrijfsfrequentieband, Hz	100-80.000
Maximaal magnetisch veld ¹³ , dBuA/m	82
Max. radiofrequentievermogen ¹⁴ , mW bij 60 m	<25

We kunnen niet garanderen dat het product volledig compatibel is met andere typen draadloze systemen zoals afstandsbedieningen en radiozenders.

Specificatie voedingseenheid	
Frequentie, Hz, eenfasig	50-60
Netspanning, V AV	100-240
Uitgangsspanning, V DC	5
Uitgangsstroom, A	1
Minimaal uitgangsvermogen, W	5
Uitgangconnector	USB-C

¹³ Gemeten conform EN 303 447.

¹⁴ Maximaal actief uitgangsvermogen naar antennes in de frequentieband waarop de radioapparatuur is ingesteld.

Accessoires

Goedgekeurde accessoires	Aantal
Begrenzingsdraad, m	50
	150
Krammen, st.	100
Connectoren, stuks	5

EU-verklaring van overeenstemming

De ondergetekende, verklaart hierbij als de gautoriseerde vertegenwoordiger van de fabrikant, GARDENA Germany AB, PO Box 7454, S-103 92, Stockholm, Sweden, dat de eenheden die hieronder staan vermeld, wanneer ze onze fabriek verlaten, in overeenstemming zijn met de geharmoniseerde Europese richtlijnen, EU-normen voor veiligheid en productspecifieke normen. Dit certificaat vervalt als de producten worden aangepast zonder onze toestemming.

Beschrijving	Mobiele lus
Type/model	Automower® FlexiFence
Art.nr.	529880501
EU-richtlijn	Beschrijving
2014/53/EU	ROOD
2011/65/EU	RoHS

Geharmoniseerde normen:

- EN ISO 12100:2010
- EN 60335-1:2012+A11:2014+A13:2017+A1:2019+A14:2019+A2:2019
- EN 50636-2-107:2015+A1:2018

- ETSI EN 301 489-1 V2.2.3 (2019-11)
- ETSI EN 301 489-3 V2.1.1 (2019-03)
- Draft ETSI EN 303 447 V1.2.1 (2021-03)
- EN IEC 62311:2020
- EN IEC 63000:2018
- IEC 62133-2:2017

Gedeponeerde documentatie: GARDENA Technische Documentation M.Jäger
D-89079 Ulm, Hans-Lorenser-Str.40

Jaar van CE-markering: 2021

Ulm, 04.02.2022



Reinhard Pompe,

Vice President-producten



Wolfgang Engelhardt,

Vice President-leveringsketen

Sommario

Introduzione.....	104
Sicurezza.....	106
Installazione.....	107
Utilizzo.....	110
Manutenzione.....	111
Ricerca guasti.....	112
Conservazione e smaltimento.....	114
Dati tecnici.....	114
Dichiarazione di conformità UE.....	116

Introduzione

Supporto

Per assistenza sul prodotto, contattare il rappresentante Husqvarna.

Descrizione del prodotto

Nota: Husqvarna aggiorna regolarmente l'aspetto e il funzionamento dei prodotti. Fare riferimento a *Supporto alla pagina 104*.

Con Automower® FlexiFence, all'interno dell'area di lavoro, è possibile installare un'area da evitare a cui il robot rasaerba non può accedere per tagliare l'erba.

Per utilizzare Automower® FlexiFence con il robot rasaerba Automower®, può essere necessario aggiornare il firmware per robot rasaerba Automower®. Rivolgersi al rappresentante Husqvarna per maggiori informazioni.

Automower® FlexiFence non deve essere utilizzato in aree pubbliche, parchi, arene sportive e superfici agricole o zone boschive.

Panoramica del prodotto

(Fig. 1)

1. Coperchio
2. Presa di carica
3. Collegamenti
4. Calotta
5. Pulsante ON/OFF
6. Spia LED
7. Connettori
8. Picchetti
9. Filo per cavo perimetrale di zona
10. Cavo di ricarica USB-C

Simboli riportati sul prodotto

Questi simboli sono riportati sul prodotto. Accertarsi di aver compreso tali simboli.

(Fig. 2) Il presente prodotto è conforme alle direttive UE vigenti.

(Fig. 3) Il presente prodotto è conforme alle direttive UK vigenti.

(Fig. 4) Non è consentito smaltire questo prodotto come normale rifiuto domestico. Attenersi alle normative nazionali e utilizzare il sistema di riciclaggio locale.

(Fig. 5) Non utilizzare il prodotto se la temperatura è inferiore a 0 °C/32 °F.

(Fig. 6) **AVVERTENZA:** Leggere le istruzioni per l'operatore prima di utilizzare il prodotto.

Simboli sulla batteria

Questi simboli sono riportati sulla batteria. Accertarsi di aver compreso tali simboli.

(Fig. 7) **AVVERTENZA:** Non smaltire la batteria come normale rifiuto domestico. La batteria contiene celle agli ioni di litio.

Sicurezza

Definizioni di sicurezza

Le avvertenze, le precauzioni e le note sono utilizzate per evidenziare le parti importanti del manuale.



AVVERTENZA: Utilizzato se è presente un rischio di lesioni o morte dell'operatore o di passanti nel caso in cui le istruzioni del manuale non vengano rispettate.



ATTENZIONE: Utilizzato se è presente un rischio di danni al prodotto, ad altri materiali oppure alla zona adiacente nel caso in cui le istruzioni del manuale non vengano rispettate.

Nota: Utilizzato per fornire ulteriori informazioni necessarie in una determinata situazione.

Istruzioni di sicurezza per il funzionamento



AVVERTENZA: Leggere le seguenti avvertenze prima di utilizzare il prodotto.

- Questo prodotto può essere utilizzato da persone con capacità fisiche, sensoriali o mentali ridotte o con un bagaglio ristretto di esperienze e conoscenze, purché vengano supervisionate e siano state istruite circa l'utilizzo sicuro e i pericoli correlati. I bambini non devono giocare con il prodotto.
- È necessario mantenere la supervisione sui bambini all'interno dell'area da evitare. Se la batteria è scarica o in caso di surriscaldamento di FlexiFence, l'area non sarà più protetta.
- Durante il funzionamento, questo prodotto genera un campo elettromagnetico, che in determinate condizioni può interferire con impianti medici attivi o passivi. Per ridurre il rischio di condizioni che possono implicare lesioni personali gravi o mortali, i portatori di tali impianti devono

consultare il proprio medico e il produttore dell'impianto prima di utilizzare questo apparecchio.

- I componenti più piccoli dell'apparecchio potrebbero essere ingeriti. Inoltre, c'è il rischio che il sacchetto in plastica soffochi i bambini. Al momento del montaggio del prodotto, tenere i bambini a distanza.
- Se il prodotto viene utilizzato in modo errato o se le batterie sono danneggiate, potrebbe fuoriuscire liquido infiammabile dalle batterie. Evitare il contatto con questo liquido. Qualora il contatto avvenisse, lavare con acqua. Se il liquido entra in contatto con gli occhi, consultare un medico.
- Ricaricare il prodotto solo in ambienti interni asciutti.
- Non rimuovere la batteria dal prodotto.
- L'alimentatore USB non è incluso con il prodotto. Si consiglia di utilizzare un alimentatore di terze parti in base alle specifiche indicate sull'alimentatore; fare riferimento a *Dati tecnici alla pagina 114*. Prima di utilizzare un adattatore di alimentazione USB di terze parti, verificare che sia conforme alle norme di sicurezza nazionali e internazionali relative all'alimentazione a bassissima tensione di sicurezza (SELV)
- Non utilizzare il prodotto e le relative periferiche in condizioni climatiche sfavorevoli, soprattutto quando vi è il rischio di fulmini.
- Attenersi alle istruzioni per la manutenzione facendo riferimento a *Manutenzione alla pagina 111*.
- Per lo smaltimento sicuro della batteria, fare riferimento a *Smaltimento alla pagina 114*.
- L'intervallo di temperatura di esercizio e rimessaggio è 0-40 °C/32-104 °F. Temperature troppo elevate possono causare danni al prodotto.
- Caricare la batteria ad una temperatura ambiente tra 4-30 °C/39-86 °F. La ricarica completa è possibile a partire da 15 °C/59 °F.

Installazione

Introduzione - Installazione



AVVERTENZA: Leggere e comprendere il capitolo sulla sicurezza prima di installare il prodotto.



ATTENZIONE: Utilizzare pezzi di ricambio originali e materiale di installazione.

Nota: Fare riferimento al manuale dell'operatore del robot rasaerba o a www.husqvarna.com per ulteriori informazioni sull'installazione.

Installazione del prodotto

Preparazione all'installazione del prodotto

- Caricare la batteria dal prodotto. Fare riferimento a *Ricarica della batteria alla pagina 110*.
- Installare l'area da evitare all'interno dell'area di lavoro del robot rasaerba, ma non attraverso il cavo guida.
- Assicurarsi che FlexiFence e tutti gli oggetti nell'area FlexiFence si trovino ad almeno 35 cm/14 pollici dal cavo perimetrale di zona (A). (Fig. 8)
- Assicurarsi che la distanza minima tra il cavo perimetrale di zona e il cavo perimetrale dell'area di lavoro (B) sia di 60 cm/24 pollici.
- Assicurarsi che la distanza minima tra il cavo perimetrale di zona e il cavo guida (C) sia di 60 cm/24 pollici.
- Se si utilizza più di 1 unità FlexiFence, assicurarsi che la distanza minima tra i cavi perimetrali a 2 zone sia di 60 cm/24 pollici.
- Assicurarsi che la pendenza dell'area FlexiFence non sia superiore al 10%.
- Assicurarsi che la lunghezza massima del cavo perimetrale di zona sia di 15 m/50 piedi.
- Evitare di attorcigliare il cavo perimetrale di zona e di collegarlo a una diversa installazione. Ciò può causare interferenze con il prodotto e con il cavo perimetrale di zona. (Fig. 9)
- Per collocare FlexiFence alla corretta distanza dagli altri oggetti, leggere l'apposita sezione nel manuale dell'operatore per comprendere dove posizionare il cavo perimetrale del robot rasaerba.

Nota: Utilizzare i componenti inclusi per l'installazione. È possibile consultare il rappresentante Husqvarna per ottenere più componenti per l'installazione.

Installazione del prodotto

1. Posizionare il cavo perimetrale di zona attorno all'area da evitare.
2. Tagliare le 2 estremità del cavo perimetrale di zona.
3. Collegare 1 connettore a ciascuna estremità del cavo perimetrale di zona.
4. Collegare i 2 connettori (A) ai 2 collegamenti sul prodotto (B). (Fig. 10)
5. Utilizzare un martello o un mazzuolo di plastica per fissare il cavo perimetrale di zona con picchetti al suolo. Posizionare i picchetti a un massimo di 75 cm/30 pollici di distanza l'uno dall'altro.
6. Posizionare il prodotto nell'area da evitare e fissarlo al suolo con picchetti usando un martello o un mazzuolo di plastica.
7. Attivare la funzione Generatore di zone del robot rasaerba. Fare riferimento al manuale dell'operatore del robot rasaerba.

Nota: Se il prodotto non dispone del menu Generatore di zone, è necessario aggiornare il firmware del robot rasaerba.

Esecuzione di un test d'installazione

1. Impostare il prodotto su ON e assicurarsi che la spia LED sia di colore verde.
2. Assicurarsi che la modalità ECO del robot rasaerba sia disattivata. Fare riferimento alla sezione relativa alla modalità ECO nel manuale dell'operatore del robot rasaerba.
3. Posizionare il robot rasaerba di fronte all'area da evitare, a 1-2 m di distanza. Assicurarsi che il robot rasaerba sia rivolto verso l'area da evitare.
4. Avviare il robot rasaerba e assicurarsi che si arresti una volta giunto nei pressi del cavo perimetrale di zona.

Nota: In caso di problemi con l'installazione, fare riferimento a *Ricerca guasti alla pagina 112*.

Utilizzo

Ricarica della batteria

Caricare completamente la batteria prima di usare il prodotto per la prima volta. La batteria è completamente carica quando la spia LED è arancione fissa. Il prodotto non funziona correttamente durante la ricarica.

1. Rimuovere la copertura del prodotto.
2. Rimuovere la calotta del prodotto.
3. Collegare il cavo di ricarica USB-C alla presa di carica.
4. Collegare il cavo di ricarica USB-A a un alimentatore.
5. Collegare l'alimentatore a una presa di corrente.
6. Verificare che la spia LED sul prodotto lampeggi in arancione per assicurarsi che la batteria si ricarichi correttamente.

Nota: L'alimentatore da 5 V con presa USB non è incluso.

Nota: Se il prodotto non viene utilizzato per lunghi periodi di tempo, caricare la batteria almeno al 60% ogni 3 mesi. Caricare la batteria del prodotto almeno al 60% prima di avviare il prodotto dopo lunghi periodi di rimessaggio.

Spia LED della capacità della batteria

La spia LED si accende quando il livello di carica della batteria del prodotto è inferiore al 10%. Per mostrare la spia LED quando il livello di carica della batteria è superiore al 10%, premere il pulsante ON/OFF per 5 secondi.

Luce	Causa
LED verde fisso	Il prodotto è acceso e il livello di carica della batteria è superiore al 30%.
LED verde lampeggiante lentamente	Il prodotto è acceso e il livello di carica della batteria è compreso tra il 10 e il 30%.

Luce	Causa
LED verde lampeggiante rapidamente	Il prodotto è acceso e il livello di carica della batteria è inferiore al 10%.
LED arancione fisso	La batteria è completamente carica.
LED arancione lampeggiante	Ricarica in corso della batteria.

Avviamento del prodotto

1. Premere il pulsante ON/OFF sul prodotto per 2 secondi.
2. Verificare che la spia LED sul prodotto sia verde per assicurarsi che il prodotto sia acceso.

Arresto del prodotto

1. Premere il pulsante ON/OFF sul prodotto per 2 secondi.
2. Verificare se la spia LED sul prodotto lampeggia in bianco. Il prodotto è spento quando la spia LED si spegne.

Manutenzione

Pulizia del prodotto



ATTENZIONE: Per la pulizia del prodotto, non utilizzare idropulitrici ad alta pressione né acqua corrente. Non utilizzare solventi per la pulizia.

- Utilizzare un panno umido per pulire il prodotto.

Ricerca guasti

Spia LED del prodotto

La spia LED si accende quando la capacità della batteria del prodotto è inferiore al 10%. Per mostrare la spia LED quando il livello di carica della batteria è superiore al 10%, premere il pulsante ON/OFF per 5 secondi.

Luce fissa: il livello di carica della batteria è superiore al 30%.

Lampeggio lento: il livello di carica della batteria è compreso tra il 10 e il 30%.

Lampeggio rapido: il livello di carica della batteria è inferiore al 10%.

Luce	Causa	Soluzione
Lampeggio bianco per 5 volte	La batteria è scarica o si è verificato un errore.	Premere il pulsante ON/OFF per 5 secondi per visualizzarne lo stato.
LED blu	Il cavo perimetrale di zona è difettoso o non collegato.	Sostituire o collegare il cavo di zona.
LED viola	Il prodotto non riesce a trovare il cavo perimetrale dell'area di lavoro. La modalità ECO è attivata o l'intervallo di zona è errato.	Esaminare il cavo perimetrale dell'area di lavoro e sostituirlo se difettoso. Assicurarsi che il cavo perimetrale dell'area di lavoro sia installato correttamente. Assicurarsi che la stazione di ricarica del robot rasaerba sia collegata a una presa di corrente. Disattivare la modalità ECO.

Luce	Causa	Soluzione
LED rosso	La temperatura del prodotto è troppo elevata.	Collocare il prodotto in un'area protetta dalla luce del sole. Prima di avviare il prodotto, attendere che la sua temperatura diminuisca. Se il problema persiste, rivolgersi al rappresentante locale Husqvarna.

Sintomi

Sintomo	Causa	Soluzione
Il robot rasaerba si arresta con il messaggio di errore "Problema del generatore di zone".	La batteria di FlexiFence è quasi esaurita. FlexiFence non funziona quando la batteria è scarica. Il robot rasaerba può tagliare nell'area da evitare se viene avviato prima di caricare FlexiFence.	Caricare la batteria di FlexiFence prima di avviare il robot rasaerba.
	FlexiFence viene impostato automaticamente su OFF perché la temperatura in FlexiFence è superiore al limite massimo.	Collocare il prodotto in un'area protetta dalla luce del sole. Prima di avviare il prodotto, attendere che la sua temperatura diminuisca.
Il robot rasaerba entra nella zona FlexiFence.	Problema di trasferimento software.	Premere il pulsante ON/OFF per 15 secondi per riavviare il prodotto.

Conservazione e smaltimento

Rimessaggio del prodotto



AVVERTENZA: Collocare il prodotto in un'area alla quale non possono accedere bambini.

1. Caricare la batteria dal prodotto.
2. Pulire il prodotto. Fare riferimento a *Pulizia del prodotto alla pagina 111*.
3. Conservare il prodotto in un luogo asciutto, chiuso e al riparo dal gelo.

Smaltimento

- Rispettare le norme nazionali.
 - Utilizzare il sistema di smaltimento locale.
 - Non smaltire la batteria come normale rifiuto domestico. La batteria contiene celle agli ioni di litio.
-



ATTENZIONE: La batteria può essere rimossa solo da personale qualificato.

Per ulteriori informazioni sulla rimozione della batteria, rivolgersi al rappresentante Husqvarna.

Dati tecnici

Dati del prodotto	
Tempo di funzionamento della batteria, approssimativo, in giorni	30
Tensione di carica della batteria, V	5
Corrente di carica della batteria, A	1

Dati del prodotto	
Tempo di ricarica della batteria, h	6
Codice IP	IPX4

Antenna cavo perimetrale	
Banda di frequenza operativa, Hz	100-80000
Campo magnetico massimo ¹⁵ , dBuA/m	82
Potenza a radiofrequenza massima ¹⁶ , mW @60m	<25

Non è possibile garantire la piena compatibilità tra il prodotto e altri tipi di sistemi wireless, quali telecomandi e radiotrasmettitori.

Specifiche dell'alimentatore	
Frequenza, Hz, monofase	50-60
Tensione di rete, V AC	100-240
Tensione di uscita, VCC	5
Corrente di uscita, A	1
Potenza erogata minima, W	5
Connettore di uscita	USB-C

¹⁵ Misurato in conformità alla norma EN 303 447.

¹⁶ Massima potenza attiva per le antenne nella banda di frequenza in cui funziona l'apparecchiatura radio.

Accessori

Accessori omologati	Quantità
Cavo perimetrale, m	50
	150
Picchetti, pz	100
Connettori, pz	5

Dichiarazione di conformità UE

La sottoscritta, in qualità di rappresentante autorizzato del produttore, GARDENA Germany AB, PO Box 7454, S-103 92, Stockholm, Sweden, certifica che il prodotto o i prodotti qui di seguito indicati, nei modelli da noi commercializzati, sono conformi alle direttive armonizzate UE, nonché alle norme di sicurezza UE e specifiche di prodotto. Qualunque modifica apportata al prodotto senza nostra specifica autorizzazione invalida la presente dichiarazione.

Descrizione	Circuito mobile
Tipo/Modello	Automower® FlexiFence
N. art.	529880501
Direttiva UE	Descrizione
2014/53/EU	ROSSO
2011/65/EU	RoHS

Norme armonizzate:

- EN ISO 12100:2010
- EN 60335-1:2012+A11:2014+A13:2017+A1:2019+A14:2019+A2:2019
- EN 50636-2-107:2015+A1:2018

- ETSI EN 301 489-1 V2.2.3 (2019-11)
- ETSI EN 301 489-3 V2.1.1 (2019-03)
- Draft ETSI EN 303 447 V1.2.1 (2021-03)
- EN IEC 62311:2020
- EN IEC 63000:2018
- IEC 62133-2:2017

Documentazione depositata: GARDENA Technische Documentation M.Jäger
D-89079 Ulm, Hans-Lorenser-Str.40

Anno di applicazione della certificazione CE: 2021

Ulm, 04.02.2022



Reinhard Pompe,

Vicepresidente Prodotti



Wolfgang Engelhardt,

Vicepresidente della filiera

Contenido

Introducción.....	118
Seguridad.....	120
Instalación.....	122
Funcionamiento.....	124
Mantenimiento.....	125
Resolución de problemas.....	126
Almacenamiento y desecho.....	128
Datos técnicos.....	128
Declaración de conformidad CE.....	130

Introducción

Asistencia

Para obtener asistencia sobre el producto, póngase en contacto con su representante de Husqvarna.

Descripción del producto

Nota: Husqvarna actualiza periódicamente el aspecto y el funcionamiento de los productos. Consulte la sección *Asistencia en la página 118*.

Con Automower® FlexiFence puede instalar una zona a evitar en el área de trabajo en la que el robot cortacésped no podrá entrar y cortar el césped.

Para utilizar Automower® FlexiFence con el robot cortacésped Automower® puede que sea necesario actualizar el firmware del robot cortacésped Automower®. Póngase en contacto con su representante de Husqvarna para obtener más información.

Automower® FlexiFence no debe utilizarse en zonas públicas, parques, estadios deportivos, ni en actividades agrícolas o forestales.

Descripción del producto

(Fig. 1)

1. Cubierta
2. Toma de carga
3. Conexiones
4. Tapa hermética
5. Botón ON/OFF
6. Indicador LED
7. Conectores
8. Estacas
9. Cable delimitador de zona
10. Cable de carga USB-C

Símbolos que aparecen en el producto

Puede encontrar estos símbolos en el producto. Asegúrese de comprender su significado.

(Fig. 2) Este producto cumple con las directivas vigentes de la UE.

(Fig. 3) Este producto cumple con las directivas vigentes del Reino Unido.

(Fig. 4) No está permitido desechar el producto como residuo doméstico normal. Respete las normativas nacionales y utilice el sistema de reciclaje local.

(Fig. 5) No utilice el producto a temperaturas inferiores a 0 °C (32 °F).

(Fig. 6) **ADVERTENCIA:** Lea las instrucciones de uso antes de utilizar el producto.

Símbolos de la batería

Puede encontrar estos símbolos en la batería. Asegúrese de comprender su significado.

(Fig. 7)

ADVERTENCIA: No deseche la batería como un residuo doméstico habitual. La batería contiene celdas de ion-litio.

Seguridad

Definiciones de seguridad

Las advertencias, precauciones y notas se utilizan para destacar información especialmente importante del manual.



ADVERTENCIA: Indica un riesgo de lesiones o incluso de muerte del usuario o de las personas cercanas si no se respetan las instrucciones del manual.



PRECAUCIÓN: Indica un riesgo de daños en el producto, otros materiales o el área adyacente si no se respetan las instrucciones del manual.

Nota: Se usa para proporcionar más información necesaria en una situación determinada.

Instrucciones de seguridad para el funcionamiento



ADVERTENCIA: Lea las siguientes instrucciones de advertencia antes de utilizar el producto.

- Las personas con discapacidades físicas, sensoriales o mentales o las personas sin experiencia ni conocimientos pueden utilizar este producto bajo supervisión, o siempre que hayan recibido instrucciones sobre el uso seguro del producto y que hayan comprendido los peligros derivados de dicho uso. Los niños no deben jugar con el producto.
- No se permite que los niños estén sin supervisión en la zona a evitar. Cuando la batería esté descargada o FlexiFence se sobrecaliente, la zona deja de estar protegida.

- Este producto genera un campo electromagnético durante el funcionamiento que puede, en determinadas circunstancias, interferir con implantes médicos activos o pasivos. Para reducir el riesgo de que se den condiciones que provocarían lesiones graves o letales, las personas que utilicen implantes médicos deben consultar con su médico y con el fabricante del implante antes de poner en marcha este producto.
- Las piezas pequeñas pueden ser ingeridas con facilidad por bebés y niños pequeños. Asimismo, las bolsas de plástico pueden provocar la asfixia de bebés y niños pequeños. Mantenga a bebés y niños pequeños alejados durante el montaje del producto.
- Si las baterías se utilizan de forma incorrecta o si están dañadas, pueden expulsar líquido inflamable. Debe evitarse el contacto con este líquido. Si se produjera un contacto accidental, enjuague con agua. Si el líquido entra en contacto con los ojos, busque atención médica adicional.
- Cargue el producto únicamente en zonas interiores secas.
- No retire la batería del producto.
- Este producto no incluye una fuente de alimentación USB. Se recomienda utilizar una fuente de alimentación de otro fabricante de acuerdo con las especificaciones de la fuente de alimentación; consulte *Datos técnicos en la página 128*. Antes de utilizar el adaptador de alimentación USB de otro fabricante, compruebe que cumple las normas de seguridad nacionales e internacionales sobre tensión extra baja de seguridad (SELV).
- No utilice el producto ni sus periféricos si las condiciones meteorológicas no son adecuadas, especialmente si hay riesgo de tormenta eléctrica.
- Siga las instrucciones de mantenimiento; consulte *Mantenimiento en la página 125*.
- Para desechar de forma segura la batería, consulte *Eliminación en la página 128*.
- La temperatura de funcionamiento y almacenamiento oscila entre 0 y 40 °C (32 y 104 °F). Las temperaturas demasiado elevadas pueden causar daños en el producto.
- Cargue la batería a una temperatura ambiente de entre 4 y 30 °C (39 y 86 °F). La potencia de carga completa está disponible a partir de 15 °C (59 °F).

Instalación

Introducción sobre la instalación



ADVERTENCIA: Asegúrese de leer y comprender el capítulo sobre seguridad antes de instalar el producto.



PRECAUCIÓN: Utilice material para la instalación y piezas de repuesto originales.

Nota: Consulte el manual de usuario del robot cortacésped o www.husqvarna.com para obtener más información sobre la instalación.

Instalación del producto

Preparación para la instalación del producto

- Cargue la batería del producto. Consulte la sección *Carga de la batería en la página 124*.
- Instale la zona a evitar en el área de trabajo del robot cortacésped, pero no sobre un cable guía.
- Asegúrese de que FlexiFence y todos los objetos del área de FlexiFence se encuentren como mínimo a 35 cm (14 pulg.) del cable delimitador de zona (A). (Fig. 8)
- Asegúrese de que la distancia mínima entre el cable delimitador de zona y el cable delimitador del área de trabajo (B) sea de 60 cm (24 pulg.).
- Asegúrese de que la distancia mínima entre el cable delimitador de zona y el cable guía (C) sea de 60 cm (24 pulg.).
- Si utiliza más de 1 unidad FlexiFence, asegúrese de que la distancia mínima entre los 2 cables delimitadores de zona sea de 60 cm (24 pulg.).
- Asegúrese de que las pendientes del área de FlexiFence no sean superiores al 10 %.
- Asegúrese de que la longitud del cable delimitador de zona sea de 15 m (50 pies) como máximo.

- No coloque el cable delimitador de zona sobre el mismo cable delimitador de zona o sobre una instalación de cable delimitador de zona diferente. Esto puede causar interferencias en el producto y el cable delimitador de zona. (Fig. 9)
- Para colocar FlexiFence a una determinada distancia de los objetos, lea el apartado Elección del lugar donde se colocará el cable delimitador en el manual de usuario del robot cortacésped.

Nota: Utilice las piezas incluidas para la instalación. Puede ponerse en contacto con su representante de Husqvarna para obtener más piezas para la instalación.

Instalación del producto

1. Coloque el cable delimitador de zona alrededor de la zona a evitar.
2. Corte los 2 extremos del cable delimitador de zona.
3. Conecte un conector en cada extremo del cable delimitador de zona.
4. Conecte los 2 conectores (A) a las 2 conexiones del producto (B). (Fig. 10)
5. Utilice un martillo o un mazo de plástico para fijar el cable delimitador de zona al suelo con estacas. Coloque las estacas a una distancia máxima de 75 cm (30 pulg.) entre sí.
6. Coloque el producto en la zona a evitar y fíjelo al suelo con estacas y un martillo o un mazo de plástico.
7. Habilite la función Generador de zona de su robot cortacésped. Consulte el manual de usuario del robot cortacésped.

Nota: Si el producto no cuenta con el menú Generador de zona, será necesario actualizar el firmware del robot cortacésped.

Prueba de la instalación

1. Encienda el producto y asegúrese de que el indicador LED está verde.
2. Asegúrese de que el modo ECO del robot cortacésped está desactivado. Consulte el modo ECO en el manual de usuario del robot cortacésped.
3. Coloque el robot cortacésped delante de la zona a evitar, a 1 o 2 m de distancia. Asegúrese de que el robot cortacésped está orientado hacia la zona a evitar.

4. Ponga en marcha el robot cortacésped y asegúrese de que se detiene junto al cable delimitador de zona.

Nota: Si hay problemas con la instalación, consulte *Resolución de problemas en la página 126*.

Funcionamiento

Carga de la batería

Cargue la batería por completo antes de utilizar el producto por primera vez. La batería está completamente cargada cuando la luz del indicador LED es de color naranja y está fija. El producto no funciona mientras se carga.

1. Retire la cubierta del producto.
2. Retire la tapa hermética del producto.
3. Conecte el cable de carga USB-C a la toma de carga.
4. Conecte el cable de carga USB-A a una fuente de alimentación.
5. Conecte la fuente de alimentación a una toma de corriente.
6. Compruebe si el indicador LED del producto parpadea en naranja para asegurarse de que la batería se está cargando.

Nota: La fuente de alimentación de 5 V con toma USB no está incluida.

Nota: Si el producto no se va a utilizar durante un tiempo prolongado, cargue la batería como mínimo al 60 % cada 3 meses. Cargue la batería del producto a un mínimo del 60 % antes de ponerlo en marcha si ha permanecido almacenado durante un periodo prolongado.

Indicador LED de capacidad de la batería

El indicador LED se enciende cuando el estado de carga de la batería del producto es inferior al 10 %. Para mostrar el indicador LED cuando el estado de carga de la batería es superior al 10 %, pulse el botón ON/OFF durante 5 segundos.

Luz	Causa
LED verde fijo	El producto está encendido y el estado de carga de la batería es superior al 30 %.
El LED parpadea en verde lentamente	El producto está encendido y el estado de carga de la batería es del 10-30 %.
El LED parpadea en verde rápidamente	El producto está encendido y el estado de carga de la batería es inferior al 10 %.
LED naranja fijo	La batería está completamente cargada.
El LED parpadea en naranja	La batería se está cargando.

Arranque del producto

1. Pulse el botón ON/OFF del producto durante 2 segundos.
2. Compruebe si el indicador LED del producto está verde para asegurarse de que el producto está encendido.

Parada del producto

1. Pulse el botón ON/OFF del producto durante 2 segundos.
2. Compruebe si el indicador LED del producto parpadea en blanco. El producto está apagado cuando el indicador LED no está iluminado.

Mantenimiento

Limpieza del producto



PRECAUCIÓN: No utilice una hidrolimpiadora ni agua corriente para limpiar el producto. No utilice disolventes para la limpieza.

- Utilice un paño húmedo para limpiar el producto.

Resolución de problemas

Indicador LED del producto

El indicador LED se enciende cuando la capacidad de la batería del producto es inferior al 10 %. Para mostrar el indicador LED cuando el estado de carga de la batería es superior al 10 %, pulse el botón ON/OFF durante 5 segundos.

Luz fija: el estado de carga de la batería es superior al 30 %.

Parpadeo lento: el estado de carga de la batería es del 10-30 %.

Parpadeo rápido: el estado de carga de la batería es inferior al 10 %.

Luz	Causa	Solución
Parpadea en blanco 5 veces	La batería está descargada o hay un error.	Pulse el botón ON/OFF durante 5 segundos para ver el estado.
LED azul	El cable delimitador de zona está defectuoso o no está conectado.	Sustituya o conecte el cable delimitador de zona.
LED púrpura	El producto no puede encontrar cable delimitador del área de trabajo. El modo ECO está activado o el rango de zonas es incorrecto.	Examine el cable delimitador del área de trabajo y sustitúyalo si está defectuoso. Asegúrese de que el cable delimitador del área de trabajo está instalado correctamente. Asegúrese de que la estación de carga del robot cortacésped esté conectada a una toma de corriente. Desactive el modo ECO.

Luz	Causa	Solución
LED rojo	La temperatura del producto es demasiado alta.	Coloque el producto en una zona que esté protegida del sol. Deje que la temperatura del producto disminuya antes de ponerlo en marcha. Si el problema persiste, póngase en contacto con su representante local de Husqvarna.

Síntomas

Síntoma	Causa	Solución
El robot cortacésped se detiene con el mensaje de error "Problema con el generador de zona".	La batería de FlexiFence tiene poca carga. FlexiFence no funciona cuando la batería está agotada. El robot cortacésped puede cortar en la zona a evitar si lo pone en marcha antes de cargar FlexiFence.	Cargue la batería de FlexiFence antes de poner en marcha el robot cortacésped.
	FlexiFence se desactiva automáticamente debido a que la temperatura de FlexiFence es superior al límite máximo.	Coloque el producto en una zona que esté protegida del sol. Deje que la temperatura del producto disminuya antes de ponerlo en marcha.
El robot cortacésped entra en la zona de FlexiFence.	Problema de transferencia de software.	Pulse el botón ON/OFF durante 15 segundos para reiniciar el producto.

Almacenamiento y desecho

Almacenamiento del producto



ADVERTENCIA: Coloque el producto en una zona donde los niños no puedan acceder.

1. Cargue la batería del producto.
2. Limpie el producto. Consulte la sección *Limpieza del producto en la página 125*.
3. Guarde el producto en un lugar seco, cerrado y al abrigo de las heladas.

Eliminación

- Cumpla con las normas nacionales.
 - Respete el sistema de reciclaje local.
 - No deseche la batería como un residuo doméstico habitual. La batería contiene celdas de ion-litio.
-



PRECAUCIÓN: Solo el personal cualificado puede extraer la batería.

Para obtener más información sobre la extracción de la batería, póngase en contacto con su representante de Husqvarna.

Datos técnicos

Datos del producto	
Tiempo aproximado de funcionamiento de la batería, días	30
Tensión de carga de la batería, V	5

Datos del producto	
Corriente de carga de la batería, A	1
Tiempo de carga de la batería, horas	6
Grado de protección IP	IPX4

Antena del cable delimitador	
Banda de frecuencias de funcionamiento, Hz	100-80000
Campo magnético máximo ¹⁷ , dBuA/m	82
Máxima potencia de radiofrecuencia ¹⁸ , mW a 60 m	<25

No se puede garantizar la compatibilidad total entre el producto y otros tipos de sistemas inalámbricos, como mandos a distancia y transmisores de radio.

¹⁷ Medido de acuerdo con EN 303 447.

¹⁸ Potencia de salida activa máxima a las antenas de la banda de frecuencias en la que opera el equipo de radio.

Especificaciones de la fuente de alimentación	
Frecuencia, Hz, monofásico	50-60
Tensión de red, V CA	100-240
Tensión de salida, V CC	5
Corriente de salida, A	1
Potencia de salida mínima, W	5
Conector de salida	USB-C

Accesorios

Accesorios homologados	Cantidad
Cable delimitador, metros	50
	150
Estacas, uds.	100
Conectores, uds.	5

Declaración de conformidad CE

El abajo firmante, como representante autorizado del fabricante, GARDENA Germany AB, PO Box 7454, S-103 92, Stockholm, Sweden, certifica por la presente que, cuando salen de la fábrica, las unidades indicadas a continuación cumplen las directrices armonizadas de la UE, las normas de la UE sobre seguridad y las normas específicas del producto. Este certificado quedará sin efecto si se modifican las unidades sin nuestra autorización.

Descripción	Lazo móvil
Tipo/Modelo	Automower® FlexiFence
N.º art.	529880501

Directiva de la UE	Descripción
2014/53/EU	RED
2011/65/EU	RoHS

Normas armonizadas:

- EN ISO 12100:2010
- EN 60335-1:2012+A11:2014+A13:2017+A1:2019+A14:2019+A2:2019
- EN 50636-2-107:2015+A1:2018
- ETSI EN 301 489-1 V2.2.3 (2019-11)
- ETSI EN 301 489-3 V2.1.1 (2019-03)
- Draft ETSI EN 303 447 V1.2.1 (2021-03)
- EN IEC 62311:2020
- EN IEC 63000:2018
- IEC 62133-2:2017

Documentación depositada: GARDENA Technische Documentation M.Jäger
D-89079 Ulm, Hans-Lorenser-Str.40

Año de marcado CE: 2021

Ulm, 04.02.2022



Reinhard Pompe,

vicepresidente de productos



Wolfgang Engelhardt,

vicepresidente de la cadena de suministro

Inhalt

Einleitung.....	133
Sicherheit.....	135
Installation.....	137
Betrieb.....	139
Wartung.....	141
Fehlerbehebung.....	141
Lagerung und Entsorgung.....	143
Technische Angaben.....	146
EU-Konformitätserklärung.....	148

Einleitung

Support

Wenden Sie sich an Ihren Husqvarna Händler, um Support für das Gerät zu erhalten.

Gerätebeschreibung

Hinweis: Husqvarna aktualisiert regelmäßig das Erscheinungsbild und die Funktionsweise der Geräte. Siehe *Support auf Seite 133*.

Mit dem Automower® FlexiFence können Sie im Arbeitsbereich des Mähroboters einen verbotenen Bereich einrichten, den er nicht befahren kann und in dem er kein Gras mähen kann.

Um den Automower® FlexiFence mit dem Automower® Mähroboter verwenden zu können, muss die Firmware für den Automower® Mähroboter aktualisiert werden. Ihr Husqvarna-Vertreter steht Ihnen gern für weitere Informationen zur Verfügung.

Der Automower® FlexiFence darf nicht in öffentlichen Bereichen, Parks, Sportarenen oder in der Land- oder Forstwirtschaft verwendet werden.

Geräteübersicht

(Abb. 1)

1. Gehäuse
2. Ladebuchse
3. Anschlüsse
4. Verschlusskappe
5. ON/OFF-Taste
6. LED Anzeigelampe
7. Verbinder
8. Haken
9. Zonenbegrenzungskabel
10. USB-C-Ladekabel

Symbole auf dem Gerät

Diese Symbole befinden sich auf dem Gerät. Stellen Sie sicher, dass Sie sie verstanden haben.

(Abb. 2) Dieses Gerät entspricht den geltenden EU-Richtlinien.

(Abb. 3) Dieses Gerät entspricht den geltenden Richtlinien für GB.

(Abb. 4) Es ist nicht zulässig, dieses Gerät über den normalen Hausmüll zu entsorgen. Befolgen Sie die nationalen Vorschriften und verwenden Sie das lokale Recyclingsystem.

(Abb. 5) Verwenden Sie das Gerät nicht bei Temperaturen unter 0 °C/32 °F.

(Abb. 6) **WARNUNG:** Lesen Sie die Bedienungsanleitung, bevor Sie das Gerät in Betrieb nehmen.

Symbole am Akku

Diese Symbole befinden sich auf dem Akku. Stellen Sie sicher, dass Sie sie verstanden haben.

(Abb. 7)

WARNUNG: Entsorgen Sie den Akku nicht über den Hausmüll. Der Akku enthält Lithium-Ionen-Zellen.

Sicherheit

Sicherheitsdefinitionen

Warnungen, Vorsichtsmaßnahmen und Hinweise werden verwendet, um auf besonders wichtige Teile der Bedienungsanleitung hinzuweisen.



WARNUNG: Wird verwendet, wenn bei Nichtbeachtung der Anweisungen in diesem Handbuch die Gefahr von Verletzung oder Tod des Bedieners oder anderer Personen besteht.



ACHTUNG: Wird verwendet, wenn bei Nichtbeachtung der Anweisungen in diesem Handbuch die Gefahr von Schäden am Gerät, an anderen Materialien oder in der Umgebung besteht.

Hinweis: Für weitere Informationen, die in bestimmten Situationen nötig sind.

Sicherheitshinweise für den Betrieb



WARNUNG: Lesen Sie die folgenden Warnhinweise, bevor Sie das Gerät benutzen.

- Dieses Gerät darf von Personen mit physischen, sensorischen oder psychischen Behinderungen oder mit mangelhafter Erfahrung und Sachkenntnis nur dann und unter Aufsicht betrieben werden, wenn sie ausführlich in die sichere Verwendung des Geräts unterwiesen wurden und die sich daraus ergebenden Gefahren verstanden haben. Kinder dürfen nicht mit dem Gerät spielen.
- Kinder dürfen sich nicht unbeaufsichtigt im verbotenen Bereich befinden. Wenn der Akku leer ist oder der FlexiFence überhitzt ist, ist auch der verbotene Bereich nicht mehr geschützt.

- Dieses Gerät erzeugt beim Betrieb ein elektromagnetisches Feld. Dieses Feld kann sich unter bestimmten Bedingungen auf die Funktionsweise aktiver oder passiver medizinischer Implantate auswirken. Um die Gefahr von Situationen, die zu schweren oder tödlichen Verletzungen führen können, auszuschließen, sollten Personen mit einem medizinischen Implantat vor dem Gebrauch dieses Geräts ihren Arzt und den Hersteller des Implantats konsultieren.
- Kleinere Teile können leicht verschluckt werden. Bei der Vielzwecktasche besteht Erstickungsgefahr für Kleinkinder. Halten Sie Kleinkinder während der Installation fern.
- Bei unsachgemäßer Verwendung oder bei beschädigten Akkus kann brennbare Flüssigkeit aus dem Akku entweichen. Hautkontakt mit dieser Flüssigkeit ist zu vermeiden. Bei versehentlichem Hautkontakt, spülen Sie die Stelle sofort mit Wasser ab. Bei versehentlichem Kontakt mit den Augen, suchen Sie zusätzlich einen Arzt auf.
- Laden Sie das Gerät nur in trockenen Innenräumen auf.
- Entfernen Sie den Akku nicht aus dem Gerät.
- Ein USB-Netzteil ist nicht im Lieferumfang dieses Geräts enthalten. Es wird empfohlen, ein den Spezifikationen entsprechendes Netzteil eines Drittanbieters zu verwenden, siehe *Technische Angaben auf Seite 146*. Bevor Sie das USB-Netzteil eines Drittanbieters verwenden, überprüfen Sie, ob es den national und international geltenden Standards für Sicherheitskleinspannung (SELV) entspricht.
- Verwenden Sie das Gerät und sein Zubehör nicht bei schlechtem Wetter, insbesondere dann nicht, wenn die Gefahr eines Blitzeinschlags besteht.
- Befolgen Sie die Wartungsanweisungen, siehe *Wartung auf Seite 141*.
- Zur sicheren Entsorgung des Akkus siehe *Entsorgung auf Seite 144*.
- Der Betriebs- und Lagerungstemperaturbereich beträgt 0–40 °C/32–104 °F. Bei zu hohen Temperaturen kann es zu Beschädigungen am Gerät kommen.
- Laden Sie den Akku bei Umgebungstemperaturen von 4–30 °C/39–86 °F. Die volle Ladeleistung steht ab 15 °C/59 °F zur Verfügung.

Installation

Einführung – Installation



WARNUNG: Lesen Sie vor der Installation des Geräts das Kapitel über Sicherheit, und machen Sie sich damit vertraut.



ACHTUNG: Verwenden Sie Originalersatzteile und Originalinstallationsmaterial.

Hinweis: Weitere Informationen zur Installation finden Sie in der Bedienungsanleitung des Mähroboters oder unter www.husqvarna.com.

Installation des Geräts

Vorbereitung zur Installation des Geräts

- Laden Sie den Akku des Geräts auf. Siehe *So laden Sie den Akku auf Seite 139*.
- Bauen Sie den verbotenen Bereich im Arbeitsbereich des Mähroboters auf, jedoch nicht über ein Leitkabel hinweg.
- Stellen Sie sicher, dass der FlexiFence und alle Objekte im Bereich des FlexiFence mindestens 35 cm/14 Zoll vom Begrenzungskabel (A) des verbotenen Bereichs entfernt sind. (Abb. 8)
- Stellen Sie sicher, dass der Mindestabstand zwischen dem Begrenzungskabel des verbotenen Bereichs und dem Begrenzungskabel des Arbeitsbereichs (B) mindestens 60 cm/24 Zoll beträgt.
- Stellen Sie sicher, dass der Mindestabstand zwischen dem Begrenzungskabel des verbotenen Bereichs und dem Leitkabel (C) mindestens 60 cm/24 Zoll beträgt.
- Wenn Sie mehr als ein FlexiFence-Gerät verwenden, stellen Sie sicher, dass der Mindestabstand zwischen den Begrenzungskabeln der beiden verbotenen Bereiche mindestens 60 cm/24 Zoll beträgt.

- Stellen Sie sicher, dass kein Gefälle im FlexiFence-Bereich mehr als 10 % beträgt.
- Stellen Sie sicher, dass die Länge des Begrenzungskabels des verbotenen Bereichs maximal 15 m/50 Fuß beträgt.
- Kreuzen Sie keine Begrenzungskabel, weder die Begrenzungskabel desselben verbotenen Bereichs noch die Begrenzungskabel unterschiedlicher verbotener Bereiche. Dies kann zu Störungen des Geräts und der Begrenzungskabel führen. (Abb. 9)
- Um beim Platzieren des FlexiFence die erforderlichen Abstände einzuhalten, lesen Sie den Abschnitt „So finden Sie die richtige Position für das Begrenzungskabel“ in der Bedienungsanleitung des Mähroboters.

Hinweis: Verwenden Sie die mitgelieferten Teile für die Installation. Weitere Teile für die Installation können Sie von Ihrem Husqvarna Händler erhalten.

So installieren Sie das Gerät

1. Definieren Sie mit dem Begrenzungskabel den verbotenen Bereich.
2. Durchtrennen Sie die zwei Enden des Begrenzungskabels.
3. Bringen Sie an beiden Enden des Begrenzungskabels einen Steckverbinder an.
4. Verbinden Sie die zwei Steckverbinder (A) mit den beiden Anschlüssen am Gerät (B). (Abb. 10)
5. Verwenden Sie einen (Kunststoff-)hammer, um das Begrenzungskabel mit Haken am Boden zu fixieren. Setzen Sie die Haken mit einem Maximalabstand von 75 cm/30 Zoll zueinander.
6. Platzieren Sie das Gerät im verbotenen Bereich, und fixieren Sie es mit Haken und einem (Kunststoff-)hammer am Boden.
7. Aktivieren Sie die Zonengenerator-Funktion Ihres Mähroboters. Siehe Bedienungsanleitung des Mähroboters.

Hinweis: Wenn das Gerät über kein Zonengenerator-Menü verfügt, muss die Firmware des Mähroboters aktualisiert werden.

Führen Sie eine Prüfung der Installation durch

1. Schalten Sie das Gerät EIN und stellen Sie sicher, dass die LED-Anzeigelampe grün leuchtet.
2. Stellen Sie sicher, dass der ECO-Modus des Mähroboters deaktiviert ist. Siehe „ECO-Modus“ in der Bedienungsanleitung des Mähroboters.
3. Platzieren Sie den Mähroboter 1–2 m vor dem verbotenen Bereich. Stellen Sie sicher, dass der Mähroboter nach vorne zum verbotenen Bereich zeigt.
4. Starten Sie den Mähroboter und beobachten Sie, ob er tatsächlich am Begrenzungskabel des verbotenen Bereichs stoppt.

Hinweis: Bei Problemen mit der Installation siehe *Fehlerbehebung auf Seite 141*.

Betrieb

So laden Sie den Akku

Laden Sie den Akku vollständig, bevor Sie das Gerät zum ersten Mal verwenden. Wenn die LED-Anzeigelampe durchgehend orange leuchtet, ist der Akku vollständig aufgeladen. Das Gerät kann während dem Aufladen nicht arbeiten.

1. Entfernen Sie das Gehäuse des Geräts.
2. Entfernen Sie die Verschlusskappe des Geräts.
3. Verbinden Sie das USB-C-Ladekabel mit der Ladebuchse.
4. Verbinden Sie das USB-A-Ladekabel mit einem Netzteil.
5. Verbinden Sie das Netzteil mit einer Steckdose.
6. Sehen Sie nach, ob die LED-Anzeigelampe orange blinkt, um sicherzustellen, dass der Akku tatsächlich aufgeladen wird.

Hinweis: Das 5-V-Netzteil mit USB-Buchse ist nicht im Lieferumfang enthalten.

Hinweis: Wenn das Gerät für eine längere Zeit nicht verwendet wird, laden Sie den Akku alle 3 Monate auf mindestens 60 % auf. Laden Sie den

Akku des Geräts auf mindestens 60 % auf, bevor Sie es nach einer längeren Lagerung wieder verwenden.

LED-Anzeigelampe für die Akkukapazität

Die LED-Anzeigelampe beginnt zu leuchten, wenn der Akkuladestatus weniger als 10 % beträgt. Um die LED-Anzeigelampe auch bei mehr als 10 % Akkuladung anzuzeigen, halten Sie 5 Sekunden lang die ON/OFF-Taste gedrückt.

Lampe	Ursache
LED leuchtet dauerhaft grün	Das Gerät ist eingeschaltet, und der Akkuladestatus beträgt mehr als 30 %.
LED blinkt langsam grün	Das Gerät ist eingeschaltet, und der Akkuladestatus beträgt zwischen 10 und 30 %.
LED blinkt schnell grün	Das Gerät ist eingeschaltet, und der Akkuladestatus beträgt weniger als 10 %.
LED leuchtet dauerhaft orange	Der Akku ist vollständig geladen.
LED blinkt orange	Der Akku wird aufgeladen.

So starten Sie das Gerät

1. Halten Sie die ON/OFF-Taste des Geräts 2 Sekunden lang gedrückt.
2. Sehen Sie nach, ob die LED-Anzeigelampe grün leuchtet, um sicherzustellen, dass das Gerät eingeschaltet ist.

So stoppen Sie das Gerät

1. Halten Sie die ON/OFF-Taste des Geräts 2 Sekunden lang gedrückt.
2. Sehen Sie nach, ob die LED-Anzeigelampe des Geräts weiß blinkt. Das Gerät ist ausgeschaltet, wenn die LED-Anzeigelampe erlischt.

Wartung

So reinigen Sie das Gerät



ACHTUNG: Reinigen Sie das Gerät nicht mit einem Hochdruckreiniger oder fließendem Wasser. Verwenden Sie zum Reinigen kein Lösungsmittel.

- Verwenden Sie ein feuchtes Tuch zum Reinigen des Geräts.
-

Fehlerbehebung

LED-Anzeigelampe am Gerät

Die LED-Anzeigelampe beginnt zu leuchten, wenn der Akkuladestatus des Geräts weniger als 10 % beträgt. Um die LED-Anzeigelampe auch bei mehr als 10 % Akkuladung anzuzeigen, halten Sie 5 Sekunden lang die ON/OFF-Taste gedrückt.

Dauerlicht: Der Akkuladestatus beträgt mehr als 30 %.

Langsames Blinken: Der Akkuladestatus beträgt zwischen 10 und 30 %.

Schnelles Blinken: Der Akkuladestatus beträgt weniger als 10 %.

Lampe	Ursache	Lösung
Blinkt 5-mal weiß	Der Akku ist leer, oder ein Fehler ist aufgetreten.	5 Sekunden lang die ON/OFF-Taste gedrückt halten, um den Status zu sehen.
Blaue LED	Das Begrenzungskabel für den verbotenen Bereich ist nicht verbunden.	Das Begrenzungskabel für den verbotenen Bereich austauschen oder verbinden.

Lampe	Ursache	Lösung
Lila LED	Das Gerät kann das Begrenzungskabel des Arbeitsbereichs nicht finden. Der ECO-Modus ist aktiviert, oder die Bereichsreichweite ist falsch.	<p>Das Begrenzungskabel des Arbeitsbereichs prüfen und bei Beschädigung austauschen.</p> <p>Sicherstellen, dass das Begrenzungskabel des Arbeitsbereichs korrekt installiert ist.</p> <p>Sicherstellen, dass die Lade-Station des Mähroboters an eine Steckdose angeschlossen ist.</p> <p>Den ECO-Modus deaktivieren.</p>
Rote LED	Die Temperatur des Geräts ist zu hoch.	<p>Das Gerät in einem Bereich mit Sonnenschutz platzieren. Das Gerät vor dem Starten abkühlen lassen.</p> <p>Wenn das Problem weiterhin besteht, bitte den Husqvarna-Vertreter vor Ort kontaktieren.</p>

Symptome

Symptom	Ursache	Lösung
Der Mähroboter stoppt mit der Fehlermeldung „Zonengenerator-Problem“.	Der Akkuladestatus des FlexiFence ist gering. Das FlexiFence-Zubehör funktioniert nicht, wenn der Akku leer ist. Wenn Sie den Mähroboter starten, bevor Sie den Akku des FlexiFence aufgeladen haben, kann der Mähroboter im verbotenen Bereich mähen.	Vor dem Starten des Mähroboters den Akku des FlexiFence aufladen.
	Der FlexiFence wird automatisch ausgeschaltet, wenn die Temperatur im FlexiFence die zugelassene Höchsttemperatur überschreitet.	Das Gerät in einem Bereich mit Sonnenschutz platzieren. Das Gerät vor dem Starten abkühlen lassen.
Der Mähroboter betritt den Bereich des FlexiFence.	Problem bei der Softwareübertragung.	Die ON/OFF-Taste 15 Sekunden lang gedrückt halten, um das Gerät neuzustarten.

Lagerung und Entsorgung

Das Gerät lagern



WARNUNG: Halten Sie Kinder vom Gerät fern.

1. Laden Sie den Akku des Geräts auf.
2. Das Gerät reinigen. Siehe *So reinigen Sie das Gerät auf Seite 141*.
3. Bewahren Sie das Gerät in einem trockenen, geschlossenen und frostfreien Raum auf.

Entsorgung

- Beachten Sie die nationalen Vorschriften.
- Nutzen Sie das lokale Recyclingsystem.
- Entsorgen Sie den Akku nicht über den Hausmüll. Der Akku enthält Lithium-Ionen-Zellen.



ACHTUNG: Der Akku darf nur von qualifiziertem Personal entfernt werden.

Weitere Informationen zum Entfernen des Akkus erhalten Sie von Ihrem Husqvarna Händler.

Entsorgen von Elektro- und Elektronik-Altgeräten

Gilt nur für Deutschland



Die durchgestrichene Abfalltonne weist darauf hin, dass Sie gesetzlich verpflichtet sind, dieses Gerät getrennt vom unsortierten Siedlungsabfall zu entsorgen. Die Entsorgung im Restmüll oder im gelben Sack ist verboten. Wenn das Produkt Einwegbatterien oder Akkus enthält, die nicht dauerhaft installiert sind, müssen diese vor der Entsorgung des Produkts entfernt und separat als Batterien bzw. Akkus entsorgt werden.

Informationen zur Rückgabe von Elektro- und Elektronik-Altgeräten für Privathaushalte:

Wie im Folgenden näher beschrieben, sind bestimmte Vertrieber verpflichtet, Elektro- und Elektronik-Altgeräte kostenlos zurückzunehmen.

Vertrieber von Elektro- und Elektronikgeräten mit einer Verkaufsfläche von mindestens 400 m² und Lebensmittelhändler mit einer Gesamtverkaufsfläche

von mindestens 800 m², die mehrmals im Kalenderjahr oder beständig Elektro- und Elektronikgeräte abgeben und verkaufen, sind unter den folgenden Umständen zur Rücknahme von Geräten verpflichtet:

1. Beim Verkauf eines neuen Elektro- oder Elektronikgeräts muss der Vertreter ein Altgerät desselben Gerätetyps kostenlos zurücknehmen, das im Wesentlichen die gleichen Funktionen wie das neue Gerät bereitstellt. Dies muss an dem Standort, an dem das Gerät abgegeben wird, oder in unmittelbarer Nähe geschehen. Privathaushalte gelten auch als der Ort, an dem das Gerät abgegeben wird, sofern das Produkt dorthin geliefert wird: In diesem Fall werden Altgeräte ohne Kosten für den Endbenutzer abgeholt.
2. Der Vertreter muss Altgeräte mit einem Durchmesser von weniger als 25 cm auf Wunsch des Endbenutzers an der Verkaufsstelle oder in unmittelbarer Nähe zurücknehmen. Diese Rückgabe muss nicht mit dem Kauf von Elektro- oder Elektronikgeräten in Verbindung stehen und ist auf drei Altgeräte pro Gerätetyp beschränkt.

Bei Abschluss des Kaufvertrags für ein neues Elektro- oder Elektronikgerät muss der Vertreter den Endbenutzer über sein Recht informieren, das Altgerät zurückzugeben oder kostenlos abholen zu lassen, und den Endbenutzer fragen, ob er beabsichtigt, ein Altgerät bei der Lieferung des neuen Geräts zurückzugeben.

Dies gilt auch für den Vertrieb über Telekommunikation, wenn die Lager- und Versandfläche für Elektro- und Elektronikgeräte mindestens 400 m² beträgt oder wenn die gesamte Lager- und Versandfläche mindestens 800 m² beträgt, wobei die kostenlose Abholung von Elektro- oder Elektronikgeräten auf die folgenden Kategorien beschränkt ist:

- 1 (Wärmeüberträger)
- 2 (Geräte mit Displays) und
- 4 (große Geräte mit mindestens einer äußeren Abmessung von mehr als 50 cm)

Für alle anderen Elektro- und Elektronikgeräte muss der Vertreter entsprechende Rücknahmestellen in angemessener Nähe zum Endverbraucher sicherstellen. Dies gilt auch für Altgeräte, bei denen keine äußere Abmessung 25 cm überschreitet, die der Endbenutzer zurückgeben möchte, ohne ein neues Gerät zu erwerben.

Datenschutz

Alle Endbenutzer von Elektro- und Elektronik-Altgeräten sind dafür verantwortlich, alle personenbezogenen Daten von den zu entsorgenden Elektro- und Elektronik-Altgeräten zu löschen.

WEEE-Registrierungsnummer

Husqvarna

10168717

Sammlungs- und Verwertungsraten

Gemäß der WEEE-Richtlinie sind die EU-Mitgliedstaaten verpflichtet, Daten über Elektro- und Elektronik-Altgeräte zu sammeln und diese Daten an die Europäische Kommission zu übermitteln. Weitere Informationen hierzu finden Sie auf der BMUV-Website: <https://www.bmu.de/themen/wasser-ressourcen-abfall/kreislaufwirtschaft/statistiken/elektro-und-elektronikaltgeraete>

Technische Angaben

Gerätedaten	
Geschätzte Akkubetriebsdauer, Tage	30
Akkuladespannung, V	5
Akkuladestrom, A	1
Batterieladezeit, h	6
IP-Code	IPX4

Begrenzungskabelantenne	
Betriebsfrequenzband, Hz	100–80000
Maximales Magnetfeld ¹⁹ , dBuA/m	82

¹⁹ Gemessen gemäß EN 303 447.

Begrenzungskabelantenne	
Maximale Funkfrequenz-Leistung ²⁰ , mW bei 60 m	< 25

Die vollständige Kompatibilität zwischen dem Gerät und anderen Arten von drahtlosen Systemen wie Fernbedienungen und Funksendern kann nicht garantiert werden.

Netzteilspezifikation	
Frequenz, Hz, einphasig	50–60
Netzspannung, V AC	100-240
Ausgangsspannung, V DC	5
Ausgangsstrom, A	1
Mindestausgangsleistung, W	5
Anschlusstyp Ausgang	USB-C

Zubehör

Zugelassenes Zubehör	Menge
Begrenzungskabel, m	50
	150
Haken, Stück	100
Anschlussklemmen, Stk	5

²⁰ Maximale Ausgangsleistung zu den Antennen im Betriebsfrequenzbereich.

EU-Konformitätserklärung

Der Unterzeichner bescheinigt hiermit als autorisierter Vertreter des Herstellers, GARDENA Germany AB, PO Box 7454, S-103 92, Stockholm, Sweden, dass die nachstehend aufgeführten Geräte bei Verlassen des Werks die harmonisierten EU-Leitlinien, EU-Normen für Sicherheit und besondere Normen erfüllen. Dieses Zertifikat verliert seine Gültigkeit, wenn die Geräte ohne unsere Genehmigung verändert werden.

Beschreibung	Mobile Schleife
Typ/Modell	Automower® FlexiFence
Art.-Nr.	529880501

EU-Richtlinie	Beschreibung
2014/53/EU	ROT
2011/65/EU	RoHS

Harmonisierte Normen:

- EN ISO 12100:2010
- EN 60335-1:2012+A11:2014+A13:2017+A1:2019+A14:2019+A2:2019
- EN 50636-2-107:2015+A1:2018
- ETSI EN 301 489-1 V2.2.3 (2019-11)
- ETSI EN 301 489-3 V2.1.1 (2019-03)
- Draft ETSI EN 303 447 V1.2.1 (2021-03)
- EN IEC 62311:2020
- EN IEC 63000:2018
- IEC 62133-2:2017

Hinterlegte Dokumentation: GARDENA Technische Documentation M.Jäger
D-89079 Ulm, Hans-Lorenser-Str.40

Jahr der CE-Kennzeichnung: 2021

Ulm, 04.02.2022

Handwritten signature of Reinhard Pompe in black ink.

Reinhard Pompe,
Vice President Products

Handwritten signature of Wolfgang Engelhardt in black ink.

Wolfgang Engelhardt,
Vice President Supply Chain

Зміст

Вступ.....	150
Безпека.....	152
Установлення.....	154
Експлуатація.....	156
ТЕХНІЧНЕ ОБСЛУГОВУВАННЯ.....	158
Усунення несправностей.....	158
Зберігання й утилізація.....	161
Технічні характеристики.....	161
Декларація відповідності ЄС.....	163

Вступ

Підтримка

Із запитаннями щодо підтримки виробу звертайтеся до місцевого дилера Husqvarna.

Опис виробу

Зверніть увагу: Husqvarna регулярно оновлює зовнішній вигляд і функціональні можливості виробів. Див. *Підтримка на сторінці 150.*

За допомогою пристрою Automower® FlexiFence можна огороджувати в робочій зоні роботизованої газонокосарки неробочу зону, у яку вона не зможе потрапити, щоб косити траву.

Для використання пристрою Automower® FlexiFence із роботизованою газонокосаркою Automower® може знадобитися оновити вбудоване програмне забезпечення газонокосарки Automower®. Щоб отримати додаткову інформацію, зверніться до свого представника компанії Husqvarna.

Не можна використовувати пристрій Automower® FlexiFence у громадських місцях, парках, спортивних майданчиках, а також у сільському чи лісовому господарстві.

Огляд виробу

(Мал. 1)

1. Кришка
2. Гніздо для заряджання
3. З'єднання
4. Заглушка
5. Кнопка увімкнення / вимкнення
6. Світлодіодний індикатор
7. З'єднувачі
8. Кілочки
9. Котушка з граничним дротом неробочої зони
10. Зарядний кабель USB-C

Символи на виробі

Ці символи нанесено на виріб. Переконайтеся, що вам вони зрозумілі.

- (Мал. 2) Цей виріб відповідає застосовним директивам ЄС.
- (Мал. 3) Цей виріб відповідає вимогам застосовних директив Сполученого Королівства.
- (Мал. 4) Цей виріб заборонено утилізувати разом із побутовими відходами. Дотримуйтеся нормативних вимог вашої країни й користуйтеся послугами місцевої системи переробки відходів.
- (Мал. 5) Не використовуйте виріб за температури нижче 0 °C (32 °F).
- (Мал. 6) **ПОПЕРЕДЖЕННЯ.** Перш ніж використовувати цей пристрій, уважно прочитайте інструкції з його експлуатації.

Символи на акумуляторі

Ці символи можна побачити на акумуляторі. Переконайтеся, що вам вони зрозумілі.

(Мал. 7)

ПОПЕРЕДЖЕННЯ. Не викидайте акумулятор разом із побутовим сміттям. Акумулятор містить літій-іонні елементи.

Безпека

Визначення щодо безпеки

Попередження, застереження й примітки служать для наголошення на особливо важливих положеннях посібника.



ПОПЕРЕДЖЕННЯ: Вказує на те, що в разі порушення інструкцій, наведених у цьому посібнику, існує небезпека поранення або смерті оператора чи інших осіб, що знаходяться поруч.



УВАГА: Вказує на те, що в разі порушення інструкцій, наведених у цьому посібнику, існує небезпека пошкодження виробу, інших матеріалів або навколишніх об'єктів.

Зверніть увагу: Використовується для надання додаткової інформації щодо певної ситуації.

Правила техніки безпеки під час використання виробу



ПОПЕРЕДЖЕННЯ: Перш ніж розпочати використання виробу, уважно прочитайте наведені нижче попередження.

- Особи з обмеженими фізичними, сенсорними або розумовими здібностями, або з відсутністю досвіду й знань можуть використовувати цей виріб лише під наглядом або якщо пройшли інструктаж із безпечного використання виробу й розуміють пов'язані із цим ризики. Дітям заборонено грати із цим пристроєм.

- Дітям заборонено перебувати в неробочій зоні без нагляду. Якщо акумулятор розряджений або пристрій FlexiFence перегрівається, неробоча зона більше не буде захищеною.
- Під час роботи цього виробу утворюється електромагнітне поле. Це поле може за деяких умов взаємодіяти з активними чи пасивними медичними імплантатами. Щоб знизити ризик тяжких або смертельних травм, рекомендуємо особам із медичними імплантатами проконсультуватися зі своїм лікарем і виробником медичного імплантату перед початком експлуатації цього виробу.
- Дрібні деталі можна легко проковтнути. Крім того, для дітей існує небезпека задусення поліетиленовим пакетом. Під час проведення монтажу тримайте маленьких дітей на безпечній відстані.
- У разі неправильного використання або пошкодження акумуляторів із них може витікати легкозаймиста рідина. Уникайте контактів із цією рідиною. У разі випадкового контакту з нею промийте місце контакту водою. Якщо рідина потрапить в очі, зверніться по додаткову медичну допомогу.
- Заряджайте пристрій лише в сухих приміщеннях.
- Не виймайте акумулятор із пристрою.
- Блок живлення USB не входить у комплект цього пристрою. Рекомендовано використовувати сторонній блок живлення з відповідними характеристиками, наведеними в розділі *Технічні характеристики на сторінці 161*. Перед використанням USB-адаптера стороннього виробника переконайтеся, що він відповідає місцевим і міжнародним стандартам щодо безпеки низьковольтної напруги (SELV).
- Не використовуйте цей виріб і його периферійні пристрої за складних погодних умов, особливо під час грози.
- Дотримуйтесь інструкцій щодо технічного обслуговування, наведених у розділі *ТЕХНІЧНЕ ОБСЛУГОВУВАННЯ на сторінці 158*.
- Інструкції щодо техніки безпеки під час утилізування акумулятора дивіться в розділі *Утилізація на сторінці 161*.
- Діапазон температур експлуатації й зберігання становить 0–40 °C (32–104 °F). Зависокі температури можуть пошкодити виріб.
- Температура навколишнього середовища під час заряджання має становити від 4 до 30 °C (від 39 до 86 °F). Повна потужність заряджання забезпечується за температури від 15 °C (59 °F).

Установлення

Вступ – установлення



ПОПЕРЕДЖЕННЯ: Перед установленням виробу уважно прочитайте розділ, присвячений правилам техніки безпеки.



УВАГА: Використовуйте оригінальні запасні частини й матеріали для встановлення.

Зверніть увагу: Додаткову інформацію щодо встановлення можна знайти в посібнику користувача роботизованої газонокосарки або на сайті www.husqvarna.com.

Установлення виробу

Підготовка до встановлення пристрою

- Зарядіть акумулятор пристрою. Див. *Заряджання акумулятора на сторінці 156*.
- Обгородіть неробочу зону в робочій зоні роботизованої газонокосарки, але не перетинайте напрямний дріт.
- Переконайтеся, що пристрій FlexiFence і всі об'єкти в зоні FlexiFence перебувають на відстані щонайменше 35 см (14 дюймів) від граничного дроту неробочої зони (А). (Мал. 8)
- Мінімальна відстань від граничного дроту неробочої зони до граничного дроту робочої зони (В) має становити 60 см (24 дюйма).
- Мінімальна відстань від граничного дроту неробочої зони до напрямного дроту (С) має становити 60 см (24 дюйма).
- У разі використання більше одного пристрою FlexiFence мінімальна відстань між граничними дротами двох неробочих зон має становити 60 см (24 дюйми).
- Схили на ділянці FlexiFence не повинні перевищувати 10 %.

- Максимальна довжина граничного дроту неробочої зони має становити 15 м (50 футів).
- Слідкуйте, щоб граничний дріт неробочої зони не перетинав сам себе або граничний дріт іншої неробочої зони. Це може заважати пристрою рухатися й перешкоджати прокладанню граничного дроту неробочої зони. (Мал. 9)
- Щодо розміщення пристрою FlexiFence на відстані від об'єктів прочитайте розділ «Визначення місця встановлення граничного дроту» в посібнику користувача роботизованої газонокосарки.

Зверніть увагу: Для створення неробочої зони використовуйте деталі, що входять до комплекту. За додатковими деталями для створення неробочої зони звертайтеся до місцевого представника компанії Husqvarna.

Порядок встановлення пристрою

1. Укладіть граничний дріт навколо неробочої зони.
2. Обріжте 2 кінці граничного дроту неробочої зони.
3. Приєднайте по одному з'єднувачу до кожного кінця граничного дроту неробочої зони.
4. Приєднайте 2 з'єднувачі (А) до 2 з'єднань на виробі (В). (Мал. 10)
5. Використовуючи молоток або пластикову киянку, забийте кілки з граничним дротом у землю. Розташуйте кілки на відстані щонайбільше 75 см (30 дюймів) один від одного.
6. Помістіть пристрій у неробочу зону й прикріпіть його до землі кілками, використовуючи молоток або пластикову киянку.
7. Увімкніть у газонокосарці функцію генератора зон. Дивіться посібник користувача роботизованої газонокосарки.

Зверніть увагу: Якщо у вашої газонокосарки немає меню функції генератора зон, необхідно оновити її вбудоване програмне забезпечення.

Тестування встановлення

1. Увімкніть пристрій і переконайтеся, що світлодіодний індикатор горить зеленим.

2. Переконайтеся, що режим ECO газонокосарки вимкнено. Дивіться розділ «Режим ECO» в посібнику користувача роботизованої газонокосарки.
3. Розмістіть газонокосарку на відстані 1–2 м від неробочої зони. Переконайтеся, що газонокосарку спрямовано вперед до неробочої зони.
4. Запустіть газонокосарку й переконайтеся, що вона зупиняється біля граничного дроту неробочої зони.

Зверніть увагу: У разі виникнення будь-яких проблем з установленням дивіться розділ *Усунення несправностей на сторінці 158*.

Експлуатація

Заряджання акумулятора

Перед першим використанням пристрою акумулятор необхідно повністю зарядити. Акумулятор вважається повністю зарядженим, коли світлодіодний індикатор безперервно горить помаранчевим. Під час заряджання пристрій не працює.

1. Зніміть кришку пристрою.
2. Вийміть заглушку.
3. Під'єднайте роз'єм USB-C зарядного кабелю до гнізда для заряджання.
4. Під'єднайте роз'єм USB-A зарядного кабелю до блока живлення.
5. Підключіть блок живлення до електричної розетки.
6. Перевірте, чи блимає світлодіодний індикатор на пристрої помаранчевим, щоб переконатися, що акумулятор заряджається.

Зверніть увагу: Блок живлення напругою 5 В із гніздом USB в комплект не входить.

Зверніть увагу: Якщо пристрій не використовуватиметься протягом тривалого часу, заряджайте акумулятор мінімум до 60 % кожні

3 місяці. Перед запуском пристрою після тривалого зберігання зарядіть акумулятор щонайменше на 60 %.

Світлодіодний індикатор рівня заряду акумулятора

Цей світлодіодний індикатор загоряється, коли рівень заряду акумулятора пристрою становить менше 10 %. Щоб увімкнути світлодіодний індикатор, коли рівень заряду акумулятора перевищує 10 %, натисніть і утримуйте кнопку ввімкнення / вимкнення протягом 5 секунд.

Світловий індикатор	Причина
Безперервно світиться зеленим	Пристрій увімкнено, а рівень заряду акумулятора перевищує 30 %.
Повільно блимає зеленим	Пристрій увімкнено, а рівень заряду акумулятора становить 10–30 %.
Швидко блимає зеленим	Пристрій увімкнено, а рівень заряду акумулятора становить менше 10%.
Безперервно світиться помаранчевим	Акумулятор повністю заряджено.
Блимає помаранчевим	Акумулятор заряджається.

Увімкнення виробу

1. Натисніть кнопку ввімкнення / вимкнення пристрою та втримуйте її протягом 2 секунд.
2. Перевірте, чи світиться зеленим світлодіодний індикатор на пристрої, щоб переконатися, що пристрій увімкнено.

Вимкнення виробу

1. Натисніть кнопку ввімкнення / вимкнення пристрою та втримуйте її протягом 2 секунд.

2. Перевірте, чи блимає білим світлодіодний індикатор на пристрої. Коли світлодіодний індикатор згасне, це означатиме, що пристрій вимкнено.

ТЕХНІЧНЕ ОБСЛУГОВУВАННЯ

Чищення виробу



УВАГА: Не мийте виріб за допомогою мийки високого тиску або під проточною водою. Не використовуйте розчинники як мийний засіб.

- Для чищення пристрою використовуйте вологу ганчірку.
-

Усунення несправностей

Світлодіодний індикатор пристрою

Цей світлодіодний індикатор загоряється, коли рівень заряду акумулятора пристрою становить менше 10 %. Щоб увімкнути світлодіодний індикатор, коли рівень заряду акумулятора перевищує 10 %, натисніть і утримуйте кнопку ввімкнення / вимкнення протягом 5 секунд.

Світиться безперервно – рівень заряду акумулятора перевищує 30 %.

Блимає повільно – рівень заряду акумулятора становить 10–30 %.

Блимає швидко – рівень заряду акумулятора менше 10 %.

Світловий індикатор	Причина	Рішення
Блимає білим 5 разів	Акумулятор розрядився, або сталася помилка.	Натисніть кнопку ввімкнення / вимкнення і утримуйте її протягом 5 секунд, щоб дізнатися рівень заряду.
Світлиться синім	Граничний дріт неробочої зони пошкоджено або не під'єднано.	Замініть або під'єднайте граничний дріт неробочої зони.

Світловий індикатор	Причина	Рішення
Світиться фіолетовим	Пристрій не може визначити граничний дріт робочої зони. Увімкнено режим ECO, або неправильний діапазон зони.	<p>Огляньте граничний дріт робочої зони, замініть його, якщо його пошкоджено.</p> <p>Переконайтеся, що граничний дріт робочої зони встановлено правильно.</p> <p>Переконайтеся, що зарядну станцію газонокосарки підключено до розетки.</p> <p>Вимкніть режим ECO.</p>
Світиться червоним	Температура виробу зависока.	<p>Помістіть пристрій у тінь. Перш ніж запустити пристрій, заждіть, доки він охолоне.</p> <p>Якщо проблема не зникне, зверніться до місцевого представника компанії Husqvarna.</p>

Ознаки

Ознака	Причина	Рішення
Роботизована газонокосарка зупиняється й видає повідомлення Zone generator problem (Проблема з генератором зон).	Низький рівень заряду акумулятора пристрою FlexiFence. Коли акумулятор розряджений, пристрій FlexiFence не працює. Якщо не зарядити пристрій FlexiFence і запустити роботизовану газонокосарку, вона може заїхати в неробочу зону.	Перш ніж запускати газонокосарку, зарядіть акумулятор пристрою FlexiFence.
	Пристрій FlexiFence автоматично вимикається, оскільки температура всередині пристрою FlexiFence перевищує максимальну межу.	Помістіть пристрій у тінь. Перш ніж запустити пристрій, заждіть, доки він охолоне.
Роботизована газонокосарка заїжджає в неробочу зону FlexiFence.	Проблема передачі програмного забезпечення.	Натисніть кнопку ввімкнення / вимкнення й утримуйте її щонайменше 15 секунд, щоб перезапустити пристрій.

Зберігання й утилізація

Порядок постановки пристрою на зберігання



ПОПЕРЕДЖЕННЯ: Помістіть пристрій у недоступне для дітей місце.

1. Зарядіть акумулятор пристрою.
2. Очистьте виріб. Див. *Чищення виробу на сторінці 158*.
3. Зберігайте пристрій у сухому закритому приміщенні, захищеному від впливу низьких температур.

Утилізація

- Дотримуйтеся нормативних вимог вашої країни.
 - Користуйтеся послугами місцевої системи переробки відходів.
 - Не викидайте акумулятор разом із побутовим сміттям. Акумулятор містить літій-іонні елементи.
-



УВАГА: Виймати акумулятор із пристрою може тільки кваліфікований персонал.

Додаткову інформацію щодо виймання акумулятора можна дізнатися в місцевого представника компанії Husqvarna.

Технічні характеристики

Дані пристрою	
Час роботи від акумулятора, приблизно, днів	30
Напруга заряджання акумулятора, В	5

Дані пристрою	
Струм заряджання акумулятора, А	1
Час заряджання акумулятора, год	6
IP-код	IPX4

Антенна обмежувального дроту	
Діапазон робочих частот, Гц	100-80000
Максимальне магнітне поле, ²¹ дБмкА/м	82
Максимальна потужність радіосигналу ²² , мВт на відстані 60 м	<25

Неможливо гарантувати повну сумісність цього пристрою з бездротовими системами інших типів, такими як пульти дистанційного керування й радіопередавачі.

²¹ Виміряно згідно з EN 303 447.

²² Максимальна активна вихідна потужність, що подається на антени в діапазоні частот, у якому працює радіообладнання.

Характеристики блока живлення	
Частота, Гц, однофазна	50–60
Напруга електромережі, В змін. струму	100-240
Вихідна напруга, В пост. струму	5
Вихідний струм, А	1
Мінімальна вихідна потужність, Вт	5
Вихідний роз'єм	USB-C

Акcesуари

Схвалені акcesуари	Кількість
Граничний дрiт, м	50
	150
Кiлки, шт.	100
З'єднувачi, шт.	5

Декларация відповідності ЄС

Особи, що підписали цей документ як представники виробника, компанії GARDENA Germany AB, PO Box 7454, S-103 92, Stockholm, Sweden, цим підтверджують, що на момент виходу з нашого заводу прилади, зазначені нижче, відповідали узгодженим положенням ЄС, стандартам із безпеки ЄС і спеціальним для цих виробів стандартам. У разі внесення не затверджених нами змін до виробу, цей сертифікат анулюється.

Опис	Мобільний контур
Тип / модель	Automower® FlexiFence
Арт. №	529880501
Директива ЄС	Опис
2014/53/EU	Директива про радіотехнічне обладнання (RED)
2011/65/EU	Директива про обмеження вмісту шкідливих речовин (RoHS)

Узгоджені стандарти:

- EN ISO 12100:2010
- EN 60335-1:2012+A11:2014+A13:2017+A1:2019+A14:2019+A2:2019
- EN 50636-2-107:2015+A1:2018
- ETSI EN 301 489-1 V2.2.3 (2019-11)
- ETSI EN 301 489-3 V2.1.1 (2019-03)
- Draft ETSI EN 303 447 V1.2.1 (2021-03)
- EN IEC 62311:2020
- EN IEC 63000:2018
- IEC 62133-2:2017

Депонована документація: GARDENA Technische Documentation M.Jäger
D-89079 Ulm, Hans-Lorenser-Str.40

Рік маркування CE: 2021

Ulm, 04.02.2022



Reinhard Pompe,

Віце-президент по роботі з продук-
тами



Wolfgang Engelhardt,

Віце-президент із постачання

TARTALOMJEGYZÉK

Bevezető.....	166
Biztonság.....	168
Telepítés.....	169
Üzemeltetés.....	172
Karbantartás.....	173
Hibaelhárítás.....	174
Tárolás és leselejtezés.....	176
Műszaki adatok.....	176
EU megfeleléségi nyilatkozat.....	178

Bevezető

Támogatás

A termékkel kapcsolatos támogatásért forduljon a Husqvarna képviselőjéhez.

Termékleírás

Megjegyzés: A Husqvarna rendszeresen frissíti termékei megjelenését és funkcióit. Lásd: *Támogatás 166. oldalon.*

Az Automower® FlexiFence segítségével a robotfűnyíró munkaterületén belül kialakíthat egy tiltott zónát, amelybe a fűnyíró nem tud belépni és fűvet nyírni.

Az Automower® FlexiFence Automower® robotfűnyíróval való használatához szükség lehet az Automower® a robotfűnyíró firmware-ének frissítésére. További információkért forduljon Husqvarna képviselőjéhez.

Az Automower® FlexiFence nem használható közterületeken, parkokban, sportarénaiban, valamint mezőgazdasági és erdészeti területeken.

A termék áttekintése

(ábra 1)

1. Burkolat

2. Töltőaljzat
3. Csatlakozások
4. Zárófedél
5. BE-/KI kapcsoló gomb
6. LED jelzőlámpa
7. Csatlakozók
8. Cövekek
9. Vezeték a zóna határolóhuzaljához
10. USB-C töltőkábel

A terméken található jelzések

Az itt ismertetett jelzések a terméken láthatók. Győződjön meg arról, hogy megértette őket.

(ábra 2) Jelen termék megfelel a vonatkozó EU-irányelveknek.

(ábra 3) Jelen termék megfelel a vonatkozó UK-irányelveknek.

(ábra 4) A terméket nem szabad a szokásos háztartási hulladékként elhelyezni. Tartsa be a nemzeti szabályozásokat, és használja a helyi újrahasznosítási rendszert.

(ábra 5) Ne használja a terméket 0 °C/32 °F alatti hőmérsékleten.

(ábra 6) **FIGYELMEZTETÉS:** A termék használata előtt olvassa el a kezelési útmutatót.

Az akkumulátoron látható szimbólumok

Az itt ismertetett jelzések az akkumulátoron láthatók. Győződjön meg arról, hogy megértette őket.

(ábra 7) **FIGYELMEZTETÉS:** Ne selejtezze le az akkumulátort a szokásos háztartási hulladékkal együtt. Az akkumulátor lítium-ion cellákat tartalmaz.

Biztonság

Biztonsági meghatározások

A figyelmeztetések, óvintézkedések és megjegyzések a használati utasítás kiemelten fontos részeire hívják fel a figyelmet.



FIGYELMEZTETÉS: Akkor használatos, ha a kézikönyv utasításainak be nem tartása esetén fennáll a kezelő vagy a közelben tartózkodók sérülésének vagy halálának veszélye.



VIGYÁZAT: Akkor használatos, ha a kézikönyv utasításainak be nem tartása esetén fennáll a vagyoni kár, illetve a termék vagy a környező terület károsodásának veszélye.

Megjegyzés: További információt biztosít az adott helyzetben szükséges tennivalókról.

Biztonsági utasítások az üzemeltetéshez



FIGYELMEZTETÉS: A termék használata előtt olvassa el az alábbi figyelmeztetéseket.

- A terméket fizikai, érzékszervi vagy szellemi fogyatékossgal élő, illetve megfelelő tapasztalattal és ismeretekkel nem rendelkező személyek csak felügyelet mellett használhatják, vagy úgy, ha előzőleg ellátják őket a termék használatára vonatkozó utasításokkal, illetve megértetik velük az abból fakadó veszélyeket. Gyermek nem játszhatnak a termékkel.
- Gyermek nem tartózkodhatnak felügyelet nélkül a tiltott zónában. Ha az akkumulátor lemerült, vagy ha a FlexiFence túlmelegedett, a zóna már nem védett.
- A termék működés közben elektromágneses mezőt hoz létre. Ez bizonyos körülmények esetén hatással lehet az aktív vagy passzív orvosi implantátumokra. A súlyos vagy halálos sérülés kockázatának csökkentése érdekében azt javasoljuk, hogy az orvosi implantátumot

használó személyek a termék alkalmazása előtt kérjék ki orvosuk vagy az orvosi implantátum gyártójának tanácsát.

- Fennáll a kisebb méretű alkatrészek lenyelésének veszélye. A műanyag zacskó fulladást okozhat. Az összeszerelés során ne legyenek kisgyermek a közelben.
- Nem megfelelő használat vagy az akkumulátorok sérülése esetén az akkumulátorból gyúlékony folyadék kerülhet ki. Az ilyen folyadékkal való érintkezést kerülni kell. Ha ez véletlenül mégis megtörténik, öblítse le vízzel. Ha a folyadék a szemébe kerül, forduljon orvoshoz.
- A terméket csak száraz beltéri területeken töltsé.
- Ne távolítsa el az akkumulátort a termékről.
- A termék nem tartalmaz USB-tápegységet. Javasoljuk, hogy a tápegységre vonatkozó előírásoknak megfelelően használjon harmadik féltől származó tápegységet, lásd: *Műszaki adatok 176. oldalon*. A harmadik féltől származó USB hálózati adapter használata előtt ellenőrizze, hogy az megfelel-e a biztonsági törpefeszültségre (SELV) vonatkozó nemzeti és nemzetközi biztonsági szabványoknak.
- Rossz időjárási körülmények esetén – főleg ha fennáll a villámlás veszélye – ne használja a terméket és annak perifériás berendezéseit.
- Kövesse a karbantartási utasításokat, lásd: *Karbantartás 173. oldalon*.
- Az akkumulátor biztonságos ártalmatlanításához lásd: *Hulladékkezelés 176. oldalon*.
- A működési és tárolási hőmérséklet tartománya 0–40 °C/32–104 °F. A túl magas hőmérséklet a termék károsodását okozhatja.
- Az akkumulátort 4–30 °C/39–86 °F környezeti hőmérsékleten töltsé. A teljes töltési teljesítmény 15 °C/59 °F között érhető el.

Telepítés

Bevezetés – Telepítés



FIGYELMEZTETÉS: Olvassa el és értelmezze a biztonságról szóló fejezetet, mielőtt üzembe helyezné a terméket.



VIGYÁZAT: Csak eredeti alkatrészeket és telepítési anyagokat használjon.

Megjegyzés: Az üzembe helyezéssel kapcsolatos további információkért tekintse meg a robotfűnyíró használati útmutatóját, vagy keresse fel a www.husqvarna.com weboldalt.

A termék telepítése

A termék üzembe helyezésének előkészítése

- Töltse fel a termék akkumulátorát. Lásd: *Az akkumulátor töltése 172. oldalon.*
- Alakítsa ki a tiltott zónát a robotfűnyíró munkaterületén belül, de a vezetőluzalt ne keresztezze.
- Ügyeljen arra, hogy a FlexiFence és a FlexiFence területén belül lévő tárgyak legalább 35 cm/14 hüvelyk távolságra legyenek a zóna határolóhuzalától (A). (ábra 8)
- Ügyeljen rá, hogy a zóna határolóhuzala és a munkaterület határolóhuzala (B) közötti minimális távolság 60 cm/24 hüvelyk legyen.
- Ügyeljen rá, hogy a zóna határolóhuzala és a vezetőluzal (C) közötti minimális távolság 60 cm/24 hüvelyk legyen.
- Ha egynél több FlexiFence egységet használ, ügyeljen rá, hogy a 2 zóna határolóhuzalai közötti minimális távolság 60 cm/24 hüvelyk legyen.
- Ellenőrizze, hogy a FlexiFence terület lejtése 10%-nál nem nagyobb.
- Ügyeljen arra, hogy a zóna határolóhuzalának hossza legfeljebb 15 m/50 láb legyen.
- Ne vezesse a zóna határolóhuzalát ugyanazon zóna határolóhuzalán vagy egy másik kialakított zóna határolóhuzalán keresztül. Ez interferenciát okozhat a termékkel és a zóna határolóhuzalával. (ábra 9)
- A FlexiFence tárgyaktól megfelelő távolságra való elhelyezésének módja a robotfűnyíró kezelői kézikönyvének A határolóhuzal elhelyezésének megállapítása című fejezetében található.

Megjegyzés: Az üzembe helyezéshez használja a mellékelt alkatrészeket. Ha az üzembe helyezéshez további alkatrészeket szeretne, forduljon a Husqvarna képviselőjéhez.

A készülék telepítése

1. Helyezze el a zóna határolóhuzalát a tiltott zóna körül.
 2. Vágja el a határolóhuzal 2 végét.
 3. Csatlakoztassa az 1. csatlakozót a zóna határolóhuzalának mindkét végéhez.
 4. Csatlakoztassa a 2. csatlakozót (A) a terméken lévő 2 csatlakozáshoz (B). (ábra 10)
 5. Kalapáccsal vagy műanyag kalapáccsal verje a zóna határolóhuzalát rögzítő cövekeket a talajba. A cövekeket maximum 75 cm/30 hüvelyk távolságra helyezze el egymástól.
 6. Helyezze a terméket a tiltott zónába, és rögzítse a cövekekkel a földhöz egy kalapács vagy műanyag kalapács segítségével.
 7. Kapcsolja be a robotfűnyíró Zónagenerátor funkcióját. Lásd a robotfűnyíró kezelési utasítását.
-

Megjegyzés: Ha a termék nem rendelkezik Zónagenerátor menüvel, akkor el kell végezni a robotfűnyíró firmware-frissítését.

A telepítés működésének ellenőrzése

1. Kapcsolja BE a készüléket, és ellenőrizze, hogy a LED-jelzőfény zölden világít-e.
 2. Ügyeljen rá, hogy a robotfűnyíró ECO üzemmódja le legyen tiltva. Lásd a robotfűnyíró kezelői kézikönyvének ECO mód című fejezetét.
 3. Helyezze a robotfűnyírót 1–2 m-rel a tiltott zóna elé. Ügyeljen arra, hogy a robotfűnyíró előre, a tiltott zóna felé nézzen.
 4. Indítsa el a robotfűnyírót, és győződjön meg róla, hogy a zóna határolóhuzala leállítja.
-

Megjegyzés: Ha az üzembe helyezéssel kapcsolatban probléma merül fel, lásd: *Hibaelhárítás 174. oldalon.*

Üzemeltetés

Az akkumulátor töltése

A termék első használata előtt teljesen tölts fel az akkumulátort. Az akkumulátor teljesen fel van töltve, ha a LED-jelzőfény folyamatosan narancssárgán világít. A termék töltés közben nem működik.

1. Vegye le a termék burkolatát.
2. Vegye le a termék zárófedelét.
3. Csatlakoztassa az USB-C töltőkábelt a töltőaljzatba.
4. Csatlakoztassa az USB-A töltőkábelt a tápegységhez.
5. Csatlakoztassa a tápegységet egy hálózati aljzathoz.
6. Az akkumulátor folyamatban lévő töltéséről úgy győződhet meg, ha ellenőrzi, hogy a terméken lévő LED jelzőlámpa narancssárgán villog-e.

Megjegyzés: Az USB-aljzattal rendelkező 5 V-os tápegység nem tartozék.

Megjegyzés: Ha a terméket hosszabb ideig nem használja, tölts fel az akkumulátort 3 havonta legalább 60%-os töltöttségi szintre. Mielőtt a terméket a hosszú távú tárolás után beindítja, az akkumulátorát legalább 60%-ig tölts fel.

Az akkumulátor kapacitását jelző LED lámpa

A LED jelzőlámpa akkor világít, ha a termék akkumulátorának töltöttségi állapota kevesebb mint 10%. Ha az akkumulátor töltöttségi állapota 10%-nál magasabb, a LED jelzőlámpa megjelenítéséhez nyomja meg 5 másodpercig a BE/KI gombot.

Fény	Ok
Folyamatosan világító zöld LED	A termék be van kapcsolva, és az akkumulátor töltöttségi állapota több mint 30%.

Fény	Ok
Lassan villogó zöld LED	A termék be van kapcsolva, és az akkumulátor töltöttségi állapota 10–30%.
Gyorsan villogó zöld LED	A termék be van kapcsolva, és az akkumulátor töltöttségi állapota kevesebb, mint 10%.
Folyamatosan világító narancssárga LED	Az akkumulátor teljesen fel van töltve.
Villogó narancssárga LED	Az akkumulátor töltődik.

A termék elindítása

1. Tartsa lenyomva a BE/KI gombot 2 másodpercig.
2. A termék bekapcsolt állapotáról úgy győződhet meg, ha ellenőrzi, hogy a terméken lévő LED jelzőlámpa zölden világít-e.

A termék leállítása

1. Tartsa lenyomva a BE/KI gombot 2 másodpercig.
2. Ellenőrizze, hogy a terméken lévő LED jelzőlámpa fehéren villog-e. Ha a LED jelzőlámpa nem világít, a termék ki van kapcsolva.

Karbantartás

A termék tisztítása



VIGYÁZAT: A termék tisztításához ne használjon nagynyomású tisztítóberendezést és folyóvizet. Ne használjon oldószert a tisztításhoz.

- A terméket nedves ruhával tisztítsa.

Hibaelhárítás

A termék LED jelzőlámpája

A LED jelzőlámpa akkor világít, ha a termék akkumulátorának kapacitása kevesebb mint 10%. Ha az akkumulátor töltöttségi állapota 10%-nál magasabb, a LED jelzőlámpa megjelenítéséhez nyomja meg 5 másodpercig a BE/KI gombot.

Folyamatosan világító fény – Az akkumulátor töltöttségi állapota több mint 30%.

Lassan villogó fény – Az akkumulátor töltöttségi állapota 10–30%.

Gyorsan villogó fény – Az akkumulátor töltöttségi állapota kevesebb mint 10%.

Fény	Ok	Megoldás
5-ször fehéren villog	Az akkumulátor lemerült, vagy hiba lépett fel.	A töltöttségi állapot ellenőrzéséhez tartsa lenyomva 5 másodpercig a BE/KI gombot.
Kék LED	A zónahatároló huzal hibás vagy nincs csatlakoztatva.	Cserélje ki vagy csatlakoztassa a zónahatároló huzalt.
Lila LED	A termék nem találja a munkaterület határolóhuzalát. Az ECO mód engedélyezve van, vagy a zóna tartománya helytelen.	Vizsgálja meg a munkaterület határolóhuzalát, és cserélje ki, ha hibás. Ellenőrizze, hogy a munkaterület határolóhuzala megfelelően van-e felszerelve. Ellenőrizze, hogy a robotfűnyíró töltőállomása csatlakoztatva van-e a hálózati aljzathoz. Kapcsolja ki az ECO üzemmódot.

Fény	Ok	Megoldás
Piros LED	Túl magas a termék hőmérséklete.	Helyezze a terméket napsugárzás ellen védett területre. A termék elindítása előtt várja meg, hogy csökkenjen a hőmérséklete. Ha a probléma továbbra is fennáll, forduljon a helyi Husqvarna képviselőhöz.

Hibajelenségek

Hibajelenség	Ok	Megoldás
A robotfűnyíró leáll, és megjelenik a „Zónagenerátor probléma” hibaüzenet.	A FlexiFence akkumulátortöltöttsége alacsony. A FlexiFence nem képes működni, ha az akkumulátor lemerült. A robotfűnyíró képes fűvet nyírni a tiltott zónában, ha még azelőtt indítja el, mielőtt feltöltené a FlexiFence tartozékot.	A robotfűnyíró beindítása előtt töltsse fel a FlexiFence akkumulátorát.
	A FlexiFence automatikusan kikapcsol, mert a FlexiFence hőmérséklete a maximális határértéknél magasabb.	Helyezze a terméket napsugárzás ellen védett területre. A termék elindítása előtt várja meg, hogy csökkenjen a hőmérséklete.
A robotfűnyíró belép a FlexiFence zónába.	Szoftverátviteli probléma.	Tartsa lenyomva 15 másodpercig a BE/KI gombot a termék újbóli bekapcsolásához.

Tárolás és leselejtezés

A termék tárolásának megkezdése



FIGYELMEZTETÉS: Helyezze a terméket olyan helyre, ahol gyermekek nem férhetnek hozzá.

1. Töltse fel a termék akkumulátorát.
2. Tisztítsa meg a terméket. Lásd: *A termék tisztítása* 173. oldalon.
3. A tároláshoz tegye a terméket száraz, zárt és fagymentes helyre.

Hulladékkezelés

- Tartsa be a nemzeti előírásokat.
 - Használja a helyi újrahasznosítási rendszert.
 - Ne selejtezze le az akkumulátort a szokásos háztartási hulladékkal együtt. Az akkumulátor lítium-ion cellákat tartalmaz.
-



VIGYÁZAT: Az akkumulátort csak képzett szakember távolíthatja el.

Az akkumulátor eltávolításával kapcsolatos további információkért forduljon a Husqvarna képviselőjéhez.

Műszaki adatok

Termékadatok	
Akkumulátor üzemideje, körülbelül, napokban	30
Akkumulátor töltési feszültsége, V	5
Akkumulátor töltési áramerőssége, A	1

Termékadatok	
Akkumulátor töltési ideje, h	6
IP-kód	IPX4

Határolóhuzal-antenna	
Működési frekvenciatartomány, Hz	100-80000
Maximális mágneses mező ²³ , dBuA/m	82
Maximális rádiófrekvenciás teljesítmény ²⁴ , mW 60 m-re	<25

Nem garantálható a teljes kompatibilitás a termék és más, vezeték nélküli típusú rendszerek, például távvezérlők és rádióadók között.

Tápegység műszaki adatai	
Frekvencia, Hz, egyfázisú	50–60
Hálózati feszültség, V, AC	100–240
Kimeneti feszültség, V, DC	5
Kimeneti áramerősség, A	1
Minimális kimeneti teljesítmény, W	5
Kimeneti csatlakozó	USB-C

²³ Az EN 303 447 szabványnak megfelelően mérve.

²⁴ Az antennákra leadott maximális aktív teljesítmény a rádiókészülék működési frekvenciasávjában.

Tartozékok

Eredeti tartozékok	Mennyiség
Határolóhuzal, m	50
	150
Cövekek, db	100
Csatlakozók, db	5

EU megfelelési nyilatkozat

Alulírott a gyártó, GARDENA Germany AB, PO Box 7454, S-103 92, Stockholm, Sweden, meghatalmazott képviselőjeként ezennel tanúsítja, hogy az alábbiakban leírt egység(ek) a gyár elhagyásakor megfelel(nek) a harmonizált uniós előírásoknak, valamint a biztonsági és termékspecifikus szabványoknak. Ez a tanúsítvány érvényét veszti, ha az egységeket jóváhagyásunk nélkül átalakítják.

Lefrás	Mobil hurok
Típus/modell	Automower® FlexiFence
Cikksz.	529880501

EU-irányelv	Lefrás
2014/53/EU	PIR
2011/65/EU	RoHS

Harmonizált szabványok:

- EN ISO 12100:2010
- EN 60335-1:2012+A11:2014+A13:2017+A1:2019+A14:2019+A2:2019
- EN 50636-2-107:2015+A1:2018

- ETSI EN 301 489-1 V2.2.3 (2019-11)
- ETSI EN 301 489-3 V2.1.1 (2019-03)
- Draft ETSI EN 303 447 V1.2.1 (2021-03)
- EN IEC 62311:2020
- EN IEC 63000:2018
- IEC 62133-2:2017

Benyújtott dokumentáció: GARDENA Technische Documentation M.Jäger
D-89079 Ulm, Hans-Lorensen-Str.40

A CE-jelzés éve: 2021

Ulm, 04.02.2022



Reinhard Pompe,

Termékekért felelős alelnök



Wolfgang Engelhardt,

Ellátási láncért felelős alelnök

ÍNDICE

Introdução.....	180
Segurança.....	182
Instalação.....	184
Funcionamento.....	186
Manutenção.....	187
Resolução de problemas.....	188
Armazenamento e eliminação.....	190
Especificações técnicas.....	190
Declaração UE de conformidade.....	192

Introdução

Assistência

Para apoio relativamente ao produto, contacte o seu representante Husqvarna.

Descrição do produto

Nota: A Husqvarna atualiza regularmente o aspeto e o funcionamento dos produtos. Consulte *Assistência na página 180*.

Com o Automower® FlexiFence, pode instalar uma zona interdita na área de trabalho do robô corta-relva, na qual este não pode entrar e cortar a relva.

Para utilizar o Automower® FlexiFence com o robô corta-relva Automower®, pode ser necessário atualizar o firmware do robô corta-relva Automower®. Para obter mais informações, contacte o seu representante Husqvarna.

O Automower® FlexiFence não deve ser utilizado em áreas públicas, parques, recintos desportivos ou na agricultura ou silvicultura.

Vista geral do produto

(Fig. 1)

1. Cobertura
2. Tomada de carregamento
3. Ligações
4. Tampa de selagem
5. Botão ON/OFF
6. Luz indicadora LED
7. Conectores
8. Estacas
9. Fio para o cabo delimitador da zona
10. Cabo de carregamento USB-C.

Símbolos no produto

Estes símbolos podem ser encontrados no produto. Certifique-se de que os compreende.

- (Fig. 2) O produto está em conformidade com as Diretivas UE aplicáveis.
- (Fig. 3) O produto está em conformidade com as Diretivas do Reino Unido aplicáveis.
- (Fig. 4) Não é permitido eliminar o produto como lixo doméstico normal. Respeite os regulamentos nacionais e utilize o sistema de reciclagem local.
- (Fig. 5) Não utilize o produto a temperaturas inferiores a 0 °C/32 °F.
- (Fig. 6) **AVISO:** Leia as instruções do operador antes de operar o produto.

Símbolos na bateria

Estes símbolos podem ser encontrados na bateria. Certifique-se de que os compreende.

(Fig. 7)

AVISO: Não elimine a bateria como lixo doméstico normal. A bateria contém células de íões de lítio.

Segurança

Definições de segurança

Os avisos, as precauções e as notas são utilizados para indicar partes especialmente importantes do manual.



ATENÇÃO: Utilizado no caso de existir risco de ferimento ou morte para o utilizador ou transeuntes, se não forem respeitadas as instruções do manual.



CUIDADO: Utilizado se existir risco de danos para o produto, para outros materiais ou para a área adjacente, se não forem respeitadas as instruções do manual.

Nota: Utilizado para disponibilizar informações adicionais necessárias numa determinada situação.

Instruções de segurança para funcionamento



ATENÇÃO: Leia as instruções de aviso que se seguem antes de utilizar o produto.

- Este produto pode ser usado por pessoas com capacidades físicas, sensoriais ou mentais reduzidas ou com experiência e conhecimentos insuficientes, quando estas sejam supervisionadas ou recebam instruções relativamente ao uso seguro do produto e compreendam os perigos daí resultantes. As crianças não devem brincar com o produto.
- Não é permitida a presença de crianças na zona interdita sem supervisão. Quando a bateria está descarregada ou se o FlexiFence tiver sobreaquecido, a zona deixa de estar protegida.

- Este produto produz um campo eletromagnético durante o funcionamento. Em determinadas circunstâncias, este campo pode interferir com o funcionamento de implantes médicos ativos ou passivos. Para diminuir o risco de condições que podem causar ferimentos ou morte, recomendamos que os portadores de implantes médicos consultem o seu médico e o fabricante do implante antes de utilizar este produto.
- As peças pequenas podem facilmente ser engolidas. Existe também o risco de o saco plástico asfixiar crianças. Mantenha as crianças afastadas enquanto monta o produto.
- Se o produto for utilizado incorretamente ou se as baterias estiverem danificadas, pode ser expelido líquido inflamável das baterias. O contacto com este líquido deve ser evitado. Se ocorrer algum contacto acidental, lave com água. Se o líquido entrar em contacto com os olhos, procure assistência médica adicional.
- Carregue o produto apenas em áreas interiores secas.
- Não retire a bateria do produto.
- Este produto não inclui uma unidade de fonte de alimentação USB. Recomenda-se a utilização de uma fonte de alimentação de terceiros de acordo com a especificação da unidade de fonte de alimentação; consulte *Especificações técnicas na página 190*. Antes de utilizar o transformador USB de terceiros, verifique se este está em conformidade com as normas de segurança nacionais e internacionais para segurança de tensão extramente baixa (SELV).
- Não utilize o produto e os respetivos periféricos em condições climáticas adversas, especialmente se existir o risco de relâmpagos.
- Siga as instruções de manutenção; consulte *Manutenção na página 187*.
- Para a eliminação segura da bateria, consulte a secção *Eliminação na página 190*.
- A temperatura de funcionamento e de armazenamento é de 0-40 °C/ 32-104 °F. Temperaturas demasiado elevadas podem provocar danos no produto.
- Carregue a bateria a temperaturas ambiente de 4-30 °C/39-86 °F. A potência de carregamento total está disponível a partir de 15 °C/59 °F.

Instalação

Introdução - Instalação



ATENÇÃO: Certifique-se de que lê e compreende o capítulo sobre segurança antes de instalar o produto.



CUIDADO: Utilize material de instalação e peças sobresselentes originais.

Nota: Consulte o manual do utilizador do robô corta-relva ou do www.husqvarna.com para obter mais informações sobre a instalação.

Instalação do produto

Preparar a instalação do produto

- Carregue a bateria do produto. Consulte *Carregar a bateria na página 186*.
- Instale a zona interdita na área de trabalho do robô corta-relva, mas não através de um cabo de guia.
- Certifique-se de que o FlexiFence e todos os objetos na área do FlexiFence estão a, no mínimo, 35 cm/14 pol. do cabo delimitador da zona (A). (Fig. 8)
- Certifique-se de que a distância mínima entre o cabo delimitador da zona e o cabo delimitador da área de trabalho (B) é de 60 cm/24 pol.
- Certifique-se de que a distância mínima entre o cabo delimitador da zona e o cabo de guia (C) é de 60 cm/24 pol.
- Se utilizar mais do que 1 FlexiFence, certifique-se de que a distância mínima entre os cabos delimitadores de 2 zonas é de 60 cm/24 pol.
- Certifique-se de que os declives na área do FlexiFence não têm uma inclinação superior a 10%.
- Certifique-se de que o comprimento do cabo delimitador da zona é de, no máximo, 15 m/50 pés.

- Não coloque o cabo delimitador ao longo da instalação do cabo delimitador da mesma zona ou de um cabo delimitador de uma zona diferente. Isto pode causar interferência com o produto e com o cabo delimitador da zona. (Fig. 9)
- Para afastar o FlexiFence de outros objetos, leia a secção Analisar onde colocar o cabo delimitador no manual do utilizador do robô corta-relva.

Nota: Utilize as peças incluídas para a instalação. Pode contactar o seu representante Husqvarna para obter mais peças para a instalação.

Instalar o produto

1. Coloque o cabo delimitador da zona à volta da zona interdita.
2. Corte as duas extremidades do cabo delimitador da zona.
3. Ligue um conetor a cada extremidade do cabo delimitador da zona.
4. Ligue os dois conectores (A) às duas ligações no produto (B). (Fig. 10)
5. Utilize um martelo ou uma marreta de plástico para fixar o cabo delimitador da zona com estacas ao solo. Coloque as estacas a uma distância máxima entre si de 75 cm/30 pol.
6. Coloque o produto na zona interdita e fixe-o ao solo com estacas utilizando um martelo ou uma marreta de plástico.
7. Ative a função de gerador de zona do seu robô corta-relva. Consulte o manual do utilizador do robô corta-relva.

Nota: Se o produto não tiver o menu de gerador de zona, é necessária uma atualização de firmware do robô corta-relva.

Efetuar um teste de instalação

1. Ligue o produto e certifique-se de que a luz indicadora LED está verde.
2. Certifique-se de que o ModoECO do robô corta-relva está desativado. Consulte o ModoECO no manual do utilizador do robô corta-relva.
3. Coloque o robô corta-relva 1 a 2 m à frente da zona interdita. Certifique-se de que o robô corta-relva aponta para a frente, para a zona interdita.
4. Ligue o robô corta-relva e certifique-se de que este para junto ao cabo delimitador da zona.

Nota: Se existirem problemas com a instalação, consulte *Resolução de problemas na página 188*.

Funcionamento

Carregar a bateria

Carregue totalmente a bateria antes de ligar o produto pela primeira vez. A bateria está totalmente carregada quando a luz indicadora LED estiver continuamente acesa a laranja. O produto não funciona enquanto está a carregar.

1. Retire a tampa do produto.
2. Retire a tampa de selagem do produto.
3. Ligue o cabo de carregamento USB-C à tomada de carregamento.
4. Ligue o cabo de carregamento USB-A a uma unidade de fonte de alimentação.
5. Ligue a unidade de fonte de alimentação a uma tomada de alimentação.
6. Verifique se a luz indicadora LED no produto fica intermitente a laranja para se certificar de que a bateria é carregada.

Nota: A unidade de fonte de alimentação de 5 V com entrada USB não está incluída.

Nota: Se o produto não for utilizado durante um longo período de tempo, carregue a bateria até um mínimo de 60% a cada 3 meses. Carregue a bateria do produto até um mínimo de 60% antes de ligar o produto após um armazenamento prolongado.

Luz indicadora LED da capacidade da bateria

A luz indicadora LED acende-se quando o estado de carga da bateria do produto é inferior a 10%. Para apresentar a luz indicadora LED quando o estado de carga da bateria for superior a 10%, prima o botão ON/OFF durante 5 segundos.

Luz	Causa
LED verde fixo	O produto está ligado e o estado de carga da bateria é superior a 30%.
LED verde a piscar lentamente	O produto está ligado e o estado da carga da bateria é de 10-30%.
LED verde a piscar rapidamente	O produto está ligado e o estado de carga da bateria é inferior a 10%.
LED laranja fixo	A bateria está totalmente carregada.
LED laranja intermitente	A bateria está a carregar.

Arranque

1. Prima o botão ON/OFF no produto durante 2 segundos.
2. Verifique se a luz indicadora LED no produto está verde para se certificar de que o produto está ligado.

Para desligar o produto

1. Prima o botão ON/OFF no produto durante 2 segundos.
2. Verifique se a luz indicadora LED no produto fica intermitente a branco. O produto está desligado quando a luz indicadora LED se apaga.

Manutenção

Limpar o produto



CUIDADO: Não utilize uma máquina de lavar de alta pressão nem água corrente para limpar o produto. Não utilize solventes para limpeza.

- Utilize um pano húmido para limpar o produto.

Resolução de problemas

Luz indicadora LED do produto

A luz indicadora LED acende-se quando a capacidade da bateria do produto é inferior a 10%. Para apresentar a luz indicadora LED quando o estado de carga da bateria for superior a 10%, prima o botão ON/OFF durante 5 segundos.

Luz fixa – o estado de carga da bateria é superior a 30%.

Intermitência lenta – o estado de carga da bateria é de 10-30%.

Intermitência rápida – o estado de carga da bateria é inferior a 10%.

Luz	Causa	Solução
Branco intermitente 5 vezes	A bateria está descarregada ou existe um erro.	Prima o botão ON/OFF durante 5 segundos para ver o estado.
LED azul	O cabo delimitador da zona está avariado ou não está ligado.	Substitua ou ligue o cabo delimitador da zona.
LED roxo	O produto não consegue encontrar o cabo delimitador para a área de trabalho. O ModoECO está ativado ou o intervalo da zona está incorreto.	Verifique o cabo delimitador para a área de trabalho e substitua o cabo delimitador se estiver avariado. Certifique-se de que o cabo delimitador para a área de trabalho está corretamente instalado. Certifique-se de que a estação de carregamento do robô corta-relva está ligada a uma tomada de alimentação. Desative o ModoECO.

Luz	Causa	Solução
LED vermelho	A temperatura no produto está demasiado elevada.	Coloque o produto numa área com proteção solar. Aguarde até que a temperatura do produto baixe antes de ligar o produto. Se o problema persistir, contacte o representante local da Husqvarna.

Sintomas

Sintoma	Causa	Solução
O robô corta-relva para com a mensagem de erro "Problema do gerador de zona".	A bateria do FlexiFence está fraca. O FlexiFence não funciona quando a bateria está descarregada. O robô corta-relva pode cortar na zona interdita se o ligar antes de carregar o FlexiFence.	Carregue a bateria do FlexiFence antes de ligar o robô corta-relva.
	O FlexiFence é automaticamente desligado porque a temperatura no FlexiFence é superior ao limite máximo.	Coloque o produto numa área com proteção solar. Aguarde até que a temperatura do produto baixe antes de ligar o produto.
O robô corta-relva entra na zona do FlexiFence.	Problema de transferência de software.	Prima o botão ON/OFF durante 15 segundos para reiniciar o produto.

Armazenamento e eliminação

Armazenar o produto



ATENÇÃO: Coloque o produto numa área onde uma criança não consiga aceder ao mesmo.

1. Carregue a bateria do produto.
2. Limpe o produto. Consulte *Limpar o produto na página 187*.
3. Armazene o produto num local seco, fechado e sem gelo.

Eliminação

- Respeite os regulamentos nacionais.
 - Utilize o sistema de reciclagem local.
 - Não elimine a bateria como lixo doméstico normal. A bateria contém células de iões de lítio.
-



CUIDADO: A bateria só pode ser removida por pessoal qualificado.

Para obter mais informações sobre a remoção da bateria, consulte o seu representante Husqvarna.

Especificações técnicas

Dados do produto	
Tempo de funcionamento da bateria, aproximadamente, dias	30
Tensão de carregamento da bateria, V	5
Corrente de carregamento da bateria, A	1

Dados do produto	
Tempo de carregamento da bateria, h	6
Código IP	IPX4

Antena do cabo delimitador	
Banda de frequência de funcionamento, Hz	100-80000
Campo magnético máximo ²⁵ , dBuA/m	82
Alimentação máxima de frequência de rádio ²⁶ , mW a 60 m	<25

Não é possível garantir total compatibilidade entre o produto e outros tipos de sistemas sem fios, tais como controlos remotos e transmissores de rádio.

Especificação da unidade de fonte de alimentação	
Frequência, Hz, monofásico	50-60
Tensão de corrente elétrica, V AV	100-240
Tensão de saída, V CC	5
Corrente de saída, A	1
Potência de saída mínima, W	5
Conetor de saída	USB-C

²⁵ Medido em conformidade com a norma EN 303 447.

²⁶ Potência de saída máxima ativa para antenas na banda de frequência em que o equipamento de rádio funciona.

Acessórios

Acessórios aprovados	Quantidade
Cabo delimitador, m	50
	150
Estacas, unidades	100
Conetores, unidades	5

Declaração UE de conformidade

O abaixo-assinado, na qualidade de representante autorizado do fabricante, GARDENA Germany AB, PO Box 7454, S-103 92, Stockholm, Sweden, certifica por este meio que, ao sair da nossa fábrica, a(s) unidade(s) indicada(s) abaixo está(ão) em conformidade com as diretrizes uniformizadas da UE, os padrões de segurança da UE e os padrões específicos do produto. Este certificado deixa de ser válido se as unidades forem modificadas sem a nossa aprovação.

Descrição	Laço móvel
Tipo/Modelo	Automower® FlexiFence
N.º de ref.	529880501
Diretiva da UE	Descrição
2014/53/EU	VERMELHO
2011/65/EU	RoHS

Normas uniformizadas:

- EN ISO 12100:2010
- EN 60335-1:2012+A11:2014+A13:2017+A1:2019+A14:2019+A2:2019
- EN 50636-2-107:2015+A1:2018

- ETSI EN 301 489-1 V2.2.3 (2019-11)
- ETSI EN 301 489-3 V2.1.1 (2019-03)
- Draft ETSI EN 303 447 V1.2.1 (2021-03)
- EN IEC 62311:2020
- EN IEC 63000:2018
- IEC 62133-2:2017

Documentação depositada: GARDENA Technische Documentation M.Jäger
D-89079 Ulm, Hans-Lorensen-Str.40

Ano de marcação CE: 2021

Ulm, 04.02.2022



Reinhard Pompe,

Vice-presidente de produtos



Wolfgang Engelhardt,

Vice-Presidente da cadeia de abastecimento

Съдържание

Въведение.....	194
Безопасност.....	196
Инсталиране.....	198
Операция.....	200
Поддръжка.....	202
Отстраняване на проблеми.....	202
Съхранение и изхвърляне.....	205
Технически данни.....	206
Декларация за съответствие на ЕС.....	207

Въведение

Поддръжка

При нужда от помощ за продукта се обърнете към Вашия представител на Husqvarna.

Описание на продукта

Забележка: Husqvarna редовно обновява външния вид и функциите на продуктите. Вижте *Поддръжка на страница 194*.

С Automower® FlexiFence в работната площ можете да монтирате зона за престой, в която косачката робот да не може да навлиза и да не коси трева.

За да използвате Automower® FlexiFence с косачката робот Automower®, може да е необходимо да актуализирате фърмуера на косачката робот Automower®. Обърнете се към Вашия представител на Husqvarna за повече информация.

Automower® FlexiFence не трябва да се използва в обществени площи, паркове, спортни площадки, земеделски земи или горски площи.

Общ преглед на продукта

(Фиг. 1)

1. Капак
2. Гнездо за зареждане
3. Връзки
4. Уплътняваща капачка
5. Бутон за ВКЛ./ИЗКЛ.
6. Светодиоден индикатор
7. Конектори
8. Колчета
9. Кабел за граничния електрически проводник за зона
10. Кабел за зареждане USB-C

Символи върху машината

Върху продукта могат да се видят тези символи. Уверете се, че ги разбирате.

- (Фиг. 2) Този продукт отговаря на изискванията на приложимите директиви на ЕС.
- (Фиг. 3) Този продукт отговаря на изискванията на приложимите директиви на Обединеното кралство.
- (Фиг. 4) Изхвърлянето на този продукт като обикновен битов отпадък не е позволено. Спазвайте националните разпоредби и използвайте местната система за рециклиране.
- (Фиг. 5) Не използвайте продукта при температури под 0°C/ 32°F.
- (Фиг. 6) **ПРЕДУПРЕЖДЕНИЕ:** Преди работа с продукта прочетете инструкциите за оператора.

Символи на акумулаторната батерия

Върху акумулаторната батерия могат да се видят тези символи. Уверете се, че ги разбирате.

(Фиг. 7)

ПРЕДУПРЕЖДЕНИЕ: Не изхвърляйте акумулаторната батерия като обикновен битов отпадък. Акумулаторната батерия съдържа литиевоионни клетки.

Безопасност

Дефиниции за безопасност

Предупреждения, знаци за внимание и бележки се използват за указване на особено важни части на инструкцията.



ПРЕДУПРЕЖДЕНИЕ: Използва се, ако има опасност от нараняване или смърт за оператора или за околните, ако не се спазват инструкциите в ръководството.



ВНИМАНИЕ: Използва се, ако има опасност от повреждане на машината, други материали или съседната зона, ако не се спазват инструкциите в ръководството.

Забележка: Използва се за предоставяне на повече информация, която е необходима в дадена ситуация.

Инструкции за безопасност за работа



ПРЕДУПРЕЖДЕНИЕ: Прочетете следващите предупредителни инструкции, преди да използвате продукта.

- Този продукт може да се използва от лица с намалени физически, сетивни или умствени способности или липса на опит и познания, когато те са под надзор или са били инструктирани относно

безопасната употреба на продукта и разбират произтичащите рискове. Не трябва да позволявате на деца да си играят с продукта.

- Не трябва да оставяте деца без надзор в зоната за престой. Когато акумулаторната батерия е изтощена или FlexiFence е прегряла, зоната вече не е защитена.
- Този продукт създава електромагнитно поле по време на работа. При някои условия това поле може да предизвика смущения в активни или пасивни медицински импланти. За да намалите риска от условия, които могат да евентуално да доведат до нараняване или смърт, ние препоръчваме лицата с медицински импланти да говорят с лекаря си и производителя на медицинския имплант, преди да започнат да работят с продукта.
- Малките части могат лесно да бъдат погълнати. Съществува и опасност малки деца да се задушат с полиетиленовата опаковка. Дръжте малките деца далеч по време на монтажа на продукта.
- Ако акумулаторните батерии се използват неправилно или ако са повредени, от тях може да се изхвърли запалима течност. Трябва да се избягва контактът с тази течност. В случай на случаен контакт изплакнете с вода. Ако очите Ви влязат в контакт с течността, потърсете допълнителна медицинска помощ.
- Зареждайте продукта само в сухи площи на закрито.
- Не отстранявайте акумулаторната батерия от продукта.
- Към този продукт не е включен USB захранващ блок. Препоръчва се да използвате захранване на трета страна съгласно техническите характеристики на захранващия блок, направете справка с *Технически данни на страница 206*. Преди да използвате USB захранващ адаптер на трета страна, проверете дали отговаря на изискванията на националните и международните стандарти за безопасност при изключително ниско напрежение (SELV).
- Не използвайте продукта и периферните му устройства при лоши атмосферни условия, особено когато има опасност от мъгливи.
- Следвайте инструкциите за техническо обслужване, направете справка с *Поддръжка на страница 202*.
- За безопасно изхвърляне на акумулаторната батерия направете справка с *Изхвърляне на страница 205*.
- Температурата на работа и съхранение е 0 – 40°C/32 – 104°F. Твърде високите температури могат да предизвикат повреждане на продукта.

- Зареждайте акумулаторната батерия при температури на околната среда 4 – 30°C/39 – 86°F. Зареждането на пълна мощност е възможно при температури от 15°C/59°F нагоре.

Инсталиране

Въведение – монтаж



ПРЕДУПРЕЖДЕНИЕ: Прочетете и разберете главата за безопасност, преди да монтирате продукта.



ВНИМАНИЕ: Използвайте оригинални резервни части и материали за монтаж.

Забележка: За повече информация относно монтажа направете справка с ръководството за оператора на косачката робот или www.husqvarna.com.

Монтиране на продукта

За подготовка за монтажа на продукта

- Заредете акумулаторната батерия на продукта. Вижте *За зареждане на акумулаторната батерия на страница 200*.
- Монтирайте зоната за престой в работната площ на косачката робот, но не пресичайте водещи проводници.
- Уверете се, че FlexiFence и всички предмети в площта на FlexiFence са отдалечени на минимум 35 cm/14 in от граничния електрически проводник за зона (A). (Фиг. 8)
- Уверете се, че минималното разстояние от граничния електрически проводник за зона до граничния електрически проводник на работната площ (B) е 60 cm/24 in.
- Уверете се, че минималното разстояние от граничния електрически проводник за зона до водещия проводник (C) е 60 cm/24 in.

- Ако използвате повече от 1 модул FlexiFence, се уверете, че минималното разстояние между 2-та гранични електрически проводника за зона е 60 cm/24 in.
- Уверете се, че наклоните в площта на FlexiFence не са по-големи от 10%.
- Уверете се, че дължината на граничния електрически проводник за зона е максимум 15 m/50 ft.
- Не пресичайте граничния електрически проводник за зона сам със себе си или с граничен електрически проводник за друга зона. Това може да предизвика смущения между продукта и граничния електрически проводник за зона. (Фиг. 9)
- За да поставите FlexiFence на разстояние от предметите наоколо, прочетете раздел За да проверите къде да поставите граничния електрически проводник в ръководството за оператора на косачката робот.

Забележка: За монтаж използвайте включените части. Можете да се обърнете към Вашия представител на Husqvarna относно получаването на допълнителни части за монтаж.

За да инсталирате продукта

1. Прокарайте граничния електрически проводник за зона около зоната за престой.
2. Оголете 2-та края на граничния електрически проводник за зона.
3. Закрепете по 1 конектор към всеки край на граничния електрически проводник за зона.
4. Закрепете 2-та конектора (A) към 2-та конектора на продукта (B). (Фиг. 10)
5. Използвайте железен или гумен чук, за да закрепите граничния електрически проводник за зона с колчета, забити в земята. Поставете колчетата на максимално разстояние от 75 cm/30 in едно от друго.
6. Поставете продукта в зоната за престой и го закрепете към земята с колчета, използвайки железен или гумен чук.
7. Активирайте функцията за генератор на сигнал за зона на Вашата косачка робот. Направете справка с ръководството за оператора на косачката робот.

Забележка: Ако продуктът няма меню за генератор на сигнал за зона, трябва да актуализирате фърмуера на косачката робот.

За извършване на тест на монтажа

1. ВКЛЮЧЕТЕ продукта и проверете дали светодиодният индикатор свети в зелено.
2. Уверете се, че режимът ECO на косачката робот е деактивиран. Направете справка с Режим ECO в ръководството за оператора на косачката робот.
3. Поставете косачката робот на 1 – 2 m пред зоната за престой. Уверете се, че косачката робот е насочена с предната част към зоната за престой.
4. Стартирайте косачката робот и се уверете, че спира при граничния електрически проводник за зона.

Забележка: Ако има проблеми с монтажа, направете справка с *Отстраняване на проблеми на страница 202*.

Операция

За зареждане на акумулаторната батерия

Заредете акумулаторната батерия напълно, преди да стартирате продукта за първи път. Акумулаторната батерия е напълно заредена, когато светодиодният индикатор свети в оранжево непрекъснато. Продуктът не работи по време на зареждане.

1. Отстранете капака на продукта.
2. Отстранете уплътняващата капачка на продукта.
3. Свържете кабела за зареждане USB-C към гнездото за зареждане.
4. Свържете кабела за зареждане USB-A към захранващ блок.
5. Свържете захранващия блок към захранващ контакт.
6. Проверете дали светодиодният индикатор на продукта мига в оранжево, за да сте сигурни, че акумулаторната батерия се зарежда.

Забележка: Не е включен захранващият блок от 5 V с USB гнездо.

Забележка: Ако продуктът не се използва за продължителен период от време, зареждайте акумулаторната батерия на минимум 60% на всеки 3 месеца. Заредете акумулаторната батерия на продукта на минимум 60%, преди да стартирате продукта след дълъг период на съхранение.

Светодиоден индикатор за капацитета на акумулаторната батерия

Светодиодният индикатор светва, когато нивото на заряд на акумулаторната батерия на продукта падне под 10%. За да включите светодиодния индикатор, когато нивото на заряд на акумулаторната батерия е над 10%, задръжте натиснат бутона за ВКЛ./ИЗКЛ. в продължение на 5 секунди.

Светлина	Причина
Постоянна зелена светлина на светодиода	Продуктът е включен и нивото на заряд на акумулаторната батерия е над 30%.
Бавно мигаща зелена светлина на светодиода	Продуктът е включен и нивото на заряд на акумулаторната батерия е 10 – 30%.
Бързо мигаща зелена светлина на светодиода	Продуктът е включен и нивото на заряд на акумулаторната батерия е под 10%.
Постоянна оранжева светлина на светодиода	Акумулаторната батерия е напълно заредена.
Мигаща оранжева светлина на светодиода	Акумулаторната батерия се зарежда.

За стартиране на продукта

1. Задръжте натиснат бутона за ВКЛ./ИЗКЛ. на продукта за 2 секунди.
2. Проверете дали светодиодният индикатор на продукта свети в зелено, за да сте сигурни, че продуктът е включен.

Спиране на продукта

1. Задръжте натиснат бутона за ВКЛ./ИЗКЛ. на продукта за 2 секунди.
2. Проверете дали светодиодният индикатор на продукта мига в бяло. Продуктът е изключен, когато светодиодният индикатор спре да свети.

Поддръжка

За почистване на продукта



ВНИМАНИЕ: Не използвайте водоструйка или течаща вода за почистване на продукта. Не използвайте разтворители за почистване.

- Използвайте навлажнена кърпа за почистване на продукта.
-

Отстраняване на проблеми

Светодиоден индикатор на продукта

Светодиодният индикатор светва, когато капацитетът на акумулаторната батерия на продукта падне под 10%. За да включите светодиодния индикатор, когато нивото на заряд на акумулаторната батерия е над 10%, задръжте натиснат бутона за ВКЛ./ИЗКЛ. в продължение на 5 секунди.

Постоянна светлина – нивото на заряд на акумулаторната батерия е над 30%.

Бавно мигаща светлина – нивото на заряд на акумулаторната батерия е 10 – 30%.

Бързо мигаща светлина – нивото на заряд на акумулаторната батерия е под 10%.

Светлина	Причина	Решение
Мига в бяло 5 пъти	Акумулаторната батерия е празна или има грешка.	Задръжте натиснат бутона за ВКЛ./ИЗКЛ. в продължение на 5 секунди, за да видите състоянието.
Синя светлина на светодиода	Граничният електрически проводник за зона е дефектен или не е свързан.	Сменете или свържете електрическия проводник за зона.
Лилава светлина на светодиода	Продуктът не може да намери граничния електрически проводник за работната площ. Активиран е режим ЕСО или обхватът на зоната е неправилен.	<p>Проверете граничния електрически проводник за работната площ, сменете граничния електрически проводник, ако е дефектен.</p> <p>Уверете се, че граничният електрически проводник за работната площ е монтиран правилно.</p> <p>Уверете се, че зареждащата станция на косачката робот е свързана към захранващ контакт.</p> <p>Деактивирайте режима ЕСО.</p>

Светлина	Причина	Решение
Червена светлина на светодиода	Температурата на продукта е твърде висока.	<p>Поставете продукта на защитено от слънцето място. Оставете температурата на продукта да спадне, преди да стартирате продукта.</p> <p>Ако проблемът остава, тогава се обърнете към Вашия местен представител на Husqvarna.</p>

СИМПТОМИ

Симптом	Причина	Решение
Косачката робот спира със съобщение за неизправност "Проблем с генератора на сигнал за зона".	Акумулаторната батерия на FlexiFence е изтощена. FlexiFence не работи, когато акумулаторът е изтощен. Косачката робот може да коси в зоната за престой, ако я стартирате, преди да заредите FlexiFence.	Заредете акумулаторната батерия на FlexiFence, преди да стартирате косачката робот.
	FlexiFence се изключва автоматично, тъй като температурата на FlexiFence е по-висока от максималната гранична стойност.	Поставете продукта на защитено от слънцето място. Оставете температурата на продукта да спадне, преди да стартирате продукта.

Симптом	Причина	Решение
Косачката работ влиза в зоната на FlexiFence.	Софтуерен проблем с преместването.	Задръжте натиснат бутона за ВКЛ./ИЗКЛ. в продължение на 15 секунди, за да рестартирате продукта.

Съхранение и изхвърляне

За оставяне на продукта за съхранение



ПРЕДУПРЕЖДЕНИЕ: Поставете продукта в площ, където деца няма да могат да получат достъп до него.

1. Заредете акумулаторната батерия на продукта.
2. Почистете продукта. Вижте *За почистване на продукта на страница 202*.
3. Оставете продукта за съхранение в суха, закрыта и незамръзваща площ.

Изхвърляне

- Спазвайте националните разпоредби.
- Използвайте местната система за рециклиране.
- Не изхвърляйте акумулаторната батерия като обикновен битов отпадък. Акумулаторната батерия съдържа литиевойонни клетки.



ВНИМАНИЕ: Акумулаторната батерия може да се отстранява само от квалифициран персонал.

За повече информация относно отстраняването на акумулаторната батерия се обърнете към Вашия представител на Husqvarna.

Технически данни

Данни за продукта	
Време за работа на акумулаторната батерия, приблизително, в дни	30
Зареждащо напрежение на акумулаторната батерия, V	5
Заряден ток на акумулаторната батерия, A	1
Време за зареждане на акумулаторната батерия, h	6
IP код	IPX4

Антенa на граничен електрически проводник	
Работна честотна лента, Hz	100 – 80000
Максимално магнитно поле ²⁷ , dBuA/m	82
Максимална мощност на радиочестотен сигнал ²⁸ , mW при 60 m	< 25

Не може да се гарантира пълна съвместимост между продукта и други видове безжични системи, като дистанционни управления и радиопредаватели.

²⁷ Измерено съгласно EN 303 447.

²⁸ Максимална активна мощност на изхода към антените в честотната лента, в която работи радиооборудването.

Технически характеристики на захранващия блок	
Честота, Hz, една фаза	50 – 60
Напрежение на мрежата, V AV	100 – 240
Изходно напрежение, V DC	5
Изходен ток, A	1
Минимална изходна мощност, W	5
Изходен конектор	USB-C

Принадлежности

Одобрени принадлежности	Количество
Граничен електрически проводник, m	50
	150
Колчета, бр.	100
Конектори, бр.	5

Декларация за съответствие на ЕС

С настоящото долуподписаните оторизирани представители на производителя, GARDENA Germany AB, PO Box 7454, S-103 92, Stockholm, Sweden, удостоверяват, че при напускане на фабриката модула(ите), посочен(и) по-долу, е/са в съответствие с хармонизираните нормативи на ЕС, стандартите на ЕС за безопасност и специфичните за продукта стандарти. Този сертификат става невалиден, ако модулите са променени без нашето одобрение.

Описание	Подвижен контур
Тип/модел	Automower® FlexiFence
№ на артикула	529880501
Директива на ЕС	Описание
2014/53/EU	Директива за радиооборудването (RED)
2011/65/EU	Ограничение на опасните вещества в електрическото и електронното оборудване (RoHS)

Хармонизирани стандарти:

- EN ISO 12100:2010
- EN 60335-1:2012+A11:2014+A13:2017+A1:2019+A14:2019+A2:2019
- EN 50636-2-107:2015+A1:2018
- ETSI EN 301 489-1 V2.2.3 (2019-11)
- ETSI EN 301 489-3 V2.1.1 (2019-03)
- Draft ETSI EN 303 447 V1.2.1 (2021-03)
- EN IEC 62311:2020
- EN IEC 63000:2018
- IEC 62133-2:2017

Внесени документи: GARDENA Technische Documentation M.Jäger
D-89079 Ulm, Hans-Lorensen-Str.40

Година на CE маркировка: 2021

Ulm, 04.02.2022



Reinhard Pompe,

Вицепрезидент по продуктите



Wolfgang Engelhardt,

Вицепрезидент по веригата за доставка

SPIS TREŚCI

Wstęp.....	210
Bezpieczeństwo.....	212
Instalacja.....	214
Przeznaczenie.....	216
Przegląd.....	218
Rozwiązywanie problemów.....	218
Przechowywanie i utylizacja.....	221
Dane techniczne.....	221
Deklaracja zgodności UE.....	223

Wstęp

Pomoc techniczna

Pomoc techniczną dotyczącą urządzenia można uzyskać u lokalnego przedstawiciela Husqvarna.

Opis urządzenia

Uwaga: Firma Husqvarna regularnie aktualizuje wygląd oraz sposób działania urządzeń. Patrz *Pomoc techniczna na stronie 210*.

Akcesorium Automower® FlexiFence umożliwia zamontowanie strefy niedostępnej w obszarze pracy robota koszącego, do której nie może on wjechać i kosić trawy.

Do użytkowania akcesorium Automower® FlexiFence z robotem koszącym Automower® konieczna może być aktualizacja oprogramowania sprzętowego robota Automower®. Aby uzyskać więcej informacji, należy skontaktować się z przedstawicielem Husqvarna.

Akcesorium Automower® FlexiFence nie wolno używać w miejscach publicznych, parkach, obiektach sportowych ani w rolnictwie lub leśnictwie.

Przegląd urządzenia

(Rys. 1)

1. Pokrywa
2. Gniazdo ładowania
3. Przyłącza
4. Pokrywa uszczelniająca
5. Przycisk WŁ./WYŁ.
6. Wskaźnik diodowy
7. Złącza
8. Szpilki
9. Przewód strefowej pętli ograniczającej
10. Przewód ładowania USB-C

Symbole znajdujące się na produkcie

Są to symbole, które można znaleźć na produkcie. Należy dokładnie i ze zrozumieniem przeczytać instrukcję.

(Rys. 2)

Niniejsze urządzenie spełnia wymogi dyrektyw obowiązujących na terenie UE.

(Rys. 3)

Niniejsze urządzenie spełnia wymogi dyrektyw obowiązujących na terenie Wielkiej Brytanii.

(Rys. 4)

Wyrzucanie urządzenia ze zwykłymi odpadami pochodzącymi z gospodarstwa domowego jest zabronione. Należy przestrzegać przepisów krajowych i korzystać z lokalnego systemu recyklingu.

(Rys. 5)

Nie używać urządzenia w temperaturach niższych niż 0°C/32°F.

(Rys. 6)

OSTRZEŻENIE: Przed pierwszym uruchomieniem urządzenia należy uważnie przeczytać instrukcję obsługi.

Symbole na akumulatorze

Na akumulatorze znajdują się poniższe symbole. Należy dokładnie i ze zrozumieniem przeczytać instrukcje.

(Rys. 7)

OSTRZEŻENIE: Nie wolno wyrzucać akumulatora jak zwykłych odpadów pochodzących z gospodarstwa domowego. Akumulator zawiera ogniwa litowo-jonowe.

Bezpieczeństwo

Definicje dotyczące bezpieczeństwa

Ostrzeżenia, uwagi i informacje są używane do zwrócenia uwagi na szczególnie ważne sekcje instrukcji obsługi.



OSTRZEŻENIE: Jest używane, gdy istnieje ryzyko poważnych obrażeń, śmierci operatora lub uszkodzenia otoczenia w wyniku nieprzestrzegania instrukcji obsługi.



UWAGA: Jest używane, gdy istnieje ryzyko uszkodzenia materiałów lub urządzenia w wyniku nieprzestrzegania instrukcji obsługi.

Uwaga: Stosuje się, aby przekazać więcej informacji, które są przydatne w danej sytuacji.

Instrukcje bezpieczeństwa dotyczące obsługi



OSTRZEŻENIE: Przed rozpoczęciem użytkowania urządzenia przeczytać poniższe ostrzeżenia.

- Urządzenie to może być używane przez osoby z niepełnosprawnością ruchową, sensoryczną lub umysłową albo nieposiadające doświadczenia i wiedzy, jeśli są one pod nadzorem lub zostały poinstruowane w zakresie

bezpiecznego użytkowania urządzenia i rozumieją wiążące się z nim zagrożenia. Dzieci nie mogą bawić się urządzeniem.

- Dzieci nie mogą być pozostawiane bez nadzoru w strefie niedostępnej. Gdy akumulator jest rozładowany lub jeśli doszło do przegrzania akcesorium FlexiFence, strefa ta nie jest już chroniona.
- Niniejszy produkt podczas pracy wytwarza pole elektromagnetyczne. W pewnych warunkach pole to może zakłócać pracę aktywnych lub pasywnych implantów medycznych. Przed użyciem tego produktu osoby z wszczepionym implantem medycznym powinny skonsultować się z lekarzem i producentem implantu w celu ograniczenia ryzyka poważnych lub śmiertelnych obrażeń.
- Łatwo może dojść do połknięcia małych elementów. Istnieje także ryzyko uduszenia małych dzieci w torbie foliowej. Nie dopuszczać małych dzieci do miejsca, w którym odbywa się montaż.
- Nieprawidłowe użytkowanie lub uszkodzenie akumulatorów może spowodować wytrysnięcie z nich łatwopalnej cieczy. Należy unikać kontaktu z tą cieczą. Jeśli dojdzie do przypadkowego kontaktu, należy przemyć wodą. W przypadku przedostania się cieczy do oczu należy niezwłocznie skorzystać z dodatkowej pomocy medycznej.
- Urządzenie należy ładować wyłącznie w suchych pomieszczeniach.
- Nie wymontowywać akumulatora z urządzenia.
- Zasilacz USB nie jest dołączony do tego urządzenia. Zaleca się korzystanie z zasilacza innego producenta zgodnego z parametrami technicznymi zasilacza, patrz *Dane techniczne na stronie 221*. Przed użyciem zasilacza USB innego producenta należy sprawdzić, czy jest on zgodny z krajowymi i międzynarodowymi normami bezpieczeństwa dotyczącymi bardzo niskiego napięcia bezpiecznego (SELV).
- Nie używać urządzenia ani powiązanych z nim urządzeń peryferyjnych w złych warunkach pogodowych, szczególnie jeśli istnieje ryzyko wystąpienia burzy.
- Przestrzegać zasad dotyczących konserwacji, patrz *Przegląd na stronie 218*.
- Informacje dotyczące bezpiecznej utylizacji akumulatora podano w części *Utylizacja na stronie 221*.
- Zakres temperatury pracy i przechowywania wynosi 0–40°C/32–104°F. Zbyt wysokie temperatury mogą spowodować uszkodzenie urządzenia.
- Akumulator należy ładować w temperaturze otoczenia 4–30°C/39–86°F. Pełna moc ładowania jest dostępna od temperatury 15°C/59°F.

Instalacja

Wprowadzenie — montaż



OSTRZEŻENIE: Przed zainstalowaniem produktu należy zapoznać się z rozdziałem dotyczącym bezpieczeństwa.



UWAGA: Używać oryginalnych części zamiennych i materiałów montażowych.

Uwaga: Więcej informacji na temat montażu można znaleźć w instrukcji obsługi robota koszącego lub na stronie www.husqvarna.com.

Montaż urządzenia

Przygotowanie do montażu urządzenia

- Naładować akumulator urządzenia. Patrz *Ładowanie akumulatora na stronie 216*.
- Zamontować strefę niedostępną w obszarze pracy robota koszącego, ale nie w taki sposób, aby przecinała przewód doprowadzający.
- Upewnić się, że akcesorium FlexiFence i wszystkie obiekty w obszarze FlexiFence znajdują się w odległości co najmniej 35 cm/14 cali od strefowej pętli ograniczającej (A). (Rys. 8)
- Upewnić się, że minimalna odległość od strefowej pętli ograniczającej do pętli ograniczającej obszaru pracy (B) wynosi 60 cm/24 cale.
- Upewnić się, że minimalna odległość od strefowej pętli ograniczającej do przewodu doprowadzającego (C) wynosi 60 cm/24 cale.
- W przypadku korzystania z więcej niż 1 modułu FlexiFence należy upewnić się, że minimalna odległość między 2 strefowymi pętlami ograniczającymi wynosi 60 cm/24 cale.
- Upewnić się, że stopień nachylenia terenu w obszarze FlexiFence nie przekracza 10%.

- Upewnić się, że długość strefowej pętli ograniczającej nie przekracza 15 m/50 stóp.
- Nie wolno umieszczać strefowej pętli ograniczającej w taki sposób, że przecina tę samą strefową pętlę ograniczającą ani inną instalację wykorzystującą taką pętlę. Może to spowodować zakłócenia w działaniu urządzenia i strefowej pętli ograniczającej. (Rys. 9)
- W celu umieszczenia akcesorium FlexiFence w pewnej odległości od obiektów należy przeczytać część „Określanie lokalizacji pętli ograniczającej” w instrukcji obsługi robota koszącego.

Uwaga: Do montażu należy użyć części znajdujących się w zestawie. W celu uzyskania większej liczby części do montażu można skontaktować się z lokalnym przedstawicielem Husqvarna.

Instalacja urządzenia

1. Umieścić strefową pętlę ograniczającą wokół strefy niedostępnej.
2. Odciąć 2 końce strefowej pętli ograniczającej.
3. Podłączyć 1 złącze do każdego końca strefowej pętli ograniczającej.
4. Podłączyć 2 złącza (A) do 2 przyłączy na urządzeniu (B). (Rys. 10)
5. Za pomocą młotka lub plastikowego pobijaka zamocować strefową pętlę ograniczającą szpilkami do podłoża. Umieścić szpilki w maksymalnej odległości 75 cm/30 cali od siebie.
6. Ustawić urządzenie w strefie niedostępnej i zamocować do podłoża za pomocą młotka lub plastikowego pobijaka.
7. Włączyć funkcję „Generator stref” w robocie koszącym. Zapoznać się z instrukcją obsługi robota koszącego.

Uwaga: Jeśli urządzenie nie jest wyposażone w menu „Generator stref”, konieczna jest aktualizacja oprogramowania sprzętowego robota koszącego.

Sprawdzanie instalacji

1. Włączyć urządzenie i upewnić się, że kontrolka LED świeci w kolorze zielonym.
2. Upewnić się, że tryb ECO robota koszącego jest wyłączony. Zapoznać się z informacjami na temat trybu ECO w instrukcji obsługi robota koszącego.

3. Ustawić robota koszącego w odległości 1–2 m przed strefą niedostępną. Upewnić się, że robot koszący jest skierowany do przodu w stronę strefy niedostępną.
4. Uruchomić robota koszącego i sprawdzić, czy zatrzymuje się przy strefowej pętli ograniczającej.

Uwaga: W razie problemów z montażem należy zapoznać się z częścią *Rozwiązywanie problemów na stronie 218*.

Przeznaczenie

Ładowanie akumulatora

Przed pierwszym uruchomieniem urządzenia należy całkowicie naładować akumulator. Akumulator jest w pełni naładowany, gdy kontrolka LED świeci światłem ciągłym w kolorze pomarańczowym. W trakcie ładowania urządzenie nie działa.

1. Zdjąć osłonę urządzenia.
2. Zdjąć pokrywę uszczelniającą urządzenia.
3. Podłączyć przewód ładowania USB-C do gniazda ładowania.
4. Podłączyć przewód ładowania USB-A do zasilacza.
5. Podłączyć zasilacz do gniazda zasilania.
6. Sprawdzić, czy kontrolka LED na urządzeniu miga w kolorze pomarańczowym, aby upewnić się, że trwa ładowanie akumulatora.

Uwaga: Zasilacz 5 V z gniazdem USB nie wchodzi w skład zestawu.

Uwaga: Jeśli urządzenie nie jest używane przez dłuższy czas, akumulator należy naładować do poziomu co najmniej 60% co 3 miesiące. Przed uruchomieniem urządzenia po długotrwałym przechowywaniu jego akumulator należy naładować do poziomu co najmniej 60%.

Kontrolka LED pojemności akumulatora

Kontrolka LED zapala się, gdy stan naładowania akumulatora urządzenia jest niższy niż 10%. Aby wyświetlić kontrolkę LED, gdy stan naładowania

akumulatora przekracza 10%, należy nacisnąć i przytrzymać przez 5 sekund przycisk WŁ./WYŁ.

Światło	Przyczyna
Dioda LED świeci światłem ciągłym w kolorze zielonym	Urządzenie jest włączone, a stan naładowania akumulatora przekracza 30%.
Dioda LED miga z małą częstotliwością w kolorze zielonym	Urządzenie jest włączone, a stan naładowania akumulatora wynosi 10–30%.
Dioda LED miga z dużą częstotliwością w kolorze zielonym	Urządzenie jest włączone, a stan naładowania akumulatora jest niższy niż 10%.
Dioda LED świeci światłem ciągłym w kolorze pomarańczowym	Akumulator jest w pełni naładowany.
Dioda LED miga w kolorze pomarańczowym	Akumulator ładuje się.

Uruchamianie urządzenia

1. Nacisnąć i przytrzymać przez 2 sekundy przycisk WŁ./WYŁ. na urządzeniu.
2. Sprawdzić, czy kontrolka LED na urządzeniu świeci w kolorze zielonym, aby upewnić się, że urządzenie jest włączone.

Wyłączanie urządzenia

1. Nacisnąć i przytrzymać przez 2 sekundy przycisk WŁ./WYŁ. na urządzeniu.

2. Sprawdzić, czy kontrolka LED na urządzeniu miga w kolorze białym. Gdy kontrolka LED zgaśnie, oznacza to, że urządzenie jest wyłączone.

Przegląd

Czyszczenie produktu



UWAGA: Do czyszczenia urządzenia nie wolno używać myjki wysokociśnieniowej ani strumienia bieżącej wody. Nie używać rozpuszczalników do czyszczenia.

- Do czyszczenia urządzenia należy używać wilgotnej szmatki.
-

Rozwiązywanie problemów

Kontrolka LED na urządzeniu

Kontrolka LED zapala się, gdy pojemność akumulatora jest niższa niż 10%. Aby wyświetlić kontrolkę LED, gdy stan naładowania akumulatora przekracza 10%, należy nacisnąć i przytrzymać przez 5 sekund przycisk WŁ./WYŁ.

Światło ciągle — stan naładowania akumulatora przekracza 30%.

Miganie z małą częstotliwością — stan naładowania akumulatora wynosi 10–30%.

Miganie z dużą częstotliwością — stan naładowania akumulatora jest niższy niż 10%.

Światło	Przyczyna	Rozwiązanie
Miga 5 razy w kolorze białym	Akumulator jest rozładowany lub wystąpił błąd.	Nacisnąć i przytrzymać przez 5 sekund przycisk WŁ./WYŁ., aby sprawdzić stan.
Dioda LED świeci w kolorze niebieskim	Strefowa pętla ograniczająca jest uszkodzona lub niepodłączona.	Wymienić lub podłączyć pętlę strefową.

Światło	Przyczyna	Rozwiązanie
Dioda LED świeci w kolorze fioletowym	Urządzenie nie może odnaleźć pętli ograniczającej obszaru pracy. Włączony jest tryb ECO lub zakres strefy jest nieprawidłowy.	<p>Sprawdzić pętlę ograniczającą obszar pracy i wymienić w przypadku jej uszkodzenia.</p> <p>Upewnić się, że pętla ograniczająca obszaru pracy jest prawidłowo zamontowana.</p> <p>Upewnić się, że stacja ładująca robota koszącego jest podłączona do gniazda zasilania.</p> <p>Wyłączyć tryb ECO.</p>
Dioda LED świeci w kolorze czerwonym	Zbyt wysoka temperatura zasilacza	<p>Ustawić urządzenie w obszarze chronionym przed słońcem. Przed uruchomieniem urządzenia należy poczekać, aż jego temperatura spadnie.</p> <p>Jeżeli problem będzie nadal występował, skontaktować się z lokalnym przedstawicielem firmy Husqvarna.</p>

Objawy

Objawy	Przyczyna	Rozwiązanie
Robot koszący zatrzymuje się i pojawia się komunikat o błędzie „Problem z generatorem strefy”.	Stan naładowania akumulatora akcesorium FlexiFence jest niski. Urządzenie FlexiFence nie działa, gdy akumulator jest rozładowany. Robot koszący może kosić w strefie niedostępnej w przypadku uruchomienia go przed naładowaniem akcesorium FlexiFence.	Naładować akumulator akcesorium FlexiFence przed uruchomieniem robota koszącego.
	Akcesorium FlexiFence jest automatycznie wyłączane, ponieważ temperatura w FlexiFence przekracza maksymalny limit.	Ustawić urządzenie w obszarze chronionym przed słońcem. Przed uruchomieniem urządzenia należy poczekać, aż jego temperatura spadnie.
Robot koszący wjeżdża do strefy FlexiFence.	Problem z przesyłaniem oprogramowania.	Nacisnąć i przytrzymać przez 15 sekund przycisk WŁ./WYŁ., aby ponownie uruchomić urządzenie.

Przechowywanie i utylizacja

Odstawianie urządzenia do przechowywania



OSTRZEŻENIE: Urządzenie należy umieścić w miejscu uniemożliwiającym dostęp dzieci do urządzenia.

1. Naładować akumulator urządzenia.
2. Wyczyścić urządzenie. Patrz *Czyszczenie produktu na stronie 218*.
3. Urządzenie należy przechowywać w suchym, zamkniętym miejscu, nie narażonym na przymrozki.

Utylizacja

- Należy przestrzegać krajowych przepisów.
 - Należy użyć lokalnego systemu recyklingu.
 - Nie wolno wyrzucać akumulatora jak zwykłych odpadów pochodzących z gospodarstwa domowego. Akumulator zawiera ogniwa litowo-jonowe.
-



UWAGA: Wymontowania akumulatora może dokonywać wyłącznie wykwalifikowany personel.

Aby uzyskać więcej informacji na temat wymontowywania akumulatora, należy skontaktować się z lokalnym przedstawicielem Husqvarna.

Dane techniczne

Dane urządzenia	
Czas pracy akumulatora, w przybliżeniu, dni	30
Napięcie ładowania akumulatora, V	5
Natężenie prądu ładowania akumulatora, A	1

Dane urządzenia	
Czasy ładowania akumulatora, godzin	6
kod IP	IPX4

Antena pętli ograniczającej	
Zakres częstotliwości roboczych, Hz	100–80000
Maksymalne pole magnetyczne ²⁹ , dBuA/m	82
Maksymalna moc częstotliwości radiowych ³⁰ , mW przy 60 m	<25

Nie można zagwarantować pełnej kompatybilności pomiędzy produktem a systemami bezprzewodowymi innego typu, takimi jak zdalne sterowanie i nadajniki radiowe.

Parametry techniczne zasilacza	
Częstotliwość, Hz, pojedyncza faza	50–60
Napięcie sieciowe, V AV	100–240
Napięcie wyjściowe, V DC	5
Prąd wyjściowy, A	1
Minimalna moc wyjściowa, W	5
Złącze wyjściowe	USB-C

²⁹ Pomiar zgodny z normą EN 303 447.

³⁰ Maksymalna aktywna moc wyjściowa anten na paśmie częstotliwości roboczej urządzeń do komunikacji radiowej.

Akcesoria

Zatwierdzone akcesoria	Ilość
Pętla ograniczająca, m	50
	150
Szpilki, szt.	100
Złącza, szt.	5

Deklaracja zgodności UE

Niżej podpisany, będący przedstawicielem producenta, firmy GARDENA Germany AB, PO Box 7454, S-103 92, Stockholm, Sweden, niniejszym zaświadcza, że wskazane poniżej urządzenia są w momencie opuszczania fabryki zgodne ze zharmonizowanymi wytycznymi UE, normami UE oraz normami szczególnymi dotyczącymi bezpieczeństwa i urządzenia. Modyfikacja wyrobów bez naszej zgody powoduje unieważnienie niniejszego certyfikatu.

Opis	Pętla przenośna
Typ/model	Automower® FlexiFence
Nr art.	529880501
Dyrektywa UE	Opis
2014/53/EU	Dyrektywa radiowa (RED)
2011/65/EU	RoHS

Normy zharmonizowane:

- EN ISO 12100:2010
- EN 60335-1:2012+A11:2014+A13:2017+A1:2019+A14:2019+A2:2019
- EN 50636-2-107:2015+A1:2018

- ETSI EN 301 489-1 V2.2.3 (2019-11)
- ETSI EN 301 489-3 V2.1.1 (2019-03)
- Draft ETSI EN 303 447 V1.2.1 (2021-03)
- EN IEC 62311:2020
- EN IEC 63000:2018
- IEC 62133-2:2017

Zdeponowana dokumentacja: GARDENA Technische Documentation M.Jäger
D-89079 Ulm, Hans-Lorenser-Str.40

Rok uzyskania oznakowania CE: 2021

Ulm, 04.02.2022



Reinhard Pompe,

Wiceprezes ds. produktów



Wolfgang Engelhardt,

Wiceprezes ds. łańcucha dostaw

CUPRINS

Introducere.....	225
Siguranță.....	227
Instalare.....	229
Funcționarea.....	231
Întreținerea.....	232
Depanarea.....	233
Depozitare și eliminare.....	235
Date tehnice.....	236
Declarație de conformitate UE.....	238

Introducere

Asistență

Pentru asistență pentru produs, adresați-vă reprezentantului dvs. Husqvarna.

Descrierea produsului

Nota: Husqvarna actualizează periodic aspectul și funcțiile produselor.
Consultați *Asistență la pagina 225*.

Cu Automower® FlexiFence puteți delimita o zonă interzisă în zona de lucru pentru mașina robotizată de tuns gazonul, în care aceasta nu poate intra pentru a tunde iarba.

Pentru a utiliza Automower® FlexiFence cu mașina robotizată Automower® de tuns gazonul, poate fi necesar să actualizați firmware-ul pentru mașina robotizată Automower® de tuns gazonul. Adresați-vă reprezentantului dvs. Husqvarna pentru informații suplimentare.

Este interzisă utilizarea Automower® FlexiFence în zone publice, parcuri, arene sportive sau în zone agricole sau forestiere.

Prezentarea generală a produsului

(Fig. 1)

1. Capac
2. Priză de încărcare
3. Conexiuni
4. Capac de sigilare
5. Buton START/STOP (ON/OFF)
6. Indicator cu LED
7. Conectori
8. Țăruși
9. Cablu pentru cablul de delimitare a zonei
10. Cablu de încărcare USB-C

Simbolurile de pe produs

Aceste simboluri pot fi găsite pe produs. Asigurați-vă că le înțelegeți.

(Fig. 2) Acest produs este în conformitate cu directivele UE aplicabile.

(Fig. 3) Acest produs este în conformitate cu directivele UK aplicabile.

(Fig. 4) Nu este permisă aruncarea produsului ca deșeu menajer obișnuit. Respectați reglementările naționale și folosiți sistemul local de reciclare.

(Fig. 5) Nu folosiți produsul la temperaturi mai mici de 0 °C/32 °F.

(Fig. 6) **AVERTISMENT:** Citiți instrucțiunile operatorului înainte de a utiliza produsul.

Simboluri de pe baterie

Aceste simboluri pot fi găsite pe baterie. Asigurați-vă că le înțelegeți.

(Fig. 7)

AVERTISMENT: Nu eliminați bateria împreună cu deșeurile menajere obișnuite. Bateria conține celule de litiu-ion.

Siguranță

Definiții privind siguranța

Avertismentele, atenționările și notele sunt utilizate pentru a desemna părți foarte importante din manual.



AVERTISMENT: Se utilizează dacă există risc de vătămare sau de deces pentru operator sau pentru trecători, în cazul în care instrucțiunile din manual nu sunt respectate.



ATENȚIE: Se utilizează dacă există un risc de deteriorare a produsului, a altor materiale sau a zonelor învecinate, dacă instrucțiunile din manual nu sunt respectate.

Nota: Se utilizează pentru a furniza mai multe informații care sunt necesare într-o situație dată.

Instrucțiuni de siguranță pentru utilizare



AVERTISMENT: Înainte de a utiliza produsul, citiți instrucțiunile de avertizare de mai jos.

- Utilizarea produsului de persoane cu abilități fizice, senzoriale sau mentale reduce sau de persoane fără experiența și cunoștințele necesare, este permisă numai dacă sunt supravegheate sau instruite cu privire la utilizarea sigură a produsului și dacă înțeleg pericolele rezultate din utilizare. Copiii nu trebuie să se joace cu produsul.
- Nu este permis accesul copiilor nesupravegheați în zona interzisă. Când bateria este descărcată sau dacă FlexiFence s-a supraîncălzit, zona nu mai este protejată.

- În timpul funcționării, acest produs produce un câmp electromagnetic. În anumite condiții, acest câmp poate interfera cu implanturile medicale active sau pasive. Pentru a scădea riscul de afecțiuni care pot conduce la vătămare sau la deces, recomandăm persoanelor cu implanturi medicale să consulte medicul și producătorul implantului medical înainte de a utiliza produsul.
- Componentele mici pot fi înghițite cu ușurință. Există, de asemenea, riscul de sufocare a copiilor mici, risc provocat de punga din polietilenă. Copiii mici trebuie ținuti la distanță în timpul asamblării produsului.
- Dacă sunt utilizate incorect sau dacă bateriile sunt deteriorate, din acestea poate ieși lichid inflamabil. Trebuie evitat contactul cu acest lichid. Dacă intrați accidental în contact cu acesta, clătiți-vă cu apă. Dacă lichidul intră în contact cu ochii, solicitați asistență medicală suplimentară.
- Încărcați produsul numai în interior, în spații uscate.
- Nu scoateți bateria din produs.
- Acest produs nu include o sursă de alimentare electrică cu port USB. Se recomandă utilizarea unei surse de alimentare terțe în funcție de specificații, consultați *Date tehnice la pagina 236*. Înainte de a utiliza adaptorul terț de alimentare cu port USB, verificați dacă respectă standardele de siguranță naționale și internaționale pentru tensiunea de siguranță foarte joasă (SELV).
- Nu utilizați produsul și accesoriile sale în condiții de vreme nefavorabilă, mai ales când există risc de descărcări electrice.
- Urmați instrucțiunile pentru întreținere, consultați *Întreținerea la pagina 232*.
- Pentru eliminarea în siguranță a deșeurilor a bateriei, consultați *Eliminarea la deșeurile la pagina 236*.
- Intervalul de temperatură pentru funcționare și de stocare este de 0-40 °C / 32-104 °F. Temperaturile prea ridicate ar putea cauza deteriorarea produsului.
- Încărcați bateria la temperaturi ambiante din intervalul 4-30 °C / 39-86 °F. Puterea completă de încărcare este disponibilă de la 15 °C / 59 °F.

Instalare

Introducerea - Instalarea



AVERTISMENT: Citiți și înțelegeți capitolul referitor la siguranță înainte de instalarea produsului.



ATENȚIE: Utilizați piese de schimb și materiale de instalare originale.

Nota: Consultați manualul operatorului pentru mașina robotizată de tuns gazonul sau www.husqvarna.com, pentru mai multe informații despre instalare.

Instalarea produsului

Pregătirea pentru instalarea produsului

- Încărcați acumulatorul produsului. Consultați *Încărcarea bateriei la pagina 231*.
- Stabiliți zona interzisă în zona de lucru a mașinii robotizate de tuns gazonul, dar nu depășiți cablul de ghidare.
- Asigurați-vă că FlexiFence și toate obiectele din zona FlexiFence sunt la minimum 35 cm/14 in. de cablul de delimitare a zonei (A). (Fig. 8)
- Asigurați-vă că distanța minimă dintre cablul de delimitare a zonei și cablul de delimitare a zonei de lucru (B) este de 60 cm/24 in.
- Asigurați-vă că distanța minimă dintre cablul de delimitare a zonei și cablul de ghidare (B) este de 60 cm/24 in.
- Dacă utilizați mai mult de 1 unitate FlexiFence, asigurați-vă că distanța minimă dintre cele 2 cabluri de delimitare a zonei este de 60 cm/24 in.
- Asigurați-vă că pantele din zona FlexiFence nu au o înclinație mai mare de 10 %.
- Asigurați-vă că lungimea cablului de delimitare a zonei este de maximum 15 m/50 ft.

- Nu amplasați cablul de delimitare a zonei peste același cablu de delimitare sau peste altă instalație cu un cablu de delimitare. Aceasta poate cauza interferențe cu produsul și cablul de delimitare a zonei. (Fig. 9)
- Pentru a amplasa FlexiFence la distanță de obiecte, citiți secțiunea Examinarea locului în care să așezați cablul de delimitare din manualul operatorului pentru mașina robotizată de tuns gazonul.

Nota: Utilizați piesele incluse pentru instalare. Vă puteți adresa reprezentantului Husqvarna pentru a obține mai multe piese pentru instalare.

Pentru a instala produsul

1. Amplasați cablul de delimitare în jurul zonei interzise.
2. Tăiați cele 2 capete ale cablului de delimitare.
3. Atașați 1 conector la fiecare capăt al cablului de delimitare.
4. Atașați cei 2 conectori (A) la cele 2 conexiuni de pe produs (B). (Fig. 10)
5. Utilizați un ciocan metal sau din plastic pentru a fixa cablul de delimitare cu țărushi în pământ. Puneți țărushii la maximum 75 cm/30 in. distanță unul de celălalt.
6. Amplasați produsul în zona interzisă și fixați-l pe sol cu țărushi, folosind un ciocan din metal sau plastic.
7. Activați funcția Generator de zone a mașinii robotizate de tuns gazonul. Consultați manualul operatorului pentru mașina robotizată de tuns gazonul.

Nota: Dacă produsul nu are meniul Generator de zone, este necesară actualizarea firmware-ului mașinii robotizate de tuns gazonul.

Verificarea instalației

1. Setări produsul la ON și asigurați-vă că indicatorul LED este verde.
2. Asigurați-vă că modul ECO al mașinii robotizate de tuns gazonul este dezactivat. Consultați modul ECO din manualul operatorului pentru mașina robotizată de tuns gazonul.
3. Așezați mașina robotizată de tuns gazonul la 1-2 m în fața zonei interzise. Asigurați-vă că mașina robotizată de tuns gazonul este orientată cu fața spre zona interzisă.

4. Porniți mașina robotizată de tuns gazonul și asigurați-vă că se oprește lângă cablul de delimitare a zonei.

Nota: Dacă apar probleme cu instalația, consultați *Depanarea la pagina 233*.

Funcționarea

Încărcarea bateriei

Încărcați bateria complet înainte de a porni produsul prima dată. Bateria este complet încărcată când indicatorul cu LED este portocaliu și rămâne aprins continuu. Produsul nu funcționează în timpul încărcării.

1. Scoateți capacul produsului.
2. Scoateți capacul de sigilare al produsului.
3. Conectați cablul de încărcare USB-C la priza de încărcare.
4. Conectați cablul de încărcare USB-A la o sursă de alimentare electrică.
5. Conectați sursa de alimentare electrică la o priză electrică.
6. Verificați dacă indicatorul cu LED de pe produs este portocaliu și se aprinde intermitent, pentru a vă asigura că bateria se încarcă.

Nota: Sursa de alimentare electrică de 5 V cu port USB nu este inclusă.

Nota: Dacă produsul nu este utilizat mult timp, încărcați bateria la minimum 60 % o dată la 3 luni. Încărcați bateria produsului până la minimum 60 % înainte de a porni produsul după depozitarea pe termen lung.

Indicatorul cu LED pentru capacitatea bateriei

Indicatorul cu LED se aprinde când nivelul de încărcare a bateriei produsului scade sub 10 %. Pentru a aprinde indicatorul LED când nivelul de încărcare al bateriei este de peste 10 %, apăsați butonul ON/OFF timp de 5 secunde.

Lumină	Cauză
LED verde aprins continuu	Produsul este pornit și nivelul de încărcare a bateriei este de peste 30 %.
LED-ul verde se aprinde intermitent lent	Produsul este pornit și nivelul de încărcare a bateriei este între 10-30 %.
LED-ul verde se aprinde intermitent rapid	Produsul este pornit și nivelul de încărcare a bateriei este sub 10 %.
LED portocaliu aprins continuu	Bateria este complet încărcată.
LED-ul portocaliu se aprinde intermitent	Bateria se încarcă.

Pornirea produsului

1. Apăsați butonul ON/OFF de pe produs timp de 2 secunde.
2. Verificați dacă indicatorul cu LED de pe produs este verde, pentru a vă asigura că produsul este pornit.

Oprirea produsului

1. Apăsați butonul ON/OFF de pe produs timp de 2 secunde.
2. Verificați dacă indicatorul cu LED de pe produs este alb și se aprinde intermitent. Produsul este oprit când indicatorul cu LED este stins.

Întreținerea

Curățarea produsului



ATENȚIE: Nu utilizați un sistem de spălare sub presiune și nici jet de apă pentru a curăța produsul. Nu utilizați solvenți pentru a curăța.

- Utilizați o cârpă umezită pentru a curăța produsul.

Depanarea

Indicatorul cu LED al produsului

Indicatorul cu LED se aprinde când capacitatea bateriei produsului scade sub 10 %. Pentru a aprinde indicatorul LED când nivelul de încărcare al bateriei este de peste 10 %, apăsați butonul ON/OFF timp de 5 secunde.

Lumină aprinsă continuu - Nivelul de încărcare a bateriei este de peste 30 %.

Se aprinde intermitent lent - Nivelul de încărcare a bateriei este între 10-30 %.

Se aprinde intermitent rapid - Nivelul de încărcare a bateriei este sub 10 %.

Lumină	Cauză	Soluție
Se aprinde intermitent de 5 ori și este alb	Bateria este descărcată sau a apărut o eroare.	Apăsați pe butonul ON/OFF timp de 5 secunde pentru a vedea starea.
LED albastru	Cablul de delimitare a zonei este defect sau nu este conectat.	Înlocuiți sau conectați cablul zonei.

Lumină	Cauză	Soluție
LED mov	Produsul nu poate găsi cablul de delimitare pentru zona de lucru. Modul ECO este activat sau suprafața zonei este incorectă.	<p>Examinați cablul de delimitare pentru zona de lucru și înlocuiți-l dacă este defect.</p> <p>Asigurați-vă că cablul de delimitare pentru zona de lucru este instalat corect.</p> <p>Asigurați-vă că stația de încărcare a mașinii robotizate de tuns gazonul este conectată la priza electrică.</p> <p>Dezactivați modul ECO.</p>
LED roșu	Temperatura produsului este prea mare.	<p>Amplasați produsul într-o zonă cu protecție împotriva soarelui. Lăsați temperatura produsului să scadă înainte de a-l porni.</p> <p>Dacă problema persistă, discutați cu reprezentantul local Husqvarna.</p>

Simptome

Simptom	Cauză	Soluție
Mașina robotizată de tuns gazonul se oprește cu mesajul de eroare „Zone generator problem” (Problemă cu generatorul de zone).	Bateria FlexiFence este descărcată. FlexiFence nu funcționează când bateria este descărcată. Mașina robotizată de tuns gazonul poate tunde iarba în zona interzisă dacă porniți produsul înainte de a încărca FlexiFence.	Încărcați bateria FlexiFence înainte de a porni mașina robotizată de tuns gazonul.
	FlexiFence este setat automat la OFF, deoarece temperatura din FlexiFence este mai ridicată decât limita maximă.	Amplasați produsul într-o zonă cu protecție împotriva soarelui. Lăsați temperatura produsului să scadă înainte de a-l porni.
Mașina robotizată de tuns gazonul intră în zona FlexiFence.	Problemă la transferul software-ului.	Apăsăți pe butonul ON/OFF timp de 15 secunde pentru reporni produsul.

Depozitare și eliminare

Depozitarea produsului



AVERTISMENT: Așezați produsul într-o zonă în care un copil nu poate avea acces la el.

1. Încărcați acumulatorul produsului.
 2. Curățați produsul. Consultați *Curățarea produsului la pagina 232*.
-

3. Depozitați produsul într-o zonă uscată, închisă și ferită de îngheț.

Eliminarea la deșeuri

- Respectați reglementările naționale.
- Utilizați sistemul local de reciclare.
- Nu eliminați bateria împreună cu deșeurile menajere obișnuite. Bateria conține celule de litiu-ion.



ATENȚIE: Doar personalul calificat poate scoate bateria.

Pentru mai multe informații despre scoaterea bateriei, adresați-vă reprezentantului Husqvarna.

Date tehnice

Date despre produs	
Autonomia bateriei, cu aproximație, în zile	30
Tensiune de încărcare a bateriei, V	5
Curent de încărcare a bateriei, A	1
Timpul de încărcare a bateriei, h	6
Cod IP	IPX4

Antenă pentru cablul de delimitare	
Bandă de frecvență operațională, Hz	100-80000

Antenă pentru cablul de delimitare	
Câmp magnetic maxim ³¹ , dBuA/m	82
Putere radiofrecvență maximă ³² , mW la 60 m	< 25

Nu se poate garanta compatibilitatea totală între produs și alte tipuri de sisteme wireless, precum telecomenzile și emițătoarele radio.

Specificațiile sursei de alimentare electrică	
Frecvență, Hz, monofazică	50-60
Tensiune rețea, V a.c.	100-240
Tensiune de ieșire, V c.c.	5
Curent de ieșire, A	1
Putere minimă de ieșire, W	5
Conector de ieșire	USB-C

Accesorii

Accesorii aprobate	Cantitate
Cablul de delimitare, m	50
	150
Țăruși, buc.	100
Conectori, buc.	5

³¹ Măsurat în conformitate cu EN 303 447.

³² Puterea de ieșire activă maximă către antene pe banda de frecvențe pe care funcționează echipamentul radio.

Declarație de conformitate UE

Subsemnatul, în calitate de reprezentant autorizat al producătorului GARDENA Germany AB, PO Box 7454, S-103 92, Stockholm, Sweden, certifică prin prezenta că, la momentul ieșirii din fabrica noastră, unitățile indicate mai jos sunt conforme cu directivele UE armonizate, cu standardele UE de siguranță și cu standardele specifice produsului. Prezentul certificat devine nul dacă unitățile sunt modificate fără aprobarea noastră.

Descriere	Bucă mobilă
Tip/Model	Automower® FlexiFence
Art. nr.	529880501

Directiva UE	Descriere
2014/53/EU	ROȘU
2011/65/EU	RoHS

Standarde armonizate:

- EN ISO 12100:2010
- EN 60335-1:2012+A11:2014+A13:2017+A1:2019+A14:2019+A2:2019
- EN 50636-2-107:2015+A1:2018
- ETSI EN 301 489-1 V2.2.3 (2019-11)
- ETSI EN 301 489-3 V2.1.1 (2019-03)
- Draft ETSI EN 303 447 V1.2.1 (2021-03)
- EN IEC 62311:2020
- EN IEC 63000:2018
- IEC 62133-2:2017

Documentația depusă: GARDENA Technische Documentation M.Jäger
D-89079 Ulm, Hans-Lorenser-Str.40

Anul marcatului CE: 2021

Ulm, 04.02.2022



Reinhard Pompe,

Vicepreședinte pentru produse



Wolfgang Engelhardt,

Vicepreședinte pentru aprovizionare

Sisukord

Sissejuhatus.....	240
Ohutus.....	242
Installimine.....	243
Töö.....	245
Hooldamine.....	247
Veaotsing.....	247
Hoiustamine ja kasutuselt kõrvaldamine.....	249
Tehnilised andmed.....	250
EÜ vastavusdeklaratsioon.....	252

Sissejuhatus

Tugi

Toote klientide jaoks võtke ühendust kohaliku Husqvarna esindajaga.

Toote kirjeldus

Märkus: Husqvarna uuendab regulaarselt toodete välimust ja funktsioone. Vt jaotist *Tugi lk 240*.

Automower® FlexiFence'i abil saate paigaldada tööalasse robotniidukile väljajääva piirkonna, kuhu niiduk ei saa siseneda ja kus see ei saa niita.

Automower® FlexiFence'i kasutamiseks Automower®-i robotniidukiga võib olla vaja Automower®-i robotniiduki püsivara värskendada. Lisateabe saamiseks võtke ühendust Husqvarna esindajaga.

Automower® FlexiFence'i ei tohi kasutada avalikes kohtades, parkides, spordiväljakutel ega põllumajanduses või metsatööstuses.

Toote tutvustus

(Joon. 1)

1. Kate

2. Laadimispesa
3. Ühendused
4. Kattekork
5. Toitenupp
6. LED-märgutuli
7. Pistikud
8. Vaiad
9. Piirkonna piirdekaabli kaabel
10. USB-C-laadimiskaabel

Sümbolid tootel

Tootel leiduvad järgmised sümbolid. Veenduge, et saate neist aru.

- (Joon. 2) See toode vastab kehtivatele EL-i direktiividele.
- (Joon. 3) See toode vastab kehtivatele UK direktiividele.
- (Joon. 4) Toodet ei tohi kasutusest kõrvaldada koos tavaliste olmejäätmetega. Järgige riiklikke eeskirju ja kasutage kohalikku jäätmete ringlussevõtu süsteemi.
- (Joon. 5) Toodet ei tohi kasutada temperatuuril alla 0 °C.
- (Joon. 6) **HOIATUS!** Enne toote kasutamist lugege kasutusjuhendit.

Sümbolid akul

Akule on märgitud järgmised sümbolid. Veenduge, et saate neist aru.

- (Joon. 7) **HOIATUS!** Akut ei tohi utiliseerida koos olmeprügiga. Aku hõlmab liitumioonelemente.

Ohutus

Ohutuse määratlused

Mõistetega „hoiatus”, „ettevaatust” ja „märkus” juhitakse tähelepanu eriti olulistele kohtadele kasutusjuhendis.



HOIATUS: Tähistab kasutusjuhendi juhiste eiramise korral kasutaja või kõrvalseisjate kehavigastuse või surmaga lõppeva õnnetuse ohtu.



ETTEVAATUST: Tähistab kasutusjuhendi juhiste eiramise korral seadme, muude esemete või läheduses asuvate objektide kahjustamise ohtu.

Märkus: Tähistab antud olukorras vajalikku lisateavet.

Ohutusjuhised kasutamisel



HOIATUS: Enne toote kasutamist lugege läbi järgmised hoiatused.

- Füüsiliste, sensorsete või vaimsete puuetega või kogemusteta ja teadmisteta isikud võivad seda toodet kasutada järelevalve all või iseseisvalt, kui neile on toote ohutuks kasutamiseks vajalikke suuniseid antud ja nad saavad aru kasutamisega kaasnevatest ohtudest. Lapsed ei tohi tootega mängida.
- Lapsed ei tohi väljajäävas piirkonnas järelevalveta viibida. Kui aku on tühi või FlexiFence on ülekuumenenud, ei ole piirkond enam kaitstud.
- Toode tekitab töötades elektromagnetvälja. Teatud tingimustel võib väli häirida aktiivsete või passiivsete meditsiiniliste implantaatide tööd. Kehavigastusi või surma põhjustada võivate tingimuste tekkimise ohu vähendamiseks soovitame meditsiinilisi implantaate kasutataval inimestel pidada enne selle toote kasutamist nõu oma arsti ja implantaadi valmistajaga.

- Väikesed esemed võidakse kogemata alla neelata. Plastdetailid võivad põhjustada väikelaste lämbumist. Ärge lubage väikelapsi toote paigaldamiskoha lähedusse.
- Kui akusid kasutatakse valesti või akud on kahjustatud, võib akudest pritsida tuleohtlikku vedelikku. Vältige kokkupuudet selle vedelikuga. Juhusliku kokkupuute korral loputage kokkupuutekohta veega. Kui vedelik satub silma, pöörduge arsti poole.
- Laadige toodet ainult kuivades sisetingimustes.
- Ärge eemaldage akut tootest.
- USB-toiteseadet ei ole tootega kaasas. Soovitav on kasutada muu tootja toiteallikat, mis vastab toiteseadme spetsifikatsioonidele, vt jaotist *Tehnilised andmed lk 250*. Enne muu tootja USB-toiteadapteri kasutamist kontrollige, et see vastaks kaitsevääkepinget (SELV) käsitlevatele riiklikele ja rahvusvahelistele ohutusstandarditele.
- Ära kasuta toodet ega selle lisavarustust halva ilmaga, eelkõige äikesetormi ajal.
- Järgige hooldussuuniseid, vt jaotist *Hooldamine lk 247*.
- Teavet aku ohutu utiliseerimise kohta leiате jaotisest *Utiliseerimine lk 250*.
- Kasutus- ja hoiutemperatuur on 0–40 °C. Liiga kõrge temperatuur võib toodet kahjustada.
- Laadige akut õhutemperatuuril 0–30 °C. Maksimalne laadimisvõimsus on saadaval temperatuuril 15 °C.

Installimine

Sissejuhatus – paigaldamine



HOIATUS: Enne toote kasutamist lugege läbi ohutuspeatükk ja tehke selles olev teave endale selgeks.



ETTEVAATUST: Kasutage originaalvaruosi ja paigaldusmaterjali.

Märkus: Lisateavet paigaldamise kohta vaadake robotniiduki kasutusjuhendist või veebisaidilt www.husqvarna.com.

Toote paigaldamine

Ettevalmistused toote paigaldamiseks

- Laadige toote akut. Vt jaotist *Aku laadimine lk 245*.
- Paigaldage robotniiduki tööalasse väljajääv piirkond, kuid mitte üle juhtkaabli.
- Veenduge, et FlexiFence ja kõik FlexiFence'i piirkonnas olevad objektid asuksid piirkonna piirdekaablist (A) vähemalt 35 mm kaugusel. (Joon. 8)
- Veenduge, et piirkonna piirdekaabli ja tööala piirdekaabli (B) vahekaugus oleks vähemalt 60 cm.
- Veenduge, et piirkonna piirdekaabli ja juhtkaabli (C) vahekaugus oleks vähemalt 60 cm.
- Kui kasutate mitut FlexiFence'i seadet, siis veenduge, et kahe piirkonna piirdekaabli vahekaugus oleks vähemalt 60 cm.
- Veenduge, et FlexiFence'i piirkonnas olevad kallakud ei oleks suuremad kui 10%.
- Veenduge, et piirkonna piirdekaabli pikkus oleks maksimaalselt 15 m.
- Ärge pange piirkonna piirdekaablit üle sama piirkonna piirdekaabli ega muu piirkonna piirdekaabli paigaldise. See võib põhjustada toote ja piirkonna piirdekaabli töös häireid. (Joon. 9)
- Teavet FlexiFence'i objektidest sobivale kaugusele paigutamise kohta vaadake robotniiduki kasutusjuhendi jaotisest "Piirdekaabli paigutamine".

Märkus: Kasutage paigaldamiseks kaasasolevaid osi. Kui vajate paigaldamiseks rohkem osi, võtke ühendust kohaliku Husqvarna esindajaga.

Toote paigaldamine

1. Paigutage piirkonna piirdekaabel ümber väljajääva piirkonna.
2. Lõigake piirkonna piirdekaabli mõlemad otsad ära.
3. Kinnitage piirkonna piirdekaabli mõlemasse otsa üks ühendus.
4. Ühendage kaks ühendust (A) tootel oleva kahe ühendusega (B). (Joon. 10)

5. Kasutage haamrit või plastvasarat, et piirkonna piirdekaabel vaiadega maasse lüüa. Paigutage vaiad üksteisest maksimaalselt 75 cm kaugusele.
6. Pange toode väljajäävasse piirkonda ja kinnitage see haamri või plastvasara abil vaiadega maasse.
7. Lubage robotniiduki ala generaatori funktsioon. Vt robotniiduki kasutusjuhendit.

Märkus: Kui tootel ei ole ala generaatori menüüd, tuleb robotniiduki püsivara värskendada.

Paigaldise kontrollimine

1. Lülitage toode sisse ja veenduge, et LED-märgutuli põleks roheliselt.
2. Veenduge, et robotniiduki ECO-režiim oleks keelatud. Vt robotniiduki kasutusjuhendi jaotist ECO-režiim.
3. Pange robotniiduk 1–2 m kaugusele väljajääva piirkonna ette. Veenduge, et robotniiduk oleks suunatud ettepoole väljajääva piirkonna poole.
4. Käivitage robotniiduk ja veenduge, et see peatuks piirkonna piirdekaabli juures.

Märkus: Kui paigaldisega esineb probleeme, vt jaotist *Veatsing lk 247*.

Töö

Aku laadimine

Enne toote esmakordset käivitamist laadige aku täiesti täis. Aku on täis, kui LED-märgutuli põleb püsivalt oranžilt. Laadimise ajal toode ei tööta.

1. Eemaldage toote kate.
2. Eemaldage toote kattekork.
3. Ühendage USB-C-laadimiskaabel laadimispesaga.
4. Ühendage USB-A-laadimiskaabel toiteseadmega.
5. Ühendage toiteseadme pistikupesaga.
6. Aku laadimises veendumiseks kontrollige, kas toote LED-märgutuli vilgub oranžilt.

Märkus: USB-pesaga 5 V toiteseade ei ole kaasas.

Märkus: Kui toodet ei kasutata pikka aega, laadige aku iga kolme kuu järel vähemalt 60% täis. Enne toote käivitamist pärast pikaajalist hoiustamist laadige aku vähemalt 60% täis.

Aku mahtuvuse LED-märgutuli

LED-märgutuli süttib, kui toote aku laetus on alla 10%. LED-märgutuli sisselülitamiseks, kui aku laetus on üle 10%, hoidke nuppu ON/OFF viis sekundit all.

Tuli	Põhjus
Roheline LED põleb püsivalt	Toode on sisse lülitatud ja aku laetus on üle 30%.
Roheline LED vilgub aeglaselt	Toode on sisse lülitatud ja aku laetus on 10–30%.
Roheline LED vilgub kiiresti	Toode on sisse lülitatud ja aku laetus on alla 10%.
Oranž LED põleb püsivalt	Aku on täis laetud.
Oranž LED vilgub	Aku laeb.

Toote käivitamine

1. Hoidke tootel nuppu ON/OFF kaks sekundit all.
2. Toote sisselülitatud olekus veendumiseks kontrollige, kas toote LED-märgutuli põleb roheliselt.

Seadme seiskamine

1. Hoidke tootel nuppu ON/OFF kaks sekundit all.
2. Kontrollige, kas toote LED-märgutuli vilgub valgelt. Toode on välja lülitatud, kui LED-märgutuli kustub.

Hooldamine

Toote puhastamine



ETTEVAATUST: Ärge kasutage toote puhastamiseks survepesurit ega voolavat vett. Ärge kasutage puhastamiseks lahusteid.

- Kasutage seadme puhastamiseks niisket lappi.
-

Veaotsing

Toote LED-märgutuli

LED-märgutuli süttib, kui toote aku mahtuvus on alla 10%. LED-märgutuli sisselülitamiseks, kui aku laetus on üle 10%, hoidke nuppu ON/OFF viis sekundit all.

Pöleb püsivalt – aku laetus on üle 30%.

Vilgub aeglaselt – aku laetus on 10–30%.

Vilgub kiiresti – aku laetus on alla 10%.

Tuli	Põhjus	Lahendus
Vilgub viis korda valgelt	Aku on tühi või on ilmnunud viga.	Oleku vaatamiseks hoidke nuppu ON/OFF viis sekundit all.
Sinine LED	Piirkonna piirdekaabel on vigane või ühendamata.	Asendage või ühendage piirkonna piirdekaabel.

Tuli	Põhjus	Lahendus
Lilla LED	Toode ei leia tööala piirdekaablit. ECO-režiim on lubatud või piirkonna ulatus on vale.	<p>Kontrollige tööala piirdekaablit ja kui see on vigane, asendage see.</p> <p>Veenduge, et tööala piirdekaabel oleks õigesti paigaldatud.</p> <p>Veenduge, et robotiuduki laadimisjaam oleks pistikupesaga ühendatud.</p> <p>Keelake ECO-režiim.</p>
Punane LED	Toote temperatuur on liiga kõrge.	<p>Paigutage laadimisjaam päikese eest kaitstud kohta. Laske toote temperatuuril enne toote käivitamist langeda.</p> <p>Kui probleem ei lahene, pöörduge kohaliku Husqvarna esindaja poole.</p>

Sümptomid

Sümptom	Põhjus	Lahendus
Robotniiduk peatub ja kuvab veateate "Ala generaatori probleem".	FlexiFence'i aku on tühjenemas. FlexiFence kui aku on tühi, siis toode ei tööta. Niiduk võib niita väljajäävas piirkonnas, kui te käivitate robotniiduki enne FlexiFence'i laadimist.	Enne robotniiduki käivitamist laadige FlexiFence'i akut.
	FlexiFence lülitatakse automaatselt välja, kuna FlexiFence'i temperatuur on üle maksi- maalse piiri.	Paigutage laadimisjaam päikese eest kaitstud kohta. Laske toote temperatuuril enne toote käivitamist langeda.
Robotniiduk siseneb FlexiFence'i piirkonda.	Tarkvara laadimise probleem.	Hoidke nuppu ON/OFF 15 sekundit all, et toode taaskäivitada.

Hoiustamine ja kasutuselt kõrvaldamine

Toote hoiustamine



HOIATUS: Pange toode kohta, kus laps sellele ligi ei pääse.

1. Laadige toote akut.
2. Puhastage toode. Vt jaotist *Toote puhastamine lk 247*.
3. Hoidke toodet kuivas ja külmumiskindlas kohas.

Utiliseerimine

- Järgige riiklikke eeskirju.
- Kasutage kohalikku ringlussevõtusüsteemi.
- Akut ei tohi utiliseerida koos olmeprügiga. Aku hõlmab liitiumioonelemente.



ETTEVAATUST: Aku võivad eemaldada ainult kvalifitseeritud isikud.

Lisateavet aku eemaldamise kohta küsige kohalikul Husqvarna esindajalt.

Tehnilised andmed

Toote andmed	
Aku tööaeg, ligikaudne, päevad	30
Aku laadimispinge, V	5
Aku laadimisvool, A	1
Aku laadimisaeg, h	6
IP-kood	IPX4

Piirdekaabli antenn	
Töötamise sagedusala, Hz	100-80000
Suurim magnetväli ³³ , dBuA/m	82

³³ Mõõdetud vastavalt standardile EN 303 447.

Piirdekaabli antenn	
Maksimaalne raadiosagedusvõimsus ³⁴ , mW @60m	<25

Toote ja muud tüüpi raadiosüsteemide, näiteks kaugjuhtimispultide ja raadiosaatjate vahelist sobivust pole võimalik garanteerida.

Toiteseadme spetsifikatsioon	
Sagedus, Hz, 1-faasiline	50–60
Toitevõrgu pingeline vahelduvvool	100-240
Väljundpinge, V alalisvool	5
Väljundvool, A	1
Minimaalne väljundvõimsus, W	5
Väljundühendus	USB-C

Tarvikud

Heakskiidetud tarvikud	Kogus
Piirdekaabel, m	50
	150
Vaiad, tk	100
Ühendused, tk	5

³⁴ Maksimaalne aktiivne väljundvõimsus antennidele sagedusribas, milles töötavad raadioseadmed.

EÜ vastavusdeklaratsioon

Allakirjutanu, tootja GARDENA Germany AB, PO Box 7454, S-103 92, Stockholm, Sweden volitatud esindaja, kinnitab käesolevaga, et tehases väljumisel vastab(-vad) allpool nimetatud seade(-dmed) ühtlustatud EL-i suunistele, EL-i ohutusstandarditele ja tootepõhiste standarditele. See vastavusdeklaratsioon kaotab kehtivuse, kui seadet muudetakse ilma meie heakskiiduta.

Kirjeldus	Mobilne ring
Tüüp/mudel	Automower® FlexiFence
Tootenr	529880501

EL-i direktiiv	Kirjeldus
2014/53/EU	PUN
2011/65/EU	RoHS

Ühtlustatud standardid:

- EN ISO 12100:2010
- EN 60335-1:2012+A11:2014+A13:2017+A1:2019+A14:2019+A2:2019
- EN 50636-2-107:2015+A1:2018
- ETSI EN 301 489-1 V2.2.3 (2019-11)
- ETSI EN 301 489-3 V2.1.1 (2019-03)
- Draft ETSI EN 303 447 V1.2.1 (2021-03)
- EN IEC 62311:2020
- EN IEC 63000:2018
- IEC 62133-2:2017

Talletatud dokumentatsioon: GARDENA Technische Documentation M.Jäger
D-89079 Ulm, Hans-Lorenser-Str.40

CE-vastavusmärgise väljastamise aasta: 2021

Ulm, 04.02.2022



Reinhard Pompe,
Tooteosakonna asepresident



Wolfgang Engelhardt,
Tarneahela asepresident

Saturs

Ievads.....	254
Drošība.....	256
Uzstādīšana.....	257
Lietošana.....	260
Apkope.....	261
Problēmu novēršana.....	262
Glabāšana un utilizācija.....	264
Tehniskie dati.....	265
ES atbilstības deklarācija.....	267

Ievads

Atbalsts

Lai saņemtu izstrādājuma atbalstu, sazinieties ar Husqvarna pārstāvi.

Izstrādājuma apraksts

Piezīme: Husqvarna regulāri atjaunina izstrādājumu konstrukciju un funkcionalitāti. Skatiet šeit: *Atbalsts lpp. 254*.

Izmantojot Automower® FlexiFence, robotizētajam zāles plāvējam var iestatīt darbības lieguma zonu, kurā tas nevar iekļūt un plaut zāli.

Lai izmantotu Automower® FlexiFence ar Automower® robotizēto zāles plāvēju, ir jāatjaunina robotizētā zāles plāvējaAutomower® aparātprogrammatūra. Lai iegūtu plašāku informāciju, sazinieties ar Husqvarna pārstāvi.

Automower® FlexiFence nedrīkst izmantot sabiedriskās vietās, parkos, sporta laukumos, lauksaimniecībā vai mežsaimniecībā.

Izstrādājuma pārskats

(Att. 1)

1. Pārsegs
2. Uzlādes kontaktligzda
3. Savienojumi
4. Blīvēšanas vāciņš
5. Ieslēgšanas/izslēgšanas poga
6. Gaismas diodes indikators
7. Savienotāji
8. Mietiņi
9. Zonas robežvads
10. USB-C uzlādes kabelis

Simboli uz izstrādājuma

Uz produkta ir attēloti zemāk norādītie simboli. Pārlicinieties, vai izprotat tos.

- (Att. 2) Šis izstrādājums atbilst spēkā esošo ES direktīvu prasībām.
- (Att. 3) Šis izstrādājums atbilst spēkā esošajām AK direktīvām.
- (Att. 4) Šo produktu nedrīkst izmest sadzīves atkritumos. Ievērojiet valsts normatīvus un izmantojiet vietējo pārstrādes sistēmu.
- (Att. 5) Nelietojiet izstrādājumu vidē, kurā temperatūra ir zemāka par 0 °C/32 °F.
- (Att. 6) **BRĪDINĀJUMS.** Pirms izstrādājuma lietošanas izlasiet lietotāja rokasgrāmatu.

Simboli uz akumulatora

Uz izstrādājuma ir redzami zemāk norādītie simboli. Pārlicinieties, vai izprotat tos.

- (Att. 7) **BRĪDINĀJUMS.** Neizmetiet akumulatoru sadzīves atkritumos. Akumulatorā ir litija jonu elementi.

Drošība

Drošības definīcijas

Brīdinājumi, norādes "Uzmanību!" un piezīmes tiek izmantotas, lai izceltu īpaši svarīgas lietotāja rokasgrāmatas daļas.



BRĪDINĀJUMS: Tiek izmantota tad, ja rokasgrāmatā sniegto instrukciju neievērošanas dēļ operatoram vai blakus esošajām personām draud traumu vai nāves risks.



IEVĒROJIET: Tiek izmantota tad, ja rokasgrāmatā sniegto instrukciju neievērošanas dēļ rodas izstrādājuma, citu materiālu vai blakus esošās teritorijas bojājuma risks.

Piezīme: Tiek izmantota, lai sniegtu plašāku informāciju, kas nepieciešama attiecīgajā situācijā.

Darbības drošības norādījumi



BRĪDINĀJUMS: Pirms izstrādājuma lietošanas izlasiet tālāk izklāstītos brīdinājumus.

- Personas ar fiziskās, sensorās vai garīgās attīstības traucējumiem vai nepietiekamu pieredzi un zināšanām drīkst lietot šo izstrādājumu tikai tad, ja tiek uzraudzītas, vai ir saņēmušas norādījumus par šī izstrādājuma drošu lietošanu un ir izpratušas ar to saistītos apdraudējumus. Bērni nedrīkst spēlēties ar šo izstrādājumu.
- Bērniem nav atļauts atrasties darbības lieguma zonā bez uzraudzības. Kad akumulators ir izlādējies vai FlexiFence ir pārkārtis, zona vairs nav aizsargāta.
- Šī ierīce darbības laikā rada elektromagnētisko lauku. Dažos apstākļos šis lauks var traucēt aktīvā vai pasīvā medicīniskā implantāta darbību. Lai mazinātu traumu un nāvējošu traumu risku, personām ar medicīniskiem

implantiem pirms šī izstrādājuma lietošanas ieteicams konsultēties ar savu ārstu un medicīniskā implanta ražotāju.

- Mazas detaļas var viegli norīt. Pastāv arī risks, ka mazi bērni var nosmakt, spēlējoties ar polietilēna maisu. Neļaujiet bērniem atrasties izstrādājuma montāžas vietā.
- Ja akumulatorus izmanto nepareizi vai tie tiek bojāti, var izplūst ugunsnedrošs šķidrums. Sargieties no saskares ar šo šķidrumu. Ja tomēr notiek nejauša saskare, skalojiet skarto vietu ar lielu daudzumu ūdens. Ja šķidrums iekļūst acīs, vērsieties pēc medicīniskās palīdzības.
- Uzlādējiet izstrādājumu tikai sausā telpā.
- Neizņemiet akumulatoru no izstrādājuma.
- USB barošanas bloks nav iekļauts šī izstrādājuma komplektā. Cita ražotāja barošanas bloku ieteicams izmantot saskaņā ar barošanas bloka tehniskajiem datiem; skatiet šeit: *Tehniskie dati lpp. 265*. Pirms sākat izmantot cita ražotāja USB barošanas bloku, noskaidrojiet, vai tas atbilst valsts un starptautiskajiem drošības standartiem attiecībā uz drošu ļoti zemu spriegumu (SELV).
- Nelietojiet izstrādājumu un tā perifērijas ierīces sliktos laikapstākļos, it īpaši tad, ja ir iespējams negaiss.
- Ievērojiet apkopes norādījumus; skatiet šeit: *Apkope lpp. 261*.
- Informāciju par drošu akumulatora utilizāciju skatiet šeit: *Utilizēšana lpp. 265*.
- Darbības un uzglabāšanas temperatūras diapazons ir 0–40 °C/32–104 °F. Pārāk augsta temperatūra var sabojāt ierīci.
- Uzlādējiet akumulatoru apkārtējās vides temperatūrā 4–30 °C/39–86 °F. Maksimāla uzlādes jauda ir pieejama, sākot no 15 °C/59 °F.

Uzstādīšana

Ievadinformācija. Uzstādīšana



BRĪDINĀJUMS: Pirms izstrādājuma uzstādīšanas izlasiet un izprotiet drošības norādījumus.



IEVĒROJIET: Izmantojiet oriģinālās detaļas un uzstādīšanas materiālus.

Piezīme: Plašāku informāciju par uzstādīšanu skatiet robotizētā zāles plāvēja lietošanas rokasgrāmatā vai www.husqvarna.com.

Izstrādājuma uzstādīšana

Sagatavošanās izstrādājuma uzstādīšanai

- Uzlādējiet izstrādājuma akumulatoru. Skatiet šeit: *Akumulatora uzlāde lpp. 260.*
- Konfigurējiet lieguma zonu robotizētā zāles plāvēja darbības zonā, nepārsniedzot robežvadu.
- Nodrošiniet, lai FlexiFence un pārējie objekti FlexiFence zonā ir vismaz 35 cm/14 collu attālumā no zonas robežvada (A). (Att. 8)
- Nodrošiniet, lai minimālais attālums no zonas robežvada līdz darbības zonas robežvadam (B) ir 60 cm/24 collas.
- Pārliecinieties, ka minimālais attālums no zonas robežvada līdz virzošajam vadam (C) ir 60 cm/24 collas.
- Ja izmantojat vairākas FlexiFence ierīces, nodrošiniet, lai minimālais attālums starp diviem robežvadiem ir 60 cm/24 collas.
- Pārliecinieties, ka slīpums FlexiFence zonā nepārsniedz 10%.
- Raugieties, lai zonas robežvada garums nepārsniedz 15 m/50 pēdas.
- Nenovietojiet zonas robežvadu pāri tam pašam robežvadam vai citam zonas robežvadam. Šādi var tikt izraisīti izstrādājuma darbības traucējumi, kā arī ietekmēts zonas robežvads. (Att. 9)
- Lai novietotu FlexiFence konkrētā attālumā no objektiem, izlasiet robotizētā zāles plāvēja lietošanas rokasgrāmatas sadaļu "Kur novietot robežvadu".

Piezīme: Uzstādīšanai izmantojiet iekļautās daļas. Lai iegūtu papildu daļas, kas nepieciešamas uzstādīšanai, sazinieties ar Husqvarna pārstāvi.

Izstrādājuma uzstādīšana

1. Izvietojiet zonas robežvadu ap darbības lieguma zonu.

2. Nogrieziet abus zonas robežvada galus.
3. Pievienojiet vienu savienotāju katram zonas robežvada galam.
4. Pievienojiet 2 savienotājus (A) abiem izstrādājuma (B) savienojumiem. (Att. 10)
5. Izmantojiet āmuru vai plastmasas āmuru, lai iedzītu zemē mietiņus ar zonas robežvadiem. Iedzeniet mietiņus ar vismaz 75 cm/30 collu atstarpi.
6. Novietojiet izstrādājumu lieguma zonā un piestipriniet zemei ar mietiņiem, izmantojot āmuru vai plastmasas āmuru.
7. Iespējojiet robotizētā zāles plāvēja darbības zonu izveides funkciju. Skatiet robotizētā zāles plāvēja lietotāja rokasgrāmatu.

Piezīme: Ja izstrādājumā nav darbības zonu izveides izvēlnes, ir nepieciešama robotizētā zāles plāvēja aparātprogrammatūras atjaunināšana.

Uzstādīšanas pārbaudes veikšana

1. Ieslēdziet izstrādājumu un pārbaudiet, vai gaismas diodes indikators deg zaļā krāsā.
2. Pārliedcinieties, ka ir izslēgts robotizētā zāles plāvēja EKO režīms. Informāciju par EKO režīmu skatiet robotizētā zāles plāvēja lietošanas rokasgrāmatā.
3. Novietojiet robotizēto zāles plāvēju 1–2 m attālumā no lieguma zonas. Nodrošiniet, lai robotizētais zāles plāvējs tiktu vērsts virzienā uz lieguma zonu.
4. Ieslēdziet robotizēto zāles plāvēju un pārbaudiet, vai tas apstājas pie zonas robežvada.

Piezīme: Ja uzstādīšana neizdodas, skatiet šeit: *Problēmu novēršana lpp. 262.*

Lietošana

Akumulatora uzlāde

Pirms pirmās izstrādājuma lietošanas reizes pilnībā uzlādējiet akumulatoru. Akumulators ir pilnībā uzlādēts, ja gaismas diodes indikators deg oranžā krāsā. Uzlādes laikā izstrādājums nedarbojas.

1. Noņemiet izstrādājuma korpusu.
2. Noņemiet izstrādājuma blīvēšanas vāciņu
3. Pievienojiet USB-C uzlādes kabeli uzlādes kontaktligzdai.
4. Pievienojiet USB-A uzlādes kabeli barošanas blokam.
5. Pievienojiet barošanas bloku elektrotīkla kontaktligzdai.
6. Pārbaudiet, vai izstrādājuma gaismas diodes indikators mirgo oranžā krāsā, kas liecina par akumulatora uzlādi.

Piezīme: 5 V barošanas bloks ar USB līgzdu nav iekļauts komplektācijā.

Piezīme: Ja izstrādājumu ilgstoši nelietosit, uzlādējiet akumulatoru vismaz par 60% ik pēc 3 mēnešiem. Uzlādējiet izstrādājuma akumulatoru vismaz par 60%, pirms sākat lietot izstrādājumu pēc tā ilgstošas uzglabāšanas.

Akumulatora uzlādes līmeņa gaismas diodes indikators

Gaismas diodes indikators iedegas tad, ja izstrādājuma akumulatora uzlādes līmenis ir mazāks par 10%. Lai gaismas diodes indikators būtu redzams, kad akumulatora uzlādes līmenis ir lielāks par 10%, 5 sekundes turiet nospiestu pogu ON/OFF (ieslēgts/izslēgts).

Gaisma	Cēlonis
Gaismas diodes indikators deg zaļā krāsā	Izstrādājums darbojas, un akumulatora uzlādes līmenis pārsniedz 30%.

Gaisma	Cēlonis
Gaismas diodes indikators lēni mirgo zaļā krāsā	Izstrādājums darbojas un akumulatora uzlādes līmenis ir 10–30%.
Gaismas diodes indikators ātri mirgo zaļā krāsā	Izstrādājums darbojas, un akumulatora uzlādes līmenis ir mazāks par 10%.
Gaismas diodes indikators deg oranžā krāsā	Akumulators ir pilnībā uzlādēts.
Mirgo oranžas krāsas gaismas diodes indikators	Akumulators tiek uzlādēts.

Izstrādājuma ieslēgšana

- 2 sekundes turiet nospiestu izstrādājuma pogu ON/OFF (ieslēgts/izslēgts).
- Pārbaudiet, vai izstrādājuma gaismas diodes indikators deg zaļā krāsā, kas liecina, ka ierīce darbojas.

Izstrādājuma apturēšana

- 2 sekundes turiet nospiestu izstrādājuma pogu ON/OFF (ieslēgts/izslēgts).
- Pārbaudiet, vai gaismas diodes indikators uz izstrādājuma mirgo baltā krāsā. Izstrādājums ir izslēgts, ja gaismas diodes indikators nedeg.

Apkope

Izstrādājuma tīrīšana



IEVĒROJIET: Izstrādājuma tīrīšanai neizmantojiet augstspiediena mazgātāju vai pat tekošu ūdeni. Tīrīšanai nedrīkst izmantot šķīdinātājus.

- Tīriet izstrādājumu ar mitru drānu.
-

Problēmu novēršana

Izstrādājuma gaismas diodes indikators

Gaismas diodes indikators iedegas tad, ja izstrādājuma akumulatora uzlādes līmenis ir mazāks par 10%. Lai gaismas diodes indikators būtu redzams, kad akumulatora uzlādes līmenis ir lielāks par 10%, 5 sekundes turiet nospiestu pogu ON/OFF (ieslēgts/izslēgts).

Deg — akumulatora uzlādes līmenis pārsniedz 30%.

Lēni mirgo — akumulatora uzlādes līmenis ir 10–30%.

Ātri mirgo — akumulatora uzlādes līmenis mazāks par 10%.

Gaisma	Cēlonis	Risinājums
Mirgo baltā krāsā 5 reizes	Akumulators ir izlādējies, vai ir radusies kļūda.	5 sekundes turiet nospiestu pogu ON/OFF (ieslēgts/izslēgts), lai skatītu stāvokļa informāciju.
Zilas krāsas gaismas diode	Zonas robežvads ir bojāts vai nav pievienots.	Nomainiet vai pievienojiet zonas vadu.
Purpur-sarkanās krāsas gaismas diode	Izstrādājums nespēj atrast darba zonas robežvadu. Ir iespējots EKO režīms, vai zonas diapazons nav pareizs.	Pārbaudiet darba zonas robežvadu un nomainiet to, ja tas ir bojāts. Pārliecinieties, ka darba zonas robežvads ir uzstādīts pareizi. Pārbaudiet, vai robotizētā zāles pļāvēja uzlādes stacija ir pievienota barošanas kontaktligzdai. Atspējojiet EKO režīmu.

Gaisma	Cēlonis	Risinājums
Sarkanas krāsas gaismas diode	Pārāk augsts izstrādājuma temperatūra.	Novietojiet ierīci vietā, kas ir aizsargāta pret tiešiem saules stariem. Uzgaidiet, līdz izstrādājuma temperatūra samazinās, un tikai pēc tam ieslēdziet ierīci. Ja problēma joprojām pastāv, vērsieties pie vietējā Husqvarna pārstāvja.

Pazīmes

Pazīme	Cēlonis	Risinājums
Robotizētais zāles plāvējs apstājas, kad tiek parādīts kļūmes ziņojums "Zonas izveides kļūme".	Zems FlexiFence akumulatora uzlādes līmenis. FlexiFence nedarbojas, ja akumulators ir tukšs. Robotizētais zāles plāvējs var sākt plāūt lieguma zonā, ja iedarbināsīt to pirms FlexiFence uzlādes.	Uzlādējiet FlexiFence akumulatoru un tikai tad ieslēdziet robotizēto zāles plāvēju.
	FlexiFence ir iestatīts automātiski izslēgties, kad FlexiFence temperatūra ir augstāka par maksimālo robežvērtību.	Novietojiet ierīci vietā, kas ir aizsargāta pret tiešiem saules stariem. Uzgaidiet, līdz izstrādājuma temperatūra samazinās, un tikai pēc tam ieslēdziet ierīci.
Robotizētais zāles plāvējs ieiet FlexiFence zonā.	Programmatūras pārsūtīšanas kļūme.	15 sekundes turiet nospiešu pogu ON/OFF (ieslēgts/izslēgts), lai pārstartētu zāles plāvēju.

Glabāšana un utilizācija

Izstrādājuma novietošana glabāšanai



BRĪDINĀJUMS: Novietojiet izstrādājumu vietā, kur tam nevar piekļūt bērni.

1. Uzlādējiet izstrādājuma akumulatoru.

2. Notīriet izstrādājumu. Skatiet šeit: *Izstrādājuma tīrīšana lpp. 261.*
3. Glabājiet izstrādājumu sausā, slēgtā un no sala pasargātā vietā.

Utilizēšana

- Ievērojiet savas valsts normatīvus.
- Izmantojiet vietējo pārstrādes sistēmu.
- Neizmetiet akumulatoru sadzīves atkritumos. Akumulatorā ir litija jonu elementi.



IEVĒROJIET: Akumulatoru drīkst izņemt tikai kvalificēti darbinieki.

Lai saņemtu plašāku informāciju par akumulatora izņemšanu, sazinieties ar Husqvarna pārstāvi.

Tehniskie dati

Izstrādājuma dati	
Akumulatora darbības laiks, aptuveni, dienas	30
Akumulatora uzlādes spriegums, V	5
Akumulatora uzlādes strāva, A	1
Akumulatora uzlādes laiks, h	6
IP kods	IPX4

Robežvada antena	
Darba frekvenču josla, Hz	100–80 000

Robežvada antena	
Maksimālais magnētiskais lauks ³⁵ , dBuA/m	82
Maksimālā radiofrekvences jauda ³⁶ , mW: 60 m	< 25

Nav iespējams garantēt pilnu produkta saderību ar citiem bezvadu sistēmu tiem, piem., tālvadības pultīm un radio raidītājiem.

Barošanas bloka tehniskie dati	
Frekvence, Hz, viena fāze	50–60
Elektrotīkla spriegums, V AV	100–240
Izejas spriegums, V DC	5
Izejas strāva, A	1
Minimālā izejas jauda, W	5
Izejas savienotājs	USB-C

Piederumi

Apstiprinātie piederumi	Daudzums
Robežvads, m	50
	150
Mietīņi, gab.	100
Savienotāji, gab.	5

³⁵ Mērīts atbilstoši standartam EN 303 447.

³⁶ Maksimālā aktīvā izejas jauda uz antenām frekvenču joslā, kurā darbojas radioiekārta.

ES atbilstības deklarācija

Ar šo kā ražotāja, GARDENA Germany AB, PO Box 7454, S-103 92, Stockholm, Sweden, pilnvarotais pārstāvis parakstījusies persona apliecina, ka, atstājot rūpnīcu, zemāk minētā(-ās) ierīce(-es) atbilst saskaņotajām ES vadlīnijām, ES drošības standartiem un konkrētiem izstrādājuma standartiem. Šis sertifikāts tiek anulēts, ja šīs ierīces tiek pārveidotas bez mūsu apstiprinājuma.

Apraksts	Mobilā cilpa
Tips/modelis	Automower® FlexiFence
Artikula nr.	529880501
ES direktīva	Apraksts
2014/53/EU	RED
2011/65/EU	RoHS

Saskaņotie standarti:

- EN ISO 12100:2010
- EN 60335-1:2012+A11:2014+A13:2017+A1:2019+A14:2019+A2:2019
- EN 50636-2-107:2015+A1:2018
- ETSI EN 301 489-1 V2.2.3 (2019-11)
- ETSI EN 301 489-3 V2.1.1 (2019-03)
- Draft ETSI EN 303 447 V1.2.1 (2021-03)
- EN IEC 62311:2020
- EN IEC 63000:2018
- IEC 62133-2:2017

Dokumentācijas atrašanās vieta: GARDENA Technische Documentation
M.Jäger D-89079 Ulm, Hans-Lorensen-Str.40

CE marķējuma gads: 2021

Ulm, 04.02.2022



Reinhard Pompe,
Produktu nodaļas viceprezidents



Wolfgang Engelhardt,
Piegāžu ķēdes nodaļas viceprezidents

TURINYS

Įvadas.....	269
Sauga.....	271
Diegimas.....	272
Naudojimas.....	274
Techninė priežiūra.....	276
Gedimai ir jų šalinimas.....	276
Laikymas ir šalinimas.....	278
Techniniai duomenys.....	279
ES atitikties deklaracija.....	281

Įvadas

Klientų aptarnavimo tarnyba

Jei reikia pagalbos dėl gaminio, kreipkitės į „Husqvarna“ atstovą.

Gaminio aprašas

Pasižymėkite: „Husqvarna“ reguliariai atnaujina gaminių išvaizdą ir funkcijas. Žr. *Klientų aptarnavimo tarnyba psl. 269*.

Su Automower® FlexiFence jūs galite roboto vejamą darbą zonoje įrengti vengtą zoną, į kurią įrenginys negalės įvažiuoti ir pjauti žolę.

Norint naudotis Automower® FlexiFence su Automower® robotu vejamą zoną, gali prirėkti atnaujinti Automower® roboto vejamą zoną programine aparatine įranga. Dėl išsamesnės informacijos kreipkitės į savo „Husqvarna“ atstovą.

Automower® FlexiFence negalima naudoti viešose vietose, parkuose, sporto arenose, žemės ūkyje ar miškininkystėje.

Gaminio apžvalga

(Pav. 1)

1. Dangtelis

- Įkrovimo lizdas
- Jungtys
- Sandarinimo dangtelis
- Mygtukas ON/OFF (įjungti / išjungti)
- LED indikatoriaus lemputė
- Jungtys
- Kuoliukai / smeigės
- Zonos kontūro kabelis
- USB-C įkrovimo kabelis

Simboliai ant gaminio

Šiuos simbolius galite rasti ant gaminio. Įsitikinkite, kad juos suprantate.

- (Pav. 2) Šis gaminyje atitinka taikomas ES direktyvas.
- (Pav. 3) Šis gaminyje atitinka taikomas JK direktyvas.
- (Pav. 4) Draudžiama išmesti gaminį kartu su buitinėmis atliekomis. Laikykitės nacionalinių taisyklių ir naudokite vietinę perdirbimo sistemą.
- (Pav. 5) Nenaudokite gaminio, jei temperatūra yra mažesnė nei 0 °C / 32 °F.
- (Pav. 6) **ĮSPĖJIMAS.** Prieš naudodami gaminį perskaitykite naudojimo instrukcijas.

Akumulatoriaus simboliai

Šiuos simbolius galite rasti ant akumulatoriaus. Įsitikinkite, kad juos suprantate.

- (Pav. 7) **ĮSPĖJIMAS.** Nemeskite akumulatoriaus kartu su įprastomis buitinėmis atliekomis. Akumuliatorių sudaro ličio jonų elementai.

Sauga

Saugos ženklų reikšmės

Įspėjimai, perspėjimai ir pastabos yra skirtos atkreipti dėmesį į ypač svarbias vadovo dalis.



PERSPĖJIMAS: Naudojamas, kai naudotojui ar šalia esantiems asmenims kyla mirtino arba sunkaus sužeidimo pavojus arba, jei nesilaikoma vadove pateiktų nurodymų.



PASTABA: Naudojamas, kai kyla pavojus sugadinti gaminį, kitas medžiagas arba padaryti žalą aplinkai, jei nesilaikoma vadove pateiktų nurodymų.

Pasižymėkite: Naudojamas papildomai informacijai apie konkrečią situaciją pateikti.

Naudojimo saugos instrukcijos



PERSPĖJIMAS: Prieš naudodami gaminį, perskaitykite toliau esančius įspėjimus.

- Šį gaminį prižiūrėti gali naudoti asmenys, turintys fizinių, sensorinių ar protinių negalių, arba žinių ar patirties neturintys asmenys, jeigu buvo supažindinti su saugiu gaminio naudojimu ir galimais pavojais. Vaikams draudžiama žaisti su gaminium.
- Nepalikite vaikų vengtinioje zonoje be priežiūros. Jei akumulatorius išsikrovęs arba FlexiFence išsikrovęs, zona nebėra apsaugota.
- Šis įrenginys veikdamas sukuria elektromagnetinį lauką. Tam tikromis aplinkybėmis šis laukas gali trikdyti aktyviųjų arba pasyviųjų medicininių implantų veiklą. Kad sumažėtų sunkaus ar netgi mirtino sužeidimo pavojus, medicininių implantų turintiems asmenims rekomenduojame prieš naudojant šį gaminį pasitarti su gydytoju ir implanto gamintoju.

- Surenkant gaminį vaikai gali praryti mažas dalis. Taip pat gali uždusti žaisdami plastikiniu maišeliu. Surinkdami gaminį neleiskite šalia būti vaikams.
- Jei akumulatorius naudojamas netinkamai arba jeigu jis yra pažeistas, iš jo gali išsilieti degus skystis. Venkite sąlyčio su šiuo skysčiu. Netyčinio sąlyčio atveju nuplaukite vandeniu. Jei skystis pateko į akis, kreipkitės į gydytoją.
- Gaminį įkraukite tik sausoje patalpoje.
- Neištraukite akumulatoriaus iš gaminio.
- USB maitinimo blokas nėra įtrauktas į šio gaminio komplektaciją. Rekomenduojama naudoti trečiosios šalies maitinimo bloką, kuris atitinka nurodytą maitinimo bloko specifikaciją *Techniniai duomenys psl. 279*. Prieš naudodami trečiosios šalies USB maitinimo adapterį patikrinkite, ar jis atitinka nacionalinius ir tarptautinius pačios mažiausios įtampos saugos standartus (SELV).
- Nenaudokite gaminio išorinės įrangos ir blogomis oro sąlygomis, ypač jei gali žaibuoti.
- Vadovaukitės techninės priežiūros instrukcija, žr. *Techninė priežiūra psl. 276*.
- Kaip saugiai utilizuoti akumuliatorių, žr. *Šalinimas psl. 279*.
- Naudojimo ir laikymo temperatūros diapazonas yra 0–40 °C / 32–104 °F. Per aukštoje temperatūroje gaminys gali sugesti.
- Akumuliatorių įkraukite esant aplinkos temperatūrai 4–30 °C / 39–86 °F. Pilna įkrovimo galia galima nuo 15 °C / 59 °F.

Diegimas

Įvadas – instaliacija



PERSPĖJIMAS: Prieš naudodami gaminį perskaitykite ir supraskite skyrių apie saugą.



PASTABA: Naudokite tik originalias atsargines dalis ir instaliacijos medžiagas.

Pasižymėkite: Išsamesnę informaciją apie instaliaciją žr. roboto veėjapjovės naudojimo instrukciją arba www.husqvarna.com.

Gaminio saugojimas

Gaminio paruošimas instaliacijai

- Įkraukite gaminio akumuliatorių. Žr. *Akumulatoriaus įkrovimas psl. 274*.
- Įrenkite vengtiną zoną roboto veėjapjovės darbo zonoje, bet taip, kad skersai nebūtų gido kabelio.
- Įsitikinkite, kad FlexiFence ir visi objektai, esantys FlexiFence zonoje, būtų mažiausiai 35 cm / 14 col. atstumu nuo zonos kontūro kabelio (A). (Pav. 8)
- Įsitikinkite, kad mažiausias atstumas tarp zonos kontūro kabelio ir darbo zonos kontūro kabelio (B) būtų 60 cm / 24 col.
- Įsitikinkite, kad mažiausias atstumas tarp zonos kontūro kabelio ir gido kabelio (C) yra 60 cm / 24 col.
- Jeigu naudojate daugiau nei 1 FlexiFence įrenginį, įsitikinkite, kad mažiausias atstumas tarp 2 zonos kontūro kabelių būtų 60 cm / 24 col.
- Įsitikinkite, kad FlexiFence zonos šlaitai nėra didesni nei 10 %.
- Įsitikinkite, kad zonos kontūro kabelio ilgis būtų daugiausiai 15 m / 50 pėd.
- Netieskite zonos kontūro kabelio skersai to paties arba kito zonos kontūro kabelio. Tai gali sukelti gaminio ir zonos kontūro kabelio trikdžius. (Pav. 9)
- Norint pastatyti FlexiFence tam tikru atstumu nuo objekto, žr. roboto veėjapjovės naudojimo instrukcijos skyrių „Tyrimas, kur tiesti kontūro kabelį“.

Pasižymėkite: Instaliacijai naudokite pridedamas dalis. Norėdami gauti daugiau dalių instaliacijai, kreipkitės į „Husqvarna“ atstovą.

Kaip instaliuoti gaminį

1. Nutieskite zonos kontūro kabelį aplink vengtiną zoną.
2. Nukirpkite 2 zonos kontūro kabelio galus.
3. Pritvirtinkite 1 jungtį prie kiekvieno zonos kontūro kabelio galo.
4. Pritvirtinkite 2 jungtis (A) prie 2 gaminio (B) jungčių. (Pav. 10)

5. Plaktuku arba plastikine tvokle įkalkite kuoliukus su zonos kontūro kabeliu į žemę. Sudėkite kuoliukus ne daugiau kaip 75 cm / 30 col. atstumu vienas nuo kito.
6. Pastatykite gaminį vengtinioje zonoje ir įkalkite kuoliukus į žemę plaktuku arba plastikine tvokle.
7. Įjunkite roboto vejąplovės zonos generatoriaus funkciją. Žr. roboto vejąplovės naudojimo instrukciją.

Pasižymėkite: Jei gaminys neturi zonos generatoriaus meniu, būtina atnaujinti roboto vejąplovės programinę aparatinę įrangą.

Įrengimo patikra

1. Įjunkite gaminį ir įsitikinkite, kad LED indikatoriaus lemputė šviečia žalia spalva.
2. Įsitikinkite, kad roboto vejąplovės ECO režimas yra išjungtas. Žr. roboto vejąplovės naudojimo instrukcijos skyrių apie ECO režimą.
3. Pastatykite robotą vejąplovę 1–2 m atstumu nuo vengtinios zonos. Įsitikinkite, kad robotas vejąplovė stovi priešais vengtiną zoną.
4. Paleiskite robotą vejąplovę ir įsitikinkite, kad jis sustoja prie zonos kontūro kabelio.

Pasižymėkite: Kilus problemoms su instaliacija, žr. *Gedimai ir jų šalinimas psl. 276*.

Naudojimas

Akumulatoriaus įkrovimas

Prieš pirmą kartą įjungdami gaminį, pilnai įkraukite akumuliatorių. Apie tai, kad akumuliatorius yra pilnai įkrautas, įspėja oranžine spalva šviečianti LED indikatoriaus lemputė. Kol gaminys įkraunamas, jis neveikia.

1. Nuimkite gaminio gaubtą.
2. Nuimkite gaminio sandarinimo dangtelį.
3. Prijunkite USB-C įkrovimo kabelį prie įkrovimo lizdo.
4. Prijunkite USB-A įkrovimo kabelį prie maitinimo bloko.

5. Prijunkite maitinimo bloką prie elektros lizdo.
6. Norėdami įsitikinti, kad akumuliatorius įkraunamas, patikrinkite, ar gaminio LED indikatorius lemputė mirksi oranžine spalva.

Pasižymėkite: 5 V maitinimo bloko su USB lizdu komplekte nėra.

Pasižymėkite: Jei gaminys buvo nenaudotas ilgą laiką, kas 3 mėnesius įkraukite akumuliatorių mažiausiai iki 60 %. Prieš paleisdami gaminį po ilgalaikio saugojimo, įkraukite gaminio akumuliatorių mažiausiai iki 60 %.

Akumuliatoriaus talpos LED indikatorius lemputė

Kai akumuliatoriaus įkrova yra mažesnė nei 10 %, įsijungia LED indikatorius lemputė. Norėdami, kad LED indikatorius lemputė įsijungtų, kai akumuliatoriaus įkrova bus didesnė nei 10 %, spauskite ĮJUNGTI / IŠJUNGTI mygtuką 5 sekundes.

Šviesa	Priežastis
Žalias LED šviečia	Gaminys įjungtas ir akumuliatoriaus įkrova yra didesnė nei 30%.
Žalias LED mirksi lėtai	Gaminys įjungtas ir akumuliatoriaus įkrova yra 10–30%.
Žalias LED mirksi greitai	Gaminys įjungtas ir akumuliatoriaus įkrova yra mažesnė nei 10%.
Oranžinis LED šviečia	Akumuliatorius visiškai įkrautas.
Raudonas LED mirksi	Akumuliatorius įkraunamas.

Gaminio paleidimas

1. Spauskite ĮJUNGTI / IŠJUNGTI mygtuką 2 sekundes.
2. Norėdami įsitikinti, kad gaminys įjungtas, patikrinkite, ar gaminio LED indikatorius šviečia žaliai.

Gaminio sustabdymas

1. Spauskite [JUNGTI / IŠJUNGTI] mygtuką 2 sekundes.
2. Patikrinkite, ar gaminio LED indikatorius mirksi baltai. Kai LED indikatorius užgesa, gaminys yra išjungtas.

Techninė priežiūra

Gaminio valymas



PASTABA: Gaminio neplaukite nei aukšto slėgio plovimo įrenginiu, nei tekančiu vandeniu. Valydami nenaudokite tirpiklių.

- Gaminiai valyti naudokite drėgną šluostę.
-

Gedimai ir jų šalinimas

Gaminio LED indikatorius

Kai akumulatoriaus įkrovos lygis yra mažesnis, nei 10 %, įsijungia LED indikatoriaus lemputė. Norėdami, kad LED indikatoriaus lemputė įsijungtų, kai akumulatoriaus įkrova bus didesnė nei 10 %, spauskite [JUNGTI / IŠJUNGTI] mygtuką 5 sekundes.

Šviečia – akumulatoriaus įkrova yra didesnė nei 30%.

Mirksi lėtai – akumulatoriaus įkrova yra 10-30%.

Mirksi greitai – akumulatoriaus įkrova yra mažesnė nei 10%.

Šviesa	Priežastis	Sprendimas
Mirksi baltai 5 kartus	Akumulatorius tuščias arba įvyko klaida.	Spauskite [JUNGTI / IŠJUNGTI] mygtuką 5 sekundes, kad pamatytumėte būseną.
Mėlynas LED	Zonos kontūro kabelis pažeistas arba neprijungtas.	Pakeiskite arba prijunkite zonos kabelį.

Šviesa	Priežastis	Sprendimas
Violetinis LED	Gaminys negali rasti darbo zonos kontūro kabelio. Įjungtas ECO režimas arba neteisingas zonos diapazonas.	<p>Patikrinkite darbo zonos kontūro kabelį ir, jeigu jis pažeistas, pakeiskite.</p> <p>Įsitikinkite, kad darbo zonos kontūro kabelis yra teisingai įrengtas.</p> <p>Įsitikinkite, kad roboto vejamųjų įkrovimo stotis yra prijungta prie elektros lizdo.</p> <p>Išjunkite ECO režimą.</p>
Raudonas LED	Per aukšta gaminio temperatūra.	<p>Padėkite gaminį nuo saulės apsaugotoje vietoje. Prieš paleisdami gaminį leiskite sumažėti jo temperatūrai.</p> <p>Jei problema išlieka, kreipkitės į vietinį „Husqvarna“ atstovą.</p>

Požymiai

Požymis	Priežastis	Sprendimas
Robotas vejapjovė sustojo, rodomas klaidos pranešimas „Zonos generatoriaus problema“.	FlexiFence akumuliatorius beveik išsikrovęs. FlexiFence neveikia, kai akumuliatorius yra išsikrovęs. Robotas vejapjovė gali pajuti vengtinoje zonoje, jei paleisite jį prieš įkraudami FlexiFence.	Prieš paleisdami robotą vejapjovę įkraukite FlexiFence akumuliatorių.
	FlexiFence automatiškai išjungiamas, kadangi FlexiFence temperatūra viršija maksimalią ribą.	Padėkite gaminį nuo saulės apsaugotoje vietoje. Prieš paleisdami gaminį leiskite sumažėti jo temperatūrai.
Robotas vejapjovė įvažiuoja į FlexiFence zoną.	Programinės įrangos perdavimo problema.	Spauskite [JUNGTI] / IŠJUNGTI mygtuką 15 sekundžių, kad paleistumėte gaminį iš naujo.

Laikymas ir šalinimas

Gaminio palikimas saugoti



PERSPĖJIMAS: Pastatykite gaminį ten, kur vaikai negalėtų jo pasiekti.

1. Įkraukite gaminio akumuliatorių.
2. Nuvalykite gaminį. Žr. *Gaminio valymas psl. 276*.
3. Pastatykite gaminį saugoti sausoje, uždaroje ir neužšalancioje vietoje.

Šalinimas

- Laikykitės šalyje galiojančių nuostatų.
- Naudokite vietinę perdirbimo sistemą.
- Nemeskite akumuliatoriaus kartu su įprastomis buitinėmis atliekomis. Akumuliatorių sudaro ličio jonų elementai.



PASTABA: Išimti akumuliatorių gali tik kvalifikuotas personalas.

Išsamesnės informacijos apie tai, kaip išimti akumuliatorių teiraukitės „Husqvarna“ atstovo.

Techniniai duomenys

Gaminio duomenys	
Akumuliatoriaus veikimo laikas, apytikslis, dienomis	30
Akumuliatoriaus įkrovimo įtampa, V	5
Akumuliatoriaus įkrovimo srovė, A	1
Akumuliatoriaus įkrovimo laikas, h	6
IP kodas	IPX4

Kontūro kabelio antena	
Veikimo dažnių juosta, Hz	100–80000
Didžiausias magnetinis laukas ³⁷ , dBuA/m	82

³⁷ Išmatuota pagal EN 303 447.

Kontūro kabelio antena	
Maksimali radijo dažnio galia ³⁸ , mW, esant 60 m	< 25

Negalime užtikrinti visiško suderinamumo tarp gaminio ir kitų tipų belaidžio ryšio sistemų, tokių kaip nuotolinio valdymo įranga ir radijo siųstuvai.

Maitinimo bloko specifikacija	
Dažnis, Hz, vienfazis	50–60
Maitinimo įtampa, V AV	100–240
Išėjimo įtampa, V DC	5
Išėjimo srovė, A	1
Minimali išėjimo galia, W	5
Išėjimo jungtis	USB-C

Priedai

Patvirtinti priedai	Kiekis
Kontūro kabelis, m	50
	150
Kuoliukai, vnt.	100
Jungtys, vnt.	5

³⁸ Didžiausia aktyvi išvesties galia į antenas dažnių juostoje, kurioje veikia radijo įranga.

ES atitikties deklaracija

Toliau pasirašęs asmuo, būdamas įgaliotuoju gamintojo „GARDENA Germany AB, PO Box 7454, S-103 92, Stockholm, Sweden“ atstovu, patvirtina, kad iš gamyklos siunčiamas nurodytas įrenginys (-iai) atitinka darniuosius ES reikalavimus, ES saugos ir konkretaus gaminio standartus. Pakeitus gaminį be mūsų patvirtinimo, nutraukiamas šio sertifikato galiojimas.

Aprašymas	Mobilusis kontūras
Tipas / modelis	Automower® FlexiFence
Gam. nr.	529880501
ES direktyva	Aprašymas
2014/53/EU	RAU
2011/65/EU	RoHS

Darnieji standartai:

- EN ISO 12100:2010
- EN 60335-1:2012+A11:2014+A13:2017+A1:2019+A14:2019+A2:2019
- EN 50636-2-107:2015+A1:2018
- ETSI EN 301 489-1 V2.2.3 (2019-11)
- ETSI EN 301 489-3 V2.1.1 (2019-03)
- Draft ETSI EN 303 447 V1.2.1 (2021-03)
- EN IEC 62311:2020
- EN IEC 63000:2018
- IEC 62133-2:2017

Pridėta dokumentacija: GARDENA Technische Documentation M.Jäger
D-89079 Ulm, Hans-Lorenser-Str.40

CE žymėjimo metai: 2021

Ulm, 04.02.2022



Reinhard Pompe,
Gaminių viceprezidentas



Wolfgang Engelhardt,
Tiekimo grandinės viceprezidentas

Obsah

Úvod.....	283
Bezpečnosť.....	285
Inštalácia.....	286
Prevádzka.....	289
Údržba.....	290
Riešenie problémov.....	291
Skladovanie a likvidácia.....	293
Technické údaje.....	293
Vyhlasenie o zhode EÚ.....	295

Úvod

Podpora

Podporu pre výrobok vám poskytne zástupca spoločnosti Husqvarna.

Popis výrobku

Poznámka: Spoločnosť Husqvarna pravidelne aktualizuje vzhľad a funkcie výrobkov. Pozrite si časť *Podpora na strane 283*.

Pomocou Automower® FlexiFence môžete v pracovnej oblasti nainštalovať zakázanú zónu, do ktorej robotická kosačka na trávnu nemôže vstúpiť a kosiť trávnu.

Na používanie Automower® FlexiFence s robotickou kosačkou na trávnu Automower® môže byť potrebné aktualizovať firmvér robotickej kosačky na trávnu Automower®. Ak potrebujete ďalšie informácie, obráťte sa na zástupcu spoločnosti Husqvarna.

Automower® FlexiFence sa nesmie používať na verejných priestranstvách, v parkoch, na športových štádiónoch ani v poľnohospodárstve či lesníctve.

Prehľad výrobku

(Obr. 1)

1. Kryt
2. Nabíjacia zásuvka
3. Pripojenia
4. Tesniaci uzáver
5. vypínač
6. Indikátor LED
7. Konektory
8. Kolíky
9. Kábel na ohraničenie zóny
10. Nabíjací kábel USB-C

Symbole na výrobku

Na výrobku nájdete tieto symboly. Uistite sa, že ste im porozumeli.

- (Obr. 2) Tento výrobok je v súlade s príslušnými smernicami EÚ.
- (Obr. 3) Tento výrobok je v súlade s príslušnými smernicami Spojeného kráľovstva.
- (Obr. 4) Tento výrobok sa nesmie likvidovať ako bežný domový odpad. Dodržiavajte vnútroštátne predpisy a použite miestny recyklačný systém.
- (Obr. 5) Výrobok nepoužívajte pri teplotách nižších ako 0 °C/32 °F.
- (Obr. 6) **UPOZORNENIE:** Pred používaním výrobku si prečítajte návod na obsluhu.

Symbole na batérii

Na akumulátore nájdete tieto symboly. Uistite sa, že ste im porozumeli.

(Obr. 7)

UPOZORNENIE: Akumulátor nelikvidujte ako bežný domový odpad. Akumulátor obsahuje lítium-iónové články.

Bezpečnosť

Bezpečnostné definície

Výstrahy, upozornenia a poznámky slúžia na zdôraznenie mimoriadne dôležitých častí návodu.



VÝSTRAHA: Používa sa, ak pre obsluhu alebo osoby v okolí existuje nebezpečenstvo poranenia alebo smrti v prípade nedodržania pokynov v návode.



VAROVANIE: Používa sa, ak hrozí nebezpečenstvo poškodenia produktu, iných materiálov alebo okolitej oblasti v prípade nedodržania pokynov v návode.

Poznámka: Používa sa na poskytnutie informácií nad rámec nevyhnutných informácií v danej situácii.

Bezpečnostné pokyny pre prevádzku



VÝSTRAHA: Skôr než budete výrobok používať, prečítajte si nasledujúce výstrahy.

- Tento výrobok môžu pod dozorom, alebo pokiaľ majú k dispozícii pokyny na bezpečné používanie výrobku a rozumejú možným rizikám, používať osoby s fyzickým, zmyslovým alebo mentálnym postihnutím či s nedostatočnými skúsenosťami a znalosťami. S výrobkom sa nesmú hrať deti.
- Deti sa nesmú zdržiavať bez dozoru v zakázanej zóne. Ak je akumulátor vybitý alebo ak je príslušenstvo FlexiFence prehriate, zóna už nie je chránená.

- Tento výrobok vytvára počas prevádzky elektromagnetické pole. Toto pole môže za určitých okolností spôsobovať rušenie aktívnych alebo pasívnych implantovaných lekárskeho prístrojov. Zníženie rizika podmienok, ktoré môžu viesť k vážnemu alebo aj smrteľnému poraneniu, si vyžaduje, aby sa osoby s implantovanými pomôckami poradili so svojím lekárom a výrobcom pomôcky ešte pred použitím tohto výrobku.
- Malé časti sa dajú ľahko prehltnúť. Tiež existuje riziko udusenía batoliat plastovým vreckom. Výrobok počas montáže chráňte pred batoliatami.
- Pri nesprávnom používaní alebo pri poškodení akumulátorov z nich môže vystreknúť horľavá kvapalina. Zabráňte kontaktu s touto kvapalinou. V prípade náhodného kontaktu umyte postihnuté miesto vodou. Ak sa kvapalina dostane do kontaktu s očami, vyhľadajte ďalšiu lekársku pomoc.
- Výrobok nabíjajte len v suchých vnútorných priestoroch.
- Nevýberajte akumulátor z výrobku.
- Napájacia jednotka USB nie je súčasťou tohto výrobku. Odporúča sa používať napájací zdroj tretej strany podľa špecifikácie napájacej jednotky, pozrite si časť *Technické údaje na strane 293*. Pred použitím napájacieho adaptéra USB tretej strany skontrolujte, či spĺňa národné a medzinárodné bezpečnostné normy pre bezpečnosť malého napätia (SELV).
- Výrobok ani jeho periférne zariadenia nepoužívajte počas nepriaznivých poveternostných podmienok, najmä ak hrozí riziko bleskov.
- Postupujte podľa pokynov na údržbu, pozrite si časť *Údržba na strane 290*.
- Pokyny na bezpečnú likvidáciu akumulátora nájdete v časti *Likvidácia na strane 293*.
- Rozsah prevádzkových a skladovacích teplôt je 0 – 40 °C/32 – 104 °F. Príliš vysoké teploty môžu spôsobiť poškodenie výrobku.
- Akumulátor nabíjajte pri teplote okolia 4 – 30 °C/39 – 86 °F. Plný nabíjací výkon je k dispozícii od 15 °C/59 °F.

Inštalácia

Úvod – montáž



VÝSTRAHA: Pred montážou výrobku si prečítajte kapitolu o bezpečnosti a uistite sa, že rozumiete informáciám, ktoré sa v nej uvádzajú.



VAROVANIE: Používajte originálne náhradné diely a inštalačný materiál.

Poznámka: Ďalšie informácie o montáži nájdete v návode na obsluhu robotической kosačky na trávu alebo na stránke www.husqvarna.com.

Montáž zariadenia

Príprava na montáž výrobku

- Nabite akumulátor výrobku. Pozrite si časť *Nabíjanie batérie na strane 289*.
- V pracovnom priestore robotической kosačky na trávu nainštalujte zakázanú zónu, ale nie križom cez navádzací kábel.
- Zaisťte, aby sa príslušenstvo FlexiFence a všetky predmety v oblasti príslušenstva FlexiFence nachádzali minimálne 35 cm/14 palcov od ohraničovacieho kábla zóny (A). (Obr. 8)
- Zaisťte, aby minimálna vzdialenosť od ohraničovacieho kábla zóny k ohraničovaciemu káblu pracovnej oblasti (B) bola 60 cm/24 palcov.
- Zaisťte, aby minimálna vzdialenosť od ohraničovacieho kábla zóny k navádzaciemu káblu (C) bola 60 cm/24 palcov.
- Ak používate viac ako 1 jednotku FlexiFence, zaisťte, aby minimálna vzdialenosť medzi 2 ohraničovacími káblami zóny bola 60 cm/24 palcov.
- Uistite sa, že svahy v oblasti príslušenstva FlexiFence nemajú sklon väčší ako 10 %.
- Zaisťte, aby dĺžka ohraničovacieho kábla zóny bola maximálne 15 m/50 palcov.
- Ohraničovací kábel zóny neumiestňujte križom cez ten istý ohraničovací kábel zóny ani inštaláciu ohraničovacieho kábla inej zóny. Mohlo by to spôsobiť rušenie výrobku a ohraničovacieho kábla zóny. (Obr. 9)
- Ak chcete príslušenstvo FlexiFence umiestniť v určitej vzdialenosti od objektov, v návode na obsluhu robotической kosačky na trávu si prečítajte časť *Rozhodnutie, kam položiť ohraničovací kábel*.

Poznámka: Na inštaláciu použite priložené diely. Ak na inštaláciu potrebujete viac dielov, obráťte sa na zástupcu spoločnosti Husqvarna.

Montáž výrobku

1. Ohraničovací kábel zóny položte okolo zakázanej zóny.
2. Odrežte 2 konce ohraničovacieho kábla zóny.
3. Pripojte 1 konektor na každý koniec ohraničovacieho kábla zóny.
4. Pripojte 2 konektory (A) k 2 pripojeniam na výrobku (B). (Obr. 10)
5. Pomocou kladiva alebo plastového kladiva a kolíkov pripevnite ohraničovací kábel k zemi. Kolíky rozložte v maximálnej vzdialenosti 75 cm/30 palcov od seba.
6. Výrobok umiestnite do zakázanej zóny a pripevnite ho k zemi pomocou kladiva alebo plastového kladiva a kolíkov.
7. Zapnite funkciu Generátor zón robotickej kosačky na trávu. Pozrite si návod na obsluhu robotickej kosačky na trávu.

Poznámka: Ak výrobok nemá ponuku funkcie Generátor zón, je nutné vykonať aktualizáciu firmvéru robotickej kosačky na trávu.

Test inštalácie

1. Zapnite výrobok a skontrolujte, či indikátor LED svieti nazeleno.
2. Uistite sa, že režim ECO robotickej kosačky na trávu je vypnutý. V návode na obsluhu robotickej kosačky na trávu si pozrite časť Režim ECO.
3. Robotickú kosačku na trávu umiestnite 1 – 2 m pred zakázanú zónu. Uistite sa, že robotická kosačka na trávu smeruje dopredu do zakázanej zóny.
4. Spustíte robotickú kosačku na trávu a skontrolujte, či sa zastaví pri ohraničovacom kábli zóny.

Poznámka: Ak pri inštalácii narazíte na problémy, pozrite si časť *Riešenie problémov na strane 291*.

Prevádzka

Nabíjanie batérie

Pred prvým spustením výrobku úplne nabite akumulátor. Akumulátor je úplne nabitý, keď indikátor LED nepretržite svieti naoranžovo. Výrobok počas nabíjania nefunguje.

1. Odstráňte kryt výrobku.
2. Odstráňte tesniaci uzáver výrobku.
3. Do nabíjacej zásuvky pripojte nabíjací kábel USB-C.
4. K napájacej jednotke pripojte nabíjací kábel USB-A.
5. Pripojte napájaciu jednotku do elektrickej zásuvky.
6. Skontrolujte, či indikátor LED na výrobku bliká naoranžovo, aby ste sa uistili, že sa akumulátor nabíja.

Poznámka: 5 V napájacia jednotka so zásuvkou USB nie je súčasťou dodávky.

Poznámka: Ak sa výrobok dlhší čas nepoužíva, každé 3 mesiace nabite akumulátor minimálne na 60 %. Pred spustením výrobku po dlhodobom skladovaní nabite akumulátor výrobku minimálne na 60 %.

Indikátor LED kapacity akumulátora

Indikátor LED sa rozsvieti, keď je stav nabitia akumulátora výrobku menej ako 10 %. Ak chcete aktivovať indikátor LED, keď je stav nabitia akumulátora vyšší ako 10 %, na 5 sekúnd stlačte vypínač.

Svetlo	Príčina
Zelený neprerušovavý indikátor LED	Výrobok je zapnutý a stav nabitia akumulátora je vyšší ako 30 %.
Pomaly blikajúci zelený indikátor LED	Výrobok je zapnutý a stav nabitia akumulátora je 10 – 30 %.

Svetlo	Príčina
Rýchlo blikajúci zelený indikátor LED	Výrobok je zapnutý a stav nabitia akumulátora je nižší ako 10 %.
Oranžový neprerušovaný indikátor LED	Akumulátor je úplne nabitý.
Blikajúci oranžový indikátor LED	Akumulátor sa nabíja.

Zapnutie výrobku

1. Stlačte vypínač na 2 sekundy.
2. Skontrolujte, či indikátor LED na výrobku svieti nazeleno, aby ste sa uistili, že je výrobok zapnutý.

Zastavenie výrobku

1. Stlačte vypínač na 2 sekundy.
2. Skontrolujte, či indikátor LED na výrobku bliká nabiele. Výrobok je vypnutý, keď indikátor LED zhasne.

Údržba

Čistenie výrobku



VAROVANIE: Na čistenie výrobku nepoužívajte vysokotlakový čistič ani tečúcu vodu. Na čistenie nepoužívajte rozpúšťadlá.

- Výrobok čistite vlhkou tkaninou.

Riešenie problémov

Indikátor LED výrobu

Indikátor LED sa rozsvieti, keď je kapacita akumulátora výrobu nižšia ako 10 %. Ak chcete aktivovať indikátor LED, keď je stav nabitia akumulátora vyšší ako 10 %, na 5 sekúnd stlačte vypínač.

Nepretržité svietenie – stav nabitia akumulátora je viac ako 30 %.

Pomalé blikanie – stav nabitia akumulátora je 10 – 30 %.

Rýchle blikanie – stav nabitia akumulátora je menej ako 10 %.

Svetlo	Príčina	Riešenie
5-krát za- bliká na- bielo	Akumulátor je vybitý alebo sa vyskytla chyba.	Na zobrazenie stavu stlačte vypínač na 5 sekúnd.
Modrý in- dikátor LED	Ohraničovací kábel zóny je poškodený alebo nepripojený.	Vymeňte alebo pripojte kábel zóny.
Purpurový indikátor LED	Výrobok nedokáže nájsť ohraničovací kábel pre pracovnú oblasť. Je zapnutý režim ECO alebo rozsah zóny je nesprávny.	Skontrolujte ohraničovací kábel pre pracovnú oblasť a ak je poškodený, vymeňte ho. Skontrolujte, či je ohraničovací kábel pre pracovnú oblasť správne nainštalovaný. Uistite sa, že je nabijacia stanica robotickej kosačky na trávu pripojená k elektrickej zásuvke. Vypnite režim ECO.

Svetlo	Príčina	Riešenie
Červený indikátor LED	Teplota výrobku je príliš vysoká.	Výrobok umiestnite do oblasti chránenej pred slnkom. Pred spustením výrobku počkajte, kým sa zníži jeho teplota. Ak problém pretrváva, obráťte sa na miestneho zástupcu spoločnosti Husqvarna.

Príznaky

Príznak	Príčina	Riešenie
Robotická kosačka na trávu sa zastaví s chybovým hlásením „Problém generátora zón“.	Nízka kapacita akumulátora príslušenstva FlexiFence. Keď je akumulátor vybitý, príslušenstvo FlexiFence nebude fungovať. Ak výrobok zapnete pred nabitím príslušenstva FlexiFence, robotická kosačka na trávu môže kosiť aj v zakázanej zóne.	Pred spustením robotической kosačky na trávu nabite akumulátor príslušenstva FlexiFence.
	Príslušenstvo FlexiFence sa automaticky vypne, pretože teplota v príslušenstve FlexiFence je vyššia ako maximálna hraničná hodnota.	Výrobok umiestnite do oblasti chránenej pred slnkom. Pred spustením výrobku počkajte, kým sa zníži jeho teplota.
Robotická kosačka na trávu vstúpi do zóny príslušenstva FlexiFence.	Problém prenosu softvéru.	Na reštartovanie výrobku stlačte vypínač na 15 sekúnd.

Skladovanie a likvidácia

Uskladnenie výrobku



VÝSTRAHA: Výrobok uložte na miesto, kde sa k nemu nedostanú deti.

1. Nabite akumulátor výrobku.
2. Vyčistite výrobok. Pozrite si časť *Čistenie výrobku na strane 290*.
3. Výrobok uskladnite na suchom, uzavretom a nezamŕzajúcom mieste.

Likvidácia

- Dodržiavajte vnútroštátne predpisy.
 - Používajte miestny recyklačný systém.
 - Akumulátor nelikvidujte ako bežný domový odpad. Akumulátor obsahuje lítium-iónové články.
-



VAROVANIE: Akumulátor smie vyberať len kvalifikovaný personál.

Ďalšie informácie o vyberaní akumulátora vám poskytnie zástupca spoločnosti Husqvarna.

Technické údaje

Údaje o výrobku	
Čas prevádzky akumulátora, približne, dni	30
Nabíjacie napätie akumulátora, V	5
Nabíjaci prúd akumulátora, A	1

Údaje o výrobku	
Čas nabíjania akumulátora, hodiny	6
IP kód	IPX4

Anténa ohraničovacieho kábla	
Prevádzkové frekvenčné pásmo, Hz	100 – 80 000
Maximálne magnetické pole ³⁹ , dBuA/m	82
Maximálny rádiový výkon ⁴⁰ , mW pri 60 m	<25

Nie je možné zaručiť úplnú kompatibilitu medzi výrobkom a inými typmi bezdrôtových systémov, ako sú diaľkové ovládače a rádiové vysielacie.

Špecifikácia napájacej jednotky	
Frekvencia, Hz, jednofázová	50 – 60
Sieťové napätie, V AV	100 – 240
Výstupné napätie, V DC	5
Výstupný prúd, A	1
Minimálny výstupný výkon, W	5
Výstupný konektor	USB-C

³⁹ Merané podľa normy EN 303 447.

⁴⁰ Maximálny aktívny výstupný výkon do antén frekvenčného pásma, v ktorom rádiové zariadenie funguje.

Príslušenstvo

Schválené príslušenstvo	Množstvo
Ohraničovacie kábel, m	50
	150
Kolíky, ks	100
Konektory, ks	5

Vyhlásenie o zhode EÚ

Podpísaná osoba ako splnomocnený zástupca výrobcu, spoločnosti GARDENA Germany AB, PO Box 7454, S-103 92, Stockholm, Sweden, týmto osvedčuje, že nižšie uvedené jednotky boli v čase opustenia výrobného závodu v súlade s harmonizovanými usmerneniami EÚ, normami EÚ v oblasti bezpečnosti a špecifickými normami týkajúcimi sa výrobku. Toto osvedčenie stráca platnosť, ak boli jednotky zmenené bez nášho súhlasu.

Popis	Mobilné ohraničenie
Typ/model	Automower® FlexiFence
Číslo dielu	529880501

Smernica EÚ	Popis
2014/53/EU	RED
2011/65/EU	RoHS

Harmonizované normy:

- EN ISO 12100:2010
- EN 60335-1:2012+A11:2014+A13:2017+A1:2019+A14:2019+A2:2019
- EN 50636-2-107:2015+A1:2018

- ETSI EN 301 489-1 V2.2.3 (2019-11)
- ETSI EN 301 489-3 V2.1.1 (2019-03)
- Draft ETSI EN 303 447 V1.2.1 (2021-03)
- EN IEC 62311:2020
- EN IEC 63000:2018
- IEC 62133-2:2017

Uložená dokumentácia: GARDENA Technische Documentation M.Jäger
D-89079 Ulm, Hans-Lorenser-Str.40

Rok udelenia osvedčenia CE: 2021

Ulm, 04.02.2022



Reinhard Pompe,

Viceprezident pre výroby



Wolfgang Engelhardt,

Viceprezident pre dodávateľské reťazce

Περιεχόμενα

Εισαγωγή.....	297
Ασφάλεια.....	299
Εγκατάσταση.....	301
Λειτουργία.....	303
Συντήρηση.....	305
Αντιμέτωπιση προβλημάτων.....	305
Αποθήκευση και απόρριψη.....	308
Τεχνικά στοιχεία.....	308
Δήλωση συμμόρφωσης ΕΕ.....	310

Εισαγωγή

Υποστήριξη

Για υποστήριξη σχετικά με το προϊόν, απευθυνθείτε στον αντιπρόσωπο της Husqvarna.

Περιγραφή προϊόντος

Περιεχόμενα Η Husqvarna ενημερώνει τακτικά την εμφάνιση και τη λειτουργία των προϊόντων. Ανατρέξτε στην ενότητα *Υποστήριξη στη σελίδα 297*.

Με το Automower® FlexiFence μπορείτε να ορίσετε μια ζώνη απαγόρευσης εισόδου στην περιοχή εργασίας για το ρομπωτικό χλοοκοπτικό, στην οποία δεν θα μπορεί να εισέρχεται και να κόβει το γρασίδι.

Για να χρησιμοποιήσετε το Automower® FlexiFence με το ρομπωτικό χλοοκοπτικό Automower®, μπορεί να χρειαστεί να ενημερώσετε το υλικολογισμικό του ρομπωτικού χλοοκοπτικού Automower®. Απευθυνθείτε στον αντιπρόσωπο της Husqvarna για περισσότερες πληροφορίες.

Το Automower® FlexiFence δεν πρέπει να χρησιμοποιείται σε δημόσιους χώρους, πάρκα, αθλητικές εγκαταστάσεις ή στη γεωργία ή τη δασοκομία.

Επισκόπηση προϊόντος

(Εικ. 1)

1. Κάλυμμα
2. Πρίζα φόρτισης
3. Συνδέσεις
4. Καπάκι στεγανοποίησης
5. Κουμπί ON/OFF
6. Ένδειξη LED
7. Σύνδεσμοι
8. Πάσσαλοι
9. Καλώδιο για χρήση ως καλώδιο οριοθέτησης ζώνης
10. Καλώδιο φόρτισης USB-C

Σύμβολα στο προϊόν

Τα σύμβολα αυτά βρίσκονται πάνω στο προϊόν. Βεβαιωθείτε ότι τα έχετε κατανοήσει.

- (Εικ. 2) Αυτό το προϊόν συμμορφώνεται με τις ισχύουσες Οδηγίες της Ε.Ε.
- (Εικ. 3) Αυτό το προϊόν συμμορφώνεται με τις ισχύουσες Οδηγίες του Ην. Βασιλείου.
- (Εικ. 4) Δεν επιτρέπεται η απόρριψη του προϊόντος ως συνηθισμένο οικιακό απόρριμμα. Φροντίστε να τηρείτε τους κρατικούς κανονισμούς και να χρησιμοποιείτε το τοπικό σύστημα ανακύκλωσης.
- (Εικ. 5) Μην χρησιμοποιείτε το προϊόν σε θερμοκρασίες κάτω από 0 °C/32 °F.
- (Εικ. 6) **ΠΡΟΕΙΔΟΠΟΙΗΣΗ:** Διαβάστε τις οδηγίες χρήσης προτού χρησιμοποιήσετε το προϊόν.

Σύμβολα στην μπαταρία

Αυτά τα σύμβολα βρίσκονται πάνω στην μπαταρία. Βεβαιωθείτε ότι τα έχετε κατανοήσει.

(Εικ. 7)

ΠΡΟΕΙΔΟΠΟΙΗΣΗ: Μην απορρίπτετε την μπαταρία ως συνηθισμένο οικιακό απόρριμμα. Η μπαταρία περιέχει στοιχεία ιόντων λιθίου.

Ασφάλεια

Ορισμοί για την ασφάλεια

Για την επισήμανση ειδικών σημαντικών τμημάτων του εγχειριδίου χρησιμοποιούνται προειδοποιήσεις, συστάσεις προσοχής και σημειώσεις.



ΠΡΟΕΙΔΟΠΟΙΗΣΗ: Χρησιμοποιείται όταν υπάρχει κίνδυνος τραυματισμού ή θανάτου του χειριστή ή άλλων παριστάμενων ατόμων, αν δεν τηρηθούν οι οδηγίες που παρέχονται στο εγχειρίδιο.



ΠΡΟΣΟΧΗ: Χρησιμοποιείται όταν υπάρχει κίνδυνος πρόκλησης ζημιάς στο προϊόν, σε άλλα υλικά ή στον παρακείμενο χώρο, αν δεν τηρηθούν οι οδηγίες που παρέχονται στο εγχειρίδιο.

Περιεχόμενα Χρησιμοποιείται για παροχή περισσότερων πληροφοριών, οι οποίες χρειάζονται σε μια δεδομένη κατάσταση.

Οδηγίες ασφαλείας για τη λειτουργία



ΠΡΟΕΙΔΟΠΟΙΗΣΗ: Πρωτού χρησιμοποιήσετε το προϊόν, διαβάστε τις παρακάτω προειδοποιητικές οδηγίες.

- Αυτό το προϊόν επιτρέπεται να χρησιμοποιηθεί υπό επίβλεψη ή, αν έχουν παρασχεθεί οδηγίες σχετικά με την ασφαλή χρήση του προϊόντος και έχουν γίνει κατανοητοί οι κίνδυνοι που προκύπτουν, από άτομα με σωματικές,

αισθητήριες ή διανοητικές αναπηρίες ή με έλλειψη γνώσεων και εμπειρίας. Τα παιδιά δεν πρέπει να παίζουν με το προϊόν.

- Δεν επιτρέπεται να βρίσκονται παιδιά χωρίς επίβλεψη μέσα στη ζώνη απαγόρευσης εισόδου. Όταν η μπαταρία έχει αδειάσει ή εάν υπερθερμανθεί το FlexiFence, η ζώνη δεν προστατεύεται πλέον.
- Αυτό το προϊόν παράγει ηλεκτρομαγνητικό πεδίο κατά τη διάρκεια της λειτουργίας του. Το πεδίο αυτό, υπό ορισμένες συνθήκες, ενδέχεται να προκαλεί παρεμβολές σε ενεργά ή παθητικά ιατρικά εμφυτεύματα. Προκειμένου να μειωθεί ο κίνδυνος παθήσεων που μπορεί να προκαλέσουν τραυματισμό ή θάνατο, συνιστούμε στα άτομα με ιατρικά εμφυτεύματα να συμβουλευτούν τον θεράποντα ιατρό τους και τον κατασκευαστή του ιατρικού εμφυτεύματος, πριν να θέσουν το προϊόν σε λειτουργία.
- Υπάρχει μεγάλος κίνδυνος κατάποσης μικρών εξαρτημάτων. Επίσης, υπάρχει κίνδυνος ασφυξίας νηπίων από την πλαστική σακούλα (polybag). Κρατήστε μακριά τα νήπια κατά τη συναρμολόγηση του προϊόντος.
- Σε περίπτωση λανθασμένης χρήσης ή ζημιάς των μπαταριών, μπορεί να εκπνυχθεί εύφλεκτο υγρό από τις μπαταρίες. Η επαφή με αυτό το υγρό θα πρέπει να αποφεύγεται. Σε περίπτωση ακούσιας επαφής, ξεπλύνετε με νερό. Εάν το υγρό έρθει σε επαφή με τα μάτια σας, ζητήστε επιπλέον ιατρική βοήθεια.
- Το προϊόν πρέπει να φορτίζεται μόνο σε εσωτερικούς χώρους χωρίς υγρασία.
- Μην αφαιρείτε την μπαταρία από το προϊόν.
- Το προϊόν δεν περιλαμβάνει μονάδα τροφοδοτικού USB. Συνιστάται η χρήση μονάδας τροφοδοτικού τρίτου κατασκευαστή σύμφωνα με τις προδιαγραφές για τη μονάδα τροφοδοτικού, βλ. *Τεχνικά στοιχεία στη σελίδα 308*. Προτού χρησιμοποιήσετε έναν φορτιστή USB τρίτου κατασκευαστή, βεβαιωθείτε ότι συμμορφώνεται με τα εθνικά και διεθνή πρότυπα ασφαλείας για ασφαλή λειτουργία πολύ χαμηλής τάσης (SELV).
- Μην χρησιμοποιείτε το προϊόν και τα περιφερειακά του υπό δυσμενείς καιρικές συνθήκες, ιδιαίτερα όταν υπάρχει κίνδυνος πτώσης κεραυνών.
- Ακολουθήστε τις οδηγίες συντήρησης, βλ. *Συντήρηση στη σελίδα 305*.
- Για την ασφαλή απόρριψη της μπαταρίας, βλ. *Απόρριψη στη σελίδα 308*.
- Η θερμοκρασία λειτουργίας και αποθήκευσης είναι 0-40 °C/32-104 °F. Οι πολύ υψηλές θερμοκρασίες μπορεί να προκαλέσουν ζημιά στο προϊόν.
- Η μπαταρία πρέπει να φορτίζεται σε θερμοκρασίες περιβάλλοντος 4-30 °C/ 39-86 °F. Η πλήρης ισχύς φόρτισης είναι διαθέσιμη από τους 15 °C/59 °F.

Εγκατάσταση

Εισαγωγή - Εγκατάσταση



ΠΡΟΕΙΔΟΠΟΙΗΣΗ: Πριν από την εγκατάσταση του προϊόντος, διαβάστε και κατανοήστε το κεφάλαιο για την ασφάλεια.



ΠΡΟΣΟΧΗ: Χρησιμοποιείτε μόνο γνήσια ανταλλακτικά και υλικά εγκατάστασης.

Περιεχόμενα Ανατρέξτε στο Εγχειρίδιο χρήσης του ρομπωτικού χλοοκοπτικού ή στο www.husqvarna.com για περισσότερες πληροφορίες σχετικά με την εγκατάσταση.

Εγκατάσταση του προϊόντος

Προετοιμασία για την εγκατάσταση του προϊόντος

- Φορτίστε την μπαταρία του προϊόντος. Ανατρέξτε στην ενότητα *Φόρτιση της μπαταρίας στη σελίδα 303*.
- Εγκαταστήστε τη ζώνη απαγόρευσης εισόδου μέσα στην περιοχή εργασίας του ρομπωτικού χλοοκοπτικού, χωρίς όμως αυτή να διασταυρώνεται με κάποιο καλώδιο οδήγησης.
- Βεβαιωθείτε ότι το FlexiFence και όλα τα αντικείμενα στην περιοχή FlexiFence απέχουν τουλάχιστον 35 cm/14 in. από το καλώδιο οριοθέτησης ζώνης (A). (Εικ. 8)
- Βεβαιωθείτε ότι η ελάχιστη απόσταση από το καλώδιο οριοθέτησης ζώνης μέχρι το καλώδιο οριοθέτησης της περιοχής εργασίας (B) είναι 60 cm/24 in.
- Βεβαιωθείτε ότι η ελάχιστη απόσταση από το καλώδιο οριοθέτησης ζώνης μέχρι το καλώδιο οδήγησης (C) είναι 60 cm/24 in.
- Εάν χρησιμοποιείτε περισσότερες από 1 μονάδες FlexiFence, βεβαιωθείτε ότι η ελάχιστη απόσταση μεταξύ των 2 καλωδίων οριοθέτησης ζωνών είναι 60 cm/24 in.

- Βεβαιωθείτε ότι οι κλίσεις στην περιοχή FlexiFence δεν υπερβαίνουν το 10%.
- Βεβαιωθείτε ότι το μήκος του καλωδίου οριοθέτησης ζώνης είναι το ανώτερο 15 m/50 ft.
- Μην διασταυρώνετε το καλώδιο οριοθέτησης ζώνης με τον εαυτό του ή με το καλώδιο οριοθέτησης ζώνης άλλης εγκατάστασης. Αυτό μπορεί να προκαλέσει παρεμβολές στο προϊόν και στο καλώδιο οριοθέτησης ζώνης. (Εικ. 9)
- Για να τοποθετήσετε το FlexiFence σε απόσταση από αντικείμενα, διαβάστε την ενότητα σχετικά με τον έλεγχο του σημείου τοποθέτησης του καλωδίου οριοθέτησης στο Εγχειρίδιο χρήσης του ρομποτικού χλοοκοπτικού.

Περιεχόμενα Για την εγκατάσταση, χρησιμοποιήστε τα εξαρτήματα που περιλαμβάνονται. Για να βρείτε περισσότερα εξαρτήματα για την εγκατάσταση, μπορείτε να απευθυνθείτε στον αντιπρόσωπο της Husqvarna.

Εγκατάσταση του προϊόντος

1. Τοποθετήστε το καλώδιο οριοθέτησης ζώνης γύρω από τη ζώνη απαγόρευσης εισόδου.
2. Κόψτε τα 2 άκρα του καλωδίου οριοθέτησης ζώνης.
3. Συνδέστε 1 σύνδεσμο σε κάθε άκρο του καλωδίου οριοθέτησης ζώνης.
4. Συνδέστε τους 2 συνδέσμους (A) στα 2 σημεία σύνδεσης στο προϊόν (B). (Εικ. 10)
5. Χρησιμοποιήστε σφυρί ή πλαστική ματσόλα για να στερεώσετε το καλώδιο οριοθέτησης ζώνης με πασσάλους στο έδαφος. Τοποθετήστε τους πασσάλους σε απόσταση 75 cm/30 in. το ανώτερο τον ένα από τον άλλο.
6. Τοποθετήστε το προϊόν μέσα στη ζώνη απαγόρευσης εισόδου και στερεώστε το στο έδαφος με πασσάλους χρησιμοποιώντας σφυρί ή μια πλαστική ματσόλα.
7. Ενεργοποιήστε τη λειτουργία ορισμού ζωνών του ρομποτικού χλοοκοπτικού. Ανατρέξτε στο Εγχειρίδιο χρήσης του ρομποτικού χλοοκοπτικού.

Περιεχόμενα Εάν το προϊόν δεν διαθέτει το μενού ορισμού ζωνών, απαιτείται ενημέρωση του υλικολογισμικού του ρομποτικού χλοοκοπτικού.

Έλεγχος της εγκατάστασης

1. Θέστε το προϊόν σε λειτουργία και βεβαιωθείτε ότι η ενδεικτική λυχνία LED είναι αναμμένη με πράσινο χρώμα.
2. Βεβαιωθείτε ότι η λειτουργία ECO του ρομπωτικού χλοοκοπτικού είναι απενεργοποιημένη. Ανατρέξτε στην ενότητα Λειτουργία ECO στο Εγχειρίδιο χρήσης του ρομπωτικού χλοοκοπτικού.
3. Τοποθετήστε το ρομπωτικό χλοοκοπτικό σε απόσταση 1-2 m μπροστά από τη ζώνη απαγόρευσης εισόδου. Βεβαιωθείτε ότι το ρομπωτικό χλοοκοπτικό είναι στραμμένο προς τα εμπρός, προς τη ζώνη απαγόρευσης εισόδου.
4. Εκκινήστε το ρομπωτικό χλοοκοπτικό και βεβαιωθείτε ότι σταματά δίπλα από το καλώδιο οριοθέτησης ζώνης.

Περιεχόμενα Εάν υπάρχουν προβλήματα στην εγκατάσταση, ανατρέξτε στην ενότητα *Αντιμετώπιση προβλημάτων στη σελίδα 305*.

Λειτουργία

Φόρτιση της μπαταρίας

Φορτίστε πλήρως την μπαταρία προτού εκκινήσετε το προϊόν για πρώτη φορά. Η μπαταρία είναι πλήρως φορτισμένη όταν η ενδεικτική λυχνία LED παραμένει σταθερά αναμμένη με πορτοκαλί χρώμα. Το προϊόν δεν λειτουργεί κατά τη διάρκεια της φόρτισης.

1. Αφαιρέστε το κάλυμμα του προϊόντος.
2. Αφαιρέστε το καπάκι στεγανοποίησης του προϊόντος.
3. Συνδέστε το καλώδιο φόρτισης USB-C στην υποδοχή φόρτισης.
4. Συνδέστε το καλώδιο φόρτισης USB-A σε μια μονάδα τροφοδοτικού.
5. Συνδέστε τη μονάδα τροφοδοτικού σε μια πρίζα.
6. Ελέγξτε αν η ενδεικτική λυχνία LED στο προϊόν αναβοσβήνει με πορτοκαλί χρώμα, για να βεβαιωθείτε ότι η μπαταρία φορτίζεται.

Περιεχόμενα Η μονάδα τροφοδοτικού 5 V με υποδοχή USB δεν περιλαμβάνεται.

Περιεχόμενα Εάν το προϊόν δεν χρησιμοποιείται για μεγάλο χρονικό διάστημα, πρέπει να φορτίζετε την μπαταρία τουλάχιστον κατά 60% κάθε 3 μήνες. Μετά από μακροχρόνια αποθήκευση, φορτίστε την μπαταρία του προϊόντος τουλάχιστον κατά 60% προτού εκκινήσετε το προϊόν .

Ενδεικτική λυχνία LED χωρητικότητας μπαταρίας

Η ενδεικτική λυχνία LED ανάβει όταν η κατάσταση φόρτισης της μπαταρίας του προϊόντος είναι μικρότερη από 10%. Για να εμφανιστεί η ενδεικτική λυχνία LED όταν η κατάσταση φόρτισης της μπαταρίας είναι μεγαλύτερη από 10%, πατήστε το κουμπί ON/OFF για 5 δευτερόλεπτα.

Φως	Αιτία
Η πράσινη λυχνία LED είναι σταθερά αναμμένη	Το προϊόν είναι ενεργοποιημένο και η κατάσταση φόρτισης της μπαταρίας είναι μεγαλύτερη από 30%.
Η πράσινη λυχνία LED αναβοσβήνει αργά	Το προϊόν είναι ενεργοποιημένο και η κατάσταση φόρτισης της μπαταρίας είναι 10-30%.
Η πράσινη λυχνία LED αναβοσβήνει γρήγορα	Το προϊόν είναι ενεργοποιημένο και η κατάσταση φόρτισης της μπαταρίας είναι μικρότερη από 10%.
Η πορτοκαλί λυχνία LED είναι σταθερά αναμμένη	Η μπαταρία είναι πλήρως φορτισμένη.
Η πορτοκαλί λυχνία LED αναβοσβήνει	Η μπαταρία φορτίζεται.

Εκκίνηση του προϊόντος

1. Πατήστε το κουμπί ON/OFF στο προϊόν για 2 δευτερόλεπτα.
2. Ελέγξτε αν η ενδεικτική λυχνία LED στο προϊόν έχει πράσινο χρώμα, για να βεβαιωθείτε ότι το προϊόν είναι ενεργοποιημένο.

Διακοπή λειτουργίας του προϊόντος

1. Πατήστε το κουμπί ON/OFF στο προϊόν για 2 δευτερόλεπτα.
2. Ελέγξτε αν η ενδεικτική λυχνία LED στο προϊόν αναβοσβήνει με λευκό χρώμα. Το προϊόν απενεργοποιείται όταν σβήσει η λυχνία LED.

Συντήρηση

Καθαρισμός του προϊόντος



ΠΡΟΣΟΧΗ: Μην χρησιμοποιείτε πλυστικό υψηλής πίεσης ή και τρεχούμενο νερό για να καθαρίσετε το προϊόν. Μην χρησιμοποιείτε διαλύτες για τον καθαρισμό.

- Χρησιμοποιήστε ένα υγρό πανί για να καθαρίσετε το προϊόν.

Αντιμετώπιση προβλημάτων

Ενδεικτική λυχνία LED στο προϊόν

Η ενδεικτική λυχνία LED ανάβει όταν η χωρητικότητα της μπαταρίας του προϊόντος είναι μικρότερη από 10%. Για να εμφανιστεί η ενδεικτική λυχνία LED όταν η κατάσταση φόρτισης της μπαταρίας είναι μεγαλύτερη από 10%, πατήστε το κουμπί ON/OFF για 5 δευτερόλεπτα.

Σταθερά αναμμένη - Η κατάσταση φόρτισης της μπαταρίας είναι μεγαλύτερη από 30%.

Αναβοσβήνει αργά - Η κατάσταση φόρτισης της μπαταρίας είναι 10-30%.

Αναβοσβήνει γρήγορα - Η κατάσταση φόρτισης της μπαταρίας είναι μικρότερη από 10%.

Φως	Αιτία	Λύση
Αναβο-σβήνει με λευκό χρώμα 5 φορές	Η μπαταρία είναι άδεια ή υπάρχει σφάλμα.	Πατήστε το κουμπί ON/OFF για 5 δευτερόλεπτα για να δείτε την κατάσταση.
Μπλε λυχνία LED	Το καλώδιο οριοθέτησης ζώνης είναι ελαττωματικό ή δεν έχει συνδεθεί.	Αντικαταστήστε ή συνδέστε το καλώδιο ζώνης.
Μοβ λυχνία LED	Το προϊόν δεν μπορεί να εντοπίσει το καλώδιο οριοθέτησης για την περιοχή εργασίας. Η λειτουργία ECO είναι ενεργοποιημένη ή το εύρος της ζώνης είναι λανθασμένο.	<p>Εξετάστε το καλώδιο οριοθέτησης για την περιοχή εργασίας και αντικαταστήστε το, αν είναι ελαττωματικό.</p> <p>Βεβαιωθείτε ότι το καλώδιο οριοθέτησης της περιοχής εργασίας έχει εγκατασταθεί σωστά.</p> <p>Βεβαιωθείτε ότι η βάση φόρτισης του ρομποτικού χλοοκοπτικού είναι συνδεδεμένη σε πρίζα.</p> <p>Απενεργοποιήστε τη λειτουργία ECO.</p>

Φως	Αιτία	Λύση
Κόκκινη λυχνία LED	Η θερμοκρασία του προϊόντος είναι πολύ υψηλή.	Τοποθετήστε το προϊόν σε περιοχή προστατευμένη από τον ήλιο. Αφήστε το προϊόν να κρυώσει προτού το εκκινήσετε. Εάν το πρόβλημα παραμένει, απευθυνθείτε στον τοπικό αντιπρόσωπο της Husqvarna.

Συμπτώματα

Σύμπτωμα	Αιτία	Λύση
Το ρομποτικό χλοοκοπτικό σταματά με το μήνυμα σφάλματος "Πρόβλημα ορισμού ζωνών".	Η στάθμη της μπαταρίας του FlexiFence είναι χαμηλή. Το FlexiFence δεν λειτουργεί όταν η μπαταρία είναι άδεια. Το ρομποτικό χλοοκοπτικό μπορεί να κάνει χλοοκοπή στη ζώνη απαγόρευσης εισόδου, εάν το εκκινήσετε προτού φορτίσετε το FlexiFence.	Φορτίστε την μπαταρία του FlexiFence προτού εκκινήσετε το ρομποτικό χλοοκοπτικό.
	Το FlexiFence απενεργοποιείται αυτόματα, επειδή η θερμοκρασία στο FlexiFence είναι υψηλότερη από το μέγιστο όριο.	Τοποθετήστε το προϊόν σε περιοχή προστατευμένη από τον ήλιο. Αφήστε το προϊόν να κρυώσει προτού το εκκινήσετε.
Το ρομποτικό χλοοκοπτικό εισέρχεται στη ζώνη FlexiFence.	Πρόβλημα μεταφοράς λογισμικού.	Πατήστε το κουμπί ON/OFF για 15 δευτερόλεπτα, για να επανεκκινήσετε το προϊόν.

Αποθήκευση και απόρριψη

Αποθήκευση του προϊόντος



ΠΡΟΕΙΔΟΠΟΙΗΣΗ: Τοποθετήστε το προϊόν σε ένα σημείο όπου δεν μπορούν να έχουν πρόσβαση παιδιά.

1. Φορτίστε την μπαταρία του προϊόντος.
2. Καθαρίστε το προϊόν. Ανατρέξτε στην ενότητα *Καθαρισμός του προϊόντος στη σελίδα 305*.
3. Η αποθήκευση του προϊόντος πρέπει να γίνεται σε χώρο χωρίς υγρασία, κλειστό και προστατευμένο από τον παγετό.

Απόρριψη

- Πρέπει να τηρείτε τους κρατικούς κανονισμούς.
 - Χρησιμοποιήστε το τοπικό σύστημα ανακύκλωσης.
 - Μην απορρίπτετε την μπαταρία ως συνηθισμένο οικιακό απόρριμμα. Η μπαταρία περιέχει στοιχεία ιόντων λιθίου.
-



ΠΡΟΣΟΧΗ: Η αφαίρεση της μπαταρίας επιτρέπεται να γίνεται μόνο από εξειδικευμένο προσωπικό.

Για περισσότερες πληροφορίες σχετικά με την αφαίρεση της μπαταρίας, απευθυνθείτε στον τοπικό αντιπρόσωπο της Husqvarna.

Τεχνικά στοιχεία

Στοιχεία προϊόντος	
Χρόνος λειτουργίας μπαταρίας, κατά προσέγγιση, ημέρες	30
Τάση φόρτισης μπαταρίας, V	5

Στοιχεία προϊόντος	
Ένταση ρεύματος φόρτισης μπαταρίας, A	1
Χρόνος φόρτισης μπαταρίας, ώρες	6
Κωδικός IP	IPX4

Κεραία καλωδίου οριοθέτησης	
Ζώνη συχνοτήτων λειτουργίας, Hz	100-80000
Μέγιστο μαγνητικό πεδίο ⁴¹ , dBuA/m	82
Μέγιστη ισχύς ραδιοσυχνότητας ⁴² , mW στα 60 m	<25

Δεν είναι εγγυημένη η πλήρης συμβατότητα μεταξύ του προϊόντος και άλλων τύπων ασύρματων συστημάτων, όπως τα τηλεχειριστήρια και οι ραδιοπομποί.

Προδιαγραφές μονάδας τροφοδοτικού	
Συχνότητα, Hz, μονοφασικό ρεύμα	50-60
Τάση δικτύου, V AV	100-240
Τάση εξόδου, V DC	5
Ένταση ρεύματος εξόδου, A	1
Ελάχιστη ισχύς εξόδου, W	5
Υποδοχή σύνδεσης εξόδου	USB-C

⁴¹ Μέτρηση σύμφωνα με το πρότυπο EN 303 447.

⁴² Μέγιστη ενεργή ισχύς εξόδου για κεραίες στη ζώνη συχνοτήτων όπου λειτουργεί το ραδιόφωνο.

Αξεσουάρ

Εγκεκριμένα εξαρτήματα	Ποσότητα
Καλώδιο οριοθέτησης, m	50
	150
Πάσσαλοι, τμχ.	100
Σύνδεσμοι, τμχ.	5

Δήλωση συμμόρφωσης ΕΕ

Η υπογράφουσα εταιρεία, ως εξουσιοδοτημένος αντιπρόσωπος του κατασκευαστή, GARDENA Germany AB, PO Box 7454, S-103 92, Stockholm, Sweden, πιστοποιεί δια του παρόντος ότι κατά την αναχώρηση από το εργοστάσιο, οι μονάδες που αναφέρονται κατωτέρω συμμορφώνονται με τις εναρμονισμένες οδηγίες της ΕΕ, τα πρότυπα ασφαλείας της ΕΕ και τα συγκεκριμένα πρότυπα για το προϊόν. Αυτό το πιστοποιητικό καθίσταται άκυρο εάν οι μονάδες έχουν τροποποιηθεί χωρίς την έγκρισή μας.

Περιγραφή	Θηλιά για φορητές συσκευές
Τύπος/Μοντέλο	Automower® FlexiFence
Αρ. είδους	529880501
Οδηγία ΕΕ	Περιγραφή
2014/53/EU	ΚΟΚΚΙΝΟ
2011/65/EU	Οδηγία RoHS

Εναρμονισμένα πρότυπα:

- EN ISO 12100:2010
- EN 60335-1:2012+A11:2014+A13:2017+A1:2019+A14:2019+A2:2019
- EN 50636-2-107:2015+A1:2018

- ETSI EN 301 489-1 V2.2.3 (2019-11)
- ETSI EN 301 489-3 V2.1.1 (2019-03)
- Draft ETSI EN 303 447 V1.2.1 (2021-03)
- EN IEC 62311:2020
- EN IEC 63000:2018
- IEC 62133-2:2017

Κατατεθειμένη τεκμηρίωση: GARDENA Technische Documentation M.Jäger
D-89079 Ulm, Hans-Lorenser-Str.40

Έτος σήμανσης CE: 2021

Ulm, 04.02.2022



Reinhard Pompe,

Αντιπρόεδρος τμήματος προϊόντων



Wolfgang Engelhardt,

Αντιπρόεδρος αλυσίδας εφοδιασμού

İçindekiler

Giriş.....	312
Güvenlik.....	314
Kurulum.....	315
Çalışma.....	317
Bakım.....	319
Sorun giderme.....	319
Saklama ve bertaraf etme.....	321
Teknik veriler.....	322
AB Uyumluluk Bildirimi.....	324

Giriş

Destek

Ürün hakkında destek için Husqvarna temsilcinizle görüşün.

Ürün açıklaması

Not: Husqvarna, ürünlerin görünümünü ve işlevini düzenli olarak günceller.
Bkz. *Destek sayfada: 312.*

Automower® FlexiFence ile robotik çim biçme makinesi için makinenin giremediği ve çim biçemediği bölgeler için girilmeyecek bölgeler belirleyebilirsiniz.

Automower® FlexiFence öğesini Automower® robotik çim biçme makinesi ile kullanabilmek için Automower® robotik çim biçme makinesinin firmware'ini güncellemeniz gerekebilir. Daha fazla bilgi için Husqvarna temsilcinizle görüşün.

Automower® FlexiFence kamuya açık alanlarda, parklarda, spor sahalarında veya tarım ya da orman bölgelerinde kullanılmamalıdır.

Ürüne genel bakış

(Şek. 1)

1. Kapak
2. Şarj soketi
3. Bağlantılar
4. Sızdırmazlık başlığı
5. ON/OFF düğmesi
6. LED göstergesi
7. Konektörler
8. Çubuklar
9. Bölge sınır telinin teli
10. USB-C şarj kablosu

Ürün üzerindeki semboller

Bu semboller ürün üzerinde bulunabilir. Sembolleri anladığınızdan emin olun.

(Şek. 2) Bu ürün geçerli AB Direktiflerine uygundur.

(Şek. 3) Bu ürün geçerli Birleşik Krallık Direktiflerine uygundur.

(Şek. 4) Ürünü normal evsel atık gibi bertaraf etmek yasaktır. Ulusal yönetmeliklere uyun ve yerel geri dönüşüm sistemini kullanın.

(Şek. 5) Ürünü, 0°C/32°F altındaki sıcaklıklarda kullanmayın.

(Şek. 6) **UYARI:** Ürünü kullanmadan önce kullanım talimatlarını okuyun.

Aküdeki semboller

Bu semboller akü üzerinde bulunabilir. Sembolleri anladığınızdan emin olun.

(Şek. 7) **UYARI:** Aküyü evsel atık olarak atmayın. Akü, lityum iyon hücreleri içerir.

Güvenlik

Güvenlik tanımları

Kılavuzdaki önemli kısımları vurgulamak için uyarılar ve notlar kullanılmıştır.



UYARI: Kılavuzdaki talimatlara uyulmadığı takdirde operatör veya çevredeki kişiler için ciddi yaralanma veya ölüm tehlikesi varsa kullanılır.



DİKKAT: Kılavuzdaki talimatlara uyulmadığı takdirde ürünün, diğer malzemelerin veya çevrenin zarar görme riski olduğunda kullanılır.

Not: Belirli bir durumda bilgi verilmesi gerektiğinde kullanılır.

Kullanım için güvenlik talimatları



UYARI: Ürünü kullanmadan önce aşağıdaki uyarı talimatlarını okuyun.

- Bu ürün, gözetim altında tutularak veya ürünün güvenli kullanımıyla ilgili talimatlar sağlanmışsa ve sonuçta ortaya çıkabilecek tehlikeler anlaşılmışsa fiziksel, algısal veya zihinsel engelleri olan kişiler ya da deneyimi ve bilgisi bulunmayan kişiler tarafından kullanılabilir. Çocuklar ürün ile oynamamalıdır.
- Çocuklar, gözetim altında olmadan girilmeyecek bölgelerde bulunmamalıdır. Akü boşaldığında veya FlexiFence aşırı ısındığında bölge korunmaz.
- Bu ürün, çalışırken elektromanyetik bir alan oluşturur. Bu alan, bazı koşullarda aktif veya pasif tıbbi implantlarda parazitlenmeye neden olabilir. Yaralanmaya veya ölüme neden olabilecek durumların ortaya çıkma riskini azaltmak için tıbbi implantı olan kişilerin, ürünü çalıştırmadan önce doktorlarına ve tıbbi implant üreticilerine danışmalarını öneririz.

- Küçük parçalar kolayca yutulabilir. Ayrıca, bebeklerin polietilen torbadan dolayı boğulma riski vardır. Ürünü monte ederken bebekleri uzak tutun.
- Yanlış kullanılırsa veya akü zarar görürse akülerden yanıcı sıvı çıkabilir. Bu sıvıyla temas etmeyin. Kazayla temas ederseniz bol suyla yıkayın. Sıvı gözlerinizle temas ederse tıbbi yardım alın.
- Ürünü yalnızca kuru ve kapalı alanlarda şarj edin.
- Aküyü üründen çıkarmayın.
- Ürünle birlikte USB güç kaynağı ünitesi temin edilmez. Güç kaynağı ünitesi teknik özelliklerine uygun üçüncü taraf bir güç kaynağı kullanmanızı öneririz. Bkz. *Teknik veriler sayfada: 322*. Üçüncü taraf USB güç adaptörleri kullanmadan önce adaptörün ulusal ve uluslararası güvenlik ekstra düşük voltaj (SELV) güvenlik standartlarına uyup uymadığını kontrol edin.
- Ürünü ve çevre birimlerini kötü hava koşullarında, özellikle de yıldırım düşme riski bulunan durumlarda kullanmayın.
- Bakım talimatlarına uyun. Bkz. *Bakım sayfada: 319*.
- Akünün güvenli bertarafı için bkz. *Bertaraf etme sayfada: 322*.
- Çalışma ve depolama sıcaklık aralığı: 0-40°C / 32-104°F. Çok yüksek sıcaklıklar ürüne zarar verebilir.
- Aküyü 4-30°C / 39-86°F ortam sıcaklıklarında şarj edin. Tam şarj gücü, 15°C / 59°F sıcaklığından itibaren mümkündür.

Kurulum

Giriş - Kurulum



UYARI: Ürünü kurmadan önce güvenlik bölümünü okuyup anlayın.



DİKKAT: Orijinal yedek parçaları ve kurulum malzemelerini kullanın.

Not: Kurulum hakkında daha fazla bilgi için bkz. robotik çim biçme makinesinin Kullanım kılavuzu veya www.husqvarna.com.

Ürünün kurulumu

Ürünü kurulumla hazırlama

- Ürünün aküsünü şarj edin. Bkz. *Aküyü şarj etme sayfa: 317.*
- Girilmeyecek bölgeyi robotik çim biçme makinesinin çalışma alanı içinde belirleyin. Girilmeyecek bölge, rehber telin diğer tarafında olmamalıdır.
- FlexiFenceve FlexiFence bölgesindeki tüm nesnelere, bölge sınır telinden (A) en az 35 cm / 14 inç uzaklıkta olmalıdır. (Şek. 8)
- Bölge sınır teli ile çalışma alanı sınır teli (B) arasındaki mesafe en az 60 cm / 24 inç olmalıdır.
- Bölge sınır teli ile rehber tel (C) arasındaki mesafe en az 60 cm / 24 inç olmalıdır.
- 1'den fazla FlexiFence ünitesi kullanıyorsanız 2 bölge sınır teli arasındaki mesafe en az 60 cm / 24 inç olmalıdır.
- FlexiFence alanındaki eğimler %10'dan fazla olmamalıdır.
- Bölge sınır telinin uzunluğu en fazla 15 m / 50 fit olmalıdır.
- Bölge sınır telini, aynı bölge sınır telinin veya farklı bir bölge sınır teli kurulumunun üzerinden geçecek şekilde çekmeyin. Bu durumda üründe ve bölge sınır telinde parazit oluşabilir. (Şek. 9)
- FlexiFence ürünü ile nesnelere arasında mesafe oluşturmak için bkz. robotik çim biçme makinesi Kullanım kılavuzunda yer alan Sınır telinin nereye konulacağını belirleme bölümü.

Not: Kurulum için ürünle temin edilen parçaları kullanın. Kurulumla ilgili daha fazla parça edinmek için Husqvarna temsilcinizle iletişime geçebilirsiniz.

Ürünü kurma

1. Bölge sınır telini girilmeyecek bölgeye etrafına çekin.
2. Bölge sınır telinin 2 ucunu kesin.
3. Bölge sınır telinin her bir ucuna 1 konektör takın.
4. 2 konektörü (A), üründeki 2 bağlantı noktasına (B) takın. (Şek. 10)
5. Bölge sınır telini, çubuklarla zemine sabitlemek için bir çekiç veya plastik tokmak kullanın. Çubuklar arasında en fazla 75 cm / 30 inç mesafe olmalıdır.
6. Ürünü girilmeyecek bölgeye koyun ve çekiç veya plastik tokmak kullanarak zemine sabitleyin.

7. Robotik çim biçme makinenizdeki Bölge Oluşturucu işlevini etkinleştirin. Bkz. robotik çim biçme makinesinin Kullanım kılavuzu.

Not: Üründe Bölge Oluşturucu menüsü bulunmuyorsa robotik çim biçme makinenizde firmware güncellemesi gerçekleştirmeniz gerekir.

Kurulumu test etme

1. Ürünü ON konuma getirin ve LED göstergesinin yeşil renkte yandığından emin olun.
2. Robotik çim biçme makinesinin ECO modunun devre dışı bırakıldığından emin olun. Bkz. robotik çim biçme makinesinin Kullanım Kılavuzunda yer alan ECO Modu bölümü.
3. Robotik çim biçme makinesini, girilmeyecek bölgenin 1-2 metre önüne koyun. Robotik çim biçme makinesinin girilmeyecek bölgeye doğru baktığından emin olun.
4. Robotik çim biçme makinesini çalıştırın ve bölge sınır teline geldiğinde durduğundan emin olun.

Not: Kurulumla ilgili sorunlar yaşıyorsanız bkz. *Sorun giderme sayfa: 319.*

Çalışma

Aküyü şarj etme

Ürünü ilk defa çalıştırmadan önce aküyü tamamen şarj edin. LED göstergesi turuncu renkte sürekli yandığında akü tamamen şarj olmuştur. Ürün, şarj olurken çalışmaz.

1. Ürünün kapağını çıkarın.
2. Ürünün sızdırmazlık başlığını çıkarın.
3. USB-C şarj kablosunu, şarj soketine takın.
4. USB-A şarj kablosunu bir güç kaynağı ünitesine takın.
5. Güç kaynağı ünitesini prize takın.
6. Akünün şarj olduğundan emin olmak için ürün üzerindeki LED göstergesinin turuncu renkte yanıp yanmadığını kontrol edin.

Not: USB soketli 5 V güç kaynağı ünitesi ürünle temin edilmez.

Not: Ürünü uzun süre kullanmayacaksanız her 3 ayda bir aküyü en az %60 oranına kadar şarj edin. Ürünü uzun süre kullanladıktan sonra ilk defa çalıştırırken aküyü en az %60 oranına kadar şarj edin.

Akü kapasitesinin LED göstergesi

LED göstergesi, ürünün akü şarj durumu %10'un altına düştüğünde yanar. Akü şarj durumu %10'dan yüksekken LED göstergesini görüntülemek için ON/OFF düğmesine 5 saniye basılı tutun.

Işık	Neden
Yeşil sabit LED	Ürün açık ve akü şarj durumu %30'dan fazla.
Yeşil LED yavaşça yanıp sönüyor	Ürün açık ve akü şarj durumu %10-30 arasında.
Yeşil LED hızlı yanıp sönüyor	Ürün açık ve akü şarj durumu %10'dan az.
Turuncu sabit LED	Pil tamamen şarj olmuş.
Turuncu LED yanıp sönüyor	Akü şarj ediliyor.

Ürünü çalıştırma

1. Ürün üzerindeki ON/OFF düğmesine 2 saniye basılı tutun.
2. Ürünün açık olduğundan emin olmak için ürün üzerindeki LED göstergesinin yeşil renkte yanıp yanmadığını kontrol edin.

Ürünü durdurma

1. Ürün üzerindeki ON/OFF düğmesine 2 saniye basılı tutun.
2. Ürün üzerindeki LED göstergesinin beyaz renkte yanıp yanmadığını kontrol edin. LED göstergesi yanmıyorsa ürün kapalıdır.

Bakım

Ürünü temizleme



DİKKAT: Ürünü temizlemek için yüksek basınçlı yıkama makinesi veya akan su kullanmayın. Temizlik için çözücü kullanmayın.

- Ürünü temizlemek için nemli bir bez kullanın.
-

Sorun giderme

Ürün üzerindeki LED göstergesi

Ürünün akü kapasitesi %10'dan az olduğunda LED göstergesi yanar. Akü şarj durumu %10'dan yüksekken LED göstergesini görüntülemek için ON/OFF düğmesine 5 saniye basılı tutun.

Sabit ışık: Akü şarj durumu %30'dan fazladır.

Yavaşça yanıp söner: Akü şarj durumu %10-30 arasındadır.

Hızlıca yanıp söner: Akü şarj durumu %10'dan azdır.

İşık	Neden	Çözüm
5 defa beyaz renkte yanıp söner	Akü boş veya bir hata mevcut.	Durumu görmek için ON/OFF düğmesine 5 saniye basılı tutun.
Mavi LED	Bölge sınır teli arızalı veya bağlı değil.	Bölge telini değiştirin veya bağlayın.

Işık	Neden	Çözüm
Mor LED	Ürün, çalışma alanının sınır telini bulamıyor. ECO modu etkin veya bölge aralığı doğru değil.	<p>Çalışma alanının sınır telini inceleyin, arızalıysa sınır telini değiştirin.</p> <p>Çalışma alanı sınır telinin doğru bir şekilde takıldığından emin olun.</p> <p>Robotik çim biçme makinesi şarj istasyonunun bir elektrik prizine bağlı olduğundan emin olun.</p> <p>ECO modunu devre dışı bırakın.</p>
Kırmızı LED	Ürün sıcaklığı çok yüksek.	<p>Ürünü güneşten korunan bir alana yerleştirin. Ürünü çalıştırmadan önce ürün sıcaklığının düşmesini bekleyin.</p> <p>Sorun devam ederse yerel Husqvarna temsilcinizle iletişime geçin.</p>

Belirtiler

Belirti	Neden	Çözüm
Robotik çim biçme makinesi "Bölge oluşturucu sorunu" hata mesajını verip çalışmayı bırakıyor.	FlexiFence aküsü düştüktür. FlexiFence, aküsü boşken çalışmaz. FlexiFenceöğesini şarj etmeden robotik çim biçme makinesini başlatırsanız robotik çim biçme makinesi girilmeyecek bölgede biçme işlemi gerçekleştirebilir.	Robotik çim biçme makinesini başlatmadan önce FlexiFence aküsünü şarj edin.
	FlexiFenceöğesinin sıcaklığı, maksimum sınırdan yüksek olduğu için FlexiFence otomatik olarak kapatılır.	Ürünü güneşten korunan bir alana yerleştirin. Ürünü çalıştırmadan önce ürün sıcaklığının düşmesini bekleyin.
Robotik çim biçme makinesi FlexiFence bölgesine giriyor.	Yazılım aktarma sorunu.	Ürünü yeniden başlatmak için ON/OFF düğmesine 15 saniye basılı tutun.

Saklama ve bertaraf etme

Ürünü saklama



UYARI: Ürünü, çocukların ürüne erişemeyeceği bir alana koyun.

1. Ürünün aküsünü şarj edin.
2. Ürünü temizleyin. Bkz. *Ürünü temizleme sayfa*: 319.
3. Ürünü kapalı, kuru ve donmayan bir yere koyun.

Bertaraf etme

- Ulusal düzenlemelere uyun.
- Yerel geri dönüşüm sistemini kullanın.
- Aküyü evsel atık olarak atmayın. Akü, lityum iyon hücreleri içerir.



DİKKAT: Aküyü yalnızca kalifiye personel çıkarabilir.

Aküyü çıkarmayla ilgili daha fazla bilgi almak için Husqvarna temsilcinizle iletişime geçin.

Teknik veriler

Ürün verileri	
Akü çalışma süresi, yaklaşık olarak, gün cinsinden	30
Akü şarj voltajı, V	5
Akü şarj akımı, A	1
Akü şarj süresi, s	6
IP kodu	IPX4

Sınır teli anteni	
Çalışma Frekansı Aralığı, Hz	100-80.000
Maksimum manyetik alan ⁴³ , dBuA/m	82

⁴³ EN 303 447'ye göre ölçülmüştür.

Sınır teli anteni	
Maksimum radyo frekansı gücü ⁴⁴ , 60 m'de mW	<25

Uzaktan kumandalar ve telsiz vericileri gibi diğer tür kablosuz sistemler ile tam uyumluluk garanti edilmemektedir.

Güç kaynağı ünitesi teknik özellikleri	
Frekans, Hz, 1 fazlı	50-60
Şebeke voltajı, V AV	100-240
Çıkış voltajı, V DC	5
Çıkış akımı, A	1
Minimum çıkış gücü, W	5
Çıkış konektörü	USB-C

Aksesuarlar

Onaylı aksesuarlar	Miktar
Sınır teli, m	50
	150
Çubuklar, adet	100
Konektörler, adet	5

⁴⁴ Radyo ekipmanının çalıştığı frekans aralığında antenler için maksimum etkin çıkış gücü.

AB Uyumluluk Bildirimi

Aşağıda imzası bulunan, üreticinin yetkili temsilcisi olarak, GARDENA Germany AB, PO Box 7454, S-103 92, Stockholm, Sweden, aşağıda belirtilen birimlerin fabrikamızdan ayrılırken uyumlu hale getirilmiş AB yönergeleri, AB güvenlik standartları ve ürüne özel standartlara uygun olduğunu onaylamaktadır. Birimler, onayımız olmadan değiştirilirse bu sertifika geçerliliğini yitirir.

Açıklama	Mobil Çevrim
Tip/Model	Automower® FlexiFence
Parça No.	529880501
AB direktifi	Açıklama
2014/53/EU	KIRMIZI
2011/65/EU	RoHS

Uyumlu hale getirilmiş standartlar:

- EN ISO 12100:2010
- EN 60335-1:2012+A11:2014+A13:2017+A1:2019+A14:2019+A2:2019
- EN 50636-2-107:2015+A1:2018
- ETSI EN 301 489-1 V2.2.3 (2019-11)
- ETSI EN 301 489-3 V2.1.1 (2019-03)
- Draft ETSI EN 303 447 V1.2.1 (2021-03)
- EN IEC 62311:2020
- EN IEC 63000:2018
- IEC 62133-2:2017

Gönderilen Belgeler: GARDENA Technische Documentation M.Jäger D-89079 Ulm, Hans-Lorenser-Str.40

CE işaretinin yılı: 2021

Ulm, 04.02.2022



Reinhard Pompe,
Ürünler Başkan Yardımcısı



Wolfgang Engelhardt,
Tedarik Zinciri Başkan Yardımcısı

VSEBINA

Uvod.....	326
Varnost.....	328
Namestititev.....	329
Delovanje.....	331
Vzdrževanje.....	333
Odpravljanje težav.....	333
Shranjevanje in odstranjevanje.....	335
Tehnični podatki.....	336
Izjava EU o skladnosti.....	338

Uvod

Podpora

Za podporo o izdelku se obrnite na predstavnika podjetja Husqvarna.

Opis izdelka

Opomba: Husqvarna redno posodablja videz in funkcionalnost svojih izdelkov. Glejte *Podpora na strani 326*.

Z dodatkom Automower® FlexiFence lahko v delovnem območju robotske kosilnice namestite prepovedano območje, v katero ne more vstopiti in kositi travo.

Za uporabo dodatka Automower® FlexiFence z robotsko kosilnico Automower® bo morda treba posodobiti vdelano programsko opremo za robotsko kosilnico Automower®. Če potrebujete več informacij, se obrnite na predstavnika podjetja Husqvarna.

Dodatka Automower® FlexiFence ne smete uporabljati na javnih površinah, športnih prizoriščih, v parkih ali kmetijstvu in gozdarstvu.

Pregled izdelka

(Sl. 1)

1. Pokrov
2. Polnilna vtičnica
3. Priključka
4. Tesnilni pokrovček
5. Gumb za VKLOP/IZKLOP
6. Indikatorska lučka LED
7. Priključki
8. Klini
9. Kabel za omejevalno zanko območja
10. Polnilni kabel USB-C

Simboli na izdelku

Na izdelku lahko najdete naslednje oznake. Prepričajte se, da ste jih razumeli.

- (Sl. 2) Izdelek je v skladu z veljavnimi direktivami EU.
- (Sl. 3) Izdelek je v skladu z veljavnimi direktivami UK.
- (Sl. 4) Izdelka ni dovoljeno zavreči med običajne gospodinjske odpadke. Upoštevajte državne predpise in uporabite lokalni sistem recikliranja.
- (Sl. 5) Ne uporabljajte izdelka, če je temperatura nižja od 0 °C/32 °F.
- (Sl. 6) **OPOZORILO:** Pred uporabo izdelka preberite navodila za uporabo.

Simboli na bateriji

Na bateriji lahko najdete naslednje oznake. Prepričajte se, da ste jih razumeli.

(Sl. 7)

OPOZORILO: Baterije ne zavržite med običajne gospodinske odpadke. Baterija vsebuje litij-ionske celice.

Varnost

Varnostne definicije

Opozorila, svarila in opombe opozarjajo na posebej pomembne dele priročnika.



OPOZORILO: Se uporabi, če obstaja nevarnost telesne poškodbe ali smrti uporabnika ali opazovalcev ob neupoštevanju navodil v tem priročniku.



POZOR: Se uporabi, če obstaja nevarnost poškodbe izdelka, drugih materialov ali okolice ob neupoštevanju navodil v tem priročniku.

Opomba: Se uporabi za podajanje podrobnejših informacij, potrebnih v dani situaciji.

Varnostna navodila za uporabo



OPOZORILO: Pred uporabo izdelka preberite navodila v povezavi z opozorili v nadaljevanju.

- Izdelek lahko uporabljajo osebe z omejenimi telesnimi, zaznavalnimi ali duševnimi sposobnostmi ali s pomanjkanjem izkušenj in znanja pod nadzorom ali v skladu z dobavljenimi navodili o varni uporabi izdelka in razumevanju posledičnih nevarnosti. Otroci se ne smejo igrati z izdelkom.
- Otroci ne smejo biti nenadzorovano v prepovedanem območju. Ko je baterija prazna ali če se je dodatek FlexiFence pregrel, območje ni več zaščiteno.
- Izdelek med delovanjem ustvarja elektromagnetno polje. To polje lahko v nekaterih pogojih moti delovanje aktivnih ali pasivnih medicinskih vsadkov.

Da bi zmanjšali nevarnost ki bi lahko povzročila telesne poškodbe ali smrt, priporočamo, da se osebe z medicinskimi vsadki pred uporabo izdelka posvetujejo s svojim zdravnikom in proizvajalcem vsadka.

- Majhne dele je mogoče enostavno pogoltniti. Dojenčki se lahko zadušijo s plastično vrečko. Med sestavljanjem dojenčki ne smejo biti v bližini.
- Če jih uporabljate nepravilno ali če so baterije poškodovane, se lahko iz baterij izlije vnetljiva tekočina. Izogibajte se stiku s to tekočino. Če se tekočine nehote dotaknete, sperite mesto dotika z vodo. Če tekočina pride v stik z očmi, poiščite zdravniško pomoč.
- Izdelek polnite samo v suhih notranjih prostorih.
- Ne odstranjujte baterije iz izdelka.
- Napajalna enota USB ni priložena temu izdelku. Priporočljivo je, da uporabite napajalnik drugega proizvajalca v skladu s specifikacijo napajalne enote, glejte poglavje *Tehnični podatki na strani 336*. Preden uporabite napajalnik USB drugega proizvajalca, preverite, ali je v skladu z lokalnimi in mednarodnimi varnostnimi standardi za dodatno varnost pri nizki napetosti (SELV).
- Ne uporabljajte izdelka in njegove periferne opreme v slabih vremenskih pogojih, zlasti v nevihtnem času.
- Za navodila za vzdrževanje glejte poglavje *Vzdrževanje na strani 333*.
- Za več informacij o varni odstranitvi baterije glejte *Odstranitev na strani 336*.
- Temperatura za uporabo in skladiščenje je 0–40 °C/32–104 °F. Previsoke temperature lahko povzročijo poškodbe izdelka.
- Baterijo polnite pri temperaturi okolja 4–30 °C/39–86 °F. Polna moč pri polnjenju je na voljo pri temperaturi 15 °C/59 °F.

Namestitev

Uvod – namestitev



OPOZORILO: Pred namestitvijo izdelka, morate prebrati in razumeti poglavje o varnosti.



POZOR: Uporabljajte originalne nadomestne dele in material za namestitvev.

Opomba: Za dodatne informacije glede namestitve glejte navodila za uporabo robotske kosilnice ali obiščite spletno stran www.husqvarna.com.

Namestitvev izdelka

Priprave na namestitvev izdelka

- Napolnite baterijo izdelka. Glejte *Polnjenje baterije na strani 331*.
- Namestite prepovedano območje v delovnem območju robotske kosilnice, vendar ne čez vodilni kabel.
- Poskrbite, da so dodatek FlexiFence in vsi predmeti v območju dodatka FlexiFence oddaljeni od omejevalne zanke območja (A) najmanj 35 cm/14 in. (Sl. 8)
- Poskrbite, da je najmanjša razdalja od omejevalne zanke območja do omejevalne zanke delovnega območja (B) 60 cm/24 in.
- Poskrbite, da je najmanjša razdalja od omejevalne zanke območja do vodilnega kabla (C) 60 cm/24 in.
- Če uporabljate več kot 1 enoto dodatka FlexiFence, poskrbite, da je najmanjša razdalja med omejevalnima zankama območja 60 cm/24 in.
- Poskrbite, da klančine v območju FlexiFence ne presejajo 10 %.
- Poskrbite, da dolžina omejevalne zanke območja znaša največ 15 m/50 ft.
- Ne postavljajte omejevalne zanke območja čez omejevalno zanko istega območja ali nameščeno omejevalno zanko drugega območja. To lahko povzroči motnje v izdelku in omejevalni zanki območja. (Sl. 9)
- Če želite postaviti razdaljo med dodatkom FlexiFence in predmeti, preberite razdelek Pregled mesta za namestitvev omejevalne zanke v navodilih za uporabo robotske kosilnice.

Opomba: Za namestitvev uporabite priložene dele. Če potrebujete več delov za namestitvev, se lahko obrnete na predstavnika družbe Husqvarna.

Namestitvev izdelka

1. Postavite omejevalno zanko območja okoli prepovedanega območja.

2. Odrežite 2 konca omejevalne zanke območja.
3. Namestite 1 konektor na vsak konec omejevalne zanke območja.
4. Namestite 2 konektorja (A) na 2 priključka na izdelku (B). (Sl. 10)
5. S kladivom ali plastičnim kladivom pritrdite omejevalno zanko območja s klini na tla. Kline namestite tako, da bo razdalja med njimi največ 75 cm/30 in.
6. Izdelek postavite v prepovedano območje in ga s kladivom ali plastičnim kladivom pritrdite s klini na tla.
7. Na robotski kosilnici omogočite funkcijo Generator območja. Glejte navodila za uporabo robotske kosilnice.

Opomba: Če izdelek nima menija Generator območja, je potrebna posodobitev vdelane programske opreme robotske kosilnice.

Preizkus namestitve

1. Vključite izdelek in se prepričajte, da lučka LED sveti zeleno.
2. Prepričajte se, da je ECO-način robotske kosilnice onemogočen. Glejte razdelek ECO-način v navodilih za uporabo robotske kosilnice.
3. Postavite robotsko kosilnico od 1 do 2 m pred prepovedanim območjem. Prepričajte se, da je robotska kosilnica usmerjena naravnost naprej proti prepovedanemu območju.
4. Zaženite robotsko kosilnico in se prepričajte, da se bo ustavila ob omejevalni zanki območja.

Opomba: Če pride do težav z namestitvijo, glejte *Odpravljanje težav na strani 333*.

Delovanje

Polnjenje baterije

Pred prvo uporabo izdelka v celoti napolnite baterijo. Baterija je v celoti napolnjena, ko lučka LED neprekinjeno sveti oranžno. Izdelek ne more delovati med polnjenjem.

1. Odstranite pokrov izdelka.

2. Odstranite tesnilni pokrovček izdelka.
3. Priključite polnilni kabel USB-C v polnilno vtičnico.
4. Priključite polnilni kabel USB-A v napajalno enoto.
5. Priključite napajalno enoto v vtičnico.
6. Preverite, ali lučka LED na izdelku utripa oranžno, da se prepričate, da se baterija polni.

Opomba: 5 V napajalna enota z vtičnico USB ni priložena.

Opomba: Če izdelka dlje časa ne uporabljate, vsake 3 mesece napolnite baterijo do najmanj 60-odstotne ravni napolnjenosti. Preden izdelek zaženete po dolgotrajnem skladiščenju, napolnite baterijo izdelka do najmanj 60-odstotne ravni napolnjenosti.

Lučka LED napolnjenosti baterije

Lučka LED se prižge, ko je raven napolnjenosti baterije izdelka manjša od 10 %. Za prikaz lučke LED, ko je raven napolnjenosti baterije večja od 10 %, pritisnite gumb za VKLOP/IZKLOP za 5 sekund.

Lučka	Vzrok
Lučka LED sveti zeleno	Izdelek je vklopljen in raven napolnjenosti baterije je večja od 30 %.
Zelena lučka LED počasi utripa	Izdelek je vklopljen in raven napolnjenosti baterije je med 10 in 30 %.
Zelena lučka LED hitro utripa	Izdelek je vklopljen in raven napolnjenosti baterije je manjša od 10%.
Lučka LED sveti oranžno	Baterija je popolnoma napolnjena.
Oranžna lučka LED utripa	Baterija se polni.

Zagon izdelka

1. Pritisnite gumb za VKLOP/IZKLOP za 2 sekunde.
2. Preverite, ali lučka LED na izdelku sveti zeleno, da se prepričate, da je izdelek vklopljen.

Izklop izdelka

1. Pritisnite gumb za VKLOP/IZKLOP za 2 sekunde.
2. Preverite, ali lučka LED na izdelku utripa belo. Izdelek je izklopljen, ko je lučka LED izklopljena.

Vzdrževanje

Čiščenje izdelka



POZOR: Za čiščenje izdelka ne uporabljajte visokotlačnega čistilnika ali vodnega curka. Pri čiščenju ne uporabljajte topil.

- Izdelek očistite z vlažno krpo.
-

Odpravljanje težav

Lučka LED na izdelku

Lučka LED se prižge, ko je raven napolnjenosti baterije izdelka manjša od 10 %. Za prikaz lučke LED, ko je raven napolnjenosti baterije večja od 10 %, pritisnite gumb za VKLOP/IZKLOP za 5 sekund.

Lučka sveti – Raven napolnjenosti baterije je večja od 30 %.

Lučka počasi utripa – Raven napolnjenosti baterije je med 10 in 30 %.

Lučka hitro utripa – Raven napolnjenosti baterije je manjša od 10 %.

Lučka	Vzrok	Rešitev
Bela lučka utripne 5-krat	Baterija je prazna ali pa je prišlo do napake.	Pritisnite gumb za VKLOP/IZKLOP za 5 sekund, da preverite stanje baterije.
Modra lučka LED	Omejevalna zanka območja je okvarjena ali ni pravilno priklopljena.	Zamenjajte ali priklopite omejevalno zanko.
Vijolična lučka LED	Izdelek ne najde omejevalne zanke delovnega območja. ECO-način je omogočen ali pa obseg območja ni pravi.	<p>Preglejte omejevalno zanko delovnega območja in jo zamenjajte, če je okvarjena.</p> <p>Prepričajte se, da je omejevalna zanka delovnega območja pravilno nameščena.</p> <p>Prepričajte se, da je polnilna postaja robotske kosilnice priklopljena v električno vtičnico.</p> <p>Onemogočite ECO-način.</p>
Rdeča lučka LED	Temperatura izdelka je previsoka.	<p>Izdelek postavite v območje, zaščiteno pred soncem. Pred zagonom izdelka počakajte, da temperatura izdelka pade.</p> <p>Če težave ni mogoče odpraviti, se obrnite na lokalnega predstavnika podjetja Husqvarna.</p>

Znaki

Simptom	Vzrok	Rešitev
Robotska kosilnica se ustavi s sporočilom o napaki "Težava z generatorjem območja".	Nizko stanje napoljenosti baterije dodatka FlexiFence. FlexiFenceNe deluje, če je baterija prazna. Robotska kosilnica lahko kosi v prepovedanem območju, če jo zaženete preden napolnite dodatek FlexiFence.	Preden zaženete robotsko kosilnico, napolnite baterijo dodatka FlexiFence.
	Dodatek FlexiFence se samodejno izklopi, ker je temperatura dodatka FlexiFence višja od najvišje omejitve.	Izdelek postavite v območje, zaščiteno pred soncem. Pred zagonom izdelka počakajte, da temperatura izdelka pade.
Robotska kosilnica vstopi v območje FlexiFence.	Težava s prenosom programske opreme.	Pritisnite in za 15 sekund pridržite gumb za VKLOP/IZKLOP, da znova zaženete izdelek.

Shranjevanje in odstranjevanje

Skladiščenje izdelka



OPOZORILO: Izdelek skladiščite na mestu, kjer otrok ne bo imel dostopa do izdelka.

1. Napolnite baterijo izdelka.
 2. Izdelek očistite. Glejte *Čiščenje izdelka na strani 333*.
-

3. Izdelek skladiščite na suhem in zaprtem mestu, kjer ne zmrzuje.

Odstranitev

- Spoštujte državne predpise.
- Uporabite lokalni reciklažni sistem.
- Baterije ne zavrzite med običajne gospodinjske odpadke. Baterija vsebuje litij-ionske celice.



POZOR: Baterijo lahko odstrani samo usposobljeno osebje.

Za več podrobnosti o odstranjevanju baterije se obrnite na predstavnika družbe Husqvarna.

Tehnični podatki

Podatki o izdelku	
Približen čas delovanja baterije v dnevih	30
Polnilna napetost baterije, V	5
Polnilni tok baterije, A	1
Čas polnjenja baterije v urah	6
Koda IP	IPX4

Antena omejevalne zanke	
Delovni frekvenčni pas, Hz	100–80000

Antena omejevalne zanke	
Največje magnetno polje ⁴⁵ , dBuA/m	82
Največja energija za radijsko frekvenco ⁴⁶ , mW na 60 m	< 25

Popolne združljivosti med izdelkom in drugimi brezžičnimi sistemi, kot so daljinski upravljalniki in radijski prenosniki, ni mogoče zagotoviti.

Specifikacija napajalne enote	
Frekvenca, Hz, enofazna	50–60
Omrežna napetost, V AV	100–240
Izhodna napetost, V DC	5
Izhodni tok, A	1
Najmanjša izhodna moč, W	5
Izhodni priključek	USB-C

Dodatna oprema

Odobren pribor	Količina
Omejevalna zanka, m	50
	150
Klini, št. kosov	100
Konektorji, št. kosov	5

⁴⁵ Izmerjeno v skladu z EN 303 447.

⁴⁶ Najvišja aktivna izhodna moč za antene v frekvenčnem pasu delovanja radijske opreme.

Izjava EU o skladnosti

Spodaj podpisan pooblaščen predstavnik proizvajalca, GARDENA Germany AB, PO Box 7454, S-103 92, Stockholm, Sweden, s to izjavo potrjuje, da so bile spodaj navedene enote ob izhodu iz tovarne skladne z usklajenimi smernicami EU, standardi EU za varnost in standardi, specifičnimi za izdelek. Izjava postane neveljavna v primeru neodobrene spremembe enote.

Opis	Prenosni dodatek
Vrsta/model	Automower® FlexiFence
Št. izd.	529880501

Direktiva EU	Opis
2014/53/EU	RDEČA
2011/65/EU	RoHS

Usklajeni standardi:

- EN ISO 12100:2010
- EN 60335-1:2012+A11:2014+A13:2017+A1:2019+A14:2019+A2:2019
- EN 50636-2-107:2015+A1:2018
- ETSI EN 301 489-1 V2.2.3 (2019-11)
- ETSI EN 301 489-3 V2.1.1 (2019-03)
- Draft ETSI EN 303 447 V1.2.1 (2021-03)
- EN IEC 62311:2020
- EN IEC 63000:2018
- IEC 62133-2:2017

Predložena dokumentacija: GARDENA Technische Documentation M.Jäger
D-89079 Ulm, Hans-Lorensen-Str.40

Letnica oznake CE: 2021

Ulm, 04.02.2022



Reinhard Pompe,

Podpredsednik oddelka za razvoj izdelkov



Wolfgang Engelhardt,

Podpredsednik dobavne verige

Obsah

Úvod.....	340
Bezpečnost.....	342
Instalace.....	343
Provoz.....	345
Údržba.....	347
Odstraňování problémů.....	347
Skladování a likvidace.....	349
Technické údaje.....	350
Prohlášení o shodě EU.....	352

Úvod

Podpora

V případě dotazů ohledně výrobku se obraťte na zástupce společnosti Husqvarna.

Popis výrobku

Povšimněte si: Společnost Husqvarna pravidelně aktualizuje vzhled a funkce výrobků. Další informace jsou uvedeny v části *Podpora na strani 340*.

Pomocí Automower® FlexiFence můžete v pracovní oblasti robotické sekačky nainstalovat zakázanou zónu, kam nemůže vjet a sekat zde trávu.

Chcete-li používat Automower® FlexiFence s robotickou sekačkou Automower®, může být zapotřebí aktualizovat firmware robotické sekačky Automower®. Další informace získáte u zástupce společnosti Husqvarna.

Automower® FlexiFence se nesmí používat ve veřejných prostorech, parcích, sportovních arénách nebo v zemědělství nebo lesnictví.

Popis výrobku

(Obr. 1)

1. Kryt
2. Nabíjecí zásuvka
3. Připojení
4. Těsnicí víčko
5. Tlačítko ZAP/VYP
6. Kontrolka LED
7. Konektory
8. Kolíky
9. Vodič pro ohraničující vodič zóny
10. Nabíjecí kabel USB-C

Symbole na výrobku

Na výrobku můžete nalézt tyto symboly. Ujistěte se, že jste jim porozuměli.

(Obr. 2) Tento výrobek odpovídá příslušným směrnici EU.

(Obr. 3) Tento výrobek odpovídá příslušným směrnici UK.

(Obr. 4) Tento výrobek se nesmí likvidovat jako běžný domovní odpad. Dodržujte národní předpisy a použijte místní recyklační systém.

(Obr. 5) Nepoužívejte výrobek při teplotách nižších než 0 °C.

(Obr. 6) **VAROVÁNÍ:** Než začnete výrobek provozovat, přečtěte si pokyny pro obsluhu.

Symbole na baterii

Na baterii můžete nalézt tyto symboly. Ujistěte se, že jste jim porozuměli.

(Obr. 7) **VAROVÁNÍ:** Nelikvidujte baterii jako normální domovní odpad. Baterie obsahuje lithium-iontové články.

Bezpečnost

Definice týkající se bezpečnosti

Varování, upozornění a poznámky slouží jako upozornění na specifické důležité části návodu.



VÝSTRAHA: Používá se v případě nebezpečí úrazu nebo usmrcení obsluhy nebo okolních osob, pokud nejsou dodrženy pokyny uvedené v této příručce.



VAROVÁNÍ: Používá se v případě nebezpečí poškození výrobku, dalších materiálů či škod na majetku v blízkém okolí, pokud nejsou dodrženy pokyny uvedené v této příručce.

Povšimněte si: Používá se k poskytnutí dalších informací, které jsou nezbytné v dané situaci.

Bezpečnostní pokyny pro provoz



VÝSTRAHA: Před použitím výrobku si přečtete následující varování.

- Tento výrobek mohou pod dohledem nebo po poskytnutí pokynů týkajících se bezpečného používání výrobku a seznámení s následnými riziky používat osoby s tělesným, smyslovým nebo mentálním postižením nebo nedostatkem zkušeností či znalostí. Děti si s výrobkem nesmí hrát.
- Děti nesmí být bez dozoru v zakázané zóně. Pokud je baterie vybitá nebo dojde k přehřátí jednotky FlexiFence, zóna již není chráněna.
- Tento výrobek vytváří během provozu elektromagnetické pole. Toto pole může za určitých okolností narušovat funkci aktivních či pasivních implantovaných lékařských přístrojů. Za účelem snížení rizika možného zranění nebo smrti doporučujeme osobám s implantovanými lékařskými přístroji poradit se před použitím výrobku s lékařem a s výrobcem implantovaného lékařského přístroje.

- Může dojít k vdechnutí malých součástí. Dětem hrozí nebezpečí udušení plastovým sáčkem. Během montáže výrobku zamezte přístup dětem.
- Při nesprávném použití nebo při poškození baterii může dojít k vytečení hořlavé kapaliny z baterií. Je třeba vyvarovat se kontaktu s touto kapalinou. Pokud dojde k náhodnému kontaktu, opláchněte postižené místo vodou. Pokud se kapalina dostane do kontaktu s očima, vyhledejte další lékařskou pomoc.
- Výrobek nabíjejte pouze v suchých interiérech.
- Nedemontujte baterii z výrobku.
- Zdroj napájení USB není součástí balení tohoto výrobku. Doporučujeme používat zdroj napájení od jiných výrobců podle specifikace napájecí jednotky, viz část *Technické údaje na strani 350*. Před použitím napájecího adaptéru USB jiného výrobce zkontrolujte, zda vyhovuje národním a mezinárodním bezpečnostním normám pro bezpečnost při velmi nízkém napětí (SELV).
- Výrobek a jeho příslušenství nepoužívejte při špatném počasí, zvláště pokud existuje riziko blesku.
- Postupujte podle pokynů k údržbě v části *Údržba na strani 347*.
- Informace o bezpečné likvidaci baterie naleznete v části *Likvidace na strani 350*.
- Provozní a skladovací teplota je 0–40 °C. Příliš vysoké teploty mohou výrobek poškodit.
- Baterii nabíjejte při okolních teplotách 4–30 °C. Plný nabíjecí výkon je k dispozici od 15 °C.

Instalace

Úvod – instalace



VÝSTRAHA: Než začnete instalovat výrobek, přečtěte si pozorně kapitolu o bezpečnosti.



VAROVÁNÍ: Používejte originální náhradní díly a instalační materiál.

Povšimněte si: Další informace o instalaci najdete v návodu k používání robotické sekačky nebo na adrese www.husqvarna.com.

Instalace výrobku

Příprava na instalaci výrobku

- Nabijte baterii výrobku. Další informace jsou uvedeny v části *Nabití baterie na strani 345*.
- Nainstalujte zakázanou zónu v pracovní oblasti robotické sekačky, ale ne přes naváděcí vodič.
- Zkontrolujte, zda je jednotka FlexiFence a všechny objekty v oblasti FlexiFence minimálně 35 cm od ohraničujícího vodiče zóny (A). (Obr. 8)
- Zajistěte, aby minimální vzdálenost od ohraničujícího vodiče zóny k ohraničujícímu vodiči pracovní oblasti (B) byla 60 cm.
- Ujistěte se, že minimální vzdálenost od ohraničujícího vodiče zóny k naváděcímu vodiči (C) je 60 cm.
- Pokud používáte více než 1 jednotku FlexiFence, ujistěte se, že minimální vzdálenost mezi 2 ohraničujícími vodiči zóny je 60 cm.
- Ujistěte se, že svahy v oblasti FlexiFence nemají sklon větší než 10 %.
- Ujistěte se, že délka ohraničujícího vodiče zóny je maximálně 15 m.
- Ohraničující vodič zóny nesmí být položen přes ohraničující vodič stejné zóny nebo ohraničující vodič instalace jiné zóny. To může způsobit rušení výrobku a ohraničujícího vodiče zóny. (Obr. 9)
- Chcete-li umístit jednotku FlexiFence do vzdálenosti od objektů, přečtěte si část Kontrola umístění ohraničujícího vodiče v návodu k používání robotické sekačky.

Povšimněte si: Pro instalaci použijte dodané díly. Více dílů pro instalaci získáte od svého zástupce společnosti Husqvarna.

Instalace výrobku

1. Umístěte ohraničující vodič zóny kolem zakázané zóny.
2. Odřízněte 2 konce ohraničujícího vodiče zóny.
3. Připojte 1 konektor ke každému konci ohraničujícího vodiče zóny.
4. Připojte 2 konektory (A) ke 2 přípojkám na výrobku (B). (Obr. 10)

5. Pomocí kladiva nebo plastové paličky připevněte ohraničující vodič zóny do země pomocí kolíků. Umístěte kolíky ve vzdálenosti maximálně 75 cm od sebe.
6. Umístěte výrobek do zakázané zóny a pomocí kladiva nebo plastové paličky jej připevněte k zemi.
7. Aktivujte funkci generátoru zóny robotické sekačky. Viz návod k používání robotické sekačky.

Povšimněte si: Pokud výrobek nabídku generátoru zóny neobsahuje, je nutné aktualizovat firmware robotické sekačky.

Kontrola instalace

1. Zapněte výrobek a zkontrolujte, zda kontrolka LED svítí zeleně.
2. Ujistěte se, že je ECO mód robotické sekačky vypnutý. Viz ECO mód v návodu k používání robotické sekačky.
3. Umístěte robotickou sekačku 1–2 m před zakázanou zónu. Ujistěte se, že robotická sekačka směřuje do zakázané zóny.
4. Spusťte robotickou sekačku a ujistěte se, že se zastaví u ohraničujícího vodiče zóny.

Povšimněte si: V případě problémů s instalací si přečtěte část *Odstaňování problémů na strani 347*.

Provoz

Nabití baterie

Před prvním spuštěním výrobku baterii plně nabijte. Baterie je plně nabitá, když kontrolka LED svítí oranžově bez přerušování. Výrobek během nabíjení nefunguje.

1. Demontujte kryt výrobku.
2. Demontujte těsnicí víčko výrobku.
3. Připojte nabíjecí kabel USB-C do nabíjecí zásuvky.
4. Připojte nabíjecí kabel USB-A ke zdroji napájení.
5. Připojte zdroj napájení do elektrické zásuvky.

6. Zkontrolujte, zda kontrolka LED na výrobku oranžově bliká, což značí, že se baterie nabíjí.

Povšimněte si: 5V zdroj napájení s konektorem USB není součástí balení.

Povšimněte si: Pokud výrobek nebudete delší dobu používat, nabíjejte baterii nejméně na 60 % každé 3 měsíce. Před spuštěním výrobku po dlouhodobém uskladnění nabíjete baterii výrobku alespoň na 60 %.

Kontrolka LED kapacity baterie

Kontrolka LED se rozsvítí, pokud je stav nabití baterie výrobku nižší než 10 %. Chcete-li zobrazit kontrolku LED, když je stav nabití baterie vyšší než 10 %, stiskněte tlačítko ZAP/VYP na 5 sekund.

Kontrolka	Příčina
Zelená kontrolka LED svítí	Výrobek je zapnutý a baterie je nabitá na více než 30 %.
Zelená kontrolka LED bliká	Výrobek je zapnutý a baterie je nabitá na 10–30 %.
Zelená kontrolka LED rychle bliká	Výrobek je zapnutý a baterie je nabitá na méně než 10 %.
Oranžová kontrolka LED svítí	Baterie je plně nabitá.
Červená kontrolka LED bliká	Baterie se nabíjí.

Spuštění výrobku

1. Stiskněte tlačítko ZAP/VYP výrobku na 2 sekundy.
2. Zkontrolujte, zda kontrolka LED na výrobku svítí zeleně, což znamená, že výrobek je zapnutý.

Zastavení výrobku

1. Stiskněte tlačítko ZAP/VYP výrobku na 2 sekundy.
2. Zkontrolujte, zda kontrolka LED na výrobku bliká bíle. Výrobek je vypnutý, když kontrolka LED zhasne.

Údržba

Čištění výrobku



VAROVÁNÍ: K čištění výrobku nepoužívejte vysokotlaký čistič ani tekoucí vodu. K čištění nepoužívejte rozpouštědla.

- K čištění výrobku použijte vlhký hadřík.
-

Odstraňování problémů

Kontrolka LED na výrobku

Kontrolka LED se rozsvítí, pokud je kapacita baterie výrobku nižší než 10 %. Chcete-li zobrazit kontrolku LED, když je stav nabití baterie vyšší než 10 %, stiskněte tlačítko ZAP/VYP na 5 sekund.

Svítil nepřerušovaně – baterie je nabitá na více než 30 %.

Bliká pomalu – baterie je nabitá na 10–30 %.

Bliká rychle – baterie je nabitá na méně než 10 %.

Kontrolka	Příčina	Řešení
5x blikne bíle	Baterie je vybitá nebo došlo k chybě.	Stisknutím tlačítka ZAP/VYP na 5 sekund zobrazíte stav.
Modrá kontrolka LED	Ohraničující vodič zóny je vadný nebo není připojený.	Vyměňte nebo připojte vodič zóny.

Kontrolka	Příčina	Řešení
Fialová kontrolka LED	Výrobek nemůže najít ohraničující vodič pro pracovní oblast. ECO mód je aktivován nebo je rozsah zón nesprávný.	<p>Zkontrolujte ohraničující vodič pro pracovní oblast. Pokud je vadný, vyměňte jej.</p> <p>Zkontrolujte, zda je ohraničující vodič pro pracovní oblast správně nainstalován.</p> <p>Zkontrolujte, zda je nabíjecí stanice robotické sekačky připojena k elektrické zásuvce.</p> <p>Deaktivujte ECO mód.</p>
Červená kontrolka LED	Teplota výrobku je příliš vysoká.	<p>Umístěte výrobek do oblasti, kde bude chráněn před sluncem. Před spuštěním výrobku jej nechte vychladnout.</p> <p>Pokud problém přetrvává, obraťte se na místního zástupce společnosti Husqvarna.</p>

Příznaky

Příznak	Příčina	Řešení
Robotická sekačka se zastaví a zobrazí se chybová zpráva „Problém generátoru zóny“.	Baterie jednotky FlexiFence je téměř vybitá. FlexiFence s vybitou baterií nefunguje. Pokud robotickou sekačku spustíte, aniž byste jednotku FlexiFence nabili, mohla by robotická sekačka sekat i v zakázaných zónách.	Před spuštěním robotické sekačky nabijte baterii jednotky FlexiFence.
	Jednotka FlexiFence se automaticky vypne, protože teplota jednotky FlexiFence přesahuje maximální limit.	Umístěte výrobek do oblasti, kde bude chráněn před sluncem. Před spuštěním výrobku jej nechte vychladnout.
Robotická sekačka vjede do zóny FlexiFence.	Problém s přenosem softwaru.	Stisknutím tlačítka ZAP/VYP na 15 sekund restartujte výrobek.

Skladování a likvidace

Uvedení výrobku do stavu pro uskladnění



VÝSTRAHA: Umístěte výrobek do oblasti, kde nemohou děti získat přístup k výrobku.

1. Nabijte baterii výrobku.
 2. Vyčistěte výrobek. Další informace jsou uvedeny v části *Čištění výrobku na straní 347*.
 3. Uskladněte výrobek na suchém a uzavřeném místě, kde nemrzne.
-

Likvidace

- Dodržujte státní předpisy.
- Použijte místní recyklační systém.
- Nelikvidujte baterii jako normální domovní odpad. Baterie obsahuje lithium-iontové články.



VAROVÁNÍ: Baterii může demontovat pouze kvalifikovaný personál.

Další informace o demontáži baterie vám poskytne váš zástupce společnosti Husqvarna.

Technické údaje

Údaje o produktu	
Provozní doba baterie, přibližně, dny	30
Nabíjecí napětí baterie, V	5
Nabíjecí proud baterie, A	1
Doba nabíjení baterie, h	6
Kód IP	IPX4

Anténa ohraničujícího vodiče	
Pracovní frekvenční pásmo, Hz	100–80 000
Maximální magnetické pole ⁴⁷ , dBuA/m	82

⁴⁷ Měřeno podle normy EN 303 447.

Anténa ohraničujícího vodiče	
Maximální radiofrekvenční výkon ⁴⁸ , mW na 60 m	< 25

Nelze zaručit plnou kompatibilitu mezi výrobkem a dalšími typy bezdrátových systémů, jako jsou dálkové ovladače a rádiové vysílače.

Specifikace zdroje napájení	
Frekvence, Hz, jedna fáze	50–60
Síťové napětí, V AC	100–240
Výstupní napětí, V DC	5
Výstupní proud, A	1
Minimální výstupní výkon, W	5
Výstupní konektor	USB-C

Příslušenství

Schválené příslušenství	Množství
Ohraničující vodič, m	50
	150
Kolíky, ks	100
Konektory, ks	5

⁴⁸ Maximální aktivní výstupní výkon pro antény ve frekvenčním pásmu, ve kterém rádiové zařízení funguje.

Prohlášení o shodě EU

Níže podepsaný tímto potvrzuje, že jako zplnomocněný zástupce výrobce, GARDENA Germany AB, PO Box 7454, S-103 92, Stockholm, Sweden, tímto potvrzuje, že při opuštění naší továrny jsou níže uvedené jednotky v souladu s harmonizovanými pokyny EU, normami EU ohledně bezpečnosti a specifickými produktovými standardy. Tento certifikát pozbývá platnosti, pokud dojde k úpravě jednotek bez našeho schválení.

Popis	Mobilní smyčka
Typ/Model	Automower® FlexiFence
Obj. č.	529880501
Směrnice EU	Popis
2014/53/EU	RED
2011/65/EU	RoHS

Harmonizované normy:

- EN ISO 12100:2010
- EN 60335-1:2012+A11:2014+A13:2017+A1:2019+A14:2019+A2:2019
- EN 50636-2-107:2015+A1:2018
- ETSI EN 301 489-1 V2.2.3 (2019-11)
- ETSI EN 301 489-3 V2.1.1 (2019-03)
- Draft ETSI EN 303 447 V1.2.1 (2021-03)
- EN IEC 62311:2020
- EN IEC 63000:2018
- IEC 62133-2:2017

Uložená dokumentace: GARDENA Technische Documentation M.Jäger
D-89079 Ulm, Hans-Lorenser-Str.40

Rok označení prohlášením o shodě: 2021

Ulm, 04.02.2022



Reinhard Pompe,

Viceprezident pro produkty



Wolfgang Engelhardt,

Viceprezident pro dodavatelský řetě-
zec



Points de collecte sur www.quefairedemesdechets.fr
Privilégiez la réparation ou le don de votre appareil !



Husqvarna

AUTOMOWER® is a trademark owned by Husqvarna AB.

Copyright© 2023 HUSQVARNA. All rights reserved.

www.husqvarna.com

Original instructions
Bruksanvisning i
original
Originale instruktioner
Alkuperäiset ohjeet
Originale instruksjoner
Instructions d'origine
Originale instructies
Istruzioni originali

Instrucciones
originales
Originalanweisungen
Оригінальні інструкції
Eredeti útmutatás

Instruções originais
Оригинални
инструкции
Oryginalne instrukcje
Instrucţiuni iniţiale
Originaljuhend
Lietošanas pamācība
Originalios instrukcijos
Põvodné pokyny
Αρχικές οδηγίες
Original talimatlar
Izvirna navodila
Původní pokyny

1143726-99



2023-07-04