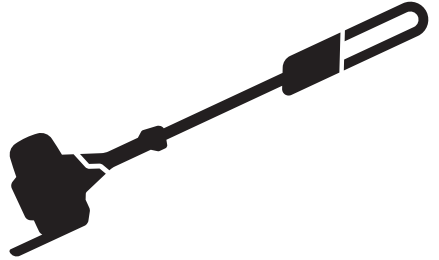




Husqvarna[®]



535FBX, TA1100

Contents

Introduction 535FBX.....	2	Declaration of Conformity 535FBX.....	33
Safety 535FBX.....	4	Introduction TA1100.....	35
Assembly 535FBX.....	9	Safety TA1100.....	36
Operation 535FBX.....	14	Assembly TA1100.....	38
Maintenance 535FBX.....	18	Operation TA1100.....	39
Troubleshooting.....	28	Technical data TA1100.....	40
Transportation and storage.....	28	Accessories	40
Technical data 535FBX.....	29	Declaration of Conformity TA1100.....	41
Accessories	31		

Introduction 535FBX

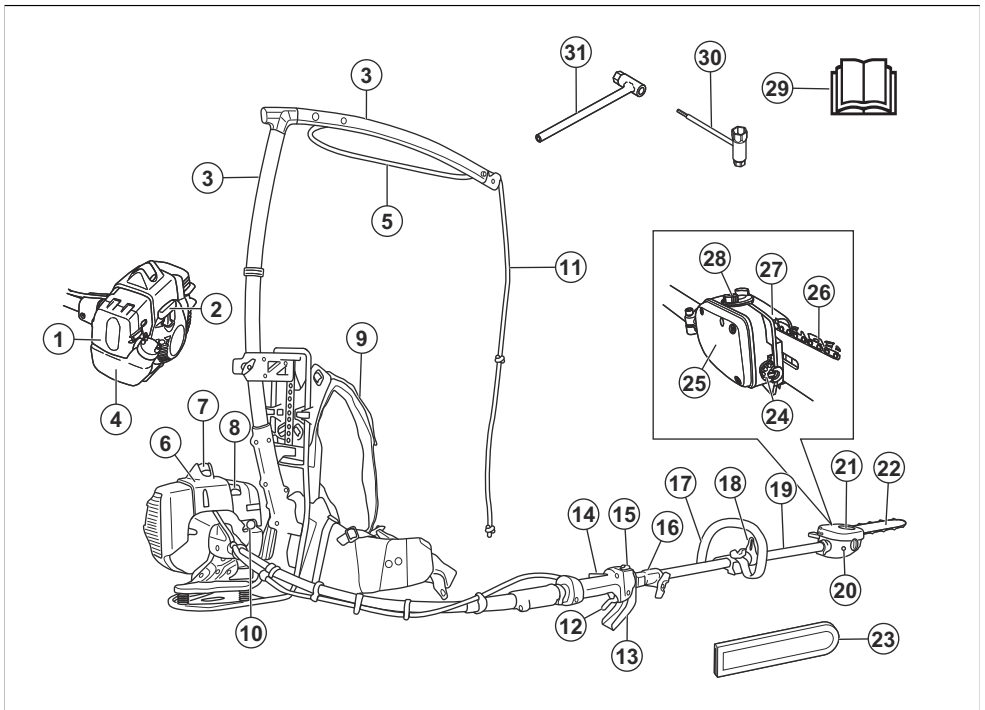
Intended use

The product is used for cutting branches and twigs.

Only use the product with accessories that are approved by the manufacturer. Refer to *Accessories on page 40*.

Note: National regulations can set limit to the operation of the product.

Product overview 535FBX



1. Air filter cover

2. Starter rope handle

3. Load reducer
4. Fuel tank
5. Stem guard
6. Engine cover
7. Spark plug cap and spark plug
8. Choke control
9. Harness
10. Air purge bulb
11. Cord
12. Throttle trigger
13. Throttle hand guard
14. Throttle trigger lockout
15. Stop switch
16. Shaft coupling
17. Loop handle
18. Suspension ring
19. Shaft
20. Adjustment screw for the chain lubrication
21. Bar nut
22. Guide bar
23. Transport guard
24. Chain tension screw
25. Chain oil tank
26. Saw chain
27. Protective guard for saw chain
28. Chain oil tank
29. Operator's manual
30. Combination wrench
31. Spark plug wrench

Symbols on the product



WARNING! This product is dangerous. Injury or death can occur to the operator or bystanders if the product is not used carefully and correctly. To prevent injury to the operator or bystanders, read and obey all safety instructions in the operator's manual.



Please read the operator's manual carefully and make sure that you understand the instructions before use.



Use a protective helmet in locations where objects can fall on you. Use approved hearing protection. Use approved eye protection.



Use approved protective gloves.



Use heavy-duty slip-resistant boots.



Fuel.



Chain oil.



Adjustment of the oil flow.



Direction of rotation, saw chain.



Primer bulb.



Choke.



Noise emission to the environment label as per EU and UK directives and regulations, and New South Wales legislation "Protection of the Environment Operations (Noise Control) Regulation 2017". The guaranteed sound power level of the product is specified in *Technical data 535FBX on page 29* and on the label.



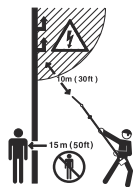
The product agrees with the applicable EC directives.



This product conforms to the applicable UK regulations.

yyyywwxxxx

The rating plate shows the serial number. **yyyy** is the production year, **ww** is the production week and **xxxx** is the sequential number.



This product is not electrically insulated. If the product touches or comes close to high-voltage power lines it could lead to death or serious injury. Electricity can jump from one point to another by arcing. The higher the voltage, the greater the distance electricity can jump. Electricity can also travel through branches and other objects, especially if they are wet. Always keep a distance of at least 10 m between the machine and high-voltage power lines and/or any objects that are touching them. If you have to work within this safe distance you should always contact the relevant power company to make sure the power is switched off before you start work.

The operator of the product must ensure, while working, that no persons or animals come closer than 15 meters.

Note: Other symbols/decals on the product refer to certification requirements for other commercial areas.

Euro V Emissions



WARNING: Tampering with the engine voids the EU type-approval of this product.

Product damage

We are not responsible for damages to our product if:

- the product is incorrectly repaired.
- the product is repaired with parts that are not from the manufacturer or not approved by the manufacturer.
- the product has an accessory that is not from the manufacturer or not approved by the manufacturer.
- the product is not repaired at an approved service center or by an approved authority.

Safety 535FBX

Safety definitions

Warnings, cautions and notes are used to point out specially important parts of the manual.



WARNING: Used if there is a risk of injury or death for the operator or bystanders if the instructions in the manual are not obeyed.



CAUTION: Used if there is a risk of damage to the product, other materials or the adjacent area if the instructions in the manual are not obeyed.

Note: Used to give more information that is necessary in a given situation.

General safety instructions



WARNING: Read the warning instructions that follow before you use the product.

- This product produces an electromagnetic field during operation. This field may under some circumstances interfere with active or passive medical implants. To reduce the risk of serious or fatal injury we recommend persons with medical implants to consult their physician and the medical implant manufacturer before operating this product.
- This product is a dangerous tool if you are not careful or if you use the product incorrectly. This product can cause serious injury or death to the operator or others.
- It is very important that you read and understand the contents of this operator's manual. If you feel uncertainty about a work situation or the operating procedures after you read the operator's manual, speak to a service agent before you continue.
- Under no circumstances may the design of the product be modified without the permission of the manufacturer. Do not use a product that appears to have been modified by others and only use accessories recommended for this product. Non-authorized modifications and/or accessories can result in serious personal injury or the death of the operator or others.
- Do a check of the product before use. Refer to *Safety devices on the product on page 6* and *To check before starting on page 14*. Do not use a product that is damaged or does not operate correctly. Do the safety checks, maintenance and service instructions described in this manual.
- A used muffler/spark arrester and spark arrester mounting face may contain deposits of combustion particles that may be carcinogenic. Avoid being exposed to these compounds when handling the

muffler and /or spark arrester. Prior to any handling of the muffler and/or the spark arrester, refer to *To do a check of the muffler on page 7.*

Safety instructions for assembly



WARNING: Read, understand and obey these instructions carefully before you use the product.

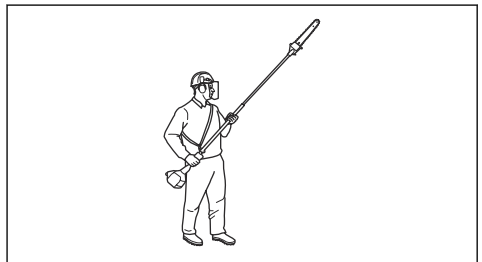
- The complete clutch cover and shaft must be fitted before the machine is started, otherwise the clutch can come loose and cause personal injury.
- The only accessories you can operate with this product are the cutting attachments we recommend. Refer to *Accessories on page 40.*
- Use approved protective gloves.
- Make sure that you assemble the protective cover and shaft correctly before you start the engine.

Safety instructions for operation



WARNING: Read the warning instructions that follow before you do maintenance on the product.

- Use personal protective equipment, refer to *Personal protective equipment on page 6.*
 - This product is not electrically insulated. If the product touches or comes close to high-voltage power lines it could lead to death or serious bodily injury. Electricity can jump from one point to another by arcing. The higher the voltage, the greater the distance electricity can jump. Electricity can also travel through branches and other objects, especially if they are wet. Always keep a distance of at least 10 m between the product and high-voltage power lines and/or any objects that are touching them. If have to work within this safe distance you should always contact the relevant power company to make sure the power is switched off before you start work.
 - Overexposure to vibration can lead to circulatory damage or nerve damage in persons who have poor circulation. Speak to your physician if you experience symptoms of overexposure to vibration. Such symptoms include numbness, loss of feeling, tingling, pricking, pain, loss of strength, changes in skin colour or condition. These symptoms usually show in the fingers, hands or wrists. The risk increases at low temperatures.
 - The inside of the muffler contain chemicals that may be carcinogenic. Avoid contact with these elements in the event of a damaged muffler. Long term inhalation of the engine's exhaust fumes, chain oil mist and sawdust can represent a health risk.
 - Never use the machine indoors or in spaces lacking proper ventilation. Exhaust fumes contain carbon monoxide, an odourless, poisonous and highly dangerous gas.
- Do not operate a product without a muffler or with a defective muffler. A defective muffler can increase the noise level and the risk of fire. Keep fire extinguishing tools near. If you must have a spark arrester mesh in your area, do not use the product without or with a broken spark arrester mesh.
 - If the saw chain does not stop when idling, adjust the idle speed. Refer to *To adjust the throttle wire on page 20.* Do not use the product until it is correctly adjusted or repaired.
 - This product has a long reach. Make sure that no people or animals come closer than 15 m when the product is running. Always look behind you before you turn around with the product. Stop the product immediately if a person or animal enters the 15 m safety zone. If more than one operator does work in the same area, keep a safety distance of a minimum of 15 m.
 - Observe the applicable safety regulations for work in the vicinity of overhead power lines. Also falling branches can result in short-circuiting.
 - Never stand directly underneath a branch that is being cut. This could lead to serious or even fatal personal injury.
 - Watch out for stumps of branches that can be thrown out when you cut. Do not cut too close to the ground where stones and other objects can be thrown out.
 - Do not operate the product in bad weather, such as dense fog, heavy rain, strong wind and intense cold. To operate in bad weather can make you tired and add risks, such as icy ground and unpredictable felling direction.
 - Do not use the product if you are tired, ill, or under the influence of alcohol, drugs or medicine, as this has a negative effect on your vision, alertness, coordination and judgment.
 - Make sure that you can move safely and have a safe stance. Examine the area around you for obstacles such as roots, rocks, branch and ditches. Be careful during work on slopes.
 - Do not remove the cut material, or let other persons remove cut material, while the engine is on or the cutting equipment rotates, as this can result in serious injury.
 - Do not overreach. Keep a stable position of the feet and a good balance at all times.
 - Always hold the product with both hands. Hold the product on the right side of your body.



- Keep your hands and feet away from the saw chain until it has stopped completely when the product is deactivated.
- Never work from a ladder, stool or any other raised position that is not fully secured.
- Do not put the product down with the engine on unless you have it in clear view.
- Listen for warning signals and loud voices when you use hearing protection. Always remove your hearing protection when the engine stops.
- Stop the engine before you move to a new work area. Always attach the transport guard before you move the equipment.
- Never allow children to use or be in the vicinity of the product. Remove the spark plug cap when the product is not under close supervision.



- Keep first aid equipment close at hand.



Safety devices on the product



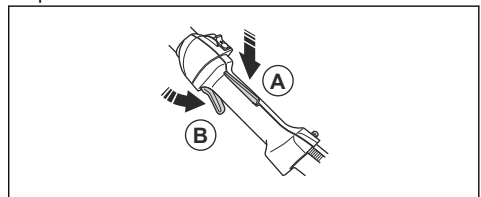
WARNING: Read the warning instructions that follow before you use the product.

- Do not use a product with safety devices that are damaged or do not operate correctly.
- Do a check of the safety devices regularly. Refer to .
- If the safety devices are damaged or do not operate correctly, speak to your Husqvarna servicing dealer.

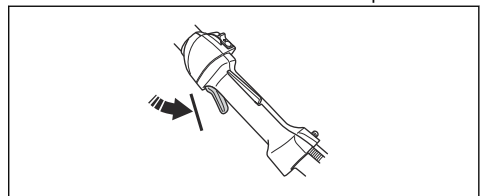
To do a check of the throttle trigger lockout

The throttle trigger lockout prevents accidental operation of the throttle control.

1. Push the throttle trigger lockout (A) and make sure that the throttle control is released (B). When you release the handle, the throttle control and the throttle trigger lockout move back to their initial positions.



2. Release the throttle trigger lockout and make sure that the throttle control is locked at idle speed.



Personal protective equipment



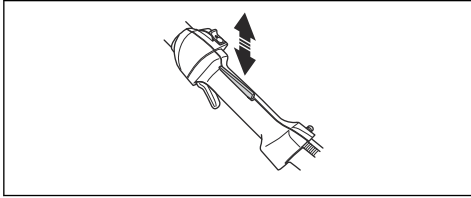
WARNING: Read the warning instructions that follow before you use the product.

- Always use approved personal protective equipment when you use the product. Personal protective equipment cannot fully prevent injury but it decreases the degree of injury if an accident does occur. Let your dealer help you select the right equipment.
- Use a protective helmet where there is a risk of falling objects.
- Use approved hearing protection that provides adequate noise reduction. Long-term exposure to noise can result in permanent hearing impairment.
- Use approved eye protection. If you use a visor, you must also use approved protective goggles. Approved protective goggles must comply with the ANSI Z87.1 standard in the USA or EN 166 in EU countries.
- Use a visor for face protection. A visor is not enough for protection of the eyes.

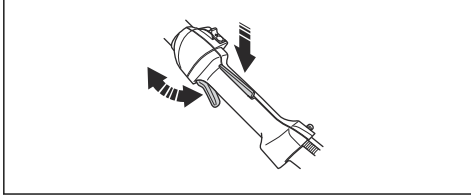


- Use gloves when necessary, for example when you attach, examine or clean the cutting equipment.
- Use sturdy non-slip boots.
- Use clothing made of a strong fabric. Always use heavy, long pants and long sleeves. Do not use loose clothing that can catch on twigs and branches. Do not wear jewelry, short pants, sandals or go with bare feet. Put your hair up safely above shoulder level.

3. Push the throttle trigger lockout and make sure that it goes back to its initial position when you release it.

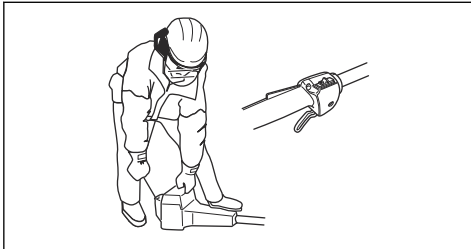


4. Make sure that the throttle control and throttle trigger lockout move freely and that the return springs operate correctly.



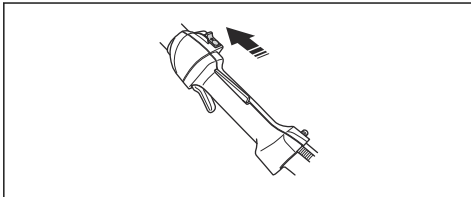
5. Start the product and apply full throttle. Refer to *To start the product on page 17*.

6. Release the throttle control and make sure that the cutting attachment stops. If the cutting attachment rotates with the throttle in the idle position, do a check of the carburetor adjustments. Refer to *To adjust the idle speed on page 19*.



To do a check of the stop switch

1. Start the engine.
2. Move the stop switch to the stop position and make sure that the engine stops.

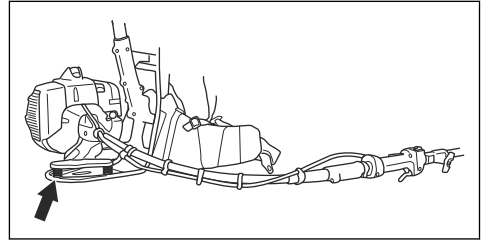


To do a check of the vibration damping system

The vibration damping system of the product decreases the vibration between the engine unit and the shaft unit

of the product. This keeps the vibration in the handles to a minimum which makes the operation easier.

1. Stop the engine.
2. Do a visual check for deformation and damage, for example cracks.



3. Make sure that the elements of the vibration damping systems is attached correctly.

To do a check of the muffler



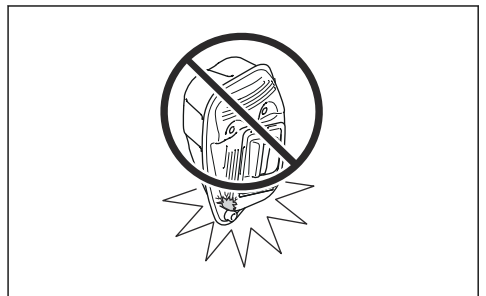
WARNING: Bear in mind that the exhaust fumes from the engine are hot and may contain sparks which can start a fire. Never start the product indoors or near combustible material!



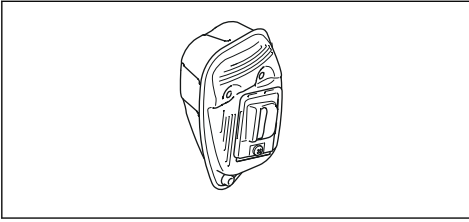
WARNING: Never use the machine indoors or in spaces lacking proper ventilation. Exhaust fumes contain carbon monoxide, an odourless, poisonous and highly dangerous gas.



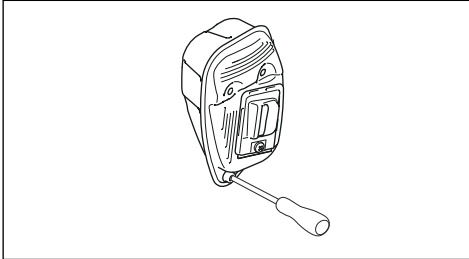
WARNING: Never use a product with a faulty muffler.



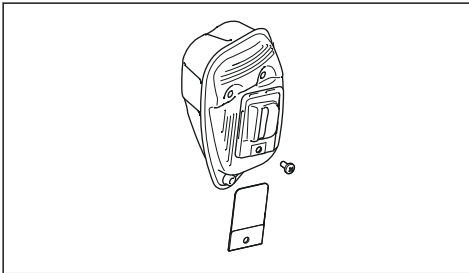
The muffler keeps noise levels to a minimum and sends exhaust fumes away from the operator. For mufflers it is very important that you follow the instructions on how to check, maintain and service your product.



- Do a visual check for damage and deformation.
- Make sure that the muffler is correctly attached to the product.



- If the muffler on your product has a spark arrester screen, do a visual check. Replace the spark arrester screen if it is damaged.
 - a) Clean the spark arrester screen if it is blocked. A blocked mesh will make the engine overheated which can cause serious damage.
 - b) Make sure that the spark arrester mesh is attached correct.



Fuel safety



WARNING: Read the warning instructions that follow before you use the product.

- Do not mix the fuel indoor or near a heat source.
- Do not start the product if there is fuel or engine oil on the product. Remove the unwanted fuel/oil and let the product dry. Remove unwanted fuel from the product.
- If you spill fuel on your clothing, change clothing immediately.

- Do not get fuel on your body, it can cause injury. If you get fuel on your body, use a soap and water to remove the fuel.
- Do not start the engine if you spill oil or fuel on the product or on your body.
- Do not start the product if the engine has a leak. Examine the engine for leaks regularly.
- Be careful with fuel. Fuel is flammable and the fumes are explosive and can cause injuries or death.
- Do not breathe in the fuel fumes, it can cause injury. Make sure that there is sufficient airflow.
- Do not smoke near the fuel or the engine.
- Do not put warm objects near the fuel or the engine.
- Do not add the fuel when the engine is on.
- Make sure that the engine is cool before you refuel.
- Before you refuel, open the fuel tank cap slowly and release the pressure carefully.
- Make sure there are sufficient airflow when refueling and mixing fuel (petrol and two-stroke oil) or draining the fuel tank.
- Fuel and fuel vapor are highly flammable and can cause serious injury when inhaled or allowed to come into contact with the skin. For this reason, observe caution when handling fuel and make sure there is sufficient airflow.
- Tighten the fuel tank cap carefully or a fire can occur.
- Move the product at a minimum of 3 m (10 ft) from the position where you filled the tank before a start.
- Do not put too much fuel in the fuel tank.
- Make sure that a leak cannot occur when you move the product or fuel container.
- Do not put the product or a fuel container where there is an open flame, spark or pilot light. Make sure that the storage area does not contain an open flame.
- Only use approved containers when you move the fuel or put the fuel into storage.
- Empty the fuel tank before long-term storage. Obey the local law on where to dispose fuel.
- Clean the product before long-term storage.
- Remove the spark plug cap before you put the product into storage to make sure that the engine does not start accidentally.

Safety instructions for maintenance



WARNING: Read the warning instructions that follow before you do maintenance on the product.

- Do only the maintenance and servicing given in this operator's manual. Let professional servicing personnel do all other servicing and repairs.
- Regularly do the safety checks, maintenance and service instructions given in this manual. Regular maintenance increases the life of the product

and decreases the risk of accidents. Refer to *Maintenance 535RBX on page 18* for instructions.

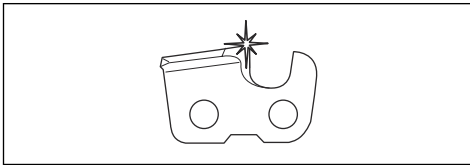
- If the safety checks in this operator's manual is not approved after you do maintenance, speak to your servicing dealer. We guarantee that there are professional repairs and servicing available for your product.

Safety instructions for the cutting equipment

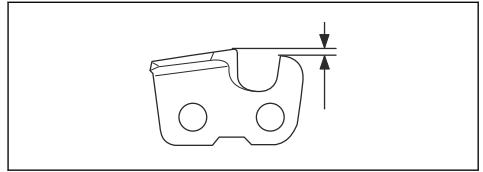


WARNING: Read the warning instructions that follow before you use the product.

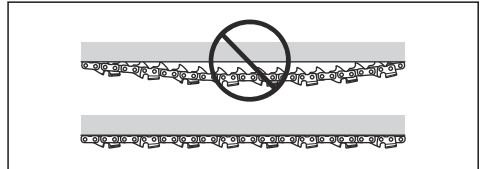
- Only use the guide bar/saw chain combinations and filing equipment that we recommend. Refer to *Filing equipment and filing angles on page 31* for instructions.
- Use protective gloves when you use or do maintenance on the saw chain. A saw chain that does not move can also cause injuries.
- Keep the cutting teeth correctly sharpened. Obey the instructions and use the recommended file gauge. A saw chain that is damaged or incorrectly sharpened increases the risk of accidents.



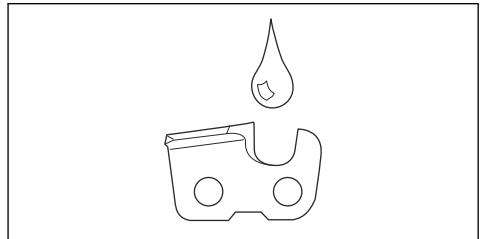
- Keep the correct depth gauge setting. Obey the instructions and use the recommended depth gauge setting.



- Make sure that the saw chain has the correct tension. If the saw chain is not tight against the guide bar, the saw chain can derail. An incorrect saw chain tension increases wear on the guide bar, saw chain and chain drive sprocket. Refer to *To tension the chain on page 26*.



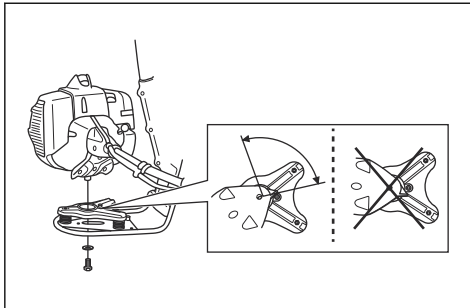
- Do maintenance on the cutting equipment regularly and keep it correctly lubricated. If the saw chain is not correctly lubricated, the risk of wear on the guide bar, saw chain and chain drive sprocket increases.



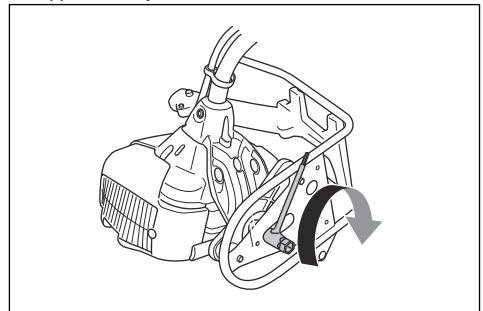
Assembly 535FBX

To assemble the engine to the frame

1. Assemble the engine and the frame with the bolt. Make sure that the heel is put on the correct side of the stop. Refer to the illustration.

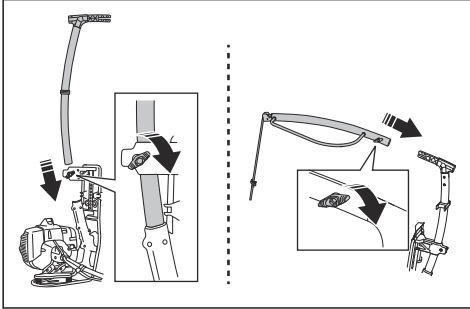


2. Tighten the nut with the combination wrench to approximately 15 Nm.



To assemble the load reducer

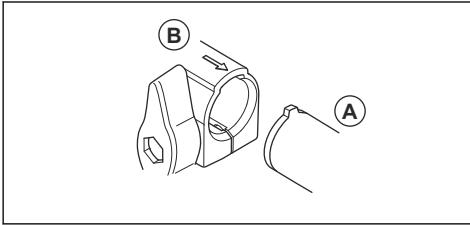
1. Attach the bottom part of the load reducer to the frame.
2. Adjust the bottom part of the load reducer to a correct work height. Tighten the knob.



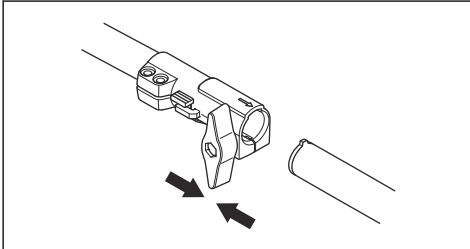
3. Install the top part of the load reducer. Tighten the knob.

To assemble the two-piece shaft

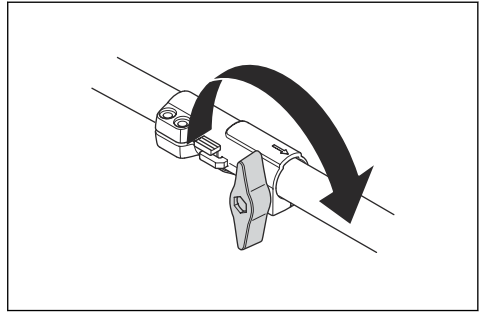
1. Turn the knob to loosen the coupling.
2. Align the tab of the cutting attachment (A) with the arrow of the coupling (B).



3. Carefully push the shaft into the coupling until you hear a click.

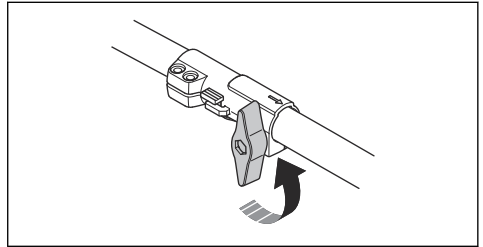


4. Tighten the knob fully.

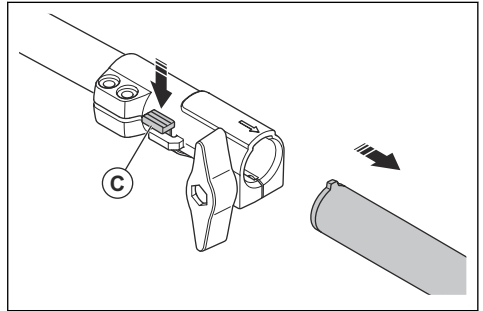


To disassemble the two-piece shaft

1. Turn the knob 3 turns or more to loosen the coupling.

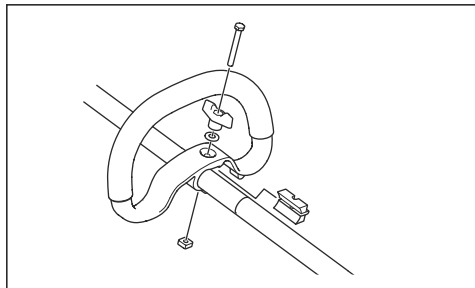


2. Push and hold the button (C).
3. Hold tight to the end of the shaft that the engine is attached to.
4. Pull the attachment straight out of the coupling.



To assemble the loop handle

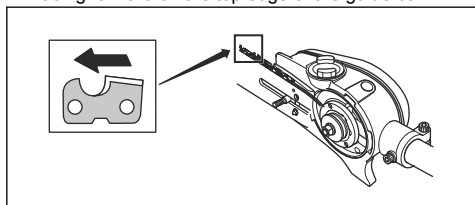
1. Put the loop handle onto the shaft, between the arrows.



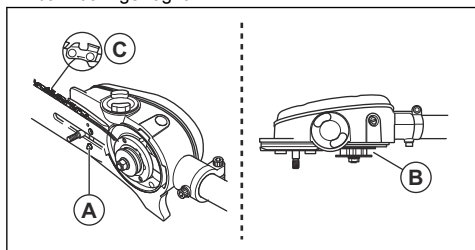
2. Put the spacer into the slot of the loop handle.
3. Install the nut, the knob and the screw. Do not tighten fully.
4. Adjust the product to an applicable operation position.
5. Tighten the knob.

To assemble the bar and chain

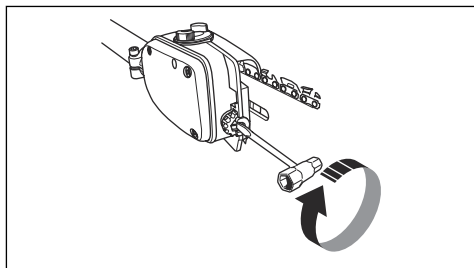
1. Unscrew the bar nut and remove the protective cover.
2. Fit the bar over the bar bolt. Place the bar in its rearmost position. Place the chain over the drive sprocket and in the groove on the bar. Begin on the top side of the bar.
3. Make sure that the edges of the cutting links are facing forward on the top edge of the guide bar.



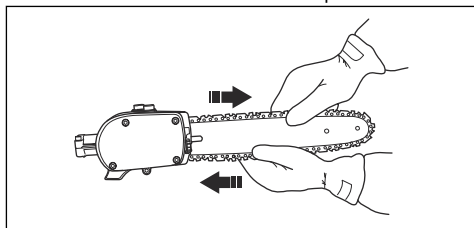
4. Fit the cover and locate the chain adjuster pin (A) in the hole in the bar. Check that the drive links of the chain fit correctly on the drive sprocket (B) and that the chain is in the groove in the bar (C). Tighten the bar nut finger-tight.



5. Tension the chain by turning the chain tensioning screw clockwise using the combination spanner. The chain should be tensioned until it does not sag from the underside of the bar.



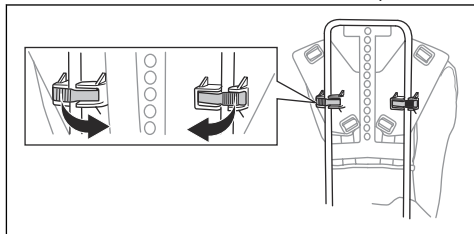
6. The chain is correctly tensioned when it does not sag from the underside of the bar, but can still be turned easily by hand. Hold up the bar tip and tighten the bar nuts with the combination spanner.



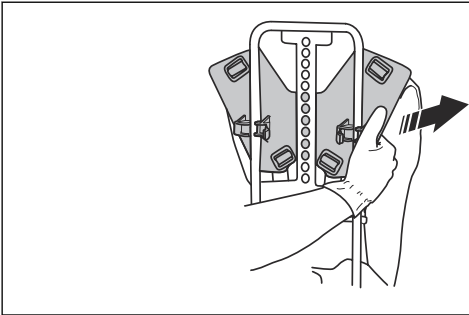
7. When fitting a new chain, the chain tension has to be checked frequently until the chain is run-in. Check the chain tension regularly. A correctly tensioned chain ensures good cutting performance and long life.

To adjust the backplate height

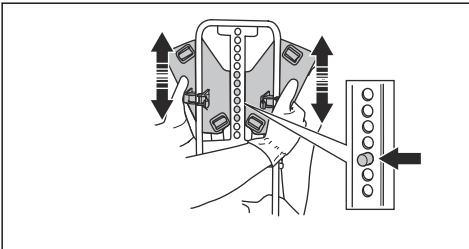
1. Loosen the 2 fasteners that hold the backplate.



- Loosen the backplate from the frame on 1 side.

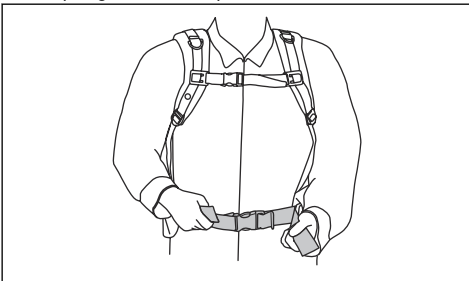


- Adjust the backplate to the correct height. Make sure that the pin aligns with 1 of the holes on the frame.

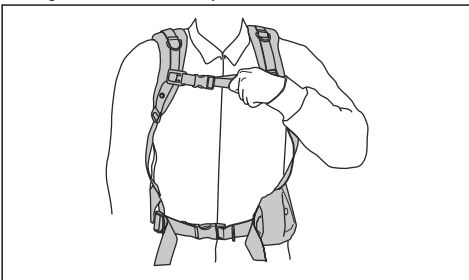


To adjust the harness

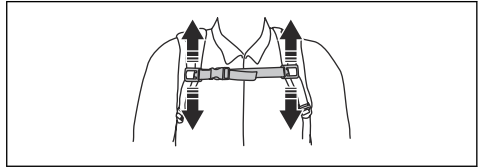
- Put on the harness of the product.
- Tighten the hip strap tightly. Make sure that the hip strap aligns with the hip.



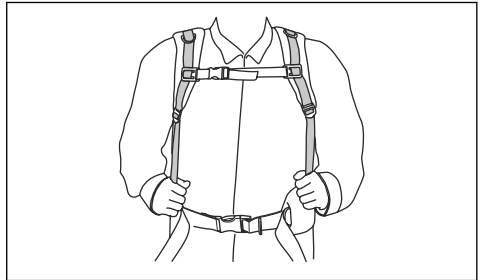
- Tighten the chest strap.



- Adjust the chest strap vertically. Make sure that the chest strap is tight against your body.

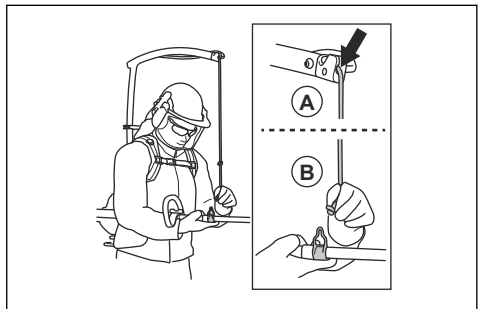


- Adjust the shoulder strap until the weight is equal on your shoulders.

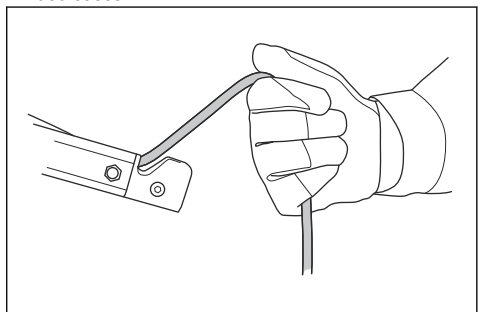


To set the work height

- Pull out the cord to the necessary work length and make a knot.

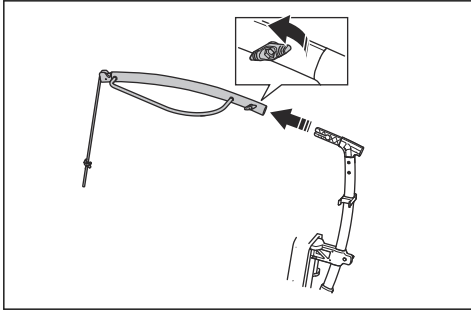


- Install the knot to the suspension ring on the shaft.
- To make the cord shorter, pull the cord up by the top part of the load reducer. The load reducer automatically winds the cord when the tension decreases.

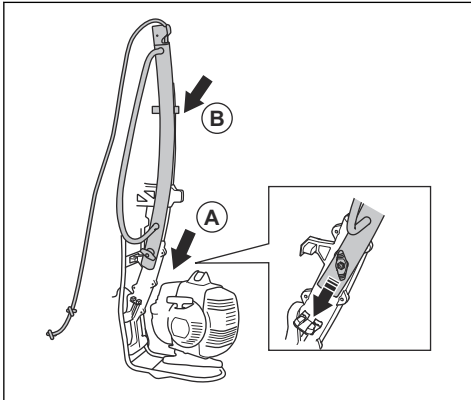


To set the product in transport position

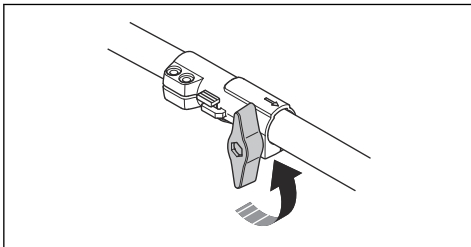
1. Loosen the knob and remove the top part of the load reducer.



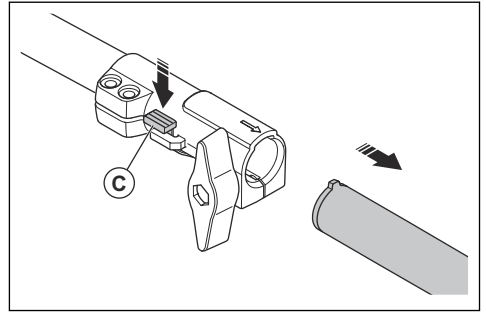
2. Attach the top part (B) of the load reducer to the bottom part (A) of the load reducer.



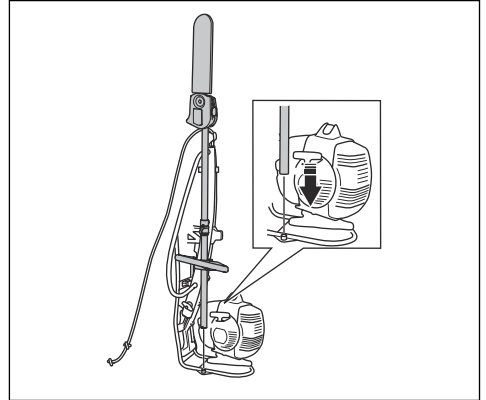
3. Turn the knob 3 turns or more to loosen the coupling on the shaft.



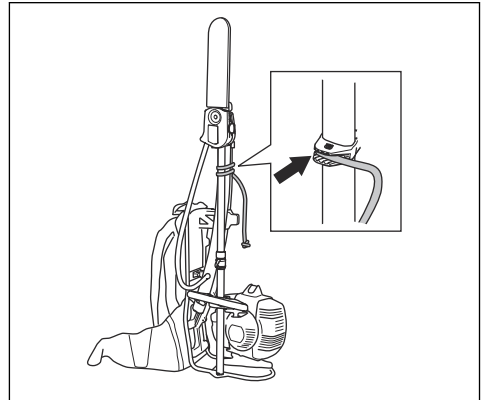
4. Push and hold the button (C).



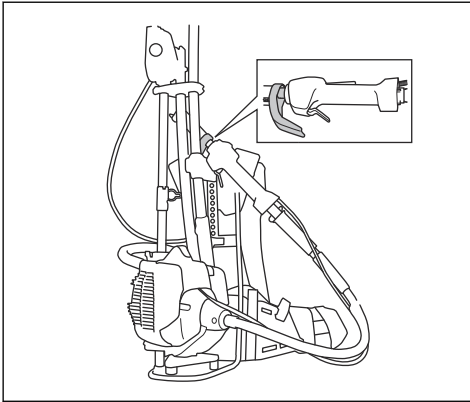
5. Hold tight in the end of the shaft that the engine is attached to.
6. Pull the attachment straight out of the coupling.
7. Install the shaft to the knob on the frame.



8. Wind the cord around the load reducer and the shaft. Attach the cord to the shaft.



9. Hang the throttle hand guard on the frame.



Operation 535FBX

Introduction



WARNING: Before you operate the product, you must read and understand the safety chapter.

To check before starting

1. Inspect the working area. Remove any objects that could be thrown out.
2. Check the saw chain. Never use blunt, cracked or damaged equipment.
3. Check that the product is in perfect working order.
4. Check that all nuts and screws are tight.
5. Make sure the chain is adequately lubricated, refer to *To check the chain lubrication on page 27*.
6. Check that the saw chain always stops when the engine is idling.
7. Only use the product for the purpose it was intended for.
8. Make sure the handle and safety features are in order. Never use a machine that has any parts missing or has been modified in relation to the specification.

Fuel

This product has a two-stroke engine.



CAUTION: Incorrect type of fuel can result in engine damage. Use a mixture of gasoline and two-stroke oil.

Premixed fuel

- Use Husqvarna premixed alkylate fuel for best performance and extension of the engine life. This fuel contains less harmful chemicals compared to regular fuel, which decreases harmful exhaust fumes. The quantity of remains after combustion is lower with this fuel, which keeps the components of the engine more clean.

To mix fuel

Gasoline



CAUTION: Do not use gasoline with an octane number less than 90 RON (87 AKI). This can cause damage to the product.



CAUTION: Do not use gasoline with more than 10% ethanol concentration (E10). This can cause damage to the product.



CAUTION: Do not use leaded gasoline. This can cause damage to the product.

- Always use new unleaded gasoline with a minimum octane number of 90 RON (87 AKI) and with less than 10% ethanol concentration (E10).
- Use gasoline with a higher octane number if you frequently use the product at continuously high engine speed.
- Always use a good quality unleaded gasoline/oil mixture.

Two-stroke oil

- For best results and performance use Husqvarna two-stroke oil.
- If Husqvarna two-stroke oil is not available, use a two-stroke oil of good quality for air-cooled engines. Speak to your servicing dealer to select the correct oil.



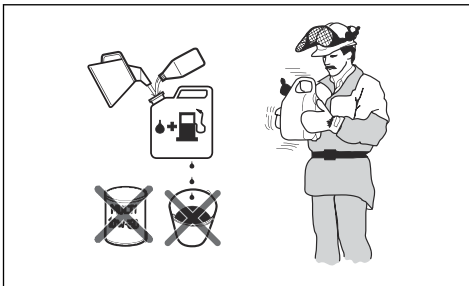
CAUTION: Do not use two-stroke oil for water-cooled outboard engines, also referred to as outboard oil. Do not use oil for four-stroke engines.

To mix gasoline and two-stroke oil

Gasoline, liter	Two-stroke oil, liter
	2% (50:1)
5	0.10
10	0.20
15	0.30
20	0.40



CAUTION: Small errors can influence the ratio of the mixture drastically when you mix small quantities of fuel. Measure the quantity of oil carefully and make sure that you get the correct mixture.



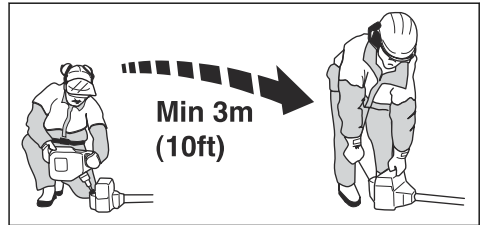
1. Fill half the quantity of gasoline in a clean container for fuel.
2. Add the full quantity of oil.
3. Shake the fuel mixture.
4. Add the remaining quantity of gasoline to the container.
5. Carefully shake the fuel mixture.



CAUTION: Do not mix fuel for more than 1 month at a time.

To fill the fuel tank

1. Clean the area around the fuel tank cap.
2. Shake the container and make sure that the fuel is fully mixed. Use a fuel container with an anti-spill valve.
3. Fill the fuel tank.
4. Tighten the fuel tank cap carefully.
5. Move the product 3 m (10 ft) or more away from the refueling area and fuel source before starting.



CAUTION: Contamination in the tanks causes malfunction. Clean the fuel tank and chain oil tank regularly and replace the fuel filter one time a year or more.

To use the correct chain oil



WARNING: Do not use waste oil, which can cause injury to you and the environment. Waste oil also causes damage to the oil pump, the guide bar and the saw chain.



WARNING: The saw chain can break if the lubrication of the cutting equipment is not sufficient. Risk of serious injury or death to the operator.



WARNING: This product has a function that lets the fuel run out before the chain oil. Use the correct chain oil for this safety function to operate correctly. Speak to your servicing dealer when you select your chain oil.

Note: This product has an automatic chain lubrication system. You can also adjust the oil flow. Refer to *To check the chain lubrication on page 27*.

- Use Husqvarna chain oil for maximum saw chain life and to minimise environmental damage. If Husqvarna chain oil is not available, we recommend you to use a standard chain oil.
- Use a chain oil with good adherence to the saw chain.

- Use a chain oil with correct viscosity range that agrees with the air temperature.

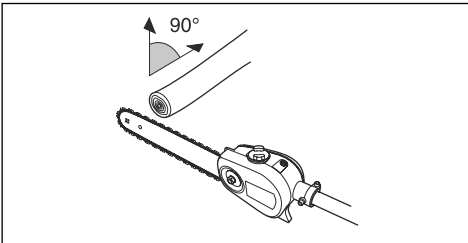


CAUTION: If the oil is too thin, it runs out before the fuel. In temperatures below 0°C/32°F some chain oils become too thick, which can cause damage to the oil pump components.

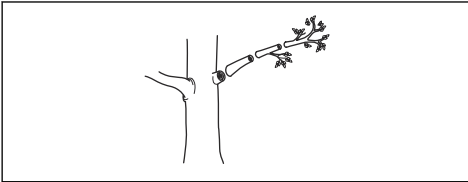
- Use the recommended cutting equipment. Refer to *Recommended cutting equipment on page 31.*

To use the product

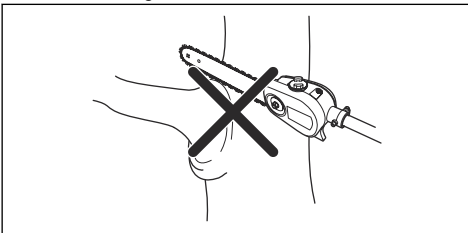
- Hold the product as close to your body as possible to get the best balance.
- Make sure that the tip does not touch the ground.
- Do not rush the work, but work steadily until all the branches have been cut back cleanly.
- Always slow the engine to idle speed after each working operation. Long periods at full throttle without any load on the engine can lead to serious engine damage.
- Always work at full throttle.
- Whenever possible position yourself so that you can make the cut at right angles to the branch.



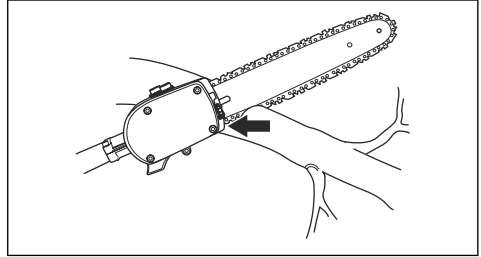
- Cut large branches in sections so that you have better control over where they fall.



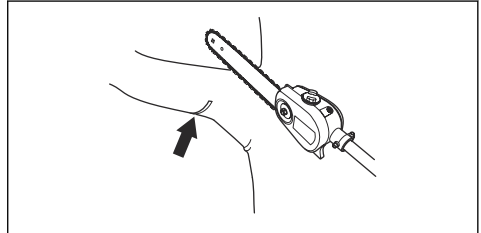
- Never cut through the swelling at the root of the branch as this will slow down healing and increase the risk of fungal attack.



- Use the stop at the base of the cutting head to provide support during cutting. This will help prevent the cutting attachment from bouncing on the branch.

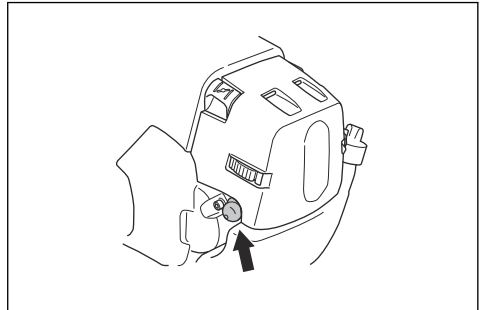


- Make an initial cut on the underside of the branch before cutting through the branch. This will prevent tearing of the bark, which could lead to slow healing and cause permanent damage to the tree. The cut should not be deeper than 1/4 of the branch thickness to prevent jamming. Keep the chain running while you withdraw the cutting attachment from the branch to prevent it jamming.



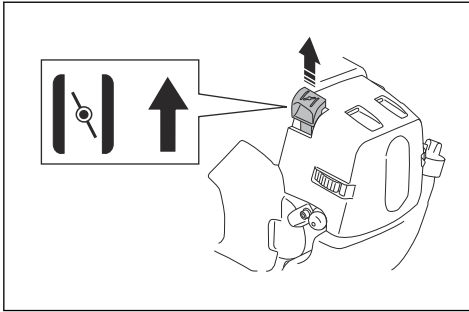
To prepare the product for start

1. Push the air purge bulb again and again until the fuel starts to fill the air purge bulb.



Note: It is not necessary to fully fill the air purge bulb.

2. Move the choke control up into choke position.



WARNING: Be careful, risk of cut injuries. The saw chain starts to rotate immediately when you start the engine with the choke.

To start the product



WARNING: Read the warning instructions in the safety chapter before you start the product (refer to *Safety 535FBX on page 4*).

1. Use protective gloves.
2. Hold the body of the product on the ground with your left hand.



CAUTION: Do not use your feet!

3. Hold the starter rope handle with your right hand.
4. Slowly pull out the starter rope with your right hand until you feel some resistance (the starter pawls grip).



WARNING: Do not twist the starter rope around your hand.

5. Pull the cord quickly and with power.



CAUTION: Do not pull the starter rope all the way out and do not let go off the starter rope handle when the starter rope is fully extended. This can cause damage to the product.

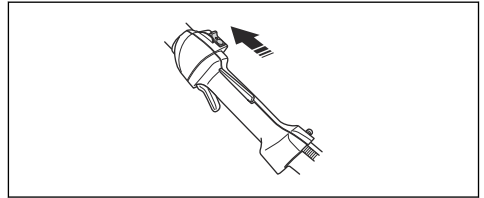
6. Pull the starter rope until the engine starts or for a maximum of 5 times.
7. Reset the choke when the engine starts or after you pull the starter rope 5 times.

8. If it is necessary, pull the starter rope again and again until the engine starts.
9. Let the engine run for 10 seconds.
10. Operate the throttle gradually.
11. Make sure the engine runs smoothly.

Note: If the engine stops, do the procedure again.

To stop the product

1. Move the stop switch into the stop position to stop the engine.



CAUTION: The stop switch automatically goes back to its initial position. In order to prevent accidental starting, the spark plug cap must be removed from the spark plug when assembling, checking and/or maintenance is done.

Forestry clearing

General work instructions



WARNING: Be careful when you cut a tree that is in tension. The tree can move quickly before or after you cut it. Keep a correct position and operating procedure to prevent serious injury.

- Clear an open space at one end of the work area, and start the work from there.
- Move in a regular pattern across the work area.
- Move the product fully to the left and right, to clear a width of 4–5 m on each turn.
- Clear a length of 75 m before you turn and go back. Move the fuel can along with you as you continue.
- Move in a direction where you do not go across ditches and obstacles more than necessary.
- Move in a direction where the wind makes the cut vegetation fall in the cleared area.
- Move along slopes, not up and down.

Maintenance 535RBX

Introduction

Below you will find some general maintenance instructions. If you need further information please contact your service workshop.

Note: The user must only carry out the maintenance and service work described in this operator's manual. More extensive work must be carried out by an authorized service workshop.

Maintenance schedule

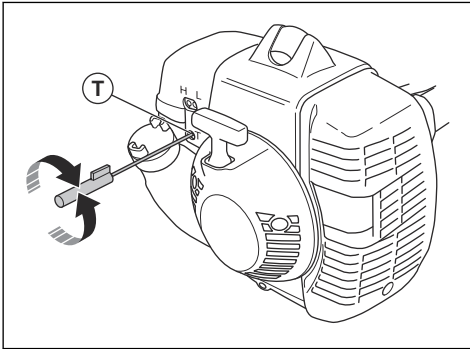
The following is a list of the maintenance steps that must be performed on the product. Most of the items are described later in this chapter.

Maintenance	Daily	Weekly	Monthly
Clean the external surface.	X		
Make sure that the throttle trigger lock and the throttle works correctly.	X		
Do a check of the stop switch to make sure that it works correctly.	X		
Make sure that the saw chain does not rotate at idle speed.	X		
Clean the air filter. Replace if necessary.	X		
Check the saw chain with regard to visible cracks in the rivets and links, whether the saw chain is stiff or whether the rivets and links are abnormally worn.	X		
Clean the area under the protective cover.	X		
Make sure that the screws and nuts are tight.	X		
Examine the engine, the fuel tank and the fuel lines for leaks.	X		
Clean the cooling system.		X	
Examine the starter and the starter rope for damages.		X	
Examine the vibration damping elements for damages and cracks.		X	
Clean the outside of the spark plug. Remove it and do a check of the electrode gap. Adjust the gap to the correct distance (refer to <i>Technical data 535FBX on page 29</i>) or replace the spark plug. Make sure that the spark plug is fitted with a suppressor.		X	
Clean the outside of the carburetor and the space around it.		X	
File off any burrs from the edges of the bar.		X	
Clean or replace the spark arrester screen on the muffler.		X	
Clean the fuel tank.			X
Do a check of the fuel filter for contamination and the fuel hose for cracks or other defects. Replace if necessary.			X
Do a check of all cables and connections.			X
Do a check of the clutch, clutch springs and the clutch drum for wear. Replace if necessary by an authorized service workshop.			X
Examine the spark plug. Replace the spark plug if it is necessary.			X
Make sure that the muffler is correctly attached, has no damages and that no parts of the muffler are missing.			X

To adjust the idle speed

1. Make sure that the air filter is clean and the air filter cover is attached before you adjust the idle speed.
2. Start the product. Refer to *Air filter on page 22*

- Adjust the idle speed with the idle adjustment screw T which is identified with "T" mark. Turn the idle adjustment screw clockwise until the saw chain starts to turn.



- Turn the idle adjustment screw counterclockwise until the saw chain stops.

The idle speed is correct when the engine operates smoothly in all positions. The idle speed must be below the speed when the saw chain starts to turn.



WARNING: If the saw chain does not stop when you adjust the idle speed, turn to your nearest servicing dealer. Do not use the product until it is correctly adjusted or repaired.

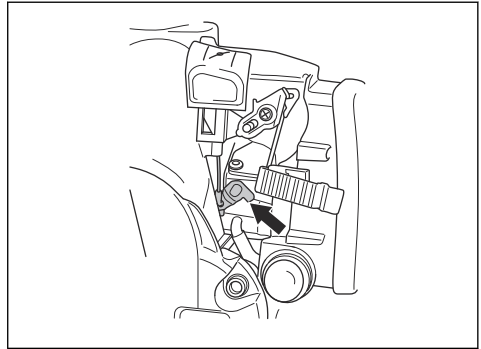
Note: Refer to *Technical data 535FBX on page 29* for the recommended idle speed.

To adjust the throttle wire

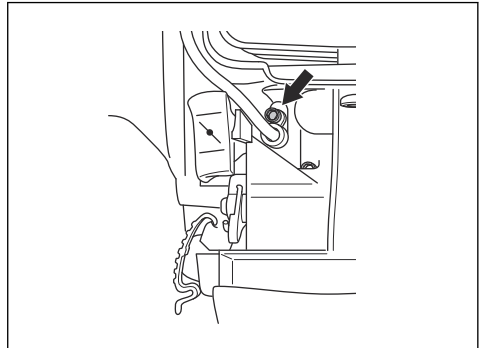
Note: The throttle wire must be adjusted after 100 hours of operation or if the engine does not operate correctly.

- Make sure that the idle speed is correctly adjusted, refer to *To adjust the idle speed on page 19*.
- Stop the engine.
- Remove the cylinder cover.
- Push and hold the throttle trigger fully.

- Push the throttle cam with your finger.



- If the throttle cam moves, adjust the throttle wire.
 - Turn the adjustment screw clockwise.



- Push the throttle cam with your finger. If the throttle cam does not move, the throttle wire is correctly adjusted.

- Install the cylinder cover and do a check of the idle speed.

To do a check of the muffler



WARNING: Do not use a product that has a damaged muffler or a muffler that is in bad condition.



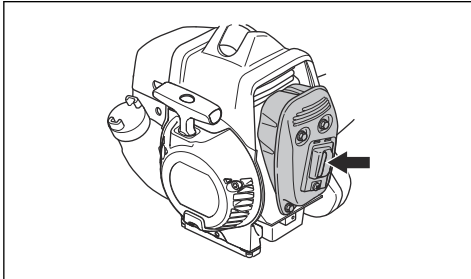
WARNING: Do not use the product if the spark arrester screen on the muffler is missing or damaged.



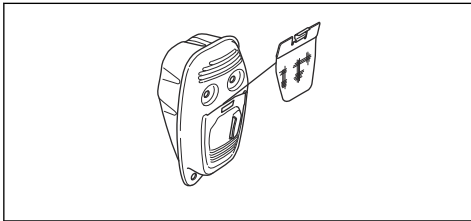
WARNING: A used muffler/spark arrester and spark arrester mounting face may contain deposits of combustion particles on the surfaces that may be carcinogenic. To avoid skin contact and inhalation of such particles when cleaning and/or servicing the spark arrester, make sure you always:

- wear gloves;
- clean and/or service in a well ventilated area;
- do not use pressurized air to clean the spark arrester screen;
- use a steel brush and brush away from your body when cleaning the spark arrester.

1. Examine the muffler for damages.
2. Make sure that the muffler is correctly attached to the product.



3. If your product has a special spark arrester screen, clean the spark arrester screen weekly.
4. Replace a damaged spark arrester screen.



Note: Do not remove the muffler from the product.



CAUTION: If the spark arrester screen is blocked, the product becomes too hot and this causes damage to the cylinder and piston.

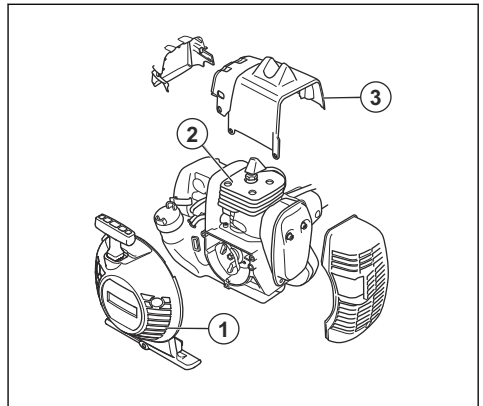
Cooling system

The product has a cooling system to keep the operation temperature as low as possible.

Clean the components of the cooling system with a brush weekly or more frequently in rougher conditions. A dirty or blocked cooling system makes the product too hot which causes damage to the piston and cylinder.

The cooling system has the following components:

1. Air intake on the starter.
2. Cooling fins on the cylinder.
3. Cylinder cover.

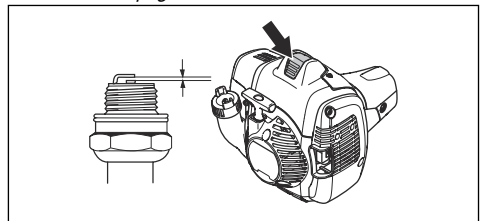


To examine the spark plug



CAUTION: Always use the recommended spark plug type, refer to *Technical data 535FBX on page 29*. Incorrect spark plug type can cause damage to the product.

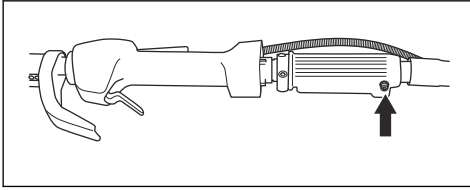
- Examine the spark plug if the engine is low on power, is not easy to start or does not operate correctly at idle speed.
- To decrease the risk of unwanted material on the spark plug electrodes, obey these instructions:
 - a) Make sure that the idle speed is correctly adjusted.
 - b) Make sure that the fuel mixture is correct.
 - c) Make sure that the air filter is clean.
- If the spark plug is dirty, clean it and make sure that the electrode gap is correct, refer to *Technical data 535FBX on page 29*.



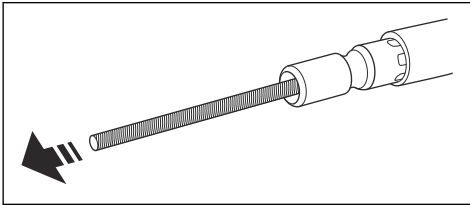
- Replace the spark plug if it is necessary.

To lubricate the drive shaft

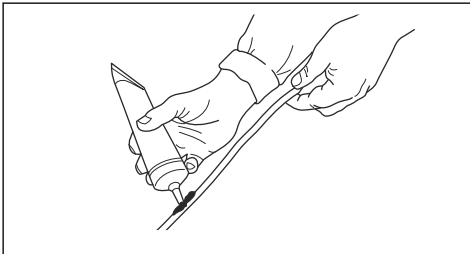
1. Pull up the knob and remove the drive shaft sleeve from the clutch cover.



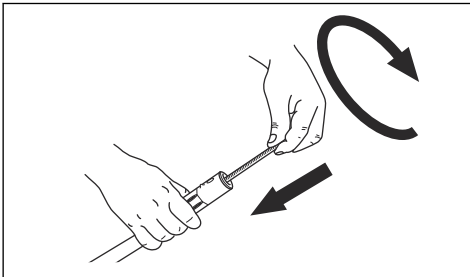
- a) Shake or pull the drive shaft out of the drive shaft sleeve.



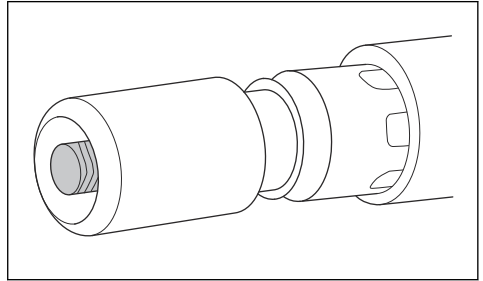
2. Lubricate the drive shaft.



3. Push and turn the drive shaft at the same time to put it back in the drive shaft sleeve. Keep approximately 10 mm / 0.40 in. of the drive shaft outside the edge of the drive shaft sleeve.



4. Align the hole in the drive shaft sleeve with the knob on the clutch cover.



5. Push and turn the drive shaft at the same time to connect it.

Air filter

Remove dust and dirt from the air filter to keep it clean and prevent these problems:

- Carburetor malfunctions.
- Problems when you start the product.
- Loss of engine power.
- Increased wear to engine parts.
- Too much fuel consumption.

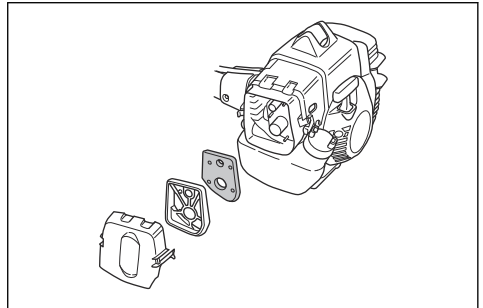
To clean the air filter



CAUTION: An air filter that is damaged, very dirty or soaked with fuel must always be replaced.

If you use an air filter for a long time, it cannot be fully cleaned. Replace the air filter with a new one at regular intervals.

1. Move the choke lever up, to close the choke valve.
2. Remove the air filter cover and remove the air filter.

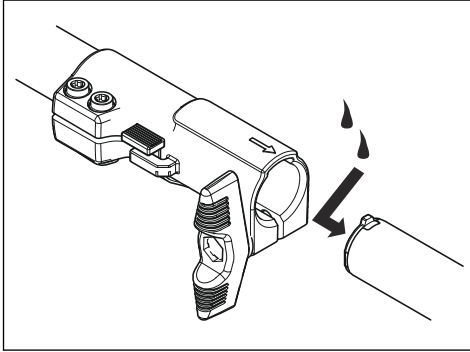


3. Clean the air filter with warm soap water.
4. Replace the air filter if it is too dirty to fully clean it. Always replace a damaged air filter.
5. Also clean the inner surface of the filter cover. Use air or a brush.

- Do a check of the rubber sealing surface. Replace the filter on the rubber seal if it is damaged.
- Make sure that the filter is dry before you assemble it.

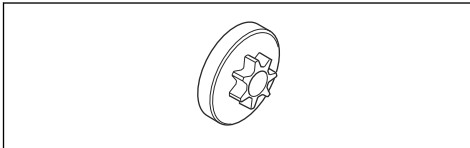
Two piece-shaft

Apply grease to the end of the drive shaft after each 30 hours of operation. There is a risk that the drive shaft ends (splined coupling) on models with two-piece shafts will seize if they are not lubricated regularly.



To do a check of the spur sprocket

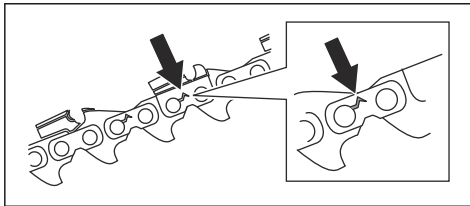
The clutch drum has a spur sprocket that is welded on the clutch drum.



- Regularly do a visual check of the degree of wear on the spur sprocket. Replace the clutch drum with the spur sprocket if there is too much wear.

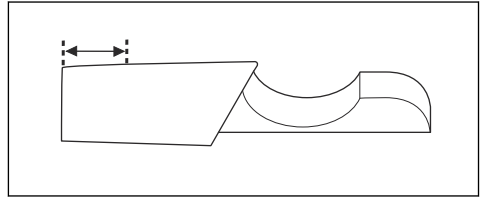
To examine the cutting equipment

- Make sure that there are no cracks in rivets and links and that no rivets are loose. Replace if it is necessary.



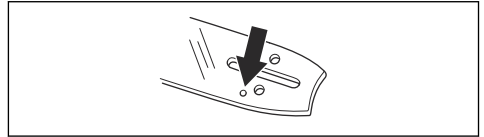
- Make sure that the saw chain is easy to bend. Replace the saw chain if it is rigid.
- Compare the saw chain with a new saw chain to examine if the rivets and links are worn.

- Replace the saw chain when the longest part of the cutting tooth is less than 4 mm/0.16 in. Also replace the saw chain if there are cracks on the cutters.

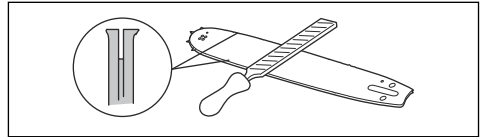


To do a check of the guide bar

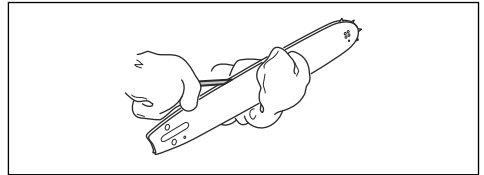
- Make sure that the oil channel is not blocked. Clean if it is necessary.



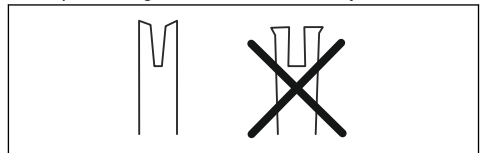
- Examine if there are burrs on the edges of the guide bar. Remove the burrs using a file.



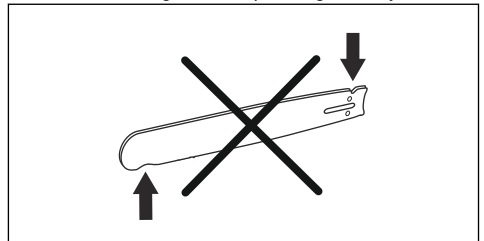
- Clean the groove in the guide bar.



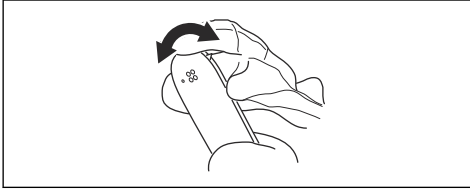
- Examine the groove in the guide bar for wear. Replace the guide bar if it is necessary.



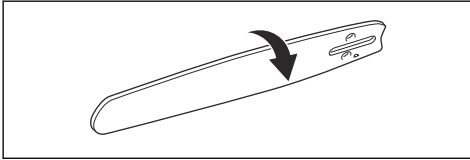
- Examine if the guide bar tip is rough or very worn.



6. Make sure that the bar tip sprocket turns freely and that the lubricating hole in the bar tip sprocket is not blocked. Clean and lubricate if it is necessary.



7. Turn the guide bar daily to extend its life cycle.



To sharpen the saw chain

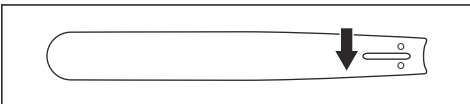
Information about the guide bar and saw chain



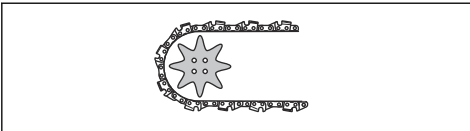
WARNING: Use protective gloves when you use or do maintenance on the saw chain. A saw chain that does not move can also cause injuries.

Replace a worn or damaged guide bar or saw chain with the guide bar and saw chain combination recommended by Husqvarna. This is necessary to keep the safety functions of the product. Refer to *Accessories on page 40*, for a list of replacement bar and chain combinations that we recommend.

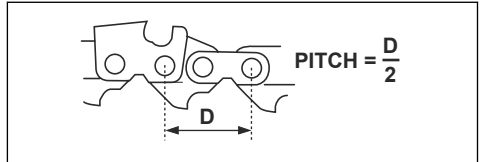
- Guide bar length, in/cm. Information about the guide bar length can usually be found on the rear end of the guide bar.



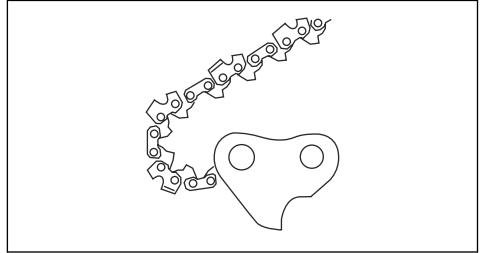
- Number of teeth on bar tip sprocket (T).



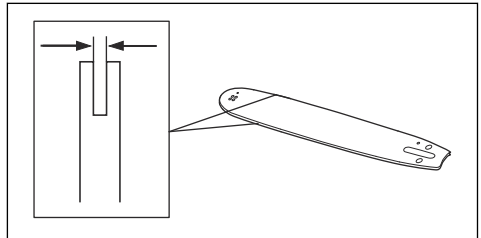
- Chain pitch, in. The distance between the drive links of the saw chain must align with the distance of the teeth on the bar tip sprocket and drive sprocket.



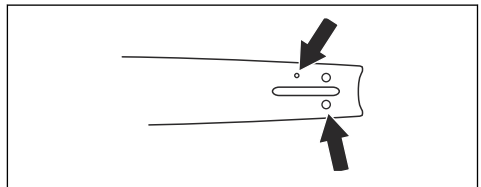
- Number of drive links. The number of drive links is decided by the type of guide bar.



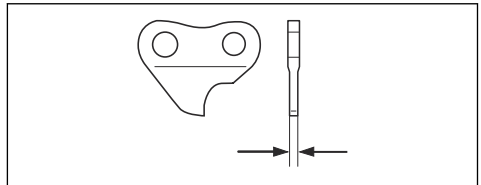
- Bar groove width, in/mm. The groove width in guide bar must be the same as the chain drive links width.



- Chain oil hole and hole for chain tensioner. The guide bar must align with product.



- Drive link width, mm/in.



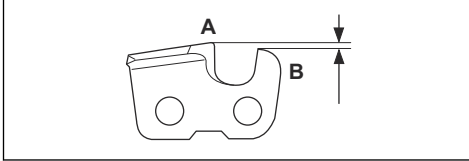
General information about how to sharpen the cutters

Do not use a blunt saw chain. If the saw chain is blunt, you must apply more pressure to push the guide bar

through the wood. If the saw chain is very blunt, there will be no wood chips but sawdust.

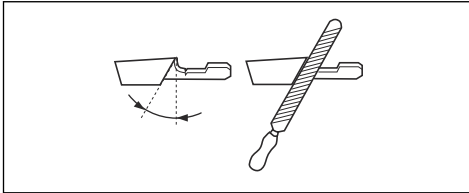
A sharp saw chain eats through the wood and the wood chips becomes long and thick.

The cutting tooth (A) and the depth gauge (B) together makes the cutting part of the saw chain, the cutter. The difference in height between the two gives the cutting depth (depth gauge setting).

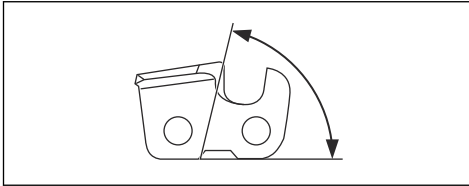


When you sharpen the cutter, think about the following:

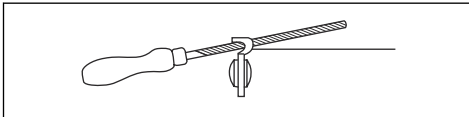
- Filing angle.



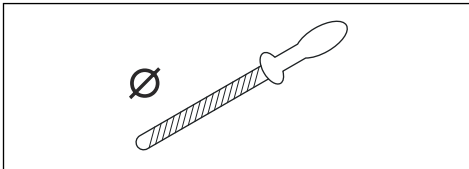
- Cutting angle.



- File position.



- Round file diameter.

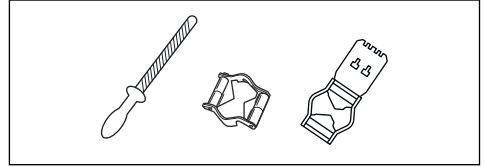


It is not easy to sharpen a saw chain correctly without the correct equipment. Use Husqvarna file gauge. This will help you to keep maximum cutting performance.

Note: Refer to *To sharpen the cutters on page 25* for information about sharpening of the saw chain.

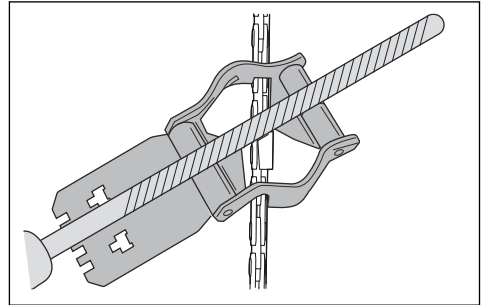
To sharpen the cutters

1. Use a round file and a file gauge to sharpen the cutting teeth.



Note: Refer to *Filing equipment and filing angles on page 31* for information about which file and gauge that Husqvarna recommends for your saw chain.

2. Apply the file gauge correctly on to the cutter. Refer to the instruction supplied with the file gauge.
3. Move the file from the inner side of the cutting teeth and out. Decrease the pressure on the pull stroke.



4. Remove material from one side of all the cutting teeth.
5. Turn the product around and remove material on the other side.
6. Make sure that all cutting teeth are the same length.

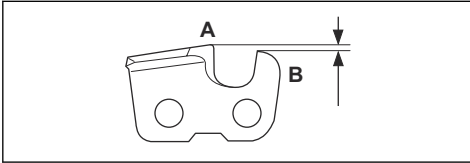
General information about how to sharpen the cutters

Do not use a blunt saw chain. If the saw chain is blunt, you must apply more pressure to push the guide bar through the wood. If the saw chain is very blunt, there will be no wood chips but sawdust.

A sharp saw chain eats through the wood and the wood chips becomes long and thick.

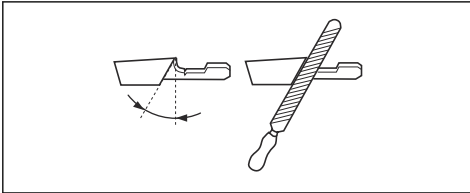
The cutting tooth (A) and the depth gauge (B) together makes the cutting part of the saw chain, the cutter. The

difference in height between the two gives the cutting depth (depth gauge setting).

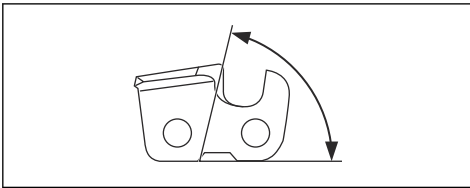


When you sharpen the cutter, think about the following:

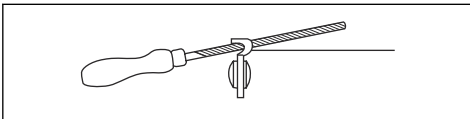
- Filing angle.



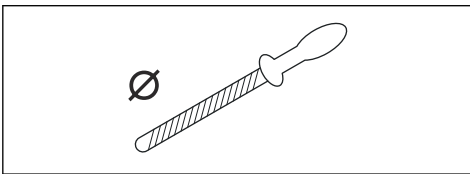
- Cutting angle.



- File position.



- Round file diameter.



It is not easy to sharpen a saw chain correctly without the correct equipment. Use a Husqvarna recommended file gauge. This will help you to keep maximum cutting performance and the kickback risk at a minimum.



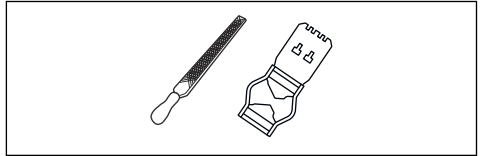
WARNING: The force of the kickback increases a lot if you do not follow the sharpening instructions.

Note: Refer to *To sharpen the saw chain on page 24* for information about sharpening of the saw chain.

To adjust the depth gauge setting

Before you adjust the depth gauge setting or sharpen the cutters, refer to *General information about how to sharpen the cutters on page 24*, for instructions. We recommend you to adjust the depth gauge setting after each third operation that you sharpen the cutting teeth.

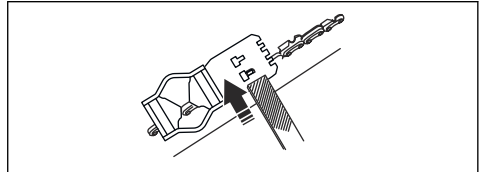
We recommend that you use our depth gauge tool to receive the correct depth gauge setting and bevel for the depth gauge.



1. Use a flat file and a depth gauge tool to adjust the depth gauge setting. Only use a Husqvarna recommended depth gauge tool to get the correct depth gauge setting and bevel for the depth gauge.
2. Put the depth gauge tool on the saw chain.

Note: See the package of the depth gauge tool for more information about how to use the tool.

3. Use the flat file to remove the part of the depth gauge that extends through the depth gauge tool.



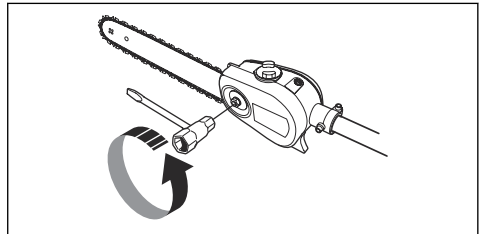
To tension the chain



WARNING: A saw chain with an incorrect tension can derail from the guide bar and cause serious injury or death.

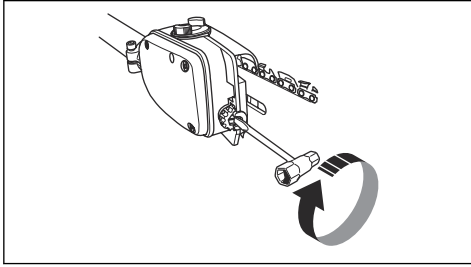
A saw chain becomes longer when you use it. Adjust the saw chain regularly.

1. Loosen the bar nut that hold the clutch cover/chain brake. Use a wrench.

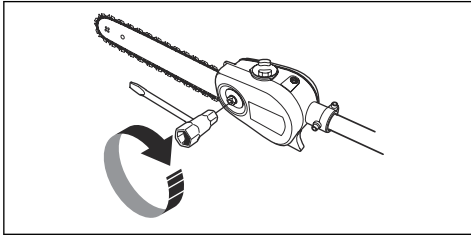


2. Tighten the bar nuts by hand as tightly as you can.

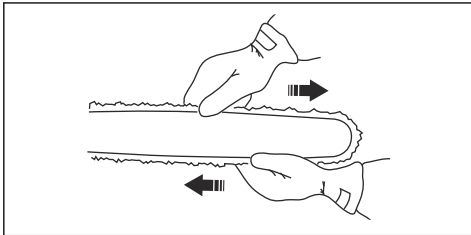
3. Lift the front of the guide bar and turn the chain tensioning screw. Use a wrench.



4. Tighten the saw chain until it is tight against the guide bar but still can move easily.
5. Tighten the bar nuts using the wrench and lift the front of the guide bar at the same time.

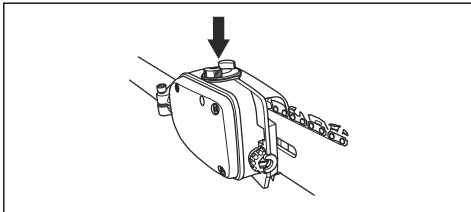


6. Make sure you can pull the saw chain around freely by hand and that it does not hang from the guide bar.



To fill with chain oil

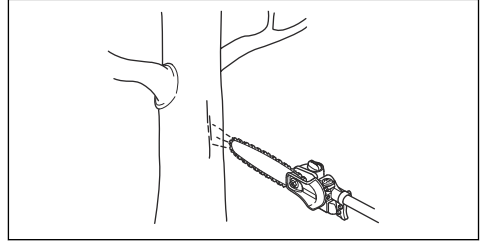
1. Open the oil cap on top of the bar head.



2. Fill with Husqvarna saw chain oil.
3. Attach the cap again.

To check the chain lubrication

1. Check the chain lubrication each time you refuel. Aim the tip of the bar at a light coloured surface about 20 cm (8 inches) away. After 1 minute running at 75 % throttle you should see a distinct line of oil on the light surface.



2. If the saw chain lubrication does not operate correctly, do a check of the guide bar. Refer to *To do a check of the guide bar on page 23* for instructions. Speak to your servicing dealer if the maintenance steps does not help.

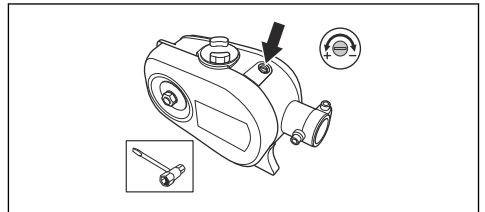
To adjust chain lubrication



WARNING: Stop the engine before you make adjustments to the oil pump.

Turn the adjustment screw for the oil pump. Use a screwdriver or combination wrench.

- Turn the adjuster screw clockwise to decrease the oil flow.



- Turn the adjuster screw counterclockwise to increase the oil flow.

Troubleshooting

The engine does not start

Check	Possible cause	Procedure
Stop switch.	The stop switch is in the stop position.	Let an approved service agent replace the stop switch.
Fuel tank.	Incorrect fuel type.	Drain the fuel tank and fill with correct fuel.
Spark plug and cylinder.	The spark plug is dirty or wet.	Make sure that the spark plug is dry and clean.
	The spark plug electrode gap is incorrect.	Clean the spark plug. Make sure that the electrode gap is correct, refer to <i>Technical data 535FBX on page 29</i> . Make sure that the spark plug has a suppressor.
	The spark plug is loose.	Tighten the spark plug.
	Engine is flooded because of repeated starts with full choke after ignition.	Remove and clean the spark plug. Put the product on its side with the spark plug hole away from you. Pull the starter rope handle 6-8 times. Assemble the spark plug and start the product. Refer to <i>To start the product on page 17</i> .

The engine starts but stops again

Check	Possible cause	Procedure
Fuel tank	Incorrect fuel type.	Empty the fuel tank and fill it with correct fuel.
Air filter	The air filter is clogged.	Clean the air filter.

Transportation and storage

Transportation and storage

- For storage and transportation of the product and fuel, make sure that there are no leaks or fumes. Sparks or open flames, for example from electrical devices or boilers, can start a fire.
- Always use approved containers for storage and transportation of fuel.
- Empty the fuel and chain oil tanks before transportation or before long-term storage. Discard the fuel and chain oil at an applicable disposal location.

- Use the transportation guard on the product to prevent injuries or damage to the product. A saw chain that does not move can also cause serious injuries.
- Remove the spark plug cap from the spark plug.
- Attach the product safely during transportation.

To prepare your product for long-term storage

1. Stop the product and let it become cool before you disassemble it.

- Disassemble and clean the saw chain and the groove in the guide bar.



CAUTION: If the saw chain and guide bar are not cleaned, they can become rigid or blocked.

- Attach the transportation guard.
- Clean the product. Refer to *Maintenance 535RBX on page 18* for instructions.
- Do a complete servicing of the product.

Disposal

- Obey the local recycling requirements and applicable regulations.
- Discard all chemicals, such as oil or fuel, at a service center or at an applicable disposal location.
- When the product is no longer in use, send it to a Husqvarna dealer or discard it at a recycling location.

Technical data 535FBX

Technical data

Engine	
Cylinder displacement, cm ³	34.6
Cylinder bore, mm	38.0
Stroke, mm	30.5
Recommended max. speed, rpm	11700
Idle speed, rpm	2900
Max. engine output, according to ISO 8893, kW/rpm	1.6/8400
Catalytic converter muffler	Yes
Speed-regulated ignition system	Yes
Ignition system	
Spark plug	Champion RCJ 6Y
Electrode gap, mm	0.5
Fuel and lubrication system	
Fuel tank capacity, litre/cm ³	0.6/600
Oil tank capacity, litre/cm ³	0.26/260
Weight	
Without fuel, cutting attachment, kg	12.4
Noise emissions ¹	
Sound power level, measured dB (A)	110
Sound power level, guaranteed dB (A)	111
Sound levels ²	
Equivalent sound pressure level at the operator's ear, measured according to ISO 22868, dB(A):	

¹ Reported data for the noise output level has a typical dispersion (standard deviation) of 2 dB (A).

² Reported data for equivalent sound pressure level for the product has a typical statistical dispersion (standard deviation) of 1 dB (A).

Equipped with approved accessory (original)	94
Vibration levels ³	
Equivalent vibration levels ($a_{hv,eq}$) at handles, measured according to ISO 22867, m/s ² :	
Equipped with approved accessory (original), front/rear	1.8/1.2

³ Reported data for equivalent vibration level has a typical statistical dispersion (standard deviation) of 1 m/s².

Accessories

Recommended cutting equipment




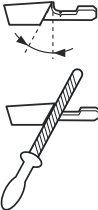
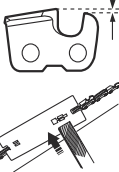
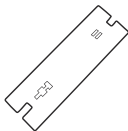

Recommended guide bar and saw chain combination.

Guide bar				Saw chain	
Length, in.	Pitch, in.	Gauge, mm	Max. nose radius	Type	Length, drive links, no.
13	0.325	1.3	10T	Husqvarna H30	56
				Husqvarna SP33G	

Filing equipment and filing angles

Husqvarna file gauge gives you the correct filing angles. We recommend you to always use a Husqvarna file gauge to restore the sharpness of the saw chain. The part numbers are given in the table below.

If you do not know which saw chain you have on your product, turn to your servicing dealer.

						
H30	3/16 in. / 4.8 mm	80°	30°	0.025 in. / 0.65 mm	505 69 81-00	505 69 81-08
SP33G	3/16 in. / 4.8 mm	80°	30°	0.025 in. / 0.65 mm	-	586 93 84-01

Attachments

The attachments are recommended for use in combination with the specified power heads and have been evaluated to applicable ISO- and EN safety requirement standards by the Swedish Machinery Testing Institute.

Approved attachments	Use with
Hedge trimmer attachment HA200	535FBX
Hedge trimmer attachment HA860	535FBX
Saw attachment PA1100	535FBX
Extension attachment EX780	535FBX
Pole saw attachment TA1100	535FBX
Pole saw attachment PAX730	535FBX

Approved attachments	Use with
Pole saw attachment PAX1100	535FBX

Declaration of Conformity 535FBX

EU Declaration of Conformity

We, **Husqvarna AB**, SE-561 82 Huskvarna, Sweden, tel: +46-36-146500, declare on our sole responsibility that the product:

Description	Pole saw
Brand	Husqvarna
Type / Model	535FBX
Identification	Serial numbers dating from 2022 and onwards

complies fully with the following EU directives and regulations:

Directive/ Regulation	Description
2006/42/EC	"relating to machinery"
2014/30/EU	"relating to electromagnetic compatibility"
2000/14/EC	"relating to the noise emissions in the environment"
2011/65/EU	"on the restriction of the use of certain hazardous substances in electrical and electronic equipment"

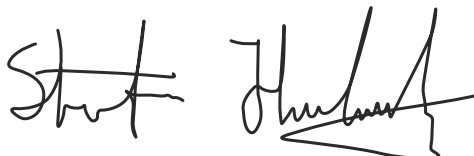
and that the following standards and/or technical specifications are applied: EN ISO 12100:2010 CISRPR 12:2007/A1:2009 EN ISO 14982:2009, EN ISO 11680-1:2011 EN ISO 11680-2:2011 EN IEC 63000:2018.

Notified body: 0404, SMP Svensk Maskinprovning AB, Box 4053, SE-904 03 Umeå, Sweden has carried out EC type examination in accordance with the machinery directive's (2006/42/EC) article 12, clause 3b.

Certificate number: 0404/09/2163

For information relating to noise emission, refer to *Technical data 535FBX on page 29.*

Huskvarna, 2023-07-07



Stefan Holmberg, Development Manager, R&D Director, Technology Management, Husqvarna AB

Responsible for technical documentation



Declaration of conformity

We, **Husqvarna AB**, SE-561 82 Huskvarna, Sweden, tel: +46-36-146500, declare on our sole responsibility that the product:

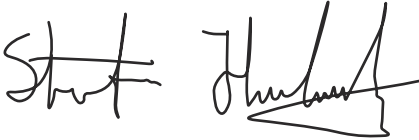
Description	Pole saw
Brand	Husqvarna
Type / Model	535FBX
Identification	Serial numbers dating from 2022 and onwards

complies fully with the following UK regulations:

Regulation	Description
S.I. 2008/1597	The Supply of Machinery (Safety) Regulations 2008
S.I. 2016/1091	Electromagnetic Compatibility Regulations 2016
	The Noise Emission in the Environment by Equipment for use Outdoors Regulations 2001, schedule 8
S.I. 2012/3032	The Restriction of the Use of Certain Hazardous Substances in Electrical and Electronic Equipment Regulations 2012

and that the following standards and/or technical specifications are applied: EN ISO 12100:2010
CISRPR 12:2007/A1:2009 EN ISO 14982:2009, EN ISO 11680-1:2011 EN ISO 11680-2:2011 EN IEC 63000:2018 .

Huskvarna, 2023-07-07



Stefan Holmberg, R&D Director, Technology Management, Husqvarna AB

Responsible for technical documentation

**UK
CA**

UK Importer:
Husqvarna UK Ltd
Preston Road, Co. Durham
DL5 6UP

Introduction TA1100

Symbols on the product



WARNING! This product is dangerous. Injury or death can occur to the operator or bystanders if the product is not used carefully and correctly. To prevent injury to the operator or bystanders, read and obey all safety instructions in the operator's manual.



Read the operator's manual carefully and make sure that you understand the instructions before use.



Use a protective helmet in locations where objects can fall on you. Use approved hearing protection. Use approved eye protection.



Maximum speed of the output shaft.



The product agrees with the applicable EC directives.



This product conforms to the applicable UK regulations.



The product can cause objects to eject, which can cause injury.



Keep a minimum of 15 m distance to persons and animals during operation of the product.



Use approved protective gloves.



Use heavy-duty slip-resistant boots.



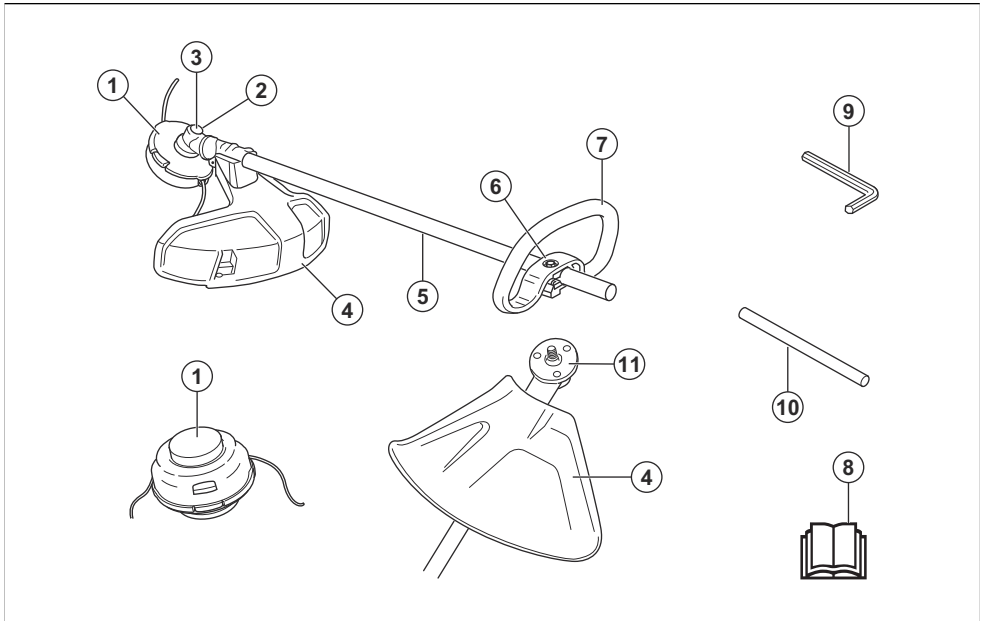
Only use flexible cutting wire. Do not use metal cutting attachments.



Noise emission to the environment label as per EU (also including New South Wales legislation) and UK directives and regulations. The guaranteed sound power level of the product is specified in and on the label.

Note: Other symbols/decals on the product refer to certification requirements for other commercial areas.

Product overview TA1100



1. Trimmer head
2. Grease filler cap, bevel gear
3. Bevel gear
4. Cutting attachment guard
5. Shaft
6. Handle adjustment
7. Loop handle
8. Operator's manual
9. Hex key
10. Locking pin
11. Drive disc

Safety TA1100

Safety instructions for operation

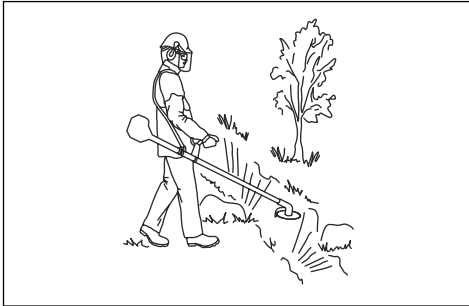


WARNING: Read the warning instructions that follow before you use the product.

- Learn and understand the difference between forestry clearing, grass clearing and grass trimming before you use the product.
- Use personal protective equipment, refer to *Personal protective equipment on page 6*.
- Long-term exposure to noise can result in permanent hearing loss. Always use approved hearing protection.
- Listen for warning signals and loud voices when you use hearing protection. Always remove your hearing protection when the engine stops.
- Never use the product if it is changed or damaged.
- Make sure that the spark plug cap and ignition lead are not damaged to prevent the risk of electrical shock.
- Look around the work area to make sure that no persons, animals or objects have a negative effect on the safety of the operation of the product.
- Look around the work area to make sure that no persons or animals touch the cutting attachment or are hit by objects that are ejected from the cutting attachment.
- Do not use the product in a situation or location where you can not get aid if an accident occurs.
- Do not use the product without an approved cutting attachment guard.
- Make sure that persons or animals keep a distance of a minimum of 15 m/50 ft during work. Always look behind you before you turn around with the product. Stop the product immediately if a person or animal enters the 15 m/50 ft safety zone. If more than 1

operator does work in the same area, keep a safety distance of a minimum of 2 times the tree height and a minimum of 15 m/50 ft.

- Examine the work area. Avoid loose objects, such as stones, broken glass, nails, steel wire and string, that can eject or wind around the cutting attachment.
- Make sure that you can move safely and have a safe stance. Examine the area around you for obstacles such as roots, rocks, branch and ditches. Be careful during work on slopes.



- Do not overreach. Keep a stable position of the feet and a good balance at all times.
- Before you start the product, put it on a flat surface, at a minimum of 3 m/10 ft from the fuel source and from where you fill fuel. Make sure that there are no objects near or touching the cutting attachment.
- If the cutting attachment rotates at idle speed, let a service agent adjust it. Do not use the product until it is adjusted or repaired.
- Look out for thrown objects. Always use approved eye protection and keep away from the cutting attachment guard. Stones and other small objects can eject into your eyes and cause blindness or other injuries.
- Do not put the product down with the engine on unless you have it in clear view.
- Do not remove the cut material, or let other persons remove cut material, while the engine is on or the cutting equipment rotates, as this can result in serious injury.
- Always stop the engine and make sure that the cutting equipment does not rotate before you remove material that is wound around the blade shaft or caught between the cutting attachment guard and the cutting attachment.
- Be careful when you remove material from around the cutting equipment. The bevel gear gets hot during operation and can cause burn injuries.
- The exhaust fumes from the engine are hot and can contain sparks. Risk of fire. Be careful around dry and flammable material.
- Never use the product indoors or in spaces lacking proper ventilation. Exhaust fumes contain carbon monoxide, an odourless, poisonous and highly dangerous gas.

- Stop the engine before you move to a new work area. Always attach the transport guard before you move the equipment.
- Overexposure to vibration can lead to circulatory damage or nerve damage in persons who have poor circulation. Speak to your physician if you experience symptoms of overexposure to vibration. Such symptoms include numbness, loss of feeling, tingling, pricking, pain, loss of strength, changes in skin colour or condition. These symptoms usually show in the fingers, hands or wrists. The risk increases at low temperatures.

Cutting attachment



WARNING: The cutting attachment must not rotate when you do work on it. Make sure that the engine has stopped. Remove the spark plug cap before you do work on the cutting attachment.



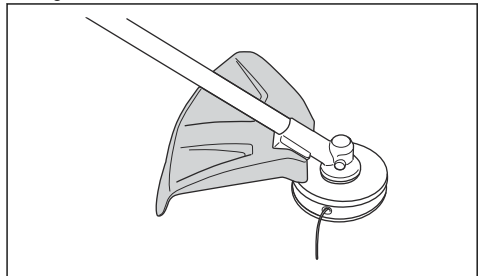
WARNING: Make sure that the cutting attachment is not damaged. A damaged cutting attachment can cause accidents. Replace a damaged cutting attachment.



WARNING: Use the correct cutting attachment. Only use the cutting attachment with the guards we recommend, refer to *Approved accessories on page 40*.

Cutting attachment guard

The cutting attachment guard prevents a loose object to eject in the direction of the operator. The guard also prevents the operator from accidentally touching the cutting attachment.



Examine the cutting attachment guard for damage and cracks. Replace if it is damaged or has cracks. Only use the approved guard for the cutting attachment.

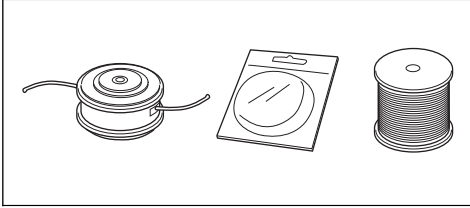


WARNING: Do not use a cutting attachment without an approved guard. If an incorrect or defective guard is installed, this can cause damage to persons.

Trimmer head



WARNING: Always make sure the trimmer line is wound tightly and evenly around the drum to prevent harmful vibration.

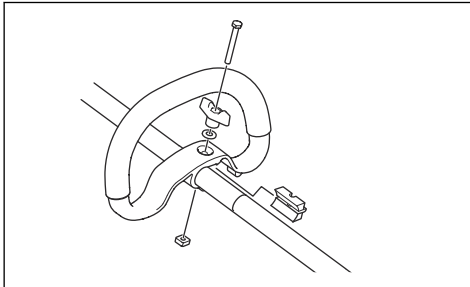


- Only use recommended trimmer heads and trimmer lines.
- Only use recommended cutting attachments.
- Smaller machines requires small trimmer heads and vice versa.
- The length of the trimmer line is important. A longer trimmer line requires greater engine power than a shorter trimmer line of the same diameter.
- Make sure that the cutter on the trimmer guard is intact. This cuts the trimmer line to the correct length.
- Soak the trimmer line in water for a couple of days before use to increase the life length.

Assembly TA1100

To assemble the loop handle

1. Put the loop handle onto the shaft, between the arrows.

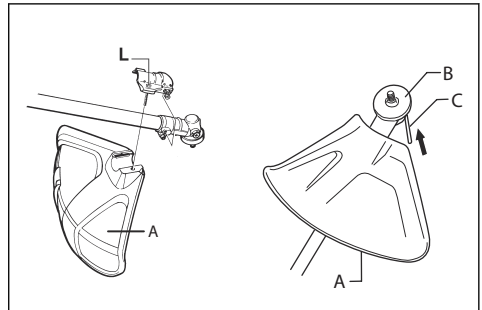


2. Put the spacer into the slot of the loop handle.
3. Install the nut, the knob and the screw. Do not tighten fully.
4. Adjust the product to an applicable operation position.
5. Tighten the knob.

To assemble the cutting attachment guard and trimmer head

1. Attach the correct cutting attachment guard (A) for the trimmer head (See, *Approved accessories on page 40*).
2. Put the cutting attachment guard onto the fitting on the shaft.

3. Secure with the bolt(L).



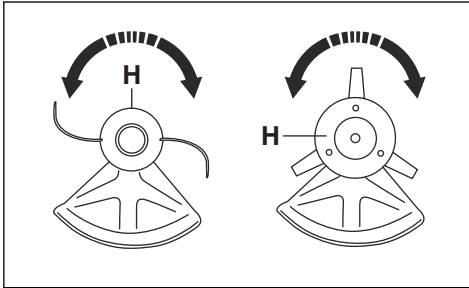
4. Install the drive disc (B) on the output shaft.
5. Turn the output shaft until one of the holes in the drive disc aligns with the related hole in the gear housing.



WARNING: Make sure that the higher section of the drive disc installs correctly in the center hole of the cutting attachment. If the cutting attachment is installed incorrectly, it can result in serious injury.

6. Put the locking pin (C) in the hole to lock the shaft.

- Turn the trimmer head /plastic blades (H) in the opposite direction from which the trimmer head/ plastic blades rotates.

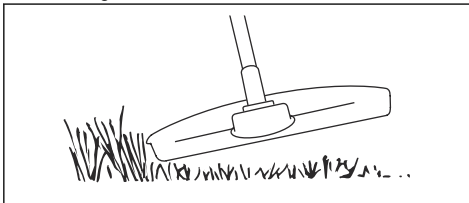


Operation TA1100

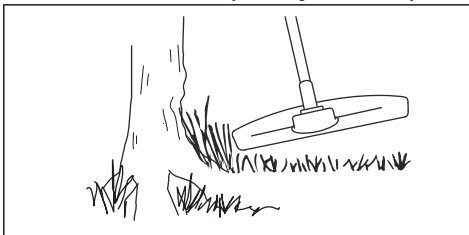
Grass trimming with a trimmer head

To trim the grass

- Hold the trimmer head immediately above the ground at an angle. Do not push the trimmer line into the grass.

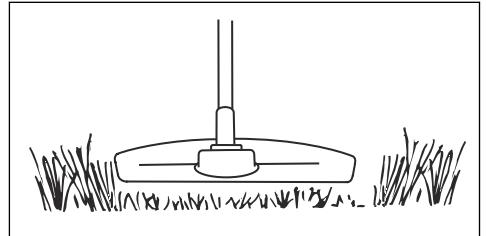


- Decrease the length of the trimmer line by 10-12 cm / 4-4.75 in.
- Decrease the engine speed to decrease the risk of damage to plants.
- Use 80 % throttle when you cut grass near objects.

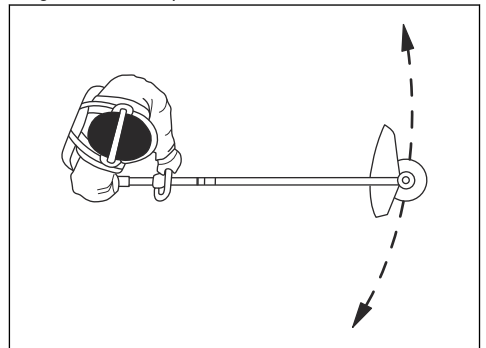


To cut the grass

- Make sure that the trimmer line is parallel to the ground when you cut the grass.



- Do not push the trimmer head to the ground. This can cause damage to the product.
- Move the product from side to side when you cut grass. Use full speed.



To sweep the grass

The airflow from the rotating trimmer line can be used to remove cut grass from an area.

- Hold the trimmer head and the trimmer line parallel to the ground and above the ground.
- Apply full throttle.

3. Move the trimmer head from side to side and sweep the grass.

line to prevent unbalance and vibrations in the handles. Also do a check of the other parts of the trimmer head and clean it if necessary.



WARNING: Clean the trimmer head cover each time you assemble new trimmer

Technical data TA1100

Technical data

Weight	
Weight with cutting attachment and guard, kg	1.4
Noise emissions ⁴	
Sound power level, measured dB (A)	111
Sound power level, guaranteed L _{WA} dB (A)	113
Sound levels ⁵	
Equivalent sound pressure level at the operator's ear, measured according to EN ISO 11806 and ISO 7917, dB(A), min./max.:	
Equipped with approved accessory (original)	98
Vibration levels	
Equivalent vibration levels (a _{hv,eq}) at handles, measured according to EN ISO 11806 and ISO 22867, m/s ² :	
Equipped with with approved accessory (original), left/right	3.1/2.5

Accessories

Approved accessories

Approved accessories	Type	Cutting attachment guard, Art. no.
Trimmer head	T35	588 54 37-01

⁴ Noise emissions in the environment measured as sound power (L_{WA}) in conformity with EC directive 2000/14/EC. Reported sound power level for the machine has been measured with the original cutting attachment that gives the highest level. The difference between guaranteed and measured sound power is that the guaranteed sound power also includes dispersion in the measurement result and the variations between different machines of the same model according to Directive 2000/14/EC.

⁵ Reported data for equivalent sound pressure level has a typical statistical dispersion (standard deviation) of 1 dB (A).

Declaration of Conformity TA1100

EU Declaration of Conformity

We, **Husqvarna AB**, SE-561 82 Huskvarna, Sweden, tel: +46-36-146500, declare on our sole responsibility that the product:

Description	Pole saw
Brand	Husqvarna
Type / Model	535FBX
Identification	Serial numbers dating from 2022 and onwards

complies fully with the following EU directives and regulations:

Directive/ Regulation	Description
2006/42/EC	"relating to machinery"
2014/30/EU	"relating to electromagnetic compatibility"
2000/14/EC	"relating to the noise emissions in the environment"
2011/65/EU	"on the restriction of the use of certain hazardous substances in electrical and electronic equipment"

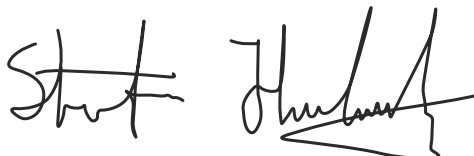
and that the following standards and/or technical specifications are applied: EN ISO 12100:2010 CISRPR 12:2007/A1:2009 EN ISO 14982:2009, EN ISO 11680-1:2011 EN ISO 11680-2:2011 EN IEC 63000:2018.

Notified body: 0404, SMP Svensk Maskinprovning AB, Box 4053, SE-904 03 Umeå, Sweden has carried out EC type examination in accordance with the machinery directive's (2006/42/EC) article 12, clause 3b.

Certificate number: 0404/09/2163

For information relating to noise emission, refer to *Technical data TA1100 on page 40*.

Huskvarna, 2023-07-07



Stefan Holmberg, Development Manager, R&D Director, Technology Management, Husqvarna AB

Responsible for technical documentation



Declaration of conformity

We, **Husqvarna AB**, SE-561 82 Huskvarna, Sweden, tel: +46-36-146500, declare on our sole responsibility that the product:

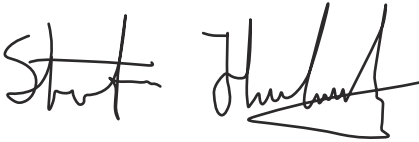
Description	Pole saw
Brand	Husqvarna
Type / Model	TA1100
Identification	Serial numbers dating from 2022 and onwards

complies fully with the following UK regulations:

Regulation	Description
S.I. 2008/1597	The Supply of Machinery (Safety) Regulations 2008
S.I. 2016/1091	Electromagnetic Compatibility Regulations 2016
	The Noise Emission in the Environment by Equipment for use Outdoors Regulations 2001, schedule 8
S.I. 2012/3032	The Restriction of the Use of Certain Hazardous Substances in Electrical and Electronic Equipment Regulations 2012

and that the following standards and/or technical specifications are applied: EN ISO 12100:2010, EN ISO 11680-1:2011 EN ISO 11680-2:2011 EN IEC 63000:2018 .

Huskvarna, 2023-07-07



Stefan Holmberg, R&D Director, Technology Management, Husqvarna AB.

Responsible for technical documentation

**UK
CA**

UK Importer:
Husqvarna UK Ltd
Preston Road, Co. Durham
DL5 6UP



www.husqvarna.com

Original instructions



1143745-26



2023-09-19