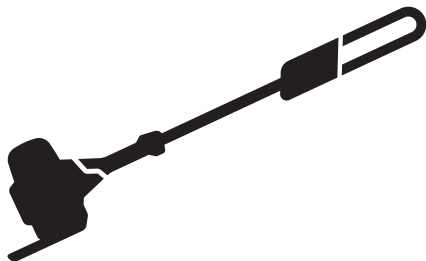




Husqvarna®



525P4S, 525P5S

EN Operator's manual
ES-MX Manual del usuario
FR-CA Manuel d'utilisation

2-27
28-55
56-83

Contents

Introduction.....	2	Troubleshooting.....	23
Safety.....	4	Transportation, storage and disposal.....	23
Assembly.....	9	Technical data.....	24
Operation.....	11	Accessories.....	24
Maintenance.....	15	Warranty.....	26

Introduction

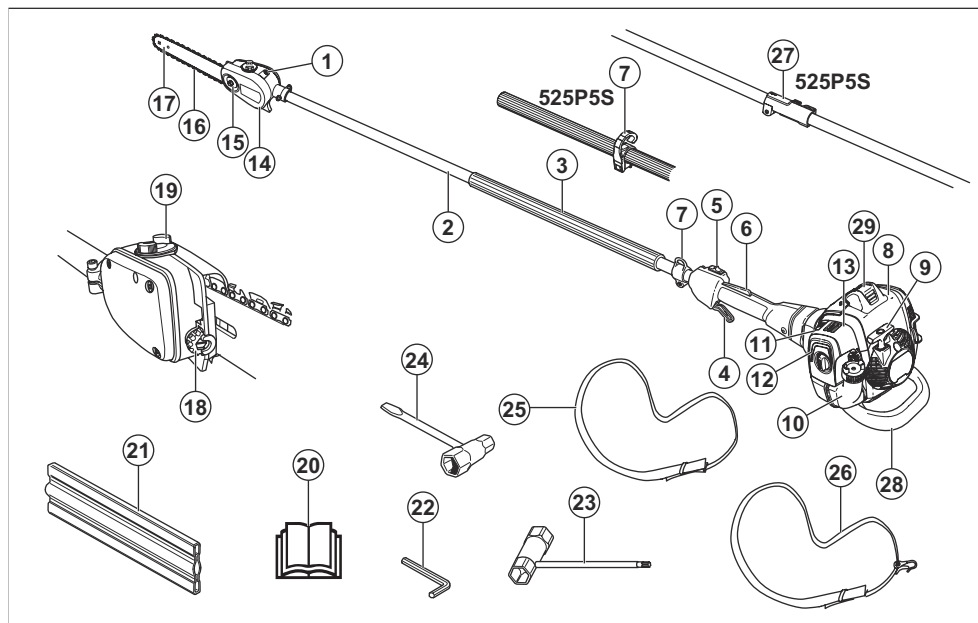
Intended use

The product is used for cutting branches and twigs.

Note: National regulations can set limit to the operation of the product.

Only use the product with accessories that are approved by the manufacturer. Refer to *Accessories on page 24*.

Product overview



- | | |
|---------------------------------------|------------------------------------|
| 1. Chain lubrication adjustment screw | 10. Fuel tank |
| 2. Shaft | 11. Choke control |
| 3. Front handle | 12. Air purge |
| 4. Throttle trigger | 13. Air filter cover |
| 5. Stop switch | 14. Protective guard for saw chain |
| 6. Throttle trigger lockout | 15. Bar nut |
| 7. Harness support hook | 16. Saw chain |
| 8. Cylinder cover | 17. Guide bar |
| 9. Starter handle | 18. Chain tensioning screw |
| | 19. Fuel tank cover |
| | 20. User manual |
| | 21. Bar |
| | 22. Hex key |
| | 23. Hex key |
| | 24. Hex key |
| | 25. Fuel line |
| | 26. Fuel line |
| | 27. Bar nut |
| | 28. Fuel line |
| | 29. Air filter |

19. Chain oil tank
20. Operator's manual
21. Transport guard, bar
22. Hex key
23. Combination wrench
24. Combination wrench, chain tensioner
25. Harness 525P5S
26. Harness 525P4S
27. Shaft coupling
28. Impact guard
29. Spark plug cap and spark plug

Symbols on the product



WARNING! This product is dangerous. Injury or death can occur to the operator or bystanders if the product is not used carefully and correctly. To prevent injury to the operator or bystanders, read and obey all safety instructions in the operator's manual.



Please read the operator's manual carefully and make sure that you understand the instructions before use.



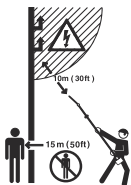
Stop.



Use a protective helmet in locations where objects can fall on you. Use approved hearing protection. Use approved eye protection.



Use approved protective gloves.



This product is not electrically insulated. If the product touches or comes close to high-voltage power lines it could lead to death or serious injury. Electricity can jump from one point to another by arcing. The higher the voltage, the greater the distance electricity can jump. Electricity can also travel through branches and other objects, especially if they are wet. Always keep a distance of at least 10 m between the machine and high-voltage power lines and/or any objects that are touching them. If you have to work within this safe distance you should always contact the relevant power company to make sure the power is switched off before you start work.

The operator of the product must ensure, while working, that no persons or animals come closer than 15 meters.



Use heavy-duty slip-resistant boots.



Fuel.



Chain oil.



Adjustment of the oil flow.



Direction of rotation, saw chain.



Primer bulb.

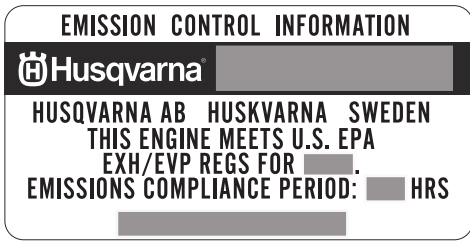


Choke.

yyyywwxxxx

The rating plate or the laser printing shows the serial number. **yyyy** is the production year and **ww** is the production week.

Note: Other symbols/decals on the product refer to certification requirements for other commercial areas.



The Emissions Compliance Period referred to on the Emission Compliance label indicates the number of operating hours for which the engine has been shown

to meet Federal emissions requirement. Maintenance, replacement or repair of the emission control devices and system may be performed by any nonroad engine repair establishment or individual.

Product damage

We are not responsible for damages to our product if:

- the product is incorrectly repaired.
- the product is repaired with parts that are not from the manufacturer or not approved by the manufacturer.
- the product has an accessory that is not from the manufacturer or not approved by the manufacturer.
- the product is not repaired at an approved service center or by an approved authority.

Safety

Safety definitions

Warnings, cautions and notes are used to point out specially important parts of the manual.



WARNING: Used if there is a risk of injury or death for the operator or bystanders if the instructions in the manual are not obeyed.



CAUTION: Used if there is a risk of damage to the product, other materials or the adjacent area if the instructions in the manual are not obeyed.

Note: Used to give more information that is necessary in a given situation.

General safety instructions



WARNING: Read the warning instructions that follow before you use the product.

- This product produces an electromagnetic field during operation. This field may under some circumstances interfere with active or passive medical implants. To reduce the risk of serious or fatal injury we recommend persons with medical implants to consult their physician and the medical implant manufacturer before operating this product.
- This product is a dangerous tool if you are not careful or if you use the product incorrectly. This product can cause serious injury or death to the operator or others.
- It is very important that you read and understand the contents of this operator's manual. If you feel uncertainty about a work situation or the operating

procedures after you read the operator's manual, speak to a service agent before you continue.

- Under no circumstances may the design of the product be modified without the permission of the manufacturer. Do not use a product that appears to have been modified by others and only use accessories recommended for this product. Non-authorized modifications and/or accessories can result in serious personal injury or the death of the operator or others.
- Do a check of the product before use. Refer to *Safety devices on the product on page 6* and *Safety devices on the product on page 6*. Do not use a product that is damaged or does not operate correctly. Do the safety checks, maintenance and service instructions described in this manual.
- A used muffler/spark arrester and spark arrester mounting face may contain deposits of combustion particles that may be carcinogenic. Avoid being exposed to these compounds when handling the muffler and /or spark arrester. Prior to any handling of the muffler and/or the spark arrester, refer to *To do a check of the muffler on page 7*.

Safety instructions for assembly



WARNING: Read, understand and obey these instructions carefully before you use the product.

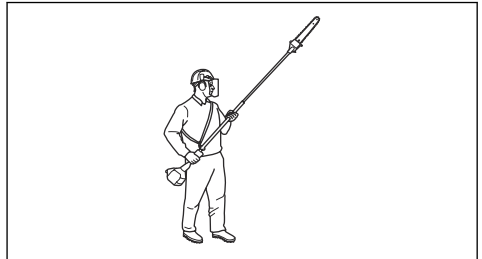
- The complete clutch cover and shaft must be fitted before the machine is started, otherwise the clutch can come loose and cause personal injury.
- The only accessories you can operate with this product are the cutting attachments we recommend. Refer to *Accessories on page 24*.
- Use approved protective gloves.
- Make sure that you assemble the protective cover and shaft correctly before you start the engine.

Safety instructions for operation



WARNING: Read the warning instructions that follow before you do maintenance on the product.

- Use personal protective equipment, refer to *Personal protective equipment on page 6*.
- This product is not electrically insulated. If the product touches or comes close to high-voltage power lines it could lead to death or serious bodily injury. Electricity can jump from one point to another by arcing. The higher the voltage, the greater the distance electricity can jump. Electricity can also travel through branches and other objects, especially if they are wet. Always keep a distance of at least 10 m between the product and high-voltage power lines and/or any objects that are touching them. If have to work within this safe distance you should always contact the relevant power company to make sure the power is switched off before you start work.
- Overexposure to vibration can lead to circulatory damage or nerve damage in persons who have poor circulation. Speak to your physician if you experience symptoms of overexposure to vibration. Such symptoms include numbness, loss of feeling, tingling, pricking, pain, loss of strength, changes in skin colour or condition. These symptoms usually show in the fingers, hands or wrists. The risk increases at low temperatures.
- The inside of the muffler contain chemicals that may be carcinogenic. Avoid contact with these elements in the event of a damaged muffler. Long term inhalation of the engine's exhaust fumes, chain oil mist and sawdust can represent a health risk.
- Never use the machine indoors or in spaces lacking proper ventilation. Exhaust fumes contain carbon monoxide, an odourless, poisonous and highly dangerous gas.
- Do not operate a product without a muffler or with a damaged muffler. A damaged muffler can increase the noise level and the risk of fire. Keep fire extinguishing tools near. If you must have a spark arrestor mesh in your area, do not use the product without or with a broken spark arrestor mesh.
- If the saw chain does not stop when idling, adjust the idle speed. Refer to *To adjust the idle speed on page 16*. Do not use the product until it is correctly adjusted or repaired.
- This product has a long reach. Make sure that no people or animals come closer than 15 m when the product is running. Always look behind you before you turn around with the product. Stop the product immediately if a person or animal enters the 15 m safety zone. If more than one operator does work in the same area, keep a safety distance of a minimum of 15 m.
- Observe the applicable safety regulations for work in the vicinity of overhead power lines. Also falling branches can result in short-circuiting.
- Never stand directly underneath a branch that is being cut. This could lead to serious or even fatal personal injury.
- Watch out for stumps of branches that can be thrown out when you cut. Do not cut too close to the ground where stones and other objects can be thrown out.
- Do not operate the product in bad weather, such as dense fog, heavy rain, strong wind and intense cold. To operate in bad weather can make you tired and add risks, such as icy ground and unpredictable felling direction.
- Do not use the product if you are tired, ill, or under the influence of alcohol, drugs or medicine, as this has a negative effect on your vision, alertness, coordination and judgment.
- Make sure that you can move safely and have a safe stance. Examine the area around you for obstacles such as roots, rocks, branch and ditches. Be careful during work on slopes.
- Do not remove the cut material, or let other persons remove cut material, while the engine is on or the cutting equipment rotates, as this can result in serious injury.
- Do not overreach. Keep a stable position of the feet and a good balance at all times.
- Always hold the product with both hands. Hold the product on the right side of your body.



- Keep your hands and feet away from the saw chain until it has stopped completely when the product is deactivated.
- Never work from a ladder, stool or any other raised position that is not fully secured.
- Do not put the product down with the engine on unless you have it in clear view.
- Listen for warning signals and loud voices when you use hearing protection. Always remove your hearing protection when the engine stops.
- Stop the engine before you move to a new work area. Always attach the transport guard before you move the equipment.
- Never allow children to use or be in the vicinity of the product. Remove the spark plug cap when the product is not under close supervision.

Personal protective equipment



WARNING: Read the warning instructions that follow before you use the product.

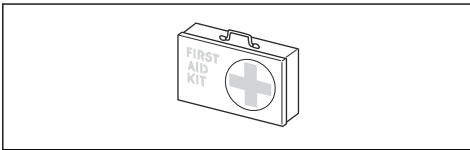
- Always use approved personal protective equipment when you use the product. Personal protective equipment cannot fully prevent injury but it decreases the degree of injury if an accident does occur. Let your dealer help you select the right equipment.
- Use a protective helmet where there is a risk of falling objects.
- Use approved hearing protection that provides adequate noise reduction. Long-term exposure to noise can result in permanent hearing impairment.
- Use approved eye protection. If you use a visor, you must also use approved protective goggles. Approved protective goggles must comply with the ANSI Z87.1 standard in the USA or EN 166 in EU countries.
- Use a visor for face protection. A visor is not enough for protection of the eyes.



- Use gloves when necessary, for example when you attach, examine or clean the cutting equipment.
- Use sturdy non-slip boots.
- Use clothing made of a strong fabric. Always use heavy, long pants and long sleeves. Do not use loose clothing that can catch on twigs and branches. Do not wear jewelry, short pants, sandals or go with bare feet. Put your hair up safely above shoulder level.



- Keep first aid equipment close at hand.



Safety devices on the product



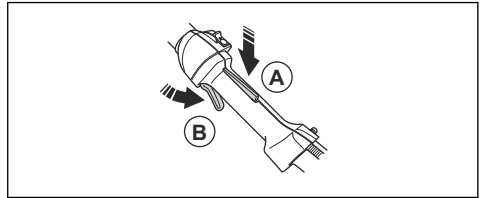
WARNING: Read the warning instructions that follow before you use the product.

- Do not use a product with safety devices that are damaged or do not operate correctly.
- Do a check of the safety devices regularly. Refer to *Maintenance schedule on page 15*.
- If the safety devices are damaged or do not operate correctly, speak to your Husqvarna servicing dealer.

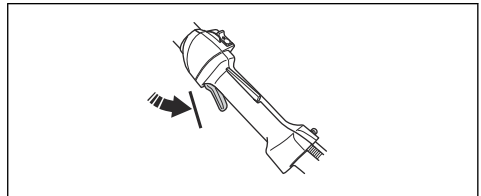
To do a check of the throttle trigger lockout

The throttle trigger lockout prevents accidental operation of the throttle control.

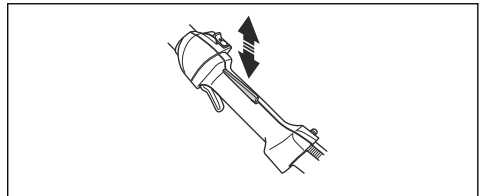
1. Push the throttle trigger lockout (A) and make sure that the throttle control is released (B). When you release the handle, the throttle control and the throttle trigger lockout move back to their initial positions.



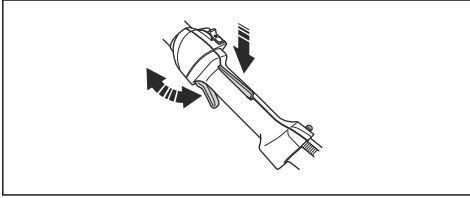
2. Release the throttle trigger lockout and make sure that the throttle control is locked at idle speed.



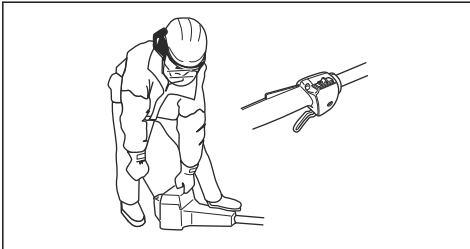
3. Push the throttle trigger lockout and make sure that it goes back to its initial position when you release it.



4. Make sure that the throttle control and throttle trigger lockout move freely and that the return springs operate correctly.

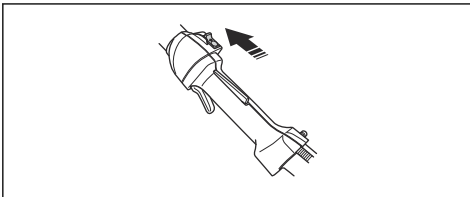


5. Start the product and apply full throttle. Refer to *To start the product on page 14*.
6. Release the throttle control and make sure that the cutting attachment stops. If the cutting attachment rotates with the throttle in the idle position, do a check of the carburetor adjustments. Refer to *Maintenance on page 15*.



To do a check of the stop switch

1. Start the engine.
2. Move the stop switch to the stop position and make sure that the engine stops.

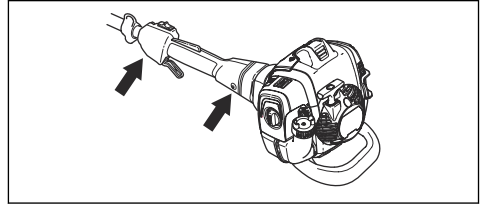


To do a check of the vibration damping system

The vibration damping system decreases vibration in the handles to a minimum which makes the operation easier. The vibration damping system of the product decreases the transfer of vibration between the engine unit and the shaft unit of the product.

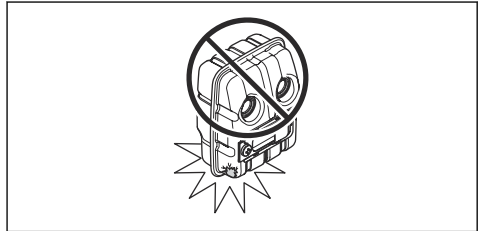
1. Stop the engine.

2. Do a visual check for deformation and damage, for example cracks.

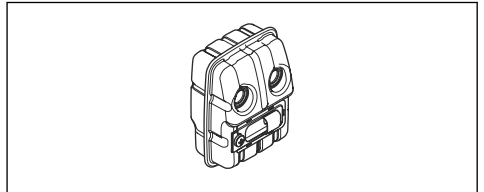


3. Make sure you attach the elements of the vibration damping system correctly.

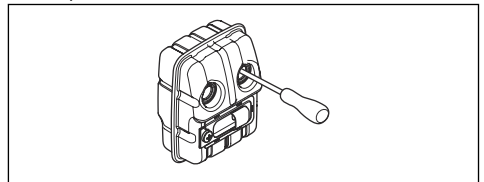
To do a check of the muffler



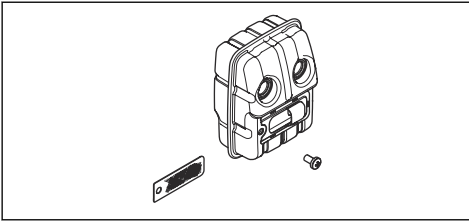
The muffler keeps noise levels to a minimum and directs exhaust fumes away from the operator. In areas with a hot, dry weather there is a high risk of fire. Obey local regulations and maintenance instructions



- Do a visual check for damage and deformation.
- Make sure that the muffler is correctly attached to the product.



- Do a visual check on the spark arrestor mesh.



Refer to *To do maintenance on the muffler on page 16*.

- Do not put the product or a fuel container where there is an open flame, spark or pilot light. Make sure that the storage area does not contain an open flame.
- Only use approved containers when you move the fuel or put the fuel into storage.
- Empty the fuel tank before long-term storage. Obey the local law on where to dispose fuel.
- Clean the product before long-term storage.
- Remove the spark plug cap before you put the product into storage to make sure that the engine does not start accidentally.

Fuel safety



WARNING: Read the warning instructions that follow before you use the product.

- Do not mix the fuel indoor or near a heat source.
- Do not start the product if there is fuel or engine oil on the product. Remove the unwanted fuel/oil and let the product dry. Remove unwanted fuel from the product.
- If you spill fuel on your clothing, change clothing immediately.
- Do not get fuel on your body, it can cause injury. If you get fuel on your body, use a soap and water to remove the fuel.
- Do not start the engine if you spill oil or fuel on the product or on your body.
- Do not start the product if the engine has a leak. Examine the engine for leaks regularly.
- Be careful with fuel. Fuel is flammable and the fumes are explosive and can cause injuries or death.
- Do not breathe in the fuel fumes, it can cause injury. Make sure that there is sufficient airflow.
- Do not smoke near the fuel or the engine.
- Do not put warm objects near the fuel or the engine.
- Do not add the fuel when the engine is on.
- Make sure that the engine is cool before you refuel.
- Before you refuel, open the fuel tank cap slowly and release the pressure carefully.
- Make sure there are sufficient airflow when refueling and mixing fuel (petrol and two-stroke oil) or draining the fuel tank.
- Fuel and fuel vapor are highly flammable and can cause serious injury when inhaled or allowed to come into contact with the skin. For this reason, observe caution when handling fuel and make sure there is sufficient airflow.
- Tighten the fuel tank cap carefully or a fire can occur.
- Move the product at a minimum of 3 m (10 ft) from the position where you filled the tank before a start.
- Do not put too much fuel in the fuel tank.
- Make sure that a leak cannot occur when you move the product or fuel container.

Safety instructions for maintenance



WARNING: Read the warning instructions that follow before you do maintenance on the product.

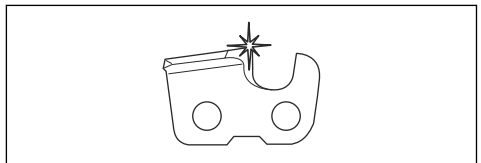
- Do only the maintenance and servicing given in this operator's manual. Let professional servicing personnel do all other servicing and repairs.
- Regularly do the safety checks, maintenance and service instructions given in this manual. Regular maintenance increases the life of the product and decreases the risk of accidents. Refer to *Maintenance on page 15* for instructions.
- If the safety checks in this operator's manual is not approved after you do maintenance, speak to your servicing dealer. We guarantee that there are professional repairs and servicing available for your product.

Safety instructions for the cutting equipment

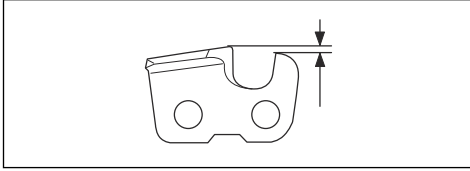


WARNING: Read the warning instructions that follow before you use the product.

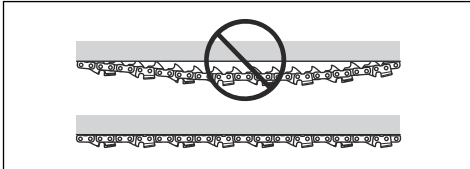
- Only use the guide bar/saw chain combinations and filing equipment that we recommend. Refer to *Accessories on page 24* for instructions.
- Use protective gloves when you use or do maintenance on the saw chain. A saw chain that does not move can also cause injuries.
- Keep the cutting teeth correctly sharpened. Obey the instructions and use the recommended file gauge. A saw chain that is damaged or incorrectly sharpened increases the risk of accidents.



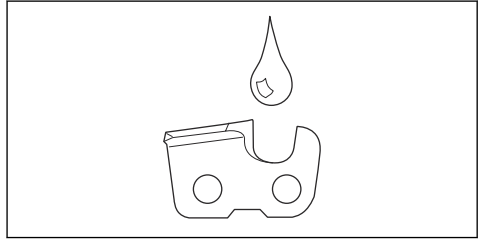
- Keep the correct depth gauge setting. Obey the instructions and use the recommended depth gauge setting.



- Make sure that the saw chain has the correct tension. If the saw chain is not tight against the guide bar, the saw chain can derail. An incorrect saw chain tension increases wear on the guide bar, saw chain and chain drive sprocket. Refer to *To tension the chain on page 21*.



- Do maintenance on the cutting equipment regularly and keep it correctly lubricated. If the saw chain is not correctly lubricated, the risk of wear on the guide bar, saw chain and chain drive sprocket increases.

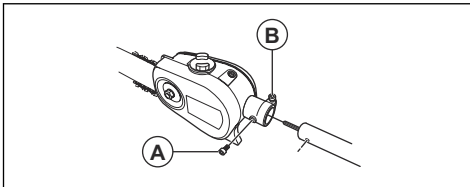


Assembly

To assemble the cutting head



CAUTION: Make sure that the drive shaft inside the shaft engages with the cut-out in the cutting head.

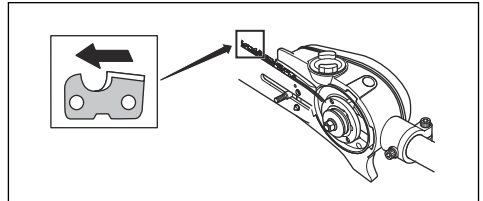


1. Loosen the screw on the cutting head, (A)
2. Fit the cutting head on the shaft so that the screw (A) is aligned with the hole in the shaft as shown.
3. Finger tighten the screw (A). Make sure that screw (A) fits into the hole in the shaft.
4. Tighten screw (A).
5. Tighten screw (B).

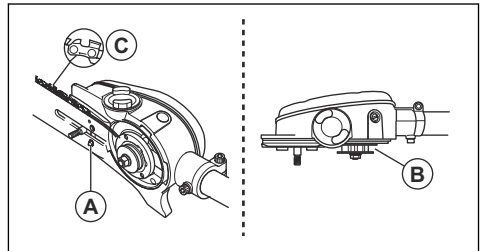
To assemble the bar and chain

1. Unscrew the bar nut and remove the protective cover.
2. Fit the bar over the bar bolt. Place the bar in its rearmost position. Place the chain over the drive sprocket and in the groove on the bar. Begin on the top side of the bar.

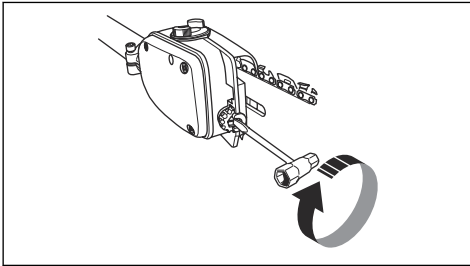
3. Make sure that the edges of the cutting links are facing forward on the top edge of the guide bar.



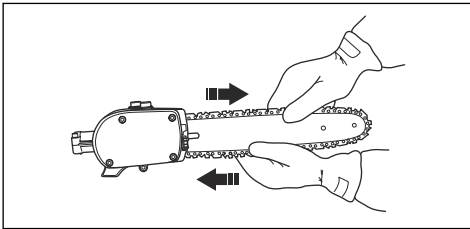
4. Fit the cover and locate the chain adjuster pin (A) in the hole in the bar. Check that the drive links of the chain fit correctly on the drive sprocket (B) and that the chain is in the groove in the bar (C). Tighten the bar nut finger-tight.



5. Tension the chain by turning the chain tensioning screw clockwise using the combination spanner. The chain should be tensioned until it does not sag from the underside of the bar.



6. The chain is correctly tensioned when it does not sag from the underside of the bar, but can still be turned easily by hand. Hold up the bar tip and tighten the bar nuts with the combination spanner.

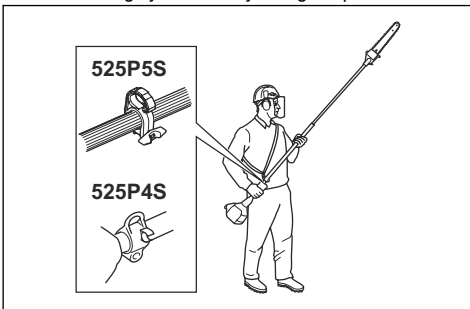


7. When fitting a new chain, the chain tension has to be checked frequently until the chain is run-in. Check the chain tension regularly. A correctly tensioned chain ensures good cutting performance and long life.

To adjust the harness

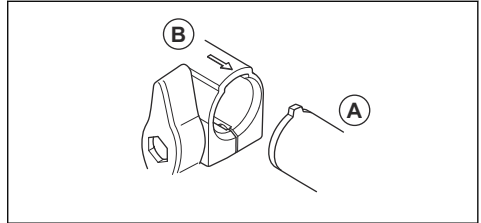
You should always use the harness with the machine to give maximum control over the machine and reduce the risk of fatigue in your arms and back.

1. Put on the harness.
2. Hook the machine onto the harness support hook.
3. Adjust the length of the harness so that the support hook is roughly level with your right hip.

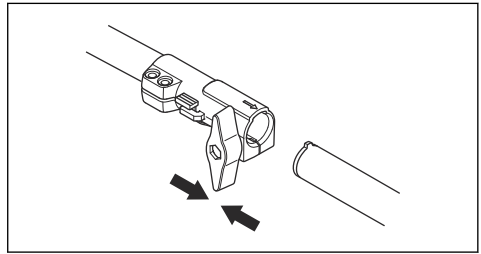


To assemble the two-piece shaft 525P5S

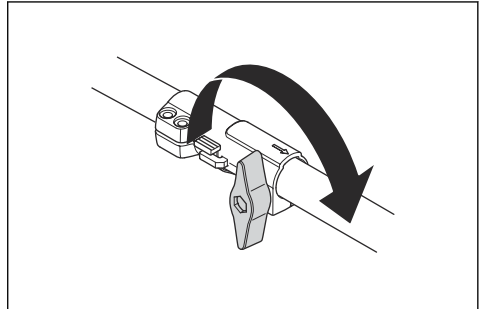
1. Turn the knob to loosen the coupling.
2. Align the tab of the cutting attachment (A) with the arrow of the coupling (B).



3. Carefully push the shaft into the coupling until you hear a click.

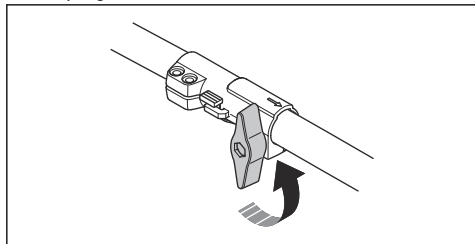


4. Tighten the knob fully.

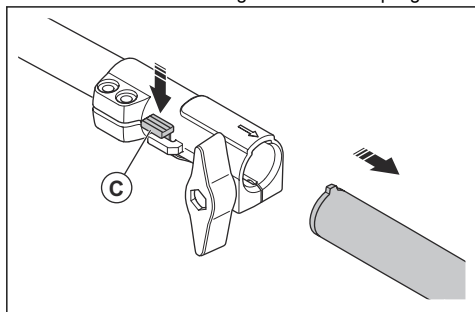


To disassemble the two-piece shaft 525P5S

1. Turn the knob 3 turns or more to loosen the coupling.

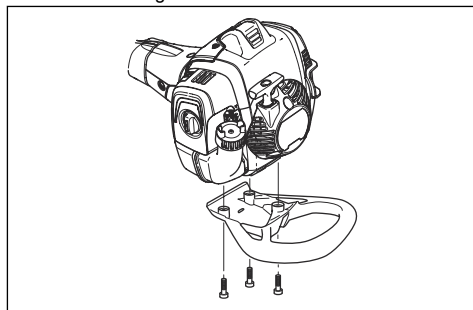


2. Push and hold the button (C).
3. Hold tight to the end of the shaft that the engine is attached to.
4. Pull the attachment straight out of the coupling.



To assemble the impact guard

1. Assemble the guard with 3 screws.



2. Tighten the screws to 30 ft/lbs (4 Nm).
3. Tighten the screws again when the product has been in use for about 20 hours.

Operation

Introduction



WARNING: Before you operate the product, you must read and understand the safety chapter.

To check before starting

1. Inspect the working area. Remove any objects that could be thrown out.
2. Check the saw chain. Never use blunt, cracked or damaged equipment.
3. Check that the product is in perfect working order.
4. Check that all nuts and screws are tight.
5. Make sure the chain is adequately lubricated, refer to *To check the chain lubrication on page 22*.
6. Check that the saw chain always stops when the engine is idling.
7. Only use the product for the purpose it was intended for.

8. Make sure the handle and safety features are in order. Never use a machine that has any parts missing or has been modified in relation to the specification.

Fuel

This product has a two-stroke engine.



CAUTION: Incorrect type of fuel can result in engine damage. Use a mixture of gasoline and two-stroke oil.

Premixed fuel

- Use Husqvarna premixed alkylate fuel for best performance and extension of the engine life. This fuel contains less harmful chemicals compared to regular fuel, which decreases harmful exhaust fumes. The quantity of remains after combustion is lower with this fuel, which keeps the components of the engine more clean.

To mix fuel

Gasoline



CAUTION: Do not use gasoline with an octane number less than 90 RON (87 AKI). This can cause damage to the product.



CAUTION: Do not use gasoline with more than 10% ethanol concentration (E10). This can cause damage to the product.



CAUTION: Do not use leaded gasoline. This can cause damage to the product.

- Always use new unleaded gasoline with a minimum octane number of 90 RON (87 AKI) and with less than 10% ethanol concentration (E10).
- Use gasoline with a higher octane number if you frequently use the product at continuously high engine speed.
- Always use a good quality unleaded gasoline/oil mixture.

Two-stroke oil

- For best results and performance use Husqvarna two-stroke oil.
- If Husqvarna two-stroke oil is not available, use a two-stroke oil of good quality for air-cooled engines. Speak to your servicing dealer to select the correct oil.



CAUTION: Do not use two-stroke oil for water-cooled outboard engines, also referred to as outboard oil. Do not use oil for four-stroke engines.

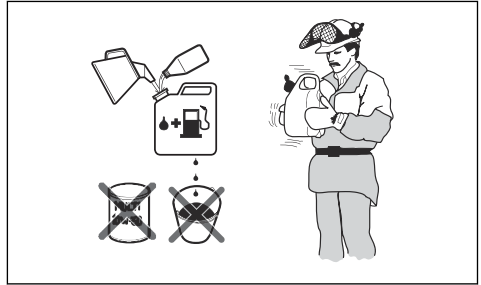
To mix gasoline and two-stroke oil

Gasoline, liter	Two-stroke oil, liter
	2% (50:1)
5	0.10
10	0.20
15	0.30
20	0.40



CAUTION: Small errors can influence the ratio of the mixture drastically when you mix small quantities of fuel. Measure the

quantity of oil carefully and make sure that you get the correct mixture.



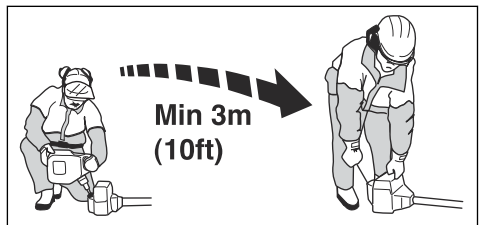
1. Fill half the quantity of gasoline in a clean container for fuel.
2. Add the full quantity of oil.
3. Shake the fuel mixture.
4. Add the remaining quantity of gasoline to the container.
5. Carefully shake the fuel mixture.



CAUTION: Do not mix fuel for more than 1 month at a time.

To fill the fuel tank

1. Clean the area around the fuel tank cap.
2. Shake the container and make sure that the fuel is fully mixed. Use a fuel container with an anti-spill valve.
3. Fill the fuel tank.
4. Tighten the fuel tank cap carefully.
5. Move the product 3 m (10 ft) or more away from the refueling area and fuel source before starting.



CAUTION: Contamination in the tanks causes malfunction. Clean the fuel tank and chain oil tank regularly and replace the fuel filter one time a year or more.

To do a run-in

- During the first 10 hours of operation, do not apply full throttle without load for extended periods.

To use the correct chain oil



WARNING: Do not use waste oil, which can cause injury to you and the environment. Waste oil also causes damage to the oil pump, the guide bar and the saw chain.



WARNING: The saw chain can break if the lubrication of the cutting equipment is not sufficient. Risk of serious injury or death to the operator.



WARNING: This product has a function that lets the fuel run out before the chain oil. Use the correct chain oil for this safety function to operate correctly. Speak to your servicing dealer when you select your chain oil.

Note: This product has an automatic chain lubrication system. You can also adjust the oil flow. Refer to *To adjust chain lubrication on page 22*.

- Use Husqvarna chain oil for maximum saw chain life and to minimise environmental damage. If Husqvarna chain oil is not available, we recommend you to use a standard chain oil.
- Use a chain oil with good adherence to the saw chain.
- Use a chain oil with correct viscosity range that agrees with the air temperature.



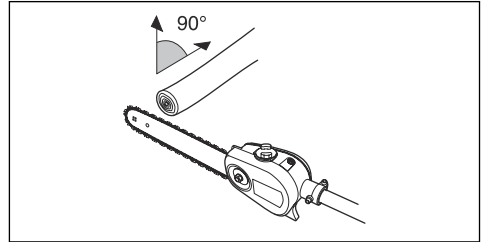
CAUTION: If the oil is too thin, it runs out before the fuel. In temperatures below 0°C/32°F some chain oils become too thick, which can cause damage to the oil pump components.

- Use the recommended cutting equipment. Refer to *Accessories on page 24*.

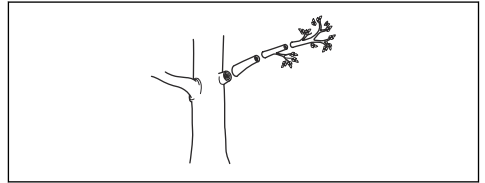
To use the product

- Hold the product as close to your body as possible to get the best balance.
- Make sure that the tip does not touch the ground.
- Do not rush the work, but work steadily until all the branches have been cut back cleanly.
- Always slow the engine to idle speed after each working operation. Long periods at full throttle without any load on the engine can lead to serious engine damage.
- Always work at full throttle.

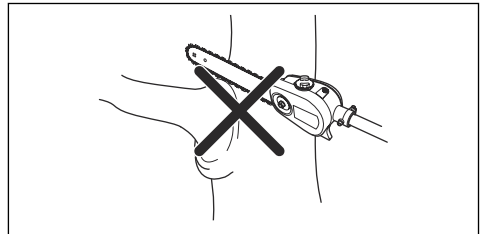
- Whenever possible position yourself so that you can make the cut at right angles to the branch.



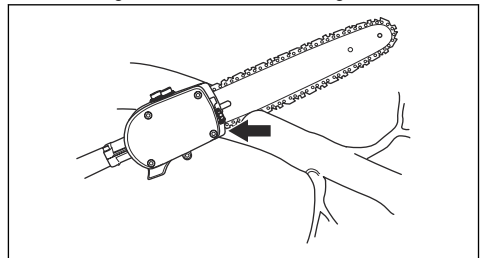
- Cut large branches in sections so that you have better control over where they fall.



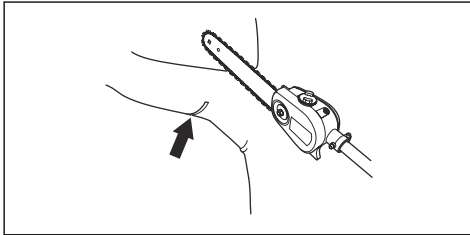
- Never cut through the swelling at the root of the branch as this will slow down healing and increase the risk of fungal attack.



- Use the stop at the base of the cutting head to provide support during cutting. This will help prevent the cutting attachment from bouncing on the branch.



- Make an initial cut on the underside of the branch before cutting through the branch. This will prevent tearing of the bark, which could lead to slow healing and cause permanent damage to the tree. The cut should not be deeper than $\frac{1}{3}$ of the branch thickness to prevent jamming. Keep the chain running while you withdraw the cutting attachment from the branch to prevent it jamming.



1. Use protective gloves.
2. Hold the body of the product on the ground with your left hand.



CAUTION: Do not use your feet!

3. Hold the starter rope handle with your right hand.
4. Slowly pull out the starter rope with your right hand until you feel some resistance (the starter pawls grip).



WARNING: Do not twist the starter rope around your hand.

5. Pull the cord quickly and with power.



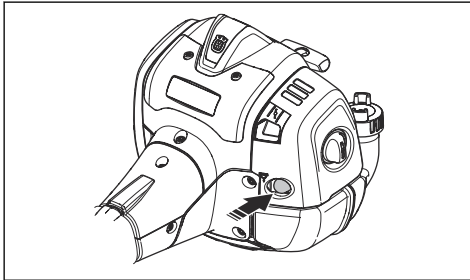
CAUTION: Do not pull the starter rope all the way out and do not let go off the starter rope handle when the starter rope is fully extended. This can cause damage to the product.

6. Pull the starter rope until the engine starts or for a maximum of 5 times.
7. Reset the choke when the engine starts or after you pull the starter rope 5 times.
8. If it is necessary, pull the starter rope again and again until the engine starts.
9. Let the engine run for 10 seconds.
10. Operate the throttle gradually.
11. Make sure the engine runs smoothly.

Note: If the engine stops, do the procedure again.

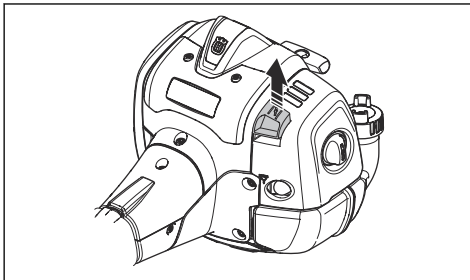
To prepare the product for start

1. Push the air purge bulb 10 times.



Note: It is not necessary to fully fill the bulb.

2. Move the choke control up into choke position.



About the surface



WARNING: Do not put parts of your body in the grey marked area. If you touch the grey marked area it can result in burns to the skin. It can also cause electrical shock if the spark plug cap has been damaged. Do not use a product with a damaged spark plug cap.

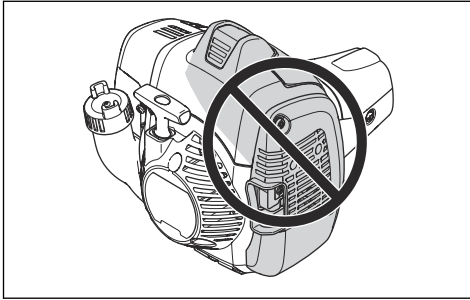


WARNING: The saw chain will start to rotate immediately when you start the engine with the choke.

To start the product



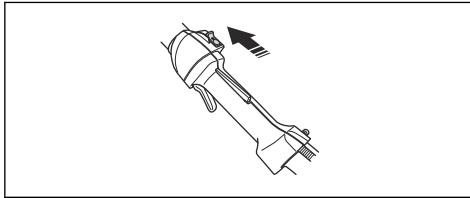
WARNING: Read the warning instructions in the safety chapter before you start the product (refer to *Safety on page 4*).



CAUTION: The stop switch automatically goes back to its initial position. In order to prevent accidental starting, the spark plug cap must be removed from the spark plug when assembling, checking and/or maintenance is done.

To stop the product

1. Move the stop switch into the stop position to stop the engine.



Maintenance

Introduction

Below you will find some general maintenance instructions. If you need further information please contact your service workshop.

Note: The user must only carry out the maintenance and service work described in this operator's manual. More extensive work must be carried out by an authorized service workshop.

Maintenance schedule

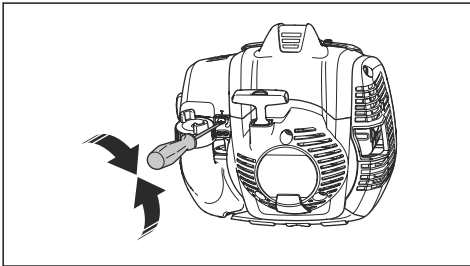
The following is a list of the maintenance steps that must be performed on the product. Most of the items are described later in this chapter.

Maintenance	Daily	Weekly	Monthly
Clean the external surface.	X		
Make sure that the throttle trigger lock and the throttle works correctly.	X		
Do a check of the stop switch to make sure that it works correctly.	X		
Make sure that the saw chain does not rotate at idle speed.	X		
Clean the air filter. Replace if necessary.	X		
Check the saw chain with regard to visible cracks in the rivets and links, whether the saw chain is stiff or whether the rivets and links are abnormally worn.	X		
Clean the area under the protective cover.	X		
Make sure that the screws and nuts are tight.	X		
Examine the engine, the fuel tank and the fuel lines for leaks.	X		
Clean the cooling system.		X	

Maintenance	Daily	Weekly	Monthly
Examine the starter and the starter rope for damages.		X	
Examine the vibration damping elements for damages and cracks.		X	
Clean the outside of the spark plug. Remove it and do a check of the electrode gap. Adjust the gap to the correct distance (refer to <i>To examine the spark plug on page 17</i>) or replace the spark plug. Make sure that the spark plug is fitted with a suppressor.		X	
Clean the outside of the carburetor and the space around it.		X	
File off any burrs from the edges of the bar.		X	
Clean or replace the spark arrestor screen on the muffler.		X	
Clean the fuel tank.			X
Do a check of the fuel filter for contamination and the fuel hose for cracks or other damages. Replace if necessary.			X
Do a check of all cables and connections.			X
Do a check of the clutch, clutch springs and the clutch drum for wear. Replace if necessary by an authorized service workshop.			X
Examine the spark plug. Replace the spark plug if it is necessary.			X
Do an inspection of the dielectric shaft for worn and damaged areas. Do not use the product if the dielectric shaft has worn or damaged areas. Refer to OSHA 1910.269 for more information.	X		

To adjust the idle speed

1. Make sure that the air filter is clean and the air filter cover is attached before you adjust the idle speed.
2. Start the product. Refer to *To start the product on page 14*
3. Adjust the idle speed with the idle adjustment screw T which is identified with "T" mark. Turn the idle adjustment screw clockwise until the saw chain starts to turn.



4. Turn the idle adjustment screw counterclockwise until the saw chain stops.

The idle speed is correct when the engine operates smoothly in all positions. The idle speed must be below the speed when the saw chain starts to turn.



WARNING: If the saw chain does not stop when you adjust the idle speed, turn to your nearest servicing dealer. Do not use the product until it is correctly adjusted or repaired.

Note: Refer to *Technical data on page 24* for the recommended idle speed.

To do maintenance on the muffler

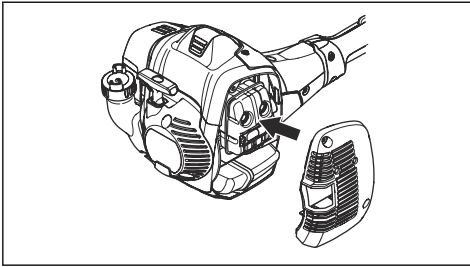
The muffler decreases the noise level and directs the exhaust gases away from the operator.



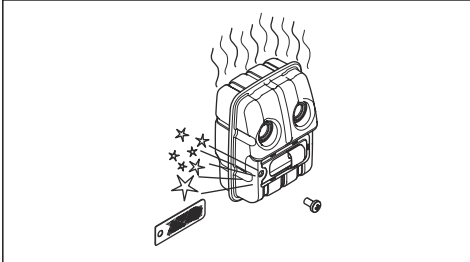
WARNING: Mufflers that have catalytic converters get very hot during operation and will stay hot for some time after you stop the product. This also applies at idle speed. If you touch the product it can result in burns to the skin. Think about of the risk of fire.

1. Stop the product and let it cool down.

2. Remove the cover to the muffler.



3. Remove the screw holding the spark arrestor mesh.



4. Clean the spark arrestor mesh if it is blocked or replace it if it is damaged.



CAUTION: The spark arrestor mesh must be replaced if it is damaged. Do not use a product if the spark arrestor mesh on the muffler is missing or damaged.



CAUTION: If the spark arrestor mesh is frequently blocked it can be a sign that performance of the catalytic converter is decreased. Turn to your servicing dealer to examine the muffler. A blocked spark arrestor mesh will cause overheating and result in damage to the cylinder and piston.

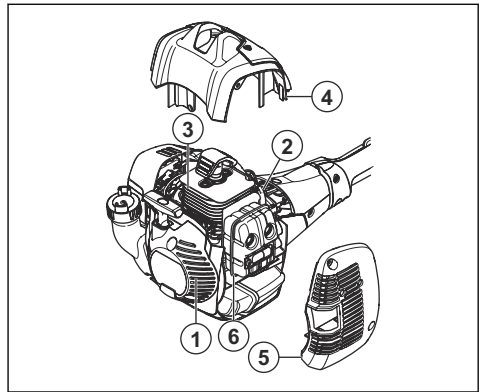
Cooling system

The product has a cooling system to keep the operation temperature as low as possible.

Clean the components of the cooling system with a brush weekly or more frequently in rougher conditions. A dirty or blocked cooling system makes the product too hot which causes damage to the piston and cylinder.

The cooling system has the following components:

1. Air intake on the starter.
2. Fins on the flywheel.
3. Cooling fins on the cylinder.
4. Cylinder cover.
5. Muffler cover.
6. Muffler plate.

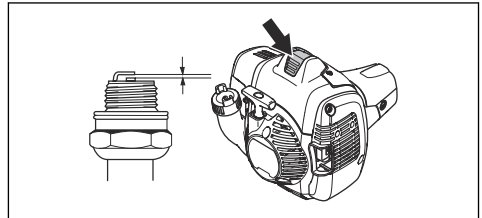


To examine the spark plug



CAUTION: Always use the recommended spark plug type, refer to *Technical data on page 24*. Incorrect spark plug type can cause damage to the product.

- Examine the spark plug if the engine is low on power, is not easy to start or does not operate correctly at idle speed.
- To decrease the risk of unwanted material on the spark plug electrodes, obey these instructions:
 - a) Make sure that the idle speed is correctly adjusted.
 - b) Make sure that the fuel mixture is correct.
 - c) Make sure that the air filter is clean.
- If the spark plug is dirty, clean it and make sure that the electrode gap is correct, refer to *Technical data on page 24*.



- Replace the spark plug if it is necessary.

Air filter

Remove dust and dirt from the air filter to keep it clean and prevent these problems:

- Carburetor malfunctions.
- Problems when you start the product.
- Loss of engine power.
- Increased wear to engine parts.
- Too much fuel consumption.

To clean the air filter

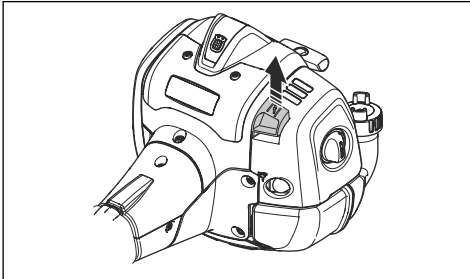


CAUTION: An air filter that is damaged, very dirty, or soaked with fuel must always be replaced.

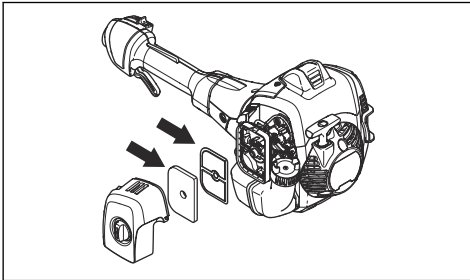
Clean the air filter from dirt and dust regularly. This prevents carburetor malfunctions, starting problems, loss of engine power, wear to engine parts and more fuel consumption than usual.

If you use an air filter for a long time, it cannot be fully cleaned. Replace the air filter with a new one at regular intervals. Refer to *Maintenance schedule on page 15*.

1. Move the choke lever up to close the choke valve.



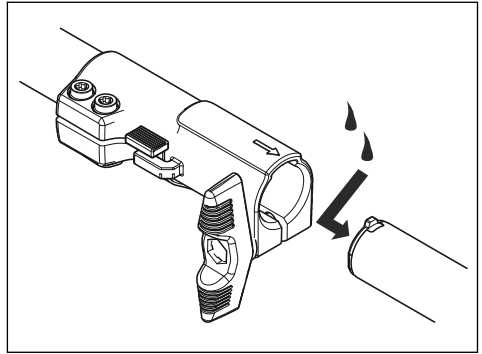
2. Remove the air filter cover and the air filters.



3. Clean the air filters with warm soap water.
4. Replace the air filters if they cannot be fully cleaned. Always replace a damaged air filter.
5. Clean the inner surface of the air filter cover. Use compressed air or a brush.
6. Do a check of the rubber seal on the air filter. Replace the air filter if the rubber seal is damaged.
7. Make sure that the air filter is dry before you install it.

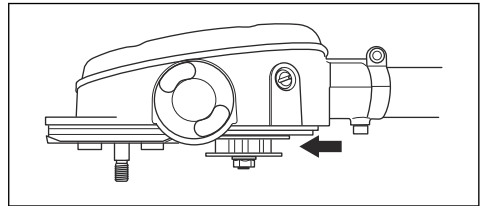
Two piece-shaft

Apply grease to the end of the drive shaft after each 30 hours of operation. There is a risk that the drive shaft ends (splined coupling) on models with two-piece shafts will seize if they are not lubricated regularly.



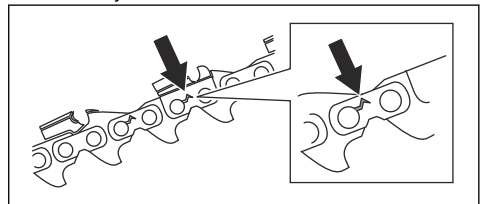
To check the chain drive sprocket

1. Regularly check the degree of wear on the drive sprocket. Replace if wear is excessive.

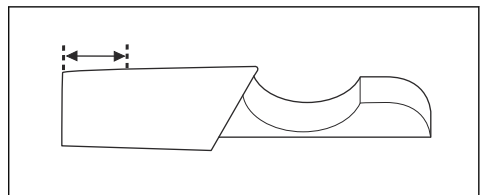


To examine the cutting equipment

1. Make sure that there are no cracks in rivets and links and that no rivets are loose. Replace if it is necessary.

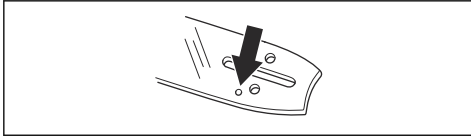


2. Make sure that the saw chain is easy to bend. Replace the saw chain if it is rigid.
3. Compare the saw chain with a new saw chain to examine if the rivets and links are worn.
4. Replace the saw chain when the longest part of the cutting tooth is less than 4 mm/0.16 in. Also replace the saw chain if there are cracks on the cutters.

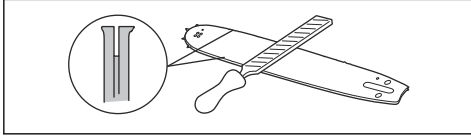


To do a check of the guide bar

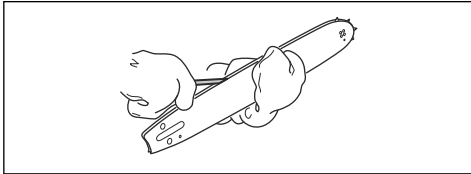
1. Make sure that the oil channel is not blocked. Clean if it is necessary.



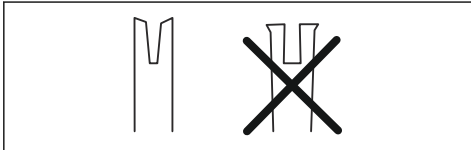
2. Examine if there are burrs on the edges of the guide bar. Remove the burrs using a file.



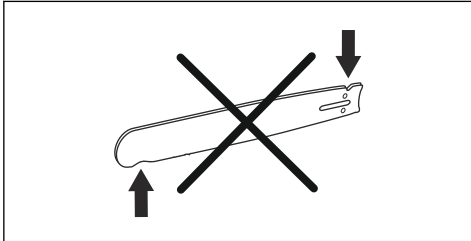
3. Clean the groove in the guide bar.



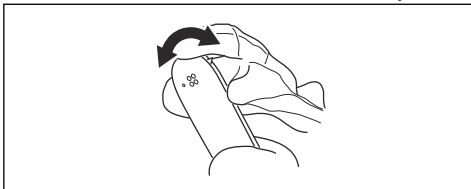
4. Examine the groove in the guide bar for wear. Replace the guide bar if it is necessary.



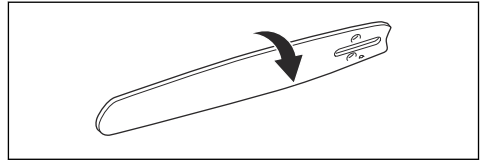
5. Examine if the guide bar tip is rough or very worn.



6. Make sure that the bar tip sprocket turns freely and that the lubricating hole in the bar tip sprocket is not blocked. Clean and lubricate if it is necessary.



7. Turn the guide bar daily to extend its life cycle.



To sharpen the saw chain

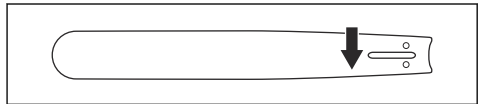
Information about the guide bar and saw chain



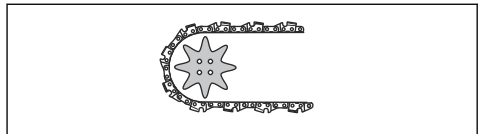
WARNING: Use protective gloves when you use or do maintenance on the saw chain. A saw chain that does not move can also cause injuries.

Replace a worn or damaged guide bar or saw chain with the guide bar and saw chain combination recommended by Husqvarna. This is necessary to keep the safety functions of the product. Refer to *Accessories* on page 24, for a list of replacement bar and chain combinations that we recommend.

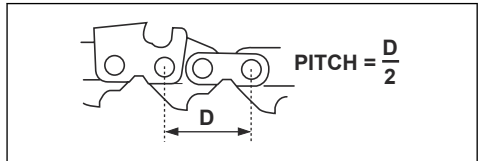
- Guide bar length, in/cm. Information about the guide bar length can usually be found on the rear end of the guide bar.



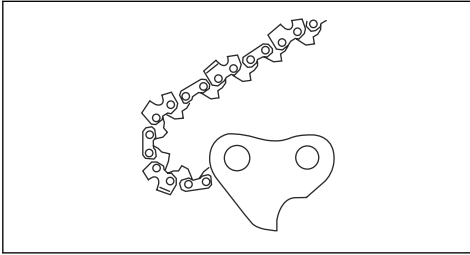
- Number of teeth on bar tip sprocket (T).



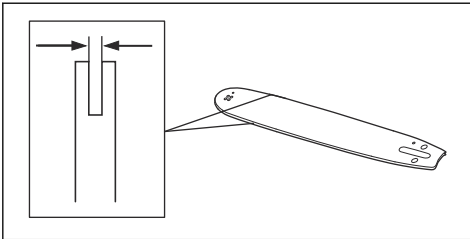
- Chain pitch, in. The distance between the drive links of the saw chain must align with the distance of the teeth on the bar tip sprocket and drive sprocket.



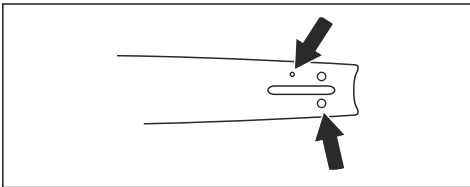
- Number of drive links. The number of drive links is decided by the type of guide bar.



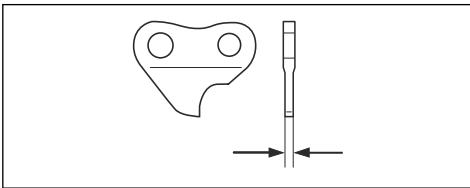
- Bar groove width, in/mm. The groove width in guide bar must be the same as the chain drive links width.



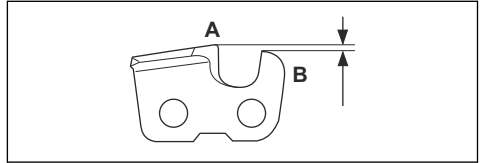
- Chain oil hole and hole for chain tensioner. The guide bar must align with product.



- Drive link width, mm/in.

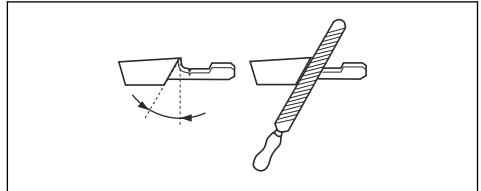


difference in height between the two gives the cutting depth (depth gauge setting).

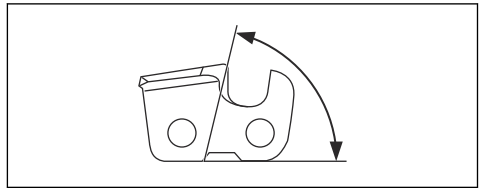


When you sharpen the cutter, think about the following:

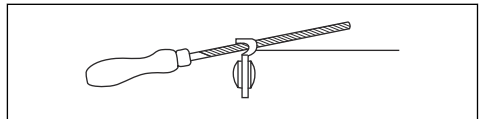
- Filing angle.



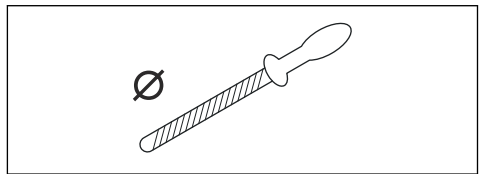
- Cutting angle.



- File position.



- Round file diameter.



It is not easy to sharpen a saw chain correctly without the correct equipment. Use Husqvarna file gauge. This will help you to keep maximum cutting performance.

Note: Refer to *To sharpen the cutters on page 21* for information about sharpening of the saw chain.

General information about how to sharpen the cutters

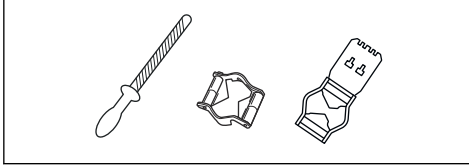
Do not use a blunt saw chain. If the saw chain is blunt, you must apply more pressure to push the guide bar through the wood. If the saw chain is very blunt, there will be no wood chips but sawdust.

A sharp saw chain eats through the wood and the wood chips becomes long and thick.

The cutting tooth (A) and the depth gauge (B) together makes the cutting part of the saw chain, the cutter. The

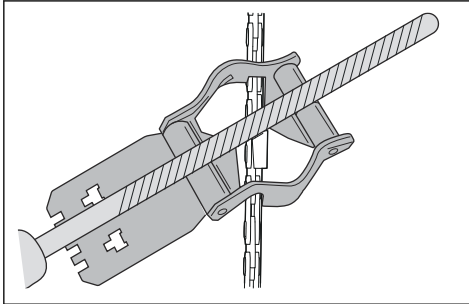
To sharpen the cutters

1. Use a round file and a file gauge to sharpen the cutting teeth.



Note: Refer to *Filing equipment and filing angles on page 25* for information about which file and gauge that Husqvarna recommends for your saw chain.

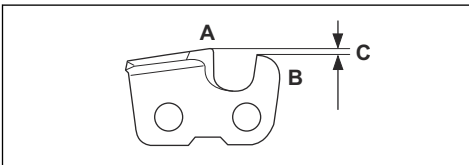
2. Apply the file gauge correctly on to the cutter. Refer to the instruction supplied with the file gauge.
3. Move the file from the inner side of the cutting teeth and out. Decrease the pressure on the pull stroke.



4. Remove material from one side of all the cutting teeth.
5. Turn the product around and remove material on the other side.
6. Make sure that all cutting teeth are the same length.

General information about how to adjust the depth gauge setting

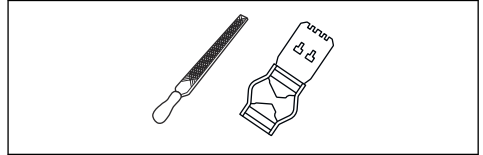
The depth gauge setting (C) decreases when you sharpen the cutting tooth (A). To keep maximum cutting performance you must remove filing material from the depth gauge (B) to receive the recommended depth gauge setting. Refer to *Technical data on page 24* for instructions about how to receive the correct depth gauge setting for your saw chain.



To adjust the depth gauge setting

Before you adjust the depth gauge setting or sharpen the cutters, refer to *General information about how to sharpen the cutters on page 20*, for instructions. We recommend you to adjust the depth gauge setting after each third operation that you sharpen the cutting teeth.

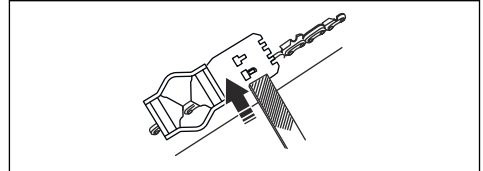
We recommend that you use our depth gauge tool to receive the correct depth gauge setting and bevel for the depth gauge.



1. Use a flat file and a depth gauge tool to adjust the depth gauge setting. Only use a Husqvarna recommended depth gauge tool to get the correct depth gauge setting and bevel for the depth gauge.
2. Put the depth gauge tool on the saw chain.

Note: See the package of the depth gauge tool for more information about how to use the tool.

3. Use the flat file to remove the part of the depth gauge that extends through the depth gauge tool.



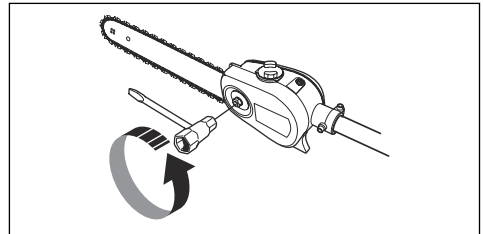
To tension the chain



WARNING: A saw chain with an incorrect tension can derail from the guide bar and cause serious injury or death.

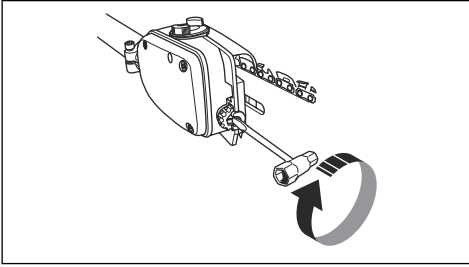
A saw chain becomes longer when you use it. Adjust the saw chain regularly.

1. Loosen the bar nut that hold the clutch cover/chain brake. Use a wrench.

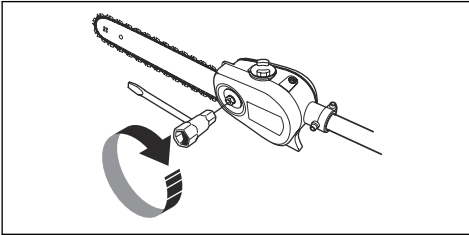


2. Tighten the bar nuts by hand as tightly as you can.

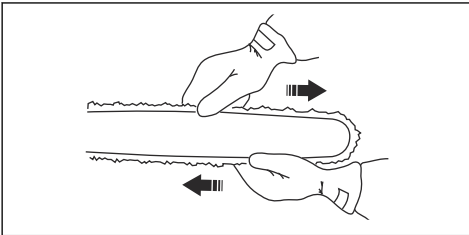
3. Lift the front of the guide bar and turn the chain tensing screw. Use a wrench.



4. Tighten the saw chain until it is tight against the guide bar but still can move easily.
5. Tighten the bar nuts using the wrench and lift the front of the guide bar at the same time.

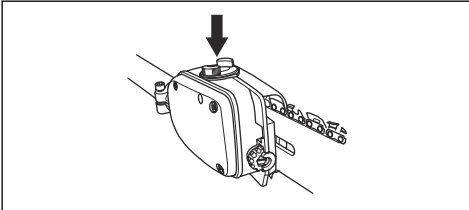


6. Make sure you can pull the saw chain around freely by hand and that it does not hang from the guide bar.



To fill with chain oil

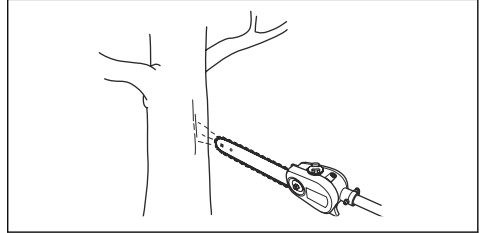
1. Open the oil cap on top of the bar head.



2. Fill with Husqvarna saw chain oil.
3. Attach the cap again.

To check the chain lubrication

1. Check the chain lubrication each time you refuel. Aim the tip of the bar at a light coloured surface about 20 cm (8 inches) away. After 1 minute running at 75 % throttle you should see a distinct line of oil on the light surface.



2. If the saw chain lubrication does not operate correctly, do a check of the guide bar. Refer to *To do a check of the guide bar on page 19* for instructions. Speak to your servicing dealer if the maintenance steps does not help.

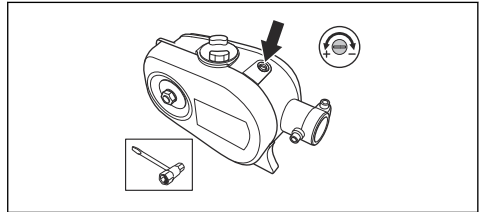
To adjust chain lubrication



WARNING: Stop the engine before you make adjustments to the oil pump.

Turn the adjustment screw for the oil pump. Use a screwdriver or combination wrench.

- Turn the adjuster screw clockwise to decrease the oil flow.



- Turn the adjuster screw counterclockwise to increase the oil flow.

Troubleshooting

The engine does not start

Check	Possible cause	Procedure
Stop switch.	The stop switch is in the stop position.	Let an approved service agent replace the stop switch.
Fuel tank.	Incorrect fuel type.	Drain the fuel tank and fill with correct fuel.
Spark plug and cylinder.	The spark plug is dirty or wet.	Make sure that the spark plug is dry and clean.
	The spark plug electrode gap is incorrect.	Clean the spark plug. Make sure that the electrode gap is correct, refer to <i>Technical data on page 24</i> . Make sure that the spark plug has a suppressor.
	The spark plug is loose.	Tighten the spark plug.
	Engine is flooded because of repeated starts with full choke after ignition.	Remove and clean the spark plug. Put the product on its side with the spark plug hole away from you. Pull the starter rope handle 6-8 times. Assemble the spark plug and start the product. Refer to <i>To start the product on page 14</i> .

The engine starts but stops again

Check	Possible cause	Procedure
Fuel tank	Incorrect fuel type.	Empty the fuel tank and fill it with correct fuel.
Air filter	The air filter is clogged.	Clean the air filter.

Transportation, storage and disposal

Transportation and storage

- For storage and transportation of the product and fuel, make sure that there are no leaks or fumes. Sparks or open flames, for example from electrical devices or boilers, can start a fire.
- Always use approved containers for storage and transportation of fuel.
- Empty the fuel and chain oil tanks before transportation or before long-term storage. Discard the fuel and chain oil at an applicable disposal location.

- Use the transportation guard on the product to prevent injuries or damage to the product. A saw chain that does not move can also cause serious injuries.
- Remove the spark plug cap from the spark plug.
- Attach the product safely during transportation.

To prepare your product for long-term storage

1. Stop the product and let it become cool before you disassemble it.

- Disassemble and clean the saw chain and the groove in the guide bar.



CAUTION: If the saw chain and guide bar are not cleaned, they can become rigid or blocked.

- Attach the transportation guard.
- Clean the product. Refer to *Maintenance on page 15* for instructions.
- Do a complete servicing of the product.

Technical data

Technical data

	525P4S	525P5S
Engine		
Cylinder displacement, cu.in/cm ³	1.55/25.4	1.55/25.4
Cylinder bore, inch/mm	1.34/34	1.34/34
Stroke, inch/mm	1.10/28	1.10/28
Recommended max. speed, rpm	11000-12000	11000-12000
Idle speed, rpm	2800-3000	2800-3000
Max. engine output, according to ISO 8893, kW/rpm	1.0/8500	1.0/8500
Catalytic converter muffler	Yes	Yes
Speed-regulated ignition system	Yes	Yes
Ignition system		
Spark plug	NGK BPMR8Y	NGK BPMR8Y
Electrode gap, inch/mm	0.026/0.65	0.026/0.65
Fuel and lubrication system		
Fuel tank capacity, US Pint/litre	1.06/0.5	1.06/0.5
Oil tank capacity, US Pint/litre	0.4/0.2	0.4/0.2
Weight		
Without fuel, cutting attachment and guard, Lbs/kg	11.7/5.3	14.1/6.4

Accessories

Guidebar and saw chain combinations

Recommended guide bar and saw chain combination.

Guide bar			Saw chain	
Length, in/cm	Pitch, in	Gauge, in/mm	Type	Length, drive links, no.
10/25	3/8	0.050/1.3	Husqvarna H37	40
12/31				45



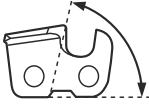

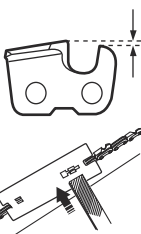

Guide bar			Saw chain	
10/25	3/8	0.050/1.3	Husqvarna S93G	40
12/31				45

Filing equipment and filing angles

Using Husqvarna file gauge will give you the correct filing angles. We recommend you to always use a Husqvarna file gauge to restore the sharpness of the

saw chain. The part numbers are given in the table below.

If you do not know which saw chain you have on your product, turn to your servicing dealer.

					
H37	5/32 in / 4.0 mm	80°	30°	0.025 in / 0.65 mm	580 24 37-01
S93G	5/32 in / 4.0 mm	60°	30°	0.025 in / 0.65 mm	587 80 90-01

Warranty

U.S FEDERAL, AND CANADA EXHAUST AND EVAPORATIVE EMISSIONS CONTROL WARRANTY STATEMENT

YOUR WARRANTY RIGHTS AND OBLIGATIONS

The U.S. Environmental Protection Agency (EPA), Environment and Climate Change Canada and Husqvarna Professional Products, Inc. are pleased to explain the exhaust and evaporative emissions ("emissions") control system warranty on your 2012 and later small off-road engine. In U.S and Canada, new equipment that use small off-road engines must be designed, built, and equipped to meet State's stringent anti-smog standards. Husqvarna Professional Products, Inc. must warrant the emissions control system on your small off-road engine for the periods of time listed below provided there has been no abuse, neglect or improper maintenance of your small off-road engine or equipment leading to the failure of the emissions control system. Your emissions control system may include parts such as the carburetor or fuel injection system, the ignition system, catalytic convertor, fuel tanks, fuel lines (for liquid fuel and fuel vapors), fuel caps, valves, canisters, filters, clamps and other associated components. Also included may be hoses, belts, connectors, and other emission-related assemblies. Where a warrantable condition exists, Husqvarna Professional Products, Inc. will repair your small off-road engine at no cost to you including diagnosis, parts and labor.

MANUFACTURER'S WARRANTY COVERAGE

The exhaust and evaporative emissions control system on your small off-road engine is warranted for two years. If any emissions-related part on your small off-road engine is defective, the part will be repaired or replaced by Husqvarna Professional Products, Inc..

OWNER'S WARRANTY RESPONSIBILITIES

- As the small off-road engine owner, you are responsible for performance of the required maintenance listed in your owner's manual. Husqvarna Professional Products, Inc. recommends that you retain all receipts covering maintenance on your small off-road engine, but Husqvarna Professional Products, Inc. cannot deny warranty coverage solely for the lack of receipts or for your failure to ensure the performance of all scheduled maintenance.
- As the small off-road engine owner, you should however be aware that Husqvarna Professional Products, Inc. may deny you warranty coverage if your small off-road engine or a part has failed due to abuse, neglect, or improper maintenance or unapproved modifications.

- You are responsible for presenting your small off-road engine to a Husqvarna Professional Products, Inc. authorized servicing dealer as soon as the problem exists. The warranty repairs shall be completed in a reasonable amount of time, not to exceed 30 days. If you have any questions regarding your warranty rights and responsibilities, you should contact Husqvarna Professional Products, Inc. in USA at 1-800-487-5951, in CANADA at 1-800-805-5523 or send e-mail correspondence to emissions@husqvarnagroup.com or warranty@hpp-emissions.com.

WARRANTY COMMENCEMENT DATE

The warranty period begins on the date the engine or equipment is delivered to an ultimate purchaser.

LENGTH OF COVERAGE

Husqvarna Professional Products, Inc. warrants to the ultimate purchaser and each subsequent owner that the engine or equipment is designed, built, and equipped so as to conform with all applicable regulations adopted by EPA, and is free from defects in materials and workmanship that causes the failure of a warranted part for a period of two years.

WHAT IS COVERED

REPAIR OR REPLACEMENT OF PARTS: Repair or replacement of any defective warranted part will be performed at no charge to you at a brand authorized servicing dealer. Except for repairs and replacement under this Emission Control Warranty, you may choose a repair shop or other person to maintain, replace or repair emission control devices and systems. However, Husqvarna Professional Products, Inc. recommends that all maintenance, replacement and repairs of emission control devices and systems be performed by a brand authorized servicing dealer.

IMPORTANT: This product is compliant with U.S. EPA Phase 3 regulations for exhaust and evaporative emissions. To ensure EPA Phase 3, and Climate Change Canada regulation, we recommend using only genuine product branded replacement parts. Use of non-compliant replacement parts is a violation of federal and state laws.

WARRANTY PERIOD: Any warranted part which is not scheduled for replacement as required maintenance, or which is scheduled only for regular inspection to the effect of "repair or replace as necessary" is warranted for 2 years (or time defined in the product warranty statement, whichever is longer) from the date of purchase by the initial consumer purchaser. Any warranted part which is scheduled for replacement as required maintenance is warranted for the period of the time up to the first scheduled replacement for that part. Any part repaired or replaced under the warranty must be warranted for the remaining warranty period.

DIAGNOSIS: You will not be charged for diagnostic labor that leads to the determination that a warranted part is in fact defective, provided that such diagnostic work is performed at a brand authorized servicing dealer.

OTHER DAMAGES: Husqvarna Professional Products, Inc. will repair other engine components caused by the failure of a warranted part still under warranty.

EMISSION WARRANTY PARTS LIST

1. Carburetor and intake parts or fuel injection system.
2. Air filter and fuel filter covered up to maintenance schedule.
3. Spark Plug, covered up to maintenance schedule.
4. Ignition Module.
5. Mufflers with catalyst and exhaust manifolds.
6. Fuel tank, fuel lines (for liquid fuel and fuel vapors), fuel cap, carbon canister and tip-over/anti-slosh valves as applicable.*
7. Electronic Controls, Vacuum, temperature, and time sensitive valves and switches.
8. Hoses, connectors, and assemblies.
9. All other components the failure of which would increase the engine's exhaust and evaporative emissions of any regulated pollutant as set forth at the following:
 - For U.S. and Canada see US Federal Code of Regulations, 40 C.F.R 1068 Appendix I (iii).

WHAT IS NOT COVERED

All failures caused by abuse, neglect, unapproved modifications, misuse or improper maintenance are not covered.

ADD -ON OR MODIFIED PARTS: Add-on or modified parts that are not exempted by EPA may not be used. The use of any non-exempted add-on or modified parts will be grounds for disallowing a warranty claim. Husqvarna Professional Products, Inc. will not be liable to warrant failures of warranted parts caused by the use of a non-exempted add-on or modified part.

HOW TO FILE A CLAIM

If you have any questions regarding your warranty rights and responsibilities, you should contact your nearest authorized servicing dealer or call Husqvarna Professional Products, Inc. in USA at 1-800-487-5951, in CANADA at 1-800-805-5523 or send e-mail correspondence to emissions@husqvarnagroup.com or warranty@hpp-emissions.com.

WHERE TO GET WARRANTY SERVICE

Warranty services or repairs are provided through all Husqvarna Professional Products, Inc. authorized servicing dealers. If the nearest authorized servicing dealer is more than 100 miles from your location, Husqvarna Professional Products, Inc. will arrange and pay for the shipping costs to and from a brand authorized servicing dealer or otherwise arrange

for warranty service in accordance with applicable regulations.

MAINTENANCE, REPLACEMENT AND REPAIR OF EMISSION-RELATED PARTS

Any replacement part may be used in the performance of any warranty maintenance or repairs and must be provided without charge to the owner. Such use will not reduce the warranty obligations of the manufacturer.

MAINTENANCE STATEMENT

The owner is responsible for the performance of all required maintenance, as defined in the owner's manual.

* Evaporative emission parts.

Contenido

Introducción.....	28	Solución de problemas.....	51
Seguridad.....	30	Transporte, almacenamiento y eliminación de residuos.....	51
Montaje.....	36	Datos técnicos.....	52
Funcionamiento.....	38	Accesorios.....	53
Mantenimiento.....	42	Garantía.....	54

Introducción

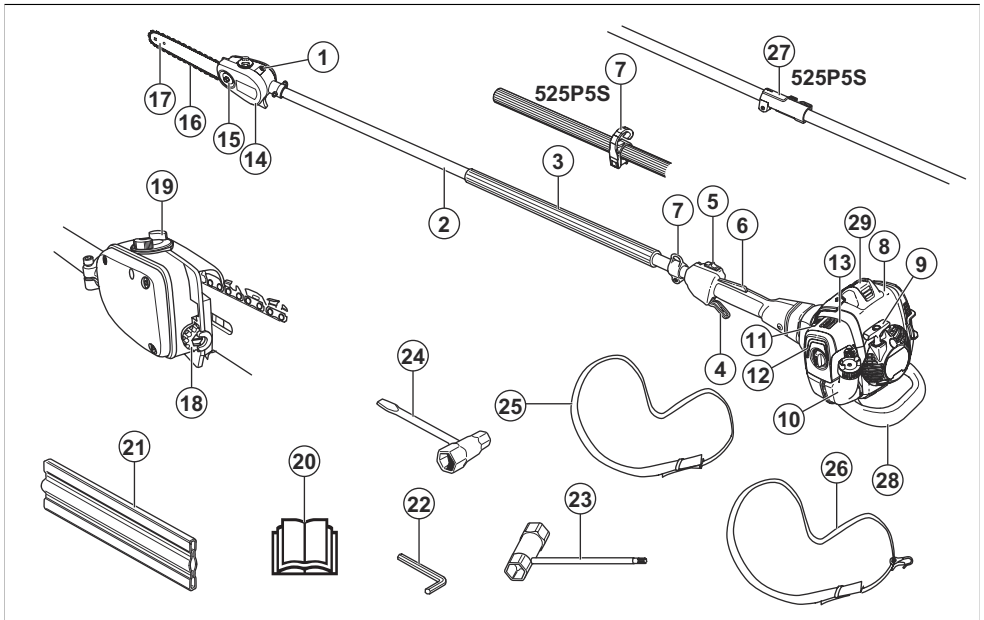
Uso específico

Este producto se utiliza para cortar ramas grandes y pequeñas.

Utilice el producto solo con accesorios aprobados por el fabricante. Consulte *Accesorios en la página 53*.

Tenga en cuenta: Las normativas nacionales pueden establecer un límite para el funcionamiento del producto.

Descripción general del producto



- | | |
|---|---|
| 1. Tornillo de ajuste de lubricación de la cadena | 8. Cubierta del cilindro |
| 2. Eje | 9. Empuñadura de arranque |
| 3. Mango delantero | 10. Depósito de combustible |
| 4. Gatillo del acelerador | 11. Estrangulador |
| 5. Interruptor de detención | 12. Purga de aire |
| 6. Bloqueo del acelerador | 13. Cubierta del filtro de aire |
| 7. Gancho de sujeción del arnés | 14. Protección para la cadena de sierra |

15. Tuerca de la espada
16. Cadena de sierra
17. Espada guía
18. Tornillo de tensado de cadena
19. Depósito de aceite para cadena
20. Manual del usuario
21. Protección para transportes, espada
22. Llave hexagonal
23. Llave combinada
24. Llave combinada, tensor de la cadena
25. Arnés 525P5S
26. Arnés 525P4S
27. Acoplamiento de eje
28. Protección contra impactos
29. Sombrero de bujía y bujía

Símbolos en el producto



ADVERTENCIA: Este producto es peligroso. El usuario o las personas que se encuentran cerca pueden sufrir lesiones o la muerte si el producto no se utiliza con cuidado y correctamente. Para evitar daños graves al usuario o a las personas que se encuentran cerca, lea y siga todas las instrucciones de seguridad del manual de usuario.



Lea atentamente el manual de usuario y asegúrese de que entiende las instrucciones antes de usar el producto.



Detención.



Utilice un casco protector en lugares donde puedan caer objetos sobre usted. Use protección auricular aprobada. Use protección ocular aprobada.



Use guantes protectores homologados.



Use botas antideslizantes de servicio pesado.



Combustible.



Aceite para cadena.



Ajuste del flujo de aceite.



Sentido de rotación, cadena de sierra.



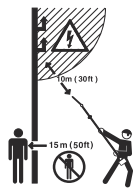
Pera de cebado.



Estrangulador.

aaaassxxx

La placa de características o la impresión láser muestra el número de serie. **aaaa** es el año de producción, y **ss** es la semana de producción.

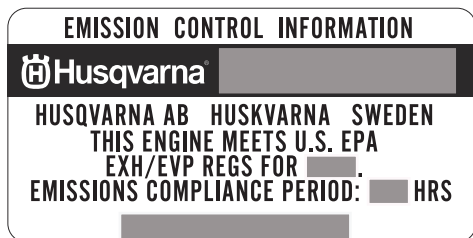


Este producto no tiene aislamiento eléctrico. Si el producto entra en contacto o se acerca al tendido eléctrico de alta tensión, puede provocar lesiones graves o fatales. La electricidad puede transmitirse de un punto mediante la formación de arcos eléctricos. A mayor voltaje, mayor es la distancia a la que la electricidad puede transmitirse. La electricidad también puede transmitirse a través de ramas y otros objetos, especialmente si están húmedos. Siempre mantenga una distancia de al menos 10 m entre la máquina y el tendido eléctrico de alta tensión o cualquier objeto que lo esté tocando. Si debe trabajar en esta distancia de seguridad, siempre debe comunicarse con la central eléctrica correspondiente para asegurarse de que la electricidad esté desconectada antes de empezar a trabajar.

Mientras trabaja, el operador del producto se debe asegurar de que ninguna persona o animal se acerque a menos de 15 metros.

Tenga en cuenta: Otros símbolos o etiquetas del producto hacen referencia a requisitos de certificación para otras zonas comerciales.

EPA III



El período de cumplimiento de emisiones al que se hace referencia en la etiqueta de cumplimiento de emisiones

indica la cantidad de horas de funcionamiento para la que se ha demostrado que el motor cumple el requisito de emisiones federales. El mantenimiento, reemplazo o reparación de los dispositivos y sistemas de control de emisiones puede realizarlo cualquier establecimiento o persona de que repare motores para uso fuera de carretera.

Daños en el producto

No somos responsables de los daños a nuestro producto en los siguientes casos:

- el producto se repara incorrectamente
- el producto se repara con piezas que no son del fabricante o que este no autoriza
- el producto tiene un accesorio que no es del fabricante o que este no autoriza
- el producto no se repara en un centro de servicio autorizado o por una autoridad aprobada.

Seguridad

Definiciones de seguridad

Las advertencias, precauciones y notas se utilizan para señalar las piezas particularmente importantes del manual.



ADVERTENCIA: Se utilizan para señalar el riesgo de lesiones graves o mortales para el operador o para aquellos que se encuentren cerca si no se siguen las instrucciones del manual.



AVISO: Se utilizan para señalar el riesgo de dañar la máquina, otros materiales o el área adyacente si no se siguen las instrucciones del manual.

Tenga en cuenta: Se utilizan para entregar más información necesaria en situaciones particulares.

Instrucciones generales de seguridad



ADVERTENCIA: Lea atentamente las instrucciones de advertencia siguientes antes de usar el producto.

- En este producto se genera un campo electromagnético durante su funcionamiento. Este campo puede, en determinadas circunstancias, interferir con implantes médicos activos o pasivos. Para reducir el riesgo de daños graves o mortales, recomendamos que las personas con implantes médicos consulten a su médico y al fabricante del implante médico antes de usar este producto.
- Este producto puede ser una herramienta peligrosa si no se maneja con cuidado o si utiliza el producto de forma incorrecta. Este producto puede causar daños graves o fatales al operador o a otras personas.
- Es muy importante que lea y comprenda el contenido de este manual de usuario. Si no

está seguro acerca de una situación laboral o los procedimientos operativos después de leer el manual de instrucciones, consulte con un taller de servicio antes de continuar.

- Bajo ninguna circunstancia se puede modificar el diseño del producto sin autorización del fabricante. No utilice un producto que parezca haber sido modificado por otras personas y utilice solo los accesorios recomendados para este producto. Las modificaciones o accesorios no autorizados pueden provocar daños personales o la muerte del operador u otras personas.
- Revise el producto antes de utilizarlo. Consulte *Dispositivos de seguridad en el producto en la página 33* y *Dispositivos de seguridad en el producto en la página 33*. No utilice un producto que esté dañado o que no funcione correctamente. Realice los controles de seguridad, el mantenimiento y las instrucciones de servicio descritos en este manual.
- Un silenciador, un apagachispas y una cara de montaje del apagachispas usados pueden contener depósitos de partículas de combustión que pueden ser carcinógenas. Evite la exposición a estos compuestos cuando manipule el silenciador o el apagachispas. Antes de manipular el silenciador y/o el apagachispas, consulte *Para comprobar el silenciador en la página 34*.

Instrucciones de seguridad para el montaje



ADVERTENCIA: Antes de utilizar el producto, lea, comprenda y siga estas instrucciones cuidadosamente.

- Toda la cubierta del embrague y el eje deben estar montados antes de encender la máquina; de lo contrario, el embrague se puede desprender y provocar daños personales.
- Los únicos accesorios que se pueden utilizar con este producto son los equipos de corte que recomendamos. Consulte *Accesorios en la página 53*.
- Use guantes protectores homologados.
- Antes de arrancar el motor, asegúrese de montar la cubierta protectora y el eje de forma adecuada.

Instrucciones de seguridad para el funcionamiento



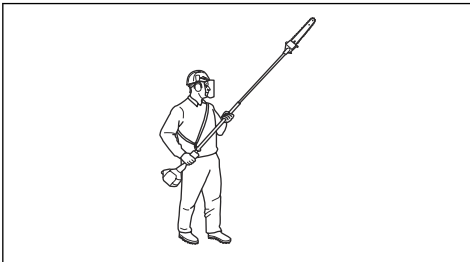
ADVERTENCIA: Lea atentamente las instrucciones de advertencia antes de realizar mantenimiento al producto.

- Utilice equipo de protección personal, consulte *Equipo de protección personal en la página 32*.
- Este producto no tiene aislamiento eléctrico. Si el producto entra en contacto o se acerca al tendido

eléctrico de alta tensión, puede provocar daños personales graves o letales. La electricidad puede transmitirse de un punto mediante la formación de arcos eléctricos. A mayor tensión, mayor es la distancia a la que la electricidad puede transmitirse. La electricidad también puede transmitirse a través de ramas y otros objetos, especialmente si están húmedos. Mantenga siempre una distancia mínima de 10 m entre el producto y el tendido eléctrico de alto voltaje o de cualquier otro objeto que se encuentre en contacto. Si debe trabajar en esta distancia de seguridad, siempre debe ponerse en contacto con la central eléctrica correspondiente para asegurarse de que la electricidad esté desconectada antes de empezar a trabajar.

- La sobreexposición a las vibraciones puede producir trastornos vasculares o daños al sistema nervioso en personas que padecen de problemas de circulación. Comuníquese con su médico si experimenta síntomas de sobreexposición a las vibraciones. Estos síntomas son entumecimiento, pérdida de sensibilidad, hormigueo, ardor, dolor, pérdida de fuerza, cambios en el color o el estado de la piel. Normalmente, estos síntomas se presentan en los dedos, las manos o las muñecas. El riesgo aumenta a bajas temperaturas.
- El interior del silenciador contiene productos químicos que pueden ser cancerígenos. Evite el contacto con estos elementos en caso de que se dañe el silenciador. La inhalación a largo plazo de los gases de escape del motor, la niebla que provoca el aceite para cadena y el polvo de serrín pueden representar un riesgo para la salud.
- Nunca utilice la máquina en un espacio interior o en espacios sin ventilación adecuada. Los gases de escape contienen monóxido de carbono: un gas inodoro, tóxico y altamente peligroso.
- No haga funcionar un producto sin un silenciador o con un silenciador dañado. Un silenciador dañado puede aumentar el nivel de ruido y el riesgo de incendio. Mantenga a mano herramientas de extinción de incendios. Si debe tener una red apagachispas en su área, no use el producto sin una o con una en condiciones defectuosas.
- Si la cadena de sierra no se detiene cuando está en ralentí, ajuste el régimen de ralentí. Consulte *Para ajustar el régimen de ralentí en la página 43*. No utilice la máquina hasta que esté correctamente ajustada o reparada.
- Este producto es de largo alcance. Asegúrese de que ninguna persona o animal se acerque a menos de 15 metros cuando el producto esté funcionando. Siempre mire hacia atrás antes de dar la vuelta con el producto. Detenga el producto de inmediato si una persona o animal ingresa en la zona de seguridad de 15 m. Si más de un operador trabaja en el mismo lugar, mantenga una distancia de seguridad de un mínimo de 15 m.
- Siga las reglas de seguridad cuando trabaje cerca del tendido eléctrico. La caída de ramas también puede provocar cortocircuitos.

- Nunca se ubique directamente debajo de una rama que esté siendo cortada. Esto podría provocar daños graves e incluso fatales.
- Tenga cuidado con los trozos de rama que puedan salir despedidos durante el corte. No corte demasiado cerca del suelo, donde piedras y otros objetos puedan salir despedidos.
- No opere la máquina en condiciones climáticas desfavorables, como nieblas densas, lluvias abundantes, vientos fuertes y fríos intensos. Operar con mal tiempo puede agotarlo y aumentar los riesgos, como suelo con hielo y una dirección de derribo impredecible.
- No utilice el producto si está cansado, enfermo o bajo la influencia del alcohol, las drogas o algún medicamento, ya que esto puede afectar de forma negativa su visión, estado de alerta, coordinación y juicio.
- Asegúrese de poder moverse sin problemas y tener una postura segura. Revise el área a su alrededor en busca de obstáculos como raíces, rocas, ramas y zanjas. Tenga cuidado cuando trabaje en pendientes.
- No retire el material de corte, ni deje que otras personas lo hagan, mientras el motor se encuentre encendido o el equipo de corte siga girando, ya que puede provocar daños graves.
- No se estire demasiado. Mantenga los pies en una posición estable y un buen equilibrio en todo momento.
- Siempre sujete el producto con ambas manos. Mantenga el producto al lado derecho de su cuerpo.



- Mantenga las manos y los pies alejados de la cadena de sierra hasta que se haya detenido por completo cuando se desactive el producto.
- No trabaje nunca desde una escalera, taburete ni ninguna otra posición elevada que no cumpla cabalmente con las normas de seguridad.
- No suelte el producto con el motor encendido, a menos que lo tenga a la vista.
- Cuando utilice protectores auriculares, esté atento a las señales de advertencia y voces fuertes. Siempre retire sus protectores auriculares cuando se detenga el motor.
- Detenga el motor antes de pasar a una nueva área de trabajo. Siempre coloque la protección para transportes antes de mover el equipo.

- Nunca permita que los niños utilicen el producto o que estén cerca de este. Saque el sombrerete de bujía cuando no se supervise el producto atentamente.

Equipo de protección personal



ADVERTENCIA: Lea atentamente las instrucciones de advertencia siguientes antes de usar el producto.

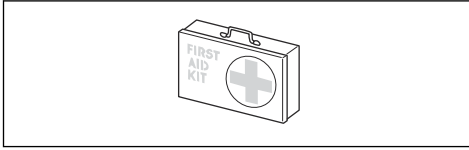
- Utilice siempre el equipo de protección personal adecuado cuando use el producto. El equipo de protección personal no puede impedir el riesgo de lesiones, pero disminuirá el grado de lesión si ocurre un accidente. Permita que su concesionario lo ayude a seleccionar el equipo adecuado.
- Utilice un casco protector cuando exista el riesgo de caída de objetos.
- Utilice protectores auriculares aprobados que proporcionen una reducción de ruido adecuada. La exposición prolongada al ruido puede causar la pérdida permanente de la audición.
- Use protección ocular homologada. Si utiliza un visor, también debe usar gafas protectoras homologadas. Las gafas protectoras homologadas deben cumplir con la norma ANSI Z87.1 de EE. UU. o EN 166 para países de la UE.
- Utilice un visor para proteger el rostro. El visor no es suficiente para proteger los ojos.



- Utilice guantes cuando sea necesario, por ejemplo, cuando conecte, examine o limpie el equipo de corte.
- Utilice botas resistentes antideslizantes.
- Utilice ropa de material resistente. Use siempre pantalones largos y gruesos, y mangas largas. Evite usar ropas holgadas que se puedan enganchar con ramas. No trabaje con joyas, pantalones cortos, sandalias ni con los pies descalzos. Asegure su cabello por encima del nivel de los hombros.



- Mantenga un equipo de primeros auxilios a mano.



Dispositivos de seguridad en el producto



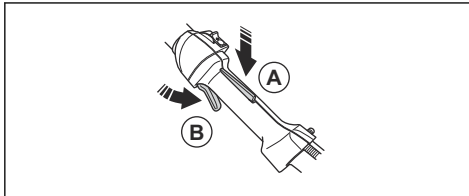
ADVERTENCIA: Lea atentamente las instrucciones de advertencia siguientes antes de usar el producto.

- No utilice un producto con dispositivos de seguridad dañados o que no funcionen correctamente.
- Revise los dispositivos de seguridad de forma regular. Consulte *Programa de mantenimiento en la página 42*.
- Si los dispositivos de seguridad están dañados o no funcionan correctamente, hable con su distribuidor de servicio de Husqvarna.

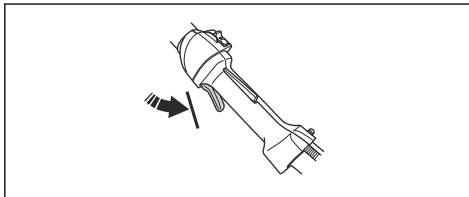
Comprobación del fiador del acelerador

El bloqueo del acelerador evita el funcionamiento accidental del acelerador.

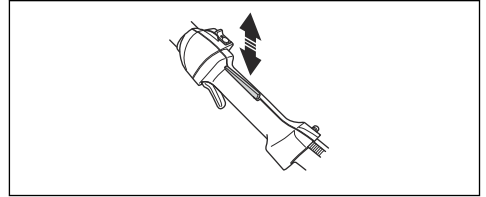
1. Presione el bloqueo del acelerador (A) y asegúrese de que se suelte el acelerador (B). Cuando suelta la manija, el gatillo del acelerador y el acelerador vuelven a sus posiciones iniciales.



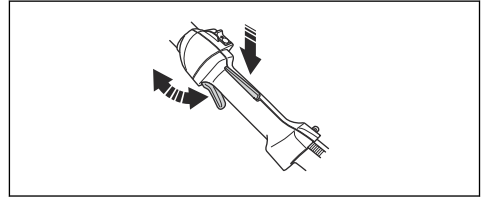
2. Suelte el bloqueo del acelerador y asegúrese de que el acelerador esté bloqueado en régimen de ralentí.



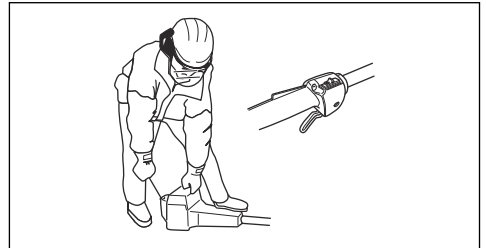
3. Presione el bloqueo del acelerador y asegúrese de que vuelva a su posición inicial cuando lo suelte.



4. Asegúrese de que el acelerador y el bloqueo del acelerador se muevan libremente y que los resortes de retorno funcionen de manera correcta.

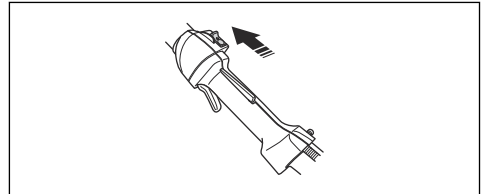


5. Encienda el producto y aplique la aceleración máxima. Consulte *Para poner en marcha la máquina en la página 41*.
6. Suelte el acelerador y asegúrese de que el equipo de corte se detenga. Si el equipo de corte gira con el acelerador en la posición de ralentí, revise los ajustes del carburador. Consulte *Mantenimiento en la página 42*.



Para comprobar el interruptor de detención

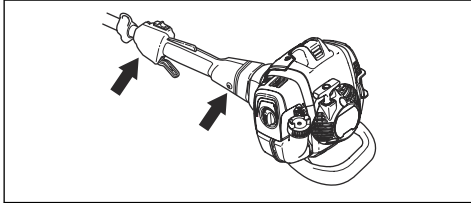
1. Arranque el motor.
2. Mueva el interruptor de detención a la posición de detención y asegúrese de que el motor se detenga.



Para comprobar el sistema amortiguador de vibraciones

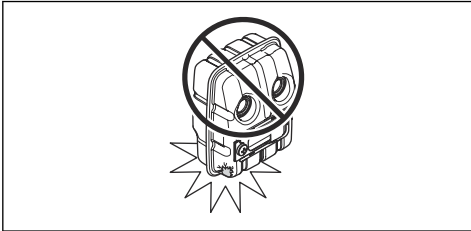
El sistema amortiguador de vibraciones disminuye la vibración en los manillares al mínimo, lo que facilita la operación. El sistema amortiguador de vibraciones del producto reduce la transmisión de las vibraciones entre la unidad del motor y la unidad del eje del producto.

1. Detenga el motor.
2. Realice una inspección visual para detectar deformaciones y daños, por ejemplo, grietas.

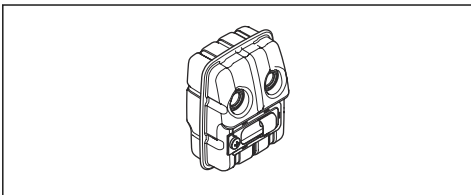


3. Asegúrese de conectar los elementos del sistema amortiguador de vibraciones correctamente.

Para comprobar el silenciador

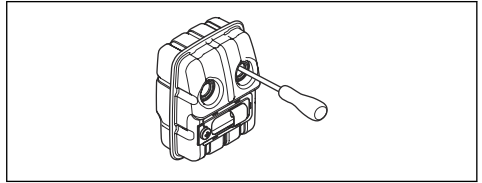


El silenciador mantiene los niveles de ruido al mínimo y dirige los gases de escape lejos del operador. En áreas de clima cálido y seco, existe un alto riesgo de incendios. Siga las normas locales y las instrucciones de mantenimiento

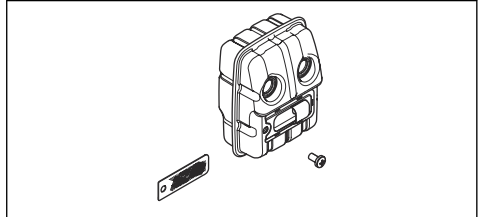


- Realice una comprobación visual para determinar si hay daños y deformaciones.

- Asegúrese de que el silenciador esté correctamente unido al producto.



- Realice una inspección visual de la red apagachispas.



Consulte *Para realizar tareas de mantenimiento en el silenciador en la página 44.*

Seguridad de combustible



ADVERTENCIA: Lea atentamente las instrucciones de advertencia siguientes antes de usar el producto.

- No mezcle el combustible en interiores o cerca de una fuente de calor.
- No arranque el producto si hay combustible o aceite de motor en el producto. Quite el combustible o aceite no deseado y deje secar el producto. Quite el combustible no deseado del producto.
- Si derrama combustible en su ropa, cámbiese la ropa inmediatamente.
- No permita que le caiga combustible en el cuerpo, ya que puede causar lesiones. Si le cae combustible en el cuerpo, utilice jabón y agua para quitarlo.
- No arranque el motor si derrama aceite o combustible en el producto o en su cuerpo.
- No arranque el producto si el motor tiene una fuga. Examine frecuentemente el motor en busca de fugas.
- Tenga cuidado con el combustible. El combustible es inflamable y los gases son explosivos y pueden causar lesiones graves o fatales.
- No respire los gases del combustible, ya que pueden causar lesiones. Asegúrese de que haya suficiente flujo de aire.
- No fume cerca del combustible o del motor.
- No coloque objetos calientes cerca del combustible o del motor.
- No agregue combustible cuando el motor esté en marcha.
- Asegúrese de que el motor se enfríe antes de llenar el depósito de combustible.

- Antes de llenar el depósito de combustible, abra lentamente la tapa del depósito de combustible y libere la presión con cuidado.
- Asegúrese de que haya suficiente flujo de aire cuando recargue y mezcle combustible (gasolina y aceite para motores de dos tiempos) o cuando vacíe el depósito de combustible.
- El combustible y sus gases son altamente inflamables y pueden causar lesiones graves si se inhalan o entran en contacto con la piel. Por esta razón, tenga precaución al manipular el combustible y asegúrese de que haya suficiente ventilación.
- Apriete la tapa del depósito de combustible con cuidado para evitar incendios.
- Mueva el producto a un mínimo de 3 m (10 pies) de la posición en la que se llenó el depósito antes de empezar.
- No ponga demasiado combustible en el depósito de combustible.
- Asegúrese de que no se puedan provocar fugas cuando mueva el producto o el recipiente de combustible.
- No coloque el producto ni un recipiente de combustible donde haya una llama expuesta, una chispa o una fuente de calor. Asegúrese de que no haya una llama expuesta en el área de almacenamiento.
- Utilice solamente contenedores aprobados cuando mueva el combustible o coloque el combustible en el almacenamiento.
- Vacíe el depósito de combustible antes de un almacenamiento a largo plazo. Cumpla con las leyes locales en cuanto al lugar en dónde se puede deshacer del combustible.
- Limpie el producto antes de un almacenamiento a largo plazo.
- Retire el sombrerete de bujía antes de almacenar el producto para asegurarse de que el motor no arranque accidentalmente.

Instrucciones de seguridad para el mantenimiento



ADVERTENCIA: Lea atentamente las instrucciones de advertencia antes de realizar mantenimiento al producto.

- Realice solo el mantenimiento y el servicio que se indican en este manual del usuario. Deje que el personal de mantenimiento profesional realice todas las demás tareas de mantenimiento y reparación.
- Realice periódicamente las comprobaciones de seguridad, el mantenimiento y las instrucciones de servicio que se señalan en este manual. El mantenimiento periódico aumenta la vida útil del producto y disminuye el riesgo de accidentes. Consulte *Mantenimiento en la página 42* para obtener instrucciones.

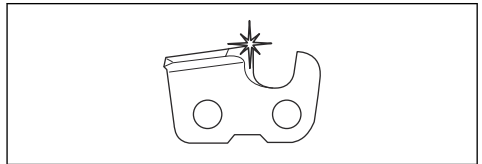
- Si las comprobaciones de seguridad de este manual de instrucciones no se aprueban después de realizar el mantenimiento, consulte con su concesionario de servicio. Garantizamos que existen reparaciones y servicios profesionales disponibles para su producto.

Instrucciones de seguridad para el equipo de corte

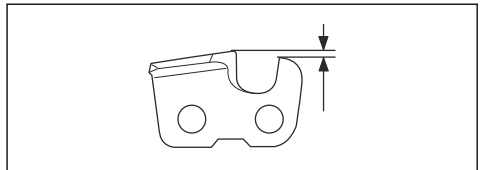


ADVERTENCIA: Lea atentamente las instrucciones de advertencia siguientes antes de usar el producto.

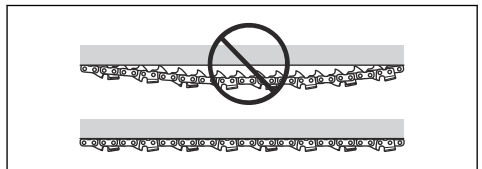
- Utilice solo las combinaciones de espada/cadena de sierra y el equipo de limado que recomendamos. Consulte *Accesorios en la página 53* para obtener instrucciones.
- Utilice guantes protectores cuando utilice la cadena de sierra o cuando realice mantenimiento en esta. Una cadena de sierra que no se mueve también puede causar lesiones.
- Mantenga los dientes de corte correctamente afilados. Siga las instrucciones y utilice el calibrador de afilado recomendado. Una cadena de sierra dañada o afilada incorrectamente aumenta el riesgo de accidentes.



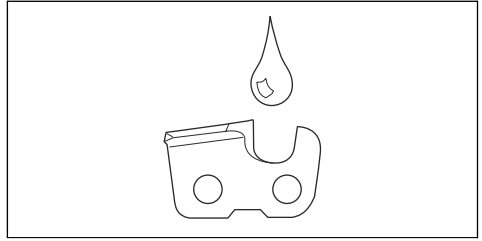
- Mantenga el ajuste correcto del calibre de profundidad. Siga las instrucciones y utilice el ajuste de calibre de profundidad recomendado.



- Asegúrese de que la cadena de sierra tiene la tensión correcta. Si la cadena de sierra no está apretada contra la espada guía, se puede descarrilar. Una tensión incorrecta de la cadena de sierra aumenta el desgaste de la espada guía, la cadena de sierra y el piñón de arrastre de la cadena. Consulte *Para tensar la cadena en la página 49*.



- Realice mantenimiento de forma regular al equipo de corte y manténgalo correctamente lubricado. Si la cadena de sierra no está lubricada correctamente, se aumenta el riesgo de desgaste de la espada guía, de la cadena de sierra y del piñón de arrastre de la cadena.

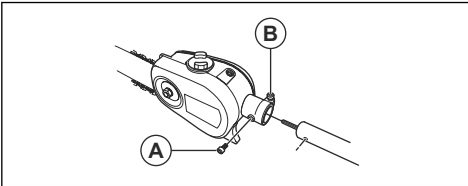


Montaje

Para montar el cabezal de corte



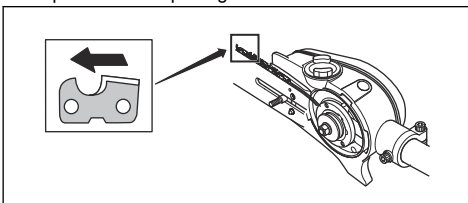
AVISO: Asegúrese de que el eje propulsor en el eje se acople con la abertura en el cabezal de corte.



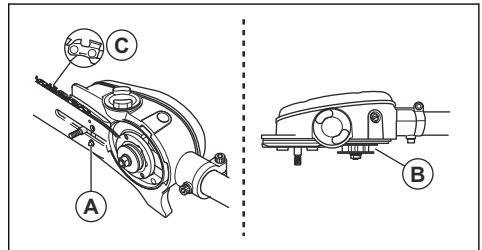
1. Afloje el tornillo en el cabezal de corte, (A)
2. Ajuste el cabezal de corte en el eje para que el tornillo (A) esté alineado con el agujero del eje como se muestra en la imagen.
3. Apriete el tornillo (A). Asegúrese de que el tornillo (A) encaje en el agujero del eje.
4. Apriete el tornillo (A).
5. Apriete el tornillo (B).

Para montar la espada y la cadena

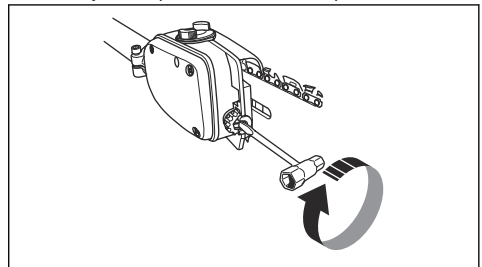
1. Desatornille la tuerca de la espada y retire la cubierta protectora.
2. Monte la espada en el tornillo de espada. Coloque la espada lo más atrás posible. Coloque la cadena sobre el piñón de arrastre y en la ranura de la espada. Comience en la parte superior de la espada.
3. Asegúrese de que los bordes de las uniones de corte estén orientados hacia delante en el borde superior de la espada guía.



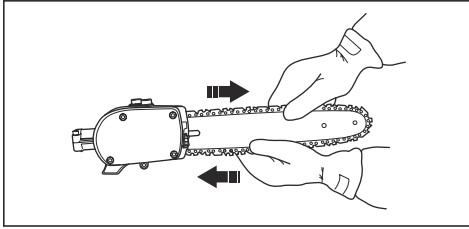
4. Ajuste la tapa y ubique el pasador de ajuste de cadena (A) en el orificio de la espada. Compruebe que los eslabones de arrastre de la cadena se ajustan correctamente en el piñón de arrastre (B) y que la cadena está en la ranura de la espada (C). Apriete la tuerca de la espada con los dedos.



5. Tense la cadena girando el tornillo de tensado de cadena hacia la derecha mediante la llave combinada. La cadena debe tensarse hasta que no se afloje en la parte inferior de la espada.



- La cadena está correctamente tensada cuando no cuelga en la parte inferior de la espada, pero todavía se puede hacer girar fácilmente a mano. Levante la puntera y apriete las tuercas de la espada con la llave combinada.

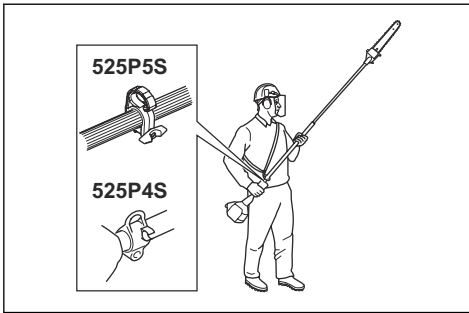


- Cuando se monta una cadena nueva, la tensión de la cadena tiene que ser revisada con frecuencia hasta que la cadena esté en marcha. Compruebe la tensión de la cadena con regularidad. Una cadena correctamente tensada garantiza un buen rendimiento de corte y una larga vida útil.

Para ajustar el arnés

Se debe utilizar siempre el arnés con la máquina para lograr el control máximo de la máquina y reducir el riesgo de cansancio en los brazos y la espalda.

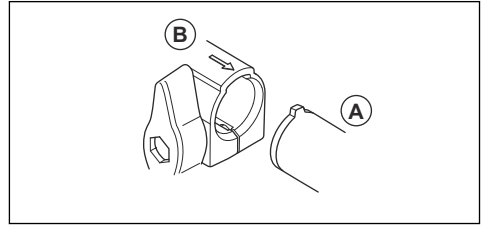
- Colóquese el arnés.
- Enganche la máquina al gancho de sujeción del arnés.
- Ajuste el largo del arnés para que el gancho de sujeción esté aproximadamente al nivel de su cadera derecha.



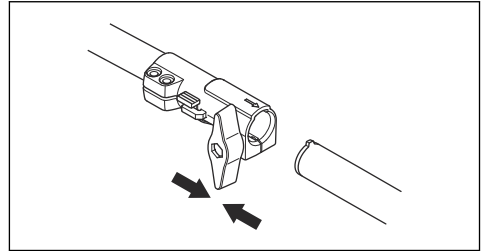
Montaje del eje de dos piezas 525P5S

- Gire la perilla para aflojar el acoplamiento.

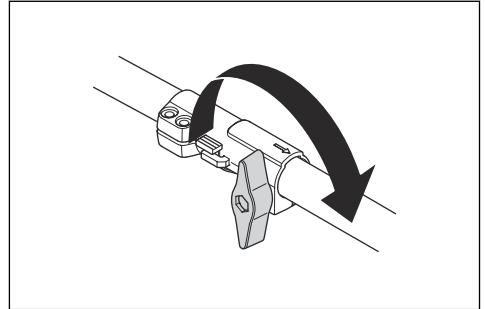
- Alinee la lengüeta del equipo de corte (A) con la flecha en el acoplamiento (B).



- Empuje cuidadosamente el eje en el acoplamiento hasta que se escuche un clic.

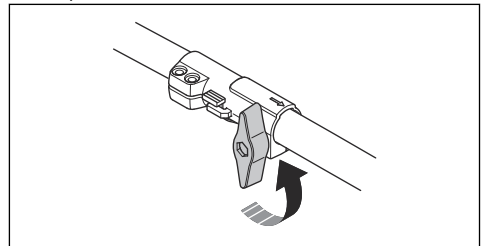


- Apriete la perilla hasta el fondo.



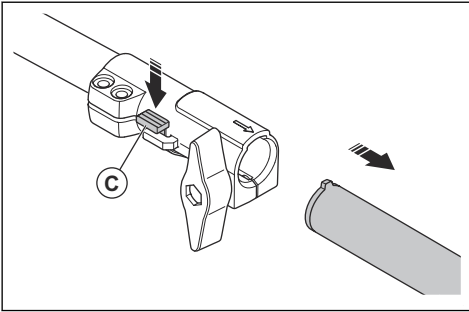
Para desmontar el eje de dos piezas 525P5S

- Gire la perilla unas 3 vueltas o más para aflojar el acoplamiento.



- Mantenga presionado el botón (C).
- Apriete fuertemente hacia el extremo del eje al que está conectado el motor.

4. Tire del accesorio para sacarlo del acoplamiento.

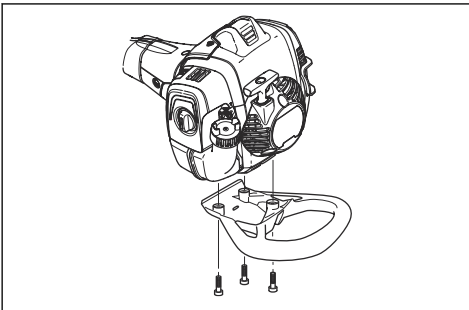


2. Apriete los tornillos a 30 libras/pies (4 Nm).

3. Apriete los tornillos nuevamente cuando el producto se haya utilizado por cerca de 20 horas.

Montaje de la protección contra impactos

1. Monte la protección con tres tornillos.



Funcionamiento

Introducción



ADVERTENCIA: Antes de utilizar el producto, debe leer y entender el capítulo sobre seguridad.

Para comprobar antes de encender

1. Inspeccione la zona de trabajo. Retire todos los objetos que puedan salir eyectados.
2. Compruebe la cadena de sierra. No utilice un equipo desafilado, agrietado ni dañado.
3. Verifique que el producto se encuentra en perfectas condiciones de funcionamiento.
4. Verifique que todas las tuercas y tornillos estén firmes.
5. Asegúrese de que la cadena esté correctamente lubricada, consulte *Para comprobar la lubricación de la cadena en la página 50*.
6. Compruebe que la cadena de sierra siempre se detenga cuando el motor esté en ralentí.

7. Utilice el producto únicamente para el uso al que está destinado.

8. Asegúrese de que las funciones de seguridad y manipulación estén bien. Nunca utilice una máquina a la que le falten partes o que haya sido modificada según la especificación.

Combustible

Este producto tiene un motor de dos tiempos.



AVISO: Usar el tipo incorrecto de combustible puede causar daños en el motor. Utilice una mezcla de gasolina y de aceite para motores de dos tiempos.

Combustible premezclado

- Utilice combustible de alquiler premezclado Husqvarna para obtener el mejor rendimiento y prolongar la vida útil del motor. Este combustible contiene menos químicos dañinos en comparación con el combustible normal, lo cual disminuye los gases de escape dañinos. La cantidad de restos después de la combustión es menor con

este combustible, que mantiene más limpios los componentes del motor.

Para mezclar combustible

Gasolina



AVISO: No utilice gasolina con un octanaje inferior a 90 RON (87 AKI). Esto puede provocar daños al producto.



AVISO: No utilice gasolina con más de un 10 % de etanol concentrado (E10). Esto puede provocar daños al producto.



AVISO: No utilice gasolina con plomo. Esto puede provocar daños al producto.

- Siempre utilice gasolina sin plomo nueva con un octanaje mínimo de 90 RON (87 AKI) y con menos de un 10 % de etanol concentrado (E10).
- Use gasolina con un octanaje superior si con frecuencia utiliza el producto a velocidades de motor continuamente altas.
- Utilice siempre una mezcla de aceite/gasolina sin plomo de buena calidad.

Aceite para motores de dos tiempos

- Para obtener los mejores resultados y el mejor rendimiento, utilice aceite para motores de dos tiempos Husqvarna.
- Si el aceite para motores de dos tiempos Husqvarna no está disponible, utilice un aceite para motores de dos tiempos de buena calidad para motores enfriados por aire. Contáctese con su concesionario de servicio para seleccionar el aceite correcto.



AVISO: No utilice aceite para motores de dos tiempos para motores fueraborda refrigerados por agua, también conocido como aceite para fueraborda. No utilice aceite para motores de cuatro tiempos.

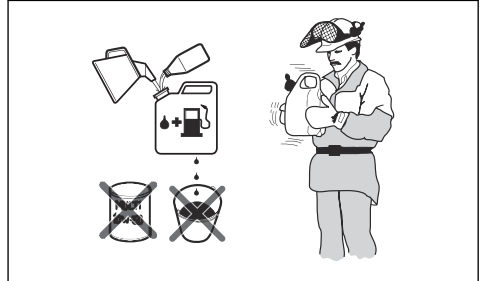
Para mezclar gasolina y aceite para motores de dos tiempos

Gasolina, litros	Aceite para motores de dos tiempos, litro
	2 % (50:1)
5	0,10
10	0,20

15	0,30
20	0,40



AVISO: Los errores pequeños pueden influir drásticamente en la proporción de la mezcla cuando se mezclan cantidades pequeñas de combustible. Mida cuidadosamente la cantidad de aceite y asegúrese de obtener la mezcla correcta.



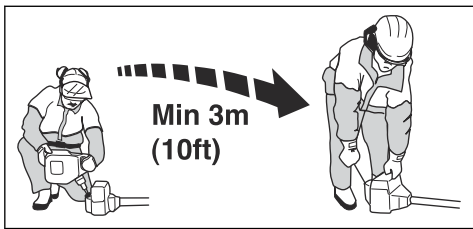
1. Llene la mitad de la cantidad de gasolina en un recipiente limpio para combustible.
2. Agregue la cantidad total de aceite.
3. Agite la mezcla de combustible.
4. Agregue la cantidad restante de gasolina al recipiente.
5. Agite cuidadosamente la mezcla de combustible.



AVISO: No mezcle el combustible durante más de 1 mes cada vez.

Para llenar el depósito de combustible

1. Limpie el área alrededor del tapón del depósito de combustible.
2. Agite el recipiente y asegúrese de que el combustible esté totalmente mezclado. Utilice siempre un recipiente de combustible con una válvula de protección antirreboso.
3. Llene el depósito de combustible.
4. Apriete bien la tapa del depósito de combustible cuidadosamente.
5. Aleje el producto 3 m (10 pies) o más del área de recarga de combustible y de la fuente de combustible antes de ponerlo en marcha.



AVISO: La contaminación en los depósitos produce un funcionamiento incorrecto. Limpie el depósito de combustible y el depósito de aceite para cadena con frecuencia y sustituya el filtro de combustible una vez al año o más seguido.

Para hacer un rodaje

- Durante las primeras 10 horas de funcionamiento, no aplique aceleración máxima sin carga por períodos extensos.

Para utilizar el aceite para cadena correcto



ADVERTENCIA: No utilice aceite residual, que puede causar daños físicos y medioambientales. El aceite residual también causa daños en la bomba de aceite, la espada guía y la cadena de sierra.



ADVERTENCIA: La cadena de sierra se puede detener si la lubricación del equipo de corte es insuficiente. Riesgo de lesiones graves o fatales para el operador.



ADVERTENCIA: Este producto tiene una función que permite agotar el combustible antes que el aceite para cadena. Utilice el aceite para cadena adecuado a fin de que esta función de seguridad opere de forma correcta. Consulte a su concesionario de servicio al momento de seleccionar un aceite para cadena.

Tenga en cuenta: Este producto cuenta con un sistema de lubricación automática de la cadena. También puede ajustar el flujo de aceite. Consulte *Para ajustar la lubricación de la cadena en la página 50.*

- Utilice aceite para cadena Husqvarna para obtener la máxima vida útil de la cadena de sierra y reducir al mínimo los daños al medioambiente. Si el aceite para cadena Husqvarna no está disponible, recomendamos que utilice un aceite para cadena estándar.

- Utilice un aceite para cadena con buena adherencia a la cadena de sierra.
- Utilice un aceite para cadena con un rango de viscosidad adecuado que coincida con la temperatura del aire.

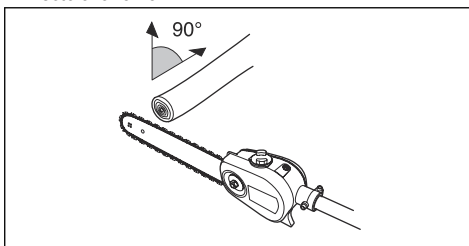


AVISO: Si el aceite tiene muy poca densidad, se agotará antes que el combustible. En temperaturas inferiores a 0 °C/32 °F, algunos aceites para cadena se vuelven demasiado densos, lo que puede provocar daños en los componentes de la bomba de aceite.

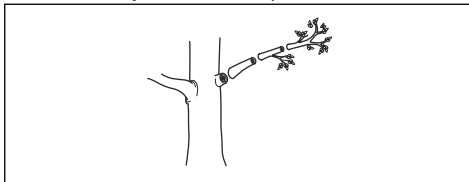
- Utilice el equipo de corte recomendado. Consulte *Accesorios en la página 53.*

Para utilizar el producto

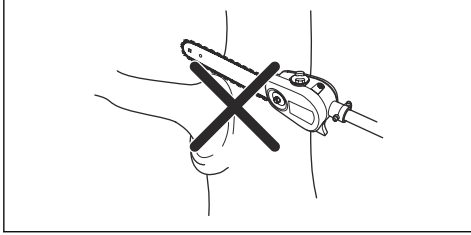
- Mantenga el producto lo más cerca posible de su cuerpo para obtener un mejor equilibrio.
- Asegúrese de que la punta no toque el suelo.
- No apresure el trabajo, trabaje a un ritmo constante hasta que todas las ramas se hayan cortado con precisión.
- Reduzca siempre la velocidad del motor a ralentí después de cada tarea. Utilizar la máquina períodos prolongados a aceleración máxima sin ninguna carga en el motor puede provocar daños graves al motor.
- Trabaje siempre en aceleración máxima.
- Siempre que sea posible, acomódese en una posición en la que pueda realizar el corte en ángulo recto a la rama.



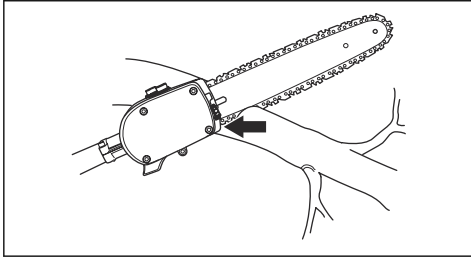
- Corte las ramas más grandes en secciones para tener un mejor control del espacio donde caen.



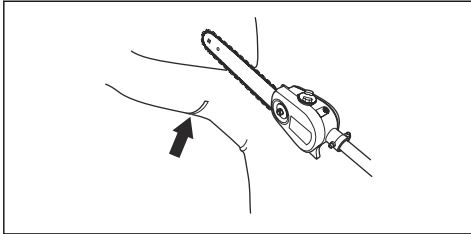
- Nunca corte en el bulto de la raíz de la rama, ya que así cicatriza con mayor lentitud y aumenta el riesgo de que se produzca un ataque fúngico.



- Utilice el tope ubicado en la base del cabezal de corte para apoyarse mientras corta. De esta forma, permitirá que sea más fácil evitar que el equipo de corte rebote en la rama.

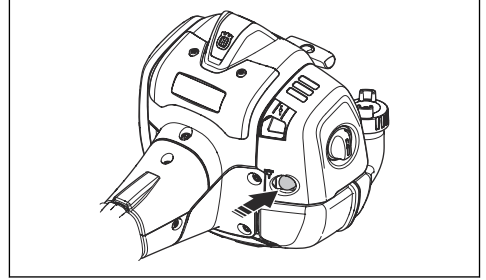


- Realice un corte inicial en la parte inferior de la rama antes de cortar la rama. Esto evitará el desprendimiento de la corteza, lo que podría hacer más lenta la cicatrización y causar daño permanente al árbol. El corte no debe ser de una profundidad superior a $\frac{1}{3}$ del grosor de la rama para evitar el atascamiento. Mantenga la cadena funcionando mientras retira el equipo de corte de la rama para evitar el atascamiento.



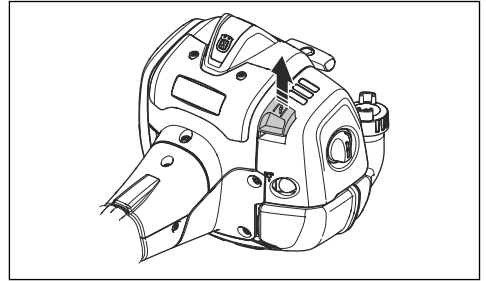
Para preparar la máquina para el arranque

1. Presione el bulbo de la bomba de combustible de aire 10 veces.



Tenga en cuenta: No es necesario llenar totalmente la bomba.

2. Suba el estrangulador hasta la posición de estrangulamiento.



ADVERTENCIA: La cadena de sierra comenzará a girar inmediatamente cuando arranque el motor con el estrangulador.

Para poner en marcha la máquina



ADVERTENCIA: Lea las instrucciones de advertencia en el capítulo de seguridad antes de arrancar la máquina (consulte *Seguridad en la página 30*).

1. Use guantes protectores.
2. Mantenga el cuerpo del producto en el suelo con la mano izquierda.



AVISO: ¡No utilice los pies!

3. Sujete la empuñadura de la cuerda de arranque con la mano derecha.

- Tire lentamente de la cuerda de arranque con la mano derecha hasta sentir una resistencia (la empuñadura de los ganchos de arranque).



ADVERTENCIA: No se enrolle la cuerda de arranque en la mano.

- Tire de la cuerda de forma rápida y con fuerza.



AVISO: No tire de la cuerda de arranque en toda su extensión y no suelte la empuñadura de la cuerda cuando esta esté totalmente extendida. Esto puede provocar daños al producto.

- Tire de la cuerda de arranque hasta que el motor arranque o un máximo de 5 veces.
- Restablezca el estrangulador cuando el motor arranque o después de tirar de la cuerda de arranque 5 veces.
- Si es necesario, tire de la cuerda de arranque nuevamente hasta que arranque el motor.
- Deje que el motor se caliente durante 10 segundos.
- Accione el acelerador gradualmente.
- Asegúrese de que el motor funciona correctamente.

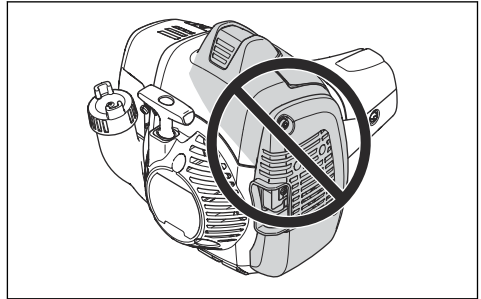
Tenga en cuenta: Si el motor se detiene, repita el procedimiento.

Información sobre la superficie



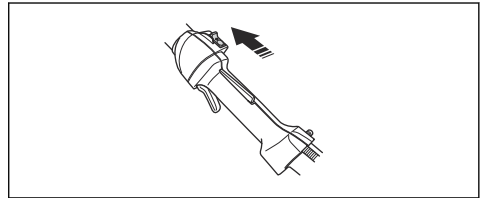
ADVERTENCIA: No coloque ninguna parte de su cuerpo en el área marcada. Si toca el área marcada en gris puede sufrir quemaduras en la piel. También puede provocar una sacudida eléctrica si

el sombrerete de bujía ha sido dañado. No utilice un producto con un sombrerete de bujía dañado.



Para detener la máquina

- Mueva el interruptor de detención a la posición de detención para detener el motor.



AVISO: El interruptor de detención regresa automáticamente a su posición inicial. Con el fin de evitar arranques accidentales, el sombrerete de bujía debe quitarse de la bujía cuando se realicen tareas de montaje, revisión o mantenimiento.

Mantenimiento

Introducción

A continuación encontrará algunas instrucciones generales de mantenimiento. Si necesita más información, comuníquese con su taller de servicio.

Programa de mantenimiento

La siguiente es una lista de pasos de mantenimiento que se deben realizar en la máquina. La mayoría de los artículos se describen en este capítulo.

Tenga en cuenta: El usuario solo debe llevar a cabo el trabajo de mantenimiento y servicio descrito en este manual de usuario. Un taller de servicio autorizado se debe encargar de realizar una labor más amplia.

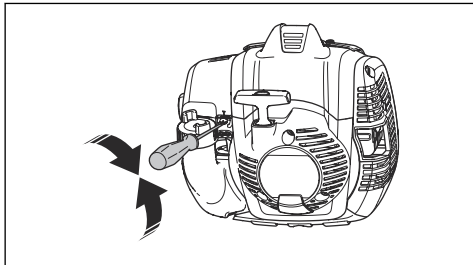
Mantenimiento	A diario	Una vez por semana	Una vez al mes
Limpiar la superficie externa.	X		

Mantenimiento	A diario	Una vez por semana	Una vez al mes
Asegúrese de que el bloqueador del acelerador y el acelerador funcionen correctamente.	X		
Verifique el interruptor de detención para asegurarse de que funcione correctamente.	X		
Asegúrese de que la cadena de sierra no gire en régimen de ralentí.	X		
Limpie el filtro de aire. Cámbielo si fuera necesario.	X		
Compruebe que la cadena de sierra no presente grietas visibles en los remaches y eslabones, si la cadena de sierra es rígida o si los remaches y eslabones están desgastados de forma anormal.	X		
Limpie el área que se encuentra debajo de la cubierta protectora.	X		
Asegúrese de que las tuercas y los tornillos estén apretados.	X		
Examine el motor, el depósito de combustible y los conductos de combustible para determinar si hay fugas.	X		
Limpie el sistema refrigerante.		X	
Examine el arranque y la cuerda de arranque en busca de daños.		X	
Examine los aisladores de vibraciones en busca de daños y grietas.		X	
Limpie el lado exterior de la bujía. Retírela y revise la distancia entre los electrodos. Ajuste la distancia a la distancia correcta (consulte <i>Para examinar la bujía en la página 45</i>) o reemplace la bujía. Asegúrese de que la bujía está equipada con un regulador.		X	
Limpie el exterior del carburador y el espacio que lo rodea.		X	
Lime las rebabas de los bordes de la espada.		X	
Limpie o cambie la rejilla apagachispas del silenciador.		X	
Limpie el depósito de combustible.			X
Verifique si hay contaminación del filtro de combustible y si hay grietas u otros daños en la manguera de combustible. Cámbielo si fuera necesario.			X
Revise todos los cables y las conexiones.			X
Revise si el embrague, los muelles de embrague y el tambor de embrague presentan desgaste. Reemplácelos si es necesario en un taller de servicio oficial.			X
Examine la bujía. Reemplace la bujía si es necesario.			X
Realice una inspección del eje dieléctrico para ver si hay áreas desgastadas o dañadas. Consulte las normas OSHA 1910.269 para obtener más información.	X		

Para ajustar el régimen de ralentí

1. Asegúrese de que el filtro de aire esté limpio y que la cubierta del filtro de aire esté instalada antes de ajustar el régimen de ralentí.
2. Encienda el producto. Consulte *Para poner en marcha la máquina en la página 41*

3. Ajuste el régimen de ralentí con el tornillo de ajuste de ralentí T, el cual se identifica con la marca "T". Gire el tornillo de ajuste de ralentí hacia la derecha hasta que la cadena de sierra comience a girar.



4. Gire el tornillo de ajuste de ralentí hacia la izquierda hasta que la cadena de sierra se detenga.

El régimen de ralentí es el correcto cuando el motor funciona correctamente en todas las posiciones. El régimen de ralentí debe ser inferior a la velocidad cuando la cadena de sierra comienza a girar.



ADVERTENCIA: Si la cadena de sierra no se detiene cuando ajuste el régimen de ralentí, diríjase a su concesionario más cercano. No utilice la máquina hasta que esté correctamente ajustada o reparada.

Tenga en cuenta: Consulte *Datos técnicos en la página 52* para conocer el régimen de ralentí recomendado.

Para realizar tareas de mantenimiento en el silenciador

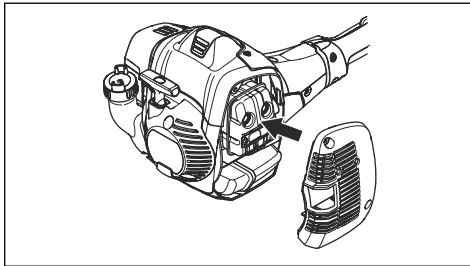
El silenciador reduce el nivel de ruido y dirige los gases de escape lejos del operador.



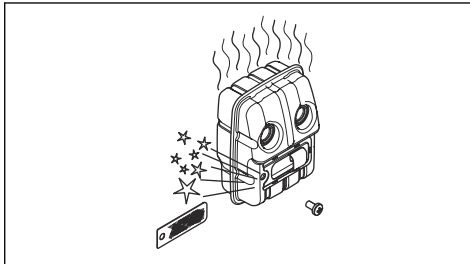
ADVERTENCIA: Los silenciadores que tienen catalizadores se calientan mucho durante el funcionamiento y se mantienen calientes durante un tiempo después de detener la máquina. Esto también se aplica al régimen de ralentí. Si toca la máquina, puede quemarse la piel. Considere el riesgo de incendio.

1. Detenga el producto y deje que se enfríe.

2. Retire la tapa del silenciador.



3. Retire el tornillo que fija la red apagachispas.



4. Limpie la red apagachispas si está bloqueada o reemplácela si está dañada.



AVISO: La red apagachispas debe sustituirse si está dañada. No utilice un producto si falta la red apagachispas en el silenciador o si está defectuosa.



AVISO: Si la red apagachispas se bloquea con frecuencia, esto puede ser un indicio de que ha disminuido el rendimiento del catalizador. Diríjase a su concesionario de servicio para examinar el silenciador. Una red apagachispas obstruida provoca un sobrecalentamiento y tiene como consecuencia daños en el cilindro y el pistón.

Sistema refrigerante

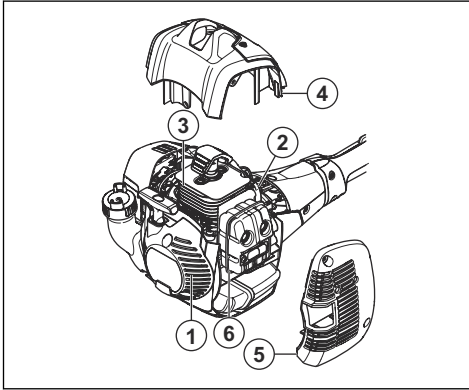
El producto cuenta con un sistema refrigerante para mantener la temperatura de funcionamiento lo más baja posible.

Limpie los componentes del sistema refrigerante con un cepillo semanalmente o con mayor frecuencia en condiciones más ásperas. Un sistema refrigerante sucio o bloqueado produce el sobrecalentamiento de la máquina, lo que provoca daños en el pistón y el cilindro.

El sistema refrigerante tiene los siguientes componentes:

1. Toma de aire en el motor de arranque
2. Aletas en el volante

3. Aletas de refrigeración en el cilindro
4. Cubierta del cilindro.
5. Cubierta del silenciador
6. Placa del silenciador

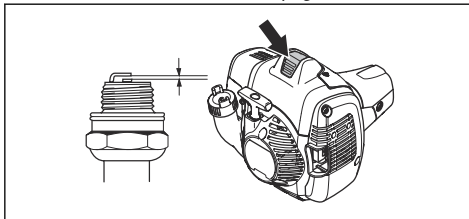


Para examinar la bujía



AVISO: Utilice siempre el tipo de bujía recomendada, consulte *Datos técnicos en la página 52*. El tipo de bujía incorrecto puede causar daños en el producto.

- Examine la bujía si el motor tiene una potencia demasiado baja, no arranca fácilmente o no funciona correctamente al régimen de ralentí.
- Para disminuir el riesgo de material no deseado en los electrodos de la bujía, siga estas instrucciones:
 - a) Asegúrese de que el régimen de ralentí esté ajustado correctamente.
 - b) Asegúrese de que la mezcla de combustible es la correcta.
 - c) Asegúrese de que el filtro de aire esté limpio.
- Si la bujía está sucia, límpiela y asegúrese de que la distancia entre los electrodos sea la correcta, consulte *Datos técnicos en la página 52*.



- Reemplace la bujía si es necesario.

Filtro de aire

Retire el polvo y la suciedad del filtro de aire para mantenerlo limpio y evitar los siguientes problemas:

- Fallas del carburador

- Problemas cuando se arranca el producto
- Pérdida de energía
- Aumento del desgaste de las piezas del motor
- Demasiado consumo de combustible

Para limpiar el filtro de aire

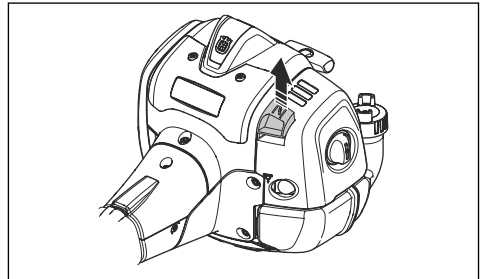


AVISO: Siempre se deben reemplazar los filtros de aire dañados, muy sucios o mojados con combustible.

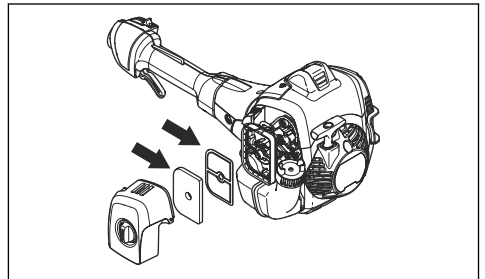
Limpie el filtro de aire de la suciedad y el polvo con regularidad. Esto evita fallas del carburador, problemas de arranque, pérdida de potencia del motor, el desgaste de las piezas del motor y un mayor consumo de combustible de lo habitual.

Si utiliza un filtro de aire durante mucho tiempo, no se puede limpiar completamente. Sustituya el filtro de aire por uno nuevo a intervalos regulares. Consulte *Programa de mantenimiento en la página 42*.

1. Mueva la palanca del estrangulador hacia arriba para cerrar la válvula estranguladora.



2. Quite la cubierta del filtro de aire y los filtros de aire.

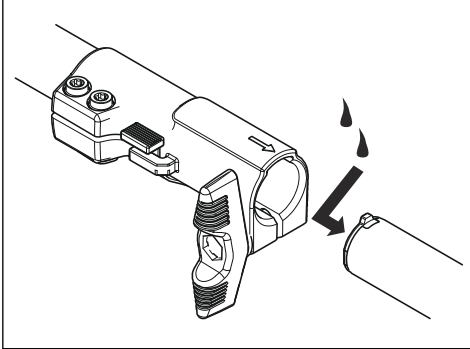


3. Limpie los filtros de aire con agua jabonosa tibia.
4. Reemplace los filtros de aire si no se pueden limpiar por completo. Siempre reemplace un filtro de aire dañado.
5. Limpie la superficie interior de la cubierta del filtro de aire. Utilice aire comprimido o un cepillo.
6. Compruebe la junta de goma del filtro de aire. Cambie el filtro de aire si la junta de goma está dañada.

7. Asegúrese de que el filtro de aire esté seco antes de instalarlo.

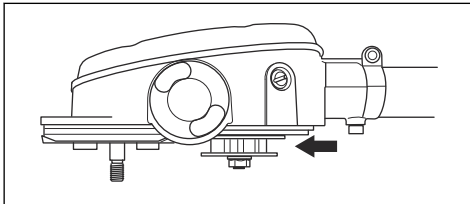
Eje de dos piezas

Aplique grasa al extremo del eje propulsor cada 30 horas de funcionamiento. Existe riesgo de que los extremos del eje propulsor (acoplamiento ranurado) de los modelos con ejes de dos piezas se agarroten si no se lubrican regularmente.



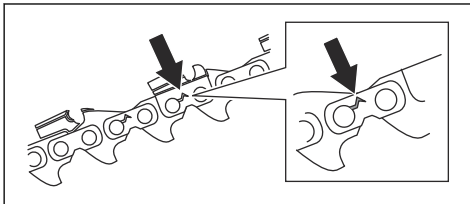
Para comprobar el piñón de arrastre de la cadena

1. Compruebe regularmente el nivel de desgaste del piñón de arrastre. Reemplace si presenta un desgaste excesivo.



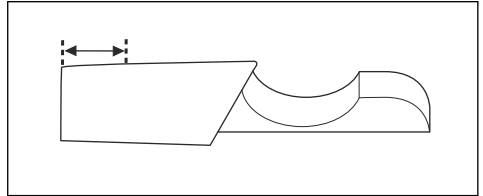
Para examinar el equipo de corte

1. Asegúrese de que no haya grietas en los remaches y eslabones y que los remaches no estén sueltos. Reemplácelos si es necesario.



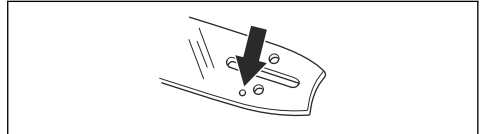
2. Asegúrese de que la cadena de sierra se puede doblar fácilmente. Reemplace la cadena de sierra si está rígida.

3. Compare la cadena de sierra con una cadena de sierra nueva para examinar si los remaches y eslabones están gastados.
4. Reemplace la cadena de sierra cuando la parte más larga del diente de corte sea inferior a 4 mm/ 0,16 pulg. También reemplace la cadena de sierra si hay grietas en las cortadoras.

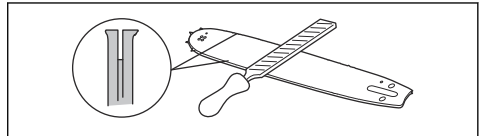


Para comprobar la espada guía

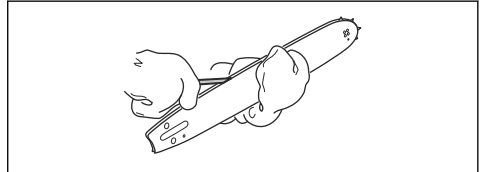
1. Asegúrese de que el canal de aceite no esté bloqueado. Límpielo si es necesario.



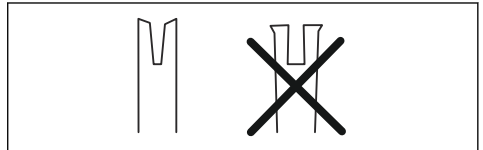
2. Examine si hay rebabas en los bordes de la espada guía. Quite las rebabas con una lima.



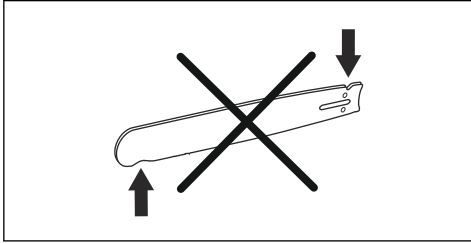
3. Limpie la ranura en la espada guía.



4. Examine la ranura de la espada guía para ver si hay desgaste. Reemplace la espada guía si es necesario.



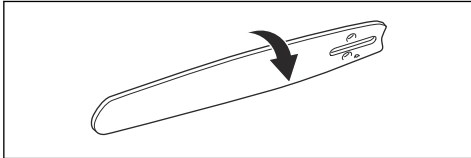
5. Examine si la puntera de la espada guía es áspera o está muy gastada.



6. Asegúrese de que el cabezal de rueda de la espada gire libremente y que el orificio de lubricación del cabezal de rueda de la espada no esté obstruido. Limpie y lubrique si es necesario.



7. Para extender el ciclo de vida de la espada guía, gírela diariamente.



Para afilar la cadena de sierra

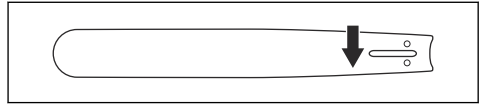
Información sobre la espada guía y la cadena de sierra



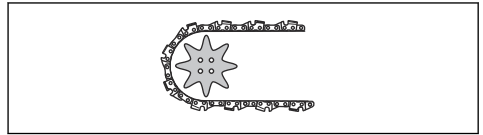
ADVERTENCIA: Utilice guantes protectores cuando utilice la cadena de sierra o cuando realice mantenimiento en esta. Una cadena de sierra que no se mueve también puede causar lesiones.

Reemplace las espadas guía o cadenas de sierra desgastadas o dañadas por la combinación de espada guía y cadena de sierra recomendadas por Husqvarna. Esto es necesario para mantener las funciones de seguridad del producto. Consulte *Accesorios en la página 53* para conocer una lista de las combinaciones de espada y cadena que recomendamos.

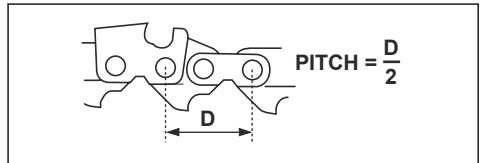
- Longitud de la espada guía, cm/pulg. La información sobre la longitud de la espada guía generalmente se puede encontrar en el extremo trasero de la espada guía.



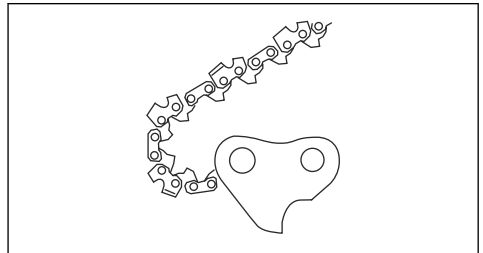
- Número de dientes del cabezal de rueda de la espada (T).



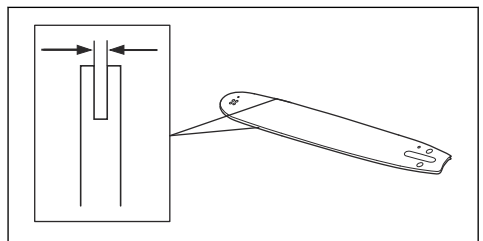
- Paso de la cadena, pulg. La distancia entre los eslabones de arrastre de la cadena de sierra debe alinearse con la distancia de los dientes en el cabezal de rueda de la espada y el piñón de arrastre.



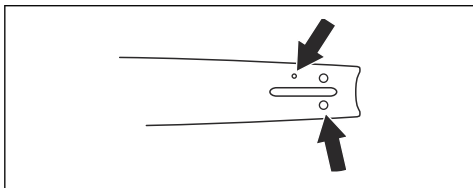
- Cantidad de eslabones de arrastre. La cantidad de eslabones de arrastre se determina según el tipo de espada guía.



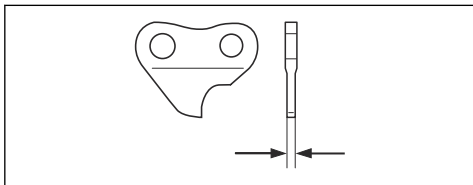
- Ancho de la ranura de la espada, pulg./mm. El ancho de la ranura de la espada guía debe ser igual que el ancho de los eslabones de arrastre de la cadena.



- Orificio de aceite de la cadena y orificio para tensado de la cadena. La espada guía debe alinearse con el producto.



- Ancho del eslabón de arrastre, mm/pulg.

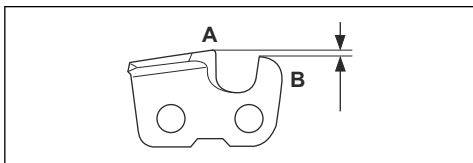


Información general sobre cómo afilar las cortadoras

No utilice una cadena de sierra desafilada. Si la cadena de sierra no está afilada, debe aplicar más presión para introducir la espada guía en la madera. Si la cadena de sierra está muy desafilada, no habrá astillas de madera, sino polvo de serrín.

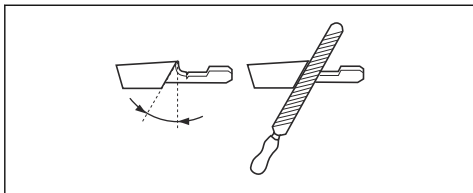
Una cadena de sierra afilada corroe la madera y las astillas de madera se vuelven largas y espesas.

El diente de corte (A) y el calibre de profundidad (B) constituyen en conjunto la parte cortante de la cadena de sierra; es decir, la cortadora. La diferencia de altura entre los dos representa la profundidad de corte (configuración de calibre de la profundidad).

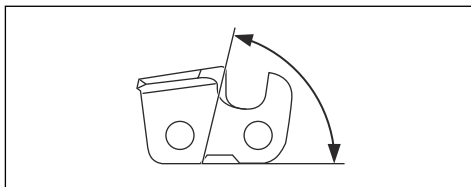


Cuando afile una cortadora, considere lo siguiente:

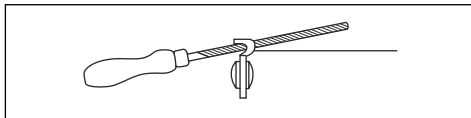
- Ángulo del limado.



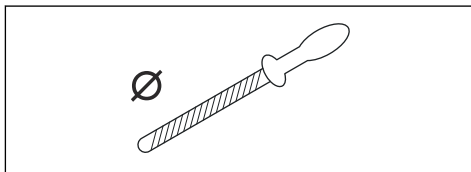
- Ángulo del corte.



- Posición de la lima.



- Diámetro de la lima redonda.

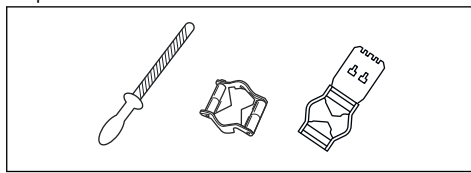


No es fácil afilar una cadena de sierra correctamente sin el equipo correcto. Utilice el calibrador de afilado Husqvarna. Esto le ayudará a mantener el máximo rendimiento de corte.

Tenga en cuenta: Consulte *Para afilar las cortadoras en la página 48* para obtener información sobre el afilado de la cadena de sierra.

Para afilar las cortadoras

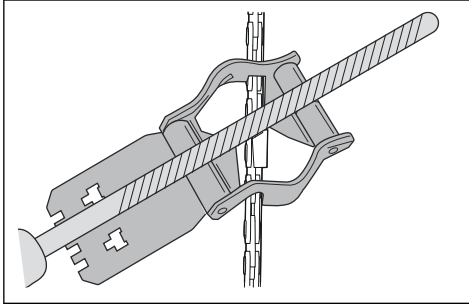
1. Use una lima redonda y un calibrador de afilado para afilar los dientes de corte.



Tenga en cuenta: Consulte *Equipos de afilado y ángulos de afilado en la página 53* para obtener información sobre qué lima y calibrador recomienda Husqvarna para la cadena de sierra.

2. Aplique el calibrador de afilado correctamente en la cortadora. Consulte las instrucciones entregadas con el calibrador de afilado.

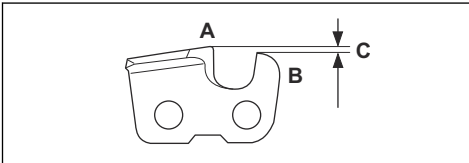
3. Mueva la lima desde la parte interior de los dientes de corte hacia fuera. Disminuya la presión cuando tire el cordón de encendido.



4. Retire el material de un lado de todos los dientes de corte.
5. Gire el producto y retire el material del otro lado.
6. Asegúrese de que todos los dientes de corte tengan la misma longitud.

Información general sobre cómo ajustar la configuración del calibre de profundidad

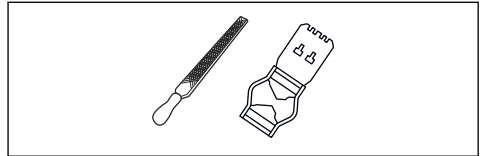
La configuración del calibre de profundidad (C) disminuye cuando se afila el diente de corte (A). Para mantener el máximo rendimiento de corte debe retirar el material de afilado del calibre de profundidad recomendada. Consulte *Datos técnicos en la página 52* para conocer las instrucciones sobre cómo obtener la configuración correcta del calibre de profundidad para la cadena de sierra.



Para ajustar el talón de profundidad

Antes de ajustar el talón de profundidad o de afilar las cortadoras, consulte *Información general sobre cómo afilar las cortadoras en la página 48*, para ver las instrucciones. Se recomienda ajustar el calibre de profundidad cada tres operaciones en las que se afilen los dientes de corte.

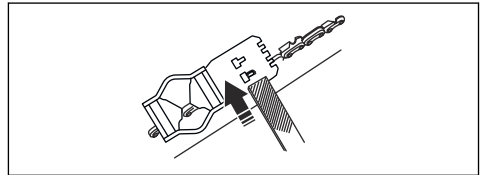
Se recomienda la aplicación de nuestro calibrador de profundidad para obtener el ajuste y ángulo correctos para el calibre de profundidad.



1. Utilice una lima plana y un calibrador de profundidad para el ajuste del calibre de profundidad. Utilice solo una herramienta de talón de profundidad recomendada Husqvarna a fin de obtener el ajuste y ángulo correctos para el talón de profundidad.
2. Ponga el calibrador de profundidad sobre la cadena de sierra.

Tenga en cuenta: Consulte el paquete del calibrador de profundidad para obtener más información sobre cómo utilizar la herramienta.

3. Utilice la lima plana para retirar la parte del talón de profundidad que se extiende por el calibrador de profundidad.



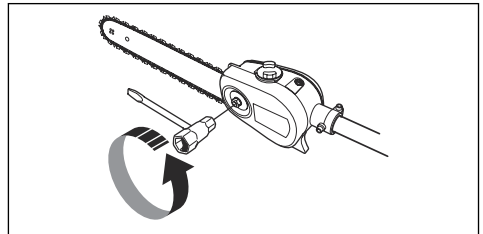
Para tensar la cadena



ADVERTENCIA: Una cadena de sierra con una tensión incorrecta se puede soltar de la espada guía y causar lesiones graves o fatales.

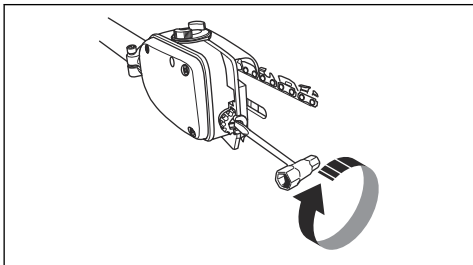
Las cadenas de sierra se alargan con el uso. Ajuste la cadena de sierra con regularidad.

1. Afloje las tuercas de la espada que sostienen la cubierta del embrague o el freno de cadena. Use una llave.

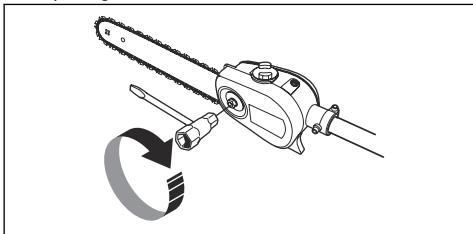


2. Apriete las tuercas de la espada con la mano lo más fuerte que pueda.

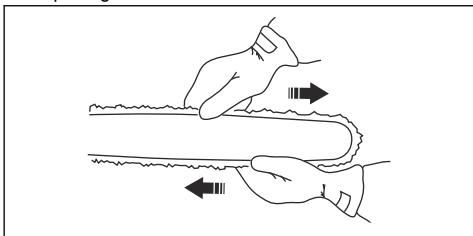
3. Levante la parte delantera de la espada guía y gire el tornillo de tensado de la cadena. Use una llave.



4. Apriete firmemente la cadena de sierra de la espada guía, pero de forma en que se pueda mover fácilmente.
5. Apriete las tuercas de la espada con una llave al mismo tiempo que levanta la parte delantera de la espada guía.

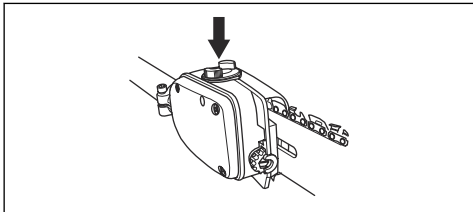


6. Asegúrese de poder tirar la cadena de sierra con facilidad de forma manual sin que cuelgue desde la espada guía.



Para llenar con aceite para cadena

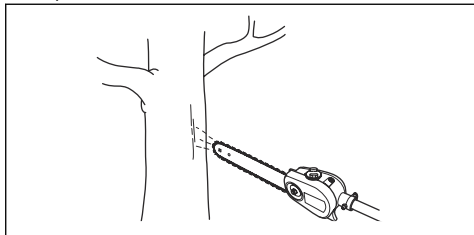
1. Abra el tapón del aceite en la parte superior del cabezal de la espada.



2. Llene con aceite para cadena de sierra Husqvarna.
3. Vuelva a poner el tapón.

Para comprobar la lubricación de la cadena

1. Compruebe la lubricación de la cadena cada vez que reposte. Oriente la puntera de la espada hacia una superficie de color claro a 20 cm (8 pulg.) de distancia aproximadamente. Es posible que después de 1 minuto de funcionamiento a un 75 % de aceleración vea una línea de aceite definida en la superficie clara.



2. Si la lubricación de la cadena de sierra no funciona correctamente, revise la espada guía. Consulte *Para comprobar la espada guía en la página 46* para obtener instrucciones. Consulte a su concesionario de servicio si los pasos de mantenimiento no ayudan.

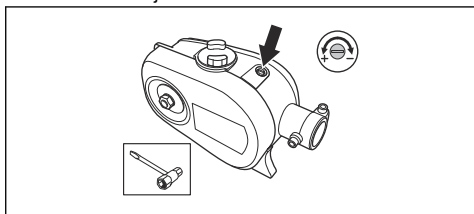
Para ajustar la lubricación de la cadena



ADVERTENCIA: Detenga el motor antes de realizar ajustes en la bomba de aceite.

Gire el tornillo de ajuste de la bomba de aceite. Use un destornillador o una llave combinada.

- Gire el tornillo de ajuste hacia la derecha para disminuir el flujo de aceite.



- Gire el tornillo de ajuste hacia la izquierda para aumentar el flujo de aceite.

Solución de problemas

El motor no arranca

Verificar	Causa posible	Procedimiento
Interruptor de detención	El interruptor de detención está en la posición de detención.	Solicite a un taller de servicio autorizado el reemplazo del interruptor de detención.
Depósito de combustible	Tipo de combustible incorrecto	Vacíe el depósito de combustible y llénelo con combustible correcto.
Bujía y cilindro.	La bujía está sucia o mojada.	Asegúrese de que la bujía esté limpia y seca.
	La distancia entre los electrodos de la bujía es incorrecta.	Limpie la bujía. Asegúrese de que la distancia entre los electrodos sea la correcta, consulte <i>Datos técnicos en la página 52</i> . Asegúrese de que la bujía está equipada con un supresor.
	La bujía está floja.	Ajuste la bujía.
	El motor está ahogado debido a arranques repetidos con el estrangulador totalmente abierto después del encendido.	Retire y limpie la bujía. Coloque el producto de costado con el agujero de la bujía lejos de usted. Tire la empuñadura de la cuerda de arranque de 6 a 8 veces. Monte la bujía y arranque el producto. Consulte <i>Para poner en marcha la máquina en la página 41</i> .

El motor arranca, pero se detiene de nuevo.

Verificar	Causa posible	Procedimiento
Depósito de combustible	Tipo de combustible incorrecto	Vacíe el depósito de combustible y rellénelo con el combustible correcto.
Filtro de aire	El filtro de aire está obstruido.	Limpie el filtro de aire.

Transporte, almacenamiento y eliminación de residuos

Transporte y almacenamiento

- Para el almacenamiento y el transporte del producto y del combustible, asegúrese de que no haya fugas o vapores. Las chispas o llamas, por ejemplo, de dispositivos eléctricos o calderas, pueden iniciar un incendio.
- Siempre use contenedores aprobados para el almacenamiento y el transporte del combustible.
- Vacíe los depósitos de combustible y de aceite para cadena antes del transporte o antes de un almacenamiento prolongado. Deseche el combustible y el aceite para cadena en un sitio adecuado para tal propósito.
- Utilice protección para transportes en el producto para evitar lesiones o daños en el producto. Una cadena de sierra que no se mueve también puede provocar lesiones graves.

- Quite el sombrerete de bujía de la bujía.
- Fije el producto de manera segura durante el transporte.



AVISO: Si la cadena de sierra y la espada guía no se limpian, se pueden poner rígidas o se pueden bloquear.

Para preparar su producto para un almacenamiento prolongado

1. Detenga el motor y deje que se enfríe antes de desmontarlo.
2. Desmonte y limpie la cadena de sierra y la ranura en la espada guía.

3. Fije el protector protección para transportes.
4. Limpie la máquina. Consulte *Mantenimiento en la página 42* para obtener instrucciones.
5. Realice un mantenimiento completo del producto.

Datos técnicos

Datos técnicos

	525P4S	525P5S
Motor		
Cilindrada, cm ³ /pulg. cúb	1,55/25,4	1,55/25,4
Diámetro de cilindro, pulg/mm	1,34/34	1,34/34
Carrera, pulg/mm	1,10/28	1,10/28
Velocidad máxima recomendada, rpm	11 000-12 000	11 000-12 000
Régimen de ralentí, rpm	2800-3000	2800-3000
Potencia máx. del motor, según la norma ISO 8893, kW/rpm	1/8500	1/8500
Silenciador con catalizador	Sí	Sí
Sistema de encendido con velocidad regulada	Sí	Sí
Sistema de encendido		
Bujía	NGK BPMR8Y	NGK BPMR8Y
Distancia entre los electrodos, pulg/mm	0,026/0,65	0,026/0,65
Combustible y sistema de lubricación		
Capacidad del depósito de combustible, litro/pinta EE. UU./litro	1,06/0,5	1,06/0,5
Capacidad del depósito de aceite, litro/pinta EE. UU.	0,4/0,2	0,4/0,2
Peso		
Sin combustible, equipo de corte y protección, lb/kg	11,7/5,3	14,1/6,4

Accesorios

Combinaciones de espada guía y cadena de sierra

Combinación recomendada para la cadena de sierra y la espada guía.


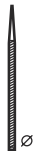
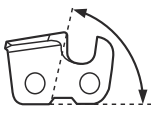

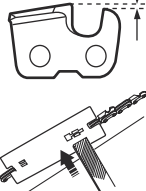

Espada guía			Cadena de sierra	
Longitud, cm/in	Paso, in	Calibrador, mm/in	Tipo	Longitud, eslabones de arrastre, n.º
10/25	8 (3)	1,3/0,050	Husqvarna H37	40
12/31				45
10/25	8 (3)	1,3/0,050	Husqvarna S93G	40
12/31				45

Equipos de afilado y ángulos de afilado

Con el calibrador de afilado Husqvarna tendrá los ángulos de afilado correctos. Se recomienda siempre usar un calibrador de afilado Husqvarna para restaurar

el filo de la cadena de sierra. Las referencias se indican en la tabla que se encuentra a continuación.

Si no sabe qué cadena de sierra tiene en su producto, comuníquese con su taller de servicio.

					
H37	5/32 in / 4,0 mm	80°	30°	0,025 in / 0,65 mm	580 24 37-01
S93G	5/32 in / 4,0 mm	60°	30°	0,025 in / 0,65 mm	587 80 90-01

DECLARACIÓN DE GARANTÍA DEL CONTROL DE EMISIONES DE VAPORES Y DE ESCAPE CONFORME A LA NORMATIVA FEDERAL DE LOS ESTADOS UNIDOS Y LA NORMATIVA DE CANADÁ

DERECHOS Y OBLIGACIONES DE LA GARANTÍA

La Agencia de Protección Medioambiental de EE. UU. (EPA, del inglés Environmental Protection Agency), el ministerio de Medioambiente y Cambio Climático de Canadá y Husqvarna Professional Products, Inc. se complacen en profundizar sobre la garantía del sistema de control de emisiones de vapores y de escape ("emisiones") para los modelos de motores pequeños para todoterreno del año 2012 y posteriores*. En EE. UU. y Canadá, los nuevos equipos que utilizan motores pequeños para todoterreno se deben diseñar, construir y equipar conforme a las estrictas normas de control de emisiones contaminantes del Estado. Husqvarna Professional Products, Inc. debe proporcionar una garantía para el sistema de control de emisiones del motor pequeño para todoterreno por los períodos que se indican a continuación, siempre que no haya ningún abuso, negligencia ni mantenimiento incorrecto del motor pequeño para todoterreno o del equipo que pueda provocar la falla del sistema de control de emisiones. El sistema de control de emisiones puede incluir piezas como un carburador o un sistema de inyección de combustible, un sistema de encendido, un catalizador, depósitos de combustible, tuberías de combustible (para combustible líquido y vapores de combustible), tapones de combustible, válvulas, depósitos, filtros, abrazaderas y otros componentes asociados. Además, puede incluir mangueras, correas, conectores y otros montajes relacionados con las emisiones. Cuando exista una condición cubierta por la garantía, Husqvarna Professional Products, Inc. reparará el motor de pequeña cilindrada para todo terreno sin costo, incluido el diagnóstico, las piezas y la mano de obra.

COBERTURA DE LA GARANTÍA DEL FABRICANTE

El sistema de control de emisiones de vapores y de escape del motor pequeño para todo terreno tiene una garantía de dos años. Si alguna de las piezas del motor de pequeña cilindrada para todo terreno relacionada con las emisiones tiene una falla, Husqvarna Professional Products, Inc. reparará o reemplazará la pieza.

RESPONSABILIDADES DE GARANTÍA DEL PROPIETARIO

- Como propietario del motor pequeño para todoterreno, usted es responsable de la ejecución del mantenimiento necesario que se detalla en el manual del propietario. Husqvarna Professional Products, Inc. recomienda que conserve todos los recibos que cubran el mantenimiento del motor pequeño para todoterreno; sin embargo, Husqvarna Professional Products, Inc. no puede negar la cobertura de la garantía solo por la falta de recibos o porque no pueda garantizar la realización de todo el mantenimiento programado.
- No obstante, como propietario del motor de pequeña cilindrada para todo terreno debe saber que Husqvarna Professional Products, Inc. puede negar la cobertura de la garantía si dicho motor o una de sus piezas falló como resultado del abuso, negligencia o mantenimiento incorrecto, o modificaciones no aprobadas.
- Usted es responsable de llevar el motor pequeño para todoterreno a un taller de servicio autorizado Husqvarna Professional Products, Inc. lo antes posible en cuanto surja un problema. Las reparaciones bajo garantía se deben realizar dentro de un tiempo razonable que no supere los 30 días. Si tiene preguntas acerca de los derechos y las responsabilidades que implica esta garantía, debe comunicarse con Husqvarna Professional Products, Inc. en EE. UU. al 1-800-487-5951, en CANADÁ al 1-800-805-5523 o enviar un correo electrónico a emissions@husqvarnagroup.com o warranty@hqp-emissions.com.

FECHA DE INICIO DE LA GARANTÍA

El período de garantía comienza en el momento en que se entrega el motor o equipo al comprador final.

EXTENSIÓN DE LA COBERTURA

Husqvarna Professional Products, Inc. garantiza al comprador final y a cualquier comprador posterior que el motor, así como el equipo, se diseñaron, construyeron y equiparon conforme a las normativas pertinentes adoptadas por la EPA, y que no presentan defectos en cuanto a los materiales ni la mano de obra que causen la falla de una pieza cubierta por la garantía durante un período de dos años.

ELEMENTOS CON COBERTURA

REPARACIÓN O REEMPLAZO DE PIEZAS: La reparación o el reemplazo de cualquier pieza defectuosa en garantía se realizará sin cargo para el propietario en un taller de servicio autorizado. El propietario puede elegir el taller de reparación o una persona que realice los servicios de mantenimiento, reemplazo o reparación de los dispositivos y sistemas de control de emisiones, con excepción de las reparaciones y el reemplazo detallados en esta garantía de control de emisiones. Sin embargo, Husqvarna Professional Products, Inc. recomienda que un taller

de servicio autorizado de la marca realice todos los servicios de mantenimiento, reemplazo y reparación de los dispositivos y sistemas de control de emisiones.

IMPORTANTE: este producto cumple con la normativa Fase 3 de la EPA (Environmental Protection Agency, Agencia de Protección Medioambiental) de EE. UU. referente a emisiones de escape y evaporación. A fin de garantizar el cumplimiento de la EPA Fase 3 de EE. UU. y la regulación del Ministerio de Medioambiente y Cambio Climático de Canadá (Environment and Climate Change Canada), recomendamos utilizar solo piezas de repuesto originales de la marca del producto. El uso de piezas de repuesto que no cumplan con esta norma es una violación de las leyes federales y estatales.

PERÍODO DE GARANTÍA: Cualquier pieza cubierta por la garantía que no esté programada para reemplazo como mantenimiento necesario, o que esté programada solo para una inspección regular al efecto de "reparación o reemplazo según sea necesario", contará con una garantía de 2 años (o la duración establecida en la garantía del producto, lo que sea mayor) desde la fecha de compra del comprador original. Toda pieza que esté programada para su reemplazo como parte del mantenimiento necesario contará con la garantía por el período hasta el primer reemplazo programado de la pieza. Cualquier pieza reparada o sustituida en conformidad con la garantía debe estar garantizada durante el lapso restante del período.

DIAGNÓSTICO: No se aplicarán tarifas por los trabajos de diagnóstico que lleven a determinar que una pieza bajo garantía se encuentra de hecho defectuosa, siempre y cuando dicho trabajo de diagnóstico se realice en un taller de servicio autorizado de la marca.

OTROS DAÑOS: Husqvarna Professional Products, Inc. reparará los daños a otros componentes del motor causados por la falla de una pieza garantizada que aún se encuentre cubierta por la garantía.

LISTADO DE PIEZAS DE EMISIONES CUBIERTAS POR LA GARANTÍA

1. Carburador y piezas de admisión o sistemas de inyección de combustible.
2. Filtro de aire y filtro de combustible, cubiertos hasta el programa de mantenimiento.
3. Bujía, cubierta hasta el programa de mantenimiento.
4. Módulo de ignición.
5. Silenciadores con catalizadores y colectores de escape.
6. Depósito de combustible, tuberías de combustible (para combustible líquido y vapores del combustible), tapón de combustible, depósito de carbono y válvulas de seguridad o antiderrame, según corresponda*.
7. Controles electrónicos, y válvulas e interruptores susceptibles al tiempo, la temperatura y la succión.
8. Mangueras, conectores y montajes.
9. Todos los otros componentes cuya falla aumentaría las emisiones de vapores y de escape del motor

de cualquier contaminante reglamentado, como se establece en la siguiente sección:

- Para los Estados Unidos y Canadá, consulte el US Federal Code of Regulations (Código de disposiciones federales de los Estados Unidos), 40 C.F.R 1068, Anexo I (III).

ELEMENTOS SIN COBERTURA

Las fallas causadas por abuso, negligencia, modificaciones no aprobadas, mal uso o mantenimiento incorrecto no están cubiertas por la garantía.

AÑADIDAS O PIEZAS MODIFICADAS: No pueden utilizarse complementos o piezas modificadas no exentas por la EPA. La utilización de añadidas o de piezas modificadas no exentas podrá servir de fundamento para anular una reclamación de garantía. Husqvarna Professional Products, Inc. no será responsable de las fallas de garantía de las piezas garantizadas provocadas por el uso de complementos o piezas modificadas no exentas.

CÓMO PRESENTAR UNA RECLAMACIÓN

Si tiene preguntas relacionadas con sus derechos y responsabilidades de la garantía, deberá comunicarse con su concesionario de servicio autorizado más cercano o llamar a Husqvarna Professional Products, Inc. en EE. UU. al 1-800-487-5951, en CANADÁ al 1-800-805-5523 o enviar un correo electrónico a emissions@husqvarnagroup.com o warranty@hpp-emissions.com.

DÓNDE OBTENER SERVICIOS DE LA GARANTÍA

Las reparaciones o los servicios de la garantía se brindan a través de todos los talleres de servicio autorizados de Husqvarna Professional Products, Inc.. Si el taller de servicio autorizado más cercano se encuentra a más de 160 kilómetros (100 millas) de su ubicación, Husqvarna Professional Products, Inc. se encargará de organizar y pagar los costos de envío al taller de servicio autorizado de la marca, y desde este, o dispondrá un servicio de garantía en conformidad con las normativas correspondientes.

MANTENIMIENTO, REEMPLAZO Y REPARACIÓN DE PIEZAS RELACIONADAS CON EL CONTROL DE EMISIONES

Cualquier pieza para sustituir una defectuosa puede utilizarse en cualquier mantenimiento o reparación bajo garantía y deben proporcionarse al propietario sin cargo. Dicho uso no reducirá las obligaciones de la garantía por parte del fabricante.

DECLARACIÓN DE MANTENIMIENTO

El propietario es responsable de la realización de todo el mantenimiento requerido, según se establece en el manual del propietario.

* Piezas de emisiones evaporativas.

Table des matières

Introduction.....	56	Dépannage.....	79
Sécurité.....	58	Transport, entreposage et mise au rebut.....	79
Montage.....	64	Caractéristiques techniques.....	80
Fonctionnement.....	66	Accessoires.....	81
Entretien.....	70	Garantie.....	82

Introduction

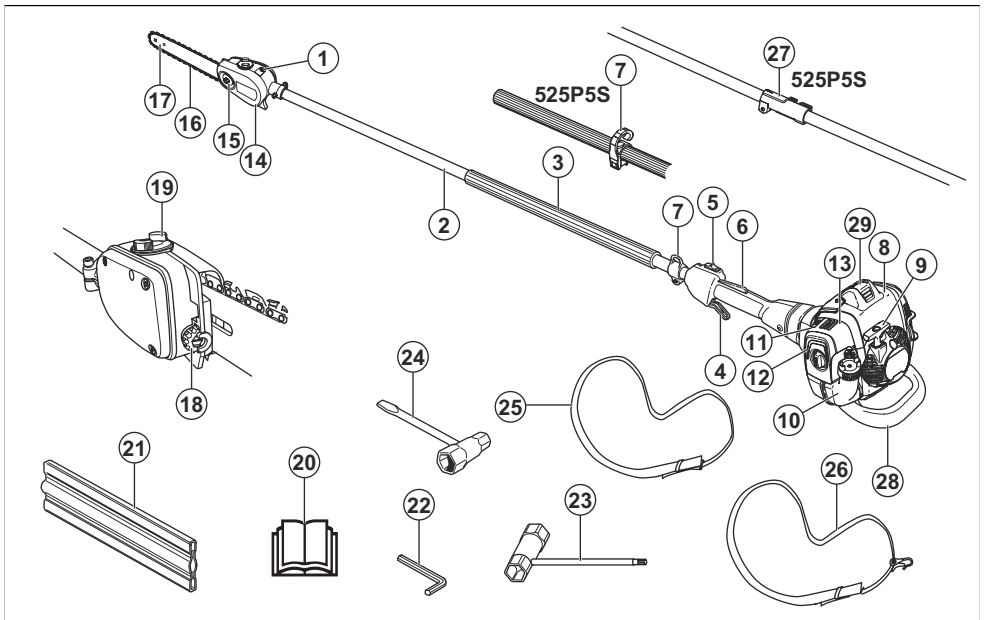
Utilisation prévue

Le produit est conçu pour tailler des branches et des brindilles.

Utilisez la machine seulement avec des accessoires homologués par le fabricant. Se reporter à la section *Accessoires à la page 81*.

Remarque : Les réglementations nationales peuvent limiter l'utilisation du produit.

Présentation de la machine



1. Vis de réglage de la lubrification de la chaîne
2. Arbre
3. Poignée avant
4. Commande des gaz
5. Interrupteur d'arrêt
6. Dispositif de verrouillage de la gâchette de l'accélérateur
7. Crochet de support du harnais
8. Couvercle de vérin
9. Poignée du lanceur
10. Réservoir de carburant
11. Commande de l'étrangleur
12. Filtre à air
13. Couvercle du filtre à air
14. Protection de la chaîne
15. Écrou du guide-chaîne
16. Chaîne
17. Guide-chaîne

- 18. Vis de réglage de tension de la chaîne
- 19. Réservoir d'huile à chaîne
- 20. Manuel d'utilisation
- 21. Dispositif de protection des transports, guide-chaîne
- 22. Clé hexagonale
- 23. Clé à usages multiples
- 24. Clé à usage multiple, tendeur de chaîne
- 25. Faisceau 525P5S
- 26. Faisceau 525P4S
- 27. Raccord de l'arbre
- 28. Protection anti-chocs
- 29. Capuchon de bougie et bougie d'allumage

Symboles figurant sur le produit



AVERTISSEMENT! Ce produit est dangereux. L'opérateur ou les personnes à proximité peuvent subir des blessures graves voire mortelles, si le produit n'est pas utilisé correctement et avec précaution. Pour éviter des blessures à l'opérateur ou aux personnes à proximité, lire et respecter toutes les consignes de sécurité contenues dans le manuel d'utilisation.



Avant d'utiliser l'appareil, lire attentivement le manuel d'utilisation et veiller à bien comprendre les directives.



Arrêt.



Utiliser un casque de protection dans les endroits où des objets peuvent tomber sur vous. Porter un dispositif de protection homologué pour les oreilles. Utiliser un dispositif de protection homologué pour les yeux.



Utiliser des gants de protection homologués.



Utiliser des bottes antidérapantes robustes.



Carburant.



Huile pour chaîne.



Réglage du débit d'huile.



Sens de rotation de la chaîne.



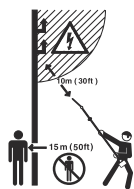
Ampoule de l'amorceur.



Volet de départ.

yyyywwxxxx

La plaque signalétique ou l'impression au laser indique le numéro de série où **yyyy** représente l'année de production et **ww** la semaine de production.

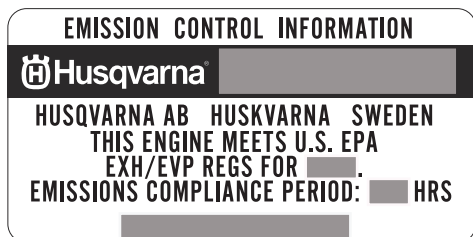


Ce produit n'est pas isolé électriquement. Si le produit touche des lignes à haute tension ou est utilisé à proximité de celles-ci, cela pourrait entraîner la mort ou des blessures graves. L'électricité peut être transmise d'un point à un autre par le phénomène d'arc électrique. Plus la tension est élevée, plus l'électricité est transmise sur une longue distance. L'électricité peut également être transmise à travers des branches et d'autres objets, particulièrement s'ils sont mouillés. Toujours conserver une distance d'au moins 10 m entre la machine et les lignes de haute tension ou tout objet en contact avec celles-ci. S'il est nécessaire de travailler dans cette distance de sécurité, toujours communiquer avec la compagnie d'électricité pertinente pour s'assurer que les lignes sont mises hors tension avant de commencer les travaux.

L'utilisateur de l'outil doit s'assurer, pendant le fonctionnement, qu'il n'y a pas de personnes ou d'animaux à moins de 15 mètres.

Remarque : Les autres symboles/autocollants présents sur l'outil renvoient aux exigences en matière de certification pour d'autres zones commerciales.

EPA III



La période de conformité aux normes d'émissions indiquée sur les étiquettes de conformité aux normes

d'émissions se rapporte au nombre d'heures de fonctionnement du moteur qui répond aux exigences fédérales en matière d'émissions. N'importe quel établissement ou agent de réparation de moteur non routier peut effectuer l'entretien, le remplacement et la réparation des dispositifs et du système de contrôle des émissions.

Produit endommagé

Nous ne sommes pas responsables des dommages causés à notre produit si :

- Le produit n'est pas réparé de façon adéquate.
- Le produit est réparé avec des pièces qui ne sont pas fournies ou homologuées par le fabricant.
- Le produit comprend un accessoire qui n'est pas fourni ou homologué par le fabricant.
- Le produit n'est pas réparé par un centre de service après-vente agréé ou par une autorité homologuée.

Sécurité

Définitions relatives à la sécurité

Les avertissements, recommandations et remarques soulignent des points du manuel qui revêtent une importance particulière.



AVERTISSEMENT : Indique la présence d'un risque de blessure ou de décès de l'utilisateur ou de personnes à proximité si les instructions du manuel ne sont pas suivies.



MISE EN GARDE : Indique la présence d'un risque de dommages au produit, à d'autres appareils ou à la zone adjacente si les instructions du manuel ne sont pas suivies.

Remarque : Utilisé pour donner des renseignements plus détaillés qui sont nécessaires dans une situation donnée.

Consignes générales de sécurité



AVERTISSEMENT : Lire les messages d'avertissement qui suivent avant d'utiliser l'appareil.

- Ce produit produit un champ électromagnétique pendant le fonctionnement. Ce champ magnétique peut, dans certains cas, nuire aux implants médicaux actifs ou passifs. Pour réduire le risque de blessures graves ou mortelles, nous recommandons aux personnes ayant des implants médicaux de consulter leur médecin et le fabricant de l'implant médical avant d'utiliser le produit.
- Ce produit est un outil dangereux s'il est utilisé de façon insouciant ou inappropriée. Cet outil peut

- causer des blessures graves, ou même mortelles, à l'utilisateur et à d'autres personnes.
- Il est très important de lire et de comprendre le contenu de ce manuel de l'opérateur. En cas d'appréhension au sujet d'une condition de travail ou des procédures d'utilisation après avoir lu le manuel d'utilisation, s'adresser à un agent d'entretien avant de continuer.
- La conception du produit ne peut en aucun cas être modifiée sans l'autorisation du fabricant. Ne pas utiliser un produit qui semble avoir été modifié par d'autres, et n'utiliser que des accessoires recommandés pour ce produit. Les modifications et les accessoires non autorisés peuvent engendrer des blessures graves ou la mort de l'utilisateur ou d'autres personnes.
- Vérifier le produit avant son utilisation. Se reporter à *Dispositifs de sécurité sur l'outil à la page 61* et *Dispositifs de sécurité sur l'outil à la page 61*. Ne pas utiliser le produit s'il est endommagé ou ne fonctionne pas correctement. Effectuer les vérifications de sécurité, de maintenance et d'entretien conformément aux instructions fournies dans ce manuel.
- Un silencieux/pare-étincelles et une face de montage du pare-étincelles usagés peuvent contenir des dépôts de particules de combustion potentiellement cancérigènes. Éviter de vous exposer à ces composés lors de la manipulation du silencieux et/ou du pare-étincelles. Avant de manipuler le silencieux ou le pare-étincelles, se reporter à *Pour vérifier le silencieux à la page 62*.
- Utiliser un équipement de protection individuelle, se reporter à *Équipement de protection personnelle à la page 60*.
- Ce produit n'est pas isolé électriquement. Si le produit touche des lignes à haute tension ou est utilisé à proximité de celles-ci, cela pourrait entraîner la mort ou des blessures graves. L'électricité peut être transmise d'un point à un autre par le phénomène d'arc électrique. Plus la tension est élevée, plus l'électricité est transmise sur une plus longue distance. L'électricité peut également être transmise à travers des branches et d'autres objets, particulièrement s'ils sont mouillés. Toujours conserver une distance d'au moins 10 m entre le produit et les lignes de haute tension ou tout objet en contact avec celles-ci. S'il est nécessaire de travailler dans cette distance de sécurité, toujours communiquer avec la compagnie d'électricité pertinente pour s'assurer que les lignes sont mises hors tension avant de commencer les travaux.
- Une surexposition aux vibrations peut entraîner des problèmes circulatoires ou des troubles nerveux, en particulier chez les personnes ayant des troubles circulatoires. Parler à un médecin en cas de symptômes liés à une surexposition aux vibrations. Voici certains de ces symptômes : engourdissement, perte de sensibilité, fourmillement, picotement, douleur, faiblesse musculaire, décoloration ou modification de l'épiderme. Ces symptômes apparaissent habituellement aux doigts, aux mains et aux poignets. Les risques augmentent à basse température.
- L'intérieur du silencieux contient des produits chimiques pouvant être cancérigènes. Éviter tout contact avec ces éléments si le silencieux est endommagé. L'inhalation à long terme des gaz d'échappement du moteur, du brouillard d'huile de chaîne et des copeaux peut constituer un danger pour la santé.
- Ne jamais utiliser la machine à l'intérieur ou sur des endroits n'ayant pas une ventilation convenable. Les gaz d'échappement contiennent du monoxyde de carbone, un gaz inodore, toxique et très dangereux.
- Ne pas utiliser un produit sans silencieux ou dont le silencieux est endommagé. Un silencieux endommagé peut augmenter le niveau sonore et le risque d'incendie. Garder un extincteur à proximité. Si une maille pare-étincelles est requise dans votre zone, ne pas utiliser le produit sans une maille pare-étincelles ou avec une maille pare-étincelles cassée.
- Si la chaîne ne s'arrête pas lorsque le moteur tourne au ralenti, réglez le régime de ralenti. Se reporter à *Régime du régime de ralenti à la page 71*. Ne pas utiliser le produit jusqu'à ce qu'il soit réglé ou réparé correctement.
- Ce produit dispose d'une longue portée. S'assurer qu'aucune personne ou animal ne s'approche à moins de 15 m lorsque la machine est en marche. Toujours regarder derrière soi avant de faire demi-tour avec le produit. Arrêter immédiatement le

Consignes de sécurité pour l'assemblage



AVERTISSEMENT : Lire, comprendre et respecter scrupuleusement ces instructions avant d'utiliser le produit.

- L'ensemble couvercle d'embrayage et arbre au complet doit être monté avant le démarrage de la machine, sinon, l'embrayage peut se défaire et provoquer des blessures.
- Les seuls accessoires qui peuvent être utilisés avec cet appareil sont les outils de coupe recommandés. Se reporter à *Accessoires à la page 81*.
- Utiliser des gants de protection homologués.
- S'assurer d'assembler correctement le couvercle de protection et l'arbre avant de démarrer le moteur.

Instructions de sécurité pour l'utilisation

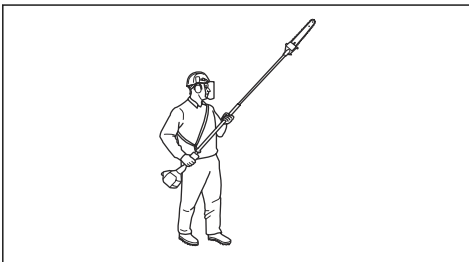


AVERTISSEMENT : Lire les messages d'avertissement qui suivent avant de procéder à l'entretien de la machine.

- Ce produit dispose d'une longue portée. S'assurer qu'aucune personne ou animal ne s'approche à moins de 15 m lorsque la machine est en marche. Toujours regarder derrière soi avant de faire demi-tour avec le produit. Arrêter immédiatement le

produit si une personne ou un animal pénètre dans la zone de sécurité de 15 m. Si plusieurs opérateurs travaillent dans la même zone, garder une distance de sécurité d'au moins 15 m.

- Respecter les règles de sécurité en vigueur pour les travaux à proximité de lignes électriques aériennes. La chute de branches peut provoquer un court-circuit.
- Ne jamais se tenir directement sous une branche qui est en cours de coupe. Cela peut entraîner des blessures graves, voire mortelles.
- Prendre garde aux éclats de bois qui peuvent être projetés lors de la coupe. Ne pas couper trop près du sol; des pierres ou d'autres objets pourraient d'être projetés.
- Ne pas utiliser le produit par mauvais temps, y compris dans un brouillard épais, sous une pluie diluvienne, dans des endroits fortement venteux et en cas de froid intense. Le fait d'utiliser le produit par mauvais temps peut engendrer de la fatigue et augmenter les risques, tels que ceux posés par un sol glissant et la difficulté de prévoir le sens de chute.
- Ne pas utiliser le produit si vous êtes fatigué, malade, ou sous l'emprise de l'alcool, de drogues ou de médicaments, car cela a un effet négatif sur la vision, l'attention, la coordination des gestes et le jugement.
- S'assurer de pouvoir se déplacer en toute sécurité et de disposer d'une distance de sécurité. Examiner les alentours de l'aire de travail pour voir s'il y a des obstacles tels que les racines, les pierres, les branches et les fossés. Faire attention pendant le travail sur un terrain en pente.
- Ne pas retirer l'herbe coupée ou laisser d'autres personnes retirer l'herbe coupée lorsque le moteur est en marche ou que l'équipement de coupe tourne, car il peut en résulter des blessures graves.
- Ne pas trop se pencher vers l'avant. Se tenir bien campé dans une position stable et en parfait équilibre.
- Toujours tenir l'appareil des deux mains. Tenir l'appareil sur le côté droit du corps.



- Après avoir arrêté l'outil, garder les mains et les pieds à l'écart de la chaîne jusqu'à l'immobilisation de celle-ci.

- Ne jamais travailler debout sur une échelle, un tabouret, ou dans une autre position élevée n'offrant pas une sécurité maximale.
- Ne pas déposer l'outil alors que le moteur est en marche à moins de l'avoir sous les yeux.
- Écouter s'il y a des signaux d'avertissement ou des voix fortes lors de l'utilisation d'un dispositif de protection pour les oreilles. Toujours enlever le dispositif de protection pour les oreilles dès que le moteur s'arrête.
- Arrêter le moteur avant de passer à une nouvelle zone de travail. Toujours fixer la protection de transport avant de déplacer l'équipement.
- Ne jamais laisser des enfants utiliser le produit ou se tenir à proximité de celui-ci. Retirer le capuchon de la bougie d'allumage lorsque le produit n'est pas sous une surveillance stricte.

Équipement de protection personnelle



AVERTISSEMENT : Lire les messages d'avertissement qui suivent avant d'utiliser le produit.

- Toujours utiliser un équipement de protection personnelle homologué lors de l'utilisation de l'appareil. Cet équipement de protection personnelle n'élimine pas complètement les risques de blessures, mais il peut en réduire la gravité en cas d'accident. Laisser le concessionnaire aider à sélectionner l'équipement adéquat.
- Porter un casque de protection en cas de risque de chute d'objets.
- Porter des protecteurs d'oreille homologués qui assurent une réduction adéquate du bruit. L'exposition prolongée au bruit peut causer des lésions auditives permanentes.
- Utiliser un dispositif de protection homologué pour les yeux. Porter également des lunettes de protection homologuées en cas d'utilisation d'une visière. Les lunettes de protection homologuées doivent être conformes à la norme ANSI Z87.1 aux États-Unis ou à la norme EN 166 dans les pays de l'Union européenne.
- Utiliser une visière pour protéger le visage. La visière n'est pas suffisante pour protéger les yeux.



- Utiliser des gants au besoin, par exemple lors de la fixation, de l'examen ou du nettoyage de l'outil de coupe.
- Porter des bottes antidérapantes robustes.
- Utiliser des vêtements faits de tissus résistants. Toujours utiliser des pantalons longs et lourds et des manches longues. Ne pas porter des vêtements

amples qui peuvent se prendre dans les broussailles et les branches. Ne pas porter des bijoux, des pantalons courts, des sandales et ne pas marcher pieds nus. Garder les cheveux au-dessus des épaules.



- Garder une trousse de premiers soins à portée de main.



Dispositifs de sécurité sur l'outil



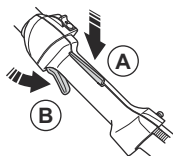
AVERTISSEMENT : Lire les messages d'avertissement qui suivent avant d'utiliser l'appareil.

- Ne pas utiliser le produit si les dispositifs de sécurité sont endommagés ou s'ils ne fonctionnent pas correctement.
- Vérifier régulièrement les dispositifs de sécurité. Se reporter à *Calendrier d'entretien à la page 70*.
- Si les dispositifs de sécurité sont endommagés ou ne fonctionnent pas correctement, communiquez avec votre concessionnaire réparateur Husqvarna.

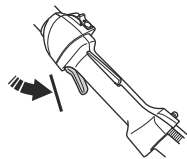
Pour vérifier le verrouillage de la gâchette d'accélération

Le dispositif de verrouillage de la gâchette d'accélération empêche tout fonctionnement accidentel de la commande d'accélération.

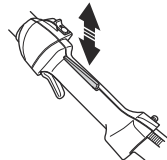
1. Appuyer sur le dispositif de verrouillage de la gâchette d'accélération (A) et s'assurer que la commande d'accélération est relâchée (B). Une fois la poignée relâchée, la commande d'accélération et le dispositif de verrouillage de la gâchette de l'accélérateur retournent à leurs positions initiales.



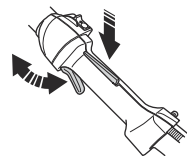
2. Relâcher le dispositif de verrouillage de la commande et s'assurer qu'elle est verrouillée en position de ralenti.



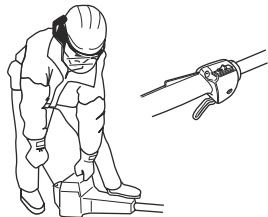
3. Appuyer sur le dispositif de verrouillage de la gâchette de l'accélérateur et s'assurer qu'il retourne à sa position initiale lorsqu'on le relâche.



4. Vérifier que la commande d'accélération et son dispositif de verrouillage bougent librement et que les ressorts de retour fonctionnent correctement.



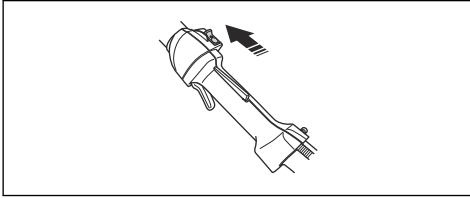
5. Démarrer le produit et le lancer à plein régime. Se reporter à la section *Mise sous tension de l'appareil à la page 69*.
6. Relâcher la commande de l'accélérateur et s'assurer que l'outil de coupe s'arrête. Si l'outil de coupe tourne alors que l'accélérateur est en position de ralenti, vérifier les réglages du carburateur. Se reporter à la section *Entretien à la page 70*.



Pour vérifier l'interrupteur d'arrêt

1. Démarrer le moteur.

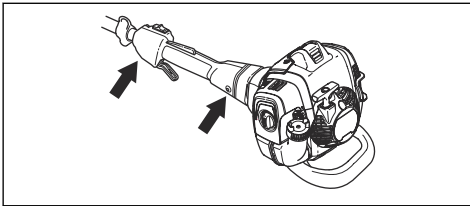
- Déplacer l'interrupteur d'arrêt en position d'arrêt et s'assurer que le moteur s'arrête.



Pour vérifier le système antivibrations

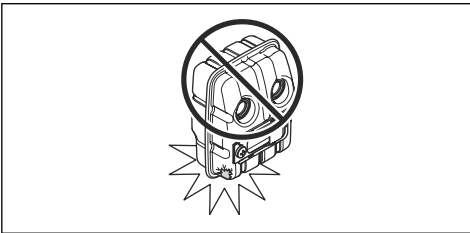
Le système antivibrations réduit au minimum les vibrations des guidons, ce qui facilite l'utilisation de l'outil. Le système antivibrations du produit réduit le transfert des vibrations entre l'unité à moteur et l'unité à arbre du produit.

- Couper le moteur.
- Effectuer une inspection visuelle pour détecter les déformations et les dommages éventuels, par exemple les fissures.

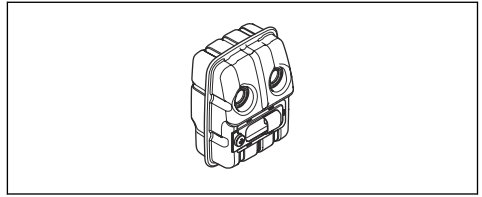


- S'assurer de fixer correctement les éléments du système antivibrations.

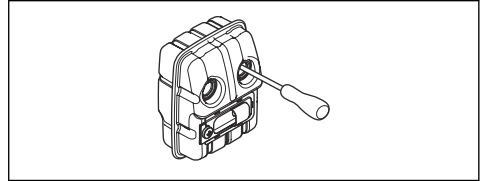
Pour vérifier le silencieux



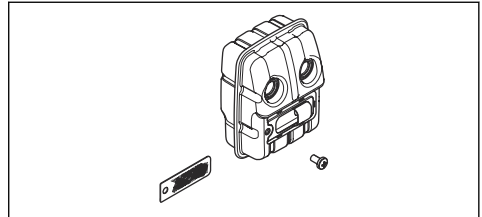
Le silencieux maintient le niveau de bruit au minimum et dirige les gaz d'échappement loin de l'utilisateur. Dans les régions chaudes et sèches, le risque d'incendie est élevé. Respecter les règlements locaux et les instructions d'entretien.



- Effectuer une inspection visuelle pour détecter d'éventuels dommages ou déformation.
- S'assurer que le silencieux est bien fixé sur le produit.



- Contrôler visuellement le pare-étincelles.



Se reporter à la section *Pour entretenir le silencieux à la page 72.*

Sécurité – carburant



AVERTISSEMENT : Lire les messages d'avertissement qui suivent avant d'utiliser l'outil.

- Ne pas mélanger le carburant à l'intérieur ou à proximité d'une source de chaleur.
- Ne pas démarrer l'outil s'il y a du carburant ou de l'huile moteur sur l'outil. Nettoyer le carburant ou l'huile et laisser sécher l'outil. Nettoyer tout carburant qui souille l'outil.
- Si du carburant se déverse sur les vêtements, changer immédiatement de vêtement.
- Ne pas déverser du carburant sur le corps; cela pourrait causer des blessures. Si du carburant se déverse sur le corps, se nettoyer au savon doux et à l'eau.
- Ne pas démarrer le moteur si de l'huile ou du carburant se renverse sur l'outil ou sur le corps.
- Ne pas démarrer l'outil si le moteur présente une fuite. Vérifier régulièrement le moteur à la recherche de fuites.
- Faire preuve de prudence lors de la manipulation du carburant. Celui-ci est inflammable et ses vapeurs

sont explosives et peuvent causer des blessures ou la mort.

- Ne pas respirer les vapeurs de carburant, car elles peuvent causer des blessures. S'assurer que la ventilation est suffisante.
- Ne pas fumer à proximité du carburant ou du moteur.
- Ne pas placer des objets chauds à proximité du carburant ou du moteur.
- Ne pas faire le plein de carburant lorsque le moteur tourne.
- Vérifier que le moteur est froid avant de faire le plein.
- Avant de faire le plein, ouvrir lentement le couvercle du réservoir de carburant et relâcher la pression avec précaution.
- S'assurer que le débit d'air est suffisant lors du ravitaillement et du mélange de carburant (essence et huile deux temps) ou lors de la vidange du réservoir de carburant.
- Le carburant et les vapeurs de carburant sont extrêmement inflammables et peuvent causer des blessures très graves en cas d'inhalation ou de contact avec la peau. Pour cette raison, faire preuve de prudence lors de la manipulation du carburant et s'assurer que le débit d'air est suffisant.
- Serrer le couvercle du réservoir de carburant avec précaution, car un feu pourrait se déclencher.
- Avant de démarrer l'outil, le déplacer à au moins 3 m (10 pi) de la position où le plein de carburant a été fait.
- Ne pas mettre trop de carburant dans le réservoir de carburant.
- Vérifier qu'une fuite ne peut se produire lorsqu'on déplace l'outil ou le bidon d'essence.
- Ne pas placer l'outil ou un bidon d'essence dans un espace où il y a une flamme nue, des étincelles ou une veilleuse. Vérifier que la zone de stockage ne contient pas de flamme nue.
- Utiliser seulement des conteneurs agréés pour transporter ou stocker le carburant.
- Vider le réservoir de carburant avant de le remiser pour une période prolongée. Toujours respecter la législation locale sur la façon de mettre le carburant au rebut.
- Nettoyer l'outil avant de le remiser pour une période prolongée.
- Débrancher le chapeau de bougie avant de remiser le produit, pour que le moteur ne démarre pas par inadvertance.

Consignes de sécurité pour la maintenance



AVERTISSEMENT : Lire les messages d'avertissement qui suivent avant de procéder à l'entretien du produit.

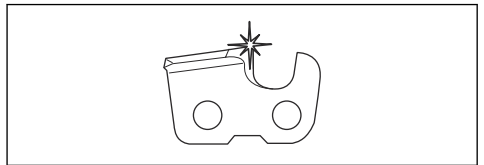
- N'effectuer que les travaux de réparation et d'entretien décrits dans ce manuel d'utilisation. Laisser le personnel d'entretien professionnel effectuer toutes les autres opérations d'entretien et de réparation.
- Effectuer régulièrement les vérifications de sécurité, de maintenance et d'entretien conformément aux instructions fournies dans ce manuel. Un entretien régulier augmente la durée de vie du produit et réduit le risque d'accidents. Se reporter à la section *Entretien à la page 70* pour obtenir des instructions.
- Si les vérifications de sécurité indiquées dans ce manuel d'utilisation ne sont pas homologuées une fois l'entretien effectué, communiquer avec votre centre de services. La disponibilité des réparations et des entretiens effectués de façon professionnelle est garantie pour votre produit.

Consignes de sécurité relatives à l'équipement de coupe.

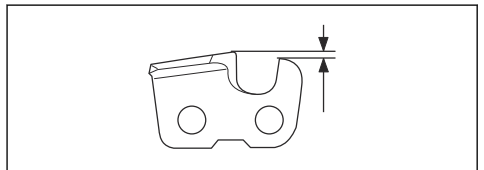


AVERTISSEMENT : Lire les messages d'avertissement qui suivent avant d'utiliser l'appareil.

- N'utiliser que les combinaisons de guide-chaîne et de chaîne et l'équipement d'affûtage que nous recommandons. Se reporter à la section *Accessoires à la page 81* pour obtenir des instructions.
- Utiliser des gants de protection lors de l'utilisation de la chaîne ou d'opérations d'entretien sur celle-ci. Une chaîne immobile peut également provoquer des blessures.
- Toujours s'assurer que la dent de coupe est affûtée de façon adéquate. Pour l'affûter, respecter nos instructions et utiliser le gabarit de lime recommandé. Une chaîne endommagée ou mal affûtée augmente le risque d'accident.

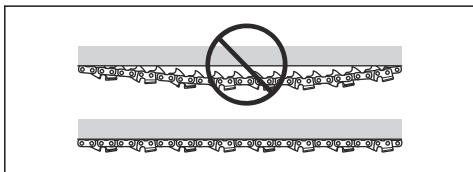


- Conserver le bon réglage de la jauge de profondeur. Respecter nos instructions et utiliser le réglage de la jauge de profondeur recommandé.



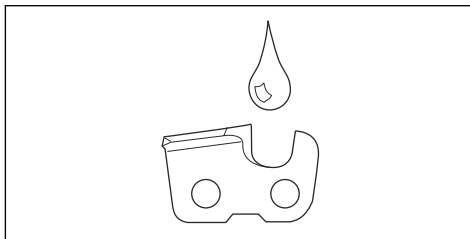
- S'assurer que la chaîne est correctement tendue. Si la chaîne n'est pas serrée contre le guide-chaîne, elle peut dérailler. Une tension inappropriée de la

chaîne augmente l'usure du guide-chaîne, de la chaîne et du pignon d'entraînement de la chaîne. Reportez-vous à *Pour tendre la chaîne à la page 77*.



- Effectuer régulièrement l'entretien de l'équipement de coupe et le maintenir correctement lubrifié. Si

la chaîne n'est pas correctement lubrifiée, le risque d'usure du guide-chaîne, de la chaîne et du pignon d'entraînement de la chaîne augmente.

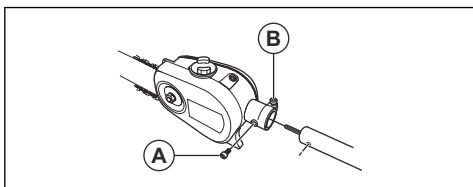


Montage

Pour assembler la tête de coupe



MISE EN GARDE : S'assurer que l'arbre d'entraînement à l'intérieur de l'arbre s'engage au niveau de la découpe de la tête de coupe.

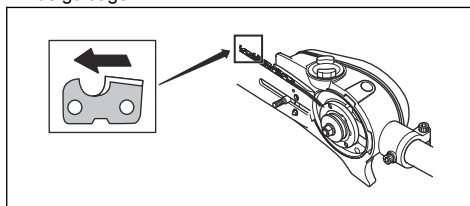


1. Desserrer la vis sur la tête de coupe, (A).
2. Fixer la tête de coupe sur l'arbre de manière à ce que la vis (A) s'aligne avec le trou de l'arbre comme sur l'illustration.
3. Serrer la vis à la main (A). Assurez-vous que la vis (A) s'insère dans l'orifice de l'arbre.
4. Serrer la vis (A).
5. Serrer la vis (B).

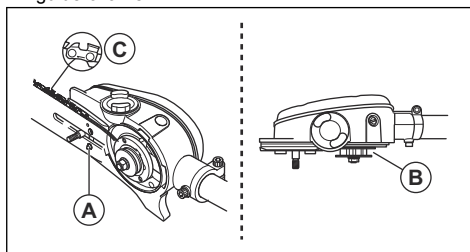
Pour monter le guide-chaîne et la chaîne

1. Dévisser l'écrou du guide-chaîne et retirer le couvercle de protection.
2. Poser le guide-chaîne au-dessus du boulon du guide-chaîne. Placer le guide-chaîne à sa position arrière extrême. Placer la chaîne sur le pignon d'entraînement et dans la rainure du guide-chaîne. Commencer sur le côté supérieur de la barre.

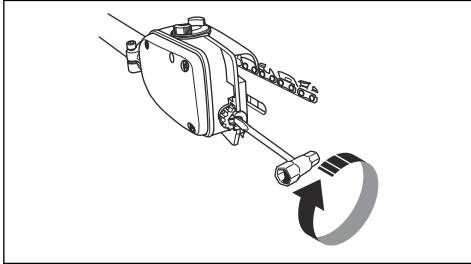
3. S'assurer que les bords des maillons de coupe sont orientés vers l'avant sur le bord supérieur de la barre de guidage.



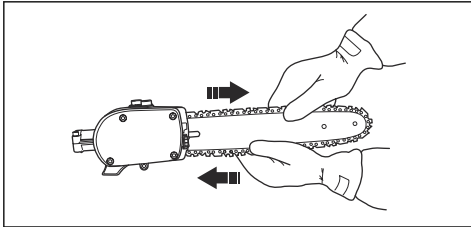
4. Monter le couvercle et positionner la goupille de réglage de la chaîne (A) dans le trou du guide-chaîne. S'assurer que les maillons d'entraînement de la chaîne sont bien logés sur le pignon d'entraînement (B) et que la chaîne se trouve dans la rainure du guide-chaîne. Serrer l'écrou du guide-chaîne.



5. Tendre la chaîne en tournant la vis de réglage de tension de la chaîne dans le sens horaire à l'aide de la clé mixte. Tendre la chaîne jusqu'à ce qu'elle ne pende plus sous le guide-chaîne.



6. La chaîne est correctement tendue lorsqu'elle ne fléchit pas dans la partie inférieure de la barre, mais qu'on peut encore facilement la tourner à la main. Maintenir l'extrémité du guide-chaîne et serrer les écrous du guide-chaîne à l'aide de la clé mixte.



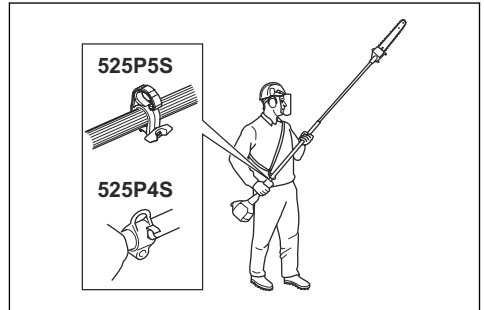
7. Lors de l'installation d'une chaîne neuve, vérifier fréquemment la tension de la chaîne jusqu'à ce que la chaîne soit rodée. Vérifier régulièrement la tension de la chaîne. Une tension de chaîne adéquate garantit une bonne performance de coupe et une longue durée de vie.

Réglage du harnais

Toujours utiliser le harnais avec la machine pour permettre un contrôle maximal de la machine et réduire le risque de fatigue au niveau des bras et du dos.

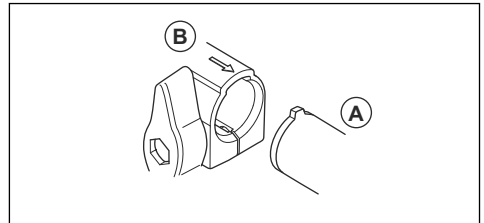
1. Enfiler le harnais.
2. Accrocher la machine sur le crochet de support du harnais.

3. Régler la longueur du harnais de sorte que le crochet de support soit à peu près à la hauteur de la hanche droite de l'utilisateur.

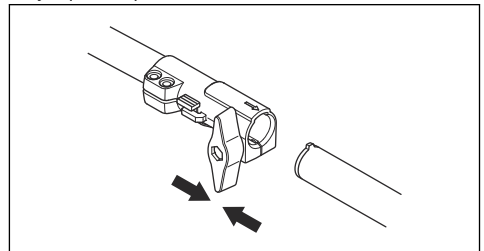


Pour assembler l'arbre en deux pièces 525P5S

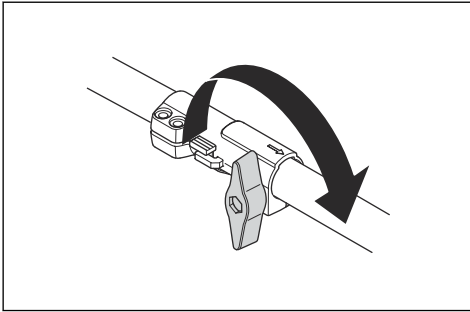
1. Tourner le bouton pour desserrer le raccord.
2. Aligner la languette de l'équipement de coupe (A) avec la flèche figurant sur le raccord (B).



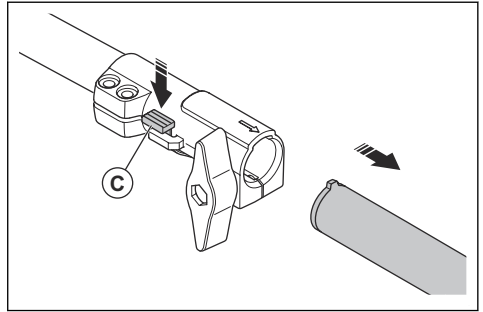
3. Pousser avec précaution l'arbre dans le raccord jusqu'à ce que vous entendiez un dé clic.



4. Serrer le bouton à fond.

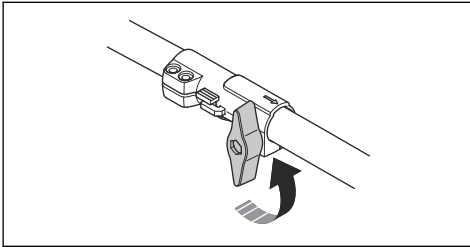


4. Tirer l'outil bien droit pour l'extraire du raccord.



Pour démonter l'arbre en deux pièces 525P5S

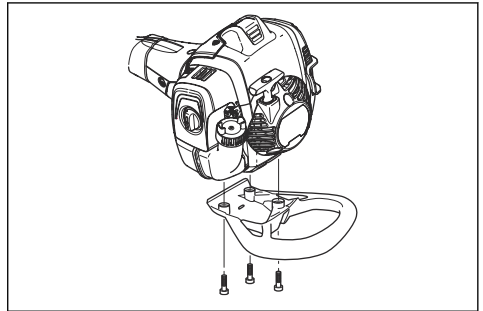
1. Tourner le bouton de 3 tours ou plus pour desserrer le raccord.



2. Appuyer longuement sur le bouton (C).
3. Tenir fermement à l'extrémité de l'arbre rattachée au moteur.

Pour monter la protection anti-impact

1. Installer la protection à l'aide des trois vis.



2. Serrer les vis au couple de 4 Nm (30 pi-lb).
3. Resserrer les vis lorsque le produit a été utilisé pendant environ 20 heures.

Fonctionnement

Introduction



AVERTISSEMENT : Avant d'utiliser le produit, lire et bien comprendre le chapitre sur la sécurité.

Pour vérifier avant l'utilisation

1. Inspecter la zone de travail. Retirer tout objet susceptible d'être projeté.
2. Vérifier la chaîne Ne jamais utiliser un équipement émoussé, fissuré ou endommagé
3. Vérifier que l'appareil est en parfait état de marche.
4. Vérifier le serrage de l'ensemble des écrous et des vis.
5. S'assurer que la chaîne est correctement lubrifiée. Se référer à *Pour vérifier la lubrification de la chaîne à la page 78.*
6. S'assurer que la chaîne s'arrête toujours lorsque le moteur tourne au ralenti.

7. Utiliser uniquement ce produit pour les travaux auxquels il est destiné.
8. S'assurer que la poignée et que les fonctions de sécurité sont en bon état de fonctionnement. Ne jamais utiliser une machine sur laquelle il manque des pièces ou qui a été modifiée par rapport aux spécifications.

Carburant

Cet outil est équipé d'un moteur à deux-temps.



MISE EN GARDE : Un type de carburant inapproprié peut endommager le moteur. Utiliser un mélange d'essence et d'huile pour moteur à deux-temps.

Carburant prémélangé

- Utiliser du carburant alkylat prémélangé Husqvarna, pour atteindre une performance optimale et un prolonger la durée de vie du moteur. Ce carburant

contient moins de substances chimiques nocives par rapport à un carburant régulier, ce qui réduit les gaz d'échappement nocifs. La quantité de dépôts après combustion est inférieure avec ce carburant, ce qui maintient les composants du moteur plus propres.

Pour mélanger le carburant

Essence



MISE EN GARDE : Ne pas utiliser d'essence avec un indice d'octane inférieur à 90 RON (87 AKI). Cela pourrait endommager le produit.



MISE EN GARDE : Ne pas utiliser d'essence avec une concentration d'éthanol supérieure à 10 % (E10). Cela pourrait endommager l'outil.



MISE EN GARDE : Ne pas utiliser d'essence au plomb. Cela pourrait endommager l'outil.

- Toujours utiliser de l'essence neuve sans plomb d'indice d'octane minimal de 90 RON (87 AKI) et avec une concentration en éthanol inférieure à 10 % (E10).
- Utiliser de l'essence avec un taux d'octane supérieur pour utiliser fréquemment le produit à régime moteur élevé en permanence.
- Toujours utiliser un mélange essence sans plomb-huile de bonne qualité.

Huile à moteur deux temps

- Pour obtenir un meilleur résultat et un fonctionnement optimal, utiliser l'huile pour moteur à deux-temps Husqvarna.
- Si l'huile pour moteur à deux temps Husqvarna n'est pas disponible, utiliser une huile pour moteur à deux temps de bonne qualité destinée aux moteurs refroidis à l'air. Communiquer avec votre centre de services pour sélectionner l'huile appropriée.



MISE EN GARDE : Ne pas utiliser l'huile pour moteur à deux temps dans des moteurs hors-bord refroidis à l'eau, également appelée huile pour moteur hors-bord. Ne pas utiliser l'huile pour des moteurs à quatre temps.

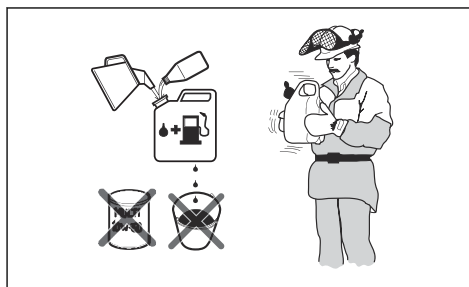
Pour mélanger l'essence et l'huile pour moteur à deux temps

Essence, litre	Huile pour moteur à deux temps, litre

	2 % (50:1)
5	0,10
10	0,20
15	0,30
20	0,40



MISE EN GARDE : De petites erreurs peuvent influencer considérablement le ratio de mélange lors du mélange de petites quantités de carburant. Mesurer soigneusement la quantité d'huile et s'assurer d'obtenir le mélange approprié.



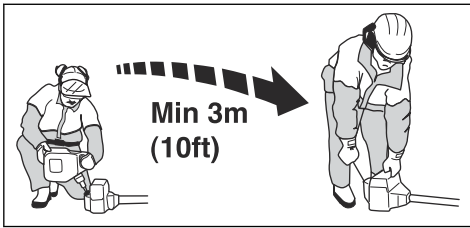
1. Remplir la moitié de la quantité d'essence dans un récipient propre destiné à contenir du carburant.
2. Ajouter la quantité totale d'huile.
3. Agiter le mélange de carburant.
4. Ajouter la quantité restante d'essence dans un récipient.
5. Agiter avec précaution le mélange de carburant.



MISE EN GARDE : Ne pas mélanger le carburant pendant plus de 1 mois à la fois.

Remplissage du réservoir de carburant

1. Nettoyer la zone autour du bouchon du réservoir de carburant.
2. Secouer le bidon et s'assurer que le carburant est complètement mélangé. Utiliser un bidon d'essence comportant un robinet antidéversement.
3. Remplir le réservoir de carburant.
4. Serrer fermement le bouchon du réservoir de carburant.
5. Éloigner le produit de 3 m (10 pi) ou plus de la zone de remplissage et de la source de carburant avant de démarrer.



MISE EN GARDE : La présence d'impuretés dans les réservoirs peut engendrer un mauvais fonctionnement. Nettoyer régulièrement le réservoir de carburant et le réservoir d'huile à chaîne, puis remplacer le filtre à carburant une fois par an ou plus.

Pour effectuer un rodage

- Pendant les 10 premières heures de fonctionnement, ne pas faire tourner le moteur à plein régime sans charge pendant de longues périodes.

Pour utiliser l'huile pour chaîne appropriée



AVERTISSEMENT : Ne pas utiliser de l'huile usagée, qui peut causer des blessures et des dommages à l'environnement. L'huile usagée endommage également la pompe à huile, le guide-chaîne et la chaîne.



AVERTISSEMENT : La chaîne peut freiner si la lubrification de l'équipement de coupe n'est pas suffisante. Risque de blessure grave ou de décès de l'utilisateur.



AVERTISSEMENT : Ce produit est équipé d'une fonction qui laisse le carburant passer avant l'huile pour chaîne. Utiliser la bonne huile pour chaîne pour que cette fonction de sécurité fonctionne correctement. Communiquer avec votre centre de services lors de la sélection d'une huile pour chaîne.

Remarque : Ce produit comporte un circuit de lubrification automatique de la chaîne. Il est également possible de régler le débit d'huile. Se reporter à la section *Pour régler la lubrification de la chaîne à la page 78.*

- Utiliser de l'huile pour chaîne Husqvarna pour maximiser la durée de vie de la chaîne et minimiser les dommages à l'environnement. Si l'huile pour chaîne Husqvarna n'est pas disponible, il est recommandé d'utiliser une huile pour chaîne standard.
- Utiliser une huile pour chaîne qui adhère bien à la chaîne.
- Utiliser une huile pour chaîne avec une bonne plage de viscosité qui s'adapte à la température de l'air.

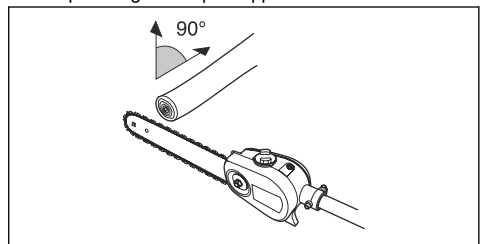


MISE EN GARDE : Si l'huile est trop fine, elle s'écoule avant le carburant. À des températures inférieures à 0 °C/32° F, certaines huiles pour chaîne deviennent trop épaisses, ce qui peut causer des dommages aux composants de la pompe à huile.

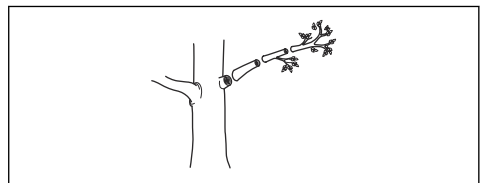
- Utiliser l'équipement de coupe recommandé. Se reporter à la section *Accessoires à la page 81.*

Pour utiliser le produit

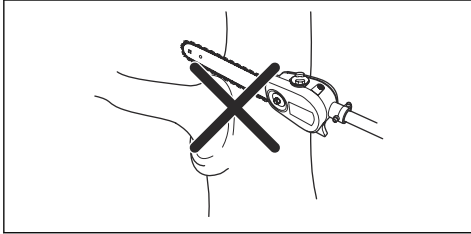
- Tenir le produit le plus près possible du corps pour obtenir le meilleur équilibre.
- S'assurer que la pointe ne touche pas le sol.
- Ne jamais travailler de façon excessive, mais adopter un rythme de travail régulier jusqu'à ce que toutes les branches soient coupées de façon propre.
- Ramener le moteur au régime de ralenti après chaque étape de travail. De longues périodes à plein régime sans placer le moteur sous charge peuvent causer de graves dommages au moteur.
- Toujours travailler à plein régime.
- Autant que possible, se placer de sorte à effectuer la coupe à angle droit par rapport à la branche.



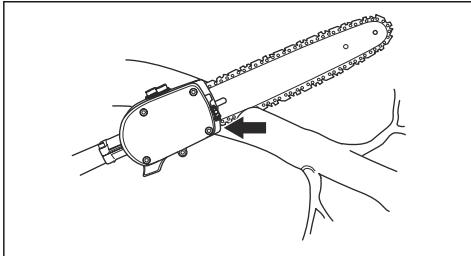
- Couper les grosses branches en sections de sorte à mieux contrôler où elles tombent.



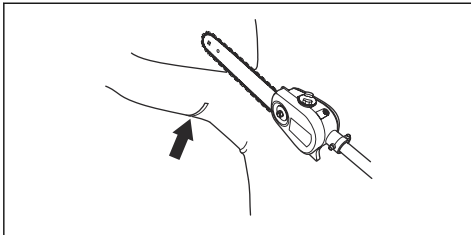
- Ne jamais couper à travers le renflement à la racine de la branche car cela ralentit la cicatrisation et augmente le risque d'attaques fongiques.



- Utiliser la butée à la base de la tête de coupe pour obtenir du soutien lors de la coupe. Cela permet d'éviter que l'outil de coupe « rebondisse » sur la branche.

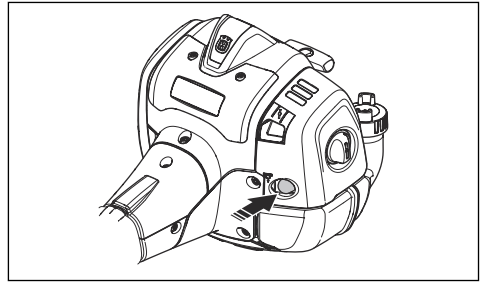


- Effectuer une coupe initiale sur la face inférieure de la branche avant de couper à travers la branche. Cela permet d'éviter la déchirure de l'écorce, ce qui pourrait ralentir la cicatrisation et causer des dommages permanents à l'arbre. La profondeur de coupe ne doit pas dépasser la moitié de l'épaisseur de la branche, pour éviter le blocage. Maintenir la chaîne en marche lors du retrait de l'outil de coupe de la branche pour éviter qu'elle se bloque.



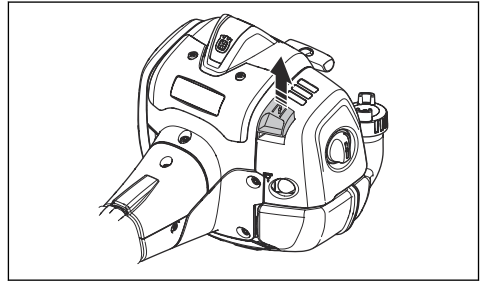
Pour préparer le produit à des fins de démarrage

1. Appuyer 10 fois sur la pompe à carburant.



Remarque : Il n'est pas nécessaire de remplir entièrement la poire.

2. Déplacer la commande d'étrangleur vers le haut en position de démarrage.



AVERTISSEMENT : La chaîne commence à tourner immédiatement lors du démarrage du moteur au moyen de l'étrangleur.

Mise sous tension de l'appareil



AVERTISSEMENT : Lire les messages d'avertissement dans le chapitre sur la sécurité avant de démarrer le produit (se reporter à *Sécurité à la page 58*).

1. Porter des gants de protection.
2. Maintenir l'outil sur le sol à l'aide de la main gauche.



MISE EN GARDE : Ne pas utiliser vos pieds!

3. Saisir le câble de démarrage avec la main droite.
4. Tirer lentement la corde du lanceur avec la main droite jusqu'à rencontrer une résistance (les cliquets d'entraînement grippent).



AVERTISSEMENT : Ne pas enrouler la corde du lanceur autour de la main.

5. Tirer la corde rapidement et énergiquement.



MISE EN GARDE : Ne pas tirer complètement la corde du lanceur et ne pas lâcher la poignée de la corde du lanceur lorsque la corde du lanceur est complètement déployée. Cela pourrait endommager le produit.

6. Tirer sur la corde du lanceur jusqu'au démarrage du moteur ou jusqu'à 5 fois au maximum.
7. Réinitialiser l'étrangleur lorsque le moteur démarre ou après avoir tiré 5 fois la corde du lanceur.
8. Tirer sur la corde du lanceur à plusieurs reprises jusqu'à ce que le moteur démarre.
9. Laisser le moteur tourner pendant 10 secondes.
10. Actionner graduellement la commande des gaz.
11. S'assurer que le moteur tourne de façon régulière.

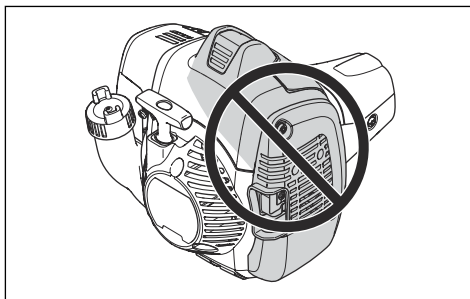
Remarque : Si le moteur s'arrête, recommencer la procédure.

À propos de la surface



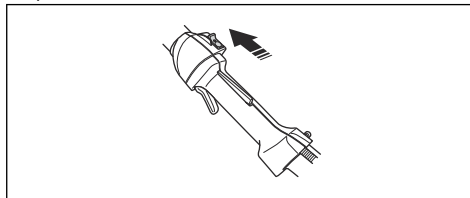
AVERTISSEMENT : Ne pas placer des parties de votre corps dans les zones marquées en gris. Un contact avec la zone marquée en gris peut causer des brûlures de la peau. Il peut également provoquer un risque d'électrocution si le capuchon de la bougie d'allumage a été endommagé. Ne

pas utiliser un produit avec un capuchon de bougie d'allumage endommagé.



Arrêt de l'appareil

1. Déplacer l'interrupteur d'arrêt dans la position d'arrêt pour arrêter le moteur.



MISE EN GARDE :

L'interrupteur revient automatiquement à sa position initiale. Afin d'éviter tout démarrage accidentel, toujours retirer le capuchon de bougie d'allumage de la bougie d'allumage lors du montage, de la vérification ou de l'entretien.

Entretien

Introduction

Vous trouverez ci-dessous quelques instructions d'entretien général. Pour obtenir des renseignements supplémentaires, communiquez avec votre atelier d'entretien.

Calendrier d'entretien

Vous trouverez ci-dessous une liste d'étapes d'entretien qui doivent être effectuées sur le produit. La plupart des points sont décrits plus loin dans ce chapitre.

Entretien	Quotidien	Hebdomadaire	Mensuel
Nettoyer la surface externe.	X		
Assurez-vous que le blocage de l'accélération et la commande d'accélération fonctionnent correctement.	X		

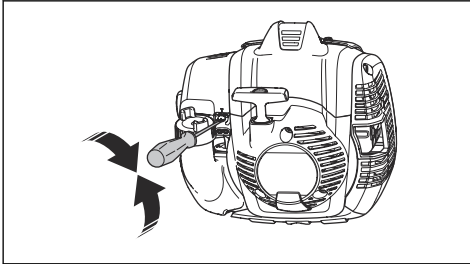
Remarque : L'utilisateur doit seulement effectuer les travaux de maintenance et d'entretien décrits dans ce manuel d'utilisation. Les travaux plus importants doivent être effectués par un atelier d'entretien agréé.

Entretien	Quotidien	Hebdomadaire	Mensuel
Vérifier l'interrupteur d'arrêt pour s'assurer qu'il fonctionne correctement.	X		
S'assurer que la chaîne ne tourne pas au régime de ralenti.	X		
Nettoyer le filtre à air. Remplacer au besoin.	X		
Vérifier la chaîne pour détecter d'éventuelles fissures visibles dans les rivets et les maillons, si la chaîne est grippée ou si les rivets et les maillons sont usés de façon anormale.	X		
Nettoyer l'espace sous le couvercle de protection.	X		
Vérifier que les vis et les écrous sont bien serrés.	X		
Examiner le moteur, le réservoir de carburant et les conduites de carburant pour détecter d'éventuelles fuites.	X		
Nettoyer le système de refroidissement.		X	
Examiner le lanceur et la corde du lanceur pour détecter d'éventuels dommages.		X	
Examiner les éléments antivibrations pour s'assurer qu'ils ne présentent pas de dommages ou de fissures.		X	
Nettoyer l'extérieur de la bougie d'allumage. Retirer la bougie d'allumage et vérifier l'écartement des électrodes. Régler l'écart à la bonne distance (se reporter à la section <i>Vérification de la bougie d'allumage à la page 73</i>) ou remplacer la bougie d'allumage. S'assurer que la bougie est dotée d'un suppresseur.		X	
Nettoyer l'extérieur du carburateur et ses zones adjacentes.		X	
Limer les bavures éventuelles sur les côtés du guide-chaîne.		X	
Nettoyer ou remplacer l'écran pare-étincelles sur le silencieux.		X	
Nettoyer le réservoir de carburant.			X
S'assurer que le filtre à carburant est exempt de toute contamination et que le tuyau à carburant ne présente pas de fissures ou d'autres dommages. Remplacer au besoin.			X
Vérifier tous les câbles et toutes les connexions.			X
Vérifier l'embrayage, les ressorts d'embrayage et le tambour d'embrayage pour détecter toute éventuelle usure. Les faire remplacer au besoin dans un atelier de réparation agréé.			X
Vérifier la bougie d'allumage. Remplacer la bougie d'allumage au besoin.			X
Effectuer une inspection de l'arbre diélectrique pour repérer les zones usées et endommagées. Ne pas utiliser la machine si l'arbre diélectrique présente des zones usées ou endommagées. Se reporter à la norme OSHA 1910.269 pour de plus amples renseignements.	X		

Réglage du régime de ralenti

1. Vérifier que le filtre à air est propre et que le couvercle du filtre à air est fixé avant de régler le régime de ralenti.
2. Mettre l'outil sous tension. Se reporter à la section *Mise sous tension de l'appareil à la page 69*

3. Régler le régime de ralenti à l'aide de la vis de réglage de ralenti en T, identifiée par le repère « T ». Tourner la vis de réglage du régime de ralenti dans le sens horaire jusqu'à ce que la chaîne commence à tourner.



4. Tourner la vis de réglage du régime de ralenti dans le sens antihoraire jusqu'à ce que la chaîne s'arrête.

Le régime de ralenti est adéquat lorsque le moteur fonctionne sans à-coups dans toutes les positions. Le régime de ralenti doit être inférieur à la vitesse où la chaîne commence à tourner.



AVERTISSEMENT : Si la chaîne ne s'arrête pas lors du réglage du régime de ralenti, se rendre chez le fournisseur de services d'entretien le plus proche. Ne pas utiliser le produit jusqu'à ce qu'il soit réglé ou réparé correctement.

Remarque : Se reporter à la section *Caractéristiques techniques à la page 80* pour obtenir le régime de ralenti recommandé.

Pour entretenir le silencieux

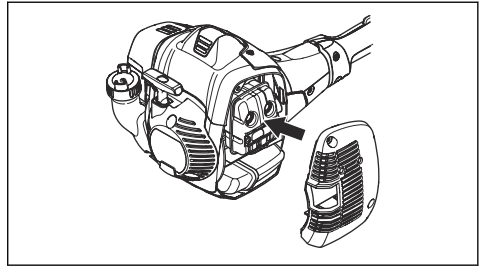
Le silencieux réduit le niveau de bruit et dirige les gaz d'échappement loin de l'utilisateur.



AVERTISSEMENT : Les silencieux qui disposent de pots catalytiques deviennent très chauds pendant le fonctionnement et restent chauds pendant un certain temps après l'arrêt du produit. C'est également le cas lorsque le moteur tourne au ralenti. Le contact avec le produit peut causer des brûlures de la peau. Penser au risque d'incendie.

1. Arrêter l'outil et le laisser refroidir.

2. Retirer le capot du silencieux.



3. Retirer la vis qui maintient le pare-étincelles.



4. Nettoyer le pare-étincelles s'il est bloqué ou le remplacer s'il est endommagé.



MISE EN GARDE : Remplacer la maille pare-étincelles si elle est endommagée. Ne pas utiliser le produit si la grille antiflamme du silencieux est manquante ou endommagée.



MISE EN GARDE : Si le filet pare-étincelles est souvent colmaté, cela peut être le signe d'une réduction de la performance du pot catalytique. Se rendre chez le fournisseur de services d'entretien pour examiner le silencieux. Un filet pare-étincelles colmaté provoque une surchauffe et une détérioration du cylindre et du piston.

Système de refroidissement

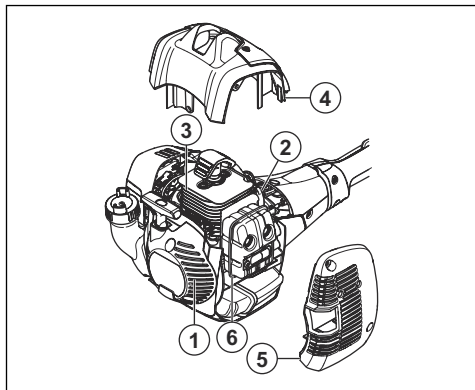
Le produit dispose d'un système de refroidissement pour maintenir la température de fonctionnement aussi basse que possible.

Nettoyer les composants du système de refroidissement au moyen d'une brosse une fois par semaine ou plus fréquemment en cas d'utilisation dans des conditions difficiles. Un système de refroidissement encrassé ou bloqué entraîne une surchauffe excessive susceptible d'endommager le piston et le cylindre.

Le système de refroidissement comporte les éléments suivants :

1. Entrée d'air au démarreur.

2. Ailettes de refroidissement du cylindre
3. Couvercle de cylindre
4. Capot du silencieux.
5. Plaque du silencieux.

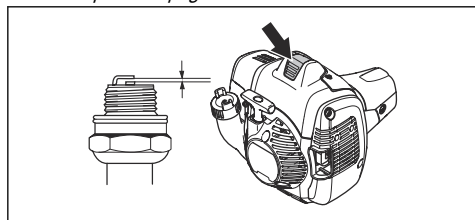


Vérification de la bougie d'allumage



MISE EN GARDE : Toujours utiliser une bougie d'allumage du type recommandé. Se reporter à la section *Caractéristiques techniques à la page 80*. Une bougie d'allumage de type inapproprié peut endommager le produit.

- Examiner la bougie d'allumage si le moteur manque de puissance, démarre difficilement ou ne fonctionne pas correctement au régime de ralenti.
- Afin de réduire le risque de matériau indésirable sur les électrodes de la bougie, respecter les consignes suivantes :
 - a) Vérifier que le régime de ralenti est réglé de façon adéquate.
 - b) Vérifier que le mélange de carburant est correct.
 - c) Vérifier que le filtre à air est propre.
- Si la bougie d'allumage est sale, la nettoyer et s'assurer que l'écartement des électrodes est correct, se reporter à la section *Caractéristiques techniques à la page 80*.



- Remplacer la bougie d'allumage au besoin.

Filtre à air

Enlever la poussière et la saleté du filtre à air pour le garder propre afin d'éviter ces problèmes :

- Mauvais fonctionnement du carburateur.
- Problèmes au démarrage du produit.
- Une perte de puissance du moteur
- Une usure accrue des pièces du moteur.
- Une consommation excessive de carburant.

Nettoyage du filtre à air

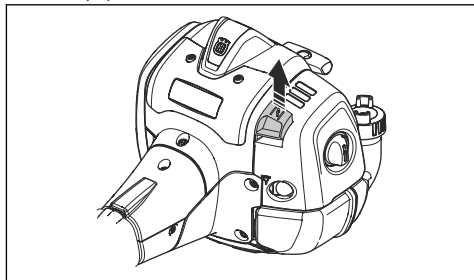


MISE EN GARDE : Il faut toujours remplacer un filtre à air endommagé, très sale ou imbibé de carburant.

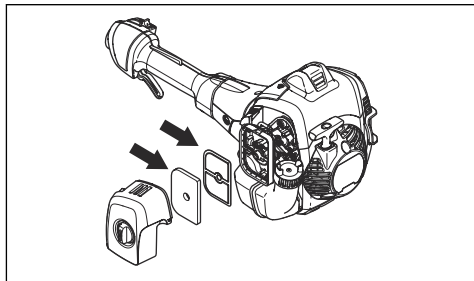
Éliminer régulièrement la saleté et la poussière du filtre à air. Ceci permet d'éviter un mauvais fonctionnement du carburateur, des problèmes de démarrage, une perte de puissance du moteur, une usure des pièces du moteur et une consommation de carburant plus que d'habitude.

Un filtre à air ne peut plus être complètement nettoyé s'il a été utilisé pendant une longue période. Remplacer le filtre à air par un filtre neuf à des intervalles réguliers. Se reporter à la section *Calendrier d'entretien à la page 70*.

1. Déplacer le levier de starter vers le haut pour fermer la soupape du starter.



2. Retirer le couvercle du filtre à air et les filtres à air.

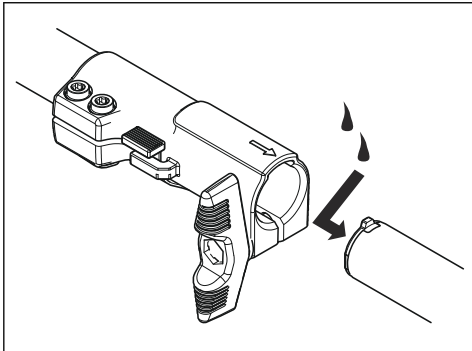


3. Nettoyer les filtres à air à l'eau chaude savonneuse.
4. Remplacer les filtres à air s'ils ne peuvent pas être complètement nettoyés. Toujours remplacer les filtres à air endommagés.

- Nettoyer la surface intérieure du couvercle du filtre à air. Utiliser de l'air comprimé ou une brosse.
- Vérifier le joint d'étanchéité en caoutchouc du filtre à air. Remplacer le filtre à air si le joint d'étanchéité en caoutchouc est endommagé.
- Vérifier que le filtre à air est sec avant de l'installer.

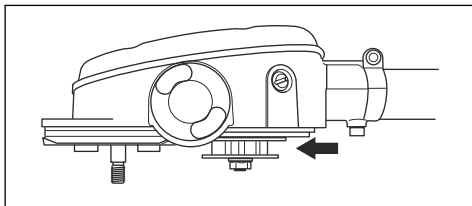
Arbre en deux pièces

Appliquer de la graisse sur l'extrémité de l'arbre d'entraînement après chaque 30 heures de fonctionnement. Il y a un risque que les extrémités de l'arbre d'entraînement (raccords cannelés) des modèles avec arbres en deux pièces se grippent si elles ne sont pas lubrifiées régulièrement.



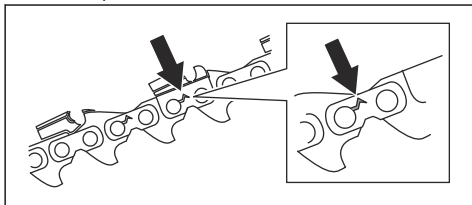
Pour vérifier le pignon d'entraînement de la chaîne

- Vérifier régulièrement le degré d'usure du pignon d'entraînement. Le remplacer en cas d'usure excessive.

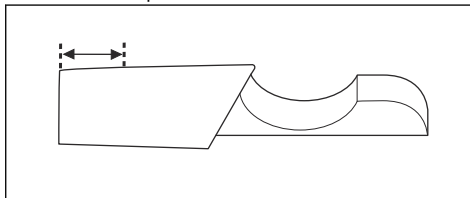


Pour examiner l'équipement de coupe

- S'assurer qu'il n'y a pas de fissures dans les rivets et les maillons et que les rivets ne sont pas desserrés. Les remplacer au besoin.

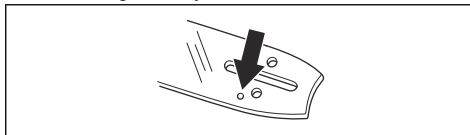


- S'assurer que la chaîne est facile à plier. Remplacer la chaîne si elle est rigide.
- Comparer la chaîne avec une chaîne neuve pour voir si les rivets et les maillons sont usés.
- Remplacer la chaîne lorsque la partie la plus longue de la dent de coupe est inférieure à 4 mm/0,16 po. Remplacer également la chaîne s'il y a des fissures sur les découpeuses.

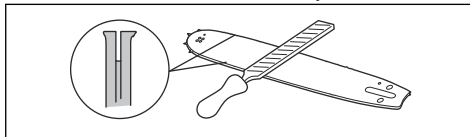


Pour vérifier le guide-chaîne

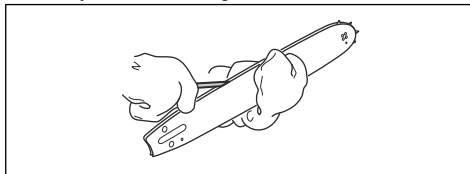
- S'assurer que le canal de graissage n'est pas endommagé. Nettoyer au besoin.



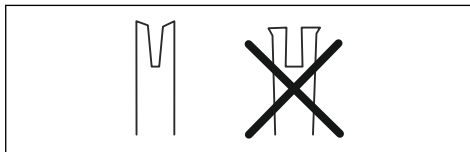
- Examiner s'il y a des bavures sur les côtés du guide-chaîne. Retirer les bavures au moyen d'une lime.



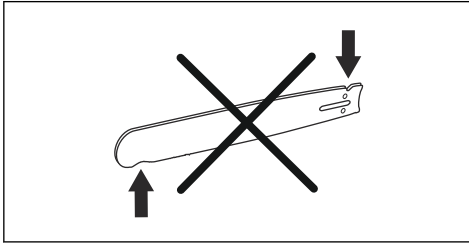
- Nettoyer la rainure du guide-chaîne.



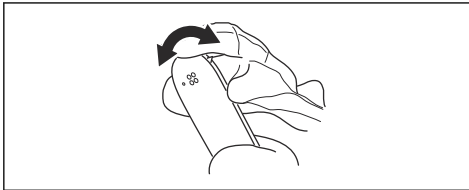
- Examiner la rainure du guide-chaîne pour détecter tout signe d'usure. Remplacer le guide-chaîne au besoin.



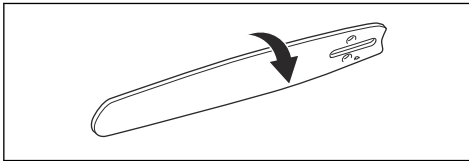
5. Examiner si le bout du guide-chaîne est rugueux ou très usé.



6. S'assurer que le pignon du bout du guide-chaîne tourne librement et que l'orifice de graissage du pignon du bout du guide-chaîne n'est pas obstrué. Nettoyer et lubrifier au besoin.



7. Tourner le guide-chaîne tous les jours pour prolonger sa durée de vie.



Affûter la chaîne.

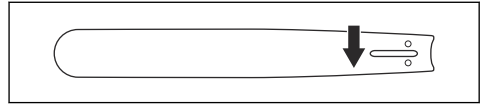
Renseignements à propos du guide-chaîne et de la chaîne



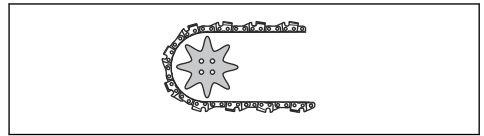
AVERTISSEMENT : Utiliser des gants de protection lors de l'utilisation de la chaîne ou d'opérations d'entretien sur celle-ci. Une chaîne immobile peut également provoquer des blessures.

Remplacer une chaîne ou un guide-chaîne usé ou endommagé par des combinaisons de guide-chaîne et de chaîne recommandées par Husqvarna. Cela est nécessaire dans l'optique de conserver les fonctions de sécurité du produit. Se reporter à la section *Accessoires* à la page 81, pour obtenir une liste de combinaisons de guide-chaîne et de chaîne de rechange que nous recommandons.

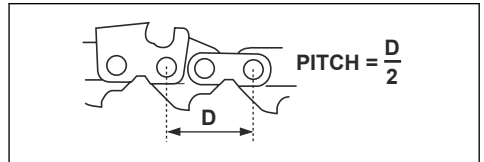
- Longueur du guide-chaîne, cm/po. Des renseignements sur la longueur du guide-chaîne se trouvent généralement à l'extrémité arrière du guide-chaîne.



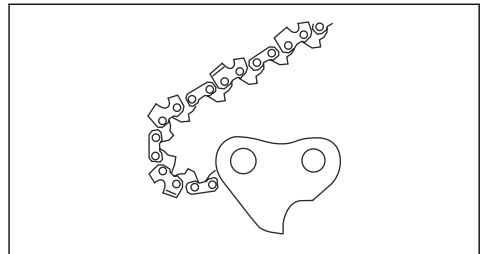
- Nombre de dents sur le pignon du bout du guide-chaîne (T)



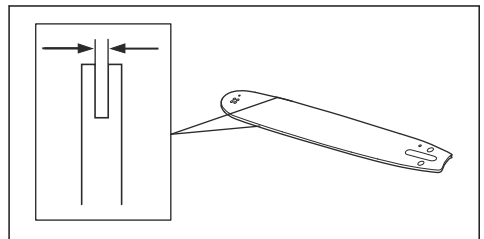
- Pas de chaîne (po). La distance entre les maillons d'entraînement de la chaîne doit s'aligner avec la distance des dents du pignon du bout du guide-chaîne et du pignon d'entraînement.



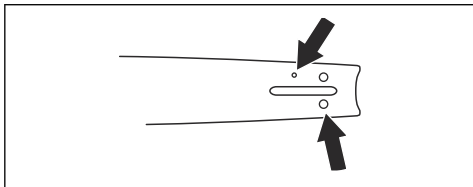
- Nombre de maillons d'entraînement Le nombre de maillons d'entraînement est déterminé par le type de guide-chaîne.



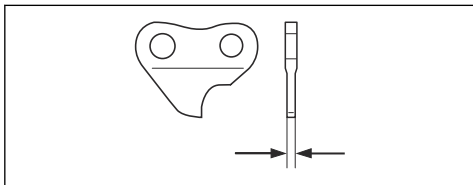
- Largeur de rainure du guide-chaîne, po/mm. La largeur de la rainure du guide-chaîne doit être identique à celle des maillons d'entraînement de la chaîne.



- Trou de graissage de chaîne et trou du tendeur de chaîne. Le guide-chaîne doit s'aligner avec le produit.



- Largeur du maillon d'entraînement, mm/po.

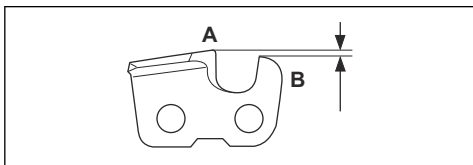


Renseignements généraux sur comment affûter les découpeuses.

Ne pas utiliser une scie coupante émoussée. Si la chaîne est émoussée, appliquer plus de pression pour pousser le guide-chaîne dans le bois. Si la chaîne est très émoussée, il n'y aura pas de copeaux de bois, mais de la sciure.

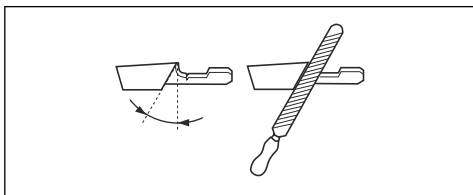
Une chaîne affûtée dévore le bois et les copeaux de bois deviennent longs et épais.

La dent de coupe (A) et la jauge de profondeur (B) forment ensemble la pièce coupante de la chaîne, le dispositif de coupe. La différence de hauteur entre les deux donne la profondeur de coupe (réglage de la jauge de profondeur).

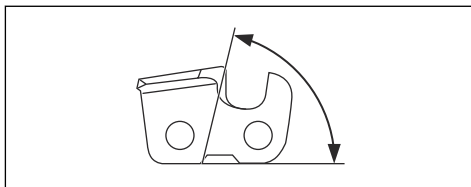


Lors de l'affûtage d'une découpeuse, penser aux éléments suivants :

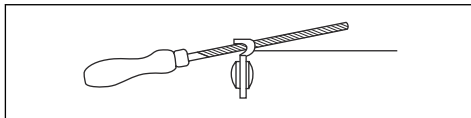
- L'angle d'affûtage.



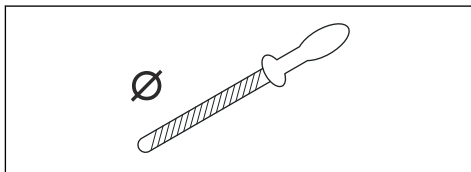
- L'angle de coupe.



- La position de la lime.



- Le diamètre de la lime ronde.

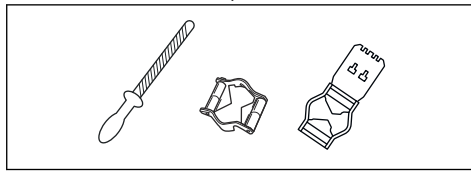


Il n'est pas facile d'affûter correctement une chaîne sans l'équipement adéquat. Utiliser le gabarit de lime Husqvarna. Ce guide vous permettra de maintenir les meilleures performances de coupe.

Remarque : Se reporter à la section *Pour affûter les découpeuses à la page 76* pour obtenir des renseignements sur l'affûtage de la chaîne.

Pour affûter les découpeuses

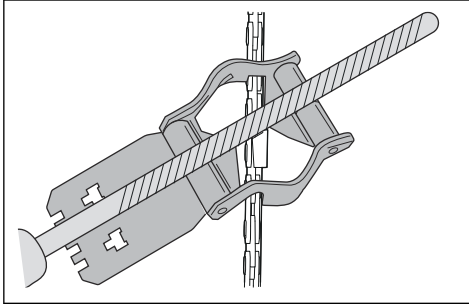
1. Utiliser une lime ronde et un gabarit d'affûtage pour affûter les dents de coupe.



Remarque : Se reporter à la section *Équipement d'affûtage et angles d'affûtage à la page 81* pour obtenir des renseignements sur la lime et le gabarit que Husqvarna recommande pour votre chaîne.

2. Appliquer correctement le gabarit de lime sur la découpeuse. Se reporter aux instructions fournies avec le gabarit de lime.

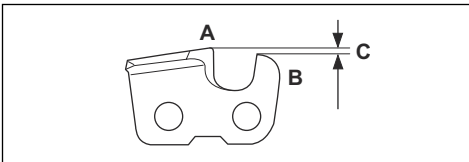
3. Déplacer la lime de la face interne de la dent de coupe vers l'extérieur. Réduire la pression lors de la coupe tirante.



4. Retirer le matériau d'un côté de toutes les dents de coupe.
5. Retourner le produit et retirer le matériau de l'autre côté.
6. S'assurer que toutes les dents de coupe sont de même longueur.

Renseignements généraux sur comment ajuster le réglage de la jauge de profondeur

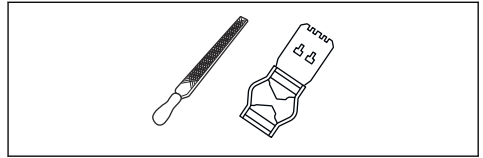
Le réglage de la jauge de profondeur (C) diminue lors de l'affûtage de la dent de coupe (A). Afin de maintenir une performance de coupe maximale, retirer le matériau d'affûtage de la jauge de profondeur (B) pour recevoir le réglage recommandé de la jauge de profondeur. Se reporter à la section *Caractéristiques techniques à la page 80* pour obtenir des instructions sur comment recevoir le réglage approprié de la jauge de profondeur pour votre chaîne.



Réglage de la jauge de profondeur

Avant d'ajuster le réglage de la jauge de profondeur ou d'affûter les fraises, se reporter à la section *Renseignements généraux sur comment affûter les découpeuses*, à la page 70 pour obtenir des instructions. Il est recommandé d'ajuster le réglage de la jauge de profondeur après chaque troisième opération d'affûtage de la dent de coupe.

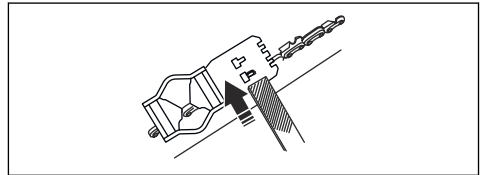
Il est recommandé d'utiliser notre outil de jauge de profondeur pour recevoir le réglage approprié de la jauge de profondeur et le renvoi d'angle pour la jauge de profondeur.



1. Utiliser une lime plate et un outil de la jauge de profondeur pour ajuster le réglage de la jauge de profondeur. Utiliser seulement un gabarit d'affûtage recommandé par Husqvarna pour obtenir le réglage approprié de la jauge de profondeur et le renvoi d'angle pour la jauge de profondeur.
2. Mettre l'outil de la jauge de profondeur sur la chaîne.

Remarque : Consulter l'emballage de l'outil de la jauge de profondeur pour obtenir de plus amples renseignements sur la façon d'utiliser l'outil.

3. Utiliser la lime plate pour retirer la partie de la jauge de profondeur qui sort de l'outil de la jauge de profondeur.



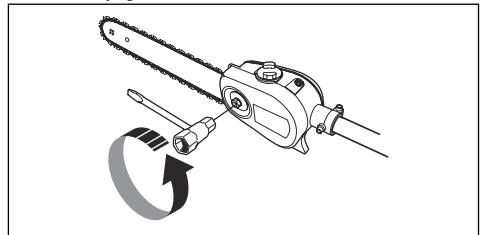
Pour tendre la chaîne



AVERTISSEMENT : Une chaîne qui n'est pas correctement tendue peut dérailler du guide-chaîne et causer des blessures graves, voire mortelles.

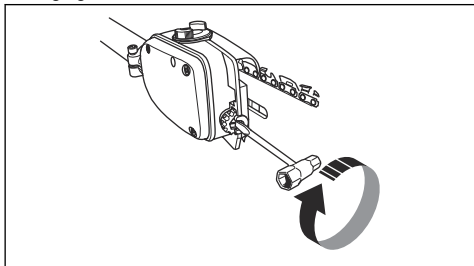
Une chaîne devient plus longue une fois utilisée. Régler la chaîne régulièrement.

1. Desserrer l'écrou du guide-chaîne qui fixe le carter d'embrayage/frein de chaîne. Utiliser une clé.

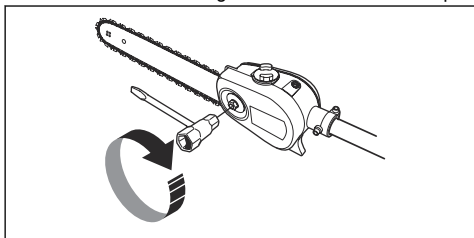


2. Serrer les écrous du guide-chaîne à fond manuellement.

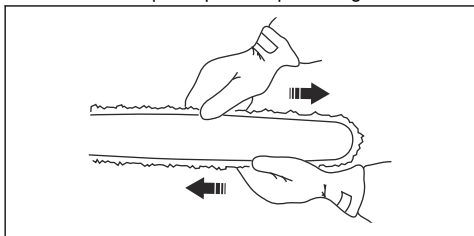
3. Soulever l'avant du guide-chaîne et tourner la vis de réglage de tension de la chaîne. Utiliser une clé.



4. Serrer la chaîne jusqu'à ce qu'elle soit bien serrée contre le guide-chaîne, mais qu'elle puisse encore tourner facilement.
5. Serrer les écrous du guide-chaîne à l'aide de la clé et soulever l'avant du guide-chaîne en même temps.

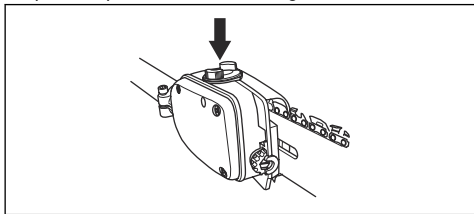


6. S'assurer de pouvoir tirer la chaîne librement à la main et sans qu'elle pende à partir du guide-chaîne.



Pour remplir au moyen d'huile pour chaîne

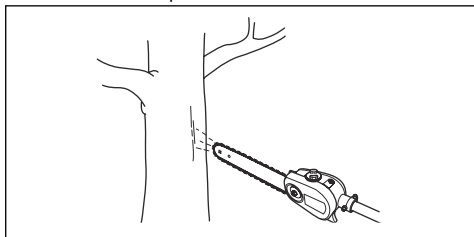
1. Ouvrir le bouchon de remplissage d'huile sur la partie supérieure de la tête du guide-chaîne.



2. Remplir avec de l'huile de chaîne Husqvarna.
3. Fixez le bouchon à nouveau.

Pour vérifier la lubrification de la chaîne

1. Vérifier la lubrification de la chaîne à chaque appoint de carburant. Orienter le bout du guide-chaîne vers une surface de couleur pâle éloignée d'environ 20 cm (8 po). Après 1 minute de marche à 75 % du régime, une ligne distincte d'huile doit être visible sur une surface pâle.



2. Si la lubrification de la chaîne ne fonctionne pas correctement, vérifier le guide-chaîne. Se reporter à la section *Pour vérifier le guide-chaîne à la page 74* pour obtenir des instructions. Communiquer avec le centre d'entretien si les mesures d'entretien ne suffisent pas.

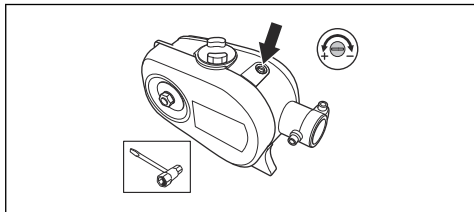
Pour régler la lubrification de la chaîne



AVERTISSEMENT : Arrêter le moteur avant d'effectuer des réglages sur la pompe à huile.

Tourner la vis de réglage de la pompe à huile. Utiliser un tournevis ou une clé à usages multiples.

- Tourner la vis de réglage dans le sens horaire pour réduire le débit d'huile.



- Tourner la vis de réglage dans le sens antihoraire pour augmenter le débit d'huile.

Dépannage

Le moteur ne démarre pas.

Vérifier	Cause possible	Procédure
Interrupteur d'arrêt.	L'interrupteur d'arrêt est à la position d'arrêt.	Laisser un agent d'entretien agréé remplacer l'interrupteur d'arrêt.
Réservoir de carburant.	Type de carburant inapproprié.	Vidanger le réservoir de carburant et faire le plein avec le carburant correct.
Bougie d'allumage et cylindre.	La bougie d'allumage est sale ou humide.	S'assurer que la bougie est propre et sèche.
	L'écartement des électrodes de la bougie d'allumage est incorrect.	Nettoyer la bougie d'allumage. Vérifier que l'écartement des électrodes est correct, se reporter à la section <i>Caractéristiques techniques à la page 80</i> . S'assurer que la bougie d'allumage est dotée d'un supprimeur.
	La bougie d'allumage est desserrée.	Serrer la bougie d'allumage.
	Le moteur est noyé en raison de démarrages répétés avec l'étrangleur fermé après l'allumage.	Retirer et nettoyer la bougie d'allumage. Mettre le produit sur le côté avec l'orifice de la bougie d'allumage loin de l'utilisateur. Tirer sur la poignée du câble du lanceur à 6-8 reprises. Monter la bougie d'allumage et démarrer le produit. Se reporter à la section <i>Mise sous tension de l'appareil à la page 69</i> .

Le moteur démarre mais s'arrête à nouveau

Vérifier	Cause possible	Procédure
Réservoir de carburant	Type de carburant inapproprié.	Vider le réservoir de carburant et faire le plein avec le carburant correct.
Filtre à air	Le filtre à air est bouché.	Nettoyer le filtre à air.

Transport, entreposage et mise au rebut

Transport et entreposage

- Pour le stockage et le transport du produit et du carburant, s'assurer qu'il n'y a pas de fuite ou de vapeur. Les étincelles ou les flammes nues, par exemple avec des appareils électriques ou des chaudières, peuvent démarrer un incendie.

- Utiliser toujours des contenants agréés pour entreposer ou transporter le carburant.
- Vider les réservoirs de carburant et d'huile pour chaîne avant tout transport ou remisage pendant une période prolongée. Mettre au rebut le carburant et l'huile pour chaîne à un emplacement de mise au rebut adéquat

- Utiliser le fourreau de transport sur le produit afin d'éviter des blessures ou des dommages au produit. Une chaîne immobile peut également provoquer des blessures graves.
- Retirer le chapeau de la bougie.
- Fixer le produit de façon sécuritaire pendant le transport.

Pour préparer votre produit à des fins d'entreposage à long terme.

1. Arrêter le produit et le laisser refroidir avant de le démonter.

2. Démonter et nettoyer la chaîne et la rainure du guide-chaîne.



MISE EN GARDE : Si la chaîne et le guide-chaîne ne sont pas nettoyés, elles risquent d'être rigides ou obstrués.

3. Fixer le fourreau de transport.
4. Nettoyer le produit. Se reporter à la section *Entretien à la page 70* pour obtenir des instructions.
5. Effectuer un entretien complet du produit.

Caractéristiques techniques

Données techniques

	525P4S	525P5S
Moteur		
Cylindrée, po ³ /cm ³	1,55/25,4	1,55/25,4
Alésage de cylindre, po/mm	1.34/34	1.34/34
Course, po/mm	1.10/28	1.10/28
Régime maximal recommandé, tr/min	11000-12000	11000-12000
Régime de ralenti, tr/min	2800-3000	2800-3000
Puissance de sortie max. du moteur, conformément à la norme ISO 8893, kW/tr/min	1.0/8500	1.0/8500
Silencieux du pot catalytique	Oui	Oui
Système d'allumage à régime régulé	Oui	Oui
Système d'allumage		
Bougie d'allumage	NGK BPMP8Y	NGK BPMP8Y
Écartement des électrodes, po/mm	0,026/0,65	0,026/0,65
Circuits d'alimentation et de lubrification		
Capacité du réservoir de carburant, pinte US/litre	1.06/0.5	1,06/0,5
Capacité du réservoir d'huile, pinte US/litre	0,4/0,2	0,4/0,2
Poids		
Sans carburant, outil de coupe et protections, lb/kg	11,7/5,3	14.1/6,4

Accessoires

Combinaisons de guide-chaîne et de chaîne

Combinaison de guide-chaîne et de chaîne recommandée


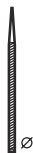
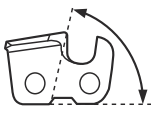

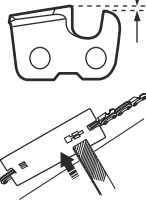

Guide-chaîne			Chaîne	
Longueur, po/cm	Pas, po	Jauge, po/mm	Type	Longueur, maillons d'entraînement, n°.
10/25	3/8	0,050/1,3	Husqvarna H37	40
12/31				45
10/25	3/8	0,050/1,3	Husqvarna S93G	40
12/31				45

Équipement d'affûtage et angles d'affûtage

L'utilisation d'un gabarit de lime Husqvarna vous permet d'obtenir des angles d'affûtage appropriés. Il est recommandé de toujours utiliser le gabarit de lime

Husqvarna pour restaurer l'affûtage de la chaîne. Les numéros de pièces sont indiqués dans le tableau ci-dessous.

Si la chaîne montée sur le produit est inconnue, communiquer avec votre centre de services.

					
H37	5/32 po / 4,0 mm mm	80°	30°	0,025 po / 0,65 mm	580 24 37-01
S93G	5/32 po / 4,0 mm mm	60°	30°	0,025 po / 0,65 mm	587 80 90-01

Garantie

DÉCLARATION DE GARANTIE DU SYSTÈME DE CONTRÔLE DES ÉMISSIONS PAR ÉVAPORATION DU GOUVERNEMENT FÉDÉRAL AMÉRICAIN ET DU CANADA

VOS DROITS ET OBLIGATIONS EN VERTU DE LA GARANTIE

L'U.S. Environmental Protection Agency (EPA), Environnement et Changement climatique Canada et Husqvarna Professional Products, Inc. vous présentent la garantie du système de contrôle des émissions d'échappement et d'évaporation (les « émissions ») qui protège votre petit moteur hors route de l'année 2012 et ultérieure*. Aux États-Unis et au Canada, l'équipement neuf équipé d'un petit moteur hors-route doit être conçu, fabriqué et équipé de manière à répondre aux strictes normes antipollution de l'État ou de la province. Husqvarna Professional Products, Inc. doit garantir les systèmes de contrôle antipollution de votre petit moteur hors route pendant les périodes figurant sur la liste ci-dessous à condition que votre petit moteur hors route ou tout autre équipement ne présente aucun signe d'abus, de négligence ou d'entretien inapproprié menant à la défaillance du système de contrôle des émissions. Votre système de contrôle des émissions peut comprendre différentes pièces comme un carburateur, un système d'injection de carburant, un système d'allumage, un pot catalytique, des réservoirs de carburant, des conduites de carburant (pour le carburant liquide et les vapeurs de carburant), des bouchons de réservoir de carburant, des soupapes, des réservoirs à charbon actif, des filtres, des colliers et d'autres composants associés. Il peut aussi comprendre des flexibles, de courroies, des raccords et d'autres pièces liées aux émissions. En cas de problème couvert par la garantie, Husqvarna Professional Products, Inc. répare votre petit moteur hors route sans frais, diagnostic, pièces et main-d'œuvre compris.

COUVERTURE DE LA GARANTIE DU FABRICANT

Le système de contrôle des émissions par évaporation pour petit moteur hors route est garanti deux ans. Si une pièce de votre petit moteur hors route liée aux émissions est défectueuse, elle doit alors être réparée ou remplacée par Husqvarna Professional Products, Inc..

RESPONSABILITÉS DU PROPRIÉTAIRE EN VERTU DE LA GARANTIE

- À titre de propriétaire d'un petit moteur hors route, vous êtes tenu d'effectuer l'entretien obligatoire indiqué dans le manuel de l'utilisateur. Husqvarna Professional Products, Inc. vous recommande de conserver tous les reçus relatifs à l'entretien de votre petit moteur hors route, mais Husqvarna

Professional Products, Inc. ne peut pas refuser l'application de la garantie pour la seule raison de l'absence de reçus ou du non-respect du calendrier de maintenance.

- En tant que propriétaire d'un petit moteur hors route, vous devez savoir que Husqvarna Professional Products, Inc. peut vous refuser la couverture de la garantie si votre petit moteur hors route ou une pièce est défaillant en raison d'un abus, de négligence, d'un entretien inapproprié ou de modifications non approuvées.
- Vous devez présenter votre petit moteur hors route à un centre de réparation Husqvarna Professional Products, Inc. agréé dès que le problème se manifeste. Les réparations couvertes par la garantie seront effectuées dans un délai raisonnable qui n'excédera pas 30 jours. Pour toute question relative à vos droits et responsabilités relativement à votre garantie, communiquer avec Husqvarna Professional Products, Inc. au CANADA au 1-800-487-5951 ou aux ÉTATS-UNIS au 1-800-805-5523, ou alors envoyer un courriel à l'adresse emissions@husqvarnagroup.com ou warranty@hpp-emissions.com.

DATE D'ENTRÉE EN VIGUEUR DE LA GARANTIE

La période de garantie commence à la date à laquelle le moteur ou le matériel est livré à l'acheteur final.

DURÉE DE LA COUVERTURE

Husqvarna Professional Products, Inc. garantit au dernier acheteur et à chacun des propriétaires suivants que le petit moteur ou l'équipement hors route a été conçu, construit et équipé dans le respect de toutes les réglementations applicables édictées par l'EPA et est exempt de tout défaut matériel ou de fabrication pouvant provoquer la panne d'une pièce garantie pendant une période de deux ans.

ÉLÉMENTS COUVERTS

RÉPARATION OU REMPLACEMENT DES PIÈCES :

La réparation ou le remplacement de toute pièce garantie qui est défectueuse sera effectué sans frais dans un centre de services agréé par la marque. À l'exclusion des réparations et des remplacements couverts par la présente garantie, il est possible de choisir un atelier de réparation ou toute autre personne pour entretenir, remplacer ou réparer les dispositifs et systèmes antipollution. Cependant, Husqvarna Professional Products, Inc. recommande que toutes les opérations d'entretien, de remplacement et de réparation des dispositifs et systèmes antipollution soient effectuées dans un centre de services agréé par la marque.

IMPORTANT : Le présent produit est conforme à la réglementation de la Phase 3 de l'Environmental Protection Agency (EPA) des États-Unis en ce qui concerne les émissions d'échappement et

d'évaporation. Afin de garantir le respect des règlements de l'EPA Phase 3, d'Environnement et Changement climatique Canada, nous recommandons d'utiliser uniquement des pièces de rechange de la marque du produit d'origine. L'utilisation de pièces de rechange non conformes est une infraction à la législation fédérale et à celle de certains États.

PÉRIODE DE GARANTIE : Toute pièce garantie dont le remplacement n'est pas prévu dans le cadre du programme d'entretien obligatoire ou dont la seule mesure prévue est l'inspection régulière avec « réparation ou remplacement au besoin » est garantie pendant deux ans (ou pendant la durée stipulée dans la garantie du produit, selon la période la plus longue) à compter de sa date d'achat par l'acheteur initial. Toute pièce garantie dont le remplacement est prévu par le calendrier d'entretien obligatoire est garantie pendant la période écoulée jusqu'au premier remplacement prévu de la pièce. Toute pièce réparée ou remplacée en vertu de la garantie est couverte pendant la période de garantie restante.

DIAGNOSTIC : Vous n'avez pas à payer pour le diagnostic permettant de conclure que la pièce garantie est défectueuse, à condition qu'un tel diagnostic soit effectué dans un atelier d'entretien agréé.

AUTRES DOMMAGES : Husqvarna Professional Products, Inc. réparera les autres composants du moteur endommagés par suite de la défaillance d'une pièce sous garantie.

LISTE DES PIÈCES COUVERTES PAR LA GARANTIE DE CONTRÔLE DES ÉMISSIONS

1. Pièces du carburateur et du système d'admission ou système d'injection
2. Filtre à air et filtre à carburant couverts dans la limite du calendrier d'entretien
3. Bougies d'allumage couvertes dans la limite du calendrier d'entretien.
4. Module d'allumage.
5. Silencieux avec catalyseur et collecteurs d'échappement
6. Réservoir de carburant, conduites de carburant (pour le carburant liquide et les vapeurs de carburant), bouchon de réservoir, réservoir à charbon actif, clapet antiretour en cas de retournement et clapets antibalotement si applicable.*
7. Commandes électroniques, soupapes et interrupteurs sensibles au vide, à la température et au temps
8. Flexibles, raccords et ensembles
9. Tous les autres composants, dont la défaillance augmenterait les émissions par évaporation d'un polluant quelconque par le moteur, comme énoncé ci-dessous :
 - Pour les États-Unis et le Canada, se reporter au US Federal Code of Regulations, 40 C.F.R 1068 Appendix I (iii).

ÉLÉMENTS NON COUVERTS

Toutes les pannes dues à un abus, à de la négligence, à des modifications non approuvées, à une utilisation ou à un entretien inadéquat ne sont pas couvertes.

PIÈCES COMPLÉMENTAIRES OU MODIFIÉES

Aucune pièce complémentaire ou modifiée non affranchie par l'EPA ne peut être utilisée. L'utilisation de pièces complémentaires ou modifiées non exemptées est un motif suffisant pour rejeter une demande d'indemnisation. Husqvarna Professional Products, Inc. n'a pas la responsabilité de garantir les pannes de pièces garanties provoquées par l'utilisation d'une pièce complémentaire ou modifiée non affranchie.

COMMENT PRÉSENTER UNE DEMANDE D'INDEMNISATION

Pour toute question relative à vos droits et responsabilités relativement à la garantie, communiquer avec le centre de services agréé le plus proche, appeler Husqvarna Professional Products, Inc. aux ÉTATS-UNIS au 1-800-487-5951, au CANADA au 1-800-805-5523, ou bien envoyer un courriel à l'adresse emissions@husqvarnagroup.com ou warranty@hqp-emissions.com.

OÙ JOINDRE LE SERVICE DE GARANTIE?

Les services de garantie ou de réparation sont assurés par tous les ateliers d'entretien Husqvarna Professional Products, Inc. agréés. Si le centre de réparation agréé le plus près se trouve à plus de 160 kilomètres de votre emplacement, Husqvarna Professional Products, Inc. arrangerait et paierait la livraison aller-retour vers un centre de réparation agréé par la marque ou arrangerait autrement la prestation du service au titre de la garantie, en conformité avec les règlements applicables.

ENTRETIEN, REMPLACEMENT ET RÉPARATION DES PIÈCES RELATIVES AUX ÉMISSIONS

Toute pièce de remplacement peut être utilisée pour procéder à un entretien ou à une réparation sous garantie et elle sera fournie sans frais pour le propriétaire. Un tel remplacement n'a pas pour effet de réduire les obligations du fabricant relativement à la garantie.

ATTESTATION D'ENTRETIEN

Le propriétaire est tenu de respecter l'entretien obligatoire prévu dans le manuel de l'utilisateur.

* Pièces liées aux émissions par évaporation.



www.husqvarna.com

Original instructions
Instrucciones originales
Instructions d'origine

1143799-49



2023-09-08