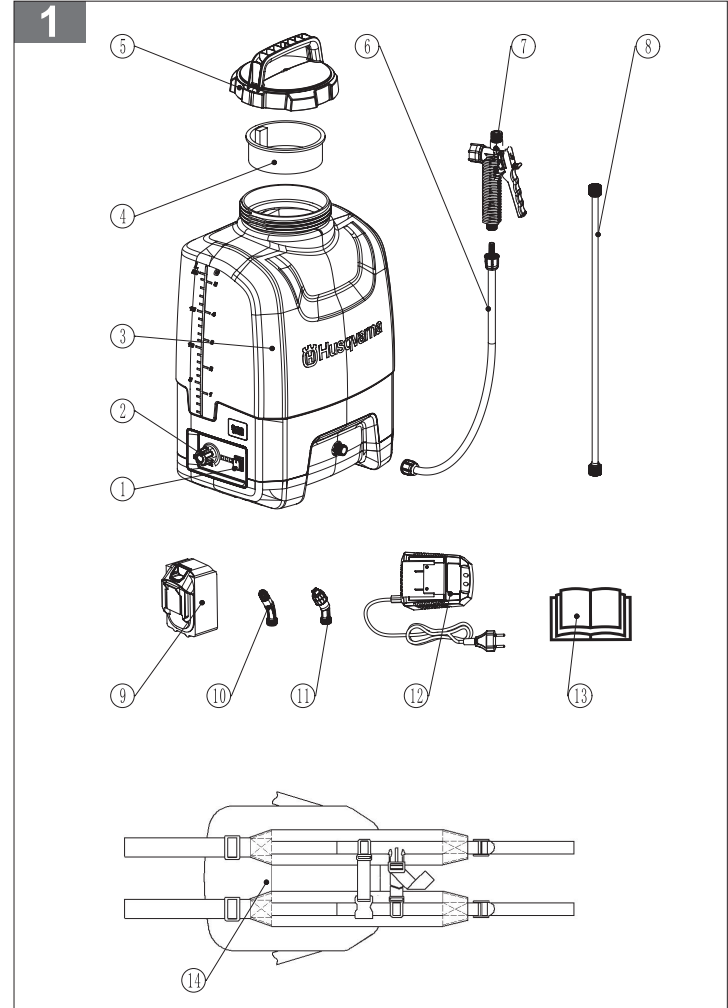


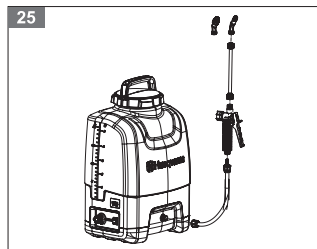
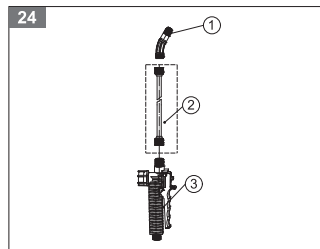
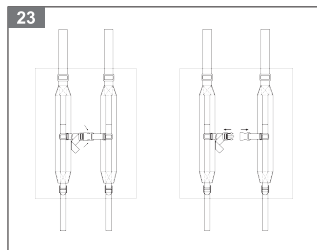
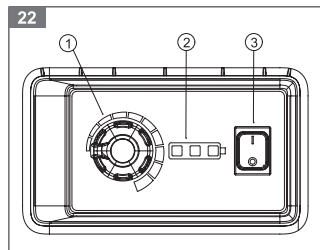
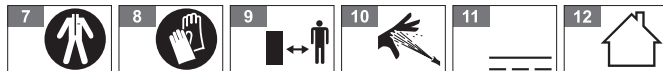


Husqvarna®

318iS20

EN	Operator's manual	4-14
FR	Manuel d'utilisation	15-25
ES	Manual de usuario	26-36





Content

Introduction.....	4	Troubleshooting	12
Safety.....	5	Transportation and Storage	12
Assembly	9	Technical data.....	13
Operation	9	Accessories	13
Maintenance.....	11	Declaration of Conformity.....	14

Introduction

Product overview

(Fig. 1)

1. Switch
2. Knob
3. Tank
4. Filter
5. Tank cap
6. Hose assy
7. Trigger
8. Lance
9. Battery
10. Cone Nozzle
11. Fan Nozzle
12. Battery Charger
13. Manual
14. Harness

Symbols on the product

- (Fig. 2) **WARNING:** Be careful and use the product correctly.
- (Fig. 3) Read the operator's manual carefully and make sure that you understand the instructions before use.
- (Fig. 4) Do not expose to rain.
- (Fig. 5) Always wear
- Approved hearing protection.
 - Approved eye protection.
 - Approved protective mask.

(Fig. 6) Wear sturdy, non-slip boots or shoes.

(Fig. 7) Wear protective clothing during operation.

(Fig. 8) Always wear approved protective gloves.

(Fig. 9) Keep bystanders away from the product.

(Fig. 10) High pressure injection.

Symbols on the battery and/or on the battery charge

(Fig. 11) Direct current.

(Fig. 12) For indoor use only.

(Fig. 13) Class II equipment.

(Fig. 14) Time-lag miniature fuse-link.

(Fig. 15) This product applies with the applicable EU Directives.

(Fig. 16) Recycle this product at a recycling station for electrical and electronic equipment.

Product liability

As referred to in the product liability laws, we are not liable for damages that our product causes if:

- The product is incorrectly repaired.
- The product is repaired with parts that are not from the manufacturer or not approved by the manufacturer.
- The product has an accessory that is not from the manufacturer or not approved by the manufacturer.
- The product is not repaired at an approved service center or by an approved authority.

Safety

Safety definitions

The definitions below give the level of severity for each signal word.



WARNING: Injury to persons.



CAUTION: Damage to the product.

Note: This information makes the product easier to use.

General power tool safety warnings



WARNING: Read all safety warnings, instructions, illustrations and specifications provided with this power tool. Failure to follow all instructions listed below may result in electric shock, fire and/or serious injury.

Note: Save all warnings and instructions for future reference. The term "power tool" in the warnings refers to your mains-operated (corded) power tool or battery-operated (cordless) power tool.

Work area safety

- Keep work area clean and well lit. Cluttered or dark areas invite accidents.
- Do not operate power tools in explosive atmospheres, such as in the presence of flammable liquids, gases or dust. Power tools create sparks which may ignite the dust or fumes.
- Keep children and bystanders away while operating a power tool. Distractions can cause you to lose control.

Electrical safety

- Power tool plugs must match the outlet. Never modify the plug in any way. Do not use any adapter plugs with earthed (grounded) power tools. Unmodified plugs and matching outlets will reduce risk of electric shock.
- Avoid body contact with earthed or grounded surfaces, such as pipes, radiators, ranges and refrigerators. There is an increased risk of electric shock if your body is earthed or grounded.
- Do not expose power tools to rain or wet conditions. Water entering a power tool will increase the risk of electric shock.
- Do not abuse the cord. Never use the cord for carrying, pulling or unplugging the power tool. Keep cord away from heat, oil, sharp edges or moving parts. Damaged or entangled cords increase the risk of electric shock.

- When operating a power tool outdoors, use an extension cord suitable for outdoor use. Use of accord suitable for outdoor use reduces the risk of electric shock.
- If operating a power tool in a damp location is unavoidable, use a residual current device (RCD) protected supply. Use of a RCD reduces the risk of electric shock.



WARNING: Do not pressure wash the machine, as water can enter the electrical system or the motor and cause damage to the machine or short circuit.

Personal safety

- Stay alert, watch what you are doing and use common sense when operating a power tool. Do not use a power tool while you are tired or under the influence of drugs, alcohol or medication. A moment of inattention while operating power tools may result in serious personal injury.
- Use personal protective equipment. Always wear eye protection. Protective equipment such as a dust mask, non-skid safety shoes, hard hat or hearing protection used for appropriate conditions will reduce personal injuries.
- Prevent unintentional starting. Ensure the switch is in the off-position before connecting to power source and/or battery pack, picking up or carrying the tool. Carrying power tools with your finger on the switch or energizing power tools that have the switch on invites accidents.
- Remove any adjusting key or wrench before turning the power tool on. A wrench or a key left attached to a rotating part of the power tool may result in personal injury.
- Do not overreach. Keep proper footing and balance at all times. This enables better control of the power tool in unexpected situations.
- Dress properly. Do not wear loose clothing or jewellery. Keep your hair and clothing away from moving parts. Loose clothes, jewellery or long hair can be caught in moving parts.
- If devices are provided for the connection of dust extraction and collection facilities, ensure these are connected and properly used. Use of dust collection can reduce dust-related hazards.
- Do not let familiarity gained from frequent use of tools allow you to become complacent and ignore tool safety principles. A careless action can cause severe injury within a fraction of a second.

Power tool use and care

- Do not force the power tool. Use the correct power tool for your application. The correct power tool will do the job better and safer at the rate for which it was designed.
- Do not use the power tool if the switch does not turn it on and off. Any power tool that cannot be controlled with the switch is dangerous and must be repaired.

- Disconnect the plug from the power source and / or remove the battery pack, if detachable, from the power tool before making any adjustments, changing accessories, or storing power tools. Such preventive safety measures reduce the risk of starting the power tool accidentally.
- Store idle power tools out of the reach of children and do not allow persons unfamiliar with the power tool or these instructions to operate the power tool. Power tools are dangerous in the hands of untrained users.
- Maintain power tools and accessories. Check for misalignment or binding of moving parts, breakage of parts and any other condition that may affect the power tool's operation. If damaged, have the power tool repaired before use. Many accidents are caused by poorly maintained power tools.
- Keep cutting tools sharp and clean. Properly maintained cutting tools with sharp cutting edges are less likely to bind and are easier to control.
- Use the power tool, accessories and tool bits etc. in accordance with these instructions, taking into account the working conditions and the work to be performed. Use of the power tool for operations different from those intended could result in a hazardous situation.
- Keep handles and grasping surfaces dry, clean and free from oil and grease. Slippery handles and grasping surfaces do not allow for safe handling and control of the tool in unexpected situations.

Battery tool use and care

- Recharge only with the charger specified by the manufacturer. A charger that is suitable for one type of battery pack may create a risk of fire when used with another battery pack.
- Use power tools only with specifically designated battery packs. Use of any other battery packs may create a risk of injury and fire.
- When battery pack is not in use, keep it away from other metal objects, like paper clips, coins, keys, nails, screws or other small metal objects, that can make a connection from one terminal to another. Shorting the battery terminals together may cause burns or a fire.
- Under abusive conditions, liquid may be ejected from the battery; avoid contact. If contact accidentally occurs, flush with water. If liquid contacts eyes, additionally seek medical help. Liquid ejected from the battery may cause irritation or burns.
- Do not use a battery pack or tool that is damaged or modified. Damaged or modified batteries may exhibit unpredictable behavior resulting in fire, explosion or risk of injury.
- Do not expose a battery pack or tool to fire or excessive temperature. Exposure to fire or temperature above 130 °C may cause explosion
- Follow all charging instructions and do not charge the battery pack or tool outside the temperature range specified in the instructions. Charging improperly or at temperatures outside the specified range may damage the battery and increase the risk of fire.

Service

- Have your power tool serviced by a qualified repair person using only identical replacement parts. This will ensure that the safety of the power tool is maintained.
- Never service damaged battery packs. Service of battery packs should only be performed by the manufacturer or authorized service providers.

Always use common sense

It is not possible to cover every conceivable situation you can face. Always exercise care and use your common sense. Avoid all situations which you consider to be beyond your capability. If you still feel uncertain about operating procedures after reading these instructions, you should consult an expert before continuing.



WARNING: Never allow children to use or be in the vicinity of the machine. Since the machine is easy to start, children may be able to start it if they are not kept under full surveillance. This can mean a risk of serious personal injury. Therefore disconnect the battery when the machine is not under close supervision.

Safety instructions for operation



WARNING: Read the warning instructions that follow before you use the product.

Note: National or local regulations may regulate the use. Comply to given regulations.

- This product is a dangerous tool that can cause serious injury or death to the operator or others if you are not careful or if you use the product incorrectly.
- Under no circumstances may the design of the product be modified without permission of the manufacturer. Always use original accessories. Nonauthorized modifications and/or accessories can result in serious personal injury or death of the operator and others.
- Do not use the product if it is changed from its initial specification. Do not change any part of the product without approval from the manufacturer. Only use parts that are approved by the manufacturer. Injury or death is a possible result of incorrect maintenance.
- Always remove the battery to prevent the product from being started by accident.
- Always remove the battery before any maintenance on the product.
- Carry out an overall inspection of the product before use. See the maintenance schedule.
- Do not use a damaged product. Do the safety checks, maintenance and service instructions described in this manual.
- Check that the product is in perfect working condition with all nuts and screws tight.
- Before using the product and after any impact, check

for signs of wear or damage and repair as necessary.

- Never allow children or persons not trained in using the product and/or the battery to use or service it. Local laws may regulate the age of the user.
- Keep the product in a locked area to prevent access for children or persons that are not approved.
- The product operator must ensure that no people or animals come closer than 15 meters while working.
- When several operators are working in the same area the safety distance should be at least 15 meters.
- Do not use the machine in bad weather conditions, especially when there is a risk of lightning. This decreases the risk of being struck by lightning.
- Thoroughly inspect the area for wildlife where the machine is to be used. Wildlife may be injured by the machine during operation.
- Thoroughly inspect the area where the machine is to be used and remove all stones, sticks, wires, bones, and other foreign objects. Thrown objects can cause personal injury.
- Wear eye protection and ear protection. Adequate protective equipment will reduce personal injury.
- Always wear non-slip and protective footwear while operating the machine.
- Always wear clothing such as trousers that covers the operator's legs while operating the machine.
- Do not operate the machine on excessively steep slopes. This reduces the risk of loss of control, slipping and falling which may result in personal injury.
- When working on slopes, always be sure of your footing, always work across the face of slopes, never up or down and exercise extreme caution when changing direction. This reduces the risk of loss of control, slipping and falling which may result in personal injury.
- Do not operate the machine towards people or animals.
- Only use replacement parts specified by the manufacturer. Incorrect replacement parts may cause loss of control, breakage and injury.

Personal protective equipment



WARNING: Read the warning instructions that follow before you use the product.

- Always use approved personal protective equipment when you use the product. Personal protective equipment cannot fully prevent injury but it decreases the degree of injury if an accident does occur. Let your dealer help you select the correct equipment.
- Use approved hearing protection.(Fig. 17)
- Use approved eye protection. If you use a visor, you must also use approved protective goggles.(Fig. 18)
- Use gloves when it is necessary, for example when you attach, examine or clean the cutting equipment.(Fig. 19)

- Use protective boots with steel toe-cap and non-slip soles.(Fig. 20)
- Use clothing made of strong fabric. Your clothing must be close-fitting but not limit your movements. Always use heavy, long pants and long sleeves. Do not use jewelry or open shoes.
- Put your hair up safely above shoulder level.
- Keep first aid equipment near.(Fig. 21)

Safety devices on the product



WARNING: Read the warning instructions that follow before you use the product.

The life span of the product can be reduced and the risk of accidents can increase if product maintenance is not carried out correctly and if service and/or repairs are not carried out professionally. If you need further information please contact your nearest servicing dealer.



WARNING: Never use a product with damaged safety components. The product's safety equipment must be inspected and maintained as described in this section. If your product fails any of these checks, contact your service agent to get it repaired.



CAUTION: All servicing and repair work on the machine requires special training. This is especially true of the machine's safety equipment. If your machine fails any of the checks described below you must contact your service agent. When you buy any of our products we guarantee the availability of professional repairs and service. If the retailer who sells your machine is not a servicing dealer, ask him for the address of your nearest service agent.

To do a check of the user interface

1. There is a knob (1), three green LED lights (2), and a power switch (3) on the control panel.(Fig.22)
2. After installing the battery, press the power switch and the green LED light will light up, automatically detecting the battery life;
3. Battery indicator light:
 - 3 green lights display: 100% ~ 70%
 - 2 green lights display: 70% to 40%
 - 1 green light display: 40% ~ 10%
 - 1 green light flashing: indicates the need for charging
4. Knob: The flow can be controlled by turning the knob, clockwise from small to large.

To do a check of the quick release chest harness

Press two sides of the chest harness buckle, push it inward, and the buckle will quickly release.(Fig.23)

Battery safety



WARNING: Read all the safety and general instructions. Failure to observe the safety and general instructions may result in electric shock, fire and / or serious injury. Keep all the safety information and general instructions for future reference.

- These safety instructions apply only to the approved/recommended 18V Li-Ion rechargeable batteries.
- Only charge the batteries using chargers recommended by the manufacturer. A charger that is suitable for one type of battery may pose a fire risk when used with a different battery.
- The battery is supplied partially charged. To ensure full battery capacity, fully charge the battery in the charger before using your power tool for the first time.
- Keep battery packs out of the reach of children.
- Do not open the battery. There is a risk of short-circuiting.
- In case of damage and improper use of the battery, vapours may be emitted. The battery can set alight or explode. Ensure the area is well ventilated and seek medical attention should you experience any adverse effects. The vapours may irritate the respiratory system.
- If the battery is damaged or used incorrectly, flammable liquid may be ejected from the battery. Liquid ejected from the battery may cause irritation or burns. Any contact with this liquid should be avoided. If contact accidentally occurs, rinse off with water right away. If the liquid comes into contact with your eyes, seek additional medical attention.
- If the battery is damaged, liquid can be ejected. Check and clean all parts, objects and areas that splashed by the liquid and change them if necessary.
- Do not short-circuit the battery pack. When the battery pack is not in use, keep it away from other metal objects, like paper clips, coins, keys, nails, screws or other small metal objects, that can make a connection from one terminal to another. Shorting the battery terminals together may cause burns or a fire.
- The battery can be damaged by external force or by pointed objects such as nails or screwdrivers. An internal short circuit may occur and cause the battery to burn, smoke, explode or overheat.
- Never service damaged battery packs. Service of battery packs should only be performed by the manufacturer or authorized service providers.
- Keep the battery away from heat like continuous intense sunlight, fire, dirt, water and moisture. There is a risk of explosion and shortcircuiting.
- Use the battery in the product only when the ambient temperature is between 4°C ~ 40°C.
- Only store the battery at an ambient temperature between 4°C ~ 40°C. Do not leave the battery in your car in the summer.
- Only charge the battery at an ambient temperature between 4°C ~ 40°C.

Battery charger safety



WARNING: Read all the safety and general instructions. Failure to observe the safety and general instructions may result in electric shock, fire and / or serious injury. Store these instructions in a safe place. Only use the charger if you can fully evaluate all functions and carry them out without restrictions, or if you have received corresponding instructions.

- Supervise children during use, cleaning and maintenance. This will ensure that children do not play with the charger.
- Charge only lithium-ion batteries of 318iS20 battery. The battery voltage must match the battery charging voltage of the charger. Do not charge any non-rechargeable batteries. Otherwise there is a risk of fire and explosion.
- Do not expose the charger to rain or wet conditions. Water entering a power tool will increase the risk of electric shock.
- Keep the charger clean. Dirt poses a risk of electric shock.
- Always check the charger, cable and plug before use. Stop using the charger if you discover any damage. Do not open the charger yourself, and have it repaired only by a qualified specialist using only original replacement parts. Damaged chargers, cables and plugs increase the risk of electric shock.
- Do not operate the charger on an easily ignited surface (e. g. paper, textiles, etc.) or in a flammable environment. There is a risk of fire due to the charger heating up during operation.
- Recharge only with the charger specified by the manufacturer. A charger that is suitable for one type of battery pack may create a risk of fire when used with another battery pack.
- In case of damage and improper use of the battery, vapours may also be emitted. Ensure the area is well ventilated and seek medical attention should you experience any adverse effects. The vapours may irritate the respiratory system.
- Do not cover the ventilation slots of the charger. Otherwise, the charger may overheat and no longer function properly.
- In order to avoid safety hazards, if the power supply cord needs to be replaced, this must be done by Husqvarna or by a customer service centre that is authorised to repair Husqvarna power tools.



WARNING: This product makes an electromagnetic field while it operates. This field may under some conditions interfere with active or passive medical implants. To decrease the risk of conditions that can possibly injure or kill, we recommend persons with medical implants to speak with their physician and the medical implant manufacturer before you operate the product.

Safety instructions for maintenance



WARNING: Read the warning instructions that follow before you do maintenance on the product.

- Remove the battery before you do maintenance, other checks or assemble the product.
- The operator must only do the maintenance and servicing shown in this operator's manual. Turn to your servicing dealer for maintenance and servicing of a larger extension.
- Do not clean the battery or the battery charger with water. Strong detergent can cause damage to the plastic.

- If you do not do maintenance, it decreases the life cycle of the product and increases the risk of accidents.
- Special training is necessary for all servicing and repair work, especially for the safety devices on the product. If not all checks in this operator's manual are approved after you have done maintenance, turn to your servicing dealer. We guarantee that there are professional repairs and servicing available for your product.
- Your warranty may not cover damage or liability caused by the use of non-authorized accessories, spare parts or replacement parts.

Assembly

Introduction



WARNING: Read and understand the safety chapter before you assemble the product.



WARNING: Small parts can be easily swallowed. There is also a risk that the polybag can suffocate children. Keep children away when you assemble the product.

To assemble the spray lance and nozzle

1. Choose a correct nozzle(1) and align the nozzle with one end of the spray lance(2),(Fig.24)
2. Rotate the nut, and assemble the lance and nozzle together.

To assemble the spray lance and trigger

1. Connect the spray lance(2) and the trigger(3),(Fig.24)

2. Connect the other end with the small filter screen to the trigger assy and tighten it with a nut,(Fig.25)



WARNING: The shorter nut on the spray lance is to connect the nozzle, and the longer nut is to connect the trigger.

To assemble the hose

1. Insert a section with a white joint into the water outlet at the bottom of the machine and tighten it by rotating the nut,(Fig.25)
2. Connect the other end with the small filter screen to the trigger assy and tighten it with a nut,(Fig.25)

To adjust the harness

A correctly adjusted harness and product makes operation easier.

1. Put on the harness of the product.
2. Tighten the side straps and the chest strap until the product is tight against your body.

Operation

Introduction



WARNING: Read and understand the safety chapter before you use the product.

Battery



WARNING: Before you use the battery, you must read and understand the safety chapter. You must also read and understand the operator's manual for the battery and the battery charger.

Keep the battery and the battery charger in correct ambient temperatures.

Ambient temperature

Operation of the battery in the product 4°C ~ 40°C

Charging of the battery 4°C ~ 40°C

To charge the battery

Charge the battery before the first use.

Note: The battery does not charge if the battery temperature is more than 40°C.

1. Connect the power cord for the battery charger in a grounded mains.



CAUTION: Make sure that the mains has the correct voltage and frequency.

2. Put the battery in the battery charger. The battery is connected to the battery charger when the red LED lights.
3. The battery is fully charged when the green LED on the battery charger is on. Charge the battery for maximum 24 hours.

4. Disconnect the battery charger from the mains.



CAUTION: Do not pull the power cord.

5. Remove the battery from the battery charger.

Battery status LED on the battery charger

LED	Battery status
Red LED on	The battery is charging
Green LED on	Standby or fully charged

Battery status LED on the product

When the battery is installed in the product, the LEDs on the product show the battery status.

LED	Battery status
3 Green LED on	100% ~ 70%
2 Green LED on	70% ~ 40%
1 Green LED on	40% ~ 10%
1 Green LED flashing	Need charging

To fill in chemical liquid

1. Rotate the tank cap anti-clockwise and take off.
2. Pour the mixed chemical liquid into the filter at the tank gate.
3. Do not quickly fill with chemical liquids to splash them onto the skin.

To connect the battery to the product

1. Make sure that the battery is fully charged.
2. Open the battery cover.
3. Slide the battery into the battery holder of the product along the battery guide tracks.
4. The battery locks into position when you hear a click.
5. Close the battery cover.

To start the product

1. Ensure that the trigger assy is in an unlocked and released state.
2. Push the ON / OFF witch to the ON position.
3. Holding the trigger assy and press the trigger to spray water.

To spray

1. Ensure that all connections are fully tightened.
2. Ensure that the battery is installed and the power is turned off.
3. Carry the entire machine on your back and adjust the strap to the appropriate length.
4. Buckle up the shoulder strap.
5. Push the ON / OFF witch to the ON position.
6. Holding the trigger assy and presses the trigger to spray water.
7. Rotate the knob to adjust to the appropriate spray state.

To stop the product

1. Release the trigger assy.
2. Push the ON / OFF witch to the OFF position.

To disconnect the battery from the product

1. Open the Battery cover.
2. Press the button on the battery.
3. Remove the battery from the battery seat.

Maintenance

Introduction



WARNING: Read and understand the safety chapter before you do maintenance on the product.



WARNING: Remove the battery before you do maintenance.

Maintenance schedule

Note: Make sure you obey the maintenance schedule. The intervals are calculated from daily use of the product. The intervals are different if you do not use the product each day. Only do the maintenance work that is found in this manual. Speak to an approved service center about other maintenance work not found in this manual.

Maintenance	Daily	Weekly	Monthly
Clean the external parts of the product with a dry cloth. Keep the handles dry, clean and free from oil and grease.	X		
Make sure that the on/off button and the potentiometer works correctly and is not damaged.	X		
Make sure that the spray trigger and the spray trigger lockout function correctly. Disassemble for clearing if necessary. Check and clean trigger filter. Replace if damaged.	X		
Make sure that the spraying attachment is not damaged. Check and clean the nozzles. Replace if damaged.	X		
Make sure that the screws and nuts are tight. Tighten if necessary.	X		
Make sure all the connecting points are well sealed and tight. Tighten if necessary.	X		
Make sure that the battery is not damaged. Make sure that the release button on the battery works and locks it to the product. Clear any obstructions. Replace if damaged	X		
Make sure that the battery charger is not damaged and function correctly. Replace if damaged.	X		
Make sure that the battery is charged.	X		
Check and clean the water filling filter screen and tank. Check the tank cap and tank cap valve for damage. Replace if necessary	X		
Make sure that all cables, couplings and connections are not damaged and free from dirt.		X	
Check harness for comfortable operation and inspect for any damage. Replace if damaged.		X	
Check the connections between the battery and the product.			X
Check the connection between the battery and the battery charger.			X

To examine the battery and the battery charger

- Examine the battery for damages, for example cracks.
- Examine the battery charger for damages, for example cracks.
- Make sure that the connection cord of the battery charger is not damaged and that there are no cracks in it.

To clean the product, the battery and the battery charger

- Clean the product with a dry cloth after use.
- Clean the battery and battery charger with a dry cloth. Keep the battery guide tracks clean.
- Make sure that the terminals on the battery and the battery charger are clean before the battery is put in the battery charger or the product.

Troubleshooting

User interface

Problem	Possible cause	Solution
Green LED flashes.	Low battery voltage	Charge the battery
Green LED not on	Run out of power	Charge the battery
	Battery is damaged	Speak to an approved service dealer
	Dead control panel	Replace control panel
Low flow rate	Filters stuck	Clean the filters
No flow rate	Pipeline blockage	Turn off the power switch, clean the pipeline and filter screen, and then turn on the switch again
	Faulty pump	Replace pump
Tank is leaking	Faulty tank cap valve	Replace tank cap valve
Tank is concave	Pressure relief hole blockage	Replace tank cover assy
Product is leaking	Damaged / loose hoses	Make sure hoses are correctly assembled. Replace if damaged
	Damaged / loose connections	Make sure connections are correctly assembled. Replace if damaged.
	Damaged lance	Replace lance

Battery charger

Problem	Possible cause	Solution
Green LED flashes.	The battery is not correctly installed in the battery charger	Remove the battery from the charger and install the battery in the battery charger again
	The battery connectors are dirty	Clean the battery connectors with dry cloth
	The ambient temperature is too high or too low.	Use the battery charger in temperatures between 4°C ~ 40 °C
	The battery/charger is damaged	Replace the battery / charger

Transportation and storage

- The supplied Li-Ion batteries applied to the Dangerous Goods Legislation requirements.
- Obey the special requirement on package and labels for commercial transportation, including by third-parties and forwarding agents.
- Speak to a person with special training in dangerous material before you send the product. Obey all applicable national regulations.
- Use tape on open contacts when you put the battery in a package. Put the battery in the package tightly to prevent movement.
- Remove the battery from the product or battery charger for storage or transportation.
- Put the battery and the battery charger in a space that is dry and free from moisture and frost.
- Do not keep the battery in an area where static electricity can occur. Do not keep the battery in a metal box.
- Put the battery in storage where the temperature is between 4°C and 40°C and away from open sunlight.
- Put the battery charger in storage where the temperature is between 4°C and 40°C and away from open sunlight.
- Use the battery charger only when the surrounding temperature is between 4°C and 40°C.
- Charge the battery 30% to 50% before you put it in storage for long periods.
- Put the battery charger in storage in a space that is dosed and dry.
- Keep the battery away from the battery charger during storage. Do not let children and other not approved

persons to touch the equipment. Keep the equipment in a space that you can lock.

- Clean the product and do a full servicing before you put the product in storage for a long time.
- Attach the product safely during transportation.
- Keep the product in storage horizontally.

Disposal of the battery, battery charger and product charge the battery

The symbol below means that the product is not domestic waste. Recycle it at a recycling station for electrical and electronic equipment. This helps to prevent damage to the environment and to persons. Speak to local authorities, domestic waste service or your dealer for more information. (Fig. 16)

Note: The symbol shows on the product or package of the product.

Technical data

Product	318iS20
Tank Capacity	20 L
Pump Flow rate (without nozzle)	2 ± 0.2 L/min
Working pressure	0-4 bar (±0,4) with cone nozzle @ flow rate 800 ml/min
Net weight	4850 g

Battery	318iS20 Battery
Type	Lithium-ion
Battery capacity, Ah	4.0
Nominal voltage, V	18

Battery charger	318iS20 Charger T-A, 318iS20 Charger T-C, 318iS20 Charger T-G, 318iS20 Charger T-I
Mains voltage, V	100-240
Frequency, Hz	50-60
Power, A	0,8
Output Voltage, V d.c./ Amps, A	21/1.5

Accessories

Approved accessories

Approved accessories	Type	Article no
Cone nozzle	-	531147814
Fan nozzle	-	531147812
Hose	-	546973101
Battery	318iS20 Battery	546200601
Battery charger	318iS20 Charger T-A	546200701
Battery charger	318iS20 Charger T-C	546200702
Battery charger	318iS20 Charger T-G	546200703
Battery charger	318iS20 Charger T-I	546200704

Declaration of Conformity

EU Declaration of conformity

We, Husqvarna AB, SE-561 82 Huskvarna, Sweden, tel: +46-36-146500, declare on our sole responsibility that the product:

Description	18V Battery Backpack Sprayer
Brand	Husqvarna
Type / Model	318iS20
Identification	Serial numbers dating from 2023 and onwards

Complies fully with the following EU directives and regulations

Directive/ Regulation	Description
2006/42/EC	"relating to machinery"
2014/30/EU	"relating to electromagnetic compatibility"
2011/65/EU	"on the restriction of the use of certain hazardous substances in electrical and electronic equipment"

And that the following standards and/or technical specifications are applied:
EN 62841-1:2015, EN ISO 19932-1:2013, EN ISO 19932-2:2013.
EN IEC 55014-1:2021, EN IEC 55014-2:2021

Huskvarna, 2023-06-15



Claes Losdal, R&D Manager
(Authorized representative for Husqvarna AB and responsible for technical documentation)



Contenu

Introduction.....	15	Dépannage.....	23
Sécurité.....	16	Transport et stockage.....	23
Assemblage.....	20	Données techniques.....	24
Fonctionnement.....	20	Accessoires.....	24
Maintenance.....	22	Déclaration de conformité.....	25

Introduction

Vue d'ensemble du produit

(Fig. 1)

- 1.Interrupteur
- 2.Bouton
- 3.Réservoir
- 4.Filtre
- 5.Bouchon du réservoir
- 6.Tuyau d'arrosage
- 7.Gâchette
- 8.Lance
- 9.Batterie
- 10.Buse à cône
- 11.Buse de ventilateur
- 12.Chargeur de batterie
- 13.Manuel
- 14.Harnais

Symboles sur le produit

- (Fig. 2) **AVERTISSEMENT** : Soyez prudent et utilisez le produit correctement.
- (Fig. 3) Lisez attentivement le manuel d'utilisation et assurez-vous de bien comprendre les instructions avant l'utilisation.
- (Fig. 4) Ne l'exposez pas à la pluie.
- (Fig. 5) Portez toujours
- Une protection auditive approuvée.
 - Une protection oculaire approuvée.
 - Un masque de protection approuvé.
- (Fig. 6) Portez des bottes ou des chaussures robustes et antidérapantes.

(Fig. 7) Portez des vêtements de protection pendant l'utilisation.

(Fig. 8) Portez toujours des gants de protection approuvés.

(Fig. 9) Tenez les passants à l'écart du produit.
(Fig. 10) Injection à haute pression.

Symboles sur la batterie et/ou sur la charge de la batterie

(Fig. 11) Courant continu.

(Fig. 12) Pour utilisation à l'intérieur uniquement.

(Fig. 13) Équipement de classe II.

(Fig. 14) Lien fusible miniature à retardement.

(Fig. 15) Ce produit est conforme aux directives de l'UE applicables.

(Fig. 16) Recyclez ce produit dans un centre de recyclage d'équipements électriques et électroniques.

Responsabilité du fait des produits

Conformément à la législation sur la responsabilité du fait des produits, nous ne sommes pas responsables des dommages causés par notre produit si :

- Le produit est mal réparé.
- Le produit est réparé avec des pièces qui ne proviennent pas du fabricant ou qui ne sont pas approuvées par celui-ci.
- Le produit est équipé d'un accessoire qui ne provient pas du fabricant ou qui n'est pas approuvé par celui-ci.
- Le produit n'est pas réparé dans un centre de service agréé ou par une autorité agréée.

Sécurité

Définitions de la sécurité

Les définitions ci-dessous indiquent le niveau de gravité de chaque mot indicateur.



AVERTISSEMENT : Blessures aux personnes.



ATTENTION : Dommages au produit.

Remarque : ces informations facilitent l'utilisation du produit.

Avvertissements généraux de sécurité pour les outils électriques



AVERTISSEMENT : Lisez tous les avvertissements de sécurité, instructions, illustrations et spécifications fournis avec cet outil électrique. Le non-respect de toutes les instructions énumérées ci-dessous peut entraîner un choc électrique, un incendie et/ou des blessures graves.

Remarque : Conservez tous les avvertissements et toutes les instructions pour pouvoir vous y référer ultérieurement. Le terme "outil électrique" utilisé dans les avvertissements fait référence à l'outil électrique fonctionnant sur secteur (avec cordon) ou sur batterie (sans cordon).

Sécurité de la zone de travail

- Maintenez la zone de travail propre et bien éclairée. Les zones encombrées ou sombres sont sources d'accidents.
- N'utilisez pas d'outils électriques dans des atmosphères explosives, par exemple en présence de liquides, de gaz ou de poussières inflammables. Les outils électriques produisent des étincelles qui peuvent enflammer la poussière ou les fumées.
- Tenez les enfants et les passants à l'écart lorsque vous utilisez un outil électrique. Les distractions peuvent vous faire perdre le contrôle.

Sécurité électrique

- Les fiches des outils électriques doivent être adaptées à la prise de courant. Ne modifiez jamais la fiche de quelque manière que ce soit. N'utilisez pas de fiches d'adaptation avec des outils électriques mis à la terre. Des fiches non modifiées et des prises de courant adaptées réduisent le risque de choc électrique.
- Évitez tout contact du corps avec des surfaces mises à la terre, telles que les tuyaux, les radiateurs, les cuisinières et les réfrigérateurs. Le risque de choc électrique est accru si votre corps est relié à la terre.
- N'exposez pas les outils électriques à la pluie ou à l'humidité. La pénétration d'eau dans un outil électrique augmentera le risque d'électrocution.
- N'abusez pas du cordon. N'utilisez jamais le cordon pour

porter, tirer ou débrancher l'outil électrique. Gardez le cordon à l'écart de la chaise, de l'huile, des bords tranchants ou des pièces mobiles. Les cordons endommagés ou emmêlés augmentent le risque d'électrocution.

- Lorsque vous utilisez un outil électrique à l'extérieur, utilisez une rallonge adaptée à cet usage. L'utilisation d'un cordon adapté à l'extérieur réduit le risque d'électrocution.
- Lorsque l'utilisation d'un outil électrique dans un endroit humide est inévitable, utilisez une alimentation protégée par un dispositif à courant différentiel résiduel (DDR). L'utilisation d'un disjoncteur différentiel réduit le risque de choc électrique.



AVERTISSEMENT : Ne lavez pas l'appareil sous pression, car l'eau peut pénétrer dans le système électrique ou le moteur et endommager l'appareil ou provoquer un court-circuit.

Sécurité des personnes

- Restez vigilant, regardez ce que vous faites et faites preuve de bon sens lorsque vous utilisez un outil électrique. N'utilisez pas d'outil électrique si vous êtes fatigué ou sous l'influence de drogues, d'alcool ou de médicaments. Un moment d'inattention lors de l'utilisation d'un outil électrique peut entraîner des blessures graves.
- Utilisez des équipements de protection individuelle. Portez toujours des lunettes de protection. Les équipements de protection tels qu'un masque anti-poussière, des chaussures de sécurité antidérapantes, un casque ou une protection auditive utilisés dans des conditions appropriées réduisent les risques de blessures.
- Prévenez les démarrages intempestifs. Assurez-vous que l'interrupteur est en position d'arrêt avant de brancher la source d'alimentation et/ou la batterie, de prendre ou de transporter l'outil. Portez des outils électriques avec le doigt sur l'interrupteur ou mettre sous tension des outils électriques dont l'interrupteur est en position de marche invite à des accidents.
- Retirez toute clé de réglage ou clé de molette avant de mettre l'outil électrique en marche. Une clé ou une clé laissée attachée à une pièce rotative de l'outil électrique peut entraîner des blessures.
- Ne vous étendez pas trop. Gardez toujours une bonne assise et un bon équilibre. Cela permet de mieux contrôler l'outil électrique dans des situations inattendues.
- S'habillez correctement. Ne portez pas de vêtements amples ni de bijoux. Gardez vos cheveux et vos vêtements à l'écart des pièces mobiles. Les vêtements amples, les bijoux ou les cheveux longs peuvent être coincés dans les pièces en mouvement.
- Si des dispositifs sont prévus pour le raccordement d'installations d'extraction et de collecte des poussières, veillez à ce qu'ils soient raccordés et utilisés correctement. L'utilisation d'un système de dépoussiérage peut réduire les risques liés à la poussière.
- Ne laissez pas la familiarité acquise par l'utilisation fréquente des outils vous amener à devenir complaisant et à ignorer les principes de sécurité des outils. Un geste imprudent peut entraîner des blessures graves en une fraction de seconde.

Utilisation et maintenance des outils électriques

- Ne forcez pas sur l'outil électrique. Utilisez le bon outil

électrique pour votre application. L'outil électrique approprié effectuera le travail mieux et de manière plus sûre, à la vitesse pour laquelle il a été conçu.

- N'utilisez pas l'outil électrique si l'interrupteur ne permet pas de l'allumer ou de l'éteindre. Tout outil électrique qui ne peut être contrôlé par l'interrupteur est dangereux et doit être réparé.
- Débranchez la fiche de la source d'alimentation et/ou retirez la batterie, si elle est amovible, de l'outil électrique avant d'effectuer des réglages, de changer les accès ou de ranger les outils électriques. Ces mesures de sécurité préventives réduisent le risque de démarrage accidentel de l'outil électrique.
- Rangez les outils électriques inutilisés hors de portée des enfants et ne laissez pas des personnes ne connaissant pas l'outil électrique ou ces instructions utiliser l'outil électrique. Les outils électriques sont dangereux entre les mains d'utilisateurs non formés.
- Maintenez les outils électriques et les accessoires en bon état. Vérifiez que les pièces mobiles ne sont pas mal alignées ou coincées, que les pièces ne sont pas cassées et que rien n'affecte le fonctionnement de l'outil. Si l'outil est endommagé, faites-le réparer avant de vous en servir. De nombreux accidents sont causés par des outils électriques mal entretenus.
- Gardez les outils de coupe affûtés et propres. Les outils de coupe correctement entretenus et dotés de tranchants bien affûtés risquent moins de se coincer et sont plus faciles à contrôler.
- Utilisez l'outil électrique, les accessoires et les embouts, etc. conformément à ces instructions, en tenant compte des conditions de travail et du travail à effectuer. L'utilisation de l'outil électrique pour des opérations différentes de celles prévues peut entraîner une situation dangereuse.
- Maintenez les poignées et les surfaces de préhension sèches, propres et exemptes d'huile et de graisse. Les poignées et les surfaces de préhension glissantes ne permettent pas de manipuler et de contrôler l'outil en toute sécurité dans des situations inattendues.

Utilisation et maintenance de l'outil à batterie

- Rechargez uniquement avec le chargeur spécifié par le fabricant. Un chargeur adapté à un type de batterie peut créer un risque d'incendie lorsqu'il est utilisé avec un autre type de batterie.
- N'utilisez les outils électriques qu'avec les blocs-batteries spécifiquement prévus à cet effet. L'utilisation de tout autre bloc-batterie peut entraîner un risque de blessure et d'incendie.
- Lorsque le bloc-batterie n'est pas utilisé, tenez-le éloigné des autres objets métalliques, tels que trombones, pièces de monnaie, clés, clous, vis ou autres petits objets métalliques susceptibles d'établir une connexion d'une borne à l'autre. La mise en court-circuit des bornes de la batterie peut provoquer des brûlures ou un incendie.
- Dans des conditions abusives, du liquide peut être éjecté de la batterie : évitez tout contact. En cas de contact accidentel, rincez à l'eau. Si le liquide entre en contact avec les yeux, consultez immédiatement un médecin. Le liquide éjecté de la batterie peut provoquer des irritations ou des brûlures.
- N'utilisez pas un bloc-batterie ou un outil endommagé ou modifié. Les batteries endommagées ou modifiées peuvent avoir un comportement imprévisible et provoquer un incendie, une explosion ou un risque de blessure.

- N'exposez pas un bloc-batterie ou un outil au feu ou à une température excessive. L'exposition au feu ou à une température supérieure à 130 °C peut provoquer une explosion.
- Suivez toutes les instructions de chargement et ne chargez pas le bloc-batterie ou l'outil en dehors de la plage de température spécifiée dans les instructions. Une charge incorrecte ou à des températures en dehors de la plage spécifiée peut endommager la batterie et augmenter le risque d'incendie.

Maintenance

- Faites réparer votre outil électrique par un réparateur qualifié qui n'utilisera que des pièces de rechange identiques. Cela permettra de garantir la sécurité de l'outil électrique.
- Ne réparez jamais un bloc-batterie endommagé. La maintenance des blocs-batteries ne doit être effectuée que par le fabricant ou des prestataires de services agréés.

Toujours faire preuve de bon sens

Il n'est pas possible de couvrir toutes les situations imaginables auxquelles vous pouvez être confronté. Faites toujours preuve de prudence et de bon sens. Évitez toutes les situations que vous considérez comme dépassant vos capacités. Si, après avoir lu ces instructions, vous n'êtes toujours pas sûr des procédures d'utilisation, vous devriez consulter un expert avant de continuer.



AVERTISSEMENT : Ne laissez jamais les enfants utiliser la machine ou se trouver à proximité de celle-ci. La machine étant facile à démarrer, les enfants peuvent être en mesure de la mettre en marche s'ils ne sont pas entièrement surveillés. Cela peut entraîner un risque de blessure grave. Débranchez donc la batterie lorsque la machine n'est pas sous surveillance étroite.

Consignes de sécurité pour l'utilisation



AVERTISSEMENT : Lisez les instructions suivantes avant d'utiliser le produit.

Remarque : Des réglementations nationales ou locales peuvent régir l'utilisation de l'appareil. Respectez les réglementations en vigueur.

- Ce produit est un outil dangereux qui peut causer des blessures graves ou mortelles à l'opérateur ou à d'autres personnes si vous ne faites pas attention ou si vous utilisez le produit de manière incorrecte.
- La conception du produit ne doit en aucun cas être modifiée sans l'autorisation du fabricant. Utilisez toujours des accessoires d'origine. Les modifications et/ou accessoires non autorisés peuvent entraîner des blessures graves ou la mort de l'opérateur et d'autres personnes.
- N'utilisez pas le produit s'il a été modifié par rapport à ses spécifications initiales. Ne modifiez aucune pièce du produit sans l'accord du fabricant. N'utilisez que des pièces approuvées par le fabricant. Des blessures ou la mort peuvent être le résultat de la maintenance incorrecte de l'appareil.
- Retirez toujours la batterie afin d'éviter tout démarrage accidentel du produit.
- Retirez toujours la batterie avant toute maintenance du produit.

- Effectuez une inspection générale du produit avant de l'utiliser. Voir le programme de maintenance.
- N'utilisez pas un produit endommagé. Effectuez les contrôles de sécurité, la maintenance et les instructions d'entretien décrits dans ce manuel.
- Vérifiez que le produit est en parfait état de fonctionnement et que tous les écrous et vis sont bien serrés.
- Avant d'utiliser le produit et après tout choc, vérifiez qu'il n'y a pas de signes d'usure ou de dommages et réparez-le si nécessaire.
- Ne laissez jamais des enfants ou des personnes non qualifiées utiliser le produit et/ou la batterie pour l'utiliser ou le réparer. Les lois locales peuvent réglementer l'âge de l'utilisateur.
- Conservez le produit dans un endroit clos afin d'empêcher les enfants ou les personnes non autorisées d'y accéder.
- L'opérateur du produit doit s'assurer qu'aucune personne ni aucun animal ne s'approche à moins de 15 mètres pendant qu'il travaille.
- Lorsque plusieurs opérateurs travaillent dans la même zone, la distance de sécurité doit être d'au moins 15 mètres.
- N'utilisez pas la machine dans des conditions météorologiques défavorables, en particulier lorsqu'il y a un risque de foudre.
- Inspectez minutieusement la zone où la machine doit être utilisée afin de détecter la présence d'animaux sauvages. Les animaux sauvages peuvent être blessés par la machine pendant son fonctionnement.
- Inspectez soigneusement la zone où la machine doit être utilisée et retirez toutes les pierres, bâtons, fils, os et autres objets étrangers. Les objets projetés peuvent provoquer des blessures.
- Portez des lunettes de protection et des protections auditives. Un équipement de protection adéquat permet de réduire les blessures.
- Portez toujours des chaussures antidérapantes et protège-triceps lorsque vous utilisez la machine.
- Portez toujours des vêtements tels que des pantalons qui couvrent les jambes de l'opérateur lorsqu'il utilise la machine.
- N'utilisez pas la machine sur des pentes trop raides. Cela réduit le risque de perte de contrôle, de glissement et de chute pouvant entraîner des blessures.
- Lorsque vous travaillez sur des pentes, soyez toujours sûr de vos appuis, travaillez toujours en travers de la pente, jamais vers le haut ou vers le bas, et faites preuve d'une extrême prudence lorsque vous changez de direction. Cela réduit le risque de perte de contrôle, de glissement et de chute pouvant entraîner des blessures.
- N'utilisez pas la machine en direction de personnes ou d'animaux.
- N'utilisez que les pièces de rechange spécifiées par le fabricant. Des pièces de rechange incorrectes peuvent entraîner une perte de contrôle, une rupture et des blessures.

Équipements de protection individuelle



AVERTISSEMENT : Lisez les instructions suivantes avant d'utiliser le produit.

- Utilisez toujours un équipement de protection individuelle approuvé lorsque vous utilisez le produit. L'équipement de protection individuelle ne peut pas empêcher les blessures, mais il en réduit la gravité en cas d'accident. Demandez à votre revendeur de vous aider à choisir l'équipement adéquat.
- Utilisez une protection auditive approuvée. (Fig. 17)
- Utilisez une protection oculaire approuvée. Si vous utilisez une visière, vous devez également utiliser des lunettes de protection approuvées. (Fig. 18)
- Utilisez des gants si nécessaire, par exemple lorsque vous fixez, examinez ou nettoyez l'équipement de coupe. (Fig. 19)
- Utilisez des boîtes de protection avec embout en acier et semelles antidérapantes. (Fig. 20)
- Utilisez des vêtements en tissu résistant. Vos vêtements doivent être ajustés mais ne doivent pas limiter vos mouvements. Utilisez toujours des pantalons épais et longs et des manches longues. Ne portez pas de bijoux ni de chaussures ouvertes.
- Relevez vos cheveux de manière sûre au-dessus du niveau des épaules.
- Keep first aid equipment near. (Fig. 21)

Dispositifs de sécurité du produit



AVERTISSEMENT : Lisez les instructions suivantes avant d'utiliser le produit.

La durée de vie du produit peut être réduite et le risque d'accident peut augmenter si la maintenance du produit n'est pas effectuée correctement et si l'entretien et/ou les réparations ne sont pas effectués par des professionnels. Si vous avez besoin de plus d'informations, veuillez contacter votre revendeur le plus proche.



AVERTISSEMENT : N'utilisez jamais un produit dont les composants de sécurité sont endommagés. L'équipement de sécurité du produit doit être inspecté et maintenu comme décrit dans cette section. Si votre produit échoue à l'une de ces vérifications, contactez votre agent de maintenance pour le faire réparer.



ATTENTION : Tous les travaux de maintenance et de réparation de la machine requièrent une formation spéciale. Ceci est particulièrement vrai pour les équipements de sécurité de la machine. Si votre machine échoue à l'un des contrôles décrits ci-dessus, vous devez contacter votre agent de maintenance. Lorsque vous achetez l'un de nos produits, nous garantissons la disponibilité de réparations et d'un entretien professionnels. Si le détaillant qui vous vend votre machine n'est pas un revendeur agréé, demandez-lui l'adresse de l'agent de service le plus proche.

Pour vérifier l'interface utilisateur

- Le panneau de commande comporte un bouton (1), trois voyants DEL verts (2) et un interrupteur d'alimentation (3) ; (Fig.22)
- Après avoir installé la batterie, appuyez sur l'interrupteur d'alimentation et le voyant vert s'allumera, détectant automatiquement la durée de vie de la batterie ;
- Témoin lumineux de la batterie : 3 voyants verts s'affichent : 100% ~ 70%

- 2 voyants verts s'affichent : 100% ~ 70% ;
- 1 voyant vert s'affiche : 40% ~ 10%
- 1 voyant vert clignote : indique la nécessité de recharger l'appareil

- Bouton : le débit peut être contrôlé en tournant le bouton dans le sens des aiguilles d'une montre, en allant du petit au grand.

Pour vérifier le harnais de poitrine à dégagement rapide

Appuyez sur les deux côtés de la boucle du harnais de poitrine, poussez-la vers l'intérieur, et la boucle se détachera rapidement. (Fig.23)

Sécurité de la batterie



AVERTISSEMENT : Lisez toutes les consignes de sécurité et les instructions générales. Le non-respect des consignes de sécurité et des instructions générales peut entraîner un choc électrique, un incendie et/ou des blessures graves. Conservez toutes les informations de sécurité et les instructions générales pour référence ultérieure.

- Ces consignes de sécurité ne s'appliquent qu'aux batteries rechargeables Li-ion 18V approuvées/recommandées.
- Ne chargez les batteries qu'à l'aide des chargeurs recommandés par le fabricant. Un chargeur adapté à un type de batterie peut présenter un risque d'incendie lorsqu'il est utilisé avec une batterie différente.
- La batterie est livrée partiellement chargée. Pour garantir la pleine capacité de la batterie, chargez-la complètement dans le chargeur avant d'utiliser votre outil électrique pour la première fois.
- Conservez les batteries hors de portée des enfants.
- N'ouvrez pas la batterie. Il existe un risque de court-circuit.
- En cas d'endommagement et d'utilisation incorrecte de la batterie, des vapeurs peuvent se dégager. La batterie peut s'enflammer ou exploser. Veillez à ce que la zone soit bien ventilée et consultez un médecin en cas d'effets indésirables. Les vapeurs peuvent irriter le système respiratoire.
- Si la batterie est endommagée ou utilisée de manière incorrecte, un liquide inflammable peut être éjecté de la batterie. Le liquide éjecté de la batterie peut provoquer des irritations ou des brûlures. Tout contact avec ce liquide doit être évité. En cas de contact accidentel, rincez immédiatement à l'eau. Si le liquide entre en contact avec vos yeux, consultez un médecin.
- Si la batterie est endommagée, du liquide peut être éjecté. Vérifiez et nettoyez toutes les pièces, objets et zones qui ont été éclaboussés par le liquide et changez-les si nécessaire.
- Ne court-circuitez pas la batterie. Lorsque la batterie n'est pas utilisée, tenez-la à l'écart d'autres objets métalliques, tels que trombones, pièces de monnaie, clés, clous, vis ou autres petits objets métalliques, susceptibles d'établir une connexion d'une borne à l'autre. La mise en court-circuit des bornes de la batterie peut provoquer des brûlures ou un incendie.
- La batterie peut être endommagée par une force extérieure ou par des objets pointus tels que des clous ou des tournevis. Un court-circuit interne peut se produire et provoquer des brûlures, de la fumée, une explosion ou une surchauffe de la batterie.
- Ne réparez jamais une batterie endommagée. L'entretien des batteries ne doit être effectué que par le fabricant ou

des prestataires de services agréés.

- Conservez la batterie à l'abri de la chaleur, de la lumière intense et continue du soleil, du feu, de la saleté, de l'eau et de l'humidité. Il existe un risque d'explosion et de court-circuit.
- N'utilisez la batterie dans le produit que lorsque la température ambiante est comprise entre 4°C et 40°C.
- Ne conservez la batterie qu'à une température ambiante comprise entre 4°C et 40°C. Ne laissez pas la batterie dans votre voiture en été.
- Ne chargez la batterie qu'à une température ambiante comprise entre 4°C ~ 40°C.

Sécurité du chargeur de batterie



AVERTISSEMENT : Lisez toutes les consignes de sécurité et les instructions générales. Le non-respect des consignes de sécurité et des instructions générales peut entraîner un choc électrique, un incendie et/ou des blessures graves. Conservez ces instructions en lieu sûr. Utilisez le chargeur que si vous êtes en mesure d'évaluer pleinement toutes les fonctions et de les exécuter sans restriction, ou si vous avez reçu les instructions correspondantes.

- Surveillez les enfants pendant l'utilisation, le nettoyage et la maintenance. Cela permet de s'assurer que les enfants ne jouent pas avec le chargeur.
- Ne chargez que les batteries lithium-ion de la batterie 318iS20. La tension de la batterie doit correspondre à la tension de charge du chargeur. Ne chargez pas de batteries non rechargeables. Il existe un risque d'incendie et d'explosion.
- N'exposez pas le chargeur à la pluie ou à des conditions humides. La pénétration d'eau dans un outil électrique augmentera le risque d'électrocution.
- Gardez le chargeur propre. La saleté présente un risque d'électrocution.
- Vérifiez toujours le chargeur. Le câble et la prise avant de les utiliser. Cessez d'utiliser le chargeur si vous constatez des dommages. N'ouvrez pas le chargeur vous-même et ne le faites réparer que par un spécialiste qualifié utilisant uniquement des pièces de rechange d'origine. Les chargeurs, câbles et prises endommagés augmentent le risque d'électrocution.
- N'utilisez pas le chargeur sur une surface facilement inflammable (papier, textiles, etc.) ou dans un environnement inflammable. Il existe un risque d'incendie dû à l'échauffement du chargeur pendant son fonctionnement.
- Rechargez uniquement avec le chargeur spécifié par le fabricant. Un chargeur adapté à un type de batterie peut présenter un risque d'incendie lorsqu'il est utilisé avec un autre type de batterie.
- En cas d'endommagement ou d'utilisation incorrecte de la batterie, des vapeurs peuvent également être émises. Veillez à ce que la zone soit bien ventilée et consultez un médecin en cas d'effets indésirables. Les vapeurs peuvent irriter le système respiratoire.
- Ne couvrez pas les fentes d'aération du chargeur. Sinon, le chargeur risque de surchauffer et de ne plus fonctionner correctement.
- Afin d'éviter tout risque pour la sécurité, le remplacement du cordon d'alimentation doit être effectué par Husqvarna ou par un centre de service après-vente autorisé à réparer les outils électriques Husqvarna.



AVERTISSEMENT : Ce produit produit un champ électromagnétique lorsqu'il fonctionne. Ce champ peut, dans certaines conditions, interférer avec des implants médicaux actifs ou passifs. Pour réduire le risque de conditions susceptibles de blesser ou de tuer, nous recommandons aux personnes portant des implants médicaux de consulter leur médecin et le fabricant de l'implant médical avant d'utiliser le produit.

Consignes de sécurité pour la maintenance



AVERTISSEMENT : Lisez les instructions d'avertissement suivantes avant de procéder à la maintenance du produit.

- Retirez la batterie avant de procéder à la maintenance, à d'autres vérifications ou à l'assemblage du produit.
- L'opérateur ne doit effectuer que les opérations de

Assemblage

Introduction



AVERTISSEMENT : Lisez et comprenez le chapitre sur la sécurité avant d'assembler le produit.



AVERTISSEMENT : Les petites pièces peuvent être facilement avalées. Le sac en polypropylène risque également d'étouffer les enfants. Tenez les enfants à l'écart lorsque vous assemblez le produit.

Assemblage de la lance de pulvérisation et de la buse

- Choisissez la bonne buse(1) et alignez-la sur l'une des extrémités de la lance de pulvérisation(2) . (Fig.24)
- Tournez l'écrou et assemblez la lance et la buse.

Pour assembler la lance de pulvérisation et la gâchette

- Connecter la lance de pulvérisation(2) et la gâchette(3). (Fig.24)

Fonctionnement

Introduction



AVERTISSEMENT : Lisez et comprenez le chapitre sur la sécurité avant d'utiliser le produit.

Batterie



AVERTISSEMENT : Avant d'utiliser la batterie, veuillez lire et comprendre le chapitre sur la sécurité. Veuillez également lire et comprendre le manuel d'utilisation de la batterie et du chargeur de batterie.

maintenance et d'entretien indiquées dans ce manuel d'utilisation. Pour l'entretien et la maintenance d'une extension plus importante, adressez-vous à votre revendeur.

- Ne nettoyez pas la batterie ou le chargeur de batterie avec de l'eau. Un détergent puissant peut endommager le plastique.
- L'absence de maintenance réduit la durée de vie du produit et augmente le risque d'accident.
- Une formation spéciale est nécessaire pour tous les travaux d'entretien et de réparation, en particulier pour les dispositifs de sécurité du produit. Si, après l'entretien, toutes les vérifications figurant dans le présent manuel d'utilisation ne sont pas approuvées, adressez-vous à votre revendeur. Nous garantissons que votre produit peut être réparé et entretenu par des professionnels.
- Votre garantie peut ne pas couvrir les dommages ou la responsabilité causés par l'utilisation d'accessoires, de pièces détachées ou de pièces de rechange non agréées.

2. Tournez l'écrou pour assembler la lance et la gâchette,



AVERTISSEMENT : L'écrou le plus court de la lance de pulvérisation sert à raccorder la buse, et l'écrou le plus long sert à raccorder la gâchette.

Pour assembler le tuyau

- Insérez une section avec un joint blanc dans la sortie d'eau au bas de la machine et serrez-la en tournant l'écrou.(Fig.25)
- Connectez l'autre extrémité avec la petite crépine à l'ensemble de la gâchette et serrez-la avec un écrou. (Fig.25)

Réglage du harnais

Un harnais et un produit correctement réglés facilitent l'utilisation.

- Enfilez le harnais du produit.
- Serrez les sangles latérales et la sangle de poitrine jusqu'à ce que le produit soit serré contre votre corps.

Maintenez la batterie et le chargeur de batterie à des températures ambiantes correctes.

Température ambiante

Fonctionnement de la batterie dans le produit 4°C ~ 40°C

Chargement de la batterie 4°C ~ 40°C

Pour charger la batterie

Chargez la batterie avant la première utilisation.

Remarque : La batterie ne se chargera pas si la température de la batterie est supérieure à 40°C.

- Branchez le cordon d'alimentation du chargeur de la batterie sur une prise de courant avec mise à la terre,



ATTENTION : Assurez-vous que la tension et la fréquence du réseau sont correctes.

- Placez la batterie dans le chargeur de batterie. La batterie est connectée au chargeur de batterie lorsque le voyant rouge s'allume.
- La batterie est complètement chargée lorsque le voyant vert du chargeur de la batterie est allumé. Chargez la batterie pendant 24 heures au maximum.

Voyant LED d'état de la batterie sur le chargeur de batterie

LED	État de la batterie
LED rouge allumée	La batterie est en cours de chargement
LED verte allumée	En veille ou complètement chargé

Voyant LED d'état de la batterie sur le produit

Lorsque la batterie est installée dans le produit, les LED sur le produit indiquent l'état de la batterie.

LED	État de la batterie
3 LED verte allumée	100% ~ 70%
2 LED verte allumée	70% ~ 40%
1 LED verte allumée	40%~10%
1 LED verte clignotante	Nécessité de charger

Pour remplir le réservoir de liquide chimique

- Tournez le bouchon du réservoir dans le sens inverse des aiguilles d'une montre et retirez-le.
- Versez le liquide chimique mélangé dans le filtre au niveau de l'orifice du réservoir.
- Ne remplissez pas rapidement le réservoir de liquides chimiques pour éviter les éclaboussures sur la peau.

Pour connecter la batterie au produit

- Assurez-vous que la batterie est complètement chargée.
- Ouvrez le couvercle de la batterie.
- Faites glisser la batterie dans le support de batterie du produit le long des rails de guidage de la batterie.
- La batterie se verrouille en position lorsque vous entendez un clic.
- Fermez le couvercle de la batterie.

Pour démarer le produit

- Assurez-vous que l'ensemble de la gâchette est déverrouillé et relâché.
- Appuyez sur l'interrupteur MARCHE/ARRÊT en position MARCHE.
- Tenez l'ensemble de la gâchette et appuyez sur la gâchette pour pulvériser de l'eau.

- Débranchez le chargeur de la batterie du réseau électrique.



ATTENTION : Ne tirez pas sur le cordon d'alimentation.

- Retirez la batterie du chargeur de batterie.

Pour pulvériser

- Assurez-vous que toutes les connexions sont bien serrées.
- Assurez-vous que la batterie est installée et que l'appareil est hors tension.
- Portez l'ensemble de l'appareil sur votre dos et réglez la sangle à la longueur appropriée.
- Boudez la bandoulière.
- Appuyez sur l'interrupteur MARCHE / ARRÊT en position MARCHE.
- Tenez l'ensemble de la gâchette et appuyez sur la gâchette pour pulvériser de l'eau.
- Tournez le bouton pour régler le niveau de pulvérisation approprié.

Pour arrêter le produit

- Relâcher la gâchette.
- Appuyez sur le bouton MARCHE/ARRÊT en position ARRÊT.

Pour déconnecter la batterie du produit

- Ouvrez le couvercle de la batterie.
- Appuyez sur le bouton de la batterie.
- Retirez la batterie de son logement.

Maintenance

Introduction



AVERTISSEMENT : Lisez et comprenez le chapitre sur la sécurité avant de procéder à la maintenance du produit.



AVERTISSEMENT : Retirez la batterie avant toute opération de maintenance.

Calendrier de maintenance

Remarque : Veillez à respecter le calendrier de maintenance. Les intervalles sont calculés en fonction de l'utilisation quotidienne du produit. Les intervalles sont différents si vous n'utilisez pas le produit tous les jours. N'effectuez que les opérations de maintenance décrites dans ce manuel. Adressez-vous à un centre de service agréé pour toute autre opération de maintenance ne figurant pas dans ce manuel.

Maintenance	Quotidiennement	Hebdomadaire	Mensuellement
Nettoyez les parties extérieures du produit avec un chiffon sec. Veillez à ce que les poignées soient sèches, propres et exemptes d'huile et de graisse.	X		
Assurez-vous que le bouton marche/arrêt et le potentiomètre fonctionnent correctement et ne sont pas endommagés.	X		
Assurez-vous que la gâchette de pulvérisation et le verrouillage de la gâchette de pulvérisation fonctionnent correctement. Démontez-les pour les nettoyer si nécessaire. Vérifier et nettoyer le filtre de la gâchette. Remplacez-le s'il est endommagé.	X		
Assurez-vous que l'accessoire de pulvérisation n'est pas endommagé. Vérifier et nettoyer les buses. Remplacez-les si elles sont endommagées.	X		
Vérifier que les vis et les écrous sont bien serrés. Serrez-les si nécessaire.	X		
Assurez-vous que tous les points de connexion sont bien scellés et étanches. Serrez si nécessaire.	X		
Assurez-vous que la batterie n'est pas endommagée. Assurez-vous que le bouton de déverrouillage de la batterie fonctionne et la verrouille sur le produit. Éliminez toute obstruction. Remplacez-la si elle est endommagée.	X		
Assurez-vous que le chargeur de la batterie n'est pas endommagé et qu'il fonctionne correctement. Remplacez-le s'il est endommagé.	X		
Assurez-vous que la batterie est chargée.	X		
Vérifiez et nettoyez le filtre de remplissage d'eau et le réservoir. Vérifier que le bouchon du réservoir et la vanne du bouchon du réservoir ne sont pas endommagés et les remplacer si nécessaire.	X		
Vérifiez que tous les câbles, raccords et connexions ne sont pas endommagés et qu'ils ne sont pas encrassés.		X	
Vérifiez que le harnais fonctionne confortablement et inspectez-le pour voir s'il est endommagé. Remplacez-le s'il est endommagé.		X	
Vérifiez les connexions entre la batterie et le produit.			X
Vérifiez la connexion entre la batterie et le chargeur de la batterie.			X

Pour examiner la batterie et le chargeur de la batterie

- Examinez la batterie pour vérifier qu'elle n'est pas endommagée, par exemple par des fissures.
- Examinez le chargeur de batterie pour vérifier qu'il n'est pas endommagé, par exemple qu'il n'est pas fissuré.
- Assurez-vous que le cordon de raccordement du chargeur de la batterie n'est pas endommagé et qu'il ne présente pas de fissures.

Pour nettoyer le produit, la batterie et le chargeur de batterie

- Nettoyez le produit avec un chiffon sec après utilisation.
- Nettoyez la batterie et le chargeur de la batterie avec un chiffon sec. Veillez à ce que les rails de guidage de la batterie soient propres.
- Assurez-vous que les bornes de la batterie et du chargeur de la batterie sont propres avant de mettre la batterie dans le chargeur de la batterie ou dans le produit.

Dépannage

Interface utilisateur

Problème	Cause possible	Solution
Le voyant vert clignote.	Faible tension de la batterie	Charger la batterie
	Manque d'énergie	Charger la batterie
Le voyant vert n'est pas allumé	La batterie est endommagée	S'adresser à un réparateur agréé
	Panneau de commande défectueux	Remplacer le panneau de commande
Débit faible	Filtres bloqués	Nettoyer les filtres
Pas de débit	Blocage des tuyaux	Couper l'interrupteur, nettoyer la tuyauterie et la crépine, puis remettre l'interrupteur en marche.
	Pompe défectueuse	Remplacer la pompe
Le réservoir fuit	Vanne de bouchon de réservoir défectueuse	Remplacer la vanne du couvercle du réservoir
Le réservoir est concave	Blocage de l'orifice de décompression	Remplacer le couvercle du réservoir
Le produit fuit	Tuyaux endommagés / desserrés	S'assurer que les tuyaux sont correctement assemblés. Remplacez-les s'ils sont endommagés
	Raccords endommagés / desserrés	Vérifier que les raccords sont correctement assemblés. Remplacez-les s'ils sont endommagés.
	Lance endommagée	Remplacer la lance

Chargeur de la batterie

Problème	Cause possible	Solution
Le voyant LED vert clignote.	La batterie n'est pas correctement installée dans le chargeur de batterie	Retirer la batterie du chargeur et réinstaller la batterie dans le chargeur de batterie.
	Les connecteurs de la batterie sont sales	Nettoyer les connecteurs de la batterie avec un chiffon sec
	La température ambiante est trop élevée ou trop basse.	Utiliser le chargeur de batterie à des températures comprises entre 4°C et 40°C
	La batterie/le chargeur est endommagé(e)	Remplacer la batterie / le chargeur

Transport et stockage

- Les batteries Li-ion fournies sont conformes aux exigences de la législation sur les marchandises dangereuses.
- Respectez les exigences spéciales relatives aux emballages et aux étiquettes pour le transport commercial, y compris par des tiers et des agents d'expédition.
- Avant d'envoyer le produit, adressez-vous à une personne ayant reçu une formation spéciale sur les matières dangereuses. Respectez toutes les réglementations nationales applicables.
- Utilisez un ruban adhésif sur les contacts ouverts lorsque vous mettez la batterie dans un emballage. Placez la batterie dans l'emballage en la serrant bien pour éviter qu'elle ne bouge.
- Retirez la batterie du produit ou du chargeur de batterie pour le stockage ou le transport.
- Placez la batterie et le chargeur de batterie dans un endroit sec et à l'abri de l'humidité et du gel.
- Ne conservez pas la batterie dans un endroit où de l'électricité statique peut se produire. Ne conservez pas la batterie dans une boîte métallique.
- Rangez la batterie dans un endroit où la température est comprise entre 4°C et 40°C et à l'abri des rayons du soleil.
- Rangez le chargeur de la batterie dans un endroit où la température est comprise entre 4°C et 40°C et à l'abri de la lumière du soleil.
- N'utilisez le chargeur de la batterie que lorsque la température ambiante est comprise entre 4°C et 40°C. Chargez la batterie de 30 à 50 % avant de la ranger pour une longue période.
- Rangez le chargeur de la batterie dans un endroit fermé et sec.
- Gardez la batterie à l'écart du chargeur de la batterie

pendant le stockage. Ne laissez pas les enfants ou d'autres personnes non autorisées toucher l'appareil. Conservez l'appareil dans un endroit que vous pouvez verrouiller.

- Nettoyez l'appareil et effectuez une révision complète avant de le ranger pour une longue période.
- Attachez le produit en toute sécurité pendant le transport.
- Conservez le produit en stockage à l'horizontale.

Mise au rebut de la batterie, du chargeur de batterie et du produit de charge de la batterie

Le symbole ci-dessous signifie que le produit n'est pas un déchet domestique. Il faut le mettre au rebut dans un centre de recyclage d'équipements électriques et électroniques. Cela permet d'éviter des dommages à l'environnement et aux personnes. Pour plus d'informations, adressez-vous aux autorités locales, au service des déchets ménagers ou à votre revendeur. (Fig. 16)

Remarque : Le symbole figure sur le produit ou sur l'emballage du produit.

Données techniques

Produit	318iS20
Capacité du réservoir	20L
Débit de la pompe (sans buse)	2x0,2L/min
Pression de travail	0~4bar (±0,4) avec buse conique @ débit 800ml/min
Poids net	4850g

Batterie	Batterie 318iS20
Type de batterie	Lithium-ion
Capacité de la batterie, Ah	4,0
Tension nominale, V	18

Chargeur de la batterie	Chargeur 318iS20 T-A, Chargeur 318iS20 T-C, Chargeur 318iS20 T-G, Chargeur 318iS20 T-I
Tension du réseau, V	100-240
Fréquence, Hz	50-60
Puissance, A	0,8
Tension de sortie, V d.c./ Ampères, A	21/1,5

Accessoires

Accessoires approuvés

Accessoires approuvés	Type	Article n°
Buse conique	-	531147814
Buse de ventilateur	-	531147812
Tuyau	-	546973101
Batterie	Batterie 318iS20	546200601
Chargeur de la batterie	Chargeur 318iS20 T-A	546200701
Chargeur de la batterie	Chargeur 318iS20 T-C	546200702
Chargeur de la batterie	Chargeur 318iS20 T-G	546200703
Chargeur de la batterie	Chargeur 318iS20 T-I	546200704

Déclaration de conformité

Déclaration de conformité UE

Nous, Husqvarna AB, SE-561 82 Huskvarna, Suède,
tél : +46-36- 146500, déclarons sous notre seule responsabilité que le produit:

Description	Pulvérisateur dorsal de batterie 18V
Marque	Husqvarna
Type / Modèle	318/S20
Identification	Números de série à partir de 2023

Conforme aux directives et règlements de l'UE suivants

Directive / Règlement	Description
2006/42/EC	" relatif à la machinerie "
2014/30/EU	"relatif à la compatibilité électromagnétique"
2011/65/EU	"relative à la limitation de l'utilisation de certaines substances dangereuses dans les équipements électriques et électroniques"

Et que les normes et/ou spécifications techniques suivantes sont appliquées:
EN 62841-1:2015, EN ISO 19932-1:2013, EN ISO 19932-2:2013,
EN IEC 55014-1:2021, EN IEC 55014-2:2021

Husqvarna, 2023-06-15

Claes Losdal, directeur R&D
(Représentant autorisé de Husqvarna AB et responsable de la documentation technique)



Contenido

Introducción	26	Solución de problemas	34
Seguridad	27	Transporte y almacenamiento	34
Montaje	31	Datos técnicos	35
Funcionamiento	31	Accesorios	35
Mantenimiento	33	Declaración de conformidad	36

Introducción

Descripción de producto

- (Fig. 1)
- 1.Interruptor
 - 2.Perilla
 - 3.Depósito
 - 4.Filtro
 - 5.Tapa del depósito
 - 6.Manguera
 - 7.Gatillo
 - 8.Lanza
 - 9.Batería
 - 10.Boquilla cono
 - 11.Boquilla de abanico
 - 12.Cargador de batería
 - 13.Manual
 - 14.Arnés

Símbolos en el producto

- (Fig. 2) **ADVERTENCIA:** Tenga cuidado y utilice el producto correctamente.
- (Fig. 3) Lea atentamente el manual del operador y asegúrese de que comprende las instrucciones antes de utilizarlo.
- (Fig. 4) No lo exponga a la lluvia.
- (Fig. 5) Utilice siempre
- Protección auditiva homologada.
 - Protección ocular homologada.
 - Mascarilla protectora homologada.

- (Fig. 6) Utilice botas o zapatos resistentes y antideslizantes.
- (Fig. 7) Lleve ropa protectora al usarlo.
- (Fig. 8) Utilice siempre guantes de protección homologados.
- (Fig. 9) Mantenga a los transeúntes alejados del producto.
- (Fig. 10) Inyección a alta presión.
- ### Símbolos en la batería y/o en la carga de la batería
- (Fig. 11) Corriente continua.
- (Fig. 12) Sólo para uso en interiores.
- (Fig. 13) Equipo de clase II.
- (Fig. 14) Fusible miniatura con temporizador.
- (Fig. 15) Este producto cumple las directivas aplicables de la UE.
- (Fig. 16) Recicle este producto en una estación de reciclaje de equipos eléctricos y electrónicos.

Responsabilidad por productos defectuosos

- De acuerdo con las leyes de responsabilidad por productos defectuosos, no nos hacemos responsables de los daños que cause nuestro producto si:
- El producto se repara incorrectamente.
 - El producto se repara con piezas que no son del fabricante o no están aprobadas por éste.
 - El producto tiene un accesorio que no es del fabricante o no está aprobado por éste.
 - El producto no se repara en un centro de servicio autorizado o por una autoridad autorizada.

Seguridad

Definiciones de seguridad

Las definiciones que figuran a continuación indican el nivel de gravedad de cada palabra de señalización.



ADVERTENCIA: Daños a las personas.



PRECAUCIÓN: Daños en el producto.

Nota: Esta información facilita el uso del producto.

Advertencias generales de seguridad para herramientas eléctricas



ADVERTENCIA: Lea todas las advertencias de seguridad, instrucciones, ilustraciones y especificaciones suministradas con esta herramienta eléctrica. El incumplimiento de todas las instrucciones indicadas a continuación puede provocar descargas eléctricas, incendios y/o lesiones graves.

Nota: Guarde todas las advertencias e instrucciones para futuras consultas. El término "herramienta eléctrica" que aparece en las advertencias se refiere a la herramienta eléctrica accionada por la red eléctrica (con cable) o a la herramienta eléctrica accionada por batería (inalámbrica).

Seguridad en la zona de trabajo

- Mantenga la zona de trabajo limpia y bien iluminada. Las zonas desordenadas u oscuras favorecen los accidentes.
- No utilice herramientas eléctricas en atmósferas explosivas, como en presencia de líquidos, gases o polvo inflamables. Las herramientas eléctricas producen chispas que pueden inflamar el polvo o los humos.
- Mantenga alejados a los niños y a otras personas mientras utiliza una herramienta eléctrica. Las distracciones pueden hacerle perder el control.

Seguridad eléctrica

- Los enchufes de las herramientas eléctricas deben coincidir con la toma de corriente. No modifique nunca el enchufe. No utilice enchufes adaptadores con herramientas eléctricas conectadas a tierra. Los enchufes no modificados y las tomas de corriente adecuadas reducen el riesgo de descarga eléctrica.
- Evite el contacto del cuerpo con superficies conectadas a tierra, como tuberías, radiadores, cocinas y frigoríficos. Existe un mayor riesgo de descarga eléctrica si su cuerpo está conectado a tierra.
- No exponga las herramientas eléctricas a la lluvia ni a la humedad. La entrada de agua en una herramienta eléctrica aumenta el riesgo de descarga eléctrica.
- No maltrate el cable. No utilice nunca el cable para transportar, tirar o desencharlar la herramienta eléctrica. Mantenga el cable alejado del calor, aceite, bordes

afilados o piezas móviles. Los cables dañados o enredados aumentan el riesgo de descarga eléctrica.

- Cuando utilice una herramienta eléctrica al aire libre, utilice un cable alargador adecuado para uso en exteriores. El uso de un acorde adecuado para uso en exteriores reduce el riesgo de descarga eléctrica.
- Si no puede evitar utilizar la herramienta eléctrica en un lugar húmedo, utilice una fuente de alimentación protegida por un dispositivo de corriente residual (RCD). El uso de un RCD reduce el riesgo de descarga eléctrica.



ADVERTENCIA: No lave la máquina a presión, ya que el agua puede entrar en el sistema eléctrico o en el motor y provocar daños en la máquina o cortocircuitos.

Seguridad personal

- Manténgase alerta, preste atención a lo que hace y utilice el sentido común cuando maneje una herramienta eléctrica. No utilice una herramienta eléctrica si está cansado o bajo los efectos de drogas, alcohol o medicamentos. Un momento de falta de atención mientras maneja herramientas eléctricas puede provocar lesiones personales graves.
- Utilice equipo de protección personal. Utilice siempre protección ocular. Los equipos de protección como la mascarilla antipolvo, el calzado de seguridad antideslizante, el casco o la protección auditiva utilizados en condiciones adecuadas reducirán las lesiones personales.
- Evite el arranque involuntario. Asegúrese de que el interruptor está en la posición de apagado antes de conectar la herramienta a la fuente de alimentación y/o a la batería, o antes de coger o transportar la herramienta. El transporte de herramientas eléctricas con el dedo en el interruptor o la activación de herramientas eléctricas que tienen el interruptor encendido invita a sufrir accidentes.
- Retire cualquier llave de ajuste o llave inglesa antes de encender la herramienta eléctrica. Si se deja una llave inglesa o una llave fija en una pieza giratoria de la herramienta eléctrica, pueden producirse lesiones personales.
- No se estire demasiado. Mantenga el equilibrio y la estabilidad en todo momento. Esto permite un mejor control de la herramienta eléctrica en situaciones inesperadas.
- Vístase adecuadamente. No lleve ropa suelta ni joyas. Mantenga el pelo y la ropa alejados de las piezas en movimiento. La ropa suelta, las joyas o el pelo largo pueden quedar atrapados en las piezas móviles.
- Si se han previsto dispositivos para la conexión de instalaciones de aspiración y recogida de polvo, asegúrese de que estén conectados y se utilicen correctamente. El uso de la aspiración de polvo puede reducir los riesgos relacionados con el polvo.
- No deje que la familiaridad adquirida por el uso frecuente de las herramientas le permita volverse complaciente e ignorar los principios de seguridad de las herramientas. Una acción descuidada puede causar lesiones graves en una fracción de segundo.

Uso y cuidado de las herramientas eléctricas

- No fuerce la herramienta eléctrica. Utilice la herramienta

eléctrica adecuada para su aplicación. La herramienta eléctrica correcta realizará el trabajo mejor y de forma más segura a la velocidad para la que fue diseñada.

- No utilice la herramienta eléctrica si el interruptor no permite encenderla y apagarla. Toda herramienta eléctrica que no pueda controlarse con el interruptor es peligrosa y debe repararse.
- Desconecte el enchufe de la toma de corriente y/o extraiga el acumulador, si es desmontable, de la herramienta eléctrica antes de realizar cualquier ajuste, cambiar de accesorio o almacenar la herramienta eléctrica. Estas medidas preventivas de seguridad reducen el riesgo de puesta en marcha accidental de la herramienta eléctrica.
- Guarde las herramientas eléctricas inactivas fuera del alcance de los niños y no permita que las manejen personas que no estén familiarizadas con la herramienta eléctrica o con estas instrucciones. Las herramientas eléctricas son peligrosas en manos de usuarios inexpertos.
- Realice el mantenimiento de las herramientas eléctricas y sus accesorios. Compruebe si las piezas móviles están desalineadas o atascadas, si hay piezas rotas o cualquier otra condición que pueda afectar al funcionamiento de la herramienta eléctrica. Si está dañada, haga reparar la herramienta eléctrica antes de utilizarla. Muchos accidentes son causados por herramientas eléctricas mal mantenidas.
- Mantenga las herramientas de corte afiladas y limpias. Las herramientas de corte bien mantenidas y con bordes afilados tienen menos probabilidades de atascarse y son más fáciles de controlar.
- Utilice la herramienta eléctrica, los accesorios y las brochas, etc., de acuerdo con estas instrucciones, teniendo en cuenta las condiciones de trabajo y el trabajo a realizar. El uso de la herramienta eléctrica para operaciones distintas de las previstas podría provocar una situación peligrosa.
- Mantenga las empuñaduras y las superficies de agarre secas, limpias y exentas de aceite y grasa. Las empuñaduras y superficies de agarre resbaladizas no permiten un manejo y control seguros de la herramienta en situaciones imprevistas.

Uso y cuidado de la batería

- Recargue sólo con el cargador especificado por el fabricante. Un cargador adecuado para un tipo de batería puede crear riesgo de incendio si se utiliza con otro tipo de batería.
- Utilice las herramientas eléctricas sólo con los paquetes de baterías específicamente designados. El uso de cualquier otro tipo de batería puede crear riesgo de lesiones e incendio.
- Cuando no utilice la batería, manténgala alejada de otros objetos metálicos, como clips, monedas, llaves, clavos, tornillos u otros objetos metálicos pequeños, que puedan hacer contacto entre los terminales. Un cortocircuito entre los terminales de la batería puede provocar quemaduras o un incendio.
- En condiciones abusivas, puede salir líquido de la batería; evite el contacto. En caso de contacto accidental, enjuague con agua. Si el líquido entra en contacto con los ojos, solicite asistencia médica. El líquido expulsado de la batería puede causar irritación o quemaduras.
- No utilice baterías o herramientas dañadas o modificadas. Las baterías dañadas o modificadas pueden mostrar un

comportamiento impredecible que provoque incendios, explosiones o riesgo de lesiones.

- No exponga una batería o herramienta al fuego o a temperaturas excesivas. La exposición al fuego o a temperaturas superiores a 130 °C puede provocar una explosión.
- Siga todas las instrucciones de carga y no cargue la batería o la herramienta fuera del intervalo de temperatura especificado en las instrucciones. La carga inadecuada o a temperaturas fuera del rango especificado puede dañar la batería y aumentar el riesgo de incendio.

Servicio

- Encargue el mantenimiento de su herramienta eléctrica a un técnico cualificado que utilice únicamente piezas de repuesto idénticas. De este modo se garantiza la seguridad de la herramienta eléctrica.
- No repare nunca las baterías dañadas, el mantenimiento de las baterías sólo debe ser realizado por el fabricante o por un servicio técnico autorizado.

Use siempre el sentido común

No es posible abarcar todas las situaciones imaginables a las que le puedes enfrentar. Sea siempre prudente y utilice el sentido común. Evite todas las situaciones que considere fuera de su alcance. Si después de leer estas instrucciones sigue sin estar seguro de los procedimientos operativos, consulte a un experto antes de continuar.



ADVERTENCIA: No permita nunca que los niños utilicen o estén cerca de la máquina. Dado que la máquina es fácil de arrancar, los niños pueden ponerla en marcha si no se les mantiene bajo total vigilancia. Esto puede suponer un riesgo de lesiones personales graves. Por lo tanto, desconecte la batería cuando la máquina no esté bajo estrecha vigilancia.

Instrucciones de seguridad para el uso



ADVERTENCIA: Lea las instrucciones de advertencia que siguen antes de utilizar el producto.

Nota: La normativa nacional o local puede regular el uso. Cumpla la normativa vigente.

- Este producto es una herramienta peligrosa que puede causar lesiones graves o la muerte al operador o a otras personas si no se tiene cuidado o si se utiliza el producto de forma incorrecta.
- Bajo ninguna circunstancia debe modificarse el diseño del producto sin permiso del fabricante. Utilice siempre accesorios originales. Las modificaciones y/o accesorios no autorizados pueden provocar lesiones personales graves o la muerte del operador y de otras personas.
- No utilice el producto si ha sido modificado con respecto a sus especificaciones iniciales. No modifique ninguna pieza del producto sin la aprobación del fabricante. Utilice únicamente piezas aprobadas por el fabricante. El mantenimiento incorrecto puede provocar lesiones o incluso la muerte.
- Retire siempre la batería para evitar que el producto se ponga en marcha accidentalmente.
- Retire siempre la batería antes de realizar cualquier tarea de mantenimiento en el producto.

- Realice una inspección general del producto antes de utilizarlo. Consulte el programa de mantenimiento.
- No utilice un producto dañado. Realice las comprobaciones de seguridad, el mantenimiento y las instrucciones de servicio descritas en este manual.
- Compruebe que el producto está en perfectas condiciones de funcionamiento con todas las tuercas y tornillos apretados.
- Antes de utilizar el producto y después de cualquier impacto, compruebe si hay signos de desgaste o daños y repárelos si es necesario.
- No permita nunca que niños o personas no formadas en el uso del producto y/o de la batería lo utilicen o reparen. Las leyes locales pueden regular la edad del usuario.
- Mantenga el producto en un lugar cerrado para evitar el acceso de niños o personas no autorizadas.
- El operador del producto debe asegurarse de que ninguna persona o animal se acerque a menos de 15 metros mientras trabaja.
- Cuando varios operarios trabajen en la misma zona, la distancia de seguridad debe ser de al menos 15 metros.
- No utilice la máquina en condiciones meteorológicas adversas, especialmente cuando haya riesgo de rayos. Esto disminuye el riesgo de ser alcanzado por un rayo.
- Inspeccione minuciosamente la zona en la que se va a utilizar la máquina para detectar la presencia de fauna. La fauna puede resultar herida por la máquina durante su uso.
- Inspeccione minuciosamente la zona donde se va a utilizar la máquina y retire todas las piedras, palos, alambres, huesos y otros objetos extraños. Los objetos arrojados pueden causar lesiones personales.
- Utilice protección ocular y auditiva. Un equipo de protección adecuado reducirá las lesiones personales.
- Utilice siempre calzado antideslizante y de protección mientras maneja la máquina.
- Lleve siempre ropa, como pantalones, que cubra las piernas del operador mientras maneja la máquina.
- No utilice la máquina en pendientes excesivamente pronunciadas. Esto reduce el riesgo de pérdida de control, resbalones y caídas que pueden provocar lesiones personales.
- Cuando trabaje en pendientes, asegúrese siempre de pisar bien, trabaje siempre en sentido transversal a la pendiente, nunca hacia arriba o hacia abajo, y extrene las precauciones al cambiar de dirección. Esto reduce el riesgo de pérdida de control, resbalones y caídas que pueden provocar lesiones personales.
- No dirija la máquina hacia personas o animales.
- Utilice únicamente piezas de repuesto especificadas por el fabricante. Las piezas de repuesto incorrectas pueden causar pérdida de control, roturas y lesiones.

Equipos de protección individual



ADVERTENCIA: Lea las siguientes instrucciones antes de utilizar el producto.

- Utilice siempre equipos de protección individual homologados cuando utilice el producto. El equipo de protección personal no puede evitar totalmente las lesiones, pero disminuye el grado de las mismas si se produce un accidente. Deje que su distribuidor le ayude a

- seleccionar el equipo adecuado.
- Utilice protección auditiva homologada. (Fig. 17)
- Utilice protección ocular homologada. Si utiliza un visor, debe utilizar también gafas protectoras homologadas. (Fig. 18)
- Utilice guantes cuando sea necesario, por ejemplo, cuando fije, examine o limpie el equipo de corte. (Fig. 19)
- Utilice botas de protección con puntera de acero y suela antideslizante. (Fig. 20)
- Utilice ropa de tejido resistente. La ropa debe ser ajustada pero no limitar sus movimientos. Utilice siempre pantalones largos y gruesos y mangas largas. No lleve joyas ni zapatos abiertos.
- Recógete el pelo de forma segura por encima del nivel de los hombros.
- Tenga cerca el equipo de primeros auxilios. (Fig. 21)

Dispositivos de seguridad del producto



ADVERTENCIA: Lea las instrucciones de advertencia que siguen antes de utilizar el producto.

La vida útil del producto puede reducirse y el riesgo de accidentes puede aumentar si el mantenimiento del producto no se realiza correctamente y si el servicio y/o las reparaciones no se llevan a cabo de forma profesional. Si necesita más información, póngase en contacto con su distribuidor más cercano.



ADVERTENCIA: No utilice nunca un producto con componentes de seguridad dañados. El equipo de seguridad del producto debe ser inspeccionado y mantenido como se describe en esta sección. Si el producto no supera alguna de estas comprobaciones, póngase en contacto con el servicio técnico para que lo reparen.



PRECAUCIÓN: Todos los trabajos de mantenimiento y reparación de la máquina requieren una formación especial. Esto es especialmente cierto en el caso de los equipos de seguridad de la máquina. Si su máquina no supera alguna de las comprobaciones descritas a continuación, debe ponerse en contacto con su agente de servicio. Al adquirir cualquiera de nuestros productos, le garantizamos la disponibilidad de reparaciones y servicios profesionales. Si el distribuidor que le vende su máquina no es un servicio técnico, pídala la dirección de su servicio técnico más cercano.

Comprobación de la interfaz de usuario

- En el panel de control hay un mando (1), tres luces LED verdes (2) y un interruptor de encendido (3). (Fig. 22)
- Después de instalar la batería, pulse el interruptor de encendido y la luz LED verde se encenderá, detectando automáticamente la duración de la batería;
- Indicador luminoso de batería:
 - Indicación con 3 luces verdes: 100% ~ 70%
 - Indicación de 2 luces verdes: 70% ~ 40%
 - Indicación de 1 luz verde: 40% ~ 10%
 - 1 luz verde intermitente: indica la necesidad de carga
- Perilla: El caudal puede controlarse girando el pomo, en el sentido de las agujas del reloj, de pequeño a grande.

Comprobación del arnés pectoral de liberación rápida

Presione los dos lados de la hebilla del arnés pectoral, empuje la hacia dentro y la hebilla se soltará rápidamente. (Fig. 23)

Seguridad de la batería



ADVERTENCIA: Lea todas las instrucciones generales y de seguridad. La inobservancia de las instrucciones generales y de seguridad puede provocar descargas eléctricas, incendios y/o lesiones graves. Conserve toda la información de seguridad y las instrucciones generales para futuras consultas.

- Estas instrucciones de seguridad sólo se aplican a las baterías recargables de iones de litio de 18 V aprobadas/recomendadas.
- Cargue las baterías únicamente con los cargadores recomendados por el fabricante. Un cargador adecuado para un tipo de batería puede suponer un riesgo de incendio si se utiliza con una batería diferente.
- La batería se suministra parcialmente cargada. Para garantizar la plena capacidad de la batería, cárguela completamente en el cargador antes de utilizar la herramienta eléctrica por primera vez.
- Mantenga las baterías fuera del alcance de los niños.
- No abra la batería. Existe riesgo de cortocircuito.
- En caso de daños y uso inadecuado de la batería, pueden desprenderse vapores. La batería puede incendiarse o explotar. Asegúrese de que la zona está bien ventilada y solicite atención médica si experimenta algún efecto adverso. Los vapores pueden irritar el sistema respiratorio.
- Si la batería se daña o se utiliza de forma incorrecta, puede expulsar líquido inflamable. El líquido expulsado de la batería puede causar irritación o quemaduras. Debe evitarse cualquier contacto con este líquido. En caso de contacto accidental, enjuague inmediatamente con agua. Si el líquido entra en contacto con sus ojos, busque atención médica adicional.
- Si la batería está dañada, puede salir líquido. Compruebe y limpie todas las piezas, objetos y zonas salpicadas por el líquido y cámbielas si es necesario.
- No cortocircuite la batería. Cuando la batería no esté en uso, manténgala alejada de otros objetos metálicos, como clips, monedas, llaves, clavos, tornillos u otros objetos metálicos pequeños, que puedan hacer una conexión de un terminal a otro. Un cortocircuito entre los terminales de la batería puede provocar quemaduras o un incendio.
- La batería puede resultar dañada por una fuerza externa por objetos puntiagudos como clavos o destornilladores. Puede producirse un cortocircuito interno y hacer que la batería arda, eche humo, explote o se sobrecaliente.
- No repare nunca las baterías dañadas, el mantenimiento de las baterías sólo debe ser realizado por el fabricante o por un servicio técnico autorizado.
- Mantenga la batería alejada de fuentes de calor como la luz solar intensa y continua, el fuego, la suciedad, el agua y la humedad. Existe riesgo de explosión y cortocircuito.
- Utilice la batería en el producto sólo cuando la temperatura ambiente esté entre 4°C ~ 40°C.
- Guarde la batería únicamente a una temperatura ambiente entre 4°C ~ 40°C. No deje la batería en el coche

- en verano.
- Cargue la batería únicamente a una temperatura ambiente entre 4°C ~ 40°C.

Seguridad del cargador de batería



ADVERTENCIA: Lea todas las instrucciones generales y de seguridad. La inobservancia de las instrucciones generales y de seguridad puede provocar descargas eléctricas, incendios y/o lesiones graves. Guarde estas instrucciones en un lugar seguro. Utilice el cargador sólo si puede evaluar completamente todas las funciones y llevarlas a cabo sin restricciones, o si ha recibido las instrucciones correspondientes.

- Supervise a los niños durante el uso, la limpieza y el mantenimiento. Esto asegurará que los niños no jueguen con el cargador.
- Cargue sólo baterías de iones de litio de la batería 318iS20. El voltaje de la batería debe coincidir con el voltaje de carga de la batería del cargador. No cargue baterías no recargables. De lo contrario, existe riesgo de incendio y explosión.
- No exponga el cargador a la lluvia ni a condiciones húmedas. La entrada de agua en una herramienta eléctrica aumenta el riesgo de descarga eléctrica.
- Mantenga limpia el cargador. La suciedad supone un riesgo de descarga eléctrica.
- Compruebe siempre el cargador, el cable y el enchufe antes de utilizarlos. Deje de utilizar el cargador si descubre algún daño. No abra el cargador usted mismo, y hágalo reparar sólo por un especialista cualificado que utilice únicamente piezas de repuesto originales. Los cargadores, cables y enchufes dañados aumentan el riesgo de descarga eléctrica.
- No utilice el cargador sobre una superficie fácilmente inflamable (por ejemplo, papel, textiles, etc.) o en un entorno inflamable. Existe riesgo de incendio debido al calentamiento del cargador durante su funcionamiento.
- Recargue sólo con el cargador especificado por el fabricante. Un cargador adecuado para un tipo de batería puede crear riesgo de incendio si se utiliza con otro tipo de batería.
- En caso de daños y uso inadecuado de la batería, también pueden desprenderse vapores. Asegúrese de que la zona está bien ventilada y solicite atención médica si experimenta algún efecto adverso. Los vapores pueden irritar el sistema respiratorio.
- No tape las ranuras de ventilación del cargador. De lo contrario, el cargador podría sobrecalentarse y dejar de funcionar correctamente.
- Para evitar riesgos de seguridad, si es necesario sustituir el cable de alimentación, debe hacerlo Husqvarna o un centro de atención al cliente autorizado para reparar herramientas eléctricas Husqvarna.



ADVERTENCIA: Este producto genera un campo electromagnético durante su funcionamiento. En determinadas circunstancias, este campo puede interferir con implantes médicos activos o pasivos. Para reducir el riesgo de que se produzcan situaciones que puedan causar lesiones o la muerte, recomendamos a las personas con implantes médicos que hablen con su médico y con el fabricante del implante médico antes de utilizar el producto.

Instrucciones de seguridad para el mantenimiento



ADVERTENCIA : Lea las instrucciones de advertencia que siguen antes de realizar el mantenimiento del producto.

- Retire la batería antes de realizar el mantenimiento, otras comprobaciones o montar el producto.
- El operador sólo debe realizar el mantenimiento y las revisiones que se indican en este manual. Diríjase a su distribuidor de mantenimiento para realizar el mantenimiento y revisión de una extensión mayor.
- No limpie la batería ni el cargador de batería con agua.

Los detergentes fuertes pueden dañar el plástico.

- Si no realiza el mantenimiento, disminuye la vida útil del producto y aumenta el riesgo de accidentes.
- Es necesaria una formación especial para todos los trabajos de mantenimiento y reparación, especialmente para los dispositivos de seguridad del producto. Si no se aprueban todas las comprobaciones de este manual del operador después de haber realizado el mantenimiento, diríjase a su distribuidor de mantenimiento. Le garantizamos que existen reparaciones y servicios profesionales disponibles para su producto.
- Es posible que su garantía no cubra los daños o responsabilidades causados por el uso de accesorios, piezas de repuesto o recambios no autorizados.

Montaje

Introducción



ADVERTENCIA : Lea y comprenda el capítulo de seguridad antes de montar el producto.



ADVERTENCIA : Las piezas pequeñas pueden tragarse fácilmente. También existe el riesgo de que la bolsa de polietileno asfixie a los niños. Mantenga alejados a los niños cuando monte el producto.

Montaje de la lanza de pulverización y la boquilla

1. Elija una boquilla correcta(1) y alinee la boquilla con un extremo de la lanza de pulverización(2),(Fig.24)
2. Gire la tuerca y ensamble la lanza y la boquilla.

Montar la lanza de spray y el gatillo.

1. Conecte la lanza de spray (2) y el gatillo (3). (Figura 24)
2. Gire la tuerca y ensamble juntamente la lanza y el gatillo.



ADVERTENCIA: La tuerca más corta de la lanza de spray sirve para conectar la boquilla y la tuerca más larga sirve para conectar el gatillo.

Montaje de la manguera

1. Inserte una sección con una junta blanca de agua en la parte inferior de la máquina y apriétela girando la tuerca. (Fig.25)
2. Conecte el otro extremo con la malla de filtro pequeña al conjunto del gatillo y apriételo con una tuerca. (Fig.25)

Ajuste del arnés

Un arnés y un producto correctamente ajustados facilitan el manejo.

1. Colóquese el arnés del producto.
2. Apriete las correas laterales y la correa del pecho hasta que el producto quede ajustado contra su cuerpo.

Funcionamiento

Introducción



ADVERTENCIA : Lea y comprenda el capítulo de seguridad antes de utilizar el producto.

Batería



ADVERTENCIA : Antes de utilizar la batería, debe leer y comprender el capítulo de seguridad. También debe leer y comprender el manual del operador de la batería y del cargador de batería.

Mantenga la batería y el cargador a una temperatura ambiente correcta.

Temperatura ambiente

Funcionamiento de la batería en el producto 4°C ~ 40°C

Carga de la batería 4°C ~ 40°C

Carga de la batería

Cargue la batería antes del primer uso.

Nota : La batería no se carga si la temperatura de la batería es superior a 40°C.

1. Conecte el cable de alimentación del cargador de batería a una toma de corriente con toma de tierra.



PRECAUCIÓN : Asegúrese de que la red eléctrica tiene la tensión y la frecuencia correctas.

2. Coloque la batería en el cargador de baterías. La batería está conectada al cargador de baterías cuando se enciende el LED rojo.
3. La batería está completamente cargada cuando se enciende el LED verde del cargador de batería. Cargue la batería durante un máximo de 24 horas.

4. Desconecte el cargador de batería de la red eléctrica.
5. Retire la batería del cargador de batería.



PRECAUCIÓN : No tire del cable de alimentación.

LED de estado de la batería en el cargador de batería

LED	Estado de la batería
LED rojo encendido	La batería se está cargando
LED verde encendido	En espera o totalmente cargada

LED de estado de la batería en el producto

Cuando la batería está instalada en el producto, los LED del producto muestran el estado de la batería.

LED	Estado de la batería
3 LED verde encendido	100% ~ 70%
2 LED verde encendido	70% ~ 40%
1 LED verde encendido	40%~10%
1 LED verde parpadeando	Necesita carga

Relleno del líquido químico

1. Gire el tapón del depósito en sentido antihorario y retírelo.
2. Vierta el líquido químico mezclado en el filtro de la compuerta del depósito.
3. No rellene rápidamente con líquidos químicos para no salpicar la piel.

Conexión de la batería al producto

1. Asegúrese de que la batería está completamente cargada.
2. Abra la tapa de la batería.
3. Deslice la batería en el soporte de la batería del producto a lo largo de las guías de la batería.
4. La batería se bloquea en su posición cuando se oye un clic.
5. Cierre la tapa de la batería.

Puesta en marcha del producto

1. Asegúrese de que el gatillo está desbloqueado y liberado.
2. Ponga el interruptor ON/OFF en la posición ON.
3. Sujete el conjunto de gatillo y apriete el gatillo para rociar agua.

Rociado

1. Asegúrese de que todas las conexiones están bien apretadas.
2. Asegúrese de que la batería está instalada y la alimentación está desconectada.
3. Lleve toda la máquina a la espalda y ajuste la correa a la longitud adecuada.
4. Abroche la correa.
5. Ponga el interruptor ON/OFF en la posición ON.
6. Sujete el conjunto de gatillo y apriete el gatillo para rociar agua.
7. Gire el mando para ajustar el estado de pulverización adecuado.

Detener el producto

1. Suelte el gatillo.
2. Ponga el interruptor ON/OFF en la posición OFF.

Desconectar la batería del producto

1. Abra la tapa de la batería.
2. Pulse el botón de la batería.
3. Retire la batería de su alojamiento.

Mantenimiento

Introducción



ADVERTENCIA : Lea y comprenda el capítulo de seguridad antes de realizar el mantenimiento del producto.



ADVERTENCIA : Retire la batería antes de realizar el mantenimiento.

Programa de mantenimiento

Nota : Asegúrese de respetar el programa de mantenimiento. Los intervalos se calculan a partir del uso diario del producto. Los intervalos son diferentes si no utiliza el producto todos los días. Realice únicamente las tareas de mantenimiento que se indican en este manual. Hable con un centro de servicio autorizado sobre otros trabajos de mantenimiento que no se encuentren en este manual.

Mantenimiento	Diario	Semanal	Mensual
Limpie las partes externas del producto con un paño seco. Mantenga las empuñaduras secas, limpias y sin aceite ni grasa.	X		
Asegúrese de que el botón de encendido/apagado y el potenciómetro funcionan correctamente y no están dañados.	X		
Asegúrese de que el gatillo de pulverización y el bloqueo del gatillo de pulverización funcionan correctamente. Desmonte para limpiar si es necesario. Compruebe y limpie el filtro del gatillo. Sustitúyalo si está dañado.	X		
Asegúrese de que el accesorio de pulverización no esté dañado. Compruebe y limpie las boquillas. Sustitúyalas si están dañadas.	X		
Asegúrese de que los tornillos y las tuercas estén bien apretados. Apriételes si es necesario.	X		
Asegúrese de que todos los puntos de conexión estén bien sellados y apretados. Apriételes si es necesario.	X		
Asegúrese de que la batería no esté dañada. Asegúrese de que el botón de liberación de la batería funciona y la bloquea en el producto. Elimine cualquier obstrucción. Sustitúyala si está dañada.	X		
Asegúrese de que el cargador de batería no está dañado y funciona correctamente. Sustitúyalo si está dañado.	X		
Asegúrese de que la batería está cargada.	X		
Compruebe y limpie la rejilla del filtro de llenado de agua y el depósito. Compruebe si la tapa del depósito y la válvula de la tapa del depósito están dañadas. Sustituir si es necesario.	X		
Asegúrese de que todos los cables, acoplamientos y conexiones no estén dañados y libres de suciedad.		X	
Compruebe si el amnés funciona correctamente y si presenta daños. Sustitúyalo si está dañado.		X	
Compruebe las conexiones entre la batería y el producto.			X
Compruebe la conexión entre la batería y el cargador de baterías.			X

Examinar la batería y el cargador de batería

- Compruebe si la batería presenta daños, por ejemplo, grietas.
- Compruebe si el cargador de batería presenta daños, por ejemplo, grietas.
- Asegúrese de que el cable de conexión del cargador de batería no esté dañado ni presente grietas.

Limpieza del producto, la batería y del cargador de batería

- Limpie el producto con un paño seco después de usarlo.
- Limpie la batería y el cargador de batería con un paño seco. Mantenga limpias las guías de la batería.
- Asegúrese de que los terminales de la batería y del cargador de batería estén limpios antes de colocar la batería en el cargador de batería o en el producto.

Solución de problemas

Interfaz de usuario

Problema	Posible causa	Solución
El LED verde parpadea.	Baja tensión de la batería	Cargar la batería
LED verde apagado	Se ha quedado sin batería	Cargar la batería
	Batería dañada	Diríjase a un servicio técnico autorizado
	Panel de control muerto	Sustituya el panel de control
Caudal bajo	Filtros atascados	Limpie los filtros
No hay caudal	Obstrucción de tuberías	Apague el interruptor, limpie la tubería y la rejilla del filtro y vuelva a encender el interruptor
	Bomba defectuosa	Sustituir la bomba
El depósito tiene fugas	Válvula de la tapa del depósito defectuosa	Sustituir válvula tapa depósito
El depósito es cóncavo	Obstrucción del orificio de alivio de presión	Sustituir conjunto tapa depósito
El producto tiene fugas	Mangueras dañadas / sueltas	Asegúrese de que las mangueras están correctamente montadas. Sustituir si están dañadas
	Conexiones dañadas / sueltas	Asegúrese de que las conexiones están correctamente montadas. Sustituir si están dañadas.
	Lanza dañada	Sustituir la lanza

Cargador de batería

Problema	Posible causa	Solución
El LED verde parpadea.	La batería no está correctamente instalada en el cargador.	Retire la batería del cargador e instálela de nuevo en el cargador.
	Los conectores de la batería están sucios	Limpie los conectores de la batería con un paño seco
	La temperatura ambiente es demasiado alta o demasiado baja.	Utilice el cargador de batería a temperaturas entre 4°C-40 °C
	La batería o el cargador están dañados	Sustituya la batería / el cargador

Transporte y almacenamiento

- Las baterías de iones de litio suministradas cumplen los requisitos de la legislación sobre mercancías peligrosas.
- Cumpla los requisitos especiales sobre embalajes y etiquetas para el transporte comercial, incluso por parte de terceros y transitarios.
- Hable con una persona con formación especial en materiales peligrosos antes de enviar el producto. Obedezca todas las normativas nacionales aplicables.
- Utilice cinta adhesiva en los contactos abiertos cuando introduzca la batería en un paquete. Coloque la batería en el paquete firmemente para evitar que se mueva.
- Retire la batería del producto o del cargador de baterías para su almacenamiento o transporte.
- Coloque la batería y el cargador de batería en un espacio seco y libre de humedad y heladas.
- No guarde la batería en una zona donde pueda producirse electricidad estática. No guarde la batería en una caja metálica.
- Guarde la batería a una temperatura comprendida entre 4 °C y 40 °C y alejada de la luz solar.
- Guarde el cargador de baterías a una temperatura comprendida entre 4 °C y 40 °C y protegido de la luz solar.
- Utilice el cargador de batería sólo cuando la temperatura ambiente esté entre 4°C y 40°C.
- Cargue la batería entre un 30% y un 50% antes de almacenarla durante periodos prolongados.
- Guarde el cargador de batería en un lugar cerrado y seco.
- Mantenga la batería alejada del cargador durante el almacenamiento. No permita que los niños y otras personas no autorizadas toquen el equipo. Guarde el equipo en un espacio que pueda cerrar con llave.

- Limpie el producto y realice una revisión completa antes de guardarlo durante un periodo prolongado.
- Fije el producto de forma segura durante el transporte.

Mantenga el producto almacenado en posición horizontal.

Eliminación de la batería, el cargador de batería y del producto

El símbolo que aparece a continuación significa que el producto no es basura doméstica. Recíclalo en una estación de reciclaje de aparatos eléctricos y electrónicos. Esto ayuda a evitar daños al medio ambiente y a las personas. Consulte a las autoridades locales, al servicio de residuos domésticos o a su distribuidor para obtener más información. (Fig. 16)

Nota : El símbolo aparece en el producto o en el envase del producto.

Datos técnicos

Producto	318iS20
Capacidad del depósito	20 L
Caudal de la bomba (sin boquilla)	2±0.2 L/min
Presión de trabajo	0-4 bar (±0.4) con boquilla cónica @ caudal 800 ml/min
Peso neto	4850 g

Batería	Batería 318iS20
Tipo	ión-litio
Capacidad de la batería, Ah	4,0
Tensión nominal, V	18

Cargador de batería	Cargador 318iS20 T-A, Cargador 318iS20 T-C, Cargador 318iS20 T-G, Cargador 318iS20 T-I
Tensión de red, V	100-240
Frecuencia, Hz	50-60
Potencia, A	0,8
Tensión de salida, V c.c./ Amperios, A	21/1,5

Accesorios

Accesorios autorizados

Accesorios homologados	Tipo	Artículo N°
Boquilla cónica	-	531147814
Boquilla abanico	-	531147812
Manguera	-	546973101
Batería	Batería 318iS20	546200601
Cargador de batería	Cargador 318iS20 T-A	546200701
Cargador de batería	Cargador 318iS20 T-C	546200702
Cargador de batería	Cargador 318iS20 T-G	546200703
Cargador de batería	Cargador 318iS20 T-I	546200704

Declaración de conformidad

Declaración de conformidad de la UE

Nosotros, Husqvarna AB, SE-561 82 Huskvarna, Sweden,
Tel +46-36- 146500, declaramos bajo nuestra exclusiva responsabilidad que el producto:

Descripción	Pulverizador de mochila a batería 18V
Marca	Husqvarna
Tipo / Modelo	318iS20
Identificación	Números de serie a partir de 2023

Cumple plenamente las siguientes directivas y reglamentos de la UE

Directiva/ Reglamento	Descripción
2006/42/EC	"relativo a la maquinaria"
2014/30/EU	"relativo a la compatibilidad electromagnética"
2011/65/EU	"sobre restricciones a la utilización de determinadas sustancias peligrosas en aparatos eléctricos y electrónicos"

Y que se aplican las siguientes normas y/o especificaciones técnicas:
EN 62841-1:2015, EN ISO 19932-1:2013, EN ISO 19932-2:2013,
EN IEC 55014-1:2021, EN IEC 55014-2:2021

Huskvarna, 2023-06-15



Claes Losdal, R&D Manager
(Representante autorizado de Husqvarna AB y responsable de la documentación técnica)





Husqvarna®

www.husqvarna.com

Original instructions
Instrucciones originales
Instrucción original



114369594



2023-08-04