



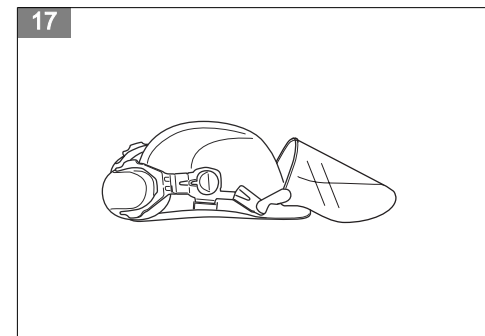
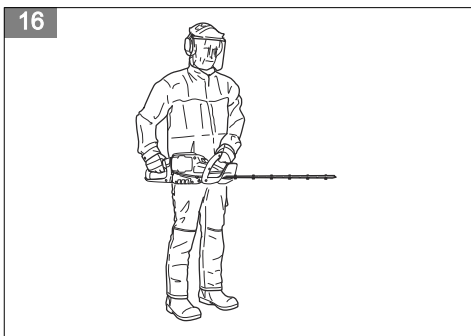
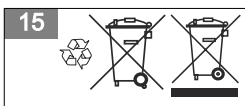
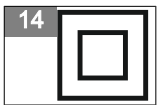
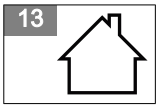
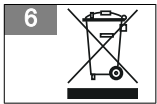
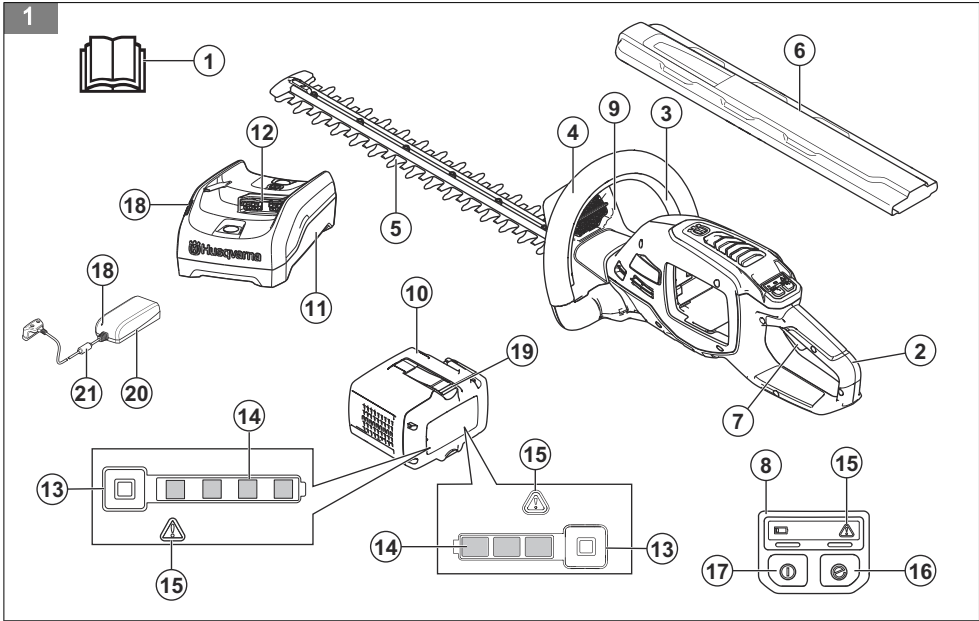
Husqvarna®



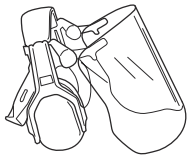
215iHD45



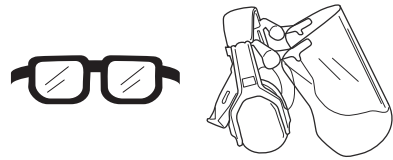
EN	Operator's manual	6-20
SV	Bruksanvisning	20-33
DA	Brugsanvisning	33-47
NO	Bruksanvisning	47-60
FI	Käyttöohje	60-73
DE	Bedienungsanweisung	73-89
FR	Manuel d'utilisation	89-104
NL	Gebruiksaanwijzing	104-119
IT	Manuale dell'operatore	119-134
ES	Manual de usuario	134-149
PT	Manual do utilizador	149-164
ET	Kasutusjuhend	164-178
LT	Operatoriaus vadovas	178-192
LV	Lietošanas pamācība	192-206
CS	Návod k použití	206-220
SK	Návod na obsluhu	220-234
PL	Instrukcja obsługi	234-249
HU	Használati utasítás	249-264
HR	Priručnik za korištenje	264-278
SL	Navodila za uporabo	278-292
RO	Instrucțiuni de utilizare	292-307
SR	Priručnik za rukovaoca	307-321
RU	Руководство по эксплуатации	321-338
BG	Ръководство за експлоатация	338-354
UK	Посібник користувача	354-370
EL	Οδηγίες χρήσης	370-386
TR	Kullanım kılavuzu	386-400
JA	取扱説明書	400-414
KO	사용자 설명서	414-427
ZH	操作手冊	427-439



18



19



20



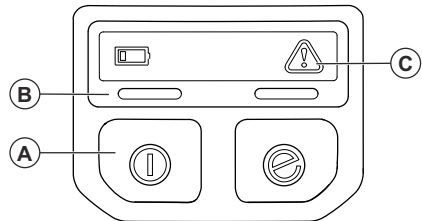
21



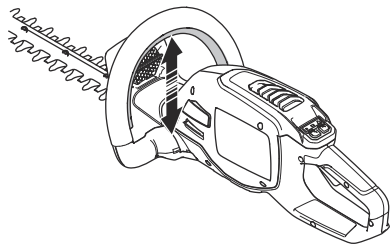
22



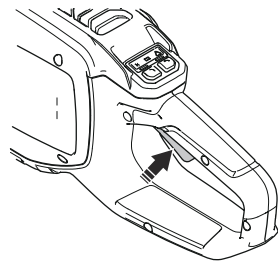
23



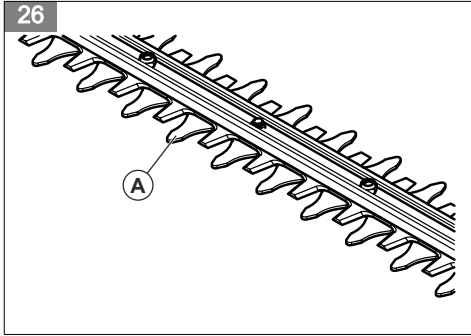
24



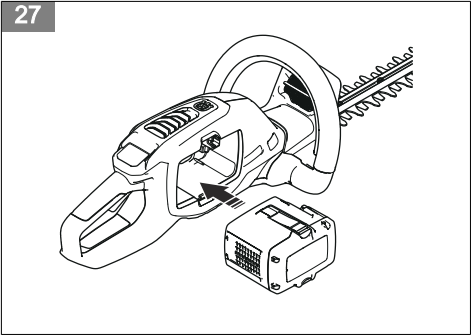
25



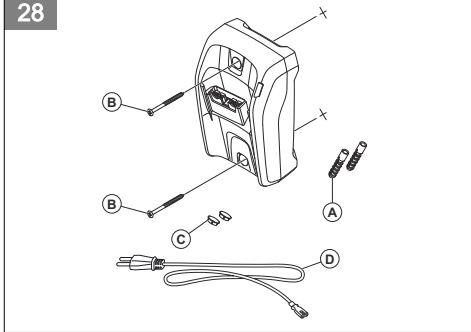
26



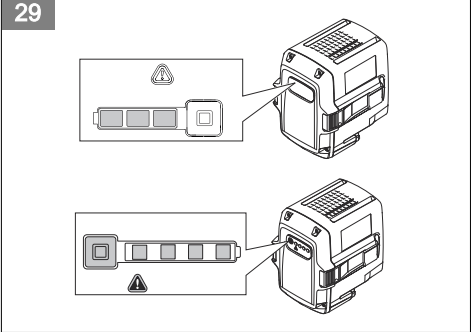
27



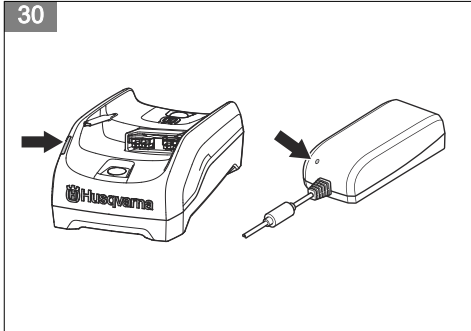
28



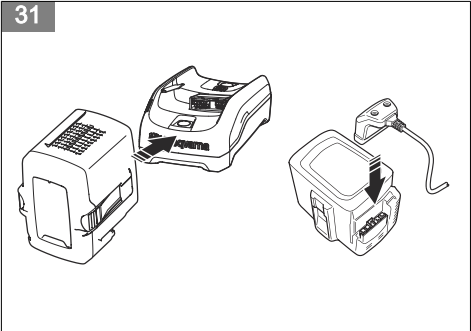
29



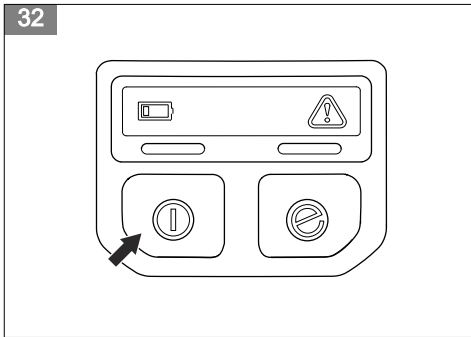
30



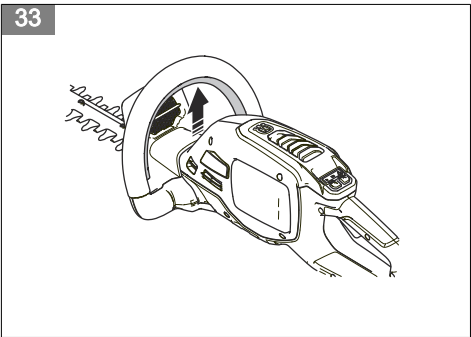
31



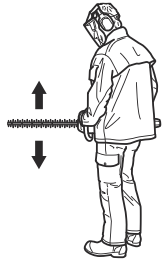
32



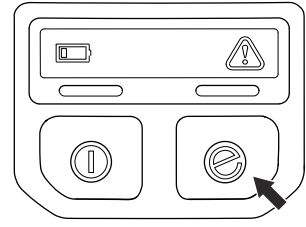
33



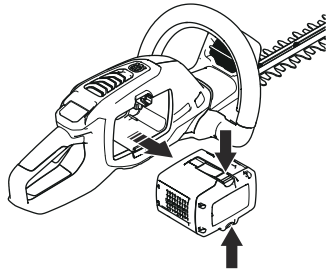
34



35



36



Contents

Introduction.....	6	Troubleshooting.....	15
Safety.....	7	Transportation, storage and disposal.....	16
Assembly.....	12	Technical data.....	17
Operation.....	13	Declaration of Conformity.....	19
Maintenance.....	14		

Introduction

Product description

Husqvarna 215iHD45 is a battery hedge trimmer with an electrical motor.

Work is constantly in progress to increase your safety and efficiency during operation. Speak to your servicing dealer for more information.

Product overview

(Fig. 1)

1. Operator's manual
2. Rear handle
3. Front handle trigger
4. Front handle
5. Cutter
6. Transport guard
7. Power trigger
8. Control panel
9. Handguard
10. Battery
11. Battery charger 40-C80
12. Connector
13. Battery indicator button
14. Battery status
15. Warning indicator
16. SavE button
17. Start/stop button
18. Power on and warning indicator
19. Battery release buttons
20. Battery Charger QC80
21. Power cord

Symbols on the product

(Fig. 2) **WARNING:** This product can be dangerous and cause serious injury or death to the operator or others. Be careful and use the product correctly.

(Fig. 3) Read the operator's manual carefully and make sure that you understand the instructions before you use the product.

Intended use

Use the product to cut branches and twigs. Do not use the product for other tasks.

(Fig. 4) Wear eye protection.

(Fig. 5) The product agrees with the applicable EC directives.

(Fig. 6) The product or package of the product is not domestic waste. Recycle it at a recycling station for electrical and electronic equipment.

(Fig. 7) Do not expose to rain.

(Fig. 8) Direct current.

(Fig. 9) Noise emission to the environment label as per EU (also including New South Wales legislation) and UK directives and regulations. Noise emission data can be found on the machine label and in the Technical data chapter.

(Fig. 10) This product conforms to the applicable UK regulations.

(Fig. 11) **Warning:** Keep hands away from the blade.

yyyywwxxxx The rating plate shows the serial number. **yyyy** is the production year, **ww** is the production week.

Note: Other symbols/decals on the product refer to special certification requirements for certain markets.

Symbols on the battery and/or on the battery charger

(Fig. 15)

Recycle this product at a recycling station for electrical and electronic equipment. (Applies to Europe only)

(Fig. 12)

Fail-safe transformer.

(Fig. 13)

Use and keep the battery charger indoors only.

(Fig. 14)

Double insulation.

Safety

Safety definitions

Warnings, cautions and notes are used to point out specially important parts of the manual.



WARNING: Used if there is a risk of injury or death for the operator or bystanders if the instructions in the manual are not obeyed.



CAUTION: Used if there is a risk of damage to the product, other materials or the adjacent area if the instructions in the manual are not obeyed.

Note: Used to give more information that is necessary in a given situation.

General power tool safety warnings



WARNING: Read all safety warnings and all instructions. Failure to follow the warnings and instructions may result in electric shock, fire and/or serious injury.

Note: Save all warnings and instructions for future reference. The term "power tool" in the warnings refers to your mains-operated (corded) power tool or battery-operated (cordless) power tool.

Work area safety

- **Keep work area clean and well lit.** Cluttered or dark areas invite accidents.
- **Do not operate power tools in explosive atmospheres, such as in the presence of flammable liquids, gases or dust.** Power tools create sparks which may ignite the dust or fumes.
- **Keep children and bystanders away while operating a power tool.** Distractions can cause you to lose control.

Electrical safety

- **Power tool plugs must match the outlet. Never modify the plug in any way. Do not use any adapter plugs with earthed (grounded) power tools.**

Unmodified plugs and matching outlets will reduce risk of electric shock.

- **Avoid body contact with earthed or grounded surfaces, such as pipes, radiators, ranges and refrigerators.** There is an increased risk of electric shock if your body is earthed or grounded.
- **Do not expose power tools to rain or wet conditions.** Water entering a power tool will increase the risk of electric shock.
- **Do not abuse the cord. Never use the cord for carrying, pulling or unplugging the power tool. Keep cord away from heat, oil, sharp edges or moving parts.** Damaged or entangled cords increase the risk of electric shock.
- **When operating a power tool outdoors, use an extension cord suitable for outdoor use.** Use of a cord suitable for outdoor use reduces the risk of electric shock.
- **If operating a power tool in a damp location is unavoidable, use a residual circuit interrupter (RCD) protected supply.** Use of a RCD reduces the risk of electric shock



WARNING: Do not pressure wash the machine, as water can enter the electrical system or the motor and cause damage to the machine or short circuit.

Personal safety

- **Stay alert, watch what you are doing and use common sense when operating a power tool. Do not use a power tool while you are tired or under the influence of drugs, alcohol or medication.** A moment of inattention while operating power tools may result in serious personal injury.
- **Use personal protective equipment. Always wear eye protection.** Protective equipment such as dust mask, non-skid safety shoes, hard hat or hearing protection used for appropriate conditions will reduce personal injuries.
- **Prevent unintentional starting. Ensure the switch is in the OFF-position before connecting to a power source and/or battery pack, picking up or carrying the tool.** Carrying power tools with your finger on the switch or energising power tools that have the switch on invites accidents.
- **Remove any adjusting key or wrench before turning the power tool on.** A wrench or a key left attached

to a rotating part of the power tool may result in personal injury.

- **Do not overreach. Keep proper footing and balance at all times.** This enables better control of the power tool in unexpected situations.
- **Dress properly. Do not wear loose clothing or jewellery. Keep your hair and clothing away from moving parts.** Loose clothes, jewellery or long hair can be caught in moving parts.
- **If devices are provided for the connection of dust extraction and collection facilities, ensure these are connected and properly used.** Use of dust collection can reduce dust-related hazards.
- **Do not let familiarity gained from frequent use of tools allow you to become complacent and ignore tool safety principles.** A careless action can cause severe injury within a fraction of a second.
- The vibration emission during actual use of the power tool can differ from the declared total value depending on the ways in which the tool is used. Operators should identify safety measures to protect themselves that are based on an estimation of exposure in the actual conditions of use (taking account of all parts of the operating cycle such as the times when the tool is switched off and when it is running idle in addition to the trigger).

Power tool use and care

- **Do not force the power tool. Use the correct power tool for your application.** The correct power tool will do the job better and safer at the rate for which it was designed.
- **Do not use the power tool if the switch does not turn it on and off.** Any power tool that cannot be controlled with the switch is dangerous and must be repaired.
- **Disconnect the plug from the power source and/or remove the battery pack, if detachable, from the power tool before making any adjustments, changing accessories, or storing power tools.** Such preventive safety measures reduce the risk of starting the power tool accidentally.
- **Store idle power tools out of the reach of children and do not allow persons unfamiliar with the power tool or these instructions to operate the power tool.** Power tools are dangerous in the hands of untrained users.
- **Maintain power tools and accessories. Check for misalignment or binding of moving parts, breakage of parts and any other condition that may affect the power tool's operation. If damaged, have the power tool repaired before use.** Many accidents are caused by poorly maintained power tools.
- **Keep cutting tools sharp and clean.** Properly maintained cutting tools with sharp cutting edges are less likely to bind and are easier to control.
- **Use the power tool, accessories and tool bits etc. in accordance with these instructions, taking into account the working conditions and the work to be performed.** Use of the power tool for operations

different from those intended could result in a hazardous situation.

- **Keep handles and grasping surfaces dry, clean and free from oil and grease.** Slippery handles and grasping surfaces do not allow for safe handling and control of the tool in unexpected situations.

Battery tool use and care

- **Recharge only with the charger specified by the manufacturer.** A charger that is suitable for one type of battery pack may create a risk of fire when used with another battery pack.
- **Use products only with specifically designated battery packs.** Use of any other battery packs may create a risk of injury and fire.
- **When battery pack is not in use, keep it away from other metal objects, like paper clips, coins, keys, nails, screws or other small metal objects, that can make a connection from one terminal to another.** Shorting the battery terminals together may cause burns or a fire.
- **Under abusive conditions, liquid may be ejected from the battery; avoid contact. If contact accidentally occurs, flush with water. If liquid contacts eyes, additionally seek medical help.** Liquid ejected from the battery may cause irritations or burns.
- **Do not use a battery pack or tool that is damaged or modified.** Damaged or modified batteries may exhibit unpredictable behavior resulting in fire, explosion or risk of injury.
- **Do not expose a battery pack or tool to fire or excessive temperature.** Exposure to fire or temperature above 130 °C may cause explosion.
- **Follow all charging instructions and do not charge the battery pack or tool outside the temperature range specified in the instructions.** Charging improperly or at temperatures outside the specified range may damage the battery and increase the risk of fire.

Service

- **Have your power tool serviced by a qualified repair person using only identical replacement parts.** This will ensure that the safety of the power tool is maintained.
- **Never service damaged battery packs.** Service of battery packs should only be performed by the manufacturer or authorized service providers.

Hedge trimmer safety warnings - Personal safety

- **Use both hands when operating the hedge trimmer.** Using one hand could cause loss of control and result in serious personal injury.
- **Keep all parts of the body away from the blade. Do not remove cut material or hold material to be cut when blades are moving.** Blades continue to move after the switch is turned off. A moment of inattention

while operating the hedge trimmer may result in serious personal injury.

- **Carry the hedge trimmer by the handle with the blade stopped and taking care not to operate any power switch.** Proper carrying of the hedge trimmer will decrease the risk of inadvertent starting and resultant personal injury from the blades.
- **When transporting or storing the hedge trimmer, always fit the blade cover.** Proper handling of the hedge trimmer will decrease the risk of personal injury from the blades.
- **When clearing jammed material or servicing the unit, make sure all power switches are off and the battery pack is removed or disconnected.** Unexpected actuation of the hedge trimmer while clearing jammed material or servicing may result in serious personal injury.
- **Hold the hedge trimmer by insulated gripping surfaces only, because the blade may contact hidden wiring.** Blades contacting a "live" wire may make exposed metal parts of the hedge trimmer "live" and could give the operator an electric shock.
- **Keep all power cords and cables away from cutting area.** Power cords or cables may be hidden in hedges or bushes and can be accidentally cut by the blade.
- **Do not use the hedge trimmer in bad weather conditions, especially when there is a risk of lightning.** This decreases the risk of being struck by lightning.
- **DANGER -Keep hands away from blade.** Contact with blade will result in serious personal injury.

General safety instructions



WARNING: Read the warning instructions that follow before you use the product.

- Remove the battery to prevent the product from being started by accident.
- This product is a dangerous tool if you are not careful or if you use the product incorrectly. This product can cause serious injury or death to the operator or others.
- Do not use the product if it is changed from its initial specification. Do not change a part of the product without approval from the manufacturer. Only use parts that are approved by the manufacturer. Injury or death is a possible result of incorrect maintenance.
- Do a check of the product before use. See *To do before you start the product on page 13*. Do not use a defective product. Do the safety checks, maintenance and service instructions described in this manual.
- Children should be supervised to ensure that they do not play with the product. Never allow children or other persons not trained in the use of the product

and/or the battery to use or service it. Local laws may regulate the age of the user.

- Keep the product in a locked area to prevent access for children or persons that are not approved.
- Store the product out of reach of children.
- Under no circumstances may the design of the product be modified without the permission of the manufacturer. Always use original accessories. Non-authorized modifications and/or accessories can result in serious personal injury or the death of the operator and others.

Note: National or Local laws can regulate the use. Comply to given regulations.

Safety instructions for operation



WARNING: Read the warning instructions that follow before you use the product.

- If you encounter a situation where you are uncertain how to proceed you should ask an expert. Contact your dealer or your service workshop. Avoid all usage which you consider to be beyond your capability.
- Never use the product if you are fatigued, while under the influence of alcohol or drugs, medication or anything that could affect your vision, alertness, coordination or judgment.
- Working in bad weather is tiring and often brings added risk. Due to the added risk, it is not recommended to use the machine in very bad weather, for instance in dense fog, heavy rain, strong winds, intense cold, risk of lightning, etc.
- Faulty blades can increase the risk of accidents.
- Do not allow children to use or be in the vicinity of the product. Since the product is easy to start, children may be able to start it if they are not kept under full surveillance. This can mean a risk of serious personal injury. Disconnect the battery when the product is not under close supervision.
- Ensure that no people or animals come closer than 15 metres while you work. When several operators are working in the same area the safety distance should be at least 15 metres. Otherwise there is a risk of serious personal injury. Stop the product immediately if anyone approaches. Never swing the product around without first checking behind you to make sure that no one is within the safety zone.
- Ensure that people, animals or other things can not affect your control of the product or that they do not come in contact with the cutting attachment or loose objects that are thrown out by the cutting attachment. However, do not use the product unless you are able to call for help in the event of an accident.
- Always inspect the working area. Remove all loose objects such as stones, broken glass, nails, steel

wire, string, etc., that could be thrown out or become wrapped around the cutting attachment.

- Make sure that you can move and stand safely. Check the area around you for possible obstacles (roots, rocks, branches, ditches, etcetera) in case you have to move suddenly. Take great care when you work on sloping ground.
- Keep a good balance and a firm foothold at all times. Do not overreach.
- Deactivate the product before you move to another area. Attach the transport guard when the product is not in use.
- Never put the product down unless you have deactivated it and removed the battery. Do not leave the product unsupervised when it is switched on.
- Make sure that no clothes or parts of the body come in contact with the cutting attachment when the product is activated.
- If anything jams in the blades while you operate the product, stop and deactivate the product. Make sure that the cutting attachment stops completely. Remove the battery before you clean, inspect or repair the product and/or the blades.
- Keep your hands and feet away from the cutting attachment until it has stopped completely when the product is deactivated.
- Watch out for stumps of branches that can be thrown out when you cut. Do not cut too close to the ground where stones and other objects can be thrown out.
- Watch out for thrown objects. Always wear approved eye protection. Never lean over the cutting attachment guard. Stones, rubbish, etcetera, can be thrown up into the eyes which can cause blindness or serious injury.
- Listen out for warning signals or shouts when you wear hearing protection. Always remove your hearing protection as soon as the product stops.
- Never work from a ladder, stool or any other raised position that is not fully secured.
- Use both hands when you hold the product. Hold the product at the side of your body.

(Fig. 16)

Personal protective equipment



WARNING: Read the warning instructions that follow before you use the product.

- Use approved personal protective equipment when you use the product. Personal protective equipment cannot fully prevent injury but it can decrease the degree of injury. Speak to your dealer for more information.
- Use a protective helmet where there is a risk of falling objects.

(Fig. 17)

- Use approved hearing protection. Long-term exposure to noise can result in permanent damage to the hearing.

(Fig. 18)

- Use approved eye protection. If you use a visor, you must also use approved protective goggles. Approved protective goggles must comply with the ANSI Z87.1 standard in the USA or EN 166 in EU countries.

(Fig. 19)

- Use protective gloves during operation and maintenance.

(Fig. 20)

- Use protective boots or shoes with non-slip soles.

(Fig. 21)

- Use clothing made of a strong fabric. Your clothing must be close-fitting but not limit your movements. Use long pants and put your hair behind your shoulders. Do not use jewelry and open shoes.
- Keep first aid equipment near.

(Fig. 22)

Safety devices on the product



WARNING: Read the warning instructions that follow before you use the product.

In this section the product's safety features, its purpose and how checks and maintenance should be carried out to ensure that it operates correctly. See instructions under the heading *Product overview on page 6* to find where these parts are located on your product.

The life span of the product can be reduced and the risk of accidents can increase if product maintenance is not carried out correctly and if service and/or repairs are not carried out professionally. If you need further information please contact your nearest servicing dealer.



WARNING: Never use a product with damaged safety components. The product's safety equipment must be inspected and maintained as described in this section. If your product fails any of these checks, contact your service agent to get it repaired.



CAUTION: All servicing and repair work on the machine requires special training. This is especially true of the machine's safety equipment. If your machine fails any of the checks described below you must contact your service agent. When you buy any of our products we guarantee the availability of professional repairs and service. If the retailer who sells your machine is not a servicing dealer, ask him

for the address of your nearest service agent.

To do a check of the keypad

1. Press and hold the start/stop button (A). (Fig. 23)
 - a) The product is on when the LED (B) is on.
 - b) The product is off when the LED (B) is off.
2. Refer to *Keypad on page 15* if the warning indicator (C) comes on or flashes.

To do a check of the front handle trigger

The front handle trigger prevents accidental start. When you push the front handle trigger, it releases the power trigger. When you release the handle, the power trigger and the front handle trigger move back to their initial positions.

1. Make sure that the power trigger and the front handle trigger moves freely and that the return spring works correctly.
2. Start the product.
3. Push the front handle trigger.

(Fig. 24)
4. Push the power trigger. (Fig. 25)
5. Release the front handle trigger and make sure that the cutting attachment stops fully.

To do a check of the hand guard

The hand guard prevents hands from accidental contact with the blades.

1. Stop the product.
2. Remove the battery.
3. Check that the hand guard is attached correctly.
4. Examine the hand guard for damages.

To do a check of the blades and blade guards

The longer parts of the blades (A) operate as blade guards.

1. Stop the product.
2. Remove the battery.
3. Put on gloves.
4. Make sure that the blades and blade guards are not damaged or bent. Replace the blades and blade guards if they are damaged or bent. (Fig. 26)

Battery safety



WARNING: Read the warning instructions that follow before you use the product.

- Only use the BLi series and 40-B series battery. For details, refer to *Technical data on page 17*. The battery is software encrypted.
- Use the BLi series and 40-B series battery that is rechargeable as a power supply for the related Husqvarna products only. To prevent injury, do not use the battery as a power supply for other devices.
- Risk of electrical shock. Do not connect the battery terminals to keys, coins, screws or other metal. This can cause a short circuit of the battery.
- Do not use non-rechargeable batteries.
- Do not put objects into the air slots of the battery.
- Keep the battery away from sunlight, heat or open flame. The battery can cause burns and/or chemical burns.
- Keep the battery away from rain and wet conditions.
- Keep the battery away from microwaves and high pressure.
- Do not try to disassemble or break the battery.
- If the battery leaks, do not let the liquid touch your body or eyes. If you have touched the liquid, clean the area with a large quantity of water and soap, and get medical aid. If you get liquid in your eyes, do not rub but flush with water for a minimum of 15 minutes and get medical aid.
- Use the battery in temperatures between -10 °C (14 °F) and 40 °C (114 °F).
- Do not clean the battery or the battery charger with water. Refer to *To clean the product, the battery and the battery charger on page 15*.
- Do not use a defective or damaged battery.
- Keep batteries in storage away from metal objects such as nails, screws or jewelry.
- Keep the battery away from children.

Battery charger safety



WARNING: Read the warning instructions that follow before you use the product.

- Risk of electrical shock or short circuit if the safety instructions are not obeyed.
- Do not use other battery chargers than the one supplied for your product. Only use QC80 and 40-C80 chargers when you charge BLi series and 40-B series replacement batteries.
- Do not try to disassemble the battery charger.
- Do not use a defective or damaged battery charger.
- Do not lift the battery charger by the power cord. To disconnect the battery charger from a mains socket, pull out the plug. Do not pull the power cord.
- Keep all cables and extension leads away from water, oil and sharp edges. Make sure that the cable is not caught between objects, for example, doors, fences or equivalent.
- Do not use the battery charger near flammable materials or materials that can cause corrosion.

- Make sure that the battery charger is not covered. Pull out the plug to the battery charger if there is smoke or fire.
- Only charge the battery indoors in a location with good airflow and away from sunlight. Do not charge the battery outdoors. Do not charge the battery in wet conditions.
 - Only use the battery charger where the temperature is between 5 °C (41 °F) and 40 °C (104 °F). Use the charger in an environment which has a good airflow, dry and free from dust.
 - Do not put objects into the cooling slots of the battery charger.
 - Do not connect the battery charger terminals to metal objects as this can short circuit the battery charger.
 - Use approved mains sockets that are not damaged. Make sure that the cord of the battery charger is not damaged. If extension cables are used, make sure that the extension cables are not damaged.
 - Do not charge non-rechargeable batteries in the battery chargers.

- Remove the battery before you do maintenance, other checks or assemble the product.
- The operator must only do the maintenance and servicing shown in this operator's manual. Turn to your servicing dealer for maintenance and servicing of a larger extension.
- Do not clean the battery or the battery charger with water. Strong detergent can cause damage to the plastic.
- If you do not do maintenance, it decreases the life cycle of the product and increases the risk of accidents.
- Special training is necessary for all servicing and repair work, especially for the safety devices on the product. If not all checks in this operator's manual are approved after you have done maintenance, turn to your servicing dealer. We guarantee that there are professional repairs and servicing available for your product.
- Only use original spare parts.

Safety instructions for maintenance



WARNING: Read the warning instructions that follow before you do maintenance on the product.

Assembly

Introduction

This section describes how to assemble and adjust the product.



WARNING: Before you assemble the product, read the safety chapter and the assembly instructions.

To connect the battery to the product



WARNING: Only use Husqvarna original batteries in the product.

1. Fully charge the battery.
2. Push the battery into the battery holder of the product. The battery locks into position when you hear a click. (Fig. 27)



CAUTION: If the battery does not move easily into the battery holder, the

battery is not installed correctly. This can cause damage to the product.

To install the battery charger 40-C80 on the wall



CAUTION: Do not use an electric screwdriver to install the battery charger to the wall. An electric screwdriver can cause damage to the battery charger.

1. Install the battery charger on the wall with the 2 screws (B). Use wall plugs (A) if it is necessary. (Fig. 28)
2. Install the 2 screw hole plugs (C).
3. Connect the power cord to the battery charger and a mains socket.

Operation

Introduction



WARNING: Read and understand the safety chapter before you use the product.

Battery



WARNING: Read and understand the safety chapter before you use the battery. Read and understand the operator's manual for the battery and the battery charger.

Keep the battery and the battery charger in the correct ambient temperatures.

	Ambient temperature
Operation of the battery	5 °C-40 °C / 41 °F-104 °F
Charging of the battery	5 °C-40 °C / 41 °F-104 °F

Battery status

The display shows the state of charge and if there are problems with the battery.

(Fig. 29)

LED indicator	Battery status (state of charge)	
	BLi10	40-B70
4 LED lights are on	N/A	The battery is 76% - 100% charged.
3 LED lights are on	The battery is 76% - 100% charged.	The battery is 51% - 75% charged.
2 LED lights are on	The battery is 51% - 75% charged.	The battery is 26% - 50% charged.
1 LED light is on	The battery is 26% - 50% charged.	The battery is 6% - 25% charged.
1 LED light flashes	The battery is 0% - 25% charged.	The battery is 0% - 5% charged.

To charge the battery

Charge the battery if it is the first time that you use it. A new battery is only 30% charged.



CAUTION: Connect the battery charger to a power outlet with the voltage and frequency that is specified on the rating plate.

The battery does not charge if the battery temperature is more than 50 °C/122 °F.

1. Connect the power cord to the battery charger.
2. Connect the battery charger to a grounded power outlet. The charging LED flashes one time. (Fig. 30)
3. Connect the battery to the battery charger. The charging LED comes on. Charge the battery for maximum 24 hours. (Fig. 31)
4. Push the battery indicator button, if all the LED indicators come on, the battery is fully charged.
5. Pull the power plug to disconnect the battery charger from the power outlet. Do not pull the power cord.
6. Remove the battery from the battery charger.

To do before you start the product

1. Examine the work area. Remove objects that can be thrown out.
2. Examine the cutting attachment. Make sure that the blades are sharp, and have no cracks and damages.
3. Make sure that the product works correctly. Examine that all nuts and screws are tight.
4. Make sure that the handle and safety devices are not damaged and are attached correctly. Do not operate a product with missing parts or is changed from its initial specification. Use protective gloves when it is necessary.
5. Make sure that the covers are not damaged and are attached correctly, before you operate the product.

To start the product

1. Push the start/stop button until the green LED comes on. (Fig. 32)
2. Push the front handle trigger on the front handle. (Fig. 33)
3. Push the power trigger. (Fig. 25)

To operate the product

1. Start near the ground and move the product up along the hedge when you cut the sides. Make sure that the body of the product does not touch the hedge. (Fig. 34)



WARNING: Make sure that the front of the cutting equipment does not touch the ground.

2. Hold the product near your body for a stable work position.
3. Be careful and operate the product slowly.

To use the SavE function

This product has a power saving function, SavE.

Note: The SavE function does not decrease the cutting power of the product.

1. Push the SavE button on the keypad.
2. Make sure that the green LED comes on.
3. Push the SavE button again to disconnect the function. The green LED goes off. (Fig. 35)

Automatic shutdown function

The product has a shutdown function that stops the product if the product is not used. The green LED for start/stop indication goes off and the product stops after 180 seconds.

To stop the product

1. Release the power trigger and the front handle trigger.
2. Push the start/stop button until the green LED goes off.
3. Push the release buttons on the battery and remove the battery. (Fig. 36)

Maintenance

Introduction



WARNING: Read and understand the safety chapter before you do maintenance work on the product.



WARNING: Remove the battery before you do maintenance on the product.

Maintenance schedule

The following is a list of the maintenance steps that you must do on the product.

Maintenance	Before use	Weekly	Monthly
Clean the external parts of the product.	X		
Examine that the start and stop switch works correctly and is not damaged.	X		
Make sure that the power trigger and the front handle trigger function correctly from a safety point of view.	X		
Make sure that all controls work and are not damaged.	X		
Make sure that the cutter blade and cutter guard have no cracks and that they are not damaged. Replace the cutter blade or the cutter guard if they have cracks or if they have been exposed to impact.	X		
Replace the cutter blade if it is bent or damaged.	X		
Make sure that the hand guard is not damaged. Replace the guard if it is damaged.	X		
Make sure that the screws and nuts are tight.	X		
Make sure that the battery is not damaged.	X		
Make sure that the battery is charged.	X		

Maintenance	Before use	Weekly	Monthly
Make sure that the battery charger is not damaged.	X		
Make sure that the screws that hold the cutter blades together are correctly tightened.		X	
Do a check of the connections between the battery and the product. Do a check of the connection between the battery and the battery charger.			X

To examine the battery and the battery charger

1. Examine the battery for damages, for example cracks.
2. Examine the battery charger for damages, for example cracks.
3. Make sure that the connection cord of the battery charger is not damaged and that there are no cracks in it.

To clean the product, the battery and the battery charger

1. Clean the product with a dry cloth after use.
2. Clean the battery and battery charger with a dry cloth. Keep the battery guide tracks clean.
3. Make sure that the terminals on the battery and the battery charger are clean before the battery is put in the battery charger or the product.

To examine the blade

1. Clean the blade from unwanted materials with an anti corrosion cleaning agent before and after you use the product.
2. Examine the edges of the blade for damages and deformation.

3. Use a file to remove burrs on the blade.
4. Make sure that the blades move freely.

To clean and lubricate the blades

1. Clean the blades from unwanted materials before and after you use the product.
2. Lubricate the blades before long periods of storage.

Note: Speak to your servicing dealer for more information about recommended cleaning agents and lubricants.

To lubricate the gear

Apply grease to the gear housing if the gear has been disassembled by an approved servicing dealer.

- Use Husqvarna special grease. Speak to your servicing dealer for more information about recommended grease.
- Only use a small quantity of a special high quality grease.



CAUTION: Do not fill the gear housing fully.

Troubleshooting

Keypad

LED screen	Possible faults	Possible solutions
The error LED flashes.	Overload	The cutting attachment cannot move freely. Release the cutting attachment.
	Temperature deviation	Let the product cool down.
The product does not start.	Push the power trigger and press the start button at the same time.	Release the power trigger and stop the product.
The error LED comes on with red light.	It is necessary to do servicing on the product	Speak to your service dealer.

Battery

LED display	Possible faults	Possible action
The green LED flashes.	Low battery voltage.	Charge the battery.
The error LED flashes.	Temperature deviation.	Use the battery in temperatures between -10°C (14°F) and 40°C (104°F).
	Too much voltage.	Make sure that the mains voltage aligns with the voltage stated on the rating plate of the product.
		Remove the battery from the battery charger.
The error LED is on.	Cell difference is too much (1V).	Speak to your servicing dealer.

Battery charger

Problem	Possible faults	Possible solution
The charging LED is red.	Permanent battery charger error.	Speak to your dealer.
The charging LED flashes green.	Temperature deviation, the battery is too cold or too hot to use or charge.	Let the battery cool down or warm it up. When the battery has the correct temperature, it can be used or charged again. Use the battery charger in ambient temperatures between 5 °C (41 °F) and 40 °C (104 °F).
The charging LED flashes red.	Faulty battery.	Speak to your dealer.

Transportation, storage and disposal

Transportation and storage

- The supplied Li-ion batteries obey the Dangerous Goods Legislation requirements.
- Obey the special requirement on package and labels for commercial transportation, including by third parties and forwarding agents.
- Speak to a person with special training in dangerous material before you send the product. Obey all applicable national regulations.
- Use tape on open contacts when you put the battery in a package. Put the battery in the package tightly to prevent movement.
- Remove the battery for storage or transportation.
- Put the battery and the battery charger in a space that is dry and free from moisture and frost.
- Do not keep the battery in an area where static electricity can occur. Do not keep the battery in a metal box.
- Put the battery in storage where the temperature is between 5°C/41°F and 25°C/77°F and away from open sunlight.
- Put the battery charger in storage where the temperature is between 5 °C/41 °F and 45°C/113°F and away from open sunlight.
- Use the battery charger only when the surrounding temperature is between 5°C/41°F and 40°C/104°F.
- Charge the battery 30% to 50% before you put it in storage for long periods.
- Put the battery charger in storage in a space that is closed and dry.
- Keep the battery away from the battery charger during storage. Do not let children and other not approved persons to touch the equipment. Keep the equipment in a space that you can lock.
- Clean the product and do a full servicing before you put the product in storage for a long time.

- Use the transportation guard on the product to prevent injuries or damage on the product during transportation and storage.
- Attach the product safely during transportation.

it at a recycling station for electrical and electronic equipment. This helps to prevent damage to the environment and to persons.

Get in touch with your local authorities, domestic waste service or your dealer for more information about how to recycle your product.

Disposal of the battery, battery charger and product

Symbols on the product or the package of the product means that the product is not domestic waste. Recycle

Technical data

Technical data

	215IHD45
Motor	
Motor type	BLDC
Weight	
Weight without battery, kg	3.2
Cutter	
Type	Double sided
Blade length, mm	450
Blade speed, cuts/min (with SavE mode)	2400
Blade speed, cuts/min (without SavE mode)	3000
Noise emissions ¹	
Sound power level, measured dB(A)	87
Sound power level, guaranteed L _{WA}	90
Sound levels	
Sound pressure level at the operator's ear, measured according to EN 62841-4-2, dB(A)	79
Vibration levels ²	
Vibration levels (a _h), front/rear, m/s ²	2.1/1.7

¹ Noise emissions in the environment measured as sound power (L_{WA}) in conformity with EC directive 2000/14/EC. The difference between guaranteed and measured sound power is that guaranteed sound power also includes dispersion in the measurement result and the variations between different products of the same model refer to Directive 2000/14/EC.

² Reported date for vibration level has a typical statistical dispersion (standard deviation) of 1.5 m/s².

The declared vibration total value has been measured in accordance with a standard test method and may be used for comparing on tool with another.

The declared vibration total value may also be used in a preliminary assesment of exposure.

Approved batteries for the product

Battery	BLI10		40-B70
Type	Lithium-ion		Lithium-ion
Battery capacity, Ah	Refer to battery rating decal		Refer to battery rating decal
Nominal voltage, V	36	36.5	36
Weight, kg	0.7	0.7	0.8

Approved battery chargers for the product

Battery charger	QC80	40-C80
Mains voltage, V	100-240	100-240
Frequency, Hz	50-60	50-60
Power, W	100	72
Output Voltage, V d.c./ Amps, A	36/2	43/1.6

Declaration of Conformity

EU Declaration of conformity

We, **Husqvarna AB**, SE-561 82 Huskvarna, Sweden, tel:
+46-36-146500, declare on our sole responsibility that
the product:

Description	Battery hedge trimmer
Brand	Husqvarna
Type / Model	215iHD45
Identification	Serial numbers dating from 2024 and onwards

complies fully with the following EU directives and
regulations:

Directive/ Regulation	Description
2006/42/EC	"relating to machinery"
2014/30/EU	"relating to electromagnetic compability"
2000/14/EC	"relating to the noise emissions in the environment"
2011/65/EU	"on the restriction of the use of certain hazardous substances in electrical and electronic equipment "

and that the following standards
and/or technical specifications are applied:
EN 62841-4-2:2019+A1:2022+A11:2022, EN
62841-1:2015+A11:2022, EN IEC 55014-1:2021, EN
IEC 55014-2:2021, EN IEC 63000:2018.

In accordance with directive 2000/14/EC, Annex V, refer
to *Technical data on page 17* for the declared sound
values.

Huskvarna, 2024-02-01



Claes Losdal, R&D Manager, Husqvarna AB
Responsible for technical documentation



UK Declaration of Conformity

We, **Husqvarna AB**, SE-561 82 Huskvarna, Sweden, declare on our sole responsibility that the represented product:

Description	Hedge Trimmer
Brand	Husqvarna
Model	215iHD45
Batch	Serial numbers dating from 2024 and onwards

complies fully with the following UK regulations:

Description
The Supply of Machinery (Safety) Regulations 2008
Electromagnetic Compatibility Regulations 2016
The Noise Emission in the Environment by Equipment for use Outdoors Regulations 2001
The Restriction of the Use of Certain Hazardous Substances in Electrical and Electronic Equipment Regulations 2012

and that the following standards and/or technical specifications are applied:
EN 62841-4-2:2019+A1:2022+A11:2022, EN 62841-1:2015+A11:2022, EN IEC 55014-1:2021, EN IEC 55014-2:2021, EN IEC 63000:2018.

In accordance with S.I.2001/1701, schedule 8, refer to *Technical data on page 17* for the declared sound values.

Huskvarna, 2024-02-01



Claes Losdal, R&D Manager, Husqvarna AB
Responsible for technical documentation

**UK
CA**

UK Importer:
Husqvarna UK Ltd
Preston Road, Co. Durham
DL5 6UP

Innehåll

Introduktion.....	20	Felsökning.....	30
Säkerhet.....	21	Transport, förvaring och kassering.....	31
Montering.....	27	Tekniska data.....	31
Drift.....	27	Försäkran om överensstämmelse.....	33
Underhåll.....	29		

Introduktion

Produktbeskrivning

Husqvarna 215iHD45 är en batteridrivna häcksax med elmotor.

Arbetet med att öka din säkerhet och effektivitet under användning pågår ständigt. Prata med en serviceverkstad för mer information.

Avsedd användning

Använd produkten för att klippa grenar och kvistar.
Använd inte produkten till annat.

Produktöversikt

(Fig. 1)

1. Bruksanvisning
2. Bakre handtag
3. Brytaren på främre handtaget
4. Främre handtag
5. Kniv
6. Transportskydd
7. Gasreglage
8. Styrkonsol
9. Handskydd
10. Batteri
11. Batteriladdare 40-C80
12. Kopplingsstycke
13. Knappen Batterinivåindikator
14. Batteristatus
15. Varningsindikator
16. Knappen SavE
17. Start-/stoppknapp
18. Ström- och varningsindikator
19. Frigöringsknappar för batteri
20. Batteriladdare QC80
21. Strömkabel

en återvinningsstation för elektrisk och elektronisk utrustning.

(Fig. 7) Utsätt inte för regn.

(Fig. 8) Likström.

(Fig. 9) Miljömärkning för emission av buller enligt EU- (inklusive lagstiftning för New South Wales) och brittiska direktiv och bestämmelser. Information om bulleremission finns på maskinens etikett och i avsnittet Tekniska data.

(Fig. 10) Denna produkt överensstämmer med gällande brittiska direktiv.

(Fig. 11) Varning: Håll händerna borta från klingan.

ååååvvxxxx Typskylten visar serienumret. **yyyy** är produktionsåret och **ww** är produktionsveckan.

Symboler på produkten

(Fig. 2) **WARNING!** Den här produkten kan vara farlig och kan orsaka allvarlig eller livshotande skada för användaren och andra. Var försiktig och använd produkten på rätt sätt.

(Fig. 3) Läs igenom bruksanvisningen noggrant och se till att du förstår instruktionerna innan du använder produkten.

(Fig. 4) Använd ögonskydd.

(Fig. 5) Produkten överensstämmer med gällande EG-direktiv.

(Fig. 6) Produkten eller dess förpackning är inte hushållsavfall. Återvinn den vid

Notera: Övriga på produkten angivna symboler/dekaler avser specifika krav för certifieringar på vissa marknader.

Symboler på batteriet och/eller på batteriladdaren

(Fig. 15) Återvinn produkten vid en återvinningsstation för elektrisk och elektronisk utrustning. (Gäller endast Europa)

(Fig. 12) Transformator med automatisk säkerhetsanordning.

(Fig. 13) Använd och förvara endast batteriladdaren inomhus.

(Fig. 14) Dubbelisolerad.

Säkerhet

Säkerhetsdefinitioner

Varningar, försiktighetsåtgärder och anmärkningar används för att betona speciellt viktiga delar i bruksanvisningen.



WARNING: Används om det finns risk för skador eller dödsfall för användaren eller kringstående om anvisningarna i bruksanvisningen inte följs.



OBSERVERA: Används om det finns risk för skada på produkten, annat material eller det angränsande området om anvisningarna i bruksanvisningen inte följs.

Notera: Används för att ge mer information som är nödvändig i en viss situation.

Allmänna säkerhetsvarningar för elverktyg



WARNING: Läs igenom alla säkerhetsinstruktioner och varningar. Om du inte följer varningarna och instruktionerna kan det leda till elektriska stötar, brand och/eller allvarliga skador.

Notera: Spara alla varningar och instruktioner som referens. I varningarna syftar termen "elverktyg" på ett verktyg som antingen är anslutet till nätspänningen (med sladd) eller drivs av batteri (sladdlöst).

Säkerhet i arbetsområdet

- **Arbetsområdet ska hållas välordnat och välbelyst.** I röriga eller mörka arbetsområden händer det lätt olyckor.
- **Använd inte elverktyg i explosiva miljöer, t.ex. i närvaro av brandfarliga vätskor, gaser eller damm.** Gnistor från elverktyget kan antända damm eller ångor.
- **Håll barn och åskådare på avstånd när du använder elverktyg.** Om du blir distraherad kan du tappa kontrollen.

Elsäkerhet

- **Elverktygets stickkontakt måste passa i vägguttaget. Förändra aldrig stickkontakten på något sätt. Använd inte adapterkontakter tillsammans med jordade elverktyg.** Oförändrade stickkontakter och motsvarande vägguttag minskar riskerna för elektriska stötar.
- **Undvik kroppskontakt med jordade ytor, t.ex. rörledningar, värmeelement, spisar och kylskåp.** Om din kropp är jordad ökar risken för elektrisk stöt.
- **Utsätt inte elverktyg för regn eller våta.** Om vatten tränger in i elverktyget ökar risken för elektrisk stöt.
- **Använd inte sladden på fel sätt. Använd inte sladden för att bära eller dra elverktyget, eller för att koppla ur elverktyget från uttaget. Håll sladden borta från värme, olja, vassa kanter och rörliga delar.** Skadade eller trasliga sladdar ökar risken för elektriska stötar.
- **När du använder ett elverktyg utomhus ska du även använda en förlängningssladd för utomhusbruk.** Om du använder en sladd för utomhusbruk minskar risken för elektriska stötar.

- **Om det är oundvikligt att köra elverktyget i en fuktig miljö ska du använda en jordfelsbrytare.** Med jordfelsbrytare minskar risken för elektriska stötar.



WARNING: Rengör inte maskinen med högtryckstvätt, eftersom vatten kan tränga in i elsystemet eller motorn och orsaka maskinskador eller kortslutning.

Personligt skydd

- **Var på din vakt, var uppmärksam på vad du gör och använd sunt förnuft när du använder ett elverktyg. Använd inte elverktyg om du är trött, har druckit alkohol eller om du har tagit droger eller mediciner.** Ett ögonblick av uppmärksamhet när du använder ett elverktyg kan leda till allvarlig personskada.
- **Använd personlig skyddsutrustning. Bär alltid skyddsglasögon.** Lämplig skyddsutrustning som ansiktsmask, halkfria skyddsskor, hjälm eller hörselskydd minskar risken för personskadorna.
- **Förebygg att maskinen startar oavsiktligt. Se till att strömbrytaren är fränslagen innan du ansluter elverktyget till en strömkälla och/eller ett batteri samt innan du tar upp eller bär verktyget.** Risken för olyckor är stor om du bär elverktyg med fingret på strömbrytaren eller tillför ström till elverktyg med strömbrytaren påslagen.
- **Ta bort eventuella justeringsnycklar eller skiftnycklar innan du slår på verktyget.** Nycklar som lämnas kvar i elverktygets rörliga delar kan orsaka personskada.
- **Sträck dig inte för långt. Ha alltid ett stadigt fötäste och god balans.** Det ger dig större kontroll över elverktyget i oväntade situationer.
- **Ta på dig ordentliga arbetskläder. Använd inte löst sittande kläder eller smycken. Håll hår och kläder borta från rörliga delar.** Lösa kläder, smycken och långt hår kan fastna i rörliga delar.
- **Om det finns anordningar för anslutning av enheter för uppsamling av damm, se då till att dessa är ordentligt anslutna och att de används på rätt sätt.** Dammuppsamling kan minska dammrelaterad fara.
- **Tillåt inte dig själv att känna dig för tryggt och bli för avslappnad även om du har erfarenhet av regelbunden användning av verktyg så att du börjar strunta i verktygets säkerhetsprinciper.** En slarvig handling kan orsaka allvarlig skada på mindre än en sekund.
- **Vibrationsnivån vid användning av elverktyget kan skilja sig från det angivna totala värdet beroende på hur verktyget används. Användarna bör fastställa säkerhetsåtgärder för att skydda sig själva som är baserade på en uppskattning av exponeringen vid faktiska användningsförhållanden (med beaktande av alla delar av arbetscykeln, som när verktyget är avstängt, när det går på tomgång och när det används).**

Använda och underhålla elverktyg

- **Bruka inte våld eller onödigt kraft. Använd det elverktyg som är rätt för ditt syfte.** Med rätt elverktyg utför du ett bättre och säkrare jobb med den hastighet som elverktyget är utformat för.
- **Använd inte elverktyget om du inte kan starta och stänga av det med strömbrytaren.** Elverktyg som inte kan kontrolleras med strömbrytaren är farliga och måste repareras.
- **Koppla bort kontakten från strömkällan och/eller ta ut batteriet (om det kan tas bort) innan du gör justeringar, byter tillbehör eller förvarar elverktyget.** Sådana förebyggande säkerhetsåtgärder minskar risken för att elverktyget startas oavsiktligt.
- **Förvara elverktyg som inte används utom räckhåll för barn. Se till att personer som inte tidigare har hanterat verktyget, eller som inte har läst instruktionerna, inte använder det.** Elverktyg är farliga om de används av ovana användare.
- **Underhållning av elverktyg och tillbehör. Kontrollera att rörliga delar ligger i linje och inte kärvar. Kontrollera även om det finns skadade delar eller om det föreligger andra förhållanden som kan påverka elverktygets funktion. Om elverktyget är skadat ska det repareras innan det används igen.** Många olyckor sker på grund av att rätt underhåll inte har utförts på elverktyget.
- **Håll kapverktyg skarpa och rena.** Kapverktyg med vassa eggar som underhålls på rätt sätt kärvar mer sällan och är lättare att styra.
- **Använd elverktyget och tillbehör enligt de här instruktionerna. Tänk på att ta hänsyn till arbetsförhållandena och det arbete som ska utföras.** Användning av elverktyg andra syften än de avsedda kan resultera i en farlig situation.
- **Håll handtagen och greppytorna torra, rena och fria från olja och fett.** Hala handtag och greppytor innebär att det inte är säkert att hantera och styra verktyget i oväntade situationer.

Använda och underhålla batteridrivna verktyg

- **Ladda endast upp med den laddare som anges av tillverkaren.** En laddare som är lämplig för en typ av batteripack kan utgöra en brandrisk när den används med ett annat batteripack.
- **Använd endast produkter med särskilt avsedda batteripack.** Användning av andra batterier kan innebära risk för skada och brand.
- **När batteriet inte används ska du hålla det borta från andra metallföremål, som gem, mynt, nycklar, spikar, skruvar och andra små metallföremål, som kan skapa en anslutning mellan kontaktorna.** Kortslutning av batteriets kontakter kan orsaka brännskador eller brand.
- **Vid felaktig användning kan vätska spruta ut från batteriet. Undvik kontakt. Om kontakt inträffar av misstag ska du skölja med vatten. Om du får vätska i ögonen ska du kontakta vården.** Vätska som sprutar ut från batteriet kan orsaka irritation eller sveda.

- **Använd inte ett batteripack eller ett verktyg som är trasigt eller modifierat.** Skadade eller modifierade batterier kan fungera på ett oväntat sätt vilket kan leda till brand, explosion eller risk för skada.
- **Utsätt inte ett batteripack eller ett verktyg för brand eller extrema temperaturer.** De kan explodera om de utsätts för eld eller temperaturer över 130 °C.
- **Följ alla anvisningar för laddning och ladda inte batteripacket eller verktyget utanför det temperaturintervall som anges i instruktionerna.** Felaktig laddning eller temperaturer utanför det specificerade intervallet kan skada batteriet och öka risken för brand.

Service

- **Låt en kvalificerad reparatör som endast använder identiska reservdelar underhålla elverktyget.** På så sätt garanterar du att säkerheten kring ditt elverktyg upprätthålls.
- **Utför aldrig underhåll på skadade batteripack.** Underhåll på batteripack bör endast utföras av tillverkaren eller auktoriserade tjänsteleverantörer.

Säkerhetsvarningar för häcksax – personsäkerhet

- **Använd båda händerna när du använder häcksaxen.** Om du bara använder en hand kan du tappa kontrollen och få allvariga personskador.
- **Håll alla delar av din kropp borta från klingan. Ta inte bort klippt material och håll inte i material som ska klippas när knivarna är i rörelse.** Knivarna fortsätter att röra sig när du har stängt av brytaren. Ett ögonblick av ouppmärksamhet när du använder häcksaxen kan leda till allvarlig personskada.
- **Bär häcksaxen i handtaget med kniven stoppad. Var försiktig så att du inte trycker på någon strömbrytare.** Om du använder häcksaxen på rätt sätt minskar du risken för att starta den av misstag och för att skada dig på knivarna.
- **Montera alltid skyddet på knivarna när du transporterar eller förvarar häcksaxen.** Genom att hantera häcksaxen på rätt sätt kan du minska risken för att skada dig på knivarna.
- **När du tar bort material som har fastnat eller utför service på enheten måste du se till att alla strömbrytare är avstängda och att batteripacket är borttaget eller fränkopplat.** Om häcksaxen startar när du tar bort material som har fastnat eller när du utför service kan du skada dig allvarligt.
- **Håll bara i häcksaxens isolerade greppytor eftersom knivbladet kan komma i kontakt med dolda ledningar.** Om kniven kommer i kontakt med en strömförande ledning kan metalldelarna på häcksaxen bli strömförande och ge dig en elektrisk stöt.
- **Håll alla nätsladdar borta från skärområdet.** Det kan finnas dolda nätsladdar i buskar som du kan råka skära av med klingan.

- **Använd inte häcksaxar i dåligt väder, i synnerhet vid risk för blixtnedslag.** Det minskar risken att träffas av blixten.
- **FARA! Håll händer borta från knivbladet.** Kontakt med knivbladet orsakar allvarliga personskador.

Allmänna säkerhetsanvisningar



VARNING: Läs varningsinstruktionerna nedan innan du använder produkten.

- För att undvika ofrivillig start av maskinen ska batteriet avlägsnas.
- Denna produkt är ett farligt verktyg om du inte är försiktig eller om du använder produkten felaktigt. Den här produkten kan orsaka allvarlig eller livshotande skada för användaren och andra.
- Använd inte produkten om den ändras från dess första specifikation. Byt inte ut en del av produkten utan tillverkarens godkännande. Använd endast reservdelar som godkänts av tillverkaren. Felaktigt underhåll kan leda till skador eller dödsfall.
- Kontrollera produkten före användning. Se *Att göra innan du startar produkten på sida 28*. Använd inte en defekt produkt. Utför de säkerhets-, underhålls- och serviceinstruktioner som beskrivs i denna bruksanvisning.
- Barn ska övervakas för att garantera att de inte leker med produkten. Låt aldrig barn eller andra personer som inte utbildats i handhavande av produkten och/eller batteriet använda eller underhålla den. Lokala föreskrifter kan reglera användarens ålder.
- Förvara produkten i ett låst utrymme för att förhindra åtkomst för barn eller personer som inte är behöriga.
- Förvara produkten oåtkomlig för barn.
- Enhetens ursprungliga utformning får inte under några omständigheter ändras utan tillstånd från tillverkaren. Använd alltid originaltillbehör. Icke auktoriserade ändringar och/eller tillbehör kan medföra allvarliga personskador eller dödsfall för föraren och andra.

Notera: Nationella eller lokala lagar kan reglera användningen. Följ givna föreskrifter.

Säkerhetsinstruktioner för drift



VARNING: Läs varningsinstruktionerna nedan innan du använder produkten.

- När du råkar ut för en situation som gör dig osäker angående fortsatt användning ska du rådfråga en expert. Kontakta din återförsäljare eller serviceverkstad. Undvik all användning du anser dig otillräckligt kvalificerad för.
- Använd aldrig produkten om du är trött, om du har druckit alkohol eller om du tar mediciner

som kan påverka din syn, ditt omdöme eller din kroppskontroll.

- Arbete i dåligt väder är tröttsamt och kan öka riskerna. Vi rekommenderar inte att produkten används i mycket dåligt väder, till exempel vid tät dimma, kraftigt regn, kraftig vind, extrem kyla eller risk för åskväder osv. eftersom det innebär ökade risker.
- Felaktiga knivar kan öka risken för olyckor.
- Låt aldrig barn använda eller vara i närheten av produkten. Eftersom produkten är lätt att starta kan barn starta den om de inte hålls under uppsikt. Detta kan innebära risk för allvarlig personskada. Koppla därför alltid ur batteriet när produkten inte är under uppsikt.
- Se till att inga människor eller djur kommer närmare än 15 meter under arbetets gång. När flera användare arbetar på samma område ska säkerhetsavståndet vara minst 15 meter. Annars finns det risk för allvarlig personskada. Stäng omedelbart av produkten om någon närmar sig arbetsplatsen. Sväng aldrig runt med produkten utan att först kontrollera bakåt att ingen befinner sig inom säkerhetszonen.
- Se till att människor, djur eller annat inte påverkar din kontroll över produkten och att de inte kommer i kontakt med skärutrustningen eller lösa föremål som slungas iväg av skärutrustningen. Använd aldrig produkten utan möjlighet att kunna påkalla hjälp i händelse av olycka.
- Inspektera alltid arbetsområdet. Avlägsna alla lösa föremål, så som stenar, krossat glas, spikar, ståltråd, snören med mera, som kan slungas iväg eller sno in sig i skärutrustningen.
- Se till att du kan gå och stå säkert. Titta efter eventuella hinder vid en övontad förflyttning (rötter, stenar, grenar, gropar, diken osv.). Iakttäta stor försiktighet vid arbete i sluttande terräng.
- Håll god balans och säkert fotfäste under hela tiden. Sträck dig inte för långt.
- Vid förflyttning till annat område ska produkten inaktiveras. Fäst transportskyddet när produkten inte används.
- Ställ aldrig ner produkten om du inte har inaktiverat den och tagit ur batteriet. Lämna inte produkten utan uppsikt när den är påslagen.
- Se till att inga kläder eller kroppsdelen kommer i kontakt med skärutrustningen när produkten används.
- Om någonting fastnar i knivarna när du använder produkten ska du stänga av och inaktivera produkten. Se till att skärutrustningen stannar helt. Ta ur batteriet innan du rengör, kontrollerar eller reparerar produkten och/eller knivarna.
- Håll händer och fötter borta från skärutrustningen tills den har stannat helt när produkten är avaktiverad.

- Se upp för grenbitar som kan slungas iväg när du klipper. Klipp inte för nära marken där stenar eller andra lösa föremål kan slungas iväg.
- Varning för utslungade föremål. Godkända ögonskydd skall alltid användas. Luta dig aldrig över skärutrustningens skydd. Stenar, skräp m.m. kan kastas upp i ögonen och vålla blindhet eller allvarliga skador.
- Var alltid uppmärksam på varningssignaler eller tillrop när hörselskydd används. Ta alltid av hörselskydden så snart du stängt av produkten.
- Arbeta aldrig från en stege eller pall eller annan ej väl förankrad upphöjd position.
- Använd båda händerna när du håller produkten. Håll produkten vid sidan av kroppen.

(Fig. 16)

Personlig skyddsutrustning



VARNING: Läs varningsinstruktionerna nedan innan du använder produkten.

- Använd godkänd personlig skyddsutrustning när du använder produkten. Personlig skyddsutrustning kan inte eliminera skaderisken helt, men den kan minska effekten av eventuella skador. Prata med din återförsäljare för mer information.
- Använd skyddshjälm där det finns risk för fallande föremål.

(Fig. 17)

- Använd godkända hörselskydd. Långvarig exponering för buller kan ge bestående hörselnedsättning.

(Fig. 18)

- Använd godkänt ögonskydd. Används visir måste även godkända skyddsglasögon användas. Godkända skyddsglasögon måste uppfylla standarden ANSI Z87.1 i USA och SS-EN 166 i EU-länder.

(Fig. 19)

- Använd skyddshandskar vid drift och underhåll.

(Fig. 20)

- Använd skyddsstövlar eller skor med halkfri sula.

(Fig. 21)

- Ha på dig kläder i slitstarkt material. Kläderna måste vara åtsittande, men ska inte begränsa dina rörelser. Använd långbyxor och lägg håret bakom axlarna. Använd inte smycken eller öppna skor.
- Ha första förband nära till hands.

(Fig. 22)

Säkerhetsanordningar på produkten



VARNING: Läs varningsinstruktionerna nedan innan du använder produkten.

I detta avsnitt beskrivs produktens säkerhetsfunktioner, dess syfte samt hur kontroller och underhåll ska utföras för att säkerställa att den fungerar korrekt. Se anvisningar under rubrik *Produktöversikt på sida 21* för att ta reda på var dessa delar finns på din produkt.

Produktens livslängd kan förkortas och risken för olyckor kan öka om underhåll av produkten inte utförs på rätt sätt och om service och/eller reparationer inte utförs av specialutbildade tekniker. Kontakta din serviceverkstad om du behöver ytterligare information.



VARNING: Använd aldrig en produkt med skadade säkerhetskomponenter. Produktens säkerhetsutrustning ska kontrolleras och underhållas som beskrivs i detta avsnitt. Om din produkt inte klarar alla kontrollerna ska serviceverkstad uppsökas för reparation.



OBSERVERA: All service och reparation av maskinen kräver specialutbildning. Detta gäller särskilt maskinens säkerhetsutrustning. Om maskinen inte klarar någon av nedan listade kontroller ska du uppsöka en serviceverkstad. Ett köp av någon av våra produkter garanterar att du kan få en fackmannamässig reparation och service utförd. Om inköpsstället för maskinen inte är en av våra serviceverkstäder ska du fråga dem efter närmaste serviceverkstad.

Kontrollera knappatsen

1. Tryck in och håll start-/stopknappen (A) intryckt. (Fig. 23)
 - a) Produkten är påslagen när lysdioden (B) lyser.
 - b) Produkten är avstängd när lysdioden (B) är släckt.
2. Se *Knappats på sida 30* om varningsindikatorn (C) lyser eller blinkar.

Kontrollera brytaren på främre handtaget

Brytaren på främre handtaget förhindrar oavsiktlig start. När du trycker på brytaren på främre handtaget frikopplas gasreglaget. När greppet om handtaget släpps återgår både gasreglaget och brytaren på främre handtaget till sina respektive ursprungslägen.

1. Se till att gasreglaget och brytaren på främre handtaget rör sig fritt samt att retur fjädern fungerar som den ska.

2. Starta produkten.
3. Tryck på brytaren på främre handtaget.

(Fig. 24)

4. Tryck på gasreglaget. (Fig. 25)
5. Släpp brytaren på främre handtaget och se till att skärutrustningen stoppar helt.

Kontrollera handskyddet

Handskyddet skyddar händerna mot oavsiktlig kontakt med knivarna.

1. Stäng av produkten.
2. Ta bort batteriet.
3. Kontrollera att handskyddet sitter fast ordentligt.
4. Inspektera om handskyddet är skadat.

Kontrollera knivarna och knivskydden

Knivarnas längre delar (A) fungerar som klingskydd.

1. Stäng av produkten.
2. Ta bort batteriet.
3. Ta på handskar.
4. Se till att knivarna och knivskydden inte är skadade eller böjda. Byt ut knivarna och knivskydden om de är skadade eller böjda. (Fig. 26)

Batterisäkerhet



WARNING: Läs varningsinstruktionerna nedan innan du använder produkten.

- Använd endast batterier i BLi-serien och 40-B-serien. Mer information finns i *Tekniska data på sida 37*. Batteriet har krypterad programvara.
- Använd endast laddningsbara batterier för BLi-serien och 40-B-serien som strömförsörjning för relaterade Husqvarna-produkter. På grund av risken för skador ska du inte använda batteriet som strömkälla för andra enheter.
- Risk för elektrisk stöt. Anslut inte batteripolerna till nycklar, mynt, skruvar eller andra metallföremål. Det kan orsaka kortslutning i batteriet.
- Använd inte batterier som inte är laddningsbara.
- Placera inte föremål i luftspringorna på batteriet.
- Håll batteriet borta från direkt solljus, värme och öppen eld. Batteriet kan orsaka brännskador och/eller kemiska brännskador.
- Håll batteriet borta från regn och fuktiga förhållanden.
- Håll batteriet borta från mikrovågor och högt tryck.
- Försök inte ta isär eller krossa batteriet.
- Om batteriet läcker ska du inte låta vätskan komma i kontakt med huden eller ögonen. Om du har rört vid vätskan ska du rengöra området med stora mängder

vatten och tvål och kontakta läkare. Om du får vätska i ögonen ska du inte gnugga, utan spola med vatten i minst 15 minuter och kontakta läkare.

- Använd batteriet vid temperaturer mellan -10°C (14°F) och 40°C (114°F).
- Rengör inte batteriet eller batteriladdaren med vatten. Se *Rengöra produkten, batteriet och batteriladdaren på sida 29*.
- Använd inte ett defekt eller skadat batteri.
- Håll batterier som förvaras borta från metallföremål, exempelvis spikar, skruvar och smycken.
- Håll batteriet utom räckhåll för barn.

Säkerhet, batteriladdare



WARNING: Läs varningsinstruktionerna nedan innan du använder produkten.

- Risk för elektriska stötar eller kortslutning om säkerhetsinstruktionerna inte följs.
- Använd inte andra batteriladdare än den som medföljde produkten. Använd endast QC80- och 40-C80-laddare när du laddar utbytesbatterier för BLi-serien och 40-B-serien.
- Försök inte plocka isär batteriladdaren.
- Använd aldrig defekta eller skadade batteriladdare.
- Lyft inte batteriladdaren i nätsladden. Koppla bort batteriladdaren från eluttaget genom att dra i kontakten. Dra inte i nätsladden.
- Ha inga sladdar och skarvsladdar nära vatten, olja och skarpa kanter. Var uppmärksam så att inte sladden kläms i dörrar, stängsel eller liknande.
- Använd inte batteriladdaren nära brandfarliga material eller material som kan orsaka korrosion. Se till att batteriladdaren inte är övertäckt. Dra ut stickkontakten till batteriladdaren vid rökutveckling eller brand.
- Ladda endast batteriet inomhus där den inte utsätts för solljus och på en plats med bra luftflöde. Ladda inte batteriet utomhus. Ladda inte batteriet vid fuktiga förhållanden.
- Använd endast batteriladdaren i temperaturer mellan 5°C (41°F) och 40°C (104°F). Använd laddaren i en miljö med bra luftflöde, som är torr och fri från damm.
- Placera inte föremål i kylningsöppningar på batteriladdaren.
- Anslut inte batteriladdarens kontakter till metallföremål eftersom batteriladdaren kan kortslutas.
- Använd godkända eluttag som inte är skadade. Se till att batteriladdarens sladd inte är skadad. Om förlängningsladd används, se till att den inte är skadad.
- Ladda aldrig batterier som inte är laddningsbara i batteriladdaren.

Säkerhetsinstruktioner för underhåll



VARNING: Läs varningsinstruktionerna nedan innan du utför underhåll på produkten.

- Ta ur batteriet innan du utför underhåll, övriga kontroller eller monterar produkten.
- Användaren får endast utföra underhålls- och servicearbeten som beskrivs i denna bruksanvisning. Vänd dig till en serviceverkstad för underhåll och service av större omfattning.
- Rengör inte batteriet eller batteriladdaren med vatten. Starka rengöringsmedel kan orsaka skador på plasten.

- Om du inte utför underhåll minskas produktens livscykel och risken för olyckor ökar.
- Särskild utbildning krävs för allt service- och reparationsarbete, särskilt för produktens säkerhetsanordningar. Om inte alla kontroller i den här bruksanvisningen är godkända efter att du gjort underhåll ska du kontakta din serviceverkstad. Vi garanterar att det finns professionella reparationer och service tillgängliga för din produkt.
- Använd endast originaltillbehör.

Montering

Introduktion

I det här avsnittet beskrivs hur du monterar och ställer in produkten.



VARNING: Läs igenom kapitlet om säkerhet och monteringsanvisningarna innan du monterar produkten.

Ansluta batteriet till produkten



VARNING: Använd endast Husqvarna-originalbatterier i produkten.

1. Ladda batteriet fullt.
2. Skjut in batteriet i produktens batterihållare. Batteriet låses på plats när du hör ett klickljud. (Fig. 27)



OBSERVERA: Om batteriet inte går enkelt in i batterihållaren är det inte

korrekt installerat. Det kan orsaka skador på produkten.

Montera batteriladdaren 40-C80 på väggen



OBSERVERA: Använd inte en elektrisk skruvmejsel för att montera batteriladdaren på väggen. En elektrisk skruvmejsel kan skada batteriladdaren.

1. Montera batteriladdaren på väggen med de två skruvarna (B). Använd väggpluggar (A) vid behov. (Fig. 28)
2. Montera de två skruvhålspluggarna (C).
3. Anslut batteriladdarens nätsladd till ett vägguttag.

Drift

Introduktion



VARNING: Läs och förstå säkerhetskapitlet innan du använder produkten.

Batteri



VARNING: Läs och förstå säkerhetskapitlet innan du använder batteriet. Läs noga igenom bruksanvisningen som medföljer batteriet och batteriladdaren.

Förvara batteriet och batteriladdaren i rätt omgivningstemperatur.

	Omgivningstemperatur
Användning av batteri	5 °C–40 °C
Laddning av batteri	5 °C–40 °C

Batteristatus

Displayen visar laddningsstatusen och om det föreligger problem med batteriet.

(Fig. 29)

Indikatorlampa	Batteristatus (laddningsstatus)	
	BLi10	40-B70
Fyra lysdioder lyser	Ej tillämpligt	Batteriet är 76 %–100 % laddat.
Tre lysdioder lyser	Batteriet är 76 %–100 % laddat.	Batteriet är 51 %–75 % laddat.
Två lysdioder lyser	Batteriet är 51 %–75 % laddat.	Batteriet är 26 %–50 % laddat.
En lysdiod lyser	Batteriet är 26 %–50 % laddat.	Batteriet är 6 %–25 % laddat.
En lysdiod blinkar	Batteriet är 0–25 % laddat.	Batteriet är 0 %–5 % laddat.

Ladda batteriet

Ladda batteriet om det är första gången du använder det. Ett nytt batteri är endast 30 % laddat.



OBSERVERA: Anslut batteriladdaren till den spänning och frekvens som anges på typskylten.

Batteriet laddas inte om batteritemperaturen överstiger 50 °C.

1. Anslut strömkabeln till batteriladdaren.
2. Anslut batteriladdaren till ett jordat nätuttag. Laddningslampan blinkar en gång. (Fig. 30)
3. Anslut batteriet till batteriladdaren. Den gröna lampan tänds. Ladda batteriet i högst 24 timmar. (Fig. 31)
4. Tryck på batteriindikatorknappen. Om alla kontrollampor tänds är batteriet fulladdat.
5. Dra ut nätkontakten för att koppla bort batteriladdaren från nätuttaget. Dra inte i nätsladden.
6. Ta ut batteriet ur batteriladdaren.

Att göra innan du startar produkten

1. Undersök arbetsområdet. Avlägsna föremål som kan slungas iväg.
2. Inspektera skärutrustningen. Kontrollera att knivarna är vassa, och att de inte har några sprickor och skador.
3. Kontrollera att produkten fungerar korrekt. Kontrollera att alla muttrar och skruvar är åtdragna.
4. Se till att handtag och säkerhetsanordningar inte är skadade och är rätt anslutna. Använd inte en produkt med delar som saknas eller som ändrats från den första specifikationen. Använd skyddshandskar när det är nödvändigt.
5. Se till att kåporna inte är skadade och är korrekt anslutna innan du använder produkten.

Starta produkten

1. Tryck på start-/stoppknappen tills den gröna lysdioden tänds. (Fig. 32)

2. Tryck på brytaren på främre handtaget. (Fig. 33)
3. Tryck på gasreglaget. (Fig. 25)

Använda produkten

1. Börja nära marken och flytta produkten upp längs häcken när du klipper sidorna. Se till att produktens chassi inte vidrör häcken. (Fig. 34)



VARNING: Se till att skärutrustningens spets inte vidrör marken.

2. Håll produkten nära kroppen för en stabil arbetsställning.
3. Var försiktig och använd produkten långsamt.

Använda SavE-funktionen

Den här produkten har en energisparfunktion, SavE.

Notera: SavE-funktionen minskar inte produktens klippkraft.

1. Tryck på SavE-knappen på knappsatsen.
2. Kontrollera att den gröna lysdioden tänds.
3. Tryck på SavE-knappen igen för att koppla från funktionen. Den gröna lampan slocknar. (Fig. 35)

Automatisk avstängningsfunktion

Produkten har en avstängningsfunktion som stoppar produkten om den inte används. Den gröna lysdioden för start/stopp-indikering släcks och produkten stannar efter 180 sekunder.

Stoppa produkten

1. Släpp gasreglaget och brytaren på främre handtaget.
2. Tryck på start-/stoppknappen tills den gröna lysdioden slocknar.
3. Tryck på frigöringsknapparna på batteriet och ta ut batteriet. (Fig. 36)

Underhåll

Introduktion



VARNING: Läs och förstå säkerhetskapitlet innan du utför underhållsarbete på produkten.



VARNING: Ta ur batteriet innan du utför underhåll på produkten.

Underhållsschema

Nedan följer en lista över de underhållssteg som ska utföras på produkten.

Underhåll	Före användning	Varje vecka	Varje månad
Rengör produktens yttre delar.	X		
Se till att start-/stopppnappen fungerar som den ska och inte är defekt.	X		
Kontrollera att gasreglaget och brytaren på främre handtaget fungerar korrekt säkerhetsmässigt.	X		
Se till att samtliga kontroller fungerar och inte är skadade.	X		
Se till att knivbladet och knivskyddet inte har några sprickor och att de inte är skadade. Byt ut knivbladet eller knivskyddet om de har sprickor eller om de har utsatts för slag.	X		
Byt knivbladet om det är böjt eller skadat.	X		
Se till att handskyddet inte är skadat. Byt ut skyddet om det är skadat.	X		
Se till att skruvar och muttrar är åtdragna.	X		
Se till att batteriet inte är skadat.	X		
Se till att batteriet är laddat.	X		
Se till att batteriladdaren inte är skadad.	X		
Kontrollera att skruvarna som håller fast knivbladen är ordentligt åtdragna.		X	
Kontrollera anslutningarna mellan batteriet och produkten. Kontrollera anslutningen mellan batteriet och batteriladdaren.			X

Undersöka batteriet och batteriladdaren

1. Undersök om batteriet har skador, till exempel sprickor.
2. Undersök om batteriladdaren har skador, till exempel sprickor.
3. Kontrollera att anslutningssladden till batteriladdaren är oskadad och att inga sprickor finns.

Rengöra produkten, batteriet och batteriladdaren

1. Rengör produkten med en torr trasa efter användning.

2. Rengör batteriet och batteriladdaren med en torr trasa. Håll batteriets styrspår rena.
3. Kontrollera att kontakterna på batteriet och batteriladdaren är rena innan batteriet sätts i batteriladdaren eller i produkten.

Undersöka kniven

1. Rengör kniven från oönskat material med ett rostskyddsrengöringsmedel före och efter du använder produkten.
2. Undersök om knivens egg har skador och deformationer.
3. Använd en fil för att ta bort grader på kniven.
4. Se till att knivarna kan röra sig fritt.

Rengöra och smörja knivarna

1. Ta bort oönskat material från knivarna innan och efter du använder produkten.
2. Smörj knivarna före längre tids förvaring.

Notera: Prata med en serviceverkstad för mer information om rekommenderade rengöringsmedel och smörjmedel.

- Använd specialfett från Husqvarna. Prata med en serviceverkstad för mer information om rekommenderat fett.
- Använd endast en liten mängd speciellt fett av hög kvalitet.



OBSERVERA: Fyll inte växelhuset helt.

Rengöra växeln

Smörj växelhuset om växeln har demonterats av en godkänd serviceverkstad.

Felsökning

Knappsats

LED-skärm	Eventuella fel	Möjliga lösningar
Lysdioden för fel blinkar.	Överbelastning	Skärutrustningen kan inte röra sig fritt. Frigör skärutrustningen.
	Temperaturavvikelse	Låt produkten svalna.
Produkten startar inte.	Tryck på gasreglaget och tryck samtidigt på startknappen.	Släpp gasreglaget och stoppa produkten.
Lysdioden för fel tänds med rött ljus.	Man måste utföra service på produkten	Vänd dig till en serviceverkstad.

Batteri

LED-display	Eventuella fel	Möjlig åtgärd
Den gröna lysdioden blinkar.	Låg batterispänning.	Ladda batteriet.
Lysdioden för fel blinkar.	Temperaturavvikelse.	Använd batteriet vid temperaturer mellan -10°C (14°F) och 40°C (104°F).
	För hög spänning.	Se till att nätspänningen är i linje med det värde som anges på produktens typskylt. Ta ut batteriet ur batteriladdaren.
Lysdioden för fel lyser.	För stor batteriskillnad (1 V).	Vänd dig till en serviceverkstad.

Batteriladdare

Problem	Eventuella fel	Möjlig lösning
Laddningslampan lyser rött.	Permanent batteriladdarfel.	Prata med en återförsäljare.

Problem	Eventuella fel	Möjlig lösning
Laddningslampan blinkar grönt.	Temperaturavvikelse: batteriet är för kallt eller varmt för att användas eller laddas.	Låt batteriet svalna eller vänta tills det har blivit varmare. När batteriet har rätt temperatur kan du använda och ladda det. Använd batteriladdaren i omgivningstemperaturer mellan 5 °C (41 °F) and 40 °C (104 °F).
Laddningslampan blinkar rött.	Trasigt batteri.	Prata med en återförsäljare.

Transport, förvaring och kassering

Transport och förvaring

- Medföljande litiumjonbatterier uppfyller kraven i lagstiftningen för farligt gods.
- Följ de särskilda kraven för förpackning och etiketter för kommersiella transporter, inklusive av tredje parter och speditörer.
- Tala med en person med särskild utbildning i farliga material innan du skickar produkten. Följ alla tillämpliga nationella föreskrifter.
- Använd tejp på öppna kontakter när du lägger batteriet i en förpackning. Lägg batteriet trängt i förpackningen för att förhindra rörelse.
- Ta ur batteriet vid förvaring eller transport.
- Placera batteriet och batteriladdaren i ett utrymme som är torrt och fritt från fukt och frost.
- Förvara inte batteriet på ställen där statisk elektricitet kan uppkomma. Förvara inte batteriet i en metallåda.
- Förvara batteriet på en plats där temperaturen är mellan 5 och 25 °C, och inte i direkt solljus.
- Förvara batteriladdaren på en plats där temperaturen är mellan 5 och 45 °C, och inte i direkt solljus.
- Använd endast batteriladdaren när omgivningstemperaturen är mellan 5 och 40 °C.
- Ladda batteriet till 30–50 % innan du förvarar det under längre perioder.
- Förvara batteriladdaren på en plats som är stängd och torr.
- Håll batteriet borta från laddaren under förvaring. Låt inte barn och personer som inte är godkända röra utrustningen. Förvara utrustningen på en plats som du kan läsa.
- Rengör produkten och gör en fullständig service innan du ska förvara produkten under en längre tid.
- Använd transportskydd på produkten för att förhindra personsador eller skador på produkten under transport och förvaring.
- Sätt fast produkten under transport.

Avyttring av batteriet, laddaren och produkten

Symbolerna på produkten eller dess förpackning indikerar att denna produkt inte får hanteras som hushållsavfall. Återvinn den vid en återvinningsstation för elektrisk och elektronisk utrustning. Detta bidrar till att förhindra skador på miljön och personsador.

Kontakta lokala myndigheter, hushållsavfallsservice eller en återförsäljare för mer information om hur produkten kan återvinnas.

Tekniska data

Tekniska data

	215iHD45
Motor	
Motortyp	BLDC
Vikt	
Vikt utan batteri, kg	3,2

	215IHD45
Kniv	
Typ	Dubbelsidig
Knivlängd, mm	450
Knivhastighet, klipp/min (med SavE-läge)	2 400
Knivhastighet, klipp/min (utan SavE-läge)	3 000
Emission av buller³	
Ljudeffektnivå, uppmätt dB(A)	87
Ljudeffektnivå, garanterad L _{WA}	90
Ljudnivåer	
Ljudtrycksnivå vid användarens öra, uppmätt enligt EN 62841-4-2, dB(A)	79
Vibrationsnivåer⁴	
Vibrationsnivåer (a _h), främre/bakre, m/s ²	2,1/1,7

Godkända batterier för produkten

Batteri	BLi10		40-B70
Typ	Litiumjonbatteri		Litiumjonbatteri
Batterikapacitet, Ah	Se batteritypskylten		Se batteritypskylten
Nominell spänning, V	36	36,5	36
Vikt, kg	0,7	0,7	0,8

Godkända batteriladdare för produkten

Batteriladdare	QC80	40-C80
Nätspänning, V	100–240	100–240
Frekvens, Hz	50–60	50–60
Effekt, W	100	72
Utspänning, V d. c./ Ampere, A	36/2	43/1,6

³ Emission av buller till omgivningen uppmätt som ljudeffekt (L_{WA}) enligt EG-direktiv 2000/14/EG. Skillnaden mellan garanterad och uppmätt ljudeffekt är att den garanterade ljudeffekten också inkluderar spridning i mätresultatet och variationen mellan olika produkter av samma modell enligt direktiv 2000/14/EG.

⁴ Rapporterade data för vibrationsnivå har en typisk statistisk spridning (standardavvikelse) på 1,5 m/s².

Det deklarerade totala vibrationsvärdet har uppmätts i enlighet med en standardtestmetod och kan användas för jämförelse av ett verktyg med ett annat.

Det deklarerade totala vibrationsvärdet kan även användas vid en preliminär bedömning av exponering.

Försäkran om överensstämmelse

EU-försäkran om överensstämmelse

Vi, **Husqvarna AB**, 561 82 Huskvarna, Sverige, tel:
+46-36-146500, försäkrar på eget ansvar att produkten:

Beskrivning	Batteridrivna häcksax
Varumärke	Husqvarna
Typ/Modell	215iHD45
Identifiering	Serienummer daterade 2024 och framåt

uppfyller alla krav i följande EU-direktiv och förordningar:

Direktiv/förordning	Beskrivning
2006/42/EG	"om maskiner"
2014/30/EU	"angående elektromagnetisk kompatibilitet"
2000/14/EC	"angående emission av buller till omgivningen"
2011/65/EU	"angående begränsning av användning av vissa farliga ämnen i elektrisk och elektronisk utrustning"

och att följande standarder och/eller tekniska specifikationer tillämpas:
EN 62841-4-2:2019+A1:2022+A11:2022, EN 62841-1:2015+A11:2022, EN IEC 55014-1:2021, EN IEC 55014-2:2021, EN IEC 63000:2018.

I enlighet med direktiv 2000/14/EG, bilaga V, se *Tekniska data på sida 31* för angivna ljudvärden.

Huskvarna, 2024-02-01

Claes Losdal, R&D Manager, Husqvarna AB

Ansvarig för teknisk dokumentation



Indhold

Indledning.....	34	Fejlfinding.....	43
Sikkerhed.....	35	Transport, opbevaring og bortskaffelse.....	44
Montering.....	40	Tekniske data.....	45
Drift.....	41	Overensstemmelseserklæring.....	47
Vedligeholdelse.....	42		

Indledning

Produktbeskrivelse

Husqvarna 215iHD45 er en batteridrevet hækketrimmer med elektrisk motor.

Der arbejdes konstant på at øge din sikkerhed og effektivitet under drift. Spørg serviceforhandleren for at få yderligere oplysninger.

Produktoversigt

(Fig. 1)

1. Brugervejledning
2. Bageste håndtag
3. Udløser på forreste håndtag
4. Forreste håndtag
5. Skær
6. Transportbeskyttelse
7. Strømuløser
8. Betjeningspanel
9. Håndafskærmning
10. Batteri
11. Batterioplader 40-C80
12. Stik
13. Batteriindikator-knap
14. Batteristatus
15. Advarselsindikator
16. SavE-knap
17. Start/stop-knap
18. Tænd og advarselsindikator
19. Knapper til udløsning af batteri
20. Batterioplader QC80
21. El-ledning

Symboler på produktet

- (Fig. 2) **ADVARSEL:** Dette produkt kan være farligt og forårsage alvorlig personskade eller død for brugeren eller andre. Vær forsigtig, og brug produktet korrekt.
- (Fig. 3) Læs brugsanvisningen omhyggeligt, og sørg for at have forstået indholdet, inden du bruger produktet.
- (Fig. 4) Brug øjenværn.
- (Fig. 5) Produktet er i overensstemmelse med gældende EF-direktiver.
- (Fig. 6) Produktet og produktemballagen er ikke almindeligt husholdningsaffald. Aflever det

Anvendelsesformål

Brug produktet til beskæring af grene og kviste. Brug ikke produktet til andre opgaver.

- på en genbrugsstation til elektrisk og elektronisk udstyr.
- (Fig. 7) Må ikke udsættes for regn.
- (Fig. 8) Jævnstrøm.
- (Fig. 9) Emission af støj i overensstemmelse med miljømærket i henhold til EU (herunder New South Wales-lovgivning) samt britiske direktiver og forordninger. Data om emission af støj findes på maskinens mærkat og i kapitlet Tekniske data.
- (Fig. 10) Dette produkt er i overensstemmelse med gældende UK-bestemmelser.
- (Fig. 11) Advarsel: Hold hænderne væk fra kniven.
- yyyywwxxxx** Typeskiltet viser serienummeret. **yyyy** er produktionsåret, **ww** er produktion-sugen.

Bemærk: Andre symboler/etiketter på produktet refererer til specifikke krav for certificering på visse markeder.

Symboler på batteriet og/eller på batteriopladeren

- (Fig. 15) Aflever produktet på en genbrugsstation for elektrisk og elektronisk udstyr. (Gælder kun Europa)
- (Fig. 12) Fejlsikker transformere.
- (Fig. 13) Brug og opbevar kun batteriopladeren indendørs.
- (Fig. 14) Dobbelt isolering.

Sikkerhed

Sikkerhedsdefinitioner

Advarsler, forholdsregler og bemærkninger bruges til at pege på særligt vigtige dele af brugsanvisningen.



ADVARSEL: Bruges, hvis føreren udsætter sig selv eller omkringstående personer for risiko for personskade eller dødsfald ved tilsidesættelse af instruktionerne i brugsanvisningen.



BEMÆRK: Bruges, hvis der er risiko for skader på produktet, andre materialer eller det omgivende område ved tilsidesættelse af instruktionerne i brugsanvisningen.

Bemærk: Bruges til at give yderligere oplysninger, der er nødvendige i en given situation.

Generelle sikkerhedsadvarsler om elektrisk værktøj



ADVARSEL: Læs alle sikkerhedsadvarsler og instruktioner. Hvis man ignorerer advarsler og anvisninger, kan det medføre elektrisk stød, brand og/eller alvorlig tilskadekomst.

Bemærk: Opbevar alle advarsler og instruktioner til senere brug. Betegnelsen "elværktøj" i advarslerne henviser til dit værktøj, som drives af strøm fra elektricitetsnettet (med ledning) eller fra batteri (ledningsfrit).

Sikkerhed i arbejdsområdet

- **Hold arbejdsområdet rent og godt oplyst.** Rodede eller mørke områder er en invitation til ulykker.
- **Betjen ikke elværktøj i områder med eksplosionsfare som f.eks. i nærheden af brændbare væsker, luftarter eller støv.** Elværktøj danner gnister, som kan antænde støv eller dampe.
- **Hold børn og tilskuere borte, mens elværktøjet betjenes.** Distraction kan få dig til at miste styringen.

Elektrisk sikkerhed

- **Stikket på elværktøjet skal passe til stikkontakten.** Man må aldrig ændre på stikket. Benyt ikke adapterstik i forbindelse med jordet elværktøj. Uændrede stik og passende stikkontakter reducerer risikoen for elektrisk stød.
- **Undgå kropskontakt med jordede genstande som f.eks. rør, radiatorer, komfurer og køleskabe.** Der

er øget risiko for elektrisk stød, hvis din krop har forbindelse til jord.

- **Udsæt ikke elværktøj for regn eller våde omgivelser.** Vand, som trænger ind i et elværktøj, forøger risikoen for elektrisk stød.
- **Behandl kablet forsigtigt. Benyt aldrig kablet til at bære eller trække i elværktøjet eller til at trække stikket ud. Hold ledningen væk fra varme, olie, skarpe kanter eller bevægelige dele.** Beskadigede eller sammenfiltrede ledninger øger risikoen for elektrisk stød.
- **Når du betjener et elværktøj udendørs, skal du benytte en forlængerledning, der egner sig til udendørs brug.** Brug af en ledning, der er egnet til udendørs brug, reducerer risikoen for elektrisk stød.
- **Hvis ikke man kan undgå at anvende et elværktøj på fugtige steder, skal man anvende et stik, der er beskyttet af en fejlstrømsafbryder.** Brug af et kabel med fejlstrømsafbryder nedsætter risikoen for elektrisk stød.



ADVARSEL: Vask ikke maskinen med en højtryksrenser, da vand kan trænge ind i det elektriske system eller motoren og forårsage skade på maskinen eller kortslutning.

Personlig sikkerhed

- **Vær altid opmærksom, hold øje med, hvad du foretager dig, og benyt sund fornuft, når du betjener elværktøj. Benyt ikke elværktøj, hvis du er træt eller er påvirket af narkotika, alkohol eller medicin.** Et øjeblik uopmærksomhed under betjening af elværktøj kan resultere i alvorlig personskade.
- **Bær personligt beskyttelsesudstyr. Brug altid beskyttelsesbriller.** Beskyttelsesudstyr som støvmaske, skridsikre sikkerhedssko, beskyttelseshjelm eller hørevæm, som benyttes til de relevante formål vil nedsætte risikoen for personskade.
- **Sørg for at forhindre uønsket start af værktøjet. Sørg for, at kontakten er i frakoblet position, før du tilslutter produktet til strømkilden og/eller batterienheden, samt når du tager eller bærer produktet.** At bære elværktøj med fingeren på kontakten eller at sætte strøm til elværktøj med tændt kontakt er en invitation til ulykker.
- **Fjern alle indstillingsnøgler eller tænger, før elværktøjet tændes.** En tang eller nøgle, der efterlades på en roterende del af elværktøjet, kan forårsage personskade.
- **Stræk dig ikke for langt. Sørg for altid at have godt fodfæste og god balance.** Det sikrer bedre kontrol med elværktøjet i uventede situationer.
- **Bær det korrekte tøj. Undgå at bære løstsiddende tøj eller smykker. Hold hår og tøj væk fra bevægelige**

dele. Løst tøj, smykker eller langt hår kan blive fanget af bevægelige dele.

- **Hvis der forefindes udstyr til støvudsugning og -opsamling, skal du sikre, at det er tilslutet, og at det bruges korrekt.** Brug af støvopsamling kan nedbringe støvrelaterede farer.
- **Lad ikke erfaringen fra tidligere brug af værktøjer gøre dig eftergivende, så du ignorerer sikkerhedsprincipperne for værktøj.** En uforsigtig handling kan give alvorlige skader på en brøkdal af et sekund.
- Vibrationerne under brug af elværktøjet kan være anderledes end den angivne samlede vibrationsværdi, afhængigt af den måde værktøjet anvendes på. Operatøren bør identificere sikkerhedsforanstaltninger, der er baseret på en vurdering af vibrationerne under de faktiske brugsforhold (der tager hensyn til alle dele af driftscyklussen, som f.eks. når værktøjet er slukket, og når det kører i tomgang), for at beskytte sig selv.

Brug og pleje af elværktøj

- **Brug ikke magt ved brug af elværktøjet. Brug det korrekte elværktøj til din opgave.** Det korrekte elværktøj udfører arbejdet bedre og mere sikkert ved den norm, som det er konstrueret til.
- **Benyt ikke elværktøjet, hvis kontakten ikke kan slå til og fra.** Ethvert stykke elværktøj, som ikke kan styres med kontakten, er farligt og skal repareres.
- **Tag stikket ud af stikkontakten og/eller fjern batterienheden, hvis den kan tages ud, fra elværktøjet, før du foretager justeringer, skifter tilbehør eller sætter det til opbevaring.** Denne form for forebyggende sikkerhedsforanstaltninger nedsætter risikoen for, at elværktøjet startes ved et uheld.
- **Opbevar elværktøj der ikke er i brug uden for børns rækkevidde og lad ikke personer, der ikke er bekendt med elværktøjet eller disse instruktioner, betjene elværktøjet.** Elværktøj er farligt i hænderne på utrænede brugere.
- **Vedligeholdelse af eldrevne redskaber og tilbehør.** Kontroller, om bevægende dele sidder forkert eller binder, om dele er ødelagt og enhver anden tilstand, som kan påvirke elværktøjets funktion. Hvis elværktøjet er beskadiget, skal det repareres, før det bruges igen. Mange ulykker skyldes dårligt vedligeholdt elværktøj.
- **Hold skæreprodukter skarpe og rene.** Korrekt vedligeholdt skæreprodukter med skarpe klinger er mindre tilbøjelige til at binde og er lettere at styre.
- **Benyt elværktøj, tilbehør, værktøjsbits osv. i overensstemmelse med disse instruktioner og tag højde for arbejdsforholdene og det arbejde, der skal udføres.** Hvis man bruger det eldrevne produkt til andre formål end de tiltænkte, kan det medføre farlige situationer.
- **Hold håndtag og gribeblader tørre, rene og frie for olie og fedt.** Glatte håndtag og gribeblader muliggør

ikke sikker håndtering og kontrol af værktøjet i uventede situationer.

Brug og pleje af batteriredskaber

- **Genoplad kun med den oplader, som producenten foreskriver.** En oplader, der egner sig til en bestemt type batteripakke, kan medføre risiko for brand, hvis den benyttes sammen med en anden batteripakke.
- **Brug kun produkter sammen med de batterienheder, der er beregnet specifikt til dem.** Brug af andre batterienheder medfører risiko for skader og brand.
- **Når batteripakken ikke anvendes, skal du holde den væk fra andre metalgenstande, såsom papir, clips, mønter, nøgler, søm, skruer eller andre små metalgenstande, der kan kortslutte poleme.** Kortslutning af batteripolerne kan forårsage forbrændinger eller brand.
- **Under ugunstige forhold kan der sprøjte væske ud fra batteriet, undgå kontakt.** Hvis væsken alligevel berøres, skal der skylles med vand. Hvis du får væske i øjnene, skal du søge læge. Væske, der siver ud fra batteriet, kan medføre irritation eller forbrænding.
- **Brug ikke en batteripakke eller et værktøj, som er beskadiget eller modificeret.** Beskadigede eller modificerede batterier kan opføre sig uforudsigeligt og medføre brand, eksplosion eller risiko for personskade.
- **Udsæt ikke en batteripakke eller værktøj for brand eller høje temperaturer.** Udsættelse for brand eller temperatur over 130 °C kan forårsage eksplosion.
- **Følg alle opladningsinstruktioner, og oplad ikke batteripakken eller værktøjet uden for det temperaturområde, der er angivet i instruktionerne.** Forkert opladning eller opladning ved temperaturer uden for det specificerede område kan beskadige batteriet og øge risikoen for brand.

Service

- **Få en kvalificeret reparatør til at foretage service på dit eldrevne produkt, og brug kun originale reservedele.** Det vil sikre, at elværktøjets sikkerhed bliver bibeholdt.
- **Der må aldrig udføres service på beskadigede batteripakker.** Service på batteripakker bør kun udføres af producenten eller autoriserede serviceudbydere.

Sikkerhedsadvarsler til hækkeklipper - Personssikkerhed

- **Brug begge hænder til at betjene hækkeklipperen.** Betjening med én hånd kan betyde, at du mister kontrollen, og kan forårsage alvorlig personskade.
- **Hold alle dele af kroppen på afstand af klingerne.** Fjern ikke afskåret materiale, og hold ikke materiale, der skal beskæres, mens klingerne er i bevægelse. Klingerne fortsætter med at bevæge sig, efter at maskinen er slukket. Et øjebliklig uopmærksomhed

under betjening af hækkeklipperen kan resultere i alvorlig personskade.

- **Bær hækkeklipperen i håndtaget med klingens standset, og pas på ikke at trykke på en kontakt.** Bæres hækkeklipperen korrekt, reduceres risikoen for utilsigtet start og deraf følgende personskade forårsaget af klingerne.
- **Når hækkeklipperen transporteres eller opbevares, skal Klingebeskyttelsen altid være sat på.** Korrekt håndtering af hækkeklipperen vil reducere risikoen for personskade forårsaget af klingerne.
- **Når du fjerner fastsiddende materiale eller vedligeholder enheden, skal du sørge for, at alle kontakter er slået fra, og at batterienheden er fjernet eller frakoblet.** Uventet aktivering af hækkeklipperen, mens der fjernes fastsiddende materiale eller udføres vedligeholdelse, kan resultere i alvorlig personskade.
- **Hold kun hækkeklipperen i de isolerede grebsoverflader, da kniven kan komme i kontakt med skjulte ledninger.** Hvis knive kommer i kontakt med en strømførende ledning, kan det medføre, at produktets fritliggende metaldele også bliver strømførende, og at brugeren får elektrisk stød.
- **Hold alle ledninger og kabler væk fra klippeområdet.** Ledninger og kabler kan være skjult i hække eller buske og kan ved et uheld blive skåret over af klingene.
- **Brug ikke hækkeklipperen med forlænget rækkevidde i dårligt vejr, specielt hvis der er risiko for lynnedslag.** Dette mindsker risikoen for at blive ramt af lynnedslag.
- **FARE – Hold hænderne væk fra klingene.** Kontakt med klingene vil medføre alvorlig personskade.

Generelle sikkerhedsinstruktioner



ADVARSEL: Læs følgende advarselsinstruktioner, inden du bruger produktet.

- Batteriet skal altid udtages for at forhindre, at produktet starter utilsigtet.
- Dette produkt er et farligt værktøj, hvis du ikke er forsigtig, eller hvis du bruger produktet forkert. Dette produkt kan forårsage alvorlig personskade eller død for brugeren eller andre.
- Brug ikke produktet, hvis det er blevet ændret fra den oprindelige specifikation. Du må ikke ændre dele af produktet uden producentens godkendelse. Brug kun reservedele, der er godkendt af producenten. Forkert vedligeholdelse kan medføre personskader eller dødsfald.
- Kontrollér produktet inden brug. *Se Det skal du gøre, inden du starter produktet på side 41.* Brug ikke et defekt produkt. Gennemfør sikkerhedskontrol, vedligeholdelse og service som beskrevet i denne brugsanvisning.

- Børn skal være under opsyn for at sikre, at de ikke leger med produktet. Lad ikke børn eller personer, som ikke er trænet i brugen af produktet og/eller batteriet, bruge eller udføre service på den/det. Lokal lovgivning kan stille krav til brugerens alder.
- Opbevar produktet i et aflåst område utilgængeligt for børn eller personer, som ikke er godkendt.
- Opbevar produktet utilgængeligt for børn.
- Produktets oprindelige udformning må under ingen omstændigheder ændres uden producentens samtykke. Brug altid originalt tilbehør. Ikke-autoriserede ændringer og/eller ikke-godkendt tilbehør kan medføre alvorlige skader eller døden for brugeren og andre personer.

Bemærk: Nationale eller lokale love kan regulere brugen. Overhold de gældende bestemmelser.

Sikkerhedsinstruktioner for drift



ADVARSEL: Læs følgende advarselsinstruktioner, inden du bruger produktet.

- Når du kommer ud for en situation, som gør dig usikker med hensyn til fortsat brug, skal du spørge en ekspert til råds. Henvend dig til din forhandler eller dit serviceværksted. Undgå al brug, som du ikke synes, du er tilstrækkeligt kvalificeret for.
- Brug aldrig produktet, hvis du er træt, hvis du har drukket alkohol, eller hvis du tager medicin, som kan påvirke dit syn, din årvågenhed, din kropskontrol eller din dømmekraft.
- Arbejde i dårligt vejr er trættende og øger ofte risici for skader. På grund af den øgede risiko anbefales det ikke at bruge maskinen i meget dårligt vejr, f.eks. tæt tåge, kraftig regn, hård vind, kraftig kulde, risiko for lynnedslag.
- Beskadigede knive kan øge risikoen for ulykker.
- Tillad aldrig børn at anvende eller være i nærheden af produktet. Da produktet er nemt at starte, kan børn muligvis starte maskinen, hvis de ikke holdes under opsyn. Dette kan indebære risiko for alvorlige personskader. Tag batteriet ud, når produktet ikke er under opsyn.
- Sørg for, at ingen mennesker eller dyr kommer nærmere end 15 meter under arbejdet. Hvis flere brugere arbejder i det samme område, skal sikkerhedsafstanden være mindst 15 meter. Dette kan indebære risiko for alvorlige personskader. Stands øjeblikkeligt produktet, hvis nogen nærmer sig. Sving aldrig rundt med produktet uden først at kontrollere bagud, at der ikke befinder sig nogen i sikkerhedszonen.
- Sørg for, at hverken mennesker, dyr eller andet kan ikke påvirke din kontrol af produktet eller, at de ikke kan komme i kontakt med skæredestyret eller løse genstande, som slynges væk af skæredestyret. Brug

aldrig produktet uden mulighed for at kunne tilkalde hjælp i tilfælde af en ulykke.

- Kontrollér altid arbejdsområdet. Fjern alle løse genstande som for eksempel sten, knust glas, søm, ståltråd, snor og lignende, som kan slynges ud eller sno sig ind i skæreudstyret.
- Sørg for, at du kan bevæge dig og stå sikkert. Kig efter eventuelle forhindringer ved en uventet retrætte (rødder, sten, grene, huller, grøfter osv.). Vær meget forsigtig ved arbejde i skrånende terræn.
- Sørg altid for at have god balance og sikkert fodfæste. Stræk dig ikke for langt.
- Sluk produktet, før du bevæger dig til et andet område. Fastgør transportbeskyttelsen, når produktet ikke er i brug.
- Adskil aldrig produktet, medmindre du har deaktiveret det og fjernet batteriet. Lad ikke apparatet være uden opsyn, når det er tændt.
- Sørg for, at tøj eller kropsdele ikke kan komme i kontakt med skæreudstyret, mens produktet er aktiveret.
- Skulle et eller andet sætte sig fast i klingerne under betjening af produktet, skal du stoppe og deaktivere produktet. Sørg for, at skæreudstyret standser helt. Tag batteriet ud før rengøring, eftersyn eller reparation af produktet og/eller klingerne.
- Når produktet slukkes, skal du sørge for at holde hænder og fødder væk fra skæreudstyret, indtil det er standset helt.
- Pas på grenstumper, som kan slynges væk, når du skærer. Skær ikke for nær ved jorden, hvor sten eller andre løse genstande kan blive slynget op.
- Pas på udslyngede genstande. Godkendt øjenværn skal altid anvendes. Læn dig aldrig ind over skæreudstyrets beskyttelse. Sten, skidt m.m. kan blive slynget op i øjnene og forårsage blindhed eller alvorlige skader.
- Vær altid opmærksom på advarselssignaler eller tilråb, når høreværnet bruges. Tag altid høreværnet af, så snart produktet er standset.
- Arbejd aldrig på en stige, stol, palle eller fra et andet højt sted, som ikke er helt stabilt.
- Brug begge hænder ved betjening af produktet. Hold produktet på siden af kroppen.

(Fig. 16)

Personligt beskyttelsesudstyr



ADVARSEL: Læs følgende advarselsinstruktioner, inden du bruger produktet.

- Brug godkendt personligt beskyttelsesudstyr, når du bruger produktet. Personligt beskyttelsesudstyr udelukker ikke fuldstændigt risikoen for personskader, men det mindsker omfanget af skaderne. Spørg forhandleren for at få yderligere oplysninger.

- Brug en sikkerhedshjelm, hvor der er risiko for nedfaldende genstande.

(Fig. 17)

- Brug godkendt høreværn. Langvarig eksponering for støj kan medføre permanente høreskader.

(Fig. 18)

- Brug godkendt øjenværn. Hvis du bruger et ansigtsværn, skal du også bruge godkendte beskyttelsesbriller. Godkendte beskyttelsesbriller skal være i overensstemmelse med den amerikanske standard ANSI Z87.1 eller EU-standarden EN 166.

(Fig. 19)

- Brug beskyttelsehandsker under drift og vedligeholdelse.

(Fig. 20)

- Brug beskyttelsesstøvler eller -sko med skridsikre såler.

(Fig. 21)

- Brug beklædning, der er lavet af et stærkt materiale. Dit tøj skal være tætsiddende, men må ikke begrænse dine bevægelser. Bær lange bukser, og sæt håret bag dine skuldre. Bær ikke smykker og åbne sko.
- Hav førstehjælpsudstyr i nærheden.

(Fig. 22)

Sikkerhedsanordninger på produktet



ADVARSEL: Læs følgende advarselsinstruktioner, inden du bruger produktet.

I dette afsnit forklares mere om produktets sikkerhedsfunktioner og deres formål, samt hvordan kontrol og vedligeholdelse skal udføres for at sikre, at de fungerer. Se anvisningerne under afsnittet *Produktoversigt på side 34* for at finde ud af, hvor disse dele er placeret på dit produkt.

Produktets levetid kan forkortes og risikoen for ulykker kan øges, hvis vedligeholdelsen ikke udføres korrekt, og hvis service og/eller reparation ikke udføres fagligt korrekt. Kontakt det nærmeste serviceværksted for at få yderligere oplysninger.



ADVARSEL: Brug aldrig et produkt med beskadiget sikkerhedsudstyr. Produktets sikkerhedsudstyr skal kontrolleres og vedligeholdes som beskrevet i dette afsnit. Klarer produktet ikke alle kontrollerne, skal du kontakte et serviceværksted for at få den repareret.



BEMÆRK: Al service og reparation af maskinen kræver specialuddannelse. Dette gælder især maskinens sikkerhedsudstyr. Hvis maskinen ikke klarer nogen af de nedennævnte kontroller, skal du kontakte dit serviceværksted. Ved at købe nogle af vores produkter kan du være sikker på at få en faglig korrekt reparation og service. Hvis maskinen er købt et sted, som ikke er en af vores serviceydende forhandlere, skal du spørge dem efter det nærmeste serviceværksted.

Sådan kontrolleres tastaturet

1. Tryk og hold nede på start/stop-knappen (A). (Fig. 23)
 - a) Produktet er tændt, når lysdioden (B) er tændt.
 - b) Produktet er slukket, når lysdioden (B) er slukket.
2. Se *Tastatur på side 43*, hvis advarselsindikatoren (C) bliver tændt eller blinker.

Udfør en kontrol af udløseren til det forreste håndtag

Udløseren til det forreste håndtag forhindrer utilsigtet start. Når du trykker på udløseren til det forreste håndtag, frigøres strømudløseren. Når grebet om håndtaget slippes, flyttes både strømudløseren og udløseren til det forreste håndtag tilbage i deres udgangspositioner.

1. Kontrollér, at strømudløseren og udløseren til det forreste håndtag bevæger sig frit, og at returfederen fungerer korrekt.
2. Start produktet.
3. Skub udløseren til det forreste håndtag.

(Fig. 24)

4. Skub strømudløseren. (Fig. 25)
5. Slip udløseren til det forreste håndtag, og sørg for, at klippeudstyret standser helt.

Sådan kontrolleres hånddafsikringskærmen

Hånddafsikringskærmen beskytter hånden mod utilsigtet kontakt med klingerne.

1. Stands produktet.
2. Fjern batteriet.
3. Kontrollér, at hånddafsikringskærmen er fastgjort korrekt.
4. Efterse hånddafsikringskærmen for defekter.

Sådan kontrolleres klinger og klingebeskyttelser

De længste dele af klingerne (A) fungerer som klingebeskyttelser.

1. Stands produktet.

2. Fjern batteriet.
3. Tag handsker på.
4. Sørg for, at klingerne og klingebeskyttelserne ikke er beskadigede eller bøjedede. Udskift klingerne og klingebeskyttelserne, hvis de er ødelagte eller bøjedede. (Fig. 26)

Batterisikkerhed



ADVARSEL: Læs følgende advarselinstruktioner, inden du bruger produktet.

- Brug kun batterier fra serierne BLi og 40-B. For yderligere oplysninger, se *Tekniske data på side 45*. Batteriet er softwarekrypteret.
- Brug kun batterierne i serierne BLi og 40-B, der er genopladelige, som strømforsyning til de relaterede Husqvarna-produkter. For at undgå personskade må batteriet ikke anvendes som strømforsyning til andre produkter.
- Risiko for elektrisk stød. Tilslut ikke batteripolerne til nøgler, mønter, skruer eller andre metalgenstande. Dette kan medføre en kortslutning af batteriet.
- Undgå at bruge ikke-genopladelige batterier.
- Sæt ikke genstande ind i batteriets luftspalte.
- Hold batteriet væk fra sollys, varme og åben ild. Batteriet kan medføre forbrændinger og/eller kemiske forbrændinger.
- Hold batteriet væk fra regn og våde omgivelser.
- Hold batteriet væk fra mikrobølger og højt tryk.
- Forsøg ikke at skille batteriet ad eller ødelægge det.
- Hvis batteriet lækker, skal du sørge for, at væsken ikke kommer i kontakt med hud eller øjne. Ved berøring af væsken skal området skylles med en stor mængde vand og sæbe, hvorefter der opsøges lægehjælp. Hvis du får væske i øjnene, må du ikke gnide øjnene. Sørg for at skylle dem med rigeligt vand i mindst 15 minutter, og søg derefter lægehjælp.
- Brug batteriet i temperaturer mellem -10 °C (14 °F) og 40 °C (114 °F).
- Batteriet eller batteriopladeren må aldrig rengøres med vand. Se *Sådan rengøres produktet, batteriet og batteriopladeren på side 43*.
- Brug ikke et defekt eller beskadiget batteri.
- Opbevar batterierne væk fra metalgenstande som f.eks. søm, skruer og smykker.
- Opbevar batteriet utilgængeligt for børn.

Batteriopladersikkerhed



ADVARSEL: Læs følgende advarselinstruktioner, inden du bruger produktet.

- Risiko for elektrisk stød eller kortslutning, hvis sikkerhedsinstruktionerne ikke overholdes.

- Brug ikke andre batteriopladere end den, der blev leveret med dit produkt. Brug kun QC80- og 40-C80- opladere når du oplader reservebatterier fra serierne BLi og 40-B.
- Forsøg aldrig at adskille batteriopladeren.
- Brug ikke en defekt eller beskadiget batterioplader.
- Løft aldrig batteriopladeren ved hjælp af ledningen. Træk stikket ud for at afbryde batteriopladeren fra stikkontakten. Træk ikke i strømkablet.
- Hold alle kabler og forlængerledninger væk fra vand, olie og skarpe kanter. Sørg for, at ledningen ikke bliver klemt i eksempelvis døre, hegn eller lignende.
- Brug ikke batteriopladeren i nærheden af brandfarlige materialer eller materialer, der kan medføre korrosion. Sørg for, at batteriopladeren ikke er dækket. I tilfælde af røgafgivelse eller brand skal batteriopladeren afbrydes fra stikkontakten.
- Oplad kun batteriet indendørs på et sted med god ventilation og beskyttet mod direkte sollys. Batteriet må ikke oplades udendørs. Oplad ikke batteriet under våde forhold.
- Brug kun batteriopladeren ved temperaturer mellem 5 °C (41 °F) og 40 °C (104 °F). Brug batteriopladeren på et sted med god ventilation, hvor den ikke udsættes for fugt eller støv.
- Sæt ikke genstande ind i batteriopladerens luftspalter.
- Forbind aldrig batteriopladerens poler med metalgenstande, da dette kan kortslutte batteriopladeren.
- Brug godkendte stikkontakter, som ikke er beskadiget. Sørg for, at batteriopladerens ledning ikke er beskadiget. Hvis der

bruges forlængerledninger, skal det sikres, at forlængerledningerne ikke er beskadiget.

- Ikke-genopladelige batterier må ikke oplades i batteriopladeren.

Sikkerhedsinstruktioner for vedligeholdelse



ADVARSEL: Læs følgende advarselsinstruktioner, inden du udfører vedligeholdelse på produktet.

- Fjern batteriet, inden du udfører vedligeholdelse, anden kontrol eller samler produktet.
- Brugeren må kun udføre den form for vedligeholdelses- og servicearbejde, der beskrives i denne brugervejledning. Kontakt en servicetekniker i forbindelse med større vedligeholdelses- og serviceopgaver.
- Batteriet eller batteriopladeren må aldrig rengøres med vand. Stærke opløsningsmidler kan beskadige plasten.
- Hvis du ikke udfører vedligeholdelse, reduceres levetiden for produktet og risikoen for ulykker øges.
- Der kræves særlig uddannelse til al service og reparation, især for sikkerhedsanordninger på produktet. Hvis ikke alle kontroller i denne brugsanvisning er godkendt, efter du har udført vedligeholdelse, skal du kontakte din servicetekniker. Vi garanterer, at der er professionelle reparationer og vedligeholdelse til rådighed for dit produkt.
- Brug altid kun originale reservedele.

Montering

Indledning

Dette afsnit beskriver, hvordan du samler og justerer produktet.



ADVARSEL: Før du samler produktet, skal du læse sikkerhedskapitlet og monteringsvejledningen.

Sådan tilsluttes batteriet til produktet



ADVARSEL: Brug kun originale Husqvarna batterier i produktet.

1. Oplad batteriet helt.
2. Skub batteriet ind i batteriholderen på produktet. Batteriet låses på plads, når du hører et klik. (Fig. 27)



BEMÆRK: Hvis batteriet ikke bevæger sig let ind i batteriholderen, er batteriet ikke monteret korrekt. Det kan forårsage skader på produktet.

Sådan installeres batteriopladeren 40-C80 på væggen



BEMÆRK: Brug ikke en elektrisk skruetrækker til at montere batteriopladeren på væggen. En elektrisk skruetrækker kan beskadige batteriopladeren.

1. Monter batteriopladeren på væggen med de 2 skruer (B). Brug rawplugs (A), hvis det er nødvendigt. (Fig. 28)
2. Monter de 2 skruehulspopper (C).
3. Tilslut strømkablet til batteriopladeren og en stikkontakt.

Drift

Indledning



ADVARSEL: Læs og forstå kapitlet om sikkerhed, før du bruger produktet.

Batteri



ADVARSEL: Læs og forstå kapitlet om sikkerhed, før du bruger batteriet. Læs og forstå brugervejledningen for batteriet og batteriopladeren.

Opbevar batteriet og batteriopladeren ved de korrekte omgivende temperaturer.

	Omgivelsestemperatur
Betjening af batteriet	5 °C-40 °C / 41 °F-104 °F
Opladning af batteriet	5 °C-40 °C / 41 °F-104 °F

Batteristatus

Displayet viser status for ladetilstand, og om der er problemer med batteriet.

(Fig. 29)

LED-indikator	Batteristatus (ladetilstand)	
	BLi10	40-B70
4 LED-lamper er tændt	N/A	Batteriet er opladet 76-100%.
3 LED-lamper er tændt	Batteriet er opladet 76-100%.	Batteriet er opladet 51-75%.
2 LED-lamper er tændt	Batteriet er opladet 51-75%.	Batteriet er opladet 26-50%.
1 LED-lampe er tændt	Batteriet er opladet 26-50%.	Batteriet er opladet 6-25%.
1 LED-lampe blinker	Batteriet er opladet 0-25%.	Batteriet er opladet 0-5%.

Sådan oplades batteriet

Oplad batteriet, hvis det er første gang, du bruger det. Et nyt batteri er kun 30 % opladet.



BEMÆRK: Tilslut batteriopladeren til et strømudtag med den spænding og frekvens, der fremgår af typeskiltet.

Batteriet oplades ikke, hvis batteriets temperatur er højere end 50 °C/122 °F.

1. Tilslut strømkablet til batteriopladeren.
2. Tilslut batteriopladeren til et jordet strømudtag. LED-indikator for opladning blinker en gang. (Fig. 30)
3. Tilslutning af batteriet til batteriopladeren. LED-indikator for opladning tændes. Oplad batteriet i maks. 24 timer. (Fig. 31)
4. Tryk på batteriindikatorknappen. Hvis alle LED-indikatorerne tændes, er batteriet fuldt opladet.
5. Træk stikket ud for at frakoble batteriopladeren fra strømudtaget. Træk ikke i strømkablet.
6. Fjern batteriet fra batteriopladeren.

Det skal du gøre, inden du starter produktet

1. Undersøg arbejdsområdet. Fjern genstande, der kan slynges op.
2. Efterse skæreenheden. Sørg for, at klingerne er skarpe og er fri for revner og skader.
3. Sørg for, at produktet fungerer korrekt. Kontrollér, at alle møtrikker og bolte er spændt.
4. Sørg for, at håndtaget og sikkerhedsanordningerne ikke er beskadigede og er monteret korrekt. Betjen ikke et produkt med manglende dele eller et produkt, der er ændret fra sin oprindelige specifikation. Brug beskyttelseshandsker, når det er nødvendigt.
5. Sørg for, at dækslerne ikke er beskadigede og er monteret korrekt, før du betjener produktet.

Sådan startes produktet

1. Tryk på start/stopknappen, indtil den grønne LED tænder. (Fig. 32)
2. Tryk på udløseren til det forreste håndtag på det forreste håndtag. (Fig. 33)
3. Skub strømudløseren. (Fig. 25)

Betjening af produktet

1. Start tæt ved jorden, og bevæg produktet op langs hækken, når du beskærer siderne. Sørg for, at hoveddelen af produktet ikke berører hækken. (Fig. 34)



ADVARSEL: Sørg for, at spidsen af skæreudstyret ikke berører jorden.

2. Hold produktet tæt på kroppen for at opnå en stabil arbejdsstilling.
3. Vær forsigtig, og betjen produktet langsomt.

Sådan bruges SavE-funktionen

Dette produkt har en strømsparefunktion, SavE.

Bemærk: SavE-funktionen reducerer produktets skærekraft.

1. Tryk på SavE-knappen på tastaturet.
2. Kontroller, at den grønne LED tændes.
3. Tryk på SavE-knappen igen for at afbryde funktionen. Den grønne LED slukker. (Fig. 35)

Automatisk slukkefunktion

Dette produkt har en nedlukningsmetode, der stopper apparatet, hvis produktet ikke anvendes. Den grønne LED til start/stop slukker, og produktet stopper efter 180 sekunder.

Sådan standses produktet

1. Slip strømdløseren og udløseren til det forreste håndtag.
2. Tryk på start/stopknappen, indtil den grønne LED slukker.
3. Tryk på udløserknapperne på batteriet, og fjern batteriet. (Fig. 36)

Vedligeholdelse

Indledning



ADVARSEL: Læs og forstå sikkerhedskapitlet, før du udfører vedligeholdelsesarbejde på produktet.



ADVARSEL: Tag batteriet ud, før der foretages vedligeholdelse af produktet.

Vedligeholdelseskema

Nedenfor vises en oversigt over det vedligeholdelsesarbejde, der skal udføres på produktet.

Vedligeholdelse	Før hver anvendelse	Ugentligt	Månedligt
Rengør de udvendige dele af produktet.	X		
Kontrollér, at start/stop-kontakten fungerer korrekt og ikke er beskadiget.	X		
Kontrollér, at strømdløseren og udløseren til det forreste håndtag fungerer i sikkerhedsmæssig henseende.	X		
Sørg for, at alle kontrolenheder fungerer og ikke er beskadiget.	X		
Sørg for, at skæreklingen og klingebeskyttelsen ikke har nogen revner, og at de ikke er beskadigede. Udskift skæreklingen eller klingebeskyttelsen, hvis de har revner, eller hvis de har været udsat for slag.	X		
Udskift klingens, hvis den er bøjet eller beskadiget.	X		
Sørg for, at håndafskærmningen er intakt. Udskift beskyttelsen, hvis den er beskadiget.	X		
Sørg for, at skruer og møtrikker er spændt.	X		
Sørg for, at batteriet ikke er beskadiget.	X		
Sørg for, at batteriet er opladt.	X		

Vedligeholdelse	Før hver anvendelse	Ugentligt	Månedligt
Sørg for, at batteriopladeren ikke er beskadiget.	X		
Sørg for, at de bolte, som holder skæreklingerne, er fastspændt korrekt.		X	
Kontrollér forbindelserne mellem batteriet og produktet. Kontrollér forbindelserne mellem batteriet og batteriopladeren.			X

Sådan undersøges batteriet og batteriopladeren

1. Undersøg batteriet for skader, f.eks. revner.
2. Undersøg batteriopladeren for skader, f.eks. revner.
3. Undersøg regelmæssigt, at forbindelsesledningen til batteriopladeren er intakt, og at der ikke er revner i den.

Sådan rengøres produktet, batteriet og batteriopladeren

1. Rengør produktet med en tør klud efter brug.
2. Rengør batteriet og batteriopladeren med en tør klud. Hold batteristyreposene rene.
3. Sørg for, at polerne på batteriet og batteriopladeren er rene, før batteriet sættes i batteriopladeren eller produktet.

Sådan efterses kniven

1. Rengør kniven for uønskede materialer med et antikorrosionsrengøringsmiddel før og efter betjening af produktet.
2. Undersøg knivens æg for skader og defekter.
3. Brug en fil til at fjerne ujævnheder på kniven.

4. Sørg for, at knivene bevæger sig frit.

Sådan rengøres og smøres klingerne

1. Rengør knivene for uønskede materialer før og efter brug af produktet.
2. Smør klingerne før længere tids opbevaring.

Bemærk: Spørg serviceforhandleren for at få yderligere oplysninger om anbefalede rengøringsmidler og smøremidler.

Sådan smøres gearet

Smør fedt på gearhuset, hvis gearet er blevet adskilt af en autoriseret serviceforhandler.

- Brug Husqvarna specialfedt. Spørg serviceforhandleren for at få yderligere oplysninger om det anbefalede fedt.
- Brug kun en lille mængde fedt af en særlig høj kvalitet.



BEMÆRK: Fyld ikke gearhuset helt op.

Fejlfinding

Tastatur

Kontrollampeskærm	Mulige fejl	Mulige løsninger
Fejl-LED'en blinker.	Overbelastning	Skæreudstyret kan ikke bevæge sig frit. Udløs skæreudstyret.
	Temperaturafvigelse	Lad produktet køle af.
Produktet starter ikke.	Tryk på strømudløseren og startknappen på samme tid.	Slip strømudløseren, og stands produktet.
Fejl-LED'en lyser rødt.	Det er nødvendigt at foretage service på produktet	Kontakt din serviceforhandler.

Batteri

LED-display	Mulige fejl	Mulig løsning
Den grønne LED blinker.	Lav batterispænding.	Oplad batteriet.
Fejl-LED'en blinker.	Temperaturafvigelse.	Brug batteriet i temperaturer mellem -10 °C (14 °F) og 40 °C (104 °F).
	For høj spænding.	Kontrollér, at netspændingen er i overensstemmelse med den værdi, der står på produktets typeskilt.
		Fjern batteriet fra batteriopladeren.
Fejl-LED'en er tændt.	Batteriforskellen er for stor (1 V).	Kontakt din serviceforhandler.

Batterioplader

Problem	Mulige fejl	Mulig løsning
LED-indikatoren for opladning lyser rødt.	Permanent fejl på batterioplader.	Snak med din forhandler.
LED-indikatoren for opladning blinker grønt.	Temperaturafvigelse, batteriet er for koldt eller for varmt til brug eller opladning.	Lad batteriet køle ned eller varmes op. Når batteriet har den korrekte temperatur, kan det bruges eller oplades igen. Brug batteriopladeren ved omgivende temperaturer på mellem 5 °C (41 °F) og 40 °C (104 °F).
LED-indikatoren for opladning blinker rødt.	Defekt batteri.	Snak med din forhandler.

Transport, opbevaring og bortskaffelse

Transport og opbevaring

- De medfølgende li-ion-batterier overholder lovkravene vedrørende farligt gods.
- Overhold de særlige krav vedrørende emballage og etiketter til kommerciel transport, herunder tredjeparter og speditører.
- Tal med en person med specialuddannelse i farligt materiale, før du sender produktet. Overhold alle gældende nationale bestemmelser.
- Sæt tape på åbne kontakter, når batteriet lægges i en pakke. Sørg for, at batteriet ikke kan bevæge sig i pakken.
- Fjern altid batteriet ved opbevaring eller transport.
- Sæt batteriet og batteriopladeren i et rum, der er tørt og fri for fugt og frost.
- Batteriet må ikke opbevares på steder, hvor statisk elektricitet kan forekomme. Opbevar ikke batteriet i en metalkasse.
- Opbevar batteriet ved temperaturer på mellem 5 °C/41 °F og 25 °C/77 °F og væk fra direkte sollys.
- Opbevar batteriopladeren ved temperaturer på mellem 5 °C/41 °F og 45 °C/113 °F og væk fra direkte sollys.
- Brug kun batteriopladeren ved en omgivende temperatur på mellem 5 °C/41 °F og 40 °C/104 °F.
- Oplad batteriet 30 % til 50 %, før du sætter det til opbevaring i længere tid.
- Opbevar batteriopladeren i et rum, der er lukket og tørt.
- Hold batteriet væk fra batteriopladeren under opbevaring. Lad ikke børn og andre ikke-autoriserede personer røre ved udstyret. Opbevar udstyret i et rum, der kan aflåses.

- Rengør produktet, og udfør fuld service, før du sætter produktet til opbevaring i længere tid.
- Brug transportskærmen på produktet for at forhindre personskader eller skader på produktet under transport og opbevaring.
- Fastspænd produktet sikkert under transporten.

det på en genbrugsstation til elektrisk og elektronisk udstyr. Dette hjælper med at forhindre skader på miljøet og på personer.

Kontakt de lokale myndigheder, dit renovationselskab eller din forhandler for at få flere oplysninger om, hvordan du genbruger dit produkt.

Bortskaffelse af batteriet, batteriopladeren og produktet

Symbolerne på produktet eller emballagen angiver, at produktet ikke er almindeligt husholdningsaffald. Aflever

Tekniske data

Tekniske data

	215iHD45
Motor	
Motorstype	BLDC
Vægt	
Vægt uden batteri, kg	3,2
Skær	
Type	Dobbelt
Klingelængde, mm	450
Klinge­hastighed, snit/min (i savE-tilstand)	2400
Klinge­hastighed, snit/min (ikke i savE-tilstand)	3000
Støjmissioner⁵	
Lydeffektniveau, målt dB(A)	91 RON (87 AKI)
Lydeffektniveau, garanteret L _{WA}	90
Lydniveauer	
Lydtryksniveau ved brugerens ører, målt i henhold til EN 62841-4-2, dB(A)	79
Vibrationsniveauer⁶	
Vibrationsniveauer a _r , m/s ²	2,1/1,7

⁵ Støjmissioner til omgivelserne målt som lydeffekt (L_{WA}) i henhold til EF-direktiv 2000/14/EF. Forskellen mellem garanteret og målt lydeffekt er, at den garanterede lydeffekt også omfatter spredning i måleresultatet og variationerne mellem forskellige produkter af samme model i henhold til direktivet 2000/14/EF.

⁶ Rapporterede data for vibrationsniveau har en typisk statistisk spredning (standardafvigelse) på 1,5 m/s².

Den angivne samlede vibrationsværdi er målt i henhold til en standardtestmetode og anvendes til at sammenligne værktøj.

Den angivne samlede vibrationsværdi kan endvidere anvendes i en foreløbig vurdering af vibrationerne.

Godkendte batterier til produktet

Batteri	BLI10		40-B70
Type	Lithiumion		Lithiumion
Batterikapacitet, Ah	Se batteritypeskiltet		Se batteritypeskiltet
Nominel spænding, V	36	36,5	36
Vægt, kg	0,7	0,7	0,8

Godkendte batteriopladere til produktet

Batterioplader	QC80	40-C80
Netspænding, V	100-240	100-240
Frekvens, Hz	50-60	50-60
Effekt, watt	100	72
Udgangsspænding, V (jævnstrøm)/ ampere, A	36/2	43/1,6

Overensstemmelseserklæring

EU-overensstemmelseserklæring

Vi, **Husqvarna AB**, SE-561 82 Huskvarna, Sverige,
tlf.: +46-36-146500 erklærer under eneansvar, at det
pågældende produkt:

Beskrivelse	Batteridrevet hækkeklipper
Varemærke	Husqvarna
Type / model	215iHD45
Identifikation	Serienumrene fra 2024 og fremefter

overholder følgende EU-direktiver og bestemmelser:

Direktiv/bestemmelser	Beskrivelse
2006/42/EF	"vedrørende maskiner"
2014/30/EU	"vedrørende elektromagnetisk kompatibilitet"
2000/14/EF	"vedrørende støjemissioner til omgivelserne"
2011/65/EU	"om begrænsning af anvendelsen af visse farlige stoffer i elektrisk og elektronisk udstyr"

og at følgende standarder og/
eller tekniske specifikationer anvendes:
EN 62841-4-2:2019+A1:2022+A11:2022, EN
62841-1:2015+A11:2022, EN IEC 55014-1:2021, EN
IEC 55014-2:2021, EN IEC 63000:2018.

I overensstemmelse med direktiv 2000/14, bilag V, se
Tekniske data på side 45 for de angivne lydværdier.

Huskvarna, 2024-02-01

Claes Losdal, R&D Manager, Husqvarna AB

Ansvarlig for teknisk dokumentation



INNHold

Innledning.....	48	Feilsøking.....	57
Sikkerhet.....	49	Transport, oppbevaring og avhending.....	58
Montering.....	54	Tekniske data.....	58
Drift.....	54	Samsvarserklæring.....	60
Vedlikehold.....	56		

Innledning

Produktbeskrivelse

Husqvarna 215iHD45 er en batteridrevet heksaks med en elektrisk motor.

Det pågår et kontinuerlig arbeid for å øke sikkerheten og effektiviteten din under bruk. Kontakt serviceforhandleren din for mer informasjon.

Produktoversikt

(Fig. 1)

1. Bruksanvisning
2. Bakre håndtak
3. Fremre utløser
4. Fremre håndtak
5. Kapperblad
6. Transportbeskyttelse
7. Kraftutløser
8. Kontrollpanel
9. Håndvern
10. Batteri
11. Batterilader 40-C80
12. Kobling
13. Batteriindikator knapp
14. Batteristatus
15. Advarselsindikator
16. SavE-knapp
17. Start/stopp-knapp
18. Strøm på- og varselampe
19. Batteriutløserknapper
20. Batterilader QC80
21. Strømledning

Symboler på produktet

- (Fig. 2) **ADVARSEL:** Dette produktet kan være farlig og føre til alvorlig personskade eller død for brukeren eller andre. Vær forsiktig, og bruk produktet riktig.
- (Fig. 3) Les bruksanvisningen nøye, og forsikre deg om at du forstår instruksjonene før du bruker produktet.
- (Fig. 4) Bruk øyevern.
- (Fig. 5) Dette produktet samsvarer med gjeldende EF-direktiver.
- (Fig. 6) Produktet og produktemballasjen er ikke restavfall. Resirkuler det på et

Bruksområder

Bruk produktet å kappe grener og kvister. Ikke bruk produktet til andre oppgaver.

- gjenvinningsanlegg for elektrisk og elektronisk utstyr.
- (Fig. 7) Må ikke utsettes for regn.
- (Fig. 8) Direktestrøm.
- (Fig. 9) Etikett for støyutslipp til omgivelsene i henhold til EU-direktiver og -forordninger (også inkludert lovgivning i New South Wales) og britiske direktiver og forskrifter. Du finner informasjon om støyutslipp på maskinetiketten og i kapittelet Tekniske data.
- (Fig. 10) Dette produktet samsvarer med gjeldende britiske direktiver.
- (Fig. 11) Advarsel: Hold hendene unna bladet.
- yyyywwxxxx** Typeskiltet viser serienummeret. **yyyy** er produksjonsåret, **ww** er produksjonsuken.

Merk: Øvrige symboler/klistremerker på produktet gjelder spesifikke krav for sertifiseringer på visse markeder.

Symboler på batteriet og/eller batteriladeren

- (Fig. 15) Lever dette produktet til et gjenvinningsanlegg for elektrisk og elektronisk utstyr. (Gjelder kun Europa)
- (Fig. 12) Feilsikker transformator.
- (Fig. 13) Batteriladeren skal bare brukes og oppbevares innendørs.
- (Fig. 14) Dobbeltisolert.

Sikkerhet

Sikkerhetsdefinisjoner

Advarsler, oppfordringer og merknader brukes for å understreke spesielt viktige deler av bruksanvisningen.



ADVARSEL: Brukes hvis det er fare for personskade eller død for brukeren eller andre personer om instruksjonene i håndboken ikke følges.



OBS: Brukes hvis det er fare for skade på produktet, annet materiell eller nærliggende områder om instruksjonene i håndboken ikke følges.

Merk: Brukes for å gi mer nødvendig informasjon for en spesifikk situasjon.

Generelle sikkerhetsadvarsler for motorredskaper



ADVARSEL: Les alle sikkerhetsadvarsler og instruksjoner. Hvis du ikke følger advarslene og instruksjonene, kan det føre til elektrisk støt, brann og/eller alvorlig personskade.

Merk: Ta vare på alle advarsler og instruksjoner for fremtidig bruk. Begrepet «el-verktøy» i advarslene referer til elektrisk verktøy som drives av nettstrøm (med ledning) eller batteri (uten ledning).

Sikkerhet i arbeidsområdet

- **Hold arbeidsområdet rent og godt opplyst.** Rot og dårlig opplyste områder kan lett føre til ulykker.
- **Bruk ikke el-verktøy i eksplosiv atmosfære, for eksempel der det finnes brennbare væsker, gasser eller støv.** El-verktøy danner gnister som kan antenne støv eller gasser.
- **Hold barn og andre tilskuere på avstand når el-verktøyet er i bruk.** Distraksjoner kan føre til at du mister kontrollen.

El-sikkerhet

- **Støpselet til elektroverktøyet må passe til stikkkontakten.** Du må aldri modifisere støpselet på noen måte. Adapterpluggen må ikke brukes sammen med et jordet elektroverktøy. Når støpselet/pluggen ikke er modifisert og stikkkontakten passer, vil dette redusere faren for elektrisk støt.
- **Unngå kroppskontakt med jodede flater, for eksempel rør, radiatorer, komfyrer og kjøleskap.**

Faren for elektrisk støt øker hvis kroppen til brukeren er jordet.

- **Elektroverktøy må ikke utsettes for regn eller fuktighet.** Hvis det kommer vann inn i elektroverktøyet øker faren for elektrisk støt.
- **Ledningen må håndteres forsiktig. Bruk aldri ledningen til å bære eller trekke noe, eller til å trekke ut støpselet. Hold ledningen unna varme, olje, skarpe kanter og bevegelige deler.** En skadet eller sammenfiltret kabel øker faren for elektrisk støt.
- **Når elektroverktøyet brukes utendørs, må det brukes en skjøtleddning som er egnet for bruk utendørs.** Bruk av ledning for utendørs bruk reduserer faren for elektrisk støt.
- **Hvis elektroverktøyet må brukes på et fuktig sted, bør det være koblet til en strømkrets som er beskyttet av en jordfeilbryter.** Bruk av jordfeilbryter reduserer faren for elektrisk støt.



ADVARSEL: Ikke bruk høytrykksspyler på maskinen. Vann kan komme inn i det elektriske systemet eller motoren og skade eller kortslutte maskinen.

Personlig sikkerhet

- **Vær oppmerksom, følg med på det du gjør, og bruk sunn fornuft når du bruker elektroverktøyet. Ikke bruk et elektrisk verktøy hvis du er trett eller påvirket av narkotika, alkohol eller legemidler.** Et øyeblikks uoppmerksomhet ved bruk av elektroverktøy kan føre til alvorlig personskade.
- **Bruk personlig verneutstyr. Bruk alltid vernebriller.** Bruk av verneutstyr som støvmaske, vernesko med antisklisåle, hjelm og hørselvern der det kreves, reduserer faren for personskade.
- **Unngå utilsiktet oppstart. Forsikre deg om at bryteren står i AV-stillingen før du kobler til strømforsyningen og/eller batteripakken, tar opp verktøyet eller bærer verktøyet.** Hvis du bærer verktøyet med en finger på bryteren eller med elektroverktøyet påslått, kan dette lett føre til ulykker.
- **Fjern eventuelle justeringsnøkler før du slår på elektroverktøyet.** En nøkkel som sitter på en roterende del av elektroverktøyet, kan føre til personskade.
- **Ikke strekk deg for langt. Hold alltid føttene på bakken og en balansert stilling.** Dette gir deg bedre kontroll over elektroverktøyet i uventede situasjoner.
- **Bruk egnete klær. Bruk ikke løstsittende klær eller smykker. Hold hår og klær borte fra bevegelige deler.** Løstsittende klær, smykker eller langt hår kan sette seg fast i bevegelige deler.
- **Hvis apparatet er forsynt med tilkobling for støvsuger eller oppsamler, må du forsikre deg om at disse er riktig tilkoblet og brukes på riktig måte.** Bruk av

støvoppsamler kan redusere faren for støvrelaterte skader.

- **Selv om du har lang erfaring med bruk av elektroverktøy, må du ikke bli uforsiktig eller ignorere sikkerhetsreglene.** En uforsiktig handling kan føre til alvorlig personskade i løpet av en brøkdel av et sekund.
- Vibrasjonsnivået under faktisk bruk av det motoriserte redskapet kan avvike fra den oppgitte totalverdien, avhengig av hvordan redskapet brukes. Brukeren må treffe sikkerhetstiltak for å beskytte seg, basert på et anslag av eksponeringen under de faktiske bruksforholdene (med hensyn til alle deler av operasjonssyklusen, for eksempel når verktøyet slås av og når det går på tomgang).

Bruk og vedlikehold av elektroverktøy

- **Bruk ikke makt på elektroverktøyet. Bruk riktig elektroverktøy for arbeidet som skal utføres.** Riktig elektroverktøy gjør jobben på en bedre og sikrere måte i den hastigheten det er konstruert for.
- **Bruk ikke elektroverktøyet hvis bryteren ikke lar seg slå på og av.** Elektroverktøy som ikke kan kontrolleres med bryteren, er farlig, og må repareres.
- **Koble støpselet fra strømforsyningen og/eller batteripakken fra elektroverktøyet, hvis den er avtakbar, før du foretar justeringer, skifter tilbehør eller lagrer elektroverktøyet.** Slike forebyggende sikkerhetstiltak reduserer faren for at elektroverktøyet starter ved et uhell.
- **Elektroverktøy som ikke er i bruk, må oppbevares utilgjengelig for barn. La ikke elektroverktøyet brukes av personer som ikke er kjent med elektroverktøyet eller disse instruksjonene.** Elektroverktøy er farlige når de brukes av uerfarne brukere.
- **Vedlikehold elektroverktøy og tilbehør. Kontroller justeringen av bevegelige deler, samt at de ikke sitter fast. Kontroller at det ikke finnes ødelagte deler eller andre feil som kan påvirke bruken av elektroverktøyet. Hvis elektroverktøyet er skadet, må det repareres før bruk.** Mange ulykker forårsakes av dårlig vedlikeholdt elektroverktøy.
- **Hold skjæreverktøy skarpe og rene.** Riktig vedlikeholdte skjæreverktøy med skarpe skjærekanter har mindre fare for å sette seg fast, og er lettere å kontrollere.
- **Bruk elektroverktøyet, tilbehør og verktøybits osv. i henhold til disse instruksjonene, og i forhold til arbeidsforholdene og arbeidet som skal utføres.** Bruk av elektroverktøy til andre oppgaver enn dem de er laget for, kan føre til farlige situasjoner.
- **Hold håndtakene og gripeflatene tørre, rene og frie for olje og fett.** Glatte håndtak og gripeflater gjør trygg håndtering og kontroll av verktøyet i uventede situasjoner umulig.

Bruk og pleie av batteriverktøy

- **Må bare lades med laderen som er spesifisert av produsenten.** En lader som passer til én batteripakke

kan skape brannfare hvis den brukes med en annen batteripakke.

- **Produkter skal bare brukes med spesielt angitte batteripakker.** Bruk av andre batteripakker kan medføre fare for personskade og brann.
- **Når batteriet ikke er i bruk, må det holdes unna andre metallgjenstander som binders, mynter, nøkler, spiker, skruer og andre små metallgjenstander som kan danne en forbindelse fra den ene batteripolen til den andre.** Kortslutning av batteripolene kan føre til forbrenning eller brann.
- **Hvis batteriet utsettes for store påkjenninger, kan det komme væske ut av det. Unngå i så fall kontakt med denne væsken. Skyll med vann hvis kontakt oppstår ved et uhell. Hvis du får væske i øynene, kontakt lege øyeblikkelig.** Væske som kommer ut av batteriet kan forårsake irritasjon eller forbrenninger.
- **Ikke bruk batteripakken eller verktøyet hvis det er skadet eller endret.** Skadede eller endrede batterier kan ha en uforutsigbar adferd, noe som kan føre til brann, eksplosjoner eller personskader.
- **Ikke eksponer en batteripakke eller et verktøy for brann eller for høy temperatur.** Eksponering for flammer eller temperaturer over 130 °C kan føre til eksplosjon.
- **Følg alle instruksjoner for lading, og ikke lad batteripakken eller verktøyet utenfor temperaturområdet som er angitt i instruksjonene.** Lading på feil måte eller ved temperaturer utenfor det angitte området kan påføre batteriet skade og øke faren for brann.

Service

- **La en kvalifisert tekniker/reparatør utføre service, og gjøre eventuelle utskiftninger kun med identiske reservedeler.** Dette sikrer at elektroverktøyet sikkerhet opprettholdes.
- **Utfør aldri service på skadede batteripakker.** Service av batteripakker skal kun utføres av produsenten eller autoriserte serviceleverandører.

Sikkerhetsadvarsler for hekksaks – personlig sikkerhet

- **Bruk begge hender når du bruker hekksaksen.** Hvis du bruker bare én hånd, kan det føre til at du mister kontrollen, noe som kan føre til alvorlig personskade.
- **Hold alle deler av kroppen borte fra bladet. Unngå å fjerne klippet materiale og å holde i materiale som skal klippes, mens bladene beveger seg.** Bladene fortsetter å bevege seg etter at bryteren er slått av. Et øyeblikks uoppmerksomhet ved bruk av hekksaksen kan føre til alvorlig personskade.
- **Hold hekksaksen i håndtaket med bladet stoppet, og vær forsiktig så du ikke kommer borti noen strømbryter.** Riktig bæring av hekksaksen reduserer risikoen for utilsiktet start, som kan føre til personskade forårsaket av bladene.
- **Ved transport eller lagring av hekksaksen må bladdekslet alltid være montert.** Riktig håndtering

av hekksaksen reduserer risikoen for personskade forårsaket av bladene.

- **Når du fjerner fastkjørt materiale eller utfører service på enheten, må du kontrollere at alle strømbrytere er av, og at batteripakken er koblet fra eller tatt ut.** Hvis hekksaksen aktiveres uventet mens du fjerner fastkjørt materiale eller utfører vedlikehold, kan det føre til alvorlig personskade.
- **Hold hekktrimmeren bare i isolerte gripelåter, ettersom skjærekniven kan komme i kontakt med skjulte ledninger.** Hvis bladene kommer i kontakt med en strømførende ledning, kan de eksponerte metalldelene av hekksaksen bli strømførende, og dette kan gi brukeren elektrisk støt.
- **Hold alle strømledninger og kabler unna klippeområdet.** Ledninger eller kabler kan være skjult i hekker og busker, og du kan risikere å kutte dem ved et uhell.
- **Ikke bruk hekksaksen i dårlig vær, spesielt når det er fare for tordenvær.** Dette øker faren for å bli truffet av lynnedslag.
- **FARE – Ikke rør bladet med hendene.** Alvorlig personskade oppstår ved kontakt med bladet.

Generelle sikkerhetsinstruksjoner



ADVARSEL: Les de følgende advarselinstruksjonene før du bruker produktet.

- Ta alltid ut batteriet for å forhindre at produktet startes ved et uhell.
- Dette produktet er et farlig verktøy hvis du ikke er forsiktig, eller hvis du bruker produktet på feil måte. Dette produktet kan føre til alvorlig personskade eller død for operatøren eller andre.
- Ikke bruk produktet hvis det er endret fra den opprinnelige spesifikasjonen. Ikke bytt en del av produktet uten godkjenning fra produsenten. Bruk bare reservedeler som er godkjent av produsenten. Personsikade eller dødsfall er mulige konsekvenser av feil vedlikehold.
- Kontroller produktet før bruk. Se *Dette må du gjøre før du starter produktet på side 55*. Ikke bruk et defekt produkt. Utfør sikkerhetskontrollene, og følg vedlikeholds- og serviceinstruksjonene i denne bruksanvisningen.
- Barn må holdes under oppsyn for å sikre at de ikke leker med produktet. Produktet og/eller batteriet må aldri brukes av barn eller personer som ikke har fått opplæring i bruken av det. Aldersgrensen for bruk kan være underlagt lokale bestemmelser.
- Oppbevar produktet på et låst sted for å hindre tilgang for barn eller personer som ikke er godkjent.
- Oppbevar produktet utilgjengelig for barn.
- Den opprinnelige konstruksjonen til produktet må ikke under noen omstendigheter endres uten tillatelse fra produsenten. Bruk alltid originalt tilbehør. Uautoriserte modifikasjoner og/eller

tilleggsutstyr kan medføre alvorlige skader eller dødsfall for brukeren eller andre.

Merk: Bruken kan være regulert av nasjonal eller lokal lovgivning. Følg gjeldende lovgivning.

Sikkerhetsinstruksjoner for drift



ADVARSEL: Les de følgende advarslene før du bruker produktet.

- Når du kommer ut for en situasjon som gjør deg usikker på fortsatt bruk, skal du rådføre deg med en ekspert. Henvend deg til din forhandler eller ditt serviceverksted. Unngå all bruk som du ikke føler deg kvalifisert til!
- Bruk aldri produktet hvis du er sliten, har drukket alkohol eller bruker medisiner som kan påvirke syn, vurderingsevne eller kroppskontroll.
- Arbeid i dårlig vær er slitsomt og kan medføre ekstra faremomenter. Det anbefales ikke å bruke maskinen i veldig dårlig vær, for eksempel i tett tåke, kraftig regn, sterk vind eller sterk kulde eller ved fare for lyn. Dette gir økt fare.
- Feil på bladene kan øke risikoen for ulykker.
- La aldri barn bruke eller oppholde seg i nærheten av produktet. Siden produktet er lett å starte, kan barn starte det hvis de ikke holdes under oppsyn. Dette kan medføre risiko for alvorlig personskade. Batteriet må kobles fra når produktet ikke er under oppsyn.
- Sørg for at ingen mennesker eller dyr kommer nærmere enn 15 m mens du arbeider. Hvis flere arbeider på samme sted, skal sikkerhetsavstanden være minst 15 meter. Ellers kan dette medføre risiko for alvorlig personskade. Stopp produktet øyeblikkelig hvis noen kommer nærmere. Sving aldri produktet rundt uten først å ha kontrollert bakover at ingen befinner seg innenfor sikkerhetssonen.
- Sørg for at mennesker, dyr eller annet ikke kan påvirke kontrollen av produktet, og at de ikke kommer i kontakt med skjæreutstyret eller løse gjenstander som slynges ut av skjæreutstyret. Bruk imidlertid aldri produktet uten mulighet til å kunne påkalle hjelp ved en ulykke.
- Inspiser alltid arbeidsområdet. Fjern alle løse gjenstander som steiner, glasskår, spiker, ståltråd, snorer osv., som kan bli slynget av sted eller vikle seg rundt skjæreutstyret.
- Sørg for at du kan gå og stå sikkert. Se etter eventuelle hindre ved uventet forflytting (røtter, steiner, greiner, groper, forhøyninger osv.). Vær meget forsiktig ved arbeid i skrånende terreng.
- Ha god balanse og sikkert fotfeste til enhver tid. Ikke strekk deg for langt.
- Slå av produktet før du flytter det. Fest transportbeskyttelsen når produktet ikke er i bruk.

- Sett aldri produktet ned med mindre du har slått det av og tatt ut batteriet. Ikke forlat produktet uten tilsyn når det er slått på.
- Forsikre deg om at ingen klær eller kroppsdeler kan komme i kontakt med skjæreutstyret når produktet er slått på.
- Hvis noe skulle sette seg fast i bladene mens du bruker produktet, må du stoppe og slå av produktet. Kontroller at skjæreutstyret stopper helt. Ta ut batteriet før du rengjør, inspiserer eller reparerer produktet og/eller bladene.
- Når produktet er slått av, må du holde hender og føtter unna skjæreutstyret til det har stoppet helt.
- Se opp for grenstumper som kan slynges i vei under kappingen. Klipp ikke for nær bakken, der steiner og andre gjenstander kan bli slynget av gårde.
- Se opp for gjenstander som slynges ut. Godkjent øyevern skal alltid brukes. Bøy deg aldri over skjæreutstyrets beskyttelse. Steiner, skrot o.l. kan slynges opp i øynene og forårsake blindhet eller alvorlige skader.
- Vær alltid oppmerksom på varselsignaler eller tilrop ved bruk av hørselsvern. Ta alltid av hørselvernet så snart produktet stopper.
- Arbeid aldri på en stige, skammel eller stå på noe annet som ikke er ordentlig sikret.
- Hold produktet med begge hender når du bruker det. Hold produktet ved siden av kroppen.

(Fig. 16)

Personlig verneutstyr



ADVARSEL: Les de følgende advarselinstruksjonene før du bruker produktet.

- Benytt godkjent verneutstyr når du bruker produktet. Verneutstyr kan aldri fullstendig forhindre skade, men det reduserer skadeomfanget. Kontakt forhandleren for mer informasjon.
- Bruk vernehjelm dersom det kan være fare for fallende gjenstander.

(Fig. 17)

- Bruk godkjent hørselsvern. Langvarig eksponering for støy kan gi varig hørselsskade.

(Fig. 18)

- Bruk godkjent øyevern. Ved bruk av visir skal det også brukes godkjente vernebriller. Godkjente vernebriller er slike som tilfredsstill standard ANSI Z87.1 for USA eller EN 166 for EU-land.

(Fig. 19)

- Bruk vernehansker under bruk og vedlikehold.

(Fig. 20)

- Bruk vernestøvler eller -sko med sklisikre såler.

(Fig. 21)

- Bruk klær av et slitesterkt materiale. Klærne dine må være tettsittende, men ikke begrense bevegelsene dine. Bruk lange bukser og hold håret bak skuldrene. Ikke bruk smykker og åpne sko.
- Ha førstehjelpsutstyr i nærheten.

(Fig. 22)

Sikkerhetsutstyr på produktet



ADVARSEL: Les de følgende advarselinstruksjonene før du bruker produktet.

I dette avsnittet forklares produktets sikkerhetsfunksjoner, hvilken funksjon det har, og hvordan man utfører kontroll og vedlikehold for å være sikker på at det fungerer. Se bruksanvisningen under overskriften *Produktoversikt på side 48* for å finne ut hvor disse delene er plassert på produktet.

Levetiden til produktet kan forkortes og risikoen for ulykker kan øke dersom produktvedlikeholdet ikke utføres på riktig måte, og dersom service eller reparasjoner ikke er fagmessig utført. Hvis du trenger ytterligere informasjon, kan du kontakte nærmeste servicesenter.



ADVARSEL: Bruk aldri et produkt med skader på sikkerhetsutstyret. Produktets sikkerhetsutstyr skal kontrolleres og vedlikeholdes som beskrevet i dette avsnittet. Hvis produktet ikke består alle kontrollene, må serviceverksted oppsøkes for reparasjon.



OBS: All service og reparasjon av maskinen krever spesialutdanning. Dette gjelder særlig maskinens sikkerhetsutstyr. Hvis maskinen ikke består alle kontrollene som er oppgitt nedenfor, må du oppsøke et serviceverksted. Kjøp av våre produkter garanterer at du kan få utført en fagmessig reparasjon og service. Hvis maskinen ikke er kjøpt hos en av våre servicefaghandlere, så spør dem etter nærmeste serviceverksted.

Slik kontrollerer du tastaturet

1. Trykk på og hold inne start/stopp-knappen (A). (Fig. 23)
 - a) Produktet er slått på når LED-lampen (B) lyser.
 - b) Produktet er slått av når LED-lampen (B) er slukket.
2. Se *Tastatur på side 57* hvis varselampen (C) lyser eller blinker.

Slik kontrollerer du utløseren på fremre håndtak

Utløseren på fremre håndtak hindrer utilsiktet start. Når du trykker inn utløseren på fremre håndtak,

utløses kraftutløseren. Når du slipper håndtaket, går kraftutløseren og utløseren på fremre håndtak tilbake til utgangsposisjonene.

1. Kontroller at kraftutløseren og utløseren på fremre håndtak kan bevege seg fritt, og at retur fjæren fungerer som den skal.
2. Start produktet.
3. Trykk inn utløseren på fremre håndtak

(Fig. 24)

4. Trykk inn kraftutløseren. (Fig. 25)
5. Slipp utløseren på fremre håndtak, og sjekk at skjæreutstyret stanser helt.

Slik kontrollerer du håndbeskyttelsen

Håndbeskyttelsen forhindrer at hender utilsiktet kommer i kontakt med bladene.

1. Stopp produktet.
2. Fjern batteriet.
3. Se til at håndbeskyttelsen sitter ordentlig på plass.
4. Kontroller håndbeskyttelsen for skader.

Slik kontrollerer du bladene og bladbeskyttelsen

De lengre delene av bladene (A) fungerer som bladbeskyttelse.

1. Stopp produktet.
2. Fjern batteriet.
3. Ta på deg vernehansker.
4. Kontroller at bladene og bladbeskyttelsen ikke er skadet eller bøyd. Bytt ut bladene og bladbeskyttelsen hvis de er skadet eller bøyd. (Fig. 26)

Batterisikkerhet



ADVARSEL: Les de følgende advarselsinstruksjonene før du bruker produktet.

- Bruk bare batteriet i BLi-serien og 40-B-serien. Hvis du vil ha mer informasjon, kan du se *Tekniske data på side 58*. Batteriet er programvarekryptert.
- Bruk det oppladbare batteriet i BLi-serien og 40-B-serien som strømforsyning bare for de relaterte Husqvarna-produktene. For å unngå personskader må du ikke bruke batteriet som strømforsyning for andre enheter.
- Fare for elektrisk støt. Ikke la batteripolene komme i kontakt med nøkler, mynter, skruer eller andre metallgjenstander. Dette kan føre til kortslutning av batteriet.
- Ikke bruk ikke-oppladbare batterier.
- Ikke sett gjenstander inn i luftåpningene til batteriet.

- Hold batteriet unna sollys, varme og åpen ild. Batteriet kan forårsake forbrenninger og/eller kjemiske forbrenninger.
- Hold batteriet unna regn og fuktighet.
- Hold batteriet unna mikrobølger og høyt trykk.
- Ikke prøv å demontere eller ødelegge batteriet.
- Hvis batteriet lekker, må væsken ikke komme i kontakt med hud eller øyne. Hvis du har berørt væsken, må du rengjøre området med store mengder vann og såpe og oppsøke legehjelp. Unngå å gni hvis du får væske i øynene. Skyll øynene med vann i minst 15 minutter, og oppsøk legehjelp.
- Bruk batteriet i temperaturer mellom -10°C (14°F) og 40°C (114°F).
- Ikke rengjør batteriet eller batteriladeren med vann. Se *Slik rengjør du produktet, batteriet og batteriladeren på side 56*.
- Ikke bruk et defekt eller skadet batteri.
- Oppbevar batteriene unna metallgjenstander, for eksempel spikre, skruer og smykker.
- Oppbevar batteriet utilgjengelig for barn.

Sikker bruk av batteriladeren



ADVARSEL: Les de følgende advarselsinstruksjonene før du bruker produktet.

- Fare for elektrisk støt eller kortslutning hvis sikkerhetsinstruksjonene ikke følges.
- Ikke bruk andre ladere enn den som ble levert med produktet. Bruk bare QC80- og 40-C80-ladere når du lader utbyttbare batterier i BLi- og 40-B-serien.
- Ikke prøv å demontere batteriladeren.
- Ikke bruk en defekt eller skadet batterilader.
- Ikke løft batteriladeren etter strømledningen. For å koble laderen fra stikkkontakten drar du i støpselet. Ikke dra i ledningen.
- Hold alle ledninger og skjøteledninger borte fra vann, olje og skarpe kanter. Pass på at kabelaen ikke kommer i klem mellom objekter, for eksempel dører, gjerdet eller lignende.
- Ikke bruk batteriladeren i nærheten av brennbare materialer eller materialer som kan forårsake korrosjon. Kontroller at batteriladeren ikke er tildekket. Trekk ut støpselet til batteriladeren hvis det oppstår røyk eller brann.
- Bare lad batteriet innendørs på et sted med god luftsirkulasjon og som er beskyttet mot direkte sollys. Ikke lad batteriet utendørs. Ikke lad batteriet i fuktige omgivelser.
- Bare bruk batteriladeren i temperaturer mellom 5°C (41°F) og 40°C (104°F). Bruk laderen i godt ventilerte, tørre og støvfrie omgivelser.
- Ikke sett gjenstander inn i luftåpningene til laderen.
- Berør aldri ladekontaktene med metallgjenstander. Dette kan kortslutte batteriladeren.

- Bruk bare godkjente stikkontakter som ikke er skadet. Kontroller at ledningen til batteriladeren ikke er skadet. Hvis skjøteledninger brukes, må du passe på at skjøteledningene ikke er skadet.
- Ikke lad engangsbatterier i batteriladerne.

Sikkerhetsinstruksjoner for vedlikehold



ADVARSEL: Les de følgende advarslene før du utfører vedlikehold på produktet.

- Fjern batteriet før du utfører vedlikehold, andre kontroller eller monterer produktet.
- Operatøren må bare utføre vedlikehold og service som refereres til i denne bruksanvisningen. Henvend

deg til forhandleren for mer omfattende vedlikehold og service.

- Ikke rengjør batteriet eller batteriladeren med vann. Sterke vaskemidler kan skade platen.
- Hvis du ikke utfører vedlikehold, minsker levetiden til produktet og risikoen for ulykker øker.
- Det kreves spesiell opplæring for alt vedlikehold og reparasjonsarbeid, spesielt for sikkerhetsutstyret på produktet. Hvis ikke alle kontrollene i denne bruksanvisningen er godkjent etter at du har gjort vedlikehold, må du ta kontakt med serviceforhandleren. Vi garanterer at fagmessig reparasjon og service er tilgjengelig for produktet.
- Bruk bare originalreservedeler.

Montering

Innledning

Denne delen beskriver hvordan du monterer og juster produktet.



ADVARSEL: Før du monterer produktet, må du lese monteringsanvisningen og kapitlet om sikkerhet.

Slik kobler du batteriet til produktet



ADVARSEL: Bruk bare originale Husqvarna-batterier i produktet.

1. Lad batteriet helt opp.
2. Skyv batteriet inn i batteriholderen på produktet. Batteriet låses på plass når du hører et klikk. (Fig. 27)



OBS: Hvis det er vanskelig å få batteriet inn i batteriholderen, er dette fordi du prøver å sette det inn på feil måte. Dette kan skade produktet.

Slik monterer du batteriladeren (40-C80) på veggen



OBS: Ikke bruk en elektrisk skrutrekker til å montere batteriladeren på veggen. En elektrisk skrutrekker kan skade batteriladeren.

1. Monter batteriladeren på veggen med de to skruene (B). Bruk veggpluggene (A) hvis det er nødvendig. (Fig. 28)
2. Monter de to skruerullpluggene (C).
3. Koble strømledningen til batteriladeren og en stikkontakt.

Drift

Innledning



ADVARSEL: Les og forstå kapittelet om sikkerhet før du bruker produktet.

Batteri



ADVARSEL: Les og forstå kapittelet om sikkerhet før du bruker batteriet. Les og forstå bruksanvisningen for batteriet og batteriladeren.

Batteriet og batteriladeren må oppbevares i riktig omgivelsestemperatur.

	Omgivelsestemperatur
Bruk av batteriet	5 °C–40 °C / 41 °F–104 °F
Lade batteriet	5 °C–40 °C / 41 °F–104 °F

Batteristatus

Displayet viser ladestatusen og eventuelle problemer med batteriet.

(Fig. 29)

LED-indikator	Batteristatus (ladestatus)	
	BLi10	40-B70
4 LED-lamper lyser	Ikke tilgjengelig	Batteriet er 76–100 % ladet.
3 LED-lamper lyser.	Batteriet er 76–100 % ladet.	Batteriet er 51–75 % ladet.
2 LED-lamper lyser.	Batteriet er 51–75 % ladet.	Batteriet er 26–50 % ladet.
1 LED-lampe lyser.	Batteriet er 26–50 % ladet.	Batteriet er 6–25 % ladet.
1 LED-lampe blinker.	Batteriet er 0–25 % ladet.	Batteriet er 0–5 % ladet.

Slik lader du batteriet

Hvis det er første gang du bruker batteriet, må du lade det. Et nytt batteri er bare 30 % ladet.



OBS: Koble batteriladeren til et strømuttak med den spenningen og frekvensen som er angitt på typeskiltet.

Batteriet lades ikke hvis batteritemperaturen er på over 50 °C / 122 °F.

1. Koble strømledningen til batteriladeren.
2. Koble batteriladeren til en jordet stikkontakt. Ladelampen blinker én gang. (Fig. 30)
3. Koble batteriet til batteriladeren. Ladelampen slås på. Lad batteriet i maks. 24 timer. (Fig. 31)
4. Trykk på batteriindikatorknappen. Hvis alle LED-indikatorene lyser, er batteriet fulladet.
5. Trekk i støpselet for å ta batteriladeren ut av strømuttaket. Ikke dra i ledningen.
6. Fjern batteriet fra batteriladeren.

Dette må du gjøre før du starter produktet

1. Undersøk arbeidsområdet. Fjern gjenstander som kan bli slynget av gårde.
2. Undersøk skjærestyret. Kontroller at bladene er skarpe og ikke har sprekker og skader.
3. Kontroller at produktet fungerer som det skal. Kontroller at alle muttere og skruer er trukket ordentlig til.
4. Sørg for at håndtaket og sikkerhetsstyr ikke er skadet og er riktig festet. Ikke bruk et produkt som mangler deler eller som har blitt endret fra den opprinnelige spesifikasjonen. Bruk vernehansker når det er nødvendig.
5. Sørg for at dekslene ikke er skadet og er festet riktig, før du bruker produktet.

Slik starter du produktet

1. Trykk på og hold start/stopp-knappen inne til den grønne LED-lampen tennes. (Fig. 32)

2. Trykk på utløseren på fremre håndtak på det fremre håndtaket. (Fig. 33)
3. Trykk inn kraftutløseren. (Fig. 25)

Slik bruker du produktet

1. Når du klipper sidene på hekken, er det lurt å begynne nærme bakken og flytte produktet opp langs siden av hekken. Pass på at produktkroppen ikke kommer i kontakt med hekken. (Fig. 34)



ADVARSEL: Sørg for at tuppen av skjærestyret ikke kommer i kontakt med bakken.

2. Hold produktet nær kroppen for å ha en stabil arbeidsposisjon.
3. Vær forsiktig, og bruk produktet langsomt.

Slik bruker du SavE-funksjonen

Dette produktet har en strømsparingsfunksjon, SavE.

Merk: SavE-funksjonen reduserer ikke skjærekraften til produktet.

1. Trykk på SavE-knappen på tastaturet.
2. Kontroller at den grønne LED-lampen tennes.
3. Trykk på SavE-knappen på nytt for å koble ut funksjonen. Den grønne LED-lampen slukkes. (Fig. 35)

Funksjon for automatisk avslåing

Produktet har en avslåingsfunksjon som stopper produktet hvis produktet ikke brukes. Den grønne LED-lampen for start/stopp slukkes, og produktet stopper etter 180 sekunder.

Slik stopper du produktet

1. Slipp kraftutløseren og utløseren på fremre håndtak.
2. Trykk på start/stopp-knappen til den grønne LED-lampen slukkes.
3. Trykk på utløserknappene på batteriet, og ta ut batteriet. (Fig. 36)

Vedlikehold

Innledning



ADVARSEL: Les og forstå kapittelet om sikkerhet før du utfører vedlikeholdsarbeid på produktet.



ADVARSEL: Ta ut batteriet før du utfører vedlikehold på produktet.

Vedlikeholdsskjema

Under følger en liste over vedlikeholdstrinnene som må utføres på produktet.

Vedlikehold	Før bruk	Ukentlig	Månedlig
Rengjør de utvendige delene av produktet.	X		
Kontroller at start/stopp-bryteren fungerer som den skal, og at den ikke er skadet.	X		
Kontroller at kraftutløseren og utløseren på fremre håndtak fungerer riktig med hensyn til sikkerhet.	X		
Pass på at alle kontrollene fungerer og ikke er skadet.	X		
Kontroller om kapperbladet eller kapperbeskyttelsen har sprekker eller er skadet. Bytt ut kapperbladet eller kapperbeskyttelsen hvis de har sprekker eller har blitt utsatt for støt.	X		
Bytt ut kapperbladet hvis det er bøyd eller skadet.	X		
Kontroller at håndbeskyttelsen ikke er skadet. Bytt ut beskyttelsen hvis den er skadet.	X		
Kontroller at skruer og mutre sitter stramt.	X		
Kontroller at batteriet ikke er skadet.	X		
Kontroller at batteriet er ladet.	X		
Kontroller at batteriladeren ikke er skadet.	X		
Sørg for at skruene som holder kapperbladene sammen, er trukket riktig til.		X	
Kontroller forbindelsene mellom batteriet og produktet. Kontroller forbindelsen mellom batteriet og batteriladeren.			X

Slik kontrollerer du batteriet og batteriladeren

1. Kontroller batteriet for skader, for eksempel sprekker.
2. Kontroller batteriladeren for skader, for eksempel sprekker.
3. Kontroller at strømledningen til batteriladeren ikke er skadet, og at det ikke er sprekker i den.

Slik rengjør du produktet, batteriet og batteriladeren

1. Rengjør produktet med en tørr klut etter bruk.

2. Rengjør batteriet og batteriladeren med en tørr klut. Hold batterisporene rene.
3. Kontroller at terminalene på batteriet og batteriladeren er rene før batteriet settes i batteriladeren eller produktet.

Slik undersøker du bladet

1. Fjern uønsket materiale fra bladet med et anti-rust-rengjøringsmiddel før og etter bruk av produktet.
2. Undersøk eggene på bladet for skader og deformering.
3. Bruk en fil for å fjerne ujevnheter på bladet.
4. Kontroller at knivene beveger seg fritt.

Slik rengjør og smører du bladet

1. Rengjør uønsket materiale fra bladet før og etter bruk av produktet.
2. Smør bladet før lang tids oppbevaring.

Merk: Ta kontakt med serviceforhandleren din for å få mer informasjon om anbefalt rengjørings- og smøremiddel.

- Bruk Husqvarna spesialfett. Ta kontakt med serviceforhandleren din for å få mer informasjon om anbefalt fett.
- Bruk bare en liten mengde spesialfett av høy kvalitet.



OBS: Ikke fyll girhuset helt.

Slik smører du giret

Smør fett på girhuset hvis giret har blitt demontert av en godkjent serviceforhandler.

Feilsøking

Tastatur

LED-skjerm	Mulige feil	Mulige løsninger
LED-feillampen blinker.	Overbelastning	Skjæreutstyret beveger seg ikke fritt. Løsne skjæreutstyret.
	Temperaturavvik	La produktet avkjøles.
Produktet starter ikke.	Trykk på kraftutløseren og startknappen samtidig.	Slipp kraftutløseren, og stans produktet.
LED-feillampen tennes med rødt lys.	Det er nødvendig å utføre service på produktet.	Ta kontakt med serviceforhandleren din.

Batteri

LED-display	Mulige feil	Mulig handling
Den grønne LED-lampen blinker.	Lav batterispenning	Lad batteriet.
LED-feillampen blinker.	Temperaturavvik	Bruk batteriet i temperaturer mellom -10°C (14°F) og 40°C (104°F).
	For sterk spenning	Kontroller at nettspenningen samsvarer med den som er angitt på typeskiltet på produktet. Fjern batteriet fra batteriladeren.
LED-feillampen er tent.	For stor forskjell mellom cellene (1 V).	Snakk med serviceforhandleren din.

Batterilader

Problem	Mulige feil	Mulig løsning
Ladelampen lyser rødt.	Permanent feil med batteriladeren.	Ta kontakt med forhandleren din.

Problem	Mulige feil	Mulig løsning
Ladelampen blinker grønt.	Temperaturavvik – Batteriet er for kaldt eller for varmt for bruk eller lading.	La batteriet avkjøles, eller varm det opp. Når batteriet har riktig temperatur, kan det brukes eller lades igjen. Bruk batteriladeren i omgivelsestemperaturer på mellom 5 °C (41 °F) og 40 °C (104 °F).
Ladelampen blinker rødt.	Defekt batteri.	Ta kontakt med forhandleren din.

Transport, oppbevaring og avhending

Transport og oppbevaring

- De medfølgende litiumionbatteriene samsvarer med kravene i loven om farlige varer.
- Følg de spesifikke kravene på emballasje og etiketter for kommersiell transport, inkludert av tredjeparter og fraktleverandører.
- Snakk med en person med spesiell opplæring i farlige materialer før du sender produktet. Følg alle gjeldende nasjonale forskrifter.
- Bruk tape på åpne kontakter når du plasserer batteriet i en pakke. Pakk batteriet stramt for å hindre bevegelse.
- Fjern batteriet ved lagring og transport.
- Oppbevar batteriet og batteriladeren på et sted som er tørt og fri for fukt og frost.
- Batteriet må ikke oppbevares på steder der det kan forekomme statisk elektrisitet. Ikke oppbevar batteriet i en metallkasse.
- Oppbevar batteriet i temperaturer mellom 5 °C (41 °F) og 25 °C (77 °F) og unna direkte sollys.
- Oppbevar batteriladeren i temperaturer mellom 5 °C (41 °F) og 45 °C (113 °F) og unna direkte sollys.
- Bruk batteriladeren bare i temperaturer mellom 5 °C (41 °F) og 40 °C (104 °F).
- Lad opp batteriet til 30–50 % før du setter det til oppbevaring i lange perioder.

- Oppbevar batteriladeren på et sted som er lukket og tørt.
- Hold batteriet og batteriladeren separert under oppbevaring. Ikke la barn eller andre uautoriserte personer røre utstyret. Oppbevar utstyret i et område som kan låses.
- Rengjør produktet og utfør en fullstendig service før du setter det til oppbevaring i lang tid.
- Bruk transportbeskyttelsen på produktet for å unngå personskader eller skade på produktet under transport og oppbevaring.
- Fest produktet på en sikker måte under transport.

Kassering av batteri, batterilader og produktet

Symbolene på produktet eller produktemballasjen angir at dette produktet ikke skal håndteres som restavfall. Resirkuler det på et gjenvinningsanlegg for elektrisk og elektronisk utstyr. Dette bidrar til å forhindre miljøskader og personskader.

Ta kontakt med lokale myndigheter, det lokale renovasjonsvesenet eller forhandleren hvis du ønsker mer informasjon om hvordan produktet ditt skal gjenvinnes.

Tekniske data

Tekniske data

	215iHD45
Motor	
Motortype	BLDC
Vekt	
Vekt uten batteri, kg	3,2

	215iHD45
Kapperblad	
Type	Dobbeltsidig
Bladlengde, mm	450
Bladhastighet, klipp/min (med SavE-modus)	2400
Bladhastighet, klipp/min (uten SavE-modus)	3000
Støyutslipp⁷	
Lydeffektnivå, målt dB(A)	87
Lydeffektnivå, garantert L _{WA}	90
Lydnivåer	
Lydtryknivå ved brukerens øre, målt i henhold til EN 62841-4-2, dB(A)	79
Vibrasjonsnivåer⁸	
Vibrasjonsnivåer (a _h), fremre/bakre, m/s ²	2,1/1,7

Godkjente batterier til produktet

Batteri	BLi10		40-B70
Type	Litium-ion		Litium-ion
Batterikapasitet, Ah	Se etiketten for batterikapasitet		Se etiketten for batterikapasitet
Nominell spenning, V	36	36,5	36
Vekt, kg	0,7	0,7	0,8

Godkjente batteriladere til produktet

Batterilader	QC80	40-C80
Nettspenning, V	100–240	100–240
Frekvens, Hz	50-60	50-60
Effekt, W	100	72
Utgangsspenning, V DC Ampere, A	36/2	43/1,6

⁷ Utslipp av støy til omgivelsene målt som lydeffekt (L_{WA}) samsvarer med EF-direktiv 2000/14/EF. Forskjellen mellom garantert og målt lydeffekt er at garantert lydeffekt også omfatter spredning i måleresultatet og variasjoner mellom forskjellige produkter av samme modell, i henhold til direktivet 2000/14/EF.

⁸ Rapporterte data for vibrasjonsnivå har en typisk statistisk spredning (standardavvik) på 1,5 m/s².

Det oppgitte totale vibrasjonsnivået er målt i samsvar med en standard testmetode, og kan brukes til å sammenligne ett redskap med et annet.

Det oppgitte totale vibrasjonsnivået kan også brukes til innledende vurdering av eksponering.

Samsvarserklæring

EU-samsvarserklæring

Vi, **Husqvarna AB**, SE-561 82 Huskvarna, Sverige, tf.:
+46 36 146500, erklærer på eget ansvar at produktet:

Beskrivelse	Batteridrevet hekktrimmer
Merke	Husqvarna
Type/modell	215iHD45
ID	Serienumre datert 2024 og senere

fullstendig overholder følgende EU-direktiver og
-forskrifter:

Direktiv/regulering	Beskrivelse
2006/42/EF	«angående maskiner»
2014/30/EU	«om elektromagnetisk kompatibilitet»
2000/14/EF	«angående utslipp av støy til omgivelsene»
2011/65/EU	«om begrensning av bruk av visse farlige stoffer i elektrisk og elektronisk utstyr»

og at følgende standarder eller tekniske spesifikasjoner
er anvendt: EN 62841-4-2:2019+A1:2022+A11:2022,
EN 62841-1:2015+A11:2022, EN IEC 55014-1:2021, EN
IEC 55014-2:2021, EN IEC 63000:2018.

I samsvar med direktiv 2000/14/EF tillegg V, se
Tekniske data på side 58 for de oppgitte lydverdiene.

Huskvarna, 2024-02-01

Claes Losdal, FoU-leder, Husqvarna AB

Ansvarlig for teknisk dokumentasjon



Sisällys

Johdanto.....	60	Vianmääritys.....	70
Turvallisuus.....	61	Kuljettaminen, säilyttäminen ja hävittäminen.....	71
Asentaminen.....	67	Tekniset tiedot.....	71
Käyttö.....	67	Vaatimustenmukaisuusvakuutus.....	73
Huolto.....	69		

Johdanto

Tuotekuvaus

Husqvarna 215iHD45 on akkukäyttöinen pensasleikkuri,
jossa on sähkömoottori.

Käytön aikaista turvallisuutta ja tehokkuutta kehitetään
jatkuvasti. Saat lisätietoja huoltoliikkeestä.

Käyttötarkoitus

Käytä laitetta oksien ja risujen katkaisuun. Älä käytä laitetta muihin tehtäviin.

Laitteen kuvaus

(Kuva 1)

1. Käyttöohjekirja
2. Takakahva
3. Etuliipaisin
4. Etukahva
5. Terä
6. Kuljetussuojus
7. Käyttöliipaisin
8. Ohjauspaneeli
9. Käsisuoja
10. Akku
11. Akkulaturi, 40-C80
12. Liitin
13. Akun varaustilan painike
14. Akun tila
15. Varoitusvalo
16. SavE-painike
17. Käynnistys-/pysäytyspainike
18. Virran ja varoitusten merkivalo
19. Akun vapautuspainikkeet
20. Akkulaturi QC80
21. Virtajohto

Laitteen symbolit

- (Kuva 2) VAROITUS: Tämä laite voi olla vaarallinen ja aiheuttaa käyttäjälle tai sivullisille vakavia vahinkoja tai kuoleman. Ole varovainen ja käytä tuotetta oikein.
- (Kuva 3) Lue käyttöohje huolellisesti ja varmista, että ymmärrät sen sisällön, ennen kuin alat käyttää laitetta.
- (Kuva 4) Käytä suojalaseja.
- (Kuva 5) Laite täyttää voimassa olevien EY-direktiivien vaatimukset.
- (Kuva 6) Laitetta tai sen pakkausta ei saa hävittää kotitalousjätteen mukana.

Vie se asianmukaiseen sähkö- ja elektroniikkalaitteiden keräyspisteeseen.

(Kuva 7) Ei saa altistaa sateelle.

(Kuva 8) Tasavirta.

(Kuva 9) EU- (myös Uuden Etelä-Walesin lainsäädännön) ja UK-direktiivien ja -säädösten mukainen ympäristön melupäästökilpi. Melupäästöt ilmoitetaan koneen arvokilvessä ja luvussa Tekniset tiedot.

(Kuva 10) Tämä tuote täyttää sovellettavissa olevien UK-säädösten vaatimukset.

(Kuva 11) Varoitus: Pidä kädet poissa terän ulottuvilta.

yyyywwxxxx Tyypikilvessä näkyy sarjanumero, jossa **yyyy** on valmistusvuosi ja **ww** on valmistusviikko.

Huomautus: Muita laitteen tunnuksia/tarroja tarvitaan tietyillä markkina-alueilla ilmaisemaan erityisiä sertifiointivaatimuksia.

Akun ja/tai akkulaturin symbolit

- (Kuva 15) Vie tämä laite asianmukaiseen sähkö- ja elektroniikkalaitteiden keräyspisteeseen. (Koskee ainoastaan Eurooppaa)
- (Kuva 12) Vikaturvallinen muuntaja.
- (Kuva 13) Käytä ja säilytä akkulaturia ainoastaan sisätiloissa.
- (Kuva 14) Kaksoiseristys.

Turvallisuus

Turvallisuusmääritelmät

Varoituksia, huomioita ja huomautuksia käytetään, kun jotakin käyttöohjeen osaa halutaan erityisesti korostaa.



VAROITUS: Tätä käytetään, jos käyttöohjeen noudattamatta jättämisestä voi seurata käyttäjän tai sivullisen vamma tai kuolema.



HUOMAUTUS: Tätä käytetään, jos käyttöohjeen noudattamatta jättämisestä voi seurata koneen, muiden materiaalien tai ympäristön vaurioituminen.

Huomautus: Tätä käytetään tietyissä tilanteissa tarvittavien lisätietojen antamiseen.

Yleiset sähkötyökaluja koskevat varoitukset



VAROITUS: Lue kaikki turvavaroitukset ja kaikki ohjeet. Varoitusten ja ohjeiden noudattamisen laiminlyöminen voi johtaa sähköiskuun, tulipaloon ja/tai vakavaan tapaturmaan.

Huomautus: Sästä kaikki varoitukset ja ohjeet tulevaa käyttöä varten. Varoituksissa termillä "sähkötyökalu" tarkoitetaan verkkosähköllä toimivaa (johdollista) sähkötyökalua tai akkukäyttöistä (johdotonta) sähkötyökalua.

Työalueen turvallisuus

- **Pidä työalue siistinä ja hyvin valaistuna.** Sotkuiset tai hämärät alueet ovat alttiita onnettomuuksille.
- **Älä käytä sähkötyökaluja räjähdysriskissä ympäristössä, esimerkiksi herkästi syttyvien nesteiden, kaasujen tai pölyn läheisyydessä.** Sähkötyökaluista lähtevät kipinät voivat sytyttää pölyn tai kaasut.
- **Pidä lapset ja sivulliset poissa, kun käytät sähkötyökalua.** Häiriöt voivat saada sinut menettämään työkalun hallinnan.

Sähköturvallisuus

- **Sähkötyökalun pistokkeen on sovitettava pistorasiaan. Älä koskaan muuta pistoketta millään tavoin. Älä käytä mitään pistokesovittimia maadoitettujen sähkötyökalujen kanssa.** Muuttamattomat pistokkeet ja sopivat pistorasiat vähentävät sähköiskun vaaraa.
- **Varo koskettamasta maadoitettuja pintoja, kuten putkia, pattereita, liesiä ja jääkaappeja.** Sähköiskun vaara kasvaa, jos kehoasi koskee maadoitusta.
- **Älä altista sähkötyökaluja sateelle tai märille olosuhteille.** Sähkötyökaluun päässyt vesi lisää sähköiskun vaaraa.
- **Älä vahingoita johtoa. Älä koskaan käytä johtoa kantamiseen, vetämiseen tai pistokkeen irrottamiseen pistorasiasta. Pidä johto etäällä kuumuudesta, öljystä, terävistä reunoista tai liikkuvista osista.** Vahingoittuneet tai sokeutuneet johdot lisäävät sähköiskun vaaraa.
- **Kun käytät sähkötyökalua ulkona, käytä ulkotoiloihin sopivaa jatkojohtoa.** Ulkokäyttöön sopivan johdon käyttäminen vähentää sähköiskun vaaraa.

- **Mikäli sähkötyökalun käyttämistä kosteassa ei voida välttää, käytä virtalähdettä, jossa on vikavirtasuojakytkin (RCD).** Vikavirtasuojakytkimen käyttö vähentää sähköiskun vaaraa.



VAROITUS: Älä pese laitetta painepesurilla, koska vettä voi päästä sähköjärjestelmään tai moottoriin. Tämä voi vahingoittaa laitetta tai aiheuttaa koneeseen oikosulun.

Henkilökohtainen turvallisuus

- **Pysy valppaana, katso mitä teet ja käytä tervettä järkeä käyttäessäsi sähkötyökalua. Älä käytä sähkötyökalua väsyneenä tai alkoholin, huumeiden tai lääkityksen vaikutuksen alaisena.** Hetken epähuomio sähkötyökaluja käytettäessä voi johtaa vakavaan henkilövahinkoon.
- **Käytä henkilökohtaisia suojavarusteita. Pidä aina silmäsuojia.** Hengityssuojain, luistamattomat turvakengät, kypärä, kuulosuojaimet ja muut suojavarusteet niitä vaativissa oloissa käytettyinä vähentävät henkilövahinkoja.
- **Estä tahaton käynnistys. Varmista ennen virtalähteeseen ja/tai akkuun kytkemistä, työkaluun tarttumista tai sen kantamista, että sen virta on katkaistu.** Sähkötyökalujen kantaminen sormi katkaisijalla tai niiden kytkeminen sähköverkkoon tai akkuun katkaisimen ollessa päällä altistaa onnettomuuksille.
- **Irrota mahdolliset säätöavaimet ennen virran kytkemistä sähkötyökaluun.** Sähkötyökalun pyöriivään osaan kiinnitetty avain voi aiheuttaa henkilövahingon.
- **Älä kurota. Säilytä aina tukeva asento ja tasapaino.** Tämä mahdollistaa sähkötyökalun paremman hallinnan odottamattomissa tilanteissa.
- **Pukeudu oikein. Älä käytä löysästi istuvia vaatteita tai koruja. Pidä hiukset ja vaatteet etäällä liikkuvista osista.** Löysät vaatteet, korut tai pitkät hiukset voivat tarttua liikkuviin osiin.
- **Jos käytettävissä on kytkentämahdollisuus pölynpoistojärjestelmälle, varmista, että se kytketään ja että sitä käytetään oikein.** Pölynpoistojärjestelmän käyttö voi vähentää pölyyn liittyviä riskejä.
- **Vaikka olisit käyttänyt työkaluja usein ja tuntisit ne hyvin, muista aina ottaa huomioon työkalun turvamääräykset.** Huolimaton toiminta voi aiheuttaa vakavia vahinkoja sekunnin murto-osassa.
- **Tärinäpäästöt sähkötyökalun varsinainen käytön aikana voivat poiketa ilmoitetusta kokonaisarvosta työkalun käyttötavasta riippuen. Käyttäjien tulee itsensä suojaamiseksi noudattaa turvatoimia, jotka perustuvat päästöjen arviointiin todellisissa käyttöolosuhteissa (huomioon ottaen kaikki käyttöjakson osat, kuten työkalun päältäkytkemisaika ja se, milloin se käy joutokäynnillä, liipaisimen lisäksi).**

Sähköyökalujen käyttö ja huolto

- **Älä pakota sähköyökalua.** Käytä käyttötarkoitukseen sopivaa sähköyökalua. Oikea sähköyökalu tekee työn paremmin ja turvallisemmin nopeudella, jota varten se on suunniteltu.
- **Älä käytä sähköyökalua, jos virtaa ei voi kytkeä ja katkaista virtakatkaisimella.** Mikä tahansa sähköyökalu, jota ei voi hallita katkaisimella, on vaarallinen, ja se pitää korjata.
- **Irrota pistoke pistorasiasta ja/tai akku sähköyökalusta, mikäli mahdollista, ennen kuin teet mitään säätöjä, vaihdat lisävarusteita tai varastoit sähköyökalun.** Sellaiset varotoimet vähentävät riskiä, että sähköyökalu käynnistetään vahingossa.
- **Varastoi käyttämättömät sähköyökalut pois lasten ulottuvilta, äläkä anna henkilöiden, jotka eivät tunne sähköyökalua tai näitä ohjeita, käyttää sähköyökalua.** Sähköyökalut ovat vaarallisia kouluttamattomien käyttäjien käsissä.
- **Huolla sähköyökaluja ja lisävarusteita.** Tarkista, etteivät liikkuvat osat ole väärin suunnattuja tai tarttuvia, ettei mikään osa ole murtunut sekä kaikki muut tekijät, jotka voivat vaikuttaa sähköyökalun toimintaan. Jos sähköyökalu on vahingoittunut, korjauta se ennen käyttöä. Monet onnettomuudet johtuvat huonosti huolletuista sähköyökaluista.
- **Pidä leikkaustyökalut terävinä ja puhtaina.** Oikein huolletut leikkaustyökalut, joiden leikkausreunat ovat terävät, eivät juutu kiinni niin helposti ja ovat helpommin hallittavissa.
- **Käytä sähköyökalua, lisävarusteita, teriä jne. näiden ohjeiden mukaisesti ottaen huomioon työskentelyolosuhteet ja suoritettavan työn laadun.** Sähköyökalun käyttäminen ennakoiduista poikkeavissa olosuhteissa voi johtaa vaaratilanteeseen.
- **Pidä kahvat ja tarttumapinnat kuivina, puhtaina ja öljyttöminä sekä puhtaana vasellinista.** Liukkaat kahvat ja tarttumapinnat eivät mahdollista työkalun turvallista käsittelyä ja hallintaa odottamattomissa tilanteissa.

Akkukäyttöisten työkalujen käyttö ja huolto

- **Lataa akku ainoastaan valmistajan tarkoitukseen nimeämällä laturilla.** Tietynlaiseen akustoon soveltuva laturi voi aiheuttaa tulipalon vaaran, jos sitä käytetään toisenlaisen akuston lataamiseen.
- **Liitä tuotteisiin ainoastaan niissä käytettäviksi hyväksytyt akkuja.** Muunlaisten akkujen käyttö voi aiheuttaa tapaturmien tai tulipalon vaaran.
- **Kun akkua ei käytetä, pidä se etäällä metalliesineistä, kuten paperiliittimistä, kolloista, avaimista, nauloista, ruuveista tai muista pienistä metalliesineistä, jotka saattavat aiheuttaa kosketuksen liittinten välillä.** Akkuliittinten saattaminen keskenään oikosulkuun voi aiheuttaa palovammoja tai tulipalon.
- **Akusta voi tihkua nestettä väärissä olosuhteissa. Vältä kosketusta akkuneosteeseen. Jos akkuneustettä**

joutuu iholle, huuhtele ihoalue vedellä. Jos neste joutuu kosketuksiin silmien kanssa, ota myös yhteys lääkäriin. Akkuneuste voi aiheuttaa ihoärsytystä tai palovammoja.

- **Älä käytä vaurioitunutta tai muutettua akkua tai työkalua.** Jos tuotteessa käytetään vaurioituneita tai muutettuja akkuja, tuote ei välttämättä toimi asianmukaisesti. Seurauksena saattaa olla tulipalo, räjähdys tai tapaturma.
- **Älä altista akkua tai työkalua tulelle tai korkeille lämpötiloille.** Tuotteen altistuminen tulelle tai yli 130 °C:n lämpötilalle voi aiheuttaa räjähdyksen.
- **Noudata kaikkia latausohjeita äläkä lataa akkua tai työkalua ohjeissa määritetyn lämpötila-alueen ulkopuolella.** Akun lataaminen väärin tai sallituista lämpötiloista poikkeavissa olosuhteissa voi vahingoittaa akkua ja lisätä tulipaloriskiä.

Huolto

- **Anna sähköyökalun korjaaminen pätevän korjaajan tehtäväksi, joka käyttää vain täysin samanlaisia vaihto-osia.** Tämä varmistaa, että sähköyökalu säilyy turvallisena käyttäjä.
- **Älä koskaan huolla vahingoittuneita akkuja.** Akkuja saavat huoltaa vain valmistaja ja valtuutetut palveluntarjoajat.

Pensasleikkurin turvavaroitukset – henkilökohtainen turvallisuus

- **Pidä pensasleikkurista kiinni molemmin käsin.** Laitteen käyttö vain toisella kädellä voi johtaa hallinnan menettämiseen ja vakavaan henkilövahinkoon.
- **Pidä kaikki kehon osat poissa terän ulottuvilta. Älä yritä raivata leikkujätettä tai pitää leikkattavaa materiaalia kädessäsi, kun terät liikkuvat.** Terän liike jatkuu, kun kytkin on asetettu OFF-asentoon. Hetken epähuomio pensasleikkuria käytettäessä voi johtaa vakavaan henkilövahinkoon.
- **Kanna pensasleikkuria kahvasta ja varmista, että terä on pysäytetty.** Älä käytä virtakytkimiä. Pensasleikkurin asianmukainen kantaminen vähentää tahattoman käynnistyksen ja terien aiheuttamien henkilövahinkojen vaaraa.
- **Kun kuljetat pensasleikkuria tai viet sen varastoon, käytä aina terän suojusta.** Pensasleikkurin asianmukainen käsittely vähentää terien mahdollisesti aiheuttamien henkilövahinkojen riskiä.
- **Kun irrotat juuttunutta materiaalia tai huollat laitetta, varmista, että kaikki virtakytkimet on asetettu OFF-asentoon ja että akku on irrotettu tai irtikytketty.** Pensasleikkurin käynnistäminen vahingossa juuttunutta ainesta irrottaessa tai laitetta huoltaessa voi johtaa vakavaan henkilövahinkoon.
- **Pitele pensasleikkuria vain eristetyistä tarttumapinnasta, koska terä voi osua pilotettuihin johtoihin.** Jos terät koskettavat jännitteellistä sähköjohtoa, myös pensasleikkurin paljaisiin

metalliosion voi syntyä jännite, jolloin käyttäjä voi saada sähköiskun.

- **Pidä kaikki virtajohdot ja kaapelit poissa leikkuualueelta.** Käytön aikana virtajohdot tai kaapelit voi jäädä näkyttömiin pensasaitoihin tai pensaikoihin, jolloin terä saattaa vahingossa leikata niitä.
- **Älä käytä pensasleikkuria epäsuotuisissa sääolosuhteissa etenkin, jos salamointi on mahdollista.** Näin pienennät salamaniskujen riskiä.
- **VAARA – Pidä kädet poissa terän ulottuvilta.** Terän koskettaminen aiheuttaa vakavia henkilövahinkoja.

Yleiset turvaohjeet



VAROITUS: Lue seuraavat varoitusohjeet ennen laitteen käyttämistä.

- Irrota akku käytön jälkeen, jotta laite ei käynnisty vahingossa.
- Tämä laite on vaarallinen työkalu, jos sitä käytetään huolimattomasti tai väärin. Tämä laite voi aiheuttaa käyttäjälle tai sivullisille vakavia vahinkoja tai kuoleman.
- Älä käytä laitetta, jos sen alkuperäisiä ominaisuuksia on muutettu. Älä muuta edes osaa laitteesta ilman valmistajan lupaa. Käytä vain valmistajan hyväksymiä osia. Virheellinen huolto voi aiheuttaa tapaturman tai kuoleman.
- Tarkista laite ennen käyttöä. Katso *Toimet ennen laitteen käynnistämistä sivulla 68*. Älä käytä vaurioitunutta laitetta. Noudata tässä käyttöohjeessa annettuja turvallisuusohjeita, kunnossapitoa ja huoltoa koskevia ohjeita.
- Lapsia on valvottava, jotta voidaan varmistaa, etteivät he leiki laitteella. Älä koskaan anna lasten tai henkilöiden, joille ei ole annettu laitteen ja/tai akun käyttökoulutusta, käyttää tai korjata sitä. Paikalliset määräykset saattavat rajoittaa käyttäjän ikää.
- Säilytä laitetta lukitussa varastossa, jonne lapset ja asiattomat henkilöt eivät pääse.
- Säilytä laite lasten ulottumattomissa.
- Laitteen rakennetta ei missään tapauksessa saa muuttaa ilman valmistajan lupaa. Käytä aina alkuperäisiä lisävarusteita. Hyväksymättömien muutosten ja/tai lisävarusteiden käyttö voi aiheuttaa käyttäjälle ja muille vakavia vahinkoja tai kuoleman.
- Jos käytön jatkaminen tuntuu epävarmalta, kysy neuvoa asiantuntijalta. Käänny jälleenmyyjäsi tai huoltoliikkeen puoleen. Älä tee mitään sellaista, mihin et katso taitosi riittävän.
- Älä koskaan käytä laitetta, jos olet väsynyt tai nauttinut alkoholia tai huumeita, tai jos käytät lääkkeitä tai muita tuotteita, jotka voivat vaikuttaa näkökykyysi, harkintakykyysi tai kehosi hallintaan.
- Huonossa säässä työskentely on väsyttävää, ja siihen liittyy usein riskitekijöitä. Riskitekijöiden takia laitetta ei ole suositeltavaa käyttää huonoissa sääolosuhteissa, kuten sumuisella tai sateisella säällä, kovalla tuulella, erittäin kylmällä säällä tai ukkosella.
- Virheelliset terät voivat lisätä onnettomuuksien vaaraa.
- Älä anna lasten käyttää laitetta tai oleskella sen läheisyydessä. Koska laite on helppo käynnistää, myös lapset saattavat pystyä käynnistämään sen, ellei heitä valvota. Tämä voi johtaa vakaviin henkilövahinkoihin. Irrota laite aina, kun laite on ilman valvontaa.
- Huolehdi siitä, että ihmiset ja eläimet ovat työn aikana vähintään 15 metrin päässä laitteesta. Kun useampia käyttäjiä työskentelee samalla työalueella, on turvaetäisyyden oltava vähintään 15 m. Muuten vaarana ovat vakavat henkilövahingot. Sammuta laite välittömästi, jos joku tulee lähemmäs. Älä käänny laitteen kanssa ympäri tarkistamatta ensin, ettei turva-alueella ole ketään.
- Varmista, etteivät ihmiset, eläimet tai muut tekijät pääse vaikuttamaan laitteen hallintaan tai joudu kosketuksiin terälaitteen tai terälaitteesta sinkoutuvien irtoneisten esineiden kanssa. Älä kuitenkaan käytä laitetta, ellei sinulla ole mahdollisuutta kutsua apua onnettomuustapauksessa.
- Tarkista aina työalue. Poista kaikki irralliset esineet, kuten kivet, lasinsirpaleet, naulat, rautalangat, narut ja vastaavat, jotka voivat sinkoutua liikkeelle tai kietoutua leikkuulaitteistoon.
- Varmista, että voit siirtyä ja seisoa turvallisesti. Tarkista, onko ympäristössä esteitä (juuria, kiviä, oksia, kuoppia, oja jne.) äkilliselle siirtymiselle. Ole erittäin varovainen työskennellessäsi viettävässä maastossa.
- Seiso aina tasapainoisessa ja tukevassa asennoissa. Älä kurota.
- Sammuta laite, kun siirryt alueelta toiselle. Kiinnitä kuljetussuojus laiteeseen, kun laitetta ei käytetä.
- Älä koskaan laske laitetta maahan, ellei ole pysäyttänyt sitä ja poistanut akkua. Valvo laitetta aina, kun se on käynnissä.
- Varmista, etteivät vaatteet tai ruumiinosat pääse koskemaan terälaitteeseen laitteen ollessa käynnissä.
- Jos teriin tarttuu jotain käytön aikana, pysäytä ja sammuta laite. Varmista, että terälaitteeseen on pysähtynyt kokonaan. Poista akku ennen kuin puhdistat, tarkistat tai korjaat laitetta ja/tai teriä.

Huomautus: Käyttöä säädellään mahdollisesti kansallisilla tai paikallisilla laeilla. Noudata ilmoitettuja määräyksiä.

Turvallisuusohjeet käyttöä varten



VAROITUS: Lue seuraavat varoitusohjeet ennen laitteen käyttämistä.

- Kun laite on sammutettu, pidä kädet ja jalat etäällä terälaitteesta, kunnes se on täysin pysähtynyt.
- Varo oksanpätkiä, joita voi sinkoutua ilmaan leikkuun aikana. Älä sahaa liian lähellä maanpintaa, sillä ilmaan voi sinkoutua kiviä ja muuta irtotavaraa.
- Varo sinkoutuvia esineitä. Hyväksyttäviä silmiensuojaimia on aina käytettävä. Älä koskaan nojaa terälaitteen suojuksen yli. Kivet, roskat yms. saattavat sinkoutua silmiin ja aiheuttaa sokeutumisen tai vakavia vahinkoja.
- Tarkkaile aina varoitussignaaleja ja -huutoja kuulonsuojaimia käyttäessäsi. Riisu kuulonsuojaimet välittömästi laitteen pysäytyksen jälkeen.
- Älä koskaan työskentele tikkailla tai muulta huonosti kiinnitetyiltä korkealta paikalta.
- Pidä laitteesta kiinni molemmin käsin. Pidä laitetta kehon sivulla.

(Kuva 16)

Henkilökohtainen suojavarustus



VAROITUS: Lue seuraavat varoitushjeet ennen laitteen käyttämistä.

- Käytä hyväksytyjä henkilökohtaisia suojavarusteita, kun käytät konetta. Henkilökohtaiset suojavarusteet eivät poista tapaturmien vaaraa täysin, mutta ne voivat lieventää vammoja. Lisätietoja saat jälleenmyyjältä.
- Käytä suojakypärää paikoissa, joissa putoilevat esineet aiheuttavat vaaraa.

(Kuva 17)

- Käytä hyväksytyjä kuulonsuojaimia. Pitkäaikainen altistuminen melulle saattaa aiheuttaa pysyviä kuulovaurioita.

(Kuva 18)

- Käytä hyväksytyjä silmäsuojaimia. Visiiriä käytettäessä on käytettävä myös hyväksytyjä suojalaseja. Hyväksytyillä suojalaseilla tarkoitetaan laseja, jotka täyttävät standardin ANSI Z87.1 (Yhdysvallat) tai EN 166 (EU-maat) vaatimukset.

(Kuva 19)

- Käytä suojakäsineitä käytön ja ylläpitotöiden aikana.

(Kuva 20)

- Käytä turvajalkineita, joissa on luistamaton pohja.

(Kuva 21)

- Käytä lujasta materiaalista valmistettuja vaatteita. Vaatteiden on oltava vartalonmyötäiset, mutta ne eivät saa rajoittaa liikkumista. Käytä pitkiä housuja ja sido hiukset niskan taakse. Älä käytä koruja tai avokenkiä.
- Pidä ensiaputarvikkeet lähetyvillä.

(Kuva 22)

Tuotteen turvalaitteet



VAROITUS: Lue seuraavat varoitukset ennen tuotteen käyttöä.

Tässä osassa kerrotaan laitteen turvaominaisuuksista ja niiden toiminnasta sekä annetaan tarkastus- ja kunnossapito-ohjeet, joilla varmistetaan laitteen toimivuus. Lue kohdasta *Laitteen kuvaus sivulla 61* tiedot siitä, missä osat sijaitsevat laitteessa.

Laitteen käyttöä voi lyhentyä ja onnettomuusvaara kasvaa, jos laitteen kunnossapitoa ei suoriteta oikein ja jos huoltoa ja/tai korjauksia ei tehdä ammattitaitoisesti. Saat lisätietoja lähimmästä huoltoliikkeestä.



VAROITUS: Älä koskaan käytä tuotetta, jos sen turvalaitteet ovat vaurioituneet. Laitteen turvalaitteet on tarkastettava ja pidettävä kunnossa tässä osassa esitetyllä tavalla. Jos laitteessasi ilmenee tarkastettaessa puutteita, se on toimitettava huoltoliikkeeseen korjattavaksi.



HUOMAUTUS: Kaikki laitteen huolto- ja korjaustyöt vaativat erikoiskoulutusta. Tämä koskee erityisesti laitteen turvavarustusta. Jos laitteessa havaitaan puutteita alla luetelluissa tarkastuksissa, on sinun otettava yhteys huoltoliikkeeseen. Hankkimalla laitteen meiltä varmistat, että saat sille ammattimaisen korjauksen ja huollon. Jos ostat laitteen muusta kuin huollot suorittavasta ammattiliikkeestä, pyydä myyjää neuvoamaan lähin huoltoliike.

Näppäimistön tarkistaminen

1. Paina käynnistys-/pysäytyspainiketta (A). (Kuva 23)
 - a) Laite on käynnissä, kun merkkivalo (B) palaa.
 - b) Laite ei ole käynnissä, kun merkkivalo (B) ei pala.
2. Katso osio *Näppäimistö sivulla 70*, jos varoitusmerkkivalo (C) syttyy tai vilkkuu.

Etuliipaisimen tarkistaminen

Etuliipaisin estää tahattoman käynnistymisen. Kun painat etuliipaisinta, käyttöliipaisin vapautuu. Kun irrotat otteen kahvasta, sekä käyttöliipaisin että etuliipaisin palautuvat lähtöasentoonsa.

1. Varmista, että käyttöliipaisin ja sen etuliipaisin liikkuvat vapaasti ja palautusjousi toimii oikein.
2. Käynnistä laite.
3. Paina etuliipaisinta.

(Kuva 24)

4. Paina käyttöliipaisinta. (Kuva 25)
5. Vapauta etuliipaisin ja varmista, että terälaite pysähtyy täysin.

Kädensuojuksen tarkistaminen

Kädensuojus estää käsiä koskettamasta teriä tahattomasti.

1. Pysäytä laite.
2. Irrota akku.
3. Varmista, että kädensuojus on asennettu oikein.
4. Tarkista kädensuojus vaurioiden varalta.

Terien ja teränsuojusten tarkistaminen

Terien (A) pidemmät osat toimii teränsuojuksena.

1. Pysäytä laite.
2. Irrota akku.
3. Käytä suojakäsineitä.
4. Varmista, että terät ja teränsuojukset eivät ole vaurioituneet tai vääntyneet. Vaihda terät ja teränsuojukset, jos ne ovat vaurioituneet tai vääntyneet. (Kuva 26)

Akkuturvallisuus



VAROITUS: Lue seuraavat varoitukset ennen tuotteen käyttöä.

- Käytä vain sarjaa BLi ja sarjan 40-B akkua. Katso lisätietoja kohdasta *Tekniset tiedot sivulla 71*. Akku on ohjelmistosalattu.
- Käytä sarjaa BLi ja sarjan 40-B ladattavaa akkua vain asiaan kuuluvien Husqvarna tuotteiden virtalähteenä. Tapaturmien välttämiseksi akkua ei saa käyttää muiden laitteiden virtalähteenä.
- Sähköiskun vaara. Älä koske akun napoihin avaimella, kolikolla, ruuvilla tai muilla metalliesineillä. Tämä voi aiheuttaa akun oikosulun.
- Älä käytä akkuja, joita ei voi ladata.
- Älä aseta esineitä akun ilma-aukkoihin.
- Pidä akku suojassa auringonvalolta, kuumuudelta ja avotulelta. Akku voi aiheuttaa palo- ja/tai syöpymsvammoja.
- Suojaa akku sateelta ja kosteilta olosuhteilta.
- Älä altista akkua mikroaalloille ja korkealle paineelle.
- Älä yritä purkaa tai rikkoa akkua.
- Jos akku vuotaa, älä anna nesteen joutua kosketuksiin kehon tai silmien kanssa. Jos nestettä joutuu iholle, puhdista iho heti runsaalla vedellä ja saippualla ja hakeudu lääkäriin. Jos nestettä joutuu silmiin, älä hankaa silmiä vaan huuhtelee niitä vedellä ainakin 15 minuuttia ja hakeudu lääkäriin.
- Käytä akkua lämpötilan ollessa välillä -10 °C (14 °F) – 40 °C (114 °F).

- Älä pese akkua tai akkulatorin vedellä. Katso *Laitteen, akun ja akkulatorin puhdistaminen sivulla 69*.
- Älä käytä viallista tai vaurioitunutta akkua.
- Säilytä akkuja varastossa kaukana metalliesineistä kuten nauloista, ruuveista ja koruista.
- Pidä akku poissa lasten ulottuvilta.

Akkulatorin turvallisuus



VAROITUS: Lue seuraavat varoitukset ennen tuotteen käyttöä.

- On olemassa sähköiskun tai oikosulun vaara, jos turvaohjeita ei noudateta.
- Käytä vain akun mukana toimitettua akkulatoria. Käytä vain latureita QC80 ja 40-C80 sarjan BLi ja sarjan 40-B vaihtoakkujen lataukseen.
- Älä yritä purkaa akkulatoria.
- Älä käytä viallista tai vaurioitunutta akkulatoria.
- Älä nosta akkulatoria virtajohdosta. Irrota akkulatori pistorasiasta vetämällä pistoke ulos. Älä vedä virtajohdosta.
- Pidä kaikki kaapelit ja jatkojohdot poissa veden, öljyn ja terävien reunojen ulottuvilta. Varmista, ettei kaapeli jää ovien, aitojen tai muiden vastaavien esineiden väliin.
- Älä käytä akkulatoria herkästi syttyvien materiaalien tai syöpymistä aiheuttavien materiaalien lähellä. Varmista, että akkulatoria ei ole peitetty. Jos havaitset savua tai tulta, irrota akkulatorin pistoke pistorasiasta.
- Lataa akku vain sisätiloissa poissa auringonvalosta ja paikassa, jossa on hyvä ilmanvaihto. Älä lataa akkua ulkona. Älä lataa akkua märissä olosuhteissa.
- Käytä akkulatoria vain lämpötilan ollessa välillä 5 °C (41 °F) – 40 °C (104 °F). Käytä laturia kuivassa ja pölyttömässä ympäristössä, jossa on hyvä ilmanvaihto.
- Älä aseta esineitä akkulatorin jäähdytysaukkoihin.
- Älä liitä akkulatorin liittimiä metalliesineisiin, sillä tämä voi aiheuttaa akkulatorin oikosulun.
- Käytä hyväksytyjä ja ehjiä pistorasioita. Varmista, että akkulatorin johto ei ole vahingoittunut. Jos käytät jatkojohtoja, varmista, että ne eivät ole vahingoittuneet.
- Älä lataa akkulatorilla akkuja, jotka eivät sovellu uudelleenlataukseen.

Turvaohjeet huoltoa varten



VAROITUS: Lue seuraavat varoitusohjeet ennen laitteen huoltamista.

- Irrota akku ennen laitteen huoltoa, muita tarkistuksia tai kokoamista.

- Käyttäjän on huolehdittava ainoastaan tässä käyttöohjekirjassa kuvatuista korjaus- ja huoltotoimista. Anna huoltoliikkeen tehdä suuremmat korjaus- ja huoltotoimet.
- Älä pese akkua tai akkulatoria vedellä. Vahvat pesuaineet voivat vaurioittaa muovia.
- Laitteen huoltamatta jättäminen lyhentää sen käyttöikää ja lisää onnettomuusrisiä.
- Laitteen huolto- ja korjaustyöt, erityisesti laitteen turvalaitteille tehtävät työt, vaativat erityiskoulutusta. Jos kaikkia käyttöohjekirjassa lueteltuja tarkastuksia ei huollon jälkeen voida suorittaa hyväksytysti, vie laite huoltoliikkeeseen. Siellä laitteesi huolletaan ja korjataan ammattimaisesti.
- Käytä vain alkuperäisiä varaosia.

Asentaminen

Johdanto

Tässä osassa kerrotaan, miten laite asennetaan ja säädetään.



VAROITUS: Lue turvallisuutta käsittelevä luku ja asennusohjeet ennen laitteen asentamista.

Akun kiinnittäminen laitteeseen



VAROITUS: Käytä laitteessa vain alkuperäisiä Husqvarna-akkuja.

1. Lataa akku täyteen.
2. Paina akku laitteen akun pidikkeeseen. Akku lukittuu paikalleen, kun kuulet napsahduksen. (Kuva 27)



HUOMAUTUS: Jos akku ei siirry pidikkeeseen helposti, sitä ei ole

asennettu oikein pidikkeeseen. Se voi vaurioittaa konetta.

Akkulaturin (40-C80) kiinnitys seinään



HUOMAUTUS: Älä käytä sähkökäyttöistä ruuvinväännintä asentaessasi akkulatoria seinään. Sähkökäyttöinen ruuviväännin voi vaurioittaa akkulatoria.

1. Asenna akkulatori seinään kahdella ruuvilla (B). Käytä tarvittaessa ruuvitulppia (A). (Kuva 28)
2. Asenna ruuvireikien tulpat (2 kpl) (C).
3. Kytke sitten akkulaturin virtajohto akkulatureihin ja pistorasiaan.

Käyttö

Johdanto



VAROITUS: Lue ja sisäistä turvallisuutta käsittelevä luku ennen laitteen käyttöä.

Akku



VAROITUS: Lue ja sisäistä turvallisuutta käsittelevä luku ennen akun käyttöä. Lue myös akun ja akkulaturin käyttöohje niin, että ymmärrät sen sisällön.

Säilytä akku ja laturi oikeassa lämpötilassa.

	Ympäristön lämpötila
Akun käyttö	5 °C - 40 °C / 41 °F - 104 °F
Akun lataaminen	5 °C - 40 °C / 41 °F - 104 °F

Akun tila

Näyttö osoittaa akun varaustason ja mahdolliset akkuun liittyvät ongelmat.

(Kuva 29)

Merkkivalo	Akun varaustila	
	BLi10	40-B70
4 merkkivaloa palaa	–	Akun varaustaso on 76–100 %.

Merkkivalo	Akun varaustila	
	BLI10	40-B70
3 merkkivaloa palaa	Akun varaustaso on 76–100 %.	Akun varaustaso on 51–75 %.
2 merkkivaloa palaa	Akun varaustaso on 51–75 %.	Akun varaustaso on 26–50 %.
1 merkkivalo palaa	Akun varaustaso on 26–50 %.	Akun varaustaso on 6–25 %.
1 merkkivalo vilkkuu	Akun varaustaso on 0–25 %.	Akun varaustaso on 0–5 %.

Akun lataaminen

Lataa akku, jos sitä käytetään ensimmäisen kerran. Uuden akun varaus on vain 30 %.



HUOMAUTUS: Liitä laturi pistorasiaan, jonka jännite ja taajuus ovat tyypikkilven mukaisia.

Akku ei lataudu, jos akun lämpötila on yli 50 °C / 122 °F.

1. Kytke virtajohto akkulaturiin.
2. Liitä akkulaturi maadoitettuun pistorasiaan. Latauksen merkkivalo vilkkuu kerran. (Kuva 30)
3. Kytke akku akkulaturiin. Latauksen merkkivalo syttyy. Lataa akkua enintään 24 tuntia. (Kuva 31)
4. Paina akun merkkivalopainiketta. Jos kaikki merkkivalot syttyvät, akku on ladattu täyteen.
5. Irrota laturi pistorasiasta vetämällä sähköpistokkeesta. Älä vedä virtajohdosta.
6. Irrota akku akkulaturista.

Toimet ennen laitteen käynnistämistä

1. Tarkista työalue. Poista esineet, jotka voivat sinkoutua ilmaan.
2. Tarkista terälaite. Varmista, että terät ovat teräviä ja että niissä ei ole halkeamia tai muita vaurioita.
3. Tarkista, että laite toimii oikein. Tarkista, että kaikki mutterit ja ruuvit on kiristetty.
4. Varmista, että kahva ja turvalaitteet eivät ole vaurioituneet ja että ne on kiinnitetty oikein. Älä käytä laitetta, jos siitä puuttuu osia tai jos sen alkuperäisiä ominaisuuksia on muutettu. Käytä tarvittaessa suojakäsineitä.
5. Varmista ennen laitteen käyttöä, että suojukset eivät ole vaurioituneet ja että ne on kiinnitetty oikein.

Laitteen käynnistäminen

1. Paina käynnistys-/pysäytyspainiketta, kunnes vihreä merkkivalo syttyy. (Kuva 32)

2. Paina etukahvan etuliipaisinta. (Kuva 33)
3. Paina käyttöliipaisinta. (Kuva 25)

Laitteen käyttö

1. Käynnistä lähellä maata ja nosta laitetta aitaan pitkin leikatessasi sivuja. Pidä huolta, ettei laitteen runko kosketa aitaan. (Kuva 34)



VAROITUS: Pidä huolta, ettei terälaitteen kärki kosketa maahan.

2. Pidä laite mahdollisimman lähellä kehoasi, jotta voit työskennellä tasapainoisessa asennossa.
3. Ole varovainen ja käytä laitetta hitaasti.

SavE-toiminnon käyttäminen

Tässä laitteessa on virransäästötoiminto, SavE.

Huomautus: SavE-toiminto ei vähennä laitteen leikkuutehoa.

1. Paina näppäimistön SavE-painiketta.
2. Varmista, että vihreä merkkivalo syttyy.
3. Sammuta toiminto painamalla SavE-painiketta uudelleen. Vihreä merkkivalo sammuu. (Kuva 35)

Automaattinen sammutustoiminto

Laitteessa on pysäytystoiminto, joka pysäyttää laitteen, kun laitetta ei käytetä. Vihreä virran merkkivalo sammuu, ja laite pysähtyy kolmen minuutin kuluttua.

Laitteen pysäyttäminen

1. Vapauta käyttöliipaisin ja etuliipaisin.
2. Paina käynnistys-/pysäytyspainiketta, kunnes vihreä merkkivalo sammuu.
3. Paina akun vapautuspainiketta ja irrota akku. (Kuva 36)

Huolto

Johdanto



VAROITUS: Lue ja sisäistä turvallisuutta käsittelevä luku ennen laitteen huoltamista.



VAROITUS: Irrota akku ennen laitteen huoltamista.

Huoltokaavio

Alla on luettelo laitteelle tehtävistä huoltotoimista.

Huolto	Aina ennen käyttöä	Viikoittain	Kuukausittain
Puhdista laitteen ulko-osat.	X		
Tarkista, että käynnistys-/pysäytyskytkin toimii kunnolla ja että se on ehjä.	X		
Varmista, että käyttöliipaisin ja etuliipaisin toimivat asianmukaisesti turvallisuutta ajatellen.	X		
Varmista, että kaikki ohjaimet toimivat ja ovat ehjiä.	X		
Varmista, että leikkuuterässä ja leikkuuterän suojuksessa ei ole halkeamia tai muita vaurioita. Vaihda leikkuuterä tai leikkuuterän suojuksen, jos niissä on halkeamia tai jos niihin on kohdistunut iskuja.	X		
Vaihda leikkuuterä, jos se on taipunut tai vaurioitunut.	X		
Varmista, että kädensuojus ei ole vaurioitunut. Vaihda suojuksen, jos se on vaurioitunut.	X		
Varmista, että kaikki ruuvit ja mutterit on kiristetty.	X		
Varmista, ettei akku ole vaurioitunut.	X		
Varmista, että akku on ladattu.	X		
Varmista, että akkulaturi ei ole vaurioitunut.	X		
Varmista, että leikkuuterien kiinnitysruuvit on kiristetty oikein.		X	
Tarkista akun ja laitteen väliset kytkennät. Tarkista akun ja akkulaturin välinen kytkentä.			X

Akun ja akkulaturin tarkistaminen

1. Tarkista akku vaurioiden, kuten halkeamien, varalta.
2. Tarkista akkulaturi vaurioiden, kuten halkeamien, varalta.
3. Varmista, että akkulaturin johto ei ole vaurioitunut ja ettei siinä ole murtumia.

Laitteen, akun ja akkulaturin puhdistaminen

1. Puhdista laite käytön jälkeen kuivalla liinalla.

2. Puhdista akku ja akkulaturi kuivalla liinalla. Pidä akku ohjauksikot puhtaina.
3. Varmista, että akun ja akkulaturin liittimet ovat puhtaat ennen kuin akku asetetaan akkulaturiin tai laitteeseen.

Terän tarkistaminen

1. Puhdista leikkuuterä ylimääräisistä materiaaleista korroosiolta suojaavalla puhdistusaineella ennen laitteen käyttöä ja käytön jälkeen.
2. Tutki leikkuuterän särmät vaurioiden ja vääntymien varalta.

3. Viilaa terän jäysteet pois.
4. Varmista, että terät liikkuvat vapaasti.

Terien puhdistaminen ja voitelemine

1. Puhdista terät ylimääräisistä materiaaleista ennen laitteen käyttöä ja käytön jälkeen.
2. Voitele terät ennen pidempiaikaista säilytystä.

Huomautus: Lisätietoja suositelluista puhdistus- ja voiteluaineista saat huoltoliikkeestä.

- Käytä Husqvarna-erikoisrasvaa. Lisätietoja suositellusta rasvasta saat huoltoliikkeestä.
- Käytä ainoastaan pieni määrä laadukasta erikoisrasvaa.



HUOMAUTUS: Älä täytä vaihdekotelo kokonaan.

Vaihteen voitelemine

Levitä rasvaa vaihdekoteloon, jos valtuutettu huoltoliike on purkanut vaihteen.

Vianmääritys

Näppäimistö

Merkkivalot	Mahdolliset viat	Mahdolliset ratkaisut
Vian merkkivalo vilkkuu.	Ylikuormitus	Terälaite ei pääse liikkumaan vapaasti. Vapauta terälaite.
	Lämpötilavaihtelu	Anna laitteen jäähtyä.
Laitte ei käynnisty.	Paina käyttöliipaisinta ja käynnistin-painiketta samanaikaisesti.	Vapauta käyttöliipaisin ja pysäytä laite.
Vian merkkivalo syttyy punaisena.	Laitte tarvitsee huoltoa.	Ota yhteyttä huoltoliikkeeseen.

Akku

LED-näyttö	Mahdolliset viat	Mahdolliset toimenpiteet
Vihreä merkkivalo vilkkuu	Matala akun jännite.	Lataa akku.
Vian merkkivalo vilkkuu.	Lämpötilavaihtelu.	Käytä akkua -10-40 °C:n lämpötilassa.
	Liian korkea jännite.	Varmista, että verkkojännite vastaa laitteeseen kiinnitetystä arvokilvessä ilmoitettua jännitettä. Irrota akku akkulatorista.
Vian merkkivalo palaa.	Akkukennoston väli liian suuri (1 V).	Ota yhteyttä huoltoliikkeeseen.

Akkulaturi

Ongelma	Mahdolliset viat	Mahdollinen ratkaisu
Latauksen merkkivalo palaa punaisena.	Pysyvä akkulaturin virhe.	Ota yhteyttä jälleenmyyjään.

Ongelma	Mahdolliset viat	Mahdollinen ratkaisu
Latauksen merkkivalo vilkkuu vihreänä.	Lämpötilavaihtelu, akku on liian kylmä tai kuuma käytettäväksi tai ladattavaksi.	Anna akun jäähtyä tai lämmentä. Kun akun lämpötila on oikea, sitä voi käyttää tai sen voi ladata. Käytä akkulatoria 5–40 °C:n lämpötilassa.
Latauksen merkkivalo vilkkuu punaisena.	Viallinen akku.	Ota yhteyttä jälleenmyyjään.

Kuljettaminen, säilyttäminen ja hävittäminen

Kuljetus ja säilytys

- Mukana tulleet litiumioniakut ovat vaarallisten aineiden lainsäädännön määräysten mukaisia.
- Pakkausta ja merkintöjä koskevia erityismääräyksiä on noudatettava, myös kolmansien osapuolten tai huolitsijoiden järjestämässä tavarakuljetuksessa.
- Keskustele erityiskoulutuksen saaneen vaarallisten aineiden asiantuntijan kanssa ennen tuotteen lähettämistä. Noudata kaikkia kansallisia määräyksiä.
- Teippaa paljaat liittimet asettaessasi akun pakettiin. Aseta akku pakettiin tiukasti niin, ettei se pääse liikkumaan.
- Irrota akku varastoinnin tai kuljetuksen ajaksi.
- Aseta akku ja akkulatori paikkaan, johon kosteus tai pakkaneen eivät pääse.
- Älä säilytä akkua paikassa, jossa on staattista sähköä. Älä säilytä akkua metallilaatikossa.
- Säilytä akkua varastossa, jossa lämpötila on 5–25°C ja jossa se ei ole suorassa auringonvalossa.
- Säilytä akkulatoria varastossa, jossa lämpötila on 5–45°C ja jossa se ei ole suorassa auringonvalossa.
- Käytä akkulatoria ainoastaan 5–40 °C:n lämpötiloissa.

- Lataa akku ennen pitkäaikaista säilytystä niin, että sen varaustaso on 30–50 %.
- Säilytä akkua kuivassa ja suljetussa tilassa.
- Pidä akku erillään akkulatorista varastoinnin aikana. Älä anna lasten tai asiaankuulumattomien henkilöiden koskea laitteeseen. Säilytä laitetta lukullisessa tilassa.
- Puhdista laite ja tee täysi huolto ennen pitkäaikaista säilytystä.
- Käytä kuljetussuojusta kuljetuksen ja varastoinnin aikana vaurioiden ja vammojen välttämiseksi.
- Kiinnitä laite hyvin kuljetuksen ajaksi.

Akun, akkulatorin ja laitteen hävittäminen

Laitteessa tai sen pakkauksessa olevat symbolit osoittavat, ettei laitetta saa hävittää kotitalousjätteen mukana. Vie se asianmukaiseen sähkö- ja elektroniikkalaitteiden keräyspisteeseen. Tämä auttaa estämään sekä ympäristö- että henkilövahinkoja.

Lisätietoja laitteen kierrätyksestä saat paikallisilta viranomaisilta, kotitalousjätepalvelulta tai jälleenmyyjältä.

Tekniset tiedot

Tekniset tiedot

	215IHD45
Moottori	
Moottorityyppi	BLDC
Paino	
Paino ilman akkua, kg	3,2
Terä	
Tyyppi	Kaksipuolinen

	215HD45
Terän pituus, mm	450
Terän nopeus viiltoa/min (SavE-tila)	2 400
Terän nopeus viiltoa/min (ei SavE-tila)	3 000
Melupäästöt⁹	
Äänentehotaso, mitattu dB(A)	87
Äänentehotaso, taattu, L _{WA}	90
Äänitasot	
Äänenpainetaso käyttäjän korvan tasalla mitattuna standardin EN 62841-4-2 mukaan, dB (A)	79
Tärinätasot¹⁰	
Tärinätasot (a _h), etu/taka, m/s ²	2,1/1,7

Laitteeseen hyväksytyt akut

Akku	BL110	40-B70
Tyyppi	Litiumioni	Litiumioni
Akun kapasiteetti, Ah	Katso akun tyyppikilpi	Katso akun tyyppikilpi
Nimellisjännite, V	36	36,5
Paino, kg	0,7	0,7
		0,8

Laitteeseen hyväksytyt akkulaturit

Akkulaturi	QC80	40-C80
Verkkovirta, V	100–240	100–240
Taajuus, Hz	50–60	50–60
Teho, W	100	72
Lähtöjännite, V, tasavirta ampeeria, A	36/2	43/1,6

⁹ Melupäästö ympäristöön äänitehona (L_{WA}) EY-direktiivin 2000/14/EY mukaisesti mitattuna. Taatun ja mitatun äänentehon erona on se, että taattu äänenteho sisältää myös mitatun tuloksen hajonnan ja vaihtelun saman mallin eri laitteiden välillä direktiivin 2000/14/EY mukaisesti.

¹⁰ Tärinätasolle ilmoitetuissa tiedoissa tyypillinen tilastollinen hajonta (vakiopoikkeama) on 1,5 m/s².

Ilmoitettu tärinän kokonaisarvo on mitattu normaalin testimenetelmän mukaisesti, ja sen avulla voi verrata työkaluja keskenään.

Ilmoitettua tärinän kokonaisarvoa voi käyttää myös altistuksen alustavassa arvioinnissa.

Vaatimustenmukaisuusvakuutus

EU-vaatimustenmukaisuusvakuutus

Husqvarna AB, SE-561 82 Huskvarna, Ruotsi, puh. +46
36 146500, vakuuttaa täten, että tuote:

Kuvaus	Akkukäyttöinen pensasleikkuri
Tuotemerkki	Husqvarna
Tyyppi/malli	215iHD45
Tunniste	Sarjanumerot vuodesta 2024 alkaen

vastaavat täysin seuraavien EU:n direktiivien ja
asetusten vaatimuksia:

Direktiivi/Asetus	Kuvaus
2006/42/EC	konedirektiivi
2014/30/EU	EMC-direktiivi
2000/14/EC	Melupäästädirektiivi
2011/65/EU	Direktiivi tiettyjen vaarallisten aineiden käytön rajoittamisesta sähkö- ja elektroniikkalaitteissa

ja että asiassa sovelletaan seuraavia standardeja ja/tai
teknisiä tietoja: EN 62841-4-2:2019+A1:2022+A11:2022,
EN 62841-1:2015+A11:2022, EN IEC 55014-1:2021, EN
IEC 55014-2:2021, EN IEC 63000:2018.

Direktiivin 2000/14/EY, liitteen V mukaisesti, katso
kohdassa *Tekniset tiedot sivulla 71* ilmoitetut meluarvot.

Huskvarna, 2024-02-01

Claes Losdal, tuotekehityspäällikkö, Husqvarna AB

Teknisestä dokumentaatiosta vastaava edustaja



Inhalt

Einleitung.....	73	Fehlerbehebung.....	85
Sicherheit.....	75	Transport, Lagerung und Entsorgung.....	86
Montage.....	81	Technische Angaben.....	87
Betrieb.....	82	Konformitätserklärung.....	89
Wartung.....	83		

Einleitung

Produktbeschreibung

Husqvarna 215iHD45 ist eine akkubetriebene
Heckenschere mit einem Elektromotor.

Wir arbeiten laufend daran, Ihre Sicherheit und die
Effektivität während des Betriebs zu verbessern.
Ihr Servicehändler steht Ihnen gern für weitere
Informationen zur Verfügung.

Verwendungszweck

Verwenden Sie das Gerät zum Schneiden von Ästen und Zweigen. Verwenden Sie das Gerät nicht für andere Aufgaben.

Geräteübersicht

(Abb. 1)

1. Bedienungsanleitung
2. Hinterer Griff
3. Handgriffeinschalter
4. Vorderer Handgriff
5. Klinge
6. Transportschutz
7. Gashebel
8. Bedientafel
9. Handschutz
10. Akku
11. Ladegerät 40-C80
12. Verbinder
13. Akkuanzeigetaste
14. Akkuladestatus
15. Warnanzeige
16. SavE-Taste (Energiespartaste)
17. Start-/Stop-Taste
18. Betriebs- und Warnanzeige
19. Akkuentriegelungstaste
20. Ladegerät QC80
21. Netzkabel

einer Recyclingstation für elektrische und elektronische Geräte.

(Abb. 7) Verwenden Sie das Gerät nicht bei Regen.

(Abb. 8) Gleichstrom.

(Abb. 9) Etikett mit Geräuschemissionen gemäß EU- und UK-Verordnungen und Richtlinien (plus Verordnungen aus New South Wales). Daten zu Geräuschemissionen sind auf dem Geräteschild und im Abschnitt „Technische Daten“ angegeben.

(Abb. 10) Dieses Gerät entspricht den geltenden UK-Richtlinien.

(Abb. 11) Warnung: Halten Sie Ihre Hände von der Klinge fern.

yyyywwxxxx Auf dem Typenschild ist die Seriennummer angegeben. yyyy ist das Produktionsjahr, ww steht für die Produktionswoche.

Symbole auf dem Gerät

(Abb. 2) **WARNUNG:** Dieses Gerät kann gefährlich sein und schwere oder tödliche Verletzungen des Bedieners oder anderer Personen verursachen. Gehen Sie vorsichtig vor, und verwenden Sie das Gerät ordnungsgemäß.

(Abb. 3) Lesen Sie die Bedienungsanleitung aufmerksam durch und machen Sie sich mit den Anweisungen vertraut, bevor Sie das Gerät verwenden.

(Abb. 4) Tragen Sie einen Augenschutz.

(Abb. 5) Dieses Gerät entspricht den geltenden EG-Richtlinien.

(Abb. 6) Das Gerät und die Verpackung des Geräts dürfen nicht über den Hausmüll entsorgt werden. Recyceln Sie es an

Hinweis: Sonstige Symbole/Aufkleber auf dem Gerät beziehen sich auf spezielle Zertifizierungsanforderungen, die in bestimmten Ländern gelten.

Symbole auf dem Akku und/oder auf dem Ladegerät

(Abb. 15) Recyceln Sie dieses Gerät an einer Recyclingstation für elektrische und elektronische Geräte. (nur für Europa)

(Abb. 12) Störungsfreier Transformator.

(Abb. 13) Das Akkuladegerät darf nur in geschlossenen Räumen benutzt und aufbewahrt werden.

(Abb. 14) Doppelt isoliert

Sicherheit

Sicherheitsdefinitionen

Warnungen, Vorsichtsmaßnahmen und Hinweise werden verwendet, um auf besonders wichtige Teile der Bedienungsanleitung hinzuweisen.



WARNUNG: Wird verwendet, wenn bei Nichtbeachtung der Anweisungen in diesem Handbuch die Gefahr von Verletzung oder Tod des Bedieners oder anderer Personen besteht.



ACHTUNG: Wird verwendet, wenn bei Nichtbeachtung der Anweisungen in diesem Handbuch die Gefahr von Schäden am Gerät, an anderen Materialien oder in der Umgebung besteht.

Hinweis: Für weitere Informationen, die in bestimmten Situationen nötig sind.

Allgemeine Sicherheitshinweise für Elektrowerkzeuge



WARNUNG: Lesen Sie sämtliche Sicherheitshinweise und Anweisungen durch. Wenn Sie die Warn- und Sicherheitshinweise nicht befolgen, kann dies zu Elektroschock, Brand und/oder schweren Verletzungen führen.

Hinweis: Bewahren Sie alle Warnhinweise und Anweisungen für spätere Referenzzwecke auf. Der Begriff „Elektrowerkzeug“ in den Warnhinweisen bezieht sich auf ein Elektrowerkzeug mit Netzbetrieb (über ein Kabel) oder mit Akkubetrieb (kabellos).

Sicherheit im Arbeitsbereich

- **Sorgen Sie für einen sauberen und gut ausgeleuchteten Arbeitsbereich.** Durch zugestellte oder dunkle Arbeitsbereiche steigt die Unfallgefahr stark an.
- **Betreiben Sie Elektrowerkzeuge niemals an Orten, an denen Explosionsgefahr besteht, z. B. in der Nähe von leicht entzündlichen Flüssigkeiten, Gasen oder Staubsammlungen.** Bei der Arbeit mit Elektrowerkzeugen kann es zu Funkenbildung kommen, wodurch sich Staub oder Dämpfe entzünden können.
- **Sorgen Sie bei der Arbeit mit Elektrowerkzeugen dafür, dass sich keine Kinder oder unbefugte Personen in der Nähe befinden.** Durch Ablenkungen

können Sie die Kontrolle über das Werkzeug verlieren.

Elektrische Sicherheit

- **Die Netzstecker von Elektrowerkzeugen müssen zur Steckdose passen. Der Netzstecker darf in keiner Weise verändert werden. Verwenden Sie bei Elektrowerkzeugen mit Schutzkontakt (geerdet) niemals Adapterstecker.** Nicht modifizierte Stecker und passende Steckdosen reduzieren das Risiko eines Stromschlags.
- **Vermeiden Sie Körperkontakt mit geerdeten Gegenständen wie Rohrleitungen, Heizungen, Herden oder Kühlschränken.** Falls Ihr Körper geerdet oder an Masse gelegt ist, sind Sie einem erhöhten Risiko eines elektrischen Schlags ausgesetzt.
- **Setzen Sie Elektrowerkzeuge niemals Regen oder sonstiger Feuchtigkeit aus.** Wenn Wasser in ein Elektrowerkzeug eindringt, erhöht sich das Risiko eines elektrischen Schlags.
- **Verwenden Sie das Anschlusskabel nicht missbräuchlich. Verwenden Sie das Anschlusskabel niemals zum Tragen oder Heranziehen des Elektrowerkzeugs, und ziehen Sie den Stecker nicht am Anschlusskabel aus der Steckdose. Halten Sie das Kabel fern von Hitzequellen, Öl, scharfen Kanten und beweglichen Teilen.** Beschädigte oder verwickelte Kabel erhöhen das Risiko eines elektrischen Schlags.
- **Wenn Sie ein Elektrowerkzeug im Freien benutzen, verwenden Sie ein für den Außeneinsatz geeignetes Verlängerungskabel.** Die Verwendung eines für den Außeneinsatz geeigneten Kabels verringert das Risiko eines elektrischen Schlags.
- **Falls der Einsatz eines Elektrowerkzeugs in einer feuchten Umgebung nicht zu vermeiden ist, benutzen Sie eine Stromversorgung mit Fehlerstrom-Schutzeinrichtung (RCD).** Die Verwendung einer Fehlerstrom-Schutzeinrichtung (RCD) verringert das Risiko eines Stromschlags



WARNUNG: Reinigen Sie die Maschine nicht mit einem Hochdruckreiniger, da Wasser in das elektrische System oder den Motor eindringen und so Maschinenschäden oder einen Kurzschluss verursachen kann.

Persönliche Sicherheit

- **Bleiben Sie aufmerksam, achten Sie auf das, was Sie tun, und setzen Sie gesunden Menschenverstand ein, wenn Sie mit Elektrowerkzeugen arbeiten. Benutzen Sie keine Elektrowerkzeuge, wenn Sie müde sind oder unter dem Einfluss von Drogen, Alkohol**

oder Medikamenten stehen. Bei der Arbeit mit Elektrowerkzeugen können bereits kurze Phasen der Unaufmerksamkeit zu schweren Verletzungen führen.

- **Benutzen Sie eine persönliche Schutzausrüstung. Tragen Sie stets einen Augenschutz.** Schutzausrüstung wie Atemschutzmaske, rutschsichere Sicherheitsschuhe, Schutzhelm und Gehörschutz senkt bei angemessenem Einsatz das Verletzungsrisiko.
- **Vermeiden Sie ein versehentliches Starten. Achten Sie darauf, dass sich der Schalter in der Aus-Stellung befindet, bevor Sie das Elektrowerkzeug an die Stromversorgung und/oder den Akku anschließen oder es hochheben oder herumtragen.** Durch Herumtragen von Elektrowerkzeugen mit dem Finger am Schalter und das Einstecken des Steckers bei betätigtem Schalter steigt das Unfallrisiko stark an.
- **Entfernen Sie sämtliche Einstellschlüssel, bevor Sie das Elektrowerkzeug einschalten.** Ein an einem beweglichen Teil des Elektrowerkzeugs angebrachter Schlüssel kann zu Verletzungen führen.
- **Sorgen Sie für einen festen Stand. Achten Sie jederzeit darauf, sicher zu stehen und das Gleichgewicht zu bewahren.** Dadurch haben Sie das Elektrowerkzeug in unerwarteten Situationen besser im Griff.
- **Kleiden Sie sich richtig. Tragen Sie niemals lose sitzende Kleidung oder Schmuck. Halten Sie Haar und Kleidung von beweglichen Teilen fern.** Lose Kleidung, Schmuck oder langes Haar kann von beweglichen Teilen erfasst werden.
- **Wenn Anschlüsse für Staubabsaug- und Staubsammelvorrichtungen vorhanden sind, sorgen Sie dafür, dass diese richtig angeschlossen und eingesetzt werden.** Die Verwendung von Staubsammelvorrichtungen vermindert durch Staub verursachte Gefahren.
- **Lassen Sie nicht zu, dass Sie wegen Vertrautheit durch häufige Verwendung der Werkzeuge selbstgefällig werden und die Sicherheitsgrundsätze der Werkzeuge ignorieren.** Eine achtlose Handlung kann im Bruchteil einer Sekunde zu schweren Verletzungen führen.
- Die Vibrationsemissionen während der tatsächlichen Verwendung des Elektrowerkzeugs können abhängig von der Verwendungsart des Werkzeugs vom angegebenen Gesamtwert abweichen. Bediener sollten Sicherheitsmaßnahmen für den eigenen Schutz ergreifen, die auf einer Beurteilung der Exposition unter tatsächlichen Nutzungsbedingungen beruht. Dabei sind alle Teile des Betriebszyklus zu berücksichtigen, z. B. abgesehen vom Gashebelbetrieb, die Zeiten, wenn das Werkzeug ausgeschaltet ist und wenn es im Leerlauf betrieben wird.

Verwendung und Pflege von Elektrowerkzeugen

- **Überbeanspruchen Sie Elektrowerkzeuge nicht. Benutzen Sie das richtige Elektrowerkzeug für Ihren Einsatzzweck.** Das richtige Elektrowerkzeug erledigt seine Arbeit bei bestimmungsgemäßem Einsatz besser und sicherer.
- **Benutzen Sie das Elektrowerkzeug nicht, wenn es sich nicht am Schalter ein- und ausschalten lässt.** Jedes Elektrowerkzeug, das nicht mit dem Schalter betätigt werden kann, stellt eine Gefahr dar und muss repariert werden.
- **Trennen Sie das Elektrowerkzeug von der Stromversorgung, bzw. entfernen Sie den Akku, bevor Sie Einstellungen vornehmen, Zubehöerteile austauschen oder das Elektrowerkzeug verstauen.** Solche präventiven Sicherheitsmaßnahmen verhindern den unbeabsichtigten Start des Elektrowerkzeugs.
- **Lagern Sie nicht benutzte Elektrowerkzeuge außerhalb der Reichweite von Kindern, und lassen Sie nicht zu, dass Personen das Elektrowerkzeug bedienen, die nicht mit dem Werkzeug selbst und/oder diesen Anweisungen vertraut sind.** Elektrowerkzeuge stellen in ungeschulten Händen eine Gefahr dar.
- **Warten Sie Elektrowerkzeuge und Zubehör. Prüfen Sie auf Fehlausrichtungen, sicheren Halt und Leichtgängigkeit beweglicher Teile, Beschädigungen von Teilen sowie auf jegliche andere Zustände, die sich auf den Betrieb des Elektrowerkzeugs auswirken können. Bei Beschädigungen lassen Sie das Elektrowerkzeug reparieren, bevor Sie es benutzen.** Viele Unfälle mit Elektrowerkzeugen sind auf schlechte Wartung zurückzuführen.
- **Halten Sie Schneidwerkzeuge scharf und sauber.** Ordnungsgemäß gewartete Schneidwerkzeuge mit scharfen Schneidkanten bleiben seltener hängen und sind einfacher zu bedienen.
- **Benutzen Sie Elektrowerkzeuge, Zubehör, Werkzeugeinsätze und Ähnliches in Übereinstimmung mit diesen Anweisungen und auf die für das jeweilige Elektrowerkzeug bestimmungsgemäße Weise, und beachten Sie dabei die jeweiligen Arbeitsbedingungen und die Art der auszuführenden Arbeiten.** Der Einsatz eines Elektrowerkzeugs für Zwecke, die von den hier angegebenen abweichen, kann zu Gefahrensituationen führen.
- **Halten Sie die Handgriffe und Griffflächen trocken, sauber und frei von Öl und Fett.** Wenn Handgriffe und Griffflächen rutschig sind, kann das Werkzeug in unerwarteten Situationen nicht sicher bedient und kontrolliert werden.

Verwendung und Pflege von akkubetriebenen Werkzeugen

- **Eine Aufladung darf nur mit dem vom Hersteller vorgeschriebenen Ladegerät durchgeführt werden.**

Durch ein für einen bestimmten Akkutyp geeignetes Ladegerät kann Brandgefahr entstehen, wenn es für einen anderen Akku verwendet wird.

- **Verwenden Sie Geräte nur mit speziell für sie ausgezeichneten Akkus.** Die Verwendung anderer Akkus kann zu Verletzungs- und Brandgefahr führen.
- **Wird der Akku nicht verwendet, halten Sie ihn von Metallgegenständen wie Büroklammern, Münzen, Schlüsseln, Nägeln, Schrauben oder anderen kleineren Metallobjekten fern, da es zu einer Überbrückung der Kontakte kommen könnte.** Durch Kurzschluss der Akkuklemmen kann es zu Verbrennungen oder Bränden kommen.
- **Unter missbräuchlichen Bedingungen kann Flüssigkeit aus dem Akku austreten; vermeiden Sie Kontakt damit. Bei versehentlichem Hautkontakt sofort mit Wasser abspülen. Sollten Ihre Augen damit in Berührung gekommen sein, suchen Sie sofort ärztliche Hilfe auf.** Durch austretende Flüssigkeit aus dem Akku kann es zu Reizungen oder Verbrennungen kommen.
- **Verwenden Sie keinen Akku und kein Werkzeug, der bzw. das defekt ist oder modifiziert wurde.** Beschädigte oder modifizierte Akkus können ein unvorhersehbares Verhalten aufweisen, welches zu Feuer, Explosionen oder Verletzungsgefahren führen kann.
- **Setzen Sie Akku oder Werkzeug niemals Feuer oder sehr hohen Temperatur aus.** Feuer oder eine Temperatur über 130 °C kann zu einer Explosion führen.
- **Befolgen Sie die Ladeanweisungen und laden Sie den Akku oder das Werkzeug niemals bei Temperaturen außerhalb den in der Anleitung angegebenen Temperaturbereichen auf.** Unsachgemäßes Aufladen oder Aufladen bei Temperaturen außerhalb des angegebenen Bereichs kann den Akku beschädigen und die Brandgefahr erhöhen.

Service

- **Lassen Sie das Elektrowerkzeug von einem qualifizierten Fachmann reparieren, und bestehen Sie darauf, dass nur Originalersatzteile verwendet werden.** Auf diese Weise wird dafür gesorgt, dass die Sicherheit des Elektrowerkzeugs nicht beeinträchtigt wird.
- **Warten Sie niemals beschädigte Akkus.** Akkus dürfen nur vom Hersteller oder von autorisierten Serviceanbietern gewartet werden.

Sicherheitswarnungen für die Heckenschere - Persönliche Sicherheit

- **Halten Sie die Heckenschere während des Betriebs immer mit beiden Händen.** Wenn Sie nur eine Hand benutzen, können Sie die Kontrolle verlieren, was wiederum zu schweren Verletzungen führen kann.
- **Halten Sie alle Körperteile von den Klingen fern. Entfernen Sie kein geschnittenes Material, und**

halten Sie zu schneidendes Material nicht fest, wenn sich die Klingen bewegen. Die Klingen bewegen sich nach dem Ausschalten des Motors weiter. Bei der Arbeit mit der Heckenschere können bereits kurze Phasen der Unaufmerksamkeit zu schweren Verletzungen führen.

- **Tragen Sie die Heckenschere mit zum Stillstand gekommener Klinge am Griff und achten Sie darauf, dass Sie keine Schalter betätigen.** Ein ordnungsgemäßer Transport der Heckenschere verringert das Risiko eines unbeabsichtigten Betriebs und daraus resultierender Verletzungen durch die Klingen.
- **Beim Transportieren oder Aufbewahren der Heckenschere muss immer die Klingenabdeckung angebracht werden.** Durch korrekte Handhabung der Heckenschere wird das Verletzungsrisiko durch die Klingen reduziert.
- **Stellen Sie beim Beseitigen von eingeklemmtem Material oder bei der Wartung des Geräts sicher, dass alle Schalter ausgeschaltet sind und der Akku entfernt oder getrennt ist.** Eine unerwartete Betätigung der Heckenschere beim Entfernen von festklemmendem Material oder bei der Wartung kann zu schweren Verletzungen führen.
- **Halten Sie die Heckenschere nur an den isolierten Griffoberflächen fest, da die Klinge sonst ggf. in Kontakt mit verborgener Verkabelung kommt.** Klingen, die mit einem stromführenden Leiter in Kontakt kommen, können freiliegende Metallteile der Heckenschere unter Strom setzen und dem Bediener einen Stromschlag versetzen.
- **Halten Sie alle Kabel vom Schnittbereich fern.** In Hecken oder Büschen können stromführende Kabel verlaufen, die versehentlich mit den Kabeln in Kontakt kommen könnten.
- **Verwenden Sie die Heckenschere nicht bei schlechtem Wetter, insbesondere dann nicht, wenn die Gefahr eines Blitzeinschlags besteht.** Dadurch wird die Gefahr eines Blitzeinschlags reduziert.
- **GEFAHR – Berühren Sie die Klinge nicht mit den Händen.** Das Berühren der Klinge kann zu schwerwiegenden Verletzungen führen.

Allgemeine Sicherheitshinweise



WARNUNG: Lesen Sie die folgenden Warnhinweise, bevor Sie das Gerät benutzen.

- Entnehmen Sie den Akku, um den versehentlichen Start des Geräts zu verhindern.
- Dieses Gerät ist ein sehr gefährliches Werkzeug, wenn Sie nicht aufpassen oder das Gerät unsachgemäß verwenden. Dieses Gerät kann schwere Verletzungen des Bedieners oder anderer Personen verursachen.
- Verwenden Sie das Gerät nicht, wenn es nicht mehr der ursprünglichen Spezifikation entspricht. Ändern Sie kein Teil des Geräts ohne Genehmigung

des Herstellers. Verwenden Sie nur Teile, die vom Hersteller genehmigt wurden. Eine falsche Wartung kann zu schweren bis tödlichen Verletzungen führen.

- Überprüfen Sie das Gerät vor dem Gebrauch. Siehe *Zu erledigen, bevor Sie das Gerät starten auf Seite 82*. Verwenden Sie das Gerät nicht, wenn es defekt ist. Führen Sie die in dieser Bedienungsanweisung beschriebenen Kontroll-, Wartungs- und Serviceanweisungen durch.
- Lassen Sie keine Kinder mit dem Gerät spielen. Das Gerät ist kein Spielzeug! Kinder oder nicht im Gebrauch des Geräts und/oder des Akkus geschulte Personen dürfen das Gerät bzw. den Akku weder bedienen noch warten. Unter Umständen gelten gesetzlich vorgeschriebene Altersbeschränkungen.
- Bewahren Sie das Gerät in einem verschlossenen Bereich auf, um einen unerlaubten Zugriff durch Kinder oder andere Personen zu verhindern.
- Bewahren Sie das Gerät für Kinder unzugänglich auf.
- Unter keinen Umständen darf die ursprüngliche Konstruktion des Gerätes ohne Genehmigung des Herstellers geändert werden. Verwenden Sie stets Originalzubehör. Unzulässige Änderungen und/oder unzulässiges Zubehör können zu schweren oder sogar tödlichen Verletzungen des Bedieners und anderer Personen führen.

Hinweis: Nationale oder regionale Gesetze regeln ggf. die Verwendung. Halten Sie die festgelegten Bestimmungen ein.

Sicherheitshinweise für den Betrieb



WARNUNG: Lesen Sie die folgenden Warnhinweise, bevor Sie das Gerät benutzen.

- Wenn Sie in eine Situation kommen, die Sie in Bezug auf die weitere Anwendung des Geräts verunsichert, lassen Sie sich von einem Experten beraten. Wenden Sie sich an Ihren Fachhändler oder Ihre Servicewerkstatt. Vermeiden Sie, Arbeiten auszuführen, denen Sie sich nicht gewachsen fühlen.
- Verwenden Sie niemals das Gerät, wenn Sie müde sind, Alkohol getrunken oder Medikamente eingenommen haben, die Ihre Sehkraft, Ihr Urteilsvermögen oder Ihre Körperkontrolle beeinträchtigen können.
- Das Arbeiten bei schlechtem Wetter ist nicht nur ermüdend, sondern birgt auch zusätzliche Risiken. Aufgrund des höheren Risikos wird davon abgeraten, das Gerät bei sehr schlechtem Wetter zu verwenden, z. B. bei dichtem Nebel, starkem Regen, starkem Wind, großer Kälte, Gewittergefahr usw.
- Falsche Messer können die Unfallgefahr erhöhen.
- Erlauben Sie Kindern niemals, das Gerät zu benutzen oder sich in seiner Nähe aufzuhalten. Da das Gerät leicht zu starten ist, könnten auch Kinder bei unzureichender Aufsicht in der Lage sein, es zu starten. Dies kann zu schweren Verletzungen führen. Trennen Sie deshalb stets den Akku ab, wenn das Gerät unbeaufsichtigt ist.
- Stellen Sie sicher, dass während der Verwendung Menschen und Tiere einen Abstand von mindestens 15 Metern einhalten. Wenn mehrere Anwender am gleichen Einsatzort tätig sind, muss der Sicherheitsabstand mindestens 15 Meter betragen. Andernfalls kann es zu schweren Verletzungen kommen. Stellen Sie das Gerät sofort ab, wenn sich Personen oder Tiere nähern. Drehen Sie sich niemals mit dem Gerät abrupt um, ohne vorher sicherzustellen, dass sich hinter Ihnen niemand innerhalb der Sicherheitszone befindet.
- Stellen Sie sicher, dass weder Menschen noch Tiere oder andere Dinge die Kontrolle des Geräts beeinflussen oder mit der Schneidausrüstung oder umherfliegenden Gegenständen in Berührung kommen. Sie dürfen das Gerät niemals benutzen, wenn im Falle eines Unfalls nicht die Möglichkeit besteht, Hilfe herbeizurufen.
- Kontrollieren Sie immer den Arbeitsbereich. Alle losen Gegenstände entfernen, z. B. Steine, Glasscherben, Nägel, Drähte, Schnüre, usw., die weggeschleudert werden oder sich in der Schneidausrüstung verfangen können.
- Vergewissern Sie sich, dass Sie sicher gehen und stehen können. Achten Sie auf evtl. Hindernisse (Wurzeln, Steine, Äste, Löcher, Gräben usw.), wenn Sie unvermittelt Ihren Standort wechseln. Beim Arbeiten auf abschüssigem Boden müssen Sie immer sehr vorsichtig sein.
- Nehmen Sie stets eine sichere Arbeitsstellung mit festem Stand ein. Sorgen Sie für einen festen Stand.
- Stellen Sie das Gerät beim Weitergehen ab. Befestigen Sie den Transportschutz, wenn das Gerät nicht in Betrieb ist.
- Legen Sie das Gerät nur dann ab, wenn Sie es ausgeschaltet und den Akku entfernt haben. Lassen Sie das Gerät nicht unbeaufsichtigt, wenn es eingeschaltet ist.
- Stellen Sie sicher, dass keine Kleidung und kein Körperteil mit der Schneidausrüstung in Kontakt kommen, wenn das Gerät aktiviert ist.
- Wenn während der Arbeit mit dem Gerät irgendetwas in den Klängen hängen bleibt, halten Sie das Gerät an und schalten Sie es aus. Stellen Sie sicher, dass die Schneidausrüstung vollständig stoppt. Entfernen Sie den Akku, bevor Sie das Gerät und/oder die Klängen reinigen, überprüfen oder reparieren.
- Halten Sie Hände und Füße nach Abschalten von der Schneidausrüstung fern, bis diese vollständig stillsteht.
- Achten Sie auf Aststückchen, die beim Schneiden weggeschleudert werden können. Schneiden Sie nicht zu dicht am Boden, wo Steine und andere Gegenstände weggeschleudert werden können.

- Achten Sie auf hochgeschleuderte Gegenstände. Tragen Sie immer einen zugelassenen Augenschutz. Beugen Sie sich niemals über den Schutz der Schneidausrüstung. Hochgeschleuderte Steine, Unrat usw. können die Augen treffen und Blindheit oder schwere Verletzungen verursachen.
- Achten Sie immer genau auf Warnsignale oder Rufe, wenn Sie den Gehörschutz tragen. Nehmen Sie den Gehörschutz immer ab, sobald das Gerät abgestellt ist.
- Arbeiten Sie niemals stehend auf einer Leiter oder einem Hocker oder in einer anderen, nicht ausreichend gesicherten erhöhten Position.
- Halten Sie das Gerät mit beiden Händen fest. Halten Sie das Gerät an der Seite des Körpers.

(Abb. 16)

Persönliche Schutzausrüstung



WARNUNG: Lesen Sie die folgenden Warnhinweise, bevor Sie das Gerät benutzen.

- Verwenden Sie die vorgeschriebene persönliche Schutzausrüstung bei der Benutzung des Geräts. Durch Tragen persönlicher Schutzausrüstung können Verletzungen nicht vollständig ausgeschlossen werden, aber im Ernstfall kann so die Verletzungsschwere reduziert werden. Ihr Händler steht Ihnen gern für weitere Informationen zur Verfügung.
- Tragen Sie einen Schutzhelm in Bereichen, in denen Gefahr durch herabfallende Gegenstände besteht.

(Abb. 17)

- Tragen Sie einen zugelassenen Gehörschutz. Eine längerfristige Beschallung mit Lärm kann zu bleibenden Gehörschäden führen.

(Abb. 18)

- Tragen Sie einen zugelassenen Augenschutz. Bei der Benutzung eines Visiers ist außerdem eine zugelassene Schutzbrille zu tragen. Zugelassene Schutzbrillen müssen die Normen ANSI Z87.1 für die USA bzw. EN 166 für EU-Länder erfüllen.

(Abb. 19)

- Verwenden Sie Schutzhandschuhe während des Betriebs und der Wartung.

(Abb. 20)

- Tragen Sie Schutzstiefel oder Schuhe mit rutschfester Sohle.

(Abb. 21)

- Tragen Sie Kleidung aus reißfestem Material. Ihre Kleidung muss eng sitzen, darf aber nicht Ihre Bewegungen einschränken. Tragen Sie lange Hosen und ziehen Sie Ihr Haar hinter nach hinten. Tragen Sie keinen Schmuck und offenen Schuhe.
- Eine Erste-Hilfe-Ausrüstung sollte stets griffbereit sein.

(Abb. 22)

Sicherheitsvorrichtungen am Gerät



WARNUNG: Lesen Sie die folgenden Warnhinweise, bevor Sie das Gerät verwenden.

In diesem Abschnitt werden einzelnen Teile der Sicherheitsausrüstung des Gerätes beschrieben, welche Funktion sie haben und wie ihre Kontrolle und Wartung ausgeführt werden sollen, um sicherzustellen, dass sie funktionsfähig sind. Unter der Überschrift *Geräteübersicht auf Seite 74* finden Sie Angaben zur Position der Teile an Ihrem Gerät.

Die Lebensdauer des Geräts kann verkürzt werden und die Unfallgefahr kann steigen, wenn die Wartung des Geräts nicht ordnungsgemäß und Service und/oder Reparaturen nicht fachmännisch ausgeführt werden. Wenden Sie sich für weitere Informationen an Ihre Vertragswerkstatt.



WARNUNG: Benutzen Sie kein Gerät mit defekten Sicherheitsvorrichtungen. Die Sicherheitsausrüstung des Gerätes muss so kontrolliert und gewartet werden, wie dies in diesem Abschnitt beschrieben wird. Wenn Ihr Gerät diesen Anforderungen nicht entspricht, muss eine Servicewerkstatt aufgesucht werden.



ACHTUNG: Service und Reparatur des Gerätes erfordern eine Spezialausbildung. Dies gilt besonders für die Sicherheitsausrüstung des Geräts. Wenn Ihr Gerät den unten aufgeführten Kontrollanforderungen nicht entspricht, müssen Sie Ihre Servicewerkstatt aufsuchen. Beim Kauf eines unserer Geräte wird gewährleistet, dass Reparatur- oder Servicearbeiten fachmännisch ausgeführt werden. Sollte der Verkäufer Ihres Gerätes nicht an unser Fachhändler-Service-Netz angeschlossen sein, fragen Sie nach unserer nächstgelegenen Servicewerkstatt.

So prüfen Sie die Tastatur

1. Drücken Sie die Start-/Stopptaste (A), und halten Sie sie gedrückt. (Abb. 23)
 - a) Das Gerät ist eingeschaltet, wenn die LED (B) leuchtet.
 - b) Das Gerät ist ausgeschaltet, wenn die LED (B) aus ist.
2. Lesen Sie *Bedienpanel auf Seite 85*, wenn die Warnanzeige (C) leuchtet oder blinkt.

So prüfen Sie den vorderen Handgriffeinschalter

Der vordere Handgriffeinschalter verhindert ein versehentliches Starten. Wenn Sie den vorderen Handgriffeinschalter drücken, wird der Gashebel freigegeben. Wenn Sie den Handgriff loslassen, kehren Gashebel und vorderer Handgriffeinschalter wieder in ihre Ausgangsstellung zurück.

1. Prüfen Sie, ob sich der Gashebel und der vordere Handgriffeinschalter frei bewegen lassen und die Rückstellfeder ordnungsgemäß funktioniert.
2. Starten Sie das Gerät.
3. Drücken Sie den vorderen Handgriffeinschalter.

(Abb. 24)

4. Drücken Sie den Gashebel. (Abb. 25)
5. Lassen Sie den vorderen Handgriffeinschalter los und stellen Sie sicher, dass die Schneidausrüstung vollständig stoppt.

So prüfen Sie den Handschutz

Der Handschutz schützt die Hand vor einem unbeabsichtigten Kontakt mit den Klingen.

1. Halten Sie das Gerät an.
2. Entfernen Sie den Akku.
3. Kontrollieren Sie, ob der Handschutz ordnungsgemäß befestigt ist.
4. Überprüfen Sie den Handschutz auf Beschädigungen.

So prüfen Sie die Klingen und den Klingenschutz

Der längere Teil der Klingen (A) dient als Klingenschutz.

1. Stoppen Sie das Gerät.
2. Entfernen Sie den Akku.
3. Ziehen Sie Handschuhe an.
4. Überprüfen Sie, ob die Klingen und der Klingenschutz beschädigt oder verbogen sind. Tauschen Sie die Klingen und den Klingenschutz aus, wenn sie beschädigt oder verbogen sind. (Abb. 26)

Sicherer Umgang mit Akkus



WARNUNG: Lesen Sie die folgenden Warnhinweise, bevor Sie das Gerät verwenden.

- Verwenden Sie nur Akkus der BLi-Serie und der 40-B-Serie. Weitere Informationen finden Sie unter *Technische Angaben auf Seite 87*. Der Akku verfügt über eine Softwareverschlüsselung.
- Verwenden Sie als Stromversorgung für die zugehörigen Husqvarna Geräte nur wiederaufladbare Akkus der BLi-Serie und der 40-B-

Serie. Um Verletzungen zu vermeiden, verwenden Sie den Akku nicht zur Energieversorgung anderer Geräte.

- Es besteht die Gefahr von elektrischen Schlägen. Verbinden Sie die Akkuklemmen nicht mit Schlüsseln, Münzen, Schrauben oder anderen metallischen Gegenständen. Dadurch kann es zu einem Kurzschluss des Akkus kommen.
- Verwenden Sie keine nicht aufladbaren Akkus.
- Legen Sie keine Gegenstände in die Luftschlitze des Akkus.
- Halten Sie den Akku von direkter Sonneneinstrahlung, Hitze oder offenem Feuer fern. Der Akku kann Verbrennungen und/oder chemische Verätzungen verursachen.
- Halten Sie den Akku von Regen und Feuchtigkeit fern.
- Halten Sie den Akku von Mikrowellen und hohem Druck fern.
- Versuchen Sie nicht, den Akku zu zerlegen oder aufzubrechen.
- Wenn aus dem Akku Flüssigkeit austritt, vermeiden Sie Haut- oder Augenkontakt mit dieser. Sollten Sie dennoch mit der Flüssigkeit in Berührung gekommen sein, reinigen Sie den Bereich mit ausreichend Wasser und Seife und suchen Sie medizinische Hilfe auf. Sollte Flüssigkeit in Ihre Augen gelangen, reiben Sie diese nicht, sondern spülen Sie sie mindestens 15 Minuten lang mit reichlich Wasser aus, und suchen Sie anschließend einen Arzt auf.
- Der Akku darf nur bei Temperaturen zwischen -10 °C (14 °F) und 40 °C (114 °F) verwendet werden.
- Reinigen Sie weder den Akku noch das Ladegerät mit Wasser. Siehe *So reinigen Sie das Gerät, den Akku und das Ladegerät auf Seite 84*.
- Verwenden Sie keine fehlerhaften oder beschädigten Akkus.
- Lagern Sie Akkus getrennt von Metallgegenständen wie Nägeln, Schrauben oder Schmuck.
- Halten Sie den Akku fern von Kindern.

Sicherer Umgang mit dem Ladegerät



WARNUNG: Lesen Sie die folgenden Warnhinweise, bevor Sie das Gerät verwenden.

- Gefahr von elektrischen Schlägen oder Kurzschluss, wenn die Sicherheitshinweise nicht beachtet werden.
- Verwenden Sie nur das mitgelieferte Ladegerät für Ihr Gerät. Verwenden Sie zum Laden von Ersatzakkus der BLi-Serie und der 40-B-Serie ausschließlich Ladegeräte vom Typ QC80 und 40-C80.
- Das Ladegerät nicht zerlegen.
- Verwenden Sie keine fehlerhaften oder beschädigten Ladegeräte.

- Heben Sie das Ladegerät nicht am Netzkabel an. Um das Ladegerät von der Steckdose zu trennen, ziehen Sie am Netzstecker. Ziehen Sie nicht am Netzkabel.
- Achten Sie darauf, dass keines der Kabel und Verlängerungskabel mit Wasser, Öl oder scharfen Kanten in Berührung kommt. Achten Sie darauf, dass Kabel nicht zwischen Objekten, z. B. Türen, Zäunen o. Ä., eingeklemmt werden.
- Das Ladegerät darf nicht in der Nähe von entflammaren Materialien oder Materialien, die Korrosion verursachen können, verwendet werden. Vergewissern Sie sich, dass das Ladegerät nicht abgedeckt ist. Bei Rauchentwicklung oder Feuer muss der Stecker des Ladegeräts sofort aus der Steckdose gezogen werden.
- Laden Sie den Akku nur in geschlossenen Räumen an einem Ort mit guter Luftzirkulation und ohne direkte Sonneneinstrahlung. Laden Sie den Akku nicht im Freien. Auf keinen Fall Akkus in feuchter Umgebung laden.
- Verwenden Sie das Ladegerät nur bei mit einer Temperatur zwischen 5 °C (41 °F) und 40 °C (104 °F). Verwenden Sie das Ladegerät nur in einer gut belüfteten, trockenen und staubfreien Umgebung.
- Legen Sie keine Gegenstände in die Kühlschlitze des Ladegeräts.
- Verbinden Sie die Anschlüsse des Ladegeräts niemals mit Metallgegenständen. Dies kann zu einem Kurzschluss im Ladegerät führen.
- Nutzen Sie zugelassene Steckdosen, die nicht beschädigt sind. Stellen Sie sicher, dass das Kabel des Ladegeräts nicht beschädigt ist. Wenn Verlängerungskabel verwendet werden, stellen Sie sicher, dass diese nicht beschädigt sind.

- Setzen Sie keine nicht wiederaufladbaren Akkus in das Ladegerät ein.

Sicherheitshinweise für die Wartung



WARNUNG: Lesen Sie die folgenden Warnhinweise, bevor Sie das Gerät warten.

- Entfernen Sie vor Wartungs-, Kontroll- oder Montagearbeiten den Akku.
- Der Bediener darf nur die Wartungs- und Servicearbeiten ausführen, die in dieser Bedienungsanleitung beschrieben sind. Für darüber hinausgehende Wartungs- und Servicearbeiten wenden Sie sich bitte an Ihren Servicehändler.
- Reinigen Sie weder den Akku noch das Ladegerät mit Wasser. Starke Reiniger können den Kunststoff beschädigen.
- Wenn Wartungsarbeiten nicht durchgeführt werden, verringert sich die Lebensdauer des Geräts und die Unfallgefahr steigt.
- Für alle Service- und Reparaturarbeiten, insbesondere an den Sicherheitsvorrichtungen des Geräts, ist eine spezielle Schulung erforderlich. Wenn nach Durchführung der Wartungsarbeiten nicht alle in dieser Bedienungsanleitung beschriebenen Prüfungen mit positivem Ergebnis ausfallen, wenden Sie sich an Ihren Servicehändler. Wir garantieren Ihnen, dass für Ihr Gerät professionelle Service- und Reparaturdienste verfügbar sind.
- Nur Original-Ersatzteile verwenden.

Montage

Einleitung

In diesem Abschnitt erfahren Sie, wie das Gerät zusammengesetzt und eingestellt wird.



WARNUNG: Lesen Sie vor dem Zusammenbau des Geräts das Kapitel zu Gerätesicherheit und die Montageanleitung.

So schließen Sie den Akku an das Gerät an



WARNUNG: Verwenden Sie im Gerät nur originale Husqvarna-Akkus.

1. Den Akku vollständig aufladen.

2. Drücken Sie den Akku in das Akkufach des Geräts. Der Akku rastet einem hörbaren Klickgeräusch in der richtigen Position ein. (Abb. 27)



ACHTUNG: Wenn sich der Akku nicht leicht in das Akkufach bewegt, ist der Akku nicht richtig eingesetzt. Dadurch kann das Gerät beschädigt werden.

So installieren Sie das Ladegerät (40-C80) an der Wand



ACHTUNG: Verwenden Sie keinen Akkuschrauber, um das Ladegerät an der Wand zu installieren. Ein Akkuschrauber kann das Ladegerät beschädigen.

1. Befestigen Sie das Ladegerät mit den zwei Schrauben (B) an der Wand. Verwenden Sie bei Bedarf Dübel (A). (Abb. 28)

2. Setzen Sie die beiden Bohrlochstopfen (C) ein.
3. Schließen Sie das Netzkabel an das Ladegerät und an eine Steckdose an.

Betrieb

Einleitung



WARNUNG: Lesen Sie vor Gebrauch des Geräts das Kapitel über Sicherheit, und machen Sie sich damit vertraut.

Akku



WARNUNG: Lesen Sie vor Gebrauch des Akkus das Kapitel über Sicherheit, und machen Sie sich damit vertraut. Lesen Sie außerdem die Bedienungsanleitung für den

Akku und das Ladegerät, und machen Sie sich damit vertraut.

Sorgen Sie für die richtigen Umgebungstemperaturen von Akku und Ladegerät.

	Umgebungstemperatur
Betrieb des Akkus	5 °C-40 °C/41 °F-104 °F
Laden des Akkus	5 °C-40 °C/41 °F-104 °F

Akkuladezustand

Auf dem Display werden der Ladezustand und eventuelle Störungen des Akkus angezeigt.

(Abb. 29)

LED Anzeigelampe	Akkustatus (Ladezustand)	
	BLI10	40-B70
4 LEDs leuchten	N/A	Der Akku ist zu 76 % - 100 % geladen.
3 LEDs leuchten	Der Akku ist zu 76 % - 100 % geladen.	Der Akku ist zu 51 % - 75 % geladen.
2 LEDs leuchten	Der Akku ist zu 51 % - 75 % geladen.	Der Akku ist zu 26 % - 50 % geladen.
1 LED leuchtet	Der Akku ist zu 26 % - 50 % geladen.	Der Akku ist zu 6 % - 25 % geladen.
1 LED blinkt	Der Akku ist zu 0% - 25% geladen.	Der Akku ist zu 0 % - 5 % geladen.

So laden Sie den Akku

Laden Sie den Akku, wenn Sie ihn zum ersten Mal verwenden. Ein neuer Akku ist nur zu 30 % geladen.



ACHTUNG: Schließen Sie das Ladegerät an eine Steckdose mit der auf dem Typenschild angegebenen Spannung und Frequenz an.

Der Akku wird nicht aufgeladen, wenn die Akkutemperatur mehr als 50 °C/122° F beträgt.

1. Schließen Sie das Netzkabel an das Ladegerät an.
2. Schließen Sie das Ladegerät an eine geerdete Steckdose an. Die Lade-LED blinkt ein Mal. (Abb. 30)

3. Schließen Sie den Akku an das Ladegerät an. Die Lade-LED leuchtet auf. Laden Sie den Akku für maximal 24 Stunden. (Abb. 31)
4. Drücken Sie die Taste für den Akku-Ladezustand. Wenn alle LED-Anzeigelampen aufleuchten, ist der Akku vollständig geladen.
5. Ziehen Sie den Netzstecker, um das Ladegerät von der Steckdose zu trennen. Ziehen Sie nicht am Netzkabel.
6. Nehmen Sie den Akku aus dem Ladegerät.

Zu erledigen, bevor Sie das Gerät starten

1. Untersuchen Sie den Arbeitsbereich. Entfernen Sie Gegenstände, die weggeschleudert werden können.

- Überprüfen Sie die Schneidusrüstung. Stellen Sie sicher, dass die Klingen scharf sind und dass sie keine Risse und Beschädigungen aufweisen.
- Vergewissern Sie sich, dass das Gerät ordnungsgemäß funktioniert. Prüfen Sie, ob alle Muttern und Schrauben angezogen sind.
- Stellen Sie sicher, dass der Griff und die Sicherheitseinrichtungen nicht beschädigt sind und dass sie korrekt angebracht sind. Bedienen Sie kein Gerät, bei dem Teile fehlen oder das von seiner ursprünglichen Spezifikation abweicht. Verwenden Sie Schutzhandschuhe, falls notwendig.
- Stellen Sie sicher, dass die Deckel nicht beschädigt sind und korrekt angebracht sind, bevor Sie das Gerät in Betrieb nehmen.

So starten Sie das Gerät

- Drücken Sie die Start-/Stopptaste, bis das grüne LED-Licht aufleuchtet. (Abb. 32)
- Drücken Sie den vorderen Handgriffeinschalter am vorderen Handgriff. (Abb. 33)
- Drücken Sie den Gashebel. (Abb. 25)

Inbetriebnahme des Geräts

- Beginnen Sie in Bodennähe und bewegen Sie das Gerät dann nach oben, wenn Sie die Seiten scheiden. Passen Sie auf, dass das Gerätegehäuse nicht die Heckleuchte berührt. (Abb. 34)



WARNUNG: Passen Sie auf, dass die Vorderseite der Schneidusrüstung nicht den Boden berührt.

- Halten Sie das Gerät für eine stabile Arbeitsposition nahe am Körper.
- Gehen Sie vorsichtig vor und verwenden Sie das Gerät langsam.

So verwenden Sie die SavE-Funktion

Dieses Gerät verfügt über die Energiesparfunktion SavE.

Hinweis: Die Funktion SavE vermindert nicht die Schneidleistung des Geräts.

- Drücken Sie die SavE-Taste (Energiespartaste) auf dem Tastenfeld.
- Stellen Sie sicher, dass die grüne LED aufleuchtet.
- Drücken Sie die savE-Taste erneut, wenn Sie die Funktion deaktivieren möchten. Die grüne LED erlischt. (Abb. 35)

Automatische Abschaltfunktion

Das Gerät verfügt über eine Abschaltfunktion, die das Gerät anhält, wenn es nicht verwendet wird. Die grüne LED für die Start/Stop-Anzeige erlischt, und das Gerät stoppt nach 180 Sekunden.

So stoppen Sie das Gerät

- Lassen Sie den Gashebel am vorderen Handgriffeinschalter los.
- Drücken Sie die Start/Stopptaste, bis die grüne LED erlischt.
- Drücken Sie die Entriegelungstasten am Akku und entfernen Sie den Akku. (Abb. 36)

Wartung

Einleitung



WARNUNG: Lesen Sie vor den Wartungsarbeiten am Gerät das Kapitel über Sicherheit, und machen Sie sich damit vertraut.



WARNUNG: Entfernen Sie den Akku, bevor Sie Wartungsarbeiten am Gerät durchführen.

Wartungsplan

Nachstehend sind die am Gerät vorzunehmenden Wartungsmaßnahmen aufgelistet.

Wartung	Vor der Verwendung	Wöchentlich	Monatlich
Die äußeren Teile des Geräts reinigen.	X		
Sicherstellen, dass der Start- und Stoppschalter funktionstüchtig und unbeschädigt ist.	X		

Wartung	Vor der Verwendung	Wöchentlich	Monatlich
Stellen Sie sicher, dass der Gashebel und der vordere Handgriffeinschalter sicherheitstechnisch ordnungsgemäß funktionieren.	X		
Sicherstellen, dass alle Bedienelemente funktionieren und unbeschädigt sind.	X		
Sicherstellen, dass Klingensblatt und Klingenschutz keine Risse aufweisen und unbeschädigt sind. Klingensblatt oder Klingenschutz ersetzen, wenn sie Risse aufweisen oder Stößen ausgesetzt waren.	X		
Das Klingensblatt ersetzen, wenn es verbogen oder beschädigt ist.	X		
Sicherstellen, dass der Handschutz nicht beschädigt ist. Den Schutz bei Beschädigung ersetzen.	X		
Sicherstellen, dass alle Schrauben und Muttern fest angezogen sind.	X		
Sicherstellen, dass der Akku unbeschädigt ist.	X		
Sicherstellen, dass der Akku vollständig geladen ist.	X		
Sicherstellen, dass das Akkuladegerät nicht beschädigt ist.	X		
Sicherstellen, dass die Schrauben, die die Klingensblätter zusammenhalten, korrekt angezogen sind.		X	
Die Verbindungen zwischen dem Akku und dem Gerät prüfen. Die Verbindung zwischen dem Akku und dem Akkuladegerät prüfen.			X

So prüfen Sie den Akku und das Ladegerät

1. Untersuchen Sie den Akku auf Schäden, z. B. Risse.
2. Untersuchen Sie das Akkuladegerät auf Schäden, z. B. Risse.
3. Stellen Sie sicher, dass das Verbindungskabel des Akkuladegeräts nicht beschädigt ist und dass keine Risse vorhanden sind.

So reinigen Sie das Gerät, den Akku und das Ladegerät

1. Reinigen Sie das Gerät nach jedem Gebrauch mit einem trockenen Tuch.
2. Reinigen Sie Akku und Ladegerät mit einem trockenen Tuch. Die Akkuführungsschienen sauber halten.
3. Stellen Sie sicher, dass die Klemmen an Akku und Ladegerät sauber sind, bevor der Akku in das Ladegerät oder das Gerät gesteckt wird.

So überprüfen Sie die Klinge

1. Reinigen Sie die Klinge vor und nach dem Betrieb des Geräts mit einem Korrosionsschutzreinigungsmittel von unerwünschten Materialien.
2. Überprüfen Sie die Kanten der Klinge auf Schäden und Verformungen.

3. Entfernen Sie mit einer Feile Grate an der Klinge.
4. Stellen Sie sicher, dass sich die Klinge frei bewegen können.

So reinigen und schmieren Sie die Klinge

1. Stellen Sie die Klinge vor und nach dem Betrieb des Geräts von unerwünschten Materialien.
2. Schmieren Sie vor der Langzeitaufbewahrung die Klinge.

Hinweis: Ihr Servicehändler steht Ihnen gerne für weitere Informationen zu empfohlenen Reinigungsmitteln und Schmierstoffen zur Verfügung.

So schmieren Sie das Getriebe

Tragen Sie Schmierfett auf das Getriebegehäuse auf, wenn das Getriebe von einem autorisierten Servicehändler demontiert wurde.

- Verwenden Sie Husqvarna-Spezialfett. Ihr Servicehändler steht Ihnen gern für weitere Informationen zu empfohlenen Schmierfetten zur Verfügung.
- Verwenden Sie nur eine kleine Menge eines hochwertigen Spezialfetts.



ACHTUNG: Füllen Sie das Getriebegehäuse nicht vollständig.

Fehlerbehebung

Bedienpanel

LED-Bildschirm	Mögliche Fehler	Mögliche Abhilfe
Die Fehler-LED blinkt.	Überlastung	Die Schneid-ausrüstung ist nicht frei beweglich. Nehmen Sie die Schneid-ausrüstung ab.
	Temperaturabweichung	Lassen Sie das Gerät abkühlen.
Das Gerät springt nicht an.	Drücken Sie gleichzeitig den Gashebel und die Start-Taste.	Lassen Sie den Gashebel los, und stoppen Sie das Gerät.
Die Fehler-LED leuchtet rot auf.	Das Gerät muss gewartet werden.	Wenden Sie sich an Ihren Servicehändler.

Akku

LED-Anzeige	Mögliche Fehler	Mögliche Fehlerbehebung
Die grüne LED blinkt.	Geringe Akkuspannung.	Laden Sie den Akku.
Die Fehler-LED blinkt.	Temperaturabweichung.	Der Akku darf nur bei Temperaturen zwischen -10°C (14°F) und 40°C (104°F) verwendet werden.
	Überspannung.	Kontrollieren Sie, ob die Netzspannung mit der auf dem Typenschild des Geräts angegebenen Spannung übereinstimmt. Nehmen Sie den Akku aus dem Ladegerät.
Die Fehler-LED leuchtet.	Die Zellendifferenz ist zu groß (1 V).	Wenden Sie sich an Ihren Servicehändler.

Akkuladegerät

Problem	Mögliche Fehler	Mögliche Abhilfe
Die Lade-LED leuchtet rot.	Dauerhafter Ladegerätfehler.	Wenden Sie sich an Ihren Händler.
Die Lade-LED blinkt grün.	Temperaturabweichung, der Akku ist zu kalt oder zu heiß zum Laden.	Lassen Sie den Akku abkühlen, oder erwärmen Sie ihn. Wenn der Akku die richtige Temperatur hat, kann er wieder verwendet oder aufgeladen werden. Das Akkuladegerät darf nur bei Umgebungstemperaturen zwischen 5 °C und 40 °C verwendet werden.

Problem	Mögliche Fehler	Mögliche Abhilfe
Die Lade-LED blinkt rot.	Akku defekt.	Wenden Sie sich an Ihren Händler.

Transport, Lagerung und Entsorgung

Transport und Lagerung

- Die mitgelieferten Lithium-Ionen-Akkus entsprechen den Anforderungen des Gefahrgutrechts.
- Beachten Sie für den gewerblichen Transport, auch durch Dritte oder Speditionen, die gesonderten Anforderungen auf Verpackung und Etiketten.
- Sprechen Sie sich, bevor Sie das Gerät versenden, mit einer Person ab, die speziell im Gefahrgutversand geschult ist. Beachten Sie sämtliche geltende nationale Vorschriften.
- Bedecken Sie offene Kontakte mit Klebeband, wenn Sie den Akku in eine Verpackung legen. Stellen Sie sicher, dass der Akku in der Verpackung nicht verrutschen kann.
- Entnehmen Sie den Akku für die Lagerung oder den Transport.
- Bringen Sie den Akku und das Ladegerät an einem Ort unter, der trocken und frei von Feuchtigkeit und Frost ist.
- Lagern Sie den Akku nicht an einem Ort, an dem es zu elektrostatistischen Entladungen kommen kann. Bewahren Sie den Akku nicht in einem Metallkasten auf.
- Stellen Sie bei der Lagerung des Akkus sicher, dass die Temperatur zwischen 5 °C/41 °F und 25 °C/77 °F liegt und der Akku keinem direkten Sonnenlicht ausgesetzt ist.
- Stellen Sie bei der Lagerung des Akkuladegeräts sicher, dass die Temperatur zwischen 5 °C/41 °F und 45 °C/113 °F liegt und das Ladegerät keinem direkten Sonnenlicht ausgesetzt ist.
- Das Ladegerät darf nur verwendet werden, wenn die Umgebungstemperatur zwischen 5 °C/41 °F und 40 °C/104 °F liegt.
- Laden Sie den Akku auf 30 bis 50 %, bevor Sie ihn über längere Zeit einlagern.
- Lagern Sie das Akkuladegerät in einem geschlossenen und trockenen Raum.
- Achten Sie bei der Lagerung darauf, dass sich der Akku nicht in unmittelbarer Nähe zum Ladegerät befindet. Kinder und andere nicht befugte Personen dürfen die Ausstattung nicht berühren. Verwahren Sie die Ausstattung in einem abschließbaren Raum.
- Reinigen Sie das Gerät und führen Sie umfassende Servicearbeiten durch, bevor Sie es längere Zeit einlagern.
- Verwenden Sie für das Gerät einen Transportschutz, um Verletzungen oder Schäden am Gerät bei Transport und Lagerung zu vermeiden.

- Befestigen Sie das Gerät während des Transports sicher.

Entsorgung von Akku, Ladegerät und Gerät

Symbole auf dem Gerät oder seiner Verpackung zeigen an, dass dieses Gerät kein Hausmüll ist. Recyceln Sie es an einer Recyclingstation für elektrische und elektronische Geräte. So werden Umwelt- und Personenschäden vermieden.

Wenden Sie sich für weitere Informationen zum Recycling Ihres Geräts an Ihre örtlichen Behörden, Abfallentsorgungsunternehmen oder Ihren Händler.

Entsorgen von Elektro- und Elektronik-Altgeräten

Gilt nur für Deutschland



Die durchgestrichene Abfalltonne weist darauf hin, dass Sie gesetzlich verpflichtet sind, dieses Gerät getrennt vom unsortierten Siedlungsabfall zu entsorgen. Die Entsorgung im Restmüll oder im gelben Sack ist verboten. Wenn das Produkt Einwegbatterien oder Akkus enthält, die nicht dauerhaft installiert sind, müssen diese vor der Entsorgung des Produkts entfernt und separat als Batterien bzw. Akkus entsorgt werden.

Entfernen von Batterien, Akkus und Leuchtmitteln:

Batterien, Akkus oder Leuchtmittel, die aus dem Produkt entfernt werden können, ohne es zu beschädigen, müssen vor der Entsorgung entfernt und separat als Batterien, Akkus oder Leuchtmittel entsorgt werden. Die folgenden Batterien oder Akkus sind in diesem Produkt enthalten:

- **Akkutyp:** Li-ion
- **Chemie:** Lithium

Informationen zur Rückgabe von Elektro- und Elektronik-Altgeräten für Privathaushalte:

Wie im Folgenden näher beschrieben, sind bestimmte Vertreter verpflichtet, Elektro- und Elektronik-Altgeräte kostenlos zurückzunehmen.

Vertreiter von Elektro- und Elektronikgeräten mit einer Verkaufsfläche von mindestens 400 m² und Lebensmittelhändler mit einer Gesamtverkaufsfläche

von mindestens 800 m², die mehrmals im Kalenderjahr oder beständig Elektro- und Elektronikgeräte abgeben und verkaufen, sind unter den folgenden Umständen zur Rücknahme von Geräten verpflichtet:

1. Beim Verkauf eines neuen Elektro- oder Elektronikgeräts muss der Vertreiber ein Altgerät desselben Gerätetyps kostenlos zurücknehmen, das im Wesentlichen die gleichen Funktionen wie das neue Gerät bereitstellt. Dies muss an dem Standort, an dem das Gerät abgegeben wird, oder in unmittelbarer Nähe geschehen. Privathaushalte gelten auch als der Ort, an dem das Gerät abgegeben wird, sofern das Produkt dorthin geliefert wird: In diesem Fall werden Altgeräte ohne Kosten für den Endbenutzer abgeholt.
2. Der Vertreiber muss Altgeräte mit einem Durchmesser von weniger als 25 cm auf Wunsch des Endbenutzers an der Verkaufsstelle oder in unmittelbarer Nähe zurücknehmen. Diese Rückgabe muss nicht mit dem Kauf von Elektro- oder Elektronikgeräten in Verbindung stehen und ist auf drei Altgeräte pro Gerätetyp beschränkt.

Bei Abschluss des Kaufvertrags für ein neues Elektro- oder Elektronikgerät muss der Vertreiber den Endbenutzer über sein Recht informieren, das Altgerät zurückzugeben oder kostenlos abholen zu lassen, und den Endbenutzer fragen, ob er beabsichtigt, ein Altgerät bei der Lieferung des neuen Geräts zurückzugeben.

Dies gilt auch für den Vertrieb über Telekommunikation, wenn die Lager- und Versandfläche für Elektro- und Elektronikgeräte mindestens 400 m² beträgt oder wenn die gesamte Lager- und Versandfläche mindestens 800 m² beträgt, wobei die kostenlose Abholung von Elektro-

oder Elektronikgeräten auf die folgenden Kategorien beschränkt ist:

- 1 (Wärmeüberträger)
- 2 (Geräte mit Displays) und
- 4 (große Geräte mit mindestens einer äußeren Abmessung von mehr als 50 cm)

Für alle anderen Elektro- und Elektronikgeräte muss der Vertreiber entsprechende Rücknahmestellen in angemessener Nähe zum Endverbraucher sicherstellen. Dies gilt auch für Altgeräte, bei denen keine äußere Abmessung 25 cm überschreitet, die der Endbenutzer zurückgeben möchte, ohne ein neues Gerät zu erwerben.

Datenschutz

Alle Endbenutzer von Elektro- und Elektronik-Altgeräten sind dafür verantwortlich, alle personenbezogenen Daten von den zu entsorgenden Elektro- und Elektronik-Altgeräten zu löschen.

WEEE-Registrierungsnummer

Husqvarna 10168717

Sammlungs- und Verwertungsraten

Gemäß der WEEE-Richtlinie sind die EU-Mitgliedstaaten verpflichtet, Daten über Elektro- und Elektronik-Altgeräte zu sammeln und diese Daten an die Europäische Kommission zu übermitteln. Weitere Informationen hierzu finden Sie auf der BMUV-Website: <https://www.bmu.de/themen/wasser-ressourcen-abfall/kreislaufwirtschaft/statistiken/elektro-und-elektronikaltgeraete>

Technische Angaben

Technische Daten

	215iHD45
Motor	
Motorart	BLDC
Gewicht	
Gewicht ohne Akku, kg	3,2
Klinge	
Typ	Doppelseitig
Klingenlänge, mm	450
Klingengeschwindigkeit, Schnitte/min (mit SavE-Modus)	2400
Klingengeschwindigkeit, Schnitte/min (ohne SavE-Modus)	3000

	215HD45
Geräuschemissionen ¹¹	
Schalleistungspegel, gemessen dB(A)	87
Schalleistungspegel, garantiert L _{WA}	90
Schallpegel	
Schalldruckpegel am Ohr des Bedieners, gemessen gemäß EN 62841-4-2, dB (A)	79
Vibrationspegel ¹²	
Vibrationspegel (a _h), vorn/hinten, m/s ²	2,1/1,7

Zugelassene Akkus für das Gerät

Akku	BLi10		40-B70
Typ	Lithium-Ionen		Lithium-Ionen
Akkukapazität, Ah	Siehe Aufkleber zur Akkukapazität		Siehe Aufkleber zur Akkukapazität
Nennspannung, V	36	36,5	36
Gewicht, kg	0,7	0,7	0,8

Zugelassene Ladegeräte für das Gerät

Akkuladegerät	QC80	40-C80
Netzspannung, V	100-240	100-240
Frequenz, Hz	50-60	50-60
Leistung, W	100	72
Ausgangsspannung, V DC/ Ampere, A	36/2	43/1,6

¹¹ Umweltbelastende Geräuschemissionen, gemessen als Schalleistung (L_{WA}) gemäß EG-Richtlinie 2000/14/EG. Die Differenz zwischen garantiertem und gemessenem Schalleistungspegel besteht darin, dass beim garantierten Schalleistungspegel auch eine Streuung im Messergebnis und Variationen zwischen verschiedenen Geräten desselben Modells gemäß der Richtlinie 2000/14/EG berücksichtigt werden.

¹² Berichten zufolge liegt der Vibrationspegel normalerweise bei einer Ausbreitungsklasse (Standardabweichung) von 1,5 m/s².

Der angegebene Vibrationsgesamtwert wurde gemäß einer Standardtestmethode gemessen und kann zum Vergleich von Werkzeugen herangezogen werden.

Der angegebene Vibrationsgesamtwert kann auch bei der vorläufigen Beurteilung der Exposition verwendet werden.

Konformitätserklärung

EU-Konformitätserklärung

Die **Husqvarna AB**, SE-561 82 Huskvarna, Schweden,
Tel.: +46-36-146500, erklärt in alleiniger Verantwortung,
dass das Gerät:

Beschreibung	Akku-Heckenschere
Marke	Husqvarna
Typ/Modell	215iHD45
Identifizierung	Seriennummern ab 2024

die folgenden EU-Richtlinien und -Verordnungen erfüllt:

Richtlinie/Verordnung	Beschreibung
2006/42/EG	„Maschinenrichtlinie“
2014/30/EU	„über elektromagnetische Verträglichkeit“
2000/14/EG	„über umweltbelastende Geräuschemissionen von zur Verwendung im Freien vorgesehenen Geräten und Maschinen“
2011/65/EU	„zur Beschränkung der Verwendung bestimmter gefährlicher Stoffe in Elektro- und Elektronikgeräten“

und dass die folgenden Normen und/
oder technischen Daten angewendet werden:
EN 62841-4-2:2019+A1:2022+A11:2022, EN
62841-1:2015+A11:2022, EN IEC 55014-1:2021, EN
IEC 55014-2:2021, EN IEC 63000:2018.

Gemäß Richtlinie 2000/14/EG, Anhang V, siehe
Technische Angaben auf Seite 87 für die angegebenen
Schallwerte.

Huskvarna, 2024-02-01

Claes Losdal, R&D Manager, Husqvarna AB
Verantwortlich für die technische Dokumentation



Sommaire

Introduction.....	90	Dépannage.....	100
Sécurité.....	91	Transport, entreposage et mise au rebut.....	101
Montage.....	97	Caractéristiques techniques.....	102
Utilisation.....	97	Déclaration de conformité.....	104
Entretien.....	99		

Introduction

Description du produit

Le Husqvarna 215iHD45 est un taille-haie à batterie équipé d'un moteur électrique.

Nous travaillons en permanence à l'amélioration de votre sécurité et de votre efficacité pendant l'utilisation.

Aperçu du produit

(Fig. 1)

1. Manuel de l'opérateur
2. Poignée arrière
3. Gâchette de la poignée avant
4. Poignée avant
5. Couteau
6. Protection de transport
7. Gâchette de puissance
8. Panneau de commande
9. Protège-main
10. Batterie
11. Chargeur de batterie 40-C80
12. Connecteur
13. Indicateur de batterie
14. État de la batterie
15. Témoin d'avertissement
16. Bouton SavE
17. Bouton marche/arrêt
18. Témoin de mise sous tension et avertisseur
19. Boutons de libération de la batterie
20. Chargeur de batterie QC80
21. Cordon d'alimentation

Symboles concernant le produit

- (Fig. 2) **AVERTISSEMENT** : ce produit peut être dangereux et causer des blessures graves, voire mortelles, à l'opérateur ou à d'autres personnes. Soyez prudent et utilisez le produit correctement.
- (Fig. 3) Lisez attentivement le manuel d'utilisation et assurez-vous de bien comprendre les instructions avant d'utiliser ce produit.
- (Fig. 4) Portez des protections pour les yeux.
- (Fig. 5) Le produit est conforme aux directives CE en vigueur.
- (Fig. 6) Le produit ou son emballage ne font pas partie des ordures ménagères. Déposez-le dans une station de recyclage pour équipements électriques et électroniques.

Pour davantage d'informations, contactez votre atelier d'entretien.

Utilisation prévue

Utilisez le produit pour couper les branches et les rameaux. N'utilisez pas ce produit pour d'autres travaux.

(Fig. 7) Ne les exposez pas à la pluie.

(Fig. 8) Courant continu.

(Fig. 9) Émissions sonores conformes au label environnemental, conformément aux directives et réglementations de l'UE (y compris la législation de la Nouvelle-Galles du Sud) et du Royaume-Uni. L'étiquette de la machine et le chapitre Caractéristiques techniques contiennent des données sur les émissions sonores.

(Fig. 10) Ce produit est conforme aux directives en vigueur au Royaume-Uni.

(Fig. 11) Avertissement : gardez les mains à distance de la lame.

yyyywwxxxx La plaque signalétique indique le numéro de série. **yyyy** désigne l'année de production, **ww** désigne la semaine de production.

Remarque: Les autres symboles/autocollants présents sur le produit concernent des exigences de certification spécifiques à certains marchés.

Symboles sur la batterie et/ou son chargeur

- (Fig. 15) Déposez ce produit dans une station de recyclage pour équipements électriques et électroniques. (Concerne seulement l'Europe)
- (Fig. 12) Transformateur à sécurité intégrée.
- (Fig. 13) Utilisez et stockez le chargeur de batterie en intérieur uniquement.
- (Fig. 14) Double isolation.

Sécurité

Définitions de sécurité

Des avertissements, des recommandations et des remarques sont utilisés pour souligner des parties spécialement importantes du manuel.



AVERTISSEMENT: Symbole utilisé en cas de risque de blessures ou de mort pour l'opérateur ou les personnes à proximité si les instructions du manuel ne sont pas respectées.



REMARQUE: Symbole utilisé en cas de risque de dommages pour le produit, d'autres matériaux ou les environs si les instructions du manuel ne sont pas respectées.

Remarque: Symbole utilisé pour donner des informations supplémentaires pour une situation donnée.

Consignes générales de sécurité relatives à l'outil à moteur



AVERTISSEMENT: Lire toutes les consignes et instructions de sécurité. Le non-respect des consignes et mises en garde peut être à l'origine d'un choc électrique, d'un incendie et/ou de blessures graves.

Remarque: Conservez toutes ces consignes et instructions pour toute consultation ultérieure. Le terme « outil électrique » utilisé dans les avertissements fait référence à l'outil branché sur secteur (fil) ou à l'outil alimenté par batterie (sans fil).

Sécurité dans l'espace de travail

- **Maintenez un espace de travail propre et bien éclairé.** Les espaces encombrés ou sombres exposent à des accidents.
- **N'utilisez pas de machines à usiner dans des atmosphères explosives, en présence de liquides, de gaz ou de poussières inflammables par exemple.** Les machines à usiner provoquent des étincelles qui peuvent enflammer la poussière ou les vapeurs.
- **Tenez les enfants et les spectateurs à distance lorsque la machine à usiner est en marche.** Un moment d'inattention peut vous faire perdre le contrôle.

Sécurité électrique

- **Les fiches des machines à usiner doivent être adaptées à la prise. N'apportez jamais de modifications à la fiche. Ne pas utiliser de fiches d'adaptation avec des machines mises à la terre.** Des fiches non modifiées et des prises compatibles réduiront le risque d'électrocution.
- **Éviter tout contact physique avec les surfaces mises à la terre telles que les tuyaux, les radiateurs, les cuisinières et les réfrigérateurs.** Le risque d'électrocution est plus important si le corps est relié à la terre.
- **Ne pas exposer les outils électriques à la pluie ou à l'humidité.** L'infiltration d'eau dans un outil électrique augmente le risque d'électrocution.
- **Ne malmenez pas le cordon. N'utilisez jamais le cordon pour porter, tirer ou débrancher la machine. Maintenez le cordon d'alimentation à l'écart de la chaleur, de bords tranchants ou de pièces en mouvement.** Les cordons endommagés ou emmêlés augmentent le risque d'électrocution.
- **Lorsqu'une machine à usiner est utilisée à l'extérieur, installer une rallonge adaptée à un usage extérieur.** L'utilisation d'un cordon d'alimentation pour usage extérieur réduit le risque d'électrocution.
- **Si vous n'avez d'autre choix que d'utiliser un outil électrique dans un endroit humide, utilisez une alimentation protégée par un disjoncteur différentiel (RCD).** L'utilisation d'un RCD réduit le risque d'électrocution.



AVERTISSEMENT: Ne lavez pas la machine avec de l'eau sous pression. Celle-ci pourrait s'infiltrer dans le système électrique ou le moteur et endommager la machine ou provoquer un court-circuit.

Sécurité du personnel

- **Restez attentif, regardez ce que vous faites et ayez recours à votre bon sens lorsque vous utilisez un outil électrique. N'utilisez pas d'outil électrique si vous êtes fatigué ou si vous êtes sous l'emprise de drogues, d'alcool ou de médicaments.** Un moment d'inattention pendant l'utilisation des machines à usiner peut entraîner des blessures corporelles graves.
- **Utilisez un équipement de protection personnelle. Travaillez toujours avec des lunettes de protection.** Les équipements de protection tels que le masque anti-poussière, les chaussures de sécurité antidérapantes, le casque ou le protège-oreilles utilisés dans des conditions appropriées réduisent les blessures corporelles.
- **Évitez tout démarrage intempestif. Vérifiez que l'interrupteur est en position d'arrêt avant de**

brancher l'outil sur l'alimentation et/ou la batterie, de le ramasser ou de le transporter. Le fait de garder le doigt sur l'interrupteur pendant le transport des outils ou le branchement des machines alors que l'interrupteur est en position ON expose à des accidents.

- **Retirez toute clé ou clavette de calage avant de mettre la machine à usiner sous tension.** Une clé ou une clavette reliée à une pièce mobile de la machine à usiner peut entraîner des blessures corporelles.
- **Ne vous éloignez pas trop. Restez toujours en équilibre et sur vos appuis.** Cela favorise le contrôle de la machine à usiner dans les situations inattendues.
- **Habilitez-vous correctement. Ne portez jamais de vêtements amples ou de bijoux. Éloignez vos cheveux et vos vêtements des pièces mobiles.** Les vêtements amples, les bijoux et les cheveux longs peuvent rester coincés dans les pièces mobiles.
- **Si des dispositifs sont fournis pour raccorder des systèmes de collecte et d'extraction de la poussière, vérifiez qu'ils sont correctement branchés et utilisés.** L'utilisation de systèmes de collecte de poussière peut réduire les risques associés à la poussière.
- **La connaissance des outils, acquise par l'usage fréquent de ces derniers, ne doit pas vous dispenser d'être prudent et d'appliquer les principes de sécurité.** Une action inconsidérée peut provoquer de graves blessures en une fraction de seconde.
- Les émissions de vibrations durant l'utilisation de l'appareil peuvent différer de la valeur totale déclarée en fonction de la manière dont l'outil est utilisé. En vue de se protéger, les opérateurs devraient établir des mesures de sécurité basées sur une estimation de leur exposition dans les conditions d'utilisation réelles (en tenant compte de toutes les phases du cycle opératoire, comme, par exemple, lorsque l'outil est éteint et lorsqu'il fonctionne en mode ralenti ou au gaz).

Utilisation et entretien de la machine à usiner

- **Ne forcez pas sur la machine à usiner. Utilisez la machine à usiner qui convient à l'application.** La machine qui convient réalisera mieux son travail et de façon plus sûre, à la vitesse pour laquelle elle a été conçue.
- **N'utilisez pas la machine à usiner si l'interrupteur ne permet pas la mise sous tension ou l'arrêt.** Toute machine à usiner impossible à commander avec l'interrupteur est dangereuse et doit être réparée.
- **Débranchez la fiche de l'alimentation et/ou retirez la batterie, si celle-ci est amovible, avant de procéder aux réglages, de changer les accessoires ou de stocker un outil électrique.** Ces mesures de sécurité préventive réduisent le risque de mise sous tension accidentelle de la machine à usiner.
- **Rangez les machines à usiner hors de la portée des enfants et ne pas laisser des personnes qui ne connaissent pas la machine ou ces consignes utiliser l'appareil.** Les machines à usiner

sont dangereuses si elles sont entre les mains d'utilisateurs non formés.

- **Entretenez les accessoires et outils électriques. Vérifier le mauvais alignement ou la fixation des pièces mobiles, l'éventuelle rupture des pièces ou toute autre condition susceptible d'altérer le fonctionnement de la machine. Si elle est endommagée, la machine à usiner doit être réparée avant toute réutilisation.** De nombreux accidents sont dus à des machines mal entretenues.
- **Maintenez les outils tranchants aiguisés et propres.** Des outils tranchants correctement entretenus avec des bords aiguisés sont moins susceptibles de se coincer et sont plus faciles à contrôler.
- **Utiliser la machine à usiner, les accessoires, les grains, etc. en suivant ces consignes et en tenant compte des conditions de travail et de la tâche à réaliser.** Il est dangereux d'utiliser l'outil électrique pour tout autre usage que celui prévu.
- **Les poignées et les surfaces de maintien doivent toujours être propres, sèches et sans traces d'huile ni de graisse.** Les poignées et les surfaces de maintien glissantes ne permettent pas une manipulation et un contrôle sûrs de l'outil dans des situations inattendues.

Utilisation et entretien d'un outil à batterie

- **Ne rechargez la machine qu'avec le chargeur indiqué par le fabricant.** Un chargeur convenant à un type de bloc de batteries particulier peut entraîner un risque d'incendie s'il est utilisé avec un autre bloc.
- **Utilisez les produits uniquement avec les batteries spécifiquement préconisées.** L'utilisation d'une autre batterie peut entraîner un risque de blessure et d'incendie.
- **Lorsque la batterie n'est pas utilisée, maintenez-la à distance d'objets métalliques, tels que des trombones, pièces de monnaie, clés, clous, vis, ou autres petits objets en métal risquant de relier une borne à l'autre.** Court-circuiter les bornes de batterie entraîne un risque de brûlures et d'incendie.
- **En cas d'utilisation abusive, du liquide peut s'échapper de la batterie ; évitez tout contact. En cas de contact accidentel, rincez à l'eau. En cas de contact avec les yeux, consultez un médecin.** Le liquide échappé de la batterie peut causer irritations et brûlures.
- **N'utilisez pas une batterie ou un outil endommagé ou altéré.** Les batteries endommagées ou altérées peuvent présenter un comportement imprévisible pouvant provoquer un incendie, une explosion ou un risque de blessure.
- **N'exposez pas une batterie ou un outil au feu ou à des températures trop élevées.** L'exposition au feu ou à des températures supérieures à 130 °C peut provoquer une explosion.
- **Respectez toutes les instructions de charge et ne chargez pas la batterie ou l'outil en dehors de la plage de température spécifiée dans les instructions.** Ne pas charger la batterie correctement ou la

charger à des températures comprises en dehors de la plage spécifiée peut endommager la batterie et augmenter le risque d'incendie.

Entretien

- **Confiez l'entretien de votre outil électrique à un mécanicien qualifié qui utilisera uniquement des pièces de rechange identiques.** Cela permet de garantir la sécurité de la machine.
- **Ne jamais entretenir des batteries endommagées.** L'entretien des batteries doit être effectué uniquement par le fabricant ou des fournisseurs de services agréés.

Avertissements de sécurité de la taille-haie - Sécurité personnelle

- **Utilisez les deux mains lors du fonctionnement de la taille-haie.** L'utilisation d'une seule main peut entraîner une perte de contrôle et des blessures personnelles graves.
- **Maintenez toutes les parties de votre corps à distance de la lame. Ne retirez pas la matière coupée et n'attrapez pas la matière à couper lorsque les lames bougent.** Les lames continuent de bouger une fois l'interrupteur en position d'arrêt. Un moment d'inattention pendant l'utilisation de la taille-haie peut entraîner des blessures personnelles graves.
- **Portez la taille-haie par la poignée avec la lame arrêtée en prenant soin de ne pas actionner d'interrupteur d'alimentation.** Le transport correct de la taille-haie diminue le risque de démarrage par inadvertance et de blessures corporelles provoquées par les lames.
- **Mettez toujours la protection de la lame lors du transport ou du remisage de la taille-haie.** Une manipulation appropriée de la taille-haie réduit le risque de blessures corporelles provoquées par les lames.
- **Lorsque vous dégagez les matériaux coincés ou que vous procédez à l'entretien de l'unité, assurez-vous que tous les interrupteurs d'alimentation sont en position d'arrêt et que la batterie est retirée ou débranchée.** Un démarrage inattendu de la taille-haie lorsque vous dégagez les matériaux coincés ou que vous procédez à l'entretien peut entraîner des blessures corporelles graves.
- **Tenez la taille-haie uniquement par les surfaces de préhension isolées, car la lame pourrait entrer en contact avec du câblage non apparent.** Si les lames touchent un câble « sous tension », elles risquent de mettre également « sous tension » les parties métalliques exposées de la taille-haie, ce qui pourrait électrocuter l'utilisateur.
- **Maintenez tous les câbles et cordons d'alimentation à distance de la zone de coupe.** Les cordons d'alimentation et les câbles peuvent être masqués par des haies ou des buissons et être coupés accidentellement par la lame.
- **N'utilisez pas la taille-haie en cas de mauvaises conditions météorologiques, en particulier lorsqu'il y**

a un risque de foudre. Cela permet de réduire le risque d'être frappé par la foudre.

- **DANGER - Maintenez vos mains à distance de la lame.** Tout contact avec la lame peut causer de graves blessures.

Instructions générales de sécurité



AVERTISSEMENT: Lisez les instructions qui suivent avant d'utiliser le produit.

- Retirez la batterie afin d'éviter tout démarrage accidentel du produit.
- Ce produit est un outil dangereux si vous ne faites pas attention ou si vous l'utilisez de manière incorrecte. Ce produit peut causer des blessures graves, voire mortelles, à l'opérateur ou à d'autres personnes.
- N'utilisez pas le produit si ses caractéristiques initiales ont été changées. Ne remplacez pas une pièce du produit sans l'approbation du fabricant. Utilisez uniquement les pièces qui sont approuvées par le fabricant. Un entretien inapproprié peut causer des blessures graves, voire mortelles.
- Effectuez un contrôle du produit avant toute utilisation. Consultez la section *Avant de démarrer le produit à la page 98*. N'utilisez pas de produit défectueux. Appliquez les instructions de maintenance et d'entretien ainsi que les contrôles de sécurité indiqués dans ce manuel.
- Il convient de surveiller les enfants et de les empêcher de jouer avec le produit. Ne laissez jamais des enfants ou d'autres personnes ne possédant pas la formation requise utiliser ou entretenir le produit et/ou sa batterie. L'âge minimum de l'utilisateur peut être régi par les législations locales.
- Conservez le produit dans un endroit verrouillé afin que des enfants ou personnes qui ne sont pas autorisées à l'utiliser ne puissent pas y avoir accès.
- Rangez le produit hors de portée des enfants.
- Ne modifiez jamais le produit sans l'autorisation du fabricant. Utilisez uniquement des accessoires d'origine. Des modifications non autorisées et l'emploi d'accessoires non homologués peuvent provoquer des blessures graves, voire mortelles, à l'utilisateur ou des tierces personnes.

Remarque: les législations nationales ou locales peuvent réglementer l'utilisation de l'appareil. Respectez la législation en vigueur.

Consignes de sécurité pour le fonctionnement



AVERTISSEMENT: Lisez les instructions qui suivent avant d'utiliser le produit.

- Dans l'éventualité d'une situation rendant la suite du travail incertaine, consultez un expert. Adressez-vous au revendeur ou à l'atelier de réparation. Évitez les tâches pour lesquelles vous ne vous sentez pas suffisamment qualifié.
- N'utilisez jamais le produit si vous êtes fatigué, avez consommé de l'alcool ou pris des médicaments susceptibles d'affecter votre vue, votre jugement ou la maîtrise de votre corps.
- Travailler par mauvais temps est cause de fatigue et peut être dangereux. Il n'est pas recommandé d'utiliser la machine dans de très mauvaises conditions météorologiques, par exemple, en cas de brouillard épais, de forte pluie, de vent violent, de froid intense ou de risque de foudre, etc., car ces conditions constituent des facteurs de risque supplémentaires.
- Des couteaux en mauvais état augmentent le risque d'accident.
- Ne laissez pas des enfants utiliser le produit ou s'en approcher. Dans la mesure où le produit est facile à démarrer, il est possible que des enfants arrivent à le mettre en route lorsque vous les quittez des yeux. Ceci peut entraîner un risque de graves blessures corporelles. Retirez la batterie lorsque vous n'êtes pas en mesure de surveiller le produit de près.
- Assurez-vous qu'aucune personne ou aucun animal ne se trouve à moins de 15 mètres de votre zone de travail. Lorsque plusieurs utilisateurs travaillent dans une même zone, il convient d'observer une distance de sécurité d'au moins 15 mètres. Autrement, cela peut entraîner un risque de graves blessures personnelles. Arrêtez immédiatement le produit si une personne s'approche. Ne tournez jamais sur vous-même avec le produit sans vous assurer d'abord que personne ne se trouve dans la zone de sécurité.
- Assurez-vous qu'aucune personne, aucun animal ou autre objet ne peut faire obstacle à votre contrôle du produit ou qu'ils n'entrent pas en contact avec des accessoires de coupe ou des objets lancés par celui-ci. Cependant, n'utilisez pas le produit s'il n'est pas possible d'appeler au secours en cas d'accident.
- Inspectez toujours la zone de travail. Retirez tous les objets tels que les pierres, les morceaux de verre, les clous, les fils de fer, les bouts de ficelle, etc. pouvant être projetés ou risquant de s'enrouler autour de l'accessoire de coupe.
- Assurez-vous de pouvoir vous tenir et vous déplacer en toute sécurité. Repérez les éventuels obstacles (racines, pierres, branches, fossés, etc.) en cas de déplacement soudain. Observez la plus grande prudence lorsque vous travaillez sur des terrains en pente.
- Soyez bien en équilibre, les pieds d'aplomb, à tout moment. Ne vous éloignez pas trop.
- Éteignez le produit lorsque vous vous déplacez dans une autre zone. Fixez la protection de transport lorsque le produit n'est pas utilisé.
- Ne posez jamais le produit au sol si vous ne l'avez pas éteint et si vous n'avez pas retiré la batterie. Ne laissez pas le produit sans surveillance quand il est sous tension.
- Vérifiez qu'aucun vêtement et qu'aucune partie du corps n'entre en contact avec l'accessoire de coupe lorsque le produit est en marche.
- Si un objet se bloque dans les lames pendant que vous utilisez le produit, arrêtez et éteignez le produit. Assurez-vous que l'accessoire de coupe s'arrête complètement. Retirez la batterie avant de nettoyer, d'inspecter ou de réparer le produit et/ou les lames.
- Éloignez vos mains et vos pieds de l'accessoire de coupe jusqu'à son arrêt complet, une fois le produit éteint.
- Attention aux éclats de bois pouvant être projetés durant le sciage. Ne coupez pas trop près du sol, où des cailloux et d'autres objets peuvent être projetés.
- Attention aux objets projetés. Portez toujours des protège-yeux homologués. Ne vous penchez jamais au-dessus de la protection de l'équipement de coupe. Des cailloux, débris, etc. peuvent être projetés dans les yeux et causer des blessures très graves, voire la cécité.
- Soyez toujours attentif aux signaux d'alerte ou aux appels lorsque vous portez des protège-oreilles. Enlevez toujours vos protège-oreilles dès que le produit s'arrête.
- Ne jamais travailler debout sur une échelle, un tabouret, ou dans toute autre position élevée n'offrant pas une sécurité maximale.
- Tenez le produit à deux mains. Tenez le produit sur le côté du corps.

(Fig. 16)

Équipement de protection individuel



AVERTISSEMENT: Lisez les instructions qui suivent avant d'utiliser le produit.

- Utilisez un équipement de protection individuel homologué lorsque vous utilisez le produit. L'équipement de protection individuel ne protège pas complètement des blessures, mais il diminue la gravité des blessures. Pour davantage d'informations, contactez votre revendeur.
- Portez un casque de protection lorsqu'il y a un risque de chute d'objets.

(Fig. 17)

- Utilisez des protège-oreilles homologués. Une exposition prolongée au bruit risque de causer des lésions auditives permanentes.

(Fig. 18)

- Utilisez des protections pour les yeux homologuées. L'usage d'une visière doit toujours s'accompagner du port de lunettes de protection homologuées. Les lunettes de protection doivent être conformes aux

normes ANSI Z87.1 (États-Unis) ou EN 166 (pays de l'UE).

(Fig. 19)

- Utilisez des gants de protection pendant l'utilisation et l'entretien.

(Fig. 20)

- Utilisez des bottes de protection ou des chaussures équipées de semelles antidérapantes.

(Fig. 21)

- Portez des vêtements fabriqués dans un matériau résistant. Portez des vêtements près du corps qui n'entravent toutefois pas vos mouvements. Portez un pantalon et attachez vos cheveux derrière vos épaules. Ne portez pas de bijoux ou de chaussures ouvertes.
- Conservez l'équipement de premiers secours à proximité.

(Fig. 22)

Dispositifs de sécurité sur le produit



AVERTISSEMENT: lisez les instructions qui suivent avant d'utiliser le produit.

Cette section présente les fonctions de sécurité, les instructions d'utilisation, de contrôle et d'entretien du produit afin de garantir son bon fonctionnement. Reportez-vous aux instructions ci-dessous *Aperçu du produit à la page 90* pour trouver l'emplacement de ces pièces sur votre produit.

La durée de vie du produit risque d'être écourtée et le risque d'accidents accru si l'entretien du produit n'est pas effectué correctement et si les mesures d'entretien et/ou de réparation ne sont pas effectuées de manière professionnelle. Pour plus d'informations, contactez l'atelier de réparation du revendeur le plus proche.



AVERTISSEMENT: N'utilisez jamais un produit dont les équipements de sécurité sont endommagés. Contrôlez et entretenez les équipements de sécurité du produit conformément aux instructions données dans ce chapitre. Si les contrôles du produit ne donnent pas de résultat positif, contactez votre atelier spécialisé pour le faire réparer.



REMARQUE: L'entretien et la réparation de la machine exigent une formation spéciale. Ceci concerne particulièrement l'équipement de sécurité de la machine. Si les contrôles suivants ne donnent pas un résultat positif, adressez-vous à un atelier spécialisé. L'achat de l'un de nos produits offre à l'acheteur la garantie d'un service et de réparations qualifiés. Si

le point de vente n'assure pas ce service, adressez-vous à l'atelier spécialisé le plus proche.

Pour contrôler le clavier

1. Maintenez le bouton marche/arrêt (B) enfoncé. (Fig. 23)
 - a) Le produit est sous tension lorsque la LED (B) est allumée.
 - b) Le produit est hors tension lorsque la LED (B) est éteinte.
2. Consultez *Clavier à la page 100* si le témoin d'avertissement (C) s'allume ou clignote.

Pour contrôler la gâchette de la poignée avant

La gâchette de la poignée avant empêche tout démarrage accidentel. Lorsque vous appuyez sur la gâchette de la poignée avant, cela libère la gâchette de puissance. Lorsque vous relâchez la poignée, la gâchette de puissance et la gâchette de la poignée avant reviennent en position initiale.

1. Assurez-vous que la gâchette de puissance et la gâchette de la poignée avant bougent librement et que le ressort de rappel fonctionne correctement.
2. Faites démarrer le produit.
3. Appuyez sur la gâchette de la poignée avant.

(Fig. 24)

4. Appuyez sur la gâchette de puissance. (Fig. 25)
5. Relâchez la gâchette de la poignée avant et assurez-vous que l'accessoire de coupe s'arrête complètement.

Pour contrôler la protection anti-rebond

La protection anti-rebond empêche les mains d'entrer accidentellement en contact avec les lames.

1. Arrêtez le produit.
2. Retirez la batterie.
3. Vérifiez que la protection anti-rebond est solidement fixée.
4. Vérifiez que la protection anti-rebond n'est pas endommagée.

Pour contrôler les lames et les protège-lames

Les parties longues des lames (A) font office de protège-lames.

1. Arrêtez le produit.
2. Retirez la batterie.
3. Mettez des gants.

4. Assurez-vous que les lames et les protège-lames ne sont pas endommagés ou tordus. Remplacez les lames et les protège-lames s'ils sont endommagés ou pliés. (Fig. 26)

Consignes de sécurité relatives à l'utilisation de la batterie



AVERTISSEMENT: Lisez les instructions qui suivent avant d'utiliser le produit.

- Utilisez uniquement des batteries BLi et 40-B. Pour plus de détails, reportez-vous à la section *Caractéristiques techniques à la page 102*. La batterie est codée par logiciel.
- Utilisez des batteries BLi et 40-B rechargeables en tant qu'alimentation électrique pour les produits Husqvarna uniquement. Afin d'éviter toute blessure, n'utilisez pas la batterie comme source d'alimentation pour d'autres produits.
- Risque de choc électrique. Ne branchez pas les bornes de la batterie à des clés, des pièces de monnaie, des vis ou tout autre élément métallique. Cela peut provoquer un court-circuit de la batterie.
- N'utilisez pas de batteries non rechargeables.
- Ne placez pas d'objets dans les fentes d'aération de la batterie.
- Protégez la batterie des rayons directs du soleil, de la chaleur et des flammes nues. La batterie peut provoquer des brûlures et/ou des brûlures chimiques.
- Protégez la batterie de la pluie et de l'humidité.
- Protégez la batterie des micro-ondes et des hautes pressions.
- N'essayez pas de démonter ou de casser la batterie.
- En cas de fuite de la batterie, ne laissez pas le liquide entrer en contact avec votre peau ou vos yeux. Si vous avez touché le liquide, nettoyez la zone avec beaucoup d'eau claire et du savon, puis contactez un médecin. Si vous recevez du liquide dans les yeux, ne frottez pas mais rincez à l'eau pendant au moins 15 minutes et contactez un médecin.
- Utilisez la batterie à une température comprise entre -10 °C (14 °F) et 40 °C (114 °F).
- Ne nettoyez pas la batterie ou le chargeur de batterie avec de l'eau. Reportez-vous à la section *Pour nettoyer le produit, la batterie et le chargeur de batterie à la page 100*.
- N'utilisez pas de batterie défectueuse ou endommagée.
- Conservez les batteries en stock à distance des objets métalliques, tels que les clous, les vis ou les bijoux.
- Tenez la batterie hors de portée des enfants.

Consignes de sécurité relatives au chargeur de batterie



AVERTISSEMENT: Lisez les instructions qui suivent avant d'utiliser le produit.

- Risque de choc électrique ou de court-circuit si les instructions de sécurité ne sont pas respectées.
- n'utilisez pas d'autres chargeurs de batterie que celui fourni pour votre produit. Utilisez uniquement des chargeurs QC80 et 40-C80 pour charger des batteries de recharge BLi et 40-B.
- N'essayez pas de démonter le chargeur de batterie.
- N'utilisez pas de chargeur de batterie défectueux ou endommagé.
- Ne soulevez pas le chargeur de batterie par le cordon d'alimentation. Pour débrancher le chargeur de batterie d'une prise de courant murale, tirez sur la fiche. Ne tirez pas le cordon d'alimentation.
- Conservez tous les câbles et toutes les rallonges loin de l'eau, de l'huile et des bords tranchants. Veillez à ce que le câble ne soit pas coincé dans des objets tels que des portes, des clôtures ou tout autre équipement similaire.
- N'utilisez pas le chargeur de batterie à proximité de matériaux inflammables ou de matériaux pouvant provoquer la formation de corrosion. Assurez-vous que le chargeur de batterie n'est pas couvert. En cas de dégagement de fumée ou de début d'incendie, débranchez aussitôt la fiche reliée au chargeur de batterie.
- Rechargez la batterie uniquement en intérieur, dans un endroit bien aéré et à l'abri de la lumière. Ne chargez pas la batterie à l'extérieur. Ne rechargez pas la batterie dans des conditions humides.
- Utilisez le chargeur de batterie à une température comprise entre 5 °C (41 °F) et 40 °C (104 °F) uniquement. Utilisez le chargeur dans un environnement bien ventilé, sec et exempt de poussière.
- Ne placez pas d'objets dans les fentes de refroidissement du chargeur de batterie.
- Ne raccordez pas les bornes du chargeur de batterie à des objets métalliques car cela peut court-circuiter le chargeur de batterie.
- Utilisez des prises de courant murales homologuées et non endommagées. Assurez-vous que le câble du chargeur de batterie n'est pas endommagé. Si des câbles de rallonge sont utilisés, assurez-vous que ceux-ci ne sont pas endommagés.
- Ne placez aucune batterie non rechargeable dans le chargeur de batterie.

Consignes de sécurité pour l'entretien



AVERTISSEMENT: Lisez les instructions qui suivent avant d'effectuer l'entretien du produit.

- Retirez la batterie avant tout entretien, contrôle ou assemblage du produit.
- L'utilisateur ne doit effectuer que les travaux de maintenance et d'entretien décrits dans ce manuel d'utilisation. Adressez-vous à votre revendeur pour toute opération de maintenance et d'entretien de plus grande ampleur.
- Ne nettoyez pas la batterie ou le chargeur de batterie avec de l'eau. L'utilisation de détergents agressifs peut endommager le plastique.

- Un défaut d'entretien réduit le cycle de vie du produit et augmente le risque d'accidents.
- Une formation spéciale est nécessaire pour tous les travaux d'entretien et de réparation, en particulier pour les dispositifs de sécurité sur le produit. Si tous les contrôles spécifiés dans ce manuel d'utilisation ne sont pas validés après l'entretien, consultez votre revendeur. Nous garantissons la disponibilité d'un service de réparation et d'entretien professionnel pour votre produit.
- Utilisez uniquement les pièces de rechange d'origine.

Montage

Introduction

Ce chapitre décrit la procédure à suivre pour monter et régler le produit.

support, c'est qu'elle n'est pas installée correctement. Cela peut endommager le produit.



AVERTISSEMENT: Avant de monter le produit, consultez le chapitre sur la sécurité et les instructions de montage.

Pour fixer la batterie au produit



AVERTISSEMENT: Utilisez uniquement des batteries d'origine Husqvarna dans le produit.

1. Chargez complètement la batterie.
2. Poussez la batterie dans le support de batterie du produit. La batterie est verrouillée en position lorsqu'un « clic » est émis. (Fig. 27)

Installation du chargeur de batterie 40-C80 sur un mur



REMARQUE: n'utilisez pas de tournevis électrique pour installer le chargeur de batterie sur le mur. Un tournevis électrique peut endommager le chargeur de batterie.

1. Installez le chargeur de batterie sur le mur à l'aide des 2 vis (B). Utilisez des chevilles murales (A) si nécessaire. (Fig. 28)
2. Installez les 2 capuchons de trou de vis (C).
3. Branchez le cordon d'alimentation du chargeur de batterie dans une prise de courant murale.



REMARQUE: Si la batterie ne bouge pas facilement dans son

Utilisation

Introduction



AVERTISSEMENT: Assurez-vous de lire et de comprendre le chapitre dédié à la sécurité avant d'utiliser l'appareil.

batterie. Assurez-vous également de lire et comprendre le manuel d'utilisation de la batterie et du chargeur de batterie.

Maintenez la batterie et le chargeur de batterie à des températures ambiantes correctes.

Batterie



AVERTISSEMENT: assurez-vous de lire et de comprendre le chapitre dédié à la sécurité avant d'utiliser la

	Température ambiante
Fonctionnement de la batterie	5 °C-40 °C / 41 °F-104 °F
Charge de la batterie	5 °C-40 °C / 41 °F-104 °F

État de la batterie

(Fig. 29)

L'écran indique l'état de charge ainsi que tout problème éventuel lié à la batterie.

Voyant LED	État de la batterie (état de charge)	
	BLi10	40-B70
4 voyants LED sont allumés	N/A	La batterie est chargée à 76 % - 100 %.
3 voyants LED sont allumés	La batterie est chargée à 76 % - 100 %.	La batterie est chargée à 51 % - 75 %.
2 voyants LED sont allumés	La batterie est chargée à 51 % - 75 %.	La batterie est chargée à 26 % - 50 %.
1 voyant LED est allumé	La batterie est chargée à 26 % - 50 %.	La batterie est chargée à 6 % - 25 %.
1 voyant LED clignote	La batterie est chargée à 0 % - 25 %.	La batterie est chargée à 0 % - 5 %.

Pour charger la batterie

chargez la batterie si vous l'utilisez pour la première fois. Une batterie neuve n'est chargée qu'à 30 %.



REMARQUE: branchez le chargeur de batterie sur une prise de courant à la tension et à la fréquence indiquées sur la plaque signalétique.

La batterie ne charge pas si la température de la batterie est supérieure à 50 °C/122 °F.

1. Branchez le cordon d'alimentation sur le chargeur de batterie.
2. Branchez le chargeur de batterie sur une prise de courant mise à la terre. La LED de charge clignote une fois. (Fig. 30)
3. Insérez la batterie dans le chargeur de batterie. La LED de charge s'allume. Chargez la batterie pendant 24 heures au maximum. (Fig. 31)
4. Appuyez sur le bouton d'indicateur de batterie. Si tous les témoins LED s'allument, la batterie est complètement chargée.
5. Tirez sur la prise électrique pour débrancher le chargeur de batterie de la prise de courant. Ne tirez pas le cordon d'alimentation.
6. Dégagez la batterie du chargeur de batterie.

Avant de démarrer le produit

1. Examinez la zone de travail. Retirez tout objet susceptible d'être projeté.
2. Examinez l'accessoire de coupe. Assurez-vous que les lames sont aiguisées et qu'elles ne sont pas fissurées ou endommagées.

3. Contrôlez le bon fonctionnement du produit. Vérifiez que tous les écrous et toutes les vis sont correctement serrés.
4. Assurez-vous que la poignée et les dispositifs de sécurité ne sont pas endommagés et qu'ils sont correctement fixés. N'utilisez pas le produit si certaines pièces sont manquantes ou si ses caractéristiques initiales ont été changées. Utilisez des gants de protection si nécessaire.
5. Assurez-vous que les capots ne sont pas endommagés et qu'ils sont correctement fixés avant d'utiliser le produit.

Pour démarrer le produit

1. Appuyez sur le bouton marche/arrêt et maintenez-le enfoncé jusqu'à ce que la LED verte s'allume. (Fig. 32)
2. Appuyez sur la gâchette de la poignée avant sur la poignée avant. (Fig. 33)
3. Appuyez sur la gâchette de puissance. (Fig. 25)

Pour utiliser le produit

1. Démarrez à proximité du sol et déplacez le produit le long de la haie lorsque vous taillez. Assurez-vous que le corps du produit ne touche pas la haie. (Fig. 34)



AVERTISSEMENT: Assurez-vous que l'avant de l'équipement de coupe ne touche pas le sol.

2. Tenez le produit près de votre corps pour une position de travail stable.
3. Soyez prudent et utilisez le produit lentement.

Pour utiliser la fonction SavE

Ce produit est équipé d'une fonction d'économie de la batterie, appelée SavE.

Remarque: La fonction SavE ne réduit pas la puissance de coupe du produit.

1. Appuyez sur le bouton SavE sur le clavier.
2. Assurez-vous que la LED verte s'allume.
3. Appuyez à nouveau sur le bouton SavE pour désactiver la fonction. La LED verte s'éteint. (Fig. 35)

Fonction d'arrêt automatique

Le produit est équipé d'une fonction d'arrêt qui arrête le produit s'il n'est pas utilisé. La LED verte d'indication de

démarrage/d'arrêt s'éteint et le produit s'arrête au bout de 180 secondes.

Arrêt du produit

1. Relâchez la gâchette de puissance et la gâchette de la poignée avant.
2. Appuyez sur le bouton marche/arrêt jusqu'à ce que la LED verte s'éteigne.
3. Appuyez sur les boutons de déverrouillage de la batterie et retirez la batterie. (Fig. 36)

Entretien

Introduction



AVERTISSEMENT: assurez-vous de lire et de comprendre le chapitre sur la sécurité avant de procéder à l'entretien du produit.



AVERTISSEMENT: retirez la batterie avant de procéder à l'entretien du produit.

Calendrier d'entretien

La liste ci-dessous indique les étapes d'entretien à effectuer sur le produit.

Entretien	Avant chaque utilisation	Toutes les semaines	Mensuel
Nettoyez les pièces externes du produit.	X		
Vérifiez que l'interrupteur marche/arrêt fonctionne correctement et n'est pas endommagé.	X		
Assurez-vous que la gâchette de puissance et la gâchette de la poignée avant fonctionnent en toute sécurité.	X		
Assurez-vous que toutes les commandes fonctionnent et ne sont pas endommagées.	X		
Assurez-vous que la lame de coupe et sa protection ne sont pas fissurées ni endommagées. Remplacez la lame de coupe ou sa protection si elles sont fissurées ou ont subi un choc.	X		
Remplacez la lame de coupe si elle est pliée ou endommagée.	X		
Assurez-vous que la protection de main n'est pas endommagée. Remplacez la protection si elle est endommagée.	X		
Assurez-vous que les vis et les écrous sont serrés.	X		
Assurez-vous que la batterie n'est pas endommagée.	X		
Assurez-vous que la batterie est chargée.	X		

Entretien	Avant chaque utilisation	Toutes les semaines	Mensuel
Assurez-vous que le chargeur de batterie n'est pas endommagé.	X		
Vérifiez que les vis qui maintiennent les lames de coupe ensemble sont correctement serrées.		X	
Contrôlez les connexions entre la batterie et le produit. Contrôlez la connexion entre la batterie et le chargeur de batterie.			X

Pour examiner la batterie et le chargeur de batterie

1. Examinez la batterie pour détecter tout dommage, par exemple des fissures.
2. Examinez le chargeur de batterie pour détecter tout dommage, par exemple des fissures.
3. Assurez-vous que le cordon de raccordement du chargeur de batterie n'est pas endommagé et qu'il n'est pas fissuré.

Pour nettoyer le produit, la batterie et le chargeur de batterie

1. Nettoyez le produit avec un chiffon sec après utilisation.
2. Nettoyez la batterie et le chargeur de batterie avec un chiffon sec. Veillez à maintenir les rails guides de la batterie en parfait état de propreté.
3. Assurez-vous que les bornes de la batterie et du chargeur de batterie sont propres avant d'insérer la batterie dans le chargeur ou le produit.

Pour examiner la lame

1. Nettoyez la lame afin d'enlever les matériaux indésirables à l'aide d'un agent nettoyant anticorrosion avant et après l'utilisation du produit.
2. Examinez les bords de la lame pour vérifier si des dommages et des déformations sont présents.

3. Limez les bavures éventuelles sur la lame.
4. Assurez-vous que les lames se déplacent librement.

Pour nettoyer et lubrifier les lames

1. Nettoyez les lames afin d'enlever les matériaux indésirables avant et après l'utilisation du produit.
2. Lubrifiez les lames avant les périodes de remisage prolongées.

Remarque: Pour davantage d'informations sur les nettoyeurs et lubrifiants recommandés, contactez votre atelier d'entretien.

Pour lubrifier l'engrenage

Appliquez de la graisse sur le carter si l'engrenage a été démonté par un atelier d'entretien agréé.

- Utilisez de la graisse spéciale Husqvarna. Pour obtenir davantage d'informations sur la graisse recommandée, contactez votre atelier d'entretien.
- Utilisez uniquement une petite quantité de graisse spéciale de haute qualité.



REMARQUE: Ne remplissez pas entièrement le carter d'engrenage.

Dépannage

Clavier

Écran à DEL	Défaillances possibles	Solutions possibles
La DEL d'erreur clignote	Surcharge	Les cliquets du démarreur ne peuvent pas se déplacer librement. Relâchez l'équipement de coupe.
	Écart de température	Laissez le produit refroidir.
Le produit ne démarre pas.	Appuyez simultanément sur la gâchette de puissance et sur le bouton de démarrage.	Relâchez la gâchette de puissance et appuyez sur le bouton de démarrage.

Écran à DEL	Défaillances possibles	Solutions possibles
La LED d'erreur s'allume en rouge.	Il est nécessaire de procéder à l'entretien du produit.	Contactez votre agent d'entretien.

Batterie

Affichage à LED	Défaillances possibles	Action possible
La DEL d'erreur clignote	Tension de batterie faible.	Rechargez la batterie.
La DEL d'erreur clignote	Écart de température.	Utilisez la batterie à une température comprise entre -10°C (14°F) et 40°C (104°F).
	Ralenti trop important.	Veillez à ce que la tension secteur soit conforme aux valeurs sur la plaque signalétique du produit. Dégagez la batterie du chargeur de batterie.
La DEL d'erreur est allumée	L'écart de tension entre les cellules est trop important (1 V).	Contactez votre atelier d'entretien.

Chargeur de batterie

Problème	Défaillances possibles	Solution possible
La LED de charge est rouge.	Erreur de chargeur de batterie permanente.	Parlez-en à votre revendeur.
La LED de charge clignote en vert.	Écart de température, la batterie est trop froide ou trop chaude pour être utilisée ou chargée.	Laissez la batterie refroidir ou réchauffez-la. Lorsque la température de la batterie est correcte, elle peut à nouveau être utilisée ou rechargée. Utilisez le chargeur de batterie à des températures ambiantes comprises entre 5 °C (41 °F) et 40 °C (104 °F).
La LED de charge clignote en rouge.	Batterie défectueuse.	Parlez-en à votre revendeur.

Transport, entreposage et mise au rebut

Transport et stockage

- Les batteries Li-ion fournies respectent les exigences de la législation sur les marchandises dangereuses.
- Vous devez respecter l'exigence spécifique relative à l'emballage et aux étiquettes pour les transports commerciaux, y compris par des tiers et des transitaires.
- Consultez un expert en matières dangereuses avant d'expédier le produit. Respectez les lois nationales en vigueur.
- Mettez du ruban adhésif sur les contacts lorsque vous placez la batterie dans un emballage. Placez la batterie dans l'emballage de façon hermétique pour empêcher tout mouvement.
- Retirez la batterie lors du stockage ou du transport.
- Placez la batterie et le chargeur de batterie dans un endroit sec, exempt d'humidité et de gel.
- Ne conservez pas la batterie dans un endroit présentant un risque d'électricité statique. Ne conservez pas la batterie dans une boîte métallique.

- Conservez la batterie dans un endroit où la température est comprise entre 5 °C (41 °F) et 25 °C (77 °F) et à l'écart de la lumière du soleil.
- Conservez le chargeur de batterie dans un endroit où la température est comprise entre 5 °C (41 °F) et 45 °C (113 °F) et à l'écart de la lumière du soleil.
- N'utilisez le chargeur de batterie que si la température ambiante est comprise entre 5 °C (41 °F) et 40 °C (104 °F).
- Chargez la batterie entre 30 % et 50 % avant de la remettre pendant de longues périodes.
- Conservez le chargeur de batterie dans un local fermé et sec.
- Conservez la batterie à l'écart du chargeur lors du rangement. Ne laissez pas des enfants ou d'autres personnes non homologuées toucher l'équipement. Conservez l'équipement dans un local verrouillable.
- Nettoyez le produit et effectuez un entretien complet avant de remettre le produit pendant de longues périodes.

- Utilisez la protection de transport du produit pour éviter les blessures et les dégâts causés au produit lors du transport et du remisage.
- Fixez le produit pour le transporter.

Mise au rebut de la batterie, du chargeur de batterie et du produit

Les symboles figurant sur le produit ou son emballage indiquent que ce produit ne fait pas partie des ordures ménagères. Déposez-le dans une station de recyclage pour équipements électriques et électroniques. Ceci permet d'éviter les dangers pour l'environnement et les personnes.

Contactez les autorités locales, le service des ordures ménagères ou votre revendeur pour plus d'informations sur le recyclage de votre produit.

Caractéristiques techniques

Caractéristiques techniques

	215HD45
Moteur	
Type de moteur	BLDC
Poids	
Poids sans batterie, kg	3,2
Couteau	
Type	Double tranchant
Longueur de lame, mm	450
Vitesse des lames (coupes/min, en mode SavE)	2 400
Vitesse des lames (coupes/min, hors mode SavE)	3 000
Émissions sonores ¹³	
Niveau de puissance sonore mesuré dB (A)	87
Niveau de puissance sonore, garanti L _{WA}	90
Niveaux sonores	
Niveau de pression sonore à l'oreille de l'utilisateur, mesuré selon la norme EN 62841-4-2, dB(A)	79

¹³ Émissions sonores dans l'environnement mesurées comme puissance sonore (L_{WA}) selon la directive européenne 2000/14/CE. Le niveau de puissance sonore garanti diffère du niveau mesuré en cela qu'il prend également en compte la dispersion et les variations d'un produit à l'autre du même modèle lors de la mesure, conformément à la directive 2000/14/CE.

	215iHD45
Niveaux de vibrations ¹⁴	
Niveaux de vibrations, (a_{ri}), avant/arrière, en m/s^2	2,1/1,7

Batteries homologuées pour le produit

Batterie	BLi10		40-B70
Type	Lithium-ion		Lithium-ion
Capacité de la batterie, Ah	Reportez-vous à l'autocollant de capacité de la batterie		Reportez-vous à l'autocollant de capacité de la batterie
Tension nominale, V	36	36,5	36
Poids, kg	0,7	0,7	0,8

Chargeurs de batterie homologués pour le produit

Chargeur de batterie	QC80	40-C80
Tension secteur, V	100-240	100-240
Fréquence, Hz	50-60	50-60
Puissance, W	100	72
Tension de sortie, V d.c / Ampères, A	36/2	43/1,6

¹⁴ Les données reportées pour le niveau de vibrations montrent une dispersion statistique type (déviation standard) de 1,5 m/s^2 .

La valeur totale déclarée des vibrations résulte d'une mesure conforme à une méthode d'essai standard et peut être utilisée pour comparer un outil à un autre.

La valeur totale déclarée des vibrations peut également être utilisée dans le cadre d'une évaluation préliminaire d'exposition.

Déclaration de conformité

Déclaration de conformité EU

Nous, **Husqvarna AB**, SE-561 82 Huskvarna, Suède,
tél : +46-36-146500, déclarons sous notre entière
responsabilité que le produit :

Description	Taille-haies sur batterie
Marque	Husqvarna
Type/Modèle	215iHD45
Identification	Les numéros de série à partir de 2024 et ultérieurs

est entièrement conforme à la réglementation et aux
directives de l'UE suivantes :

Directive / réglemen- tation	Description
2006/42/CE	« relative aux machines »
2014/30/UE	« relative à la compatibilité électromagnétique »
2000/14/CE	« relative aux émissions sonores dans l'environnement »
2011/65/UE	« relative à la limitation de l'utilisation de certaines substances dangereuses au sein d'équipements électriques et électroniques »

et que les normes et/ou les spécifications
techniques suivantes sont appliquées :
EN 62841-4-2:2019+A1:2022+A11:2022, EN
62841-1:2015+A11:2022, EN IEC 55014-1:2021, EN
IEC 55014-2:2021, EN IEC 63000:2018.

Conformément à la directive 2000/14/CE, annexe V,
reportez-vous à la section *Caractéristiques techniques*
à la page 102 pour connaître les valeurs sonores
déclarées.

Huskvarna, 2024-02-01



Claes Losdal, responsable R&D, Husqvarna AB
Responsable de la documentation technique



Inhoud

Inleiding.....	105	Probleemoplossing.....	115
Veiligheid.....	106	Vervoer, opslag en verwerking.....	116
Montage.....	112	Technische gegevens.....	116
Werking.....	112	Verklaring van overeenstemming.....	119
Onderhoud.....	114		

Inleiding

Productbeschrijving

Husqvarna 215iHD45 is een heggenschaar met accu en een elektromotor.

Er wordt voortdurend gewerkt aan het verhogen van uw veiligheid en efficiëntie tijdens bedrijf. Neem voor meer informatie contact op met uw dealer.

Productoverzicht

(Fig. 1)

1. Bedieningshandleiding
2. Achterhandgreep
3. Schakelaar voorhandgreep
4. Voorhandgreep
5. Mes
6. Transportbescherming
7. Voedingsschakelaar
8. Bedieningspaneel
9. Handbescherming
10. Accu
11. Acculader 40-C80
12. Connector
13. Accu-indicatielampje
14. Accustatus
15. Waarschuwinglampje
16. SavE-knop
17. Start/stop-knop
18. Spannings- en waarschuwinglampje
19. Accuontgrendelknoppen
20. Acculader QC80
21. Snoer

Symbolen op het product

- (Fig. 2) **WAARSCHUWING:** Dit product kan gevaarlijk zijn en ernstig of fataal letsel toebrengen aan de gebruiker of anderen. Wees voorzichtig en gebruik het product op de juiste manier.
- (Fig. 3) Lees de bedieningshandleiding zorgvuldig door en zorg dat u de instructies hebt begrepen voordat u het product gaat gebruiken.
- (Fig. 4) Draag oogbescherming.
- (Fig. 5) Het product voldoet aan de geldende EG-richtlijnen.
- (Fig. 6) Het product of de verpakking ervan is geen huishoudelijk afval. Lever het in

Gebruik

Gebruik het product voor het snoeien van takken en twijgen. Gebruik het product niet voor andere taken.

- bij een recyclepunt voor elektrische en elektronische apparatuur.
- (Fig. 7) Stel het product niet bloot aan regen.
- (Fig. 8) Gelijkstroom.
- (Fig. 9) Label met geluidsemisseries naar de omgeving conform de richtlijnen en voorschriften van de EU (inclusief de wetgeving van Nieuw-Zuid-Wales) en het VK. De geluidsemisseriesgegevens vindt u op het machinelabel en in het hoofdstuk Technische gegevens.
- (Fig. 10) Dit product voldoet aan de geldende VK-regelgeving.
- (Fig. 11) Waarschuwing: Houd uw handen uit de buurt van het mes.
- yyyywwxxxx** Het serienummer staat op het productplaatje. **yyyy** is het productiejaar, **ww** is de productieweek.

Let op: Overige op de machine aangegeven symbolen/plaatjes verwijzen naar specifieke eisen aan certificering voor bepaalde markten.

Symbolen op de accu en/of op de accuhouder.

- (Fig. 15) Lever dit product in bij een recyclepunt voor elektrische en elektronische apparatuur. (Alleen geldig voor Europa)
- (Fig. 12) Faalveilige transformator.
- (Fig. 13) Bewaar en gebruik de acculader alleen binnen.
- (Fig. 14) Dubbele isolatie.

Veiligheid

Veiligheidsdefinities

Waarschuwingen, voorzorgsmaatregelen en opmerkingen worden gebruikt om te wijzen op belangrijke delen van de handleiding.



WAARSCHUWING: Wordt gebruikt om te wijzen op de kans op ernstig of fataal letsel voor de gebruiker of omstanders wanneer de instructies in de handleiding niet worden gevolgd.



OPGELET: Wordt gebruikt indien er een risico bestaat op schade aan het product en andere eigendommen of aan de omgeving wanneer de instructies in de handleiding niet worden gevolgd.

Let op: Geven verdere informatie die nodig is in een bepaalde situatie.

Algemene veiligheidswaarschuwingen voor elektrisch gereedschap



WAARSCHUWING: Lees alle veiligheidswaarschuwingen en alle instructies. Het niet opvolgen van de waarschuwingen en instructies kan leiden tot elektrische schokken, brand en/of ernstig letsel.

Let op: Bewaar alle waarschuwingen en instructies voor later gebruik. De term "elektrisch gereedschap" in de waarschuwingen verwijst zowel naar gereedschappen die op het lichtnet (met snoer) werken als gereedschappen die met een accu (snoerloos) werken.

Veiligheid van het werkgebied

- **Zorg ervoor dat de werkplek schoon en goed verlicht is.** In rommelige of donkere gebieden gebeuren eerder ongelukken.
- **Gebruik elektrisch gereedschap niet in een omgeving waar ontploffingsgevaar bestaat, zoals in de buurt van brandbare vloeistoffen, gasen of stof.** Elektrische apparaten creëren vonken waardoor het stof of de dampen kunnen ontbranden.
- **Houd kinderen en omstanders op afstand wanneer u elektrisch gereedschap gebruikt.** U kunt de controle over het apparaat verliezen als u afgeleid wordt.

Elektrische veiligheid

- **Elektrisch gereedschap moet geschikt zijn voor het betreffende stopcontact. Wijzig nooit de stekker. Gebruik nooit een adapterstekker in combinatie met geaarde elektrische gereedschappen.** Ongewijzigde stekkers en overeenkomende stopcontacten verkleinen het risico op elektrische schokken.
- **Vermijd lichamelijk contact met geaarde oppervlakken, zoals buizen, radiatoren, fomuizen en koelkasten.** Er is een verhoogd risico op elektrische schokken als uw lichaam geaard is.
- **Stel elektrische gereedschappen niet bloot aan regen of vochtige omstandigheden.** Water dat in elektrisch gereedschap binnendringt, verhoogt het risico op elektrische schokken.
- **Gebruik de kabel niet voor oneigenlijke doeleinden. Gebruik de kabel nooit om het elektrische apparaat te dragen, het mee te slepen of om de stekker uit het stopcontact te trekken. Houd de kabel uit de buurt van warmte, olie, scherpe randen en bewegende onderdelen.** Beschadigde of in de knoop geraakte kabels verhogen het risico op elektrische schokken.
- **Gebruik een verlengkabel die geschikt is voor gebruik buitenshuis wanneer u buiten werkt met elektrisch gereedschap.** Het gebruik van een kabel die geschikt is voor gebruik buitenshuis, vermindert het risico op elektrische schokken.
- **Als gebruik van een elektrisch apparaat in een vochtige omgeving onvermijdelijk is, gebruik dan een netvoeding met overstrombeveiliging (RCD).** Het gebruik van een RCD vermindert het risico op elektrische schokken



WAARSCHUWING: Reinig de machine niet met een hogedrukreiniger, want water kan binnendringen in het elektrische systeem of de motor en kan schade of kortsluiting in de machine veroorzaken.

Persoonlijke veiligheid

- **Wees altijd alert, kijk wat u doet en gebruik uw gezonde verstand wanneer u elektrisch gereedschap gebruikt. Gebruik elektrisch gereedschap niet als u moe bent of onder invloed bent van drugs, alcohol of medicijnen.** Een moment van onoplettendheid tijdens het gebruik van elektrisch apparaat kan leiden tot ernstig persoonlijk letsel.
- **Maak altijd gebruik van persoonlijke beschermingsmiddelen. Draag altijd oogbescherming.** Beschermingsmiddelen zoals een stofmasker, veiligheidsschoenen met antislipprofiel, een veiligheidshelm of gehoorbescherming in relevante werkomstandigheden beperken letsel.

- **Voorkom een onbedoelde start. Zorg ervoor dat de schakelaar in de uit-positie staat voordat u het gereedschap aansluit op een spanningsbron en/of accu, oppakt of draagt.** Het dragen van elektrische apparaten met uw vinger op de schakelaar of het onder spanning zetten van elektrische apparaten waarvan de schakelaar op aan staat, kan makkelijk leiden tot ongelukken.
- **Verwijder eventuele (instel)sleutels voordat u het elektrisch gereedschap inschakelt.** Een sleutel die is bevestigd aan een draaiend onderdeel van het elektrische gereedschap kan persoonlijk letsel tot gevolg hebben.
- **Voorkom overstrekken. Zorg dat u te allen tijde stevig en in balans staat.** Hierdoor heeft u een betere controle over het apparaat in onverwachte situaties.
- **Draag geschikte kleding. Draag geen losse kleding of sieraden. Houd uw haar en kleding uit de buurt van bewegende onderdelen.** Losse kleding, sieraden of lang haar kunnen verstrikt raken in bewegende onderdelen.
- **Als de mogelijkheid bestaat voor het opvangen van stof moet u ervoor zorgen dat deze is aangesloten en op de juiste wijze wordt gebruikt.** Het gebruik van stofopvang kan stofgerelateerde gevaren beperken.
- **Laat de vertrouwdheid met de door u gebruikte apparaten door het frequente gebruik ervan niet toe leiden dat u de veiligheidsprincipes negeert.** Een onzorgvuldige handeling kan binnen een fractie van een seconde leiden tot ernstig letsel.
- De trillingsemisatie tijdens het feitelijke gebruik van de machine kan afwijken van de opgegeven totaalwaarde en is afhankelijk van de manier waarop het gereedschap wordt gebruikt. Om zichzelf te beschermen, moeten gebruikers de nodige veiligheidsmaatregelen nemen op basis van een schatting van de blootstelling in de feitelijke gebruiksomstandigheden. Hierbij moet rekening worden gehouden met alle elementen van de bedrijfscyclus, dus niet alleen de tijd dat het gereedschap actief wordt gebruikt, maar ook de tijd dat het gereedschap is uitgeschakeld of stationair draait.

Gebruik en verzorging van elektrische apparaten

- **Gebruik elektrische gereedschap niet voor taken waarvoor het niet geschikt is. Gebruik het juiste elektrische apparaat voor uw toepassing.** Met het juiste elektrische apparaat kunt u de taak beter en veiliger uitvoeren met de snelheid waarvoor het is ontworpen.
- **Gebruik het elektrisch gereedschap niet als de aan/uitschakelaar niet werkt.** Elektrische apparaten die niet bediend kunnen worden met de schakelaar zijn gevaarlijk en moeten gerepareerd worden.
- **Haal de stekker uit het stopcontact en/of verwijder het accupack (indien verwijderbaar) van het elektrische gereedschap voordat u aanpassingen**

maakt, accessoires verwisselt of het elektrische gereedschap opbergt. Deze voorzorgsmaatregelen verkleinen het risico op het per ongeluk starten van het elektrische apparaat.

- **Berg elektrisch gereedschap dat u niet nodig hebt op buiten het bereik van kinderen en laat personen die onbekend zijn met het elektrisch gereedschap of deze instructies niet werken met het elektrisch gereedschap.** Elektrische apparaten zijn gevaarlijk in handen van ongetrainde gebruikers.
- **Zorg voor een deugdelijk onderhoud van elektrische gereedschappen en accessoires. Controleer op onjuiste montage of vastlopen van bewegende delen, gebroken onderdelen en andere condities die de werking van het elektrische gereedschap kunnen beïnvloeden. Als het elektrische apparaat beschadigd is, moet u het laten repareren voordat u het gebruikt.** Veel ongelukken worden veroorzaakt door slecht onderhouden elektrische apparaten.
- **Houd snijgereedschappen scherp en schoon.** Goed onderhouden snijgereedschappen met scherpe snijranden zullen minder gauw vastlopen en zijn eenvoudiger onder controle te houden.
- **Gebruik het elektrisch gereedschap, de accessoires, gereedschapsbits en dergelijke in overeenstemming met deze instructies en houd hierbij rekening met de werkomstandigheden en het type kius dat moet worden uitgevoerd.** Als u het elektrische apparaat voor andere toepassingen gebruikt dan waarvoor het is bedoeld, kan er een gevaarlijke situatie ontstaan.
- **Houd de handgrepen en grijppoppervlakken droog, schoon en vrij van olie en vet.** Als handgrepen en grijppoppervlakken glad zijn, kan dit ervoor zorgen dat het gereedschap in onverwachte situaties niet veilig kan worden gehanteerd en bediend.

Gebruik en onderhoud van gereedschap met accu

- **Laad het gereedschap alleen op met de lader die door de fabrikant is gespecificeerd.** Een lader die voor een bepaald type accu geschikt is, kan een risico op brand creëren als de lader met een andere accu wordt gebruikt.
- **Gebruik producten enkel met de specifiek hiervoor bedoelde accupacks.** Als er andere accupacks worden gebruikt, bestaat er risico op letsel en brand.
- **Als het accupack niet gebruikt wordt, houd hem dan uit de buurt van andere metalen voorwerpen, zoals paperclips, munten, sleutels, spijkers, schroeven of andere kleine metalen voorwerpen die een verbinding tussen de twee klemmen kunnen maken.** Als er kortsluiting tussen de accuaansluitingen ontstaat, kunnen er brandwonden of brand ontstaan.
- **Als het accupack verkeerd wordt gebruikt, kan er vloeistof uit de accu komen; zorg dat u deze niet aanraakt. Als u per ongeluk in contact komt met de vloeistof, afspoelen met water. Als er vloeistof in de ogen komt dient u medische hulp in te roepen.** Vloeistof die uit de accu komt kan irritatie of brandwonden veroorzaken.

- **Gebruik geen accupack of product dat beschadigd of gewijzigd is.** Beschadigde of aangepaste accu's kunnen onvoorspelbaar gedrag vertonen, wat kan leiden tot brand, explosies of letsel.
- **Stel het accupack of product niet bloot aan vuur of hoge temperaturen.** Blootstelling aan vuur of temperaturen hoger dan 130 °C kan een explosie veroorzaken.
- **Volg alle oplaadinstructies op en laad de accu of het product niet op bij temperaturen die buiten het in de instructies gespecificeerde bereik vallen.** Door onjuist opladen of opladen bij temperaturen die buiten het gespecificeerde bereik liggen, kan de accu beschadigd raken en neemt het risico op brand toe.

Service

- **Laat uw elektrische apparaat repareren door een gekwalificeerde monteur en gebruik uitsluitend identieke vervangingsonderdelen.** Dit zorgt ervoor dat de veiligheid van het elektrisch gereedschap wordt gehandhaafd.
- **Voer nooit onderhoud uit aan beschadigde accupacks.** Onderhoud aan accupacks mag alleen worden uitgevoerd door de fabrikant of geautoriseerde dienstverleners.

Veiligheidswaarschuwingen voor de heggenschaar - Persoonlijke veiligheid

- **Gebruik beide handen wanneer u met de heggenschaar werkt.** Met één hand kunt u de controle over de heggenschaar verliezen en dit kan ernstig persoonlijk letsel tot gevolg hebben.
- **Houd alle lichaamsdelen uit de buurt van het mes. Verwijder geen snoeiafval en houd geen materiaal vast dat moet worden gesnoeid als de messen bewegen.** De messen blijven bewegen nadat de schakelaar is uitgeschakeld. Eén moment van onoplettendheid tijdens het gebruik van de heggenschaar kan ernstig persoonlijk letsel tot gevolg hebben.
- **Draag de heggenschaar bij de handgreep met het mes uitgeschakeld en let erop dat u de schakelaars niet bedient.** Door de heggenschaar goed te dragen, verkleint u het risico op onbedoeld starten en persoonlijk letsel door de messen.
- **Als u de heggenschaar vervoert of opbergt, moet u altijd de beschermkap plaatsen.** Door op de juiste manier om te gaan met de heggenschaar, verkleint u het risico op persoonlijk letsel door de messen.
- **Als u vastgelopen materiaal verwijdert of onderhoud aan het apparaat uitvoert, dient u ervoor te zorgen dat alle schakelaars zijn uitgeschakeld en dat het accupack is verwijderd of losgekoppeld.** Indien de heggenschaar onverwacht wordt geactiveerd tijdens het verwijderen van vastgelopen materiaal of onderhoud, kan dit leiden tot ernstig persoonlijk letsel.
- **Houd de heggenschaar alleen vast aan de geïsoleerde handgrepen, omdat het mes verborgen**

bedrading kan raken. Als de messen een draad onder stroom raken, kunnen blootliggende draden de metalen onderdelen van de heggenschaar onder stroom zetten en kan de gebruiker een elektrische schok krijgen.

- **Houd alle netsnoeren en kabels uit de buurt van het snijgebied.** Netsnoeren en kabels kunnen verborgen raken in heggen en struiken en worden doorgesneden door het mes.
- **Gebruik de heggenschaar niet bij slechte weersomstandigheden, vooral wanneer er een risico op bliksem bestaat.** Dit vermindert het risico op geraakt worden door de bliksem.
- **GEVAAR - Houd uw handen uit de buurt van het blad.** Aanraking van het blad heeft ernstig letsel tot gevolg.

Algemene veiligheidsinstructies



WAARSCHUWING: Lees de volgende waarschuwingen voordat u het product gaat gebruiken.

- Verwijder de accu om onbedoeld starten van de machine te voorkomen.
- Dit product kan bij onvoorzichtig of onjuist gebruik een gevaarlijk gereedschap zijn. Dit product kan ernstig of fataal letsel toebrengen aan de gebruiker of anderen.
- Gebruik het product niet als de oorspronkelijke specificatie is gewijzigd. Vervang geen onderdelen van het product zonder toestemming van de fabrikant. Gebruik alleen onderdelen die zijn goedgekeurd door de fabrikant. Onjuist onderhoud kan leiden tot letsel of de dood.
- Controleer het product vóór gebruik. Zie *Voordat u het product inschakelt op pagina 113*. Gebruik nooit een defect product. Voer de in deze handleiding beschreven veiligheidscontroles en de onderhouds- en service-instructies uit.
- Kinderen moeten onder toezicht worden gehouden om er zeker van te zijn dat ze niet met het product spelen. Laat het product nooit gebruiken door kinderen of andere personen die niet zijn opgeleid voor het gebruik of onderhoud van het product en/of de accu. De minimumleeftijd van de gebruiker kan zijn vastgelegd in plaatselijke voorschriften.
- Bewaar het product in een afgesloten ruimte om toegang door kinderen of onbevoegde personen te verhinderen.
- Bewaar het product buiten het bereik van kinderen.
- De oorspronkelijke vormgeving van het product mag in geen enkel geval worden gewijzigd zonder toestemming van de fabrikant. Gebruik altijd originele accessoires. Niet goedgekeurde wijzigingen en/of niet-originele onderdelen kunnen tot ernstig persoonlijk letsel of de dood van zowel gebruiker als omstanders leiden.

Let op: Landelijke of lokale wettelijke voorschriften kunnen van toepassing zijn op het gebruik. Volg de eventuele voorschriften op.

Veiligheidsinstructies voor bediening



WAARSCHUWING: Lees de volgende waarschuwingen voordat u het product gaat gebruiken.

- Wanneer u in een situatie belandt waarin u niet goed weet hoe u verder te werk moet gaan, moet u een expert raadplegen. Wend u tot uw dealer of uw servicewerkplaats. Gebruik de machine nooit voor taken waarvoor u niet voldoende gekwalificeerd bent.
- Gebruik het product nooit wanneer u vermoeid bent, alcohol of drugs hebt gebruikt, of als u medicijnen gebruikt die uw gezichtsvermogen, beoordelingsvermogen of coördinatie kunnen beïnvloeden.
- Werken in slechte weersomstandigheden is vermoeiend en kan tot extra gevaarlijke situaties leiden. Het is in verband met het extra gevaar niet aanbevolen om de machine te gebruiken bij zeer slecht weer, bijvoorbeeld dichte mist, zware regen, sterke wind, intense koude of bij risico op bliksem, etc.
- Defecte snijbladen kunnen het risico op ongevallen vergroten.
- Sta niet toe dat kinderen het product gebruiken of in de buurt van het product komen. Het product start gemakkelijk, zodat kinderen deze mogelijk kunnen starten wanneer ze niet onder volledig toezicht staan. In dat geval kan er een risico op ernstig persoonlijk letsel bestaan. Koppel de accu los wanneer het product niet onder streng toezicht staat.
- Zorg ervoor dat er zich geen personen of dieren zich op een afstand kleiner dan 15 meter bevinden terwijl u werkt. Indien meerdere gebruikers in hetzelfde gebied werken, moet de veiligheidsafstand minimaal 15 meter bedragen. Anders is er een risico op ernstig persoonlijk letsel. Schakel het product onmiddellijk uit indien iemand dichterbij komt. Draai het product nooit rond zonder eerst te controleren of er achter u niet iemand zich in de veiligheidszone bevindt.
- Zorg ervoor dat mensen, dieren of andere dingen geen invloed hebben op uw controle over het product en dat ze niet in contact komen met de snijuitrusting of losse objecten die worden uitgeworpen door de snijuitrusting. Gebruik het product echter nooit zonder de mogelijkheid hulp in te kunnen roepen in geval van nood.
- Controleer altijd het werkgebied. Verwijder alle losse voorwerpen, zoals stenen, stukjes glas, spijkers, staaldraad, touw en dergelijke, die weggeslingerd

kunnen worden of vast kunnen komen zitten in de snijuitrusting.

- Zorg ervoor dat u veilig kunt gaan en staan. Controleer of er eventuele hindernissen zijn als u onverwacht snel moet kunnen weggomen (wortels, stenen, takken, kuilen, greppels enz.). Wees extra voorzichtig wanneer u op hellend terrein werkt.
- Zorg steeds voor een goede balans en een stabiele houding. Voorkom overstrekken.
- Schakel het product uit wanneer u zich verplaatst. Bevestig de transportbescherming als het product niet wordt gebruikt.
- Leg het product nooit neer zonder het uit te schakelen en de accu te verwijderen. Laat het product nooit onbeheerd achter terwijl het ingeschakeld is.
- Zorg ervoor dat kleding of lichaamsdelen niet in contact komen met de snijuitrusting wanneer het product is ingeschakeld.
- Als er iets tussen de snijbladen vast komt te zitten terwijl u het product bedient, moet u het product stoppen en uitschakelen. Zorg ervoor dat de snijuitrusting volledig tot stilstand komt. Verwijder de accu voordat u het product en/of de snijbladen schoonmaakt, inspecteert of repareert.
- Houd uw handen en voeten uit de buurt van de snijuitrusting totdat deze volledig is gestopt wanneer het product is uitgeschakeld.
- Wees alert op stukken tak die tijdens het snijden weggeslingerd kunnen worden. Snijd niet te dicht bij de grond waar stenen en andere voorwerpen kunnen worden weggeslingerd.
- Kijk uit voor wegschietende objecten. Gebruik altijd goedgekeurde oogbescherming. Leun nooit over de beschermkap van de snijuitrusting. Stenen, afval, enzovoort kunnen omhoog schieten in uw ogen en dat kan blindheid of ernstig letsel veroorzaken.
- Let als u gehoorbescherming draagt op waarschuwingssignalen of geschreeuw. Doe uw gehoorbescherming altijd af zodra het product is gestopt.
- Werk nooit op een ladder, stoel of andere verhoging die niet stevig vast staat.
- Houd het product met beide handen vast. Houd het product naast uw lichaam.

(Fig. 16)

Persoonlijke beschermingsuitrusting



WAARSCHUWING: Lees de volgende waarschuwingen voordat u het product gaat gebruiken.

- Draag tijdens het gebruik van het product altijd goedgekeurde persoonlijke beschermingsmiddelen. Persoonlijke beschermingsuitrusting kunnen niet alle risico's uitsluiten maar kunnen de ernst van eventueel letsel helpen beperken. Neem voor meer informatie contact op met uw dealer.

- Gebruik een veiligheidshelm bij kans op vallende voorwerpen.

(Fig. 17)

- Gebruik goedgekeurde gehoorbescherming. Langdurige blootstelling aan lawaai kan leiden tot permanente gehoorbeschadiging.

(Fig. 18)

- Gebruik goedgekeurde oogbescherming. Als u een vizier gebruikt, moet u ook een goedgekeurde veiligheidsbril gebruiken. Een goedgekeurde veiligheidsbril moet voldoen aan de norm ANSI Z87.1 voor de VS of EN 166 voor de EU-landen.

(Fig. 19)

- Draag veiligheidshandschoenen tijdens gebruik en onderhoud.

(Fig. 20)

- Gebruik beschermende laarzen of schoenen met antislipzolen.

(Fig. 21)

- Gebruik kleding van stevige stof. Uw kleding moet nauwsluitend zijn zonder uw bewegingsvrijheid te beperken. Draag een lange broek en doe uw haar achter uw schouders. Gebruik geen sieraden en open schoenen.
- Houd de EHBO-does in de buurt.

(Fig. 22)

Veiligheidsvoorzieningen op het product



WAARSCHUWING: Lees de volgende waarschuwingen voordat u het product gaat gebruiken.

In dit hoofdstuk worden de veiligheidsvoorzieningen van het product beschreven, welke functie ze hebben en hoe controles en onderhoud moeten worden uitgevoerd om hun goede werking te waarborgen. Zie de instructies in het hoofdstuk *Productoverzicht op pagina 105* om te zien waar deze onderdelen zich bevinden op uw product.

De levensduur van het product kan worden verkort en het risico op ongevallen kan toenemen wanneer het onderhoud van het product niet op de juiste manier plaatsvindt en wanneer service en/of reparaties niet vakkundig worden uitgevoerd. Indien u meer informatie nodig hebt, verzoeken wij u contact op te nemen met de dichtstbijzijnde onderhoudsdealer.



WAARSCHUWING: Gebruik een product nooit wanneer de veiligheidsvoorzieningen beschadigd zijn. De veiligheidsuitrusting van het product moet geïnspecteerd en onderhouden worden zoals beschreven in dit hoofdstuk. Als uw product een van deze controles niet doorstaat, moet u contact opnemen met

uw servicewerkplaats om uw unit te laten repareren.



OPGELET: Om service en reparaties aan de machine uit te voeren, moet u een speciale opleiding hebben. Dit geldt met name voor de veiligheidsuitrusting van de machine. Als uw machine een van de volgende controles niet goed doorstaat, moet u ermee naar uw servicewerkplaats gaan. Als u één van onze producten koopt, garanderen wij de beschikbaarheid van professionele reparaties en onderhoud. Als u uw machine hebt gekocht bij één van onze dealers die geen servicewerkplaats heeft, vraag dan waar de dichtstbijzijnde erkende werkplaats is.

Toetsenbord controleren

1. Houd de start/stop-knop (A) ingedrukt. (Fig. 23)
 - a) Het product is ingeschakeld wanneer de led (B) brandt.
 - b) Het product is uitgeschakeld wanneer de led (B) uit is.
2. Raadpleeg *Toetsenbord op pagina 115* als het waarschuwingslampje (C) brandt of knippert.

Schakelaar van de voorhandgreep controleren

De schakelaar van de voorhandgreep voorkomt onbedoeld starten. Wanneer u de schakelaar van de voorhandgreep indrukt, wordt de activeringsschakelaar losgelaten. Als u de handgreep loslaat, bewegen de activeringsschakelaar en de schakelaar van de voorhandgreep weer terug naar hun beginposities.

1. Controleer of de activeringsschakelaar en de schakelaar van de voorhandgreep vrij kunnen bewegen en dat de retourveer juist werkt.
2. Start het product.
3. Druk de schakelaar van de voorhandgreep in.

(Fig. 24)

4. Druk op de activeringsschakelaar. (Fig. 25)
5. Laat de schakelaar van de voorhandgreep los en zorg ervoor dat de snijuitrusting volledig stopt.

De handbescherming controleren

De handbescherming voorkomt onbedoeld contact met de snijbladen.

1. Stop het product.
2. Verwijder de accu.
3. Controleer of de handbescherming correct is aangebracht.
4. Controleer de handbescherming op beschadigingen.

Snijbladen en beschermkappen controleren

De langere delen van de bladen (A) fungeren als bladbeschermkappen.

1. Stop het product.
2. Verwijder de accu.
3. Draag handschoenen.
4. Controleer of de snijbladen en beschermkappen niet beschadigd of verbogen zijn. Vervang de snijbladen en beschermkappen als deze beschadigd of verbogen zijn. (Fig. 26)

Veiligheid bij accu's



WAARSCHUWING: Lees de volgende waarschuwingen voordat u het product gaat gebruiken.

- Gebruik alleen de accu's uit de BLi-serie en 40-B-serie. Voor meer informatie, zie *Technische gegevens op pagina 116*. De accu is via software versleuteld.
- Gebruik accu's uit de BLi-serie en de 40-B-serie die uitsluitend oplaadbaar zijn als een voedingsbron voor de bijbehorende producten van Husqvarna. Gebruik de accu niet als voedingsbron voor andere apparaten, om letsel te voorkomen.
- Risico van elektrische schok. Breng de accuklemmen niet in contact met sleutels, munten, schroeven of ander metaal. Dit kan kortsluiting van de accu veroorzaken.
- Gebruik geen niet-oplaadbare accu's.
- Plaats geen voorwerpen in de luchtspleten van de accu.
- Bescherm de accu tegen direct zonlicht, warmte of open vuur. De accu kan brandwonden en/of chemische brandwonden veroorzaken.
- Bescherm de accu tegen regen en vocht.
- Houd de accu uit de buurt van magnetrons en hoge druk.
- Probeer de accu niet te demonteren of te slopen.
- Als er een accu lekt, zorg er dan voor dat de vloeistof niet in aanraking komt met uw huid of ogen. Als u in aanraking bent gekomen met de vloeistof, reinig het oppervlak dan met een ruime hoeveelheid water en zeep en raadpleeg een arts. Wrijf niet in uw ogen wanneer u vloeistof in uw ogen krijgt, maar spoel uw ogen minstens 15 minuten met water en raadpleeg een arts.
- Gebruik de accu bij temperaturen tussen -10 °C (14 °F) en 40 °C (114 °F).
- Reinig de accu of acculader nooit met water. Zie *Product, accu en acculader reinigen op pagina 114*.
- Gebruik geen defecte of beschadigde accu.
- Sla accu's op uit de buurt van metalen voorwerpen, bijvoorbeeld spijkers, schroeven en sieraden.
- Houd de accu buiten het bereik van kinderen.

Veiligheidsvoorschriften voor acculader



WAARSCHUWING: Lees de volgende waarschuwingen voordat u het product gaat gebruiken.

- Risico van elektrische schok of kortsluiting wanneer de veiligheidsinstructies niet worden opgevolgd.
- Gebruik geen andere acculader dan die bij uw product is geleverd. Gebruik uitsluitend QC80 en 40-C80-laders wanneer u vervangende accu's uit de BLi-serie en de 40-B-serie oplaadt.
- Probeer de acculader niet te demonteren.
- Gebruik geen defecte of beschadigde acculader.
- Til de acculader niet op aan de voedingskabel. Trek aan de stekker om de acculader uit de wandcontactdoos te halen. Trek niet aan de voedingskabel.
- Houd alle kabels en verlengsnoeren uit de buurt van water, olie en scherpe kanten. Let op dat de kabel niet bekneld raakt tussen objecten zoals deuren, hekken en dergelijke.
- Gebruik de acculader niet in de buurt van brandbare materialen of materialen die corrosie kunnen veroorzaken. Controleer of de acculader niet is afgedekt. Haal de stekker van de acculader uit de wandcontactdoos bij rookontwikkeling of brand.
- De accu mag alleen binnenshuis worden opgeladen op een plek met voldoende ventilatie en zonder direct zonlicht. Laad de accu niet buiten op. Laad de accu niet op in vochtige omstandigheden.
- Gebruik de acculader alleen op plekken met een temperatuur tussen 5 °C (41 °F) en 40 °C (104 °F). Gebruik de lader in een omgeving die goed geventileerd, droog en stofvrij is.
- Plaats geen voorwerpen in de koelspleten van de acculader.
- Verbind de contacten van de acculader niet met metalen objecten, omdat dit kortsluiting in de acculader kan veroorzaken.
- Gebruik goedgekeurde stopcontacten die niet beschadigd zijn. Controleer of de kabel van de acculader niet beschadigd is. Als er verlengkabels worden gebruikt, zorg er dan voor dat deze niet beschadigd zijn.
- Laad niet-oplaadbare accu's niet op in de acculaders.

Veiligheidsinstructies voor onderhoud



WAARSCHUWING: Lees de volgende waarschuwingen voordat u onderhoud aan het product gaat uitvoeren.

- Verwijder de accu voordat u onderhoud of andere controles uitvoert, of het product demonteert.
- De gebruiker mag alleen de onderhouds- en servicewerkzaamheden uitvoeren die in deze

- bedieningshandleiding zijn beschreven. Ga naar uw servicedealer voor verdergaande service- of onderhoudswerkzaamheden.
- Reinig de accu of acculader nooit met water. Sterke reinigingsmiddelen kunnen schade aan het kunststof veroorzaken.
 - Als u geen onderhoud uitvoert, verkort dit de levenscyclus van het product en vergroot het risico op ongevallen.

- Voor alle service en reparaties is speciale training vereist, vooral voor de veiligheidsvoorzieningen op het product. Als niet alle controles in deze bedieningshandleiding een goed resultaat geven nadat u onderhoud hebt uitgevoerd, ga dan naar uw servicedealer. Wij garanderen dat u daar professionele reparaties en service voor uw product krijgt.
- Gebruik alleen originele reserveonderdelen.

Montage

Inleiding

In dit hoofdstuk wordt beschreven hoe het product moet worden gemonteerd en afgesteld.



WAARSCHUWING: Lees, voordat u het product monteert, het hoofdstuk over veiligheid en de montage-instructies door.

De accu aansluiten op het product



WAARSCHUWING: Gebruik uitsluitend originele Husqvarna-accu's in het product.

1. Laad de accu volledig op.
2. Druk de accu in de accuhouder van het product. De accu is in positie vergrendeld als u een klik hoort. (Fig. 27)



OPGELET: Als u de accu niet eenvoudig in de accuhouder kunt

plaatsen, is de batterij niet correct geïnstalleerd. Dit kan schade aan het product veroorzaken.

De acculader 40-C80 aan de wand bevestigen



OPGELET: Gebruik geen elektrische schroevendraaier om de acculader aan de wand te bevestigen. Een elektrische schroevendraaier kan de acculader beschadigen.

1. Bevestig de acculader met de 2 schroeven (B) aan de wand. Gebruik wandpluggen (A) indien nodig. (Fig. 28)
2. Plaats de 2 schroefgatpluggen (C).
3. Sluit de voedingskabel aan op de acculader en een stopcontact.

Werking

Inleiding



WAARSCHUWING: Zorg dat u het hoofdstuk over veiligheid hebt gelezen en begrepen voordat u het product gebruikt.

Accu



WAARSCHUWING: Zorg dat u het hoofdstuk over veiligheid hebt gelezen en begrepen voordat u de accu gebruikt. Zorg er ook voor dat u de bedieningshandleiding

bij de accu en de acculader hebt gelezen en begrepen.

Houd de accu en de acculader in de correcte omgevingstemperaturen.

	Omgevingstemperatuur
Accu gebruiken	5 °C-40 °C / 41 °F-104 °F
Accu laden	5 °C-40 °C / 41 °F-104 °F

Accustatus

Het display toont de laadstatus en geeft aan of er problemen zijn met de accu.

(Fig. 29)

Led-indicator	Accustatus (laadstatus)	
	BLi10	40-B70
4 leds branden	N.v.t.	De accu is 76% - 100% opgeladen.
3 leds branden	De accu is 76% - 100% opgeladen.	De accu is 51% - 75% opgeladen.
2 leds branden	De accu is 51% - 75% opgeladen.	De accu is 26% - 50% opgeladen.
1 led brandt	De accu is 26% - 50% opgeladen.	De accu is 6% - 25% opgeladen.
1 led knippert	De accu is 0% - 25% opgeladen.	De accu is 0% - 5% opgeladen.

De accu opladen

Laad de accu op als u deze voor de eerste keer gebruikt. Een nieuwe accu is slechts 30% opgeladen.



OPGELET: Sluit de acculader aan op een stopcontact waarvan de spanning en frequentie overeenkomen met de specificaties op het productplaatje.

De accu wordt niet opgeladen als de temperatuur van de accu hoger is dan 50 °C/122 °F.

1. Sluit de voedingskabel aan op de acculader.
2. Sluit de acculader aan op een geaard stopcontact. De oplaadled knippert 1 keer. (Fig. 30)
3. Sluit de accu aan op de acculader. De oplaadled gaat branden. Laad de accu max. 24 uur op. (Fig. 31)
4. Druk op de accu-indicatielamp, wanneer alle led-indicatielampjes branden, is de accu volledig geladen.
5. Haal de stekker uit het stopcontact om de acculader van het stopcontact los te koppelen. Trek niet aan de voedingskabel.
6. Haal de accu uit de acculader.

Voordat u het product inschakelt

1. Onderzoek het werkgebied. Verwijder voorwerpen die weggeslingerd kunnen worden.
2. Controleer de snijuitrusting. Controleer of de snijbladen scherp zijn, geen scheuren vertonen en niet beschadigd zijn.
3. Controleer of het product correct werkt. Controleer of alle moeren en schroeven goed zijn vastgedraaid.
4. Controleer of de hendel en de veiligheidsvoorzieningen niet beschadigd zijn en goed zijn bevestigd. Gebruik geen product met ontbrekende onderdelen of dat is veranderd ten opzichte van de oorspronkelijke specificatie. Gebruik indien nodig veiligheidshandschoenen.
5. Controleer of de afdekkingen niet beschadigd zijn en goed vastzitten, voordat u het product bedient.

Product starten

1. Druk op de start-/stopknop totdat de groene led gaat branden. (Fig. 32)
2. Druk op de schakelaar van de voorhandgreep. (Fig. 33)
3. Druk op de activeringsschakelaar. (Fig. 25)

Het product gebruiken

1. Begin bij de grond en beweeg het product omhoog langs de heg wanneer u de zijanten snoeit. Zorg ervoor dat de behuizing van het product de heg niet raakt. (Fig. 34)



WAARSCHUWING: Zorg ervoor dat de voorzijde van de snijuitrusting de grond niet raakt.

2. Houd het product dicht bij uw lichaam voor een stabiele werkpositie.
3. Wees voorzichtig en bedien het product langzaam.

De functie SavE gebruiken

Dit product heeft een accubesparingsfunctie (SavE).

Let op: De SavE-functie zorgt niet voor een lagere zaagkracht van het product.

1. Druk op de SavE-knop op het toetsenblok.
2. Controleer of de groene LED gaat branden.
3. Druk nogmaals op de SavE-knop om de functie uit te schakelen. De groene led gaat uit. (Fig. 35)

Automatische uitschakelfunctie

Het product heeft een uitschakelfunctie die het product stopt als het product niet wordt gebruikt. De groene led voor start/stop-indicatie gaat uit en het product stopt na 180 seconden.

Product stoppen

1. Laat de activeringsschakelaar en de schakelaar van de voorhandgreep los.

2. Druk op de start/stop-knop totdat de groene led uit gaat.

3. Druk op de ontgrendelknoppen op de accu en verwijder de accu. (Fig. 36)

Onderhoud

Inleiding



WAARSCHUWING: Zorg dat u het hoofdstuk over veiligheid hebt gelezen en begrepen voordat u onderhoudswerkzaamheden aan het product gaat uitvoeren.



WAARSCHUWING: Verwijder de accu voordat u onderhoud aan het product uitvoert.

Onderhoudsschema

Hieronder volgt een lijst van het onderhoud dat u aan het product moet uitvoeren.

Onderhoud	Vóór gebruik	Wekelijks	Maandelijks
Reinig de externe onderdelen van het product.	X		
Controleer of de start/stop-schakelaar correct werkt en niet beschadigd is.	X		
Controleer of de voedingsschakelaar en de schakelaar van de voorhandgreep correct werken vanuit veiligheidsoogpunt.	X		
Controleer of alle bedieningselementen werken en niet zijn beschadigd.	X		
Controleer of het snijblad en de beschermkap geen scheuren vertonen en niet beschadigd zijn. Vervang het snijblad of de beschermkap als deze scheuren vertonen of aan slagbelasting zijn blootgesteld.	X		
Vervang het blad als dit verbogen of beschadigd is.	X		
Controleer of de handbescherming niet is beschadigd. Vervang de beschermkap als deze beschadigd is.	X		
Controleer of de schroeven en moeren goed zijn vastgedraaid.	X		
Controleer of de accu niet beschadigd is.	X		
Zorg ervoor dat de accu is opgeladen.	X		
Controleer of de acculader niet beschadigd is.	X		
Controleer of de schroeven die de snijbladen bijeenhouden goed vastzitten.		X	
Controleer de verbindingen tussen de accu en het product. Controleer de verbinding tussen de accu en de acculader.			X

Accu en acculader controleren

1. Controleer de accu op beschadigingen, bijvoorbeeld scheuren.
2. Controleer de acculader op beschadigingen, bijvoorbeeld scheuren.
3. Controleer of de aansluitkabel van de acculader niet beschadigd of gescheurd is.

Product, accu en acculader reinigen

1. Reinig het product met een droge doek na gebruik.
2. Reinig de accu en acculader met een droge doek. Houd de accugeleiderails schoon.
3. Zorg ervoor dat de aansluitingen van de accu en de acculader schoon zijn voor dat de accu in de acculader of het product wordt geplaatst.

Het blad inspecteren

1. Verwijder ongewenste materialen van het blad met een corrosieremmend reinigingsmiddel voor en nadat u het product gebruikt.
2. Controleer de randen van het blad op beschadigingen en vervorming.
3. Gebruik een vijl om bramen op het blad te verwijderen.
4. Controleer of de messen vrij draaien.

De messen reinigen en smeren

1. Verwijder ongewenste materialen van de bladen voor en nadat u het product gebruikt.
2. Smeer de bladen voorafgaand aan langdurige opslag.

Let op: Neem voor meer informatie over aanbevolen reinigings- en smeermiddelen contact op met uw servicedealer.

Het tandwiel smeren

Breng vet aan in het tandwielhuis als het tandwiel is gedemonteerd door een erkende servicedealer.

- Gebruik Husqvarna speciaalvet. Neem voor meer informatie over aanbevolen vet contact op met uw servicedealer.
- Gebruik slechts een kleine hoeveelheid speciaal hoogwaardig vet.



OPGELET: Vul het tandwielhuis niet volledig.

Probleemoplossing

Toetsenbord

LED-scherm	Mogelijke fouten	Mogelijke oplossingen
De fout-led knippert.	Overbelasting	De snijuitrusting kan niet vrij bewegen. Haal de snijuitrusting los.
	Temperatuurafwijking	Laat het product afkoelen.
Het product start niet.	Druk op de activeringsschakelaar en druk tegelijkertijd op de startknop.	Laat de activeringsschakelaar los en stop het product.
De fout-led licht rood op.	Het product moet worden onderhouden	Neem contact op met uw servicedealer.

Accu

Led-display	Mogelijke fouten	Mogelijke actie
De groene led knippert.	Lage accuspanning.	Laad de accu op.
De fout-led knippert.	Temperatuurafwijking.	Gebruik de accu bij temperaturen tussen -10°C (14°F) en 40°C (104°F).
	Spanning te hoog.	Controleer of de netspanning overeenkomt met de spanning die is aangegeven op het typeplaatje op het product. Haal de accu uit de acculader.
De fout-led brandt.	Celverschil te groot (1 V).	Neem contact op met uw servicedealer.

Acculader

Probleem	Mogelijke fouten	Mogelijke oplossing
De oplaadled is rood.	Permanente acculaderfout.	Neem contact op met uw dealer.
De oplaadled knippert groen.	Temperatuurafwijking, de accu is te koud of te heet om te gebruiken of op te laden.	Laat de accu afkoelen of warm worden. Als de accu de juiste temperatuur heeft, kan deze weer worden gebruikt of opgeladen. Gebruik de acculader bij omgevingstemperaturen tussen 5 °C en 40 °C.
De oplaadled knippert rood.	Defecte accu.	Neem contact op met uw dealer.

Vervoer, opslag en verwerking

Transport en opslag

- De meegeleverde Li-ion-accu's voldoen aan de wettelijke vereisten voor gevaarlijke goederen.
- Neem de bijzondere voorschriften op de verpakking en labels voor commercieel transport in acht. Dit geldt ook voor derden en expediteurs.
- Neem contact op met een persoon die gespecialiseerd is op het gebied van gevaarlijke stoffen voordat u het product verzendt. Neem alle van toepassing zijnde nationale voorschriften in acht.
- Breng tape aan op blootliggende aansluitingen wanneer u de accu in een pakket plaatst. Plaats de accu strak in het pakket om beweging te voorkomen.
- Verwijder de accu bij opslag of vervoer.
- Plaats de accu en de acculader in een droge, vocht- en vorstvrije ruimte.
- Bewaar de accu niet op plaatsen waar statische elektriciteit aanwezig is. Bewaar de accu niet in een metalen doos.
- Bewaar de accu op een plaats met een temperatuur tussen 5 °C en 25 °C en niet in direct zonlicht.
- Bewaar de acculader op een plaats met een temperatuur tussen 5 °C en 45 °C en niet in direct zonlicht.
- Gebruik de acculader alleen als de omgevingstemperatuur tussen 5 °C en 40 °C ligt.

- Laad de accu op tussen de 30% en 50% voorafgaand aan langdurige opslag.
- Berg de acculader op in een ruimte die afgesloten en droog is.
- Bewaar de accu niet in de buurt van de acculader. Laat kinderen en andere onbevoegde personen niet aan de apparatuur komen. Bewaar de apparatuur in een ruimte die u kunt afsluiten.
- Reinig het product en voer een volledige onderhoudsbeurt uit voordat u het product voor langere tijd opslaat.
- Gebruik de transportbescherming op het product om letsel bij personen of schade aan het product tijdens vervoer en opslag te voorkomen.
- Bevestig het product stevig tijdens vervoer.

Accu, acculader en product afvoeren

Symbolen op het product of op de verpakking van het product geven aan dat dit product geen huishoudelijk afval is. Lever het in bij een recyclepunt voor elektrische en elektronische apparatuur. Dit voorkomt vervuiling van het milieu en letsel bij personen.

Neem contact op met uw lokale autoriteiten, afvalverwerkingsbedrijf of dealer voor meer informatie over het recyclen van uw product.

Technische gegevens

Technische gegevens

	215HD45
Motor	

	215iHD45
Motor type	BLDC
Gewicht	
Gewicht zonder accu, kg	3,2
Mes	
Type	Dubbelzijdig
Bladlengte, mm	450
Snijnsnelheid, sneden/min (met de SavE-modus)	2400
Snijnsnelheid, sneden/min (zonder de SavE-modus)	3000
Geluidsemissies ¹⁵	
Geluidsvermogeniveau, gemeten dB(A)	87
Geluidsvermogeniveau, gegarandeerd L _{WA}	90
Geluidsniveau	
Geluidsdruk niveau bij het oor van de gebruiker, gemeten volgens EN 62841-4-2, dB(A)	79
Trillingsniveau ¹⁶	
Trillingsniveaus (a _h), voor/achter, m/s ²	2,1/1,7

Goedgekeurde accu's voor het product

Accu	BLi10		40-B70
Type	Lithium-ion		Lithium-ion
Accucapaciteit, Ah	Raadpleeg het plaatje met de accugegevens		Raadpleeg het plaatje met de accugegevens
Nominale spanning, V	36	36,5	36
Gewicht, kg	0,7	0,7	0,8

¹⁵ Geluidsemissie naar de omgeving gemeten als geluidsvermogen (L_{WA}) volgens EG-richtlijn 2000/14/EG. Het verschil tussen gegarandeerd en gemeten geluidsvermogen is dat het gegarandeerde geluidsvermogen ook spreiding in het meetresultaat omvat en de verschillen tussen de verschillende machines van hetzelfde model conform Richtlijn 2000/14/EG.

¹⁶ De gerapporteerde gegevens voor een trillingsniveau vertonen een typische statistische spreiding (standaardafwijking) van 1,5 m/s².

De opgegeven totale trillingswaarde is gemeten overeenkomstig een standaardtestmethode en kan worden gebruikt om gereedschappen onderling te vergelijken.

De opgegeven totale trillingswaarde kan ook worden gebruikt voor een voorlopige beoordeling van de blootstelling.

Goedgekeurde acculaders voor het product

Acculader	QC80	40-C80
Netspanning, V	100-240	100-240
Frequentie, Hz	50-60	50-60
Vermogen, W	100	72
Uitgangsspanning, V d.c./ Ampère, A	36/2	43/1,6

Verklaring van overeenstemming

EU-verklaring van overeenstemming

Wij, **Husqvarna AB**, SE-561 82 Huskvarna,
Zweden, tel: +46-36-146500, verklaren onder onze
alleenverantwoordelijkheid dat het product:

Beschrijving	Heggenschaar op accu
Merk	Husqvarna
Type/model	215iHD45
Identificatie	Serienummers vanaf 2024 en verder

voldoen volledig aan de volgende EU-richtlijnen en
-regelgeving:

Richtlijn / Verorden- ing	Beschrijving
2006/42/EG	"betreffende machines"
2014/30/EU	"betreffende elektromagnetische compatibiliteit"
2000/14/EG	"betreffende de geluidsemisies in het milieu"
2011/65/EU	"inzake beperking van het gebruik van bepaalde gevaarlijke stoffen in elektrische en elektro- nische apparatuur"

en dat de volgende normen en/of
technische specificaties zijn toegepast:
EN 62841-4-2:2019+A1:2022+A11:2022, EN
62841-1:2015+A11:2022, EN IEC 55014-1:2021, EN
IEC 55014-2:2021, EN IEC 63000:2018.

In overeenstemming met de richtlijn 2000/14/EC, bijlage
V, zie *Technische gegevens op pagina 116* voor de
verklaarde geluidswaarden.

Huskvarna, 2024-02-01



Claes Losdal, R&D Manager, Husqvarna AB
Verantwoordelijk voor technische documentatie



Sommario

Introduzione.....	120	Ricerca guasti.....	130
Sicurezza.....	121	Trasporto, stoccaggio e smaltimento.....	131
Montaggio.....	127	Dati tecnici.....	132
Utilizzo.....	127	Dichiarazione di conformità.....	134
Manutenzione.....	129		

Introduzione

Descrizione del prodotto

Husqvarna 215iHD45 è un taglia siepi a batteria con un motorino elettrico.

Il lavoro è in costante evoluzione per aumentare sicurezza ed efficienza durante le attività. Rivolgersi al centro di assistenza per maggiori informazioni.

Panoramica del prodotto

(Fig. 1)

1. Manuale operatore
2. Impugnatura posteriore
3. Grilletto impugnatura anteriore
4. Impugnatura anteriore
5. Tagliente
6. Protezione di trasporto
7. Leva comando
8. Pannello di comando
9. Protezione mano
10. Batteria
11. Caricabatterie 40-C80
12. Connettore
13. Pulsante indicatore dello stato della batteria
14. Stato della batteria
15. Spia di avvertenza
16. Pulsante SavE
17. Pulsante start/stop
18. Indicatore di accensione e avvertimento
19. Pulsanti per il rilascio della batteria
20. Caricabatterie QC80
21. Cavo di alimentazione

Simboli riportati sul prodotto

- (Fig. 2) **AVVERTENZA:** questo prodotto può essere pericoloso e causare lesioni gravi o mortali all'operatore o a terzi. Prestare attenzione e utilizzare il prodotto correttamente.
- (Fig. 3) Leggere attentamente il manuale operatore e accertarsi di aver compreso le istruzioni prima di utilizzare il prodotto.
- (Fig. 4) Indossare una protezione per gli occhi.
- (Fig. 5) Il prodotto è conforme alle direttive CE vigenti.
- (Fig. 6) Il prodotto o l'imballaggio del prodotto non è un rifiuto domestico. Riciclarlo in una

Uso previsto

Utilizzare il prodotto per tagliare rami e ramoscelli. Non utilizzare il prodotto per altre attività.

- stazione di riciclaggio per apparecchiature elettriche ed elettroniche.
- (Fig. 7) Non esporre alla pioggia.
- (Fig. 8) Corrente diretta.
- (Fig. 9) Emissione di rumore sull'etichetta ambientale in base alle direttive UE (inclusa anche la legislazione del Nuovo Galles del Sud) e alle normative del Regno Unito. I dati sulle emissioni di rumore sono riportati sull'etichetta della macchina e nel capitolo Dati tecnici,
- (Fig. 10) Il presente prodotto è conforme alle direttive del Regno Unito vigenti.
- (Fig. 11) Avvertenza: Tenere le mani lontane dalla lama.
- aaaassxxxx** La targhetta dati di funzionamento mostra il numero di serie. **yyyy** è l'anno di produzione, **ww** è la settimana di produzione.

Nota: I restanti simboli/decalcomanie applicati sul prodotto riguardano particolari requisiti necessari per ottenere la certificazione in alcuni mercati.

Simboli sulla batteria e/o sul caricabatterie

- (Fig. 15) Riciclare questo prodotto in una stazione di riciclaggio per apparecchiature elettriche ed elettroniche. (Solo per l'Europa)
- (Fig. 12) Trasformatore a prova di guasto.
- (Fig. 13) Utilizzare e conservare il caricabatteria solo in ambienti interni.

Sicurezza

Definizioni di sicurezza

Le avvertenze, le precauzioni e le note sono utilizzate per evidenziare le parti importanti del manuale.



AVVERTENZA: Utilizzato se è presente un rischio di lesioni o morte dell'operatore o di passanti nel caso in cui le istruzioni del manuale non vengano rispettate.



ATTENZIONE: Utilizzato se è presente un rischio di danni al prodotto, ad altri materiali oppure alla zona adiacente nel caso in cui le istruzioni del manuale non vengano rispettate.

Nota: Utilizzato per fornire ulteriori informazioni necessarie in una determinata situazione.

Avvertenze generali di sicurezza dell'attrezzo elettrico



AVVERTENZA: Leggere attentamente tutte le avvertenze di sicurezza e tutte le istruzioni. La mancata osservanza delle avvertenze e delle istruzioni può dare luogo a scosse elettriche, incendi e/o gravi lesioni.

Nota: Conservare tutte le avvertenze e le istruzioni per la futura consultazione. Nelle avvertenze, il termine "attrezzo elettrico" si riferisce al vostro attrezzo elettrico alimentato tramite rete elettrica (con cavo) o a batteria (senza fili).

Sicurezza dell'area di lavoro

- **Tenere l'area di lavoro pulita e ben illuminata.** Le zone in disordine o male illuminate possono provocare incidenti.
- **Non mettere in funzione attrezzi elettrici in ambienti esplosivi, quali quelli che comportano la presenza di liquidi infiammabili, gas o polvere.** Gli attrezzi elettrici generano scintille che possono incendiare polveri o fumi.
- **Tenere lontani bambini e spettatori mentre si fa funzionare un attrezzo elettrico.** Le distrazioni possono causare la perdita del controllo.

Sicurezza elettrica

- **Le spine degli elettroutensili devono essere adatte alla presa. Evitare assolutamente di apportare modifiche alla spina. Non utilizzare adattatori per spine con attrezzi elettrici dotati di messa a terra.** Le spine non modificate e le prese adatte allo scopo riducono il rischio di scosse elettriche.
- **Evitare il contatto del corpo con superfici messe a massa o collegate a terra, come condutture, radiatori, stufe e frigoriferi.** In casi simili, si verificherebbe un aumento del rischio di scosse elettriche.
- **Non esporre gli elettroutensili a pioggia o umidità.** L'ingresso di acqua in un elettroutensile fa aumentare il rischio di scosse elettriche.
- **Non rovinare il cavo elettrico. Non usare mai il filo per trasportare, tirare o staccare dalla presa l'elettroutensile. Non avvicinare il cavo a fonti di calore, olio, spigoli taglienti e neppure a parti della macchina che siano in movimento.** I cavi danneggiati o attorcigliati fanno aumentare il rischio di scosse elettriche.
- **Per il funzionamento di un elettroutensile all'aperto, usare una prolunga adatta per l'uso all'aperto.** L'uso di un filo di prolunga omologato per l'impiego all'aperto riduce il rischio di scosse elettriche.
- **Se l'impiego dell'elettroutensile in ambienti umidi è inevitabile, utilizzare un interruttore differenziale (salvavita) per proteggere il circuito di alimentazione.** L'utilizzo di un salvavita riduce il rischio di scosse elettriche.



AVVERTENZA: Non lavare la macchina con acqua pressurizzata, poiché potrebbero verificarsi infiltrazioni nell'impianto elettrico o nel motore con conseguenti danni o cortocircuiti.

Sicurezza personale

- **Nell'uso di un attrezzo elettrico, restare alerta, fare attenzione a ciò che si sta facendo e usare il buonsenso. Non usare un attrezzo elettrico quando si è stanchi o sotto l'effetto di droga, alcol o farmaci.** Un attimo di disattenzione può causare lesioni personali gravi.
- **Usare sempre abbigliamento protettivo personale. Indossare sempre una protezione per gli occhi.** L'uso in condizioni adeguate dell'abbigliamento protettivo (come mascherina protettiva, calzature di sicurezza antiscivolo, elmetto o cuffie protettive) riduce le lesioni personali.
- **Prevenire la messa in funzione accidentale. Accertarsi che l'interruttore sia in posizione OFF prima di effettuare il collegamento alla presa**

dell'alimentazione e/o alla batteria, di sollevare o trasportare l'attrezzo. Il trasporto di attrezzi elettrici tenendo le dita sull'interruttore o su attrezzi che producono corrente e il cui interruttore è acceso, può provocare incidenti.

- **Rimuovere qualunque chiave o strumento di regolazione prima di accendere l'attrezzo elettrico.** Qualunque chiave o attrezzo lasciato attaccato a parti rotanti può causare danni alla persona.
- **Operare in sicurezza. Operare sempre facendo attenzione a posizionare bene i piedi e a mantenere l'equilibrio.** Ciò permette un migliore controllo dell'attrezzo elettrico in situazioni inattese.
- **Vestirsi in maniera adeguata. Non indossare abiti troppo ampi o gioielli. Tenere capelli e indumenti lontani dalle parti in movimento.** Lasciati liberi, indumenti, gioielli o capelli lunghi possono restare impigliati nelle parti in movimento.
- **Qualora vengano forniti strumenti per il collegamento a strutture di estrazione e raccolta della polvere, accertarsi che queste siano collegate e usate in modo adeguato.** La raccolta della polvere può ridurre i rischi legati alla presenza di questo agente.
- **La familiarità e l'esperienza acquisite con il prodotto non devono far sottovalutare i rischi insiti nell'utilizzo dello stesso. Non ignorare le norme basilari di sicurezza dell'attrezzatura.** Un'azione incauta può provocare gravi danni in una frazione di secondo.
- La produzione di vibrazioni durante l'utilizzo del dispositivo elettrico può essere differente dal valore totale dichiarato, a seconda delle modalità di impiego del dispositivo. Gli operatori devono identificare le misure di sicurezza necessarie per la protezione in base a una stima dell'esposizione in condizioni pratiche di utilizzo (tenendo in considerazione le diverse fasi di funzionamento, vale a dire i momenti in cui il dispositivo è spento, quando è in regime di minimo nonché quando è innestato il comando).

Uso e cura dell'elettrotensile

- **Non forzare l'elettrotensile. Usare l'elettrotensile adatto all'applicazione.** L'elettrotensile giusto farà il lavoro meglio e in modo più sicuro se usato alla velocità per la quale è stato progettato.
- **Non usare l'elettrotensile se non è possibile accenderlo o spegnerlo tramite interruttore.** Qualunque elettrotensile che non possa essere controllato tramite interruttore è pericoloso e deve essere riparato.
- **Scolligare la spina dalla presa di corrente e/o rimuovere la batteria, se staccabile, prima di procedere a qualunque regolazione, cambio di accessori o alla conservazione degli elettrotensili.** Tali misure di sicurezza preventive riducono il rischio di avvio accidentale dell'elettrotensile.
- **Riporre gli elettrotensili fuori dalla portata dei bambini e non permettere l'uso dei suddetti a persone che non hanno familiarità con tali utensili**

e con queste istruzioni. Nelle mani di persone inesperte, gli elettrotensili sono pericolosi.

- **Effettuare la manutenzione degli elettrotensili e degli accessori. Controllare che non si verifichi un errato allineamento o collegamento delle parti in movimento, la rottura di pezzi e qualsivoglia altra condizione che possa inficiare il funzionamento dell'elettrotensile. Qualora danneggiato, riparare l'elettrotensile prima dell'uso.** Molti incidenti sono causati da elettrotensili con una manutenzione inadeguata.
- **Mantenere affilati e puliti gli strumenti da taglio.** Con una manutenzione adeguata, gli strumenti da taglio con bordi affilati risultano più facili da controllare e meno pericolosi.
- **Usare l'elettrotensile, gli accessori, le punte ecc. come indicato dalle presenti istruzioni, tenendo conto delle condizioni di lavoro e della prestazione da effettuare.** L'impiego di elettrotensili per usi diversi da quelli previsti può dar luogo a situazioni di pericolo.
- **Mantenere le impugnature e le superfici di presa asciutte, pulite e prive di olio e grasso.** Le impugnature e le superfici di presa scivolose non consentono una manipolazione e un controllo sicuri dell'utensile in situazioni impreviste.

Utilizzo e manutenzione della batteria

- **Ricaricare l'attrezzo esclusivamente utilizzando il caricabatterie specificato dal produttore.** L'utilizzo di un caricabatterie indicato per un altro tipo di batteria potrebbe provocare rischio di incendio.
- **Utilizzare i prodotti esclusivamente con le batterie specificate.** L'utilizzo di altri pacchi batteria potrebbe provocare lesioni e incendi.
- **Quando la batteria non viene utilizzata, tenerla lontana da altri oggetti metallici, come graffette, monete, chiodi, viti o altri piccoli oggetti metallici che potrebbero consentire il collegamento tra i terminali.** Provocare il cortocircuito dei terminali della batteria potrebbe causare ustioni o provocare un incendio.
- **In condizioni non ottimali, la batteria potrebbe perdere liquido; evitare il contatto. Qualora il contatto avvenisse, sciacquare la parte con acqua. Se il liquido entra negli occhi, chiamare immediatamente un medico.** Il liquido fuoriuscito dalla batteria potrebbe causare irritazioni o ustioni.
- **Non usare batterie o utensili danneggiati o modificati.** Batterie danneggiate o modificate possono manifestare un comportamento imprevedibile, con rischio di incendi, esplosioni e lesioni.
- **Non esporre batterie o utensili a fiamme o temperature troppo elevate.** L'esposizione al fuoco o a una temperatura superiore a 130 °C può provocare esplosioni.
- **Seguire tutte le istruzioni per il caricamento della batteria e non caricare la batteria o l'utensile al di fuori dell'intervallo di temperatura indicato**

nelle istruzioni. Ricaricare in modo inappropriato o a temperature che non rientrano nell'intervallo specificato può danneggiare la batteria e aumentare il rischio di incendio.

Assistenza

- **Far riparare l'elettrotensile solo ed esclusivamente da personale specializzato utilizzando solo pezzi di ricambio originali.** Questo garantirà che sia salvaguardata la sicurezza dell'elettrotensile.
- **Non riparare mai le batterie danneggiate.** Gli interventi sulle batterie dovrebbe essere eseguito solo dal produttore o da centri assistenza autorizzati.

Avvertenze sulla sicurezza dei taglia siepi - Sicurezza personale

- **Utilizzare il taglia siepi tenendolo con entrambe le mani.** L'utilizzo di una sola mano potrebbe causare la perdita di controllo e provocare gravi lesioni personali.
- **Tenere il corpo lontano dalla lama. Non rimuovere il materiale tagliato né afferrare il materiale da tagliare quando le lame sono in funzione.** Le lame continuano a muoversi dopo lo spegnimento dell'interruttore. Un attimo di disattenzione durante l'utilizzo del taglia siepi può comportare gravi lesioni personali.
- **Trasportare il taglia siepi per l'impugnatura con la lama ferma e facendo attenzione a non azionare alcun interruttore di corrente.** Un corretto trasporto del taglia siepi riduce il rischio di un avviamento involontario e di conseguenti lesioni causate dalle lame.
- **Durante il trasporto o la conservazione del taglia siepi, montare sempre il coprilama.** Un adeguato utilizzo del taglia siepi riduce il rischio di lesioni personali dovute alle lame.
- **Durante la rimozione del materiale inceppato o la manutenzione dell'unità, assicurarsi che tutti gli interruttori di corrente siano spenti e che la batteria sia rimossa o scollegata.** L'azionamento imprevisto del taglia siepi durante la rimozione di eventuali residui o la manutenzione può causare gravi lesioni personali.
- **Tenere il taglia siepi esclusivamente dalle apposite impugnature isolate poiché la lama potrebbe entrare in contatto con cavi nascosti.** Se le lame vengono a contatto con un filo scoperto sotto tensione, le parti in metallo esposte del taglia siepi possono risultarne caricate e trasmettere una scossa elettrica all'operatore.
- **Tenere tutti i cavi di alimentazione lontano dall'area di taglio.** I cavi di alimentazione potrebbero essere nascosti nelle siepi e nei cespugli ed essere tagliati accidentalmente dalla lama.
- **Non utilizzare il taglia siepi in condizioni climatiche sfavorevoli, soprattutto quando vi è il rischio di fulmini.** Ciò riduce il rischio di essere colpiti da un fulmine.

- **PERICOLO: tenere le mani lontane dalla lama.** Il contatto con la lama provocherà gravi lesioni personali.

Istruzioni di sicurezza generali



AVVERTENZA: Leggere le seguenti avvertenze prima di utilizzare il prodotto.

- Rimuovere la batteria per evitare che il prodotto venga azionato per errore.
- Questo prodotto è uno strumento pericoloso se non si presta attenzione o se si utilizza il prodotto in modo errato. Il prodotto può causare gravi lesioni o morte dell'operatore o altre persone.
- Non utilizzare il prodotto se è stato modificato in qualche modo rispetto alle caratteristiche iniziali. Non sostituire una parte del prodotto senza previa approvazione del produttore. Utilizzare solo parti approvate dal produttore. Una manutenzione impropria può causare lesioni o la morte.
- Eseguire il controllo del prodotto prima dell'utilizzo. Vedere *Cosa fare prima di accendere il prodotto alla pagina 128*. Non utilizzare un prodotto difettoso. Eseguire i controlli di sicurezza e attenersi alle istruzioni di manutenzione e riparazione riportate nel presente manuale.
- I bambini devono essere sorvegliati per evitare che giochino con il prodotto. Non consentire mai l'uso e la manutenzione del prodotto a bambini o a persone non qualificate e non lasciare la batteria collegata. Possono esistere leggi locali che stabiliscono l'età minima dell'operatore.
- Conservare il prodotto in un'area chiusa a chiave per impedire l'accesso a bambini o persone non autorizzate.
- Conservare il prodotto fuori dalla portata dei bambini.
- Evitare assolutamente di modificare la versione originale del prodotto senza l'autorizzazione del fabbricante. Utilizzare sempre accessori originali. Modifiche e/o accessori non autorizzati possono causare gravi lesioni personali o mortali all'operatore e a terzi.

Nota: La normativa nazionale o locale può regolarne l'utilizzo. Assicurare la conformità alla normativa in vigore.

Istruzioni di sicurezza per l'utilizzo



AVVERTENZA: Leggere le seguenti avvertenze prima di utilizzare il prodotto.

- Se si è incerti riguardo a come procedere, rivolgersi a un esperto. Contattare il proprio rivenditore o

l'officina di assistenza. Evitare qualsiasi lavoro per il quale non ci si sente sufficientemente qualificati.

- Non utilizzare mai il prodotto in condizioni di stanchezza oppure sotto l'effetto di alcolici, stupefacenti o farmaci in grado di alterare la vista, l'attenzione, la capacità di valutazione o la coordinazione.
- Lavorare in condizioni meteorologiche avverse è spesso stancante e comporta un ulteriore rischio. A causa di questo ulteriore rischio, si consiglia di non utilizzare il prodotto in condizioni meteorologiche sfavorevoli, per esempio, in presenza di nebbia fitta, pioggia battente, vento forte, freddo intenso, rischio di fulmini, ecc.
- Dei coltelli difettosi possono aumentare il rischio di incidenti.
- Non consentire a bambini di utilizzare il prodotto o avvicinarsi a esso. Data l'estrema facilità di avviamento del prodotto, i bambini potrebbero essere in grado di avviarlo se non sorvegliati. Sussiste il rischio di gravi lesioni personali. Scollegare la batteria quando il prodotto viene lasciato incustodito.
- Controllare che non vi siano persone o animali in un raggio di 15 metri durante il lavoro. Nel caso in cui più utenti stiano lavorando nella stessa zona, la distanza di sicurezza deve essere almeno 15 metri. Altrimenti vi è il rischio di gravi lesioni personali. Arrestare immediatamente l'unità nel caso qualcuno si avvicini. Non girarsi mai con il prodotto in azione senza prima aver controllato che non ci sia nessuno alle vostre spalle entro la zona di sicurezza.
- Accertarsi che la presenza di persone, animali o altro non possa influire sul controllo del prodotto o che non vengano a contatto con il gruppo di taglio o che oggetti allentati possano essere scagliati in aria dal gruppo di taglio. Non utilizzare il prodotto se non si è certi di poter chiedere aiuto in caso di incidente.
- Controllare sempre l'area di lavoro. Asportare eventuali corpi estranei quali pietre, frammenti di vetro, chiodi, fili di ferro, corde ecc. che potrebbero essere scagliati oppure penetrare nel gruppo di taglio.
- Accertarsi di poter camminare e lavorare in sicurezza. In caso di spostamenti, controllare che non vi siano ostacoli (ceppi, radici, rami, fossati ecc.). Fare particolare attenzione quando si lavora su terreni in pendenza.
- Mantenere una posizione stabile ed equilibrata in qualsiasi momento. Operare in sicurezza.
- Gli spostamenti vanno sempre eseguiti con il prodotto spento. Fissare la protezione di trasporto quando il prodotto non è in uso.
- Non poggiare mai il prodotto al suolo se non è stato spento e non è stata rimossa la batteria. Non lasciare il prodotto senza supervisione se acceso.
- Assicurarsi che all'accensione, il gruppo di taglio non entri in contatto con vestiti o parti del corpo.
- Se un oggetto si blocca nelle lame durante l'utilizzo del prodotto, arrestare e disattivare il

prodotto. Accertarsi che il gruppo di taglio si arresti completamente. Rimuovere la batteria prima di procedere alla pulizia, all'ispezione o alla riparazione del prodotto e/o delle lame.

- Tenere le mani e i piedi lontani dal gruppo di taglio fino al suo completo arresto quando il prodotto viene disattivato.
- Fare attenzione ad eventuali ramoscelli che potrebbero venir lanciati in aria durante il taglio. Non effettuare tagli troppo vicini al terreno, in quanto pietre e altri corpi estranei potrebbero venire scagliati in aria.
- Rischio di oggetti volanti. Usare sempre protezione per gli occhi omologata. Evitare di lavorare inclinati verso la protezione del gruppo di taglio. C'è la possibilità di essere colpiti da un occhio da un sasso, un ramo o altri oggetti sollevatisi dal terreno, con conseguenze anche molto gravi, quali cecità o altre lesioni.
- Far sempre attenzione a segnali di allarme o eventuali grida quando si utilizzano le cuffie protettive. Togliere sempre le cuffie protettive immediatamente all'arresto del prodotto.
- Non lavorare mai su una scala, uno sgabello o in altra posizione sollevata da terra che non sia ben fissata.
- Usare entrambe le mani per maneggiare il prodotto. Tenere il prodotto lateralmente rispetto al corpo.

(Fig. 16)

Dispositivi di protezione individuale



AVVERTENZA: Leggere le seguenti avvertenze prima di utilizzare il prodotto.

- Usare sempre abbigliamento protettivo personale omologato quando si utilizza il prodotto. I dispositivi di protezione individuale non sono in grado di prevenire completamente le lesioni, ma possono ridurre la gravità. Rivolgersi al rivenditore per maggiori informazioni.
- Elmetto protettivo laddove sussiste il rischio di caduta di oggetti.

(Fig. 17)

- Usare cuffie protettive omologate. Una lunga esposizione al rumore può comportare lesioni permanenti all'udito.

(Fig. 18)

- Utilizzare protezioni per gli occhi omologate. Con l'uso della visiera è necessario anche l'uso di occhiali protettivi omologati. Con il termine occhiali protettivi omologati si intendono occhiali che siano conformi alle norme ANSI Z87.1 per gli USA o EN 166 per i paesi EU.

(Fig. 19)

- Utilizzare guanti protettivi durante il funzionamento e la manutenzione.

(Fig. 20)

- Utilizzare stivali o scarpe protettive con soles antiscivolo.

(Fig. 21)

- Indossare indumenti di tessuto resistente. Gli indumenti devono essere aderenti ma non limitare i movimenti. Utilizzare pantaloni lunghi e raccogliere i capelli dietro le spalle. Non utilizzare gioielli e scarpe aperte.
- Tenere a portata di mano la cassetta di primo soccorso.

(Fig. 22)

Dispositivi di sicurezza sul prodotto



AVVERTENZA: Leggere le seguenti avvertenze prima di utilizzare il prodotto.

In questo capitolo vengono presentati i dispositivi di sicurezza del prodotto, la loro funzione, il controllo e la manutenzione necessari per assicurarne una funzione ottimale. Vedere le istruzioni alla sezione *Panoramica del prodotto alla pagina 120* per individuare la posizione di queste parti sul prodotto.

La durata del prodotto può ridursi e il rischio di incidenti aumentare se la manutenzione non viene eseguita correttamente e se l'assistenza e/o le riparazioni non vengono effettuate da personale qualificato. Per ulteriori informazioni, contattare il rivenditore con assistenza più vicino.



AVVERTENZA: Non utilizzare mai un prodotto con dispositivi di sicurezza danneggiati. I dispositivi di sicurezza di sicurezza del prodotto vanno controllati e sottoposti a manutenzione secondo quanto descritto in questo capitolo. Se il prodotto non supera tutti i controlli, contattare un'officina per le necessarie riparazioni.



ATTENZIONE: Tutte le riparazioni e l'assistenza della macchina vanno eseguite da personale specializzato. Quanto detto vale in particolare per i dispositivi di sicurezza della macchina. Se la macchina non supera tutti i controlli sottoelencati, contattare l'officina autorizzata. L'acquisto di uno dei nostri prodotti garantisce l'assistenza di personale qualificato. Se non avete acquistato la macchina presso un rivenditore con centro di assistenza, informatevi sull'ubicazione della più vicina officina autorizzata.

Controllo della tastiera

1. Tenere premuto il pulsante di avvio/arresto (A). (Fig. 23)
 - a) Il prodotto è acceso quando il LED (B) si accende.
 - b) Il prodotto è spento quando il LED (B) si spegne.
2. Vedere *Tastiera alla pagina 130* se la spia di avvertenza (C) si accende o lampeggia.

Controllo del grilletto dell'impugnatura anteriore

Il grilletto dell'impugnatura anteriore impedisce l'avviamento accidentale. Quando si preme il grilletto dell'impugnatura anteriore, la leva di comando viene rilasciata. Rilasciando l'impugnatura, la leva di comando e il grilletto dell'impugnatura anteriore ritornano entrambi alle posizioni iniziali.

1. Controllare che la leva di comando e il grilletto dell'impugnatura anteriore si muovano liberamente e che la molla di richiamo funzioni correttamente.
2. Avviare il prodotto.
3. Premere il grilletto dell'impugnatura anteriore.

(Fig. 24)

4. Spingere la leva di comando. (Fig. 25)
5. Rilasciare il grilletto dell'impugnatura anteriore e assicurarsi che il gruppo di taglio si arresti completamente.

Controllo della protezione della mano

La protezione della mano evita il contatto accidentale delle mani con le lame.

1. Arrestare il prodotto.
2. Rimuovere la batteria.
3. Controllare che la protezione della mano sia fissata correttamente.
4. Controllare la protezione della mano per verificare la presenza di eventuali danni

Controllo delle lame e delle protezioni lame

Le parti più lunghe delle lame (A) funzionano come protezioni delle lame.

1. Arrestare il prodotto.
2. Rimuovere la batteria.
3. Indossare dei guanti.
4. Accertarsi che le lame e le protezioni delle lame non siano danneggiate o piegate. Sostituire le lame e le protezioni lame se risultano essere danneggiate o piegate. (Fig. 26)

Sicurezza batterie



AVVERTENZA: Leggere le seguenti avvertenze prima di utilizzare il prodotto.

- Utilizzare solo la serie BLi e le batterie della serie 40-B. Per ulteriori dettagli, fare riferimento a *Dati tecnici alla pagina 132*. La batteria è codificata mediante software.
- Utilizzare solo la serie BLi e la serie di batterie 40-B ricaricabili come alimentazione per i soli prodotti correlati Husqvarna. Per evitare il rischio di lesioni, non utilizzare la batteria come fonte di alimentazione per altri dispositivi.
- Rischio di scosse elettriche. Non collegare i morsetti della batteria a chiavi, monete, viti o altro tipo di metallo. Ciò può causare un corto circuito della batteria.
- Non utilizzare batterie non ricaricabili.
- Non inserire oggetti nelle feritoie di aerazione della batteria.
- Tenere la batteria lontano dalla luce del sole, dal calore o da fiamme libere. La batteria può causare bruciate e/o ustioni chimiche.
- Tenere la batteria lontano da pioggia e umidità.
- Tenere la batteria lontano da microonde e alta pressione.
- Non tentare di smontare o rompere la batteria.
- In caso di perdite dalla batteria, non lasciare che il liquido entri in contatto con il corpo o con gli occhi. In caso di contatto con il liquido, pulire l'area con grandi quantità di acqua e sapone e consultare un medico. In caso di contatto del liquido con gli occhi, non strofinare, ma sciacquare abbondantemente con acqua per almeno 15 minuti e chiamare un medico.
- Utilizzare la batteria a temperature comprese tra -10 °C (14 °F) e 40 °C (114 °F).
- Non pulire la batteria o il caricabatterie con acqua. Fare riferimento a *Per pulire il prodotto, la batteria e il caricabatterie alla pagina 129*.
- Non utilizzare una batteria difettosa o danneggiata.
- Conservare le batterie lontano da oggetti metallici, come ad esempio chiodi, viti o gioielli.
- Tenere la batteria fuori dalla portata dei bambini.

Sicurezza del caricabatterie



AVVERTENZA: Leggere le seguenti avvertenze prima di utilizzare il prodotto.

- Rischio di scosse elettriche o cortocircuiti se non si osservano le istruzioni di sicurezza.
- Non utilizzare un caricabatterie diverso da quello fornito per il prodotto. Utilizzare i caricabatterie QC80 e 40-C80 per ricaricare la serie BLi e le batterie sostitutive della serie 40-B.
- Non tentare di smontare il caricabatterie.

- Non utilizzare un caricabatterie difettoso o danneggiato.
- Non sollevare il caricabatterie tramite il cavo di alimentazione. Per scollegare il caricabatterie da una presa di rete, tirare la spina. Non tirare il cavo di alimentazione.
- Tenere tutti i cavi e le prolunghie lontani da acqua, olio e bordi appuntiti. Fare attenzione affinché il cavo non si incastri in oggetti come, ad esempio, porte, recinti o simili.
- Non utilizzare il caricabatterie in prossimità di materiali infiammabili o materiali corrosivi. Accertarsi che il caricabatterie non sia coperto. Staccare la spina del caricabatterie in caso di fumo o incendio.
- Caricare la batteria solo in luoghi chiusi, in una posizione con un buon flusso d'aria e lontano dalla luce diretta del sole. Non caricare la batteria all'aperto. Non caricare la batteria in condizioni di umidità.
- Utilizzare esclusivamente il caricabatterie a temperature comprese tra 5 °C (41 °F) e 40 °C (104 °F). Utilizzare il caricabatterie in un ambiente con adeguato flusso d'aria, asciutto e privo di polvere.
- Non inserire oggetti nelle feritoie di raffreddamento del caricabatterie.
- Non collegare i terminali del caricabatterie a oggetti metallici, poiché si potrebbe provocare un cortocircuito del caricabatterie.
- Utilizzare prese di rete omologate che non siano danneggiate. Accertarsi che il cavo del caricabatterie non sia danneggiato. Se si utilizzano cavi di prolunga, accertarsi che questi non siano danneggiati.
- Non caricare batterie non ricaricabili nei caricabatterie.

Istruzioni di sicurezza per la manutenzione



AVVERTENZA: Leggere le seguenti avvertenze prima di eseguire la manutenzione del prodotto.

- Rimuovere la batteria prima di eseguire la manutenzione, altri controlli o montare il prodotto.
- L'operatore deve eseguire solo gli interventi di manutenzione e assistenza indicati in questo manuale operatore. Rivolgersi al Centro di assistenza di competenza per interventi di manutenzione e assistenza più importanti.
- Non pulire la batteria o il caricabatterie con acqua. Detergenti aggressivi possono causare danni alla plastica.
- Se non si esegue la manutenzione, si riduce il ciclo di vita del prodotto e aumenta il rischio di incidenti.
- È necessaria una formazione specifica per eseguire tutti gli interventi di manutenzione e lavori di riparazione, in particolare per i dispositivi di sicurezza del prodotto. Se non vengono approvati

tutti i controlli descritti nel presente manuale operatore, dopo aver eseguito la manutenzione, contattare il Centro di assistenza. La nostra azienda

garantisce la disponibilità di personale qualificato per le riparazioni e l'assistenza del prodotto.

- Utilizzare unicamente ricambi originali.

Montaggio

Introduzione

Questa sezione descrive il montaggio e la regolazione del prodotto.



AVVERTENZA: Prima di montare il prodotto, leggere il capitolo relativo alla sicurezza e le istruzioni di montaggio.

Collegamento della batteria al prodotto



AVVERTENZA: Utilizzare solo le batterie originali Husqvarna contenute nel prodotto.

1. Ricaricare completamente la batteria.
2. Spingere la batteria nel supporto della batteria del prodotto. La batteria si blocca in posizione quando si percepisce un clic. (Fig. 27)



ATTENZIONE: Se la batteria non entra facilmente nel relativo supporto, la

batteria non è installata correttamente. Ciò può causare danni al prodotto.

Installazione del caricabatterie 40-C80 alla parete



ATTENZIONE: Non utilizzare un cacciavite elettrico per installare il caricabatterie sulla parete. Un cacciavite elettrico può danneggiare il caricabatterie.

1. Installare il caricabatterie alla parete con le 2 viti (B). Se necessario, utilizzare tasselli per parete (A). (Fig. 28)
2. Installare i 2 tappi a vite con foro (C).
3. Collegare il cavo di alimentazione al caricabatterie e a una presa di corrente.

Utilizzo

Introduzione



AVVERTENZA: Leggere e comprendere il capitolo sulla sicurezza prima di utilizzare la macchina.

Batteria



AVVERTENZA: Leggere e comprendere il capitolo sulla sicurezza prima di utilizzare la batteria. Leggere e comprendere il manuale operatore della batteria e del caricabatterie.

Mantenere la batteria e il caricabatterie a una temperatura ambiente adeguata.

	Temperatura ambiente
Funzionamento della batteria	5 °C-40 °C / 41 °F-104 °F
Caricamento della batteria	5 °C-40 °C / 41 °F-104 °F

Stato della batteria

Il display mostra lo stato di carica e se sussistono problemi con la batteria.

(Fig. 29)

Indicatore LED	Stato della batteria (stato di carica)	
	BLI10	40-B70
I 4 LED sono accesi	N/D	La batteria è carica al 76% - 100%.
3 LED sono accesi	La batteria è carica al 76% - 100%.	La batteria è carica al 51% - 75%.

Indicatore LED	Stato della batteria (stato di carica)	
	BLi10	40-B70
2 LED sono accesi	La batteria è carica al 51% - 75%.	La batteria è carica al 26% - 50%.
1 LED è acceso	La batteria è carica al 26% - 50%.	La batteria è carica al 6% - 25%.
1 LED lampeggia	La batteria è carica al 0% - 25%.	La batteria è carica al 0% - 5%.

Ricarica della batteria

È necessario caricare la batteria prima di utilizzarla per la prima volta. Una batteria nuova è carica solo al 30 %.



ATTENZIONE: Collegare il caricabatterie a una presa di corrente con la tensione e la frequenza indicate sulla targhetta dati di funzionamento.

La batteria non si carica se la sua temperatura è superiore a 50 °C/122 °F.

1. Collegare il cavo di alimentazione al caricabatterie.
2. Collegare il caricabatterie a una presa di corrente con messa a terra. Il LED di carica lampeggia una volta. (Fig. 30)
3. Collegare la batteria al caricabatterie. Il LED di carica si accende. Caricare la batteria per massimo 24 ore. (Fig. 31)
4. Premere il pulsante della spia della batteria; se tutte le spie LED si accendono, la batteria è completamente carica.
5. Estrarre la spina di alimentazione per scollegare il caricabatterie dalla presa di corrente. Non tirare il cavo di alimentazione.
6. Rimuovere la batteria dal caricabatterie.

Cosa fare prima di accendere il prodotto

1. Esaminare l'area di lavoro. Rimuovere gli oggetti che potrebbero venir lanciati in aria.
2. Controllare il gruppo di taglio. Accertarsi che le lame siano affilate e che non presentino crepe e danni.
3. Assicurarsi che il prodotto funzioni correttamente. Controllare che tutti i dadi e le viti siano ben serrati.
4. Assicurarsi che impugnatura e dispositivi di sicurezza non siano danneggiati e siano collegati correttamente. Non utilizzare un prodotto con parti mancanti o che sia stato modificato rispetto alle sue specifiche iniziali. Usare i guanti protettivi se necessario.
5. Assicurarsi che i coperchi non siano danneggiati e siano collegati correttamente, prima di accendere il prodotto.

Avviamento del prodotto

1. Premere il pulsante di avvio/arresto fino a quando il LED verde non si accende. (Fig. 32)
2. Premere il grilletto dell'impugnatura anteriore. (Fig. 33)
3. Spingere la leva di comando. (Fig. 25)

Utilizzo del prodotto

1. Iniziare da terra e spostare il prodotto verso l'alto lungo la siepe se si tagliano i lati. Assicurarsi che il corpo del prodotto non tocchi la siepe. (Fig. 34)



AVVERTENZA: Assicurarsi che la parte anteriore dell'attrezzatura di taglio non tocchi il terreno.

2. Tenere il prodotto vicino al corpo per una posizione di lavoro stabile.
3. Prestare attenzione e utilizzare il prodotto lentamente.

Utilizzo della funzione SavE

Questo prodotto dispone di una funzione di risparmio energetico, SavE.

Nota: La funzione SavE non diminuisce la potenza di taglio del prodotto.

1. Premere il pulsante SavE sulla tastiera.
2. Accertarsi che il LED verde si accenda.
3. Premere nuovamente il pulsante SavE per scollegare la funzione. Il LED verde si spegne. (Fig. 35)

Funzione di arresto automatico

Il prodotto dispone di una funzione di arresto che blocca il prodotto in caso di inutilizzo. Il LED verde di avvio/arresto si spegne e il prodotto si ferma per 180 secondi.

Arresto del prodotto

1. Rilasciare la leva di comando e il grilletto dell'impugnatura anteriore.
2. Premere il pulsante di avvio/arresto fino a quando il LED verde non si spegne.
3. Premere i pulsanti di rilascio sulla batteria ed estrarre la batteria. (Fig. 36)

Manutenzione

Introduzione



AVVERTENZA: Leggere attentamente il capitolo sulla sicurezza prima di eseguire qualsiasi operazione di manutenzione del prodotto.



AVVERTENZA: Rimuovere la batteria prima di eseguire la manutenzione del prodotto.

Programma di manutenzione

Qui di seguito è disponibile una lista delle operazioni di manutenzione da eseguire sul prodotto.

Manutenzione	Prima dell'uso	Una volta a settimana	Una volta al mese
Pulire esternamente il prodotto.	X		
Controllare che l'interruttore di avvio/arresto funzioni correttamente e sia integro.	X		
Assicurarsi che la leva di comando e il grilletto sull'impugnatura anteriore funzionino correttamente e in modo sicuro.	X		
Accertarsi che tutti i comandi funzionino e non siano danneggiati.	X		
Assicurarsi che la lama del tagliente e la relativa protezione non presentino incrinature e che non abbiano subito danni. Sostituire la lama del tagliente o la relativa protezione se presentano incrinature o nel caso in cui abbiano subito degli urti.	X		
Sostituire la lama del tagliente se è piegata o danneggiata.	X		
Accertarsi che la protezione per mano non sia danneggiata. Se danneggiata, sostituire la protezione.	X		
Assicurarsi che i dadi e le viti siano serrati a fondo.	X		
Verificare che la batteria non sia danneggiata.	X		
Verificare che la batteria sia carica.	X		
Verificare che il caricabatterie non sia danneggiato.	X		
Accertarsi che le viti che fissano le lame del tagliente siano ben serrate.		X	
Effettuare un controllo dei collegamenti tra la batteria e il prodotto. Controllare il collegamento tra la batteria e il caricabatterie.			X

Controllo della batteria e del caricabatterie

1. Controllare se la batteria presenta danni, ad esempio incrinature.
2. Controllare se il caricabatterie presenta danni, ad esempio incrinature.
3. Verificare che il cavo di collegamento del caricabatterie non sia danneggiato e che non presenti crepe.

Per pulire il prodotto, la batteria e il caricabatterie

1. Pulire il prodotto con un panno asciutto dopo l'uso.
2. Pulire la batteria e il caricabatterie con un panno asciutto. Mantenere puliti i binari guida della batteria.
3. Assicurarsi che i morsetti della batteria e il caricabatterie siano puliti prima di posizionare la batteria nel caricabatterie o nel prodotto.

Ispezione della lama

1. Pulire la lama con un detergente anticorrosione prima e dopo aver utilizzato il prodotto.
2. Esaminare i bordi delle lame per rilevare eventuali danni o deformazioni.
3. Usare una lima per rimuovere le irregolarità sulla lama.
4. Accertarsi che le lame ruotino liberamente.

Pulizia e lubrificazione delle lame

1. Pulire le lame da sostanze indesiderate, prima e dopo aver utilizzato il prodotto.
2. Lubrificare le lame se si prevede di non utilizzare il prodotto per un periodo di tempo prolungato.

Nota: Rivolgersi al centro di assistenza per maggiori informazioni sui detergenti e i lubrificanti consigliati.

Lubrificazione del cambio

Se il cambio è stato smontato da un rivenditore approvato, applicare del grasso sulla scatola ingranaggi.

- Usare grasso speciale Husqvarna. Rivolgersi al centro di assistenza per maggiori informazioni sul grasso consigliato.
- Utilizzare solo una piccola quantità di grasso speciale di alta qualità.



ATTENZIONE: Non riempire completamente la scatola ingranaggi.

Ricerca guasti

Tastiera

Schemata dei LED	Possibili guasti	Soluzioni possibili
Il LED di errore lampeggia.	Sovraccarico	Il gruppo di taglio non può muoversi liberamente. Rilasciare il gruppo di taglio.
	Deviazione di temperatura	Lasciar raffreddare il prodotto.
Il prodotto non si avvia.	Premere la leva di comando e contemporaneamente premere il pulsante di avvio.	Rilasciare la leva di comando e arrestare il prodotto.
Il LED di errore si accende di colore rosso.	È necessario eseguire la manutenzione del prodotto.	Contattare il centro di assistenza.

Batteria

Display a LED	Possibili guasti	Possibile soluzione
Il LED verde lampeggia.	La tensione della batteria è bassa.	Caricare la batteria.
Il LED di errore lampeggia.	Deviazione di temperatura.	Utilizzare la batteria a temperature comprese tra -10 °C (14 °F) e 40 °C (104 °F).
	Tensione eccessiva.	Accertarsi che la tensione di rete corrisponda a quella indicata sulla targhetta dati di funzionamento del prodotto. Rimuovere la batteria dal caricabatterie.
Il LED di errore è acceso.	Differenza troppo elevata nella cella (1 V).	Contattare il centro di assistenza.

Caricabatteria

Problema	Possibili guasti	Soluzione possibile
Il LED di carica è rosso.	Errore permanente del caricabatterie.	Rivolgersi al proprio rivenditore.
Il LED di carica lampeggia in verde.	Deviazione di temperatura, la batteria è troppo fredda o troppo calda per essere usata o caricata.	Lasciare raffreddare la batteria o riscaldarla. Quando la batteria ha la temperatura corretta, può essere usata o caricata di nuovo. Utilizzare il caricabatterie a temperature ambiente comprese tra 5 °C (41 °F) e 40 °C (104 °F).
Il LED di carica lampeggia in rosso.	Batteria difettosa.	Rivolgersi al proprio rivenditore.

Trasporto, stoccaggio e smaltimento

Trasporto e rimessaggio

- Le batterie agli ioni di litio in dotazione rispettano i requisiti di legge sulle merci pericolose.
- Rispettare i requisiti speciali riportati sulla confezione e sulle etichette per il trasporto commerciale, compreso quello effettuato da terzi e da corrieri.
- Parlare con personale che ha seguito una formazione specifica in materiali pericolosi prima di inviare il prodotto. Rispettare tutte le norme nazionali vigenti.
- Quando si inserisce la batteria in un contenitore, applicare del nastro adesivo sui contatti aperti. Inserire la batteria nel contenitore in modo da garantirne la massima aderenza.
- Rimuovere la batteria per la conservazione o il trasporto.
- Conservare la batteria e il caricabatterie in un luogo asciutto, privo di umidità e protetto dal gelo.
- Non conservare la batteria in aree elettricamente statiche. Non conservare mai la batteria in una scatola di metallo.
- Durante il rimessaggio, conservare la batteria in un luogo dove la temperatura è compresa tra 5 °C/41 °F e 25 °C/77 °F e lontano da luce solare.
- Durante il rimessaggio, conservare il caricabatterie in un luogo dove la temperatura è compresa tra 5 °C/41 °F e 45 °C/113 °F e lontano da luce solare.
- Utilizzare il caricabatterie soltanto quando la temperatura circostante è compresa tra 5 °C/41 °F e 40 °C/104 °F.

- Caricare la batteria dal 30% al 50% prima di immagazzinarla per lunghi periodi.
- Conservare il caricabatterie in un luogo chiuso e asciutto.
- Tenere la batteria lontano dal caricabatterie durante il rimessaggio. Non lasciare che i bambini e altre persone non autorizzate tocchino l'attrezzatura. Mantenere le attrezzature in un luogo che è possibile chiudere.
- Pulire il prodotto ed eseguire una manutenzione completa prima di conservarlo per lunghi periodi.
- Utilizzare la protezione di trasporto sul prodotto per evitare che si danneggi durante il trasporto e il rimessaggio.
- Bloccare il prodotto in modo sicuro durante il trasporto.

Smaltimento della batteria, del caricabatterie e del prodotto

I simboli sul prodotto o sull'imballaggio indicano che il presente prodotto non è rifiuto domestico. Riciclarlo in una stazione di riciclaggio per apparecchiature elettriche ed elettroniche. Ciò contribuisce ad evitare danni all'ambiente e alle persone.

Contattare le autorità locali, il servizio per i rifiuti domestici o il rivenditore per ulteriori informazioni su come riciclare il prodotto.

Dati tecnici

Dati tecnici

	215HD45
Motore	
Tipo di motore	BLDC
Peso	
Peso senza batteria, kg	3,2
Tagliente	
Tipo	A doppio taglio
Lunghezza della lama, mm	450
Velocità lame, tagli/min (in modalità SavE)	2400
Velocità lame, tagli/min (senza modalità SavE)	3000
Emissioni di rumore ¹⁷	
Livello potenza acustica, misurato dB(A)	87
Livello di potenza acustica, garantito L_{WA}	90
Livelli di rumorosità	
Livello di pressione acustica rispetto all'udito dell'operatore, misurato a norma EN 62841-4-2, dB(A)	79
Livelli di vibrazioni ¹⁸	
Livelli di vibrazioni per (a_h), m/s^2	2,1/1,7

Batterie approvate per il prodotto

Batteria	BLI10	40-B70
Tipo	Ioni di litio	Ioni di litio
Capacità batteria, Ah	Fare riferimento alla decalcomania dei valori nominali della batteria	Fare riferimento alla decalcomania dei valori nominali della batteria

¹⁷ Emissioni di rumore nell'ambiente misurate come potenza sonora (L_{WA}) in base alla direttiva CE 2000/14/CE. La differenza tra potenza acustica misurata e garantita è che la potenza acustica garantita comprende anche la dispersione nel risultato di misurazione e le variazioni tra diversi prodotti dello stesso modello come da Direttiva 2000/14/CE.

¹⁸ I dati riportati per il livello di vibrazioni presentano una dispersione statistica tipica (deviazione standard) di 1,5 m/s^2 .

Il valore totale dichiarato relativo alle vibrazioni è stato misurato secondo metodi di verifica standard e può essere utilizzato per confrontare un dispositivo con un altro.

È possibile utilizzare il valore totale dichiarato relativo alle vibrazioni in una valutazione preliminare dell'esposizione.

Batteria	BLi10		40-B70
Tensione nominale, V	36	36,5	36
Peso, kg	0,7	0,7	0,8

Caricabatterie approvati per il prodotto

Caricabatteria	QC80	40-C80
Tensione di rete, V	100-240	100-240
Frequenza, Hz	50-60	50-60
Potenza, W	100	72
Tensione di uscita, V c.c. / amp, A	36/2	43/1,6

Dichiarazione di conformità

Dichiarazione di conformità UE

Husqvarna AB, SE-561 82 Huskvarna, Svezia, tel.:
+46-36-146500, dichiara sotto la propria esclusiva
responsabilità che il prodotto indicato:

Descrizione	Tagliasiepi a batteria
Marchio	Husqvarna
Tipo/Modello	215iHD45
Identificazione	Numeri di serie a partire da 2024 e successivi

È pienamente conforme alle seguenti norme e direttive
UE:

Direttiva/Normativa	Descrizione
2006/42/CE	"sulle macchine"
2014/30/EU	"sulla compatibilità elettromagnetica"
2000/14/CE	"sull'emissione di rumore nell'ambiente"
2011/65/UE	"sulla restrizione dell'uso di determinate sostanze pericolose nelle apparecchiature elettriche ed elettroniche"

e che sono applicati gli standard
e/o le specifiche tecniche seguenti:
EN 62841-4-2:2019+A1:2022+A11:2022, EN
62841-1:2015+A11:2022, EN IEC 55014-1:2021, EN
IEC 55014-2:2021, EN IEC 63000:2018.

In conformità alla direttiva 2000/14/CE, Allegato V, fare
riferimento a *Dati tecnici alla pagina 132* per i livelli
sonori dichiarati.

Huskvarna, 2024-02-01



Claes Losdal, Responsabile ricerca e sviluppo,
Husqvarna AB

Responsabile della documentazione tecnica



Contenido

Introducción.....	135	Resolución de problemas.....	145
Seguridad.....	136	Transporte, almacenamiento y eliminación.....	146
Montaje.....	142	Datos técnicos.....	147
Funcionamiento.....	142	Declaración de conformidad.....	149
Mantenimiento.....	144		

Introducción

Descripción del producto

Husqvarna 215iHD45 es una recortadora de césped de batería con un motor eléctrico.

Trabajamos constantemente para mejorar la seguridad y la eficiencia durante el uso del producto. Póngase

en contacto con su distribuidor para obtener más información.

Uso previsto

Utilice el producto para cortar ramas y ramitas. No utilice el producto para otras tareas.

Descripción del producto

(Fig. 1)

1. Manual de usuario
2. Asa trasera
3. Gatillo del asa delantera
4. Asa delantera
5. Cuchilla
6. Protección para transportes
7. Gatillo de alimentación
8. Panel de control
9. Protector de manos
10. Batería
11. Cargador de batería 40-C80
12. Conector
13. Botón indicador de la batería
14. Estado de la batería
15. Indicador de advertencia
16. Botón SavE
17. Interruptor de arranque/parada
18. Indicador de potencia y advertencia
19. Botones para extraer la batería
20. Cargador de batería QC80
21. Cable eléctrico

centro de reciclaje para equipos eléctricos y electrónicos.

(Fig. 7)

No exponer a la lluvia.

(Fig. 8)

Corriente continua.

(Fig. 9)

Etiqueta de emisiones sonoras en el entorno conforme con las directivas y reglamentos de la UE y el Reino Unido (incluida la legislación de Nueva Gales del Sur). Los datos sobre las emisiones sonoras se pueden encontrar en la etiqueta de la máquina y en el capítulo Datos técnicos.

(Fig. 10)

Este producto cumple con las directivas del Reino Unido vigentes.

(Fig. 11)

Advertencia: Mantenga las manos alejadas de las cuchillas.

aaaassxxxx

En la placa de características se indica el número de serie. **aaaa** es el año de producción **yss** es la semana de producción.

Símbolos que aparecen en el producto

(Fig. 2)

ADVERTENCIA: Este producto puede ser peligroso y ocasionar daños graves o mortales tanto al operador como a cualquier otra persona. Tenga cuidado y utilice el producto correctamente.

(Fig. 3)

Lea atentamente el manual de usuario y asegúrese de que entiende las instrucciones antes de utilizar el producto.

(Fig. 4)

Utilice protección ocular.

(Fig. 5)

El producto cumple con las directivas CE vigentes.

(Fig. 6)

El producto o su embalaje no son residuos domésticos. Recíclelo en un

Nota: Los demás símbolos o etiquetas que aparecen en el producto corresponden a requisitos de homologación específicos en determinados mercados.

Símbolos que aparecen en la batería o en el cargador de la batería

(Fig. 15)

Recicle el producto en un centro de reciclaje para equipos eléctricos y electrónicos. (Aplicable solo para Europa)

(Fig. 12)

Transformador a prueba de fallos.

(Fig. 13)

Utilice y guarde el cargador de baterías únicamente en interiores.

Seguridad

Definiciones de seguridad

Las advertencias, precauciones y notas se utilizan para destacar información especialmente importante del manual.



ADVERTENCIA: Indica un riesgo de lesiones o incluso de muerte del usuario o de las personas cercanas si no se respetan las instrucciones del manual.



PRECAUCIÓN: Indica un riesgo de daños en el producto, otros materiales o el área adyacente si no se respetan las instrucciones del manual.

Nota: Se usa para proporcionar más información necesaria en una situación determinada.

Advertencias generales de seguridad relacionadas con la herramienta eléctrica



ADVERTENCIA: Lea todas las advertencias e instrucciones de seguridad. El incumplimiento de las advertencias e instrucciones de seguridad puede ocasionar descargas eléctricas, incendios o lesiones graves.

Nota: Conserve todas las advertencias e instrucciones para su consulta. El término «herramienta eléctrica» empleado en las advertencias hace referencia a una herramienta eléctrica que funciona con conexión a la red de suministro (con cable) o a una herramienta que funciona con batería (sin cable).

Seguridad en el área de trabajo

- **Mantenga el área de trabajo limpia y bien iluminada.** Las zonas abarrotadas de cosas u oscuras favorecen los accidentes.
- **No maneje herramientas eléctricas en ambientes explosivos como aquellos en los que hay líquidos, gases o polvo inflamables.** Las herramientas eléctricas producen chispas que pueden inflamar el polvo o los vapores.
- **Mantenga alejados a los niños y a otras personas mientras trabaje con una herramienta eléctrica.** Las distracciones pueden hacer que pierda el control de esta.

Seguridad eléctrica

- **Los enchufes de las herramientas eléctricas deben corresponder a la toma de corriente utilizada. Nunca modifique el enchufe. No utilice adaptadores para las herramientas eléctricas con conexión a tierra.** Use enchufes sin modificar y tomas de corriente del mismo tipo que estos, evitando así el uso de adaptadores, para reducir el riesgo de descarga eléctrica.
- **Evite el contacto de su cuerpo con superficies puestas a tierra como tuberías, radiadores, cocinas y neveras.** Si su cuerpo está en contacto con el suelo, existe un mayor riesgo de descarga eléctrica.
- **No exponga las herramientas eléctricas a la lluvia o a ambientes húmedos.** El riesgo de recibir descargas eléctricas aumentará si penetra agua en la herramienta eléctrica.
- **Maneje el cable con cuidado. No lo utilice nunca para transportar, tirar o desencharar la herramienta eléctrica. Manténgalo alejado de fuentes de calor, aceite, aristas vivas o piezas móviles.** Los cables dañados o enredados incrementan el riesgo de descarga eléctrica.
- **Cuando trabaje con una herramienta eléctrica en exteriores, utilice un alargador indicado para este uso.** Utilizar un cable adecuado para su uso en exteriores reduce el riesgo de descarga eléctrica.
- **Si es necesario utilizar una herramienta eléctrica en un lugar húmedo, utilice suministro eléctrico protegido con un interruptor de circuito diferencial (RCD).** La utilización de un interruptor de circuito diferencial reduce el riesgo de descargas eléctricas.



ADVERTENCIA: No lave la máquina a presión, ya que puede entrar agua en el sistema eléctrico o el motor y causar daños en la máquina o un cortocircuito.

Seguridad personal

- **Esté siempre atento, fíjese en lo que está haciendo y utilice el sentido común cuando maneje una herramienta eléctrica. No utilice herramientas eléctricas si está cansado o bajo los efectos de estupefacientes, alcohol o medicamentos.** Un momento de descuido, mientras se trabaja con herramientas eléctricas, puede causar lesiones graves.
- **Utilice el equipo de protección individual. Protéjase siempre los ojos.** El equipo de protección, como la mascarilla antipolvo, los zapatos de seguridad antideslizantes, el casco o los protectores auditivos, utilizados en función de las condiciones de trabajo, reducirá el riesgo de lesiones.

- **Evite el encendido accidental de la herramienta. Asegúrese de que el interruptor está en la posición de apagado antes de conectar la máquina a la fuente de alimentación o la batería, cogerla o transportarla.** Transportar herramientas eléctricas con el dedo puesto sobre el interruptor o encenderlas con el interruptor en la posición de encendido puede provocar accidentes.
- **Quite todas las clavijas de ajuste o llaves de tuercas antes de encender la herramienta eléctrica.** Una llave de tuercas o clavija de ajuste que se ha dejado colocada en una pieza giratoria de la herramienta eléctrica puede causar lesiones.
- **No se estire demasiado. Mantenga una posición correcta y el equilibrio en todo momento.** Esto le permitirá controlar mejor la herramienta eléctrica en situaciones imprevistas.
- **Utilice la ropa adecuada. No utilice nunca ropa amplia ni joyas. Mantenga el pelo y la ropa alejados de las piezas móviles.** La ropa amplia, las joyas o el pelo largo pueden quedar atrapados en las piezas móviles.
- **Si se suministran equipos de aspiración o captación de polvo, asegúrese de que estén conectados y se utilicen correctamente.** El uso de estos equipos puede reducir los riesgos derivados del polvo.
- **Evite que la familiaridad adquirida con el uso frecuente de las herramientas le lleve a confiarse e ignorar las medidas de seguridad al utilizarlas.** Una acción negligente puede causar lesiones graves en una fracción de segundo.
- La emisión de vibración durante el uso de la herramienta eléctrica puede ser diferente del valor indicado en función del uso de la misma. El usuario debe conocer las medidas de seguridad necesarias que se basan en una estimación de la exposición en condiciones de uso reales (teniendo en cuenta todas las partes del ciclo de funcionamiento, como el periodo en que la herramienta está apagada y el funcionamiento en ralentí además del gatillo).

Uso y cuidado de la herramienta eléctrica

- **No sobrecargue la herramienta eléctrica. Utilice la herramienta eléctrica adecuada para el trabajo que debe realizar.** Con la herramienta eléctrica apropiada hará el trabajo mejor y con mayor seguridad a la potencia para la que fue diseñada.
- **No utilice la herramienta eléctrica si el interruptor no funciona.** Las herramientas que no se puedan controlar con el interruptor son peligrosas y deben repararse.
- **Desconecte el enchufe de la fuente de alimentación o quite la batería (si se puede desmontar) de la herramienta eléctrica antes de realizar cualquier ajuste, cambiar accesorios o guardarla.** Estas medidas de seguridad preventivas reducen el riesgo de encendido accidental de la herramienta eléctrica.
- **Guarde las herramientas eléctricas que no se utilicen fuera del alcance de los niños y no permita que personas no familiarizadas con su uso o con estas instrucciones las manejen.** Las herramientas eléctricas resultan peligrosas en manos de usuarios no cualificados.
- **Compruebe que las herramientas eléctricas y los accesorios están a punto. Compruebe que no haya partes móviles mal alineadas o trabadas, piezas rotas o cualquier otra circunstancia que pueda afectar al funcionamiento de la herramienta eléctrica. Si detecta daños, haga reparar la herramienta eléctrica antes de utilizarla.** Muchos accidentes se deben al uso de herramientas eléctricas que carecen de un mantenimiento adecuado.
- **Mantenga las herramientas de corte afiladas y limpias.** Las herramientas de corte con aristas afiladas y un mantenimiento adecuado tienen menos probabilidades de trabarse y son más fáciles de controlar.
- **Utilice la herramienta eléctrica, los accesorios, útiles, etc. según se indica en estas instrucciones, teniendo en cuenta las condiciones de trabajo y la tarea que debe realizar.** El uso de la herramienta eléctrica para trabajos distintos a aquellos para los que fue diseñada podría dar lugar a situaciones peligrosas.
- **Mantenga los mangos y superficies de agarre secos, limpios y sin aceite ni grasa.** Las superficies de agarre y los mangos resbaladizos no permiten manejar y controlar de forma segura la herramienta ante cualquier imprevisto.

Uso y cuidado de la herramienta a batería

- **Efectúe las recargas únicamente con el cargador especificado por el fabricante.** Un cargador apto para un tipo de batería puede comportar riesgo de incendio al utilizarse con otra batería distinta.
- **Utilice los productos exclusivamente con las baterías específicas para ellos.** El uso de otra batería puede comportar riesgo de lesiones e incendio.
- **Cuando no utilice la batería, manténgala alejada de objetos metálicos pequeños que puedan conectar un terminal con otro, como clips, monedas, llaves, clavos, tornillos, etc.** Un cortocircuito en los terminales de la batería puede causar quemaduras o un incendio.
- **En condiciones extremas, el líquido puede salir expulsado de la batería; evite cualquier contacto con él. Si se produjera un contacto accidentalmente, enjuáguese con agua. Además, si el líquido entra en contacto con los ojos, busque asistencia médica.** El líquido expulsado de la batería puede causar irritaciones o quemaduras.
- **No utilice una batería o herramienta defectuosa, dañada o modificada.** Las baterías dañadas o modificadas pueden comportarse de forma impredecible y provocar incendios, explosiones o riesgo de lesiones.
- **No exponga la batería o la herramienta al fuego ni a temperaturas excesivas.** La exposición al fuego o a temperaturas superiores a 130 °C puede provocar una explosión.

- **Siga todas las instrucciones de carga y no cargue la batería o la herramienta fuera del intervalo de temperaturas especificado en las instrucciones.** La carga incorrecta o a temperaturas fuera del intervalo especificado puede dañar la batería y aumentar el riesgo de incendio.

Servicio técnico

- **Solicite que su herramienta eléctrica sea reparada por personal cualificado y utilizando únicamente piezas de repuesto originales.** Esto garantizará la seguridad de la herramienta.
- **No revise baterías dañadas.** La revisión de las baterías solo debe realizarla el fabricante o proveedores de servicios autorizados.

Advertencias de seguridad para el uso del cortasetos: seguridad personal

- **Utilice las dos manos para trabajar con el cortasetos.** Si lo utiliza solo con una, podría perder el control y causar lesiones personales graves.
- **Mantenga todas las partes del cuerpo lejos de las cuchillas. No retire el material cortado ni sujete el material que vaya a cortar mientras las cuchillas estén en movimiento.** Las cuchillas pueden seguir girando tras apagar el equipo. Un momento de descuido, mientras se trabaja con el cortasetos, puede causar lesiones graves.
- **Transporte el cortasetos sujetándolo por el asa con las cuchillas detenidas y tenga cuidado de no accionar ningún interruptor de alimentación.** De esta forma, se reducirá el riesgo de arranque accidental del cortasetos y de daños personales causados por las cuchillas.
- **Coloque siempre la cubierta de las cuchillas cuando transporte o guarde el cortasetos.** Manipular el cortasetos de manera adecuada reducirá el riesgo de daños personales causados por las cuchillas.
- **Al retirar el material atascado o realizar el mantenimiento de la unidad, asegúrese de que todos los interruptores de alimentación están apagados y de que ha extraído la batería.** El accionamiento inesperado del cortasetos mientras retira el material atascado o efectúa tareas de mantenimiento puede provocar daños personales graves.
- **Sujete el cortasetos únicamente por las superficies de agarre aisladas, ya que las cuchillas pueden entrar en contacto con algún cable oculto.** Si las cuchillas entran en contacto con un cable con corriente, el usuario puede sufrir una descarga eléctrica si está tocando alguna de las piezas metálicas del cortasetos.
- **Mantenga todos los cables alejados de la zona de corte.** Los cables pueden quedar ocultos en los setos o arbustos y las cuchillas pueden cortarlos accidentalmente.
- **No utilice el cortasetos si las condiciones meteorológicas no son adecuadas, especialmente si**

hay riesgo de tormenta eléctrica. Esto disminuye el riesgo de recibir un rayo.

- **PELIGRO: Mantenga las manos alejadas de las cuchillas.** El contacto con las cuchillas puede provocar graves lesiones personales.

Instrucciones generales de seguridad



ADVERTENCIA: Lea las siguientes instrucciones de advertencia antes de utilizar el producto.

- Extraiga la batería para evitar que el producto se arranque accidentalmente.
- Este producto es una herramienta peligrosa si no se usa con cuidado o si se utiliza de forma incorrecta. Este producto puede ocasionar lesiones graves o mortales tanto al operador como a cualquier otra persona.
- No utilice el producto si se ha modificado respecto de sus especificaciones iniciales. No cambie una parte del producto sin la autorización del fabricante. Utilice únicamente las piezas que están autorizadas por el fabricante. Las lesiones o la muerte son un posible resultado de un mantenimiento incorrecto.
- Compruebe el producto antes de utilizarlo. Consulte *Pasos a seguir antes de arrancar el producto en la página 143*. No utilice un producto defectuoso. Lleve a cabo las comprobaciones de seguridad y siga las instrucciones de mantenimiento y servicio descritas en este manual.
- Debe vigilarse a los niños para asegurarse de que no juegan con el producto. No permita nunca que los niños ni otras personas sin formación utilicen o reparen el producto o su batería. La legislación local regula la edad del usuario.
- Mantenga el producto en un área cerrada para impedir el acceso a niños o personas no autorizadas.
- Guarde el producto lejos del alcance de los niños.
- Bajo ninguna circunstancia debe modificarse la configuración original del producto sin autorización del fabricante. Utilice siempre accesorios originales. Las modificaciones o la utilización de accesorios no autorizados pueden ocasionar accidentes graves o incluso la muerte del operario o de terceros.

Nota: El uso podría estar regulado por la legislación nacional o local. Observe los reglamentos indicados.

Instrucciones de seguridad para el funcionamiento



ADVERTENCIA: Lea las siguientes instrucciones de advertencia antes de utilizar el producto.

- Cuando se vea en una situación insegura para continuar el trabajo, debe consultar a un experto. Póngase en contacto con su distribuidor o taller de servicio. Evite todo uso para el cual no se sienta suficientemente calificado.
- Nunca utilice el producto si está cansado, si ha ingerido alcohol o si toma medicamentos que puedan afectarle a la vista, la capacidad de reacción, la coordinación o el discernimiento.
- Trabajar con mal tiempo es fatigoso y a menudo añade riesgos innecesarios. Debido al riesgo añadido, no se recomienda utilizar la máquina con muy mal tiempo, por ejemplo, con niebla densa, lluvia intensa, vientos fuertes, frío extremo o riesgo de tormenta eléctrica.
- Las cuchillas defectuosas pueden aumentar el riesgo de accidentes.
- No permita nunca que los niños utilicen el producto ni que permanezcan cerca de este. La máquina es muy fácil de arrancar y los niños podrían hacerlo si no se les vigila lo suficiente. Ello puede comportar riesgo de daños personales graves. Desconecte la batería cuando el producto no esté bajo control.
- Mientras esté trabajando, evite que cualquier persona o animal se acerque a menos de 15 metros. Si varios usuarios trabajan en el mismo lugar, la distancia de seguridad debe equivaler, por lo menos, a 15 metros. De lo contrario, existe el riesgo de daños personales graves. Pare el producto inmediatamente si alguien se acerca. Nunca se dé la vuelta con el producto si no ha verificado antes que no hay nadie detrás, dentro de la zona de seguridad.
- Asegúrese de que nadie, ningún animal ni ningún objeto puedan afectar al control sobre el producto, y que no puedan entrar en contacto con el equipo de corte ni con objetos sueltos que salgan despedidos por la acción del equipo de corte. No use el producto a no ser que sea capaz de pedir ayuda en caso de accidente.
- Inspeccione siempre la zona de trabajo. Quite todos los materiales sueltos, como piedras, cristales rotos, clavos, alambres, cordones, etc., que puedan salir despedidos o enredarse en el equipo de corte.
- Compruebe que pueda caminar y mantenerse de pie con seguridad. Observe si hay eventuales impedimentos para desplazamientos imprevistos (raíces, piedras, ramas, zanjas, etc.). Proceda con sumo cuidado al trabajar en terreno inclinado.
- Manténgase bien parado y con buen equilibrio en todo momento. No se estire demasiado.
- Si va a trasladarse de un lugar a otro, apague primero el producto. Monte el protector de transporte cuando no se utilice el producto.
- Nunca ponga el producto hacia abajo, a menos que lo haya apagado y haya extraído la batería. No deje el producto desatendido mientras esté en funcionamiento.
- Procure que ninguna prenda de vestir ni ninguna parte del cuerpo entren en contacto con el equipo de corte cuando el producto está activado.
- Si algo se atasca en las cuchillas durante el manejo, detenga y apague el producto. Asegúrese de que el equipo de corte se detiene por completo. Quite la batería antes de limpiar, inspeccionar o reparar el producto o las cuchillas.
- Cuando el producto se desactive, mantenga las manos y los pies alejados del equipo de corte hasta que se haya detenido por completo.
- Tenga cuidado con los trozos de rama que pueden salir despedidos durante el corte. No corte demasiado cerca del suelo cuando haya piedras u otros objetos que puedan salir despedidos.
- Cuidado con los objetos que salen despedidos. Se debe utilizar siempre protección ocular homologada. No se incline nunca sobre la protección del equipo de corte. La máquina puede lanzar piedras, basura, etc., contra los ojos y causar ceguera o daños graves.
- Cuando use protectores auriculares, preste siempre atención a las señales o llamadas de advertencia. Quitese siempre la protección de los oídos en cuanto se detenga el motor del producto.
- No trabaje nunca desde una escalera, taburete u otra posición elevada que no tenga un apoyo completamente seguro.
- Utilice ambas manos para sujetar el producto. Mantenga el producto al costado de su cuerpo.

(Fig. 16)

Personal protective equipment



ADVERTENCIA: Lea las siguientes instrucciones de advertencia antes de utilizar el producto.

- Para trabajar con el producto debe utilizar un equipo de protección personal homologado. El equipo de protección personal no elimina completamente el riesgo de lesiones, pero reduce la gravedad de las lesiones. Póngase en contacto con su distribuidor para obtener más información.
- Use un casco protector cuando exista el riesgo de que caigan objetos.

(Fig. 17)

- Utilice protección auditiva homologada. La exposición prolongada al ruido puede causar daños crónicos en el oído.

(Fig. 18)

- Utilice protección ocular homologada. Si se utiliza visor, deben utilizarse también gafas protectoras homologadas. Por gafas protectoras homologadas se entienden las que cumplen con la norma ANSI Z87.1 para EE. UU. o EN 166 para países de la UE.

(Fig. 19)

- Utilice guantes protectores al usar el producto y al realizar trabajos de mantenimiento en él.

(Fig. 20)

- Utilice botas o zapatos de protección con suela antideslizante.

(Fig. 21)

- Use indumentaria de material resistente. La ropa debe ser ceñida pero debe permitirle total libertad de movimiento. Use pantalones largos y recoja el pelo detrás de los hombros. No utilice joyas ni calzado abierto.
- Mantenga cerca el equipo de primeros auxilios.

(Fig. 22)

Dispositivos de seguridad en el producto



ADVERTENCIA: Lea las siguientes instrucciones de advertencia antes de utilizar el producto.

En este apartado se describen los componentes de seguridad del producto, su función y el modo de efectuar el control y el mantenimiento para garantizar un funcionamiento óptimo. Consulte las instrucciones del apartado *Descripción del producto en la página 135* para conocer dónde se encuentran estas piezas en el producto.

La vida útil del producto puede acortarse y el riesgo de accidentes puede aumentar si el mantenimiento no se hace de forma adecuada y si los trabajos de servicio y reparación no se efectúan de forma profesional. Si necesita más información, solicítela al distribuidor de su zona.



ADVERTENCIA: No emplee nunca un producto cuyos componentes de seguridad estén dañados. Efectúe la inspección y el mantenimiento del equipo de seguridad del producto tal como se describe en este apartado. Si el producto no supera cualquiera de estas pruebas, póngase en contacto con el taller de servicio para repararlo.



PRECAUCIÓN: Todos los trabajos de servicio y reparación de la máquina requieren una formación especial. Esto es especialmente cierto en lo que respecta al equipo de seguridad del producto. Si la máquina no pasa alguno de los controles indicados a continuación, acuda a su taller de servicio local. La compra de alguno de nuestros productos le garantiza que puede recibir un mantenimiento y servicio profesional. Si no ha adquirido la máquina en uno de nuestros distribuidores especializados con taller de servicio, solicite información sobre el taller más cercano.

Comprobación del teclado

1. Mantenga presionado el botón de arranque/parada (A). (Fig. 23)
 - a) El producto está encendido cuando el LED (B) está iluminado.
 - b) El producto está apagado cuando el LED (B) no está iluminado.
2. Consulte *Teclado en la página 145* si el indicador de advertencia (C) se enciende o parpadea.

Comprobación del gatillo del asa delantera

El gatillo del asa delantera evita un arranque accidental. Al pulsar el gatillo del asa delantera, se libera el gatillo de alimentación. Al soltar el asa, el gatillo de alimentación y el gatillo del asa delantera regresan a sus posiciones iniciales.

1. Compruebe que el gatillo de alimentación y el gatillo del asa delantera se mueven sin problemas y que el muelle de retorno funciona correctamente.
2. Arranque el producto.
3. Suelte el gatillo del asa delantera.

(Fig. 24)

4. Presione el gatillo de alimentación. (Fig. 25)
5. Suelte el gatillo del asa delantera y asegúrese de que el equipo de corte se detiene completamente.

Comprobación de la protección para la mano

La protección para la mano impide el contacto accidental de las manos con las cuchillas.

1. Pare el producto.
2. Desmonte la batería.
3. Compruebe que la protección para la mano esté firmemente montada.
4. Examine si hay daños en la protección para la mano.

Comprobación de las cuchillas y protecciones de las cuchillas

Las partes más largas de las hojas (A) funcionan como protecciones de la hoja.

1. Pare el producto.
2. Desmonte la batería.
3. Póngase unos guantes.
4. Asegúrese de que las hojas y las protecciones de la hoja no estén dañadas ni dobladas. Sustituya las cuchillas y las protecciones de las cuchillas si están dañadas o dobladas. (Fig. 26)

Seguridad de la batería



ADVERTENCIA: Lea las siguientes instrucciones de advertencia antes de utilizar el producto.

- Utilice únicamente las baterías serie BLi y serie 40-B. Para obtener más información, consulte *Datos técnicos en la página 147*. La batería está codificada mediante cifrado por software.
- Utilice las baterías recargables de la serie BLi y de la serie 40-B como fuente de alimentación solo para los productos Husqvarna relacionados. Para evitar lesiones, no utilice la batería como fuente de alimentación de otros dispositivos.
- Riesgo de descarga eléctrica. Evite que los terminales de la batería entren en contacto con llaves, monedas, tornillos u otros objetos metálicos. Esto puede provocar un cortocircuito en la batería.
- No utilice baterías no recargables.
- No coloque objetos en las ranuras de ventilación de la batería.
- Mantenga la batería lejos de la luz directa del sol, de fuentes de calor o de las llamas. La batería puede provocar quemaduras o quemaduras químicas.
- Mantenga la batería resguardada de la lluvia y la humedad.
- Mantenga la batería lejos de microondas y fuentes de alta presión.
- No intente desmontar o romper la batería.
- Si se produce una fuga en la batería, no permita que el líquido entre en contacto con el cuerpo ni con los ojos. Si toca el líquido, limpie el área con abundante agua y jabón, y solicite atención médica. Si el líquido entra en contacto con los ojos, no los frote: enjuáguelos con abundante agua durante al menos 15 minutos y solicite atención médica.
- Utilice la batería a temperaturas entre -10°C (14°F) y 40°C (114°F).
- No limpie la batería ni el cargador con agua. Consulte *Para limpiar el producto, la batería y el cargador de la batería en la página 144*.
- No utilice una batería defectuosa o dañada.
- Guarde la batería alejada de objetos metálicos, como clavos, tornillos o joyas.
- Mantenga la batería alejada de los niños.

Seguridad del cargador de batería



ADVERTENCIA: Lea las siguientes instrucciones de advertencia antes de utilizar el producto.

- Existe riesgo de descarga eléctrica o cortocircuito si no se siguen las instrucciones de seguridad.
- No utilice cargadores de batería diferentes al suministrado con su producto. Utilice únicamente

cargadores QC80 y 40-C80 para cargar las baterías de repuesto de la serie BLi y de la serie 40-B.

- No intente desmontar el cargador de batería.
- No utilice un cargador de batería defectuoso o dañado.
- No levante el cargador de batería tirando del cable de alimentación. Para desconectar el cargador de batería de la toma de corriente, tire del enchufe. No tire del cable de alimentación.
- Mantenga todos los cables y cables de extensión, alejados del agua, el aceite y los bordes afilados. Proceda con cuidado para evitar que el cable se enganche en objetos como puertas, vallas o similares.
- No utilice el cargador de batería cerca de materiales inflamables o corrosivos. Asegúrese de que el cargador de batería no está cubierto. Desenchufe el cargador de batería si produce humo o se incendia.
- Cargue la batería solo en interiores, en un lugar con buena ventilación y lejos de la luz solar directa. No cargue la batería en el exterior. No cargue la batería en un entorno húmedo.
- Utilice solamente el cargador de batería a temperaturas entre 5°C (41°F) y 40°C (104°F). Utilice el cargador en un entorno ventilado, seco y sin polvo.
- No cubra las ranuras de ventilación del cargador.
- Evite que los terminales del cargador de batería entren en contacto con objetos metálicos: pueden cortocircuitar el cargador.
- Utilice tomas de corriente homologadas y que estén en buen estado. Asegúrese de que el cable del cargador de batería no esté dañado. Si utiliza cables de extensión, asegúrese de que no estén dañados.
- No intente cargar baterías no recargables en los cargadores de batería.

Instrucciones de seguridad para el mantenimiento



ADVERTENCIA: Lea las instrucciones de advertencia siguientes antes de realizar el mantenimiento del producto.

- Retire la batería antes de realizar tareas de mantenimiento, otras comprobaciones o montar el producto.
- El usuario debe realizar solo el mantenimiento y las reparaciones indicadas en este manual. Acuda a su taller de servicio autorizado para las tareas de mantenimiento y reparaciones más importantes.
- No limpie la batería o el cargador con agua. Los detergentes agresivos pueden provocar daños en el plástico.
- Si no se realiza el mantenimiento, el ciclo de vida del producto disminuye y aumenta el riesgo de accidentes.

- Para realizar todos los trabajos de mantenimiento y reparación, especialmente en los dispositivos de seguridad en el producto, es necesaria una formación especial. Si no están aprobadas todas las comprobaciones de este manual de usuario

después de realizar tareas de mantenimiento, acuda al taller de su distribuidor local. Le garantizamos que realizarán reparaciones y mantenimiento profesionales en su producto.

- Utilice únicamente piezas de repuesto originales.

Montaje

Introducción

Este apartado describe cómo montar y ajustar el producto.



ADVERTENCIA: Antes de montar el producto, lea el capítulo de seguridad y las instrucciones de montaje.

Conexión de la batería al producto



ADVERTENCIA: Utilice solo baterías Husqvarna originales en el producto.

1. Cargue totalmente la batería.
2. Inserte la batería en el soporte del producto. La batería quedará fija en su posición cuando oiga un clic. (Fig. 27)



PRECAUCIÓN: Si la batería no se mueve con facilidad en el soporte, no

se habrá instalado correctamente. Esto puede provocar daños en el producto.

Instalación del cargador de batería 40-C80 en la pared



PRECAUCIÓN: No utilice un destornillador eléctrico para instalar el cargador de batería en la pared, ya que puede provocar daños en el cargador de batería.

1. Instale el cargador de batería en la pared con los 2 tornillos (B). Utilice tacos (A) si es necesario. (Fig. 28)
2. Instale los 2 tapones en los orificios de los tornillos (C).
3. Conecte el cable de alimentación al cargador de batería y a una toma de corriente.

Funcionamiento

Introducción



ADVERTENCIA: Asegúrese de leer y comprender el capítulo sobre seguridad antes de usar el producto.

Batería



ADVERTENCIA: Asegúrese de leer y comprender el capítulo sobre seguridad antes de usar la batería. También debe leer y comprender el manual de usuario de la batería y el cargador de batería.

Mantenga la batería y el cargador de batería en lugares con una temperatura ambiente adecuada.

	Temperatura ambiente
Funcionamiento de la batería	5 °C-40 °C/41 °F-104 °F
Carga de la batería	5 °C-40 °C/41 °F-104 °F

Estado de la batería

El display muestra la capacidad restante de la batería y si hay algún problema con esta.

(Fig. 29)

Indicador LED	Estado de la batería (estado de carga)	
	BLi10	40-B70
4 testigos LED encendidos	N/D	La batería tiene una carga del 76 % al 100 %.
3 testigos LED encendidos	La batería tiene una carga del 76 % al 100 %.	La batería tiene una carga del 51 % al 75 %.

Indicador LED	Estado de la batería (estado de carga)	
	BLi10	40-B70
2 testigos LED encendidos	La batería tiene una carga del 51 % al 75 %.	La batería tiene una carga del 26 % al 50 %.
1 testigo LED encendido	La batería tiene una carga del 26 % al 50 %.	La batería tiene una carga del 6 % al 25 %.
Un LED parpadea	La batería tiene una carga del 0 % al 25 %.	La batería tiene una carga del 0 % al 5 %.

Carga de la batería

Cargue la batería si es la primera vez que la utiliza. Una batería nueva solo tiene una carga del 30 %.



PRECAUCIÓN: Conecte el cargador de batería a una toma de corriente cuya tensión y frecuencia coincidan con los valores indicados en la placa de características técnicas.

La batería no se cargará si su temperatura es superior a 50 °C/122 °F.

1. Conecte el cable de alimentación al cargador de batería.
2. Conecte el cargador de batería a una toma de corriente con conexión a tierra. El LED de carga parpadea una vez. (Fig. 30)
3. Conecte la batería al cargador. El LED de carga se enciende. Cargue la batería durante un máximo de 24 horas. (Fig. 31)
4. Pulse el botón del indicador de estado de la batería; si se encienden todos los testigos LED, la batería está completamente cargada.
5. Tire del enchufe o del conector para desconectar el cargador de batería de la toma de corriente. No tire del cable de alimentación.
6. Retire la batería del cargador.

Pasos a seguir antes de arrancar el producto

1. Examine la zona de trabajo. Retire objetos que puedan salir despedidos.
2. Examine el equipo de corte. Asegúrese de que las cuchillas estén afiladas y no tengan grietas ni daños.
3. Compruebe que el producto funciona correctamente. Verifique que todas las tuercas y tornillos estén apretados.
4. Asegúrese de que el mango y los dispositivos de seguridad no estén dañados y estén fijados correctamente. No haga funcionar un producto si faltan piezas o se ha cambiado su especificación inicial. Utilice guantes protectores cuando sea necesario.

5. Asegúrese de que las cubiertas no estén dañadas y estén fijadas correctamente, antes de usar el producto.

Arranque del producto

1. Mantenga pulsado el botón de arranque/parada hasta que el LED verde se encienda. (Fig. 32)
2. Pulse el gatillo del asa delantera. (Fig. 33)
3. Presione el gatillo de alimentación. (Fig. 25)

Manejo del producto

1. Empiece cerca del suelo y mueva el producto hacia arriba a lo largo del seto cuando corte los laterales. Tenga cuidado de que el cuerpo del producto no toque el seto. (Fig. 34)



ADVERTENCIA: Tenga cuidado de que la parte delantera del equipo de corte no toque el suelo.

2. Mantenga el producto cerca de su cuerpo para una posición de trabajo estable.
3. Tenga cuidado y utilice el producto lentamente.

Para usar la función SavE

Este producto cuenta con una función de ahorro de energía: SavE.

Nota: La función SavE no reduce la capacidad de corte del producto.

1. Pulse el botón SavE del teclado.
2. Asegúrese de que el LED verde se encienda.
3. Pulse de nuevo el botón SavE para desactivar la función. El LED verde se apagará. (Fig. 35)

Función de parada automática

El producto cuenta con una función de parada que detiene el producto si no se está utilizando. El LED verde de arranque/parada se apaga y el producto se detiene al cabo de 180 segundos.

Parada del producto

1. Suelte el gatillo de alimentación y el gatillo del asa delantero.

2. Pulse el botón de arranque/parada hasta que el LED verde se apague.

3. Pulse los botones de liberación de la batería para extraerla. (Fig. 36)

Mantenimiento

Introducción



ADVERTENCIA: Asegúrese de leer y comprender el capítulo sobre seguridad antes de realizar tareas de mantenimiento en el producto.



ADVERTENCIA: Retire la batería antes de realizar tareas de mantenimiento en el producto.

Programa de mantenimiento

A continuación incluimos una lista con los pasos de mantenimiento que hay que efectuar en el producto.

Mantenimiento	Antes del uso	Semanal	Mensual
Inspeccione los componentes externos del producto.	X		
Compruebe que el interruptor de parada y arranque funcione correctamente y no esté dañado.	X		
Por seguridad, asegúrese de que el gatillo de alimentación y el gatillo del asa delantero funcionan correctamente.	X		
Asegúrese de que todos los mandos funcionen y no estén dañados.	X		
Asegúrese de que las cuchillas y la protección de corte no presenten grietas y no estén dañadas. Cambie las cuchillas o la protección de corte si presentan grietas o si han sufrido golpes.	X		
Si las cuchillas de corte están dobladas o dañadas, cámbielas.	X		
Asegúrese de que la protección para la mano no esté dañada. Sustituya la protección si está dañada.	X		
Asegúrese de que los tornillos y las tuercas están bien apretados.	X		
Asegúrese de que la batería no esté dañada.	X		
Asegúrese de que la batería está cargada.	X		
Asegúrese de que el cargador de la batería no esté dañado.	X		
Asegúrese de que los tornillos que mantienen juntas las cuchillas de corte estén correctamente apretados.		X	
Realice una comprobación de las conexiones entre la batería y el producto. Realice una comprobación de la conexión entre la batería y el cargador de baterías.			X

Para examinar la batería y el cargador de la batería

1. Examine la batería en busca de daños, por ejemplo, grietas.
2. Examine el cargador en busca de daños, por ejemplo, grietas.

3. Asegúrese de que el cable de alimentación del cargador de la batería no esté dañado ni agrietado.

Para limpiar el producto, la batería y el cargador de la batería

1. Limpie el producto con un paño seco después de su uso.

2. Limpie la batería y cargador de batería con un paño limpio y seco. Mantenga las guías de la batería limpias.
3. Asegúrese de que los terminales de la batería y del cargador estén limpios antes de colocar la batería en el cargador o en el producto.

Examen de las cuchillas

1. Limpie de materiales extraños las cuchillas con un agente de limpieza anticorrosión antes y después de utilizar el producto.
2. Examine los bordes de las cuchillas en busca de daños o deformaciones.
3. Utilice una lima para retirar las rebabas de las cuchillas.
4. Asegúrese de que las cuchillas se mueven libremente.

Limpieza y lubricación de las cuchillas

1. Elimine los materiales no deseados de las hojas antes y después de usar el producto.

2. Lubrique las hojas antes de guardar la máquina durante un periodo prolongado.

Nota: Póngase en contacto con su distribuidor para obtener más información sobre los productos de limpieza y los lubricantes recomendados.

Lubricación del engranaje

Aplique grasa a la caja del engranaje si el engranaje se ha desmontado en un taller de servicio autorizado.

- Use grasa especial Husqvarna. Póngase en contacto con su distribuidor para obtener más información sobre la grasa recomendada.
- Utilice solo una pequeña cantidad de grasa especial de alta calidad.



PRECAUCIÓN: No llene completamente la caja de engranajes.

Resolución de problemas

Teclado

Pantalla LED	Posibles errores	Medidas a tomar
El LED de error parpadea.	Sobrecarga	El equipo de corte no puede moverse libremente. Desmonte el equipo de corte.
	Desviación de la temperatura	Deje que el producto se enfríe.
El producto no arranca.	Pulse el gatillo de alimentación y el botón de arranque al mismo tiempo.	Suelte el gatillo de alimentación y detenga el producto.
El LED de error se enciende con una luz roja.	El producto debe revisarse.	Acuda a su taller de servicio.

Batería

Indicadores LED	Posibles fallos	Posible acción
El LED verde parpadea.	Tensión de la batería baja.	Cargue la batería.
El LED de error parpadea.	Desviación de la temperatura.	Utilice la batería con temperaturas entre -10°C (14°F) y 40°C (104°F).
	Hay demasiada tensión.	Asegúrese de que la tensión de la red eléctrica se corresponde con la que figura en la placa de características del producto. Retire la batería del cargador.
El LED de error está encendido.	La diferencia entre las celdas es demasiado grande (1 V).	Acuda a su distribuidor.

Cargador de batería

Problema	Posibles errores	Solución posible
El LED de carga se enciende en rojo.	Error del cargador de batería.	Póngase en contacto con su distribuidor.
El LED de carga parpadea en verde.	Desviación de la temperatura; la batería está demasiado fría o demasiado caliente para utilizarla o cargarla.	Deje que la batería se enfríe o se caliente. Cuando la batería tenga la temperatura correcta, podrá usarse o cargarse. Utilice el cargador de batería a temperaturas ambiente entre 5 °C y 40 °C (41 °F y 104 °F).
El LED de carga parpadea en rojo.	Batería defectuosa.	Póngase en contacto con su distribuidor.

Transporte, almacenamiento y eliminación

Transporte y almacenamiento

- Las baterías de iones de litio incluidas están sujetas a los requisitos de la normativa sobre mercancías peligrosas.
- Siga el requisito especial indicado en el paquete y en las etiquetas para el transporte comercial, incluso por terceros y agentes de transporte.
- Hable con alguien con formación especial en materiales peligrosos antes de enviar el producto. Respete todas las normativas nacionales.
- Cubra con cinta los contactos abiertos cuando ponga la batería en un paquete. Embale bien la batería en el paquete para evitar que se mueva.
- Extraiga la batería si va a guardar o transportar el producto.
- Coloque la batería y el cargador en un lugar seco y protegido de la humedad y las heladas.
- No almacene la batería en lugares donde pueda generarse electricidad estática. No guarde la batería en una caja metálica.
- Guarde la batería a una temperatura de entre 5 °C (41 °F) y 25 °C (77 °F), y protegida de la luz directa del sol.
- Guarde el cargador de la batería a una temperatura de entre 5 °C (41 °F) y 45 °C (113 °F), y protegido de la luz directa del sol.
- Utilice el cargador de la batería solo cuando la temperatura ambiente oscile entre 5 °C (41 °F) y 40 °C (104 °F).

- Cargar la batería entre el 30 % y el 50 % antes de guardarla durante periodos de tiempo largos.
- Guarde el cargador de la batería en un espacio cerrado y seco.
- Cuando guarde la batería, manténgala alejada del cargador. No permita que los niños ni otras personas no autorizadas toquen el equipo. Guarde el equipo en un lugar que pueda cerrarse con llave.
- Limpie el producto y realice un mantenimiento completo antes de guardarlo durante un periodo de tiempo prolongado.
- Utilice la protección de transporte del producto para evitar lesiones o daños en el producto durante el transporte y almacenamiento.
- Fije el producto firmemente durante el transporte.

desecho de la batería, el cargador y el producto

Los símbolos del producto o del embalaje del producto indican que este producto no es un residuo doméstico. Reciclelo en un centro de reciclaje para equipos eléctricos y electrónicos. Esto ayudará a evitar dañar el medioambiente y las personas.

Póngase en contacto con las autoridades locales, el servicio de residuos domésticos o su distribuidor para obtener más información acerca de cómo reciclar su producto.

Datos técnicos

Datos técnicos

	215IHD45
Motor	
Tipo de motor	BLDC
Peso	
Peso sin batería, kg	3,2
Cuchilla	
Tipo	Doble lado
Longitud de las cuchillas, mm	450
Velocidad de las cuchillas, cortes/minuto (con modo SavE)	2400
Velocidad de las cuchillas, cortes/minuto (sin modo SavE)	3000
Emisiones de ruido ¹⁹	
Nivel de potencia acústica medida, dB(A)	87
Nivel de potencia acústica garantizado L_{WA}	90
Niveles acústicos	
Nivel de presión sonora en el oído del usuario, medido conforme a EN 62841-4-2, dB(A)	79
Niveles de vibraciones ²⁰	
Niveles de vibración (a_h), partes delantera/trasera, m/s^2	2,1/1,7

Baterías homologadas para el producto

Batería	BLI10	40-B70
Tipo	iones de litio	iones de litio
Capacidad de la batería, Ah	Consulte la etiqueta que indica la potencia de la batería	Consulte la etiqueta que indica la potencia de la batería

¹⁹ Emisiones sonoras en el entorno medidas como potencia acústica (L_{WA}) según la directiva 2000/14/CE. La diferencia entre la potencia acústica garantizada y medida es que la potencia acústica garantizada también incluye la dispersión en el resultado de la medición y las variaciones entre diferentes productos del mismo modelo, según la directiva 2000/14/CE.

²⁰ Los datos de nivel de vibración notificados poseen una dispersión estadística habitual (desviación típica) de 1,5 m/s^2 .

El valor total de vibración nominal se ha medido según un método de prueba estándar y puede utilizarse para comparar herramientas entre sí.

El valor total de vibración nominal también puede utilizarse como valoración preliminar de la exposición.

Batería	BLI10		40-B70
Tensión nominal, V	36	36,5	36
Peso, kg	0,7	0,7	0,8

Cargadores de baterías homologados para el producto

Cargador de baterías	QC80	40-C80
Tensión de red, V	100-240	100-240
Frecuencia, Hz	50-60	50-60
Potencia, W	100	72
Tensión de salida, V CC/ Amperaje, A	36/2	43/1,6

Declaración de conformidad

Declaración de conformidad UE

Nosotros, **Husqvarna AB**, SE-561 82 Huskvarna (Suecia), tel. +46-36-146500, declaramos bajo nuestra exclusiva responsabilidad que el producto:

Descripción	Cortasetos a batería
Marca	Husqvarna
Tipo/Modelo	215iHD45
Identificación	Números de serie a partir del año 2024

Cumple las siguientes directivas y normas de la UE:

Directiva/Normativa	Descripción
2006/42/CE	"relativa a las máquinas"
2014/30/UE	"relativa a la compatibilidad electromagnética"
2000/14/CE	"relativa a las emisiones sonoras en el entorno"
2011/65/UE	"relativa a restricciones de utilización de determinadas sustancias peligrosas en aparatos eléctricos y electrónicos"

Y que se aplican las especificaciones técnicas o los estándares siguientes:
EN 62841-4-2:2019+A1:2022+A11:2022, EN 62841-1:2015+A11:2022, EN IEC 55014-1:2021, EN IEC 55014-2:2021, EN IEC 63000:2018.

Conforme con la directiva 2000/14/CE, Anexo V; consulte *Datos técnicos en la página 147* para conocer los valores de sonido declarados.

Huskvarna, 2024-02-01

Claes Losdal, director de I+D de Husqvarna AB
Responsable de la documentación técnica



ÍNDICE

Introdução.....	150	Resolução de problemas.....	160
Segurança.....	151	Transporte, armazenamento e eliminação.....	161
Montagem.....	157	Especificações técnicas.....	162
Funcionamento.....	157	Declaração de conformidade.....	164
Manutenção.....	159		

Introdução

Descrição do produto

O Husqvarna 215iHD45 é um corta-sebes a bateria com motor elétrico.

Decorre um trabalho constante para aumentar a sua segurança e eficiência durante o funcionamento.

Vista geral do produto

(Fig. 1)

1. Manual do utilizador
2. Punho traseiro
3. Acionador do punho dianteiro
4. Punho dianteiro
5. Lâmina
6. Proteção para transporte
7. Interruptor de alimentação
8. Painel de controlo
9. Proteção para a mão
10. Bateria
11. Carregador de bateria 40-C80
12. Conector
13. Botão indicador da bateria
14. Estado da bateria
15. Indicador de aviso
16. Botão SavE (economia)
17. Botão start/stop
18. Indicador de dispositivo ligado e aviso
19. Botões de desengate da bateria
20. Carregador de bateria QC80
21. Cabo de alimentação

Símbolos no produto

- (Fig. 2) AVISO: Este produto pode ser perigoso e provocar ferimentos graves ou a morte do operador ou de terceiros. Seja cuidadoso e utilize o produto corretamente.
- (Fig. 3) Leia o manual do utilizador com atenção e certifique-se de que compreende as instruções antes de utilizar o produto.
- (Fig. 4) Utilize proteção ocular.
- (Fig. 5) O produto está em conformidade com as diretivas CE aplicáveis.
- (Fig. 6) O produto ou a respetiva embalagem não são resíduos domésticos. Recicle o equipamento numa estação de

Para mais informações, contacte o revendedor com assistência técnica.

Finalidade

Utilize o produto para cortar ramos e galhos. Não utilize o produto para outras tarefas.

reciclagem para equipamentos elétricos e eletrônicos.

(Fig. 7) Evite expô-las à chuva.

(Fig. 8) Corrente contínua.

(Fig. 9) Emissão de ruído para a etiqueta ambiental de acordo com as diretivas e regulamentos da UE (incluindo a legislação de Nova Gales do Sul) e do Reino Unido. Os dados das emissões de ruído podem ser encontrados na etiqueta da máquina no capítulo Especificações técnicas.

(Fig. 10) Este produto está em conformidade com os regulamento do RU aplicáveis.

(Fig. 11) Aviso: Mantenha as mãos afastadas da lâmina.

yyyywwxxxx A etiqueta de tipo apresenta o número de série. **aaaa** é o ano de fabrico, **ss** é a semana de fabrico.

Nota: Os restantes símbolos/autocolantes existentes no produto dizem respeito a exigências específicas para homologação em alguns países.

Símbolos na bateria e/ou no carregador da bateria

- (Fig. 15) Recicle este produto numa estação de reciclagem para equipamentos elétricos e eletrônicos. (Válido unicamente na Europa)
- (Fig. 12) Transformador contra-falhas.
- (Fig. 13) Utilize e armazene o carregador da bateria apenas em espaços interiores.

Segurança

Definições de segurança

Os avisos, as precauções e as notas são utilizados para indicar partes especialmente importantes do manual.



ATENÇÃO: Utilizado no caso de existir risco de ferimento ou morte para o utilizador ou transeuntes, se não forem respeitadas as instruções do manual.



CUIDADO: Utilizado se existir risco de danos para o produto, para outros materiais ou para a área adjacente, se não forem respeitadas as instruções do manual.

Nota: Utilizado para disponibilizar informações adicionais necessárias numa determinada situação.

Avisos gerais de segurança da ferramenta eléctrica



ATENÇÃO: Leia todos os avisos de segurança e todas as instruções. O incumprimento dos avisos e das instruções poderá resultar em choques eléctricos, incêndios e/ou ferimentos graves.

Nota: Guarde todos os avisos e instruções para referência futura. O termo "ferramenta eléctrica" nos avisos refere-se à sua ferramenta eléctrica com ligação à corrente (com cabo) ou ferramenta eléctrica com bateria (sem cabo).

Segurança no local de trabalho

- **Mantenha a área de trabalho limpa e bem iluminada.** Áreas desarrumadas ou escuras convidam ao acidente.
- **Não maneje ferramentas eléctricas em ambientes explosivos, tal como na presença de líquidos inflamáveis, gases ou poeiras.** As ferramentas eléctricas criam faíscas que podem poeiras ou gases.
- **Mantenha as crianças e restantes pessoas afastadas enquanto maneja uma ferramenta eléctrica.** As distrações podem fazê-lo perder o controlo.

Segurança no manejo de eletricidade

- **As fichas das ferramentas eléctricas têm de corresponder à tomada eléctrica. Nunca modifique a ficha de qualquer forma. Não use quaisquer**

fichas adaptadoras com ferramentas eléctricas ligadas à terra. As fichas inalteradas e as tomadas correspondentes reduzem o risco de choque eléctrico.

- **Evite o contacto corporal com superfícies ligadas à terra, tais como tubos, radiadores, fogões e frigoríficos.** Existe um risco acrescido de choque eléctrico se o seu corpo estiver ligado à terra.
- **Não exponha ferramentas eléctricas a chuva ou condições de elevada humidade.** A entrada de água numa ferramenta eléctrica aumenta o risco de choque eléctrico.
- **Não danifique o fio eléctrico. Nunca use o fio eléctrico para transportar, puxar ou desligar a ferramenta eléctrica da tomada. Mantenha o cabo eléctrico afastado de fontes de calor, óleo, arestas afiadas ou de peças em movimento.** Fios eléctricos danificados ou emaranhados aumentam o risco de choque eléctrico.
- **Ao manejar uma ferramenta eléctrica no exterior, use uma extensão eléctrica adequada para utilização em exteriores.** A utilização de um cabo eléctrico adequado para utilização no exterior reduz o risco de choque eléctrico.
- **Se não puder evitar operar uma ferramenta eléctrica em locais húmidos, utilize uma fonte de alimentação protegida com um disjuntor diferencial residual (RCD).** A utilização de um disjuntor diferencial residual (RCD) reduz o risco de choques eléctricos em caso de falha de terra.



ATENÇÃO: Não lave a máquina à pressão, pois a água pode penetrar no sistema eléctrico ou no motor e causar danos na máquina ou curto-circuitos.

Segurança pessoal

- **Mantenha-se alerta, tenha atenção ao que está a fazer e use o bom senso ao operar uma ferramenta eléctrica. Não utilize uma ferramenta eléctrica se estiver cansado ou sob a influência de drogas, álcool ou medicação.** Um momento de desatenção durante o manejo de ferramentas eléctricas pode resultar em lesões pessoais graves.
- **Use equipamento de protecção pessoal. Use sempre protecção ocular.** A utilização de equipamento de protecção como máscara antipoeira, calçado de segurança antiderrapante, capacete ou protetores acústicos nas condições apropriadas irá reduzir os ferimentos pessoais.
- **Prevenção de arranque não intencional. Certifique-se de que o interruptor se encontra desligado antes de ligar à fonte de alimentação e/ou à bateria, de pegar ou transportar a ferramenta.** Transportar

ferramentas eléctricas com o dedo no interruptor ou ligar ferramentas eléctricas à corrente eléctrica com o interruptor ligado é um convite aos acidentes.

- **Remova qualquer chave de ajuste ou chave de porcas antes de ligar a ferramenta à corrente eléctrica.** Uma chave de porcas ou uma chave ligada a uma peça em rotação da ferramenta eléctrica pode resultar em lesões pessoais.
- **Não se debruce. Mantenha o equilíbrio e os pés sempre bem assentes.** Isto permite um melhor controlo da ferramenta eléctrica em situações inesperadas.
- **Vista-se adequadamente. Não use peças de roupa soltas ou jóias. Mantenha o cabelo e roupas longe de quaisquer peças em movimento.** Roupas soltas, jóias ou cabelo comprido podem ser apanhados nas peças em movimento.
- **Se forem fornecidos dispositivos para a ligação de equipamentos de extração e de recolha de poeiras, assegure-se de que estes estão ligados e são utilizados corretamente.** A utilização da recolha de poeiras pode reduzir os riscos relacionados co poeiras.
- **Siga sempre os princípios de segurança das ferramentas, mesmo que já esteja familiarizado com as ferramentas, devido à utilização frequente das mesmas.** Uma ação descuidada pode provocar ferimentos graves numa fração de segundo.
- A emissão de vibrações durante a utilização da ferramenta pode ser diferente do valor total declarado, dependendo da forma como a ferramenta é utilizada. Os operadores devem identificar as medidas de segurança necessárias à sua protecção, com base numa estimativa de exposição em condições reais de utilização (tendo em conta todas as fases do ciclo de operação, tais como o número de vezes que a ferramenta é ligada e desligada e quando está em rotação em vazio ou activada).

Utilização e manutenção de ferramentas eléctricas

- **Não force a ferramenta eléctrica. Use a ferramenta eléctrica correcta para a sua aplicação.** A ferramenta eléctrica correcta fará um trabalho melhor e mais seguro ao ritmo para o qual foi desenhada.
- **Não use a ferramenta eléctrica se o interruptor não ligar ou desligar.** Qualquer ferramenta eléctrica que não possa ser controlada com o interruptor é perigosa e tem de ser reparada.
- **Desligue a ficha da fonte de alimentação eléctrica e/ou retire a bateria, se amovível, da ferramenta eléctrica antes de efetuar qualquer ajuste, mudar acessórios ou guardar ferramentas eléctricas.** Estas medidas de prevenção reduzem o risco de ligar a ferramenta eléctrica acidentalmente.
- **Guarde ferramentas eléctricas que não estão na ser utilizadas fora do alcance das crianças e não permita que qualquer pessoa não familiarizada com a ferramenta eléctrica ou com as suas instruções maneje a ferramenta eléctrica.** As ferramentas

eléctricas são perigosas nas mãos de utilizadores inexperientes.

- **Efetue a manutenção das ferramentas eléctricas e dos acessórios. Verifique quanto a desalinhamentos ou bloqueio de peças móveis, danos de peças e qualquer outra condição que possa afectar o funcionamento da ferramenta eléctrica. Se estiver danificada, repare a ferramenta eléctrica antes de a usar.** Muitos acidentes são causados por ferramentas eléctricas com má manutenção.
- **Mantenha as ferramentas de corte afiadas e limpas.** Ferramentas de corte com as zonas de corte afiadas e bem mantidas têm menos probabilidades de bloquear e são mais fáceis de controlar.
- **Use a ferramenta eléctrica, acessórios e brocas, etc. de acordo com estas instruções, tomando em consideração as condições de funcionamento e o trabalho a ser executado.** A utilização da ferramenta eléctrica para operações diferentes das previstas pode resultar numa situação perigosa.
- **Mantenha os punhos e as superfícies onde se segura secos, limpos e sem óleo nem massa lubrificante.** As superfícies onde se segura e os punhos escorregadios não permitem um controlo e um manuseamento seguros do produto em situações inesperadas.

Utilização e manutenção da bateria

- **Recarregue a bateria apenas com o carregador especificado pelo fabricante.** Um carregador adequado para um tipo de bateria pode criar risco de incêndio quando usado com outra bateria.
- **Utilize produtos apenas com as baterias especificamente concebidas para os mesmos.** A utilização de quaisquer outras baterias pode criar risco de ferimentos e incêndio.
- **Quando a bateria não está a ser utilizada, mantenha-a afastada de outros objetos metálicos, como clips, moedas, chaves, pregos, parafusos ou outros objetos metálicos pequenos que possam fazer a ligação entre os dois terminais.** Provocar curto-circuitos nos terminais das baterias pode provocar queimaduras ou um incêndio.
- **Em condições extremas, é possível que o líquido da bateria veta; evite o contacto. Se ocorrer algum contacto accidental, lave com água. Se o líquido entrar em contacto com os olhos, procure assistência médica adicional.** O líquido vertido da bateria pode provocar irritações ou queimaduras.
- **Não utilize uma bateria ou uma ferramenta que se encontre danificada ou modificada.** As baterias danificadas ou modificadas podem apresentar um comportamento imprevisível que pode resultar em incêndios, explosões ou ferimentos graves.
- **Não exponha uma bateria ou uma ferramenta a fogo ou temperaturas excessivas.** A exposição a fogo ou temperaturas superiores a 130 °C pode provocar uma explosão.
- **Siga todas as instruções de carregamento e não carregue a bateria ou a ferramenta fora do intervalo**

de temperatura especificado nas instruções. Os carregamentos impróprios ou a temperaturas fora do intervalo especificado podem danificar a bateria e aumentar o risco de incêndio.

Assistência

- **Garanta que a manutenção da sua ferramenta elétrica é efetuada por um técnico de reparações qualificado e que utilize apenas peças de substituição idênticas.** Isto irá assegurar que a segurança das ferramentas elétricas é mantida.
- **Nunca deve efetuar a manutenção de baterias danificadas.** A manutenção das baterias deve ser efetuada apenas pelo fabricante ou por prestadores de serviços autorizados.

Avisos de segurança do corta-sebes - Segurança pessoal

- **Utilize ambas as mãos ao utilizar o corta-sebes.** Usar uma só mão poderá causar a perda de controlo e resultar em ferimentos pessoais.
- **Mantenha todas as partes do corpo afastadas da lâmina. Não retire material cortado nem segure no material que estiver a ser cortado quando as lâminas estiverem a funcionar.** As lâminas continuam a rodar após o interruptor ser desligado. Um momento de desatenção durante o manejo do corta-sebes pode resultar em lesões pessoais graves.
- **Transporte o corta-sebes segurando pelo punho, com a lâmina parada e com cuidado para não acionar nenhum interruptor.** Transportar o corta-sebes corretamente reduz o risco de arranque accidental do produto e consequentes ferimentos pessoais causados pelas lâminas.
- **Quando transportar ou armazenar o corta-sebes coloque sempre a cobertura da lâmina.** Manusear o corta-sebes corretamente reduz o risco de ferimentos pessoais causados pelas lâminas.
- **Quando estiver a retirar material encravado ou a realizar a manutenção da unidade, certifique-se de que todos os interruptores estão desligados e que a bateria foi retirada ou desligada.** O acionamento inesperado do corta-sebes enquanto é efetuada a remoção de material encravado ou a manutenção pode resultar em ferimentos pessoais graves.
- **Segure no corta-sebes apenas pelas superfícies de agarrar isoladas, uma vez que a lâmina pode entrar em contacto com fios elétricos escondidos.** O contacto das lâminas com um fio com tensão pode energizar as peças metálicas expostas do corta-sebes e, assim, provocar um choque elétrico no utilizador.
- **Mantenha todos os fios de alimentação e outros cabos afastados da área de corte.** Os cabos ou fios elétricos podem estar ocultos em sebes ou arbustos e podem ser acidentalmente cortados pela lâmina.
- **Não utilize o corta-sebes em condições climáticas adversas, especialmente se existir o risco de**

relâmpagos. Isto diminui o risco de ser atingido por relâmpagos.

- **PERIGO - Mantenha as mãos afastadas da lâmina.** O contacto com a lâmina provocará ferimentos pessoais graves.

Instruções de segurança gerais



ATENÇÃO: Leia as instruções de aviso que se seguem antes de utilizar o produto.

- Remova a bateria para evitar que o produto comece acidentalmente a funcionar.
- Se o utilizador não for cuidadoso ou se o produto for utilizado de forma incorreta, este produto é uma ferramenta perigosa. Este produto pode provocar ferimentos graves ou a morte do operador ou terceiros.
- Não utilize o produto se este for alterado da sua especificação inicial. Não altere uma parte do produto sem a aprovação do fabricante. Utilize apenas peças que sejam aprovadas pelo fabricante. Ferimentos ou morte são resultados possíveis de manutenção incorreta.
- Verifique o produto antes de o utilizar. Consulte o capítulo *Antes de ligar o produto na página 158*. Não utilize um produto danificado. Efetue as verificações de segurança e cumpra as instruções de manutenção e assistência técnica descritas neste manual.
- As crianças devem ser vigiadas para garantir que não brincam com o produto. Não permita em circunstância alguma que uma criança ou outras pessoas que não saibam utilizar o produto e/ou a bateria o utilizem ou realizem operações de manutenção. A legislação local pode regular a idade do utilizador permitida.
- Mantenha o produto numa área trancada para impedir o acesso a crianças ou pessoas que não disponham de aprovação.
- Mantenha o produto fora do alcance de crianças.
- Não é permitido modificar, em circunstância alguma, a configuração original do produto sem a autorização expressa do fabricante. Utilize sempre acessórios originais. A realização de modificações e/ou a utilização de acessórios não autorizados podem provocar ferimentos pessoais graves ou a morte do utilizador ou terceiros.

Nota: A utilização pode estar sujeita a legislação nacional ou local. Respeite os regulamentos estabelecidos.

Instruções de segurança para funcionamento



ATENÇÃO: Leia as instruções de aviso que se seguem antes de utilizar o produto.

- Se tiver alguma dúvida relativa ao procedimento a seguir, entre em contacto com um técnico especialista. Dirija-se ao seu revendedor ou à sua oficina autorizada. Não utilize funções da máquina para as quais não está preparado.
- Nunca utilize o produto quando estiver cansado, sob o efeito de álcool ou drogas, tiver tomado medicamentos ou outros produtos que possam afetar a sua visão, atenção, coordenação ou discernimento.
- Trabalhar em más condições meteorológicas é cansativo e muitas vezes traz riscos acrescidos. Devido ao risco acrescido, não se recomenda a utilização da máquina em condições meteorológicas adversas, por exemplo, nevoeiro denso, chuva intensa, ventos fortes, frio intenso, risco de trovoadas, etc.
- Facas defeituosas podem aumentar o risco de acidente.
- Não permita que uma criança utilize o produto ou se encontre na proximidade do mesmo. Uma vez que o produto se liga facilmente, as crianças podem conseguir ligá-lo se não forem vigiadas em permanência. Isto pode implicar um risco de ferimentos pessoais graves. Desligue a bateria quando o produto não estiver sob vigilância.
- Certifique-se de que não existem pessoas ou animais a uma distância inferior a 15 metros enquanto trabalha. Sempre que trabalhem vários operadores em simultâneo no mesmo local, a distância de segurança deve ser, no mínimo, de 15 metros. Caso contrário, existe um risco de ferimentos pessoais graves. Pare imediatamente o produto se alguém se aproximar. Nunca balance o produto à sua volta sem verificar se está alguém na zona de segurança.
- Certifique-se de que não existem pessoas, animais ou outras coisas que possam afetar o seu controlo do produto, ou que estes não entrem em contacto com o acessório de corte ou objetos soltos que possam ser projetados pelo acessório de corte. Contudo, não utilize o produto num local em que não seja possível pedir ajuda em caso de acidente.
- Inspeccione sempre a área de trabalho. Remova todos os objetos soltos, como pedras, vidros partidos, pregos, arame, cordas, etc., que possam ser arremessados ou enredar-se no equipamento de corte.
- Certifique-se de que pode andar e estar de pé com segurança. Tenha cuidado com eventuais obstáculos (raízes, pedras, ramos, valas, etc.) em

caso de deslocamento inesperado. Tenha muito cuidado ao trabalhar em terreno inclinado.

- Mantenha sempre um bom equilíbrio e os pés bem apoiados. Não se debruce.
- Antes de se deslocar para outra área, desative o produto. Fixe a proteção para transporte quando o produto não estiver a ser utilizado.
- Nunca pouse o produto sem o ter desativado e retirado a bateria. Não deixe o produto sem supervisão quando este estiver ligado.
- Certifique-se de que o vestuário ou partes do corpo não entram em contacto com o equipamento de corte quando o produto está ativo.
- Se as lâminas ficarem encravadas durante o funcionamento do produto, pare-o e desative-o. Certifique-se de que o equipamento de corte para completamente. Retire a bateria antes de limpar, inspecionar ou reparar o produto e/ou as lâminas.
- Mantenha as mãos e os pés afastados do equipamento de corte até que este pare completamente quando o produto é desativado.
- Durante a operação de corte, tome cuidado com galhos que possam ser projetados. Não efetue cortes demasiado junto ao solo onde existam pedras e outros objetos que possam ser projetados.
- Atenção a objetos arremessados. Utilize sempre proteção ocular aprovada. Nunca se incline sobre a proteção do equipamento de corte. Pedras, lixo, etc., podem ser arremessados contra os olhos, o que pode causar cegueira ou ferimentos graves nos olhos.
- Quando estiver a utilizar protetores acústicos, esteja atento a sinais de aviso ou gritos. Retire sempre os protetores acústicos assim que o produto parar.
- Nunca trabalhe de uma escada, banco ou qualquer outra posição elevada, que não seja completamente segura.
- Utilize ambas as mãos quando segurar o produto. Mantenha o produto ao lado do corpo.

(Fig. 16)

Equipamento de proteção pessoal



ATENÇÃO: Leia as instruções de aviso que se seguem antes de utilizar o produto.

- Utilize equipamento de proteção pessoal aprovado ao utilizar o produto. O equipamento de proteção pessoal não previne totalmente os ferimentos mas diminui a respetiva gravidade. Para mais informações, fale com o revendedor.
- Utilize um capacete de proteção caso exista o risco de objetos em queda.

(Fig. 17)

- Utilize protetores acústicos aprovados. A exposição prolongada a ruídos pode provocar danos auditivos permanentes.

(Fig. 18)

- Utilize proteção ocular aprovada. Mesmo com viseira, é necessário utilizar óculos de proteção aprovados. É necessário que os óculos de proteção aprovados estejam em conformidade com a norma ANSI Z87.1 nos EUA ou a norma EN 166 nos países da UE.

(Fig. 19)

- Utilize luvas de proteção durante a operação e manutenção.

(Fig. 20)

- Utilize sapatos ou botas de proteção com solas antiderrapantes.

(Fig. 21)

- Utilize vestuário fabricado com um tecido resistente. O vestuário deve ser justo, mas não deve limitar os seus movimentos. Utilize calças compridas e prenda o cabelo por trás dos ombros. Não utilize joias nem calçado aberto.
- Mantenha equipamentos de primeiros socorros sempre à mão.

(Fig. 22)

Dispositivos de segurança no produto



ATENÇÃO: Leia as instruções de aviso que se seguem antes de utilizar o produto.

Nesta secção, descrevem-se as características de segurança do produto, a sua função e ainda a forma de efetuar a verificação e manutenção para garantir o funcionamento correto do mesmo. Consulte as instruções na secção *Vista geral do produto na página 150* para conhecer a localização destas peças no seu produto.

Se a manutenção do produto não for devidamente efetuada, e se a assistência e/ou as reparações não forem realizadas por profissionais, a vida útil do produto pode ser afetada e o risco de acidentes pode aumentar. Para obter mais informações, contacte o seu distribuidor local.



ATENÇÃO: Nunca utilize um produto com componentes de segurança danificados. O equipamento de segurança do produto tem de ser inspecionado e a sua manutenção feita conforme se descreve nesta secção. Se o produto falhar alguma destas verificações, entre em contacto com uma oficina autorizada para a sua reparação.



CUIDADO: Todos os trabalhos de manutenção e reparação da máquina requerem formação especializada. Isto aplica-se especialmente ao equipamento de segurança da máquina. Se a máquina falhar alguma das verificações que se seguem, é necessário contactar a sua oficina autorizada. A compra de qualquer um dos nossos produtos garante-lhe a obtenção de reparação e assistência profissionais. Se o local da compra da máquina não for um dos nossos distribuidores com assistência técnica, solicite a morada do agente de assistência mais próximo.

Verificar o teclado

1. Prima e mantenha premido o botão de arranque/paragem (A). (Fig. 23)
 - a) O produto está ligado quando o LED (B) está aceso.
 - b) O produto está desligado quando o LED (B) está apagado.
2. Consulte *Teclado na página 160* se o indicador de aviso (C) se acender ou ficar intermitente.

Verificar o acionador do punho dianteiro

O acionador do punho dianteiro evita arranques acidentais. Ao premir o acionador do punho dianteiro, este solta o interruptor de alimentação. Quando solta o punho, o interruptor de alimentação e o acionador do punho dianteiro regressam às suas posições iniciais.

1. Certifique-se de que o interruptor de alimentação e o acionador do punho dianteiro se deslocam livremente e de que a mola de retorno funciona corretamente.
2. Ligue o produto.
3. Prima o acionador do punho dianteiro.

(Fig. 24)

4. Prima o interruptor de alimentação. (Fig. 25)
5. Solte o acionador do punho dianteiro e certifique-se de que o acessório de corte para completamente.

Verificar a proteção das mãos

A proteção das mãos previne contactos acidentais das mãos com as lâminas.

1. Pare o produto.
2. Retire a bateria.
3. Certifique-se que a proteção das mãos está corretamente fixada.
4. Examine a proteção das mãos quanto à existência de danos.

Verificar as lâminas e as proteções das lâminas

As partes mais compridas das lâminas (A) funcionam como proteções das lâminas.

1. Pare o produto.
2. Retire a bateria.
3. Calce as luvas.
4. Certifique-se de que as lâminas e as proteções das lâminas não estão danificadas nem dobradas. Substitua as lâminas e as proteções das lâminas se estiverem danificadas ou dobradas. (Fig. 26)

Segurança da bateria



ATENÇÃO: Leia as instruções de aviso que se seguem antes de utilizar o produto.

- Apenas utilize baterias das séries BLi e 40-B. Para obter mais informações, consulte *Especificações técnicas na página 162*. A bateria tem software encriptado.
- Utilize as baterias das séries BLi e 40-B recarregáveis como fonte de alimentação apenas para os produtos Husqvarna relacionados. Para evitar ferimentos, não utilize a bateria como fonte de alimentação para outros produtos.
- Risco de choque elétrico. Não ligue os terminais da bateria a chaves, moedas, parafusos ou outros metais. Caso contrário, pode provocar um curto-circuito da bateria.
- Não utilize baterias não recarregáveis.
- Não coloque objetos nas aberturas de ventilação da bateria.
- Mantenha a bateria afastada do sol, calor ou de chamas abertas. A bateria pode causar queimaduras e/ou queimaduras químicas.
- Mantenha a bateria afastada de chuva e condições de humidade.
- Mantenha a bateria afastada de micro-ondas e alta pressão.
- Não tente desmontar ou partir a bateria.
- Em caso de fuga da bateria, evite o contacto do líquido com a pele ou com os olhos. Em caso de contacto com o líquido, limpe a área com água e sabão abundantes e procure assistência médica. Se o líquido entrar em contacto com os olhos, não os esfregue; lave os olhos com água durante, pelo menos, 15 minutos e procure assistência médica.
- Utilize a bateria a temperaturas entre -10 °C (14 °F) e 40 °C (114 °F).
- Não limpe a bateria nem o carregador de bateria com água. Consulte *Limpar o produto, a bateria e o carregador da bateria na página 160*.
- Não utilize uma bateria danificada ou com defeito.
- Mantenha as baterias armazenadas afastadas de objetos metálicos como, por exemplo, pregos, parafusos ou joias.

- Mantenha as baterias afastadas de crianças.

Segurança do carregador de bateria



ATENÇÃO: Leia as instruções de aviso que se seguem antes de utilizar o produto.

- Risco de choque elétrico ou curto-circuito se as instruções de segurança não forem cumpridas.
- Não utilize outros carregadores de baterias que não o fornecido para o seu produto. Utilize apenas carregadores QC80 e 40-C80 para carregar as baterias de substituição das séries BLi e 40-B.
- Não tente desmontar o carregador de bateria.
- Não utilize um carregador de bateria que esteja com defeito ou danificado.
- Não utilize o cabo de alimentação para levantar o carregador de bateria. Para desligar o carregador de bateria de uma tomada elétrica, puxe a ficha. Não puxe o cabo de alimentação.
- Mantenha todos os cabos e cabos de extensão afastados de água, óleo e arestas afiadas. Certifique-se de que o cabo não fica entalado em objetos como, por exemplo, portas, cercas ou objetos equivalentes.
- Não utilize o carregador de bateria próximo de materiais inflamáveis ou materiais que possam provocar corrosão. Certifique-se de que o carregador de bateria não está coberto. Em caso de fumo ou fogo, desligue o carregador de bateria da tomada.
- Carregue a bateria apenas em espaços interiores, com um bom fluxo de ar e sem exposição à luz solar. Não carregue a bateria no exterior. Não carregue a bateria em condições de humidade.
- Utilize apenas o carregador de bateria onde a temperatura se encontrar entre 5 °C (41 °F) e 40 °C (104 °F). Utilize o carregador em ambientes bem ventilados, secos e isentos de poeiras.
- Não coloque objetos nas aberturas de arrefecimento do carregador de bateria.
- Não ligue os terminais do carregador de bateria a objetos metálicos, uma vez que pode provocar um curto-circuito no carregador de bateria.
- Utilize tomadas de parede aprovadas e que não se encontrem danificadas. Certifique-se de que o cabo do carregador de bateria não está danificado. Se forem utilizados cabos de extensão, certifique-se de que os mesmos não estão danificados.
- Não carregue baterias não recarregáveis nos carregadores de bateria.

Instruções de segurança para manutenção



ATENÇÃO: Leia as instruções de aviso que se seguem antes de efetuar tarefas de manutenção no produto.

- Retire a bateria antes de efetuar tarefas de manutenção, outras verificações, ou de montar o produto.
- O operador só pode efetuar as tarefas de manutenção e assistência descritas neste manual do utilizador. Contacte o seu revendedor com assistência técnica para tarefas de manutenção e assistência de maior extensão.
- Não limpe a bateria ou o carregador com água. Os detergentes fortes podem danificar o plástico.
- Se não proceder à manutenção, irá diminuir o ciclo de vida do produto e aumentar o risco de acidentes.
- É necessária formação especializada para todos os trabalhos de assistência e reparação, especialmente para os dispositivos de segurança do produto. Se, após efetuar tarefas de manutenção, nem todas as verificações deste manual forem aprovadas, contacte o seu revendedor com assistência técnica. Garantimos que existem reparações e assistência profissionais disponíveis para o seu produto.
- Utilize sempre peças sobresselentes originais.

Montagem

Introdução

Esta secção descreve como montar e ajustar o produto.



ATENÇÃO: Antes de montar o produto, leia o capítulo de segurança e as instruções de montagem.

Para encaixar a bateria no produto



ATENÇÃO: Utilize apenas baterias Husqvarna originais no produto.

1. Carregue totalmente a bateria.
2. Empurre a bateria para o suporte da bateria do produto. A bateria bloqueia na posição pretendida quando se ouve um clique. (Fig. 27)



CUIDADO: Se a bateria não se mover com facilidade no suporte da

bateria, significa que não está instalada corretamente. Caso contrário, pode causar danos no produto.

Instalar o carregador de bateria 40-C80 na parede



CUIDADO: Não utilize uma chave de parafusos elétrica para instalar o carregador de bateria na parede. Uma chave de parafusos elétrica pode causar danos no carregador de bateria.

1. Instale o carregador de bateria na parede com os 2 parafusos (B). Utilize buchas (A), se necessário. (Fig. 28)
2. Instale os 2 tampões dos orifícios dos parafusos (C).
3. Ligue o cabo de alimentação ao carregador de bateria e a uma tomada de parede.

Funcionamento

Introdução



ATENÇÃO: Certifique-se de que lê e compreende o capítulo sobre segurança antes de usar o produto.

Bateria



ATENÇÃO: Certifique-se de que lê e compreende o capítulo sobre segurança antes de utilizar a bateria. Certifique-se de que lê e compreende o manual do utilizador da bateria e do carregador de bateria.

Mantenha a bateria e o respetivo carregador de bateria a temperaturas ambiente corretas.

	Temperatura ambiente
Utilização da bateria	5 °C–40 °C/41 °F–104 °F
Carregamento da bateria	5 °C–40 °C/41 °F–104 °F

Estado da bateria

O visor apresenta o estado de carga e a existência de problemas com a bateria.

(Fig. 29)

Indicador LED	Estado da bateria (estado de carga)	
	BLi10	40-B70
4 luzes LED ligadas	N/A	A bateria tem uma carga entre 76% – 100%.
3 luzes LED ligadas	A bateria tem uma carga entre 76% – 100%.	A bateria tem uma carga entre 51% – 75%.
2 luzes LED ligadas	A bateria tem uma carga entre 51% – 75%.	A bateria tem uma carga entre 26% – 50%.
1 luz LED ligada	A bateria tem uma carga entre 26% – 50%.	A bateria tem uma carga entre 6% – 25%.
1 luz LED está intermitente	A bateria tem uma carga entre 0% – 25%.	A bateria tem uma carga entre 0% – 5%.

Carregar a bateria

Carregue a bateria se se tratar da primeira vez que a utiliza. Uma bateria nova tem apenas 30% de carga.



CUIDADO: Ligue o carregador de bateria a uma tomada de alimentação com a tensão e a frequência especificadas na etiqueta de tipo.

A bateria não carrega se a respetiva temperatura for superior a 50 °C (122 °F).

1. Ligue o cabo de alimentação ao carregador de bateria.
2. Ligue o carregador de bateria a uma tomada de alimentação com ligação à terra. O LED de carregamento pisca uma vez. (Fig. 30)
3. Ligue a bateria ao carregador de bateria. O LED de carregamento acende-se. Carregue a bateria no máximo durante 24 horas. (Fig. 31)
4. Prima o botão indicador da bateria; se todos os indicadores LED se acenderem, a bateria está totalmente carregada.
5. Puxe a ficha de alimentação para desligar o carregador de bateria da tomada de alimentação. Não puxe o cabo de alimentação.
6. Retire a bateria do carregador da bateria.

Antes de ligar o produto

1. Examine a área de trabalho. Retire os objetos que possam ser projetados.
2. Examine o equipamento de corte. Certifique-se de que as lâminas estão afiadas e não apresentam fissuras nem danos.
3. Certifique-se de que o produto funciona corretamente. Verifique se todos os parafusos e porcas estão apertados corretamente.

4. Certifique-se de que o punho e os dispositivos de segurança não apresentam danos e estão corretamente fixados. Não utilize um produto com peças em falta ou cujas especificações iniciais tenham sido alteradas. Utilize luvas de proteção quando necessário.
5. Antes de utilizar o produto, certifique-se de que as coberturas não apresentam danos e estão corretamente fixadas.

Arranque

1. Prima o botão de arranque/paragem até o LED verde se acender. (Fig. 32)
2. Prima o acionador do punho dianteiro no punho dianteiro. (Fig. 33)
3. Prima o interruptor de alimentação. (Fig. 25)

Utilizar o produto

1. Comece perto do chão e eleve o produto ao longo da sebe ao cortar as laterais. Certifique-se de que o corpo do produto não toca na sebe. (Fig. 34)



ATENÇÃO: Certifique-se de que a dianteira do equipamento de corte não toca no chão.

2. Mantenha o produto perto do corpo para uma posição de trabalho estável.
3. Tenha cuidado e utilize o produto lentamente.

Utilizar a função SavE

Este produto tem uma função de poupança de energia, SavE.

Nota: A função SavE não diminui a potência de corte do produto.

1. Prima o botão SavE no teclado.
2. Certifique-se de que o LED verde se acende.

3. Prima o botão SavE novamente para desativar a função. O LED verde apaga-se. (Fig. 35)

Função de desativação automática

O produto tem uma função de desativação que para o produto, se este não for utilizado. O LED verde da indicação de arranque/paragem apaga-se e o produto para após 180 segundos.

Desligar o produto

1. Solte o interruptor de alimentação no acionador do punho dianteiro.
2. Prima o botão de arranque/paragem até o LED verde se apagar.
3. Prima os botões de desengate da bateria e retire a bateria. (Fig. 36)

Manutenção

Introdução



ATENÇÃO: Certifique-se de que leu e compreendeu o capítulo sobre segurança antes de realizar tarefas de manutenção no produto.



ATENÇÃO: Retire a bateria antes de efetuar a manutenção do produto.

Esquema de manutenção

A seguinte lista de tarefas de manutenção tem de ser realizada no produto.

Manutenção	Antes de utilizar	Semanalmente	Mensalmente
Limpe os componentes externos do produto.	X		
Verifique se o interruptor de arranque/paragem funciona corretamente e não está danificado.	X		
Certifique-se de que o interruptor de alimentação e o acionador do punho dianteiro funcionam corretamente e com segurança.	X		
Certifique-se de que todos os controlos funcionam e não estão danificados.	X		
Certifique-se de que a lâmina de corte e a respetiva proteção não apresentam fissuras e que não estão danificadas. Substitua a lâmina de corte ou a respetiva proteção se apresentarem fissuras ou se tiverem sido sujeitas a impactos.	X		
Substitua a lâmina de corte, caso esteja dobrada ou danificada.	X		
Certifique-se de que a proteção das mãos não está danificada. Substitua a proteção, caso esteja danificada.	X		
Certifique-se de que os parafusos e as porcas estão apertados.	X		
Certifique-se de que a bateria não está danificada.	X		
Certifique-se de que a bateria está carregada.	X		
Certifique-se de que o carregador da bateria não está danificado.	X		
Certifique-se de que os parafusos que mantêm as lâminas de corte unidas estão bem apertados.		X	
Verifique as ligações entre a bateria e o produto. Verifique a ligação entre a bateria e o carregador da bateria.			X

Examinar a bateria e o carregador da bateria

1. Examine a bateria quanto à existência de danos, por exemplo, fissuras.
2. Examine o carregador da bateria quanto à existência de danos, por exemplo, fissuras.
3. Certifique-se de que o cabo de ligação do carregador da bateria não está danificado nem apresenta fissuras.

Limpar o produto, a bateria e o carregador da bateria

1. Limpe o produto com um pano seco após a utilização.
2. Limpe a bateria e o carregador da bateria com um pano seco. Mantenha as calhas de guia da bateria limpas.
3. Certifique-se de que os terminais da bateria e do carregador da bateria se encontram limpos antes de colocar a bateria no carregador da bateria ou no produto.

Verificar a lâmina

1. Limpe os materiais indesejados da lâmina com um agente de limpeza anticorrosão antes e depois de utilizar o produto.
2. Verifique as extremidades da lâmina quanto à existência de danos e deformações.

3. Utilize uma lima para remover as rebarbas na lâmina.
4. Certifique-se de que as lâminas se movem livremente.

Limpar e lubrificar as lâminas

1. Limpe os materiais indesejados das lâminas antes e depois de utilizar o produto.
2. Lubrifique as lâminas antes de longos períodos de armazenamento.

Nota: Para mais informações sobre os lubrificantes e os agentes de limpeza recomendados, contacte o seu revendedor com assistência técnica.

Lubrificar a engrenagem

Aplique massa lubrificante na caixa de engrenagem, se a engrenagem tiver sido desmontada por um revendedor de assistência autorizado.

- Utilize massa lubrificante especial Husqvarna. Para mais informações sobre a massa lubrificante recomendada, contacte o seu revendedor com assistência técnica.
- Utilize apenas uma pequena quantidade de massa lubrificante especial de elevada qualidade.



CUIDADO: Não encha completamente a caixa de engrenagem.

Resolução de problemas

Teclado

Ecrã de LED	Avarias possíveis	Soluções possíveis
LED de erro intermitente.	Sobrecarga	O acessório de corte não consegue mover-se livremente. Solte o acessório de corte.
	Desvio de temperatura	Deixe o produto arrefecer.
O produto não liga.	Prima o interruptor de alimentação e o botão de arranque ao mesmo tempo.	Solte o interruptor de alimentação e pare o produto.
LED de erro aceso com uma luz vermelha.	É necessário proceder à manutenção do produto	Contacte o seu revendedor de assistência.

Bateria

Ecrã LED	Avarias possíveis	Ação possível
LED verde intermitente.	Tensão da bateria baixa.	Carregue a bateria.

Ecrã LED	Avarias possíveis	Ação possível
LED de erro intermitente.	Desvio de temperatura.	Utilize a bateria a temperaturas entre -10°C (14°F) e 40°C (104°F).
	Tensão excessiva.	Certifique-se de que a tensão da rede elétrica coincide com a tensão indicada na etiqueta de tipo do produto.
		Retire a bateria do carregador da bateria.
LED de erro aceso.	Diferença entre células demasiado elevada (1 V).	Contacte o seu revendedor com assistência técnica.

Carregador de bateria

Problema	Falhas possíveis	Solução possível
O LED de carregamento está vermelho.	Erro do carregador de bateria permanente.	Contacte o seu distribuidor.
O LED de carregamento fica verde intermitente.	Desvio de temperatura, a bateria encontra-se demasiado fria ou demasiado quente para utilizar ou carregar.	Deixe a bateria arrefecer ou aquecer. Quando a bateria estiver na temperatura correta, esta pode ser utilizada ou carregada novamente. Utilize o carregador de bateria a temperaturas ambiente entre 5 °C (41 °F) e 40 °C (104 °F).
O LED de carregamento fica vermelho intermitente.	Bateria defeituosa.	Contacte o seu distribuidor.

Transporte, armazenamento e eliminação

Transporte e armazenamento

- As baterias de iões de lítio fornecidas cumprem os requisitos da legislação sobre mercadorias perigosas.
- Cumpra o requisito especial sobre a embalagem e as etiquetas de transporte comercial, incluindo por terceiros e agentes transitários.
- Contacte uma pessoa com formação específica em material perigoso antes de enviar o produto. Cumpra todos os regulamentos nacionais aplicáveis.
- Utilize fita em contactos abertos quando colocar a bateria numa embalagem. Coloque a bateria na embalagem de forma fixa para impedir movimentos.
- Retire sempre a bateria para armazenamento ou transporte.
- Coloque a bateria e o carregador da bateria num espaço seco e sem humidade ou gelo.
- Não armazene a bateria numa área onde possa haver eletricidade estática. Não armazene a bateria numa caixa metálica.
- Coloque a bateria num local onde a temperatura varie entre 5 °C/41 °F e 25 °C/77 °F e esteja afastado da exposição à luz solar.
- Coloque o carregador da bateria num local onde a temperatura varie entre 5 °C/41 °F e 45°C/113°F e esteja afastado da exposição à luz solar.
- Utilize o carregador da bateria apenas quando a temperatura ambiente se encontrar entre os 5 °C/41 °F e os 40 °C/104 °F.
- Carregue a bateria entre 30% a 50% antes de a armazenar durante longos períodos de tempo.
- Armazene o carregador da bateria num espaço fechado e seco.
- Mantenha a bateria afastada do carregador da bateria durante o armazenamento. Não permita que crianças e outras pessoas não autorizadas entrem em contacto com o equipamento. Mantenha o equipamento num espaço que possa trancar.
- Antes de armazenar o produto durante longos períodos de tempo, limpe-o e efetue uma manutenção completa do mesmo.

- Utilize a proteção para transporte no produto para evitar ferimentos ou danos no produto durante o transporte e o armazenamento.
- Fixe o produto em segurança durante o transporte.

o equipamento numa estação de reciclagem para equipamentos elétricos e eletrônicos. Isto ajuda a evitar danos no ambiente e em pessoas.

Contacte as autoridades locais, o serviço de recolha de resíduos domésticos ou o seu concessionário para obter mais informações sobre como reciclar o seu produto.

Eliminação da bateria, do carregador da bateria e do produto

Os símbolos no produto ou na respetiva embalagem indicam que o produto não é resíduo doméstico. Recicle

Especificações técnicas

Especificações técnicas

	215HD45
Motor	
Tipo de motor	BLDC
Peso	
Peso sem bateria, kg	3,2
Lâmina	
Tipo	Duplas
Comprimento das lâminas, mm	450
Velocidade da lâmina, cortes/min (com modo SavE)	2400
Velocidade da lâmina, cortes/min, (sem modo SavE)	3000
Emissões de ruído ²¹	
Nível de potência sonora, dB(A) medidos	87
Nível de potência sonora, garantido, L _{WA}	90
Níveis acústicos	
Nível de pressão sonora junto ao ouvido do utilizador, medido de acordo com a norma EN 62841-4-2, dB(A)	79
Níveis de vibração ²²	
Níveis de vibração (a _n) na dianteira/traseira, m/s ²	2,1/1,7

²¹ Emissões de ruído para as imediações, medidas sob forma de potência sonora (L_{WA}) em conformidade com a diretiva da CE 2000/14/CE. A diferença entre a potência sonora garantida e medida é que a potência sonora garantida também inclui a dispersão no resultado da medição e as variações entre diferentes produtos do mesmo modelo; consulte a diretiva 2000/14/CE.

²² Os dados comunicados relativamente ao nível de vibração têm uma dispersão estatística típica (desvio padrão) de 1,5 m/s².

O valor total de vibração declarado foi medido de acordo com um método de teste padrão e pode ser utilizado para comparar ferramentas.

O valor total de vibração declarado também pode ser utilizado para uma avaliação preliminar da exposição.

Baterias aprovadas para o produto

Bateria	BLi10	40-B70
Tipo	lões de lítio	
Capacidade da bateria, Ah	Consulte o dístico de classificação da bateria	
Tensão nominal, V	36	36,5
Peso, kg	0,7	0,7

Carregadores de bateria aprovados para o produto

Carregador da bateria	QC80	40-C80
Tensão de corrente elétrica, V	100-240	100-240
Frequência, Hz	50-60	50-60
Potência, W	100	72
Tensão de saída, V CC/ Amps, A	36/2	43/1,6

Declaração de conformidade

Declaração UE de conformidade

A **Husqvarna AB**, SE-561 82 Huskvarna, Suécia,
tel.: +46-36-146500, declara, sob sua inteira
responsabilidade, que o produto:

Descrição	Corta-sebes a bateria
Marca	Husqvarna
Tipo/Modelo	215iHD45
Identificação	Números de série referentes a 2024 e posteriores

está em plena conformidade com as seguintes diretivas
e regulamentos da UE:

Diretiva/regulamento	Descrição
2006/42/CE	"relativa a máquinas"
2014/30/UE	"relativa à compatibilidade eletromagnética"
2000/14/CE	"relativa a emissões de ruído para o ambiente"
2011/65/UE	"relativa à restrição do uso de determinadas substâncias perigosas em equipamento elétrico e eletrónico"

e que as seguintes normas e/ou especificações técnicas
são aplicadas: EN 62841-4-2:2019+A1:2022+A11:2022,
EN 62841-1:2015+A11:2022, EN IEC 55014-1:2021, EN
IEC 55014-2:2021, EN IEC 63000:2018.

De acordo com a Diretiva 2000/14/CE, Anexo V,
consulte *Especificações técnicas na página 162* para
obter os valores de som declarados.

Huskvarna, 2024-02-01



Claes Losdal, gestor de I&D, Husqvarna AB
Responsável pela documentação técnica



Sisukord

Sissejuhatus.....	165	Veotsing.....	174
Ohutus.....	166	Transportimine, hoivlepanek ja utiliseerimine.....	175
Kokkupanek.....	171	Tehnilised andmed.....	175
Töö.....	171	Vastavusdeklaratsioon.....	178
Hooldamine.....	173		

Sissejuhatus

Toote kirjeldus

Husqvarna 215iHD45 on elektrimootoriga akutoitel hekilõikur.

Me teeme pidevalt tööd, et tõsta teie ohutust ja tõhusust töötamisel. Lisateabe saamiseks võtke ühendust hooldusesindusega.

Toote tutvustus

(Joon. 1)

1. Kasutusjuhend
2. Tagumine käepide
3. Esikäepideme päästik
4. Esikäepide
5. Tera
6. Transportkaitse
7. Toitelüliti
8. Juhtpaneel
9. Käekaitse
10. Aku
11. Akulaadija 40-C80
12. Pistik
13. Akunäidiku nupp
14. Aku olek
15. Hoiatusindikaator
16. SavE-nupp
17. Käivitus- ja seiskamisnupp
18. Toite sisselülituse ja hoiatuse indikaator
19. Aku vabastamise nupud
20. Akulaadija QC80
21. Toitekaabel

Sümbolid tootel

- (Joon. 2) HOIATUS! Toode võib olla ohtlik ja põhjustada kasutaja või kõrvaliste isikute ohtliku kehavigastuse või surma. Ole ettevaatlik ja kasuta toodet õigesti.
- (Joon. 3) Enne seadme kasutamist lugege kasutusjuhend hoolikalt läbi ja veenduge, et olete juhistest aru saanud.
- (Joon. 4) Kasutage silmade kaitset.
- (Joon. 5) See seade vastab kehtivatele EÜ direktiividele.
- (Joon. 6) Toode või toote pakend ei kuulu olmejäätmete hulka. Toimetage

Kasutusotstarve

Kasutage toodet okste ja raagude lõikamiseks. Ärge kasutage toodet muude tööde tegemiseks.

see elektri- ja elektroonikajäätmete ringlussevõtukeskusesse.

(Joon. 7) Ärge jätke vihma kätte.

(Joon. 8) Alalisvool.

(Joon. 9) Keskkonna müraemissiooni märgis ELi (sealhulgas New South Walesi õigusaktid) ja Ühendkuningriigi õigusaktide järgi. Mürataseme andmed on toodud seadme sildil ja peatükis Tehnilised andmed.

(Joon. 10) See toode vastab kohalduvatele EL-i direktiividele.

(Joon. 11) Hoiatus! Hoidke käed lõiketerast eemale.

aaaannxxxx Mudeli etikett näitab seerianumbrit. **aaaa** on tootmisaasta, **nn** on tootmisnädal.

Märkus: Ülejäänud tootel toodud sümbolid/ tähised vastavad erinevates riikides kehtivatele sertifitseerimisnõuetele.

Akul ja/või akulaadijal olevad sümbolid.

- (Joon. 15) Toimetage seade elektri- ja elektroonikajäätmete ringlussevõtukeskusesse. (Kehtib vaid Euroopas)
- (Joon. 12) Tõrkekindel trafo.
- (Joon. 13) Kasutage ja hoiustage akulaadijat ainult siseruumides.
- (Joon. 14) Topeltisolatsioon.

Ohutus

Ohutuse määratlused

Mõistetega „hoiatus“, „ettevaatus“ ja „märkus“ juhitakse tähelepanu eriti olulistele kohtadele kasutusjuhendis.



HOIATUS: Tähistab kasutusjuhendi juhiste eiramise korral kasutaja või kõrvalseisjate kehavigastuse või surmaga lõppeva õnnetuse ohtu.



ETTEVAATUST: Tähistab kasutusjuhendi juhiste eiramise korral seadme, muude esemete või läheduses asuvate objektide kahjustamise ohtu.

Märkus: Tähistab antud olukorras vajalikku lisateavet.

Üldised ohusalased märkused elektritööriistade kohta



HOIATUS: Lugege kõik ohusalased hoiatused ja kõik juhised läbi. Hoiatuste ja juhiste eiramine võib põhjustada elektrilöögi, tulekahju ja/või raskeid vigastusi.

Märkus: Hoidke kõik ohusalased märkused ja juhised edasiseks kasutamiseks alles. Märkustes kasutatud elektritööriista mõiste tähistab võrgutoitel (juhtmega) elektritööriista või akutoitel (juhtmeta) elektritööriista.

Tööala ohutus

- Hoidke tööala puhas ja tagage hea valgustus. Segamini või hämarad alad on õnnetuseallid.
- Ärge kasutage elektritööriistu plahvatusohtlikus keskkonnas, näiteks tuleohtlike vedelike, gaaside või tolmu läheduses. Elektritööriistad võivad tekitada sädemeid, mis võivad tolmu või gaasid süüdata.
- Hoidke elektritööriista kasutamise ajal lapsed ja kõrvalseisjad tööalast eemal. Tähelepanu hajumine võib põhjustada kontrolli kaotamist.

Elektriohutus

- Elektritööriista pistikud peavad sobima pistikupesaga. Ärge muutke pistikut mis tahes viisil. Ärge kasutage maandusega elektritööriistade puhul adapterpistikuid. Muutmata pistikud ja sobivad pistikupesad vähendavad elektrilöögi ohtu.
- Vältige kehalist kokkupuudet maandatud pindadega (nt torud, radiaatorid, elektripliidid ja külmikud). Teie keha maandamise korral on elektrilöögi oht suurem.

- Vältige elektritööriistade kokkupuudet vihma ja märgade tingimustega. Tööriista pääsenud vesi suurendab elektrilöögi ohtu.
- Kasutage juhete õigesti. Ärge kunagi kasutage juhete elektritööriista kandmiseks, tõmbamiseks või pistikupesast eemaldamiseks. Kaitske juhete kuumuse, õli, teravate servade ja liikuvate osade eest. Kahjustatud või sõlmes juhe suurendab elektrilöögi ohtu.
- Elektritööriistaga õues töötamisel kasutage välistingimustes kasutamiseks sobivat pikendusjuhet. Välistingimustes kasutamiseks sobiva pikendusjuhtme kasutamine vähendab elektrilöögi ohtu.
- Kui elektritööriista kasutamine niiskes keskkonnas on vältimatu, kasutage rikkevoolukaitsmega (RCD) kaitsitud toidet. RCD kasutamine vähendab elektrilöögi ohtu.



HOIATUS: Ära kasuta masina pesemiseks survepesu, sest vesi võib siseneda elektrisüsteemi või mootorisse ja põhjustada masinal kahjustusi või lühise.

Inimeste kaitsmine

- Olge elektritööriista kasutamisel tähelepanelik, jälgige oma tegevust ja kasutage tervet mõistust. Ärge kasutage elektritööriista, kui olete väsinud või uimastite, alkoholi või ravimite mõju all. Hetkeline tähelepanematus elektritööriistade kasutamise ajal võib lõppeda tõsiste kehavigastustega.
- Kasutage isikukaitselahendusi. Kasutage alati kaitseprille. Asjakohastes tingimustes kaitsevahendite (nt tolmumask, mittelibisevad turvajalatsid, kiiver või kõrvaklapid) kasutamine vähendab kehavigastuste ohtu.
- Vältige soovimatut käivitumist. Enne seadme ühendamist toiteallika või akuga, üles tõstmist või kandmist veenduge, et lüliti on väljalülitatud asendis. Kui kannate elektritööriista nii, et teie sõrm on toitelüliti, või pingestate lüliti varustatud elektritööriista, võib see lõppeda õnnetusega.
- Eemaldage enne elektritööriista sisselülitamist kõik reguleerimis- ja mutrivõtmed. Elektritööriista pöörleva osa külge jäetud mutri- vm võti võib põhjustada kehavigastusi.
- Ärge küünitage liiga kaugele. Säilitage kogu aeg kindel jalgealune ja tasakaal. See annab ootamatutes olukordades parema kontrolli elektritööriista üle.
- Kandke nõuetekohaseid riideid. Ärge kandke lahtiseid rõivaid ega ehteid. Hoidke juuksed ja rõivad liikuvatest osadest eemal. Lahtised rõivad, ehted või pikad juuksed võivad liikuvate osade vahele kinni jääda.

- **Kui seadmetel on ühendus tolmueemaldus- ja kogumisseadmete jaoks, veenduge, et need on ühendatud ja neid kasutatakse õigesti.** Tolmukogumise kasutamise abil saab vähendada tolmuga seotud ohte.
- **Ärge muutuge tööriistade sagedasest kasutusest hooletuks ja ärge ignoreerige tööriistade ohutu kasutamise põhimõtteid.** Hooletu tegevus võib ka murdosa sekundi jooksul põhjustada tõsiseid kehavigastusi.
- Sõltuvalt tööriista kasutusviisist võib mootortööriista kasutamise ajal tekkiv vibratsioon seadme dokumentatsioonis esitatud koguväärtusest erineda. Kasutajad peaksid välja selgitama isikukaitsemeetmed, mis põhinevad eeldatavatel tegelikel töötingimustel (arvestada tuleb töotsükli kõiki etappe – lisaks täisvõimsusega töötamisele loeb ka see aeg, mil seade on välja lülitatud, ja see aeg, kui seade töötab tühikäigul).

Elektritööriista kasutamine ja hooldamine

- **Ärge suruge elektritööriista jõuga. Kasutage rakenduse jaoks asjakohast elektritööriista.** Õige elektritööriist teeb töö ära paremini, ohutumalt ja ettenähtud kiirusel.
- **Ärge kasutage elektritööriista, kui lüliti vajutamisel ei lülitu seade sisse ega välja.** Mis tahes elektritööriist, mida pole võimalik juhtida, on ohtlik ja tuleb viivitamatult parandada.
- **Enne elektritööriista reguleerimist, tarvikute vahetamist või hoieulapanekut eemalda pistik toiteallikast ja/või eemalda elektritööriista küljest aku, kui see on eemaldatav.** Taolised ennetavad ohutusmeetmed vähendavad elektritööriista tahtmatu käivitamise ohtu.
- **Hoidke elektritööriista, mida te parasjagu ei kasuta, lastele kättesaamatus kohas ja ärge lubage elektritööriista kasutada isikutel, kes ei oska seda kasutada või pole neid juhiseid läbi lugenud.** Elektritööriistad on koolitamata kasutajate käes ohtlikud.
- **Elektritööriista ja tarvikuid tuleb hooldada. Kontrollige liikuvate osade joondust ja kinnitusi, osade purunemist või muid tööriista kasutamist mõjutavaid võivaid tegureid.** Kahjustuse korral laske elektritööriist enne kasutamist remontida. Paljude õnnetuste põhjuseks on halvasti hooldatud elektritööriistad.
- **Hoidke lõikevahendid teravad ja puhtad.** Nõuetekohaselt hooldatud teravate lõikeservadega lõikevahendite kinnikiilumise tõenäosus on väiksem ja neid on hõlpsam juhtida.
- **Järgige elektritööriista, tarvikute, tööriistaotsikute jm kasutamisel neid juhiseid ning arvestage töötingimuste ja -ülesandega.** Elektritööriista kasutamine muuks kui ettenähtud otstarbeks võib põhjustada ohtliku olukorra.
- **Hoidke käepidemed ja haardepinnad kuivad, puhtad ning õli- ja määrdevabad.** Libedate käepidemete ja haardepindade korral ei ole ootamatutes

olukordades võimalik tööriista ohutult käsitseda ja juhtida.

Akutööriistade kasutamine ja hooldamine

- **Kasutage laadimiseks ainult tootja soovitatud laadijat.** Ühte tüüpi aku laadimiseks sobiv laadija võib koos teist tüüpi akuga kasutades tuleohtu põhjustada.
- **Kasutage toodetega vaid spetsiaalselt neile loodud akusid.** Teisi akukogumeid kasutades riskite vigastuste ja tulekahjuga.
- **Kui aku pole hetkel kasutuses, hoidke seda eemal teistest metallsemetest (nt kirjaklambrid, mündid, võtmed, naelad, kruvid vms väiksed metallsemed), mis võiksid akuklemme omavahel ühendada.** Akuklemmide lühistamine võib põhjustada põletushaavu või tulekahju.
- **Väärkasutamise korral võib akust vedelikku lekkida; vältige kokkupuudet.** Kokkupuute korral loputage kannatada saanud kohta veega. Kui vedelik satub silma, loputage silma veega ja pöörduge arsti poole. Akust lekinud vedelik võib põhjustada ärritust või põletushaavu.
- **Ärge kasutage defektset või muudetud akut või tööriista.** Kahjustatud või muudetud akud võivad käituda ettearvamatult ning põhjustada tule-, plahvatus- või vigastusohtu.
- **Ärge laske akul või tööriistal puutuda kokku tulega või liiga kõrgete temperatuuridega.** Kokkupuude üle 130 °C temperatuuriga võib põhjustada plahvatuse.
- **Järgige kõiki laadimisjuhiseid ja ärge vahetage akut või tööriista temperatuuril, mis jääb väljapoole juhistes kirjeldatud temperatuurivahemikku.** Aku laadimine valesti või väljaspool selleks ettenähtud temperatuurivahemikku võib akut kahjustada ja suurendada tuleohtu.

Hooldus

- **Laske elektritööriista hooldada vastava väljaõppega remontijal, kes tohib kasutada ainult identseid asendusi.** See tagab elektritööriista ohutuse säilimise.
- **Ärge kunagi hooldage kahjustatud akusid.** Akusid võivad hooldada üksnes tootja või volitatud teenusepakkujad.

Hekilõikuri ohutusala sed märkused – isiklik ohutus

- **Kasutage hekilõikuriga töötamiseks kahte kätt.** Ühe käega töötamine võib põhjustada kontrolli kaotamist hekilõikuri üle ja tekitada tõsiseid kehavigastusi.
- **Hoidke kõik kehaosad lõiketerast eemal.** Ära eemalda lõigatud materjali ega hoiu lõigatavat materjali sel ajal, kui terad veel liiguvad. Lõiketerad pöörlevad pärast masina seiskamist edasi. Hetkeline tähelepanematus hekilõikuri kasutamise ajal võib lõppeda tõsiste kehavigastustega.
- **Kandke hekilõikur käepidemest hoides, lõiketerad peatatuna ja veenduge, et te ei puuduta toitelüliteid.**

Kandes heklõikur õigesti, vähendate tahtmatu käivitamise ohtu ja võimalust tekitada lõiketeradega kehavigastusi.

- **Hekitrimmeri transportimise või hoistamise ajal katke lõiketera alati spetsiaalse kattega.** Hekitrimmeri nõuetekohane käsitsemine vähendab võimalike kehavigastuste ohtu, mida lõiketerad võivad põhjustada.
- **Kui eemaldate kinnikiilunud materjali või hooldate seadet, veenduge, et kõik toitelülitid oleksid välja lülitatud ja aku oleks eemaldatud või lahti ühendatud.** Hekilõikuri ootamatu käivitamine kinnikiilunud materjali eemaldamisel või seadme hooldamisel võib põhjustada raskeid kehavigastusi.
- **Hoidke heklõikurit ainult isoleeritud haardepindadest, kuna lõiketera võib kokku puutuda peidetud juhtmetega.** Kui lõiketerad puutuvad kokku pingele all olevate juhtmetega, võivad heklõikuri metallosad seejärel samuti pingele alla sattuda ning kasutajale elektrilöögi anda.
- **Hoidke kõik toitejuhtmed ja -kaablid lõikealast eemal.** Hekis või pöösas olev toitejuhe või -kaabel võib jääda varjatuks ja tekkida oht selle tahtmatuks kahjustamiseks lõiketeraga.
- **Ära kasuta teleskoopvarrega heklõikurit halva ilmaga (eriti äikesetormi ajal).** See vähendab pikselöögi ohtu.
- **OHTI! Hoidke käsi terast eemal.** Kokkupuude teraga tekitab tõsiseid kehavigastusi.

Üldised ohutuseeskirjad



HOIATUS: Enne toote kasutamist lugege läbi järgnevad hoiatused.

- Eemaldage aku, et seade juhuslikult ei käivituks.
- Toode on ohtlik, kui seda kasutada valesti või ettevaatamatult. Toode võib põhjustada kasutaja või kõrvaliste isikute ohtliku kehavigastuse või surma.
- Ärge kasutage seadet, kui selle algeid tehnilisi näitajaid on muudetud. Ärge muutke seadme ühtegi osa ilma tootja heakskiiduta. Kasutage ainult tootja poolt heaks kiidetud osi. Vale hooldamine tagajärjeks võib olla kehavigastus või surm.
- Kontrollige seadet enne kasutamist. Vt jaotist *Ettevalmistused enne toote käivitamist lk 172*. Ärge kasutage kahjustatud seadet. Järgige seadet kontrollides ja hooldades seadme kasutusjuhendi nõudeid.
- Lapsi tuleb jälgida, et nad seadmega ei mängiks. Ärge kunagi lubage seadet ega akut kasutada või hooldada lastel ega teistel isikutel, kes pole seadme ja/või aku kasutamise koolitust saanud. Kohalikes õigusaktides võib olla reguleeritud kasutaja vanus.
- Hoidke seadet lukustatud kohas, kus sellele ei pääse juurde lapsed ega volitamata isikud.
- Hoidke seadet lastele kättesaamatus kohas.

- Seadme algset konstruktsiooni ei tohi muuta ilma tootja loata. Kasutage alati originaalilisatarvikuid. Lubamatud muudatused ja varuosad võivad põhjustada kasutaja ja teiste isikute raskeid või isegi eluohtlikke kehavigastusi.

Märkus: Kasutamist võivad piirata riiklikud või kohalikud määrused. Järgige kõiki määrusi.

Ohutusjuhised kasutamisel



HOIATUS: Enne seadme kasutamist lugege läbi järgnevad hoiatused.

- Kui olukord on teile tundmatu, katkestage töö ja paluge spetsialistidelt abi ja nõu. Võta ühendust edasimüüja või hoolduspunktiga. Ärge tehke tööd, milleks teil puudub väljaõpe või kogemused.
- Ärge töötage seadmega, kui olete väsinud, ravimite või alkoholi mõju all, ms võivad mõjutada teie otsustamisvõimet, nägemist ja keha valitsemist.
- Halva ilmaga töötamine väsitab ja sellega kaasneb tihti muid ohte. Seadet pole soovitatav kasutada väga halva ilmaga, näiteks tiheda udu või vihma, tugeva tuule, väga külma temperatuuri või äikesehoju korral.
- Kontrollige, et süütepea ja süütekaabel oleksid kahjustusteta, et elektrilööki ära hoida.
- Ärge lubage lastel seadet kasutada ega selle läheduses viibida. Kuna seadet on lihtne käivitada, võivad lapsed selle käivitada, kui neid piisavalt ei jälgita. See tähendab raskete vigastuste tekke ohtu. Kui seade jääb valveta, lahutage aku ühendus.
- Veenduge, et inimesed ja loomad ei oleks töö ajal lähemal kui 15 meetrit. Kui samas kohas töötab mitu kasutajat, peab ohutusvahemaa olema vähemalt 15 meetrit. Vastasel juhul on raskete vigastuste tekke oht. Seisake seade kohe, kui keegi läheneb. Ärge kunagi pöörake seadet ringi enne, kui olete selja taha vaadanud ja veendunud, et ohutsoonis pole kedagi.
- Veenduge, et inimesed, loomad või kõrvalised esemed ei mõjutaks teie kontrolli seadme üle ega puutuks kokku lõikeosaga või lõikeosast väljapaiskuvate lahtiste esemetega. Ärge kasutage kunagi seadet olukordades, kus te ei saa kutsuda abi õnnetuse korral.
- Vaadake alati üle tööpiirkond. Kõrvaldage kõik lahtised esemed, nagu kivid, klaaskillud, naelad, traat, nõör ja muu taoline, mis võib õhku paiskuda või lõikeosasse kinni jääda.
- Veenduge, et saate turvaliselt seista ja liikuda. Vaadake, et läheduses ei oleks tõkkeid, nagu juuri, kive, oksid, kraave jms, mis oleksid takistuseks juhul, kui tuleb kiiresti eemalduda. Olge eriti ettevaatlik mäeküljel töötades.
- Olge kindlal pinnal ja hoidke ennast tasakaalus. Ärge küünitage liiga kaugele.

- Enne teise tööpiirkonda liikumist lülitage seade välja. Kui toodet ei kasutata, kinnitage sellele transportkaitse.
- Ärge kunagi asetage seadet maha enne, kui olete selle välja lülitanud ja aku eemaldanud. Ärge jätkke sisselülitatud seadet järelevalveta.
- Kui seade on sisse lülitatud, siis jälgige, et riided või kehaosad ei puutuks vastu löikeosa.
- Kui seadmega töötamise ajal jääb midagi löiketerade külge kinni, siis peatage seade ja lülitage see välja. Veenduge, et löikeosa oleks täielikult seiskunud. Alati enne seadme ja/või löikeosa löiketerade puhastamise, kontrollimise või parandamise alustamist eemaldage aku.
- Pärast seadme väljalülitamist hoidke käed ja jalad löikeosast eemal seni, kuni löikeosa on täielikult seisma jäänud.
- Jälgige, et löigatud oksajupid teie pihta ei paiskuks. Ärge löigake liiga lähedal maapinnale, kus kivid ja muud esemed võivad öhku paiskuda.
- Hoiduge eemalepaiskuvate esemete eest. Kasutage alati heaks kiidetud kaitseprille. Ärge kummardage vaatama kaitsekatte taha! Kivid ja muud esemed või osakesed võivad lennata silma ja põhjustada ohtlikke kahjustusi või isegi pimedaksjäämist.
- Kui kasutate kuulmiskaitset, olge tähelepanelik hõigete ja hoiatussignaalide suhtes. Eemaldage kõrvaklapid kohe, kui seade on seiskunud.
- Ärge kunagi töötage redelil, toolil või muus kõrges asendis, mis ei ole täielikult fikseeritud.
- Hoidke toodet käes mõlema käega. Hoidke toodet oma keha kõrval.

(Joon. 16)

Isikukaitsevahendid



HOIATUS: Enne toote kasutamist loe läbi järgnevad hoiatused.

- Seadmega töötamisel tuleb kasutada ettenähtud isiklikku kaitsevarustust. Isikukaitsevarustus ei välista täielikult kehavigastuste ohtu, kuid vähendab õnnetusjuhtumi korral kehavigastuse raskusastet. Lisateabe saamiseks võta ühendust edasimüüjaga.
- Kaitsekiivrit, kohtades, kus on langevate esemete oht.

(Joon. 17)

- Kanna heakskiidetud kõrvaklappe. Pikaajaline müra võib tekitada püsiva kuulmiskahjustuse.

(Joon. 18)

- Kanna heakskiidetud kaitseprille. Näokaitseme kasutamisel tuleb lisaks kasutada heakskiidetud kaitseprille. Heakskiidetud kaitseprillide all mõeldakse selliseid prille, mis vastavad standardile ANSI Z87.1 USA-s või EN 166 Euroopa Liidu riikides.

(Joon. 19)

- Kasuta töötamise ja hooldamise ajal kaitsekindaid. (Joon. 20)

- Kanna libisemiskindla tallaga kaitseasaapaid või -jalatseid. (Joon. 21)

- Kandke vastupidavast materjalist riideid. Tööriided peavad olema liibuvad, kuid ei tohi liikumisvabadust piirata. Kandke pikki pükse ja kinnitage juuksed selja taha. Ärge kandke ehteid ega lahtisi jalatseid.
- Hoida esmaabikomplekti kättesaadavas kohas.

(Joon. 22)

Toote ohutusseadised



HOIATUS: Enne toote kasutamist lugege läbi järgmised hoiatused.

Selles alalõigus kirjeldatakse masina turvavarustust, selle otstarvet ning kuidas läbi viia kontrollid ja hooldust, tagamaks masina nõuetekohane töö. Vaadake pealkirja all olevaid juhiseid, *Toote tutvustus lk 165* et teada saada, kus need osad teie tootel asuvad.

Kui seadet ei hooldata õigesti ja korrapäraselt ning seadet ei paranda asjatundja, võib seadme tööiga lüheneda ja tekkida õnnetuste oht. Kui vajate täiendavat infot, pöörduge lähimasse teenindusse.



HOIATUS: Ärge kunagi kasutage toodet, mille turvavarustus on kahjustatud. Ohutusvarustust tuleb käesolevas lõigus toodud eeskirjade kohaselt hooldada ja kontrollida. Kui seade ei vasta ohutusnõuetele, laske see parandada hooldustöökojas.



ETTEVAATUST: Seadme hooldus ja parandamine nõuab eraldi väljaõpet. Eriti oluline on see seadme ohutusvarustuse puhul. Kui seade ei vasta allpool toodud nõuetele, viige see hoolduspunkti. Meie toodetele on tagatud professionaalne hooldus ja parandus. Kui seadme edasimüüja ei tegele hooldusega, paluge tal juhatada teid lähimasse hoolduspunkti.

Klahvistiku kontrollimine

1. Vajutage käivituse- ja seiskamisnuppu (A) ja hoidke seda allavajutatuna. (Joon. 23)
 - a) Seade on sisse lülitatud siis, kui LED-tuli (B) süttib.
 - b) Seade on välja lülitatud siis, kui LED-tuli (B) kustub.
2. Hoiatusindikaatori (C) süttimise või vilkumise korral vt *Klahvistik lk 174*.

Esikäepideme päästiku kontrollimine

Esikäepideme päästik takistab juhuslikku käivitamist. Kui vajutate esikäepideme päästiku alla, vabastab see toitelüliti. Käepideme vabastamise korral liiguvad nii toitelüliti kui ka esikäepideme päästik algasendisse tagasi.

1. Veenduge, et toitelüliti ja esikäepideme päästik liiguksid takistamatult ning tagastusvedru töötaks korralikult.
2. Käivitage seade.
3. Vajutage esikäepideme päästikut.

(Joon. 24)

4. Vajutage toitelüliti. (Joon. 25)
5. Vabastage esikäepideme päästik ja veenduge, et lõikeosa peatuks täielikult.

Käekaitse kontrollimine

Käekaitse aitab ära hoida käte juhuslikku kokkupuudet lõiketeradega.

1. Seisake seade.
2. Eemaldage aku.
3. Kontrollige, kas käekaitse on korralikult kinnitatud.
4. Kontrollige käekaitset kahjustuste suhtes.

Lõiketerade ja lõiketera kaitse kontrollimine

Lõiketerade (A) pikemad osas toimivad lõiketera kaitsetena.

1. Seisake seade.
2. Eemaldage aku.
3. Pange kindad kätte.
4. Veenduge, et lõiketerad ega lõiketera kaitset ei ole kahjustatud ega väändunud. Kui lõiketerad või lõiketera kaitset on kahjustatud või väändunud, vahetage need välja. (Joon. 26)

Aku ohutus



HOIATUS: Enne toote kasutamist lugege läbi järgmised hoiatused.

- Kasutage ainult BLi seeria ja 40-B seeria akusid. Üksikasjade saamiseks vt jaotist *Tehnilised andmed lk 175*. Aku on kodeeritud.
- Kasutage Husqvarna toodete vooluallikana üksnes taasklaetavaid BLi seeria ja 40-B seeria akusid. Kehavigastuse vältimiseks ärge kasutage akut muude seadmete toiteallikana.
- Elektrilöögioht. Ärge ühendage akuklemme võtmete, müntide, kruvide või muude metallsemetega. See võib tekitada akus lühise.
- Ärge kasutage mittelaetavaid akusid.

- Ärge asetage esemeid aku õhuavade sisse ja ette.
- Vältige aku kokkupuudet otsese päikesevalguse, kuumuse ja lahtise leegiga. Aku võib põhjustada põletusi ja/või keemilisi põletusi.
- Vältige aku kokkupuudet vihma ja märja keskkonnaga.
- Vältige aku kokkupuudet mikrolainete ja kõrgsurvega.
- Ärge demonteerige ega lõhkuge akut.
- Aku lekke korral vältige vedeliku kokkupuudet keha ja silmadega. Kui vedelik satub kehale, puhastage kokkupuutunud ala rohke veega ja seebiga ning seejärel pöörduge arsti poole. Kui vedelik satub silma, ärge hõõruge silmi, vaid loputage neid veega vähemalt 15 minutit ja pöörduge arsti poole.
- Kasutage akut keskkonnas, mille temperatuur jääb vahemikku $-10...40\text{ }^{\circ}\text{C}$.
- Ärge puhastage akut või akulaadijat veega. Vt jaotist *Seadme, aku ja akulaadija puhastamine lk 173*.
- Ärge kasutage defektset või kahjustatud akut.
- Hoiustage akusid eemal metallsemetest (nt naelad, kruvid, ehted).
- Hoidke aku eemal lastest.

Akulaadija ohutus



HOIATUS: Enne toote kasutamist lugege läbi järgmised hoiatused.

- Ohutuseeskirjade eiramine võib kaasa tuua elektrilöögi või lühise.
- Kasutage ainult seadme tarnekomplekti kuuluvat akulaadijat. BLi Seeria ja 40-B seeria asendusakude laadimiseks kasutage ainult QC80 seeria ja 40-C80 laadijaid.
- Ärge püüdke akulaadijat lahti monteerida.
- Ärge kunagi kasutage defektset või kahjustunud akulaadijat.
- Ärge tõstke akulaadijat toitejuhtmetest hoides. Akulaadija võrgupistikupesast lahutamiseks tõmmake pistikut. Ärge tõmmake toitejuhket.
- Vältige juhtmete ja pikendusjuhtmete kokkupuudet vee, õli ja teravate servadega. Jälgige, et juhe ei jääks uste, väravate jms vahele.
- Ärge kasutage akulaadijat tuleohtlike või korrosiooni tekitavate materjalide läheduses. Veenduge, et akulaadija poleks kinni kaetud. Suitsu või tule tekke korral eemaldage pistik akulaadijast.
- Laadige akut ainult hea õhuvahetusega siseruumis ja päikesevalguse eest kaitstuna. Ärge laadige akut õues. Ärge laadige akut märjas keskkonnas.
- Kasutage akulaadijat keskkonnas, mille temperatuur jääb vahemikku $5...40\text{ }^{\circ}\text{C}$. Kasutage laadijat hästi ventileeritavas, kuivas ja tolmuvabas keskkonnas.
- Ärge asetage esemeid akulaadija jahutusavade sisse ja ette.

- Ärge kunagi ühendage akulaadija klemme metallesemete külge, vastasel korral võib akulaadija lühistuda.
- Kasutage heakskiidetud ja kahjustamata pistikupesasid. Veenduge, et akulaadija juhe poleks kahjustatud. Pikendusjuhtme kasutamisel veenduge, et pikendusjuhe poleks kahjustatud.
- Ärge laadige akulaadijas mittelaetavaid akusid.

Ohutusjuhised hooldamisel



HOIATUS: Enne seadme hooldustööde tegemist lugege läbi järgnevad hoiatused.

- Eemaldage aku enne hooldustööde või muude kontrolltoimingute või seadme kokkupanemise alustamist.

- Seadme kasutaja tohib teha üksnes käesolevas kasutusjuhendis kirjeldatud hooldustöid. Mahukamate hooldustööde tegemiseks pöörduge hooldusesindusse.
- Ärge puhastage akut või akulaadijat veega. Tugevatoimeline pesuvahend võib kahjustada plast detaile.
- Kui hooldustöid ei tehta, siis toote kasutamisega lüheneb ja õnnetuste oht kasvab.
- Kõigi hooldus- ja parandustööde tegemiseks (eriti seadme ohutusseadiste juures) on vajalik eriväljaõpe. Kui pärast hooldustööde tegemist ei läbi seade kõiki käesolevas kasutusjuhendis kirjeldatud kontrolltoiminguid, siis pöörduge hooldusesinduse poole. Garanteerime, et hooldusesinduses tehakse teie tootele professionaalsel tasemel remondi- ja hooldustööd.
- Kasutage ainult originaalvaruosi.

Kokkupanek

Sissejuhatus

Selles jaotises kirjeldatakse seadme kokkupanemist ja reguleerimist.



HOIATUS: Enne seadme kokkupanemist lugege läbi ohutust puudutav jaotis ja kokkupanekujuhised.

Aku ühendamine seadmega.



HOIATUS: Kasutage seadmes ainult Husqvarna originaalakusid.

1. Lae aku täielikult täis.
2. Lükake aku seadme akupessa. Aku on kohale lukustunud, kui kuulete klõpsatust. (Joon. 27)



ETTEVAATUST: Kui aku ei liigu sujuvalt akupessa, siis on aku asend vale. See võib toodet kahjustada.

Akulaadija 40-C80 seinale paigaldamine



ETTEVAATUST: Ärge kasutage akulaadija seinale paigaldamiseks elektrilist kruvikeerajat. Elektriline kruvikeeraja võib akulaadijat kahjustada.

1. Paigaldage akulaadija kahe kruviga (B) seinale. Vajadusel kasutage seinakorke (A). (Joon. 28)
2. Paigaldage kaks kruviauguga korki (C).
3. Ühendage akulaadija toitejuhe vooluvõrku.

Töö

Sissejuhatus



HOIATUS: Enne toote kasutamist lugege läbi ohutuspeatükk ja veenduge, et oleksite kõigest aru saanud.

Aku



HOIATUS: Enne aku kasutamist lugege läbi ohutuspeatükk ja veenduge, et kogu teave on arusaadav. Lugege läbi aku ja

akulaadija kasutusjuhend ning veenduge, et kogu teave on arusaadav.

Hoidke akut ja akulaadijat õigel õhutemperatuuril.

	Õhutemperatuur
Aku kasutamine	5 °C...40 °C
Aku laadimine	5 °C...40 °C

Aku olek

Ekraanil kuvatakse teave aku laetustaseme ja mistahes akuga seotud probleemide kohta.

(Joon. 29)

LED-indikaator	Aku olek (laetustase)	
	BLi10	40-B70
Pöleb 4 LED-tuld	–	Aku on 76–100% laetud.
Pöleb 3 LED-märgutuld	Aku on 76–100% laetud.	Aku on 51–75% laetud.
Pöleb 2 LED-märgutuld	Aku on 51–75% laetud.	Aku on 26–50% laetud.
Pöleb 1 LED-märgutuli.	Aku on 26–50% laetud.	Aku on 6–25% laetud.
1 LED-märgutuli vilgub	Aku on 0–25% laetud.	Aku on 0–5% laetud.

Aku laadimine

Enne aku esimest kasutuskorda laadige aku täis. Uue aku laetustase on ainult 30%.



ETTEVAATUST: Ühendage akulaadija tüübisildil näidatud pinge ja sagedusega pistikupessa.

Akut ei laeta, kui aku temperatuur on üle 50 °C.

1. Ühendage toitepistik akulaadijaga.
2. Ühendage akulaadija maandatud pistikupessa. Laadimise LED-tuli vilgub ühe korra. (Joon. 30)
3. Ühendage aku akulaadijaga. Süttib laadimist tähistav LED-tuli. Ärge laadige akut kauem kui 24 tundi. (Joon. 31)
4. Vajutage akunäidiku nuppu. Kui kõik LED-märgutuled süttivad, on aku täis laetud.
5. Akulaadija eemaldamiseks vooluvõrgust tõmmake toitepistik pistikupesast välja. Ärge tõmmake toitejuhet.
6. Eemaldage aku laadijast.

Ettevalmistused enne toote käivitamist

1. Uurige tööala. Eemaldage esemed, mis võivad eemale paiskuda.
2. Kontrollige löikeosa. Veenduge, et löiketerad on teravad ning et neis pole pragusid ega kahjustusi.
3. Veenduge, et toode töötaks korralikult. Kontrollige, et kõik mutrid ja poldid oleksid korralikult pingutatud.
4. Veenduge, et käepide ja ohutusseadised pole kahjustatud ning on õigesti kinnitatud. Ärge kasutage toodet, kui mõni osa puudub või seda on võrreldes algsete tehniliste andmetega muudetud. Vajaduse korral kandke kaitsekindaid.
5. Enne toote kasutamist veenduge, et katted pole kahjustatud ja on õigesti kinnitatud.

Toote käivitamine

1. Vajutage pikalt käivitus- ja seiskamisnuppu, kuni süttib roheline LED-tuli. (Joon. 32)

2. Vajutage esikäepideme päästikut. (Joon. 33)
3. Vajutage toitelülitiit. (Joon. 25)

Toote kasutamine

1. Kui löikate heki külgi, alustage maapinna lähedalt ja liigutage toodet mööda hekki ülespoole. Jälgige, et toote korpus ei puudutaks hekki. (Joon. 34)



HOIATUS: Jälgige, et löikeosa ots ei puudutaks maad.

2. Stabiilse tööasendi hoidmiseks hoidke toodet keha lähedal.
3. Olge ettevaatlik ja käituge toodet aeglaselt.

SavE funktsiooni kasutamine

Seade on varustatud energiasäästufunktsiooniga SavE.

Märkus: Funktsioon SavE ei vähenda seadme löikamisvõimekust.

1. Vajutage klahvistikul SavE nuppu.
2. Veenduge, et roheline LED-tuli süttiks.
3. Funktsiooni peatamiseks vajutage uuesti SavE nuppu. Roheline LED-tuli kustub. (Joon. 35)

Automaatse seiskamise funktsioon

Seadmel on seiskamisfunktsioon, mis peatab seadme, kui seda ei kasutata. Käivitamise/seiskamise märgutule roheline LED-tuli kustub ja seade seiskub 180 sekundi pärast.

Seadme seiskamine

1. Vabastage toitelülitiit esikäepideme päästik.
2. Vajutage pikalt käivitus- ja seiskamisnuppu, kuni roheline LED-tuli kustub.
3. Vajutage aku vabastusnuppu ja eemaldage aku. (Joon. 36)

Hooldamine

Sissejuhatus



HOIATUS: Enne seadme hooldamist lugege läbi ohutuspeatükk ja veenduge, et see oleks teile täielikult arusaadav.



HOIATUS: Enne seadme hooldustööde alustamist eemaldage aku.

Hoolduskeem

Alljärgnevalt on esitatud loetelu seadme hooldustöödest, mida peab tegema seadme kasutaja.

Hooldamine	Enne kasutamist	Üks kord nädalas	Iga kuu
Puhastage seadme välisosad.	X		
Kontrollige, kas käivitus- ja seiskamisnupp töötab korralikult ja on kahjustamata.	X		
Kontrollige, et toitelüliti ja esikäepideme päästik töötaksid ohutult ja nõuetekohaselt.	X		
Kontrollige, kas kõik juhtseadised töötavad korralikult ja on kahjustamata.	X		
Kontrollige, et lõikuri teral ega lõikuri kaitsel pole pragusid ega kahjustusi. Vahe- ta lõiketera või lõikuri kate välja, kui see on saanud lööke või on pragunenud.	X		
Kui lõikuri tera on väändunud või kahjustatud, vaheta see välja.	X		
Veenduge, et käekaitse oleks kahjustamata. Kahjustatud kaitse vahetage välja.	X		
Veenduge, et mutrid ja kruvid oleksid pingutatud.	X		
Veenduge, et aku ei oleks kahjustatud.	X		
Veenduge, et aku oleks laetud.	X		
Veenduge, et akulaadija ei oleks kahjustatud.	X		
Veenduge, et lõikuri terade kinnituskruvid oleksid korralikult pingutatud.		X	
Kontrollige aku ja seadme vahelisi ühendusi. Samuti kontrollige aku ja akulaadija vahelisi ühendusi.			X

Aku ja akulaadija kontrollimine

1. Kontrollige, kas akul leidub kahjustusi, nt pragusid.
2. Kontrollige, kas akulaadijal leidub kahjustusi, nt pragusid.
3. Veenduge, et akulaadija ühendusjuhe poleks kahjustatud ja et sellel poleks pragusid.

Seadme, aku ja akulaadija puhastamine

1. Pärast kasutamist puhastage seade kuiva riidelapiga.
2. Puhastage aku ja akulaadija kuiva riidelapiga. Hoidke akujuhikuid puhtana.

3. Enne aku asetamist akulaadijasse või tootesse veenduge, et aku ja akulaadija klemmid oleksid puhtad.

Lõiketera kontrollimine

1. Puhastage tera enne ja pärast toote kasutamist soovimatust materjalist roostevastase puhastusvahendiga.
2. Kontrollige lõiketera servasid kahjustuste ja deformatsiooni suhtes.
3. Eemaldage viiliga lõiketeralt kraadid.
4. Veenduge, et lõiketerad saavad vabalt liikuda.

Lõiketerade puhastamine ja määrimine

1. Puhastage lõiketerad enne ja pärast toote kasutamist soovimatust materjalist.
2. Enne pikaks ajaks hoiulepanekut määrige lõiketerasid.

Märkus: Soovitatud puhastusvahendite ja määrete kohta lisateabe saamiseks võtke ühendust hooldusesindajaga.

- Kasutage Husqvarna spetsiaalset määret. Soovitatud määre kohta lisateabe saamiseks võtke ühendust hooldusesindajaga.
- Kasutage väikest kogust kõrgekvaliteedilist erimääret.



ETTEVAATUST: Ärge täitke ülekannet täielikult.

Ülekande määrimine

Kandke määre ülekandele, kui ülekanne on volitatud hooldusesindaja poolt lahti võetud.

Veaoosing

Klahvistik

LED-ekraan	Võimalikud tõrked	Võimalikud lahendused
Tõrke LED-tuli vilgub	Ülekoormus	Lõikeosad ei saa vabalt liikuda. Vabastage lõikeosa.
	Temperatuuri kõrvalekaldumine	Laske seadmel maha jahtuda.
Toode ei käivitu.	Lükake toitelüliti ja vajutage samal ajal käivitusnuppu.	Laske toitelüliti lahti ja seisake seade.
Tõrke LED-tuli süttib koos punase tulega.	Seade vajab hooldust	Pöörduge hooldusesindusse.

Aku

LED-näidik	Võimalikud tõrked	Võimalik lahendus
Roheline LED-tuli vilgub.	Aku pinge madal.	Laadige aku.
Tõrke LED-tuli vilgub	Temperatuuri kõrvalekalle.	Kasutage akut keskkonnas, mille temperatuur jääb vahemikku $-10...40^{\circ}\text{C}$ ($14...104^{\circ}\text{F}$).
	Liiga suur pinge.	Kontrollige, kas toiteallika võrgupinge vastab seadme andmesildil märgitule. Eemaldage aku laadijast.
Tõrke LED-tuli põleb.	Elementide erinevus on liiga suur (1 V).	Pöörduge hooldusesindusse.

Akulaadija

Probleem	Võimalikud tõrked	Võimalik lahendus
Laadimist tähistav LED-tuli on punane.	Akulaadija püsiv tõrge.	Pöörduge edasimüüja poole.

Probleem	Võimalikud tõrked	Võimalik lahendus
Laadimist tähistav LED-tuli vilgub roheliselt.	Vale temperatuur, aku on laadimiseks liiga külm või liiga kuum.	Laske akul jahtuda või soojeneda. Kui aku on saavutanud õige temperatuuri, saab seda uuesti kasutada või laadida. Kasutage akulaadijat keskkonnas, mille temperatuur jääb vahemikku 5...40 °C.
Laadimist tähistav LED-tuli vilgub punaselt.	Aku rike.	Pöörduge edasimüüja poole.

Transportimine, hoiepanek ja utiliseerimine

Transportimine ja hoistamine

- Tarnitud liitiumioonakud vastavad ohtlike ainete eeskirjade nõuetele.
- Täitke kaubanduslikule transpordile kehtestatud pakendamise ja märgistamise erinõudeid (sh kolmandate osapoolte või ekspeditorite teenuseid kasutades).
- Enne seadme lähetamist konsulteerige isikuga, kes on läbinud ohtlike ainete käitlemise alase erikoolituse. Järgige kõiki kehtivaid riiklike eeskirju.
- Enne aku pakendisse asetamist katke lahtised kontaktid isoleerteibiga. Asetage aku pakendisse tihkelt, et see ei saaks liikuma hakata.
- Hoistamise ja transpordi ajaks tuleb aku eemaldada.
- Asetage aku ja akulaadija kohta, mis on kuiv ja mida ei ähvarda niiskus ega jäätumine.
- Ärge hoidke akut kohas, kus võib tekkida staatiline elekter. Ärge hoidke akut metallkastis.
- Hoidke akut ruumis, mille temperatuur püsib vahemikus 5...25°C (41...77°F) ja kus aku on varjatud otsese päikesevalguse eest.
- Hoidke akulaadijat ruumis, mille temperatuur püsib vahemikus 5...45°C (41...113°F) ja kus akulaadija on varjatud otsese päikesevalguse eest.

- Kasutage akulaadijat üksnes juhul, kui ümbritsev temperatuur on vahemikus 5...40°C.
- Enne aku pikemaajalist hoistamist laadige see 30–50% ulatuses täis.
- Hoidke akulaadijat ruumis, mis on suletud ja kuiv.
- Ladustamisel hoidke aku akulaadijast eemal. Ärge lubage lastel ja teistel volitamata isikutel seadmeid puutuda. Hoidke seadmeid lukustatavas ruumis.
- Enne seadme pikemaajalist hoistamist puhastage seade ja tehke sellele täishooldus.
- Transportimise ja hoistamise ajal kasutage tootel olevat transpordikaitset, et vältida inimeste kehavigastusi ja toote kahjustusi.
- Kinnitage seade transpordi ajaks turvaliselt.

Aku, akulaadija ja seadme kasutuselt kõrvaldamine

Tootel või selle pakendil olevad sümboolid näitavad, et toodet ei tohi visata olmeprügi hulka. Toimetage see elektri- ja elektroonikajäätmete ringlussevõtukeskusesse. Nii aitate vältida keskkonna ja inimeste kahjustamist.

Kui soovite lisateavet oma toote ringlussevõtu kohta, võtke ühendust kohalike ametiasutuste, olmejäätmete käitleja või edasimüüjaga.

Tehnilised andmed

Tehnilised andmed

	215IHD45
Mootor	
Mootori tüüp	BLDC
Mass	
Kaal ilma akuta (kg)	3,2

	215HD45
Tera	
Tüüp	Kahepoolne
Lõiketera pikkus	450
Lõiketera kiirus, lõiget minutis (režiimis SavE)	2400
Lõiketera kiirus, lõiget minutis (ilma režiimita SavE)	3000
Müraemissioon ²³	
Helitugevuse tase, dB(A)	87
Helivõimsuse tase, garanteeritud L _{WA}	90
Müratase	
Helirõhk kasutaja kõrva juures, mõõdetud standardi EN 62841-4-2 järgi, dB(A)	79
Vibratsioonitase ²⁴	
Vibratsioonitasemed (a _h), ees/taga, m/s ²	2,1/1,7

Seadmes kasutamiseks heakskiidetud akud

Aku	BLi10		40-B70
Tüüp	Liitiumioonaku		Liitiumioonaku
Aku mahtuvus, Ah	Vt aku andmete kleeibist		Vt aku andmete kleeibist
Nimipinge, V	36	36,5	36
Kaal, kg	0,7	0,7	0,8

Seadme jaoks heaks kiidetud akulaadid

Akulaadja	QC80	40-C80
Toitevõrgu pingeline, V	100–240	100–240
Sagedus, Hz	50–60	50–60
Võimsus, W	100	72

²³ Müraemissioon ümbritsevasse keskkonda, mõõdetud helivõimsuse tasemena (L_{WA}) vastavalt EÜ direktiivile 2000/14/EÜ Erinevus garanteeritud ja mõõdetud helivõimsustaseme vahel seisneb selles, et direktiivi 2000/14/EÜ alusel hõlmab garanteeritud helivõimsustase ka mõõtmistulemuste dispersiooni ja kõrvalekaldeid sama mudeli erinevate toodete vahel.

²⁴ Vibratsioonitaseme kohta esitatud andmete tüüpiline statistiline dispersioon (standardhälve) on 1,5 m/s².

Esitatud vibratsiooni koguväärtust on mõõdetud vastavalt standardsele katsemeetodile ning seda võib kasutada vaid tööriistade võrdlemiseks.

Esitatud vibratsiooni koguväärtust võib kasutada ka võimalike ohtude esialgsel hindamisel.

Akulaadja	QC80	40-C80
Väljundpinge, alalisvool, V / amprit, A	36/2	43/1,6

Vastavusdeklaratsioon

EL-i vastavusdeklaratsioon

Husqvarna AB, SE-561 82 Huskvarna, Rootsi, tel: +46
3614 6500, kinnitab ainuvastutusel, et toode:

Kirjeldus	Akuhekilõikur
Kaubamärk	Husqvarna
Tüüp/mudel	215iHD45
Identifitseerimine	Seerianumbrid alates 2024. aastast

vastab täielikult järgmistele EÜ direktiividele ja määrustele:

Direktiiv/eeskirj	Kirjeldus
2006/42/EÜ	„masinadirektiiv“
2014/30/EL	„elektromagnetilise ühilduvuse direktiiv“
2000/14/EÜ	„seadmete müra kohta käiv direktiiv“
2011/65/EL	„elektri- ja elektroonikaseadmetes teatavate ohtlike ainete kasutamise piiramise direktiiv“

ja et kohalduvad järgmised standardid ja/või tehnilised spetsifikatsioonid:
EN 62841-4-2:2019+A1:2022+A11:2022, EN 62841-1:2015+A11:2022, EN IEC 55014-1:2021, EN IEC 55014-2:2021, EN IEC 63000:2018.

Vastavalt direktiivile 2000/14/EÜ, V lisa, vt jaotist
Tehnilised andmed lk 175 deklareeritud heliväärtuste kohta teabe saamiseks.

Huskvarna, 2024-02-01



Claes Losdal, Husqvarna AB uurimis- ja arendusjuht
Tehnilise dokumentatsiooni eest vastutaja



TURINYS

Ivadas.....	179	Gedimai ir jų šalinimas.....	188
Sauga.....	180	Transportavimas, saugojimas ir utilizavimas.....	189
Surinkimas.....	185	Techniniai duomenys.....	190
Naudojimas.....	186	Atitikties deklaracija.....	192
Techninė priežiūra.....	187		

Ivadas

Gaminio aprašas

Husqvarna 215iHD45 yra akumuliatorinės gyvatvorių žirklės su elektriniu varikliu.

Nuolat stengiamės padidinti jūsų saugumą ir eksploatacijos efektyvumą. Dėl išsamesnės informacijos prašome kreiptis į savo techninės priežiūros atstovą.

Gaminio apžvalga

(Pav. 1)

1. Naudojimo instrukcija
2. Galinė rankena
3. Priekinis gaidukas
4. Priekinė rankena
5. Peilis
6. Transportavimui skirtas apsauginis elementas
7. Maitinimo jungiklis
8. Valdymo skydelis
9. Rankų apsauga
10. Akumuliatorius
11. Akumuliatoriaus įkroviklis 40-C80
12. Jungtis
13. Akumuliatoriaus indikacinis mygtukas
14. Akumuliatoriaus būseną
15. Įspėjimo indikatorius
16. „Save“ mygtukas
17. Paleidimo / stabdymo mygtukas
18. Maitinimo ir įspėjimasis indikatorius
19. Baterijos nuėmimo mygtukai
20. Akumuliatoriaus įkroviklis QC80
21. Maitinimo laidas

Simboliai ant gaminio

- (Pav. 2) [SPĖJIMAS. Šis gaminys gali būti pavojingas ir rimtai sužeisti arba pražudyti naudotoją arba aplinkinius. Būkite atsargūs ir tinkamai naudokite gaminį.
- (Pav. 3) Prieš naudodami gaminį atidžiai perskaitykite naudojimo instrukciją ir įsitinkinkite, kad instrukcijas suprantate.
- (Pav. 4) Užsidėkite akių apsaugos priemones.
- (Pav. 5) Šis gaminys atitinka taikomas EB direktyvas.
- (Pav. 6) Gaminys ar gaminio pakuotė nepriskiriami buitiniams atliekoms. Nuvežkite jį į elektros ir elektronikos įrenginių perdirbimo punktą.

Naudojimas

Gaminį naudokite šakų ir šakelių kirpimui. Nenaudokite gaminio kitiems darbams.

(Pav. 7) Nepalikite lietuje.

(Pav. 8) Nuolatinė srovė.

(Pav. 9) [aplinką skleidžiamo triukšmo etiketė atitinka ES (įskaitant Naujojo Pietų Velso teisės aktus) ir JK direktyvas bei reglamentus. Triukšmo emisijos duomenys nurodyti įrenginio etiketėje ir skyriuje „Techniniai duomenys“.

(Pav. 10) Šis gaminys atitinka taikytinų JK reglamentų nuostatas.

(Pav. 11) Įspėjimas. Laikykite rankas atokiai nuo peilių.

yyyywwxxxxx Nominalių parametų plokštelėje nurodytas serijos numeris. **yyyy** yra pagaminimo metai, **ww** yra pagaminimo savaitė.

Pasižymėkite: Kiti ant įrenginio pateikti simboliai (lipdukai) skirti specialiems kai kurių rinkų sertifikavimo reikalavimams.

Simboliai ant akumuliatoriaus ir (ar) akumuliatoriaus įkroviklio

- (Pav. 15) Nuvežkite šį gaminį į elektros ir elektronikos įrenginių perdirbimo punktą. (galioja tik Europoje)
- (Pav. 12) Apsaugotas transformatorius.
- (Pav. 13) Akumuliatoriaus įkroviklį naudokite ir laikykite tik uždaroje patalpoje.
- (Pav. 14) Dviguba izoliacija.

Sauga

Saugos ženklų reikšmės

[spėjimai, perspėjimai ir pastabos yra skirtos atkreipti dėmesį į ypač svarbias vadovo dalis.



PERSPĖJIMAS: Naudojamas, kai naudotojui ar šalia esantiems asmenims kyla mirtino arba sunkaus sužeidimo pavojus arba, jei nesilaikoma vadove pateiktų nurodymų.



PASTABA: Naudojamas, kai kyla pavojus sugadinti gaminį, kitas medžiagas arba padaryti žalą aplinkai, jei nesilaikoma vadove pateiktų nurodymų.

Pasižymėkite: Naudojamas papildomai informacijai apie konkrečią situaciją pateikti.

Bendrieji saugos įspėjimai naudojant elektros įrankius



PERSPĖJIMAS: Perskaitykite visus saugos įspėjimus ir instrukcijas. Nesilaikydami įspėjimų ir instrukcijų galite sukelti gaisrą, patirti elektros smūgį ir (arba) rimtai susižeisti.

Pasižymėkite: Saugokite visus įspėjimus ir instrukcijas, nes jų gali prireikti vėliau. Terminas „elektros įrankis“ įspėjimuose reiškia iš elektros tinklo maitinamą (laidinį) elektros įrankį arba akumuliatorių maitinamą (belaidį) elektros įrankį.

Sauga darbo vietoje

- **Darbo vieta turi būti švari ir gerai apšviesta.** Netvarkingose arba tamsiose darbo vietose dažnai įvyksta nelaimės.
- **Nenaudokite elektros įrankių sprogiose aplinkose, pavyzdžiui, ten, kur yra lengvai užsidegančių skysčių, dujų arba dulkių.** Elektros įrankiai kibirkščiuoja, todėl gali užsiliepsnoti dulkės arba garai.
- **Naudodami elektros įrankį, neieskite arti būti vaikams ir pašaliniais asmenims.** Išsiblaškę galite prarasti įrenginio kontrolę.

Elektrosauga

- **Elektrinių įrankių kištukai turi atitikti elektros lizdus.** Niekada nebandykite koku nors būdu perdaryti kištuko. Jei naudojate įžemintus elektros įrankius, nenaudokite jokių kištukų adapterių. Jeigu kištukai

nėra perdaryti ir atitinka elektros lizdus, elektros smūgio pavojus yra mažesnis.

- **Nesilieskite prie elektros laidininkų paviršių, pavyzdžiui, vamzdžių, radiatorių, viryklių ir šaldytuvų.** Jei kūnas taps elektros laidininku, iškyla elektros smūgio pavojus.
- **Nelaikykite elektrinių įrankių lietuje arba drėgnoje aplinkoje.** Įrenginį patekęs vanduo padidina elektros smūgio pavojų.
- **Tinkamai naudokite laidą.** Niekada neneškite įrankio laikydami už laido, netraukite jo ir nebandykite traukdamis už jo ištraukti elektros įrankio kištuką. Laikykite laidą atokiai nuo šilumos šaltinių, tepalų, aštrių briaunų ar judančių dalių. Dėl pažeistų arba susipainiojusių laidų padidėja elektros smūgio rizika.
- **Jei elektros įrankį naudojate lauke, naudokite lauke skirtą naudoti ilgutuvą.** Naudojant lauke skirtą naudoti ilgutuvą, sumažėja elektros smūgio rizika.
- **Jeigu elektros įrankį būtina naudoti drėgnoje aplinkoje, naudokite liekamosios srovės grandinės pertraukiklį (LSGP) apsaugotą maitinimo šaltinį.** Naudojant LSGP, sumažėja elektros smūgio pavojus.



PERSPĖJIMAS: Negalima plauti gaminio naudojant slėgį, nes vanduo gali patekti į elektros sistemą arba variklį ir sugadinti gaminį ar sąlygoti trumpąjį jungimą.

Asmens sauga

- **Naudodami elektros įrankį, būkite budrūs, stebėkite savo veiksmus ir vadovaukitės sveiku protu.** Nenaudokite elektros įrankio, jei esate pavargę, apsaivę nuo narkotikų, alkoholio arba vaistų. Dirbant elektros įrankiais netgi akimirksniu neatidumo gali tapti sunkaus sužeidimo priežastimi.
- **Naudokite asmenines apsaugines priemones.** Visuomet užsidėkite akių apsaugos priemones. Dėl atitinkamomis sąlygomis naudojamų apsauginių priemonių, pavyzdžiui, respiratorių, neslystančių apsauginių batų, šalmo arba apsauginių ausinių, sumažėja sužeidimų rizika.
- **Saugokitės atsitiktinio išjungimo. Prieš prijungdami įrenginį prie maitinimo šaltinio ir (arba) akumuliatorių bloko, paimdami arba nešdami įrenginį, išitikinkite, kad jungiklis yra išjungimo (OFF) padėtyje.** Jei nešite elektros įrankį laikydami pirštą ant jungiklio ar prijungsite jį prie maitinimo šaltinio, kai jungiklis yra įjungimo padėtyje, gali įvykti nelaimingas atsitikimas.
- **Prieš įjungdami elektros įrankį, pašalinkite iš jo visus reguliavimo raktus ar veržliarakčius.** Besisukančioje elektros įrankio dalyje paliktas veržliaraktis arba raktas gali sužeisti.

- **Per plačiai neužsimokite. Visada tvirtai stovėkite ant kojų ir laikykite pusiausvyrą.** Tokiu būdu geriau kontroliuosite elektros įrankį netikėtose situacijose.
- **Apsirenkite tinkamai. Niekada nedėvėkite palaidų drabužių ar papuošalų. Nelaiykite plaukų ir drabužių arti judančių dalių.** Palaidi drabužiai, papuošalai arba ilgi plaukai gali įkliūti į judančias dalis.
- **Jeigu naudojate įtaisus, skirtus dulkių surinkimo įrenginiams prijungti, įsitikinkite, kad jie tinkamai prijungti ir naudojami.** Naudojant dulkių surinkimo įrenginius, sumažėja su dulkelėmis susijusių pavojų rizika.
- **Ilgą laiką naudotis įrankiais ir prie jų pripratę nenustokite paisyti įrankių saugos principų.** Dėl neatsargių veiksmų galite rimtai susižeisti vos per akimirką.
- Tikrasis vibracijos dydis elektrinio įrenginio darbo metu gali skirtis nuo nurodytos suminės vertės, kadangi tai priklauso nuo įrenginio naudojimo būdų. Operatoriai turi naudoti atitinkamas saugos priemones, kurios pasirenkamos įvertinus realias darbo sąlygas (atsižvelgiant į visas darbo ciklo fazes, t.y. įrenginio išjungimo (nenaudojimo) trukmę, darbo tuščiąją eiga ir realaus plovimo trukmes).

Elektros įrankių naudojimas ir priežiūra

- **Dirbdami su elektros įrankiu nenaudokite jėgos. Naudokite savo darbui tinkamą elektros įrankį.** Naudojant tam tikslui skirtą elektros įrankį, darbas bus atliktas saugiau ir greičiau.
- **Jeigu paspaudus jungiklį elektros įrankis neišjungia arba neišsijungia, nenaudokite įrankio.** Elektros įrankis, kurio nepavyksta tinkamai valdyti jungikliu, kelia pavojų ir turi būti taisomas.
- **Prieš reguliuodami elektros įrankius, keisdami priedus arba padėdami saugoti, ištraukite maitinimo laido kištuką iš elektros lizdo ir (arba) išimkite akumuliatorių bloką, jei jį galima išimti.** Laikantis šių prevencinės apsaugos priemonių, sumažėja netyčinio elektros įrankio įjungimo rizika.
- **Nenaudojamus elektros įrankius laikykite vaikams nepasiekiamoje vietoje ir neleiskite naudoti elektros įrankio asmenims, kurie nemoka juo naudotis arba nėra susipažinę su šiomis instrukcijomis.** Nekvalifikuotų naudotojų rankose elektros įrankiai yra pavojingi.
- **Prižiūrėkite elektrinius įrankius ir priedus. Patikrinkite, ar sureguliuotos ir nestringa judančios dalys, ar nėra sulūžusių dalių ir kitų veiksnių, kurie gali daryti įtaką elektros įrankio veikimui. Prieš naudojant, sugedusį elektros įrankį reikia sutaisyti.** Daug nelaimingų atsitikimų įvyksta dėl netinkamai prižiūrimų elektros įrankių.
- **Plovimo įrankiai turi būti pagალasti ir švarūs.** Tinkamai prižiūrimi plovimo įrankiai su aštriomis pjovimo briaunomis rečiau užstringa ir juos paprasčiau valdyti.
- **Elektros įrankius, priedus, įrankių galąstuvus ir pan. naudokite taip, kaip nurodyta šiose instrukcijose, atsižvelgdami į darbo sąlygas ir atliekamą darbą.**

Naudodami elektros įrankį ne pagal paskirtį, galite sukelti pavojingą situaciją.

- **Rankenos ir laikomieji paviršiai visuomet turi būti sausi ir švarūs (neištepti alyva ar tepalais).** Slidžios rankenos ir laikyimosi paviršiai neleidžia saugiai valdyti ir kontroliuoti netikėtose situacijose.

Akumuliatorių įrankių naudojimas ir priežiūra

- **Akumuliatorius kraukite tik gamintojo nurodytu įkrovikliu.** Įkroviklis, tinkamas vienam akumuliatorių blokui, gali sukelti gaisro pavojų, naudojamas kitam akumuliatorių blokui įkrauti.
- **Gaminius naudokite tik su jiems skirtais akumuliatorių blokais.** Naudojant bet kokį kitą akumuliatorių bloką kyla sužeidimo ir gaisro pavojus.
- **Nenaudojamą akumuliatorių bloką laikykite toliau nuo metalinių daiktų, galinčių sukurti jungtį tarp gnybtų, pavyzdžiui sąvaržėlių, monetų, raktų, vinių, varžtų ir kitų smulkių metalinių daiktų.** Trumpai sujungus akumuliatoriaus gnybtus gali kilti gaisras arba galite nudegti.
- **Esant nepalankioms sąlygoms, iš akumuliatoriaus gali imti tekėti skystis. Nelieskite jo. Ant odos netyčia patekusį skystį nuplaukite vandeniu. Skysčiui patekus į akis kreipkitės medicininės pagalbos. Iš akumuliatoriaus ištekėjęs skystis gali sudirginti arba nudeginti.**
- **Nenaudokite pažeisto arba modifikuoto akumuliatorių bloko arba įrankio.** Naudojant pažeistus ar modifikuotus akumuliatorius, jų veikimas gali būti neprognozuojamas ir jie gali sukelti gaisrą, sproгимą ar sužaloti.
- **Saugokite akumuliatorių bloką arba įrankį nuo ugnies ir didelės temperatūros.** Sąlytis su ugnimi arba 130 °C temperatūra gali sukelti sproгимą.
- **Laikykites visų įkrovimo nurodymų ir neįkraukite akumuliatorių bloko ar įrankio, esant nurodytame diapazone neišsitenkančiai temperatūrai.** Netinkamai įkraunant arba esant nurodytame diapazone neišsitenkančiai temperatūrai gali būti pažeistas akumuliatorius ir padidėti gaisro tikimybė.

Techninė priežiūra

- **Elektros įrankio techninę priežiūrą privalo atlikti kvalifikuotas remonto specialistas, naudojamas tik tokias pačias pakaitines dalis.** Tokiu būdu bus užtikrinta elektros įrankio sauga.
- **Niekada neapžiūrinėkite pažeistų akumuliatorių blokų.** Akumuliatorių blokų techninę priežiūrą gali atlikti tik gamintojas arba įgalioti paslaugų teikėjai.

Gyvatvorių žirklių saugos įspėjimai – asmens sauga

- **Gyvatvorių žirkles valdykite abiem rankomis.** Laikant įrenginį viena ranka, jis gali tapti nevaldomas ir sukelti rimtų sužeidimų.
- **Laikykites toliau nuo peilių. Peiliams judant nebandykite išimti nupjautos medžiagos arba laikyti pjaunamos medžiagos.** Išjungus įrenginį, peiliai dar

kurį laiką juda. Dirbant gyvatvorių žirkėmis netgi akimirksnis neatidumo gali tapti sunkias sužeidimo priežastimi.

- **Nustojus peiliams judėti, gyvatvorių žirkles neškite laikydami už rankenos ir stengdamiesi neįjungti jokio maitinimo jungiklio.** Tinkamai nešant gyvatvorių žirkles, sumažėja pavojus netyčia paleisti gaminį ir susižeisti peiliu.
- **Prieš perveždami ar saugodami gyvatvorių žirkles, būtinai uždėkite peilio gaubtą.** Tinkamai naudojant gyvatvorių žirkles, sumažėja pavojus susižeisti peiliu.
- **Valydami užstrigusią medžiagą ar atlikdami techninę priežiūrą įsitikinkite, kad visi maitinimo jungikliai išjungti ir akumulatoriaus blokas nuimtas arba atjungtas.** Netikėtai įsijungus gyvatvorių žirklems, kai valoma užstrigusi medžiaga arba atliekama techninė priežiūra, galima sunkiai susižeisti.
- **Laikykite gyvatvorių žirkles tik už izoliuoto rankenų paviršiaus, nes peilių ašmenys gali paliesti paslėptus laidus.** Peiliui palietus laidą, kuriuo teka elektros srovė, srovė gali imti tekėti metalinėmis gyvatvorių žirklių dalimis ir naudotojas gali gauti elektros smūgį.
- **Visus elektros laidus ir kabelius laikykite toliau nuo pjovimo vietos.** Elektros laidai ar kabeliai gali būti paslėpti gyvatvorėse ar krūmuose ir juos galima netyčia nupjauti peiliu.
- **Nenaudokite gyvatvorių žirklių blogomis oro sąlygomis, ypač jei gali žaibuoti.** Taip sumažinsite pavojų būti nutrenktiems žaibo.
- **PAVOJUS – laikykite rankas atokiai nuo ašmenų.** Prisilietę prie ašmenų galite rimtai susižeisti.

Bendrieji saugos nurodymai



PERSPĖJIMAS: Prieš naudodami gaminį, perskaitykite toliau esančius įspėjimus.

- Nuimkite akumulatorių, kad netyčia neįjungtumėte gaminio.
- Šis gaminys gali būti pavojingas, jei būsite neatsargūs arba gaminį naudosite netinkamai. Šis gaminys gali rimtai sužeisti arba pražudyti naudotoją arba aplinkinius.
- Nenaudokite gaminio, jei pasikeitė jo pradinės specifikacijos. Nekeiskite gaminio dalių, neturinčių gamintojo patvirtinimo. Naudojate tik gamintojo patvirtintas dalis. Netinkamai atliekant gaminio techninę priežiūrą galima rimtai arba mirtinai susižeisti.
- Prieš darbą atlikite produkto patikrą. Žr. *Prieš paleidžiant gaminį psl. 186.* Sugadinto produkto nenaudokite. Atlikite šiame vadove nurodytas saugos patikras, techninės priežiūros ir aptarnavimo procedūras.
- Saugokite, kad su gaminiu nežaistų vaikai. Niekuomet neleiskite vaikams ar kitiems asmenims, neapmokytiems naudotis gaminiu ir / arba akumulatoriumi, jais naudotis ar atlikti techninę

priežiūrą. Vietos teisės aktuose gali būti nustatytas jauniausias amžius, nuo kurio galima naudoti tokius įrenginius.

- Laikykite gaminį užrakintoje patalpoje, kad jo nepasiektų vaikai arba neįgalioji asmenys.
- Akumulatorių laikykite ten, kur jos negali pasiekti vaikai.
- Be gamintojo leidimo jokių atveju negalima keisti originalios gaminio konstrukcijos. Būtinai naudokite originalias atsargines dalis. Nesuderinti konstrukcijos pakeitimai bei nepritaikytos detalės gali sukelti rimtus operatoriaus ir pašalinių asmenų kūno sužalojimus ir net mirtį.

Pasižymėkite: Naudojimą gali reglamentuoti nacionaliniai arba vietos teisės aktai. Laikykitės nustatytų taisyklių.

Saugos nurodymai dėl darbo



PERSPĖJIMAS: Prieš naudodami gaminį, perskaitykite toliau esančius įspėjimus.

- Jei tam tikroje situacijoje nežinosite kaip pasielgti, teiraukitės specialisto. Kreipkitės į pardavėją ar aptarnavimo dirbtuves. Nedirbkite darbo, kurio nemokate ar jaučiatės nepakankamai kvalifikuotas.
- Niekada nedirbkite gaminiu, jei esate pavargęs, išgėręs alkoholio ar vartojate medikamentus, kurie gali veikti Jūsų regėjimą, nuovoką ar koordinaciją.
- Darbas blogu oru vargina ir dažnai padidina pavojaus riziką. Dėl didesnio pavojaus, nerekomenduojama naudoti įrenginio labai blogu oru, pavyzdžiui, kai yra didelis rūkas, smarkus lietus, stiprus vėjas, didelis šaltis ar žaibo pavojus.
- Pažeisti peiliai gali padidinti nelaimingų atsitikimų riziką.
- Neleiskite vaikams naudoti gaminio ar būti arti jo. Įrenginį užvesti labai paprasta, todėl neprižiūrimi vaikai gali lengvai tai padaryti. Tai reiškia, jog iškyla pavojus sunkiai susižeisti. Kai neprižiūrite įrenginio, visuomet atjunkite bateriją.
- Užtikrinkite, kad dirbant prie jūsų arčiau nei 15 metrų neprisiartintų žmonės ar gyvūnai. Kai vienoje vietoje šiais įrenginiais dirba keli asmenys, tarp jų turi būti išlaikomas mažiausiai 15 m saugus atstumas. Priešingu atveju galite juos sunkiai sužeisti. Kam nors priartėjus, nedelsdami sustabdykite gaminį. Niekada nesisukinėkite su gaminiu prieš tai neįsitikinę, ar už jūsų nieko nėra.
- Užtikrinkite, kad žmonės, gyvuliai ar kiti objektai nepaveiks jūsų pjovimo įtaisą valdymo ir jų nepasieks pjovimo įtaisas arba pjovimo įtaiso sviesti palaidi objektai. Niekada nenaudokite gaminio, jei nelaimės atveju nebūtų kaip iškviešti pagalbą.
- Visuomet patikrinkite darbo vietą. Pašalinkite visus palaidus daiktus, pavyzdžiui, akmenis, stiklo šukes,

vinis, plieninę vielą, virvės galiukus ir pan., kurie gali būti išmetami arba apsvinoti aplink pjovimo įtaisą.

- Įsitikinkite, kad galite laisvai stovėti ir judėti. Apžiūrėkite, ar jūsų darbo vietoje nėra kliūčių, pavyzdžiui, išsikūsiusių medžių šaknų, akmenų, šakų, griovių, jei kartais tektų greitai pasitraukti. Labai atsargiai dirbkite ant stačių šlaitų.
- Visuomet tvirtai laikykite pusiausvyrą ir tvirtai remkitės į žemę kojomis. Per plačiai neužsimokite.
- Išjunkite gaminį prieš pernešdami jį į kitą darbo vietą. Kai gaminys nenaudojamas, pritvirtinkite transportavimui skirtą apsauginį elementą.
- Niekada nedėkite gaminio ant žemės, jei jis nėra išjungtas ir nenuimtas akumulatorius. Nepalikite gaminio be priežiūros, kai jis įjungtas.
- Pasirūpinkite, kad pjovimo įtaiso neliestumėte drabužiais ar kūno dalimis, kai gaminys yra įjungtas.
- Jei naudojant gaminį užsikerta peilis, sustabdykite ir išjunkite gaminį. Įsitikinkite, kad pjovimo įtaisas visiškai sustojo. Nuimkite akumuliatorių prieš valydami, apžiūrėdami ar remontuodami gaminį ir (arba) peilį.
- Išjungę gaminį, rankas ir pėdas laikykite atokiai nuo pjovimo įtaiso, kol ji visiškai nesustoja.
- Saugokitės šakų nuolaužų, kurios gali būti išmetamos pjaunant. Nepjunkite per arti žemės vietose, kur gali būti išsviesti akmenys ir kiti daiktai.
- Saugokitės į orą pakeliamų daiktų. Visada naudokite pripažintus apsauginius akinius. Niekada nesilenkite virš pjovimo įrangos apsaugos. Akmenukai, šiukšlės ir pan. gali pataikyti į akis ir apakinti ar sunkiai jas sužaloti.
- Jeigu dėvite apsaugines ausines, būkite atidūs, kad išgirstumėte galimus įspėjamuosius signalus ar šūksnius. Išjungus įrenginį visada nusiimkite apsaugines ausines.
- Niekada nedirbkite stovėdami ant kopėčių, suoliuko ar kito netvirtai pakelto pagrindo.
- Gaminį laikykite abiem rankomis. Gaminį laikykite prie kūno.

(Pav. 16)

Asmeninės apsauginės priemonės



PERSPĖJIMAS: Prieš naudodami gaminį, perskaitykite toliau esančius įspėjimus.

- Naudodami gaminį visada dėvėkite patvirtintas asmenines apsaugines priemones. Asmeninės apsauginės priemonės negali visiškai apsaugoti nuo sužalojimo, tačiau jos gali sumažinti sužalojimo mastą. Dėl išsamesnės informacijos prašome kreiptis į savo prekybos atstovą.
- Naudokite apsauginį šalną ten, kur gali būti krentančių daiktų

(Pav. 17)

- Naudokite patvirtintas apsaugines ausines. Ilgalaikis triukšmo poveikis gali nesugrąžinamai pažeisti klausą.

(Pav. 18)

- Naudokite patvirtintas akių apsaugos priemones. Jei naudojamas apsauginis skydelis, turi būti nešiojami ir patvirtinti apsauginiai akiniai. Patvirtinti apsauginiai akiniai atitinka JAV ANSI Z87.1 standartą arba ES EN 166 standartą.

(Pav. 19)

- Naudodami ir atlikdami techninę priežiūrą mūvėkite apsaugines pirštines.

(Pav. 20)

- Apsiaukite apsauginiais auliniais batais arba batais neslidžiais padais.

(Pav. 21)

- Vilkėkite iš stiprios medžiagos pagamintus drabužius. Drabužiai turi būti priglundę, bet nevaržantys judesių. Dėvėkite ilgas kelnes, plaukus sukelkite už pečių. Nedėvėkite papuošalų ir nemūvėkite atvirų batų.
- Pasirūpinkite, kad netoliese būtų pirmosios pagalbos vaistinė.

(Pav. 22)

Gaminio apsauginės priemonės



PERSPĖJIMAS: Prieš naudodami gaminį, perskaitykite toliau esančius įspėjimus.

Šiame skyriuje aprašytos gaminio saugos priemonės, jų paskirtis ir patarimai, kaip atlikti patikros ir priežiūros darbus, siekiant užtikrinti tinkamą gaminio veikimą. Žr. instrukcijas skyriuje, *Gaminio apžvalga psl. 179* kad sužinotumėte, kur jūsų gaminyje yra šios dalys.

Gaminio naudojimo laikas gali sutrumpėti, o nelaimingų atsitikimų pavojus gali padidėti, jei gaminys nebus tinkamai prižiūrimas, o techninė priežiūra ir (arba) remonto darbai nebus atliekami profesionaliai. Prireikus daugiau informacijos, prašome kreiptis į artimiausią techninės priežiūros atstovą.



PERSPĖJIMAS: Niekada nenaudokite gaminio, kurio apsauginės dalys yra pažeistos. Gaminio saugos įranga turi būti tikrinama ir prižiūrima taip, kaip yra aprašyta šiame skyrelyje. Jei gaminys neatitinka bet kurio iš šių kontrolinių reikalavimų, kreipkitės į savo techninės priežiūros atstovą dėl gaminio remonto.



PASTABA: Įrenginio techninė priežiūra ir taisyimas reikalauja specialaus pasirėngimo. Tai ypač susiję su įrenginio saugos įranga. Jei jūsų įrenginys

neatitiks nors vieno iš žemiau pateiktų kontrolės reikalavimų, kreipkitės į sertifikuotą remonto dirbtuvę. Įsigijus mūsų gaminį, garantuojame profesionalų aptarnavimą ir techninę priežiūrą. Jei įrenginio pardavėjas neatlieka aptarnavimo, paprašykite jo duoti artimiausios remonto dirbtuvės adresą.

Valdymo skydelio patikra

1. Paspauskite ir laikykite paleidimo / stabdymo mygtuką (A). (Pav. 23)
 - a) Gaminys įjungtas, kai šviečia šviesos diodas (B).
 - b) Gaminys išjungtas, kai užgęsta šviesos diodas (B).
2. Jeigu įsižiebia arba mirksi įspėjamasis indikatorius (C), žr. *Valdymo skydelis psl. 188*

Priekinio gaiduko patikra

Priekinis gaidukas apsaugo nuo atsitiktinio paleidimo. Nuspaudus priekinį gaiduką maitinimo jungiklis atleidžiamas. Atleidus gaiduką, tiek maitinimo jungiklis, tiek priekinis gaidukas grįžta į pradinę padėtį.

1. Įsitinkite, kad maitinimo jungiklis ir priekinis gaidukas laisvai juda ir kad grįžimo spyruoklė veikia tinkamai.
2. Paleiskite gaminį.
3. Nuspauskite priekinį gaiduką (Pav. 24)
4. Nuspauskite maitinimo jungiklį. (Pav. 25)
5. Atleiskite priekinį gaiduką ir įsitinkite, kad pjovimo įtaisas visiškai sustoja.

Rankos apsaugos patikra

Rankos apsauga saugo rankas nuo netyčinio prisilietimo prie peilio.

1. Sustabdykite gaminį.
2. Išimkite akumuliatorių.
3. Patikrinkite, ar rankos apsauga tvirtai pritvirtinta.
4. Patikrinkite, ar nepažeista rankos apsauga.

Peilių ir peilių apsaugos tikrinimas

Ilgesnės peilių briaunos (A) veikia kaip peilių apsauga.

1. Sustabdykite gaminį.
2. Išimkite akumuliatorių.
3. Užsimaukite pirštines.
4. Patikrinkite, ar peiliai ir peilių apsauga nėra pažeista ar sulinkusi. Jei peiliai ir peilių apsauga yra pažeista arba sulinkusi, pakeiskite juos. (Pav. 26)

Akumuliatorių naudojimo sauga



PERSPĖJIMAS: Prieš naudodami gaminį, perskaitykite toliau esančius įspėjimus.

- Naudokite tik BLI serijos ir 40-B serijos akumuliatorius. Daugiau informacijos žr. *Techniniai duomenys psl. 190*. Akumuliatorius turi koduotą programinę įrangą.
- Naudokite BLI serijos ir 40-B serijos akumuliatorius, kurie yra įkraunami tik kaip „Husqvarna“ įrenginių maitinimo šaltiniai. Kad išvengtumėte sužeidimų, nenaudokite akumuliatoriaus kaip kitų gaminių maitinimo šaltinio.
- Elektros smūgio pavojus. Nejunkite akumuliatoriaus gnybtų prie raktų, monetų, atsuktuvų ar kitų metalinių daiktų. Galite sukelti akumuliatoriaus trumpąjį jungimą.
- Nenaudokite neįkraunamų akumuliatorių.
- Nekiškite objektų į akumuliatoriaus oro angas.
- Saugokite akumuliatorių nuo tiesioginių saulės spindulių, karščio ar atviros ugnies. Akumuliatorius gali sukelti terminius ir (arba) cheminius nudegimus.
- Saugokite akumuliatorių nuo lietaus ir drėgmės.
- Saugokite akumuliatorių nuo mikrobangų ir aukšto slėgio.
- Nebandykite akumuliatoriaus išmontuoti ar sulaužyti.
- Jei iš akumuliatoriaus teka skystis, saugokite nuo jo kūną ir akis. Jei palietėte skystį, gerai nuplaukite šią vietą vandeniu su muilu ir kreipkitės pagalbos į medikus. Jei skysčio patektų į akis, jų netrinkite, tačiau mažiausiai 15 minučių skalaukite vandeniu ir kreipkitės į gydytoją.
- Akumuliatorių naudokite nuo –10 °C (14 °F) iki 40 °C (114 °F) temperatūroje.
- Nevalykite akumuliatoriaus ar įkroviklio vandeniu. Žr. *Įrenginio, akumuliatoriaus ir akumuliatorių įkroviklio valymas psl. 188*.
- Nenaudokite sugadinto arba pažeisto akumuliatoriaus.
- Laikykite akumuliatorius atokiau nuo metalinių daiktų, pavyzdžiui, vinių, varžtų, juvelyrinių dirbinių.
- Saugokite akumuliatorių nuo vaikų.

Įkroviklio sauga



PERSPĖJIMAS: Prieš naudodami gaminį, perskaitykite toliau esančius įspėjimus.

- Nesilaikant saugos instrukcijų, kyla elektros smūgio arba trumpojo jungimo rizika.
- Naudokite tik kartu su gaminiu pateiktą akumuliatoriaus įkroviklį. QC80 ir 40-C80 įkroviklius naudokite tik įkraudami BLI serijos ir 40-B serijos pakaitinius akumuliatorius.
- Nebandykite išmontuoti akumuliatoriaus įkroviklio.

- Nenaudokite sugadinto arba pažeisto akumulatoriaus įkroviklio.
- Nekelkite akumulatoriaus įkroviklio už maitinimo laido. Norėdami atjungti akumulatoriaus įkroviklį nuo elektros lizdo, traukite už kištuko. Netraukite už elektros laido.
- Visus kabelius ir jungiamuosius laidus laikykite toliau nuo vandens, alyvos ir aštrių briaunų. Būkite atidūs, kad kabelio neprispaustų objektai, pvz., durys, tvoros ar pan.
- Nenaudokite akumulatoriaus įkroviklio šalia degių arba koroziją sukeliančių medžiagų. Įsitinkite, kad akumulatoriaus įkroviklis neuždengtas. Pastebėję dūmus ar liepsną, ištraukite akumulatoriaus įkroviklio kištuką.
- Įkraukite akumuliatorių tik gerai vėdinamoje patalpoje, saugodami nuo saulės spindulių. Nekraukite akumulatoriaus lauke. Nekraukite akumulatoriaus drėgnomis sąlygomis.
- Akumuliatorių įkroviklį naudokite nuo 5 °C (41 °F) iki 40 °C (104 °F) temperatūroje. Įkroviklį naudokite gerai vėdinamoje, sausoje ir nedulkėtoje aplinkoje.
- Nekiškite objektų į įkroviklio aušinimo angas.
- Neprijunkite akumuliatorių įkroviklio gnybtų prie metalinių daiktų, nes taip sukelsite akumuliatorių įkroviklio trumpąjį jungimą.
- Naudokite patvirtintus ir nepažeistus elektros tinklo lizdus. Įsitinkite, kad akumulatoriaus įkroviklio laidas yra nepažeistas. Jei naudojami jungiamieji kabeliai, įsitinkite, kad jie nepažeisti.

- Akumuliatorių įkrovikliais nekraukite neįkraunamų akumuliatorių.

Priežiūros saugos instrukcijos



PERSPĖJIMAS: Prieš atlikdami gaminio techninę priežiūrą, perskaitykite toliau esančius įspėjimus.

- Prieš atlikdami techninę priežiūrą, kitą patikrą ar montuodami įrenginį, išimkite akumuliatorių.
- Operatorius gali atlikti tik tokius priežiūros ir techninės priežiūros darbus, kurie aprašyti šiame operatoriaus vadove. Dėl didesnių techninės priežiūros ir aptarnavimo darbų kreipkitės į techninės priežiūros atstovą.
- Nevalykite akumulatoriaus ar įkroviklio vandeniu. Stiprus ploviklis gali sugadinti įrenginį.
- Neatliekant techninės priežiūros trumpėja įrenginio naudojimo laikas ir didėja nelaimingų atsitikimų pavojus.
- Visiems techninės priežiūros ir remonto darbams atlikti būtini specialūs mokymai, ypač atliekant su sauga susijusios įrangos priežiūrą. Jeigu atlikus techninę priežiūrą patvirtinti ne visi šiame naudotojo vadove nurodyti punktai, kreipkitės į techninės priežiūros atstovą. Garantuojame, kad jis suteiks profesionalią priežiūrą ir atliks gaminio techninės priežiūros darbus.
- Naudokite tik originalias atsargines dalis.

Surinkimas

Įvadas

Šiame skyriuje aprašoma, kaip surinkti ir sureguliuoti savo gaminį.

laikiklį – akumuliatorius uždėtas netinkamai. Antraip galima sugadinti gaminį.



PERSPĖJIMAS: Prieš surinkdami gaminį perskaitykite skyrių apie saugą ir surinkimo instrukcijas.

Akumulatoriaus prijungimas prie įrenginio



PERSPĖJIMAS: Įrenginyje naudokite tik Husqvarna originalius akumuliatorius.

1. Iki galo įkraukite akumuliatorių.
2. Įstatykite akumuliatorių į gaminio akumulatoriaus laikiklį. Akumuliatorius bus užfiksuotas tada, kai išgirsite spragtelėjimą. (Pav. 27)



PASTABA: Jei akumuliatorius lengvai neįsistato į akumuliatoriaus

Akumulatoriaus įkroviklio 40-C80 tvirtinimas prie sienos



PASTABA: Montuodami akumuliatorių įkroviklį ant sienos, nenaudokite elektrinio atsuktuvo. Elektriniu atsuktuvu galima pakenkti akumuliatorių įkrovikliui.

1. Akumulatoriaus įkroviklį prie sienos tvirtinkite 2 varžtais (B). Jei reikia, naudokite sieninius kaiščius (A). (Pav. 28)
2. Įkiškite 2 varžto angos kaiščius (C).
3. Prijunkite laidą prie akumulatoriaus įkroviklio ir įjunkite į maitinimo tinklą.

Naudojimas

Įvadas



PERSPĖJIMAS: Prieš naudodami gaminį perskaitykite ir supraskite skyrių apie saugą.

Akumuliatorius



PERSPĖJIMAS: Prieš naudodami akumuliatorių perskaitykite ir supraskite skyrių apie saugą. Perskaitykite ir supraskite akumuliatoriaus bei akumuliatoriaus įkroviklio naudojimo instrukcijas.

Akumuliatorių ir akumuliatoriaus įkroviklį laikykite tinkamoje aplinkos temperatūroje.

	Aplinkos temperatūra
Akumuliatoriaus veikimas	5 °C–40 °C / 41 °F–104 °F
Akumuliatoriaus įkrovimas	5 °C–40 °C / 41 °F–104 °F

Akumuliatoriaus būseną

Ekrane rodoma akumuliatoriaus įkrovos būseną ir galimos akumuliatoriaus problemos.

(Pav. 29)

LED indikatorius	Akumuliatoriaus būseną (įkrovos būseną)	
	BL110	40-B70
Šviečia 4 LED indikatoriai	Netaikoma	Akumuliatorius įkrautas 76–100 %.
Šviečia 3 LED indikatoriai	Akumuliatorius įkrautas 76–100 %.	Akumuliatorius įkrautas 51–75 %.
Šviečia 2 LED indikatoriai	Akumuliatorius įkrautas 51–75 %.	Akumuliatorius įkrautas 26–50 %.
Šviečia 1 LED indikatorius	Akumuliatorius įkrautas 26–50 %.	Akumuliatorius įkrautas 6–25 %.
Mirksi 1 LED indikatorius	Akumuliatorius įkrautas 0–25 %.	Akumuliatorius įkrautas 0–5 %.

Akumuliatoriaus įkrovimas

Jei gaudote įrenginį pirmą kartą, įkraukite akumuliatorių. Naujas akumuliatorius įkrautas tik 30 %.



PASTABA: Prijunkite akumuliatoriaus įkroviklį tik prie nominalių parametrų plokštelėje nurodytos įtampos ir dažnio maitinimo lizdo.

Jei akumuliatoriaus temperatūra yra didesnė nei 50 °C (122 °F), jo nepavyks įkrauti.

1. Prijunkite maitinimo laidą prie akumuliatorių įkroviklio.
2. Prijunkite akumuliatoriaus įkroviklį prie įžeminto maitinimo lizdo. Įkrovimo LED indikatorius mirksi vieną kartą. (Pav. 30)
3. Prijunkite akumuliatorių prie įkroviklio. Įsižiebia įkrovimo šviesos diodas. Akumuliatorių kraukite daugiausia 24 valandas. (Pav. 31)
4. Paspauskite akumuliatoriaus indikacinį mygtuką; jei užsidega visi LED indikatoriai, akumuliatorius visiškai įkrautas.

5. Ištraukite akumuliatoriaus įkroviklį iš maitinimo lizdo. Netraukite už elektros laido.
6. Iš įkroviklio išimkite akumuliatorių.

Prieš paleidžiant gaminį

1. Patikrinkite darbo zoną. Pašalinkite daiktus, kurie gali išsviesti.
2. Patikrinkite pjovimo įtaisą. Įsitinkinkite, ar peiliai aštrūs, nėra suskilinėje ir pažeisti.
3. Įsitinkinkite, kad įrenginys veikia tinkamai. Patikrinkite, ar visos veržlės ir varžtai yra priveržti.
4. Įsitinkinkite, ar rankena ir saugos įtaisai nėra pažeisti ir tinkamai pritvirtinti. Nenaudokite gaminio be trūkstančių dalių arba jei pakeista jo pradinė specifikacija. Jei reikia, apsimaukite pirštines.
5. Prieš naudodami gaminį įsitinkinkite, kad gaubtai nepažeisti ir tinkamai pritvirtinti.

Gaminio paleidimas

1. Paspauskite paleidimo / stabdymo mygtuką, kol įsižiebs žalias šviesos diodas. (Pav. 32)
2. Nuspauskite priekinį gaiduką, esantį ant priekinės rankenos. (Pav. 33)

3. Nuspauskite maitinimo jungiklį. (Pav. 25)

Gaminio naudojimas

1. Kirpdami gyvatvorės šonus pradėkite nuo apačios ir kelkite gaminį į viršų. Saugokitės, kad gaminio korpusas nepaliestų gyvatvorės. (Pav. 34)



PERSPĖJIMAS: Saugokitės, kad pjovimo įrangos priekinė dalis nepaliestų žemės.

2. Gaminį laikykite netoli kūno, kad stabiliau jį valdytumėte.
3. Būkite atsargūs ir naudokite gaminį neskubėdami.

„Save“ funkcijos naudojimas

Šis gaminys turi funkciją „Save“.

Pasižymėkite: Funkcija „Save“ nesumažina gaminio pjovimo galios.

1. Klaviatūroje nuspauskite mygtuką „Save“.
2. Įsitinkite, kad įsižiebė žalias LED indikatorius.
3. Paspauskite mygtuką „Save“ dar kartą, kad išjungtumėte funkciją. Žalias LED indikatorius užgesa. (Pav. 35)

Automatinio išjungimo funkcija

Šis gaminys turi išjungimo funkciją, kuri išjungia gaminį, jei jis nenaudojamas. Žalias paleidimo / stabdymo šviesos diodas užgesa ir gaminys sustabdomas po 180 sekundžių.

Gaminio sustabdymas

1. Atleiskite maitinimo jungiklį ir priekinį gaiduką.
2. Paspauskite ir laikykite paleidimo / stabdymo mygtuką, kol užges žalias šviesos diodas.
3. Paspauskite ant akumuliatoriaus esančius atlaisvinimo mygtukus ir išimkite akumuliatorių. (Pav. 36)

Techninė priežiūra

Įvadas



PERSPĖJIMAS: Prieš atlikdami produkto priežiūros darbus, perskaitykite ir supraskite saugos skyrių.



PERSPĖJIMAS: Prieš atlikdami gaminio priežiūros darbus, išimkite akumuliatorių.

Techninės priežiūros grafikas

Toliau pateiktas būtinų gaminio priežiūros darbų sąrašas.

Techninė priežiūra	Prieš pradėdant darbą	Savaitinė	Kas mėnesį
Valykite išorines gaminio dalis.	X		
Patikrinkite, ar paleidimo ir stabdymo jungiklis gerai veikia ir nėra pažeistas.	X		
Patikrinkite, ar maitinimo jungiklis ir priekinis gaidukas funkcionuoja saugiai.	X		
Įsitinkite, kad visi valdikliai veikia ir nėra pažeisti.	X		
Pasirūpinkite, kad pjovimo dantukų peilis ir pjovimo dantukų apsauga nėra suskilusi ir kad jie nepažeisti. Pakeiskite pjovimo dantukų peilį arba pjovimo dantukų apsaugą, jei jie suskilinėję arba buvo sutrenkti.	X		
Pakeiskite pjovimo dantukų peilį, jei jis sulinkęs arba pažeistas.	X		
Įsitinkite, kad rankos apsauginis elementas nepažeistas. Sugadintą apsaugą pakeiskite.	X		
Patikrinkite, ar gerai priveržtos varžlės ir varžtai.	X		
Įsitinkite, kad akumuliatorius nepažeistas.	X		

Techninė priežiūra	Prieš pradedant darbą	Savaitinė	Kas mėnesį
Patikrinkite, ar akumulatorius įkrautas.	X		
Įsitinkite, kad akumulatoriaus įkroviklis nepažeistas.	X		
Patikrinkite, ar pjovimo dantukų peilius laikantys varžtai yra teisingai priveržti.		X	
Patikrinkite jungtis tarp akumulatoriaus ir gaminio. Patikrinkite jungtį tarp akumulatoriaus ir akumulatoriaus įkroviklio.			X

Akumulatoriaus ir akumulatoriaus įkroviklio patikra

1. Patikrinkite, ar nepažeistas akumulatorius, pvz., nėra įtrūkimų.
2. Patikrinkite, ar nepažeistas akumuliatorių įkroviklis, pvz., nėra įtrūkimų.
3. Įsitinkite, kad akumulatoriaus įkroviklio prijungimo laidas nepažeistas ir be įtrūkimų.

Įrenginio, akumulatoriaus ir akumuliatorių įkroviklio valymas

1. Baigę darbą nuvalykite įrenginį sausa šluoste.
2. Nuvalykite akumuliatorių ir akumuliatorių įkroviklį sausa šluoste. Akumulatoriaus uždėjimo takeliai turi būti švarūs.
3. Prieš įstatydami akumuliatorių į akumuliatorių įkroviklį ar įrenginį, įsitinkite, kad akumulatoriaus kontaktai ir akumuliatorių įkroviklio kontaktai yra švarūs.

Peilio tikrinimas

1. Prieš naudodami gaminį ir jį panaudoję, antikorozine valymo priemone nuvalykite nuo peilio pašalines medžiagas.
2. Patikrinkite, ar nepažeistos ir nedeformuotos peilio briaunos.

3. Dilde nušlifuokite peilio nelygumus.
4. Įsitinkite, kad peiliai laisvai juda.

Peilių valymas ir tepimas

1. Prieš naudodami gaminį ir jį panaudoję nuvalykite pašalines medžiagas nuo peilių.
2. Jeigu ketinate ilgą laiką nenaudoti, sutepinkite peilius.

Pasižymėkite: Dėl išsamesnės informacijos apie rekomenduojamą valymo medžiagas ir tepalus kreipkitės į techninės priežiūros atstovą.

Pavaros tepimas

Tepalo tepkite ant pavaros korpuso, jei pavara buvo išardyta patvirtinto techninės priežiūros atstovo.

- Naudokite Husqvarna specialų tepalą. Dėl išsamesnės informacijos apie rekomenduojamus tepalus kreipkitės į techninės priežiūros atstovą.
- Naudokite tik mažą aukštos kokybės specialaus tepalo kiekį.



PASTABA: Nepripildykite sklidinai pavaros korpuso.

Gedimai ir jų šalinimas

Valdymo skydelis

Šviesos diodų ekranas	Galimi gedimai	Galimi sprendimai
Mirksi klaidos šviesos diodas.	Perkrova	Pjovimo įtaisas negali laisvai judėti. Nuimkite pjovimo įtaisą.
	Temperatūros svyravimai	Leiskite įrenginiui atvėsti.
Nepavyksta paleisti gaminio.	Vienu metu paspauskite maitinimo jungiklį ir užvedimo mygtuką.	Atleiskite maitinimo jungiklį ir sustabdykite gaminį.
Klaidos šviesos diodas įsizižiebja raudona spalva.	Būtina atlikti gaminio priežiūros darbus	Kreipkitės į techninio aptarnavimo atstovą.

Akumulatorius

LED ekranas	Galimi gedimai	Galimi veiksmai
Mirksi žalias šviesos diodas.	Nepakankama baterijos įtampa.	Įkraukite akumuliatorių.
Mirksi klaidos šviesos diodas.	Temperatūros svyravimai.	Akumuliatorių naudokite nuo -10°C (14°F) iki 40°C (104°F) temperatūroje.
	Per didelė įtampa.	Įsitikinkite, kad elektros tinklo įtampa atitinka tą, kuri yra nurodyta ant gaminio nominalių parametų plokštelės.
		Iš įkroviklio išimkite akumuliatorių.
Šviečia klaidos šviesos diodas.	Pernelyg didelis blokų skirtumas (1V).	Kreipkitės į techninio aptarnavimo atstovą.

Akumulatoriaus įkroviklis

Problema	Galimi gedimai	Galimas sprendimas
Įkrovimo šviesos diodas yra raudonos spalvos.	Nepataisoma akumulatoriaus įkroviklio klaida.	Susisiekite su savo prekybos atstovu.
Įkrovimo šviesos diodas mirksi žaliai.	Temperatūros svyravimai, akumulatorius yra per šaltas arba per karštas.	Leiskite akumuliatoriui atvėsti arba įšilti. Kai akumulatorius yra tinkamos temperatūros, jį galima vėl naudoti arba įkrauti. Akumulatoriaus įkroviklį naudokite, kai aplinkos temperatūra yra nuo 5 °C (41 °F) iki 40 °C (104 °F).
Įkrovimo šviesos diodas mirksi raudonai.	Akumulatoriaus gedimas.	Susisiekite su savo prekybos atstovu.

Transportavimas, saugojimas ir utilizavimas

Gabenimas ir laikymas

- Pateikiamam ličio jonų akumuliatoriui taikomos pavojingų krovinių gabenimo taisyklės.
- Laikykitės specialių komercinių krovinių gabenimui, įskaitant trečiųjų šalių ar tarpininko transporto priemonėmis, taikomų reikalavimų dėl pakavimo ir ženklavimo.
- Pasitarkite su pavojingų medžiagų gabenimo specialistu prieš siųsdami įrenginį. Laikykitės visų taikomų nacionalinių reikalavimų.
- Pakuodami akumuliatorių uždėkite juosta ant atvirų kontaktų. Tvirtai supakuokite akumuliatorių, kad jis nejudėtų.
- Sandėliavimo ar transportavimo metu atjunkite akumuliatorių.
- Akumuliatorių ir akumuliatorių įkroviklį laikykite sausoje, drėgnoje ir teigiamos temperatūros vietoje.
- Nelaikykite akumulatoriaus tokioje vietoje, kur gali susidaryti statiniai krūviai. Nelaikykite akumulatoriaus metalinėje dėžutėje.
- Laikykite akumuliatorių vietoje, kurios temperatūra nuo 5 °C / 41 °F iki 25 °C / 77 °F, saugokite nuo tiesioginių saulės spindulių.
- Laikykite akumuliatorių įkroviklį vietoje, kurios temperatūra nuo 5 °C / 41 °F iki 45 °C / 113 °F, saugokite nuo tiesioginių saulės spindulių.
- Akumulatoriaus įkroviklį naudokite, tik kai aplinkos temperatūra yra 5–40 °C / 41–104 °F.
- Prieš saugodami ilgesnį laiką pasirūpinkite, kad akumulatorius būtų įkrautas 30–50 %.

- Akumuliatorių įkroviklį laikykite uždaroje ir sausoje patalpoje.
- Saugodami išimkite akumuliatorių iš akumuliatoriaus įkroviklio. Neleiskite vaikams ar kitiems nepatvirtintiems asmenims liesti įrenginio. Įrenginį laikykite užrakinamoje vietoje.
- Prieš saugodami gaminį ilgesnį laiką, išvalykite jį ir atlikite visus techninės priežiūros darbus.
- Transportuodami ar sandėliuodami įrenginį naudokite įrenginio transportavimo apsaugą, kad išvengtumėte sužalojimų ar produkto sugadinimo.
- Gabendami saugiai pritvirtinkite įrenginį.

Akumuliatoriaus, akumuliatorių įkroviklio ir įrenginio šalinimas

Ant gaminio ar ant jo pakuotės pateikti simboliai rodo, kad šio gaminio negalima išmesti kartu su buitinėmis atliekomis. Nuvežkite jį į elektros ir elektronikos įrenginių perdirbimo punktą. Taip saugosite nuo taršos aplinką ir žmones.

Jeigu reikia papildomos informacijos, kaip perdirbti jūsų gaminį, kreipkitės į vietines institucijas, buitinių atliekų surinkimo tarnybą arba pardavimo atstovą.

Techniniai duomenys

Techniniai duomenys

	215HD45
Variklis	
Variklio tipas	BLDC
Svoris	
Svoris be akumuliatoriaus, kg	3,2
Peilis	
Tipas	Dvipusis
Peilio ilgis, mm	450
Peilio greitis pjūviai/min (įjungus režimą „SavE“)	2400
Peilio greitis pjūviai/min (neįjungus režimo „SavE“)	3000
Skleidžiamas triukšmas ²⁵	
Garso galios lygis, matuojamas dB (A)	87
Garso stiprumo lygis, garantuotas L _{WA}	90
Garso lygiai	
Operatoriaus ausį veikiantis garso slėgis, išmatuotas pagal EN 62841-4-2, dB(A)	79
Vibracijos lygis ²⁶	
Vibracijos lygis (a _n), priekinė / galinė, m/s ²	2,1 / 1,7

²⁵ Triukšmas, skleidžiamas į aplinką, išmatuotas kaip garso galia (L_{WA}) pagal EB direktyvą 2000/14/EB. Skirtumas tarp garantuojamojo ir matuojamojo garso stiprumo yra tas, kad pagal Direktyvą 2000/14/EB garantuojamasis garso stiprumas apima ir matavimo rezultatų sklaidą bei nukrypimus tarp skirtingų to pačio modelio įrenginių.

²⁶ Pateiktuose vibracijos lygio duomenyse yra 1,5 m/s² tipiška statistinė sklaida (standartinis nuokrypis).

Nurodyta suminė vibracijos vertė gauta matuojant pagal standartinį bandymo metodą ir ją galima naudoti, norint šį įrenginį palyginti su kitais įrenginiais.

Be to, nurodytą suminę vibracijos vertę galima naudoti pirminiam poveikio įvertinimui.

Gaminiui patvirtinti akumulatoriai

Akumulatorius	BLi10		40-B70
Tipas	Ličio jonų		Ličio jonų
Akumulatoriaus talpa, Ah	Žr. akumulatoriaus nominaliųjų parametrų lipduką		Žr. akumulatoriaus nominaliųjų parametrų lipduką
Nominali įtampa, V	36	36,5	36
Svoris, kg	0,7	0,7	0,8

Gaminiui patvirtinti akumuliatorių įkrovikliai

Akumulatoriaus įkroviklis	QC80	40-C80
Maitinimo įtampa, V	100–240	100–240
Dažnis, Hz	50–60	50–60
Galia, W	100	72
Išėjimo įtampa, V nuol. srovė / Amperai, A	36 / 2	43 / 1,6

Atitikties deklaracija

ES atitikties deklaracija

Mes, **Husqvarna AB**, SE-561 82 Huskvarna, Švedija, tel. +46-36-146500, atsakingai patvirtiname, kad gaminy:

Aprašymas	Akumuliatorinės gyvatvorių žirklys
Gamintojas	Husqvarna
Tipas / modelis	215iHD45
Identifikacijos numeris	Serijos numeriai nuo šios datos: 2024 ir vėlesni

visiškai atitinka šias ES direktyvas ir reglamentus:

Direktyva / reglamentas	Aprašymas
2006/42/EB	„dėl mašinų“
2014/30/ES	„dėl elektromagnetinio suderinamumo“
2000/14/EB	„dėl į aplinką skleidžiamo triukšmo“
2011/65/ES	„dėl tam tikrų pavojingų medžiagų naudojimo elektros ir elektroninėje įrangoje apribojimo“

ir kad laikomasi šių standartų ir (arba) techninių specifikacijų: EN 62841-4-2:2019+A1:2022+A11:2022, EN 62841-1:2015+A11:2022, EN IEC 55014-1:2021, EN IEC 55014-2:2021, EN IEC 63000:2018.

Pagal 2000/14/EB direktyvos V priedą, žr. *Techniniai duomenys psl. 190* nurodytąsias garso vertes.

Huskvarna, 2024-02-01

Claes Losdal, Mokslinių tyrimų ir plėtros skyriaus vadovas, „Husqvarna AB“

Atsakingas už techninę dokumentaciją



Saturs

Ievads.....	193	Problėmu novėršana.....	203
Drořiba.....	194	Pėrvadėřana, glabėřana un utilizėřana.....	204
Montėřa.....	199	Tehniskie dati.....	204
Lietořana.....	200	Atbilstības deklarėcija.....	206
Apkope.....	201		

Ievads

Izstrādājuma apraksts

Husqvarna 215iHD45 ir akumulatora dzīvzogu griezējs ar elektromotoru.

Mēs nepārtraukti strādājam, lai uzlabotu jūsu drošību un efektivitāti, darbojoties ar šo ierīci. Lai iegūtu plašāku informāciju, sazinieties ar apkopes sniedzēju.

Izstrādājuma pārskats

(Att. 1)

1. Lietotāja rokasgrāmata
2. Aizmugurējais rokturis
3. Priekšējā roktura mēlīte
4. Priekšējais rokturis
5. Griezējs
6. Transportēšanas aizsargs
7. Piedziņas mēlīte
8. Vadības pults
9. Rokas aizsargs
10. Akumulators
11. Akumulatora lādētājs 40-C80
12. Savienotājs
13. Akumulatora indikatora poga
14. Akumulatora statuss
15. Brīdinājuma indikators
16. Poga SavE
17. Iedarbināšanas/izslēgšanas poga
18. Darbības un brīdinājuma indikators
19. Akumulatora atvienošanas pogas
20. Akumulatora lādētājs QC80
21. Barošanas kabelis

Simboli uz izstrādājuma

- (Att. 2) BRĪDINĀJUMS. Šis izstrādājums var būt bīstams un radīt smagas vai nāvējošas traumas operatoram vai citiem cilvēkiem. Esiet uzmanīgi un lietojiet izstrādājumu pareizi.
- (Att. 3) Uzmanīgi izlasiet šo lietotāja rokasgrāmatu un pirms izstrādājuma lietošanas pārliecinieties, vai izprotat norādījumus.
- (Att. 4) Izmantojiet acu aizsarglīdzekļus.
- (Att. 5) Šis izstrādājums atbilst piemērojamo EK direktīvu prasībām.

Paredzētā lietošana

Izstrādājums paredzēts zaru un zariņu griešanai. Nelietojiet izstrādājumu citiem uzdevumiem.

- (Att. 6) Izstrādājums vai iepakojums nav sadzīves atkritumi. Utilizējiet to elektrisko un elektronisko ierīču pārstrādes uzņēmumā.
- (Att. 7) Nepakļaujiet ierīci lietus iedarbībai.
- (Att. 8) Līdzstrāva
- (Att. 9) Trokšņa emisijas līmenis vides marķējumā saskaņā ar ES (tostarp Jaundienvidvācijas tiesību aktiem) un Apvienotās Karalistes direktīvām un regulām. Trokšņa emisijas dati ir atrodami uz izstrādājuma etiķetes un tehnisko datu nodaļā.
- (Att. 10) Šis izstrādājums atbilst spēkā esošajiem AK regulām.
- (Att. 11) Brīdinājums. Netuviniet rokas asmenim.
- yyyywwxxxx** Datu plāksnītē ir norādīts sērijas numurs. **yyyy** ir ražošanas gads, **ww** ir ražošanas nedēļa.

Piezīme: Pārējie uz izstrādājuma norādītie simboli/norādes atbilst noteiktu valstu sertifikācijas prasībām.

Simboli uz akumulatora un/vai akumulatora lādētāja

- (Att. 15) Utilizējiet šo izstrādājumu elektrisko un elektronisko ierīču pārstrādes uzņēmumā. (Attiecās vienīgi uz Eiropu)
- (Att. 12) Beztaites transformators.
- (Att. 13) Lietojiet un uzglabājiet akumulatoru lādētāju tikai iekšējās.
- (Att. 14) Dubultā izolācija.

Drošība

Drošības definīcijas

Brīdinājumi, norādes "Uzmanību!" un piezīmes tiek izmantotas, lai izceltu īpaši svarīgas lietotāja rokasgrāmatas daļas.



BRĪDINĀJUMS: Tiek izmantota tad, ja rokasgrāmatā sniegto instrukciju neievērošanas dēļ operatoram vai blakus esošajām personām draud traumu vai nāves risks.



IEVĒROJIET: Tiek izmantota tad, ja rokasgrāmatā sniegto instrukciju neievērošanas dēļ rodas izstrādājuma, citu materiālu vai blakus esošās teritorijas bojājuma risks.

Piezīme: Tiek izmantota, lai sniegtu plašāku informāciju, kas nepieciešama attiecīgajā situācijā.

Vispārīgi drošības brīdinājumi par elektriskā darbarīka lietošanu



BRĪDINĀJUMS: Izlasiet visus drošības brīdinājumus un norādījumus. Neievērojot brīdinājumus un norādījumus, var rasties elektrotrauma, aizdegšanās un/vai smagas traumas.

Piezīme: Saglabājiet visus brīdinājumus un norādījumus turpmākām uzziņām. Brīdinājumos izmantotais termins "elektriskais darbarīks" attiecas uz elektrisko darbarīku, kura barošanu nodrošina elektrotīkls (ar kabeli) vai akumulators (bez kabeļa).

Darba zonas drošība

- **Darba zonai jābūt tīrai un labi apgaismotai.** Nekārtīgās un tumšās vietās bieži notiek negadījumi.
- **Nelietojiet elektriskos darbarīkus sprādzienbīstamā vidē, piemēram, viegli uzliesmojošu šķidrums, gāzu vai putekļu tuvumā.** Elektriskie darbarīki rada dzirksteles, kas var izraisīt putekļu vai izgarojumu aizdegšanos.
- **Elektriskā darbarīka lietošanas laikā neļaujiet tuvumā atrasties bērniem un citām personām.** Uzmanības novēršanas dēļ varat zaudēt kontroli.

Elektrodrošība

- **Elektriskā darbarīka kontaktspraudņiem jāatbilst elektrotīkla kontaktligzdām. Nekādā gadījumā nepārveidojiet kontaktspraudni! Iezemētiem**

elektriskajiem darbarīkiem nedrīkst izmantot nekādus pārejas spraudņus. Nepārveidoti kontaktspraudņi un atbilstošas kontaktligzdas samazina elektriskās strāvas trieciena risku.

- **Nepieļaujiet ķermeņa saskari ar iezemētām virsmām, piemēram, caurulēm, radiatoriem, plītiem un ledusskapjiem.** Ja ir izveidojies ķermeņa iezemējums, pastāv paaugstināts elektriskās strāvas trieciena risks.
- **Elektriskos darbarīkus nedrīkst pakļaut lietus vai mitruma iedarbībai.** Elektriskajā darbarīkā iekļuvis ūdens paaugstina elektriskās strāvas trieciena risku.
- **Lietojot kabeli, ievērojiet piesardzību. Nekad neizmantojiet kabeli elektriskā darbarīka pārvietošanai, vilkšanai vai atvienošanai no kontaktligzdas. Sargiet kabeli no karstuma, eļļas, asām malām un kustīgām detaļām.** Bojāti vai savijušies kabeli palielina elektriskās strāvas trieciena risku.
- **Lietojot elektrisko darbarīku ārpus telpām, izmantojiet lietošanai ārā piemērotu pagarinātāju.** Lietošanai ārpus telpām piemērota pagarinātāja lietošana samazina elektriskās strāvas trieciena risku.
- **Ja no elektriskā instrumenta lietošanas mitros apstākļos nevar izvairīties, izmantojiet paliekošās strāvas pārtraucēju (residual current device — RCD). Izmantojot RCD, tiek samazināts elektriskās strāvas trieciena risks.**



BRĪDINĀJUMS: Nemazgājiet iekārtu ar augstspiediena mazgāšanas ierīcēm, jo ūdens var iekļūt elektrosistēmā vai motorā un izraisīt iekārtas bojājumus vai īssavienojumu.

Personīgā aizsardzība

- **Lietojot elektrisko darbarīku, ievērojiet piesardzību, pārdomājiet savas darbības un rīkojieties saprātīgi. Nelietojiet elektrisko darbarīku noguruma stāvoklī vai narkotiku, alkohola vai zāļu iespaidā.** Īss neuzmanības brīdis darbā ar elektrisko instrumentu var radīt nopietnas traumas.
- **Lietojiet individuālos aizsardzības līdzekļus. Vienmēr lietojiet acu aizsargus.** Individuālo aizsardzības līdzekļu, piemēram, putekļu maskas, aizsargapavus ar neslīdošām zolēm, ķiveres vai dzirdes aizsarglīdzekļu, lietošana attiecīgos apstākļos samazina traumu gūšanas risku.
- **Nepieļaujiet nejaušu ierīces ieslēgšanos. Pirms darbarīka pievienošanas strāvas avotam un/vai akumulatora blokam, pacelšanas vai pārvietošanas pārbaudiet, vai slēdzis ir izslēgtā (OFF) stāvoklī.** Elektrisko darbarīku pārvietošana, turot pirkstu uz slēdža, vai darbarīku pieslēgšana barošanai, ja slēdzis ir ieslēgts, var izraisīt negadījumus.

- **Pirms elektriskā darbarīka ieslēgšanas noņemiet regulēšanas atslēgu vai uzgriežņu atslēgu.** Uz elektriskā darbarīka rotējošajām detaļām atstāta uzgriežņu atslēga vai atslēga var radīt traumu.
- **Nesniedzieties pārāk tālu. Vienmēr stāviet stabili un saglabājiet līdzsvaru.** Tādējādi var labāk vadīt elektrisko darbarīku negaidītās situācijās.
- **Attiecīgi apgērbieties. Nevalkājiet vaļīgu apģērbu vai rotaslietas. Nepieļaujiet matu un apģērba saskari ar kustīgajām daļām.** Vaļīgas drēbes, rotaslietas vai garī mati var ieķerties kustīgajās detaļās.
- **Ja komplektācijā ir iekļautas pievienojamas putekļu iesūkšanas ierīces un savākšanas konteineri, pārbaudiet, vai tie ir pietiprināti un tiek pareizi izmantoti.** Putekļu savākšanas līdzekļu izmantošana var samazināt ar tiem saistītos draudus.
- **Nekļūstiet nevērīgs pret darbarīka drošas izmantošanas principiem un neignorējiet tos pat tad, ja bieži izmantojat darbarīkus un esat labi iepazinies ar to darbību.** Neuzmanīgas rīcības dēļ ļoti ātri var gūt nopietnu traumu.
- Vibrāciju emisija elektriskā instrumenta faktiskās izmantošanas laikā var atšķirties no noteiktās kopējās vērtības, kas ir atkarīgs no instrumenta lietošanas veida. Lai pasargātu sevi, operatoriem ir jāzina, kādi drošības pasākumi ir veicami, kas noteikti, balstoties uz iedarbības novērtējumu faktiskās izmantošanas apstākļos (ņemot vērā visas darbības cikla daļas, piemēram, brīdī, kad instruments ir izslēgts, un, kad tas darbojas tukšgaitā, papildus kopā ar blokatoru).

Elektriskā darbarīka lietošana un uzturēšana

- **Nelietojiet elektrisko darbarīku ar spēku.** Izmantojiet konkrētajam darbam piemērotu elektrisko darbarīku. Izmantojot pareizo elektrisko darbarīku ar tam paredzēto ātrumu, darbu var paveikt labāk un drošāk.
- **Nelietojiet elektrisko darbarīku, ja, nospiežot slēdzi, tas neieslēdzas vai neizslēdzas.** Elektriskais darbarīks, kuru nevar vadīt, izmantojot slēdzi, rada draudus un ir jāremontē.
- **Pirms jebkādu regulēšanas darbu veikšanas, piederumu maiņas vai elektrisko darbarīku novietošanas uzglabāšanai atvienojiet kontaktspraudni no strāvas avota un/vai izņemiet akumulatora bloku.** Šādi piesardzības pasākumi samazina nejaušas elektriskā darbarīka palaišanas risku.
- **Novietojiet elektrisko darbarīku, kas darbojas tukšgaitā, bērniem nepieejamā vietā un neļaujiet to lietot personām, kas nepārzina tā lietošanu vai šeit sniegtos norādījumus.** Nonākot rokās lietotājam bez atbilstošām zināšanām, elektriskie darbarīki ir bīstami.
- **Apkopiet elektriskos instrumentus un piederumus.** Pārbaudiet kustīgo detaļu salāgojumu un saķeri, bojājumus un jebkādas citus faktorus, kas var ietekmēt elektriskā darbarīka darbību. Ja darbarīks bojāts, pirms tā lietošanas veiciet remontu. Daudzu

nelaimes gadījumu iemesls ir slikti uzturēti elektriskie darbarīki.

- **Griezējinstrumenti jāuztur asi un tīri.** Pareizi uzturēti griezējinstrumenti ar asiem asmeņiem retāk saliecas, un tos ir vieglāk vadīt.
- **Lietojiet elektriskos instrumentus, piederumus un asmeņus u.c. detaļas atbilstoši šeit sniegtajiem norādījumiem, ņemot vērā darba apstākļus un veicamos uzdevumus.** Elektriskā instrumenta lietošana tam neparedzētiem mērķiem var radīt bīstamas situācijas.
- **Rokturiem un turēšanas virsmām ir jābūt sausām, tīrām un uz tām nedrīkst būt eļļas un smērvielas.** Slīdīgi rokturi un turēšanas virsmas traucē drošu darbarīka izmantošanu un vadību negaidītās situācijās.

Akumulatora instrumenta lietošana un apkope

- **Uzlādei izmantojiet tikai ražotāja norādīto lādētāju.** Lādētājs, kas ir piemērots viena tipa akumulatora blokam, var kļūt ugunsbīstams, lietojot to cita veida akumulatora blokam.
- **Izmantojiet iekārtas tikai ar tām paredzētajiem akumulatoru blokiem.** Jebkura cita akumulatora bloka lietošana var radīt traumas un aizdegšanās risku.
- **Kad akumulatora bloks netiek izmantots, turiet to drošā attālumā no metāla priekšmetiem, piemēram, papīra saspaudzēm, monētām, atslēgām, naglām, skrūvēm un citiem nelieliem metāla priekšmetiem, kas var savienot spalles.** Akumulatora spaiļu savienošana var radīt apdegumus vai aizdegšanos.
- **Nepareizi lietojot, no akumulatora var izteciēt šķidrums; izvairieties no saskares ar to. Ja nejauši notiek saskare, noskalojiet skarto vietu ar lielu daudzumu ūdens. Ja šķidrums iekļūst acīs, vērsieties pēc medicīniskās palīdzības.** No akumulatora izteciējis šķidrums var radīt kairinājumu vai apdegumus.
- **Nelietojiet akumulatoru bloku vai darbarīku, ja tas ir bojāts vai pārveidots.** Bojāts vai pārveidots akumulators var darboties neparedzami, izraisot aizdegšanās, sprādziena vai traumu gūšanas risku.
- **Nepakļaujiet akumulatoru bloku vai darbarīku uguns vai pārmērīgi augstas temperatūras ietekmei.** Uguns iedarbība vai tādas temperatūras iedarbība, kas pārsniedz 130 °C, var izraisīt sprādzienu.
- **Nemiet vērā visus uzlādes norādījumus un neuzlādējiet akumulatoru bloku vai darbarīku temperatūrā, kas ir ārpus norādītajiem norādītā diapazona.** Nepareiza uzlāde vai uzlāde temperatūrā, kas ir ārpus norādītā diapazona, var bojāt akumulatoru un palielināt aizdegšanās risku.

Apkope

- **Uzticiet elektriskā darbarīka apkopi kvalificētam remontdarbu speciālistam, kas izmanto tikai oriģinālas rezerves daļas.** Tādējādi tiks garantēta elektriskā darbarīka lietošanas drošība.

- **Nekad neveiciet bojātu akumulatoru apkopi.** Akumulatoru apkopi drīkst veikt tikai ražotājs vai pilnvarota apkopes nodrošinātājs.

Dzīvzogu griezēja drošības brīdinājumi — personiskā drošība

- **Lietojot dzīvzoga trimmeri, turiet to ar abām rokām.** Ja trimmeris tiek turēts ar vienu roku, var zaudēt kontroli un radīt nopietnas traumas.
- **Raugiet, lai visas ķermeņa daļas atrastos drošā attālumā no asmens. Nenovāciet nogriezto materiālu un neturiet griezamo materiālu, kad asmeņi kustas.** Asmeņi turpina kustību arī pēc slēdža izslēgšanas. Pat brīdis neuzmanības, strādājot ar dzīvzoga trimmeri, var radīt nopietnu savainojumu.
- **Pārmēsājot dzīvzogu griezēju, turiet to aiz roktura, pārmēsājiet to ar apturētu asmeni un uzmanieties, lai nepieskartos barošanas slēdžiem.** Pārmēsājot dzīvzogu griezēju pareizi, samazinās risks to nejauši iedarbināt; pretējā gadījumā asmeņi var radīt traumas.
- **Transportējot vai uzglabājot dzīvzogu griezēju, vienmēr uzlieciet asmeņu pārsegu.** Pareiza rīkošanās ar dzīvzogu griezēju samazinās risku gūt traumas no asmeņiem.
- **Pirms izņemat iestrēgušu materiālu vai veicat ieīces apkopi, pārlicinieties, vai visi barošanas slēdži ir izslēgti un akumulators ir izņemts vai atvienots.** Ja dzīvzogu griezējs negaidīti sāk darboties, kamēr izņemat iestrēgušu materiālu vai veicat apkopi, tas var radīt smagas traumas.
- **Turiet dzīvzogu griezēju tikai aiz izolētās satveršanas daļas, jo asmens var saskarties ar apslēptiem vadiem.** Asmeņi, saskaroties ar elektrotīklam pieslēgtu vadu, var elektrizēt skartās dzīvzogu griezēja metāla daļas un radīt lietotājam elektriskās strāvas triecienu.
- **Rūpējieties, lai strāvas vadi un kabeli neatrastos griešanas vietas tuvumā.** Strāvas vadi vai kabeli dzīvzoga vai krūmos var būt grūti saskatāmi, un tos nejauši var skart asmens.
- **Nelietojiet plašāka darbības diapazona dzīvzogu griezēju sliktos laikapstākļos, jo īpaši tad, ja ir iespējams negaiss.** Tas palielina risku, ka jums varētu iespert zibens.
- **BĪSTAMI! Turiet rokas tālāk no asmens.** Saskarē ar asmeni tiks radītas nopietnas traumas.

Vispārīgi norādījumi par drošību



BRĪDINĀJUMS: Pirms izstrādājuma lietošanas izlasiet tālāk izklāstītās brīdinājuma instrukcijas.

- Lai novērstu izstrādājuma nejaušas iedarbināšanas risku, izņemiet akumulatoru.
- Šis izstrādājums ir bīstams rīks, ja ar to nerīkojas uzmanīgi vai ja to lieto nepareizi. Šis

izstrādājums var izraisīt smagas vai nāvējošas traumas operatoram vai citām personām.

- Neizmantojiet izstrādājumu, ja tā sākotnējā specifikācija ir mainīta. Nemainiet izstrādājuma detaļas bez ražotāja apstiprinājuma. Izmantojiet tikai tādas detaļas, ko ir apstiprinājis ražotājs. Veicot nepareizu apkopi, var tikt radītas smagas vai nāvējošas traumas.
- Pirms lietošanas veiciet produkta pārbaudi. Skatiet šeit: *Darbības, kas jāveic pirms izstrādājuma iedarbināšanas lpp. 201*. Nelietojiet defektīvu izstrādājumu. Ievērojiet šajā rokasgrāmatā aprakstītās drošības pārbaudes, tehniskās apkopes un remonta instrukcijas.
- Neļaujiet bērniem rotaļāties ar izstrādājumu. Nekādā gadījumā neļaujiet bērniem vai citām atbilstoši neapmācītām personām strādāt ar izstrādājumu, mainīt akumulatoru vai veikt tehnisko apkopi. Minimālais lietotāju vecums var būt noteikts ar vietējās likumdošanas aktiem.
- Glabājiet izstrādājumu norobežotā vietā, lai novērstu to, ka tam var piekļūt bērni vai personas, kam tas nav atļauts.
- Glabājiet izstrādājumu bērniem nepieejamā vietā.
- Nekādā gadījumā bez ražotāja atļaujas nedrīkst mainīt šī izstrādājuma konstrukciju. Vienmēr izmantojiet oriģinālos piederumus. Neatļautas izmaiņas un/vai neatļauti piederumi var radīt nopietnas vai nāvējošas traumas operatoram un citām personām.

Piezīme: Uz lietošanu var attiekties valsts vai vietējie tiesību akti. Ievērojiet norādītos noteikumus.

Norādījumi par drošu darbu



BRĪDINĀJUMS: Pirms sākat lietot izstrādājumu, izlasiet tālāk izklāstītās brīdinājuma instrukcijas.

- Ja nonākat situācijā, kurā jums nav skaidrs, kā rīkoties, lūdziet speciālista padomu. Sazinieties ar izplatītāju vai apkopes darbnīcu. Izvairieties no tādiem lietošanas paņēmieniem, kuri jums nav pa spēkam.
- Nekādā gadījumā neizmantojiet izstrādājumu, ja esat noguris, lietojis alkoholu, vielas vai medikamentus, kas var ietekmēt redzi, modrību, koordināciju vai spriestspēju.
- Darbs sliktos laikapstākļos ir nogurdinošs un bieži rada papildu risku. Paaugstinātā riska dēļ nav ieteicams izmantot izstrādājumu ļoti sliktos laikapstākļos, piemēram, biežā miglā, stiprā lietū, spēcīgā vējā, lielā aukstumā, negaisa laikā un tamlīdzīgos apstākļos.
- Nepareizi naži var palielināt nelaimes gadījumu risku.
- Neļaujiet bērniem lietot šo izstrādājumu vai uzturēties tā tuvumā. Tā kā produktu ir vienkārši

iedarbināt, bērni to var nejauši iedarbināt. Tas var radīt smagu traumu. Ja produktu glabājat nomalu, vienmēr atvienojiet akumulatoru.

- Strādājot sekojiet, lai nevienš cilvēks vai dzīvnieks netuvojas darba vietai tuvāk par 15 metriem. Ja vairāki operatori strādā vienā darba vietā, drošības attālumam starp tiem jābūt ne mazākam par 15 metriem. Citādi var tikt radīta smaga trauma. Ja kāds tuvojas, nekavējoties apturiet izstrādājumu. Nekad nevēžējiet produktu, pirms neesat paskatījis atpakaļ un pārliecinājies, ka drošības zonā neviena nav.
- Nodrošiniet, lai cilvēki, dzīvnieki un citi apstākļi neietekmē izstrādājuma vadību, un tie nesaskaras ar griešanas ierīci vai nestāv ceļā priekšmetiem, ko var izsviest griešanas ierīce. Nelietojiet izstrādājumu, ja nelaimes gadījumā nav iespējams izsaukt palīdzību.
- Vienmēr pārbaudiet darba zonu. Novāciet visus vaļiņos priekšmetus, piemēram, akmeņus, stikla lauskas, naglas, tērauda stiepli, auklas un citus priekšmetus, kas var tikt izsviesti vai aptīties apkārt griešanas ierīcei.
- Pārliecinieties, vai varat droši pārvietoties un stāvēt. Pārbaudiet, vai tuvumā nav šķēršļu (saknes, akmeņi, zari, bedres utt.), kas var traucēt, ja piepriekš nepieciešams pārvietoties. Ievērojiet īpašu piesardzību, strādājot nogāzēs.
- Vienmēr turiet līdzsvaru un stāviet stabili. Nesniedzieties pārāk tālu.
- Pirms pārvietošanās uz citu vietu izslēdziet izstrādājumu. Kad izstrādājums netiek lietots, piestipriniet transportēšanas aizsargu.
- Nekad nenolieciet izstrādājumu, kamēr neesat to izslēdzis un izņēmis akumulatoru. Neatstājiet izstrādājumu bez uzraudzības, kad tas ir ieslēgts.
- Gādājiet, lai aktivizēta izstrādājuma griešanas ierīce nesaskartos ar apģērbu vai ķermeņa daļām.
- Ja asmeņos rodas nosprostojums izstrādājuma darbības laikā, apturiet un izslēdziet izstrādājumu. Pārliecinieties, ka griešanas ierīce pilnībā apstājas. Pirms izstrādājuma un/vai asmeņu tīrīšanas, pārbaudes vai remontēšanas izņemiet akumulatoru.
- Pēc izstrādājuma izslēgšanas netuviniet plaukostas un pēdas griešanas ierīcei, līdz tā ir pilnībā apstājusies.
- Uzmanieties no zaru gabaliņiem, kas tiek izmesti griešanas laikā. Negrieziet pārāk tuvu zemei, kur var tikt izsviesti akmeņi un citi priekšmeti.
- Sargieties no izsviestiem priekšmetiem. Vienmēr lietojiet apstiprinātus acu aizsarglīdzekļus. Nekad neliecieties pāri griešanas ierīces aizsargam. Akmeņi, gruži u.c. var tikt izsviesti, trāpot acis un izraisot aklumu vai smagas traumas.
- Lietojot dzirdes aizsarglīdzekļus, vienmēr uzmanīgi klausieties, lai sadzirdētu brīdinājumu signālus vai saucienus. Kad produkts apstājas, vienmēr noņemiet dzirdes aizsarglīdzekļus.
- Nekad nestrādājiet, stāvot uz trepēm vai paliktņa vai kāda cita nenostiprināta paaugstinājuma.

- Turiet izstrādājumu abās rokās. Turiet izstrādājumu sev pie sāniem.

(Att. 16)

Individuālie aizsarglīdzekļi



BRĪDINĀJUMS: Pirms sākat lietot šo izstrādājumu, izlasiet tālāk izklāstītos brīdinājumus.

- Izmantojot izstrādājumu, lietojiet apstiprinātu personīgo aizsargaprīkojumu. Individuālie aizsarglīdzekļi nevar pilnībā novērst traumu gūšanas risku, taču var samazināt traumas smagumu. Lai iegūtu plašāku informāciju, sazinieties ar savu izplatītāju.
- Izmantojiet aizsargķiveri, ja pastāv kritošu priekšmetu draudi.

(Att. 17)

- Izmantojiet apstiprinātus dzirdes aizsarglīdzekļus. Ilgstoša uzturēšanās troksnī var radīt neatgriezeniskus dzirdes bojājumus.

(Att. 18)

- Izmantojiet apstiprinātus acu aizsarglīdzekļus. Apstiprinātas aizsargbrilles ir jālieto arī tad, ja tiek izmantots sejšegs. Apstiprinātas aizsargbrilles ir tādas, kas atbilst standartam ANSI Z87.1 prasībām ASV vai standartam EN 166 prasībām ES valstīs.

(Att. 19)

- Izstrādājuma izmantošanas un tehniskās apkopes laikā izmantojiet aizsargcimdus.

(Att. 20)

- Izmantojiet aizsargapavus vai apavus ar nesliedošu zoli.

(Att. 21)

- Lietojiet izturīga auduma apģērbu. Apģērbam jābūt pieguļošam, bet tas nedrīkst ierobežot kustības. Valkājiet garas bikses un novietojiet matus aiz pleciem. Neizmantojiet rotaslietas vai atvērtus apavus.
- Turiet tuvumā neatliekamās palīdzības aprīkojumu.

(Att. 22)

Izstrādājuma drošības ierīces



BRĪDINĀJUMS: Pirms izstrādājuma lietošanas izlasiet tālāk izklāstītos brīdinājumus.

Šajā sadaļā ir izskaidrotas izstrādājuma drošības funkcijas, tā nolūks un veidi, kā tiek veikta tā pārbaude un apkope, lai garantētu izstrādājuma pareizu darbību. Skatiet norādījumus nodaļā ar virsrakstu *Izstrādājuma pārskats lpp. 193* lai uzzinātu, kur izstrādājumā atrodas šīs daļas.

Šī izstrādājuma darbmūžs var saīsināties un var palielināties nelaiemes gadījumu risks, ja izstrādājuma apkope netiek veikta pareizi un ja apkope un/vai remonts netiek veikts profesionāli. Ja nepieciešama papildu informācija, sazinieties ar tuvāko izplatītāju, kas nodrošina apkopi.



BRĪDINĀJUMS: Nekādā gadījumā nelietojiet izstrādājumu ar bojātu drošības aprīkojumu. Izstrādājuma drošības aprīkojums ir jāpārbauda un jāuztur, pamatojoties uz šajā nodaļā izklāstīto informāciju. Ja izstrādājums neatbilst iepriekš aprakstīto pārbauzu prasībām, sazinieties ar vietējo remontdarbniecu, lai izstrādājumu saremontētu.



IEVĒROJIET: Izstrādājuma apkopi un remontu drīkst veikt tikai īpaši apmācīti tehniķi. Tas jo īpaši attiecas uz izstrādājuma drošības aprīkojumu. Ja izstrādājums neatbilst zemāk aprakstīto pārbauzu prasībām, sazinieties ar apkopes pakalpojumu nodrošinātāju. Jebkura mūsu izstrādājuma iegāde garantē profesionāla remonta un apkopes pieejamību. Ja mazumtirgotājs, pie kura iegādājāties izstrādājumu, nav apkopi veicošs izplatītājs, uzziniet no viņa tuvākā apkopes veicēja adresi.

Tastatūras pārbaude

1. Nospiediet un turiet nospiestu iedarbināšanas/izslēgšanas pogu (A). (Att. 23)
 - a) Izstrādājums ir ieslēgts, ja deg LED indikators (B).
 - b) Izstrādājums ir izslēgts, ja nedeg LED indikators (B).
2. Skatiet *Tastatūra lpp. 203*, ja tiek iedegts vai mirgo brīdinājuma indikators (C).

Priekšējā roktura mēlītes pārbaude

Priekšējā roktura mēlīte novērš nejašu iedarbināšanu. Nospiežot aizturi priekšējā roktura mēlīti, tiek atbrīvota iedarbināšanas mēlīte. Atlaižot rokturi, iedarbināšanas mēlīte un priekšējā roktura mēlīte atgriežas sākuma pozīcijā.

1. Pārbaudiet, vai iedarbināšanas mēlīte un priekšējā roktura mēlīte kustas brīvi un atgriezes atspere darbojas pareizi.
2. Iedarbiniet ierīci.
3. Nospiediet priekšējā roktura mēlīti.
(Att. 24)
4. Nospiediet piedziņas mēlīti. (Att. 25)

5. Atlaidiet priekšējā roktura mēlīti un pārbaudiet, vai griešanas ierīce pilnībā apstājas.

Rokas aizsarga pārbaude

Roku aizsargs novērš nejašu roku saskari ar asmeņiem.

1. Apturiet ierīci.
2. Izņemiet akumulatoru.
3. Pārbaudiet vai rokas aizsargs ir pareizi pievienots.
4. Pārbaudiet, vai rokas aizsargs nav bojāts.

Asmeņu un asmeņu aizsargu pārbaude

Asmeņu garākās daļas (A) pilda asmeņu aizsargu funkciju.

1. Apturiet ierīci.
2. Izņemiet akumulatoru.
3. Uzvelciet cimdus.
4. Pārliedziniet, vai asmeņi un asmeņu aizsargi nav bojāti vai saliekti. Nomainiet asmeņus un asmeņu aizsargus, ja tie ir bojāti vai salocīti. (Att. 26)

Akumulatora drošība



BRĪDINĀJUMS: Pirms izstrādājuma lietošanas izlasiet tālāk izklāstītos brīdinājumus.

- Izmantojiet tikai BLI sērijas un 40-B sērijas akumulatoru. Plašāku informāciju skatiet *Tehniskie dati lpp. 204*. Akumulatoram ir programmatūras šifrējums.
- Kā barošanas avotu izmantojiet tikai BLI sērijas un 40-B sērijas atkārtoti uzlādējamus akumulatoru saistītajiem Husqvarna izstrādājumiem. Lai nepieļautu traumu gūšanas risku, akumulatoru nedrīkst izmantot kā citu izstrādājumu strāvas avotu.
- Elektriskās strāvas trieciena risks. Nesavienojiet akumulatora spaiļes ar atslēgām, monētām, skrūvēm vai citiem metāla priekšmetiem. Tas var izraisīt akumulatora īssavienojumu.
- Nelietojiet vienreiz lietojamās baterijas.
- Neievietojiet nekādus priekšmetus akumulatora gaisa atverēs.
- Neglabājiet akumulatoru vietās, ka ir pakļautas tiešai saulesgaismai, karstumam vai atklātām liesmām. Akumulators var radīt apdegumus un/vai ķīmiskos apdegumus.
- Akumulatoru nedrīkst pakļaut lietus un mitruma ietekmei.
- Akumulatoru nedrīkst pakļaut mikroviļņu un augsta spiediena ietekmei.
- Akumulatoru nedrīkst izjaukt vai saspīst.
- Ja rodas noplūde no akumulatora, neļaujiet šķidrumsam saskarties ar ķermeni vai acīm. Ja pieskaraties šķidrumsam, nomazgājiet skarto vietu

ar lielu daudzumu ūdens un ziepēm un meklējiet medicīnisko palīdzību. Ja šķidrums iekļūst acīs, neberzējiet tās, bet vismaz 15 minūtes skalojiet ar ūdeni un meklējiet medicīnisko palīdzību.

- Akumulatoru drīkst izmantot temperatūrā no -10 °C (14 °F) līdz 40 °C (114 °F).
- Neīrīet akumulatoru un tā lādētāju ar ūdeni. Skatiet šeit: *Produkta, akumulatora un akumulatora lādētāja tīrīšana lpp. 202.*
- Nelietojiet defektīvu vai bojātu akumulatoru.
- Uzglabājiet akumulatorus vietā, kur tuvumā nav metāla priekšmetu, piemēram, naglu, skrūvju vai rotaslietu.
- Sargiet akumulatoru no bērniem.

Akumulatora lādētāja drošības norādes



BRĪDINĀJUMS: Pirms izstrādājuma lietošanas izlasiet tālāk izklāstītos brīdinājumus.

- Ja drošības instrukcijas netiek ievērotas, pastāv elektriskās strāvas trieciena vai īssavienojuma risks.
- Neizmantojiet citus akumulatoru lādētājus, izņemot jūsu izstrādājumam paredzēto. Izmantojiet tikai QC80 un 40-C80 lādētājus, lai uzlādētu BLi sērijas un 40-B sērijas nomaiņas akumulatorus.
- Nemēģiniet demontēt akumulatora lādētāju.
- Nelietojiet defektīvu vai bojātu akumulatora lādētāju.
- Nevelciet akumulatora lādētāju aiz barošanas kabeļa. Lai akumulatora lādētāju atvienotu no elektrotīkla kontaktligzdas, velciet aiz kontaktspraudņa. Nevelciet aiz barošanas kabeļa.
- Uzmaniēties, lai vadi un pagarinātāji nesaskartos ar ūdeni, eļļu un asām malām. Nodrošiniet, lai kabelis netiktu iespiests starp priekšmetiem, piemēram, durvīs, nožogojumos vai līdzīgās konstrukcijās.
- Nelietojiet akumulatora lādētāju viegli uzliesmojošu materiālu vai materiālu, kas var izraisīt koroziju, tuvumā. Pārļiecinieties, vai akumulatora lādētājs nav pārsegts. Ja konstatējat dūmus vai uguni, izraujiet akumulatora lādētāja kontaktspraudni.
- Uzlādējiet akumulatoru tikai tādās telpās, kur ir laba gaisa plūsma un kur akumulators nav pakļauts

saules gaismas ietekmei. Neuzlādējiet akumulatoru ārpus telpām. Neuzlādējiet akumulatoru mitrumā.

- Akumulatora lādētāju izmantojiet tikai vietās, kur temperatūra ir no 5 °C (41 °F) līdz 40 °C (104 °F). Izmantojiet lādētāju labi vēdināmā un sausā vietā, kur nav putekļu.
- Neievietojiet nekādus priekšmetus akumulatora lādētāja dzesēšanas atverēs.
- Nekādā gadījumā akumulatora lādētāja spaiļes nesavienojiet ar metāla priekšmetiem, jo tas var izraisīt akumulatora lādētāja īssavienojumu.
- Izmantojiet apstiprinātas kontakttligzdas, kas nav bojātas. Pārļiecinieties, vai akumulatora lādētāja vads nav bojāts. Ja tiek izmantoti pagarinātāji, pārļiecinieties, vai tie nav bojāti.
- Neizmantojiet akumulatoru lādētāju tādu akumulatoru uzlādei, kas nav atkārtoti uzlādējami.

Norādījumi par drošu apkopi



BRĪDINĀJUMS: Pirms veicat produkta apkopi, izlasiet brīdinājuma norādījumus.

- Noņemiet akumulatoru, pirms veicat apkopi, citas pārbaudes vai montējat produktus.
- Operators drīkst veikt tikai šajā lietotāja rokasgrāmatā norādītos apkopes un servisa darbus. Par plašākiem apkopes un servisa darbiem sazinieties ar jūsu apkopes nodrošinātāju.
- Neīrīet akumulatoru un tā lādētāju ar ūdeni. Spēcīgs mazgāšanas līdzeklis var radīt plastmasas bojājumus.
- Neveicot apkopi, samazinās produkta dzīves cikls un palielinās nelaimes gadījumu risks.
- Īpaša apmācība ir nepieciešama visiem apkopes un remontdarbiem, jo īpaši šī produkta drošības ierīcēm. Ja visas šajā lietotāja rokasgrāmatā norādītās pārbaudes netiek apstiprinātas pēc apkopes veikšanas, sazinieties ar apkopes nodrošinātāju. Mēs garantējam profesionālu remontdarbu un apkopes pieejamību jūsu produktam.
- Vienmēr izmantojiet tikai oriģinālās detaļas.

Montāža

Ievads

Šajā sadaļā ir apraksts, kā montēt un regulēt produktu.



BRĪDINĀJUMS: Pirms produkta montāžas izlasiet nodaļu par drošību un norādījumus par montāžu.

Akumulatoru savienošana ar produktu



BRĪDINĀJUMS: Produktā izmantojiet tikai Husqvarna oriģinālos akumulatorus.

1. Uzlādējiet akumulatoru pilnībā.
2. Iebīdīet akumulatoru izstrādājuma akumulatora turētājā. Atskatot klikšķim, akumulators automātiski nofiksējas. (Att. 27)



IEVĒROJIET: Ja akumulators viegli neieslīd akumulatora turētājā, akumulators nav pareizi uzstādīts. Pretējā gadījumā produktu var sabojāt.

Akumulatoru lādētāja (40-C80) uzstādīšana pie sienas



IEVĒROJIET: Neizmantojiet elektrisko skrūvgriezi akumulatoru lādētāja

uzstādīšanai pie sienas. Elektrisks skrūvgriezis var izraisīt akumulatoru lādētāja bojājumus.

1. Pieskrūvējiet akumulatoru lādētāju pie sienas ar 2 skrūvēm (B). Izmantojiet dībeļus (A), ja nepieciešams. (Att. 28)
2. Atverēs ievietojiet 2 dībeļus (C).
3. Pievienojiet barošanas kabeli akumulatoru lādētājam un elektrofīkla kontaktligzdai.

Lietošana

Ievads



BRĪDINĀJUMS: Pirms produkta lietošanas izlasiet un izprotiet drošības norādījumus.

Glabājiet akumulatoru un akumulatoru lādētāju pareizā apkārtējās vides temperatūrā.

Akumulators



BRĪDINĀJUMS: Pirms akumulatora lietošanas izlasiet un izprotiet drošības nodaļas norādījumus. Izlasiet akumulatora un akumulatora lādētāja lietošanas rokasgrāmatu un pārliecinieties, ka izprotat to.

	Apkārtējās vides temperatūra
Akumulatora darbināšana	5–40 °C/41–104 °F
Akumulatora uzlāde	5–40 °C/41–104 °F

Akumulatora statuss

Displejā ir redzams uzlādes līmenis un akumulatora problēmu ziņojumi, ja pastāv problēmas.

(Att. 29)

Gaismas diodes indikators	Akumulatora stāvoklis (uzlādes stāvoklis)	
	BLi10	40-B70
Deg četras gaismas diodes	NAV PIEEJAMS	Akumulators ir uzlādēts 76–100% apmērā.
Deg trīs gaismas diodes	Akumulators ir uzlādēts 76–100% apmērā.	Akumulators ir uzlādēts 51–75% apmērā.
Deg divas gaismas diodes	Akumulators ir uzlādēts 51–75% apmērā.	Akumulators ir uzlādēts 26–50% apmērā.
Deg viena gaismas diode	Akumulators ir uzlādēts 26–50% apmērā.	Akumulators ir uzlādēts 6–25% apmērā.
Mirgo viena gaismas diode	Akumulatora ir uzlādēts 0–25% apmērā.	Akumulatora ir uzlādēts 0–5% apmērā.

Akumulatora uzlāde

Ja akumulatoru lietojat pirmo reizi, uzlādējiet to. Jauns akumulators ir uzlādēts tikai par 30%.



IEVĒROJIET: Pievienojiet akumulatora lādētāju kontaktligzdai, kas atbilst datu plāksnītē norādītajam spriegumam un frekvencei.

Akumulators netiks uzlādēts, ja akumulatora temperatūra pārsniedz 50 °C/122 °F.

1. Pievienojiet barošanas kabeli akumulatoru lādētājam.
2. Pieslēdziet akumulatora lādētāju iezemētai barošanas kontaktligzdai. Uzlādes gaismas diode nomirgo vienu reizi. (Att. 30)

3. Pievienojiet akumulatoru pie lādētāja. Iedegas uzlādes gaismas diode. Akumulatora uzlādes laiks nedrīkst pārsniegt 24 stundas. (Att. 31)
4. Nospiediet akumulatora indikatora pogu, ja visas gaismas diodes iedegas; akumulators ir pilnībā uzlādēts.
5. Izraujiet barošanas kabeļa kontaktspraudni, lai atvienotu akumulatora lādētāju no barošanas kontaktlīdzes. Nevelciet aiz barošanas kabeļa.
6. Izņemiet akumulatoru no lādētāja.

Darbības, kas jāveic pirms izstrādājuma iedarbināšanas

1. Pārbaudiet darba zonu. Novāciet priekšmetus, kas var tikt izmesti.
2. Pārbaudiet griešanas ierīci. Pārlicinieties, vai asmeņi ir asi, nav saplaisājuši vai bojāti.
3. Pārbaudiet, vai produkts darbojas pareizi. Pārbaudiet vai visas skrūves un uzgriežņi ir pievilkti.
4. Pārlicinieties, vai rokturis un drošības ierīces nav bojātas un ir pareizi piestiprinātas. Neizmantojiet izstrādājumu, ja tam trūkst kādas daļas vai ir mainīta tā sākotnējā specifikācija. Kad nepieciešams, izmantojiet aizsargcimdus.
5. Pirms izstrādājuma izmantošanas pārlicinieties, vai aizsargi nav bojāti un ir pareizi piestiprināti.

Izstrādājuma iedarbināšana

1. Nospiediet un turiet ieslēgšanas/apturēšanas pogu, līdz iedegas zaļais LED indikators. (Att. 32)
2. Nospiediet priekšējā roktura mēlīti uz priekšējā roktura. (Att. 33)
3. Nospiediet piedziņas mēlīti. (Att. 25)

Izstrādājuma darbināšana

1. Apgriežot dzīvzoga malas, virziet izstrādājumu no dzīvzoga apakšas uz augšu. Raugieties, lai izstrādājuma korpuss nepieskartos dzīvzogam. (Att. 34)



BRĪDINĀJUMS: Raugieties, griešanas aprīkojuma priekšējā daļa nepieskartos zemei.

2. Lai nodrošinātu stabilu darba pozīciju, turiet izstrādājumu tuvu ķermenim.
3. Esiet uzmanīgs un strādājiet ar izstrādājumu lēnām.

SavE funkcijas izmantošana

Šim izstrādājumam ir enerģijas taupīšanas funkcija SavE.

Piezīme: Funkcija SavE nesamazina izstrādājuma griešanas jaudu.

1. Nospiediet tastatūras pogu SavE.
2. Pārlicinieties, vai iedegas zaļais LED indikators.
3. Nospiediet pogu SavE vēlreiz, lai funkciju izslēgtu. Zaļais LED indikators nodzies. (Att. 35)

Automātiskās izslēgšanas funkcija

Izstrādājumam ir izslēgšanas funkcija, kas aptur izstrādājumu, ja tas netiek izmantots. Zaļā gaismas diode ar ieslēgšanas/apturēšanas norādi nodzies, un izstrādājuma darbība tiek apturēta pēc 180 sekundēm.

Lai apturētu ierīci

1. Nospiediet iedarbināšanas mēlīti un priekšējā roktura mēlīti.
2. Nospiediet un turiet iedarbināšanas/izslēgšanas pogu, līdz nodzies zaļais LED indikators.
3. Nospiediet atlaišanas pogas uz akumulatora un izņemiet akumulatoru. (Att. 36)

Apkope

Ievads



BRĪDINĀJUMS: Pirms izstrādājuma apkopes veikšanas izlasiet un izprotiet sadaļu par drošības pasākumiem.



BRĪDINĀJUMS: Pirms veicat izstrādājuma apkopi, izņemiet akumulatoru.

Apkopes grafiks

Tālāk ir redzams produkta apkopes darbību saraksts.

Apkope	Pirms izmantošanas	Reizi nedēļā	Reizi mēnesī
Notīriet izstrādājuma ārējās daļas.	X		
Pārļiecinieties, vai iedarbināšanas/apturēšanas slēdzis darbojas pareizi un nav bojāts.	X		
Pārbaudiet, vai iedarbināšanas mēlīte un priekšēja roktura mēlītes funkcija darbojas pareizi un atbilstoši drošības noteikumiem.	X		
Pārļiecinieties, ka visas vadības ierīces darbojas un nav bojātas.	X		
Pārļiecinieties, vai griezēja asmenī un griezēja aizsargā nav plaisu un bojājumu. Ja griezēja asmenī vai griezēja aizsargā ir plaisas vai ja tie ir saņēmuši triecienu, nomainiet tos.	X		
Ja griezēja asmens ir ieliekts vai bojāts, nomainiet to.	X		
Pārļiecinieties, ka rokas aizsargs nav bojāts. Ja aizsargs ir bojāts, nomainiet to.	X		
Pārļiecinieties, vai skrūves un uzgriežņi ir stingri pievilkti.	X		
Pārļiecinieties, vai akumulators nav bojāts.	X		
Pārļiecinieties, vai akumulators ir uzlādēts.	X		
Pārļiecinieties, vai akumulatora lādētājs nav bojāts.	X		
Pārļiecinieties, vai skrūves, kas satur griezēja asmeņus kopā, ir pareizi pievilktas.		X	
Pārbaudiet savienojumus starp akumulatoru un izstrādājumu. Pārbaudiet savienojumu starp akumulatoru un akumulatora lādētāju.			X

Akumulatora un akumulatora lādētāja pārbaude

1. Pārbaudiet, vai akumulators nav bojāts, piemēram, vai tajā nav plaisu.
2. Pārbaudiet, vai akumulatora lādētājs nav bojāts, piemēram, vai tajā nav plaisu.
3. Pārļiecinieties, vai akumulatora lādētāja savienojuma vads nav bojāts un vai tajā nav plaisu.

Produkta, akumulatora un akumulatora lādētāja tīrīšana

1. Pēc lietošanas tīriet produktu ar sausu drānu.
2. Tīriet akumulatoru un akumulatora lādētāju ar sausu drānu. Akumulatora vadotnes slīdēm ir vienmēr jābūt tīrām.
3. Pārļiecinieties, vai akumulatora un akumulatora lādētāja spaiļes ir tīras, pirms akumulators tiek ievietots akumulatora lādētājā vai produktā.

Asmens pārbaude

1. Pirms un pēc izstrādājuma izmantošanas notīriet no asmens netīrumus ar pretkorozijas tīrīšanas līdzekli.

2. Pārbaudiet, vai asmens malas nav bojātas vai deformētas.
3. Lai noņemtu asmens atskarpes, izmantojiet vīli.
4. Pārļiecinieties, vai asmeņi rotē brīvi.

Asmeņu tīrīšana un ieeļļošana

1. Pirms un pēc izstrādājuma izmantošanas notīriet no tā asmeņiem nevēlamos materiālus.
2. Pirms ilga uzglabāšanas perioda ieeļļojiet asmeņus.

Piezīme: Lai iegūtu plašāku informāciju par ieteicamajiem tīrīšanas līdzekļiem un smērvielām, sazinieties ar izplatītāju, kas nodrošina apkopi.

Pārnesumkārbas (reduktora) ieeļļošana

Ja pārnesumkārbu ir noņēmis apstiprināts izplatītājs, kas nodrošina apkopi, ieziediet pārnesumkārbas (reduktora) karteri ar smērvielu.

- Lietojiet īpašo Husqvarna smērvielu. Lai iegūtu plašāku informāciju par ieteicamo smērvielu, sazinieties ar izplatītāju, kas nodrošina apkopi.
- Izmantojiet tikai nelielu daudzumu kvalitatīvas speciālās smērvielas.



IEVĒROJIET: Nepiepildiet pārnēsukārības (reduktora) karteri pilnībā.

Problēmu novēršana

Tastatūra

LED ekrāns	Iespējamās kļūmes	Iespējamie risinājumi
Mirgo kļūdu LED indikator.	Pārslodze	Griešanas ierīce nevar brīvi kustēties. Atbrīvojiet griešanas ierīci.
	Temperatūras nobīde	Ļaujiet produktam atdzist.
Izstrādājums nesāk darboties.	Vienlaikus nospiediet spēka sprūdu un iedarbināšanas pogu.	Atļaidiet spēka sprūdu un apturiet izstrādājumu.
Kļūdu LED indicators iedegas sarkanā krāsā.	Ir nepieciešams veikt izstrādājuma apkopi	Sazinieties ar apkopes sniedzēju.

Akumulators

LED indikatoru displejs	Iespējamās kļūmes	Iespējamā rīcība
LED indicators mirgo zaļā krāsā	Akumulators izlādējies.	Uzlādējiet akumulatoru.
Mirgo kļūdu LED indikator.	Temperatūras nobīde.	Akumulatoru drīkst izmantot temperatūrā no -10°C (14°F) līdz 40°C (104°F).
	Pārāk liels spriegums.	Pārbaudiet, vai tīkla spriegums atbilst tam, kas norādīts uz izstrādājuma datu plāksnītes. Izņemiet akumulatoru no lādētāja.
Deg kļūdu LED indicators.	Pārāk liela elementu atšķirība (1 V).	Sazinieties ar vietējo apkopes sniedzēju.

Akumulatora lādētājs

Problēma	Iespējamās kļūmes	Iespējamais risinājums
Uzlādes gaismas diode deg sarkanā krāsā.	Pastāvīga akumulatora lādētāja kļūda.	Sazinieties ar izplatītāju.
Uzlādes gaismas diode mirgo zaļā krāsā.	Temperatūras nobīde, akumulators ir pārāk auksts vai pārāk karsts, lai to lietotu vai uzlādētu.	Ļaujiet akumulatoram atdzist vai sasilt. Kad akumulators ir sasniedzis pareizo temperatūru, to var atkal lietot vai uzlādēt. Izmantojiet akumulatora lādētāju vides temperatūras diapazonā no 5 °C (41 °F) līdz 40 °C (104 °F).
Uzlādes gaismas diode mirgo sarkanā krāsā.	Bojāts akumulators.	Sazinieties ar izplatītāju.

Pārvadāšana, glabāšana un utilizēšana

Pārvadāšana un uzglabāšana

- Komplektācijā iekļautie litijs jonu akumulatori atbilst bīstamo preču normatīvo aktu prasībām.
- Ievērojiet īpašās prasības, kas sniegtas uz iepakojuma un uzlīmēm attiecībā uz komerciālu transportēšanu, kā arī trešo pušu un sūtītājas aģentu prasības.
- Pirms nosūtāt izstrādājumu, konsultējieties ar bīstamo preču apstrādes speciālistu. Ievērojiet visus spēkā esošos valsts likumus.
- Kad ievietojat akumulatoru iepakojumā, atvērtiem kontaktiem pievienojiet līmlenti. Ievietojiet akumulatoru iepakojumā cieši, lai novērstu kustēšanos.
- Transportēšanas vai glabāšanas nolūkos izņemiet akumulatoru.
- Novietojiet akumulatoru un akumulatora lādētāju sausā vietā, kuru neietekmē mitrums un sāls.
- Neglabājiet akumulatoru vietās, kur var rasties statiskā elektrība. Neglabājiet akumulatoru metāla kārbā.
- Novietojiet akumulatoru glabāšanai vietā, kur temperatūra ir diapazonā no 5 °C/41 °F līdz 25 °C/77 °F un ko neskar tieša saules gaisma.
- Novietojiet lādētāju glabāšanai vietā, kur temperatūra ir diapazonā no 5 °C/41 °F līdz 45 °C/113 °F un ko neskar tieša saules gaisma.
- Izmantojiet akumulatoru lādētāju tikai tad, ja apkārtējā temperatūra ir diapazonā no 5 °C/41 °F līdz 40 °C/104 °F.

- Pirms akumulatoru novietošanas ilgstošai uzglabāšanai, uzlādējiet to par 30–50%.
- Novietojiet akumulatora lādētāju slēgtā un sausā vietā.
- Uzglabāšanas laikā neturiet akumulatoru lādētāja tuvumā. Neļaujiet bērniem un citām nesankcionētām personām pieskarties aprīkojumam. Glabājiet aprīkojumu slēdzamā vietā.
- Notīriet izstrādājumu un veiciet pilnu apkopi, pirms novietojat to ilgstošai glabāšanai.
- Izmantojiet transportēšanas aizsargu uz izstrādājuma, lai novērstu traumas vai izstrādājuma bojājumus transportēšanas vai glabāšanas laikā.
- Transportēšanas laikā droši nostipriniet izstrādājumu.

Akumulatora, lādētāja un produkta likvidācija

Simboli uz izstrādājuma vai tā iepakojuma norāda, ka šis izstrādājums nav sadzīves atkritums. Utilizējiet to elektrisko un elektronisko ierīču pārstrādes uzņēmumā. Tādējādi tiek samazināta kaitīgā ietekme uz vidi un cilvēkiem.

Lai saņemtu papildinformāciju par izstrādājuma pārstrādi, sazinieties ar vietējām iestādēm, māsājniecības atkritumu savākšanas pakalpojumu sniedzēju vai izplatītāju.

Tehniskie dati

Tehniskie dati

	215HD45
Motors	
Motora tips	BLDC
Svars	
Svars bez akumulatora, kg	3.2
Griezējs	
Tips	Abpusēji
Asmens garums, mm.	450
Asmens ātrums, griezieni/min. (SavE režīmā)	2400
Asmens ātrums, griezieni/min. (bez SavE režīma)	3000

	215iHD45
Trokšņa emisija ²⁷	
Skaņas jaudas līmenis, izmērītais dB (A)	87
Skaņas jaudas līmenis, garantētais L _{WA}	90
Skaņas līmeņi	
Skaņas spiediena līmenis pie lietotāja auss, mērīts saskaņā ar standartu EN 62841-4-2, dB(A)	79
Vibrācijas līmeņi ²⁸	
Vibrācijas līmeņi (a _H), priekšā/aizmugurē, m/s ²	2,1/1,7

Izstrādājumam apstiprinātie akumulatori

Akumulators	BLi10		40-B70
Tips	Litija jonu		Litija jonu
Akumulatora ietilpība, Ah	Skat. akumulatora datu uzlīmi		Skat. akumulatora datu uzlīmi
Nominālais spriegums, V	36	36,5	36
Svars, kg	0,7	0,7	0,8

Izstrādājumam apstiprinātie akumulatora lādētāji

Akumulatora lādētājs	QC80	40-C80
Elektrotīkla spriegums, V	100-240	100-240
Frekvence, Hz	50-60	50-60
Jauda, W	100	72
Izvades spriegums, V d.c./ ampēri, A	36/2	43/1,6

²⁷ Atbilstoši EK direktīvai 2000/14/EK trokšņa emisija apkārtne ir mērīta kā akustiskā jauda (L_{WA}). Atšķirība starp garantēto un izmērīto skaņas jaudas līmeni ir tāda, ka garantētā skaņas intensitātes līmeņa mērījumu rezultāts ietver arī izkliedi mērījuma rezultātā un atšķirības dažādiem tā paša modeļa izstrādājumiem atbilstoši Direktīvai 2000/14/EK.

²⁸ Sniegtajos datos par vibrācijas līmeņiem ir tipiska 1,5 m/s² statistiskā izkliede (standarta novirze).

Kopējā noteiktā vibrāciju vērtība ir mērīta pēc standarta testēšanas metodes, un to var izmantot instrumentu savstarpējai salīdzināšanai.

Kopējo noteikto vibrāciju vērtību var izmantot arī sākotnējai iedarbības novērtēšanai.

Atbilstības deklarācija

ES atbilstības deklarācija

Mēs, **Husqvarna AB**, SE-561 82 Huskvarna, Zviedrija, tālr. +46-36-146500, ar pilnu atbildību apliecinām, ka šis izstrādājums:

Apraksts	Akumulatora dzīvžoga šķēres
Zīmols	Husqvarna
Tips/modelis	215iHD45
Identifikācija	Ar sērijas numuriem no 2024 un turpmākiem sērijas numuriem

pilnībā atbilst šādām ES direktīvām un noteikumiem:

Direktīva/regula	Apraksts
2006/42/EK	"par mehānismiem"
2014/30/ES	"par elektromagnētisko savietojamību"
2000/14/EK	"par trokšņa emisiju vidē"
2011/65/ES	"par dažu bīstamu vielu izmantošanas ierobežošanu elektriskās un elektroniskās iekārtās"

un ir ievēroti zemāk norādītie saskaņotie standarti un/vai tehniskie dati: EN 62841-4-2:2019+A1:2022+A11:2022, EN 62841-1:2015+A11:2022, EN IEC 55014-1:2021, EN IEC 55014-2:2021, EN IEC 63000:2018.

Saskaņā ar direktīvu 2000/14/EK, V pielikumu; skatiet *Tehniskie dati lpp. 204* lai redzētu norādītās skaņas vērtības.

Huskvarna, 2024-02-01

Claes Losdal, izpētes un attīstības nodaļas vadītājs,
Husqvarna AB

Atbildīgais par tehnisko dokumentāciju



Obsah

Úvod.....	207	Odstraňování problémů.....	216
Bezpečnost.....	208	Přeprava, skladování a likvidace.....	217
Montáž.....	213	Technické údaje.....	218
Provoz.....	214	Prohlášení o shodě.....	220
Údržba.....	215		

Úvod

Popis výrobku

Husqvarna 215iHD45 jsou akumulátorové nůžky na živý plot s elektrickým motorem.

Nepřetržitě pracujeme na tom, abychom zvýšili vaši bezpečnost a efektivitu při používání. Další informace získáte u svého servisního prodejce.

Popis výrobku

(Obr. 1)

1. Návod k použití
2. Zadní rukojeť
3. Spouštěč v přední rukojeti
4. Přední rukojeť
5. Stříhač
6. Převodní kryt
7. Páčka spínače
8. Ovládací panel
9. Ochranný kryt rukou
10. Baterie
11. Nabíječka baterií 40-C80
12. Spojka
13. Tlačítko ukazatele stavu baterie
14. Stav baterie
15. Varovná kontrolka
16. Tlačítko SavE (Úspora energie)
17. Vypínač
18. Indikátor napájení a výstražný indikátor
19. Tlačítka pro uvolnění baterie
20. Nabíječka baterií QC80
21. Napájecí kabel

Symboly na výrobku

- (Obr. 2) **VAROVÁNÍ:** Tento výrobek může být nebezpečný a způsobit obsluze či dalším osobám vážné zranění. Buďte opatrní a výrobek používejte správně.
- (Obr. 3) Pečlivě si přečtěte návod k používání a předtím, než produkt začnete používat, se přesvědčte o tom, že pokynům rozumíte.
- (Obr. 4) Používejte ochranu očí.
- (Obr. 5) Výrobek odpovídá příslušným směrnici ES.
- (Obr. 6) Výrobek ani obal výrobku nelze zlikvidovat jako domácí odpad. Odevzdejte jej

Doporučené použití

Používejte výrobek ke stříhání větviček. K jiným činnostem výrobek nepoužívejte.

ve stanicích pro recyklaci elektrických a elektronických zařízení.

(Obr. 7) Nevystavujte dešti.

(Obr. 8) Stejnoseměrný proud.

(Obr. 9) Štítek s emisemi hluku do okolí podle směrnic a předpisů EU a Spojeného království (také podle legislativy v australském Novém Jižním Walesu). Údaje o emisích hluku naleznete na štítku stroje a v kapitole Technické údaje.

(Obr. 10) Tento výrobek vyhovuje platným předpisům Spojeného království.

(Obr. 11) Varování: Nepřibližujte ruce k nožům.

yyyywwxxxx Typový štítek s výrobním číslem. **yyyy** znamená rok výroby, **ww** znamená týden výroby.

Povšimněte si: Další symboly/štítky na výrobku se týkají zvláštních certifikačních požadavků pro určité obchodní trhy.

Symboly na baterii nebo na nabíječce baterií

- (Obr. 15) Odevzdejte výrobek ve stanicích pro recyklaci elektrických a elektronických zařízení. (Plati pouze pro Evropu)
- (Obr. 12) Transformátor se zabezpečením proti selhání.
- (Obr. 13) Nabíječku baterií používejte a skladujte pouze ve vnitřních prostorech.
- (Obr. 14) Dvojité izolace.

Bezpečnost

Definice týkající se bezpečnosti

Varování, upozornění a poznámky slouží jako upozornění na specifické důležité části návodu.



VÝSTRAHA: Používá se v případě nebezpečí úrazu nebo usmrcení obsluhy nebo okolních osob, pokud nejsou dodrženy pokyny uvedené v této příručce.



VAROVÁNÍ: Používá se v případě nebezpečí poškození výrobku, dalších materiálů či škod na majetku v blízkém okolí, pokud nejsou dodrženy pokyny uvedené v této příručce.

Povšimněte si: Používá se k poskytnutí dalších informací, které jsou nezbytné v dané situaci.

Obecné bezpečnostní výstrahy pro elektrické nářadí



VÝSTRAHA: Pozorně si přečtěte všechna bezpečnostní upozornění a pokyny. Při nedodržení upozornění a pokynů může dojít k úrazu elektrickým proudem, požáru nebo vážnému poranění.

Povšimněte si: Uložte si veškerá upozornění a pokyny pro použití v budoucnu. Termín „elektrický nástroj“ v upozorněních označuje buď nástroj napájený ze sítě (kabelem), nebo napájený baterií (bezdrátový).

Bezpečnost pracovního prostoru

- **Udržujte pracovní prostor čistý a dobře osvětlený.** Přeplněné či tmavé prostory nahrávají nehodám.
- **Nepoužívejte elektrické nástroje ve výbušném prostředí, například v přítomnosti hořlavých kapalin, plynů či prachu.** Elektrické nástroje vytvářejí jiskry, které mohou zapálit prach nebo výpary.
- **Při práci s elektrickým nástrojem musí být děti i okolostojící osoby v dostatečné vzdálenosti.** Rozptýlení může způsobit, že ztratíte kontrolu nad nástrojem.

Bezpečnost při používání el. energie

- **Zástrčky elektrických nástrojů musí odpovídat elektrické zásuvce. Nikdy zásuvku žádným způsobem neupravujte. U uzemněných elektrických nástrojů nepoužívejte žádné adaptéry.** Původní zástrčky a odpovídající zásuvky snižují nebezpečí úrazu elektrickým proudem.

- **Zabraňte tělesnému kontaktu s uzemněnými povrchy, např. trubkami, radiátory, sporáky a chladničkami.** Pokud je lidské tělo uzemněno, hrozí větší nebezpečí úrazu el. proudem.
- **Nezavazujte elektrické nástroje dešti nebo působení vlhkosti.** Pokud do elektrického nástroje vnikne voda, zvyšuje se nebezpečí úrazu elektrickým proudem.
- **Nezacházejte hrubě s napájecím kabelem. Nikdy elektrický nástroj za kabel nenoste. Za kabel netahejte a neodpojujte nástroj od sítě taháním za kabel. Nevystavujte napájecí kabel působení tepla, oleje, nepoškoďte ho ostrými hranami nebo pohyblivými částmi.** Poškozený nebo zamotaný kabel zvyšuje nebezpečí úrazu elektrickým proudem.
- **Při používání elektrického nástroje venku použijte prodlužovací kabel určený pro venkovní použití.** Použití kabelu určeného pro venkovní použití snižuje nebezpečí úrazu elektrickým proudem.
- **Pokud je nezbytné pracovat s el. nástrojem ve vlhkém prostředí, použijte zdroj s proudovým chráničem.** Použití proudového chrániče snižuje nebezpečí úrazu elektrickým proudem.



VÝSTRAHA: Zařízení neumývejte pod tlakem. Voda by mohla vniknout do elektrického systému nebo do motoru a zařízení poškodit nebo způsobit zkrat.

Osobní bezpečnost

- **Při práci s elektrickým nástrojem dávejte pozor, sledujte, co děláte a používejte zdravý rozum. Nepracujte s elektrickým nástrojem, pokud jste unaveni nebo jste pod vlivem drog, alkoholu či léků.** Při práci s elektrickým nástrojem stačí okamžik nepozornosti a následkem může být vážný úraz.
- **Používejte osobní ochranné pomůcky. Vždy používejte ochranu zraku.** Ochranné vybavení, např. protiprachová maska, neklouzavá ochranná obuv, přilba nebo ochrana sluchu, použité správným způsobem snižují nebezpečí úrazu.
- **Zabraňte náhodnému spuštění. Před připojením k el. napájení nebo vložením baterií, zvednutím nebo nošením nástroje se přesvědčte, že je vypínač v poloze vypnuto.** Přenašením elektrických nástrojů s prstem na spoušti nebo zapnutých elektrických nástrojů nahráváte nehodám.
- **Před zapnutím el. nástroje vyjměte jakýkoli seřizovací klíč nebo klíč na matici.** Klíč ponechaný na rotující části el. nástroje může způsobit úraz.
- **Nenatahujte se příliš daleko. Neustále pevně stůjte a držte rovnováhu.** Budete tak mít lepší kontrolu nad nástrojem v neočekávaných situacích.
- **Noste vhodný oděv. Nenoste volné oblečení ani šperky. Udržujte vlasy a oděv mimo dosah pohyblivých částí.** Pohyblivé části mohou zachytit volný oděv, šperky nebo dlouhé vlasy.

- Pokud jsou zařízení přizpůsobena pro připojení odsávaců a lapačů prachu, musí být připojeny a správně použity. Použitím lapačů prachu snižujete rizika spojená s výskytem prachu.
- Nedovolte, aby rutina nabytá častým používáním nástrojů způsobila, že začnete být neopatrní a budete ignorovat bezpečnostní zásady při zacházení s nástrojem. Neopatrný úkon může způsobit vážné zranění ve zlomku sekundy.
- Emise vibrací během skutečného používání elektrického nástroje se mohou lišit od deklarované celkové hodnoty podle způsobu použití nástroje. Uživatelé musí podniknout bezpečnostní opatření, která je ochrání, založená na odhadu rizik při skutečných podmínkách během používání (musí vzít v úvahu všechny části provozního cyklu, kromě zapínání např. také vypínání a běh stroje ve volnoběžných otáčkách).

Použití elektrických nástrojů a péče o ně

- Při práci s elektrickými nástroji nepoužívejte násilí. Používejte správný elektrický nástroj pro danou aplikaci. Správný elektrický nástroj vykoná práci lépe a bezpečněji rychleji, pro kterou byl navržen.
- Nepoužívejte el. nástroj, pokud nefunguje vypínač pro zapnutí a vypnutí. Každý elektrický nástroj, který nelze ovládat vypínačem, je nebezpečný a musí se opravit.
- Před jakýmkoli nastavením, výměnou příslušenství nebo uložením elektrického nástroje odpojte zástrčku od napájení nebo vytáhněte z nástroje baterie, pokud je to možné. Takováto preventivní bezpečnostní opatření snižují riziko náhodného spuštění el. nástroje.
- Nepoužívané el. nástroje ukládejte mimo dosah dětí a nedovolte, aby s nástrojem pracovaly osoby, které ho dobře neznají nebo si nepřečty tento návod k použití nástroje. Elektrické nástroje jsou v rukou neproškolených uživatelů nebezpečné.
- Udržujte elektrické nástroje a příslušenství. Kontrolujte chybné zarovnání nebo spojení pohyblivých částí, rozbití jakýchkoli částí nebo jiné stavy, které mohou ovlivnit provoz elektrického nástroje. Pokud je elektrický nástroj poškozen, nechte ho opravit. Mnohé nehody jsou způsobeny špatnou údržbou elektrických nástrojů.
- Udržujte řezací nástroje ostré a čisté. Správně udržované řezací nástroje s ostrým ostřím jsou méně náchylné k „zakousnutí“ a snadněji se ovládají.
- Používejte elektrický nástroj, příslušenství a vsazené nože podle těchto pokynů. V úvahu je třeba brát pracovní podmínky a prováděnou práci. Použitím elektrického nástroje k jinému účelu, než pro který je určen, může mít za následek vznik nebezpečné situace.
- Rukojeti a uchopovací plochy udržujte suché, čisté a bez zbytků oleje a maziva. Kluzké rukojeti a uchopovací plochy neumožňují bezpečné ovládání

a v neočekávaných situacích může dojít ke ztrátě kontroly.

Použití nástrojů napájených z baterie a péče o ně

- Baterii dobíjejte pouze nabíječkou specifikovanou výrobcem. Použití nabíječky vhodné pro jeden typ baterie může pro jiný typ baterie představovat nebezpečí vzniku požáru.
- Výrobky používejte pouze s příslušnými speciálními bateriovými moduly. Při použití jakékoli jiné baterie hrozí riziko úrazu a požáru.
- Když baterii nepoužíváte, udržujte ji stranou od kovových předmětů, např. kancelářských sponek, mincí, klíčů, hřebíků, šroubů nebo jiných malých kovových předmětů, které by mohly spojit kontakty baterie. Při zkratování kontaktů baterie může dojít k popáleninám nebo k požáru.
- V nevhodných podmínkách může dojít k vytečení kapaliny z baterie. Vyvarujte se kontaktu s kapalinou. Pokud dojde k náhodnému kontaktu, opláchněte postižené místo vodou. Při zasažení očí kapalinou vyhledejte lékařskou pomoc. Kapalina vyteká z baterie může způsobit podráždění nebo popáleniny.
- Nepoužívejte poškozenou nebo upravenou baterii nebo výrobek. Poškozené nebo upravené baterie mohou vykazovat neočekávané chování vedoucí k požáru, výbuchu nebo nebezpečí poranění.
- Nevystavujte baterii ani nástroj ohni a nadměrným teplotám. Oheň nebo teploty nad 130 °C mohou vyvolat explozi.
- Dodržujte veškeré pokyny k nabíjení a nenabíjejte baterii ani nástroj mimo rozsah teplot uvedený v pokynech. Nesprávné nabíjení nebo nabíjení při teplotách mimo uvedený rozsah může mít za následek poškození baterie a zvýšené nebezpečí požáru.

Servis

- Servis elektrického nástroje smí provádět pouze kvalifikovaná osoba za použití identických náhradních součástek. Tím bude zajištěna bezpečnost elektrického nástroje.
- Nikdy neprovádějte servis poškozených baterií. Servis baterií smí provádět pouze výrobce nebo autorizovaný servis.

Bezpečnostní upozornění týkající se plotostříhu – Bezpečnost osob

- Při práci držte nůžky na živý plot oběma rukama. Držení jen jednou rukou může způsobit ztrátu kontroly nad nůžkami a vést k vážnému zranění osob.
- Všechny části těla udržujte mimo dosah stříhací lišty. Dokud se nože pohybují, neodstraňujte nastříhaný materiál ani materiál nepřidržíte. Nože se pohybují i po vypnutí spínače. Při práci s nůžkami na živý plot

stačí okamžik nepozornosti a následkem může být vážný úraz.

- **Při přinášení držte nůžky na živý plot se zastavenou řezací lištou za rukojeť a dbejte na to, aby nedošlo k nechtěnému kontaktu s vypínačem.** Správnou manipulací s nůžkami na živý plot snížíte riziko neúmyslného spuštění a následného poranění noží.
- **Při přepravě nebo skladování nůžek na živý plot vždy nasadte na stříhací lištu ochranný kryt.** Správnou manipulací s nůžkami na živý plot snížíte riziko poranění noží.
- **Před odstraněním uvízlého materiálu nebo údržbou nástroje se ujistěte, že je vše vypnuto a baterie odpojena nebo vyjmuta.** Neočekávaná aktivace nůžek nůžky na živý plot při odstraňování uvízlého materiálu nebo provádění údržby může mít za následek vážný úraz.
- **Nůžky na živý plot držte pouze za izolované úchopy, protože lišta by se mohla dostat do kontaktu se skrytou kabeláží.** Když se nože dostanou do kontaktu s vodičem pod proudem, elektrický proud se může přenést na obnažené kovové části nůžek na živý plot a mohlo by dojít k zásahu obsluhy elektrickým proudem.
- **Udržujte všechny napájecí a jiné kabely mimo oblast řezání.** Napájecí a další kabely se mohou nacházet v plotě či křoví a mohlo by dojít k jejich náhodnému přefixování stříhací lištou.
- **Nůžky na živý plot nepoužívejte při špatném počasí, zvláště pokud existuje riziko blesku.** Snížíte tak riziko zasažení bleskem.
- **NEBEZPEČÍ – Nepřibližujte ruce k noži.** Kontakt se stříhací lištou může vést k vážnému zranění osob.

Obecné bezpečnostní pokyny



VÝSTRAHA: Před použitím výrobku si přečtěte následující varování.

- Aby nemohlo dojít k nechtěnému spuštění výrobku, vyjměte baterii.
- Při neopatrném nebo nesprávném použití se stává tento výrobek velmi nebezpečným nástrojem. Tento výrobek může způsobit obsluze a dalším osobám vážné zranění.
- Pokud se změní původní specifikace výrobku, nepoužívejte ho. Bez schválení výrobcem neměňte žádné součásti výrobku. Používejte výhradně součásti schválené výrobcem. Nesprávná údržba může mít za následek zranění nebo smrt.
- Před použitím výrobek zkontrolujte. Viz část *Před spuštěním výrobku na strani 214*. Nepoužívejte vadný výrobek. Dodržujte pokyny pro kontrolu, údržbu a servis popsané v této příručce.
- Děti by měly být pod dozorem, aby si s výrobkem nehrály. Výrobek ani baterii nikdy nedovolte používat dětem nebo osobám, které nejsou k jejich používání vyškoleny. Věk obsluhy může být upraven místními zákony.

- Skladujte výrobek na uzamčeném místě, aby se zamezilo přístupu dětí a neoprávněných osob.
- Výrobek uchovávejte mimo dosah dětí.
- Konstrukce produktu nesmí být za žádných okolností upravována bez svolení výrobce. Vždy používejte originální příslušenství. Nepovolené úpravy nebo příslušenství mohou vést k vážnému nebo smrtelnému zranění obsluhy nebo jiných osob.

Povšimněte si: Použití může být upraveno národními nebo místními předpisy. Dodržujte příslušné předpisy.

Bezpečnostní pokyny pro provoz



VÝSTRAHA: Před použitím výrobku si přečtěte následující varování.

- Dostanete-li se do situace, kdy pocítíte jakoukoliv pochybnost co do práce s vybavením, požádejte o radu odborníka. Spojte se s vaším prodejcem nebo servisem. Nepoužívejte vybavení, necítíte-li se dostatečně kvalifikováni.
- Nikdy výrobek nepoužívejte, když jste unaveni, po požití alkoholu či jiných drog nebo když užíváte léky, které mohou ovlivnit váš zrak, odhad nebo koordinaci pohybů.
- Práce za nepříznivého počasí je únavná a často může zahrnovat další nebezpečí. Kvůli dalším možným nebezpečím nedoporučujeme používat stroj za špatného počasí, například v husté mlze, prudkém dešti, silném mrazu, při riziku výskytu blesků atd.
- Poškozené nože mohou zvýšit nebezpečí vzniku nehod.
- Nenechte děti používat výrobek nebo se zdržovat v jeho blízkosti. Jelikož lze výrobek snadno spustit, mohou jej spustit i děti, pokud nejsou celou dobu pod dozorem. Tím může dojít k nebezpečí vážného úrazu. V době, kdy není výrobek plně pod dozorem, musí být odpojena baterie.
- Zajistěte, aby se během práce nevyskytovaly v okruhu 15 metrů žádné osoby nebo zvířata. Pokud na stejném pracovišti pracuje více uživatelů, musí být udržována bezpečnostní vzdálenost nejméně 15 m. Jinak hrozí nebezpečí vážného zranění osob. Jestliže se někdo přiblíží, okamžitě vypněte výrobek. Nikdy neotáčejte výrobek, aniž byste se nejprve podívali za sebe a zkontrolovali, zda se někdo nenachází v bezpečnostní zóně.
- Zajistěte, aby další osoby, zvířata nebo jiné věci nemohly ovlivnit vaši kontrolu nad výrobkem a aby nemohly přijít do kontaktu se sekacím nástavcem nebo volnými předměty, které odmrští sekací nástavec. Nepracujte ale s výrobkem, nemáte-li možnost přivolat pomoc v případě nehody.
- Vždy zkontrolujte pracovní oblast. Odstraňte veškeré volné předměty, jako jsou kameny, střepy, hřebíky,

ocelové dráty, šňůry apod., které by mohly být odmrštěny nebo zachyceny sekacím nástavcem.

- Ujistěte se, že se můžete volně pohybovat a bezpečně stát. Zkontrolujte, zda ve vašem bezprostředním okolí nejsou nějaké překážky (kořeny, kameny, větve, jámy, příkopy apod.), pro případ, že by bylo nutné se rychle přesunout. Zvláštní pozornost věnujte práci ve svažitém terénu.
- Neustále udržujte dobrou rovnováhu a pevný postoj. Nenatahujte se příliš daleko.
- Před přemístěním do jiné oblasti vypněte výrobek. Jestliže výrobek nepoužíváte, nasadte přepravní kryt.
- Nikdy neodkládejte výrobek, dokud jej nedeaktivujete a nevyjmete baterii. Nenechávejte výrobek bez dozoru, když je spuštěný.
- Dbejte na to, aby se žádné části oděvu nebo těla nedostaly do kontaktu se sekacím nástavcem aktivovaného výrobku.
- Pokud nějaký předmět uvízne při používání výrobku v noži, vypněte jej a deaktivujte. Zkontrolujte, zda se sekací nástavec zcela zastavil. Před kontrolou, čištěním či opravou výrobku nebo nože vyjměte baterii.
- Při vypnutí výrobku se rukama ani nohama nepřibližujte k sekacímu nástavci, dokud se zcela nezastaví.
- Dávejte pozor na větve nebo pahýly, které mohou během řezání odlétávat. Nesekejte příliš blízko u země, odkud by mohly odlétávat kameny nebo jiné předměty.
- Dejte pozor na odmrštěné předměty. Použijte vždy schválenou ochranu očí. Nikdy se nenahýbejte nad kryt řezacího vybavení. Odlétávající kamení nebo jiný materiál může zasáhnout zrak a způsobit oslepnutí nebo jiná vážná zranění.
- Používáte-li ochranu sluchu, vždy je nutné dávat pozor na výstražné signály nebo volání. Sejměte vždy ochranu sluchu ihned po zastavení výrobku.
- Nikdy nepracujte ze žebříku, stoličky nebo v jiné zvýšené poloze, která není dokonale zajištěna.
- Výrobek ovládejte oběma rukama. Výrobek držte u svého boku.

(Obr. 16)

Osobní ochranné prostředky



VÝSTRAHA: Před použitím výrobku si přečtěte následující varování.

- Při použití výrobku je nutné používat schválené osobní ochranné prostředky. Osobní ochranné prostředky nemohou zcela eliminovat nebezpečí úrazu, ale pomáhají snížit míru poranění. Další informace získáte u svého prodejce.
- Použijte ochrannou přilbu tam, kde hrozí nebezpečí padajících předmětů.

(Obr. 17)

- Vždy používejte schválenou ochranu sluchu. Dlouhodobé vystavování působení hluku může vést k trvalému poškození sluchu.

(Obr. 18)

- Vždy používejte schválenou ochranu očí. Použijete-li štít, je nutno použít i schválené ochranné brýle. Schválené ochranné brýle musí být v souladu s normou ANSI Z87.1 v USA nebo EN 166 v zemích EU.

(Obr. 19)

- Během provozu a údržby používejte ochranné rukavice.

(Obr. 20)

- Použijte ochrannou obuv s protiskluzovými podrážkami.

(Obr. 21)

- Noste oblečení vyrobené z pevné tkaniny. Váš oděv musí být přiléhavý, ale nesmí vás omezovat v pohybu. Noste dlouhé kalhoty a vlasy si stáhněte za ramena. Nenoste šperky ani otevřené boty.
- Mějte při ruce lékárníčku.

(Obr. 22)

Bezpečnostní zařízení na produktu



VÝSTRAHA: Před použitím výrobku si přečtěte následující varování.

V této části je popsáno bezpečnostní vybavení výrobku, jeho účel a způsob provádění kontroly a údržby k zajištění správného provozu. Viz pokyny v části *Popis výrobku na strani 207* pro informace o umístění těchto dílů na výrobku.

Životnost výrobku se může zkracovat a riziko úrazů zvyšovat, jestliže se údržba neprovádí správně anebo se opravy neprovádějí odborně. Pokud potřebujete další informace, obraťte se na nejbližšího servisního prodejce.



VÝSTRAHA: Nikdy výrobek nepoužívejte s poškozenými bezpečnostními součástmi. Kontrolu a údržbu bezpečnostního vybavení výrobku je nutno provádět podle postupů uvedených v této části. V případě, že by výrobek nevyhověl při jakékoli z těchto kontrol, je nutno vyhledat autorizované servisní středisko a nechat závadu odstranit.



VAROVÁNÍ: Servis a opravy stroje vyžadují speciální odborné školení. To se zvláště týká servisu a oprav bezpečnostního zařízení stroje. V případě, že by stroj nevyhověl při některé z níže uvedených kontrol, je nutno vyhledat

servisní opravnu. Každému zákazníkovi, který zakoupí kterýkoli z našich výrobků, zaručujeme dostupnost profesionálních oprav a servisních prací. Pokud prodejce, který vám stroj prodal, neposkytuje servisní práce, požádejte jej o adresu naší nejbližší servisní opravny.

Kontrola klávesnice

1. Stiskněte a podržte tlačítko pro spouštění/zastavení (A). (Obr. 23)
 - a) Výrobek je zapnutý, když svítí kontrolka LED (B).
 - b) Výrobek je vypnutý, když kontrolka LED (B) nesvítí.
2. Pokud svítí nebo bliká varovná kontrolka (C), řiďte se pokyny v části *Klávesnice na strani 216*.

Kontrola spouštěče v přední rukojeti

Spouštěč v přední rukojeti zabraňuje náhodnému spuštění. Při stisknutí spouštěče v přední rukojeti (A) se uvolní páčka spínače. Při uvolnění rukojeti se páčka spínače a spouštěč v přední rukojeti vrátí zpět do své původní polohy.

1. Zkontrolujte, zda se páčka spínače a spouštěč v přední rukojeti volně pohybují a zda vratná pružina funguje správně.
2. Nastartujte výrobek.
3. Stiskněte spouštěč v přední rukojeti.

(Obr. 24)
4. Stiskněte páčku spínače. (Obr. 25)
5. Uvolněte spouštěč v přední rukojeti a zkontrolujte, zda se řezací nástavec zcela zastaví.

Kontrola ochranného krytu ruky

Ochranný kryt ruky chrání ruce před náhodným kontaktem s noži.

1. Zastavte výrobek.
2. Vyjměte baterii.
3. Zkontrolujte, že je ochranný kryt ruky správně nasazený.
4. Zkontrolujte, zda není ochranný kryt ruky poškozený.

Kontrola nožů a krytů nože

Delší části nožů (A) mají funkci krytů nožů.

1. Zastavte výrobek.
2. Vyjměte baterii.
3. Navlékněte si rukavice.
4. Přesvědčte se, že nože a kryty nožů nejsou poškozené nebo zkroucené. Pokud jsou poškozené nebo ohnuté, nože a kryty nožů vyměňte. (Obr. 26)

Bezpečnostní pokyny týkající se akumulátorů



VÝSTRAHA: Před použitím výrobku si přečtěte následující varování.

- Používejte pouze baterie řady BLi a 40-B. Podrobnosti najdete v části *Technické údaje na strani 218*. Baterie je softwarově zašifrovaná.
- Používejte pouze baterie řady BLi a 40-B, které jsou dobíjecí a vhodné jako zdroj napájení pro související výrobky Husqvarna. Abyste zabránili zranění, nepoužívejte baterii jako zdroj napájení pro jiná zařízení.
- Nebezpečí úrazu elektrickým proudem. Svrky baterie nepřipojujte ke klíčům, mincím, šroubkům nebo jiným kovovým předmětům. Může to způsobit zkrat baterie.
- Nepoužívejte baterie, které nejsou určené k dobíjení.
- Nevkládejte do větracích otvorů baterie žádné předměty.
- Chraňte baterii před sluncem, teplem nebo otevřeným ohněm. Baterie může způsobit popáleniny nebo chemické popáleniny.
- Chraňte baterii před deštěm a vlhkým prostředím.
- Chraňte baterii před mikrovlnami a vysokým tlakem.
- Baterii nikdy nerozebírejte nebo nerozbíjejte.
- Pokud baterie netěsní, kapalina nesmí přijít do styku s kůží a očima. Po styku s kapalinou omyjte zasaženou oblast velkým množstvím vody s mýdlem a vyhledejte lékařskou pomoc. Při zasažení očí kapalinou si je nemněte, ale vyplachujte je velkým množstvím vody po dobu minimálně 15 minut a vyhledejte lékařskou pomoc.
- Baterii používejte při teplotě -10 až 40 °C.
- Baterii ani nabíječku baterií nečistěte vodou. Viz část *Čištění výrobku, baterie a nabíječky baterií na strani 216*.
- Nepoužívejte vadnou nebo poškozenou baterii.
- Baterie uchovávejte mimo dosah kovových předmětů, jako jsou např. hřebíky, šrouby nebo šperky.
- Uchovávejte baterie mimo dosah dětí.

Bezpečnostní pokyny pro nabíječku baterií



VÝSTRAHA: Před použitím výrobku si přečtěte následující varování.

- Pokud nejsou bezpečnostní pokyny dodržovány, hrozí nebezpečí úrazu elektrickým proudem nebo zkrat.
- Nepoužívejte nabíječku, která nebyla dodána s výrobkem. Při nabíjení náhradních baterií řady BLi a 40-B použijte výhradně nabíječky QC80 a 40-C80.
- Nabíječku baterií nerozebírejte.

- Nepoužívejte vadnou nebo poškozenou nabíječku baterií.
- Nabíječku nezvedejte pomocí napájecího kabelu. Když nabíječku baterií odpojíte z elektrické zásuvky, tahejte za zástrčku. Netahejte za napájecí kabel.
- Všechny kabely včetně prodlužovací udržte mimo dosah vody, oleje a ostrých hran. Dejte pozor, aby se kabel nezachytil mezi předměty, například do dveří, za plot a podobně.
- Nabíječku nepoužívejte v blízkosti hořlavých nebo korozivních materiálů. Zkontrolujte, zda není nabíječka baterií poškozená. V případě, že zaznamenáte kouř nebo požár, vytáhněte zástrčku kabelu nabíječky baterií ze zásuvky.
- Baterii nabíjejte pouze uvnitř, a to v místech s dobrým prouděním vzduchu a mimo dosah slunečního světla. Nenabíjejte baterii venku. Nenabíjejte baterii ve vlhkém prostředí.
- Použijte nabíječku baterií pouze v místech, kde je teplota v rozsahu 5 až 40 °C. Nabíječku používejte v dobře větraném, suchém a bezprašném prostředí.
- Nevkládejte do chladicích otvorů nabíječky baterií žádné předměty.
- Nepřipojujte svorky nabíječky baterií ke kovovým předmětům, protože by mohlo dojít ke zkratování nabíječky.
- Používejte schválené a nepoškozené síťové zásuvky. Zkontrolujte, zda není šňůra nabíječky baterií poškozena. Pokud používáte prodlužovací kabely, zkontrolujte, zda nejsou poškozeny.

- V nabíječce nenabíjejte baterie, které nejsou dobíjecí.

Bezpečnostní pokyny pro údržbu



VÝSTRAHA: Před prováděním údržby výrobku si přečtěte následující varování.

- Před prováděním údržby, kontroly nebo montáže výrobku vyjměte baterii.
- Obsluha smí provádět pouze takové údržbařské a servisní úkony, které jsou popsány v tomto návodu k používání. Před provedením údržby a servisu většího rozsahu se obraťte na servisního prodejce.
- Baterii ani nabíječku baterií nečistěte vodou. Silné čisticí prostředky mohou způsobit poškození plastových dílů.
- Pokud byste neprováděli údržbu, podstatně by se zkrátil životní cyklus výrobku a zvýšilo se nebezpečí nehod.
- K provádění servisu a oprav je nutné speciální školení, zejména co se týče bezpečnostních zařízení. Pokud není možné po provedení údržby schválit všechny kontroly uvedené v tomto návodu k používání, obraťte se na servisního prodejce. Garantujeme, že jsou pro váš výrobek k dispozici profesionální opravy a servis.
- Používejte pouze originální náhradní díly.

Montáž

Úvod

V této části je popsána montáž a nastavení produktu.

baterie je špatně vložená. Můžete tím výrobek poškodit.



VÝSTRAHA: Před montáží produktu si přečtěte kapitolu bezpečnosti a montážní pokyny.

Instalace baterie do výrobku



VÝSTRAHA: Ve výrobku používejte výhradně originální baterie Husqvarna.

1. Baterii plně nabijte.
2. Zatláče baterii do držáku baterie výrobku. Baterie je zajištěná na místě, jakmile uslyšíte cvaknutí. (Obr. 27)



VAROVÁNÍ: Pokud nelze baterii snadno zasunout do držáku baterie,

Instalace nabíječky 40-C80 na stěnu



VAROVÁNÍ: K instalaci nabíječky baterií na stěnu nepoužívejte elektrický šroubovák. Elektrický šroubovák může nabíječku poškodit.

1. Upevněte nabíječku baterií na stěnu pomocí 2 šroubů (B). V případě potřeby použijte hmoždinky (A). (Obr. 28)
2. Namontujte krytky na 2 šrouby (C).
3. Připojte napájecí kabel k nabíječce baterií a zásuvce.

Provoz

Úvod



VÝSTRAHA: Než začnete s výrobkem pracovat, přečtěte si důkladně kapitolu o bezpečnosti.

Baterii i nabíječku skladujte za správné okolní teploty.

	Okolní teplota
Provoz baterie	5–40 °C
Nabíjení baterie	5–40 °C

Baterie



VÝSTRAHA: Než začnete s baterií pracovat, přečtěte si důkladně kapitolu o bezpečnosti. Přečtěte si důkladně návod k používání baterie a nabíječky baterií.

Stav baterie

Displej ukazuje stav nabití a zda došlo k problémům s baterií.

(Obr. 29)

Kontrolka LED	Stav baterie (stav nabití)	
	BLI10	40-B70
Svítil 4 kontrolky LED	Není k dispozici	Baterie je nabitá na 76–100 %.
Svítil 3 kontrolky LED	Baterie je nabitá na 76–100 %.	Baterie je nabitá na 51–75 %.
Svítil 2 kontrolky LED	Baterie je nabitá na 51–75 %.	Baterie je nabitá na 26–50 %.
Svítil 1 kontrolka LED	Baterie je nabitá na 26–50 %.	Baterie je nabitá na 6–25 %.
Bliká 1 kontrolka LED	Baterie je nabitá na 0–25 %.	Baterie je nabitá na 0–5 %.

Nabití baterie

Před prvním použitím baterii nabijte. Nová baterie je nabitá pouze na 30 %.



VAROVÁNÍ: Nabíječku baterií zapojte do zásuvky s hodnotami napětí a frekvence, které jsou uvedené na typovém štítku.

Baterie se nenabíjí, pokud je teplota baterie vyšší než 50 °C.

1. Připojte k nabíječce baterií napájecí kabel.
2. Zapojte nabíječku baterií do uzemněné zásuvky. Kontrolka LED nabíjení jednou blikne. (Obr. 30)
3. Připojte baterii k nabíječce baterií. Rozsvítí se kontrolka LED dobíjení. Baterii nabíjete maximálně po dobu 24 hodin. (Obr. 31)
4. Stiskněte tlačítko ukazatele stavu baterie. Pokud se rozsvítí všechny kontrolky LED, baterie je plně nabitá.
5. Vytažením napájecí zástrčky odpojte nabíječku baterií z elektrické zásuvky. Netahejte za napájecí kabel.
6. Vyměňte baterii z nabíječky.

Před spuštěním výrobku

1. Zkontrolujte pracovní oblast. Odstraňte předměty, které mohou být odmrštěny.
2. Zkontrolujte stříhací nástavec. Přesvědčte se, že jsou nože ostré a nejsou naprasklé nebo poškozené.
3. Zkontrolujte, zda výrobek funguje správně. Zkontrolujte, zda jsou všechny matice a šrouby dotažené.
4. Přesvědčte se, že rukojeť a bezpečnostní zařízení nejsou poškozena a jsou připojena správně. Nepoužívejte výrobek s chybějícími součástmi nebo takový, u kterého došlo ke změně oproti původní specifikaci. V případě potřeby použijte ochranné rukavice.
5. Před manipulací s výrobkem se přesvědčte, že rukojeť nejsou poškozené a jsou správně připojeny.

Spuštění výrobku

1. Stiskněte vypínač, dokud se nerozsvítí zelená kontrolka LED. (Obr. 32)
2. Stiskněte spouštěč v přední rukojeti na přední rukojeti. (Obr. 33)
3. Stiskněte páčku spínače. (Obr. 25)

Obsluha výrobku

1. Při stříhání boků začněte v blízkosti země a pohybujte výrobkem nahoru podél živého plotu. Zkontrolujte, zda se tělo výrobku nedotýká živého plotu. (Obr. 34)



VÝSTRAHA: Zkontrolujte, zda se přední část stříhacího zařízení nedotýká země.

2. Drže výrobek v blízkosti těla a udržujte stabilní pracovní polohu.
3. Buďte opatrní a výrobek používejte pomalu.

Použití funkce SavE

Tento výrobek je vybaven funkcí SavE, která snižuje spotřebu energie.

Povšimněte si: Funkce SavE nesnižuje řezný výkon výrobku.

1. Stiskněte tlačítko SavE na klávesnici.
2. Zkontrolujte, zda se rozsvítí zelená kontrolka LED.
3. Opětovným stiskem tlačítka SavE funkci vypnete. Zelená kontrolka LED zhasne. (Obr. 35)

Funkce automatického vypnutí

Výrobek je vybaven funkcí vypnutí, která zastaví výrobek, pokud není používán. Zelená kontrolka LED pro spouštění/zastavení zhasne a výrobek se po 180 sekundách vypne.

Zastavení výrobku

1. Uvolněte páčku spínače a spouštěč v přední rukojeti.
2. Stiskněte vypínač, dokud zelená kontrolka LED nezhasne.
3. Stiskněte uvolňovací tlačítka na baterii a vyjměte baterii. (Obr. 36)

Údržba

Úvod



VÝSTRAHA: Než začnete na výrobku provádět údržbu, přečtěte si pozorně kapitolu o bezpečnosti.



VÝSTRAHA: Před prováděním údržby výrobku vyjměte baterii.

Plán údržby

Níže je uveden seznam kroků údržby, které musíte provést na výrobku.

Údržba	Před každým použitím	Týdně	Měsíčně
Vyčistěte vnější povrch výrobku.	X		
Zkontrolujte, zda vypínač funguje a není poškozený.	X		
Zkontrolujte, zda páčka spínače a spouštěč v přední rukojeti fungují bezpečně.	X		
Zkontrolujte, zda fungují všechny ovládací prvky a zda nejsou poškozené.	X		
Zkontrolujte, zda nejsou na noži a krytu nože praskliny a zda nejsou poškozené. Pokud jsou na nich praskliny nebo byly vystaveny nárazu, nůž nebo kryt nože vyměňte.	X		
Ohnutý nebo poškozený nůž vyměňte.	X		
Zkontrolujte, zda není ochranný kryt ruky poškozený. Poškozený kryt je nutné vyměnit.	X		
Zkontrolujte, zda jsou šrouby a matice dotažené.	X		
Zkontrolujte, zda není baterie poškozená.	X		
Zkontrolujte, zda je baterie nabitá.	X		

Údržba	Před každým použitím	Týdně	Měsíčně
Zkontrolujte, zda není nabíječka baterií poškozená.	X		
Zkontrolujte, zda šrouby spojující nože jsou správným způsobem dotaženy.		X	
Zkontrolujte spojení mezi baterií a výrobkem. Zkontrolujte spojení mezi baterií a nabíječkou baterií.			X

Kontrola baterie a nabíječky baterií

1. Zkontrolujte, zda baterie nevykazuje příznaky poškození, např. praskliny.
2. Zkontrolujte, zda nabíječka baterií nevykazuje příznaky poškození, např. praskliny.
3. Zkontrolujte, zda není propojovací kabel nabíječky baterií poškozený a zda na něm nejsou praskliny.

Čištění výrobku, baterie a nabíječky baterií

1. Po použití vyčistěte výrobek suchou utěrkou.
2. Vyčistěte baterii a nabíječku baterií suchou utěrkou. Udržujte v čistotě vodící kolejničky baterie.
3. Před vložením baterie do nabíječky baterií nebo výrobku zkontrolujte, zda jsou svorky na baterii a nabíječce baterií čisté.

Kontrola nože

1. Před použitím výrobku a po něm zbavte nůž nežádoucích materiálů pomocí antikoroziního čistícího prostředku.
2. Zkontrolujte, zda nejsou ostří nože poškozená nebo deformovaná.
3. Pomocí pilníku odstraňte z nože otřepy.

4. Zkontrolujte, zda se nože volně pohybují.

Čištění a mazání nožů

1. Před a po použití výrobku odstraňte z nožů nežádoucí materiály.
2. Před dlouhodobým uložením namažte nože.

Povšimněte si: Další informace o doporučených čistících prostředcích a mazivu získáte u svého servisního prodejce.

Promazání převodovky

Pokud byla převodovka demontována u autorizovaného servisu, naneste na skříň převodovky mazivo.

- Používejte speciální mazivo Husqvarna. Další informace o doporučeném mazivu získáte u svého servisního prodejce.
- Používejte pouze malé množství speciálního vysoce kvalitního maziva.



VAROVÁNÍ: Skříň převodovky neplňte naplno.

Odstraňování problémů

Klávesnice

Obrazovka LED	Možné závady	Možná řešení
Chybová kontrolka LED bliká.	Přetížení	Sekací nástavec se nemůže volně pohybovat. Uvolněte řezací nástavec.
	Odchylka teploty	Nechte výrobek vychladnout.
Výrobek nespouští.	Stiskněte páčku spínače a současně stiskněte tlačítko spouštění.	Zastavte výrobek uvolněním páčky spínače.
Chybová kontrolka LED se rozsvítí červeně.	U výrobku je nezbytné provést servis.	Obráťte se na servisního prodejce.

Baterie

LED displej	Možné závady	Možná akce
Zelená kontrolka LED bliká.	Nízké napětí baterie.	Nabijte baterii.
Chybová kontrolka LED bliká.	Odchylka teploty.	Baterii používejte při teplotě -10 až 40 °C (14 až 104 °F).
	Příliš vysoké napětí.	Zkontrolujte, zda napětí elektrické sítě odpovídá hodnotě uvedené na typovém štítku výrobku. Vyjměte baterii z nabíječky.
Chybová kontrolka LED svítí.	Příliš velký rozdíl napětí článků (1 V).	Obratě se na servisního prodejce.

Nabíječka baterií

Problém	Možné závady	Možné řešení
Kontrolka LED dobíjení svítí červeně.	Trvalá chyba nabíječky baterií.	Obratě se na svého prodejce.
Kontrolka LED dobíjení bliká zeleně.	Teplotní odchylka – baterie je příliš studená nebo příliš horká pro použití nebo nabíjení.	Nechte baterii vychladnout nebo zahřát. Když má baterie správnou teplotu, lze ji znovu použít nebo nabít. Nabíječku baterií používejte při okolních teplotách v rozsahu 5 až 40 °C.
Kontrolka LED dobíjení bliká červeně.	Vadná baterie.	Obratě se na svého prodejce.

Přeprava, skladování a likvidace

Přeprava a skladování

- Dodané Li-ion baterie podléhají požadavkům legislativy o nebezpečném zboží.
- Dodržujte zvláštní požadavky uvedené na obalu a označení pro komerční přepravu, platí i pro třetí strany a dopravce.
- Než odešlete výrobek, promluvte si s osobou speciálně vyškolenou ohledně manipulace s nebezpečnými materiály. Dodržujte platné národní předpisy.
- Před vložením baterie do obalu zalepte rozpojené kontakty páskou. Vložte baterii do obalu a zajistěte ji proti pohybu.
- Před přepravou nebo uskladněním vyjměte baterii.
- Uložte baterii a nabíječku baterií na místo, které je suché a chráněné před vlhkostí a mrazem.
- Neskladujte baterii v místech, kde může docházet k výbojům statické elektřiny. Neskladujte baterii v kovovém obalu.
- Baterii skladujte na místě, kde je teplota v rozsahu 5 až 25 °C (41 až 77 °F) a mimo přímé sluneční světlo.
- Nabíječku baterií skladujte na místě, kde je teplota v rozsahu 5 až 45 °C (41 až 113 °F) a mimo přímé sluneční světlo.
- Nabíječku baterií používejte pouze při okolních teplotách v rozsahu 5 až 40 °C (41 až 104 °F).
- Před dlouhodobým uskladněním se ujistěte, že je baterie nabitá na 30 až 50 %.
- Uložte baterii a nabíječku baterií do uzavřené a suché místnosti.
- Skladujte baterii mimo nabíječku baterií. Nedovolte, aby se děti nebo neoprávněné osoby dotýkaly zařízení. Uchovávejte zařízení na místě, které lze uzamknout.

- Před dlouhodobým skladováním výrobku jej vyčistíte a provedete kompletní údržbu.
- Před přepravou a uskladněním umístíte na výrobek přepravní kryt pro prevenci zranění a poškození.
- Během přepravy musí být výrobek bezpečně upevněný.

pro recyklaci elektrických a elektronických zařízení. To pomůže eliminovat nebezpečí poškození životního prostředí a zdraví osob.

Další informace o možnostech recyklace vašeho produktu získáte od místních úřadů, služby svozu domovního odpadu nebo prodejce.

Likvidace baterie, nabíječky baterií a výrobku

Symbole na produktu nebo obalu znamenají, že tento produkt není domácí odpad. Odevzdejte jej ve stanici

Technické údaje

Technické údaje

	215iHD45
Motor	
Typ motoru	BLDC
Hmotnost	
Hmotnost bez baterie, kg	3,2
Střiháč	
Typ	Oboustranné
Délka nože, mm	450
Rychlost nožů, stříhů/min (v režimu SavE)	2400
Rychlost nožů, stříhů/min (bez režimu SavE)	3000
Emise hluku²⁹	
Hladina akustického výkonu, změřená dB(A)	87
Hladina akustického výkonu, zaručená L _{WA}	90
Hladiny hluku	
Hladina akustického tlaku v úrovni uší obsluhy, změřená podle normy EN 62841-4-2, dB(A)	79
Úrovně vibrací³⁰	
Hladiny vibrací (a _n), přední/zadní, m/s ²	2,1/1,7

²⁹ Emise hluku v životním prostředí měřené jako akustický výkon (L_{WA}) v souladu se směrnici 2000/14/EU. Rozdíl mezi garantovaným a měřeným akustickým výkonem je v tom, že garantovaný akustický výkon rovněž zahrnuje rozptýl výsledků měření a rozdíly mezi různými výrobky téhož modelu podle Směrnice 2000/14/ES.

³⁰ Uváděná data o úrovni vibrací mají typickou statistickou odchylku (standardní odchylku) 1,5 m/s²

Deklarovaná celková hodnota vibrací byla měřena standardní zkušební metodou a lze ji použít ke vzájemnému porovnávání nástrojů.

Deklarovanou celkovou hodnotu vibrací lze rovněž použít k předběžnému zhodnocení působení na uživatele.

Baterie schválené pro výrobek

Baterie	BLi10	40-B70
Typ	Lithium-iontová	
Kapacita baterie, Ah	Viz typový štítek baterie	
Jmenovité napětí, V	36	36,5
Hmotnost, kg	0,7	0,7

Nabíječky baterií schválené pro výrobek

Nabíječka baterií	QC80	40-C80
Síťové napětí, V	100–240	100–240
Frekvence, Hz	50–60	50–60
Výkon, W	100	72
Výstupní napětí, V DC/ ampéry, A	36/2	43/1,6

Prohlášení o shodě

Prohlášení o shodě EU

Společnost **Husqvarna AB**, SE-561 82 Huskvarna,
Švédsko, tel.: +46-36-146500, na svou výhradní
odpovědnost prohlašuje, že výrobek:

Popis	Akumulátorové nůžky na živý plot
Značka	Husqvarna
Typ/Model	215iHD45
Identifikace	Výrobní čísla od roku 2024 a dále

je zcela ve shodě s následujícími směrnici a předpisy
EU:

Směrnice/nářízení	Popis
2006/42/ES	„o strojních zařízeních“
2014/30/EU	„o elektromagnetické kompatibilitě“
2000/14/ES	„týkající se emisí hluku do okolního prostředí“
2011/65/EU	„o omezení používání některých nebezpečných látek v elektrických a elektronických zařízeních“

a že byly použity následující normy nebo technické
specifikace: EN 62841-4-2:2019+A1:2022+A11:2022,
EN 62841-1:2015+A11:2022, EN IEC 55014-1:2021, EN
IEC 55014-2:2021, EN IEC 63000:2018.

V souladu se směrnicí 2000/14/ES, příloha V, viz
část *Technické údaje na straní 218* s deklarovanými
hodnotami hluku.

Huskvarna, 2024-02-01

Claes Losdal, manažer výzkumu a vývoje, Husqvarna
AB

Osoba odpovědná za technickou dokumentaci



Obsah

Úvod.....	221	Riešenie problémov.....	230
Bezpečnosť.....	222	Preprava, skladovanie a likvidácia.....	231
Montáž.....	227	Technické údaje.....	232
Prevádzka.....	228	Vyhlasenie o zhode.....	234
Údržba.....	229		

Úvod

Popis výrobku

Husqvarna 215iHD45 je batériový plotostrih s elektrickým motorom.

Neustále pracujeme na tom, aby sme zabezpečili vyššiu bezpečnosť a efektívnosť počas prevádzky. Ak

potrebujete ďalšie informácie, obráťte sa na servisného predajcu.

Plánované použitie

Výrobok slúži na orezávanie konárov a vetvičiek. Výrobok nepoužívajte na iné účely.

Prehľad výrobku

(Obr. 1)

1. Návod na obsluhu
2. Zadná rukoväť
3. Páčka plynu prednej rukoväte
4. Predná rukoväť
5. Rezací zub
6. Transportný kryt
7. Páčka vypínača
8. Ovládací panel
9. Páka brzdy
10. Batéria
11. Nabíjačka batérie 40-C80
12. Spojka
13. Tlačidlo indikátora batérie
14. Stav batérie
15. Výstražný indikátor
16. Tlačidlo SavE
17. Štartovacie/vypínacie tlačidlo
18. Indikátor zapnutia a upozornenia
19. Tlačidlá uvoľnenia batérie
20. Nabíjačka batérie QC80
21. Napájací kábel

v recyklačnej stanici určenej pre elektrické a elektronické zariadenia.

(Obr. 7) Výrobok nevystavujte dažďu.

(Obr. 8) Jednosmerný prúd.

(Obr. 9) Označenie emisií hluku do životného prostredia podľa smerníc a nariadení EÚ a Spojeného kráľovstva (vrátane legislatívy Nového Južného Walesu). Údaje o emisii hluku možno nájsť na štítku stroja a v kapitole s technickými údajmi.

(Obr. 10) Tento výrobok je v súlade s príslušnými právnymi predpismi Spojeného kráľovstva.

(Obr. 11) Upozornenie: Nepribližujte sa rukami k čepeli.

rrrtbxxxx Výkonový štítok zobrazuje výrobné číslo. **yyyy** je rok výroby, **ww** je týždeň výroby.

Symbole na výrobku

(Obr. 2) **UPOZORNENIE:** Tento výrobok môže byť nebezpečný a spôsobiť vážne poranenie alebo usmrtenie obsluhujúceho pracovníka alebo iných osôb. Postupujte opatrne a používajte výrobok správnym spôsobom.

(Obr. 3) Pred používaním výrobku si prečítajte návod na obsluhu a uistite sa, že rozumiete uvedeným pokynom.

(Obr. 4) Noste chrániče očí.

(Obr. 5) Tento výrobok je v súlade s príslušnými smernicami ES.

(Obr. 6) Výrobok alebo jeho obal nepredstavuje komunálny odpad. Recyklujte ho

Poznámka: Ostatné symboly/štítky na výrobku obsahujú údaje v súlade so zvláštnymi požiadavkami certifikácie pre určité trhy.

Symbole na batérii a/alebo na nabíjačke batérií

(Obr. 15) Tento výrobok recyklujte v recyklačnej stanici určenej pre elektrické a elektronické zariadenia. (Uplatňuje sa iba na Európu)

(Obr. 12) Transformátor odolný voči poruchám.

(Obr. 13) Nabíjačku batérie používajte a skladujte len v interiéri.

(Obr. 14) Dvojité izolácia.

Bezpečnosť

Bezpečnostné definície

Výstrahy, upozornenia a poznámky slúžia na zdôraznenie mimoriadne dôležitých častí návodu.



VÝSTRAHA: Používa sa, ak pre obsluhu alebo osoby v okolí existuje nebezpečenstvo poranenia alebo smrti v prípade nedodržania pokynov v návode.



VAROVANIE: Používa sa, ak hrozí nebezpečenstvo poškodenia produktu, iných materiálov alebo okolitej oblasti v prípade nedodržania pokynov v návode.

Poznámka: Používa sa na poskytnutie informácií nad rámec nevyhnutných informácií v danej situácii.

Všeobecné bezpečnostné upozornenie pre elektrické nástroje



VÝSTRAHA: Prečítajte si všetky bezpečnostné upozornenia a pokyny. Nedodržanie týchto výstrah a pokynov môže spôsobiť zásah elektrickým prúdom, požiar a/alebo ťažké zranenia.

Poznámka: Uchovajte si všetky upozornenia a pokyny pre budúce použitie. Výraz „elektrický nástroj“ v upozorneniach označuje elektrický nástroj napájaný z elektrickej siete (s káblom) alebo napájaný z akumulátora (bez kábla).

Bezpečnosť na pracovisku

- **Udržiavajte pracovisko v čistote a dobre osvetlené.** Neporiadok alebo nedostatočné osvetlenie spôsobujú nehody.
- **Nepoužívajte elektrické nástroje vo výbušnom ovzduší, napríklad v prítomnosti horľavých kvapalín, plynov alebo prachu.** Elektrické nástroje vytvárajú iskry, ktoré môžu vznietiť prach alebo výpary.
- **Pri používaní elektrického nástroja zabráňte deťom a okoloidúcim, aby sa zdržiavali vo vašej blízkosti.** Rušivé podnety môžu spôsobiť stratu kontroly.

Elektrická bezpečnosť

- **Parametre elektrických nástrojov sa musia zhodovať s parametrami napájacej zásuvky. Nikdy a žiadnym spôsobom nemodifikujte elektrickú zástrčku. S uzemnenými elektrickými nástrojmi nepoužívajte žiadne adaptérové zástrčky. Nemodifikované**

zástrčky a vhodné zásuvky znižujú riziko zásahu elektrickým prúdom.

- **Zabráňte telesnému kontaktu s uzemnenými plochami, napríklad s potrubím, radiátormi, sporákmi a chladničkami.** Ak je vaše telo uzemnené, riziko zásahu elektrickým prúdom je zvýšené.
- **Nevystavujte elektrické nástroje dažďu alebo vlhkým podmienkam.** Ak sa do elektrického nástroja dostane voda, zvyšuje sa nebezpečenstvo zásahu elektrickým prúdom.
- **Nepoužívajte kábel nesprávnym spôsobom. Kábel nikdy nepoužívajte na prenášanie, ťahanie alebo odpájanie elektrického nástroja. Chráňte šnúru pred horúčavou, olejom, ostrými hranami alebo pohybujúcimi sa dielcami.** Poškodené alebo zamotané káble zvyšujú riziko zásahu elektrickým prúdom.
- **Pri používaní elektrického nástroja vonku používajte predlžovací kábel vhodný na vonkajšie použitie.** Použitie kábla určeného do vonkajšieho prostredia znižuje riziko zásahu elektrickým prúdom.
- **Ak je nevyhnutné použiť elektrický nástroj vo vlhkom prostredí, na napájanie nástroja použite vedenie vybavené prúdovým chráničom (RCD).** Použitie prúdového chrániča znižuje riziko zásahu elektrickým prúdom.



VÝSTRAHA: Neomývajte zariadenie vysokým tlakom vody, pretože voda by sa mohla dostať do elektrického systému alebo motora a zariadenie by sa mohlo poškodiť alebo by mohlo dôjsť ku skratu.

Osobná bezpečnosť

- **Buďte pozorní, sledujte, čo robíte, a pri používaní elektrického nástroja postupujte rozumne. Nepoužívajte elektrický nástroj, keď ste unavení alebo pod vplyvom drog, alkoholu alebo liekov.** Chvilka nepozornosti pri používaní elektrických nástrojov môže spôsobiť vážny úraz.
- **Používajte osobné ochranné pomôcky. Vždy noste ochranné prostriedky očí.** Ochranné vybavenie, ako sú napríklad masky proti prachu, bezpečnostné topánky s protišmykovou podrážkou, prilby alebo chrániče sluchu použité vo vhodných prípadoch znižujú počet osobných poranení.
- **Zabráňte neúmyselnému spusteniu zariadenia. Pred pripojením k elektrickej sieti alebo batérii, zdvihnutím alebo prenášaním nástroja overte, či je vypínač vo vypnutej polohe.** Prenášanie elektrických nástrojov s prstom na vypínači alebo pripojenie napájania k nástrojom, ktoré majú vypínač zapnutý, zvyšuje riziko nehôd.
- **Pred zapnutím elektrického nástroja vyberte nastavovací kľúč alebo kľúč na matice. Kľúč**

nasadený na otáčajúcu sa časť elektrického nástroja môže spôsobiť úraz.

- **Nenaťahujte sa príliš ďaleko. Vždy si udržiavajte rovnováhu a správny postoj.** To umožňujú lepšie ovládanie elektrického nástroja v neočakávaných situáciách.
- **Vhodne sa oblečte. Nenoste voľné oblečenie alebo šperky. Udržujte svoje vlasy a oblečenie mimo dosahu pohyblivých častí.** Voľné oblečenie, šperky alebo dlhé vlasy sa môžu zachytiť v pohyblivých častiach.
- **Ak je možné pripojiť zariadenia na odsávanie a zber prachu, overte, či sú tieto zariadenia pripojené a či sa správne používajú.** Používanie zberača prachu môže obmedziť nebezpečenstvá týkajúce sa prachu.
- **Nedovoľte, aby vás skúsenosti získané častým používaním nástrojov uspokojovali, a ignorovali by ste bezpečnostné pravidlá pri používaní nástroja.** Neopatrné konanie môže v zlomku sekundy spôsobiť vážne poranenie.
- Emisia vibrácií počas používania elektrického nástroja sa môže líšiť od deklarovanej celkovej hodnoty v závislosti od spôsobu, akým je elektrický nástroj použitý. Operátori sú povinní identifikovať a prijať opatrenia pre zaistenie vlastnej bezpečnosti, ktoré sú založené na odhade podmienok pri danom použití nástroja (prítom je potrebné vziať do úvahy všetky časti prevádzkového cyklu, ako napríklad čas, keď je zariadenie vypnuté, čas, keď je zariadenie v pohotovostnom stave a čas, keď je zariadenie spustené).

Používanie a starostlivosť o elektrické náradie

- **Nepoužívajte elektrický nástroj násilím. Používajte správny elektrický nástroj na dané použitie.** Správny elektrický nástroj vykoná prácu lepšie a bezpečnejšie pri rýchlosti, na akú je určený.
- **Nepoužívajte elektrický nástroj, ak sa nedá zapnúť a vypnúť vypínačom.** Akýkoľvek elektrický nástroj, ktorý sa nedá ovládať vypínačom, je nebezpečný a musí sa opraviť.
- **Pred akýmkoľvek nastavením, výmenou príslušenstva alebo skladovaním elektrického nástroja odpojte zástrčku od zdroja napájania alebo vyberte akumulátor z elektrického nástroja, ak je vyberateľný.** Takéto preventívne bezpečnostné opatrenia znižujú riziko náhodného spustenia elektrického nástroja.
- **Nepoužívané elektrické nástroje udržiavajte mimo dosahu detí a nedovoľte osobám, ktoré nepoznajú elektrické nástroje alebo tieto pokyny, aby elektrický nástroj používali.** Elektrické nástroje sú nebezpečné v rukách neskúsených používateľov.
- **Vykonávajte údržbu elektrického náradia a príslušenstva. Skontrolujte vychýlenie alebo ohnutie pohyblivých častí, nalomenie častí alebo akékoľvek iné poškodenie, ktoré môže ovplyvniť prevádzku elektrického nástroja. Ak je elektrický nástroj poškodený, dajte ho pred použitím opraviť.** Mnoho

nehôd je spôsobených nedostatočne udržiavanými elektrickými nástrojmi.

- **Rezacie nástroje udržiavajte nabrúsené a v čistote.** Správne udržiavané rezacie nástroje s ostrými hranami sú menej náchylné na ohnutie a ľahšie sa ovládajú.
- **Používajte elektrický nástroj, príslušenstvo a diely nástroja atď. v súlade s týmito pokynmi, pričom vezmite do úvahy pracovné podmienky a typ vykonávanej práce.** Používanie elektrického náradia na iné ako určené účely môže vyvolať nebezpečnú situáciu.
- **Rukoväti a úchytné povrchy udržiavajte suché, čisté a neznečistené olejom a mazivom.** Šmyklivé rukoväti a povrchy na uchopenie neumožňujú bezpečnú manipuláciu a ovládanie nástroja v nečakaných situáciách.

Používanie nástroja napájaného akumulátorom a starostlivosť oň

- **Nabíjajte iba pomocou nabíjačky špecifikovanej výrobcom.** Nabíjačka, ktorá je vhodná pre jeden typ akumulátora, môže pri použití s iným akumulátorom predstavovať nebezpečenstvo požiaru.
- **Výrobok používajte iba s presne určenými akumulátormi.** Pri použití akéhokoľvek iného akumulátora môže hroziť nebezpečenstvo poranenia a požiaru.
- **Keď sa akumulátor nepoužíva, udrzte ho mimo dosahu kovových predmetov, ako sú spony na papier, mince, kľúče, klince, skrutky alebo iné drobné kovové predmety, ktoré môžu vytvoriť spoj medzi svorkami.** Skratovanie svoriek akumulátora môže spôsobiť popáleniny alebo požiar.
- **Pri neopatrnom zaobchádzaní môže z akumulátora uniknúť tekutina. Nedotýkajte sa jej. V prípade náhodného kontaktu umyte postihnuté miesto vodou. Ak sa dostane kvapalina z akumulátora do očí, vyhľadajte aj lekársku pomoc.** Kvapalina vystrekujúca z akumulátora môže spôsobiť podráždenie alebo popáleniny.
- **Nepoužívajte poškodený alebo upravený akumulátor alebo nástroj.** Poškodené alebo upravené akumulátory môžu mať za následok nepredvídateľné fungovanie a spôsobiť požiar, výbuch alebo predstavovať nebezpečenstvo poranenia.
- **Akumulátor alebo nástroj nevystavujte ohňu alebo nadmerne vysokým teplotám.** Oheň alebo teploty nad 130 °C môžu spôsobiť výbuch.
- **Dodržiavajte všetky pokyny na nabíjanie a pri nabíjaní nevystavujte akumulátor alebo nástroj teplotám, ktoré sú mimo teplotného rozsahu uvedeného v pokynoch.** Pri nesprávnom nabíjaní alebo pri vonkajších teplotách mimo uvedeného rozsahu hrozí poškodenie akumulátora a zvyšuje sa nebezpečenstvo požiaru.

Servis

- **Elektrické náradie zverte do opravy iba kvalifikovanému odborníkovi a používajte iba originálne náhradné súčiastky.** Tým sa zaistí zachovanie bezpečnosti elektrického nástroja.
- **Poškodené akumulátory nikdy neservisujte sami.** Servis akumulátorov smie vykonávať len výrobca alebo autorizovaný servis.

Bezpečnostné upozornenia pre plotostrih – Osobná bezpečnosť

- **Plotostrih používajte oboma rukami.** Použitie iba jednej ruky môže spôsobiť stratu kontroly a následné vážne osobné poranenie.
- **Žiadnou časťou tela sa nepribližujte k čepeľi. Nevýberajte rezaný materiál ani nedržte rezaný materiál, keď sa čepele pohybujú.** Čepele sa naďalej pohybujú aj po vypnutí vypínača. Chvilka nepozornosti pri používaní plotostrihu môže spôsobiť vážny úraz.
- **Plotostrih prenášajte za rukoväť so zastavenou čepeľou a dávajte pozor, aby ste nezaplížaden vypínač.** Správne prenášanie plotostrihu znižuje riziko neúmyselného spustenia a následného zranenia čepeľami.
- **Pri preprave alebo skladovaní plotostrihu vždy nasaďte na čepele kryt.** Správna manipulácia s plotostrihom zníži možnosť poranenia čepeľami.
- **Pri odstraňovaní zaseknutého materiálu alebo pri údržbe jednotky skontrolujte, či sú všetky vypínače vypnuté a či je odstránený alebo odpojený akumulátor.** Neočakávané uvedenie plotostrihu do činnosti pri odstraňovaní zaseknutého materiálu alebo pri údržbe môže spôsobiť vážne poranenie.
- **Plotostrih držte iba za izolovanú časť určenú na držanie, pretože čepeľ sa môže dostať do kontaktu so skrytými káblami.** Čepele, ktoré sa dostanú do kontaktu s vodičom pod napätím, môžu priviesť napätie na kovové časti plotostrihu a zasiahnuť obsluhu elektrickým prúdom.
- **Všetky napájacie káble a ostatné káble udržiavajte mimo oblasti rezania.** Napájacie káble alebo iné káble môžu byť skryté v živých plotoch alebo kríkoch a čepeľ ich môže náhodne preseknuť.
- **Plotostrih nepoužívajte počas nepriaznivých poveternostných podmienok, najmä ak hrozí riziko bleskov.** Zníži sa tým riziko zasiahnutia bleskom.
- **NEBEZPEČENSTVO – Nepribližujte sa rukami k čepeľi.** Dôsledkom kontaktu s čepeľou bude vážne osobné poranenie.

Všeobecné bezpečnostné pokyny



VÝSTRAHA: Skôr než budete výrobok používať, prečítajte si nasledujúce výstrahy.

- Batériu vyberte, aby nedošlo k náhodnému zapnutiu výrobku.

- Tento výrobok môže byť nebezpečný, ak nie ste opatrní alebo ho používate nesprávne. Tento výrobok môže spôsobiť vážne poranenie alebo usmrtenie obsluhujúceho pracovníka alebo iných osôb.
- Výrobok nepoužívajte, ak sa zmenili jeho pôvodné technické špecifikácie. Nevymieňajte diely výrobku bez schválenia výrobcu. Používajte len diely schválené výrobcom. Nesprávna údržba môže mať za následok poranenie alebo smrť.
- Pred používaním výrobok skontrolujte. Pozrite si časť *Postup pred spustením výrobu na strane 228*. Nepoužívajte poškodený výrobok. Vykonávajte bezpečnostné kontroly, údržbu a dodržiavajte servisné pokyny uvedené v tomto návode.
- Deti musia byť pod dohľadom, aby sa zabezpečilo, že sa s výrobkom nehrajú. Nikdy nedovoľte deťom a iným osobám, ktoré nie sú vyškolené v používaní výrobku a/alebo batérie, používať alebo opravovať výrobok alebo batériu. Vek používateľa môžu stanovovať miestne zákony.
- Výrobok skladujte v uzamknutom priestore mimo dosahu detí a neoprávnených osôb.
- Výrobok skladujte mimo dosahu detí.
- Za žiadnych okolností nemeňte pôvodnú konštrukciu výrobku bez schválenia od výrobcu. Vždy používajte originálne príslušenstvo. Nepovolené zmeny alebo príslušenstvo môžu viesť k vážnemu poraneniu alebo smrti obsluhy a ostatných osôb.

Poznámka: Používanie môže byť regulované vnútroštátnymi alebo miestnymi právnymi predpismi. Dodržiavajte príslušné predpisy.

Bezpečnostné pokyny pre prevádzku



VÝSTRAHA: Skôr než budete výrobok používať, prečítajte si nasledujúce výstrahy.

- V prípade neistoty ohľadom ďalšieho postupu sa obráťte na odborníka. Kontaktujte svojho predajcu alebo servisnú dielňu. Vyvarujte sa každému použitiu výrobku, ktoré podľa vás presahuje vaše možnosti.
- Nikdy nepoužívajte výrobok pri únave, po požití alkoholu, drog, liekov alebo čohokoľvek iného, čo môže viesť k zníženiu vašej zrakovej schopnosti, bdlosti, koordinácie alebo úsudku.
- Práca v nepriaznivom počasí je únavná a často prináša zvýšené nebezpečenstvo. Vzhľadom na zvýšené nebezpečenstvo sa neodporúča používať výrobok za veľmi nepriaznivého počasia, napríklad za hustej hmly, silného dažďa, silného vetra, keď je veľmi chladno alebo počas búrky.
- Chybné čepele môžu zvýšiť riziko nehôd.
- Nedovoľte, aby výrobok používali deti ani aby sa pohybovali v jeho blízkosti. Keďže sa výrobok ľahko štartuje, deti môžu byť schopné naštartovať

ho, pokiaľ nie sú pod neustálym dohľadom. To môže znamenať riziko vážneho poranenia. Odpojte batériu, keď výrobok nie je pod dohľadom.

- Zabezpečte, aby sa počas práce nemohli do okruhu 15 metrov od výrobku dostať žiadni ľudia ani zvieratá. Pokiaľ v rovnakom priestore pracujú niekoľkí používatelia, bezpečná vzdialenosť medzi nimi musí byť minimálne 15 metrov. V opačnom prípade existuje riziko vážneho zranenia. Ak sa niekto k výrobku viac priblíži, okamžite ho zastavte. Nikdy neotáčajte výrobkom okolo seba bez toho, aby ste sa presvedčili, či sa niekto nenachádza v nebezpečnej zóne.
- Ubezpečte sa, že ľudia, zvieratá alebo iné veci nebudú môcť ovplyvniť ovládanie výrobku, nemôžu prísť do kontaktu s rezacím nadstavcom a ani ich nezasiahnu predmety odhodnené rezacím nadstavcom. Výrobok však smiete používať len v prípade, že dokážete privolať pomoc v prípade nehody.
- Vždy skontrolujte pracovnú oblasť. Odstráňte všetky voľné predmety, ako sú kamene, úlomky skla, klince, ocelové drôty, šnúry a pod., ktoré by mohli pri strihaní vyletúvať alebo sa namotať na rezací nástroj.
- Uistite sa, že sa môžete pohybovať a stáť bezpečne. Skontrolujte, či okolo vás nie sú prekážky (korene, skaly, vetvy, jamy a podobne) pre prípad, že by ste sa museli náhle pohnúť. Dávajte veľký pozor pri práci na prudkých svahoch.
- Za každých okolností udržiavajte dobrú rovnováhu a pevný postoj. Nenaťahujte sa príliš ďaleko.
- Pred prechodom na iné miesto výrobok vypnite. Ak výrobok nepoužívate, pripojte k nemu transportný kryt.
- Výrobok nikdy neodkladajte, kým ho nevypnete a nevyberiete z neho batériu. Zapnutý výrobok nenechávajte bez dozoru.
- Ubezpečte sa, že žiadne oblečenie alebo časti tela neprídu do styku s rezacím nadstavcom po zapnutí výrobku.
- Ak sa počas prevádzky výrobku v čepeľiach niečo zasekne, prácu prerušte a vypnite výrobok. Zaistite, aby sa rezací nadstavec úplne zastavil. Pred čistením, kontrolou alebo opravou výrobku alebo čepeľí vyberte batériu.
- Po vypnutí výrobku majte ruky a nohy mimo dosahu rezacieho nadstavca, kým sa úplne nezastaví.
- Dávajte pozor na zvyšky konárov, ktoré môžu pri rezaní odletúvať. S výrobkom nepracujte príliš blízko pri zemi, pretože môže dôjsť k odletovaniu kameňov a iných predmetov.
- Dávajte pozor na odletujúce predmety. Vždy používajte schválené chrániče očí. Nikdy sa nenakláňajte ponad kryt rezacieho nadstavca. Kamene, úlomky, atď. môžu vyletieť do očí a zapríčiniť slepotu alebo vážne poranenie.
- Ak nosíte chrániče sluchu, dávajte pozor na varovné signály alebo výkriky. Vždy si chrániče sluchu skladajte hneď, ako sa výrobok zastaví.

- Nikdy nepracujte, ak stojíte na rebríku alebo v inej vyvýšenej polohe, ktorá nie je úplne bezpečná.
- Výrobok držte oboma rukami. Stroj držte vedľa tela.

(Obr. 16)

Osobné ochranné prostriedky



VÝSTRAHA: Skôr než budete výrobok používať, prečítajte si nasledujúce výstrahy.

- Pri používaní produktu používajte schválené osobné ochranné prostriedky. Osobné ochranné prostriedky nedokážu úplne vylúčiť riziko, ale môžu znížiť vážnosť zranenia. Ak potrebujete ďalšie informácie, obráťte sa na predajcu.
- V prípade rizika padajúcich predmetov používajte ochrannú prilbu.

(Obr. 17)

- Používajte schválené chrániče sluchu. Dlhodobé vystavenie sa hluku môže spôsobiť trvalé poškodenie sluchu.

(Obr. 18)

- Používajte schválené chrániče očí. Ak používate štít, musíte tiež používať schválené ochranné okuliare. Schválené ochranné okuliare musia zodpovedať norme ANSI Z87.1 platnej v USA alebo norme EN 166 platnej v krajinách EÚ.

(Obr. 19)

- Počas prevádzky alebo vykonávania údržby používajte ochranné rukavice.

(Obr. 20)

- Používajte ochrannú obuv s protišmykovými podrážkami.

(Obr. 21)

- Používajte odev vyrobený z pevnej tkaniny. Odev musí byť priliehavý, nesmie však obmedzovať pohyb. Noste dlhé nohavice a vlasy si presuňte za ramená. Nenoste šperky ani otvorenú obuv.
- Majte poruke vybavenie prvej pomoci.

(Obr. 22)

Bezpečnostné zariadenia na výrobku



VÝSTRAHA: Skôr než budete výrobok používať, prečítajte si nasledujúce výstrahy.

V tejto časti je opísané bezpečnostné vybavenie výrobku, jeho účel a postup, ako vykonávať kontroly a údržbu, aby bola zabezpečená jeho správna činnosť. Pozrite si pokyny v časti *Prehľad výrobku na strane 221* kde nájdete informácie o umiestnení týchto častí na výrobku.

Ak údržba výrobku nebude vykonávaná správne, skrúti sa tým jeho životnosť a zvýši sa riziko nehodovosti.

Servis a/alebo opravy musia byť vykonané odborne. Ak potrebujete podrobnejšie informácie, obráťte sa na najbližší servis.



VÝSTRAHA: Nikdy nepoužívajte výrobok, ktorý má chybné bezpečnostné prvky. Bezpečnostné vybavenie výrobku sa musí kontrolovať a udržiavať tak, ako je to opísané v tejto časti. Ak výrobok neprejde niektorou z kontrol, obráťte sa na servisného zástupcu na účel opravy.



VAROVANIE: Všetky servisné a opravné práce na stroji si vyžadujú špeciálne školenie. Toto najmä platí o bezpečnostnom vybavení výrobku. Ak stroj neprejde niektorou z kontrol popísaných nižšie, doneste ho do servisnej dielne. Pri kúpe ktoréhokoľvek z našich výrobkov vám zaručujeme dostupnosť odborných opráv a servis. Ak maloobchodný predajca, ktorý vám predáva stroj nie je servisný zástupca, požiadajte ho o adresu najbližšej servisnej dielne.

Kontrola klávesnice

1. Stlačte a držte štartovacie/vypínacie tlačidlo (A). (Obr. 23)
 - a) Produkt je zapnutý, keď svieti dióda LED (B).
 - b) Produkt je vypnutý, keď nesvieti dióda LED (B).
2. Ak svieti alebo bliká indikátor (C), pozrite si časť *Klávesnica na strane 230*.

Kontrola páčky plynu prednej rukoväte

Páčka plynu prednej rukoväte predchádza náhodnému spusteniu. Po stlačení páčky plynu prednej rukoväte sa uvoľní páčka vypínača. Keď uvoľníte rukoväť, páčka vypínača aj páčka plynu prednej rukoväte sa vrátia späť do svojej východiskovej polohy.

1. Skontrolujte, či sa páčka vypínača a páčka plynu prednej rukoväte pohybujú voľne a či vratné pružiny fungujú správne.
2. Zapnite výrobok.
3. Stlačte páčku plynu prednej rukoväte.

(Obr. 24)
4. Potlačte páčku vypínača. (Obr. 25)
5. Uvoľníte páčku plynu prednej rukoväte a skontrolujte, či sa rezacie príslušenstvo úplne zastavilo.

Kontrola chrániča ruky

Chránič ruky zaisťuje, aby ruky náhodne neprišli do kontaktu s čepeľami.

1. Vypnite výrobok.

2. Vyberte batériu.
3. Skontrolujte, či je chránič ruky namontovaný správne.
4. Skontrolujte, či chránič ruky nie je poškodený.

Kontrola čepeľí a krytov čepeľí

Dlhšie časti čepeľí (A) plnia funkciu krytov čepeľí.

1. Vypnite výrobok.
2. Vyberte batériu.
3. Nasadte si rukavice.
4. Skontrolujte, či čepele a kryty čepeľí nie sú poškodené ani ohnuté. Vymeňte čepele a kryty čepeľí, ak sú poškodené alebo ohnuté. (Obr. 26)

Bezpečnosť akumulátorov



VÝSTRAHA: Skôr než budete výrobok používať, prečítajte si nasledujúce výstrahy.

- Používajte iba akumulátory série BLi a 40-B. Podrobnosti nájdete v časti *Technické údaje na strane 232*. Batéria je zakódovaná softvérom.
- Nabíjateľné akumulátory série BLi a 40-B používajte iba na napájanie príslušných výrobkov značky Husqvarna. V prípade iných zariadení nepoužívajte batériu ako zdroj napájania, aby ste zabránili riziku zranenia.
- Nebezpečenstvo zásahu elektrickým prúdom. Nepripájajte konektory batérie ku kľúčom, minciam, skrutkám ani k iným kovovým predmetom. Môže dôjsť k skratu batérie.
- Nepoužívajte nenabíjateľné akumulátory.
- Do vetracích otvorov batérie nekladajte žiadne predmety.
- Batériu nevystavuje priamemu slnečnému žiareniu, teplu ani otvorenému ohňu. Batéria môže spôsobiť popálenie alebo poleptanie.
- Batériu nevystavuje dažďu ani vlhku.
- Batériu nevystavuje mikrovlnnému žiareniu ani vysokému tlaku.
- Nepokúšajte sa rozoberať ani rozdrviť batériu.
- V prípade úniku kvapaliny z batérie zabráňte zasiahnutiu pokožky a očí kvapalinou. V prípade kontaktu s kvapalinou umyte zasiahnutú oblasť veľkým množstvom vody s mydlom a vyhľadajte lekársku pomoc. Ak sa vám kvapalina dostane do očí, nepretierajte si ich, ale si ich minimálne 15 minút vyplachujte vodou. Následne vyhľadajte lekársku pomoc.
- Batériu používajte v prostredí, v ktorom sa teplota pohybuje od -10°C (14°F) do 40°C (114°F).
- Batériu ani nabíjačku batérií nečistite vodou. V časti *Čistenie výrobku, batérie a nabíjačky batérií na strane 230*.
- Nepoužívajte chybnú ani poškodenú batériu.

- Batérie uchovávajte v bezpečnej vzdialenosti od kovových predmetov, ako sú napr. kince, skrutky alebo šperky.
- Batériu uchovávajte mimo dosahu detí.

Bezpečnosť nabíjačky batérií



VÝSTRAHA: Skôr než budete výrobok používať, prečítajte si nasledujúce výstrahy.

- V prípade nedodržania bezpečnostných pokynov hrozí nebezpečenstvo zásahu elektrickým prúdom alebo skratu.
- Používajte len nabíjačku batérií dodanú s vašim výrobkom. Na nabíjanie náhradných batérií série BLI a 40-B používajte iba nabíjačky QC80 a 40-C80.
- Nabíjačku batérií sa nepokúšajte rozoberať.
- Nepoužívajte chybnú alebo poškodenú nabíjačku batérií.
- Nabíjačku batérií nedvíhajte za napájací kábel. Pri odpájaní nabíjačky batérií od sieťovej zásuvky ťahajte za zástrčku. Neťahajte za napájací kábel.
- Udržiavajte všetky káble a predĺžovacie káble mimo dosahu vody, oleja a ostrých hrán. Dbajte, aby sa kábel nezachytil vo dverách, plotoch a podobne.
- Nabíjačku batérií nepoužívajte v blízkosti horľavých materiálov alebo materiálov, ktoré spôsobujú koróziu. Skontrolujte, či nabíjačka batérií nie je zakrytá. V prípade výskytu dymu alebo ohňa odpojte zástrčku nabíjačky batérií.
- Batériu nabíjajte len v interiéri na miestach s dobrým prúdením vzduchu a mimo slnečného svetla. Batériu nenabíjajte vonku. Batériu nenabíjajte vo vlhkom prostredí.
- Nabíjačku batérií používajte iba pri teplotách od 5 °C (41 °F) do 40 °C (104 °F). Nabíjačku používajte v prostredí, ktoré je dobre vetrané, suché a bez prachu.

- Do chladiacich otvorov nabíjačky batérií nekladajte žiadne predmety.
- Nikdy nepripájajte koncovky nabíjačky batérií ku kovovým predmetom, pretože tak môže nabíjačka skratovať.
- Používajte schválené elektrické zásuvky, ktoré nie sú poškodené. Skontrolujte, či nie je poškodený kábel nabíjačky batérií. Ak používate predĺžovacie káble, uistite sa, že nie sú poškodené.
- Nenabíjateľné batérie v nabíjačkách batérií nenabíjajte.

Bezpečnostné pokyny pre údržbu



VÝSTRAHA: Skôr než začnete s údržbou výrobku, prečítajte si nasledujúce výstrahy.

- Pred vykonávaním údržby, inými kontrolami alebo zmontovaním produktu vyberte batériu.
- Obsluha je povinná vykonávať iba údržbu a servisné úkony uvedené v tomto návode na obsluhu. O vykonanie rozsiahlejšej údržby alebo servisu požiadajte svojho servisného zástupcu.
- Batériu ani nabíjačku batérií nečistite vodou. Silné čistiace prostriedky môžu spôsobiť poškodenie plastov.
- V prípade zanedbania údržby sa skracuje životnosť výrobku a zvyšuje sa riziko vzniku nehôd.
- Na vykonávanie všetkých servisných a opravných úkonov, najmä na bezpečnostných zariadeniach na výrobku, je potrebné špeciálne odborné vzdelanie. Ak po vykonaní údržby nie je možné úspešne vykonať všetky kontroly v tomto návode na obsluhu, požiadajte o pomoc servisného predajcu. Zaručujeme, pre tento výrobok sú k dispozícii profesionálne opravné a servisné služby.
- Používajte iba originálne náhradné diely.

Montáž

Úvod

Táto časť opisuje zostavenie a nastavenie výrobku.



VÝSTRAHA: Pred zostavením výrobku si prečítajte kapitolu o bezpečnosti v pokynoch na montáž.

Pripojenie batérie k výrobku



VÝSTRAHA: Vo výrobku používajte iba originálne batérie Husqvarna.

1. Úplne nabite batériu.

2. Zatlacíte batériu do držiaka na batériu na výrobku. Akumulátor sa zaistí na mieste, keď sa ozve cvaknutie. (Obr. 27)



VAROVANIE: Ak sa batéria do držiaka nedá ľahko zasunúť, nie je správne vložená. Mohlo by to viesť k poškodeniu výrobku.

Montáž nabíjačky 40-C80 na stenu



VAROVANIE: Na montáž nabíjačky akumulátora na stenu nepoužívajte elektrický skrutkovač. Elektrický skrutkovač môže spôsobiť poškodenie nabíjačky batérií.

1. Namontujte nabíjačku akumulátora na stenu pomocou 2 skrutiek (B). V prípade potreby použite rozperky (A). (Obr. 28)
2. Namontujte 2 závitové uzávery (C).
3. Napájací kábel pripojte do nabíjačky batérií a do uzemnenej zásuvky.

Prevádzka

Úvod



VÝSTRAHA: Pred používaním výrobku si prečítajte kapitolu o bezpečnosti a uistite sa, že rozumiete informáciám, ktoré sa v nej uvádzajú.

Batéria



VÝSTRAHA: Pred používaním akumulátora si prečítajte kapitolu o bezpečnosti a uistite sa, že rozumiete informáciám, ktoré sa v nej uvádzajú. Prečítajte si návod na obsluhu akumulátora a nabíjačky akumulátora a uistite sa, že mu rozumiete.

Akumulátor a nabíjačku udržiavajte pri správnej teplote okolia.

	Teplota okolitého prostredia
Prevádzka batérie	5 °C - 40 °C / 41 °F - 104 °F
Nabíjanie batérie	5 °C - 40 °C / 41 °F - 104 °F

Stav batérie

Na displeji sa zobrazuje stav nabitia a prípadné problémy s batériou.

(Obr. 29)

Indikátor LED	Stav batérie (stav nabitia)	
	BLI10	40-B70
Svietia 4 diódy LED	N/A	Batéria je nabitá na 76 % – 100 %.
Svietia 3 diódy LED	Batéria je nabitá na 76 % – 100 %.	Batéria je nabitá na 51 % – 75 %.
Svietia 2 diódy LED	Batéria je nabitá na 51 % – 75 %.	Batéria je nabitá na 26 % – 50 %.
Svieti 1 dióda LED	Batéria je nabitá na 26 % – 50 %.	Batéria je nabitá na 6 % – 25 %.
Bliká 1 dióda LED	Batéria je nabitá na 0 % – 25 %.	Batéria je nabitá na 0 % – 5 %.

Nabíjanie batérie

Ak batériu používate prvýkrát, nabite ju. Nová batéria je nabitá iba na 30 %.



VAROVANIE: Nabíjačku akumulátora pripájajte k sieťovej zásuvke s napätím a frekvenciou uvedenými na výkonovom štítku.

Akumulátor sa nenabíja, pokiaľ je jej teplota vyššia než 50 °C (122 °F).

1. Pripojte napájací kábel k nabíjačke akumulátora.
2. Pripojte nabíjačku akumulátora k uzemnenej sieťovej zásuvke. Indikátor LED nabíjania raz zabliká. (Obr. 30)
3. Pripojte akumulátor k nabíjačke akumulátorov. Rozsvieti sa indikátor LED nabíjania. Batériu nabíjajte maximálne 24 hodín. (Obr. 31)

4. Stlačte tlačidlo indikátora batérie, ak sa všetky indikátory LED batérie rozsvietia, akumulátor je úplne nabitý.
5. Vytiahnutím zástrčky odpojte nabíjačku batérií z napájacej zásuvky. Neťahajte za napájací kábel.
6. Vyberte batériu z nabíjačky batérií.

Postup pred spustením výrobku

1. Skontrolujte pracovnú plochu. Odstráňte všetky predmety, ktoré by mohli byť odhodnené
2. Skontrolujte rezací nadstavec. Skontrolujte, či sú čepele ostré, bez prasklín a poškodenia.
3. Skontrolujte, či výrobok funguje správne. Skontrolujte, či sú všetky matice a skrutky zatiahnuté.
4. Uistite sa, že rukoväť a bezpečnostné zariadenia nie sú poškodené a sú správne nasadené. Výrobok nepoužívajte, ak na ňom chýbajú diely alebo sa oproti počiatočnej špecifikácii zmenil. V prípade potreby používajte ochranné rukavice.

5. Skôr ako začnete výrobok používať, uistite sa že kryty nie sú poškodené a sú správne nasadené.

Zapnutie výrobku

1. Stlačte štartovacie/vypínacie tlačidlo, kým sa nerozsvieti zelený indikátor LED. (Obr. 32)
2. Stlačte páčku plynu prednej rukoväte na prednej rukoväti. (Obr. 33)
3. Potlačte páčku vypínača. (Obr. 25)

Prevádzka produktu

1. Štartujte výrobok pri zemi a pri rezaní bočných častí plota posúvajte výrobok smerom nahor pozdĺž plota. Dávajte pozor, aby sa telo výrobku nedotýkalo plota. (Obr. 34)



VÝSTRAHA: Dávajte pozor, aby sa predná časť rezného zariadenia nedotýkala zeme.

2. Na zabezpečenie stabilnej polohy pri práci držte výrobok v blízkosti tela.
3. Zachovávajte opatrnosť a používajte výrobok pomaly.

Používanie funkcie SavE

Tento výrobok je vybavený funkciou na úsporu energie SavE.

Poznámka: Funkcia SavE neznižuje rezný výkon výrobku.

1. Stlačte tlačidlo SavE na klávesnici.
2. Skontrolujte, či sa rozsvieti zelený indikátor LED.
3. Funkciu vypnete opätovným stlačením tlačidla SavE. Zelený indikátor LED zhasne. (Obr. 35)

Funkcia automatického vypnutia

Výrobok je vybavený funkciou vypnutia pre prípad, že sa nepoužíva. Zelený indikátor LED na signalizáciu spustenia/zastavenia sa vypne a výrobok sa po 180 sekundách zastaví.

Zastavenie výrobku

1. Uvoľnite páčku vypínača na páčku plynu prednej rukoväte.
2. Držte štartovacie/vypínacie tlačidlo stlačené dovtedy, kým zelený indikátor LED nezhasne.
3. Stlačte tlačidlá uvoľnenia na batérii a batériu vyberte. (Obr. 36)

Údržba

Úvod



VÝSTRAHA: Pred údržbou výrobku si prečítajte kapitolu o bezpečnosti a uistite sa, že rozumiete informáciám, ktoré sú v nej uvedené.

Plán údržby

Nasleduje zoznam postupov údržby, ktoré na výrobku musíte vykonávať.



VÝSTRAHA: Pred vykonaním údržby výrobku vyberte batériu.

Údržba	Pred použitím	Týždenne	Mesačne
Vyčistite vonkajšie časti výrobku.	X		
Skontrolujte funkčnosť a stav štartovacieho a vypínacieho tlačidla.	X		
Skontrolujte, či páčka vypínača a páčka plynu prednej rukoväte fungujú správne z bezpečnostného hľadiska.	X		
Skontrolujte, či všetky ovládače fungujú a nie sú poškodené.	X		
Skontrolujte, či sa na rezacej čepeľi a na kryte čepele nenachádzajú praskliny a či nie sú poškodené. Vymeňte rezaciu čepeľ alebo kryt čepele, ak sa na nich nachádzajú praskliny alebo ak boli vystavené nárazu.	X		

Údržba	Pred použitím	Týžd- enne	Mesačne
Ak je rezacia čepeľ ohnutá alebo poškodená, vymeňte ju.	X		
Skontrolujte, či chránič ruky nie je poškodený. Ak je kryt poškodený, vymeňte ho.	X		
Skontrolujte, či sú matice a skrutky dotiahnuté.	X		
Skontrolujte, či batéria nie je poškodená.	X		
Uistite sa, že je batéria nabitá.	X		
Skontrolujte, či nabíjačka batérie nie je poškodená.	X		
Skontrolujte, či sú skrutky držiace rezacie čepele správne utiahnuté.		X	
Skontrolujte prepojenia medzi batériou a výrobkom. Skontrolujte aj prepojenie medzi batériou a nabíjačkou batérie.			X

Kontrola batérie a nabíjačky batérií

1. Skontrolujte, či nie je batéria poškodená, napríklad prasknutá.
2. Skontrolujte, či nie je nabíjačka batérií poškodená, napríklad prasknutá.
3. Skontrolujte, či pripájací kábel nabíjačky batérie nie je poškodený a či na ňom nie sú praskliny.

Čistenie výrobku, batérie a nabíjačky batérií

1. Výrobok po použití očistíte suchou handričkou.
2. Očistíte batériu a nabíjačku batérií čistou handričkou. Vodiace dráhy batérie udržiajte čisté.
3. Než vložíte batériu do nabíjačky alebo výrobku, skontrolujte, či sú koncovky na batérii a nabíjačke batérií čisté.

Kontrola čepele

1. Pred použitím a po použití výrobku odstráňte z čepele nežiaduci materiál pomocou protikorózneho čistiaceho prostriedku.
2. Skontrolujte, či nie sú poškodené a zdeformované okraje čepele.
3. Pomocou pilníka odstráňte ostriny na čepeľi.

4. Skontrolujte, či sa čepele voľne pohybujú.

Čistenie a mazanie čepeľí

1. Pred použitím a po použití výrobku odstráňte z nožov nežiaduci materiál.
2. Pred uskladnením na dlhé obdobie nože namažte.

Poznámka: Ak potrebujete ďalšie informácie o odporúčaných čistiacich prostriedkoch a mazivách, obráťte sa na servisného predajcu.

Mazanie prevodovky

Ak bola prevodovka rozmontovaná schváleným servisným predajcom, naneste mazivo do skrine prevodovky.

- Použite špeciálne mazivo Husqvarna. Ak potrebujete ďalšie informácie o odporúčanom mazive, obráťte sa na servisného predajcu.
- Použite iba malé množstvo špeciálneho maziva vysokej kvality.



VAROVANIE: Skriňu prevodovky nenapĺňajte mazivom na maximum.

Riešenie problémov

Klávesnica

Displej LED	Možné poruchy	Možné riešenia
Bliká indikátor LED, ktorý signalizuje poruchu.	Preťaženie	Rezací nadstavec sa voľne nepohybujú. Uvoľnite rezací nadstavec.
	Teplotná odchýlka	Nechajte výrobok vychladnúť.
Výrobok sa nedá spustiť.	Zatlačte páčku vypínača a súčasne stlačte štartovacie tlačidlo.	Uvoľnite páčku vypínača a zastavte výrobok.

Displej LED	Možné poruchy	Možné riešenia
Indikátor LED, ktorý signalizuje poruchu, sa rozsvieti načerveno.	Na výrobku je potrebné vykonať servisný zásah	Obráťte sa na servisného predajcu.

Batéria

LED displej	Možné poruchy	Možná činnosť
Bliká zelený indikátor LED.	Nízke napätie batérie.	Nabite batériu.
Bliká indikátor LED, ktorý signalizuje poruchu.	Teplotná odchýlka.	Batériu používajte v prostredí, v ktorom sa teplota pohybuje od -10°C (14°F) do 40°C (104°F).
	Príliš vysoké napätie.	Skontrolujte, či sieťové napätie zodpovedá napätiu uvedenému na výkonnom štítku výrobku. Vyberte batériu z nabíjačky batérií.
Svieti indikátor LED, ktorý signalizuje poruchu.	V článkoch je príliš veľký rozdiel (1 V).	Obráťte sa na servisného predajcu.

Nabíjačka batérie

Problém	Možné poruchy	Možné riešenie
Indikátor LED nabíjania svieti načerveno.	Trvalá chyba nabíjačky batérií.	Obráťte sa na predajcu.
Indikátor LED nabíjania bliká nazele-no.	Odchýlka teploty, batéria je príliš studená alebo príliš horúca na použitie alebo nabíjanie.	Nechajte batériu vychladnúť alebo zahriať. Keď má batéria správnu teplotu, môžete ju znova použiť na nabíjanie. Nabíjačku batérií používajte v rozmedzí teploty okolitého prostredia od 5 °C (41 °F) do 40 °C (104 °F).
Indikátor LED nabíjania bliká načerveno.	Chybná batéria.	Obráťte sa na predajcu.

Preprava, skladovanie a likvidácia

Preprava a uskladnenie

- Dodávané lítium-iónové batérie spĺňajú požiadavky právnych predpisov, ktoré sa týkajú nebezpečného tovaru.
- Dodržiavajte špeciálne požiadavky na balení a štítkoch pri obchodnej preprave. Táto požiadavka platí aj pre tretie strany a prepravcov.
- Pred odoslaním výrobku sa poraďte s osobou s osobitým vzdelaním v oblasti nebezpečných materiálov. Dodržiavajte všetky príslušné vnútroštátne právne predpisy.
- Odhalené kontakty zaistite páskou pri vkladaní akumulátora do balenia. Batériu v balení pevne zabezpečte, aby sa nemohla posúvať.
- Pred skladovaním alebo prepravou batériu vyberte.
- Umiestnite batériu a nabíjačku batérií do suchého priestoru bez výskytu vlhkosti a mrazov.

- Neskladujte batériu na mieste, kde sa môže vyskytovať statická elektrina. Batériu nevkladajte do kovovej skrinky.
- Batériu uložte na mieste, kde sa teplota pohybuje v intervale 5°C (41°F) až 25°C (77°F) a kde je chránená pred priamym slnečným svetlom.
- Nabíjačku batérií uložte na mieste, kde sa teplota pohybuje v intervale 5 °C (41 °F) až 45°C (113°F) a kde je chránená pred priamym slnečným svetlom.
- Nabíjačku batérií používajte iba vtedy, keď je teplota okolitého prostredia v rozsahu 5°C (41 °F) až 40°C (104°F).
- Pred dlhodobým skladovaním batériu nabite na 30 – 50 % kapacity.
- Nabíjačku batérií uchovajte na uzavretom a suchom mieste.
- Batéria skladujte mimo nabíjačky batérií. Nedovoľte deťom ani iným nepovolánym osobám, aby sa dotýkali zariadenia. Uchovávajte zariadenia na mieste, ktoré je možné uzamknúť.
- Pred dlhodobým uskladnením výrobok vyčistite a vykonajte kompletný servis.
- Pomocou prepravného krytu na výrobku zamedzte vzniku zranení alebo poškodenia produktu počas prepravy a uskladnenia.
- Pred prepravou výrobok bezpečne upevnite.

Likvidácia batérie, nabíjačky batérií a výrobku

Symbols na výrobku alebo na obale výrobku označujú, že tento výrobok nepredstavuje komunálny odpad. Recyklujte ho v recyklačnej stanici určenej pre elektrické a elektronické zariadenia. Napomôže tým zamedziť vzniku poškodeniu životného prostredia a osôb.

Ďalšie informácie o recyklácii výrobku získate od miestnych úradov, služby na likvidáciu komunálneho odpadu alebo predajcu.

Technické údaje

Technické údaje

	215HD45
Motor	
Typ motora	BLDC
Hmotnosť	
Hmotnosť bez batérie, kg	3,2
Rezací zub	
Typ	Obojstranné
Dĺžka noža, mm	450
Rýchlosť čepele, rezy/min (s režimom SavE)	2400
Rýchlosť čepele, rezy/min (bez režimu SavE)	3000
Emisie hluku³¹	
Nameraná úroveň hlučnosti dB(A)	87
Úroveň hlučnosti, garantovaná L _{WA}	90
Úrovne hlučnosti	
Hladina akustického tlaku pri uchu obsluhy meraná podľa normy EN 62841-4-2, db(A)	79

³¹ Hladina hluku meraná ako akustický tlak (L_{WA}) v súlade s európskou smernicou 2000/14/ES. Rozdiel medzi zaručeným a nameraným akustickým výkonom spočíva v tom, že zaručený akustický výkon zahŕňa aj rozptyl výsledkov merania a rozdiely medzi jednotlivými výrobkami rovnakého modelu v súlade so smernicou 2000/14/ES.

	215iHD45
Úrovne vibrácií ³²	
Stupne vibrácií (a _h), vpredu/vzadu, m/s ²	2,1/1,7

Schválené batérie pre výrobok

Batéria	BLi10		40-B70
Typ	Lítium-iónová		Lítium-iónová
Kapacita batérie, Ah	Pozrite si výkonový štítok batérie		Pozrite si výkonový štítok batérie
Menovité napätie, V	36	36,5	36
Hmotnosť, kg	0,7	0,7	0,8

Schválené nabíjačky batérií pre výrobok

Nabíjačka batérie	QC80	40-C80
Sieťové napätie, V	100 – 240	100 – 240
Frekvencia, Hz	50 – 60	50 – 60
Výkon, W	100	72
Výstupné napätie, V d.c./ Ampérov, A	36/2	43/1,6

³² Uvádzané údaje pre ekvivalentný stupeň vibrácií majú typický štatistický rozptyl (štandardnú odchýlku) 1,5 m/s².

Deklarovaná celková hodnota vibrácií bola meraná v súlade so štandardne používanou testovacou metódou, pričom tieto hodnoty môžu slúžiť na porovnanie jedného nástroja s iným.

Deklarovanú celkovú hodnotu vibrácií možno použiť aj pri predbežnom vyhodnotení účinkov.

Vyhlásenie o zhode

Vyhlásenie o zhode EÚ

My, spoločnosť **Husqvarna AB**, SE-561 82 Huskvarna,
Švédsko, tel.: +46-36-146500, vyhlasujeme s plnou
zodpovednosťou, že výrobok:

Popis	Akumulátorové nožnice na živý plot
Značka	Husqvarna
Typ/model	215iHD45
Identifikácia	Výrobné čísla od roku 2024 a novšie

plne spĺňa nasledujúce smernice a nariadenia EÚ:

Smernice/Nariadenia	Popis
2006/42/ES	„o strojových zariadeniach“
2014/30/EÚ	„o elektromagnetickej kompatibilite“
2000/14/ES	„týkajúca sa emisie hluku v prostredí pochádzajúceho zo zariadení používaných vo voľnom priestranstve“
2011/65/EÚ	„o obmedzení používania určitých nebezpečných látok v elektrických a elektronických zariadeniach“

a že sa pri ňom uplatňujú
nasledujúce normy a technické špecifikácie:
EN 62841-4-2:2019+A1:2022+A11:2022, EN
62841-1:2015+A11:2022, EN IEC 55014-1:2021, EN
IEC 55014-2:2021, EN IEC 63000:2018.

V súlade s Prílohou V smernice 2000/14/ES pozri
Technické údaje na strane 232 pre deklarované hodnoty
zvuku.

Huskvarna, 2024-02-01

Claes Losdal, manažér pre vývoj a výskum, Husqvarna
AB

Zodpovedný za technickú dokumentáciu



SPIS TREŠCI

Wstęp.....	235	Rozwiązywanie problemów.....	245
Bezpieczeństwo.....	236	Transport, przechowywanie i utylizacja.....	246
Montaż.....	242	Dane techniczne.....	247
Przeznaczenie.....	242	Deklaracja zgodności.....	249
Przegląd.....	244		

Wstęp

Opis produktu

Husqvarna 215iHD45 to akumulatorowe nożyce do żywopłotu z silnikiem elektrycznym.

Nieustannie prowadzone są prace w celu zwiększenia bezpieczeństwa użytkownika i wydajności pracy.

Przegląd produktu

(Rys. 1)

1. Instrukcja obsługi
2. Uchwyt tylny
3. Dźwignia gazu na uchwycie przednim
4. Uchwyt przedni
5. Ogniwko tnące
6. Osłona transportowa
7. Manetka gazu
8. Panel sterowania
9. Dźwignia hamulca
10. Akumulator
11. Ładowarka do akumulatora 40-C80
12. Złącze
13. Przycisk wskaźnika akumulatora
14. Stan akumulatora
15. Kontrolka ostrzegawcza
16. Przycisk Save
17. Przełącznik start/stop
18. Wskaźnik włączonego zasilania i ostrzegawczy
19. Przyciski odłączania akumulatora
20. Ładowarka do akumulatora QC80
21. Przewód zasilający

Symbole znajdujące się na produkcie

- (Rys. 2) **OSTRZEŻENIE:** Produkt może spowodować poważne obrażenia ciała lub śmierć operatora lub innych osób. Należy zachować ostrożność i prawidłowo korzystać z produktu.
- (Rys. 3) Przed użyciem produktu należy dokładnie i ze zrozumieniem przeczytać instrukcję obsługi.
- (Rys. 4) Należy stosować środki ochrony oczu.
- (Rys. 5) Produkt jest zgodny z odpowiednimi dyrektywami WE.
- (Rys. 6) Tego produktu ani opakowania nie można traktować jak odpadów domowych. Należy poddawać je recyklingowi w

Dodatkowe informacje można uzyskać w punkcie serwisowym.

Przeznaczenie

Produkt jest przeznaczony do obcinania gałęzi. Nie używać produktu do innych zadań.

zatwierdzonym punkcie zbiórki sprzętu elektrycznego i elektronicznego.

(Rys. 7) Chronić przed deszczem.

(Rys. 8) Prąd stały.

(Rys. 9) Etykieta emisji hałasu do środowiska zgodna z dyrektywami oraz przepisami UE i Wielkiej Brytanii (a także prawem Nowej Południowej Walii). Dane dotyczące emisji hałasu można znaleźć na etykiecie maszyny oraz w rozdziale „Dane techniczne”.

(Rys. 10) Ten produkt jest zgodny z przepisami obowiązującymi w Wielkiej Brytanii.

(Rys. 11) Ostrzeżenie: Trzymać ręce z dala od ostrza.

yyyywwxxxxx Tabliczka znamionowa zawiera numer seryjny. **yyyy** to rok produkcji, a **ww** oznacza tydzień produkcji.

Uwaga: Pozostałe symbole/naklejki samoprzylepne umieszczone na produkcie dotyczą specjalnych wymogów certyfikacyjnych dla niektórych rynków.

Symbole na akumulatorze i/lub na ładowarce.

- (Rys. 15) Należy poddać urządzenie recyklingowi w punkcie zbiórki sprzętu elektrycznego i elektronicznego. (Dotyczy tylko Europy)
- (Rys. 12) Bezpieczny transformator.
- (Rys. 13) Ładowarkę używać i przechowywać wyłącznie wewnątrz.
- (Rys. 14) Podwójna izolacja.

Bezpieczeństwo

Definicje dotyczące bezpieczeństwa

Ostrzeżenia, uwagi i informacje są używane do zwrócenia uwagi na szczególnie ważne sekcje instrukcji obsługi.



OSTRZEŻENIE: Jest używane, gdy istnieje ryzyko poważnych obrażeń, śmierci operatora lub uszkodzenia otoczenia w wyniku nieprzestrzegania instrukcji obsługi.



UWAGA: Jest używane, gdy istnieje ryzyko uszkodzenia materiałów lub urządzenia w wyniku nieprzestrzegania instrukcji obsługi.

Uwaga: Stosuje się, aby przekazać więcej informacji, które są przydatne w danej sytuacji.

Ogólne ostrzeżenia dotyczące bezpieczeństwa podczas korzystania z narzędzi elektrycznych



OSTRZEŻENIE: Przeczytać dokładnie wszystkie ostrzeżenia i instrukcje. Niezastosowanie się do ostrzeżeń i instrukcji może spowodować porażenie prądem i/lub poważne obrażenia.

Uwaga: Należy zachować wszystkie ostrzeżenia i instrukcje, aby móc skorzystać z nich w przyszłości. Termin „elektronarzędzie” używany w ostrzeżeniach dotyczy narzędzia zasilanego prądem z sieci elektrycznej (przewodowego) lub narzędzia zasilanego z akumulatora (bezprowodowego).

Bezpieczeństwo miejsca pracy

- **Miejsce pracy powinno być czyste i dobrze oświetlone.** Miejsca hałaśliwe lub ciemne sprzyjają wypadkom.
- **Nie należy używać narzędzi elektrycznych w atmosferze wybuchowej, takiej jak w przypadku obecności cieczy palnych, gazów lub pyłów.** Narzędzia elektryczne wytwarzają iskry, które mogą spowodować zapłon pyłów lub oparów.
- **Podczas pracy z użyciem narzędzia elektrycznego należy trzymać dzieci i osoby przechodzące z daleka.** Odwrócenie uwagi może spowodować utratę kontroli nad narzędziem.

Bezpieczeństwo elektryczne

- **Wtyczki narzędzi elektrycznych muszą odpowiadać gniazdom.** Zabrania się dokonywania przeróbek wtyczki. **Nie należy stosować adapterów w przypadku uziemionych narzędzi elektrycznych.** Nieprzerobione wtyczki i dopasowane gniazdko pozwalają zredukować ryzyko porażenia prądem.
- **Należy unikać kontaktu ciała z powierzchniami uziemionymi, takimi jak rury, grzejniki, kuchenki i lodówki.** Uziemienie ciała powoduje zwiększenie ryzyka porażenia prądem.
- **Nie należy wystawiać narzędzi elektrycznych na działanie deszczu lub wilgoci.** Woda, która przedostanie się do elektronarzędzia zwiększy ryzyko porażenia prądem.
- **Nie niszczyć przewodu.** Nigdy nie korzystać z przewodu do przenoszenia, ciągnięcia lub odłączania narzędzia zasilanego. Przewód należy utrzymywać z dala od źródeł ciepła, olejów, ostrych krawędzi lub ruchomych części. Uszkodzone lub splątane przewody zwiększają zagrożenie porażenia prądem.
- **Używając narzędzia elektrycznego na zewnątrz budynków, należy stosować przedłużacz odpowiedni dla zastosowania na zewnątrz.** Stosowanie przewodu przeznaczonego do użytku na zewnątrz budynków pozwala ograniczyć ryzyko porażenia prądem.
- **Jeśli nieuniknione jest użycie narzędzia w warunkach dużej wilgotności, należy zastosować zasilanie chronione wyłącznikiem różnicowo-prądowym (RCD).** Korzystanie z wyłącznika różnicowo-prądowego zmniejsza ryzyko porażenia prądem.



OSTRZEŻENIE: Nie należy myć maszyny wodą pod ciśnieniem, ponieważ może ona dostać się do układu elektrycznego lub silnika i spowodować uszkodzenie maszyny lub zwarcie.

Bezpieczeństwo osób

- **Używając narzędzi elektrycznych, należy zachować skupienie, obserwować wykonywane czynności i kierować się zdrowym rozsądkiem.** Nie należy używać narzędzi elektrycznych, kiedy operator jest zmęczony lub pod wpływem działania narkotyków, alkoholu lub leków. Moment nieuwagi podczas pracy z narzędziem elektrycznym może spowodować poważne obrażenia ciała.
- **Stosować środki ochrony osobistej. Należy zawsze stosować środki ochrony wzroku.** Sprzęt ochronny, taki jak maski, antypoślizgowe buty robocze, kask lub środki ochrony słuchu stosowane w

odpowiednich warunkach pozwalają obniżyć ryzyko odniesienia obrażeń.

- **Należy zapobiec niezamierzonemu rozruchowi.** Przed podłączeniem do źródła zasilania i/lub baterii, podnoszenia lub przenoszenia narzędzia, należy upewnić się, że przełącznik jest w pozycji WYŁ. Przenoszenie narzędzi z palcem na przełączniku lub przenoszenie narzędzi pod napięciem, które mają przełącznik w pozycji włączone, sprzyja wypadkom.
- **Przed włączeniem narzędzia elektrycznego należy usunąć wszelkie klucze.** Klucz pozostawiony przy części wirującej narzędzia może spowodować obrażenia ciała.
- **Nie należy się nadmiernie wyciągać. Przez cały czas należy zachowywać właściwe ustawienie stóp i równowagę.** Pozwala to na lepszą kontrolę narzędzia elektrycznego w sytuacjach nieprzewidzianych.
- **Należy odpowiednio się ubierać. Nie zakładać luźnej odzieży ani biżuterii. Włosy oraz ubranie należy trzymać z dala od elementów ruchomych.** Luźne ubranie, biżuteria lub długie włosy mogą zostać pochwycone przez elementy ruchome.
- **Jeśli dołączone jest wyposażenie służące do podłączenia urządzeń odprowadzających i gromadzących pył, należy zadbać o jego podłączenie i właściwe używanie.** Stosowanie urządzeń odprowadzających pył może ograniczyć zagrożenia związane z obecnością pyłu.
- **Częste używanie urządzeń nie zwalnia operatora z obowiązku zachowania czujności i przestrzegania zasad bezpieczeństwa podczas korzystania z produktu.** Nierozważne działanie może doprowadzić do poważnych obrażeń w ułamku sekundy.
- **Poziomy wibracji występujące podczas pracy, mogą różnić się od wartości zadeklarowanych, co jest zależne od sposobu używania narzędzia.** Operatorzy powinni zidentyfikować zagrożenia oraz zastosować środki ochrony osobistej tak, aby uzyskać odpowiednią ochronę (należy wziąć pod uwagę cały cykl operacyjny np. także czas, gdy urządzenie jest wyłączone lub pracuje na wolnych obrotach).

Użytkowanie i konserwacja narzędzia elektrycznego

- **Nie należy wysilać nadmiernie narzędzia. Używać narzędzia elektrycznego dopasowanego do zastosowania.** Właściwe narzędzie zasilane pozwoli lepiej i bezpieczniej wykonać pracę, do której zostało przeznaczone.
- **Nie należy używać narzędzia elektrycznego, jeśli przełącznik nie może go włączyć lub wyłączyć.** Jeśli narzędzie zasilane nie może być kontrolowane za pomocą wyłącznika, jest ono niebezpieczne i musi być oddane do naprawy.
- **Przed dokonaniem jakichkolwiek regulacji, zmianą akcesoriów lub odłożeniem do przechowywania odłączyć wtyczkę od źródła zasilania i/lub wyjąć akumulator z narzędzia, jeśli jest taka możliwość.**

Takie działanie zapobiegawcze redukuje ryzyko przypadkowego uruchomienia narzędzia.

- **Należy przechowywać nieużywane narzędzia elektryczne poza zasięgiem dzieci i nie pozwalać osobom nie zaznajomionym z narzędziami elektrycznymi lub niniejszymi instrukcjami ich obsługiwać.** Narzędzia zasilane są niebezpieczne w rękach nieprzeszkolonych użytkowników.
- **Konserwacja narzędzi elektrycznych i akcesoriów** Należy sprawdzić ustawienie w osi elementów mocujących lub ruchomych, uszkodzenia części i inne warunki, które mogą mieć wpływ na działanie narzędzia elektrycznego. W przypadku uszkodzenia narzędzie zasilane należy naprawić przed użyciem. Wiele wypadków spowodowanych jest przez niewłaściwą konserwację narzędzi elektrycznych.
- **Narzędzia tnące należy utrzymywać w stanie naostrzonym i czystym.** Właściwie konserwowane narzędzia tnące, z ostrymi krawędziami tnącymi dają mniejsze prawdopodobieństwo zacinania i łatwiej je kontrolować.
- **Narzędzia elektryczne, oprzyrządowanie i końcówki** powinny być używane zgodnie z niniejszymi instrukcjami, biorąc pod uwagę warunki robocze oraz zadanie, jakie należy wykonać. Korzystanie z narzędzia zasilanego do zadań innych, niż te, do których jest przeznaczone, może być niebezpieczne.
- **Utrzymywać uchwyty i powierzchnie do chwytania w stanie suchym, czystym oraz wolnym od smaru i oleju.** Śliskie uchwyty i powierzchnie do chwytania nie pozwalają na bezpieczną obsługę i kontrolę narzędzia w nieoczekiwanych sytuacjach.

Użytkowanie i konserwacja narzędzia elektrycznego zasilanego akumulatorem

- **Ładować jedynie za pomocą ładowarki wskazanej przez producenta.** Ładowarka przeznaczona do jednego rodzaju akumulatora może grozić pożarem w przypadku wykorzystania jej do ładowania innego rodzaju akumulatora.
- **Urządzeń należy używać wyłącznie w połączeniu z określonym rodzajem akumulatorów.** Użycie akumulatorów innego rodzaju może stworzyć zagrożenie obrażeniami ciała i pożarem.
- **Kiedy akumulator nie jest używany, należy przechowywać go z dala od innych metalowych przedmiotów, takich jak spinacze do papieru, monety, klucze, gwóźdźe i śruby oraz innych niewielkich metalowych przedmiotów, które mogłyby połączyć dwa zaciski akumulatora.** Spięcie zacisków akumulatora może spowodować oparzenia lub pożar.
- **W niewłaściwych warunkach z akumulatora może wypłynąć płyn. Należy unikać kontaktu z tym płynem. Jeżeli dojdzie do kontaktu, przemyć wodą. Jeśli dojdzie do kontaktu płynu z oczami, należy dodatkowo skorzystać z pomocy medycznej.** Płyn wydostający się z akumulatora może wywołać podrażnienia lub oparzenia.

- **Nie używać akumulatora ani narzędzia, jeśli są one uszkodzone lub zostały zmodyfikowane.** Uszkodzone lub zmodyfikowane akumulatory mogą charakteryzować się nieprzewidywalnymi właściwościami skutkującymi pożarem, eksplozją lub ryzykiem doznania obrażeń przez użytkownika.
- **Nie wystawiać akumulatora ani narzędzia na działanie ognia bądź nadmiernej temperatury.** Ogień lub temperatura powyżej 130°C może być przyczyną wybuchu.
- **Postępować zgodnie ze wszystkimi instrukcjami dotyczącymi ładowania i nie ładować akumulatora ani narzędzia w temperaturach wykraczających poza zakres określony w instrukcji.** Nieprawidłowe ładowanie lub ładowanie w temperaturach wykraczających poza dopuszczalny zakres może uszkodzić akumulator i zwiększyć ryzyko pożaru.

Serwis

- **Narzędzie zasilane należy przekazać do wykwalifikowanego personelu serwisowego w celu naprawy z użyciem identycznych części zamiennych.** Zapewni to bezpieczną pracę narzędzia elektrycznego.
- **Pod żadnym pozorem nie należy serwisować uszkodzonych akumulatorów.** Serwisowanie akumulatorów powinno być wykonywane wyłącznie przez producenta lub autoryzowany serwis.

Ostrzeżenia dotyczące nożyc do żywopłotu — bezpieczeństwo osób

- **Podczas obsługi nożyc do żywopłotu należy używać obu rąk.** Obsługa za pomocą jednej ręki może spowodować utratę kontroli i poważne obrażenia ciała.
- **Nie należy zbliżać żadnych części ciała do ostrza tnącego. Kiedy ostrza są w ruchu, nie należy zbierać ściętych gałęzi ani trzymać gałęzi przeznaczonych do ścięcia.** Noże nadal pracują po przestawieniu wyłącznika w położenie OFF. Moment nieuwagi podczas pracy z wykaszarką do żywopłotu może spowodować poważne obrażenia ciała.
- **Nożyce do żywopłotu należy przenosić, trzymając za uchwyt, z zatrzymanymi nożami, zwracając uwagę, aby nie dotykać wyłączników.** Prawidłowe przenoszenie nożyc do żywopłotu zmniejszy ryzyko przypadkowego uruchomienia i w konsekwencji odniesienia obrażeń ciała od nożyc.
- **Podczas przewożenia lub przechowywania wykaszarki do żywopłotu należy pamiętać o założeniu osłony noży.** Odpowiednia obsługa nożyc do żywopłotu zmniejszy ryzyko obrażeń ciała spowodowanych przez noże tnące.
- **Podczas usuwania zakleszczonych materiałów lub serwisowania urządzenia należy upewnić się, że wszystkie wyłączniki znajdują się w pozycji wyłączenia, a akumulator jest wyjęty lub odłączony.** Nieoczekiwane uruchomienie nożyc do żywopłotu podczas usuwania zakleszczonego

materiału lub serwisowania może spowodować poważne obrażenia ciała.

- **Nożyce do żywopłotu należy trzymać wyłącznie za uchwyt o izolowanej powierzchni, ponieważ ostrze może podczas pracy naruszyć ukryte przewody.** Noże w kontakcie z przewodem pod napięciem mogą wywołać przepływ prądu przez nieosłonięte metalowe części nożyc do żywopłotu, a to może prowadzić do porażenia operatora.
- **Wszystkie przewody powinny znajdować się z dala od miejsca cięcia.** Podczas pracy przewody mogą zostać zakryte przez krzewy i krzaki i przypadkowo przecięte przez noże.
- **Nie używać długich nożyc do żywopłotu podczas złych warunków pogodowych, szczególnie jeśli istnieje ryzyko wystąpienia burzy.** Zmniejsza to ryzyko porażenia piorunem.
- **NIEBEZPIECZEŃSTWO — Trzymać ręce z dala od ostrza.** Kontakt z ostrzem może doprowadzić do poważnych obrażeń ciała.

Ogólne zasady bezpieczeństwa



OSTRZEŻENIE: Przed rozpoczęciem użytkowania produktu przeczytać następujące ostrzeżenia.

- Wyjąć akumulator, aby zabezpieczyć maszynę przed przypadkowym uruchomieniem.
- Ten produkt jest niebezpiecznym narzędziem w przypadku nieostrożnego postępowania lub nieprawidłowego korzystania. Produkt może spowodować poważne obrażenia ciała lub śmierć operatora lub innych osób.
- Nie używać produktu w przypadku zmiany jego początkowych specyfikacji. Nie wymieniać części maszyny bez zgody producenta. Należy używać wyłącznie części zatwierdzonych przez producenta. Nieprawidłowa konserwacja może doprowadzić do obrażeń lub śmierci.
- Przed uruchomieniem produktu należy sprawdzić jego stan techniczny. Patrz *Wykonać tę czynność przed uruchomieniem silnika. na stronie 243.* Nie należy używać uszkodzonego produktu. Przeprowadzać kontrole bezpieczeństwa oraz czynności z zakresu konserwacji i obsługi technicznej podane w niniejszej instrukcji.
- Należy dopilnować, aby produktem nie bawiły się dzieci. Nigdy nie pozwalać na użytkowanie ani serwisowanie produktu dzieciom lub innym osobom, które nie mają odpowiednich kwalifikacji. Lokalne przepisy mogą określać wiek użytkownika.
- Maszynę należy przechowywać w zamkniętym obszarze w celu uniemożliwienia dzieciom lub nieupoważnionym osobom uzyskania do niej dostępu.
- Przechowywać produkt w miejscu niedostępnym dla dzieci.

- Pod żadnym pozorem nie wolno zmieniać ani modyfikować fabrycznej konstrukcji urządzenia bez zezwolenia wydanego przez producenta. Zawsze należy korzystać z oryginalnych akcesoriów. Samowolne wprowadzanie zmian oraz/lub montowanie wyposażenia niezatwierdzonego przez producenta może stać się przyczyną groźnych obrażeń lub śmierci obsługującego urządzenie bądź innych osób.

Uwaga: Użytkowanie może podlegać regulacji przepisami państwowymi lub lokalnymi. Należy przestrzegać odpowiednich przepisów

Instrukcje bezpieczeństwa dotyczące obsługi



OSTRZEŻENIE: Przed rozpoczęciem użytkowania produktu przeczytać następujące ostrzeżenia.

- Jeżeli znajdziesz się w sytuacji, w której nie jesteś pewny prawidłowości dalszego sposobu postępowania, zasięgnij porady eksperta. Zwróć się do swojego dealera lub warsztatu obsługi technicznej. Nie podejmuj się pracy, gdy uważasz, że nie masz wystarczających kwalifikacji.
- Nigdy nie używać urządzenia, odczuwając zmęczenie bądź znajdując się pod wpływem alkoholu lub leków, które mogą wpływać ujemnie na wzrok, zdolność oceny sytuacji lub panowanie nad wykonywanymi ruchami.
- Praca przy złej pogodzie jest męcząca i często zwiększa ryzyko obrażeń. Z powodu zwiększonego ryzyka nie zaleca się używać urządzenia w bardzo niesprzyjających warunkach, np. w gęstej mgłę, podczas silnego deszczu, przy silnym wietrze, na silnym mrozie lub gdy występuje ryzyko wyładowań atmosferycznych itd.
- Uszkodzone lub nieodpowiednie noże zwiększają ryzyko wypadków przy pracy.
- Nie zezwalać dzieciom na używanie urządzenia ani na przebywanie w jego pobliżu. Ponieważ produkt łatwo uruchomić, dzieci mogą być w stanie go włączyć, jeżeli nie będą pilnowane. Oznacza to ryzyko poważnych obrażeń. Należy odłączyć akumulator, gdy produkt nie jest pod nadzorem.
- Należy dopilnować, aby podczas pracy żadne osoby postronne ani zwierzęta nie znajdowały się w odległości mniejszej niż 15 m. Jeśli w tym samym miejscu pracuje kilku użytkowników, odległość między nimi powinna wynosić co najmniej 15 m. W przeciwnym razie grozi to poważnymi obrażeniami. W przypadku zbliżenia się osób trzecich natychmiast wyłącz urządzenie. Nigdy nie obracać się gwałtownie z urządzeniem, nie upewnij się, że nikt nie znajduje się z tyłu w strefie zagrożenia.
- Dopilnować, aby ludzie, zwierzęta ani inne objekty nie mogły zakłócić pracy urządzenia oraz aby nie weszły w kontakt z osprzętem tnącym ani luźnymi przedmiotami odrzucanymi przez osprzęt. Nigdy nie używać urządzenia, jeśli nie ma możliwości wezwania pomocy w razie wypadku.
- Zawsze sprawdzać miejsce pracy. Usunąć wszystkie porzucane przedmioty, jak kamienie, szkło, gwoździe, druty, sznurki i inne, które mogą zostać odrzucone przez maszynę lub zaplątać się na osprzęcie tnącym.
- Zapewnij sobie możliwość bezpiecznego poruszania się i odpowiednią pozycję podczas pracy. Przy poruszaniu się po powierzchni roboczej należy uważać na ewentualne przeszkody (korzenie, gałęzie, doły, rowy itp.). Zachowaj szczególną ostrożność podczas pracy na terenie pochyłym.
- Zawsze utrzymuj równowagę i mocne oparcie dla stóp. Nie należy się nadmiernie wyciągać.
- Przechodząc na inne miejsce pracy, należy wyłączyć produkt. Jeśli produkt nie jest używany, należy zamocować osłonę transportową.
- Nigdy nie należy odkładać urządzenia, chyba że zostało wyłączone, a akumulator został wyjęty. Nie pozostawiać urządzenia bez nadzoru, gdy jest włączone.
- Upewnić się, czy odzież ani żadne części ciała nie będą miały kontaktu z osprzętem tnącym, gdy produkt jest uruchomiony.
- Jeżeli cokolwiek zablokuje się w ostrzach podczas obsługi produktu, należy zatrzymać i wyłączyć urządzenie. Upewnić się, że osprzęt tnący zatrzymał się całkowicie. Przed czyszczeniem, sprawdzaniem lub naprawą produktu bądź ostrzy należy wyjąć akumulator.
- Trzymać ręce i stopy z dala od osprzętu tnącego aż do momentu całkowitego zatrzymania po wyłączeniu produktu.
- Uważać na koniuszki gałęzi, które podczas cięcia mogą być odrzucane przez maszynę. Nie odcinać zbyt blisko podłoża, ponieważ grozi to wyrzuceniem przez maszynę kamieni i innych przedmiotów.
- Należy uważać na odrzucane przedmioty. Należy zawsze używać zatwierdzonych osłon oczu. Nigdy nie nachylać się nad osłoną zabezpieczającą osprzętu tnącego. Odrzucane przez urządzenie kamienie, odłamki, itp. mogą trafić w oczy, powodując utratę wzroku lub inne poważne obrażenia.
- Mając założone ochronniki słuchu, należy zwracać szczególną uwagę na sygnały i zawałania ostrzegawcze. Ochronniki słuchu należy zdejmować zaraz po wyłączeniu produktu.
- Nie wolno pracować, stojąc na drabinie lub stołku, ani na żadnym podwyższeniu, które nie jest stabilne i nie zapewnia zachowania statecznej postawy podczas pracy.
- Nosić okulary ochronne podczas obsługi produktu. Trzymać produkt z boku tułowia.

(Rys. 16)

Środki ochrony osobistej



OSTRZEŻENIE: Przed rozpoczęciem użytkowania produktu przeczytać następujące ostrzeżenia.

- Podczas używania urządzenia należy zawsze mieć na sobie środki ochrony osobistej dopuszczone do użytku przez odpowiednie władze. Środki ochrony osobistej nie eliminują ryzyka odniesienia obrażeń, natomiast mogą ograniczyć ich rozmiar. Dodatkowe informacje można uzyskać w punkcie sprzedaży.
- Stosować kask ochronny, gdy zachodzi ryzyko uderzenia spadającymi przedmiotami.

(Rys. 17)

- Stosować atestowane ochronniki słuchu. Długotrwałe przebywanie w hałasie może doprowadzić do trwałego uszkodzenia słuchu.

(Rys. 18)

- Stosować atestowane środki ochrony oczu. Używając maski ochronnej twarzy, nosić także zatwierdzone okulary ochronne. Za zatwierdzone okulary ochronne uważane są takie, które są zgodne z normami ANSI Z87.1 dla USA lub EN 166 dla krajów UE.

(Rys. 19)

- Stosować rękawice ochronne podczas obsługi i konserwacji.

(Rys. 20)

- Nosić buty ochronne lub buty z antypoślizgowymi podeszwami.

(Rys. 21)

- Nosić odzież wykonaną z mocnego materiału. Odzież musi być dopasowana, ale nie może ograniczać ruchów. Nosić długie spodnie i odgarnąć włosy za ramiona. Nie nosić biżuterii ani otwartego obuwia.
- Zawsze mieć pod ręką apteczkę.

(Rys. 22)

Zespoły zabezpieczające na produkcie



OSTRZEŻENIE: Przed rozpoczęciem użytkowania produktu przeczytać następujące ostrzeżenia.

W tym rozdziale opisano funkcje bezpieczeństwa produktu, jego przeznaczenie oraz sposób przeprowadzania czynności kontrolnych i konserwacji, aby zapewnić jego poprawne działanie. Patrz wskazówki podane w punkcie *Przegląd produktu na stronie 235*, aby sprawdzić, gdzie te części są zlokalizowane w Twoim produkcie.

Jeżeli urządzenie nie jest prawidłowo konserwowane i nie jest poddawane profesjonalnie wykonywanym naprawom i/lub obsłudze technicznej, skraca się jego żywotność i zwiększa ryzyko wypadu. Aby uzyskać dodatkowe informacje, należy skontaktować się z najbliższym punktem serwisowym.



OSTRZEŻENIE: Nie wolno używać urządzenia, którego elementy zabezpieczające są uszkodzone. Elementy zabezpieczające produktu należy kontrolować i konserwować zgodnie z opisem w niniejszym rozdziale. Jeżeli Twój produkt nie spełnia któregokolwiek z warunków kontrolnych, skontaktuj się z przedstawicielem serwisu w celu dokonania naprawy.



UWAGA: Wszelkie czynności obsługowe i naprawy maszyny wymagają specjalnego przeszkolenia. Szczególnie dotyczy to elementów zabezpieczających urządzenia. Jeżeli maszyna nie spełnia jakiegokolwiek z niżej wymienionych warunków kontrolnych, należy ją oddać do warsztatu obsługi technicznej. Kupując nasze produkty, zyskujesz także gwarancję profesjonalnej obsługi i napraw. Jeżeli w miejscu zakupu nie jest prowadzona obsługa serwisowa, zapytaj o adres najbliższego warsztatu obsługi technicznej.

Sprawdzenie klawiatury

1. Wcisnąć i przytrzymać przycisk start/stop (A). (Rys. 23)
 - a) Produkt jest włączony, gdy świeci się kontrolka LED (B).
 - b) Urządzenie jest wyłączone, gdy kontrolka LED (B) nie świeci.
2. Patrz *Klawiatura na stronie 245*, jeśli włączy się lub miga wskaźnik ostrzegawczy (C).

Kontrola dźwigni gazu na uchwycie przednim

Dźwignia gazu na uchwycie przednim zapobiega przypadkowemu uruchomieniu. Nacisk na dźwignię gazu na uchwycie przednim zwalnia manetkę gazu. Po zwolnieniu uchwytu manetka gazu i dźwignia gazu na uchwycie przednim powrócą do swoich pozycji wyjściowych.

1. Sprawdzić, czy manetka gazu i dźwignia gazu na uchwycie przednim poruszają się płynnie i czy sprężyna powrotna działa prawidłowo.
2. Uruchomić produkt.
3. Nacisnąć dźwignię gazu na uchwycie przednim.

(Rys. 24)

4. Wcisnąć manetkę gazu. (Rys. 25)
5. Zwolnić dźwignię gazu na uchwycie przednim i sprawdzić, czy osprzęt tnący całkowicie się zatrzymał.

Sprawdzanie osłony ręki

Oslona ręki zabezpiecza użytkownika przed dotknięciem osprzętu tnącego.

1. Zatrzymać urządzenie.
2. Wyjmij akumulator.
3. Sprawdź, czy osłona ręki jest dobrze zamocowana.
4. Skontrolować osłonę ręki pod kątem uszkodzeń.

Kontrola ostrzy i osłon ostrzy

Dłuższe elementy ostrzy (A) pełni funkcję osłon ostrzy.

1. Zatrzymać urządzenie.
2. Wyjmij akumulator.
3. Założyć rękawice.
4. Sprawdzić, czy ostrza i osłony ostrzy nie są uszkodzone ani wygięte. Wykrzywione lub uszkodzone ostrze oraz osłony ostrza należy wymienić. (Rys. 26)

Zasady bezpieczeństwa związane z akumulatorem



OSTRZEŻENIE: Przed rozpoczęciem użytkowania produktu przeczytać następujące ostrzeżenia.

- Należy używać wyłącznie akumulatora serii BLi i 40-B. Aby uzyskać szczegółowe informacje, patrz *Dane techniczne na stronie 247*. Akumulator jest zabezpieczony szyfrem programowym.
- Jako źródła zasilania do powiązanych produktów Husqvarna należy używać akumulatora z serii BLi i 40-B. Aby uniknąć obrażeń, nie należy używać akumulatora jako źródła zasilania innych produktów.
- Ryzyko porażenia prądem. Nie przykładaj zacisków akumulatora do kluczy, monet, śrub lub innych metalowych przedmiotów. Może to spowodować zwarcie akumulatora.
- Nie używać baterii jednorazowego użytku.
- Nie wkładać żadnych przedmiotów do szczelin powietrznych akumulatora.
- Chronić akumulator przed bezpośrednim działaniem promieni słonecznych, wysoką temperaturą i otwartym płomieniem. Akumulator może spowodować oparzenia i/lub oparzenia chemiczne.
- Akumulator należy chronić przed deszczem i wodą.
- Akumulator należy chronić przed działaniem mikrofal i wysokiego ciśnienia.
- Nie próbować rozbierać ani rozbijać akumulatora.
- Jeśli doszło do wycieku z akumulatora, unikać kontaktu cieczy ze skórą i oczami. W przypadku

dotknięcia cieczy przemyć skórę dużą ilością wody z mydłem i zgłosić się do lekarza. W przypadku dostania się cieczy do oczu nie trzeć ich, ale splukiwać wodą przez co najmniej 15 minut i zgłosić się do lekarza.

- Akumulator można używać w zakresie temperatur od -10 °C (14 °F) do 40 °C (114 °F).
- Do czyszczenia akumulatora i ładowarki nie należy używać wody. Patrz *Czyszczenie produktu, akumulatora i ładowarki na stronie 245*.
- Nie należy używać wadliwego ani uszkodzonego akumulatora.
- Przechowywać akumulatory z dala od metalowych przedmiotów, takich jak gwoździe, śruby czy biżuteria.
- Przechowywać akumulator z dala od dzieci.

Zasady bezpieczeństwa w czasie obsługi ładowarki



OSTRZEŻENIE: Przed rozpoczęciem użytkowania produktu przeczytać następujące ostrzeżenia.

- Nieprzestrzeganie zasad bezpieczeństwa stwarza ryzyko porażenia prądem lub wystąpienia zwarcia.
- Nie używać innych ładowarek do akumulatorów niż te dostarczone dla danego produktu. Należy używać wyłącznie ładowarek QC80 i 40-C80 do ładowania akumulatorów zastępczych z serii BLi i 40-B.
- Nie należy podejmować prób rozmontowania ładowarki.
- Nie należy używać wadliwej lub uszkodzonej ładowarki do akumulatora.
- Nie podnosić ładowarki do akumulatora za przewód zasilający. Aby odłączyć ładowarkę od akumulatora od gniazda, wyciągnąć wtyczkę. Nie ciągnąć za przewód.
- Należy chronić wszystkie przewody i przedłużacze przed działaniem wody, olejów oraz przedmiotów o ostrych krawędziach. Uważać także, aby przewód nie został zakleszczony między obiektami np. drzwiami, furtkami lub innymi.
- Nie używać ładowarki do akumulatora w pobliżu łatwopalnych materiałów lub materiałów, które mogą powodować korozję. Upewnić się, że ładowarka nie jest przykryta. W razie zauważenia dymu lub ognia należy odłączyć ładowarkę od źródła zasilania.
- Należy ładować akumulator wyłącznie wewnątrz budynku, w miejscu z dobrym przepływem powietrza i z dala od światła słonecznego. Nie należy ładować akumulatora na zewnątrz pomieszczeń. Nie ładować akumulatora w wilgotnym otoczeniu.
- Ładowarkę można użytkować w zakresie temperatur od 5°C do 40°C. Ładowarki należy używać w suchym, dobrze wentylowanym i wolnym od pyłów środowisku.
- Nie wkładać żadnych przedmiotów do szczelin wentylacyjnych ładowarki.

- Styków ładowarki nie należy zwierzać metalowymi przedmiotami, gdyż może to wywołać zwarcie.
- Należy używać zatwierdzonych gniazd głównych, które nie są uszkodzone. Upewnić się, że przewód ładowarki nie jest uszkodzony. Jeżeli używane są przedłużacze, upewnić się, że nie są one uszkodzone.
- Nie należy ładować w ładowarkach baterii jednorazowego użytku.

Instrukcje bezpieczeństwa dotyczące konserwacji



OSTRZEŻENIE: Przed rozpoczęciem prac konserwacyjnych produktu przeczytać następujące ostrzeżenia.

- Wyjąć akumulator przed rozpoczęciem prac konserwacyjnych, innych przeglądów lub montażu produktu.

- Użytkownikowi wolno wykonywać tylko te czynności konserwacyjne i serwisowe, które są wskazane w niniejszej instrukcji obsługi. W przypadku czynności konserwacyjnych i serwisowych o szerszym zakresie należy zwrócić się do autoryzowanego serwisu.
- Do czyszczenia akumulatora ani ładowarki nie należy używać wody. Silne detergenty mogą spowodować uszkodzenie tworzywa sztucznego.
- Zaniechanie czynności konserwacyjnych skróci cykl życia produktu i zwiększy ryzyko wypadków.
- Dla wszystkich prac serwisowych i naprawczych, zwłaszcza dla urządzeń zabezpieczających na produkcie, konieczne jest specjalne przeszkolenie. Jeśli nie wszystkie opisane w niniejszej instrukcji obsługi kontrole zakończą się pomyślnie po wykonaniu konserwacji, należy zwrócić się do autoryzowanego serwisu. Gwarantujemy profesjonalne naprawy i serwisowanie produktu.
- Używaj wyłącznie oryginalnych części zamiennych.

Montaż

Wstęp

W tym rozdziale opisano sposób montażu i regulacji urządzenia.



OSTRZEŻENIE: Przed zmontowaniem urządzenia należy przeczytać rozdział poświęcony bezpieczeństwu i instrukcje montażu.

akumulator nie jest prawidłowo zainstalowany. Niezastosowanie się do tego zalecenia może spowodować uszkodzenie produktu.

Montaż ładowarki (40-C80) na ścianie



UWAGA: Do montażu ładowarki na ścianie nie należy używać śrubokręta elektrycznego. Śrubokręt elektryczny może spowodować uszkodzenie ładowarki.

Podłączanie akumulatora do produktu



OSTRZEŻENIE: Należy używać wyłącznie oryginalnych akumulatorów Husqvarna w urządzeniu.

1. Naładować całkowicie akumulator.
2. Wsunąć akumulator do uchwytu akumulatora produktu. Po usłyszeniu kliknięcia akumulator zablokuje się na miejscu. (Rys. 27)

1. Zamontować ładowarkę na ścianie za pomocą 2 śrub (B). W razie potrzeby użyć kołków rozporowych (A). (Rys. 28)
2. Zamocować 2 zaślepki do otworów na śruby (C).
3. Podłączyć przewód zasilający do ładowarki i gniazda zasilania.



UWAGA: Jeśli akumulator nie jest łatwo wsunąć do uchwytu,

Przeznaczenie

Wstęp



OSTRZEŻENIE: Przed użyciem produktu należy zapoznać się z rozdziałem dotyczącym bezpieczeństwa.

Akumulator



OSTRZEŻENIE: Przed użyciem akumulatora należy zapoznać się z rozdziałem dotyczącym bezpieczeństwa. Należy również przeczytać uważnie

instrukcję obsługi dołączoną do akumulatora i ładowarki.

Zapewnij akumulatorowi i ładowarce prawidłową temperaturę otoczenia.

	Temperatura otoczenia
Działanie akumulatora	5°C-40°C / 41°F-104°F

	Temperatura otoczenia
Ładowanie akumulatora	5°C-40°C / 41°F-104°F

Stan akumulatora

Na wyświetlaczu pokazywane są informacje o stanie naładowania akumulatora oraz ewentualne problemy.

(Rys. 29)

Wskaźnik diodowy	Stan akumulatora (stan naładowania)	
	BLI10	40-B70
Świecą się 4 diody LED	N/D	Poziom naładowania akumulatora wynosi 76–100%.
Świecą się 3 diody LED	Poziom naładowania akumulatora wynosi 76–100%.	Poziom naładowania akumulatora wynosi 51–75%.
Świecą się 2 diody LED	Poziom naładowania akumulatora wynosi 51–75%.	Poziom naładowania akumulatora wynosi 26–50%.
Świeci się 1 dioda LED	Poziom naładowania akumulatora wynosi 26–50%.	Poziom naładowania akumulatora wynosi 6–25%.
Miga 1 dioda LED	Poziom naładowania akumulatora wynosi 0–25%.	Poziom naładowania akumulatora wynosi 0–5%.

Ładowanie akumulatora

Akumulator należy naładować przed pierwszym użyciem. Nowy akumulator jest naładowany jedynie w 30%.



UWAGA: Ładowarkę należy podłączyć do gniazda zasilania o napięciu i częstotliwości zgodnymi z tabliczką znamionową.

Akumulator nie będzie się ładować, jeżeli jego temperatura przekroczy 50°C/122°F.

1. Podłączyć przewód zasilający do ładowarki.
2. Podłączyć ładowarkę do uziemionego gniazda zasilania. Dioda LED ładowania zamiga jeden raz. (Rys. 30)
3. Podłączyć akumulator do ładowarki. Zaświeci się dioda LED ładowania. Akumulator można ładować przez maks. 24 godziny. (Rys. 31)
4. Nacisnąć przycisk wskaźnika akumulatora. Jeśli zaświecą się wszystkie wskaźniki LED, akumulator jest w pełni naładowany.
5. Wyciągnąć wtyczkę przewodu zasilającego z gniazda, aby odłączyć ładowarkę od zasilania. Nie ciągnąć za przewód.
6. Akumulator należy wyjąć z ładowarki.

Wykonać tę czynność przed uruchomieniem silnika.

1. Sprawdzić obszar pracy. Usunąć przedmioty, które mogą zostać odrzucone spod maszyny podczas pracy.
2. Sprawdzić osprzęt tnący. Upewnić się, że ostrza są ostre, nie mają pęknięć oraz że nie są uszkodzone.
3. Upewnić się, że produkt działa prawidłowo. Sprawdzić, czy dokręcone są wszystkie śruby i nakrętki.
4. Dopilnować, aby uchwyt i urządzenia zabezpieczające maszyny były zawsze dobrze zamocowane. Nie używać produktu z brakującymi częściami lub w przypadku zmiany jego początkowych specyfikacji. W razie potrzeby użyć rękawic ochronnych.
5. Przed uruchomieniem silnika upewnić się, że pokrywy nie są uszkodzone i są zamontowane prawidłowo.

Uruchamianie produktu

1. Naciskać przycisk start/stop do momentu zapalenia się zielonej diody LED. (Rys. 32)
2. Pchnąć dźwignię gazu na uchwycie przednim. (Rys. 33)
3. Wcisnąć manetkę gazu. (Rys. 25)

Obsługa produktu

1. Produkt uruchamiać przy ziemi i przesuwać do góry wzdłuż żywoplotu podczas obcinania boków. Uważać, aby nie dotykać żywoplotu korpusem urządzenia. (Rys. 34)



OSTRZEŻENIE: Uważać, aby nie dotykać ziemi przodem osprzętu tnącego.

2. Trzymać urządzenie w pobliżu ciała, aby mieć pewną pozycję przy pracy.
3. Należy zachować ostrożność i prawidłowo korzystać z produktu.

Korzystanie z funkcji SavE

Ten produkt jest wyposażony w funkcję oszczędzania energii SavE.

Uwaga: Funkcja SavE nie zmniejsza mocy cięcia urządzenia.

1. Nacisnąć przycisk SavE na klawiaturze.
2. Sprawdzić, czy świeci zielona dioda LED.
3. Ponowne naciśnięcie przycisku SavE wyłączy funkcję. Gaśnie zielona dioda LED. (Rys. 35)

Funkcja automatycznego wyłączenia

Produkt ma funkcję wyłączania, która zatrzymuje produkt, gdy nie jest on używany. Zielona dioda LED wskaźnika start/stop zgaśnie i urządzenie zatrzyma się po 180 sekundach.

Wyłączanie produktu

1. Zwolnić manetkę gazu i dźwignię gazu na uchwycie przednim.
2. Naciskać przycisk start/stop, aż zielona dioda LED zgaśnie.
3. Nacisnąć przyciski zwalniające akumulator i wyciągnąć go. (Rys. 36)

Przegląd

Wstęp



OSTRZEŻENIE: Przed przystąpieniem do konserwacji produktu zapoznać się z rozdziałem dotyczącym bezpieczeństwa.



OSTRZEŻENIE: Przed przystąpieniem do konserwacji produktu wyjąć akumulator.

Plan konserwacji

Poniżej zamieszczono listę czynności konserwacyjnych, które należy wykonywać przy produkcji.

Przegląd	Przed użytkowaniem	Co tydzień	Co miesiąc
Oczyszczyć zewnętrzne części urządzenia.	X		
Sprawdzić, czy wyłącznik działa prawidłowo i czy nie jest uszkodzony.	X		
Sprawdzić, czy manetka gazu i dźwignia gazu na uchwycie przednim działają prawidłowo pod względem bezpieczeństwa.	X		
Upewnić się, że wszystkie elementy sterujące działają i nie są uszkodzone.	X		
Upewnić się, że ostrze tnące i jego osłona nie mają pęknięć oraz że nie są uszkodzone. Wymienić ostrze tnące lub jego osłonę, jeśli są popękane lub były narażone na uderzenie.	X		
Wymienić ostrze tnące, jeżeli jest wykrzywione lub uszkodzone.	X		
Należy sprawdzić, czy osłona ręki nie jest uszkodzona. Wymienić osłonę w razie uszkodzenia.	X		
Upewnić się, że wszystkie nakrętki i śruby są prawidłowo dokręcone.	X		

Przegląd	Przed użytkowaniem	Co tydzień	Co miesiąc
Należy sprawdzić, czy akumulator nie jest uszkodzony.	X		
Należy sprawdzić, czy akumulator jest naładowany.	X		
Należy sprawdzić, czy ładowarka akumulatora nie jest uszkodzona.	X		
Należy sprawdzić, czy śruby łączące noże tnące są prawidłowo dokręcone.		X	
Sprawdzić połączenia pomiędzy akumulatorem a urządzeniem. Sprawdzić połączenie pomiędzy akumulatorem a ładowarką.			X

Sprawdzanie akumulatora i ładowarki

1. Sprawdzić akumulator pod kątem uszkodzeń, na przykład pęknięć.
2. Sprawdzić ładowarkę pod kątem uszkodzeń, na przykład pęknięć.
3. Należy regularnie sprawdzać, czy przewód połączeniowy ładowarki akumulatora nie jest uszkodzony ani popękany.

Czyszczenie produktu, akumulatora i ładowarki

1. Po użyciu wyczyścić produkt za pomocą suchej szmatki.
2. Wyczyścić akumulator i ładowarkę suchą szmatką. Akumulator i zaciski należy utrzymywać w czystości.
3. Upewnić się, że styki akumulatora i ładowarki są czyste przed umieszczeniem akumulatora w ładowarce lub w produkcie.

Sprawdzanie ostrza

1. Oczyszczyć ostrze z niepożądanego materiału za pomocą środka chroniącego przed korozją przed każdym użyciem produktu i po nim.
2. Sprawdzić końce ostrza pod kątem uszkodzeń i odkształceń.
3. Za pomocą pilnika usunąć zadziory na ostrzu.

4. Sprawdzić, czy noże obracają się swobodnie.

Czyszczenie i smarowanie ostrzy

1. Oczyszczyć noże z niepożądanego materiału przed każdym użyciem produktu i po nim.
2. Przed dłuższym okresem przechowywania urządzenia należy nasmarować ostrza.

Uwaga: Dodatkowe informacje dotyczące zalecanych środków smarnych można uzyskać w centrum serwisowym.

Smarowanie przekładni

Nanieść substancję smarną na obudowę przekładni, jeżeli przekładnia została rozmontowana przez autoryzowany punkt serwisowy.

- Użyć Husqvarna specjalnego smaru. Dodatkowe informacje dotyczące zalecanych środków smarnych można uzyskać w autoryzowanym punkcie serwisowym.
- Należy używać niewielkich ilości specjalnego smaru o wysokiej jakości.



UWAGA: Nie napełniać obudowy przekładni do pełna.

Rozwiązywanie problemów

Klawiatura

Ekran LED	Możliwe usterki	Możliwe rozwiązanie
Miga dioda LED błędu.	Przeciążenie	Osprzęt tnący nie może się swobodnie poruszać. Uwolnij osprzęt tnący.
	Odchylenia temperatury	Poczekaj na ostygnięcie produktu.
Produkt nie uruchamia się.	Jednocześnie naciśnięcie manetkę gazu i włącznik.	Zwolnić manetkę gazu i wyłączyć produkt.

Ekran LED	Możliwe usterki	Możliwe rozwiązanie
Dioda LED błędu świeci na czerwono.	Wymagany jest serwis produktu.	Zwrócić się do punktu serwisowego.

Akumulator

Wyświetlacz LED	Możliwe usterki	Możliwe działania
Miga zielona dioda LED.	Niskie napięcie akumulatora.	Naładować akumulator.
Miga dioda LED błędu.	Odchylenia temperatury.	Akumulator można używać w zakresie temperatur od -10°C (14°F) do 40°C (104°F).
	Zbyt wysokie napięcie.	Upewnić się, że napięcie sieciowe jest zgodne z wartością podaną na tabliczce znamionowej produktu. Akumulator należy wyjąć z ładowarki.
Dioda LED błędu jest włączona.	Zbyt wysoka różnica między ogniwami (1 V).	Zwrócić się do punktu serwisowego.

Ładowarka

Problem	Możliwe usterki	Możliwe rozwiązanie
Dioda LED ładowania świeci się na czerwono.	Trwała usterka ładowarki akumulatora.	Należy skontaktować się z dealerem.
Kontrolka LED stanu ładowania miga na zielono.	Odchylenia temperatury; akumulator jest zbyt zimny lub zbyt gorący do użytku lub ładowania.	Odczekać, aż akumulator ostygnie, lub ogrzać go. Gdy akumulator odzyska właściwą temperaturę, będzie mógł być ponownie użytkowany lub ładowany. Ładowarkę można użyć w zakresie temperatur 5–40°C (41–104°F).
Kontrolka LED stanu ładowania miga na czerwono.	Niesprawny akumulator.	Należy skontaktować się z dealerem.

Transport, przechowywanie i utylizacja

Transport i przechowywanie

- Dołączone akumulatory litowo-jonowe są zgodne z przepisami dotyczącymi towarów niebezpiecznych.
- Należy przestrzegać specjalnych zaleceń podanych na opakowaniu i etykietach, dotyczących transportu komercyjnego, w tym także usług transportowych świadczonych przez strony trzecie i spedytorów.
- Przed wysłaniem produktu należy porozmawiać z osobą przeszkoloną w zakresie materiałów

niebezpiecznych. Przestrzegać wszystkich przepisów krajowych, które mają zastosowanie.

- Podczas umieszczania akumulatora w opakowaniu zabezpieczyć otwarte zaciski taśmą. Zapakować akumulator w taki sposób, aby ściśle przylegał do opakowania, co zapobiegnie jego przemieszczaniu.
- Wymyć akumulator na czas przechowywania lub transportu.

- Przechowywać akumulator i ładowarkę w miejscu suchym i wolnym od wilgoci oraz nienarażonym na mróz.
- Nie przechowywać akumulatora w miejscu, gdzie może występować prąd statyczny. Nie przechowywać akumulatora w metalowym pojemniku.
- Przechowywać akumulator w miejscu, w którym temperatura wynosi od 5°C do 25°C, z dala od bezpośredniego działania promieni słonecznych.
- Przechowywać ładowarkę w miejscu, w którym temperatura wynosi od 5°C do 45°C, z dala od bezpośredniego działania promieni słonecznych.
- Ładowarkę należy użytkować w zakresie temperatur od 5°C do 40°C.
- Naładować akumulator od 30% do 50% przed dłuższym okresem jego przechowywania.
- Przechowywać ładowarkę w zamkniętym i suchym miejscu.
- Przechowywać akumulator z dala od ładowarki. Nie wolno pozwalać dzieciom ani innym osobom postronnym na dotykane sprzętu. Przechowywać sprzęt w miejscu, które można zamknąć.
- Przed odstawieniem urządzenia na dłuższe przechowywanie należy je wyczyścić oraz przeprowadzić pełny przegląd.
- Użyć osłony transportowej na produkcie, aby zapobiec obrażeniom lub uszkodzeniu urządzenia podczas transportu i przechowywania.
- Przymocować bezpiecznie produkt podczas transportu.

Usuwanie akumulatora, ładowarki i produktu

Symbole znajdujące się na produkcie oraz na opakowaniu informują o tym, że produkt nie jest zwykłym odpadem domowym. Należy poddawać go recyklingowi w punkcie zbiórki sprzętu elektrycznego i elektronicznego. Pomaga to chronić środowisko i ludzi.

Skontaktować się z lokalnymi władzami, przedsiębiorstwem gospodarki komunalnej lub dealerem w celu uzyskania szczegółowych informacji dotyczących recyklingu.

Dane techniczne

Dane techniczne

	215iHD45
Silnik	
Typ silnika	BLDC
Waga	
Ciężar bez akumulatora (kg)	3,2
Ogniwo tnące	
Typ	Dwustronne
Długość noża, mm	450
Prędkość ostrza cięcia/min (włączony tryb SavE)	2400
Prędkość ostrza (cięcia/min) (włączony tryb SavE)	3000
Poziom hałasu ³³	
Zmierzony poziom mocy akustycznej, w dB(A)	87
Poziom głośności, gwarantowana moc akustyczna L _{WA}	90
Poziomy głośności	

³³ Emisję hałasu do otoczenia zmierzono jako moc akustyczną (L_{WA}), zgodnie z dyrektywą Rady 2000/14/WE. Różnica pomiędzy gwarantowanym a zmierzonym poziomem ciśnienia akustycznego wynika z tego, że poziom gwarantowany uwzględnia także rozproszenie w wynikach pomiaru oraz różnice pomiędzy różnymi produktami o takim samym oznaczeniu modelowym zgodnie z dyrektywą 2000/14/WE.

	215iHD45
Poziom ciśnienia akustycznego przy uchu operatora zmierzony zgodnie z normą EN 62841-4-2, dB(A)	79
Poziomy drgań³⁴	
Poziom drgań, (a_h), przód/tył, m/s ²	2,1/1,7

Akumulatory zatwierdzone dla produktu

Akumulator	BLi10		40-B70
Typ	Litowo-jonowy		Litowo-jonowy
Pojemność akumulatora, Ah	Patrz naklejka z informacją o wartości znamionowej akumulatora		Patrz naklejka z informacją o wartości znamionowej akumulatora
Napięcie znamionowe, V	36	36,5	36
Masa, kg	0,7	0,7	0,8

Ładowarki akumulatorów zatwierdzone dla urządzenia

Ładowarka	QC80	40-C80
Napięcie sieciowe, V	100-240	100-240
Częstotliwość, Hz	50-60	50-60
Moc, W	100	72
Napięcie wyjściowe, V d.c./ ampery, A	36/2	43/1,6

³⁴ Odnotowane dane dla poziomu wibracji mają typowe rozproszenie statystyczne (odchylenie standardowe) w wysokości 1,5 m/s².

Zadeklarowana całkowita wartość wibracji została zmierzona przy pomocy testu standardowego i może być używana do porównywania narzędzi.

Zadeklarowana całkowita wartość wibracji może być także używana do wstępnej oceny jej wielkości.

Deklaracja zgodności

Deklaracja zgodności UE

Firma **Husqvarna AB**, SE-561 82 Huskvarna,
Szwecja, tel.: +46-36-146500, deklarujemy z pełną
odpowiedzialnością, że produkt:

Opis	Akumulatorowe nożyce do żywopłotu
Marka	Husqvarna
Typ/model	215iHD45
Identyfikacja	Numery seryjne z roku 2024 i nowsze

spełnia wszystkie wymogi określone w odpowiednich
dyrektywach i przepisach UE:

Dyrektywa/przepis	Opis
2006/42/WE	„w sprawie maszyn”
2014/30/UE	„w sprawie kompatybilności elektromagnetycznej”
2000/14/WE	„dotycząca emisji hałasu do środowiska”
2011/65/UE	„dotycząca ograniczenia użycia niektórych substancji niebezpiecznych w sprzęcie elektrycznym i elektronicznym”

oraz został zaprojektowany zgodnie z
następującymi normami i specyfikacjami technicznymi:
EN 62841-4-2:2019+A1:2022+A11:2022, EN
62841-1:2015+A11:2022, EN IEC 55014-1:2021, EN
IEC 55014-2:2021, EN IEC 63000:2018.

Zgodnie z dyrektywą 2000/14/WE, aneks V, patrz *Dane
techniczne na stronie 247* dla deklarowanych wartości
dźwięku.

Huskvarna, 2024-02-01



Claes Losdal, Dyrektor ds. badań i rozwoju, Husqvarna
AB

Osoba odpowiedzialna za dokumentację techniczną



TARTALOMJEGYZÉK

Bevezető.....	250	Hibaelhárítás.....	260
Biztonság.....	251	Szállítás, tárolás és ártalmatlanítás.....	261
Összeszerelés.....	257	Műszaki adatok.....	262
Üzemeltetés.....	257	Megfelelőségi nyilatkozat.....	264
Karbantartás.....	259		

Bevezető

Termékleírás

A Husqvarna 215iHD45 egy elektromos motorral rendelkező, akkumulátoros sövénynyíró.

Folyamatosan dolgozunk azon, hogy javítani tudjuk az ügyfeleink használat közbeni biztonságát és

hatékonyságát. További tájékoztatásért forduljon az illetékes szakszervizhez.

Rendeltetésszerű használat

A termék ágak és gallyak vágáshoz használható. Ne használja a terméket egyéb feladatokra.

A termék áttekintése

(ábra 1)

1. Kezelői kézikönyv
2. Hátsó fogantyú
3. Felső fogantyú gázkar
4. Elülső fogantyú
5. Vágó
6. Szállítási biztosítószerkezet
7. Kapcsológomb
8. Vezérlőpanel
9. Kézvédő
10. Akkumulátor
11. Akkumulátortöltő, 40-C80
12. Csatlakozó
13. Akkumulátorjelző gomb
14. Az akkumulátor állapota
15. Figyelmeztetésjelző
16. SavE gomb
17. Indító-/leállítógomb
18. Bekapcsolás- és figyelmeztetésjelző
19. Akkumulátorkioldó gombok
20. Akkumulátortöltő, QC80
21. Hálózati csatlakozókábel

újrahasznosítására szolgáló ponton kell elvégezni.

(ábra 7) Óvja a terméket az esőtől.

(ábra 8) Egyenáram.

(ábra 9) A környezeti zajkibocsátásra vonatkozó címke az EU-s (beleértve a New South Wales területén érvényes szabályozást) és az egyesült királyságbeli irányelveknek és szabályozásoknak megfelelően. A zajszennyezésre vonatkozó adatok a gép címkéjén és a Műszaki adatok című fejezetben találhatóak.

(ábra 10) A termék megfelel a vonatkozó egyesült királyságbeli irányelveknek.

(ábra 11) Figyelmeztetés: Tartsa távol a kezét a késtől.

ééééhxxxx A típusablán megtalálható a sorozatszám. **éééé** a gyártási év, **hh** pedig a gyártási hét.

A terméken található jelzések

(ábra 2) **FIGYELMEZTETÉS:** A termék veszélyes lehet a kezelőre és másokra, valamint a súlyos sérüléseket és halálukat okozhatja. Körültekintően járjon el, és megfelelően használja a terméket.

(ábra 3) Olvassa el a használati utasítást, és a termék használatba vétele előtt mindenképpen legyen tisztában a benne foglaltakkal.

(ábra 4) Viseljen védőszemüveget.

(ábra 5) Ez a termék megfelel a vonatkozó EK-irányelveknek.

(ábra 6) A termék és a termék csomagolása nem minősül háztartási hulladéknak. Újrahasznosítását egy elektromos és elektronikus berendezések

Megjegyzés: A terméken szereplő többi jel/címke egyes piacok specifikus vizsgáztatási követelményeire vonatkozik.

Szimbólumok az akkumulátoron, illetve az akkumulátortöltőn

(ábra 15) A termék újrahasznosítását elektromos és elektronikus berendezések újrahasznosítására szolgáló ponton kell elvégezni. (Kizárólag Európára vonatkozik)

(ábra 12) Meghibásodásbiztos transzformátor.

(ábra 13) Az akkumulátortöltőt kizárólag beltérben szabad használni és tárolni.

Biztonság

Biztonsági meghatározások

A figyelmeztetések, óvintézkedések és megjegyzések a használati utasítás kiemelten fontos részeire hívják fel a figyelmet.



FIGYELMEZTETÉS: Akkor használatos, ha a kézikönyv utasításainak be nem tartása esetén fennáll a kezelő vagy a közelben tartózkodók sérülésének vagy halálának veszélye.



VIGYÁZAT: Akkor használatos, ha a kézikönyv utasításainak be nem tartása esetén fennáll a vagyoni kár, illetve a termék vagy a környező terület károsodásának veszélye.

Megjegyzés: További információt biztosít az adott helyzetben szükséges tennivalókról.

A motoros szerszámmal kapcsolatos általános biztonsági figyelmeztetések



FIGYELMEZTETÉS: Olvassa el az összes biztonsági figyelmeztetést és az összes utasítást. A figyelmeztetések és az utasítások figyelmen kívül hagyása áramütést, tüzet és/vagy komoly sérülést okozhat.

Megjegyzés: Tegyen el minden figyelmeztetést és utasítást, mert a jövőben szüksége lehet rájuk. A „motoros szerszám” kifejezés a figyelmeztetésekben a hálózatról működő (vezetékes) motoros szerszámra vagy az akkumulátorról működő (vezeték nélküli) motoros szerszámra vonatkozik.

A munkaterület biztonsága

- **Tartsa a munkaterületet tisztán és világítsa meg jól.** A zsúfolt vagy sötét területeken könnyen bekövetkeznek balesetek.
- **Ne működtesse a motoros szerszámot robbanásveszélyes környezetben, pl. gyúlékony folyadékok, gázok vagy por jelenlétében.** A motoros szerszám szikrát vethet, amely begyújthatja a port vagy a kipárolgást.
- **Tartsa távol a gyermekeket és a szemlélődőket a motoros szerszám működtetése közben.** A figyelem elvonása miatt elvesztheti az uralmát a szerszám felett.

Elektromos biztonság

- **A motoros szerszám dugaszának illeszkednie kell az aljzatba. A dugón soha semmilyen átalakítást ne végezzen. Ne használjon adapter dugaszt a földelt motoros szerszámokhoz.** Kisebbségi áramütés veszélye, ha eredeti dugókat és hozzájuk illő aljzatokat használ.
- **Kerülje el az érintkezést a földelt felületekkel, pl. csövekkel, radiátorokkal, tűzhelyekkel és hűtőszekrényekkel.** Megnövekszik az áramütés veszélye, ha teste le van földelve.
- **Ne tegye ki a motoros szerszámot esőnek, és ne tartsa azt nedves környezetben.** A szerszámba kerülő víz megnöveli az áramütés kockázatát.
- **Ne bányon durván a kábellel. A kábelt ne használja a motoros szerszám hordozására, húzására vagy a dugasz kihúzására. Tartsa távol a kábelt hőtől, olajtól, éles szélektől vagy mozgó alkatrészekről.** A megsérült vagy összegabalyodott kábel megnöveli az áramütés kockázatát.
- **Ha kültéren használja a motoros szerszámot, használjon kültéri használatra megfelelő hosszabbítókábelt.** A kültéri alkalmazáshoz megfelelő hosszabbító használata csökkenti az áramütés veszélyét.
- **Ha a szerszámgépet feltétlenül nedves helyen kell használnia, alkalmazzon élettvédelmi relével (RCD) védett tápellátást.** Az RCD használatával csökkenthető az áramütés kockázata.



FIGYELMEZTETÉS: Ne mossa a gépet nagynyomású vízzel, mert a víz bejuthat az elektromos rendszerbe vagy a motorba, és a gép károsodását vagy rövidzárlatot okozhat.

Személyes biztonság

- **Legyen elővigyázatos, figyeljen arra, amit csinál, és használja a józan eszt a motoros szerszám működtetése során. Ne használja a motoros szerszámot, ha fáradt, vagy ha gyógyszer, gyógykezelés vagy alkohol hatása alatt áll.** A szerszám működése közben egy pillanatnyi figyelemkiesés súlyos személyi sérülést okozhat.
- **Használjon személyi védőfelszerelést. Mindig használjon szemvédőt.** A megfelelő környezetben a védőfelszerelések, például a pormaszk, a csúszásgátló védőcipő, a kemény fejtvédő és a fülvédő használata csökkenti a személyi sérülések kockázatát.
- **Akadályozza meg a véletlen indítást. Ellenőrizze, hogy a főkapcsoló kikapcsolt állásban van-e, mielőtt csatlakoztatja az áramforrást és/vagy az akkumulátort, illetve felveszi vagy szállítja a**

szerszámot. Az ujjá kapcsolón tartásával vagy a bekapcsolt motoros szerszám áram alá helyezésével balesetet okozhat.

- **Távolítson el minden beállító kulcsot vagy csavar kulcsot, mielőtt bekapcsolná a motoros szerszámot.** A motoros szerszám forgó alkatrészéhez csatlakozó kulcs vagy más szerszám személyi sérülést okozhat.
- **Ne nyúljon át a gépen. Mindig szilárdan álljon a talajon, és őrizze meg az egyensúlyát.** Így jobban uralhatja a motoros szerszámot váratlan helyzetekben.
- **Őltöződjön megfelelően. Ne viseljen ékszereket, rövidnadrágot, szandált, illetve ne legyen mezítláb. Tartsa távol a haját és ruházatát a mozgó alkatrészekről.** A mozgó alkatrészek bekapathatják a laza ruhát, az ékszert vagy a hosszú hajat.
- **Ha a készülékhez csatlakoztatható porgyűjtő berendezés, akkor mindig csatlakoztassa és használja azt.** A porgyűjtő alkalmazása csökkenti a porral kapcsolatos veszélyeket.
- **A szerszámok rendszeres használatából adódó tapasztalata ne vezessen oda, hogy a terméket könnyelműen, a szerszámbiztonsági alapelvek figyelmen kívül hagyásával működteti.** Egy gondatlanul kivitelezett művelet akár egy századmásodperc alatt is súlyos sérüléshez vezethet.
- A szerszám gép használata során kibocsátott rezgések értéke a használat módjától függően eltérhet a deklarált teljes értéktől. A kezelőknek meg kell határozniuk a biztonsági intézkedések önmaguk védelme érdekében az adott használati körülmények közötti becsült kitettség alapján (figyelembe véve az üzemi ciklus minden részét, tehát azt is, amikor a szerszám ki van kapcsolva, illetve amikor üresjáratban működik).

A motoros szerszám használata és karbantartása

- **Ne erőltesse a motoros szerszámot. Használjon a feladathoz megfelelő motoros szerszámot.** A megfelelő szerszám gép jobb és biztonságosabb munkát fog végezni azon a sebességen, amire tervezték.
- **Ne használja a motoros szerszámot, ha a kapcsoló nem kapcsolja ki vagy be.** A kapcsolóval nem vezérelhető szerszám gépek veszélyesek és javítandók.
- **Húzza ki a dugaszt az áramforrásból és/vagy vegye ki az akkumulátort (amennyiben kivethető), ha bármilyen beállítást végez, kicserél egy tartozékot vagy tárolja a motoros szerszámot.** Az ilyen megelőző biztonsági intézkedések csökkentik a motoros szerszám véletlen elindításának veszélyét.
- **A nem használt motoros szerszámot tartsa távol a gyermekektől, és ne engedje, hogy olyan személyek működtessék, akik nem ismerik a motoros szerszámot és ezeket az utasításokat.**

A motoros szerszámok képzetlen felhasználók kezében veszélyt jelentenek.

- **Végezze el a szerszám gépek és tartozékok karbantartását. Ellenőrizze a mozgó alkatrészek hibás elhelyezkedését és rögzítését, az alkatrészek sérülését, és minden olyan állapotot, amely hatással lehet a szerszám működésére. Ha sérült, javíttassa meg a motoros szerszámot használat előtt.** A rosszul karbantartott motoros szerszámok rengeteg balesetet okoznak.
- **Tartsa élesen és tisztán a vágószerszámokat.** A megfelelően karbantartott, éles vágószerszámok kevésbé hajlamosak a beszorulásra, és könnyebb kezelni őket.
- **A szerszámot, a tartozékokat és az alkatrészeket stb. ezen utasításokkal összhangban használja, vegye figyelembe a munkakörülményeket és az elvégzendő feladatot.** Ha a szerszám gépet másféle tevékenységre használják, mint amire tervezték, veszélyes helyzet állhat elő.
- **A fogantyúkat és fogófelületeket tartsa szárazon, tisztán, olaj- és zsírmentesen.** A csúszós fogantyúk és fogófelületek nem teszik lehetővé a szerszám biztonságos kezelését és irányítását váratlan helyzetekben.

Az akkumulátor használata és karbantartása

- **Csak a gyártó által meghatározott töltővel töltsen.** Az a töltő, amelyik az egyik típusú akkumulátorhoz használható, tűzveszélyes lehet, ha másik típusú akkumulátorral használják.
- **A termékeket csak a típusuknak megfelelő akkumulátorokkal használja.** Bármilyen más típusú akkumulátor használata sérülés- és tűzveszélyes.
- **Amikor az akkumulátort nem használja, tartsa távol más fémtárgyaktól, például gémkapcsoktól, érméktől, kulcsoktól, tűktől, csavaroktól vagy más kisebb fémtárgyaktól, amelyek összekapcsolhatják a sarukat.** Az akkumulátorsaruk rövidre zárása égést vagy tüzet okozhat.
- **Nem megfelelő körülmények hatására az akkumulátorból folyadék szivároghat ki. Kerülje az érintkezést. Ha ez véletlenül mégis megtörténik, öblítse le vízzel. Ha a folyadék szembe kerül, forduljon orvoshoz.** Az akkumulátorból távozó folyadék irritációt vagy égési sérülést okozhat.
- **Ne használjon sérült vagy módosított akkumulátort vagy szerszámot.** A sérült vagy módosított akkumulátorok kiszámíthatatlanul viselkedhetnek, ami tüzet, robbanást vagy sérülést okozhat.
- **Az akkumulátort vagy szerszámot ne tegye ki tűznek vagy túl magas hőmérsékletnek.** A tűznek való kitettség, illetve a 130 °C feletti hőmérséklet robbanást okozhat.
- **Kövesse a töltésre vonatkozó utasításokat, és ne töltsen az akkumulátort vagy a szerszámot az utasításokban megadott hőmérséklet-tartományon kívül.** A nem megfelelő, illetve a megadott tartományon kívül eső hőmérsékleten való töltés károsíthatja az akkumulátort és növeli a tűzveszélyt.

Szervizelés

- **A motoros szerszám szervizelését képzett szerelővel végeztesse el, aki kizárólag eredeti cserealkatrészeket használ.** Így fenntartható a motoros szerszám biztonsága.
- **Soha ne szervizelje a sérült akkumulátort.** Az akkumulátor szervizelését csak a gyártó vagy egy hivatalos szolgáltató végezheti el.

A sövénynyíróval kapcsolatos biztonsági figyelmeztetések – Személyes biztonság

- **Mindkét kezét használja a sövénynyíró üzemeltetésekor.** Ha fél kézzel használja a gépet, az a gép feletti uralom elvesztéséhez vezethet és súlyos személyi sérülést okozhat.
- **Minden testrészét tartsa távol a késtől. A levágott anyagot ne távolítsa el, illetve a vágandó anyagot ne tartsa a készülőkéhez, amikor a kések mozognak.** A motor leállítása után a kések továbbra is mozognak. A sövénynyíró működése közben egy pillanatnyi figyelemkiesés is súlyos személyi sérülést okozhat.
- **A sövénynyírót a fogantyúnál fogva, a kések mozdulatlan állapotában szállítsa, és ügyeljen arra, hogy ne működtesse a főkapcsolót.** A sövénynyíró megfelelő hordozása csökkenti a nem szándékos indítás és a kések által ebből fakadóan okozott személyi sérülések kockázatát.
- **A sövénynyíró szállításakor vagy tárolásakor mindig rögzítse az élvédőt.** A sövénynyíró megfelelő kezelése esetén csökken a kések miatt bekövetkező esetleges személyi sérülések kockázata.
- **A beragadt anyagok eltávolításakor és az egység szervizelésekor győződjön meg arról, hogy minden főkapcsoló ki van-e kapcsolva, és az akkumulátor el van-e távolítva, illetve le van-e választva.** A sövénynyíró váratlan, a beakadt anyagok eltávolítása vagy a szervizelés során történő bekapcsolódása súlyos személyi sérüléshez vezethet.
- **A sövénynyírót kizárólag a szigetelt fogófelületnél tartsa, mert a vágófej kése belevághat a rejtett kábelebbe.** Ha a kések feszültség alatt álló vezetékkel érintkeznek, a sövénynyíró bizonyos fémrészei is feszültség alá kerülhetnek, és a kezelőt ezáltal áramütés érheti.
- **A táp- és egyéb kábeleket tartsa távol a vágási területtől.** Előfordulhat, hogy a sövényektől és bokroktól nem látja a táp- és egyéb kábeleket, így véletlenül elvághatja azokat a késsel.
- **Rossz időjárási körülmények esetén – főleg ha fennáll a villámlás kockázata – ne használja a sövénynyírót.** Ez csökkenti a villámcsapás veszélyét.
- **VIGYÁZAT – A kezét tartsa távol a pengétől.** A pengével való érintkezés súlyos személyi sérülést eredményez.

Általános biztonsági utasítások



FIGYELMEZTETÉS: A termék használata előtt olvassa el az alábbi figyelmeztetéseket.

- Vegye ki az akkumulátort annak biztosítására, hogy a termék ne indulhasson be véletlenül.
- Ez a termék veszélyes szerszám, ha nem körültekintően járnak el a használata során, vagy nem megfelelőképpen használják. A gép a kezelő és mások súlyos sérülését és halálát okozhatja.
- Ne használja a terméket, ha megváltozott az eredeti specifikációja. Ne cseréljen a terméken alkatrészt a gyártó jóváhagyása nélkül. Csak a gyártó által jóváhagyott alkatrészeket használjon. A nem megfelelő karbantartás súlyos, akár végzetes sérüléssel is járhat.
- Használat előtt ellenőrizze a terméket. Lásd: *A termék elindítása előtti teendők258. oldalon.* Ne használjon hibás terméket. Végezze el a jelen használati utasításban előírt ellenőrzési, karbantartási és szervizmunkálatokat.
- Biztosítsa, hogy a gyermekek ne játsszanak a termékkel. Soha ne engedje, hogy gyermek vagy a termék használatában nem jártas személy használja vagy szervizelje a terméket, illetve az akkumulátort. A helyi törvények szabályozhatják a felhasználó korát.
- Tartsa a terméket zárható helyen, ahol gyermek vagy jogosulatlan személy nem férhet hozzá.
- A termék gyermekektől elzárva tartandó.
- A termék eredeti kivitelezésén a gyártó cég engedélye nélkül semmilyen módosítást sem szabad végezni. Mindig eredeti tartozékokat használjon. A nem engedélyezett módosítások és/vagy pótalkatrészek komoly sérülésekhez, illetve akár a kezelő vagy más személyek halálához is vezethetnek.

Megjegyzés: A használatot országos vagy helyi törvények szabályozhatják. Tartsa be a vonatkozó előírásokat.

Biztonsági utasítások az üzemeltetéshez



FIGYELMEZTETÉS: A termék használata előtt olvassa el az alábbi figyelmeztetéseket.

- Ha munka közben elbizonytalanodik a munka folytatását illetően, kérje szakember tanácsát. Forduljon kereskedőhöz vagy márkaszervizhez. Ne használja a gépet olyan feladatok elvégzésére, amelyekhez úgy véli, nem rendelkezik elegendő szakértelemmel.

- Soha ne használja a terméket, ha fáradt, ha alkoholt fogyasztott, vagy ha látását, éberségét, ítélőképességét vagy mozgáskoordinációját befolyásoló gyógyszert vett be.
- A rossz időben végzett munka fárasztó, és gyakran kockázatokkal is jár. Fokozott veszély miatt a gép használata rossz időjárási körülmények között, például sűrű ködben, intenzív esőzések, erős szélben, rendkívüli hidegben és villámláskor nem ajánlott.
- A hibás kés használata növeli a balesetveszélyt.
- Ne engedje, hogy gyermekek használják a terméket, vagy a termék közelében tartózkodjanak. Mivel a termék könnyen indul, szigorú felügyelet nélkül a gyermekek könnyedén beindíthatják. Ez súlyos személyi sérüléshez vezethet. Válassza le az akkumulátort, ha nem tud folyamatosan felügyelni a termékre.
- Ügyeljen arra, hogy a munka során se ember, se állat ne jöjjön 15 m-nél közelebb. Ha ugyanazon a munkaterületen többen is dolgoznak, a biztonsági távolságnak legalább 15 méternek kell lennie. Ellenkező esetben komoly személyi sérülések veszélye áll fenn. Ha valaki megközelíti Önt, azonnal állítsa le a terméket. Mielőtt megfordulna a termékkel, mindig ellenőrizze, hogy nem tartózkodik-e valaki a biztonsági zónán belül.
- Ügyeljen arra, sem emberek, sem állatok vagy egyéb tényezők ne befolyásolhassák az Ön uralmát a termék felett, illetve hogy a fent említettek ne kerülhessenek érintkezésbe a vágófelszereléssel vagy a szétszóródó tárgyakkal. Ne használja azonban a terméket olyan körülmények között, amelyeknél baleset esetén nem lenne lehetősége segítséget hívni.
- Mindig ellenőrizze a munkaterületet. Távolítson el minden mozdítható tárgyat, pl. kőveket, üvegcserepeket, szögeket, fémdrótokat, zsinegeket, stb., amelyeket a vágófelszerelés felkaphat, vagy amelyek esetleg a felszerelés csavarodhatnak.
- Bizonyosodjon meg arról, hogy biztonságosan tud járni és állni. Nézzon körül és ellenőrizze lehetséges akadályok (például gyökerek, kővek, gödrök, árkok stb.) jelenlétét arra az esetre, ha hirtelen el kellene mozdulnia. Legyen nagyon óvatos, amikor lejtős talajon dolgozik.
- Minden esetben tartsa meg egyensúlyát és álljon szilárdan. Ne nyújtózkodjon a termékkel.
- Kapcsolja ki a terméket, mielőtt másik helyre megy vele. Szerelje fel a szállítási biztosítószerkezetet, ha nem használja a terméket.
- Kizárólag abban az esetben tegye le a terméket, ha kikapcsolta azt és kivette belőle az akkumulátort. Ne hagyja felügyelet nélkül a bekapcsolt terméket.
- Ügyeljen arra, hogy a termék működése közben a vágófelszereléshez ne érjen ruha vagy bármilyen testrész.
- Ha működés közben valami beleakad a késekbe, állítsa le és kapcsolja ki a terméket. Győződjön meg arról, hogy a vágófelszerelés teljesen leállt-e. A

termék és/vagy a kések tisztítása, ellenőrzése vagy javítása előtt vegye ki az akkumulátort.

- Se a kezével, se a lábával ne érjen a vágófelszereléshez, amíg az teljesen le nem áll a termék kikapcsolását követően.
- Ügyeljen az ágakon lévő gallyakra, amelyek vágás közben elrepülhetnek. Ne vágjon a talajhoz túl közel, mert az ott található kővek és egyéb tárgyak felpattanhatnak.
- Vigyázzon a felcsapódó tárgyaktól. Mindig elismert szemvédőt használjon. Soha ne hajoljon a vágófelszerelés védőegysége fölé. Kő, szemét stb. kerülhet a szembe, amely vakságot, illetve súlyos sérüléseket okozhat.
- Fülvédő viselése esetén mindig figyeljen a figyelmeztető jelzésekre és hangokra. A termék leállítását után azonnal vegye le a fülvédőket.
- Csak akkor dolgozzon létrán, széken vagy más emelvényen, ha azt teljes mértékben rögzítette.
- Mindig két kézzel tartsa a terméket. Tartsa a terméket az oldala mellett.

(ábra 16)

Személyi védőfelszerelés



FIGYELMEZTETÉS: A termék használata előtt olvassa el az alábbi figyelmeztetéseket.

- Amikor a terméket használja, viseljen jóváhagyott személyi védőfelszerelést. A személyi biztonsági felszerelés nem előzi meg teljes mértékben a sérüléseket, de csökkentheti azok mértékét. További információért forduljon szakkereskedőjéhez.
- Használjon védősisakot azokon a helyeken, ahol fennáll a veszélye annak, hogy tárgyak esnek a földre.

(ábra 17)

- Használjon jóváhagyott fülvédőt. Hosszú távon a tartós zajártalom maradandó halláskárosodást okozhat.

(ábra 18)

- Használjon jóváhagyott védőszemüveget. Ha arcvédőt használ, jóváhagyott védőszemüveget is kell viselnie. Jóváhagyott védőszemüvegek azok, amelyek megfelelnek az ANSI Z87.1 (USA), illetve EN 166 (EU-országok) szabványoknak.

(ábra 19)

- A működtetés és karbantartás során viseljen védőkesztyűt.

(ábra 20)

- Viseljen csúszásgátló talppal ellátott védőcsizmát vagy lábbelit.

(ábra 21)

- Viseljen sűrű szövésű anyagból készült ruházatot. A ruházatának testhezállónak kell lennie, ugyanakkor

nem akadályozhatja a mozgásban. Viseljen hosszú nadrágot, és igazítsa a haját a vállá mögé. Ne viseljen ékszert és nyitott lábbelit.

- Tartsa kéznél az elsősegélykészletet.

(ábra 22)

Biztonsági eszközök a terméken



FIGYELMEZTETÉS: A termék használata előtt olvassa el az alábbi figyelmeztetéseket.

Ez a fejezet a termék biztonsági funkcióit és rendeltetését, valamint a megfelelő üzemelést biztosító ellenőrzések és karbantartási műveletek elvégzésének módját ismerteti. Tekintse át a fejléc alatt szereplő utasításokat. *A termék áttekintése 250. oldalon* hogy megtudja, hol találhatóak ezek az alkatrészek a terméken.

A termék élettartama lecsökkenhet, a balesetveszély pedig megnövekedhet, ha a termék karbantartását nem megfelelően hajtják végre, illetve ha a szervizt és/vagy a javításokat nem szakszerűen végzik. Ha további információra van szüksége, vegye fel a kapcsolatot a legközelebbi szervizszolgáltatóval.



FIGYELMEZTETÉS: Soha ne használja a terméket sérült biztonsági felszerelésekkel. A termék biztonsági felszerelésének ellenőrzését és a karbantartási munkálatokat a jelen fejezetben leírtak szerint kell elvégezni. Ha az Ön terméke nem felel meg az alábbi vizsgálatok valamelyikénél, forduljon szervizműhelyéhez.



VIGYÁZAT: A gép szervizeléséhez és javításához speciális szakmai kiképzésre van szükség. Ez különösen érvényes a gép biztonsági felszereléseire. Ha az Ön gépe nem felel meg az alábbi vizsgálatok valamelyikénél, akkor forduljon szervizműhelyéhez. Bármely termékünk megvásárlásakor garantáljuk a szakképzett javítást és szervizelést. Ha a gépet nem szervizműhellyel rendelkező szakkereskedőtől vásárolta, akkor kérje el tőle a legközelebbi szervizműhely címét.

A billentyűzet ellenőrzése

1. Nyomja le és tartsa lenyomva az indító-/leállítógombot (A). (ábra 23)
 - a) Ha a LED (B) világít, a termék be van kapcsolva.
 - b) Ha a LED (B) nem világít, a termék ki van kapcsolva.
2. Ha a figyelmeztetésjelző (C) világít vagy villog, lásd: *Billentyűzet 260. oldalon*.

Az első gázkar ellenőrzése

Az első gázkar megakadályozza a véletlen beindítást. Az első gázkar megnyomásakor a kapcsológomb kioldódik. Amikor elengedi a fogantyút, a kapcsológomb és az első gázkar visszaáll az eredeti helyzetébe.

1. Győződjön meg arról, hogy a kapcsológomb és az első gázkar akadálymentesen mozog-e, valamint hogy a visszatérítő rugó megfelelően működik-e.
2. Indítsa be a terméket.
3. Nyomja be az első gázkart.

(ábra 24)

4. Nyomja meg a kapcsológombot. (ábra 25)
5. Engedje fel az első gázkart, és győződjön meg róla, hogy a vágófelszerelés leállt-e.

A kézvédő ellenőrzése

A kézvédő megakadályozza, hogy keze véletlenül a késekhez érjen.

1. Állítsa le a terméket.
2. Vegye ki az akkumulátort.
3. Ellenőrizze, hogy a kézvédő megfelelően van-e felszerelve.
4. Ellenőrizze, hogy nem található-e sérülés a kézvédőn.

A kések és a pengevédők ellenőrzése

A pengék hosszabb részei (A) pengevédőként funkcionálnak.

1. Állítsa le a terméket.
2. Vegye ki az akkumulátort.
3. Vegyen fel kesztyűt.
4. Ellenőrizze, hogy a pengék és a pengevédők nem sérültek-e, vagy nem hajlottak-e meg. A sérült vagy meghajlott késeket és pengevédőket ki kell cserélni. (ábra 26)

Az akkumulátorral kapcsolatos biztonsági előírások



FIGYELMEZTETÉS: A termék használata előtt olvassa el az alábbi figyelmeztetéseket.

- Csak a(z) BLi sorozatú és 40-B sorozatú akkumulátort használja. A részleteket lásd *Műszaki adatok 262. oldalon*. Az akkumulátor szoftveresen kódolva van.
- A tölthető BLi sorozatú és 40-B sorozatú akkumulátorokat kizárólag a megfelelő Husqvarna termékek tápellátására használja. Ne használja az akkumulátort más eszközök áramforrásaként, mivel ez balesetveszélyes.

- Elektromos áramütés veszélye. Ne érintse az akkumulátorsarukat kulcsokhoz, érmékhez, csavarokhoz vagy egyéb fémhez. Ez az akkumulátor rövidzárlatát okozhatja.
- Ne használjon nem újratölthető akkumulátorokat.
- Ne tegyen tárgyakat az akkumulátor szellőzőnyílásaiba.
- Tartsa távol az akkumulátort a közvetlen napsütéstől, hőtől és nyílt lángtól. Az akkumulátor súlyos égési, illetve vegyi égési sérüléseket okozhat.
- Tartsa az akkumulátort esős, nedves környezettől távol.
- Tartsa az akkumulátort mikrohullámoktól és magas nyomástól távol.
- Soha ne próbálkozzon az akkumulátor szétszerelésével vagy szétfőrésével.
- Ha az akkumulátor szivárog, ne hagyja, hogy a folyadék bőrre vagy szembe kerüljön. Ha hozzáért a folyadékhoz, nagy mennyiségű szappanos vízzel tisztítsa meg az adott testfelületet, és forduljon orvoshoz. Ha a folyadék a szemébe került, ne dörzsölje, hanem legalább 15 percig alaposan öblítse át a szemét vízzel, és forduljon orvoshoz.
- Az akkumulátort -10 °C (14 °F) és 40 °C (114 °F) közötti hőmérsékleten használja.
- Soha ne tisztítsa vízzel az akkumulátort vagy az akkumulátortöltőt. Lásd: *A termék, az akkumulátor és az akkumulátortöltő tisztítása259. oldalon.*
- Ne használjon meghibásodott vagy sérült akkumulátort.
- A tárolás során tartsa az akkumulátorokat távol a fém tárgyaktól, például szegektől, csavaroktól és ékszerektől.
- Az akkumulátor gyermekektől elzárva tartandó.

Az akkumulátortöltő készülék biztonsága



FIGYELMEZTETÉS: A termék használata előtt olvassa el az alábbi figyelmeztetéseket.

- Áramütés vagy rövidzárlat veszélye, ha a biztonsági utasításokat nem tartják be.
- Ne használjon mást a termékhez mellékelt akkumulátortöltőn kívül. Kizárólag QC80 és 40-C80 töltőket használjon BLi sorozatú és 40-B sorozatú csereakkumulátorok töltéséhez.
- Ne próbálkozzon az akkumulátortöltő szétszerelésével.
- Ne használjon meghibásodott vagy sérült akkumulátortöltőt.
- Ne emelje fel az akkumulátortöltőt a tápkábelnél fogva. Az akkumulátortöltő fali aljzatból történő kihúzásához a dugaszt húzza. Ne a tápkábelt húzza.
- Minden kábelt és hosszabbítókábelt óvjon a víztől, az olajtól és az éles peremektől. Ügyeljen rá, hogy a

kábel ne akadjon be ajtóba, korlátba vagy ezekhez hasonló tárgyakra.

- Ne használja az akkumulátortöltőt gyúlékony anyagok vagy olyan anyagok közelében, amelyek korróziót okozhatnak. Győződjön meg róla, hogy az akkumulátortöltőt nem fedi semmi. Amennyiben a töltő füstölni vagy égni kezdene, húzza ki a dugóját.
- Az akkumulátort csak jó szellőzésű helyiségben, napfénytől távol töltsen. Ne töltsen az akkumulátort kültéren. Ne töltsen az akkumulátort nedves körülmények között.
- Az akkumulátortöltőt csak 5 °C (41 °F) és 40 °C (104 °F) közötti hőmérséklet esetén használja. A töltőkészüléket jól szellőző, száraz és pormentes környezetben használja.
- Ne tegyen tárgyakat az akkumulátortöltő hűtőnyílásaiba.
- Ne érintsen az akkumulátortöltő csatlakozóihoz fémtárgyakat, mivel ezek rövidzárlatot okozhatnak a töltőkészüléken.
- Jóváhagyott, sértetlen hálózati aljzatot használjon. Ellenőrizze, hogy az akkumulátortöltő kábele nem sérült-e. Hosszabbítókábelek használata esetén győződjön meg arról, hogy a hosszabbítókábelek nem sérültek-e.
- Ne töltsön nem újratölthető akkumulátorokat a töltővel.

Biztonsági utasítások a karbantartáshoz



FIGYELMEZTETÉS: A terméken végzett karbantartási műveletek előtt olvassa el az alábbi figyelmeztetéseket.

- Karbantartás, egyéb ellenőrzések vagy a termék összeszerelése előtt távolítsa el az akkumulátort.
- A kezelő kizárólag a jelen használati utasításban szereplő karbantartási és szervizmunkákat végezheti el. A szélesebb körű karbantartási és szervizmunkákkal kapcsolatban forduljon a szakszervizhez.
- Soha ne tisztítsa vízzel az akkumulátort vagy az akkumulátortöltőt. Az erős tisztítószerek kárt tehetnek a műanyagban.
- A karbantartási műveletek elmulasztása csökkentheti a termék élettartamát, illetve növeli a balesetveszélyt.
- A gépen végzett minden szerviz- és javítási munkát szakképzettséget igényel, különös tekintettel a biztonsági eszközökre. Amennyiben a karbantartást követően nem minden, a használati utasításban leírt ellenőrzési művelet jóváhagyott, forduljon a szakszervizhez. Garantáljuk a termékéhez megfelelő, professzionális javítást és szervizelést.
- Kizárólag eredeti pótalkatrészeket használjon.

Összeszerelés

Bevezető

Ez a szakasz a termék összeszerelését és beállítását írja le.



FIGYELMEZTETÉS: A termék összeszerelése előtt olvassa el a biztonságra vonatkozó fejezetet és az összeszerelési utasításokat.

Az akkumulátor csatlakoztatása a termékhez



FIGYELMEZTETÉS: Kizárólag eredeti Husqvarna akkumulátorokat használjon a termékben.

1. Töltse fel teljesen az akkumulátort.
2. Nyomja az akkumulátort a terméken található akkumulátortartóba. Az akkumulátor egy kattánás kíséretében a helyére kattan. (ábra 27)



VIGYÁZAT: Ha az akkumulátor nem megy bele könnyen az

akkumulátortartóba, akkor az akkumulátor nem megfelelően van behelyezve. Ezzel kárt tehet a termékben.

Az akkumulátortöltő felszerelése (40-C80) a falra



VIGYÁZAT: Az akkumulátortöltő falra történő felszereléséhez ne használjon elektromos csavarhúzózt. Az elektromos csavarhúzó kárt tehet az akkumulátortöltőben.

1. Szerelje fel az akkumulátortöltőt a falra a 2 csavarral (B). Szükség esetén használjon tipliket (A). (ábra 28)
2. Helyezze be a 2 csavarfurat-sapkát (C).
3. Csatlakoztassa a tápkábel egy akkumulátortöltőhöz és egy fali aljzathoz.

Üzemeltetés

Bevezető



FIGYELMEZTETÉS: A termék használata előtt figyelmesen olvassa el a biztonságról szóló fejezetet.

Akkumulátor



FIGYELMEZTETÉS: Az akkumulátor használata előtt figyelmesen olvassa el a biztonságról szóló fejezetet. Olvassa el figyelmesen az akkumulátorhoz és az akkumulátortöltőhöz mellékelt használati útmutatót is.

Tartsa az akkumulátort és az akkumulátortöltőt megfelelő környezeti hőmérsékleten.

	Környezeti hőmérséklet
Az akkumulátor használata	5 °C-40 °C/41 °F-104 °F
Az akkumulátor feltöltése	5 °C-40 °C/41 °F-104 °F

Az akkumulátor állapota

A kijelző jelzi az akkumulátor töltöttségét, valamint azt, hogy van-e valami probléma az akkumulátorral.

(ábra 29)

LED jelzőlámpa	Az akkumulátor állapota (töltöttségi állapot)	
	BLI10	40-B70
4 LED világít	N/A	Az akkumulátor töltöttsége 76–100%-os.
3 LED világít	Az akkumulátor töltöttsége 76–100%-os.	Az akkumulátor töltöttsége 51–75%-os.

LED jelzőlámpa	Az akkumulátor állapota (töltöttségi állapot)	
	BLI10	40-B70
2 LED világít	Az akkumulátor töltöttsége 51–75%-os.	Az akkumulátor töltöttsége 26–50%-os.
1 LED világít	Az akkumulátor töltöttsége 26–50%-os.	Az akkumulátor töltöttsége 6–25%-os.
1 LED villog	Az akkumulátor töltöttsége 0–25%-os.	Az akkumulátor töltöttsége 0–5%-os.

Az akkumulátor töltése

Az első használat előtt tölts fel az akkumulátort. Az új akkumulátorok csak 30%-ra vannak feltöltve.



VIGYÁZAT: Az akkumulátortöltőt az adattáblán szereplő feszültségű és frekvenciájú tápaljzathoz csatlakoztassa.

50 °C/122 °F feletti hőmérséklet esetén az akkumulátor nem töltődik fel.

1. Csatlakoztassa a tápkábelét az akkumulátortöltőhöz.
2. Csatlakoztassa az akkumulátortöltőt földelt hálózati aljzathoz. A töltést jelző LED egyszer felvilan. (ábra 30)
3. Csatlakoztassa az akkumulátort a töltőkészülékhez. A töltést jelző LED világítani kezd. Az akkumulátort legfeljebb 24 óráig tölts. (ábra 31)
4. Nyomja meg az akkumulátorjelző gombot. Ha az összes LED jelzőlámpa világít, az akkumulátor teljesen fel van töltve.
5. Húzza ki a tápkábelét, és csatlakoztassa le az akkumulátortöltőt a tápcsatlakozóról. Ne a tápkábelét húzza.
6. Vegye ki az akkumulátort a töltőből.

A termék elindítása előtti teendők

1. Ellenőrizze a munkaterületet. Távolítsa el minden olyan tárgyat, amelyet a termék kivethet.
2. Ellenőrizze a vágófelszerelést. Ellenőrizze, hogy a kések élesek-e, illetve hogy nincsenek-e rajtuk repedések vagy egyéb sérülések.
3. Győződjön meg arról, hogy a termék megfelelően működik. Ellenőrizze, hogy az anyák és csavarok szorosan meg vannak-e húzva.
4. Ellenőrizze, hogy a fogantyú és a biztonsági eszközök nem sérültek-e, illetve megfelelően vannak-e rögzítve. Ha valamelyik alkatrész hiányzik vagy a termék eredeti specifikációja megváltozott, ne használja a terméket. Szükség esetén viseljen védőkesztyűt.
5. A termék működtetése előtt győződjön meg arról, hogy a burkolatok nem sérültek-e, illetve megfelelően vannak-e rögzítve.

A termék elindítása

1. Nyomja le az indító-/leállítógombot, amíg a zöld LED világítani nem kezd. (ábra 32)
2. Nyomja be az első fogantyún található első gázkart. (ábra 33)
3. Nyomja meg a kapcsológombot. (ábra 25)

A termék működtetése

1. Az oldalak vágását kezdje a talajról, majd mozgassa felfelé a terméket a sövény mentén. Ügyeljen rá, hogy a géptest ne érjen a sövényhez. (ábra 34)



FIGYELMEZTETÉS: Ügyeljen rá, hogy a vágófelszerelés elülső része ne érjen a talajhoz.

2. Tartsa a terméket a testéhez közel, így stabil testtartást vehet fel.
3. Legyen körültekintő, és lassan működtesse a terméket.

A SavE funkció használata

A termék energiatakarékossági funkcióval, az úgynevezett SavE funkcióval van ellátva.

Megjegyzés: A SavE funkció nem csökkenti a termék vágási teljesítményét.

1. Nyomja meg a billentyűzetten található SavE gombot.
2. Ellenőrizze, hogy bekapcsol-e a zöld színű LED.
3. A funkció leállításához nyomja meg ismét a SavE gombot. A zöld LED kialszik. (ábra 35)

Automatikus leállítás funkció

A termék automatikus leállítás funkciója leállítja a terméket, amikor az nincs használatban. Az indítást/leállítást jelző zöld LED világítani kezd, és a termék 180 másodperc után leáll.

A termék leállítása

1. Engedje fel a kapcsológombot és az első gázkart.
2. Nyomja le az indító-/leállító gombot, amíg a zöld LED ki nem alszik.

3. Nyomja le az akkumulátor kioldógombjait, és távolítsa el az akkumulátort. (ábra 36)

Karbantartás

Bevezető



FIGYELMEZTETÉS: A termék karbantartása előtt olvassa el és értelmezze a biztonsággal foglalkozó fejezetet.



FIGYELMEZTETÉS: Karbantartás előtt vegye ki az akkumulátort.

Karbantartási terv

Alább következnek egy lista a termék karbantartásával kapcsolatos lépésekről.

Karbantartás	Használat előtt	Hetente	Havi
Tisztítsa le a termék külső alkatrészeit.	X		
Ellenőrizze, hogy az indító- és leállító kapcsoló megfelelően működik és sértetlen-e.	X		
Ellenőrizze, hogy biztonsági szempontból megfelelő-e a kapcsológomb és az első gázkar működése.	X		
Ellenőrizze, hogy az összes vezérlő működik és sértetlen-e.	X		
Győződjön meg arról, hogy a vágófej kése és a vágófelszerelés védőburkolata repedésektől és sérülésektől mentes. Cserélje le a vágófej kését vagy a vágófelszerelés védőburkolatát, ha repedések vannak rajtuk, vagy ha valamilyen behatás érte őket.	X		
Ha a vágófej kése elhajlott vagy sérült, cserélje ki.	X		
Ellenőrizze, hogy a kézvédő sértetlen-e. Ha a védőburkolat sérült, cserélje ki.	X		
Ellenőrizze, hogy a csavarok és anyák szorosan rögzülnek-e.	X		
Ellenőrizze, hogy az akkumulátor sértetlen-e.	X		
Ellenőrizze, hogy az akkumulátor fel van töltve.	X		
Ellenőrizze, hogy az akkumulátortöltő sértetlen-e.	X		
Ellenőrizze, hogy a vágófej késeit összetartó csavarok rendesen meg vannak húzva.		X	
Végezze el az akkumulátor és a termék közötti csatlakozások ellenőrzését. Végezze el az akkumulátor és az akkumulátortöltő közötti csatlakozás ellenőrzését.			X

Az akkumulátor és az akkumulátortöltő ellenőrzése

- Ellenőrizze, hogy az akkumulátoron nem található-e sérülések, például repedések.
- Ellenőrizze, hogy az akkumulátortöltőn nem található-e sérülések, például repedések.
- Ellenőrizze, hogy az akkumulátortöltő csatlakozókábele nem sérült-e, és hogy nincs-e rajta repedés.

A termék, az akkumulátor és az akkumulátortöltő tisztítása

- Használat után tisztítsa meg a terméket egy száraz ruhával.
- Tisztítsa meg az akkumulátort és az akkumulátortöltőt egy száraz ruhával. Tartsa tisztán az akkumulátorvezető síneket.

- Mielőtt a töltőkészülékbe vagy a termékbe helyezné az akkumulátort, gondoskodjon az akkumulátor és a töltő érintkezőinek tisztaságáról.

A kés ellenőrzése

- A termék használata előtt és után tisztítsa meg a kést a nemkívánatos anyagoktól korróziógátló tisztítószerrel.
- Ellenőrizze, hogy nem található-e sérülés vagy deformáció a kés élein.
- A késen lévő sorjakat reszelő segítségével távolíthatja el.
- Ellenőrizze, hogy a kések szabadon forognak-e.

A kések tisztítása és kenése

- A termék használata előtt és után tisztítsa meg a késeket a nemkívánatos anyagoktól.
- Hosszú időtartamú tárolás előtt kenje be a késeket kenőanyaggal.

Megjegyzés: Az ajánlott tisztítószerrel és kenőanyagokkal kapcsolatos további információkért forduljon az illetékes szakszervizhez.

A sebváltó kenése

Akkor kenje meg a sebváltóházat, ha hivatalos szakszerviz szerelte szét a sebváltót.

- Használjon speciális Husqvarna zsírt. Az ajánlott zsírral kapcsolatos további információkért forduljon az illetékes szakszervizhez.
- Csak kis mennyiségű, magas minőségű kenőanyagot használjon.



VIGYÁZAT: Ne töltsse fel teljesen a sebváltóházat.

Hibaelhárítás

Billentőűzet

LED-kijelző	Lehetséges hibák	Lehetséges megoldások
Villog a hibajelző LED.	Túlterhelés	A vágófelszerelés nem tud szabadon mozogni. Oldja ki a vágófelszerelést.
	Hőmérsékleti ingadozás	Várja meg, míg a termék lehűl.
A termék nem indul.	Nyomja meg egyszerre a kapcsológombot és az indítógombot.	Engedje el a kapcsológombot, és állítsa le a készüléket.
A hibajelző LED piros fényel kezd világítani.	A terméket szervizelni kell.	Forduljon az illetékes szakszervizhez.

Akkumulátor

LED-es kijelző	Lehetséges hibák	Lehetséges megoldás
A zöld LED villog.	Alacsony akkumulátorfeszültség.	Töltsse fel az akkumulátort.
Villog a hibajelző LED.	Hőmérséklet-ingadozás.	Az akkumulátort -10°C (14°F) és 40°C (104°F) közötti hőmérsékleten használja.
	Túl magas feszültség.	Ügyeljen, hogy a hálózati feszültség megegyezzen a termék adattábláján szereplő feszültség értékével. Vegye ki az akkumulátort a töltőből.
A hibajelző LED világít.	Túl nagy a cellák közötti különbség (1 V).	Forduljon az illetékes szakszervizhez.

Akkumulátortöltő

Probléma	Lehetséges hibák	Lehetséges megoldás
A töltést jelző LED piros.	Maradandó akkumulátortöltő-hiba.	Forduljon márkakereskedőjéhez.
A töltést jelző LED zölden villog.	Hőmérséklet-ingadozás, az akkumulátor túl hideg vagy túl meleg a használathoz vagy a töltéshez.	Hagyja lehűlni, vagy melegítse fel az akkumulátort. Ha az akkumulátor hőmérséklete megfelelő, ismét használható vagy tölthető. Az akkumulátortöltőt 5 °C és 40 °C közötti környezeti hőmérsékleten használja.
A töltést jelző LED pirosan villog.	Hibás akkumulátor.	Forduljon márkakereskedőjéhez.

Szállítás, tárolás és ártalmatlanítás

Szállítás és raktározás

- A mellékelt lítium-ion akkumulátorokra a veszélyes anyagokra vonatkozó jogszabályok követelményei érvényesek.
- Kereskedelmi szállításnál – harmadik fél és szállítványozó cégek esetén is – a csomagolásra és címkézésre vonatkozó speciális előírásokat be kell tartani.
- A termék elküldése előtt forduljon egy veszélyes anyagok tekintetében szakképzett személyhez. Tartsa be az összes vonatkozó nemzeti előírást.
- Ha az akkumulátort becsomagolja, a szabadon álló érintkezőket le kell fedni ragasztószalaggal. Szorosan csomagolja be az akkumulátort, hogy az ne mozdulhasson el a csomagoláson belül.
- Tároláshoz vagy szállításhoz távolítsa el az akkumulátort.
- Helyezze az akkumulátort és az akkumulátortöltőt száraz, nedvesség- és fagymentes helyre.
- Ne tartsa az akkumulátort olyan helyen, ahol elektrosztatikus töltés lehet jelen. Ne tartsa az akkumulátort fém dobozban.
- Helyezze az akkumulátort közvetlen napfénytől védett helyre, ahol a hőmérséklet 5°C (41°F) és 25°C (77°F) között van.
- Helyezze az akkumulátortöltőt közvetlen napfénytől védett helyre, ahol a hőmérséklet 5 °C (41 °F) és 45°C (113°F) között van.
- Az akkumulátortöltőt csak 5°C (41°F) és 40°C (104°F) közötti környezeti hőmérséklet mellett használja.

- Hosszú ideig való tárolás előtt töltsen fel az akkumulátort 30–50%-ra.
- Az akkumulátortöltőt száraz, zárt helyen tárolja.
- A tárolás során tartsa távol az akkumulátort az akkumulátortöltőtől. Ügyeljen arra, hogy gyermekek és más jogosulatlan személyek ne érhessenek a berendezéshez. A berendezést kulccsal zárható helyen tárolja.
- A hosszú ideig való tárolás előtt tisztítsa meg a terméket, és végezze el annak teljes karbantartását.
- A sérülések és a termék károsodásának elkerülése érdekében szállításkor és tároláskor használja a terméken található szállítási biztosítószerkezetet.
- Szállításkor rögzítse biztosan a terméket.

Az akkumulátor, az akkumulátortöltő és a termék ártalmatlanítása

A terméken vagy annak csomagolásán található szimbólumok azt jelzik, hogy a termék nem minősül háztartási hulladéknak. Újrahasznosítását egy elektromos és elektronikus berendezések újrahasznosítására szolgáló ponton kell elvégezni. Ez elősegíti a környezetre és a személyekre gyakorolt káros hatások megelőzését.

A termék újrahasznosításával kapcsolatos további információkért forduljon a helyi hatóságokhoz, hulladékártalmatlanítási szolgáltatást végző vállalkozáshoz vagy kereskedőjéhez.

Műszaki adatok

Műszaki adatok

	215HD45
Motor	
Motortípus	BLDC
Tömeg	
Tömeg akkumulátor nélkül, kg	3,2
Vágó	
Típus	Kétoldalas
Késhosszúság, mm	450
Késsebesség, vágás/perc (a SavE üzemmód bekapcsolt állapotában)	2400
Késsebesség, vágás/perc (a SavE üzemmód kikapcsolt állapotában)	3000
Zajkibocsátás ³⁵	
Hangteljesítményszint, dB(A)-ben mérve	87
Hangteljesítményszint, garantált L _{WA}	90
Zajszintek	
A kezelő hallószervére gyakorolt, EN 62841-4-2 szerint mért hangnyomásszint, dB(A)	79
Rezgésszintek ³⁶	
Rezgésszintek (a _n), elülső/hátulsó, m/s ²	2,1/1,7

A termék esetében jóváhagyott akkumulátorok

Akkumulátor	BLI10	40-B70
Típus	Lítium-ion	Lítium-ion
Akkumulátor kapacitása, Ah	Lásd az akkumulátor típuscímkéjét	Lásd az akkumulátor típuscímkéjét
Névleges feszültség, V	36	36,5

³⁵ A környezetben a 2000/14/EK sz. EK irányelvvel összhangban hangteljesítményként mért zajkibocsátás (L_{WA}). A garantált és a mért hangteljesítmény közötti különbségnek az az oka, hogy a garantált hangteljesítmény tartalmazza a mérési eredményben lévő ingadozást és az azonos modellű termékek közti eltéréseket is a 2000/14/EK jelű irányelv értelmében.

³⁶ A rezgésszintre vonatkozó jelentési adatok az 1,5 m/s² tipikus statisztikus ingadozásával (szórásával) rendelkeznek.

A teljes rezgés deklarált értékének mérése szabványos vizsgálati módszerrel történt, és az érték felhasználható a szerszámok összehasonlítására.

A teljes rezgés deklarált értéke a kitettség előzetes becsléseként is használható.

Akkumulátor	BLi10		40-B70
Tömeg, kg	0,7	0,7	0,8

A termék esetében jóváhagyott akkumulátortöltők

Akkumulátortöltő	QC80	40-C80
Hálózati feszültség, V	100-240	100-240
Frekvencia, Hz	50-60	50-60
Teljesítmény, W	100	72
Kimeneti feszültség, V, egyenáram/ amper, A	36/2	43/1,6

Megfelelőségi nyilatkozat

EU megfeleléségi nyilatkozat

A **Husqvarna AB**, SE-561 82 Huskvarna, Sweden (tel.: +46-36-146500), a saját felelősségére kijelenti, hogy a termék:

Leírás	Akkumulátoros sövénynyíró
Márka	Husqvarna
Típus/modell	215iHD45
Megjelölés	2024-as és újabb sorozatszámok

teljes mértékben megfelelnek a következő EU-irányelveknek és szabályozásoknak:

Írányelv/rendelet	Leírás
2006/42/EK	„gépre vonatkozó”
2014/30/EU	„elektromágneses megfeleléségre vonatkozó”
2000/14/EK	„környezeti zajkibocsátásra vonatkozó”
2011/65/EU	„az egyes veszélyes anyagok elektromos és elektronikus berendezésekben való alkalmazásának korlátozására vonatkozó”

valamint hogy az alábbi szabványok és/vagy műszaki előírások kerültek alkalmazásra: EN 62841-4-2:2019+A1:2022+A11:2022, EN 62841-1:2015+A11:2022, EN IEC 55014-1:2021, EN IEC 55014-2:2021, EN IEC 63000:2018.

A 2000/14/EK irányelv V. mellékletének megfelelően, lásd *Műszaki adatok 262. oldalon* a deklarált zajértékeket.

Huskvarna, 2024-02-01

Claes Losdal, K+F menedzser, Husqvarna AB

A műszaki dokumentációk felelőse



Sadržaj

Uvod.....	265	Rješavanje problema.....	274
Sigurnost.....	266	Prijevoz, spremanje i zbrinjavanje.....	275
Sastavljanje.....	271	Tehnički podaci.....	276
Rad.....	272	Izjava o sukladnosti.....	278
Održavanje.....	273		

Uvod

Opis proizvoda

Husqvarna 215iHD45 su baterijske škare za živicu s električnim motorom.

Neprestano radimo na tomu da povećamo vašu sigurnost i učinkovitost tijekom rada. Za više informacija obratite se servisnom zastupniku.

Pregled proizvoda

(Sl. 1)

1. Korisnički priručnik
2. Stražnja ručica
3. Okidač na prednjoj ručici
4. Prednja ručica
5. Nož za travu
6. Transportni štitičnik
7. Okidač paljenja
8. Upravljačka ploča
9. Štitnik za ruke
10. Baterija
11. Punjač za baterije 40-C80
12. Priključak
13. Gumb indikatora baterije
14. Status baterije
15. Indikator upozorenja
16. Gumb Save
17. Gumb START/STOP
18. Uključeno napajanje i indikator upozorenja
19. Gumbi za oslobađanje baterije
20. Punjač za baterije QC80
21. Kabel napajanja

Simboli na proizvodu

- (Sl. 2) UPOZORENJE: Ovaj proizvod može biti opasan i izazvati teške ozljede ili smrt rukovatelja, odnosno drugih osoba. Budite oprezni i pravilno upotrebljavajte ovaj proizvod.
- (Sl. 3) Prije upotrebe proizvoda pažljivo pročitajte korisnički priručnik i usvojite upute.
- (Sl. 4) Nosite zaštitu za oči.
- (Sl. 5) Proizvod ispunjava mjerodavne direktive EZ.
- (Sl. 6) Proizvod ni njegova ambalaža ne spadaju u kućanski otpad. Reciklirajte

Namjena

Proizvod se upotrebljava za rezanje grana i grančica. Proizvod nemojte koristiti za druge zadatke.

- ga u reciklažnoj stanici za električnu i elektroničku opremu.
- (Sl. 7) Nemojte izlagati kiši.
- (Sl. 8) Istosmjerna struja.
- (Sl. 9) Naljepnica za emisije buke u okoliš prema EU (uključujući zakonodavstvo Novog Južnog Walesa) i UK direktivama i propisima. Podaci o emisiji buke navedeni su na naljepnici stroja i u poglavlju Tehnički podaci.
- (Sl. 10) Ovaj je proizvod u skladu s važećim direktivama UK-a.
- (Sl. 11) Upozorenje: Ruke držite dalje od noža.
- ggggtbxxxx** Na natpisnoj pločici je serijski broj. **yyyy** je godina proizvodnje, a **ww** je tjedan proizvodnje.

Napomena: Drugi simboli/naljepnice na proizvodu odnose se na zahtjeve za certifikaciju za pojedina tržišta.

Simboli na bateriji i/ili punjaču baterija

- (Sl. 15) Reciklirajte ovaj proizvod u reciklažnoj stanici za električnu i elektroničku opremu. (Primjenjuje se samo na Europu)
- (Sl. 12) Sigurnosni transformator.
- (Sl. 13) Punjač baterije koristite i čuvajte isključivo u zatvorenom prostoru.
- (Sl. 14) Dvostruka izolacija.

Sigurnost

Sigurnosne definicije

Upozorenjima, oprezima i napomenama naglašavaju se posebno važni dijelovi priručnika.



UPOZORENJE: Koristi se kada nepoštivanje uputa iz priručnika može uzrokovati smrt ili ozljede rukovatelja ili promatrača.



OPREZ: Koristi se kada nepoštivanje uputa iz priručnika može uzrokovati oštećenje proizvoda ili drugih materijala u neposrednoj blizini.

Napomena: Koristi se prikaz neophodnih dodatnih informacija za zadanu situaciju.

Opća sigurnosna upozorenja za električne alate



UPOZORENJE: Pažljivo pročitajte sve sigurnosne upute i upozorenja. Nepoštivanje upozorenja i uputa može uzrokovati električni udar, požar i/ili ozbiljne ozljede.

Napomena: Spremite sva upozorenja i upute za buduće potrebe. Pojam "električni alat" u upozorenjima odnosi se na električni alat koji se napaja kabelom putem mrežne utičnice (ožičeni) ili električni alat na baterije (bežični).

Sigurnost na radnom mjestu

- **Radno mjesto mora biti čisto i dobro osvijetljeno.** Zakrčeni i tamni prostori čest su uzrok nesreća.
- **Nemojte upotrebljavati električne alate u eksplozivnim okruženjima, primjerice u blizini zapaljivih tekućina, plinova i prašine.** Električni alati stvaraju iskre koje mogu zapaliti prašinu ili isparenja.
- **Dok rukujete električnim alatom, pazite da u blizini nema djece ni promatrača.** Svako ometanje može uzrokovati gubitak nadzora nad strojem.

Električna sigurnost

- **Utičkači električnog alata moraju odgovarati utičnicama.** Nemojte ni na koji način mijenjati utikač. Nemojte upotrebljavati utikače prilagodnika za električne alate s uzemljenjem. Originalni utikači i odgovarajuće utičnice smanjuju opasnost od strujnog udara.

- **Izbjegavajte kontakt s uzemljenim površinama kao što su cijevi, radljatori, štednjaci i hladnjaci.** Postoji velika opasnost od strujnog udara ako dođete u dodir s uzemljenom površinom.
- **Električne alate nemojte izlagati kiši ili vlažnim uvjetima.** Ako u električni alat prodre voda, povećava se opasnost od strujnog udara.
- **Pazite na kabel.** Kabel nemojte upotrebljavati za prenošenje, povlačenje ili isključivanje električnog alata. Držite ga podalje od vrućine, ulja, oštih rubova ili pokretnih dijelova. Oštećeni ili zapetljani kabeli povećavaju opasnost od strujnog udara.
- **Kada električni alat upotrebljavate na otvorenom, morate upotrebljavati odgovarajući produžni kabel.** Kabel predviđen za upotrebu na otvorenom smanjuje opasnost od strujnog udara.
- **Ako električnim alatom morate rukovati na vlažnom mjestu, koristite napajanje zaštićeno zemljospojnim prekidačem strujnog kruga (RCD).** Korištenje RCD uređaja smanjuje rizik od strujnog udara.



UPOZORENJE: Stroj nemojte prati pod tlakom jer voda može prodrijeti u električni sustav ili motor te tako uzrokovati oštećenja stroja ili kratki spoj.

Osobna sigurnost

- **Budite usredotočeni, pazite što radite i razumno upravljajte električnim alatom.** Električni alat nemojte upotrebljavati umomi ili pod djelovanjem droga, alkohola ili lijekova. Trenutak nepažnje pri rukovanju električnim alatom može uzrokovati ozbiljne tjelesne ozljede.
- **Upotrebljavajte osobnu zaštitnu opremu. Uvijek nosite zaštitu za oči.** Upotreba zaštitne opreme poput maske za prašinu, protukliznih zaštitnih cipela, kacige i štitnika za uši u odgovarajućim uvjetima smanjuje opasnost od tjelesnih ozljeda.
- **Spriječite nehotično pokretanje stroja. Prije podizanja ili prenošenja alata ili pak njegovu priključivanja na napajanje i/ili bateriju sklopka mora biti u isključenom položaju (OFF).** Držanje prsta na prekidaču prilikom nošenja električnih alata ili priključivanje napajanja električnih alata kojima je prekidač uključen povećava rizik od nesreće.
- **Prije uključivanja električnog alata izvadite klin za prilagođavanje ili uklonite ključ.** Ako ključ ili klin ostanu na pokretnom dijelu električnog alata, može doći do tjelesnih ozljeda.
- **Ne posežite predaleko. Uvijek imajte dobar oslonac i održavajte ravnotežu.** To omogućuje bolju kontrolu električnog alata u neočekivanim situacijama.
- **Nosite prikladnu odjeću. Nemojte nositi široku odjeću ni nakit. Kosu i odjeću držite podalje od pomičnih dijelova.** Široka odjeća, nakit ili duga kosa mogu zapeti u pokretnim dijelovima stroja.

- **Ako su priloženi uređaji za povezivanje mehanizama za izdvajanje i prikupljanje prašine, pripazite na njihovo pravilno priključivanje i upotrebu.** Upotreba mehanizma za prikupljanje prašine može smanjiti opasnosti uzrokovane prašinom.
- **Zbog rutiniranosti nastale čestom primjenom alata nemojte postati samodopadni te zanemarivati sigurnosna pravila.** Neoprezan rad u djeliću sekunde može uzrokovati ozbiljnu ozljedu.
- Jačina vibracija tijekom upotrebe električnog alata može se razlikovati od navedene ukupne vrijednosti ovisno o načinu upotrebe alata. Kako bi se zaštitio, rukovatelj mora odrediti sigurnosne mjere koje se temelje na procjeni izlaganja u stvarnim uvjetima upotrebe (u obzir treba uzeti sve dijelove u radnom ciklusu, kao što je broj isključivanja alata i rad u praznom hodu uz korištenje prekidača).

Upotreba i održavanje električnog alata

- **Nemojte preopterećivati električni alat.** Upotrebljavajte električni alat koja odgovara namjeni. Odgovarajući električni alat posao će obaviti bolje i sigurnije pri onoj brzini za koju je oblikovan.
- **Nemojte upotrebljavati električni alat ako mu se sklopka ne može uključiti i isključiti.** Električni alat kojim ne možete upravljati putem sklopke opasan je i potrebno ga je popraviti.
- **Prije bilo kakvih izmjena, zamjene dodatne opreme ili spremanja električnog alata isključite utikač od izvora napajanja i/ili izvadite baterijski paket iz električnog alata.** Te preventivne sigurnosne mjere smanjuju opasnost od nehotičnog pokretanja električnog alata.
- **Električne alate koji nisu u upotrebi skladištite izvan dohvata djece i osobama koje ne poznaju alat i nisu pročitale ove upute nemojte dopustiti rukovanje alatom.** Električni alati mogu biti opasni kada njima rukuju neiskusni korisnici.
- **Održavajte električni aparat i dodatnu opremu.** Provjerite jesu li spojni ili pokretni dijelovi pogrešno namješteni, je li neki dio oštećen te postoje li neki drugi uzroci koji bi mogli onemogućiti ispravan rad električnog alata. Ako postoje oštećenja, popravite električni alat prije upotrebe. Uzrok mnogim nesrećama jest loše održavanje električnih alata.
- **Alati za rezanje moraju biti oštri i čisti.** Ispravno održavani alati za rezanje s oštrim reznim oštricama neće se zablokirati te ih je lakše kontrolirati.
- **Upotrebljavajte električni alat, dodatke i dijelove itd. u skladu s ovim uputama, uzimajući u obzir radne uvjete i posao koji treba obaviti.** Upotreba električnih alata u neodgovarajuće svrhe može dovesti do opasnih situacija.
- **Ručke i prihvatne površine moraju biti suhe, čiste i bez tragova ulja i masti.** Klizave ručke i prihvatne površine u neočekivanim situacijama onemogućuju sigurno rukovanje i kontrolu na alatom.

Upotreba i čišćenje alata za bateriju

- **Bateriju punite samo punjačem koji navodi proizvođač.** Punjač prikladan za jednu vrstu baterije može uzrokovati opasnost od požara ako se upotrebljava s drugim baterijskim kompletom.
- **Proizvode upotrebljavajte samo uz posebno namijenjene baterijske komplete.** Upotreba bilo kojeg drugog baterijskog kompleta može izazvati rizik od ozljede i požara.
- **Kad baterijski komplet ne upotrebljavate, držite ga dalje od drugih metalnih predmeta poput spojnica za papir, novčića, ključeva, čavala, vijaka ili drugih malih metalnih predmeta koji mogu spojiti priključke.** Kratki spoj priključaka baterije može uzrokovati opekline ili požar.
- **U uvjetima lošeg postupanja, iz baterije može štrcnuti tekućina; izbjegavajte dodir s njom. Ako slučajno dođe do dodira, isperite vodom. Ako tekućina dođe u dodir s očima, potražite i liječničku pomoć.** Tekućina koja štrcne iz baterije može izazvati iritacije ili opekline.
- **Nemojte upotrebljavati baterijski komplet ili alat koji je oštećen ili modificiran.** Oštećeni ili izmijenjeni akumulatori mogu se ponašati nepredvidivo te uzrokovati požar, eksploziju ili opasnost od ozljede.
- **Baterijski komplet i alat nemojte izlagati vatri ni ekstremnim temperaturama.** Izlaganje vatri ili temperaturama većima od 130 °C može dovesti do eksplozije.
- **Pridržavajte se svih uputa za punjenje, a baterijski komplet i alat nemojte puniti izvan temperaturnog raspona navedenog u uputama.** Neispravno punjenje ili držanje na temperaturama izvan navedenog raspona može oštetiti bateriju i povećati mogućnost od požara.

Servisiranje

- **Električni alat mora servisirati obučeni serviser s jednakim zamjenskim dijelovima.** Time se zadržava sigurnost električnog alata.
- **Oštećene baterijske pakete nikada nemojte servisirati.** Servisiranje baterijskih paketa dopušteno je samo proizvođaču ili ovlaštenim servisnim distributerima.

Sigurnosna upozorenja za škare za živicu – osobna sigurnost

- **Škarama za živicu radite s obje ruke.** Tijekom rukovanja jednom rukom može doći do gubitka kontrole i ozbiljnih tjelesnih ozljeda.
- **Držite sve dijelove tijela podalje od noža.** Nemojte uklanjati isječeni materijal ili držati materijal namijenjen za rezanje dok se noževi pomiču. Noževi se okreću i nakon isključenja motora. Trenutak nepažnje prilikom rukovanja škarama za živicu može uzrokovati ozbiljne osobne tjelesne ozljede.
- **Škare za živicu nosite držač ih za ručku, sa zaustavljenim nožem i pazeći da ne dodimete neku od električnih sklopki.** Pravilnim prenošenjem

škara za živicu smanjujete opasnost od slučajnog pokretanja i tjelesnih ozljeda od noževa.

- **Prilikom prijevoza ili skladištenja škara za živicu obavezno postavite poklopac noža.** Pravilnim rukovanjem škarama za živicu smanjujete opasnost od tjelesnih ozljeda od noževa.
- **Pri uklanjanju zaglavljelog materijala ili servisiranju jedinice provjerite jesu li sve električne sklopke isključene, a baterijski komplet uklonjen ili odspojen.** Neočekivano pokretanje škara za živicu tijekom uklanjanja zaglavljelog materijala ili servisiranja može uzrokovati ozbiljne tjelesne ozljede.
- **Električni alat držite samo za izoliranu površinu namijenjenu držanju jer nož rezača može dodirivati skriveno ožičenje.** Noževi rezača u dodiru sa žicom pod naponom mogu provoditi struju na sve metalne dijelove škara za živicu te rukovatelju zadati strujni udar.
- **Sve električne žice i kabele držite podalje od reznog područja.** Električne žice ili kabele mogu biti prikriveni živicama ili grmljem i možete ih nehotično prerezati nožem.
- **Škare za živicu nemojte upotrebljavati u lošim vremenskim uvjetima, posebno ako postoji opasnost od grmljavine.** Time smanjujete opasnost od udara munje.
- **OPASNOST – ruke držite dalje od noža.** Kontakt s nožem uzrokuje ozbiljne tjelesne ozljede.

Opće sigurnosne upute



UPOZORENJE: Prije upotrebe proizvoda pročitajte upozoravajuće upute u nastavku.

- Uklonite bateriju kako biste spriječili slučajno pokretanje proizvoda.
- Ako ga upotrebljavate neoprezno ili nepravilno, ovaj proizvod je opasan alat. Ovaj proizvod može izazvati teške ozljede ili smrt rukovatelja ili drugih osoba.
- Nemojte upotrebljavati proizvod ako su mu promijenjene početne specifikacije. Nemojte mijenjati dio proizvoda bez odobrenja proizvođača. Upotrebljavajte isključivo dijelove s odobrenjem proizvođača. Nepravilno održavanje može uzrokovati ozljede ili smrt.
- Pregledajte proizvod prije upotrebe. Pogledajte *Radnje prije pokretanja proizvoda na stranici 272*. Nemojte upotrebljavati neispravan proizvod. Provodite sigurnosne provjere, održavanje i servis opisane u ovom priručniku.
- Djecu treba nadzirati kako se ne bi igrala s proizvodom. Upotrebu ili servisiranje proizvoda i/ili baterije nikada nemojte prepustiti djeci ili osobama bez odgovarajuće obuke. Dob korisnika može biti ograničena lokalnim zakonima.
- Proizvod čuvajte u zaključanom prostoru kako biste onemogućili pristup djeci ili osobama bez odobrenja.
- Proizvod spremite izvan dohvata djece.

- Ni u kojem slučaju ne smijete mijenjati dizajn proizvoda bez odobrenja od proizvođača. Obavezno upotrebljavajte originalne dodatke. Neovlaštene izmjene i/ili dodatna oprema mogu uzrokovati ozbiljne tjelesne ozljede ili smrt rukovatelja ili drugih osoba.

Napomena: Upotrebu mogu regulirati nacionalni ili lokalni propisi. Sukladnost s navedenim propisima.

Sigurnosne upute za rad



UPOZORENJE: Prije upotrebe proizvoda pročitajte upozoravajuće upute u nastavku.

- Ako dođete u situaciju u kojoj niste sigurni što napraviti, obratite se stručnjaku. Stupite u dodir s zastupnikom ili serviserom. Izbjegavajte sve upotrebe za koje procjenjujete kako su iznad vaših mogućnosti.
- Proizvod nikada nemojte upotrebljavati umorni, pod utjecajem alkohola, lijekova, pod terapijom ili izloženi bilo čemu što utječe na vaš vid, opreznost, koordinaciju ili sposobnost rasuđivanja.
- Rad u lošim vremenskim uvjetima umara i često je opasniji. Zbog povećane opasnosti ne preporučuje se upotreba proizvoda po vrlo lošem vremenu, npr. u gustoj magli, po jakoj kiši, snažnom vjetru, intenzivnoj hladnoći ili opasnosti od grmljavinskog nevremena.
- Neispravni noževi mogu povećati opasnost od nezgoda.
- Djeca ne smiju upotrebljavati stroj niti se zadržavati u njegovoj blizini. Budući da se uređaj lako pokreće, djeca bi ga mogla pokrenuti ako nisu pod strogim nadzorom. To može rezultirati ozbiljnim tjelesnim ozljedama. Odspojite bateriju kada uređaj nije pod strogim nadzorom.
- Tijekom rada ljudima ili životinjama onemogućite pristup na bliže od 15 metara. Kada nekoliko rukovatelja radi na istom području sigurnosna udaljenost treba biti barem 15 metara. U suprotnom može doći do ozbiljnih tjelesnih ozljeda. Ako se netko približi, odmah zaustavite proizvod. Nikada se nemojte okretati s proizvodom bez prethodne provjere sigurnosnog područja iza vas.
- Pobrinite se da ljudi, životinje ili drugi predmeti ne mogu utjecati na vaš nadzor nad proizvodom i da oni ne dolaze u doticaj s reznim priborom ili nepričvršćenim predmetima koje dodaci za rezanje odbacuju. Međutim, proizvod nemojte upotrebljavati ako ne postoji mogućnost pozivanja u pomoć u slučaju nesreće.
- Uvijek pregledajte radno područje. Uklonite sve slobodne predmete poput kamenja, razbijenog stakla, čavala, čelične žice, konopca, i sl. koji bi mogli biti izbačeni ili omotani oko reznog pribora.

- Osigurajte sigurno kretanje i stav. Provjerite ima li u okolnom području prepreka (korijenja, kamenja, grana, rupa i slično) za slučaj naglog kretanja. Budite izuzetno oprezni pri radu na kosini.
- Obavezno održavajte ravnotežu i stabilan položaj. Ne posežite predaleko.
- Isključite proizvod prije prelaska na drugo područje. Kada proizvod ne upotrebljavate, postavite prijenosni štitičnik.
- Nikada nemojte spuštati proizvod ako ga niste isključili i uklonili bateriju. Uključeni proizvod nemojte ostavljati bez nadzora.
- Pri pokretanju proizvoda pazite da niti jedan dio odjeće ili dijela tijela ne dođe u dodir s reznim priborom.
- Ako tijekom pogona dođe do zaglavljenja noževa, zaustavite proizvod i isključite ga. Provjerite je li rezni pribor potpuno zaustavljen. Prije čišćenja, pregleda ili popravka proizvoda i/ili noževa uklonite bateriju.
- Pri isključenju proizvoda šake i stopala držite podalje od reznog pribora sve dok se potpuno ne zaustavi.
- Pripazite na panjeve ili grane koje mogu biti izbačene tijekom rezanja. Nemojte rezati preblizu tlu kako ne biste izbacili kamenje i druge predmete.
- Upozorenje zbog izbačenih predmeta. Uvijek nosite odgovarajuću zaštitu za oči. Nikada se ne nemojte naginjati preko štitičnika reznog pribora. Kamenje, otpaci i sl. mogu biti odbačeni u oči, što može prouzročiti sljepoću ili ozbiljne ozljede.
- Uvijek pazite na znakove upozorenja ili dovike prilikom upotrebe zaštite sluha. Obavezno uklonite zaštitu sluha odmah po zaustavljanju proizvoda.
- Nikada nemojte raditi s ljestvi, stolice ili drugog nepotpuno osiguranog povišenog položaja.
- Proizvod držite s obje ruke. Stoj držite uz bočnu stranu tijela.

(Sl. 16)

Oprema za osobnu zaštitu



UPOZORENJE: Prije upotrebe proizvoda pročitajte upozoravajuće upute u nastavku.

- Prilikom korištenja proizvoda koristite prikladnu opremu za osobnu zaštitu. Osobnom zaštitnom opremom ozljede se ne mogu u potpunosti spriječiti, no može se smanjiti njihova ozbiljnost. Za više informacija obratite se ovlaštenom zastupniku.
- Upotrebljavajte zaštitnu kacigu ako postoji opasnost od pada predmeta.

(Sl. 17)

- Upotrebljavajte odobrenu zaštitu sluha. Dugotrajno izlaganje buci može uzrokovati trajno oštećenje sluha.

(Sl. 18)

- Upotrebljavajte odobrenu zaštitu za oči. Ako nosite vizir, morate nositi i odobrene zaštitne naočale. Odobrene zaštitne naočale moraju ispunjavati normu ANSI Z87.1 za SAD ili EN 166 za države EU-a.

(Sl. 19)

- Tijekom rada i održavanja nosite zaštitne rukavice.

(Sl. 20)

- Nosite zaštitne čizme ili cipele s neprokliznim potplatima.

(Sl. 21)

- Nosite odjeću napravljenu od čvrstog materijala. Vaša odjeća mora tijesno prianjati uz tijelo, ali ne i ograničavati vaše pokrete. Nosite duge hlače i kosu zatakните iza ramena. Nemojte nositi nakit ni otvorenu obuću.
- Opremu za prvu pomoć držite u blizini.

(Sl. 22)

Sigurnosni uređaji na proizvodu



UPOZORENJE: Prije upotrebe proizvoda pročitajte upute upozorenja u nastavku.

U ovom odjeljku opisane su sigurnosne značajke proizvoda, njegova namjena te način provedbe provjera i održavanja za osiguranje ispravnog rada. Potražite upute pod naslovom *Pregled proizvoda na stranici 265* kako biste pronašli položaj ovih dijelova na proizvodu.

Nepravilno održavanje te neprofesionalno servisiranje i/ili popravci proizvoda skraćuju vijek trajanja proizvoda i povećavaju opasnost od nezgoda. Sve dodatne informacije zatražite od najbližeg servisnog trgovca.



UPOZORENJE: Nikada nemojte upotrebljavati proizvod s oštećenim sigurnosnim komponentama. Provodite provjere i održavajte sigurnosnu opremu proizvoda prema uputama opisanim u ovom odjeljku. Ako proizvod ne zadovolji bilo koju od ovih provjera, obratite se serviseru radi popravka.



OPREZ: Potreban je specijalan tečaj za servisiranje i popravak stroja. Ovo se posebno odnosi na sigurnosnu opremu stroja. Ako stroj ne zadovolji neke od provjera navedenih u nastavku, obratite se serviseru. Pri kupnji naših proizvoda jamčimo dostupnost profesionalnih popravaka i servisa. Ako prodavač koji vam je prodao proizvod nije zadužen i za servisiranje, zatražite adresu najbližeg servisera.

Provjera tipkovnice

1. Pritisnite i zadržite gumb za pokretanje/zaustavljanje (A). (Sl. 23)
 - a) Proizvod je uključen kada svijetli LED indikator (B).
 - b) Proizvod je isključen kada LED indikator (B) ne svijetli.
2. Pogledajte *Tipkovnica na stranici 274* ako svijetli ili trepće indikator upozorenja (C).

Provjera okidača na prednjoj ručici

Okidač na prednjoj ručici sprječava slučajno pokretanje. Pritiskom na okidač na prednjoj ručici otpuštate okidač paljenja. Kada otpustite ručku, okidač paljenja i okidač na prednjoj ručici vraćaju se na svoje početne položaje.

1. Provjerite slobodno kretanje okidača paljenja i okidača na prednjoj ručici te pravilno funkcioniranje povratne opruge.
2. Pokrenite proizvod.
3. Pritisnite okidač na prednjoj ručici.

(Sl. 24)
4. Pritisnite okidač paljenja. (Sl. 25)
5. Otpustite okidač na prednjoj ručici i provjerite je li se rezni pribor potpuno zaustavio.

Provjera štitnika za ruku

Štitnik za ruku onemogućuje slučajni kontakt s noževima.

1. Zaustavite proizvod.
2. Izvadite bateriju.
3. Provjerite je li štitnik za ruku pravilno postavljen.
4. Provjerite ima li štitniku za ruku oštećenja.

Provjera noževa i štitnika noževa

Duži rubovi noževa (A) funkcioniraju kao štitnici noževa.

1. Zaustavite proizvod.
2. Izvadite akumulator.
3. Navucite rukavice.
4. Uvjerite se da noževi i štitnici noževa nisu oštećeni niti savijeni. Ako su noževi ili štitnici noževa oštećeni ili iskrivljeni, zamijenite ih. (Sl. 26)

Sigurnost baterije



UPOZORENJE: Prije upotrebe proizvoda pročitajte upute upozorenja u nastavku.

- Upotrebljavajte isključivo baterije serije BLi i 40-B. Detalje pogledajte pod *Tehnički podaci na stranici 276*. Baterija je softverski šifrirana.

- Upotrebljavajte isključivo punjive baterije serije BLi i 40-B za napajanje odgovarajućih proizvoda tvrtke Husqvarna. Bateriju nemojte upotrebljavati za napajanje drugih proizvoda jer postoji opasnost od ozljeda.
- Opasnost od strujnog udara. Polove baterije nemojte spajati s ključevima, kovanicama, vijcima ili drugim metalom. Tako može doći do kratkog spoja baterije.
- Nemojte upotrebljavati baterije koje nisu punjive.
- Nemojte umetati predmete u zračne urete baterije.
- Bateriju zaštitite od sunčeve svjetlosti, vrućine i otvorenog plamena. Baterija može uzrokovati opekline i/ili kemijske opekline.
- Zaštitite bateriju od kiše i mokrih uvjeta.
- Zaštitite bateriju od mikrovalova i visokog tlaka.
- Bateriju nemojte rastavljati ili razbijati.
- Ako baterija počne propuštati, nemojte dopustiti da vam tekućina dospje na kožu ili u oči. Ako ste dodirnuli tekućinu, isperite površinu velikom količinom sapunice i zatražite medicinsku pomoć. Ako vam je tekućina prodrla u oči, nemojte ih trljati. Najmanje 15 minuta ispirite ih vodom te zatražite medicinsku pomoć.
- Bateriju upotrebljavajte u rasponu temperatura od -10 °C (14 °F) i 40 °C (114 °F).
- Bateriju ili punjač baterije nikada nemojte čistiti vodom. Pogledajte *Čišćenje proizvoda, baterije i punjača baterije na stranici 274*.
- Nemojte upotrebljavati neispravnu ili oštećenu bateriju.
- Baterije skladištite dalje od metalnih predmeta poput čavala, vijaka ili nakita.
- Bateriju držite podalje od djece.

Sigurnost punjača baterije



UPOZORENJE: Prije upotrebe proizvoda pročitajte upute upozorenja u nastavku.

- Nepoštivanje sigurnosnih uputa može uzrokovati električni udar ili kratki spoj.
- Upotrebljavajte isključivo punjače baterija isporučene uz proizvod. Upotrebljavajte isključivo punjače QC80 i 40-C80 za punjenje zamjenskih baterija iz serija BLi i 40-B.
- Nemojte rastavljati punjač baterije.
- Nemojte upotrebljavati neispravnu ili oštećenu bateriju ni punjač baterije.
- Punjač baterije nemojte podizati za električni kabel. Za odspajanje punjača baterije od zidne utičnice izvucite utikač. Nemojte povlačiti kabel za napajanje.
- Sve kabele i produžne kabele držite podalje od vode, ulja i oštrih rubova. Kabel nemojte zahvatiti predmetima, npr. vratima, ogradama i sl.
- Punjač baterije nemojte upotrebljavati u blizini zapaljivih materijala ili materijala koji mogu uzrokovati koroziju. Punjač baterije ne smije biti

prekriven. Ako dođe do razvoja dima ili požara, odspojite utikač punjača baterije.

- Bateriju puniti isključivo u zatvorenom, dobro prozračenom zatvorenom prostoru bez izravne sunčeve svjetlosti. Baterije nemojte puniti na otvorenom. Bateriju nije dopušteno puniti u vlažnim uvjetima.
- Punjač baterije upotrebljavajte isključivo na temperaturama između 5 °C (41 °F) i 40 °C (104 °F). Punjač baterije upotrebljavajte u prozračnom i suhom okruženju bez prašine.
- Nemojte umetati predmete u rashladne otore punjača baterije.
- Nikada nemojte priključivati terminale punjača baterije na metalne predmete jer tako možete izazvati kratki spoj na punjaču baterija.
- Upotrebljavajte neoštećene i odobrene mrežne utičnice. Uvjerite se da kabel punjača baterije nije oštećen. Ako upotrebljavate produžni kabel, provjerite da nije oštećen.
- Punjačima baterije nije dopušteno puniti baterije koje se ne mogu puniti.

- Uklonite bateriju prije održavanja, drugih provjera ili sastavljanja proizvoda.
- Rukovatelj smije provoditi samo radove održavanja i servisiranja opisane u ovom korisničkom priručniku. Za veća održavanja i servisiranje obratite se serviseru.
- Bateriju ili punjač baterije nikada nemojte čistiti vodom. Jači deterdžent može oštetiti plastiku.
- Ako ne provodite održavanje, smanjujete vijek trajanja stroja i povećavate opasnost od nezgoda.
- Sva servisiranja i popravci uvjetuju posebnu obuku, posebice oni na sigurnosnim uređajima na proizvodu. Ako nakon provedbe održavanja nisu odobrene sve provjere iz ovog korisničkog priručnika, obratite se serviseru. Jamčimo dostupnost profesionalnih popravaka i servisiranja za vaš proizvod.
- Koristite samo originalne rezervne dijelove.

Sigurnosne upute za održavanje



UPOZORENJE: Prije održavanja proizvoda pročitajte upozoravajuće upute u nastavku.

Sastavljanje

Uvod

U ovom odjeljku opisano je sastavljanje i prilagodba proizvoda.



OPREZ: Ako se baterija ne umeće lako u držač baterije, nije ispravno ugrađena. Tako možete oštetiti proizvod.



UPOZORENJE: Prije sastavljanja proizvoda pročitajte poglavlje o sigurnosti i upute za sastavljanje.

Postavljanje punjača baterije 40-C80 na zid



OPREZ: Punjač baterije na zid nemojte instalirati s pomoću ispitivača napona. Ispitivačem napona možete oštetiti punjač baterije.

Priključivanje baterija na proizvod



UPOZORENJE: S proizvodom upotrebljavajte samo originalne baterije tvrtke Husqvarna.

1. U potpunosti napunite bateriju.
2. Umetnite bateriju u držač baterije na proizvodu. Baterija se učvršćuje u položaju škljocajem. (Sl. 27)

1. Punjač baterije na zid postavite s 2 vijka (B). Ako je potrebno, primijenite tiple (A). (Sl. 28)
2. Postavite čepove provrta za vijke (C).
3. Kabel napajanja povežite s punjačem baterije i priključite na mrežnu utičnicu.

Rad

Uvod



UPOZORENJE: Prije upotrebe proizvoda pročitajte i usvojite poglavlje o sigurnosti.

Baterija



UPOZORENJE: Prije upotrebe baterije pročitajte i usvojite poglavlje o sigurnosti. Pročitajte i usvojite korisnički priručnik za bateriju i punjač baterije.

Bateriju i punjač čuvajte na ispravnoj temperaturi okoline.

	Temperatura okoline
Rad baterije	5 °C – 40 °C / 41 °F – 104 °F
Punjenje baterije	5 °C – 40 °C / 41 °F – 104 °F

Status baterije

Na zaslonu se prikazuje stanje napunjenosti te postoje li problemi s baterijom.

(Sl. 29)

LED indikator	Stanje baterije (stanje napunjenosti)	
	BLi10	40-B70
Uključena su četiri LED indikatora	Nije dostupno	Baterija je napunjena 76 % – 100 %.
Uključena su tri LED indikatora	Baterija je napunjena 76 % – 100 %.	Baterija je napunjena 51 % – 75 %.
Uključena su dva LED indikatora	Baterija je napunjena 51 % – 75 %.	Baterija je napunjena 26 % – 50 %.
Uključen je jedan LED indikator	Baterija je napunjena 26 % – 50 %.	Baterija je napunjena 6 % – 25 %.
Trepće jedna LED žaruljica	Baterija je napunjena 0 % – 25 %.	Baterija je napunjena 0 % – 5 %.

Zamjena baterije

Napunite bateriju pri prvoj upotrebi. Nova je baterija napunjena samo 30%.



OPREZ: Spojite punjač baterije samo na strujnu utičnicu s naponom i frekvencijom koji su navedeni na natpisnoj pločici.

Baterija se neće puniti ako je njezina temperatura veća od 50 °C / 122 °F.

1. Priključite punjač baterije na strujnu utičnicu.
2. Punjač baterije priključite na uzemljenu strujnu utičnicu. LED indikator punjenja zatreptat će jedanput. (Sl. 30)
3. Priključite bateriju na punjač baterije. Uključuje se LED indikator punjenja. Bateriju puniti najdulje 24 sata. (Sl. 31)
4. Pritisnite gumb indikatora baterije kad svijetle svi LED indikator – baterija je potpuno napunjena.

5. Za odvajanje punjača baterije od strujne utičnice izvucite njegov strujni utikač. Nemojte povlačiti kabel za napajanje.

6. Izvadite bateriju iz punjača baterije.

Radnje prije pokretanja proizvoda

1. Pregledajte radno područje. Uklonite sve predmete koji mogu biti izbačeni.
2. Pregledajte rezni pribor. Provjerite jesu li noževi oštri, te jesu li napukli ili oštećeni.
3. Provjerite ispravnost rada proizvoda. Provjerite zategnutost svih matrica i vijaka.
4. Ručka i sigurnosni uređaji ne smiju biti oštećeni ili nepravilno ugrađeni. Proizvod nemojte pogoniti bez dijelova ili ako s promijenjenom početnom specifikacijom. Po potrebi nosite zaštitne rukavice.
5. Prije rada s proizvodom provjerite jesu li poklopci neoštećeni te pravilno postavljeni.

Pokretanje proizvoda

1. Pritisnite i držite gumb za pokretanje/zaustavljanje dok se ne uključi zeleni LED indikator. (Sl. 32)
2. Pritisnite okidač na prednjoj ručici. (Sl. 33)
3. Pritisnite okidač paljenja. (Sl. 25)

Rad s proizvodom

1. Pri rezanju bočnih strana započnite u blizini tla i pomičite proizvod uz živicu. Pazite da tijelo ovog proizvoda ne dodiruje živicu. (Sl. 34)



UPOZORENJE: Pobrinite se da prednji dio rezne opreme ne dodiruje tlo.

2. Proizvod držite blizu tijela kako biste ostvarili stabilan radni položaj.
3. Budite oprezni i polako se koristite ovim proizvodom.

Upotreba funkcije SavE

Proizvod je opremljen funkcijom štednje energije pod nazivom SavE.

Napomena: Funkcija SavE ne umanjuje snagu rezanja proizvoda.

1. Pritisnite gumb SavE na tipkovnici.
2. Pričekajte da se uključi zeleni LED indikator.
3. Ponovno pritisnite gumb SavE kako biste prekinuli funkciju. Isključuje se zeleni LED indikator. (Sl. 35)

Funkcija automatskog isključenja

Proizvod ima funkciju isključenja koja ga isključuje kada se ne upotrebljava. Zeleni LED indikator za pokretanje/zaustavljanje isključuje se, a proizvod se zaustavlja nakon 180 sekundi.

Zaustavljanje proizvoda

1. Otpustite okidač paljenja i okidač na prednjoj ručici.
2. Pritisnite i držite gumb za pokretanje/zaustavljanje dok se ne uključi zeleni LED indikator.
3. Pritisnite gumb za otpuštanje na bateriji i izvadite bateriju. (Sl. 36)

Održavanje

Uvod



UPOZORENJE: Prije održavanja proizvoda s razumijevanjem pročitajte odjeljak o mjerama sigurnosti.



UPOZORENJE: Prije održavanja proizvoda izvadite bateriju.

Raspored održavanja

U nastavku je popis koraka održavanja neophodnih za održavanje proizvoda.

Održavanje	Prije upotrebe	Tjedno	Mjesečno
Očistite vanjske dijelove proizvoda.	X		
Provjerite funkcionira li gumb za pokretanje i zaustavljanje ispravno te da nije oštećen.	X		
Iz sigurnosnih razloga provjerite ispravnost okidača paljenja i okidača na prednjoj ručici.	X		
Provjerite rade li sve komande ispravno i jesu li neoštećene.	X		
Nož rezača i štitnik rezača ne smiju biti napuknuti ili oštećeni. Zamijenite napuknuti ili udareni nož rezača ili štitnik rezača.	X		
Zamijenite nož rezača ako je savijen ili oštećen.	X		
Provjerite je li štitnik za ruku neoštećen. Zamijenite štitnik ako je oštećen.	X		
Provjerite jesu li vijci i matice pritegnuti.	X		
Provjerite je li baterija neoštećena.	X		

Održavanje	Prije upotrebe	Tjedno	Mjesečno
Provjerite je li baterija napunjena.	X		
Provjerite je li punjač baterije neoštećen.	X		
Provjerite jesu li vijci kojima su pričvršćeni noževi rezača pravilno zategnuti.		X	
Provjerite spojeve između baterije i proizvoda. Provjerite spoj između baterije i punjača.			X

Pregled baterije i punjača baterije

1. Provjerite ima li na bateriji oštećenja, primjerice pukotina.
2. Provjerite ima li na punjaču baterije oštećenja, primjerice pukotina.
3. Provjerite je li priključni kabel punjača baterije neoštećen te je li ispucao.

Čišćenje proizvoda, baterije i punjača baterije

1. Proizvod nakon upotrebe očistite suhom krpom.
2. Bateriju i punjač baterije čistite suhom krpom. Vodilice za bateriju održavajte čistima.
3. Prije umetanja baterije u punjač baterije ili proizvod provjerite jesu li čisti priključci baterije i punjača baterije.

Pregled noža

1. Prije i nakon primjene proizvoda nož od neželjenog materijala očistite antikorozivnim sredstvom za čišćenje.
2. Provjerite jesu li noževi oštećeni ili izobličeni.
3. Turpijom uklonite neravnine s noža.

4. Provjerite pomiču li se noževi neometano.

Čišćenje i podmazivanje noževa

1. Prije i nakon upotrebe proizvoda noževe od neželjenog materijala očistite sredstvom za čišćenje.
2. Podmažite noževe prije duljeg razdoblja skladištenja.

Napomena: Više informacija o preporučenim sredstvima za čišćenje i mazivima zatražite od servisnog zastupnika.

Podmazivanje mjenjača

Primijenite mazivo na kućište mjenjača ako je mjenjač rastavio ovlaštenu servisnu ekipu.

- Koristite posebno mazivo poduzeća Husqvarna. Za više informacija o preporučenoj masti razgovarajte sa svojim servisnim zastupnikom.
- Upotrijebite samo malu količinu specijalnog maziva visoke kvalitete.



OPREZ: Kućište mjenjača nemojte potpuno napuniti mazivom.

Rješavanje problema

Tipkovnica

LED zaslon	Moguće pogreške	Moguća rješenja
Trepće LED indikator za pogreške.	Preopterećenje	Rezni pribor ne može se slobodno pomicati. Otpustite priključak za rezanje.
	Odstupanje temperature	Pričekajte na hlađenje proizvoda.
Proizvod se ne pokreće.	Pritisnite okidač paljenja i istovremeno pritisnite dugme za paljenje.	Otpustite okidač paljenja i zaustavite proizvod.
Uključuje se crveni LED indikator pogreške.	Nužno je servisirati proizvod	Razgovarajte sa svojim servisnim zastupnikom.

Baterija

LED zaslon	Moguće pogreške	Moguća radnja
Trepće zeleni LED indikator.	Nizak napon baterije.	Napunite bateriju.
Trepće LED indikator za pogreške.	Odstupanje temperature.	Bateriju upotrebljavajte u rasponu temperatura od -10°C (14°F) i 40°C (104°F).
	Prevelik napon.	Provjerite odgovara li napon mreže naponu navedenom na natpisnoj pločici proizvoda.
		Izvadite bateriju iz punjača baterije.
Uključen je LED indikator za pogreške.	Prevelika razlika između ćelija (1 V).	Razgovarajte sa svojim servisnim zastupnikom.

Punjač baterije

Problem	Moguće pogreške	Moguće rješenje
LED indikator punjenja crvene je boje.	Trajni problem punjača baterije.	Obratite se zastupniku.
LED indikator punjenja trepće zelenom bojom.	Odstupanje od temperature, baterija je ili prehladna ili prevruća za upotrebu ili punjenje.	Pustite da se baterija ohladi ili zagrije. Kada baterija postigne pravu temperaturu, možete je ponovo upotrebljavati ili puniti. Punjač baterije upotrebljavajte na temperaturi okoline između 5 °C (41 °F) i 40 °C (104 °F).
LED indikator punjenja trepće crvenom bojom.	Neispravna baterija.	Obratite se zastupniku.

Prijevoz, spremanje i zbrinjavanje

Prijevoz i skladištenje

- Isporučene litij-ionske baterije podliježu zahtjevima propisa o opasnim proizvodima.
- Pridržavajte se posebnih zahtjeva o pakiranju i označavanju u komercijalnom transportu, uključujući treće strane i prijevoznike.
- Prije slanja proizvoda obratite se osobi s posebnom obukom za opasni materijal. Pridržavajte se svih mjerodavnih nacionalnih propisa.
- Kada bateriju stavljate u pakiranje, otvorene kontakte prelijepite trakom. Učvrstite bateriju u pakiranju kako biste onemogućili pomicanje.
- Izvadite bateriju prilikom prijevoza ili skladištenja.
- Bateriju i punjač baterije spremite u suh prostor bez vlage i mraza.
- Bateriju nemojte spremati u prostor u kojem može nastati statički elektricitet. Bateriju nemojte čuvati u metalnoj kutiji.
- Bateriju uskladištite na mjestu s temperaturom između 5 °C / 41 °F i 25 °C / 77 °F te izvan izravnog sunčeva svjetla.
- Punjač baterije uskladištite na mjestu s temperaturom između 5 °C / 41 °F i 45 °C / 113 °F te izvan izravnog sunčeva svjetla.
- Punjač baterije upotrebljavajte samo pri temperaturama okoline između 5 °C / 41 °F i 40 °C / 104 °F.
- Prije dugotrajnog skladištenja bateriju napunite na 30 % do 50 %.
- Punjač baterije uskladištite u zatvorenom i suhom prostoru.

- Tijekom skladištenja bateriju držite podalje od punjača baterije. Djeci i drugim neovlaštenim osobama onemogućite dodirivanje opreme. Opremu spremite u prostor koji možete zaključati.
- Prije dugotrajnog skladištenja proizvoda očistite ga i provedite cjeloviti servis.
- Na proizvod prije transporta i skladištenja postavite prijenosni štitičnik kako biste spriječili ozljede ili oštećenje proizvoda.
- Čvrsto pričvrstite proizvod tijekom transporta.

Zbrinjavanje baterije, punjača baterije i proizvoda

Oznake na proizvodu ili ambalaži proizvoda znače da se proizvod ne pripada u komunalni otpad. Reciklirajte ga u reciklažnoj stanici za električnu i elektroničku opremu. Tako sprječavate oštećenje okoliša i ozljeđivanje osoba.

Više informacija o recikliranju proizvoda zatražite od lokalnih vlasti, komunalne službe ili distributera.

Tehnički podaci

Tehnički podaci

	215IHD45
Motor	
Vrsta motora	BLDC
Težina	
Težina bez baterije, kg	3,2
Nož za travu	
Vrsta	Dvostrana
Duljina noža, mm	450
Brzina noža, rezovi/min (u načinu rada SavE)	2400
Brzina noža, rezovi/min (izvan načina rada SavE)	3000
Emisije buke ³⁷	
Izmjerena jačina zvuka dB(A)	87
Razina jačine zvuka, zajamčena L _{WA}	90
Razine buke	
Razina zvučnog tlaka na uhu rukovatelja, izmjerena sukladno normi EN 62841-4-2, dB(A)	79
Razine vibracije ³⁸	
Razine vibracije (a _h), prednja/stražnja, m/s ²	2,1/1,7

³⁷ * Emisije buke u okoliš izmjerene kao jakost zvuka (L_{WA}) u skladu s Direktivom EZ 2000/14/EZ. Razlika između zajamčene i izmjerene razine buke jest da zajamčena razina uključuje i raspršenje rezultata mjerenja i varijacije između različitih uređaja istog modela prema smjernici 2000/14/EC.

³⁸ Podaci o razini vibracije pokazuju tipičnu statističku disperziju (standardnu devijaciju) od 1,5 m/s².

Navedena ukupna vrijednost vibracija izmjerena je u skladu sa standardnom metodom ispitivanja i može se upotrebljavati za usporedbu jednog alata s drugim.

Navedena ukupna vrijednost vibracija može se upotrebljavati i za početnu procjenu izloženosti.

Odobrene baterije za proizvod

Baterija	BLi10		40-B70
Vrsta	Litij-ion		Litij-ion
Kapacitet baterije, Ah	Pogledajte nazivnu naljepnicu baterije		Pogledajte nazivnu naljepnicu baterije
Nazivni napon, V	36	36,5	36
Težina, kg	0,7	0,7	0,8

Odobreni punjači baterije za proizvod

Punjač baterije	QC80	40-C80
Mrežni napon, V	100 – 240	100 – 240
Frekvencija, Hz	50 – 60	50 – 60
Snaga, W	100	72
Izlazni napon, V i. s. / Amperi, A	36/2	43/1,6

Izjava o sukladnosti

Izjava o sukladnosti za EU

Mi, **Husqvarna AB**, SE-561 82 Huskvarna, Švedska, tel.:
+46-36-146500, pod punom odgovornošću izjavljujemo
da proizvod:

Opis	Baterijske škare za živicu
Marka	Husqvarna
Vrsta/model	215iHD45
Identifikacija	Serijski brojevi iz 2024 i noviji

u potpunosti su sukladni sljedećim EU direktivama i
propisima:

Direktiva/ propis	Opis
2006/42/EC	„o strojevima“
2014/30/EU	„koja se odnosi na elektromagnetsku kompatibilnost“
2000/14/EC	„koja se odnosi na emisije buke u okoliš“
2011/65/EU	„o ograničenoj upotrebi određenih opasnih tvari u električnoj i elektroničkoj opremi“

i primjenjuju se sljedeće norme i/ili tehničke
specifikacije: EN 62841-4-2:2019+A1:2022+A11:2022,
EN 62841-1:2015+A11:2022, EN IEC 55014-1:2021, EN
IEC 55014-2:2021, EN IEC 63000:2018.

U skladu s direktivom 2000/14/EC, dodatkom V,
pogledajte *Tehnički podaci na stranici 276* za navedene
vrijednosti zvuka.

Huskvarna, 2024-02-01

Claes Losdal, Menadžer odjela za istraživanje i razvoj,
Husqvarna AB

Osoba odgovorna za tehničku dokumentaciju



VSEBINA

Uvod.....	279	Odpravljanje težav.....	288
Varnost.....	280	Transport skladišćenje in odstranitev.....	289
Montaža.....	285	Tehnični podatki.....	290
Delovanje.....	286	Izjava o skladnosti.....	292
Vzdrževanje.....	287		

Uvod

Opis izdelka

Husqvarna 215iHD45 je baterijski obrezovalnik žive meje z elektromotorjem.

Stalno delamo na tem, da bi povečali varnost in učinkovitost med delovanjem. Če potrebujete več informacij, se obrnite na servisnega zastopnika.

Pregled izdelka

(Sl. 1)

1. Navodila za uporabo
2. Zadnji ročaj
3. Sprožilnik prednjega ročaja
4. Sprednji ročaj
5. Rezilo
6. Transportna zaščita
7. Sprožilec plina
8. Kontrolna plošča
9. Ščitnik roke
10. Akumulator
11. Polnilnik baterije 40-C80
12. Priključek
13. Indikatorski gumb stanja baterije
14. Stanje baterije
15. Indikator za opozorilo
16. Gumb SavE
17. Gumb za vklop/izklop
18. Indikator vklopa in opozoril
19. Gumbi za sprostitev baterij
20. Polnilnik baterije QC80
21. Napajalni kabel

Simboli na izdelku

- (Sl. 2) **OPOZORILO:** Ta izdelek je lahko nevaren in lahko povzroči hude poškodbe oziroma smrt uporabnika ali drugih. Bodite previdni in uporabljajte izdelek pravilno.
- (Sl. 3) Pred uporabo tega izdelka morate pozorno prebrati navodila za uporabo ter jih razumeti.
- (Sl. 4) Uporabljajte zaščito za oči.
- (Sl. 5) Izdelek je skladen z veljavnimi direktivami ES.
- (Sl. 6) Izdelek ali embalaža izdelka ne spadata med gospodinjske odpadke. Treba ga je

Namen uporabe

Izdelek uporabljajte za obrezovanje vej in vejic. Izdelka ne uporabljajte za druga opravila.

reciklirati v zbirnem centru za reciklažo električne in elektronske opreme.

(Sl. 7) Izdelek ne sme biti izpostavljen dežju.

(Sl. 8) Enosmerni tok.

(Sl. 9) Emisije hrupa za oznako okolja v skladu z EU (vključno z zakonodajo avstralske zvezne države New South Wales) ter direktivami in uredbami Združenega kraljestva. Podatke o emisijah hrupa najdete na oznaki stroja in v poglavju Tehnični podatki.

(Sl. 10) Izdelek je v skladu z veljavnimi direktivami ZK.

(Sl. 11) Opozorilo: Z rokami ne segajte v območje rezila.

yyyywwxxxxx Na tipski ploščici je navedena serijska številka. **yyyy** je proizvodno leto, **ww** je proizvodni teden.

Opomba: Ostali znaki in nalepke na izdelku se nanašajo na specifične certifikacijske zahteve, ki veljajo na nekaterih tržiščih.

Simboli na bateriji in/ali polnilniku baterije

- (Sl. 15) Izdelek je treba reciklirati v zbirnem centru za reciklažo električne in elektronske opreme. (velja samo za Evropo)
- (Sl. 12) Pretvornik za varno odpoved.
- (Sl. 13) Polnilnik baterije hranite in uporabljajte samo v zaprtih prostorih.
- (Sl. 14) Dvojna izolacija.

Varnost

Varnostne definicije

Opozorila, svarila in opombe opozarjajo na posebej pomembne dele priročnika.



OPOZORILO: Se uporabi, če obstaja nevarnost telesne poškodbe ali smrti uporabnika ali opazovalcev ob neupoštevanju navodil v tem priročniku.



POZOR: Se uporabi, če obstaja nevarnost poškodbe izdelka, drugih materialov ali okolice ob neupoštevanju navodil v tem priročniku.

Opomba: Se uporabi za podajanje podrobnejših informacij, potrebnih v dani situaciji.

Splošna varnostna opozorila za električno orodje



OPOZORILO: Preberite vsa varnostna opozorila in navodila. Neupoštevanje opozoril in navodil lahko povzroči električni udar, požar in/ali težko telesno poškodbo.

Opomba: Shranite vsa opozorila in navodila za bodočo uporabo. Izraz »električno orodje« v opozorilih se nanaša na orodje z napajanjem prek kabla neposredno iz električnega omrežja ali akumulatorsko električno orodje (brez kabla).

Varnost delovnega področja

- **Poskrbite za čistočo in dobro osvetlitev delovnega področja.** Prenatrpni ali mračni prostori kar kličejo nesrečo.
- **Električnega orodja ne uporabljajte v eksplozivnem okolju, na primer v bližini vnetljivih tekočin, plinov ali prahu.** Električna orodja sprožajo iskre, ki lahko vžgejo prah ali hlape.
- **Ne dovolite, da bi bili med uporabo električnega orodja prisotni otroci ali opazovalci.** Odvratanje pozornosti lahko povzroči izgubo nadzora.

Električna varnost

- **Vtiči električnega orodja se morajo ujemati z vtičnico.** Vtiča na noben način ne predelujte. Z ozemljenim električnim orodjem ne uporabljajte adapterjev za vtičač. Nepredelani vtiči in ustrezne vtičnice poskrbijo za zmanjšano nevarnost električnega udara.

- **Izogibajte se telesnega stika z ozemljenimi površinami, kot so cevi, radiatorji, štedilniki in hladilniki.** Če je vaše telo ozemljeno, se nevarnost električnega udara poveča.
- **Električnega orodja ne izpostavljajte dežju ali vlagi.** Če v električno orodje prodre voda, se poveča nevarnost električnega udara.
- **Ne ravnajte grobo s kablom. Nikoli ne uporabljajte kabla za prenašanje, vlečenje ali izklapljanje električnega orodja iz vtičnice.** Kabel ne sme priti v stik z vročino toplote, oljem, ostrimi robovi ali premikajočimi deli. Poškodovani ali zavozlani kabli povečujejo nevarnost električnega udara.
- **Če uporabljate električno orodje zunaj, uporabljajte kabelski podaljšek, ki je primeren za zunanjo uporabo.** Za zmanjšanje nevarnosti električnega udara uporabljajte kabel, primeren za zunanjo uporabo.
- **Če električno orodje morate uporabiti v vlažnem okolju, uporabite zaščitno napravo na diferenčni tok (RCD).** Uporaba naprave RCD zmanjšuje nevarnost električnega udara.



OPOZORILO: Stroja ne čistite z vodo pod tlakom, saj lahko voda vdre v električno napeljavo ali motor in poškoduje stroj ali povzroči kratek stik.

Osebnostna varnost

- **Med uporabo električnega orodja bodite pozorni, pazite na svoja dejanja in ravnajte razumno. Ne uporabljajte električnega orodja, ko ste utrujeni ali pod vplivom drog, alkohola ali zdravil.** Trenutek nepozornosti med uporabo obrezovalnika žive meje lahko povzroči težko osebno poškodbo.
- **Uporabljajte osebno zaščitno opremo. Vedno nosite zaščito za oči.** Zaščitna oprema, na primer prašna maska, čevlji z neдрсеčimi podplati, čelada ali zaščita za sluh, uporabljena v pravih okoliščinah, zmanjšuje nevarnost osebnih poškodb.
- **Izogibajte se neželenemu zagonu. Preden stroj prikopite na vir napajanja in/ali baterijo, ga vzamete v roke ali ga prenašate, se prepričajte, da je stikalo v položaju za izklop.** Prenašanje električnega orodja s prstom na stikalu ali priklop električnega orodja z vklopljenim stikalom lahko povzroči nesrečo.
- **Preden električno orodje vklopite, odstranite ključ za nastavitev ali izvijač.** Če ostane ključ ali izvijač pritrjen na vrteči se del električnega orodja, lahko pride do telesne poškodbe.
- **Rok ne segujete predaleč. Vedno zanesljivo stopajte in pazite na ravnotežje.** To vam omogoča boljši nadzor nad električnim orodjem ob nepričakovanih dogodkih.
- **Primerno se oblecite. Ne nosite ohlapnih oblačil in nakita. Z lasmi in oblačili ne segajte v območje**

gibljivih delov. Ohlapne obleke, nakit ali dolgi lasje se lahko zapletejo v gibljive dele.

- **Če so naprave opremljene s priključkom za odvajanje in zbiranje prahu, mora biti ta zaseden in pravilno uporabljen.** Zbiranje prahu lahko zmanjša nevarnost zaradi vdihavanja tega.
- **Ne bodite samozadovoljni, ker ste zaradi pogoste uporabe navajeni orodja, in kljub vsemu upoštevajte varnostna načela orodja.** Brezbrižna uporaba lahko v trenutku povzroči hudo telesno poškodbo.
- Oddajanje vibracij med dejansko uporabo električnega orodja se lahko razlikuje od navedene skupne vrednosti, kar je odvisno od načina uporabe orodja. Upravljalci se morajo zaščititi z varnostnimi ukrepi, ki temeljijo na oceni izpostavljenosti pri dejanskih pogojih uporabe (pri čemer se upoštevajo vsi deli delovnega cikla, npr. poleg časa, ko je orodje sproženo, tudi čas, ko je orodje izklopljeno, in čas, ko deluje v prostem teku).

Uporaba in nega električnega orodja

- **Ne preobremenite električnega orodja. Uporabite pravilno električno orodje za vrsto uporabe.** Pravilno električno orodje bo delo opravilo bolje in varneje, če deluje pri hitrosti, za katero je bil zasnovano.
- **Električnega orodja ne uporabljajte, če stikalo za vklop/izklop ne deluje.** Orodje, ki ga ni mogoče upravljati s stikalom, je nevarno in ga je potrebno popraviti.
- **Pred izvajanjem nastavitvev, menjavo priključkov ali shranjevanjem električnega orodja izvlecite vtič iz omrežne vtičnice in/ali odstranite baterijo iz električnega orodja, če je to mogoče.** Taki preventivni ukrepi pomagajo zmanjšati nevarnost neželenega zagona električnega orodja.
- **Električno orodje, ki ga ne potrebujete, shranite izven dosega otrok in ne dovolite, da bi ga uporabljale osebe, ki električnega orodja ne poznajo ali ne poznajo teh navodil.** Električna orodja so v rokah neukih oseb nevarna.
- **Vzdržujte električna orodja in dodatno opremo. Preverite poravnavo ali zatikanje pomičnih delov. Preverite, da noben del ni poškodovan in vsa druga stanja, ki bi lahko vplivala na delovanje električnega orodja. Če je električno orodje poškodovano, ga pred uporabo odnesite v popravilo.** Veliko nesreč povzročijo slabo vzdrževana električna orodja.
- **Rezila naj bodo vedno ostra in čista.** Pravilno vzdrževana rezila z ostrimi rezalnimi robovi se manj zatikajo in jih je lažje kontrolirati.
- **Električna orodja, dodatke, rezalne ploščice ipd. uporabljajte skladno s temi navodili ter upoštevajte delovne pogoje in delo, ki ga boste opravljali.** Uporaba električnega orodja za opravila, za katera ta naprava ni namenjena, je lahko nevarna.
- **Ročaji in prijemalne površine naj bodo suhi, čisti in brez ostankov olja in masti.** Če so ročaji in prijemalne površine spolzki, ne omogočajo varne uporabe in upravljanja z orodjem v nepričakovanih razmerah.

Uporaba in nega baterije

- **Baterijo polnite le s polnilnikom, ki ga določijo proizvajalec.** Polnilnik, ki je primeren za eno vrsto baterij, lahko poveča nevarnost požara pri drugih baterijah.
- **Izdelke uporabljajte le s točno določenimi baterijami.** Če uporabite druge baterije, se lahko poveča nevarnost poškodb in požara.
- **Ko baterije ne uporabljate, ne sme priti v stik z drugimi kovinskimi predmeti, kot so sponke za papir, kovanci, ključi, žebliji, vijaki ali drugi majhni kovinski predmeti, ki lahko vzpostavijo povezavo med dvema poloma.** Kratak stik med poloma baterije lahko povzroči opekline ali požar.
- **Ob nepravilni in grobi uporabi lahko iz baterije izteka tekočina; izogibajte se stiku s tekočino. Če se tekočine nehote dotaknete, sperite roke z vodo. Če pride tekočina v stik z očmi, poiščite zdravniško pomoč.** Tekočina, ki izteka iz baterije, lahko povzroči draženje ali opekline.
- **Ne uporabljajte poškodovanega ali spremenjenega baterijskega paketa ali orodja.** Poškodovane ali predelane baterije se lahko obnašajo nepredvidljivo in lahko posledično zagorijo, eksplodirajo ali predstavljajo nevarnost poškodb.
- **Baterijskega paketa ali orodja ne izpostavljajte ognju ali previsokim temperaturam.** Izpostavljenost ognju ali temperaturam nad 130 °C lahko povzroči eksplozijo.
- **Upoštevajte vsa navodila za polnjenje in ne polnite baterijskega paketa ali orodja pri temperaturah zunaj temperaturnega območja, navedenega v navodilih.** Neustrezna zamenjava ali temperature zunaj dovoljenega območja lahko povzročijo poškodbe baterije in povečajo nevarnost požara.

Servis

- **Popravila električnega orodja sme izvajati usposobljen serviser in pri tem uporabljati originalne nadomestne dele.** S tem zagotovite ohranitev kakovosti in varnosti električnega orodja.
- **Ne servisirajte poškodovanih baterijskih enot.** Baterijske pakete lahko servisirajo samo proizvajalec in pooblaščen servisni ponudniki.

Varnostna opozorila za obrezovalnik žive meje – osebna varnost

- **Obrezovalnik žive meje uporabljajte z obema rokama.** Če ga držite samo z eno roko, lahko izgubite nadzor, zaradi česar lahko pride do hudih telesnih poškodb.
- **Z deli telesa ne segajte v območje delovanja rezila. Ko se rezila premikajo, ne odstranjujte odrezanega materiala in materiala ne prijemajte.** Rezila se premikajo tudi po izklopu stikala. Trenutek nepozornosti med uporabo obrezovalnika žive meje lahko povzroči težko telesno poškodbo.
- **Obrezovalnik žive meje nosite za ročaj, ko je rezilo zaustavljeno in pazite, da ne vključite nobenega**

vklopnega stikala. Pravilna nošnja obrezovalnika žive meje zmanjšuje nevarnosti neželenega vklopa in iz tega izhajajočih telesnih poškodb zaradi rezil.

- **Pri prenašanju ali shranjevanju obrezovalnika žive meje vedno namestite ščitnik rezila.** Pravilno ravnanje z obrezovalnikom žive meje zmanjšuje nevarnost telesnih poškodb zaradi rezil.
- **Pri odstranjevanju zagodenega materiala ali pri servisiranju enote preverite, ali so vsa vklopna stikala izključena in ali je baterijska enota odstranjena oziroma izključena.**

Nepričakovana sprožitev obrezovalnika žive meje med odstranjevanjem zataknenega materiala ali med servisiranjem lahko privede do hudih telesnih poškodb.

- **Obrezovalnik žive meje držite samo za izolirane površine, ker lahko pride rezilo v stik s skritimi kablji.** Če se rezila dotaknejo kabla pod napetostjo, lahko napetost preide tudi na ostale kovinske dele obrezovalnika žive meje, zaradi česar lahko uporabnik doživi električni udar.
- **Vsi napajalni kablji in ostali kablji morajo biti odstranjeni iz območja rezanja.** V živi meji ali grmovju se lahko skrivajo napajalni kablji, ki jih ne opazite in jih lahko nenamerno prerežete.
- **Ne uporabljajte obrezovalnikov živih mej v slabih vremenskih pogojih, še posebej v nevihtnem času.** S tem zmanjšate nevarnost udara strele.
- **NEVARNOST – z rokami ne segajte v območje rezil.** Rezila lahko ob stiku povzročijo težke telesne poškodbe.

Splošna varnostna navodila



OPOZORILO: Pred uporabo izdelka preberite navodila v povezavi z opozorili v nadaljevanju.

- Odstranite baterijo in tako preprečite neželeni zagon izdelka.
- Izdelek je nevarno orodje, če niste previdni ali če ga ne uporabljate pravilno. Ta izdelek lahko povzroči hude poškodbe oziroma smrt upravljavca ali drugih.
- Izdelka ne uporabljajte, če so se spremenile njegove originalne specifikacije. Ne spreminjajte delov izdelka brez vnaprejšnje odobritve proizvajalca izdelka. Uporabljajte samo dele, ki jih je odobril proizvajalec. Zaradi neustreznega vzdrževanja lahko pride do poškodb ali smrti.
- Pred uporabo preverite izdelek. Glejte razdelek *Pred delom z izdelkom na strani 286*. Ne uporabljajte pokvarjenega izdelka. Izvajajte varnostne preglede in vzdrževalna dela ter upoštevajte servisna navodila, opisana v tem priručniku.
- Otroci se z izdelkom ne smejo igrati. Izdelka in/ali baterij ne smejo uporabljati, vzdrževali ali popravljati otroci ali druge osebe, ki za to niso usposobljene. Starost uporabnika je morda določena z lokalnimi zakoni.

- Izdelek skladiščite v zaklenjenem prostoru, tako da otroci ali osebe, ki niso primerne za rokovanje z izdelkom, do izdelka ne morajo dostopati.
- Izdelek shranjujte izven dosega otrok.
- Nikoli ne smete spreminjati prvotne izvedbe izdelka brez predhodnega dovoljenja proizvajalca. Uporabljajte samo originalno dodatno opremo. Spremembe brez pooblastila in/ali neoriginalni deli lahko povzročijo resne poškodbe ali smrt uporabnika in drugih oseb.

Opomba: Uporabo lahko ureja državna ali lokalna zakonodaja. Upoštevajte veljavne predpise.

Varnostna navodila za uporabo



OPOZORILO: Pred uporabo izdelka preberite navodila v povezavi z opozorili v nadaljevanju.

- V primeru dvoma, ali je nadaljnja uporaba še primerna, se posvetujte s strokovnjakom. Obrnite se na svojega zastopnika ali servisno delavnico. Izogibajte se situacijam, ki se vam zdijo prezahtevne.
- Izdelka ne uporabljajte, če ste utrujeni, pod vplivom alkohola ali drog ali zdravih oziroma v drugih okoliščinah, ki vplivajo na vaš vid, pozornost, koordinacijo ali presojo.
- Delo v slabem vremenu izčrpava in pogosto prispeva k dodatnim tveganjem. Zaradi povečanega tveganja uporaba stroja v zelo slabem vremenu ni priporočljiva, na primer v gosti megli, nalivih, močnem vetru, hudem mrazu ali ob nevarnosti udara strele itd.
- Pokvarjena rezila lahko povečajo nevarnost nesreč.
- Otrokom nikoli ne dovolite, da uporabljajo izdelek ali da so v njegovi bližini. Ker je zagon izdelka zelo enostaven, ga lahko zaženejo tudi otroci, če jih ne nadzorujete. To lahko pomeni tveganje resne osebne poškodbe. Zaradi tega odklopite baterijo, ko izdelka ne morete ustrezno nadzorovati.
- V premeru 15 metrov od delovnega mesta ne sme biti ljudi ali živali. Če sočasno v območju dela več uporabnikov, mora biti varnostna razdalja med njimi vsaj 15 metrov. To lahko pomeni nevarnost resne telesne poškodbe. V primeru približevanja oseb nemudoma izklopite izdelek. Z izdelkom nikoli ne zamahnite, ne da bi pred tem preverili prostor za sabo in se tako pripravili, da v varnostnem območju ni nikogar.
- Zagotovite, da osebe, živali ali drugi predmeti ne morejo vplivati na nadzor nad izdelkom in ne morejo priti v stik z rezalnim priključkom ali predmeti, ki jih rezalni priključek meče naokrog. Vendar izdelka ne uporabljajte, če v primeru nesreče ne morete priklicati pomoči.
- Obvezno pregledajte delovno območje. Odstranite vse trde delce, kot so kamenje, črepinje, žebliki, jeklena

žica, vrv in podobni predmeti, ki jih rezalni priključek lahko izvrže ali navije.

- Prepričajte se, da se lahko varno gibljete in stojite. Če se morate nepričakovano premakniti, preverite okolico za morebitne ovire (korenine, kamenje, veje, jarke, itd.). Pri delu na nagnjenih tleh bodite še posebej previdni.
- Ohranjajte stabilen položaj in čvrst korak. Rok ne stegujte predaleč.
- Izdelek izklopote, preden se premaknete na drugo območje. Transportno zaščito namestite, kadar izdelek ni v uporabi.
- Izdelka nikoli ne odložite, če ga niste izklopili in odstranili baterije. Kadar je izdelek vklopljen, mora biti vedno pod vašim nadzorom.
- Kadar je izdelek vklopljen, oblačila ali deli telesa ne smejo priti v stik z rezalnim priključkom.
- Če se med uporabo izdelka karkoli zatakne v rezila, prenehajte delo in izdelek izklopote. Rezalni priključek se mora popolnoma zaustaviti. Pred čiščenjem, pregledom ali popravilom izdelka in/ali rezil odstranite baterijo.
- Z rokami in nogami ne segajte v območje rezalnega priključka, dokler se popolnoma ne zaustavi in je izdelek izklopljen.
- Pazite na kose in veje, ki jih izdelek lahko izvrže med rezanjem. Ne režite preblizu tlam, od koder bi se lahko izvrgli kamni in drugi predmeti.
- Pozor pred izmetom predmetov. Uporabljajte vedno odobrena zaščitna očala. Nikoli se ne nagibajte čez ščitnik rezalnega priključka. Kamenje, odpadke ipd. lahko stroj vrže v oči, to pa lahko povzroči slepoto ali resne poškodbe.
- Bodite vedno pozorni na svarilne znake in klice, ko nosite zaščito za sluh. Zaščito za sluh odstranite takoj, ko se izdelek izklopi.
- Orodja ne uporabljajte z lestve, stola ali drugega dvignjenega položaja, ki ni povsem varen.
- Izdelek držite z obema rokama. Izdelek držite ob telesu.

(Sl. 16)

Osebna zaščitna oprema



OPOZORILO: Pred uporabo izdelka preberite navodila v povezavi z opozorili v nadaljevanju.

- Med uporabo izdelka obvezno uporabljajte ustrezno osebno zaščitno opremo. Osebna zaščitna oprema ne more popolnoma preprečiti poškodb, vendar v primeru nesreče omili posledice. Če potrebujete več informacij, se obrnite na prodajalca.
- Uporabljajte zaščitno čelado, če obstaja nevarnost padajočih predmetov.

(Sl. 17)

- Uporabljajte odobreno zaščito za sluh. Dolgotrajna izpostavljenost hrupu lahko povzroči trajno poškodbo sluha.

(Sl. 18)

- Uporabljajte odobreno zaščito oči. Tudi če uporabljate vizir, morate vedno uporabljati tudi homologirana zaščitna očala. Homologirana zaščitna očala morajo biti skladna s standardom ANSI Z87.1 za ZDA ali s standardom EN 166 za države EU.

(Sl. 19)

- Med uporabo in vzdrževanjem uporabljajte zaščitne rokavice.

(Sl. 20)

- Uporabljajte zaščitno obutev ali čevlje z nedrsečimi podplati.

(Sl. 21)

- Uporabljajte oblačila iz trpežnih materialov. Oblačila se morajo tesno prilegati, vendar vas ne smejo ovirati pri gibanju. Uporabljajte dolge hlače in si lase postavite za ramena. Ne nosite nakita ali odprtih čevljev.
- Opremo za prvo pomoč hranite v bližini.

(Sl. 22)

Varnostne naprave na izdelku



OPOZORILO: Pred uporabo izdelka preberite navodila v povezavi z opozorili v nadaljevanju.

V tem poglavju so opisane varnostne funkcije izdelka, njihov namen ter kako je stroj treba pregledovati in vzdrževati, da bo deloval pravilno. Glejte navodila v poglavju *Pregled izdelka na strani 279* za mesta delov na izdelku.

Življenjska doba izdelka se lahko zaradi nepravilnega vzdrževanja oziroma zaradi nestrokovnih popravil ali servisiranja skrajša, poveča pa se tudi nevarnost nesreč. Če potrebujete več informacij, se obrnite na najbližjega pooblaščenega servisnega trgovca.



OPOZORILO: Nikoli ne uporabljajte izdelka s poškodovanimi varnostnimi deli. Varnostno opremo stroja je treba pregledovati in vzdrževati v skladu z navodili, ki so podana v tem poglavju. Če izdelek ob pregledu ne izpolnjuje vseh opisanih pogojev, se nemudoma obrnite na pooblaščenega serviserja za popravilo.



POZOR: Vsa servisna dela in popravila na stroju zahtevajo posebno usposabljanje. To še posebej velja za varnostno opremo stroja. Če pri spodaj opisanem pregledu ugotovite, da kateri koli del stroja ne deluje tako, kot je opisano spodaj, se

nemudoma obrnite na pooblaščen servisno delavnico. Pri nakupu vseh naših izdelkov vam jamčimo dostop do strokovnih popravil in servisa. Če stroja niste kupili v kateri od naših pooblaščenih servisnih prodajaln, vprašajte prodajalca, kje je najbližja pooblaščen servisna delavnica.

Preverjanje tipkovnice

1. Pritisnite in pridržite gumb za vklop/izklop (A). (Sl. 23)
 - a) Izdelek je vklopljen, ko lučka LED (B) sveti.
 - b) Izdelek je izklopljen, ko lučka LED (B) ne sveti.
2. Če sveti ali utripa opozorilni indikator (C), glejte *Tipkovnica na strani 288*.

Preverjanje sprožilca sprednjega ročaja

Sprožilec sprednjega ročaja preprečuje nenameren zagon. Ko pritisnete sprožilec sprednjega ročaja, se sprožilec plina sprosti. Če ročaj sprostitite, se sprožilec plina in sprednjega ročaja vrmeta v izhodiščna položaja.

1. Prepričajte se, da se sprožilec plina in sprednjega ročaja prosto premikata in da povratna vzmet pravilno deluje.
2. Zaženite izdelek.
3. Pritisnite sprožilec sprednjega ročaja.

(Sl. 24)
4. Pritisnite sprožilec plina. (Sl. 25)
5. Sprostite sprožilec sprednjega ročaja in se prepričajte, da se rezalna dodatna oprema popolnoma ustavi.

Preverjanje ščitnika roke

Ščitnik roke preprečuje nenameren dotik rok z rezilom.

1. Izklopite izdelek.
2. Odstranite akumulator.
3. Preverite pravilno namestitvev ščitnika za roke.
4. Preglejte, ali je ščitnik rok poškodovan.

Pregled rezil in ščitnikov rezila

Daljši deli rezil (A) delujejo kot ščitniki rezila.

1. Izklopite izdelek.
2. Odstranite akumulator.
3. Nadenite si rokavice.
4. Prepričajte se, da rezila in ščitniki rezila niso poškodovani ali zviti. Zamenjajte rezila in ščitnike rezila, če so poškodovani ali ukrivljeni. (Sl. 26)

Varna uporaba baterije



OPOZORILO: Pred uporabo izdelka preberite navodila v povezavi z opozorili v nadaljevanju.

- Uporabite samo serijo BLi in serijo baterij 40-B. Za več informacij si oglejte *Tehnični podatki na strani 290*. Baterija je šifrirana s programsko opremo.
- Serijo baterije 40-B, ki jih je mogoče polniti, in serijo BLi uporabljajte kot vir napajanja samo za ustrezne izdelke Husqvarna. Za preprečevanje poškodb baterije ne uporabljajte za napajanje drugih naprav.
- Nevarnost električnega udara. Poli baterije ne smejo priti v stik s ključi, kovanci, vijaki ali drugimi kovinskimi deli. To lahko povzroči kratek stik baterije.
- Ne uporabljajte baterij za enkratno uporabo.
- V zračne reže baterije ne vstavljajte predmetov.
- Baterije ne izpostavljajte neposredni sončni svetlobi, vročini ali odprtemu ognju. Baterija lahko povzroči opekline in/ali kemične opekline.
- Baterije ne izpostavljate dežju in vlagi.
- Baterije ne izpostavljajte mikrovalovom in visokemu tlaku.
- Baterije ne poskušajte razstaviti ali odpreti.
- Če baterija pušča, pazite, da tekočina ne pride v stik s telesom ali očmi. Če ste se tekočine dotaknili, območje očistite z obilo vode in mila in poiščite zdravniško pomoč. Če pride tekočina v oči, ne drgnite oči, temveč jih spirajte z vodo vsaj 15 minut in poiščite zdravniško pomoč.
- Baterijo uporabljajte v okolju s temperaturami med -10 °C (14 °F) in 40 °C (114 °F).
- Baterije ali polnilnika nikoli ne čistite z vodo. Glejte, *Čiščenje izdelka, baterije in polnilnika baterije na strani 288*.
- Ne uporabljajte poškodovane ali pokvarjene baterije.
- Baterije med skladiščenjem ne smejo priti v stik s kovinskimi predmeti, na primer žebli, vijaki ali nakitom.
- Baterijo hranite zunaj dosega otrok.

Varna uporaba polnilnika baterije



OPOZORILO: Pred uporabo izdelka preberite navodila v povezavi z opozorili v nadaljevanju.

- Nevarnost električnega udara ali kratkega stika, če ne upoštevate varnostnih navodil.
- Ne uporabljajte polnilnikov, ki niso bili priloženi izdelku. Za polnjenje serije nadomestnih baterij serije BLi in 40-B uporabljajte samo polnilnike QC80 in 40-C80.
- Polnilnika baterije ne poskušajte razstaviti.
- Ne uporabljajte poškodovanega ali pokvarjenega polnilnika baterije.

- Baterijskega polnilnika ne dvigujte za napajalni kabel. Polnilnik baterije odklopite iz stenske vtičnice tako, da povlečete vtič. Nikoli ne vlecite za napajalni kabel.
- Pazite, da kabli in kabelski podaljški ne pridejo v stik z vodo, oljem in ostrimi robovi. Kabel ne sme biti zataknen med stavbno pohištvo, na primer vrata ali za ograje, ali podobne predmete.
- Baterijskega polnilnika ne uporabljajte v bližini gorljivih materialov ali materialov, ki povzročajo korozijo. Pazite, da polnilnik baterije ni pokrit. V primeru dima ali požara izvlecite vtič polnilnika baterije.
- Baterijo polnite le v zaprtih prostorih z dobrim prezračevanjem in zaščito pred neposrednim soncem. Baterije ne polnite na prostem. Baterijske enote ne polnite v stiku z vodo ali vlago.
- Polnilnik baterije uporabljajte samo v okolju s temperaturami med 5 °C (41 °F) in 40 °C (104 °F). Polnilnik uporabljajte v dobro prezračenem, suhem in brezprašnem okolju.
- V hladilne reže polnilnika baterije ne vstavljajte predmetov.
- Poli polnilnika baterije se ne smejo dotikati kovinskih predmetov, ker lahko to povzroči kratki stik.
- Uporabljajte nepoškodovane in odobrene omrežne vtičnice. Prepričajte se, da kabel polnilnika baterije ni poškodovan. V primeru uporabe podaljškov se prepričajte, da ti niso poškodovani.

- V baterijskem polnilniku ne polnite baterij za enkratno uporabo.

Varnostna navodila za vzdrževanje



OPOZORILO: Pred vzdrževanjem izdelka preberite naslednja opozorilna navodila.

- Pred vzdrževanjem, drugimi pregledi ali sestavljanjem izdelka odstranite baterijo.
- Uporabnik sme sam izvajati le tista vzdrževalna in servisna dela, ki so navedena v teh navodilih za uporabo. Za obsežnejša vzdrževalna in servisna dela se obrnite na servisnega zastopnika.
- Baterije ali polnilnika nikoli ne čistite z vodo. Močno čistilo lahko poškoduje plastiko.
- Če ne vzdržujete izdelka, skrajšate njegovo življenjsko dobo in povečate nevarnost nesreč.
- Za servisiranje in popravila izdelka, zlasti za varnostne naprave na izdelku, je potrebno posebno usposabljanje. Če po izvedenem vzdrževanju niso vsa preverjanja uspešno opravljena, se obrnite na servisnega zastopnika. Zagotavljamo vam, da so za vaš izdelek na voljo strokovna popravila in servisne storitve.
- Uporabljajte samo originalne nadomestne dele.

Montaža

Uvod

V tem poglavju je opisan postopek montaže in nastavitve izdelka.

pomeni, da baterija ni pravilno nameščena. Izdelek se lahko tako poškoduje.



OPOZORILO: Preden sestavite izdelek, preberite poglavje o varnosti in navodila za montažo.

Vstavev baterije v izdelek



OPOZORILO: V izdelku uporabljajte samo originalne baterije Husqvarna.

1. Baterijo napolnite do konca.
2. Potisnite baterijo v držalo baterije v izdelku. Baterija se zaskoči, ko slišite klik. (Sl. 27)



POZOR: Če baterije ni mogoče preprosto potisniti v držalo baterije,

Namestitev polnilnika akumulatorskih baterij (40-C80) na steno



POZOR: Pri namestitvi baterijskega polnilnika na steno ne uporabljajte električnih vijaknikov. Električni vijakniki lahko poškodujejo baterijski polnilnik.

1. Z 2 vijakoma (B) na steno namestite baterijski polnilnik. Po potrebi uporabite stensko vtičnico (A). (Sl. 28)
2. Namestite 2 čepka za luknje vijakov (C).
3. Napajalni kabel polnilnika priklopite v primerno glavno omrežno vtičnico.

Delovanje

Uvod



OPOZORILO: Preden začnete uporabljati izdelek, morate prebrati in razumeti poglavje o varnosti.

Baterija



OPOZORILO: Preden začnete uporabljati baterijo, morate prebrati in razumeti poglavje o varnosti. Preberite in razumite tudi navodila za uporabo, ki so priložena bateriji in polnilniku.

Baterijo in polnilnik baterije shranjujte v prostoru z ustrežno temperaturo.

	Temperatura okolice
Delovanje baterije	5–40 °C/41–104 °F
Polnjenje baterije	5–40 °C/41–104 °F

Stanje baterije

Na zaslonu je prikazana napolnjenost baterije in podatki o morebitnih težavah z baterijo.

(Sl. 29)

LED-indikator	Stanje baterije (napolnjenost)	
	BLi10	40-B70
Svetijo 4 LED-indikatorji	Ni navedeno	Baterija je napolnjena med 76 in 100 %.
Svetijo 3 LED-indikatorji	Baterija je napolnjena med 76 in 100 %.	Baterija je napolnjena med 51 in 75 %.
Svetita 2 LED-indikatorja	Baterija je napolnjena med 51 in 75 %.	Baterija je napolnjena med 26 in 50 %.
Sveti 1 LED-indikator	Baterija je napolnjena med 26 in 50 %.	Baterija je napolnjena med 6 in 25 %.
1 LED-indikator utripa	Baterija je napolnjena med 0 in 25 %.	Baterija je napolnjena med 0 in 5%.

Polnjenje baterije

Baterijo pred prvo uporabo napolnite. Nova baterija je napolnjena samo 30-odstotno.



POZOR: Baterijski polnilnik priklopite na vtičnico z napetostjo in frekvenco, ki sta navedeni na tipski ploščici.

Če temperatura baterije presega 50 °C/122 °F, se baterija ne bo polnila.

1. Napajalni kabel priključite na baterijski polnilnik.
2. Priključite baterijski polnilnik v ozemljeno vtičnico. Indikator LED za polnjenje enkrat utripne. (Sl. 30)
3. Baterijo priključite na baterijski polnilnik. Zasveti indikator polnjenja. Baterijo polnite največ 24 ur. (Sl. 31)
4. Pritisnite gumb stanja baterije. Baterija je popolnoma napolnjena, če zasvetijo vsi indikatorji.
5. Izvlecite napajalni priključek, da odklopite baterijski polnilnik iz električne vtičnice. Nikoli ne vlecite za napajalni kabel.

6. Odstranite baterijo iz polnilnika.

Pred delom z izdelkom

1. Preglejte delovno območje. Odstranite predmete, ki jih lahko izvrže.
2. Preglejte rezalni priključek. Prepričajte se, da so rezila ostra, nimajo razpok in niso poškodovana.
3. Poskrbite, da izdelek deluje pravilno. Preverite, ali so vsi vijaki in matice zategnjeni.
4. Prepričajte se, da ročice in varnostne naprave niso poškodovane ter so pravilno pritrjene. Izdelka ne uporabljajte, če mu manjkajo deli ali so se spremenile njegove originalne specifikacije. Po potrebi uporabite zaščitne rokavice.
5. Pred delom z izdelkom se prepričajte, da pokrovi niso poškodovani in so pravilno nameščeni.

Zagon izdelka

1. Pritisnite in pridržite gumb za vklop/izklop, dokler ne zasveti zelena lučka LED. (Sl. 32)

2. Pritisnite sprožilec sprednjega ročaja, ki je na sprednjem ročaju. (Sl. 33)
3. Pritisnite sprožilec plina. (Sl. 25)

Uporaba izdelka

1. Ko obrezujete strani žive meje, začnite pri tleh in izdelek premikajte navzgor. Pazite, da se s telesom izdelka ne dotaknete obrezovalnika. (Sl. 34)



OPOZORILO: Pazite, da se s sprednjim delom rezalne opreme ne dotaknete tal.

2. Za stabilni delovni položaj izdelek držite ob telesu.
3. Bodite previdni in delajte počasi z izdelkom.

Uporaba funkcije SavE

Ta izdelek ima funkcijo varčevanja z energijo, SavE.

Opomba: Funkcija SavE ne zmanjša zmogljivosti rezanja izdelka.

1. Na tipkovnici pritisnite gumb SavE.
2. Prepričajte se, da sveti zeleni indikator LED.
3. Znova pritisnite gumb SavE za izklop funkcije. Zelen indikator LED preneha svetiti. (Sl. 35)

Funkcija samodejnega izklopa

Izdelek ima funkcijo samodejnega izklopa, ki izdelek zaustavi, če se ta ne uporablja. Zelena lučk LED, ki prikazuje stanje vklopa/izklopa, preneha svetiti in izdelek se po 180 sekundah izklopi.

Izklop izdelka

1. Sprostite sprožilec plina in sprožilec sprednjega ročaja.
2. Pritisnite in pridržite gumb za vklop/izklop, dokler ne zasveti zelena lučka LED.
3. Pritisnite gumba za sprostitvev na bateriji in jo odstranite. (Sl. 36)

Vzdrževanje

Uvod



OPOZORILO: Pred izvajanjem vzdrževalnih del na izdelku morate prebrati in razumeti poglavje o varnosti.



OPOZORILO: Pred vzdrževanjem izdelka odstranite baterijo.

Urnik vzdrževanja

V nadaljevanju je naveden seznam vzdrževalnih korakov, ki jih je treba opraviti pri izdelku.

Vzdrževanje	Pred up-orabo	Teden-sko	Mesečno
Očistite zunanje dele izdelka.	X		
Preverite pravilno delovanje in brezhibnost gumba za vklop/izklop.	X		
Z varnostnega vidika se prepričajte, da sprožilec plina in sprožilec sprednjega ročaja delujeta pravilno.	X		
Preverite, da upravljalni elementi delujejo in niso poškodovani.	X		
Prepričajte se, da rezilo in ščitnik rezila nimata razpok in da nista poškodovana. Če imata rezilo in ščitnik rezila razpoke ali sta bila izpostavljena udarcem, ju zamenjajte.	X		
Če je rezilo upognjeno ali poškodovano, ga zamenjajte.	X		
Prepričajte se, da ščitnik roke ni poškodovan. Če je ščitnik poškodovan, ga zamenjajte.	X		
Prepričajte se, da so vijaki in matice dobro priviti.	X		
Baterija ne sme biti poškodovana.	X		

Vzdrževanje	Pred uporabo	Tedensko	Mesečno
Baterija mora biti napolnjena.	X		
Prepričajte se, da polnilnik baterije ni poškodovan.	X		
Prepričajte se, da sta vijaka, ki držita rezili skupaj, pravilno pritrjena.		X	
Preverite priključke med baterijo in izdelkom. Preverite priključek med baterijo in polnilnikom baterije.			X

Prehled baterije in polnilnika baterije

1. Preverite, ali je baterija poškodovana, na primer razpokana.
2. Preverite, ali je polnilnik baterije poškodovan, na primer razpokan.
3. Prepričajte se, da povezovalni kabel polnilnika baterije ni poškodovan in nima razpok.

Čiščenje izdelka, baterije in polnilnika baterije

1. Izdelek po uporabi očistite s suho krpo.
2. Baterijo in polnilnik baterije očistite s suho krpo. Vodila baterije morajo biti vedno čista.
3. Poli na bateriji in polnilniku baterije morajo biti čisti, ko vstavite baterijo v polnilnik ali izdelek.

Prehledovanje rezila

1. Očistite neželene materiale z rezila s protikorozivnim čistilnim sredstvom pred in po uporabi izdelka.
2. Preglejte, ali so robovi rezila poškodovani in deformirani.
3. S pilo odstranite ostanke z rezila.

4. Prepričajte se, da se rezila nemoteno vrtijo.

Čiščenje in mazanje rezila

1. Odstranite neželene materiale z rezila pred in po uporabi izdelka.
2. Pred daljšim skladiščenjem rezila namažite.

Opomba: Če potrebujete več informacij o priporočenih čistil in mazivih, se obrnite na servisnega zastopnika.

Mazanje menjalnika

Če je menjalnik razstavil pooblaščen serviser, na ohišje menjalnika nanesite mast.

- Uporabite posebno mast Husqvarna. Če potrebujete več informacij o priporočni masti, se obrnite na servisnega zastopnika.
- Uporabite samo manjšo količino posebne visokokakovostne masti.



POZOR: Ohišja menjalnika ne napolnite do konca.

Odpravljanje težav

Tipkovnica

Zaslon LED	Možne napake	Možne rešitve
Indikator LED za napako utripa.	Preobremenitev	Rezalni priključek se ne more prosto premikati. Sprostite ga.
	Odstopanje temperature	Počakajte, da se izdelek ohladi.
Izdelka ni mogoče zagnati.	Sočasno pritisnite sprožilec plina in startni gumb.	Sprostite sprožilec plina in zaustavite izdelek.
Indikator LED za napako sveti rdeče.	Izdelek je treba servisirati.	Obrnite se na servisnega zastopnika.

Baterija

Indikatorji LED	Možne napake	Možen ukrep
Zeleni indikator LED utripa	Nizka napetost baterije.	Napolnite baterijo.
Indikator LED za napako utripa.	Odstopanje temperature.	Baterijo uporabljajte v okolju s temperaturami med -10 °C (14 °F) in 40 °C (104 °F).
	Previsoka napetost.	Omrežna napetost mora biti skladna z vrednostjo na tipski ploščici na izdelku. Odstranite baterijo iz polnilnika.
Indikator LED za napako sveti.	Prevelika razlika med celicami (1 V).	Obrnite se na servisnega zastopnika.

Polnilnik baterije

Težava	Možne napake	Možna rešitev
Indikator polnjenja sveti rdeče.	Trajna napaka polnilnika baterije.	Obrnite se na svojega prodajalca.
Indikator polnjenja utripa zeleno.	Odstopanje temperature; baterija je premrzla ali prevroča za uporabo ali polnjenje.	Počakajte, da se baterija ohladi ali ogreje. Ko bo temperatura baterije ustrezna, jo lahko spet uporabljate ali polnite. Baterijski polnilnik uporabljajte v okolju s temperaturami med 5 °C in 40 °C (41–104 °F).
Indikator polnjenja utripa rdeče.	Pokvarjena baterija.	Obrnite se na svojega prodajalca.

Transport skladiščenje in odstranitev

Prevoz in skladiščenje

- Priložene litij-ionske baterije so skladne z zahtevami zakonodaje o nevarnem blagu.
- Pri transportu, tudi če ga izvaja tretja oseba ali posrednik, je treba upoštevati posebna navodila na embalaži in nalepkah.
- Pred pošiljanjem izdelka se posvetujte z osebo, ki je posebej usposobljena za nevarne snovi. Upoštevajte vse veljavne nacionalne predpise.
- Ob vstavljanju baterije v paket prelepite izpostavljene kontakte. Baterijo vstavite v paket tako, da se ne more premikati.
- Pri skladiščenju ali prevozu vedno odstranite baterijo.
- Baterijo in polnilnik baterije hranite v suhem prostoru, kjer ni vlage in zmrzali.
- Baterijske ne shranjujte v prostoru, v katerem je lahko prisotna statična elektrika. Baterije ne shranjujte v kovinski škatlji.
- Baterijo shranite v prostor s temperaturami med 5 in 25 °C (41–77 °F), v katerem ne sme biti izpostavljena neposredni sončni svetlobi.
- Polnilnik baterije shranite v prostor s temperaturami med 5 in 45 °C (41–113 °F) tako, da ne bo izpostavljen neposredni sončni svetlobi.
- Polnilnik baterije uporabljajte samo v okolju s temperaturami od 5 do 40 °C (41–104 °F).
- Pred dolgotrajnejšim skladiščenjem mora biti baterija napolnjena med 30 % in 50 %.
- Polnilnik baterije shranite v zaprt in suh prostor.
- Med shranjevanjem baterija ne sme biti v bližini polnilnika. Otroci in druge nepooblaščen osebe se ne smejo dotikati opreme. Oprema mora biti shranjena v prostoru, ki ga je mogoče zakleniti.
- Pred dolgotrajnejšim skladiščenjem izdelek očistite in opravite popoln servis.
- Pred prevozom in skladiščenjem na izdelek namestite transportno zaščito, da preprečite telesne poškodbe ali škodo na izdelku.

- Med prevozom varno pritrдите izdelek.

Odstranitev baterije, polnilnika baterije in izdelka

Simboli na izdelku ali njegovi embalaži opozarjajo, da izdelka ne smete obravnavati kot gospodinjskega odpadka. Treba ga je reciklirati v zbirnem centru

za reciklažo električne in elektronske opreme. Tako se pomaga preprečiti škodovanje okolju in ogrožanje zdravja ljudi.

Za več informacij o recikliranju svojega izdelka se obrnite na lokalne oblasti, službo za gospodinjske odpadke ali prodajalca.

Tehnični podatki

Tehnični podatki

	215IHD45
Motor	
Tip motorja	BLDC
Teža	
Teža brez baterije v kg	3,2
Rezilo	
Vrsta	Dvostranski
Dolžina rezila v mm	450
Hitrost rezila v rezih/minuto (v načinu SavE)	2400
Hitrost rezila v rezih/minuto (brez načina SavE)	3000
Emisije hrupa ³⁹	
Raven zvočne moči, izmerjena v dB (A)	87
Zagotovljena raven hrupa L_{WA}	90
Nivoji hrupa	
Raven zvočnega tlaka na uporabnikovem ušesu je izmerjena po EN 62841-4-2, dB(A)	79
Ravni vibracij ⁴⁰	
Raven vibracij (a_h), spredaj/zadaj, m/s^2	2,1/1,7

³⁹ Emisije hrupa v okolje, merjene kot moč zvoka (L_{WA}), v skladu z direktivo ES 2000/14/ES. Razlika med zajamčeno in izmerjeno ravno zvočne moči je v tem, da zajamčena raven zvočne moči, v skladu z direktivo 2000/14/ES, vključuje tudi razpršitev izmerjenih vrednosti in razlike med različnimi izdelki istega modela.

⁴⁰ Zabeleženi podatki za raven vibracij imajo tipično statistično razpršitev (standardni odklon) v višini $1,5 m/s^2$.

Navedena skupna vrednost vibracij je bila izmerjena v skladu s standardnim načinom preizkušanja in jo lahko uporabljate za medsebojno primerjavo orodij.

Navedeno skupno vrednost vibracij lahko uporabljate tudi pri predhodni oceni izpostavljenosti.

Odobrene baterije za izdelek

Akumulator	BLi10		40-B70
Vrsta	Litij-ionska		Litij-ionska
Zmogljivost baterije, Ah	Oglejte si nalepko s podatki o zmogljivosti akumulatorja		Oglejte si nalepko s podatki o zmogljivosti akumulatorja
Nazivna napetost, V	36	36,5	36
Teža v kg	0,7	0,7	0,8

Odobreni polnilniki baterij za izdelek

Baterijski polnilnik	QC80	40-C80
Omrežna napetost, V	100–240	100–240
Frekvenca, Hz	50-60	50-60
Moč, W	100	72
Izhodna napetost, V DC/ moč, A	36/2	43/1,6

Izjava o skladnosti

Izjava EU o skladnosti

Mi, **Husqvarna AB**, SE--561 82 Huskvarna, Švedska,
tel.: +46-36-146500, izjavljamo na lastno odgovornost,
da je izdelek:

Opis	Akumulatorski obrezovalnik žive meje
Znamka	Husqvarna
Vrsta/model	215iHD45
Identifikacija	Serijske številke od letnika 2024 dalje

v celoti skladen z naslednjimi direktivami in uredbami
EU:

Direktiva/uredba	Opis
2006/42/ES	"o strojih"
2014/30/EU	"o elektromagnetni združljivosti"
2000/14/ES	"o emisijah hrupa v okolico"
2011/65/EU	"o omejevanju uporabe nekaterih nevarnih snovi v električni in elektronski opremi"

in so pri tem v veljavi naslednji standardi in/ali tehnične
specifikacije: EN 62841-4-2:2019+A1:2022+A11:2022,
EN 62841-1:2015+A11:2022, EN IEC 55014-1:2021, EN
IEC 55014-2:2021, EN IEC 63000:2018.

V skladu z direktivo 2000/14/ES, Priloga V, se navezuje
Tehnični podatki na strani 290 na deklarirane ravni
zvoka.

Huskvarna, 2024-02-01



Claes Losdal, Vodja oddelka za raziskave in razvoj,
Husqvarna AB

Odgovorni za tehnično dokumentacijo



CUPRINS

Introducere.....	293	Depanarea.....	303
Siguranță.....	294	Transportul, depozitarea și eliminarea.....	304
Asamblarea.....	299	Date tehnice.....	304
Funcționarea.....	300	Declarație de conformitate.....	307
Întreținerea.....	301		

Introducere

Descrierea produsului

Husqvarna 215iHD45 este un foarfece de grădină cu baterie, cu un motor electric.

Se depun eforturi constant pentru a vă spori siguranța și eficiența în timpul funcționării. Adresați-

Prezentare generală a produsului

(Fig. 1)

1. Manualul operatorului
2. Mâner spate
3. Declanșator mâner frontal
4. Mâner frontal
5. Freză
6. Apărătoare de transport
7. Întrerupător
8. Panou control
9. Apărătoare
10. Baterie
11. Încărcător de baterie 40-C80
12. Conector
13. Buton indicator baterie
14. Stare baterie
15. Indicator de avertisment
16. Butonul SavE
17. Buton de pornire/oprire
18. Indicator de pornire și avertizare
19. Butoane de eliberare a bateriei
20. Încărcător de baterie QC80
21. Fir de alimentare

Simbolurile de pe produs

(Fig. 2) **AVERTISMENT:** Acest produs poate fi periculos și poate cauza vătămări corporale grave sau decesul operatorului sau al altor persoane. Acționați cu grijă și utilizați corect produsul.

(Fig. 3) Citiți cu atenție manualul operatorului și asigurați-vă că înțelegeți instrucțiunile înainte de a utiliza produsul.

(Fig. 4) Purtați ochelari de protecție.

(Fig. 5) Produsul este în conformitate cu directivele CE aplicabile.

(Fig. 6) Produsul și ambalajul produsului nu pot fi tratate ca deșeuri menajere. Reciclați-l la

vă reprezentantului de service pentru informații suplimentare.

Domeniul de utilizare

Utilizați produsul pentru a tăia ramurile și crengile. Nu utilizați produsul pentru alte sarcini.

un centru de reciclare pentru echipamente electrice și electronice.

(Fig. 7) Nu expuneți la ploaie.

(Fig. 8) Curent continuu.

(Fig. 9) Etichetă cu emisiile de zgomot în mediu înconjurător în conformitate cu directivele și reglementările din UE (incluzând și legislația din New South Wales) și din Regatul Unit. Datele privind emisiile de zgomot pot fi găsite pe eticheta utilajului și la capitolul Date tehnice.

(Fig. 10) Acest produs este în conformitate cu reglementările aplicabile din Regatul Unit.

(Fig. 11) Avertisment: Țineți mâinile departe de disc.

aaaassxxxxx Plăcuța de identificare indică seria. **aaaa** este anul fabricației și **ss** este săptămâna fabricației.

Nota: Alte simboluri/etichete de pe produs se referă la cerințe de certificare specifice pentru anumite piețe.

Simbolurile de pe baterie și/sau de pe încărcătorul acesteia

(Fig. 15) Reciclați acest produs la un centru de reciclare pentru echipamente electrice și electronice. (Este valabilă numai pentru Europa)

(Fig. 12) Transformator autoprotejat.

(Fig. 13) Utilizați și păstrați încărcătorul de baterie numai în interior.

(Fig. 14) Izolație dublă.

Siguranță

Definiții privind siguranța

Avertismentele, atenționările și notele sunt utilizate pentru a desemna părți foarte importante din manual.



AVERTISMENT: Se utilizează dacă există risc de vătămare sau de deces pentru operator sau pentru trecători, în cazul în care instrucțiunile din manual nu sunt respectate.



ATENȚIE: Se utilizează dacă există un risc de deteriorare a produsului, a altor materiale sau a zonelor învecinate, dacă instrucțiunile din manual nu sunt respectate.

Nota: Se utilizează pentru a furniza mai multe informații care sunt necesare într-o situație dată.

Avertismente generale privind siguranța uneltelor electrice



AVERTISMENT: Citiți toate avertismentele privind siguranța și toate instrucțiunile. Nerespectarea avertismentelor și instrucțiunilor poate avea ca rezultat șocuri electrice, incendii și/sau leziuni grave.

Nota: Păstrați toate avertismentele și instrucțiunile pentru consultări ulterioare. Termenul „unealtă electrică” folosit în avertismente se referă la unealta electrică (cu cablu) acționată de la rețeaua de alimentare sau la unealta electrică (fără cablu) acționată de baterii.

Siguranța zonei de lucru

- **Păstrați zona de lucru curată și bine iluminată.** Zonele dezordonate sau întunecoase provoacă accidente.
- **Nu acționați uneltelor electrice în atmosfere explozive, cum ar fi prezența lichidelor, a gazelor sau a prafului inflamabil.** Unelele electrice produc scântei care pot aprinde praful sau aburii.
- **Țineți la distanță copiii și alte persoane în timpul acționării unei uneelte electrice.** Distragerea atenției poate cauza pierderea controlului.

Siguranța privind echipamentele electrice

- **Ștecherile unelei electrice trebuie să corespundă prizei. Nu modificați niciodată ștecherul. Nu utilizați nicio fișă de conectare a adaptorului cu unelte electrice cu împământare (legate la masă).**

Ștecherile nemodificate și prizele potrivite acestora reduc riscul de electrocutare.

- **Evitați contactul cu corpul a suprafețelor de împământare sau legate la masă, cum ar fi țevi, radiatoare, plite și răcitoare.** Există un pericol sporit de electrocutare dacă împământarea sau legarea la masă se face prin corpul dvs.
- **Nu expuneți uneltelor electrice la ploaie sau la condiții de umezeală.** Apa care pătrunde într-o unealtă electrică va spori pericolul de electrocutare.
- **Nu folosiți cablul în mod abuziv. Nu utilizați niciodată cablul la transportarea, tragerea sau deconectarea unei uneelte electrice. Țineți cablul departe de căldură, ulei, muchii ascuțite sau piese în mișcare.** Firele deteriorate sau încurcate măresc riscul de electrocutare.
- **Când acționați o unealtă electrică în exterior, utilizați un cordon de racord potrivit pentru utilizarea în exterior.** Folosirea unui cablu adecvat pentru utilizarea la exterior reduce riscul de șoc electric.
- **Dacă funcționarea unei uneelte electrice într-o locație cu umiditate mare nu poate fi evitată, utilizați o sursă cu un întrerupător de curent rezidual (RCD).** Folosirea unui întrerupător de curent rezidual reduce pericolul de electrocutare



AVERTISMENT: Nu spălați utilajul cu aparat de spălare cu presiune, deoarece apa poate pătrunde în sistemul electric sau în motor și poate produce avarii sau scurtcircuite la utilaj.

Siguranța personală

- **Fiiți atenți la ceea ce faceți și acționați o unealtă electrică în mod rezonabil. Nu utilizați o unealtă electrică când sunteți obosit sau sub influența drogurilor, a alcoolului sau a medicamentelor.** Un moment de neatenție în timpul acționării uneltelor electrice poate duce la răni grave.
- **Utilizați echipamentul personal de protecție. Purtați întotdeauna ochelari de protecție.** Echipamentele de protecție, cum ar fi masca împotriva prafului, încălțăminte de protecție antiderapantă, casca sau protecția pentru auz utilizate în condiții corespunzătoare, vor reduce riscul de vătămări corporale.
- **Evitați pomirea accidentală. Verificați dacă comutatorul este în poziția OPRIT înainte de conectarea la o sursă de alimentare și/sau la baterii, înainte de ridicarea sau transportarea uneltelor.** Transportarea uneltelor electrice având degetul poziționat pe comutator sau activarea uneltelor electrice care au comutatorul pornit pot provoca accidente.
- **Îndepărtați toate cheile de reglare sau cheile fixe înaintea pomirii unelei electrice.** O cheie fixă sau o

cheie rămasă atașată la o piesă rotativă a unelei electrice poate duce la răniri.

- **Nu vă întindeți prea mult. Păstrați mereu o postură și un echilibru corespunzătoare.** Aceasta lucru permite un control mai bun al unelei electrice în situații neașteptate.
- **Îmbrăcați-vă corespunzător.** Nu purtați haine largi sau bijuterii. Țineți părul și îmbrăcămintea la distanță de piesele în mișcare. Hainele largi, bijuteriile sau părul lung pot fi prinse în piesele în mișcare.
- **Dacă dispozitivele sunt dotate cu racorduri la instalații de extragere și colectare a prafului, asigurați-vă că acestea sunt conectate și utilizate corespunzător.** Colectarea prafului poate reduce pericolele provocate de acesta.
- **Nu vă încredeți în familiaritatea dobândită din utilizarea frecventă a uneltor; prin urmare, nu ignorați principiile de siguranță ale uneltor.** O acțiune neglijentă poate duce la vătămări corporale grave într-o fracțiune de secundă.
- Emisiunea de vibrații din timpul folosirii efective a unelei electrice poate fi diferită față de valoarea declarată, în funcție de modul în care este utilizată unealta. Operatorii trebuie să identifice măsurile de siguranță necesare pentru a se proteja, pe baza estimării expunerii în condițiile de folosire efectivă (luând în calcul toate părțile ciclului de funcționare, ca de exemplu momentele în care unealta este oprită și cele în care funcționează în gol, fără ca întreprinzătorul să fie acționat).

Utilizarea și întreținerea unelei electrice

- **Nu forțați unealta electrică. Utilizați unealta electrică potrivită pentru aplicația dvs.** Unealta electrică potrivită va efectua lucrarea mai rapid și în condiții de siguranță mai bune la viteza de lucru pentru care a fost proiectată.
- **Nu utilizați unealta electrică în cazul în care nu poate fi pormită sau oprită de la comutator.** Orice unealtă electrică imposibil de controlat cu ajutorul comutatorului este periculoasă și trebuie reparată.
- **Deconectați și techerul de la sursa de alimentare și/sau scoateți acumulatorul unelei electrice, dacă este detașabil, înainte de a face reglaje, de a schimba accesoriile sau de a depozita unelte electrice.** Astfel de măsuri preventive de siguranță reduc riscul pomirii accidentale a unelei electrice.
- **Nu lăsați unelte electrice nefolosite la îndemâna copiilor și nu permiteți persoanelor care nu sunt familiarizate cu unealta electrică sau cu aceste instrucțiuni să o acționeze.** Unelele electrice sunt periculoase în mâinile utilizatorilor neinstruiți.
- **Mențineți uneltele electrice și accesoriile acestora. Verificați centrarea sau legarea incorectă a pieselor în mișcare, ruperea pieselor și orice alte stări care pot afecta funcționarea unelei electrice. Dacă este avariată, duceți unealta electrică la reparat înainte de a o utiliza.** Multe accidente sunt provocate de uneltele electrice prost întreținute.

- **Păstrați uneltele de tăiere ascuțite și curate.** Este mai puțin probabil ca uneltele de tăiere cu tăișuri ascuțite întreținute corespunzător să se blocheze și sunt mai ușor de controlat.
- **Utilizați unealta electrică, accesoriile și piesele din unelaltă, etc. în conformitate cu aceste instrucțiuni, luând în considerare și condițiile de lucru și activitatea care urmează să fie efectuată.** Utilizarea uneltelor electrice pentru operații diferite de cele pentru care sunt destinate poate duce la apariția de situații periculoase.
- **Mențineți mânerele și suprafețele de prindere uscate, curate, fără ulei și unsoare.** Mânerele și suprafețele de prindere alunecoase nu permit manipularea și controlul în siguranță al unelei în situații neprevăzute.

Utilizarea și întreținerea unelei cu baterie

- **Reîncărcați numai cu încărcătorul specificat de producător.** Un încărcător adecvat pentru un tip de baterie poate constitui pericol de incendiu atunci când este utilizat cu un alt tip de baterie.
- **Utilizați produsele numai cu bateriile special indicate.** Utilizarea unui alt tip de acumulatori poate constitui pericol de vătămări corporale și de incendiu.
- **Când acumulatorul nu este utilizat, păstrați-l departe de alte obiecte metalice, precum agrafe de birou, monede, chei, cuie, șuruburi sau alte obiecte mici de metal, care pot crea o conexiune între borne.** Scurtcircuitarea bornelor bateriei poate cauza arsuri sau incendii.
- **În condiții de utilizare neadecvată, din baterie pot ieși stropi de lichid; evitați contactul.** Totuși, dacă intrați accidental în contact cu lichidul respectiv, spălați cu apă. Dacă lichidul intră în contact cu ochii, consultați un medic. Lichidul care se scurge din baterie poate cauza iritații sau arsuri.
- **Nu utilizați acumulatori sau unelte deteriorate sau modificate.** Bateriile deteriorate sau modificate pot prezenta un comportament imprevizibil, care poate duce la incendii, explozii sau pericol de vătămări corporale.
- **Nu expuneți acumulatorii sau uneltele la flăcări sau temperaturi excesive.** Expunerea la flăcări sau la temperaturi de peste 130 °C poate cauza explozii.
- **Urmați toate instrucțiunile de încărcare și nu încărcați acumulatorul sau unealta în afara intervalului de temperatură specificat în instrucțiuni.** Încărcarea incorectă sau la temperaturi în afara intervalului specificat poate duce la deteriorarea bateriei și crește pericolul de incendiu.

Service

- **Cereți ca unealta dvs. electrică să fie reparată numai de un tehnician de reparații calificat, care să folosească numai piese de schimb identice.** Acest lucru va asigura păstrarea siguranței unelei electrice.
- **Nu reparați niciodată acumulatori deteriorați.** Repararea acumulatorilor trebuie efectuată numai de

către producător sau de către furnizorii de servicii autorizati.

Avertismente de siguranță pentru foarfecele de grădină - Siguranță personală

- **Utilizați foarfecele de grădină cu ambele mâini.** Utilizarea cu o mână poate cauza pierderea controlului și poate duce la vătămări corporale grave.
- **Țineți toate părțile corpului departe de cuțit. Nu îndepărtați materialul tăiat sau nu țineți de material pentru a-l tăia cât timp cuțitele sunt în mișcare.** Cuțitele continuă să se miște după ce comutatorul a fost oprit. Un moment de neatenție în timpul utilizării foarfecelui de grădină poate duce la vătămări corporale grave.
- **Transportați foarfecele de grădină ținând de mâner, cu discul oprit și având grijă să nu acționați vreun întrerupător de alimentare.** Îngrijirea corespunzătoare a foarfecelui de grădină va reduce riscul de pomire accidentală și vătămare corporală din cauza discurilor.
- **Când transportați sau depozitați motounealta pentru tuns gard viu, montați întotdeauna capacul dispozitivului de tăiere.** Manevrarea corectă a motouneltei pentru tuns gard viu va reduce riscul de vătămări corporale din cauza cuțitelor.
- **Când eliminați materialul blocat sau efectuați lucrări de service la unitate, asigurați-vă că toate întrerupătoarele de alimentare sunt oprite și acumulatorul este demontat sau deconectat.** Acționarea accidentală a foarfecelui de grădină în timpul îndepărtării materialului blocat sau al efectuării lucrărilor de service poate cauza vătămări corporale grave.
- **Țineți foarfecele de grădină numai de suprafețele de prindere izolate, deoarece discul poate atinge cabluri ascunse.** Discurile care intră în contact cu un cablu sub tensiune pot alimenta electric părțile metalice expuse ale foarfecelui de grădină și pot electrocuta utilizatorul.
- **Țineți toate cablurile și firele electrice departe de zona de tăiere.** În arbuști sau garduri vii ar putea fi ascunse cabluri sau fire de alimentare, care pot fi tăiate accidental de cuțit.
- **Nu utilizați motounealta pentru tuns gard viu în condiții de vreme nefavorabilă, mai ales când există risc de descărcări electrice.** Aceasta reduce riscul de a fi lovit de trăsnet.
- **PERICOL - Țineți mâinile la distanță de lamă.** Contactul cu discurile poate cauza vătămări corporale grave.

Instrucțiuni generale de siguranță



AVERTISMENT: Înainte de a utiliza produsul, citiți instrucțiunile de avertizare de mai jos.

- Scoateți bateria, pentru a preveni pomirea accidentală a produsului.
- Acest produs este o unealtă periculoasă dacă nu sunteți atent sau dacă utilizați produsul incorect. Acest produs poate cauza vătămări corporale grave sau decesul operatorului sau al altor persoane.
- Nu utilizați produsul dacă specificația sa inițială se modifică. Nu modificați o componentă a produsului fără aprobarea producătorului. Utilizați numai piese omologate de producător. Vătămările corporale sau decesul constituie un posibil rezultat al întreținerii incorecte.
- Verificați produsul înainte de utilizare. Consultați *Ce trebuie făcut înainte de a porni produsul la pagina 301*. Nu utilizați un produs defect. Efectuați verificările de siguranță, instrucțiunile de întreținere și de service descrise în acest manual.
- Copiii trebuie supravegheați, pentru a vă asigura că nu se joacă cu produsul. Nu permiteți copiilor sau altor persoane neinstruite cu privire la operarea produsului și/sau a bateriei să le utilizeze sau să le depaneze. Este posibil ca reglementările locale să limiteze vârsta utilizatorilor.
- Păstrați produsul într-o zonă restricționată pentru a preveni accesul copiilor sau al persoanelor neautorizate.
- Nu depozitați produsul la îndemâna copiilor.
- Nu modificați sub nicio formă proiectul produsului fără permisiunea producătorului. Modificările și/sau accesoriile neautorizate pot avea drept rezultat vătămări corporale grave sau decesul operatorului și al altor persoane.

Nota: Utilizarea poate fi reglementată de legislația națională sau locală. Respectați reglementările aplicabile.

Instrucțiuni de siguranță pentru utilizare



AVERTISMENT: Înainte de a utiliza produsul, citiți instrucțiunile de avertizare de mai jos.

- Dacă întâlniți o situație în care nu știți sigur cum să procedați, trebuie să întrebați un specialist. Contactați distribuitorul sau atelierul de service. Evitați utilizările care considerați că vă depășesc.
- Nu utilizați niciodată produsul dacă sunteți obosit, dacă ați consumat alcool, droguri, medicamente sau alte substanțe care v-ar putea afecta vederea, atenția, coordonarea sau judecata.
- Lucrul în condiții de vreme nefavorabilă este obositor și adesea aduce un plus de risc. Din cauza riscului suplimentar, nu se recomandă utilizarea aparatului în condiții de vreme nefavorabilă, cum ar fi ceață densă, ploaie abundentă, vânt puternic, frig pătrunzător, risc de descărcări electrice etc.
- Discurile defecte pot crește pericolul de accidente.

- Nu permiteți copiilor să folosească produsul sau să stea în apropierea acestuia. Deoarece produsul poate fi pornit cu ușurință, copiii îl pot porni dacă nu sunt supravegheați atent. Există riscul unor vătămări corporale grave. Deconectați bateria dacă produsul nu se află sub supraveghere atentă.
- Asigurați-vă că nicio persoană sau niciun animal nu se apropie la mai mult de 15 metri în timp ce lucrați. Când mai mulți operatori lucrează în aceeași locație, distanța de siguranță trebuie să fie de cel puțin 15 metri. În caz contrar, există riscul unor vătămări corporale grave. Oprii produsul imediat dacă se apropie cineva. Nu rotiți niciodată produsul în jur fără a verifica mai întâi în spatele dvs., pentru a vă asigura că nu se află nimeni în zona de siguranță.
- Asigurați-vă că oamenii, animalele sau alte lucruri nu vă pot afecta controlul asupra produsului sau că nu vin în contact cu accesoriul de tăiere sau obiectele desprinse care sunt proiectate de accesoriul de tăiere. Totuși, nu utilizați produsul decât în situații în care puteți solicita ajutor în eventualitatea unui accident.
- Inspectați întotdeauna zona de lucru. Îndepărtați toate obiectele libere, precum pietre, sticlă spartă, cuie, fire de oțel, sfoară etc. care pot fi proiectate sau se pot înfășura în jurul accesoriului de tăiere.
- Asigurați-vă că vă puteți deplasa și sta în picioare în siguranță. Verificați zona din jurul dvs. pentru posibile obstacole (rădăcini, pietre, crengi, șanțuri etc.) în caz că trebuie să vă deplasați brusc. Aveți mare grijă în timp ce lucrați pe teren în pantă.
- Păstrați un echilibru optim și stabilitatea picioarelor în mod constant. Nu vă întindeți prea mult.
- Dezactivați produsul înainte de a vă deplasa într-o altă zonă. Atașați apărătoarea pentru transport atunci când produsul nu este utilizat.
- Nu puneți jos produsul niciodată fără a-l dezactiva și a scoate bateria. Nu lăsați produsul nesupravegheat atunci când este pornit.
- Asigurați-vă că accesoriul de tăiere nu intră în contact cu haine sau părți ale corpului atunci când produsul este activat.
- În cazul în care apare ceva care blochează discurile în timp ce utilizați produsul, oprii și dezactivați produsul. Asigurați-vă că accesoriul de tăiere se oprește complet. Scoateți bateria înainte de a curăța, inspecta sau repara produsul și/sau discurile.
- Țineți mâinile și picioarele la distanță de accesoriul de tăiere până când acesta s-a oprit complet atunci când produsul este dezactivat.
- Atenție la cioturile de ramuri care pot fi proiectate în timp ce efectuați tăierea. Nu tăiați prea aproape de sol, unde pietrele și alte obiecte pot fi proiectate.
- Fiți atenți la obiectele azvârlite. Purtați întotdeauna echipament de protecție pentru ochi aprobat. Nu vă aplecați niciodată asupra apărătoarei accesoriului de tăiere. Pietrele, gunoiul etc. pot fi azvârlite în ochi, cauzând orbire sau vătămare gravă.
- Ascultați semnalele de avertisment sau strigătele când purtați echipament pentru protecția auzului.

Îndepărtați întotdeauna protecția pentru auz imediat ce se oprește produsul.

- Nu lucrați niciodată de pe o scară, un taburet sau din orice altă poziție ridicată care nu este complet fixată.
- Folosiți ambele mâini atunci când țineți produsul. Țineți produsul pe lângă corp.

(Fig. 16)

Echipamente de protecție personală



AVERTISMENT: Înainte de a utiliza produsul, citiți instrucțiunile de avertizare de mai jos.

- Utilizați echipamente omologate de protecție personală atunci când folosiți produsul. Echipamentele de protecție personală nu pot elimina complet riscul de vătămare, însă pot reduce gravitatea vătămarilor. Adresați-vă distribuitorului pentru informații suplimentare.
- Utilizați o cască de protecție în caz că există riscul ca unele obiecte să cadă.

(Fig. 17)

- Utilizați un sistem omologat de protecție a auzului. Expunerea pe termen lung la zgomot poate avea ca rezultat deteriorarea ireversibilă a auzului.

(Fig. 18)

- Utilizați ochelari de protecție omologați. Dacă utilizați un vizor de protecție, trebuie să purtați și ochelari de protecție. Ochelarii de protecție trebuie să fie conformi cu standardul ANSI Z87.1 în S.U.A. sau EN 166 în țările din UE.

(Fig. 19)

- Utilizați mănuși de protecție în timpul operării și întreținerii.

(Fig. 20)

- Utilizați cizme sau pantofi de protecție cu tălpi anti-alunecare.

(Fig. 21)

- Purtați haine din țesături rezistente. Hainele dvs. trebuie să fie strânse pe corp, dar să nu vă limiteze mișcările. Purtați pantaloni lungi și aranjați-vă părul lung în spatele umerilor. Nu purtați bijuterii și pantofi decupați.
- Păstrați echipamentul de prim ajutor în apropiere.

(Fig. 22)

Dispozitivele de siguranță de pe produs



AVERTISMENT: Înainte de a utiliza produsul, citiți instrucțiunile de avertizare de mai jos.

În această secțiune sunt descrise caracteristicile de siguranță al produsului, scopul său și modul în care trebuie efectuate verificările și întreținerea pentru a

asigura funcționarea corectă. A se vedea instrucțiunile din capitolul *Prezentare generală a produsului la pagina 293* pentru a afla unde sunt amplasate aceste piese pe produsul dvs.

Durata de viață a produsului se poate reduce, iar riscul de accidente se poate mări dacă întreținerea produsului nu este efectuată corect, iar reglarea și/sau reparațiile nu sunt executate în mod profesional. Dacă aveți nevoie de informații suplimentare, contactați cel mai apropiat furnizor de service.



AVERTISMENT: Nu utilizați niciodată un produs cu componente de siguranță deteriorate. Echipamentul de siguranță al produsului trebuie inspectat și întreținut conform indicațiilor din acest capitol. Dacă produsul nu trece oricare dintre următoarele verificări, contactați agentul de service pentru reparații.



ATENȚIE: Toate activitățile de service și de reparații de pe aparat necesită instruire specială. Acest lucru este adevărat în special în legătură cu echipamentul de siguranță al aparatului. În cazul în care aparatul dvs. nu trece de oricare dintre verificările descrise mai jos, trebuie să vă contactați agentul de service. Atunci când achiziționați oricare dintre produsele noastre, garantăm disponibilitatea reparațiilor și service-ului profesionist. Dacă vânzătorul cu amănuntul care vă vinde aparatul nu este dealer de service, solicitați-i adresa celui mai apropiat agent de service.

Verificarea tastaturii

1. Apăsăți și țineți apăsat butonul de start/oprire (A). (Fig. 23)
 - a) Produsul este pornit când este aprins LED-ul (B).
 - b) Produsul este oprit când este stins LED-ul (B).
2. Consultați *Tastatură la pagina 303* dacă indicatorul de avertisment (C) este aprins sau se aprinde intermitent.

Pentru verificarea întrerupătorului mânerului față

Întrerupătorul mânerului din față previne pornirea accidentală. Când apăsați întrerupătorul mânerului din față, acesta declanșează întrerupătorul de alimentare. Când eliberați mânerul, întrerupătorul de alimentare și întrerupătorul mânerului din față se deplasează înapoi în pozițiile inițiale.

1. Asigurați-vă că întrerupătorul de alimentare și întrerupătorul mânerului din față se mișcă liber și că arcul de rapel funcționează corespunzător.
2. Porniți produsul.

3. Împingeți întrerupătorul mânerului din față.

(Fig. 24)

4. Apăsăți întrerupătorul. (Fig. 25)
5. Eliberați întrerupătorul mânerului din față și asigurați-vă că accesoriul de tăiere se oprește complet.

Verificarea apărătoarei de mână

Apărătoarea de mână previne contactul accidental al mâinilor cu discurile.

1. Oprii produsul.
2. Îndepărtați bateria.
3. Verificați dacă apărătoarea de mână este atașată corect.
4. Verificați dacă apărătoarea de mână este deteriorată.

Pentru a verifica discurile și apărătorile discurilor

Părțile mai lungi ale discurilor (A) au funcția de apărătoare a discului.

1. Oprii produsul.
2. Îndepărtați bateria.
3. Puneți-vă mănușile.
4. Asigurați-vă că discurile și apărătorile discurilor nu sunt deteriorate sau îndoite. Înlocuiți discurile și apărătorile discurilor dacă sunt deteriorate sau îndoite. (Fig. 26)

Siguranța bateriei



AVERTISMENT: Înainte de a utiliza produsul, citiți instrucțiunile de avertizare de mai jos.

- Folosiți numai bateria din seriile BLi și 40-B. Pentru detalii, consultați *Date tehnice la pagina 304*. Bateria este criptată prin software.
- Utilizați bateriile reincărcabile din seriile BLi și 40-B ca sursă de alimentare numai pentru produsele Husqvarna asociate. Pentru a evita rănirea, nu folosiți bateria ca sursă de alimentare pentru alte dispozitive.
- Risc de electrocutare. Nu conectați bornele bateriei la chei, monede, șuruburi sau alte metale. Aceasta poate cauza scurtcircuitarea bateriei.
- Nu utilizați baterii nereincărcabile.
- Nu puneți obiecte în fantele de aerisire a bateriei.
- Feriți bateria de lumina solară, de căldură sau de flăcări deschise. Bateria poate provoca arsuri și/sau arsuri chimice.
- Feriți bateria de ploaie și de condiții de umezeală.
- Feriți bateria de microunde și de înaltă presiune.
- Nu încercați să demontați sau să spargeți bateria.

- Dacă există scurgeri de lichid dintr-o baterie, nu lăsați lichidul să intre în contact cu pielea sau ochii. Dacă ați atins lichidul, curățați zona cu săpun și apă din abundență și consultați medicul. Dacă lichidul pătrunde în ochi, nu frecați, ci spălați-vă cu multă apă timp de cel puțin 15 minute și consultați medicul.
- Utilizați bateria la temperaturi între -10 °C (14 °F) și 40 °C (114 °F).
- Nu curățați niciodată cu apă bateria sau încărcătorul de baterii. Consultați *Curățarea produsului, bateriei și încărcătorului la pagina 302*.
- Nu utilizați o baterie defectă sau deteriorată.
- Depozitați bateriile la distanță de obiecte de metal, de exemplu cuie, șuruburi sau bijuterii.
- Nu lăsați bateria la îndemâna copiilor.

Siguranța încărcătorului de baterii



AVERTISMENT: Înainte de a utiliza produsul, citiți instrucțiunile de avertizare de mai jos.

- Există riscul de electrocutare sau de scurtcircuit dacă nu sunt respectate instrucțiunile de siguranță.
- Nu utilizați alte încărcătoare de baterii decât cel furnizat pentru produsul dvs. Utilizați doar încărcătoare QC80 și 40-C80 când încărcați bateriile de schimb din seriile BLi și 40-B.
- Nu încercați să dezamblați încărcătorul de baterii.
- Nu utilizați un încărcător de baterii defect sau deteriorat.
- Nu ridicați încărcătorul de baterii ținând de cablul de alimentare. Pentru a deconecta încărcătorul de baterii de la priză de perete, trageți de ștecăr. Nu trageți de cablul de alimentare.
- Feriți toate cablurile și prelungitoarele de apă, ulei și muchii ascuțite. Asigurați-vă că acest cablu nu este prins între obiecte, de exemplu uși, garduri sau în alte locuri similare.
- Nu utilizați încărcătorul de baterii în apropiere de materiale inflamabile sau materiale care pot cauza coroziune. Asigurați-vă că încărcătorul de baterii nu este acoperit. În caz de fum sau de incendiu, scoateți ștecărul încărcătorului de baterii.
- Încărcați bateria numai în interior, într-un loc cu aerisire adecvată și departe de lumina soarelui. Nu

încărcați bateria în exterior. Nu încărcați bateria în medii umede.

- Utilizați încărcătorul de baterii la temperaturi între 5 °C (41 °F) și 40 °C (104 °F). Utilizați încărcătorul într-un mediu foarte bine ventilat, uscat și fără praf.
- Nu puneți obiecte în fantele de răcire a încărcătorului de baterii.
- Nu atingeți niciodată bornele încărcătorului de baterii cu obiecte metalice, deoarece se pot crea scurtcircuite.
- Utilizați prize aprobate care nu sunt deteriorate. Asigurați-vă că nu este deteriorat cablul încărcătorului. Dacă sunt utilizate cabluri prelungitoare, asigurați-vă că acestea nu sunt deteriorate.
- Nu încărcați baterii nereîncărcabile în încărcătorul de baterii.

Instrucțiuni de siguranță pentru întreținere



AVERTISMENT: Înainte de a efectua lucrări de întreținere asupra produsului, citiți instrucțiunile de avertisment de mai jos.

- Scoateți bateria înainte de a efectua întreținerea, alte verificări sau de a asambla produsul.
- Operatorul trebuie să efectueze numai operațiile de întreținere și service indicate în acest manual al operatorului. Apelați la reprezentantul de service pentru întreținerea și service-ul de mai mare amploare.
- Nu curățați niciodată bateria sau încărcătorul cu apă. Detergentul puternic poate deteriora plasticul.
- Dacă nu efectuați operații de întreținere, durata de viață a produsului scade, iar pericolul de accidente crește.
- Este necesară instruirea profesională specială pentru toate lucrările de service și reparații, mai ales pentru dispozitivele de siguranță de pe produs. Dacă nu toate verificările din acest manual al operatorului sunt aprobate; după ce ați efectuat operațiile de întreținere, apelați la reprezentantul de service. Vă garantăm că există servicii profesionale de reparații și service disponibile pentru produsul dvs.
- Utilizați doar piese de schimb originale.

Asamblarea

Introducere

Această secțiune descrie cum se montează și cum se reglează produsul.



AVERTISMENT: Înainte să asamblați produsul, citiți capitolul privind siguranța și instrucțiunile de asamblare.

Pentru a conecta bateria la produs



AVERTISMENT: Introduceți numai baterii originale Husqvarna în produs.

1. Încărcați complet bateria.

- Împingeți bateria în suportul de baterie al produsului. Când auziți un clic, înseamnă că bateria s-a blocat în poziția corectă. (Fig. 27)



ATENȚIE: Dacă bateria nu se deplasează cu ușurință în suportul de baterie, înseamnă că bateria nu este instalată corect. Aceasta poate deteriora produsul.

- Montați încărcătorul de baterii pe perete cu cele 2 șuruburi (B). Utilizați dibluri (A) dacă este necesar. (Fig. 28)
- Montați cele 2 șuruburi în dibluri (C).
- Conectați cablul de alimentare la încărcătorul de baterii și la o priză.

Instalarea încărcătorului de baterii 40-C80 pe perete



ATENȚIE: Nu utilizați o șurubelniță electrică pentru a monta încărcătorul de baterii pe perete. Șurubelnița electrică poate cauza deteriorarea încărcătorului de baterii.

Funcționarea

Introducere



AVERTISMENT: Citiți și înțelegeți capitolul referitor la siguranță înainte de utilizarea produsului.

Baterie



AVERTISMENT: Citiți cu atenție capitolul referitor la siguranță înainte de a utiliza bateria. Citiți cu atenție informațiile privind bateria și încărcătorul din manualul operatorului.

Păstrați bateria și încărcătorul la temperaturile ambiante corecte.

	Temperatură ambiantă
Folosirea bateriei	5-40 °C / 41-104 °F
Încărcarea bateriei	5-40 °C / 41-104 °F

Stare baterie

Afișajul arată starea de încărcare și dacă există probleme cu bateria.

(Fig. 29)

Indicator cu LED	Starea bateriei (starea de încărcare)	
	BLi10	40-B70
4 LED-uri aprinse	N/A	Bateria este încărcată în proporție de 76-100%.
3 LED-uri aprinse	Bateria este încărcată în proporție de 76-100%.	Bateria este încărcată în proporție de 51-75%.
2 LED-uri aprinse	Bateria este încărcată în proporție de 51-75%.	Bateria este încărcată în proporție de 26-50%.
1 LED este aprins	Bateria este încărcată în proporție de 26-50%.	Bateria este încărcată în proporție de 6-25%.
1 LED luminează intermitent	Bateria este încărcată în proporție de 0-25%.	Bateria este încărcată în proporție de 0-5%.

Încărcarea bateriei

Încărcați bateria dacă este prima dată când o folosiți. O baterie nouă este încărcată doar până la 30%.



ATENȚIE: Conectați încărcătorul de baterii la o priză de alimentare cu tensiunea și frecvența specificate pe plăcuța de identificare.

Bateria nu se încarcă dacă temperatura sa depășește 50 °C / 122 °F.

1. Conectați cablul de alimentare la încărcător.
2. Conectați încărcătorul la o priză cu împământare. LED-ul de încărcare luminează o dată. (Fig. 30)
3. Conectați bateria la încărcător. LED-ul de încărcare se aprinde. Încărcați bateria timp de maximum 24 de ore. (Fig. 31)
4. Apăsăți butonul indicator al bateriei dacă indicatoarele cu LED se aprind, bateria fiind complet încărcată.
5. Trageți fișa de alimentare pentru a deconecta încărcătorul de baterii de la priză. Nu trageți de cablul de alimentare.
6. Scoateți bateria din încărcător.

Ce trebuie făcut înainte de a porni produsul

1. Examinați zona de lucru. Îndepărtați obiectele care pot fi proiectate.
2. Examinați accesoriul de tăiere. Asigurați-vă că lamele sunt ascuțite, nu au fisuri și nu sunt deteriorate.
3. Asigurați-vă că produsul funcționează corect. Verificați ca toate șuruburile și piulițele să fie bine strânse.
4. Asigurați-vă că mânerul și dispozitivele de siguranță nu sunt deteriorate și sunt atașate corect. Nu utilizați un produs cu piese lipsă sau care a fost modificat față de specificația sa inițială. Utilizați mănuși de protecție dacă este necesar.
5. Înainte de a utiliza produsul, asigurați-vă că nu sunt deteriorate capacele și că sunt atașate corect.

Pornirea produsului

1. Apăsăți butonul de pornire/oprire până când LED-ul verde se aprinde. (Fig. 32)
2. Apăsăți întrerupătorul mânerului frontal de pe mânerul frontal. (Fig. 33)

3. Apăsăți întrerupătorul. (Fig. 25)

Pentru a utiliza produsul

1. Începeți aproape de sol și deplasați produsul în sus de-a lungul gardului viu atunci când tăiați marginile. Asigurați-vă că nu atingeți gardul viu cu corpul produsului. (Fig. 34)



AVERTISMENT: Asigurați-vă că partea frontală a echipamentului de tăiere nu atinge solul.

2. Țineți produsul aproape de corp pentru o poziție de lucru stabilă.
3. Acționați cu grijă și utilizați produsul corect.

Utilizarea funcției SavE

Acest produs are o funcție de economisire energie, SavE.

Nota: Funcția SavE nu reduce puterea de tăiere a produsului.

1. Apăsăți butonul SavE de pe tastatură.
2. Asigurați-vă că LED-ul verde se aprinde.
3. Apăsăți din nou butonul SavE pentru a dezactiva funcția. LED-ul verde se stinge. (Fig. 35)

Funcția de oprire automată

Produsul dispune de o funcție de oprire, care oprește produsul dacă acesta nu este utilizat. LED-ul verde care indică pornirea/oprirea se stinge, iar produsul se oprește după 180 de secunde.

Oprirea produsului

1. Eliberați întrerupătorul de alimentare și întrerupătorul de pe mânerul frontal.
2. Apăsăți butonul de pornire/oprire până când LED-ul verde se stinge.
3. Apăsăți butoanele de deblocare ale bateriei și scoateți bateria. (Fig. 36)

Întreținerea

Introducere



AVERTISMENT: Citiți și înțelegeți capitolul privind siguranța înainte de a efectua operații de întreținere asupra produsului.



AVERTISMENT: Scoateți bateria înainte de a efectua operații de întreținere asupra produsului.

Program de întreținere

În continuare prezentăm o listă de pași de întreținere care trebuie efectuați asupra aparatului.

Întreținere	Înainte de utilizare	Săptămănal	Lunar
Curățați componentele externe ale produsului.	X		
Verificați dacă comutatorul de pornire și oprire funcționează corect și nu este deteriorat.	X		
Asigurați-vă că întrerupătorul de alimentare și întrerupătorul mânerului din față funcționează corect din punctul de vedere al siguranței.	X		
Asigurați-vă că toate comenzile funcționează și nu sunt deteriorate.	X		
Asigurați-vă că discul frezei și apărătoarea frezei nu au fisuri și că nu sunt deteriorate. Înlocuiți discul frezei sau apărătoarea frezei dacă au fisuri sau dacă au fost expuse la impact.	X		
Înlocuiți discul frezei dacă este îndoit sau deteriorat.	X		
Asigurați-vă că apărătoarea de mână nu este deteriorată. Înlocuiți apărătoarea dacă este deteriorată.	X		
Asigurați-vă că șuruburile și piulițele sunt strânse.	X		
Asigurați-vă că bateria nu este deteriorată.	X		
Asigurați-vă că bateria este încărcată.	X		
Asigurați-vă că încărcătorul de baterii nu este deteriorat.	X		
Asigurați-vă că șuruburile care mențin îmbinate discurile frezei sunt strânse corect.		X	
Verificați legăturile dintre baterie și produs. Verificați legăturile dintre baterie și încărcătorul bateriei.			X

Examinarea bateriei și încărcătorului

1. Examinați bateria pentru a identifica defecțiunile, de exemplu fisuri.
2. Examinați încărcătorul de baterii pentru a identifica defecțiunile, de exemplu fisuri.
3. Asigurați-vă că cablul de conectare al încărcătorului de baterii nu este deteriorat și că nu prezintă fisuri.

Curățarea produsului, bateriei și încărcătorului

1. Curățați produsul cu o cârpă uscată după utilizare.
2. Curățați bateria și încărcătorul de baterii cu o cârpă uscată. Mențineți curate șinele de ghidaj al bateriei.
3. Asigurați-vă că bornele bateriei și încărcătorul de baterii sunt curate, înainte ca bateria să fie introdusă în încărcător sau produs.

Examinarea lamei

1. Curățați lama de materiale nedorite cu un agent de curățare anticoroziv înainte și după ce utilizați produsul.

2. Examinați eventualele deteriorări și deformări de pe marginile lamei.
3. Folosiți o pilă pentru a îndepărta bavurile de pe lamă.
4. Asigurați-vă că discurile se mișcă liber.

Pentru a curăța și unge discurile

1. Curățați discurile de materiale nedorite înainte și după ce utilizați produsul.
2. Lubrifiați discurile înainte de a le depozita pentru perioade lungi.

Nota: Adresați-vă reprezentantului de service pentru informații suplimentare privind agenții de curățare și lubrifiții recomandate.

Pentru a unge angrenajul

Aplicați unsoare pe carcasa angrenajului dacă angrenajul a fost dezambalat de către un distribuitor de service autorizat.

- Folosiți unsoare specială Husqvarna. Adresați-vă reprezentantului de service pentru informații suplimentare privind unsoarea recomandată.

- Folosiți doar o cantitate mică de vaselină specială de înaltă calitate.



ATENȚIE: Nu umpleți complet carcasa angrenajului.

Depanarea

Tastatură

Ecraan cu LED-uri	Erori posibile	Soluții posibile
LED-ul de eroare se aprinde intermitent.	Suprasarcină	Accesorii de tăiere nu se mișcă liber. Eliberați accesoriul de tăiere.
	Deviație de temperatură	Lăsați produsul să se răcească.
Produsul nu pornește.	Apăsăți întrerupătorul și în același timp apăsați butonul de pornire.	Eliberați întrerupătorul și opriți produsul.
LED-ul de eroare se aprinde cu lumină roșie.	Este necesar să se efectueze lucrări de service asupra produsului	Adresați-vă reprezentativului de service.

Baterie

Afișaj LED	Erori posibile	Acțiune posibilă
LED-ul verde se aprinde intermitent.	Tensiune joasă a bateriei.	Încărcați bateria.
LED-ul de eroare se aprinde intermitent.	Deviație de temperatură.	Utilizați bateria la temperaturi între -10°C (14°F) și 40°C (104°F).
	Tensiune prea mare.	Asigurați-vă că tensiunea rețelei de alimentare corespunde celei indicate pe plăcuța de identificare a produsului. Scoateți bateria din încărcător.
LED-ul de eroare este aprins.	Diferența între baterii este prea mare (1 V).	Adresați-vă reprezentativului de service.

Încărcător de baterii

Problemă	Erori posibile	Soluție posibilă
LED-ul de încărcare este roșu.	Eroare permanentă încărcător baterii.	Adresați-vă distribuitorului.
LED-ul de încărcare luminează intermitent verde.	Deviație de temperatură, bateria este prea rece sau prea fierbinte pentru a fi utilizată sau încărcată.	Lăsați bateria să se răcească sau încălziți-o. Când bateria are temperatura corectă, aceasta poate fi utilizată sau încărcată din nou. Utilizați încărcătorul de baterii la temperaturi ambiante cuprinse între 5 °C (41 °F) și 40 °C (104 °F).

Problemă	Erori posibile	Soluție posibilă
LED-ul de încărcare luminează intermitent roșu.	Bateria este defectă.	Adresați-vă distribuitorului.

Transportul, depozitarea și eliminarea

Transportul și depozitarea

- Bateriile cu ioni de litiu furnizate respectă cerințele legislației privind bunurile periculoase.
- Respectați cerințele speciale de pe ambalaj și etichete privind transportul comercial, inclusiv cele emise de către terțe părți și companiile de expediție.
- Discutați cu o persoană care a beneficiat de instruire specială privind materialele periculoase înainte de a trimite produsul. Respectați toate reglementările naționale aplicabile.
- Aplicați bandă adezivă pe contactele expuse atunci când introduceți bateria într-un pachet. Bateria trebuie ambalată astfel încât să nu se poată deplasa în interiorul pachetului.
- La depozitare și la transport, scoateți întotdeauna bateria.
- Puneți bateria și încărcătorul de baterii într-un spațiu uscat și ferit de umezeală și îngheț.
- Nu depozitați bateria într-un loc în care există riscul de acumulare a electricității statice. Nu depozitați bateria într-o cutie metalică.
- Depozitați bateria la temperaturi între 5°C (41°F) și 25°C (77°F), într-un loc ferit de radiațiile solare directe.
- Depozitați încărcătorul de baterii la temperaturi între 5°C (41°F) și 45°C (113°F), într-un loc ferit de radiațiile solare directe.
- Utilizați încărcătorul de baterii numai la temperaturi ambiante cuprinse între 5°C/41°F și 40°C/104°F.

- Încărcați bateria în proporție de 30 % - 50 % înainte de a o depozita pe o perioadă lungă.
- Depozitați încărcătorul de baterii într-un spațiu închis și uscat.
- Nu depozitați bateria lângă încărcător. Nu lăsați copiii și alte persoane neautorizate să atingă echipamentul. Păstrați echipamentul într-un spațiu pe care îl puteți înclui.
- Curățați produsul și efectuați un service complet înainte de a depozita produsul pentru o perioadă lungă de timp.
- Utilizați apărătoarea de transport pe produs pentru a preveni accidentarea sau deteriorarea produsului în timpul transportului și depozitării.
- Fixați foarte bine produsul în timpul transportului.

Eliminarea bateriei, încărcătorului acesteia și a produsului

Simbolurile de pe produs sau de pe ambalajul acestuia înseamnă că produsul nu este deșeu menajer. Reciclați-l la un centru de reciclare pentru echipamente electrice și electronice. Această măsură ajută la protejarea mediului și a oamenilor.

Luați legătura cu autoritățile locale, centrul de colectare a reziduurilor menajere sau distribuitorul pentru mai multe informații despre modul de reciclare a produsului dvs.

Date tehnice

Date tehnice

	215HD45
Motor	
Tip de motor	BLDC
Greutate	
Greutate fără baterie, kg	3,2
Freză	
Tip	Cu două fețe

	215iHD45
Lungime disc, mm	450
Turație disc, cursă/min. (cu modul SavE)	2400
Turație disc, cursă/min. (fără modul SavE)	3000
Emisii de zgomot ⁴¹	
Nivel de putere acustică, măsurat dB(A)	87
Nivel de putere acustică, garantat L _{WA}	90
Niveluri de zgomot	
Nivel de presiune acustică la urechea operatorului, măsurat conform EN 62841-4-2, dB(A)	79
Niveluri de vibrații ⁴²	
Niveluri de vibrații (a _n), față/spate m/s ²	2,1/1,7

Baterii aprobate pentru produs

Baterie	BLI10	40-B70
Tip	Litiu-ion	Litiu-ion
Capacitate baterie, Ah	Consultați autocolantul de identificare a bateriei	Consultați autocolantul de identificare a bateriei
Tensiune nominală, V	36	36,5
Greutate, kg	0,7	0,7
		0,8

Încărcătoare de baterii aprobate pentru produs

Încărcător baterie	QC80	40-C80
Tensiune rețea, V	100-240	100-240
Frecvență, Hz	50-60	50-60
Putere, W	100	72

⁴¹ Emisiile de zgomot în mediu măsurate ca putere acustică (L_{WA}) în conformitate cu directiva CE 2000/14/CE. Diferența dintre puterea acustică garantată și cea măsurată este aceea că puterea acustică garantată include, de asemenea, dispersia în rezultatul de măsurare și variațiile dintre diferitele produse ale aceluiași model conform Directivei 2000/14/CE.

⁴² Datele raportate pentru nivelul de vibrații prezintă o dispersie statistică tipică (abatere standard) de 1,5 m/s².

Valoarea totală declarată a vibrației a fost măsurată în concordanță cu o metodă standard de testare și poate fi utilizată pentru compararea unei unelte cu alta.

Valoarea totală declarată a vibrației poate fi utilizată, de asemenea, într-o evaluare preliminară a gradului de expunere.

Încărcător baterie	QC80	40-C80
Tensiune de ieșire, V cc/ amperi, A	36/2	43/1,6

Declarație de conformitate

Declarație de conformitate UE

Noi, **Husqvarna AB**, SE-561 82 Huskvarna, Suedia, tel.:
+46-36-146500, declarăm pe propria răspundere, că
produsul:

Descriere	Motounealtă de tuns gard viu pe baterie
Marcă	Husqvarna
Tip/Model	215iHD45
Identificare	Numerele de serie începând cu 2024

respectă în totalitate următoarele directive și
reglementări UE:

Directivă/Reglemen- tare	Descriere
2006/42/CE	„privind echipamentele tehnice”
2014/30/UE	„privind compatibilitatea electromagnetică”
2000/14/CE	„privind emisiile de zgomot în mediul înconjurător”
2011/65/UE	„privind restricțiile de utilizare a anumitor substanțe periculoase în echipamentele electrice și electronice”

și că au fost aplicate următoarele
standarde și/sau specificații tehnice:
EN 62841-4-2:2019+A1:2022+A11:2022, EN
62841-1:2015+A11:2022, EN IEC 55014-1:2021, EN
IEC 55014-2:2021, EN IEC 63000:2018.

În conformitate cu Directiva 2000/14/CE, anexa V,
consultați *Date tehnice la pagina 304* pentru valorile de
sunet declarate.

Huskvarna, 2024-02-01



Claes Losdal, Manager Cercetare și dezvoltare,
Husqvarna AB

Responsabil pentru documentația tehnică



Sadržaj

Uvod.....	308	Rešavanje problema.....	317
Bezbednost.....	309	Transport, skladištenje i odlaganje.....	318
Sklapanje.....	314	Tehnički podaci.....	319
Rukovanje.....	315	Deklaracija o usaglašenosti.....	321
Održavanje.....	316		

Uvod

Opis proizvoda

Husqvarna 215iHD45 su akumulatorske makaze za živu ogradu sa elektromotorom.

Neprestano radimo na povećanju bezbednosti i efikasnosti rada. Obratite se serviseru za više informacija.

Pregled proizvoda

(SI. 1)

1. Korisničko uputstvo
2. Zadnja ručka
3. Prednji prekidač
4. Prednja ručka
5. Rezač
6. Zaštita za transportovanje
7. Obarač gasa
8. Kontrolna tabla
9. Štitnik za ruku
10. Baterija
11. Punjač baterije 40-C80
12. Priključak
13. Dugme indikatora baterije
14. Status baterije
15. Indikator upozorenja
16. Dugme SavE
17. Dugme za pokretanje/zaustavljanje
18. Indikator napajanja i upozorenja
19. Dugme za otpuštanje baterije
20. Punjač baterije QC80
21. Kabl za napajanje

Simboli na proizvodu

- (SI. 2) UPOZORENJE: Ovaj proizvod može biti opasan i prouzrokovati teške povrede ili smrt rukovaoca ili drugih osoba. Budite pažljivi i koristite proizvod na pravilan način.
- (SI. 3) Pre korišćenja proizvoda pažljivo pročitajte korisničko uputstvo i budite sigurni da ste ga razumeli.
- (SI. 4) Nosite zaštitu za oči.
- (SI. 5) Proizvod je usaglašen sa važećim direktivama EZ.
- (SI. 6) Ovaj proizvod ili pakovanje ne treba tretirati kao kućni otpad. Reciklirajte ga

Namena

Koristite proizvod za sečenje grana i grančica. Nemojte koristiti proizvod za druge zadatke.

- na lokaciji za recikliranje električne i elektronske opreme.
- (SI. 7) Nemojte izlagati kiši.
- (SI. 8) Jednosmerna struja.
- (SI. 9) Nalepnica za emisiju buke u okruženje je u skladu sa direktivama i propisima EU (uključujući zakonodavstvo Novog Južnog Velsa) i UK. Podaci o emisiji buke su navedeni na nalepnici mašine i u poglavlju Tehnički podaci.
- (SI. 10) Proizvod je usaglašen sa važećim direktivama UK.
- (SI. 11) Upozorenje: Držite ruke dalje od noža.
- yyyywwxxxx** Pločica tipa prikazuje serijski broj. **yyyy** je godina proizvodnje, a **ww** je nedelja proizvodnje.

Napomena: Ostali simboli/nalepnice koji su navedeni na proizvodu važe za specifične zahteve sertifikata na određenim tržištima.

Simboli na akumulatoru i/ili punjaču akumulatora

- (SI. 15) Reciklirajte ovaj proizvod u pogonu za recikliranje električne i elektronske opreme. (Odnosi se samo na Evropu)
- (SI. 12) Sigurnosni transformator.
- (SI. 13) Koristite i čuvajte punjač akumulatora samo u zatvorenom prostoru.
- (SI. 14) Dvostruka izolacija.

Bezbednost

Bezbednosne definicije

Upozorenja, mere opreza i napomene se koriste da ukažu na naročito važne delove korisničkog uputstva.



UPOZORENJE: Koristi se ako, usled nepoštovanja uputstava, postoji rizik od nastanka telesnih povreda ili smrti kod rukovaoca ili prisutnih osoba.



OPREZ: Koristi se ako, usled nepoštovanja uputstava, postoji rizik od nastanka oštećenja na proizvodu, drugim materijalima ili susednim oblastima.

Napomena: Koristi se za pružanje više informacija koje su neophodne u datoj situaciji.

Opšta bezbednosna upozorenja za električni alat



UPOZORENJE: Pročitajte bezbednosna upozorenja i uputstva u celosti. Nepridržavanje upozorenja i uputstava može da dovede do strujnog udara, požara i/ili teških povreda.

Napomena: Sačuvajte sva upozorenja i uputstva kao referencu za kasnije. Izraz „električni alat“ iz upozorenja se odnosi na električni alat koji se napaja preko električne mreže (putem kabla) ili akumulatora (bežično).

Bezbednost u oblasti rada

- **Držite radnu oblast čistom i dobro osvetljenom.** U neurednim ili mračnim oblastima nezgode se češće dešavaju.
- **Ne radite sa električnim alatima u eksplozivnim okruženjima, npr. u prisustvu zapaljivih tečnosti, gasova ili prašine.** Električne alatke stvaraju iskre koje mogu da zapale prašinu ili isparenja.
- **Neka se deca i posmatrači udalje dok radite sa električnim alatom.** Skretanje pažnje može da dovede do toga da izgubite kontrolu.

Električna bezbednost

- **Utičkači električnog alata moraju da odgovaraju utičnicima. Nikad nemojte ni na koji način da modifikujete utikač. Nemojte da koristite adaptere pri radu sa uzemljenim električnim alatom.** Nemodifikovani utikači i odgovarajuće utičnice će smanjiti rizik od strujnog udara.

- **Izbegavajte telesni kontakt sa uzemljenim površinama kao što su cevi, radljatori, šporeti i frižideri.** Postoji povećani rizik od strujnog udara ukoliko je vaše telo uzemljeno.
- **Nemojte izlagati električne alate kiši i vlazi.** Ako voda prodre u električni alat, povećaće se opasnost od strujnog udara.
- **Nemojte nepropisno da postupate sa kablom. Nikada ne koristite kabl za nošenje, vuču ili isključivanje električnog alata. Držite kabl dalje od izvora toplote, ulja, oštih ivica i pokretnih delova.** Oštećeni ili zamrznjeni kablovi povećavaju rizik od strujnog udara.
- **Kada radite sa električnim alatom na otvorenom, koristite produžni kabl koji je pogodan za upotrebu na otvorenom.** Korišćenje kabla koji je pogodan za upotrebu na otvorenom smanjuje rizik od strujnog udara.
- **Ako ne može da se izbegne korišćenje električne alatke na vlažnom mestu, koristite napajanje preko zaštitnog uređaja diferencijalne struje (RCD).** Upotreba RCD smanjuje opasnost od udara električne struje



UPOZORENJE: Nemojte prati mašinu pod pritiskom pošto voda može ući u električni sistem ili motor i oštetiti mašinu ili izazvati kratak spoj.

Lična bezbednost

- **Budite na oprezu, ne skrećite pogled sa onoga što radite i rukujte alatom zdravorazumski. Nemojte da koristite električni alat ako ste umorni ili pod dejstvom droge, alkohola ili lekova.** Trenutak nepažnje prilikom rada sa električnim alatima može da dovede do ozbiljnih telesnih povreda.
- **Koristite ličnu zaštitnu opremu. Uvek nosite zaštitu za oči.** Zaštitna oprema poput zaštitne maske od prašine, sigurnosnih neklizajućih cipela, kacige ili zaštite za sluh koja se koristi u odgovarajućim uslovima smanjuje telesne povrede.
- **Sprečite slučajno pokretanje. Pobrinite se da je prekidač u položaju OFF (ISKLJUČENO) pre priključivanja na izvor napajanja i/ili akumulator, podizanja ili nošenja alata.** Nošenje električnog alata sa prstom na prekidaču ili napajanje električnog alata sa prekidačem u položaju za uključivanje može da dovede do nezgode.
- **Uklonite ključ za podešavanje ili francuski ključ pre uključivanja električnog alata.** Francuski ključ ili ključ koji ostanu pričvršćeni za obrtni deo električnog alata mogu da dovedu do telesne povrede.
- **Nemojte se preterano naginjati. Uvek budite oslonjeni na obe noge i pazite na ravnotežu.** To će vam omogućiti bolju kontrolu nad električnim alatom u nepredviđenim situacijama.

- **Budite propisno odeveni. Nemojte da nosite nakit ili široku odeću.** Vodite računa da vam kosa i odeća ne dođu u dodir sa pokretnim delovima. Pokretni delovi mogu da zakače široku odeću, nakit ili dugu kosu.
- **Ukoliko su obezbeđeni uređaji za povezivanje aparata za izbacivanje ili sakupljanje prašine, proverite da li su povezani i da li se pravilno koriste.** Korišćenje aparata za prikupljanje prašine može da smanji broj kvarova koji su nastali usled prašine.
- **Nemojte dozvoliti da vam iskustvo koje ste stekli kroz čestu upotrebu alata stvori osećaj samopouzdanja i da se ne pridržavate principa u vezi sa bezbednošću.** Nemarna radnja može da izazove teške povrede u deliću sekunde.
- **Emisija vibracija tokom stvarnog korišćenja električnog alata može da se razlikuje od deklarisanе ukupne vrednosti zavisno od načina na koji se alat koristi.** Rukovaoci bi trebali da utvrde mere zaštite zasnovane na proceni izlaganja u stvarnim uslovima upotrebe (uzimajući u obzir sve delove operativnog ciklusa npr. vremena kad je alat isključen i kad radi u praznom hodu, uz rad pri korišćenju obarača).

Upotreba i održavanje električnog alata

- **Nemojte da koristite električni alat na silu. Koristite električni alat koji odgovara nameni.** Adekvatan električni alat će bolje i sigurnije obaviti posao u meri za koju je napravljen.
- **Ne koristite električni alat ako se prekidačem alat ne uključuje ili ne isključuje.** Svaki električni alat koji ne može da se kontroliše putem prekidača je opasan i mora da se popravi.
- **Isključite utikač iz izvora električne energije i/ili uklonite akumulator, ako se može odvojiti, sa električnog alata pre nego što pristupite bilo kakvom podešavanju, promeni dodatne opreme ili skladištenju električnog alata.** Takve bezbednosne preventivne mere smanjuju rizik od slučajnog uključivanja električnog alata.
- **Električni alat koji se ne koristi čuvajte dalje od dohvata dece i nemojte da dozvoljavate rad sa alatom osobama koje nisu upoznate sa njim ili ovim uputstvima.** Električni alat je opasan kada njime rukuju neobučeni korisnici.
- **Održavajte električne alate i dodatnu opremu. Proverite da li su pokretni delovi poravnati i pričvršćeni, da li postoje pukotine na delovima i sva druga stanja koja mogu uticati na rad električnog alata. Ukoliko je oštećen, električni alat odnesite na popravku pre korišćenja.** Mnoge nezgode su prouzrokovale loše održavani električni alati.
- **Održavajte alat za sečenje ostrim i čistim.** Alat za sečenje koji se pravilno održava i ima oštre rezne vrhove se ređe krivi i lakše kontroliše.
- **Električni alat, pribor, delove alata itd. koristite u skladu sa ovim uputstvima uzimajući u obzir radne uslove i posao koji treba da se obavi.** Korišćenje električnog alata za operacije za koje nije namenjen može da dovede do opasnih situacija.

- **Ručke i prihvatne površine bi trebalo da budu suve, čiste i bez ostatka ulja i maziva.** Klizave ručke i prihvatne površine ne omogućavaju bezbedno rukovanje i kontrolu alata u neočekivanim situacijama.

Upotreba i održavanje baterijskog alata

- **Punite samo punjačem koji je naznačen od strane proizvođača.** Punjač koji je odgovarajući za jedan tip baterije može stvoriti rizik od požara kada se koristi sa drugom baterijom.
- **Koristite proizvode samo sa posebno naznačenim baterijama.** Korišćenje drugih baterije može stvoriti rizik od telesne povrede i požara.
- **Kad se baterija ne koristi držite je dalje od metalnih predmeta, kao što su spajalice, novčići, ključevi, ekseri, zavrtnji ili slični mali metalni predmeti koji mogu da naprave spoj između polova baterije.** Kratko spajanje polova baterije može da izazove opekotine ili požar.
- **U opasnim uslovima, tečnost može da prsne iz baterije; izbegavajte kontakt. Ako do kontakta slučajno dođe, isperite to mesto vodom. Ako tečnost dođe u kontakt sa očima, dodatno potražite lekarsku pomoć.** Tečnost koja prsne iz baterije može da prouzrokuje iritaciju ili opekotine.
- **Ne koristite baterije i uređaje koji su oštećeni ili modifikovani.** Oštećene ili modifikovane baterije mogu biti nepredvidive što može dovesti do vatre, eksplozije ili rizika od povrede.
- **Baterije ili uređaj nemojte da izlažete vatri ili previsokoj temperaturi.** Izlaganje vatri ili temperaturi iznad 130 °C može dovesti do eksplozije.
- **Pridržavajte se svih uputstava za punjenje i nemojte da punite akumulator ili uređaj izvan opsega temperature koji je naveden u uputstvima.** Nepravilno punjenje ili temperature izvan navedenog opsega mogu oštetiti bateriju i povećati rizik od požara.

Servis

- **Servisiranje električnog alata poverite kvalifikovanom serviseru koji isključivo koristi iste rezervne delove.** Tako ćete biti sigurni u održavanje bezbednosti električnog alata.
- **Nikad ne servisirajte oštećene akumulatore.** Servisiranje akumulatora treba da vrši samo proizvođač ili ovlašćeni serviseri.

Bezbednosna upozorenja za makaze za živu ogradu – lična bezbednost

- **Rukujte makazama za živu ogradu koristeći obe ruke.** Rukovanje jednom rukom može da prouzrokuje gubitak kontrole i rezultira teškom telesnom povredom.
- **Vodite računa da neki deo tela ne dođe u kontakt sa nožem. Ne uklanjajte isečeni materijal i ne držite materijal koji je potrebno iseći dok se noževi okreću.** Noževi nastavljaju da se okreću i kada isključite

proizvod pomoću prekidača. Trenutak nepažnje prilikom rada sa makazama za živu ogradu može da dovede do teških telesnih povreda.

- **Nosite makaze za živu ogradu za ručku dok je nož zaustavljen i vodeći računa da ne pritisnete prekidač za pokretanje.** Pravilno nošenje makaza za živu ogradu će smanjiti rizik od slučajnog pokretanja i rezultirajuće telesne povrede od noževa.
- **Prilikom transporta ili skladištenja makaza za živu ogradu uvek postavite poklopac noža.** Pravilno rukovanje makazama za živu ogradu će smanjiti rizik od telesne povrede noževima.
- **Prilikom uklanjanja zaglavljenog materijala ili servisiranja jedinice, uverite se da su svi prekidači za pokretanje isključeni i da je akumulator uklonjen ili odvojen.** Neočekivano aktiviranje makaza za živu ogradu prilikom uklanjanja zaglavljenog materijala ili servisiranja može imati za rezultat tešku telesnu povredu.
- **Držite makaze za živu ogradu samo za izolovane površine za držanje jer nož može da dođe u kontakt sa unutrašnjim ožičenjem.** Noževi koji su u kontaktu sa žicom pod naponom dovode do toga da izloženi metalni delovi makaza za živu ogradu budu pod naponom i mogu da zadaju strujni udar rukovaoca.
- **Držite sve kablove za napajanje i druge kablove izvan oblasti rada.** Kablovi za napajanje ili drugi kablovi mogu da se zavuku u živu ogradu ili žbunje i da budu slučajno zasečeni nožem.
- **Nemojte koristiti makaze za živu ogradu po lošim vremenskim uslovima, naročito kada postoji opasnost od groma.** Time se smanjuje rizik od udara groma.
- **OPASNOST – držite ruke podalje od noža.** Kontakt sa nožem može da dovede do teških telesnih povreda.

Opšta bezbednosna uputstva



UPOZORENJE: Pročitajte upozoravajuća uputstva koja slede pre korišćenja proizvoda.

- Uklonite akumulator da biste sprečili slučajno pokretanje proizvoda.
- Ovaj proizvod je opasan ako se koristi nepažljivo ili nepravilno. Ovaj proizvod može prouzrokovati teške povrede ili smrt rukovaoca i drugih osoba.
- Nemojte koristiti proizvod ako je izmenjen od inicijalnih specifikacija. Nemojte menjati deo na proizvodu bez odobrenja od strane proizvođača. Koristite samo delove koji su odobreni od strane proizvođača. Telesna povreda ili smrt su mogući rezultat nepravilnog održavanja.
- Proverite proizvod pre upotrebe. Pogledajte *Obaviti pre pokretanja proizvoda na stranici 315*. Nemojte koristiti oštećeni proizvod. Pratite uputstva za bezbednosne provere, održavanje i servisiranje opisana u ovom priručniku.

- Potrebno je vršiti stalni nadzor nad decom da biste bili sigurni da se ne igraju sa proizvodom. Ne dozvolite deci ili osobama koje nisu obučene da koriste proizvod i/ili akumulator ili da ga servisiraju. Uzrast korisnika je možda propisan lokalnim zakonima.
- Čuvajte proizvod u zaključanoj prostoriji da biste sprečili neodobren pristup deci i drugim osobama.
- Proizvod odložite izvan domašaja dece.
- Ni u kom slučaju ne smete bez odobrenja proizvođača prepravljati prvobitnu konstrukciju proizvoda. Uvek upotrebljavajte originalnu opremu. Neodobrene modifikacije i/ili oprema mogu dovesti do teške telesne povrede ili smrti rukovaoca i drugih osoba.

Napomena: Državni ili lokalni propisi mogu da regulišu korišćenje. Poštujte date propise.

Bezbednosna uputstva za rad



UPOZORENJE: Pročitajte upozoravajuća uputstva koja slede pre korišćenja proizvoda.

- Ukoliko dođete u situaciju da se osećate nesigurnim u pogledu dalje upotrebe, treba da se obratite za savet stručnom licu. Obratite se prodavcu ili servisu. Izbegavajte sve upotrebe ako mislite da prevazilaze vaše sposobnosti.
- Nikad ne upotrebljavajte proizvod kada ste umorni, ako ste pod uticajem alkohola, droge ili lekova ili bilo čega što bi moglo da utiče na vaš vid, budnost, koordinaciju ili rasuđivanje.
- Rad u lošim vremenskim uslovima je zamoran i često nosi dodatne rizike. Zbog većeg rizika se ne preporučuje da koristite mašinu po veoma lošem vremenu, na primer, po gustoj magli, jakoj kiši, snažnom vetru, ekstremnoj hladnoći, kad postoji opasnost od grmljavine itd.
- Neispravni noževi mogu da povećaju rizik od nesrećnih slučajeva.
- Ne dozvolite deci da koriste proizvod ili budu u njegovoj blizini. Pošto se proizvod lako pokreće, deca mogu da ga pokrenu ako nisu pod nadzorom. To bi moglo značiti rizik od ozbiljnih telesnih povreda. Odvojte kablove akumulatora kada proizvod nije pod nadzorom.
- Osigurajte da nijedna osoba niti životinja ne pride bliže od 15 metara od mesta na kojem radite. Kada nekoliko rukovaoca radi u istoj oblasti, bezbedno rastojanje treba da bude bar 15 metara. U suprotnom, postoji rizik od teških telesnih povreda. Odmah zaustavite proizvod ako se neko približi. Nikada se nemojte okretati sa proizvodom ako prvo ne proverite da li ima nekoga u bezbednoj zoni.
- Osigurajte da ljudi, životinje ili druge stvari ne mogu uticati na upravljanje proizvodom i da ne dođu u kontakt sa nastavkom za rezanje ili predmetima

koje izbaci. Međutim, nemojte koristiti proizvod ako niste u mogućnosti da pozovete u pomoć u slučaju nezgode.

- Uvek pregledajte radno područje. Uklonite sve slobodne predmete kao što je kamenje, slomljeno staklo, ekseri, čelične žice, vrpce itd. koji bi mogli da budu odbačeni ili da se omotaju oko nastavka za rezanje.
- Uverite se da možete da se krećete i stojite bezbedno. Proverite da u okolini nema mogućih prepreka (korenja, gromada kamena, granja, jaraka itd.) na koje biste naišli ako morate da napravite iznenađan pokret. Obratite posebnu pažnju pri radu na nagnutom terenu.
- Održavajte ravnotežu i čvrst oslonac za stopala sve vreme. Nemojte se preterano naginjati.
- Isključite proizvod pre nego što pređete u drugu oblast. Postavite zaštitu za transportovanje kada se proizvod ne koristi.
- Ne spuštajte proizvod dok ga ne isključite i ne uklonite akumulator. Ne ostavljajte proizvod bez nadzora ako je uključen.
- Postarajte se da odeća i delovi tela ne dođu u dodir sa nastavkom za rezanje dok proizvod radi.
- Ako se išta zaglavi u noževima dok koristite proizvod, zaustavite i isključite proizvod. Uverite se da se nastavak za rezanje potpuno zaustavio. Uklonite akumulator pre čišćenja, pregleda ili popravke proizvoda i/ili noževa.
- Držite ruke i stopala dalje od nastavka za rezanje dok se potpuno ne zaustavi pri isključivanju proizvoda.
- Vodite računa o komadima grana koje mogu da budu odbačene u toku sečenja. Ne režite približno tla, jer može da dođe do bacanja kamenja i drugih predmeta.
- Upozorenje zbog izbačenih predmeta. Uvek nosite odobrenu zaštitu za oči. Nikada se ne naginjite preko štitnika nastavka za rezanje. Kamenčići, komadi materijala itd. mogu da budu odbačeni u oči i tako izazovu slepilo ili teške povrede.
- Uvek budite oprezni u zapažanju signala upozorenja ili povika kada koristite zaštitne slušalice. Uvek skinite zaštitne slušalice odmah nakon zaustavljanja proizvoda.
- Ne radite sa merdevina, stolica i drugih visokih mesta koja nisu potpuno obezbeđena.
- Držite proizvod obema rukama. Držite proizvod sa strane tela.

(Sl. 16)

Lična zaštitna oprema



UPOZORENJE: Pročitajte upozoravajuća uputstva koja slede pre korišćenja proizvoda.

- Koristite odobrenu ličnu zaštitnu opremu kad koristite proizvod. Lična zaštitna oprema ne može da u

potpunosti spreči telesnu povredu, ali umanjuje težinu telesne povrede. Obratite se prodavcu za više informacija.

- Nosite zaštitni šlem ako postoji opasnost od pada predmeta.

(Sl. 17)

- Koristite odobrenu zaštitu za sluh. Dugotrajno izlaganje buci može prouzrokovati trajno oštećenje sluha.

(Sl. 18)

- Koristite odobrenu zaštitu za oči. Prilikom korišćenja vizira istovremeno se moraju koristiti odobrene zaštitne naočare. Odobrene zaštitne naočare jesu takve koje ispunjavaju standard ANSI Z87.1 u SAD ili EN 166 u zemljama Evropske unije.

(Sl. 19)

- Koristite zaštitne rukavice tokom rada i održavanja.

(Sl. 20)

- Koristite zaštitnu obuću sa neklizućim đonom.

(Sl. 21)

- Nosite odeću napravljenu od jake tkanine. Odeća koju nosite mora da bude pripijena, ali ne tako da ograničava pokrete. Nosite duge pantalone i zavežite kosu iznad ramena. Ne nosite nakit i ne nosite otvorenu obuću.
- Neka vam komplet za prvu pomoć bude u blizini.

(Sl. 22)

Bezbednosni uređaji na proizvodu



UPOZORENJE: Pročitajte upozoravajuća uputstva koja slede pre korišćenja proizvoda.

U ovom odeljku je objašnjena bezbednosna oprema proizvoda, njena svrha, te način kako treba obaviti provere i održavanje da bi se osigurao ispravan rad. Vidite uputstva pod naslovom *Pregled proizvoda na stranici 308* da biste saznali gde se na vašem proizvodu nalaze ovi delovi.

Vek trajanja proizvoda se može skratiti, a rizik od nastupanja nesreća povećati ako se održavanje proizvoda ne vrši na pravi način i ako se servisiranje ili popravlanje ne vrše stručno. Ako su vam potrebne dodatne informacije, kontaktirajte najbliži ovlašćeni servis.



UPOZORENJE: Nikada ne upotrebljavajte proizvod sa neispravnim delovima bezbednosne opreme. Bezbednosna oprema za proizvod mora da se pregleda i održava kako je opisano u ovom odeljku. Ako proizvod ne zadovolji bilo koju od tih provera, obratite se ovlašćenom servisu radi popravke.



OPREZ: Potrebna je posebna obuka za servisiranje i popravku mašina. Ovo se posebno odnosi na bezbednosnu opremu mašine. Ako mašina ne zadovolji bilo koju od dole opisanih provera odnesite je svom servisnom agentu. Za bilo koji proizvod kupljen od nas garantujemo raspoloživost profesionalne popravke i servisiranja. Ako prodavac na malo koji je prodao mašinu nije serviser, zatražite od njega adresu najbližeg servisnog agenta.

Provera tastature

1. Pritisnite i držite dugme za pokretanje/zaustavljanje (A). (Sl. 23)
 - a) Proizvod je uključen kad LED lampica (B) svetli.
 - b) Proizvod je isključen kad LED lampica (B) ne svetli.
2. Pogledajte *Tastatura na stranici 317* ako indikator upozorenja (C) svetli ili trepće.

Proverite prekidač na prednjoj ručki.

Prekidač na prednjoj ručki sprečava neželjeno pokretanje. Kad pritisnete prekidač na prednjoj ručki, oslobađate obarač gasa. Kad otpustite ručku, obarač gasa i prekidač na prednjoj ručki se vraćaju u prvobitno položaje.

1. Uverite se da se obarač gasa i prekidač na prednjoj ručki slobodno pomeraju i da povratna opruga ispravno radi.
2. Pokrenite proizvod.
3. Pritisnite prekidač na prednjoj ručki.
(Sl. 24)

4. Pritisnite obarač gasa. (Sl. 25)

5. Otpustite prekidač na prednjoj ručki i uverite se da se nastavak za rezanje zaustavio.

Provera štitnika ruke

Štitnik ruke štiti ruke od slučajnog dodira sa noževima.

1. Zaustavite proizvod.
2. Uklonite akumulator.
3. Proverite da li je štitnik ruke pravilno postavljen.
4. Pregledajte ima li oštećenja na štitniku ruke.

Provera noževa i štitnika noževa

Duži delovi noževa (A) funkcionišu kao štitnici noževa.

1. Zaustavite proizvod.
2. Uklonite akumulator.
3. Navucite rukavice.

4. Uverite se da noževi i štitnici noževa nisu oštećeni ili savijeni. Zamenite noževe i štitnike noževa ako su oštećeni ili savijeni. (Sl. 26)

Bezbedna upotreba baterije



UPOZORENJE: Pročitajte upozoravajuća uputstva koja slede pre korišćenja proizvoda.

- Koristite samo baterije serije BLi i 40-B. Detalje potražite pod *Tehnički podaci na stranici 319*. Baterija je softverski kodirana.
- Koristite punjive baterije iz serije BLi i 40-B kao izvor napajanja samo za odgovarajuće Husqvarna proizvode. Kako bi se sprečila telesna povreda, nemojte koristiti bateriju kao izvor napajanja za druge uređaje.
- Opasnost od strujnog udara. Nemojte povezivati terminale baterije na ključevе, kovanice, vijke ili druge metalne predmete. To može dovesti do kratkog spoja baterije.
- Ne koriste baterije za jednokratnu upotrebu.
- Nemojte stavljati predmete u proreze za vazduh baterije.
- Držite bateriju tako da ne bude izložen sunčevoj svetlosti, toploti ili otvorenom plamenu. Baterija može da izazove opekotine i/ili hemijske opekotine.
- Držite bateriju tako da ne bude izložena kiši i vlažnim uslovima.
- Držite bateriju dalje od mikrotalasnih pećnica i visokog pritiska.
- Nemojte pokušavati da rastavite ili lomite bateriju.
- Ako baterija curi, ne dozvolite da vam ta tečnost dospe na kožu ili u oči. Ako ste dodirnuli tečnost, isperite površinu velikom količinom vode sa sapunom i obratite se doktoru. Ako vam tečnost dospe u oči, nemojte ih trljati, već ih ispirajte vodom najmanje 15 minuta i potražite medicinsku pomoć.
- Koristite bateriju na temperaturama između -10 °C (14 °F) i 40 °C (114 °F).
- Nemojte čistiti bateriju ili punjač baterija vodom. Pogledajte *Čišćenje proizvoda, akumulatora i punjača akumulatora na stranici 317*.
- Nemojte koristiti defektnu ili oštećenu bateriju.
- Držite baterije uskladištene tako da budu udaljeni od metalnih predmeta kao što su ekseri, vijci ili nakit.
- Držite bateriju van domašaja dece.

Bezbedna upotreba punjača baterije



UPOZORENJE: Pročitajte upozoravajuća uputstva koja slede pre korišćenja proizvoda.

- Opasnost od strujnog udara ili kratkog spoja ako se ne poštuju bezbednosne mere.
- Ne koristite druge punjače baterije osim onog namenjenog za proizvod. Koristite samo QC80 i 40-

C80 punjače kad punitе zamenske baterije iz serije BLi i 40-B.

- Nemojte pokušavati da rasklopite punjač baterije.
- Nemojte koristiti defektan ili oštećen punjač baterije.
- Nemojte podizati punjač baterije za kabl za napajanje. Da biste iskopčali punjač baterije sa mrežne utičnice, povucite utikač. Ne vucite kabl za napajanje.
- Držite sve kablove i produžne kablove dalje od vode, ulja i oštih ivica. Uverite se da kabl nije priklešten između predmeta, npr. vratima, ogradom ili drugo.
- Nemojte koristiti punjač baterije u blizini zapaljivih materijala ili materijala koji mogu da izazovu koroziju. Uverite se da punjač baterija nije pokriven. Izvucite utikač kabla iz punjača baterije ako se pojave dim ili vatra.
- Baterije punitе samo u zatvorenom prostoru u prostoriji sa dobrom ventilacijom i podalje od sunčeve svetlosti. Nemojte puniti bateriju na otvorenom. Nemojte puniti bateriju u vlažnim uslovima.
- Koristite punjač baterije samo na temperaturama između 5 °C (41 °F) i 40 °C (104 °F). Punjač koristite u okruženju koje je dobro provetreno, suvo i bez prašine.
- Nemojte stavljati predmete u proreze za hlađenje punjača baterije.
- Nemojte povezivati terminale punjača na metalne predmete jer to može dovesti do kratkog spoja.
- Koristite odobrene i neoštećene utičnice za strujnu mrežu. Uverite se da kabl punjača baterije nije

oštećen. Ako koristite produžni kabl, uverite se da nije oštećen.

- Nemojte puniti baterije koje se ne pune u punjačima baterije.

Bezbednosna uputstva za održavanje



UPOZORENJE: Pročitajte upozoravajuća uputstva koja slede pre održavanja proizvoda.

- Uklonite bateriju pre održavanja, provere i sklapanja proizvoda.
- Rukovalac sme da vrši samo održavanje i servisiranje opisano u priručniku za rukovaoca. Obratite se serviseru radi održavanja i servisiranja većih dodataka.
- Nemojte čistiti akumulator ili punjač akumulatora vodom. Jak deterdžent može da ošteti plastiku.
- Neodržavanje smanjuje radni vek proizvoda i povećava rizik od nezgoda.
- Za poslove servisiranja i popravke potrebna je posebna obuka, naročito kad je reč o bezbednosnim uređajima na proizvodu. Ako posle odobravanja uređaj ne prođe sve provere opisane u korisničkom uputstvu, obratite se serviseru. Garantujemo da su za vaš proizvod dostupne profesionalne popravke i servisiranje.
- Koristite samo originalne rezervne delove.

Sklapanje

Uvod

Ovaj odeljak opisuje sastavljanje i podešavanje proizvoda.



UPOZORENJE: Pre sklapanja proizvoda pročitajte poglavlje o bezbednosti i uputstva za sklapanje.

Da biste povezali akumulator na proizvod



UPOZORENJE: Za ovaj proizvod koristite samo originalne Husqvarna akumulatore.

1. Napunite akumulator do kraja.
2. Gurnite akumulator u držač akumulatora na proizvodu. Akumulator je u dobrom položaju kad čujete klik. (Sl. 27)



OPREZ: Ako je teško staviti akumulator u držač, niste ga pravilno postavili. To može da ošteti proizvod.

Postavljanje punjača baterije 40-C80 na zid



OPREZ: Ne koristite električni šrafciğer za postavljanje punjača baterije na zid. Električni šrafciğer može da ošteti punjač baterija.

1. Postavite punjač baterije na zid pomoću dva zavrtnja (B). Po potrebi koristite tiplove (A). (Sl. 28)
2. Postavite dva tipla za zavrtnje (C).
3. Povežite kabl za napajanje za punjač baterije i mrežnu utičnicu.

Rukovanje

Uvod



UPOZORENJE: Pre korišćenja proizvoda je potrebno da pročitate i razumete poglavlje o bezbednosti.

Akumulator



UPOZORENJE: Pre korišćenja proizvoda je potrebno da pročitate i razumete poglavlje o bezbednosti. Pročitajte sa razumevanjem korisničko uputstvo za akumulator i punjač akumulatora.

Akumulator i punjač akumulatora čuvajte na odgovarajućoj temperaturi.

	Temperatura sredine
Radni opseg akumulatora	5–40 °C / 41–104 °F
Punjenje akumulatora	5–40 °C / 41–104 °F

Status baterije

Displej prikazuje status punjenja i da li postoje problemi u vezi sa baterijom.

(Sl. 29)

LED indikator	Status baterije (status napunjenosti)	
	BLi10	40-B70
4 LED lampice su uključene	Nije dostupno	Baterija je 76% – 100% napunjena.
3 LED lampice su uključene	Baterija je 76% – 100% napunjena.	Baterija je 51% – 75% napunjena.
2 LED lampice su uključene	Baterija je 51% – 75% napunjena.	Baterija je 26% – 50% napunjena.
1 LED lampica je uključena	Baterija je 26% – 50% napunjena.	Baterija je 6% – 25% napunjena.
1 LED lampica trepće	Baterija je 0% – 25% napunjena.	Baterija je 0% – 5% napunjena.

Punjenje baterije

Napunite bateriju ako je to prvi put da se koristi. Nova baterija je napunjena samo 30%.



OPREZ: Povežite punjač baterije na strujnu utičnicu čiji su napon i frekvencija naznačeni na pločici tipa.

Baterija se neće puniti ako je temperatura baterije veća od 50 °C / 122 °F.

1. Povežite kabl za napajanje s punjačem baterije.
2. Povežite punjač baterije na strujnu utičnicu. LED lampica punjenja trepće jedanput. (Sl. 30)
3. Stavite bateriju na punjač baterije. LED lampica punjenja se uključuje. Puniti bateriju najviše 24 sata. (Sl. 31)
4. Pritisnite dume indikatora baterije, ako se svi LED indikatori upale, baterija je potpuno napunjena.
5. Povucite strujni utikač da biste isključili punjač baterije sa strujne utičnice. Ne vucite kabl za napajanje.
6. Izvadite bateriju iz punjača baterije.

Obaviti pre pokretanja proizvoda

1. Pregledajte radno područje. Uklonite predmete koji mogu biti odbačeni.
2. Pregledajte nastavak za rezanje. Uverite se da su noževi oštri i da na njima nema naprsina i oštećenja.
3. Uverite se da proizvod radi pravilno. Pregledajte da li su sve navrtke i zavrtnji dobro pričvršćeni.
4. Uverite se da ručka i bezbednosni uređaji nisu oštećeni i da su ispravno postavljeni. Nemojte rukovati proizvodom ako delovi nedostaju ili ako su izvršene izmene u odnosu na inicijalne specifikacije. Nosite zaštitne rukavice kada je potrebno.
5. Uverite se da poklopci nisu oštećeni i da su ispravno postavljeni pre rukovanja proizvodom.

Pokretanje proizvoda

1. Pritisnite dugme start/stop dok ne zasvetli zeleni LED. (Sl. 32)
2. Pritisnite prekidač na prednoj ručki. (Sl. 33)
3. Pritisnite obarač gasa. (Sl. 25)

Rad sa proizvodom

1. Počnite blizu zemlje i pomerajte proizvod nagore uz živicu kada orezujete sa strane. Uverite se da telo proizvoda ne dodiruje živicu. (Sl. 34)



UPOZORENJE: Uverite se da prednji deo opreme za rezanje ne dodiruje tlo.

2. Držite proizvod blizu tela da biste osigurali stabilan položaj za rad.
3. Budite pažljivi i koristite proizvod polako.

Korišćenje funkcije SavE

Ovaj proizvod ima funkciju za uštedu energije, SavE.

Napomena: Funkcija SavE ne smanjuje moć sečenja proizvoda.

1. Pritisnite dugme SavE na tastaturi.
2. Uverite se da se zelena LED lampica uključila.
3. Ponovo pritisne taster SavE da biste isključili funkciju. Zelena LED lampica se isključuje. (Sl. 35)

Funkcija automatskog isključivanja

Proizvod ima funkciju isključivanja koja ga isključuje kad se ne koristi. Zelena LED lampica pokretanja/zaustavljanja se isključuje i proizvod se zaustavlja posle 180 sekundi.

Zaustavljanje proizvoda

1. Otpustite obarač gasa i prekidač na prednjoj ručki.
2. Pritisnite dugme za pokretanje/zaustavljanje dok se ne ugasi zelena LED lampica.
3. Pritisnite dugmad za otpuštanje na akumulatoru i izvadite akumulator. (Sl. 36)

Održavanje

Uvod



UPOZORENJE: Pre održavanja proizvoda je potrebno da pročitate i razumete poglavlje o bezbednosti.



UPOZORENJE: Uklonite akumulator pre održavanja proizvoda.

Šema održavanja

Sledi lista koraka održavanja koje treba izvršiti na proizvodu.

Održavanje	Pre upotrebe	Nedeljno	Mesečno
Očistite spoljne delove proizvoda.	X		
Proverite da li je prekidač za pokretanje/zaustavljanje oštećen i da li pravilno radi.	X		
Uverite se da obarač gasa i prekidač na prednjoj ručki rade pravilno po pitanju bezbednosti.	X		
Uverite se da sve komande rade i da nisu oštećene.	X		
Uverite se da na nožu za rezanje i štitniku rezača nema naprslina i da nisu oštećeni. Zamenite nož za rezanje ili štitnik rezača ako imaju naprslina ili ako su bili izloženi udarcu.	X		
Zamenite nož za rezanje ako je iskrivljen ili oštećen.	X		
Uverite se da štitnik ruke nije oštećen. Zamenite štitnik ako je oštećen.	X		
Uverite se da su zavrtnji i navrtke pritegnuti.	X		
Uverite se da akumulator nije oštećen.	X		
Uverite se da je akumulator napunjen.	X		
Uverite se da punjač akumulatora nije oštećen.	X		

Održavanje	Pre upotrebe	Nedeljno	Mesečno
Uverite se da su zavrtnji koji drže noževe za rezanje ispravno pritegnuti.		X	
Proverite kontakte između akumulatora i proizvoda. Proverite kontakte između akumulatora i punjača akumulatora.			X

Pregled akumulatora i punjača akumulatora

1. Pregledajte da li je akumulator oštećen, npr. naprsao.
2. Pregledajte da li je punjač akumulatora oštećen, npr. naprsao.
3. Proverite da kabl za napajanje punjača akumulatora nije oštećen i da na njemu ne postoje naprsline.

Čišćenje proizvoda, akumulatora i punjača akumulatora

1. Proizvod čistite nakon upotrebe pomoću suve krpe.
2. Za čišćenje akumulatora i punjača akumulatora koristite suhu krpu. Održavajte vodice baterija čistim.
3. Uverite se da su polovi na akumulatoru i punjaču akumulatora čisti pre nego što stavite akumulator u punjač ili u proizvod.

Pregled noža

1. Očistite nož za rezanje od neželjenog materijala pomoću sredstva za čišćenje sa anti-korozivnim dejstvom pre i nakon korišćenja proizvoda.
2. Pregledajte da li na ivicama noža ima oštećenja i deformacija.

3. Pomoću turpije uklonite neravnine na nožu.
4. Proverite da li se rezna sečiva nesmetano pomeraju.

Čišćenje i podmazivanje sečiva

1. Očistite sečiva od neželjenog materijala pre i nakon upotrebe proizvoda.
2. Podmažite sečiva pre dugog perioda skladištenja.

Napomena: Obratite se serviseru za više informacija o preporučenim sredstvima za čišćenje i mazivima.

Podmazivanje menjača

Nanesite mazivo na kućište menjača ako je menjač rastavljen od strane ovlašćenog servisera.

- Koristite Husqvarna specijalno mazivo. Obratite se serviseru za više informacija o preporučenom mazivu.
- Koristite samo malu količinu specijalnog maziva visokog kvaliteta.



OPREZ: Nemojte potpuno napuniti kućište menjača.

Rešavanje problema

Tastatura

LED ekran	Moguće greške	Moguća rešenja
LED lampica greške trepće.	Preopterećenje	Nastavak za rezanje ne može da se slobodno okreće. Otpustite nastavak za rezanje.
	Odstupanje temperature	Pustite proizvod da se ohladi.
Proizvod ne može da se pokrene.	Pritisnite obarač gasa i dugme za pokretanje u isto vreme.	Otpustite obarač gasa i zaustavite proizvod.
LED lampica greške se uključuje sa crvenim svetlom.	Neophodno je servisirati proizvod	Obratite se serviseru.

Akumulator

LED displej	Moguće greške	Moguće radnja
Zelena LED lampica trepće.	Nizak napon akumulatora.	Napunite akumulator.
LED lampica greške trepće.	Odstupanje temperature.	Koristite akumulator na temperaturama između -10 °C (14 °F) i 40 °C (104 °F).
	Preveliki napon.	Uverite se da je napon električne mreže usklađen sa naponom navedenim na pločici tipa proizvoda. Izvadite akumulator iz punjača akumulatora.
LED lampica greške je uključena.	Razlika između ćelija je prevelika (1 V).	Obratite se serviseru.

Punjač baterije

Problem	Moguće greške	Moguće rešenje
LED lampica punjenja svetli crveno.	Trajna greška punjača baterije.	Obratite se prodavcu.
LED lampica punjenja treperi zeleno.	Odstupanje temperature, baterija je previše hladna ili previše vruća za korišćenje ili punjenje.	Pustite da se baterija ohladi ili zagreje. Kada baterija dostigne ispravnu temperaturu, možete je ponovo koristiti ili puniti. Koristite punjač baterija na temperaturama okoline između 5 °C (41 °F) i 40 °C (104 °F).
LED lampica punjenja trepće crveno.	Neispravna baterija.	Obratite se prodavcu.

Transport, skladištenje i odlaganje

Transport i skladištenje

- Isporučene litijum-jonske baterije su usaglašene sa zakonskim propisima o opasnoj robi.
- Poštujte specijalne zahteve date na pakovanju i oznakama za komercijalni transport, uključujući i one od trećih strana i špeditera.
- Pre slanja proizvoda se konsultujte sa osobom stručnom za opasne materijale. Poštujte sve važeće državne propise.
- Stavite izolir-traku na gole kontakte kad stavljate bateriju u paket. Bateriju treba tesno upakovati, da bi se sprečilo pomeranje.
- Izvadite bateriju tokom transporta i skladištenja.
- Stavite bateriju i punjač baterije u suv prostor koji ne mrzne.
- Ne čuvajte bateriju tamo gde može doći do statičkog pražnjenja. Ne čuvajte akumulator u metalnoj kutiji.
- Skladištite akumulator samo na mestima na kojima je temperatura okoline između 5 °C / 41 °F i 25 °C / 77 °F i dalje od direktne sunčeve svetlosti.
- Skladištite punjač akumulatora samo na mestima na kojima je temperatura okoline između 5 °C / 41 °F i 45 °C / 113 °F i dalje od direktne sunčeve svetlosti.
- Koristite punjač akumulatora samo kad je temperatura okoline između 5 °C / 41 °F i 40 °C / 104 °F.
- Napunite bateriju 30% do 50% pre dužeg skladištenja.
- Skladištite punjač baterije na zatvorenom i suvom mestu.
- Držite bateriju van punjača baterije tokom skladištenja. Ne dozvolite da deca i neovlašćene osobe diraju opremu. Čuvajte opremu na mestu koji može da se zaključa.

- Očistite proizvod i izvršite kompletno servisiranje pre nego što uskladištite proizvod na duži vremenski period.
- Koristite štitnik za transport na proizvodu da biste sprečili povrede ili oštećenje proizvoda tokom transporta i skladištenja.
- Pričvrstite proizvod tokom transporta.

Reciklirajte ga na lokaciji za recikliranje električne i elektronske opreme. Time se čuva životna sredina i zdravlje ljudi.

Stupite u kontakt sa lokalnim vlastima, servisom za otpad iz domaćinstva ili prodavcem za više informacija o recikliranju ovog proizvoda.

Odbacivanje baterije, punjača baterije i proizvoda

Simboli na proizvodu ili njegovom pakovanju ukazuju na to da ovaj proizvod nije otpad iz domaćinstva.

Tehnički podaci

Tehnički podaci

	215iHD45
Motor	
Tip motora	BLDC
Težina	
Težina bez baterije, kg	3,2
Rezač	
Tip	Dvostrani
Dužina noža, mm	450
Brzina noža, rezovi/min (sa režimom SavE)	2400
Brzina noža, rezovi/min (bez režima SavE)	3000
Emisija buke⁴³	
Nivo buke, mereno dB(A)	87
Nivo zvučne snage, garantovano L_{WA}	90
Nivoi zvuka	
Nivo zvučnog pritiska kod uha rukovaoca, izmereno prema standardu EN 62841-4-2, dB(A)	79
Nivoi vibracije⁴⁴	
Nivoi vibracija (a_{H1}), napred/nazad, m/s^2	2,1/1,7

⁴³ Emisije buke u životnoj sredini merene kao zvučna snaga (L_{WA}) u skladu sa direktivom 2000/14/EZ. Razlika između garantovanog i izmerenog nivoa zvučne snage je da garantovana zvučna snaga takođe obuhvata disperziju rezultata merenja i razlike između različitih proizvoda istog modela u skladu sa Direktivom 2000/14/EZ.

⁴⁴ Prijavljeni podaci o nivou vibracije imaju tipičnu statističku disperziju (standardno odstupanje) od 1,5 m/s^2 .

Deklarisana ukupna jačina vibracija izmerena je u skladu sa metodom standardnog testa i može da se koristi za poređenje alata.

Deklarisana ukupna jačina vibracija može da se koristi i za preliminarnu procenu izloženosti.

Odobrene baterije za proizvod

Baterija	BLI10		40-B70
Tip	Litijum-jonski		Litijum-jonski
Kapacitet baterije, Ah	Pogledajte nalepnicu tipa baterije		Pogledajte nalepnicu tipa baterije
Nazivni napon, V	36	36,5	36
Težina, kg	0,7	0,7	0,8

Odobreni punjači akumulatora za proizvod

Punjač akumulatora	QC80	40-C80
Mrežni napon, V	100–240	100–240
Frekvencija, Hz	50–60	50–60
Snaga, W	100	72
Izlazni napon, V jednosmerne struje/ ampera, A	36/2	43/1,6

Deklaracija o usaglašenosti

EU Deklaracija o usaglašenosti

Mi, **Husqvarna AB**, SE-561 82 Huskvarna, Švedska, tel:
+46-36-146500, izjavljujemo pod punom odgovornošću
da je proizvod:

Opis	Baterijski trimmer žive ograde
Marka	Husqvarna
Tip/model	215iHD45
Identifikacija	Serijski brojevi od 2024 i nadalje

su u potpunosti usaglašeni sa sledećim EU direktivama i
propisima:

Direktiva/Propis	Opis
2006/42/EC	"koji se odnose na mašine"
2014/30/EU	"koji se odnose na elektromagnetsku kompatibilnost"
2000/14/EC	„koji se odnose na emisiju buke u okruženju“
2011/65/EU	„koji se odnose na ograničenje upotrebe određenih opasnih supstanci u električnoj i elek- tronskoj opremi“

i da su sledeći standardi i/ili tehničke specifikacije
primenjeni: EN 62841-4-2:2019+A1:2022+A11:2022, EN
62841-1:2015+A11:2022, EN IEC 55014-1:2021, EN
IEC 55014-2:2021, EN IEC 63000:2018.

U skladu s direktivom 2000/14/EC, dodatkom V,
pogledajte *Tehnički podaci na stranici 319* za
deklarisane vrednosti zvuka.

Huskvarna, 2024-02-01



Claes Losdal, menadžer sektora za istraživanje i razvoj,
Husqvarna AB

Odgovoran za tehničku dokumentaciju



Содержание

Введение.....	322	Поиск и устранение неисправностей.....	334
Безопасность.....	323	Транспортировка, хранение и утилизация.....	335
Сборка.....	330	Технические данные.....	336
Эксплуатация.....	331	Декларация о соответствии.....	338
Техническое обслуживание.....	332		

Введение

Описание изделия

Husqvarna 215iHD45 представляют собой аккумуляторные ножницы для живой изгороди с электродвигателем.

Мы постоянно совершенствуем свою продукцию с целью повысить вашу безопасность и эффективность во время работы. Для получения

более подробной информации обратитесь к своему дилеру по обслуживанию.

Назначение

Изделие предназначено для обрезки веток разных диаметров. Запрещается использовать изделие для других видов работ.

Обзор изделия

(Рис. 1)

1. Руководство по эксплуатации
2. Задняя рукоятка
3. Пусковое устройство на передней рукоятке
4. Передняя рукоятка
5. Резчик
6. Транспортировочная защита
7. Переключатель
8. Панель управления
9. Щиток для рук
10. Аккумулятор
11. Зарядное устройство для аккумулятора 40-C80
12. Разъем
13. Кнопка-индикатор аккумулятора
14. Состояние аккумулятора
15. Предупреждающий индикатор
16. Кнопка SavE
17. Кнопка запуска/остановки
18. Предупреждающий индикатор, индикатор подачи питания
19. Кнопки извлечения аккумулятора
20. Зарядное устройство для аккумулятора QC80
21. Шнур питания

Условные обозначения на изделии

(Рис. 2) **ПРЕДУПРЕЖДЕНИЕ:** Изделие может представлять опасность и стать причиной тяжелой травмы или смерти оператора или окружающих. Соблюдайте осторожность и правила эксплуатации изделия.

(Рис. 3) Перед началом работы с изделием внимательно прочитайте руководство по эксплуатации и убедитесь, что понимаете приведенные инструкции.

(Рис. 4) Используйте средства защиты глаз.

(Рис. 5) Изделие соответствует действующим директивам ЕС.

(Рис. 6) Данное изделие и его упаковка не могут быть утилизированы в качестве бытовых отходов. Изделие необходимо передать в пункт переработки электрического и электронного оборудования.

(Рис. 7) Не оставляйте изделие под дождем.

(Рис. 8) Постоянный ток.

(Рис. 9) Табличка с уровнем эмиссии шума в окружающую среду в соответствии с директивами и нормативами Великобритании и ЕС (в том числе в соответствии с требованиями законодательства Нового Южного Уэльса). Данные об эмиссии шума приведены на паспортной табличке машины и в разделе "Технические данные".

(Рис. 10) Данное изделие соответствует действующим директивам Великобритании.

(Рис. 11) Предупреждение: Не подносите руки к ножу.

ууууwwxxxx На паспортной табличке указан серийный номер. **уууу** означает год производства, **ww** — производственную неделю.

Примечание: Другие символы/наклейки на изделии нанесены согласно специальным требованиям к сертификации, которые действуют в определенных странах.

Условные обозначения на аккумуляторе и/или зарядном устройстве аккумулятора

(Рис. 15) После завершения срока службы изделие необходимо передать в пункт переработки электрического и электронного оборудования. (Только для Европы)

(Рис. 12) Надежный трансформатор.

(Рис. 13) Зарядное устройство должно использоваться и храниться только внутри помещений.

(Рис. 14) Двойная изоляция.

Безопасность

Инструкции по технике безопасности

Предупреждения, предостережения и примечания используются для выделения особо важных пунктов руководства.



ПРЕДУПРЕЖДЕНИЕ:

Используется, когда несоблюдение инструкций руководства может привести к травмам или смерти оператора или находящихся рядом посторонних лиц.



ВНИМАНИЕ: Используется, когда несоблюдение инструкций руководства может привести к повреждению изделия, других материалов или прилегающей территории.

Примечание: Используется для предоставления дополнительных сведений о конкретной ситуации.

Общие меры предосторожности при работе с электроинструментом



ПРЕДУПРЕЖДЕНИЕ:

Внимательно прочитайте все предупреждения и информацию о мерах безопасности. Несоблюдение предупреждений и инструкций по технике безопасности может привести к поражению электрическим током, пожару и/или тяжелым травмам.

Примечание: Сохраните все предупреждающие указания и инструкции для последующего обращения. Под словом "электроинструмент" в данном документе понимается электрический инструмент, работающий от сети (проводной) либо от аккумулятора (беспроводной).

Техника безопасности на рабочем месте

- Рабочее место должно содержаться в чистоте и быть хорошо освещено. Загромождения или отсутствие освещения могут стать причиной несчастных случаев.
- Не пользуйтесь электроинструментами во взрывоопасной атмосфере, например, в присутствии легковоспламеняющихся жидкостей, газов или пыли. Электроинструменты производят искры, которые могут зажечь пыль или пары топлива.
- Не позволяйте детям и посторонним наблюдателям приближаться к вам во время использования электроинструмента. Это может отвлечь ваше внимание и привести к потере управления.

Электрическая безопасность

- Штепсельная вилка электроинструмента должна соответствовать электрической розетке. Запрещается изменять конструкцию вилки. Не пользуйтесь никакими штепсельными переходниками при работе с заземленными электроинструментами. Отсутствие изменений в конструкции вилок и их соответствие розеткам снижает опасность поражения электрическим током.
- Избегайте контакта любых частей тела с заземленными поверхностями, такими как трубы, батареи отопления, кухонные плиты и холодильники. Заземление тела увеличивает риск поражения электрическим током.
- Не подвергайте электроинструмент воздействию воды или высокой влажности. Попадание воды внутрь электроинструмента увеличивает риск поражения электрическим током.
- Используйте шнур электроинструмента только по прямому назначению. Никогда не носите и не тяните электроинструмент за шнур и не дергайте за него, чтобы выключить инструмент из розетки. Держите шнур вдали от источников тепла, масла, острых углов или движущихся деталей. Эксплуатация поврежденного или

запутанного шнура увеличивает риск поражения электрическим током.

- **При работе с электроинструментом вне помещений используйте подходящий удлинитель для наружных работ.** Применение шнура, предназначенного для уличного использования, снижает опасность поражения электрическим током.
- **Если неизбежно требуется применение электроинструмента во влажной среде, используйте источник питания, защищенный устройством защитного отключения (УЗО).** Использование УЗО снижает риск поражения электрическим током



ПРЕДУПРЕЖДЕНИЕ: Не мойте агрегат под напором, т.к. вода может попасть в электрическую систему или электромотор и привести к повреждению агрегата или короткому замыканию.

Личная безопасность

- **При работе с электроинструментом будьте бдительны, следите за своими действиями и руководствуйтесь здравым смыслом. Не используйте электроинструмент, если вы устали или находитесь под воздействием наркотических средств, алкоголя или лекарств.** Малейшая невнимательность может обернуться серьезными физическими травмами.
- **Пользуйтесь средствами индивидуальной защиты. Всегда носите защитные очки.** Средства индивидуальной защиты, такие как респиратор, нескользящая защитная обувь, каска или средства защиты органов слуха, существенно снижают риск получения травм.
- **Примите меры по предотвращению случайного включения электроинструмента. Перед подключением инструмента к источнику питания и/или блоку аккумуляторов, его подъемом или переноской убедитесь, что переключатель находится в выключенном положении (OFF).** Не переносите электроинструменты, держа палец на переключателе, а также не подавайте питание на электроинструменты с включенным переключателем, т.к. это может привести к несчастному случаю.
- **Уберите все гаечные и регулировочные ключи, прежде чем включать питание.** Ключ, оставленный на движущейся части электроинструмента, может стать причиной травмы.
- **Не вытягивайте руки с устройством слишком далеко. Всегда сохраняйте равновесие и устойчиво ставьте ноги.** Это позволит лучше контролировать электроинструмент в случае возникновения непредвиденной ситуации.
- **Надевайте соответствующую одежду. Не надевайте свободную одежду или украшения. Не допускайте попадания волос и одежды**

в движущиеся части инструмента. Свободная одежда, украшения или длинные волосы могут попасть в движущиеся части.

- **Если инструмент оборудован дополнительными устройствами для сбора и удаления пыли, убедитесь, что они подключены и используются надлежащим образом.** Такие устройства способствуют снижению опасностей, связанных с наличием пыли.
- **Не допускайте, чтобы чувство уверенности, приобретенное вследствие частого управления изделием, позволило вам забыть об опасностях и игнорировать принципы обеспечения безопасности.** Неосторожные действия могут привести к тяжелой травме за долю секунды.
- **Вибрации во время фактического использования электроинструмента могут отличаться от заявленного суммарного значения в зависимости от того, каким образом инструмент используется.** Операторы должны определять меры безопасности для собственной защиты, основываясь на оценке воздействия в конкретных условиях эксплуатации (с учетом всех частей рабочего цикла, таких как время отключения инструмента и время вращения на холостом ходу в дополнение к триггеру).

Эксплуатация и обслуживание электроинструмента

- **Не перегружайте электроинструмент. Убедитесь, что он предназначен для выполнения конкретной задачи.** Правильно подобранный электроинструмент лучше и надежнее справится с задачей, соответствующей его конструктивным характеристикам.
- **Не пользуйтесь электроинструментом, если его переключатель не работает.** Такой инструмент представляет опасность и подлежит обязательному ремонту.
- **Прежде чем производить какую-либо настройку электроинструмента, заменять его части или убирать его на хранение, отключите инструмент от источника питания и/или снимите блок аккумуляторов (если снимается).** Эти меры предосторожности позволяют исключить возможность случайного включения электроинструмента.
- **Храните неиспользуемые электроинструменты в недоступном для детей месте и не позволяйте работать с инструментом лицам, не ознакомленным с ним и с данными правилами техники безопасности.** Электроинструменты в руках неопытных пользователей являются источником опасности.
- **Выполните техническое обслуживание электроинструментов и принадлежностей. Регулярно проверяйте, не застревают ли движущиеся части и не смещаются ли они со своего нормального положения; все ли части исправны, а также**

другие условия, влияющие на работу электроинструмента. В случае обнаружения какой-либо неисправности устраните ее перед использованием инструмента. Многие несчастные случаи возникают из-за недостаточного тщательного ухода за электроинструментами.

- **Поддерживайте остроту и чистоту режущих инструментов.** Исправные режущие инструменты с острыми режущими краями меньше подвержены поломкам и более просты в управлении.
- **Используйте электроинструменты, принадлежности, наконечники и т.д. в соответствии с данными инструкциями, принимая во внимание условия работы и специфику выполняемой задачи.** Применение электроинструмента не по назначению может создать опасные ситуации.
- **Рукоятки и поверхности захвата должны быть сухими и чистыми, без следов масла и смазки.** Скользкие рукоятки и поверхности захвата препятствуют безопасному обращению и управлению инструментом в непредвиденных ситуациях.

Эксплуатация и обслуживание аккумулятора инструмента

- **Выполняйте зарядку только с помощью зарядного устройства, указанного производителем.** Зарядное устройство, подходящее для одного типа аккумуляторного блока, может создать опасность возгорания при использовании с аккумуляторным блоком другого типа.
- **Используйте изделия только со специально предназначенными аккумуляторными блоками.** Использование других аккумуляторных блоков может создать опасность травмы или возгорания.
- **Когда аккумуляторный блок не используется, храните его вдали от металлических предметов, таких как скрепки, монеты, ключи, гвозди, винты или иные мелкие предметы, которые могут замкнуть клеммы аккумулятора.** Замыкание клемм аккумулятора может привести к ожогам или пожару.
- **При неправильном обращении из аккумулятора может вытечь жидкость; избегайте контакта с вытекшей жидкостью.** При случайном контакте промойте место соприкосновения водой. При попадании жидкости в глаза обратитесь за медицинской помощью. Вытекшая из аккумулятора жидкость может привести к раздражению или ожогу.
- **Запрещается использовать аккумуляторный блок или инструмент, если они повреждены или модифицированы.** Поврежденные или подвергнутые модификации аккумуляторы могут работать неправильно, что приведет к возникновению пожара, взрыва или риску травм.

- **Не подвергайте аккумуляторный блок или инструмент воздействию огня или чрезмерно высоких температур.** Воздействие огня или температуры выше 130 °C может привести к взрыву.
- **Точно следуйте всем инструкциям по зарядке и ни в коем случае не заряжайте аккумуляторный блок или инструмент при температуре, выходящей за пределы указанного в инструкциях диапазона.** Ненадлежащая зарядка или зарядка при температуре выше или ниже указанного диапазона может привести к повреждению аккумулятора и повышенному риску пожара.

Сервисное обслуживание

- **Сервисное обслуживание электроинструмента должны выполнять квалифицированные специалисты по ремонту оборудования с использованием только идентичных запчастей.** Это гарантирует сохранность электроинструмента.
- **Никогда не выполняйте обслуживание поврежденных блоков аккумуляторов.** Обслуживание аккумуляторов должно выполняться только производителем или специалистами уполномоченных сервисных центров.

Предупреждения по технике безопасности для ножниц для живой изгороди — личная безопасность

- **Во время эксплуатации ножниц для живой изгороди держите их обеими руками.** Использование только одной руки может привести к потере управления и повлечь за собой серьезную травму.
- **Не подносите части тела близко к режущему ножу. Не удаляйте срезанный и не удерживайте подлежащий срезке материал во время работы ножей.** Ножи продолжают двигаться после переключения переключателя в положение выключения. Малейшая невнимательность при работе с ножницами для живой изгороди может обернуться серьезными травмами.
- **Переносите ножницы для живой изгороди за рукоятку, предварительно остановив нож и приняв необходимые меры во избежание включения главного выключателя.** Соблюдение правил переноса ножниц для живой изгороди снижает риск случайного запуска и, как следствие, вероятность травмирования ножами.
- **При транспортировке или хранении ножниц для живой изгороди всегда устанавливайте кожух на лезвия.** Правильное обращение с ножницами для живой изгороди снизит вероятность травмирования лезвиями.
- **При удалении застрявшего материала или обслуживании изделия убедитесь, что все выключатели питания отключены, а блок аккумуляторов отсоединен.** Непредвиденное

включение ножниц для живой изгороди во время удаления застрявшего материала или техобслуживания может привести к тяжелой травме.

- **Держите ножницы для живой изгороди только за изолированные поверхности, поскольку нож может войти в контакт со скрытой электропроводкой.** При контакте ножей с проводом, находящимся под напряжением, неизолированные металлические детали ножниц также окажутся под напряжением и могут поразить оператора электрическим током.
- **Держите все шнуры питания вдали от зоны резки.** Шнуры питания или кабели могут быть скрыты в кустах и, как следствие, случайно перерезаны ножом.
- **Запрещается использовать ножницы для живой изгороди в плохих погодных условиях, особенно если существует риск удара молнии.** Это позволяет уменьшить риск поражения молнией.
- **ОПАСНО – Не трогайте нож руками.** Контакт с ножом приведет к серьезной травме.

Общие инструкции по технике безопасности



ПРЕДУПРЕЖДЕНИЕ: В обязательном порядке прочитайте следующие инструкции по технике безопасности, прежде чем приступить к эксплуатации изделия.

- Во избежание случайного запуска изделия необходимо извлекать из него аккумулятор.
- При небрежном или неправильном обращении изделие может оказаться опасным инструментом. Изделие может стать причиной тяжелой травмы или смерти оператора и окружающих.
- Запрещается использовать изделие, если были изменены его исходные технические характеристики. Запрещено вносить изменения в конструкцию изделия без одобрения производителя. Используйте только рекомендованные производителем детали. Неправильное техобслуживание может привести к травме или смертельному исходу.
- Перед началом эксплуатации проверьте изделие. См. раздел *Перед началом эксплуатации изделия на стр. 331*. Не используйте неисправное изделие. Проверяйте состояние защитных устройств и проводите техобслуживание в соответствии с инструкциями настоящего руководства.
- Необходимо убедиться, что дети не используют изделие в качестве игрушки. Ни при каких условиях нельзя позволять детям или иным лицам, не знакомым с правилами эксплуатации изделия и/или аккумулятора, работать с этим оборудованием или заниматься его техобслуживанием. Местные законы

могут устанавливать требования к возрасту пользователя.

- Храните изделие в запечатом помещении для предотвращения доступа к изделию детей или посторонних лиц.
- Храните изделие в недоступном для детей месте.
- Ни при каких обстоятельствах не допускается внесение изменений в первоначальную конструкцию изделия без разрешения производителя. Всегда пользуйтесь только оригинальными принадлежностями. Внесение неразрешенных изменений и/или использование неразрешенных принадлежностей может привести к тяжелой травме или смерти оператора и других лиц.

Примечание: Эксплуатация данного изделия может регулироваться государственными или региональными законами. Соблюдайте действующие требования.

Инструкции по технике безопасности во время эксплуатации



ПРЕДУПРЕЖДЕНИЕ: В обязательном порядке прочитайте следующие инструкции по технике безопасности, прежде чем приступить к эксплуатации изделия.

- В случае возникновения ситуации, в которой вы почувствуете неуверенность относительно дальнейшей работы с изделием, обратитесь за консультацией к специалисту. Свяжитесь со своим дилером или мастерской по обслуживанию. Не пытайтесь решить какую-либо задачу, если считаете, что она находится за пределами ваших возможностей.
- Ни в коем случае не приступайте к работе с инструментом, если вы устали, находитесь под воздействием алкогольных напитков или наркотиков или принимаете лекарства, которые могут повлиять на зрение, реакцию, координацию или оценку действительности.
- Работа в плохую погоду сильно утомляет и вызывает дополнительный риск. В связи с возникающим дополнительным риском, не рекомендуется использовать инструмент при неблагоприятных погодных условиях, например, в условиях плотного тумана, сильного дождя, порывистого ветра, низких температур, риска удара молнии и т.д.
- Неисправные ножи могут повысить риск несчастных случаев.
- Не позволяйте детям пользоваться изделием или находиться рядом с ним. Поскольку изделие можно запустить без особого труда, это могут сделать дети, находящиеся без должного присмотра. Это создает риск получения тяжелых

травм. Поэтому в случаях, когда изделие остается без присмотра, аккумулятор должен быть отсоединен.

- Следите за тем, чтобы во время работы в радиусе 15 метров от изделия не было людей и животных. Когда на одном и том же участке одновременно работают несколько пользователей, безопасное расстояние между ними должно быть не менее 15 м. В противном случае существует риск получения серьезных травм. Если кто-нибудь подойдет ближе, немедленно остановите изделие. Никогда не поворачивайтесь с изделием, не посмотрев сначала назад и убедившись, что в зоне риска никого нет.
- Следите за тем, чтобы люди, животные и посторонние предметы не могли помешать вам управлять изделием, а также исключите возможность их контакта с режущим оборудованием и предметами, отбрасываемыми режущим оборудованием. Тем не менее, запрещено использовать изделие в ситуации, в которой вы не сможете позвать на помощь при несчастном случае.
- В обязательном порядке проверяйте участок работы. Уберите все свободно лежащие предметы, например, камни, разбитое стекло, гвозди, стальную проволоку, веревки и пр., поскольку они могут быть отброшены или намотаны на режущее оборудование.
- Убедитесь, что вы можете двигаться и стоять безопасно. Проверьте, нет ли вокруг вас возможных помех и препятствий (корней, камней, веток, ям и т.д.), если вам вдруг будет нужно быстро переместиться. Будьте особенно внимательны при работе на склонах.
- Всегда сохраняйте хорошее равновесие и надежную опору ног. Не вытягивайте руки с устройством слишком далеко.
- Отключите изделие, прежде чем переносить его. Если изделие не используется, устанавливайте на него транспортировочный щиток.
- Кладите изделие на землю только после его отключения и извлечения аккумулятора. Ни в коем случае не оставляется включенное изделие без присмотра.
- Следите за тем, чтобы при включении изделия одежда или части тела не соприкасались с режущим оборудованием.
- Если в ходе эксплуатации изделия в ножах застревает посторонний предмет, остановите и отключите изделие. Убедитесь, что режущее оборудование полностью остановилось. Перед проведением очистки, осмотра или ремонта изделия и/или ножей извлеките аккумулятор.
- Не приближайте руки и ноги к режущему оборудованию, пока оно полностью не остановится после отключения изделия.
- При работе следите за обрубками веток, которые могут быть отброшены в вашу сторону.

Запрещается выполнять стрижку слишком близко к земле, поскольку при этом в вашу сторону могут быть отброшены камни и другие предметы.

- Остерегайтесь отбрасываемых предметов. Всегда пользуйтесь рекомендованными защитными очками. Никогда не наклоняйтесь над щитком режущего оборудования. Камни, мусор и пр. могут попасть в глаза и привести к слепоте или тяжелым травмам.
- При использовании защитных наушников обращайтесь внимание на предупреждающие сигналы или крики. Всегда снимайте наушники сразу после остановки изделия.
- Ни в коем случае не работайте, стоя на лестнице, стуле или любом другом незакрепленном предмете.
- Держите изделие обеими руками. Держите инструмент сбоку.

(Рис. 16)

Средства индивидуальной защиты



ПРЕДУПРЕЖДЕНИЕ: В обязательном порядке прочитайте следующие инструкции по технике безопасности, прежде чем приступать к эксплуатации изделия.

- Каждый раз при работе с изделием следует использовать рекомендованные средства индивидуальной защиты. Средства индивидуальной защиты не могут полностью исключить риск получения травмы, но они способны снизить тяжесть травмы. Для получения дополнительных сведений обратитесь к своему дилеру.
- Используйте защитный шлем в тех случаях, когда существует вероятность падения предметов.

(Рис. 17)

- Используйте одобренные средства защиты органов слуха. Продолжительное воздействие шума может повлечь неизлечимое ухудшение слуха.

(Рис. 18)

- Используйте одобренные средства защиты глаз. При использовании защитной маски следует пользоваться также одобренными защитными очками. Под одобренными защитными очками подразумеваются очки, отвечающие требованиям стандарта ANSI Z87.1 для США или EN 166 для стран ЕС.

(Рис. 19)

- Во время эксплуатации и технического обслуживания используйте защитные перчатки.

(Рис. 20)

- Надевайте защитные ботинки или обувь с нескользящей подошвой.

(Рис. 21)

- Надевайте одежду из прочного материала. Одежда должно плотно прилегать к телу, но не ограничивать движения. Работайте в длинных штанах. Собирайте волосы на затылке. Не надевайте украшения или открытую обувь.
- Средства оказания первой помощи всегда должны быть под рукой.

(Рис. 22)

Защитные устройства на изделии



ПРЕДУПРЕЖДЕНИЕ: В обязательном порядке прочитайте следующие инструкции по технике безопасности, прежде чем приступить к эксплуатации изделия.

В данном разделе рассматриваются защитные приспособления изделия и их назначение, а также приводятся проверки и процедуры технического обслуживания, которые необходимо проводить для обеспечения правильной работы изделия. См. раздел *Обзор изделия на стр. 322*, где описано расположение этих компонентов на изделии.

Срок службы изделия может быть сокращен, а риск несчастных случаев увеличен, если техническое обслуживание изделия не проводится надлежащим образом, а сервис и/или ремонт выполняются непрофессионалами. Дополнительную информацию можно получить в ближайшем сервисном центре.



ПРЕДУПРЕЖДЕНИЕ: Ни в коем случае не пользуйтесь изделием с поврежденными защитными приспособлениями. Техобслуживание и проверка защитных приспособлений должны выполняться в соответствии с инструкциями в данном разделе. Если в рамках этих проверок обнаружены неисправности изделия, обратитесь в сервисный центр для проведения ремонта.



ВНИМАНИЕ: Для обслуживания и ремонта изделия требуется специальная подготовка. Это в частности относится к защитным приспособлениям изделия. Если одна или несколько проверок, описанных ниже, не пройдены, обратитесь в сервисный центр. При приобретении любой нашей продукции вы получаете доступ к профессиональной помощи по ремонту и обслуживанию. Если изделие было приобретено у дилера, не имеющего сервисного центра,

узнайте у дилера адрес ближайшего сервисного центра.

Проверка клавиатуры

1. Нажмите и удерживайте нажатой кнопку запуска/остановки (A). (Рис. 23)
 - a) Изделие включено, когда горит светодиодный индикатор (B).
 - b) Изделие выключено, когда светодиодный индикатор (B) не горит.
2. Если загорается или мигает предупреждающий индикатор (C), см. раздел *Кнопочная панель на стр. 334*.

Проверка пускового устройства на передней рукоятке

Пусковое устройство на передней рукоятке предотвращает случайный запуск. При нажатии на пусковое устройство на передней рукоятке выполняется разблокировка переключателя. При отпуске рукоятки переключатель и пусковое устройство на передней рукоятке возвращаются в исходные положения.

1. Убедитесь, что переключатель и пусковое устройство на передней рукоятке свободно перемещаются, а возвратная пружина работает надлежащим образом.
2. Запустите изделие.
3. Нажмите на пусковое устройство на передней рукоятке.

(Рис. 24)

4. Нажмите на переключатель. (Рис. 25)
5. Отпустите пусковое устройство на передней рукоятке и убедитесь, что режущее оборудование полностью останавливается.

Проверка щитка для рук

Щиток для рук предназначен для защиты рук от случайного контакта с ножами.

1. Остановите изделие.
2. Снимите аккумулятор.
3. Убедитесь в правильности крепления щитка для рук.
4. Проверьте щиток для рук на наличие повреждений.

Проверка ножей и кожухов ножей

Более длинные части ножей (A) выполняют роль защитных кожухов.

1. Остановите изделие.
2. Снимите аккумулятор.

3. Наденьте перчатки.
4. Убедитесь, что ножи и кожухи ножей не повреждены и не изогнуты. Заменяйте ножи и кожухи ножей, если они повреждены или погнулись. (Рис. 26)

Техника безопасности при работе с аккумулятором



ПРЕДУПРЕЖДЕНИЕ: В обязательном порядке прочитайте следующие инструкции по технике безопасности, прежде чем приступить к эксплуатации изделия.

- Используйте только аккумуляторы серий BLi и 40-B. Подробнее см. в разделе *Технические данные на стр. 336*. Для аккумуляторов используется программное обеспечение с криптографической защитой.
- Используйте перезаряжаемые аккумуляторы серий BLi и 40-B в качестве источника питания только для тех изделий Husqvarna, для которых они предназначены. Во избежание травм запрещается использовать аккумулятор в качестве источника питания для других устройств.
- Риск поражения электрическим током. Не допускайте контакта клемм аккумулятора с ключами, монетами, винтами или другими металлическими предметами. Это может привести к короткому замыканию аккумулятора.
- Запрещается использовать одноразовые аккумуляторы.
- Не размещайте посторонние предметы на воздухозаборниках аккумулятора.
- Аккумулятор не должен подвергаться воздействию солнечного света, тепла или открытого пламени. Аккумулятор может стать причиной ожогов, в том числе химических.
- Защищайте аккумулятор от дождя и сырости.
- Не подвергайте аккумулятор воздействию микроволн и высокого давления.
- Не пытайтесь разбирать или ломать аккумулятор.
- При возникновении утечки из аккумулятора не допускайте попадания жидкости на кожу или в глаза. В случае контакта с жидкостью промойте участок контакта большим количеством воды с мылом и обратитесь за медицинской помощью. При попадании жидкости в глаза нельзя их тереть. Необходимо промывать глаза обильным количеством воды на протяжении не менее 15 минут, а затем обратиться за медицинской помощью.
- Используйте аккумулятор при температуре в диапазоне от -10 до 40 °C (от 14 до 114 °F).
- Очистка аккумулятора или зарядного устройства водой запрещена. См. раздел *Очистка изделия, аккумулятора и зарядного устройства на стр. 333*.

- Запрещается использовать неисправный или поврежденный аккумулятор.
- Храните аккумуляторы вдали от металлических предметов, таких как гвозди, винты или ювелирные изделия.
- Храните аккумулятор в недоступном для детей месте.

Техника безопасности при работе с зарядным устройством для аккумулятора



ПРЕДУПРЕЖДЕНИЕ: В обязательном порядке прочитайте следующие инструкции по технике безопасности, прежде чем приступить к эксплуатации изделия.

- Риск поражения электрическим током или короткого замыкания в случае несоблюдения инструкций по технике безопасности.
- Используйте только то зарядное устройство, которое входит в комплект поставки изделия. Используйте зарядные устройства QC80 и 40-C80 только для зарядки сменных аккумуляторов серий BLi и 40-B.
- Не пытайтесь разбирать зарядное устройство.
- Запрещается использовать неисправное или поврежденное зарядное устройство.
- Не поднимайте зарядное устройство за кабель питания. Для отсоединения зарядного устройства от сетевой розетки потяните за вилку. Не тяните за шнур питания.
- Кабели и удлинители не должны контактировать с водой, маслом и острыми краями. Убедитесь, что кабель не застрял в препятствии, например, в двери, заборе и т.д.
- Запрещается использовать зарядное устройство вблизи легковоспламеняющихся материалов и материалов, которые вызывают коррозию. Убедитесь, что зарядное устройство ничем не накрыто. В случае появления дыма или огня извлеките вилку зарядного устройства из розетки.
- Заряжайте аккумулятор только в хорошо проветриваемом помещении вдали от солнечных лучей. Запрещается заряжать аккумулятор вне помещения. Запрещается заряжать аккумулятор в условиях высокой влажности.
- Используйте зарядное устройство только при температуре в диапазоне от 5 до 40 °C (от 41 до 104 °F). Используйте зарядное устройство в хорошо проветриваемых сухих помещениях, защищенных от пыли.
- Не вставляйте посторонние предметы в воздухозаборники зарядного устройства, предназначенные для его охлаждения.
- Не подсоединяйте металлические предметы к клеммам зарядного устройства, т.к. это может привести к короткому замыканию зарядного устройства.

- Используйте одобренные сетевые розетки, которые находятся в исправном состоянии. Убедитесь, что шнур зарядного устройства не поврежден. В случае использования удлинительных кабелей следите за их целостностью.
- Не пытайтесь заряжать одноразовые аккумуляторы в зарядных устройствах.

Инструкции по технике безопасности во время технического обслуживания



ПРЕДУПРЕЖДЕНИЕ: В обязательном порядке прочитайте следующие инструкции по технике безопасности, прежде чем приступить к техобслуживанию изделия.

- Перед сборкой изделия, проведением техобслуживания или иных проверок извлекайте из него аккумулятор.
- Оператор может выполнять только те работы по техническому и сервисному обслуживанию,

которые описаны в данном руководстве по эксплуатации. Для проведения более сложных работ по техническому и сервисному обслуживанию обращайтесь к своему дилеру по обслуживанию.

- Очистка аккумулятора или зарядного устройства водой запрещена. Использование сильного моющего средства может повредить пластмассу.
- При невыполнении работ по техобслуживанию срок службы изделия сокращается, а риск возникновения несчастных случаев увеличивается.
- Для выполнения любых работ по сервисному обслуживанию и ремонту, особенно защитных приспособлений изделия, необходимо пройти специальное обучение. Если после выполнения обслуживания при проведении проверок были выявлены неисправности, обратитесь к своему дилеру по обслуживанию. Мы гарантируем, что ремонт и обслуживание вашего изделия будут выполнять квалифицированные профессионалы.
- Пользуйтесь только оригинальными запасными частями.

Сборка

Введение

В данном разделе рассматривается сборка и регулировка изделия.



ПРЕДУПРЕЖДЕНИЕ: Перед сборкой изделия ознакомьтесь с разделом безопасности и инструкциями по сборке.

Подключение аккумулятора к изделию



ПРЕДУПРЕЖДЕНИЕ: Используйте с данным изделием только оригинальные аккумуляторы Husqvarna.

1. Полностью зарядите аккумулятор.
2. Вставьте аккумулятор в держатель аккумулятора на изделии. При фиксации аккумулятора на месте слышится щелчок. (Рис. 27)



ВНИМАНИЕ: Если аккумулятор не вставляется в держатель без

усилий, аккумулятор установлен неправильно. Это может привести к повреждению изделия.

Монтаж зарядного устройства 40-С80 на стену



ВНИМАНИЕ: Не используйте электрическую отвертку для монтажа зарядного устройства на стену. Электрическая отвертка может повредить зарядное устройство.

1. Установите зарядное устройство на стену с помощью 2 винтов (В). При необходимости используйте дюбели (А). (Рис. 28)
2. Установите 2 заглушки на винты (С).
3. Подключите разъем шнура питания зарядного устройства к сетевой розетке.

Эксплуатация

Введение



ПРЕДУПРЕЖДЕНИЕ: Перед эксплуатацией изделия внимательно изучите раздел техники безопасности.

Аккумулятор



ПРЕДУПРЕЖДЕНИЕ: Перед эксплуатацией аккумулятора внимательно изучите раздел по технике безопасности. Прочтите и усвойте все сведения, приведенные в руководстве по эксплуатации аккумулятора и зарядного устройства.

Храните аккумулятор и зарядное устройство при допустимой температуре окружающей среды.

	Температура окружающей среды
Эксплуатация аккумулятора	5–40 °C / 41–104 °F
Зарядка аккумулятора	5–40 °C / 41–104 °F

Состояние аккумулятора

На дисплее отображается состояние заряда и информация о проблемах с аккумулятором при их наличии.

(Рис. 29)

Светодиодный индикатор	Состояние аккумулятора (уровень заряда)	
	BLi10	40-B70
Горят 4 светодиодных индикатора	Неприменимо	Аккумулятор заряжен на 76-100%.
Горят 3 светодиодных индикатора	Аккумулятор заряжен на 76-100%.	Аккумулятор заряжен на 51-75%.
Горят 2 светодиодных индикатора	Аккумулятор заряжен на 51-75%.	Аккумулятор заряжен на 26-50%.
Горит 1 светодиодный индикатор	Аккумулятор заряжен на 26-50%.	Аккумулятор заряжен на 6-25%.
Мигает 1 светодиодный индикатор	Аккумулятор заряжен на 0-25%.	Аккумулятор заряжен на 0-5%.

Зарядка аккумулятора

Зарядите аккумулятор, если он используется в первый раз. Уровень заряда нового аккумулятора составляет 30%.



ВНИМАНИЕ: Подключайте зарядное устройство только к сети питания с напряжением и частотой, указанными на паспортной табличке устройства.

Аккумулятор не будет заряжаться, если его температура превышает 50 °C / 122 °F.

1. Подсоедините шнур питания к зарядному устройству.
2. Подключите зарядное устройство к заземленной сетевой розетке. Светодиодный индикатор зарядки мигает один раз. (Рис. 30)

3. Подключите аккумулятор к зарядному устройству. Загорается светодиодный индикатор зарядки. Длительность зарядки аккумулятора не должна превышать 24 часа. (Рис. 31)
4. Нажмите кнопку индикатора аккумулятора. Если все светодиодные индикаторы загораются, аккумулятор полностью заряжен.
5. Чтобы отсоединить зарядное устройство от розетки, потяните за вилку питания. Не тяните за шнур питания.
6. Извлеките аккумулятор из зарядного устройства.

Перед началом эксплуатации изделия

1. Проверьте рабочую зону. Уберите предметы, которые могут быть отброшены в сторону при работе изделия.

2. Осмотрите режущее оборудование. Ножи должны быть острыми, не иметь трещин и повреждений.
3. Убедитесь, что изделие работает исправно. Проверьте надежность затяжки всех гаек и винтов.
4. Убедитесь, что рукоятка и защитные устройства не повреждены и установлены надлежащим образом. Не включайте инструмент, если какие-либо компоненты отсутствуют или технические характеристики изменены по сравнению с исходными. При необходимости наденьте защитные перчатки.
5. Прежде чем включать инструмент, убедитесь, что на крышках нет повреждений и что они установлены надлежащим образом.

Запуск агрегата

1. Нажмите и удерживайте нажатой кнопку запуска/остановки, пока не загорится зеленый светодиодный индикатор. (Рис. 32)
2. Нажмите на пусковое устройство на передней рукоятке. (Рис. 33)
3. Нажмите на переключатель. (Рис. 25)

Эксплуатация изделия

1. Включать изделие следует низко над землей, только после этого разрешается поднять его и приступить к обрезке живой изгороди. Следите за тем, чтобы корпус изделия не касался живой изгороди. (Рис. 34)



ПРЕДУПРЕЖДЕНИЕ:

Следите за тем, чтобы передняя часть

режущего оборудования не касался земли.

2. Для большей устойчивости следует держать изделие на небольшом, но безопасном расстоянии от вашего тела.
3. Соблюдайте осторожность и не торопитесь при эксплуатации изделия.

Использование функции SavE

Изделие оснащено функцией экономии энергии SavE.

Примечание: функция SavE не снижает режущую мощность инструмента.

1. Нажмите кнопку SavE на клавиатуре.
2. Должен обязательно загореться зеленый светодиод.
3. Чтобы отключить эту функцию, повторно нажмите кнопку SavE. Зеленый светодиод погаснет. (Рис. 35)

Функция автоматической остановки

Изделие оснащено функцией остановки, которая обеспечивает остановку изделия, когда оно не используется. Зеленый светодиодный индикатор запуска/остановка гаснет, и изделие останавливается через 180 секунд.

Остановка изделия

1. Отпустите переключатель и пусковое устройство на передней рукоятке.
2. Нажмите и удерживайте нажатой кнопку запуска/остановки, пока зеленый светодиодный индикатор не погаснет.
3. Нажмите кнопки извлечения на аккумуляторе и извлеките аккумулятор. (Рис. 36)

Техническое обслуживание

Введение



ПРЕДУПРЕЖДЕНИЕ: Перед проведением технического обслуживания изделия внимательно изучите раздел техники безопасности.



ПРЕДУПРЕЖДЕНИЕ: Перед выполнением технического обслуживания изделия извлеките аккумулятор.

График технического обслуживания

Ниже приведен перечень необходимых для выполнения процедур технического обслуживания изделия.

Техническое обслуживание	Перед пользова нием	Еженеде льно	Ежемеся чно
Очистите наружные части изделия.	X		
Проверьте исправность и отсутствие повреждений переключателя запуска/ останова.	X		
Убедитесь, что переключатель и пусковое устройство на передней рукоятке работают надлежащим образом.	X		
Убедитесь, что все органы управления исправны и не повреждены.	X		
Убедитесь, что на режущем ноже и кожухе ножа нет трещин и повреждений. Замените режущий нож и кожух ножа, если на них имеются трещины или следы ударов.	X		
Если режущий нож погнут или поврежден, замените его.	X		
Проверьте щиток для рук на наличие повреждений. В случае повреждения щитка замените его.	X		
Проверьте затяжку винтов и гаек.	X		
Проверьте аккумулятор на наличие повреждений.	X		
Убедитесь, что аккумулятор заряжен.	X		
Проверьте зарядное устройство на наличие повреждений.	X		
Убедитесь, что винты, фиксирующие режущие ножи, надежно затянуты.		X	
Проверьте соединения между аккумулятором и изделием. Проверьте соединение между аккумулятором и зарядным устройством.			X

Проверка аккумулятора и зарядного устройства

1. Проверьте аккумулятор на наличие повреждений, например, трещин.
2. Проверьте зарядное устройство на наличие повреждений, например, трещин.
3. Проверьте соединительный шнур зарядного устройства на наличие повреждений или трещин.

Очистка изделия, аккумулятора и зарядного устройства

1. После использования очистите изделие сухой тканью.
2. Очистите аккумулятор и зарядное устройство сухой тканью. Направляющие аккумулятора должны быть очищены от грязи.
3. Перед установкой аккумулятора в зарядное устройство или изделие убедитесь, что клеммы аккумулятора и зарядного устройства не загрязнены.

Проверка ножа

1. До и после эксплуатации очищайте нож от нежелательных материалов с использованием противокоррозионного чистящего вещества.
2. Проверьте кромки ножа на наличие повреждений и деформации.
3. Удалите заусенцы на ноже с помощью напильника.
4. Убедитесь, что ножи свободно вращаются.

Очистка и смазка ножей

1. Ножи необходимо очищать от посторонних материалов до и после эксплуатации.
2. Смажьте ножи перед помещением изделия на продолжительное хранение.

Примечание: Для получения информации о рекомендованных чистящих средствах и смазке обратитесь к своему сервисному дилеру.

Смазка редуктора

Нанесите смазку на корпус редуктора, если он был разобран авторизованным дилером по обслуживанию.

- Используйте специальную смазку Husqvarna. Для получения информации о смазке обратитесь к своему дилеру по обслуживанию.

- Используйте только небольшое количество специальной высококачественной смазки.



ВНИМАНИЕ: Не заполняйте корпус редуктора до максимальной отметки.

Поиск и устранение неисправностей

Кнопочная панель

Светодиодный экран	Возможные неисправности	Возможные решения
Мигает светодиодный индикатор ошибки.	Перегрузка	Режущее оборудование не может свободно перемещаться. Освободите режущее оборудование.
	Отклонение температуры	Дайте изделию остыть.
Изделие не запускается.	Одновременно нажмите переключатель и кнопку запуска.	Отпустите переключатель и остановите изделие.
Светодиодный индикатор ошибки загорается красным светом.	Необходимо выполнить техническое обслуживание изделия.	Обратитесь к своему дилеру по обслуживанию.

Аккумулятор

Светодиодный дисплей	Возможные неисправности	Возможные действия
Мигает зеленый светодиодный индикатор.	Аккумулятор разряжен.	Зарядите аккумулятор.
Мигает светодиодный индикатор ошибки.	Отклонение температуры.	Используйте аккумулятор при температуре в диапазоне от -10 °C (14 °F) до 40 °C (104 °F).
	Слишком высокое напряжение.	Убедитесь, что напряжение в сети соответствует значению, указанному на паспортной табличке изделия. Извлеките аккумулятор из зарядного устройства.
Горит светодиодный индикатор ошибки.	Слишком большая разница в напряжении ячеек (1 В).	Обратитесь к своему дилеру по обслуживанию.

Зарядное устройство

Проблема	Возможные неисправности	Возможное решение
Светодиодный индикатор зарядки горит красным.	Постоянная ошибка зарядного устройства.	Обратитесь в дилерский центр.

Проблема	Возможные неисправности	Возможное решение
Светодиодный индикатор зарядки мигает зеленым.	Отклонение температуры: аккумулятор слишком холодный или слишком горячий для использования или зарядки.	Дайте аккумулятору остыть или прогрейте его. Когда температура аккумулятора будет соответствовать норме, его можно снова использовать или заряжать. Используйте зарядное устройство при температуре окружающей среды в диапазоне от 5 до 40 °C.
Светодиодный индикатор зарядки мигает красным.	Неисправность аккумулятора.	Обратитесь в дилерский центр.

Транспортировка, хранение и утилизация

Транспортировка и хранение

- Входящие в комплект литий-ионные аккумуляторы соответствуют требованиям законодательства в отношении опасных товаров.
- Соблюдайте особые требования к упаковке и этикеткам для коммерческих перевозок, в том числе третьими лицами и экспедиторами.
- Перед отправкой/транспортировкой изделия обратитесь к человеку, прошедшему специальную подготовку по работе с опасными материалами. Соблюдайте все применимые государственные нормативы.
- При помещении аккумулятора в упаковку заклейте лентой открытые контакты. Плотно упакуйте аккумулятор для предотвращения его движения.
- Перед хранением или транспортировкой аккумулятора необходимо извлекать из изделия.
- Храните аккумулятор и зарядное устройство в сухом помещении, не подверженном воздействию влаги и низких температур.
- Не допускается хранение аккумулятора в местах, где возможно возникновение статического электричества. Нельзя хранить аккумулятор в металлической коробке.
- Храните аккумулятор при температуре в диапазоне 5-25 °C / 41-77 °F, вдали от прямых солнечных лучей.
- Храните зарядное устройство для аккумулятора при температуре в диапазоне 5-45 °C / 41-113 °F, вдали от прямых солнечных лучей.
- Используйте зарядное устройство только при температуре окружающей среды в диапазоне 5-40 °C / 41-104 °F.

- Перед помещением аккумулятора на длительное хранение зарядите его до 30-50%.
- Храните зарядное устройство в сухом закрытом помещении.
- Храните аккумулятор отдельно от зарядного устройства. Не позволяйте прикасаться к оборудованию детям и другим лицам, не имеющим соответствующего разрешения. Храните оборудование в месте, которое можно запретить.
- Перед помещением изделия на длительное хранение очистите его от загрязнений и проведите полное обслуживание.
- Во избежание травм или повреждений во время транспортировки и хранения изделия используйте транспортировочные щитки.
- Надежно закрепляйте изделие на время транспортировки.

Утилизация аккумулятора, зарядного устройства и изделия

Символы на изделии или упаковке изделия указывают на то, что изделие запрещается утилизировать как бытовые отходы. Изделие необходимо передать в пункт переработки электрического и электронного оборудования. Это поможет предотвратить отрицательное воздействие на окружающую среду и здоровье людей.

Свяжитесь с местными органами власти, службой по утилизации бытовых отходов или дилером для получения дополнительной информации о том, как направить изделие на вторичную переработку.

Технические данные

Технические данные

	215iHD45
Электродвигатель	
Тип двигателя	Бесщеточный, постоянного тока
Вес	
Вес без аккумулятора, кг	3,2
Резчик	
Тип	Двухсторонние
Длина ножа, мм	450
Частота вращения ножа, резов/мин (в режиме SavE)	2400
Частота вращения ножа, резов/мин (режим SavE отключен)	3000
Излучение шума ⁴⁵	
Уровень мощности звука, измеренный, дБ(А)	87
Уровень мощности звука, гарантированный, L_{WA}	90
Уровни шума	
Шумовое давление на уровне уха пользователя, измеренное согласно EN 62841-4-2, дБ(А)	79
Уровни вибрации ⁴⁶	
Уровни вибрации (a_h), спереди/сзади, m/c^2	2,1 / 1,7

Рекомендованные аккумуляторы для изделия

Аккумулятор	BLi10	40-B70
Тип	Литий-ионный	Литий-ионный

⁴⁵ Излучение шума в окружающую среду измеряется как мощность звука (L_{WA}) согласно директиве ЕС 2000/14/ЕС. Разница между гарантированной и измеренной мощностью звука заключается в том, что гарантированная мощность звука включает результаты измерений как диапазон и их отклонение для изделий одной и той же модели согласно директиве 2000/14/ЕС.

⁴⁶ Указанные данные об уровне вибрации имеют типичный статистический разброс (стандартное отклонение) 1,5 m/c^2 .

Заявленное суммарное значение вибрации измерено в соответствии со стандартным методом испытания и может быть использовано для сравнения одного инструмента с другим.

Заявленное суммарное значение вибрации может также использоваться для предварительной оценки воздействия.

Аккумулятор	BLi10		40-B70
Емкость аккумулятора, А·ч	См. паспортную табличку аккумулятора		См. паспортную табличку аккумулятора
Номинальное напряжение, В	36	36,5	36
Масса, кг	0,7	0,7	0,8

Рекомендованные зарядные устройства для изделия

Зарядное устройство	QC80	40-C80
Напряжение сети, В	100-240	100-240
Частота, Гц	50-60	50-60
Мощность, Вт	100	72
Выходное напряжение, В пост. тока / ампер (А)	36/2	43 / 1,6

Декларация о соответствии

Декларация соответствия требованиям ЕС

Мы, компания **Husqvarna AB**, SE-561 82
Husqvarna, Швеция, тел.: +46-36-146500, с полной
ответственностью заявляем, что изделие:

Описание	Аккумуляторный триммер для живой изгороди
Марка	Husqvarna
Тип / Модель	215iHD45
Идентификация	Серийные номера начиная с 2024 года и далее

полностью соответствует следующим директивам и
нормативам ЕС:

Директива / Норматив	Описание
2006/42/ЕС	"О механическом оборудовании"
2014/30/EU	"Об электромагнитной совместимости"
2000/14/ЕС	"Об излучении шума в окружающую среду"
2011/65/EU	"Об ограничении использования определенных опасных веществ в электрическом и электронном оборудовании"

а также требованиям следующих
стандартов и/или технических регламентов:
EN 62841-4-2:2019+A1:2022+A11:2022, EN
62841-1:2015+A11:2022, EN IEC 55014-1:2021, EN
IEC 55014-2:2021, EN IEC 63000:2018.

Заявленные значения уровня шума в соответствии с
Директивой 2000/14/ЕС, Приложение V, приведены в
разделе *Технические данные на стр. 336*.

Husqvarna, 2024-02-01



Клаес Лосдал (Claes Losdal), директор отдела
разработок, Husqvarna AB

Ответственный за техническую документацию



141400, Московская обл., Г. Химки, ул. Ленинградская,
владение 39, строение 6, здание II этаж 4,
помещение OB02_04,
телефон горячей линии 8-800-200-1689

Съдържание

Въведение.....	339	Отстраняване на проблеми.....	350
Безопасност.....	340	Транспортиране, съхранение и изхвърляне.....	352
Монтаж.....	347	Технически данни.....	352
Операция.....	347	Декларация за съответствие.....	354
Поддръжка.....	349		

Въведение

Описание на продукта

Husqvarna 215iHD45 са акумулаторни ножици за кастрене на жив плет с електрически мотор.

Ние работим постоянно, за да подобряваме Вашата безопасност и ефективност по време на работа.

Общ преглед на продукта

(Фиг. 1)

1. Инструкция за експлоатация
2. Задна ръкохватка
3. Спусък на предната ръкохватка
4. Предна дръжка
5. Резец
6. Защита при транспортиране
7. Захранващ спусък
8. Табло за управление
9. Предпазител за ръка
10. Акумулатор
11. Зарядно устройство за акумулаторни батерии 40-C80
12. Конектор
13. Бутон за индикатора на батерията
14. Състояние на акумулаторната батерия
15. Предупредителен индикатор
16. Бутон SavE
17. Бутон за стартиране/спиране
18. Индикатор за включено състояние и предупреждения
19. Бутони за освобождаване на батерията
20. Зарядно устройство за акумулаторни батерии QC80
21. Захранващ шнур

Символи върху машината

(Фиг. 2) ПРЕДУПРЕЖДЕНИЕ: Този продукт може да бъде опасен и да причини сериозно нараняване или смърт на оператора или други хора. Внимавайте и използвайте продукта правилно.

(Фиг. 3) Прочетете внимателно ръководството за оператора и се уверете, че разбирате указанията, преди да използвате продукта.

(Фиг. 4) Носете защитни средства за очите.

(Фиг. 5) Продуктът е в съответствие с приложимите директиви на ЕО.

Свържете се с дистрибутор по обслужването за повече информация.

Предназначение

Използвайте продукта за изрязване на клони и вейки. Не използвайте продукта за други задачи.

(Фиг. 6) Продуктът или опаковката на продукта не е битов отпадък. Рециклирайте го в пункт за рециклиране за електрическо и електронно оборудване.

(Фиг. 7) Не излагайте на дъжд.

(Фиг. 8) Прав ток.

(Фиг. 9) Етикетът за шумовите емисии за околната среда съгласно директивите и регламентите на ЕС (включително и законодателството на Нов Южен Уелс) и тези на Обединеното кралство. Данните за шумови емисии могат да бъдат намерени на етикета на машината и в главата „Технически характеристики“.

(Фиг. 10) Този продукт съответства на приложимите регламенти на Обединеното кралство.

(Фиг. 11) Предупреждение: Дръжте ръцете си далеч от ножа.

гттссxxxxx На типова табелка е изписан серийният номер. **уууу** е годината на производство, а **ww** – седмицата на производство.

Забележка: Останалите символи/стикери със символи върху машината се отнасят за специфични изисквания по отношение на сертификати за определени пазари.

Символи върху акумулатора и/или зарядното устройство

(Фиг. 15) Рециклирайте този продукт в пункт за рециклиране за електрическо и електронно оборудване. (Валидно само за Европа)

(Фиг. 12) Устойчив на неизправности трансформатор.

(Фиг. 14) Двойна изолация.

(Фиг. 13) Използвайте и дръжте зарядното устройство на акумулатора единствено на закрито.

Безопасност

Дефиниции за безопасност

Предупреждения, знаци за внимание и бележки се използват за указване на особено важни части на инструкцията.



ПРЕДУПРЕЖДЕНИЕ: Използва се, ако има опасност от нараняване или смърт за оператора или за околните, ако не се спазват инструкциите в ръководството.



ВНИМАНИЕ: Използва се, ако има опасност от повреждане на машината, други материали или съседната зона, ако не се спазват инструкциите в ръководството.

Забележка: Използва се за предоставяне на повече информация, която е необходима в дадена ситуация.

Общи предупреждения за безопасност за силови инструменти



ПРЕДУПРЕЖДЕНИЕ: Прочетете внимателно всички предупреждения за безопасността и инструкции. Неспазването на инструкциите и на предупрежденията за безопасност може да доведе до електрически удар, пожар и/или сериозни наранявания.

Забележка: Запазете всички предупреждения и инструкции за бъдещи справки. Терминът "електрически инструмент" в предупрежденията се отнася за електрически управлявания (кабелен) електрически инструмент или такъв на батерии (безжичен).

Безопасност на работната област

- **Поддържайте работната област чиста и добре осветена.** Мръсните и тъмните области са по-предразполагащи към инциденти.
- **Не работете с електрически инструменти в експлозивна среда, като например в**

присъствието на запалителни течности, газове или прах. Електрическите инструменти създават искри, които може да възпламенят праха или дима.

- **Дръжте децата и наблюдателите далеч, докато работите с електрически инструмент.** Разсейването може да доведе до загуба на контрол.

Електрическа безопасност

- **Щепселите на електрическите инструменти трябва да съответстват на контакта. Никога не променяйте щепселите по какъвто и да било начин. Не използвайте никакви адаптерни щепсели със заземени електрически инструменти.** Немодифицираните щепсели и съответстващи им контакти ще намалят риска от електрически удар.
- **Избягвайте контакт на тялото със заземени повърхности, като тръби, радиатори и хладилници.** Има повишен риск от електрически удар, ако тялото Ви е заземено или замасено.
- **Не излагайте електрическите инструменти на дъжд или влажни условия.** Навлизането на вода в електрически инструмент ще увеличи риска от електрически удар.
- **Не насилвайте шнура. Никога не използвайте шнура за носене, дърпане или изключване на електрическия инструмент. Пазете шнура далече от топлинни източници, масло, остри ръбове или движещи се части.** Повредените или оплетените шнурове увеличават риска от електрически удар.
- **Когато работите с електрически инструмент навън, използвайте удължителен шнур, който е подходящ за външна употреба.** Шнурът, подходящ за използване на открито, намалява рисковете от токов удар.
- **Ако работата с електрически инструмент на влажно място е неизбежна, използвайте захранване с устройство със защита с прекъсвач за остатъчен ток (RCD).** Използването на RCD намалява риска от електрически удар



ПРЕДУПРЕЖДЕНИЕ: Не мийте машината под високо налягане, тъй като водата може да проникне в електрическата система или двигателя и може да повреди машината или да причини късо съединение.

Лична безопасност

- **Бъдете нащрек, внимавайте какво правите и бъдете разсъдливи, когато работите с електрически инструмент. Не използвайте електрически инструмент, когато сте изморени или когато сте под влиянието на наркотици, алкохол или лекарства.** Един миг на невнимание по време на работа с електрически инструменти може да доведе до сериозна телесна повреда.
- **Използвайте лични предпазни средства. Винаги носете защитни средства за очите.** Предпазните средства като респираторна маска, непързалици се предпазни обувки, твърда каска или антифони, използвани за съответните условия, ще намалят телесните повреди.
- **Не допускате нежелано стартиране. Уверете се, че ключът е в позиция ИЗКЛ., преди да свържете към източник на мощност и/или батериите, когато вземате или носите инструмента.** Носенето на електрически инструменти, докато пръстът Ви е на превключвателя, или включването в мрежата на инструменти, чийто прекъсвач е в позиция ВКЛ., предразполага към злополука.
- **Извадете всички настройващи ключове или гаечни ключове, преди да включите електрическия инструмент.** Гаечен ключ или ключ, оставен закачен за въртящата се част на електрически инструмент, може да доведе до телесна повреда.
- **Не се протягайте прекалено надалеч, докато работите. Поддържайте съответната стъпка и баланс през цялото време.** Това позволява по-добър контрол на електрическия инструмент в неочаквани ситуации.
- **Обличайте се подходящо. Никога не носете широки дрехи или украшения. Дръжте косата и дрехите си далеч от движещите се части на инструмента.** Развети дрехи, бижута или дълга коса могат да бъдат закачени в движещите се части.
- **Ако са предоставени устройства за свързване на изсмукване на прах и съдове за събиране, уверете се, че те са свързани и се използват правилно.** Използването на съдове за събиране на прах може да намали опасностите, свързани с праха.
- **Не позволявайте на натрупания от честата употреба на инструменти опит да Ви вдъхне излишна увереност и да игнорирате принципите за безопасна употреба на инструменти.** Едно нехайно действие може да причини сериозно нараняване за част от секундата.
- Вибрационните емисии по време на действителна употреба на електрическия инструмент може да се различават от обявената обща стойност в зависимост от начините на използване на инструмента. Операторите трябва да установят защитни мерки, за да се предпазват. Те трябва да са базирани на изчислението на излагане в действителните

условия на употреба (като се вземат предвид всички елементи на работния цикъл, като времето, когато инструментът е изключен, както и кога работи на празен ход в допълнение на времето при натиснат спусък).

Употреба и грижа за електрическия инструмент

- **Не насилвайте електрическия инструмент. Използвайте подходящия електрически инструмент за Вашето приложение.** Правилният електрически инструмент ще свърши работата по-добре и по-безопасно със скоростта, за която е бил създаден.
- **Не използвайте електрическия инструмент, ако фиксаторът не го включва и изключва.** Всеки електрически инструмент, който не може да бъде управляван с фиксатора, е опасен и трябва да бъде поправен.
- **Разкачете щепсела от електрическия източник и/или премахнете акумулаторната батерия от електрическия инструмент, ако може да се отстрани, преди да правите каквито и да било настройки, да сменяте принадлежности или да съхранявате електрически инструменти.** Тези предпазни мерки намаляват риска от нежелано стартиране на електрическия инструмент.
- **Съхранявайте неизползваните електрически инструменти далеч от достъпа на деца и не разрешавайте на хора, които не са запознати с електрическия инструмент или тези инструкции, да работят с него.** Електрическите инструменти са опасни в ръцете на необучени потребители.
- **Поддържайте електрическите инструменти и аксесоари. Проверявайте за неправилно поставяне или застъпване на движещите се части, счупени части или друго състояние, което може да се отрази на работата на електрическия инструмент. Ако електрическият инструмент бъде повреден, дайте го на поправка, преди да го използвате.** Много инциденти възникват с лошо поддържани електрически инструменти.
- **Поддържайте режещите инструменти остри и чисти.** Правилно поддържаните режещи инструменти с остри режещи краища са по-трудни за огъване и се контролират по-лесно.
- **Използвайте електрическия инструмент, принадлежностите, приставките и т. н. в съответствие с тези инструкции, като имате предвид условията и естеството на работата, която извършвате.** Използването на електрическия инструмент за операции, различни от тези, за които е предназначен, може да доведе до опасни ситуации.
- **Поддържайте ръкохватките и повърхностите за хващане сухи, чисти и без масло и грес.** Хлъзгавите ръкохватки и повърхности за хващане не позволяват безопасно боравене и контрол над инструмента при непредвидени ситуации.

Употреба и грижа за инструмента – акумулаторната батерия

- **Презареждайте само със зарядно устройство, определено от производителя.** Зарядно устройство, което е подходящо за един вид акумулаторна батерия, може да създаде опасност от злополука, когато се използва с друга акумулаторна батерия.
- **Използвайте продуктите само със специално определените акумулаторни батерии.** Използването на други акумулаторни батерии може да създаде риск от нараняване и пожар.
- **Когато акумулаторната батерия не е в употреба, я дръжте далеч от други метални предмети, като кламери, монети, ключове, пирони, винтове или други малки предмети, които могат да образуват връзка между едната клема и другата.** Окъсяване на изводите на акумулаторната батерия може да предизвика изгаряния или пожар.
- **При злоупотреба от акумулаторната батерия може да бъде изхвърлена течност – избягвайте допир.** При възникване на случаен контакт изплакнете с вода. Ако течността попадне в очите, потърсете допълнителна медицинска помощ. Течност, изхвърлена от акумулаторната батерия, може да причини раздразнения или изгаряния.
- **Не използвайте акумулаторна батерия или инструмент, който е повреден или модифициран.** Повредените или модифицирани акумулаторни батерии може да имат непредсказуемо поведение, което да доведе до пожар, експлозия или риск от нараняване.
- **Не излагайте акумулаторната батерия или инструмента на огън или прекомерна температура.** Излагането на огън или температура над 130°C може да причини експлозия.
- **Спазвайте всички инструкции за зареждане и не зареждайте акумулаторната батерия или инструмента извън температурния диапазон, посочен в инструкциите.** Неправилното зареждане или зареждането при температури извън посочения диапазон може да повреди акумулаторната батерия и да увеличи риска от пожар.

Обслужване

- **Техническото обслужване на Вашия електрически инструмент трябва да се извършва от квалифицирано лице, като се използват само идентични резервни части.** Това ще гарантира безопасността на електрическия инструмент.
- **Никога не обслужвайте повредени акумулаторни батерии.** Обслужването на акумулаторни батерии трябва да се извършва само от производителя или оторизирани сервизни доставчици.

Предупреждения за безопасност за ножиците за кастрене на жив плет – лична безопасност

- **Използвайте двете си ръце при работа с ножиците за кастрене на жив плет.** Работата с една ръка може да доведе до загуба на управление и да предизвика сериозна телесна повреда.
- **Дръжте всички части на тялото си далеч от острието. Не сваляйте нарязания материал и не дръжте материала за рязане, когато остриетата се движат.** Остриетата продължават да се движат след изключване на превключвателя. Един миг на невнимание по време на работа с ножиците за кастрене на жив плет може да доведе до сериозна телесна повреда.
- **Носете ножиците за кастрене на жив плет за ръкохватката със спрян нож и внимавайте да не включите някой прекъсвач.** Правилното пренасяне на ножиците за кастрене на жив плет ще намали риска от неволно стартиране, което може да доведе до телесна повреда от ножовете.
- **При транспортиране или складиране на ножиците за кастрене на жив плет винаги поставяйте капака на остриетата.** Правилната работа с ножиците за кастрене на жив плет ще намали риска от телесна повреда, причинена от остриетата.
- **Когато почиствате заседнал материал или обслужвате уреда, се уверете, че всички прекъсвачи са изключени и акумулаторната батерия е отстранена или разкачена.** Неочакваното задействане на ножиците за кастрене на жив плет при почистване на заседнал материал или обслужване може да доведе до сериозна телесна повреда.
- **Дръжте ножиците за кастрене на жив плет само за изолираните повърхности за хващане, защото ножът може да влезе в контакт със скрити кабели.** Ножовете в контакт с кабел "фаза" може да "офазят" откритите метални части на ножиците за кастрене на жив плет и операторът да бъде изложен на електрически удар.
- **Дръжте всички захранващи шнурове и кабели далеч от зоната на рязане.** Захранващи шнурове или кабели може да бъдат скрити в храстите и случайно да бъдат отрязани от острието.
- **Не използвайте ножиците за кастрене на жив плет в лоши атмосферни условия особено когато има опасност от мълнии.** Това намалява опасността да бъдете ударени от мълния.
- **ОПАСНОСТ – Дръжте ръцете си далеч от резеца.** Контактът с острието може да предизвика сериозна телесна повреда.

Общи инструкции за безопасност



ПРЕДУПРЕЖДЕНИЕ: Прочетете следващите предупредителни указания, преди да използвате машината.

- Изваждайте акумулаторната батерия, за да предотвратите случайното включване на продукта.
- Този продукт е опасен инструмент, ако не сте достатъчно внимателни или ако го използвате неправилно. Този продукт може да причини сериозно нараняване или смърт на оператора и други хора.
- Не използвайте продукта, ако е променен спрямо първоначалните му спецификации. Не сменяйте някоя част на продукта без одобрение от производителя. Използвайте само части, които са одобрени от производителя. Неправилното техническо обслужване е възможно да доведе до нараняване или смърт.
- Проверете продукта преди употреба. Вижте *Извършете преди стартиране на продукта на страница 348*. Не използвайте дефектен продукт. Изпълнявайте описаните в това ръководство проверки за безопасност, както и инструкциите за поддръжка и сервис.
- Децата трябва да се надзирават, за да се гарантира, че няма да си играят с уреда. Никога не позволявайте на деца или други хора, които не са обучени да използват продукта и/или акумулаторната батерия, да го използват или обслужват. Възрастта на оператора може да е постановена от местните закони.
- Съхранявайте продукта под ключ, за да предотвратите достъпа до него на деца или лица, които не са упълномощени да го използват.
- Съхранявайте продукта на място, недостъпно за деца.
- При никакви обстоятелства не бива да се нанасят модификации в първоначалната конструкция на продукта без разрешение от производителя. Винаги използвайте оригинални принадлежности. Неоторизирани изменения и/или аксесоари могат да предизвикат сериозна телесна повреда или смърт на оператора и други лица.

Забележка: Възможно е използването на продукта да се регулира от национални или местни разпоредби. Съобразявайте с предоставените разпоредби.

Инструкции за безопасност за работа



ПРЕДУПРЕЖДЕНИЕ: Прочетете следващите предупредителни указания, преди да използвате машината.

- Ако се окажете в ситуация, в която сте неуверени как да постъпите, се посъветвайте със специалист. Свържете се с дистрибутора или със сервиса. Избягвайте всяка употреба, за която се чувствате недостатъчно квалифицирани.
- Никога не използвайте продукта, ако сте уморени, ако сте под въздействието на алкохол или наркотични вещества, медикаменти, които въздействат на зрението, преценката или координацията Ви.
- Работата в лошо време е уморителна и често води до допълнителни опасности. Поради повишения риск не се препоръчва работа с машината в много лоши метеорологични условия, например в гъста мъгла, силен дъжд, силни ветрове, силен студ, опасност от светкавици и т.н.
- Неизправните остриета могат да повишат риска от злополуки.
- Не позволявайте на деца да използват продукта или да бъдат в близост до него. Тъй като продуктът се стартира лесно, децата биха могли да го включат, ако не са под постоянен надзор. Това може да означава риск от сериозна телесна повреда. Разкачете батерията, когато машината не е под пряко наблюдение.
- Уверете се, че докато работите няма хора и животни в радиус от 15 метра. Когато няколко оператора работят в един и същ участък, трябва да се спазва безопасно разстояние поне 15 метра. В противен случай съществува риск от сериозна телесна повреда. Спрете незабавно продукта, ако някой се приближи. Никога не се обръщайте с продукта, без преди това да проверите дали зад Вас не се намира някой в зоната за безопасност.
- Уверете се, че хора, животни или предмети не могат да повлияят върху управлението на продукта или да влязат в контакт с режещото оборудване или изхвърлени от него предмети. Никога не използвайте продукта, ако нямате възможност да повикате помощ в случай на злополука.
- Винаги проверявайте работния участък. Отстранете всякакви търкалящи се предмети, като камъни, счупени стъкла, гвоздеи, стоманени въжета, жици и други, които могат да бъдат подхвърлени или да се омотаят около режещото оборудване.
- Уверете се, че можете да се движите и да стоите безопасно. Проверете зоната около Вас за евентуални препятствия (корени, камъни, клони, канавки и т.н.), в случай че се наложи да се преместите внезапно. Бъдете много предпазливи при работа по наклонен терен.
- По всяко време трябва да пазите добро равновесие и да сте в стабилен стоеж. Не се протягайте прекалено надалеч, докато работите.
- Дезактивирайте продукта, преди да се преместите на друго място. Поставете защитата

при транспортиране, когато продуктът не се използва.

- Никога не оставяйте продукта на земята, ако преди това не сте го дезактивирали и не сте извадили акумулаторната батерия. Не оставяйте продукта без надзор, когато е включен.
- Уверете се, че никакви дрехи или части от тялото Ви не влизат в съприкосновение с режещото оборудване, докато продуктът работи.
- Ако нещо заседне в остриетата, докато работите с продукта, спрете и дезактивирайте продукта. Уверете се, че режещото оборудване е напълно спряно. Извадете акумулаторната батерия преди почистване, проверка или ремонт на продукта и/или остриетата.
- Дръжте ръцете и краката си далеч от режещото оборудване, докато то не спре изцяло, когато продуктът бъде дезактивиран.
- Внимавайте за парчета от клоните, които могат да изхвърчат, докато режете. Не режете прекалено близо до земята, от където могат да изхвърчат камъни или други предмети.
- Опасност от хвърчащи предмети. Винаги носете одобрени от съответните органи защитни средства за очите. Никога не се навеждайте отвъд защитата на резеца. В очите Ви могат да попаднат камъни, отпадъци и др., които могат да причинят слепота или сериозно нараняване.
- Бъдете винаги нащрек за предупредителни сигнали или подвиквания, когато използвате антифони. Винаги сваляйте антифоните незабавно след спиране на продукта.
- Не работете никога от стълба, столче или друго положение на високо, което не е напълно обезопасено.
- Използвайте и двете си ръце, когато държите продукта. Дръжте продукта от страни на тялото си.

(Фиг. 16)

Лични предпазни средства



ПРЕДУПРЕЖДЕНИЕ: Прочетете следващите предупредителни указания, преди да използвате продукта.

- При работа с машината използвайте одобрени лични предпазни средства. Личните предпазни средства не могат напълно да предотвратят нараняване, но могат да намалят степента на нараняването. Свържете се с Вашия дилър за повече информация.
- Използвайте защитна каска, когато има риск от падащи предмети.

(Фиг. 17)

- Използвайте одобрени антифони. Дълготрайното излагане на шум може да доведе до постоянно увреждане на слуха.

(Фиг. 18)

- Използвайте одобрени защитни средства за очите. Ако използвате маска, използвайте също и одобрени защитни очила. Одобрените защитни очила трябва да отговарят на стандарт ANSI Z87.1 за CAЩ или EN 166 за страните от ЕС.

(Фиг. 19)

- Носете защитни ръкавици по време на работа и техническо обслужване.

(Фиг. 20)

- Използвайте защитни ботуши или обувки с противоплъзгащи подметки.

(Фиг. 21)

- Използвайте дрехи, направени от здрава тъкан. Дрехите може да прилягат плътно, но не бива да ограничават движенията Ви. Носете дълги панталони и дръжте косата си зад раменете. Не носете бижута и отворени обувки.
- Дръжте наблизо комплект за първа помощ.

(Фиг. 22)

Устройства за безопасност на продукта



ПРЕДУПРЕЖДЕНИЕ: Прочетете следващите предупредителни инструкции, преди да използвате продукта.

В този раздел се описва предпазното оборудване на продукта, неговото предназначение и как трябва да се извършват проверки и техническо обслужване, за да се гарантира правилната работа. Вижте инструкциите под заглавието, *Общ преглед на продукта на страница 339* за да разберете къде са разположени тези части по продукта Ви.

Срокът на експлоатация на продукта може да се намали, а рискът от злополуки да се повиши, ако не се извършва правилно техническо обслужване на продукта и сервизното обслужване и/или ремонтите не се извършват професионално. Ако Ви е необходима допълнителна информация, моля, свържете се със сервизния дилър, разположен най-близо до Вас.



ПРЕДУПРЕЖДЕНИЕ: Никога не използвайте продукт с повредени обезопасителни компоненти. Предпазното оборудване на продукта трябва да бъде прегледано и технически обслужвано, както е описано в този раздел. Ако продуктът Ви не премине успешно някоя от тези проверки, се свържете със сервиза си за извършване на ремонт.



ВНИМАНИЕ: Всяко извършване на сервизно обслужване и ремонт на машината изисква специално обучение. Това важи в особена степен за предпазните средства на машината. Обърнете към сервиза си, ако машината не отговаря на описаните по-долу проверки. При покупката на наш продукт ние гарантираме предоставянето на професионални ремонтни услуги и сервиз. Ако търговецът, от когото сте закупили машината, не е сервизен дилър, попитайте за адреса на най-близкия сервиз.

За проверка на клавиатурата

1. Натиснете и задръжте бутона за стартиране/спиране (A). (Фиг. 23)
 - a) Продуктът е включен, когато светодиодът (B) свети.
 - b) Продуктът е изключен, когато светодиодът (B) не свети.
2. Вижте *Клавиатура на страница 350*, ако индикаторът за предупреждение (C) светне или примигва.

За проверка на спусъка на предната ръкохватка

Спусъкът на предната ръкохватка предотвратява неволно стартиране. Когато натиснете спусъка на предната ръкохватка, той освобождава захранващия спусък. Когато освободите ръкохватката, захранващият спусък и спусъкът на предната ръкохватка се връщат в изходното си положение.

1. Уверете се, че захранващият спусък и спусъкът на предната ръкохватка се движат свободно, както и че възвратната пружина работи правилно.
2. Стартирайте продукта.
3. Натиснете спусъка на предната ръкохватка.

(Фиг. 24)

4. Натиснете захранващия спусък. (Фиг. 25)
5. Освободете спусъка на предната ръкохватка и се уверете, че режещата приставка напълно спира.

За проверка на защитата за ръцете

Защитата за ръцете ги предпазва от случаен контакт с остриетата.

1. Спрете продукта.
2. Отстранете батерията.
3. Проверете дали защитата за ръцете е поставена правилно.
4. Проверете защитата за ръцете за повреди.

За да извършите проверка на остриетата и предпазните щитове на резците

По-дългите части на резците (A) имат функцията на предпазни щитове на резците.

1. Спрете продукта.
2. Отстранете батерията.
3. Поставете си ръкавиците.
4. Уверете се, че резците и предпазните щитове на резците не са повредени или огнати. Заменете остриетата и предпазните щитове на резците, ако са повредени или изкривени. (Фиг. 26)

Безопасност на акумулаторната батерия



ПРЕДУПРЕЖДЕНИЕ: Прочетете следващите предупредителни инструкции, преди да използвате продукта.

- Използвайте само акумулаторна батерия от серия BLi и серия 40-B. За подробности направете справка с *Технически данни на страница 352*. Акумулаторната батерия е шифрована софтуерно.
- Използвайте само акумулаторна батерия от серия BLi и серия 40-B, която е презареждаема, като източник на захранване само за свързаните продукти Husqvarna. За да предотвратите нараняване, не използвайте акумулаторната батерия като източник на захранване за други устройства.
- Опасност от електрически удар. Не свързвайте клемите на акумулаторната батерия с ключове, монети, винтове или други метални предмети. Това може да причини късо съединение на акумулаторната батерия.
- Не използвайте незареждаеми акумулаторни батерии.
- Не поставяйте предмети във въздушните отвори на акумулаторната батерия.
- Съхранявайте акумулаторната батерия далеч от слънчева светлина, топлина или открит огън. Акумулаторната батерия може да причини изгаряния и/или химически изгаряния.
- Съхранявайте акумулаторната батерия далеч от дъжд или влага.
- Съхранявайте акумулаторната батерия далеч от микровълни и високо налягане.
- Не се опитвайте да разглобите или счупите акумулаторната батерия.
- Ако в акумулаторната батерия има теч, не оставяйте течността да влиза в контакт с тялото или очите. Ако докоснете течността, измийте мястото с голямо количество вода и сапун и потърсете медицинска помощ. Ако в очите Ви попадне течност, не ги търкайте, а ги промийте с вода в продължение на най-малко 15 минути и потърсете медицинска помощ.

- Използвайте акумулаторната батерия при температури между -10°C (14°F) и 40°C (114°F).
- Не почиствайте акумулаторната батерия или зарядното устройство за акумулаторни батерии с вода. Направете справка за *За почистване на продукта, батерията и зарядното устройство на страница 350*.
- Не използвайте дефектна или повредена акумулаторна батерия.
- Съхранявайте акумулаторната батерия далеч от метални предмети, като гвоздеи, винтове или бижута.
- Дръжте акумулаторната батерия далеч от деца.

Инструкции за безопасност за зарядното устройство на акумулаторната батерия



ПРЕДУПРЕЖДЕНИЕ: Прочетете следващите предупредителни инструкции, преди да използвате продукта.

- Ако не се спазват инструкциите за безопасност, има риск от токов удар или късо съединение.
- Не използвайте зарядни устройства, различни от доставеното с машината. Използвайте само зарядни устройства QC80 и 40-C80, когато зареждате резервните акумулаторни батерии от серия BLi и серия 40-B.
- Не опитвайте да разглобите зарядното устройство за акумулаторни батерии.
- Не използвайте дефектно или повредено зарядно устройство за акумулаторни батерии.
- Не повдигайте зарядното устройство за акумулаторни батерии, като го държите за храняващия шнур. За да изключите зарядното устройство за акумулаторни батерии от стенен контакт, извадете щепсела. Не дърпайте храняващия шнур.
- Дръжте всички кабели и удължителни кабели далеч от вода, масло и остри ръбове. Уверете се, че кабелът не е захванат между предмети, като например врати, огради или подобни.
- Не използвайте зарядното устройство за акумулаторни батерии близо до запалими материали или материали, които могат да причинят корозия. Уверете се, че зарядното устройство за акумулаторни батерии не е покрито. Ако има дим или огън, извадете щепсела на зарядното устройство за акумулаторни батерии.
- Зареждайте акумулаторната батерия само на закрито, на място с добро проветряване и далеч от слънчева светлина. Не зареждайте акумулаторната батерия на открито. Не зареждайте акумулаторната батерия във влажна среда.

- Използвайте зарядното устройство за акумулаторни батерии само при температури между 5°C (41°F) и 40°C (104°F). Използвайте зарядното устройство за акумулаторни батерии в среда, която е суха, без прах и има добро проветряване.
- Не поставяйте предмети в охлаждащите отвори на зарядното устройство за акумулаторни батерии.
- Не свързвайте клемите на зарядното устройство за акумулаторни батерии към метални предмети, тъй като това може да предизвика късо съединение на зарядното устройство за акумулаторни батерии.
- Използвайте одобрени стенни контакти, които не са повредени. Уверете се, че шнурът на зарядното устройство за акумулаторни батерии не е повреден. Ако използвате удължителни кабели, се уверете, че те не са повредени.
- Не зареждайте незареждаеми акумулаторни батерии в зарядните устройства за акумулаторни батерии.

Инструкции за безопасност при техническо обслужване



ПРЕДУПРЕЖДЕНИЕ: Прочетете следващите предупредителни указания, преди да извършвате техническо обслужване на продукта.

- Извадете батерията, преди да извършите техническо обслужване, други проверки или сглобяване на продукта.
- Операторът трябва да извършва само техническо обслужване и ремонтни дейности, показани в тази инструкция за експлоатация. Обърнете се към Вашия сервизен дилър при нужда от по-сериозно техническо обслужване и ремонтни дейности.
- Не почиствайте батерията или зарядното устройство с вода. Силните почистващи препарати могат да повредят пластмасата.
- Ако не извършвате техническо обслужване, това намалява експлоатационния живот на продукта и увеличава риска от злополука.
- Необходимо е специално обучение за всички ремонтни дейности и поправки особено що се отнася до приспособленията за безопасност на продукта. Ако не всички проверки в тази инструкция за експлоатация са одобрени, след като сте извършили техническото обслужване, обърнете се към Вашия сервизен дилър. Ние гарантираме, че за Вашия продукт има налични професионални поправки и ремонти.
- Използвайте само оригинални резервни части.

Монтаж

Въведение

В този раздел е описано как можете да монтирате и регулирате продукта.



ПРЕДУПРЕЖДЕНИЕ: Преди да монтирате продукта, прочетете главата за безопасност и инструкциите за монтиране.

За свързване на батерията към продукта



ПРЕДУПРЕЖДЕНИЕ: Използвайте само оригинални батерии Husqvarna в продукта.

1. Заредете батерията напълно.
2. Притиснете акумулаторната батерия в държача на батерията на продукта. Батерията се заключва в позицията, когато чуете щракване. (Фиг. 27)



ВНИМАНИЕ: Ако батерията не влезе лесно в държача, значи тя не

е поставена правилно. Това може да повреди продукта.

За монтиране на зарядното устройство за акумулаторни батерии 40-С80 на стената



ВНИМАНИЕ: Не използвайте електрическа отвертка, за да монтирате зарядното устройство за акумулаторни батерии към стената. Електрическа отвертка може да причини повреда на зарядното устройство за акумулаторни батерии.

1. Монтирайте зарядното устройство за акумулаторни батерии на стената с 2-та винта (В). Ако е необходимо, използвайте дюбелите (А). (Фиг. 28)
2. Монтирайте 2-те капачки за отвори за винтове (С).
3. Свържете захранващия шнур към зарядното устройство за акумулаторни батерии и стенен контакт.

Операция

Въведение



ПРЕДУПРЕЖДЕНИЕ: Прочетете и разберете раздела с инструкции за безопасност преди използване на продукта.

Акумулаторна батерия



ПРЕДУПРЕЖДЕНИЕ: Прочетете и разберете главата за безопасност преди използване на акумулаторната батерия. Прочетете и разберете ръководството за оператора за акумулаторната батерия и зарядното устройство за акумулаторни батерии.

Поддържайте правилни околни температури за акумулаторната батерия и зарядното устройство за акумулаторни батерии.

	Околна температура
Работа на акумулаторната батерия	5°C – 40°C/41°F – 104°F
Зареждане на акумулаторната батерия	5°C – 40°C/41°F – 104°F

Състояние на акумулаторната батерия

Дисплеят показва състоянието на зареждане и дали има проблеми с акумулаторната батерия.

(Фиг. 29)

Светодиоден индикатор	Състояние на батерията (състояние на зареждане)	
	BLi10	40-B70
4 светодиодни светлини светят	Не е налично	Батерията е заредена на 76% – 100%.
3 светодиодни светлини светят	Батерията е заредена на 76% – 100%.	Батерията е заредена на 51% – 75%.
2 светодиодни светлини светят	Батерията е заредена на 51% – 75%.	Батерията е заредена на 26% – 50%.
1 светодиодна светлина свети	Батерията е заредена на 26% – 50%.	Батерията е заредена на 6% – 25%.
1 светодиодна светлина мига	Батерията е заредена на 0% – 25%.	Батерията е заредена на 0% – 5%.

За зареждане на акумулаторната батерия

Заредете батерията, ако това е първият път, в който я използвате. Новата акумулаторна батерия е заредена само на 30%.



ВНИМАНИЕ: Свържете зарядното устройство за акумулаторни батерии към захранващ контакт с напрежението и честотата, указани на табелката с данни.

Акумулаторната батерия не се зарежда, ако нейната температура е по-висока от 50°C (122°F).

1. Свържете захранващия шнур към зарядното устройство за акумулаторни батерии.
2. Свържете зарядното устройство за акумулаторни батерии към заземен захранващ контакт. Светодиодът за зареждане мига еднократно. (Фиг. 30)
3. Свържете акумулаторната батерия към зарядното устройство. Светодиодът за зареждане светва. Зареждайте акумулаторната батерия за най-много 24 часа. (Фиг. 31)
4. Натиснете бутона на индикатора върху акумулаторната батерия; ако всички светодиодни индикатори светнат, акумулаторната батерия е напълно заредена.
5. Издърпайте захранващия щепсел, за да изключите зарядното устройство за акумулаторни батерии от захранващия контакт. Не дърпайте захранващия шнур.
6. Отстранете акумулаторната батерия от зарядното устройство.

Извършете преди стартиране на продукта

1. Огледайте работната зона. Отстранете обектите, които могат да изхвърчат във въздуха.

2. Проверете режещото оборудване. Уверете се, че остриетата са остри и нямат пукнатини и повреди.
3. Уверете се, че продуктът работи нормално. Проверете дали всички гайки и винтове са затегнати.
4. Уверете се, че ръкохватката и приспособленията за безопасност не са повредени и са поставени правилно. Не използвайте продукта, ако липсват части или са направени промени спрямо първоначалната спецификация. Използвайте защитни ръкавици, когато е необходимо.
5. Уверете се, че кондензаторите не са повредени и са поставени правилно, преди да работите с продукта.

За стартиране на продукта

1. Натиснете и задръжте бутона за стартиране/спиране, докато зеленият светодиод не се включи. (Фиг. 32)
2. Натиснете спусъка на предната ръкохватка, намиращ се на предната ръкохватка. (Фиг. 33)
3. Натиснете захранващия спусък. (Фиг. 25)

За да работите с продукта

1. Започнете близо до земята и местете продукта нагоре по плета, когато режете страните. Уверете се, че корпусът на продукта не докосва плета. (Фиг. 34)



ПРЕДУПРЕЖДЕНИЕ:

Уверете се, че предната част на режещото оборудване не докосва земята.

2. Дръжте продукта близо до тялото си за стабилна работна позиция.
3. Внимавайте и използвайте продукта бавно.

За да използвате функцията SavE

Този продукт има функция за пестене на енергията – SavE.

Забележка: функцията SavE не намалява мощността на рязане на продукта.

1. Натиснете бутона SavE на клавиатурата.
2. Уверете се, че светва зеленият светодиод.
3. Натиснете отново бутона SavE, за да прекъснете функцията. Зеленият светодиод изгасва. (Фиг. 35)

Функция за автоматично изключване

Продуктът разполага с функция за изключване, която го спира, ако продуктът не се използва. Зеленият

индикаторен светодиод за старт/стоп изгасва и след 180 секунди продуктът спира.

Спиране на продукта

1. Освободете захранващия спусък и спусъка на предната ръкохватка.
2. Натискайте бутона за стартиране/спиране, докато зеленият светодиод изгасне.
3. Натиснете бутоните за освобождаване на акумулаторната батерия и отстранете акумулаторната батерия. (Фиг. 36)

Поддръжка

Въведение



ПРЕДУПРЕЖДЕНИЕ: Прочетете и разберете главата с инструкции за безопасност, преди да започнете техническо обслужване на продукта.



ПРЕДУПРЕЖДЕНИЕ: Извадете акумулаторната батерия преди

извършване на техническа поддръжка на продукта.

График за техническо обслужване

Следва списък със стъпките от техническото обслужване, които трябва да изпълните за Вашия продукт.

Техническо обслужване	Преди употреб а	Всяка седмица	Всеки месец
Почиствайте външните части на продукта.	X		
Проверете дали превключвателят за стартиране и спиране работи правилно и не е повреден.	X		
Уверете се, че захранващият спусък и спусъкът на предната ръкохватка функционират правилно от гледна точка на безопасността.	X		
Уверете се, че всички контролни органи работят и не са повредени.	X		
Уверете се, че острието на резеца и предпазителят на резеца не са напукани и не са повредени. Сменете острието на резеца или предпазителя на резеца, ако са напукани или ударени.	X		
Сменете острието на резеца, ако е огънато или повредено.	X		
Уверете се, че защитата за ръце не е повредена. Подменете предпазителя, ако е повреден.	X		
Уверете се, че всички винтове и гайки са затегнати.	X		
Уверете се, че батерията не е повредена.	X		
Уверете се, че батерията е заредена.	X		
Уверете се, че зарядното устройство не е повредено.	X		

Техническо обслужване	Преди употреба	Всяка седмица	Всеки месец
Уверете се, че винтовете, които придържат остриетата на резците едно към друго, са добре затегнати.		X	
Проверете връзките между акумулаторната батерия и продукта. Проверете връзката между акумулаторната батерия и зарядното устройство.			X

За проверка на батерията и зарядното устройство

1. Проверете батерията за повреди, като например пукнатини.
2. Проверете зарядното устройство за повреди, като например пукнатини.
3. Уверете се, че свързващият кабел на зарядното устройство не е повреден и напукал.

За почистване на продукта, батерията и зарядното устройство

1. Почиствайте продукта със сух парцал след употреба.
2. Почиствайте батерията и зарядното устройство със сух парцал. Дръжте водачите на батерията чисти.
3. Уверете се, че клемите на батерията и зарядното устройство са чисти, преди батерията да е поставена в зарядното устройство или в продукта.

За проверка на острието

1. Почиствайте острието от нежелани материали с антикорозионен почистващ агент преди и след използване на продукта.
2. Проверете ръбовете на острието за повреди и деформация.
3. Използвайте пила за отстраняване на неравности върху острието.

4. Уверете се, че остриетата се движат свободно.

За почистване и смазване на ножовете

1. Почистете резците от нежелани материали преди и след използване на Вашия продукт.
2. Смажете резците преди дълги периоди на съхранение.

Забележка: Обърнете се към Вашия сервизен търговец за повече информация относно препоръчителните почистващи препарати и смазки.

За смазване на предавката

Нанесете грес към корпуса на скоростната кутия, ако предавката е разглобена от одобрен сервизен търговец.

- Използвайте специална грес Husqvarna. Говорете с Вашия дистрибутор по обслужването за повече информация относно препоръчителна грес.
- Използвайте само малка част от специална висококачествена грес.



ВНИМАНИЕ: Не пълнете до горе корпуса на скоростната кутия.

Отстраняване на проблеми

Клавиатура

Светодиоден екран	Възможни неизправности	Възможни решения
Светодиодът за грешка мига.	Претоварване	Режещото оборудване не може да се движи свободно. Освободете режещото оборудване.
	Температурно отклонение	Оставете продукта да се охлади.
Продуктът не стартира.	Натиснете захранващия спусък и стартерния бутон едновременно.	Отпуснете захранващия спусък и спрете продукта.

Светодиоден екран	Възможни неизправности	Възможни решения
Светодиодът за грешка светва с червена светлина.	Необходимо е извършването на сервизно обслужване на продукта	Говорете с Вашия сервизен търговец.

Акумулаторна батерия

Светодиоден дисплей	Възможни неизправности	Възможно действие
Зеленият светодиод мига.	Ниско напрежение на акумулаторната батерия.	Заредете акумулаторната батерия.
Светодиодът за грешка мига.	Температурно отклонение.	Използвайте акумулаторната батерия при температури между -10°C (14°F) и 40°C (104°F).
	Твърде високо напрежение.	Уверете се, че мрежовото напрежение отговаря на напрежението на типовата табелка на продукта. Извадете акумулатора от зарядното устройство.
Светодиодът за грешка свети.	Разликата в клетките е твърде голяма (1 V).	Говорете с дистрибутора по сервизното обслужване.

Зарядно устройство за акумулатора

Проблем	Възможни неизправности	Възможно решение
Светодиодът за зареждане свети в червено.	Постоянна грешка в зарядното устройство за акумулаторни батерии.	Говорете с Вашия дилър.
Светодиодът за зареждане мига в зелено.	Температурно отклонение, акумулаторната батерия е твърде студена или твърде гореща за използване или зареждане.	Оставете акумулаторната батерия да изстине или я загрейте. Когато акумулаторната батерия е с правилната температура, тя може да се използва или зарежда отново. Използвайте зарядното устройство за батерии при температури на околната среда между 5°C (41°F) и 40°C (104°F).
Светодиодът за зареждане мига в червено.	Неизправна акумулаторна батерия.	Говорете с Вашия дилър.

Транспортиране, съхранение и изхвърляне

Транспорт и съхранение

- Доставените литиево-йонни батерии отговарят на изискванията на законодателството за опасни продукти.
- Специалното изискване на опаковката и етикетите за търговско транспортиране трябва да се спазва, включително от трети страни и спедитори.
- Говорете с човек, преминал специално обучение за работа с опасни материали, преди да изпратите продукта. Спазвайте всички приложими национални наредби.
- Поставете тиксо върху откритите терминали, когато поставяте батерията в опаковка. Поставете акумулатора плътно в опаковката, за да предотвратите движение.
- Извадете батерията при съхраняване или транспортиране.
- Поставете батерията и зарядното устройство в сухо пространство, в което няма влага и скреж.
- Не съхранявайте акумулатора на места, където може да се натрупа статично електричество. Не съхранявайте акумулатора в метална кутия.
- Поставете акумулаторната батерия за съхранение при температура между 5°C/41°F и 25°C/77°F и далеч от пряка слънчева светлина.
- Поставете зарядното устройство за съхранение при температура между 5°C/41°F и 45°C/113°F и далеч от пряка слънчева светлина.
- Използвайте зарядното устройство само когато околната температура е между 5°C/41°F и 40°C/104°F.

- Заредете батерията между 30% и 50%, преди да я оставите за съхранение за продължително време.
- Съхранявайте зарядното устройство в затворено и сухо пространство.
- При съхранение дръжте акумулатора и зарядното устройство отделно. Не позволявайте на деца или други неодоброени лица да имат контакт с оборудването. Дръжте оборудването в пространство, което можете да заключавате.
- Почистете продукта и извършете пълно обслужване, преди да го съхранявате продължително време.
- Използвайте защитата при транспортиране на продукта, за да предотвратите наранявания или повреди на продукта по време на транспортиране и съхранение.
- Закрепете продукта безопасно при транспортиране.

Изхвърляне на батерията, зарядното устройство и продукта

Символите на продукта или на неговата опаковка означават, че той не е битов отпадък. Рециклирайте го в пункт за рециклиране за електрическо и електронно оборудване. Това помага да се предотврати увреждане на околната среда или на хора.

Свържете се с местните служби, местна сметосъбираща организация или с Вашия дилър за повече информация относно рециклирането на продукта.

Технически данни

Технически данни

	215HD45
Двигател	
Тип двигател	BLDC
Тегло	
Тегло без акумулаторна батерия, kg	3.2
Резец	
Тип	Двустранен
Дължина на острието, mm	450
Скорост на реза, срязвания/min (с режим SavE)	2400

	215iHD45
Скорост на резеца, срязвания/min (без режим SavE)	3000
Шумови емисии ⁴⁷	
Ниво на звуковата мощност, измерена в dB(A)	87
Ниво на звуковата мощност, гарантирано L _{WA}	90
Нива на шума	
Ниво на звуковото налягане при ухото на оператора, измерено съгласно EN 62841-4-2, dB(A)	79
Нива на вибрациите ⁴⁸	
Ниво на вибрациите (a _h), предна част/задна част, m/s ²	2, 1/1,7

Одобрени акумулаторни батерии за продукта

Акумулатор	BLi10		40-B70
Тип	Литиево-йонен		Литиево-йонен
Капацитет на акумулаторната батерия, Ah	Направете справка с лепенката с номинални стойности на акумулатора		Направете справка с лепенката с номинални стойности на акумулатора
Номинално напрежение, V	36	36,5	36
Тегло, kg	0,7	0,7	0,8

Одобрени зарядни устройства за продукта

Зарядно устройство за акумулаторна батерия	QC80	40-C80
Напрежение на мрежата, V	100 – 240	100 – 240
Честота, Hz	50 – 60	50 – 60
Мощност, W	100	72
Изходно напрежение, V прав ток/ амperi, A	36/2	43/1,6

⁴⁷ Емисии на шума в околната среда, измерени като звукова мощност (L_{WA}) в съответствие с директива на ЕО 2000/14/ЕО. Разликата между гарантираното и измереното ниво на шума е в това, че гарантираното ниво на шума включва също и дисперсията в резултата от измерването, както и вариациите между различните продукти от един и същи модел според Директива 2000/14/ЕО.

⁴⁸ Отчетените данни за равнището на вибрации имат типична статистическа дисперсия (стандартно отклонение) от 1,5 m/s².

Обявената обща стойност на вибрациите е измерена в съответствие със стандартизиран метод на тестване и може да се използва за сравняване на един инструмент с друг.

Обявената обща стойност на вибрациите може също да се използва в предварителна оценка на излагането.

Декларация за съответствие

Декларация за съответствие на ЕС

Ние, **Husqvarna AB**, SE-561 82 Huskvarna, Швеция,
тел.: +46-36-146500, декларираме на своя собствена
отговорност, че продуктът:

Описание	Акумулаторни ножици за кастрене на жив плет
Марка	Husqvarna
Тип/модел	215iHD45
Идентификация	Серийни номера от 2024 и нататък

отговаря напълно на следните директиви и
регламенти на ЕС:

Директива/ регламент	Описание
2006/42/EO	"относно машините"
2014/30/EC	"относно електромагнитната съвместимост"
2000/14/EO	"относно шумовите емисии в околната среда"
2011/65/EC	"по отношение на ограничението за използване на определени опасни вещества в електрическо и електронно оборудване"

и че следните стандарти и/или
технически спецификации са приложени:
EN 62841-4-2:2019+A1:2022+A11:2022, EN
62841-1:2015+A11:2022, EN IEC 55014-1:2021, EN
IEC 55014-2:2021, EN IEC 63000:2018.

В съответствие с директива 2000/14/EO, приложение
V, направете справка с *Технически данни на
страница 352* за обявените стойности на звука.

Huskvarna, 2024-02-01



Claes Losdal, мениджър по развойна дейност,
Husqvarna AB

Отговорен за техническата документация



Зміст

Вступ.....	355	Усунення несправностей.....	366
Безпека.....	356	Транспортування, зберігання й утилізація.....	367
Збирання.....	362	Технічні характеристики.....	368
Експлуатація.....	363	Декларация відповідності.....	370
ТЕХНІЧНЕ ОБСЛУГОВУВАННЯ.....	365		

Вступ

Опис виробу

Husqvarna 215iHD45 – акумуляторні ножиці для живої огорожі з електричним двигуном.

Ми постійно працюємо над підвищенням вашої безпеки й ефективності роботи. По додаткову інформацію звертайтеся до свого сервісного дилера.

Огляд виробу

(Мал. 1)

1. Посібник користувача
2. Задня ручка
3. Курок на передній ручці
4. Передня ручка
5. Різець
6. Чохол для транспортування
7. Механічний пусковий пристрій
8. Панель керування
9. Кожух для руки
10. Акумулятор
11. Зарядний пристрій 40-C80
12. З'єднувач
13. Кнопка індикатора стану акумулятора
14. Стан акумулятора
15. Індикатор попередження
16. Кнопка SavE
17. Кнопка Start/stop
18. Індикатор живлення / попереджувальний індикатор
19. Кнопки для виймання акумуляторної батареї
20. Зарядний пристрій QC80
21. Шнур живлення

Символи на виробі

(Мал. 2) **ПОПЕРЕДЖЕННЯ.** Цей виріб може бути небезпечним і здатний спричинити тяжкі травми або смерть оператора чи сторонніх осіб. Будьте обережні й використовуйте виріб правильно.

(Мал. 3) Перед початком експлуатації виробу уважно прочитайте посібник користувача та переконайтеся в тому, що ви зрозуміли наведені в ньому вказівки.

(Мал. 4) Використовуйте засоби захисту органів зору.

(Мал. 5) Виріб відповідає належним вимогам директив ЄС

Правильне використання

Цей виріб використовується для зрізання гілок і сучків. Забороняється використовувати продукт для інших завдань.

(Мал. 6) Цей виріб і його пакування не можна утилізувати разом із побутовими відходами. Утилізацію необхідно проводити на підприємстві з переробки відходів електричного й електронного обладнання.

(Мал. 7) Захищайте від дощу.

(Мал. 8) Постійний струм.

(Мал. 9) Етикетка щодо шумового випромінювання в навколишнє середовище відповідно до вимог директив і нормативних актів ЄС (зокрема законодавства Нового Південного Уельсу) і Сполученого Королівства. Дані про випромінювання шуму вказані на паспортній таблиці пристрою, а також у розділі технічних характеристик.

(Мал. 10) Цей виріб відповідає вимогам застосованих норм Сполученого Королівства.

(Мал. 11) Увага! Не наближайте руки до леза.

uuuuwwxxxxx На таблиці з паспортними даними вказано серійний номер, де **uuuu** – це рік виготовлення, а **ww** – тиждень виготовлення.

Зверніть увагу: Інші позначення на виробі стосуються спеціальних сертифікатів для певних країн чи регіонів.

Позначення на акумуляторі та/або на зарядному пристрої

(Мал. 15)

Утилізацію виробу необхідно проводити на підприємстві з переробки відходів електричного й електронного обладнання. (Лише для країн Європи)

(Мал. 12) Захисний ізолюючий трансформатор.

(Мал. 13) Зарядний пристрій слід використовувати й зберігати лише в приміщенні.

(Мал. 14) Подвійна ізоляція.

Безпека

Визначення щодо безпеки

Попередження, застереження й примітки служать для наголошення на особливо важливих положеннях посібника.



ПОПЕРЕДЖЕННЯ: Вказує на те, що в разі порушення інструкцій, наведених у цьому посібнику, існує небезпека поранення або смерті оператора чи інших осіб, що знаходяться поруч.



УВАГА: Вказує на те, що в разі порушення інструкцій, наведених у цьому посібнику, існує небезпека пошкодження виробу, інших матеріалів або навколишніх об'єктів.

Зверніть увагу: Використовується для надання додаткової інформації щодо певної ситуації.

Загальні правила безпеки при роботі з електроінструментами



ПОПЕРЕДЖЕННЯ: Прочитайте всі попередження та всі інструкції. Недотримання попереджень та інструкцій може призвести до ураження електричним струмом, пожежі та/або серйозних травм.

Зверніть увагу: Збережіть усі попереджувальні знаки й інструкції для звернення до них у майбутньому. Терміном «електроінструмент» у попередженнях позначається ваш електроінструмент, який працює від електромережі (з кабелем), або акумуляторний (безпроводний) електроінструмент.

Безпека в робочій зоні

- **Забезпечуйте порядок та добре освітлення в робочій зоні.** Безлад і погане освітлення сприяють нещасним випадкам.
- **Не використовуйте електроінструмент у вибухонебезпечному середовищі, наприклад, у присутності вогнєнебезпечних рідин, газів або пилу.** Електроінструменти утворюють іскри, які можуть запалити пил або випари.
- **Не підпускайте до себе дітей та сторонніх осіб, коли працюєте з електроінструментом.** Ви можете відволіктися та втратити контроль.

Електробезпека

- **Вилки інструментів повинні підходити до розетки.** У жодному разі не змінюйте вилку будь-яким чином. Під час роботи із заземленими електроінструментами не використовуйте будь-які перехідники. Незмінні вилки й відповідні розетки знижують ризик ураження електричним струмом.
- **Уникайте тілесного контакту із заземленими поверхнями, такими як труби, радіатори, кухонні плити та холодильники.** Існує підвищений ризик ураження електричними струмом, якщо ваше тіло заземлене.
- **Захищайте інструмент від дощу та вологи.** Потрапляння води в інструмент збільшує загрозу враження електричним струмом.
- **Використовуйте кабель лише за призначенням. Ніколи не використовуйте кабель для перенесення чи перетягування предметів і не тягніть за нього, щоб вийняти вилку з розетки.** Тримайте кабель подалі від джерела тепла, мастила, гострих країв або рухомих деталей. Пошкодження чи заплутаний кабель підвищує ризик ураження електричним струмом.
- **Під час експлуатації електроінструмента надворі використовуйте подовжувальний кабель, що підходить для застосування надворі.** Використання кабелю, який підходить для застосування надворі, знижує ризик ураження електричним струмом.
- **У разі застосування електроінструмента у вологому середовищі використовуйте джерело живлення, обладнане пристроєм захисного**

відключення (ПЗВ). Використання ПЗВ знижує ризик ураження струмом.



ПОПЕРЕДЖЕННЯ: Не мийте пристрій під тиском, оскільки вода може потрапити в електричну систему або двигун і спричинити пошкодження пристрою або коротке замикання.

Особиста безпека

- **Будьте пильними, слідуйте за тим, що робите та дотримуйтеся правил здорового глузду під час експлуатації електроінструмента. Не використовуйте електроінструмент, коли ви стомлені або перебуваєте під впливом наркотиків, алкоголю або лікарських засобів.** Втрата уваги на мить під час експлуатації електроінструмента може призвести до серйозної травми.
- **Використовуйте засоби індивідуального захисту. Обов'язково необхідно користуватися засобами захисту для очей.** Захисне спорядження, наприклад респиратор, черевики з нековзною підошвою, каска або захисні навушники за використання у відповідних умовах зменшують ризик травмування.
- **Запобігайте випадковому запуску. Переконайтеся в тому, що вимикач перебуває у вимкненому положенні, перш ніж підключати інструмент до джерела живлення й / або акумуляторного блока, піднімати або переносити його.** Не переносьте електроінструменти, тримаючи палець на вимикачі, і не пускайте напругу на електроінструменти, які увімкнено. Це може призвести до нещасних випадків.
- **Перед вмиканням інструмента приборіть будь-які регульовальні або гайкові ключі.** Якщо залишити на обертальній частині гайковий ключ або гайковий вороток, це може призвести до травм.
- **Не тягніться. Завжди стійте твердо на ногах, підтримуйте баланс.** Це дозволить краще контролювати електроінструмент у несподіваних ситуаціях.
- **Одягайтеся правильно. Не вдягайте просторий широкий одяг, не надягайте на себе ювелірні вироби. Тримайте волосся й одяг подалі від рухомих частин.** Просторий широкий одяг, ювелірні вироби або довге волосся можуть потрапити в рухомі деталі.
- **У разі наявності обладнання з видалення й збору пилу переконайтеся в тому, що воно під'єднано та використовується правильно.** Використання обладнання для збору пилу зменшує ризики, поєднані з пилом.
- **Досвід роботи, отриманий під час регулярного використання цього інструмента, не має бути підставою для самовпевненості під час експлуатації виробу й ігнорування правил техніки безпеки.** Необережні дії можуть миттєво призвести до тяжких травм.

- Рівень вібрації при експлуатації електроінструмента може відрізнитися від заявленого загального значення залежно від способу використання інструмента. Оператори повинні визначити належні заходи безпеки, виходячи з оцінки небезпек у реальних умовах експлуатації (з урахуванням всіх етапів робочого циклу - у тому числі, коли інструмент вимкнений або працює без навантаження (на додаток до часу роботи після запуску курком)).

Експлуатація та догляд за електроінструментом

- **Не прикладайте силу до електроінструмента. Вибирайте електроінструмент, що підходить для ваших потреб.** Електроінструмент краще, безпечніше та швидше виконає ту роботу, для якої він призначений.
- **Не використовуйте електроінструмент, якщо вимикач не працює.** Будь-який електроінструмент, яким неможливо керувати за допомогою вимикача, є небезпечним та підлягає ремонту.
- **Перед тим як виконувати будь-які налаштування, замінювати приладдя або залишити інструмент на зберігання, витягніть штекер із розетки живлення й / або знімний акумуляторний блок з електроінструмента.** Такі запобіжні заходи зменшують ризик ненавмисного запуску електроінструмента.
- **Вимкнені електроінструменти зберігайте в недоступному для дітей місці й не дозволяйте користуватися ними особам, які не ознайомилися з роботою електроінструмента або з цією інструкцією.** Електричні інструменти становлять небезпеку в руках не підготовлених користувачів.
- **Виконуйте технічне обслуговування електроінструментів і приладдя. Перевіряйте електроінструмент на предмет зміщення чи вигину рухомих деталей, поломок деталей та будь-якого іншого стану, що може негативно позначитися на його роботі. У разі пошкодження відремонтуйте електроінструмент, перш ніж користуватися ним.** Багато нещасних випадків виникають внаслідок недостатнього технічного обслуговування електричних інструментів.
- **Підтримуйте різальні елементи в нагостреному та чистому стані.** Різальні елементи, що добре обслуговуються та мають гострі різальні кромки, будуть легше керуватися та з меншою імовірністю будуть заклимати.
- **Використовуйте електроінструмент, приладдя та різці у відповідності з цією інструкцією, враховуючи умови та характер роботи, яку потрібно виконати.** Використання електроінструмента для виконання непередбачених операцій може призвести до небезпечної ситуації.
- **Рукоятки та поверхні для тримання мають бути сухими, чистими й знежиреними.** Неможливо

надійно тримати інструмент за слизькі рукоятки чи інші поверхні або керувати ним у непередбачених ситуаціях.

Використання інструментів з акумуляторною батареєю та догляд за ними

- **Заряджати акумулятор треба виключно за допомогою заряджального пристрою, зазначеного виробником.** Використання заряджального пристрою, призначеного для роботи з акумуляторами одного типу, з акумуляторами іншого типу може призвести до пожежі.
- **Використовуйте пристрої лише із сумісними акумуляторними блоками.** Використання акумуляторних батарей інших типів може призвести до травмування чи пожежі.
- **Якщо акумуляторний блок не використовується, слід тримати його подалі від металевих предметів, таких як скріпки, монети, ключі, цвяхи, гвинти й інші дрібні металеві предмети, які можуть з'єднати один контакт батареї з іншим.** Замикання контактів акумулятора може призвести до опіків або пожежі.
- **У разі неправильного застосування з акумулятора може випліскуватися рідина; уникайте контакту з нею.** При випадковому контакті промийте місце контакту водою. В разі потрапляння рідини в очі на додаток до їхнього інтенсивного промивання зверніться по медичну допомогу. Рідина з акумуляторної батареї може викликати подразнення та опіки.
- **Не використовуйте пошкоджені чи змінені акумуляторні блоки або інструмент.** Із пошкодженими чи видозміненими батареями може статися непередбачуване: вони можуть зайнятися, вибухнути або створити інший ризик травмування оператора.
- **Захищайте акумуляторний блок та інструмент від вогню й надмірних температур.** Під впливом вогню або температури понад 130 °C пристрій чи акумуляторний блок можуть вибухнути.
- **Дотримуйтеся всіх інструкцій із заряджання та не заряджайте акумуляторну батарею чи інструмент поза межами діапазону температур, зазначеного в інструкціях.** Неналежне заряджання за температури поза межами зазначеного діапазону може пошкодити акумулятор і підвищує ризик займання.

Обслуговування

- **Сервісне обслуговування електроінструмента повинен виконувати кваліфікований майстер з використанням лише ідентичних запасних частин.** Це гарантуватиме підтримання безпечної роботи електроінструмента.
- **За жодних умов не виконуйте технічного обслуговування пошкоджених акумуляторних блоків.** Технічне обслуговування акумуляторних

блоків мають виконувати лише спеціалісти виробника або вповноваженого постачальника послуг.

Попередження про небезпеку під час експлуатації ножиць для живої огорожі – особиста безпека

- **Під час експлуатації ножиць для живої огорожі користуйтеся обома руками.** Користування однією рукою може призвести до втрати контролю та серйозної травми.
- **Тримайте лезо подалі від себе. Не прибирайте обрізки та не тримайтеся за куці чи гілки, які ви обрізаєте, поки леза рухаються.** Після переведення вимикача у вимкнене положення, леза продовжують рухатися. Втрата уваги під час експлуатації ножиць для живої огорожі може призвести до серйозної травми.
- **Переносьте тример для живоплоту за ручку та із зупиненим лезом і слідкуйте, щоб не ввімкнувся вимикач живлення.** Правильне перенесення тримера для живоплоту знизить ризик ненавмисного запуску пристрою та ймовірність травмування лезами.
- **Під час транспортування або зберігання тримера для живої огорожі завжди надягайте кожух на лезо.** Належне поводження з тримером для живоплоту знизить ризик травмування лезами.
- **Під час видалення застряглих обрізків або обслуговування пристрою всі вимикачі електроживлення повинні перебувати у вимкненому положенні, а акумуляторний блок має бути знято або від'єднано.** Несподіваний запуск тримера для живоплоту під час видалення застряглих обрізків чи обслуговування може призвести до тяжких травм.
- **Тримайте тример для живоплоту тільки за призначені для цього ізольовані поверхні, оскільки лезо може торкатися прихованої проводки.** Леза, які торкаються кабелів під напругою, можуть проводити напругу до відкритих металевих деталей тримера, що може призвести до враження оператора електричним струмом.
- **Тримайте всі силові кабелі подалі від зони різання.** Під час роботи можна не помітити силові кабелі в кущах і випадково перерізати їх лезом.
- **Не використовуйте тример для живоплоту за складних погодних умов, особливо під час грози.** Недотримання цієї вимоги підвищує ризик удару блискавкою.
- **УВАГА! Не наближайте руки до леза.** Контакт із лезом може спричинити травму.

Загальні правила техніки безпеки



ПОПЕРЕДЖЕННЯ: Перш ніж розпочати використання виробу, уважно прочитайте наведені нижче попередження.

- Виймайте акумулятор, щоб уникнути випадкового вмикання виробу.
- Цей виріб може бути небезпечним у разі неправильного або недбалого використання. Цей виріб може призвести до отримання серйозних травм або смерті оператора чи сторонніх осіб.
- Не використовуйте виріб у разі зміни його початкових технічних характеристик. Не використовуйте деталі виробу без дозволу виробника. Використовуйте лише сертифіковані виробником деталі. Неправильне технічне обслуговування може призвести до травм або смерті.
- Переверіть виріб перед використанням. Див. *Дії перед початком роботи з виробом на сторінці 364*. Не користуйтеся пошкодженим виробом. Вживайте заходи техніки безпеки та дотримуйтеся вказівок із технічного обслуговування, наведених у цьому посібнику.
- Необхідно наглядати за дітьми, щоб вони не гралися з цим виробом. Ніколи не дозволяйте дітям або невідготавленим людям використовувати виріб і / або акумулятор чи здійснювати його технічне обслуговування. Вік користувача може регламентуватися місцевими законами.
- Зберігайте виріб у закритому приміщенні, куди не зможуть отримати доступ діти та особи без належної підготовки.
- Зберігайте акумулятор у недосяжному для дітей місці.
- За жодних обставин не змінюйте конструкцію виробу без дозволу виробника. Використовуйте лише оригінальні додаткові аксесуари. Застосування недозволених модифікацій і / або приладдя може призвести до тяжкої чи смертельної травми користувача чи інших осіб.
- Робота в несприятливих погодних умовах втомлює, а також створює додаткову небезпеку. Не рекомендується використовувати виріб у дуже погану погоду, наприклад у густий туман, під час зливи, сильного вітру чи холоду, коли існує ризик блискавки тощо, адже це створює додаткову небезпеку.
- Несправні леза збільшують небезпеку виникнення нещасних випадків.
- Не дозволяйте дітям використовувати виріб чи перебувати біля нього. Оскільки виріб запустити не важко, діти можуть це зробити, якщо залишити їх без нагляду. Це може означати ризик серйозної травми. Слід від'єднувати акумулятор, якщо виріб знаходиться без нагляду.
- Подбайте, щоб під час роботи в радіусі 15 метрів навколо не було людей і тварин. Коли декілька користувачів працюють в одному місці, безпечна відстань між ними має бути принаймні 15 метрів. Інакше існує ризик серйозного травмування. Якщо хтось підійде, негайно вимкніть виріб. Ніколи не повертайте виріб, не перевірявши, чи не стоїть хтось за спиною.
- Переконайтеся, що люди, тварини чи будь-що інше не перешкоджатиме вам під час користування виробом та не постраждають від ріжучої насадки або предметів, які можуть відскочити від неї. Не користуйтеся виробом, якщо в разі нещасного випадку немає можливості покликати на допомогу.
- Завжди перевіряйте робочу зону. Приберіть усі незакріплені предмети на кшталт каміння, розбитого скла, цвяхів, сталевих дротів, мотузок тощо, які можуть відскочити чи намотатися на різальну насадку.
- Переконайтеся, що ви можете безпечно стояти й рухатися. Переверіть, чи немає навколо можливих перешкод (коріння, каміння, гілок, ровів тощо) у випадку, якщо треба буде різко переміститися. Будьте дуже уважні, працюючи на схилах.
- Завжди зберігайте рівновагу й стійке положення. Не тягніться.
- Перш ніж перейти в інше місце, вимкніть виріб. Коли виріб не використовується, установлюйте на нього чохол для транспортування.
- Не кладіть виріб на землю, якщо ви не вимкнули його й не витягли з нього акумулятор. Не залишайте виріб без нагляду, якщо він увімкнений.
- Переконайтеся, що одяг або частини тіла не торкаються різальної насадки, коли виріб вмикається.
- Якщо під час експлуатації виробу щось застрягне в лезах, зупиніть його й вимкніть живлення. Переконайтеся в тому, що різальна насадка повністю зупинилася. Виймайте акумулятор перед очищенням, оглядом чи ремонтом виробу й / або лез.

Зверніть увагу: Дотримуйтеся вимог державних чи місцевих норм, що стосуються поводження з пристроєм.

Правила техніки безпеки під час використання



ПОПЕРЕДЖЕННЯ: Перш ніж розпочати використання виробу, уважно прочитайте наведені нижче попередження.

- Якщо виникне незнайома ситуація, слід спитати поради у фахівця. Зв'яжіться з продавцем або центром обслуговування. Намагайтеся не робити того, що, на вашу думку, ви зробити не в змозі.
- У жодному разі не користуйтеся виробом, якщо ви втомлені, перебуваєте під впливом алкоголю, наркотиків, лікарських засобів або будь-яких інших речовин, що можуть вплинути на зір, зосередженість, свідомість чи координацію рухів.

- Тримайте руки й ноги на безпечній відстані від різальної насадки, доки вона повністю не зупиниться після вимкнення виробу.
- Бережіться пнів і гілок, які можуть бути відкинуті під час різання. Не рійте занадто близько до землі, якщо існує ризик відскакування каміння й інших предметів.
- Остерігайтеся предметів, що відскакують. Завжди користуйтеся засобами захисту очей затвердженого зразка. Ніколи не нахилийтеся через захисний кожух ріжучої насадки. Каміння, сміття тощо може відскочити й потрапити в очі, спричинивши сліпоту чи серйозну травму.
- Працюючи в захисних навушниках, прислухайтесь до попереджувальних сигналів й окликів. Коли виріб зупиниться, негайно зніміть захисні навушники.
- Ніколи не працюйте на драбині, табуреті та іншому піднятому положенні, яке не є достатньо надійним.
- Тримайте виріб обома руками. Тримайте виріб збоку від свого тіла.

(Мал. 16)

Засоби індивідуального захисту



ПОПЕРЕДЖЕННЯ: Перш ніж розпочати використання виробу, уважно прочитайте наведені нижче попередження.

- Під час роботи з виробом використовуйте сертифіковане особисте захисне спорядження. Засоби індивідуального захисту не можуть повністю усунути небезпеку травмування, але можуть знизити ступінь тяжкості травми. Щоб отримати додаткову інформацію, зверніться до свого дилера.
- Надягайте захисний шолом у місцях, де є небезпека падіння предметів.

(Мал. 17)

- Користуйтеся затвердженими захисними навушниками. Тривала робота за сильною шуму може призвести до погіршення слуху.

(Мал. 18)

- Користуйтеся відповідними засобами захисту очей. У разі використання захисної маски необхідно додатково вдягати схвалені захисні окуляри. Схвалені захисні окуляри мають відповідати стандарту ANSI Z87.1 у США або EN 166 у країнах ЄС.

(Мал. 19)

- Під час роботи й технічного обслуговування використовуйте захисні рукавиці.

(Мал. 20)

- Використовуйте захисне взуття на неслизькій підшві.

(Мал. 21)

- Використовуйте одяг, виготовлений із міцної тканини. Одяг повинен щільно облягати тіло, але не обмежувати рухів. Носіть довгі штани та прибирайте волосся за плечі. Не надягайте прикраси або відкрите взуття.
- Тримайте під рукою аптечку.

(Мал. 22)

Запобіжне обладнання на виробі



ПОПЕРЕДЖЕННЯ: Перш ніж розпочати використання виробу, уважно прочитайте наведені нижче попередження.

У цьому розділі описано засоби безпеки виробу, його призначення, а також порядок виконання перевірок і технічного обслуговування, необхідний для забезпечення його правильної роботи. Див. інструкції в розділі *Огляд виробу на сторінці 355* щодо розташування цих деталей на виробі.

Термін служби виробу може зменшитись, а небезпека виникнення нещасних випадків збільшиться, якщо його технічне обслуговування виконується неправильно або якщо обслуговування та / або ремонт виконуються непрофесійно. Для отримання додаткової інформації зверніться до найближчого сервісного дилера.



ПОПЕРЕДЖЕННЯ: Не використовуйте виріб із пошкодженими елементами захисту. Захисне обладнання виробу потрібно перевіряти й здійснювати його технічне обслуговування згідно з указівками, поданими в цьому розділі. Якщо виріб не відповідає хоча б одній із вимог перевірки, зверніться до центру обслуговування для ремонту.



УВАГА: Щоб проводити обслуговування та роботи з ремонту, потрібно мати спеціальну підготовку. Це особливо стосується захисного обладнання інструмента. Якщо інструмент не відповідає принаймні одній із вимог перевірки, що наведені нижче, зверніться до працівника центру обслуговування. Купуючи будь-який наш виріб, ви отримуєте гарантію на професійний ремонт та обслуговування. Якщо продавець, у якого ви купуєте інструмент, не надає послуг з обслуговування, дізнайтеся в нього, де знаходиться найближчий центр обслуговування.

Перевірка клавішної панелі

1. Натисніть і утримуйте кнопку ввімкнення / вимкнення (A). (Мал. 23)
 - a) Коли світлодіодний індикатор (B) горить, це означає, що виріб увімкнено.
 - b) Коли світлодіодний індикатор (B) не горить, це означає, що виріб вимкнено.
2. Якщо індикатор попередження (C) горить або блимає, див. *Кнопкова панель на сторінці 366*.

Перевірка курка на передній ручці

Курок на передній ручці запобігає випадковому запуску. Коли ви натискаєте курок на передній ручці, він розблокує механічний пусковий пристрій. Коли ви випускаєте ручку з рук, механічний пусковий пристрій і курок на передній ручці повертаються в початкове положення.

1. Переконайтеся, що механічний пусковий пристрій і курок на передній ручці рухаються вільно, а зворотна пружина працює правильно.
2. Запустіть виріб.
3. Натисніть курок на передній ручці.

(Мал. 24)

4. Натисніть механічний пусковий пристрій. (Мал. 25)
5. Відпустіть курок на передній ручці та переконайтеся, що різальна насадка зупинилася.

Перевірка захисту руки

Захист руки запобігає випадковому контакту з лезами.

1. Зупиніть виріб.
2. Вийміть акумулятор.
3. Переконайтеся в тому, що захист руки встановлено правильно.
4. Огляньте захист руки на наявність пошкоджень.

Перевірка лез і кожуха ножа

Довші зубці (A) виконують функцію кожухів ножа.

1. Зупиніть виріб.
2. Вийміть акумулятор.
3. Одягніть рукавиці.
4. Переконайтеся в тому, що на лезах і кожухах ножа відсутні пошкодження й викривлення. Замініть леза й кожухи ножа, якщо вони пошкоджені або зігнуті. (Мал. 26)

Заходи безпеки під час роботи з акумуляторами



ПОПЕРЕДЖЕННЯ: Перш ніж розпочати використання виробу, уважно прочитайте наведені нижче попередження.

- Використовуйте акумулятори тільки серії BLi та 40-B. Для отримання додаткової інформації див. *Технічні характеристики на сторінці 368*. Акумулятор програмно закодований.
- Використовуйте акумулятори серії BLi та 40-B, які можна заряджати, для живлення тільки відповідних виробів Husqvarna. Щоб уникнути травми, заборонено використовувати акумулятор як джерело живлення для інших приладів.
- Небезпека враження електричним струмом. Заборонено під'єднувати клеми акумулятора до ключів, монет, гвинтів або інших металевих предметів. Це може призвести до короткого замикання в акумуляторі.
- Не використовуйте одноразові акумулятори.
- Заборонено вставляти предмети у вентиляційні отвори акумулятора.
- Тримайте акумулятор подалі від прямих сонячних променів, джерел тепла й відкритого вогню. Акумулятор може призвести до опіків та/або хімічних опіків.
- Бережіть акумулятор від дощу та вологи.
- Захищайте акумулятор від впливу мікрохвиль чи високого тиску.
- Заборонено розбирати чи ламати акумулятор.
- У разі витікання рідини з акумулятора стежте, щоб вона не потрапила на тіло чи в очі. Якщо рідина потрапила на шкіру, промийте уражену ділянку великою кількістю води з милом та зверніться по медичну допомогу. Якщо рідина потрапила в очі, не слід їх терти; натомість промивайте їх водою протягом щонайменше 15 хвилин та зверніться по медичну допомогу.
- Акумулятор можна використовувати за температури від -10°C до 40°C .
- Заборонено мити батарею чи заряджальний пристрій водою. Дивіться розділ *Чищення виробу, акумулятора й зарядного пристрою на сторінці 365*.
- Не використовуйте несправний чи пошкоджений акумулятор.
- Зберігайте акумулятори подалі від металевих предметів на кшталт цвяхів, гвинтів чи ювелірних виробів.
- Тримайте акумулятор подалі від дітей.

Заходи безпеки під час роботи із зарядним пристроєм



ПОПЕРЕДЖЕННЯ: Перш ніж розпочати використання виробу, уважно прочитайте наведені нижче попередження.

- Через недотримання правил техніки безпеки може виникнути ризик ураження електричним струмом або короткого замикання.
- Заборонено використовувати будь-які інші зарядні пристрої, окрім того, що йде в комплекті до виробу. Для заряджання змінних акумуляторів серії BLi та 40-B використовуйте лише зарядні пристрої QC80 та 40-C80.
- Заборонено розбирати зарядний пристрій.
- Не використовуйте зарядний пристрій із ознаками пошкодження.
- Заборонено підіймати зарядний пристрій, тримаючи його за шнур живлення. Щоб від'єднати зарядний пристрій від настінної розетки, витягніть штепсельну вилку. У жодному разі не тягніть за шнур живлення.
- Пильнуйте, щоб усі кабелі та подовжувальні шнури були якомога далі від води, мастил і гострих кутів. Переконайтеся в тому, що кабелі не здавлено сторонніми предметами, наприклад дверима, огорожею або аналогічними предметами.
- Заборонено використовувати зарядний пристрій поблизу легкозаймистих або корозійних матеріалів. Переконайтеся в тому, що зарядний пристрій нічим не накритий. При появі диму чи вогню витягніть штепсель зарядного пристрою з розетки.
- Заряджати акумулятор слід тільки в добре провітрюваних приміщеннях та подалі від сонячного світла. Не заряджайте акумулятор надворі. Не заряджайте акумулятор у вологому середовищі.
- Використовуйте зарядний пристрій лише в приміщеннях із температурою від 5 °C (41 °F) до 40 °C (104 °F). Використовуйте зарядний пристрій лише в сухому приміщенні з належною вентиляцією, в якому немає пилу.

- Забораються вставляти предмети у вентиляційні отвори зарядного пристрою.
- Заборонено з'єднувати контакти зарядного пристрою металевими предметами, оскільки це може призвести до короткого замикання.
- Використовуйте справні розетки відповідного типу. Переконайтеся в тому, що шнур зарядного пристрою не пошкоджено. Якщо використовуються подовжувачі, переконайтеся в тому, що вони не пошкоджені.
- Не намагайтеся заряджати одноразові батареї за допомогою зарядного пристрою.

Правила техніки безпеки під час обслуговування



ПОПЕРЕДЖЕННЯ: Перш ніж розпочати технічне обслуговування виробу, уважно прочитайте наведені нижче попередження.

- Перед технічним обслуговуванням, іншими перевітками чи монтажем виробу необхідно виймати акумулятор.
- Оператор має виконувати лише ті види технічного обслуговування, що описані в цьому посібнику користувача. У разі необхідності виконання складніших робіт із технічного обслуговування слід звернутися до сервісного дилера.
- Заборонено мити батарею чи зарядний пристрій водою. Використання сильнодіючих миючих засобів може призвести до пошкодження пластику.
- Відсутність технічного обслуговування зменшує термін служби виробу й підвищує вірогідність виникнення нещасних випадків.
- Для виконання робіт з обслуговування й ремонту, особливо в разі роботи із захисними пристроями виробу, необхідна спеціальна підготовка. Якщо після технічного обслуговування виріб не пройде частину перевірок, наведених у цьому посібнику користувача, зверніться до свого сервісного дилера. Ми гарантуємо можливість професійного ремонту й обслуговування вашого виробу.
- Використовуйте лише оригінальні запасні частини.

Збирання

Вступ

У цьому розділі наводиться опис процедур із монтажу та налаштування виробу.



ПОПЕРЕДЖЕННЯ: Перш ніж почати збирання виробу, ознайомтеся з розділом про заходи безпеки та з інструкціями з монтажу.

Під'єднання акумулятора до виробу



ПОПЕРЕДЖЕННЯ: Використовуйте лише оригінальні акумулятори Husqvarna.

- Повністю зарядіть акумулятор.

2. Вставте акумулятор у тримач акумулятора виробу. Акумулятор зафіксується на місці, коли ви почуєте клацання. (Мал. 27)



УВАГА: Якщо акумулятор не вставляється в тримач легко, ви встановлюєте його неправильно. Це може призвести до пошкодження виробу.

зарядного пристрою на стіні. Електричний шурупверт може пошкодити зарядний пристрій.

1. Прикріпіть зарядний пристрій до стіни 2 гвинтами (B). Якщо треба, скористайтеся дюбелями (A). (Мал. 28)
2. Встановіть 2 заглушки для гвинтових отворів (C).
3. Під'єднайте кабель живлення до заряджального пристрою та електричної розетки.

Монтаж зарядного пристрою 40-C80 на стіні



УВАГА: Не використовуйте електричний шурупверт для закріплення

Експлуатація

Вступ



ПОПЕРЕДЖЕННЯ: Перед використанням виробу уважно прочитайте розділ про правила техніки безпеки.

Акумулятор



ПОПЕРЕДЖЕННЯ: Перед використанням акумулятора уважно прочитайте розділ про правила техніки безпеки. Прочитайте посібник користувача для акумулятора й заряджального пристрою та усвідомте його зміст.

	Температура навколишнього середовища
Використання акумулятора	5 °C–40 °C / 41 °F–104 °F
Заряджання акумулятора	5 °C–40 °C / 41 °F–104 °F

Стан акумулятора

На дисплеї відображаються поточний рівень заряду акумулятора й можливі проблеми під час його роботи.

(Мал. 29)

Дотримуйтеся вимог щодо температури навколишнього середовища для акумулятора й заряджального пристрою.

Світлодіодний індикатор	Стан акумулятора (рівень заряду)	
	BLi10	40-B70
Горить 4 індикатори	Не застосовується	Акумулятор заряджений на 76–100 %.
Горить 3 індикатори	Акумулятор заряджений на 76–100 %.	Акумулятор заряджений на 51–75 %.
Горить 2 індикатори	Акумулятор заряджений на 51–75 %.	Акумулятор заряджений на 26–50 %.
Горить 1 індикатор	Акумулятор заряджений на 26–50 %.	Акумулятор заряджений на 6–25 %.
Блимає 1 індикатор	Акумулятор заряджений на 0–25 %.	Акумулятор заряджений на 0–5 %.

Зарядження акумулятора

Перед першим використанням акумулятор необхідно зарядити. Новий акумулятор заряджений лише на 30 %.



УВАГА: Зарядний пристрій слід під'єднувати до мереж живлення, напруга й частота яких відповідають значенням, указаним на табличці з паспортними даними.

Акумулятор не заряджатиметься, якщо його температура перевищує 50 °C (122 °F).

1. Під'єднайте шнур живлення до зарядного пристрою.
2. Під'єднайте зарядний пристрій до заземленої розетки. Світлодіодний індикатор зарядження блимне один раз. (Мал. 30)
3. Під'єднайте акумулятор до зарядного пристрою. Увімкнеться індикатор зарядження. Тривалість зарядження акумулятора не має перевищувати 24 години. (Мал. 31)
4. Натисніть кнопку індикатора акумулятора; якщо всі світлодіодні індикатори засвітяться, акумулятор повністю заряджений.
5. Потягніть штепсельну вилку, щоб від'єднати зарядний пристрій від розетки чи роз'єму живлення. У жодному разі не тягніть за шнур живлення.
6. Вийміть акумулятор із зарядного пристрою.

Дії перед початком роботи з виробом

1. Перевірте робочу зону. Видаліть усі предмети, які можуть відлетіти.
2. Перевірте різальну насадку. Переконайтеся в тому, що леза гострі, на них немає тріщин або пошкоджень.
3. Переконайтеся в тому, що виріб працює належним чином. Переконайтеся в тому, що гайки та гвинти затягнуто належним чином.
4. Переконайтеся в тому, що ручку й запобіжні пристрої не пошкоджено та правильно прикріплено. Не використовуйте виріб у разі відсутності на ньому певних деталей або в разі змінення його початкових технічних характеристик. За необхідності використовуйте захисні рукавиці.
5. Перед початком експлуатації виробу переконайтеся в тому, що кришки не пошкоджено й встановлено правильно.

Увімкнення виробу

1. Натискайте кнопку запуску / зупинки, доки не увімкнеться зелений світлодіодний індикатор. (Мал. 32)

2. Натисніть курок на передній ручці. (Мал. 33)
3. Натисніть механічний пусковий пристрій. (Мал. 25)

Робота з виробом

1. Під час обрізання бокових поверхонь огорожі починайте знизу й пересувайте виріб угору вздовж огорожі. Переконайтеся, що корпус інструмента не торкається живої огорожі. (Мал. 34)



ПОПЕРЕДЖЕННЯ:

Переконайтеся, що передня частина різального обладнання не торкається землі.

2. Для забезпечення стійкого робочого положення тримайте виріб поблизу тіла.
3. Будьте обережні й не поспішайте під час використання виробу.

Використання функції SavE

Цей виріб оснащений функцією енергозбереження – SavE.

Зверніть увагу: Функція SavE не знижує потужність різання виробу.

1. Натисніть кнопку SavE на кнопковій панелі.
2. Переконайтеся в тому, що зелений світлодіодний індикатор увімкнувся.
3. Для вимкнення функції натисніть кнопку SavE ще раз. Зелений світлодіодний індикатор вимкнеться. (Мал. 35)

Функція автоматичного вимкнення

Виріб має функцію вимкнення, яка зупиняє його, якщо він не використовується. Зелений індикатор для ввімкнення / вимкнення вимикається, а виріб припиняє роботу через 180 секунд.

Вимкнення виробу

1. Відпустіть механічний пусковий пристрій і курок на передній ручці.
2. Натискайте кнопку запуску / зупинки, доки зелений світлодіодний індикатор не вимкнеться.
3. Натисніть кнопки виймання на акумуляторі й витягніть його. (Мал. 36)

ТЕХНІЧНЕ ОБСЛУГОВУВАННЯ

Вступ



ПОПЕРЕДЖЕННЯ: Перед початком технічного обслуговування уважно прочитайте розділ про правила техніки безпеки.



ПОПЕРЕДЖЕННЯ: Перед початком технічного обслуговування виробу виймайте акумулятор.

Графік технічного обслуговування

Нижче наведено перелік заходів технічного обслуговування, які слід виконувати.

Технічне обслуговування	Перед використанням	Щотижня	Щомісяця
Очистьте зовнішні деталі виробу.	X		
Переконайтеся в тому, що перемикач запуску / зупинення працює правильно й не пошкоджений.	X		
Переконайтеся, що механічний пусковий пристрій і курок на передній ручці працюють правильно з точки зору безпеки.	X		
Переконайтеся, що всі елементи керування працюють і не пошкоджені.	X		
Перевірте лезо різця та його кожух на наявність тріщин і пошкоджень. Якщо на лезі різця чи кожусі ножа є тріщини або вони зазнавали ударів, замініть їх.	X		
Якщо лезо різця зігнуте або пошкоджене, замініть його.	X		
Перевірте захист руки на наявність пошкоджень. Якщо кожух пошкоджено, замініть його.	X		
Переконайтеся в тому, що всі гвинти й гайки затягнуті.	X		
Перевірте акумулятор на відсутність пошкоджень.	X		
Переконайтеся, що акумулятор заряджений.	X		
Переконайтеся, що зарядний пристрій не пошкоджений.	X		
Переконайтеся в тому, що гвинти, якими леза різця прикріплені одне до одного, затягнуто належним чином.		X	
Перевірте з'єднання між акумулятором і виробом. Перевірте з'єднання між акумулятором і зарядним пристроєм.			X

Перевірка акумулятора й зарядного пристрою

1. Перевірте акумулятор на наявність пошкоджень на кшталт тріщин.
2. Перевірте зарядний пристрій на наявність пошкоджень на кшталт тріщин.
3. Перевірте з'єднувальний шнур зарядного пристрою на предмет пошкоджень і тріщин.

Чищення виробу, акумулятора й зарядного пристрою

1. Після використання протріть виріб сухою тканиною.
2. Протріть сухою тканиною акумулятор і зарядний пристрій. Тримайте напрямні рейки акумулятора в чистоті.

3. Перед встановленням акумулятора в зарядний пристрій чи виріб переконайтеся, що контакти акумулятора й зарядного пристрою чисті.

Перевірка леза

1. Видаляйте небажані матеріали з леза антикорозійним засобом для чищення перед початком роботи й після роботи.
2. Перевірте кромки леза на відсутність пошкоджень і деформацій.
3. Для видалення задирок на краях леза скористайтеся напилком.
4. Переконайтеся, що леза рухаються вільно.

Чищення й змащування лез

1. Очищуйте леза від зайвих предметів перед використанням виробу та після нього.
2. Змащуйте леза перед тривалим зберіганням.

Зверніть увагу: По додаткову інформацію щодо рекомендованих миючих засобів і мастил звертайтеся до свого сервісного дилера.

Змащування редуктора

Змастіть демонтований корпус редуктора. Демонтаж має бути виконано в сертифікованому центрі обслуговування.

- Користуйтеся спеціальним мастилом Husqvarna. По додаткову інформацію щодо рекомендованих мастил звертайтеся до свого сервісного дилера.
- Для змащення слід використовувати лише спеціальне високоякісне мастило в невеликих кількостях.



УВАГА: Не заливайте корпус редуктора повністю.

Усунення несправностей

Кнопкова панель

Світлодіодний екран	Можливі несправності	Можливі рішення
Блимає світлодіодний індикатор помилки.	Перевантаження	Різальна насадка не може рухатися вільно. Вивільніть шину пилки
	Відхилення температури від норми	Дайте виробу охолонути.
Виріб не запускається.	Натисніть механічний пусковий пристрій і одночасно натисніть кнопку запуску.	Відпустіть механічний пусковий пристрій і зупиніть пристрій.
Світлодіодний індикатор помилки світиться червоним світлом.	Необхідно виконати обслуговування виробу	Зверніться до свого дилера з обслуговування.

Акумулятор

Світлодіодний дисплей	Можливі несправності	Рекомендовані дії
Блимає зелений світлодіод.	Недостатня напруга акумуляторної батареї.	Зарядіть акумулятор.

Світлодіодний дисплей	Можливі несправності	Рекомендовані дії
Блимає світлодіодний індикатор помилки.	Відхилення температури від норми.	Акумулятор дозволяється використовувати за температури від –10 °C (14 °F) до 40 °C (104 °F).
	Занадто висока напруга.	Упевніться, що напруга в мережі відповідає значенню, зазначеному в паспортній таблиці інструмента. Вийміть акумулятор із зарядного пристрою.
Горить світлодіодний індикатор помилки.	Завелика різниця напруги між елементами акумуляторної батареї (1 В).	Зверніться до свого дилера з обслуговування.

Зарядний пристрій

Несправність	Можливі несправності	Можливе рішення
Індикатор заряджання світиться червоним.	Систематична помилка зарядного пристрою.	Зверніться до дилера.
Індикатор заряджання блимає зеленим.	Акумулятор є надто холодним або надто гарячим для використання чи заряджання.	Дайте акумулятору охолонути або підігрійте його. Коли температура акумулятора досягне прийнятних значень, його можна буде знову використовувати або заряджати. Зарядний пристрій дозволяється використовувати за температури навколишнього середовища від 5 °C (41 °F) до 40 °C (104 °F).
Індикатор заряджання блимає червоним.	Акумулятор несправний.	Зверніться до дилера.

Транспортування, зберігання й утилізація

Транспортування та зберігання

- На літій-іонні акумулятори поширюються правила щодо небезпечного вантажу.
- У разі перевезення пасажирським або вантажним транспортом дотримуйтеся спеціальних вимог щодо упаковки й маркування (це правило також стосується третіх осіб і експедиторів).
- Перш ніж відправити виріб, проконсультуйтеся з особою, що пройшла спеціальну підготовку щодо поводження з небезпечними матеріалами. Дотримуйтеся всіх застосованих національних норм і правил.
- Перед пакуванням акумулятора ізолюйте відкриті контакти. Зафіксуйте акумулятор в упаковці, щоб він не рухався.
- Готуючись до зберігання чи транспортування інструмента, завжди слід виймати акумулятор.
- Зберігайте акумулятор і зарядний пристрій у сухих приміщеннях, захищених від вологи й низьких температур.
- Заборонено зберігати акумулятор у місці, де можуть утворюватися статичні заряди. Не зберігайте акумулятор у металевій коробці.
- Зберігайте акумулятор за температури 5–25 °C (41–77 °F) у захищеному від прямих сонячних променів місці.
- Зберігайте зарядний пристрій за температури 5–45 °C (41–113 °F) у захищеному від прямих сонячних променів місці.
- Використовуйте зарядний пристрій лише за температури навколишнього середовища 5–40 °C (41–104 °F).

- Перед довготривалим зберіганням акумулятор необхідно зарядити на 30–50 %.
- Зберігайте зарядний пристрій у сухому закритому приміщенні.
- Зберігайте акумулятор і зарядний пристрій окремо. Не дозволяйте дітям й іншим особам без належної підготовки торкатися обладнання. Зберігайте обладнання в приміщеннях, які можна закрити на замок.
- Перед тривалим зберіганням промийте виріб і проведіть повне технічне обслуговування.
- Під час транспортування й зберігання використовуйте чохол для транспортування, що допоможе захистити виріб від травм і пошкоджень.

- Під час транспортування надійно закріплюйте виріб.

Утилізація акумулятора, зарядного пристрою й виробу

Символи на виробі або упаковці виробу вказують на те, що виріб не слід утилізувати разом із побутовими відходами. Утилізацію необхідно проводити на підприємстві з переробки відходів електричного й електронного обладнання. Це допоможе запобігти шкоді навколишньому середовищу й людям.

Зверніться до місцевих органів влади, місцевої служби переробки відходів або дилера по додаткову інформацію про методи утилізації виробу.

Технічні характеристики

Технічні характеристики

	215iHD45
Двигун	
Тип двигуна	BLDC
Маса	
Вага без акумулятора, кг	3,2
Різець	
Тип	Двосторонній
Довжина леза, мм	450
Швидкість лез, зрізів/хв, у режимі SavE	2400
Швидкість лез, зрізів/хв, за вимкненого режиму SavE	3000
Випромінювання шуму⁴⁹	
Рівень звукової потужності виміряний, дБ (A)	87
Рівень звукової потужності гарантований, L _{WA}	90
Рівні звуку	
Рівень звукового тиску на слухові органи оператора за результатами вимірювання згідно зі стандартом EN 62841-4-2, дБ(A)	79

⁴⁹ Випромінювання шуму в середовище, виміряне як звукова потужність (L_{WA}), відповідає директиві ЄС 2000/14/ЄС. Різниця між гарантованим і вимірюваним рівнем звукової потужності полягає в тому, що гарантована звукова потужність включає також дисперсію результатів вимірювання й відмінності між різними виробами тієї самої моделі відповідно до Директиви 2000/14/ЄС.

	215iHD45
Рівні вібрації⁵⁰	
Рівні вібрації (a_h), передня / задня ручка, m/s^2	2,1 / 1,7

Схвалені акумулятори для виробу

Акумулятор	BLi10		40-B70
Тип	Літій-іонний		Літій-іонний
Ємність батареї, ампер-години	Див. паспортну табличку акумулятора		Див. паспортну табличку акумулятора
Номінальна напруга, В	36	36,5	36
Вага, кг	0,7	0,7	0,8

Схвалені зарядні пристрої для виробу

Зарядний пристрій	QC80	40-C80
Напруга електромережі, В	100–240	100–240
Частота, Гц	50–60	50–60
Потужність, Вт	100	72
Вихідна напруга, В пост. струму / ампер, А	36/2	43 / 1,6

⁵⁰ Указані дані щодо рівня вібрації мають стандартну статистичну розбіжність (стандартне відхилення) у $1,5 m/s^2$.

Указане загальне значення рівня вібрації виміряно відповідно до стандартного методу випробувань і може використовуватися для порівняння одного інструмента з іншим.

Указане загальне значення рівня вібрації можна також використовувати для попередньої оцінки впливу вібрації на оператора.

Декларація відповідності

Декларація відповідності ЄС

Ми, компанія **Husqvarna AB**, SE-561 82 Huskvarna, Швеція, тел.: +46-36-146500, заявляємо під свою виключну відповідальність, що представлений виріб:

Опис	Акумуляторний тример для живої огорожі
Бренд	Husqvarna
Тип / модель	215iHD45
Ідентифікація	Серійні номери за 2024 рік і пізніше

повністю відповідає таким директивам і нормам ЄС:

Директива / норма	Опис
2006/42/EC	«Про механічне обладнання»
2014/30/EU	«Про електромагнітну сумісність»
2000/14/EC	«Про виділення шуму в навколишнє середовище»
2011/65/EU	«Про обмеження використання деяких небезпечних речовин в електричному й електронному обладнанні»

і що до нього застосовуються вказані далі узгоджені стандарти та (або) технічні специфікації: EN 62841-4-2:2019+A1:2022+A11:2022, EN 62841-1:2015+A11:2022, EN IEC 55014-1:2021, EN IEC 55014-2:2021, EN IEC 63000:2018.

Згідно з Директивою 2000/14/EC, додаток V, див. *Технічні характеристики на сторінці 368* для заявлених шумових характеристик.

Huskvarna, 2024-02-01

Клас Лосдал (Claes Losdal), директор відділу НДДКР, Husqvarna AB

Відповідальний за технічну документацію



Περιεχόμενα

Εισαγωγή.....	371	Αντιμετώπιση προβλημάτων.....	382
Ασφάλεια.....	372	Μεταφορά, αποθήκευση και απόρριψη.....	383
Συναρμολόγηση.....	378	Τεχνικά στοιχεία.....	384
Λειτουργία.....	379	Δήλωση Συμμόρφωσης.....	386
Συντήρηση.....	380		

Εισαγωγή

Περιγραφή προϊόντος

Το Husqvarna 215iHD45 είναι ένα μπουρτουροφάλιδο με μπαταρία και ηλεκτρικό μοτέρ.

Εργαζόμαστε συνεχώς για απολαμβάνετε μεγαλύτερη ασφάλεια και υψηλότερη απόδοση κατά τη διάρκεια της εργασίας. Απευθυνθείτε στον αντιπρόσωπο σέρβις για περισσότερες πληροφορίες.

Επισκόπηση προϊόντος

(Εικ. 1)

1. Εγχειρίδιο χρήσης
2. Οπίσθια χειρολαβή
3. Σκανδάλη στην μπροστινή λαβή
4. Εμπρόσθια χειρολαβή
5. Κοπτικό εργαλείο
6. Προστατευτικό μεταφοράς
7. Σκανδάλη γκαζιού
8. Ταμπλό ελέγχου
9. Προστατευτικό χεριών
10. Μπαταρία
11. Φορτιστής μπαταρίας 40-C80
12. Συνδετήρας
13. Κουμπί ένδειξης μπαταρίας
14. Κατάσταση μπαταρίας
15. Προειδοποιητική ένδειξη
16. Κουμπί λειτουργίας εξοικονόμησης SavE
17. Κουμπί εκκίνησης/διακοπής λειτουργίας
18. Ένδειξη λειτουργίας και προειδοποίησης
19. Κουμπιά απελευθέρωσης μπαταρίας
20. Φορτιστής μπαταρίας QC80
21. Καλώδιο τροφοδοσίας

Σύμβολα στο προϊόν

- (Εικ. 2) ΠΡΟΕΙΔΟΠΟΙΗΣΗ: Αυτό το προϊόν μπορεί να είναι επικίνδυνο και να προκαλέσει σοβαρό τραυματισμό ή θάνατο του χειριστή ή άλλων ατόμων. Να είστε προσεκτικοί και να χρησιμοποιείτε το προϊόν σωστά.
- (Εικ. 3) Διαβάστε προσεκτικά το εγχειρίδιο χρήσης και βεβαιωθείτε ότι έχετε κατανοήσει τις οδηγίες προτού χρησιμοποιήσετε το προϊόν.
- (Εικ. 4) Χρησιμοποιήστε μέσα προστασίας των ματιών.
- (Εικ. 5) Το προϊόν συμμορφώνεται με τις ισχύουσες οδηγίες ΕΚ.

Προβλεπόμενη χρήση

Το προϊόν χρησιμοποιείται για την κοπή κλαδιών και κλωναριών. Μην χρησιμοποιείτε το προϊόν για άλλες εργασίες.

(Εικ. 6) Το προϊόν ή η συσκευασία του προϊόντος δεν αποτελεί οικιακό απόρριμμα. Ανακυκλώστε το σε κέντρο ανακύκλωσης ηλεκτρικού και ηλεκτρονικού εξοπλισμού.

(Εικ. 7) Αποφύγετε την έκθεση στη βροχή.

(Εικ. 8) Συνεχές ρεύμα.

(Εικ. 9) Εκπομπές θορύβου στην ετικέτα περιβάλλοντος σύμφωνα με τις οδηγίες και τους κανονισμούς της ΕΕ (συμπεριλαμβανομένης και της νομοθεσίας της Νέας Νότιας Ουαλίας) και του Ηνωμένου Βασιλείου. Τα στοιχεία για τις εκπομπές θορύβου βρίσκονται στην ετικέτα του μηχανήματος και στο κεφάλαιο "Τεχνικά στοιχεία".

(Εικ. 10) Αυτό το προϊόν συμμορφώνεται με τις ισχύουσες οδηγίες του Η.Β.

(Εικ. 11) Προειδοποίηση: Μην πλησιάζετε τα χέρια σας στη λεπίδα.

yyyywwxxxx Η πινακίδα στοιχείων δείχνει τον αριθμό σειράς. Το **yyyy** είναι το έτος παραγωγής, το **ww** είναι η εβδομάδα παραγωγής.

Περιεχόμενα Άλλα σύμβολα/σήματα που υπάρχουν στο προϊόν αναφέρονται σε ειδικές απαιτήσεις πιστοποίησης για συγκεκριμένες αγορές.

Σύμβολα στην μπαταρία ή/και στο φορτιστή της μπαταρίας

(Εικ. 15) Ανακυκλώστε αυτό το προϊόν σε κέντρο ανακύκλωσης ηλεκτρικού και ηλεκτρονικού εξοπλισμού. (Ισχύει μόνο για την Ευρώπη)

(Εικ. 12) Μετασχηματιστής εξασφαλισμένης λειτουργίας σε περίπτωση βλάβης.

(Εικ. 14) Διπλή μόνωση.

(Εικ. 13) Χρησιμοποιείτε και φυλάσσετε το φορτιστή μπαταρίας μόνο σε εσωτερικούς χώρους.

Ασφάλεια

Ορισμοί για την ασφάλεια

Για την επισήμανση ειδικών σημαντικών τμημάτων του εγχειριδίου χρησιμοποιούνται προειδοποιήσεις, συστάσεις προσοχής και σημειώσεις.



ΠΡΟΕΙΔΟΠΟΙΗΣΗ: Χρησιμοποιείται όταν υπάρχει κίνδυνος τραυματισμού ή θανάτου του χειριστή ή άλλων παριστάμενων ατόμων, αν δεν τηρηθούν οι οδηγίες που παρέχονται στο εγχειρίδιο.



ΠΡΟΣΟΧΗ: Χρησιμοποιείται όταν υπάρχει κίνδυνος πρόκλησης ζημιάς στο προϊόν, σε άλλα υλικά ή στον παρακείμενο χώρο, αν δεν τηρηθούν οι οδηγίες που παρέχονται στο εγχειρίδιο.

Περιεχόμενα Χρησιμοποιείται για παροχή περισσότερων πληροφοριών, οι οποίες χρειάζονται σε μια δεδομένη κατάσταση.

Γενικές προειδοποιήσεις ασφαλείας ηλεκτρικού εργαλείου



ΠΡΟΕΙΔΟΠΟΙΗΣΗ: Διαβάστε όλες τις προειδοποιήσεις ασφαλείας και όλες τις οδηγίες. Η μη τήρηση των προειδοποιήσεων και των οδηγιών μπορεί να προκαλέσει ηλεκτροπληξία, πυρκαγιά ή/και σοβαρό τραυματισμό.

Περιεχόμενα Φυλάσσετε τις προειδοποιήσεις και τις οδηγίες ώστε να ανατρέχετε αργότερα σε αυτές.

Ο όρος "ηλεκτρικό εργαλείο" που χρησιμοποιείται στις προειδοποιήσεις αναφέρεται στο εργαλείο που τροφοδοτείται από το δίκτυο ρεύματος (με καλώδιο) ή στο εργαλείο που τροφοδοτείται από μπαταρία (χωρίς καλώδιο).

Ασφάλεια στο χώρο εργασίας

- Διατηρείτε το χώρο εργασίας καθαρό και με καλό φωτισμό. Οι ακατάστατοι ή σκοτεινοί χώροι ενέχουν τον κίνδυνο ατυχημάτων.
- Μην χειρίζεστε ηλεκτρικά εργαλεία σε εκρηκτικές ατμόσφαιρες, π.χ. παρουσία εύφλεκτων υγρών, αερίων ή σωματιδίων σκόνης. Τα ηλεκτρικά εργαλεία

δημιουργούν σπινθήρες, οι οποίοι ενδέχεται να προκαλέσουν την ανάφλεξη των σωματιδίων ή των καπνών.

- Κατά το χειρισμό ενός ηλεκτρικού εργαλείου, δεν πρέπει να βρίσκονται κοντά παιδιά ή άλλοι παρευρισκόμενοι. Ενδέχεται να αποσπάσουν την προσοχή σας, με αποτέλεσμα να χάσετε τον έλεγχο.

Ασφάλεια με το ηλεκτρικό ρεύμα

- Το βύσμα του ηλεκτρικού εργαλείου πρέπει να ταιριάζει στην πρίζα. Μην τροποποιείτε ποτέ το βύσμα. Μην χρησιμοποιείτε προσαρμογείς με γειωμένα ηλεκτρικά εργαλεία. Η χρήση μη τροποποιημένων φισ και αντίστοιχων πριζών μειώνει τον κίνδυνο ηλεκτροπληξίας.
- Αποφεύγετε την επαφή του σώματος με γειωμένες επιφάνειες, όπως σωλήνες, καλοριφέρ, κουζίνες και ψυγεία. Υπάρχει αυξημένος κίνδυνος ηλεκτροπληξίας, εάν το σώμα σας έρθει σε επαφή με τη γείωση ή με το έδαφος.
- Μην εκθέτετε ηλεκτρικά εργαλεία σε βροχή ή σε συνθήκες υγρασίας. Σε περίπτωση εισχώρησης νερού σε ηλεκτρικό εργαλείο, αυξάνεται ο κίνδυνος ηλεκτροπληξίας.
- Μην προκαλείτε φθορά στο καλώδιο. Μην χρησιμοποιείτε ποτέ το καλώδιο για τη μεταφορά, το τράβηγμα ή την αποσύνδεση του ηλεκτρικού εργαλείου. Φυλάσσετε το καλώδιο μακριά από θερμότητα, λάδια, αιχμηρές άκρες ή κινούμενα εξαρτήματα. Εάν το καλώδιο υποστεί ζημιά ή μπερδευτεί, αυξάνεται ο κίνδυνος ηλεκτροπληξίας.
- Όταν χρησιμοποιείτε ένα ηλεκτρικό εργαλείο σε εξωτερικό χώρο, χρησιμοποιήστε ένα καλώδιο προέκτασης που είναι κατάλληλο για χρήση σε εξωτερικό χώρο. Η χρήση καλωδίου κατάλληλου για εξωτερικό χώρο μειώνει τον κίνδυνο ηλεκτροπληξίας.
- Αν η χρήση ενός ηλεκτρικού εργαλείου σε χώρο με υγρασία είναι αναπόφευκτη, χρησιμοποιήστε τροφοδοσία με διάταξη προστασίας ρεύματος διαρροής (RCD). Η χρήση μιας διάταξης RCD μειώνει τον κίνδυνο ηλεκτροπληξίας



ΠΡΟΕΙΔΟΠΟΙΗΣΗ: Μην πλένετε το μηχάνημα με νερό υπό πίεση, καθώς το νερό μπορεί να εισέλθει στο ηλεκτρικό σύστημα ή στο μοτέρ και να προκαλέσει ζημιά στο μηχάνημα ή βραχυκύκλωμα.

Προσωπική ασφάλεια

- **Να είστε προσεκτικοί, να παρακολουθείτε αυτό που κάνετε και να χρησιμοποιείτε την κοινή λογική όταν χρησιμοποιείτε ένα ηλεκτρικό εργαλείο. Μην χρησιμοποιείτε ηλεκτρικά εργαλεία όταν είστε κουρασμένοι ή υπό την επίρροια ναρκωτικών, αλκοόλ ή φαρμάκων.** Μια στιγμή απροσεξίας, κατά το χειρισμό ηλεκτρικών εργαλείων, μπορεί να οδηγήσει σε σοβαρό τραυματισμό.
- **Χρησιμοποιείτε ατομικό προστατευτικό εξοπλισμό. Φοράτε πάντοτε προστατευτικά γυαλιά.** Ο εξοπλισμός προστασίας, όπως προστατευτική μάσκα αναπνοής, αντολισθητικά παπούτσια ασφαλείας, κράνος ή προστατευτικά ακοής σε κατάλληλες συνθήκες, μειώνει τον κίνδυνο τραυματισμών.
- **Φροντίστε ώστε να μην είναι ερμητική η ακούσια εκκίνηση. Βεβαιωθείτε ότι ο διακόπτης βρίσκεται στη θέση OFF προτού συνδέσετε το εργαλείο στην πηγή τροφοδοσίας ή/και στην μπαταρία και προτού πάσετε ή μεταφέρετε το εργαλείο.** Η μεταφορά των ηλεκτρικών εργαλείων, ενώ έχετε το χέρι σας στο διακόπτη ή η σύνδεση σε πρίζα των ηλεκτρικών εργαλείων με διακόπτη ενέχει τον κίνδυνο ατυχήματος.
- **Αφαιρέστε τυχόν κλειδιά προσαρμογής ή σύσφιξης, πριν ενεργοποιήσετε το ηλεκτρικό εργαλείο.** Ένα κλειδί σύσφιξης ή προσαρμογής που παραμένει προσαρτημένο σε κινούμενο μέρος του ηλεκτρικού εργαλείου μπορεί να οδηγήσει σε τραυματισμό.
- **Μην υπερεκτιμάτε τις δυνατότητές σας. Να πατάτε καλά τα πόδια σας και να διατηρείτε την ισορροπία σας συνέχεια.** Έτσι επιτυγχάνεται καλύτερος έλεγχος του ηλεκτρικού εργαλείου, σε τυχόν απρόβλεπτες καταστάσεις.
- **Φοράτε κατάλληλα ρούχα. Μην φοράτε φαρδιά ρούχα ή κοσμήματα. Φροντίστε τα μαλλιά και τα ρούχα σας να βρίσκονται σε απόσταση από τα κινούμενα εξαρτήματα.** Τα φαρδιά ρούχα, τα κοσμήματα ή τα μακριά μαλλιά ενδέχεται να πιαστούν σε κινούμενα μέρη.
- **Εάν παρέχονται διατάξεις για τη σύνδεση συστημάτων συλλογής και απομάκρυνσης σκόνης, βεβαιωθείτε ότι αυτές έχουν συνδεθεί και χρησιμοποιούνται σωστά.** Χρησιμοποιείτε σύστημα συλλογής σκόνης για να μειώσετε τους κινδύνους που σχετίζονται με τη σκόνη.
- **Ακόμη και αν χρησιμοποιείτε συχνά και είστε εξοικειωμένοι με τα εργαλεία, μην επαναπαύεστε και μην παραβλέπετε τις αρχές ασφαλείας των εργαλείων.** Μια απρόσπεκτη ενέργεια μπορεί να προκαλέσει σοβαρό τραυματισμό σε κλάσμα του δευτερολέπτου.
- **Η εκπομπή κραδασμών κατά την πραγματική χρήση του ηλεκτρικού εργαλείου μπορεί να διαφέρει από τη δηλωθείσα συνολική τιμή, ανάλογα με τους τρόπους χρήσης του εργαλείου.** Οι χειριστές πρέπει να προσδιορίζουν τα μέτρα ασφαλείας για την προστασία τους που βασίζονται σε εκτίμηση της έκθεσης σε πραγματικές συνθήκες χρήσης (λαμβάνοντας υπόψη όλα τα μέρη του κύκλου

λειτουργίας, όπως οι χρόνοι κατά τους οποίους το εργαλείο είναι απενεργοποιημένο και οι χρόνοι λειτουργίας ρελαντί, επιπρόσθετα της σκανδάλης).

Χρήση και φροντίδα των ηλεκτρικών εργαλείων

- **Μην ασκείτε μεγάλη δύναμη στο ηλεκτρικό εργαλείο. Χρησιμοποιείτε το κατάλληλο ηλεκτρικό εργαλείο για την εφαρμογή σας.** Το κατάλληλο ηλεκτρικό εργαλείο θα έχει καλύτερα αποτελέσματα για την εργασία σας και θα είναι ασφαλέστερο, στο βαθμό για τον οποίο είναι σχεδιασμένο.
- **Μην χρησιμοποιείτε το ηλεκτρικό εργαλείο, εάν δεν μπορεί να ενεργοποιηθεί και να απενεργοποιηθεί με το διακόπτη.** Ένα ηλεκτρικό εργαλείο που δεν μπορεί να ελεγχθεί από το διακόπτη είναι επικίνδυνο και πρέπει να επισκευαστεί.
- **Αποσυνδέστε το βύσμα από την πηγή τροφοδοσίας ή/και αφαιρέστε την μπαταρία (αν είναι αποσπώμενη) από το ηλεκτρικό εργαλείο πριν από την πραγματοποίηση ρυθμίσεων, την αλλαγή αξεσουάρ ή την αποθήκευση ηλεκτρικών εργαλείων.** Αυτά τα προληπτικά μέτρα ασφαλείας μειώνουν τον κίνδυνο ακούσιας εκκίνησης του ηλεκτρικού εργαλείου.
- **Φυλάσσετε τα ηλεκτρικά εργαλεία που βρίσκονται σε αδράνεια, μακριά από παιδιά και μην επιτρέπτε σε άτομα που δεν είναι εξοικειωμένα με αυτά ή με τις οδηγίες να χρησιμοποιούν το ηλεκτρικό εργαλείο.** Τα ηλεκτρικά εργαλεία είναι επικίνδυνα στα χέρια μη εκπαιδευμένων χρηστών.
- **Φροντίστε να συντηρείτε τα ηλεκτρικά εργαλεία και τα αξεσουάρ. Ελέγχετε για τυχόν μη ευθυγραμμισμένα ή μπλοκαρισμένα κινούμενα μέρη, ρωγμές στα διάφορα μέρη και κάθε άλλη κατάσταση που μπορεί να επηρεάζει τη λειτουργία του ηλεκτρικού εργαλείου. Σε περίπτωση ζημιάς, φροντίστε για την επισκευή του ηλεκτρικού εργαλείου πριν το χρησιμοποιήσετε.** Πολλά ατυχήματα προκαλούνται από ηλεκτρικά εργαλεία που δεν συντηρούνται σωστά.
- **Διατηρείτε τα εργαλεία κοπής αιχμηρά και καθαρά.** Εάν τα εργαλεία κοπής συντηρούνται σωστά, με αιχμηρές άκρες κοπής, είναι λιγότερο πιθανή η εμπλοκή τους και πιο εύκολος ο έλεγχός τους.
- **Χρησιμοποιείτε το ηλεκτρικό εργαλείο, τα εξαρτήματα και τα τρυπάνια σύμφωνα με τις οδηγίες αυτές, λαμβάνοντας υπόψη τις συνθήκες εργασίας και την εργασία που πρέπει να εκτελεστεί.** Η χρήση των ηλεκτρικών εργαλείων για εφαρμογές διαφορετικές από αυτές για τις οποίες προορίζονται μπορεί να οδηγήσει σε επικίνδυνες καταστάσεις.
- **Διατηρήστε τις χειρολαβές και τις επιφάνειες κρατήματος στεγνές και καθαρές, χωρίς λάδια και γράσο.** Οι ολισθηρές λαβές και επιφάνειες κρατήματος δεν επιτρέπουν τον ασφαλή χειρισμό και έλεγχο του εργαλείου σε απρόβλεπτες καταστάσεις.

Χρήση και φροντίδα εργαλείων μπαταρίας

- **Να επαναφορτίζετε μόνο με το φορτιστή που ορίζεται από τον κατασκευαστή.** Ένας φορτιστής κατάλληλος για έναν τύπο συστοιχίας μπαταριών μπορεί να

δημιουργήσει κίνδυνο φωτιάς κατά τη χρήση με άλλη συστοιχία μπαταριών.

- **Χρησιμοποιείτε προϊόντα μόνο με τις προδιαγραφόμενες μπαταρίες.** Η χρήση οποιασδήποτε άλλης μπαταρίας μπορεί να προκαλέσει κίνδυνο τραυματισμού και πυρκαγιάς.
- **Όταν η μπαταρία δεν χρησιμοποιείται, πρέπει να την φυλάσσετε μακριά από άλλα μεταλλικά αντικείμενα, όπως συνδετήρες, νομίσματα, κλειδιά, καρφιά, βίδες ή άλλα μικρά μεταλλικά αντικείμενα, που μπορεί να προκαλέσουν ένωση των πόλων.** Η βραχυκύκλωση των ακροδεκτών της μπαταρίας μεταξύ τους μπορεί να προκαλέσει εγκαύματα ή πυρκαγιά.
- **Σε περίπτωση ακατάλληλου χειρισμού, μπορεί να εκπναχθεί υγρό από την μπαταρία. Αποφεύγετε κάθε επαφή. Σε περίπτωση τυχαίας επαφής, ξεπλύνετε με νερό. Εάν το υγρό έρθει σε επαφή με τα μάτια, ζητήστε επίσης ιατρική βοήθεια.** Η εκτόξευση υγρού από την μπαταρία μπορεί να προκαλέσει ερεθισμούς ή εγκαύματα.
- **Μην χρησιμοποιείτε μπαταρίες ή εργαλεία που έχουν υποστεί ζημιά ή μετατροπές.** Μπαταρίες οι οποίες έχουν υποστεί βλάβη ή τροποποίηση μπορεί να παρουσιάσουν απρόβλεπτη συμπεριφορά, με αποτέλεσμα την πυρκαγιά, την έκρηξη ή τον κίνδυνο τραυματισμού.
- **Μην εκθέτετε τις μπαταρίες ή τα εργαλεία σε φωτιά ή υπερβολική θερμοκρασία.** Η έκθεση σε φωτιά ή θερμοκρασίες πάνω από 130 °C μπορεί να προκαλέσει έκρηξη.
- **Ακολουθήστε όλες τις οδηγίες φόρτισης και μην φορτίζετε τις μπαταρίες ή τα εργαλεία εκτός του εύρους θερμοκρασίας που προδιαγράφεται στις οδηγίες.** Η φόρτιση με λανθασμένο τρόπο ή σε θερμοκρασίες εκτός του προδιαγραφόμενου εύρους μπορεί να προκαλέσει ζημιά στην μπαταρία και αυξάνει τον κίνδυνο πυρκαγιάς.

Σέρβις

- **Αναθέστε το σέρβις του ηλεκτρικού σας εργαλείου σε εξειδικευμένο τεχνικό για επισκευή με τη χρήση μόνο πανομοιότυπων ανταλλακτικών.** Έτσι θα διασφαλίζεται η διατήρηση της ασφάλειας του ηλεκτρικού εργαλείου.
- **Μην εκτελείτε εργασίες σέρβις σε καταστραμμένες μπαταρίες.** Οι εργασίες σέρβις σε μπαταρίες θα πρέπει να εκτελούνται μόνο από τον κατασκευαστή ή από εξουσιοδοτημένα καταστήματα σέρβις.

Προειδοποιήσεις ασφαλείας για μορνοντουροψάλιδο, Προσωπική ασφάλεια

- **Να χειρίζεστε το μορνοντουροψάλιδο και με τα δύο χέρια.** Η χρήση του ενός χεριού μπορεί να προκαλέσει απώλεια του ελέγχου και να οδηγήσει σε σοβαρό προσωπικό τραυματισμό.
- **Μην πλησιάζετε κανένα μέλος του σώματός σας στη λεπίδα. Μην αφαιρείτε το υλικό κοπής και μην κρατάτε το υλικό προς κοπή, όταν οι λεπίδες κινούνται.** Οι λεπίδες συνεχίζουν να κινούνται αφότου γυρίσετε τον διακόπτη στη θέση

απενεργοποίησης. Μια στιγμή απροσεξίας, κατά το χειρισμό του μορνοντουροψάλιδου, μπορεί να οδηγήσει σε σοβαρό τραυματισμό.

- **Μεταφέρετε το μορνοντουροψάλιδο από τη χειρολαβή με τη λεπίδα σταματημένη, φροντίζοντας να μην πατήσετε το διακόπτη λειτουργίας.** Η σωστή μεταφορά του μορνοντουροψάλιδου μειώνει τον κίνδυνο ακούσιας εκκίνησης και ενδεχόμενου τραυματισμού από τις λεπίδες.
- **Κατά τη μεταφορά ή την αποθήκευση του μορνοντουροψάλιδου, πρέπει να τοποθετείτε πάντα το κάλυμμα λεπίδας.** Ο σωστός χειρισμός του μορνοντουροψάλιδου μειώνει τον κίνδυνο τραυματισμού από τις λεπίδες.
- **Όταν απομακρύνετε υλικά που μπλοκάρουν τη λειτουργία ή όταν συντηρείτε τη μονάδα, βεβαιωθείτε ότι όλοι οι διακόπτες λειτουργίας είναι σβηστοί και η μπαταρία έχει αφαιρεθεί ή αποσυνδεθεί.** Η μη αναμενόμενη ενεργοποίηση του μορνοντουροψάλιδου όταν απομακρύνετε υλικά που μπλοκάρουν τη λειτουργία του ή όταν το συντηρείτε μπορεί να οδηγήσει σε σοβαρό τραυματισμό.
- **Να κρατάτε το μορνοντουροψάλιδο μόνο από τις μονωμένες επιφάνειες λαβής, επειδή η λεπίδα μπορεί να έλθει σε επαφή με κρυμμένη καλωδίωση.** Εάν οι λεπίδες έρθουν σε επαφή με ένα καλώδιο "υπό τάση" μπορεί να θέσουν τα εκτεθειμένα μεταλλικά μέρη του μορνοντουροψάλιδου "υπό τάση" και να προκαλέσουν ηλεκτροπληξία στον χειριστή.
- **Κρατήστε όλα τα καλώδια ρεύματος και τα καλώδια μακριά από την περιοχή κοπής.** Τα καλώδια ρεύματος ή τα καλώδια μπορεί να είναι κρυμμένα σε θάμνους και μπορεί να κοπούν κατά λάθος από τη λεπίδα.
- **Μην χρησιμοποιείτε το μορνοντουροψάλιδο σε δυσμενείς καιρικές συνθήκες, ιδιαίτερα όταν υπάρχει κίνδυνος κεραυνού.** Έτσι μειώνεται ο κίνδυνος να σας χτυπήσει κεραυνός.
- **ΚΙΝΔΥΝΟΣ – Κρατήστε τα χέρια σας μακριά από τη λεπίδα.** Η επαφή με την λεπίδα μπορεί να προκαλέσει σοβαρό τραυματισμό.

Γενικές οδηγίες ασφαλείας



ΠΡΟΕΙΔΟΠΟΙΗΣΗ: Προτού χρησιμοποιήσετε το προϊόν, διαβάστε τις παρακάτω προειδοποιητικές οδηγίες.

- Αφαιρέστε την μπαταρία για να αποτρέψετε ακούσια εκκίνηση του προϊόντος.
- Αυτό το προϊόν είναι ένα επικίνδυνο εργαλείο εάν δεν είστε προσεκτικοί ή δεν το χρησιμοποιείτε σωστά. Αυτό το προϊόν μπορεί να προκαλέσει σοβαρό τραυματισμό ή θάνατο του χειριστή ή άλλων ατόμων.
- Μην χρησιμοποιείτε το προϊόν εάν τροποποιηθεί από τις αρχικές του προδιαγραφές. Μην αλλάξετε ένα εξάρτημα του προϊόντος χωρίς έγκριση από τον κατασκευαστή. Χρησιμοποιήστε μόνο εξαρτήματα που έχουν εγκριθεί από τον κατασκευαστή. Λόγω

της εσφαλμένης συντήρησης μπορεί να προκληθεί τραυματισμός ή θάνατος.

- Ελέγξτε το προϊόν προτού το χρησιμοποιήσετε. Ανατρέξτε στην ενότητα *Εργασίες πριν από τον εκκίνηση του προϊόντος στη σελίδα 380*. Μην χρησιμοποιείτε ελαττωματικά προϊόντα. Πραγματοποιείτε όλους τους ελέγχους ασφαλείας και τηρείτε τις οδηγίες συντήρησης και σέρβις που αναφέρονται στο παρόν εγχειρίδιο.
- Τα παιδιά πρέπει να εμποδίζονται ώστε να διασφαλιστεί ότι δεν παίζουν με το προϊόν. Μην επιτρέψετε ποτέ σε παιδιά ή άλλα μη εκπαιδευμένα σχετικά με τη χρήση του προϊόντος άτομα να χρησιμοποιούν το μηχάνημα ή/και την μπαταρία ή να πραγματοποιούν εργασίες συντήρησης σε αυτό. Η τοπική νομοθεσία πιθανώς να ορίζει την κατάλληλη ηλικία του χρήστη.
- Να διατηρείτε το προϊόν σε μια κλειδωμένη περιοχή για να αποτρέψετε την πρόσβαση σε παιδιά ή μη εγκεκριμένα άτομα.
- Αποθηκεύστε το προϊόν μακριά από παιδιά.
- Δεν επιτρέπονται, σε καμία περίπτωση, τροποποιήσεις στη σχεδίαση του προϊόντος χωρίς την έγκριση του κατασκευαστή. Πρέπει πάντα να χρησιμοποιείτε γνήσια αξεσουάρ. Η μη εξουσιοδοτημένη εκτέλεση τροποποιήσεων ή/και η χρήση μη γνήσιων αξεσουάρ μπορεί να οδηγήσει σε σοβαρό προσωπικό τραυματισμό ή θάνατο του χειριστή και άλλων ατόμων.

Περιεχόμενα Η χρήση μπορεί να ρυθμίζεται από εθνικούς ή τοπικούς κανονισμούς. Οι εκάστοτε κανονισμοί πρέπει να τηρούνται.

Οδηγίες ασφαλείας για τη λειτουργία



ΠΡΟΕΙΔΟΠΟΙΗΣΗ: Προτού χρησιμοποιήσετε το προϊόν, διαβάστε τις παρακάτω προειδοποιητικές οδηγίες.

- Εάν προκύψει μια κατάσταση όπου δεν είστε σίγουροι για το πώς πρέπει να προχωρήσετε, θα πρέπει να ζητήσετε τη συμβουλή ειδικού. Επικοινωνήστε με τον αντιπρόσωπο ή το συνεργείο σας. Αποφύγετε τις καταστάσεις χρήσης, τις οποίες θεωρείτε πέραν των δυνατοτήτων σας.
- Μην χρησιμοποιείτε ποτέ το προϊόν εάν είστε κουρασμένοι, υπό την επίρρεια αλκοόλ ή ναρκωτικών, φαρμακευτικής αγωγής ή άλλων ουσιών που μπορεί να επηρεάσουν την όραση, την εγρήγορση, το συντονισμό ή την κρίση σας.
- Η εργασία με άσχημες καιρικές συνθήκες είναι κουραστική και συχνά επιφέρει πρόσθετο κίνδυνο. Λόγω του πρόσθετου κινδύνου, δεν συνιστάται η χρήση του προϊόντος σε πολύ δυσμενείς καιρικές συνθήκες, π.χ. σε πυκνή ομίχλη, δυνατή βροχή, ισχυρούς ανέμους, έντονο κρύο, όταν υπάρχει κίνδυνος κεραυνόπτωσης κ.λπ.
- Οι ελαττωματικές λεπίδες μπορεί να αυξήσουν τον κίνδυνο ατυχημάτων.
- Μην επιτρέψετε σε παιδιά να χρησιμοποιούν το προϊόν ή να βρίσκονται κοντά σε αυτό. Δεδομένου ότι η εκκίνηση του μηχανήματος γίνεται εύκολα, τα παιδιά μπορούν να το θέσουν σε λειτουργία εάν δεν βρίσκονται υπό συνεχή επίτηρηση. Αυτό μπορεί να οδηγήσει σε σοβαρό προσωπικό τραυματισμό. Αποσυνδέετε πάντα την μπαταρία όταν το μηχάνημα δεν βρίσκεται υπό στενή επίτηρηση.
- Βεβαιωθείτε ότι δεν υπάρχουν άτομα ή ζώα σε απόσταση μικρότερη από 15 μέτρα κατά τη διάρκεια της εργασίας. Όταν εργάζονται πολλοί χειριστές στην ίδια περιοχή, η απόσταση ασφαλείας πρέπει να είναι τουλάχιστον 15 μέτρα. Διαφορετικά υπάρχει κίνδυνος σοβαρού προσωπικού τραυματισμού. Εάν πλησιάσει κάποιος, απενεργοποιήστε αμέσως το προϊόν. Μην περιστρέψετε ποτέ το προϊόν προς καμία κατεύθυνση, εάν δεν ελέγξετε πρώτα πίσω σας για να βεβαιωθείτε ότι δεν υπάρχει κανείς εντός της ζώνης ασφαλείας.
- Βεβαιωθείτε ότι άτομα, ζώα ή άλλοι παράγοντες δεν μπορούν να επηρεάσουν τον έλεγχο του προϊόντος και ότι δεν έρχονται σε επαφή με το εξάρτημα κοπής ή με αντικείμενα που εκσφενδονίζονται από το εξάρτημα κοπής. Ωστόσο, μην χρησιμοποιείτε το προϊόν παρά μόνο όταν έχετε τη δυνατότητα να καλέσετε βοήθεια σε περίπτωση ατυχήματος.
- Να επιθεωρείτε πάντα τον χώρο εργασίας. Απομακρύνετε όλα τα ελεύθερα αντικείμενα, όπως πέτρες, στασμένα γυαλιά, καρφιά, ασφάλια σύρματα, σχοινιά κ.λπ. που μπορεί να εκσφενδονιστούν ή να τυλιχτούν γύρω από το εξάρτημα κοπής.
- Βεβαιωθείτε ότι μπορείτε να κινηθείτε και να σταθείτε όρθιοι με ασφάλεια. Ελέγξτε την περιοχή γύρω σας για πιθανά εμπόδια (ρίζες, βράχια, κλαδιά, χαντάκια κ.λπ.) για την περίπτωση που χρειαστεί να μετακινηθείτε ξαφνικά. Να είστε ιδιαίτερα προσεκτικοί όταν εργάζεστε σε έδαφος με κλίση.
- Να διατηρείτε καλή ισορροπία και σταθερό πάτημα όλη την ώρα. Μην υπερεκτιμάτε τις δυνατότητές σας.
- Απενεργοποιήστε το προϊόν προτού μετακινηθείτε σε άλλη περιοχή. Τοποθετήστε το προστατευτικό μεταφοράς όταν δεν χρησιμοποιείτε το μηχάνημα.
- Μην αφήνετε ποτέ το προϊόν στο έδαφος εάν δεν το έχετε απενεργοποιήσει και δεν έχετε αφαιρέσει την μπαταρία. Μην αφήνετε το προϊόν χωρίς επίβλεψη όταν είναι ενεργοποιημένο.
- Βεβαιωθείτε ότι τα ρούχα ή τα μέρη του σώματός σας δεν έρχονται σε επαφή με το παρελκόμενο κοπής όταν το προϊόν είναι ενεργοποιημένο.
- Εάν εμπλακεί οποιοδήποτε αντικείμενο στις λεπίδες ενώ χρησιμοποιείτε το προϊόν, σταματήστε και απενεργοποιήστε το προϊόν. Βεβαιωθείτε ότι το παρελκόμενο κοπής έχει σταματήσει εντελώς. Αφαιρέστε την μπαταρία πριν από τον καθαρισμό, την επιθεώρηση ή την επισκευή του προϊόντος ή/και των λεπίδων.

- Φροντίστε τα χέρια και τα πόδια σας να βρίσκονται σε απόσταση από το παρελκόμενο κοπής μέχρι να σταματήσει εντελώς όταν το προϊόν απενεργοποιηθεί.
- Προσέχετε για κομμένα υπολείμματα κλαδιών που μπορεί να εκπιναχτούν κατά την κοπή. Μην κόβετε πολύ κοντά στο έδαφος όπου μπορεί να εκτοξευτούν πέτρες ή άλλα αντικείμενα.
- Να προσέχετε τυχόν αντικείμενα που εκτοξεύονται. Φοράτε πάντα εγκεκριμένο εξοπλισμό για την προστασία των ματιών. Μην σκύβετε ποτέ πάνω από το προστατευτικό του παρελκόμενου κοπής. Υπάρχει κίνδυνος να εκσφενδονιστούν πέτρες, σκουπίδια, κ.λπ. στα μάτια σας, προκαλώντας τύφλωση ή σοβαρό τραυματισμό.
- Να επιδεικνύετε ιδιαίτερη προσοχή για τυχόν προειδοποιητικά σήματα ή κραυγές όταν φοράτε τα προστατευτικά ακοής. Βγάξτε πάντα τα προστατευτικά ακοής μόλις σταματήσει το προϊόν.
- Μην εργάζεστε ποτέ σε σκάλα, σκαμνί ή άλλη ανυψωμένη θέση η οποία δεν είναι απόλυτα ασφαλής.
- Να κρατάτε το προϊόν με τα δύο χέρια. Φροντίστε να κρατάτε το προϊόν στο πλάι του σώματός σας.

(Εικ. 16)

Προσωπικός εξοπλισμός προστασίας



ΠΡΟΕΙΔΟΠΟΙΗΣΗ: Προτού χρησιμοποιήσετε το προϊόν, διαβάστε τις παρακάτω προειδοποιητικές οδηγίες.

- Όταν χρησιμοποιείτε το προϊόν, πρέπει να φοράτε εγκεκριμένο προσωπικό εξοπλισμό προστασίας. Ο προσωπικός εξοπλισμός προστασίας δεν μπορεί να εξαλείψει πλήρως τον κίνδυνο τραυματισμών, ωστόσο μπορεί να μειώσει τη σοβαρότητά τους. Απευθυνθείτε στον αντιπρόσωπο για περισσότερες πληροφορίες.
- Να χρησιμοποιείτε κράνος προστασίας στις περιπτώσεις όπου υπάρχει κίνδυνος πτώσης αντικειμένων.

(Εικ. 17)

- Πρέπει να χρησιμοποιείτε εγκεκριμένα προστατευτικά ακοής. Η μακροχρόνια έκθεση στο θόρυβο μπορεί να προκαλέσει μόνιμη βλάβη της ακοής.

(Εικ. 18)

- Πρέπει να χρησιμοποιείτε εγκεκριμένα μέσα προστασίας των ματιών. Εάν χρησιμοποιείτε προστατευτικό γείσο, πρέπει επίσης να χρησιμοποιείτε πάντα εγκεκριμένα προστατευτικά γυαλιά. Τα εγκεκριμένα προστατευτικά γυαλιά πρέπει να συμμορφώνονται με το πρότυπο ANSI Z87.1 στις Η.Π.Α. ή το πρότυπο EN 166 στις χώρες της Ε.Ε.

(Εικ. 19)

- Χρησιμοποιείτε προστατευτικά γάντια κατά τη λειτουργία και τη συντήρηση.

(Εικ. 20)

- Χρησιμοποιείτε μπότες προστασίας ή παπούτσια με αντιολισθητικές σόλες.

(Εικ. 21)

- Να φοράτε ρούχα από ανθεκτικό ύφασμα. Τα ρούχα σας πρέπει να είναι εφαρμοστά αλλά δεν πρέπει να περιορίζουν τις κινήσεις σας. Χρησιμοποιήστε μακρύ παντελόνι και δέστε τα μαλλιά σας πίσω από τους ώμους σας. Μην χρησιμοποιείτε κοσμήματα ή ανοιχτά παπούτσια.
- Διατηρήστε κοντά τον εξοπλισμό πρώτων βοηθειών.

(Εικ. 22)

Συσκευές ασφαλείας στο προϊόν



ΠΡΟΕΙΔΟΠΟΙΗΣΗ: Προτού χρησιμοποιήσετε το προϊόν, διαβάστε τις παρακάτω προειδοποιητικές οδηγίες.

Σε αυτή την ενότητα περιγράφονται τα χαρακτηριστικά ασφαλείας του προϊόντος, ο σκοπός του καθώς και ο τρόπος διεξαγωγής των ελέγχων και της συντήρησης για τη διασφάλιση της σωστής λειτουργίας του. Διαβάστε τις οδηγίες κάτω από την επικεφαλίδα *Επισκόπηση προϊόντος στη σελίδα 371* για να βρείτε πού βρίσκονται αυτά τα εξαρτήματα στο προϊόν σας.

Η διάρκεια ζωής του προϊόντος μπορεί να μειωθεί και ο κίνδυνος ατυχημάτων να αυξηθεί, εάν η συντήρηση του προϊόντος δεν πραγματοποιείται σωστά και εάν το σέρβις ή/και οι επισκευές δεν εκτελούνται επαγγελματικά. Εάν χρειαστείτε περισσότερες πληροφορίες, επικοινωνήστε με τον πλησιέστερο αντιπρόσωπο σέρβις.



ΠΡΟΕΙΔΟΠΟΙΗΣΗ: Μην χρησιμοποιείτε ποτέ ένα προϊόν με φθαρμένα εξαρτήματα ασφαλείας. Ο εξοπλισμός ασφαλείας του προϊόντος πρέπει να επιθεωρείται και να συντηρείται όπως περιγράφεται σε αυτήν την ενότητα. Εάν το προϊόν αποτύχει σε οποιοδήποτε από αυτούς τους ελέγχους, επικοινωνήστε με τον αντιπρόσωπο σέρβις για την επισκευή του.



ΠΡΟΣΟΧΗ: Όλες οι εργασίες σέρβις και επισκευής στο μηχανήμα απαιτούν ειδική εκπαίδευση. Αυτό ισχύει ιδιαίτερα για τον εξοπλισμό ασφαλείας του μηχανήματος. Εάν το μηχανήμα σας αποτύχει σε κάποιον από αυτούς τους ελέγχους που περιγράφονται παρακάτω, επικοινωνήστε με τον αντιπρόσωπο σέρβις. Όταν αγοράζετε οποιοδήποτε από τα προϊόντα μας, εγγυόμαστε τη διαθεσιμότητα επαγγελματικών επισκευών και σέρβις. Εάν το κατάστημα λιανικής πώλησης από όπου προμηθευτήκατε το μηχανήμα δεν είναι αντιπρόσωπος σέρβις, ζητήστε από το

κατάστημα τη διεύθυνση του πλησιέστερου αντιπροσώπου σέρβις.

Για να ελέγξετε το πληκτρολόγιο

1. Πατήστε παρατεταμένα το κουμπί εκκίνησης/ διακοπής λειτουργίας (A). (Εικ. 23)
 - a) Το προϊόν είναι ενεργοποιημένο όταν η λυχνία LED (B) είναι αναμμένη.
 - b) Το προϊόν είναι απενεργοποιημένο όταν η λυχνία LED (B) είναι σβηστή.
2. Ανατρέξτε στην ενότητα *Πληκτρολόγιο στη σελίδα 382* αν η προειδοποιητική ένδειξη (C) είναι αναμμένη ή αναβοσβήνει.

Έλεγχος της σκανδάλης μπροστινής λαβής

Η σκανδάλη της μπροστινής λαβής αποτρέπει την ακούσια εκκίνηση. Όταν πατάτε τη σκανδάλη της μπροστινής λαβής, η σκανδάλη γκαζιού απελευθερώνεται. Εάν απελευθερώσετε τη λαβή, η σκανδάλη γκαζιού και η σκανδάλη της μπροστινής λαβής επιστρέφουν στις αρχικές τους θέσεις.

1. Βεβαιωθείτε ότι η σκανδάλη γκαζιού και η σκανδάλη της μπροστινής λαβής κινούνται ελεύθερα και ότι το ελατήριο επαναφοράς λειτουργεί σωστά.
2. Θέστε το προϊόν σε λειτουργία.
3. Πιέστε τη σκανδάλη της μπροστινής λαβής.

(Εικ. 24)

4. Πιέστε τη σκανδάλη γκαζιού. (Εικ. 25)
5. Απελευθερώστε τη σκανδάλη της μπροστινής λαβής και βεβαιωθείτε ότι το παρελκόμενο κοπής σταματά εντελώς.

Έλεγχος του προστατευτικού χεριού

Το προστατευτικό χεριού προστατεύει τα χέρια από τυχαία επαφή με τις λεπίδες.

1. Διακόψτε τη λειτουργία του προϊόντος.
2. Αφαιρέστε την μπαταρία.
3. Βεβαιωθείτε ότι το προστατευτικό χεριού είναι σωστά τοποθετημένο.
4. Ελέγξτε το προστατευτικό χεριού για ζημιές.

Έλεγχος λεπίδων και προφυλακτήρων λεπίδων

Το μακρύτερα μέρη των λεπίδων (A) λειτουργούν ως προφυλακτήρες των λεπίδων.

1. Διακόψτε τη λειτουργία του προϊόντος.
2. Αφαιρέστε την μπαταρία.
3. Φορέστε γάντια.

4. Βεβαιωθείτε ότι οι λεπίδες και οι προφυλακτήρες λεπίδων δεν έχουν υποστεί ζημιά και δεν έχουν λυγίσει. Αντικαταστήστε τις λεπίδες και τους προφυλακτήρες λεπίδων αν έχουν υποστεί ζημιά ή έχουν λυγίσει. (Εικ. 26)

Ασφάλεια μπαταρίας



ΠΡΟΕΙΔΟΠΟΙΗΣΗ: Προτού χρησιμοποιήσετε το προϊόν, διαβάστε τις παρακάτω προειδοποιητικές οδηγίες.

- Χρησιμοποιείτε μόνο μπαταρία της σειράς BLi και της σειράς 40-B. Για λεπτομέρειες, ανατρέξτε στην ενότητα *Τεχνικά στοιχεία στη σελίδα 384*. Οι μπαταρίες διαθέτουν κρυπτογράφηση λογισμικού.
- Χρησιμοποιήστε την επαναφορτιζόμενη μπαταρία της σειράς BLi και της σειράς 40-B ως παροχή ρεύματος αποκλειστικά για τα συναφή προϊόντα Husqvarna μόνο. Για την αποφυγή τραυματισμών, μην χρησιμοποιείτε την μπαταρία ως πηγή ηλεκτρικής ισχύος για άλλες συσκευές.
- Κίνδυνος ηλεκτροπληξίας. Μην συνδέετε τους ακροδέκτες της μπαταρίας σε κλειδιά, νομίσματα, βίδες ή άλλα μεταλλικά αντικείμενα. Αυτό μπορεί να προκαλέσει βραχυκύκλωμα της μπαταρίας.
- Μην χρησιμοποιείτε μη επαναφορτιζόμενες μπαταρίες.
- Μην τοποθετείτε αντικείμενα μέσα στις εγκοπές αερισμού της μπαταρίας.
- Διατηρείτε την μπαταρία μακριά από την ηλιακή ακτινοβολία, τη θερμότητα ή τις γυμνές φλόγες. Η μπαταρία μπορεί να προκαλέσει εγκαύματα ή/και χημικά εγκαύματα.
- Διατηρείτε την μπαταρία μακριά από συνθήκες βροχής και υγρασίας.
- Διατηρείτε την μπαταρία μακριά από πηγές μικροκυμάτων και υψηλής πίεσης.
- Μην προσπαθήσετε να αποσυναρμολογήσετε ή να διαλύσετε την μπαταρία.
- Αν η μπαταρία εμφανίσει διαρροή, φροντίστε το υγρό να μην έρθει σε επαφή με το δέρμα ή τα μάτια σας. Αν έρθετε σε επαφή με το υγρό, καθαρίστε την περιοχή με άφθονο σαπουνόνερο και ζητήστε ιατρική βοήθεια. Αν έρθει υγρό σε επαφή με τα μάτια σας, μην τα τρίψετε και ξεπλύνετε τα με νερό για τουλάχιστον 15 λεπτά και αναζητήστε ιατρική βοήθεια.
- Χρησιμοποιήστε την μπαταρία σε θερμοκρασίες μεταξύ -10 °C (14 °F) και 40 °C (114 °F).
- Μην καθαρίζετε την μπαταρία ή τον φορτιστή μπαταρίας με νερό. Ανατρέξτε στην ενότητα *Για να καθαρίσετε το προϊόν, την μπαταρία και το φορτιστή της μπαταρίας στη σελίδα 381*.
- Μην χρησιμοποιείτε ελαττωματικές ή κατεστραμμένες μπαταρίες.
- Φυλάσσετε τις μπαταρίες μακριά από μεταλλικά αντικείμενα, όπως καρφιά, νομίσματα και κοσμήματα.
- Φυλάσσετε την μπαταρία μακριά από παιδιά.

Ασφάλεια φορτιστή μπαταρίας



ΠΡΟΕΙΔΟΠΟΙΗΣΗ: Προτού χρησιμοποιήσετε το προϊόν, διαβάστε τις παρακάτω προειδοποιητικές οδηγίες.

- Υπάρχει κίνδυνος ηλεκτροπληξίας ή βραχυκυκλώματος εάν δεν τηρηθούν οι οδηγίες ασφαλείας.
- Μην χρησιμοποιείτε άλλους φορτιστές μπαταρίας εκτός από αυτόν που παρέχεται για το προϊόν σας. Πρέπει να χρησιμοποιείτε μόνο φορτιστές QC80 και 40-C80 για τη φόρτιση ανταλλακτικών μπαταριών της σειράς BLi και της σειράς 40-B.
- Μην επιχειρείτε να αποσυναρμολογήσετε τον φορτιστή μπαταρίας.
- Μη χρησιμοποιείτε φορτιστή μπαταρίας που παρουσιάζει ελάττωμα ή έχει υποστεί ζημιά.
- Μην σηκώνετε τον φορτιστή μπαταρίας από το καλώδιο ρεύματος. Για να αποσυνδέσετε τον φορτιστή της μπαταρίας από την πρίζα, τραβήξτε το βύσμα. Μην τραβάτε το καλώδιο.
- Κρατήστε όλα τα καλώδια και τα καλώδια επέκτασης μακριά από νερό, λάδι και αιχμηρές γωνίες. Βεβαιωθείτε ότι το καλώδιο δεν έχει μαγκώσει σε αντικείμενα όπως π.χ. πόρτες, φράχτες ή παρόμοια σημεία.
- Μην χρησιμοποιείτε τον φορτιστή μπαταρίας κοντά σε εύφλεκτα υλικά ή υλικά που μπορούν να προκαλέσουν διάβρωση. Βεβαιωθείτε ότι ο φορτιστής της μπαταρίας δεν είναι καλυμμένος. Σε περίπτωση έκλυσης καπνού ή πυρκαγιάς, βγάλτε τον φορτιστή μπαταρίας από την πρίζα.
- Να φορτίζετε την μπαταρία μόνο σε εσωτερικό χώρο σε μια θέση με καλή ροή αέρα και μακριά από ηλιακή ακτινοβολία. Μην φορτίζετε την μπαταρία σε εξωτερικούς χώρους. Μην φορτίζετε την μπαταρία σε συνθήκες υγρασίας.
- Ο φορτιστής της μπαταρίας πρέπει να χρησιμοποιείται μόνο σε σημεία όπου η θερμοκρασία είναι μεταξύ 5 °C (41 °F) και 40 °C (104 °F). Χρησιμοποιείτε τον φορτιστή σε περιβάλλον καλά αεριζόμενο, ξηρό και χωρίς σκόνη.

- Μην τοποθετείτε αντικείμενα μέσα στις εγκοπές αερισμού του φορτιστή της μπαταρίας.
- Μην συνδέετε ποτέ τους ακροδέκτες του φορτιστή της μπαταρίας σε μεταλλικά αντικείμενα γιατί μπορεί να προκύψει βραχυκύκλωμα του φορτιστή.
- Χρησιμοποιείτε εγκεκριμένες πρίζες που δεν έχουν υποστεί ζημιά. Βεβαιωθείτε ότι το καλώδιο και ο φορτιστής της μπαταρίας δεν έχουν υποστεί ζημιά. Εάν χρησιμοποιείτε καλώδια επέκτασης, βεβαιωθείτε ότι δεν έχουν υποστεί ζημιά.
- Μην φορτίζετε μη επαναφορτιζόμενες μπαταρίες στους φορτιστές μπαταρίας.

Οδηγίες ασφαλείας για τη συντήρηση



ΠΡΟΕΙΔΟΠΟΙΗΣΗ: Προτού εκτελέσετε εργασίες συντήρησης στο προϊόν, διαβάστε τις παρακάτω προειδοποιητικές οδηγίες.

- Πρέπει να αφαιρείτε την μπαταρία προτού εκτελέσετε εργασίες συντήρησης, άλλους ελέγχους ή συναρμολόγηση του προϊόντος.
- Ο χειριστής πρέπει να εκτελεί μόνο τις εργασίες συντήρησης και σέρβις που υποδεικνύονται στο παρόν εγχειρίδιο χρήσης. Για πιο εκτεταμένες εργασίες συντήρησης και σέρβις, απευθυνθείτε στον τοπικό αντιπρόσωπο σέρβις.
- Μην καθαρίζετε την μπαταρία ή το φορτιστή μπαταρίας με νερό. Τα δραστικά απορρυπαντικά μπορεί να προκαλέσουν ζημιά στο πλαστικό.
- Εάν δεν κάνετε συντήρηση στο προϊόν, μειώνεται ο κύκλος ζωής του και αυξάνεται ο κίνδυνος ατυχημάτων.
- Απαιτείται ειδική εκπαίδευση για όλες τις εργασίες συντήρησης και επισκευής, ειδικά για τις διατάξεις ασφαλείας στο προϊόν. Αν δεν ολοκληρωθούν με επιτυχία όλοι οι έλεγχοι που περιγράφονται στο παρόν εγχειρίδιο χρήσης αφού κάνετε τη συντήρηση, απευθυνθείτε στον τοπικό αντιπρόσωπο σέρβις. Εγγυώμαστε ότι υπάρχει δυνατότητα επαγγελματικής επισκευής και σέρβις για το προϊόν σας.
- Χρησιμοποιείτε πάντα γνήσια ανταλλακτικά.

Συναρμολόγηση

Εισαγωγή

Αυτή η ενότητα περιγράφει τον τρόπο συναρμολόγησης και ρύθμισης του προϊόντος.



ΠΡΟΕΙΔΟΠΟΙΗΣΗ: Προτού συναρμολογήσετε το προϊόν, διαβάστε το κεφάλαιο για την ασφάλεια και τις οδηγίες συναρμολόγησης.

Για να συνδέσετε την μπαταρία στο προϊόν



ΠΡΟΕΙΔΟΠΟΙΗΣΗ: Στο προϊόν πρέπει να χρησιμοποιείτε μόνο γνήσιες μπαταρίες Husqvarna.

- Φορτίστε πλήρως την μπαταρία.
- Σπρώξτε την μπαταρία μέσα στη θήκη της στο προϊόν. Όταν η μπαταρία ασφαλίσει στη θέση της, ακούγεται ένα χαρακτηριστικό "κλικ". (Εικ. 27)



ΠΡΟΣΟΧΗ: Εάν η μπαταρία δεν κινείται εύκολα μέσα στη θήκη της, αυτό σημαίνει ότι δεν έχει τοποθετηθεί σωστά. Μπορεί να προκληθεί ζημιά στο προϊόν.

Τοποθέτηση του φορτιστή μπαταρίας 40-C80 στον τοίχο



ΠΡΟΣΟΧΗ: Μην χρησιμοποιείτε ηλεκτρικό κατασβίδι για την τοποθέτηση

του φορτιστή μπαταρίας στον τοίχο. Ένα ηλεκτρικό κατασβίδι μπορεί να προκαλέσει ζημιά στον φορτιστή μπαταρίας.

1. Τοποθετήστε τον φορτιστή μπαταρίας στον τοίχο με 2 βίδες (B). Αν χρειάζεται, χρησιμοποιήστε βύσματα τοίχου (A). (Εικ. 28)
2. Τοποθετήστε τις 2 τάτες στις σπές βιδών (C).
3. Συνδέστε το καλώδιο ρεύματος στον φορτιστή μπαταρίας και σε πρίζα τοίχου.

Λειτουργία

Εισαγωγή



ΠΡΟΕΙΔΟΠΟΙΗΣΗ: Προτού χρησιμοποιήσετε το προϊόν, διαβάστε και κατανοήστε το κεφάλαιο για την ασφάλεια.

Μπαταρία



ΠΡΟΕΙΔΟΠΟΙΗΣΗ: Προτού χρησιμοποιήσετε την μπαταρία, διαβάστε και κατανοήστε το κεφάλαιο για την ασφάλεια. Διαβάστε και κατανοήστε το εγχειρίδιο χρήσης για την μπαταρία και τον φορτιστή της μπαταρίας.

Διατηρείτε την μπαταρία και τον φορτιστή μπαταρίας στις σωστές θερμοκρασίες περιβάλλοντος.

	Θερμοκρασία περιβάλλοντος
Λειτουργία της μπαταρίας	5 °C-40 °C / 41 °F-104 °F
Φόρτιση μπαταρίας	5 °C-40 °C / 41 °F-104 °F

Κατάσταση μπαταρίας

Στην οθόνη εμφανίζεται η κατάσταση φόρτισης και τυχόν προβλήματα της μπαταρίας.

(Εικ. 29)

Ενδειξη LED	Κατάσταση μπαταρίας (κατάσταση φόρτισης)	
	BL110	40-B70
4 λυχνίες LED αναμμένες	Δ/Υ	Η μπαταρία είναι φορτισμένη κατά 76% - 100%.
3 λυχνίες LED αναμμένες	Η μπαταρία είναι φορτισμένη κατά 76% - 100%.	Η μπαταρία είναι φορτισμένη κατά 51% - 75%.
2 λυχνίες LED αναμμένες	Η μπαταρία είναι φορτισμένη κατά 51% - 75%.	Η μπαταρία είναι φορτισμένη κατά 26% - 50%.
1 λυχνία LED είναι αναμμένη	Η μπαταρία είναι φορτισμένη κατά 26% - 50%.	Η μπαταρία είναι φορτισμένη κατά 6% - 25%.
1 λυχνία LED αναβοσβήνει	Η μπαταρία είναι φορτισμένη κατά 0% - 25%.	Η μπαταρία είναι φορτισμένη κατά 0% - 5%.

Φόρτιση της μπαταρίας

Φορτίστε την μπαταρία, εάν είναι η πρώτη φορά που τη χρησιμοποιείτε. Μια καινούργια μπαταρία είναι φορτισμένη μόνο κατά 30%.



ΠΡΟΣΟΧΗ: Συνδέστε τον φορτιστή μπαταρίας σε μια πρίζα ρεύματος σύμφωνα

με την τάση και τη συχνότητα που ορίζεται στην πινακίδα ονομαστικών τιμών.

Η μπαταρία δεν φορτίζεται εάν η θερμοκρασία της είναι μεγαλύτερη από 50 °C/122 °F.

1. Συνδέστε το καλώδιο της μπαταρίας στον φορτιστή.
2. Συνδέστε τον φορτιστή μπαταρίας σε μια γειωμένη πρίζα ρεύματος. Η ενδεικτική λυχνία LED φόρτισης αναβοσβήνει 1 φορά. (Εικ. 30)

3. Συνδέστε την μπαταρία στον φορτιστή. Η πράσινη ενδεικτική λυχνία LED φόρτισης ανάβει. Ο μέγιστος χρόνος φόρτισης της μπαταρίας δεν θα πρέπει να υπερβαίνει τις 24 ώρες. (Εικ. 31)
4. Πατήστε το κουμπί ένδειξης μπαταρίας. Αν ανάψουν όλες οι ενδεικτικές λυχνίες LED, η μπαταρία είναι πλήρως φορτισμένη.
5. Τραβήξτε το φινις ηλεκτρικής τροφοδοσίας, για να αποσυνδέσετε τον φορτιστή μπαταρίας από την πρίζα. Μην τραβάτε το καλώδιο.
6. Αφαιρέστε την μπαταρία από το φορτιστή.

Εργασίες πριν από τον εκκίνηση του προϊόντος

1. Εξετάστε το χώρο εργασίας. Απομακρύνετε αντικείμενα που μπορεί να εκτιναχθούν.
2. Ελέγξτε το παρελκόμενο κοπής. Βεβαιωθείτε ότι οι λεπίδες είναι κοφτερές, δεν έχουν ρωγμές και δεν έχουν υποστεί ζημιά.
3. Βεβαιωθείτε ότι το προϊόν λειτουργεί σωστά. Ελέγξτε ότι όλα τα παξιμάδια και οι βίδες είναι σφιγμένα.
4. Βεβαιωθείτε ότι η λαβή και οι συσκευές ασφαλείας δεν έχουν υποστεί ζημιά και έχουν τοποθετηθεί σωστά. Μην χειρίζεστε το προϊόν εάν λείπουν εξαρτήματα ή αν το προϊόν έχει τροποποιηθεί από τις αρχικές του προδιαγραφές. Χρησιμοποιήστε προστατευτικά γάντια, όταν είναι απαραίτητα.
5. Βεβαιωθείτε ότι τα καλύμματα δεν έχουν υποστεί ζημιά και ότι έχουν τοποθετηθεί σωστά, προτού θέσετε σε λειτουργία το προϊόν.

Εκκίνηση λειτουργίας του προϊόντος

1. Πατήστε το κουμπί εκκίνησης/διακοπής λειτουργίας μέχρι να ανάψει η πράσινη λυχνία LED. (Εικ. 32)
2. Πατήστε τη σκανδάλη της μπροστινής λαβής στην μπροστινή λαβή. (Εικ. 33)
3. Πιέστε τη σκανδάλη γκαζιού. (Εικ. 33)

Λειτουργία του προϊόντος

1. Ξεκινήστε κοντά στο έδαφος και μετακινήστε το προϊόν προς τα πάνω κατά μήκος της μορνωτούρας όταν κόβετε τις πλευρές. Βεβαιωθείτε ότι το σώμα του προϊόντος δεν αγγίζει το έδαφος. (Εικ. 34)



ΠΡΟΕΙΔΟΠΟΙΗΣΗ: Βεβαιωθείτε ότι το μπροστινό μέρος του εξοπλισμού κοπής δεν αγγίζει το έδαφος.

2. Κρατήστε το προϊόν κοντά στο σώμα σας για να επιτύχετε σταθερή θέση εργασίας.
3. Να είστε προσεκτικοί και να χρησιμοποιείτε το προϊόν προσεκτικά.

Χρήση της λειτουργίας εξοικονόμησης SavE

Αυτό το προϊόν διαθέτει μια λειτουργία εξοικονόμησης ενέργειας που ονομάζεται SavE.

Περιεχόμενα Η λειτουργία SavE δεν μειώνει την ισχύ κοπής του προϊόντος.

1. Πατήστε το κουμπί SavE στο πληκτρολόγιο.
2. Βεβαιωθείτε ότι η πράσινη λυχνία LED ανάβει.
3. Πατήστε ξανά το κουμπί SavE για να διακόψετε τη λειτουργία. Η πράσινη λυχνία LED σβήνει. (Εικ. 35)

Λειτουργία αυτόματου τερματισμού

Το προϊόν διαθέτει λειτουργία αυτόματου τερματισμού που σταματά το προϊόν όταν δεν χρησιμοποιείται. Η πράσινη λυχνία LED εκκίνησης/διακοπής λειτουργίας σβήνει και το προϊόν σταματά να λειτουργεί μετά από 180 δευτερόλεπτα.

Διακοπή λειτουργίας του προϊόντος

1. Απελευθερώστε τη σκανδάλη γκαζιού και τη σκανδάλη της μπροστινής λαβής.
2. Πατήστε το κουμπί εκκίνησης/διακοπής λειτουργίας μέχρι να σβήσει η πράσινη λυχνία LED.
3. Πατήστε τα κουμπιά απασφάλισης της μπαταρίας και αφαιρέστε την μπαταρία. (Εικ. 36)

Συντήρηση

Εισαγωγή



ΠΡΟΕΙΔΟΠΟΙΗΣΗ: Προτού εκτελέσετε εργασίες συντήρησης στο προϊόν, διαβάστε και κατανοήστε το κεφάλαιο για την ασφάλεια.



ΠΡΟΕΙΔΟΠΟΙΗΣΗ: Προτού εκτελέσετε εργασίες συντήρησης στο προϊόν, αφαιρέστε την μπαταρία.

Πρόγραμμα συντήρησης

Ακολουθεί μια λίστα με τα βήματα συντήρησης που πρέπει να εκτελείτε στο προϊόν.

Συντήρηση	Πριν από τη χρήση	Κάθε εβδομάδα	Κάθε μήνα
Καθαρίστε τα εξωτερικά μέρη του προϊόντος.	X		
Βεβαιωθείτε ότι ο διακόπτης εκκίνησης/διακοπής λειτουργίας λειτουργεί σωστά και δεν έχει υποστεί ζημιά.	X		
Βεβαιωθείτε ότι η σκανδάλη γκαζιού και η σκανδάλη της μπροστινής λαβής λειτουργούν σωστά από πλευράς ασφάλειας.	X		
Βεβαιωθείτε ότι όλα τα χειριστήρια λειτουργούν και δεν έχουν υποστεί ζημιά.	X		
Βεβαιωθείτε ότι η λεπίδα και ο προφυλακτήρας του κοπτικού εργαλείου δεν έχουν ρωγμές και δεν έχουν υποστεί ζημιά. Αντικαταστήστε τη λεπίδα ή τον προφυλακτήρα του κοπτικού εργαλείου εάν έχει ρωγμές ή έχει χτυπηθεί.	X		
Αντικαταστήστε το δίσκο του κοπτικού εργαλείου, αν έχει λυγίσει ή έχει υποστεί ζημιά.	X		
Βεβαιωθείτε ότι το προστατευτικό χεριού δεν έχει υποστεί φθορά. Αντικαταστήστε τον προφυλακτήρα, αν έχει υποστεί ζημιά.	X		
Βεβαιωθείτε ότι οι βίδες και τα παξιμάδια είναι σφιγμένα.	X		
Βεβαιωθείτε ότι η μπαταρία δεν έχει υποστεί ζημιά.	X		
Βεβαιωθείτε ότι η μπαταρία είναι φορτισμένη.	X		
Βεβαιωθείτε ότι ο φορτιστής μπαταρίας δεν έχει υποστεί ζημιά.	X		
Βεβαιωθείτε ότι οι βίδες που συγκρατούν τις λεπίδες του κοπτικού εργαλείου μεταξύ τους είναι σωστά σφιγμένες.		X	
Ελέγξτε τις συνδέσεις μεταξύ της μπαταρίας και του προϊόντος. Ελέγξτε τη σύνδεση μεταξύ της μπαταρίας και του φορτιστή μπαταρίας.			X

Για να ελέγξετε την μπαταρία και το φορτιστή μπαταρίας

1. Ελέγξτε την μπαταρία για ζημιές, για παράδειγμα ρωγμές.
2. Ελέγξτε τον φορτιστή της μπαταρίας για ζημιές, για παράδειγμα ρωγμές.
3. Βεβαιωθείτε ότι το καλώδιο σύνδεσης του φορτιστή της μπαταρίας δεν έχει υποστεί ζημιά και ότι δεν παρουσιάζει ρωγμές.

Για να καθαρίσετε το προϊόν, την μπαταρία και το φορτιστή της μπαταρίας

1. Πρέπει να καθαρίζετε το προϊόν με στεγνό πανί μετά από κάθε χρήση.
2. Καθαρίστε την μπαταρία και τον φορτιστή της μπαταρίας με ένα στεγνό πανί. Διατηρήστε τις ράβδους οδήγησης της μπαταρίας καθαρές.

3. Βεβαιωθείτε ότι οι πόλοι της μπαταρίας και οι ακροδέκτες του φορτιστή της μπαταρίας είναι καθαροί προτού τοποθετήσετε την μπαταρία μέσα στο φορτιστή ή στο προϊόν.

Έλεγχος της λεπίδας

1. Απομακρύνετε από τη λεπίδα τυχόν ανεπιθύμητα υλικά με ένα αντιδιαβρωτικό καθαριστικό πριν από και μετά τη χρήση του προϊόντος.
2. Ελέγξτε τα άκρα της λεπίδας για ζημιές και παραμόρφωση.
3. Χρησιμοποιήστε μια λίμα για να απομακρύνετε τα ρινίσματα από τη λεπίδα.
4. Βεβαιωθείτε ότι οι λεπίδες κινούνται ανεμπόδιστα.

Καθαρισμός και λίπανση των λεπίδων

1. Απομακρύνετε από τις λεπίδες τυχόν ανεπιθύμητα υλικά πριν από και μετά τη χρήση του προϊόντος.
2. Λιπαίνετε τις λεπίδες πριν από μεγάλα χρονικά διαστήματα αποθήκευσης.

Περιεχόμενα Απευθυνθείτε στον αντιπρόσωπο σέρβις της περιοχής σας για περισσότερες πληροφορίες σχετικά με τα συνιστώμενα καθαριστικά και λιπαντικά.

Λίπανση των γραναζιών

Απλώστε γράσο στο περίβλημα γραναζιών, εφόσον τα γρανάζια έχουν αποσυαρμολογηθεί από εγκεκριμένο αντιπρόσωπο σέρβις.

- Χρησιμοποιήστε ειδικό γράσο Husqvarna. Απευθυνθείτε στον αντιπρόσωπο σέρβις για περισσότερες πληροφορίες σχετικά με το συνιστώμενο γράσο.
- Να χρησιμοποιείτε μια μικρή ποσότητα ειδικού γράσου υψηλής ποιότητας.



ΠΡΟΣΟΧΗ: Μην γεμίζετε εντελώς το περίβλημα γραναζιών.

Αντιμετώπιση προβλημάτων

Πληκτρολόγιο

Οθόνη LED	Πιθανά σφάλματα	Πιθανές λύσεις
Η λυχνία LED σφάλματος αναβοσβήνει.	Υπερφόρτωση	Το παρελκόμενο κοπής δεν μπορεί να κινηθεί ελεύθερα. Απελευθερώστε το παρελκόμενο κοπής.
	Απόκλιση θερμοκρασίας	Αφήστε το προϊόν να κρυώσει.
Το προϊόν δεν τίθεται σε λειτουργία.	Πιέστε τη σκανδάλη γκαζιού και ταυτόχρονα πατήστε το κουμπί εκκίνησης.	Απελευθερώστε τη σκανδάλη γκαζιού και διακόψτε τη λειτουργία του προϊόντος.
Η λυχνία LED σφάλματος ανάβει με κόκκινο φως.	Πρέπει να πραγματοποιήσετε σέρβις στο προϊόν	Απευθυνθείτε στον αντιπρόσωπο σέρβις.

Μπαταρία

Οθόνη LED	Πιθανά σφάλματα	Πιθανή ενέργεια
Η πράσινη λυχνία LED αναβοσβήνει.	Χαμηλή τάση μπαταρίας.	Φορτίστε την μπαταρία.
Η λυχνία LED σφάλματος αναβοσβήνει.	Απόκλιση θερμοκρασίας.	Χρησιμοποιήστε την μπαταρία σε θερμοκρασίες μεταξύ -10°C (14°F) και 40°C (104°F).
	Υπερβολική τάση.	Βεβαιωθείτε ότι η τάση δικτύου παροχής είναι ίδια με την τάση που αναγράφεται στην πινακίδα στοιχείων στο προϊόν. Αφαιρέστε την μπαταρία από το φορτιστή.
Η λυχνία LED σφάλματος είναι αναμμένη.	Υπερβολική διαφορά τάσης μεταξύ των στοιχείων της μπαταρίας (1 V).	Απευθυνθείτε στον τοπικό αντιπρόσωπο σέρβις.

Φορτιστής μπαταρίας

Πρόβλημα	Πιθανά σφάλματα	Πιθανή λύση
Η λυχνία LED φόρτισης είναι κόκκινη.	Μόνιμο σφάλμα στον φορτιστή της μπαταρίας.	Απευθυνθείτε στον αντιπρόσωπο.
Η λυχνία LED φόρτισης αναβοσβήνει με πράσινο χρώμα.	Απόκλιση θερμοκρασίας, η μπαταρία είναι πολύ κρύα ή πολύ ζεστή για χρήση ή φόρτιση.	Αφήστε την μπαταρία να κρυώσει ή προθερμάνετε την. Όταν η θερμοκρασία της μπαταρίας είναι σωστή, μπορεί να χρησιμοποιηθεί ή να φορτιστεί εκ νέου. Χρησιμοποιήστε τον φορτιστή μπαταρίας σε θερμοκρασίες περιβάλλοντος μεταξύ 5 °C (41 °F) και 40 °C (104 °F).
Η λυχνία LED φόρτισης αναβοσβήνει με κόκκινο χρώμα.	Ελαττωματική μπαταρία.	Απευθυνθείτε στον αντιπρόσωπο.

Μεταφορά, αποθήκευση και απόρριψη

Μεταφορά και αποθήκευση

- Οι παρεχόμενες μπαταρίες ιόντων λιθίου πληρούν όλες τις απαιτήσεις της νομοθεσίας περί επικίνδυνων εμπορευμάτων.
- Πρέπει να τηρείτε τις ειδικές απαιτήσεις που αναγράφονται στη συσκευασία και στις ετικέτες σχετικά με την εμπορική μεταφορά. Οι απαιτήσεις αυτές πρέπει επίσης να τηρούνται από οποιοσδήποτε τρίτους και από τους διαμετακομιστές.
- Απευθυνθείτε σε ένα άτομο ειδικά εκπαιδευμένο στα επικίνδυνα υλικά προτού στείλετε το προϊόν. Να τηρείτε όλους τους ισχύοντες εθνικούς κανονισμούς.
- Αν συσκευάσετε την μπαταρία, χρησιμοποιήστε ταινία πάνω στις ακάλυπτες επαφές. Σφηνώστε την μπαταρία μέσα στο πακέτο για να αποτρέψετε τυχόν μετακινήσεις.
- Κατά τη φύλαξη ή τη μεταφορά του προϊόντος πρέπει πάντα να αφαιρείτε την μπαταρία.
- Τοποθετήστε την μπαταρία και τον φορτιστή της μπαταρίας σε χώρο στεγνό και προστατευμένο από την υγρασία και τον παγετό.
- Μην αποθηκεύετε την μπαταρία σε χώρους όπου ενδέχεται να προκληθεί στατικός ηλεκτρισμός. Μην αποθηκεύετε την μπαταρία σε μεταλλικό κουτί.
- Η αποθήκευση της μπαταρίας πρέπει να γίνεται σε σημεία με θερμοκρασία μεταξύ 5 °C /41 °F και 25 °C/77 °F και μακριά από το άμεσο ηλιακό φως.
- Η αποθήκευση του φορτιστή της μπαταρίας πρέπει να γίνεται σε σημεία με θερμοκρασία μεταξύ 5 °C/41 °F και 45 °C/113 °F και μακριά από το άμεσο ηλιακό φως.

- Ο φορτιστής της μπαταρίας πρέπει να χρησιμοποιείται μόνο όταν η θερμοκρασία περιβάλλοντος είναι μεταξύ 5 °C/41 °F και 40 °C/104 °F.
- Φορτίστε την μπαταρία κατά 30% έως 50% προτού την αποθηκεύσετε για μεγάλο χρονικό διάστημα.
- Η αποθήκευση του φορτιστή της μπαταρίας πρέπει να γίνεται σε χώρο κλειστό και στεγνό.
- Μην αποθηκεύετε την μπαταρία μαζί με τον φορτιστή. Μην επιτρέπεται να αγγίζουν τον εξοπλισμό παιδιά και άλλα μη εγκεκριμένα άτομα. Διατηρείτε τον εξοπλισμό σε χώρο που μπορείτε να κλειδώσετε.
- Προτού αποθηκεύσετε το προϊόν για μεγάλο χρονικό διάστημα, πρέπει να το καθαρίζετε και να εκτελείτε πλήρες σέρβις.
- Για να αποφύγετε τραυματισμούς ή ζημιές στο προϊόν κατά τη μεταφορά και την αποθήκευση, χρησιμοποιήστε το προστατευτικό μεταφοράς.
- Κατά τη μεταφορά, πρέπει να στερεώνετε καλά το προϊόν.

Απόρριψη της μπαταρίας, του φορτιστή μπαταρίας και του προϊόντος

Τα σύμβολα που υπάρχουν επάνω στο προϊόν ή στη συσκευασία του υποδεικνύουν ότι το προϊόν δεν αποτελεί οικιακό απόρριμμα. Ανακυκλώστε το σε κέντρο ανακύκλωσης ηλεκτρικού και ηλεκτρονικού εξοπλισμού. Με αυτόν τον τρόπο συμβάλλετε στην προστασία του περιβάλλοντος και των ανθρώπων.

Απευθυνθείτε στις τοπικές αρχές, στην υπηρεσία αποκομιδής οικιακών απορριμμάτων ή στον αντιπρόσωπο για περισσότερες πληροφορίες σχετικά με την ανακύκλωση του προϊόντος.

Τεχνικά στοιχεία

Τεχνικά στοιχεία

	215HD45
Κινητήρας	
Τύπος κινητήρα	BLDC
Βάρος	
Βάρος χωρίς μπαταρία, kg	3,2
Κοπτικό εργαλείο	
Τύπος	Διπλής όψης
Μήκος λεπίδας, mm	450
Ταχύτητα λεπίδας, κοπές/λεπτό (με λειτουργία SavE)	2400
Ταχύτητα λεπίδας, κοπές/λεπτό (χωρίς λειτουργία SavE)	3000
Εκπομπές θορύβου⁵¹	
Στάθμη ηχητικής ισχύος, μετρούμενη τιμή dB(A)	87
Στάθμη ηχητικής ισχύος, εγγυημένη, L _{WA}	90
Στάθμες θορύβου	
Στάθμη ηχητικής πίεσης στα αυτιά του χειριστή, μετρημένη κατά EN 62841-4-2, dB(A)	79
Στάθμες κραδασμών⁵²	
Στάθμες κραδασμών (a _n), εμπρός/πίσω, m/s ²	2,1/1,7

Εγκεκριμένες μπαταρίες προϊόντος

Μπαταρία	BLI10	40-B70
Τύπος	Ιόντων λιθίου	Ιόντων λιθίου
Χωρητικότητα μπαταρίας, Ah	Ανατρέξτε στο αυτοκόλλητο ονομαστικής τιμών της μπαταρίας	Ανατρέξτε στο αυτοκόλλητο ονομαστικής τιμών της μπαταρίας

⁵¹ Οι εκπομπές θορύβου στο περιβάλλον μετρούνται ως ηχητική ισχύς (L_{WA}) σε συμμόρφωση με την Οδηγία 2000/14/EK. Η διαφορά μεταξύ της εγγυημένης και της μετρούμενης ηχητικής ισχύος είναι ότι η εγγυημένη ηχητική ισχύς περιλαμβάνει επίσης τη διασπορά στο αποτέλεσμα της μέτρησης και τις αποκλίσεις μεταξύ των διαφορετικών προϊόντων του ίδιου μοντέλου σύμφωνα με την Οδηγία 2000/14/EK.

⁵² Τα καταγεγραμμένα στοιχεία για τη στάθμη κραδασμών έχουν τυπική στατιστική διασπορά (τυπική απόκλιση) της τάξης του 1,5 m/s².

Η δηλωθείσα συνολική τιμή κραδασμών μετρήθηκε σύμφωνα με πρότυπη μέθοδο δοκιμής και μπορεί να χρησιμοποιηθεί για τη σύγκριση μεταξύ εργαλείων.

Η δηλωθείσα συνολική τιμή κραδασμών μπορεί να χρησιμοποιηθεί επίσης στην προκαταρκτική αξιολόγηση της έκθεσης.

Μπαταρία	BLi10		40-B70
Όνομαστική τάση, V	36	36,5	36
Βάρος, κιλά	0,7	0,7	0,8

Εγκεκριμένοι φορτιστές μπαταρίας για το προϊόν

Φορπιστής μπαταρίας	QC80	40-C80
Τάση δικτύου παροχής, V	100-240	100-240
Συχνότητα, Hz	50-60	50-60
Ισχύς, W	100	72
Τάση εξόδου, V d.c./ Amp, A	36/2	43/1,6

Δήλωση Συμμόρφωσης

Δήλωση συμμόρφωσης ΕΕ

Εμείς, η **Husqvarna AB**, SE-561 82 Huskvarna, Σουηδία,
τηλ.: +46-36-146500, δηλώνουμε με αποκλειστική μας
ευθύνη ότι το προϊόν:

Περιγραφή	Μπορντουροψάλιδο μπαταρίας
Μάρκα	Husqvarna
Τύπος / Μοντέλο	215iHD45
Αναγνώριση	Αριθμοί σειράς με ημερομηνία από το 2024 και έπειτα

συμμορφώνεται πλήρως με τις ακόλουθες οδηγίες και
τους κανονισμούς της ΕΕ:

Οδηγία/Κανονισμός	Περιγραφή
2006/42/EK	"σχετικά με τα μηχανήματα"
2014/30/EE	"σχετικά με την ηλεκτρομαγνητική συμβατότητα"
2000/14/EK	"σχετικά με τις εκπομπές θορύβου στο περιβάλλον"
2011/65/EE	"σχετικά με τον περιορισμό της χρήσης ορισμένων επικίνδυνων ουσιών σε είδη ηλεκτρικού και ηλεκτρονικού εξοπλισμού"

και ότι εφαρμόζονται τα παρακάτω
πρότυπα ή/και τεχνικές προδιαγραφές:
EN 62841-4-2:2019+A1:2022+A11:2022, EN
62841-1:2015+A11:2022, EN IEC 55014-1:2021, EN
IEC 55014-2:2021, EN IEC 63000:2018.

Σύμφωνα με την οδηγία 2000/14/EK, Παράρτημα V, βλ.
Τεχνικά στοιχεία στη σελίδα 384 για τις δηλωθείσες τιμές
ήχου.

Huskvarna, 2024-02-01

Claes Losdal, Διευθυντής Έρευνας και Ανάπτυξης
Husqvarna AB

Υπεύθυνος για την τεχνική τεκμηρίωση



İçindekiler

Giriş.....	387	Sorun giderme.....	396
Güvenlik.....	388	Taşıma, depolama ve atma.....	397
Montaj.....	393	Teknik veriler.....	398
Çalışma.....	394	Uyumluluk Bildirimi.....	400
Bakım.....	395		

Giriş

Ürün açıklaması

Huşqvarna 215iHD45, elektrikli motoru bulunan bir akülü çit düzelticidir.

Kullanım sırasında güvenliğinizi ve verimliliği artırmak için sürekli olarak çalışmalar yapılmaktadır. Daha fazla bilgi için lütfen servis bayinizle görüşün.

Ürüne genel bakış

(Şek. 1)

1. Kullanım kılavuzu
2. Arka tutma yeri
3. Ön kol tetiği
4. Ön tutma yeri
5. Kesici
6. Nakliye koruyucusu
7. Güç tetiği
8. Kontrol paneli
9. El koruması
10. Akü
11. Akü şarj cihazı 40-C80
12. Konektör
13. Akü gösterge düğmesi
14. Akü durumu
15. Uyarı göstergesi
16. SavE düğmesi
17. Çalıştırma/durdurma düğmesi
18. Güç açma ve uyarı göstergesi
19. Akü çıkarma düğmeleri
20. Akü Şarj Cihazı QC80
21. Güç kablosu

Ürün üzerindeki semboller

- (Şek. 2) UYARI: Bu ürün, tehlikeli olabilir ve operatör ya da başkaları açısından ciddi yaralanmalara veya ölüme neden olabilir. Dikkatli olun ve ürünü doğru kullanın.
- (Şek. 3) Ürünü kullanmadan önce kullanım kılavuzunu dikkatlice okuyun ve talimatları anladığınızdan emin olun.
- (Şek. 4) Koruyucu gözlük takın.
- (Şek. 5) Ürün, geçerli AT direktiflerine uygundur.
- (Şek. 6) Ürün ya da ürünün ambalajı evsel atık değildir. Ürünü, elektrikli ve elektronik

Kullanım amacı

Ürünü dalları ve çalıkları kesmek için kullanın. Ürünü başka işler için kullanmayın.

- ekipmanlar için bir geri dönüşüm istasyonunda geri dönüştürün.
- (Şek. 7) Yağmura maruz bırakmayın.
- (Şek. 8) Doğru akım.
- (Şek. 9) AB (Yeni Güney Galler mevzuatı da dahil olmak üzere) ve Birleşik Krallık direktifleri ve düzenlemeleri uyarınca çevreye yayılan gürültü emisyonu etiketi. Gürültü emisyonu verileri makine etiketinde ve Teknik veriler bölümünde bulunabilir.
- (Şek. 10) Bu ürün yürürlükteki Birleşik Krallık direktiflerine uygundur.
- (Şek. 11) Uyarı: Ellerinizi bıçaktan uzak tutun.
- yyyyhhxxxx** Nominal değerler plakası, seri numarasını gösterir. **yyyy** üretim yılı, **hh** ise üretim haftasıdır.

Not: Ürün üzerindeki diğer simgeler/etiketler belirli bölgelerin özel sertifikalandırma gereksinimleri ile ilgilidir.

Akü ve/veya akü şarj cihazı üzerindeki semboller

- Bu ürünü, elektrikli ve elektronik ekipmanlar için bir geri dönüşüm istasyonunda geri dönüştürün. (Sadece Avrupa için geçerlidir)
- (Şek. 12) Arıza emniyetli dönüştürücü.
- (Şek. 13) Akü şarj cihazını sadece kapalı mekanlarda kullanın ve saklayın.
- (Şek. 14) Çift yalıtım.

Güvenlik

Güvenlik tanımları

Kılavuzdaki önemli kısımları vurgulamak için uyarılar ve notlar kullanılmıştır.



UYARI: Kılavuzdaki talimatlara uyulmadığı takdirde operatör veya çevredeki kişiler için ciddi yaralanma veya ölüm tehlikesi varsa kullanılır.



DİKKAT: Kılavuzdaki talimatlara uyulmadığı takdirde ürünün, diğer malzemelerin veya çevrenin zarar görme riski olduğunda kullanılır.

Not: Belirli bir durumda bilgi verilmesi gerektiğinde kullanılır.

Genel elektrikli alet güvenlik uyarıları



UYARI: Tüm güvenlik uyarılarını ve talimatları okuyun. Uyarılar ve talimatların göz ardı edilmesi elektrik çarpmasına, yangına ve/veya ciddi yaralanmaya neden olabilir.

Not: Tüm uyarı ve talimatları ilerde başvurmak üzere saklayın. Uyarılardaki "elektrikli alet" ifadesi, şebeke akımıyla çalışan (kablolu) elektrikli aletinizi veya aküyle çalışan (kablesiz) elektrikli aletinizi belirtmektedir.

Çalışma alanı güvenliği

- **Çalışma alanını temiz ve iyi aydınlatılmış tutun.** Kalabalık veya karanlık alanlar kazalara neden olabilir.
- **Elektrikli aletleri yanıcı sıvıların, gazların veya tozların bulunduğu patlayıcı ortamlarda çalıştırmayın.** Elektrikli aletler, toz veya gazı ateşleyebilecek kıvılcımlar çıkarır.
- **Elektrikli aletleri kullanırken çocukları ve yanınızdakileri uzaktan tutun.** Dikkatinizin dağılması, kontrolü kaybetmenize neden olabilir.

Elektrik güvenliği

- **Elektrikli aletlerin fişleri prize uygun olmalıdır.** Hiçbir zaman fişler üzerinde herhangi bir değişiklik yapmayın. Topraklı elektrikli aletler ile herhangi bir adaptör fiş kullanmayın. Değiştirilmemiş fişler ve uygun prizler elektrik çarpması riskini azaltır.
- **Boru, radyatör, alan, soğutucu gibi topraklı yüzeylerle vücut temasından kaçınınız.** Vücudunuz topraklı ise elektrik çarpması riski artar.

- **Elektrikli aletleri yağmura veya ıslak koşullara maruz bırakmayın.** Elektrikli aletin içine giren su, elektrik çarpması riskini artırır.
- **Kabloyu kötü kullanmayın. Kabloyu asla elektrikli aleti taşımak, çekmek veya fişini çıkarmak için kullanmayın. Kabloyu ısıdan, yağdan, keskin kenarlardan veya hareketli parçalardan uzaktan tutun.** Hasar görmüş veya dolaşmış kablolar elektrik çarpması riskini artırır.
- **Elektrikli aleti dış mekanda kullanırken, dış mekan kullanımına uygun bir uzatma kablosu kullanın.** Dış mekan için uygun bir kordon kullanmak, elektrik çarpması riskini azaltır.
- **Elektrikli aleti mutlaka nemli bir ortamda çalıştırmamız gerekiyorsa kaçak akım koruma şalteri (RCD) bir güç kaynağı kullanın.** Kaçak akım koruma şalteri (RCD) kullanmak elektrik çarpması riskini azaltır.



UYARI: Su elektrik sistemine veya motora kaçıp makineye hasar verebileceği veya kısa devreye neden olabileceği için makineyi basınçlı suyla yıkamayın.

Kişisel güvenlik

- **Elektrikli aletleri kullanırken dikkatinizi yaptığınız işe verin ve sağduyulu olun. Yorgunken veya uyuturucu, alkol ya da ilaç etkisi altındayken elektrikli aletleri kullanmayın.** Elektrikli alet kullanırken bir anlık bir dikkatsizlik, ciddi yaralanmaya neden olabilir.
- **Kişisel koruyucu araçlar kullanın. Daima koruyucu gözlük takın.** Uygun durumlarda toz maskesi, kaymayan güvenlik ayakkabıları, çelik başlık veya kulak koruma ekipmanı gibi koruyucu ekipman kullanımı yaralanmaları azaltır.
- **Makinenin kendiliğinden çalışmasını önleyin. Güç kaynağına ve/veya akü grubuna bağlamadan, aracı kaldırmadan veya taşımadan önce anahtarın KAPALI konumunda olduğundan emin olun.** Elektrikli aletleri parmağınız çalıştırma düğmesinden önce taşımak veya açık elektrikli aletlere enerji vermek kazalara davetiye çıkarır.
- **Elektrikli aleti açmadan önce ayarlamaları veya İngiliz anahtarlarını çıkarın.** Elektrikli aletin dönen kısmına takılı bırakılan İngiliz anahtarları veya anahtar yaralanmaya neden olabilir.
- **Makineyi kullanırken erişim alanınızın dışındaki yerlere uzanmaya çalışmayın. Her zaman yere sağlam basın ve dengeyi koruyun.** Bu, elektrikli aletin beklenmedik durumlarda daha iyi kontrolünü sağlar.
- **Uygun giyinin. Bol elbise veya takı giymeyin. Saçınızı ve kıyafetinizi hareketli parçalardan uzaktan tutun.** Bol elbiseler, takılar veya uzun saç hareketli parçalara takılabilir.

- **Cihazlar toz çekme ve toplama takımı bağlantısı ile geldiyse bunların bağlı olduğundan ve düzgün kullanıldığından emin olun.** Toz toplama özelliği tozla ilgili tehlikeleri azaltabilir.
- **Aletleri sık kullanmanın verdiği aşinalıkla kendinizi rahat hissedip alet güvenlik ilkelerini görmezden gelmeyin.** Dikkatsizce gerçekleştirilen işlemler bir anda ciddi yaralanmalara neden olabilir.
- Elektrikli aletin kullanımı sırasında meydana gelen titreşim emisyonu, aletin kullanıldığı şekle bağlı olarak belirtilen toplam değerden farklılık gösterebilir. Operatörler, gerçek kullanım koşullarını ve ortamlarını dikkate alarak kendilerini koruyacak doğru önlemleri belirlemelidir (aletin kapalı kaldığı ve rölantide çalıştığı zamanlar gibi çalışma zamanlarıyla ilgili tüm hususlar dikkate alınmalıdır).

Elektrikli alet kullanımı ve bakımı

- **Elektrikli aleti zorlamayın. Yapacağınız iş için uygun olan elektrikli aleti kullanın.** Doğru elektrikli alet, tasarlandığı oranda işi daha iyi ve güvenli yapar.
- **Anahtar, elektrikli aleti açıp kapatıyorsa elektrikli aleti kullanmayın.** Anahtar ile kontrol edilemeyen elektrikli aletler tehlikelidir ve onarılmalıdır.
- **Herhangi bir ayarlama yapmadan, aksesuar değiştirmeden veya elektrikli aletleri depolamadan önce elektrikli aletin fişini güç kaynağından çekin ve/veya çıkarılabilirse akü grubunu çıkarın.** Bu tür önleyici güvenlik önlemleri, elektrikli aletin kazara çalıştırılma riskini azaltır.
- **Kullanılmayan elektrikli aletleri çocukların erişmeyeceği yerde saklayın ve elektrikli alete veya elektrikli aleti kullanmak üzere bu talimatlara yabancı olan kişilere izin vermeyin.** Elektrikli aletler, eğitimsiz kullanıcıların elinde tehlikelidir.
- **Elektrikli aletlerin ve aksesuarların bakımını yapın. Hareketli parçaların yanlış konumlandırılması veya takılması, parçaların kırılması ve elektrikli aletin çalışmasını etkileyebilecek herhangi bir durum olup olmadığını kontrol edin. Hasarlı ise kullanmadan önce elektrikli aleti tamir ettirin.** Çoğu kaza yetersiz bakım yapılmış elektrikli aletlerden kaynaklanmaktadır.
- **Kesme araçlarını keskin ve temiz tutun.** Bakımı düzgün yapılmış, kesen tarafları yeterli keskinlikte olan kesme araçlarının takılma ihtimali daha az olup kontrol etmesi daha kolaydır.
- **Elektrikli alet, aksesuarlar, araç parçaları vb. bileşenleri, çalışma koşullarını ve yapılacak işi göz önünde tutarak bu talimatlara uygun şekilde kullanın.** Elektrikli aletin düşünülen amaçlar dışında kullanılması tehlikeli bir duruma yol açabilir.
- **Tutma yerlerini ve kavrama yüzeylerini kuru, temiz, gres ve yağdan arındırılmış halde tutun.** Kaygan tutma yerleri ve kavrama yüzeyleri beklenmedik durumlarda aletin güvenli bir şekilde kullanılmasına ve kontrol edilmesine imkan tanımaz.

Akülü alet kullanımı ve bakımı

- **Sadece üreticinin belirttiği şarj aletiyle şarj edin.** Bir akü grubu için uygun olan bir şarj aleti başka bir akü grubuyla kullanıldığında yangın riski doğurabilir.
- **Ürünleri yalnızca özel olarak belirlenmiş akü gruplarıyla kullanın.** Farklı türde akü gruplarının kullanılması yangın ve yaralanma riski doğurabilir.
- **Akü grubunu, kullanımda değilken ataç, bozuk para, anahtar, çivi, vida veya diğer küçük metal cisimler gibi bir ucun başka bir uca bağlanmasına neden olabilecek cisimlerden uzak tutun.** Akü uçlarının kısa devre yapması yanıklara veya yangına neden olabilir.
- **Zorlayıcı koşullarda aküden sıvı sızabilir; bu sıvıyı dokunmayın. Kazara dokunursanız temas eden kısmı bol suyla yıkayın. Sıvı, göze temas ederse ayrıca doktora başvurun.** Aküden sızan sıvı cildin tahriş olmasına veya yanıklara neden olabilir.
- **Hasarlı veya üzerinde değişiklik yapılmış akü grubunu veya aleti kullanmayın.** Hasarlı veya üzerinde değişiklik yapılmış aküler; yangın, patlama ya da yaralanma riski ile sonuçlanabilecek beklenmedik durumlara yol açabilir.
- **Akü grubunu veya aleti ateşe ya da aşırı sıcaklığa maruz bırakmayın.** Ateşe veya 130°C üzeri sıcaklığa maruz kalınması patlamaya sebep olabilir.
- **Tüm şarj etme talimatlarına uyun ve akü grubunu ya da aleti talimatlarda belirtilen sıcaklık aralığı dışında şarj etmeyin.** Belirtilen sıcaklık aralığının dışında veya hatalı olarak yapılan şarj işlemleri, aküye zarar verebilir ve yangın riskini artırabilir.

Servis

- **Elektrikli aletinizin yalnızca aynı yedek parçalar kullanan uzman bir tamirci tarafından onarılmasını sağlayın.** Bu, elektrikli aletin güvenliğinin sağlanması için gereklidir.
- **Hasarlı akü gruplarına asla servis işlemi uygulamayın.** Akü gruplarının servis işlemleri yalnızca üretici veya yetkili servis sağlayıcıları tarafından gerçekleştirilmelidir.

Çit düzeltici güvenlik uyarıları - Kişisel güvenlik

- **Çit düzelticiyi iki elinizle kullanın.** Tek elle kullanılması kontrolün kaybedilmesine ve ciddi yaralanmalara yol açabilir.
- **Vücudunuzun tüm uzuvlarını bıçaktan uzak tutun.** Bıçaklar hareket halindeyken kesilmiş malzemeyi çıkarmaya veya kesilecek malzemeyi tutmaya çalışmayın. Anahtar kapatıldıktan sonra bıçaklar hareket etmeye devam eder. Çit düzelticiyi kullanırken bir anlık bir dikkatsizlik, ciddi yaralanmalara neden olabilir.
- **Çit düzelticiyi bıçak durdurulmuş halde ve herhangi bir güç anahtarını çalıştırmamaya özen göstererek tutma yerinden tutarak taşıyın.** Çit düzelticinin doğru şekilde taşınması, yanlışlıkla çalıştırma ve bıçaklardan kaynaklanan yaralanma riskini azaltır.

- **Çit düzelticiyi taşıırken ya da depolarken bıçak kapağını her zaman takın.** Çit düzelticinin doğru kullanılması, bıçaklardan kaynaklanan yaralanma riskini azaltır.
- **Sıkışmış malzemeleri temizlerken veya üniteye bakım yaparken, tüm güç anahtarlarının kapalı olduğundan ve akü grubunun çıkarıldığından ya da bağlantısının kesildiğinden emin olun.** Sıkışmış malzemeyi temizlerken veya bakım işlemleri yaparken çit düzelticinin beklenmedik şekilde çalışması ciddi yaralanmalara neden olabilir.
- **Çiz düzelticiyi yalnızca yalıtılmış kavrama yüzeylerinden tutun; kesici bıçak gizli kablo bağlantılarına temas edebilir.** Bıçakların, içinden "elektrik geçen" bir elektrik kablosuna temas etmesi çit düzelticinin metal parçalarına "elektrik yüklenmesine" ve operatöre elektrik çarpmasına neden olur.
- **Tüm güç kablolarını ve kabloları kesme alanından uzak tutun.** Güç kabloları veya kablolar, çitlerin veya çalıların arasına gizlenebilir ve bıçak tarafından yanlışlıkla kesilebilir.
- **Çit düzelticiyi kötü hava koşullarında; özellikle de yıldırım düşme riski bulunan durumlarda kullanmayın.** Bu, bir yıldırım tarafından çarpılma riskini azaltır.
- **TEHLİKE - Ellerinizi bıçaktan uzak tutun.** Bıçakla temas ciddi yaralanmalara yol açabilir.

Genel güvenlik talimatları



UYARI: Ürünü kullanmadan önce aşağıdaki uyarı talimatlarını okuyun.

- Ürününün kazara çalışmasını önlemek için aküyü çıkarın.
- Bu ürün, dikkatli olmamanız ya da ürünü doğru kullanmamanız halinde tehlikeli bir alettir. Bu ürün, operatör ya da başkaları açısından ciddi yaralanmalara veya ölüme neden olabilir.
- Orijinal özellikleri değiştirilmişse ürünü kullanmayın. Üreticinin onayı olmadan ürünün bir parçasını değiştirmeyin. Yalnızca üretici tarafından onaylanmış parçaları kullanın. Hatalı bakım çalışmaları, yaralanma veya ölüme sonuçlanabilir.
- Kullanmadan önce ürünü kontrol edin. Bkz. *Ürünü çalıştırmadan önce yapılması gerekenler sayfa: 394*. Arızalı ürünü kullanmayın. Bu kılavuzda belirtilen güvenlik kontrolleri, bakım ve servis talimatlarını uygulayın.
- Çocuklar, ürünle oynamadıklarından emin olmak için gözetim altında tutulmalıdır. Çocukların veya ürünün ve/veya akünün kullanımı konusunda eğitilmemiş diğer kişilerin ürünü kullanmasına veya üründe servis işlemleri yapmasına kesinlikle izin vermeyin. Ulusal yasalarda kullanıcı yaşı konusunda bir düzenleme olabilir.
- Çocukların veya yetkili olmayan kişilerin erişmesini önlemek için ürünü kilitli bir alanda tutun.

- Ürünü çocukların erişemeyeceği yerlerde saklayın.
- Üreticinin izni alınmadan ürün tasarımında hiçbir şekilde değişiklik yapılamaz. Her zaman orijinal aksesuarlar kullanın. Onaylanmayan değişiklikler ve/veya aksesuarlar, operatörler ve başka kişilerin ciddi şekilde yaralanmasına veya ölümüne yol açabilir.

Not: Kullanım, Ulusal veya Yerel yönetmelikler tarafından düzenlenebilir. Belirlenmiş yönetmeliklere uyun.

Kullanım için güvenlik talimatları



UYARI: Ürünü kullanmadan önce aşağıdaki uyarı talimatlarını okuyun.

- Nasıl devam etmeniz gerektiği konusunda emin olmadığınız bir durumla karşılaşırsanız bir uzmana danışmalısınız. Bayınız veya servis atölyenizle iletişime geçin. Yapabileceğinizin ötesinde olduğuna düşündüğünüz hiçbir çalışmayı yapmayın.
- Ürünü hiçbir zaman yorgunken; alkol, uyuşturucu veya ilaç gibi görüştünüzü, dikkatinizi ya da doğru düşünmenizi etkileyebilecek bir maddenin etkisi altındayken kullanmayın.
- Kötü hava şartlarında çalışmak yorucu olabilir ve genellikle beraberinde tehlikeler getirir. Beraberinde getirebileceği riskler nedeniyle makinenin yoğun sis, sağanak yağmur, şiddetli rüzgar, aşırı soğuk veya yıldırım düşme riskinin olduğu durumlar gibi çok kötü hava koşullarında kullanılması tavsiye edilmez.
- Hatalı bıçaklar kaza riskini artırabilir.
- Çocukların ürünü kullanmasına veya yakınında bulunmasına izin vermeyin. Ürünün çalıştırılması kolay olduğu için çocuklar, tam gözetim altında tutulmadıklarında makineyi çalıştırabilirler. Bu da ciddi yaralanma riski doğurur. Ürün, yakın gözetim altında olmadığından akü ile bağlantısı kesilmelidir.
- Çalışırken hiçbir insan veya hayvanın 15 metreden fazla yaklaşmadığından emin olun. Aynı çalışma alanında birkaç operatör çalıştığında, güvenli mesafe en az 15 metre olmalıdır. Aksi takdirde ciddi yaralanma riski vardır. Herhangi biri yaklaşırsa ürünü derhal durdurun. Güvenlik bölgesi içinde kimsenin bulunmadığından emin olmak için arkanızı kontrol etmeden ürünü asla sallamayın.
- İnsanların, hayvanların veya diğer nesnelerin ürün kontrolünüzü etkilemeyeceğinden veya bunların kesme donanımıyla ya da kesme donanımının fırlattığı sabit olmayan nesnelere temas etmeyeceğinden emin olun. Buna rağmen bir kaza durumunda yardım istemeyecekseniz ürünü kullanmayın.
- Çalışma alanını daima inceleyin. Taş, kırık cam, çivi, çelik tel, ip vb. fırlayabilecek veya kesme donanımına dolaşabilecek tüm sabit olmayan nesnelere kaldırın.

- Güvenli bir şekilde hareket edebildiğinizden ve ayakta durabildiğinizden emin olun. Ani hareket etmeniz gerekebileceğini göz önünde bulundurarak çevrenizdeki olası engelleri (kökler, taşlar, dallar, hendekler vs.) kontrol edin. Eğimli yüzeyde çalışırken çok dikkatli olun.
- Her zaman dengeyi koruyun ve yere sağlam basın. Makineyi kullanırken erişim alanınızın dışındaki yerlere uzanmaya çalışmayın.
- Ürünü başka bir alana taşımadan önce devre dışı bırakın. Ürün kullanımında değilken nakliye koruyucusunu takın.
- Ürünü devre dışı bırakmadıysanız ve aküyü çıkarmadıysanız ürünü asla yere koymayın. Ürünü açıkken gözetimsiz bırakmayın.
- Ürün çalıştırıldığında kıyafetlerin veya vücudunuzun kesme donanımıyla temas etmemesine dikkat edin.
- Ürünü kullanırken bıçaklara herhangi bir şey takılırsa ürünü durdurun ve devre dışı bırakın. Kesme donanımının tamamen durduğundan emin olun. Ürünü ve/veya bıçakları temizlemeden, incelemeyen veya onarmadan önce aküyü çıkarın.
- Ürün devre dışı bırakıldığında tamamen durana kadar ellerinizi ve ayaklarınızı kesme donanımından uzak tutun.
- Keserken fırlatabilecek dal parçalarına dikkat edin. Kesme işlemini yere yakın yapmayın. Taşlar ve diğer nesnelere fırlatabilir.
- Savrulan nesnelere dikkat edin. Daima onaylanmış bir koruyucu gözlük takın. Asla kesme donanımı siperliği üzerine eğilmeyin. Taşlar, çöpler vb. maddeler gözlemlere fırlatabilir ve körlüğe veya ciddi yaralanmalara neden olabilir.
- Kulak koruma ekipmanı taktığınızda uyarı sinyallerine veya bağırma seslerine karşı dikkatli olun. Ürün durur durmaz kulak koruma ekipmanınızı mutlaka çıkarın.
- Asla tam olarak güvenli olmayan merdiven, tabure veya diğer yüksek pozisyonlar üzerinde çalışmayın.
- Ürünü iki elinizle tutun. Ürünü vücudunuzun yan tarafında tutun.

(Şek. 16)

Kişisel koruyucu ekipman



UYARI: Ürünü kullanmadan önce aşağıdaki uyarı talimatlarını okuyun.

- Ürünü kullanırken onaylı kişisel koruyucu ekipmanları kullanın. Kişisel koruyucu ekipmanlar yaralanma riskini tamamen engelleyemez ancak yaralanmanın derecesini azaltır. Daha fazla bilgi için lütfen satıcınızla görüşün.
- Nesnelere düşme riski bulunan yerlerde koruyucu kask kullanın.

(Şek. 17)

- Onaylanmış kulak koruma ekipmanı kullanın. Uzun süre gürültüye maruz kalınması sürekli işitme hasarına yol açabilir.

(Şek. 18)

- Onaylı koruyucu gözlük kullanın. Vizör kullanıyorsanız onaylı koruma gözlüğü de kullanmanız gerekir. Onaylı koruma gözlüğü ABD'de ANSI Z87.1 veya AB ülkelerinde EN 166 standardıyla uyumlu olmalıdır.

(Şek. 19)

- Kullanım ve bakım sırasında koruyucu eldivenler kullanın.

(Şek. 20)

- Kaymaz tabanlı koruyucu botlar veya ayakkabılar giyin.

(Şek. 21)

- Sağlam kumaştan yapılmış kıyafetler kullanın. Kıyafetlerinizin üzerine oturmal ancak hareketlerinizi kısıtlamamalıdır. Uzun pantolon giyin ve saçınızı omuzlarınızın arkasına atın. Takı takmayın ve açık ayakkabılar kullanmayın.
- İlk yardım ekipmanını yakında bulundurun.

(Şek. 22)

Ürünün üzerindeki güvenlik araçları



UYARI: Ürünü kullanmadan önce aşağıdaki uyarı talimatlarını okuyun.

Bu bölümde ürünün güvenlik özellikleri, amacı ve ürünün düzgün çalışması için bakım ve kontrollerin nasıl yürütülmesi gerektiği açıklanmaktadır. Ürününüzde bu parçaların nerede bulunduğunu görmek için *Ürüne genel bakış sayfa*: 387 başlığı altındaki talimatları okuyun.

Ürün bakımı doğru olarak yapılmazsa ve servis ve/veya onarım işlemleri profesyonel olarak uygulanmazsa ürünün kullanım ömrü azalabilir ve kaza riski artabilir. Daha fazla bilgiye ihtiyacınız olursa lütfen en yakın servis bayisiyle iletişime geçin.



UYARI: Güvenlik bileşenleri hasarlı olan bir ürünü asla kullanmayın. Ürünün güvenlik donanımı bu bölümde açıklandığı gibi kontrol edilmeli ve bakıma alınmalıdır. Ürününüz bu kontrollerden herhangi birini geçemezse onarım için servis noktanıza iletişime geçin.



DİKKAT: Makine üzerindeki tüm servis ve onarım işlemleri özel eğitim gerektirir. Bu durum özellikle makinenin güvenlik ekipmanı için geçerlidir. Makineniz aşağıda açıklanan kontrollerden herhangi birinden geçemezse servis noktasıyla iletişime geçmelisiniz. Herhangi bir ürünümüzü satın aldığınızda

profesyonel onarım ve servis hizmetlerinin mevcut bulunduğunu garanti etmekteyiz. Makinenizi satan bayi bir servis bayisi değilse size en yakın servis noktasının adresini sorun.

Tuş takımını kontrol etme

1. Çalıştırma/durdurma düğmesine (A) basın ve düğmeyi basılı tutun. (Şek. 23)
 - a) LED (B) yandığında ürün açılır.
 - b) LED (B) söndüğünde ürün kapanır.
2. Uyarı göstergesi (C) yanıyor veya yanıp sönüyorsa *Tuş takımı sayfa: 396* bölümüne başvurun.

Ön kol tetiğini kontrol etme

Ön kol tetiği yanlışlıkla başlatmayı önler. Ön kol tetiğine bastığınızda güç tetiği serbest kalır. Tutma yerini bıraktığınızda güç tetiği ve ön kol tetiği geri hareket ederek ilk konumlarına geri döner.

1. Güç tetiğinin ve ön kol tetiğinin serbestçe hareket ettiğinden ve dönüş yayının düzgün çalıştığından emin olun.
2. Ürünü çalıştırın.
3. Ön kol tetiğine basın.
(Şek. 24)
4. Güç tetiğine basın. (Şek. 25)
5. Ön kol tetiğini serbest bırakın ve kesme ataşmanının tamamen durduğundan emin olun.

El korumasını kontrol etme

El koruması, ellerin kazara bıçaklara temas etmesini engeller.

1. Ürünü durdurun.
2. Pili çıkarın.
3. El korumasının düzgün takılıp takılmadığını kontrol edin.
4. El korumasında hasar olup olmadığını kontrol edin.

Bıçakları ve bıçak siperliklerini kontrol etme

Bıçakların uzun kısmı (A) bıçak siperliği şeklinde tasarlanmıştır.

1. Ürünü durdurun.
2. Pili çıkarın.
3. Eldiven takın.
4. Bıçakların ve bıçak siperliklerinin hasarlı veya bükülmüş olmadığından emin olun. Hasarlı veya bükülmüşse bıçakları ve bıçak siperliklerini değiştirin. (Şek. 26)

Akü güvenliği



UYARI: Ürünü kullanmadan önce aşağıdaki uyarı talimatlarını okuyun.

- Yalnızca BLi serisi ve 40-B serisi akü kullanın. Ayrıntılar için bkz. *Teknik veriler sayfa: 398*. Akü, yazılım şifresine sahiptir.
- İlgili Husqvarna ürünleri için güç kaynağı olarak yalnızca şarj edilebilir BLi serisi ve 40-B serisi aküleri kullanın. Yaralanmayı önlemek için aküyü başka cihazların güç kaynağı olarak kullanmayın.
- Elektrik çarpması riski. Akü terminallerini anahtarlara, madeni paralara, vidalara veya diğer metallere bağlamayın. Bu, aküde kısa devreye neden olabilir.
- Şarj edilebilir olmayan akü kullanmayın.
- Akünün hava deliklerine herhangi bir nesne koymayın.
- Aküyü güneş ışığından, ısı kaynaklarından veya açık alevden uzak tutun. Akü yanıklara ve/veya kimyasal yanıklara neden olabilir.
- Aküyü yağmurdan ve ıslak koşullardan uzak tutun.
- Aküyü mikrodalgalardan ve yüksek basınçtan uzak tutun.
- Aküyü parçalarına ayırmaya veya kırmaya çalışmayın.
- Aküde sızıntı varsa sıvının vücudunuza veya gözlerinize temas etmesine izin vermeyin. Sıvıya dokunduysanız etkilenen bölgeyi bol su ve sabunla yıkayın, tıbbi yardım alın. Sıvı gözünüze kaçarsa ovmayın ancak gözlerinizi suyla en az 15 dakika yıkayın ve tıbbi yardım alın.
- Aküyü -10°C (14°F) ile 40°C (114°F) arasındaki sıcaklıklarda kullanın.
- Aküyü veya akü şarj cihazını suyla temizlemeyin. Bkz. *Ürünü, aküyü ve akü şarj cihazını temizleme sayfa: 396*.
- Hatalı veya hasarlı aküleri kullanmayın.
- Aküleri çivi, vida veya mücevherat gibi metal nesnelere uzak bir yerde saklayın.
- Aküyü çocuklardan uzakta tutun.

Akü şarj cihazı güvenliği



UYARI: Ürünü kullanmadan önce aşağıdaki uyarı talimatlarını okuyun.

- Güvenlik talimatlarına uyulmaması durumunda elektrik çarpması veya kısa devre riski vardır.
- Ürününüz için verilerden başka akü şarj cihazı kullanmayın. BLi serisi ve 40-B serisi yedek aküleri şarj ederken yalnızca QC80 ve 40-C80 şarj cihazlarını kullanın.
- Akü şarj cihazını parçalarına ayırmaya çalışmayın.
- Hatalı veya hasarlı akü şarj cihazlarını kullanmayın.

- Akü şarj cihazını güç kablosundan tutup kaldırmayın. Akü şarj cihazını duvar prizinden çıkarmak için fişi çekin. Güç kablosunu çekmeyin.
- Tüm kabloları ve uzatma kablolarını sudan, yağdan ve keskin köşelerden uzakta tutun. Kablonun kapı, çit veya benzeri yerlere takılmadığından emin olun.
- Akü şarj cihazını, yanıcı malzemelerin veya korozyona neden olabilecek malzemelerin yakınında kullanmayın. Akü şarj cihazının üstünün kapalı olmadığından emin olun. Duman veya ateş çıkması durumunda akü şarj cihazının fişini çekip çıkarın.
- Aküyü yalnızca kapalı alanda, iyi hava akışı olan ve güneş ışığından uzak bir yerde şarj edin. Aküyü dış mekanda şarj etmeyin. Aküyü ıslak koşullarda şarj etmeyin.
- Akü şarj cihazını yalnızca 5°C (41°F) ile 40°C (104°F) arasındaki sıcaklıklarda kullanın. Şarj cihazını iyi hava akışı olan kuru ve tozsuz bir ortamda kullanın.
- Akü şarj cihazının soğutma deliklerine herhangi bir nesne koymayın.
- Akü şarj cihazında kısa devre oluşabileceği için şarj cihazının terminallerini metal nesnelere bağlamayın.
- Hasarlı olmayan onaylı duvar prizlerini kullanın. Akü şarj cihazı kablosunun hasarlı olmadığından emin olun. Uzatma kabloları kullanılıyorsa uzatma kablolarının hasarlı olmadığından emin olun.

- Şarj edilemeyen aküleri akü şarj cihazlarında şarj etmeyin.

Bakım için güvenlik talimatları



UYARI: Ürün üzerinde bakım yapmadan önce aşağıdaki uyarı talimatlarını okuyun.

- Bakım ve diğer kontrolleri gerçekleştirmeden veya ürünü monte etmeden önce aküyü çıkarın.
- Operatör, yalnızca kullanım kılavuzunda gösterilen bakım ve servis işlemlerini uygulamalıdır. Daha geniş çaplı bakım ve servis için servis bayinizle iletişime geçin.
- Aküyü veya akü şarj cihazını suyla temizlemeyin. Güçlü deterjanlar plastiğe zarar verebilir.
- Bakım yapmamanız ürünün kullanım ömrünü azaltır ve kaza riskini artırır.
- Ürünün güvenlik araçları başta olmak üzere tüm servis ve onarım işlemleri için özel eğitim gerekir. Bakım yaptıktan sonra bu kullanım kılavuzundaki tüm kontroller onaylanmazsa servis bayinizle iletişime geçin. Ürününüz için profesyonel onarım ve servis hizmetinin mevcut olduğunu garanti ederiz.
- Sadece orijinal yedek parça kullanın.

Montaj

Giriş

Bu bölümde, ürünün nasıl monte edileceği ve ayarlanacağı açıklanır.



UYARI: Ürünü monte etmeden önce, güvenlik bölümünü ve montaj talimatlarını okuyun.

Aküyü ürüne bağlama



UYARI: Üründe yalnızca Husqvarna orijinal akülerini kullanın.

1. Aküyü tam şarj edin.
2. Aküyü, ürünün akü tutucusuna yerleştirin. Akü yerine kilitlendiğinde bir tıklama duyarsınız. (Şek. 27)



DİKKAT: Akü, akü yuvasına rahatça geçmiyorsa akü doğru şekilde

takılmamış demektir. Bu, üründe hasara neden olabilir.

Akü şarj cihazını 40-C80 duvara monte etme



DİKKAT: Akü şarj cihazını duvara monte etmek için elektrikli tornavida kullanmayın. Elektrikli tornavida, akü şarj cihazına zarar verebilir.

1. Akü şarj cihazını, 2 vida (B) ile duvara monte edin. Gerekirse dübel (A) kullanın. (Şek. 28)
2. 2 vida deliği dübelini (C) takın.
3. Güç kablosunu akü şarj cihazına ve duvar prizine bağlayın.

Çalışma

Giriş



UYARI: Ürünü kullanmadan önce güvenlik bölümünü okuyup anlayın.

Akü



UYARI: Aküyü kullanmadan önce güvenlik bölümünü okuyup anlayın. Akü ve akü şarj cihazına ait kullanım kılavuzunu da okuyup anlamalısınız.

Aküyü ve akü şarj cihazını doğru ortam sıcaklıklarında tutun.

	Ortam sıcaklığı
Akü çalışma sıcaklığı	5°C-40°C / 41°F-104°F
Akü şarj etme sıcaklığı	5°C-40°C / 41°F-104°F

Akü durumu

Ekranda, şarj durumu ve aküyle ilgili sorun olup olmadığı gösterilir.

(Şek. 29)

LED göstergesi	Akü durumu (şarj durumu)	
	BLI10	40-B70
4 LED ışığı yanar	Yok	Akü %76 - %100 doludur.
3 LED ışığı yanıyor	Akü %76 - %100 doludur.	Akü %51 - %75 doludur.
2 LED ışığı yanıyor	Akü %51 - %75 doludur.	Akü %26 - %50 doludur.
1 LED ışığı yanar	Akü %26 - %50 doludur.	Akü %6 - %25 doludur.
1 LED ışığı yanıp söner	Akü %0 - %25 doludur.	Akü %0 - %5 doludur.

Aküyü şarj etme

Aküyü ilk defa kullanacaksanız şarj edin. Yeni bir akünün şarjı %30 seviyesindedir.



DİKKAT: Akü şarj cihazını nominal değerler plakasında belirtilen voltaj ve frekansa sahip bir güç çıkışına bağlayın.

Akü sıcaklığı 50°C'nin/122°F üzerindeyse akü şarj olmaz.

1. Güç kablosunu akü şarj cihazına bağlayın.
2. Akü şarj cihazını topraklı bir prize takın. Şarj LED'i bir kez yanıp söner. (Şek. 30)
3. Aküyü akü şarj cihazına bağlayın. Şarj LED'i yanar. Aküyü en fazla 24 saat boyunca şarj edin. (Şek. 31)
4. Akü göstergesi düğmesine basın; tüm LED göstergeler yanarsa akü tamamen şarj olmuştur.
5. Akü şarj cihazının prize bağlantısını kesmek için elektrik fişini çekin. Güç kablosunu çekmeyin.
6. Aküyü, akü şarj cihazından çıkarın.

Ürünü çalıştırmadan önce yapılması gerekenler

1. Çalışma alanını inceleyin. Fırlayabilecek nesnelere uzaklaşın.

2. Kesme donanımını kontrol edin. Bıçakların keskin olduğundan ve bıçaklarda çatlak veya hasar olmadığından emin olun.
3. Ürünün doğru şekilde çalıştığından emin olun. Tüm somunların ve vidaların sıkı olup olmadığını kontrol edin.
4. Tutma yerinin ve güvenlik araçlarının hasarlı olmadığından ve düzgün takıldığından emin olun. Parçalarının eksik veya orijinal özelliklerinin değiştirilmiş olması durumunda ürünü çalıştırmayın. Gerektiğinde koruyucu eldiven giyin.
5. Ürünü çalıştırmadan önce kapakların hasarlı olmadığından ve düzgün takıldığından emin olun.

Ürünü çalıştırma

1. Yeşil LED yanana kadar çalıştırma/durdurma düğmesine basın. (Şek. 32)
2. Ön tutma yerindeki ön kol tetiğine basın. (Şek. 33)
3. Güç tetiğine basın. (Şek. 25)

Ürünü çalıştırma

1. Kenarları keserken zemine yakın yerden başlayın ve ürünü çit boyunca yukarı doğru hareket ettirin. Ürünün gövdesinin çite temas etmediğinden emin olun. (Şek. 34)



UYARI: Kesme donanımının ön kısmının yere temas etmediğinden emin olun.

2. Dengeli bir çalışma konumu sağlamak için ürünü vücudunuza yakın tutun.
3. Dikkatli olun ve ürünü yavaşça kullanın.

SavE işlevinin kullanılması

Bu üründe, SavE adı verilen bir güç tasarruf işlevi bulunur.

Not: SavE işlevi, ürünün kesim gücünü azaltmaz.

1. Tuş takımı üzerindeki SavE düğmesine basın.

2. Yeşil LED'in yandığından emin olun.
3. İşlevi kapatmak için SavE düğmesine tekrar basın. Yeşil LED söner. (Şek. 35)

Otomatik kapatma işlevi

Üründe, ürün kullanılmadığında ürünü durduran bir kapatma işlevi vardır. Başlatma/durdurma gösterimi için yeşil LED söner ve ürün 180 saniye sonra durur.

Ürünü durdurma

1. Güç tetiğini ve ön kol tetiğini serbest bırakın.
2. Yeşil LED sönene kadar çalıştırma/durdurma düğmesine basın.
3. Aküdeki serbest bırakma düğmelerine basın ve aküyü çıkartın. (Şek. 36)

Bakım

Giriş



UYARI: Ürün üzerinde bakım yapmadan önce güvenlik bölümünü okuyup anlayın.



UYARI: Ürün üzerinde bakım yapmadan önce aküyü çıkarın.

Bakım takvimi

Ürün üzerinde yapmanız gereken bakım adımları aşağıda listelenmiştir.

Bakım	Kullanmadan önce	Haftalık olarak	Aylık olarak
Ürünün dış kısımlarını temizleyin.	X		
Çalıştırma ve durdurma anahtarının düzgün çalıştığından ve hasarlı olmadığından emin olun.	X		
Güç tetiğinin ve ön kol tetiğinin güvenlik açısından doğru çalıştığından emin olun.	X		
Tüm kontrollerin çalıştığından ve zarar görmediğinden emin olun.	X		
Kesici bıçakta ve kesici siperliğinde çatlak veya hasar olmadığından emin olun. Çatlak varsa ya da darbeye maruz kalmışsa kesici bıçağı veya kesici siperliğini değiştirin.	X		
Bükülmüşse veya hasarlıysa kesici bıçağı değiştirin.	X		
Korumanın hasar görmemiş olduğundan emin olun. Hasarlıysa siperliği değiştirin.	X		
Vida ve somunların sıkı olduğundan emin olun.	X		
Akünün zarar görmemiş olduğundan emin olun.	X		
Akünün şarj edilmiş olduğundan emin olun.	X		
Akü şarj cihazının zarar görmediğinden emin olun.	X		
Kesici bıçakları tutan vidaların doğru şekilde sıkıldığından emin olun.		X	

Bakım	Kullanmadan önce	Haftalık olarak	Aylık olarak
Akü ile ürün arasındaki bağlantıları kontrol edin. Akü ile akü şarj cihazı arasındaki bağlantıyı kontrol edin.			X

Aküyü ve akü şarj cihazını kontrol etme

1. Aküyü çatlak gibi hasarlara karşı kontrol edin.
2. Akü şarj cihazını çatlak gibi hasarlara karşı kontrol edin.
3. Akü şarj cihazının bağlantı kablosunun hasarlı olmadığını ve üzerinde çatlaklar bulunmadığını kontrol edin.

Ürünü, aküyü ve akü şarj cihazını temizleme

1. Kullandıktan sonra ürünü kuru bir bezle temizleyin.
2. Aküyü ve akü şarj cihazını kuru bir bezle temizleyin. Pil kılavuz raylarını temiz tutun.
3. Aküyü, akü şarj cihazına veya ürüne yerleştirmeden önce akü ve akü şarj cihazının terminallerinin temiz olduğundan emin olun.

Bıçağı kontrol etme

1. Ürünü kullanmadan önce ve kullandıktan sonra korozyon önleyici temizleme maddesi kullanarak bıçaktaki istenmeyen maddeleri temizleyin.
2. Bıçağın kenarlarında hasar veya deformasyon olup olmadığını kontrol edin.

3. Bıçağın üzerindeki çapakları bir eğyle giderin.
4. Bıçağın serbestçe hareket ettiğinden emin olun.

Bıçakları temizleme ve yağlama

1. Ürünü kullanmadan önce ve kullandıktan sonra bıçaklardaki istenmeyen maddeleri temizleyin.
2. Uzun süreli depolama öncesinde bıçakları yağlayın.

Not: Önerilen temizleme maddesi ve yağlar hakkında daha fazla bilgi için servis bayinizle görüşün.

Dişliyi yağlama

Dişlinin yetkili bir servis bayisi tarafından sökülmesi halinde dişli kovanına gres uygulayın.

- Husqvarna özel gresini kullanın. Önerilen gres hakkında daha fazla bilgi için servis bayinizle görüşün.
- Yalnızca az miktarda özel yüksek kaliteli gres kullanın.



DİKKAT: Dişli kovanını tamamen doldurmayın.

Sorun giderme

Tuş takımı

LED ekran	Olası anızalar	Olası çözümler
Hata LED'i yanıp sönüyor.	Aşırı yük	Kesme donanımı serbestçe hareket edemiyor. Kesme donanımını serbest bırakın.
	Sıcaklık değişimi	Ürünün soğumasını bekleyin.
Ürün çalışmıyor.	Güç tetiğine basın ve aynı anda çalıştırma düğmesine basın.	Güç tetiğini serbest bırakın ve ürünü durdurun.
Hata LED'i kırmızı ışıkla yanar.	Üründe servis işlemi gerçekleştirilmesi gerekir	Servis bayinize danışın.

Akü

LED ekran	Olası anızalar	Olası işlem
Yeşil LED yanıp sönüyor.	Düşük akü voltajı.	Aküyü şarj edin.

LED ekran	Olası arızalar	Olası işlem
Hata LED'i yanıp sönüyor.	Sıcaklık değişimi.	Aküyü -10°C (14°F) ile 40°C (104°F) arasındaki sıcaklıklarda kullanın.
	Voltaj çok yüksek.	Şebeke voltajının, ürünün nominal değerler plakasında belirtilen voltajla uyumlu olduğundan emin olun. Aküyü şarj cihazından çıkarın.
Hata LED'i yanıyor.	Hücre farkı çok fazladır (1 V).	Servis bayinize danışın.

Akü şarj cihazı

Sorun	Olası arızalar	Olası çözüm
Şarj LED'i kırmızı renkte yanıyor.	Akü şarj cihazında kalıcı hata.	Bayinize başvurun.
Şarj LED'i yeşil renkte yanıp sönüyor.	Sıcaklık saptması. Akü kullanmak veya şarj etmek için fazla soğuk ya da fazla sıcaktır.	Akünün soğumasını bekleyin veya ısınmasını sağlayın. Akü doğru sıcaklığa geldiğinde tekrar kullanılabilir veya şarj edilebilir. Akü şarj cihazını 5°C (41°F) ile 40°C (104°F) arasındaki ortam sıcaklıklarında kullanın.
Şarj LED'i kırmızı renkte yanıp sönüyor.	Arızalı akü.	Bayinize başvurun.

Taşıma, depolama ve atma

Taşıma ve saklama

- Ürün ile birlikte verilen Lityum iyon aküler, Tehlikeli Maddeler Yönetmeliklerinin gereksinimlerini karşılamaktadır.
- Üçüncü taraflar ve aracı nakliye şirketleri de dahil olmak üzere, ticari amaçlı taşıma işlemlerinde ambalaj ve etiketler üzerindeki özel gereksinimlere uyun.
- Ürünü göndermeden önce tehlikeli maddeler konusunda özel eğitim almış bir kişiyle görüşün. Yürürlükteki tüm ulusal yönetmeliklere uyun.
- Aküyü bir ambalaja yerleştireceğiniz zaman açık kontaktları bantlayın. Aküyü ambalaj içine hareket etmesini engelleyecek şekilde yerleştirin.
- Saklama veya taşıma için aküyü çıkarın.
- Aküyü ve akü şarj cihazını nem ve don olmayan kuru bir yerde saklayın.
- Aküyü statik elektriğin oluşabileceği yerlerde saklamayın. Aküyü metal bir kutuda tutmayın.
- Aküyü, sıcaklığı 5°C/41°F ile 25°C/77°F arasında olan ve doğrudan güneş ışığı almayan bir yerde tutun.

- Akü şarj cihazını, sıcaklığı 5°C/41°F ile 45°C/113°F arasında olan ve doğrudan güneş ışığı almayan bir yerde tutun.
- Akü şarj cihazını yalnızca ortam sıcaklığı 5°C/41°F ile 40°C/104°F arasındayken kullanın.
- Uzun süreli depolamadan önce aküyü %30-%50 arasındaki bir seviyeye kadar şarj edin.
- Akü şarj cihazını, kapalı ve kuru bir alanda saklayın.
- Depolama sırasında aküyü akü şarj cihazından uzakta tutun. Çocukların ve diğer izinsiz kişilerin ekipmana dokunmasına izin vermeyin. Ekipmanı kilitleyebileceğiniz bir yerde tutun.
- Uzun süreli depolamadan önce ürünü temizleyin ve ürüne eksiksiz bir bakım yaptırın.
- Taşıma ve depolama sırasında ürünün hasar görmesini engellemek için taşıma koruyucusunu kullanın.
- Taşıma sırasında ürünü güvenli bir şekilde sabitleyin.

Akü, akü şarj cihazı ve ürünü atma

Ürün veya ürün ambalajı üzerinde bulunan semboller, bu ürünün evsel atık olmadığını belirtir. Ürünü, elektrikli ve elektronik ekipmanlar için bir geri dönüşüm

istasyonunda geri dönüştürün. Bu, çevrenin ve insanların zarar görmemesine yardımcı olur.

Ürününüzü geri dönüştürme hakkında daha fazla bilgi için yerel yetkililer, evsel atık hizmeti veya bayiniz ile görüşün.

Teknik veriler

Teknik veriler

	215HD45
Motor	
Motor tipi	BLDC
Ağırlık	
Aküsüz ağırlık, kg	3,2
Kesici	
Tip	Çift taraflı
Bıçak uzunluğu, mm	450
Bıçak hızı, kesim/dak (SavE modu etkinken)	2400
Bıçak hızı, kesim/dak (SavE modu etkin değilken)	3000
Gürültü yayma ⁵³	
Ses gücü düzeyi, ölçülmüş dB(A)	87
Ses gücü seviyesi, garanti edilmiş L _{WA}	90
Ses düzeyleri	
EN 62841-4-2 uyarınca ölçülen, operatörün kulağında oluşan ses basıncı seviyesi, dB(A)	79
Titreşim düzeyleri ⁵⁴	
Titreşim seviyeleri (a _h), ön/arka m/sn ²	2,1/1,7

Ürün için onaylı aküler

Akü	BLi10	40-B70
Tip	Lityum iyon	Lityum iyon
Akü kapasitesi, Ah	Akü nominal değerler çıkartmasına başvurun	Akü nominal değerler çıkartmasına başvurun

⁵³ 2000/14/AT sayılı AT direktifi uyarınca ses gücü (L_{WA}) olarak çevrede ölçülen gürültü emisyonu düzeyi. Garanti edilen ve ölçülen ses gücü arasındaki fark, garantili ses gücünün 2000/14/AT Sayılı Direktif doğrultusunda ölçüm sonucundaki dağılımı ve aynı modelin farklı ürünleri arasındaki değişimleri de içermesidir.

⁵⁴ Titreşim seviyesi için bildirilen verilerin tipik istatistik dağılımı (standart sapması) 1,5 m/sn² şeklindedir.

Beyan edilen toplam titreşim değeri standart test yöntemine göre hesaplanmıştır ve bir aleti başka bir aletle karşılaştırmak için kullanılabilir.

Beyan edilen toplam titreşim değeri, ön maruz kalma değerlemelerinde de kullanılabilir.

Akú	BLi10		40-B70
Nominal voltaj, V	36	36,5	36
Ağırlık, kg	0,7	0,7	0,8

Ürün için onaylı akü şarj cihazları

Akú Şarj Cihazı	QC80	40-C80
Şebeke voltajı, V	100-240	100-240
Frekans, Hz	50-60	50-60
Güç, W	100	72
Çıkış Voltajı, V d.c./ Amper, A	36/2	43/1,6

Uyumluluk Bildirimi

AB Uyumluluk Bildirimi

Biz, **Husqvarna AB**, SE-561 82 Huskvarna, İsveç, tel: +46-36-146500 olarak tek sorumlu vasfıyla ürüne ilişkin aşağıdaki beyanlarda bulunmaktayız:

Açıklama	Akülü çit düzeltici
Marka	Husqvarna
Tip/Model	215iHD45
Kimlik	2024 ve sonrası tarihli seri numaraları

aşağıdaki AB direktifleri ve yönetmelikleriyle tamamen uyumludur:

Direktif/Düzenleme	Açıklama
2006/42/AT	"makinelele ilgili"
2014/30/AB	"elektromanyetik uyumlulukla ilgili"
2000/14/AT	"çevreledeki gürültü emisyonlarıyla ilgili"
2011/65/AB	"elektrikli ve elektronik ekipmanlarda belirli tehlikeli maddelerin kullanımının kısıtlanmasına ilişkin"

ve aşağıdaki standartlar ve/veya teknik özellikler uygulanmıştır: EN 62841-4-2:2019+A1:2022+A11:2022, EN 62841-1:2015+A11:2022, EN IEC 55014-1:2021, EN IEC 55014-2:2021, EN IEC 63000:2018.

2000/14/AT direktifi, Ek V ile uyumlu olarak, açıklanan ses değerleri için bkz. *Teknik veriler sayfa: 398*.

Huskvarna, 2024-02-01

Claes Losdal, AR-GE Müdürü, Husqvarna AB

Teknik dokümantasyon sorumlusu

Türk ithalat şirketi daha fazla bilgi için temas edilecek:

Çullas Orman Bahçe ve Tarım Mak. San. Tic. A.Ş.

Suadiye Mh. Bağdat Cd. No:455/4

Kadıköy - 34740 İstanbul / Türkiye

Telefon: +90 216 519 88 82

Faks: +90 216 519 88 78

info@cullas.com.tr



目次

はじめに.....	401	トラブルシューティング.....	410
安全性.....	402	搬送、保管、廃棄.....	411
組立.....	407	主要諸元.....	412
Operation (操作)	408	適合宣言.....	414
メンテナンス.....	409		

はじめに

製品の説明

Husqvarna 215iHD45 は、電気モーターで作動するバッテリー式ヘッジトリマーです。

弊社では、皆様の安全と作業の効率性を向上させるため、常に製品の改善に力を入れています。詳しくは、サービス代理店までお問い合わせください。

製品の概要

(図 1)

1. 取扱説明書
2. リヤハンドル
3. フロントハンドルトリガー
4. フロントハンドル
5. カッター
6. 搬送用ガード
7. パワートリガー
8. コントロールパネル
9. ハンドガード
10. バッテリー
11. バッテリー充電器 40-C80
12. コネクター
13. バッテリーインジケータボタン
14. バッテリーステータス
15. 警告インジケータ
16. SavE ボタン
17. START/STOP ボタン
18. 電源オン / 警告インジケータ
19. バッテリーリリースボタン
20. バッテリー充電器 QC80
21. 電源ケーブル

製品に表記されるシンボルマーク

- (図 2) 警告：本製品の使用は危険を伴います。操作者や付近にいる人が重傷を負う、または死亡するおそれがあります。十分に注意し、本製品を正しく使用してください。
- (図 3) 本取扱説明書をよくお読みになり、内容をしっかりと把握したうえで、本製品を使用してください。
- (図 4) 防護メガネを着用してください。
- (図 5) 本製品は EC 指令適合製品です。
- (図 6) 本製品や本製品のパッケージは、一般廃棄物ではありません。電気・電子機器の

用途

本製品は、大小の枝を鋸断する機械です。他の作業に本製品を使用しないでください。

- リサイクル業者にリサイクルを依頼してください。
- (図 7) 雨が当たらないようにしてください。
- (図 8) 直流。
- (図 9) 環境に対する騒音レベルは EU 指令 (ニューサウスウェールズ法管轄を含む) および UK 規制に準拠しています。騒音排出データは、本機のステッカーと主要諸元の章に記載されています。
- (図 10) この製品は該当する UK 規制に準拠しています。
- (図 11) 警告：ブレードに手を近づけないでください。

yyyywwxxxxx 製造番号は銘板に記載されています。
yyyy は製造年、ww は製造された週です。

注記：本製品に付いている他のシンボル / 銘板はそれぞれの市場地域に向けた特別な認定条件を示します。

バッテリーやバッテリー充電器のシンボルマーク

- 電気・電子機器のリサイクル業者にリサイクルを依頼してください。(ヨーロッパのみ適用)
- (図 15)
- (図 12) 安全装置付き変圧器。
- (図 13) バッテリー充電器は屋内でのみ使用、保管してください。
- (図 14) 二重絶縁。

安全性

安全性の定義

警告、注意、注記は、取扱説明書の特に重要な部分を示しています。



警告： 取扱説明書の指示に従わない場合、使用者が負傷したり、死亡したりするが、あるいは付近の人に損傷を与える危険があることを意味します。



注意： 取扱説明書の指示に従わない場合、製品や他の物品、または隣接するエリアに損傷を与える危険があることを意味します。

注記： 特定の状況で必要とされる詳細情報を提供するために使用されます。

パワーツールの一般的な安全上の警告



警告： 警告および指示はすべて読んでください。警告や指示に従わない場合、感電、火災、あるいは深刻な傷害を招くことがあります。

注記： すべての警告や説明は、以後の参考のために保管してください。警告の「パワーツール」とは、電源で作動する（コード付）パワーツールまたはバッテリー駆動（コードレス）のパワーツールを指します。

作業エリアの安全

- 作業場所を清潔に、照明を明るく保ちます。乱雑な、あるいは暗い場所では、事故が起こりやすくなります。
- 可燃性の液体や気体、塵がある所など、爆発性雰囲気の中でパワーツールを作動させないでください。パワーツールは、塵やガスを発火させる火花を発生させます。
- パワーツールの操作中は子供やそばにいる人たちと十分な距離を置いてください。注意が散漫になると、操作ミスを引き起こす可能性があります。

電気保安

- パワーツールのプラグはコンセントに適合しなければなりません。決してプラグを改造しないでください。アダプタープラグをアースの付いた（接地された）パワーツールとともに使用しないでください。改造されていないプラグおよび型の同じコンセントを使用することで、感電のリスクが低くなります。
- パイプやラジエータ、レンジ、冷蔵庫など、アースの付いた表面または接地された表面に触れないようにしてください。体が接地していたりアースされていたりすると、感電のリスクが高くなります。

- パワーツールを雨露や湿潤な環境に曝さないでください。パワーツール内に水が入ると、感電のリスクが高まります。
- コードを本来の目的以外に使用しないでください。コードを持ってパワーツールを移動したり、引っ張ったり、電源を抜いたりすることのないようにしてください。熱やオイル、とがった先端や可動部品にコードを近づけないでください。コードが破損したり絡まったりすると、感電のリスクが高くなります。
- 屋外でパワーツールを操作する場合は、屋外での使用に適した延長コードを使用してください。屋外での使用に適したコードを使用することで、感電の危険性は少なくなります。
- 湿気のある場所でパワーツールを操作せざるを得ない場合、電源を保護するために漏電遮断器（RCD）をご利用ください。RCDは感電の危険を低減しません。



警告： 製品を高圧水で洗浄しないでください。電気系統やモーターに水が浸入して、製品が破損したり、ショートしたりする原因となります。

個人の安全

- パワーツールを操作するときは、十分に気をつけて慎重に行動し、常識に従ってください。疲れているときや、医薬品およびアルコールの影響が残っている状態でパワーツールを使用しないでください。パワーツールの操作中は、一瞬の不注意が重大な傷害につながる可能性があります。
- 身体保護具を使用してください。常に眼の保護具を着用してください。防塵マスクや滑り止め用の安全靴、ヘルメット、イヤマフを使用すると、負傷の危険性が少なくなります。
- 予期せぬ始動を防止します。電源およびバッテリーパックを接続したり、ツールを拾ったり運ぶ前に、必ずスイッチがオフの位置にあることを確認してください。スイッチに指を置いてパワーツールを運んだり、スイッチが入った状態でパワーツールに圧力をかけると、事故につながります。
- パワーツールをオンにする前に、調整キーとレンチを外してください。パワーツールの回転部品にレンチやキーが取り付けられたままになっていると、怪我の原因となります。
- 無理な体勢で作業しないでください。常に、安定した足場とバランスを保つようにしてください。こうすることで、予期しない事態でもパワーツールを安定した状態に保つことができます。
- 適切な服装を心がけてください。ゆったりした衣服や装身具を身につけないでください。可動部品に髪の毛や衣服を近づけないでください。ゆったりした衣服や装身具、長髪は可動部品に絡まるおそれがあります。
- 集塵装置の接続用装備が提供されている場合、それらが接続されて正しく使用されているか確認してく

ださい。集塵装置を使用すると、塵に関連する危険を回避できます。

- ツールを頻繁に使用することによる慣れで、安全への関心を失ってツールの安全原則を無視することは非常に危険です。不注意により、一瞬で深刻な事故が発生するおそれがあります。
- パワーツールの使用で発生する実際の振動は、公称合成振動値と異なり、ツールの使用方法に依存します。作業者は、自分自身を保護する目的で、実際の使用状況（ツールの電源をオフにする回数および、トリガー動作やアイドル運転の回数など、運転サイクルのあらゆる部分を考慮）における振動暴露予測を基本にした安全対策を確認する必要があります。

パワーツールの使用と手入れ

- パワーツールを無理に使用しないでください。用途に合った正しいパワーツールを使用してください。正しいパワーツールを使用した方が、意図された速度でより良く安全に作業を行います。
- スイッチが機能しない場合はパワーツールを使用しないでください。スイッチで制御できないパワーツールは危険なため、修理する必要があります。
- パワーツールの調整、アクセサリの変更、またはパワーツールの保管前は、電源プラグを外し、パワーツールからバッテリーパックを取り外してください（着脱可能な場合）。予防的な安全対策を行うことで、誤ってパワーツールを始動させる危険性が少なくなります。
- 使用していないパワーツールは子供の手の届かない所に保管して、パワーツールやこの取扱説明書に詳しくない人間がパワーツールを操作しないように注意してください。不慣れたユーザーがパワーツールを扱うと危険です。
- パワーツールとアクセサリをメンテナンスします。可動部品の誤調整や巻き付き、部品の破損やパワーツールの動作に影響する他の状態がないかどうか確認します。破損している場合は、使用する前にパワーツールを修理してください。ほとんどの事故は、正しいメンテナンスを受けていないパワーツールが原因です。
- 切削工具は研いだ状態で清潔に保ちます。正しくメンテナンスされて研いである切削工具は、バインドすることも少なく、制御が簡単です。
- パワーツール、アクセサリ、工具ビットなどは、これらの取扱説明書に従って使用し、作業条件および行う作業を考慮してください。意図されていない作業でパワーツールを使用すると、危険な状況を引き起こすことがあります。
- ハンドル部および保持面は乾燥させて、オイルや油が付着しないようにきれいな状態を保ってください。ハンドルと保持面が滑りやすいと、予期しない状況でツールの安全な取り扱いや制御ができません。

バッテリーツールの使用と手入れ

- メーカー指定の充電器のみを使って充電してください。1種類のバッテリーパックのみに適合する充電器は、それ以外のバッテリーパックの充電で使用した場合、火災を引き起こす恐れがあります。

- 製品には、指定された専用バッテリーパックのみを使用してください。それ以外のバッテリーパックを使用すると、怪我や火災を招く危険があります。
- バッテリーパックを使用しないときは、ベーパーリップ、コイン、キー、爪きり、ネジなどの金物、あるいは端子間を短絡するおそれがある他の小さな金物から遠ざけるようにしてください。バッテリー端子の短絡は、火傷や火災を引き起こす恐れがあります。
- 劣悪な環境では、液体がバッテリーから漏れ出すことがあります。そのような場合、液体には触れないようご注意ください。もし万が一誤って触ってしまった場合、水で洗い流してください。液体が目に入ってしまった場合は、医師の診察を受けてください。バッテリーから漏れ出した液体は、炎症や火傷を引き起こすことがあります。
- 損傷した、または改造されたバッテリーパックやツールは使用しないでください。故障した、または改造されたバッテリーは、予測不可能な挙動を起こし、発火や破裂、障害の原因となる可能性があります。
- バッテリーパックやツールを火や高温にさらさないでください。火または 130 °C 以上の温度環境にさらすと爆発する恐れがあります。
- 充電の手順にすべて従い、指示された温度範囲外でバッテリーパックまたはツールを充電しないでください。充電を不適切に行ったり、指定された範囲から外れた温度環境で行ったりした場合、バッテリーの損傷や火災発生の危険の増加につながる可能性があります。

サービス

- パワーツールのサービスは、資格のある修理担当者と同じ交換部品を使って行うようにしてください。こうすることで、パワーツールの安全性を維持できます。
- 損傷したバッテリーパックを決して修理しようとししないでください。バッテリーパックの修理は、製造元または認定サービス代理店しか行えません。

ヘッジトリマーに関する安全上の注意 - 個人の安全

- ヘッジトリマーを操作する場合は、両手を使ってください。片手だけを使って操作すると、コントロールを失い、重大な人的障害を招く可能性があります。
- 体のあらゆる部分を、ブレードから遠ざけてください。ブレードが動いている間は、切断するものを取り払ったり、押さえたりしないでください。スイッチをオフにしてもブレードは回転します。ヘッジトリマーの操作中は、一瞬の不注意が重大な人的傷害につながる可能性があります。
- ブレードが停止してから、電源スイッチを操作しないように注意して、ヘッジトリマーのハンドルを持って搬送します。ヘッジトリマーを適切に搬送することにより、不注意による始動や、ブレードによる負傷のリスクを軽減できます。
- ヘッジトリマーの輸送や保管を行う際は、ブレードカバーを必ず取り付けてください。ヘッジトリマー

を正しく取り扱うことで、カッターブレードによる負傷の可能性が低減します。

- 詰まった物体を取り除くときや本装置を修理するときは、すべての電源スイッチをオフにしてバッテリーパックを取り出すかまたは外してください。詰まった物体を取り除くときや整備作業中に、ヘッジトリマーが予期せず作動すると、重大な負傷につながるおそれがあります。
- 隠れた配線に接触する可能性があるため、絶縁グリップ面だけを掴んでヘッジトリマーを持ってください。ブレードが「通電」している配線に接触することで、ヘッジトリマーの露出している金属部分は「通電」状態となることがあり、作業者が感電する危険性があります。
- すべての電源コードとケーブルを刈払いエリアから離してください。生け垣や藪に隠れた電源コードやケーブルがブレードによって誤って切断される可能性があります。
- 悪天候の場合、特に雷発生の危険がある場合は、ヘッジトリマーを使用しないでください。これは、落雷の危険を避けるためです。
- 危険-ブレードに手を触れないでください。ブレードに触れると、重大な人的障害を招きます。

一般的な安全注意事項



警告： 本製品を使用する前に、以下の警告指示をお読みください。

- 本製品が誤って始動しないように、製品を使用しない時はバッテリーを取り外してください。
- 本製品は、慎重かつ適切に使用しないと、危険な道具となります。本製品により、操作者や付近にいる人が重傷を負う、または死亡するおそれがあります。
- 本製品が初期仕様から変更された場合は、本製品を使用しないでください。メーカーからの承認を受けずに本製品の部品を交換しないでください。メーカーが認可した部品のみを使用してください。誤ってメンテナンスすると、負傷または死亡に至る可能性があります。
- 使用前に本製品を点検してください。本製品を始動する前の作業 408 ページを参照してください。故障している製品は使用しないでください。この取扱説明書の内容に従って、安全点検、メンテナンス、サービスを行ってください。
- 子供が本製品で遊ばないように、監視する必要があります。子供、または本製品やバッテリーの扱いに不慣れな人が本製品を使用しないようにしてください。居住地の法律によっては、使用者の年齢制限がある場合があります。
- 本製品は鍵のかかる場所に保管して、子供や許可を得ていない人が近づけないようにしてください。
- 本機は子供の手の届かない場所に保管してください。
- いかなる理由であれ、製造者の承認を得ることなく本製品の設計に変更を加えないでください。常に純正の部品をお使いください。不認可の設計変更や付

属品は、使用者や付近にいる人の重傷や致命傷の原因となることがあります。

注記： 使用には、国や地方の法令により、規制が課せられる場合があります。所定の規制に従ってください。

操作のための安全注意事項



警告： 本製品を使用する前に、以下の警告指示をお読みください。

- どうしてもいかならない状況になった場合は、専門家に問い合わせてください。販売店またはサービスワークショップに連絡してください。技能的に難しいと思える操作は行わないでください。
- 疲労時や飲酒後、視野・判断力・動作に影響を及ぼすような医薬品を服用したときは、絶対に本製品を使用しないでください。
- 悪天候下での作業は疲れやすく、危険性も高まります。濃霧、豪雨、強風、厳寒、落雷のおそれがあるなど、天候が非常に悪い場合は、危険性が高まるため、本機を使用しないことをお勧めします。
- 不具合のあるブレードは、事故の危険性を増加させます。
- 本製品を子供に使用させたり、本製品の付近に子供を近づけたりしないでください。本製品は簡単に始動できます。十分に監視していないと、子供が動かしてしまう可能性があります。重大な身体的傷害を引き起こす危険があります。本製品が十分な監視下でない場合は、バッテリーを外してください。
- 作業中は 15 メートル以内に人や動物が近づかないようにしてください。同じエリアに数人の作業者がいる場合、安全距離を 15 メートル以上とる必要があります。重傷事故のおそれがあります。誰かが近づいたら、すぐに本製品を停止してください。本製品を持って向きを変えるときは、まず後ろを確認して、安全距離内に誰もいないように徹底してください。
- 人、動物、その他の物体が本製品の操作を妨げたり、カッピングアタッチメントに触れたり、カッピングアタッチメントによりはじかれた物体に接触したりしないようにしてください。事故のときに助けを求めることができない状況では、本製品を使用しないでください。
- 作業エリアは必ず点検してください。石や割れたガラス、くぎ、鋼線、ひもなど固定されていない物をすべて取り除いてください。飛んだりチエンに絡まったりするおそれがあります。
- 身体の動きが自由に取れ、足場が良いことを確認してください。とっさに身をかかわなければならぬ場合に邪魔になる物（木の根、岩、枝、溝など）が周囲にないか確認してください。斜面で作業する場合は、特に注意してください。
- 常にバランスを保ち、しっかりした足場を確保してください。無理な体勢で作業しないでください。
- 本製品の電源をオフにしてから別のエリアに移動してください。本製品を使用しないときは、カバーを取り付けてください。

- 本製品を置くときは、必ず先に電源をオフにして、バッテリーを取り外してください。電源を入れた状態で本製品を放置しないでください。
- 衣服や体の部分が、作動している状態のチェンに接触しないようにしてください。
- 本製品の操作中に何かがブレードに挟まった場合、本製品を停止して、電源をオフにしてください。チェンが完全に停止していることを確認してください。本製品またはブレードを清掃、点検、または修理する前に、バッテリーを外してください。
- 本製品の電源をオフにしてチェンが完全に停止するまで、チェンに手や脚を近づけないようにしてください。
- 鋸断中に飛んでくる可能性のある枝の切株に注意してください。石やその他の物が飛ばされるおそれがあるため、地面付近で鋸断作業をしないでください。
- 飛んでくる物に気をつけてください。常に認可された防護メガネを着用してください。カッティングアタッチメントガードの上に身を乗り出さないでください。石やごみなどが目に入って、失明したり重傷を負ったりする可能性があります。
- イヤマフを着用している間は、警告信号や叫び声に気を付けてください。エンジンが停止したら、速やかにイヤマフを外してください。
- ハシゴ、スツール、その他の不安定な台に乗って作業しないでください。
- 本製品は両手で持つってください。本製品が体の側面にくるように持つってください。

(図 16)

身体保護具



警告： 本製品を使用する前に、以下の警告指示をお読みください。

- 本製品を使用するときは、認可された身体保護具を必ず着用してください。身体保護具で負傷を完全に防止できるわけではありませんが、万が一事故が起こった場合に負傷の度合いを軽減することができます。詳細情報は、販売店までお問い合わせください。
- 落下物の危険性がある場合には保護ヘルメットを使用してください。

(図 17)

- 認可されたイヤマフを使用してください。長時間騒音にさらされると、回復不能な聴覚障害になる可能性があります。

(図 18)

- 認可された防護メガネを使用してください。バイザーを使用する場合は、認可された防護ゴーグルも使用する必要があります。認可された保護メガネは、米国の ANSI Z87.1 規格または EU 諸国の EN 166 に適合しなければなりません。

(図 19)

- 作業およびメンテナンス中は保護グローブを着用してください。

(図 20)

- 保護ブーツ、または靴底が滑りにくい靴を着用してください。

(図 21)

- 丈夫な素材でできた服を着用してください。ぴったりとした、ただし動きを制限しない服を着用する必要があります。長ズボンを着用して髪を背中側にまとめてください。宝飾品や開口部のある靴は着用しないでください。
- 救急器具を近くに用意してください。

(図 22)

本製品の安全装置



警告： 本製品を使用する前に、以下の警告指示をお読みください。

この項では、本製品の安全機能とその目的、本機の正しい動作を確保するための点検とメンテナンスの方法について説明します。本製品の部品の位置については、**製品の概要 401** ページを参照してください。

本製品のメンテナンスを適切に行わなかったり、専門技術者が整備・修理を行わなかったりすると、本製品の寿命が短くなり、事故発生の危険性が増します。詳しくは、お近くのサービス代理店にお問い合わせください。



警告： 安全装置が損傷している製品は決して使用しないでください。本項目の記載に従って、本製品の安全装置の点検、メンテナンスを行ってください。お持ちの製品がこれらの点検項目を一点でも満たさない場合は、お近くのサービス代理店に修理を依頼してください。



注意： 本機に関するすべてのサービス、修理には、特別な研修が必須です。本機の安全装置には、特に研修が必要です。本取扱説明書の点検に基づき、本機に不具合が見つかった場合は、サービス代理店に連絡してください。弊社の製品を購入されると、専門的な修理とサービスの提供も保証されます。本機を販売した小売店がサービス代理店ではない場合、最寄りのサービス代理店の住所を小売店にお尋ねください。

キーパッドの点検方法

1. スタート / ストップボタン (A) を押し続けます。(図 23)
 - a) 製品に電源が入っていると LED (B) が点灯します。
 - b) 製品の電源が切れていると LED (B) が消灯します。

- 警告インジケータ (C) が点灯または点滅している場合は、*キーパッド 410* ページを参照してください。

フロントハンドトリガーの点検

フロントハンドトリガーは誤って始動することを防止します。フロントハンドトリガーを押すとパワートリガーが解放されます。ハンドルから手を放すと、パワートリガーとフロントハンドトリガーは元の位置に戻ります。

- パワートリガーとフロントハンドトリガーがスムーズに動き、リターンズプリングが正しく作動することを確認します。
- 本製品を始動します。
- フロントハンドトリガーを押します。

(図 24)

- パワートリガーを押します。(図 25)
- フロントハンドトリガーを放して、カッピングアダッチメントが完全に停止することを確認します。

ハンドガードのチェック方法

ハンドガードは誤って手がブレードに触れないようにするためのものです。

- 本製品を停止します。
- バッテリーを外します。
- ハンドガードが正しく取り付けられていることを確認してください。
- ハンドガードに破損がないか点検します。

ブレードとブレードガードのチェック方法

ブレードの長い部分 (A) が、ブレードガードとして機能します。

- 本製品を停止します。
- バッテリーを外します。
- 手袋を着用します。
- ブレードとブレードガードに損傷や曲がりのないことを確認します。ブレードとブレードガードに損傷や曲がりがある場合は、交換します。(図 26)

バッテリーの安全



警告： 本製品を使用する前に、以下の警告指示をお読みください。

- BLi シリーズおよび 40-B シリーズのバッテリーのみ使用してください。詳細の参照先：*主要諸元 412* ページ。バッテリーはソフトウェアで暗号化されています。
- 再充電可能な BLi シリーズおよび 40-B シリーズのバッテリーは、対応する Husqvarna 製品の電源として

のみ使用してください。負傷を防ぐため、このバッテリーを他の装置の電源として使用しないでください。

- 感電するおそれがあります。バッテリーの端子を鍵や硬貨、ネジや他の金属に接触させないでください。バッテリーが短絡する原因になります。
- 充電式ではないバッテリーは使用しないでください。
- バッテリーのエアスロットに物が入らないようにしてください。
- バッテリーは直射日光や熱、裸火から保護してください。バッテリーによりやけどや化学熱傷を負うおそれがあります。
- バッテリーは雨から遠ざけて、濡れない状態に維持してください。
- バッテリーは電子レンジや高圧から保護してください。
- バッテリーを分解したり壊したりしないでください。
- バッテリーから漏れが発生した場合、身体や目に液体が触れないようにしてください。液体に触れた場合、大量の水と石鹸を使用して触れた箇所を洗い流して、医療機関に相談してください。液体が目に入った場合、目をこすらずに十分な水で 15 分以上洗い流し、医療機関に相談してください。
- バッテリーは -10~40 °C (14 ~ 114 °F) の温度で使用してください。
- バッテリーまたはバッテリー充電器は、水で洗淨しないでください。参照：*製品、バッテリー、およびバッテリー充電器の清掃方法 410* ページ。
- 不具合や損傷のあるバッテリーは使用しないでください。
- バッテリーはくぎ、ネジ、または宝飾品などの金属から離して保管してください。
- バッテリーは子供が近づけない場所に保管してください。

バッテリー充電器の安全性



警告： 本製品を使用する前に、以下の警告指示をお読みください。

- 安全注意事項を守らないと、感電や短絡の危険があります。
- 製品の付属品以外のバッテリー充電器は使用しないでください。BLi シリーズおよび 40-B シリーズの交換バッテリーを充電するときは、QC80 および 40-C80 充電器のみを使用してください。
- バッテリー充電器を分解しないでください。
- 故障または破損したバッテリー充電器は使用しないでください。
- 電源コードを持ってバッテリー充電器を持ち上げないでください。主電源ソケットからバッテリー充電器を取り外す際は、プラグを引っ張ってください。電源コードを引っ張らないでください。
- すべてのケーブルと延長コードが、水や油、または尖った物に接触しないようにしてください。ドア、

フェンスなどの障害物の間に、ケーブルが挟まっていないことを確認してください。

- 可燃性の物質や、腐食の原因となる物質の近くでは、バッテリー充電器を使用しないでください。バッテリー充電器の上に覆うものが何もないことを確認してください。煙や火災が発生した場合、バッテリー充電器の電源プラグをコンセントから引き抜いてください。
- バッテリーは、通気がよく直射日光が当たらない屋内でのみ充電してください。屋外でバッテリーを充電しないでください。濡れた状態でバッテリーを充電しないでください。
- バッテリー充電器は、温度が 5~40 °C (41~104 °F) の場所だけで使用してください。充電器は、通気がよく、埃がない、乾燥した環境で使用してください。
- バッテリー充電器の冷却スロットに物が入らないようにしてください。
- バッテリー充電器が短絡するため、充電器の端子を金属物体へ接触させないでください。
- 認可された、破損していない壁コンセントを使用してください。バッテリー充電器のコードが破損していないことを確認してください。延長ケーブルを使用している場合は、破損していないことを確認してください。
- 充電不可能なバッテリーを本バッテリー充電器で充電しないでください。

メンテナンスのための安全注意事項



警告： 本製品のメンテナンスを行う前に、以下の警告指示を読んでください。

- メンテナンス、その他の点検、または製品の組み立てを行う前に、バッテリーを取り外してください。
- 作業者は本取扱説明書に記載されているメンテナンスとサービスだけを実施してください。メンテナンスおよびさまざまなサービスについては、サービス代理店にお問い合わせください。
- バッテリーまたはバッテリー充電器を水分を含んだ布で拭いたり、水で洗浄したりしないでください。強い洗剤を使用すると、プラスチックの部品が損傷する場合があります。
- メンテナンスを実施しないと、製品の寿命が短くなり、事故の危険性が増します。
- 特に本製品の安全装置については、すべての整備と修理の作業に特殊な訓練が必要です。メンテナンスを実施した後、この取扱説明書の点検項目の中に不合格の項目があった場合は、サービス代理店にお問い合わせください。当社は、お客様の製品のために、プロフェッショナルな修理と整備を提供することを保証します。
- 純正の交換部品のみを使用してください。

組立

はじめに

このセクションでは、製品の組み立て方法と調整方法を説明します。



警告： 製品を組み立てる前に、安全に関する章と組み立て手順書をお読みください。

バッテリーの取り付け方法



警告： 本製品には、Husqvarna の純正バッテリーのみを使用してください。

- バッテリーを完全に充電します。
- バッテリーを本製品のバッテリーホルダーに押し込みます。バッテリーがロックされると、カチッという音がします。(図 27)



注意： バッテリーがバッテリーホルダーにスムーズに入らない場合は、バッテ

リーが正しく取り付けられていません。本製品が損傷する場合があります。

バッテリー充電器 (40-C80) の壁への取り付け方法



注意： バッテリー充電器を壁に取り付けるときは電動ドライバーを使用しないでください。電動ドライバーはバッテリー充電器を損傷する可能性があります。

- 2本のネジ (B) で壁にバッテリー充電器を取り付けます。必要に応じて、ウォールプラグ (A) を使用します。(図 28)
- 2個のネジ穴プラグ (C) を取り付けます。
- 電源コードをバッテリー充電器と主電源ソケットに接続します。

Operation (操作)

はじめに



警告： 本製品を使用する前に、安全に関する章を読んで理解してください。

バッテリー



警告： バッテリーを使用する前に、安全に関する章をお読みにになり、内容を理解してください。バッテリーおよびバッテリー充電器の取扱説明書もお読みにになり、内容を理解してください。

	周囲温度
バッテリーの作動	5 °C ~ 40 °C (41 °F ~ 104 °F)
バッテリーの充電	5 °C ~ 40 °C (41 °F ~ 104 °F)

バッテリーステータス

ディスプレイには、充電の状況と、バッテリーに関する問題が表示されます。

(図 29)

バッテリーとバッテリー充電器を適切な周囲温度の場所に保管します。

LED インジケータ	バッテリーステータス (充電状態)	
	BLI10	40-B70
LED ライトが 1 つ点灯	なし	バッテリーは 76% ~ 100% 充電済み。
LED ライトが 3 つ点灯	バッテリーは 76% ~ 100% 充電済み。	バッテリーは 51% ~ 75% 充電済み。
LED ライトが 2 つ点灯	バッテリーは 51% ~ 75% 充電済み。	バッテリーは 26% ~ 50% 充電済み。
LED ライトが 1 つ点灯	バッテリーは 26% ~ 50% 充電済み。	バッテリーは 6% ~ 25% 充電済み。
LED ライトが 1 つ点滅	バッテリーは 0% ~ 25% 充電済み。	バッテリーは 0% ~ 5% 充電済み。

バッテリーの充電

初めてバッテリーを使用する場合は、バッテリーを充電してください。新品のバッテリーは 30 % しか充電されていません。



注意： 定格プレートで指定されている電圧と周波数の電源コンセントにのみバッテリー充電器を接続してください。

バッテリーの温度が 50 °C (122 °F) を超えると、バッテリーは充電されません。

1. 電源コードをバッテリー充電器に接続します。
2. バッテリー充電器を接地された電源コンセントに接続します。充電 LED が 1 回点滅します。(図 30)
3. バッテリーとバッテリー充電器の接続を接続します。充電 LED が点灯します。バッテリーを最大 24 時間充電します。(図 31)

4. バッテリーインジケータボタンを押します。すべての LED インジケータが点灯した場合、バッテリーは完全に充電されています。
5. 電源プラグを引いて、バッテリー充電器を電源コンセントから外します。電源コードを引っ張らないでください。
6. バッテリー充電器からバッテリーを外します。

本製品を始動する前の作業

1. 作業エリアを点検します。跳ね返ってくる可能性のある物体を除去してください。
2. カuttingアタッチメントを点検します。ブレードの刃先が鋭いこと、およびブレードに亀裂や損傷がないことを確認します。
3. 製品が正常に機能することを確認します。すべてのナットとネジが確実に締められているかどうかを点検します。

4. ハンドルと安全装置に損傷がないこと、およびこれらが正しく取り付けられていることを確認します。不足している部品がある製品や初期仕様から変更されている製品は使用しないでください。必要に応じて、保護グローブを着用してください。
5. 製品を使用する前に、カバーに損傷がないこと、正しく接続されていることを確認します。

本製品の始動方法

1. 緑色の LED ランプが点灯するまで START/STOP ボタンを押し続けます。(図 32)
2. フロントハンドルのフロントハンドルトリガーを押します。(図 33)
3. パワートリガーを押します。(図 25)

製品の操作方法

1. 生け垣の側面を刈り込むときは、地面の近くで始動し、生け垣に沿って本製品を上方へ動かします。本製品の本体が地面に接触しないようにしてください。(図 34)



警告： カutting装置の前面が地面に接触しないようにしてください。

2. 本製品を体の近くに保持し、作業位置を安定させてください。

3. 十分に注意し、ゆっくりと作業してください。

SavE 機能の使用

本製品には電力節約機能 (SavE) が装備されています。

注記： SavE 機能によって製品の切断力が低下することはありません。

1. キーパッドで SavE ボタンを押します。
2. 緑色の LED が点灯していることを確認します。
3. もう一度 SavE ボタンを押すと、SavE 機能が停止します。緑色の LED が消灯します。(図 35)

自動シャットダウン機能

本製品には、使用していないときに製品を停止させるシャットダウン機能があります。始動 / 停止を示す緑色の LED が消灯し、180 秒後に本製品が停止します。

本製品の停止方法

1. パワートリガーとフロントハンドルトリガーを放します。
2. 緑色の LED が消灯するまで START/STOP ボタンを押し続けます。
3. バッテリーのリリースボタンを押して、バッテリーを取り出します。(図 36)

メンテナンス

はじめに



警告： 本製品のメンテナンスを実行する前に、安全に関する章を読んで理解してください。



警告： 本製品のメンテナンスを実行する前にバッテリーを外してください。

メンテナンスのスケジュール

本製品に必要なメンテナンス手順のリストは以下のとおりです。

メンテナンスコスト	毎回	毎週	毎月
本製品の外部部品を清掃してください。	X		
始動および停止スイッチが正しく機能し、損傷がないことを確認します。	X		
パワートリガーとフロントハンドルトリガーが、安全面から見て正しく作動することを確認します。	X		
コントロールがすべて機能し、損傷がないことを確認します。	X		
カッターブレードとカッターガードに亀裂がなく、損傷していないことを確認します。カッターブレードに亀裂がある場合や、カッターブレードが衝撃を受けている場合は、カッターブレードまたはカッターガードを交換します。	X		
カッターブレードに曲がりや損傷がある場合は交換します。	X		

メンテナンスコスト	毎回	毎週	毎月
ハンドガードに損傷がないことを確認してください。ガードが破損している場合は交換します。	X		
ネジとナットが確実に締められていることを確認します。	X		
バッテリーに損傷がないことを確認してください。	X		
バッテリーが充電されていることを確認してください。	X		
バッテリー充電器に損傷がないことを確認してください。	X		
カッターブレードを固定しているネジがきちんと締まっていることを確認してください。		X	
バッテリーと本製品の接続を確認します。バッテリーとバッテリー充電器の接続を確認します。			X

バッテリーとバッテリー充電器の点検方法

1. バッテリーにヒビなどの損傷がないか調べます。
2. バッテリー充電器にヒビなどの損傷がないか調べます。
3. 充電器の電源コードを点検し、破損や亀裂がないことを確認してください。

製品、バッテリー、およびバッテリー充電器の清掃方法

1. 使用後は、製品を乾いた布で拭いてください。
2. バッテリーとバッテリー充電器を、乾いた布で拭いてください。バッテリーガイドトラックは清潔さを保ってください。
3. バッテリーをバッテリー充電器や本製品に入れる前に、バッテリーとバッテリー充電器の端子に汚れがないことを確認してください。

ブレードの点検

1. 本製品を使用する前と後に、腐食防止剤を使用してカッターブレードに付着した物質を清掃してください。
2. ブレードのエッジに損傷や変形がないか点検します。

3. ブレードのバリをヤスリで削り取ります。
4. ブレードが自由に動くことを確認してください。

ブレードの清掃と潤滑方法

1. 本製品の使用前後に、ブレードに付着した物質を清掃してください。
2. 長期間保管する前に、ブレードを潤滑してください。

注記: 推奨される洗剤と潤滑油について詳しくは、サービス代理店までお問い合わせください。

ギアハウジングの潤滑方法

認定サービスディーラーがギヤを分解した後は、ギアハウジングにグリスを塗布します。

- Husqvarna 純正のグリスを使用してください。推奨されるグリスについて詳しくは、サービス代理店までお問い合わせください。
- 専用の高品質グリスを少量のみ使用してください。



注意: ギアハウジングにグリスをいっぱいまで充填しないでください。

トラブルシューティング

キーパッド

LED 画面	想定される不具合	解決方法
エラー LED が点滅する。	過負荷	カッティングアタッチメントを自由に動かさない。カッティングアタッチメントを解放してください。
	温度の逸脱	本製品を冷却してください。
製品が始動しない。	パワートリガーとスタートボタンを同時に押します。	パワートリガーを放して本製品を停止します。

LED 画面	想定される不具合	解決方法
エラー LED が赤色で点灯する。	本製品にサービス作業が必要です。	販売店にお問い合わせください。

バッテリー

LED 表示	想定される不具合	対応措置
緑色の LED が点滅する。	バッテリー電圧が低い。	バッテリーを充電してください。
エラー LED が点滅する。	温度の逸脱。	バッテリーは $-10 \sim 40^{\circ}\text{C}$ ($14 \sim 104^{\circ}\text{F}$) の温度で使用してください。
	電圧が高すぎる。	主電源の電圧が、本製品の銘板に記載された値と一致することを確認してください。 バッテリー充電器からバッテリーを外します。
エラー LED が点灯する。	電池の電位差が大きすぎる (1V)。	サービス代理店にお問い合わせください。

バッテリー充電器

問題	想定される障害	解決方法
充電 LED が赤色に点灯している。	永続的なバッテリー充電器エラーが発生しました。	販売店にお問い合わせください。
充電 LED が緑色に点滅する。	動作温度外です。バッテリーの温度が低すぎるかまたは高すぎるため、使用または充電できません。	バッテリーの温度が下がるまで待つが、温度を上げます。バッテリーの温度が適切になると、使用または充電できるようになります。バッテリー充電器は周囲の温度が $5^{\circ}\text{C} \sim 40^{\circ}\text{C}$ の場合に使用してください。
充電 LED が赤色に点滅する。	バッテリーの不具合。	販売店にお問い合わせください。

搬送、保管、廃棄

搬送と保管

- 同梱のリチウムイオンバッテリーは、危険物の規制に関する規則に準拠しています。
- 民間の運送業者による商用輸送においては、梱包およびラベル付けに関して所定の要件に従ってください。
- 本製品を送送する前に、危険物に関して特別な訓練を受けた担当者にご相談ください。該当するすべての国内規制に従ってください。
- バッテリーを梱包するときは、露出している端子にテープを貼ってください。バッテリーを固定し、動かないように梱包してください。
- 保管するときや搬送時はバッテリーを外してください。
- バッテリーとバッテリー充電器は、乾燥して湿気や霜がない場所に置いてください。
- 静電気が発生するような場所にはバッテリーを保管しないでください。バッテリーは金属製の箱に保管しないでください。
- バッテリーは温度が $5 \sim 25^{\circ}\text{C}$ ($41 \sim 77^{\circ}\text{F}$) の場所に保管し、直射日光から遠ざけてください。
- バッテリー充電器は温度が $5 \sim 45^{\circ}\text{C}$ ($41 \sim 113^{\circ}\text{F}$) の場所に保管し、直射日光から遠ざけてください。
- バッテリー充電器は、周囲温度が $5^{\circ}\text{C} \sim 40^{\circ}\text{C}$ の場合にのみ使用してください。

- バッテリーを長期間保管するときは、充電量を 30～50 %にしてください。
- バッテリー充電器は、密閉した乾いた場所に保管してください。
- バッテリーの保管中は、バッテリー充電器から遠ざけてください。子供や許可されていない他の人が機器に触れないようにしてください。施錠できる場所に装置を保管してください。
- 製品を長期間保管する場合は、その前に製品を清掃し、よく点検しておいてください。
- 搬送中および保管中に製品が傷ついたり損傷したりしないように、製品の移動用ガードを使用してください。

- 搬送中は製品をしっかりと固定してください。

バッテリー、バッテリー充電器、および製品の廃棄

本製品や本製品パッケージ上のマークは、本製品が家庭ゴミではないことを示します。電気・電子機器の再利用を行うため、リサイクル営業所に引き渡します。これにより環境や人への被害を防ぐことができます。

本製品のリサイクルの詳細については、地方自治体、廃棄物処理業者または販売店にお問い合わせください。

主要諸元

主要諸元

	215IHD45
モーター	
モータータイプ	BLDC
質量	
バッテリーを除いた質量、kg	3.2
カッター	
型式	両刃
ブレード長 (mm)	450
SavE モード使用時のブレード速度、カット/分	2400
SavE モード不使用時のブレード速度、カット/分	3000
騒音排出⁵⁵	
実測音響レベル dB (A)	87
音響パワーレベル、保証値 L _{WA}	90
音量レベル	
使用者の聴覚の音圧レベル、EN 62841-62841-2 に従った計測値、dB (A)	79
振動レベル⁵⁶	
振動レベル (a _h)、フロント / リヤ、m/s ²	2.1/1.7

⁵⁵ 環境における騒音の排出は、EC 指令 2000/14/EC に従って、音響パワー (L_{WA}) として測定。保証音響と計測音響の違いは、保証音響に計測結果のばらつきと、同一モデルの異なる機器の差異が含まれているためです。これは指令 2000/14/EC に則っています。

⁵⁶ 報告データによれば、等価振動レベルの一般的な統計上のばらつき (標準偏差) は、1.5 m/s² です。公称振動合成値は標準試験法に則って測定されており、ツール間を比較するために使用できます。公称振動合成値は振動暴露の予備評価にも使用できます。

認可されたバッテリー

バッテリー	BLi10	40-B70	
型式	リチウムイオン	リチウムイオン	
バッテリー容量、Ah	バッテリー定格ステッカー参照	バッテリー定格ステッカー参照	
公称電圧、V	36	36.5	36
質量、kg	0.7	0.7	0.8

認可されたバッテリー充電器

バッテリー充電器	QC80	40-C80
主電源電圧 (V)	100 ~ 240	100 ~ 240
周波数、Hz	50/60	50/60
電力、W	100	72
出力電圧、V d.c./アンペア、A	36/2	43/1.6

適合宣言

EU 適合宣言

ハスクバーナ社 (Husqvarna AB, SE-561 82
Husqvarna, Sweden、電話番号 : +46-36-146500) は、
単独責任のもとで、以下の製品の適合を宣言します。

名称	バッテリー式ヘッジトリマー
ブランド	Husqvarna
タイプ / モデル	215iHD45
ID	2024 年以降の製造番号

が以下の EU 指令および規制を完全に順守し、

指令 / 規制	名称
2006/42/EC	「機械類に関する」
2014/30/EU	「電磁環境適合性に関する」
2000/14/EC	「環境への騒音排出に関する」
2011/65/EU	「電気・電子製品に含まれる特定有害物質の使用制限に関する」

および以下の規格または技術仕様が適用されています。
EN 62841-4-2:2019+A1:2022+A11:2022, EN
62841-1:2015+A11:2022, EN IEC 55014-1:2021, EN
IEC 55014-2:2021, EN IEC 63000:2018。

指令 2000/14/EC の付録 V に従って宣言された音響値に
ついては、**主要諸元 412** ページを参照してください。

Husqvarna, 2024-02-01

Claes Losdal, R&D Manager, Husqvarna AB

正式代表兼技術文書担当



목차

서문.....	414	고장 수리.....	423
안전성.....	415	운송, 보관 및 폐기.....	424
조립.....	420	기술 정보.....	425
작동.....	421	준수 선언문.....	427
유지 보수.....	422		

서문

제품 설명

Husqvarna 215iHD45는 전기 모터가 있는 배터리형 전정
기입니다.

작동 중의 안전과 효율성을 높이기 위한 노력은 항상 계
속되고 있습니다. 자세한 내용은 서비스 대리점에 문의하
십시오.

고유 용도

이 제품을 사용하여 나뭇가지와 잔가지를 잘라낼 수 있습니다. 제품을 다른 작업에 사용하지 마십시오.

제품 개요

(그림 1)

1. 사용자 설명서
2. 뒤 핸들
3. 앞 핸들 트리거
4. 앞 핸들
5. 절단기
6. 이동 보호대
7. 파워 트리거
8. 제어판
9. 핸드가드
10. 배터리
11. 배터리 충전기 40-C80
12. 커넥터
13. 배터리 표시등 버튼
14. 배터리 상태
15. 경고 표시등
16. SavE 버튼
17. 시동/정지 버튼
18. 전원 켜짐 및 경고 표시등
19. 배터리 해제 버튼
20. 배터리 충전기 QC80
21. 전원 코드

제품의 기호

- (그림 2) 경고: 본 제품은 위험할 수 있고 작업자 또는 다른 사람에게 심각한 부상이나 사망을 초래할 수 있습니다. 제품을 조심해서 올바르게 사용하십시오.
- (그림 3) 제품을 사용하기 전에 사용자 설명서를 주의 깊게 읽고 지침을 숙지하십시오.
- (그림 4) 시각 보호 장구를 착용하십시오.
- (그림 5) 이 제품은 적용 가능한 EC 지침 조항을 준수합니다.

(그림 6) 제품 또는 제품의 패키지는 가정용 폐기물이 아닙니다. 전기 및 전자 장비 재활용 처리장에서 재활용하십시오.

(그림 7) 빗물에 노출시키지 마십시오.

(그림 8) 직류.

(그림 9) EU(뉴사우스웨일스 법률도 포함) 및 영국 지침과 규정에 따른 환경에 소음 방출 라벨. 소음 배출 데이터는 장비 레이블 및 기술 데이터 장에서 확인할 수 있습니다.

(그림 10) 본 제품은 적용되는 UK 규정을 준수합니다.

(그림 11) 경고: 손을 절단 날로부터 멀리하십시오.

yyyywwxxxxx 명판에는 일련번호가 표시됩니다. yyyy는 생산 연도이고 ww는 생산 주입니다.

주: 제품에 대한 여타 기호/도안은 특정 시장의 특수 인증 요구사항을 나타냅니다.

배터리 및/또는 배터리 충전기의 기호

- (그림 15) 전기 및 전자 장비 재활용 처리장에서 이 제품을 재활용하십시오. (유럽에만 해당).
- (그림 12) 페일 세이프(Fail-safe) 변압기
- (그림 13) 배터리 충전기는 실내에서만 사용 및 보관하십시오.
- (그림 14) 이중 절연.

안전성

안전 정의

설명서에서 특히 중요한 부분을 가리킬 때 경고, 주의 및 추가 사용됩니다.



경고: 설명서의 지시사항을 준수하지 않을 경우 작업자나 옆에 있던 사람이 부상을 입거나 사망할 위험이 있을 때 사용됩니다.



주의: 설명서의 지시사항을 준수하지 않을 경우 제품, 다른 재료 또는 인접한 지역에서 피해가 발생할 위험이 있을 때 사용됩니다.

주: 주어진 상황에 대한 정보를 추가로 제공할 때 사용됩니다.

일반 전동 공구 안전 경고



경고: 안전 경고 및 지침을 모두 읽어 보십시오. 경고 및 지시 사항에 따르지 않을 경우 전기 감전, 화재 등으로 인해 중상을 입을 수 있습니다.

주: 나중에도 참조할 수 있도록 모든 경고와 지침을 보관하십시오. 경고에 있는 "전동 공구"라는 용어는 주전원으로 작동하는(유선) 전동 공구 또는 배터리로 작동하는(무선) 전동 공구를 말합니다.

작업 영역의 안전

- 작업 영역을 깨끗하고 밝게 유지합니다. 어수선하거나 어두운 곳에서 사고가 발생합니다.
- 전동 공구를 가연성 액체나 가스 또는 먼지 등이 있는 폭발 가능한 지역에서 작동시키지 마십시오. 전동 공구는 먼지나 증기에 점화시킬 수 있는 불꽃을 발생시킵니다.
- 전동 공구를 조작할 때에는 아이들과 구경꾼들이 멀리 떨어지게 하십시오. 방심할 경우 통제력을 잃을 수 있습니다.

전기기적 안전

- 전동 공구 플러그는 소켓에 맞아야 합니다. 플러그를 어떠한 경우에도 개조하지 마십시오. 접지시킨 전동 공구에 대해서는 어댑터 플러그를 사용하지 마십시오. 개조하지 않은 플러그 및 꼭 맞는 소켓을 사용하면 전기 감전의 위험을 줄일 수 있습니다.
- 파이프, 라디에이터, 전차레인지, 냉장고 등과 같이 접지된 표면에 신체를 접촉시키지 마십시오. 접촉하는 경우에는 전기 감전 위험이 증대됩니다.
- 전동 공구를 비가 내리거나 젖어 있는 곳에 노출하지 마십시오. 전동 공구에 물이 유입되면 전기 감전의 위험이 증대됩니다.
- 코드를 무리하게 당기지 마십시오. 절대로 코드를 당겨서 전동 공구를 운반하거나 끌어당기거나 플러그를 빼지 마십시오. 코드를 열, 오일, 날카로운 모서리나 움직이는 부품에서 멀리하십시오. 코드가 손상되거나 영키는 경우 전기 감전의 위험이 증대됩니다.
- 전동 공구를 실외에서 작동하는 경우 실외용으로 적합한 연장 코드를 사용하십시오. 실외용으로 적합한 코드를 사용하면 감전의 위험이 줄어듭니다.
- 어쩔 수 없이 습한 장소에서 전동 공구를 작동해야 하는 경우에는 누전 차단기(RCD)로 보호되는 전원 공급 장치를 사용하십시오. 누전 차단기(RCD)를 사용하면 감전의 위험이 줄어듭니다.



경고: 장비를 물로 세척하지 마십시오. 물이 전기 시스템이나 모터에 들어가면 장비가 손상되거나 누전이 발생할 수 있습니다.

개인 안전

- 전동 공구를 조작할 때에는 방심하지 말고 작업에 주의하며 상체에 어긋난 행동을 하지 마십시오. 피곤하거나 약물, 알코올 또는 의약품의 효과가 나타나는 등 안에는 전동 공구를 사용하지 마십시오. 전동 공구를

조작하는 동안 한 순간의 방심이 심각한 인명 사고를 일으킬 수 있습니다.

- **개인안전장비를 이용하십시오. 항상 시각 보호 장구를 착용하십시오.** 적절한 작업 조건을 위해 사용되는 먼지 차단 마스크, 미끄럼 방지 안전화, 안전모 또는 청각 보호 장구 등과 같은 안전장비는 부상의 위험을 줄여줍니다.
- **엔진에 실수로 시동이 걸리지 않도록 하십시오.** 공구에 전원 및/또는 배터리 팩을 연결하거나, 공구를 들어 올리거나 운반하기 전에 스위치가 오프(OFF) 위치에 있는지 확인하십시오. 스위치 위에 손가락을 올려 놓고 전동 공구를 운반하거나 스위치가 켜져 있는 전동 공구에 전기를 흐르게 할 경우 사고를 일으키게 됩니다.
- **전동 공구의 전원을 켜기 전에 조정 키나 렌치를 제거합니다.** 전동 공구의 회전하는 부품에 부착된 렌치나 키는 인명 사고를 일으킬 수 있습니다.
- **몸을 무리하게 앞으로 뻗지 마십시오. 항상 발 딛는 곳에 적절한 균형을 유지하십시오.** 이렇게 하면 예상치 못한 상황에서 전동 공구를 더 잘 제어할 수 있습니다.
- **적절한 복장을 갖추십시오.** 헐거운 옷이나 장신구를 착용하지 마십시오. 머리카락, 의복은 움직이는 부품에서 멀리 떨어지게 하십시오. 헐거운 의복, 장신구나 긴 머리카락이 움직이는 부품에 끼일 수 있습니다.
- **먼지 추출 및 집진 설비를 연결하기 위해 제공된 장비의 경우 연결 상태와 제대로 사용되고 있는지 여부를 확인하십시오.** 집진 설비를 사용할 경우 먼지와 관련된 위험을 줄일 수 있습니다.
- **도구의 빈번한 사용으로 인해 익숙해짐으로써 무사 안일주의에 빠지거나 도구 안전 원칙을 무시하지 않도록 하십시오.** 부주의한 작동으로 인해 1초 이내에도 심각한 부상을 입을 수 있습니다.
- 전동 공구를 실제로 사용하는 동안 발생하는 진동 방출은 공구를 사용하는 방법에 따라 규정된 총 진동 값과 다를 수 있습니다. 작업자는 (트리거 뿐만 아니라) 공구 전원을 끄는 시점, 공회전하는 시점과 같이 작동 주기의 모든 측면을 고려하여) 실제 사용 조건에서의 노출 예측을 기초로 스스로를 보호하기 위해 안전 조치를 파악해야 합니다.

전동 공구 사용 및 주의사항

- 전동 공구에 무리한 힘을 가하지 마십시오. 용도에 맞는 올바른 전동 공구를 사용하십시오. 올바른 전동 공구는 설계된 속도로 사용할 때 더 안전하고 훌륭하게 작업을 수행합니다.
- 스위치로 전동 공구를 켜고 끄지 못할 경우에는 전동 공구를 사용하지 마십시오. 스위치로 조작이 불가능한 전동 공구는 위험하며 수리해야 합니다.
- 조절, 부속품 교환 또는 전동 공구 보관 전에 전원에서 플러그를 분리하거나 배터리 팩을 탈착 가능한 경우 전동 공구에서 제거하십시오. 그러한 안전 예방 조치는 전동 공구에 실수로 시동을 거는 위험을 줄여줍니다.
- 아이들의 손이 닿지 않는 곳에 전동 공구를 보관하고 전동 공구나 이 지침에 대해 잘 모르는 사람이 전동 공구를 작동하지 못하도록 하십시오. 전동 공구가 훈련되지 않은 사용자의 손에 들어갈 경우 위험합니다.

- 전동 공구 및 액세서리를 유지 보수하십시오. 움직이는 부품의 오정렬이나 고착, 부품의 파손 및 기타 전동 공구의 작동에 영향을 줄 수 있는 상태를 점검하십시오. 전동 공구가 손상된 경우 사용하기 전에 수리하십시오. 전동 공구의 유지 보수가 불량한 경우 많은 사고가 발생할 수 있습니다.
- 절단 공구는 날카롭고 청결하게 관리하십시오. 날카로운 절단 날을 갖추도록 제대로 관리된 절단 공구는 고착될 가능성이 적고 제어하기가 쉽습니다.
- 작업 조건 및 수행해야 할 작업을 고려하면서 이 지시 사항에 따라 전동 공구, 액세서리 및 공구 바이트 등을 사용하십시오. 그러한 목적과 다른 작업에 전동 공구를 사용할 경우 위험한 상황이 발생할 수 있습니다.
- 핸들과 손잡이 부분을 건조하고 깨끗하며 오일과 그리스가 없도록 유지하십시오. 핸들과 손잡이 부분이 미끄러우면 예상치 못한 상황에서 공구를 안전하게 취급하고 제어할 수 없습니다.

무선 전동 공구 사용 및 주의사항

- 제조업체에서 지정한 충전기로만 충전하십시오. 지정된 배터리 팩 유형에 적합하도록 설계된 충전기에 다른 유형의 배터리 팩을 사용하면 화재의 위험이 있을 수 있습니다.
- 제품에는 특별히 지정된 배터리 팩만 사용하십시오. 다른 유형의 배터리 팩을 사용하면 상해 및 화재의 위험이 있을 수 있습니다.
- 단자의 단락을 야기할 수 있으므로 배터리 팩을 사용하지 않을 때는 플립, 동전, 열쇠, 못, 나사 등 각종 금속 물체로부터 멀리하십시오. 배터리 단자가 단락 되면 화상 또는 화재를 일으킬 수 있습니다.
- 너무 심하게 사용하면 배터리에서 배터리액이 누수될 수 있으므로 신체에 닿지 않게 하십시오. 만일 실수로 신체에 닿은 경우 물로 세척하십시오. 만일 배터리액이 눈에 닿은 경우 추가로 의료적인 도움을 받으십시오. 배터리에서 누수된 배터리액은 자극 또는 화상을 일으킬 수 있습니다.
- 손상되거나 개조된 배터리 팩 또는 공구를 사용하지 마십시오. 손상되거나 개조된 배터리는 화재, 폭발 및 부상의 위험이 있는 예측할 수 없는 동작을 할 수 있습니다.
- 배터리 팩 또는 공구를 불이나 과도한 온도에 노출시키지 마십시오. 불에 노출되거나 130°C 이상의 온도에 노출되면 폭발할 수 있습니다.
- 모든 충전 지침에 따라 지침에 지정된 온도 범위 외에서 배터리 팩 또는 공구를 충전하지 마십시오. 부적절하게 충전하거나 명시된 온도 범위를 벗어나면 배터리를 손상시킬 수 있으며 화재의 위험이 높아집니다.

서비스

- 정품 교체 부품만을 사용하는 유자격 수리 기술자에 개만 전동 공구 수리를 맡기십시오. 이렇게 하면 전동 공구의 안전을 확실히 관리할 수 있습니다.
- 손상된 배터리 팩은 정비하지 마십시오. 배터리 팩에 대한 서비스는 제조업체 또는 공인 서비스 제공업체만 수행해야 합니다.

전정기 안전 경고 - 개인 안전

- 전정기를 조작할 시 양손을 사용하십시오. 한 손으로 사용하면 통제력을 잃어 심각한 인명 사고를 초래할 수 있습니다.
- 신체 모든 부분을 날로부터 멀리하십시오. 날이 움직일 때는 절단 대상 물체 또는 절단에 사용되는 고정 물체를 제거하지 마십시오. 스위치가 꺼진 후에도 날이 계속 움직입니다. 전정기를 조작하는 동안 한 손간의 방식이 심각한 인명 사고를 초래할 수 있습니다.
- 날이 멈춘 상태의 전정기를 핸들로 옮기고 전원 스위치가 작동하지 않도록 주의합니다. 전정기를 올바르게 운반하면 예기치 않게 시동이 걸려 칼날에 부상을 입을 수 있는 위험성이 감소합니다.
- 전정기를 운반하거나 보관할 때는 항상 날의 덮개를 장착합니다. 전정기를 올바르게 취급하면 날로 인한 인명 사고 위험이 줄어듭니다.
- 걸린 물체를 제거하거나 장치를 정비할 때는 모든 전원 스위치가 꺼져 있고 배터리 팩이 제거 또는 분리되어 있는지 확인하십시오. 걸린 물질 제거 혹은 정비를 할 때 전정기가 예상치 않게 작동하면 심각한 부상을 초래할 수 있습니다.
- 절단 날이 숨어 있는 배선에 닿을 수 있으므로 전정기를 잡을 때는 반드시 절연된 손잡이 부분을 잡아야 합니다. 날이 "전기가 흐르는" 배선에 닿으면 이는 전정기의 금속 부품이 "흐르는 전기"에 노출됨을 의미하며 작업자가 감전될 수 있습니다.
- 모든 전원 코드 및 케이블을 절단 부위에서 멀리하십시오. 전원 코드 또는 케이블은 관목에 숨겨질 수 있으며, 칼날이 실수로 케이블을 절단할 수 있습니다.
- 특히, 낙뢰 위험이 있는 곳은 날씨에는 전정기를 사용하지 마십시오. 그러면 낙뢰에 맞을 위험이 감소합니다.
- 위험합니다. 손을 절단 날로부터 멀리하십시오. 날에 손이 닿으면 심각한 인명 사고를 초래할 수 있습니다.

일반 안전 지침



경고: 제품을 사용하기 전에 다음 경고 지침을 읽으십시오.

- 배터리를 분리하여 제품이 실수로 작동되지 않도록 하십시오.
- 이 제품은 조심하지 않거나 잘못 사용하면 위험한 공구입니다. 이 제품은 작업자 또는 다른 사람에게 심각한 부상이나 사망을 초래할 수 있습니다.
- 제품이 초기 사양에서 변경된 경우 제품을 사용하지 마십시오. 제조업체의 승인 없이 제품의 일부를 변경하지 마십시오. 제조업체가 승인한 부품만 사용하십시오. 잘못된 유지 관리의 결과로 부상이나 사망 사고가 발생할 수 있습니다.
- 사용 전에 제품을 점검하십시오. *제품을 시작하기 전에 수행할 작업 페이지의 421*를 참조하십시오. 결합이 있는 제품은 사용하지 마십시오. 본 설명서에 나온 안전 점검, 유지 보수 및 서비스 지침을 실행하십시오.
- 어린이가 제품을 가지고 장난하지 않도록 감속해야 합니다. 아이들이나 제품 사용에 관하여 교육을 받지 못한 다른 사람이 장비를 사용하고/배터리를 사용하

거나 서비스하지 않도록 하십시오. 현지 법에 따라 사용자의 연령이 규정될 수 있습니다.

- 어린이나 승인되지 않은 사람이 접근하지 못하도록 제품을 자물쇠가 있는 장소에 보관하십시오.
- 어린이의 손이 닿지 않는 곳에 제품을 보관하십시오.
- 제조사의 인가 없이는 어떤 경우에도 제품의 설계를 변경할 수 없습니다. 항상 정품 액세서리를 사용하십시오. 인가받지 않은 개조 및/또는 액세서리는 사용자와 동료 작업자에게 심각한 인명 사고 또는 사망을 초래할 수 있습니다.

주: 국가 또는 해당 지역 법에 따라 사용이 규제될 수 있습니다. 제공된 규정을 준수하십시오.

작동에 대한 안전 지침



경고: 제품을 사용하기 전에 다음 경고 지침을 읽으십시오.

- 어떻게 해야 하는지 잘 모르는 경우에는 전문가에게 문의해야 합니다. 대리점이나 서비스 센터에 문의합니다. 자신의 능력 밖이라고 판단되는 모든 조작은 하지 마십시오.
- 피로한 상태, 알코올 및 마약, 약물 또는 기타 시력, 주의력, 협응 능력 및 판단력에 영향을 미칠 수 있는 물질의 영향을 받는 상태에서는 절대 이 제품을 사용해서는 안 됩니다.
- 나쁜 날씨에서 작업하면 쉽게 지치며 위험이 추가되는 경우가 많습니다. 따라서 짙은 안개, 폭우, 강풍, 혹한 및 낙뢰 위험 등과 같은 악천후에서는 장비를 사용하지 않는 것이 좋습니다.
- 결함이나 있는 날은 사고의 위험성을 증가시킵니다.
- 어린이가 제품을 사용하거나 제품 근처에 있지 못하도록 하십시오. 제품은 시동하기 쉬우므로 완벽히 감시하지 않고 보관하는 경우 어린이가 시동할 수도 있습니다. 이것은 심각한 인명 사고를 당할 수 있는 위험을 의미합니다. 제품을 긴밀히 감독하지 않는 경우에는 배터리를 분리하십시오.
- 작업 중에 15미터 이내로 접근하는 사람이나 동물이 없도록 하십시오. 몇 명의 작업자가 같은 구역 내에서 일하고 있는 경우 안전거리는 최소한 15미터여야 합니다. 그렇지 않으면 심각한 인명 사고의 위험이 있습니다. 누군가 다가가면 즉시 제품을 정지시키십시오. 아무도 안전거리 내에 있지 않도록 하고 사용자의 뒤편을 확인하지 않고 제품을 휘두르지 마십시오.
- 사람, 동물 또는 기타 물품이 제품 제어에 영향을 미치지 못하게 하거나 절단용 부품 및 절단용 부품에 의해 튀어나온 느슨한 물체에 닿지 않게 하십시오. 하지만 사고 발생 시 도움을 청할 수 있는 상황이 아닌 경우에는 제품을 사용하지 마십시오.
- 항상 작업 구역을 검사하십시오. 돌, 깨진 유리, 못, 강선, 끈 등 절단용 부착물 주위로 갑자기 튕겨 나갈 수 있는 느슨한 물체를 모두 제거하십시오.
- 작업자가 순간 이동할 수 있고 안전하게 서 있을 수 있는지 확인하십시오. 갑자기 움직여야 할 경우 지면에 장애물(뿌리, 바위, 가지, 도랑 등)이 있는지 주변 지역을 점검하십시오. 경사 지면에서 작업할 때는 특히 주의하십시오.

- 항상 균형 및 지지 바닥을 견고히 유지하십시오. 몸을 무리하게 앞으로 뺀지 마십시오.
- 다른 구역으로 이동하기 전에 제품을 비활성화시키십시오. 제품을 사용하지 않을 때는 이동 보호대를 부착하십시오.
- 제품을 비활성화시키고 배터리를 제거하지 않은 경우에는 절대로 제품을 내려놓지 마십시오. 제품 전원이 켜져 있을 때는 제품을 감시하지 않은 상태로 두지 마십시오.
- 제품이 활성화되어 있을 때 오히려 신체 일부가 절단용 부품에 닿지 않게 하십시오.
- 제품 작동 중에 칼날에 걸리는 것이 있으면 제품을 정지하고 비활성화하십시오. 절단용 부품이 완전히 정지되는지 확인하십시오. 제품 및/또는 칼날을 청소, 검사 또는 수리하기 전에 배터리를 분리하십시오.
- 제품을 비활성화할 때는 절단용 부품이 완전히 멈출 때까지 손과 발을 절단용 부품에서 멀리하십시오.
- 절단하는 동안 튕겨 나갈 수 있는 가지 밀동에 주의하십시오. 돌이나 기타 물체가 튕겨 나갈 수 있는 지면에 너무 가깝게 절단하지 마십시오.
- 튕겨 나가는 물체에 주의합니다. 항상 인증된 시각 보호 장구를 착용하십시오. 절단 부착물 보호대에 절대로 기대지 마십시오. 돌, 쓰레기 등이 눈에 튀어 들어 가면 눈이 멀거나 심각한 부상을 입을 수 있습니다.
- 청력 보호 장구를 착용하고 있을 때는 경고 신호나 고함을 주의해서 들으십시오. 제품이 멈추면 즉시 청력 보호 장구를 벗으십시오.
- 절대로 사다리, 스물 또는 안전이 확보되지 않은 높은 위치에서 작업하지 마십시오
- 제품을 잡을 때는 양손을 모두 사용하십시오. 제품을 신체 옆에서 잡습니다.

(그림 16)

개인 보호 장구



경고: 제품을 사용하기 전에 다음 경고 지침을 읽으십시오.

- 제품을 사용할 때는 인가된 개인 보호 장구를 착용하십시오. 개인 보호 장구가 부상을 완전히 방지할 수는 없지만 부상의 정도를 줄일 수 있습니다. 자세한 내용은 대리점에 문의하십시오.
- 낙하물의 위험이 있는 곳에서는 헬멧을 사용하십시오.

(그림 17)

- 인가된 청각 보호 장구를 사용하십시오. 소음에 장시간 노출될 경우 영구적인 청각 손상을 초래할 수 있습니다.

(그림 18)

- 인가된 시각 보호 장구 가리개를 사용하는 경우에는 반드시 인가된 고글을 사용하십시오. 인가된 고글은 미국 표준 ANSI Z87.1 또는 EU 국가의 EN 166에 부합되어야 합니다.

(그림 19)

- 작동 및 유지 보수 중에는 보호 장갑을 사용하십시오.

(그림 20)

- 안전화 혹은 미끄럼 방지 밑창으로 된 신발을 착용하십시오.

(그림 21)

- 질긴 천으로 만든 옷을 사용하십시오. 안전복은 동작을 제한하지 않는 범위에서 몸에 꼭 맞도록 착용해야 합니다. 긴 바지를 입고 머리를 어깨 위로 넘기십시오. 장신구를 사용하거나 머발을 열지 마십시오.
- 응급 처치 장비를 가까이에 두십시오.

(그림 22)

제품의 안전장치



경고: 제품을 사용하기 전에 다음 경고 지침을 읽으십시오.

이 절에서는 제품의 안전 기능 및 그 용도, 이 장치를 올바르게 작동시키기 위한 점검 및 유지 보수 등에 대하여 설명합니다. 각 구성품이 제품의 어느 부분에 있는지를 알려면 *제품 개요 페이지의 415*의 내용을 참고하십시오.

제품의 유지 보수가 적절히 이루어지지 않거나, A/S 및/또는 수리가 전문가에 의해 이루어지지 않는 경우 제품의 수명이 감소하고 사고의 위험이 늘어날 수 있습니다. 추가 정보가 필요하신 경우 가까운 서비스 대리점에 문의하십시오.



경고: 안전장치가 손상된 제품은 절대로 사용하지 마십시오. 제품의 안전장치는 이 절에 기재된 대로 점검하고 유지 보수되어야 합니다. 만약 사용자의 제품이 이 점검 사항 중에서 만족하지 않는 부분이 있다면 서비스 대리점을 찾아 수리해야 합니다.



주의: 장비를 서비스하고 수리하기 위해서는 특별한 교육을 받아야 합니다. 장비의 안전장치와 관련해서는 특히 그렇습니다. 만약 사용자의 장비가 아래 나열된 점검 사항 중에서 지적되는 부분이 있다면 반드시 서비스 대리점을 찾으셔야 합니다. 당사 제품을 구입하시면 당사의 전문 수리 및 서비스를 이용하실 수 있습니다. 장비를 구입한 판매점에서 서비스를 제공할 수 없는 경우에는 가장 가까운 서비스 센터의 주소를 문의하십시오.

키패드 점검 방법

1. 시작/정지 버튼(A)을 길게 누릅니다. (그림 23)
 - a) LED(B)가 켜지면 제품이 켜집니다.
 - b) LED(B)가 꺼지면 제품이 꺼집니다.
2. 경고 표시등(C)이 켜지거나 깜박거리면 *키패드 페이지의 423*을 참조하십시오.

전면 핸들 트리거 점검 방법

전면 핸들 트리거는 우발적인 시작을 방지합니다. 전면 핸들 트리거를 누르면 파워 트리거가 해제됩니다. 핸들을 놓으면 파워 트리거와 전면 핸들 트리거가 처음 위치로 돌아갑니다.

1. 파워 트리거와 전면 핸들 트리거가 자유롭게 움직이고 리턴 스프링이 올바르게 작동하는지 확인하십시오.

2. 제품을 시동합니다.

3. 전면 핸들 트리거를 누릅니다.

(그림 24)

4. 파워 트리거를 누르십시오. (그림 25)

5. 전면 핸들 트리거를 놓고 절단 부품이 완전히 멈추는지 확인하십시오.

손 보호대 점검 방법

손 보호대는 손이 칼날에 우발적으로 접촉하지 않도록 방지합니다.

1. 제품을 정지하십시오.
2. 배터리를 분리하십시오.
3. 손 보호대가 올바르게 부착되어 있는지 확인하십시오.
4. 손 보호대가 손상되지 않았는지 검사합니다.

칼날 및 칼날 보호대 점검 방법

날(A)의 더 긴 부분이 날 보호대 역할을 합니다.

1. 제품을 정지하십시오.
2. 배터리를 분리하십시오.
3. 장갑을 착용합니다.
4. 칼날 및 날 보호대가 손상되거나 구부러지지 않았는지 확인합니다. 칼날 및 날 보호대가 손상되거나 구부러진 경우 교체합니다. (그림 26)

배터리 안전



경고: 제품을 사용하기 전에 다음 경고 지침을 읽으십시오.

- BLi 시리즈 및 40-B 시리즈 배터리만 사용하십시오. 자세한 내용은 다음을 참조하십시오. *기술 정보 페이지의 425*. 배터리는 소프트웨어 암호가 걸려 있습니다.
- 관련된 Husqvarna 제품의 전원 공급 장치로 충전할 수 있는 BLi 시리즈 및 40-B 시리즈 배터리만 사용하십시오. 부상을 방지하기 위해 배터리를 다른 장치의 전원 공급 장치로 사용하지 마십시오.
- 감전의 위험이 있습니다. 배터리 단자를 열쇠, 동전, 나사 또는 기타 금속에 연결하지 마십시오. 이로 인해 배터리가 누전될 수 있습니다.
- 일회용 배터리는 사용하지 마십시오.
- 배터리의 에어 슬롯에 물체를 넣지 마십시오.
- 배터리를 직사광선, 열 또는 화염으로부터 멀리하십시오. 배터리가 화상 및/또는 화학 화상을 초래할 수 있습니다.
- 배터리가 비를 맞거나 젖지 않도록 보호하십시오.
- 배터리를 전자레인지나 고압으로부터 멀리하십시오.

- 배터리를 분해하거나 부수지 마십시오.
- 배터리가 새면 액체가 몸이나 눈에 닿지 않도록 하십시오. 액체를 만진 경우 다량의 물과 비누로 부위를 닦고 의료 지원을 받으십시오. 눈에 액체가 들어가면 문지르지 말고물로 최소 15분 동안 눈을 씻어내고 의료 지원을 받으십시오.
- 배터리는 -10°C~40°C(14°F~114°F)의 온도에서 사용하십시오.
- 배터리 또는 배터리 충전기를 물로 청소하지 마십시오. 참조: *제품, 배터리 및 배터리 충전기 청소 방법 페이지의 423.*
- 결함이 있거나 손상된 배터리를 사용하지 마십시오.
- 배터리는 못, 나사 또는 보석과 같은 금속 물체가 닿지 않도록 보관하십시오.
- 배터리를 어린이의 손이 닿지 않는 곳에 보관하십시오.

배터리 충전기 안전



경고: 제품을 사용하기 전에 다음 경고 지침을 읽으십시오.

- 안전 지침을 준수하지 않을 경우 감전 또는 누전의 위험이 있습니다.
- 제품과 함께 제공되지 않은 배터리 충전기를 사용하지 마십시오. BLi 시리즈 및 40-B 시리즈 교체용 배터리를 충전할 때는 QC80 및 40-C80 충전기만 사용하십시오.
- 배터리 충전기 분해를 시도하지 마십시오.
- 결함이 있거나 손상된 배터리 충전기를 사용하지 마십시오.
- 전원 코드로 배터리 충전기를 들어 올리지 마십시오. 주전원 소켓에서 배터리 충전기를 분리하려면 플러그를 당겨 빼내십시오. 전원 코드를 당기지 마십시오.
- 모든 케이블 및 연결선을 물, 오일 및 날카로운 모서리로부터 멀리하십시오. 케이블이 문, 유틀리 등과 같은 물체 사이에 끼지 않았는지 확인하십시오.
- 인화성 물질이나 부식성 물질 근처에서 배터리 충전기를 사용하지 마십시오. 배터리 충전기가 덮여 있지

않은지 확인하십시오. 연기 또는 불이 나는 경우에는 배터리 충전기 플러그를 분리하십시오.

- 공기가 잘 통하고 햇빛이 비치지 않는 실내에서만 배터리를 충전하십시오. 야외에서 배터리를 충전하지 마십시오. 젖어 있는 환경에서 배터리를 충전하지 마십시오.
- 배터리 충전기는 5°C~40°C(41°F~104°F)의 온도에서만 사용하십시오. 공기가 잘 통하고 건조하며 먼지가 없는 환경에서 충전기를 사용하십시오.
- 배터리 충전기의 냉각 슬롯에 물체를 넣지 마십시오.
- 배터리 충전기의 누전을 유발할 수 있으므로 충전기 단자를 금속 물체에 연결하지 마십시오.
- 손상되지 않은, 인가된 주 전원 소켓을 사용하십시오. 배터리 충전기의 코드가 파손되지 않았는지 확인하십시오. 연장 케이블을 사용하는 경우 연장 케이블이 파손되지 않았는지 확인하십시오.
- 일회용 배터리를 배터리 충전기에 삽입하여 충전하지 마십시오.

유지 보수에 대한 안전 지침



경고: 제품을 유지 보수하기 전에 다음 경고 지침을 읽으십시오.

- 유지 보수, 다른 점검 또는 제품을 조립하기 전에 배터리를 제거하십시오.
- 작업자는 이 사용자 설명서에 나와있는 유지 보수 및 서비스만 수행해야 합니다. 더 큰 연장 장치의 유지 보수 및 서비스는 서비스 대리점에 문의하십시오.
- 배터리 또는 배터리 충전기를 물로 청소하지 마십시오. 강한 세제는 플라스틱에 손상을 줄 수 있습니다.
- 유지 보수 작업을 수행하지 않으면 제품 수명주기가 단축되고 사고 위험이 높아집니다.
- 모든 서비스 및 수리 작업, 특히 제품의 안전장치에 대한 특별 교육이 필요합니다. 유지 보수를 마친 후에 이 사용자 설명서의 모든 점검 내용이 승인되지 않은 경우에는 서비스 대리점에 문의하십시오. 제품을 위한 전문 수리 및 서비스를 제공해드립니다.
- 정식 예비 부품만 사용하십시오.

조립

서문

이 섹션에서는 제품을 조립 및 조정하는 방법에 대해 설명합니다.



경고: 제품을 조립하기 전에 안전에 관련된 장과 조립 지시사항을 읽으십시오.

배터리를 제품에 연결하는 방법



경고: 제품에는 Husqvarna 정품 배터리만 사용하십시오.

1. 배터리를 완전히 충전합니다.
2. 배터리를 제품의 배터리 홀더에 밀어 넣으십시오. 딸깍 소리가 들리면 배터리가 제자리에 들어가 잠긴 것입니다. (그림 27)



주의: 배터리가 배터리 홀더에 쉽게 들어가지 않으면 배터리가 올바르게 설치되지 않은 것입니다. 그러면 제품이 손상될 수 있습니다.

배터리 충전기(40-C80)를 벽에 설치하는 방법



주의: 전동 드라이버를 사용하여 배터리 충전기를 벽에 설치하지 마십시오. 전동 드라이버는 배터리 충전기를 손상시킬 수 있습니다.

1. 나사 2개로 벽에 제품을 설치하세요(B). 필요한 경우 벽 플러그(A)를 사용하십시오. (그림 28)
2. 2개의 나사 홀 플러그를 설치합니다(C).
3. 전원 코드를 배터리 충전기와 메인 소켓에 연결하십시오.

작동

서문

배터리와 배터리 충전기를 적정 실온에 두십시오.



경고: 제품을 사용하기 전에 다음 '안전' 장을 읽고 이해하십시오.

	실온
배터리 작동 온도	5°C-40°C/41°F-104°F
배터리 충전기	5°C-40°C / 41°F-104°F

배터리



경고: 제품을 사용하기 전에 다음 안전 장을 읽고 이해하십시오. 배터리 및 배터리 충전기용 사용자 설명서를 읽고 이해하십시오.

배터리 상태

표시창에는 배터리 충전 상태와 배터리에 문제가 있는지 여부가 표시됩니다.

(그림 29)

LED 표시등	배터리 상태(충전 상태)	
	BLi10	40-B70
LED 표시등 4개 켜짐	해당 없음	배터리가 76% - 100% 충전되었습니다.
LED 표시등 3개 켜짐	배터리가 76% - 100% 충전되었습니다.	배터리가 51% - 75% 충전되었습니다.
LED 표시등 2개 켜짐	배터리가 51% - 75% 충전되었습니다.	배터리가 26% - 50% 충전되었습니다.
LED 1개가 켜집니다.	배터리가 26% - 50% 충전되었습니다.	배터리가 6% - 25% 충전되었습니다.
LED가 1개가 깜빡입니다.	배터리가 0% - 25% 충전되었습니다.	배터리가 0% - 5% 충전되었습니다.

배터리 충전 방법

배터리를 처음 사용하는 경우에는 배터리를 충전하십시오. 새 배터리는 30%만 충전되어 있습니다.



주의: 배터리 충전기를 명판에 명시된 전압과 주파수를 사용하는 전원 콘센트에 연결하십시오.

배터리 온도가 50°C/122°F보다 높으면 배터리가 충전되지 않습니다.

1. 배터리 코드를 배터리 충전기에 연결하십시오.
2. 배터리 충전기를 접지된 전원 콘센트에 연결합니다. 충전 LED가 1번 깜빡입니다. (그림 30)
3. 배터리를 배터리 충전기에 연결 충전 LED가 켜집니다. 배터리를 최대 24시간 충전하십시오. (그림 31)

4. 배터리 표시등 버튼을 눌러 모든 LED 표시등이 켜지면 배터리가 완전히 충전된 것입니다.
5. 전원 플러그를 당겨 배터리 충전기를 전원 콘센트에서 분리하십시오. 전원 코드를 당기지 마십시오.
6. 배터리를 배터리 충전기에서 분리합니다.

제품을 시작하기 전에 수행할 작업

1. 작업 영역을 검사합니다. 튀겨 나갈 수 있는 물체를 제거하십시오.
2. 절단용 부품을 검사합니다. 칼날은 날카로우며 균열이 없고 손상이 없는지 확인하십시오.
3. 제품이 올바르게 작동하는지 확인합니다. 너트와 나사가 모두 단단히 조여졌는지 검사하십시오.

4. 핸들 및 안전 장치가 손상되지 않고 올바르게 부착되었는지 확인합니다. 부품이 누락되었거나 초기 사양에서 변경된 부품이 있는 제품은 작동하지 마십시오. 필요한 경우 보호용 장갑을 사용합니다.
5. 제품을 작동하기 전에 커버가 손상되지 않았고 올바르게 부착되었는지 확인하십시오.

제품 시동 방법

1. 시동/정지 버튼을 녹색 LED가 켜질 때까지 누릅니다. (그림 32)
2. 전면 핸들의 전면 핸들 트리거를 누릅니다. (그림 33)
3. 파워 트리거를 누르십시오. (그림 25)

제품 작동 방법

1. 지면 근처에서 시작하여 측면을 자르면서 제품을 율타리를 따라 위로 이동하십시오. 제품의 본체가 율타리에 닿지 않게 하십시오. (그림 34)



경고: 절단 장비의 앞이 바닥에 닿지 않게 하십시오.

2. 안정적인 작업 위치를 위해 몸 가까이에 제품을 두십시오.
3. 제품을 조심해서 천천히 작동하십시오.

SavE 기능 사용 방법

이 제품에는 절전 기능(SavE)이 있습니다.

주: SavE 기능은 제품의 절단력을 감소시키지 않습니다.

1. 키패드의 SavE 버튼을 누릅니다.
2. 녹색 LED가 켜지는지 확인합니다.
3. 기능을 차단하려면 SavE 버튼을 다시 누릅니다. 녹색 LED가 꺼집니다. (그림 35)

자동 차단 기능

이 제품에는 제품을 사용하지 않으면 제품을 정지시키는 차단 기능이 있습니다. 시작/정지 표시용 녹색 LED가 꺼지고 180초 후에 제품이 정지됩니다.

제품 정지 방법

1. 파워 트리거와 전면 핸들 트리거를 놓습니다.
2. 녹색 LED가 꺼질 때까지 시동/정지 버튼을 누르십시오.
3. 배터리의 해제 버튼을 누르고 배터리를 분리하십시오. (그림 36)

유지 보수

서문



경고: 제품의 유지 보수를 수행하기 전에 안전 장을 읽고 이해하십시오.



경고: 제품을 유지 보수하기 전에 항상 배터리를 분리합니다.

유지 보수 일정

다음은 제품에 반드시 행해야 하는 유지 보수 단계 목록입니다.

유지 보수	사용 전	매주	매월
제품의 외부 부품을 청소하십시오.	X		
시작 및 정지 스위치가 올바르게 작동하고 손상되지 않았는지 검사하십시오.	X		
파워 트리거와 전면 핸들 트리거 기능이 안전상 올바르게 작동하는지 확인하십시오.	X		
모든 제어 장치가 작동하고 손상되지 않았는지 확인하십시오.	X		
절단 날과 절단기 보호대에 균열이 없고 손상되지 않았는지 확인합니다. 균열이 있거나 충격을 받았다면 절단 날 또는 절단기 보호대를 교체합니다.	X		
절단 날이 휘거나 손상된 경우에는 교체하십시오.	X		
손 보호대가 손상되지 않았는지 확인합니다. 가드가 손상된 경우에는 교체하십시오.	X		
나사와 너트가 단단히 조여졌는지 확인합니다.	X		

유지 보수	사용 전	매주	매월
배터리가 손상되지 않았는지 확인하십시오.	X		
배터리가 충전되었는지 확인합니다.	X		
배터리 충전기가 손상되지 않았는지 확인하십시오.	X		
절단 날을 고정하고 있는 나사가 올바르게 체결되어 있는지 확인합니다.		X	
배터리와 제품 사이의 연결을 점검합니다. 배터리와 배터리 충전기 사이의 연결을 점검합니다.			X

배터리 및 배터리 충전기 검사 방법

1. 배터리에 손상(예: 균열)이 있는지 검사하십시오.
2. 배터리 충전기에 손상(예: 균열)이 있는지 검사하십시오.
3. 배터리 충전기의 연결 코드에 손상이 없고 내부에 균열이 없는지 확인하십시오.

제품, 배터리 및 배터리 충전기 청소 방법

1. 사용 후 마른 천으로 제품을 청소합니다.
2. 마른 천으로 배터리 및 배터리 충전기를 청소합니다. 배터리 가이드 트랙을 청결히 관리합니다.
3. 배터리를 배터리 충전기 또는 제품에 넣기 전에 배터리의 단자와 배터리 충전기가 깨끗한지 확인합니다.

날 검사 방법

1. 제품 사용 전후에 부식 방지 세척제를 사용하여 날에서 원하지 않는 물질을 제거하십시오.
2. 날의 가장자리에 손상 및 변형이 있는지 검사하십시오.
3. 파일을 사용하여 날의 거친 부분을 제거하십시오.

4. 날이 자유롭게 움직이는지 확인하십시오.

날 청소 및 윤활 방법

1. 제품 사용 전후에 날에서 원하지 않는 물질을 제거하십시오.
2. 장기간 보관하기 전에는 날을 윤활합니다

주: 권장되는 서척제와 윤활제에 대해서는 서비스 대리점에 문의하십시오.

기어 윤활 방법

승인된 서비스 대리점에서 기어를 분해한 후 기어 하우징에 그리스를 도포하십시오.

- Husqvarna 특수 그리스를 사용하십시오. 권장되는 그리스에 대해서는 서비스 대리점에 문의하십시오.
- 소량의 특수 고품질 그리스만 사용하십시오.



주의: 기어 하우징을 완전히 채우지 마십시오.

고장 수리

키패드

LED 화면	발생 가능한 결함	가능한 해결 방법
오류 LED가 깜박입니다.	과부하 주변 온도가 너무 낮거나 높습니다.	절단용 부품이 자유롭게 움직일 수 없습니다. 절단 부착물을 풉니다. 제품을 식히십시오.
제품을 시동할 수 없음.	파워 트리거를 누른 다음 시작 버튼을 동시에 누릅니다.	전원 트리거를 해제하고 제품을 정지하십시오.
오류 LED가 빨간색으로 켜집니다.	제품에 대한 정비를 수행해야 합니다.	서비스 대리점에 문의하십시오.

배터리

LED 디스플레이	발생 가능한 결함	가능한 조치
녹색 LED가 깜박임.	배터리 전압이 부족합니다.	배터리를 충전하십시오.
오류 LED가 깜박입니다.	주변 온도가 너무 낮거나 높습니다.	배터리는 -10°C~40°C(14°F~104°F)의 온도에서 사용하십시오.
	전압이 너무 높습니다.	주전원 전압이 제품의 명판에 기재된 전압과 일치하는지 확인하십시오. 배터리를 배터리 충전기에서 분리합니다.
오류 LED가 켜져 있습니다.	전압 차가 너무 큼니다(1V).	서비스 대리점에 문의하십시오.

배터리 충전기

문제	발생 가능한 결함	가능한 해결 방법
충전 LED가 빨간색입니다.	영구적인 배터리 충전기 오류입니다.	대리점에 문의하십시오.
충전 LED가 녹색으로 깜박입니다.	온도 편차, 배터리가 너무 차갑거나 너무 뜨거워서 사용하거나 충전할 수 없습니다.	배터리가 식을 때까지 기다리거나 배터리를 따뜻하게 만드십시오. 배터리의 온도가 올바르게 다시 사용하거나 충전할 수 있습니다. 배터리 충전기는 5°C~40°C(41°F~104°F)의 주변 온도에서 사용하십시오.
충전 LED가 빨간색으로 깜박입니다.	배터리에 결함이 있습니다.	대리점에 문의하십시오.

운송, 보관 및 폐기

운반 및 보관

- 제공된 리튬 이온 배터리는 위험 물질 규제를 준수합니다.
- 제삼자나 운송 중개인에 의해 이루어지는 상용 운송에 대해서는 포장 및 라벨에 대한 특수 요구사항을 준수하십시오.
- 제품을 보내기 전에 위험한 물건에 대한 특별한 교육을 받은 사람에게 문의하십시오. 모든 해당 국가 규정을 준수하십시오.
- 배터리를 패키지에 넣을 때 개방된 접점에 테이프를 사용하십시오. 배터리가 움직이지 않도록 패키지에 뿔뿔하게 넣으십시오.
- 보관하거나 운반할 때 항상 배터리를 분리합니다.
- 건조하고 습기 및 서리가 없는 공간에 배터리와 배터리 충전기를 보관하십시오.
- 정전기가 발생할 수 있는 장소에 배터리를 보관하지 마십시오. 배터리를 금속 상자에 보관하지 마십시오.
- 온도가 5°C~25°C(41°F~77°F) 사이이고 햇빛이 비치지 않는 곳에 배터리를 보관하십시오.

- 온도가 5°C~45°C(41°F~113°F) 사이이고 햇빛이 비치지 않는 곳에 배터리 충전기를 보관하십시오.
- 주변 온도가 5°C~40°C(41°F~104°F)일 때만 배터리 충전기를 사용하십시오.
- 장기간 보관하기 전에 배터리를 30%~50% 충전하십시오.
- 배터리 충전기를 폐쇄되고 건조한 공간에 보관하십시오.
- 보관 중에는 배터리를 배터리 충전기에서 멀리 보관하십시오. 어린이 및 기타 인가되지 않은 사람이 장비를 만지지 못하게 하십시오. 잠글 수 있는 공간에 장비를 보관하십시오.
- 제품을 장기간 보관하기 전에 청소하고 전체 서비스를 수행하십시오.
- 운반 및 보관 중에 부상이나 제품의 손상을 방지하려면 제품의 운송용 보호대를 사용하십시오.
- 제품을 안전하게 고정하여 운반하십시오.

배터리, 배터리 충전기 및 제품의 폐기

제품 및 제품 포장의 기호는 본 제품을 가정용 폐기물로 취급해서는 안 됨을 의미합니다. 전기 및 전자 장비 재활용 처리장에서 재활용하십시오. 이는 환경 및 사람에 대한 손상을 방지하는 데 도움이 됩니다.

제품 재활용 방법에 대한 자세한 내용은 현지 당국, 국내 폐기물 서비스 또는 대리점에 문의하십시오.

기술 정보

기술 정보

	215iHD45
모터	
모터 유형	BLDC
중량	
배터리를 제외한 중량(kg)	3.2
절단기	
유형	양면
날 길이, mm	450
SavE 모드의 날 속도 절단 횟수/분	2400
SavE 모드가 아닌 경우의 날 속도 절단 횟수/분	3000
소음 배출⁵⁷	
소음 출력 수준, 측정 dB(A)	87
소음 출력 수준, 보장 L _{WA}	90
소음 수준	
EN 62841-4-2에 따라 측정된 작업자 청각에서의 음압 수준 dB(A)	79
진동 수준⁵⁸	
진동 수준(a _h), 전면/후면, m/s ²	2.1/1.7

제품에 대해 인가된 배터리

배터리	BLi10	40-B70
유형	리튬이온	리튬이온
배터리 용량(Ah)	배터리 등급 그림을 참조하십시오.	배터리 등급 그림을 참조하십시오.

⁵⁷ EC 지침 2000/14/EC에 의거 소음 출력(L_{WA})으로 측정된 소음 배출입니다. 보장 소음 출력과 측정된 소음 출력 간의 차이는 측정 결과의 분산과 Directive 2000/14/EC에 따른 동일 모델의 각기 다른 제품 간의 편차가 보장 소음 출력에 포함되어 있기 때문에 나타납니다.

⁵⁸ 진동 수준에 대해 보고된 데이터는 일반적인 통계 분산(표준 편차)인 1,5 m/s²입니다.

규정된 총 진동 값은 표준 시험 방식에 따라 측정되었으며 다른 공구와 비교하는 데 사용할 수 있습니다.

선언된 총 진동 값은 또한 예비 노출 평가에 사용할 수도 있습니다.

배터리	BLI10		40-B70
공칭 전압, V	36	36.5	36
중량(kg)	0.7	0.7	0.8

제품에 대해 인가된 배터리 충전기

배터리 충전기	QC80	40-C80
주전원 전압, V	100-240	100-240
주파수, Hz	50-60	50-60
전력, W	100	72
출력 전압, V d.c. 암페어, A	36/2	43/1.6

준수 선언문

EU 준수 선언문

당사(Husqvarna AB, SE-561 82 Huskvarna, Sweden, 전
화: +46-36-146500)는 당사의 전적인 책임하에 제품이

설명	배터리 나무 울타리 손질용 도구
브랜드	Husqvarna
유형 / 모델	215iHD45
식별	2024년도 일련번호부터 그 이후

다음의 EU 지침 및 규정을 모두 준수하고

지침/ 규정	설명
2006/42/EC	"장비류 관련"
2014/30/EU	"자기 호환성 관련"
2000/14/EC	"환경에 대한 소음 배출 관련"
2011/65/EU	"전기 및 전자 장치의 특정 위험 물질 사용에 관한 제한"

다음과 같은 표준 및/또는 기술 사양이 적용되었음을 선
언합니다. EN 62841-4-2:2019+A1:2022+A11:2022, EN
62841-1:2015+A11:2022, EN IEC 55014-1:2021, EN
IEC 55014-2:2021, EN IEC 63000:2018.

지침 2000/14/EC, 부록 V에 따라 선언된 사운드 값은 기
술 정보 페이지의 425 항목을 참조하십시오.

Husqvarna, 2024-02-01

Claes Losdal, 허스크바나 AB의 R&D 관리자
기술 문서 책임자



内容

引言.....	427	故障排除.....	435
安全性.....	428	运输、存放和废弃处理.....	436
安装.....	432	技术参数.....	437
操作.....	433	一致性声明.....	439
维护.....	434		

引言

产品说明

Husqvarna 215iHD45 是一款采用电机的电池驱动型绿篱
剪。

我们致力于提高您的工作安全性与效率。欲了解更多信
息，请与您的保养代理商联系。

预期用途

本产品用于切割树枝和枝桠。切勿将产品用于其他任务。

产品概览

(图 1)

1. 说明书
2. 后手柄
3. 前把手扳机
4. 前手柄
5. 切割齿
6. 运输护板
7. 开关扳机
8. 控制面板
9. 护手盘
10. 电池
11. 电池充电器 40-C80
12. 连接器
13. 电池指示灯按钮
14. 电池状态
15. 警告指示灯
16. SavE 按钮
17. “启动/停止”按钮
18. 通电和警告指示灯
19. 电池释放按钮
20. 电池充电器 QC80
21. 电源线

(图 6) 本产品或产品包装不属于生活垃圾。请在回收站作为电气和电子设备进行回收。

(图 7) 不得暴露在雨水中。

(图 8) 直流电。

(图 9) 环境噪音释放标签，符合欧盟（还包括新南威尔士法规）和英国的指令和法规。噪音排放数据可在机器标签和技术资料章节中找到。

(图 10) 本产品符合适用的英国法规。

(图 11) 警告：使双手远离锯片。

yyyywwxxxx 标牌显示了序列号。yyyy 是生产年份，ww 是生产周。

注意：有关本产品上的其他符号/标识，请参阅适用于特定市场的特殊认证要求。

电池和/或电池充电器上的符号

本产品上的符号

(图 2) **警告：**本产品可能会带来危险，会对操作员或其他人造成严重伤害或死亡。请多加小心，并正确使用本产品。

(图 3) 请认真阅读本说明书，确保在充分理解各项说明之后再使用本产品。

(图 4) 佩戴眼部防护装备。

(图 5) 本产品符合适用的 EC 指令。

(图 15) 请将本产品送往回收站以作为电气和电子设备回收利用。（仅适用于欧洲）

(图 12) 故障安全型变压器。

(图 13) 仅限在室内使用和存放电池充电器。

(图 14) 双重绝缘。

安全性

安全定义

本手册使用了“警告”、“小心”和“注意”来指出特别重要的内容。



警告：当不遵守手册中的说明可能会给操作员或周围人员带来伤害或死亡风险时，会使用此标志。



小心：当不遵守手册中的说明可能会对产品、其他材料或附近区域造成损坏时，会使用此标志。

注意：用于提供特定状况下所需的更多信息。

电动工具一般安全警告



警告：请阅读所有安全警告和所有说明。如不遵循警告和说明，可能会导致电击、火灾和/或严重伤害。

注意：保存所有警告和说明供以后参考。警告中的术语“电动工具”指的是电力驱动（有线）的电动工具或电池供电（无线）的电动工具。

工作区安全

- 保持工作区域干净明亮。混乱或黑暗的区域可能会导致事故。
- 请勿在诸如存在易燃液体、气体或粉尘等易爆炸的环境中操作电动工具。电动工具会生成火花，可能会点燃粉尘或气体。
- 操作电动工具时请远离儿童和旁观者。操作时分心将无法控制工具。

电气安全

- 电动工具的插头必须与电源插座匹配。切勿以任何方式改造插头。请勿将任何转接插头与接地的电动工具一起使用。未经改造的插头和匹配的电源插座可减少电击风险。
- 避免将身体与接地表面接触，如管道、水箱、炉具和冰箱。如果身体接地，则会增加遭受电击的风险。
- 请勿将电动工具暴露在雨水或潮湿环境下。电动工具中进水将会增加电击风险。
- 请勿滥用电缆。切勿使用电缆来携带、拖拉或断开电动工具。请将电缆远离热、油脂、尖锐边缘或移动的部件。损坏或缠绕的电缆会增加电击风险。
- 在室外操作电动工具时，请使用室外专用的延长线。使用室外专用的电缆会降低电击风险。
- 如果必须在潮湿的地点操作电动工具，请使用具有漏电断路器（RCD）保护的电源。使用 RCD 可降低电击风险。



警告：请勿高压清洗本机，因为水会进入电气系统或电机，导致机器损坏或短路。

人身安全

- 操作电动工具时，保持警觉并密切注意正在执行的操作并根据常识做出合理判断。请勿在疲倦或服用药剂、酒精或药物后使用电动工具。操作电动工具时的一时疏忽可能会导致严重的人身伤害。
- 使用个人防护装备。始终佩戴眼部保护装置。适用于相应条件的防尘面罩、防滑安全鞋、安全帽、听觉保护设备等保护装备可减少人身伤害。
- 防止本机意外启动。连接电源和/或电池组以及提起或携带工具之前，确保开关处于关闭位置。携带电动工具时将手指放在开关上或为已打开开关的电动工具加电会引发事故。
- 打开电动工具开关前，请取下任何调整扳手。保持扳手与电动工具的旋转部件相连接可能会导致人身伤害。
- 请勿伸得过长。请始终维持适当的位置和平衡。这样在出现意外时可以更好地控制电动工具。
- 穿戴合适的服装。请勿穿宽松的服装或佩戴珠宝。保持头发和衣服远离移动部件。宽松的服装、珠宝或长发可能会绞入移动部件中。

- 如果提供了用于连接吸尘和集尘装置的设备，请确保正确连接和使用这些设备。使用集尘装置可减少因灰尘引起的相关危险。
- 在频繁使用工具而熟悉工具后，不要掉以轻心并忽视工具的安全原则。任何疏忽大意都随时可能造成严重的伤害。
- 实际使用电动工具时产生的振动可能与标称总值有所差异，具体取决于工具的使用方式。操作员应该在实际使用情况下根据振动接触测值选择合适的安全防护措施（考虑工作循环的各个环节，比如除了扳机，还考虑关闭工具时和怠速运行工具时的防护）。

电动工具的使用和养护

- 请勿强行操作电动工具。请针对具体用途使用正确的电动工具。使用正确的电动工具可更好更安全地按照设计用途完成工作。
- 请勿使用通过开关无法打开和关闭的电动工具。无法使用开关进行控制的任何电动工具都是危险的，必须进行维修。
- 在对电动工具进行任何调整、更换附件或存放前，请将插头从电源中拔出并/或将电池组从电动工具上拆下（如果可拆卸）。此类预防性安全措施可降低不小心启动电动工具的风险。
- 请将闲置的电动工具存放在远离儿童的位置，不得允许不熟悉电动工具或这些说明的人操作电动工具。未经培训的用户使用电动工具将非常危险。
- 维护电动工具和附件。检查是否存在未对齐或移动部件纠缠、零件破损以及任何其他可能会影响电动工具操作的情况。如果工具已损坏，请在使用前维修电动工具。许多事故都是因电动工具未得到正确维护造成的。
- 保持切割工具锋利洁净。使用具有锋利切割边缘且经过适当维修的切割工具，较少出现纠缠的情况且更易于控制。
- 请按照这些说明使用电动工具、附件和刀头等，同时考虑工作环境以及要执行的作业。如果电动工具用于非设计用途会导致危险。
- 保持手柄和握紧面干燥、清洁且未沾染油脂。手柄和握紧面不可打滑，以确保在意外情况下安全搬运和控制工具。

电池动力工具的使用和养护

- 只能使用制造商指定的充电器为电池充电。如果将适合某一类型电池组的充电器用于为其他类型电池组充电，可能产生失火危险。
- 产品只能使用专门指定的电池组。使用任何其他类型的电池组可能产生伤害和失火风险。
- 当不使用电池组时，使其远离其他金属物体，例如回形针、硬币、钥匙、钉子、螺钉或其他金属小物品，以免接通电池端子。电池端子短接到一起可能会引起灼伤或火灾。
- 电池在滥用情况下可能喷出液体，避免接触这些液体。如果意外接触，请用水冲净。如果液体接触眼睛，还必须就医。电池喷出的液体可能产生刺激或灼伤。
- 切勿使用损坏或经过改造的电池组或工具。损坏或经过改造的电池可能会出现意外情况，导致火灾、爆炸或受伤风险。

- 切勿将电池组或工具暴露在火中或温度过高的环境中。电池暴露在火中或超过 130 °C 的温度中可能会引发爆炸。
- 请遵守所有的充电说明，切勿在说明中指定的温度范围之外为电池组或工具充电。充电不正确或在指定温度范围外充电可能会损坏电池，并增大失火风险。

保养

- 保养电动工具时，请联系具备相应资质的维修人员并仅使用相同的更换零件。这将确保电动工具的安全。
- 切勿维修损坏的电池组。电池组的维修只能由制造商或授权的服务提供商执行。

绿篱剪安全警告 - 个人安全

- 使用双手操作绿篱剪。单手操作容易失控，引起严重的人身伤害。
- 使身体各部位远离锯片。不要在锯片运动时清除切割的枝叶或握住要切割的枝叶。在关闭开关后，锯片会继续移动。操作绿篱剪时，任何一时的疏忽都可能导致严重的人身伤害。
- 在锯片停止时使用手柄携带绿篱剪，注意不要操作任何电源开关。正确携带绿篱剪会降低意外启动和锯片造成人身伤害的风险。
- 在运输或存放绿篱剪时，务必安装锯片罩。合理地搬运绿篱剪可减少锯片可能导致的人身伤害。
- 在清除卡住的材料或检修装置时，确保所有电源开关均已关闭且电池组移除或断开。在清除卡住的材料或进行维修时，绿篱剪意外启动可能会导致严重的人身伤害。
- 只能通过绝缘握紧面握住绿篱剪，因为锯片可能会接触隐藏的电缆。锯片接触带电电线可能会使绿篱剪裸露的金属部分带电，导致操作员遭受电击。
- 确保所有电源线和电缆远离切割区。在操作过程中，电源线和电缆可能会隐藏在树篱或灌木中，并被锯片意外切割。
- 切勿在不良的天气状况下使用绿篱剪，尤其是在有闪电危险的情况下。这可降低受雷电电击的风险。
- 危险 - 使双手远离锯片。接触锯片会导致严重的人身伤害。

一般安全须知



警告： 请在使用本产品前阅读下面的警告说明。

- 取下电池，以防本产品意外启动。
- 如果粗心大意或使用不当，本产品可能会成为危险的工具。这可能会对操作员或其他人造成严重伤害或死亡。
- 如果产品改装偏离了原始规格，那么切勿使用它。未获得制造商的批准，切勿改装产品的某一部分。仅使用获得制造商批准的零件。不正确维护可能导致伤害或死亡。
- 使用前，请先对本产品进行检查。请参阅 *启动本产品前需要采取的措施* 在第 433 页上。切勿使用有故障的产品。按照本手册中的说明进行安全检查、维修和保养。

- 应谨慎看护儿童，确保他们不会玩耍本产品。切勿让儿童或其他未受过使用培训的人员使用或维修本产品和/或电池。当地法律可能会限制使用者的年龄。
- 将产品放在上锁的区域，以防止儿童或他人擅自触碰。
- 将本产品存放在儿童触及不到的位置。
- 任何情况下，未经制造厂的许可，不得修改本产品的设计。必须使用原厂零件。未经许可擅自修改和/或使用未经认可的附件，可能会对操作员和他人造成严重伤害或死亡。

注意： 本产品的使用可能会受到国家或地方法规的管制。请遵守指定的法规。

操作安全须知



警告： 请在使用本产品前阅读下面的警告说明。

- 当您遇到任何情况，不知如何继续时，请咨询专家。与您的经销商或保养厂联系。避免任何超出您能力范围的使用。
- 如果感到疲倦、服用了酒精、毒品、药物或任何可能影响视力、警惕性、协调能力或判断力的东西，切勿使用本产品。
- 在恶劣天气下工作容易让人疲倦，往往会带来额外风险。由于恶劣的天气条件会带来额外的风险，所以不建议在浓雾、大雨、强风、严寒、雷电等天气条件下使用机器。
- 有缺陷的锯片会增加发生事故的风险。
- 切勿允许儿童使用或靠近本产品。由于产品容易启动，儿童如果失于看管，可能会启动机器。这就有可能造成严重的人员伤亡。产品在严格看护的情况下应断开电池。
- 进行作业时，确保 15 m 之内没有人员或动物靠近。多名操作员在同一区域作业时，至少保持 15 米安全距离。否则有可能造成严重的人身伤害。如果有人靠近，立即关停产品。摆动产品之前务必先查看身后，确保安全区内无人。
- 确保人员、动物或其他物品不会影响您操控本产品，或者确保其不会接触切割锯片或被切割锯片抛出的松散物体。但是，如果发生事故时无法求救，请勿使用本产品。
- 务必检查工作区域。清除所有可能被抛出或缠绕切割锯片的松散物体，如石块、碎玻璃、钉子、钢丝、线缆等。
- 确保您可以安全地移动与站立。检查您的周围区域是否存在障碍物（树根、岩石、树枝、沟渠等），以免您需要突然移动。在倾斜地面上工作时，要特别小心。
- 请随时保持平衡并找到牢固的立足处。请勿伸得远远。
- 停用本产品后再移至其他区域。不使用产品时，请安装好运输保护装置。
- 切勿放下本产品，除非您已将其停用并取出电池。切勿在本产品开启时使其处于无人看管状态。

- 在启动本产品时，确保衣服或身体各部位没有接触切割锯片。
- 如果在操作本产品时有任何东西卡在锯片上，请停止操作并停用本产品。确保切割锯片完全停止转动。取出电池后再清洁、检查或维修本产品/或锯片。
- 在本产品停用时，保持手脚远离切割锯片，直至其完全停止转动。
- 在切割时，请注意树枝条可能会飞出。请勿靠近地面进行切割，在这种情况下，本产品可能会将石块和其他物体弹出。
- 注意抛掷物。始终佩戴经检验合格的眼部保护设备。切勿将切割锯片防护罩倾斜。石头、垃圾等可能会抛入眼中，导致失明或严重伤害。
- 戴有听觉保护设备时，请留意警告信号或呼喊声。一旦产品停止运行，便取下听觉保护设备。
- 切勿在梯子、凳子或其他没有完全固定的高处位置进行作业。
- 使用双手握住本产品。在身体一侧握住本产品。

(图 16)

个人防护装备



警告： 请在使用本产品前阅读下面的警告说明。

- 使用本产品时，请使用经过批准的个人防护装备。个人防护装备不能完全避免受伤，但可降低伤害程度。欲了解更多信息，请联系您的代理商。
- 在有物体掉落风险的地方，请佩戴保护头盔。

(图 17)

- 请使用获得批准的听力保护装备。长期接触噪音可能会导致永久性听力损伤。

(图 18)

- 请使用获得批准的眼部保护装备。如果佩戴面罩，必须同时佩戴获得批准的护目镜。在美国，经检验合格的护目镜必须符合 ANSI Z87.1 标准；在欧盟国家/地区，必须符合 EN 166。

(图 19)

- 在操作和维护过程中要使用防护手套。

(图 20)

- 穿上带有防滑鞋底的防护靴或安全鞋。

(图 21)

- 穿着高强度纤维制成的衣物。工作服必须贴身且不会限制您的动作。穿长裤，把头发放在肩膀后面。不要戴首饰穿凉鞋。
- 请将急救装备放在附近。

(图 22)

产品上的安全装置



警告： 请在使用本产品前阅读下面的警告说明。

本节介绍产品的安全功能及其用途，并说明如何进行检查和维修，以确保产品正常运转。有关这些零件在产品上的位置，请参阅 *产品概览* 在第 428 页上一节中的说明。

如果产品维护不当或由非专业人士进行保养和/或维修，产品的使用寿命会缩短，发生意外的风险会增加。欲知更多详情，请联系您最近的保养经销商。



警告： 不得使用安全组件损坏的产品。产品的安全设备必须按照本节中的说明进行检查和维修。如果您的产品未通过这些检查中的任何一项，请联系您的保养厂对其进行维修。



小心： 本机的保养和维修必须经过专门培训。对于本机的安全设备来说尤其如此。如果在检修过程中出现下述的故障，应与保养厂联络。如果您购买我们的产品，我们承诺提供专业的维修和保养。如果出售本机的零售商不是保养经销商，应向他咨询您最近的保养厂的地址。

检查键盘情况

1. 按下启动/停止按钮 (A)。 (图 23)
 - a) LED (B) 亮起时，表示本产品已启动。
 - b) LED (B) 熄灭时，表示本产品已关闭。
2. 如果警告指示灯 (C) 亮起或闪烁，请参阅 *键盘* 在第 435 页上。

检查前把手扳机

前把手扳机防止意外启动。按下前把手扳机时，将会释放开关扳机。松开手柄后，开关扳机和前把手扳机均会返回原位。

1. 确保开关扳机和前把手扳机能自由移动，并且复位弹簧工作正常。
2. 启动产品。
3. 按下前把手扳机。

(图 24)

4. 推动开关扳机。 (图 25)
5. 松开前把手扳机，确保切割锯片完全停止转动。

检查护手板

护手板用于防止手意外接触锯片。

1. 停止产品运行。
2. 取下蓄电池。
3. 检查护手板是否正确安装。
4. 检查护手板是否损坏。

检查锯片和锯片防护罩

锯片 (A) 的较长部位随锯片防护罩一同工作。

1. 停止产品运行。

- 取下蓄电池。
- 戴上手套。
- 确保锯片和锯片防护罩未损坏或弯曲。如果损坏或弯曲，请更换锯片和锯片防护罩。(图 26)

电池安全



警告： 请在使用本产品前阅读下面的警告说明。

- 仅使用 BLi 系列和 40-B 系列电池。有关详细信息，请参阅 *技术参数* 在第 437 页上。电池通过软件加密。
- 仅将可充电的 BLi 系列和 40-B 系列电池作为电源用于相关的 Husqvarna 产品。为避免伤害，请勿用电池为其他装置供电。
- 有发生电击的危险。请勿将电池端子连接至钥匙、硬币、螺钉或其他金属上。这会导致电池短路。
- 切勿使用一次性电池。
- 请勿将异物放入电池的导气槽中。
- 使电池远离阳光、热量或明火。电池可能导致烧伤和/或化学烧伤。
- 使电池远离雨水和潮湿条件。
- 使电池远离微波和高压条件。
- 请勿尝试拆卸或破坏电池。
- 如果电池出现泄漏，不要让电池酸液接触到身体或眼睛。如果接触了电池酸液，请先用大量清水和肥皂清洗接触部位，然后送医治疗。如有电池酸液入眼，请勿揉搓，先用清水至少冲洗 15 分钟，然后送医治疗。
- 在 -10 °C (14 °F) 至 40 °C (114 °F) 之间的温度下使用电池。
- 切勿用水清洁电池或充电器。请参阅 *清洁产品、电池和电池充电器* 在第 435 页上。
- 切勿使用存在缺陷或损坏的电池。
- 电池在存放时应远离金属物体，如钉子、螺钉或珠宝。
- 使电池远离儿童。

充电器安全性



警告： 请在使用本产品前阅读下面的警告说明。

- 如果未遵守安全须知，则有发生电击或短路的危险。

- 除了为您提供的电池充电器之外，请勿使用其他充电器。为 BLi 系列和 40-B 系列备用电池充电时，请仅使用 QC80 和 40-C80 充电器。
- 切勿尝试拆卸电池充电器。
- 切勿使用存在缺陷或损坏的电池充电器。
- 切勿用电源线提起电池充电器。要从电源插座断开电池充电器，请拔出插头。切勿拽拉电源线。
- 让所有电线和延长电线远离水、油和锋利的边沿。确保电线不会夹在物体之间，例如门、篱笆或类似物体。
- 切勿在易燃材料或可能导致腐蚀的材料附近使用电池充电器。确保未覆盖电池充电器。如果出现冒烟或着火，拔出电池充电器插头。
- 仅在室内空气流通较好且远离日光的位置为电池充电。请勿在室外为电池充电。请勿在潮湿条件下为电池充电。
- 仅在 5 °C (41 °F) 至 40 °C (104 °F) 之间的温度下使用电池充电器。在空气流通较好、干燥且远离灰尘的环境下使用充电器。
- 请勿将异物放置在电池的冷却槽中。
- 不得将电池充电器端子连接到金属物体上，否则会使电池充电器短路。
- 使用获得批准的完好墙壁插座。确保电池充电器的电缆没有损坏。如果使用了加长电缆，请确保加长电缆没有损坏。
- 切勿将非充电电池放入电池充电器中充电。

维护安全须知



警告： 请在维护该产品前阅读下面的警告说明。

- 在维护前请取出电池，其他情况如检查或装配产品时，也需取出电池。
- 操作人员只能进行本说明书中介绍的维修和保养工作。更大范围的维修和保养请求助您的保养代理商。
- 切勿用水清洁电池或充电器。强力洗涤剂可能导致塑料损坏。
- 如果您不进行维护，可能会缩短产品的生命周期，并增加发生意外的风险。
- 对于所有的保养和维修工作，有必要进行专门的培训，尤其是有关产品上的安全装置。如果在您维护之后，本说明书中的检查并未全部获得批准，请求助于您的保养代理商。我们将保证为您的产品提供专业的维修和保养。
- 请仅使用原厂备件。

安装

简介

本节介绍如何装配和调整产品。



警告： 装配产品之前，请先阅读安全章节和安装指导。

将电池连接到产品



警告： 仅使用产品中的 Husqvarna 原装电池。

- 为电池充满电。

2. 将电池推入本产品的电池座中。听到卡嗒声表示电池已卡紧到位。(图 27)



小心： 如果无法轻松地 将电池移入电 池座，则表明安装不正确。这可能导致损 坏产品。

将电池充电器 40-C80 安装到墙壁上



小心： 请勿使用电动螺丝起子将电池充电 器安装到墙壁上。电动螺丝起子可能会导致 电池充电器损坏。

1. 使用 2 颗螺丝 (B) 将电池充电器安装到墙壁上。必要时使用壁塞 (A)。(图 28)
2. 安装 2 个螺丝孔塞 (C)。
3. 将电源线连接到电池充电器和电源插座。

操作

引言



警告： 请先仔细阅读并充分理解安全须知 章节，再使用产品。

电池



警告： 请先仔细阅读并充分理解安全须知 章节，再使用电池。阅读并理解电池和电 池充电器的操作手册。

在合适的环境温度下存放电池和电池充电器。

	环境温度
使用电池	5 °C-40 °C / 41 °F-104 °F
给电池充电	5 °C-40 °C / 41 °F-104 °F

电池状态

该指示器显示电池的电量状态以及电池是否出现问题。

(图 29)

指示灯	电池 (电量) 状态	
	BLi10	40-B70
4 个指示灯亮起	不适用	电池的电量为 76% - 100%。
3 个指示灯亮起	电池的电量为 76% - 100%。	电池的电量为 51% - 75%。
2 个指示灯亮起	电池的电量为 51% - 75%。	电池的电量为 26% - 50%。
1 个指示灯亮起	电池的电量为 26% - 50%。	电池的电量为 6% - 25%。
1 个指示灯闪烁	电池的电量为 0% - 25%。	电池的电量为 0% - 5%。

为电池充电

如果这是您第一次使用电池，请为它充电。新电池仅充有 30% 的电量。



小心： 仅将电池充电器连接至具有标牌上 规定的电压和频率的电源插座。

电池温度超过 50 °C/122 °F 时将充不进电。

1. 将电源线连接到电池充电器。
2. 将电池充电器连接到接地的电源插座。充电指示灯闪烁 1 次。(图 30)
3. 将电池连接电池充电器。充电指示灯亮起。给电池充 电最长 24 小时。(图 31)

4. 按下电池指示灯按钮，如果所有指示灯都亮起，说明 电池已充满电。
5. 拔下电源插头，断开电池充电器与电源插座的连接。 切勿拽拉电源线。
6. 从电池充电器中取出电池。

启动本产品前需要采取的措施

1. 查看工作区域。清除可能被抛出的物体。
2. 检查切割锯片。确保锯片锋利且未出现裂纹和损坏。
3. 确保产品正常工作。检查并确认所有螺母和螺丝均已 拧紧。
4. 确保手柄和安全装置未损坏且正确安装。当零件缺失 或偏离初始规格时，不要操作本产品。必要时戴上保 护手套。
5. 在操作本产品之前，确保护盖未损坏且正确安装。

启动产品

1. 按下启动/停止按钮，直至绿色指示灯亮起。(图 32)
2. 按住前手柄上的前把手扳机。(图 33)
3. 推动开关扳机。(图 25)

操作本产品

1. 当您切割绿篱侧边时，从靠近地面的位置开始，沿绿篱向上移动产品。确保本产品机体不接触绿篱。(图 34)



警告： 确保切割设备的前部不接触地面。

2. 靠近身体握住产品，以保持稳定的工作姿势。
3. 请多加小心，并缓慢操作本产品。

使用 SavE 功能

本产品具有节电功能 (SavE) 。

注意： SavE 功能不会降低产品的切割功率。

1. 按下键盘上的 SavE 按钮。
2. 确保绿色 LED 亮起。
3. 再次按下 SavE 按钮可停用该功能。绿色 LED 会熄灭。(图 35)

自动关机功能

本产品具有关机功能，该功能会在本产品未使用时将其关闭。指示启动/停止的绿色指示灯会熄灭，本产品会在 180 秒后关闭。

关闭产品

1. 释放开关扳机和前把手扳机。
2. 按下启动/停止按钮，直至绿色 LED 熄灭。
3. 按下电池上的释放按钮，然后取出电池。(图 36)

维护

引言



警告： 在对本产品进行维护之前，请仔细阅读并充分理解安全须知章节的内容。



警告： 在对本产品进行维护之前，请先拆下电池。

维护时间表

以下是本产品必要维护事项列表。

维护	使用前	每周	每月
清洁产品的外部。	X		
检查并确认启动和停止开关工作正常且未受损。	X		
确保开关扳机和前把手扳机的安全功能正常。	X		
确保所有控件工作正常且未受损。	X		
确保切割锯片和切割齿防护罩没有裂纹且未损坏。如果切割锯片或切割齿防护罩有裂缝或受到了撞击，则将其更换。	X		
如果切割锯片已弯曲或损坏，请予以更换。	X		
确保护手板未损坏。如果已损坏，请更换护手板。	X		
确保螺丝和螺母均已上紧。	X		
确保电池未受损。	X		
确保电池已充满电。	X		
确保电池充电器未受损。	X		
检查并确保用于将切割锯片紧固在一起的螺钉已正确拧紧。		X	
检查电池与产品之间的连接。检查电池与充电器之间的连接。			X

检查电池和电池充电器

1. 检查电池是否受损，例如出现裂纹。
2. 检查电池充电器是否受损，例如出现裂纹。
3. 确保电池充电器的连接线未受损且内部无裂纹。

清洁产品、电池和电池充电器

1. 在使用产品后用干布清洁产品。
2. 用干布清洁电池和电池充电器。保持电池导槽清洁。
3. 在将电池放入电池充电器或产品之前，请确保电池和充电器的端子保持清洁。

检查锯片

1. 在使用本产品之前和之后，用防锈清洁剂清除锯片上的多余材料。
2. 检查锯片的边缘是否存在损坏和变形情况。
3. 使用锉刀去除锯片上的毛刺。
4. 确保锯片转动自如。

清洁和润滑锯片

1. 在使用本产品前后，清除锯片上的多余物质。
2. 长时间存放之前，对锯片进行润滑。

注意：有关推荐清洁剂和润滑剂的更多信息，请与您的保养代理商联系。

润滑齿轮

如果经认证批准的保养代理商已将齿轮拆下，则用润滑脂润滑齿轮箱。

- 请使用 Husqvarna 提供的专用润滑脂。有关推荐润滑脂的更多信息，请与您的保养代理商联系。
- 只能使用少量的特殊高质量润滑脂。



小心：切勿向齿轮箱加注满润滑脂。

故障排除

键盘

LED 屏幕	可能的故障	可能的解决方案
错误指示灯闪烁。	过载	切割锯片无法自由移动。松开切割锯片。
	温度偏高	使产品冷却。
本产品不启动。	按下开关扳机，同时按下启动按钮。	松开开关扳机，使产品停止运行。

LED 屏幕	可能的故障	可能的解决方案
错误指示灯呈红色亮起。	需要对本产品进行维修	请联系保养代理商。

电池

指示灯	可能的故障	可行操作
绿色指示灯闪烁。	电池电压低。	给电池充电。
错误指示灯闪烁。	偏离工作温度。	在 -10°C (14°F) 至 40°C (104°F) 之间的温度下使用电池。
	电压过高。	确保电源电压与产品标牌上的电压值相符。 从电池充电器中取出电池。
错误指示灯亮起。	电池电压差过大 (1V)。	请联系保养代理商。

电池充电器

问题	可能的故障	可能的解决方案
充电指示灯呈红色。	永久性电池充电器错误。	请联系您的经销商。
充电指示灯呈绿色闪烁。	温度超出范围，电池太冷或太热，无法使用或充电。	使电池冷却或将其预热。待电池达到合适温度后，即可再次使用或充电。在 5°C (41°F) 至 40°C (104°F) 之间的环境温度下使用电池充电器。
充电指示灯呈红色闪烁。	故障电池。	请联系您的经销商。

运输、存放和废弃处理

运输及存放

- 随附的锂离子电池遵守危险品法律的要求。
- 请遵守商业运输在包装和标签方面的特殊要求，包括由第三方、运输代理等进行的商业运输。
- 在运送产品前，请与经过危险品专门培训的人员沟通。请遵守所有适用的国家法规。
- 在将电池放入包装中时，用胶带遮住裸露的触点。将电池牢牢固定在包装中，以防移动。
- 进行存放或运输之前请取下电池。
- 将电池和电池充电器放入干燥无霜的空间。
- 不要将电池存放在容易积聚静电的区域。严禁将电池存放在金属盒中。
- 电池存放温度应介于 5°C/41°F 至 25°C/77°F 之间，并避免阳光直射。
- 电池充电器存放温度应介于 5°C/41°F 至 45°C/113°F 之间，并避免阳光直射。

- 只能在 5°C/41°F 至 40°C/104°F 之间的环境温度条件下使用电池充电器。
- 在进行长期存储之前，将电池充电至 30% 至 50%。
- 将电池充电器存储在封闭、干燥的空间。
- 在存储期间使电池远离电池充电器。请勿使儿童和其他未获批准人员接触设备。将设备存放于可以锁闭的空间。
- 在长期存储本产品之前，应清洁产品并进行全面的保养。
- 在产品上使用运输护板，以防止产品在运输和存储期间造成伤害或损坏。
- 在运输期间固定好产品。

电池、电池充电器和产品的废弃处理

本产品或其包装上的符号指示不能将本产品当作生活垃圾进行处理。请在回收站作为电气和电子设备进行回收。这有助于避免对环境和人产生损害。

请与当地相关部门、生活垃圾服务机构或您的经销商联系，了解更多关于回收本产品的信息。

技术参数

技术参数

	215iHD45
马达	
电机类型	BLDC
重量	
不含电池时的重量, kg	3.2
切割齿	
类型	双侧
刀片长度 (mm)	450
锯片速度, 切割次数/分钟 (SavE 模式)	2400
锯片速度, 切割次数/分钟 (非 SavE 模式)	3000
噪音排放 ⁵⁹	
声功率级测量值, dB(A)	87
声功率级保证值, L _{WA}	90
声压级	
操作员耳旁的声压级, 根据 EN 62841-4-2 标准测量得出, 单位为 dB(A)	79
振动水平 ⁶⁰	
振动水平 (a _h), 前/后, m/s ²	2.1/1.7

相应产品指定使用的电池

电池	BLi10	40-B70
类型	锂离子电池	锂离子电池
电池容量, Ah	请参阅电池额定值标识	请参阅电池额定值标识
额定电压 (V)	36	36.5

⁵⁹ 环境噪音排放以声功率 (L_{WA}) 测量, 符合 EC 指令 2000/14/EC 的要求。保证声功率与测定声功率之间存在差异, 在于保证声功率按照 2000/14/EC 指导文件的要求还包含了测量结果中的公差以及相同型号不同产品之间的偏差。

⁶⁰ 报告的振动水平数据中具有一个 1.5 m/s² 的典型统计公差 (标准偏差)。

标称振动总值依据标准测试方法测得, 可用于比较不同的工具。

标称振动总值还可用于初步评估振动接触情况。

电池	BLI10		40-B70
重量, kg	0.7	0.7	0.8

相应产品指定使用的电池充电器

电池充电器	QC80	40-C80
电源电压 (V)	100-240	100-240
频率, Hz	50-60	50-60
功率 (W)	100	72
输出电压 V d.c./Amps, A	36/2	43/1.6

一致性声明

欧盟一致性声明

我们 Husqvarna AB (地址 : SE-561 82 Huskvarna ,
Sweden , 电话 : +46-36-146500) 谨此声明 , 本产品 :

描述	电池动力绿篱剪
品牌	Husqvarna
类型/型号	215iHD45
标识	2024 及以后的序列号

完全符合以下欧盟指令和法规的要求 , 我们对此负有唯一
的责任 :

指令/法规	描述
2006/42/EC	"关于机械"
2014/30/EU	"关于电磁兼容性"
2000/14/EC	"关于环境噪音排放"
2011/65/EU	"关于在电气和电子设备中限制使用某些有害物质的指令"

并适用以下标准和/或技术规格 : EN
62841-4-2:2019+A1:2022+A11:2022, EN
62841-1:2015+A11:2022, EN IEC 55014-1:2021, EN
IEC 55014-2:2021, EN IEC 63000:2018。

符合指令 2000/14/EC 附录 V , 请参阅 *技术参数在第 437
页上* 了解所标示的噪声值。

Husqvarna, 2024-02-01



Husqvarna AB 研发经理 Claes Losdal
技术文档负责人





FR

Cet appareil,
ses cordons,
et batterie
se recyclent

À DÉPOSER

EN MAGASIN



OU

À DÉPOSER

EN DÉCHÈTERIE



Points de collecte sur www.quefairedemesdechets.fr
Privilégiez la réparation ou le don de votre appareil !

Husqvarna®

www.husqvarna.com

Original instructions
Bruksanvisning i original
Originale instruktioner
Originale instruksjoner
Alkuperäiset ohjeet
Originalanweisungen
Instructions d'origine
Originale instructies
Istruzioni originali
Instrucciones originales

Instruções originais
Originaaljuhend
Originalios instrukcijos
Lietošanas pamācība
Původní pokyny

Pôvodné pokyny
Oryginalne instrukcje
Eredeti útmutatás
Originalne upute
Izvirna navodila
Instrucțiuni inițiale
Originalna uputstva
Оригинальные инструкции
Оригинални инструкции
Оригинальні інструкції
Αρχικές οδηγίες
Orjinal talimatlar
取扱説明書原本
원본 설명서
原始说明



FR



1143931-38

Rev. B



2024-03-18