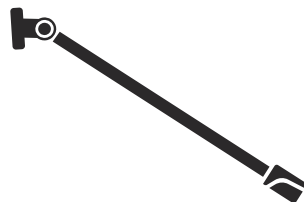




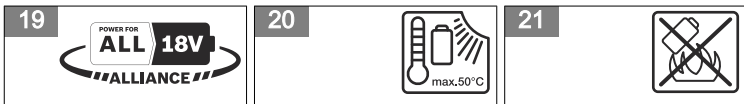
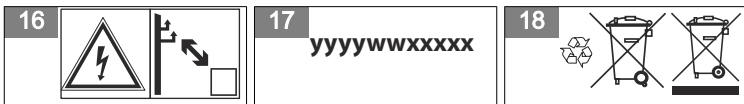
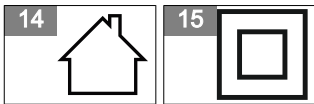
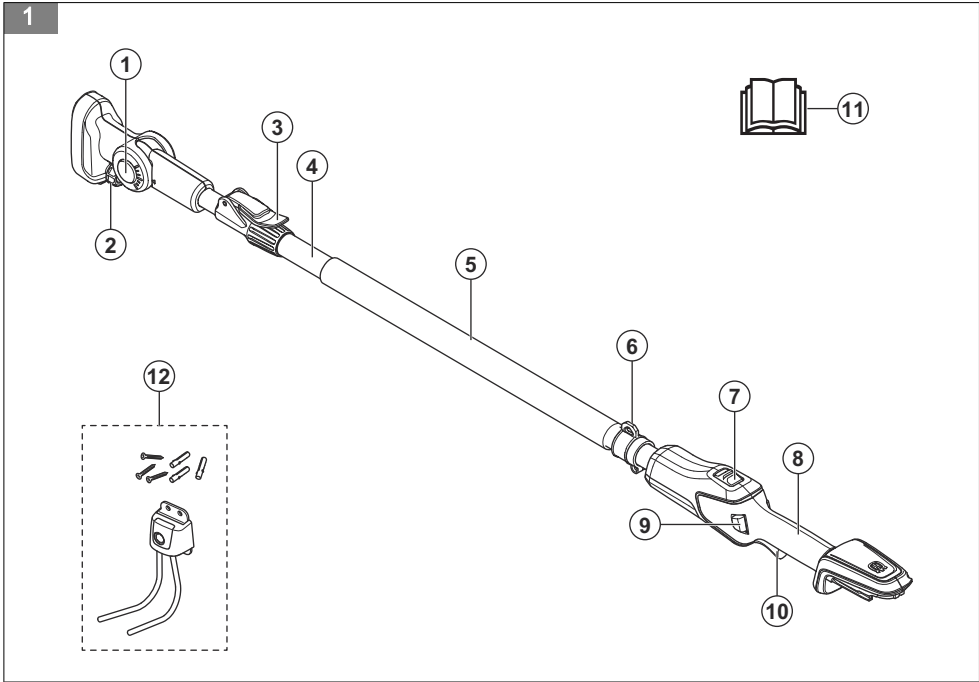
Husqvarna®



Aspire Pole-P4A



EN	Operator's manual	5-19
BG	Ръководство за експлоатация	20-37
EL	Οδηγίες χρήσης	37-54
IT	Manuale dell'operatore	54-70
DE	Bedienungsanweisung	70-87
FR	Manuel d'utilisation	87-103
NL	Gebruiksaanwijzing	103-119
RO	Instrucțiuni de utilizare	119-134
ES	Manual de usuario	134-150
PT	Manual do utilizador	150-166
TR	Kullanım kılavuzu	166-181
SV	Bruksanvisning	181-195
DA	Bruksanvisning	195-210
NO	Bruksanvisning	210-223
FI	Käyttöohje	223-238
ET	Kasutusjuhend	238-251
LV	Lietošanas pamācība	251-267
LT	Operatoriaus vadovas	267-282
HR	Priručnik za korištenje	282-296
CS	Návod k použití	296-312
SK	Návod na obsluhu	312-327
PL	Instrukcja obsługi	327-343
HU	Használati utasítás	343-359
JA	取扱説明書	359-373
UK	Посібник користувача	373-391
SL	Navodila za uporabo	391-406



22



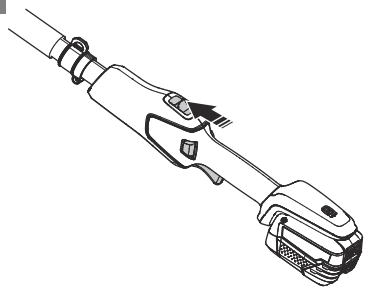
23



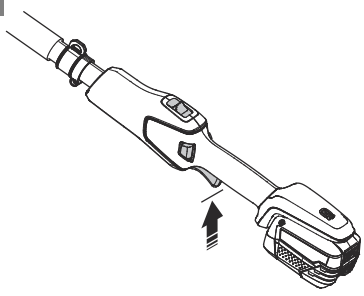
24



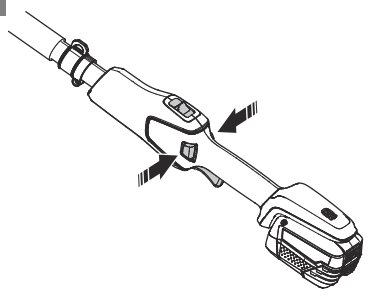
25



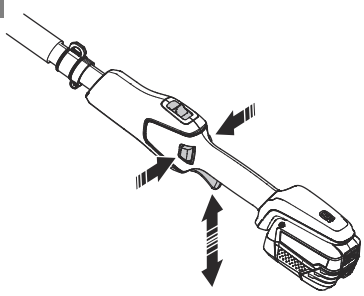
26



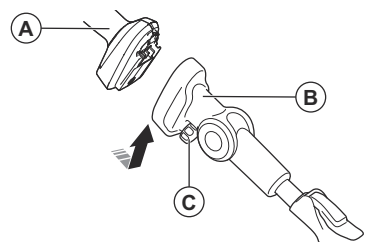
27

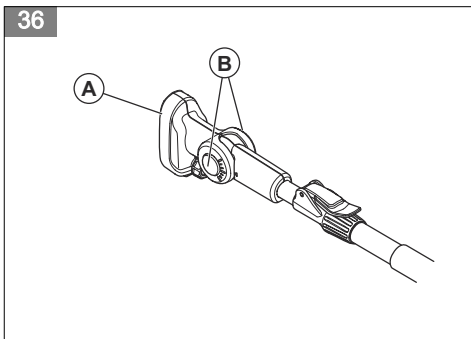
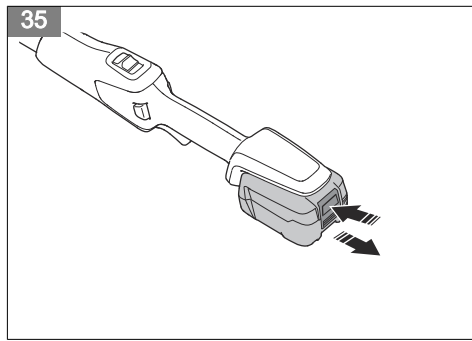
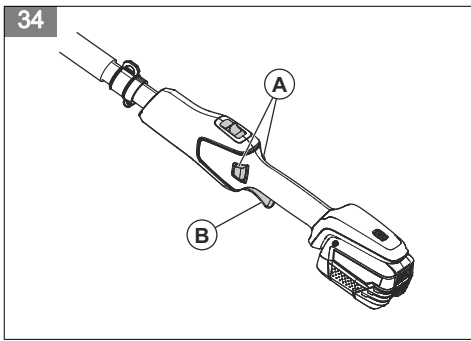
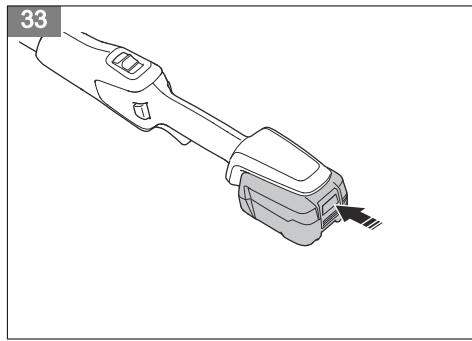
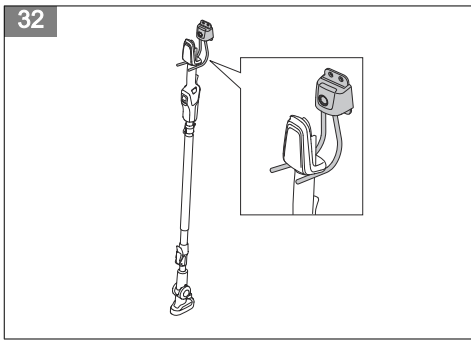
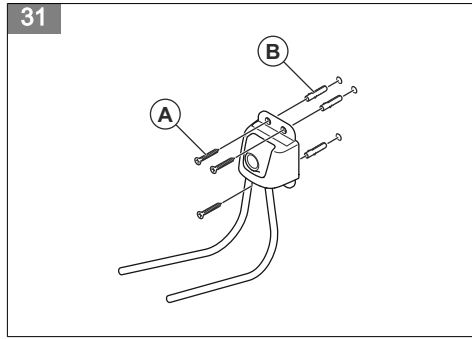
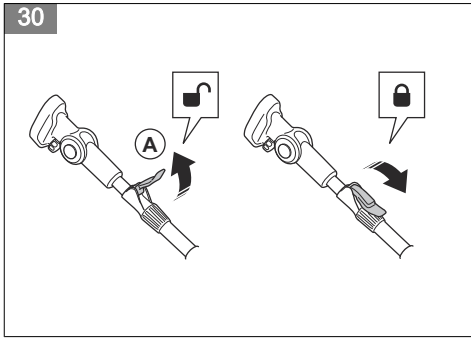


28



29





Contents

Introduction.....	5	Transportation, storage and disposal.....	14
Safety.....	6	Technical data.....	15
Assembly.....	12	Accessories.....	15
Operation.....	12	Declaration of Conformity.....	16
Maintenance.....	13	Licenses.....	18

Introduction

Product description

Husqvarna Aspire Pole-P4A is a battery-operated power unit with telescopic function.

accessories in *Accessories on page 15*. Make sure to read this manual together with the approved accessory manual.

Intended use

This power unit is a bare unit that only function together with approved accessories, see those approved

Product overview

(Fig. 1)

1. Rotation joint
2. Locking knob for attachment
3. Lever for telescopic function
4. Shaft
5. Soft sleeve
6. Harness hook
7. Lock button for power trigger lockout
8. Rear handle
9. Power trigger lockout
10. Power trigger
11. Operator's manual
12. Battery release button
13. Battery charger
14. Power on and warning indicator
15. Connector
16. Storage hook, screws and wall plugs

(Fig. 5)

Use approved protective gloves.

(Fig. 6)

Use heavy-duty slip-resistant boots. (Only applicable for Aspire P5-P4A + Aspire Pole-P4A)

(Fig. 7)

Direct current.

(Fig. 8)

Rated voltage, V

(Fig. 9)

Do not expose to rain.

(Fig. 10)

Risk of injury. Keep hands away from cutting tool.

(Fig. 11)

The product complies with the applicable EU directives.

(Fig. 12)

This product conforms to the applicable UK regulations.

Symbols on the product

(Fig. 2)

WARNING: This product can be dangerous and cause serious injury or death to the operator or others. Be careful and use the product correctly.

(Fig. 13)

The product or package of the product is not domestic waste. Recycle it at a recycling station for electrical and electronic equipment.

(Fig. 3)

Read the operator's manual carefully and make sure that you understand the instructions before you use the product.

(Fig. 4)

Use a protective helmet in locations where objects can fall on you. Use approved hearing protection (Only for Aspire P5-P4A + Aspire Pole-P4A). Use approved eye protection.

(Fig. 16)

DANGER - Keep sufficient distance away from electrical power lines.

(Fig. 17)

The rating plate or the laser printing shows the serial number. **yyyy** is the production year and **ww** is the production week.

Note: Other symbols/decals on the product refer to special certification requirements for certain markets.

Symbols on the battery and/or on the battery charger

(Fig. 18)

Recycle this product at a recycling station for electrical and electronic equipment. (Applies to Europe only)

(Fig. 19)

Use the battery only in products from POWER FOR ALL System partners.

(Fig. 20)

Protect the battery against heat, e.g. against continuous intense sunlight, fire, dirt, water and moisture. There is a risk of explosion and short-circuiting.

(Fig. 21)

(Fig. 14)

Use and keep the battery charger indoors only.

(Fig. 15)

Double insulation.

Product damage

We are not responsible for damages to our product if:

- the product is incorrectly repaired.
- the product is repaired with parts that are not from the manufacturer or not approved by the manufacturer.
- the product has an accessory that is not from the manufacturer or not approved by the manufacturer.
- the product is not repaired at an approved service center or by an approved authority.

Manufacturer

Husqvarna AB

Drottninggatan 2, SE-561 82 Huskvarna, Sweden, tel: +46-36-146 500

Safety

Safety definitions

Warnings, cautions and notes are used to point out specially important parts of the manual.



WARNING: Used if there is a risk of injury or death for the operator or bystanders if the instructions in the manual are not obeyed.



CAUTION: Used if there is a risk of damage to the product, other materials or the adjacent area if the instructions in the manual are not obeyed.

Note: Used to give more information that is necessary in a given situation.

General power tool safety warnings



WARNING: Make sure to read the approved accessory manual together with this power units manual.



WARNING: Read all safety warnings, instructions, illustrations and specifications provided with this power tool. Failure to follow all instructions listed below may result in electric shock, fire and/or serious injury.

Note: Save all warnings and instructions for future reference. The term "power tool" in the warnings refers to your mains-operated (corded) power tool or battery-operated (cordless) power tool.

Work area safety

- **Keep work area clean and well lit.** Cluttered or dark areas invite accidents.
- **Do not operate power tools in explosive atmospheres, such as in the presence of flammable liquids, gases or dust.** Power tools create sparks which may ignite the dust or fumes.
- **Keep children and bystanders away while operating a power tool.** Distractions can cause you to lose control.

Electrical safety

- **Power tool plugs must match the outlet. Never modify the plug in any way. Do not use any adapter plugs with earthed (grounded) power tools.** Unmodified plugs and matching outlets will reduce risk of electric shock.
- **Avoid body contact with earthed or grounded surfaces, such as pipes, radiators, ranges and refrigerators.** There is an increased risk of electric shock if your body is earthed or grounded.
- **Do not expose power tools to rain or wet conditions.** Water entering a power tool will increase the risk of electric shock.
- **Do not abuse the cord. Never use the cord for carrying, pulling or unplugging the power tool. Keep cord away from heat, oil, sharp edges or moving parts.** Damaged or entangled cords increase the risk of electric shock.
- **When operating a power tool outdoors, use an extension cord suitable for outdoor use.** Use of a cord suitable for outdoor use reduces the risk of electric shock.
- **If operating a power tool in a damp location is unavoidable, use a residual current device (RCD) protected supply.** Use of a RCD reduces the risk of electric shock.

Personal safety

- **Stay alert, watch what you are doing and use common sense when operating a power tool. Do not use a power tool while you are tired or under the influence of drugs, alcohol or medication.** A moment of inattention while operating power tools may result in serious personal injury.
- **Use personal protective equipment. Always wear eye protection.** Protective equipment such as dust mask, non-skid safety shoes, hard hat or hearing protection used for appropriate conditions will reduce personal injuries.
- **Prevent unintentional starting. Ensure the switch is in the off-position before connecting to power source and/or battery pack, picking up or carrying the tool.** Carrying power tools with your finger on the switch or energising power tools that have the switch on invites accidents.
- **Remove any adjusting key or wrench before turning the power tool on.** A wrench or a key left attached to a rotating part of the power tool may result in personal injury.
- **Do not overreach. Keep proper footing and balance at all times.** This enables better control of the power tool in unexpected situations.
- **Dress properly. Do not wear loose clothing or jewellery. Keep your hair and clothing away from moving parts.** Loose clothes, jewellery or long hair can be caught in moving parts.
- **If devices are provided for the connection of dust extraction and collection facilities, ensure these are**

connected and properly used. Use of dust collection can reduce dust-related hazards.

- **Do not let familiarity gained from frequent use of tools allow you to become complacent and ignore tool safety principles.** A careless action can cause severe injury within a fraction of a second.
- **Danger! Do not operate near electrical power lines.** The unit has not been designed to provide protection from electric shock in the event of contact with overhead electric lines. Consult local regulations for safe distances from overhead electric power lines and ensure that the operating position is safe and secure before operating the product.

Power tool use and care

- **Do not force the power tool. Use the correct power tool for your application.** The correct power tool will do the job better and safer at the rate for which it was designed.
- **Do not use the power tool if the switch does not turn it on and off.** Any power tool that cannot be controlled with the switch is dangerous and must be repaired.
- **Disconnect the plug from the power source and/or remove the battery pack, if detachable, from the power tool before making any adjustments, changing accessories, or storing power tools.** Such preventive safety measures reduce the risk of starting the power tool accidentally.
- **Store idle power tools out of the reach of children and do not allow persons unfamiliar with the power tool or these instructions to operate the power tool.** Power tools are dangerous in the hands of untrained users.
- **Maintain power tools and accessories. Check for misalignment or binding of moving parts, breakage of parts and any other condition that may affect the power tool's operation. If damaged, have the power tool repaired before use.** Many accidents are caused by poorly maintained power tools.
- **Keep cutting tools sharp and clean.** Properly maintained cutting tools with sharp cutting edges are less likely to bind and are easier to control.
- **Use the power tool, accessories and tool bits etc. in accordance with these instructions, taking into account the working conditions and the work to be performed.** Use of the power tool for operations different from those intended could result in a hazardous situation.
- **Keep handles and grasping surfaces dry, clean and free from oil and grease.** Slippery handles and grasping surfaces do not allow for safe handling and control of the tool in unexpected situations.

Battery tool use and care

- **Recharge only with the charger specified by the manufacturer.** A charger that is suitable for one type of battery pack may create a risk of fire when used with another battery pack.

- **Use power tools only with specifically designated battery packs.** Use of any other battery packs may create a risk of injury and fire.
- **When battery pack is not in use, keep it away from other metal objects, like paper clips, coins, keys, nails, screws or other small metal objects, that can make a connection from one terminal to another.** Shorting the battery terminals together may cause burns or a fire.
- **Under abusive conditions, liquid may be ejected from the battery; avoid contact. If contact accidentally occurs, flush with water. If liquid contacts eyes, additionally seek medical help.** Liquid ejected from the battery may cause irritations or burns.
- **Do not use a battery pack or tool that is damaged or modified.** Damaged or modified batteries may exhibit unpredictable behaviour resulting in fire, explosion or risk of injury.
- **Do not expose a battery pack or tool to fire or excessive temperature.** Exposure to fire or temperature above 130 °C / 266 °F may cause explosion.
- **Follow all charging instructions and do not charge the battery pack or tool outside the temperature range specified in the instructions.** Charging improperly or at temperatures outside the specified range may damage the battery and increase the risk of fire.

Service

- **Have your power tool serviced by a qualified repair person using only identical replacement parts.** This will ensure that the safety of the power tool is maintained.
- **Never service damaged battery packs.** Service of battery packs should only be performed by the manufacturer or authorized service providers.

Other general safety information

- For additional specific safety rules, refer to the operator's manual for the relevant attachment.
- Deactivate the product before you move to another area. Always remove the battery when passing the product to another person.
- Never put the product down unless you have deactivated it and removed the battery. Do not leave the product unsupervised when it is switched on.
- The cutting tool does not stop immediately after the product is turned off.
- Before using the product and after any impact, do a check for signs of wear or damage and repair as necessary.
- If anything jams in the cutting attachment while you operate the product, stop and deactivate the product. Make sure that the cutting attachment stops completely. Remove the battery before you clean, inspect or repair the product and/or the cutting equipment.
- Do a check of the product before use. Refer to *Safety devices on the product on page 10* and *Maintenance on page 13*. Do not use a damaged product. Do the safety checks, maintenance and service instructions described in this manual.
- Faulty cutting attachment can increase the risk of accidents.
- Always ensure that ventilation openings are clear of debris.
- Do a check if the product is in perfect working order. Do a check if all nuts and screws are tight.
- This product is a dangerous tool if you are not careful or if you use the product incorrectly. This product can cause serious injury or death to the operator or others.
- This appliance is not intended for use by persons (including children) with reduced physical, sensory or mental capabilities, or lack of experience and knowledge, unless they have been given supervision or instruction concerning use of the appliance by a person responsible for their safety. Children should be supervised to ensure that they do not play with the appliance.
- Never allow children to use or be in the vicinity of the machine. Since the machine is easy to start, children may be able to start it if they are not kept under full surveillance. This can mean a risk of serious personal injury. Disconnect the battery when the machine is not under close supervision.
- Never allow children or other persons not trained in the use of the product and/or the battery to use or service it.
- Store the equipment in a lockable area so that it is out of reach of children and unauthorized persons.
- The transport guard must always be used for storage and transport.
- Keep hands and feet away from the cutting area at all times and especially when switching on the motor.
- Keep your hands and feet away from the cutting attachment until it is stopped completely when the product is deactivated.
- Do not remove the cut material, or let other persons remove cut material, while the product is activated or the cutting equipment rotates, as this can result in serious injury.
- Keep in mind that it is you, the operator that is responsible for not exposing people or their property to accidents or hazards.
- Under no circumstances may the design of the product be modified without the permission of the manufacturer. Always use original accessories. Non-authorized modifications and/or accessories can result in serious personal injury or the death of the operator or others. Your warranty may not cover damage or liability caused by the use of non-authorized accessories or replacement parts.

- The only accessories you can operate with this product are the cutting attachments recommended in the accessories chapter.
- Never use a product that has been modified in any way from its original specification
- Never use a product that is faulty. Carry out the safety checks, maintenance and service instructions described in this manual. Some maintenance and service measures must be carried out by trained and qualified specialists. Refer to *Maintenance on page 13*.
- Working in bad weather is tiring and often brings added risk. Due to the added risk, it is not recommended to use the machine in very bad weather, for instance in dense fog, heavy rain, strong winds, intense cold, risk of lightning, etc
- Never work from a ladder, stool or any other raised position that is not fully secured.
- Store Idle Appliances Indoors – When not in use, appliances should be stored indoors.
- It is not possible to cover every conceivable situation you can face. Always exercise care and use your common sense. Avoid all situations which you consider to be beyond your capability. If you still feel uncertain about operating procedures after reading these instructions, you should consult an expert before continuing.
- Ensure that no people or animals come closer than 50 feet (15 meters) while you work. When several operators are working in the same area the safety distance should be at least 50 feet (15 meters). Otherwise there is a risk of serious personal injury. Stop the product immediately if anyone approaches. Never swing the product around without first checking behind you to make sure that no one is within the safety zone.
- If anything jams in the cutting attachment while you operate the product, stop and deactivate the product. Make sure that the cutting attachment stops completely. Remove the battery before you clean, inspect or repair the product and/or the cutting equipment.
- Ensure that people, animals or other things can not affect your control of the product or that they do not come in contact with the cutting attachment or loose objects that are thrown out by the cutting attachment. Do not use the product unless you are able to call for help in the event of an accident.
- Make sure that you can move and stand safely. Do a check of the area around you for possible obstacles (roots, rocks, branches, ditches, etcetera) in case you have to move suddenly. Take great care when you work on sloping ground.
- Walk, never run.
- Inspect the working area. Remove all loose objects, such as stones, broken glass, nails, steel wire, string etcetera. that could be thrown out or become wrapped around the cutter or cutter guard.
- Watch out for stumps of branches that can be thrown out when you cut. Do not cut to close to the ground where stones and other objects can be thrown out.
- Make sure that no clothes or parts of the body come in contact with the cutting attachment when the product is activated. Keep the product below waist level.
- Watch out for thrown objects. Always wear approved eye protection. Never lean over the cutting attachment guard. Stones, rubbish, etcetera, can be thrown up into the eyes which can cause blindness or serious injury.
- Listen out for warning signals or shouts when you wear hearing protection. Always remove your hearing protection as soon as the product stops.
- If any unwanted vibrations occur, tap out new line to give the line the correct length to stop the vibrations.
- If the product starts vibrating abnormally, stop the product and remove the battery.
- Overexposure to vibration can lead to circulatory damage or nerve damage in persons who have poor circulation. Speak to your physician if you experience symptoms of overexposure to vibration. Such symptoms include numbness, loss of feeling, tingling, pricking, pain, loss of strength, changes in skin color or condition. These symptoms usually show in the fingers, hands or wrists.
- Always hold the product with both hands.

Personal protective equipment



WARNING: Read the warning instructions that follow before you use the product.

- Always use approved personal protective equipment when you use the product. Personal protective equipment cannot fully prevent injury but it decreases the degree of injury if an accident does occur. Let your dealer help you select the right equipment.
- Use a protective helmet where there is a risk of falling objects.
- Use approved hearing protection that provides adequate noise reduction. Long-term exposure to noise can result in permanent hearing impairment.
- Use approved eye protection. If you use a visor, you must also use approved protective goggles. Approved protective goggles must comply with the ANSI Z87.1 standard in the USA or EN 166 in EU countries.
- Use a visor for face protection. A visor is not enough for protection of the eyes.
(Fig. 22)
- Use gloves when necessary, for example when you attach, examine or clean the cutting equipment.
- Use sturdy non-slip boots.
- Use clothing made of a strong fabric. Always use heavy, long pants and long sleeves. Do not use

loose clothing that can catch on twigs and branches. Do not wear jewelry, short pants, sandals or go with bare feet. Put your hair up safely above shoulder level.

(Fig. 23)

- Keep first aid equipment close at hand.

(Fig. 24)

Safety devices on the product



WARNING: Read the warning instructions that follow before you use the product.

In this section the product's safety features, its purpose and how checks and maintenance should be carried out to ensure that it operates correctly. See instructions under the heading *Product overview on page 5* to find where these parts are located on your product.

The life span of the product can be reduced and the risk of accidents can increase if product maintenance is not carried out correctly and if service and/or repairs are not carried out professionally. If you need further information please contact your nearest servicing dealer.



WARNING: Never use a product with damaged safety components. The product's safety equipment must be inspected and maintained as described in this section. If your product fails any of these checks, contact your service agent to get it repaired.



CAUTION: All servicing and repair work on the machine requires special training. This is especially true of the machine's safety equipment. If your machine fails any of the checks described below you must contact your service agent. When you buy any of our products we guarantee the availability of professional repairs and service. If the retailer who sells your machine is not a servicing dealer, ask him for the address of your nearest service agent.

To do a check of the power trigger lockout

The power trigger lockout prevents accidental operation. When you release the handle, the power trigger and the power trigger lockout move back to their initial position.

1. Push the lock button for the power trigger lockout forward. (Fig. 25)
2. Make sure that the power trigger is locked when the power trigger lockout is in its initial position. (Fig. 26)
3. Push the power trigger lockout on one side, and then on the other side. Make sure that the power trigger lockout moves back to its initial position. (Fig. 27)

4. Make sure that the power trigger and the power trigger lockout move freely and that the return spring operates correctly. (Fig. 28)
5. Start the product, refer to *To start the product on page 13*.
6. Release the power trigger and make sure that the product stops fully.

Safety instructions for assembly



WARNING: Read this power unit manual together with approved accessory manual.

- Remove the battery from the product before you assemble the product.
- Use the approved protective gloves.
- A damaged or incorrect guard can cause injury. Do not use a cutting attachment that does not have an approved guard attached.
- Make sure that you assemble the attachment correctly before you start the product.
- If a harness is supplied with the attachment, the harness must be correctly attached to the product. The harness makes operation safe and prevents injury to the operator or other persons.

Battery safety



WARNING: Read all the safety and general instructions. Failure to observe the safety and general instructions may result in electric shock, fire and / or serious injury. **Keep all the safety information and general instructions for future reference.**

- **These safety instructions apply only to 18V Li-ion rechargeable batteries for the POWER FOR ALL system.**
- **Use the rechargeable battery only in products from POWER FOR ALL System partners.** 18 V rechargeable batteries labelled with POWER FOR ALL are fully compatible with the following products:
 - All products of the 18V POWER FOR ALL battery system.
 - All 18 V products from POWER FOR ALL System partners.
- **Observe the battery recommendations in the operating manual of your product.** Only this way can the rechargeable battery and the product be operated without danger and the rechargeable batteries protected from hazardous overloading.
- **Only charge the batteries using chargers recommended by the manufacturer or by POWER FOR ALL system partners.** A charger that is suitable for one type of battery may pose a fire risk when used with a different battery.

- **The battery is supplied partially charged.** To ensure full battery capacity, fully charge the battery in the charger before using your power tool for the first time.
- **Keep battery packs out of the reach of children.**
- **Do not open the battery.** There is a risk of shortcircuiting.
- **In case of damage and improper use of the battery, vapours may be emitted. The battery can set alight or explode.** Ensure the area is well ventilated and seek medical attention should you experience any adverse effects. The vapours may irritate the respiratory system.
- **If used incorrectly or if the battery is damaged, flammable liquid may be ejected from the battery. Contact with this liquid should be avoided. If contact accidentally occurs, rinse off with water. If the liquid comes into contact with your eyes, seek additional medical attention.** Liquid ejected from the battery may cause irritation or burns.
- **If the battery is damaged liquid can be ejected and cover nearby surfaces. Check affected parts.** Clean these parts or change them if necessary.
- **Do not short-circuit the battery pack. When the battery pack is not in use, keep it away from other metal objects, like paper clips, coins, keys, nails, screws or other small metal objects, that can make a connection from one terminal to another.** Shorting the battery terminals together may cause burns or a fire.
- **The battery can be damaged by pointed objects such as nails or screwdrivers or by force applied externally.** An internal short circuit may occur, causing the battery to burn, smoke, explode or overheat.
- **Never service damaged battery packs.** Service of battery packs should only be performed by the manufacturer or authorized service providers.
- **Protect the battery against heat, e. g. against continuous intense sunlight, fire, dirt, water and moisture.** There is a risk of explosion and short-circuiting.
- **Use the battery in the product only when the ambient temperature is between -5 °C – 40 °C.**
- **Only store the battery at an ambient temperature between -20 °C – 50 °C.** Do not leave the battery in your car in the summer, for example. At temperatures of < 0 °C some devices may experience a loss of power.
- **Only charge the battery at an ambient temperature which is between 0 °C – +35 °C.** Charging outside of this temperature range can increase the risk of damage to the battery and pose a fire hazard.

Store these instructions in a safe place.

Only use the charger if you can fully evaluate all functions and carry them out without restrictions, or if you have received corresponding instructions.

- **This charger is not intended for use by children or persons with physical, sensory or mental limitations or a lack of experience or knowledge. This charger can be used by children aged 8 or older and by persons who have physical, sensory or mental limitations or a lack of experience or knowledge if a person responsible for their safety supervises them or has instructed them in the safe operation of the charger and they understand the associated dangers.** Otherwise, there is a risk of operating errors and injuries.
- **Supervise children during use, cleaning and maintenance.** This will ensure that children do not play with the charger.
- **Only charge 18V POWER FOR ALL system batteries with a capacity of 1.5 Ah and above. The battery voltage must match the battery charging voltage of the charger. Do not charge any non-rechargeable batteries.** Otherwise there is a risk of fire and explosion.
- **Only use the charger in enclosed spaces and do not expose it to wet conditions.** Water entering a power tool will increase the risk of electric shock.
- **Keep the charger clean.** Dirt poses a risk of electric shock.
- **Always check the charger, cable and plug before use. Stop using the charger if you discover any damage. Do not open the charger yourself, and have it repaired only by Husqvarna or by an authorised after-sales service centre using only original replacement parts.** Damaged chargers, cables and plugs increase the risk of electric shock.
- **Do not operate the charger on an easily ignited surface (e. g. paper, textiles, etc.) or in a flammable environment.** There is a risk of fire due to the charger heating up during operation.
- **Do not cover the ventilation slots of the charger.** Otherwise, the charger may overheat and no longer function properly.
- **Recharge only with the charger specified by the manufacturer.** A charger that is suitable for one type of battery pack may create a risk of fire when used with another battery pack.
- **In case of damage and improper use of the battery, vapours may also be emitted.** Ensure the area is well ventilated and seek medical attention should you experience any adverse effects. The vapours may irritate the respiratory system.
- **Under abusive conditions, liquid may be ejected from the battery. Contact with this liquid should be avoided. If contact accidentally occurs, rinse off with water. If the liquid comes into contact with your eyes, seek additional medical attention.** Liquid ejected from the battery may cause irritation or burns.

Battery charger safety



WARNING: Read all the safety and general instructions. Failure to observe the safety and general instructions may result in electric shock, fire and / or serious injury.

- **Products sold in GB only:** Your product is fitted with an BS 1363/A approved electric plug with internal fuse (ASTA approved to BS 1362). If the plug is not suitable for your socket outlets, it should be cut off and an appropriate plug fitted in its place by an authorised customer service agent. The replacement plug should have the same fuse rating as the original plug. The severed plug must be disposed of to avoid a possible shock hazard and should never be inserted into a mains socket elsewhere.

Safety instructions for maintenance



WARNING: Read the warning instructions that follow before you do maintenance on the product.

- Remove the battery before you do maintenance, other checks or assemble the product.
- The operator must only do the maintenance and servicing shown in this operator's manual. Turn to

your servicing dealer for maintenance and servicing of a larger extension.

- Do not clean the battery or the battery charger with water. Strong detergent can cause damage to the plastic.
- If you do not do maintenance, it decreases the life cycle of the product and increases the risk of accidents.
- Special training is necessary for all servicing and repair work, especially for the safety devices on the product. If not all checks in this operator's manual are approved after you have done maintenance, turn to your servicing dealer. We guarantee that there are professional repairs and servicing available for your product.
- Only use original spare parts.
- Always use heavy duty gloves when you repair the cutting attachment. The blades are very sharp and can easily cause injuries.

Assembly

Introduction



WARNING: Read and understand the safety chapter before you assemble the product.

To install the attachment

1. Attach the attachment (A) to the power unit (B). The attachment must move into the holder on the power unit easily, if not, it is not installed correctly. (Fig. 29)
2. Tighten the locking knob (C).

Note: When the attachment is installed on the power unit, the user interface of the attachment is disconnected.

To adjust the length of the telescopic shaft

1. Lift the lever (A) on the shaft. (Fig. 30)
2. Adjust the telescopic shaft to an applicable length.
3. Push the lever down to lock the telescopic shaft.

To install the storage hook on the wall

- Install the storage hook indoors.
- Keep the storage hook out of sunlight and in ambient temperature of -10°C to 70°C .
- Install the storage hook on a drywall, wood or concrete wall.



CAUTION: Make sure that the wall can hold loads of minimum 30 kg.

- Install the storage hook on the wall with the 3 screws (A). Use wall plugs (B) if it is necessary. (Fig. 31)



CAUTION: Make sure that the screws are applicable for your wall type.

- Speak to your Husqvarna service agent for information about available storage accessories for your product.

To hang the product on the storage hook

- Hang the power unit on the storage hook as shown in the illustration. (Fig. 32)

Operation

To do a function check before you use the product

1. Remove dirt and unwanted material from the product with a brush.
2. Tighten all nuts and screws.

3. Make sure that the attachment is attached correctly.
4. Make sure that the lock button for power trigger lockout is engaged.
5. Make sure that the locking devices of the extended shaft and the pivoting element are in locked position.

6. Examine the attachment for damages, for example, cracks. Replace the attachment if it is damaged.
7. Make sure that the covers are attached correctly and not damaged.
8. Make sure that the product operates correctly.

To connect the battery to the product



WARNING: Only use lithium-ion batteries of the POWER FOR ALL system P4A 18 V in the product.

1. Make sure that the battery is fully charged.
2. Put the battery into the battery holder of the product. The battery must move into the holder easily, if not, it is not installed correctly. (Fig. 33)
3. Push the battery fully into the battery holder. The battery locks into position when you hear a click.
4. Make sure that the latch locks in position correctly.

To start the product

1. Push the lock button for the power trigger lockout forward. (Fig. 25)
2. Push the power trigger lockout (A) from the left or the right side, and hold the power trigger (B). (Fig. 34)

To stop the product

1. Release the power trigger.
2. Push the lock button for the power trigger lockout rearward to lock the product.
3. Push the battery release button and pull out the battery. (Fig. 35)
4. If it is necessary, remove the attachment from the product.

To adjust the angle of the product

The product can be adjusted in 7 different positions.



WARNING: Do not adjust the angle when you operate the product.

1. Stop the product and remove the battery.
2. Hold the holder (A) tightly. (Fig. 36)
3. Push and hold the rotation joint (B).
4. Set the holder to the correct position.
5. Release the rotation joint to lock the holder.
6. Move the holder up and down until it locks into position.

Maintenance

Introduction



WARNING: Read and understand the safety chapter before you do maintenance work on the product.



WARNING: Remove the battery before you do maintenance on the product.

Maintenance schedule

The list that follows is maintenance steps that you must do on the product.

Maintenance	Before operation	Weekly	Monthly
Clean the external parts of the product with a dry cloth. Do not use water.	X		
Make sure that the lock button for the power trigger lockout operates correctly and is not damaged.	X		
Make sure that the power trigger and the power trigger lockout operate correctly from a safety point of view.	X		
Make sure that all controls operate correctly and are not damaged.	X		
Keep the handles dry and clean.	X		
Make sure that the screws and nuts are tight.	X		

Maintenance	Before operation	Weekly	Monthly
Make sure that the battery release buttons on the battery operates correctly and locks the battery in the product.	X		
Make sure that the battery is not damaged.	X		
Make sure that the battery is charged.	X		
Make sure that the battery charger is not damaged and operates correctly.	X		
Examine all cables, couplings and connections. Make sure that they are clean and not damaged.		X	
Do a check of the connections between the battery and the product.			X
Do a check of the connection between the battery and the battery charger.			X

To clean the product, the battery and the battery charger

1. Clean the product with a dry cloth after use.
2. Clean the battery and battery charger with a dry cloth. Keep the battery guide tracks clean.

3. Make sure that the terminals on the battery and the battery charger are clean before the battery is put in the battery charger or the product.

Transportation, storage and disposal

Transportation and storage

- The supplied Li-ion batteries obey the Dangerous Goods Legislation requirements.
- Obey the special requirement on package and labels for commercial transportation, including by third parties and forwarding agents.
- Speak to a person with special training in dangerous material before you send the product. Obey all applicable national regulations.
- Use tape on open contacts when you put the battery in a package. Put the battery in the package tightly to prevent movement.
- Remove the battery for storage or transportation.
- Put the battery and the battery charger in a space that is dry and free from moisture and frost.
- Do not keep the battery in an area where static electricity can occur. Do not keep the battery in a metal box.
- Put the battery in storage where the temperature is between -20°C/-4°F and +50°C/122°F and away from open sunlight.
- Put the battery charger in storage where the temperature is between 5°C/41°F and 45°C/113°F and away from open sunlight.
- Use the battery charger only when the surrounding temperature is between 0°C/32°F and 35°C/95°F.
- Put the product in storage where the temperatures between -40°C/-40°F to +60°C/140°F.
- Charge the battery 30% to 50% before you put it in storage for long periods.

- Put the battery charger in storage in a space that is closed and dry.
- Keep the battery away from the battery charger during storage. Do not let children and other not approved persons to touch the equipment. Keep the equipment in a space that you can lock.
- Clean the product and do a full servicing before you put the product in storage for a long time.
- Use the transportation guard on the product to prevent injuries or damage on the product during transportation and storage.
- Attach the product safely during transportation.
- Keep the product in storage horizontally or hang the product on the supplied hook. Refer to *To hang the product on the storage hook on page 12*.

Disposal of the battery, battery charger and product

The symbol below means that the product is not domestic waste. Recycle it at a recycling station for electrical and electronic equipment. This helps to prevent damage to the environment and to persons.

Speak to local authorities, domestic waste service or your dealer for more information.

(Fig. 18)

Note: The symbol shows on the product or package of the product.

Technical data

Aspire Pole-P4A

Weight

Weight (power unit only), kg

1.5

Approved batteries

This product can be operated with all **POWER FOR ALL** batteries.

Battery	P4A 18-B36	P4A 18-B45	P4A 18-B72
Type	Lithium-ion	Lithium-ion	Lithium-ion
Battery capacity, Ah	2.0	2.5	4.0
Nominal voltage, V	18	18	18
Weight, kg	0.35	0.35	0.65
Number of cells (Li-Ion)	5	5	10

Approved battery chargers

Battery charger	P4A 18-C50	P4A 18-C70
Input voltage, V	Refer to charger rating information.	Refer to charger rating information.
Frequency, Hz	50–60	50–60
Power, W	50	70

Accessories

Attachments

Approved attachments	Type	Use with
Shrub shear attachment	Aspire S20-P4A	Aspire Pole-P4A
Pruner attachment	Aspire P5-P4A	Aspire Pole-P4A

Declaration of Conformity

EU Declaration of Conformity

We, **Husqvarna AB**, SE-561 82 Huskvarna, Sweden, tel: +46-36-146500, declare on our sole responsibility that the product:

Description	Battery-operated power unit
Brand	Husqvarna
Type / Model	Aspire Pole-P4A
Identification	Serial numbers dating from 2023 and onwards

complies fully with the following EU directives and regulations:

Directive/Regulation	Description
2006/42/EC	"relating to machinery"
2014/30/EU	"relating to electromagnetic compatibility"
2011/65/EU	"on the restriction of the use of certain hazardous substances in electrical and electronic equipment"
2000/14/EC	"relating to the noise emissions in the environment"

and that the following standards and/or technical specifications are applied: EN 62841-1:2015/A11:2022, EN 62841-4-2:2019/A1:2022, EN IEC 62841-4-5:2021/A11:2021, EN ISO 11680-1:2011, EN ISO 12100:2010, EN IEC 55014-1:2021, EN IEC 55014-2:2021, EN IEC 63000:2018.

DEKRA Testing and Certification GmbH, Handwerkstraße 15, 70565 Stuttgart, Germany, 0158, has carried out voluntary EC type examination in accordance with machinery directive's (2006/42/EC) article 12, point 3b. The certificate for EC type examination has the number: 4815039.22006.

Applied conformity assessment procedure in accordance with Directive 2000/14/EC, Annex V.

With attachment Aspire P5-P4A as a pole pruner:

- Measured Sound Power Level: 88 dB (A)
- Guaranteed Sound Power Level: 91dB (A)

With attachment Aspire S20-P4A as a pole shrub shear:

- Measured Sound Power Level for bush blade: 83 dB (A)
- Measured Sound Power Level for grass blade: 79 dB (A)
- Guaranteed Sound Power Level: 84 dB (A)

Husqvarna, 2023-10-30



Claes Losdal, R&D Manager, Husqvarna AB
Responsible for technical documentation



UK Declaration of Conformity

We, **Husqvarna AB**, SE-561 82 Huskvarna, Sweden, tel: +46-36-146500, declare on our sole responsibility that the product:

Description	Battery-operated power unit
Brand	Husqvarna
Type / Model	Aspire Pole-P4A
Identification	Serial numbers dating from 2023 and onwards

complies fully with the following UK regulations:

Description
The Supply of Machinery (Safety) Regulations 2008
Electromagnetic Compatibility Regulations 2016
The Restriction of the Use of Certain Hazardous Substances in Electrical and Electronic Equipment Regulations 2012
The Noise Emission in the Environment by Equipment for use Outdoors Regulations 2001

and that the following standards and/or technical specifications are applied: EN 62841-1:2015/A11:2022, EN 62841-4-2:2019/A1:2022, EN IEC 62841-4-5:2021/A11:2021, EN ISO 11680-1:2011, EN ISO 12100:2010, EN IEC 55014-1:2021, EN IEC 55014-2:2021, EN IEC 63000:2018.

Technology International (Europe) Limited, 56 Shrivensham Hundred Business Park, Shrivensham, Swindon, SN6 8TY, United Kingdom, 0673, has carried out type examination. The certificate for type examination has the number: TI(E) / SOMSR(08) - UKTE / 96 / 16032023.

Applied conformity assessment procedure in accordance with UK regulations Noise Emission in the Environment by Equipment for Use Outdoors Regulations 2001, Schedule 8.

With attachment Aspire P5-P4A as a pole pruner:

- Measured Sound Power Level: 88 dB (A)
- Guaranteed Sound Power Level: 91dB (A)

With attachment Aspire S20-P4A as a pole shrub shear:

- Measured Sound Power Level for bush blade: 83 dB (A)
- Measured Sound Power Level for grass blade: 79 dB (A)
- Guaranteed Sound Power Level: 84 dB (A)

Husqvarna, 2023-10-30



Claes Losdal, R&D Manager, Husqvarna AB
Responsible for technical documentation

**UK
CA**

UK Importer:
Husqvarna UK Ltd
Preston Road, Co. Durham
DL5 6UP

Licenses

Copyright © 2012–2020 STMicroelectronics

The warranty does not cover defects which are the result of normal wear and tear, negligence, defective use, unauthorised repair or the suction apparatus being connected to the incorrect voltage.

All rights reserved.

Redistribution and use in source and binary forms, with or without modification, are permitted provided that the following conditions are met:

- Redistributions of source code must retain the above copyright notice, this list of conditions and the following disclaimer.
- Redistributions in binary form must reproduce the above copyright notice, this list of conditions and the following disclaimer in the documentation and/or other materials provided with the distribution.
- Neither the name of STMicroelectronics nor the names of its contributors may be used to endorse or promote products derived from this software without specific prior written permission.

THIS SOFTWARE IS PROVIDED BY THE COPYRIGHT HOLDERS AND CONTRIBUTORS "AS IS" AND ANY EXPRESS OR IMPLIED WARRANTIES, INCLUDING, BUT NOT LIMITED TO, THE IMPLIED WARRANTIES OF MERCHANTABILITY AND FITNESS FOR A PARTICULAR PURPOSE ARE DISCLAIMED. IN NO EVENT SHALL THE COPYRIGHT OWNER OR CONTRIBUTORS BE LIABLE FOR ANY DIRECT, INDIRECT, INCIDENTAL, SPECIAL, EXEMPLARY, OR CONSEQUENTIAL DAMAGES (INCLUDING, BUT NOT LIMITED TO, PROCUREMENT OF SUBSTITUTE GOODS OR SERVICES; LOSS OF USE, DATA, OR PROFITS; OR BUSINESS INTERRUPTION) HOWEVER CAUSED AND ON ANY THEORY OF LIABILITY, WHETHER IN CONTRACT, STRICT LIABILITY, OR TORT (INCLUDING NEGLIGENCE OR OTHERWISE) ARISING IN ANY WAY OUT OF THE USE OF THIS SOFTWARE, EVEN IF ADVISED OF THE POSSIBILITY OF SUCH DAMAGE.

Apache 2.0 License

Copyright © 2009-2019 Arm Limited. All rights reserved.

Version 2.0, January 2004 <http://www.apache.org/licenses/>

TERMS AND CONDITIONS FOR USE,
REPRODUCTION, AND DISTRIBUTION

1. Definitions.

"License" shall mean the terms and conditions for use, reproduction, and distribution as defined by Sections 1 through 9 of this document. **"Licensor"** shall mean the copyright owner or entity authorized by the copyright owner that is granting the License. **"Legal Entity"** shall mean the union of the acting entity and all other

entities that control, are controlled by, or are under common control with that entity. For the purposes of this definition, **"control"** means (i) the power, direct or indirect, to cause the direction or management of such entity, whether by contract or otherwise, or (ii) ownership of fifty percent (50%) or more of the outstanding shares, or (iii) beneficial ownership of such entity.

"You" (or **"Your"**) shall mean an individual or Legal Entity exercising permissions granted by this License.

"Source" form shall mean the preferred form for making modifications, including but not limited to software source code, documentation source, and configuration files. **"Object"** form shall mean any form resulting from mechanical transformation or translation of a Source form, including but not limited to compiled object code, generated documentation, and conversions to other media types. **"Work"** shall mean the work of authorship, whether in Source or Object form, made available under the License, as indicated by a copyright notice that is included in or attached to the work (an example is provided in the Appendix below). **"Derivative Works"** shall mean any work, whether in Source or Object form, that is based on (or derived from) the Work and for which the editorial revisions, annotations, elaborations, or other modifications represent, as a whole, an original work of authorship. For the purposes of this License, Derivative Works shall not include works that remain separable from, or merely link (or bind by name) to the interfaces of, the Work and Derivative Works thereof.

"Contribution" shall mean any work of authorship, including the original version of the Work and any modifications or additions to that Work or Derivative Works thereof, that is intentionally submitted to Licensor for inclusion in the Work by the copyright owner or by an individual or Legal Entity authorized to submit on behalf of the copyright owner. For the purposes of this definition, **"submitted"** means any form of electronic, verbal, or written communication sent to the Licensor or its representatives, including but not limited to communication on electronic mailing lists, source code control systems, and issue tracking systems that are managed by, or on behalf of, the Licensor for the purpose of discussing and improving the Work, but excluding communication that is conspicuously marked or otherwise designated in writing by the copyright owner as **"Not a Contribution."** **"Contributor"** shall mean Licensor and any individual or Legal Entity on behalf of whom a Contribution has been received by Licensor and subsequently incorporated within the Work.

2. Grant of Copyright License.

Subject to the terms and conditions of this License, each Contributor hereby grants to You a perpetual, worldwide, non-exclusive, no-charge, royalty-free, irrevocable copyright license to reproduce, prepare Derivative Works of, publicly display, publicly perform, sublicense, and distribute the Work and such Derivative Works in Source or Object form.

3. Grant of Patent License.

Subject to the terms and conditions of this License, each Contributor hereby grants to You a perpetual, worldwide, nonexclusive, no-charge, royalty-free, irrevocable (except as stated in this section) patent license to make, have made, use, offer to sell, sell, import, and otherwise transfer the Work, where such license applies only to those patent claims licensable by such Contributor that are necessarily infringed by their Contribution(s) alone or by combination of their Contribution(s) with the Work to which such Contribution(s) was submitted. If You institute patent litigation against any entity (including a crossclaim or counterclaim in a lawsuit) alleging that the Work or a Contribution incorporated within the Work constitutes direct or contributory patent infringement, then any patent licenses granted to You under this License for that Work shall terminate as of the date such litigation is filed.

4. Redistribution.

You may reproduce and distribute copies of the Work or Derivative Works thereof in any medium, with or without modifications, and in Source or Object form, provided that You meet the following conditions:

- You must give any other recipients of the Work or Derivative Works a copy of this License; and
- You must cause any modified files to carry prominent notices stating that You changed the files; and – You must retain, in the Source form of any Derivative Works that You distribute, all copyright, patent, trademark, and attribution notices from the Source form of the Work, excluding those notices that do not pertain to any part of the Derivative Works; and
- If the Work includes a "NOTICE" text file as part of its distribution, then any Derivative Works that You distribute must include a readable copy of the attribution notices contained within such NOTICE file, excluding those notices that do not pertain to any part of the Derivative Works, in at least one of the following places: within a NOTICE text file distributed as part of the Derivative Works; within the Source form or documentation, if provided along with the Derivative Works; or, within a display generated by the Derivative Works, if and wherever such third-party notices normally appear. The contents of the NOTICE file are for informational purposes only and do not modify the License. You may add Your own attribution notices within Derivative Works that You distribute, alongside or as an addendum to the NOTICE text from the Work, provided that such additional attribution notices cannot be construed as modifying the License. You may add Your own copyright statement to Your modifications and may provide additional or different license terms and conditions for use, reproduction, or distribution of Your modifications, or for any such Derivative Works as a whole, provided Your use, reproduction, and distribution of the Work otherwise complies with the conditions stated in this License.

5. Submission of Contributions.

Unless You explicitly state otherwise, any Contribution intentionally submitted for inclusion in the Work by You to the Licensor shall be under the terms and conditions of this License, without any additional terms or conditions. Notwithstanding the above, nothing herein shall supersede or modify the terms of any separate license agreement you may have executed with Licensor regarding such Contributions.

6. Trademarks.

This License does not grant permission to use the trade names, trademarks, service marks, or product names of the Licensor, except as required for reasonable and customary use in describing the origin of the Work and reproducing the content of the NOTICE file.

7. Disclaimer of Warranty.

Unless required by applicable law or agreed to in writing, Licensor provides the Work (and each Contributor provides its Contributions) on an "AS IS" BASIS, WITHOUT WARRANTIES OR CONDITIONS OF ANY KIND, either express or implied, including, without limitation, any warranties or conditions of TITLE, NON-INFRINGEMENT, MERCHANTABILITY, or FITNESS FOR A PARTICULAR PURPOSE. You are solely responsible for determining the appropriateness of using or redistributing the Work and assume any risks associated with Your exercise of permissions under this License. 8. Limitation of Liability. In no event and under no legal theory, whether in tort (including negligence), contract, or otherwise, unless required by applicable law (such as deliberate and grossly negligent acts) or agreed to in writing, shall any Contributor be liable to You for damages, including any direct, indirect, special, incidental, or consequential damages of any character arising as a result of this License or out of the use or inability to use the Work (including but not limited to damages for loss of goodwill, work stoppage, computer failure or malfunction, or any and all other commercial damages or losses), even if such Contributor has been advised of the possibility of such damages.

9. Accepting Warranty or Additional Liability.

While redistributing the Work or Derivative Works thereof, You may choose to offer, and charge a fee for, acceptance of support, warranty, indemnity, or other liability obligations and/or rights consistent with this License. However, in accepting such obligations, You may act only on Your own behalf and on Your sole responsibility, not on behalf of any other Contributor, and only if You agree to indemnify, defend, and hold each Contributor harmless for any liability incurred by, or claims asserted against, such Contributor by reason of your accepting any such warranty or additional liability.
END OF TERMS AND CONDITIONS

Съдържание

Въведение.....	20	Транспортиране, съхранение и изхвърляне.....	31
Безопасност.....	21	Технически характеристики.....	32
Монтаж.....	29	Принадлежности.....	33
Операция.....	29	Декларация за съответствие.....	34
Поддръжка.....	30	Лицензи.....	35

Въведение

Описание на продукта

Husqvarna Aspire Pole-P4A е захранващ блок с акумулаторна батерия с телескопична функция.

вижте тези одобрени приспособления в *Принадлежности на страница 33*. Не забравяйте да прочетете това ръководство, заедно с ръководството на одобрените приспособления.

Предназначение

Този захранващ блок е блок, който функционира единствено заедно с одобрени приспособления,

Общ преглед на продукта

(Фиг. 1)

1. Въртяща се връзка
2. Фиксатор за заключване за приставка
3. Лост за телескопична функция
4. Двусекционен вал
5. Мека втулка
6. Кука за кабелен сноп
7. Бутон за заключване на блокировката на захранващия спусък
8. Задна ръкохватка
9. Блокировка на захранващия спусък
10. Захранващ спусък
11. Ръководство за оператора
12. Бутон за освобождаване на акумулаторната батерия
13. Зарядно устройство за акумулатора
14. Индикатор за включено състояние и предупредителен индикатор
15. Конектор
16. Кука за съхранение, винтове и дюбели

(Фиг. 4) Използвайте предпазна каска на местата, където върху Вас могат да паднат предмети. Използвайте одобрена защита на слуха (само за Aspire P5-P4A + Aspire Pole-P4A). Използвайте одобрени защитни средства за очите.

(Фиг. 5) Използвайте одобрени защитни ръкавици.

(Фиг. 6) Използвайте устойчиви на плъзгане ботуши за тежък режим на работа. (приложимо само за Aspire P5-P4A + Aspire Pole-P4A)

(Фиг. 7) Прав ток.

(Фиг. 8) Номинално напрежение, V

(Фиг. 9) Не излагайте на дъжд.

(Фиг. 10) Риск от нараняване. Дръжте ръцете си далеч от режещия инструмент.

(Фиг. 11) Продуктът отговаря на изискванията на приложимите директиви на ЕС.

(Фиг. 12) Този продукт съответства на приложимите регламенти на Обединеното кралство.

(Фиг. 13) Продуктът или опаковката на продукта не е битов отпадък. Рециклирайте

Символи върху продукта

(Фиг. 2) **ПРЕДУПРЕЖДЕНИЕ:** този продукт може да бъде опасен и да причини сериозно нараняване или смърт на оператора или други хора. Внимавайте и използвайте продукта правилно.

(Фиг. 3) Прочетете внимателно ръководството за оператора и се уверете, че разбирате инструкциите, преди да използвате продукта.

го в станция за рециклиране за
електрическо и електронно оборудване.

(Фиг. 16) ОПАСНОСТ – поддържайте достатъчно разстояние от електропроводи.

(Фиг. 17) На табелката с данни или с лазерен печат е изписан серийният номер. **уууу** е годината на производство, а **ww** – седмицата на производство.

Забележка: Останалите символи/стикери със символи върху машината се отнасят за специфични изисквания по отношение на сертификати за определени пазари.

Символи върху акумулаторната батерия и/или зарядното устройство за акумулаторни батерии

(Фиг. 18) Рециклирайте този продукт в пункт за рециклиране за електрическо и електронно оборудване. (валидно само за Европа)

(Фиг. 19) Използвайте акумулаторната батерия само с продукти от партньори на системата POWER FOR ALL.

(Фиг. 20) Пазете акумулаторната батерия от топлина, напр. от продължително излагане на интензивна слънчева светлина, огън, замърсявания, вода и влага. Съществува риск от експлозия и късо съединение.

(Фиг. 21)

(Фиг. 14) Използвайте и дръжте зарядното устройство на акумулаторни батерии само на закрито.

(Фиг. 15) Двойна изолация.

Повреда на продукта

Ние не носим отговорност за повреди по нашия продукт, ако:

- продуктът е неправилно ремонтиран.
- продуктът е ремонтиран с части, които не са от производителя или не са одобрени от производителя.
- продуктът има принадлежност, която не е от производителя или не е одобрена от производителя.
- продуктът не е ремонтиран в одобрен сервизен център или от одобрен орган.

Производител

Husqvarna AB

Drottninggatan 2, SE-561 82 Huskvarna, Sweden, tel: +46-36-146 500

Безопасност

Дефиниции за безопасност

Предупреждения, знаци за внимание и бележки се използват за указване на особено важни части на инструкцията.



ПРЕДУПРЕЖДЕНИЕ: Използва се, ако има опасност от нараняване или смърт за оператора или за околните, ако не се спазват инструкциите в ръководството.



ВНИМАНИЕ: Използва се, ако има опасност от повреждане на машината, други материали или съседната зона, ако не се спазват инструкциите в ръководството.

Забележка: Използва се за предоставяне на повече информация, която е необходима в дадена ситуация.

Общи предупреждения за безопасност за силови инструменти



ПРЕДУПРЕЖДЕНИЕ: Не забравяйте да прочетете ръководството за одобрени приспособления, заедно с ръководството на този захранващ блок.



ПРЕДУПРЕЖДЕНИЕ: Прочетете всички предупреждения за безопасност, инструкции, илюстрации и спецификации, предоставени с този електрически инструмент. Неспазването на всички инструкции, изброени по-долу, може да доведе до електрически удар, пожар и/или сериозно нараняване.

Забележка: Запазете всички предупреждения и инструкции за бъдещи справки. Терминът "електрически инструмент" в предупрежденията се отнася за електрически управлявания (кабелен) електрически инструмент или такъв на батерии (безжичен).

Безопасност на работната област

- **Поддържайте работната област чиста и добре осветена.** Мръсните и тъмните области са по-предразполагащи към инциденти.
- **Не работете с електрически инструменти в експлозивна среда, като например в присъствието на запалителни течности, газове или прах.** Електрическите инструменти създават искри, които може да възпламенят праха или дима.
- **Дръжте децата и наблюдателите далеч, докато работите с електрически инструмент.** Разсейването може да доведе до загуба на контрол.

Електрическа безопасност

- **Щепселите на електрическите инструменти трябва да съответстват на контакта. Никога не променяйте щепселите по какъвто и да било начин. Не използвайте никакви адаптерни щепсели със заземени електрически инструменти.** Немодифицираните щепсели и съответстващи им изходи ще намалят рисковете от токов удар.
- **Избягвайте контакт на тялото със заземени повърхности, като тръби, радиатори и хладилници.** Има повишен риск от електрически удар, ако Вашето тяло е заземено или замасено.
- **Не излагайте електрическите инструменти на дъжд или влажни условия.** Водата, която влиза в електрически инструмент, ще увеличи риска от електрически удар.

- **Не насилвайте шнура. Никога не използвайте шнура за носене, дърпане или изключване на електрическия инструмент. Пазете шнура далече от топлинни източници, масло, остри ръбове или движещи се части.** Повредените и оплетени шнурове увеличават риска от електрически удар.
- **Когато работите с електрически инструмент навън, използвайте удължителен шнур, който е подходящ за външна употреба.** Шнурът, подходящ за използване на открито, намалява рисковете от токов удар.
- **Ако работата с електрически инструмент на влажно място е неизбежна, използвайте захранване с устройство със защита от остатъчен ток (RCD).** Използването на RCD намалява риска от електрически удар.

Лична безопасност

- **Бъдете нащрек, внимавайте какво правите и бъдете разсъдливи, когато работите с електрически инструмент. Не използвайте електрически инструмент, когато сте изморени или когато сте под влиянието на наркотици, алкохол или лекарства.** Един миг на невнимание по време на работа с електрически инструменти може да доведе до сериозна телесна повреда.
- **Използвайте лични предпазни средства. Винаги носете защита на очите.** Предпазните средства, като респираторна маска, непързалаци се предпазни обувки, твърда каска или защита на слуха, използвани за съответните условия, ще намалят телесните повреди.
- **Не допускайте нежелано стартиране. Уверете се, че превключвателят е в изключена позиция, преди да свържете към източник на захранване и/или акумулаторна батерия, когато повдигате или носите инструмента.** Носенето на електрически инструменти, докато пръстът Ви е на превключвателя, или включването в мрежата на инструменти, чийто превключвател е в позиция ВКЛ., предразполага към злополуки.
- **Отстранете всички настройващи ключове или гаечни ключове, преди да включите електрическия инструмент.** Гаечен ключ или ключ, оставен закрепен за въртящата се част на електрически инструмент, може да доведе до телесна повреда.
- **Не се протягайте прекалено далеч. Поддържайте стабилна стойка и баланс през цялото време.** Това позволява по-добър контрол на електрическия инструмент в неочаквани ситуации.
- **Обличайте се подходящо. Никога не носете широки дрехи или бижута. Дръжте косата и дрехите си далеч от движещите се части.** Широки дрехи, бижута или дълга коса могат да бъдат захванати от движещите се части.
- **Ако са предоставени устройства за свързване на съдове за изсмукване на прах и съдове за събиране, се уверете, че те са свързани и се**

използват правилно. Използването на съдове за събиране на прах може да намали опасностите, свързани с праха.

- **Не позволявайте на натрупания опит от честата употреба на инструменти да Ви вдъхне излишна увереност и да игнорирате принципите за безопасна употреба на инструменти.** Небрежното действие може за части от секундата да причини сериозно нараняване.
- **Опасност! Не работете в близост до електропроводи.** Уредът не е проектиран да осигурява защита от токов удар в случай на контакт с въздушни електропроводи. Преди работа с продукта проверете в местните разпоредби за безопасните разстояния от въздушните електропроводи и се уверете, че работното положение е безопасно и сигурно.

Употреба и грижа за електрическия инструмент

- **Не насилвайте електрическия инструмент. Използвайте подходящия електрически инструмент за Вашето приложение.** Правилният електрически инструмент ще свърши работата по-добре и по-безопасно със скоростта, за която е бил създаден.
- **Не използвайте електрическия инструмент, ако фиксаторът не го включва и изключва.** Всеки електрически инструмент, който не може да бъде управляван с фиксатора, е опасен и трябва да бъде поправен.
- **Разкачете щепсела от електрическия източник и/или премахнете акумулаторната батерия от електрическия инструмент, ако може да се отстрани, преди да правите каквито и да било настройки, да смените принадлежности или да съхранявате електрически инструменти.** Тези предпазни мерки намаляват риска от нежелано стартиране на електрическия инструмент.
- **Съхранявайте неизползваните електрически инструменти далеч от достъпа на деца и не разрешавайте на хора, които не са запознати с електрическия инструмент или тези инструкции, да работят с него.** Електрическите инструменти са опасни в ръцете на необучени потребители.
- **Поддържайте електрическите инструменти и аксесоари. Проверявайте за неправилно поставяне или застъпване на движещите се части, счупени части или друго състояние, което може да се отрази на работата на електрическия инструмент. Ако електрическият инструмент бъде повреден, дайте го на поправка, преди да го използвате.** Много инциденти възникват с лошо поддържани електрически инструменти.
- **Поддържайте режещите инструменти остри и чисти.** Правилно поддържаните режещи инструменти с остри режещи краища са по-трудни за огъване и се контролират по-лесно.
- **Използвайте електрическия инструмент, принадлежностите, приставките и т. н.**

в съответствие с тези инструкции, като имате предвид условията и естеството на работата, която извършвате. Използването на електрическия инструмент за операции, различни от тези, за които е предназначен, може да доведе до опасни ситуации.

- **Поддържайте ръкохватките и повърхностите за хващане сухи, чисти и без масло и грес.** Хлъзгавите ръкохватки и повърхности за захващане не позволяват безопасно боравене и контрол над инструмента при непредвидени ситуации.

Употреба и грижа за инструментата – акумулаторната батерия

- **Презареждайте само със зарядно устройство, определено от производителя.** Зарядно устройство, което е подходящо за един вид акумулаторна батерия, може да създаде опасност от злополука, когато се използва с друга акумулаторна батерия.
- **Използвайте електрическите инструменти само със специално определените акумулаторни батерии.** Използването на други акумулаторни батерии може да създаде риск от нараняване и пожар.
- **Когато акумулаторната батерия не е в употреба, я дръжте далеч от други метални предмети, като кламери, монети, ключове, пирони, винтове или други малки предмети, които могат да образуват връзка между едната клемма и другата.** Окъсяване на изводите на акумулаторната батерия може да предизвика изгаряния или пожар.
- **При злоупотреба от акумулаторната батерия може да бъде изхвърлена течност – избягвайте допир.** При възникване на случаен контакт изплакнете с вода. Ако течността попадне в очите, потърсете допълнителна медицинска помощ. Течност, изхвърлена от акумулаторната батерия, може да причини раздразнения или изгаряния.
- **Не използвайте акумулаторна батерия или инструмент, който е повреден или модифициран.** Повредените или модифицирани акумулаторни батерии могат да имат непредсказуемо поведение, което да доведе до пожар, експлозия или опасност от нараняване.
- **Не излагайте акумулаторната батерия или инструментата на огън или прекомерна температура.** Излагането на огън или температура над 130°C/266°F може да предизвика експлозия.
- **Спазвайте всички инструкции за зареждане и не зареждайте акумулаторната батерия или инструментата извън температурния диапазон, посочен в инструкциите.** Неправилното зареждане или зареждането при температури извън посочения диапазон може да повреди акумулаторната батерия и да увеличи риска от пожар.

Обслужване

- **Техническото обслужване на Вашия електрически инструмент трябва да се извършва от квалифицирано лице, като се използват само идентични резервни части.** Това ще гарантира безопасността на електрическия инструмент.
- **Никога не обслужвайте повредени акумулаторни батерии.** Обслужването на акумулаторни батерии трябва да се извършва само от производителя или оторизирани сервизни доставчици.

Друга обща информация за безопасност

- За допълнителни специфични правила за безопасност направете справка с ръководството за оператора за съответната приставка.
- Деактивирайте продукта, преди да се преместите на друга площ. Винаги отстранявайте акумулаторната батерия, когато предавате продукта на друго лице.
- Никога не оставяйте продукта на земята, ако преди това не сте го деактивирали и не сте отстранили акумулаторната батерия. Не оставяйте продукта без надзор, когато е включен.
- Режещият инструмент не спира веднага след изключването на продукта.
- Преди да използвате продукта и след всеки удар, извършете проверка за признаци на износване или повреда и ремонтирайте според необходимостта.
- Ако нещо заседне в режещата приставка, докато работите с продукта, спрете и деактивирайте продукта. Уверете се, че режещата приставка е напълно спряна. Отстранете акумулаторната батерия преди почистване, проверка или ремонт на продукта и/или режещото оборудване.
- Извършете проверка на продукта преди употреба. Направете справка с *Устройствата за безопасност на продукта на страница 26* и *Поддръжката на страница 30*. Не използвайте повреден продукт. Извършете описаните в това ръководство проверки за безопасност, както и инструкциите за техническо обслужване и сервиз.
- Неизправната режеща приставка може да повиши риска от злополуки.
- Винаги проверявайте дали вентилационните отвори не са запушени от отпадъци.
- Извършете проверка дали продуктът е в отлично работно състояние. Извършете проверка дали всички гайки и винтове са затегнати.
- Този продукт е опасен инструмент, ако не сте внимателни или ако го използвате неправилно. Този продукт може да причини сериозно нараняване или смърт на оператора и други хора.
- Този уред не е предназначен за употреба от лица (включително деца) с намалени физически, сетивни или умствени способности или липса на опит и познания, освен ако не са под надзор или са били инструктирани относно

използването на уреда от лице, отговарящо за тяхната безопасност. Децата трябва да бъдат нагледжани, за да е сигурно, че не си играят с уреда.

- Никога не позволявайте на деца да използват машината или да бъдат в близост до нея. Тъй като машината се стартира лесно, децата биха могли да я включат, ако не са под постоянен надзор. Това може да означава риск от сериозна телесна повреда. Разкачете акумулаторната батерия, когато машината не е под пряк надзор.
- Никога не позволявайте на деца или други лица, които не са обучени да използват продукта и/или акумулаторната батерия, да я използват или обслужват.
- Съхранявайте оборудването в заключващо се място, така че да бъде извън досега на деца или неупълномощени лица.
- Предпазителят за транспортиране трябва винаги да се използва при съхранение и транспортиране.
- Винаги дръжте ръцете и краката далеч от площта за рязане и особено когато включвате двигателя.
- Дръжте ръцете и краката си далеч от режещата приставка, докато тя не спре изцяло, когато продуктът бъде деактивиран.
- Не отстранявайте изрязания материал и не позволявайте на други лица да отстраняват изрязания материал, докато продуктът е активиран или режещото оборудване се върти, тъй като това може да доведе до сериозно нараняване.
- Не забравяйте, че Вие, оператора, сте отговорни за предпазването на хора или тяхно имущество от нещастни случаи или опасности.
- При никакви обстоятелства не бива да се нанасят модификации в първоначалната конструкция на продукта без разрешение от производителя. Винаги използвайте оригинални принадлежности. Неразрешени изменения и/или приспособления може да предизвикат сериозни телесни повреди или смъртта на оператора или други лица. Покритието на Вашата гаранция е възможно да не покрива повреди или отговорности за вреди, причинени поради употреба на неоторизирани аксесоари и резервни части.
- Единствените принадлежности, които можете да използвате с този продукт, са режещите приставки, препоръчани в главата за принадлежностите.
- Никога не използвайте продукт с модификации на оригиналните технически характеристики
- Никога не използвайте продукт, който е неизправен. Извършвайте описаните в това ръководство за експлоатация редовни проверки за безопасност, поддръжка и сервиз. Определени операции по поддръжката и сервиза се извършват единствено от квалифицирани специалисти. Направете справка с *Поддръжка на страница 30*.

- Работата в лоши метеорологични условия е уморителна и често води до повишен риск. Поради повишения риск не се препоръчва работа с машината в много лоши метеорологични условия, например при гъста мъгла, силен дъжд, силни ветрове, значителен студ, опасност от светкавици и т.н.
- Никога не работете от стълба, столче или друго положение на високо, което не е напълно обезопасено.
- Съхранение на уреди на празен ход на закрито – когато не се използват, уредите трябва да се съхраняват на закрито.
- Невинаги е възможно да се предвиди всяка възможна ситуация, с която можете да се сблъскате. Винаги работете с повишено внимание и се осланяйте на здравия си разум. Избягвайте всички ситуации, в които имате съмнения, че няма да можете да се справите. Ако все още се чувствате несигурни за работните процедури след прочитането на тези инструкции, трябва да се консултирате с експерт, преди да продължите работа.
- Уверете се, че докато работите, няма лица или животни в радиус от 15 метра (50 фута). Когато няколко оператора работят в една и съща площ, трябва да се спазва безопасно разстояние от поне 15 метра (50 фута). В противен случай съществува риск от сериозна телесна повреда. Спрете незабавно продукта, ако някой се приближи. Никога не се обръщайте с продукта, без преди това да проверите зад Вас и да се уверите, че в зоната за безопасност няма никой.
- Ако нещо заседне в режещата приставка, докато работите с продукта, спрете и деактивирайте продукта. Уверете се, че режещата приставка е напълно спряна. Отстранете акумулаторната батерия преди почистване, проверка или ремонт на продукта и/или режещото оборудване.
- Уверете се, че хора, животни или предмети не могат да повлияят на управлението на продукта или да влязат в контакт с режещата приставка или изхвърлени от нея предмети. Никога не работете с продукта, когато нямате възможност да повикате помощ в случай на злополука.
- Уверете се, че можете да се движите и да стоите безопасно. Извършете проверка на площта около Вас за потенциални препятствия (корени, камъни, клони, канавки и така нататък), в случай че се наложи да се преместите внезапно. Бъдете много предпазливи при работа по наклонен терен.
- Ходете, никога не тичайте.
- Проверете работната площ. Отстранете всякакви търкалящи се предмети, като например камъни, счупени стъкла, гвоздеи, стоманени въжета, жици и така нататък, които могат да бъдат подхвърлени или да се омотаят около резеца или предпазителя на резеца.
- Внимавайте за парчета от клоните, които могат да изхвърчат, докато режете. Не режете прекалено близо до земята, откъдето могат да изхвърчат камъни и други предмети.
- Уверете се, че никакви дрехи или части от тялото Ви не влизат в контакт с режещата приставка, докато продуктът е активиран. Дръжте продукта под нивото на кръста.
- Внимавайте за хвърчащи предмети. Винаги носете одобрена защита на очите. Никога не се навеждайте отвъд предпазителя на режещата приставка. В очите Ви могат да попаднат камъни, отпадъци и др., които могат да причинят слепота или сериозно нараняване.
- Бъдете винаги нащрек за предупредителни сигнали или подвиквания, когато носите защита на слуха. Винаги отстранявайте защитата на слуха незабавно след спиране на продукта.
- Ако се появят нежелани вибрации, извадете нова корда, за да коригирате дължината ѝ и да спрете вибрациите.
- Ако продуктът започне да вибрира по необичаен начин, го спрете и отстранете акумулаторната батерия.
- Прекомерното излагане на вибрации може да доведе до поражения на върху кръвоносните съдове или нервната система на лица със смущения в кръвообращението. Говорете с Вашия лекар, ако се появят симптоми, които могат да са резултат от прекомерно излагане на вибрации. Такива симптоми са например изтръпване, загуба на чувствителност, "иглички", "бодежи", болки, физическа отпуснатост, промени в цвета или състоянието на кожата. Тези симптоми се появяват обикновено на пръстите, ръцете или китките.
- Винаги дръжте продукта с две ръце.

Лични предпазни средства



ПРЕДУПРЕЖДЕНИЕ: Прочетете следващите предупредителни указания, преди да използвате продукта.

- При работа с продукта винаги използвайте одобрени лични предпазни средства. Личните предпазни средства не изключват изцяло риска от нараняване, но намаляват степента на нараняването при злополука. Нека Вашият доставчик Ви помогне да изберете подходящото оборудване.
- Използвайте защитна каска, когато има риск от падащи предмети.
- Използвайте одобрени антифони, осигуряващи подходящо намаляване на шума. Дълготрайното излагане на шум може да доведе до постоянно влошаване на слуха.
- Използвайте одобрени защитни средства за очите. Ако използвате маска, използвайте също и одобрени защитни очила. Одобрените защитни

очила трябва да отговарят на стандарт ANSI Z87.1 за САЩ или EN 166 за страните от ЕС.

- Използвайте визьор за защита на лицето. Визьорът не е достатъчен за предпазване на очите.
(Фиг. 22)
- Когато е необходимо, носете ръкавици, например, когато закрепвате, проверявате или почиствате режещото оборудване.
- Използвайте устойчиви и нехлъзгащи се ботуши.
- Използвайте дрехи, направени от здрава тъкан. Винаги използвайте здрави, дълги панталони и дълги ръкави. Не носете използвайте дрехи, които могат да се захванат за храсти и клони. Не носете бижута, къси панталони, сандали и не работете боси. Носете косата си безопасно над нивото на рамената.

(Фиг. 23)

- Дръжте в близост комплект за първа помощ.

(Фиг. 24)

Устройства за безопасност на продукта



ПРЕДУПРЕЖДЕНИЕ: Прочетете следващите предупредителни инструкции, преди да използвате продукта.

В този раздел се описва предпазното оборудване на продукта, неговото предназначение и как трябва да се извършват проверки и техническо обслужване, за да се гарантира правилната работа. Вижте инструкциите под заглавието, *Общ преглед на продукта на страница 20* за да разберете къде са разположени тези части по продукта Ви.

Срокът на експлоатация на продукта може да се намали, а рискът от злополуки да се повиши, ако не се извършва правилно техническо обслужване на продукта и сервизното обслужване и/или ремонтите не се извършват професионално. Ако Ви е необходима допълнителна информация, моля, свържете се със сервизния дилър, разположен най-близо до Вас.



ПРЕДУПРЕЖДЕНИЕ: Никога не използвайте продукт с повредени обезопасителни компоненти. Предпазното оборудване на продукта трябва да бъде преглеждано и технически обслужвано, както е описано в този раздел. Ако продуктът Ви не премине успешно някоя от тези проверки, се свържете със сервиза си за извършване на ремонт.



ВНИМАНИЕ: Всяко извършване на сервизно обслужване и ремонт на машината изисква специално обучение. Това важи в особена степен за предпазните средства на машината. Обърнете към сервиза си, ако машината не отговаря на описаните по-долу проверки. При покупката на наш продукт ние гарантираме предоставянето на професионални ремонтни услуги и сервиз. Ако търговецът, от когото сте закупили машината, не е сервизен дилър, попитайте за адреса на най-близкия сервиз.

За проверка на блокировката на захранващия спусък

Блокировката на захранващия спусък предотвратява случайно задействане. Когато освободите ръкохватката, захранващият спусък и блокировката на захранващия спусък се връщат в първоначалното си положение.

1. Натиснете бутона за заключване за блокиране напред на захранващия спусък. (Фиг. 25)
2. Уверете се, че захранващият спусък е заключен, когато блокировката на захранващия спусък е в изходното си положение. (Фиг. 26)
3. Натиснете блокировката на захранващия спусък от едната страна, а след това от другата страна. Уверете се, че блокировката на захранващия спусък се връща в първоначалното си положение. (Фиг. 27)
4. Уверете се, че захранващият спусък и блокировката на захранващия спусък се движат свободно и че възвратната пружина работи правилно. (Фиг. 28)
5. Стартирайте продукта, направете справка с *За стартиране на продукта на страница 30*.
6. Освободете захранващия спусък и се уверете, че продуктът спира изцяло.

Инструкции за безопасност при монтаж



ПРЕДУПРЕЖДЕНИЕ: Прочетете ръководството на този захранващ блок с ръководството на одобрените принадлежности.

- Отстранете акумулаторната батерия от продукта, преди да монтирате продукта.
- Използвайте одобрените защитни ръкавици.
- Повреденият или неправилният предпазител може да причини нараняване. Не използвайте режеща приставка, която няма закрепен одобрен предпазител.

- Уверете се, че сте сглобили приставката правилно, преди да стартирате продукта.
- Ако с приставката се доставя и самар, той трябва да се прикрепи правилно към продукта. Самарът прави работата безопасна и предотвратява наранявания на оператора или други лица.

Безопасност на акумулаторната батерия



ПРЕДУПРЕЖДЕНИЕ: Прочетете всички инструкции за безопасност и общи инструкции. Неспазването на инструкциите за безопасност и общите инструкции може да доведе до токов удар, пожар и/или сериозни наранявания. **Дръжте под ръка цялата информация за безопасност и общи инструкции за бъдещи справки.**

- Тези инструкции за безопасност се отнасят само за 18 V литиевойонни акумулаторни батерии за системата POWER FOR ALL.
- Използвайте акумулаторната батерия само с продукти от партньори на системата POWER FOR ALL. 18 V акумулаторни батерии, обозначени с POWER FOR ALL, са напълно съвместими със следните продукти:
 - Всички продукти от 18 V система за акумулаторни батерии POWER FOR ALL.
 - Всички 18 V продукти от партньори на системата POWER FOR ALL.
- Спазвайте препоръките за акумулаторната батерия в ръководството за работа на Вашия продукт. Само по този начин акумулаторната батерия и продуктът могат да работят без опасност и акумулаторните батерии да бъдат защитени от опасно претоварване.
- Зареждайте акумулаторните батерии само със зарядни устройства, препоръчани от производителя или от партньорите на системата POWER FOR ALL. Зарядно устройство, което е подходящо за един вид акумулаторна батерия, може да създаде риск от пожар, когато се използва с друг вид акумулаторна батерия.
- Акумулаторната батерия се доставя частично заредена. За да осигурите пълен капацитет на акумулаторната батерия, заредете напълно акумулаторната батерия в зарядното устройство, преди да използвате Вашия електрически инструмент за първи път.
- Съхранявайте акумулаторните батерии на недостъпно за деца място.
- Не отваряйте акумулаторната батерия. Съществува риск от късо съединение.
- В случай на повреда и неправилна употреба на акумулаторната батерия може да се отделят пари. Акумулаторната батерия може да възпламени или да експлодира. Уверете се, че зоната е добре проветрена и потърсете медицинска помощ, ако усетите неразположение. Парите могат да раздразнят дихателната система.
- Ако акумулаторната батерия се използва неправилно или ако е повредена, от нея може да се изхвърли запалима течност. Трябва да се избягва контактът с тази течност. В случай на случаен контакт изплакнете с вода. Ако очите Ви влязат в контакт с течността, потърсете допълнителна медицинска помощ. Течността, изхвърлена от акумулаторната батерия, може да причини раздразнения или изгаряния.
- Ако акумулаторната батерия е повредена, от нея може да бъде изхвърлена течност, която да попадне върху близките повърхности. Проверете засегнатите части. Почистете тези части или ги заредете, ако се налага.
- Не окъсявайте акумулаторната батерия. Когато акумулаторната батерия не се използва, я дръжте далеч от други метални предмети, като кламери, монети, ключове, пирони, винтове или други малки метални предмети, които могат да свържат едната клемма с другата. Окъсяване на изводите на акумулаторната батерия може да предизвика изгаряния или пожар.
- Акумулаторната батерия може да бъде повредена от заострени предмети, като пирони или отвертки, или от сила, приложена отвън. Може да възникне вътрешно късо съединение, което да причини запалване на акумулаторната батерия, дим, експлозия или прегряване на акумулаторната батерия.
- Никога не обслужвайте повредени акумулаторни батерии. Обслужването на акумулаторни батерии трябва да се извършва само от производителя или оторизирани сервизни доставчици.
- Пазете акумулаторната батерия от топлина, напр. от продължително излагане на интензивна слънчева светлина, огън, замърсявания, вода и влага. Съществува риск от експлозия и късо съединение.
- Използвайте акумулаторната батерия в продукта само когато околната температура е между -5 °C – 40 °C.
- Съхранявайте акумулаторната батерия само при околна температура между -20 °C – 50 °C. Не оставяйте акумулаторната батерия в колата си през лятото например. При температури < 0 °C някои устройства може да претърпят загуба на мощност.
- Зареждайте акумулаторната батерия само при околна температура между 0 °C – +35 °C. Зареждането извън този температурен диапазон може да увеличи риска от повреда на акумулаторната батерия и да създаде опасност от пожар.

Инструкции за безопасност за зарядното устройство на акумулаторната батерия



ПРЕДУПРЕЖДЕНИЕ: Прочетете всички инструкции за безопасност и общи инструкции. Неспазването на инструкциите за безопасност и общите инструкции може да доведе до токов удар, пожар и/или сериозни наранявания. **Пазете тези инструкции на безопасно място.** Използвайте зарядното устройство само ако можете напълно да оцените всички функции и да ги изпълнявате без ограничения или ако сте получили съответните инструкции.

- Това зарядно устройство не е предназначено за използване от деца или лица с физически, сетивни или умствени ограничения или липса на опит или знания. Това зарядно устройство може да се използва от деца на възраст от 8 или повече години и от лица, които имат физически, сетивни или умствени ограничения или липса на опит или познания, ако лице, отговорно за тяхната безопасност, ги наблюдава или ги е инструктирало относно безопасната работа със зарядното устройство и те разбират свързаните с това опасности. В противен случай съществува риск от грешки при работа и наранявания.
- Наблюдавайте децата по време на употреба, почистване и техническо обслужване. Това ще гарантира, че децата няма да си играят със зарядното устройство.
- Зареждайте само 18 V POWER FOR ALL акумулаторни батерии с капацитет от 1,5 Ah и повече. Напрежението на акумулаторната батерия трябва да съответства на напрежението на зареждане на зарядното устройство. Не зареждайте акумулаторни батерии, които са незареждаеми. В противен случай създавате риск от пожар и експлозия.
- Използвайте зарядното устройство само в затворени помещения и не го излагайте на влага. Навлизането на вода в електрически инструмент ще увеличи риска от токов удар.
- Поддържайте зарядното устройство чисто. Замърсяванията създават риск от токов удар.
- Винаги проверявайте зарядното устройство, кабела и щепсела преди употреба. Спрете да използвате зарядното устройство, ако откриете някаква повреда. Не отваряйте сами зарядното устройство и го предоставайте за ремонт само на Husqvarna или оторизиран център по следпродажбено обслужване, като използвате само оригинални резервни части. Повредените зарядни устройства, кабели и щепсели увеличават риска от токов удар.

- Не работете със зарядното устройство върху лесно запалими повърхности (например хартия, текстил и др.) или в запалима среда. Има опасност от пожар поради загряване на зарядното устройство по време на работа.
- Не покривайте вентилационните отвори на зарядното устройство. В противен случай зарядното устройство може да прегрее и да спре да функционира правилно.
- Презареждайте само със зарядно устройство, определено от производителя. Зарядно устройство, което е подходящо за един вид акумулаторна батерия, може да създаде опасност от злополука, когато се използва с друга акумулаторна батерия.
- В случай на повреда и неправилна употреба на акумулаторната батерия може да се отделят и пари. Уверете се, че зоната е добре проветрена и потърсете медицинска помощ, ако усетите неразположение. Парите могат да раздразнят дихателната система.
- При злоупотреба от акумулаторната батерия може да бъде изхвърлена течност. Трябва да се избягва контактът с тази течност. В случай на случаен контакт изплакнете с вода. Ако очите Ви влязат в контакт с течността, потърсете допълнителна медицинска помощ. Течността, изхвърлена от акумулаторната батерия, може да причини раздразнения или изгаряния.
- Само за продукти, продавани във Великобритания: Вашият продукт е снабден с одобрен по BS 1363/A електрически щепсел с вътрешен предпазител (ASTA одобрение съгласно BS 1362). Ако щепселът не е подходящ за Вашите контакти, той трябва да бъде отрязан и на негово място да бъде поставен подходящ щепсел от ултразвуков сервиз. Заменяният щепсел трябва да има същите номинални параметри на защита като оригиналния щепсел. Отрязаният щепсел трябва да се изхвърли, за да се избегне възможна опасност от токов удар, и никога не трябва да се включва в стенов контакт на друго място.

Инструкции за безопасност при техническо обслужване



ПРЕДУПРЕЖДЕНИЕ: Прочетете следващите предупредителни указания, преди да извършвате техническо обслужване на продукта.

- Извадете батерията, преди да извършите техническо обслужване, други проверки или сглобяване на продукта.
- Операторът трябва да извършва само техническо обслужване и ремонтни дейности, показани в тази инструкция за експлоатация. Обърнете се към Вашия сервизен дилър при

нужда от по-сериозно техническо обслужване и ремонтни дейности.

- Не почиствайте батерията или зарядното устройство с вода. Силните почистващи препарати могат да повредят пластмасата.
- Ако не извършвате техническо обслужване, това намалява експлоатационния живот на продукта и увеличава риска от злополука.
- Необходимо е специално обучение за всички ремонтни дейности и поправки особено що се отнася до приспособленията за безопасност

на продукта. Ако не всички проверки в тази инструкция за експлоатация са одобрени, след като сте извършили техническото обслужване, обърнете се към Вашия сервизен дилър. Ние гарантираме, че за Вашия продукт има налични професионални поправки и ремонти.

- Използвайте само оригинални резервни части.
- Винаги използвайте ръкавици за тежки условия, когато ремонтирате режещото оборудване. Остриетата са изключително остри и лесно могат да причинят наранявания.

Монтаж

Въведение



ПРЕДУПРЕЖДЕНИЕ: Прочетете и разберете главата за безопасност, преди да монтирате продукта.

За монтиране на приставката

1. Закрепете приставката (А) към захранващия блок (В). Приставката трябва да се плъзне лесно в държача на захранващия блок; ако не е така, значи не е монтирана правилно. (Фиг. 29)
2. Затегнете фиксатора (С).

Забележка: Когато приставката е монтирана на захранващия блок, потребителският интерфейс на приставката е с прекъсната връзка.

За регулиране на дължината на телескопичния прът

1. Повдигнете лоста (А) на пръта. (Фиг. 30)
2. Регулирайте телескопичния прът до подходяща дължина.
3. Натиснете лоста надолу, за да заключите телескопичния прът.

За монтиране на куката за съхранение на стената

- Монтирайте куката за съхранение в помещение на закрито.

- Куката за съхранение трябва да бъде далеч от слънчева светлина и при температура на околната среда от -10°C до 70°C .
- Монтирайте куката за съхранение на стена от гипсокартон, дърво или бетон.



ВНИМАНИЕ: Уверете се, че стената може да издържи товари от минимум 30 kg.

- Монтирайте куката за съхранение на стената с 3-те винта (А). Ако се налага, използвайте дюбелите (В). (Фиг. 31)



ВНИМАНИЕ: Уверете се, че винтовете са подходящи за типа на Вашата стена.

- Обърнете се към Вашия сервиз на Husqvarna за информация относно предлаганите принадлежности за съхранение за Вашия продукт.

За окачване на продукта на куката за съхранение

- Окачете захранващия блок на куката за съхранение, както е показано на илюстрацията. (Фиг. 32)

Операция

Извършване на проверка на функциите, преди да използвате продукта

1. Отстранете замърсяванията и нежелания материал от продукта с четка.
2. Затегнете всички гайки и винтове.

3. Уверете се, че приставката е закрепена правилно.
4. Уверете се, че бутонът за заключване на блокировката на захранващия спусък е включен.
5. Уверете се, че блокиращите устройства на удължения прът и въртящия елемент са в заключено положение.

6. Проверете приставката за повреди, например пукнатини. Подменете приставката, ако е повредена.
7. Уверете се, че капаците са закрепени правилно и не са повредени.
8. Уверете се, че продуктът работи правилно.

За свързване на акумулаторната батерия към продукта



ПРЕДУПРЕЖДЕНИЕ: За работа с продукта използвайте само литиевойонни батерии от системата POWER FOR ALL P4A 18 V.

1. Уверете се, че акумулаторната батерия е напълно заредена.
2. Поставете акумулаторната батерия в държача за акумулаторни батерии на продукта. Акумулаторната батерия трябва да се плъзне лесно в държача; ако не е така, значи не е монтирана правилно. (Фиг. 33)
3. Натиснете акумулаторната батерия докрай в държача за акумулаторни батерии. Акумулаторната батерия се заключва в позиция, когато чуете щракване.
4. Уверете се, че ключалката се застопорява правилно на място.

За стартиране на продукта

1. Натиснете бутона за заключване за блокиране напред на захранващия спусък. (Фиг. 25)

2. Натиснете блокировката на захранващия спусък (A) от лявата или дясната страна и задръжте захранващия спусък (B). (Фиг. 34)

За спиране на продукта

1. Освободете захранващия спусък.
2. Натиснете бутона за заключване за блокиране назад на захранващия спусък, за да заключите продукта.
3. Натиснете бутона за освобождаване на акумулаторната батерия и я извадете. (Фиг. 35)
4. Ако е необходимо, отстранете приставката от продукта.

За регулиране на ъгъла на продукта

Продуктът може да бъде регулиран в 7 различни положения.



ПРЕДУПРЕЖДЕНИЕ: Не регулирайте ъгъла, когато работите с продукта.

1. Спрете продукта и отстранете акумулаторната батерия.
2. Дръжте държача (A) здраво. (Фиг. 36)
3. Натиснете и задръжте въртящата се връзка (B).
4. Поставете държача в правилното положение.
5. Освободете въртящата се връзка, за да заключите държача.
6. Преместете държача нагоре и надолу, докато се заключи на място.

Поддръжка

Въведение



ПРЕДУПРЕЖДЕНИЕ: Прочетете и разберете главата с инструкции

за безопасност, преди да започнете техническо обслужване на продукта.



ПРЕДУПРЕЖДЕНИЕ: Извадете акумулаторната батерия преди извършване на техническа поддръжка на продукта.

Разписание за техническо обслужване

Следва списък със стъпките за техническото обслужване, които трябва да изпълните за продукта.

Техническо обслужване	Преди работа	Всяка седмица	Всеки месец
Почистете външните части на продукта със суха кърпа. Не използвайте вода.	X		
Уверете се, че бутонът за заключване за блокиране на захранващия спусък работи правилно и не е повреден.	X		

Техническо обслужване	Преди работа	Всяка седмица	Всеки месец
Уверете се, че захранващият спусък и блокировката на захранващия спусък работят правилно от гледна точка на безопасността.	X		
Уверете се, че всички органи за управление работят правилно и не са повредени.	X		
Поддържайте ръкохватките сухи и чисти.	X		
Уверете се, че всички винтове и гайки са затегнати.	X		
Уверете се, че бутоните за освобождаване на акумулаторната батерия върху акумулаторната батерия работят правилно и фиксират акумулаторната батерия в продукта.	X		
Уверете се, че акумулаторната батерия не е повредена.	X		
Уверете се, че акумулаторната батерия е заредена.	X		
Уверете се, че зарядното устройство за акумулаторни батерии не е повредено и работи изправно.	X		
Проверете всички кабели, съединения и връзки. Уверете се, че са чисти и не са повредени.		X	
Проверете връзките между акумулаторната батерия и продукта.			X
Проверете връзката между акумулаторната батерия и зарядното устройство.			X

За почистване на продукта, батерията и зарядното устройство

1. Почиствайте продукта със сух парцал след употреба.
2. Почиствайте батерията и зарядното устройство със сух парцал. Дръжте водачите на батерията чисти.
3. Уверете се, че клемите на батерията и зарядното устройство са чисти, преди батерията да е поставена в зарядното устройство или в продукта.

Транспортиране, съхранение и изхвърляне

Транспорт и съхранение

- Доставените литиевойонни акумулаторни батерии отговарят на изискванията на законодателството за опасни продукти.
- Специалното изискване на опаковката и етикетите за търговско транспортиране трябва да се спазва, включително от трети страни и следитори.
- Обърнете се към човек, преминал специално обучение за работа с опасни материали, преди да изпратите продукта. Спазвайте всички приложими национални регламенти.
- Поставете тиксо върху откритите терминали, когато поставяте акумулаторната батерия в опаковка. Поставете акумулаторната батерия плътно в опаковката, за да предотвратите движение.
- Извадете акумулаторната батерия при съхранение или транспортиране.
- Поставете акумулаторната батерия и зарядното устройство в сухо пространство, в което няма влага и скреж.
- Не съхранявайте акумулаторната батерия на места, където може да се натрупа статично електричество. Не съхранявайте акумулаторната батерия в метална кутия.
- Оставете акумулаторната батерия за съхранение на място с температура между $-20^{\circ}\text{C}/-4^{\circ}\text{F}$ и $+50^{\circ}\text{C}/122^{\circ}\text{F}$ и което е далеч от пряка слънчева светлина.
- Поставете зарядното устройство за съхранение при температура между $5^{\circ}\text{C}/41^{\circ}\text{F}$ и $45^{\circ}\text{C}/113^{\circ}\text{F}$ и далеч от пряка слънчева светлина.
- Използвайте зарядното устройство за акумулаторни батерии само когато околната температура е между $0^{\circ}\text{C}/32^{\circ}\text{F}$ и $35^{\circ}\text{C}/95^{\circ}\text{F}$.

- Оставете продукта за съхранение на място с температури между $-40^{\circ}\text{C}/-40^{\circ}\text{F}$ и $+60^{\circ}\text{C}/140^{\circ}\text{F}$.
- Заредете акумулаторната батерия между 30% и 50%, преди да я оставите за съхранение за продължително време.
- Съхранявайте зарядното устройство в затворено и сухо пространство.
- При съхранение дръжте акумулаторната батерия и зарядното устройство отделно. Не позволявайте на деца или други неodobрени лица да имат контакт с оборудването. Дръжте оборудването в пространство, което можете да заключавате.
- Почистете продукта и извършете пълно обслужване, преди да го съхранявате продължително време.
- Използвайте защитата при транспортиране на продукта, за да предотвратите наранявания или повреди на продукта по време на транспортиране и съхранение.
- Закрепете продукта безопасно при транспортиране.

- Съхранявайте продукта в хоризонтално положение или окачен на предоставената кука. Направете справка с *За окачване на продукта на кука за съхранение на страница 29*.

Изхвърляне на акумулаторната батерия, зарядното устройство за акумулаторни батерии и продукта

Символът по-долу означава, че продуктът не е битов отпадък. Рециклирайте го в станция за рециклиране за електрическо и електронно оборудване. Това помага да се предотврати увреждане на околната среда или на лица.

Обърнете се към местните власти, услугите за битови отпадъци и Вашия дилър за повече информация.

(Фиг. 18)

Забележка: Символът се намира на продукта или на опаковката на продукта.

Технически характеристики

Aspire Pole-P4A	
Тегло	
Тегло (само захранващ блок), kg	1,5

Одобрени акумулаторни батерии

Този продукт може да работи с всички акумулаторни батерии **POWER FOR ALL**.

Акумулаторна батерия	P4A 18-B36	P4A 18-B45	P4A 18-B72
Тип	Литиевойонен	Литиевойонен	Литиевойонен
Капацитет на акумулаторната батерия, Ah	2,0	2,5	4,0
Номинално напрежение, V	18	18	18
Тегло, kg	0,35	0,35	0,65
Брой клетки (литиевойонни)	5	5	10

Одобрени зарядни устройства за акумулаторни батерии

Зарядно устройство за акумулатора	P4A 18-C50	P4A 18-C70
Входно напрежение, V	Направете справка с информацията за класификация на зарядното устройство.	Направете справка с информацията за класификация на зарядното устройство.
Честота, Hz	50 – 60	50 – 60
Мощност, W	50	70

Принадлежности

Приставки

Одобрени приставки	Тип	Използвайте с
Приставка ножица за храсти	Aspire S20-P4A	Aspire Pole-P4A
Приставка ножица за подрязване	Aspire P5-P4A	Aspire Pole-P4A

Декларация за съответствие

Декларация за съответствие на ЕС

Ние, **Husqvarna AB**, SE-561 82 Huskvarna, Швеция,
тел.: +46-36-146500, декларираме на своя собствена
отговорност, че продуктът:

Описание	Захранващ блок с акумулаторна батерия
Марка	Husqvarna
Тип/модел	Aspire Pole-P4A
Идентификация	Серийни номера от 2023 и нататък

отговаря напълно на следните директиви и
регламенти на ЕС:

Директива/ регламент	Описание
2006/42/EO	"относно машините"
2014/30/EC	"относно електромагнитната съвместимост"
2011/65/EC	"по отношение на ограничението за използване на определени опасни вещества в електрическо и електронно оборудване"
2000/14/EO	"относно шумовите емисии в околната среда"

и че следните стандарти и/или технически
спецификации са приложени: EN 62841-1:2015/
A11:2022, EN 62841-4-2:2019/A1:2022, EN IEC
62841-4-5:2021/A11:2021, EN ISO 11680-1:2011, EN
ISO 12100:2010, EN IEC 55014-1:2021, EN IEC
55014-2:2021, EN IEC 63000:2018.

DEKRA Testing and Certification GmbH,
Handwerkstraße 15, 70565 Stuttgart, Germany, 0158,
е извършила доброволно изпитване на типа
съгласно EO в съответствие с член 12, точка 3b,
на Директивата относно машините (2006/42/EO).
Сертификатът за изпитването на типа съгласно EO
е с номер: 4815039.22006.

Приложена процедура за оценка на съответствието
в съответствие с Директива 2000/14/EO, приложение
V.

С приставка Aspire P5-P4A като прътова ножица:

- Измерено ниво на звукова мощност: 88 dB (A)
- Гарантирано ниво на звукова мощност: 91 dB (A)

С приставка Aspire S20-P4A като прътова ножица за
храсти:

- Измерено ниво на звукова мощност за нож за
храсти: 83 dB (A)
- Измерено ниво на звукова мощност за нож за
трева: 79 dB (A)
- Гарантирано ниво на звукова мощност: 84 dB (A)

Huskvarna, 2023-10-30



Claes Losdal, мениджър по развойна дейност,
Husqvarna AB

Отговорен за техническата документация



Лицензи

Авторско право © 2012 – 2020 г. STMicroelectronics

Гаранцията не покрива дефекти, които са в резултат от нормално износване, небрежност, неправилна употреба, неоторизиран ремонт или ако смукателният апарат е свързан към неправилно напрежение.

Всички права запазени.

Повторното разпространение и използването в изходна и двоична форма, със или без модификация, са разрешени, при условие че са изпълнени следните условия:

- Повторното разпространение на изходния код трябва да запазва горното уведомление за авторските права, настоящият списък с условия и следния отказ от отговорност.
- Повторното разпространение в двоична форма трябва да възпроизвежда горното уведомление за авторските права, настоящият списък с условия и следния отказ от отговорност в документацията и/или други материали, предоставени с разпространението.
- Нито името на STMicroelectronics, нито имената на неговите сътрудници може да бъдат използвани за одобрение или популяризиране на продукти, получени от този софтуер, без специално предварително писмено разрешение.

ТОЗИ СОФТУЕР СЕ ПРЕДОСТАВЯ ОТ ПРИТЕЖАТЕЛИТЕ НА АВТОРСКИТЕ ПРАВА И СЪТРУДНИЦИТЕ В "НАСТОЯЩО СЪСТОЯНИЕ" И СЕ ОТХВЪРЛЯТ ВСЯКАКВИ ИЗРИЧНИ ИЛИ КОСВЕНИ ГАРАНЦИИ, ВКЛЮЧИТЕЛНО, НО НЕ САМО, КОСВЕНИ ГАРАНЦИИ ЗА ТЪРГОВСКИ КАЧЕСТВА И ПРИГОДНОСТ ЗА ОПРЕДЕЛЕНА ЦЕЛ. В НИКАКЪВ СЛУЧАЙ СОБСТВЕНИКЪТ НА АВТОРСКИТЕ ПРАВА ИЛИ СЪТРУДНИЦИТЕ НЕ НОСЯТ ОТГОВОРНОСТ ЗА ПРЕКИ, КОСВЕНИ, СЛУЧАЙНИ, СПЕЦИАЛНИ, ТИПИЧНИ ИЛИ ПОСЛЕДВАЩИ ЩЕТИ (ВКЛЮЧИТЕЛНО, НО НЕ САМО, ПОЛУЧАВАНЕ НА ЗАМЕСТВАЩИ СТОКИ ИЛИ УСЛУГИ; ЗАГУБА НА ВЪЗМОЖНОСТ ЗА УПОТРЕБА, ДАНИИ ИЛИ ПОЛЗИ; ИЛИ ПРЕКЪСВАНЕ НА ТЪРГОВСКАТА ДЕЙНОСТ), НЕЗАВИСИМО ОТ ПРИЧИНАТА И ВИДА ОТГОВОРНОСТ, НЕЗАВИСИМО ДАЛИ ПО ДОГОВОР, ОБЕКТИВНА ОТГОВОРНОСТ ИЛИ УВРЕЖДАНЕ (ВКЛЮЧИТЕЛНО НЕБРЕЖНОСТ ИЛИ ДРУГО), ПРОИЗТИЧАЩИ ПО НЯКАКЪВ НАЧИН ОТ ИЗПОЛЗВАНЕТО НА ТОЗИ СОФТУЕР, ДОРИ ПРИ УВЕДОМЯВАНЕ ЗА ВЪЗМОЖНОСТТА ЗА ТАКИВА ЩЕТИ.

Лиценз на Apache 2.0

Авторско право © 2009 – 2019 г. Arm Limited. Всички права запазени.

Версия 2.0, януари 2004 г., <http://www.apache.org/licenses/>

ПРАВИЛА И УСЛОВИЯ ЗА ИЗПОЛЗВАНЕ, ВЪЗПРОИЗВЕЖДАНЕ И РАЗПРОСТРАНЕНИЕ

1. Определения.

"Лиценз" означава правилата и условията за използване, възпроизвеждане и разпространение, определени в раздели от 1 до 9 от настоящия документ. "Лицензодател" означава собственикът на авторските права или субектът, упълномощен от собственика на авторските права, който предоставя Лиценза. "Юридическо лице" означава обединението на действащия субект и всички други субекти, които контролират, се контролират от или са под общ контрол с този субект. За целите на това определение "контрол" означава (i) властта, пряка или непряка, да се ръководи или управлява такъв субект, независимо дали чрез договор или по друг начин, или (ii) собственост върху петдесет процента (50%) или повече от акциите в обръщение, или (iii) бенефициерна собственост на такъв субект. "Вие" (или "Ваш") означава физическото или Юридическо лице, упражняващо разрешението, предоставени от настоящия Лиценз.

"Изходна" форма означава предпочитаната форма за извършване на модификации, включително, но не само, изходен код на софтуер, източник на документацията и конфигурационни файлове.

"Обектна" форма означава всяка форма, получена в резултат на механична трансформация или превод на Изходна форма, включително, но не само, компилиран обектен код, генерирана документация и преобразувания в други видове носители. "Произведение" означава авторското произведение, независимо дали е в Изходна или Обектна форма, предоставено по силата на Лиценза, както е посочено от уведомлението за авторските права, което е включено в или приложено към произведението (пример е даден в приложението по-долу). "Производни произведения"

означава всяко произведение, независимо дали е в Изходна, или Обектна форма, което се основава на (или произлиза от) Произведението и за което редакциите, поясненията, уточненията или други модификации представляват като цяло оригинално авторско произведение. За целите на настоящия Лиценз Производните произведения не включват произведения, които остават отделни или просто се свързват (или обвързват по име) с интерфейсите на Произведението и Производните произведения от него. "Принос" означава всяко авторско произведение, включително оригиналната версия на Произведението и всички модификации или добавки към това Произведение или Производни произведения от него, които са умишлено предоставени на Лицензодателя за

включване в Произведението от собственика на авторските права или от физическо лице или Юридическо лице, упълномощено да предоставя от името на собственика на авторските права. За целите на това определение **"предоставено"** означава всяка форма на електронна, устна или писмена комуникация, изпратена до Лицензодателя или негови представители, включително, но не само, комуникация в списъци за електронна поща, системи за контрол на изходния код и системи за проследяване на проблеми, които се управляват от или от името на Лицензодателя с цел обсъждане и подобряване на Произведението, но с изключение на комуникация, която е видимо маркирана или по друг начин обозначена писмено от собственика на авторските права като **"Не е принос"**. **"Сътрудник"** означава Лицензодател и всяко физическо или Юридическо лице, от чието име Лицензодателят е получил Принос, който впоследствие включен в Произведението.

2. Предоставяне на Лиценз за авторските права.

Съгласно правилата и условията на настоящия Лиценз всеки Сътрудник Ви предоставя постоянен, международен, неизключителен, безплатен, безвъзмезден, неотменим лиценз за авторските права за възпроизвеждане, изготвяне на Производни произведения, публично показване, публично изпълнение, прехвърляне и разпространение на Произведението и такива Производни произведения в Изходна или Обектна форма.

3. Предоставяне на патентен Лиценз.

Съгласно правилата и условията на настоящия Лиценз всеки сътрудник Ви предоставя постоянен, международен, неизключителен, безплатен, безвъзмезден, неотменим (освен посоченото в този раздел) патентен лиценз за изготвяне, използване, предлагане за продажба, продажба, внос или друго прехвърляне на Произведението, като такъв лиценз се прилага само за онова патентно съдържание, лицензируемо от Сътрудника, което неизбежно е нарушено от неговия(те) Принос(и) самостоятелно или чрез комбинация от неговия(те) Принос(и) и Произведението, към което е/са бил(и) предоставен(и) такъв/такива Принос(и). Ако заведете патентно дело срещу който и да било субект (включително насрещен иск или насрещен иск в съдебен процес), твърдейки, че Произведението или Приносът, включен в Произведението, представлява пряко или съпричастно нарушение на патент, тогава всички патентни лицензи, предоставени Ви съгласно настоящия Лиценз за това Произведение, ще бъдат прекратени, считано от датата на завеждане на съдебния спор.

4. Повторно разпространение.

Може да възпроизведате и разпространявате копия на Произведението или Производните му произведения на всеки носител със или без

модификации и в Изходна или Обектна форма, при условие че отговаряте на следните условия:

- Трябва да дадете на всички други получатели на Произведението или Производните произведения копие от настоящия Лиценз; и
- Всички модифицирани файлове трябва да съдържат видими уведомления, в които се посочва, че сте променили файловете; и – трябва да запазите в Изходната форма на всички Производни произведения, които разпространявате, всички уведомления за авторските права, патентите, търговските марки и съотнасянията от Изходната форма на Произведението, с изключение на тези уведомления, които не се отнасят до никоя част на Производните произведения; и
- Ако Произведението включва текстов файл **"УВЕДОМЛЕНИЕ"** като част от своето разпространение, тогава всички Производни произведения, които разпространявате, трябва да включват четливо копие на уведомленията за съотнасянията, съдържащи се в такъв файл за УВЕДОМЛЕНИЕ, с изключение на онези уведомления, които не се отнасят до никоя част от Производните произведения, на поне едно от следните места: в рамките на текстов файл за УВЕДОМЛЕНИЕ, разпространяван като част от Производните произведения; в рамките на Изходната форма или документация, ако е предоставена заедно с Производните произведения; или в рамките на дисплей, генериран от Производните произведения, ако и навсякъде, където такива уведомления на трети страни обикновено се появяват. Съдържанието на файла за УВЕДОМЛЕНИЕ е само за информационни цели и не променя Лиценза. Може да добавите Ваши собствени уведомления за съотнасянията в рамките на Производните произведения, които разпространявате, заедно или като допълнение към текста на УВЕДОМЛЕНИЕТО от Произведението, при условие че такива допълнителни уведомления за съотнасянията не могат да се тълкуват като изменение на Лиценза. Може да добавите Ваша собствена декларация за авторските права към Вашите модификации и може да предоставите допълнителни или различни лицензионни правила и условия за използване, възпроизвеждане или разпространение на Вашите модификации или за всякакви Производни произведения като цяло, при условие че използването, възпроизвеждането и разпространението от Ваша страна на Произведението по друг начин отговаря на условията, посочени в настоящия Лиценз.

5. Предоставяне на Приноси.

Освен ако не посочите изрично друго, всеки Принос, умишлено предоставен за включване в Произведението от Вас на Лицензодателя, ще бъде съгласно правилата и условията на настоящия

Лиценз без никакви допълнителни правила или условия. Независимо от посоченото по-горе, нищо от съдържащото се в настоящия документ няма да замести или да промени условията на всяко отделно лицензионно споразумение, което може да сте сключили с Лицензодателя по отношение на такива Приноси.

6. Търговски марки.

Настоящият Лиценз не дава разрешение за използване на търговските наименования, търговските марки, марките на услугите или имената на продуктите на Лицензодателя, освен когато се изисква за разумна и обичайна употреба при описание на произхода на Произведението и възпроизвеждане на съдържанието на файла за УВЕДОМЛЕНИЕ.

7. Отказ от отговорност от гаранцията.

Освен ако не се изисква от приложимото законодателство или не е договорено в писмена форма, Лицензодателят предоставя Произведението (и всеки Сътрудник предоставя своите Приноси) на БАЗА "НАСТОЯЩО СЪСТОЯНИЕ" БЕЗ ГАРАНЦИИ ИЛИ УСЛОВИЯ ОТ КАКЪВТО И ДА БИЛО ВИД, изрични или косвени, включително, без ограничение, всякакви гаранции или условия за СОБСТВЕНОСТ, ОТСЪСТВИЕ НА НАРУШЕНИЯ, ТЪРГОВСКИ КАЧЕСТВА или ПРИГОДНОСТ ЗА ОПРЕДЕЛЕНА ЦЕЛ. Вие носите цялата отговорност за определяне на целесъобразността на използването или повторното разпространение на Произведението и поемате всички рискове, свързани с упражняването на разрешението по настоящия Лиценз. 8. Ограничение на отговорността. В никакъв случай и

съгласно никаква законодателна база, независимо дали при увреждане (включително небрежност), по договор, или по друг начин, освен ако не се изисква от приложимото законодателство (като например умишлени и грубо небрежни действия) или договорено в писмен вид, който и да било Сътрудник не носи отговорност пред Вас за щети, включително преки, косвени, специални, случайни или последващи щети от всякакъв характер, произтичащи в резултат на настоящия Лиценз или извън употребата или невъзможността за употреба на Произведението (включително, но не само, щети, свързани със загуба на репутация, спиране на работа, повреда или неизправност на компютъра, или всички други търговски щети или загуби), дори ако Сътрудникът е бил уведомен за възможността от такива щети.

9. Приемане на гаранция или допълнителна отговорност.

При повторно разпространение на Произведението или Производните произведения от него Вие може да изберете да предложите и да начислите такса за приемане на поддръжка, гаранция, обезщетение или други задължения и/или права за отговорност в съответствие с настоящия Лиценз. Въпреки това при приемането на такива задължения Вие може да действате само от свое име и на своя лична отговорност, а не от името на който и да било Сътрудник, и само ако сте съгласни да обезщетите, защитите и предпазите всеки Сътрудник от всяка понесена отговорност или предявени искиове срещу такъв Сътрудник поради приемането от Ваша страна на такава гаранция или допълнителна отговорност. КРАЙ НА ПРАВИЛАТА И УСЛОВИЯТА

Περιεχόμενα

Εισαγωγή.....	37	Μεταφορά, αποθήκευση και απόρριψη.....	48
Ασφάλεια.....	39	Τεχνικά στοιχεία.....	49
Συναρμολόγηση.....	46	Αξεσουάρ.....	50
Λειτουργία.....	47	Δήλωση Συμμόρφωσης.....	51
Συντήρηση.....	47	Άδειες.....	52

Εισαγωγή

Περιγραφή προϊόντος

Το Husqvarna Aspire Pole-P4A είναι μια ηλεκτρική μονάδα μπαταρίας με τηλεσκοπική λειτουργία.

Προβλεπόμενη χρήση

Αυτή η μονάδα παροχής ισχύος είναι μια μονάδα χωρίς εξοπλισμό, η οποία λειτουργεί μόνο σε συνδυασμό με

εγκριμένα εξαρτήματα, βλ. τα εγκριμένα εξαρτήματα στην ενότητα *Αξεσουάρ στη σελίδα 50*. Βεβαιωθείτε ότι έχετε διαβάσει το παρόν εγχειρίδιο μαζί με το εγχειρίδιο των εγκριμένων εξαρτημάτων.

Επισκόπηση προϊόντος

(Εικ. 1)

1. Περιστρεφόμενος σύνδεσμος

2. Χειρόβιδα ασφάλισης για εξάρτημα
 3. Μοχλός για τηλεσκοπική λειτουργία
 4. Άξονας
 5. Μαλακό χιτώνιο
 6. Γάντζος εξάρτυσης
 7. Κουμπί ασφάλισης για την ασφάλεια της σκανδάλης γκαζιού (Εικ. 5)
 8. Οπίσθια χειρολαβή
 9. Ασφάλεια σκανδάλης γκαζιού (Εικ. 6)
 10. Σκανδάλη γκαζιού
 11. Εγχειρίδιο χρήσης
 12. Κουμπί απασφάλισης μπαταρίας
 13. Φορτιστής μπαταρίας (Εικ. 7)
 14. Ένδειξη λειτουργίας και προειδοποίησης (Εικ. 8)
 15. Συνδετήρας
 16. Αγκιστρο φύλαξης, βίδες και βύσματα τοίχου (Εικ. 9)

αντικείμενα επάνω σας. Χρησιμοποιείτε εγκεκριμένα μέσα προστασίας της ακοής (Μόνο για το Aspire P5-P4A + Aspire Pole-P4A). Χρησιμοποιείτε εγκεκριμένη προστασία ματιών.

Χρησιμοποιείτε εγκεκριμένα προστατευτικά γάντια.

Χρησιμοποιήστε αντιολισθητικές μπότες βαρέος τύπου. (Ισχύει μόνο για το Aspire P5-P4A + Aspire Pole-P4A)

Συνεχές ρεύμα.

Ονομαστική τάση, V

Αποφύγετε την έκθεση στη βροχή.

(Εικ. 10) Κίνδυνος τραυματισμού. Μην πλησιάζετε τα χέρια σας στο εργαλείο κοπής.

(Εικ. 11) Το προϊόν συμμορφώνεται με τις ισχύουσες οδηγίες της Ε.Ε.

(Εικ. 12) Αυτό το προϊόν συμμορφώνεται με τις ισχύουσες οδηγίες του Η.Β.

(Εικ. 13) Το προϊόν ή η συσκευασία του προϊόντος δεν αποτελεί οικιακό απόρριμμα. Ανακυκλώστε το σε κέντρο ανακύκλωσης ηλεκτρικού και ηλεκτρονικού εξοπλισμού.

Σύμβολα στο προϊόν

(Εικ. 2) ΠΡΟΕΙΔΟΠΟΙΗΣΗ: Αυτό το προϊόν μπορεί να είναι επικίνδυνο και να προκαλέσει σοβαρό τραυματισμό ή θάνατο του χειριστή ή άλλων ατόμων. Να είστε προσεκτικοί και να χρησιμοποιείτε το προϊόν σωστά.

(Εικ. 3) Διαβάστε προσεκτικά το εγχειρίδιο χρήσης και βεβαιωθείτε ότι έχετε κατανοήσει τις οδηγίες προτού χρησιμοποιήσετε το προϊόν.

(Εικ. 4) Χρησιμοποιείτε ένα κράνος προστασίας σε σημεία όπου μπορεί να πέσουν

(Εικ. 16) ΚΙΝΔΥΝΟΣ - Διατηρείτε επαρκή απόσταση από γραμμές παροχής ηλεκτρικού ρεύματος.

(Εικ. 17) Η πινακίδα στοιχείων ή το τυπωμένο μέρος με λέιζερ δείχνει τον αριθμό σειράς. Το **yyyy** είναι το έτος παραγωγής και το **ww** είναι η εβδομάδα παραγωγής.

Περιεχόμενα Άλλα σύμβολα/σήματα που υπάρχουν στο προϊόν αναφέρονται σε ειδικές απαιτήσεις πιστοποίησης για συγκεκριμένες αγορές.

(Εικ. 19) Η μπαταρία πρέπει να χρησιμοποιείται μόνο σε προϊόντα από τους συνεργάτες του συστήματος POWER FOR ALL.

Σύμβολα στην μπαταρία ή/και στον φορτιστή της μπαταρίας

(Εικ. 18) Ανακυκλώστε αυτό το προϊόν σε κέντρο ανακύκλωσης ηλεκτρικού και ηλεκτρονικού εξοπλισμού. (Ισχύει μόνο για την Ευρώπη)

(Εικ. 20) Προστατέψτε την μπαταρία από τη θερμότητα, π.χ. από το συνεχές έντονο ηλιακό φως, τη φωτιά, τη βρωμιά, το νερό και την υγρασία. Υπάρχει κίνδυνος έκρηξης και βραχυκυκλώματος.

(Εικ. 14) Χρησιμοποιείτε και φυλάσσετε το φορτιστή μπαταρίας μόνο σε εσωτερικούς χώρους.

Ζημιά στο προϊόν

Δεν φέρουμε ευθύνη για ζημιές στο προϊόν μας εάν:

- Το προϊόν έχει επισκευαστεί λανθασμένα.
- Το προϊόν έχει επισκευαστεί με εξαρτήματα που δεν προέρχονται από τον κατασκευαστή ή που δεν έχουν εγκριθεί από τον κατασκευαστή.
- Το προϊόν διαθέτει ένα αξεσουάρ που δεν προέρχεται από τον κατασκευαστή ή που δεν έχει εγκριθεί από τον κατασκευαστή.

- Το προϊόν δεν έχει επισκευαστεί σε εγκεκριμένο κέντρο σέρβις ή από εγκεκριμένη αρχή.

Κατασκευαστής

Husqvarna AB

Drottninggatan 2, SE-561 82 Huskvarna, Sweden, tel: +46-36-146 500

Ασφάλεια

Ορισμοί για την ασφάλεια

Για την επισήμανση ειδικών σημαντικών τμημάτων του εγχειριδίου χρησιμοποιούνται προειδοποιήσεις, συστάσεις προσοχής και σημειώσεις.



ΠΡΟΕΙΔΟΠΟΙΗΣΗ: Χρησιμοποιείται όταν υπάρχει κίνδυνος τραυματισμού ή θανάτου του χειριστή ή άλλων παριστάμενων ατόμων, αν δεν τηρηθούν οι οδηγίες που παρέχονται στο εγχειρίδιο.



ΠΡΟΣΟΧΗ: Χρησιμοποιείται όταν υπάρχει κίνδυνος πρόκλησης ζημιάς στο προϊόν, σε άλλα υλικά ή στον παρακείμενο χώρο, αν δεν τηρηθούν οι οδηγίες που παρέχονται στο εγχειρίδιο.

Περιεχόμενα Χρησιμοποιείται για παροχή περισσότερων πληροφοριών, οι οποίες χρειάζονται σε μια δεδομένη κατάσταση.

Γενικές προειδοποιήσεις ασφαλείας ηλεκτρικού εργαλείου



ΠΡΟΕΙΔΟΠΟΙΗΣΗ: Βεβαιωθείτε ότι έχετε διαβάσει το εγχειρίδιο των εγκεκριμένων εξαρτημάτων μαζί με το παρόν εγχειρίδιο για τη μονάδα παροχής ισχύος.



ΠΡΟΕΙΔΟΠΟΙΗΣΗ: Διαβάστε όλες τις προειδοποιήσεις, τις οδηγίες, τις εικόνες και τις προδιαγραφές ασφαλείας που παρέχονται με αυτό το ηλεκτρικό εργαλείο. Η μη τήρηση όλων των οδηγιών που αναφέρονται παρακάτω μπορεί να προκαλέσει ηλεκτροπληξία, πυρκαγιά ή/και σοβαρό τραυματισμό.

Περιεχόμενα Φυλάξτε τις προειδοποιήσεις και τις οδηγίες για μελλοντική αναφορά. Ο όρος "ηλεκτρικό εργαλείο" που χρησιμοποιείται στις προειδοποιήσεις αναφέρεται στο εργαλείο που τροφοδοτείται από το δίκτυο ρεύματος (με καλώδιο) ή στο εργαλείο που τροφοδοτείται από μπαταρία (χωρίς καλώδιο).

Ασφάλεια στο χώρο εργασίας

- Διατηρείτε το χώρο εργασίας καθαρό και με καλό φωτισμό. Οι ακατάστατοι ή σκοτεινοί χώροι ενέχουν τον κίνδυνο ατυχημάτων.
- Μην χειρίζεστε ηλεκτρικά εργαλεία σε εκρηκτικές ατμόσφαιρες, π.χ. παρουσία εύφλεκτων υγρών, αερίων ή σωματιδίων σκόνης. Τα ηλεκτρικά εργαλεία δημιουργούν σπινθήρες, οι οποίοι ενδέχεται να προκαλέσουν την ανάφλεξη των σωματιδίων ή των καπνών.
- Κατά το χειρισμό ενός ηλεκτρικού εργαλείου, δεν πρέπει να βρίσκονται κοντά παιδιά ή άλλοι παρευρισκόμενοι. Ενδέχεται να αποσπάσουν την προσοχή σας, με αποτέλεσμα να χάσετε τον έλεγχο.

Ασφάλεια με το ηλεκτρικό ρεύμα

- Το βύσμα του ηλεκτρικού εργαλείου πρέπει να ταιριάζει στην πρίζα. Μην τροποποιείτε ποτέ το βύσμα. Μην χρησιμοποιείτε προσαρμογείς με γειωμένα ηλεκτρικά εργαλεία. Η χρήση μη τροποποιημένων φικ και αντίστοιχων πριζών μειώνει τον κίνδυνο ηλεκτροπληξίας.
- Αποφεύγετε την επαφή του σώματος με γειωμένες επιφάνειες, όπως σωλήνες, καλοριφέρ, κουζίνες και ψυγεία. Υπάρχει αυξημένος κίνδυνος ηλεκτροπληξίας, αν το σώμα σας έρθει σε επαφή με τη γείωση.
- Μην εκθέτετε ηλεκτρικά εργαλεία σε βροχή ή σε συνθήκες υγρασίας. Σε περίπτωση εισχώρησης νερού σε ηλεκτρικό εργαλείο, αυξάνεται ο κίνδυνος ηλεκτροπληξίας.
- Μην προκαλείτε φθορά στο καλώδιο. Μην χρησιμοποιείτε ποτέ το καλώδιο για τη μεταφορά, το τράβηγμα ή την αποσύνδεση του ηλεκτρικού εργαλείου. Φυλάσσετε το καλώδιο μακριά από

θερμότητα, λάδια, αιχμηρές άκρες ή κινούμενα εξαρτήματα. Εάν το καλώδιο καταστραφεί ή εμπλακεί, αυξάνεται ο κίνδυνος ηλεκτροπληξίας.

- Όταν χρησιμοποιείτε ένα ηλεκτρικό εργαλείο σε εξωτερικό χώρο, χρησιμοποιήστε ένα καλώδιο προέκτασης που είναι κατάλληλο για χρήση σε εξωτερικό χώρο. Η χρήση καλωδίων κατάλληλων για εσωτερικό χώρο μειώνει τον κίνδυνο ηλεκτροπληξίας.
- Αν η χρήση ενός ηλεκτρικού εργαλείου σε χώρο με υγρασία είναι αναπόφευκτη, χρησιμοποιήστε παροχή ρεύματος με διάταξη προστασίας από ρεύματα διαρροής (RCD). Η χρήση μιας διάταξης RCD μειώνει τον κίνδυνο ηλεκτροπληξίας.

Προσωπική ασφάλεια

- Να είστε προσεκτικοί, να παρακολουθείτε αυτό που κάνετε και να χρησιμοποιείτε την κοινή λογική όταν χρησιμοποιείτε ένα ηλεκτρικό εργαλείο. Μην χρησιμοποιείτε ηλεκτρικά εργαλεία όταν είστε κουρασμένοι ή υπό την επήρεια ναρκωτικών, αλκοόλ ή φαρμάκων. Μια στιγμή απροσεξίας, κατά τον χειρισμό ηλεκτρικών εργαλείων, μπορεί να οδηγήσει σε σοβαρό τραυματισμό.
- Πρέπει να χρησιμοποιείτε προσωπικό εξοπλισμό προστασίας. Φοράτε πάντοτε προστατευτικά γυαλιά. Ο εξοπλισμός προστασίας, όπως προστατευτική μάσκα αναπνοής, αντλιοθηρικά παπούτσια ασφαλείας, κράνος ή προστατευτικά ακοής σε κατάλληλες συνθήκες, μειώνει τον κίνδυνο τραυματισμών.
- Φροντίστε ώστε να μην είναι εφικτή η ακούσια εκκίνηση. Βεβαιωθείτε ότι ο διακόπτης βρίσκεται στη θέση Off προτού συνδέσετε το εργαλείο στην πηγή ισχύος ή/και στη συστοίχια μπαταριών και προτού πάσετε ή μεταφέρετε το εργαλείο. Η μεταφορά των ηλεκτρικών εργαλείων, ενώ έχετε το χέρι σας στον διακόπτη ή η σύνδεση σε πρίζα των ηλεκτρικών εργαλείων με διακόπτη ενέχει τον κίνδυνο ατυχήματος.
- Αφαιρέστε τυχόν κλειδιά προσαρμογής ή σύσφιξης, πριν ενεργοποιήσετε το ηλεκτρικό εργαλείο. Ένα κλειδί σύσφιξης ή προσαρμογής που παραμένει προσαρτημένο σε κινούμενο μέρος του ηλεκτρικού εργαλείου μπορεί να οδηγήσει σε τραυματισμό.
- Μην τεντώνετε υπερβολικά. Να πατάτε καλά τα πόδια σας και να διατηρείτε την ισορροπία σας συνέχεια. Έτσι επιτυγχάνεται καλύτερος έλεγχος του ηλεκτρικού εργαλείου, σε τυχόν απρόβλεπτες καταστάσεις.
- Φοράτε κατάλληλα ρούχα. Μην φοράτε φαρδιά ρούχα ή κοσμήματα. Φροντίστε τα μαλλιά και τα ρούχα σας να βρίσκονται σε απόσταση από τα κινούμενα εξαρτήματα. Τα φαρδιά ρούχα, τα κοσμήματα ή τα μακριά μαλλιά ενδέχεται να πιαστούν σε κινούμενα μέρη.
- Εάν παρέχονται διατάξεις για τη σύνδεση συστημάτων συλλογής και απομάκρυνσης σκόνης, βεβαιωθείτε ότι αυτές έχουν συνδεθεί και χρησιμοποιούνται σωστά. Χρησιμοποιείτε σύστημα

συλλογής σκόνης για να μειώσετε τους κινδύνους που σχετίζονται με τη σκόνη.

- **Ακόμη και αν χρησιμοποιείτε συχνά και είστε εξοικειωμένοι με τα εργαλεία, μην αναπαυάστετε και μην παραβλέπετε τις αρχές ασφαλείας των εργαλείων.** Μια απρόσπεκτη ενέργεια μπορεί να προκαλέσει σοβαρό τραυματισμό σε κλάσμα του δευτερολέπτου.
- **Κίνδυνος! Μην χρησιμοποιείτε το μηχάνημα κοντά σε γραμμές παροχής ηλεκτρικού ρεύματος.** Η μονάδα δεν έχει σχεδιαστεί για να παρέχει προστασία από ηλεκτροπληξία σε περίπτωση επαφής με εναέριες γραμμές ηλεκτρικού ρεύματος. Συμβουλευθείτε την τοπική νομοθεσία για τις αποστάσεις ασφαλείας από εναέριες γραμμές παροχής ηλεκτρικού ρεύματος και βεβαιωθείτε ότι η θέση λειτουργίας είναι ασφαλής πριν από τη λειτουργία του προϊόντος.

Χρήση και φροντίδα των ηλεκτρικών εργαλείων

- **Μην ασκείτε μεγάλη δύναμη στο ηλεκτρικό εργαλείο. Χρησιμοποιείτε το κατάλληλο ηλεκτρικό εργαλείο για την εφαρμογή σας.** Το κατάλληλο ηλεκτρικό εργαλείο θα έχει καλύτερα αποτελέσματα για την εργασία σας και θα είναι ασφαλέστερο, στο βαθμό για τον οποίο είναι σχεδιασμένο.
- **Μην χρησιμοποιείτε το ηλεκτρικό εργαλείο, εάν δεν μπορεί να ενεργοποιηθεί και να απενεργοποιηθεί με το διακόπτη.** Ένα ηλεκτρικό εργαλείο που δεν μπορεί να ελεγχθεί από το διακόπτη είναι επικίνδυνο και πρέπει να επισκευαστεί.
- **Αποσυνδέστε το βύσμα από την πηγή τροφοδοσίας ή/και αφαιρέστε την μπαταρία (αν είναι αποσπώμενη) από το ηλεκτρικό εργαλείο πριν από την πραγματοποίηση ρυθμίσεων, την αλλαγή αξεσουάρ ή την αποθήκευση ηλεκτρικών εργαλείων.** Αυτά τα προληπτικά μέτρα ασφαλείας μειώνουν τον κίνδυνο ακούσιας εκκίνησης του ηλεκτρικού εργαλείου.
- **Φυλάσσετε τα ηλεκτρικά εργαλεία που βρίσκονται σε αδράνεια, μακριά από παιδιά και μην επιτρέπτε σε άτομα που δεν είναι εξοικειωμένα με αυτά ή με τις οδηγίες να χρησιμοποιούν το ηλεκτρικό εργαλείο.** Τα ηλεκτρικά εργαλεία είναι επικίνδυνα στα χέρια μη εκπαιδευμένων χρηστών.
- **Φροντίστε να συντηρείτε τα ηλεκτρικά εργαλεία και τα αξεσουάρ.** Ελέγχετε για τυχόν μη ευθυγραμμισμένα ή μπλοκαρισμένα κινούμενα μέρη, ρωγμές στα διάφορα μέρη και κάθε άλλη κατάσταση που μπορεί να επηρεάζει τη λειτουργία του ηλεκτρικού εργαλείου. Σε περίπτωση ζημιάς, φροντίστε για την επισκευή του ηλεκτρικού εργαλείου πριν το χρησιμοποιήσετε. Πολλά ατυχήματα προκαλούνται από ηλεκτρικά εργαλεία που δεν συντηρούνται σωστά.
- **Διατηρείτε τα εργαλεία κοπής αιχμηρά και καθαρά.** Εάν τα εργαλεία κοπής συντηρούνται σωστά, με αιχμηρές άκρες κοπής, είναι λιγότερο πιθανή η εμπλοκή τους και πιο εύκολος ο έλεγχός τους.
- **Χρησιμοποιείτε το ηλεκτρικό εργαλείο, τα εξαρτήματα και τα τρυπάνια σύμφωνα με τις οδηγίες αυτές, λαμβάνοντας υπόψη τις συνθήκες εργασίας και την**

εργασία που πρέπει να εκτελεστεί. Η χρήση των ηλεκτρικών εργαλείων για εφαρμογές διαφορετικές από αυτές για τις οποίες προορίζονται μπορεί να οδηγήσει σε επικίνδυνες καταστάσεις.

- **Διατηρήστε τις χειρολαβές και τις εσθλιές κρατήματος στεγνές και καθαρές, χωρίς λάδια και γράσο.** Οι ολισθηρές λαβές και επιφάνειες κρατήματος δεν επιτρέπουν τον ασφαλή χειρισμό και έλεγχο του εργαλείου σε απρόβλεπτες καταστάσεις.

Χρήση και φροντίδα εργαλείων μπαταρίας

- **Να επαναφορτίζετε μόνο με το φορτιστή που ορίζεται από τον κατασκευαστή.** Ένας φορτιστής κατάλληλος για έναν τύπο συστοιχίας μπαταριών μπορεί να δημιουργήσει κίνδυνο φωτιάς κατά τη χρήση με άλλη συστοιχία μπαταριών.
- **Χρησιμοποιήστε τα ηλεκτρικά εργαλεία μόνο με τις καθορισμένες συστοιχίες μπαταριών.** Η χρήση οποιασδήποτε άλλης μπαταρίας μπορεί να προκαλέσει κίνδυνο τραυματισμού και πυρκαγιάς.
- **Όταν η μπαταρία δεν χρησιμοποιείται, πρέπει να την φυλάσσετε μακριά από άλλα μεταλλικά αντικείμενα, όπως συνδετήρες, νομίσματα, κλειδιά, καρφιά, βίδες ή άλλα μικρά μεταλλικά αντικείμενα, που μπορεί να προκαλέσουν ένωση των πόλων.** Η βραχυκύκλωση των ακροδεκτών της μπαταρίας μεταξύ τους μπορεί να προκαλέσει εγκαύματα ή πυρκαγιά.
- **Σε περίπτωση ακατάλληλου χειρισμού, μπορεί να εκπνευστεί υγρό από την μπαταρία. Αποφεύγετε κάθε επαφή. Σε περίπτωση τυχαίας επαφής, ξεπλύνετε με νερό. Εάν το υγρό έρθει σε επαφή με τα μάτια, ζητήστε επίσης ιατρική βοήθεια.** Η εκτόξευση υγρού από την μπαταρία μπορεί να προκαλέσει ερεθισμούς ή εγκαύματα.
- **Μην χρησιμοποιείτε μπαταρίες ή εργαλεία που έχουν υποστεί ζημιά ή μεταρροπή.** Οι μπαταρίες που έχουν υποστεί ζημιά ή τροποποίηση μπορεί να παρουσιάσουν απρόβλεπτη συμπεριφορά με αποτέλεσμα να προκληθεί κίνδυνος πυρκαγιάς, έκρηξης ή τραυματισμού.
- **Μην εκθέτετε τις μπαταρίες ή τα εργαλεία σε φωτιά ή υπερβολική θερμοκρασία.** Η έκθεση σε φωτιά ή θερμοκρασίες πάνω από 130 °C/266 °F μπορεί να προκαλέσει έκρηξη.
- **Ακολουθήστε όλες τις οδηγίες φόρτισης και μην φορτίζετε τις μπαταρίες ή τα εργαλεία εκτός του εύρους θερμοκρασίας που προδιαγράφεται στις οδηγίες.** Η φόρτιση με λανθασμένο τρόπο ή σε θερμοκρασίες εκτός του προδιαγραφόμενου εύρους μπορεί να προκαλέσει ζημιά στην μπαταρία και αυξάνει τον κίνδυνο πυρκαγιάς.

Σέρβις

- **Αναθέστε το σέρβις του ηλεκτρικού σας εργαλείου σε εξειδικευμένο τεχνικό για επισκευή με τη χρήση μόνο πανομοιότυπων ανταλλακτικών.** Έτσι θα διασφαλίζεται η διατήρηση της ασφάλειας του ηλεκτρικού εργαλείου.
- **Μην εκτελείτε εργασίες σέρβις σε κατεστραμμένες μπαταρίες.** Οι εργασίες σέρβις σε μπαταρίες θα

πρέπει να εκτελούνται μόνο από τον κατασκευαστή ή από εξουσιοδοτημένα καταστήματα σέρβις.

Άλλες γενικές πληροφορίες για την ασφάλεια

- Για πρόσθετους ειδικούς κανόνες ασφαλείας, ανατρέξτε στο εγχειρίδιο χρήσης για το σχετικό εξάρτημα.
- Απενεργοποιήστε το προϊόν προτού μετακινήσετε σε άλλη περιοχή. Πρέπει πάντα να αφαιρείτε την μπαταρία όταν παραδίδετε το μηχανήμα σε άλλο πρόσωπο.
- Μην αφήνετε ποτέ το προϊόν στο έδαφος εάν δεν το έχετε απενεργοποιήσει και δεν έχετε αφαιρέσει την μπαταρία. Μην αφήνετε το προϊόν χωρίς επίβλεψη όταν είναι ενεργοποιημένο.
- Το εργαλείο κοπής δεν σταματά αμέσως με την απενεργοποίηση του προϊόντος.
- Πριν από τη χρήση του προϊόντος και μετά από τυχόν πρόσκρουση, ελέγξτε για ενδείξεις φθοράς ή ζημιάς και επισκευάστε όπως απαιτείται.
- Εάν εμπλακεί οποιοδήποτε αντικείμενο στο εξάρτημα κοπής ενώ χρησιμοποιείτε το προϊόν, σταματήστε και απενεργοποιήστε το προϊόν. Βεβαιωθείτε ότι το εξάρτημα κοπής έχει σταματήσει εντελώς. Αφαιρέστε την μπαταρία πριν από τον καθαρισμό, την επιθεώρηση ή την επισκευή του προϊόντος ή/και του εξοπλισμού κοπής.
- Ελέγξτε το προϊόν προτού το χρησιμοποιήσετε. Ανατρέξτε στην ενότητα *Συσκευές ασφαλείας στο προϊόν στη σελίδα 43 και Συντήρηση στη σελίδα 47.* Δεν πρέπει να χρησιμοποιείτε το προϊόν αν έχει υποστεί ζημιά. Πραγματοποιείτε όλους τους ελέγχους ασφαλείας και τηρείτε τις οδηγίες συντήρησης και σέρβις που αναφέρονται στο παρόν εγχειρίδιο.
- Τα ελαττωματικά εξάρτηματα κοπής μπορεί να αυξήσουν τον κίνδυνο ατυχημάτων.
- Να βεβαιώνετε πάντα ότι τα ανοίγματα αερισμού δεν έχουν φράξει από υπολείμματα υλικών.
- Ελέγξτε αν το μηχανήμα βρίσκεται σε άριστη κατάσταση λειτουργίας. Ελέγξτε αν όλα τα παξιμάδια και οι βίδες είναι σφιγμένα.
- Αυτό το προϊόν είναι ένα επικίνδυνο εργαλείο εάν δεν είστε προσεκτικοί ή δεν το χρησιμοποιείτε σωστά. Αυτό το προϊόν μπορεί να προκαλέσει σοβαρό τραυματισμό ή θάνατο του χειριστή ή άλλων ατόμων.
- Αυτό το μηχανήμα δεν προορίζεται για χρήση από άτομα (συμπεριλαμβανομένων των παιδιών) με μειωμένες κινητικές, αισθητήριες ή νοητικές ικανότητες ή από άτομα με έλλειψη γνώσεων και εμπειρίας, εκτός αν τελούν υπό την εποπτεία ή καθοδήγηση ατόμου υπεύθυνου για την ασφάλειά τους αναφορικά με τη χρήση αυτού του μηχανήματος. Τα παιδιά πρέπει να εποπτεύονται ώστε να διασφαλιστεί ότι δεν παίζουν με τη συσκευή.
- Μην επιτρέπετε ποτέ σε παιδιά να χρησιμοποιούν ή να βρίσκονται κοντά στο μηχανήμα. Δεδομένου ότι η εκκίνηση του μηχανήματος είναι εύκολη, τα παιδιά μπορεί να το θέσουν σε λειτουργία εάν δεν βρίσκονται υπό συνεχή επίτηρηση. Αυτό μπορεί να

οδηγήσει σε σοβαρό τραυματισμό. Αποσυνδέετε την μπαταρία όταν το μηχανήμα δεν βρίσκεται υπό στενή επιτήρηση.

- Μην επιτρέπετε ποτέ σε παιδιά ή άλλα μη εκπαιδευμένα σχετικά με τη χρήση του προϊόντος ή της μπαταρίας άτομα να χρησιμοποιούν το μηχανήμα ή/και την μπαταρία ή να πραγματοποιούν εργασίες συντήρησης σε αυτό.
- Αποθηκεύστε τον εξοπλισμό σε χώρο που κλειδώνει, ώστε να μην έχουν πρόσβαση παιδιά και μη εξουσιοδοτημένα άτομα.
- Το προστατευτικό μεταφοράς πρέπει να χρησιμοποιείται πάντα για την αποθήκευση και τη μεταφορά.
- Διατηρείτε πάντα τα χέρια και τα πόδια σας μακριά από την περιοχή κοπής, ιδιαίτερα κατά την ενεργοποίηση του κινητήρα.
- Φροντίστε τα χέρια και τα πόδια σας να βρίσκονται σε απόσταση από το εξάρτημα κοπής μέχρι να σταματήσει εντελώς όταν το προϊόν απενεργοποιηθεί.
- Μην αφαιρείτε το υλικό κοπής ή μην επιτρέπετε σε άλλα άτομα να αφαιρούν το υλικό κοπής, όταν το προϊόν είναι ενεργοποιημένο ή όταν ο εξοπλισμός κοπής περιστρέφεται, καθώς αυτό μπορεί να προκαλέσει σοβαρό τραυματισμό.
- Να θυμάστε ότι εσείς, ο χειριστής, είστε υπεύθυνος για τη μη έκθεση ανθρώπων ή αντικειμένων σε ατυχήματα ή κινδύνους.
- Δεν επιτρέπονται, σε καμία περίπτωση, τροποποιήσεις στη σχεδίαση του προϊόντος χωρίς την έγκριση του κατασκευαστή. Πρέπει πάντα να χρησιμοποιείτε γνήσια αξεσουάρ. Η μη εξουσιοδοτημένη εκτέλεση τροποποιήσεων ή/και η χρήση μη γνήσιων αξεσουάρ μπορεί να οδηγήσει σε σοβαρό προσωπικό τραυματισμό ή θάνατο του χειριστή ή άλλων ατόμων. Η εγγύηση μπορεί να μην καλύπτει ζημιές ή νομικές ευθύνες που μπορεί να προκύψουν από τη χρήση μη εγκεκριμένων αξεσουάρ ή ανταλλακτικών.
- Τα μόνα εξαρτήματα που μπορείτε να χρησιμοποιήσετε με αυτό το προϊόν είναι τα εξαρτήματα κοπής που συνιστώνται στο κεφάλαιο Εξαρτήματα.
- Μην χρησιμοποιείτε ποτέ το προϊόν εάν έχει τροποποιηθεί με οποιονδήποτε τρόπο από τις αρχικές προδιαγραφές του
- Μην χρησιμοποιείτε ποτέ το προϊόν εάν παρουσιάζει πρόβλημα. Εκτελείτε όλους τους ελέγχους ασφαλείας και τηρείτε τις οδηγίες συντήρησης και επισκευής που αναφέρονται στο παρόν εγχειρίδιο. Μερικά μέτρα συντήρησης και επισκευής πρέπει να εκτελούνται από εκπαιδευμένο και ειδικευμένο προσωπικό. Ανατρέξτε στην ενότητα *Συντήρηση στη σελίδα 47*.
- Η εργασία με άσχημες καιρικές συνθήκες είναι κουραστική και συχνά επιφέρει πρόσθετο κίνδυνο. Λόγω του πρόσθετου κινδύνου, δεν συνιστάται η χρήση του προϊόντος σε πολύ δυσμενείς καιρικές συνθήκες, π.χ. σε πυκνή ομίχλη, δυνατή βροχή,

ισχυρούς ανέμους, έντονο ψύχος, όταν υπάρχει κίνδυνος πτώσης κεραυνών κ.λπ.

- Μην εργάζεστε ποτέ σε σκάλα, σκαμνί ή άλλη ανυψωμένη θέση η οποία δεν είναι απόλυτα ασφαλής.
- Αποθηκεύστε τις ανενεργές συσκευές σε εσωτερικό χώρο - Οι συσκευές θα πρέπει να αποθηκεύονται σε εσωτερικό χώρο όταν δεν χρησιμοποιούνται
- Δεν είναι δυνατό να καλυφθούν όλες οι περιπτώσεις που ενδέχεται να συναντήσετε. Πρέπει πάντα να είστε προσεκτικοί και να χρησιμοποιείτε την κοινή λογική. Αποφεύγετε καταστάσεις τις οποίες θεωρείτε πέραν των δυνατοτήτων σας. Αν δεν είστε σίγουροι για τις διαδικασίες χειρισμού, αφού διαβάσετε αυτές τις οδηγίες, θα πρέπει να συμβουλευτείτε κάποιον ειδικό πριν συνεχίσετε.
- Βεβαιωθείτε ότι δεν υπάρχουν άτομα ή ζώα σε απόσταση μικρότερη από 50 πόδια (15 μέτρα) κατά τη διάρκεια της εργασίας. Όταν εργάζονται πολλοί χειριστές στην ίδια περιοχή, η απόσταση ασφαλείας πρέπει να είναι τουλάχιστον 50 πόδια (15 μέτρα). Διαφορετικά υπάρχει κίνδυνος σοβαρού τραυματισμού. Εάν πλησιάσει κάποιος, απενεργοποιήστε αμέσως το προϊόν. Μην περιστρέφετε ποτέ το προϊόν προς καμία κατεύθυνση, εάν δεν ελέγξετε πρώτα πίσω σας για να βεβαιωθείτε ότι δεν υπάρχει κανείς εντός της ζώνης ασφαλείας.
- Εάν εμπλακεί οποιοδήποτε αντικείμενο στο εξάρτημα κοπής ενώ χρησιμοποιείτε το προϊόν, σταματήστε και απενεργοποιήστε το προϊόν. Βεβαιωθείτε ότι το εξάρτημα κοπής έχει σταματήσει εντελώς. Αφαιρέστε την μπαταρία πριν από τον καθαρισμό, την επιθεώρηση ή την επισκευή του προϊόντος ή/και του εξοπλισμού κοπής.
- Βεβαιωθείτε ότι άτομα, ζώα ή άλλοι παράγοντες δεν μπορούν να επηρεάσουν τον έλεγχο του προϊόντος και ότι δεν έρχονται σε επαφή με το εξάρτημα κοπής ή με αντικείμενα που εκσφενδονίζονται από το εξάρτημα κοπής. Μην χρησιμοποιείτε το προϊόν παρά μόνο όταν έχετε τη δυνατότητα να καλέσετε σε βοήθεια σε περίπτωση ατυχήματος.
- Βεβαιωθείτε ότι μπορείτε να κινηθείτε και να σταθείτε όρθιοι με ασφάλεια. Ελέγξτε την περιοχή γύρω σας για πιθανά εμπόδια (ρίζες, βράχια, κλαδιά, χαντάκια κ.λπ.) για την περίπτωση που χρειαστεί να μετακινήσετε ξαφνικά. Να είστε ιδιαίτερα προσεκτικοί όταν εργάζεστε σε έδαφος με κλίση.
- Περιπατάτε, ποτέ μην τρέχετε.
- Επιθεωρήστε τον χώρο εργασίας. Απομακρύνετε όλα τα ελεύθερα αντικείμενα, όπως πέτρες, σπασμένα γυαλιά, καρφιά, ασφάλινα σύρματα, σχοινιά κ.λπ. που μπορεί να εκτοξευθούν ή να τυλιχτούν γύρω από το κοπτικό εργαλείο ή τον προφυλακτήρα του κοπτικού εργαλείου.
- Προσέχετε για κομμένα υπολείμματα κλαδιών που μπορεί να εκτιναχτούν κατά την κοπή. Μην κόβετε πολύ κοντά στο έδαφος όπου μπορεί να εκτοξευτούν πέτρες ή άλλα αντικείμενα.

- Βεβαιωθείτε ότι τα ρούχα ή τα μέρη του σώματός σας δεν έρχονται σε επαφή με το εξάρτημα κοπής όταν το προϊόν είναι ενεργοποιημένο. Διατηρείτε το προϊόν κάτω από το ύψος της μέσης σας.
- Να προσέχετε τυχόν αντικείμενα που εκτοξεύονται. Φοράτε πάντα εγκεκριμένο εξοπλισμό για την προστασία των ματιών. Μην σκύβετε ποτέ πάνω από το προστατευτικό του εξαρτήματος κοπής. Υπάρχει κίνδυνος να εκσφενδονιστούν πέτρες, σκουπίδια, κ.λπ. στα μάτια σας, προκαλώντας τύφλωση ή σοβαρό τραυματισμό.
- Να επιδεικνύετε ιδιαίτερη προσοχή για τυχόν προειδοποιητικά σήματα ή κραυγές όταν φοράτε τα προστατευτικά ακοής. Βγάζετε πάντα τα προστατευτικά ακοής μόλις σταματήσει το προϊόν.
- Σε περίπτωση ανεπιθύμητων κραδασμών, απελευθερώστε πρόσθετη μεσινέζα ώστε η μεσινέζα να έχει το σωστό μήκος για να σταματήσουν οι κραδασμοί.
- Εάν εμφανιστούν ασυνήθιστοι κραδασμοί, σταματήστε το προϊόν και αφαιρέστε την μπαταρία.
- Η υπερέκθεση σε κραδασμούς μπορεί να προκαλέσει βλάβη στο κυκλοφορικό ή νευρικό σύστημα σε άτομα με βεβαρημένο κυκλοφορικό. Αν αισθανθείτε συμπτώματα υπερέκθεσης σε κραδασμούς, επικοινωνήστε με τον γιατρό σας. Παραδείγματα τέτοιων συμπτωμάτων είναι το μούδιασμα, η απώλεια αίσθησης, οι σουβλιές, ο πόνος, η μυϊκή ατονία και η αλλαγή στο χρώμα ή την κατάσταση του δέρματος. Τα συμπτώματα αυτά συνήθως εμφανίζονται στα δάχτυλα, τις παλάμες ή τους καρπούς.
- Να κρατάτε πάντα το προϊόν και με τα δύο χέρια.

Προσωπικός εξοπλισμός προστασίας



ΠΡΟΕΙΔΟΠΟΙΗΣΗ: Προτού χρησιμοποιήσετε το προϊόν, διαβάστε τις παρακάτω προειδοποιητικές οδηγίες.

- Όταν χρησιμοποιείτε το προϊόν, να φοράτε πάντα εγκεκριμένο προσωπικό εξοπλισμό προστασίας. Ο προσωπικός εξοπλισμός προστασίας δεν μπορεί να εξαλείψει τον κίνδυνο τραυματισμών, ωστόσο μειώνει τη σοβαρότητά τους σε περίπτωση ατυχήματος. Ο αντιπρόσωπος θα σας βοηθήσει να επιλέξετε το σωστό εξοπλισμό.
- Να χρησιμοποιείτε κράνος προστασίας στις περιπτώσεις όπου υπάρχει κίνδυνος πτώσης αντικειμένων.
- Να χρησιμοποιείτε εγκεκριμένα προστατευτικά ακοής που παρέχουν επαρκή μείωση θορύβου. Η μακροχρόνια έκθεση στο θόρυβο μπορεί να προκαλέσει μόνιμη βλάβη στην ακοή.
- Πρέπει να χρησιμοποιείτε εγκεκριμένα μέσα προστασίας των ματιών. Εάν χρησιμοποιείτε προστατευτικό γείσο, πρέπει επίσης να χρησιμοποιείτε πάντα εγκεκριμένα προστατευτικά γυαλιά. Τα εγκεκριμένα προστατευτικά γυαλιά πρέπει

να συμμορφώνονται με το πρότυπο ANSI Z87.1 στις Η.Π.Α. ή το πρότυπο EN 166 στις χώρες της Ε.Ε.

- Χρησιμοποιήστε προστατευτικό γείσο για την προστασία του προσώπου. Το προστατευτικό γείσο δεν επαρκεί για την προστασία των ματιών. (Εικ. 22)
- Όταν χρειάζεται, να χρησιμοποιείτε γάντια, για παράδειγμα κατά την τοποθέτηση, την επιθεώρηση ή τον καθαρισμό του εξοπλισμού κοπής.
- Φοράτε ανθεκτικές και αντιολισθητικές μπότες.
- Να φοράτε ρούχα από ανθεκτικό ύφασμα. Να φοράτε πάντα ανθεκτικό μακρύ παντελόνι και μακριά μανίκια. Να μην φοράτε φαρδιά ρούχα που μπορεί να πιαστούν σε κλωνάρια και κλαδιά. Να μην φοράτε κοσμήματα, κοντά παντελόνια, σανδάλια και να μην είστε ξυπόλυτοι. Να δένετε τα μαλλιά σας με ασφάλεια πάνω από το ύψος των ώμων.
- Να φροντίζετε να υπάρχει εξοπλισμός πρώτων βοηθειών σε κοντινή απόσταση.

(Εικ. 24)

Συσκευές ασφαλείας στο προϊόν



ΠΡΟΕΙΔΟΠΟΙΗΣΗ: Προτού χρησιμοποιήσετε το προϊόν, διαβάστε τις παρακάτω προειδοποιητικές οδηγίες.

Σε αυτή την ενότητα περιγράφονται τα χαρακτηριστικά ασφαλείας του προϊόντος, ο σκοπός του καθώς και ο τρόπος διεξαγωγής των ελέγχων και της συντήρησης για τη διασφάλιση της σωστής λειτουργίας του. Διαβάστε τις οδηγίες κάτω από την επικεφαλίδα *Επισκόπηση προϊόντος στη σελίδα 37* για να βρείτε πού βρίσκονται αυτά τα εξαρτήματα στο προϊόν σας.

Η διάρκεια ζωής του προϊόντος μπορεί να μειωθεί και ο κίνδυνος ατυχημάτων να αυξηθεί, εάν η συντήρηση του προϊόντος δεν πραγματοποιείται σωστά και εάν το σέρβις ή/και οι επισκευές δεν εκτελούνται επαγγελματικά. Εάν χρειαστείτε περισσότερες πληροφορίες, επικοινωνήστε με τον πλησιέστερο αντιπρόσωπο σέρβις.



ΠΡΟΕΙΔΟΠΟΙΗΣΗ: Μην χρησιμοποιείτε ποτέ ένα προϊόν με φθαρμένα εξαρτήματα ασφαλείας. Ο εξοπλισμός ασφαλείας του προϊόντος πρέπει να επιθεωρείται και να συντηρείται όπως περιγράφεται σε αυτήν την ενότητα. Εάν το προϊόν αποτύχει σε οποιονδήποτε από αυτούς τους ελέγχους, επικοινωνήστε με τον αντιπρόσωπο σέρβις για την επισκευή του.



ΠΡΟΣΟΧΗ: Όλες οι εργασίες σέρβις και επισκευής στο μηχανήμα απαιτούν ειδική εκπαίδευση. Αυτό ισχύει ιδιαίτερα για τον εξοπλισμό ασφαλείας του μηχανήματος. Εάν το μηχανήμα σας

αποτύχει σε κάποιον από αυτούς τους ελέγχους που περιγράφονται παρακάτω, επικοινωνήστε με τον αντιπρόσωπο σέρβις. Όταν αγοράζετε οποιοδήποτε από τα προϊόντα μας, εγγυώμαστε τη διαθεσιμότητα επαγγελματικών επισκευών και σέρβις. Εάν το κατάστημα λιανικής πώλησης από όπου προμηθευτήκατε το μηχάνημα δεν είναι αντιπρόσωπος σέρβις, ζητήστε από το κατάστημα τη διεύθυνση του πλησιέστερου αντιπροσώπου σέρβις.

Έλεγχος της ασφάλειας της σκανδάλης γκαζιού

Η ασφάλεια της σκανδάλης γκαζιού αποτρέπει τυχόν ακούσια λειτουργία. Εάν απελευθερώσετε τη λαβή, η σκανδάλη γκαζιού και η ασφάλεια της σκανδάλης γκαζιού επιστρέφουν στην αρχική τους θέση.

1. Πιέστε το κουμπί ασφάλισης για την ασφάλεια της σκανδάλης γκαζιού προς τα εμπρός. (Εικ. 25)
2. Βεβαιωθείτε ότι η σκανδάλη γκαζιού είναι ασφαλισμένη, όταν η ασφάλεια της σκανδάλης γκαζιού βρίσκεται στην αρχική της θέση. (Εικ. 26)
3. Πατήστε την ασφάλεια της σκανδάλης γκαζιού στη μία πλευρά και μετά στην άλλη. Βεβαιωθείτε ότι η ασφάλεια της σκανδάλης γκαζιού επιστρέφει στην αρχική της θέση. (Εικ. 27)
4. Βεβαιωθείτε ότι η σκανδάλη γκαζιού και η ασφάλεια της σκανδάλης γκαζιού κινούνται ελεύθερα και ότι το ελατήριο επαναφοράς λειτουργεί σωστά. (Εικ. 28)
5. Εκκινήστε το προϊόν, βλ. *Εκκίνηση του προϊόντος στη σελίδα 47*.
6. Αφήστε τη σκανδάλη γκαζιού και βεβαιωθείτε ότι το προϊόν έχει σταματήσει εντελώς.

Οδηγίες ασφαλείας για τη συναρμολόγηση



ΠΡΟΕΙΔΟΠΟΙΗΣΗ: Διαβάστε το παρόν εγχειρίδιο της μονάδας παροχής ισχύος μαζί με το εγχειρίδιο του συγκεκριμένου εξαρτήματος.

- Αφαιρέστε την μπαταρία από το προϊόν προτού το συναρμολογήσετε.
- Χρησιμοποιείτε τα εγκεκριμένα προστατευτικά γάντια.
- Ένας κατεστραμμένος ή εσφαλμένος προφυλακτήρας μπορεί να προκαλέσει τραυματισμό. Μην χρησιμοποιείτε ένα εξάρτημα κοπής που δεν διαθέτει προσαρτημένο εγκεκριμένο προφυλακτήρα.
- Φροντίστε να συναρμολογήσετε σωστά το εξάρτημα προτού εκκινήσετε το προϊόν.
- Εάν το εξάρτημα συνοδεύεται από την εξάρτηση, η εξάρτηση πρέπει να συνδέεται σωστά στο προϊόν. Η εξάρτηση διασφαλίζει την ασφαλή λειτουργία και αποτρέπει τον τραυματισμό του χειριστή ή άλλων ατόμων.

Ασφάλεια μπαταρίας



ΠΡΟΕΙΔΟΠΟΙΗΣΗ: Διαβάστε όλες τις οδηγίες ασφαλείας και τις γενικές οδηγίες. Η μη τήρηση των οδηγιών ασφαλείας και των γενικών οδηγιών μπορεί να προκαλέσει ηλεκτροπληξία, πυρκαγιά ή/και σοβαρό τραυματισμό. **Φυλάξτε όλες τις πληροφορίες ασφαλείας και τις γενικές οδηγίες για μελλοντική αναφορά.**

- Αυτές οι οδηγίες ασφαλείας ισχύουν μόνο για τις επαναφορτιζόμενες μπαταρίες ιόντων λιθίου 18 V για το σύστημα POWER FOR ALL.
- Η επαναφορτιζόμενη μπαταρία πρέπει να χρησιμοποιείται μόνο σε προϊόντα από τους συνεργάτες του συστήματος POWER FOR ALL. Οι επαναφορτιζόμενες μπαταρίες 18 V που φέρουν την ένδειξη POWER FOR ALL είναι πλήρως συμβατές με τα ακόλουθα προϊόντα:
 - Όλα τα προϊόντα του συστήματος μπαταριών POWER FOR ALL 18 V.
 - Όλα τα προϊόντα 18 V από τους συνεργάτες του συστήματος POWER FOR ALL.
- Πρέπει να τηρείτε τις συστάσεις για την μπαταρία που παρέχονται στο εγχειρίδιο χρήσης του προϊόντος. Μόνο με αυτόν τον τρόπο μπορεί η επαναφορτιζόμενη μπαταρία και το προϊόν να λειτουργούν χωρίς κίνδυνο και να προστατεύονται οι επαναφορτιζόμενες μπαταρίες από επικίνδυνη υπερφόρτωση.
- Πρέπει να φορτίζετε τις μπαταρίες μόνο με τους φορτιστές που συνιστώνται από τον κατασκευαστή ή από τους συνεργάτες του συστήματος POWER FOR ALL. Ένας φορτιστής που είναι κατάλληλος για έναν τύπο μπαταρίας μπορεί να δημιουργήσει κίνδυνο πυρκαγιάς εάν χρησιμοποιηθεί σε διαφορετική μπαταρία.
- Η μπαταρία παρέχεται μερικώς φορτισμένη. Για να αξιοποιήσετε την πλήρη χωρητικότητα της μπαταρίας, πρέπει να φορτίσετε την μπαταρία πλήρως με το φορτιστή προτού χρησιμοποιήσετε το ηλεκτρικό εργαλείο για πρώτη φορά.
- Να κρατάτε τις μπαταρίες μακριά από παιδιά.
- Μην ανοίγετε την μπαταρία. Υπάρχει κίνδυνος πρόκλησης βραχυκυκλώματος.
- Σε περίπτωση ζημιάς και ακατάλληλης χρήσης της μπαταρίας, ενδέχεται να εκλυθούν αναθυμιάσεις. Η μπαταρία μπορεί να πυρακτωθεί ή να εκραγεί. Βεβαιωθείτε ότι η περιοχή αερίζεται καλά και αναζητήστε ιατρική βοήθεια σε περίπτωση που αντιμετωπίσετε ανεπιθύμητες ενέργειες. Οι αναθυμιάσεις μπορεί να ερεθίσουν το αναπνευστικό σύστημα.
- Σε περίπτωση ακατάλληλης χρήσης ή ζημιάς της μπαταρίας, μπορεί να εκπιναχθεί εύφλεκτο υγρό από την μπαταρία. Η επαφή με αυτό το υγρό θα πρέπει να αποφεύγεται. Σε περίπτωση ακούσιας επαφής, ξεπλύνετε με νερό. Εάν το υγρό έρθει σε επαφή με

τα μάτια σας, ζητήστε επιπλέον ιατρική βοήθεια. Το υγρό που εκτοξεύεται από την μπαταρία μπορεί να προκαλέσει ερεθισμό ή εγκαύματα.

- Εάν η μπαταρία έχει υποστεί ζημιά, μπορεί να εκπινασθεί υγρό και να καλύψει τις κοντινές επιφάνειες. Ελέγξτε τα εξαρτήματα που επηρεάζονται. Καθαρίστε αυτά τα εξαρτήματα ή, εάν χρειάζεται, αντικαταστήστε τα.
- Μην βραχυκυκλώνετε την μπαταρία. Όταν δεν χρησιμοποιείτε την μπαταρία, πρέπει να την φυλάσσετε μακριά από άλλα μεταλλικά αντικείμενα, όπως συνδετήρες, νομίσματα, κλειδιά, καρφιά, βίδες ή άλλα μικρά μεταλλικά αντικείμενα, που μπορεί να προκαλέσουν ένωση των πόλων. Η βραχυκύκλωση των ακροδεκτών της μπαταρίας μεταξύ τους μπορεί να προκαλέσει εγκαύματα ή πυρκαγιά.
- Η μπαταρία μπορεί να υποστεί ζημιά από αιχμηρά αντικείμενα, όπως καρφιά ή καταβίδια ή με άσκηση δύναμης εξωτερικά. Ενδέχεται να προκύψει εσωτερικό βραχυκύκλωμα προκαλώντας καύση, καπνό, έκρηξη ή υπερθέρμανση της μπαταρίας.
- Μην εκτελείτε εργασίες σέρβις σε κατεστραμμένες μπαταρίες. Οι εργασίες σέρβις σε μπαταρίες θα πρέπει να εκτελούνται μόνο από τον κατασκευαστή ή από εξουσιοδοτημένα καταστήματα σέρβις.
- Προστατέψτε την μπαταρία από τη θερμότητα, π.χ. από το συνεχές έντονο ηλιακό φως, τη φωτιά, τη βρωμιά, το νερό και την υγρασία. Υπάρχει κίνδυνος έκρηξης και βραχυκυκλώματος.
- Η μπαταρία πρέπει να χρησιμοποιείται στο προϊόν μόνο όταν η θερμοκρασία περιβάλλοντος είναι μεταξύ -5°C – 40°C .
- Η μπαταρία πρέπει να αποθηκεύεται μόνο σε θερμοκρασίες περιβάλλοντος μεταξύ -20°C – 50°C . Για παράδειγμα, μην αφήνετε την μπαταρία μέσα στο αυτοκίνητό σας το καλοκαίρι. Σε θερμοκρασίες $< 0^{\circ}\text{C}$, ορισμένες συσκευές μπορεί να αντιμετωπίσουν απώλεια ισχύος.
- Η μπαταρία πρέπει να φορτίζεται μόνο σε θερμοκρασίες περιβάλλοντος 0°C – $+35^{\circ}\text{C}$. Η φόρτιση εκτός αυτού του εύρους θερμοκρασίας μπορεί να αυξήσει τον κίνδυνο πρόκλησης ζημιάς στην μπαταρία και να προκαλέσει κίνδυνο πυρκαγιάς.

Ασφάλεια φορτιστή μπαταρίας



ΠΡΟΕΙΔΟΠΟΙΗΣΗ: Διαβάστε όλες τις οδηγίες ασφαλείας και τις γενικές οδηγίες.

Η μη τήρηση των οδηγιών ασφαλείας και των γενικών οδηγιών μπορεί να προκαλέσει ηλεκτροπληξία, πυρκαγιά ή/και σοβαρό τραυματισμό. Αποθηκεύστε αυτές τις οδηγίες σε ασφαλές μέρος. Χρησιμοποιείτε τον φορτιστή μόνο εάν μπορείτε να αξιολογήσετε πλήρως όλες τις λειτουργίες και να τις εκτελέσετε χωρίς περιορισμούς ή εάν έχετε λάβει τις αντίστοιχες οδηγίες.

- Αυτός ο φορτιστής δεν προορίζεται για χρήση από παιδιά ή άτομα με φυσικούς, αισθητηριακούς ή διανοητικούς περιορισμούς ή έλλειψη εμπειρίας ή τεχνογνωσίας. Αυτός ο φορτιστής μπορεί να χρησιμοποιηθεί από παιδιά 8 ετών και άνω, καθώς και από άτομα με φυσικούς, αισθητηριακούς ή διανοητικούς περιορισμούς ή έλλειψη εμπειρίας ή τεχνογνωσίας εάν ένα άτομο υπεύθυνο για την ασφάλειά τους τα επιβλέπει ή έχει δώσει σχετικές οδηγίες για την ασφαλή λειτουργία του φορτιστή και κατανοεί τους σχετικούς κινδύνους. Διαφορετικά, υπάρχει κίνδυνος σφαλμάτων και τραυματισμών κατά τον χειρισμό.
- Να επιβλέπετε τα παιδιά κατά τη διάρκεια της χρήσης, του καθαρισμού και της συντήρησης του προϊόντος. Έτσι θα βεβαιωθείτε ότι τα παιδιά δεν θα παίζουν με τον φορτιστή.
- Φορτίζετε μόνο μπαταρίες συστήματος POWER FOR ALL 18V με χωρητικότητα 1,5 Ah και άνω. Η τάση μπαταρίας πρέπει να συμφωνεί με την τάση φόρτισης της μπαταρίας του φορτιστή. Μην φορτίζετε τις μη επαναφορτιζόμενες μπαταρίες. Διαφορετικά, υπάρχει κίνδυνος πυρκαγιάς και έκρηξης.
- Χρησιμοποιείτε τον φορτιστή μόνο σε κλειστός χώρο και μην τον εκθέτετε σε υγρές συνθήκες. Σε περίπτωση εισχώρησης νερού σε ηλεκτρικό εργαλείο, αυξάνεται ο κίνδυνος ηλεκτροπληξίας.
- Να διατηρείτε τον φορτιστή καθαρό. Η βρωμιά μπορεί να προκαλέσει ηλεκτροπληξία.
- Να ελέγχετε πάντα τον φορτιστή, το καλώδιο και το βύσμα πριν από τη χρήση. Σταματήστε τη χρήση του φορτιστή εάν διαπιστώσετε οποιαδήποτε ζημιά. Μην ανοίγετε μόνοι σας τον φορτιστή και αναθέστε την επισκευή του μόνο στην Husqvarna ή σε εξουσιοδοτημένο κέντρο σέρβις χρησιμοποιώντας μόνο γνήσια ανταλλακτικά. Αν οι φορτιστές, τα καλώδια και τα βύσματα υποστούν ζημιά, αυξάνεται ο κίνδυνος ηλεκτροπληξίας.
- Μην χρησιμοποιείτε τον φορτιστή σε επιφάνειες που αναφλέγονται εύκολα (π.χ. χαρτί, υφάσματα κ.λπ.) ή σε εύφλεκτο περιβάλλον. Υπάρχει κίνδυνος πυρκαγιάς λόγω της θέρμανσης του φορτιστή κατά τη λειτουργία.
- Μην καλύπτετε τις οπές εξαερισμού του φορτιστή. Διαφορετικά, ο φορτιστής μπορεί να υπερθερμανθεί και να μην λειτουργεί πλέον σωστά.
- Να επαναφορτίζετε μόνο με το φορτιστή που ορίζεται από τον κατασκευαστή. Ένας φορτιστής κατάλληλος για έναν τύπο συστοιχίας μπαταριών μπορεί να δημιουργήσει κίνδυνο φωτιάς κατά τη χρήση με άλλη συστοιχία μπαταριών.
- Σε περίπτωση ζημιάς και ακατάλληλης χρήσης της μπαταρίας, ενδέχεται επίσης να εκλυθούν αναθυμιάσεις. Βεβαιωθείτε ότι η περιοχή αερίζεται καλά και αναζητήστε ιατρική βοήθεια σε περίπτωση που αντιμετωπίσετε ανεπιθύμητες ενέργειες. Οι αναθυμιάσεις μπορεί να ερεθίσουν το αναπνευστικό σύστημα.
- Σε συνθήκες κακής χρήσης, μπορεί να εκπινασθεί υγρό από τη μπαταρία. Η επαφή με αυτό το υγρό

θα πρέπει να αποφεύγεται. Σε περίπτωση ακούσιας επαφής, ξεπλύνετε με νερό. Εάν το υγρό έρθει σε επαφή με τα μάτια σας, ζητήστε επιπλέον ιατρική βοήθεια. Το υγρό που εκτοξεύεται από την μπαταρία μπορεί να προκαλέσει ερεθισμό ή εγκαύματα.

- **Προϊόντα που πωλούνται μόνο στο ΗΒ:** Το προϊόν σας διαθέτει εγκεκριμένο ηλεκτρικό βύσμα BS 1363/A με εσωτερική ασφάλεια (ASTA εγκεκριμένο κατά BS 1362). Αν το βύσμα δεν είναι κατάλληλο για τις πρίζες σας, θα πρέπει να κοπεί και να τοποθετηθεί στη θέση του ένα κατάλληλο βύσμα από έναν εξουσιοδοτημένο αντιπρόσωπο σέρβις. Το ανταλλακτικό βύσμα πρέπει να έχει ασφάλεια με την ίδια ονομαστική τιμή που έχει το εργοστασιακό βύσμα. Το κομμένο βύσμα πρέπει να απορρίπτεται για να αποφευχθεί ενδεχόμενος κίνδυνος ηλεκτροπληξίας και δεν πρέπει ποτέ να τοποθετείται σε πρίζα τοίχου σε άλλο σημείο.

Οδηγίες ασφαλείας για τη συντήρηση



ΠΡΟΕΙΔΟΠΟΙΗΣΗ: Προτού εκτελέσετε εργασίες συντήρησης στο προϊόν, διαβάστε τις παρακάτω προειδοποιητικές οδηγίες.

- Πρέπει να αφαιρείτε την μπαταρία προτού εκτελέσετε εργασίες συντήρησης, άλλους ελέγχους ή συναρμολόγηση του προϊόντος.

Συναρμολόγηση

Εισαγωγή



ΠΡΟΕΙΔΟΠΟΙΗΣΗ: Προτού συναρμολογήσετε το προϊόν, διαβάστε και κατανοήστε το κεφάλαιο για την ασφάλεια.

Τοποθέτηση του εξαρτήματος

1. Συνδέστε το εξάρτημα (Α) στη μονάδα ισχύος (Β). Το εξάρτημα πρέπει να μετακινείται εύκολα μέσα στη θήκη του στη μονάδα ισχύος. Διαφορετικά, δεν έχει τοποθετηθεί σωστά. (Εικ. 29)
2. Σφίξτε τη χειρόβιδα ασφάλισης (C).

Περιεχόμενα Όταν το εξάρτημα τοποθετηθεί στη μονάδα ισχύος, η διεπαφή χρήστη του εξαρτήματος αποσυνδέεται.

Ρύθμιση του μήκους του τηλεσκοπικού άξονα

1. Ανυψώστε τον μοχλό (Α) στον άξονα. (Εικ. 30)
2. Ρυθμίστε τον τηλεσκοπικό άξονα σε κατάλληλο μήκος.
3. Πιέστε τον μοχλό προς τα κάτω για να ασφαλίσετε τον τηλεσκοπικό άξονα.

- Ο χειριστής πρέπει να εκτελεί μόνο τις εργασίες συντήρησης και σέρβις που υποδεικνύονται στο παρόν εγχειρίδιο χρήσης. Για πιο εκτεταμένες εργασίες συντήρησης και σέρβις, απευθυνθείτε στον τοπικό αντιπρόσωπο σέρβις.
- Μην καθαρίζετε την μπαταρία ή το φορτιστή μπαταρίας με νερό. Τα δραστικά απορρυπαντικά μπορεί να προκαλέσουν ζημιά στο πλαστικό.
- Εάν δεν κάνετε συντήρηση στο προϊόν, μειώνεται ο κύκλος ζωής του και αυξάνεται ο κίνδυνος ατυχημάτων.
- Απαιτείται ειδική εκπαίδευση για όλες τις εργασίες συντήρησης και επισκευής, ειδικά για τις διατάξεις ασφαλείας στο προϊόν. Αν δεν ολοκληρωθούν με επιτυχία όλοι οι έλεγχοι που περιγράφονται στο παρόν εγχειρίδιο χρήσης αφού κάνετε τη συντήρηση, απευθυνθείτε στον τοπικό αντιπρόσωπο σέρβις. Εγγυώμαστε ότι υπάρχει δυνατότητα επαγγελματικής επισκευής και σέρβις για το προϊόν σας.
- Χρησιμοποιείτε πάντα γνήσια ανταλλακτικά.
- Να χρησιμοποιείτε πάντα ανθεκτικά γάντια κατά την επισκευή του παρελκόμενου κοπής. Οι λεπίδες είναι πολύ κοφτερές και μπορεί εύκολα να προκαλέσουν τραυματισμούς.

Τοποθέτηση του άγκιστρου φύλαξης στον τοίχο

- Τοποθετήστε το άγκιστρο φύλαξης σε εσωτερικό χώρο.
- Κρατήστε το άγκιστρο φύλαξης μακριά από το ηλιακό φως και σε θερμοκρασία περιβάλλοντος από -10 °C έως 70 °C.
- Τοποθετήστε το άγκιστρο φύλαξης σε γυψοσανίδα, ξύλο ή τσιμεντένιο τοίχο.



ΠΡΟΣΟΧΗ: Βεβαιωθείτε ότι ο τοίχος μπορεί να αντέξει φορτία τουλάχιστον 30 kg.

- Τοποθετήστε το άγκιστρο φύλαξης στον τοίχο με τις 3 βίδες (Α). Αν χρειάζεται, χρησιμοποιήστε βύσματα τοίχου (Β). (Εικ. 31)



ΠΡΟΣΟΧΗ: Βεβαιωθείτε ότι οι βίδες είναι κατάλληλες για τον τύπο του τοίχου σας.

- Επικοινωνήστε με τον αντιπρόσωπο σέρβις της Husqvarna για πληροφορίες σχετικά με τα διαθέσιμα αξεσουάρ αποθήκευσης για το προϊόν σας.

Ανάρτηση του προϊόντος στο άγκιστρο φύλαξης

- Κρεμάστε τη μονάδα ισχύος στο άγκιστρο φύλαξης όπως φαίνεται στην εικόνα. (Εικ. 32)

Λειτουργία

Έλεγχος λειτουργίας πριν από τη χρήση του προϊόντος

1. Αφαιρέστε τυχόν ακαθαρσίες και ανεπιθύμητα υλικά από το προϊόν με μια βούρτσα.
2. Σφίξτε όλα τα παξιμάδια και τις βίδες.
3. Βεβαιωθείτε ότι το εξάρτημα έχει στερεωθεί σωστά.
4. Βεβαιωθείτε ότι το κουμπί ασφάλισης για την ασφάλεια της σκανδάλης γκαζιού είναι πατημένο.
5. Βεβαιωθείτε ότι οι μηχανισμοί ασφάλισης του εκτεταμένου άξονα και του περιστρεφόμενου στοιχείου βρίσκονται στη θέση ασφάλισης.
6. Ελέγξτε το εξάρτημα για ζημιές, π.χ. ρωγμές. Αντικαταστήστε το εξάρτημα, αν έχει υποστεί ζημιά.
7. Βεβαιωθείτε ότι τα καλύμματα έχουν συνδεθεί σωστά και δεν έχουν υποστεί ζημιά.
8. Βεβαιωθείτε ότι το προϊόν λειτουργεί σωστά.

Σύνδεση της μπαταρίας στο προϊόν



ΠΡΟΕΙΔΟΠΟΙΗΣΗ: Να χρησιμοποιείτε μόνο μπαταρίες ιόντων λιθίου του συστήματος POWER FOR ALL P4A 18 V στο προϊόν.

1. Βεβαιωθείτε ότι η μπαταρία είναι πλήρως φορτισμένη.
2. Τοποθετήστε την μπαταρία μέσα στη θήκη της στο προϊόν. Η μπαταρία πρέπει να μετακινείται εύκολα μέσα στη θήκη της. Διαφορετικά, δεν έχει τοποθετηθεί σωστά. (Εικ. 33)
3. Πιέστε την μπαταρία πλήρως μέσα στη θήκη της. Όταν η μπαταρία ασφαλίσει στη θέση της, ακούγεται ένα χαρακτηριστικό "κλικ".
4. Βεβαιωθείτε ότι το μάνδαλο έχει ασφαλίσει σωστά στη θέση του.

Εκκίνηση του προϊόντος

1. Πιέστε το κουμπί ασφάλισης για την ασφάλεια της σκανδάλης γκαζιού προς τα εμπρός. (Εικ. 25)
2. Πατήστε την ασφάλεια της σκανδάλης γκαζιού (A) από την αριστερή ή τη δεξιά πλευρά και κρατήστε τη σκανδάλη γκαζιού (B). (Εικ. 34)

Διακοπή λειτουργίας του προϊόντος

1. Αφήστε τη σκανδάλη γκαζιού.
2. Πιέστε το κουμπί ασφάλισης για την ασφάλεια της σκανδάλης γκαζιού προς τα πίσω, για να ασφαλίσετε το προϊόν.
3. Πατήστε το κουμπί απασφάλισης μπαταρίας και τραβήξτε την μπαταρία προς τα έξω. (Εικ. 35)
4. Εάν χρειάζεται, αφαιρέστε το εξάρτημα από το προϊόν.

Ρύθμιση της γωνίας του προϊόντος

Το προϊόν μπορεί να ρυθμιστεί σε 7 διαφορετικές θέσεις.



ΠΡΟΕΙΔΟΠΟΙΗΣΗ: Μην ρυθμίζετε τη γωνία όταν χειρίζεστε το προϊόν.

1. Απενεργοποιήστε το προϊόν και αφαιρέστε την μπαταρία.
2. Κρατήστε καλά τη θήκη (A). (Εικ. 36)
3. Πατήστε παρατεταμένα τον περιστρεφόμενο σύνδεσμο (B).
4. Ρυθμίστε τη θήκη στη σωστή θέση.
5. Αφήστε τον περιστρεφόμενο σύνδεσμο για να ασφαλίσετε τη θήκη.
6. Μετακινήστε τη θήκη προς τα επάνω και προς τα κάτω μέχρι να ασφαλίσει στη θέση της.

Συντήρηση

Εισαγωγή



ΠΡΟΕΙΔΟΠΟΙΗΣΗ: Προτού εκτελέσετε εργασίες συντήρησης στο προϊόν,

διαβάστε και κατανοήστε το κεφάλαιο για την ασφάλεια.



ΠΡΟΕΙΔΟΠΟΙΗΣΗ: Προτού εκτελέσετε εργασίες συντήρησης στο προϊόν, αφαιρέστε την μπαταρία.

Πρόγραμμα συντήρησης

Ακολουθεί μια λίστα με τα βήματα συντήρησης που πρέπει να εκτελείτε στο προϊόν.

Συντήρηση	Πριν από τη λειτουργία	Κάθε εβδομάδα	Κάθε μήνα
Καθαρίστε τα εξωτερικά μέρη του προϊόντος με στεγνό πανί. Μην χρησιμοποιείτε νερό.	X		
Βεβαιωθείτε ότι το κουμπί ασφάλισης για την ασφάλεια της σκανδάλης γκαζιού λειτουργεί σωστά και δεν έχει υποστεί ζημιά.	X		
Βεβαιωθείτε ότι η σκανδάλη γκαζιού και η ασφάλεια της σκανδάλης γκαζιού λειτουργούν σωστά από πλευράς ασφάλειας.	X		
Βεβαιωθείτε ότι όλα τα χειριστήρια λειτουργούν σωστά και ότι δεν έχουν υποστεί ζημιά.	X		
Φροντίστε να διατηρείτε τις λαβές στεγνές και καθαρές.	X		
Βεβαιωθείτε ότι οι βίδες και τα παξιμάδια είναι σφιγμένα.	X		
Βεβαιωθείτε ότι τα κουμπιά απασφάλισης στην μπαταρία λειτουργούν σωστά και ασφαλίζουν την μπαταρία στο προϊόν.	X		
Βεβαιωθείτε ότι η μπαταρία δεν έχει υποστεί ζημιά.	X		
Βεβαιωθείτε ότι η μπαταρία είναι φορτισμένη.	X		
Βεβαιωθείτε ότι ο φορτιστής μπαταρίας δεν έχει υποστεί ζημιά και ότι λειτουργεί σωστά.	X		
Εξετάστε όλα τα καλώδια, τους συνδέσμους και τις συνδέσεις. Βεβαιωθείτε ότι είναι καθαρά και όχι φθαρμένα.		X	
Ελέγξτε τις συνδέσεις μεταξύ της μπαταρίας και του προϊόντος.			X
Ελέγξτε τη σύνδεση μεταξύ της μπαταρίας και του φορτιστή μπαταρίας.			X

Για να καθαρίσετε το προϊόν, την μπαταρία και το φορτιστή της μπαταρίας

1. Πρέπει να καθαρίζετε το προϊόν με στεγνό πανί μετά από κάθε χρήση.
2. Καθαρίστε την μπαταρία και τον φορτιστή της μπαταρίας με ένα στεγνό πανί. Διατηρήστε τις ράβδους οδήγησης της μπαταρίας καθαρές.

3. Βεβαιωθείτε ότι οι πόλοι της μπαταρίας και οι ακροδέκτες του φορτιστή της μπαταρίας είναι καθαροί προτού τοποθετήσετε την μπαταρία μέσα στο φορτιστή ή στο προϊόν.

Μεταφορά, αποθήκευση και απόρριψη

Μεταφορά και αποθήκευση

- Οι παρεχόμενες μπαταρίες ιόντων λιθίου πληρούν όλες τις απαιτήσεις της νομοθεσίας περί επικίνδυνων εμπορευμάτων.

- Πρέπει να τηρείτε τις ειδικές απαιτήσεις που αναγράφονται στη συσκευασία και στις ετικέτες σχετικά με την εμπορική μεταφορά. Οι απαιτήσεις αυτές πρέπει επίσης να τηρούνται από οποιοσδήποτε τρίτους και από τους διαμετακομιστές.

- Απευθυνθείτε σε ένα άτομο ειδικά εκπαιδευμένο στα επικίνδυνα υλικά προτού στείλετε το προϊόν. Να τηρείτε όλους τους ισχύοντες εθνικούς κανονισμούς.
- Αν συσκευάσετε την μπαταρία, χρησιμοποιήστε ταινία πάνω στις ακάλυπτες επαφές. Σφηνώστε την μπαταρία μέσα στο πακέτο, ώστε να μην μπορεί να μετακινηθεί.
- Κατά τη φύλαξη ή τη μεταφορά του προϊόντος πρέπει πάντα να αφαιρείτε την μπαταρία.
- Τοποθετήστε την μπαταρία και τον φορτιστή της μπαταρίας σε χώρο στεγνό και προστατευμένο από την υγρασία και τον παγετό.
- Μην αποθηκεύετε την μπαταρία σε χώρους όπου ενδέχεται να προκληθεί στατικός ηλεκτρισμός. Μην αποθηκεύετε την μπαταρία σε μεταλλικό κουτί.
- Να φυλάσσετε την μπαταρία σε χώρους με θερμοκρασία μεταξύ $-20\text{ }^{\circ}\text{C}/-4\text{ }^{\circ}\text{F}$ και $+50\text{ }^{\circ}\text{C}/122\text{ }^{\circ}\text{F}$ και μακριά από την άμεση έκθεση σε ηλιακό φως.
- Να φυλάσσετε το φορτιστή της μπαταρίας σε χώρους με θερμοκρασία μεταξύ $5\text{ }^{\circ}\text{C}/41\text{ }^{\circ}\text{F}$ και $45\text{ }^{\circ}\text{C}/113\text{ }^{\circ}\text{F}$ και μακριά από το άμεσο ηλιακό φως.
- Ο φορτιστής της μπαταρίας πρέπει να χρησιμοποιείται μόνο όταν η θερμοκρασία περιβάλλοντος είναι μεταξύ $0\text{ }^{\circ}\text{C}/32\text{ }^{\circ}\text{F}$ και $35\text{ }^{\circ}\text{C}/95\text{ }^{\circ}\text{F}$.
- Να φυλάσσετε το προϊόν σε χώρους με θερμοκρασία μεταξύ $-40\text{ }^{\circ}\text{C}/-40\text{ }^{\circ}\text{F}$ και $+60\text{ }^{\circ}\text{C}/140\text{ }^{\circ}\text{F}$.
- Φορτίστε την μπαταρία κατά 30% έως 50% προτού την φυλάξετε για μεγάλο χρονικό διάστημα.
- Να φυλάσσετε το φορτιστή της μπαταρίας σε χώρο κλειστό και χωρίς υγρασία.
- Μην φυλάσσετε την μπαταρία μαζί με τον φορτιστή. Μην επιτρέψετε να αγγίζουν τον εξοπλισμό παιδιά

και άλλα μη εξουσιοδοτημένα άτομα. Να διατηρείτε τον εξοπλισμό σε χώρο που μπορείτε να κλειδώσετε.

- Προτού φυλάξετε το προϊόν για μεγάλο χρονικό διάστημα, πρέπει να το καθαρίζετε και να εκτελείτε πλήρες σέρβις.
- Για να αποφύγετε τραυματισμούς ή ζημιές στο προϊόν κατά τη μεταφορά και τη φύλαξη, χρησιμοποιήστε το προστατευτικό μεταφοράς.
- Κατά τη μεταφορά, πρέπει να στερεώνετε καλά το προϊόν.
- Αποθηκεύστε το προϊόν σε οριζόντια θέση ή κρεμάστε το από το παρεχόμενο άγκιστρο. Ανατρέξτε στην ενότητα *Ανάριση του προϊόντος στο άγκιστρο φύλαξης στη σελίδα 47.*

Απόρριψη της μπαταρίας, του φορτιστή μπαταρίας και του προϊόντος

Το παρακάτω σύμβολο σημαίνει ότι το προϊόν δεν είναι οικιακό απόρριμμα. Ανακυκλώστε το σε κέντρο ανακύκλωσης ηλεκτρικού και ηλεκτρονικού εξοπλισμού. Με αυτόν τον τρόπο συμβάλλετε στην προστασία του περιβάλλοντος και των ανθρώπων.

Για περισσότερες πληροφορίες, απευθυνθείτε στις τοπικές αρχές, στην υπηρεσία αποκομιδής οικιακών απορριμμάτων ή στον αντιπρόσωπο.

(Εικ. 18)

Περιεχόμενα Αυτό το σύμβολο υπάρχει πάνω στο προϊόν ή στη συσκευασία του προϊόντος.

Τεχνικά στοιχεία

Aspire Pole-P4A	
Βάρος	
Βάρος (μόνο μονάδα παροχής ισχύος), kg	1,5

Εγκεκριμένες μπαταρίες

Αυτό το προϊόν μπορεί να λειτουργήσει με όλες τις μπαταρίες **POWER FOR ALL**.

Μπαταρία	P4A 18-B36	P4A 18-B45	P4A 18-B72
Τύπος	Ιόντων λιθίου	Ιόντων λιθίου	Ιόντων λιθίου
Χωρητικότητα μπαταρίας, Ah	2,0	2,5	4,0
Ονομαστική τάση, V	18	18	18
Βάρος, κιλά	0,35	0,35	0,65

Μπαταρία	P4A 18-B36	P4A 18-B45	P4A 18-B72
Αριθμός στοιχείων (Li-ion)	5	5	10

Εγκεκριμένοι φορτιστές μπαταρίας

Φορτιστής μπαταρίας	P4A 18-C50	P4A 18-C70
Τάση εισόδου, V	Ανατρέξτε στις πληροφορίες σχετικά με τις ονομαστικές τιμές του φορτιστή.	Ανατρέξτε στις πληροφορίες σχετικά με τις ονομαστικές τιμές του φορτιστή.
Συχνότητα, Hz	50-60	50-60
Ισχύς, W	50	70

Αξεσουάρ

Εξαρτήματα

Εγκεκριμένα εξαρτήματα	Τύπος	Χρήση με
Εξάρτημα ψαλιδιού μπορντούρας	Aspire S20-P4A	Aspire Pole-P4A
Εξάρτημα κλαδευτηριού	Aspire P5-P4A	Aspire Pole-P4A

Δήλωση Συμμόρφωσης

Δήλωση συμμόρφωσης ΕΕ

Εμείς, η **Husqvarna AB**, SE-561 82 Huskvarna, Σουηδία,
τηλ.: +46-36-146500, δηλώνουμε με αποκλειστική μας
ευθύνη ότι το προϊόν:

Περιγραφή	Μονάδα ισχύος μπαταρίας
Μάρκα	Husqvarna
Τύπος / Μοντέλο	Aspire Pole-P4A
Αναγνώριση	Αριθμοί σειράς με ημερομηνία από το 2023 και έπειτα

συμμορφώνεται πλήρως με τις ακόλουθες οδηγίες και
τους κανονισμούς της ΕΕ:

Οδηγία/Κανονισμός	Περιγραφή
2006/42/EK	"σχετικά με τα μηχανήματα"
2014/30/EE	"σχετικά με την ηλεκτρομαγνητική συμβατότητα"
2011/65/EE	"σχετικά με τον περιορισμό της χρήσης ορισμένων επικίνδυνων ουσιών σε είδη ηλεκτρικού και ηλεκτρονικού εξοπλισμού"
2000/14/EK	"σχετικά με τις εκπομπές θορύβου στο περιβάλλον"

και ότι εφαρμόζονται τα παρακάτω πρότυπα ή/και
τεχνικές προδιαγραφές: EN 62841-1:2015/A11:2022,
EN 62841-4-2:2019/A1:2022, EN IEC 62841-4-5:2021/
A11:2021, EN ISO 11680-1:2011, EN ISO 12100:2010,
EN IEC 55014-1:2021, EN IEC 55014-2:2021, EN IEC
63000:2018.

Ο φορέας DEKRA Testing and Certification GmbH,
Handwerkstraße 15, 70565 Stuttgart, Germany,
0158 πραγματοποίησε εθελοντικά εξέταση τύπου
ΕΚ, σύμφωνα με την οδηγία περί μηχανημάτων
(2006/42/EK) άρθρο 12, σημείο 3 στοιχείο β. Ο αριθμός
του πιστοποιητικού για την εξέταση τύπου ΕΚ είναι ο
εξής: 4815039.22006.

Εφαρμοζόμενη διαδικασία αξιολόγησης συμμόρφωσης
σύμφωνα με την οδηγία 2000/14/EK, παράρτημα V.

Με εξάρτημα Aspire P5-P4A ως κλαδευτήρι με μακριά
λαβή:

- Μετρούμενη στάθμη ακουστικής ισχύος: 88 dB (A)
- Εγγυημένη στάθμη ηχητικής ισχύος: 91 dB (A)

Με εξάρτημα Aspire S20-P4A ως ψαλίδι μπορντούρας
με μακριά λαβή:

- Μετρούμενη στάθμη ηχητικής ισχύος για δίσκο
θάμνων: 83 dB (A)
- Μετρούμενη στάθμη ηχητικής ισχύος για λεπίδα
χόρτου: 79 dB (A)
- Εγγυημένη στάθμη ηχητικής ισχύος: 84 dB (A)

Huskvarna, 2023-10-30



Claes Losdal, Διευθυντής Έρευνας και Ανάπτυξης
Husqvarna AB

Υπεύθυνος για την τεχνική τεκμηρίωση



Άδειες

Copyright © 2012–2020 STMicroelectronics

Η παρούσα εγγύηση δεν καλύπτει ελαττώματα που είναι αποτέλεσμα φυσιολογικής φθοράς, αμέλειας, ελαττωματικής χρήσης, μη εξουσιοδοτημένης επισκευής ή εάν η συσκευή αναρρόφησης είναι συνδεδεμένη σε λανθασμένη τάση.

Με την επιφύλαξη παντός δικαιώματος.

Η αναδιανομή και η χρήση σε πηγαία και δυαδική μορφή, με ή χωρίς τροποποίηση, επιτρέπονται εάν πληρούνται οι ακόλουθες προϋποθέσεις:

- Στις αναδιανομές του πηγαίου κώδικα πρέπει να διατηρείται η παραπάνω σημείωση περί πνευματικών δικαιωμάτων, η παρούσα λίστα προϋποθέσεων και η ακόλουθη αποποίηση ευθυνών.
- Στις αναδιανομές σε δυαδική μορφή πρέπει να υπάρχει αντίγραφο της παραπάνω σημείωσης περί πνευματικών δικαιωμάτων, της παρούσας λίστας προϋποθέσεων και της ακόλουθης αποποίησης ευθυνών στα έγγραφα τεκμηρίωσης ή/και σε οποιοδήποτε άλλο υλικό παρέχεται μαζί με τη διανομή.
- Δεν επιτρέπεται η χρήση του ονόματος της STMicroelectronics και των άλλων συντελεστών για την προσυπογραφή ή προώθηση προϊόντων που προκύπτουν από τον παρόν λογισμικό χωρίς προηγούμενη γραπτή άδεια.

ΤΟ ΠΑΡΟΝ ΛΟΓΙΣΜΙΚΟ ΠΑΡΕΧΕΤΑΙ ΑΠΟ ΤΟΥΣ ΚΑΤΟΧΟΥΣ ΤΩΝ ΠΝΕΥΜΑΤΙΚΩΝ ΔΙΚΑΙΩΜΑΤΩΝ ΚΑΙ ΤΟΥΣ ΑΛΛΟΥΣ ΣΥΝΤΕΛΕΣΤΕΣ "ΩΣ ΕΧΕΙ" ΚΑΙ ΑΠΟΠΟΙΟΥΜΕΘΑ ΟΠΟΙΑΔΗΠΟΤΕ ΡΗΤΗ Η ΣΙΩΠΗΡΗ ΕΓΓΥΗΣΗ, ΣΥΜΠΕΡΙΛΑΜΒΑΝΟΜΕΝΩΝ, ΕΝΔΕΙΚΤΙΚΑ, ΤΩΝ ΣΙΩΠΗΡΩΝ ΕΓΓΥΗΣΕΩΝ ΕΜΠΟΡΕΥΣΙΜΟΤΗΤΑΣ ΚΑΙ ΚΑΤΑΛΛΗΛΟΤΗΤΑΣ ΓΙΑ ΣΥΓΚΕΚΡΙΜΕΝΟ ΣΚΟΠΟ. ΣΕ ΚΑΜΙΑ ΠΕΡΙΠΤΩΣΗ Ο ΚΑΤΟΧΟΣ ΤΩΝ ΠΝΕΥΜΑΤΙΚΩΝ ΔΙΚΑΙΩΜΑΤΩΝ Η ΟΙ ΑΛΛΟΙ ΣΥΝΤΕΛΕΣΤΕΣ ΔΕΝ ΘΑ ΕΙΝΑΙ ΥΠΕΥΘΥΝΟΙ ΓΙΑ ΟΠΟΙΑΔΗΠΟΤΕ ΑΜΕΣΗ, ΕΜΜΕΣΗ, ΣΥΜΠΤΩΜΑΤΙΚΗ, ΕΙΔΙΚΗ, ΠΑΡΑΔΕΙΓΜΑΤΙΚΗ Ή ΕΠΑΚΟΛΟΥΘΗ ΖΗΜΙΑ (ΣΥΜΠΕΡΙΛΑΜΒΑΝΟΜΕΝΩΝ, ΜΕΤΑΞΥ ΑΛΛΩΝ, ΤΗΣ ΠΡΟΜΗΘΕΙΑΣ ΥΠΟΚΑΤΑΣΤΑΤΩΝ ΑΓΑΘΩΝ Ή ΥΠΗΡΕΣΙΩΝ, ΤΗΣ ΑΠΩΛΕΙΑΣ ΧΡΗΣΗΣ, ΔΕΔΟΜΕΝΩΝ Ή ΚΕΡΔΩΝ Η ΤΗΣ ΔΙΑΚΟΠΗΣ ΤΩΝ ΕΠΙΧΕΙΡΗΜΑΤΙΚΩΝ ΔΡΑΣΤΗΡΙΟΤΗΤΩΝ), ΑΝΕΞΑΡΤΗΤΑ ΑΠΟ ΤΟΝ ΤΡΟΠΟ ΠΟΥ ΠΡΟΚΛΗΘΗΚΕ ΚΑΙ ΑΠΟ ΟΠΟΙΑΔΗΠΟΤΕ ΘΕΩΡΙΑ ΕΥΘΥΝΗΣ, ΕΙΤΕ ΒΑΣΕΙ ΣΥΜΒΑΣΗΣ ΕΙΤΕ ΒΑΣΕΙ ΑΝΤΙΚΕΙΜΕΝΙΚΗΣ ΕΥΘΥΝΗΣ Ή ΛΟΓΩ ΑΔΙΚΟΠΡΑΞΙΑΣ (ΣΥΜΠΕΡΙΛΑΜΒΑΝΟΜΕΝΗΣ ΤΗΣ ΑΜΕΛΕΙΑΣ Ή ΑΛΛΩΣ) ΠΟΥ ΠΡΟΚΥΠΤΕΙ ΚΑΤΑ ΟΠΟΙΟΝΔΗΠΟΤΕ ΤΡΟΠΟ ΑΠΟ ΤΗ ΧΡΗΣΗ ΤΟΥ ΠΑΡΟΝΤΟΣ ΛΟΓΙΣΜΙΚΟΥ, ΑΚΟΜΑ ΚΙ ΑΝ ΕΧΕΙ ΕΝΗΜΕΡΩΘΕΙ ΓΙΑ ΤΗΝ ΠΙΘΑΝΟΤΗΤΑ ΠΡΟΚΛΗΣΗΣ ΤΕΤΟΙΩΝ ΖΗΜΙΩΝ.

Άδεια χρήσης Apache 2.0

Copyright © 2009–2019 Arm Limited. Με την επιφύλαξη παντός δικαιώματος.

Έκδοση 2.0, Ιανουάριος 2004, <http://www.apache.org/licenses/>

ΟΡΟΙ ΚΑΙ ΠΡΟΫΠΟΘΕΣΕΙΣ ΧΡΗΣΗΣ,
ΑΝΑΠΑΡΑΓΩΓΗΣ ΚΑΙ ΔΙΑΝΟΜΗΣ

1. Ορισμοί.

Ως **"Άδεια χρήσης"** νοούνται οι όροι και οι προϋποθέσεις χρήσης, αναπαραγωγής και διανομής, όπως ορίζονται στις ενότητες 1 έως 9 του παρόντος εγγράφου.

Ως **"Χορηγός της άδειας χρήσης"** νοείται ο κάτοχος των πνευματικών δικαιωμάτων ή ο φορέας που έχει εξουσιοδοτηθεί από τον κάτοχο των πνευματικών δικαιωμάτων για τη χορήγηση της άδειας χρήσης. Ως **"Νομική οντότητα"** νοείται η ένωση της ενεργούσας οντότητας και όλων των άλλων οντοτήτων που ελέγχουν, ελέγχονται ή τελούν υπό κοινό έλεγχο με την εν λόγω οντότητα. Για τους σκοπούς του παρόντος ορισμού, ως **"έλεγχος"** νοείται i) η εξουσία, άμεση ή έμμεση, για τη διεύθυνση ή διαχείριση της εν λόγω οντότητας είτε βάσει σύμβασης είτε με άλλο τρόπο, ή ii) η κυριότητα του πενήντα τοις εκατό (50%) ή περισσότερων εν κυκλοφορία μετοχών, ή iii) η πραγματική κυριότητα της εν λόγω οντότητας. Με τον όρο **"Εσείς"** (ή **"Σας"**) νοείται ένα φυσικό ή νομικό πρόσωπο που ασκεί δικαιώματα τα οποία εκχωρούνται από την παρούσα Άδεια χρήσης.

Ως **"Πηγαία μορφή"** νοείται η προτιμώμενη μορφή για την εκτέλεση τροποποιήσεων και συμπεριλαμβάνει, ενδεικτικά, τον πηγαίο κώδικα του λογισμικού, την πηγή τεκμηρίωσης και τα αρχεία διαμόρφωσης. Ως **"Μορφή αντικειμένου"** νοείται κάθε μορφή που προκύπτει από τον μηχανικό μετασχηματισμό ή μετάφραση μιας πηγαίας μορφής και συμπεριλαμβάνει, ενδεικτικά, τον μεταγλωττισμένο αντικειμενικό κώδικα, την παραγόμενη τεκμηρίωση και τις μετατροπές σε άλλους τύπους μέσων. Ως **"Έργο"** νοείται το έργο ενός δημιουργού, είτε σε πηγαία μορφή είτε σε μορφή αντικειμένου, το οποίο διατίθεται βάσει της Άδειας χρήσης, όπως υποδεικνύεται από μια γνωστοποίηση περί πνευματικών δικαιωμάτων που περιλαμβάνεται ή επισυνάπτεται στο έργο (ένα παράδειγμα παρέχεται στο παρακάτω Παράρτημα). Ως **"Παράγωγα έργα"** νοείται κάθε έργο, είτε σε πηγαία μορφή είτε σε μορφή αντικειμένου, που βασίζεται στο (ή προέρχεται από το) έργο και για το οποίο οι συντακτικές αναθεωρήσεις, τα σόγια, οι επεξηγήσεις ή άλλες τροποποιήσεις αντιπροσωπεύουν, συνολικά, ένα πρωτότυπο έργο δημιουργού. Για τους σκοπούς της παρούσας Άδειας χρήσης, τα Παράγωγα έργα δεν περιλαμβάνουν έργα που παραμένουν διαχωρισμένα από ή απλώς συνδέονται (ή συνδέονται κατά όνομα) με τις διεπαφές του Έργου και των Παράγωγων έργων αυτού. Ως **"Συνεισφορά"** νοείται κάθε έργο δημιουργού, συμπεριλαμβανομένης της αρχικής έκδοσης του έργου και τυχόν τροποποιήσεων ή προσθηκών στο έργο αυτό ή σε παράγωγα έργα του, που υποβάλλεται σκόπιμα στον Χορηγό της άδειας χρήσης

για να συμπεριληφθεί στο Έργο από τον κάτοχο των πνευματικών δικαιωμάτων ή από ένα άτομο ή μια Νομική οντότητα που έχει εξουσιοδοτηθεί για υποβολή εκ μέρους του κατόχου των πνευματικών δικαιωμάτων. Για τους σκοπούς του παρόντος ορισμού ως **"υποβληθείσα"** νοείται κάθε μορφή ηλεκτρονικής, προφορικής ή γραπτής επικοινωνίας που αποστέλλεται στον Χορηγό της άδειας χρήσης ή στους εκπροσώπους του, συμπεριλαμβανομένης, μεταξύ άλλων, της επικοινωνίας σε ηλεκτρονικές λίστες αλληλογραφίας, συστήματα ελέγχου πηγαίου κώδικα και συστήματα παρακολούθησης προβλημάτων τα οποία διαχειρίζεται ο Χορηγός της άδειας χρήσης ή άλλα μέρη για λογαριασμό του, με σκοπό τη συζήτηση και τη βελτίωση του Έργου, εξαιρουμένης της επικοινωνίας που επισημαίνεται εμφανώς ή ορίζεται με άλλο τρόπο εγγράφως από τον κάτοχο των πνευματικών δικαιωμάτων ως **"Μη αποτελούσα συνεισφορά"**. Ως **"Συντελεστής"** νοείται ο Χορηγός της άδειας χρήσης και κάθε φυσικό ή Νομικό πρόσωπο για λογαριασμό του οποίου έχει ληφθεί μια συνεισφορά από τον Χορηγό της άδειας χρήσης, η οποία, στη συνέχεια, έχει ενσωματωθεί στο Έργο.

2. Εκχώρηση άδειας χρήσης πνευματικών δικαιωμάτων.

Σύμφωνα με τους όρους και τις προϋποθέσεις της παρούσας Άδειας χρήσης, κάθε Συντελεστής Σάς εκχωρεί δια του παρόντος μια μόνιμη, παγκόσμια, μη αποκλειστική, δωρεάν και χωρίς υποχρέωση καταβολής δικαιωμάτων εκμετάλλευσης, ανέκκλητη άδεια χρήσης πνευματικών δικαιωμάτων για την αναπαραγωγή, τη δημιουργία παράγωγων έργων, τη δημόσια προβολή, τη δημόσια εκτέλεση, την παροχή επιμέρους αδειών χρήσης και τη διανομή του έργου και των εν λόγω παράγωγων έργων σε πηγαία μορφή ή σε μορφή αντικειμένου.

3. Χορήγηση άδειας χρήσης διπλώματος ευρεσιτεχνίας.

Σύμφωνα με τους όρους και τις προϋποθέσεις της παρούσας Άδειας χρήσης, κάθε Συντελεστής Σάς εκχωρεί δια του παρόντος μια μόνιμη, παγκόσμια, μη αποκλειστική, δωρεάν και χωρίς υποχρέωση καταβολής δικαιωμάτων εκμετάλλευσης, αμετάκλητη (εκτός από όσα αναφέρονται στην παρούσα ενότητα) άδεια χρήσης διπλώματος ευρεσιτεχνίας για την παραγωγή, τη χρήση, την προσφορά πώλησης, την πώληση, την εισαγωγή και με άλλο τρόπο μεταφορά του Έργου, όταν η εν λόγω άδεια ισχύει μόνο για τις αξιώσεις περί διπλώματος ευρεσιτεχνίας που επιτρέπει ο εν λόγω συντελεστής και οι οποίες παραβιάζονται απαραίτητα από τη Συνεισφορά ή τις Συνεισφορές τους μόνο ή με συνδυασμό της Συνεισφοράς ή των Συνεισφορών τους με το Έργο στο οποίο υποβλήθηκε ή εν λόγω Συνεισφορά ή Συνεισφορές. Εάν υποβάλετε αγωγή για δίπλωμα ευρεσιτεχνίας κατά οποιασδήποτε οντότητας (συμπεριλαμβανομένης διασταυρούμενης αξίωσης ή ανταγωγής σε αγωγή) ισχυριζόμενοι ότι το Έργο ή μια Συνεισφορά που έχει ενσωματωθεί στο Έργο συνιστά άμεση ή συμμετοχή σε παραβίαση διπλώματος ευρεσιτεχνίας, οποιεσδήποτε άδειες χρήσης διπλώματος ευρεσιτεχνίας Σάς έχουν εκχωρηθεί στο πλαίσιο της

παρούσας Άδειας χρήσης για το Έργο αυτό θα παύσουν να ισχύουν από την ημερομηνία κατάθεσης της εν λόγω αγωγής.

4. Αναδιανομή.

Επιτρέπεται να αναπαράγετε και να διανέμετε αντίγραφα του Έργου ή των Παράγωγων έργων αυτού σε οποιοδήποτε μέσο, με ή χωρίς τροποποιήσεις, και σε πηγαία μορφή ή μορφή αντικειμένου, εάν πληρούνται οι ακόλουθες προϋποθέσεις:

- Πρέπει να παρέχετε σε οποιοδήποτε άλλο παραλήπτη του Έργου ή των Παράγωγων έργων ένα αντίγραφο της παρούσας Άδειας χρήσης, και
- Πρέπει να φροντίσετε οποιοδήποτε τροποποιημένο αρχείο να φέρει εμφανείς γνωστοποιήσεις που θα δηλώνουν ότι έχετε αλλάξει τα αρχεία και πρέπει να διατηρήσετε, στην πηγαία μορφή οποιοδήποτε Παράγωγων έργων που διανέμετε, όλες τις γνωστοποιήσεις περί πνευματικών δικαιωμάτων, διπλωμάτων ευρεσιτεχνίας, εμπορικών σημάτων και απόδοσης δικαιωμάτων από την Πηγαία μορφή του Έργου, με εξαίρεση τις ειδοποιήσεις που δεν αφορούν οποιοδήποτε τμήμα των Παράγωγων έργων και
- Εάν το έργο περιλαμβάνει ένα αρχείο κειμένου με τίτλο **"ΓΝΩΣΤΟΠΟΙΗΣΗ"** στη διανομή του, οποιαδήποτε Παράγωγα έργα διανέμετε Εσείς πρέπει να περιλαμβάνουν ένα αναγνώσιμο αντίγραφο των γνωστοποιήσεων απόδοσης δικαιωμάτων που περιέχονται στο εν λόγω αρχείο με τίτλο ΓΝΩΣΤΟΠΟΙΗΣΗ, με εξαίρεση τις γνωστοποιήσεις που δεν αφορούν οποιοδήποτε τμήμα των Παράγωγων έργων, σε τουλάχιστον ένα από τα ακόλουθα σημεία: εντός ενός αρχείου κειμένου με τίτλο ΓΝΩΣΤΟΠΟΙΗΣΗ που διανέμεται μαζί με τα Παράγωγα έργα, εντός της Πηγαίας μορφής ή της τεκμηρίωσης, εάν παρέχεται μαζί με τα Παράγωγα έργα, ή εντός μιας απεικόνισης που θα δημιουργείται από τα Παράγωγα έργα, εάν και όπου εμφανίζονται κανονικά οι εν λόγω γνωστοποιήσεις από τρίτα μέρη. Τα περιεχόμενα του αρχείου με τίτλο ΓΝΩΣΤΟΠΟΙΗΣΗ παρέχονται μόνο για ενημερωτικούς σκοπούς και δεν τροποποιούν την Άδεια χρήσης. Μπορείτε να προσθέσετε τις δικές Σας γνωστοποιήσεις απόδοσης δικαιωμάτων σε Παράγωγα έργα που διανέμετε Εσείς, παράλληλα ή ως συμπλήρωμα στο κείμενο ΓΝΩΣΤΟΠΟΙΗΣΗ από το Έργο, υπό την προϋπόθεση ότι αυτές οι πρόσθετες γνωστοποιήσεις απόδοσης δικαιωμάτων δεν μπορούν να ερμηνευτούν ως τροποποίηση της Άδειας χρήσης. Μπορείτε να προσθέσετε τη δική Σας δήλωση περί πνευματικών δικαιωμάτων στις τροποποιήσεις σας και να ορίσετε πρόσθετους ή διαφορετικούς όρους και προϋποθέσεις για τη χρήση, την αναπαραγωγή ή τη διανομή των τροποποιήσεων Σας ή για οποιαδήποτε τέτοια Παράγωγα έργα συνολικά, με την προϋπόθεση ότι η χρήση, αναπαραγωγή και η διανομή του Έργου από Εσάς συμμορφώνεται με τις προϋποθέσεις που αναφέρονται στην παρούσα Άδεια χρήσης.

5. Υποβολή συνεισφορών.

Εκτός εάν δηλώσετε ρητά κάτι διαφορετικό, οποιαδήποτε Συνεισφορά που υποβάλλεται σκόπιμα για συμπερίληψη στο Έργο από εσάς στον Χορηγό της άδειας χρήσης υπόκειται στους όρους και τις προϋποθέσεις της παρούσας Άδειας χρήσης, χωρίς οποιουδήποτε πρόσθετους όρους ή προϋποθέσεις. Με την επιφύλαξη των παραπάνω, τίποτα από όσα περιλαμβάνονται στο παρόν έγγραφο δεν αντικαθιστά ή τροποποιεί τους όρους οποιασδήποτε ξεχωριστής συμφωνίας άδειας χρήσης που μπορεί να έχετε συνάψει με τον Χορηγό της άδειας χρήσης σχετικά με αυτές τις Συνεισφορές.

6. Εμπορικά σήματα.

Η παρούσα Άδεια χρήσης δεν εκχωρεί την άδεια χρήσης των εμπορικών ονομάτων, των εμπορικών σημάτων, των σημάτων υπηρεσιών ή των ονομάτων προϊόντων του Χορηγού της άδειας χρήσης, εκτός εάν απαιτείται για την εύλογη και συνήθη χρήση κατά την περιγραφή της προέλευσης του έργου και την αναπαγωγή του περιεχομένου του αρχείου ΓΝΩΣΤΟΠΟΙΗΣΗ.

7. Δήλωση αποποίησης εγγύησης.

Εκτός εάν απαιτείται από την ισχύουσα νομοθεσία ή έχει συμφωνηθεί γραπτώς, ο Χορηγός της άδειας χρήσης παρέχει το Έργο (και κάθε Συντελεστής παρέχει τις συνεισφορές του) "ΩΣ ΕΧΕΙ", ΧΩΡΙΣ ΚΑΜΙΑ ΕΓΓΥΗΣΗ Ή ΠΡΟΫΠΟΘΕΣΗ ΟΠΟΙΟΥΔΗΠΟΤΕ ΕΙΔΟΥΣ, ρητή ή σιωπηρή, συμπεριλαμβανομένων, ενδεικτικά, οποιωνδήποτε εγγυήσεων ή προϋποθέσεων για τον ΤΙΤΛΟ, τη ΜΗ ΠΑΡΑΒΙΑΣΗ ΔΙΚΑΙΩΜΑΤΩΝ, την ΕΜΠΟΡΕΥΣΙΜΟΤΗΤΑ ή την ΚΑΤΑΛΛΗΛΟΤΗΤΑ ΓΙΑ ΣΥΓΚΕΚΡΙΜΕΝΟ ΣΚΟΠΟ. Είστε αποκλειστικά υπεύθυνοι για τον προσδιορισμό της καταλληλότητας χρήσης ή αναδιανομής του Έργου και αναλαμβάνετε κάθε κίνδυνο που σχετίζεται με την άσκηση των δικαιωμάτων Σας στο πλαίσιο της παρούσας

Άδειας χρήσης. 8. Περιορισμός ευθύνης. Σε καμία περίπτωση και βάσει καμίας νομικής θεωρίας, είτε εξ αδικοπραξίας (συμπεριλαμβανομένης της αμέλειας) είτε βάσει σύμβασης ή άλλως, εκτός εάν απαιτείται από το εφαρμοστέο δίκαιο (όπως εσκεμμένες και αμελείς πράξεις) ή εάν έχει συμφωνηθεί γραπτώς, δεν θα είναι υπεύθυνος οποιοσδήποτε Συντελεστής έναντι Σας για τυχόν ζημιές, συμπεριλαμβανομένων των άμεσων, έμμεσων, ειδικών, συμπτωματικών ή επακόλουθων ζημιών οποιοσδήποτε χαρακτήρα, οι οποίες μπορεί να προκύψουν ως αποτέλεσμα της παρούσας άδειας χρήσης ή λόγω της χρήσης ή της αδυναμίας χρήσης του Έργου (συμπεριλαμβανομένων, ενδεικτικά, ζημιών για απώλεια καλής θέλησης, διακοπή εργασιών, βλάβη ή δυσλειτουργία υπολογιστών ή οποιαδήποτε άλλη εμπορική ζημία ή απώλεια), ακόμα και αν ο εν λόγω Συντελεστής έχει ενημερωθεί για την πιθανότητα τέτοιων ζημιών.

9. Αποδοχή εγγύησης ή πρόσθετης ευθύνης.

Κατά την αναδιανομή του Έργου ή των Παράγωγων έργων αυτού, μπορείτε να επιλέξετε να προσφέρετε και να χρεώνετε μια αμοιβή για την αποδοχή της υποστήριξης, της εγγύησης, της αποζημίωσης ή άλλων υποχρεώσεων ή/και δικαιωμάτων που συνάδουν με την παρούσα Άδεια χρήσης. Ωστόσο, κατά την αποδοχή αυτών των υποχρεώσεων, μπορείτε να ενεργείτε μόνο για δικό Σας λογαριασμό και με αποκλειστικά δική σας ευθύνη, όχι για λογαριασμό οποιουδήποτε άλλου Συντελεστή, και μόνο εάν συμφωνείτε να αποζημιώσετε, να υπερασπιστείτε και να προστατεύσετε κάθε Συντελεστή έναντι οποιασδήποτε ευθύνης που προκύπτει από, ή από αξιώσεις που εγείρονται κατά του εν λόγω Συντελεστή λόγω της αποδοχής από Εσάς οποιασδήποτε τέτοιας εγγύησης ή πρόσθετης ευθύνης. ΤΕΛΟΣ ΤΩΝ ΟΡΩΝ ΚΑΙ ΠΡΟΫΠΟΘΕΣΕΩΝ

Sommario

Introduzione.....	54	Trasporto, stoccaggio e smaltimento.....	65
Sicurezza.....	56	Dati tecnici.....	65
Montaggio.....	62	Accessori.....	66
Utilizzo.....	63	Dichiarazione di conformità.....	67
Manutenzione.....	64	Licenze.....	68

Introduzione

Descrizione del prodotto

Husqvarna Aspire Pole-P4A è un'unità di potenza a batteria con funzione telescopica.

Uso previsto

Questo gruppo di potenza è un'unità base che funziona solo insieme agli accessori omologati, vedere gli

accessori omologati nella sezione *Accessori alla pagina 66*. Assicurarsi di leggere il presente manuale insieme al manuale degli accessori omologati.

Panoramica del prodotto

(Fig. 1)

1. Snodo di rotazione
2. Manopola di blocco per l'accessorio
3. Leva per funzione telescopica
4. Albero
5. Custodia morbida
6. Gancio per cavi
7. Pulsante di blocco per il blocco della leva di comando
8. Impugnatura posteriore
9. Fermo della leva di comando
10. Leva di comando
11. Manuale dell'operatore
12. Pulsante per il rilascio della batteria
13. Caricabatterie
14. Spia di accensione e avvertenza
15. Connettore
16. Gancio di rimessaggio, viti e tasselli per parete

Simboli riportati sul prodotto

(Fig. 2) **AVVERTENZA:** questo prodotto può essere pericoloso e causare lesioni gravi o mortali all'operatore o a terzi. Prestare attenzione e utilizzare il prodotto correttamente.

(Fig. 3) Leggere attentamente il manuale dell'operatore e accertarsi di aver compreso le istruzioni prima di utilizzare il prodotto.

(Fig. 16)

PERICOLO - Mantenere una distanza sufficiente dalle linee elettriche.

(Fig. 17)

La targhetta dati di funzionamento o la stampa al laser mostrano il numero di serie. **yyyy** è l'anno di produzione e **ww** è la settimana di produzione.

Nota: I restanti simboli/decalcomanie applicati sul prodotto riguardano particolari requisiti necessari per ottenere la certificazione in alcuni mercati.

Simboli sulla batteria e/o sul caricabatterie

(Fig. 18)

Riciclare questo prodotto in una stazione di riciclaggio per apparecchiature elettriche ed elettroniche. (Solo per l'Europa)

(Fig. 4) Utilizzare un elmetto protettivo in luoghi in cui gli oggetti potrebbero cadere. Utilizzare cuffie protettive omologate (solo per Aspire P5-P4A + Aspire Pole-P4A) Utilizzare protezioni per gli occhi omologate.

(Fig. 5) Utilizzare guanti protettivi omologati.

(Fig. 6) Utilizzare robusti stivali antiscivolo. (Applicabile solamente al modello Aspire P5-P4A + Aspire Pole-P4A)

(Fig. 7) Corrente diretta.

(Fig. 8) Tensione nominale, V

(Fig. 9) Non esporre alla pioggia.

(Fig. 10) Rischio di lesioni. Tenere le mani lontane dall'utensile di taglio.

(Fig. 11) Il prodotto è conforme alle direttive UE vigenti.

(Fig. 12) Il presente prodotto è conforme alle direttive del Regno Unito vigenti.

(Fig. 13) Il prodotto o l'imballaggio del prodotto non è un rifiuto domestico. Riciclarlo in una stazione di riciclaggio per apparecchiature elettriche ed elettroniche.

(Fig. 19) Utilizzare la batteria solo nei prodotti dei partner del sistema POWER FOR ALL.

(Fig. 20) Proteggere la batteria dal calore, ad esempio da luce solare intensa continua, fuoco, sporcizia, acqua e umidità. C'è il rischio di esplosione e cortocircuito.

(Fig. 14) Utilizzare e conservare il caricabatteria solo in ambienti interni.

(Fig. 15) Doppio isolamento.

Danni al prodotto

Non siamo responsabili dei danni al prodotto se:

- Il prodotto viene riparato in modo errato.
- Il prodotto viene riparato con parti che non provengono o non sono omologate dal produttore.
- Il prodotto contiene un accessorio che non proviene o non è omologato dal produttore.

- Il prodotto non viene riparato presso un centro di assistenza autorizzato o presso un'autorità competente.

Produttore

Husqvarna AB

Drottninggatan 2, SE-561 82 Huskvarna, Sweden, tel: +46-36-146 500

Sicurezza

Definizioni di sicurezza

Le avvertenze, le precauzioni e le note sono utilizzate per evidenziare le parti importanti del manuale.



AVVERTENZA: Utilizzato se è presente un rischio di lesioni o morte dell'operatore o di passanti nel caso in cui le istruzioni del manuale non vengano rispettate.



ATTENZIONE: Utilizzato se è presente un rischio di danni al prodotto, ad altri materiali oppure alla zona adiacente nel caso in cui le istruzioni del manuale non vengano rispettate.

Nota: Utilizzato per fornire ulteriori informazioni necessarie in una determinata situazione.

Avvertenze generali di sicurezza dell'elettrotensile



AVVERTENZA: Assicurarsi di leggere il manuale degli accessori omologati insieme al presente manuale dei gruppi di potenza.



AVVERTENZA: Leggere tutte le avvertenze di sicurezza, le istruzioni, le illustrazioni e le specifiche fornite con questo elettrotensile. La mancata osservanza di tutte le istruzioni elencate di seguito può dare luogo a scosse elettriche, incendi e/o gravi lesioni.

Nota: Conservare tutte le avvertenze e le istruzioni per la futura consultazione. Nelle avvertenze, il termine "elettrotensile" si riferisce al vostro elettrotensile alimentato tramite rete elettrica (con cavo) o a batteria (senza fili).

Sicurezza dell'area di lavoro

- **Tenere l'area di lavoro pulita e ben illuminata.** Il disordine e le aree di lavoro non illuminate possono essere causa di incidenti.
- **Non mettere in funzione elettrotensili in ambienti esplosivi, quali quelli che comportano la presenza di liquidi infiammabili, gas o polvere.** Gli elettrotensili generano scintille che possono incendiare polveri o fumi.
- **Tenere lontani bambini e spettatori mentre si fa funzionare un elettrotensile.** Le distrazioni possono causare la perdita del controllo.

Sicurezza elettrica

- **Le spine degli elettrotensili devono essere adatte alla presa. Evitare assolutamente di apportare modifiche alla spina. Non impiegare spine adattatrici assieme a elettrotensili con collegamento a terra.** Le spine non modificate e le prese adatte allo scopo riducono il rischio di scosse elettriche.
- **Evitare il contatto con superfici messe a massa o collegate a terra, come condutture, radiatori, stufe e frigoriferi.** Sussiste un maggior rischio di scosse elettriche nel momento in cui il corpo è messo a massa.
- **Non esporre gli elettrotensili a pioggia o umidità.** L'ingresso di acqua in un elettrotensile fa aumentare il rischio di scosse elettriche.
- **Non rovinare il cavo elettrico. Non usare mai il filo per trasportare, tirare o staccare dalla presa l'elettrotensile. Non avvicinare il cavo a fonti di calore, olio, spigoli taglienti e neppure a parti della macchina che siano in movimento.** I cavi danneggiati o attorcigliati fanno aumentare il rischio di scosse elettriche.
- **Per il funzionamento di un elettrotensile all'aperto, usare una prolunga adatta.** L'uso di un cavo di prolunga omologato per l'impiego all'aperto riduce il rischio di scosse elettriche.
- **Se l'impiego dell'elettrotensile in ambienti umidi è inevitabile, utilizzare un interruttore differenziale (salvavita) per proteggere il circuito di alimentazione.** L'utilizzo di un salvavita riduce il rischio di scosse elettriche.

Sicurezza personale

- **Nell'uso di un elettrotensile, restare allerta, fare attenzione a ciò che si sta facendo e usare il buonsenso. Non usare un elettrotensile quando si è stanchi o sotto l'effetto di droga, alcol o farmaci.** Un attimo di disattenzione può causare lesioni personali gravi.
- **Usare sempre abbigliamento protettivo personale. Utilizzare sempre una protezione per gli occhi.** L'uso in condizioni adeguate dell'abbigliamento protettivo (come mascherina protettiva, calzature di sicurezza antiscivolo, elmetto o cuffie protettive) riduce le lesioni personali.
- **Prevenire la messa in funzione accidentale. Accertarsi che l'interruttore sia in posizione OFF prima di effettuare il collegamento alla presa dell'alimentazione e/o alla batteria, di sollevare o trasportare l'attrezzo.** Il trasporto di elettrotensili tenendo le dita sull'interruttore o su attrezzi che producono corrente e il cui interruttore è acceso, può provocare incidenti.
- **Rimuovere qualunque chiave o strumento di regolazione prima di accendere l'elettrotensile.** Qualunque chiave o attrezzo lasciato attaccato a parti rotanti può causare danni alla persona.
- **Operare in sicurezza. Operare sempre facendo attenzione a posizionare bene i piedi e a mantenere l'equilibrio.** Ciò permette un migliore controllo dell'elettrotensile in situazioni inattese.
- **Vestirsi in maniera adeguata. Non indossare abiti troppo ampi o gioielli. Tenere capelli e indumenti lontani dalle parti in movimento.** Lasciati liberi, indumenti, gioielli o capelli lunghi possono restare impigliati nelle parti in movimento.
- **Se vengono forniti dispositivi per il collegamento a strutture di aspirazione e raccolta delle polveri, accertarsi che siano collegate e utilizzate adeguatamente.** La raccolta delle polveri può ridurre i rischi legati alla presenza di questo agente.
- **La familiarità e l'esperienza acquisite con il prodotto non devono far sottovalutare i rischi insiti nell'utilizzo dello stesso. Non ignorare le norme basilari di sicurezza dell'attrezzatura.** Un'azione incauta può provocare gravi danni in una frazione di secondo.
- **Pericolo! Non lavorare in prossimità delle linee di alimentazione elettrica.** L'unità non è stata progettata per fornire protezione dalle scosse elettriche in caso di contatto con le linee elettriche aeree. Per le distanze di sicurezza dalle linee elettriche aeree fare riferimento alle norme locali e accertarsi che la posizione operativa sia sicura prima di mettere in funzione il prodotto.

Uso e cura dell'elettrotensile

- **Non forzare l'elettrotensile. Usare l'elettrotensile adatto all'applicazione.** L'elettrotensile giusto farà il lavoro meglio e in modo più sicuro se usato alla velocità per la quale è stato progettato.

- **Non usare l'elettrotensile se non è possibile accenderlo o spegnerlo tramite interruttore.** Qualunque elettrotensile che non possa essere controllato tramite interruttore è pericoloso e deve essere riparato.
- **Scollegare la spina dalla presa di corrente e/o rimuovere la batteria, se staccabile, prima di procedere a qualunque regolazione, cambio di accessori o alla conservazione degli elettrotensili.** Tali misure di sicurezza preventive riducono il rischio di avvio accidentale dell'elettrotensile.
- **Riporre gli elettrotensili fuori dalla portata dei bambini e non permettere l'uso dei suddetti a persone che non hanno familiarità con tali utensili e con queste istruzioni.** Nelle mani di persone inesperte, gli elettrotensili sono pericolosi.
- **Effettuare la manutenzione degli elettrotensili e degli accessori. Controllare che non si verifichi un errato allineamento o collegamento delle parti in movimento, la rottura di pezzi e qualsivoglia altra condizione che possa inficiare il funzionamento dell'elettrotensile. Qualora danneggiato, riparare l'elettrotensile prima dell'uso.** Molti incidenti sono causati da elettrotensili con una manutenzione inadeguata.
- **Mantenere affilati e puliti gli strumenti da taglio.** Con una manutenzione adeguata, gli strumenti da taglio con bordi affilati risultano più facili da controllare e meno pericolosi.
- **Usare l'elettrotensile, gli accessori, le punte ecc. come indicato dalle presenti istruzioni, tenendo conto delle condizioni di lavoro e della prestazione da effettuare.** L'impiego di elettrotensili per usi diversi da quelli previsti può dar luogo a situazioni di pericolo.
- **Mantenere le impugnature e le superfici di presa asciutte, pulite e prive di olio e grasso.** Le impugnature e le superfici di presa scivolose non consentono una manipolazione e un controllo sicuri dell'utensile in situazioni impreviste.

Utilizzo e manutenzione della batteria

- **Ricaricare l'attrezzo esclusivamente utilizzando il caricabatterie specificato dal produttore.** L'utilizzo di un caricabatterie indicato per un altro tipo di batteria potrebbe provocare rischio di incendio.
- **Utilizzare i dispositivi esclusivamente con le batterie specificate.** L'utilizzo di altri pacchi batteria potrebbe provocare lesioni e incendi.
- **Quando la batteria non viene utilizzata, tenerla lontana da altri oggetti metallici, come graffette, monete, chiavi, chiodi, viti o altri piccoli oggetti metallici che potrebbero consentire il collegamento tra i terminali.** Provocare il cortocircuito dei terminali della batteria potrebbe causare ustioni o provocare un incendio.
- **In condizioni non ottimali, la batteria potrebbe perdere liquido; evitare il contatto. Qualora il contatto avvenisse, sciacquare la parte con acqua. Se il liquido entra negli occhi, chiamare immediatamente**

- **un medico.** Il liquido fuoriuscito dalla batteria potrebbe causare irritazioni o ustioni.
- **Non usare batterie o utensili danneggiati o modificati.** Batterie danneggiate o modificate possono manifestare un comportamento imprevedibile, con rischio di incendi, esplosioni e lesioni.
- **Non esporre batterie o utensili a fiamme o temperature troppo elevate.** L'esposizione al fuoco o a una temperatura superiore a 130 °C / 266 °F può provocare esplosioni.
- **Seguire tutte le istruzioni per il caricamento della batteria e non caricare la batteria o l'utensile al di fuori dell'intervallo di temperatura indicato nelle istruzioni.** Ricaricare in modo inappropriato o a temperature che non rientrano nell'intervallo specificato può danneggiare la batteria e aumentare il rischio di incendio.

Assistenza

- **Far riparare l'elettro utensile solo ed esclusivamente da personale specializzato utilizzando solo pezzi di ricambio originali.** Questo garantirà che sia salvaguardata la sicurezza dell'elettro utensile.
- **Non riparare mai le batterie danneggiate.** Gli interventi sulle batterie dovrebbe essere eseguito solo dal produttore o da centri assistenza autorizzati.

Altre informazioni generali sulla sicurezza

- Per ulteriori norme di sicurezza specifiche, fare riferimento al manuale dell'operatore del relativo accessorio.
- Gli spostamenti vanno sempre eseguiti con il prodotto spento. Rimuovere sempre la batteria prima di passare il prodotto a un'altra persona.
- Non poggiare mai il prodotto al suolo se non è stato spento e non è stata rimossa la batteria. Non lasciare il prodotto senza supervisione se acceso.
- L'attrezzo di taglio non si ferma immediatamente dopo che il prodotto è stato spento.
- Prima di utilizzare il prodotto e dopo ogni impatto, controllare eventuali segni di usura o danni e, se necessario, ripararli.
- Se un oggetto si blocca nel gruppo di taglio durante l'utilizzo del prodotto, arrestare e disattivare il dispositivo. Accertarsi che il gruppo di taglio si arresti completamente. Rimuovere la batteria prima di procedere alla pulizia, all'ispezione o alla riparazione del prodotto e/o del gruppo di taglio.
- Eseguire il controllo del prodotto prima dell'utilizzo. Fare riferimento a *Dispositivi di sicurezza sul prodotto alla pagina 60* e *Manutenzione alla pagina 64*. Non utilizzare un prodotto danneggiato. Eseguire i controlli di sicurezza e attenersi alle istruzioni di manutenzione e riparazione riportate nel presente manuale.
- Un gruppo di taglio difettoso può aumentare il rischio di incidenti.

- Assicurarsi sempre che le aperture di ventilazione siano sgombre da detriti.
- Controllare che il prodotto sia in condizioni di lavoro perfette. Controllare che tutti i dadi e le viti siano serrati.
- Questo prodotto è uno strumento pericoloso se non si presta attenzione o se si utilizza il prodotto in modo errato. Il prodotto può causare gravi lesioni o morte dell'operatore o altre persone.
- Questo apparecchio non è destinato all'utilizzo da parte di persone (bambini inclusi) con ridotte capacità fisiche, sensoriali o mentali, oppure con mancanza di esperienza e conoscenza, a meno che non siano controllate o siano state istruite durante l'utilizzo da una persona responsabile della loro sicurezza. I bambini devono essere sorvegliati per evitare che giochino con l'apparecchio.
- Non consentire mai a bambini di utilizzare la macchina o avvicinarsi a essa. Data l'estrema facilità di avviamento della macchina, i bambini potrebbero essere in grado di avviarla se non sorvegliati. Si rischiano pertanto gravi lesioni personali. Scollegare la batteria quando la macchina viene lasciata incustodita.
- Non consentire mai l'uso e la manutenzione del prodotto a bambini o a persone non qualificate e non lasciare la batteria collegata.
- Conservare l'attrezzatura in un luogo chiuso a chiave e quindi lontano dalla portata di bambini e di persone non autorizzate.
- La protezione di trasporto deve essere sempre utilizzata per lo stoccaggio e il trasporto.
- Mantenere sempre mani e piedi fuori dall'area di taglio, specialmente quando si aziona il motore.
- Tenere le mani e i piedi lontani dal gruppo di taglio fino al suo completo arresto quando il prodotto viene disattivato.
- Non rimuovere il materiale tagliato né permettere ad altre persone di rimuoverlo mentre il prodotto è attivato o mentre l'attrezzatura di taglio ruota, perché ciò potrebbe causare gravi lesioni.
- Si prega di notare che l'operatore è responsabile di eventuali incidenti o pericoli a persone o cose.
- Evitare assolutamente di modificare la versione originale del prodotto senza l'autorizzazione del fabbricante. Utilizzare sempre accessori originali. Modifiche e/o accessori non autorizzati possono causare gravi lesioni personali o mortali all'operatore o a terzi. La garanzia non copre i danni o inconvenienti causati dall'uso di accessori o pezzi di ricambio non omologati.
- I soli accessori che si possono utilizzare con questo prodotto sono i gruppi di taglio da noi consigliati nel capitolo Accessori.
- Non usare mai un prodotto che abbia subito modifiche tali da non corrispondere più alle specifiche originali
- Non usare mai un prodotto difettoso. Eseguire i controlli di sicurezza e attenersi alle istruzioni

di manutenzione e riparazione riportate nel presente manuale. Alcuni interventi di manutenzione devono essere eseguiti da personale esperto e specializzato. Fare riferimento a *Manutenzione alla pagina 64*.

- Lavorare in condizioni meteorologiche avverse è spesso stancante e comporta un ulteriore rischio. A causa di questo ulteriore rischio, si consiglia di non utilizzare il prodotto in condizioni meteorologiche sfavorevoli, per esempio, in presenza di nebbia fitta, pioggia battente, vento forte, freddo intenso, rischio di fulmini, ecc.
- Non lavorare mai su una scala, uno sgabello o in altra posizione sollevata da terra che non sia ben fissata.
- Conservare le apparecchiature inutilizzate all'interno: riporre gli apparecchi non utilizzati in ambienti chiusi.
- Non è possibile coprire tutte le situazioni immaginabili che potreste affrontare. Prestare sempre attenzione e usare il buon senso. Evitare tutte le situazioni che richiedono capacità superiori alle proprie. Se dopo aver letto le presenti istruzioni persistono dubbi sulle procedure operative, rivolgersi a un esperto prima di continuare.
- Controllare che non vi siano persone o animali in un raggio di 15 metri durante il lavoro. Nel caso in cui più operatori stiano lavorando nella stessa zona, la distanza di sicurezza deve essere almeno di 15 metri. Altrimenti vi è il rischio di gravi lesioni personali. Arrestare immediatamente l'unità nel caso qualcuno si avvicini. Non girarsi mai con il prodotto in azione senza prima aver controllato che non ci sia nessuno alle vostre spalle entro la zona di sicurezza.
- Se un oggetto si blocca nel gruppo di taglio durante l'utilizzo del prodotto, arrestare e disattivare il dispositivo. Accertarsi che il gruppo di taglio si arresti completamente. Rimuovere la batteria prima di procedere alla pulizia, all'ispezione o alla riparazione del prodotto e/o del gruppo di taglio.
- Accertarsi che la presenza di persone, animali o altro non possa influire sul controllo del prodotto o che non vengano a contatto con il gruppo di taglio o che oggetti allentati possano essere scagliati in aria dal gruppo di taglio. Non utilizzare il prodotto se non si è certi di poter chiedere aiuto in caso d'infortunio.
- Accertarsi di poter camminare e lavorare in sicurezza. In caso di spostamenti, controllare l'area sia sgombra di potenziali ostacoli (ceppi, radici, rocce, rami, fossi ecc.). Fare particolare attenzione quando si lavora su terreni in pendenza.
- Procedere adagio, non correre.
- Controllare l'area di lavoro. Asportare eventuali corpi estranei quali pietre, frammenti di vetro, chiodi, fili di acciaio, corde ecc. che potrebbero essere scagliati oppure avvolgere il tagliante o la relativa protezione.
- Fare attenzione ad eventuali ramoscelli che potrebbero venir lanciati in aria durante il taglio. Non effettuare tagli troppo vicini al terreno, in quanto pietre e altri corpi estranei potrebbero venire scagliati in aria.

- Assicurarsi che all'accensione, il gruppo di taglio non entri in contatto con vestiti o parti del corpo. Tenere il prodotto al di sotto della cintura.
- Rischio di oggetti volanti. Usare sempre protezione per gli occhi omologata. Evitare di lavorare inclinati verso la protezione del gruppo di taglio. C'è la possibilità di essere colpiti a un occhio da un sasso, un ramo o altri oggetti sollevatisi dal terreno, con conseguenze anche molto gravi, quali cecità o altre lesioni.
- Far sempre attenzione a segnali di allarme o eventuali grida quando si utilizzano le cuffie protettive. Togliere sempre le cuffie protettive immediatamente all'arresto del prodotto.
- In caso di vibrazioni indesiderate, tagliare il nuovo filo alla lunghezza giusta per interrompere le vibrazioni.
- Se il prodotto inizia a vibrare in modo anomalo, arrestarlo e rimuovere la batteria.
- La sovraesposizione alle vibrazioni può causare lesioni neuro-vascolari a chi soffre di cattiva circolazione. In caso di sintomi riferibili a sovraesposizione alle vibrazioni rivolgersi al proprio medico. Esempi di questi sintomi: intorpidimento, perdita di sensibilità, formicolio, torpore, dolore, mancanza di forze, alterazioni di colore o aspetto della pelle. Tali sintomi si riscontrano generalmente nelle mani, nei polsi e alle dita.
- Tenere sempre saldamente il prodotto con entrambe le mani.

Dispositivi di protezione individuale



AVVERTENZA: Leggere le seguenti avvertenze prima di utilizzare il prodotto.

- Usare sempre abbigliamento protettivo personale omologato quando si utilizza il prodotto. L'uso di abbigliamento protettivo personale non elimina il rischio di lesioni, ma ne riduce la gravità in caso di incidente. Farsi consigliare dal rivenditore per la scelta dell'attrezzatura adatta.
- Elmetto protettivo laddove sussiste il rischio di caduta di oggetti.
- Usare cuffie protettive con effetto insonorizzante adeguato. Una lunga esposizione al rumore può comportare lesioni permanenti all'udito.
- Utilizzare protezioni per gli occhi omologate. Con l'uso della visiera è necessario anche l'uso di occhiali protettivi omologati. Con il termine occhiali protettivi omologati si intendono occhiali che siano conformi alle norme ANSI Z87.1 per gli USA o EN 166 per i paesi EU.
- Utilizzare una visiera per proteggere il viso. Una visiera non è sufficiente a proteggere gli occhi. (Fig. 22)
- Indossare guanti ove necessario, ad esempio per montare, ispezionare o pulire l'attrezzatura di taglio.

- Utilizzare stivali robusti e antidrucciolo.
- Indossare indumenti di tessuto resistente. Indossare sempre pantaloni lunghi e pesanti e maniche lunghe. Non indossare indumenti larghi che potrebbero impigliarsi nei ramoscelli e nei rami. Non indossare gioielli, pantaloni corti o sandali e non lavorare a piedi nudi. Raccogliere i capelli in modo sicuro sopra le spalle.

(Fig. 23)

- Tenere a portata di mano il kit di primo soccorso.

(Fig. 24)

Dispositivi di sicurezza sul prodotto



AVVERTENZA: Leggere le seguenti avvertenze prima di utilizzare il prodotto.

In questo capitolo vengono presentati i dispositivi di sicurezza del prodotto, la loro funzione, il controllo e la manutenzione necessari per assicurarne una funzione ottimale. Vedere le istruzioni alla sezione *Panoramica del prodotto alla pagina 55* per individuare la posizione di queste parti sul prodotto.

La durata del prodotto può ridursi e il rischio di incidenti aumentare se la manutenzione non viene eseguita correttamente e se l'assistenza e/o le riparazioni non vengono effettuate da personale qualificato. Per ulteriori informazioni, contattare il rivenditore con assistenza più vicina.



AVVERTENZA: Non utilizzare mai un prodotto con dispositivi di sicurezza danneggiati. I dispositivi di sicurezza di sicurezza del prodotto vanno controllati e sottoposti a manutenzione secondo quanto descritto in questo capitolo. Se il prodotto non supera tutti i controlli, contattare un'officina per le necessarie riparazioni.



ATTENZIONE: Tutte le riparazioni e l'assistenza della macchina vanno eseguite da personale specializzato. Quanto detto vale in particolare per i dispositivi di sicurezza della macchina. Se la macchina non supera tutti i controlli sottoelencati, contattare l'officina autorizzata. L'acquisto di uno dei nostri prodotti garantisce l'assistenza di personale qualificato. Se non avete acquistato la macchina presso un rivenditore con centro di assistenza, informatevi sull'ubicazione della più vicina officina autorizzata.

Controllo del fermo della leva comando

Il blocco della leva comando previene l'attivazione accidentale della macchina. Rilasciando l'impugnatura,

la leva di comando e il fermo ritornano alle relative posizioni iniziali.

1. Spingere il pulsante di bloccaggio del blocco della leva comando in avanti. (Fig. 25)
2. Controllare che la leva di comando sia bloccata quando il fermo si trova nella posizione iniziale. (Fig. 26)
3. Spingere il fermo della leva di comando da un lato e dall'altro. Accertarsi che il fermo della leva di comando torni in posizione iniziale. (Fig. 27)
4. Accertarsi che la leva di comando e il relativo fermo si muovano liberamente e che la molla di ritorno funzioni correttamente. (Fig. 28)
5. Avviare il prodotto, fare riferimento a *Avviamento del prodotto alla pagina 63*.
6. Rilasciare la leva di comando e accertarsi che il prodotto si arresti completamente.

Istruzioni di sicurezza per il montaggio



AVVERTENZA: Leggere il presente manuale del gruppo di potenza insieme al manuale degli accessori approvati.

- Rimuovere la batteria dal prodotto prima di assemblarlo.
- Utilizzare i guanti protettivi approvati.
- Una protezione danneggiata o non corretta può causare lesioni. Non utilizzare un gruppo di taglio senza una protezione omologata fissata.
- Assicurarsi di montare l'accessorio corretto prima di avviare il prodotto.
- Se un cinghiaggio viene fornito con l'accessorio, deve essere collegato correttamente al prodotto. Il cinghiaggio rende il funzionamento sicuro e previene lesioni all'operatore o ad altre persone.

Sicurezza batterie



AVVERTENZA: Leggere tutte le istruzioni generali e di sicurezza. La mancata osservanza delle istruzioni generali e di sicurezza può dare luogo a scosse elettriche, incendi e/o gravi lesioni. **Conservare tutte le informazioni sulla sicurezza e le istruzioni generali per riferimento futuro.**

- Queste istruzioni di sicurezza si applicano solo alle batterie ricaricabili agli ioni di litio da 18 V per il sistema POWER FOR ALL.
- Utilizzare la batteria ricaricabile solo nei prodotti dei partner del sistema POWER FOR ALL. Le batterie ricaricabili da 18 V etichettate con la dicitura POWER FOR ALL sono completamente compatibili con i seguenti prodotti:

– Tutti i prodotti del sistema a batteria POWER FOR ALL da 18 V.

– Tutti i prodotti da 18 V dei partner del sistema POWER FOR ALL.

- **Attenersi alle raccomandazioni sulla batteria riportate nel manuale d'uso del prodotto.** Solo in questo modo è possibile utilizzare la batteria ricaricabile e il prodotto senza pericolo e proteggere le batterie ricaricabili da sovraccarichi pericolosi.
- **Caricare le batterie utilizzando esclusivamente i caricabatterie consigliati dal produttore o dai partner del sistema POWER FOR ALL.** Un caricabatterie adatto a un tipo di batteria può comportare un rischio di incendio se viene utilizzato con una batteria diversa.
- **La batteria in dotazione è parzialmente carica.** Per assicurare la piena capacità della batteria, caricare completamente la batteria con il caricabatterie prima di utilizzare l'utensile per la prima volta.
- **Tenere le batterie fuori dalla portata dei bambini.**
- **Non aprire la batteria.** C'è il rischio di un cortocircuito.
- **In caso di danneggiamento e uso improprio della batteria, potrebbero essere emessi vapori. La batteria potrebbe infiammarsi o esplodere.** Assicurarsi che l'area sia ben ventilata e rivolgersi a un medico in caso di effetti avversi. I vapori possono irritare il sistema respiratorio.
- **Se il prodotto viene utilizzato in modo errato o se la batteria è danneggiata, potrebbe fuoriuscire liquido infiammabile dalla batteria. Evitare il contatto con questo liquido. Qualora il contatto avvenisse, lavare con acqua. Se il liquido entra in contatto con gli occhi, consultare un medico.** Il liquido fuoriuscito dalla batteria potrebbe causare irritazioni o ustioni.
- **Se la batteria è danneggiata, il liquido può essere espulso e coprire le superfici circostanti. Controllare le parti interessate.** Pulire queste parti o cambiarle se necessario.
- **Non provocare il corto circuito della batteria. Quando la batteria non viene utilizzata, tenerla lontana da altri oggetti metallici, come graffette, monete, chiavi, chiodi, viti o altri piccoli oggetti metallici che potrebbero consentire il collegamento tra i terminali.** Provocare il cortocircuito dei terminali della batteria potrebbe causare ustioni o provocare un incendio.
- **La batteria può essere danneggiata da oggetti appuntiti come chiodi o cacciaviti o applicando forza esternamente.** Potrebbe verificarsi un cortocircuito interno, con conseguente incendio, fumo, esplosione o surriscaldamento della batteria.
- **Non riparare mai le batterie danneggiate.** Gli interventi sulle batterie dovrebbe essere eseguito solo dal produttore o da centri assistenza autorizzati.
- **Proteggere la batteria dal calore, ad esempio da luce solare intensa continua, fuoco, sporcizia, acqua e umidità.** C'è il rischio di esplosione e cortocircuito.

- **Utilizzare la batteria nel prodotto esclusivamente quando la temperatura ambiente è compresa nell'intervallo -5 °C – 40 °C.**
- **Conservare la batteria solo a una temperatura ambiente compresa nell'intervallo -20 °C – 50 °C.** Ad esempio, non lasciare la batteria nell'auto in estate. A temperature < 0 °C, per alcuni dispositivi potrebbero verificarsi perdite di potenza.
- **Caricare la batteria solo a una temperatura ambiente compresa tra 0 °C – +35 °C.** La ricarica al di fuori di questo intervallo di temperatura può aumentare il rischio di danni alla batteria e costituire un pericolo di incendio.

Sicurezza dei caricabatterie



AVVERTENZA: Leggere tutte le istruzioni generali e di sicurezza. La mancata osservanza delle istruzioni generali e di sicurezza può dare luogo a scosse elettriche, incendi e/o gravi lesioni. **Conservare queste istruzioni in un luogo sicuro.** Utilizzare il caricabatterie solo se è possibile controllare tutte le funzioni ed eseguirle senza limitazioni o se sono state ricevute le istruzioni corrispondenti.

- **Questo caricabatterie non è destinato all'uso da parte di bambini o persone con limitazioni fisiche, sensoriali o mentali, oppure prive di esperienza o competenza.** Questo caricabatterie può essere utilizzato da bambini di età pari o superiore agli 8 anni e da persone con limitazioni fisiche, sensoriali o mentali, o con mancanza di esperienza o conoscenze se una persona responsabile della sicurezza li supervisiona o li ha istruiti adeguatamente sul funzionamento sicuro del caricatore e ne hanno compreso i pericoli associati. Altrimenti, vi è il rischio di problemi funzionali e lesioni.
- **Tenere sotto controllo i bambini durante l'uso, la pulizia e la manutenzione.** In questo modo i bambini non giocheranno con il caricatore.
- **Ricaricare esclusivamente le batterie del sistema POWER FOR ALL da 18 V con una capacità di 1,5 Ah e superiore. La tensione della batteria deve corrispondere alla tensione indicata sul caricabatterie. Non ricaricare batterie non ricaricabili.** Altrimenti, vi è il rischio di incendio o esplosione.
- **Utilizzate il caricabatterie solo in ambienti chiusi e non esporlo all'umidità.** L'ingresso di acqua in un elettrotensile fa aumentare il rischio di scosse elettriche.
- **Tenere pulito il caricabatterie.** La sporcizia alimenta il rischio di scosse elettriche.
- **Controllare sempre il caricabatterie, il cavo e la spina prima dell'uso.** In caso di danni, interrompete l'utilizzo del caricabatterie. Non aprire il caricabatterie da soli e farlo riparare solo da Husqvarna o da un centro di assistenza post-

vendita autorizzato con parti di ricambio originali.
Caricabatterie, cavi e spine danneggiati aumentano il rischio di scosse elettriche.

- **Non utilizzare il caricabatterie su una superficie facilmente infiammabile (ad esempio carta, tessuti, ecc.) o in un ambiente infiammabile.** Rischio di incendio dovuto al riscaldamento del caricabatteria durante il funzionamento.
- **Non coprite le aperture di ventilazione del caricabatterie.** In caso contrario, il caricabatterie potrebbe surriscaldarsi e non funzionare più correttamente.
- **Ricaricare l'attrezzo esclusivamente utilizzando il caricabatterie specificato dal produttore.** L'utilizzo di un caricabatterie indicato per un altro tipo di batteria potrebbe provocare rischio di incendio.
- **In caso di danneggiamento e uso improprio della batteria, potrebbero anche essere emessi vapori.** Assicurarsi che l'area sia ben ventilata e rivolgersi a un medico in caso di effetti avversi. I vapori possono irritare il sistema respiratorio.
- **In condizioni non ottimali, la batteria potrebbe perdere liquido. Evitare il contatto con questo liquido. Qualora il contatto avvenisse, lavare con acqua. Se il liquido entra in contatto con gli occhi, consultare un medico.** Il liquido fuoriuscito dalla batteria potrebbe causare irritazioni o ustioni.
- **Prodotti venduti solo nel Regno Unito:** Il prodotto è dotato di una spina elettrica approvata BS 1363/a con fusibile interno (approvazione ASTA secondo BS 1362). Se la spina non è adatta per le prese elettriche in uso, è necessario staccarla e sostituirla con una corretta da parte di un addetto all'assistenza clienti autorizzato. La spina di ricambio deve avere lo stesso amperaggio del fusibile della spina originale. La spina staccata deve essere smaltita per evitare

un possibile pericolo di scosse elettriche e non deve mai essere inserita in una presa di corrente diversa.

Istruzioni di sicurezza per la manutenzione



AVVERTENZA: Leggere le avvertenze seguenti prima di eseguire la manutenzione del prodotto.

- Rimuovere la batteria prima di eseguire la manutenzione, altri controlli o montare il prodotto.
- L'operatore deve eseguire solo gli interventi di manutenzione e assistenza indicati in questo manuale operatore. Rivolgersi al Centro di assistenza di competenza per interventi di manutenzione e assistenza più importanti.
- Non pulire la batteria o il caricabatteria con acqua. Detergenti aggressivi possono causare danni alla plastica.
- Se non si esegue la manutenzione, si riduce il ciclo di vita del prodotto e aumenta il rischio di incidenti.
- È necessaria una formazione specifica per eseguire tutti gli interventi di manutenzione e lavori di riparazione, in particolare per i dispositivi di sicurezza del prodotto. Se non vengono approvati tutti i controlli descritti nel presente manuale operatore, dopo aver eseguito la manutenzione, contattare il Centro di assistenza. La nostra azienda garantisce la disponibilità di personale qualificato per le riparazioni e l'assistenza del prodotto.
- Utilizzare unicamente ricambi originali.
- Utilizzare guanti per lavori pesanti quando si ripara il gruppo di taglio. Le lame sono estremamente affilate e possono facilmente causare lesioni.

Montaggio

Introduzione



AVVERTENZA: Leggere e comprendere il capitolo sulla sicurezza prima di montare il prodotto.

Installazione dell'accessorio

1. Collegare l'accessorio (A) all'unità di potenza (B). L'accessorio deve entrare facilmente nel supporto sull'unità di potenza. In caso contrario, non è installato correttamente. (Fig. 29)
2. Serrare la manopola di bloccaggio (C).

Nota: Quando l'accessorio è installato sull'unità di potenza, l'interfaccia utente dell'accessorio è scollegata.

Regolazione della lunghezza dell'albero telescopico

1. Allentare la leva (A) sull'asta. (Fig. 30)
2. Regolare l'asta fino alla lunghezza applicabile.
3. Spingere la leva verso il basso per bloccare l'asta necessaria.

Installare il gancio di rimessaggio sulla parete

- Installare il gancio di rimessaggio all'interno.
- Tenere il gancio di rimessaggio lontano dalla luce solare e a una temperatura ambiente compresa tra -10°C e 70°C.
- Installare il gancio di rimessaggio su una parete in cartongesso, legno o cemento.



ATTENZIONE: Assicurarsi che la parete possa sostenere carichi di almeno 30 kg.

- Installare il gancio di stoccaggio sulla parete con le 3 viti (A). Se necessario, utilizzare tasselli per parete (B). (Fig. 31)



ATTENZIONE: Assicurarsi che le viti siano adatte al tipo di parete.

- Contattare la propria officina Husqvarna per informazioni sugli accessori per lo stoccaggio disponibili per il prodotto.

Come fissare il prodotto sul gancio di rimessaggio

- Appendere l'unità di potenza sul gancio di rimessaggio come mostrato in figura. (Fig. 32)

Utilizzo

Verifica della funzionalità del prodotto prima del suo utilizzo

1. Rimuovere la sporcizia e il materiale indesiderato dal prodotto con una spazzola.
2. Serrare tutti i dadi e le viti.
3. Accertarsi che l'accessorio sia collegato correttamente.
4. Assicurarsi che il pulsante di blocco per il blocco della leva di comando sia inserito.
5. Assicurarsi che i fermi di bloccaggio dell'asta estesa e l'elemento rotante siano in posizione di blocco.
6. Controllare se l'accessorio presenta danni, ad esempio incrinature. Sostituire l'accessorio se danneggiato.
7. Accertarsi che i coperchi siano fissati correttamente e che siano integri.
8. Assicurarsi che il prodotto funzioni correttamente.

Collegamento della batteria al prodotto



AVVERTENZA: utilizzare esclusivamente batterie agli ioni di litio del sistema POWER FOR ALL P4A 18 V nel prodotto.

1. Verificare che la batteria sia completamente carica.
2. Inserire la batteria nel supporto batteria del prodotto. La batteria deve entrare facilmente nel vano. In caso contrario, non è installata correttamente. (Fig. 33)
3. Inserire completamente la batteria nel rispettivo supporto. La batteria si blocca in posizione quando si percepisce un clic.
4. Accertarsi che il fermo si blocchi correttamente in posizione.

Avviamento del prodotto

1. Spingere il pulsante di bloccaggio del blocco della leva comando in avanti. (Fig. 25)
2. Spingere il fermo della leva di comando (A) dal lato sinistro o destro e tenere premuta la leva di comando (B). (Fig. 34)

Arresto del prodotto

1. Rilasciare la leva di comando.
2. Premere il pulsante di blocco della leva di comando all'indietro per bloccare il prodotto.
3. Premere il pulsante di rilascio della batteria ed estrarla. (Fig. 35)
4. Se necessario, rimuovere l'accessorio dal prodotto.

Regolazione dell'angolo del prodotto

Il prodotto può essere regolato in 7 posizioni diverse.



AVVERTENZA: Non regolare l'angolazione durante l'uso del prodotto.

1. Arrestare il prodotto e rimuovere la batteria.
2. Tenere saldamente il supporto (A). (Fig. 36)
3. Tenere premuto lo snodo di rotazione (B).
4. Impostare il supporto nella posizione corretta.
5. Rilasciare lo snodo di rotazione per bloccare il supporto.
6. Spostare il supporto verso l'alto e verso il basso finché non si blocca in posizione.

Manutenzione

Introduzione



AVVERTENZA: Leggere attentamente il capitolo sulla sicurezza

prima di eseguire qualsiasi operazione di manutenzione del prodotto.



AVVERTENZA: Rimuovere la batteria prima di eseguire la manutenzione del prodotto.

Programma di manutenzione

Qui di seguito è disponibile una lista delle operazioni di manutenzione da eseguire sul prodotto.

Manutenzione	Prima dell'utilizzo	Una volta a settimana	Una volta al mese
Pulire le parti esterne del prodotto con un panno asciutto. Non utilizzare acqua.	X		
Assicurarsi che il pulsante di blocco per il fermo della leva di comando funzioni correttamente e non sia danneggiato.	X		
Accertarsi che il blocco e la leva comando funzionino correttamente e in modo sicuro.	X		
Accertarsi che tutti i comandi funzionino correttamente e non siano danneggiati.	X		
Tenere pulite e asciutte le impugnature.	X		
Assicurarsi che i dadi e le viti siano serrati a fondo.	X		
Accertarsi che i pulsanti di rilascio della batteria funzionino correttamente e che mantengano la batteria bloccata nel prodotto.	X		
Verificare che la batteria non sia danneggiata.	X		
Verificare che la batteria sia carica.	X		
Verificare che il caricabatterie non sia danneggiato e funzioni correttamente.	X		
Esaminare tutti i cavi, gli accoppiamenti e i raccordi. Accertarsi che siano puliti e integri.		X	
Effettuare un controllo dei collegamenti tra la batteria e il prodotto.			X
Controllare il collegamento tra la batteria e il caricabatterie.			X

Per pulire il prodotto, la batteria e il caricabatterie

1. Pulire il prodotto con un panno asciutto dopo l'uso.
2. Pulire la batteria e il caricabatterie con un panno asciutto. Mantenere puliti i binari guida della batteria.

3. Assicurarsi che i morsetti della batteria e il caricabatterie siano puliti prima di posizionare la batteria nel caricabatterie o nel prodotto.

Trasporto, stoccaggio e smaltimento

Trasporto e stoccaggio

- Le batterie agli ioni di litio in dotazione rispettano i requisiti di legge sulle merci pericolose.
- Rispettare i requisiti speciali riportati sulla confezione e sulle etichette per il trasporto commerciale, compreso quello effettuato da terzi e da corrieri.
- Parlare con personale che ha seguito una formazione specifica in materiali pericolosi prima di inviare il prodotto. Rispettare tutte le norme nazionali vigenti.
- Quando si inserisce la batteria in un contenitore, applicare del nastro adesivo sui contatti aperti. Inserire la batteria nel contenitore in modo da garantirne la massima aderenza.
- Rimuovere la batteria per la conservazione o il trasporto.
- Conservare la batteria e il caricabatterie in un luogo asciutto, privo di umidità e protetto dal gelo.
- Non conservare la batteria in aree elettricamente statiche. Non conservare mai la batteria in una scatola di metallo.
- Durante il rimessaggio, conservare la batteria in un luogo dove la temperatura è compresa tra $-20\text{ °C}/-4\text{ °F}$ e $+50\text{ °C}/122\text{ °F}$ e lontano da luce solare.
- Durante il rimessaggio, conservare il caricabatterie in un luogo dove la temperatura è compresa tra $5\text{ °C}/41\text{ °F}$ e $45\text{ °C}/113\text{ °F}$ e lontano da luce solare.
- Utilizzare il caricabatterie soltanto quando la temperatura circostante è compresa tra $0\text{ °C}/32\text{ °F}$ e $35\text{ °C}/95\text{ °F}$.
- Stoccare il prodotto a una temperatura compresa fra $-40\text{ °C}/-40\text{ °F}$ e $25\text{ °C}/140\text{ °F}$.
- Caricare la batteria dal 30% al 50% prima di immagazzinarla per lunghi periodi.

- Conservare il caricabatterie in un luogo chiuso e asciutto.
- Tenere la batteria lontano dal caricabatterie durante il rimessaggio. Non lasciare che i bambini e altre persone non autorizzate tocchino l'attrezzatura. Mantenere le attrezzature in un luogo che è possibile chiudere.
- Pulire il prodotto ed eseguire una manutenzione completa prima di conservarlo per lunghi periodi.
- Utilizzare la protezione di trasporto sul prodotto per evitare che si danneggi durante il trasporto e il rimessaggio.
- Bloccare il prodotto in modo sicuro durante il trasporto.
- Riporre il prodotto in posizione orizzontale o appenderlo all'apposito gancio. Fare riferimento a *Come fissare il prodotto sul gancio di rimessaggio alla pagina 63*.

Smaltimento della batteria, del caricabatterie e del prodotto

Il simbolo seguente indica che il prodotto non è un rifiuto domestico. Riciclarlo in una stazione di riciclaggio per apparecchiature elettriche ed elettroniche. Ciò contribuisce a evitare danni all'ambiente e alle persone.

Per maggiori informazioni contattare le autorità locali, il servizio per rifiuti domestici o il rivenditore.

(Fig. 18)

Nota: Il simbolo compare sul prodotto o sull'imballaggio.

Dati tecnici

Aspire Pole-P4A	
Peso	
Peso (solo gruppo di potenza), kg	1,5

Batterie approvate

Questo prodotto può funzionare con tutte le batterie **POWER FOR ALL**.

Batteria	P4A 18-B36	P4A 18-B45	P4A 18-B72
Tipo	Ioni di litio	Ioni di litio	Ioni di litio
Capacità batteria, Ah	2,0	2,5	4,0

Batteria	P4A 18-B36	P4A 18-B45	P4A 18-B72
Tensione nominale, V	18	18	18
Peso, kg	0,35	0,35	0,65
Numero di celle (ioni di litio)	5	5	10

Caricabatterie omologati

Caricabatterie	P4A 18-C50	P4A 18-C70
Tensione di entrata, V	Fare riferimento alle informazioni sui dati di funzionamento del caricabatteria.	Fare riferimento alle informazioni sui dati di funzionamento del caricabatteria.
Frequenza, Hz	50-60	50-60
Potenza, W	50	70

Accessori

Attrezzi

Accessori approvati	Tipo	Da usarsi con
Accessorio per rifilasioepi	Aspire S20-P4A	Aspire Pole-P4A
Accessorio per potatore	Aspire P5-P4A	Aspire Pole-P4A

Dichiarazione di conformità

Dichiarazione di conformità UE

Husqvarna AB, SE-561 82 Huskvarna, Svezia, tel.:
+46-36-146500, dichiara sotto la propria esclusiva
responsabilità che il prodotto indicato:

Descrizione	Unità di potenza a batteria
Marchio	Husqvarna
Tipo/Modello	Aspire Pole-P4A
Identificazione	Numeri di serie a partire da 2023 e successivi

È pienamente conforme alle seguenti norme e direttive
UE:

Direttiva/norma	Descrizione
2006/42/CE	"sulle macchine"
2014/30/EU	"sulla compatibilità elettromagnetica"
2011/65/UE	"sulla restrizione dell'uso di determinate sostanze pericolose nelle apparecchiature elettriche ed elettroniche"
2000/14/CE	"sull'emissione di rumore nell'ambiente"

e che sono applicati gli standard e/o le specifiche tecniche seguenti: EN 62841-1:2015/A11:2022, EN 62841-4-2:2019/A1:2022, EN IEC 62841-4-5:2021/A11:2021, EN ISO 11680-1:2011, EN ISO 12100:2010, EN IEC 55014-1:2021, EN IEC 55014-2:2021, EN IEC 63000:2018.

DEKRA Testing and Certification GmbH,
Handwerkstraße 15, 70565 Stuttgart, Germany, 0158
ha eseguito il controllo CE facoltativo in base alla
Direttiva macchine (2006/42/CE) articolo 12, punto
3b. Il certificato di omologazione CE reca il numero:
4815039.22006.

Applicazione della procedura di valutazione della
conformità ai sensi della direttiva 2000/14/CE, allegato
V.

Con accessorio Aspire P5-P4A come potatore ad asta:

- Livello potenza acustica misurato: 88 dB (A)
- Livello di potenza acustica garantito: 91 dB (A)

Con accessorio Aspire S20-P4A come rifilasepi ad asta:

- Livello di potenza acustica misurato per la lama per siepi: 83 dB (A)
- Livello di potenza acustica misurato per lama per erba: 79 dB (A)
- Livello di potenza acustica garantito: 84 dB (A)

Huskvarna, 2023-10-30



Claes Losdal, Responsabile ricerca e sviluppo,
Husqvarna AB

Responsabile della documentazione tecnica



Licenze

Copyright © 2012–2020 STMicroelectronics

La garanzia non copre i difetti derivanti da normale usura, incuria, uso errato, riparazioni non autorizzate o collegamento dell'apparecchio di aspirazione a una tensione di alimentazione errata.

Tutti i diritti riservati.

La redistribuzione e l'uso in formato sorgente e binario, con o senza modifiche, sono consentiti a condizione che siano soddisfatte le seguenti condizioni:

- Le redistribuzioni del codice sorgente devono contenere l'avviso di copyright sopra riportato, il presente elenco di condizioni e la dichiarazione di non responsabilità riportata di seguito.
- Le redistribuzioni in formato binario devono contenere l'avviso di copyright sopra riportato, il presente elenco di condizioni e la dichiarazione di non responsabilità riportata di seguito nella documentazione e/o in altri materiali forniti con la distribuzione.
- Né il nome di STMicroelectronics né i nomi dei suoi collaboratori possono essere utilizzati per raccomandare o promuovere prodotti derivati da questo software senza previa autorizzazione scritta specifica.

IL SOFTWARE È FORNITO DAI TITOLARI DEL COPYRIGHT E DAI COLLABORATORI "COSÌ COM'È" E SI DECLINA LA RESPONSABILITÀ PER QUALSIASI GARANZIA ESPRESSA O IMPLICITA, INCLUSE, MA NON SOLO, LE GARANZIE IMPLICITE DI COMMERCIALIZZABILITÀ E IDONEITÀ PER UNO SCOPO SPECIFICO. IN NESSUN CASO IL PROPRIETARIO DEL COPYRIGHT O I COLLABORATORI SARANNO RESPONSABILI PER EVENTUALI DANNI DIRETTI, INDIRETTI, INCIDENTALI, SPECIALI, ESEMPLARI O CONSEGUENZIALI (INCLUSI, MA NON LIMITATI A, FORNITURA DI BENI O SERVIZI SOSTITUTIVI; MANCATO UTILIZZO, PERDITA DI DATI O PROFITTI; INTERRUZIONE DELL'ATTIVITÀ) IMPUTABILI A QUALUNQUE CAUSA E INDIPENDENTEMENTE DA QUALSIASI CRITERIO DI RESPONSABILITÀ, SIA PREVISTO NEL CONTRATTO CHE RELATIVO A RESPONSABILITÀ OGGETTIVA O A UN ATTO ILLECITO (COMPRESA NEGLIGENZA O ALTRO) DERIVANTI IN QUALSIASI MODO DALL'USO DEL PRESENTE SOFTWARE, ANCHE SE INFORMATI DELLA POSSIBILITÀ DI TALI DANNI.

Licenza Apache 2.0

Copyright © 2009-2019 Arm Limited. Tutti i diritti riservati.

Versione 2.0, gennaio 2004 <http://www.apache.org/licenses/>

TERMINI E CONDIZIONI PER L'USO, LA RIPRODUZIONE E LA DISTRIBUZIONE

1. Definizioni.

Per "**licenza**" si intendono i termini e le condizioni per l'uso, la riproduzione e la distribuzione definiti dalle sezioni da 1 a 9 del presente documento. Per "**concessore della licenza**" si intende il proprietario del copyright o l'entità autorizzata dal proprietario del copyright che concede la licenza. Per "**entità giuridica**" si intende l'insieme dell'entità agente e di tutte le altre entità che controllano, sono controllate da o sono sotto il controllo comune di tale entità. Ai fini della presente definizione, per "**controllo**" si intende (i) il potere, diretto o indiretto, di dirigere o gestire tale entità, per diritto contrattuale o altrimenti stabilito, o (ii) il possesso del cinquanta per cento (50%) o più delle azioni in circolazione, o (iii) la proprietà effettiva di tale entità. "**Utente**" (o "**dell'utente**") si riferisce a una persona fisica o un'entità giuridica che esercita le autorizzazioni concesse dalla presente licenza. Per formato "**sorgente**" si intende il formato prescelto per apportare modifiche, incluse, ma non limitate a, il codice sorgente del software, la sorgente della documentazione e i file di configurazione. Per formato "**oggetto**" si intende qualsiasi formato derivante dalla trasformazione meccanica o dalla traduzione di un formato sorgente, inclusi, a titolo esemplificativo ma non esaustivo, il codice oggetto compilato, la documentazione generata e le conversioni in altri tipi di file multimediali. Per "**opera**" si intende l'opera d'autore, in formato sorgente o oggetto, resa disponibile dalla licenza come indicato da un avviso di copyright incluso o allegato all'opera (ad esempio l'Appendice riportata di seguito). Per "**opere derivate**" si intende qualsiasi opera, in formato sorgente o oggetto, basata sull'opera (o da essa derivata) e per cui le revisioni, le annotazioni, le elaborazioni redazionali o altre modifiche costituiscono, nel complesso, un'opera originale dell'autore. Ai fini della presente licenza, la definizione di "opere derivate" non include le opere che sono separabili da, o quelle solo collegate (o associate per nome) alle interfacce dell'opera e delle opere derivate. Per "**contributo**" si intende qualsiasi opera d'autore, compresa la versione originale dell'opera e qualsiasi modifica o aggiunta a tale opera o alle opere derivate, intenzionalmente sottoposta al concessore della licenza per essere inclusa nell'opera dal proprietario del copyright, o da una persona fisica o entità giuridica autorizzata a sottoporla per suo conto. Ai fini della presente definizione, per "**sottoposta**" si intende l'invio tramite qualsiasi forma di comunicazione elettronica, verbale o scritta inviata al concessore della licenza o ai suoi rappresentanti, inclusa, a titolo esemplificativo ma non esaustivo, la comunicazione tramite mailing-list, sistemi di controllo del codice sorgente e sistemi di rilevamento dei problemi gestiti dal concessore della licenza, o per suo conto, allo scopo di discutere e migliorare l'opera stessa. Da tale definizione è esclusa la comunicazione chiaramente contrassegnata, o indicata in un altro modo per iscritto, dal proprietario del copyright come "**non un contributo**".

Per "**collaboratore**" si intende il conceditore della licenza e qualsiasi persona fisica o entità giuridica per conto della quale il conceditore della licenza ha ricevuto un contributo che ha successivamente integrato nell'opera.

2. Concessione della licenza di copyright.

In base ai termini e alle condizioni di questa licenza, ciascun collaboratore con la presente concede all'utente la licenza di copyright a tempo indeterminato, valida a livello mondiale, non esclusiva, gratuita, esente da royalty e irrevocabile che dà il diritto di riprodurre, preparare le opere derivate, visualizzare e utilizzare pubblicamente, concedere in licenza a terzi e distribuire l'opera e le opere da essa derivate in formato sorgente o oggetto.

3. Concessione della licenza di brevetto.

In base ai termini e alle condizioni di questa licenza, ciascun collaboratore con la presente concede all'utente una licenza di brevetto a tempo indeterminato, valida a livello mondiale, non esclusiva, gratuita, esente da royalty e irrevocabile (salvo quanto stabilito nella presente sezione) che dà il diritto di produrre, far produrre, utilizzare, offrire in vendita, vendere, importare e trasferire in altro modo l'opera, laddove tale licenza si applica solo a quelle rivendicazioni di brevetti cedibili in licenza dal collaboratore che sono violati inevitabilmente da uno o più dei suoi contributi all'opera per cui tali contributi sono stati inviati. Se l'utente istituisce un contenzioso sui brevetti nei confronti di un'entità (compreso un ricorso incidentale o un riconvenzionale in una causa) dichiarando che l'opera o un contributo ad essa integrato costituisce una violazione diretta o che contribuisce alla violazione del brevetto, allora qualsiasi licenza di brevetto concessa all'utente ai sensi della presente licenza per quell'opera avrà termine alla data di inizio di tale contenzioso.

4. Ridistribuzione.

L'utente può riprodurre e distribuire copie dell'opera o delle opere derivate su qualsiasi supporto, con o senza modifiche, in formato sorgente o oggetto, a condizione che l'utente rispetti le seguenti condizioni:

- L'utente deve fornire agli altri destinatari dell'opera o delle opere derivate una copia della presente licenza.
- In caso di qualsiasi modifica, l'utente deve apporre sui file interessati avvisi bene visibili che indichino tale modifica. – L'utente deve conservare nel formato sorgente delle opere derivate da lui distribuite, tutti gli avvisi relativi a copyright, brevetto, marchio e attribuzione del formato sorgente dell'opera, salvo quelli che non riguardano alcuna parte delle opere derivate.
- Se l'opera include un file di testo "**AVVISO**" nell'ambito della sua distribuzione, le eventuali opere derivate distribuite dall'utente devono includere una copia leggibile degli avvisi di attribuzione contenuti in tale file (ad eccezione di quelli che non riguardano alcuna parte delle opere derivate)

in almeno una delle seguenti posizioni: in un file di testo **AVVISO** distribuito come parte delle opere derivate; in un formato o nella documentazione sorgente, se fornito insieme alle opere derivate; oppure in una visualizzazione generata dalle opere derivate, se e dove tali avvisi di terze parti normalmente compaiono. Il contenuto del file **AVVISO** ha solo scopo informativo e non modifica la licenza. Nelle opere derivate che distribuisce, l'utente può aggiungere i propri avvisi di attribuzione, insieme o come appendice al testo di **AVVISO** dell'opera, a condizione che tali avvisi di attribuzione aggiuntivi non possano essere interpretati come modifiche della licenza. L'utente può aggiungere una dichiarazione di copyright alle sue modifiche e fornire termini e condizioni di licenza aggiuntivi o differenti in merito all'uso, alla riproduzione o alla distribuzione delle sue modifiche, o in merito a qualsiasi altra opera derivata nel suo complesso, a condizione che l'uso, la riproduzione e la distribuzione dell'opera da parte dell'utente siano comunque conformi alle condizioni indicate nella presente licenza.

5. Invio dei contributi.

Salvo diversamente specificato, qualsiasi contributo intenzionalmente inviato per l'inclusione nell'opera da parte dell'utente al conceditore della licenza sarà soggetto ai termini e alle condizioni della presente licenza, senza ulteriori termini o condizioni. Fatto salvo quanto esposto sopra, nulla di quanto accluso nel presente documento sostituirà o modificherà i termini di qualsiasi contratto di licenza separato che l'utente potrebbe aver sottoscritto con il conceditore della licenza in relazione a tali contributi.

6. Marchi.

La presente licenza non concede l'autorizzazione a utilizzare i nomi commerciali, i marchi, i marchi di servizio o i nomi dei prodotti del conceditore della licenza, salvo quanto richiesto per un uso ragionevole e abituale nella descrizione dell'origine dell'opera e nella riproduzione del contenuto del file di **AVVISO**.

7. Esclusione di garanzia.

Se non previsto dalla legge applicabile o concordato per iscritto, il conceditore della licenza fornisce l'opera (e ciascun collaboratore fornisce i propri contributi) "**COSÌ COM'È**", **SENZA GARANZIE O CONDIZIONI DI ALCUN TIPO**, esplicito o implicite, incluse, ma non limitate a, tutte le garanzie o le condizioni di **TITOLARITÀ, NON CONTRAFFAZIONE, COMMERCIALIZZABILITÀ o IDONEITÀ PER UNO SCOPO SPECIFICO**. L'utente è l'unico responsabile di determinare l'idoneità dell'utilizzo o della ridistribuzione dell'opera e si assume tutti i rischi associati all'esercizio di concessione delle autorizzazioni ai sensi della presente licenza. 8. Limitazione di responsabilità. In nessun caso e in base a nessuna teoria giuridica, sia per illecito (inclusa la negligenza), per diritto contrattuale o altrimenti stabilito, se non

previsto dalla legge applicabile (come in caso di atti deliberati e gravemente negligenti) o concordato per iscritto, il collaboratore sarà responsabile nei confronti dell'utente per danni, inclusi danni diretti, indiretti, speciali, incidentali o consequenziali di qualsiasi carattere derivanti dalla presente licenza o dall'uso o dall'impossibilità di utilizzare l'opera (inclusi, a titolo esemplificativo ma non esaustivo, danni per mancato avviamento, interruzione dell'attività, guasto o malfunzionamento del computer, o qualsiasi altro danno o perdita commerciale), anche se tale collaboratore è stato informato della possibilità di tali danni.

Durante la redistribuzione dell'opera o delle opere derivate, l'utente può scegliere di offrire, a pagamento, l'accettazione di assistenza, garanzia, indennizzo o altri obblighi di responsabilità e/o diritti conformi alla presente licenza. Tuttavia, accettando tali obblighi, l'utente può agire solo per proprio conto e sotto la propria esclusiva responsabilità, non per conto di altri collaboratori, e solamente se accetta di indennizzare, difendere e manlevare ciascun collaboratore da eventuali responsabilità o rivendicazioni avanzate contro il collaboratore a seguito dell'accettazione da parte dell'utente di tale garanzia o responsabilità aggiuntiva.
FINE DEI TERMINI E CONDIZIONI

9. Accettazione della garanzia o responsabilità aggiuntiva.

Inhalt

Einleitung.....	70	Transport, Lagerung und Entsorgung.....	81
Sicherheit.....	71	Technische Daten.....	83
Montage.....	79	Zubehör.....	83
Betrieb.....	79	Konformitätserklärung.....	84
Wartung.....	80	Lizenzen.....	85

Einleitung

Produktbeschreibung

Husqvarna Aspire Pole-P4A ist ein akkubetriebenes Antriebsaggregat mit Teleskopfunktion.

ist. Siehe zugelassenes Zubehör unter *Zubehör auf Seite 83*. Lesen Sie diese Bedienungsanleitung zusammen mit der Bedienungsanleitung des zugelassenen Zubehörs.

Verwendungszweck

Dieses Antriebsaggregat ist eine separates Teil, das nur in Verbindung mit zugelassenem Zubehör einsatzbereit

Geräteübersicht

(Abb. 1)

1. Drehgelenk
2. Verriegelungsknopf für Anbaugerät
3. Hebel für Teleskopfunktion
4. Schaft
5. Weicher Überzug
6. Haken für Tragegurt
7. Verriegelungstaste für Gashebelsperre
8. Hinterer Handgriff
9. Gashebelsperre
10. Gashebel
11. Bedienungsanleitung
12. Akkuentriegelungstaste
13. Ladegerät
14. Betriebs- und Warnanzeige
15. Verbinder
16. Aufbewahrungshalterung, Schrauben und Dübel

Symbole auf dem Gerät

(Abb. 2) **WARNUNG:** Dieses Gerät kann gefährlich sein und schwere oder tödliche Verletzungen des Bedieners oder anderer Personen verursachen. Gehen Sie vorsichtig vor, und verwenden Sie das Gerät ordnungsgemäß.

(Abb. 3) Lesen Sie die Bedienungsanleitung aufmerksam durch und machen Sie sich mit den Anweisungen vertraut, bevor Sie das Gerät verwenden.

(Abb. 4) Tragen Sie dort, wo Gegenstände auf Sie fallen können, einen Schutzhelm. Tragen Sie einen zugelassenen Gehörschutz (Nur für Aspire P5-P4A + Aspire Pole-P4A). Tragen Sie einen zugelassenen Augenschutz.

- (Abb. 5) Tragen Sie zugelassene Schutzhandschuhe.
- (Abb. 6) Tragen Sie robuste und rutschfeste Stiefel. (Gilt nur für Aspire P5-P4A + Aspire Pole-P4A)
- (Abb. 7) Gleichstrom.
- (Abb. 8) Nennspannung, V
- (Abb. 9) Verwenden Sie das Gerät nicht bei Regen.
- (Abb. 10) Es besteht Verletzungsgefahr. Halten Sie Ihre Hände vom Schneidwerkzeug fern.
- (Abb. 11) Dieses Gerät entspricht den geltenden EU-Richtlinien.
- (Abb. 12) Dieses Gerät entspricht den geltenden UK-Richtlinien.
- (Abb. 13) Das Gerät und die Verpackung des Geräts dürfen nicht über den Hausmüll entsorgt werden. Recyceln Sie es an einer Recyclingstation für elektrische und elektronische Geräte.
- (Abb. 16) GEFAHR - Halten Sie genügend Abstand von elektrischen Leitungen.
- (Abb. 17) Auf dem Typenschild oder der Lasergravur ist die Seriennummer angegeben. **yyyy** ist das Produktionsjahr, und **ww** steht für die Produktionswoche.

Hinweis: Sonstige Symbole/Aufkleber auf dem Gerät beziehen sich auf spezielle Zertifizierungsanforderungen, die in bestimmten Ländern gelten.

Symbole auf dem Akku und/oder auf dem Ladegerät

- (Abb. 18) Recyceln Sie dieses Gerät an einer Recyclingstation für elektrische und elektronische Geräte. (Gilt nur für Europa)
- (Abb. 19) Verwenden Sie den Akku nur in Produkten von POWER FOR ALL-Systempartnern.
- (Abb. 20) Schützen Sie den Akku vor Hitze, z. B. vor dauerhafter Sonneneinwirkung, Feuer, Schmutz, Wasser und Feuchtigkeit. Es besteht Explosions- und Kurzschlussgefahr.
- (Abb. 21)

- (Abb. 14) Das Akkuladegerät darf nur in geschlossenen Räumen benutzt und aufbewahrt werden.
- (Abb. 15) Doppelt isoliert.

Produktschäden

Wir haften nicht für Schäden an unserem Produkt, wenn:

- das Gerät nicht ordnungsgemäß repariert wird.
- das Gerät mit Teilen repariert wird, die nicht vom Hersteller stammen oder nicht vom Hersteller zugelassen sind.
- ein Zubehörteil mit dem Gerät verwendet wird, das nicht vom Hersteller stammt oder nicht vom Hersteller zugelassen ist.
- das Gerät nicht bei einem zugelassenen Service Center oder von einem zugelassenen Fachmann repariert wird.

Hersteller

Husqvarna AB

Drottninggatan 2, SE-561 82 Huskvarna, Sweden, tel: +46-36-146 500

Sicherheit

Sicherheitsdefinitionen

Warnungen, Vorsichtsmaßnahmen und Hinweise werden verwendet, um auf besonders wichtige Teile der Bedienungsanleitung hinzuweisen.



WARNUNG: Wird verwendet, wenn bei Nichtbeachtung der Anweisungen in diesem Handbuch die Gefahr von Verletzung oder Tod des Bedieners oder anderer Personen besteht.



ACHTUNG: Wird verwendet, wenn bei Nichtbeachtung der Anweisungen in diesem Handbuch die Gefahr von Schäden am Gerät, an anderen Materialien oder in der Umgebung besteht.

Hinweis: Für weitere Informationen, die in bestimmten Situationen nötig sind.

Allgemeine Sicherheitshinweise für Elektrowerkzeuge



WARNUNG: Lesen Sie die Betriebsanleitung des zugelassenen Zubehörs zusammen mit der Betriebsanleitung dieses Antriebsaggregats.



WARNUNG: Lesen Sie alle für dieses Elektrowerkzeug vorgesehenen Sicherheitshinweise, Anleitungen, Abbildungen und technischen Daten. Wenn Sie die unten stehenden Anweisungen nicht befolgen, kann dies zu elektrischen Schlägen, Brand und/oder schweren Verletzungen führen.

Hinweis: Bewahren Sie alle Warnhinweise und Anweisungen für spätere Referenzzwecke auf. Der Begriff „Elektrowerkzeug“ in den Warnhinweisen bezieht sich auf ein Elektrowerkzeug mit Netzbetrieb (über ein Kabel) oder mit Akkubetrieb (kabellos).

Sicherheit im Arbeitsbereich

- Sorgen Sie für einen sauberen und gut ausgeleuchteten Arbeitsbereich. Durch zugestellte oder dunkle Arbeitsbereiche steigt die Unfallgefahr stark an.
- Betreiben Sie Elektrowerkzeuge niemals an Orten, an denen Explosionsgefahr besteht, z. B. in der Nähe von leicht entzündlichen Flüssigkeiten, Gasen oder Staubansammlungen. Bei der Arbeit mit Elektrowerkzeugen kann es zu Funkenbildung kommen, wodurch sich Staub oder Dämpfe entzünden können.
- Sorgen Sie bei der Arbeit mit Elektrowerkzeugen dafür, dass sich keine Kinder oder unbefugte Personen in der Nähe befinden. Durch Ablenkungen können Sie die Kontrolle über das Werkzeug verlieren.

Elektrische Sicherheit

- Die Netzstecker von Elektrowerkzeugen müssen zur Steckdose passen. Der Netzstecker darf in keiner Weise verändert werden. Verwenden Sie bei Elektrowerkzeugen mit Schutzkontakt (geerdet)

n niemals Adapterstecker. Nicht modifizierte Stecker und Steckdosen reduzieren das Risiko eines Elektroschocks.

- Vermeiden Sie Körperkontakt mit geerdeten Gegenständen wie Rohrleitungen, Heizungen, Herden oder Kühlschränken. Bei Körperkontakt mit geerdeten Gegenständen besteht ein erhöhtes Stromschlagrisiko.
- Setzen Sie Elektrowerkzeuge niemals Regen oder sonstiger Feuchtigkeit aus. Wenn Wasser in ein Elektrowerkzeug eindringt, erhöht sich das Stromschlagrisiko.
- Verwenden Sie das Anschlusskabel nicht missbräuchlich. Verwenden Sie das Anschlusskabel niemals zum Tragen oder Heranziehen des Elektrowerkzeugs, und ziehen Sie den Stecker nicht am Anschlusskabel aus der Steckdose. Halten Sie das Kabel fern von Hitzequellen, Öl, scharfen Kanten und beweglichen Teilen. Beschädigte oder verdrehte Anschlusskabel erhöhen das Stromschlagrisiko.
- Wenn Sie ein Elektrowerkzeug im Freien benutzen, verwenden Sie ein für den Außeneinsatz geeignetes Verlängerungskabel. Die Verwendung eines für den Außeneinsatz geeigneten Kabels verringert das Risiko eines Stromschlags.
- Falls der Einsatz eines Elektrowerkzeugs in einer feuchten Umgebung nicht zu vermeiden ist, benutzen Sie eine Stromversorgung mit FI-Schutzschalter (RCD). Die Verwendung einer Fehlerstrom-Schutzeinrichtung (RCD) verringert das Risiko eines elektrischen Schlags.

Persönliche Sicherheit

- Bleiben Sie aufmerksam, achten Sie auf das, was Sie tun, und setzen Sie gesunden Menschenverstand ein, wenn Sie mit Elektrowerkzeugen arbeiten. Benutzen Sie keine Elektrowerkzeuge, wenn Sie müde sind oder unter dem Einfluss von Drogen, Alkohol oder Medikamenten stehen. Bei der Arbeit mit Elektrowerkzeugen können bereits kurze Phasen der Unaufmerksamkeit zu schweren Verletzungen führen.
- Tragen Sie eine persönliche Schutzausrüstung. Tragen Sie stets einen Augenschutz. Schutzausrüstung wie Atemschutzmaske, rutschsichere Sicherheitsschuhe, Schutzhelm und Gehörschutz senkt bei angemessenem Einsatz das Verletzungsrisiko.
- Vermeiden Sie ein versehentliches Starten. Achten Sie darauf, dass sich der Schalter in der AUS-Stellung befindet, bevor Sie das Elektrowerkzeug an die Stromversorgung und/oder den Akku anschließen oder es hochheben oder herumtragen. Durch Herumtragen von Elektrowerkzeugen mit dem Finger am Schalter und das Einstecken des Steckers bei betätigtem Schalter steigt das Unfallrisiko stark an.

- **Entfernen Sie sämtliche Einstellschlüssel, bevor Sie das Elektrowerkzeug einschalten.** Ein an einem beweglichen Teil des Elektrowerkzeugs angebrachter Schlüssel kann zu Verletzungen führen.
- **Sorgen Sie für einen festen Stand. Achten Sie jederzeit darauf, sicher zu stehen und das Gleichgewicht zu bewahren.** Dadurch haben Sie das Elektrowerkzeug in unerwarteten Situationen besser im Griff.
- **Kleiden Sie sich richtig. Tragen Sie niemals lose sitzende Kleidung oder Schmuck. Halten Sie Haar und Kleidung von beweglichen Teilen fern.** Lose sitzende Kleidung, Schmuck oder langes Haar kann von beweglichen Teilen erfasst werden.
- **Wenn Anschlüsse für Staubabsaug- und Staubsammelvorrichtungen vorhanden sind, sorgen Sie dafür, dass diese richtig angeschlossen und eingesetzt werden.** Die Verwendung von Staubsammelvorrichtungen vermindert durch Staub verursachte Gefahren.
- **Lassen Sie nicht zu, dass Sie wegen Vertrautheit durch häufige Verwendung der Werkzeuge selbstgefällig werden und die Sicherheitsgrundsätze der Werkzeuge ignorieren.** Eine achtlose Handlung kann im Bruchteil einer Sekunde zu schweren Verletzungen führen.
- **Gefahr! Arbeiten Sie nicht in der Nähe von Hochspannungsfreileitungen.** Das Gerät wurde nicht entwickelt, um Schutz vor elektrischen Schlägen bei Kontakt mit Hochspannungsleitungen zu bieten. Berücksichtigen Sie die örtlich geltenden Vorschriften für einen sicheren Abstand von Hochspannungsfreileitungen und stellen Sie sicher, dass der Betriebsstandort sicher ist, bevor Sie mit dem Gerät arbeiten.

Verwendung und Pflege von Elektrowerkzeugen

- **Überbeanspruchen Sie Elektrowerkzeuge nicht. Benutzen Sie das richtige Elektrowerkzeug für Ihren Einsatzzweck.** Das richtige Elektrowerkzeug erledigt seine Arbeit bei bestimmungsgemäßem Einsatz besser und sicherer.
- **Benutzen Sie das Elektrowerkzeug nicht, wenn es sich nicht am Schalter ein- und ausschalten lässt.** Jedes Elektrowerkzeug, das nicht mit dem Schalter betätigt werden kann, stellt eine Gefahr dar und muss repariert werden.
- **Trennen Sie das Elektrowerkzeug von der Stromversorgung, bzw. entfernen Sie den Akku, bevor Sie Einstellungen vornehmen, Zubehörteile austauschen oder das Elektrowerkzeug verstauen.** Solche präventiven Sicherheitsmaßnahmen verhindern den unbeabsichtigten Start des Elektrowerkzeugs.
- **Lagern Sie nicht benutzte Elektrowerkzeuge außerhalb der Reichweite von Kindern, und lassen Sie nicht zu, dass Personen das Elektrowerkzeug bedienen, die nicht mit dem Werkzeug selbst**

und/oder diesen Anweisungen vertraut sind.

Elektrowerkzeuge stellen in ungeschulten Händen eine Gefahr dar.

- **Warten Sie Elektrowerkzeuge und Zubehör. Prüfen Sie auf Fehlausrichtungen, sicheren Halt und Leichtgängigkeit beweglicher Teile, Beschädigungen von Teilen sowie auf jegliche andere Zustände, die sich auf den Betrieb des Elektrowerkzeugs auswirken können. Bei Beschädigungen lassen Sie das Elektrowerkzeug reparieren, bevor Sie es benutzen.** Viele Unfälle mit Elektrowerkzeugen sind auf schlechte Wartung zurückzuführen.
- **Halten Sie Schneidwerkzeuge scharf und sauber.** Ordnungsgemäß gewartete Schneidwerkzeuge mit scharfen Schneidkanten bleiben seltener hängen und sind einfacher zu bedienen.
- **Benutzen Sie Elektrowerkzeuge, Zubehör, Werkzeugeinsätze und Ähnliches in Übereinstimmung mit diesen Anweisungen und auf die für das jeweilige Elektrowerkzeug bestimmungsgemäße Weise, und beachten Sie dabei die jeweiligen Arbeitsbedingungen und die Art der auszuführenden Arbeiten.** Der Einsatz eines Elektrowerkzeugs für Zwecke, die von den hier angegebenen abweichen, kann zu Gefahrensituationen führen.
- **Halten Sie die Handgriffe und Griffflächen trocken, sauber und frei von Öl und Fett.** Wenn Handgriffe und Griffflächen rutschig sind, kann das Werkzeug in unerwarteten Situationen nicht sicher bedient und kontrolliert werden.

Verwendung und Pflege von akkubetriebenen Werkzeugen

- **Eine Aufladung darf nur mit dem vom Hersteller vorgeschriebenen Ladegerät durchgeführt werden.** Durch ein für einen bestimmten Akkutyp geeignetes Ladegerät kann Brandgefahr entstehen, wenn es für einen anderen Akku verwendet wird.
- **Verwenden Sie Elektrowerkzeuge nur mit speziell ausgezeichneten Akkus.** Die Verwendung anderer Akkus kann zu Verletzungs- und Brandgefahr führen.
- **Wird der Akku nicht verwendet, halten Sie ihn von Metallgegenständen wie Büroklammern, Münzen, Schlüsseln, Nägeln, Schrauben oder anderen kleineren Metallobjekten fern, da es zu einer Überbrückung der Kontakte kommen könnte.** Durch Kurzschluss der Akkuklemmen kann es zu Verbrennungen oder Bränden kommen.
- **Unter missbräuchlichen Bedingungen kann Flüssigkeit aus dem Akku austreten; vermeiden Sie Kontakt damit. Bei versehentlichem Hautkontakt sofort mit Wasser abspülen. Sollten Ihre Augen damit in Berührung gekommen sein, suchen Sie sofort ärztliche Hilfe auf.** Durch austretende Flüssigkeit aus dem Akku kann es zu Reizungen oder Verbrennungen kommen.
- **Verwenden Sie keinen Akku und kein Werkzeug, der bzw. das defekt ist oder modifiziert wurde.**

Beschädigte oder modifizierte Akkus können ein unvorhersehbares Verhalten aufweisen, welches zu Feuer, Explosionen oder Verletzungsgefahren führen kann.

- **Setzen Sie Akku oder Werkzeug niemals Feuer oder sehr hohen Temperatur aus.** Feuer oder Temperaturen über 130 °C (266 °F) können zu einer Explosion führen.
- **Befolgen Sie die Ladeanweisungen und laden Sie den Akku oder das Werkzeug niemals bei Temperaturen außerhalb den in der Anleitung angegebenen Temperaturbereichen auf.** Unsachgemäßes Aufladen oder Aufladen bei Temperaturen außerhalb des angegebenen Bereichs kann den Akku beschädigen und die Brandgefahr erhöhen.

Service

- **Lassen Sie das Elektrowerkzeug von einem qualifizierten Fachmann reparieren, und bestehen Sie darauf, dass nur Originalersatzteile verwendet werden.** Auf diese Weise wird dafür gesorgt, dass die Sicherheit des Elektrowerkzeugs nicht beeinträchtigt wird.
- **Warten Sie niemals beschädigte Akkus.** Akkus dürfen nur vom Hersteller oder von autorisierten Serviceanbietern gewartet werden.

Andere allgemeine Sicherheitsinformationen

- Weitere spezifische Sicherheitshinweise finden Sie in der Bedienungsanleitung des jeweiligen Anbaugeräts.
- Schalten Sie das Gerät aus, bevor Sie sich in einen anderen Bereich begeben. Für die Übergabe des Geräts an eine andere Person muss der Akku entnommen werden.
- Legen Sie das Gerät nur dann ab, wenn Sie es ausgeschaltet und den Akku entfernt haben. Lassen Sie das Gerät nicht unbeaufsichtigt, wenn es eingeschaltet ist.
- Wird das Gerät ausgeschaltet, läuft das Schneidwerkzeug noch etwas nach.
- Vor Gebrauch des Geräts und nach jedem Schlag oder Stoß muss das Gerät auf Anzeichen von Verschleiß oder Schäden überprüft und ggf. repariert werden.
- Wenn während der Arbeit mit dem Gerät irgendetwas in der Schneidausrüstung hängen bleibt, halten Sie das Gerät an und schalten es aus. Stellen Sie sicher, dass die Schneidausrüstung vollständig stoppt. Entfernen Sie den Akku, bevor Sie das Gerät und/oder die Schneidausrüstung reinigen, überprüfen oder reparieren.
- Überprüfen Sie das Gerät vor dem Gebrauch. Siehe *Sicherheitsvorrichtungen am Gerät auf Seite 76* und *Wartung auf Seite 80*. Verwenden Sie das Gerät nicht, wenn es beschädigt ist. Führen Sie die in dieser Bedienungsanleitung beschriebenen Kontroll-, Wartungs- und Serviceanweisungen durch.

- Eine nicht ordnungsgemäß funktionierende Schneidausrüstung kann die Unfallgefahr erhöhen.
- Stellen Sie sicher, dass die Lüftungsöffnungen stets frei von Schmutz sind.
- Prüfen Sie, ob sich das Gerät in einwandfreiem Arbeitszustand befindet. Prüfen Sie, ob alle Muttern und Schrauben angezogen sind.
- Dieses Gerät ist ein gefährliches Werkzeug, wenn Sie nicht aufpassen oder es unsachgemäß verwenden. Dieses Gerät kann schwere oder tödliche Verletzungen des Bedieners oder anderer Personen verursachen.
- Der Gebrauch des Geräts durch Personen (einschließlich Kindern), die über eingeschränkte körperliche, sensorische oder geistige Fähigkeiten verfügen oder denen es an der erforderlichen Erfahrung und Kenntnissen mangelt, ist untersagt, sofern sie nicht von einer für ihre Sicherheit verantwortlichen Person bei der Arbeit überwacht und im Gebrauch des Geräts zuvor geschult wurden. Lassen Sie keine Kinder mit dem Gerät spielen. Das Gerät ist kein Spielzeug!
- Erlauben Sie niemals Kindern, das Gerät zu benutzen oder sich in seiner Nähe aufzuhalten. Da das Gerät leicht zu starten ist, könnten auch Kinder bei unzureichender Aufsicht in der Lage sein, es zu starten. Dies kann zu schweren Verletzungen führen. Entfernen Sie stets den Akku, wenn das Gerät unbeaufsichtigt ist.
- Kinder oder nicht im Gebrauch des Geräts und/oder des Akkus geschulte Personen dürfen das Gerät bzw. den Akku weder bedienen noch warten.
- Lagern Sie die Ausrüstung in einem verschließbaren Raum, sodass sie für Kinder und Unbefugte unzugänglich ist.
- Verwenden Sie für die Lagerung und den Transport stets einen Transportschutz.
- Halten Sie Hände und Füße stets vom Schnittbereich fern. Dies gilt insbesondere während des Motorstarts.
- Halten Sie Hände und Füße nach dem Abschalten von der Schneidausrüstung fern, bis diese vollständig stillsteht.
- Sie dürfen das geschnittene Material nicht selbst entfernen oder von anderen Personen entfernen lassen, wenn das Gerät noch aktiviert ist oder die Schneidausrüstung sich dreht, weil dies zu schweren Verletzungen führen kann.
- Denken Sie stets daran, dass Sie als Bediener für eventuell entstehende Sach- und Personenschäden verantwortlich sind.
- Unter keinen Umständen darf die ursprüngliche Konstruktion des Geräts ohne Genehmigung des Herstellers geändert werden. Verwenden Sie immer Originalzubehör. Unzulässige Änderungen und/oder unzulässiges Zubehör können zu schweren oder sogar tödlichen Verletzungen des Anwenders oder anderer Personen führen. Möglicherweise deckt Ihre Gewährleistung keine Schäden, die durch die Verwendung von nicht zulässigem Zubehör oder

nicht zulässigen Ersatzteilen verursacht werden, bzw. keine diesbezügliche Haftung ab.

- Das einzige Zubehör, mit dem dieses Gerät verwendet werden darf, ist die Schneidausrüstung, die im Kapitel „Zubehör“ empfohlen wird.
- Arbeiten Sie niemals mit einem Gerät, das ohne Zustimmung des Herstellers modifiziert wurde und nicht mehr mit der Originalausführung übereinstimmt
- Arbeiten Sie niemals mit einem defekten Gerät. Befolgen Sie die Kontroll-, Wartungs- und Serviceanweisungen in dieser Betriebsanleitung. Gewisse Wartungs- und Servicemaßnahmen sind von geschulten, qualifizierten Fachleuten auszuführen. Siehe *Wartung auf Seite 80*.
- Das Arbeiten bei schlechtem Wetter ist nicht nur ermüdend, sondern birgt auch zusätzliche Risiken. Aufgrund des höheren Risikos wird davon abgeraten, das Gerät bei sehr schlechtem Wetter zu verwenden, z. B. bei dichtem Nebel, starkem Regen, starkem Wind, großer Kälte, Gewittergefahr usw.
- Arbeiten Sie niemals stehend auf einer Leiter oder einem Hocker oder in einer anderen, nicht ausreichend gesicherten erhöhten Position.
- Lagern Sie inaktive Geräte in Innenräumen – Geräte, die nicht benutzt werden, sollten in Innenräumen gelagert werden.
- Es ist unmöglich, hier alle denkbaren Situationen zu beschreiben. Gehen Sie stets vorsichtig vor und arbeiten Sie mit gesundem Menschenverstand. Vermeiden Sie Situationen, denen Sie sich nicht gewachsen fühlen. Wenn Sie sich nach dem Lesen dieser Anweisungen immer noch unsicher fühlen, wie Sie vorgehen sollen, bitten Sie einen Fachmann um Rat, bevor Sie fortfahren.
- Stellen Sie sicher, dass Menschen und Tiere während des Einsatzes einen Abstand von mindestens 15 Metern (15 feet) einhalten. Wenn mehrere Bediener am gleichen Einsatzort tätig sind, muss der Sicherheitsabstand mindestens 15 Meter (15 feet) betragen. Andernfalls kann es zu schweren Verletzungen kommen. Stellen Sie das Gerät sofort ab, wenn sich Personen oder Tiere nähern. Drehen Sie sich niemals abrupt mit dem Gerät um, ohne vorher sicherzustellen, dass sich hinter Ihnen niemand innerhalb der Sicherheitszone befindet.
- Wenn während der Arbeit mit dem Gerät irgendetwas in der Schneidausrüstung hängen bleibt, halten Sie das Gerät an und schalten es aus. Stellen Sie sicher, dass die Schneidausrüstung vollständig stoppt. Entfernen Sie den Akku, bevor Sie das Gerät und/oder die Schneidausrüstung reinigen, überprüfen oder reparieren.
- Stellen Sie sicher, dass weder Menschen noch Tiere oder andere Dinge die Kontrolle des Geräts beeinflussen oder mit der Schneidausrüstung oder umherfliegenden Gegenständen in Berührung kommen. Sie dürfen das Gerät niemals benutzen, wenn nicht die Möglichkeit besteht, im Falle eines Unfalls Hilfe herbeizurufen.

- Vergewissern Sie sich, dass Sie sicher gehen und stehen können. Achten Sie auf eventuelle Hindernisse (Wurzeln, Steine, Äste, Löcher, Gräben usw.), wenn Sie unvermittelt Ihren Standort wechseln. Beim Arbeiten auf abschüssigem Boden müssen Sie immer sehr vorsichtig sein.
- Gehen Sie, auf keinen Fall dürfen Sie laufen.
- Überprüfen Sie den Arbeitsbereich. Entfernen Sie alle losen Gegenstände, z. B. Steine, Glasscherben, Nägel, Drähte, Schnüre, usw., die weggeschleudert werden oder sich in der Schneidausrüstung oder Schutzausrüstung verfangen können.
- Achten Sie auf Aststückchen, die beim Schneiden weggeschleudert werden können. Schneiden Sie nicht zu dicht am Boden, wo Steine und andere Gegenstände weggeschleudert werden können.
- Stellen Sie sicher, dass keine Kleidung und kein Körperteil mit der Schneidausrüstung in Kontakt kommen, wenn das Gerät aktiviert ist. Halten Sie das Gerät stets unterhalb der Taille.
- Achten Sie auf hochgeschleuderte Gegenstände. Tragen Sie immer einen zugelassenen Augenschutz. Beugen Sie sich niemals über den Schutz der Schneidausrüstung. Hochgeschleuderte Steine, Unrat usw. können die Augen treffen und Blindheit oder schwere Verletzungen verursachen.
- Achten Sie immer genau auf Warnsignale oder Rufe, wenn Sie den Gehörschutz tragen. Nehmen Sie den Gehörschutz immer ab, sobald das Gerät abgestellt ist.
- Ziehen Sie bei unerwünschten Vibrationen einen neuen Faden bis zur richtigen Länge aus, um die Vibrationen zu stoppen.
- Wenn das Gerät anfängt, ungewöhnlich zu vibrieren, halten Sie es an und entfernen Sie den Akku.
- Eine übermäßige Belastung durch Vibrationen kann bei Personen mit Durchblutungsstörungen zu Kreislaufschäden oder Nervenschäden führen. Sprechen Sie mit Ihrem Arzt, wenn Sie nach übermäßiger Belastung durch Vibrationen irgendwelche Beschwerden haben. Beispiele solcher Symptome sind: Taubheit von Körperteilen, Gefühlsverlust, Jucken, Stechen, Schmerz, Verlust oder Beeinträchtigung der normalen Körperkraft, Veränderungen der Hautfarbe oder der Haut. Diese Beschwerden treten normalerweise in den Fingern, Händen und Handgelenken auf.
- Halten Sie das Gerät stets mit beiden Händen.

Persönliche Schutzausrüstung



WARNUNG: Lesen Sie die folgenden Warnhinweise, bevor Sie das Gerät benutzen.

- Verwenden Sie stets die vorgeschriebene persönliche Schutzausrüstung bei der Benutzung des Geräts. Die persönliche Schutzausrüstung kann Verletzungen nicht vollständig vermeiden, vermindert aber den Umfang der Verletzungen und

Schäden bei einem Unfall. Lassen Sie sich bei der Auswahl der richtigen Ausrüstung von Ihrem Händler beraten.

- Tragen Sie einen Schutzhelm in Bereichen, in denen Gefahr durch herabfallende Gegenstände besteht.
- Tragen Sie einen zugelassenen Gehörschutz mit ausreichender Lärminderung. Eine längerfristige Lärmeinwirkung kann zu bleibenden Gehörschäden führen.
- Tragen Sie einen zugelassenen Augenschutz. Bei der Benutzung eines Visiers ist außerdem eine zugelassene Schutzbrille zu tragen. Zugelassene Schutzbrillen müssen die Normen ANSI Z87.1 für die USA bzw. EN 166 für EU-Länder erfüllen.
- Verwenden Sie einen Gesichtsschutz. Ein Gesichtsschutz allein reicht nicht aus, um die Augen zu schützen.

(Abb. 22)

- Tragen Sie bei Bedarf Schutzhandschuhe, beispielsweise bei der Montage, der Untersuchung oder der Reinigung der Schneid-ausrüstung.
- Verwenden Sie rutschfeste und stabile Stiefel.
- Tragen Sie Kleidung aus reißfestem Material. Tragen Sie stets lange Hosen aus schwerem Stoff und lange Ärmel. Tragen Sie keine weite Kleidung, die sich leicht an Ästen und Zweigen verfangen könnte. Vermeiden Sie das Tragen von Schmuck, kurzen Hosen und Sandalen. Gehen Sie nicht barfuß. Binden Sie Ihre Haare sicherheitshalber zusammen, so dass sie nicht über Ihre Schultern fallen.

(Abb. 23)

- Halten Sie eine Erste-Hilfe-Ausrüstung und einen Feuerlöscher griffbereit.

(Abb. 24)

Sicherheitsvorrichtungen am Gerät



WARNUNG: Lesen Sie die folgenden Warnhinweise, bevor Sie das Gerät verwenden.

In diesem Abschnitt werden einzelnen Teile der Sicherheitsausrüstung des Gerätes beschrieben, welche Funktion sie haben und wie ihre Kontrolle und Wartung ausgeführt werden sollen, um sicherzustellen, dass sie funktionsfähig sind. Unter der Überschrift *Geräteübersicht auf Seite 70* finden Sie Angaben zur Position der Teile an Ihrem Gerät.

Die Lebensdauer des Geräts kann verkürzt werden und die Unfallgefahr kann steigen, wenn die Wartung des Geräts nicht ordnungsgemäß und Service und/oder Reparaturen nicht fachmännisch ausgeführt werden. Wenden Sie sich für weitere Informationen an Ihre Vertragswerkstatt.



WARNUNG: Benutzen Sie kein Gerät mit defekten Sicherheitsvorrichtungen. Die Sicherheitsausrüstung des Gerätes muss so kontrolliert und gewartet werden, wie dies in diesem Abschnitt beschrieben wird. Wenn Ihr Gerät diesen Anforderungen nicht entspricht, muss eine Servicewerkstatt aufgesucht werden.



ACHTUNG: Service und Reparatur des Gerätes erfordern eine Spezialausbildung. Dies gilt besonders für die Sicherheitsausrüstung des Gerätes. Wenn Ihr Gerät den unten aufgeführten Kontrollanforderungen nicht entspricht, müssen Sie Ihre Servicewerkstatt aufsuchen. Beim Kauf eines unserer Geräte wird gewährleistet, dass Reparatur- oder Servicearbeiten fachmännisch ausgeführt werden. Sollte der Verkäufer Ihres Gerätes nicht an unser Fachhändler-Service-Netz angeschlossen sein, fragen Sie nach unserer nächstgelegenen Servicewerkstatt.

So prüfen Sie die Gashebelsperre

Die Gashebelsperre verhindert ein versehentliches Auslösen. Wenn Sie den Handgriff loslassen, kehren Gashebel und Gashebelsperre wieder in ihre Ausgangsstellung zurück.

1. Drücken Sie die Verriegelungstaste für die Gashebelsperre nach vorne. (Abb. 25)
2. Stellen Sie sicher, dass der Gashebel gesperrt ist, wenn sich die Gashebelsperre in der Ausgangsstellung befindet. (Abb. 26)
3. Drücken Sie die Gashebelsperre auf die eine Seite und dann auf die andere Seite. Achten Sie darauf, dass sich die Gashebelsperre zurück in ihre Ausgangsposition bewegt. (Abb. 27)
4. Achten Sie darauf, dass sich der Gashebel und die Gashebelsperre frei bewegen können und dass die Rückstellfeder richtig funktioniert. (Abb. 28)
5. Starten Sie das Gerät, siehe *So starten Sie das Gerät auf Seite 80*.
6. Lassen Sie den Gashebel los und stellen Sie sicher, dass das Gerät vollständig anhält.

Sicherheitshinweise für die Montage



WARNUNG: Lesen Sie die Bedienungsanleitung dieses Antriebsaggregats zusammen mit der Bedienungsanleitung des zugelassenen Zubehörs.

- Entfernen Sie den Akku aus dem Gerät, bevor Sie es montieren.

- Tragen Sie zugelassene Schutzhandschuhe.
- Ein beschädigter oder falscher Schutz kann Verletzungen verursachen. Verwenden Sie keine Schneidausrüstung, an der kein zugelassener Schutz befestigt ist.
- Stellen Sie sicher, dass Sie das Anbaugerät korrekt montieren, bevor Sie das Gerät starten.
- Wenn ein Tragegurt mit dem Anbaugerät mitgeliefert wird, muss der Tragegurt korrekt am Gerät angebracht werden. Der Tragegurt sorgt für einen sicheren Betrieb und verhindert Verletzungen beim Bediener oder anderen Personen.

Sicherer Umgang mit Akkus



WARNUNG: Lesen Sie alle Sicherheitshinweise und allgemeinen Anweisungen. Wenn Sie die Sicherheitshinweise und allgemeinen Anweisungen nicht beachten, kann dies zu Stromschlägen, Brand und/oder schweren Verletzungen führen. **Bewahren Sie alle Sicherheitshinweise und allgemeinen Anweisungen zur späteren Verwendung auf.**

- **Diese Sicherheitshinweise gelten nur für 18-V-Lithium-Ionen-Akkus für das POWER FOR ALL-System.**
- **Verwenden Sie den Akku nur in Produkten von POWER FOR ALL Systempartnern.** Mit POWER FOR ALL gekennzeichnete 18-V-Akkus sind mit folgenden Geräten vollständig kompatibel:
 - Alle Geräte des 18-V-POWER FOR ALL-Akkusystems.
 - Alle 18-V-Geräte von POWER FOR ALL-Systempartnern.
- **Beachten Sie die Akkuempfehlungen in der Betriebsanleitung Ihres Geräts.** Nur so können Akku und Gerät gefahrlos betrieben und die Akkus vor gefährlicher Überlastung geschützt werden.
- **Laden Sie die Akkus nur mit vom Hersteller oder von POWER FOR ALL-Systempartnern empfohlenen Ladegeräten auf.** Ein Ladegerät, das für einen bestimmten Akkutyp geeignet ist, kann bei Verwendung mit einem anderen Akku ein Brandrisiko darstellen.
- **Der Akku wird teilweise aufgeladen ausgeliefert.** Laden Sie den Akku im Ladegerät für volle Akkukapazität vollständig auf, bevor Sie das Elektrowerkzeug zum ersten Mal benutzen.
- **Bewahren Sie die Akkus für Kinder unzugänglich auf.**
- **Öffnen Sie den Akku nicht.** Es besteht Kurzschlussgefahr.
- **Bei Beschädigung und unsachgemäßer Verwendung des Akkus können Dämpfe freigesetzt werden. Der Akku kann sich entzünden oder explodieren.** Stellen Sie sicher, dass der Bereich gut belüftet ist, und suchen Sie einen Arzt auf, falls Sie negative

Auswirkungen bemerken. Die Dämpfe können die Atemwege reizen.

- **Bei unsachgemäßer Verwendung oder bei Beschädigung kann brennbare Flüssigkeit aus dem Akku entweichen. Hautkontakt mit dieser Flüssigkeit ist zu vermeiden. Bei versehentlichem Hautkontakt, spülen Sie die Stelle sofort mit Wasser ab. Bei versehentlichem Kontakt mit den Augen, suchen Sie zusätzlich einen Arzt auf.** Austretende Akkuflüssigkeit kann Reizungen oder Verätzungen verursachen.
- **Wenn der Akku beschädigt wird, kann Flüssigkeit austreten und sich auf Oberflächen in der Nähe verteilen. Überprüfen Sie die betroffenen Teile.** Reinigen Sie diese Teile, oder ersetzen Sie sie bei Bedarf.
- **Den Akku nicht kurzschließen. Wird der Akku nicht verwendet, halten Sie ihn von Büroklammern, Münzen, Schlüsseln, Nägeln, Schrauben oder anderen kleineren Metallgegenständen fern, da es zu einer Überbrückung der Kontakte kommen könnte.** Durch Kurzschluss der Akkuklemmen kann es zu Verbrennungen oder Bränden kommen.
- **Der Akku kann durch spitze Gegenstände wie Nägel oder Schraubendreher oder durch Krafteinwirkung von außen beschädigt werden.** Es kann ein interner Kurzschluss auftreten, der zu Verbrennung, Rauchentwicklung, Explosion oder Überhitzung des Akkus führen kann.
- **Warten Sie niemals beschädigte Akkus.** Akkus dürfen nur vom Hersteller oder von autorisierten Serviceanbietern gewartet werden.
- **Schützen Sie den Akku vor Hitze, z. B. vor dauerhafter Sonneneinwirkung, Feuer, Schmutz, Wasser und Feuchtigkeit.** Es besteht Explosions- und Kurzschlussgefahr.
- **Der Akku darf nur im Gerät verwendet werden, wenn die Umgebungstemperatur zwischen -5 °C – 40 °C liegt.**
- **Lagern Sie den Akku nur bei einer Umgebungstemperatur zwischen -20 °C – 50 °C.** Lassen Sie den Akku beispielsweise im Sommer nicht im Auto. Bei Temperaturen unter 0 °C kann es bei einigen Geräten zu einem Leistungsverlust kommen.
- **Laden Sie den Akku nur bei einer Umgebungstemperatur von 0 °C – +35 °C auf.** Wenn Sie das Gerät außerhalb dieses Temperaturbereichs aufladen, kann dies das Risiko erhöhen, dass der Akku beschädigt wird, und es kann zur Brandgefahr kommen.

Sicherer Umgang mit dem Ladegerät



WARNUNG: Lesen Sie alle Sicherheitshinweise und allgemeinen Anweisungen. Wenn Sie die Sicherheitshinweise und allgemeinen Anweisungen nicht beachten, kann dies zu Stromschlägen, Brand und/oder schweren

Verletzungen führen. **Bewahren Sie diese Anleitung an einem sicheren Ort.** Verwenden Sie das Ladegerät nur, wenn Sie alle Funktionen vollständig beurteilen und ohne Einschränkungen nutzen können oder wenn Sie entsprechende Anweisungen erhalten haben.

- **Dieses Ladegerät ist nicht für die Verwendung durch Kinder oder Personen mit eingeschränkten körperlichen, sensorischen oder geistigen Fähigkeiten oder Mangel an Erfahrung oder Know-how vorgesehen. Dieses Ladegerät kann von Kindern ab 8 Jahren und von Personen mit eingeschränkten körperlichen, sensorischen oder geistigen Fähigkeiten oder Mangel an Erfahrung oder Knowhow verwendet werden, wenn eine für ihre Sicherheit verantwortliche Person sie überwatcht nicht für den sicheren Betrieb des Ladegeräts eingewiesen hat und sie die damit verbundenen Gefahren verstanden haben.** Andernfalls besteht die Gefahr von Bedienungsfehlern und Verletzungen.
- **Beaufsichtigen Sie Kinder während der Verwendung, Reinigung und Wartung.** Dadurch wird verhindert, dass Kinder mit dem Ladegerät spielen.
- **Laden Sie 18 V-POWER FOR ALL-Systemakkus ausschließlich mit einer Kapazität von mind. 1,5 Ah auf. Die Akkuspannung muss mit der Ladespannung des Ladegeräts übereinstimmen. Laden Sie keine wiederaufladbaren Batterien auf.** Andernfalls besteht Brand- und Explosionsgefahr.
- **Verwenden Sie das Ladegerät nur in geschlossenen Räumen und setzen Sie es keiner Feuchtigkeit aus.** Wenn Wasser in ein Elektrowerkzeug eindringt, erhöht sich das Stromschlagrisiko.
- **Halten Sie das Ladegerät sauber.** Durch Schmutz besteht Stromschlaggefahr.
- **Überprüfen Sie vor Gebrauch das Ladegerät, das Kabel und den Stecker. Verwenden Sie das Ladegerät nicht mehr, wenn Sie Beschädigungen feststellen. Öffnen Sie das Ladegerät nicht selbst, und lassen Sie es nur von Husqvarna oder einem autorisierten Kundendienstzentrum unter ausschließlicher Verwendung von Original-Ersatzteilen reparieren.** Beschädigte Ladegeräte, Kabel und Stecker erhöhen die Stromschlaggefahr.
- **Verwenden Sie das Ladegerät nicht auf leicht entzündlichen Oberflächen (z. B. Papier, Textilien usw.) oder in einer entzündlichen Umgebung.** Durch das Aufheizen des Ladegeräts während des Betriebs besteht Brandgefahr.
- **Bedecken Sie die Lüftungsschlitze des Ladegeräts nicht.** Andernfalls kann sich das Ladegerät überhitzen und funktioniert nicht mehr ordnungsgemäß.
- **Eine Aufladung darf nur mit dem vom Hersteller vorgeschriebenen Ladegerät durchgeführt werden.** Durch ein für einen bestimmten Akkutyp geeignetes Ladegerät kann Brandgefahr entstehen, wenn es für einen anderen Akku verwendet wird.

- **Bei Beschädigung und unsachgemäßer Verwendung des Akkus können ebenfalls Dämpfe freigesetzt werden.** Stellen Sie sicher, dass der Bereich gut belüftet ist, und suchen Sie einen Arzt auf, falls Sie negative Auswirkungen bemerken. Die Dämpfe können die Atemwege reizen.
- **Bei falschem Gebrauch kann Flüssigkeit aus dem Akku austreten. Hautkontakt mit dieser Flüssigkeit ist zu vermeiden. Bei versehentlichem Hautkontakt, spülen Sie die Stelle sofort mit Wasser ab. Bei versehentlichem Kontakt mit den Augen, suchen Sie zusätzlich einen Arzt auf.** Austretende Akkufflüssigkeit kann Reizungen oder Verätzungen verursachen.
- **Nur in GB verkaufte Geräte:** Das Gerät ist mit einem nach BS 1363/A zugelassenen elektrischen Stecker mit interner Sicherung ausgestattet (ASTA-Zulassung gemäß BS 1362). Wenn der Stecker nicht für Ihre Steckdosen geeignet ist, sollte er von einem autorisierten Kundendienstmitarbeiter abgeschnitten und durch einen geeigneten Stecker ersetzt werden. Der Ersatzstecker sollte die gleiche Sicherungsleistung wie der Originalstecker haben. Der abgetrennte Stecker muss entsorgt werden, um das Risiko eines Stromschlags zu vermeiden, und darf niemals in eine andere Steckdose gesteckt werden.

Sicherheitshinweise für die Wartung



WARNUNG: Lesen Sie die folgenden Warnhinweise, bevor Sie das Gerät warten.

- Entfernen Sie vor Wartungs-, Kontroll- oder Montagearbeiten den Akku.
- Der Bediener darf nur die Wartungs- und Servicearbeiten ausführen, die in dieser Bedienungsanleitung beschrieben sind. Für darüber hinausgehende Wartungs- und Servicearbeiten wenden Sie sich bitte an Ihren Servicehändler.
- Reinigen Sie weder den Akku noch das Ladegerät mit Wasser. Starke Reiniger können den Kunststoff beschädigen.
- Wenn Wartungsarbeiten nicht durchgeführt werden, verringert sich die Lebensdauer des Geräts und die Unfallgefahr steigt.
- Für alle Service- und Reparaturarbeiten, insbesondere an den Sicherheitsvorrichtungen des Geräts, ist eine spezielle Schulung erforderlich. Wenn nach Durchführung der Wartungsarbeiten nicht alle in dieser Bedienungsanleitung beschriebenen Prüfungen mit positivem Ergebnis ausfallen, wenden Sie sich an Ihren Servicehändler. Wir garantieren Ihnen, dass für Ihr Gerät professionelle Service- und Reparaturdienste verfügbar sind.
- Verwenden Sie nur Original-Ersatzteile.
- Tragen Sie bei der Reparatur der Schneidausrüstung immer schwere

Arbeitshandschuhe. Die Klingen sind extrem scharf und können leicht Verletzungen hervorrufen.

Montage

Einleitung



WARNUNG: Lesen Sie vor der Montage des Geräts das Kapitel über Sicherheit, und machen Sie sich damit vertraut.

So montieren Sie das Anbaugerät

1. Befestigen Sie das Anbaugerät (A) am Antriebsaggregat (B). Das Anbaugerät muss leicht in die Halterung des Antriebsaggregats gleiten, anderenfalls ist es nicht korrekt montiert. (Abb. 29)
2. Ziehen Sie den Verriegelungsknopf (C) an.

Hinweis: Wenn das Anbaugerät auf dem Antriebsaggregat montiert wird, wird die Benutzeroberfläche des Anbaugeräts getrennt.

So passen Sie die Länge des Teleskopschafts an:

1. Heben Sie den Hebel (A) am Schaft an. (Abb. 30)
2. Passen Sie den Teleskopschaft auf die gewünschte Länge an.
3. Drücken Sie den Hebel nach unten, um den Teleskopschaft zu verriegeln.

So befestigen Sie den Haken an einer Wand

- Montieren Sie den Haken im Innenbereich.

- Schützen Sie den Aufbewahrungshaken vor Sonnenlicht und setzen Sie ihn nur Umgebungstemperaturen von -10 °C bis 70 °C aus.
- Montieren Sie den Aufbewahrungshaken an einer Trockenbau-, Holz- oder Betonwand.



ACHTUNG: Stellen Sie sicher, dass die Wand Lasten von mindestens 30 kg aufnehmen kann.

- Installieren Sie den Aufbewahrungshaken mit den drei Schrauben (A) an der Wand. Verwenden Sie bei Bedarf Dübel (B). (Abb. 31)



ACHTUNG: Stellen Sie sicher, dass die Schrauben für Ihren Wandtyp geeignet sind.

- Kontaktieren Sie Ihren Husqvarna Servicemitarbeiter, um Informationen über das verfügbare Lagerungszubehör für Ihr Gerät zu erhalten.

So hängen Sie das Gerät an den Aufbewahrungshaken

- Hängen Sie das Antriebsaggregat wie abgebildet an den Aufbewahrungshaken. (Abb. 32)

Betrieb

So führen Sie eine Funktionsprüfung vor Verwendung des Geräts durch

1. Entfernen Sie Schmutz und unerwünschte Substanzen mit einer Bürste aus dem Gerät.
2. Ziehen Sie alle Muttern und Schrauben an.
3. Achten Sie darauf, dass das Anbaugerät richtig befestigt ist.
4. Stellen Sie sicher, dass die Verriegelungstaste für die Gashebelsperre aktiviert ist.
5. Stellen Sie sicher, dass sich die Verriegelungsvorrichtungen des ausgezogenen Schafts und das schwenkbare Element in verriegelter Position befinden.

6. Untersuchen Sie das Anbaugerät auf Schäden, z. B. Risse. Ersetzen Sie das Anbaugerät bei Beschädigung.
7. Achten Sie darauf, dass das Gehäuse jeweils korrekt zusammengebaut und nicht beschädigt ist.
8. Vergewissern Sie sich, dass das Gerät ordnungsgemäß funktioniert.

So schließen Sie den Akku an das Gerät an



WARNUNG: Verwenden Sie im Gerät ausschließlich Lithium-Ionen-Akkus des POWER FOR ALL Systems P4A 18 V.

1. Stellen Sie sicher, dass der Akku vollständig geladen ist.

- Legen Sie den Akku in das Akkufach des Geräts. Der Akku muss leicht in das Akkufach gleiten, anderenfalls ist er nicht korrekt eingesetzt. (Abb. 33)
- Schieben Sie den Akku vollständig in den Akkuhalter ein. Der Akku rastet einem hörbaren Klickgeräusch in der richtigen Position ein.
- Achten Sie darauf, dass der Riegel korrekt einschnappt.

So starten Sie das Gerät

- Drücken Sie die Verriegelungstaste für die Gashebelsperre nach vorne. (Abb. 25)
- Drücken Sie die Gashebelsperre (A) von der linken oder rechten Seite und halten Sie den Gashebel (B) gedrückt. (Abb. 34)

So stoppen Sie das Gerät

- Lassen Sie den Gashebel los.
- Drücken Sie die Verriegelungstaste für die Gashebelsperre nach hinten, um das Gerät zu verriegeln.
- Drücken Sie die Entriegelungstaste am Akku und ziehen Sie den Akku heraus. (Abb. 35)

- Falls erforderlich, entfernen Sie das Anbaugerät vom Gerät.

So stellen Sie den Winkel ein

Das Gerät lässt sich in 7 verschiedenen Stufen einstellen.



WARNUNG: Stellen Sie den Winkel nicht ein, während Sie das Gerät verwenden.

- Stoppen Sie das Gerät und entfernen Sie den Akku.
- Halten Sie den Halter (A) fest. (Abb. 36)
- Drücken und halten Sie das Drehgelenk (B).
- Bringen Sie den Halter in die richtige Position.
- Lösen Sie das Drehgelenk, um den Halter zu verriegeln.
- Bewegen Sie den Halter nach oben und unten, bis er einrastet.

Wartung

Einleitung



WARNUNG: Lesen Sie vor Wartungsarbeiten am Gerät das Kapitel

über Sicherheit, und machen Sie sich damit vertraut.



WARNUNG: Entfernen Sie den Akku, bevor Sie Wartungsarbeiten am Gerät durchführen.

Wartungsplan

Nachstehend sind die am Gerät vorzunehmenden Wartungsmaßnahmen aufgelistet.

Instand halten	Vor dem Betrieb	Wöchentlich	Monatlich
Die äußeren Teile des Geräts mit einem sauberen und trockenen Tuch reinigen. Kein Wasser verwenden.	X		
Sicherstellen, dass die Verriegelungstaste für die Gashebelsperre ordnungsgemäß funktioniert und nicht beschädigt ist.	X		
Sicherstellen, dass Gashebel und Gashebelsperre sicherheitstechnisch ordnungsgemäß funktionieren.	X		
Achten Sie darauf, dass alle Bedienelemente richtig funktionieren und unbeschädigt sind.	X		
Die Handgriffe sauber und trocken halten.	X		
Sicherstellen, dass alle Schrauben und Muttern fest angezogen sind.	X		

Instand halten	Vor dem Betrieb	Wöchentlich	Monatlich
Sicherstellen, dass die Entriegelungstasten am Akku ordnungsgemäß funktionieren und der Akku in das Gerät einrastet.	X		
Sicherstellen, dass der Akku unbeschädigt ist.	X		
Sicherstellen, dass der Akku vollständig geladen ist.	X		
Sicherstellen, dass das Akkuladegerät unbeschädigt ist und ordnungsgemäß funktioniert.	X		
Alle Kabel, Kupplungen und Anschlüsse kontrollieren. Prüfen, ob sie sauber und unbeschädigt sind.		X	
Die Verbindungen zwischen dem Akku und dem Gerät prüfen.			X
Die Verbindung zwischen dem Akku und dem Akkuladegerät prüfen.			X

So reinigen Sie das Gerät, den Akku und das Ladegerät

1. Reinigen Sie das Gerät nach jedem Gebrauch mit einem trockenen Tuch.
2. Reinigen Sie Akku und Ladegerät mit einem trockenen Tuch. Die Akkuführungsschienen sauber halten.

3. Stellen Sie sicher, dass die Klemmen an Akku und Ladegerät sauber sind, bevor der Akku in das Ladegerät oder das Gerät gesteckt wird.

Transport, Lagerung und Entsorgung

Transport und Lagerung

- Die mitgelieferten Lithium-Ionen-Akkus entsprechen den Anforderungen des Gefahrgutrechts.
- Beachten Sie für den gewerblichen Transport, auch durch Dritte oder Speditionen, die gesonderten Anforderungen auf Verpackung und Etiketten.
- Sprechen Sie sich vor dem Versand des Geräts mit einer Person ab, die speziell im Gefahrgutversand geschult ist. Beachten Sie sämtliche geltenden nationalen Vorschriften.
- Bedecken Sie offene Kontakte mit Klebeband, wenn Sie den Akku in eine Verpackung legen. Stellen Sie sicher, dass der Akku in der Verpackung nicht verrutschen kann.
- Entnehmen Sie den Akku für die Lagerung oder den Transport.
- Bringen Sie den Akku und das Ladegerät an einem Ort unter, der trocken und frei von Feuchtigkeit und Frost ist.
- Lagern Sie den Akku nicht an einem Ort, an dem es zu elektrostatischen Entladungen kommen kann. Bewahren Sie den Akku nicht in einem Metallkasten auf.
- Stellen Sie bei der Lagerung des Akkus sicher, dass die Temperatur zwischen -20°C/-4°F und +50°C/122°F liegt und der Akku keinem direkten Sonnenlicht ausgesetzt ist.
- Stellen Sie bei der Lagerung des Akkuladegeräts sicher, dass die Temperatur zwischen 5 °C/41 °F und 45 °C/113 °F liegt und das Ladegerät keinem direkten Sonnenlicht ausgesetzt ist.
- Das Ladegerät darf nur verwendet werden, wenn die Umgebungstemperatur zwischen 0°C/32°F und 35°C/95°F liegt.
- Lagern Sie das Gerät bei einer Temperatur zwischen 40 °C/-40°F und 60 °C/140 °F.
- Laden Sie den Akku auf 30 bis 50 %, bevor Sie ihn über längere Zeit einlagern.
- Lagern Sie das Akkuladegerät in einem geschlossenen und trockenen Raum.
- Achten Sie bei der Lagerung darauf, dass sich der Akku nicht in unmittelbarer Nähe zum Ladegerät befindet. Kinder und andere nicht befugte Personen dürfen die Ausstattung nicht berühren. Verwahren Sie die Ausstattung in einem abschließbaren Raum.
- Reinigen Sie das Gerät und führen Sie umfassende Servicearbeiten durch, bevor Sie es längere Zeit einlagern.
- Verwenden Sie für das Gerät einen Transportschutz, um Verletzungen oder Schäden am Gerät bei Transport und Lagerung zu vermeiden.
- Befestigen Sie das Gerät während des Transports sicher.
- Lagern Sie das Gerät in waagerechter Position oder hängen Sie es am mitgelieferten Haken

auf. Siehe *So hängen Sie das Gerät an den Aufbewahrungshaken auf Seite 79.*

Entsorgung von Akku, Ladegerät und Gerät

Das Symbol unten bedeutet, dass das Gerät nicht über den Hausmüll entsorgt werden darf. Recyceln Sie es an einer Recyclingstation für elektrische und elektronische Geräte. So werden Umwelt- und Personenschäden vermieden.

Weitere Informationen erhalten Sie bei örtlichen Behörden, dem Abfallentsorgungsunternehmen oder Ihrem Händler.

(Abb. 18)

Hinweis: Das Symbol ist auf dem Gerät oder der Verpackung des Geräts zu finden.

Entsorgen von Elektro- und Elektronik-Altgeräten

Gilt nur für Deutschland



Die durchgestrichene Abfalltonne weist darauf hin, dass Sie gesetzlich verpflichtet sind, dieses Gerät getrennt vom unsortierten Siedlungsabfall zu entsorgen. Die Entsorgung im Restmüll oder im gelben Sack ist verboten. Wenn das Produkt Einwegbatterien oder Akkus enthält, die nicht dauerhaft installiert sind, müssen diese vor der Entsorgung des Produkts entfernt und separat als Batterien bzw. Akkus entsorgt werden.

Entfernen von Batterien, Akkus und Leuchtmitteln:

Batterien, Akkus oder Leuchtmittel, die aus dem Produkt entfernt werden können, ohne es zu beschädigen, müssen vor der Entsorgung entfernt und separat als Batterien, Akkus oder Leuchtmittel entsorgt werden. Die folgenden Batterien oder Akkus sind in diesem Produkt enthalten:

- **Akkutyp:** Li-ion
- **Chemie:** Lithium

Informationen zur Rückgabe von Elektro- und Elektronik-Altgeräten für Privathaushalte:

Wie im Folgenden näher beschrieben, sind bestimmte Vertrieber verpflichtet, Elektro- und Elektronik-Altgeräte kostenlos zurückzunehmen.

Vertrieber von Elektro- und Elektronikgeräten mit einer Verkaufsfläche von mindestens 400 m² und Lebensmittelhändler mit einer Gesamtverkaufsfläche von mindestens 800 m², die mehrmals im Kalenderjahr oder beständig Elektro- und Elektronikgeräte abgeben

und verkaufen, sind unter den folgenden Umständen zur Rücknahme von Geräten verpflichtet:

1. Beim Verkauf eines neuen Elektro- oder Elektronikgeräts muss der Vertrieber ein Altgerät desselben Gerätetyps kostenlos zurücknehmen, das im Wesentlichen die gleichen Funktionen wie das neue Gerät bereitstellt. Dies muss an dem Standort, an dem das Gerät abgegeben wird, oder in unmittelbarer Nähe geschehen. Privathaushalte gelten auch als der Ort, an dem das Gerät abgegeben wird, sofern das Produkt dorthin geliefert wird: In diesem Fall werden Altgeräte ohne Kosten für den Endbenutzer abgeholt.
2. Der Vertrieber muss Altgeräte mit einem Durchmesser von weniger als 25 cm auf Wunsch des Endbenutzers an der Verkaufsstelle oder in unmittelbarer Nähe zurücknehmen. Diese Rückgabe muss nicht mit dem Kauf von Elektro- oder Elektronikgeräten in Verbindung stehen und ist auf drei Altgeräte pro Gerätetyp beschränkt.

Bei Abschluss des Kaufvertrags für ein neues Elektro- oder Elektronikgerät muss der Vertrieber den Endbenutzer über sein Recht informieren, das Altgerät zurückzugeben oder kostenlos abholen zu lassen, und den Endbenutzer fragen, ob er beabsichtigt, ein Altgerät bei der Lieferung des neuen Geräts zurückzugeben.

Dies gilt auch für den Vertrieb über Telekommunikation, wenn die Lager- und Versandfläche für Elektro- und Elektronikgeräte mindestens 400 m² beträgt oder wenn die gesamte Lager- und Versandfläche mindestens 800 m² beträgt, wobei die kostenlose Abholung von Elektro- oder Elektronikgeräten auf die folgenden Kategorien beschränkt ist:

- 1 (Wärmeüberträger)
- 2 (Geräte mit Displays) und
- 4 (große Geräte mit mindestens einer äußeren Abmessung von mehr als 50 cm)

Für alle anderen Elektro- und Elektronikgeräte muss der Vertrieber entsprechende Rücknahmestellen in angemessener Nähe zum Endverbraucher sicherstellen. Dies gilt auch für Altgeräte, bei denen keine äußere Abmessung 25 cm überschreitet, die der Endbenutzer zurückgeben möchte, ohne ein neues Gerät zu erwerben.

Datenschutz

Alle Endbenutzer von Elektro- und Elektronik-Altgeräten sind dafür verantwortlich, alle personenbezogenen Daten von den zu entsorgenden Elektro- und Elektronik-Altgeräten zu löschen.

WEEE-Registrierungsnummer

Husqvarna 10168717

Sammlungs- und Verwertungsraten

Gemäß der WEEE-Richtlinie sind die EU-Mitgliedstaaten verpflichtet, Daten über Elektro-

und Elektronik-Altgeräte zu sammeln und diese Daten an die Europäische Kommission zu übermitteln. Weitere Informationen hierzu finden Sie

auf der BMUV-Website: <https://www.bmuv.de/themen/wasser-ressourcen-abfall/kreislaufwirtschaft/statistiken/elektro-und-elektronikaltgeraete>

Technische Daten

Aspire Pole-P4A	
Gewicht	
Gewicht (nur Antriebsaggregat), kg	1,5

Zugelassene Akkus

Dieses Gerät kann mit allen **POWER FOR ALL**-Akkus betrieben werden.

Akku	P4A 18-B36	P4A 18-B45	P4A 18-B72
Typ	Lithium-Ionen	Lithium-Ionen	Lithium-Ionen
Akkukapazität, Ah	2,0	2,5	4,0
Nennspannung, V	18	18	18
Gewicht, kg	0,35	0,35	0,65
Anzahl der Zellen (Li-Ion)	5	5	10

Zugelassene Ladegeräte

Ladegerät	P4A 18-C50	P4A 18-C70
Eingangsspannung, V	Siehe Informationen zu Nennwerten des Ladegeräts.	Siehe Informationen zu Nennwerten des Ladegeräts.
Frequenz, Hz	50–60	50–60
Leistung, W	50	70

Zubehör

Anbaugeräte

Zugelassene Anbaugeräte	Typ	Verwenden mit
Strauchscheren-Anbaugerät	Aspire S20-P4A	Aspire Pole-P4A
Hochentaster-Anbaugerät	Aspire P5-P4A	Aspire Pole-P4A

Konformitätserklärung

EU-Konformitätserklärung

Die **Husqvarna AB**, SE-561 82 Huskvarna, Schweden,
Tel.: +46-36-146500, erklärt in alleiniger Verantwortung,
dass das Gerät:

Beschreibung	Akkubetriebenes Antriebsaggregat
Marke	Husqvarna
Typ/Modell	Aspire Pole-P4A
Identifizierung	Seriennummern ab 2023

die folgenden EU-Richtlinien und -Verordnungen erfüllt:

Richtlinie/Verordnung	Beschreibung
2006/42/EG	„Maschinenrichtlinie“
2014/30/EU	„bezüglich EMV-Richtlinie“
2011/65/EU	„zur Beschränkung der Verwendung bestimmter gefährlicher Stoffe in Elektro- und Elektronikgeräten“
2000/14/EG	„über umweltbelastende Geräuschemissionen von zur Verwendung im Freien vorgesehenen Geräten und Maschinen“

und dass die folgenden Normen und/oder technischen Daten angewendet werden: EN 62841-1:2015/ A11:2022, EN 62841-4-2:2019/A1:2022, EN IEC 62841-4-5:2021/A11:2021, EN ISO 11680-1:2011, EN ISO 12100:2010, EN IEC 55014-1:2021, EN IEC 55014-2:2021, EN IEC 63000:2018.

DEKRA Testing and Certification GmbH, Handwerkstraße 15, 70565 Stuttgart, Germany, 0158, hat die freiwillige EG-Typenprüfung gemäß Maschinenrichtlinie (2006/42/EG) Artikel 12, Absatz 3b durchgeführt. Das Zertifikat der EG-Typenprüfung hat die Nummer: 4815039.22006.

Angewandtes Konformitätsbewertungsverfahren gemäß Anhang V, Richtlinie 2000/14/EG

Mit Anbaugerät Aspire P5-P4A als Hochentaster:

- Gemessener Schalleistungspegel: 88 dB (A)
- Garantierter Schalleistungspegel: 91dB (A)

Mit Anbaugerät Aspire S20-P4A als ausziehbares Strauchschere:

- Gemessener Schalleistungspegel für Strauchklinge: 83 dB (A)
- Gemessener Schalleistungspegel für Grasklinge: 79 dB (A)
- Garantierter Schalleistungspegel: 84 dB (A)

Huskvarna, 2023-10-30



Claes Losdal, R&D Manager, Husqvarna AB
Verantwortlich für die technische Dokumentation



Lizenzen

Copyright © 2012–2020 STMicroelectronics

Die Garantie deckt keine Schäden, die sich aus normalem Verschleiß, Fahrlässigkeit, unzulässigem Einsatz, unbefugten Reparaturen oder Anschluss der Ansaugvorrichtung an eine falsche Spannung ergeben.

Alle Rechte vorbehalten.

Verbreitung und Verwendung in Quell- und Binärform, mit oder ohne Änderungen, sind zulässig, sofern folgende Bedingungen erfüllt sind:

- Bei der Verbreitung von Quellcode müssen der obige Copyright-Hinweis, diese Liste der Bedingungen und folgender Haftungsausschluss enthalten sein.
- Bei der Verbreitung in Binärform müssen der obige Copyright-Hinweis, diese Liste der Bedingungen und folgender Haftungsausschluss in den Unterlagen und/oder anderen Materialien, die bei der Verbreitung bereitgestellt werden, enthalten sein.
- Weder der Name von STMicroelectronics noch die Namen seiner Mitwirkenden dürfen ohne vorherige schriftliche Genehmigung zur Bewerbung von Produkten verwendet werden, die auf Grundlage dieser Software erstellt wurden.

DIESE SOFTWARE WIRD VON DEN URHEBERRECHTSINHABERN UND DAZU BEITRAGENDEN IN DER VORLIEGENDEN FORM ZUR VERFÜGUNG GESTELLT, UND ALLE AUSDRÜCKLICHEN ODER STILLSCHWEIGENDEN GARANTIEEN, EINSCHLIEßLICH, ABER NICHT BESCHRÄNKT AUF DIE STILLSCHWEIGENDEN GARANTIEEN DER MARKTGÄNGIGKEIT UND EIGNUNG FÜR EINEN BESTIMMTEN ZWECK, WERDEN AUSGESCHLOSSEN. IN KEINEM FALL HAFTET DER URHEBERRECHTSINHABER ODER DAZU BEITRAGENDE FÜR UNMITTELBARE, MITTELBARE, BEILÄUFIG ENTSTANDENE, KONKRETE ODER FOLGESCHÄDEN MIT STRAFZWECK ODER OHNE (EINSCHLIEßLICH, ABER NICHT BESCHRÄNKT AUF BESCHAFFUNG VON ERSATZGÜTERN ODER -DIENSTLEISTUNGEN, VERLUST VON NUTZUNG, DATEN ODER GEWINNEN ODER BETRIEBSUNTERBRECHUNGEN), DIE AUF BELIEBIGE WEISE VERURSACHT WURDEN UND FÜR DIE EINE THEORETISCHE HAFTBARKEIT BESTEHT, SEI ES DURCH EINEN VERTRAG, ERFOLGSHAFTUNG ODER SCHADENERSATZRECHT (EINSCHLIEßLICH FAHRLÄSSIGKEIT ODER ANDEREM), DIE IN IRGENDWEISE AUS DER NUTZUNG DIESER SOFTWARE ENTSTEHEN, SELBST WENN AUF DIE MÖGLICHKEIT EINES SOLCHEN SCHADENS HINGEWIESEN WURDE.

Apache 2.0 Lizenz

Copyright © 2009–2019 Arm Limited. Alle Rechte vorbehalten.

Version 2.0, Januar 2004 <http://www.apache.org/licenses/>

GESCHÄFTSBEDINGUNGEN FÜR DIE NUTZUNG, VERVIELFÄLTIGUNG UND VERBREITUNG

1. Definitionen.

„**Lizenz**“ bezeichnet die in den Abschnitten 1 bis 9 dieses Dokuments definierten Bedingungen für die Nutzung, Vervielfältigung und Verbreitung.

„**Lizenzgeber**“ bezeichnet den Urheberrechtsinhaber oder die durch den Urheberrechtsinhaber bevollmächtigte juristische Person, die die Lizenz vergibt. „**Juristische Person**“ bezeichnet die Gesamtheit der handelnden juristischen Person und aller anderen juristischen Personen, die diese juristische Person kontrollieren, von ihr kontrolliert werden oder mit ihr unter gemeinsamer Kontrolle stehen. Im Sinne dieser Definition bedeutet „**Kontrolle**“ (i) die direkte oder indirekte Befugnis, die Leitung oder Verwaltung dieser juristischen Person durch Vertrag oder anderweitig zu veranlassen, oder (ii) Besitz eines Anteils von mindestens fünfzig Prozent (50 %) der in Umlauf befindlichen Aktien oder (iii) nutznießender Besitz dieser juristischen Person. „**Sie**“ (oder „**Ihr, Ihre, Ihrer, Ihren, Ihres, Ihnen**“) bezeichnet eine natürliche oder juristische Person, die die durch diese Lizenz gewährten Berechtigungen ausübt. „**Quell**“-Form bezeichnet die bevorzugte Form für Änderungen, einschließlich, aber nicht beschränkt auf Software-Quellcode, Dokumentationsquelle und Konfigurationsdateien.

„**Maschinen**“-Form bezeichnet jede Form, die sich aus der maschinellen Umwandlung oder Übersetzung einer Quellform ergibt, einschließlich, aber nicht beschränkt auf kompilierten Maschinencode, generierte Dokumentation und Umwandlungen in andere Medientypen. „**Werk**“ bezeichnet das urheberrechtlich geschützte Werk in Quell- oder Maschinenform, das im Rahmen der Lizenz zur Verfügung gestellt wird, wie durch einen Urheberrechtsvermerk angegeben, der in dem Werk enthalten oder diesem beigelegt ist (ein Beispiel ist im Anhang unten angegeben).

„**Abgeleitete Werke**“ sind alle Werke, ob in Quell- oder Maschinenform, denen das Werk zugrunde liegt (oder von diesem abgeleitet wurden) und für die die redaktionellen Überarbeitungen, Anmerkungen, Ausarbeitungen oder sonstigen Änderungen insgesamt ein urheberrechtliches Originalwerk darstellen. Für die Zwecke dieser Lizenz schließen abgeleitete Werke keine Werke ein, die von den Schnittstellen des Werks und der davon abgeleiteten Werke getrennt bleiben oder lediglich mit diesen verknüpft werden können (oder namentlich gebunden sind). „**Beitrag**“ bezeichnet alle urheberrechtlich geschützten Werke, einschließlich der Originalversion des Werks und aller Änderungen oder Ergänzungen dieses Werks oder davon abgeleiteter Werke, die vom Urheberrechtsinhaber oder von einer natürlichen oder juristischen Person, die zur

Einreichung im Namen des Urheberrechtsinhabers berechtigt ist, absichtlich bei dem Lizenzgeber zur Aufnahme in das Werk eingereicht wird. Im Sinne dieser Definition bezeichnet **„eingereicht“** jede Form von elektronischer, mündlicher oder schriftlicher Kommunikation, die an den Lizenzgeber oder seine Vertreter gesendet wird, einschließlich, aber nicht beschränkt auf Kommunikation auf elektronischen Verteilerlisten, Quellcode-Kontrollsystemen und Problemverfolgungssystemen, die vom Lizenzgeber oder in dessen Namen verwaltet werden, um das Werk zu besprechen und zu verbessern, jedoch ohne Kommunikation, die vom Urheberrechtsinhaber mit **„Kein Beitrag“** oder anderweitig schriftlich gekennzeichnet sind. **„Beitragender“** bezeichnet den Lizenzgeber und jede natürliche oder juristische Person, für die ein Beitrag vom Lizenzgeber eingegangen und anschließend in das Werk integriert wurde.

2. Erteilung einer Urheberrechtslizenz.

Vorbehaltlich der Bedingungen dieser Lizenz gewährt Ihnen jeder Beitragende hiermit eine unbefristete, weltweite, nicht exklusive, kostenlose, gebührenfreie, unwiderrufliche Urheberrechtslizenz zur Vervielfältigung, Vorbereitung abgeleiteter Werke, öffentlichen Ausstellung, öffentlichen Ausführung, Unterlizenzierung und Verbreitung des Werks und solcher abgeleiteter Werke in Quell- oder maschineller Form.

3. Erteilung einer Patentlizenz.

Vorbehaltlich der Bedingungen dieser Lizenz gewährt Ihnen jeder Beitragende hiermit eine unbefristete, weltweite, nicht exklusive, kostenlose, unwiderrufliche (außer wie in diesem Abschnitt angegeben) Patentlizenz zur Herstellung, zur Herstellung durch Dritte, zum Verkauf, zur Nutzung, zur Einfuhr und anderweitigen Übertragung des Werks, wobei diese Lizenz nur für Patentansprüche gilt, die von dem Beitragenden lizenziert werden können und die notwendigerweise allein oder durch eine Kombination seiner Beiträge am Werk, an das diese Beiträge übermittelt wurden, verletzt werden. Wenn Sie Patentstreitigkeiten gegen eine juristische Person (einschließlich Widerklage oder Gegenklage in einem Rechtsstreit) anstellen, aufgrund der Annahme, dass das Werk oder ein im Werk enthaltener Beitrag eine unmittelbare oder mittelbare Patentverletzung darstellt, dann enden alle Ihnen im Rahmen dieser Lizenz für dieses Werk gewährten Patentlizenzen mit dem Datum, an dem ein solches Verfahren eingereicht wird.

4. Verbreitung.

Sie dürfen Kopien des Werks oder davon abgeleiteter Werke in jedem Medium, mit oder ohne Änderungen sowohl in Quell- oder Maschinenform vervielfältigen und verbreiten, sofern Sie folgende Bedingungen erfüllen:

- Sie müssen allen anderen Empfängern des Werks oder abgeleiteter Werke eine Kopie dieser Lizenz überlassen und

- Sie müssen dafür sorgen, dass alle geänderten Dateien mit gut sichtbaren Hinweisen versehen werden, die darauf hinweisen, dass Sie die Dateien geändert haben. Weiterhin müssen Sie in der Quellform aller abgeleiteten Werke, die Sie verbreiten, alle Urheber-, Patent-, Marken- und Zuschreibungshinweise aus der Quellform des Werks bewahren, mit Ausnahme der Hinweise, die sich nicht auf einen Teil der abgeleiteten Werke beziehen und
- Wenn das Werk im Rahmen seiner Verbreitung eine Textdatei mit dem Namen **„NOTICE“** enthält, müssen alle abgeleiteten Werke, die Sie verbreiten, eine lesbare Kopie der in dieser NOTICE-Datei enthaltenen Zuschreibungshinweise enthalten, mit Ausnahme derjenigen Hinweise, die sich nicht auf irgendeinen Teil der abgeleiteten Werke beziehen, und zwar an mindestens einer der folgenden Stellen: innerhalb einer NOTICE-Textdatei, die als Teil der abgeleiteten Werke verbreitet wird, innerhalb des Quellformulars oder der Dokumentation, wenn diese zusammen mit den abgeleiteten Werken bereitgestellt werden, oder innerhalb einer von den abgeleiteten Werken generierten Anzeige, falls und wo auch immer solche Hinweise Dritter normalerweise erscheinen. Der Inhalt der NOTICE-Datei dient nur zu Informationszwecken und ändert die Lizenz nicht. Sie können Ihre eigenen Zuschreibungshinweise in von Ihnen verbreiteten abgeleiteten Werken neben oder als Ergänzung zum NOTICE-Text des Werks hinzufügen, vorausgesetzt, dass solche zusätzlichen Zuschreibungshinweise nicht als Änderung der Lizenz ausgelegt werden können. Sie können Ihre eigene Urheberrechtserklärung zu Ihren Änderungen hinzufügen und zusätzliche oder andere Lizenzbedingungen für die Verwendung, Reproduktion oder Verbreitung Ihrer Änderungen oder für alle abgeleiteten Werke als Ganzes bereitstellen, vorausgesetzt, Sie verwenden, reproduzieren und vertreiben das Werk ansonsten in Übereinstimmung mit den in dieser Lizenz genannten Bedingungen.

5. Einreichung von Beiträgen.

Sofern Sie nicht ausdrücklich etwas anderes angeben, unterliegt jeder Beitrag, den Sie absichtlich zur Aufnahme in das Werk beim Lizenzgeber eingereicht haben, ohne zusätzliche Bedingungen den Bedingungen dieser Lizenz. Ungeachtet der vorstehenden Bestimmungen darf keine der hier aufgeführten Bestimmungen die Bedingungen einer separaten Lizenzvereinbarung, die Sie möglicherweise mit dem Lizenzgeber in Bezug auf solche Beiträge geschlossen haben, ersetzen oder ändern.

6. Warenzeichen.

Diese Lizenz erteilt keine Erlaubnis zur Verwendung von Markennamen, Marken, Dienstleistungsmarken oder Produktbezeichnungen des Lizenzgebers, außer wenn dies für eine angemessene und übliche Verwendung

zur Beschreibung der Herkunft des Werkes und zur Reproduktion des Inhalts der NOTICE-Datei erforderlich ist.

7. Gewährleistungsausschluss.

Sofern nicht durch geltendes Recht vorgeschrieben oder schriftlich vereinbart, stellt der Lizenzgeber das Werk (und jeder Beitragende seine Beiträge) IN DER VORLIEGENDEN FORM zur Verfügung, OHNE GARANTIE ODER BEDINGUNGEN JEGLICHER ART, sei es ausdrücklich oder stillschweigend, einschließlich, aber nicht beschränkt auf Garantien oder Bedingungen des EIGENTUMSRECHTS, DER NICHTVERLETZUNG von RECHTEN, der MARKTGÄNGIGKEIT, oder EIGNUNG FÜR EINEN BESTIMMTEN ZWECK. Sie sind allein dafür verantwortlich, die Angemessenheit der Nutzung oder Weiterverbreitung des Werkes zu bestimmen und alle Risiken zu übernehmen, die mit der Ausübung von Berechtigungen im Rahmen dieser Lizenz verbunden sind. 8. Haftungsbeschränkung. Unter keinen Umständen und unter keinem rechtlichen Gesichtspunkt, ob unerlaubte Handlung (einschließlich Fahrlässigkeit), Vertrag oder anderem, es sei denn, dies ist nach geltendem Recht erforderlich (z. B. vorsätzliche und grob fahrlässige Handlungen) oder dies wurde schriftlich vereinbart, haftet irgendein Beitragender Ihnen gegenüber für Schäden, einschließlich unmittelbarer, mittelbarer, konkrete, beiläufig entstandene oder Folgeschäden

jeglicher Art, die sich aus dieser Lizenz oder aus der Nutzung oder der Unmöglichkeit der Nutzung des Werkes ergeben (einschließlich, aber nicht beschränkt auf Schäden aufgrund von Verlust des Geschäftswert, Arbeitsunterbrechung, Computerausfall oder -fehlfunktion oder alle anderen kommerziellen Schäden oder Verluste), selbst wenn der Beitragende von der Möglichkeit solcher Schäden in Kenntnis gesetzt wurde.

9. Annahme von Gewährleistung oder zusätzlicher Haftung.

Bei der Weiterverbreitung des Werks oder der davon abgeleiteten Werke können Sie entscheiden, die Annahme von Unterstützung, Gewährleistung, Schadenshaltung oder andere Haftungsverpflichtungen und/oder -rechte, die mit dieser Lizenz übereinstimmen, anzubieten und eine Gebühr dafür zu erheben. Bei der Annahme dieser Verpflichtungen dürfen Sie jedoch nur in Ihrem eigenen Namen und in Ihrer alleinigen Verantwortung handeln, nicht im Namen eines anderen Beitragenden, und nur dann, wenn Sie zustimmen, jeden Beitragenden von jeglicher Haftung oder Ansprüchen auszuschließen, ihn dagegen zu verteidigen und davon schadlos zu halten, die durch oder gegen diesen Beitragenden geltend gemacht werden, weil Sie eine solche Gewährleistung oder zusätzliche Haftung akzeptieren. ENDE DER GESCHÄFTSBEDINGUNGEN

Sommaire

Introduction.....	87	Transport, entreposage et mise au rebut.....	98
Sécurité.....	89	Caractéristiques techniques.....	98
Montage.....	95	Accessoires.....	99
Utilisation.....	96	Déclaration de conformité.....	100
Entretien.....	97	Licences.....	101

Introduction

Description du produit

La Husqvarna Aspire Pole-P4A est un bloc d'alimentation avec fonction télescopique.

Utilisation prévue

Ce bloc d'alimentation est une unité de base qui fonctionne uniquement avec les accessoires

Présentation du produit

(Fig. 1)

1. Joint de rotation
2. Bouton de verrouillage pour accessoire
3. Levier pour fonction télescopique
4. Arbre

homologués. Vous trouverez une liste de ces accessoires homologués dans la section *Accessoires à la page 99*. Veuillez à lire ce manuel en parallèle du manuel des accessoires homologués.

5. Manchon souple
6. Crochet de harnais
7. Bouton de blocage de la gâchette de puissance
8. Poignée arrière
9. Blocage de la gâchette de puissance
10. Gâchette de puissance

- 11. Manuel d'utilisation
- 12. Bouton de libération de la batterie
- 13. Chargeur de batterie
- 14. Témoin de mise sous tension et avertisseur
- 15. Connecteur
- 16. Crochet de remisage, vis et chevilles murales

(Fig. 6) Utilisez des bottes antidérapantes robustes. (S'applique uniquement au modèle Aspire P5-P4A + Aspire Pole-P4A)

(Fig. 7) Courant continu.

(Fig. 8) Tension nominale, V

(Fig. 9) Ne les exposez pas à la pluie.

(Fig. 10) Risque de blessure. Gardez les mains à distance de l'outil de coupe.

(Fig. 11) Le produit est conforme aux directives de l'UE en vigueur.

(Fig. 12) Ce produit est conforme aux directives en vigueur au Royaume-Uni.

(Fig. 13) Le produit ou son emballage ne font pas partie des ordures ménagères. Déposez-le dans une station de recyclage pour équipements électriques et électroniques.

Symboles concernant le produit

(Fig. 2) **AVERTISSEMENT** : ce produit peut être dangereux et causer des blessures graves, voire mortelles, à l'opérateur ou à d'autres personnes. soyez prudent et utilisez le produit correctement.

(Fig. 3) Lisez le manuel d'utilisation et assurez-vous de bien comprendre les instructions avant d'utiliser ce produit.

(Fig. 4) Utilisez un casque de protection dans les endroits où des objets peuvent tomber. Utilisez des protège-oreilles homologués (uniquement pour Aspire P5-P4A + Aspire Pole-P4A). Utilisez des protections pour les yeux homologuées.

(Fig. 5) Utilisez des gants de protection homologués.

(Fig. 16) **DANGER** - Restez à une distance suffisante des lignes électriques.

(Fig. 17) La plaque signalétique ou l'impression au laser indiquent le numéro de série. **yyyy** désigne l'année de production et **ww** désigne la semaine de production.

Remarque: Les autres symboles/autocollants présents sur le produit concernent des exigences de certification spécifiques à certains marchés.

(Fig. 20) Protégez la batterie de la chaleur, par exemple contre la lumière intense du soleil, le feu, la saleté, l'eau et l'humidité. Il existe un risque d'explosion et de court-circuit.

(Fig. 21) Protégez la batterie de la chaleur, par exemple contre la lumière intense du soleil, le feu, la saleté, l'eau et l'humidité. Il existe un risque d'explosion et de court-circuit.

Symboles sur la batterie et/ou son chargeur

(Fig. 18) Déposez ce produit dans une station de recyclage pour équipements électriques et électroniques. (Concerne seulement l'Europe)

(Fig. 19) Utilisez la batterie uniquement dans les produits des partenaires du système POWER FOR ALL.

(Fig. 14) Utilisez et stockez le chargeur de batterie en intérieur uniquement.

(Fig. 15) Double isolation.

Endommagement du produit

Nous ne sommes pas responsables des dommages subis par le produit si :

- le produit n'est pas correctement réparé ;
- le produit est réparé avec des pièces qui ne proviennent pas du fabricant ou qui ne sont pas homologuées par le fabricant ;
- le produit est équipé d'un accessoire qui ne provient pas du fabricant ou qui n'est pas homologué par le fabricant ;

- le produit n'est pas réparé par un centre d'entretien agréé ou par une autorité homologuée.

Drottninggatan 2, SE-561 82 Huskvarna, Sweden, tel: +46-36-146 500

Fabricant

Husqvarna AB

Sécurité

Définitions de sécurité

Des avertissements, des recommandations et des remarques sont utilisés pour souligner des parties spécialement importantes du manuel.



AVERTISSEMENT: Symbole utilisé en cas de risque de blessures ou de mort pour l'opérateur ou les personnes à proximité si les instructions du manuel ne sont pas respectées.



REMARQUE: Symbole utilisé en cas de risque de dommages pour le produit, d'autres matériaux ou les environs si les instructions du manuel ne sont pas respectées.

Remarque: Symbole utilisé pour donner des informations supplémentaires pour une situation donnée.

Consignes générales de sécurité relatives à l'outil à moteur



AVERTISSEMENT: Veillez à lire le manuel des accessoires homologués en parallèle de ce manuel de bloc d'alimentation.



AVERTISSEMENT: Lisez l'ensemble des avertissements de sécurité, des consignes, des illustrations et des spécifications fournies avec cet outil électrique. Le non-respect des consignes énumérées ci-dessous peut être à l'origine d'un choc électrique, d'un incendie et/ou de blessures graves.

Remarque: Conservez toutes ces consignes et instructions pour toute consultation ultérieure. Le terme « outil électrique » utilisé dans les avertissements fait référence à l'outil branché sur secteur (fil) ou à l'outil alimenté par batterie (sans fil).

Sécurité dans l'espace de travail

- **Maintenez un espace de travail propre et bien éclairé.** Les espaces encombrés ou sombres exposent à des accidents.
- **N'utilisez pas de machines à usiner dans des atmosphères explosives, en présence de liquides, de gaz ou de poussières inflammables par exemple.** Les machines à usiner provoquent des étincelles qui peuvent enflammer la poussière ou les vapeurs.
- **Tenez les enfants et les spectateurs à distance lorsque la machine à usiner est en marche.** Un moment d'inattention peut vous faire perdre le contrôle.

Sécurité électrique

- **Les fiches des machines à usiner doivent être adaptées à la prise. N'apportez jamais de modifications à la fiche. Ne pas utiliser de fiches d'adaptation avec des machines mises à la terre.** Des fiches non modifiées et des prises compatibles réduisent le risque de choc électrique.
- **Évitez tout contact physique avec les surfaces mises à la terre telles que les tuyaux, les radiateurs, les cuisinières et les réfrigérateurs.** Le risque d'électrocution est plus important si le corps est relié à la terre.
- **Ne pas exposer les outils électriques à la pluie ou à l'humidité.** L'infiltration d'eau dans une machine à usiner augmente le risque d'électrocution.
- **Ne malmenez pas le cordon. N'utilisez jamais le cordon pour porter, tirer ou débrancher la machine. Maintenez le cordon d'alimentation à l'écart de la chaleur, de bords tranchants ou de pièces en mouvement.** Les fils endommagés ou emmêlés augmentent le risque de choc électrique.
- **Lorsque vous utilisez un outil électrique à l'extérieur, utilisez une rallonge électrique adaptée à l'usage extérieur.** L'utilisation d'un cordon d'alimentation pour usage extérieur réduit le risque d'électrocution.
- **Si vous n'avez d'autre choix que d'utiliser un outil électrique dans un endroit humide, utilisez une alimentation protégée par un dispositif de courant résiduel (RCD).** L'utilisation d'un RCD réduit le risque de choc électrique.

Sécurité du personnel

- **Restez attentif, regardez ce que vous faites et ayez recours à votre bon sens lorsque vous utilisez un outil électrique. N'utilisez pas d'outil électrique si vous êtes fatigué ou si vous êtes sous l'emprise de**

- drogues, d'alcool ou de médicaments.** Un moment d'inattention pendant l'utilisation d'outils électriques peut entraîner des blessures corporelles graves.
- **Utilisez un équipement de protection individuel. Travaillez toujours avec des protections pour les yeux.** Les équipements de protection tels que les masques anti-poussière, les chaussures de sécurité antidérapantes, le casque ou les protège-oreilles utilisés dans les conditions appropriées réduisent les blessures corporelles.
 - **Évitez tout démarrage intempestif. Vérifiez que l'interrupteur est en position d'arrêt avant de brancher l'outil sur l'alimentation et/ou la batterie, de le ramasser ou de le transporter.** Le fait de garder le doigt sur l'interrupteur pendant le transport des outils ou le branchement des machines alors que l'interrupteur est en position ON expose à des accidents.
 - **Retirez toute clé ou clavette de calage avant de mettre l'outil électrique sous tension.** Une clé ou une clavette reliée à une pièce mobile de l'outil électrique peut entraîner des blessures corporelles.
 - **Ne vous penchez pas trop loin. Restez toujours en équilibre et sur vos appuis.** Cela favorise le contrôle de l'outil électrique dans les situations inattendues.
 - **Habilitez-vous correctement. Ne portez jamais de vêtements amples ou de bijoux. Éloignez vos cheveux et vos vêtements des pièces mobiles.** Les vêtements amples, les bijoux et les cheveux longs peuvent rester coincés dans les pièces mobiles.
 - **Si des dispositifs sont fournis pour raccorder des systèmes de collecte de la poussière et d'aspirateur industriel, vérifiez qu'ils sont correctement branchés et utilisés.** L'utilisation de systèmes d'aspirateurs peut réduire les risques associés à la poussière.
 - **La connaissance des outils, acquise par l'usage fréquent de ces derniers, ne doit pas vous dispenser d'être prudent et d'appliquer les principes de sécurité.** Une manipulation inattentive peut entraîner de graves blessures en une fraction de seconde.
 - **Danger ! N'utilisez pas la machine à proximité de lignes électriques.** L'unité n'a pas été conçue pour offrir une protection contre les chocs électriques en cas de contact avec des lignes électriques aériennes. Consultez la réglementation locale pour connaître les distances de sécurité par rapport aux lignes électriques aériennes et assurez-vous que la position de fonctionnement est sûre et sécurisée avant d'utiliser le produit.

Utilisation et entretien de la machine à usiner

- **Ne forcez pas sur la machine à usiner. Utilisez la machine à usiner qui convient à l'application.** La machine qui convient réalisera mieux son travail et de façon plus sûre, à la vitesse pour laquelle elle a été conçue.
- **N'utilisez pas la machine à usiner si l'interrupteur ne permet pas la mise sous tension ou l'arrêt.** Toute machine à usiner impossible à commander avec l'interrupteur est dangereuse et doit être réparée.
- **Débranchez la fiche de l'alimentation et/ou retirez la batterie, si celle-ci est amovible, avant de procéder aux réglages, de changer les accessoires ou de stocker un outil électrique.** Ces mesures de sécurité préventive réduisent le risque de mise sous tension accidentelle de la machine à usiner.
- **Rangez les machines à usiner hors de la portée des enfants et ne pas laisser des personnes qui ne connaissent pas la machine ou ces consignes utiliser l'appareil.** Les machines à usiner sont dangereuses si elles sont entre les mains d'utilisateurs non formés.
- **Entretenez les accessoires et outils électriques. Vérifier le mauvais alignement ou la fixation des pièces mobiles, l'éventuelle rupture des pièces ou toute autre condition susceptible d'altérer le fonctionnement de la machine. Si elle est endommagée, la machine à usiner doit être réparée avant toute réutilisation.** De nombreux accidents sont dus à des machines mal entretenues.
- **Maintenez les outils tranchants aiguisés et propres.** Des outils tranchants correctement entretenus avec des bords aiguisés sont moins susceptibles de se coincer et sont plus faciles à contrôler.
- **Utiliser la machine à usiner, les accessoires, les grains, etc. en suivant ces consignes et en tenant compte des conditions de travail et de la tâche à réaliser.** Il est dangereux d'utiliser l'outil électrique pour tout autre usage que celui prévu.
- **Les poignées et les surfaces de maintien doivent toujours être propres, sèches et sans traces d'huile ni de graisse.** Les poignées et les surfaces de maintien glissantes ne permettent pas une manipulation et un contrôle sûrs de l'outil dans des situations inattendues.

Utilisation et entretien d'un outil à batterie

- **Ne rechargez la machine qu'avec le chargeur indiqué par le fabricant.** Un chargeur convenant à un type de bloc de batteries particulier peut entraîner un risque d'incendie s'il est utilisé avec un autre bloc.
- **N'utilisez des outils électriques qu'avec des batteries spécifiquement conçues.** L'utilisation d'une autre batterie peut entraîner un risque de blessure et d'incendie.
- **Lorsque la batterie n'est pas utilisée, maintenez-la à distance d'objets métalliques, tels que des trombones, pièces de monnaie, clés, clous, vis, ou autres petits objets en métal risquant de relier une borne à l'autre.** Court-circuiter les bornes de batterie entraîne un risque de brûlures et d'incendie.
- **En cas d'utilisation abusive, du liquide peut s'échapper de la batterie ; évitez tout contact. En cas de contact accidentel, rincez à l'eau. En cas de contact avec les yeux, consultez un médecin.** Le liquide échappé de la batterie peut causer irritations et brûlures.
- **N'utilisez pas une batterie ou un outil endommagé ou altéré.** Les batteries endommagées ou altérées peuvent présenter un comportement imprévisible

pouvant provoquer un incendie, une explosion ou un risque de blessure.

- **N'exposez pas une batterie ou un outil au feu ou à des températures trop élevées.** L'exposition au feu ou à des températures supérieures à 130 °C / 266 °F peut provoquer une explosion.
- **Respectez toutes les instructions de charge et ne chargez pas la batterie ou l'outil en dehors de la plage de température spécifiée dans les instructions.** Ne pas charger la batterie correctement ou la charger à des températures comprises en dehors de la plage spécifiée peut endommager la batterie et augmenter le risque d'incendie.

Entretien

- **Confiez l'entretien de votre outil électrique à un mécanicien qualifié qui utilisera uniquement des pièces de rechange identiques.** Cela permet de garantir la sécurité de la machine.
- **Ne jamais entretenir des batteries endommagées.** L'entretien des batteries doit être effectué uniquement par le fabricant ou des fournisseurs de services agréés.

Autres consignes générales de sécurité

- Pour obtenir plus de consignes de sécurité spécifiques, reportez-vous au manuel d'utilisation de l'accessoire correspondant.
- Éteignez le produit lorsque vous vous déplacez dans une autre zone. Retirez toujours la batterie lorsque vous confiez le produit à un tiers.
- Ne posez jamais le produit au sol si vous ne l'avez pas éteint et si vous n'avez pas retiré la batterie. Ne laissez pas le produit sans surveillance quand il est sous tension.
- L'outil de coupe ne s'arrête pas immédiatement après l'arrêt du produit.
- En cas d'impact, vérifiez que le produit ne présente ni signe d'usure ni dommage et procédez aux réparations éventuellement nécessaires avant de l'utiliser à nouveau.
- Si un objet se bloque dans l'accessoire de coupe lorsque vous utilisez le produit, arrêtez et éteignez le produit. Assurez-vous que l'accessoire de coupe s'arrête complètement. Retirez la batterie avant de nettoyer, inspecter ou réparer le produit et/ou l'équipement de coupe.
- Effectuez un contrôle du produit avant toute utilisation. Reportez-vous à la section *Dispositifs de sécurité sur le produit à la page 93* et *Entretien à la page 97*. N'utilisez pas de produit endommagé. Appliquez les instructions d'entretien ainsi que les contrôles de sécurité indiqués dans ce manuel.
- Un accessoire de coupe défectueux peut augmenter les risques d'accidents.
- Assurez-vous toujours de l'absence de débris dans les orifices de ventilation.

- Vérifiez que le produit est en parfait état d'utilisation. Vérifiez que tous les écrous et boulons sont correctement serrés.
- Ce produit est un outil dangereux si vous ne faites pas attention ou si vous l'utilisez de manière incorrecte. Ce produit peut causer des blessures graves, voire mortelles, à l'opérateur ou à d'autres personnes.
- Cet appareil n'est pas destiné à une utilisation par des personnes (ou des enfants) aux capacités physiques, sensorielles ou mentales limitées ou manquant d'expérience et de connaissances, sauf si elles bénéficient de la surveillance ou des instructions concernant l'utilisation de l'appareil de la part d'une personne responsable de leur sécurité. Il convient de surveiller les enfants et de les empêcher de jouer avec l'appareil.
- Ne laissez jamais des enfants utiliser le produit ou s'en approcher. Dans la mesure où la machine est facile à démarrer, il est possible que des enfants arrivent à la mettre en route lorsque vous les quittez des yeux. Ceci peut entraîner un risque de graves blessures corporelles. Retirez la batterie lorsque vous n'êtes pas en mesure de surveiller la machine de près.
- Ne laissez jamais des enfants ou d'autres personnes ne possédant pas la formation requise utiliser ou entretenir le produit et/ou sa batterie.
- Entreposez l'équipement dans un lieu verrouillable à clé de façon à ce qu'il soit inaccessible aux enfants et aux personnes non autorisées.
- Utilisez toujours la protection de transport pour le rangement et le transport.
- Maintenez vos mains et vos pieds à distance de la zone de coupe en toutes circonstances, et particulièrement au moment où vous allumez le moteur.
- Éloignez vos mains et vos pieds de l'accessoire de coupe jusqu'à son arrêt complet, une fois le produit éteint.
- Ne retirez pas la matière coupée ou laissez d'autres personnes le faire lorsque le moteur est en marche ou que l'équipement de coupe tourne pour éviter les blessures graves.
- N'oubliez pas que c'est vous, l'opérateur, qui êtes responsable de protéger les tiers et leurs biens de tout accident ou danger.
- Ne modifiez jamais le produit sans l'autorisation du fabricant. Utilisez uniquement des accessoires d'origine. Des modifications non autorisées et/ou l'emploi d'accessoires non homologués peuvent provoquer des accidents graves, voire mortels, à l'opérateur ou à d'autres personnes. Il est possible que votre garantie ne couvre pas les responsabilités ou dommages associés à l'utilisation d'accessoires ou de pièces de rechange non autorisés.
- Les seuls accessoires compatibles avec ce produit sont les accessoires de coupe recommandés dans le chapitre des accessoires.

- N'utilisez jamais un produit qui a été modifié au point de ne plus être conforme aux spécifications d'origine
- N'utilisez jamais un produit s'il est défectueux. Suivez les instructions de maintenance et d'entretien ainsi que les contrôles de sécurité indiqués dans ce manuel. Certaines opérations de maintenance et d'entretien doivent être réalisées par un spécialiste dûment formé et qualifié. Reportez-vous à la section *Entretien à la page 97*.
- Travailler par mauvais temps est cause de fatigue et peut être dangereux. Il n'est pas recommandé d'utiliser la machine dans de très mauvaises conditions météorologiques, par exemple, en cas de brouillard épais, de forte pluie, de vent violent, de froid intense ou de risque de foudre, etc., car ces conditions constituent des facteurs de risque supplémentaires
- Ne travaillez jamais sur une échelle, un tabouret, ou dans toute autre position élevée qui n'est pas entièrement stable.
- Stockez les appareils non utilisés à l'intérieur : lorsqu'ils ne sont pas utilisés, les appareils doivent être stockés à l'intérieur.
- Il est impossible de prévoir toutes les situations que vous pouvez rencontrer. Soyez toujours prudent et utilisez votre bon sens. Évitez les situations que vous n'êtes pas sûr de maîtriser. Si, après avoir lu ces instructions, vous n'êtes toujours pas sûr de la procédure à suivre, demandez conseil à un expert avant de poursuivre.
- Assurez-vous qu'aucune personne ou aucun animal ne se trouve à moins de 15 mètres de votre zone de travail. Lorsque plusieurs opérateurs travaillent dans une même zone, il convient d'observer une distance de sécurité d'au moins 15 mètres. Dans le cas contraire, il existe un risque de blessures graves. Arrêtez immédiatement le produit si une personne s'approche. Ne tournez jamais sur vous-même avec le produit sans vous assurer d'abord que personne ne se trouve dans la zone de sécurité.
- Si un objet se bloque dans l'accessoire de coupe lorsque vous utilisez le produit, arrêtez et éteignez le produit. Assurez-vous que l'accessoire de coupe s'arrête complètement. Retirez la batterie avant de nettoyer, inspecter ou réparer le produit et/ou l'équipement de coupe.
- Assurez-vous qu'aucune personne, aucun animal ou autre objet ne peut faire obstacle à votre contrôle du produit ou entrer en contact avec l'accessoire de coupe ou des objets projetés par celui-ci. N'utilisez pas le produit s'il n'est pas possible d'appeler au secours en cas d'accident.
- Assurez-vous de pouvoir vous tenir debout et vous déplacer en toute sécurité. Repérez les éventuels obstacles (racines, pierres, branches, fossés, etc.) en cas de déplacement soudain. Observez la plus grande prudence lorsque vous travaillez sur des terrains en pente.
- Marchez, ne courez jamais.
- Inspecter la zone de travail. Retirez tous les objets tels que les pierres, les morceaux de verre, les clous, les fils de fer, les bouts de ficelle, etc. pouvant être projetés ou risquant de s'enrouler autour de la lame ou de sa protection.
- Attention aux éclats de bois pouvant être projetés durant le sciage. Ne coupez pas trop près du sol, où des cailloux et d'autres objets peuvent être projetés.
- Vérifiez qu'aucun vêtement et qu'aucune partie du corps n'entre en contact avec l'accessoire de coupe lorsque le produit est en marche. Tenez le produit au-dessous de la taille.
- Attention aux objets projetés. Portez toujours des protections pour les yeux homologuées. Ne jamais se pencher au-dessus de la protection de l'équipement de coupe. Des cailloux, débris, etc. peuvent être projetés dans les yeux et causer des blessures très graves, voire la cécité.
- Soyez toujours attentif aux signaux d'avertissement ou aux cris lorsque vous portez des protège-oreilles. Enlevez toujours vos protège-oreilles dès que le produit s'arrête.
- En cas de vibrations indésirables, tapez pour faire sortir plus de fil. Une longueur correcte de fil permet de faire cesser les vibrations.
- Si le produit commence à vibrer de façon anormale, arrêtez-le et retirez la batterie.
- Une exposition excessive aux vibrations peut entraîner des troubles circulatoires ou nerveux chez les personnes souffrant de problèmes de circulation. Consultez un médecin en cas de symptômes liés à une exposition excessive aux vibrations. Voici les symptômes possibles : engourdissement, perte de sensibilité, chatouillements, picotements, douleur, faiblesse musculaire, décoloration ou modification épidermique. Ces symptômes affectent généralement les doigts, les mains ou les poignets.
- Tenez toujours le produit à deux mains.

Équipement de protection individuel



AVERTISSEMENT: Lisez les instructions qui suivent avant d'utiliser le produit.

- Portez toujours un équipement de protection individuel homologué lorsque vous utilisez le produit. L'équipement de protection individuel ne protège pas complètement des blessures, mais il diminue la gravité des blessures en cas d'accident. Faites appel à votre revendeur pour vous aider à sélectionner l'équipement adéquat.
- Portez un casque de protection lorsqu'il y a un risque de chute d'objets.
- Portez des protège-oreilles homologués ayant un effet atténuateur suffisant. Une exposition prolongée au bruit risque de causer des lésions auditives permanentes.

- Utilisez des protections pour les yeux homologuées. L'usage d'une visière doit toujours s'accompagner du port de lunettes de protection homologuées. Les lunettes de protection doivent être conformes aux normes ANSI Z87.1 (États-Unis) ou EN 166 (pays de l'UE).
- Utilisez une visière pour vous protéger le visage. La visière ne suffit pas à protéger les yeux.

(Fig. 22)

- Portez des gants de protection en cas de besoin, par exemple lorsque vous fixez, examinez ou nettoyez l'équipement de coupe.
- Portez des bottes antidérapantes et stables.
- Portez des vêtements fabriqués dans un matériau résistant. Portez toujours des pantalons longs, épais et des manches longues. Ne portez pas de vêtements amples qui risqueraient de se prendre dans les brindilles et les branches. Ne portez pas de bijoux, de shorts, de sandales et ne marchez pas pieds nus. Attachez vos cheveux de façon sécurisée au-dessus de vos épaules.

(Fig. 23)

- Gardez toujours une trousse de premiers soins à portée de main.

(Fig. 24)

Dispositifs de sécurité sur le produit



AVERTISSEMENT: lisez les instructions qui suivent avant d'utiliser le produit.

Cette section présente les fonctions de sécurité, les instructions d'utilisation, de contrôle et d'entretien du produit afin de garantir son bon fonctionnement. Reportez-vous aux instructions ci-dessous *Présentation du produit à la page 87* pour trouver l'emplacement de ces pièces sur votre produit.

La durée de vie du produit risque d'être écourtée et le risque d'accidents accru si l'entretien du produit n'est pas effectué correctement et si les mesures d'entretien et/ou de réparation ne sont pas effectuées de manière professionnelle. Pour plus d'informations, contactez l'atelier de réparation du revendeur le plus proche.



AVERTISSEMENT: N'utilisez jamais un produit dont les équipements de sécurité sont endommagés. Contrôlez et entretenez les équipements de sécurité du produit conformément aux instructions données dans ce chapitre. Si les contrôles du produit ne donnent pas de résultat positif, contactez votre atelier spécialisé pour le faire réparer.



REMARQUE: L'entretien et la réparation de la machine exigent une formation spéciale. Ceci concerne

particulièrement l'équipement de sécurité de la machine. Si les contrôles suivants ne donnent pas un résultat positif, adressez-vous à un atelier spécialisé. L'achat de l'un de nos produits offre à l'acheteur la garantie d'un service et de réparations qualifiés. Si le point de vente n'assure pas ce service, adressez-vous à l'atelier spécialisé le plus proche.

Contrôle du blocage de la gâchette de puissance

Le blocage de la gâchette de puissance empêche toute activation accidentelle. Lorsque vous relâchez la poignée, la gâchette de puissance et son blocage reviennent en position initiale.

1. Appuyez sur le bouton de blocage pour bloquer la gâchette de puissance vers l'avant. (Fig. 25)
2. Vérifiez que la gâchette de puissance est verrouillée lorsque son blocage est en position initiale. (Fig. 26)
3. Appuyez sur le blocage de la gâchette de puissance d'un côté, puis de l'autre. Assurez-vous que le blocage de la gâchette de puissance revient à sa position initiale. (Fig. 27)
4. Assurez-vous que la gâchette de puissance et le blocage de la gâchette de puissance se déplacent librement et que le ressort de rappel fonctionne correctement. (Fig. 28)
5. Démarrez le produit ; reportez-vous à *Démarrage du produit à la page 96*.
6. Relâchez la gâchette de puissance et assurez-vous que le produit s'arrête complètement.

Consignes de sécurité pour l'assemblage



AVERTISSEMENT: Lisez le manuel du bloc d'alimentation en parallèle du manuel des accessoires homologués.

- Retirez la batterie du produit avant d'assembler le produit.
- Utilisez les gants de protection homologués.
- Une protection endommagée ou incorrecte peut provoquer des blessures. N'utilisez pas un accessoire de coupe qui ne dispose pas de protection homologuée.
- Assurez-vous de monter l'accessoire correctement avant de démarrer le produit.
- Si un harnais est fourni avec l'accessoire, il doit être correctement fixé au produit. Le harnais permet une utilisation sûre et empêche tout risque de blessure pour l'opérateur ou d'autres personnes.

Consignes de sécurité relatives à l'utilisation de la batterie



AVERTISSEMENT: Lisez toutes les instructions générales et de sécurité. Le non-respect des instructions générales et de sécurité peut être à l'origine d'un choc électrique, d'un incendie et/ou de blessures graves. **Conservez toutes les consignes de sécurité et les instructions générales pour vous y référer ultérieurement.**

- **Ces consignes de sécurité s'appliquent uniquement aux batteries rechargeables Li-ion 18 V du système POWER FOR ALL.**
- **Utilisez la batterie rechargeable uniquement dans les produits des partenaires du système POWER FOR ALL.** Les batteries rechargeables 18 V portant l'étiquette POWER FOR ALL sont entièrement compatibles avec les produits suivants :
 - Tous les produits du système de batterie POWER FOR ALL 18 V.
 - Tous les produits 18 V des partenaires du système POWER FOR ALL.
- **Respectez les recommandations relatives à la batterie dans le manuel d'utilisation de votre produit.** Seule cette méthode permet d'utiliser la batterie rechargeable et le produit sans danger et de protéger les batteries rechargeables contre les surcharges dangereuses.
- **Chargez les batteries uniquement à l'aide des chargeurs recommandés par le fabricant ou par les partenaires du système POWER FOR ALL.** Un chargeur compatible avec un type de batterie peut présenter un risque d'incendie s'il est utilisé avec une autre batterie.
- **La batterie est fournie partiellement chargée.** Pour garantir une capacité optimale de la batterie, chargez-la complètement dans le chargeur avant d'utiliser votre outil électrique la première fois.
- **Conservez les batteries hors de portée des enfants.**
- **N'ouvrez pas la batterie.** Il existe un risque de court-circuit.
- **Tout dommage ou utilisation incorrecte de la batterie peut provoquer des émanations de vapeurs. La batterie peut s'enflammer ou exploser.** Assurez-vous que la zone est bien ventilée et consultez un médecin en cas d'effets indésirables. Ces vapeurs peuvent irriter le système respiratoire.
- **En cas d'utilisation inadéquate ou si la batterie est endommagée, du liquide inflammable peut être éjecté de la batterie. Évitez tout contact avec ce liquide.** En cas de contact accidentel, rincez à l'eau. Si le liquide entre en contact avec les yeux, consultez un médecin. Le liquide éjecté de la batterie peut provoquer des irritations ou brûlures.
- **Si la batterie est endommagée, du liquide peut être éjecté et recouvrir les surfaces environnantes.**

Vérifiez les pièces concernées. Nettoyez ces pièces ou remplacez-les si nécessaire.

- **Ne court-circuitez pas la batterie.** Lorsque la batterie n'est pas utilisée, maintenez-la à distance d'objets métalliques, tels que des trombones, pièces de monnaie, clés, clous, vis, ou autres petits objets en métal risquant de relier une borne à l'autre. Court-circuiter les bornes de batterie entraîne un risque de brûlures et d'incendie.
- **La batterie peut être endommagée par des objets pointus tels que des clous ou des tournevis, ou par une force appliquée depuis l'extérieur.** Un court-circuit interne peut se produire, entraînant la combustion, l'émission de fumée, l'explosion ou la surchauffe de la batterie.
- **N'entretenez jamais des batteries endommagées.** L'entretien des batteries doit être effectué uniquement par le fabricant ou des fournisseurs de services agréés.
- **Protégez la batterie de la chaleur, par exemple contre la lumière intense du soleil, le feu, la saleté, l'eau et l'humidité.** Il existe un risque d'explosion et de court-circuit.
- **N'utilisez la batterie du produit que si la température ambiante est comprise entre -5 °C – 40 °C.**
- **Stockez la batterie uniquement à une température ambiante comprise entre -20 °C – 50 °C.** Ne laissez pas la batterie dans votre voiture en été, par exemple. À des températures inférieures à 0 °C, certains appareils peuvent subir une perte de puissance.
- **Chargez la batterie uniquement à une température ambiante comprise entre 0 °C – +35 °C.** Une charge en dehors de cette plage de température peut augmenter le risque d'endommagement de la batterie et présenter un risque d'incendie.

Consignes de sécurité relatives au chargeur de batterie



AVERTISSEMENT: Lisez toutes les instructions générales et de sécurité. Le non-respect des instructions générales et de sécurité peut être à l'origine d'un choc électrique, d'un incendie et/ou de blessures graves. **Conservez ces instructions en lieu sûr.** Utilisez le chargeur uniquement si vous pouvez évaluer toutes les fonctions et les exécuter sans restrictions, ou si vous avez reçu les instructions correspondantes.

- **Ce chargeur n'est pas destiné à une utilisation par des enfants ou des personnes ayant des handicaps physiques, sensoriels ou mentaux ou manquant d'expérience et de connaissances. Ce chargeur peut être utilisé par des enfants de 8 ans ou plus et des personnes ayant des handicaps physiques, sensoriels ou mentaux ou manquant d'expérience et de connaissances à condition qu'une personne responsable de leur sécurité les supervise ou leur**

ait enseigné le fonctionnement en toute sécurité du chargeur et si elles sont conscientes des dangers associés. Sinon, il y a un risque d'erreurs de manipulation et de blessures.

- **Surveillez les enfants pendant l'utilisation, le nettoyage et l'entretien**, et ce afin de s'assurer qu'ils ne jouent pas avec le chargeur.
- **Chargez uniquement les batteries du système POWER FOR ALL 18 V d'une capacité de 1,5 Ah et plus. La tension de la batterie doit correspondre à la tension de charge de la batterie du chargeur. Ne chargez pas les batteries non rechargeables.** Dans le cas contraire, il existe un risque d'incendie et d'explosion.
- **Utilisez le chargeur uniquement dans des espaces clos et ne l'exposez pas à l'humidité.** L'infiltration d'eau dans un outil électrique augmente le risque d'électrocution.
- **Maintenez le chargeur propre.** La saleté présente un risque de choc électrique.
- **Vérifiez systématiquement le chargeur, le câble et la fiche avant utilisation. Cessez d'utiliser le chargeur si vous constatez des dommages. N'ouvrez pas le chargeur vous-même et faites-le réparer uniquement par Husqvarna ou par un centre de service après-vente agréé n'utilisant que des pièces de rechange d'origine.** Les chargeurs, câbles et fiches endommagés augmentent le risque de choc électrique.
- **N'utilisez pas le chargeur sur une surface facilement inflammable (par exemple du papier, des textiles, etc.) ou dans un environnement inflammable.** Il existe un risque d'incendie en raison du réchauffement du chargeur pendant le fonctionnement.
- **Ne couvrez pas les fentes d'aération du chargeur.** Dans le cas contraire, le chargeur risque de surchauffer et de ne plus fonctionner correctement.
- **Ne rechargez la machine qu'avec le chargeur indiqué par le fabricant.** Un chargeur convenant à un type de bloc de batteries particulier peut entraîner un risque d'incendie s'il est utilisé avec un autre bloc.
- **Tout dommage ou utilisation incorrecte de la batterie peut également provoquer des émanations de vapeurs.** Assurez-vous que la zone est bien ventilée et consultez un médecin en cas d'effets indésirables. Ces vapeurs peuvent irriter le système respiratoire.
- **En cas d'utilisation abusive, du liquide peut s'échapper de la batterie. Évitez tout contact avec**

ce liquide. En cas de contact accidentel, rincez à l'eau. Si le liquide entre en contact avec les yeux, consultez un médecin. Le liquide éjecté de la batterie peut provoquer des irritations ou brûlures.

- **Produits vendus en Grande-Bretagne uniquement :** votre produit est équipé d'une fiche électrique homologuée BS 1363/A avec fusible interne (homologué ASTA conformément à BS 1362). Si la fiche n'est pas adaptée à vos prises, elle doit être coupée et une fiche appropriée doit être installée à sa place par un agent du service client agréé. La fiche de rechange doit avoir la même capacité de fusible que la fiche d'origine. La fiche coupée doit être mise au rebut pour éviter tout risque d'électrocution et ne doit jamais être insérée dans une autre prise de courant murale.

Consignes de sécurité pour l'entretien



AVERTISSEMENT: Lisez les instructions qui suivent avant d'effectuer l'entretien du produit.

- Retirez la batterie avant tout entretien, contrôle ou assemblage du produit.
- L'utilisateur ne doit effectuer que les travaux de maintenance et d'entretien décrits dans ce manuel d'utilisation. Adressez-vous à votre revendeur pour toute opération de maintenance et d'entretien de plus grande ampleur.
- Ne nettoyez pas la batterie ou le chargeur de batterie avec de l'eau. L'utilisation de détergents agressifs peut endommager le plastique.
- Un défaut d'entretien réduit le cycle de vie du produit et augmente le risque d'accidents.
- Une formation spéciale est nécessaire pour tous les travaux d'entretien et de réparation, en particulier pour les dispositifs de sécurité sur le produit. Si tous les contrôles spécifiés dans ce manuel d'utilisation ne sont pas validés après l'entretien, consultez votre revendeur. Nous garantissons la disponibilité d'un service de réparation et d'entretien professionnel pour votre produit.
- Utilisez uniquement les pièces de rechange d'origine.
- Portez toujours des gants de protection robustes lorsque vous réparez l'accessoire de coupe. Les lames sont très tranchantes et peuvent aisément causer des blessures.

Montage

Introduction



AVERTISSEMENT: Assurez-vous de lire et de comprendre le chapitre dédié à la sécurité avant de monter l'appareil.

Pour installer l'accessoire

1. Fixez l'accessoire (A) sur le bloc d'alimentation (B). L'accessoire doit pouvoir bouger facilement dans le support du bloc d'alimentation ; si ce n'est pas le cas, il n'est pas installé correctement. (Fig. 29)
2. Serrez le bouton de verrouillage (C).

Remarque: Lorsque l'accessoire est installé sur le bloc d'alimentation, l'interface utilisateur de l'accessoire est déconnectée.

Réglage de la longueur de l'arbre télescopique

1. Levez le levier (A) sur l'arbre. (Fig. 30)
2. Réglez l'arbre télescopique à une longueur applicable.
3. Poussez le levier vers le bas pour verrouiller l'arbre télescopique.

Pour installer le crochet de remisage sur le mur

- Installez le crochet de remisage en intérieur.
- Conservez le crochet de remisage à l'abri de la lumière du soleil et à une température ambiante comprise entre -10 °C et 70 °C.
- Installez le crochet de remisage sur une cloison sèche, un mur en bois ou en béton.



REMARQUE: Assurez-vous que le mur peut supporter des charges d'au moins 30 kg.

- Installez le crochet de remisage sur le mur à l'aide des 3 vis (A). Utilisez des chevilles murales (B) si nécessaire. (Fig. 31)



REMARQUE: Assurez-vous que les vis sont compatibles avec votre type de mur.

- Contactez votre agent d'entretien Husqvarna pour en savoir plus sur les accessoires de remisage disponibles pour votre produit.

Pour suspendre le produit au crochet de remisage

- Accrochez le bloc d'alimentation sur le crochet de remisage comme indiqué sur l'illustration. (Fig. 32)

Utilisation

Pour effectuer un contrôle du fonctionnement avant d'utiliser le produit

1. Retirez la saleté et les matériaux indésirables du produit à l'aide d'une brosse.
2. Serrez tous les écrous et toutes les vis.
3. Assurez-vous que l'accessoire est fixé correctement.
4. Assurez-vous que le bouton de blocage de la gâchette de puissance est engagé.
5. Assurez-vous que les dispositifs de verrouillage de l'arbre étendu et de l'élément pivotant sont en position verrouillée.
6. Examinez l'accessoire pour détecter tout dommage, par exemple des fissures. Remplacez l'accessoire s'il est endommagé.
7. Assurez-vous que le couvercle est bien fixé et en bon état.
8. Vérifiez que le produit fonctionne correctement.

Pour fixer la batterie au produit



AVERTISSEMENT: Utilisez uniquement des batteries lithium-ion du système POWER FOR ALL P4A 18 V dans le produit.

1. Assurez-vous que la batterie est complètement chargée.

2. Insérez la batterie dans le support de batterie du produit. La batterie doit pouvoir s'insérer facilement dans le support ; si ce n'est pas le cas, elle n'est pas installée correctement. (Fig. 33)
3. Insérez complètement la batterie dans son support. La batterie est verrouillée en position lorsqu'un « clic » est émis.
4. Assurez-vous que le loquet se verrouille correctement en position.

Démarrage du produit

1. Appuyez sur le bouton de blocage pour bloquer la gâchette de puissance vers l'avant. (Fig. 25)
2. Poussez le blocage de la gâchette de puissance (A) du côté gauche ou droit et maintenez la gâchette de puissance (B) enfoncée. (Fig. 34)

Arrêt du produit

1. Relâchez la gâchette de puissance.
2. Poussez le bouton de blocage de la gâchette de puissance vers l'arrière pour verrouiller le produit.
3. Appuyez sur le bouton de libération de la batterie et sortez la batterie. (Fig. 35)
4. Si nécessaire, retirez l'accessoire du produit.

Pour régler l'angle du produit

Le produit peut être réglé sur 7 positions différentes.



AVERTISSEMENT: Ne modifiez pas l'angle lorsque vous utilisez le produit.

1. Arrêtez le produit et retirez la batterie.
2. Maintenez fermement le support (A). (Fig. 36)
3. Appuyez et maintenez enfoncé le joint de rotation (B).

4. Réglez le support sur la position correcte.
5. Relâchez le joint de rotation pour verrouiller le support.
6. Déplacez le support vers le haut et vers le bas jusqu'à ce qu'il se verrouille en position.

Entretien

Introduction

sécurité avant de procéder à l'entretien du produit.



AVERTISSEMENT: assurez-vous de lire et de comprendre le chapitre sur la



AVERTISSEMENT: retirez la batterie avant de procéder à l'entretien du produit.

Calendrier d'entretien

La liste ci-dessous indique les étapes d'entretien à effectuer sur le produit.

Entretien	Avant utilisation	Toutes les semaines	Mensuel
Nettoyez les pièces externes du produit avec un chiffon sec. N'utilisez pas d'eau.	X		
Assurez-vous que le bouton de verrouillage de la gâchette de puissance fonctionne correctement et n'est pas endommagé.	X		
Vérifiez que la gâchette de puissance et son mécanisme de blocage fonctionnent en toute sécurité.	X		
Assurez-vous que toutes les commandes fonctionnent correctement et ne sont pas endommagées.	X		
Maintenez les poignées propres et sèches.	X		
Assurez-vous que les vis et les écrous sont serrés.	X		
Assurez-vous que les boutons de libération de la batterie fonctionnent correctement et verrouillent la batterie dans le produit.	X		
Assurez-vous que la batterie n'est pas endommagée.	X		
Assurez-vous que la batterie est chargée.	X		
Assurez-vous que le chargeur de batterie n'est pas endommagé et qu'il fonctionne correctement.	X		
Vérifiez tous les câbles, tous les raccords et toutes les connexions. Vérifiez qu'ils sont propres et intacts.		X	
Contrôlez les connexions entre la batterie et le produit.			X
Contrôlez la connexion entre la batterie et le chargeur de batterie.			X

Pour nettoyer le produit, la batterie et le chargeur de batterie

1. Nettoyez le produit avec un chiffon sec après utilisation.
2. Nettoyez la batterie et le chargeur de batterie avec un chiffon sec. Veillez à maintenir les rails guides de la batterie en parfait état de propreté.

3. Assurez-vous que les bornes de la batterie et du chargeur de batterie sont propres avant d'insérer la batterie dans le chargeur ou le produit.

Transport, entreposage et mise au rebut

Transport et stockage

- Les batteries Li-Ion fournies respectent les exigences de la législation sur les marchandises dangereuses.
- Vous devez respecter l'exigence spécifique relative à l'emballage et aux étiquettes pour le transport commercial, y compris par des tiers et des transitaires.
- Consultez un expert en matières dangereuses avant d'expédier le produit. Respectez les lois nationales en vigueur.
- Mettez du ruban adhésif sur les contacts lorsque vous placez la batterie dans un emballage. Placez la batterie dans l'emballage de façon hermétique pour empêcher tout mouvement.
- Retirez la batterie lors du stockage ou du transport.
- Placez la batterie et le chargeur de batterie dans un endroit sec, à l'abri de l'humidité et du gel.
- Ne conservez pas la batterie dans un endroit présentant un risque d'électricité statique. Ne conservez pas la batterie dans une boîte métallique.
- Remisez la batterie dans un endroit où la température est comprise entre -20 °C (-4 °F) et +50 °C (122 °F) et à l'abri de la lumière du soleil.
- Conservez le chargeur de batterie dans un endroit où la température est comprise entre 5 °C (41 °F) et 45 °C (113 °F) et à l'abri de la lumière du soleil.
- N'utilisez le chargeur de batterie que si la température ambiante est comprise entre 0 °C (32 °F) et 35 °C (95 °F).
- Remisez le produit dans un endroit où la température est comprise entre -40 °C (-40 °F) et +60 °C (140 °F).
- Chargez la batterie entre 30 % et 50 % avant de la remiser pendant des périodes prolongées.

- Conservez le chargeur de batterie dans un local fermé et sec.
- Conservez la batterie à l'écart du chargeur lors du rangement. Ne laissez pas des enfants ou d'autres personnes non autorisées toucher l'équipement. Conservez l'équipement dans un local verrouillable.
- Nettoyez le produit et effectuez un entretien complet avant de remiser le produit pendant des périodes prolongées.
- Utilisez la protection de transport du produit pour éviter les blessures et les dégâts causés au produit lors du transport et du remisage.
- Fixez le produit pour le transporter.
- Conservez le produit en position de rangement horizontale ou accrochez-le au crochet fourni. Reportez-vous à la section *Pour suspendre le produit au crochet de remisage à la page 96*.

Mise au rebut de la batterie, du chargeur de batterie et du produit

Le symbole ci-dessous indique que le produit ne fait pas partie des déchets ménagers. Déposez-le dans une station de recyclage pour équipements électriques et électroniques. Ceci permet d'éviter les dangers pour l'environnement et les personnes.

Consultez les autorités locales, le service des ordures ménagères ou votre revendeur pour plus d'informations.

(Fig. 18)

Remarque: Le symbole apparaît sur le produit ou l'emballage du produit.

Caractéristiques techniques

Aspire Pole-P4A	
Poids	
Poids (bloc d'alimentation seul), kg	1,5

Batteries homologuées

Ce produit peut être utilisé avec toutes les batteries
POWER FOR ALL.

Batterie	P4A 18-B36	P4A 18-B45	P4A 18-B72
Type	Lithium-ion	Lithium-ion	Lithium-ion
Capacité de la batterie, Ah	2,0	2,5	4,0
Tension nominale, V	18	18	18
Poids, kg	0,35	0,35	0,65
Nombre de cellules (Li-Ion)	5	5	10

Chargeurs de batterie homologués

Chargeur de batterie	P4A 18-C50	P4A 18-C70
Tension d'entrée, V	Reportez-vous aux informations relatives à la capacité du chargeur.	Reportez-vous aux informations relatives à la capacité du chargeur.
Fréquence, Hz	50-60	50-60
Puissance, W	50	70

Accessoires

Accessoires

Accessoires approuvés	Type	À utiliser avec
Accessoire de taille-buissons	Aspire S20-P4A	Aspire Pole-P4A
Accessoire d'élagueuse	Aspire P5-P4A	Aspire Pole-P4A

Déclaration de conformité

Déclaration de conformité UE

Nous, **Husqvarna AB**, SE-561 82 Huskvarna, Suède,
tél : +46-36-146500, déclarons sous notre entière
responsabilité que le produit :

Description	Bloc d'alimentation sur batterie
Marque	Husqvarna
Type/Modèle	Aspire Pole-P4A
Identification	Les numéros de série à partir de 2023 et ultérieurs

est entièrement conforme à la réglementation et aux
directives de l'UE suivantes :

Directive/Réglementation	Description
2006/42/CE	« relative aux machines »
2014/30/UE	« relative à la compatibilité électromagnétique »
2011/65/UE	« relative à la limitation de l'utilisation de certaines substances dangereuses au sein d'équipements électriques et électroniques »
2000/14/CE	« relative aux émissions sonores dans l'environnement »

et que les normes et/ou les spécifications techniques
suivantes sont appliquées : EN 62841-1:2015/A11:2022,
EN 62841-4-2:2019/A1:2022, EN IEC 62841-4-5:2021/
A11:2021, EN ISO 11680-1:2011, EN ISO 12100:2010,
EN IEC 55014-1:2021, EN IEC 55014-2:2021, EN IEC
63000:2018.

DEKRA Testing and Certification GmbH,
Handwerkstraße 15, 70565 Stuttgart, Germany, 0158
a volontairement procédé à des tests de type CE
conformément à l'article 12, point 3b de la directive
relative aux machines (2006/42/CE). Le certificat de
l'examen de type CE porte le numéro suivant :
4815039.22006.

Procédure d'évaluation de la conformité appliquée
conformément à la directive 2000/14/CE, annexe V.

Avec accessoire Aspire P5-P4A comme élagueuse sur
perche :

- Niveau de puissance acoustique mesuré : 88 dB(A)
- Niveau de puissance acoustique garanti : 91 dB(A)

Avec accessoire Aspire S20-P4A comme taille-buissons
sur perche :

- Niveau de puissance acoustique mesuré pour la
lame à buissons : 83 dB(A)
- Niveau de puissance acoustique mesuré pour la
lame à gazon : 79 dB(A)
- Niveau de puissance acoustique garanti : 84 dB(A)

Huskvarna, 2023-10-30



Claes Losdal, responsable R&D, Husqvarna AB
Responsable de la documentation technique



Licences

Copyright © 2012-2020 STMicroelectronics

La garantie ne couvre pas les défauts résultant de l'usure normale, de la négligence, d'une utilisation inappropriée, de la réparation non autorisée ou du branchement de l'appareil d'aspiration à une tension électrique inadaptée.

Tous droits réservés.

La redistribution et l'utilisation sous format source et binaire, avec ou sans modification, sont autorisées à condition que les conditions suivantes soient remplies :

- Les redistributions du code source doivent conserver l'avis de droit d'auteur ci-dessus, la présente liste de conditions et la clause de non-responsabilité suivante.
- Les redistributions sous format binaire doivent reproduire l'avis de droit d'auteur ci-dessus, la présente liste de conditions et la clause de non-responsabilité suivante dans la documentation et/ou les autres documents fournis avec la distribution.
- Ni le nom de STMicroelectronics, ni les noms de ses contributeurs ne peuvent être utilisés pour soutenir ou promouvoir des produits dérivés de ce logiciel sans autorisation écrite préalable spécifique.

CE LOGICIEL EST FOURNI « EN L'ÉTAT » PAR LES DÉTENTEURS DU DROIT D'AUTEUR ET LES CONTRIBUTEURS ET TOUTE GARANTIE EXPRESSE OU IMPLICITE, Y COMPRIS, MAIS SANS S'Y LIMITER, LES GARANTIES IMPLICITES DE QUALITÉ MARCHANDE ET D'ADÉQUATION À UN USAGE PARTICULIER, EST EXCLUE. EN AUCUN CAS LE DÉTENTEUR DU DROIT D'AUTEUR OU LES CONTRIBUTEURS NE POURRONT ÊTRE TENUS RESPONSABLES DE TOUT DOMMAGE DIRECT, INDIRECT, ACCESSOIRE, SPÉCIAL, EXEMPLAIRE OU CONSÉCUTIF (Y COMPRIS, MAIS SANS S'Y LIMITER, L'ACHAT DE BIENS OU SERVICES DE SUBSTITUTION ; LA PERTE D'UTILISATION, DE DONNÉES OU DE BÉNÉFICES ; OU L'INTERRUPTION D'ACTIVITÉ), QUELLE QU'EN SOIT LA CAUSE ET SELON TOUTE THÉORIE DE RESPONSABILITÉ, QUE CE SOIT DANS LE CADRE D'UN CONTRAT, D'UNE RESPONSABILITÉ STRICTE OU D'UN DÉLIT (Y COMPRIS UNE NÉGLIGENCE OU AUTRE) DÉCOULANT DE QUELQUE MANIÈRE QUE CE SOIT DE L'UTILISATION DE CE LOGICIEL, MÊME SI LA POSSIBILITÉ D'UN TEL DOMMAGE A ÉTÉ PORTÉE À LA CONNAISSANCE DU CLIENT.

Licence Apache 2.0

Copyright © 2009-2019 Arm Limited. Tous droits réservés.

Version 2.0, Janvier 2004 <http://www.apache.org/licenses/>

CONDITIONS GÉNÉRALES D'UTILISATION, DE REPRODUCTION ET DE DISTRIBUTION

1. Définitions.

« **Licence** » désigne les conditions générales d'utilisation, de reproduction et de distribution telles que définies par les sections 1 à 9 du présent document.

« **Concédant** » désigne le détenteur du droit d'auteur ou l'entité autorisée par ce dernier qui accorde la Licence.

« **Entité juridique** » désigne conjointement l'entité agissant et toutes les autres entités qui contrôlent, sont contrôlées par ou sont sous contrôle commun avec cette entité. Aux fins de la présente définition, « **Contrôle** » désigne (i) le pouvoir, direct ou indirect, d'orienter ou de gérer cette entité, que ce soit par contrat ou autrement, ou (ii) la détention de cinquante pour cent (50 %) ou plus des actions en circulation, ou (iii) la propriété effective de cette entité. « **Vous** » (ou « **votre** ») désigne une personne physique ou entité juridique exerçant les autorisations accordées par la présente Licence. Le format « **Source** » désigne le format privilégié pour apporter des modifications, y compris, mais sans s'y limiter, le code source du logiciel, la source de la documentation et les fichiers de configuration. Le format « **Objet** » désigne tout format résultant de la transformation mécanique ou de la traduction d'un format Source, y compris, mais sans s'y limiter, le code objet compilé, la documentation générée et les conversions vers d'autres types de support. « **Œuvre** » désigne l'œuvre de création, sous format Source ou Objet, mise à disposition dans le cadre de la Licence, comme indiqué par un avis de droit d'auteur inclus ou joint à l'œuvre (un exemple est fourni dans l'Annexe ci-dessous).

« **Œuvres dérivées** » désigne toute œuvre, sous format Source ou Objet, basée sur (ou dérivée de) l'Œuvre et pour laquelle les révisions, annotations, élaborations ou autres modifications éditoriales représentent, dans leur ensemble, une œuvre originale de création. Aux fins de la présente Licence, les Œuvres dérivées ne doivent pas inclure les œuvres qui peuvent être séparées ou rattachées (ou reliées par leur nom) aux interfaces de l'Œuvre et des Œuvres dérivées de celle-ci. « **Contribution** » désigne toute œuvre de création, y compris la version originale de l'Œuvre et toute modification ou tout ajout à cette Œuvre ou Œuvre Dérivée de celle-ci, qui est intentionnellement soumise au Concédant pour être incluse dans l'Œuvre par le détenteur du droit d'auteur ou par une personne ou une entité juridique autorisée à soumettre au nom du détenteur du droit d'auteur. Aux fins de la présente définition, « **soumis** » désigne toute forme de communication électronique, verbale ou écrite envoyée au Concédant ou à ses représentants, y compris, mais sans s'y limiter, la communication via des listes de diffusion électroniques, des systèmes de contrôle du code source et des systèmes de suivi des problèmes gérés par ou pour le compte du Concédant dans le but de discuter de et d'améliorer l'Œuvre, à l'exclusion des communications qui sont clairement marquées ou

désignées par écrit par le détenteur du droit d'auteur par la mention « **Ne constitue pas une contribution** ». « **Contributeur** » désigne le Concédant et toute personne physique ou entité juridique pour le compte de laquelle une contribution a été reçue par le Concédant et incorporée ultérieurement dans l'Œuvre.

2. Octroi de licence de droit d'auteur.

Sous réserve des termes et conditions de cette Licence, chaque Contributeur vous accorde par la présente une licence de droit d'auteur perpétuelle, mondiale, non exclusive, gratuite, libre de droits et irrévocable pour reproduire, préparer des Œuvres dérivées, afficher publiquement, exécuter publiquement, concéder en sous-licence et distribuer l'Œuvre et ses Œuvres dérivées sous format Source ou Objet.

3. Octroi de licence de brevet.

Sous réserve des termes et conditions de cette Licence, chaque Contributeur vous accorde par la présente une licence de brevet perpétuelle, mondiale, non exclusive, gratuite, libre de droits et irrévocable (sauf mention contraire dans la présente section) pour fabriquer, faire fabriquer, utiliser, proposer à la vente, vendre, importer et transférer l'Œuvre, lorsque cette licence s'applique uniquement aux demandes de brevet concédées sous licence par le Contributeur concerné qui sont nécessairement violées du fait de leur(s) Contribution(s) seule(s) ou du fait de la combinaison de leur(s) Contribution(s) avec l'Œuvre pour laquelle cette ou ces Contribution(s) ont été soumises. Si vous déposez une demande à l'encontre de toute entité pour un litige sur un brevet (y compris une réclamation croisée ou une contre-réclamation dans le cadre d'une action en justice) alléguant que l'Œuvre ou une Contribution intégrée à l'Œuvre constitue une violation de brevet directe ou contributive, toutes les licences de brevets qui vous sont accordées en vertu de la présente Licence pour cette Œuvre seront résiliées à la date à laquelle la demande pour litige est déposée.

4. Redistribution.

Vous pouvez reproduire et distribuer des copies de l'Œuvre ou des Œuvres dérivées sur tout support, avec ou sans modification, sous format Source ou Objet, à condition de satisfaire aux conditions suivantes :

- Vous devez remettre à tout autre destinataire de l'Œuvre ou des Œuvres dérivées une copie de la présente Licence ; et
- Vous devez faire en sorte que tous les fichiers modifiés comportent des mentions visibles indiquant que vous avez modifié les fichiers ; et vous devez conserver, sous format Source de toute Œuvre dérivée que vous distribuez, tous les avis de droit d'auteur, de brevet, de marque commerciale et d'attribution du format Source de l'Œuvre, à l'exception des mentions qui ne se rapportent à aucune partie des Œuvres dérivées ; et
- Si l'œuvre comprend un fichier texte « **MENTION** » dans le cadre de sa distribution, toute Œuvre

Dérivée que vous distribuez doit alors inclure une copie lisible des mentions d'attribution contenus dans ce fichier MENTION, à l'exclusion des mentions qui ne se rapportent à aucune partie des Œuvres dérivées, dans au moins l'un des emplacements suivants : dans un fichier texte MENTION distribué dans le cadre des Œuvres dérivées ; dans le format ou la documentation Source, si fourni avec les Œuvres dérivées ; ou dans un affichage généré par les Œuvres dérivées, si et où ces mentions tierces apparaissent normalement. Le contenu du fichier MENTION est fourni à titre d'information uniquement et ne modifie pas la Licence. Vous pouvez ajouter vos propres mentions d'attribution dans les Œuvres dérivées que vous distribuez, en parallèle ou en tant qu'annexe au texte MENTION de l'Œuvre, à condition que ces mentions d'attribution supplémentaires ne puissent pas être interprétées comme modifiant la Licence. Vous pouvez ajouter votre propre déclaration de droit d'auteur sur vos modifications et fournir des conditions générales de licence supplémentaires ou différentes pour l'utilisation, la reproduction ou la distribution de vos modifications, ou pour toute Œuvre dérivée dans son ensemble, à condition que votre utilisation, reproduction, et distribution de l'Œuvre soit conforme aux conditions énoncées dans la présente Licence.

5. Soumission de contributions.

Sauf indication contraire explicite de votre part, toute Contribution que vous soumettez intentionnellement pour l'Œuvre au Concédant de licence sera soumise aux conditions générales de la présente Licence, sans aucune condition supplémentaire. Nonobstant ce qui précède, rien dans le présent document ne remplace ou ne modifie les termes de tout contrat de licence distinct que vous avez signé avec le Concédant de licence concernant ces contributions.

6. Marques commerciales.

La présente Licence n'autorise pas l'utilisation des noms commerciaux, marques commerciales, marques de service ou noms de produits du Concédant, sauf lorsque cela est nécessaire pour une utilisation raisonnable et habituelle dans la description de l'origine de l'Œuvre et la reproduction du contenu du fichier MENTION.

7. Exclusion de Garantie.

Sauf si la loi en vigueur l'exige ou si le Concédant de licence l'accepte par écrit, le Concédant fournit l'Œuvre (et chaque Contributeur fournit ses contributions) « EN L'ÉTAT », SANS GARANTIE NI CONDITION D'AUCUNE SORTIE, expresse ou implicite, y compris, sans s'y limiter, toute garantie ou condition de TITRE, NON-VIOLATION, QUALITÉ MARCHANDE, ou ADÉQUATION À UN USAGE PARTICULIER. Vous êtes seul responsable de déterminer la pertinence de l'utilisation ou de la redistribution de l'Œuvre et assumez tous les risques associés à l'exercice d'autorisations

en vertu de la présente Licence. 8. Limitation de responsabilité. En aucun cas et sous aucune théorie de droit, que ce soit de manière délictuelle (y compris par négligence), contractuelle ou autre, sauf si requis par la loi en vigueur (par exemple pour des actes délibérés et grossièrement négligents) ou convenu par écrit, un Contributeur ne sera tenu responsable envers vous de dommages, y compris tout dommage direct, indirect, spécial, accidentel, ou consécutif de quelque nature que ce soit résultant de la présente Licence ou de l'utilisation ou de l'incapacité à utiliser l'Œuvre (y compris, mais sans s'y limiter, les dommages pour perte de clientèle, arrêt de travail, défaillance ou dysfonctionnement de l'ordinateur, ou tout autre dommage ou perte commercial), même si le Contributeur a été informé de la possibilité de tels dommages.

9. Acceptation de la garantie ou de la responsabilité supplémentaire.

Lors de la redistribution de l'Œuvre ou des Œuvres dérivées de celle-ci, vous pouvez choisir d'offrir et de facturer tout accord quant à l'assistance, la garantie, l'indemnité ou d'autres obligations de responsabilité et/ou droits liés à la présente Licence. Toutefois, en acceptant de telles obligations, vous ne pouvez agir que pour votre propre compte et sous votre seule responsabilité, et non pour le compte d'un autre Contributeur, et uniquement si vous acceptez d'indemniser, de défendre et de dégager chaque Contributeur de toute responsabilité engagée par, ou de toute réclamation faite à l'encontre de ce Contributeur en raison de votre accord quant à une telle garantie ou responsabilité supplémentaire. FIN DES CONDITIONS GÉNÉRALES

Inhoud

Inleiding.....	103	Vervoer, opslag en verwerking.....	113
Veiligheid.....	104	Technische gegevens.....	114
Montage.....	111	Accessoires.....	115
Werking.....	112	Verklaring van overeenstemming.....	116
Onderhoud.....	113	Vergunningen.....	117

Inleiding

Productbeschrijving

Husqvarna Aspire Pole-P4A is een accu-aangedreven voedingseenheid met telescopische functie.

Gebruik

Deze voedingseenheid is een kale eenheid die alleen werkt met goedgekeurde accessoires, zie de

goedgekeurde accessoires in *Accessoires op pagina 115*. Lees deze handleiding samen met de handleiding voor het goedgekeurde accessoire.

Productoverzicht

(Fig. 1)

1. Draaiverbinding
2. Vergrendelingsknop voor opzetstuk
3. Hendel voor telescoopfunctie
4. As
5. Zachte huls
6. Haak draagstel
7. Vergrendelknop voor de activeringsschakelaar
8. Achterhandgreep
9. Vergrendeling voedingschakelaar
10. Voedingsschakelaar
11. Gebruikershandleiding
12. Accuontgrendelknop
13. Acculader
14. Spannings- en waarschuwingslampje

15. Connector
16. Opslaghaak, schroeven en wandpluggen

Symbolen op het product

(Fig. 2) **WAARSCHUWING:** Dit product kan gevaarlijk zijn en ernstig of fataal letsel toebrengen aan de gebruiker of anderen. Wees voorzichtig en gebruik het product op de juiste manier.

(Fig. 3) Lees de bedieningshandleiding zorgvuldig door en zorg dat u de instructies hebt begrepen voordat u het product gaat gebruiken.

- (Fig. 4) Gebruik een veiligheidshelm op locaties waar objecten op u kunnen vallen. Gebruik goedgekeurde gehoorbescherming (alleen voor Aspire P5-P4A + Aspire Pole-P4A). Gebruik goedgekeurde oogbescherming.
- (Fig. 5) Draag goedgekeurde veiligheidshandschoenen.
- (Fig. 6) Gebruik antisliplaarzen voor zwaar gebruik. (Geldt alleen voor Aspire P5-P4A + Aspire Pole-P4A)
- (Fig. 7) Gelijkstroom.
- (Fig. 8) Nominale spanning, V
- (Fig. 9) Stel het product niet bloot aan regen.
- (Fig. 10) Risico op letsel. Houd uw handen uit de buurt van het snijgereedschap.
- (Fig. 11) Het product voldoet aan de geldende EU-richtlijnen.
- (Fig. 12) Dit product voldoet aan de geldende VK-regelgeving.
- (Fig. 13) Het product of de verpakking ervan is geen huishoudelijk afval. Lever het in bij een recyclepunt voor elektrische en elektronische apparatuur.
- (Fig. 16) GEVAAR - Houd voldoende afstand tot elektriciteitskabels.
- (Fig. 17) Het serienummer staat op het productplaatje of de laserdruk. **yyyy** is het productiejaar en **ww** is de productieweek.

Let op: Overige op de machine aangegeven symbolen/plaatjes verwijzen naar specifieke eisen aan certificering voor bepaalde markten.

- (Fig. 14) Bewaar en gebruik de acculader alleen binnen.
- (Fig. 15) Dubbele isolatie.

Symbolen op de accu en/of op de accuhouder

- (Fig. 18) Lever dit product in bij een recyclepunt voor elektrische en elektronische apparatuur. (Alleen geldig voor Europa)
- (Fig. 19) Gebruik de accu alleen in producten van POWER FOR ALL-systeempartners.
- (Fig. 20) Bescherm de accu tegen hitte, bijv. tegen continu intens zonlicht, vuur, vuil, water en vocht. Er bestaat gevaar voor explosie en kortsluiting.
- (Fig. 21)

Schade aan het product

We zijn niet verantwoordelijk voor schade aan ons product als:

- het product niet goed is gerepareerd.
- het product is gerepareerd met onderdelen die niet van de fabrikant afkomstig zijn, of onderdelen die niet zijn goedgekeurd door de fabrikant.
- het product een accessoire bevat dat niet afkomstig is van de fabrikant of niet is goedgekeurd door de fabrikant.
- het product niet is gerepareerd door een erkend servicepunt of door een erkende autoriteit.

Fabrikant

Husqvarna AB
Drottninggatan 2, SE-561 82 Huskvarna, Sweden, tel:
+46-36-146 500

Veiligheid

Veiligheidsdefinities

Waarschuwingen, voorzorgsmaatregelen en opmerkingen worden gebruikt om te wijzen op belangrijke delen van de handleiding.



WAARSCHUWING: Wordt gebruikt om te wijzen op de kans op ernstig of fataal letsel voor de gebruiker of omstanders wanneer de instructies in de handleiding niet worden gevolgd.



OPGELET: Wordt gebruikt indien er een risico bestaat op schade aan het product en andere eigendommen of aan de omgeving wanneer de instructies in de handleiding niet worden gevolgd.

Let op: Geven verdere informatie die nodig is in een bepaalde situatie.

Algemene veiligheidswaarschuwingen voor elektrisch gereedschap



WAARSCHUWING: Zorg ervoor dat u de handleiding voor het goedgekeurde accessoire samen met deze handleiding voor voedingseenheden leest.



WAARSCHUWING: Lees alle veiligheidswaarschuwingen, instructies, illustraties en specificaties die worden meegeleverd met dit elektrisch gereedschap. Het niet opvolgen van ieder van de onderstaande instructies kan leiden tot elektrische schokken, brand en/of ernstig letsel.

Let op: Bewaar alle waarschuwingen en instructies voor later gebruik. De term "elektrisch gereedschap" in de waarschuwingen verwijst zowel naar gereedschappen die op het lichtnet (met snoer) werken als gereedschappen die met een accu (snoerloos) werken.

Veiligheid van het werkgebied

- **Zorg ervoor dat de werkplek schoon en goed verlicht is.** In rommelige of donkere gebieden gebeuren eerder ongelukken.
- **Gebruik elektrisch gereedschap niet in een omgeving waar ontploffingsgevaar bestaat, zoals in de buurt van brandbare vloeistoffen, gassen of stof.** Elektrische apparaten creëren vonken waardoor het stof of de dampen kunnen ontbranden.
- **Houd kinderen en omstanders op afstand wanneer u elektrisch gereedschap gebruikt.** U kunt de controle over het apparaat verliezen als u afgeleid wordt.

Elektrische veiligheid

- **Elektrisch gereedschap moet geschikt zijn voor het betreffende stopcontact. Wijzig nooit de stekker. Gebruik nooit een adapterstekker in combinatie met geaarde elektrische gereedschappen.** Ongewijzigde stekkers en overeenkomende stopcontacten verkleinen het risico op elektrische schokken.
- **Vermijd lichamelijk contact met geaarde oppervlakken, zoals buizen, radiatoren, fornuizen en**

koelkasten. Er is een verhoogd risico op elektrische schokken als uw lichaam geaard is.

- **Stel elektrische gereedschappen niet bloot aan regen of vochtige omstandigheden.** Water dat in elektrisch gereedschap binnendringt, verhoogt het risico op elektrische schokken.
- **Gebruik de kabel niet voor oneigenlijke doeleinden. Gebruik de kabel nooit om het elektrische apparaat te dragen, het mee te slepen of om de stekker uit het stopcontact te trekken. Houd de kabel uit de buurt van warmte, olie, scherpe randen en bewegende onderdelen.** Beschadigde of in de knoop geraakte kabels verhogen het risico op elektrische schokken.
- **Gebruik een verlengkabel die geschikt is voor gebruik buitenshuis wanneer u buiten werkt met elektrisch gereedschap.** Het gebruik van een kabel die geschikt is voor gebruik buitenshuis, vermindert het risico op elektrische schokken.
- **Als gebruik van een elektrisch apparaat in een vochtige omgeving onvermijdelijk is, gebruik dan een netvoeding met reststroombescherming (RCD).** Het gebruik van een aardlekschakelaar vermindert het risico op elektrische schokken.

Persoonlijke veiligheid

- **Wees altijd alert, kijk wat u doet en gebruik uw gezonde verstand wanneer u elektrisch gereedschap gebruikt. Gebruik elektrisch gereedschap niet als u moe bent of onder invloed bent van drugs, alcohol of medicijnen.** Een moment van onoplettendheid tijdens het gebruik van elektrische apparaten kan leiden tot ernstig persoonlijk letsel.
- **Maak altijd gebruik van persoonlijke beschermingsmiddelen. Draag altijd oogbescherming.** Beschermingsmiddelen zoals een stofmasker, veiligheidsschoenen met antislipprofiel, een veiligheidshelm of gehoorbescherming in relevante werkomstandigheden beperken letsel.
- **Voorkom een onbedoelde start. Zorg ervoor dat de schakelaar in de stand Off staat voordat u het gereedschap aansluit op een spanningsbron en/of accupack, oppakt of draagt.** Het dragen van elektrische apparaten met uw vinger op de schakelaar of het onder spanning zetten van elektrische apparaten waarvan de schakelaar op aan staat, kan makkelijk leiden tot ongelukken.
- **Verwijder eventuele (instel)sleutels voordat u het elektrisch gereedschap inschakelt.** Een sleutel die is bevestigd aan een draaiend onderdeel van het elektrische gereedschap kan persoonlijk letsel tot gevolg hebben.
- **Voorkom overstrekken. Zorg dat u te allen tijde stevig en in balans staat.** Hierdoor heeft u een betere controle over het apparaat in onverwachte situaties.
- **Draag geschikte kleding. Draag geen losse kleding of sieraden. Houd uw haar en kleding uit de buurt van bewegende onderdelen.** Losse kleding, sieraden of lang haar kunnen verstrikt raken in bewegende onderdelen.

- **Als de mogelijkheid bestaat voor het opvangen van stof moet u ervoor zorgen dat deze is aangesloten en op de juiste wijze wordt gebruikt.** Het gebruik van stofopvang kan stofgerelateerde gevaren beperken.
- **Laat de vertrouwdheid met de door u gebruikte apparaten door het frequente gebruik ervan niet toe leiden dat u de veiligheidsprincipes negeert.** Een onzorgvuldige handeling kan binnen een fractie van een seconde leiden tot ernstig letsel.
- **Gevaar! Niet gebruiken in de buurt van elektriciteitskabels.** Het apparaat is niet ontworpen om bescherming te bieden tegen een elektrische schok in geval van contact met elektriciteitskabels. Raadpleeg de plaatselijke voorschriften voor veilige afstanden ten opzichte van elektriciteitskabels en zorg ervoor dat de werkstand veilig is, voordat u het product gebruikt.

Gebruik en verzorging van elektrische apparaten

- **Gebruik elektrische gereedschap niet voor taken waarvoor het niet geschikt is.** Gebruik het juiste elektrische apparaat voor uw toepassing. Met het juiste elektrische apparaat kunt u de taak beter en veiliger uitvoeren met de snelheid waarvoor het is ontworpen.
- **Gebruik het elektrisch gereedschap niet als de aan/uitschakelaar niet werkt.** Elektrische apparaten die niet bediend kunnen worden met de schakelaar zijn gevaarlijk en moeten gerepareerd worden.
- **Haal de stekker uit het stopcontact en/of verwijder het accupack (indien verwijderbaar) van het elektrische gereedschap voordat u aanpassingen maakt, accessoires verwisselt of het elektrische gereedschap opbergt.** Deze voorzorgsmaatregelen verkleinen het risico op het per ongeluk starten van het elektrische apparaat.
- **Berg elektrisch gereedschap dat u niet nodig hebt op buiten het bereik van kinderen en laat personen die onbekend zijn met het elektrisch gereedschap of deze instructies niet werken met het elektrisch gereedschap.** Elektrische apparaten zijn gevaarlijk in handen van ongetrainde gebruikers.
- **Zorg voor een deugdelijk onderhoud van elektrische gereedschappen en accessoires.** Controleer op onjuiste montage of vastlopen van bewegende delen, gebroken onderdelen en andere condities die de werking van het elektrische gereedschap kunnen beïnvloeden. Als het elektrische apparaat beschadigd is, moet u het laten repareren voordat u het gebruikt. Veel ongelukken worden veroorzaakt door slecht onderhouden elektrische apparaten.
- **Houd snijgereedschappen scherp en schoon.** Goed onderhouden snijgereedschappen met scherpe snijranden zullen minder gauw vastlopen en zijn eenvoudiger onder controle te houden.
- **Gebruik het elektrisch gereedschap, de accessoires, gereedschapsbits en dergelijke in overeenstemming met deze instructies en houd hierbij rekening met de werkomstandigheden en het type kius dat moet**

worden uitgevoerd. Als u het elektrische apparaat voor andere toepassingen gebruikt dan waarvoor het is bedoeld, kan er een gevaarlijke situatie ontstaan.

- **Houd de handgrepen en grijppoppervlakken droog, schoon en vrij van olie en vet.** Als handgrepen en grijppoppervlakken glad zijn, kan dit ervoor zorgen dat het gereedschap in onverwachte situaties niet veilig kan worden gehanteerd en bediend.

Gebruik en onderhoud van gereedschap met accu

- **Laad het gereedschap alleen op met de lader die door de fabrikant is gespecificeerd.** Een lader die voor een bepaald type accu geschikt is, kan een risico op brand creëren als de lader met een andere accu wordt gebruikt.
- **Gebruik elektrisch gereedschap enkel met de specifiek hiervoor bedoelde accu.** Als er andere accupacks worden gebruikt, bestaat er risico op letsel en brand.
- **Als het accupack niet gebruikt wordt, houd hem dan uit de buurt van andere metalen voorwerpen, zoals paperclips, munten, sleutels, spijkers, schroeven of andere kleine metalen voorwerpen die een verbinding tussen de twee klemmen kunnen maken.** Als er kortsluiting tussen de accuaansluitingen ontstaat, kunnen er brandwonden of brand ontstaan.
- **Als het accupack verkeerd wordt gebruikt, kan er vloeistof uit de accu komen; zorg dat u deze niet aanraakt. Als u per ongeluk in contact komt met de vloeistof, afspoelen met water. Als er vloeistof in de ogen komt dient u medische hulp in te roepen.** Vloeistof die uit de accu komt kan irritatie of brandwonden veroorzaken.
- **Gebruik geen accupack of product dat beschadigd of gewijzigd is.** Beschadigde of aangepaste accu's kunnen onvoorspelbaar gedrag vertonen, wat kan leiden tot brand, explosies of letsel.
- **Stel het accupack of product niet bloot aan vuur of hoge temperaturen.** Blootstelling aan vuur of temperaturen hoger dan 130 °C kan een explosie veroorzaken.
- **Volg alle oplaadinstructies op en laad de accu of het product niet op bij temperaturen die buiten het in de instructies gespecificeerde bereik vallen.** Door onjuist opladen of opladen bij temperaturen die buiten het gespecificeerde bereik liggen, kan de accu beschadigd raken en neemt het risico op brand toe.

Service

- **Laat uw elektrische apparaat repareren door een gekwalificeerde monteur en gebruik uitsluitend identieke vervangingsonderdelen.** Dit zorgt ervoor dat de veiligheid van het elektrisch gereedschap wordt gehandhaafd.
- **Voer nooit onderhoud uit aan beschadigde accupacks.** Onderhoud aan accupacks mag alleen worden uitgevoerd door de fabrikant of geautoriseerde dienstverleners.

Overige algemene veiligheidsinformatie

- Raadpleeg voor aanvullende specifieke veiligheidsvoorschriften de gebruikershandleiding voor het betreffende opzetstuk.
- Schakel het product uit wanneer u zich verplaatst. Verwijder altijd de accu wanneer u het product aan een andere persoon geeft.
- Leg het product nooit neer zonder het uit te schakelen en de accu te verwijderen. Laat het product nooit onbeheerd achter terwijl het ingeschakeld is.
- Het maaigereedschap stopt niet onmiddellijk nadat het product is uitgeschakeld.
- Controleer het product voor gebruik en na vallen of stoten op tekenen van slijtage of beschadiging en repareer indien nodig.
- Als er iets in de snijuitrusting vast komt te zitten terwijl u het product bedient, moet u het product stoppen en uitschakelen. Zorg ervoor dat de snijuitrusting volledig tot stilstand komt. Verwijder de accu voordat u het product en/of de snijuitrusting schoonmaakt, inspecteert of repareert.
- Controleer het product vóór gebruik. Raadpleeg *Veiligheidsvoorzieningen op het product op pagina 108* en *Onderhoud op pagina 113*. Gebruik nooit een beschadigd product. Voer de in deze handleiding beschreven veiligheidscontroles en de onderhouds- en service-instructies uit.
- Het gebruik van defecte snijuitrustingen kan het risico op ongevallen vergroten.
- Zorg dat de ventilatieopeningen altijd vrij zijn van afvalmaterialen.
- Controleer of het product in goede staat is. Controleer of alle moeren en bouten goed vastgedraaid zijn.
- Dit product kan bij onvoorzichtig of onjuist gebruik een gevaarlijk gereedschap zijn. Dit product kan ernstig of fataal letsel toebrengen aan de gebruiker of anderen.
- Dit apparaat is niet bedoeld voor gebruik door personen (waaronder kinderen) met fysieke, zintuiglijke of geestelijke beperkingen, of een gebrek aan kennis en ervaring, tenzij ze begeleiding bij of aanwijzingen voor het gebruik van het apparaat hebben ontvangen van een persoon die verantwoordelijk is voor hun veiligheid. Kinderen moeten onder toezicht worden gehouden om er zeker van te zijn dat ze niet met het apparaat spelen.
- Sta nooit toe dat kinderen de machine gebruiken of in de buurt van de machine komen. De machine start gemakkelijk, zodat kinderen deze mogelijk kunnen starten wanneer ze niet onder volledig toezicht staan. In dat geval kan er een risico op ernstig persoonlijk letsel bestaan. Koppel de accu los wanneer de machine niet onder streng toezicht staat.
- Laat het product nooit gebruiken door kinderen of andere personen die niet zijn opgeleid voor het gebruik of onderhoud van het product en/of de accu.
- Sla de apparatuur op in een afsluitbare ruimte zodat het buiten het bereik is van kinderen en onbevoegde personen.
- De transportbescherming moet altijd worden gebruikt voor opslag en transport.
- Houd handen en voeten altijd uit de buurt van de maaizone, in het bijzonder bij het inschakelen van de motor.
- Houd uw handen en voeten uit de buurt van de snijuitrusting totdat deze volledig is gestopt wanneer het product is uitgeschakeld.
- Verwijder het gesneden materiaal niet en laat het niet door anderen verwijderen terwijl het product is ingeschakeld of de snijuitrusting draait. Dit kan ernstig letsel veroorzaken.
- Denk erom dat het uw verantwoordelijkheid als gebruiker is om mensen en hun eigendommen niet bloot te stellen aan ongelukken of gevaar.
- De oorspronkelijke vormgeving van het product mag in geen enkel geval worden gewijzigd zonder toestemming van de fabrikant. Gebruik altijd originele accessoires. Niet goedgekeurde wijzigingen en/of niet-originele onderdelen kunnen tot ernstig persoonlijk letsel of de dood van zowel gebruiker als omstanders leiden. Uw garantie dekt mogelijk geen schade of aansprakelijkheid als gevolg van het gebruik van niet-goedgekeurde accessoires of vervangende onderdelen.
- De enige accessoires die u samen met dit product kunt gebruiken, zijn de snijuitrustingen die worden aanbevolen in het hoofdstuk Accessoires.
- Gebruik nooit een product dat zo gewijzigd is dat het niet langer overeenkomt met de originele uitvoering
- Gebruik nooit een machine die defect is. Voer de in deze handleiding beschreven veiligheidscontroles en de onderhouds- en service-instructies uit. Bepaalde onderhouds- en servicemaatregelen moeten door opgeleide en gekwalificeerde specialisten worden uitgevoerd. Raadpleeg *Onderhoud op pagina 113*.
- Werken in slechte weersomstandigheden is vermoeiend en kan tot extra gevaarlijke situaties leiden. Het is in verband met het extra gevaar niet aanbevolen om de machine te gebruiken bij zeer slecht weer, bijvoorbeeld dichte mist, zware regen, sterke wind, intense koude of bij risico op bliksem, enz.
- Werk nooit op een ladder, stoel of andere verhoging die niet stevig vast staat.
- Inactieve apparaten binnen opslaan - als het apparaat niet in gebruik is, moet het binnenshuis worden opgeslagen.
- Het is niet mogelijk om elke mogelijke situatie te vermelden. Wees altijd voorzichtig en gebruik uw gezond verstand. Vermijd situaties die uw capaciteiten te boven gaan. Als u na het lezen van deze instructies nog vragen hebt over de bedieningsprocedures dient u een expert te raadplegen voordat u verder gaat.

- Zorg ervoor dat er zich geen personen of dieren op een afstand kleiner dan 15 meter (50 feet) bevinden terwijl u werkt. Indien meerdere gebruikers in hetzelfde gebied werken, moet de veiligheidsafstand minimaal 15 meter (50 feet) bedragen. Anders is er een risico op ernstig persoonlijk letsel. Schakel het product onmiddellijk uit indien iemand dichterbij komt. Draai het product nooit rond zonder eerst de controleren of er achter u niet iemand zich in de veiligheidszone bevindt.
- Als er iets in de snijuitrusting vast komt te zitten terwijl u het product bedient, moet u het product stoppen en uitschakelen. Zorg ervoor dat de snijuitrusting volledig tot stilstand komt. Verwijder de accu voordat u het product en/of de snijuitrusting schoonmaakt, inspecteert of repareert.
- Zorg ervoor dat mensen, dieren of andere dingen geen invloed hebben op uw controle over het product en dat ze niet in contact komen met de snijuitrusting of losse objecten die worden uitgeworpen door de snijuitrusting. Gebruik het product nooit zonder de mogelijkheid hulp in te roepen in geval van nood.
- Zorg ervoor dat u veilig kunt gaan en staan. Controleer of er eventuele hindernissen zijn als u onverwacht snel moet kunnen wegkomen (wortels, stenen, takken, kuilen, greppels enz.). Wees extra voorzichtig wanneer u op hellend terrein werkt.
- U dient uitsluitend te lopen, nooit te rennen.
- Controleer het werkgebied. Verwijder alle losse voorwerpen, zoals stenen, stukjes glas, spijkers, ijzerdraad, touw en dergelijke, die weggeslingerd kunnen worden of vast kunnen komen zitten in de maaier of beschermkap.
- Wees alert op stukken tak die tijdens het snijden weggeslingerd kunnen worden. Snijd niet te dicht bij de grond waar stenen en andere voorwerpen kunnen worden weggeslingerd.
- Zorg ervoor dat kleding of lichaamsdelen niet in contact komen met de snijuitrusting wanneer het product is ingeschakeld. Houd het product altijd onder taillehoogte.
- Kijk uit voor weggeschietende objecten. Gebruik altijd goedgekeurde oogbescherming. Leun nooit over de beschermkap van de snijuitrusting. Stenen, afval, enzovoort kunnen omhoog schieten in uw ogen en dat kan blindheid of ernstig letsel veroorzaken.
- Let als u gehoorbescherming draagt op waarschuwingssignalen of geschreeuw. Doe uw gehoorbescherming altijd af zodra het product is gestopt.
- Wanneer zich ongewenste trillingen voordoen, moet u een nieuw stuk draad naar buiten tikken. Wanneer de draad de juiste lengte heeft, stoppen de trillingen.
- Als het product overmatig begint te trillen, stopt u het product en verwijdert u de accu.
- Overmatige blootstelling aan trillingen kan leiden tot bloedvat- en zenuwbeschadigingen bij personen met een slechte bloedcirculatie. Consulteer uw dokter wanneer u symptomen waarneemt die

wijzen op overmatige blootstelling aan trillingen. Dergelijke symptomen zijn o.a. een doof gevoel, gevoelloosheid, tintelingen, een prikkelend gevoel, pijn, krachtverlies, veranderingen van huidskleur of conditie van de huid. Deze symptomen worden meestal waargenomen in de vingers, handen of polsen.

- Houd het product altijd met twee handen vast.

Persoonlijke beschermingsuitrusting



WAARSCHUWING: Lees de volgende waarschuwingen voordat u het product gaat gebruiken.

- Draag tijdens het gebruik van het product altijd goedgekeurde persoonlijke beschermingsuitrusting. Persoonlijke beschermingsuitrusting kunnen niet alle risico's uitsluiten maar kunnen de ernst van eventueel letsel helpen beperken. Vraag uw dealer u te helpen bij het kiezen van de juiste beschermingsmiddelen.
 - Gebruik een veiligheidshelm bij kans op vallende voorwerpen.
 - Gebruik goedgekeurde gehoorbescherming met voldoende dempvermogen. Langdurige blootstelling aan lawaai kan leiden tot permanente gehoorbeschadiging.
 - Gebruik goedgekeurde oogbescherming. Als u een vizier gebruikt, moet u ook een goedgekeurde veiligheidsbril gebruiken. Een goedgekeurde veiligheidsbril moet voldoen aan de norm ANSI Z87.1 voor de VS of EN 166 voor de EU-landen.
 - Gebruik een vizier voor gezichtsbescherming. Een vizier is niet voldoende om de ogen te beschermen. (Fig. 22)
 - Draag zo nodig handschoenen, bijvoorbeeld bij het monteren, inspecteren of reinigen van de snijuitrusting.
 - Gebruik stevige antisliplaarzen.
 - Gebruik kleding van stevige stof. Gebruik altijd een zware lange broek en lange mouwen. Gebruik geen loszittende kleding die gemakkelijk kan blijven haken aan takjes en struikgewas. Draag geen sieraden, korte broek of sandalen of loop niet op blote voeten. Bind voor de veiligheid lang haar samen tot boven schouderhoogte.
- (Fig. 23)
- Houd een EHBO-does binnen handbereik.

(Fig. 24)

Veiligheidsvoorzieningen op het product



WAARSCHUWING: Lees de volgende waarschuwingen voordat u het product gaat gebruiken.

In dit hoofdstuk worden de veiligheidsvoorzieningen van het product beschreven, welke functie ze hebben en hoe controles en onderhoud moeten worden uitgevoerd om hun goede werking te waarborgen. Zie de instructies in het hoofdstuk *Productoverzicht op pagina 103* om te zien waar deze onderdelen zich bevinden op uw product.

De levensduur van het product kan worden verkort en het risico op ongevallen kan toenemen wanneer het onderhoud van het product niet op de juiste manier plaatsvindt en wanneer service en/of reparaties niet vakkundig worden uitgevoerd. Indien u meer informatie nodig hebt, verzoeken wij u contact op te nemen met de dichtstbijzijnde onderhoudsdealer.



WAARSCHUWING: Gebruik een product nooit wanneer de veiligheidsvoorzieningen beschadigd zijn. De veiligheidsuitrusting van het product moet geïnspecteerd en onderhouden worden zoals beschreven in dit hoofdstuk. Als uw product een van deze controles niet doorstaat, moet u contact opnemen met uw servicewerkplaats om uw unit te laten repareren.



OPGELET: Om service en reparaties aan de machine uit te voeren, moet u een speciale opleiding hebben. Dit geldt met name voor de veiligheidsuitrusting van de machine. Als uw machine een van de volgende controles niet goed doorstaat, moet u ermee naar uw servicewerkplaats gaan. Als u één van onze producten koopt, garanderen wij de beschikbaarheid van professionele reparaties en onderhoud. Als u uw machine hebt gekocht bij één van onze dealers die geen servicewerkplaats heeft, vraag dan waar de dichtstbijzijnde erkende werkplaats is.

De vergrendeling van de activeringsschakelaar controleren

De vergrendeling van de activeringsschakelaar voorkomt dat het product per ongeluk wordt ingeschakeld. Als u de handgreep loslaat, bewegen de activeringsschakelaar en de vergrendeling weer terug naar hun beginpositie.

1. Verwijder de vergrendelknop voor de activeringsschakelaar. (Fig. 25)
2. Controleer of de activeringsschakelaar is vergrendeld wanneer de vergrendeling voor de activeringsschakelaar in de beginpositie staat. (Fig. 26)
3. Duw de vergrendeling voedingsschakelaar aan een kant en vervolgens aan de andere kant. Controleer of de vergrendeling voedingsschakelaar teruggaat naar de oorspronkelijke positie. (Fig. 27)

4. Zorg ervoor dat de activeringsschakelaar en de vergrendeling vrij kunnen bewegen en dat de retourveer juist werkt. (Fig. 28)
5. Start het product, zie *Het product starten op pagina 112*.
6. Laat de activeringsschakelaar los en zorg ervoor dat het product volledig stopt.

Veiligheidsinstructies voor montage



WAARSCHUWING: Lees deze handleiding voor de voedingseenheid samen met de handleiding voor het goedgekeurde accessoire.

- Verwijder de accu uit het product voordat u het product monteert.
- Draag de goedgekeurde veiligheidshandschoenen.
- Een beschadigde of onjuiste beschermkap kan letsel veroorzaken. Gebruik geen snijuitrusting zonder een aan de uitrusting bevestigde goedgekeurde beschermkap.
- Zorg ervoor dat u het opzetstuk goed monteert, voordat u het product start.
- Als er een draagstel bij het opzetstuk wordt geleverd, moet het draagstel correct aan het product worden bevestigd. Het draagstel zorgt voor een veilig gebruik en voorkomt letsel aan de gebruiker of andere personen.

Veiligheid bij accu's



WAARSCHUWING: Lees alle veiligheidswaarschuwingen en algemene instructies. Het niet opvolgen van de veiligheidswaarschuwingen en algemene instructies kan leiden tot elektrische schokken, brand en/of ernstig letsel. **Bewaar alle veiligheidsinformatie en algemene instructies om later te kunnen raadplegen.**

- **Deze veiligheidsinstructies zijn alleen van toepassing op oplaadbare 18V-Li-ion accu's voor het POWER FOR ALL-systeem.**
- **Gebruik de oplaadbare accu alleen in producten van POWER FOR ALL-systeempartners.** 18V oplaadbare accu's die gemarkeerd zijn met POWER FOR ALL zijn volledig compatibel met de volgende producten:
 - Alle producten van het 18V-POWER FOR ALL-accusysteem.
 - Alle 18V-producten van POWER FOR ALL-systeempartners.
- **Neem de accu-aanbevelingen in de gebruiksaanwijzing van uw product in acht.** Alleen op deze manier kunnen de oplaadbare accu en het product zonder gevaar worden gebruikt en worden

de oplaadbare accu's beschermd tegen gevaarlijke overbelasting.

- **Laad de accu's alleen op met laders die worden aanbevolen door de fabrikant of door POWER FOR ALL-systeempartners.** Een lader die geschikt is voor het ene type accu, kan brandgevaar veroorzaken als hij gebruikt wordt met een andere accu.
- **De accu wordt gedeeltelijk geladen geleverd.** Om de volledige capaciteit van de accu te kunnen benutten, moet u de accu volledig opladen in de acculader, voordat u het elektrische gereedschap voor de eerste keer gebruikt.
- **Houd accupacks uit de buurt van kinderen.**
- **Open de accu niet.** Er bestaat gevaar voor kortsluiting.
- **In geval van beschadiging en verkeerd gebruik van de accu kunnen dampen vrijkomen. De accu kan in brand vliegen of exploderen.** Zorg ervoor dat de ruimte goed is geventileerd en roep medische hulp in als u nadelige gevolgen ervaart. De dampen kunnen de luchtwegen irriteren.
- **Bij verkeerd gebruik of als de accu beschadigd is, kan brandbare vloeistof uit de accu lopen. Contact met deze vloeistof moet vermeden worden. Als u per ongeluk in contact komt met de vloeistof, afspoelen met water. Als de vloeistof in contact met uw ogen komt, moet u medische hulp inroepen.** Vloeistof die uit de accu komt kan irritatie of brandwonden veroorzaken.
- **Als de accu beschadigd is kan vloeistof vrijkomen en naastgelegen oppervlakken bedekken. Controleer betreffende onderdelen.** Reinig deze onderdelen of vervang ze indien nodig.
- **Sluit het accupack niet kort. Als het accupack niet gebruikt wordt, houd hem dan uit de buurt van andere metalen voorwerpen, zoals paperclips, munten, sleutels, spijkers, schroeven of andere kleine metalen voorwerpen die een verbinding tussen de twee klemmen kunnen maken.** Als er kortsluiting tussen de accuaansluitingen ontstaat, kunnen er brandwonden of brand ontstaan.
- **De accu kan beschadigd raken door puntige voorwerpen zoals spijkers of schroevendraaiers of door externe kracht aan te brengen.** Er kan interne kortsluiting ontstaan, waardoor de accu in brand kan raken, kan gaan roken, kan exploderen of oververhit kan raken.
- **Voer nooit onderhoud uit aan beschadigde accupacks.** Onderhoud aan accupacks mag alleen worden uitgevoerd door de fabrikant of geautoriseerde dienstverleners.
- **Bescherm de accu tegen hitte, bijv. tegen continu intens zonlicht, vuil, water en vocht.** Er bestaat gevaar voor explosie en kortsluiting.
- **Gebruik de accu in het product enkel bij omgevingstemperaturen tussen -5 °C – 40 °C.**
- **Bewaar de accu alleen in omgevingstemperaturen tussen -20 °C – 50 °C.** U mag de accu bijvoorbeeld niet in uw auto achterlaten als het zomer is. Bij

temperaturen van < 0 °C kan bij sommige apparaten vermogensverlies optreden.

- **Laad de accu alleen op in een omgevingstemperatuur tussen 0 °C – +35 °C.** Opladen buiten dit temperatuurbereik kan het risico op schade aan de accu vergroten en brandgevaar opleveren.

Veiligheidsvoorschriften voor acculader



WAARSCHUWING: Lees alle veiligheidswaarschuwingen en algemene instructies. Het niet opvolgen van de veiligheidswaarschuwingen en algemene instructies kan leiden tot elektrische schokken, brand en/of ernstig letsel. **Bewaar deze gebruiksaanwijzing op een veilige plaats.** Gebruik de lader alleen als u alle functies volledig kunt evalueren en zonder beperkingen kunt uitvoeren of als u overeenkomstige instructies heeft ontvangen.

- **Deze lader mag niet worden gebruikt door kinderen of personen met psychische, sensorische of mentale beperkingen of een gebrek aan ervaring of kennis. Deze lader kan worden gebruikt door kinderen vanaf 8 jaar en door personen met psychische, sensorische of mentale beperkingen of een gebrek aan ervaring en kennis, mits de persoon die verantwoordelijk is voor hun veiligheid toezicht op hen houdt of hen instructies heeft gegeven over veilig gebruik van de lader en mits ze de bijbehorende gevaren begrijpen.** Anders bestaat er gevaar voor bedrijfsfouten en letsel.
- **Houd toezicht op kinderen tijdens gebruik, reiniging en onderhoud.** Dit zorgt ervoor dat kinderen niet met de lader spelen.
- **Laad alleen accu's van het 18V-POWER FOR ALL-systeem met een capaciteit van minimaal 1,5 Ah. De accuspanning moet overeenkomen met de acculaadspanning van de lader. Laad geen niet-oplaadbare accu's op.** Anders bestaat er gevaar voor brand of explosie.
- **Gebruik de lader alleen in afgesloten ruimten en stel de lader niet bloot aan natte omstandigheden.** Water dat in elektrisch gereedschap binnendringt, verhoogt het risico op elektrische schokken.
- **Houd de lader schoon.** Vuil vormt een gevaar voor elektrische schok.
- **Controleer de lader, kabel en stekker altijd voorafgaand aan het gebruik. Stop met het gebruik van de lader als u schade vaststelt. Open de lader niet zelf en laat deze alleen repareren door Husqvarna of door een erkend after-sales servicecentrum dat alleen originele reserveonderdelen gebruikt.** Beschadigde laders, kabels en stekkers verhogen het risico op elektrische schokken.

- **Gebruik de lader niet op een licht ontvlambaar oppervlak (bijv papier, textiel, etc.) of in een ontvlambare omgeving.** Er is gevaar voor brand omdat de lader opwarmt tijdens het bedrijf.
- **Bedek de ventilatiesleuven van de lader niet.** Anders kan de lader oververhit raken en niet langer correct werken.
- **Laad het gereedschap alleen op met de lader die door de fabrikant is gespecificeerd.** Een lader die voor een bepaald type accu geschikt is, kan een risico op brand creëren als de lader met een andere accu wordt gebruikt.
- **In geval van beschadiging en verkeerd gebruik van de accu kunnen ook dampen vrijkomen.** Zorg ervoor dat de ruimte goed is geventileerd en roep medische hulp in als u nadelige gevolgen ervaart. De dampen kunnen de luchtwegen irriteren.
- **Als de accu op de verkeerde manier wordt gebruikt, kan er vloeistof uit de accu lopen. Contact met deze vloeistof moet vermeden worden. Als u per ongeluk in contact komt met de vloeistof, afspoelen met water. Als de vloeistof in contact met uw ogen komt, moet u medische hulp inroepen.** Vloeistof die uit de accu komt kan irritatie of brandwonden veroorzaken.
- **Producten die alleen in VK worden verkocht:** Uw product is uitgerust met een BS 1363/A goedgekeurde elektrische stekker met interne zekering (ASTA goedgekeurd voor BS 1362). Als de stekker niet geschikt is voor uw stopcontacten, moet deze worden afgesneden en moet een geschikte stekker worden aangebracht door een geautoriseerde servicewerkplaats. De vervangende stekker moet dezelfde zekeringswaarde als de originele stekker hebben. De afgesneden stekker moet worden afgevoerd om mogelijk gevaar voor elektrische schokken te voorkomen en mag nooit elders in een stopcontact worden gestoken.

Veiligheidsinstructies voor onderhoud



WAARSCHUWING: Lees de volgende waarschuwingen voordat u onderhoud aan het product gaat uitvoeren.

- Verwijder de accu voordat u onderhoud of andere controles uitvoert, of het product demonteert.
- De gebruiker mag alleen de onderhouds- en servicewerkzaamheden uitvoeren die in deze bedieningshandleiding zijn beschreven. Ga naar uw servicedealer voor verdergaande service- of onderhoudswerkzaamheden.
- Reinig de accu of acculader nooit met water. Sterke reinigingsmiddelen kunnen schade aan het kunststof veroorzaken.
- Als u geen onderhoud uitvoert, verkort dit de levenscyclus van het product en vergroot het risico op ongevallen.
- Voor alle service en reparaties is speciale training vereist, vooral voor de veiligheidsvoorzieningen op het product. Als niet alle controles in deze bedieningshandleiding een goed resultaat geven nadat u onderhoud hebt uitgevoerd, ga dan naar uw servicedealer. Wij garanderen dat u daar professionele reparaties en service voor uw product krijgt.
- Gebruik alleen originele reserveonderdelen.
- Draag altijd handschoenen voor zwaar gebruik wanneer u de snijuitrusting repareert. De snijbladen zijn zeer scherp en kunnen gemakkelijk snijwonden veroorzaken.

Montage

Inleiding



WAARSCHUWING: Zorg dat u het hoofdstuk over veiligheid hebt gelezen en begrepen voordat u het apparaat monteert.

Het opzetstuk installeren

1. Bevestig het opzetstuk (A) aan de voedingseenheid (B). Het opzetstuk moet eenvoudig in de houder op de voedingseenheid passen. Als dat niet zo is, dan is deze niet goed aangebracht. (Fig. 29)
2. Draai de vergrendelknop (C) vast.

Let op: Wanneer het opzetstuk op de voedingseenheid is geïnstalleerd, wordt de gebruikersinterface van het opzetstuk losgekoppeld.

De lengte van de telescopische steel aanpassen

1. Trek de hendel (A) op de steel omhoog. (Fig. 30)
2. Stel de telescopische steel af op de gewenste lengte.
3. Duw de hendel omlaag om de telescopische steel te vergrendelen.

De opberghaak op de wand monteren

- Monteer de opberghaak binnenshuis.
- Houd de opberghaak buiten bereik van zonlicht en in een omgevingstemperatuur van -10°C tot 70°C.
- Monteer de opberghaak op een gipswand, houten wand of betonwand.



OPGELET: Zorg ervoor dat de muur een belasting van minimaal 30 kg kan dragen.

- Bevestig de opberghaak met de 3 schroeven (A) aan de wand. Gebruik wandpluggen (B) indien nodig. (Fig. 31)



OPGELET: Zorg ervoor dat de schroeven geschikt zijn voor uw type wand.

- Neem contact op met uw Husqvarna-servicewerkplaats voor informatie over de beschikbare accessoires voor opslag van uw product.

Hang het product aan de opberghaak

- Hang de voedingseenheid aan de opberghaak zoals afgebeeld. (Fig. 32)

Werking

De werking controleren voordat u het product gebruikt

1. Verwijder gras en ongewenst materiaal van het product met een borstel.
2. Draai alle moeren en bouten aan.
3. Controleer of het opzetstuk correct is bevestigd.
4. Zorg dat de vergrendelknop voor de activeringsschakelaar is ingeschakeld.
5. Zorg dat de vergrendelingen van de uitgeschoven steel en het scharnierende element in de vergrendelde stand staan.
6. Controleer het opzetstuk op beschadigingen, bijvoorbeeld scheuren. Vervang het opzetstuk als deze beschadigd is.
7. Controleer of de kappen goed gemonteerd en niet beschadigd zijn.
8. Controleer of het product correct werkt.

De accu aansluiten op het product



WAARSCHUWING: Gebruik alleen lithium-ion-accu's van het POWER FOR ALL systeem P4A 18 V in het product.

1. Zorg ervoor dat de accu volledig is opgeladen.
2. Plaats de accu in de accuhouder van het product. De accu moet eenvoudig in de houder passen. Als dat niet zo is, dan is de accu niet goed aangebracht. (Fig. 33)
3. Duw de accu volledig in de accuhouder. De accu is in positie vergrendeld als u een klik hoort.
4. Zorg ervoor dat de vergrendeling goed op z'n plaats vastklikt.

Het product starten

1. Verwijder de vergrendelknop voor de activeringsschakelaar. (Fig. 25)
2. Duw de vergrendeling voedingsschakelaar (A) aan de linker- of de rechterkant en houd de voedingsschakelaar (B) ingedrukt. (Fig. 34)

Het product stoppen

1. Laat de activeringsschakelaar los.
2. Druk de vergrendelknop voor de activeringsschakelaar naar achteren om het product te vergrendelen.
3. Druk op de accu-ontgrendelknop en verwijder de accu. (Fig. 35)
4. Verwijder indien nodig het opzetstuk van het product.

De hoek van het product aanpassen

Het product is in 7 verschillende standen instelbaar.



WAARSCHUWING: Pas de hoek niet aan terwijl u het product gebruikt.

1. Stop de motor en verwijder de accu.
2. Houd de houder (A) stevig vast. (Fig. 36)
3. Houd de vergrendelknop (B) ingedrukt.
4. Zet de houder in de juiste stand.
5. Maak de draaiverbinding los om de houder te vergrendelen.
6. Beweeg de houder omhoog en omlaag tot deze vastklikt.

Onderhoud

Inleiding



WAARSCHUWING: Zorg dat u het hoofdstuk over veiligheid hebt gelezen en begrepen voordat

u onderhoudswerkzaamheden aan het product gaat uitvoeren.



WAARSCHUWING: Verwijder de accu voordat u onderhoud aan het product uitvoert.

Onderhoudsschema

Hieronder volgt een lijst van het onderhoud dat u aan het product moet uitvoeren.

Onderhoud	Voor gebruik	Wekelijks	Maandelijks
Reinig de externe onderdelen van het product met een droge doek. Gebruik geen water.	X		
Zorg ervoor dat de vergrendelknop voor de vergrendeling van de activeringschakelaar correct werkt en niet beschadigd is.	X		
Controleer of de voedingsschakelaar en de vergrendeling van de voedingsschakelaar correct werken vanuit veiligheidsoogpunt.	X		
Controleer of alle bedieningselementen correct werken en niet beschadigd zijn.	X		
Zorg ervoor de handgrepen schoon en droog zijn.	X		
Controleer of de schroeven en moeren goed zijn vastgedraaid.	X		
Controleer of de ontgrendelknoppen op de accu correct werken en vergrendel de accu in het product.	X		
Controleer of de accu niet beschadigd is.	X		
Zorg ervoor dat de accu is opgeladen.	X		
Controleer of de acculader niet beschadigd is en goed functioneert.	X		
Controleer alle kabels, koppelingen en aansluitingen. Zorg ervoor dat ze schoon en niet beschadigd zijn.		X	
Controleer de verbindingen tussen de accu en het product.			X
Controleer de verbinding tussen de accu en de acculader.			X

Product, accu en acculader reinigen

1. Reinig het product met een droge doek na gebruik.
2. Reinig de accu en acculader met een droge doek. Houd de accugeleiderails schoon.

3. Zorg ervoor dat de aansluitingen van de accu en de acculader schoon zijn voor dat de accu in de acculader of het product wordt geplaatst.

Vervoer, opslag en verwerking

Transport en opslag

- De meegeleverde Li-ion-accu's voldoen aan de wettelijke vereisten voor gevaarlijke goederen.
- Neem de bijzondere voorschriften op de verpakking en labels voor commercieel transport in acht. Dit geldt ook voor derden en expediteurs.

- Neem contact op met een persoon die gespecialiseerd is op het gebied van gevaarlijke stoffen voordat u het product verzendt. Neem alle van toepassing zijnde nationale voorschriften in acht.
- Breng tape aan op blootliggende aansluitingen wanneer u de accu in een pakket plaatst. Plaats de accu strak in het pakket om beweging te voorkomen.
- Verwijder de accu bij opslag of vervoer.
- Plaats de accu en de acculader in een droge, vocht- en vorstvrije ruimte.
- Bewaar de accu niet op plaatsen waar statische elektriciteit aanwezig is. Bewaar de accu niet in een metalen doos.
- Bewaar de accu op een plaats met een temperatuur tussen -20 °C en 50 °C en niet in direct zonlicht.
- Bewaar de acculader op een plaats met een temperatuur tussen 5 °C en 45 °C en niet in direct zonlicht.
- Gebruik de acculader alleen als de omgevingstemperatuur tussen 0 °C en 35 °C ligt.
- Bewaar het product op een plaats met een temperatuur tussen -40 °C en 60 °C.
- Laad de accu op tussen de 30% en 50% voorafgaand aan langdurige opslag.
- Berg de acculader op in een ruimte die afgesloten en droog is.
- Bewaar de accu niet in de buurt van de acculader. Laat kinderen en andere onbevoegde personen niet

aan de apparatuur komen. Bewaar de apparatuur in een ruimte die u kunt afsluiten.

- Reinig het product en voer een volledige onderhoudsbeurt uit voordat u het product voor langere tijd opslaat.
- Gebruik de transportbescherming op het product om letsel bij personen of schade aan het product tijdens vervoer en opslag te voorkomen.
- Bevestig het product stevig tijdens vervoer.
- Houd het product horizontaal in opslag of hang het product op aan de meegeleverde haak. Raadpleeg *Hang het product aan de opberghaak op pagina 112.*

Accu, acculader en product afvoeren

Het onderstaande symbool betekent dat het product geen huishoudelijk afval is. Lever het in bij een recyclepunt voor elektrische en elektronische apparatuur. Dit voorkomt vervuiling van het milieu en letsel bij personen.

Neem contact op met de lokale autoriteiten, het afvalverwerkingsbedrijf of uw dealer voor meer informatie.

(Fig. 18)

Let op: Het symbool staat op het product of op de verpakking van het product.

Technische gegevens

Aspire Pole-P4A	
Gewicht	
Gewicht (alleen voedingseenheid), kg	1,5

Goedgekeurde accu's

Dit product kan met alle **POWER FOR ALL** accu's worden gebruikt.

Accu	P4A 18-B36	P4A 18-B45	P4A 18-B72
Type	Lithium-ion	Lithium-ion	Lithium-ion
Accucapaciteit, Ah	2,0	2,5	4,0
Nominale spanning, V	18	18	18
Gewicht, kg	0,35	0,35	0,65
Aantal cellen (Li-ion)	5	5	10

Goedgekeurde acculaders

Acculader	P4A 18-C50	P4A 18-C70
Ingangsspanning, V	Raadpleeg de informatie over het laadvermogen.	Raadpleeg de informatie over het laadvermogen.
Frequentie, Hz	50–60	50–60
Vermogen, W	50	70

Accessoires

Opzetstukken

Goedgekeurde accessoires	Type	Gebruik met
Opzetstuk voor buxusschaar	Aspire S20-P4A	Aspire Pole-P4A
Opzetstuk snoeizaag	Aspire P5-P4A	Aspire Pole-P4A

Verklaring van overeenstemming

EU-verklaring van overeenstemming

Wij, **Husqvarna AB**, SE-561 82 Huskvarna,
Zweden, tel: +46-36-146500, verklaren onder onze
alleenverantwoordelijkheid dat het product:

Beschrijving	Accu-aangedreven voedingseenheid
Merk	Husqvarna
Type/model	Aspire Pole-P4A
Identificatie	Serienummers vanaf 2023 en verder

voldoen volledig aan de volgende EU-richtlijnen en
-regelgeving:

Richtlijn/Verordening	Beschrijving
2006/42/EG	"betreffende machines"
2014/30/EU	"betreffende elektromagnetische compatibiliteit"
2011/65/EU	"inzake beperking van het gebruik van bepaalde gevaarlijke stoffen in elektrische en elektronische apparatuur"
2000/14/EG	"betreffende de geluidsemisies in het milieu"

en dat de volgende normen en/of technische
specificaties zijn toegepast: EN 62841-1:2015/
A11:2022, EN 62841-4-2:2019/A1:2022, EN IEC
62841-4-5:2021/A11:2021, EN ISO 11680-1:2011, EN
ISO 12100:2010, EN IEC 55014-1:2021, EN IEC
55014-2:2021, EN IEC 63000:2018.

DEKRA Testing and Certification GmbH,
Handwerkstraße 15, 70565 Stuttgart, Germany, 0158
heeft een vrijwillig EG-typeonderzoek uitgevoerd
volgens de machinerichtlijn (2006/42/EG), artikel 12,
punt 3b. Het certificaat voor EG-typeonderzoek heeft
nummer: 4815039.22006.

Toegepaste conformiteitsbeoordelingsprocedure
overeenkomstig Richtlijn 2000/14/EG, bijlage V.

Met opzetstuk Aspire P5-P4A als stoksnoeischaar:

- Gemeten geluidsvermogensniveau: 88 dB (A)
- Gegarandeerd geluidsvermogensniveau: 91dB (A)

Met opzetstuk Aspire S20-P4A als stokbuxusschaar:

- Gemeten geluidsvermogensniveau voor struikmes: 83 dB (A)
- Gemeten geluidsvermogensniveau voor grasmes: 79 dB (A)
- Gegarandeerd geluidsvermogensniveau: 84 dB (A)

Husqvarna, 2023-10-30



Claes Losdal, R&D Manager, Husqvarna AB
Verantwoordelijk voor technische documentatie



Vergunningen

Copyright © 2012–2020 STMicroelectronics

De garantie geldt niet voor defecten die het gevolg zijn van normale slijtage, onachtzaamheid, onjuist gebruik, onbevoegde reparatie of het aansluiten van het afzulgapparaat op een onjuiste spanning.

Alle rechten voorbehouden

Distributie en gebruik in bron- en binaire vormen, met of zonder aanpassing, zijn toegestaan mits aan de volgende voorwaarden is voldaan:

- Distributie van broncode moet de bovenstaande auteursrechtverklaring, de lijst met voorwaarden en de volgende disclaimer bevatten.
- Distributie in binaire vorm moet de bovenstaande auteursrechtverklaring, de lijst met voorwaarden en de volgende disclaimer in de documentatie en/of andere materialen die bij de distributie worden geleverd, reproduceren.
- De naam van STMicroelectronics of de namen van de partijen die een bijdrage hebben geleverd mogen zonder nadrukkelijke schriftelijke toestemming niet worden gebruikt om producten die zijn afgeleid van deze software te ondersteunen of promoten.

DEZE SOFTWARE WORDT DOOR DE AUTEURSRECHTHEBBENDEN EN PARTIJEN DIE HEBBEN BIJGEDRAGEN 'AS-IS' GELEVERD EN EVENTUELE EXPLICIETE OF IMPLICIETE GARANTIES MET INBEGRIJ VAN, MAAR NIET BEPERKT TOT IMPLICIETE GARANTIES VAN VERKOOPBAARHEID EN GESCHIKTHEID VOOR EEN BEPAALD DOEL WORDEN UITGESLOTEN. DE AUTEURSRECHTHEBBENDE OF PARTIJEN DIE EEN BIJDRAGE HEBBEN GELEVERD KUNNEN NOOIT AANSPRAKELIJK WORDEN GESTELD VOOR DIRECTE, INDIRECTE, INCIDENTELE, BIJZONDERE, TYPISCHE OF GEVOLGSCHADE (MET INBEGRIJ VAN , MAAR NIET BEPERKT TOT AANKOOP VAN VERVANGENDE GOEDEREN OF DIENSTEN, VERLIES VAN GEBRUIK, GEGEVENS OF WINST, OF BEDRIJFSONDERBREKING) DIE OP WELKE MANIER DAN OOK EN OP WELK VERMOEDEN VAN AANSPRAKELIJKHEID DAN OOK IS VEROORZAAKT, ONGEACHT OF DEZE IS ONTSTAAN DOOR EEN CONTRACT, STRIKTE AANSPRAKELIJKHEID OF EEN ONRECHTMATIGE DAAD (WAARONDER VERZUIJ OF ANDERS) IN VERBAND MET HET GEBRUIK VAN DEZE SOFTWARE, ZELF ALS ER GEWAARSCHUWD IS VOOR DE MOGELIJKHEID VAN DERGELIJKE SCHADE.

Apache 2.0 licentie

Copyright © 2009-2019 Arm Limited. Alle rechten voorbehouden

Versie 2.0, januari 2004 <http://www.apache.org/licenses/>

ALGEMENE VOORWAARDEN VOOR GEBRUIK, REPRODUCTIE EN VERSPREIDING

1. Definities.

Met '**licentie**' wordt de algemene voorwaarden, reproductie en verspreiding zoals gedefinieerd in secties 1 t/m 9 van dit document, bedoeld. Met '**licentiegever**' wordt de auteursrechthebbende of entiteit die door de auteursrechthebbende die deze licentie afgeeft is geautoriseerd, bedoeld. Met '**juridische entiteit**' wordt de samenvoeging van de handelende entiteit en alle andere entiteiten die deze entiteit beheren, hierdoor worden beheerd of hiermee onder gezamenlijk beheer staan, bedoeld. In de zin van deze definitie betekent '**beheer**' (i) de macht, direct of indirect, om de richting van het management van een dergelijke entiteit via contract of anderszins te bepalen of (ii) eigendom van vijftig procent (50%) of meer van de uitstaande aandelen of (iii) economisch eigendom van een dergelijke entiteit. Met '**u**' (of '**uw**') wordt een individuele of juridische entiteit die door deze licentie toegekende toestemmingen uitoefent, bedoeld. Met '**bron**'vorm wordt de geprefereerde vorm voor het maken van aanpassingen, met inbegrip van, maar niet beperkt tot softwarebroncode, documentatiebron en configuratiebestanden, bedoeld. Met '**object**' wordt elke vorm die voortkomt uit mechanische transformatie of vertaling van een bronvorm, met inbegrip van, maar niet beperkt tot samengestelde objectcode, gegenereerde documentatie en conversies naar andere soorten media, bedoeld. Met '**werk**' wordt het werk van auteurschap, in bron- of objectvorm, dat beschikbaar is gesteld onder de licentie, zoals aangegeven door een auteursrechtverklaring die is inbegrepen in of bijgevoegd aan het werk (een voorbeeld staat in de onderstaande bijlage), bedoeld. Met '**afgeleide werken**' worden werken, in bron- of objectvorm, die gebaseerd zijn op (of afgeleid zijn van) het werk en waarvoor de redactionele revisies, annotaties, uitwerkingen of andere aanpassingen als geheel een origineel werk van auteurschap vormen, bedoeld. Voor de toepassing van deze licentie bevatten afgeleide werken geen werken die scheidbaar blijven van of voornamelijk koppelen (of via naam gebonden zijn) aan de raakvlakken van het werk en de daarvan afgeleide werken. Met '**bijdrage**' wordt elk werk van auteurschap, met inbegrip van de originele versie van het werk en aanpassingen van of toevoegingen aan het betreffende werk of de afgeleide werken, dat wordt ingediend bij de licentiegever voor insluiting in het werk door de auteursrechthebbende of een persoon of juridische entiteit die geautoriseerd is om dit namens de auteursrechthebbende in te dienen, bedoeld. Voor de toepassing van deze definitie betekent '**ingediend**' elke vorm van elektronische, mondelinge of schriftelijke communicatie die naar de licentiegever of diens vertegenwoordigers is verstuurd, met inbegrip van, maar niet beperkt tot communicatie op elektronische mailinglijsten, broncode-regelsystemen en probleemtrackingsystemen die beheerd worden door, of namens de licentiegever voor het bespreken

en verbeteren van het werk, maar exclusief de communicatie die gemarkeerd of op een andere manier schriftelijk door de auteursrechthebbers als **'geen bijdrage'** wordt aangeduid. Met **'bijdrager'** wordt de licentiegever en elke individuele of juridische entiteit van wie de licentiegever een bijdrage heeft ontvangen en vervolgens in het werk heeft geïntegreerd, bedoeld.

2. Toekenning van auteursrechtlicentie.

Onderhevig aan de algemene voorwaarden van deze licentie, geeft elke bijdrager u bij dezen een eeuwigdurende, wereldwijde, niet-exclusieve, gratis, royaltievrije, onherroepelijke auteurslicentie voor het reproduceren, voorbereiden van afgeleide werken hiervan, openbaar weergeven, openbaar uitvoeren, sublicentiëren en distribueren van het werk en dergelijke afgeleiden werken in bron- of objectvorm.

3. Toekenning van octrooiligentie.

Onder voorbehoud van de algemene voorwaarden van deze licentie, verleent elke bijdrager hierbij aan u een eeuwigdurende, wereldwijde, niet-exclusieve, kosteloze, royaltievrije, onherroepelijke (behalve zoals vermeld in deze sectie) octrooiligentie om het werk te maken, te laten maken, te gebruiken, aan te bieden voor verkoop, te verkopen, te importeren en anderszins over te dragen, waarbij een dergelijke licentie alleen van toepassing is op die octrooiconclusies waarvoor een dergelijke bijdrager een licentie kan verlenen en die noodzakelijkerwijs worden geschonden door zijn bijdrage(n) alleen of door de combinatie van zijn bijdrage(n) met het werk waaraan die bijdrage(n) werd(en) geleverd. Als u octrooigeschillenbeslechting tegen een entiteit (waaronder een tegenclaim in een rechtszaak) start die beweert dat het werk of een opgenomen bijdrage in het werk een directe of essentiële octrooi-inbreuk is, zullen alle patentlicenties die onder deze licentie voor dat werk aan u zijn toegekend worden beëindigd op de datum dat een dergelijke geschillenbeslechting is ingediend.

4. Distributie.

U mag kopieën van het werk of afgeleide werken in welk medium dan ook, met of zonder aanpassingen en in bron- of objectvorm reproduceren en distribueren, mits u aan de volgende voorwaarden voldoet:

- U moet andere ontvangers van het werk of afgeleide werken een kopie van deze licentie geven; en
- U moet ervoor zorgen dat aangepaste bestanden van duidelijke vermeldingen zijn voorzien waarin wordt aangegeven dat u de bestanden hebt gewijzigd; en u moet in de bronvorm van afgeleide werken die u distribueert alle auteursrecht-, octrooi-, handelsmerk- en toekenningsvermeldingen van de bronvorm van het werk, exclusief vermeldingen die geen betrekking hebben op delen van de afgeleide werken in bronvorm van afgeleide werken, behouden; en
- Als het werk een **'VERMELDING'**-tekstbestand als onderdeel van de distributie bevat, moeten alle

afgeleide werken die u distribueert een leesbare kopie van de toekenningsvermeldingen in een dergelijk VERMELDING-bestand bevatten, exclusief vermeldingen die geen betrekking hebben op een deel van de afgeleide werken en deze moet zich op minimaal een van de volgende plekken bevinden: in een VERMELDING-tekstbestand die gedistribueerd wordt als onderdeel van de afgeleide werken, in de bronvorm of documentatie, indien samen met de afgeleide werken geleverd; of, binnen een weergave die wordt gegenereerd door de afgeleide werken, als en waar dergelijke vermeldingen van derden normaliter worden weergegeven. De inhoud van het VERMELDING-bestand is alleen voor informatieve doeleinden en zorgt niet voor een wijziging van de licentie. U kunt uw eigen toekenningsvermeldingen in de afgeleide werken toevoegen die u distribueert, samen met of als bijlage van de VERMELDING-tekst van het werk, mits dergelijke aanvullende toekenningsvermeldingen niet kunnen worden uitgelegd als een wijziging van de licentie. U kunt uw eigen auteursrechtverklaring aan uw wijzigingen toevoegen en kunt voor aanvullende of andere algemene licentievoorwaarden voor gebruik, reproductie of distributie van uw wijzigingen of voor dergelijke afgeleide werken als geheel zorgen, mits uw gebruik, reproductie en distributie van het werk aan de voorwaarden in deze licentie voldoet.

5. Indienen van bijdragen.

Tenzij u uitdrukkelijk iets anders aangeeft, zal elke bijdrage die voor opname in het werk door u of de licentiegever wordt ingediend onder de algemene voorwaarden van deze licentie zijn, zonder aanvullende algemene voorwaarden. Ondanks het bovenstaande zal niets hierin de voorwaarden van een afzonderlijke licentieovereenkomst die u met de licentiegever met betrekking tot dergelijke bijdragen hebt afgesloten, vervangen of aanpassen.

6. Handelsmerken.

Deze licentie geeft geen toestemming voor het gebruik van de handelsnamen, handelsmerken, servicemerken of productnamen van de licentiegever, behalve waar nodig voor redelijk en normaal gebruik in het beschrijven van de origine van het werk en reproductie van de inhoud van het VERMELDING-bestand.

7. Uitsluiting van garantie.

Tenzij vereist door toepasselijk recht of schriftelijk overeengekomen biedt licentiegever het werk (en elke partij die de bijdragen levert) op een **'AS-IS'-BASIS, ZONDER GARANTIES OF VOORWAARDEN**, noch expliciet, noch impliciet, met inbegrip van, maar niet beperkt tot garanties of voorwaarden van TITEL, NIET-INBREUK, VERKOOPBAARHEID of GESCHIKTHEID VOOR EEN BEPAALD DOEL, AAN. U alleen bent verantwoordelijk voor het bepalen van de geschiktheid van het gebruik of distribueren van het werk en draagt de eventuele risico's die gepaard

gaan met uw uitoefening van toestemming onder deze licentie. 8. Beperking van aansprakelijkheid. In geen omstandigheden en onder geen wettelijke theorie, of dit nu een onrechtmatige daad (met inbegrip van nalatigheid), overeenkomst of anderszins is, tenzij vereist door toepasselijk recht (zoals opzettelijke en grof nalatige handelingen) of schriftelijk overeengekomen, is een bijdrager niet aansprakelijk voor schade, inclusief directe, indirecte, bijzondere, incidentele of gevolgschade van welke aard dan ook als gevolg van deze licentie of het door het gebruik of het niet kunnen gebruiken van het werk (met inbegrip van, maar niet beperkt tot schade voor verlies van goodwill, stopzetting van werk, een computerdefect of -storing of andere commerciële schade of verliezen), zelfs als de bijdrager op de hoogte is gebracht van de waarschijnlijkheid van dergelijke schade.

9. Accepteren van de garantie of aanvullende aansprakelijkheid.

Tijds het distribueren van het werk of de daarvan afgeleide werken kunt u ervoor kiezen om acceptatie van ondersteuning, garantie, vrijwaring of andere aansprakelijkheidsverplichtingen en/of rechten die consistent zijn met deze licentie aan te bieden en hier geld voor te vragen. Bij het accepteren van dergelijke verplichtingen mag u alleen namens uzelf en op eigen verantwoordelijkheid handelen en niet namens andere partijen die een bijdrage leveren en alleen u stemt ermee in om elke bijdrager te vrijwaren, verdedigen en schadeloos te stellen voor aansprakelijkheid veroorzaakt door, of claims tegen een dergelijke bijdrager als gevolg van uw acceptatie van een dergelijke garantie of aanvullende aansprakelijkheid. EINDE ALGEMENE VOORWAARDEN

CUPRINS

Introducere.....	119	Transportul, depozitarea și eliminarea.....	129
Siguranță.....	120	Date tehnice.....	130
Asamblarea.....	127	Accesorii.....	130
Funcționarea.....	127	Declarație de conformitate.....	131
Întreținerea.....	128	Licențe.....	132

Introducere

Descrierea produsului

Husqvarna Aspire Pole-P4A este o unitate de alimentare cu baterii cu funcție telescopică.

Domeniul de utilizare

Aceasta sursă este o unitate de bază care funcționează numai împreună cu accesoriile agreate; consultați care

Prezentare generală a produsului

(Fig. 1)

1. Articulație de rotație
2. Buton de blocare pentru dispozitiv pentru accesoriu
3. Tijă pentru funcția telescopică
4. Arbore
5. Manșon moale
6. Cârlig pentru ham
7. Buton de blocare pentru blocarea declanșatorului de putere
8. Mâner spate
9. Mecanism de blocare întrerupător
10. Întrerupător
11. Manual de utilizare
12. Buton de eliberare a bateriei
13. Încărcător de baterii
14. Indicator de pornire și avertizare

sunt accesoriile agreate în *Accesorii la pagina 130*. Asigurați-vă că parcurgeți acest manual și pe cel al accesoriului agreat.

15. Conector

16. Cârlig de depozitare, șuruburi și fișe de perete

Simbolurile de pe produs

(Fig. 2) **AVERTISMENT:** Acest produs poate fi periculos și poate cauza vătămări corporale grave sau decesul operatorului sau al altor persoane. Aveți grijă să utilizați corect produsul.

(Fig. 3) Citiți cu atenție manualul operatorului și asigurați-vă că înțelegeți instrucțiunile înainte de a utiliza produsul.

(Fig. 4) Utilizați o cască de protecție în locuri unde pot cădea obiecte pe dvs. Utilizați o protecție auditivă aprobată (numai

	pentru Aspire P5-P4A + Aspire Pole-P4A). Utilizați ochelari de protecție omologați.	(Fig. 10)	Risc de rănire. Țineți mâinile departe de unealta de tăiere.
(Fig. 5)	Utilizați mănuși de protecție omologate.	(Fig. 11)	Produsul respectă directivele UE aplicabile.
(Fig. 6)	Utilizați ghete pentru regim greu de lucru, rezistente la alunecare. (Aplicabil numai pentru Aspire P5-P4A + Aspire Pole-P4A)	(Fig. 12)	Acest produs este în conformitate cu reglementările aplicabile din Regatul Unit.
(Fig. 7)	Curent continuu.	(Fig. 13)	Nici produsul și nici ambalajul său nu sunt deșeuri menajere. Reciclați la un centru de reciclare pentru echipamente electrice și electronice.
(Fig. 8)	Tensiune nominală, V		
(Fig. 9)	Nu expuneți la ploaie.		
(Fig. 16)	PERICOL - Păstrați o distanță suficientă față de liniile electrice.		
(Fig. 17)	Plăcuța de identificare sau imprimarea laser indică numărul de serie. aaaa este anul fabricației și ss este săptămâna fabricației.		

Nota: Alte simboluri/etichete de pe produs se referă la cerințe de certificare specifice pentru anumite piețe.

Simbolurile de pe baterie și/sau de pe încărcător

(Fig. 18)	Reciclați acest produs la un centru de reciclare pentru echipamente electrice și electronice. (Este valabilă numai pentru Europa)
(Fig. 19)	Utilizați bateria numai în produse de la partenerii Sistemului POWER FOR ALL.
(Fig. 20)	Protejați bateria împotriva căldurii, de exemplu împotriva expunerii continue la lumină solară intensă, a focului, murdăriei, apei și umezelii. Există risc de explozie și de scurtcircuit.
(Fig. 21)	

(Fig. 14)	Utilizați și păstrați încărcătorul de baterii numai în interior.
(Fig. 15)	Izolație dublă.

Deteriorarea produsului

Nu suntem responsabili pentru deteriorarea produsului dacă:

- produsul este reparat necorespunzător.
- produsul este reparat cu piese care nu provin de la producător sau care nu sunt aprobate de acesta.
- produsul are un accesoriu care nu provine de la producător sau care nu este aprobat de acesta.
- produsul nu este reparat la un centru de service omologat sau de o autoritate omologată.

Producător

Husqvarna AB

Drottninggatan 2, SE-561 82 Huskvarna, Sweden, tel: +46-36-146 500

Siguranță

Definiții privind siguranța

Avertismentele, atenționările și notele sunt utilizate pentru a desemna părți foarte importante din manual.



AVERTISMENT: Se utilizează dacă există risc de vătămare sau de deces pentru operator sau pentru trecători, în cazul

în care instrucțiunile din manual nu sunt respectate.



ATENȚIE: Se utilizează dacă există un risc de deteriorare a produsului, a altor materiale sau a zonelor învecinate, dacă instrucțiunile din manual nu sunt respectate.

Nota: Se utilizează pentru a furniza mai multe informații care sunt necesare într-o situație dată.

Avertismente generale privind siguranța uneltelor electrice



AVERTISMENT: Asigurați-vă că parcurgeți manualul accesoriului agreat și pe al acestei surse.



AVERTISMENT: Citiți toate avertismentele, instrucțiunile, ilustrațiile și specificațiile de siguranță furnizate cu această unealtă electrică. Nerespectarea instrucțiunilor enumerate mai jos poate avea ca rezultat electrocutare, incendii și/sau vătămări corporale grave.

Nota: Păstrați toate avertismentele și instrucțiunile pentru consultare ulterioară. Termenul „unealtă electrică” folosit în avertismente se referă la unealta electrică (cu cablu) acționată de la rețeaua de alimentare sau la unealta electrică (fără cablu) acționată de baterii.

Siguranța zonei de lucru

- **Păstrați zona de lucru curată și bine iluminată.** Zonele dezordonate sau întunecoase provoacă accidente.
- **Nu acționați uneltele electrice în atmosfere explozive, cum ar fi prezența lichidelor, a gazelor sau a prafului inflamabil.** Uneltele electrice produc scântei care pot aprinde praful sau aburii.
- **Țineți la distanță copiii și alte persoane în timpul acționării unei unelte electrice.** Distragerea atenției poate cauza pierderea controlului.

Siguranța privind echipamentele electrice

- **Ștecherile uneltei electrice trebuie să corespundă prizei. Nu modificați niciodată ștecherul. Nu utilizați nicio fișă de conectare a adaptorului cu unelte electrice cu împământare (legate la masă).** Ștecherile nemodificate și prizele potrivite reduc riscul de șoc electric.
- **Evitați contactul cu corpul a suprafețelor de împământare sau legate la masă, cum ar fi țevi, radiatoare, plite și răcitoare.** Există un pericol sporit de electrocutare dacă împământarea sau legarea la masă se face prin corpul dvs.
- **Nu expuneți uneltele electrice la ploaie sau la condiții de umezeală.** Apa care pătrunde într-o unealtă electrică va spori pericolul de electrocutare.
- **Nu folosiți cablul în mod abuziv. Nu utilizați niciodată cablul la transportarea, tragerea sau deconectarea uneltei electrice. Țineți cablul departe de căldură, ulei, muchii ascuțite sau piese în**

mișcare. Cablurile avariate sau încălcite sporesc pericolul de electrocutare.

- **Când acționați o unealtă electrică în exterior, utilizați un cordon de racord potrivit pentru utilizarea în exterior.** Folosirea unui cablu adecvat pentru utilizarea la exterior reduce riscul de șoc electric.
- **Dacă funcționarea unei unelte electrice într-o locație cu umiditate mare nu poate fi evitată, utilizați o sursă cu dispozitiv de protecție împotriva curentului rezidual (RCD).** Folosirea unui întrerupător de curent rezidual reduce pericolul de electrocutare.

Siguranța personală

- **Fiți atent la ceea ce faceți și operați unealta electrică în baza simțului practic. Nu utilizați o unealtă electrică când sunteți obosit sau sub influența drogurilor, a alcoolului sau a medicamentelor.** Un moment de neatenție în timpul acționării uneltelor electrice poate duce la vătămări corporale grave.
- **Utilizați echipament individual de protecție. Purtați întotdeauna ochelari de protecție.** Purtarea echipamentelor de protecție individuală, cum ar fi masca împotriva prafului, încălțăminta de protecție antiderapantă, cască de protecție sau căștile de protecție auditivă, corespunzător tipului și utilizării sculei electrice, reduce riscul răniilor.
- **Evitați pomirea accidentală. Înainte de ridicarea sau transportul sculei electrice, conectarea la sursa de curent și/sau conectarea bateriei asigurați-vă că scula electrică este oprită.** Transportul sculelor electrice cu degetul pe comutator sau alimentarea acestora cu aparatul pornit poate duce la accidente.
- **Înainte de pomirea sculei electrice îndepărtați sculele folosite pentru reglare sau cheile fixe.** O sculă sau o cheie aflată pe o piesă în rotație a aparatului poate duce la accidente.
- **Nu vă întindeți prea mult. Să aveți întotdeauna o poziție stabilă și păstrați-vă întotdeauna echilibrul.** Astfel veți avea un control mai bun al uneltei electrice în situații neașteptate.
- **Îmbrăcați-vă corespunzător. Nu purtați haine largi sau bijuterii. Țineți părul și îmbrăcămintea la distanță de piesele în mișcare.** Hainele lejere, bijuteriile sau părul lung pot fi prinse de piesele aflate în mișcare.
- **Dacă este posibilă montarea dispozitivelor de aspirare și colectare a prafului, asigurați-vă că acestea sunt conectate și utilizate corespunzător.** Folosirea dispozitivelor de aspirare a prafului poate reduce pericolele legate de praf.
- **Nu vă încredeți în familiaritatea dobândită din utilizarea frecventă a uneltelor; prin umare, nu ignorați principiile de siguranță ale uneltelor.** Comportamentul neglijent poate cauza accidentări grave în doar câteva fracțiuni de secundă.
- **Pericol! Nu lucrați lângă cabluri electrice de tensiune.** Unitatea nu a fost proiectată să asigure protecție la șoc electric în eventualitatea contactului cu linii electrice suspendate. Consultați reglementările locale privind distanțele de siguranță față de liniile electrice aeriene și asigurați-vă că

poziția de operare este sigură și securizată înainte de a utiliza produsul.

Utilizarea și întreținerea unelei electrice

- **Nu forțați unealta electrică. Utilizați unealta electrică potrivită pentru aplicația dvs.** Unealta electrică potrivită va efectua lucrarea mai rapid și în condiții de siguranță mai bune la viteza de lucru pentru care a fost proiectată.
- **Nu utilizați unealta electrică în cazul în care nu poate fi pornită sau oprită de la comutator.** Orice unealtă electrică imposibil de controlat cu ajutorul comutatorului este periculoasă și trebuie reparată.
- **Deconectați ștecherul de la sursa de alimentare și/sau scoateți acumulatorul unelei electrice, dacă este detașabil, înainte de a face reglaje, de a schimba accesoriile sau de a depozita unelte electrice.** Astfel de măsuri preventive de siguranță reduc riscul pomirii accidentale a unelei electrice.
- **Nu lăsați uneltele electrice nefolosite la îndemâna copiilor și nu permiteți persoanelor care nu sunt familiarizate cu unealta electrică sau cu aceste instrucțiuni să o acționeze.** Uneltele electrice sunt periculoase în mâinile utilizatorilor neinstruiți.
- **Mențineți uneltele electrice și accesoriile acestora.** Verificați centrarea sau legarea incorectă a pieselor în mișcare, ruperea pieselor și orice alte stări care pot afecta funcționarea unelei electrice. Dacă este avariată, duceți unealta electrică la reparat înainte de a o utiliza. Multe accidente sunt provocate de uneltele electrice prost întreținute.
- **Păstrați uneltele de tăiere ascuțite și curate.** Este mai puțin probabil ca uneltele de tăiere cu tășuri ascuțite întreținute corespunzător să se blocheze și sunt mai ușor de controlat.
- **Utilizați unealta electrică, accesoriile și piesele din unelaltă, etc. în conformitate cu aceste instrucțiuni, luând în considerare și condițiile de lucru și activitatea care urmează să fie efectuată.** Utilizarea uneltelor electrice pentru operații diferite de cele pentru care sunt destinate poate duce la apariția de situații periculoase.
- **Mențineți mânerele și suprafețele de prindere uscate, curate, fără ulei și unsoare.** Mânerele și suprafețele de prindere alunecoase nu permit manipularea și controlul în siguranță al unelei în situații neprevăzute.

Utilizarea și întreținerea unelei cu baterie

- **Reîncărcați numai cu încărcătorul specificat de producător.** Un încărcător adecvat pentru un tip de baterie poate constitui pericol de incendiu atunci când este utilizat cu un alt tip de baterie.
- **Utilizați uneltele electrice numai cu bateriile special indicate.** Utilizarea unui alt tip de acumulatori poate constitui pericol de vătămări corporale și de incendiu.
- **Când acumulatorul nu este utilizat, păstrați-l departe de alte obiecte metalice, precum agrafe de birou, monede, chei, cuie, șuruburi sau alte obiecte mici de metal, care pot crea o conexiune între borne.**

Scurtcircuitarea bornelor bateriei poate cauza arsuri sau incendii.

- **În condiții de utilizare neadecvată, din baterie pot ieși stropi de lichid; evitați contactul.** Totuși, dacă intrați accidental în contact cu lichidul respectiv, spălați cu apă. Dacă lichidul intră în contact cu ochii, consultați un medic. Lichidul care se scurge din baterie poate cauza iritații sau arsuri.
- **Nu utilizați acumulatori sau unelte deteriorate sau modificate.** Bateriile deteriorate sau modificate pot prezenta un comportament imprevizibil, care poate duce la incendii, explozii sau pericol de vătămări corporale.
- **Nu expuneți acumulatorii sau uneltele la flăcări sau temperaturi excesive.** Expunerea la flăcări sau la temperaturi de peste 130°C/266°F poate cauza explozii.
- **Urmați toate instrucțiunile de încărcare și nu încărcați acumulatorul sau unealta în afara intervalului de temperatură specificat în instrucțiuni.** Încărcarea incorectă sau la temperaturi în afara intervalului specificat poate duce la deteriorarea bateriei și crește pericolul de incendiu.

Service

- **Cereți ca unealta dvs. electrică să fie reparată numai de un tehnician de reparații calificat, care să folosească numai piese de schimb identice.** Acest lucru va asigura păstrarea siguranței unelei electrice.
- **Nu reparați niciodată acumulatori deteriorați.** Repararea acumulatorilor trebuie efectuată numai de către producător sau de către furnizorii de servicii autorizate.

Alte informații generale privind siguranța

- Pentru reguli de siguranță specifice suplimentare, consultați manualul operatorului pentru accesoriul respectiv.
- Dezactivați produsul înainte de a vă deplasa într-o altă zonă. Scoateți întotdeauna bateria când trimiteți produsul unei alte persoane.
- Nu puneți jos produsul niciodată fără a-l dezactiva și a scoate bateria. Nu lăsați produsul nesupravegheat atunci când este pornit.
- Unealta de tăiere nu se oprește imediat după oprirea produsului.
- Înainte de a utiliza produsul după un impact, verificați să nu prezinte semne de uzură sau de deteriorare și reparați-le dacă este necesar.
- În cazul în care apare ceva care blochează accesoriul de tăiere în timp ce utilizați produsul, opriți și dezactivați produsul. Asigurați-vă că accesoriul de tăiere se oprește complet. Scoateți bateria înainte de a curăța, inspecta sau repara produsul și/sau echipamentul de tăiere.
- Verificați produsul înainte de utilizare. Consultați *Dispozitivele de siguranță de pe produs la pagina 124 și Întreținerea la pagina 128.* Nu utilizați un

produs deteriorat. Efectuați verificările de siguranță, instrucțiunile de întreținere și de service descrise în acest manual.

- Un accesoriu de tăiere defect poate crește pericolul de accidente.
- Asigurați-vă întotdeauna că deschiderile de ventilație nu prezintă reziduur.
- Verificați ca produsul să fie în perfectă stare de funcționare. Verificați ca toate șuruburile și piulițele să fie bine strânse.
- Acest produs este o unealtă periculoasă dacă nu sunteți atent sau dacă utilizați produsul incorect. Acest produs poate cauza vătămări corporale grave sau decesul operatorului sau al altor persoane.
- Acest dispozitiv nu este destinat persoanelor (inclusiv copii) cu capacități fizice, senzoriale sau mintale reduse sau care nu au experiența și cunoștințele necesare, cu excepția situației în care sunt supravegheate sau au primit instrucțiuni referitoare la utilizarea dispozitivului din partea unei persoane responsabile pentru siguranța lor. Copiii trebuie supravegheați, pentru a vă asigura că nu se joacă cu echipamentul.
- Nu permiteți copiilor să folosească utilajul sau să stea în apropierea acestuia. Deoarece utilajul poate fi pornit cu ușurință, copiii îl pot porni dacă nu sunt supravegheați atent. Există riscul unor vătămări corporale grave. Deconectați bateria dacă mașina nu se află sub supraveghere atentă.
- Nu permiteți copiilor sau altor persoane neinstruite cu privire la operarea produsului și/sau a bateriei să le utilizeze sau să le depaneze.
- Depozitați echipamentul într-un spațiu care poate fi încuiat și în care nu pot ajunge copiii și persoanele neautorizate.
- Apărătoarea pentru transport trebuie întotdeauna utilizată pentru depozitare și transport.
- Feriți în permanență mâinile și picioarele de zona de tăiere, cu precădere la pornirea motorului.
- Țineți mâinile și picioarele la distanță de accesoriul de tăiere până când acesta s-a oprit complet atunci când produsul este dezactivat.
- Nu îndepărtați materialul tăiat și nu lăsați alte persoane să îl îndepărteze în timp ce produsul este pornit sau echipamentul de tăiere se rotește, deoarece aceasta poate duce la vătămări corporale grave.
- Rețineți că este responsabilitatea dvs., în calitate de operator, să nu expuneți alte persoane sau proprietatea acestora la accidente sau la pericole.
- Nu modificați sub nicio formă designul produsului fără permisiunea producătorului. Utilizați întotdeauna accesoriile originale. Modificările și/sau accesoriile neautorizate pot avea drept rezultat vătămări corporale grave sau decesul operatorului sau al altor persoane. Garanția nu poate acoperi daunele sau răspunderea civilă cauzate de utilizarea de accesorii sau de piese de schimb neautorizate.

- Singurele accesorii pe care le puteți utiliza cu acest produs sunt accesorii de tăiere recomandate în capitolul Accesorii.
- Nu utilizați niciodată un produs care a fost modificat în orice mod față de specificația sa inițială
- Nu utilizați niciodată un produs defect. Efectuați verificările de siguranță, operațiile de întreținere și de service descrise în acest manual. Anumite operații de întreținere și de service trebuie efectuate de specialiști instruiți și calificați. Consultați *Întreținerea la pagina 128*.
- Lucrul în condiții de vreme nefavorabilă este obositor și adesea aduce un plus de risc. Din cauza riscului suplimentar, nu se recomandă utilizarea aparatului în condiții de vreme nefavorabilă, cum ar fi ceață densă, ploaie abundentă, vânt puternic, frig pătrunzător, risc de descărcări electrice etc.
- Nu lucrați niciodată de pe o scară, un taburet sau din orice altă poziție ridicată care nu este complet fixată.
- Depozitați aparatele inactice în interior – când nu sunt utilizate, aparatele trebuie depozitate în interior.
- Nu este posibil să prezentăm toate situațiile imaginabile cu care vă puteți confrunta. Lucrați întotdeauna cu atenție și folosiți-vă gândirea. Evitați toate situațiile pe care le considerați că vă depășesc capacitatea de reacție. Dacă totuși vă simțiți nesiguri în legătură cu procedurile de operare după citirea acestor instrucțiuni, trebuie să consultați un specialist înainte de a continua.
- Asigurați-vă că nicio persoană sau niciun animal nu se apropie la mai mult de 15 metri în timp ce lucrați. Când mai mulți operatori lucrează în aceeași locație, distanța de siguranță trebuie să fie de cel puțin 15 metri. În caz contrar, există riscul unor vătămări corporale grave. Opriți produsul imediat dacă se apropie cineva. Nu rotiți niciodată produsul în jur fără a verifica mai întâi în spatele dvs., pentru a vă asigura că nu se află nimeni în zona de siguranță.
- În cazul în care apare ceva care blochează accesoriul de tăiere în timp ce utilizați produsul, opriți și dezactivați produsul. Asigurați-vă că accesoriul de tăiere se oprește complet. Scoateți bateria înainte de a curăța, inspecta sau repara produsul și/sau echipamentul de tăiere.
- Asigurați-vă că oamenii, animalele sau alte lucruri nu vă pot afecta controlul asupra produsului sau că nu vin în contact cu accesoriul de tăiere sau obiectele desprinse care sunt proiectate de accesoriul de tăiere. Nu utilizați produsul decât în situații în care puteți solicita ajutor în eventualitatea unui accident.
- Asigurați-vă că vă puteți deplasa și sta în picioare în siguranță. Verificați dacă în zona din jurul dvs. nu există posibile obstacole (rădăcini, pietre, crengi, șanțuri etc.) în caz că trebuie să vă deplasați brusc. Aveți mare grijă în timp ce lucrați pe teren în pantă.
- Mergeți, nu alergați niciodată.
- Inspectați zona de lucru. Îndepărtați toate obiectele libere, precum pietre, sticlă spartă, cuie, fire de oțel, sfoară etc. care pot fi proiectate sau se pot înfășura în jurul frezei sau apărătorii frezei.

- Atenție la cioturile de ramuri care pot fi proiectate în timp ce efectuați tăierea. Nu tăiați prea aproape de sol, unde pietrele și alte obiecte pot fi proiectate.
- Asigurați-vă că accesoriul de tăiere nu intră în contact cu haine sau părți ale corpului atunci când produsul este activat. Țineți produsul sub nivelul taliei.
- Fiți atenți la obiectele azvârlite. Purtați întotdeauna echipament de protecție pentru ochi aprobat. Nu vă aplecați niciodată asupra apărătoarei accesoriului de tăiere. Pietrele, gunoiul etc. pot fi azvârlite în ochi, cauzând orbire sau vătămare gravă.
- Ascultați semnalele de avertisment sau strigătele când purtați echipament pentru protecția auzului. Îndepărtați întotdeauna protecția pentru auz imediat ce se oprește produsul.
- În caz de vibrații nedorite, apăsați pe butonul de linie nouă pentru a conferi liniei lungimea corectă pentru a opri vibrațiile.
- Dacă produsul începe să vibreze anormal, opriți-l și scoateți bateria.
- Expunerea prelungită la vibrații poate conduce la afecțiuni circulatorii sau la deteriorări ale nervilor la persoanele cu circulație defectuoasă. Discutați cu medicul dacă prezentați simptome de expunere prelungită la vibrații. Astfel de simptome includ amorțeală, pierderea sensibilității tactile, gădilături, ciupituri, durere, pierderea forței, modificări în culoarea sau starea pielii. Aceste simptome apar de obicei la degete, la mâini sau la încheieturi.
- Țineți întotdeauna produsul cu ambele mâini.

Echipament de protecție personală



AVERTISMENT: Înainte de a utiliza produsul, citiți instrucțiunile de avertizare de mai jos.

- Utilizați întotdeauna echipamente de protecție personală atunci când folosiți produsul. Echipamentele de protecție personală nu pot elimina complet riscul de rănire, însă pot reduce gravitatea rănilor în cazul unui accident. Distribuitorul vă poate ajuta să alegeți echipamentul corect.
- Utilizați o cască de protecție în caz că există riscul ca unele obiecte să cadă.
- Purtați echipament de protecție pentru urechi aprobat pentru utilizare, care asigură reducerea adecvată a zgomotului. Expunerea pe termen lung la zgomot poate avea ca rezultat o afecțiune ireversibilă a auzului.
- Utilizați ochelari de protecție omologați. Dacă utilizați un vizor de protecție, trebuie să purtați și ochelari de protecție. Ochelarii de protecție trebuie să fie conformi cu standardul ANSI Z87.1 în S.U.A. sau EN 166 în țările din UE.
- Utilizați o vizieră pentru protecția feței. Viziera nu este suficientă pentru protejarea ochilor.

(Fig. 22)

- Purtați mănuși atunci când este necesar, de exemplu atunci când conectați, inspectați sau curățați echipamentul de tăiere.
- Utilizați ghete solide, cu talpă antiaderentă.
- Purtați haine din țesături rezistente. Purtați întotdeauna pantaloni lungi, din material gros, și îmbrăcăminte cu mâneci lungi. Nu purtați haine largi, care se pot prinde în smicele și ramuri. Nu purtați bijuterii, șort, sandale și nu lucrați în picioarele goale. Strângeți-vă părul în siguranță, deasupra nivelului umărului.

(Fig. 23)

- Păstrați la îndemână echipament de prim ajutor.

(Fig. 24)

Dispozitivele de siguranță de pe produs



AVERTISMENT: Înainte de a utiliza produsul, citiți instrucțiunile de avertizare de mai jos.

În această secțiune sunt descrise caracteristicile de siguranță al produsului, scopul său și modul în care trebuie efectuate verificările și întreținerea pentru a asigura funcționarea corectă. A se vedea instrucțiunile din capitolul *Prezentare generală a produsului la pagina 119* pentru a afla unde sunt amplasate aceste piese pe produsul dvs.

Durata de viață a produsului se poate reduce, iar riscul de accidente se poate mări dacă întreținerea produsului nu este efectuată corect, iar reglarea și/sau reparațiile nu sunt executate în mod profesional. Dacă aveți nevoie de informații suplimentare, contactați cel mai apropiat furnizor de service.



AVERTISMENT: Nu utilizați niciodată un produs cu componente de siguranță deteriorate. Echipamentul de siguranță al produsului trebuie inspectat și întreținut conform indicațiilor din acest capitol. Dacă produsul nu trece oricare dintre următoarele verificări, contactați agentul de service pentru reparații.



ATENȚIE: Toate activitățile de service și de reparații de pe aparat necesită instruire specială. Acest lucru este adevărat în special în legătură cu echipamentul de siguranță al aparatului. În cazul în care aparatul dvs. nu trece de oricare dintre verificările descrise mai jos, trebuie să vă contactați agentul de service. Atunci când achiziționați oricare dintre produsele noastre, garantăm disponibilitatea reparațiilor și service-ului profesionist. Dacă vânzătorul cu amănuntul care vă vinde

aparatul nu este dealer de service, solicitați-i adresa celui mai apropiat agent de service.

Verificarea opritorului întrerupătorului

Dispozitivul de blocare al întrerupătorului previne operarea accidentală. Dacă eliberați mânerul, întrerupătorul și dispozitivul de blocare al acestuia se deplasează înapoi în pozițiile lor inițiale.

1. Apăsăți înainte butonul de blocare pentru blocarea declanșatorului de putere. (Fig. 25)
2. Asigurați-vă că întrerupătorul este blocat atunci când opritorul întrerupătorului este în poziția sa inițială. (Fig. 26)
3. Apăsăți dispozitivul de blocare a întrerupătorului pe o parte și apoi pe cealaltă. Asigurați-vă că dispozitivul de blocare a întrerupătorului se deplasează înapoi în poziția inițială. (Fig. 27)
4. Asigurați-vă că întrerupătorul și dispozitivul de blocare aferent se mișcă liber și că arcul de rapel funcționează corect. (Fig. 28)
5. Porniți produsul, consultați *Pornirea produsului la pagina 128*.
6. Eliberați declanșatorul de alimentare și asigurați-vă că produsul se oprește complet.

Instrucțiuni de siguranță pentru asamblare



AVERTISMENT: Parcurgeți manualul acestei surse și pe cel al accesoriului agreat.

- Scoateți bateria din produs înainte de a asambla produsul.
- Utilizați mănuși de protecție omologate.
- O apărătoare defectă sau incorectă poate provoca vătămări corporale. Nu utilizați un accesoriu de tăiere la care nu este montată apărătoarea corespunzătoare.
- Asigurați-vă că asamblați corect accesoriul înainte de a porni produsul.
- Dacă împreună cu accesoriul este furnizat și un ham, hamul trebuie fixat corect pe produs. Hamul asigură funcționarea în siguranță și previne vătămarea operatorului sau altor persoane.

Siguranța bateriei



AVERTISMENT: Citiți toate instrucțiunile generale și de siguranță. Nerespectarea instrucțiunilor generale și de siguranță poate cauza șoc electric, incendii și/sau răniri grave. **Păstrați toate informațiile de siguranță și instrucțiunile generale pentru referințe ulterioare.**

- **Aceste instrucțiuni de siguranță se aplică numai la bateriile reîncărcabile Li-Ion de 18 V pentru sistemul POWER FOR ALL.**
- **Utilizați bateria reîncărcabilă numai în produse de la partenerii Sistemului POWER FOR ALL.** Bateriile reîncărcabile de 18 V etichetate cu POWER FOR ALL sunt pe deplin compatibile cu următoarele produse:
 - Toate produsele sistemului pe baterii de 18 V POWER FOR ALL.
 - Toate produsele de 18 V de la partenerii Sistemului POWER FOR ALL.
- **Respectați recomandările privind bateriile din manualul de utilizare al produsului dvs.** Numai în acest fel bateria reîncărcabilă și produsul pot fi utilizate fără pericol, iar bateriile reîncărcabile pot fi protejate împotriva supraîncălzirii periculoase.
- **Încărcați bateriile numai cu încărcătoarele recomandate de producător sau de partenerii de sistem POWER FOR ALL.** Un încărcător care este adecvat pentru un tip de baterie poate prezenta un risc de incendiu atunci când este utilizat cu o altă baterie.
- **Bateria este livrată încărcată parțial.** Pentru a asigura capacitatea maximă a bateriei, încărcăți complet bateria în încărcător înainte de a utiliza unealta electrică pentru prima dată.
- **Păstrați bateriile într-un loc inaccesibil copiilor.**
- **Nu deschideți bateria.** Există pericol de scurtcircuitare.
- **În caz de deteriorare și de utilizare necorespunzătoare a bateriei, pot fi emiși vapori. Bateria se poate aprinde sau poate exploda.** Asigurați-vă că zona este bine ventilată și solicitați asistență medicală dacă resimțiți efecte adverse. Vaporii pot irita sistemul respirator.
- **Dacă este utilizată incorect sau dacă este deteriorată, din baterie poate țâșni lichid inflamabil. Trebuie evitat contactul cu acest lichid. Dacă intrați accidental în contact cu el, clătiți-vă cu apă. Dacă lichidul intră în contact cu ochii, solicitați asistență medicală suplimentară.** Lichidul care iese din baterie poate cauza iritații sau arsuri.
- **Dacă bateria este deteriorată, lichidul poate ieși din ea și poate acoperi suprafețele din apropiere. Verificați piesele afectate.** Curățați aceste piese sau înlocuiți-le dacă este necesar.
- **Nu scurtcircuitați bateria.** Când bateria nu este utilizată, păstrați-o la distanță de alte obiecte metalice, precum agrafe de birou, monede, chei, cuie, șuruburi sau alte obiecte mici de metal, care pot crea o conexiune între borne. Scurtcircuitarea bornelor bateriei poate cauza arsuri sau incendii.
- **Bateria poate fi deteriorată de obiecte ascuțite, cum ar fi cuie sau șurubelnițe sau de o forță aplicată din exterior.** Se poate produce un scurtcircuit intern, ceea ce poate cauza arderea, emiterea de fum, explozia sau supraîncălzirea bateriei.

- **Nu reparați niciodată acumulatorii deteriorați.** Repararea acumulatorilor trebuie efectuată numai de către producător sau de către furnizorii de servicii autorizati.
- **Protejați bateria împotriva căldurii, de exemplu, împotriva luminii solare intense continue, focului, murdăriei, apei și umezelii.** Există risc de explozie și de scurtcircuit.
- **Utilizați bateria din produs numai când temperatura ambiantă este între -5 °C – 40 °C.**
- **Depozitați bateria numai la o temperatură ambiantă între -20 °C – 50 °C.** De exemplu, nu lăsați bateria în mașină în timpul verii. La temperaturi < 0 °C, unele dispozitive pot suferi o pierdere de energie.
- **Încărcați bateria numai la o temperatură ambiantă care se situează între 0 °C – +35 °C.** Încărcarea în afara acestui interval de temperatură poate crește riscul de deteriorare a bateriei și reprezintă un pericol de incendiu.

Siguranța încărcătorului de baterii



AVERTISMENT: Citiți toate instrucțiunile generale și de siguranță. Nerespectarea instrucțiunilor generale și de siguranță poate cauza șoc electric, incendii și/sau răni grave. **Păstrați aceste instrucțiuni într-un loc sigur.** Utilizați încărcătorul numai dacă puteți evalua pe deplin toate funcțiile și le puteți efectua fără restricții sau dacă ați primit instrucțiunile corespunzătoare.

- **Acest încărcător nu trebuie utilizat de copii sau persoane cu limitări fizice, senzoriale sau mintale, lipsite de experiență sau nefamiliaritate cu produsul.** Acest încărcător poate fi folosit de copii cu vârsta de cel puțin 8 ani și persoane cu limitări fizice, senzoriale sau mintale, lipsite de experiență sau nefamiliaritate cu produsul dacă persoana responsabilă pentru siguranța lor îi supraveghează sau i-a instruit în utilizarea sigură a încărcătorului și dacă înțeleg pericolele aferente. În caz contrar, există riscul unor greșeli de utilizare și vătămări corporale.
- **Supravegheați copiii în timpul utilizării, curățării și întreținerii.** Acest lucru va împiedica copiii să se joace cu încărcătorul.
- **Încărcați numai baterii de 18 V POWER FOR ALL cu o capacitate de 1,5 Ah. Tensiunea bateriei trebuie să corespundă cu tensiunea de încărcare a încărcătorului. Nu încărcați baterii care nu sunt reîncărcabile.** În caz contrar, există risc de incendiu și de explozie.
- **Folosiți încărcătorul numai în spații închise și nu-l expuneți la condiții de umiditate.** Apa care pătrunde într-o unealtă electrică va spori pericolul de electrocutare.
- **Păstrați încărcătorul curat.** Murdăria prezintă un risc de șoc electric.

- **Verificați întotdeauna încărcătorul, cablul și fișa înainte de utilizare. Nu mai utilizați încărcătorul, dacă descoperiți vreă deteriorare. Nu deschideți dvs. înșivă încărcătorul, ci duceți-l la reparat numai la Husqvarna sau la un centru de service post-vânzare autorizat care folosește numai piese de schimb originale.** Încărcătoarele, cablurile și fișele deteriorate cresc riscul de electrocutare.
- **Nu utilizați încărcătorul pe o suprafață ușor inflamabilă (de ex. hârtie, materiale textile etc.) sau într-un mediu inflamabil.** Există un risc de incendiu din cauza încălzirii încărcătorului în timpul funcționării.
- **Nu acoperiți fantele de ventilație ale încărcătorului.** În caz contrar, încărcătorul se poate supraîncălzi și nu mai funcționează corespunzător.
- **Reîncărcați numai cu încărcătorul specificat de producător.** Un încărcător adecvat pentru un tip de baterie poate constitui pericol de incendiu atunci când este utilizat cu un alt tip de baterie.
- **În caz de deteriorare și de utilizare necorespunzătoare a bateriei, pot fi emiși, de asemenea, vapori.** Asigurați-vă că zona este bine ventilată și solicitați asistență medicală dacă resimțiți efecte adverse. Vaporii pot irita sistemul respirator.
- **În condiții de utilizare abuzivă, din baterie se poate scurge lichid. Trebuie evitat contactul cu acest lichid. Dacă intrați accidental în contact cu el, clătiți-vă cu apă. Dacă lichidul intră în contact cu ochii, solicitați asistență medicală suplimentară.** Lichidul care iese din baterie poate cauza iritații sau arsuri.
- **Produse vândute numai în Marea Britanie:** Produsul dvs. este echipat cu o fișă electrică aprobată BS 1363/A cu siguranță internă (aprobată de ASTA conform BS 1362). Dacă ștecherul nu este potrivit pentru prizele dvs. de curent, acesta trebuie tăiat și în locul lui trebuie montat un ștecher adecvat de către un agent de service clienți autorizat. Ștecherul de înlocuire trebuie să aibă aceeași valoare a siguranței ca și ștecherul original. Ștecherul tăiat trebuie aruncat pentru a evita un posibil pericol de electrocutare și nu trebuie introdus niciodată în altă parte într-o priză de rețea.

Instrucțiuni de siguranță pentru întreținere



AVERTISMENT: Înainte de a efectua lucrări de întreținere asupra produsului, citiți instrucțiunile de avertisment de mai jos.

- Scoateți bateria înainte de a efectua întreținerea, alte verificări sau de a asambla produsul.
- Operatorul trebuie să efectueze numai operațiile de întreținere și service indicate în acest manual al operatorului. Apelați la reprezentantul de service pentru întreținerea și service-ul de mai mare amploare.
- Nu curățați niciodată bateria sau încărcătorul cu apă. Detergentul puternic poate deteriora plasticul.

- Dacă nu efectuați operații de întreținere, durata de viață a produsului scade, iar pericolul de accidente crește.
- Este necesară instruirea profesională specială pentru toate lucrările de service și reparații, mai ales pentru dispozitivele de siguranță de pe produs. Dacă nu sunt aprobate toate verificările din acest manual al operatorului, după ce ați efectuat operațiile de întreținere, apălați la reprezentantul de service. Vă garantăm că există servicii profesionale de reparații și service disponibile pentru produsul dvs.
- Utilizați doar piese de schimb originale.
- Când efectuați operații de reparație a accesoriului de tăiere, utilizați întotdeauna mănuși de protecție rezistente. Lamele sunt foarte ascuțite și pot provoca cu ușurință vătămări corporale.

Asamblarea

Introducere



AVERTISMENT: Citiți și înțelegeți capitolul referitor la siguranță înainte de asamblarea produsului.

Instalarea accesoriului

1. Atașați dispozitivul de fixare (A) la unitatea de alimentare (B). Accesoriul trebuie să se mute cu ușurință în suportul de pe unitatea de alimentare; în caz contrar, acesta nu este instalat corect. (Fig. 29)
2. Strângeți butonul de blocare (C).

Nota: Atunci când accesoriul este instalat pe unitatea de alimentare, interfața de utilizator a accesoriului este deconectată.

Reglarea lungimii arborelui telescopic

1. Ridicați maneta (A) de pe arbore. (Fig. 30)
2. Reglați arborele telescopic la o lungime adecvată.
3. Împingeți maneta în jos pentru a bloca arborele telescopic.

Montarea cârligului de depozitare pe perete

- Instalați cârligul de depozitare în interior.

- Nu lăsați cârligul de depozitare în lumina soarelui și păstrați-l la o temperatură ambientă cuprinsă între -10 °C și 70 °C.
- Instalați cârligul de depozitare pe un perete din gips-carton, din lemn sau din beton.



ATENȚIE: Asigurați-vă că peretele poate susține sarcini de cel puțin 30 kg.

- Montați cârligul de depozitare pe perete cu cele 3 șuruburi (A). Utilizați fișe de perete (B) dacă este necesar. (Fig. 31)



ATENȚIE: Asigurați-vă că șuruburile sunt aplicabile pentru tipul peretelui dvs.

- Contactați agentul de service Husqvarna, pentru informații despre accesoriile de depozitare disponibile pentru produsul dvs.

Atârnați produsul de cârligul de depozitare

- Agățați sursa de alimentare de cârlig, așa cum se arată în ilustrație. (Fig. 32)

Funcționarea

Verificarea funcționării înainte de utilizarea produsului

1. Îndepărtați murdăria și materialele nedorite de pe produs cu o perie.
2. Strângeți toate șuruburile și toate piulițele.
3. Asigurați-vă că accesoriul este fixat corect.
4. Asigurați-vă că butonul de blocare pentru blocarea declanșatorului de putere este activat.
5. Asigurați-vă că dispozitivele de blocare ale arborelui prelungit și ale elementului pivotant sunt în poziție de blocare.

6. Examinați accesoriului pentru a identifica defecțiunile, de exemplu, fisurile. Înlocuiți accesoriul dacă este deteriorat.
7. Asigurați-vă că ați fixat corect capacele și că acestea nu sunt deteriorate.
8. Asigurați-vă că produsul funcționează corect.

Pentru a conecta bateria la produs



AVERTISMENT: Utilizați numai baterii litiu-ion de la POWER FOR ALL cu sistemul P4A 18 V în produs.

1. Asigurați-vă că bateria este încărcată complet.

2. Așezați bateria în suportul de baterie al produsului. Bateria trebuie să se deplaseze ușor în suport, în caz contrar, nu este instalată corect. (Fig. 33)
3. Împingeți bateria complet în suportul acesteia. Când auziți un clic, înseamnă că bateria s-a blocat în poziția corectă.
4. Asigurați-vă că elementul de fixare se blochează corect la loc.

Pornirea produsului

1. Apăsăți înainte butonul de blocare pentru blocarea declanșatorului de putere. (Fig. 25)
2. Apăsăți dispozitivul de blocare a întrerupătorului (A) din stânga sau din dreapta și mențineți apăsat întrerupătorul (B). (Fig. 34)

Oprirea produsului

1. Eliberați întrerupătorul.
2. Împingeți în spate butonul de blocare pentru blocarea declanșatorului de alimentare pentru a bloca produsul.

3. Apăsăți butonul de eliberare și scoateți bateria. (Fig. 35)
4. Dacă este necesar, îndepărtați accesoriul de pe produs.

Reglarea unghiului produsului

Produsul poate fi reglat în 7 poziții diferite.



AVERTISMENT: Nu reglați unghiul atunci când folosiți produsul.

1. Opriti produsul și scoateți bateria.
2. Țineți bine suportul (A). (Fig. 36)
3. Împingeți și mențineți articulația de rotație (B).
4. Reglați suportul în poziția corectă.
5. Eliberați articulația de rotație pentru a bloca suportul.
6. Deplasați suportul în sus și în jos până când acesta se blochează în poziție.

Întreținerea

Introducere



AVERTISMENT: Citiți și înțelegeți capitoul privind siguranța înainte de a

efectua operații de întreținere asupra produsului.



AVERTISMENT: Scoateți bateria înainte de a efectua operații de întreținere asupra produsului.

Program de întreținere

În continuare prezentăm o listă de pași de întreținere care trebuie efectuați asupra aparatului.

Întreținere	Înainte de operare	Săptămănal	Lunar
Curățați componentele externe ale produsului cu o cârpă uscată. Nu folosiți apă.	X		
Asigurați-vă că butonul de blocare pentru blocarea declanșatorului de alimentare funcționează corect și nu este deteriorat.	X		
Asigurați-vă că întrerupătorul și opritorul acestuia funcționează corect din punct de vedere al siguranței.	X		
Asigurați-vă că toate comenzile funcționează corect și că nu sunt deteriorate.	X		
Păstrați mânerul uscat și curat.	X		
Asigurați-vă că șuruburile și piulițele sunt strânse.	X		
Asigurați-vă că butoanele de eliberare de pe baterie funcționează corect și că fixează bateria în produs.	X		
Asigurați-vă că bateria nu este deteriorată.	X		

Întreținere	Înainte de operare	Săptămânal	Lunar
Asigurați-vă că bateria este încărcată.	X		
Asigurați-vă că încărcătorul bateriei nu este deteriorat și că funcționează corect.	X		
Examinați toate cablurile, cuplajele și conexiunile. Asigurați-vă că acestea sunt curate și nu sunt deteriorate.		X	
Verificați legăturile dintre baterie și produs.			X
Verificați legăturile dintre baterie și încărcătorul bateriei.			X

Curățarea produsului, bateriei și încărcătorului

1. Curățați produsul cu o cârpă uscată după utilizare.
2. Curățați bateria și încărcătorul de baterii cu o cârpă uscată. Mențineți curate șinele de ghidaj al bateriei.

3. Asigurați-vă că bornele bateriei și încărcătorul de baterii sunt curate, înainte ca bateria să fie introdusă în încărcător sau produs.

Transportul, depozitarea și eliminarea

Transportul și depozitarea

- Bateriile cu ioni de litium furnizate respectă cerințele legislației privind bunurile periculoase.
- Respectați cerințele speciale de pe ambalaj și etichete privind transportul comercial, inclusiv cele emise de către terțe părți și companiile de expediție.
- Discutați cu o persoană care a beneficiat de instruire specială privind materialele periculoase înainte de a trimite produsul. Respectați toate reglementările naționale aplicabile.
- Aplicați bandă adezivă pe contactele expuse atunci când introduceți bateria într-un pachet. Bateria trebuie ambalată astfel încât să nu se poată deplasa în interiorul pachetului.
- La depozitare și la transport, scoateți întotdeauna bateria.
- Puneți bateria și încărcătorul de baterii într-un spațiu uscat și ferit de umezeală și îngheț.
- Nu păstrați bateria într-un loc în care poate apărea electricitate statică. Nu depozitați bateria într-o cutie metalică.
- Depozitați bateria la temperaturi între -20°C (-4°F) și +50°C (122°F), într-un loc ferit de radiațiile solare directe.
- Depozitați încărcătorul de baterii la temperaturi între 5°C (41°F) și 45°C (113°F), într-un loc ferit de radiațiile solare directe.
- Utilizați încărcătorul de baterii numai la temperaturi ambiante cuprinse între 0°C/32°F și 35°C/95°F.
- Depozitați produsul la temperaturi cuprinse între 40°C/104°F și +60°C/140°F.
- Încărcați bateria în proporție de 30 % - 50 % înainte de a o depozita pe o perioadă lungă.

- Depozitați încărcătorul de baterii într-un spațiu închis și uscat.
- Nu depozitați bateria lângă încărcătorul bateriei. Nu lăsați copii și alte persoane neautorizate să atingă echipamentul. Păstrați echipamentul într-un spațiu pe care îl puteți încuia.
- Curățați produsul și efectuați un service complet înainte de a depozita produsul pentru o perioadă lungă de timp.
- Utilizați apărătoarea de transport pe produs pentru a preveni accidentarea sau deteriorarea produsului în timpul transportului și depozitării.
- Fixați foarte bine produsul în timpul transportului.
- Păstrați produsul în depozit pe orizontală sau agățați-l de cârligul furnizat. Consultați *Atârnați produsul de cârligul de depozitare la pagina 127.*

Eliminarea bateriei, încărcătorului acesteia și a produsului

Simbolul de mai jos înseamnă că produsul nu poate fi tratat ca reziduu menajer. Reciclați la un centru de reciclare pentru echipamente electrice și electronice. Această măsură ajută la protejerea mediului și a oamenilor.

Contactați autoritățile locale, centrul de colectare a reziduurilor menajere sau distribuitorul pentru mai multe informații.

(Fig. 18)

Nota: Simbolul apare pe produs sau pe ambalajul produsului.

Date tehnice

Aspire Pole-P4A

Greutate

Greutate (numai sursa), kg

1,5

Baterii aprobate

Acest produs poate fi folosit cu toate bateriile **POWER FOR ALL**.

Baterie	P4A 18-B36	P4A 18-B45	P4A 18-B72
Tip	Litiu-ion	Litiu-ion	Litiu-ion
Capacitate baterie, Ah	2	2,5	4
Tensiune nominală, V	18	18	18
Greutate, kg	0,35	0,35	0,65
Număr de celule (Li-Ion)	5	5	10

Încărcătoare de baterii omologate

Încărcător de baterii	P4A 18-C50	P4A 18-C70
Tensiune de intrare, V	Consultați informațiile nominale ale încărcătorului.	Consultați informațiile nominale ale încărcătorului.
Frecvență, Hz	50-60	50-60
Putere, W	50	70

Accesorii

Accesorii

Accesorii aprobate	Tip	Se utilizează cu
Accesoriu foarfece pentru arbuști	Aspire S20-P4A	Aspire Pole-P4A
Dispozitiv pentru elagaj	Aspire P5-P4A	Aspire Pole-P4A

Declarație de conformitate

Declarație de conformitate UE

Noi, **Husqvarna AB**, SE-561 82 Huskvarna, Suedia, tel.: +46-36-146500, declarăm pe propria răspundere, că produsul:

Descriere	Sursă cu baterie
Marcă	Husqvarna
Tip/Model	Aspire Pole-P4A
Identificare	Numerele de serie începând cu 2023

respectă în totalitate următoarele directive și reglementări UE:

Directivă/Regulament	Descriere
2006/42/CE	„privind echipamentele tehnice”
2014/30/UE	„privind compatibilitatea electromagnetică”
2011/65/UE	„privind restricțiile de utilizare a anumitor substanțe periculoase la echipamente electrice și electronice”
2000/14/CE	„privind emisiile de zgomot în mediul înconjurător”

și că au fost aplicate următoarele standarde și/sau specificații tehnice: EN 62841-1:2015/A11:2022, EN 62841-4-2:2019/A1:2022, EN IEC 62841-4-5:2021/A11:2021, EN ISO 11680-1:2011, EN ISO 12100:2010, EN IEC 55014-1:2021, EN IEC 55014-2:2021, EN IEC 63000:2018.

DEKRA Testing and Certification GmbH, Handwerkstraße 15, 70565 Stuttgart, Germany, 0158 a efectuat în mod voluntar teste de tip CE, în conformitate cu articolul 12, punctul 3b, din directiva cu privire la mașini (2006/42/CE). Certificatul pentru examinarea de tip CE are numărul: 4815039.22006.

Procedura de evaluare a conformității aplicată în conformitate cu Directiva 2000/14/CE, anexa V.

Cu accesoriul Aspire P5-P4A ca foarfecă telescopică:

- Nivel măsurat de putere acustică: 88 dB (A)
- Nivel garantat de putere acustică: 91 dB (A)

Cu accesoriul Aspire S20-P4A ca foarfecă pentru arbuști:

- Nivelul de putere acustică măsurat pentru lama pentru tufiș: 83 dB (A)
- Nivelul de putere acustică măsurat pentru lama pentru iarbă: 79 dB (A)
- Nivel garantat de putere acustică: 84 dB (A)

Husqvarna, 2023-10-30



Claes Losdal, Manager Cercetare și dezvoltare,
Husqvarna AB

Responsabil pentru documentația tehnică



Licențe

Copyright © 2012–2020 STMicroelectronics

Garanția nu acoperă defecțiunile rezultate în urma uzurii normale, neglijenței, utilizării defectuoase, reparațiilor neautorizate sau în urma conectării echipamentului de aspirare la tensiune necorespunzătoare.

Toate drepturile rezervate.

Redistribuirea și utilizarea în formele sursă și binare, cu sau fără modificări, sunt permise cu condiția respectării următoarelor condiții:

- Redistribuirea codului sursă trebuie să mențină notificarea de mai sus privind drepturile de autor, această listă de condiții și următoarea clauză de renunțare.
- Redistribuirile în formă binară trebuie să reproducă în documentație și/sau în alte materiale furnizate împreună cu distribuția, notificarea de mai sus privind drepturile de autor, această listă de condiții și următoarea clauză de renunțare la răspundere.
- Nici denumirea STMicroelectronics și nici numele colaboratorilor săi nu pot fi folosite pentru a susține sau a promova produse derivate din acest software, fără o autorizație scrisă prealabilă specifică.

ACEST SOFTWARE ESTE FURNIZAT DE DEȚINĂTORII DREPTURILOR DE AUTOR ȘI DE CONTRIBUTORI „CA ATARE” ȘI SUNT REFUZATE ORICE GARANȚII EXPRESE SAU IMPLICITE, INCLUSIV, DAR FĂRĂ A SE LIMITA LA GARANȚIILE IMPLICITE DE VANDABILITATE ȘI DE ADECVARE PENTRU UN ANUMIT SCOP. ÎN NICIUN CAZ TITULARUL DREPTURILOR DE AUTOR SAU COLABORATORII NU VOR FI RĂSPUNZĂTORI PENTRU DAUNE DIRECTE, INDIRECTE, ACCIDENTALE, SPECIALE, EXEMPLARE SAU PE CALE DE CONSECINȚĂ (INCLUSIV, DAR FĂRĂ A SE LIMITA LA PROCURAREA DE BUNURI SAU SERVICII ÎNLOCUITOARE; PIERDEREA DE UTILIZARE, DATE SAU PROFITURI; SAU ÎNTRERUPEREA ACTIVITĂȚII), INDIFERENT DE CAUZĂ ȘI DE TEORIA RĂSPUNDERII, FIE CĂ ESTE VORBA DE CONTRACT, RĂSPUNDERE STRICTĂ SAU DELICT (INCLUSIV NEGLIJENȚĂ SAU ALTCEVA), CARE REZULTĂ ÎN ORICE MOD DIN UTILIZAREA ACESTUI SOFTWARE, CHIAR DACĂ AU FOST INFORMAȚI DE POSIBILITATEA UNOR ASTFEL DE DAUNE.

Licența Apache 2.0

Copyright © 2009-2019 Arm Limited. Toate drepturile rezervate.

Versiunea 2.0, Ianuarie 2004 <http://www.apache.org/licenses/>

TERMENI ȘI CONDIȚII DE UTILIZARE, REPRODUCERE ȘI DISTRIBUIRE

1. Definiții.

„Licență” înseamnă termenii și condițiile de utilizare, reproducere și distribuire, după cum sunt definite în secțiunile 1-9 din prezentul document. „Licențiator” înseamnă proprietarul drepturilor de autor sau entitatea autorizată de proprietarul drepturilor de autor care acordă Licența. „Entitate juridică” reprezintă uniunea dintre entitatea care acționează și toate celelalte entități care controlează, sunt controlate sau se află sub control comun cu entitatea respectivă. În sensul acestei definiții, „control” înseamnă (i) puterea, directă sau indirectă, de a determina conducerea sau managementul unei astfel de entități, fie prin contract, fie în alt mod sau (ii) deținerea a cel puțin cincizeci la sută (50%) din acțiunile în circulație sau (iii) deținerea efectivă a unei astfel de entități. „Dvs.” (sau „A/al/ai/ale dvs.”) înseamnă o persoană fizică sau o entitate juridică ce exercită permisiunile acordate prin prezenta licență. Forma „sursă” înseamnă forma preferată pentru efectuarea modificărilor, inclusiv, dar fără a se limita la codul sursă al software-ului, sursa documentației și fișierele de configurare. Forma „obiect” înseamnă orice formă rezultată din transformarea mecanică sau din translatarea unei forme sursă, inclusiv, dar fără a se limita la codul obiect compilat, documentația generată și conversiile în alte tipuri de suporturi. „Lucrare” înseamnă lucrarea de autor, în formă de sursă sau de obiect, pusă la dispoziție în temeiul licenței, așa cum este indicată de o notă de drepturi de autor inclusă în lucrare sau atașată la aceasta (un exemplu este furnizat în anexa de mai jos). „Lucrări derivate” înseamnă orice lucrare, în formă de sursă sau de obiect, care se bazează pe lucrare (sau derivă din aceasta) și pentru care revizuirile editoriale, adnotările, elaborările sau alte modificări reprezintă, în ansamblu, o lucrare originală a autorului. În sensul prezentei licențe, lucrările derivate nu includ lucrările care rămân separabile de lucrare sau care au doar o legătură (sau se leagă prin nume) cu interfețele lucrării și ale lucrărilor derivate ale acesteia. „Contribuție” înseamnă orice lucrare de autor, inclusiv versiunea originală a lucrării și orice modificări sau adăugiri la acea lucrare sau lucrări derivate ale acesteia, care este transmisă în mod intenționat Licențiatorului pentru a fi inclusă în lucrare de titularul drepturilor de autor sau de o persoană fizică sau juridică autorizată să transmită în numele titularului drepturilor de autor. În sensul acestei definiții, „trimis” înseamnă orice formă de comunicare electronică, verbală sau scrisă trimisă Licențiatorului sau reprezentanților acestuia, inclusiv, dar fără a se limita la comunicarea pe listele de discuții electronice, sistemele de control al codului sursă și sistemele de urmărire a problemelor care sunt gestionate de Licențiator sau în numele acestuia în scopul discutării și îmbunătățirii Lucrării, dar cu excepția comunicării care este marcată în mod vizibil sau desemnată în scris de titularul dreptului de autor ca nefiind „O contribuție”. „Contributor” înseamnă Licențiatorul și orice persoană fizică sau juridică în numele căreia Licențiatorul a

primit o Contribuție și care a fost ulterior încorporată în Lucrare.

2. Acordarea licenței de drepturi de autor.

Sub rezerva termenilor și condițiilor prezentei licențe, fiecare contribuitor vă acordă prin prezenta o licență perpetuă, mondială, neexclusivă, gratuită, fără redevențe și irevocabilă de drepturi de autor pentru a reproduce, a pregăti lucrări derivate, a afișa în public, a executa în public, a sublicenția și a distribui lucrarea și astfel de lucrări derivate în forma sursă sau obiect.

3. Acordarea licenței de brevetare.

Sub rezerva termenilor și condițiilor prezentei licențe, fiecare contribuitor vă acordă prin prezenta o licență de brevet perpetuă, mondială, neexclusivă, gratuită, fără redevențe, irevocabilă (cu excepția celor menționate în această secțiune) pentru a realiza, a face să se realizeze, a utiliza, a oferi spre vânzare, a vinde, a importa și a transfera în alt mod lucrarea, în cazul în care o astfel de licență se aplică numai acelor revendicări de brevete care pot fi licențiate de un astfel de contribuitor și care sunt în mod necesar încălcate de contribuția (contribuțiile) sa (lor) singură (singure) sau prin combinarea contribuției (contribuțiilor sale) cu lucrarea la care a (au) fost trimise. Dacă inițiați un litigiu privind brevetele împotriva oricărei entități (inclusiv o cerere convențională sau o cerere reconvențională în cadrul unui proces), în care se susține că lucrarea sau o contribuție încorporată în lucrare constituie o încălcare directă sau indirectă a unui brevet, atunci orice licență de brevet care vă este acordată în temeiul prezentei licențe pentru lucrarea respectivă va înceta la data la care se depune un astfel de litigiu.

4. Redistribuire.

Puteți reproduce și distribui copii ale Lucrării sau ale Lucrărilor derivate pe orice suport, cu sau fără modificări și în formă de sursă sau obiect, cu condiția să îndepliniți următoarele condiții:

- trebuie să oferiți oricărui alt destinatar al lucrării sau al lucrărilor derivate o copie a prezentei licențe; și
- trebuie să faceți ca toate fișierele modificate să poarte notificări proeminente care să precizeze că ați modificat fișierele; și - trebuie să păstrați, în forma sursă a oricăror lucrări derivate pe care le distribuiți, toate notificările privind drepturile de autor, brevetele, mărcile comerciale și atribuirea din forma sursă a lucrării, cu excepția acelor notificări care nu se referă la nicio parte a lucrărilor derivate; și
- Dacă lucrarea include un fișier text „NOTIFICARE” ca parte a distribuției sale, atunci orice Lucrări derivate pe care le distribuiți trebuie să includă o copie lizibilă a notificărilor de atribuire conținute în acest fișier NOTIFICARE, cu excepția acelor notificări care nu se referă la nicio parte a Lucrărilor derivate, în cel puțin unul dintre următoarele locuri: într-un fișier text NOTIFICARE distribuit ca parte a Lucrărilor derivate; în forma sursă sau în documentație, dacă este furnizat împreună cu

Lucrările derivate; sau, într-un afișaj generat de Lucrările derivate, dacă și oriunde apar în mod normal astfel de notificări ale terților. Conținutul fișierului NOTIFICARE are doar scop informativ și nu modifică licența. Puteți adăuga propriile dvs. notificări de atribuire în cadrul lucrărilor derivate pe care le distribuiți, alături de textul NOTIFICARE din lucrare sau ca o anexă la acesta, cu condiția ca aceste notificări de atribuire suplimentare să nu poată fi interpretate ca o modificare a licenței. Puteți adăuga propria declarație privind drepturile de autor la modificările dvs. și puteți furniza termeni și condiții de licență suplimentare sau diferite pentru utilizarea, reproducerea sau distribuirea modificărilor dvs. sau pentru orice astfel de lucrări derivate în ansamblu, cu condiția ca utilizarea, reproducerea și distribuirea de dvs. a opereii să respecte altfel condițiile stabilite în prezenta licență.

5. Trimiterea contribuțiilor.

Cu excepția cazului în care dvs. declarați în mod explicit contrariul, orice Contribuție trimisă în mod intenționat de dvs. licențiatorului pentru a fi inclusă în lucrare va fi supusă termenilor și condițiilor prezentei Licențe, fără termeni sau condiții suplimentare. Fără a aduce atingere celor de mai sus, nicio prevedere din prezentul document nu va înlocui și nu va modifica termenii niciunui contract de licență separat pe care este posibil să-l fi încheiat cu Licențiatorul cu privire la astfel de Contribuții.

6. Mărci comerciale.

Prezenta Licență nu acordă permisiunea de a utiliza denumirile comerciale, mărcile comerciale, mărcile de servicii sau denumirile de produse ale Licențiatorului, cu excepția cazului în care acest lucru este necesar pentru o utilizare rezonabilă și uzuală în descrierea originii Lucrării și reproducerea conținutului fișierului NOTIFICARE.

7. Declinarea garanțiilor.

Cu excepția cazului în care legislația aplicabilă o impune sau se convine în scris, Concedentul furnizează Lucrarea (și fiecare Colaborator furnizează Contribuțiile sale) pe ÎN MOD „CA ATARE”, FĂRĂ GARANȚII SAU CONDIȚII DE NICIUN FEL, fie acestea exprese sau implicite, inclusiv, dar fără a se limita la orice garanții sau condiții de TITLU, NEÎNCĂLCARE, COMERCIALIZARE sau ADECVARE PENTRU UN ANUMIT SCOP Sunteți singurul responsabil pentru determinarea oportunității utilizării sau redistribuirii Lucrării și vă asumați toate riscurile asociate cu exercitarea de dvs. a permisiunilor în temeiul acestei Licențe. 8. Limitarea responsabilității. În niciun caz și sub nicio teorie legală, fie că este vorba de răspundere civilă delictuală (inclusiv neglijență), contract sau altfel, cu excepția cazului în care legea aplicabilă o cere (cum ar fi acte deliberate și acte de neglijență gravă) sau dacă se convine în scris, niciun Contribuitor nu va fi răspunzător față de dvs. pentru daune, inclusiv orice

daune directe, indirecte, speciale, accidentale, sau pe cale de consecință, de orice natură, care rezultă din această licență sau din utilizarea sau incapacitatea de a utiliza lucrarea (inclusiv, dar fără a se limita la daune pentru pierderea fondului comercial, oprirea activității, defecțiuni sau defecțiuni ale calculatorului sau orice alte daune sau pierderi comerciale), chiar dacă respectivul contribuitor a fost informat de posibilitatea unor astfel de daune.

9. Acceptarea garanției sau a răspunderii suplimentare.

La redistribuirea Lucrării sau a Lucrărilor derivate din această, puteți alege să oferiți și să percepeți o

taxă pentru acceptarea obligațiilor și/sau drepturilor de asistență, garanție, despăgubire sau alte obligații și/sau drepturi de răspundere în conformitate cu prezenta Licență. Cu toate acestea, în acceptarea acestor obligații, puteți acționa numai în numele dvs. și pe răspunderea dvs. exclusivă, nu în numele niciunui alt contribuitor și numai dacă sunteți de acord să despăgubiți, să apărați și să exonerați de răspundere fiecare colaborator pentru orice răspundere asumată sau pretenții formulate împotriva acestuia din cauza acceptării de dvs. a unei astfel de garanții sau răspunderi suplimentare. SFĂRȘITUL TERMENILOR ȘI CONDIȚIILOR

Contenido

Introducción.....	134	Transporte, almacenamiento y eliminación.....	144
Seguridad.....	135	Datos técnicos.....	145
Montaje.....	142	Accesorios.....	146
Funcionamiento.....	143	Declaración de conformidad.....	147
Mantenimiento.....	143	Licencias.....	148

Introducción

Descripción del producto

La Husqvarna Aspire Pole-P4A es una unidad de alimentación a batería con función telescópica.

los accesorios homologados, consulte *Accesorios en la página 146*. Lea este documento junto con el manual del accesorio homologado.

Uso previsto

Se trata de una unidad de alimentación que solamente funciona con accesorios homologados; para conocer

Descripción del producto

(Fig. 1)

1. Junta de rotación
2. Tornillo de pulgar para accesorio
3. Palanca para la función telescópica
4. Tubo
5. Tubo exterior
6. Gancho para el arnés
7. Botón de bloqueo del gatillo de alimentación
8. Asa trasera
9. Bloqueo del gatillo de alimentación
10. Gatillo de alimentación
11. Manual de usuario
12. Botón para extraer la batería
13. Cargador de batería
14. Indicador de potencia y advertencia
15. Conector
16. Gancho de almacenamiento, tornillos y tacos

Símbolos que aparecen en el producto

- (Fig. 2) **ADVERTENCIA:** Este producto puede ser peligroso y ocasionar daños graves o mortales tanto al usuario como a cualquier otra persona. Tenga cuidado y utilice el producto correctamente.
- (Fig. 3) Lea atentamente el manual de usuario y asegúrese de que entiende las instrucciones antes de utilizar el producto.
- (Fig. 4) Utilice un casco protector si trabaja en un lugar donde puedan caerle objetos. Utilice protección auditiva homologada (solo con Aspire P5-P4A + Aspire Pole-P4A). Utilice protección ocular homologada.
- (Fig. 5) Utilice guantes protectores homologados.

- (Fig. 6) Utilice botas de trabajo antideslizantes (solo aplicable con Aspire P5-P4A + Aspire Pole-P4A).
- (Fig. 7) Corriente continua.
- (Fig. 8) Tensión nominal, V
- (Fig. 9) No exponer a la lluvia.
- (Fig. 10) Riesgo de lesiones. Mantenga las manos alejadas del cabezal de corte.

- (Fig. 11) El producto cumple con las directivas vigentes de la UE.
- (Fig. 12) Este producto cumple con las directivas del Reino Unido vigentes.
- (Fig. 13) Ni el producto ni su embalaje son residuos domésticos. Recíclelos en un centro de reciclaje para equipos eléctricos y electrónicos.

(Fig. 16) PELIGRO: Mantenga una distancia suficiente con las líneas eléctricas.

(Fig. 17) En la placa de características técnicas o en la impresión láser se indica el número de serie. **aaaa** es el año de producción y **ss** es la semana de producción.

Nota: Los demás símbolos o etiquetas que aparecen en el producto corresponden a requisitos de homologación específicos en determinados mercados.

(Fig. 14) Utilice y guarde el cargador de baterías únicamente en interiores.

(Fig. 15) Doble aislamiento.

Símbolos que aparecen en la batería o en el cargador de la batería

(Fig. 18) Recicle el producto en un centro de reciclaje para equipos eléctricos y electrónicos. (Aplicable solo para Europa)

(Fig. 19) Use la batería solamente en productos de socios que utilicen el sistema POWER FOR ALL.

(Fig. 20) Proteja la batería del calor, por ejemplo, de la luz solar directa y continua, del fuego, de la suciedad, del agua y de la humedad. Existe riesgo de explosión o cortocircuito.

(Fig. 21)

Daños en el producto

No nos hacemos responsables de los daños que pueda sufrir el producto si:

- El producto se ha reparado incorrectamente.
- El producto se ha reparado con piezas que no eran del fabricante o no autorizadas por el fabricante.
- El producto tiene un accesorio que no es del fabricante o no está autorizado por este.
- El producto no se ha reparado en un centro de servicio autorizado o por un organismo homologado.

Fabricante

Husqvarna AB

Drottninggatan 2, SE-561 82 Huskvarna, Sweden, tel: +46-36-146 500

Seguridad

Definiciones de seguridad

Las advertencias, precauciones y notas se utilizan para destacar información especialmente importante del manual.



ADVERTENCIA: Indica un riesgo de lesiones o incluso de muerte del usuario o de las personas cercanas si no se respetan las instrucciones del manual.



PRECAUCIÓN: Indica un riesgo de daños en el producto, otros materiales o el área adyacente si no se respetan las instrucciones del manual.

Nota: Se usa para proporcionar más información necesaria en una situación determinada.

Advertencias generales de seguridad relacionadas con la herramienta eléctrica



ADVERTENCIA: Lea el manual del accesorio homologado junto con este manual de la unidad de alimentación.



ADVERTENCIA: Lea todas las advertencias de seguridad, instrucciones, ilustraciones y especificaciones que se suministran con esta herramienta eléctrica. Si no se siguen las instrucciones que aparecen a continuación, puede producirse una descarga eléctrica, un incendio o lesiones graves.

Nota: Conserve todas las advertencias e instrucciones para su consulta. El término «herramienta eléctrica» empleado en las advertencias hace referencia a una herramienta eléctrica que funciona con conexión a la red de suministro (con cable) o a una herramienta que funciona con batería (sin cable).

Seguridad en el área de trabajo

- **Mantenga el área de trabajo limpia y bien iluminada.** Las zonas abarrotadas de cosas u oscuras favorecen los accidentes.
- **No maneje herramientas eléctricas en ambientes explosivos como aquellos en los que hay líquidos, gases o polvo inflamables.** Las herramientas eléctricas producen chispas que pueden inflamar el polvo o los vapores.
- **Mantenga alejados a los niños y a otras personas mientras trabaje con una herramienta eléctrica.** Las distracciones pueden hacer que pierda el control de esta.

Seguridad eléctrica

- **Los enchufes de las herramientas eléctricas deben corresponder a la toma de corriente utilizada. Nunca modifique el enchufe. No utilice adaptadores para las herramientas eléctricas con conexión a tierra.** Los enchufes sin modificar y las tomas de corriente del mismo tipo ayudan a reducir el riesgo de descarga eléctrica.
- **Evite el contacto de su cuerpo con superficies puestas a tierra como tuberías, radiadores, cocinas y neveras.** Si su cuerpo está en contacto con el suelo, existe un mayor riesgo de descarga eléctrica.
- **No exponga las herramientas eléctricas a la lluvia o a ambientes húmedos.** El riesgo de recibir descargas eléctricas aumentará si penetra agua en la herramienta eléctrica.
- **Maneje el cable con cuidado. No lo utilice nunca para transportar, tirar o desenchufar la herramienta**

eléctrica. Manténgalo alejado de fuentes de calor, aceite, aristas vivas o piezas móviles. Los cables dañados o enredados incrementan el riesgo de descarga eléctrica.

- **Cuando trabaje con una herramienta eléctrica en exteriores, utilice un alargador indicado para este uso.** Utilizar un cable adecuado para su uso en exteriores reduce el riesgo de descarga eléctrica.
- **Si es necesario utilizar una herramienta eléctrica en un lugar húmedo, utilice suministro eléctrico protegido con un interruptor diferencial.** La utilización de un interruptor diferencial reduce el riesgo de descargas eléctricas.

Seguridad personal

- **Cuando maneje una herramienta eléctrica, esté siempre atento, fíjese en lo que está haciendo y utilice el sentido común. No utilice herramientas eléctricas si está cansado o bajo los efectos de estupefacientes, alcohol o medicamentos.** Un momento de descuido mientras se trabaja con herramientas eléctricas puede causar lesiones graves.
- **Utilice el equipo de protección personal. Use siempre protección ocular.** Los equipos de protección, como la mascarilla antipolvo, el calzado de seguridad antideslizante, el casco o los protectores auriculares utilizados en las condiciones adecuadas, reducirán el riesgo de lesiones.
- **Evite la puesta en marcha accidental de la herramienta. Asegúrese de que el interruptor está en la posición de apagado antes de conectar la máquina a la fuente de alimentación o la batería, cogerla o transportarla.** Transportar herramientas eléctricas con el dedo puesto sobre el interruptor o enchufarlas con el interruptor en la posición de encendido puede provocar accidentes.
- **Quite todas las llaves o herramientas antes de encender la herramienta eléctrica.** Una llave o herramienta que se haya dejado colocada en una pieza giratoria de la herramienta eléctrica puede causar lesiones.
- **No se estire demasiado. Mantenga una posición correcta y el equilibrio en todo momento.** Esto le permitirá controlar mejor la herramienta eléctrica en situaciones imprevistas.
- **Utilice la ropa adecuada. No utilice nunca ropa amplia ni joyas. Mantenga el pelo y la ropa alejados de las piezas móviles.** La ropa holgada, las joyas o el pelo largo pueden quedar atrapados en las piezas móviles.
- **Si se suministran equipos de aspiración o captación de polvo, asegúrese de que estén conectados y se utilicen correctamente.** El uso de estos equipos puede reducir los riesgos derivados del polvo.
- **Evite que la familiaridad adquirida con el uso frecuente de las herramientas le lleve a confiarse e ignorar las medidas de seguridad al utilizarlas.** Una acción negligente puede causar lesiones graves en una fracción de segundo.

- **Peligro: No trabaje cerca las líneas eléctricas.** La unidad no se ha diseñado para proporcionar protección contra descargas eléctricas en caso de contacto con líneas eléctricas aéreas. Consulte la normativa local sobre distancias de seguridad de tendidos eléctricos y asegúrese de que la posición de trabajo es segura antes de operar el producto.

Uso y cuidado de la herramienta eléctrica

- **No sobrecargue la herramienta eléctrica. Utilice la herramienta eléctrica adecuada para el trabajo que debe realizar.** Con la herramienta eléctrica apropiada hará el trabajo mejor y con mayor seguridad a la potencia para la que fue diseñada.
- **No utilice la herramienta eléctrica si el interruptor no funciona.** Las herramientas que no se puedan controlar con el interruptor son peligrosas y deben repararse.
- **Desconecte el enchufe de la fuente de alimentación o quite la batería (si se puede desmontar) de la herramienta eléctrica antes de realizar cualquier ajuste, cambiar accesorios o guardarla.** Estas medidas de seguridad preventivas reducen el riesgo de encendido accidental de la herramienta eléctrica.
- **Guarde las herramientas eléctricas que no se utilicen fuera del alcance de los niños y no permita que personas no familiarizadas con su uso o con estas instrucciones las manejen.** Las herramientas eléctricas resultan peligrosas en manos de usuarios no cualificados.
- **Compruebe que las herramientas eléctricas y los accesorios están a punto. Compruebe que no haya partes móviles mal alineadas o trabadas, piezas rotas o cualquier otra circunstancia que pueda afectar al funcionamiento de la herramienta eléctrica. Si detecta daños, haga reparar la herramienta eléctrica antes de utilizarla.** Muchos accidentes se deben al uso de herramientas eléctricas que carecen de un mantenimiento adecuado.
- **Mantenga las herramientas de corte afiladas y limpias.** Las herramientas de corte con aristas afiladas y un mantenimiento adecuado tienen menos probabilidades de trabarse y son más fáciles de controlar.
- **Utilice la herramienta eléctrica, los accesorios, útiles, etc. según se indica en estas instrucciones, teniendo en cuenta las condiciones de trabajo y la tarea que debe realizar.** El uso de la herramienta eléctrica para trabajos distintos a aquellos para los que fue diseñada podría dar lugar a situaciones peligrosas.
- **Mantenga los mangos y superficies de agarre secos, limpios y sin aceite ni grasa.** Las superficies de agarre y los mangos resbaladizos no permiten manejar y controlar de forma segura la herramienta ante cualquier imprevisto.

Uso y cuidado de la herramienta a batería

- **Efectúe las recargas únicamente con el cargador especificado por el fabricante.** Un cargador apto

para un tipo de batería puede comportar riesgo de incendio al utilizarse con otra batería distinta.

- **Utilice las herramientas eléctricas únicamente con las baterías específicas para ellas.** El uso de otra batería puede comportar riesgo de lesiones e incendio.
- **Cuando no utilice la batería, manténgala alejada de objetos metálicos pequeños que puedan conectar un terminal con otro, como clips, monedas, llaves, clavos, tornillos, etc.** Un cortocircuito en los terminales de la batería puede causar quemaduras o un incendio.
- **En condiciones extremas, el líquido puede salir expulsado de la batería; evite cualquier contacto con él. Si se produjera un contacto accidentalmente, enjuáguese con agua. Además, si el líquido entra en contacto con los ojos, busque asistencia médica.** El líquido expulsado de la batería puede causar irritaciones o quemaduras.
- **No utilice una batería o herramienta defectuosa, dañada o modificada.** Las baterías dañadas o modificadas pueden comportarse de forma impredecible y provocar incendios, explosiones o lesiones.
- **No exponga la batería o la herramienta al fuego ni a temperaturas excesivas.** La exposición al fuego o a temperaturas superiores a 130 °C/266 °F puede causar una explosión.
- **Siga todas las instrucciones de carga y no cargue la batería o la herramienta fuera del intervalo de temperaturas especificado en las instrucciones.** La carga incorrecta o a temperaturas fuera del intervalo especificado puede dañar la batería y aumentar el riesgo de incendio.

Servicio técnico

- **Solicite que su herramienta eléctrica sea reparada por personal cualificado y utilizando únicamente piezas de repuesto originales.** Esto garantizará la seguridad de la herramienta.
- **No revise baterías dañadas.** La revisión de las baterías solo debe realizarla el fabricante o proveedores de servicios autorizados.

Otra información de seguridad general

- Para conocer las normas de seguridad específicas adicionales, consulte el manual de usuario del accesorio correspondiente.
- Si va a trasladarse de un lugar a otro, apague primero el producto. No olvide extraer la batería cuando vaya a dejar el producto a otra persona.
- Nunca deje el producto en el suelo, a menos que lo haya apagado y extraído la batería. No deje el producto desatendido mientras esté en funcionamiento.
- La herramienta de corte no se detiene inmediatamente después de apagar el producto.

- Antes de usar el producto, y después de cualquier impacto, compruebe que no hay signos de desgaste o daños y, si fuera necesario, repárelo.
- Si algo se atasca en el equipo de corte mientras trabaja con el producto, deténgalo y apáguelo. Asegúrese de que el equipo de corte se detiene por completo. Quite la batería antes de limpiar, inspeccionar o reparar el producto o el equipo de corte.
- Compruebe el producto antes de utilizarlo. Consulte *Dispositivos de seguridad en el producto en la página 139* y *Mantenimiento en la página 143*. No utilice un producto dañado. Lleve a cabo las comprobaciones de seguridad y siga las instrucciones de mantenimiento y servicio descritas en este manual.
- Un equipo de corte defectuoso puede aumentar el riesgo de accidentes.
- Asegúrese siempre de que las aberturas de ventilación no presenten residuos.
- Compruebe que el producto esté en perfecto estado de funcionamiento. Verifique que todas las tuercas y tornillos estén apretados.
- Este producto es una herramienta peligrosa si no se usa con cuidado o si se utiliza de forma incorrecta. Este producto puede ocasionar lesiones graves o mortales tanto al usuario como a cualquier otra persona.
- Este aparato no debe ser utilizado por personas (incluidos niños) con habilidades físicas, sensoriales o mentales reducidas, o con falta de experiencia y conocimientos, a menos que lo hagan bajo supervisión o reciban instrucción en relación con el uso del aparato por parte de una persona responsable de su seguridad. Debe vigilarse a los niños para asegurarse de que no juegan con el aparato.
- No permita nunca que los niños utilicen la máquina ni permanezcan cerca de ella. La máquina es muy fácil de arrancar y los niños podrían hacerlo si no se les vigila lo suficiente. lo que supone un riesgo de daños personales graves. Desconecte la batería cuando el producto no esté bajo su supervisión.
- No permita nunca que los niños ni otras personas sin formación utilicen o reparen el producto o su batería.
- Guarde el equipo en un lugar seguro fuera del alcance de los niños y las personas no autorizadas.
- La protección para transportes debe usarse siempre para el almacenamiento y el transporte.
- Mantenga las manos y los pies lejos del área de corte en todo momento y, especialmente, al encender el motor.
- Cuando apague el producto, mantenga las manos y los pies alejados del equipo de corte hasta que se haya detenido por completo.
- No retire el material cortado ni permita que otras personas lo retiren con el producto en marcha o el equipo de corte en funcionamiento; esto puede dar lugar a lesiones graves.
- Tenga en cuenta que es usted, como usuario, el responsable de no exponer a otras personas ni a su propiedad a riesgos o accidentes.
- Bajo ninguna circunstancia debe modificarse la configuración original del producto sin autorización del fabricante. Utilice siempre accesorios originales. Las modificaciones o los accesorios no autorizados pueden ocasionar accidentes graves o incluso la muerte del operario o de terceros. Su garantía no cubre daños o responsabilidades provocadas por la utilización de accesorios o piezas de repuesto no autorizados.
- Los únicos accesorios que pueden utilizarse con este producto son los equipos de corte que recomendamos en el capítulo Accesorios.
- No utilice nunca un producto que haya sido modificado y no se corresponda con la configuración original.
- No utilice nunca un producto defectuoso. Lleve a cabo las comprobaciones de seguridad y siga las instrucciones de mantenimiento y servicio de este manual. Algunas medidas de mantenimiento y servicio deben ser efectuadas por especialistas formados y cualificados. Consulte *Mantenimiento en la página 143*.
- Trabajar con mal tiempo es fatigoso y a menudo añade riesgos innecesarios. Debido al riesgo añadido, no se recomienda utilizar la máquina con muy mal tiempo, por ejemplo, con niebla densa, lluvia intensa, vientos fuertes, frío extremo, riesgo de tormenta eléctrica, etc.
- No trabaje nunca desde una escalera, taburete u otra posición elevada que no tenga un apoyo completamente seguro.
- Guarde los aparatos que no esté utilizando en un recinto cerrado y a cubierto.
- Es imposible abarcar todas las situaciones que pueden darse. Utilice siempre el equipo con cuidado y sentido común. Evite todas aquellas situaciones que considere que sobrepasan sus capacidades. Si, después de leer estas instrucciones, no está seguro del procedimiento que debe seguir, consulte a un experto antes de continuar.
- Mientras esté trabajando, evite que cualquier persona o animal se acerque a menos de 15 metros (50 pies). Si hay varios operarios trabajando en el mismo lugar, la distancia de seguridad entre ellos debe ser de al menos 15 metros (50 pies). De lo contrario, existe el riesgo de daños personales graves. Pare el producto inmediatamente si alguien se acerca. Nunca se dé la vuelta con el producto si no ha verificado antes que no hay nadie detrás, dentro de la zona de seguridad.
- Si algo se atasca en el equipo de corte mientras trabaja con el producto, deténgalo y apáguelo. Asegúrese de que el equipo de corte se detiene por completo. Quite la batería antes de limpiar,

inspeccionar o reparar el producto o el equipo de corte.

- Asegúrese de que ninguna persona, animal ni objeto pueda afectar a su control sobre el producto ni entrar en contacto con el equipo de corte ni con objetos sueltos que salgan despedidos por la acción del equipo de corte. No use el producto si no puede pedir ayuda en caso de accidente.
- Compruebe que pueda caminar y mantenerse de pie con seguridad. Examine la zona a su alrededor en busca de eventuales obstáculos que le puedan estorbar en caso de que tenga que moverse rápidamente (raíces, piedras, ramas, zanjas, etc.). Proceda con sumo cuidado al trabajar en terreno inclinado.
- Camine, en ningún caso corra.
- Inspeccione la zona de trabajo. Quite todos los materiales sueltos, como piedras, cristales rotos, clavos, alambres, cordones, etc., que puedan salir despedidos o enredarse en la recortadora o en su protección.
- Tenga cuidado con los trozos de ramas que pueden salir despedidos durante el corte. No corte demasiado cerca del suelo cuando haya piedras u otros objetos que puedan salir despedidos.
- Procure que ninguna prenda de vestir ni ninguna parte del cuerpo entren en contacto con el equipo de corte cuando el producto está activado. Mantenga el producto por debajo de la cintura.
- Cuidado con los objetos que salen despedidos. Se debe utilizar siempre protección ocular homologada. No se incline nunca sobre la protección del equipo de corte. La máquina puede lanzar piedras, residuos, etc., contra los ojos y causar ceguera o lesiones graves.
- Cuando use protectores auriculares, preste siempre atención a las señales o llamadas de advertencia. Quítese siempre los protectores auriculares en cuanto se detenga el motor del producto.
- Si se producen vibraciones inusuales, extraiga más hilo hasta obtener la longitud adecuada para que las vibraciones cesen.
- Si el producto arranca con vibraciones anómalas, deténgalo y extraiga la batería.
- La sobreexposición a las vibraciones puede provocar problemas circulatorios y dolencias de carácter nervioso, especialmente en personas con patologías circulatorias. Acuda a un médico si nota síntomas que puedan relacionarse con la sobreexposición a las vibraciones. Ejemplos de estos síntomas son: entumecimiento, pérdida de sensibilidad, hormigueo, punzadas, dolor, pérdida o reducción de la fuerza normal, y cambios en el Color o la superficie de la piel. Estos síntomas se presentan normalmente en dedos, manos y muñecas.
- Sujete siempre el producto con ambas manos.

Personal protective equipment



ADVERTENCIA: Lea las siguientes instrucciones de advertencia antes de utilizar el producto.

- Para trabajar con el producto, debe utilizar siempre un equipo de protección personal homologado. El equipo de protección personal no elimina completamente el riesgo de lesiones, pero reduce la gravedad de las lesiones en caso de accidente. Deje que el distribuidor le ayude a seleccionar el equipo adecuado.
- Use un casco protector cuando exista el riesgo de que caigan objetos.
- Use protectores auriculares homologados con suficiente capacidad de reducción sonora. La exposición prolongada al ruido puede causar daños crónicos en el oído.
- Utilice protección ocular homologada. Si se utiliza visor, deben utilizarse también gafas protectoras homologadas. Por gafas protectoras homologadas se entienden las que cumplen con la norma ANSI Z87.1 para EE. UU. o EN 166 para países de la UE.
- Utilice una pantalla de protección facial para proteger la cara. La pantalla no es suficiente para la protección ocular.
(Fig. 22)
- Utilice guantes cuando sea necesario, por ejemplo, para el montaje, inspección o limpieza del equipo de corte.
- Utilice botas antideslizantes y seguras.
- Use indumentaria de material resistente. Use siempre pantalones largos y gruesos, y mangas largas. No lleve ropa suelta que pueda quedar atrapada en los arbustos y ramas. No trabaje con joyas, pantalones cortos, sandalias ni los pies descalzos. Recójase el pelo por encima de los hombros.

(Fig. 23)

- Mantenga el equipo de primeros auxilios cerca.

(Fig. 24)

Dispositivos de seguridad en el producto



ADVERTENCIA: Lea las siguientes instrucciones de advertencia antes de utilizar el producto.

En este apartado se describen los componentes de seguridad del producto, su función y el modo de efectuar el control y el mantenimiento para garantizar un funcionamiento óptimo. Consulte las instrucciones del apartado *Descripción del producto en la página 134* para conocer dónde se encuentran estas piezas en el producto.

La vida útil del producto puede acortarse y el riesgo de accidentes puede aumentar si el mantenimiento no se hace de forma adecuada y si los trabajos de servicio y reparación no se efectúan de forma profesional. Si necesita más información, solicítela al distribuidor de su zona.



ADVERTENCIA: No emplee nunca un producto cuyos componentes de seguridad estén dañados. Efectúe la inspección y el mantenimiento del equipo de seguridad del producto tal como se describe en este apartado. Si el producto no supera cualquiera de estas pruebas, póngase en contacto con el taller de servicio para repararlo.



PRECAUCIÓN: Todos los trabajos de servicio y reparación de la máquina requieren una formación especial. Esto es especialmente cierto en lo que respecta al equipo de seguridad del producto. Si la máquina no pasa alguno de los controles indicados a continuación, acuda a su taller de servicio local. La compra de alguno de nuestros productos le garantiza que puede recibir un mantenimiento y servicio profesional. Si no ha adquirido la máquina en uno de nuestros distribuidores especializados con taller de servicio, solicite información sobre el taller más cercano.

Comprobación del bloqueo del gatillo de alimentación

El bloqueo del gatillo impide el encendido accidental. Al soltar el mango, el gatillo de alimentación y el bloqueo vuelven a su posición inicial.

1. Empuje el botón de bloqueo del gatillo de alimentación hacia delante. (Fig. 25)
2. Asegúrese de que el gatillo de alimentación queda bloqueado cuando el bloqueo regrese a su posición inicial. (Fig. 26)
3. Presione el bloqueo del gatillo de alimentación en un lado y, a continuación, en el otro. Asegúrese de que el bloqueo del gatillo de alimentación vuelve a su posición inicial. (Fig. 27)
4. Compruebe que el gatillo de alimentación y su bloqueo se mueven con facilidad, y que el muelle de retorno funciona correctamente. (Fig. 28)
5. Arranque el producto; consulte *Arranque del producto en la página 143*.
6. Suelte el gatillo de alimentación y asegúrese de que el producto se detenga por completo.

Instrucciones de seguridad para el montaje



ADVERTENCIA: Lea este manual de la unidad de alimentación junto con el manual del accesorio homologado.

- Retire la batería del producto antes de montarlo.
- Utilice guantes protectores homologados.
- Una protección dañada o incorrecta puede causar lesiones. No utilice un accesorio de corte que no disponga de una protección homologada.
- Asegúrese de montar el accesorio correctamente antes de poner en marcha el producto.
- Si se suministra un arnés con el accesorio, este deberá fijarse correctamente al producto. El arnés hace que el trabajo sea seguro y evita lesiones al usuario u otras personas.

Seguridad de la batería



ADVERTENCIA: Lea tanto las instrucciones de seguridad como las generales. No atender a estas instrucciones puede provocar descargas eléctricas, incendios o lesiones graves. **Conservar toda la información de seguridad y las instrucciones generales para futuras consultas.**

- Estas instrucciones de seguridad son válidas solamente para las baterías recargables de ion-litio de 18 V que utilicen el sistema POWER FOR ALL.
- Use la batería recargable solamente en productos de socios que utilicen el sistema POWER FOR ALL. Las baterías recargables de 18 V con la etiqueta POWER FOR ALL son totalmente compatibles con los siguientes productos:
 - Todos los productos que utilicen el sistema de batería POWER FOR ALL de 18 V.
 - Todos los productos de 18 V de socios que utilicen el sistema POWER FOR ALL.
- Siga las recomendaciones sobre la batería que se encuentran en el libro de instrucciones del producto. Solo de esta forma se podrán utilizar la batería recargable y el producto sin peligro alguno, y las baterías recargables estarán protegidas contra sobrecargas peligrosas.
- Cargue las baterías únicamente con cargadores recomendados por el fabricante o por los socios que utilicen el sistema POWER FOR ALL. Un cargador adecuado para un tipo de batería puede suponer un riesgo de incendio si se utiliza con una batería diferente.
- La batería se suministra parcialmente cargada. Para garantizar la máxima capacidad de la batería, cárguela completamente con el cargador antes de utilizar la herramienta eléctrica por primera vez.

- **Guarde las baterías fuera del alcance de los niños.**
- **No abra la batería.** Existe riesgo de cortocircuito.
- **En caso de daños o uso inadecuado, la batería puede emitir vapores. La batería puede incendiarse o explotar.** Si experimenta cualquier efecto adverso, asegúrese de que la zona esté bien ventilada y busque atención médica. Los vapores pueden irritar el sistema respiratorio.
- **Si la batería se utiliza de forma incorrecta o si está dañada, puede expulsar líquido inflamable. Debe evitarse el contacto con este líquido. Si se produjera un contacto accidental, enjuague con agua. Si el líquido entra en contacto con los ojos, busque atención médica.** El líquido expulsado de la batería puede causar irritaciones o quemaduras.
- **Si la batería está dañada, puede expulsar líquido y cubrir las superficies cercanas. Compruebe las piezas afectadas.** Limpie esas piezas o cámbielas si es necesario.
- **No provoque cortocircuitos en la batería. Cuando no utilice la batería, manténgala alejada de objetos metálicos que puedan poner en contacto un terminal con otro, como clips, monedas, llaves, clavos, tornillos u otros objetos metálicos pequeños.** Un cortocircuito en los terminales de la batería puede causar quemaduras o un incendio.
- **La batería puede resultar dañada por objetos puntiagudos, como clavos o destornilladores, o por fuerza aplicada externamente.** Se puede producir un cortocircuito interno que provoque que la batería se incendie, humee, explote o se sobrecaliente.
- **No realice ningún mantenimiento en baterías dañadas.** La revisión y reparación de las baterías solo debe realizarla el fabricante o proveedores de servicios autorizados.
- **Proteja la batería del calor, por ejemplo, de la luz solar directa y continua, del fuego, la suciedad, el agua y la humedad.** Existe riesgo de explosión o cortocircuito.
- **Utilice la batería en el producto únicamente cuando la temperatura ambiente sea de -5 °C – 40 °C.**
- **Guarde la batería únicamente a una temperatura ambiente de -20 °C – 50 °C.** Por ejemplo, no deje la batería en el coche en verano. Con temperaturas por debajo de los 0 °C, algunos dispositivos pueden experimentar una pérdida de potencia.
- **Cargue la batería únicamente a una temperatura ambiente comprendida entre 0 °C – +35 °C.** La carga fuera de este intervalo de temperaturas puede aumentar el riesgo de daños en la batería y suponer un riesgo de incendio.

Utilice el cargador únicamente si puede evaluar todas las funciones y utilizarlas sin restricciones o si ha recibido las instrucciones correspondientes.

- **Este cargador no ha sido diseñado para ser utilizado por niños o personas con limitaciones físicas, sensoriales o mentales o con falta de experiencia o conocimientos.** Este cargador puede ser utilizado por niños mayores de 8 años y por personas con limitaciones físicas, sensoriales o mentales o con falta de experiencia o conocimientos solo bajo la supervisión de una persona responsable de su seguridad o si han recibido instrucciones sobre el funcionamiento seguro del cargador y comprenden los peligros asociados. De lo contrario, existe el riesgo de que se produzcan errores de funcionamiento y lesiones.
- **Supervise a los niños durante el uso, limpieza y mantenimiento.** Esto garantizará que los niños no jueguen con el cargador.
- **Cargue exclusivamente baterías del sistema POWER FOR ALL de 18 V con una capacidad de 1,5 Ah. La tensión de la batería debe coincidir con la tensión de carga del cargador. No cargue nunca baterías no recargables.** De otro modo, existe el riesgo de que se incendien o exploten.
- **Utilice el cargador solo en espacios cerrados y no lo exponga a la humedad.** El riesgo de recibir descargas eléctricas aumentará si penetra agua en la herramienta eléctrica.
- **Mantenga el cargador limpio.** La suciedad supone un riesgo de descarga eléctrica.
- **Compruebe siempre el cargador, el cable y el enchufe antes de su uso. Deje de utilizar el cargador si detecta algún daño. No desmonte el cargador.** Solo Husqvarna o un taller de servicio postventa autorizado pueden realizar las reparaciones necesarias exclusivamente con piezas de repuesto originales. Los cargadores, cables y enchufes dañados aumentan el riesgo de descarga eléctrica.
- **No utilice el cargador sobre una superficie fácilmente inflamable (por ejemplo, papel, tejidos, etc.) ni en un entorno inflamable.** Existe riesgo de incendio debido al calentamiento del cargador durante el funcionamiento.
- **No cubra las ranuras de ventilación del cargador.** De lo contrario, podría sobrecalentarse y dejar de funcionar correctamente.
- **Efectúe las recargas únicamente con el cargador especificado por el fabricante.** Un cargador apto para un tipo de batería puede comportar riesgo de incendio al utilizarse con otra batería distinta.
- **En caso de daños o uso inadecuado, la batería también puede emitir vapores.** Si experimenta cualquier efecto adverso, asegúrese de que la zona esté bien ventilada y busque atención médica. Los vapores pueden irritar el sistema respiratorio.

Seguridad del cargador de batería



ADVERTENCIA: Lea tanto las instrucciones de seguridad como las generales. No atender a estas instrucciones puede provocar descargas eléctricas, incendios o lesiones graves. **Conserve estas instrucciones en un lugar seguro.**

- **En condiciones extremas, la batería puede expulsar líquido. Debe evitarse el contacto con este líquido. Si se produjera un contacto accidental, enjuague con agua. Si el líquido entra en contacto con los ojos, busque atención médica.** El líquido expulsado de la batería puede causar irritaciones o quemaduras.
- **Productos vendidos sólo en Reino Unido:** Su producto está equipado con un enchufe eléctrico con homologación BS 1363/A con fusible interno (aprobación ASTA conforme a BS 1362). Si el enchufe no es adecuado para sus tomas de corriente, un agente de atención al cliente autorizado deberá sustituirlo por un enchufe apropiado. El enchufe de repuesto debe tener un fusible del mismo valor nominal que el enchufe original. El enchufe cortado debe desecharse para evitar posibles descargas eléctricas y nunca debe insertarse en una toma eléctrica en otro lugar.

Instrucciones de seguridad para el mantenimiento



ADVERTENCIA: Lea las instrucciones de advertencia siguientes

antes de realizar el mantenimiento del producto.

- Retire la batería antes de realizar tareas de mantenimiento, otras comprobaciones o montar el producto.
- El usuario debe realizar solo el mantenimiento y las reparaciones indicadas en este manual. Acuda a su taller de servicio autorizado para las tareas de mantenimiento y reparaciones más importantes.
- No limpie la batería o el cargador con agua. Los detergentes agresivos pueden provocar daños en el plástico.
- Si no se realiza el mantenimiento, el ciclo de vida del producto disminuye y aumenta el riesgo de accidentes.
- Para realizar todos los trabajos de mantenimiento y reparación, especialmente en los dispositivos de seguridad en el producto, es necesaria una formación especial. Si no están aprobadas todas las comprobaciones de este manual de usuario después de realizar tareas de mantenimiento, acuda al taller de su distribuidor local. Le garantizamos que realizarán reparaciones y mantenimiento profesionales en su producto.
- Utilice únicamente piezas de repuesto originales.
- Utilice siempre guantes resistentes para reparar el equipo de corte. Las cuchillas están muy afiladas y pueden causar lesiones con facilidad.

Montaje

Introducción



ADVERTENCIA: Asegúrese de leer y comprender el capítulo sobre seguridad antes de montar el producto.

Instalación del accesorio

1. Monte el accesorio (A) en la unidad de alimentación (B). El accesorio debe deslizarse fácilmente en el soporte de la unidad de alimentación; si no es así, no se está instalando correctamente. (Fig. 29)
2. Apriete el mando de bloqueo (C).

Nota: Cuando se instala el accesorio en la unidad de alimentación, la interfaz de usuario del accesorio queda desconectada.

Ajuste de la longitud del tubo telescópico.

1. Levante la palanca (A) del tubo. (Fig. 30)
2. Ajuste el tubo telescópico a la longitud adecuada.
3. Empuje la palanca hacia abajo para bloquear el tubo telescópico.

Instalación del gancho de almacenamiento en la pared

- Instale el gancho de almacenamiento solo en interiores.
- Mantenga el gancho de almacenamiento alejado de la luz solar y a una temperatura ambiente de -10 °C a 70 °C.
- Instale el gancho de almacenamiento en una pared de placas de cartón-yeso, madera, ladrillo u hormigón.



PRECAUCIÓN: Asegúrese de que la pared pueda soportar cargas de al menos 30 kg.

- Instale el gancho de almacenamiento en la pared con los 3 tornillos (A). Utilice tacos (B) si es necesario. (Fig. 31)



PRECAUCIÓN: Asegúrese de que los tornillos son adecuados para su tipo de pared.

- Póngase en contacto con el representante de Husqvarna para obtener información sobre los accesorios de almacenamiento disponibles para el producto.

Colocación del producto en el gancho de almacenamiento

- Cuelgue la unidad de alimentación en el gancho de almacenamiento como se muestra en la ilustración. (Fig. 32)

Funcionamiento

Prueba de funcionamiento antes de utilizar el producto

1. Elimine la suciedad y los desechos del producto con un cepillo.
2. Apriete todas las tuercas y tornillos.
3. Asegúrese de que el accesorio esté fijado correctamente.
4. Asegúrese de haber accionado el botón de bloqueo del gatillo de alimentación.
5. Asegúrese de que los dispositivos de bloqueo del tubo extendido y del elemento pivotante estén en posición de bloqueo.
6. Examine el accesorio en busca de daños, por ejemplo, grietas. Sustituya el accesorio si está dañado.
7. Compruebe que las cubiertas están correctamente montadas y que no están dañadas.
8. Asegúrese de que el producto funciona correctamente.

Conexión de la batería al producto



ADVERTENCIA: Utilice únicamente baterías de ion-litio del sistema POWER FOR ALL P4A 18 V en el producto.

1. Asegúrese de que la batería está completamente cargada.
2. Coloque la batería en el soporte para batería del producto. La batería debe deslizarse fácilmente en el soporte; si no es así, no se está introduciendo correctamente. (Fig. 33)
3. Introduzca la batería a fondo en su soporte. La batería quedará fija en su posición cuando oiga un clic.

4. Asegúrese de que el cierre encaja correctamente en su lugar.

Arranque del producto

1. Empuje el botón de bloqueo del gatillo de alimentación hacia delante. (Fig. 25)
2. Presione el bloqueo del gatillo de alimentación (A), desde el lado izquierdo o derecho, y mantenga pulsado el gatillo de alimentación (B). (Fig. 34)

Parada del producto

1. Suelte el gatillo de alimentación.
2. Empuje el botón de bloqueo del gatillo de alimentación hacia atrás para bloquear el producto.
3. Presione el botón de liberación de la batería y tire de esta hacia fuera. (Fig. 35)
4. Si es necesario, quite el accesorio del producto.

Ajuste del ángulo del producto

El producto se puede ajustar en 7 posiciones diferentes.



ADVERTENCIA: No ajuste el ángulo mientras utiliza el producto.

1. Pare el producto y retire la batería.
2. Sujete firmemente el soporte (A). (Fig. 36)
3. Mantenga presionada la junta de rotación (B).
4. Sitúe el soporte en la posición correcta.
5. Suelte la junta de rotación para bloquear el soporte.
6. Mueva el soporte hacia arriba y hacia abajo hasta que encaje en su posición.

Mantenimiento

Introducción



ADVERTENCIA: Asegúrese de leer y comprender el capítulo sobre seguridad

antes de realizar tareas de mantenimiento en el producto.



ADVERTENCIA: Retire la batería antes de realizar tareas de mantenimiento en el producto.

Programa de mantenimiento

En la lista siguiente se incluyen las operaciones de mantenimiento que debe realizar en el producto.

Mantenimiento	Antes del uso	Semanal	Mensualmente
Limpie la parte exterior del producto con un trapo seco. No utilice agua.	X		
Asegúrese de que el botón de bloqueo del gatillo de alimentación funciona correctamente y no está dañado.	X		
Asegúrese de que el gatillo de alimentación y el bloqueo de dicho gatillo funcionan correctamente y de forma segura.	X		
Asegúrese de que todos los mandos funcionan correctamente y no están dañados.	X		
Mantenga los mangos limpios y secos.	X		
Asegúrese de que los tornillos y las tuercas están bien apretados.	X		
Asegúrese de que los botones de liberación de la batería funcionan y fijan la batería en el producto.	X		
Asegúrese de que la batería no esté dañada.	X		
Asegúrese de que la batería está cargada.	X		
Compruebe que el cargador de la batería no esté dañado y funcione correctamente.	X		
Examine todos los cables, acoplamientos y conexiones. Asegúrese de que estén limpios y en buenas condiciones.		X	
Realice una comprobación de las conexiones entre la batería y el producto.			X
Realice una comprobación de la conexión entre la batería y el cargador de batería.			X

Para limpiar el producto, la batería y el cargador de la batería

1. Limpie el producto con un paño seco después de su uso.
2. Limpie la batería y cargador de batería con un paño limpio y seco. Mantenga las guías de la batería limpias.

3. Asegúrese de que los terminales de la batería y del cargador estén limpios antes de colocar la batería en el cargador o en el producto.

Transporte, almacenamiento y eliminación

Transporte y almacenamiento

- Las baterías de iones de litio incluidas cumplen los requisitos de la normativa sobre mercancías peligrosas.
- Siga el requisito especial indicado en el paquete y en las etiquetas para el transporte comercial, incluso por terceros y agentes de transporte.
- Hable con alguien con formación especial en materiales peligrosos antes de enviar el producto. Respete todas las normativas nacionales aplicables.
- Cubra con cinta los contactos abiertos cuando ponga la batería en un paquete. Embale bien la batería en el paquete para evitar que se mueva.
- Extraiga la batería si va a guardar o transportar el producto.

- Coloque la batería y el cargador en un lugar seco y protegido de la humedad y las heladas.
- No almacene la batería en lugares donde pueda generarse electricidad estática. No guarde la batería en una caja metálica.
- Guarde la batería a una temperatura de entre -20 °C y +50 °C (-4 °F y 122 °F), y protegida de la luz directa del sol.
- Guarde el cargador de batería a una temperatura de entre 5 °C y 45 °C (41 °F y 113 °F), y protegido de la luz directa del sol.
- Utilice el cargador de batería solo cuando la temperatura ambiente esté entre 0 °C y 35 °C (32 °F y 95 °F).
- Cuando guarde el producto, hágalo en un lugar cuya temperatura esté entre -40 °C y +60 °C (-40 °F y 140 °F).
- Cargue la batería entre el 30 % y el 50 % antes de guardarla durante periodos de tiempo prolongados.
- Guarde el cargador de batería en un espacio cerrado y seco.
- Cuando guarde la batería, manténgala alejada del cargador. No permita que los niños ni otras personas no autorizadas toquen el equipo. Guarde el equipo en un lugar que pueda cerrarse con llave.
- Limpie el producto y realice un mantenimiento completo antes de guardarlo durante un periodo de tiempo prolongado.

- Utilice la protección de transporte del producto para evitar lesiones o daños en el producto durante el transporte y almacenamiento.
- Fije el producto firmemente durante el transporte.
- Guarde el producto en posición horizontal o cuélguelo en el gancho suministrado. Consulte *Colocación del producto en el gancho de almacenamiento en la página 143.*

Desecho de la batería, el cargador y el producto

El siguiente símbolo significa que el producto no puede desecharse con los residuos domésticos. Recíclelos en un centro de reciclaje para equipos eléctricos y electrónicos. Esto ayudará a evitar daños al medioambiente y a las personas.

Consulte a las autoridades locales, el servicio de recogida de residuos domésticos o a su distribuidor para obtener más información.

(Fig. 18)

Nota: El símbolo aparece en el producto o el paquete del producto.

Datos técnicos

Aspire Pole-P4A	
Peso	
Peso (solo unidad de alimentación), kg	1,5

Baterías homologadas

Este producto se puede utilizar con todas las baterías **POWER FOR ALL**.

Batería	P4A 18-B36	P4A 18-B45	P4A 18-B72
Tipo	Ion-litio	Ion-litio	Ion-litio
Capacidad de la batería, Ah	2,0	2,5	4,0
Tensión nominal, V	18	18	18
Peso, kg	0,35	0,35	0,65
Número de celdas (Ion Litio)	5	5	10

Cargadores de batería homologados

Cargador de batería	P4A 18-C50	P4A 18-C70
Tensión de entrada, V	Consulte la información nominal del cargador.	Consulte la información nominal del cargador.
Frecuencia, Hz	50-60	50-60
Potencia, W	50	70

Accesorios

Accesorios

Accesorios homologados	Tipo	Se usa con
Accesorio de tijeras para césped y arbustos	Aspire S20-P4A	Aspire Pole-P4A
Accesorio de poda	Aspire P5-P4A	Aspire Pole-P4A

Declaración de conformidad

Declaración de conformidad CE

Nosotros, **Husqvarna AB**, SE-561 82 Huskvarna (Suecia), tel. +46-36-146500, declaramos bajo nuestra exclusiva responsabilidad que el producto:

Descripción	Unidad de alimentación a batería
Marca	Husqvarna
Tipo/Modelo	Aspire Pole-P4A
Identificación	Números de serie a partir del año 2023

Cumple las siguientes directivas y normas de la UE:

Directiva/Norma	Descripción
2006/42/CE	"relativa a las máquinas"
2014/30/UE	"relativa a la compatibilidad electromagnética"
2011/65/UE	"relativa a restricciones de utilización de determinadas sustancias peligrosas en aparatos eléctricos y electrónicos"
2000/14/CE	"relativa a las emisiones sonoras en el entorno"

Y que se aplican las especificaciones técnicas o los estándares siguientes: EN 62841-1:2015/A11:2022, EN 62841-4-2:2019/A1:2022, EN IEC 62841-4-5:2021/A11:2021, EN ISO 11680-1:2011, EN ISO 12100:2010, EN IEC 55014-1:2021, EN IEC 55014-2:2021, EN IEC 63000:2018.

DEKRA Testing and Certification GmbH, Handwerkstraße 15, 70565 Stuttgart, Germany, 0158 ha efectuado el examen voluntario de tipo CE conforme a la directiva relativa a las máquinas (2006/42/CE), artículo 12, apartado 3b. El número del certificado de examen de tipo CE es: 4815039.22006.

Procedimiento de evaluación de la conformidad aplicado de conformidad con el anexo V de la Directiva 2000/14/CE.

Con accesorio Aspire P5-P4A como podadora de pértiga:

- Nivel de potencia acústica medida: 88 dB (A)
- Nivel de potencia acústica garantizada: 91 dB (A)

Con accesorio Aspire S20-P4A como tijeras para césped y arbustos de pértiga:

- Nivel de potencia acústica medido con la cuchilla para arbustos: 83 dB (A)
- Nivel de potencia acústica medido con la cuchilla para hierba: 79 dB (A)
- Nivel de potencia acústica garantizada: 84 dB (A)

Husqvarna, 2023-10-30



Claes Losdal, director de I+D de Husqvarna AB
Responsable de la documentación técnica



Licencias

Copyright © 2012–2020 STMicroelectronics

La garantía no cubre desperfectos resultantes de un deterioro y desgaste normales, negligencia, uso inapropiado, reparación no autorizada o si el aparato de aspiración se conecta a la tensión incorrecta.

Todos los derechos reservados.

Se permite la redistribución y el uso del código fuente o el código binario, modificado o no, siempre que se cumplan las siguientes condiciones:

- La redistribución del código fuente debe conservar el aviso de copyright anterior, esta lista de condiciones y la siguiente exención de responsabilidad.
- La redistribución del código binario debe reproducir el aviso de copyright anterior, esta lista de condiciones y la siguiente exención de responsabilidad en la documentación o en otros materiales proporcionados con la distribución.
- Ni el nombre de STMicroelectronics ni los nombres de sus colaboradores pueden utilizarse para promocionar productos derivados de este software sin un permiso específico previo por escrito.

LOS TITULARES DEL COPYRIGHT Y LOS COLABORADORES PROPORCIONAN ESTE SOFTWARE "TAL CUAL", Y SE RENUNCIA A CUALQUIER GARANTÍA EXPRESA O IMPLÍCITA, INCLUIDAS, ENTRE OTRAS, LAS GARANTÍAS IMPLÍCITAS DE COMERCIABILIDAD E IDONEIDAD PARA UN FIN DETERMINADO. EN NINGÚN CASO SE RESPONSABILIZARÁ AL TITULAR DEL COPYRIGHT NI A LOS COLABORADORES POR NINGÚN DAÑO DIRECTO, INDIRECTO, FORTUITO, ESPECIAL, EJEMPLAR O DERIVADO (INCLUIDOS, ENTRE OTROS, LA PROPORCIÓN DE BIENES O SERVICIOS DE SUSTITUCIÓN; LA PÉRDIDA DE USO, DATOS O BENEFICIOS; O LA INTERRUPCIÓN DE LA ACTIVIDAD EMPRESARIAL), SEA CUAL SEA SU CAUSA O TIPO, YA SEA DE FORMA CONTRACTUAL, EXTRA CONTRACTUAL O POR RESPONSABILIDAD ESTRICTA (INCLUIDA NEGLIGENCIA U OTRO TIPO), Y COMO CONSECUENCIA DEL USO DE ESTE SOFTWARE, AUNQUE SE HAYA ADVERTIDO DE LA POSIBILIDAD DE QUE SE PRODUZCAN TALES DAÑOS.

Licencia de Apache 2.0

Copyright © 2009-2019 Arm Limited. Todos los derechos reservados.

Versión 2.0, enero de 2004 <http://www.apache.org/licenses/>

TÉRMINOS Y CONDICIONES DE USO,
REPRODUCCIÓN Y DISTRIBUCIÓN

1. Definiciones.

"**Licencia**" hace referencia a los términos y condiciones de uso, reproducción y distribución, según la definición establecida en las secciones 1 a 9 de este documento. "**Licenciador**" hace referencia al titular del copyright, o a la entidad autorizada por el mismo, que otorga la licencia. "**Entidad legal**" hace referencia a la unión de la entidad actuante y todas las demás entidades que la controlan, son controladas por ella o están sujetas a un control común con dicha entidad. A los efectos de esta definición, el "**control**" es (i) la potestad directa o indirecta para dirigir o gestionar dicha entidad, ya sea mediante contrato o de otro modo; o (ii) la titularidad de al menos el cincuenta por ciento (50 %) de las acciones; o (iii) la propiedad efectiva de dicha entidad. "**Usted**" (o "**su**") hace referencia a una persona o entidad legal que ejerza los permisos otorgados por esta licencia. El formato de "**código fuente**" hace referencia al formato preferente para realizar modificaciones, incluidos, entre otros, el código fuente del software, el código fuente de la documentación y los archivos de configuración. El formato de "**objeto**" hace referencia al formato resultante de la transformación mecánica o traducción del código fuente, lo cual incluye, entre otros, el código de objeto compilado, la documentación generada y las conversiones a otros tipos de soportes. "**Obra**" hace referencia a la obra del autor, ya sea en formato de código fuente o de objeto, disponible en virtud de esta licencia, según se indica en un aviso de copyright incluido o incorporado a la obra (se facilita un ejemplo en el apéndice más adelante). "**Obras derivadas**" hace referencia a cualquier obra, en formato de código fuente o de objeto, que esté basada en la obra (o derive de ella), y en la que el conjunto de las revisiones editoriales, anotaciones, elaboraciones u otras modificaciones representen una obra de autoría original. A los efectos de esta licencia, las obras derivadas no incluirán las obras que sea posible separar o que compartan un simple vínculo (o unión por nombre) con las interfaces de la obra y de las obras derivadas de la misma. "**Colaboración**" hace referencia a cualquier obra de autor, incluida la versión original de la obra y cualquier modificación o adición a dicha obra u obras derivadas de la misma, que se envíen intencionadamente al licenciador para su inclusión en la obra por parte del titular del copyright o por una persona o entidad legal autorizada para ello en representación del titular del copyright. A los efectos de esta definición, "**enviar**" hace referencia a cualquier forma de comunicación electrónica, verbal o escrita enviada al licenciador o a sus representantes, incluida, entre otras, la comunicación en listas de correo electrónico, sistemas de control de código fuente y sistemas de seguimiento de problemas gestionados por o en representación del licenciador con el fin de comentar y mejorar la obra, a excepción de las comunicaciones descritas claramente o designadas por escrito como "**No colaboración**" por el titular del copyright. "**Colaborador**" hace referencia al licenciador

o cualquier persona o entidad legal en cuyo nombre haya recibido el licenciador una colaboración que se incorporará posteriormente a la obra.

2. Concesión de licencia de copyright.

De acuerdo con los términos y condiciones de esta licencia, por la presente, cada colaborador le otorga una licencia de copyright perpetua, global, no exclusiva, sin cargas ni regalías e irrevocable para reproducir, preparar obras derivadas, mostrar u operar públicamente, sublicenciar y distribuir la obra y dichas obras derivadas en formato de código fuente u objeto.

3. Concesión de licencia de patente.

De acuerdo con los términos y condiciones de esta licencia, por la presente, cada colaborador le otorga una licencia de patente perpetua, global, no exclusiva, sin cargas ni regalías e irrevocable (excepto en los casos indicados en esta sección) para utilizar o hacer utilizar, vender, ofertar, importar y transferir de otro modo la obra, siendo de aplicación esta licencia solamente a las solicitudes de patente otorgables por un colaborador que afecten exclusivamente a sus colaboraciones o combinación de colaboraciones a la obra a la que se incorporaron. Si usted iniciara un proceso legal contra cualquier entidad (incluidas las contrademandas en un proceso) alegando que la obra o una colaboración incorporada a la obra constituye una infracción directa o contributiva de una patente, todas las licencias de patentes otorgadas a usted en virtud de esta licencia sobre esa obra cesarán a partir de la fecha en que se instituya dicho proceso.

4. Redistribución.

Usted podrá reproducir y distribuir copias de la obra o de las obras derivadas de la misma en cualquier medio, con o sin modificaciones, en formato de código fuente o de objeto, siempre que cumpla las siguientes condiciones:

- Deberá facilitar a todos los demás receptores de la obra u obras derivadas una copia de esta Licencia.
- Deberá indicar claramente las modificaciones que haya realizado en los archivos. Deberá conservar en el formato de código fuente de todas las obras derivadas que usted distribuya todos los avisos relativos al copyright, patentes, marcas comerciales y atribuciones en la forma de código fuente de la obra, salvo los avisos que no pertenezcan a ninguna parte de las obras derivadas.
- Si la obra incluye un archivo de texto de **"AVISO"** como parte de su distribución, todas las obras derivadas que usted distribuya deberán incluir una copia legible de los avisos de atribución contenidos en dicho archivo de AVISO, salvo aquellos avisos que no pertenezcan a ninguna parte de las obras derivadas, en al menos uno de los lugares siguientes: en el contenido del archivo de texto de AVISO distribuido como parte de la obra derivada; en el contenido del formato de código fuente o en la documentación, si estos se facilitan junto con

las obras derivadas; o mediante un elemento visual generado por las obras derivadas, en el lugar en que normalmente aparezcan tales avisos externos. El contenido del archivo de AVISO es meramente informativo y no modifica la licencia. Usted podrá añadir sus propios avisos de atribución en las obras derivadas que usted distribuya, junto con el texto de AVISO de la obra, o como adición al mismo, siempre que estos avisos de atribución adicionales no puedan interpretarse como una modificación de la licencia. Usted podrá añadir su propia declaración con respecto al copyright en sus modificaciones y podrá añadir términos y condiciones diferentes en la licencia para el uso, la reproducción o la distribución de sus modificaciones o de las obras derivadas en conjunto, siempre que su uso, reproducción y distribución de la obra cumpla las condiciones establecidas en esta licencia.

5. Envío de colaboraciones.

A menos que usted indique explícitamente lo contrario, todas las colaboraciones que envíe deliberadamente al licenciador para su inclusión en la obra estarán sujetas a los términos y condiciones de esta licencia sin términos y condiciones adicionales. Sin perjuicio de lo anterior, nada de lo aquí expuesto sustituirá ni modificará los términos de cualquier otro acuerdo de licencia independiente que haya suscrito con el licenciador en relación con tales colaboraciones.

6. Marcas comerciales.

Esta licencia no autoriza el uso de nombres comerciales, marcas comerciales, marcas de servicio o nombres de productos del licenciador, excepto cuando lo requiera el uso razonable y habitual en la descripción del origen de la obra y la reproducción del contenido del archivo de AVISO.

7. Renuncia de garantía.

A menos que lo exijan las leyes pertinentes o se acuerde por escrito, el licenciador ofrece la obra (y cada colaborador ofrece sus colaboraciones) "TAL CUAL", SIN GARANTÍAS NI CONDICIONES DE NINGÚN TIPO, ya sean expresas o implícitas, como por ejemplo, cualquier garantía o condición sobre TÍTULO, NO INFRACCIÓN, COMERCIALIZACIÓN o IDONEIDAD PARA UN FIN PARTICULAR. Usted es el único responsable de determinar si es apropiado utilizar o redistribuir la obra y asume todos los riesgos asociados a su ejercicio de los permisos otorgados en virtud de esta licencia. 8. Limitación de responsabilidad. Bajo ninguna circunstancia ni fundamento legal, ya sea extracontractual (incluida la negligencia), contractual o de otro tipo, a menos que lo exijan las leyes pertinentes (como en el caso de actos de negligencia deliberados y graves) o se haya acordado por escrito, será responsable ningún colaborador ante usted por daños de ningún tipo, ya sean directos, indirectos, especiales, fortuitos o derivados ocasionados como resultado de esta licencia o por el uso o imposibilidad

de uso de la obra (como por ejemplo los daños por pérdida de clientes, pérdida de actividad, avería o mal funcionamiento de los ordenadores o cualquier otra forma de daños o pérdidas comerciales), incluso si dicho colaborador hubiese sido advertido de la posibilidad de tales daños.

9. Aceptación de garantías o responsabilidad adicional.

Al redistribuir la obra o las obras derivadas de la misma, usted podrá ofrecer y cobrar por la aceptación de asistencia, garantías, indemnización u

otras obligaciones de responsabilidad o derechos en virtud de esta licencia. No obstante, al aceptar tales obligaciones, usted podrá actuar solamente en su propio nombre y bajo su propia responsabilidad, no en nombre de ningún otro colaborador, y solamente si usted accede a indemnizar, defender y eximir a cada colaborador de cualquier tipo de responsabilidad o disputas contra dicho colaborador como resultado de su aceptación de tales garantías o responsabilidades adicionales. FIN DE LOS TÉRMINOS Y CONDICIONES

ÍNDICE

Introdução.....	150	Transporte, armazenamento e eliminação.....	160
Segurança.....	151	Especificações técnicas.....	161
Montagem.....	158	Acessórios.....	162
Funcionamento.....	159	Declaração de conformidade.....	163
Manutenção.....	159	Licenças.....	164

Introdução

Descrição do produto

O Husqvarna Aspire Pole-P4A é uma unidade de alimentação a bateria com função telescópica.

Finalidade

Esta unidade de potência é uma unidade básica que funciona apenas em conjunto com os acessórios

aprovados; consulte os respetivos acessórios aprovados em *Acessórios na página 162*. Certifique-se de que lê este manual juntamente com o manual de acessórios aprovados.

Vista geral do produto

(Fig. 1)

1. Junta de rotação
2. Manípulo de bloqueio para acessório
3. Alavanca da função telescópica
4. Eixo
5. Manga macia
6. Gancho da correia
7. Botão para bloquear o bloqueio do interruptor de alimentação
8. Punho traseiro
9. Bloqueio do interruptor de alimentação
10. Interruptor de alimentação
11. Manual do utilizador
12. Botão de desengate da bateria
13. Carregador de bateria
14. Indicador de dispositivo ligado e aviso
15. Conetor
16. Gancho de armazenamento, parafusos e buchas

Símbolos no produto

- (Fig. 2) AVISO: Este produto pode ser perigoso e provocar ferimentos graves ou a morte do operador ou de terceiros. Seja cuidadoso e utilize o produto corretamente.
- (Fig. 3) Leia o manual do utilizador com atenção e certifique-se de que compreende as instruções antes de utilizar o produto.
- (Fig. 4) Utilize um capacete de proteção em locais onde possam cair objetos sobre si. Utilize protetores acústicos aprovados (apenas para Aspire P5-P4A + Aspire Pole-P4A). Utilize proteção ocular aprovada.
- (Fig. 5) Utilize luvas de proteção aprovadas.
- (Fig. 6) Use botas antiderrapantes resistentes. (Apenas aplicável para Aspire P5-P4A + Aspire Pole-P4A)
- (Fig. 7) Corrente contínua.
-

(Fig. 8)	Tensão nominal, V	(Fig. 12)	Este produto está em conformidade com os regulamentos aplicáveis do Reino Unido.
(Fig. 9)	Não exponha à chuva.	(Fig. 13)	O produto ou a respetiva embalagem não são resíduos domésticos. Recicle o equipamento numa estação de reciclagem para equipamentos elétricos e eletrónicos.
(Fig. 10)	Risco de ferimentos. Mantenha as mãos afastadas da ferramenta de corte.		
(Fig. 11)	O produto está em conformidade com as diretivas aplicáveis da UE.		
(Fig. 16)	PERIGO – Mantenha uma distância suficiente em relação aos cabos elétricos.		
(Fig. 17)	A etiqueta de tipo ou a impressão a laser apresenta o número de série. aaaa é o ano de fabrico e ss é a semana de fabrico.		

Nota: Os restantes símbolos/autocolantes existentes no produto dizem respeito a exigências específicas para homologação em alguns países.

Símbolos na bateria e/ou no carregador de bateria

(Fig. 18)	Recicle este produto numa estação de reciclagem para equipamentos elétricos e eletrónicos. (Válido unicamente na Europa)
(Fig. 19)	Utilize a bateria apenas em produtos de parceiros do sistema POWER FOR ALL.
(Fig. 20)	Proteja a bateria de calor, por exemplo, contra luz solar intensa e contínua, fogo, sujidade, água e humidade. Existe um risco de explosão e curto-circuito.
(Fig. 21)	

(Fig. 14)	Utilize e armazene o carregador de bateria apenas em espaços interiores.
(Fig. 15)	Isolamento duplo.

Danos no produto

Não somos responsáveis por danos no nosso produto se:

- o produto tiver sido incorretamente reparado.
- o produto tiver sido reparado com peças que não sejam do fabricante ou que não sejam aprovadas pelo fabricante.
- o produto tiver um acessório que não seja do fabricante ou que não seja aprovado pelo fabricante.
- o produto não tiver sido reparado por um centro de assistência autorizado ou por uma autoridade aprovada.

Fabricante

Husqvarna AB
Drottninggatan 2, SE-561 82 Huskvarna, Sweden, tel:
+46-36-146 500

Segurança

Definições de segurança

Os avisos, as precauções e as notas são utilizados para indicar partes especialmente importantes do manual.



ATENÇÃO: Utilizado no caso de existir risco de ferimento ou morte para o utilizador ou transeuntes, se não forem respeitadas as instruções do manual.



CUIDADO: Utilizado se existir risco de danos para o produto, para outros materiais

ou para a área adjacente, se não forem respeitadas as instruções do manual.

Nota: Utilizado para disponibilizar informações adicionais necessárias numa determinada situação.

Avisos gerais de segurança da ferramenta eléctrica



ATENÇÃO: Certifique-se de que lê o manual de acessórios aprovados

juntamente com este manual de unidades de potência.



ATENÇÃO: Leia todos os avisos de segurança, as instruções, as ilustrações e as especificações fornecidos com esta ferramenta elétrica. O incumprimento das instruções indicadas abaixo poderá resultar em choques elétricos, incêndios e/ou ferimentos graves.

Nota: Guarde todos os avisos e instruções para referência futura. O termo "ferramenta elétrica" nos avisos refere-se à sua ferramenta elétrica com ligação à corrente (com cabo) ou ferramenta elétrica com bateria (sem cabo).

Segurança no local de trabalho

- **Mantenha a área de trabalho limpa e bem iluminada.** Áreas desarrumadas ou escuras convidam ao acidente.
- **Não maneje ferramentas elétricas em ambientes explosivos, tal como na presença de líquidos inflamáveis, gases ou poeiras.** As ferramentas elétricas criam faíscas que podem poeiras ou gases.
- **Mantenha as crianças e restantes pessoas afastadas enquanto maneja uma ferramenta elétrica.** As distrações podem fazê-lo perder o controlo.

Segurança no manejo de eletricidade

- **As fichas das ferramentas elétricas têm de corresponder à tomada elétrica. Nunca modifique a ficha de qualquer forma. Não utilize quaisquer fichas adaptadoras com ferramentas elétricas ligadas à terra.** As fichas inalteradas e as tomadas correspondentes reduzem o risco de choque elétrico.
- **Evite o contacto corporal com superfícies ligadas à terra, tais como tubos, radiadores, fogões e frigoríficos.** Existe um risco acrescido de choque elétrico se o seu corpo estiver em contacto com a terra.
- **Não exponha ferramentas elétricas a chuva ou condições de elevada humidade.** A entrada de água numa ferramenta elétrica aumenta o risco de choque elétrico.
- **Não danifique o fio elétrico. Nunca utilize o cabo elétrico para transportar, puxar ou desligar a ferramenta elétrica da tomada. Mantenha o cabo elétrico afastado de fontes de calor, óleo, arestas afiadas ou de peças em movimento.** Os fios elétricos danificados ou emaranhados aumentam o risco de choque elétrico.
- **Ao operar uma ferramenta elétrica no exterior, utilize um cabo de extensão adequado para utilização em exteriores.** A utilização de um cabo elétrico

adequado para utilização no exterior reduz o risco de choque elétrico.

- **Se não puder evitar operar uma ferramenta elétrica em locais húmidos, utilize uma fonte de alimentação com corta-circuito com um dispositivo de corrente residual (RDC).** A utilização de um dispositivo de corrente residual (RCD) reduz o risco de choque elétrico.

Segurança pessoal

- **Mantenha-se alerta, tenha atenção ao que está a fazer e use o bom senso ao operar uma ferramenta elétrica. Não utilize uma ferramenta elétrica se estiver cansado ou sob a influência de drogas, álcool ou medicação.** Um momento de desatenção durante o manuseamento de ferramentas elétricas pode resultar em ferimentos pessoais graves.
- **Use equipamento de proteção pessoal. Use sempre proteção ocular.** A utilização de equipamento de proteção como máscara antipoeira, calçado de segurança antiderrapante, capacete ou protetores acústicos nas condições apropriadas irá reduzir os ferimentos pessoais.
- **Prevenção de arranque não intencional. Certifique-se de que o interruptor se encontra desligado antes de ligar a ferramenta à fonte de alimentação e/ou à bateria, ou de a pegar ou transportar.** Transportar ferramentas elétricas com o dedo no interruptor ou ligar ferramentas elétricas à corrente elétrica com o interruptor ligado é um convite aos acidentes.
- **Remova qualquer chave de ajuste ou chave de porcas antes de ligar a ferramenta à corrente elétrica.** Uma chave de porcas ou uma chave ligada a uma peça em rotação da ferramenta elétrica pode resultar em ferimentos pessoais.
- **Não se debruce. Mantenha o equilíbrio e os pés sempre bem assentes.** Isto permite um melhor controlo da ferramenta elétrica em situações inesperadas.
- **Vista-se adequadamente. Não use peças de roupa soltas ou joias. Mantenha o cabelo e roupas longe de quaisquer peças em movimento.** Roupas soltas, joias ou cabelo comprido podem ser apanhados nas peças em movimento.
- **Se forem fornecidos dispositivos para a ligação de equipamentos de extração e de recolha de poeiras, assegure-se de que estes estão ligados e são utilizados corretamente.** A utilização da recolha de pó pode reduzir os riscos relacionados com poeiras.
- **Siga sempre os princípios de segurança das ferramentas, mesmo que já esteja familiarizado com as ferramentas, devido à utilização frequente das mesmas.** Uma ação descuidada pode provocar ferimentos graves numa fração de segundo.
- **Perigo! Não utilize junto de cabos elétricos.** A unidade não foi concebida para oferecer proteção contra choques elétricos em caso de contacto com cabos elétricos suspensos. Consulte os regulamentos locais para distâncias de segurança relativos a linhas de energia elétrica suspensas e

certifique-se de que a posição de utilização é segura antes de utilizar o produto.

Utilização e manutenção de ferramentas eléctricas

- **Não force a ferramenta eléctrica. Use a ferramenta eléctrica correcta para a sua aplicação.** A ferramenta eléctrica correcta fará um trabalho melhor e mais seguro ao ritmo para o qual foi desenhada.
- **Não use a ferramenta eléctrica se o interruptor não ligar ou desligar.** Qualquer ferramenta eléctrica que não possa ser controlada com o interruptor é perigosa e tem de ser reparada.
- **Desligue a ficha da fonte de alimentação eléctrica e/ou retire a bateria, se amovível, da ferramenta eléctrica antes de efetuar qualquer ajuste, mudar acessórios ou guardar ferramentas eléctricas.** Estas medidas de prevenção reduzem o risco de ligar a ferramenta eléctrica acidentalmente.
- **Guarde ferramentas eléctricas que não estão na ser utilizadas fora do alcance das crianças e não permita que qualquer pessoa não familiarizada com a ferramenta eléctrica ou com as suas instruções maneje a ferramenta eléctrica.** As ferramentas eléctricas são perigosas nas mãos de utilizadores inexperientes.
- **Efetue a manutenção das ferramentas eléctricas e dos acessórios. Verifique quanto a desalinhamentos ou bloqueio de peças móveis, danos de peças e qualquer outra condição que possa afectar o funcionamento da ferramenta eléctrica. Se estiver danificada, repare a ferramenta eléctrica antes de a usar.** Muitos acidentes são causados por ferramentas eléctricas com má manutenção.
- **Mantenha as ferramentas de corte afiadas e limpas.** Ferramentas de corte com as zonas de corte afiadas e bem mantidas têm menos probabilidades de bloquear e são mais fáceis de controlar.
- **Use a ferramenta eléctrica, acessórios e brocas, etc. de acordo com estas instruções, tomando em consideração as condições de funcionamento e o trabalho a ser executado.** A utilização da ferramenta eléctrica para operações diferentes das previstas pode resultar numa situação perigosa.
- **Mantenha os punhos e as superfícies onde se segura secos, limpos e sem óleo nem massa lubrificante.** As superfícies onde se segura e os punhos escorregadios não permitem um controlo e um manuseamento seguros do produto em situações inesperadas.

Utilização e manutenção da bateria

- **Recarregue a bateria apenas com o carregador especificado pelo fabricante.** Um carregador adequado para um tipo de bateria pode criar risco de incêndio quando usado com outra bateria.
- **Utilize as ferramentas eléctricas apenas com as baterias concebidas para as mesmas.** A utilização de quaisquer outras baterias pode criar risco de ferimentos e incêndio.

- **Quando a bateria não está a ser utilizada, mantenha-a afastada de outros objetos metálicos, como clips, moedas, chaves, pregos, parafusos ou outros objetos metálicos pequenos que possam fazer a ligação entre os dois terminais.** Provocar curto-circuitos nos terminais das baterias pode provocar queimaduras ou um incêndio.
- **Em condições extremas, é possível que o líquido da bateria veta; evite o contacto. Se ocorrer algum contacto accidental, lave com água. Se o líquido entrar em contacto com os olhos, procure assistência médica adicional.** O líquido vertido da bateria pode provocar irritações ou queimaduras.
- **Não utilize uma bateria ou uma ferramenta que se encontre danificada ou modificada.** As baterias danificadas ou modificadas podem apresentar um comportamento imprevisível que pode resultar em incêndios, explosões ou ferimentos graves.
- **Não exponha uma bateria ou uma ferramenta a fogo ou temperaturas excessivas.** A exposição a fogo ou a temperaturas acima de 130 °C/266 °F pode provocar uma explosão.
- **Siga todas as instruções de carregamento e não carregue a bateria ou a ferramenta fora do intervalo de temperatura especificado nas instruções.** Os carregamentos impróprios ou a temperaturas fora do intervalo especificado podem danificar a bateria e aumentar o risco de incêndio.

Assistência

- **Garanta que a manutenção da sua ferramenta eléctrica é efetuada por um técnico de reparações qualificado e que utilize apenas peças de substituição idênticas.** Isto irá assegurar que a segurança das ferramentas eléctricas é mantida.
- **Nunca deve efetuar a manutenção de baterias danificadas.** A manutenção das baterias deve ser efetuada apenas pelo fabricante ou por prestadores de serviços autorizados.

Outras informações gerais de segurança

- Para obter regras de segurança específicas adicionais, consulte o manual do utilizador do acessório relevante.
- Antes de se deslocar para outra área, desative o produto. Retire sempre a bateria quando passar o produto a outra pessoa.
- Nunca pouse o produto sem o ter desativado e retirado a bateria. Não deixe o produto sem supervisão quando este estiver ligado.
- A ferramenta de corte não para imediatamente após o produto ter sido desligado.
- Antes de utilizar o produto e após um impacto, verifique se existem sinais de desgaste ou danos e proceda à respetiva reparação, conforme necessário.
- Se o acessório de corte ficar encravado durante o funcionamento do produto, pare-o e desative-o. Certifique-se de que o acessório de corte para completamente. Retire a bateria antes de

- limpar, inspecionar ou reparar o produto e/ou o equipamento de corte.
- Verifique o produto antes de o utilizar. Consulte *Dispositivos de segurança no produto na página 155 e Manutenção na página 159*. Não utilize um produto danificado. Efetue as verificações de segurança e cumpra as instruções de manutenção e assistência técnica descritas neste manual.
 - Um acessório de corte com defeito pode aumentar o risco de acidentes.
 - Certifique-se sempre de que os orifícios de ventilação não se encontram obstruídos por detritos.
 - Verifique se o produto está em perfeitas condições de funcionamento. Certifique-se de que todas as porcas e os parafusos estão bem apertados.
 - Se o utilizador não for cuidadoso ou se o produto for utilizado de forma incorreta, este produto é uma ferramenta perigosa. Este produto pode provocar ferimentos graves ou a morte do utilizador ou terceiros.
 - Esta ferramenta não pode ser utilizada por pessoas (incluindo crianças) com capacidades físicas, sensoriais ou mentais reduzidas, ou falta de experiência e conhecimentos, exceto se sob vigilância ou depois de terem recebido instruções acerca do uso da mesma por parte de alguém responsável pela sua segurança. As crianças devem ser vigiadas para garantir que não brincam com a ferramenta.
 - Nunca permita que uma criança utilize a máquina ou se encontre na proximidade da mesma. Uma vez que a máquina se liga facilmente, as crianças podem conseguir ligá-la se não forem vigiadas em permanência. Isto pode implicar um risco de ferimentos graves. Desligue a bateria quando a máquina não estiver sob vigilância.
 - Não permita em circunstância alguma que uma criança ou outras pessoas que não saibam utilizar o produto e/ou a bateria o utilizem ou realizem operações de manutenção.
 - Armazene o equipamento numa área que possa ser trancada, de modo a mantê-lo fora do alcance de crianças e pessoas não autorizadas.
 - Utilize sempre a proteção para transporte para o armazenamento e o transporte.
 - Mantenha as mãos e os pés sempre afastados da área de corte, especialmente quando ligar o motor.
 - Mantenha as mãos e os pés afastados do acessório de corte até que este pare completamente quando o produto é desativado.
 - Não retire nem deixe que outras pessoas retirem o material cortado com o produto ativo ou com o equipamento de corte em rotação, pois tal poderá resultar em ferimentos graves.
 - Esteja consciente de que, enquanto utilizador, é o responsável por evitar expor pessoas e bens a situações que possam representar perigo de danos pessoais ou materiais.
 - Não é permitido modificar, em circunstância alguma, a configuração original do produto sem a autorização expressa do fabricante. Utilize sempre acessórios originais. A realização de modificações e/ou a utilização de acessórios não autorizados podem provocar ferimentos pessoais graves ou perigo de vida para o utilizador ou terceiros. A garantia pode não abranger responsabilidades ou danos provocados pela utilização de peças de substituição ou acessórios não autorizados.
 - Os únicos acessórios que pode utilizar com este produto são os acessórios de corte recomendados no capítulo "Acessórios".
 - Nunca utilize um produto cujas especificações originais tenham sido alteradas.
 - Nunca utilize um produto defeituoso. Efetue as verificações de segurança e cumpra as instruções de manutenção e assistência técnica contidas neste manual. Alguns serviços de manutenção e de assistência técnica têm de ser executados por especialistas formados e qualificados. Consulte *Manutenção na página 159*.
 - Trabalhar em más condições meteorológicas é cansativo e muitas vezes traz riscos acrescidos. Devido ao risco acrescido, não se recomenda a utilização da máquina em condições meteorológicas adversas, por exemplo, nevoeiro denso, chuva intensa, ventos fortes, frio intenso ou risco de trovoadas, etc.
 - Nunca trabalhe de uma escada, banco ou qualquer outra posição elevada, que não seja completamente segura.
 - Armazene ferramentas inativas no interior – quando não estão a ser utilizadas, as ferramentas devem ser armazenadas no interior.
 - Não é possível cobrir todas as situações possíveis que poderá enfrentar. Seja sempre cuidadoso e use o senso comum. Evite todas as situações que considere estarem para além das suas capacidades. Caso se sinta inseguro acerca dos procedimentos de operação depois de ler estas instruções, consulte um perito antes de prosseguir.
 - Certifique-se de que não existem pessoas ou animais a uma distância inferior a 50 pés (15 metros) enquanto trabalha. Sempre que vários utilizadores se encontrem a trabalhar em simultâneo no mesmo local, a distância de segurança deve ser, no mínimo, de 50 pés (15 metros). Caso contrário, existe um risco de ferimentos graves. Pare imediatamente o produto se alguém se aproximar. Nunca balance o produto à sua volta sem verificar se está alguém na zona de segurança.
 - Se o acessório de corte ficar encravado durante o funcionamento do produto, pare-o e desative-o. Certifique-se de que o acessório de corte para completamente. Retire a bateria antes de limpar, inspecionar ou reparar o produto e/ou o equipamento de corte.
 - Certifique-se de que não existem pessoas, animais ou outras coisas que possam afetar o seu controlo

do produto, ou que estes não entrem em contacto com o acessório de corte ou objetos soltos que possam ser projetados pelo acessório de corte. Não utilize o produto a menos que seja possível pedir ajuda em caso de acidente.

- Certifique-se de que pode andar e estar de pé com segurança. Tenha cuidado com eventuais obstáculos (raízes, pedras, ramos, valas, etc.) em caso de deslocamento inesperado. Tenha muito cuidado ao trabalhar em terreno inclinado.
- Caminhe, nunca corra.
- Inspeccione a área de trabalho. Remova todos os objetos soltos, como pedras, vidros partidos, pregos, arame, cordas, etc., que possam ser arremessados ou enredar-se na cortadora ou na respetiva proteção.
- Durante a operação de corte, tome cuidado com galhos que possam ser projetados. Não efetue cortes demasiado junto ao solo onde existam pedras e outros objetos que possam ser projetados.
- Certifique-se de que o vestuário ou partes do corpo não entram em contacto com o acessório de corte quando o produto está ativo. Mantenha o produto abaixo do nível da cintura.
- Atenção a objetos arremessados. Utilize sempre proteção ocular aprovada. Nunca se incline sobre a proteção do acessório de corte. Pedras, lixo, etc., podem ser arremessados contra os olhos, o que pode causar cegueira ou ferimentos graves nos olhos.
- Quando estiver a utilizar protetores acústicos, esteja atento a sinais de aviso ou gritos. Retire sempre os protetores acústicos assim que o produto parar.
- Se ocorrerem quaisquer vibrações inesperadas, faça sair fio novo para que o fio tenha o comprimento correto para parar as vibrações.
- Se o produto começar a vibrar de forma anormal, pare-o e remova a bateria.
- A sobre-exposição a vibrações pode levar a lesões arteriais ou nervosas em pessoas com má circulação sanguínea. Consulte um médico em caso de sintomas relacionados com a sobre-exposição a vibrações. Alguns desses sintomas são entorpecimento, perda de sensibilidade, formigamento, pontadas, dor, perda de força, alterações na cor ou condição da pele. Estes sintomas surgem normalmente nos dedos, nas mãos ou nos pulsos.
- Segure sempre o produto com as duas mãos.

Equipamento de proteção pessoal



ATENÇÃO: Leia as instruções de aviso que se seguem antes de utilizar o produto.

- Utilize sempre equipamento de proteção pessoal aprovado ao utilizar o produto. O equipamento de proteção pessoal não previne totalmente os ferimentos mas diminui a respetiva gravidade em

caso de acidente. Obtenha ajuda junto do seu concessionário para selecionar o equipamento certo.

- Utilize um capacete de proteção caso exista o risco de objetos em queda.
- Utilize protetores acústicos aprovados com suficiente insonorização. A exposição prolongada a ruídos pode provocar danos auditivos permanentes.
- Utilize proteção ocular aprovada. Mesmo com viseira, é necessário utilizar óculos de proteção aprovados. É necessário que os óculos de proteção aprovados estejam em conformidade com a norma ANSI Z87.1 nos EUA ou a norma EN 166 nos países da UE.
- Utilize uma viseira para proteger o rosto. Uma viseira não é suficiente para proteger os olhos. (Fig. 22)
- Use luvas sempre que necessário, por exemplo, ao fixar, examinar ou limpar o acessório de corte.
- Use botas estáveis e antideslizantes.
- Utilize vestuário fabricado com um tecido resistente. Utilize sempre calças e mangas compridas grossas. Não utilize vestuário largo que possa ficar preso em galhos e ramos. Não utilize joias, calções, nem ande de sandálias ou descalço. Coloque o seu cabelo acima dos ombros para maior segurança.

(Fig. 23)

- Mantenha equipamentos de primeiros socorros sempre à mão.

(Fig. 24)

Dispositivos de segurança no produto



ATENÇÃO: Leia as instruções de aviso que se seguem antes de utilizar o produto.

Nesta secção, descrevem-se as características de segurança do produto, a sua função e ainda a forma de efetuar a verificação e manutenção para garantir o funcionamento correto do mesmo. Consulte as instruções na secção *Vista geral do produto na página 150* para conhecer a localização destas peças no seu produto.

Se a manutenção do produto não for devidamente efetuada, e se a assistência e/ou as reparações não forem realizadas por profissionais, a vida útil do produto pode ser afetada e o risco de acidentes pode aumentar. Para obter mais informações, contacte o seu distribuidor local.



ATENÇÃO: Nunca utilize um produto com componentes de segurança danificados. O equipamento de segurança do produto tem de ser inspecionado e a sua manutenção feita conforme se descreve nesta secção. Se o produto falhar alguma destas verificações, entre em contacto

com uma oficina autorizada para a sua reparação.



CUIDADO: Todos os trabalhos de manutenção e reparação da máquina requerem formação especializada. Isto aplica-se especialmente ao equipamento de segurança da máquina. Se a máquina falhar alguma das verificações que se seguem, é necessário contactar a sua oficina autorizada. A compra de qualquer um dos nossos produtos garante-lhe a obtenção de reparação e assistência profissionais. Se o local da compra da máquina não for um dos nossos distribuidores com assistência técnica, solicite a morada do agente de assistência mais próximo.

Verificar o bloqueio do interruptor de alimentação

O bloqueio do interruptor de alimentação impede o funcionamento accidental. Quando solta o punho, o interruptor de alimentação e o respetivo bloqueio regressam às suas posições iniciais.

1. empurre o botão para bloquear o bloqueio do interruptor de alimentação para a frente. (Fig. 25)
2. Certifique-se de que o interruptor de alimentação está bloqueado quando o bloqueio do interruptor de alimentação se encontra na respetiva posição inicial. (Fig. 26)
3. Empurre o bloqueio do interruptor de alimentação para um dos lados e, em seguida, para o outro lado. Certifique-se de que o bloqueio do interruptor de alimentação regressa à posição inicial. (Fig. 27)
4. Certifique-se de que o interruptor de alimentação e o respetivo bloqueio se deslocam livremente e de que a mola de retorno funciona corretamente. (Fig. 28)
5. Inicie o produto; consulte *Ligar o produto na página 159*.
6. Solte o interruptor de alimentação e certifique-se de que o produto para totalmente.

Instruções de segurança para montagem



ATENÇÃO: Leia este manual de unidades de potência juntamente com o manual de acessórios aprovados.

- Retire a bateria do produto antes de o montar.
- Utilize luvas de proteção aprovadas.
- Uma proteção danificada ou desadequada pode causar ferimentos. Não utilize um acessório de corte que não tenha uma proteção aprovada.
- Certifique-se de que instala corretamente o acessório antes de ligar o produto.

- Se for fornecida uma correia com o acessório, esta tem de ser corretamente fixada ao produto. A correia torna a operação segura e evita ferimentos no operador ou noutras pessoas.

Segurança da bateria



ATENÇÃO: Leia todas as instruções gerais e de segurança. O incumprimento das instruções gerais e de segurança poderá resultar em choques elétricos, incêndios e/ou ferimentos graves. **Guarde todas as informações de segurança e instruções gerais para referência futura.**

- **Estas instruções de segurança aplicam-se apenas a baterias de íões de lítio de 18 V recarregáveis para o sistema POWER FOR ALL.**
- **Utilize a bateria recarregável apenas em produtos de parceiros do sistema POWER FOR ALL.** As baterias recarregáveis de 18 V com a indicação POWER FOR ALL são totalmente compatíveis com os seguintes produtos:
 - Todos os produtos do sistema de baterias POWER FOR ALL de 18 V.
 - Todos os produtos de 18 V de parceiros do sistema POWER FOR ALL.
- **Respeite as recomendações para a bateria no manual de funcionamento do produto.** Só assim a bateria recarregável e o produto podem ser utilizados sem perigo e as baterias recarregáveis estão protegidas contra sobrecargas perigosas.
- **Carregue as baterias apenas com carregadores recomendados pelo fabricante ou por parceiros do sistema POWER FOR ALL.** Um carregador adequado para um tipo de bateria pode representar um risco de incêndio quando utilizado com uma bateria diferente.
- **A bateria é fornecida parcialmente carregada.** Para garantir a capacidade total da bateria, carregue completamente a bateria no carregador antes de utilizar a ferramenta elétrica pela primeira vez.
- **Mantenha as baterias fora do alcance de crianças.**
- **Não abra a bateria.** Existe um risco de curto-circuito.
- **Em caso de danos e utilização inadequada da bateria, pode ocorrer a emissão de vapores. A bateria pode incendiar ou explodir.** Certifique-se de que a área está bem ventilada e procure assistência médica caso sinta quaisquer efeitos adversos. Os vapores podem provocar a irritação do sistema respiratório.
- **Se o produto for utilizado incorretamente ou se a bateria estiver danificada, pode ser vertido líquido inflamável da bateria. O contacto com este líquido deve ser evitado. Se ocorrer algum contacto accidental, lave com água. Se o líquido entrar em contacto com os olhos, procure assistência médica adicional.** O líquido vertido da bateria pode provocar irritações ou queimaduras.

- Se a bateria estiver danificada, o líquido pode ser vertido e revestir as superfícies próximas. Verifique as peças afetadas. Limpe as respetivas peças ou substitua-as, se necessário.
- Não provoque um curto-circuito da bateria. Quando a bateria não estiver a ser utilizada, mantenha-a afastada de outros objetos metálicos, como clips, moedas, chaves, pregos, parafusos ou outros objetos metálicos pequenos que possam fazer a ligação entre os dois terminais. Provocar curto-circuitos nos terminais das baterias pode provocar queimaduras ou um incêndio.
- A bateria pode ser danificada por objetos pontiagudos, como pregos ou chaves de parafusos, ou por força aplicada externamente. Pode ocorrer um curto-circuito interno, provocando a combustão, a libertação de fumos, a explosão ou o sobreaquecimento da bateria.
- Nunca efetue a manutenção de baterias danificadas. A manutenção das baterias deve ser efetuada apenas pelo fabricante ou por prestadores de serviços autorizados.
- Proteja a bateria de calor, por exemplo, contra luz solar intensa e contínua, fogo, sujidade, água e humidade. Existe um risco de explosão e curto-circuito.
- Utilize a bateria do produto apenas quando a temperatura ambiente se encontrar entre $-5\text{ }^{\circ}\text{C}$ – $40\text{ }^{\circ}\text{C}$.
- Apenas armazene a bateria a uma temperatura ambiente entre $-20\text{ }^{\circ}\text{C}$ – $50\text{ }^{\circ}\text{C}$. Não deixe a bateria no seu automóvel durante o verão, por exemplo. A temperaturas $< 0\text{ }^{\circ}\text{C}$, alguns dispositivos podem sofrer uma perda de potência.
- Apenas carregue a bateria a uma temperatura ambiente entre $0\text{ }^{\circ}\text{C}$ – $+35\text{ }^{\circ}\text{C}$. O carregamento fora deste intervalo de temperatura pode aumentar o risco de danos na bateria e representar um risco de incêndio.

Segurança do carregador de bateria



ATENÇÃO: Leia todas as instruções gerais e de segurança. O incumprimento das instruções gerais e de segurança poderá resultar em choques elétricos, incêndios e/ou ferimentos graves. **Guarde estas instruções num local seguro.** Utilize o carregador apenas se conseguir avaliar completamente todas as funções e executá-las sem restrições ou se tiver recebido instruções em conformidade.

- Este carregador não pode utilizado por crianças ou por pessoas com limitações físicas, sensoriais ou mentais, ou com falta de experiência ou conhecimentos. Este carregador pode ser utilizado por crianças com idade igual ou superior a 8 anos e por pessoas que tenham limitações físicas, sensoriais ou mentais ou com falta de experiência

ou conhecimentos se uma pessoa responsável pela sua segurança estiver a supervisionar ou tiver fornecido instruções relativamente ao funcionamento seguro do carregador e se tiverem compreendido os perigos associados. Caso contrário, existe um risco de erros de funcionamento e ferimentos.

- Supervisione as crianças durante a respetiva utilização, limpeza e manutenção. Tal irá garantir que as crianças não brincam com o carregador.
- Carregue apenas baterias do sistema POWER FOR ALL de 18 V com uma capacidade igual ou superior a 1,5 Ah. A tensão da bateria deve corresponder à tensão de carregamento da bateria do carregador. Não carregue quaisquer baterias não recarregáveis. Caso contrário, existe um risco de incêndio e explosão.
- Utilize o carregador apenas em espaços fechados e não o exponha a condições húmidas. A entrada de água numa ferramenta elétrica aumenta o risco de choque elétrico.
- Mantenha o carregador limpo. A sujidade constitui um risco de choque elétrico.
- Verifique sempre o carregador, o cabo e a ficha antes da respetiva utilização. Interrompa a utilização do carregador se detetar quaisquer danos. Não abra o carregador pessoalmente e solicite a sua reparação apenas pela Husqvarna ou por um centro de serviço de pós-venda autorizado que utilize unicamente peças de substituição originais. Os carregadores, os cabos e as fichas danificados aumentam o risco de choque elétrico.
- Não utilize o carregador sobre uma superfície facilmente inflamável (por exemplo, papel, têxteis, etc.) ou num ambiente inflamável. Existe um risco de incêndio devido ao aquecimento do carregador durante o funcionamento.
- Não cubra as aberturas de ventilação do carregador. Caso contrário, o carregador pode sobreaquecer e deixar de funcionar corretamente.
- Recarregue a bateria apenas com o carregador especificado pelo fabricante. Um carregador adequado para um tipo de bateria pode criar risco de incêndio quando usado com outra bateria.
- Em caso de danos e utilização inadequada da bateria, pode ocorrer igualmente a emissão de vapores. Certifique-se de que a área está bem ventilada e procure assistência médica caso sinta quaisquer efeitos adversos. Os vapores podem provocar a irritação do sistema respiratório.
- Em condições extremas, é possível que o líquido seja vertido da bateria. O contacto com este líquido deve ser evitado. Se ocorrer algum contacto accidental, lave com água. Se o líquido entrar em contacto com os olhos, procure assistência médica adicional. O líquido vertido da bateria pode provocar irritações ou queimaduras.
- Produtos vendidos apenas na Grã-Bretanha: O seu produto está equipado com uma ficha elétrica com aprovação BS 1363/A com fusível interno (aprovação ASTA em conformidade com BS 1362).

Se a ficha não for adequada para as suas saídas de tomada, esta deve ser cortada, sendo instalada no seu lugar uma ficha apropriada por uma oficina de assistência ao cliente autorizada. A ficha de substituição deve apresentar a mesma classificação de fusível que a ficha original. A ficha cortada deve ser eliminada para evitar um possível perigo de choque e nunca deve ser introduzida numa tomada de parede noutra local.

Instruções de segurança para manutenção



ATENÇÃO: Leia as instruções de aviso que se seguem antes de efetuar tarefas de manutenção no produto.

- Retire a bateria antes de efetuar tarefas de manutenção, outras verificações, ou de montar o produto.
- O operador só pode efetuar as tarefas de manutenção e assistência descritas neste manual

do utilizador. Contacte o seu revendedor com assistência técnica para tarefas de manutenção e assistência de maior extensão.

- Não limpe a bateria ou o carregador com água. Os detergentes fortes podem danificar o plástico.
- Se não proceder à manutenção, irá diminuir o ciclo de vida do produto e aumentar o risco de acidentes.
- É necessária formação especializada para todos os trabalhos de assistência e reparação, especialmente para os dispositivos de segurança do produto. Se, após efetuar tarefas de manutenção, nem todas as verificações deste manual forem aprovadas, contacte o seu revendedor com assistência técnica. Garantimos que existem reparações e assistência profissionais disponíveis para o seu produto.
- Utilize sempre peças sobresselentes originais.
- Utilize sempre luvas resistentes durante trabalhos de reparação do equipamento de corte. As lâminas são muito afiadas e podem causar facilmente cortes.

Montagem

Introdução



ATENÇÃO: Certifique-se de que lê e compreende o capítulo sobre segurança antes de montar o produto.

Instalar o acessório

1. Fixe o acessório (A) à unidade de alimentação (B). O acessório tem de deslizar facilmente para o suporte da unidade de alimentação; caso contrário, não está instalado corretamente. (Fig. 29)
2. Aperte o manípulo de bloqueio (C).

Nota: Quando o acessório é instalado na unidade de alimentação, a interface do utilizador do acessório é desligada.

Ajustar o comprimento do eixo telescópico

1. Eleve a alavanca (A) do eixo. (Fig. 30)
2. Ajuste o eixo telescópico para que fique num comprimento aplicável.
3. Empurre a alavanca para baixo para bloquear o eixo telescópico.

Instalar o gancho de armazenamento na parede

- Instale o gancho de armazenamento no interior.

- Mantenha o gancho de armazenamento afastado da exposição à luz solar e a uma temperatura ambiente de -10°C a 70°C .
- Instale o gancho de armazenamento numa parede de gesso, madeira ou betão.



CUIDADO: Certifique-se de que a parede consegue suportar cargas de, no mínimo, 30 kg.

- Instale o gancho de armazenamento na parede com os 3 parafusos (A). Utilize buchas (B), se necessário. (Fig. 31)



CUIDADO: Certifique-se de que os parafusos são aplicáveis ao seu tipo de parede.

- Contacte a oficina autorizada da Husqvarna para obter informações sobre os acessórios de armazenamento disponíveis para o seu produto.

Pendurar o produto no gancho de armazenamento

- Pendure a unidade de alimentação no gancho de armazenamento, conforme ilustrado. (Fig. 32)

Funcionamento

Verificar o funcionamento antes de utilizar o produto

1. Remova a sujidade e os materiais indesejados do produto com uma escova.
2. Aperte todas as porcas e todos os parafusos.
3. Certifique-se de que o acessório se encontra corretamente fixado.
4. Certifique-se de que o botão para bloquear o bloqueio do interruptor de alimentação está engatado.
5. Certifique-se de que os dispositivos de bloqueio do eixo prolongado e do elemento de articulação estão na posição bloqueada.
6. Examine o acessório quanto à existência de danos, por exemplo, fissuras. Substitua o acessório, caso esteja danificado.
7. Certifique-se de que as coberturas estão corretamente fixadas e de que não estão danificadas.
8. Certifique-se de que o produto funciona corretamente.

Ligar a bateria ao produto



ATENÇÃO: Utilize apenas baterias de iões de lítio do sistema POWER FOR ALL P4A 18 V no produto.

1. Certifique-se de que a bateria está completamente carregada.
2. Coloque a bateria no suporte da bateria do produto. A bateria tem de deslizar facilmente para o suporte; caso contrário, não está instalada corretamente. (Fig. 33)
3. Empurre a bateria totalmente para o suporte da bateria. A bateria bloqueia na posição pretendida quando se ouve um clique.

4. Certifique-se de que o trinco bloqueia na posição de forma correta.

Ligar o produto

1. Empurre o botão para bloquear o bloqueio do interruptor de alimentação para a frente. (Fig. 25)
2. Empurre o bloqueio do interruptor de alimentação (A) do lado esquerdo ou direito e mantenha o interruptor de alimentação (B) premido. (Fig. 34)

Desligar o produto

1. Solte o interruptor de alimentação.
2. Empurre o botão para bloquear o bloqueio do interruptor de alimentação para trás para bloquear o produto.
3. Prima o botão de desengate da bateria e retire a bateria. (Fig. 35)
4. Se necessário, remova o acessório do produto.

Ajustar o ângulo do produto

O produto pode ser ajustado para 7 posições diferentes.



ATENÇÃO: Não ajuste o ângulo enquanto estiver a utilizar o produto.

1. Pare o produto e retire a bateria.
2. Segure firmemente no suporte (A). (Fig. 36)
3. Mantenha premida a junta de rotação (B).
4. Coloque o suporte na posição correta.
5. Solte a junta de rotação para bloquear o suporte.
6. Desloque o suporte para cima e para baixo até ficar bloqueado na devida posição.

Manutenção

Introdução



ATENÇÃO: Certifique-se de que leu e compreendeu o capítulo sobre segurança

antes de realizar tarefas de manutenção no produto.



ATENÇÃO: Retire a bateria antes de efetuar a manutenção do produto.

Esquema de manutenção

A seguinte lista inclui os passos de manutenção que devem ser efetuados no produto.

Manutenção	Antes do funcionamento	Semanalmente	Mensalmente
Limpe as peças externas do produto com um pano seco. Não utilize água.	X		
Certifique-se de que o botão para bloquear o bloqueio do interruptor de alimentação funciona corretamente e não está danificado.	X		
Certifique-se de que o interruptor de alimentação e o bloqueio do interruptor de alimentação funcionam corretamente e com segurança.	X		
Certifique-se de que todos os controlos funcionam corretamente e não estão danificados.	X		
Mantenha os punhos limpos e secos.	X		
Certifique-se de que os parafusos e as porcas estão apertados.	X		
Certifique-se de que os botões de desengate da bateria funcionam corretamente e fixam a bateria no produto.	X		
Certifique-se de que a bateria não está danificada.	X		
Certifique-se de que a bateria está carregada.	X		
Certifique-se de que o carregador de bateria não está danificado e que funciona corretamente.	X		
Examine todos os cabos, acoplamentos e ligações. Certifique-se de que estão limpos e isentos de danos.		X	
Verifique as ligações entre a bateria e o produto.			X
Verifique a ligação entre a bateria e o carregador de bateria.			X

Limpar o produto, a bateria e o carregador da bateria

1. Limpe o produto com um pano seco após a utilização.
2. Limpe a bateria e o carregador da bateria com um pano seco. Mantenha as calhas de guia da bateria limpas.

3. Certifique-se de que os terminais da bateria e do carregador da bateria se encontram limpos antes de colocar a bateria no carregador da bateria ou no produto.

Transporte, armazenamento e eliminação

Transporte e armazenamento

- As baterias de íões de lítio fornecidas cumprem os requisitos da legislação sobre mercadorias perigosas.
- Cumpra o requisito especial sobre a embalagem e as etiquetas de transporte comercial, incluindo por terceiros e agentes transitários.
- Contacte uma pessoa com formação específica em material perigoso antes de enviar o produto. Cumpra todos os regulamentos nacionais aplicáveis.
- Utilize fita em contactos abertos quando colocar a bateria numa embalagem. Coloque a bateria na embalagem de forma fixa para impedir movimentos.
- Retire sempre a bateria para armazenamento ou transporte.
- Coloque a bateria e o carregador de bateria num espaço seco e sem humidade ou gelo.
- Não armazene a bateria numa área onde possa existir eletricidade estática. Não armazene a bateria numa caixa metálica.
- Armazene a bateria num local onde a temperatura varie entre -20 °C/-4°F e +50 °C/122 °F, e afastado da exposição à luz solar.
- Armazene o carregador de bateria num local onde a temperatura varie entre 5 °C e 45 °C e afastado da exposição à luz solar.

- Utilize o carregador de bateria apenas quando a temperatura ambiente se encontrar entre os 0 °C/32 °F e os 35 °C/95 °F.
- Armazene o produto num local onde a temperatura se encontre entre -40 °C/-40°F e +60 °C/140 °F.
- Carregue a bateria entre 30% a 50% antes de a armazenar durante longos períodos de tempo.
- Armazene o carregador de bateria num espaço fechado e seco.
- Mantenha a bateria afastada do carregador de bateria durante o armazenamento. Não permita que crianças e outras pessoas não autorizadas entrem em contacto com o equipamento. Mantenha o equipamento num espaço que possa trancar.
- Antes de armazenar o produto durante longos períodos de tempo, limpe-o e efetue uma manutenção completa do mesmo.
- Utilize a proteção para transporte no produto para evitar ferimentos ou danos no produto durante o transporte e o armazenamento.
- Fixe o produto em segurança durante o transporte.

- Mantenha o produto armazenado na horizontal ou pendure-o no gancho fornecido. Consulte *Pendurar o produto no gancho de armazenamento na página 158*.

Eliminação da bateria, do carregador da bateria e do produto

O símbolo abaixo significa que o produto não é um resíduo doméstico. Recicle o equipamento numa estação de reciclagem para equipamentos elétricos e eletrónicos. Isto ajuda a evitar danos no ambiente e em pessoas.

Para obter mais informações, contacte as autoridades locais, o serviço de recolha de resíduos domésticos ou o seu revendedor.

(Fig. 18)

Nota: O símbolo aparece no produto ou na embalagem do produto.

Especificações técnicas

Aspire Pole-P4A	
Peso	
Peso (apenas unidade de alimentação), kg	1,5

Baterias aprovadas

Este produto pode ser utilizado com todas as baterias **POWER FOR ALL**.

Bateria	P4A 18-B36	P4A 18-B45	P4A 18-B72
Tipo	lões de lítio	lões de lítio	lões de lítio
Capacidade da bateria, Ah	2,0	2,5	4,0
Tensão nominal, V	18	18	18
Peso, kg	0,35	0,35	0,65
Número de células (lões de lítio)	5	5	10

Carregadores de bateria aprovados

Carregador de bateria	P4A 18-C50	P4A 18-C70
Tensão de entrada, V	Consulte as informações sobre a classificação do carregador.	Consulte as informações sobre a classificação do carregador.
Frequência, Hz	50-60	50-60

Carregador de bateria	P4A 18-C50	P4A 18-C70
Potência, W	50	70

Acessórios

Acessórios

Acessórios aprovados	Tipo	Aplicado em
Acessório da tesoura para arbustos	Aspire S20-P4A	Aspire Pole-P4A
Acessório para podadora	Aspire P5-P4A	Aspire Pole-P4A

Declaração de conformidade

Declaração UE de conformidade

A Husqvarna AB, SE-561 82 Huskvarna, Suécia,
tel.: +46-36-146500, declara, sob sua inteira
responsabilidade, que o produto:

Descrição	Unidade de alimentação a bateria
Marca	Husqvarna
Tipo/Modelo	Aspire Pole-P4A
Identificação	Números de série referentes a 2023 e posteriores

está em plena conformidade com as seguintes diretivas
e regulamentos da UE:

Diretiva/Regulamen- to	Descrição
2006/42/CE	"relativa a máquinas"
2014/30/UE	"relativa à compatibilidade eletromagnética"
2011/65/UE	"relativa à restrição do uso de determinadas substâncias perigosas em equipamento elétrico e eletrônico"
2000/14/CE	"relativa a emissões de ruído para o ambiente"

e que as seguintes normas e/ou especificações técnicas são aplicadas: EN 62841-1:2015/A11:2022, EN 62841-4-2:2019/A1:2022, EN IEC 62841-4-5:2021/A11:2021, EN ISO 11680-1:2011, EN ISO 12100:2010, EN IEC 55014-1:2021, EN IEC 55014-2:2021, EN IEC 63000:2018.

A DEKRA Testing and Certification GmbH, Handwerkstraße 15, 70565 Stuttgart, Germany, 0158 executou um exame de tipo CE voluntário em conformidade com a diretiva relativa a máquinas (2006/42/CE), artigo 12.º, ponto 3b. O certificado para o exame de tipo CE, tem o número: 4815039.22006.

Procedimento de avaliação da conformidade aplicado em conformidade com a Diretiva 2000/14/CE, Anexo V.

Com o acessório Aspire P5-P4A como podadora com vara:

- Nível de potência sonora medido: 88 dB (A)
- Nível de potência sonora garantido: 91dB (A)

Com o acessório Aspire S20-P4A como tesoura para arbustos com vara:

- Nível de potência sonora medido para a lâmina para arbusto: 83 dB (A)
- Nível de potência sonora medido para lâmina para relva: 79 dB (A)
- Nível de potência sonora garantido: 84 dB (A)

Huskvarna, 2023-10-30



Claes Losdal, gestor de I&D, Husqvarna AB
Responsável pela documentação técnica



Licenças

Copyright © 2012–2020 STMicroelectronics

A garantia não cobre defeitos resultantes de utilização e desgaste normais, negligência, utilização defeituosa, reparação não autorizada ou de o aparelho de sucção ter sido ligado à tensão incorreta.

Todos os direitos reservados.

É permitida a redistribuição e utilização na forma binária ou código-fonte, com ou sem modificações, desde que sejam respeitadas as seguintes condições:

- As redistribuições do código fonte devem reproduzir o aviso de direitos de autor acima, esta lista de condições e a seguinte renúncia de responsabilidade.
- As redistribuições em formato binário devem reproduzir o aviso de direitos de autor acima, esta lista de condições e a seguinte renúncia de responsabilidade na documentação e/ou noutros materiais fornecidos com a distribuição.
- Nem o nome da STMicroelectronics nem os nomes dos respetivos colaboradores podem ser utilizados para apoiar ou promover produtos derivados deste software sem permissão expressa prévia por escrito.

ESTE SOFTWARE É FORNECIDO PELOS DETENTORES DOS DIREITOS DE AUTOR E COLABORADORES "TAL COMO ESTÁ" E SÃO RENUNCIADAS QUAISQUER GARANTIAS EXPRESSAS OU IMPLÍCITAS, INCLUINDO, MAS NÃO SE LIMITANDO A, GARANTIAS IMPLÍCITAS DE COMERCIALIZAÇÃO E ADEQUAÇÃO A UM DETERMINADO FIM. EM CIRCUNSTÂNCIA ALGUMA O DETENTOR DOS DIREITOS DE AUTOR OU COLABORADORES SERÃO RESPONSÁVEIS POR QUAISQUER DANOS DIRETOS, INDIRETOS, ACIDENTAIS, ESPECIAIS, EXEMPLARES OU CONSEQUENTES (INCLUINDO, MAS NÃO SE LIMITANDO A, AQUISIÇÃO DE BENS OU SERVIÇOS DE SUBSTITUIÇÃO; PERDA DE UTILIZAÇÃO, DADOS OU LUCROS, OU INTERRUPÇÃO DO NEGÓCIO) SEJA QUAL FOR A CAUSA E AO ABRIGO DE QUALQUER TEORIA DE RESPONSABILIDADE, QUER SEJA CONTRATUAL, DE RESPONSABILIDADE OBJETIVA OU DELITUAL (INCLUINDO NEGLIGÊNCIA OU OUTRA) RESULTANTE DE QUALQUER FORMA DA UTILIZAÇÃO DESTES SOFTWARE, MESMO QUE TENHAM SIDO AVISADOS DA POSSIBILIDADE DE OCORRÊNCIA DE TAIS DANOS.

Licença Apache 2.0

Copyright © 2009-2019 Arm Limited. Todos os direitos reservados.

Versão 2.0, janeiro de 2004 <http://www.apache.org/licenses/>

TERMOS E CONDIÇÕES DE UTILIZAÇÃO, REPRODUÇÃO E DISTRIBUIÇÃO

1. Definições.

"Licença" refere-se aos termos e condições de utilização, reprodução e distribuição definidos nas Secções 1 a 9 do presente documento. **"Licenciante"** refere-se ao detentor dos direitos de autor ou à entidade autorizada pelo detentor dos direitos de autor que concede a Licença. **"Entidade legal"** refere-se à união da entidade em exercício e todas as outras entidades que controlam, são controladas ou estão sob controlo comum com essa entidade. Para efeitos da presente definição, **"controlo"** refere-se: (i) ao poder, direto ou indireto, de fazer comandar a direção ou gestão dessa entidade, quer por contrato ou por outro meio, ou (ii) à propriedade de cinquenta por cento (50%) ou mais das ações em circulação, ou (iii) à titularidade beneficiária dessa entidade. **"Utilizador"** (ou **"seu"**) refere-se a uma entidade individual ou legal que exerça as permissões concedidas por esta Licença. Forma de **"Fonte"** refere-se à forma preferencial para fazer modificações, incluindo, mas não se limitando a, código fonte de software, fonte de documentação e ficheiros de configuração. Forma de **"Objeto"** refere-se a qualquer forma resultante da transformação mecânica ou tradução de uma forma de fonte, incluindo, mas não se limitando a, código objeto compilado, documentação gerada e conversões para outros tipos de formatos. **"Trabalho"** refere-se ao trabalho de autoria, seja na forma de fonte ou na forma de objeto, disponibilizado ao abrigo da Licença, conforme indicado por um aviso de direitos de autor incluído ou anexado ao trabalho (é fornecido um exemplo no Anexo abaixo). **"Trabalhos derivados"** refere-se a qualquer trabalho, seja na forma de fonte ou na forma de objeto, baseado no (ou derivado do) Trabalho e para o qual as revisões editoriais, anotações, elaborações ou outras modificações representam, como um todo, um trabalho original de autoria. Para efeitos da presente Licença, os Trabalhos derivados não deverão incluir trabalhos que permaneçam separáveis, ou que apenas se associem (ou vinculem por nome) às interfaces do Trabalho e dos Trabalhos derivados. **"Contribuição"** refere-se a qualquer trabalho de autoria, incluindo a versão original do Trabalho e quaisquer modificações ou adições a esse Trabalho ou Trabalhos derivados do mesmo, que seja intencionalmente submetido ao Licenciante para inclusão no Trabalho pelo detentor dos direitos autorais ou por uma Entidade legal ou individual autorizada a submeter em nome do detentor dos direitos de autor. Para efeitos da presente definição, **"submetido"** refere-se a qualquer forma de comunicação eletrónica, verbal ou escrita enviada ao Licenciante ou aos seus representantes, incluindo, entre outros, a comunicação em listas de correio eletrónicas, sistemas de controlo de códigos fonte e sistemas de monitorização de problemas que são geridos pelo Licenciante, ou em nome do mesmo, com o objetivo de discutir e melhorar o Trabalho, mas excluindo a comunicação que é notavelmente marcada ou, de outra forma, designada

por escrito pelo detentor de direitos autorais como **"Não uma contribuição."** **"Colaborador"** refere-se ao Licenciante e a qualquer Entidade individual ou legal em nome da qual tenha sido recebida uma Contribuição por parte do Licenciante e subsequentemente incorporada no Trabalho.

2. Concessão de licença de direitos de autor.

Sujeito aos termos e condições desta Licença, cada Colaborador concede ao Utilizador, por este meio, uma licença de direitos de autor irrevogável, perpétua, mundial, não exclusiva, gratuita e isenta de royalties para reproduzir, preparar Trabalhos derivados de, exibir publicamente, executar publicamente, sublicenciar e distribuir o Trabalho e tais Trabalhos derivados na forma de fonte ou na forma de objeto.

3. Concessão de licença de patente.

Sujeito aos termos e condições desta Licença, cada Colaborador concede ao Utilizador, por este meio, uma licença de patente irrevogável, perpétua, mundial, não exclusiva, gratuita e isenta de royalties (exceto conforme indicado nesta secção) para fazer, utilizar, oferecer para vender, vender, importar e transferir de outra forma o Trabalho, quando essa licença se aplicar apenas às reivindicações de patente licenciáveis por tal Colaborador que sejam necessariamente infringidas pela(s) sua(s) Contribuição(ões) isolada(s) ou por combinação da(s) sua(s) Contribuição(ões) com o Trabalho para o qual essa(s) Contribuição(ões) foi(foram) submetida(s). Se o Utilizador iniciar litígios em matéria de patentes contra qualquer entidade (incluindo uma reclamação cruzada ou uma reclamação contrária numa ação judicial) alegando que o Trabalho ou uma Contribuição incorporada no Trabalho constitui uma infração de patente direta ou contributiva, quaisquer licenças de patente concedidas ao Utilizador ao abrigo desta Licença para esse Trabalho cessarão a partir da data em que tal litígio for apresentado.

4. Redistribuição.

O Utilizador pode reproduzir e distribuir cópias do Trabalho ou dos Trabalhos derivados do mesmo em qualquer suporte, com ou sem modificações, e sob a forma de fonte ou forma de objeto, desde que cumpra as seguintes condições:

- O Utilizador deve fornecer a quaisquer outros destinatários do Trabalho ou Trabalhos derivados uma cópia desta Licença; e
- O Utilizador tem de fazer com que quaisquer ficheiros modificados tenham avisos proeminentes a indicar que alterou os ficheiros; e o Utilizador deve reproduzir, sob a forma de fonte, quaisquer Trabalhos derivados que distribua, todos os avisos de direitos de autor, patente, marca comercial e atribuição da forma de fonte do Trabalho, excluindo os avisos que não pertencem a nenhuma parte dos Trabalhos derivados; e
- Se o Trabalho incluir um ficheiro de texto intitulado **"NOTICE"** (AVISO) como parte da respetiva

distribuição, quaisquer Trabalhos derivados que o Utilizador distribua devem incluir uma cópia legível dos avisos de atribuição contidos nesse ficheiro NOTICE, excluindo os avisos que não dizem respeito a qualquer parte dos Trabalhos derivados, em pelo menos um dos seguintes locais: num ficheiro de texto NOTICE distribuído como parte dos Trabalhos derivados; na forma de fonte ou na documentação, se fornecida juntamente com os Trabalhos derivados; ou, numa apresentação gerada pelos Trabalhos derivados, se e onde esses avisos de terceiros normalmente aparecem. Os conteúdos do ficheiro NOTICE destinam-se apenas a fins informativos e não modificam a Licença. O utilizador pode adicionar os seus próprios avisos de atribuição nos Trabalhos derivados que distribui, juntamente com ou como adenda ao texto NOTICE do Trabalho, desde que esses avisos de atribuição adicionais não possam ser interpretados como modificando a Licença. O Utilizador pode adicionar a sua própria declaração de direitos de autor às suas modificações e pode fornecer termos e condições de licença adicionais ou diferentes para utilização, reprodução ou distribuição das suas modificações, ou para quaisquer Trabalhos derivados como um todo, desde que a sua utilização, reprodução e distribuição do Trabalho esteja em conformidade com as condições indicadas nesta Licença.

5. Submissão de contribuições.

A menos que o utilizador declare explicitamente o contrário, qualquer Contribuição submetida intencionalmente para inclusão no Trabalho por parte do utilizador ao Licenciante ficará sujeita aos termos e condições desta Licença, sem quaisquer termos ou condições adicionais. Não obstante o acima exposto, nada no presente documento substituirá ou modificará os termos de qualquer acordo de licença separado que o Utilizador possa ter celebrado com o Licenciante relativamente a tais Contribuições.

6. Marcas comerciais.

Esta Licença não concede permissão para utilizar os nomes comerciais, marcas comerciais, marcas de serviço ou nomes de produtos do Licenciante, exceto conforme exigido para uso razoável e habitual na descrição da origem do Trabalho e na reprodução do conteúdo do ficheiro NOTICE.

7. Renúncia de garantia.

Salvo se exigido pela lei aplicável ou acordado por escrito, o Licenciante fornece o Trabalho (e cada Colaborador fornece as suas Contribuições) num formato **"TAL COMO ESTÁ"**, SEM GARANTIAS OU CONDIÇÕES DE QUALQUER TIPO, expressas ou implícitas, incluindo, sem limitação, quaisquer garantias ou condições de TÍTULO, NÃO VIOLAÇÃO, COMERCIALIZAÇÃO ou ADEQUAÇÃO A UM DETERMINADO FIM. O Utilizador é o único responsável por determinar a adequação de utilizar

ou redistribuir o Trabalho e assumir quaisquer riscos associados ao seu exercício de permissões ao abrigo desta Licença. 8. Limitação de responsabilidade. Em circunstância alguma e sob nenhuma teoria legal, quer seja por delito (incluindo negligência), contrato ou outra, a menos que exigido pela lei aplicável (tal como atos deliberados e grosseiramente negligentes) ou acordado por escrito, qualquer Colaborador será responsável perante o Utilizador por danos, incluindo quaisquer danos diretos, indiretos, especiais, incidentais ou consequenciais de qualquer natureza resultantes da presente Licença ou da utilização ou incapacidade de utilização do Trabalho (incluindo, entre outros, danos por perda de reputação, interrupção do trabalho, falha ou avaria do computador ou quaisquer outros danos ou perdas comerciais), mesmo que tal Colaborador tenha sido informado da possibilidade de tais danos.

9. Aceitação da garantia ou responsabilidade adicional.

Ao redistribuir o Trabalho ou Trabalhos derivados, o Utilizador pode optar por oferecer, e cobrar uma taxa por, aceitação de suporte, garantia, indemnização ou outras obrigações e/ou direitos de responsabilidade consistentes com esta Licença. No entanto, ao aceitar tais obrigações, o Utilizador apenas poderá agir em seu próprio nome e sob a sua exclusiva responsabilidade e não em nome de qualquer outro Colaborador, e apenas se concordar em indemnizar, defender e isentar cada Colaborador de qualquer responsabilidade decorrente de, ou reclamações invocadas contra, tal Colaborador por motivo da aceitação de tal garantia ou responsabilidade adicional por parte do Utilizador. FIM DOS TERMOS E CONDIÇÕES

İçindekiler

Giriş.....	166	Taşıma, depolama ve atma.....	175
Güvenlik.....	167	Teknik veriler.....	176
Montaj.....	173	Aksesuarlar.....	177
Çalışma.....	174	Uyumluluk Bildirimi.....	178
Bakım.....	174	Lisanslar.....	179

Giriş

Ürün açıklaması

Husqvarna Aspire Pole-P4A, teleskopik işlevli bir akülü güç ünitesidir.

Kullanım amacı

Bu güç ünitesi, yalnızca onaylı aksesuarlarla birlikte çalışan yalın bir ünedir. Onaylı aksesuarlar için bkz.

Ürüne genel bakış

(Şek. 1)

1. Dönüş mafsalı
2. Ataşman kilitleme düğmesi
3. Teleskopik işlev kolu
4. Mil
5. Yumuşak manşon
6. Kuşam askılık kancası
7. Güç tetiği kilidi için kilit düğmesi
8. Arka tutma yeri
9. Güç tetiği kilidi
10. Güç tetiği
11. Kullanım kılavuzu
12. Akü çıkarma düğmesi
13. Akü şarj cihazı
14. Güç açma ve uyarı göstergesi
15. Konektör
16. Depolama kancası, vidalar ve dübeller

Aksesuarlar sayfa: 177. Bu kılavuzun yanı sıra onaylı aksesuarın kılavuzunu da okuduğunuzdan emin olun.

Ürün üzerindeki semboller

- (Şek. 2) UYARI: Bu ürün, tehlikeli olabilir ve operatör ya da başkaları açısından ciddi yaralanmalara veya ölüme neden olabilir. Dikkatli olun ve ürünü doğru kullanın.
- (Şek. 3) Ürünü kullanmadan önce kullanım kılavuzunu dikkatlice okuyun ve talimatları anladığınızdan emin olun.
- (Şek. 4) Üzerinize nesne düşebilecek yerlerde koruyucu baret kullanın. Onaylı kulak koruma ekipmanı kullanın (Yalnızca Aspire P5-P4A + Aspire Pole-P4A için). Onaylı koruyucu gözlük kullanın.
- (Şek. 5) Onaylı koruyucu eldiven kullanın.

(Şek. 6) Ağır işler için elverişli, kaymaya dirençli botlar kullanın. (Yalnızca Aspire P5-P4A + Aspire Pole-P4A için geçerlidir)

(Şek. 7) Doğru akım.

(Şek. 8) Nominal voltaj, V

(Şek. 9) Yağmura maruz bırakmayın.

(Şek. 10) Yaralanma riski. Ellerinizi kesme aletinden uzak tutun.

(Şek. 16) TEHLİKE - Elektrikli güç hatlarından yeterli uzaklıkta durun.

(Şek. 17) Nominal değerler plakası veya lazer baskı, seri numarasını gösterir. **yyyy** üretim yılı, **hh** ise üretim haftasıdır.

(Şek. 11) Ürün, geçerli AB direktiflerine uygundur.

(Şek. 12) Bu ürün yürürlükteki Birleşik Krallık yönetmeliklerine uygundur.

(Şek. 13) Ürün ya da ürünün ambalajı evsel atık değildir. Ürünü, elektrikli ve elektronik ekipmanlar için bir geri dönüşüm istasyonunda geri dönüştürün.

Not: Ürün üzerindeki diğer simgeler/etiketler belirli bölgelerin özel sertifikalandırma gereksinimleri ile ilgilidir.

(Şek. 14) Akü şarj cihazını sadece kapalı mekanlarda kullanın ve saklayın.

(Şek. 15) Çift yalıtım.

Akü ve/veya akü şarj cihazı üzerindeki semboller

Bu ürünü, elektrikli ve elektronik ekipmanlar için bir geri dönüşüm istasyonunda geri dönüştürün. (Sadece Avrupa için geçerlidir)

(Şek. 18)

(Şek. 19)

Aküyü yalnızca POWER FOR ALL Sistem ortaklarının ürünlerinde kullanın.

(Şek. 20) Aküyü ısı (ör. sürekli yoğun gün ışığı,

(Şek. 21) ateş), kir, su ve neme karşı koruyun. Patlama ve kısa devre riski vardır.

Üründe oluşabilecek hasarlar

Aşağıdaki durumlarda ürünümdede oluşabilecek hasarlardan sorumlu olmayız:

- ürünün hatalı bir şekilde onarılması,
- ürünün, üretici tarafından onaylanmayan veya üreticiden alınmayan parçalarla tamir edilmesi,
- üründe, üreticiden alınmayan veya üretici tarafından onaylanmayan bir aksesuar bulunması,
- ürünün, onaylı bir servis merkezinde veya yetkili bir kurum tarafından tamir edilmemesi.

Üretici

Husqvarna AB

Drottninggatan 2, SE-561 82 Huskvarna, Sweden, tel: +46-36-146 500

Güvenlik

Güvenlik tanımları

Kılavuzdaki önemli kısımları vurgulamak için uyarılar ve notlar kullanılmıştır.



UYARI: Kılavuzdaki talimatlara uyulmadığı takdirde operatör veya çevredeki kişiler için ciddi yaralanma veya ölüm tehlikesi varsa kullanılır.



DİKKAT: Kılavuzdaki talimatlara uyulmadığı takdirde ürünün, diğer malzemelerin veya çevrenin zarar görme riski olduğunda kullanılır.

Not: Belirli bir durumda bilgi verilmesi gerektiğinde kullanılır.

Genel elektrikli alet güvenlik uyarıları



UYARI: Bu güç ünitesi kılavuzuyla birlikte onaylı aksesuarın kılavuzunu da okuduğunuzdan emin olun.



UYARI: Bu elektrikli aletle birlikte verilen tüm güvenlik uyarılarını, talimatları, çizimleri ve teknik özellikleri okuyun. Aşağıda listelenen talimatların göz ardı edilmesi elektrik çarpmasına, yangına ve/veya ciddi yaralanmaya neden olabilir.

Not: Tüm uyarı ve talimatları ilerde başvurmak üzere saklayın. Uyarılardaki "elektrikli alet" ifadesi, şebeke akımıyla çalışan (kablolu) elektrikli aletinizi veya aküyle çalışan (kablosuz) elektrikli aletinizi belirtmektedir.

Çalışma alanı güvenliği

- **Çalışma alanını temiz ve iyi aydınlatılmış tutun.** Kalabalık veya karanlık alanlar kazalara neden olabilir.
- **Elektrikli aletleri yanıcı sıvıların, gazların veya tozların bulunduğu patlayıcı ortamlarda çalıştırmayın.** Elektrikli aletler, toz veya gazı ateşleyebilecek kıvılcımlar çıkarır.
- **Elektrikli aletleri kullanırken çocukları ve yanınızdakileri uzakta tutun.** Dikkatinizin dağılması, kontrolü kaybetmenize neden olabilir.

Elektrik güvenliği

- **Elektrikli aletlerin fişleri prize uygun olmalıdır.** Hiçbir zaman fişler üzerinde herhangi bir değişiklik yapmayın. Topraklı elektrikli aletlerle herhangi bir adaptör fiş kullanmayın. Değiştirilmemiş fişler ve uygun prizler, elektrik çarpması riskini azaltır.
- **Boru, radyatör, fırın, buzdolabı gibi topraklı yüzeylerle vücut temasından kaçının.** Vücutunuz topraklı ise elektrik çarpması riski artar.
- **Elektrikli aletleri yağmura veya ıslak koşullara maruz bırakmayın.** Elektrikli aletin içine giren su, elektrik çarpması riskini artırır.
- **Kabloyu kötü kullanmayın. Kabloyu asla elektrikli aleti taşımak, çekmek veya fişini çıkarmak için kullanmayın.** Kabloyu ısıdan, yağdan, keskin kenarlardan veya hareketli parçalardan uzakta tutun. Hasar görmüş veya dolaşmış kablolar, elektrik çarpması riskini artırır.
- **Elektrikli aleti dış mekanda çalıştırırken dış mekan kullanımına uygun bir uzatma kablosu kullanın.** Dış mekan için uygun bir kordon kullanmak, elektrik çarpması riskini azaltır.
- **Elektrikli aleti mutlaka nemli bir ortamda çalıştırmaz gerekiyorsa artık akım cihazı (RCD) korumalı bir güç kaynağı kullanın.** RCD kullanmak elektrik şoku riskini azaltır.

Kişisel güvenlik

- **Elektrikli aletleri kullanırken dikkatinizi yaptığınız işe verin, gözünüzü işinizden ayırmayın ve sağduyulu olun.** Yorgunken veya uyuşturucu, alkol ya da ilaç etkisi altındayken elektrikli alet kullanmayın. Elektrikli alet kullanırken bir anlık bir dikkatsizlik, ciddi yaralanmaya neden olabilir.
- **Kişisel koruyucu ekipmanlar kullanın. Daima koruyucu gözlük takın.** Uygun durumlarda toz maskesi, kaymayan güvenlik ayakkabıları, baret veya kulak koruma ekipmanı gibi koruyucu ekipman kullanımı yaralanmaları azaltır.
- **İstenmeyen çalıştırmaları önleyin. Güç kaynağına ve/veya akü grubuna bağlamadan, aleti kaldırmadan veya taşımadan önce anahtarın kapalı konumda olduğundan emin olun.** Elektrikli aletleri parmağınızı çalıştırma düğmesindeyken taşımak veya açık elektrikli aletlere enerji vermek kazalara davetiye çıkarır.
- **Elektrikli aleti açmadan önce ayarlama anahtarlarını veya İngiliz anahtarlarını çıkarın.** Elektrikli aletin dönen kısmına takılı bırakılan İngiliz anahtarı veya anahtar yaralanmaya neden olabilir.
- **Makineyi kullanırken erişim alanınızın dışındaki yerlere uzanmaya çalışmayın. Her zaman yere sağlam basın ve dengeyi koruyun.** Bu, elektrikli aletin beklenmedik durumlarda daha iyi kontrolünü sağlar.
- **Uygun giyinin. Bol kıyafetler giymeyin veya takı takmayın. Saçınızı ve kıyafetinizi hareketli parçalardan uzakta tutun.** Bol kıyafetler, takılar veya uzun saçlar hareketli parçalara takılabilir.
- **Cihazlar toz çekme ve toplama takımı bağlantısı ile geldiyse bunların bağlı olduğundan ve düzgün kullanıldığından emin olun.** Toz toplama özelliği, tozla ilgili tehlikeleri azaltılabilir.
- **Aletleri sık kullanmanın verdiği aşinalıkla kendinizi rahat hissedip alet güvenliğini ikelerinizi görmezden gelmeyin.** Dikkatsiz eylemler bir anda ağır yaralanmalara neden olabilir.
- **Tehlikeli Elektrik hatlarının yakınında çalıştırın.** Ünite, yukarıdan geçen elektrik hatlarına temas edilmesi durumunda elektrik çarpmasına karşı koruma sağlamak üzere tasarlanmıştır. Yukarıdan geçen elektrik hatlarından güvenli mesafeler için yerel düzenlemelere bakın ve ürünü çalıştırmadan önce çalışma konumunun güvenli ve emniyetli olduğundan emin olun.

Elektrikli alet kullanımı ve bakımı

- **Elektrikli aleti zorlamayın. Yapacağınız iş için uygun olan elektrikli aleti kullanın.** Doğru elektrikli alet, tasarlandığı oranda işi daha iyi ve güvenli yapar.
- **Anahtar, elektrikli aleti açıp kapatmıyorsa elektrikli aleti kullanmayın.** Anahtar ile kontrol edilemeyen elektrikli aletler tehlikelidir ve onarılmalıdır.
- **Herhangi bir ayarlama yapmadan, aksesuar değiştirmeden veya elektrikli aletleri depolamadan önce elektrikli aletin fişini güç kaynağından çekin**

ve/veya çıkarılabilirse akü grubunu çıkarın. Bu tür önleyici güvenlik önlemleri, elektrikli aletin kazara çalıştırılma riskini azaltır.

- **Kullanılmayan elektrikli aletleri çocukların erişemeyeceği yerde saklayın ve elektrikli alete veya elektrikli aleti kullanmak üzere bu talimatlara yabancı olan kişilere izin vermeyin.** Elektrikli aletler, eğitimsiz kullanıcıların elinde tehlikelidir.
- **Elektrikli aletlerin ve aksesuarların bakımını yapın.** Hareketli parçaların yanlış konumlandırılması veya takılması, parçaların kırılması ve elektrikli aletin çalışmasını etkileyebilecek herhangi bir durum olup olmadığını kontrol edin. **Hasarlı ise kullanmadan önce elektrikli aleti tamir ettirin.** Çoğu kaza yetersiz bakım yapılmış elektrikli aletlerden kaynaklanmaktadır.
- **Kesme araçlarını keskin ve temiz tutun.** Bakımı düzgün yapılmış, kesen tarafları yeterli keskinlikte olan kesme araçlarının takılma ihtimali daha az olup kontrol etmesi daha kolaydır.
- **Elektrikli alet, aksesuarlar, araç parçaları vb. bileşenleri, çalışma koşullarını ve yapılacak işi göz önünde tutarak bu talimatlara uygun şekilde kullanın.** Elektrikli aletin düşünülen amaçlar dışında kullanılması tehlikeli bir duruma yol açabilir.
- **Tutma yerlerini ve kavrama yüzeylerini kuru, temiz, gres ve yağdan arındırılmış halde tutun.** Kaygan tutma yerleri ve kavrama yüzeyleri beklenmedik durumlarda aletin güvenli bir şekilde kullanılmasına ve kontrol edilmesine imkan tanımaz.

Akülü alet kullanımı ve bakımı

- **Sadece üreticinin belirttiği şarj aletiyle şarj edin.** Bir akü grubu için uygun olan bir şarj aleti başka bir akü grubuyla kullanıldığında yangın riski doğurabilir.
- **Elektrikli aletleri sadece özel olarak geliştirilmiş akü gruplarıyla kullanın.** Farklı türde akü gruplarının kullanılması yangın ve yaralanma riski doğurabilir.
- **Akü grubunu, kullanımda değilken ataç, bozuk para, anahtar, çivi, vida veya diğer küçük metal cisimler gibi bir ucun başka bir uca bağlanmasına neden olabilecek cisimlerden uzak tutun.** Akü uçlarının kısa devre yapması yanıklara veya yangına neden olabilir.
- **Zorlayıcı koşullarda aküden sıvı sızabilir; bu sıvıya dokunmayın. Kazara dokunursanız temas eden kısmı bol suyla yıkayın. Sıvı, göze temas ederse ayrıca doktora başvurun.** Aküden sızan sıvı cildin tahriş olmasına veya yanıklara neden olabilir.
- **Hasarlı veya üzerinde değişiklik yapılmış akü grubunu veya aleti kullanmayın.** Hasarlı veya üzerinde değişiklik yapılmış aküler; yangın, patlama ya da yaralanma riski ile sonuçlanabilecek beklenmedik durumlara yol açabilir.
- **Akü grubunu veya aleti ateşe ya da aşırı sıcaklığa maruz bırakmayın.** Bunların ateşe veya 130°C / 266°F üzeri sıcaklığa maruz kalması patlamaya neden olabilir.
- **Tüm şarj etme talimatlarına uyun ve akü grubunu ya da aleti talimatlarda belirtilen sıcaklık aralığı dışında**

şarj etmeyin. Belirtilen sıcaklık aralığının dışında veya hatalı olarak yapılan şarj işlemleri, aküye zarar verebilir ve yangın riskini artırabilir.

Servis

- **Elektrikli aletinizin yalnızca aynı yedek parçalar kullanan uzman bir tamirci tarafından onarılmasını sağlayın.** Bu, elektrikli aletin güvenliğinin sağlanması için gereklidir.
- **Hasarlı akü gruplarına asla servis işlemi uygulamayın.** Akü gruplarının servis işlemleri yalnızca üretici veya yetkili servis sağlayıcıları tarafından gerçekleştirilmelidir.

Diğer genel güvenlik bilgileri

- Özel ek güvenlik kuralları için ilgili ataşmanın kullanım kılavuzuna bakın.
- Ürünü başka bir alana taşımadan önce devre dışı bırakın. Ürünü başka birine verirken her zaman aküyü çıkarın.
- Ürünü devre dışı bırakmadıysanız ve aküyü çıkarmadıysanız ürünü asla yere koymayın. Ürünü açıkken gözetimsiz bırakmayın.
- Kesim aleti ürün kapatıldıktan sonra hemen durmaz.
- Ürünü kullanmadan önce ve herhangi bir darbe sonrasında, yıpranma veya hasar olup olmadığını kontrol edin ve gerekirse onarın.
- Ürünü kullanırken kesme ataşmanına herhangi bir şey takılırsa ürünü durdurun ve devre dışı bırakın. Kesme ataşmanının tamamen durduğundan emin olun. Ürünü ve/veya kesme ekipmanını temizlemeden, incelemeyen veya onarmadan önce aküyü çıkarın.
- Kullanmadan önce ürünü kontrol edin. Bkz. *Ürünün üzerindeki güvenlik araçları sayfa: 171 ve Bakım sayfa: 174.* Hasarlı ürünü kullanmayın. Bu kılavuzda belirtilen güvenlik kontrolleri, bakım ve servis talimatlarını uygulayın.
- Hatalı bir kesme ataşmanı kaza riskini artırabilir.
- Havalandırma deliklerinde döküntü olmadığından daima emin olun.
- Ürünün mükemmel şekilde çalışır durumda olup olmadığını kontrol edin. Tüm somunların ve vidaların sıkı olup olmadığını kontrol edin.
- Bu ürün, dikkatli olmamanız ya da ürünü doğru kullanmamanız halinde tehlikeli bir alettir. Bu ürün, operatör ya da başkaları açısından ciddi yaralanmalara veya ölüme neden olabilir.
- Bu cihaz, güvenliklerinden sorumlu bir kişi tarafından gözetim altında tutulmadıkları ya da cihazın kullanımına ilişkin talimatlar sağlanmadıkça, fiziksel, duyuşsal veya zihinsel yetenekleri sınırlı olan ya da gerekli deneyim ve bilgiye sahip olmayan kişiler (çocuklar dahildir) tarafından kullanılmak üzere tasarlanmamıştır. Cihazla oynamadıklarından emin olmak için çocuklar gözetim altında tutulmalıdır.
- Çocukların makineyi kullanmasına veya yakınında bulunmasına kesinlikle izin vermeyin. Makinenin çalıştırılması kolay olduğundan, çocuklar tam

gözetim altında tutulmadıklarında makineyi çalıştırabilirler. Bu da ciddi yaralanma riski doğurur. Makine yakın gözetim altında olmadığına akü bağlantısını kesin.

- Çocukların veya ürünün ve/veya akünün kullanımı konusunda eğitilmemiş diğer kişilerin ürünü kullanmasına veya üründe servis işlemleri yapmasına kesinlikle izin vermeyin.
- Ekipmanı, çocukların ve yetkisiz kişilerin erişemeyeceği şekilde kilitlebilir bir yerde depolayın.
- Depolama ve nakliye için her zaman nakliye koruyucusu kullanılmalıdır.
- Ellerinizi ve ayaklarınızı daima, özellikle de motor çalıştırılırken kesim alanından uzak tutun.
- Ürün devre dışı bırakıldığında ellerinizi ve ayaklarınızı tamamen durana kadar kesim ataşmanından uzak tutun.
- Ciddi yaralanmalara neden olabileceğinden, ürün çalışırken veya kesme ekipmanı dönerken kesilen malzemeyi çıkarmayın veya başka kişilerin kesilen malzemeyi çıkarmasına izin vermeyin.
- İnsanların veya mallarının kazalara veya tehlikelere maruz kalmasını önlemenin operatör olarak sizin sorumluluğunuzda olduğunu unutmayın.
- Üreticinin izni alınmadan ürün tasarımında hiçbir şekilde değişiklik yapılamaz. Her zaman orijinal aksesuarlar kullanın. Onaylanmamış değişiklikler ve/veya aksesuarlar operatör veya başkaları açısından ciddi yaralanmalara veya ölüme neden olabilir. Garantinizi, onaylanmamış aksesuarların veya yedek parçaların kullanılmasından kaynaklanan hasarı kapsamaz veya bunlar için sorumluluk kabul etmez.
- Bu ürünle birlikte kullanabileceğiniz tek aksesuar, aksesuarlar bölümünde önerilen kesme ataşmanlarıdır.
- Orijinal teknik özellikleri herhangi bir şekilde değiştirilmiş bir ürünü asla kullanmayın
- Arızalı bir ürünü kesinlikle kullanmayın. Bu kılavuzda belirtilen güvenlik kontrolleri ile bakım ve servis talimatlarına uyun. Bazı bakım ve servis işleminin sadece yetkili ve kalifiye teknisyenler tarafından yapılması gerekir. Bkz. *Bakım sayfa: 174*.
- Kötü hava şartlarında çalışmak yorucu olabilir ve genellikle beraberinde tehlikeler getirir. Beraberinde getirebileceği riskler nedeniyle makinenin yoğun sis, sağanak yağmur, şiddetli rüzgar, aşırı soğuk veya yıldırım düşme riskinin olduğu durumlar gibi çok kötü hava koşullarında kullanılması tavsiye edilmez
- Asla tam anlamıyla sabitlenmemiş bir merdiven, tabure veya diğer yüksek konumlar üzerinde çalışmayın.
- Boşta Duran Cihazları İç Mekanlarda Saklayın. Cihazlar, kullanılmadıklarında iç mekanlarda saklanmalıdır.
- Karşılaşabileceğiniz tüm olası durumları ele almak mümkün değildir. Her zaman dikkatli ve sağduyulu olun. Kontrol edemeyeceğinizi düşündüğünüz tüm durumlardan kaçının. Bu talimatları okuduktan

sonra çalıştırma prosedürleri konusunda hala emin olmadığınızın noktalar varsa devam etmeden önce bir uzmana danışmalısınız.

- Çalışırken insanların veya hayvanların 15 metreden (50 fit) daha yakın olmadığından emin olun. Aynı çalışma alanında birkaç operatör çalıştığında güvenli mesafe en az 15 metre (50 fit) olmalıdır. Aksi takdirde ciddi yaralanma riski vardır. Herhangi biri yaklaşırsa ürünü derhal durdurun. Güvenlik bölgesi içinde kimsenin bulunmadığından emin olmak için arkanızı kontrol etmeden ürünü asla sallamayın.
- Ürünü kullanırken kesme ataşmanına herhangi bir şey takılırsa ürünü durdurun ve devre dışı bırakın. Kesme ataşmanının tamamen durduğundan emin olun. Ürünü ve/veya kesme ekipmanını temizlemeden, incelemeyen veya onarmadan önce aküyü çıkarın.
- İnsanların, hayvanların veya diğer nesnelere ürün kontrolünüzü etkilemeyeceğinden veya bunların kesme ataşmanıya ya da kesme ataşmanının fırlattığı sabit olmayan nesnelere temas etmeyeceğinden emin olun. Bir kaza durumunda yardım isteyebilecek durumda değilseniz ürünü kullanmayın.
- Güvenli bir şekilde hareket edebildiğinizden ve ayakta durabildiğinizden emin olun. Ani hareket etmeniz gerekebileceğini göz önünde bulundurarak çevrenizdeki olası engelleri (kökler, taşlar, dallar, çukurlar vs.) kontrol edin. Eğimli yüzeyde çalışırken çok dikkatli olun.
- Yürüyün, asla koşmayın.
- Çalışma alanını inceleyin. Taş, kırık cam, çivi, çelik tel, ip vb. fırlatabilecek veya kesiciye ya da kesici siperliğine dolaşabilecek tüm sabit olmayan nesnelere kaldırın.
- Keserken fırlatabilecek dal parçalarına dikkat edin. Kesme işlemini yere yakın yapmayın. Taşlar ve diğer nesnelere fırlatabilir.
- Ürün çalıştırıldığında kıyafetlerin veya vücudunuzun kesme ataşmanıya temas etmemesine dikkat edin. Ürünü bel seviyenizin altında tutun.
- Savrulan nesnelere dikkat edin. Daima onaylanmış bir koruyucu gözlük takınız. Asla kesme ataşmanı siperliği üzerine eğilmeyin. Taşlar, çöpler vb. maddeler gözlemlere fırlatabilir ve körlüğe veya ciddi yaralanmalara neden olabilir.
- Kulak koruma ekipmanı taktığınızda uyarı sinyallerine veya bağırma seslerine karşı dikkatli olun. Ürün durur durmaz kulak koruma ekipmanınızı mutlaka çıkarın.
- İstenmeyen titreşimler olursa misinayı doğru uzunluğuna getirmek için yeni misinaya hafifçe dokunarak titreşimleri durdurun.
- Ürün anormal şekilde titriyorsa ürünü durdurun ve aküyü çıkarın.
- Titreşime aşırı ölçüde maruz kalmak, dolaşım bozukluğu olan kişilerde dolaşım veya sinir sistemi hasarına yol açabilir. Titreşime aşırı maruz kalma belirtileri yaşıyorsanız doktorunuza danışın. Bu belirtiler arasında uyuşma, his kaybı, konulanma,

iğnelenme, acı, güç kaybı, cilt renginde veya durumunda değişiklik bulunmaktadır. Bu belirtiler çoğunlukla parmaklarda, ellerde veya bileklerde ortaya çıkar.

- Ürünü daima iki elinizle tutun.

Kişisel koruyucu ekipman



UYARI: Ürünü kullanmadan önce aşağıdaki uyarı talimatlarını okuyun.

- Ürünü kullanırken daima onaylı kişisel koruyucu ekipmanları kullanın. Kişisel koruyucu ekipmanlar yaralanma riskini tamamen engelleyemez ancak bir kaza durumunda yaralanmanın derecesini azaltır. Bayınızın doğru ekipmanı seçmenize yardımcı olmasını sağlayın.
- Nesnelerin düşme riski bulunan yerlerde koruyucu kask kullanın.
- Yeterli gürültü azaltması sağlayan onaylı kulak koruma ekipmanını kullanın. Uzun süre gürültüye maruz kalınması sürekli işitme bozukluğuna yol açabilir.
- Onaylı koruyucu gözlük kullanın. Vizör kullanıyorsanız onaylı koruma gözlüğü de kullanmanız gerekir. Onaylı koruma gözlüğü ABD'de ANSI Z87.1 veya AB ülkelerinde EN 166 standardıyla uyumlu olmalıdır.
- Yüz koruması için vizör kullanın. Vizör, göz koruması için yeterli değildir.

(Şek. 22)

- Kesme donanımını takma, kontrol etme veya temizleme gibi eldiven gerektiren durumlarda eldiven kullanın.
- Sağlam, kaymaz botlar kullanın.
- Sağlam kumaştan yapılmış kıyafetler kullanın. Daima kalın ve uzun pantolonlarla uzun kollu kıyafetler kullanın. Çalılara ve dallara takılabilecek bol kıyafetler kullanmayın. Takı takmayın; şort, sandalet giymeyin veya çıplak ayakla dolaşmayın. Saçınızı güvenli bir şekilde omuz hizasının üzerinde toplayın.

(Şek. 23)

- İlk yardım ekipmanını yakında bulundurun.

(Şek. 24)

Ürünün üzerindeki güvenlik araçları



UYARI: Ürünü kullanmadan önce aşağıdaki uyarı talimatlarını okuyun.

Bu bölümde ürünün güvenlik özellikleri, amacı ve ürünün düzgün çalışması için bakım ve kontrollerin nasıl yürütülmesi gerektiği açıklanmaktadır. Ürününüzde bu parçaların nerede bulunduğunu görmek için *Ürüne genel bakış sayfa: 166* başlığı altındaki talimatları okuyun.

Ürün bakımı doğru olarak yapılmazsa ve servis ve/veya onarım işlemleri profesyonel olarak uygulanmazsa ürünün kullanım ömrü azalabilir ve kaza riski artabilir. Daha fazla bilgiye ihtiyacınız olursa lütfen en yakın servis bayisiyle iletişime geçin.



UYARI: Güvenlik bileşenleri hasarlı olan bir ürünü asla kullanmayın. Ürünün güvenlik donanımı bu bölümde açıklandığı gibi kontrol edilmeli ve bakıma alınmalıdır. Ürününüz bu kontrollerden herhangi birini geçemezse onarım için servis nokتانızla iletişime geçin.



DİKKAT: Makine üzerindeki tüm servis ve onarım işlemleri özel eğitim gerektirir. Bu durum özellikle makinenin güvenlik ekipmanı için geçerlidir. Makineniz aşağıda açıklanan kontrollerden herhangi birinden geçemezse servis nokتانızla iletişime geçmelisiniz. Herhangi bir ürünü satın aldığınızda profesyonel onarım ve servis hizmetlerinin mevcut bulunduğunu garanti etmekteyiz. Makinenizi satan bayi bir servis bayisi değilse size en yakın servis nokتانının adresini sorun.

Güç tetiği kilidini kontrol etme

Güç tetiği kilidi, kazara çalıştırılmayı önler. Tutma yerini bıraktığınızda güç tetiği ve güç tetiği kilidi geri hareket ederek ilk konumlarına geri döner.

1. Güç tetiği kilidi kilitleme düğmesini ileri doğru itin. (Şek. 25)
2. Güç tetiği kilidi ilk konumundayken güç tetiğinin kilitti olduğundan emin olun. (Şek. 26)
3. Güç tetiği kilidini önce bir tarafa, ardından diğer tarafa itin. Güç tetiği kilidinin ilk konumuna geri döndüğünden emin olun. (Şek. 27)
4. Güç tetiğinin ve güç tetiği kilidinin serbestçe hareket ettiğinden ve dönüş yayının düzgün çalıştığından emin olun. (Şek. 28)
5. Ürünü çalıştırın; bkz. *Ürünü çalıştırma sayfa: 174*.
6. Güç tetiğini serbest bırakın ve ürünün tamamen durduğundan emin olun.

Montaj için güvenlik talimatları



UYARI: Bu güç ünitesi kılavuzuyla birlikte onaylı aksesuar kılavuzunu da okuyun.

- Ürünü monte etmeden önce aküyü üründen çıkarın.
- Onaylı koruyucu eldivenleri kullanın.
- Hasarlı veya yanlış bir siperlik yaralanmalara olabilir. Onaylı siperlik takılı olmayan bir kesme ataşmanını kullanmayın.

- Ürünü çalıştırmadan önce atışmanı doğru şekilde monte ettiğinizden emin olun.
- Atışmanla birlikte bir kuşam askılık verilirse bu kuşam askılık ürüne doğru şekilde takılmalıdır. Kuşam askılık çalışmayı güvenli hale getirir ve operatörün veya diğer kişilerin yaralanmasını önler.

Akü güvenliği



UYARI: Güvenlik bilgilerini ve genel talimatları okuyun. Güvenlik bilgilerinin ve genel talimatların görmezden gelinmesi durumunda elektrik çarpması, yangın ve/veya ciddi yaralanmalar meydana gelebilir. Tüm güvenlik bilgilerinizi ve genel talimatları ileride başvurmak üzere saklayın.

- Bu güvenlik talimatları yalnızca POWER FOR ALL sisteminin 18 V Lityum İyon şarj edilebilir aküleri için geçerlidir.
- Şarj edilebilir aküyü yalnızca POWER FOR ALL Sistem ortaklarının ürünlerinde kullanın. POWER FOR ALL ile etiketli 18 V şarj edilebilir aküler aşağıdaki ürünlerle tam uyumludur:
 - 18 V POWER FOR ALL akü sisteminin tüm ürünleri.
 - POWER FOR ALL Sistem ortaklarından tüm 18 V'lik ürünler.
- Ürününüzün kullanım kılavuzundaki akü tavsiyelerini dikkate alın. Şarj edilebilir akü ve ürün yalnızca bu şekilde tehlike olmadan kullanılabilir ve şarj edilebilir aküler tehlikeli aşırı yüklemeye karşı korunabilir.
- Aküleri yalnızca üretici veya POWER FOR ALL sistem ortakları tarafından önerilen şarj cihazlarını kullanarak şarj edin. Bir tip akü için uygun olan bir şarj cihazı başka bir aküyle kullanıldığında yangın riski doğurabilir.
- Akü kısmen şarj edilmiş olarak verilir. Akünün tam kapasitede olduğundan emin olmak için elektrikli aletinizi ilk defa kullanmadan önce ürünün aküsünün tamamen şarj edin.
- Akü gruplarını çocukların ulaşamayacağı yerlerde tutun.
- Aküyü açmayın. Kısa devre riski vardır.
- Akünün hasar görmesi veya yanlış kullanılması durumunda duman salınımı gerçekleşebilir. Akü alev alabilir veya patlayabilir. Ortami iyice havalandırın ve olumsuz etkiler görülmesi durumunda tıbbi yardım alın. Ortaya çıkan dumanlar solunum sistemini tahriş edebilir.
- Yanlış kullanılırsa veya akü zarar görürse aküden yanıcı sıvı sızabilir. Bu sıvıyla temas etmeyin. Kazara temas ederseniz bol suyla yıkayın. Sıvı gözlerinize temas ederse tıbbi yardım alın. Aküden sızan sıvı cildin tahriş olmasına veya yanıklara neden olabilir.
- Akünün hasar görmesi durumunda sızan sıvı yakın yüzeyleri kaplayabilir. Etkilenen parçaları

kontrol edin. Bu parçaları temizleyin veya gerekirse değiştirin.

- Akü grubuna kısa devre yaptırmayın. Akü grubunu, kullanımında değilken atış, bozuk para, anahtar, çivi, vida veya diğer küçük metal cisimler gibi bir ucun başka bir uca bağlanmasına neden olabilecek cisimlerden uzak tutun. Akü uçlarının kısa devre yapması yanıklara veya yangına neden olabilir.
- Akü; çivi veya tornavida gibi sivri nesnelere ya da dışarıdan uygulanan kuvvetten zarar görebilir. Akünün yanmasına, duman çıkmasına, patlamasına veya aşırı ısınmasına neden olacak bir dahili kısa devre meydana gelebilir.
- Hasarlı akü gruplarına asla servis işlemi uygulamayın. Akü gruplarının servis işlemleri yalnızca üretici veya yetkili servis sağlayıcıları tarafından gerçekleştirilmelidir.
- Aküyü ısıya (sürekli yoğun gün ışığı, ateş, toprak, su ve nem) karşı koruyun. Patlama ve kısa devre riski vardır.
- Üründeki aküyü yalnızca -5 °C – 40 °C arasındaki ortam sıcaklıklarında kullanın.
- Aküyü yalnızca -20 °C – 50 °C arasındaki ortam sıcaklıklarında saklayın. Örneğin, yaz aylarında aküyü arabanızda bırakmayın. 0°C'nin altındaki sıcaklıklarda bazı cihazlarda güç kaybı yaşanabilir.
- Aküyü yalnızca 0 °C – +35 °C arasındaki ortam sıcaklıklarında şarj edin. Bu sıcaklık aralığının dışında şarj etmek, akünün hasar görme riskini artırabilir ve yangın tehlikesi oluşturabilir.

Akü şarj cihazı güvenliği



UYARI: Güvenlik bilgilerini ve genel talimatları okuyun. Güvenlik bilgilerinin ve genel talimatların görmezden gelinmesi durumunda elektrik çarpması, yangın ve/veya ciddi yaralanmalar meydana gelebilir. Bu talimatları güvenli bir yerde saklayın. Şarj cihazını yalnızca tüm işlemlerin tam olarak çalıştığını onaylayabiliyor ve bunları kısıtlama olmadan gerçekleştirebiliyor veya ilgili talimatları aldysanız kullanın.

- Bu şarj cihazı çocuklar veya fiziksel, duyuşsal ya da zihinsel engelli ya da deneyimsiz ve bilgisiz kişiler tarafından kullanılmak üzere tasarlanmamıştır. Bu şarj cihazı, 8 yaş ve üzeri çocuklar ile fiziksel, duyuşsal veya zihinsel engelli ya da deneyimsiz veya bilgisiz kişiler tarafından, güvenliklerinden sorumlu bir kişi onları gözetim altında tutarsa veya şarj cihazının güvenli bir şekilde çalıştırılması konusunda onlara talimat verirse ve ilgili tehlikeleri anlarsa kullanılabilir. Aksi takdirde çalışma hataları oluşması ve yaralanma riski vardır.
- Kullanım, temizlik ve bakım sırasında çocukları gözetin. Bu sayede çocukların şarj cihazıyla oynamasını engelleyebilirsiniz.
- Yalnızca 1,5 Ah ve üzeri kapasiteye sahip 18 V POWER FOR ALL sistemi akülerini şarj edin. Akü

voltajı, şarj cihazının akü şarj voltajıyla eşleşmelidir. Şarj edilebilir olmayan aküleri şarj etmeyin. Aksi takdirde yangın ve patlama riski vardır.

- **Şarj cihazını yalnızca kapalı alanlarda kullanın ve ıslak koşullara maruz bırakmayın.** Elektrikli aletin içine giren su, elektrik çarpması riskini artırır.
- **Şarj cihazını temiz tutun.** Kir, elektrik çarpması riski oluşturur.
- **Kullanımdan önce her zaman şarj cihazını, kabloyu ve fişi kontrol edin. Herhangi bir hasar tespit ederseniz şarj cihazını kullanmayı bırakın. Şarj cihazını kendi başınıza açmayın. Onarım işlemleri yalnızca orijinal yedek parçalar kullanılarak Husqvarna veya yetkili bir satış sonrası servis merkezi tarafından yapılmalıdır.** Hasar görmüş şarj cihazları, kablolar ve fişler elektrik çarpması riskini artırır.
- **Şarj cihazını kolaylıkla alev alabilecek (ör. kağıt ve kumaş gibi) yüzeyler üzerinde veya yanıcı ortamlarda çalıştırmayın.** Şarj cihazı çalışma sırasında ısındığı için yangın riski vardır.
- **Şarj cihazının havalandırma deliklerini kapatmayın.** Aksi takdirde şarj cihazı aşırı ısınabilir ve düzgün çalışmayabilir.
- **Sadece üreticinin belirttiği şarj aletiyle şarj edin.** Bir akü grubu için uygun olan bir şarj aleti başka bir akü grubuyla kullanıldığında yangın riski doğurabilir.
- **Akünün hasar görmesi veya yanlış kullanılması durumunda duman salınımı da gerçekleşebilir.** Ortamı iyice havalandırın ve olumsuz etkiler görülmesi durumunda tıbbi yardım alın. Ortaya çıkan dumanlar solunum sistemini tahriş edebilir.
- **Zorlayıcı koşullarda aküden sıvı sızabilir. Bu sıvıyla temas etmeyin. Kazaara temas ederseniz bol suyla yıkayın. Sıvı gözlerinize temas ederse tıbbi yardım alın.** Aküden sızan sıvı cildin tahriş olmasına veya yanıklara neden olabilir.

- **Yalnızca Büyük Britanya'da satılan ürünler:** Ürününüzde, dahili sigortası bulunan BS 1363/A onaylı bir elektrik fiş bulunur (BS 1362 uyarınca ASTA onaylı). Fişiniz, priz çıkışlarına uymuyorsa fiş prizden çıkarılmalı ve yetkili müşteri hizmetleri noktası tarafından yerine uygun bir fiş takılmalıdır. Yedek fiş, orijinal fiş ile aynı sigorta değerine sahip olmalıdır. Olası bir elektrik çarpması tehlikesini önlemek için çıkarılan fiş bertaraf edilmelidir ve asla başka bir duvar prizine takılmamalıdır.

Bakım için güvenlik talimatları



UYARI: Ürün üzerinde bakım yapmadan önce aşağıdaki uyarı talimatlarını okuyun.

- Bakım ve diğer kontrolleri gerçekleştirmeden veya ürünü monte etmeden önce aküyü çıkarın.
- Operatör, yalnızca kullanım kılavuzunda gösterilen bakım ve servis işlemlerini uygulamalıdır. Daha geniş çaplı bakım ve servis için servis bayinizle iletişime geçin.
- Aküyü veya akü şarj cihazını suyla temizlemeyin. Güçlü deterjanlar plastiğe zarar verebilir.
- Bakım yapmamanız ürünün kullanım ömrünü azaltır ve kaza riskini artırır.
- Ürünün güvenlik araçları başta olmak üzere tüm servis ve onarım işlemleri için özel eğitim gerekir. Bakım yaptıktan sonra bu kullanım kılavuzundaki tüm kontroller onaylanmazsa servis bayinizle iletişime geçin. Ürününüz için profesyonel onarım ve servis hizmetinin mevcut olduğunu garanti ederiz.
- Sadece orijinal yedek parça kullanın.
- Kesme donanımını onarıırken her zaman ağır hizmet tipi eldiven giyin. Bıçaklar çok keskindir ve kolaylıkla yaralanmalara neden olabilir.

Montaj

Giriş



UYARI: Ürünü monte etmeden önce güvenlik bölümünü okuyup anlayın.

Ataşmanı takma

1. Ataşmanı (A) güç ünitesine (B) takın. Ataşman, güç ünitesindeki tutucuya kolay bir şekilde oturmalıdır, oturmuyorsa düzgün takılmamış demektir. (Şek. 29)
2. Kilitleme düğmesini (C) sıkın.

Not: Ataşman güç ünitesine takıldığında ataşmanın kullanıcı arabiriminin bağlantısı kesilir.

Teleskopik mil uzunluğunun ayarlanması

1. Mildeki kolu (A) kaldırın. (Şek. 30)
2. Teleskopik mili uygun uzunlukta olacak şekilde ayarlayın.
3. Teleskopik mili kilitlemek için kolu aşağı itin.

Depolama kancasını duvara monte etme

- Depolama kancasını iç mekanda bir yere monte edin.
- Depolama kancasını güneş ışığından uzak ve -10°C ile 70°C arası bir ortam sıcaklığında tutun.
- Depolama kancasını alçıpan, ahşap veya beton duvara monte edin.



DİKKAT: Duvarın en az 30 kg yük taşıyabildiğinden emin olun.

- Saklama kancasını, 3 vida (A) ile duvara monte edin. Gerekirse dübel (B) kullanın. (Şek. 31)



DİKKAT: Vidaların duvar tipinize uygun olduğundan emin olun.

- Ürününüzeye yönelik mevcut depolama aksesuarları hakkında bilgi almak için Husqvarna servis noktanızla görüşün.

Ürünü depolama kancasına asma

- Güç ünitesini resimde gösterdiği gibi depolama kancasına asın. (Şek. 32)

Çalışma

Ürünü kullanmadan önce işlev kontrolü yapma

1. Üründeki kirleri ve istenmeyen malzemeleri bir fırça ile temizleyin.
2. Tüm somunları ve vidaları sıkın.
3. Ataşmanın doğru şekilde takıldığından emin olun.
4. Güç tetiği kilidi kilit düğmesinin devrede olduğundan emin olun.
5. Uzatılmış mil ve pivot elemanının kilitleme cihazlarının kilitletli konumda olduğundan emin olun.
6. Ataşmanda çatlak gibi hasarlar olup olmadığını kontrol edin. Hasarlıysa ataşmanı değiştirin.
7. Kapakların doğru şekilde takıldığından ve hasarlı olmadığından emin olun.
8. Ürünün doğru şekilde çalıştığından emin olun.

Aküyü ürüne bağlama



UYARI: Üründe yalnızca POWER FOR ALLsistemini P4A 18 V lityum iyon akülerini kullanın.

1. Akünün tamamen şarj edilmiş olduğundan emin olun.
2. Aküyü, ürünün akü tutucusuna yerleştirin. Akü, tutucuya kolay bir şekilde oturmalıdır, oturmuyorsa düzgün takılmamış demektir. (Şek. 33)
3. Aküyü, akü yuvasına tamamen itin. Akü yerine oturduğunda bir tık sesi duyarsınız.
4. Mandalın düzgün bir şekilde yerine oturduğundan emin olun.

Ürünü çalıştırma

1. Güç tetiği kilidi kilitleme düğmesini ileri doğru itin. (Şek. 25)
2. Güç tetiği kilidini (A) sol ya da sağ taraftan itin ve güç tetiğini (B) tutun. (Şek. 34)

ürününü durdurma

1. Güç tetiğini serbest bırakın.
2. Ürünü kilitlemek için güç tetiği kilidinin kilit düğmesini geriye doğru itin.
3. Akü ayırma düğmesine basın ve aküyü çekip çıkarın. (Şek. 35)
4. Gerekirse ataşmanı üründen çıkarın.

Ürünün açısını ayarlama

Ürün 7 farklı konumda ayarlanabilir.



UYARI: Ürünü kullanırken açığı ayarlamayın.

1. Ürünü durdurun ve aküyü çıkarın.
2. Tutucuyu (A) sıkıca tutun. (Şek. 36)
3. Dönüş mafsallını (B) basılı tutun.
4. Tutucuyu doğru konuma ayarlayın.
5. Dönüş mafsallını serbest bırakarak tutucuyu kilitleyin.
6. Tutucuyu yerine kilitlene kadar yukarı ve aşağı hareket ettirin.

Bakım

Giriş



UYARI: Ürün üzerinde bakım yapmadan önce güvenlik bölümünü okuyup anlayın.



UYARI: Ürün üzerinde bakım yapmadan önce aküyü çıkarın.

Bakım takvimi

Ürün üzerinde gerçekleştirmeniz gereken bakım adımları aşağıda listelenmiştir.

Bakım	Çalıştırmadan önce	Haftalık	Aylık
Ürünün dış parçalarını kuru bir bezle temizleyin. Su kullanmayın.	X		
Güç tetiği kilidinin kilit düğmesinin düzgün çalıştığından ve hasarlı olmadığından emin olun.	X		
Güç tetiğinin ve güç tetiği kilidinin güvenlik açısından doğru çalıştığından emin olun.	X		
Tüm kontrollerin çalıştığından ve hasarlı olmadığından emin olun.	X		
Tutma yerlerini temiz ve kuru tutun.	X		
Vida ve somunların sıkı olduğundan emin olun.	X		
Aküdeki serbest bırakma düğmelerinin doğru şekilde çalıştığından ve akünün ürüne sabitlendiğinden emin olun.	X		
Akünün zarar görmemiş olduğundan emin olun.	X		
Akünün şarj edilmiş olduğundan emin olun.	X		
Akü şarj cihazının hasarlı olmadığından ve doğru şekilde çalıştığından emin olun.	X		
Tüm kabloları, kaplinleri ve bağlantıları kontrol edin. Temiz ve hasarsız olduklarından emin olun.		X	
Akü ile ürün arasındaki bağlantıları kontrol edin.			X
Akü ile akü şarj cihazı arasındaki bağlantıyı kontrol edin.			X

Ürünü, aküyü ve akü şarj cihazını temizleme

1. Kullandıktan sonra ürünü kuru bir bezle temizleyin.
2. Aküyü ve akü şarj cihazını kuru bir bezle temizleyin. Pil kılavuz raylarını temiz tutun.

3. Aküyü, akü şarj cihazına veya ürüne yerleştirmeden önce akü ve akü şarj cihazının terminallerinin temiz olduğundan emin olun.

Taşıma, depolama ve atma

Taşıma ve depolama

- Ürün ile birlikte verilen Lityum İyon aküler, Tehlikeli Maddeler Yönetmeliklerinin gereksinimlerini karşılamaktadır.
- Üçüncü taraflar ve aracı nakliye şirketleri de dahil olmak üzere, ticari amaçlı taşıma işlemlerinde ambalaj ve etiketler üzerindeki özel gereksinimlere uyun.
- Ürünü göndermeden önce tehlikeli maddeler konusunda özel eğitim almış bir kişiyle görüşün. Yürürlükteki tüm ulusal yönetmeliklere uyun.

- Aküyü bir ambalaja yerleştireceğiniz zaman açık kontakları bantlayın. Aküyü ambalaj içine hareket etmesini engelleyecek şekilde sıkıca yerleştirin.
- Depolama veya taşıma için aküyü çıkarın.
- Aküyü ve akü şarj cihazını nem ve don olmayan kuru bir yerde saklayın.
- Aküyü statik elektriğin oluşabileceği yerlerde saklamayın. Aküyü metal bir kutuda tutmayın.
- Aküyü, sıcaklığın -20°C/-4°F ile +50°C/122°F arasında olduğu ve doğrudan güneş ışığı almayan bir yerde depolayın.

- Akü şarj cihazını, sıcaklığın 5°C/41°F ile 45°C/113°F arasında olduğu ve doğrudan güneş ışığı almayan bir yerde depolayın.
- Akü şarj cihazını yalnızca ortam sıcaklığı 0°C/32°F ile 35°C/95°F arasındayken kullanın.
- Ürünü sıcaklığın -40°C/-40°F ile +60°C/140°F arasında olduğu bir yerde depolayın.
- Uzun süreli depolamadan önce aküyü %30-%50 arasındaki bir seviyeye kadar şarj edin.
- Akü şarj cihazını, kapalı ve kuru bir alanda saklayın.
- Depolama sırasında aküyü akü şarj cihazından uzakta tutun. Çocukların ve diğer izinsiz kişilerin ekipmana dokunmasına izin vermeyin. Ekipmanı kilitleyebileceğiniz bir yerde tutun.
- Uzun süreli depolamadan önce ürünü temizleyin ve ürüne eksiksiz bir bakım yapın.
- Taşıma ve depolama sırasında yaralanmaları veya ürünün hasar görmesini önlemek için taşıma siperliğini kullanın.

- Taşıma sırasında ürünü güvenli bir şekilde sabitleyin.
- Ürünü yatay olarak saklayın veya ürünü birlikte verilen kancaya asın. Bkz. *Ürünü depolama kancasına asma sayfa: 174.*

Akünün, akü şarj cihazının ve ürünün bertaraf edilmesi

Aşağıdaki sembol, ürünün evsel atık olmadığını gösterir. Ürünü, elektrikli ve elektronik ekipmanlar için bir geri dönüşüm istasyonunda geri dönüştürün. Bu, çevrenin ve insanların zarar görmesini önlemeye yardımcı olur.

Daha fazla bilgi için yerel yetkililerle, evsel atık servisiyle veya bayinizle görüşün.

(Şek. 18)

Not: Sembol, ürün veya ürün paketi üzerinde gösterilir.

Teknik veriler

Aspire Pole-P4A	
Ağırlık	
Ağırlık (yalnızca güç ünitesi), kg	1,5

Onaylı aküler

Bu ürün tüm **POWER FOR ALL** akülerle kullanılabilir.

Akü	P4A 18-B36	P4A 18-B45	P4A 18-B72
Tip	Lityum iyon	Lityum iyon	Lityum iyon
Akü kapasitesi, Ah	2,0	2,5	4,0
Nominal voltaj, V	18	18	18
Ağırlık, kg	0,35	0,35	0,65
Hücre sayısı (Lityum-iyon)	5	5	10

Onaylı akü şarj cihazları

Akü şarj cihazı	P4A 18-C50	P4A 18-C70
Giriş voltajı, V	Şarj cihazı nominal değerler bilgilerine bakın.	Şarj cihazı nominal değerler bilgilerine bakın.
Frekans, Hz	50-60	50-60
Güç, W	50	70

Aksesuarlar

Ataşmanlar

Onaylanmış ataşmanlar	Tip	Kullanılacak model
Çalı makası ataşmanı	Aspire S20-P4A	Aspire Pole-P4A
Budayıcı ataşmanı	Aspire P5-P4A	Aspire Pole-P4A

Uyumluluk Bildirimi

AB Uyumluluk Bildirimi

Biz, **Husqvarna AB**, SE-561 82 Huskvarna, İsveç, tel: +46-36-146500 olarak tek sorumlu vasfıyla ürüne ilişkin aşağıdaki beyanlarda bulunmaktayız:

Açıklama	Akülü güç ünitesi
Marka	Husqvarna
Tip/Model	Aspire Pole-P4A
Kimlik	2023 ve sonrası tarihli seri numaraları

aşağıdaki AB direktifleri ve yönetmelikleriyle tamamen uyumludur:

Direktif/Yönetmelik	Açıklama
2006/42/AT	"makinelele ilgili"
2014/30/AB	"elektromanyetik uyumlulukla ilgili"
2011/65/AB	"elektrikli ve elektronik ekipmanlarda belirli tehlikeli maddelerin kullanımının kısıtlanmasına ilişkin"
2000/14/AT	"çevredeki gürültü emisyonlarıyla ilgili"

ve aşağıdaki standartlar ve/veya teknik özellikler uygulanmıştır: EN 62841-1:2015/A11:2022, EN 62841-4-2:2019/A1:2022, EN IEC 62841-4-5:2021/A11:2021, EN ISO 11680-1:2011, EN ISO 12100:2010, EN IEC 55014-1:2021, EN IEC 55014-2:2021, EN IEC 63000:2018.

DEKRA Testing and Certification GmbH, Handwerkstraße 15, 70565 Stuttgart, Germany, 0158, makine direktifinin (2006/42/AT) 12. maddesinin 3b hususuna uygun şekilde gönüllü olarak AT tip incelemesi gerçekleştirmiştir. AT tip inceleme sertifikası şu numaraya sahiptir: 4815039.22006.

2000/14/AT Direktifi, Ek V uyarınca uygulanan uygunluk değerlendirme prosedürü.

Uzun milli budayıcı olarak Aspire P5-P4A ataşmanı ile:

- Ölçülmüş Ses Gücü Düzeyi: 88 dB (A)
- Garantili Ses Gücü Düzeyi: 91 dB (A)

Uzun milli çalı makası olarak Aspire S20-P4A ataşmanı ile:

- Çalı bıçağı için ölçülmüş Ses Gücü Düzeyi: 83 dB (A)
- Çim bıçağı için ölçülmüş Ses Gücü Düzeyi: 79 dB (A)
- Garantili Ses Gücü Düzeyi: 84 dB (A)

Huskvarna, 2023-10-30

Claes Losdal, AR-GE Müdürü, Husqvarna AB

Teknik dokümantasyon sorumlusu



Türk ithalat şirketi daha fazla bilgi için temas edilecek:
Çullas Orman Bahçe ve Tarım Mak. San. Tic. A.Ş.
Suadiye Mh. Bağdat Cd. No:455/4
Kadıköy – 34740 İstanbul / Türkiye
Telefon: +90 216 519 88 82
Faks: +90 216 519 88 78
info@cullas.com.tr



Lisanslar

Telif Hakkı © 2012–2020 STMicroelectronics

Garanti, normal aşınma ve yıpranma, ihmal, hatalı kullanım, yetkisiz onarım veya emme cihazının yanlış voltaja bağlanması sonucunda oluşan arızaları kapsamaz.

Tüm hakları saklıdır.

Kaynak ve ikili biçimlerde, değişiklik yapıp yapılmaması fark etmeksizin yeniden dağıtımına ve kullanımına, aşağıdaki koşulların karşılanması koşuluyla izin verilir:

- Kaynak kodu yeniden dağıtımı, yukarıdaki telif hakkı bildirimini, bu koşullar listesini ve aşağıdaki sorumluluk reddini içermelidir.
- İkili biçimdeki yeniden dağıtımlar, yukarıdaki telif hakkı bildirimini, bu koşullar listesini ve aşağıdaki sorumluluk reddini, dağıtımla birlikte sağlanan belgelerde ve/veya diğer malzemelerde yeniden oluşturmalıdır.
- STMicroelectronics'in adı veya katkıda bulunanların adları, önceden özel yazılı izin olmadan bu yazılımdan türetilen ürünleri desteklemek veya tanıtmak için kullanılamaz.

BU YAZILIM TELİF HAKKI SAHİPLERİ VE KATKIDA BULUNANLAR TARAFINDAN "OLDUĞU GİBİ" SAĞLANIR VE TİCARİ ELVERİŞİLİK VE BELİRLİ BİR AMACA UYGUNLUK ZİMNİ GARANTİLERİ DAHİL ANCAK BUNLARLA SINIRLI OLMAMAK KAYDIYLA AÇIK VEYA ZİMNİ TÜM GARANTİLER REDDEDİLİR. TELİF HAKKI SAHİBİ VEYA KATKIDA BULUNANLAR, HİÇBİR DURUMDA; NEDEN OLURSA OLSUN VE HERHANGİ BİR SORUMLULUK TEORİSİNE GÖRE İSTER SÖZLEŞMEDE, KUSURSUZ SORUMLULUK VEYA HAKSIZ FİİL (İHMAL VEYA BAŞKA BİR ŞEKİLDE) DURUMUNDA, BU TÜR BİR HASAR OLASILIĞI KONUSUNDA BİLDİRİLMİŞ OLSA BİLE BU YAZILIMIN KULLANIMINDAN HERHANGİ BİR ŞEKİLDE KAYNAKLANAN HİÇBİR DOĞRUDAN, DOLAYLI, ARIZİ, ÖZEL VEYA CEZAİ HASARDAN (YEDEK ÜRÜN VEYA HİZMETLERİN TEDARİKİ; KULLANIM KAYBI, VERİ VEYA KÂR KAYBI; VEYA İŞİN KESİNTİSİ DAHİL ANCAK BUNLARLA SINIRLI OLMAMAK ÜZERE) SORUMLU TUTULAMAZ.

Apache 2.0 Lisansı

Telif Hakkı © 2009-2019 Arm Limited. Tüm hakları saklıdır.

Sürüm 2.0, Ocak 2004 <http://www.apache.org/licenses/>

KULLANIM, ÇOĞALTMA VE DAĞITIM İÇİN HÜKÜM VE KOŞULLAR

1. Tanımlar.

"**Lisans**", bu belgenin 1. ve 9. Bölümlerinde tanımlandığı şekilde kullanım, çoğaltma ve dağıtım için hüküm ve koşullar anlamına gelir. "**Lisans veren**", lisansı veren telif hakkı sahibi veya telif hakkı sahibi tarafından

yetkilendirilmiş kuruluş anlamına gelir. "**Tüzel Kişilik**", hareket eden tüzel kişinin ve bu tüzel kişiyi kontrol eden, bu tüzel kişi tarafından kontrol edilen veya bu tüzel kişilikle ortak kontrol altında olan diğer tüm tüzel kişilerin birliği anlamına gelir. Bu tanımın amaçları doğrultusunda, "**kontrol**" (i) sözleşmeyle veya başka bir şekilde, doğrudan veya dolaylı olarak bu tür bir kuruluşun yönlendirilmesi veya yönetilmesi gücü ya da (ii) tedavüldeki hisselerin yüzde elli (%50) veya daha fazlasına sahip olması ya da (iii) bu tür bir işletmenin intifa hakkı anlamına gelir. "**Siz**" (veya "**Sizin**"), bu Lisans tarafından verilen izinleri uygulayan bir birey veya Tüzel Kişilik anlamına gelir. "**Kaynak**" biçimi, yazılım kaynak kodu, belge kaynağı ve yapılandırma dosyaları dahil ancak bunlarla sınırlı olmamak üzere değişiklik yapmak için tercih edilen biçim anlamına gelir. "**Nesne**" biçimi, derlenen nesne kodu, oluşturulan belge ve diğer medya türlerine dönüştürme dahil ancak bunlarla sınırlı olmamak üzere, bir Kaynak biçimin mekanik dönüşümü veya çevrilmesinden kaynaklanan her türlü biçim anlamına gelir. "**Çalışma**", Kaynak ya da Nesne biçiminde, çalışmaya dahil edilen ya da çalışmaya eklenen bir telif hakkı bildirimine belirtilmiş gibi (aşağıdaki Ekte bir örnek verilmiştir) Lisans kapsamında sunulan yazırlık çalışması anlamına gelir. "**Türev Çalışmalar**", Kaynak ya da Nesne biçiminde, çalışmaya dayanan (ya da çalışmadan türetilen) ve editöryal revizyonların, açıklamaların, ayrıntıların ya da diğer değişikliklerin bir bütün olarak orijinal bir yazırlık çalışmasını temsil ettiği herhangi bir çalışma anlamına gelir. Bu Lisansın amaçları doğrultusunda, Türev Çalışmalar, Çalışmanın ve Türev Çalışmalarının arayüzlerinden ayrılabilen veya yalnızca bu arayüzlere bağlanabilen (veya adla bağlanan) çalışmaları içermeyecektir. "**Katkı**", Çalışmanın orijinal sürümü ve bu çalışmaya ya da Türev Çalışmalara yapılan herhangi bir değişiklik ya da ekleme de dahil olmak üzere, herhangi bir yazırlık çalışması anlamına gelecektir. Bu, telif hakkı sahibi tarafından veya telif hakkı sahibi adına gönderme yetkisine sahip bir kişi veya Tüzel Kişilik tarafından çalışmaya dahil edilmek üzere Lisans Verene kasıtlı olarak gönderilir. Bu tanımın amaçları doğrultusunda "**gönderilen**"; Lisans Veren tarafından veya onun adına çalışmayı tartışmak ve geliştirmek amacıyla yönetilen elektronik posta listeleri, kaynak kodu kontrol sistemleri ve sorun izleme sistemleri dahil ancak bunlarla sınırlı olmamak üzere Lisans Verene veya temsilcilerine gönderilen her türlü elektronik, sözlü veya yazılı iletişim anlamına gelir. Ancak telif hakkı sahibi tarafından "**Katkı Değildir**" olarak açıkça işaretlenen veya başka şekilde yazılı olarak belirtilen iletişim hariçtir. "**Katkıda Bulunan**", Lisans Veren ve Lisans Veren tarafından adına bir Katkı alınan ve ardından çalışmaya dahil edilen herhangi bir birey veya Tüzel Kişilik anlamına gelir.

2. Telif Hakkı Lisansının Verilmesi.

Bu Lisansın hüküm ve koşullarına tabi olarak, her bir Katkıda Bulunan, Size; kalıcı, dünya çapında, münhasır olmayan, ücretsiz, telifsiz, Çalışmanın ve bu tür Türev Çalışmaların Kaynak veya Nesne biçiminde çoğaltılması, hazırlanması, halka açık olarak gösterilmesi, halka açık olarak icra edilmesi, alt lisansının verilmesine ve dağıtılmasına yönelik geri alınamaz telif hakkı lisansı vermektedir.

3. Patent Lisansının Verilmesi.

Bu Lisansın hüküm ve koşullarına tabi olarak, her bir Katkıda Bulunan, Size; satmayı teklif etmek, satmak, ithal etmek ve aksi halde Çalışmayı söz konusu lisansın yalnızca Katkılar tarafından tek başına veya Katkılar ile birlikte bu Katkıların gönderildiği Çalışmalarla birlikte zorunlu olarak ihlal edilen bu Katkıda Bulunan tarafından lisanslanabilir patent hak taleplerinin geçerli olduğu bir yere taşınması için kalıcı, dünya çapında, münhasır olmayan, ücretsiz, telifsiz, geri alınamaz (bu bölümde belirtilenler hariç) bir patent lisansı vermektedir. Çalışmanın veya Çalışmaya dahil edilmiş bir Katkının doğrudan veya katkıda bulunan patent ihlali teşkil ettiği iddia eden herhangi bir kuruluşa karşı patent davası başlatırsanız (bir davada çapraz talep veya karşı iddia dahil), bu Çalışma için bu Lisans kapsamında Size verilen tüm patent lisansları, söz konusu dava açıldığı tarih itibarıyla feshedilecektir.

4. Yeniden dağıtım.

Aşağıdaki koşulları yerine getirirken kaydıyla, Çalışmanın veya Türev Çalışmaların kopyalarını herhangi bir ortamda, değişiklik yapılarak veya yapılmayarak ve Kaynak ya da Nesne biçiminde çoğaltabilir ve dağıtabilirsiniz:

- Çalışma veya Türev Çalışmalarının diğer alıcılarına bu Lisansın bir kopyasını vermelisiniz ve
- Değiştirilen dosyaların, dosyaları değiştirdiğinizi belirten belirgin bildirimler taşımaları sağlamanız; ve – Dağıttığınız herhangi bir Türev Çalışmanın Kaynak biçiminde, Çalışmanın Kaynak biçiminden tüm telif hakkı, patent, ticari marka ve atıf bildirimlerini, Türev Çalışmalarının herhangi bir bölümüyle ilgili olmayan bildirimler hariç tutmanız ve
- Çalışma, dağıtımının bir parçası olarak **"BİLDİRİM"** metin dosyası içeriyorsa daha sonra dağıttığınız herhangi bir Türev Çalışma, aşağıdaki yerlerden en az birinde, Türev Çalışmalarının herhangi bir bölümüyle ilgili olmayan bildirimler hariç olmak üzere, bu BİLDİRİM dosyasında yer alan atıf bildirimlerinin okunabilir bir kopyasını içermelidir: Türev Çalışmaların bir parçası olarak dağıtılan bir BİLDİRİM metin dosyası içinde; Türev Çalışmalar ile birlikte sağlanmışsa Kaynak biçiminde veya belgeler içinde veya Türev Çalışmalar tarafından oluşturulan bir ekran içinde, bu tür üçüncü taraf bildirimlerinin normal olarak ortaya çıkması durumunda ve nerede olursa olsun. BİLDİRİM dosyasının içeriği yalnızca bilgi amaçlıdır ve Lisansı değiştirmez. Bu tür ek atıf bildirimlerinin Lisansın değiştirilmesi olarak yorumlanamayacağı koşuluyla, Çalışmadan gelen BİLDİRİM metninin yanına veya

bir eki olarak, dağıttığınız Türev Çalışmalara kendi atıf bildirimlerinizi ekleyebilirsiniz. Değişikliklerinize kendi telif hakkı beyanınızı ekleyebilir ve Çalışmayı kullanmanız, çoğaltmanız ve dağıtmanız bu Lisansın koşulları ile uyumlu olması durumunda Değişiklikleriniz veya Türev Çalışmalarının tamamı için kullanım, çoğaltma veya dağıtım için ek veya farklı lisans hükümleri ve koşulları sağlayabilirsiniz.

5. Katkıların sunulması.

Aksini açık bir şekilde belirtmediğiniz sürece, Lisans Verene Çalışmaya dahil edilmek üzere kasıtlı olarak gönderilen herhangi bir Katkı, ek hüküm veya koşullar olmadan bu Lisansın hüküm ve koşulları kapsamında olacaktır. Yukarıdakilere bakılmaksızın, bu belgede yer alan hiçbir hüküm, Lisans Verene ile bu tür Katkılarla ilgili olarak yapmış olabileceğiniz ayrı bir lisans sözleşmesinin hükümlerinin yerine geçemez veya bu hükümlerde değişiklik yapamaz.

6. Ticari markalar.

Bu Lisans, Çalışmanın kökeninin açıklanması ve BİLDİRİM dosyasının içeriğinin çoğaltılmasına makul ve alışılmış kullanım için gerekli olanlar dışında, Lisans Veren ticari adlarının, ticari markalarının, hizmet markalarının veya ürün adlarının kullanılmasına izin vermez.

7. Garanti Reddi.

Yürürlükteki kanunlar gerektirmediği veya yazılı olarak kabul edilmediği sürece Lisans Veren Çalışmayı (ve her Katkıda Bulunan Katkılarını sağlar) "OLDUĞU GİBİ" temelinde, açık veya zımnı olarak; UNVAN, İHLAL ETMEME, TİCARETE ELVERİŞLİLİK veya BELİRLİ BİR AMACA UYGUNLUK öğelerinin sınırlama olmadan tüm garantileri ve koşullarını da dahil olacak şekilde HERHANGİ BİR GARANTİ VEYA KOŞUL OLMADAN sağlar. Çalışmayı kullanmanın veya yeniden dağıtımının uygunluğunu belirlemek ve bu Lisans kapsamındaki izinleri uygulamanızla ilgili riskleri üstlenmek tamamen sizin sorumluluğunuzdadır. 8. Sorumluluğun Sınırlandırılması. Yürürlükteki kanunlar gerektirmedikçe (kasıtlı ve büyük ölçüde ihmalkarlık içeren eylemler gibi) veya yazılı olarak kabul edilmedikçe haksız fiil (ihmal dahil), sözleşme veya başka bir şekilde, hiçbir koşulda ve hiçbir yasal teori uyarınca, herhangi bir Katkıda Bulunan; doğrudan, dolaylı, özel, arızı ya da bu Lisansın sonucu olarak ya da kullanımdan veya Çalışmanın kullanılmasından veya kullanılmamasından kaynaklanan (iyi niyet kaybı, çalışmanın durması, bilgisayar arızası ya da arızadan kaynaklanan zararlar dahil ancak bunlarla sınırlı olmamak üzere veya diğer tüm ticari hasar veya kayıplar) zararlardan, Katkıda bulunan bu tür zararların olasılığı hakkında bilgi verilmiş olsa bile Size karşı sorumlu tutulamaz.

9. Garanti veya Ek Sorumluluğun Kabul Edilmesi.

Bu Çalışmanın veya Türev Çalışmaların yeniden dağıtımını yaparken, bu Lisans ile tutarlı destek, garanti,

tazminat veya diğer yükümlülükler ve/veya haklar için ücret teklif etmeyi ve talep etmeyi tercih edebilirsiniz. Ancak, bu tür yükümlülükleri kabul ederken, diğer herhangi bir katkıda bulunan adına değil, yalnızca Sizin adınıza ve Sizin sorumluluğunuzda hareket edebilirsiniz ve her bir Katkıda Bulunana, herhangi bir sorumluluk

nedeniyle veya bu tür bir garantiyi veya ek yükümlülüğü kabul etmeniz nedeniyle bu Katkıda bulunana karşı ileri sürülen iddialar karşısında tazmin etmeyi, savunmayı ve zarardan muaf tutmayı kabul etmiş sayılırsınız. HÜKÜM VE KOŞULLARIN SONU

Innehåll

Introduktion.....	181	Transport, förvaring och kassering.....	190
Säkerhet.....	182	Tekniska data.....	191
Montering.....	188	Tillbehör.....	191
Drift.....	189	Försäkran om överensstämmelse.....	192
Underhåll.....	189	Licenser.....	193

Introduktion

Produktbeskrivning

Husqvarna Aspire Pole-P4A är ett batteridrivet kraftaggregat med teleskopfunktion.

Avsedd användning

Det här aggregatet kan endast användas tillsammans med godkända tillbehör. En lista med godkända tillbehör

Produktöversikt

(Fig. 1)

1. Roterande led
2. Låsvred för tillbehör
3. Spak för teleskopfunktion
4. Skaft
5. Mjukt grepp
6. Krok för sele
7. Låsknapp för gasreglagespärr
8. Bakre handtag
9. Gasreglagespärr
10. Gasreglage
11. Bruksanvisning
12. Frigöringsknapp för batteri
13. Batteriladdare
14. Ström- och varningsindikator
15. Koppling
16. Förvaringskrok, skruvar och väggpluggar

Symboler på produkten

(Fig. 2) **WARNING!** Den här produkten kan vara farlig och kan orsaka allvarlig eller livshotande skada för användaren och andra. Var försiktig och använd produkten på rätt sätt.

finns i *Tillbehör på sida 191*. Du måste läsa både den här handboken och handboken för det godkända tillbehöret.

(Fig. 3) Läs igenom bruksanvisningen noggrant och se till att du förstår instruktionerna innan du använder produkten.

(Fig. 4) Använd skyddshjälm på platser där föremål kan falla ner. Använd godkänt hörselskydd (endast för Aspire P5-P4A + Aspire Pole-P4A). Använd godkänt ögonskydd.

(Fig. 5) Använd godkända skyddshandskar.

(Fig. 6) Använd kraftiga halksäkra kängor. (Endast tillämpligt för Aspire P5-P4A + Aspire Pole-P4A)

(Fig. 7) Likström.

(Fig. 8) Märkspänning, V

(Fig. 9) Utsätt inte för regn.

(Fig. 10) Risk för skador. Håll händerna borta från skärverktyget.

(Fig. 11) Produkten överensstämmer med gällande EU-direktiv.

(Fig. 12) Denna produkt överensstämmer med gällande brittiska direktiv.

(Fig. 13) Produkten eller dess förpackning är inte hushållsavfall. Återvinn den vid en återvinningsstation för elektrisk och elektronisk utrustning.

(Fig. 16) FARA! Håll tillräckligt avstånd till elledning.

(Fig. 17) Typskylten eller laserskriften visar serienumret. **yyyy** är produktionsåret och **ww** är produktionsveckan.

Notera: Övriga på produkten angivna symboler/dekaler avser specifika krav för certifieringar på vissa marknader.

(Fig. 14) Använd och förvara endast batteriladdaren inomhus.

(Fig. 15) Dubbelisolerad.

Symboler på batteriet eller på batteriladdaren

(Fig. 18) Återvinn produkten vid en återvinningsstation för elektrisk och elektronisk utrustning. (Gäller endast Europa)

(Fig. 19) Använd endast batteriet i produkter från POWER FOR ALL System-partner.

(Fig. 20) Skydda batteriet mot värme, t.ex. mot kontinuerligt starkt solljus, eld, smuts, vatten och fukt. Det finns risk för explosion och kortslutning.

(Fig. 21)

Produktskada

Vi ansvarar inte för skador på vår produkt om:

- produkten repareras felaktigt
- produkten repareras med delar som inte kommer från tillverkaren eller inte har godkänts av tillverkaren
- produkten har ett tillbehör som inte kommer från tillverkaren eller inte har godkänts av tillverkaren
- produkten inte repareras vid ett godkänt servicecenter eller av en godkänd person.

Tillverkare

Husqvarna AB

Drottninggatan 2, SE-561 82 Huskvarna, Sweden, tel: +46-36-146 500

Säkerhet

Säkerhetsdefinitioner

Varningar, försiktighetsåtgärder och anmärkningar används för att betona speciellt viktiga delar i bruksanvisningen.



WARNING: Används om det finns risk för skador eller dödsfall för användaren eller kringstående om anvisningarna i bruksanvisningen inte följs.



OBSERVERA: Används om det finns risk för skada på produkten, annat material eller det angränsande området om anvisningarna i bruksanvisningen inte följs.

Notera: Används för att ge mer information som är nödvändig i en viss situation.

Allmänna säkerhetsvarningar för elverktyg



WARNING: Du måste läsa både handboken för det godkända tillbehöret och handboken för det här kraftaggregatet.



WARNING: Gå igenom alla säkerhetsvarningar, instruktioner, illustrationer och specifikationer som medföljer det här elverktyget. Om du inte följer instruktionerna nedan kan det leda till elektriska stötar, brand och/eller allvarliga skador.

Notera: Spara alla varningar och instruktioner som referens. I varningarna syftar termen "elverktyg" på ett

verktyg som antingen är anslutet till nätspänningen (med sladd) eller drivs av batteri (sladdlöst).

Säkerhet i arbetsområdet

- **Arbetsområdet ska hållas välordnat och välbelyst.** I rörliga eller mörka arbetsområden händer det lätt olyckor.
- **Använd inte elverktyg i explosiva miljöer, t.ex. i närvaro av brandfarliga vätskor, gaser eller damm.** Gnistor från elverktyget kan antända damm eller ångor.
- **Håll barn och åskådare på avstånd när du använder elverktyg.** Om du blir distraherad kan du tappa kontrollen.

Elsäkerhet

- **Elverktygets stickkontakt måste passa i vägguttaget. Modifiera aldrig stickkontakten på något sätt. Använd inga adapterkontakter med jordade elverktyg.** Oförändrade stickkontakter och motsvarande vägguttag minskar riskerna för elektriska stötar.
- **Undvik kroppskontakt med jordade ytor, t.ex. rör, kylare, spisar och kylskåp.** Risken för elektriska stötar ökar om kroppen är jordad.
- **Utsätt inte elverktyg för regn eller väta.** Om vatten tränger in i elverktyget ökar risken för elektrisk stöt.
- **Använd inte sladden på fel sätt. Använd inte sladden för att bära eller dra elverktyget, eller för att koppla ur elverktyget från uttaget. Håll sladden borta från värme, olja, vassa kanter och rörliga delar.** Skadade eller trasliga sladdar ökar risken för elektriska stötar.
- **När du använder ett elverktyg utomhus ska du även använda en förlängningssladd för utomhusbruk.** Om du använder en sladd för utomhusbruk minskar risken för elektriska stötar.
- **Om det är oundvikligt att köra elverktyget i en fuktig miljö använder du en jordfelsbrytare (RCD).** Med jordfelsbrytare minskar risken för elektriska stötar.

Personligt skydd

- **Var på din vakt, var uppmärksam på vad du gör och använd sunt förnuft när du använder ett elverktyg. Använd inte elverktyg om du är trött, har druckit alkohol eller har tagit droger eller mediciner.** Ett ögonblick av ouppmärksamhet när du använder ett elverktyg kan leda till allvarlig personskada.
- **Använd personlig skyddsutrustning. Använd alltid ögonskydd.** Lämplig skyddsutrustning som ansiktsmask, halkfria skyddsskor, hjälm och hörselskydd minskar risken för personskador.
- **Förhindra oavsiktlig start. Se till att strömbrytaren är fränslagen innan du ansluter produkten till en strömkälla och/eller ett batteri och innan du tar upp eller bär produkten.** Risken för olyckor är stor om du bär elverktyg med fingret på strömbrytaren eller tillför ström till elverktyg med strömbrytaren påslagen.
- **Ta bort eventuella justeringsnycklar eller skiftnycklar innan du slår på verktyget.** Nycklar som lämnas

kvar i elverktygets roterande delar kan orsaka personskada.

- **Sträck dig inte för långt. Ha alltid stadigt fotfäste och god balans.** Det ger dig större kontroll över elverktyget i oväntade situationer.
- **Använd ordentliga arbetskläder. Använd inte löst sittande kläder eller smycken. Håll hår och kläder borta från rörliga delar.** Lösa kläder, smycken och långt hår kan fastna i rörliga delar.
- **Om det finns anordningar för anslutning av enheter för uppsamling av damm ska du se till att dessa är ordentligt anslutna och att de används på rätt sätt.** Dammuppsamling kan minska dammrelaterad fara.
- **Tillåt inte dig själv att bli för avslappnad, även om du har erfarenhet av regelbunden användning av produkten, så att du börjar strunta i produktsäkerheten.** En slarvig handling kan orsaka allvarlig skada på mindre än en sekund.
- **Faral Använd inte produkten i närheten av elledningar.** Enheten har inte utformats för att ge skydd mot elstötar vid kontakt med strömförande luftledningar. Se lokala föreskrifter för säkra avstånd från elektriska strömförande luftledningar och se till att positionen är säker innan du använder produkten.

Använda och underhålla elverktyg

- **Bruka inte våld eller onödig kraft. Använd det elverktyg som är rätt för ditt syfte.** Med rätt elverktyg utför du ett bättre och säkrare jobb med den hastighet som elverktyget är utformat för.
- **Använd inte elverktyget om du inte kan starta och stänga av det med strömbrytaren.** Elverktyg som inte kan kontrolleras med strömbrytaren är farliga och måste repareras.
- **Koppla bort kontakten från strömkällan och/eller ta ut batteriet (om det kan tas bort) innan du gör justeringar, byter tillbehör eller förvarar elverktyget.** Sådana förebyggande säkerhetsåtgärder minskar risken för att elverktyget startas oavsiktligt.
- **Förvara elverktyg som inte används utom räckhåll för barn. Se till att personer som inte tidigare har hanterat verktyget, eller som inte har läst instruktionerna, inte använder det.** Elverktyg är farliga om de används av ovana användare.
- **Underhållning av elverktyg och tillbehör. Kontrollera att rörliga delar ligger i linje och inte kärvar. Kontrollera även om det finns skadade delar eller om det föreligger andra förhållanden som kan påverka elverktygets funktion. Om elverktyget är skadat ska det repareras innan det används igen.** Många olyckor sker på grund av att rätt underhåll inte har utförts på elverktyget.
- **Håll kapverktyg skarpa och rena.** Kapverktyg med vassa eggar som underhålls på rätt sätt kärvar mer sällan och är lättare att styra.
- **Använd elverktyget och tillbehör enligt de här instruktionerna. Tänk på att ta hänsyn till arbetsförhållandena och det arbete som ska utföras.** Användning av elverktyg andra syften än de avsedda kan resultera i en farlig situation.

- **Håll handtagen och greppytorna torra, rena och fria från olja och fett.** Hala handtag och greppytor innebär att det inte är säkert att hantera och styra verktyget i oväntade situationer.

Använda och underhålla batteridrivna verktyg

- **Ladda endast upp med den laddare som anges av tillverkaren.** En laddare som är lämplig för en typ av batteripack kan utgöra en brandrisk när den används med ett annat batteripack.
- **Använd endast elverktyg med särskilt avsedda batteripack.** Användning av andra batterier kan innebära risk för skada och brand.
- **När batteriet inte används ska du hålla det borta från andra metallföremål, som gem, mynt, nycklar, spikar, skruvar och andra små metallföremål, som kan skapa en anslutning mellan kontaktarna.** Kortslutning av batteriets kontakter kan orsaka brännskador eller brand.
- **Vid felaktig användning kan vätska spruta ut från batteriet. Undvik kontakt. Om kontakt inträffar av misstag ska du skölja med vatten. Om du får vätska i ögonen ska du kontakta vården.** Vätska som sprutar ut från batteriet kan orsaka irritation eller sveda.
- **Använd inte ett batteripack eller ett verktyg som är trasigt eller modifierat.** Skadade eller modifierade batterier kan uppvisa oförutsägbart beteende vilket kan leda till brand, explosion eller risk för skada.
- **Utsätt inte ett batteripack eller ett verktyg för brand eller extrema temperaturer.** Om de utsätts för brand eller temperaturer över 130 °C kan det förekomma explosioner.
- **Följ alla anvisningar för laddning och ladda inte batteripacket eller verktyget utanför det temperaturintervall som anges i instruktionerna.** Felaktig laddning eller temperaturer utanför det specificerade intervallet kan skada batteriet och öka risken för brand.

Service

- **Låt en kvalificerad reparatör som endast använder identiska reservdelar underhålla elverktyget.** På så sätt garanterar du att säkerheten kring ditt elverktyg upprätthålls.
- **Utför aldrig underhåll på skadade batteripack.** Underhåll på batteripack bör endast utföras av tillverkaren eller auktoriserade tjänsteleverantörer.

Annan allmän säkerhetsinformation

- Fler specifika säkerhetsregler finns i bruksanvisningen för respektive tillbehör.
- Vid förflyttning till annat område ska produkten inaktiveras. Ta alltid bort batteriet när produkten lämnas över till en annan person.
- Ställ aldrig ner produkten om du inte har inaktiverat den och tagit ur batteriet. Lämnna inte produkten utan uppsikt när den är påslagen.
- Skärverktyget stannar inte omedelbart efter att produkten stängs av.

- Innan du använder produkten och när den har utsatts för stötar ska du kontrollera den med avseende på slitage och skador och reparera den om det behövs.
- Om någonting fastnar i skärutrustningen när du använder produkten ska du stoppa och avaktivera produkten. Se till att skärutrustningen stannar helt. Ta bort batteriet innan du rengör, kontrollerar eller reparerar produkten och skärutrustningen.
- Kontrollera produkten före användning. Se *Säkerhetsanordningar på produkten på sida 186* och *Underhåll på sida 189*. Använd inte en skadad produkt. Utför de säkerhets-, underhålls- och serviceinstruktioner som beskrivs i denna bruksanvisning.
- En felaktig skärutrustning kan öka risken för olyckor.
- Se alltid till att ventilationsöppningarna är fria från skräp.
- Kontrollera produkten så att den är i fullgott skick. Kontrollera att alla muttrar och skruvar är åtdragna.
- Denna produkt är ett farligt verktyg om du inte är försiktig eller om du använder produkten felaktigt. Den här produkten kan orsaka allvarlig eller livshotande skada för användaren och andra.
- Apparaten är inte avsedd för användning av personer (inklusive barn) med olika funktionshinder eller bristande erfarenhet och kunskap. De får endast använda apparaten under uppsikt eller om de får instruktioner om användning av apparaten av en person som ansvarar för deras säkerhet. Barn ska övervakas för att garantera att de inte leker med apparaten.
- Tillåt aldrig barn att använda eller vara i närheten av maskinen. Eftersom maskinen är lätt att starta kan barn starta den om de inte hålls under uppsikt. Detta kan innebära risk för allvarlig personskada. Koppla alltid bort batteriet när maskinen inte är under uppsikt.
- Låt aldrig barn eller andra personer som inte utbildats i handhavande av produkten och/eller batteriet använda eller underhålla den.
- Förvara utrustningen i ett låsbart utrymme så att den är oåtkomlig för barn och obehöriga.
- Transportskyddet ska alltid användas vid förvaring och transport.
- Håll händer och fötter borta från skärområdet, särskilt när du startar motorn.
- Håll händer och fötter borta från skärutrustningen tills den har stannat helt när produkten stängs av.
- Ta inte bort klippt material, och låt inte andra personer ta bort klippt material, medan produkten är aktiverad eller skärutrustningen roterar, eftersom detta kan orsaka allvarliga personskador.
- Kom ihåg att det är du som användare som ansvarar för att inte utsätta människor eller deras egendom för olyckor eller faror.
- Enhetens ursprungliga utformning får inte under några omständigheter ändras utan tillstånd från tillverkaren. Använd alltid originaltillbehör. Icke

auktoriserade ändringar och/eller tillbehör kan medföra allvarliga skador eller dödsfall för föraren eller andra. Garantin kanske inte omfattar skador som orsakas av användning av icke godkända tillbehör eller reservdelar.

- De enda tillbehör du får använda produkten som drivkälla till är den skärutrustning som rekommenderas i kapitlet Tillbehör.
- Använd aldrig en produkt som har modifierats så att den inte längre överensstämmer med originalutförandet
- Använd aldrig en produkt som är defekt. Följ säkerhets-, underhålls- och serviceinstruktioner i denna bruksanvisning. Vissa underhålls- och serviceåtgärder ska utföras av utbildade och kvalificerade specialister. Se *Underhåll på sida 189*.
- Arbete i dåligt väder är tröttsamt och kan öka riskerna. Vi rekommenderar inte att produkten används i mycket dåligt väder, till exempel vid tät dimma, kraftigt regn, kraftig vind, extrem kyla eller risk för åskväder. eftersom det innebär ökade risker.
- Arbeta aldrig från en stege eller pall eller annan upphöjd position som inte är väl förankrad.
- Förvara apparater som inte är igång under tak – När apparater inte används ska de förvaras inomhus.
- Det är omöjligt att täcka alla tänkbara situationer du kan ställas inför. Var alltid försiktig och använd sunt förnuft. Undvik situationer som du anser dig otillräckligt kvalificerad för. Om du efter att ha läst dessa instruktioner fortfarande känner dig osäker angående tillvägagångssätt ska du rådfråga en expert innan du fortsätter.
- Se till att inga människor eller djur kommer närmare än 15 meter under arbetets gång. När flera användare arbetar på samma område ska säkerhetsavståndet vara minst 15 meter. Annars finns det risk för allvarlig personskada. Stäng omedelbart av produkten om någon närmar sig arbetsplatsen. Sväng aldrig runt med produkten utan att först kontrollera bakåt att ingen befinner sig inom säkerhetszonen.
- Om någonting fastnar i skärutrustningen när du använder produkten ska du stoppa och avaktivera produkten. Se till att skärutrustningen stannar helt. Ta bort batteriet innan du rengör, kontrollerar eller reparerar produkten och skärutrustningen.
- Se till att människor, djur eller annat inte påverkar din kontroll över produkten och att de inte kommer i kontakt med skärutrustningen eller lösa föremål som slungas iväg av skärutrustningen. Använd aldrig produkten utan möjlighet att kunna påkalla hjälp i händelse av olycka.
- Se till att du kan gå och stå säkert. Titta efter eventuella hinder vid en oväntad förflyttning (exempelvis rötter, stenar, grenar, gropar och diken). Iakttäta stor försiktighet vid arbete i sluttande terräng.
- Gå – spring aldrig.
- Inspektera arbetsområdet. Avlägsna alla lösa föremål, exempelvis stenar, krossat glas, spikar,

stältråd och snören, som kan slungas iväg eller sno in sig i skärutrustningen eller dess skydd.

- Se upp för grenbitar som kan slungas iväg när du klipper. Klipp inte för nära marken där stenar eller andra lösa föremål kan slungas iväg.
- Se till att inga kläder eller kroppsdelar kommer i kontakt med skärutrustningen när produkten används. Håll produkten under midjenivå.
- Varning för utslungade föremål. Godkända ögonskydd ska alltid användas. Luta dig aldrig över skärutrustningens skydd. Stenar, skräp m.m. kan kastas upp i ögonen och vålla blindhet eller allvarliga skador.
- Var alltid uppmärksam på varningssignaler eller tillrop när hörselskydd används. Ta alltid av hörselskydden så snart du stängt av produkten.
- Om oönskade vibrationer uppstår matar du ut en ny tråd med rätt längd för att häva vibrationerna.
- Om produkten börjar vibrera onormalt mycket ska du stoppa produkten och ta bort batteriet.
- Överexponering av vibrationer kan leda till blodkärls- eller nervskador hos personer som har dålig blodcirkulation. Prata med läkare om du upplever kroppsliga symptom som kan relateras till överexponering av vibrationer. Exempel på sådana symptom är domningar, känselbortfall, en kittlande känsla, stickningar, smärta, avsaknad eller reducering av normal styrka samt förändringar i hudens färg eller tillstånd. Dessa symptom uppträder vanligtvis i fingrar, händer eller handleder.
- Håll alltid produkten med båda händerna.

Personlig skyddsutrustning



VARNING: Läs varningsinstruktionerna nedan innan du använder produkten.

- Använd alltid godkänd personlig skyddsutrustning när du använder produkten. Personlig skyddsutrustning kan inte eliminera skaderisken helt, men den reducerar effekten av en skada vid ett eventuellt olycksfall. Be din återförsäljare om hjälp med att välja rätt utrustning.
- Använd skyddshjälm där det finns risk för fallande föremål.
- Använd godkända hörselskydd med tillräcklig dämpoeffekt. Långvarig exponering för buller kan ge bestående hörselskador.
- Använd godkänt ögonskydd. Används visir måste även godkända skyddsglasögon användas. Godkända skyddsglasögon måste uppfylla standarden ANSI Z87.1 i USA och SS-EN 166 i EU-länder.
- Använd visir för ansiktsskydd. Ett visir ger inte ett fullgott skydd för ögonen. (Fig. 22)
- Använd handskar vid behov, till exempel när du ansluter, undersöker eller rengör skärutrustningen.

- Använd halkfria och stadiga stövlar.
- Ha på dig kläder i slitstarkt material. Bär alltid kraftiga långbyxor och överdel med långa ärmar. Använd inte löst sittande kläder som kan fastna i kvistar och grenar. Bär inte smycken, kortbyxor eller sandaler och gå inte barfota. Sätt upp håret ordentligt så att det inte hänger nedanför axlarna.

(Fig. 23)

- Ha första förband nära till hands.

(Fig. 24)

Säkerhetsanordningar på produkten



WARNING: Läs varningsinstruktionerna nedan innan du använder produkten.

I detta avsnitt beskrivs produktens säkerhetsfunktioner, dess syfte samt hur kontroller och underhåll ska utföras för att säkerställa att den fungerar korrekt. Se anvisningar under rubrik *Produktöversikt på sida 181* för att ta reda på var dessa delar finns på din produkt.

Produktens livslängd kan förkortas och risken för olyckor kan öka om underhåll av produkten inte utförs på rätt sätt och om service och/eller reparationer inte utförs av specialutbildade tekniker. Kontakta din serviceverkstad om du behöver ytterligare information.



WARNING: Använd aldrig en produkt med skadade säkerhetskomponenter. Produktens säkerhetsutrustning ska kontrolleras och underhållas som beskrivs i detta avsnitt. Om din produkt inte klarar alla kontrollerna ska serviceverkstad uppsöka för reparation.



OBSERVERA: All service och reparation av maskinen kräver specialutbildning. Detta gäller särskilt maskinens säkerhetsutrustning. Om maskinen inte klarar någon av nedan listade kontroller ska du uppsöka en serviceverkstad. Ett köp av någon av våra produkter garanterar att du kan få en fackmannamässig reparation och service utförd. Om inköpsstället för maskinen inte är en av våra serviceverkstäder ska du fråga dem efter närmaste serviceverkstad.

Kontrollera gasreglagespärren

Gasreglagespärren förhindrar oavsiktlig drift. När greppet om handtaget släpps återgår både gasreglaget och gasreglagespärren till sina respektive ursprungslägen.

1. Skjut låsknappen för gasreglagespärren framåt. (Fig. 25)

2. Se till att gasreglaget är låst när gasreglagespärren är i sitt ursprungsläge. (Fig. 26)
3. Tryck på gasreglagespärren på ena sidan och sedan på andra sidan. Se till att gasreglagespärren går tillbaka till sitt ursprungliga läge. (Fig. 27)
4. Kontrollera att gasreglaget och gasreglagespärren rör sig fritt och att deras retur fjädersystem fungerar. (Fig. 28)
5. Starta produkten, se *Starta produkten på sida 189*.
6. Släpp gasreglaget och se till att produkten stannar helt.

Säkerhetsinstruktioner för montering



WARNING: Du måste läsa både handboken för det här kraftaggregatet och handboken för det godkända tillbehöret.

- Ta bort batteriet från produkten innan du monterar produkten.
- Använd de godkända skyddshandskarna.
- Ett skadat eller felaktigt skydd kan orsaka skador. Använd inte någon skärutrustning som inte har ett godkänt skydd monterat.
- Se till att du har monterat tillbehöret korrekt innan du startar produkten.
- Om en sele medföljer tillbehöret måste den fästas korrekt på produkten. Selen ger säkrare användning och förhindrar att användaren eller andra personer skadas.

Batterisäkerhet



WARNING: Läs alla säkerhetsanvisningar och allmänna anvisningar. Om du inte följer säkerhetsanvisningar och allmänna anvisningar kan det leda till elektriska stötar, brand och/eller allvarliga skador. **Spara alla säkerhetsanvisningar och allmänna anvisningar för framtida bruk.**

- **De här säkerhetsinstruktionerna gäller endast 18 V laddningsbara litiumjonbatterier för POWER FOR ALL-systemet.**
- **Använd endast det laddningsbara batteriet i produkter från POWER FOR ALL System-partner.** 18 V laddningsbara batterier märkta med POWER FOR ALL är helt kompatibla med följande produkter:
 - Alla produkter i 18 V POWER FOR ALL -batterisystemet.
 - Alla 18 V-produkter från POWER FOR ALL System-partner.
- **Följ batterirekommendationerna i bruksanvisningen för produkten.** Det är bara på så sätt som det laddningsbara batteriet och produkten kan användas

utan risk och de laddningsbara batterierna skyddas från farlig överbelastning.

- **Ladda endast batterierna med laddare som rekommenderas av tillverkaren eller POWER FOR ALL System-partner.** En laddare som är lämplig för en typ av batteri kan utgöra en brandrisk när den används med ett annat batteri.
- **Batteriet levereras delvis laddat.** För att säkerställa batteriets fulla kapacitet ska du ladda batteriet helt i batteriladdaren innan du använder elverktyget för första gången.
- **Förvara batteripacken utom räckhåll för barn.**
- **Öppna inte batteriet.** Det finns risk för kortslutning.
- **I händelse av skada eller felaktig användning av batteriet kan det avge ångor. Batteriet kan börja brinna eller explodera.** Se till att området är välventilerat och uppsök läkare om du skulle uppleva några biverkningar. Ångorna kan irritera andningsorganen.
- **Om batteriet används felaktigt eller om det är skadade kan brandfarlig vätska läcka ut från batteriet. Kontakt med denna vätska bör undvikas. Om kontakt inträffar av misstag ska du skölja med vatten. Om vätskan kommer i kontakt med ögon ska du söka läkarvård.** Vätska som sprutar ut från batteriet kan orsaka irritation eller sveda.
- **Om batteriet är skadat kan vätska sprutas ut och täcka närliggande ytor. Kontrollera berörda delar.** Rengör delarna eller byt dem vid behov.
- **Kortslut inte batteripacket.** När batteripacket inte används ska du hålla det borta från andra metallföremål, som gem, mynt, nycklar, spikar, skruvar och andra små metallföremål, som kan skapa en anslutning mellan kontaktarna. Kortslutning av batteriets kontakter kan orsaka brännskador eller brand.
- **Batteriet kan skadas av spetsiga föremål som spikar och skruvmejslar eller genom externt tryck.** En intern kortslutning kan uppstå, vilket kan leda till att batteriet brinner, ryker, exploderar eller överhettas.
- **Utför aldrig underhåll på skadade batteripack.** Underhåll på batteripack bör endast utföras av tillverkaren eller auktoriserade tjänsteleverantörer.
- **Skydda batteriet mot värme, t.ex. mot kontinuerligt starkt solljus, eld, smuts, vatten och fukt.** Det finns risk för explosion och kortslutning.
- **Använd endast batteriet i produkten när omgivningstemperaturen är mellan -5 °C – 40 °C.**
- **Förvara endast batteriet i en omgivningstemperatur mellan -20 °C – 50 °C.** Lämna exempelvis inte batteriet i bilen på sommaren. Vid temperaturer på < 0 °C kan vissa enheter få effektförlust.
- **Ladda endast batteriet vid en omgivningstemperatur på 0 °C – +35 °C.** Om laddning sker vid andra temperaturer kan risken för skador på batteriet öka och utgöra en brandfara.

Säkerhet, batteriladdare



VARNING: Läs alla säkerhetsanvisningar och allmänna anvisningar. Om du inte följer säkerhetsanvisningar och allmänna anvisningar kan det leda till elektriska stötar, brand och/eller allvariga skador. **Spara de här instruktionerna på ett säkert ställe.** Använd endast laddaren om du kan utvärdera alla funktioner och utföra dem utan begränsningar eller om du har fått motsvarande instruktioner.

- **Den här laddaren är inte avsedd att användas av barn eller personer med fysiska, sensoriska eller mentala begränsningar, eller som inte har tillräcklig erfarenhet och kunskap.** Den här laddaren kan användas av barn som är 8 år eller äldre och av personer med fysiska, sensoriska eller mentala begränsningar, eller med brist på erfarenhet eller kunskap, om en person som ansvarar för deras säkerhet övervakar dem eller har instruerat dem för säker drift av laddaren och de förstår de tillhörande farorna. I annat fall finns risk för driftstörningar och skador.
- **Håll uppsikt över barn under användning, rengöring och underhåll.** Se till att barn inte leker med laddaren.
- **Ladda endast 18 V POWER FOR ALL-systembatterier med en kapacitet på 1,5 Ah och högre. Batterispänningen måste stämma överens med laddarens batteriladdningsspänning. Ladda inte icke laddningsbara batterier.** Annars finns det risk för brand och explosion.
- **Använd endast laddaren i slutna utrymmen och utsätt den inte för våta förhållanden.** Om vatten tränger in i elverktyget ökar risken för elektrisk stöt.
- **Håll laddaren ren.** Smuts utgör en risk för elektriska stötar.
- **Kontrollera alltid laddaren, kabeln och kontakten före användning. Sluta använda laddaren om du upptäcker skador. Öppna inte laddaren själv och låt endast Husqvarna eller ett auktoriserat servicecenter reparera den och endast med originalreservdelar.** Skadade laddare, kablar och kontakter ökar risken för elektriska stötar.
- **Använd inte laddaren på en lättantändlig yta (t.ex. papper, textilier osv.) eller i en brandfarlig miljö.** Det finns risk för brand eftersom laddaren värms upp under drift.
- **Täck inte över laddarens ventilationshål.** Annars kan laddaren överhettas och inte längre fungera korrekt.
- **Ladda endast upp med den laddare som anges av tillverkaren.** En laddare som är lämplig för en typ av batteripack kan utgöra en brandrisk när den används med ett annat batteripack.
- **I händelse av skada eller felaktig användning av batteriet kan det även avge ångor.** Se till att området

- är välventilerat och uppsök läkare om du skulle uppleva några biverkningar. Ångorna kan irritera andningsorganen.
- **Vid felaktig användning kan vätska spruta ut från batteriet. Kontakt med denna vätska bör undvikas. Om kontakt inträffar av misstag ska du skölja med vatten. Om vätskan kommer i kontakt med ögon ska du söka läkarvård.** Vätska som sprutar ut från batteriet kan orsaka irritation eller sveda.
 - **Produkter som endast sälj i Storbritannien:** Produkten är utrustad med en BS 1363/A-godkänd stickkontakt med intern säkring (ASTA-godkänd enligt BS 1362). Om kontakten inte är lämplig för dina eluttag, ska den stängas av och en lämplig kontakt monteras på plats av en auktoriserad serviceverkstad. Den nya kontakten ska ha samma säkringsklass som den ursprungliga kontakten. Den borttagna kontakten måste kasseras för att undvika risk för elektriska stötar och får aldrig sättas in i ett vägguttag någon annanstans.

Säkerhetsinstruktioner för underhåll



VARNING: Läs varningsinstruktionerna nedan innan du utför underhåll på produkten.

Montering

Introduktion



VARNING: Läs och förstå säkerhetskapitlet innan du monterar produkten.

Installera tillbehöret

1. Anslut tillbehöret (A) till kraftaggregatet (B). Tillbehöret måste glida lätt in i hållaren på kraftaggregatet. Om det inte gör det är det inte korrekt installerat. (Fig. 29)
2. Dra åt låsvredet (C).

Notera: När tillbehöret är installerat på kraftaggregatet kopplas tillbehörets användargränssnitt bort.

Justera teleskopskaftets längd

1. Lyft spaken (A) på skaftet. (Fig. 30)
2. Justera teleskopskaftet till lämplig längd.
3. Tryck ner spaken för att låsa teleskopskaftet.

Installera förvaringskroken på väggen

- Installera förvaringskroken inomhus.

- Ta ur batteriet innan du utför underhåll, övriga kontroller eller monterar produkten.
- Användaren får endast utföra underhålls- och servicearbeten som beskrivs i denna bruksanvisning. Vänd dig till en serviceverkstad för underhåll och service av större omfattning.
- Rengör inte batteriet eller batteriladdaren med vatten. Starka rengöringsmedel kan orsaka skador på plasten.
- Om du inte utför underhåll minskas produktens livscykel och risken för olyckor ökar.
- Särskild utbildning krävs för allt service- och reparationsarbete, särskilt för produktens säkerhetsanordningar. Om inte alla kontroller i den här bruksanvisningen är godkända efter att du gjort underhåll ska du kontakta din serviceverkstad. Vi garanterar att det finns professionella reparationer och service tillgängliga för din produkt.
- Använd endast originaltillbehör.
- Använd alltid kraftiga arbetshandskar när du reparerar skärutrustningen. Knivarna är vassa och kan lätt ge skärskador.

- Se till att omgivningstemperaturen kring förvaringskroken är -10°C till 70°C och att den inte kommer i kontakt med direkt solljus.
- Installera förvaringskroken på en gips-, trä- eller betongvägg.



OBSERVERA: Se till att väggen klarar en belastning på minst 30 kg.

- Montera förvaringskroken på väggen med de 3 skruvarna (A). Använd väggpluggar (B) vid behov. (Fig. 31)



OBSERVERA: Se till att skruvarna passar din väggtyp.

- Kontakta Husqvarna Serviceverkstad om du vill ha information om tillgängliga förvaringstillbehör för din produkt.

Hänga produkten på förvaringskroken

- Häng kraftaggregatet på förvaringskroken som på bilden. (Fig. 32)

Drift

Kontrollera funktionen innan du använder produkten

1. Ta bort smuts och oönskat material från produkten med en borste.
2. Dra åt alla muttrar och skruvar.
3. Se till att tillbehöret är korrekt monterat.
4. Se till att låsknappen för gasreglagespärren är aktiverad.
5. Se till att läsenheterna på det förlängda skaffet och det svängbara elementet är i låst läge.
6. Undersök tillbehöret med avseende på skador, exempelvis sprickor. Byt ut tillbehöret om det är skadat.
7. Se till att kåporna är korrekt monterade och att de inte är skadade.
8. Se till att produkten fungerar korrekt.

Ansluta batteriet till produkten



VARNING: Använd endast litiumjonbatterier för POWER FOR ALL systemet P4A 18 V i produkten.

1. Se till att batteriet är fulladdat.
2. Placera batteriet i produktens batterihållare. Batteriet måste glida lätt in i hållaren. Om det inte gör det är det inte korrekt installerat. (Fig. 33)
3. Tryck in batteriet helt i batterihållaren. Batteriet låses på plats när du hör ett klickljud.
4. Se till att spärren hakar i ordentligt.

Starta produkten

1. Skjut låsknappen för gasreglagespärren framåt. (Fig. 25)
2. Tryck gasreglagespärren (A) från vänster eller höger sida och håll in gasreglaget (B). (Fig. 34)

Stoppa produkten

1. Släpp gasreglaget.
2. Tryck låsknappen för gasreglagespärren bakåt för att låsa produkten.
3. Tryck på frigöringsknappen för batteriet och dra ut det. (Fig. 35)
4. Ta bort tillbehöret från produkten om det behövs.

Justera produktens vinkel

Produkten kan justeras i sju olika lägen.



VARNING: Justera inte vinkeln när du använder produkten.

1. Stoppa produkten och ta ut batteriet.
2. Håll hårt i hållaren (A). (Fig. 36)
3. Håll den roterande leden (B) intryckt.
4. Ställ in hållaren i rätt läge.
5. Släpp den roterande leden för att låsa hållaren.
6. Flytta hållaren uppåt och nedåt tills den låses på plats.

Underhåll

Introduktion



VARNING: Läs och förstå säkerhetskapitlet innan du utför underhållsarbete på produkten.



VARNING: Ta ur batteriet innan du utför underhåll på produkten.

Underhållsschema

Nedan följer en lista över de underhållssteg som ska utföras på produkten.

Underhåll	Före användning	Varje vecka	Varje månad
Rengör produktens yttre delar med en torr trasa. Använd inte vatten.	X		
Se till att låsknappen för gasreglagespärren fungerar som den ska och att den inte är skadad.	X		

Underhåll	Före användning	Varje vecka	Varje månad
Kontrollera att gasreglaget och gasreglagespärren fungerar korrekt säkerhetsmässigt.	X		
Se till att samtliga kontroller fungerar och inte är skadade.	X		
Håll handtagen torra och rena.	X		
Se till att skruvar och muttrar är åtdragna.	X		
Se till att frigöringsknapparna på batteriet fungerar som de ska och låser fast batteriet i produkten.	X		
Se till att batteriet inte är skadat.	X		
Se till att batteriet är laddat.	X		
Kontrollera att batteriladdaren fungerar korrekt och inte är skadad.	X		
Undersök alla kablar, kopplingar och anslutningar. Se till att de är rena och utan skador.		X	
Kontrollera anslutningarna mellan batteriet och produkten.			X
Kontrollera anslutningen mellan batteriet och batteriladdaren.			X

Rengöra produkten, batteriet och batteriladdaren

1. Rengör produkten med en torr trasa efter användning.
2. Rengör batteriet och batteriladdaren med en torr trasa. Håll batteriets styrspar rena.
3. Kontrollera att kontakterna på batteriet och batteriladdaren är rena innan batteriet sätts i batteriladdaren eller i produkten.

Transport, förvaring och kassering

Transport och förvaring

- Medföljande Li-Ion-batterier uppfyller kraven i lagstiftningen för farligt gods.
- Följ de särskilda kraven för förpackning och etiketter för kommersiella transporter, inklusive av tredje parter och speditörer.
- Tala med en person med särskild utbildning i farliga material innan du skickar produkten. Följ alla tillämpliga nationella föreskrifter.
- Använd tejp på öppna kontakter när du lägger batteriet i en förpackning. Lägg batteriet trångt i förpackningen för att förhindra rörelse.
- Ta ur batteriet vid förvaring eller transport.
- Placera batteriet och batteriladdaren i ett utrymme som är torrt och fritt från fukt och frost.
- Förvara inte batteriet på ställen där statisk elektricitet kan uppkomma. Förvara inte batteriet i en metallåda.
- Förvara batteriet på en plats där temperaturen är mellan -20 och +50 °C, och inte i direkt solljus.
- Förvara batteriladdaren på en plats där temperaturen är mellan 5 och 45°C, och inte i direkt solljus.
- Använd endast batteriladdaren när omgivningstemperaturen är mellan 0 och 35 °C.

- Förvara produkten på en plats där temperaturen är mellan -40 och +60 °C.
- Ladda batteriet till 30–50 % innan du förvarar det under längre perioder.
- Förvara batteriladdaren på en plats som är stängd och torr.
- Håll batteriet borta från laddaren under förvaring. Låt inte barn och personer som inte är godkända röra utrustningen. Förvara utrustningen på en plats som du kan låsa.
- Rengör produkten och gör en fullständig service innan du ska förvara produkten under en längre tid.
- Använd transportskydd på produkten för att förhindra personsador eller skador på produkten under transport och förvaring.
- Sätt fast produkten under transport.
- Förvara produkten horisontellt eller häng den på den medföljande kroken. *Se Hänga produkten på förvaringskroken på sida 188.*

Avyttring av batteriet, laddaren och produkten

Symbolen nedan innebär att produkten inte är hushållsavfall. Återvinn den vid en återvinningsstation

för elektrisk och elektronisk utrustning. Detta bidrar till att förhindra skador på miljön och personskador.

Tala med lokala myndigheter, hushållsavfallsservice eller en återförsäljare för mer information.

(Fig. 18)

Notera: Symbolen visas på produkten eller produktens förpackning.

Tekniska data

Aspire Pole-P4A	
Vikt	
Vikt (endast huvudenhet), kg	1,5

Godkända batterier

Den här produkten kan användas med alla **POWER FOR ALL**-batterier.

Batteri	P4A 18-B36	P4A 18-B45	P4A 18-B72
Typ	Litiumjonbatteri	Litiumjonbatteri	Litiumjonbatteri
Batterikapacitet, Ah	2,0	2,5	4,0
Nominell spänning, V	18	18	18
Vikt, kg	0,35	0,35	0,65
Antal celler (litiumjon)	5	5	10

Godkända batteriladdare

Batteriladdare	P4A 18-C50	P4A 18-C70
Ingående spänning, V	Se information om märkdata för laddaren.	Se information om märkdata för laddaren.
Frekvens, Hz	50–60	50–60
Effekt, W	50	70

Tillbehör

Tillbehör

Godkända tillbehör	Typ	Används till
Busksaxtillbehör	Aspire S20-P4A	Aspire Pole-P4A
Kvistsågstillbehör	Aspire P5-P4A	Aspire Pole-P4A

Försäkran om överensstämmelse

EU-försäkran om överensstämmelse

Vi, **Husqvarna AB**, 561 82 Huskvarna, Sverige, tel:
+46-36-146500, försäkrar på eget ansvar att produkten:

Beskrivning	Batteridrivet kraftaggregat
Varumärke	Husqvarna
Typ/Modell	Aspire Pole-P4A
Identifiering	Serienummer daterade 2023 och framåt

uppfyller alla krav i följande EU-direktiv och förordningar:

Direktiv/förordning	Beskrivning
2006/42/EG	"om maskiner"
2014/30/EU	"angående elektromagnetisk kompatibilitet"
2011/65/EU	"angående begränsning av användning av vissa farliga ämnen i elektrisk och elektronisk utrustning"
2000/14/EC	"angående emission av buller till omgivningen"

och att följande standarder och/eller tekniska specifikationer tillämpas: EN 62841-1:2015/A11:2022, EN 62841-4-2:2019/A1:2022, EN IEC 62841-4-5:2021/A11:2021, EN ISO 11680-1:2011, EN ISO 12100:2010, EN IEC 55014-1:2021, EN IEC 55014-2:2021, EN IEC 63000:2018.

DEKRA Testing and Certification GmbH, Handwerkstraße 15, 70565 Stuttgart, Germany, 0158 har utfört frivillig EG-typkontroll i enlighet med artikel 12, punkt 3b, i maskindirektivet (2006/42/EG). Intyget om EG-typkontroll har nummer: 4815039.22006.

Tillämpad procedur för utvärdering av överensstämmelse i enlighet med direktiv 2000/14/EG, bilaga V.

Med tillbehöret Aspire P5-P4A som kvistsåg:

- Uppmätt ljudeffektnivå: 88 dB(A)
- Garanterad ljudeffektnivå: 91dB(A)

Med tillbehöret Aspire S20-P4A som skaftbusksax:

- Uppmätt ljudeffektnivå för buskklinga: 83 dB(A)
- Uppmätt ljudeffektnivå för gråsklinga: 79 dB(A)
- Garanterad ljudeffektnivå: 84 dB(A)

Huskvarna, 2023-10-30



Claes Losdal, R&D Manager, Husqvarna AB

Ansvarig för teknisk dokumentation



Licenser

Copyright © 2012–2020 STMicroelectronics

Garantin omfattar inte defekter som är resultatet av normalt slitage, felaktig användning, världsloshet, obehörig reparation eller att sugapparaten är ansluten till fel spänning.

Alla rättigheter förbehålls.

Vidaredistribution och användning i källform och binär form, med eller utan modifiering, är tillåtet under förutsättning att följande villkor är uppfyllda:

- Vid vidaredistribution av källkod måste ovanstående upphovsrättsmeddelande, denna lista med villkor och följande ansvarsfriskrivning inkluderas.
- Vidaredistribution i binär form måste återge ovanstående upphovsrättsmeddelande, denna lista med villkor och följande ansvarsfriskrivning i dokumentationen eller annat material som medföljer distributionen.
- Varken namnet STMicroelectronics eller namnen på de som bidragit med innehåll får användas för att rekommendera eller marknadsföra produkter som härleds från denna programvara utan särskilt föregående skriftligt tillstånd.

PROGRAMVARAN TILLHANDAHÅLLS AV UPPHOVSRÄTTSSINNEHAVARNA OCH DELTAGARNA "I BEFINTLIGT SKICK" OCH VI AVSÄGER OSS ALLA UTTRYCKLIGA ELLER UNDERFÖRSTÅDDA GARANTIER, INKLUSIVE, MEN EJ BEGRÄNSAT TILL, DE UNDERFÖRSTÅDDA GARANTIerna OM SÄLJBARHET OCH LÄMPLIGHET FÖR ETT VISST ÄNDAMÅL. UPPHOVSRÄTTSSÄGARNA OCH DELTAGARNA SKA INTE UNDER NÅGRA OMSTÄNDIGHETER HÅLLAS ANSVARIGA FÖR DIREKTA, INDIREKTA, TILLFÄLLIGA, SPECIELLA OCH EXEMPLARISKA SKADOR ELLER FÖLJDSKADOR (INKLUSIVE, MEN INTE BEGRÄNSAT TILL, INKÖP AV ERSÄTTNINGSPRODUKTER ELLER -TJÄNSTER, FÖRLUST AV ANVÄNDNINGSMÖJLIGHET, DATA ELLER VINST, ELLER AVBROTT I VERKSAMHETEN) OAVSETT ORSAK OCH ANSVARSGRUND, OCH OAVSETT OM DET SKER INOMKONTRAKTUellt, UTOMKONTRAKTUellt ELLER UNDER STRIKT ANSVAR (INKLUSIVE FÖRSMELLE ELSE ELLER ANNAT), SOM UPPSTÅR GENOM ANVÄNDNING AV DENNA PROGRAMVARA, ÄVEN OM DET MEDDELATS OM RISKEN FÖR SÅDANA SKADOR.

Apache 2.0-licens

Copyright © 2009-2019 Arm Limited. Alla rättigheter förbehålls.

Version 2.0, januari 2004 <http://www.apache.org/licenses/>

VILLKOR FÖR ANVÄNDNING, KOPIERING OCH DISTRIBUTION

1. Definitioner.

"Licens" avser villkoren för användning, kopiering och distribution enligt definitionen i avsnitt 1 till 9 i detta dokument. **"Licensgivare"** avser upphovsrättsinnehavaren eller den juridiska person som fått behörighet av upphovsrättsinnehavaren som beviljar licensen. **"Juridisk enhet"** avser den verkställande enheten tillsammans med alla andra enheter som styr, styrs av eller har gemensamt styre med den enheten. I detta sammanhang innebär **"styrning"** (i) inflytande, direkt eller indirekt, att styra eller leda sådan enhet, oavsett om det sker inom ramen för ett kontrakt eller på annat sätt, eller (ii) ägande av femtio procent (50 %) eller mer av utestående aktier, eller (iii) verkligt ägande av sådan enhet. **"Du"** (eller **"Din"**) avser en fysisk person eller juridisk enhet som utövar de behörigheter som beviljas i denna licens. **"Källform"** avser den föredragna formen för att göra ändringar, inklusive men inte begränsat till programvarukällkod, dokumentationskälla och konfigurationsfiler. **"Objektform"** avser alla former som uppstår genom mekanisk omvandling eller översättning av en källform, inklusive men inte begränsat till kompilerad objektkod, genererad dokumentation och konverteringar till andra medietyper. **"Verk"** avser ett upphovsrättsligt verk, oavsett om det är i käll- eller objektform, som görs tillgängligt genom licensen, enligt vad som anges i ett meddelande om upphovsrätt som ingår i eller är kopplat till verket (ett exempel ges i bilagan nedan). **"Härledda verk"** avser alla verk, oavsett om det är i käll- eller objektform, som baseras på (eller härleds från) Verket, och för vilket de redaktionella revideringarna, noteringarna, utarbetningarna eller andra ändringar i sin helhet utgör ett upphovsrättsligt originalverk. I denna Licens omfattas inte Härledda verk av verk som kan särskiljas från eller bara länkar till (eller kopplar med hjälp av namn) gränssnittet för Verket och därav Härledda verk. **"Bidrag"** avser alla upphovsrättsliga verk, inklusive originalversionen av Verket och eventuella ändringar eller tillägg till detta Verk eller därav Härledda verk, som avsiktligt lämnas till Licensgivaren för att införlivas i Verket av upphovsrättsinnehavaren eller av en fysisk person eller juridisk enhet som är behörig att lämna in uppgifter i upphovsrättsinnehavarens ställe. Enligt denna definition innebär **"inlämnad"** all form av elektronisk, verbal eller skriftlig kommunikation som skickas till Licensgivaren eller dess representanter, inklusive men inte begränsat till kommunikation via elektroniska e-postlistor, kontrollsystem för källkod och system för ärendeföljning som hanteras av, eller hanteras på uppdrag av, Licensgivaren i syfte att diskutera och förbättra Verket, men där kommunikation som är tydligt markerad eller på annat sätt är skriftligen betecknad av upphovsrättsinnehavaren som **"Ej bidrag"** exkluderas. **"Deltagare"** avser Licensgivaren och alla personer eller juridiska enheter för vilkas räkning ett

Bidrag har mottagits av Licensgivaren och därefter införlivats i Verket.

2. Beviljande av upphovsrättslicens.

I enlighet med villkoren i denna Licens beviljar varje Deltagare dig härmed en oavbruten, global, icke-exklusiv, avgiftsfri, royaltyfri och oåterkallelig upphovsrättslicens att kopiera, förbereda Härledda verk av, offentligt visa, offentligt utföra, underlicensiera och distribuera Verket och sådana Härledda verk i käll- eller objektform.

3. Beviljande av patentlicens.

I enlighet med villkoren i denna Licens beviljar varje Deltagare dig härmed en oavbruten, global, icke-exklusiv, avgiftsfri, royaltyfri och oåterkallelig (förutom enligt vad som anges i detta avsnitt) patentlicens att skapa, låta skapa, använda, erbjuda till försäljning, sälja, importera och på annat sätt överföra Verket, där sådan licens endast gäller de patentanspråk som är licensierbara av sådan Deltagare som gör intrång genom själva Bidragen eller genom en kombination av Bidragen med det Verk till vilket sådana Bidrag lämnades in. Om du inleder en patentvist mot någon fysisk eller juridisk person (inklusive ett så kallat "cross-claim" eller motkrav i en rättsprocess) och hävdar att Verket eller ett Bidrag som ingår i Verket utgör direkt eller bidragande patentintrång, upphör eventuella patentlicenser som beviljats dig enligt denna Licens för det Verket från och med det datum då en sådan patentvist lämnas in.

4. Vidaredistribution.

Du får reproducera och distribuera kopior av Verket eller därav Härledda verk i valfritt medium, med eller utan ändringar, samt i käll- eller objektform, under förutsättning att du uppfyller följande villkor:

- Du måste ge alla andra mottagare av Verket eller Härledda verk en kopia av denna Licens; och
- Du måste se till att ändrade filer innehåller tydlig information om att Du har ändrat filerna; och – Du måste behålla, i källform av varje Härlett verk som Du distribuerar, alla meddelanden om upphovsrätt, patent, varumärken och erkännande från källformen av Verket, förutom de meddelanden som inte tillhör någon del av de Härledda verken; och
- Om Verket innehåller en textfil för "**MEDDELANDE**" som del av distributionen måste samtliga Härledda verk som Du distribuerar inkludera en läsbar kopia av de erkännandemeddelanden som inryms i en sådan MEDDELANDE-fil, med undantag för de meddelanden som inte tillhör någon del av de Härledda verken, på minst en av följande platser: i en MEDDELANDE-textfil som distribueras som en del av det Härledda verket; inom källformen eller dokumentationen, om sådan tillhandahålls tillsammans med de Härledda verken; eller, i en display som genereras av det Härledda verket, om och varhelst sådana tredjepartsmeddelanden vanligen visas. Innehållet

i MEDDELANDE-filen är endast avsett som information och ändrar inte Licensen. Du kan lägga till egna erkännandemeddelanden inom Härledda verk som du distribuerar, tillsammans med eller som ett tillägg till MEDDELANDE-texten från Verket, under förutsättning att sådana ytterligare erkännandemeddelanden inte kan tolkas som en ändring av Licensen. Du kan lägga till ditt eget upphovsrättsmeddelande till dina ändringar och tillhandahålla fler eller annorlunda licensvillkor för användning, kopiering eller distribution av dina ändringar, eller för sådana Härledda verk i sin helhet, under förutsättning att din användning, kopiering och distribution av Verket i övrigt uppfyller de villkor som anges i denna Licens.

5. Inlämning av Bidrag.

Såvida Du inte uttryckligen anger något annat ska alla Bidrag som avsiktligt lämnats in av dig till Licensgivaren för att ingå i Verket hanteras enligt villkoren i denna Licens, utan några ytterligare villkor. Oaktat ovanstående ska ingenting häri ersätta eller ändra villkoren i något separat licensavtal som du kan ha ingått med Licensgivaren gällande sådana Bidrag.

6. Varumärken.

Denna Licens ger inte tillåtelse att använda Licensgivarens firmanamn, varumärken, servicemärken eller produktamn, förutom vad som krävs för rimlig och normal användning för att beskriva Verkets ursprung och återge innehållet i MEDDELANDE-filen.

7. Garantifriskrivning.

Såvida det inte krävs enligt gällande lag eller har överenskommit skriftligen tillhandahåller Licensgivaren Verket (och varje Deltagare tillhandahåller sina Bidrag) "I BEFINTLIGT SKICK", UTAN NÅGRA SOM HELST GARANTIER ELLER VILLKOR, varken uttryckliga eller underförstådda, inklusive och utan begränsning, alla garantier eller villkor för ÅGANDERÄTT, SKYDD MOT INTRÅNG, SÄLJBARHET eller LÄMPLIGHET FÖR ETT VISST SYFTE. Du är ensam ansvarig för att bedöma lämpligheten i att använda eller vidaredistribuera Verket och åtar dig alla risker som är förknippade med ditt nyttjande av tillstånd i enlighet med denna Licens.

8. Ansvarsbegränsning. Deltagare ska under inga omständigheter, och inte enligt någon rättsteori, oavsett om det sker utomkontraktuellt (inklusive försumlighet), inomkontraktuellt, eller på annat sätt, såvida det inte krävs enligt tillämplig lag (såsom avsiktliga och grovt vårdslösa handlingar) eller skriftligen har avtalats, vara ansvarig gentemot Dig för skador, inklusive direkta, indirekta, speciella eller tillfälliga skador eller följdskador av något slag som uppstår till följd av denna Licens eller på grund av användning eller oförmåga att använda Verket (inklusive men inte begränsat till ersättning för förlust av goodwill, arbetsavbrott, datorfel eller funktionsfel, eller alla övriga kommersiella skador eller

förluster), även om denna Deltagare har meddelats om möjligheten att sådana skador uppstår.

9. Acceptera garanti eller ytterligare ansvar.

Vid vidaredistribution av Verket eller därav Härledda verk kan Du välja att erbjuda, och debitera en avgift för, accepterande av support, garanti, skadeersättning eller andra ansvarsskyldigheter och/eller rättigheter som överensstämmer med denna Licens. När Du accepterar

sådana skyldigheter får Du dock endast agera för din egen räkning och på ditt eget ansvar, och inte agera för någon annan Deltagare, och endast om Du samtycker till att gottgöra, försvara och hålla varje Deltagare skadeslös för juridiskt ansvar som åläggs, eller anspråk som framställs mot, sådan Deltagare på grund av att Du accepterat en sådan garanti eller ytterligare förpliktelse. SLUT PÅ VILLKOR

Indhold

Indledning.....	195	Transport, opbevaring og bortskaffelse.....	204
Sikkerhed.....	196	Tekniske data.....	205
Montering.....	202	Tilbehør.....	206
Drift.....	203	Overensstemmelseserklæring.....	207
Vedligeholdelse.....	203	Licenser.....	208

Indledning

Produktbeskrivelse

Husqvarna Aspire Pole-P4A er en batteridrevet strømehed med teleskopfunktion.

Anvendelsesformål

Denne strømehed er en basisenhed, der kun fungerer sammen med godkendt tilbehør, der kan ses i *Tilbehør*

på side 206. Sørg for at læse denne instruktionsbog sammen med manualen til det godkendte tilbehør.

Produktoversigt

(Fig. 1)

1. Drejeled
2. Låseknop til udstyr
3. Håndtag til teleskopfunktion
4. Aksel
5. Blødt etui
6. Krog til seletøj
7. Låseknop strømudløserlås
8. Bageste håndtag
9. Strømudløserlås
10. Strømudløser
11. Brugervejledning
12. Knap til udløsning af batteri
13. Batterioplader
14. Tænd og advarselsindikator
15. Stik
16. Opbevaringskrog, skruer og rawplugs

Symboler på produktet

(Fig. 2)

ADVARSEL: Dette produkt kan være farligt og forårsage alvorlig personskade eller død for brugeren eller andre. Vær forsigtig, og brug produktet korrekt.

(Fig. 3)

Læs brugervejledningen, og sørg for at have forstået indholdet, inden du bruger produktet.

(Fig. 4)

Brug en beskyttelseshjelm på steder, hvor du kan få genstande i hovedet. Brug godkendt høreværn (kun til Aspire P5-P4A + Aspire Pole-P4A). Brug godkendt øjenværn.

(Fig. 5)

Brug godkendte beskyttelseshandsker.

(Fig. 6)

Brug altid kraftige, skridsikre støvler. (Gælder kun for Aspire P5-P4A + Aspire Pole-P4A)

(Fig. 7)

Jævnstrøm.

(Fig. 8)

Nominal spænding, V

(Fig. 9)

Må ikke udsættes for regn.

(Fig. 10)

Risiko for personskade. Hold hænderne væk fra skæreværktøjet.

(Fig. 11) Produktet overholder gældende EU-direktiver.

(Fig. 12) Dette produkt er i overensstemmelse med gældende UK-bestemmelser.

(Fig. 16) FARE - Hold tilstrækkelig afstand til højspændingsledninger.

(Fig. 17) Typeskiltet eller laserskriften viser serienummeret. **yyyy** er produktionsåret, og **ww** er produktionsugen.

(Fig. 13) Produktet og produktemballagen er ikke almindeligt husholdningsaffald. Aflever det på en genbrugsstation til elektrisk og elektronisk udstyr.

Bemærk: Andre symboler/etiketter på produktet refererer til specifikke krav for certificering på visse markeder.

(Fig. 14) Brug og opbevar kun batteriopladeren indendørs.

(Fig. 15) Dobbelt isolering.

Symboler på batteriet og/eller på batteriopladeren

(Fig. 18) Aflever produktet på en genbrugsstation for elektrisk og elektronisk udstyr. (Gælder kun Europa)

(Fig. 19) Brug kun batteriet i produkter fra POWER FOR ALL-systempartnere.

(Fig. 20) Beskyt batteriet mod varme, f.eks. mod konstant kraftigt sollys, ild, snavs, vand og fugt. Der er risiko for eksplosion og kortslutning.

(Fig. 21)

Skader på produktet

Vi er ikke ansvarlige for skader på vores produkt, hvis:

- produktet er forkert repareret.
- produktet er repareret med dele, der ikke er fra producenten eller ikke er godkendt af producenten
- produktet har tilbehør, der ikke er fra producenten eller ikke er godkendt af producenten.
- produktet ikke er repareret på et godkendt servicecenter eller af en godkendt myndighed.

Producent

Husqvarna AB

Drottninggatan 2, SE-561 82 Huskvarna, Sweden, tel: +46-36-146 500

Sikkerhed

Sikkerhedsdefinitioner

Advarsler, forholdsregler og bemærkninger bruges til at pege på særligt vigtige dele af brugsanvisningen.



ADVARSEL: Bruges, hvis føreren udsætter sig selv eller omkringstående personer for risiko for personskade eller dødsfald ved tilsidesættelse af instruktionerne i brugsanvisningen.



BEMÆRK: Bruges, hvis der er risiko for skader på produktet, andre materialer eller det omgivende område ved tilsidesættelse af instruktionerne i brugsanvisningen.

Bemærk: Bruges til at give yderligere oplysninger, der er nødvendige i en given situation.

Generelle sikkerhedsadvarsler om elværktøj



ADVARSEL: Sørg for at læse manualen til det godkendte tilbehør sammen med denne instruktionsbog til strømheden.



ADVARSEL: Læs alle sikkerhedsadvarsler, instruktioner, illustrationer og specifikationer, der følger med dette elværktøj. Hvis du ignorerer de nedenfor anførte instruktioner, kan det medføre elektrisk stød, brand og/eller alvorlige skader.

Bemærk: Opbevar alle advarsler og instruktioner til senere brug. Betegnelsen "elværktøj" i advarselerne

henviser til dit værktøj, som drives af strøm fra elektricitetsnettet (med ledning) eller fra batteri (ledningsfrit).

Sikkerhed i arbejdsområdet

- **Hold arbejdsområdet rent og godt oplyst.** Rodede eller mørke områder er en invitation til ulykker.
- **Betjen ikke elværktøj i områder med eksplosionsfare som f.eks. i nærheden af brændbare væsker, luftarter eller støv.** Elværktøj danner gnister, som kan antænde støv eller dampe.
- **Hold børn og tilskuere borte, mens elværktøjet betjenes.** Distraction kan få dig til at miste styringen.

Elektrisk sikkerhed

- **Stikket på elværktøjet skal passe til stikkontakten. Man må aldrig ændre på stikket. Benyt ikke adapterstik i forbindelse med jordet elværktøj.** Uændrede stik og passende stikkontakter reducerer risikoen for elektrisk stød.
- **Undgå kropskontakt med jordede genstande som f.eks. rør, radiatore, komfurer og køleskabe.** Der er øget risiko for elektrisk stød, hvis din krop har forbindelse til jord.
- **Udsæt ikke elværktøj for regn eller våde omgivelser.** Vand, som trænger ind i et elværktøj, forøger risikoen for elektrisk stød.
- **Behandl kablet forsigtigt. Benyt aldrig kablet til at bære eller trække i elværktøjet eller til at trække stikket ud.** Hold ledningen væk fra varme, olie, skarpe kanter eller bevægelige dele. Beskadigede eller filtrede kabler forøger risikoen for elektrisk stød.
- **Når man anvender et elværktøj udendørs, skal man bruge en forlængerledning, der er egnet til udendørs brug.** Brug af en ledning, der er egnet til udendørs brug, reducerer risikoen for elektrisk stød.
- **Hvis ikke man kan undgå at anvende et elværktøj på fugtige steder, skal man anvende et stik, der er beskyttet af en fejlstrømsafbryder.** Brug af et kabel med fejlstrømsafbryder nedsætter risikoen for elektrisk stød.

Personlig sikkerhed

- **Vær altid opmærksom, hold øje med, hvad du foretager dig, og benyt sund fornuft, når du betjener elværktøj.** Benyt ikke elværktøj, hvis du er træt eller er påvirket af narkotika, alkohol eller medicin. Et øjeblik uopmærksomhed under betjening af elværktøj kan resultere i alvorlig personskade.
- **Bær personligt beskyttelsesudstyr. Brug altid beskyttelsesbriller.** Beskyttelsesudstyr som støvmaske, skridsikre sikkerhedssko, beskyttelseshjelm eller høreværn, som benyttes til de relevante formål vil nedsætte risikoen for personskade.
- **Sørg for at forhindre uønsket start af værktøjet. Sørg for, at kontakten er i frakoblet position, før du slutter produktet til strømkilden og/eller batterienheden, samt når du tager eller bærer værktøjet.** Hvis

man bærer eldrevne redskaber med fingrene på kontakten, eller hvis man tilslutter kablet på eldrevne redskaber med tændt kontakt, er der stor risiko for ulykker.

- **Fjern alle indstillingsnøgler eller tænger, før elværktøjet tændes.** En tang eller nøgle, der efterlades på en roterende del af elværktøjet, kan forårsage personskade.
- **Stræk dig ikke for langt. Sørg for altid at have godt fodfæste og god balance.** Det sikrer bedre kontrol med elværktøjet i uventede situationer.
- **Bær det korrekte tøj. Undgå at bære løstsiddende tøj eller smykker. Hold hår og tøj væk fra bevægelige dele.** Løst tøj, smykker eller langt hår kan blive fanget af bevægelige dele.
- **Hvis der forefindes udstyr til støvudsugning og -opsamling, skal du sikre, at det er tilsluttet, og at det bruges korrekt.** Brug af støvopsamling kan nedbringe støvrelaterede farer.
- **Lad ikke erfaringen fra tidligere brug af værktøjer gøre dig uopmærksom, så du ignorerer sikkerhedsprincipperne for værktøj.** En uforsigtig handling kan give alvorlige skader på en brøkdel af et sekund.
- **Fare! Betjen ikke produktet i nærheden af elektriske højspændingsledninger.** Enheden er ikke konstrueret til at beskytte mod elektrisk stød i tilfælde af kontakt med overliggende elektriske ledninger. Se lokale regler for sikker afstand til overliggende elektriske højspændingsledninger, og sørg for, at du befinder dig på et sikkert sted, før du betjener produktet.

Brug og pleje af elværktøj

- **Brug ikke magt ved brug af elværktøjet. Brug det korrekte elværktøj til din opgave.** Det korrekte elværktøj udfører arbejdet bedre og mere sikkert ved den norm, som det er konstrueret til.
- **Benyt ikke elværktøjet, hvis kontakten ikke kan slå til og fra.** Ethvert stykke elværktøj, som ikke kan styres med kontakten, er farligt og skal repareres.
- **Tag stikket ud af stikkontakten og/eller fjern batterienheden, hvis den kan tages ud, fra elværktøjet, før du foretager justeringer, skifter tilbehør eller sætter det til opbevaring.** Denne form for forebyggende sikkerhedsforanstaltninger nedsætter risikoen for, at elværktøjet startes ved et uheld.
- **Opbevar elværktøj der ikke er i brug uden for børns rækkevidde og lad ikke personer, der ikke er bekendt med elværktøjet eller disse instruktioner, betjene elværktøjet.** Elværktøj er farligt i hænderne på utrænede brugere.
- **Vedligeholdelse af eldrevne redskaber og tilbehør. Kontroller, om bevægende dele sidder forkert eller binder, om dele er ødelagt og enhver anden tilstand, som kan påvirke elværktøjets funktion.** Hvis elværktøjet er beskadiget, skal det repareres, før det bruges igen. Mange ulykker skyldes dårligt vedligeholdt elværktøj.

- **Hold skæreprodukter skarpe og rene.** Korrekt vedligeholdte skæreprodukter med skarpe klinger er mindre tilbøjelige til at binde og er lettere at styre.
- **Benyt elværktøj, tilbehør, værktøjsbits osv. i overensstemmelse med disse instruktioner og tag højde for arbejdsforholdene og det arbejde, der skal udføres.** Hvis man bruger det ældre produkt til andre formål end de tiltænkte, kan det medføre farlige situationer.
- **Hold håndtag og gribefflader tørre, rene og frie for olie og fedt.** Glatte håndtag og gribefflader muliggør ikke sikker håndtering og kontrol af værktøjet i uventede situationer.

Brug og pleje af batteriredskaber

- **Genoplad kun med den oplader, som producenten foreskriver.** En oplader, der egner sig til en bestemt type batteripakke, kan medføre risiko for brand, hvis den benyttes sammen med en anden batteripakke.
- **Brug kun elværktøj sammen med de batterienheder, der er beregnet specifikt til dem.** Brug af andre batterienheder medfører risiko for skader og brand.
- **Når batteripakken ikke anvendes, skal du holde den væk fra andre metalgenstande, såsom papir, clips, mønter, nøgler, søm, skruer eller andre små metalgenstande, der kan kortslutte polerne.** Kortslutning af batteripolerne kan forårsage forbrændinger eller brand.
- **Under ugunstige forhold kan der sprøjte væske ud fra batteriet, undgå kontakt.** Hvis væsken alligevel berøres, skal der skylles med vand. Hvis du får væske i øjnene, skal du søge læge. Væske, der siver ud fra batteriet, kan medføre irritation eller forbrænding.
- **Brug ikke en batteripakke eller et værktøj, som er beskadiget eller modificeret.** Beskadigede eller modificerede batterier kan opføre sig uforudsigeligt og medføre brand, eksplosion eller risiko for personskade.
- **Udsæt ikke en batteripakke eller værktøj for brand eller høje temperaturer.** Udsættelse for brand eller temperatur over 130 °C / 266 °F kan forårsage eksplosion.
- **Følg alle opladningsinstruktioner, og oplad ikke batteripakken eller værktøjet uden for det temperaturområde, der er angivet i instruktionerne.** Forkert opladning eller opladning ved temperaturer uden for det specificerede område kan beskadige batteriet og øge risikoen for brand.

Service

- **Få en kvalificeret reparatør til at foretage service på dit ældre produkt, og brug kun originale reservedele.** Det vil sikre, at elværktøjets sikkerhed bliver bibeholdt.
- **Der må aldrig udføres service på beskadigede batteripakker.** Service på batteripakker bør kun udføres af producenten eller autoriserede serviceudbydere.

Andre generelle sikkerhedsoplysninger

- For yderligere specifikke sikkerhedsregler henvises der til brugervejledningen for det relevante udstyr.
- Sluk produktet, før du bevæger dig til et andet område. Udtag altid batteriet, når produktet overdrages til en anden person.
- Adskil aldrig produktet, medmindre du har deaktiveret det og fjernet batteriet. Lad ikke apparatet være uden opsyn, når det er tændt.
- Skæreværktøjet stopper ikke straks, efter at produktet er slukket.
- Før brug af produktet og efter stød eller tab, skal maskinen kontrolleres for slitage og skader og om nødvendigt repareres.
- Skulle et eller andet sætte sig fast i klippeudstyret under betjening af produktet, skal du stoppe og deaktivere produktet. Sørg for, at skæreudstyret standser helt. Tag batteriet ud før rengøring, eftersyn eller reparation af produktet og/eller skæreudstyret.
- Kontrollér produktet inden brug. Se *Sikkerhedsanordninger på produktet på side 200* og *Vedligeholdelse på side 203*. Brug ikke et beskadiget produkt. Gennemfør sikkerhedskontrol, vedligeholdelse og service som beskrevet i denne brugsanvisning.
- Defekt klippeudstyr kan øge risikoen for ulykker.
- Sørg altid for, at ventilationsåbninger holdes fri for snavs.
- Kontrollér, at produktet er i optimal stand. Kontrollér, at alle møtrikker og bolte er spændt.
- Dette produkt er et farligt værktøj, hvis du ikke er forsigtig, eller hvis du bruger produktet forkert. Dette produkt kan forårsage alvorlig personskade eller død for brugeren eller andre.
- Denne enhed er ikke til brug for personer (herunder børn) med nedsatte fysiske, følelsesmæssige eller mentale evner eller mangel på erfaring og viden, medmindre de er under opsyn eller modtaget træning i brugen af enheden af en person, der er ansvarlig for deres sikkerhed. Børn skal være under opsyn for at sikre, at de ikke leger med enheden.
- Tillad aldrig børn at anvende eller være i nærheden af maskinen. Da maskinen er nemt at starte, kan børn muligvis starte den, hvis de ikke holdes under opsyn. Dette kan indebære risiko for alvorlige personskader. Tag batteriet ud, når maskinen ikke er under opsyn.
- Lad ikke børn eller personer, som ikke er trænet i brugen af produktet og/eller batteriet, bruge eller udføre service på den/det.
- Opbevar udstyret et sted, der kan aflåses, så det er utilgængeligt for børn og uvedkommende.
- Transportskærmen skal altid anvendes ved opbevaring og transport.
- Hold altid hænder og fødder væk fra beskæringsområdet, særligt når motoren tændes.

- Når produktet slukkes, skal du sørge for at holde hænder og fødder væk fra klippeudstyret, indtil det er standset helt.
- Fjern ikke afskåret materiale, og lad ikke andre personer fjerne afskåret materiale, mens produktet er tændt, eller skæreudstyret roterer, da det kan resultere i alvorlig skade.
- Vær opmærksom på, at du som bruger af udstyret er ansvarlig for, at andre personer og deres ejendom ikke udsættes for uheld eller faremomenter.
- Produktets oprindelige udformning må under ingen omstændigheder ændres uden producentens samtykke. Brug altid originalt tilbehør. Ikke-autoriserede ændringer og/eller ikke-godkendt tilbehør kan medføre alvorlige skader eller døden for brugeren eller andre. Din garanti dækker ikke skader eller ansvar som følge af anvendelse af ikke-godkendt tilbehør eller reservedele.
- Det eneste tilbehør, du må anvende med dette produkt, er det skæreudstyr, der anbefales i kapitlet Tilbehør.
- Brug aldrig et produkt, der er blevet ændret, så det ikke længere svarer til originalmodellen
- Brug aldrig et produkt, som er behæftet med fejl. Følg instruktionerne for sikkerhedskontrol, vedligeholdelse og service i denne brugervejledning. Visse vedligeholdelses- og serviceforanstaltninger må kun udføres af erfarne og kvalificerede specialister. Se *Vedligeholdelse på side 203*.
- Arbejde i dårligt vejr er trættende og øger ofte risici for skader. På grund af den øgede risiko anbefales det ikke at bruge maskinen i meget dårligt vejr, f.eks. tæt tåge, kraftig regn, hård vind, kraftig kulde, risiko for lynnedslag osv.
- Arbejd aldrig på en stige, stol, palle eller fra et andet højt sted, som ikke er helt stabilt.
- Opbevar inaktive apparater indendørs - Når apparaterne ikke er i brug, bør de opbevares indendørs.
- Det er ikke muligt at tage højde for alle de situationer, du kan tænkes at komme ud for. Udvis derfor altid forsigtighed, og brug din sunde fornuft. Undgå situationer, som du ikke synes, du er tilstrækkeligt kvalificeret til. Hvis du stadig føler dig usikker med hensyn til fremgangsmåden, efter at du har læst disse anvisninger, skal du kontakte en ekspert, før du fortsætter.
- Sørg for, at ingen mennesker eller dyr kommer nærmere end 15 meter under arbejdet. Hvis flere brugere arbejder i det samme område, skal sikkerhedsafstanden være mindst 15 meter. Dette kan indebære risiko for alvorlige personskader. Stands øjeblikkeligt produktet, hvis nogen nærmer sig. Sving aldrig rundt med produktet uden først at kontrollere bagud, at der ikke befinder sig nogen i sikkerhedszonen.
- Skulle et eller andet sætte sig fast i klippeudstyret under betjening af produktet, skal du stoppe og deaktivere produktet. Sørg for, at skæreudstyret standser helt. Tag batteriet ud før rengøring, eftersyn eller reparation af produktet og/eller skæreudstyret.
- Sørg for, at hverken mennesker, dyr eller andet kan ikke påvirke din kontrol af produktet eller, at de ikke kan komme i kontakt med skæreudstyret eller løse genstande, som slynges væk af skæreudstyret. Brug aldrig produktet uden mulighed for at kunne tilkalde hjælp i tilfælde af en ulykke.
- Sørg for, at du kan bevæge dig og stå sikkert. Kig efter eventuelle forhindringer ved en uventet retræte (rødder, sten, grene, huller, grøfter osv.). Vær meget forsigtig ved arbejde i skrånende terræn.
- Gå. Løb aldrig.
- Kontrollér arbejdsområdet. Fjern alle løse genstande som for eksempel sten, knust glas, søm, ståltråd, snor og lignende, som kan slynges ud eller sno sig ind i klingene eller klingskærmen.
- Pas på grenstumper, som kan slynges væk, når du beskærer. Skær ikke for nær ved jorden, hvor sten eller andre løse genstande kan blive slynget op.
- Sørg for, at tøj eller kropsdele ikke kan komme i kontakt med skæreudstyret, mens produktet er aktiveret. Hold produktet under hoftehøjde.
- Pas på udslyngede genstande. Godkendt øjenværn skal altid anvendes. Læn dig aldrig ind over skæreudstyrsskærmen. Sten, skidt m.m. kan blive slynget op i øjnene og forårsage blindhed eller alvorlige skader.
- Vær altid opmærksom på advarselssignaler eller tilråb, når høreværnet bruges. Tag altid høreværnet af, så snart produktet er standset.
- Hvis uønskede vibrationer forekommer, bank let en ny tråd ud for at få den korrekte længde til at stoppe vibrationerne.
- Hvis produktet begynder at vibrere unormalt, skal du standse produktet og fjerne batteriet.
- Overeksponering af vibrationer kan føre til kredsløbsforstyrrelser og skader på nervesystemet hos personer med kredsløbsforstyrrelser. Tal med din læge, hvis du får symptomer på overeksponering af vibrationer. Eksempler på sådanne symptomer er følelsesløshed, manglende følesans, kildren, stikken, smerte, manglende eller reduceret styrke i forhold til normalt, forandringer i hudens farve eller i dens overflade. Disse symptomer opstår almindeligvis i fingre, hænder og håndled.
- Hold altid fast om produktet med begge hænder.

Personligt beskyttelsesudstyr



ADVARSEL: Læs følgende advarselinstruktioner, inden du bruger produktet.

- Brug godkendt personligt beskyttelsesudstyr, når du bruger produktet. Personligt beskyttelsesudstyr udelukker ikke fuldstændigt risikoen for personskader, men det mindsker graden af skaderne i tilfælde af, at der skulle ske en ulykke. Lad

forhandleren hjælpe dig med at vælge det rigtige udstyr.

- Brug en sikkerhedshjelm, hvor der er risiko for nedfaldende genstande.
- Brug godkendt hørevern med tilstrækkelig dæmpning. Langvarig eksponering for støj kan medføre permanente høreskader.
- Brug godkendt øjenværn. Hvis du bruger et ansigtsværn, skal du også bruge godkendte beskyttelsesbriller. Godkendte beskyttelsesbriller skal være i overensstemmelse med den amerikanske standard ANSI Z87.1 eller EU-standardEN 166.
- Brug et visir til ansigtsbeskyttelse. Et visir er ikke nok til at beskytte øjnene.

(Fig. 22)

- Brug om nødvendigt beskyttelseshandsker, f.eks. ved montering, eftersyn og rengøring af skæreudstyret.
- Brug skridsikre og stabile støvler.
- Brug beklædning, der er lavet af et stærkt materiale. Brug altid kraftige lange bukser og lange ærmer. Brug ikke løstsiddende tøj, som kan sætte sig fast i buske og grene. Undgå smykker, shorts og sandaler, og gå ikke barfodet. Sæt håret op i en sikker højde, dvs. over skulderen.

(Fig. 23)

- Sørg for at have førstehjælpsudstyr ved hånden.

(Fig. 24)

Sikkerhedsanordninger på produktet



ADVARSEL: Læs følgende advarselsinstruktioner, inden du bruger produktet.

I dette afsnit forklares mere om produktets sikkerhedsfunktioner og deres formål, samt hvordan kontrol og vedligeholdelse skal udføres for at sikre, at de fungerer. Se anvisningerne under afsnittet *Produktoversigt på side 195* for at finde ud af, hvor disse dele er placeret på dit produkt.

Produktets levetid kan forkortes og risikoen for ulykker kan øges, hvis vedligeholdelsen ikke udføres korrekt, og hvis service og/eller reparation ikke udføres fagligt korrekt. Kontakt det nærmeste serviceværksted for at få yderligere oplysninger.



ADVARSEL: Brug aldrig et produkt med beskadiget sikkerhedsudstyr. Produktets sikkerhedsudstyr skal kontrolleres og vedligeholdes som beskrevet i dette afsnit. Klarer produktet ikke alle kontrollerne, skal du kontakte et serviceværksted for at få den repareret.



BEMÆRK: Al service og reparation af maskinen kræver specialuddannelse. Dette gælder især maskinens sikkerhedsudstyr. Hvis maskinen ikke klarer nogen af de nedennævnte kontroller, skal du kontakte dit serviceværksted. Ved at købe nogle af vores produkter kan du være sikker på at få en faglig korrekt reparation og service. Hvis maskinen er købt et sted, som ikke er en af vores serviceydende forhandlere, skal du spørge dem efter det nærmeste serviceværksted.

Sådan kontrolleres låsen på strømudløseren

Låsen på strømudløseren forhindrer utilsigtet aktivering. Når du slipper grebet om håndtaget, flyttes både strømudløseren og låsen på strømudløseren tilbage i deres udgangsposition.

1. Tryk låseknapen til strømudløserlåsen fremad. (Fig. 25)
2. Kontrollér, at strømudløseren er låst, når strømudløseren er i udgangspositionen. (Fig. 26)
3. Tryk på låsen på strømudløseren på den ene side og derefter på den anden side. Sørg for, at låsen på strømudløseren bevæger sig tilbage til udgangspositionen. (Fig. 27)
4. Kontrollér, at strømudløseren og låsen på strømudløseren bevæger sig frit, og at returfederen fungerer korrekt. (Fig. 28)
5. Start produktet, se *Sådan startes produktet på side 203*.
6. Slip strømudløseren, og sørg for, at produktet standser helt.

Sikkerhedsinstruktioner til montering



ADVARSEL: Læs denne vejledning til strømenheden sammen med vejledningen til godkendt tilbehør.

- Fjern batteriet fra produktet, før du samler produktet.
- Brug godkendte beskyttelseshandsker.
- En beskadiget eller forkeret skærm kan forårsage personskade. Brug ikke skæreudstyr, hvor der ikke er monteret godkendt skærm.
- Sørg for at samle udstyret korrekt før start af produktet.
- Hvis selen leveres sammen med tilbehøret, skal selen fastgøres korrekt til produktet. Selen gør betjeningen nem og sikker og forhindrer skader på brugeren eller andre personer.

Batterisikkerhed



ADVARSEL: Læs alle sikkerhedsinstrukser og generelle instruktioner. Hvis du ignorerer sikkerhedsinstrukser og generelle instruktioner, kan det medføre elektrisk stød, brand og/eller alvorlig tilskadekomst. **Gem alle sikkerhedsoplysninger og generelle instruktioner til senere brug.**

- Denne sikkerhedsvejledning gælder kun for 18 V genopladelige Li-ion-batterier til POWER FOR ALL-systemet.
- Brug kun det genopladelige batteri i produkter fra POWER FOR ALL-systempartnere. 18 V genopladelige batterier, der er mærket med POWER FOR ALL, er fuldt kompatible med følgende produkter:
Alle produkter i 18 V POWER FOR ALL-batterisystemet.
Alle 18 V-produkter fra POWER FOR ALL-systempartnere.
- Overhold batterianbefalingerne i betjeningsvejledningen til dit produkt. Kun på denne måde kan det genopladelige batteri og produktet betjenes uden fare, og de genopladelige batterier er beskyttet mod farlig overbelastning.
- Oplad kun batterierne ved hjælp af opladere, der anbefales af producenten eller af POWER FOR ALL-systempartnere. En lader, der passer til én batteritype, kan udgøre en risiko for brand, når den anvendes med et andet batteri.
- Batteriet leveres delvist opladet. For at sikre fuld batterikapacitet skal du oplade batteriet helt i opladeren, før du bruger elværktøjet første gang.
- Opbevar batteripakker utilgængeligt for børn.
- Åbn ikke batteriet. Der er risiko for kortslutning.
- I tilfælde af skader og forkert brug af batteriet kan der forekomme dampe. Batteriet kan antænde eller eksplodere. Sørg for, at området er godt ventileret, og søg lægehjælp, hvis du oplever bivirkninger. Dampene kan irritere åndedrætssystemet.
- Hvis det anvendes forkert, eller hvis batteriet bliver beskadiget, kan der sive brandfarlig væske ud af batteriet. Kontakt med denne væske skal undgås. Hvis der alligevel sker utilsigtet kontakt med væsken, skal den skylles af med vand. Hvis væsken kommer i kontakt med øjnene, skal du søge yderligere lægehjælp. Væske, der siver ud fra batteriet, kan medføre irritation eller forbrænding.
- Hvis batteriet er beskadiget, kan væsken sive ud og dække nærliggende overflader. Kontrollér de berørte dele. Rengør disse dele, eller udskift dem om nødvendigt.
- Batteripakken må ikke kortsluttes. Når batteripakken ikke anvendes, skal du holde den væk fra andre metalgenstande, såsom papir, clips, mønter, nøgler,

søm, skruer eller andre små metalgenstande, der kan kortslutte polerne. Kortslutning af batteripolerne kan forårsage forbrændinger eller brand.

- Batteriet kan blive beskadiget af spidse genstande som f.eks. søm eller skruetrækkere eller af udefrakommende kraft. Der kan opstå en intern kortslutning, som kan få batteriet til at brænde, ryge, eksplodere eller overophede.
- Der må aldrig udføres service på beskadigede batteripakker. Service på batteripakker bør kun udføres af producenten eller autoriserede serviceudbydere.
- Beskyt batteriet mod varme, f.eks. mod konstant kraftigt sollys, ild, snavs, vand og fugt. Der er risiko for eksplosion og kortslutning.
- Brug kun batteriet i produktet, hvis omgivelsestemperaturen er mellem -5 °C – 40 °C.
- Opbevar kun batteriet ved en omgivende temperatur på mellem -20 °C – 50 °C. Efterlad f.eks. ikke batteriet i din bil om sommeren. Ved temperaturer på < 0 °C kan nogle enheder opleve strømtab.
- Oplad kun batteriet ved en omgivende temperatur på mellem 0 °C – +35 °C. Opladning uden for dette temperaturområde kan øge risikoen for beskadigelse af batteriet og udgøre en brandfare.

Batteriopladersikkerhed



ADVARSEL: Læs alle sikkerhedsinstrukser og generelle instruktioner. Hvis du ignorerer sikkerhedsinstrukser og generelle instruktioner, kan det medføre elektrisk stød, brand og/eller alvorlig tilskadekomst. **Opbevar disse instruktioner på et sikkert sted.** Brug kun opladeren, hvis du fuldt ud kan evaluere alle funktioner og udføre dem uden begrænsninger, eller hvis du har modtaget tilsvarende instruktioner.

- Denne oplader er ikke beregnet til brug af børn eller personer med fysiske, sanselige eller mentale begrænsninger eller manglende erfaring eller viden. Denne oplader kan bruges af børn på 8 år eller derover og af personer, der har fysiske, sanselige eller mentale begrænsninger eller manglende erfaring eller viden, hvis en person, der er ansvarlig for vedkommendes sikkerhed, overvåger vedkommende eller har instrueret vedkommende i sikker betjening af opladeren, og vedkommende forstår de dermed forbundne farer. Ellers er der risiko for betjeningsfejl og tilskadekomst.
- Overvåg børn under brug, rengøring og vedligeholdelse. Dette sikrer, at børn ikke leger med opladeren.
- Oplad kun 18 V POWER FOR ALL-systembatterier med en kapacitet på 1,5 Ah og derover. Batterispændingen skal svare til opladerens batteriladespænding. Oplad ikke ikke-genopladelige batterier. Ellers er der risiko for brand og eksplosion.

- **Brug kun opladeren i lukkede rum, og udsæt den ikke for våde forhold.** Vand, som trænger ind i et elværktøj, forøger risikoen for elektrisk stød.
- **Hold opladeren ren.** Snavs udgør en risiko for elektrisk stød.
- **Kontrollér altid opladeren, kablet og stikket før brug.** Undlad at bruge opladeren, hvis du opdager skader. Åbn ikke opladeren selv, og få den kun repareret af Husqvarna eller af et autoriseret eftersalgsservicecenter, der bruger originale reservedele. Beskadede opladere, kabler og stik øger risikoen for elektrisk stød.
- **Brug ikke opladeren på en let antændelig overflade (f.eks. papir, tekstiler osv.) eller i et brandfarligt miljø.** Der er risiko for brand, fordi opladeren bliver varm under drift.
- **Tildæk ikke opladerens ventilationsåbninger.** I modsat fald kan opladeren blive overophedet og ikke længere fungere korrekt.
- **Genoplad kun med den oplader, som producenten foreskriver.** En oplader, der egner sig til en bestemt type batteripakke, kan medføre risiko for brand, hvis den benyttes sammen med en anden batteripakke.
- **I tilfælde af skader og forkert brug af batteriet kan der også forekomme dampe.** Sørg for, at området er godt ventileret, og søg lægehjælp, hvis du oplever bivirkninger. Dampene kan irritere åndedrætssystemet.
- **Hvis batteriet bruges forkert, kan der sive væske ud af det. Kontakt med denne væske skal undgås. Hvis der alligevel sker utilsigtet kontakt med væsken, skal den skylles af med vand. Hvis væsken kommer i kontakt med øjnene, skal du søge yderligere lægehjælp.** Væske, der siver ud fra batteriet, kan medføre irritation eller forbrænding.
- **Produkter, der kun sælges i Storbritannien:** Dit produkt er udstyret med et BS 1363/A-godkendt elektrisk stik med intern sikring (ASTA-godkendt iht. BS 1362). Hvis stikket ikke passer til dine

stikkontakter, skal det afbrydes, og et passende stik skal monteres på stedet af en autoriseret tekniker. Det nye stik skal have samme sikringsstørrelse som det originale stik. Det fjernede stik skal bortskaffes for at undgå risiko for stød og må aldrig indsættes i en stikkontakt et andet sted.

Sikkerhedsinstruktioner for vedligeholdelse



ADVARSEL: Læs følgende advarselsinstruktioner, inden du udfører vedligeholdelse på produktet.

- Fjern batteriet, inden du udfører vedligeholdelse, anden kontrol eller samler produktet.
- Brugeren må kun udføre den form for vedligeholdelses- og servicearbejde, der beskrives i denne brugervejledning. Kontakt en servicetekniker i forbindelse med større vedligeholdelses- og serviceopgaver.
- Batteriet eller batteriopladeren må aldrig rengøres med vand. Stærke opløsningsmidler kan beskadige plasten.
- Hvis du ikke udfører vedligeholdelse, reduceres levetiden for produktet og risikoen for ulykker øges.
- Der kræves særlig uddannelse til al service og reparation, især for sikkerhedsanordninger på produktet. Hvis ikke alle kontroller i denne brugsanvisning er godkendt, efter du har udført vedligeholdelse, skal du kontakte din servicetekniker. Vi garanterer, at der er professionelle reparationer og vedligeholdelse til rådighed for dit produkt.
- Brug altid kun originale reservedele.
- Anvend altid kraftige handsker ved reparation af skæreudstyret. Klingerne er meget skarpe og kan forårsage skader.

Montering

Indledning



ADVARSEL: Læs og forstå kapitlet om sikkerhed, før du monterer produktet.

Sådan monteres tilbehøret

1. Fastgør udstyret (A) på strømenheden (B). Udstyret skal glide let ind i holderen på strømenheden. Gør det ikke det, er det ikke monteret korrekt. (Fig. 29)
2. Spænd låseknappen (C).

Bemærk: Når udstyret er monteret på strømenheden, frakobles udstyrets brugergrænseflade.

Sådan justeres længden af teleskopskaffet

1. Løft håndtaget (A) på skaffet. (Fig. 30)
2. Juster teleskopskaffet til en passende længde.
3. Skub håndtaget ned for at låse teleskopskaffet.

Sådan installeres opbevaringskrogen på væggen

- Installer opbevaringskrogen indendørs.
- Hold krogen væk fra sollys og ved en omgivende temperatur på -10 °C til 70 °C.
- Installer opbevaringskrogen på en gips-, træ- eller betonvæg.



BEMÆRK: Sørg for, at væggen kan bære en last på mindst 30 kg.

- Installer opbevaringskrogen på væggen med de 3 skruer (A). Brug rawplugs (B), hvis det er nødvendigt. (Fig. 31)



BEMÆRK: Sørg for, at skruerne passer til din vægtype.

- Tal med din Husqvarna-servicerepræsentant for at få oplysninger om tilgængeligt tilbehør til opbevaring af dit produkt.

Sådan hænges produktet på opbevaringskrogen

- Hæng strømenheden på opbevaringskrogen som vist på billedet. (Fig. 32)

Drift

Udfør en funktionskontrol, inden du bruger produktet

1. Fjern snavs og uønsket materiale fra produktet med en børste.
2. Spænd alle møtrikker og skruer.
3. Sørg for, at udstyret er fastgjort korrekt.
4. Sørg for, at låseknappen til strømudløserlåsen er aktiveret.
5. Sørg for, at låseanordningerne på det forlængede skaft og drejeelementet er i låst position.
6. Undersøg udstyret for skader, f.eks. revner. Udskift udstyret, hvis det er beskadiget.
7. Sørg for, at dækslerne er fastgjort korrekt og ikke er beskadiget.
8. Sørg for, at produktet fungerer korrekt.

Sådan tilsluttes batteriet til produktet



ADVARSEL: Brug kun litiumionbatterier fra POWER FOR ALL systemet P4A 18 V i produktet.

1. Kontrollér, at batteriet er fuldt opladt.
2. Sæt batteriet ind i batteriholderen på produktet. Batteriet skal glide let ind i batterirummet. Gør det ikke det, er det ikke monteret korrekt. (Fig. 33)
3. Sæt batteriet helt ind i batteriholderen. Batteriet låses på plads, når du hører et klik.
4. Sørg for, at låsen klikker korrekt på plads.

Sådan startes produktet

1. Tryk låseknappen til strømudløserlåsen fremad. (Fig. 25)
2. Tryk på låsen på strømudløseren (A) fra venstre eller højre side, og hold strømudløseren (B) inde. (Fig. 34)

Sådan standses produktet

1. Slip strømudløseren.
2. Tryk låseknappen til strømudløserlåsen bagud for at låse produktet.
3. Tryk på batteriudløserknappen, og træk batteriet ud. (Fig. 35)
4. Fjern om nødvendigt udstyret fra produktet.

Sådan justeres vinklen på produktet

Produktet kan justeres i 7 forskellige positioner.



ADVARSEL: Undlad at justere vinklen, mens du betjener produktet.

1. Stop produktet, og fjern batteriet.
2. Hold holderen (A) stramt. (Fig. 36)
3. Tryk og hold drejeledet (B) inde.
4. Indstil holderen til den korrekte position.
5. Slip drejeledet for at låse holderen.
6. Flyt holderen op og ned, indtil den låser på plads.

Vedligeholdelse

Indledning



ADVARSEL: Læs og forstå sikkerhedskapitlet, før du udfører vedligeholdelsesarbejde på produktet.



ADVARSEL: Tag batteriet ud, før der foretages vedligeholdelse af produktet.

Vedligeholdelsesskema

Nedenfor vises en oversigt over det vedligeholdelsesarbejde, der skal udføres på produktet.

Vedligeholdelse	Før brug	Ugentligt	Månedligt
Rengør produktets yvendige overflade med en tør klud. Brug ikke vand.	X		
Sørg for, at låsekappen til strømudløserlåsen fungerer korrekt og ikke er beskadiget.	X		
Kontrollér, at strømudløseren og strømudløserlåsen fungerer korrekt i sikkerheds-mæssig henseende.	X		
Sørg for, at alle kontrolenheder fungerer korrekt og ikke er beskadiget.	X		
Hold håndtagene tørre og rene.	X		
Sørg for, at skruer og møtrikker er spændt.	X		
Kontrollér, at udløserknapperne på batteriet fungerer korrekt og låser batteriet på plads i produktet.	X		
Sørg for, at batteriet ikke er beskadiget.	X		
Sørg for, at batteriet er opladt.	X		
Sørg for, at batteriopladeren er ikke er beskadiget og fungerer korrekt.	X		
Undersøg alle kabler, koblinger og tilslutninger. Sørg for, at de er rene og ubeskadigede.		X	
Kontrollér forbindelserne mellem batteriet og produktet.			X
Kontrollér forbindelserne mellem batteriet og batteriopladeren.			X

Sådan rengøres produktet, batteriet og batteriopladeren

1. Rengør produktet med en tør klud efter brug.
2. Rengør batteriet og batteriopladeren med en tør klud. Hold batteristyrsporene rene.
3. Sørg for, at polerne på batteriet og batteriopladeren er rene, før batteriet sættes i batteriopladeren eller produktet.

Transport, opbevaring og bortskaffelse

Transport og opbevaring

- De medfølgende li-ion-batterier overholder lovkraevne vedrørende farligt gods.
- Overhold de særlige krav vedrørende emballage og etiketter til kommerciel transport, herunder tredjeparter og speditører.
- Tal med en person med specialuddannelse i farligt materiale, før du sender produktet. Overhold alle gældende nationale bestemmelser.
- Sæt tape på åbne kontakter, når batteriet lægges i en pakke. Sørg for, at batteriet ikke kan bevæge sig i pakken.
- Fjern altid batteriet ved opbevaring eller transport.
- Sæt batteriet og batteriopladeren i et rum, der er tørt og fri for fugt og frost.
- Batteriet må ikke opbevares på steder, hvor statisk elektricitet kan forekomme. Opbevar ikke batteriet i en metalkasse.
- Opbevar batteriet ved temperaturer på mellem -20 °C og +50 °C og væk fra direkte sollys.
- Opbevar batteriopladeren ved temperaturer på mellem 5 °C og 45 °C og væk fra direkte sollys.
- Brug kun batteriopladeren ved en omgivende temperatur på mellem 0 °C og 35 °C.
- Opbevar produktet på steder, hvor temperaturen er mellem -40 °C og +60 °C.

- Oplad batteriet 30% til 50%, før du sætter det til opbevaring i længere tid.
- Opbevar batteriopladeren i et rum, der er lukket og tørt.
- Hold batteriet væk fra batteriopladeren under opbevaring. Lad ikke børn og andre ikke-autoriserede personer røre ved udstyret. Opbevar udstyret i et rum, der kan aflåses.
- Rengør produktet, og udfør fuld service, før du sætter produktet til opbevaring i længere tid.
- Brug transportskærmen på produktet for at forhindre personskader eller skader på produktet under transport og opbevaring.
- Fastspænd produktet sikkert under transporten.
- Opbevar produktet vandret, eller hæng produktet på den medfølgende krog. Se *Sådan hænges produktet på opbevaringskrogen på side 203.*

Bortskaffelse af batteriet, batteriopladeren og produktet

Symbolet nedenfor betyder, at produktet ikke er almindeligt husholdningsaffald. Aflever det på en genbrugsstation til elektrisk og elektronisk udstyr. Dette hjælper med at forhindre skader på miljøet og på personer.

Kontakt lokale myndigheder, et renovationselskab eller din forhandler for at få flere oplysninger.

(Fig. 18)

Bemærk: Symbolet vises på produktet eller emballagen til produktet.

Tekniske data

Aspire Pole-P4A	
Vægt	
Vægt (kun strømenhed), kg	1,5

Godkendte batterier

Dette produkt kan betjenes med alle **POWER FOR ALL**-batterier.

Batteri	P4A 18-B36	P4A 18-B45	P4A 18-B72
Type	Lithiumion	Lithiumion	Lithiumion
Batterikapacitet, Ah	2,0	2,5	4,0
Nominel spænding, V	18	18	18
Vægt, kg	0,35	0,35	0,65
Antal celler (li-ion)	5	5	10

Godkendte batteriopladere

Batterioplader	P4A 18-C50	P4A 18-C70
Indgangsspænding, V	Se oplysninger om ladeeffekt.	Se oplysninger om ladeeffekt.
Frekvens, Hz	50-60	50-60
Effekt, watt	50	70

Tilbehør

Tilbehør

Godkendt tilbehør	Type	Anvendes til
Udstyr til multiklipper	Aspire S20-P4A	Aspire-stang-P4A
Udstyr til grensave	Aspire P5-P4A	Aspire-stang-P4A

Overensstemmelseserklæring

EU-overensstemmelseserklæring

Vi, **Husqvarna AB**, SE-561 82 Huskvarna, Sverige,
tlf.: +46-36-146500 erklærer under eneansvar, at det
pågældende produkt:

Beskrivelse	Batteridrevet strømenhed
Varemærke	Husqvarna
Type / model	Aspire Pole-P4A
Identifikation	Serienumrene fra 2023 og fremefter

overholder følgende EU-direktiver og bestemmelser:

Direktiv/bestemmelser	Beskrivelse
2006/42/EF	"vedrørende maskiner"
2014/30/EU	"vedrørende elektromagnetisk kompatibilitet"
2011/65/EU	"om begrænsning af anvendelsen af visse farlige stoffer i elektrisk og elektronisk udstyr"
2000/14/EF	"vedrørende støjemissioner til omgivelserne"

og at følgende standarder og/eller tekniske specifikationer anvendes: EN 62841-1:2015/A11:2022, EN 62841-4-2:2019/A1:2022, EN IEC 62841-4-5:2021/A11:2021, EN ISO 11680-1:2011, EN ISO 12100:2010, EN IEC 55014-1:2021, EN IEC 55014-2:2021, EN IEC 63000:2018.

DEKRA Testing and Certification GmbH, Handwerkstraße 15, 70565 Stuttgart, Germany, 0158, har foretaget en frivillig EF-typegodkendelse i henhold til maskindirektivets (2006/42/EF) artikel 12, pkt. 3b. Attesten for EF-typeafprøvning har nummer: 4815039.22006.

Anvendt overensstemmelsesvurderingsprocedure i overensstemmelse med direktiv 2000/14/EF, bilag V.

Med udstyret Aspire P5-P4A som stangsav:

- Målt støjniveau: 88 dB (A)
- Garanteret støjniveau: 91 dB (A)

Med tilbehør Aspire S20-P4A som stangmultiklipper:

- Målt lydeffektniveau for busksaks: 83 dB (A)
- Målt lydeffektniveau for græssaks: 79 dB (A)
- Garanteret støjniveau: 84 dB (A)

Huskvarna, 2023-10-30



Claes Losdal, R&D Manager, Husqvarna AB
Ansvarlig for teknisk dokumentation



Licenser

Copyright © 2012–2020 STMicroelectronics

Garantien dækker ikke fejl, der skyldes normal slitage, uagtsomhed, defekt brug, uautoriserede reparationer eller at sugeudstyret er forbundet til forkert spænding.

Alle rettigheder forbeholdes.

Videredistribution og brug i kilde- og binære former, med eller uden ændringer, er tilladt, forudsat at følgende betingelser er opfyldt:

- Videredistribution af kildekode skal indeholde ovenstående meddelelse om ophavsret, denne liste over betingelser og følgende ansvarsfraskrivelse.
- Videredistribution i binær form skal gengive ovenstående meddelelse om ophavsret, denne liste over betingelser og følgende ansvarsfraskrivelse i dokumentationen og/eller andre materialer, der leveres sammen med distributionen.
- Hverken navnet STMicroelectronics eller navnene på deres bidragydere må benyttes til at understøtte eller promovere produkter afledt af denne software uden specifik forudgående skriftlig tilladelse.

DENNE SOFTWARE LEVERES AF INDEHAVERNE AF OPHAVSRETTEEN OG BIDRAGSYDERNE "SOM DEN ER OG FOREFINDES", OG ALLE UDTRYKKELIGE ELLER UNDERFORSTÅEDE GARANTIER, HERUNDER, MEN IKKE BEGRÆNSET TIL UNDERFORSTÅEDE GARANTIER FOR SALGBARHED OG EGNETHED TIL ET BESTEMT FORMÅL FRASKRIVES. UNDER INGEN OMSTÆNDIGHEDER ER INDEHAVEREN AF OPHAVSRETTEEN ELLER BIDRAGSYDERNE ANSVARLIGE FOR NOGEN DIREKTE, INDIREKTE, TILFÆLDIGE, SÆRLIGE, EKSEMPLARISKE ELLER FØLGESKADER (HERUNDER, MEN IKKE BEGRÆNSET TIL ANSKAFFELSE AF ERSTATNINGSVARER ELLER -TJENESTER, TAB AF BRUG, DATA ELLER FORTJENESTE ELLER DRIFTSAFBRYDELSE) UANSET ÅRSAG OG ENHVER FORM FOR ERSTATNINGSANSVAR, UANSET OM DET ER I KONTRAKT, OBJEKTIVT ANSVAR ELLER SKADEVOLDENDE HANDLING (HERUNDER FORSØMMELIGHED ELLER ANDET), DER OPSTÅR PÅ NOGEN MÅDE FRA BRUGEN AF DENNE SOFTWARE, SELV OM DET ER BLEVET OPLYST OM MULIGHEDEN FOR EN SÅDAN SKADE.

Apache 2.0 licens

Copyright © 2009-2019 Arm Limited. Alle rettigheder forbeholdes.

Version 2.0, januar 2004 <http://www.apache.org/licenses/>

VILKÅR OG BETINGELSER FOR BRUG, REPRODUKTION OG DISTRIBUTION

1. Definitioner.

"**Licens**" betyder vilkår og betingelser for brug, reproduktion og distribution som defineret i afsnit 1 til 9 i dette dokument. "**Licensgiver**" betyder ejeren af ophavsretten eller enheden, der er autoriseret af ejeren af ophavsretten, som leverer licensen. "**Juridisk enhed**" betyder samarbejdet mellem den handlende enhed og alle andre enheder, der kontrollerer, kontrolleres af eller er under fælles kontrol af den pågældende enhed. I forbindelse med denne definition betyder "**kontrol**" (i) evnen, direkte eller indirekte, til at forårsage styringen eller ledelsen af en sådan enhed, uanset om det er i henhold til kontrakt eller andet, eller (ii) ejerskab af halvtreds procent (50 %) eller mere af de udestående aktier, eller (iii) egentligt ejerskab af en sådan enhed. "**Du**" (eller "**din**") betyder en individuel eller juridisk enhed, der udfører tilladelser, som leveres af denne licens. "**Kilde**"-form betyder den foretrukne form til at foretage ændringer, herunder, men ikke begrænset til, softwarekildekode, dokumentationskilde og konfigurationsfiler. "**Objekt**"-form betyder enhver form, der er et resultat af mekanisk transformation eller oversættelse af en kildeformular, herunder, men ikke begrænset til kompileret objektkode, genereret dokumentation og konverteringer til andre medietyper. "**Arbejde**" betyder arbejdet fra forfatterskabet, uanset om det er i kilde- eller objekt-form, gjort tilgængeligt under licensen, som angivet af en meddelelse om ophavsret, der er inkluderet i eller vedhæftet arbejdet (der findes et eksempel i bilaget nedenfor). "**Afledte arbejder**" betyder alt arbejde, uanset om det er i kilde- eller objektform, som er baseret på (eller afledt af) arbejdet, og for hvilket de redaktionelle revisioner, annotationer, uddybninger eller andre modifikationer repræsenterer som helhed et originalt arbejde. I forbindelse med denne licens omfatter afledte arbejder ikke arbejder, der fortsat kan adskilles fra, eller blot sammenkædes (eller bindes af navn) med grænsefladerne i arbejdet og afledte arbejder deraf. "**Bidrag**" betyder ethvert arbejde fra forfatterskabet, herunder den oprindelige version af arbejdet og eventuelle ændringer eller tilføjelser til dette arbejde eller afledte arbejder deraf, som bevidst indsendes til licensgiver med henblik på inkludering i arbejdet af ejeren af ophavsretten eller af en individuel eller juridisk enhed, der er autoriseret til at indsende på vegne af ejeren af ophavsretten. I forbindelse med denne definition betyder "**Indsendt**" enhver form for elektronisk, verbal eller skriftlig kommunikation, der sendes til licensgiveren eller dennes repræsentanter, herunder, men ikke begrænset til kommunikation via elektroniske mail-lister, kildekodestyringssystemer og problemsporingssystemer, der administreres af eller på vegne af licensgiver med det formål at diskutere og forbedre arbejdet, men ikke kommunikation der tydeligt er markeret eller på anden måde angivet skriftligt af ejeren af ophavsretten som "**ikke et bidrag**". "**Bidragyder**" betyder licensgiver og enhver individuel eller juridisk enhed, på hvis vegne et bidrag er modtaget af licensgiver og efterfølgende indarbejdet i arbejdet.

2. Tildeling af Copyright-licens.

I henhold til vilkårene og betingelserne i denne licens giver hver bidragyder dig hermed en evig, verdensomspændende, ikke-eksklusiv, vederlagsfri, royaltyfri, uigenkaldelig copyright-licens til at reproducere, forberede afledte arbejder af, offentligt vise, offentligt udføre, viderelicensere og distribuere arbejdet og sådanne afledte arbejder i kilde- eller objektform.

3. Tildeling af patentlicens.

I henhold til vilkårene og betingelserne i denne licens giver hver bidragyder dig hermed en evig, verdensomspændende, ikke-eksklusiv, vederlagsfri, royaltyfri, uigenkaldelig (undtagen som anført i dette afsnit) patentlicens til at fremstille, få udført, anvende, tilbyde at sælge, sælge, importere og på anden måde overføre arbejdet, hvor en sådan licens kun gælder for de patentkrav, som en sådan bidragyder har licens til, og som nødvendigvis krænktes af deres bidrag alene eller ved at kombinere deres bidrag med det arbejde, som sådanne bidrag blev indsendt til. Hvis du indleder en patentretssag mod en enhed (herunder en modfordring eller et modkrav i en retssag) med påstand om, at arbejdet eller et bidrag, der er inkorporeret i arbejdet, udgør en direkte eller medvirkende patentkrænkelse, ophører alle patentlicenser, der er givet til dig i henhold til denne licens for det pågældende arbejde fra den dato, hvor en sådan retssag er indbragt.

4. Videre distribution.

Du må reproducere og distribuere kopier af arbejdet eller afledte værker deraf i ethvert medie med eller uden ændringer og i kilde- eller objektform, forudsat at du opfylder følgende betingelser:

- Du skal give alle andre modtagere af arbejdet eller afledte arbejder en kopi af denne licens, og
- Du skal sørge for, at alle ændrede filer indeholder fremtrædende meddelelser om, at du har ændret filerne. Og du skal bevare i kildeform af ethvert afledt værk, som du distribuerer, alle ophavsrets-, patent-, varemærke- og tilskrivningsmeddelelser fra kildeformen af arbejdet, undtagen de meddelelser der ikke vedrører nogen del af de afledte arbejder.
- Hvis arbejdet omfatter en "**MEDDELELSETEKSTFIL**" som en del af dens distribution, så skal alle afledte værker, som du distribuerer inkludere en læsbar kopi af de tilføjede meddelelser indeholdt i en sådan MEDDELELSESFIL, eksklusive de meddelelser der ikke vedrører nogen del af de afledte arbejder, på mindst ét af følgende steder: Inden for en MEDDELELSETEKSTFIL, der distribueres som en del af de afledte arbejder, inden for kildeform eller dokumentation, hvis den leveres sammen med de afledte arbejder eller inden for en visning genereret af de afledte arbejder, hvis og hvor sådanne meddelelser fra tredjeparter normalt vises. Indholdet af MEDDELELSESFILen er kun til orientering og

ændrer ikke licensen. Du kan tilføje dine egne tilskrivningsmeddelelser i afledte arbejder, som du distribuerer ved siden af eller som et tillæg til MEDDELELSETEKSTEN fra arbejdet, forudsat at sådanne yderligere tilføjede meddelelser ikke kan fortolkes som modificering af licensen. Du kan tilføje din egen erklæring om ophavsret til dine ændringer, og du kan tilbyde yderligere eller andre licensvilkår og -betingelser for brug, reproduktion eller distribution af dine modifikationer eller for ethvert sådant afledt værk som helhed, forudsat at din brug, gengivelse og distribution af arbejdet overholder de øvrige betingelserne i denne licens.

5. Indsendelse af bidrag.

Medmindre du udtrykkeligt angiver andet, skal ethvert bidrag, som du tilsigtet indsender til licensgiver med henblik på inklusion i arbejdet, være underlagt vilkårene og betingelserne. Uanset ovenstående vil intet heri erstatte eller ændre vilkårene i en separat licensaftale, som du måtte have indgået med licensgiver vedrørende sådanne bidrag.

6. Varemærker.

Denne licens giver ikke tilladelse til at bruge licensgiverens handelsnavne, varemærker, servicemærker eller produktnavne, medmindre det er nødvendigt for rimelig og sædvanlig brug til at beskrive arbejdets oprindelse og reproducere indholdet af MEDDELELSESFILen.

7. Garantifranskrivelse.

Medmindre det kræves af gældende lovgivning eller er aftalt skriftligt, leverer licensgiveren arbejdet (og hver bidragyder leverer sine bidrag) på en "SOM DET ER OG FOREFINDES"-BASIS UDEN GARANTIER ELLER BETINGELSER AF NOGEN ART hverken udtrykkelige eller underforståede herunder og uden begrænsninger garantier eller betingelser for ADKOMST, IKKE-KRÆNKELSE, SALGBARHED ELLER EGNETHED TIL ET BESTEMT FORMÅL. Du alene er ansvarlig for at afgøre, om det er hensigtsmæssigt at bruge eller omfordele arbejdet og påtage dig eventuelle risici i forbindelse med din udøvelse af tilladelser i henhold til denne licens. 8. Ansvarsbegrænsning. Under ingen omstændigheder og under ingen juridisk form uanset om det er uden for kontrakt (herunder forsømmelighed) kontrakt eller andet, medmindre det kræves af gældende lov (f.eks. forsættelige og groft uagtsomme handlinger) eller aftalt skriftligt, er enhver bidragyder ansvarlig over for dig for skader, herunder direkte, indirekte, særlige, tilfældige eller følgeskader af nogen art, der opstår som følge af denne licens eller som følge af brug eller manglende evne til at bruge arbejdet (herunder, men ikke begrænset til skader som følge af tab af goodwill, driftsstop, computerfejl eller fejlfunktioner eller alle andre kommercielle skader eller tab), selv hvis en sådan bidragyder er blevet informeret om muligheden for sådanne skader.

9. Accept af garanti eller yderligere ansvar.

I forbindelse med omfordeling af arbejdet eller afledte arbejder deraf kan du vælge at tilbyde og opkræve et gebyr for, accept af support, garanti, erstatning eller andre ansvarsforpligtelser og/eller rettigheder i overensstemmelse med denne licens. Men når du accepterer sådanne forpligtelser, må du kun handle på

dine egne vegne og dit eget ansvar, ikke på vegne af nogen anden bidragyder, og kun hvis du accepterer at skadesløsholde, forsvare og holde hver bidragyder skadesløs for ethvert ansvar, som pådrages af, eller krav der fremsættes mod en sådan bidragyder på grund af din accept af en sådan garanti eller yderligere ansvar.
OPHØR AF VILKÅR OG BETINGELSER

INNHold

Innledning.....	210	Transport, oppbevaring og avhending.....	219
Sikkerhet.....	211	Tekniske data.....	220
Montering.....	217	Tilbehør.....	220
Drift.....	218	Samsvarserklæring.....	221
Vedlikehold.....	218	Lisenser.....	222

Innledning

Produktbeskrivelse

Husqvarna Aspire Pole-P4A er en batteridrevet strømenhet med teleskopfunksjon.

Bruksområder

Denne strømforsyningsenheten er en enkelt enhet som bare fungerer sammen med godkjent tilbehør. Se det

godkjente tilbehøret i *Tilbehør på side 220*. Sørg for å lese denne håndboken sammen med håndboken for det godkjente tilbehøret.

Produktoversikt

(Fig. 1)

1. Rotasjonsledd
2. Låseknot for tilbehør
3. Spak for teleskopfunksjon
4. Riggør
5. Myk hylse
6. Selekkrok
7. Låseknapp for kraftutløssperre
8. Bakre håndtak
9. Kraftutløssperre
10. Kraftutløser
11. Bruksanvisning
12. Batteriutløserknapp
13. Batterilader
14. Strøm på- og varsellampe
15. Kobling
16. Oppbevaringskrok, skruer og veggplugg

(Fig. 3)

Les bruksanvisningen nøye, og forsikre deg om at du forstår instruksjonene før du bruker produktet.

(Fig. 4)

Bruk vernehjelm på steder der gjenstander kan falle ned på deg. Bruk godkjent hørselsvern (bare for Aspire P5-P4A + Aspire Pole-P4A). Bruk godkjent øyevern.

(Fig. 5)

Bruk godkjente vernehansker.

(Fig. 6)

Bruk kraftige, skliskre støvler. (Gjelder bare for Aspire P5-P4A + Aspire Pole-P4A)

(Fig. 7)

Direktestrøm.

(Fig. 8)

Nominell spenning, V

(Fig. 9)

Må ikke utsettes for regn.

(Fig. 10)

Fare for personskade. Hold hendene unna skjæreverktøyet.

(Fig. 11)

Dette produktet samsvarer med gjeldende EU-direktiver.

Symboler på produktet

(Fig. 2)

ADVARSEL: Dette produktet kan være farlig og føre til alvorlig personskade eller død for brukeren eller andre. Vær forsiktig, og bruk produktet riktig.

(Fig. 12) Dette produktet samsvarer med gjeldende britiske direktiver.

(Fig. 13) Produktet og produktemballasjen er ikke restavfall. Resirkuler det på et gjenvinningsanlegg for elektrisk og elektronisk utstyr.

(Fig. 16) FARE – hold tilstrekkelig avstand til elektriske kraftledninger.

(Fig. 17) Typeskiltet eller laseravtrykket viser serienummeret. **yyyy** er produksjonsåret, og **ww** er produksjonsuken.

Merk: Øvrige symboler/klistremerker på produktet gjelder spesifikke krav for sertifiseringer på visse markeder.

(Fig. 14) Batteriladeren skal bare brukes og oppbevares innendørs.

(Fig. 15) Dobbeltisolert.

Symboler på batteriet eller batteriladeren

(Fig. 18) Lever dette produktet til et gjenvinningsanlegg for elektrisk og elektronisk utstyr. (Gjelder kun Europa)

(Fig. 19) Bruk batteriet kun i produkter fra POWER FOR ALL systempartnere.

(Fig. 20) Beskytt batteriet mot varme, f.eks. kontinuerlig, kraftig sollys, og mot brann, smuss, vann og fuktighet. Det er fare for eksplosjon og kortslutning.

(Fig. 21)

Skader på produktet

Vi er ikke ansvarlige for skader på produktet vårt hvis:

- Produktet er reparert på feil måte.
- Produktet er reparert med deler som ikke kommer fra produsenten eller som ikke er godkjent av produsenten.
- Produktet har et tilbehør som ikke kommer fra produsenten eller som ikke er godkjent av produsenten.
- Produktet er ikke reparert på et godkjent servicesenter eller av en godkjent aktør.

Produsent

Husqvarna AB

Drottninggatan 2, SE-561 82 Huskvarna, Sweden, tel: +46-36-146 500

Sikkerhet

Sikkerhetsdefinisjoner

Advarsler, oppfordringer og merknader brukes for å understreke spesielt viktige deler av bruksanvisningen.



ADVARSEL: Brukes hvis det er fare for personskade eller død for brukeren eller andre personer om instruksjonene i håndboken ikke følges.



OBS: Brukes hvis det er fare for skade på produktet, annet materiell eller nærliggende områder om instruksjonene i håndboken ikke følges.

Merk: Brukes for å gi mer nødvendig informasjon for en spesifikk situasjon.

Generelle sikkerhetsadvarsler for elektroverktøy



ADVARSEL: Sørg for å lese håndboken for det godkjente tilbehøret sammen med denne håndboken for strømforsyningsenheter.



ADVARSEL: Les alle sikkerhetsadvarsler, -instruksjoner, -illustrasjoner og spesifikasjoner som fulgte med dette elektroverktøyet. Hvis du ikke følger alle instruksjonene som er angitt nedenfor, kan det føre til elektrisk støt, brann og/eller alvorlige skader.

Merk: Ta vare på alle advarsler og instruksjoner for fremtidig bruk. Begrepet «elektroverktøy» i advarslene

referer til elektrisk verktøy som drives av nettstrøm (med ledning) eller batteri (uten ledning).

Sikkerhet i arbeidsområdet

- **Hold arbeidsområdet rent og godt opplyst.** Rot og dårlig opplyste områder kan lett føre til ulykker.
- **Bruk ikke elektroverktøy i eksplosiv atmosfære, for eksempel der det finnes brennbare væsker, gasser eller støv.** Elektroverktøy danner gnister som kan antenne støv eller gasser.
- **Hold barn og andre tilskuere på avstand når elektroverktøyet er i bruk.** Distraksjoner kan føre til at du mister kontrollen.

Elektrisk sikkerhet

- **Støpselet til elektroverktøyet må passe til stikkkontakten.** Du må aldri modifisere støpselet på noen måte. Adapterpluggen må ikke brukes sammen med et jordet elektroverktøy. Når støpselet/pluggen ikke er modifisert og stikkkontakten passer, vil dette redusere faren for elektrisk støt.
- **Unngå kroppskontakt med jordede flater, for eksempel rør, radiatorer, komfyrer og kjøleskap.** Faren for elektrisk støt øker hvis kroppen til brukeren er jordet.
- **Elektroverktøy må ikke utsettes for regn eller fuktighet.** Hvis det kommer vann inn i elektroverktøyet øker faren for elektrisk støt.
- **Ledningen må håndteres forsiktig.** Bruk aldri ledningen til å bære eller trekke noe, eller til å trekke ut støpselet. Hold ledningen unna varme, olje, skarpe kanter og bevegelige deler. Skadet eller sammenflokete ledninger øker faren for elektrisk støt.
- **Når elektroverktøyet brukes utendørs, må det brukes en skjøteledning som er egnet for bruk utendørs.** Bruk av ledning for utendørs bruk reduserer faren for elektrisk støt.
- **Hvis elektroverktøyet må brukes på et fuktig sted, bør det være koblet til en strømkrets som er beskyttet av jordfeilbryter.** Bruk av jordfeilbryter reduserer faren for elektrisk støt.

Personlig sikkerhet

- **Vær oppmerksom, følg med på det du gjør, og utvis sunn fornuft når du bruker elektroverktøyet.** Ikke bruk elektroverktøy hvis du er trett eller påvirket av narkotika, alkohol eller legemidler. Et øyeblikks uoppmerksomhet ved bruk av elektroverktøy kan føre til alvorlig personskade.
- **Bruk personlig verneutstyr.** Bruk alltid øyevern. Bruk av verneutstyr som støvmaske, vernesko med antisklisåle, hjelm og hørselvern der det kreves, reduserer faren for personskade.
- **Unngå utilsiktet oppstart.** Forsikre deg om at bryteren står i av-stillingen før du kobler til strømforsyningen og/eller batteripakken, tar opp verktøyet eller bærer verktøyet. Hvis du bærer elektroverktøyet med fingeren på bryteren eller

kobler til apparatet til strømforsyningen mens det er påslått, kan det føre til ulykker.

- **Fjern eventuelle justeringsnøkler før du slår på elektroverktøyet.** En nøkkel som sitter på en roterende del av elektroverktøyet, kan føre til personskade.
- **Ikke strekk deg for langt. Pass på at du står sikkert og hold alltid balansen.** Dermed kan du lettere kontrollere elektroverktøyet i uventede situasjoner.
- **Bruk egnede klær. Ikke bruk løstsittende klær eller smykker.** Hold hår og klær borte fra bevegelige deler. Løstsittende klær, smykker eller langt hår kan dras med av deler som beveger seg.
- **Hvis apparatet er forsynt med tilkobling for støvsuger eller oppsamlar, må du forsikre deg om at disse er riktig tilkoblet og brukes på riktig måte.** Bruk av et støvavsug kan redusere faren på grunn av støv.
- **Selv om du har lang erfaring med bruk av elektroverktøy, må du ikke bli uforsiktig eller ignorere sikkerhetsreglene.** Uforsiktig oppførsel kan føre til alvorlige skader i løpet av et lite sekund.
- **Fare! Må ikke brukes i nærheten av elektriske kraftlinjer.** Enheten er ikke utviklet for å beskytte mot elektrisk støt dersom det oppstår kontakt med overhengende elektriske ledninger. Se lokale forskrifter for sikker avstand til overhengende elektriske kraftledninger, og sørg for at arbeidsstillingen er trygg før du bruker produktet.

Bruk og vedlikehold av elektroverktøy

- **Bruk ikke makt på elektroverktøyet.** Bruk riktig elektroverktøy for arbeidet som skal utføres. Riktig elektroverktøy gjør jobben på en bedre og sikrere måte i den hastigheten det er konstruert for.
- **Bruk ikke elektroverktøyet hvis bryteren ikke lar seg slå på og av.** Elektroverktøy som ikke kan kontrolleres med bryteren, er farlig, og må repareres.
- **Koble støpselet fra strømforsyningen og/eller batteripakken fra elektroverktøyet, hvis den er avtakbar, før du foretar justeringer, skifter tilbehør eller lagrer elektroverktøyet.** Slike forebyggende sikkerhetstiltak reduserer faren for at elektroverktøyet starter ved et uhell.
- **Elektroverktøy som ikke er i bruk, må oppbevares utilgjengelig for barn.** La ikke elektroverktøyet brukes av personer som ikke er kjent med elektroverktøyet eller disse instruksjonene. Elektroverktøy er farlige når de brukes av uerfarne brukere.
- **Vedlikehold elektroverktøy og tilbehør.** Kontroller justeringen av bevegelige deler, samt at de ikke sitter fast. Kontroller at det ikke finnes ødelagte deler eller andre feil som kan påvirke bruken av elektroverktøyet. Hvis elektroverktøyet er skadet, må det repareres før bruk. Mange ulykker forårsakes av dårlig vedlikeholdt elektroverktøy.
- **Hold skjæreverktøy skarpe og rene.** Riktig vedlikeholdte skjæreverktøy med skarpe skjærekanten har mindre fare for å sette seg fast, og er lettere å kontrollere.

- **Bruk elektroverktøyet, tilbehør og verktøybits osv. i henhold til disse instruksjonene, og i forhold til arbeidsforholdene og arbeidet som skal utføres.** Bruk av elektroverktøy til andre oppgaver enn dem de er laget for, kan føre til farlige situasjoner.
- **Hold håndtakene og gripeflatene tørre, rene og frie for olje og fett.** Glatte håndtak og gripeflater gjør trygg håndtering og kontroll av verktøyet i uventede situasjoner umulig.

Bruk og pleie av batteriverktøy

- **Må bare lades med laderen som er spesifisert av produsenten.** En lader som passer til én batteripakke kan skape brannfare hvis den brukes med en annen batteripakke.
- **Bruk elektriske verktøy bare med spesielt designede batteripakker.** Bruk av andre batteripakker kan medføre fare for personskade og brann.
- **Når batteriet ikke er i bruk, må det holdes unna andre metallgjenstander som binders, mynter, nøkler, spiker, skruer og andre små metallgjenstander som kan danne en forbindelse fra den ene batteripolen til den andre.** Kortslutning av batteripolene kan føre til forbrenning eller brann.
- **Hvis batteriet utsettes for store påkjenninger, kan det komme væske ut av det. Unngå i så fall kontakt med denne væsken. Skyll med vann hvis kontakt oppstår ved et uhell. Hvis du får væske i øynene, kontakt lege øyeblikkelig.** Væske som kommer ut av batteriet kan forårsake irritasjon eller forbrenninger.
- **Ikke bruk batteripakken eller verktøyet hvis det er skadet eller endret.** Skadede eller endrede batterier kan ha en uforutsigbar adferd, noe som kan føre til brann, eksplosjoner eller personskader.
- **Ikke eksponer en batteripakke eller et verktøy for brann eller for høy temperatur.** Eksponering for flammer eller temperaturer over 130 °C (266 °F) kan føre til eksplosjon.
- **Følg alle instruksjoner for lading, og ikke lad batteripakken eller verktøyet utenfor temperaturområdet som er angitt i instruksjonene.** Lading på feil måte eller ved temperaturer utenfor det angitte området kan påføre batteriet skade og øke faren for brann.

Service

- **La en kvalifisert tekniker/reparatør utføre service, og gjøre eventuelle utskiftninger kun med identiske reservedeler.** Dette sikrer at elektroverktøyets sikkerhet opprettholdes.
- **Utfør aldri service på skadede batteripakker.** Service av batteripakker skal kun utføres av produsenten eller autoriserte serviceleverandører.

Annen generell sikkerhetsinformasjon

- For ytterligere, spesifikke sikkerhetsregler kan du se brukerhåndboken for det aktuelle tilleggstyret.

- Slå av produktet før du flytter det. Ta alltid ut batteriet før du overlater produktet til en annen person.
- Sett aldri produktet ned med mindre du har slått det av og tatt ut batteriet. Ikke forlat produktet uten tilsyn når det er slått på.
- Skjærestyret stopper ikke umiddelbart når produktet slås av.
- Før produktet brukes og etter at det har vært utsatt for slag, må det kontrolleres for tegn på slitasje eller skader. Det skal repareres ved behov.
- Hvis noe skulle sette seg fast i skjærestyret mens du bruker produktet, må du stoppe og slå av produktet. Kontroller at skjærestyret stopper helt. Ta ut batteriet før du rengjør, inspiserer eller reparerer produktet og/eller skjærestyret.
- Kontroller produktet før bruk. Se *Sikkerhetsstyr på produktet på side 215 og Vedlikehold på side 218*. Ikke bruk et skadet produkt. Utfør sikkerhetskontrollene, og følg vedlikeholds- og serviceinstruksjonene i denne bruksanvisningen.
- Defekt skjærestyr kan øke risikoen for ulykker.
- Pass alltid på at ventilasjonsåpningene er frie for smuss.
- Kontroller at produktet er i perfekt stand. Kontroller at alle muttere og skruer er trukket ordentlig til.
- Dette produktet er et farlig verktøy hvis du ikke er forsiktig, eller hvis du bruker produktet på feil måte. Dette produktet kan føre til alvorlig personskade eller død for operatøren eller andre.
- Maskinen er ikke ment for å brukes av personer (inkludert barn) med redusert fysisk, sansemessig eller mental kapasitet eller personer uten erfaring og kunnskap, hvis de ikke er under tilsyn og får instruksjoner i bruk av maskinen av en person som er ansvarlig for deres sikkerhet. Barn må holdes under oppsyn for å sikre at de ikke leker med apparatet.
- La aldri barn bruke eller oppholde seg i nærheten av maskinen. Siden maskinen er lett å starte, kan barn starte den hvis de ikke holdes under oppsyn. Dette kan medføre risiko for alvorlig personskade. Batteriet må kobles fra når produktet skal stå uten tilsyn.
- Produktet og/eller batteriet må aldri brukes av barn eller personer som ikke har fått opplæring i bruken av det.
- Oppbevar utstyret i et låsbart område, slik at det er utilgjengelig for barn og uautoriserte personer.
- Transportbeskyttelsen må alltid brukes ved oppbevaring og transport.
- Hold alltid hender og føtter borte fra klippeområdet, og spesielt når motoren slås på.
- Når produktet er slått av, må du holde hender og føtter unna skjærestyret til det har stoppet helt.
- Ikke fjern avklippet materiale eller la andre personer fjerne det mens produktet er slått på eller skjærestyret roterer. Dette kan føre til alvorlige skader.

- Husk at det er du som bruker som har ansvaret for å unngå at personer eller eiendom utsettes for fare.
- Den opprinnelige konstruksjonen til produktet må ikke under noen omstendigheter endres uten tillatelse fra produsenten. Bruk alltid originalt tilbehør. Uautoriserte endringer og/eller tilleggsutstyr kan medføre alvorlige skader eller dødsfall for brukeren eller andre. Garantien din dekker kanskje ikke skader eller erstatningsansvar som følge av bruk av uautoriserte tilbehør og reservedeler.
- Det eneste tilbehøret som kan brukes med dette produktet, er skjæreutstyret som anbefales i kapittelet om tilbehør.
- Bruk aldri et produkt som er modifisert slik at det ikke lenger er i samsvar med originalutførelsen.
- Bruk aldri et defekt produkt. Utfør sikkerhetskontrollene og vedlikeholds- og serviceinstruksjonene i denne bruksanvisningen. Noen vedlikeholds- og servicetiltak må utføres av erfarne og kvalifiserte spesialister. Se *Vedlikehold på side 218*.
- Arbeid i dårlig vær er slitsomt og kan medføre ekstra faremomenter. Det anbefales ikke å bruke maskinen i veldig dårlig vær, for eksempel i tett tåke, kraftig regn, sterk vind eller sterk kulde eller ved fare for lyn. Dette gir økt fare.
- Arbeid aldri på en stige, skammel eller stå på noe annet som ikke er ordentlig sikret.
- Produktet bør oppbevares innendørs når det ikke er i bruk.
- Det er umulig å dekke alle de tenkelige situasjonene som kan oppstå. Vær alltid forsiktig og bruk sunn fornuft. Unngå situasjoner du ikke føler deg tilstrekkelig kvalifisert for. Hvis du etter å ha lest disse instruksjonene fortsatt føler deg usikker vedrørende bruken, skal du rådføre deg med en ekspert før du fortsetter.
- Sørg for at ingen mennesker eller dyr kommer nærmere enn 50 fot (15 meter) unna mens du arbeider. Hvis flere arbeider på samme sted, skal sikkerhetsavstanden være minst 50 fot (15 meter). Ellers kan dette medføre risiko for alvorlig personskade. Stopp produktet øyeblikkelig hvis noen kommer nærmere. Sving aldri produktet rundt uten først å ha kontrollert bakover at ingen befinner seg innenfor sikkerhetssonen.
- Hvis noe skulle sette seg fast i skjæreutstyret mens du bruker produktet, må du stoppe og slå av produktet. Kontroller at skjæreutstyret stopper helt. Ta ut batteriet før du rengjør, inspiserer eller reparerer produktet og/eller skjæreutstyret.
- Sørg for at mennesker, dyr eller annet ikke kan påvirke kontrollen av produktet, og at de ikke kommer i kontakt med skjæreutstyret eller løse gjenstander som slynges ut av skjæreutstyret. Bruk aldri produktet uten mulighet til å kunne påkalle hjelp ved en ulykke.
- Sørg for at du kan gå og stå sikkert. Se deg rundt for å få oversikt over eventuelle hindringer i omgivelsene (røtter, stener, grener, grøfter osv.), i

tilfelle du senere må gjøre en brå bevegelse. Vær meget forsiktig ved arbeid i skrånende terreng.

- Gå, ikke løp.
- Inspiser arbeidsområdet. Fjern alle løse gjenstander, for eksempel stener, glasskår, spiker, ståltråd eller snorer, som kan bli slynget av sted eller vikle seg rundt kapperen eller kapperbeskyttelsen.
- Se opp for grenstumper som kan slynges i vei under kappingen. Klipp ikke for nær bakken, der steiner og andre gjenstander kan bli slynget av gårde.
- Forsikre deg om at ingen klær eller kroppsdeler kan komme i kontakt med skjæreutstyret når produktet er slått på. Hold produktet under midjehøyde.
- Se opp for gjenstander som slynges ut. Godkjent øyvern skal alltid brukes. Bøy deg aldri over beskyttelsen for skjæreutstyret. Steiner, skrot o.l. kan slynges opp i øynene og forårsake blindhet eller alvorlige skader.
- Vær alltid oppmerksom på varselsignaler eller tilrop ved bruk av hørselsvern. Ta alltid av hørselvernet så snart produktet stopper.
- Hvis det oppstår uønskede vibrasjoner, mater du ut ny tråd, slik at tråden får riktig lengde. Dette skal stoppe vibrasjonene.
- Hvis produktet begynner å vibrere unormalt, må du stoppe produktet og ta ut batteriet.
- Overeksponering for vibrasjoner kan føre til blodkar- eller nerveskader hos personer som har dårlig blodsirkulasjon. Oppsøk lege hvis du opplever fysiske symptomer som kan relateres til overeksponering for vibrasjoner. Eksempel på slike symptomer er doving, manglende følelse, «kiling», «stikk», smerte, manglende eller redusert styrke, forandringer i hudens farge eller overflate. Disse symptomene opptrer vanligvis i fingre, hender eller håndledd.
- Hold alltid i produktet med begge hender.

Personlig verneutstyr



ADVARSEL: Les de følgende advarselinstruksjonene før du bruker produktet.

- Benytt alltid godkjent verneutstyr når du bruker produktet. Verneutstyr kan aldri fullstendig forhindre skade, men det reduserer skadeomfanget hvis ulykken inntreffer. Spør forhandleren din om hjelp til å velge riktig utstyr.
- Bruk vernehjelm dersom det kan være fare for fallende gjenstander.
- Bruk godkjent hørselsvern med tilstrekkelig lyddeppe virkning. Langvarig eksponering for støy kan gi varige hørselsskader.
- Bruk godkjent øyvern. Ved bruk av visir skal det også brukes godkjente vernebriller. Godkjente vernebriller er slike som tilfredsstiller standard ANSI Z87.1 for USA eller EN 166 for EU-land.

- Bruk visir for å beskytte ansiktet. Et visir er ikke nok for å beskytte øynene. (Fig. 22)
- Bruk hansker når det er nødvendig, for eksempel når du fester, undersøker eller rengjør skjæreutstyret.
- Bruk sklisikre og solide støvler.
- Bruk klær av et slitesterkt materiale. Bruk alltid tykke langbukser og lange ermer. Unngå bruk av altfor vide klær som lett henger seg fast i kvister og grener. Ikke bruk smykker, kortbukser eller sandaler, og ikke gå barbent. Sett håret opp over skuldernivå.

(Fig. 23)

- Ha førstehjelpsutstyr for hånden.

(Fig. 24)

Sikkerhetsutstyr på produktet



ADVARSEL: Les de følgende advarselsinstruksjonene før du bruker produktet.

I dette avsnittet forklares produktets sikkerhetsfunksjoner, hvilken funksjon det har, og hvordan man utfører kontroll og vedlikehold for å være sikker på at det fungerer. Se bruksanvisningen under overskriften *Produktoversikt på side 210* for å finne ut hvor disse delene er plassert på produktet.

Levetiden til produktet kan forkortes og risikoen for ulykker kan øke dersom produktvedlikeholdet ikke utføres på riktig måte, og dersom service eller reparasjoner ikke er fagmessig utført. Hvis du trenger ytterligere informasjon, kan du kontakte nærmeste servicesenter.



ADVARSEL: Bruk aldri et produkt med skader på sikkerhetsutstyret. Produktets sikkerhetsutstyr skal kontrolleres og vedlikeholdes som beskrevet i dette avsnittet. Hvis produktet ikke består alle kontrollene, må serviceverksted oppsøkes for reparasjon.



OBS: All service og reparasjon av maskinen krever spesialutdanning. Dette gjelder særlig maskinens sikkerhetsutstyr. Hvis maskinen ikke består alle kontrollene som er oppgitt nedenfor, må du oppsøke et serviceverksted. Kjøp av våre produkter garanterer at du kan få utført en fagmessig reparasjon og service. Hvis maskinen ikke er kjøpt hos en av våre servicefaghandlere, så spør dem etter nærmeste serviceverksted.

Slik kontrollerer du krafttølersperren

Krafttølersperren forhindrer at maskinen aktiveres ved et uhell. Når du slipper håndtaket, går krafttølerseren og krafttølersperren tilbake til utgangsposisjonene.

1. Skyv låseknappen for krafttølersperren forover. (Fig. 25)
2. Kontroller at krafttølerseren er låst når krafttølersperren står i utgangsstillingen. (Fig. 26)
3. Trykk på krafttølersperren på den ene siden, og deretter på den andre siden. Kontroller at krafttølersperren går tilbake til opprinnelig posisjon. (Fig. 27)
4. Kontroller at krafttølerseren og krafttølersperren kan bevege seg fritt, og at returfjæren fungerer som den skal. (Fig. 28)
5. Start produktet. Se *Slik starter du produktet på side 218*.
6. Slipp krafttølerseren, og pass på at produktet stopper helt.

Sikkerhetsinstruksjoner for montering



ADVARSEL: Les denne håndboken for strømforsyningsenheten sammen med håndboken for det godkjente tilbehøret.

- Ta batteriet ut av produktet før du setter sammen produktet.
- Bruk de godkjente vernehanskene.
- En skadet eller feil beskyttelse kan forårsake skade. Ikke bruk skjæreutstyr som ikke har en godkjent beskyttelse montert.
- Sørg for at du monterer tilbehøret på riktig måte før du starter produktet.
- Hvis det følger en sele med tilbehøret, må selen være riktig festet til produktet. Selen sikrer trygg bruk og forhindrer skader på brukeren og andre personer.

Batterisikkerhet



ADVARSEL: Les alle sikkerhetsinstruksjoner og generelle instruksjoner. Hvis du ikke følger sikkerhetsinstruksjonene og de generelle instruksjonene, kan det føre til elektrisk støt, brann eller alvorlig personskade. **Ta vare på sikkerhetsinformasjonen og de generelle instruksjonene for fremtidig bruk.**

- Disse sikkerhetsinstruksjonene gjelder bare for oppladbare 18 V litium-ionbatterier for POWER FOR ALL-systemet.
- Bruk det oppladbare batteriet kun i produkter fra POWER FOR ALL-systempartnere. 18 V oppladbare batterier merket med POWER FOR ALL er fullt ut kompatible med følgende produkter:
 - Alle produkter i 18 V POWER FOR ALL-batterisystemet.
 - Alle 18 V-produkter fra POWER FOR ALL-systempartnere.

- **Følg batterianbefalingene i bruksanvisningen for produktet.** Bare på denne måten kan det oppladbare batteriet og produktet brukes uten fare, og de oppladbare batteriene beskyttes mot farlig overbelastning.
- **Lad batteriene kun ved bruk av ladere som er anbefalt av produsenten eller av POWER FOR ALL-systempartnere.** En lader som passer til én type batteri, kan utgjøre en brannfare hvis den brukes med et annet batteri.
- **Batteriet leveres delvis oppladet.** For å sikre full batterikapasitet må batteriet lades helt opp i laderen før du bruker elektroverktøyet for første gang.
- **Oppbevar batteripakkene utilgjengelig for barn.**
- **Ikke åpne batteriet.** Det er fare for kortslutning.
- **Ved skade på og feil bruk av batteriet kan det komme ut damp. Batteriet kan begynne å brenne eller eksplodere.** Sørg for at området er godt ventilt, og oppsøk lege dersom du opplever negative virkninger. Dampen kan irritere respirasjonssystemet.
- **Hvis batteriet brukes på feil måte, eller hvis det er skadet, kan brennbar væske komme ut av batteriet. Unngå kontakt med denne væsken. Skyll med vann hvis kontakt oppstår ved et uhell. Oppsøk lege hvis væsken kommer i kontakt med øynene.** Væske fra batteriet kan forårsake irritasjon eller brannskader.
- **Hvis batteriet er skadet, kan væske komme ut, slik at nærliggende overflater blir tilsølt. Kontroller berørte deler.** Rengjør disse delene, eller skift dem om nødvendig.
- **Batteripakken må ikke kortsluttes.** Når batteripakken ikke er i bruk, må den holdes unna andre metallgjenstander som binders, mynter, nøkler, spiker, skruer og andre små metallgjenstander som kan danne en forbindelse fra den ene batteripolen til den andre. Kortslutning av batteripolene kan føre til forbrenning eller brann.
- **Batteriet kan bli skadet av spisse gjenstander som spiker eller skrutrekkere eller ved å bli utsatt for slag eller støt.** Det kan oppstå en intern kortslutning som fører til at batteriet brenner, ryker, eksploderer eller overopphetes.
- **Utfør aldri service på skadede batteripakker.** Service av batteripakker skal kun utføres av produsenten eller autoriserte serviceleverandører.
- **Beskytt batteriet mot varme, f.eks. mot kontinuerlig, kraftig sollys eller brann, og mot smuss, vann og fuktighet.** Det er fare for eksplosjon og kortslutning.
- **Bruk batteriet i produktet kun i omgivelsestemperaturer mellom -5 °C – 40 °C.**
- **Batteriet må bare oppbevares ved en omgivelsestemperatur på mellom -20 °C – 50 °C.** La for eksempel ikke batteriet være i bilen om sommeren. Ved temperaturer på < 0 °C kan noen enheter få redusert effekt.
- **Batteriet må kun lades ved en omgivelsestemperatur på 0 °C – +35 °C.** Lading utenfor dette

temperaturområdet kan øke faren for skade på batteriet og brann.

Sikker bruk av batteriladeren



ADVARSEL: Les alle sikkerhetsinstruksjoner og generelle instruksjoner. Hvis du ikke følger sikkerhetsinstruksjonene og de generelle instruksjonene, kan det føre til elektrisk støt, brann eller alvorlig personskade. **Oppbevar disse instruksjonene på et sikkert sted.** Bruk laderen bare hvis du kan evaluere alle funksjonene fullstendig og utføre dem uten begrensninger, eller hvis du har mottatt tilsvarende instruksjoner.

- **Denne laderen er ikke ment for bruk av barn eller personer med fysiske, sensoriske eller mentale begrensninger eller manglende erfaring eller kunnskap.** Denne laderen kan brukes av barn som er 8 år eller eldre, og av personer som har fysiske, sensoriske eller mentale begrensninger eller manglende erfaring eller kunnskap, hvis en person som er ansvarlig for sikkerheten deres, har tilsyn med dem eller har instruert dem i sikker bruk av laderen og de forstår de tilknyttede farene. I andre tilfeller er det risiko for driftsfeil og personskader.
- **Ha tilsyn med barn under bruk, rengjøring og vedlikehold.** Barn må ikke leke med laderen.
- **Lad bare 18 V POWER FOR ALL-systembatterier med en kapasitet på 1,5 Ah og mer.** Batterispenningen må tilsvare batteriladepeningen til laderen. **Ikke prøv å lade ikke-oppladbare batterier.** Hvis du gjør det, er det risiko for brann og eksplosjon.
- **Bruk bare laderen i lukkede rom, og ikke i fuktige omgivelser.** Hvis det kommer vann inn i elektroverktøyet øker faren for elektrisk støt.
- **Hold laderen ren.** Smuss fører til fare for elektrisk støt.
- **Kontroller alltid laderen, kabelen og støpselet før bruk.** Slutt å bruke laderen hvis du oppdager skader. **Ikke åpne laderen selv, og få den reparert bare av Husqvarna eller hos et autorisert After Sales-servicesenter som bare bruker originale reservedeler.** Skadede ladere, kabler og støpsler øker faren for elektrisk støt.
- **Ikke bruk laderen på en lettantennelig overflate (for eksempel papir, tekstiler osv.) eller i brennbare omgivelser.** Det er fare for brann fordi laderen varmes opp under bruk.
- **Ikke dekk til ventilasjonsåpningene på laderen.** Hvis du gjør det, kan laderen bli overopphetet og slutte å fungere som den skal.
- **Må bare lades med laderen som er spesifisert av produsenten.** En lader som passer til én batteripakke kan skape brannfare hvis den brukes med en annen batteripakke.

- **Ved skade på og feil bruk av batteriet kan det også komme ut damp.** Sørg for at området er godt ventilert, og oppsøk lege dersom du opplever negative virkninger. Dampen kan irritere respirasjonssystemet.
- **Hvis batteriet brukes feil, kan det komme væske ut av batteriet. Unngå kontakt med denne væsken. Skyll med vann hvis kontakt oppstår ved et uhell. Oppsøk lege hvis væsken kommer i kontakt med øynene.** Væske fra batteriet kan forårsake irritasjon eller brannskader.
- **Produkter som bare selges i Storbritannia:** Produktet er utstyrt med et BS 1363/A-godkjent støpsele med intern sikring (ASTA-godkjent iht. BS 1362). Hvis støpselet ikke passer til stikkontaktene, må det kuttes av, og et egnet støpsele må monteres i stedet av et autorisert kundeserviceverksted. Det nye støpselet skal ha samme sikringsstørrelse som det opprinnelige støpselet. Det avkuttete støpselet må kastes for å unngå fare for støt, og det må aldri settes inn i en stikkontakt et annet sted.
- Fjern batteriet før du utfører vedlikehold, andre kontroller eller monterer produktet.
- Operatøren må bare utføre vedlikehold og service som refereres til i denne bruksanvisningen. Henvend deg til forhandleren for mer omfattende vedlikehold og service.
- Ikke rengjør batteriet eller batteriladeren med vann. Sterke vaskemidler kan skade platen.
- Hvis du ikke utfører vedlikehold, minsker levetiden til produktet og risikoen for ulykker øker.
- Det kreves spesiell opplæring for alt vedlikehold og reparasjonsarbeid, spesielt for sikkerhetsutstyret på produktet. Hvis ikke alle kontrollene i denne bruksanvisningen er godkjent etter at du har gjort vedlikehold, må du ta kontakt med serviceforhandleren. Vi garanterer at fagmessig reparasjon og service er tilgjengelig for produktet.
- Bruk bare originale reservedeler.
- Bruk alltid robuste hansker når du reparerer skjærestyret. Bladene er svært skarpe og kan lett forårsake skader.

Sikkerhetsinstruksjoner for vedlikehold



ADVARSEL: Les de følgende advarslene før du utfører vedlikehold på produktet.

Montering

Innledning



ADVARSEL: Les og forstå kapittelet om sikkerhet før du monterer produktet.

Slik monterer du tilbehøret

1. Fest tilbehøret (A) til drivenheten (B). Tilbehøret skal gli lett inn i holderen på drivenheten. Hvis det ikke gjør det, er det ikke riktig montert. (Fig. 29)
2. Stram låseknotten (C).

Merk: Når tilbehøret er installert på drivenheten, kobles brukergrensesnittet for tilbehøret fra.

Slik justerer du lengden på teleskopriggrøret

1. Løft spaken (A) på akselen. (Fig. 30)
2. Juster teleskopakselen til passende lengde.
3. Skyv spaken ned for å låse teleskopakselen.

Slik monterer du oppbevaringskroken på veggen

- Monter oppbevaringskroken innendørs.

- Hold kroken unna sollys og i en omgivelsestemperatur på -10 til $+70$ °C.
- Monter oppbevaringskroken på en vegg av gips, tre eller betong.



OBS: Kontroller at veggen tåler belastninger på minst 30 kg.

- Monter oppbevaringskroken på veggen med de tre skruene (A). Bruk veggpluggen (B) hvis det er nødvendig. (Fig. 31)



OBS: Kontroller at skruene passer til veggtypen din.

- Snakk med Husqvarna-serviceverkstedet hvis du vil ha informasjon om tilgjengelig oppbevaringstilbehør for produktet.

Slik henger du produktet på oppbevaringskroken

- Heng strømhøyden på oppbevaringskroken som vist i illustrasjonen. (Fig. 32)

Drift

Slik utfører du en funksjonskontroll før du bruker produktet

1. Fjern smuss og uønsket materiale fra produktet med en børste.
2. Trekk til alle muttere og skruer.
3. Kontroller at tilbehøret er riktig festet.
4. Kontroller at låseknappen for kraftutløserperren er koblet inn.
5. Kontroller at låsemekanismene på den forlengede akselen og det svingbare elementet er i låst stilling.
6. Kontroller tilbehøret for skader, for eksempel sprekker. Bytt ut tilbehøret hvis det er skadet.
7. Kontroller at dekslene er riktig festet og ikke er skadet.
8. Kontroller at produktet fungerer som det skal.

Slik kobler du batteriet til produktet



ADVARSEL: Bruk bare litiumionbatterier i POWER FOR ALL-systemet P4A 18 V i produktet.

1. Kontroller at batteriet er fulladet.
2. Plasser batteriet i batteriholderen på produktet. Batteriet skal gli lett inn i batteriholderen. Hvis det ikke gjør det, er det ikke riktig installert. (Fig. 33)
3. Skyv batteriet helt inn i batteriholderen. Batteriet låses på plass når du hører et klikk.
4. Kontroller at låsen låses riktig på plass.

Slik starter du produktet

1. Skyv låseknappen for kraftutløserperren forover. (Fig. 25)
2. Trykk på kraftutløserperren (A) fra venstre eller høyre side, og hold inne kraftutløseren (B). (Fig. 34)

Slik stopper du produktet

1. Slipp kraftutløseren.
2. Skyv låseknappen for kraftutløserperren bakover for å låse produktet.
3. Trykk på batteriutløserknappen, og ta ut batteriet. (Fig. 35)
4. Fjern tilbehøret fra produktet om nødvendig.

Slik justerer du produktvinkelen

Produktet kan justeres i syv forskjellige trinn.



ADVARSEL: Ikke juster vinkelen mens du bruker produktet.

1. Stans produktet og fjern batteriet.
2. Hold godt fast i holderen (A). (Fig. 36)
3. Trykk på og hold inne rotasjonsleddet (B).
4. Sett holderen i riktig posisjon.
5. Slipp rotasjonsleddet for å låse holderen.
6. Skyv holderen opp og ned til den låses på plass.

Vedlikehold

Innledning



ADVARSEL: Les og forstå kapittelet om sikkerhet før du utfører vedlikeholdsarbeid på produktet.



ADVARSEL: Ta ut batteriet før du utfører vedlikehold på produktet.

Vedlikeholdsskjema

Under følger en liste over vedlikeholdstrinnene som må utføres på produktet.

Vedlikehold	Før bruk	Ukentlig	Månedlig
Rengjør de utvendige delene av produktet med en tørr klut. Du må ikke bruke vann.	X		
Kontroller at låseknappen for kraftutløserperren fungerer som den skal og ikke er skadet.	X		

Vedlikehold	Før bruk	Ukentlig	Månedlig
Kontroller at kraftutløseren og kraftutløserperren fungerer riktig med hensyn til sikkerhet.	X		
Kontroller at alle kontrollene fungerer som de skal, og ikke er skadet.	X		
Hold håndtakene tørre og rene.	X		
Kontroller at skruer og mutre sitter stramt.	X		
Kontroller at utløserknappene på batteriet fungerer riktig og låser batteriet i produktet.	X		
Kontroller at batteriet ikke er skadet.	X		
Kontroller at batteriet er ladet.	X		
Kontroller at batteriladeren ikke er skadet, og at den fungerer som den skal.	X		
Undersøk alle kabler, koblinger og forbindelser. Kontroller at de er rengjort og uskadet.		X	
Kontroller forbindelsene mellom batteriet og produktet.			X
Kontroller forbindelsen mellom batteriet og batteriladeren.			X

Slik rengjør du produktet, batteriet og batteriladeren

1. Rengjør produktet med en tørr klut etter bruk.
2. Rengjør batteriet og batteriladeren med en tørr klut. Hold batterisporene rene.

3. Kontroller at terminalene på batteriet og batteriladeren er rene før batteriet settes i batteriladeren eller produktet.

Transport, oppbevaring og avhending

Transport og oppbevaring

- De medfølgende litiumionbatteriene samsvarer med kravene i loven om farlige varer.
- Følg de spesifikke kravene på emballasje og etiketter for kommersiell transport, inkludert av tredje parter og fraktleverandører.
- Snakk med en person med spesiell opplæring i farlige materialer før du sender produktet. Følg alle gjeldende nasjonale forskrifter.
- Bruk tape på åpne kontakter når du plasserer batteriet i en pakke. Pakk batteriet stramt for å hindre bevegelse.
- Fjern batteriet ved lagring og transport.
- Oppbevar batteriet og batteriladeren på et sted som er tørt og fri for fukt og frost.
- Batteriet må ikke oppbevares på steder der det kan forekomme statisk elektrisitet. Ikke oppbevar batteriet i en metallkasse.
- Oppbevar batteriet i temperaturer mellom $-20^{\circ}\text{C}/-4^{\circ}\text{F}$ og $+50^{\circ}\text{C}/122^{\circ}\text{F}$ og unna direkte sollys.
- Oppbevar batteriladeren i temperaturer mellom 5°C (41°F) og 45°C (113°F) og unna direkte sollys.
- Bruk batteriladeren bare i temperaturer mellom $0^{\circ}\text{C}/32^{\circ}\text{F}$ og $35^{\circ}\text{C}/95^{\circ}\text{F}$.

- Oppbevar produktet på et sted der temperaturen er på mellom $-40^{\circ}\text{C}/-40^{\circ}\text{F}$ og $+60^{\circ}\text{C}/140^{\circ}\text{F}$.
- Lad opp batteriet til 30–50 % før du setter det til oppbevaring i lange perioder.
- Oppbevar batteriladeren på et sted som er lukket og tørt.
- Hold batteriet og batteriladeren separert under oppbevaring. Ikke la barn eller andre uautoriserte personer røre utstyret. Oppbevar utstyret i et område som kan låses.
- Rengjør produktet og utfør en fullstendig service før du setter det til oppbevaring i lang tid.
- Bruk transportbeskyttelsen på produktet for å unngå personskader eller skade på produktet under transport og oppbevaring.
- Fest produktet på en sikker måte under transport.
- Oppbevar produktet horisontalt, eller heng det på kroken som følger med. Se *Slik henger du produktet på oppbevaringskroken på side 217*.

Kassering av batteri, batterilader og produktet

Symbolet nedenfor indikerer at produktet er ikke husholdningsavfall. Resirkuler det på et

gjenvinningsanlegg for elektrisk og elektronisk utstyr.
Dette bidrar til å forhindre miljøskader og personskader.

(Fig. 18)

Snakk med lokale myndigheter, det lokale
renovasjonsvesenet eller forhandleren hvis du ønsker
mer informasjon.

Merk: Symbolet vises på produktet eller produktets
emballasje.

Tekniske data

Aspire Pole-P4A	
Vekt	
Vekt (kun strømenhet), kg	1,5

Godkjente batterier

Dette produktet kan brukes med alle **POWER FOR ALL**-
batterier.

Batteri	P4A 18-B36	P4A 18-B45	P4A 18-B72
Type	Litium-ion	Litium-ion	Litium-ion
Batterikapasitet, Ah	2,0	2,5	4,0
Nominell spenning, V	18	18	18
Vekt, kg	0,35	0,35	0,65
Antall celler (litiumion)	5	5	10

Godkjente batteriladere

Batterilader	P4A 18-C50	P4A 18-C70
Inngangsspenning, V	Se informasjon om laderens typebes- temmelse.	Se informasjon om laderens typebes- temmelse.
Frekvens, Hz	50–60	50–60
Effekt, W	50	70

Tilbehør

Tilleggsutstyr

Godkjent tilbehør	Type	Brukes til
Busktrimmertilbehør	Aspire S20-P4A	Aspire Pole-P4A
Grenkutterertilbehør	Aspire P5-P4A	Aspire Pole-P4A

Samsvarserklæring

EU-samsvarserklæring

Vi, **Husqvarna AB**, SE-561 82 Huskvarna, Sverige, tlf.:
+46 36 146500, erklærer på eget ansvar at produktet:

Beskrivelse	Batteridrevet drivenhet
Merke	Husqvarna
Type/modell	Aspire Pole-P4A
ID	Serienumre datert 2023 og senere

fullstendig overholder følgende EU-direktiver og
-forskrifter:

Direktiv/regulering	Beskrivelse
2006/42/EF	«angående maskiner»
2014/30/EU	«angående elektromagnetisk kompatibilitet»
2011/65/EU	«om begrensning av bruk av visse farlige stoffer i elektrisk og elektronisk utstyr»
2000/14/EF	«angående utslipp av støy til omgivelsene»

og at følgende standarder eller tekniske spesifikasjoner er anvendt: EN 62841-1:2015/A11:2022, EN 62841-4-2:2019/A1:2022, EN IEC 62841-4-5:2021/A11:2021, EN ISO 11680-1:2011, EN ISO 12100:2010, EN IEC 55014-1:2021, EN IEC 55014-2:2021, EN IEC 63000:2018.

DEKRA Testing and Certification GmbH, Handwerkstraße 15, 70565 Stuttgart, Germany, 0158, har utført frivillig EF-typeundersøkelse i samsvar med maskindirektivets (2006/42/EF) artikkel 12, punkt 3b. Sertifikatet for EF-typeprøving har nummer: 4815039.22006.

Anvendt prosedyre for samsvarsvurdering i henhold til direktiv 2000/14/EF, tillegg V.

Med tilbehøret Aspire P5-P4A som grenkutter:

- Målt lydeffektnivå: 88 dB (A)
- Garantert lydeffektnivå: 91dB (A)

Med tilbehøret Aspire S20-P4A som stangbusktrimmer:

- Målt lydeffektnivå for buskklinge: 83 dB (A)
- Målt lydeffektnivå for gressklinge: 79 dB (A)
- Garantert lydeffektnivå: 84 dB (A)

Huskvarna, 2023-10-30



Claes Losdal, FoU-leder, Husqvarna AB

Ansvarlig for teknisk dokumentasjon



Lisenser

Copyright © 2012–2020 STMicroelectronics

Garantien dekker ikke feil som er resultatet av normal slitasje, uaktsomhet, defekt bruk, uautorisert reparasjon eller av at sugeapparat kobles til feil spenning.

Med enerett.

Redistribusjon og bruk i kilde- og binærform, med eller uten endring, er tillatt forutsatt at følgende vilkår er oppfylt:

- Redistribusjon av kildekode må inneholde opphavsrettmerkningen ovenfor, denne listen med vilkår og ansvarsfraskrivelsen nedenfor.
- Redistribusjon i binær form må reprodusere opphavsrettmerkningen ovenfor, denne listen med vilkår og ansvarsfraskrivelsen nedenfor i dokumentasjonen eller annet materiale som følger med i distribusjonen.
- Verken navnet på STMicroelectronics eller navnene på bidragsyterne kan brukes til å bifalle eller promotere produkter som er avledet av denne programvaren, uten en uttrykkelig forhåndsinnhentet skriftlig tillatelse.

Denne programvaren leveres av opphavsretthaverne og bidragsyterne uten noen form for garanti. Alle uttrykte eller underforståtte garantier, herunder underforståtte garantier om salgbarhet og egnethet for et bestemt formål, fraskrives. Ikke under noen omstendigheter skal eieren av opphavsretten eller bidragsyterne holdes ansvarlige for eventuelle direkte, indirekte, tilfeldige, spesielle, straffemessige skader eller følgeskader (herunder anskaffelse av erstatningsvarer eller -tjenester, tap av bruk, data eller tjeneste eller avbrudd i forretningsdriften) uansett årsak og erstatningsjuss, uansett om det gjelder kontrakt, ansvar eller skadevoldende handling (inkludert uaktsomhet eller på annen måte) som oppstår på noen måte som følge av bruk av denne programvaren, selv om det er opplyst om muligheten for slik skade.

Apache 2.0-lisens

Copyright © 2009-2019 Arm Limited. Med enerett.

Versjon 2.0, januar 2004 <http://www.apache.org/licenses/>

Vilkår for bruk, reproduksjon og distribusjon

1. Definisjoner.

Lisens betyr vilkårene for bruk, reproduksjon og distribusjon som definert i delene 1 til 9 i dette dokumentet. **Lisensgiver** betyr eieren av opphavsretten eller enheten som er autorisert av eieren av opphavsretten, som gir lisensen. **Juridisk enhet** betyr samlingen av den fungerende enheten og alle andre enheter som kontrollerer, kontrolleres av eller er under felles kontroll med denne enheten. I sammenheng med denne definisjonen betyr **kontroll** (i) makten, direkte eller

indirekte, til å bestemme retningen eller ledelsen av en slik enhet, enten gjennom kontrakt eller på annen måte eller (ii) eierskap på femti prosent (50 %) eller mer av utestående aksjer eller (iii) begunstiget av en slik enhet.

Du (med alle bøyingsformer) betyr en enkeltperson eller juridisk enhet som benytter tillatelsene som er gitt i denne lisensen. **Kilde**-form betyr den foretrukne måten å gjøre endringer på, herunder programvarekildkode, dokumentasjonskilde og konfigurasjonsfiler. **Objekt**-form betyr enhver utforming som er et resultat av mekanisk transformasjon eller oversettelse av en kildeform, herunder kompilert objektkode, generert dokumentasjon og konverteringer til andre medietyper. **Verk** betyr åndsverket, uansett om det er i kilde- eller objektform, som er gjort tilgjengelig gjennom lisensen, som angitt av en merknad om opphavsrett som er inngår i eller er knyttet til verket (et eksempel er gitt i vedlegget nedenfor). **Avledede verk** betyr alle verk, enten det er i kilde- eller objektform, som er basert på (eller avledet av) verket. Redaksjonelle revisjoner, kommentarer, utdypninger eller andre modifikasjoner av verket utgjør i sin helhet et originalt åndsverk. Med hensyn til denne lisensen skal ikke avledede verk omfatte verk som er adskillbare fra, eller som kun kobles (eller knyttes gjennom navn) til verket og avledede verk av det.

Bidrag betyr ethvert åndsverk, inkludert den opprinnelige versjonen av verket og eventuelle endringer eller tillegg til verket eller avledede verk av det, som med hensikt sendes til lisensgiver for inkludering i verket av eieren av opphavsretten eller av en enkeltperson eller juridisk enhet som er autorisert til sending på vegne av eieren av opphavsretten. I denne definisjonen betyr **sendes** enhver form for elektronisk, muntlig eller skriftlig kommunikasjon som sendes til lisensgiveren eller dennes representanter, herunder kommunikasjon på elektroniske postlister, kildekodekontrollsystemer og systemer for problemsporing som administreres av eller på vegne av lisensgiveren med formål om å drøfte og forbedre verket, men unntatt kommunikasjon som tydelig merkes eller på annen måte er angitt skriftlig av eieren av opphavsretten som «**ikke et bidrag**». **Bidragsyter** betyr lisensgiver og alle enkeltpersoner eller juridiske enheter som mottar et bidrag av lisensgiver og som deretter innlemmes i verket.

2. Tildeling av opphavsrettslisens.

I henhold til vilkårene i denne lisensen gir hver bidragsyter deg herved en varig, verdensomspennende, ikke-eksklusiv, kostnadsfri, royalty-fri, ugjenkallelig opphavsrettslisens til å reprodusere, lage avledede verk av, vise offentlig, fremføre offentlig, viderelelisensiere og distribuere verket og slike avledede verk i kilde- eller objektform.

3. Tildeling av patentlisens.

I henhold til vilkårene i denne lisensen gir hver bidragsyter deg herved en varig, verdensomspennende,

ikke-eksklusiv, kostnadsfri, royaltynfri, ugjenkallelig (med de unntak som er angitt i denne delen) patentlisens å lage, ha laget, bruke, tilby salg av, selge, importere og på annen måte overdra verket, der en slik lisens kun gjelder for de patentkrav som er lisensierbare fra en slik bidragsyter, og som nødvendigvis krenkes kun gjennom deres bidrag eller gjennom en kombinasjon av deres bidrag med verket som et slikt bidrag ble sendt til. Hvis du iverksetter patentrettsvister mot en enhet (inkludert krysskrav eller motkrav i et søksmål) som påstår at verket eller et bidrag som er innarbeidet i verket, utgjør direkte eller medvirkende brudd på patentrettigheter, skal alle patentlisenser du har fått i henhold til denne lisensen for det aktuelle verket, dermed opphøre fra og med datoen da et slikt søksmål fremmes.

4. Redistribusjon.

Du kan reproducere og distribuere kopier av verket eller avledede verk av det i alle medier, med eller uten endringer, og i kilde- eller objektform, forutsatt at du oppfyller følgende betingelser:

- Du må gi andre mottakere av verket eller avledede verk en kopi av denne lisensen og
- du må sørge for at eventuelle endrede filer har tydelige merknader som slår fast at du har endret filene, og du må beholde, i kildeform i avledede verk som du distribuerer, alle merknader om opphavsrett, patent, varemerke og tilskrivelse fra verkets kildeform, med unntak av de merknadene som ikke gjelder noen del av det avledede verket, og
- hvis verket inneholder en «**MERKNAD**»-tekstfil som en del av distribusjonen, må eventuelle avledede verk du distribuerer, inkludere en lesbar kopi av tilskrivningsmerknadene i denne MERKNAD-filen, med unntak av de merknadene som ikke gjelder for noen del av det avledede verket, på minst ett av følgende steder: I en MERKNAD-tekstfil som distribueres som en del av avledede verk, i kildeform eller -dokumentasjon, hvis det leveres sammen med det avledede verket eller i en visning generert av det avledede verket, hvis og hvor slike tredjepartsmeknader vanligvis vises. Innholdet i MERKNAD-filen er kun til informasjon og endrer ikke lisensen. Du kan legge til dine egne tilskrivningsmerknader i avledede verk som du distribuerer, sammen med eller som et tillegg til MERKNAD-teksten fra verket, forutsatt at slike tilskrivningsmerknader ikke kan tolkes som endring av lisensen. Du kan legge til din egen erklæring om opphavsrett i endringene dine og du kan gi ytterligere eller ulike lisensvilkår for bruk, reproduksjon eller distribusjon av endringene dine, eller for ethvert slik avledet verk som helhet, forutsatt at din bruk, reproduksjon og distribusjon av verket ellers er i samsvar med vilkårene i denne lisensen.

5. Innsending av bidrag.

Med mindre du uttrykkelig oppgir noe annet, skal ethvert bidrag som med hensikt er sendt inn for å inkluderes i verket av deg til lisensgiveren, være i henhold til vilkårene i denne lisensen, uten ytterligere vilkår. Til tross for det ovenstående skal ingenting i dette dokumentet avløse eller endre vilkårene i en separat lisensavtale du måtte ha inngått med lisensgiver angående slike bidrag.

6. Varemerker.

Denne lisensen gir ikke tillatelse til å bruke handelsnavnene, varemerkene, servicemerkene eller produktnavnene til lisensgiveren, med mindre det er nødvendig for rimelig og vanlig bruk for å beskrive opprinnelsen til verket og reproducere innholdet i MERKNAD-filen.

7. Ansvarsfraskrivelse for garanti.

Med mindre det kreves av gjeldende lov eller er skriftlig avtalt, stiller lisensgiver verket (og enhver bidragsyter gir sitt bidrag) til rådighet uten noen form for garanti, verken uttrykt eller innforstått, herunder eventuelle garantier eller vilkår om eiendomsrett, ikke-krenkelse, salgbarhet, eller egnethet for et bestemt formål. Du er alene ansvarlig for å fastslå hensiktsmessigheten av å bruke eller redistribuere verket og påtar deg eventuelle risikoer som er knyttet til din utøvelse av tillatelser gitt i denne lisensen. 8. Ansvarsbegrensning. Ikke under noen omstendigheter eller under noen juridisk metode, enten det er forvoldt (inkludert uaktsomhet), i kontrakt eller annet, med mindre gjeldende lov krever det (som forsett og grov uaktsomhet) eller skriftlig avtalt, skal noen bidragsyter være ansvarlig overfor deg for skader, inkludert direkte, indirekte, spesielle, tilfældige eller følgeskader i alle former som oppstår som følge av denne lisensen eller som følge av bruk eller manglende mulighet til å bruke verket (herunder skader for tap av goodwill, arbeidsstans, datamaskinvikt eller -feil eller alle andre kommersielle skader eller tap), selv om en slik bidragsyter er informert om muligheten for slike skader.

9. Aksept av garanti eller tilleggsansvar.

Når du redistribuerer verket eller avledede verk av det, kan du velge å tilby og kreve et gebyr for aksept av støtte, garanti, erstatning eller andre ansvarsforpliktelser eller rettigheter i samsvar med denne lisensen. Når du aksepterer slike forpliktelser, kan du imidlertid bare handle på egne vegne og på eget ansvar, ikke på vegne av noen annen bidragsyter, og bare hvis du samtykker i å erstatte, forsvare og holde enhver bidragsyter skadesløs for ethvert ansvar du har pådratt deg, eller for krav som fremsettes mot en slik bidragsyter på grunn av din aksept av en slik garanti eller tilleggsansvar. Slutt på vilkårene

Johdanto.....	224	Kuljettaminen, säilyttäminen ja hävittäminen.....	233
Turvallisuus.....	225	Tekniset tiedot.....	234
Asentaminen.....	231	Tarvikkeet.....	234
Käyttö.....	231	Vaatimustenmukaisuusvakuutus.....	235
Huolto.....	232	Lisenssit.....	236

Johdanto

Tuotekuvaus

Husqvarna Aspire Pole-P4A on akkukäyttöinen tehoyksikkö, jossa on teleskooppitoiminto.

kohdasta *Tarvikkeet sivulla 234*. Lue tämä käyttöohjekirja sekä hyväksytyjen lisävarusteiden käyttöohjekirja.

Käyttötarkoitus

Tämä käyttöagregaatti toimii vain hyväksytyjen lisävarusteiden kanssa. Katso hyväksytyt lisävarusteet

Tuotteen kuvaus –

(Kuva 1)

1. Kiertonivel
2. Lisälaitteen lukitusnappi
3. Teleskooppitoiminnon vipu
4. Runkoputki
5. Pehmeä holkki
6. Valjaskiinnike
7. Käyttöliipaisimen varmistimen lukituspainike
8. Takakahva
9. Käyttöliipaisimen varmistin
10. Käyttöliipaisin
11. Käyttöohje
12. Akun vapautuspainike
13. Akkulaturi
14. Virran ja varoitusten merkkivalo
15. Liitin
16. Säilytyskoukku, ruuvit ja ruuvitulpat

(Kuva 5) Käytä hyväksytyjä suojakäsineitä.

(Kuva 6) Käytä kestäviä luistamattomia jalkineita. (Koskee vain mallia Aspire P5-P4A + Aspire Pole-P4A)

(Kuva 7) Tasavirta.

(Kuva 8) Nimellisjännite, V

(Kuva 9) Ei saa altistaa sateelle.

(Kuva 10) Tapaturmavaara. Pidä kädet poissa leikkurin ulottuvilta.

(Kuva 11) Laitte täyttää voimassa olevien EU-direktiivien vaatimukset.

(Kuva 12) Tämä tuote täyttää sovellettavissa olevien UK-säädösten vaatimukset.

Tuotteen symbolit

(Kuva 2) VAROITUS: Tämä laite voi olla vaarallinen ja aiheuttaa käyttäjälle tai sivullisille vakavia vahinkoja tai kuoleman. Ole varovainen ja käytä tuotetta oikein.

(Kuva 13) Laitetta tai sen pakkausta ei saa hävittää kotitalousjätteen mukana. Vie se asianmukaiseen sähkö- ja elektroniikkalaitteiden keräyspisteeseen.

(Kuva 3) Lue käyttöohje huolellisesti ja varmista, että ymmärrät sen sisällön, ennen kuin alat käyttää laitetta.

(Kuva 4) Käytä suojakypärää paikoissa, joissa päällesi voi pudota esineitä. Käytä hyväksytyjä kuulonsuojaimia (koskee vain mallia Aspire P5-P4A + Aspire Pole-P4A). Käytä hyväksytyjä suojalaseja.

(Kuva 16)

VAARA – Varmista riittävä etäisyys sähkölinjoihin.

(Kuva 17)

Tyyppikilvessä tai lasermerkinnässä näkyy sarjanumero, jossa **yyyy** on valmistusvuosi ja **ww** on valmistusviikko.

Huomautus: Muita laitteen tunnuksia/tarroja tarvitaan tietyillä markkina-alueilla ilmaisemaan erityisiä sertifiointivaatimuksia.

(Kuva 14) Käytä ja säilytä akkulatoria ainoastaan sisätiloissa.

(Kuva 15) Kaksoiseristys.

Akun ja/tai akkulatorin symbolit

(Kuva 18)

Vie tämä tuote asianmukaiseen sähkö- ja elektroniikkalaitteiden keräyspisteeseen. (Vain Eurooppa)

(Kuva 19)

Käytä akkua vain POWER FOR ALL-järjestelmäkumppanien tuotteissa.

(Kuva 20)

Suojaa akku tulelta, lialta, vedeltä, kosteudelta ja kuumuudelta, kuten jatkuvalta voimakkaalta auringonvalolta. Akku voi räjähtää tai voi aiheutua oikosulku.

(Kuva 21)

Tuotteen vaurioituminen

Emme ole vastuussa tuotteen vaurioitumisesta, jos:

- tuote on korjattu virheellisesti
- tuotteen korjaamiseen on käytetty muita kuin valmistajan omia tai sen hyväksymiä osia
- tuotteessa on muu kuin valmistajan oma tai sen hyväksymä lisävaruste
- tuotetta ei ole korjattu valtuutetussa huoltopisteessä tai hyväksytyllä asiantuntijalla.

Valmistaja

Husqvarna AB

Drottninggatan 2, SE-561 82 Huskvarna, Sweden, tel: +46-36-146 500

Turvallisuus

Turvallisuusmääritelmät

Varoituksia, huomioita ja huomautuksia käytetään, kun jotakin käyttöohjeen osaa halutaan erityisesti korostaa.



VAROITUS: Tätä käytetään, jos käyttöohjeen noudattamatta jättämisestä voi seurata käyttäjän tai sivullisen vamma tai kuolema.



HUOMAUTUS: Tätä käytetään, jos käyttöohjeen noudattamatta jättämisestä voi seurata koneen, muiden materiaalien tai ympäristön vaurioituminen.

Huomautus: Tätä käytetään tietyissä tilanteissa tarvittavien lisätietojen antamiseen.

Yleiset sähkötyökaluja koskevat varoitukset



VAROITUS: Lue hyväksytyjen lisävarusteiden käyttöohjekirja sekä tämän käyttöagregaatin käyttöohjekirja.



VAROITUS: Lue kaikki tämän sähkötyökalun mukana tulevat turvavaroitukset, ohjeet, kuvat ja tekniset tiedot. Alla olevien ohjeiden noudattamatta jättäminen voi johtaa sähköiskuun, tulipaloon ja/tai vakavaan tapaturmaan.

Huomautus: Säestä kaikki varoitukset ja ohjeet tulevaa käyttöä varten. Varoituksissa termillä "sähkötyökalu" tarkoitetaan verkkosähköllä toimivaa (johdollista) sähkötyökalua tai akkukäyttöistä (johdotonta) sähkötyökalua.

Työalueen turvallisuus

- **Pidä työalue siistinä ja hyvin valaistuna.** Sotkuiset tai hämärät alueet ovat alltiita onnettomuuksille.
- **Älä käytä sähkötyökaluja räjähdysherkässä ympäristössä, esimerkiksi herkästi syttyvien nesteiden, kaasujen tai pölyn läheisyydessä.** Sähkötyökaluista lähtevät kipinät voivat sytyttää pölyn tai kaasut.
- **Pidä lapset ja sivulliset poissa, kun käytät sähkötyökalua.** Häiriöt voivat saada sinut menettämään työkalun hallinnan.

Sähköturvallisuus

- **Sähkötyökalun pistokkeen on sovitava pistorasiaan. Älä koskaan muuta pistoketta millään tavoin. Älä käytä mitään pistokesovittimia maadoitettujen sähkötyökalujen kanssa.** Muuttamattomat pistokkeet ja sopivat pistorasiat vähentävät sähköiskun vaaraa.
- **Varo koskettamasta maadoitettuja pintoja, kuten putkia, pattereita, liesiä ja jääkaappeja.** Sähköiskun riski kasvaa, jos käyttäjän keho on maadoitettu.
- **Älä altista sähkötyökaluja sateelle tai märille olosuhteille.** Sähkötyökaluun päässyt vesi lisää sähköiskun riskiä.
- **Älä vahingoita johtoa. Älä koskaan käytä johtoa kantamiseen, vetämiseen tai pistokkeen irrottamiseen pistorasiasta. Pidä johto etäällä kuumuudesta, öljystä, terävistä reunoista tai liikkuvista osista.** Vialliset tai solmussa olevat johdot lisäävät sähköiskuvaaraa.
- **Kun käytät sähkötyökalua ulkona, käytä ulkotoiloihin sopivaa jatkojohtoa.** Ulkokäyttöön sopivan johdon käyttäminen vähentää sähköiskuvaaraa.
- **Mikäli sähkötyökalun käyttämisestä kosteassa ei voida välttää, käytä virtalähdettä, jossa on vikavirtasuojakytkin (RCD).** Vikavirtasuojakytkimen käyttö vähentää sähköiskun vaaraa.

Henkilökohtainen turvallisuus

- **Pysy valppaana, katso mitä teet ja käytä tervettä järkeä käyttäessäsi sähkötyökalua. Älä käytä sähkötyökalua väsyneenä tai alkoholin, huumeiden tai lääkityksen vaikutuksen alaisena.** Hetken tarkkaamattomuus sähkötyökalun käytön aikana voi johtaa vakavaan henkilövahinkoon.
- **Käytä henkilökohtaisia suojavarusteita. Käytä aina suojalaseja.** Hengityssuojain, luistamattomat turvakengät, kypärä, kuulonsuojaimet ja muut suojavarusteet niitä vaativissa oloissa käytettyinä vähentävät henkilövahinkoja.
- **Estä tahaton käynnistys. Varmista, että työkalun virta on katkaistu ennen työkaluun tarttumista, sen kantamista tai sen kytkemistä virtalähteeseen ja/tai akkuun.** Sähkötyökalujen kantaminen sormi katkaisijalla tai niiden kytkeminen sähköverkkoon tai akkuun katkaisimen ollessa päällä altistaa onnettomuuksille.
- **Irrota mahdolliset säätöavaimet ennen virran kytkemistä sähkötyökaluun.** Sähkötyökalun

pyörivään osaan kiinnitetty avain voi aiheuttaa henkilövahingon.

- **Älä kurota. Säilytä aina tukeva asento ja tasapaino.** Tämä mahdollistaa sähkötyökalun paremman hallinnan odottamattomissa tilanteissa.
- **Pukeudu oikein. Älä käytä löysästi istuvia vaatteita tai koruja. Pidä hiukset ja vaatteet etäällä liikkuvista osista.** Löysät vaatteet, korut tai pitkät hiukset voivat tarttua liikkuviin osiin.
- **Jos käytettävissä on kytkentämahdollisuus pölynerottimelle, varmista, että se kytketään ja että sitä käytetään oikein.** Pölynpoiston käyttö voi vähentää pölyyn liittyviä riskejä.
- **Vaikka olisit käyttänyt työkaluja usein ja tuntisit ne hyvin, muista aina ottaa huomioon työkalun turvamääräykset.** Huolimaton toiminta voi johtaa sekunnin murto-osissa vakaviin loukkaantumisiin.
- **Vaara! Älä käytä tuotetta voimalinjojen läheisyydessä.** Tuotetta ei ole suunniteltu suojaamaan käyttäjää sähköiskulta, mikäli se osuu sähkölinjoihin. Katso turvalliset etäisyydet sähkölinjoihin paikallisista määräyksistä ja varmista, että käyttöalue on turvallinen, ennen kuin käytät tuotetta.

Sähkötyökalujen käyttö ja huolto

- **Älä pakota sähkötyökalua. Käytä käyttötarkoitukseen sopivaa sähkötyökalua.** Oikea sähkötyökalu tekee työn paremmin ja turvallisemmin nopeudella, jota varten se on suunniteltu.
- **Älä käytä sähkötyökalua, jos virtaa ei voi kytkeä ja katkaista virtakatkaisimella.** Mikä tahansa sähkötyökalu, jota ei voi hallita katkaisimella, on vaarallinen, ja se pitää korjata.
- **Irrota pistoke pistorasiasta ja/tai akku sähkötyökalusta, mikäli mahdollista, ennen kuin teet mitään säätöjä, vaihdat lisävarusteita tai varastoit sähkötyökalun.** Sellaiset varotoimet vähentävät riskiä, että sähkötyökalu käynnistetään vahingossa.
- **Varastoi käyttämättömät sähkötyökalut pois lasten ulottuvilta, äläkä anna henkilöiden, jotka eivät tunne sähkötyökalua tai näitä ohjeita, käyttää sähkötyökalua.** Sähkötyökalut ovat vaarallisia kouluttamattomien käyttäjien käsissä.
- **Huolla sähkötyökaluja ja lisävarusteita. Tarkista, etteivät liikkuvat osat ole väärin suunnattuina tai tarttuvia, ettei mikään osa ole murtunut sekä kaikki muut tekijät, jotka voivat vaikuttaa sähkötyökalun toimintaan. Jos sähkötyökalu on vahingoittunut, korjauta se ennen käyttöä.** Monet onnettomuudet johtuvat huonosti huolletuista sähkötyökaluista.
- **Pidä leikkaustyökalut terävinä ja puhtaina.** Oikein huolletut leikkaustyökalut, joiden leikkausreunat ovat terävät, eivät juutu kiinni niin helposti ja ovat helpommin hallittavissa.
- **Käytä sähkötyökalua, lisävarusteita, teriä jne. näiden ohjeiden mukaisesti ottaen huomioon työskentelyolosuhteet ja suoritettavan työn laadun.** Sähkötyökalun käyttäminen

ennakoiduista poikkeavissa olosuhteissa voi johtaa vaaratilanteeseen.

- **Pidä kahvat ja tarttumapinnat kuivina, puhtaina ja öljyttöminä sekä puhtaana vasellinista.** Liukkaat kahvat ja tarttumapinnat eivät mahdollista työkalun turvallista käsittelyä ja hallintaa odottomattomissa tilanteissa.

Akkukäyttöisten työkalujen käyttö ja huolto

- **Lataa akku ainoastaan valmistajan tarkoitukseen nimeämällä laturilla.** Tietynlaiseen akustoon soveltuva laturi voi aiheuttaa tulipalon vaaran, jos sitä käytetään toisenlaisen akuston lataamiseen.
- **Liitä työkaluihin ainoastaan niissä käytettäviksi hyväksytyt akkuja.** Muunlaisten akkujen käyttö voi aiheuttaa tapaturmien tai tulipalon vaaran.
- **Kun akkua ei käytetä, pidä se etäällä metalliesineistä, kuten paperiliittimistä, kolloikoista, avaimista, nautoista, ruuveista tai muista pienistä metalliesineistä, jotka saattavat aiheuttaa kosketuksen liittinten välillä.** Akkuliittinten saattaminen keskenään oikosulkuun voi aiheuttaa palovammoja tai tulipalon.
- **Akusta voi tihkua nestettä väärissä olosuhteissa. Vältä kosketusta akkuneesteeseen. Jos akkuneustettä joutuu iholle, huuhtelee ihoalue vedellä. Jos neste joutuu kosketuksiin silmien kanssa, ota myös yhteys lääkäriin.** Akkuneeste voi aiheuttaa ihoärsytystä tai palovammoja.
- **Älä käytä vaurioitunutta tai muutettua akkua tai työkalua.** Jos tuotteessa käytetään vaurioituneita tai muutettuja akkuja, tuote ei välttämättä toimi asianmukaisesti. Seurauksena saattaa olla tulipalo, räjähdys tai tapaturma.
- **Älä altista akkua tai työkalua tulelle tai korkeille lämpötiloille.** Laitteen altistuminen tulelle tai yli 130 °C:n lämpötilalle voi aiheuttaa räjähdyksen.
- **Noudata kaikkia latausohjeita äläkä lataa akkua tai työkalua ohjeissa määritetyn lämpötila-alueen ulkopuolella.** Akun lataaminen väärin tai sallituista lämpötiloista poikkeavissa olosuhteissa voi vahingoittaa akkua ja lisätä tulipaloriskiä.

Huolto

- **Anna sähkötyökalun korjaaminen pätevän korjaajan tehtäväksi, joka käyttää vain täysin samanlaisia vaihto-osia.** Tämä varmistaa, että sähkötyökalu säilyy turvallisena käyttäjä.
- **Älä koskaan huolla vahingoittuneita akkuja.** Akkuja saavat huoltaa vain valmistaja ja valtuutetut palveluntarjoajat.

Muita yleisiä turvaohjeita

- Lisätietoja erityisistä turvallisuusmääräyksistä on kyseisen lisälaitteen käyttöoppaassa.
- Sammuta laite, kun siirryt alueelta toiselle. Irrota akku aina ennen kuin luovutat tuotteen toisen käyttäjän käyttöön.

- Älä koskaan laske laitetta maahan, ellei ole pysäyttänyt sitä ja poistanut akkua. Valvo laitetta aina, kun se on käynnissä.
- Leikkuulaite ei pysähdy välittömästi tuotteen sammuttamisen jälkeen.
- Tarkista tuote kulumisen ja vaurioiden varalta aina ennen käyttöä ja minkä tahansa tuotteeseen kohdistuneen iskun jälkeen. Korjaa viat tarvittaessa.
- Jos terälaitteeseen tarttuu jotain käytön aikana, pysäytä ja sammuta laite. Varmista, että terälaitte pysähtyy kokonaan. Poista akku ennen kuin puhdistat, tarkistat tai korjaat tuotetta ja/tai terälaitetta.
- Tarkista tuote ennen käyttöä. Katso kohdasta *Tuotteen turvalaitteet sivulla 229 ja Huolto sivulla 232.* Älä käytä vaurioitunutta tuotetta. Noudata tässä käyttöohjeessa annettuja turvallisuustarkastuksia, kunnossapitoa ja huoltoa koskevia ohjeita.
- Viallinen terälaitte voi lisätä onnettomuuksien vaaraa.
- Varmista aina, että ilmanottoaukoissa ei ole roskia.
- Tarkista, että tuote on moitteettomassa kunnossa. Tarkista, että kaikki mutterit ja ruuvit on kiristetty.
- Tämä tuote on vaarallinen työkalu, jos sitä käytetään huolimattomasti tai väärin. Tämä tuote voi aiheuttaa käyttäjälle tai sivullisille vakavia vammoja tai kuoleman.
- Tuotetta eivät saa käyttää henkilöt (lapset mukaan lukien), joiden fyysinen, aistinvarainen tai henkinen toimintakyky on alentunut. Tuotetta eivät myöskään saa käyttää henkilöt, joilla ei ole riittävä kokemusta tai taitoja laitteen käyttöön, elleivät he ole saaneet ohjausta tai ohjeita heidän turvallisuudestaan vastaavalta henkilöltä. Lapsia on valvottava, jotta voidaan varmistaa, etteivät he leiki laitteella.
- Älä anna koskaan lasten käyttää tuotetta tai oleskella sen läheisyydessä. Koska tuote on helppo käynnistää, myös lapset saattavat pystyä käynnistämään sen, ellei heitä valvota. Tämä voi johtaa vakaviin henkilövahinkoihin. Irrota akku aina, jos jätät tuotteen ilman valvontaa.
- Älä koskaan anna lasten tai henkilöiden, joille ei ole annettu tuotteen ja/tai akun käyttökoulutusta, käyttää tai korjata sitä.
- Säilytä laite lukitussa tilassa niin, että se on lasten ja asiaankuulumattomien henkilöiden ulottumattomissa.
- Kuljetussuojasta on aina käytettävä säilytyksen tai kuljetuksen aikana.
- Pidä jalat ja kädet aina poissa leikkualueelta, erityisesti silloin, kun käynnistät moottorin.
- Kun tuote sammutetaan, pidä kädet ja jalat etäällä terälaitteesta, kunnes se on pysähtynyt täysin.
- Älä poista tai anna muiden poistaa leikkujätettä, kun tuote käy tai terälaitte pyörii, sillä seurauksena voi olla vakavia vammoja.
- Muista, että käyttäjänä olet vastuussa siitä, ettet altista ihmisiä tai heidän omaisuuttaan vahingoille tai vaaroille.
- Tuotteen rakennetta ei missään tapauksessa saa muuttaa ilman valmistajan lupaa. Käytä

aina alkuperäisiä lisävarusteita. Hyväksymättömien muutosten ja/tai lisävarusteiden käyttö voi aiheuttaa käyttäjälle tai muille vakavia vammoja tai kuoleman. Takuu ei välttämättä kata hyväksymättömien lisävarusteiden tai varaosien käytöstä aiheutuneita vaurioita tai vastuita.

- Ainoat lisävarusteet, joita tämän tuotteen kanssa saa käyttää, ovat luvussa Lisävarusteet suosittelimamme terälaitteet.
- Älä koskaan käytä tuotetta, jota on muutettu niin, ettei sen rakenne enää ole alkuperäinen.
- Älä koskaan käytä viallista laitetta. Noudata tässä käyttöohjeessa annettuja turvallisuustarkastuksia, kunnossapitoa ja huoltoa koskevia ohjeita. Tietty kunnossapito- ja huolto työt on annettava koulutettujen ja pätevien asiantuntijoiden tehtäviksi. Katso kohdasta *Huolto sivulla 232*.
- Huonossa säässä työskentely on väsyttävää, ja siihen liittyy usein riskitekijöitä. Riskitekijöiden takia laitetta ei ole suositeltavaa käyttää huonoissa sääolosuhteissa, kuten erittäin sumuisella, sateisella tai kylmällä säällä, kovalla tuulella tai silloin, kun salamointi on mahdollista.
- Älä koskaan työskentele tikkailla tai muulta huonosti kiinnitettyä korkealta paikalta.
- Säilytä käyttämättömiä tuotteita sisätiloissa – tuotteita on säilytettävä sisätiloissa, kun ne eivät ole käytössä.
- On mahdotonta kuvata kaikkia mahdollisia tilanteita, joita laitteen käytössä voi ilmetä. Ole aina varovainen ja käytä tervettä järkeä. Vältä tilanteita, mihin et katso taitosi riittävän. Mikäli olet vielä näiden ohjeiden lukemisen jälkeen epävarma menettelytavoista, kysy neuvoa asiantuntijalta ennen jatkamista.
- Huolehdi siitä, että ihmiset ja eläimet ovat työn aikana vähintään 50 jalan (15 metrin) päässä tuotteesta. Kun useampia käyttäjiä työskentelee samalla työalueella, on turvaetäisyyden oltava vähintään 50 jalkaa (15 metriä). Muuten vaarana ovat vakavat henkilövahingot. Sammuuta laite välittömästi, jos joku tulee lähemmäs. Älä käänny laitteen kanssa ympäri tarkistamatta ensin, että turva-alueella ei ole ketään.
- Jos terälaitteeseen tarttuu jotain käytön aikana, pysäytä ja sammuta laite. Varmista, että terälaitte pysähtyy kokonaan. Poista akku ennen kuin puhdistat, tarkistat tai korjaat tuotetta ja/tai terälaitetta.
- Varmista, etteivät ihmiset, eläimet tai muut tekijät pääse vaikuttamaan laitteen hallintaan tai joudu kosketuksiin terälaitteen tai terälaitteesta sinkoutuvien irtonaisten esineiden kanssa. Älä käytä tuotetta niin, ettei sinulla onnettomuustapauksessa ole mahdollisuutta kutsua apua.
- Varmista, että voit siirtyä ja seisoa turvallisesti. Tarkista, onko ympäristössä äkillisille siirtymiselle esteitä (juuria, kiviä, oksia, kuoppia, oja tai vastaavia). Ole erittäin varovainen työskennellessäsi viettävässä maastossa.

- Liiku kävelyvauhtia, älä juosten.
- Tarkista työskentelyalue. Poista kaikki irralliset esineet, kuten kivet, lasinsirpaleet, naulat, rautalangat, narut ja vastaavat, jotka voivat sinkoutua liikkeelle tai kietoutua leikkulaitteeseen tai -suojukseen.
- Varo oksanpätkiä, joita voi sinkoutua ilmaan leikkuun aikana. Älä leikkaa liian lähellä maanpintaa, sillä ilmaan voi sinkoutua kiviä ja muita irtovarua.
- Varmista, etteivät vaatteet tai ruumiinosat pääse koskemaan terälaitteeseen laitteen ollessa käynnissä. Pidä laite vyötärön alapuolella.
- Varo sinkoutuvia esineitä. Silmät on aina suojattava tarkoitukseen hyväksytyillä silmäsuojaimilla. Älä koskaan nojaa terälaitteen suojuksen yli. Kivet, roskat ja muut vastaavat saattavat sinkoutua silmiin ja aiheuttaa sokeutumisen tai vakavia vahinkoja.
- Tarkkaile aina varoitussignaaleja ja -huutoja kuulonsuojaimia käyttäessäsi. Riisu kuulonsuojaimet välittömästi laitteen pysäytyksen jälkeen.
- Jos laite tärisee, napauta siimapäätä, jolloin siima säätyy oikeaan mittaansa ja tärinä loppuu.
- Jos tuote alkaa täristä epätavallisella tavalla, pysäytä tuote ja irrota akku.
- Liiallinen altistuminen tärinöille saattaa aiheuttaa verisuoni- tai hermovaurioita verenkiertohäiriöistä kärsiville henkilöille. Käänny lääkärin puoleen, jos havaitset oireita, jotka voivat liittyä liialliseen tärinäaltistukseen. Esimerkkejä tällaisista oireista ovat puutuminen, tunnottomuus, kutina, pistely, kipu, voimattomuus tai heikkous sekä ihon värin tai pinnan muutokset. Oireita esiintyy tavallisesti sormissa, käsissä tai ranteissa.
- Pitele laitetta aina molemmin käsin.

Henkilökohtainen suojavarustus



VAROITUS: Lue seuraavat varoitushjeet ennen laitteen käyttämistä.

- Käytä aina hyväksytyjä henkilökohtaisia suojavarusteita, kun käytät laitetta. Henkilökohtaiset suojavarusteet eivät poista tapaturmien vaaraa, mutta ne lieventävät vammoja onnettomuustilanteessa. Anna jälleenmyyjän auttaa oikeiden varusteiden valinnassa.
- Käytä suojakypärää paikoissa, joissa putoilevat esineet aiheuttavat vaaraa.
- Käytä riittävän tehokkaasti vaimentavia hyväksytyjä kuulonsuojaimia. Pitkäaikainen altistuminen melulle saattaa aiheuttaa pysyviä kuulovammoja.
- Käytä hyväksytyjä silmäsuojaimia. Visiiriä käytettäessä on käytettävä myös hyväksytyjä suojalaseja. Hyväksytyillä suojalaseilla tarkoitetaan laseja, jotka täyttävät standardin ANSI Z87.1 (Yhdysvallat) tai EN 166 (EU-maat) vaatimukset.
- Käytä kasvojen suojaamiseen visiiriä. Visiiri ei tarjoa riittävää suojaa silmille.

(Kuva 22)

- Käytä käsineitä tarvittaessa esimerkiksi terävarustuksen asennuksen, tarkastuksen ja puhdistuksen aikana.
- Käytä luistamattomia ja tukevia jalkineita.
- Käytä lujasta materiaalista valmistettuja vaatteita. Käytä aina vahvakankaisia pitkiä housuja ja pitkähiihaista takkia. Vältä liian löysiä vaatteita, jotka tarttuvat helposti risuihin ja oksiin. Älä pidä koruja, shortseja tai sandaaleja. Älä myöskään kulje paljain jaloin. Sido hiukset turvallisesti olkapäiden yläpuolelle.

(Kuva 23)

- Pidä ensiaputarvikkeet helposti saatavilla.

(Kuva 24)

Tuotteen turvalaitteet



VAROITUS: Lue seuraavat varoitukset ennen tuotteen käyttöä.

Tässä osassa kerrotaan laitteen turvaominaisuuksista ja niiden toiminnasta sekä annetaan tarkastus- ja kunnossapito-ohjeet, joilla varmistetaan laitteen toimivuus. Lue kohdasta *Tuotteen kuvaus – sivulla 224* tiedot siitä, missä osat sijaitsevat laitteessa.

Laitteen käyttöikä voi lyhentyä ja onnettomuusvaara kasvaa, jos laitteen kunnossapitoa ei suoriteta oikein ja jos huolto- ja/tai korjauksia ei tehdä ammattitaitoisesti. Saat lisätietoja lähimmästä huoltoliikkeestä.



VAROITUS: Älä koskaan käytä tuotetta, jos sen turvalaitteet ovat vaurioituneet. Laitteen turvalaitteet on tarkastettava ja pidettävä kunnossa tässä osassa esitetyllä tavalla. Jos laitteessasi ilmenee tarkastettaessa puutteita, se on toimitettava huoltoliikkeeseen korjattavaksi.



HUOMAUTUS: Kaikki laitteen huolto- ja korjaustyöt vaativat erikoiskoulutusta. Tämä koskee erityisesti laitteen turvavarustusta. Jos laitteessa havaitaan puutteita alla luetelluissa tarkastuksissa, on sinun otettava yhteys huoltoliikkeeseen. Hankkimalla laitteen meiltä varmistat, että saat sille ammattimaisen korjauksen ja huollon. Jos ostat laitteen muusta kuin huollot suorittavasta ammattiliikkeestä, pyydä myyjää neuvomaan lähin huoltoliike.

Käyttöliipaisimen varmistamisen tarkistaminen

Käyttöliipaisimen varmistin estää laitteen tahattoman käytön. Kun irrotat otteen kahvasta, sekä käyttöliipaisin että varmistin palautuvat lähtöasentoonsa.

1. Työnnä käyttöliipaisimen varmistimen lukituspainiketta eteenpäin. (Kuva 25)
2. Varmista, että käyttöliipaisin on lukittu, kun käyttöliipaisimen varmistin on alkuasennossa. (Kuva 26)
3. Paina käyttöliipaisimen varmistinta ensin toiselta puolelta ja toista sitten sama toisella puolella. Varmista, että käyttöliipaisimen varmistin siirtyy takaisin alkuasentoonsa. (Kuva 27)
4. Tarkista, että käyttöliipaisin ja sen varmistin liikkuvat vapaasti ja palautusjousi toimii oikein. (Kuva 28)
5. Käynnistä laite, katso kohta *Tuotteen käynnistäminen – sivulla 232*.
6. Vapauta käyttöliipaisin ja tarkista, että tuote pysähtyy täysin.

Turvallisuushjeet kokoamista varten



VAROITUS: Lue tämän tehoyksikön käyttöohjekirja sekä hyväksytyjen lisävarusteiden käyttöohjekirja.

- Irrota akku tuotteesta ennen tuotteen kokoamista.
- Käytä hyväksytyjä suojäkäsineitä.
- Vaurioitunut tai väärä suojus voi aiheuttaa vammoja. Älä käytä terälaitetta, johon ei ole kiinnitetty hyväksyttyä suojusta.
- Varmista, että olet asentanut lisälaitteen oikein ennen tuotteen käynnistämistä.
- Jos lisälaitteen mukana toimitetaan valjaat, ne on kiinnitettävä tuotteeseen oikein. Valjaat tekevät käytöstä turvallista ja estävät käyttäjän ja muiden henkilöiden loukkaantumisen.

Akkuturvallisuus



VAROITUS: Lue kaikki turvallisuus- ja yleisohjeet. Turvallisuus- ja yleisohjeiden noudattamisen laiminlyöminen voi johtaa sähköiskuun, tulipaloon ja/tai vakavaan tapaturmaan. **Säilytä turvallisuus- ja yleisohjeet tulevaa käyttöä varten.**

- **Turvallisuushjeet koskevat vain järjestelmän POWER FOR ALL 18 V:n ladattavia litiumioniakkuja.**
- **Käytä ladattavaa akkua vain POWER FOR ALL-järjestelmäkumppanien tuotteissa.** Ladattavat 18 V:n akut, joissa on merkintä POWER FOR ALL, ovat täysin yhteensopivia seuraavien tuotteiden kanssa:
 - Kaikki 18 V:n POWER FOR ALL-akkujärjestelmän tuotteet.
 - Kaikki 18 V:n tuotteet POWER FOR ALL-järjestelmäkumppaneilta.
- **Noudata tuotteen käyttöoppaassa annettuja akkuolosuhteita.** Tämä on ainoa keino varmistaa ladattavan akun ja tuotteen turvallinen käyttö ja suojata akku vaaralliselta ylikuormitukselta.

- **Lataa akut vain valmistajan tai POWER FOR ALL-järjestelmäkumppanien suosittelemilla laturilla.** Muuhun akkutyypin sopiva laturi voi aiheuttaa käytettäessä tulipalovaaran.
- **Akku toimitetaan osittain ladattuna.** Jotta akun kapasiteetti olisi paras mahdollinen, lataa akku täyteen ennen kuin käytät sähkötyökaluja ensimmäisen kerran.
- **Säilytä akustot poissa lasten ulottuvilta.**
- **Älä avaa akkua.** Tämä aiheuttaa oikosulkuvaaran.
- **Jos akku vaurioituu tai sitä käytetään väärin, akusta voi vapautua höyryjä.** Akku voi syttyä tuleen tai räjähtää. Varmista, että alue on hyvin tuuletettu, ja hakeudu lääkäriin, jos havaitset haittavaikutuksia. Höyryt voivat ärsyttää hengityselimiä.
- **Jos akkua käytetään väärin tai se on vahingoittunut, akusta voi tihkua syttyviä nestettä. Vältä kontaktia tällaisen nesteen kanssa. Jos nestettä joutuu vahingossa iholle, huuhtelee se vedellä. Jos nestettä joutuu silmiin, hakeudu lisäksi lääkärin hoitoon.** Akkuneste voi aiheuttaa ihoärsytystä tai palovammoja.
- **Jos akku on vaurioitunut, nestettä voi purkautua ja valua lähellä oleville pinnoille. Tarkista vaurioituneet osat.** Puhdista osat ja vaihda ne tarvittaessa.
- **Älä aiheuta akuston oikosulkuja.** Kun akkua ei käytetä, pidä se etäällä metalliesineistä, kuten paperiliittimistä, kolikoista, avaimista, nauloista, ruuveista tai muista pienistä metalliesineistä, jotka saattavat aiheuttaa kosketuksen liittinten välillä. Akkuliittinten saattaminen keskenään oikosulkuun voi aiheuttaa palovammoja tai tulipalon.
- **Akku voi vahingoittua siihen kohdistuvasta voimasta tai terävistä esineistä, kuten nauloista tai ruuveisseleleistä.** Sisäinen oikosulku voi aiheuttaa akun palamisen, savuamisen, räjähtämisen tai ylikuumentumisen.
- **Älä koskaan huolla vahingoittuneita akkuja.** Akkuja saavat huoltaa vain valmistaja ja valtuutetut palveluntarjoajat.
- **Suojaa akku tulelta, liialta, vedeltä, kosteudelta ja kuumuudelta, kuten jatkuvalta voimakkaalta auringonvalolta.** Akku voi räjähtää tai voi aiheuttaa oikosulkuja.
- **Käytä tuotteen akkua ainoastaan lämpötiloissa -5 °C – 40 °C.**
- **Säilytä akkua vain lämpötilassa -20 °C – 50 °C.** Älä esimerkiksi jätä akkua autoon kesällä. Kun lämpötila on < 0 °C, joidenkin laitteiden teho voi heiketä.
- **Lataa akkua vain lämpötilassa 0 °C – +35 °C.** Lataaminen tämän lämpötila-alueen ulkopuolella saattaa vaurioittaa paristoa ja aiheuttaa palovaaran.

tapaturmaan. Säilytä nämä ohjeet turvallisessa paikassa. Käytä laturia vain, jos pystyt täysin arvioimaan kaikki toiminnot ja suorittamaan ne rajoituksetta tai jos olet saanut vastaavat ohjeet.

- **Tätä laturia ei ole tarkoitettu lasten tai sellaisten henkilöiden käyttöön, joilla on ruumiillisia, aisteihin liittyviä tai henkisiä rajoitteita tai joilla ei ole riittävästi kokemusta tai tietämystä sen käytöstä.** Tätä laturia voivat käyttää vähintään 8-vuotiaat lapset ja henkilöt, joilla on ruumiillisia, aisteihin liittyviä tai henkisiä rajoitteita tai joilla ei ole riittävästi kokemusta tai tietämystä sen käytöstä, jos heidän turvallisuudestaan vastaava henkilö valvoo heitä tai on opastanut heitä laturin turvallisessa käytössä ja he ymmärtävät siihen liittyvät vaarat. Muussa tapauksessa on olemassa käyttövirheiden ja loukkaantumisen vaara.
- **Valvo lapsia laitteen käytön, puhdistuksen ja huollon aikana.** Näin voidaan varmistaa, että lapset eivät leiki laturilla.
- **Lataa vain 18 voltin POWER FOR ALL-järjestelmän akkuja, joiden kapasiteetti on vähintään 1,5 Ah.** Akun jännitteen on vastattava laturin akun latausjännitettä. Älä lataa akkuja, jotka eivät sovellu uudelleenlataukseen. Muuten on olemassa tulipalon ja räjähdyksen vaara.
- **Käytä laturia vain suljetussa tilassa, äläkä altista sitä kosteille olosuhteille.** Sähkötyökaluun tunkeutunut vesi lisää sähköiskun vaaraa.
- **Pidä laturi puhtaana.** Lika aiheuttaa sähköiskun vaaran.
- **Tarkista aina laturi, kaapeli ja pistoke ennen käyttöä. Lopeta laturin käyttö, jos havaitset vaurioita. Älä avaa laturia itse, vaan vie se korjattavaksi Husqvarna-huoltoilikeeseen tai valtuutettuun huoltoilikeeseen, joka käyttää ainoastaan alkuperäisiä varaosia.** Vaurioituneet laturit, kaapelit ja pistokkeet lisäävät sähköiskun vaaraa.
- **Älä käytä laturia helposti syttyvällä pinnalla (esim. paperi, tekstiilit) tai helposti syttyvässä ympäristössä.** Laturi kuumenee käytön aikana, mikä aiheuttaa tulipalon vaaran.
- **Älä peitä laturin ilmanvaihtoaukkoja.** Muuten laturi voi ylikuumentua eikä se enää toimi kunnolla.
- **Lataa akku ainoastaan valmistajan tarkoitukseen nimeämällä laturilla.** Tietynlaiseen akustoon soveltuva laturi voi aiheuttaa tulipalon vaaran, jos sitä käytetään toisenlaisen akuston lataamiseen.
- **Jos akku vaurioituu tai sitä käytetään väärin, akusta voi myös vapautua höyryjä.** Varmista, että alue on hyvin tuuletettu, ja hakeudu lääkäriin, jos havaitset haittavaikutuksia. Höyryt voivat ärsyttää hengityselimiä.
- **Akusta voi tihkua nestettä väärissä olosuhteissa. Vältä kontaktia tällaisen nesteen kanssa. Jos nestettä joutuu vahingossa iholle, huuhtelee se vedellä. Jos nestettä joutuu silmiin, hakeudu**

Akkulaturin turvallisuus



VAROITUS: Lue kaikki turvallisuus- ja yleisohjeet. Turvallisuus- ja yleisohjeiden noudattamisen laiminlyöminen voi johtaa sähköiskkuun, tulipaloon ja/tai vakavaan

lisäksi lääkärin hoitoon. Akkuneste voi aiheuttaa ihoärsytystä tai palovammoja.

- **Vain Isossa-Britanniassa myytävät tuotteet:** Laitteesi on varustettu BS 1363/A -standardin mukaisella sähköpistokkeella, jossa on sisäinen sulake (ASTA-sertifioitu BS 1362 -standardin mukaisesti). Jos pistoke ei sovi pistorasiaan, pistoke on katkaistava ja valtuutetun huoltohenkilön on asennettava sen tilalle sopiva pistoke. Vaihtopistokkeessa on oltava sama sulakeluokitus kuin alkuperäisessä pistokkeessa. Katkaistu pistoke on hävitettävä sähköiskun vaaran välttämiseksi, eikä sitä saa koskaan enää laittaa pistorasiaan.

Turvaohjeet huoltoa varten



VAROITUS: Lue seuraavat varoitusohjeet ennen laitteen huoltamista.

- Irrota akku ennen laitteen huoltoa, muita tarkistuksia tai kokoamista.

- Käyttäjän on huolehdittava ainoastaan tässä käyttöohjekirjassa kuvatuista korjaus- ja huoltotoimista. Anna huoltoliikkeen tehdä suuremmat korjaus- ja huoltotoimet.
- Älä pese akkua tai akkulatoria vedellä. Vahvat pesuaineet voivat vaurioittaa muovia.
- Laitteen huoltamatta jättäminen lyhentää sen käyttöikää ja lisää onnettomuusriskiä.
- Laitteen huolto- ja korjaustyöt, erityisesti laitteen turvalaitteille tehtävät työt, vaativat erityiskoulutusta. Jos kaikkia käyttöohjekirjassa lueteltuja tarkastuksia ei huollon jälkeen voida suorittaa hyväksytysti, vie laite huoltoliikkeeseen. Siellä laitteesi huolletaan ja korjataan ammattimaisesti.
- Käytä vain alkuperäisiä varaosia.
- Käytä aina työrukkasia, kun korjaat terälaitetta. Terät ovat erittäin teräviä ja voivat helposti aiheuttaa vahinkoja.

Asentaminen

Johdanto



VAROITUS: Lue ja sisäistä turvallisuutta käsittelevä luku ennen laitteen asentamista.

Lisälaitteen asentaminen

1. Kiinnitä lisälaitte (A) tehoyksikköön (B). Jos lisälaitte ei asetu tehoyksikön pidikkeeseen vaivatta, sitä ei ole asennettu oikein. (Kuva 29)
2. Kiristä lukitusnappi (C).

Huomautus: Kun lisälaitte on asennettu tehoyksikköön, lisälaitteen käyttöliittymä kytketään pois käytöstä.

Teleskooppivarren pituuden säätäminen

1. Nosta varren vipua (A). (Kuva 30)
2. Säädä teleskooppivarren pituus sopivaksi.
3. Lukitse teleskooppivarsi paikoilleen painamalla vipu alas.

Koukun kiinnitys seinään

- Kiinnitä koukku seinään sisätiloissa.
- Älä aseta koukku suoraan auringonpaisteeseen. Lämpötilan tulee olla -10 °C–70 °C.
- Koukku voidaan asentaa kipsilevy-, puu- tai betoniseinään.



HUOMAUTUS: Varmista, että seinä kestää vähintään 30 kg:n kuorman.

- Kiinnitä säilytyskoukku seinään kolmella ruuvilla (A). Käytä tarvittaessa ruuvitulppia (B). (Kuva 31)



HUOMAUTUS: Varmista, että ruuvit sopivat seinän materiaaliin.

- Lisätietoa tuotteellesi saatavana olevista varustoinnin lisävarusteista saat ottamalla yhteyttä Husqvarna-huoltoon.

Tuotteen ripustaminen säilytyskoukkuun

- Ripusta tehoyksikkö säilytyskoukkuun kuvan osoittamalla tavalla. (Kuva 32)

Käyttö

Laitteen toiminnan tarkistaminen

1. Poista lika ja ylimääräinen materiaali laitteesta harjalla.
2. Kiristä kaikki mutterit ja ruuvit.

3. Varmista, että lisälaitte on kiinnitetty oikein.
4. Varmista, että käyttöliipaisimen varmistimen lukituspainike on kytketty.
5. Varmista, että pidennetyn varren ja kääntyvän elementin lukituslaitteet ovat lukitussa asennossa.

- Tarkista lisälaite vaurioiden, kuten halkeamien, varalta. Vaihda lisälaite, jos se on vaurioitunut.
- Varmista, että suojukset on kiinnitetty oikein ja ettei niissä ole vaurioita.
- Varmista, että laite toimii oikein.

Akun kiinnittäminen laitteeseen



VAROITUS: Käytä laitteessa vain POWER FOR ALL-järjestelmän P4A 18 V-litiumioniakkuja.

- Varmista, että akku on täysin ladattu.
- Aseta akku laitteen akun pidikkeeseen. Jos akku ei asetu pidikkeeseen vaivatta, sitä ei ole asennettu oikein. (Kuva 33)
- Työnnä akku kokonaan akun pidikkeeseen. Akku lukittuu paikalleen, kun kuulet napsahduksen.
- Varmista, että salpa lukittuu oikein paikoilleen.

Tuotteen käynnistäminen –

- Työnnä käyttöliipaisimen varmistimen lukituspainiketta eteenpäin. (Kuva 25)
- Paina käyttöliipaisimen varmistinta (A) vasemmalta tai oikealta puolelta ja pidä käyttöliipaisin (B) painettuna. (Kuva 34)

Tuotteen pysäyttäminen

- Vapauta käyttöliipaisin.
- Lukitse tuote työntämällä käyttöliipaisimen varmistimen lukituspainiketta taaksepäin.
- Paina akun vapautuspainiketta ja vedä akku ulos. (Kuva 35)
- Irrota lisälaite tuotteesta tarvittaessa.

Tuotteen kulman säätäminen

Tuotteen voi säätää seitsemään eri asentoon.



VAROITUS: Älä säädä työskentelykulmaa käyttäessäsi tuotetta.

- Sammuta tuote ja irrota akku.
- Pidä tiukasti kiinni pidikkeestä (A). (Kuva 36)
- Pidä kiertoniveltä (B) painettuna.
- Aseta pidike oikeaan asentoon.
- Lukitse pidike vapauttamalla kiertonivel.
- Liikuta pidikettä ylös ja alas, kunnes se lukittuu paikalleen.

Huolto

Johdanto



VAROITUS: Lue ja sisäistä turvallisuutta käsittelevä luku ennen laitteen huoltamista.



VAROITUS: Irrota akku ennen laitteen huoltamista.

Huoltokaavio

Alla on luettelo tuotteelle tehtävistä huoltotoimista.

Huolto	Ennen käyttöä	Viikoittain	Kuukausittain
Puhdista laitteen ulko-osat kuivalla liinalla. Älä käytä vettä.	X		
Varmista, että käyttöliipaisimen varmistimen lukituspainike toimii oikein eikä ole vaurioitunut.	X		
Varmista, että käyttöliipaisin ja sen varmistin toimivat asianmukaisesti turvallisuuksia ajatellen.	X		
Varmista, että kaikki ohjaimet toimivat kunnolla ja ovat ehjiä.	X		
Pidä kahvat kuivina ja puhtaina.	X		
Varmista, että kaikki ruuvit ja mutterit on kiristetty.	X		

Huolto	Ennen käyttöä	Viikoittain	Kuukausittain
Varmista, että akun vapautuspainikkeet toimivat oikein ja akku lukittuu paikalleen tuotteeseen.	X		
Varmista, ettei akku ole vaurioitunut.	X		
Varmista, että akku on ladattu.	X		
Varmista, että laturi on ehjä ja toimii oikein.	X		
Tarkista kaikki kaapelit ja liitännät. Varmista, että ne ovat puhtaita ja ehjiä.		X	
Tarkista akun ja tuotteen väliset kytkennät.			X
Tarkista akun ja akkulaturin välinen kytkentä.			X

Laitteen, akun ja akkulaturin puhdistaminen

1. Puhdista laite käytön jälkeen kuivalla liinalla.
2. Puhdista akku ja akkulaturi kuivalla liinalla. Pidä akun ohjauskiskot puhtaina.

3. Varmista, että akun ja akkulaturin liittimet ovat puhtaat ennen kuin akku asetetaan akkulaturiin tai laitteeseen.

Kuljettaminen, säilyttäminen ja hävittäminen

Kuljetus ja säilytys

- Mukana tulleet litiumioniakut ovat vaarallisten aineiden lainsäädännön määräysten mukaisia.
- Pakkauksessa ja etiketissä olevia kaupallista tavarakuljetusta koskevia erityismääräyksiä on noudatettava, myös kolmansien osapuolten tai huolitsijoiden järjestämässä tavarakuljetuksessa.
- Keskustelee erityiskoulutuksen saaneen vaarallisten aineiden asiantuntijan kanssa ennen tuotteen lähettämistä. Noudata kaikkia kansallisia määräyksiä.
- Teippaa paljaat liittimet pakatessasi akun. Aseta akku pakettiin tiukasti niin, ettei se pääse liikkumaan.
- Irrota akku varastoinnin tai kuljetuksen ajaksi.
- Säilytä akkua ja akkulaturia kuivassa paikassa, johon ei pääse kosteutta tai huurretta.
- Älä säilytä akkua paikassa, jossa on staattista sähköä. Älä säilytä akkua metallilaatikossa.
- Säilytä akkua -20–+50 °C:n (-4–122 °F) lämpötilassa paikassa, jossa se ei ole suorassa auringonvalossa.
- Säilytä akkulaturia tilassa, jossa lämpötila on 5–45 °C ja jossa se ei ole suorassa auringonvalossa.
- Käytä akkulaturia ainoastaan 0–35 °C:n (32–95 °F) lämpötilassa.
- Säilytä tuotetta -40–+60 °C (-40–+140 °F) lämpötilassa.
- Lataa akku ennen pitkäaikaista säilytystä niin, että sen varaustaso on 30–50 prosenttia.

- Säilytä akkua kuivassa ja suljetussa tilassa.
- Pidä akku erillään akkulaturista varastoinnin aikana. Älä anna lasten tai asiaankuulumattomien henkilöiden koskea laitteeseen. Säilytä laitetta lukollisessa tilassa.
- Puhdista ja huolla laite huolellisesti ennen pitkäaikaista säilytystä.
- Käytä kuljetussuojusta kuljetuksen ja varastoinnin aikana vaurioiden ja vammojen välttämiseksi.
- Kiinnitä laite hyvin kuljetuksen ajaksi.
- Säilytä laitetta pystysuorassa tai ripusta se mukana toimitettuun koukkuun. Katso kohdasta *Tuotteen ripustaminen säilytyskoukkuun sivulla 231*.

Akun, akkulaturin ja tuotteen hävittäminen

Alla oleva symboli kertoo, että tuotetta ei saa hävittää kotitalousjätteen mukana. Vie se asianmukaiseen sähkö- ja elektroniikkalaitteiden keräyspisteeseen. Tämä auttaa estämään sekä ympäristö- että henkilövahinkoja.

Saat lisätietoja paikallisviranomaisilta, jätehuollolta tai jälleenmyyjältäsi.

(Kuva 18)

Huomautus: Symboli on joko tuotteessa tai sen pakkauksessa.

Tekniset tiedot

Aspire Pole-P4A

Paino

Paino (vain tehoyksikkö), kg	1,5
------------------------------	-----

Hyväksytyt akut

Tuotetta voidaan käyttää kaikkien **POWER FOR ALL**-akkujen kanssa.

Akku	P4A 18-B36	P4A 18-B45	P4A 18-B72
Tyyppi	Litiumioni	Litiumioni	Litiumioni
Akun kapasiteetti, Ah	2,0	2,5	4,0
Nimellisjännite, V	18	18	18
Paino, kg	0,35	0,35	0,65
Kennojen määrä (Li-ion)	5	5	10

Hyväksytyt akkulaturit

Akkulaturi	P4A 18-C50	P4A 18-C70
Tulojännite, V	Katso latureiden luokitustiedot.	Katso latureiden luokitustiedot.
Taajuus, Hz	50–60	50–60
Teho, W	50	70

Tarvikkeet

Lisälaitteet

Hyväksytyt lisälaitteet	Tyyppi	Käyttökohde
Viimeistelyleikkurien lisälaitteet	Aspire S20-P4A	Aspire Pole-P4A
Oksasahojen lisälaitteet	Aspire P5-P4A	Aspire Pole-P4A

Vaatimustenmukaisuusvakuutus

EU-vaatimustenmukaisuusvakuutus

Husqvarna AB, SE-561 82 Huskvarna, Ruotsi, puh. +46
36 146500, vakuuttaa täten, että tuote:

Kuvaus	Akkukäyttöinen tehoyksikkö
Tuotemerkki	Husqvarna
Tyyppi/malli	Aspire Pole-P4A
Tunniste	Sarjanumerot vuodesta 2023 alkaen

vastaavat täysin seuraavien EU:n direktiivien ja
asetusten vaatimuksia:

Direktiivi/asetus	Kuvaus
2006/42/EC	konedirektiivi
2014/30/EU	EMC-direktiivi
2011/65/EU	Direktiivi tiettyjen vaarallisten aineiden käytön rajoittamisesta sähkö- ja elektroniikkalaitteissa
2000/14/EC	Melupäästädirektiivi

ja että asiassa sovelletaan seuraavia standardeja
ja/tai teknisiä tietoja: EN 62841-1:2015/A11:2022,
EN 62841-4-2:2019/A1:2022, EN IEC 62841-4-5:2021/
A11:2021, EN ISO 11680-1:2011, EN ISO 12100:2010,
EN IEC 55014-1:2021, EN IEC 55014-2:2021, EN IEC
63000:2018.

DEKRA Testing and Certification GmbH,
Handwerkstraße 15, 70565 Stuttgart, Germany, 0158,
on suorittanut vapaaehtoisen EY-tyyppitarkastuksen
konedirektiivin (2006/42/EY) artiklan 12 kohdan 3b
mukaisesti. EY-tyyppitarkastuksen sertifiikaatin numero
on: 4815039.22006.

Sovelletaan vaatimustenmukaisuuden
arviointimenettelyä direktiivin 2000/14/EY liitteen V
mukaisesti.

Lisälaitteena Aspire P5-P4A -oksa-saha:

- Mitattu äänitehotaso: 88 dB (A)
- Taattu äänitehotaso: 91 dB (A)

Lisälaitteena varrellinen Aspire S20-P4A
-viimeistelyleikkuri:

- Pensasterän mitattu äänitehotaso: 83 dB (A)
- Ruohoterän mitattu äänitehotaso: 79 dB (A)
- Taattu äänitehotaso: 84 dB (A)

Huskvarna, 2023-10-30

Claes Losdal, tuotekehityspäällikkö, Husqvarna AB
Teknisestä dokumentaatiosta vastaava edustaja



Lisenssit

Copyright © 2012-2020 STMicroelectronics

Takuu ei koske vikoja, jotka johtuvat normaalista kulumisesta, laiminlyönnistä, virheellisestä käytöstä, luvattomasta korjauksesta tai siitä, että imulaitteisto on liitetty virheelliseen jännitteeseen.

Kaikki oikeudet pidätetään.

Jakelu ja käyttö lähde- ja binäärimuodoissa, muutoksitta tai muuttamatta, on sallittua edellyttäen, että seuraavat ehdot täyttyvät:

- Lähdekoodin uudelleenjakeluihin on sisällytettävä edellä oleva tekijänoikeusilmoitus, tämä ehtoluettelo ja jäljempänä oleva vastuuvapauslauseke.
- Binäärimuodossa olevien uudelleenjakeluiden mukana toimitettavaan dokumentaatioon ja/tai muuhun materiaaliin on sisällytettävä edellä oleva tekijänoikeusilmoitus, tämä ehtoluettelo ja seuraava vastuuvapauslauseke.
- STMicroelectronicsin nimeä tai sen toimittajien nimiä ei saa käyttää ohjelmistosta johdettujen tuotteiden mainostamiseen tai suosittelemiin ilman etukäteen saatua nimenomaista kirjallista lupaa.

TÄMÄN OHJELMISTON TARJOAVAT TEKIJÄNOIKEUKSIEN HALTIJAT JA YHTEISTYÖKUMPPANIT "SELLAISENAAN". KAIKKI VASTUUT NIMENOMAISISTA TAI OLETETUISTA TAKUISTA, MUKAAN LUKIEN OLETETUT TAKUUT MYYNTIKELPOISUUDESTA JA SOVELTUVUUDESTA TIETTYYN TARKOITUKSEEN, KIELLETÄÄN. TEKIJÄNOIKEUKSIEN OMISTAJA TAI TOIMITTAJAT EIVÄT MISSÄÄN TILANTEESSA OLE VASTUUSSA MISTÄÄN SUORISTA, EPÄSUORISTA, SATUNNAISISTA, ERITYISISTÄ, ESIMERKILLISISTÄ TAI VÄLILLISISTÄ VAHINGOISTA (MUKAAN LUKIEN KORVAAVIEN HYÖDYKKEIDEN TAI PALVELUJEN HANKINTA, KÄYTETTÄVYYDEN, TIETOJEN TAI TUOTTOJEN MENETYS TAI LIIKETOIMINNAN KESKEYTYMINEN) TAPAHTUNEEN SYYSTÄ TAI VASTUUTEORIASTA RIIPPUMATTA (SOPIMUKSEEN LIITTYVÄ TAI OBJEKTIIVINEN VASTUU TAI RIKKOMUS, MUKAAN LUKIEN LAIMINLYÖNTI), JOTKA JOHTUVAT JOLLAKIN TAVALLA TÄMÄN OHJELMISTON KÄYTTÖSTÄ, VAIKKA TÄLLAISTEN VAHINKOJEN MAHDOLLISUUDESTA OLISI ILMOITETTU.

Apache 2.0 -lisenssi

Copyright © 2009-2019 Arm Limited. Kaikki oikeudet pidätetään.

Versio 2.0, tammikuu 2004 <http://www.apache.org/licenses/>

KÄYTTÖ-, MONISTUS- JA JAKELUEHDOT

1. Määritelmät.

"**Lisenssi**" tarkoittaa tämän asiakirjan kohdissa 1-9 määritettyjä käyttö-, monistus- ja jakeluehtoja. "**Lisenssinantaja**" tarkoittaa tekijänoikeuden omistajaa tai tekijänoikeuden haltijan valtuuttamaa tahoa, joka myöntää lisenssin. "**Oikeushenkilö**" tarkoittaa yhteenliittymää, johon kuuluvat kyseinen taho ja kaikki muut tahot, jotka hallinnoivat tehoa, ovat sen hallinnassa tai kuuluvat sen kanssa samaan hallintoon. Tässä määritelmässä "**hallinnoinnilla**" tarkoitetaan (i) suoraa tai epäsuoraa määräysvaltaa yhteisön johtoon ja johtamiseen (sopimukseen tai muuhun seikkaan perustuen) tai (ii) vähintään 50 %:n omistusosuutta saatavilla olevista osakkeista tai (iii) yhteisön tosiasiallista omistajuutta. "**Sinä**" tarkoittaa luonnollista henkilöä tai oikeushenkilöä, joka käyttää tämän lisenssin mukaisia oikeuksia. "**Lähdemuoto**" tarkoittaa suositeltavaa muotoa muutosten tekemiseen esimerkiksi ohjelmiston lähdekoodiin, dokumentaatiolähteeseen ja määrittystiedostoihin. "**Kohdemuoto**" tarkoittaa kaikkia muotoja, jotka saadaan Lähdemuodon mekaanisen muuntamisen tai kääntämisen tuloksena, mukaan lukien koostettu kohdekoodi, luotu dokumentaatio ja muuntaminen muihin mediatyyppeihin. "**Teos**" tarkoittaa Lähde- tai Kohdemuodossa olevaa alkuperäisteosta, joka saatetaan saataville Lisenssin perusteella teokseen sisällytetyn tai liitetyn tekijänoikeusilmoituksen mukaisesti (esimerkki alla olevassa liitteessä). "**Johdannaisteokset**" tarkoittavat kaikkia Lähde- tai Kohdemuodossa olevia teoksia, jotka perustuvat (tai jotka on johdettu) Teoksesta ja joihin tehdyt toimitukselliset muutokset, huomautukset, kehitystoimet tai muut muokkaukset muodostavat kokonaisuudessaan alkuperäisteoksen. Lisenssiä sovellettaessa Johdannaisteokset eivät sisällä teoksia, jotka ovat erotettavissa teoksesta tai jotka yhdistyvät (tai liittyvät vain nimen perusteella) Teoksen ja sen Johdannaisteosten rajapintoihin. "**Panos**" tarkoittaa mitä tahansa teosta, mukaan lukien Teoksen alkuperäinen versio ja Teoksen tai sen Johdannaisteosten muokkaukset tai laajennukset, joita tekijänoikeuden haltija, yksilö tai oikeushenkilö, jolla on valtuus lähettää muokaus tai laajennus, lähettää tarkoituksella Lisenssinhaltijalle sisällytettäväksi Teokseen. Tässä määritelmässä "**lähettäminen**" tarkoittaa mitä tahansa sähköistä, sanallista tai kirjallista viestintää, joka lähetetään Lisenssinhaltijalle tai sen edustajille, mukaan lukien viestintä sähköisellä postituslistalla, lähdekoodien hallintajärjestelmässä ja ongelmien seurantajärjestelmissä, joita Lisenssinhaltija hallinnoi tai joita hallinnoidaan lisenssinantajan puolesta, tarkoituksena keskustella Teoksesta ja parantaa sitä, lukuun ottamatta viestintää, jonka tekijänoikeuksien omistaja on selvästi merkinnyt tai muutoin osoittanut kirjallisesti olevan "**Muu kuin Panos**". "**Toimittaja**" tarkoittaa Lisenssinhaltijaa tai mitä tahansa yksilöä tai oikeushenkilöä, jonka puolesta Lisenssinhaltija on vastaanottanut Panoksen ja sisällyttänyt sen Teokseen.

2. Tekijänoikeuden myöntäminen.

Kukin Toimittaja myöntää Sinulle lisenssin käyttöehtojen mukaisesti pysyvän, maailmanlaajuisen, ei-yksinomaisten, ilmaisen, rojaltivapaan ja peruuttamattoman tekijänoikeuslisenssin monistaa, laatia johdannaisteoksia, esittää ja suorittaa julkisesti, alilisenoida ja jaella Teosta ja asiaankuuluvia Johdannaisteoksia Lähde- tai Kohdemuodossa.

3. Patenttilisenssin myöntäminen.

Kukin Toimittaja myöntää Sinulle tämän lisenssin käyttöehtojen mukaisesti pysyvän, maailmanlaajuisen, ei-yksinomaisten, ilmaisen, rojaltivapaan, peruuttamattoman (pois lukien tämän kappaleen ehdot) patenttilisenssin Teoksen valmistamiseen, valmistuttamiseen, käyttöön, myyntiin tarjoamiseen, myyntiin, tuontiin ja Teoksen siirtoon muulla tavoin tilanteissa, joissa lisenssiä sovelletaan vain sellaisiin patenttivaatimuksiin, jotka ovat kyseisen Toimittajan lisensoitavissa ja jotka välttämättä loukkaavat patenttia pelkillä Teokseen liittyvillä Panoksillaan tai Panosten yhdistelmällä, jotka toimitettiin Teosta varten. Jos panet vireille patenttiriidan mitä tahansa tahoa vastaan (mukaan lukien liitännäiskanne tai vastakanne oikeudenkäynnissä) väittäen, että Teos tai Teokseen sisällytetty Panos on suora tai myötävaikuttava patenttirikkomus, kaikki Sinulle Lisenssin perusteella myönnetty patenttilisenssit päättyvät päivänä, jona kyseinen riita-asia tulee vireille.

4. Uudelleenjakelu.

Voit monistaa ja jaella Teoksen tai Johdannaisteosten kopioita missä tahansa muodossa muokattuina tai muokkaamattomina ja Lähde- tai Kohdemuodoissa, jos seuraavat ehdot täyttyvät:

- Sinun on annettava Teoksen tai Johdannaisteosten vastaanottajille kopio tästä Lisenssistä; ja
- Sinun on lisättävä kaikkiin mukautettuihin tiedostoihin selkeä ilmoitus, että olet muuttanut tiedostoja; ja Sinun on säilytettävä kaikissa Lähdemuodossa jakelemissasi Johdannaisteoksissa kaikki tekijänoikeus-, patenti-, tuotemerkki- ja jakelusekä attribuutioilmoitukset Teoksen Lähdemuodosta pois lukien ilmoitukset, jotka eivät liity mihinkään Johdannaisteosten osiin; ja
- Jos Teoksen jakelu sisältää tekstitiedoston "**ILMOITUS**", kaikissa jakelemissasi Johdannaisteoksissa on oltava luettavissa oleva kopio ILMOITUS-tiedostossa olevista attribuutioilmoituksista, jotka eivät liity mihinkään Johdannaisteosten osiin. Kopio on oltava vähintään yhdessä seuraavista sijainneista: Johdannaisteoksen osana jaeltavassa ILMOITUS-tiedostossa, Lähdemuodossa tai dokumentaatioissa (jos sellainen toimitetaan Johdannaisteosten kanssa) tai Johdannaisteosten luomassa näytössä sijainnissa, jossa kolmannen osapuolen ilmoitukset yleensä näytetään (jos ilmoituksia on). ILMOITUS-tiedoston sisältö annetaan vain tiedoksi. Se ei muokkaa Lisenssiä. Voit lisätä omia

attribuutioilmoituksia jakelemissi Johdannaisteoksiin Teoksen ILMOITUS-tekstin oheen tai sen liitteeksi, jos lisäattribuutioilmoituksia ei voida tulkita Lisenssin muutoksiksi. Voit lisätä oman tekijänoikeuslausekkeen muokkauksiisi ja ilmoittaa lisenssiin liittyvistä lisäehdoista tai muista käyttöehdoista, jotka koskevat muokkaustesi käyttöä, monistamista tai jakelua tai Johdannaisteoksia kokonaisuudessaan, edellyttäen että käytät, monistat ja jakelet Teosta muutoin tässä Lisenssissä esitettyjen ehtojen mukaisesti.

5. Panosten lähettäminen.

Ellei nimenomaisesti toisin ilmoiteta, kaikki Sinulle tai Lisenssinhaltijalle tarkoituksella toimitetut Teokseen sisällytettäväksi tarkoitetut Panokset ovat näiden käyttöehtojen alaisia ilman lisäehtoja. Edellä mainitusta huolimatta mikään tässä asiakirjassa mainittu seikka ei korvaa tai muokkaa minkään sellaisen erillisen lisenssisopimuksen ehtoja, jonka olet mahdollisesti solminut Lisenssinhaltijan kanssa kyseessä olevista Panoksista.

6. Tavaramerkki.

Lisenssi ei anna lupaa käyttää Lisenssinantajan tuotenimiä, tavaramerkkejä, palvelumerkkeitä tai tuotenimiä, paitsi jos se on välttämätöntä ja tavanomaista Teoksen alkuperän kuvaamiseksi ja ILMOITUS-tiedoston sisällön monistamiseksi.

7. Takuun vastuuvapauslauseke.

Ellei sovellettavassa lainsäädännössä toisin säädetä tai ellei kirjallisesti ole toisin sovittu, Lisenssinantaja antaa Teoksen (ja kaikki Toimittajat antavat Panoksensa) "SELLAISENAAN" ILMAN TAKUITA TAI EHTOJA (nimenomaisia tai oletettuja), mukaan lukien takuut ja ehdot, jotka koskevat OMISTUSOIKEUTTA, OIKEUKSIEN LOUKKAAMATTOMUUTTA, MYYNTIKELPOISUUTTA tai SOVELTUVUUTTA TIETTYYN TARKOITUKSEEN. Vastaaat yksin sen määrittämisestä, onko Teoksen käyttö tai uudelleenjakelu tarkoituksenmukaista, ja vastaaat kaikista Lisenssin mukaisten oikeuksien käyttämiseen liittyvistä riskeistä. 8. Vastuunrajoitus. Missään tapauksessa ja minkään juridisen teorian mukaan johtuen rikkomuksesta (mukaan lukien laiminlyönti), sopimuksesta tai muusta seikasta, pois lukien lainsäädännön vaatimat tilanteet (kuten tahalliset ja törkeän huolimattomat toimet) tai kirjallisesti sovitut tilanteet, yksikään Toimittaja ei ole vastuussa Sinulle koituneista vahingoista, mukaan lukien kaikki suorat, epäsuorat, erityiset, esimerkilliset tai väilliset vahingot, jotka johtuvat Lisenssistä tai Teoksen käytöstä tai kykenemättömyydestä käyttäessä sitä (mukaan lukien mutta rajoittumatta vahingot, jotka liittyvät liikearvon menetykseen, töiden keskeytymiseen, tietokoneen vioittumiseen tai vikaan tai muihin kaupallisiin vahinkoihin tai tappioihin), vaikka Toimittajalle olisi kerrottu kyseisten vahinkojen mahdollisuudesta.

9. Takuun tai lisävastuun hyväksyminen.

Teoksen tai Johdannaisteoksen uudelleenjakelun yhteydessä voit halutessasi tarjota ja periä palkkion tuen, takuun, korvausvastuun tai muiden velvoitteiden ja/tai oikeuksien hyväksymisestä Lisenssin mukaisesti. Velvoitteiden hyväksymiseen liittyen voit kuitenkin toimia vain omaan lukuusi ja omalla vastuullasi

(et minkään muun Toimittajan lukuun) ja vain jos suostut vapauttamaan vastuusta kunkin Toimittajan, puolustamaan ja pitämään kutakin Toimittajaa syyttömänä sellaisten vaatimusten osalta, jotka Toimittaja on aiheuttanut tai josta Toimittajaa syytetään, koska hyväksyit kyseessä olevat takuut tai lisävastuut. KÄYTTÖEHTOJEN LOPPU

Sisukord

Sissejuhatus.....	238	Transportimine, hoieulepanek ja utiliseerimine.....	247
Ohutus.....	239	Tehnilised andmed.....	247
Kokkupanek.....	245	Lisavarustus.....	248
Töö.....	245	Vastavusdeklaratsioon.....	249
Hooldamine.....	246	Litsentsid.....	250

Sissejuhatus

Toote kirjeldus

Husqvarna Aspire Pole-P4A on teleskoopifunktsiooniga akutoitel toitesead.

lisavarustuse loendi leiate jaotisest *Lisavarustus lk 248*. Lugege seda juhendit koos heakskiidetud lisavarustuse juhendiga.

Kasutusotstarve

See toitesead on põhiseade, mis töötab ainult koos heakskiidetud lisavarustusega. Heakskiidetud

Seadme tutvustus

(Joon. 1)

1. Pöörlemisliigend
2. Lisatarviku lukustusnupp
3. Teleskoopifunktsiooni hoo
4. Vars
5. Pehme varrukas
6. Kanderihmade konks
7. Lukustusnupp toitelüliti lukustamiseks
8. Tagumine käepide
9. Toitelüliti lukustus
10. Toitelüliti
11. Kasutusjuhend
12. Aku vabastamise nupp
13. Akulaadija
14. Toite sisselülituse ja hoiatuse indikaator
15. Pistik
16. Hoiustamiskonks, kruvid ja seinakorgid

(Joon. 3) Enne seadme kasutamist lugege kasutusjuhend hoolikalt läbi ja veenduge, et olete juhistest aru saanud.

(Joon. 4) Kohtades, kus sulle võib peale kukkuda esemeid, kasuta kaitsekiivrit. Kandke heakskiidetud kõrvaklappe (ainult mudeli Aspire P5-P4A + Aspire Pole-P4A puhul). Kandke heakskiidetud kaitseprille.

(Joon. 5) Kandke heakskiidetud kaitsekindaid.

(Joon. 6) Kandke vastupidavaid libisemiskindlaid jalanõusid. (Kehtib ainult mudeli Aspire P5-P4A + Aspire Pole-P4A puhul)

(Joon. 7) Alalisvool.

(Joon. 8) Nimipinge, V

(Joon. 9) Ärge jätke vihma kätte.

(Joon. 10) Vigastuste oht. Hoidke käed löikeriistast eemale.

(Joon. 11) See seade vastab kehtivatele EL-i direktiividele.

Sümbolid tootel

(Joon. 2) HOIATUS! Toode võib olla ohtlik ja põhjustada kasutaja või kõrvaliste isikute ohtlikku kehavigastuse või surma. Olge ettevaatlik ja kasutage toodet õigesti.

(Joon. 12) See toode vastab kehtivatele UK direktiividele.

(Joon. 13) Toode või toote pakend ei kuulu olmejäätmete hulka. Toimetage see elektri- ja elektroonikajäätmete vastuvõtupunkti.

(Joon. 16) OHT! Tuleb hoida ohutus kauguses elektriliinidest.

(Joon. 17) Andmesilt või lasertrüki näitab seerianumbrit. **aaaa** on tootmisaasta ja **nn** on tootmisnädal.

Märkus: Ülejäänud tootel toodud sümbolid/tähised vastavad erinevates riikides kehtivatele sertifitseerimisnõuetele.

(Joon. 14) Kasutage ja hoiustage akulaadijat ainult siseruumides.

(Joon. 15) Topeltisolatsioon.

Akul ja/või akulaadijal olevad sümbolid

(Joon. 18) Toimetage seade elektri- ja elektroonikajäätmete ringlussevõtukeskusesse. (Kehtib vaid Euroopas)

(Joon. 19) Kasutage akut ainult POWER FOR ALL süsteemi partnerite toodetes.

(Joon. 20) Kaitske akut kuumuse eest, nt pideva intensiivse päikesevalguse, tule, mustuse, vee ja niiskuse eest. Esineb plahvatus- ja lühiseoht.

(Joon. 21)

Toote kahjustused

Me ei vastuta meie tootele tekitatud kahjude eest, kui:

- toodet on valesti parandatud;
- toote parandamisel on kasutatud osi, mis ei ole tootja poolt valmistatud või heaks kiidetud;
- tootel on kasutatud tarvikut, mis ei ole tootja poolt valmistatud või heaks kiidetud;
- toodet ei ole parandatud volitatud hoolduskeskuses või volitatud isiku poolt.

Tootja

Husqvarna AB

Drottninggatan 2, SE-561 82 Huskvarna, Sweden, tel: +46-36-146 500

Ohutus

Ohutuse määratlused

Mõistetega „hoiatus”, „ettevaatus” ja „märkus” juhitakse tähelepanu eriti olulistele kohtadele kasutusjuhendis.



HOIATUS: Tähistab kasutusjuhendi juhiste eiramise korral kasutaja või kõrvalseisjate kehavigastuse või surmaga lõppeva õnnetuse ohtu.



ETTEVAATUST: Tähistab kasutusjuhendi juhiste eiramise korral seadme, muude esemete või läheduses asuvate objektide kahjustamise ohtu.

Märkus: Tähistab antud olukorras vajalikku lisateavet.

Üldised ohutusalased märkused elektritööriistade kohta



HOIATUS: Palun lugege tarvikute heakskiidetud juhise ja käesolev elektriseadmete juhise läbi.



HOIATUS: Lugege läbi kõik elektrilise tööriistaga kaasas olevad hoiatused, juhised, tehnilised andmed ning tutvuge joonistega. Alltoodud juhiste eiramine võib põhjustada elektrilöögi, tulekahju ja/või ohtliku kehavigastuse.

Märkus: Hoidke kõik ohutusalased märkused ja juhised edasiseks kasutamiseks alles. Märkustes kasutatud elektritööriista mõiste tähistab võrgutoitel (juhtmega) elektritööriista või akutoitel (juhtmeta) elektritööriista.

Tööala ohutus

- **Hoidke tööala puhas ja tagage hea valgustus.** Sägemini või hämarad alad on õnnetuseallid.
- **Ärge kasutage elektritööriista plahvatusohtlikus keskkonnas, näiteks tuleohtlike vedelike, gaaside või tolmu läheduses.** Elektritööriista võivad tekitada sädemeid, mis võivad tolmu või gaasid süüdata.
- **Hoidke elektritööriista kasutamise ajal lapsed ja kõrvalseisjad tööalast eemal.** Tähelepanu hajumine võib põhjustada kontrolli kaotamist.

Elektriohutus

- **Elektritööriista pistikud peavad sobima pistikupesaga.** Ärge muutke pistikut mis tahes viisil. **Ärge kasutage maandusega elektritööriistade puhul adapterpistikuid.** Muutmata pistikud ja sobivad pistikupesad vähendavad elektrilöögi ohtu.
- **Välidi kehalist kokkupuudet maandatud pindadega (nt torud, radiaatorid, elektripliidid ja külmikud).** Keha maandamise korral on elektrilöögi oht suurem.
- **Vältige elektritööriistade kokkupuudet vihma ja mägede tingimustega.** Tööriista pääsenud vesi suurendab elektrilöögi saamise ohtu.
- **Kasutage juhet õigesti.** Ära kunagi kasuta juhet elektritööriista kandmiseks, tõmbamiseks või pistikupesast eemaldamiseks. Kaitske juhet kuumuse, õli, teravate servade ja liikuvate osade eest. Kahjustatud või sõlmes juhe suurendab elektrilöögi ohtu.
- **Elektritööriistaga õues töötamisel kasuta välistingimustes kasutamiseks sobivat pikendusjuhet.** Välistingimustes kasutamiseks sobiva pikendusjuhtme kasutamine vähendab elektrilöögi ohtu.
- **Kui elektritööriista kasutamine niiskes keskkonnas on vältimatu, kasutage rikevoolukaitsmega (RCD) kaitsud toidet.** RCD kasutamine vähendab elektrilöögi ohtu.

Inimeste kaitsmine

- **Olge elektritööriista kasutamisel tähelepanelik, jälgige oma tegevust ja kasutage tervet mõistust.** Ärge kasutage elektritööriista, kui olete väsinud või uimas, alkoholi või ravimite mõju all. Hetkeline tähelepanematus elektritööriistade kasutamise ajal võib lõppeda tõsiste kehavigastustega.
- **Kasutage isikukaitselahendaid.** Kasutage alati kaitsesprille. Asjakohastes tingimustes kaitselahendite (nt tolmu mask, mittelibisevad turvajalatsid, kiiver või kõrvaklapid) kasutamine vähendab kehavigastuste ohtu.
- **Vältige soovimatut käivitumist.** Enne seadme ühendamist toiteallika ja/või akuga, üles tõstmist või kandmist veendu, et lüliti oleks väljalülitatud asendis. Kui kannate elektritööriista nii, et teie sõrm on toitelüliti, või pingestate lülitiga varustatud elektritööriista, võib see lõppeda õnnetusega.
- **Eemaldage enne elektritööriista väljalülitamist kõik reguleerimis- ja nutrivõtmed.** Elektritööriista

pöörleva osa külge jäetud nutri- vm võti võib põhjustada kehavigastusi.

- **Ärge küünitage liiga kaugele.** Säilitage kogu aeg kindel jalgealune ja tasakaal. See annab ootamatutes olukordades parema kontrolli elektritööriista üle.
- **Kandke nõuetekohaseid riideid.** Ärge kandke lahtiseid rõivaid ega ehteid. Hoidke juuksed ja rõivad liikuvatest osadest eemal. Lahtised rõivad, ehted või pikad juuksed võivad liikuvate osade vahele kinni jääda.
- **Kui seadmetel on ühendus tolmuemaldus- ja kogumisseadmete jaoks, veenduge, et need on ühendatud ja neid kasutatakse õigesti.** Tolmukogumise kasutamise abil saab vähendada tolmu seotud ohte.
- **Ärge muutuge tööriistade sagedasest kasutusest hooletuks ja ärge ignoreerige tööriistade ohutu kasutamise põhimõtteid.** Hooletu tegutsemine võib sekundi murdosa vältel põhjustada raskeid vigastusi.
- **Oht! Ärge kasutage seadet elektriliinide lähedal.** Seade ei kaitses õhuliinidega kokkupuute korral elektrilöögi eest. Juhinduge kohalikest eeskirjadest sätestatud ohutust kaugusest õhuliinidest ja veenduge enne toote kasutamist, et töötamisasend on ohutu ja kindel.

Elektritööriista kasutamine ja hooldamine

- **Ärge suruge elektritööriista jõuga.** Kasutage rakenduse jaoks asjakohast elektritööriista. Õige elektritööriist teeb töö ära paremini, ohutumalt ja ettenähtud kiirusel.
- **Ärge kasutage elektritööriista, kui lüliti vajutamisel ei lülitu seade sisse ega välja.** Mis tahes vajutamisel ei lülitu seade sisse ega välja, on ohtlik ja tuleb viivitamatult parandada.
- **Enne elektritööriista reguleerimist, tarvikute vahetamist või hoialepanekut eemalda pistik toiteallikast ja/või eemalda elektritööriista küljest aku, kui see on eemaldatav.** Taolised ennetavad ohutusmeetmed vähendavad elektritööriista tahtmatu käivitamise ohtu.
- **Hoidke elektritööriista, mida te parasjagu ei kasuta, lastele kättesaamatus kohas ja ärge lubage elektritööriista kasutada isikutel, kes ei oska seda kasutada või pole neid juhiseid läbi lugenud.** Elektritööriistad on koolitamata kasutajate käes ohtlikud.
- **Elektritööriista ja tarvikuid tuleb hooldada.** Kontrollige liikuvate osade joondust ja kinnitusi, osade purunemist või muid tööriista kasutamist mõjutavaid võlvaid tegureid. Kahjustuse korral laske elektritööriist enne kasutamist remontida. Paljude õnnetuste põhjuseks on halvasti hooldatud elektritööriistad.
- **Hoidke lõikevahendid teravad ja puhtad.** Nõuetekohaselt hooldatud teravate lõikeservadega lõikevahendite kinnikiilumise tõenäosus on väiksem ja neid on hõlpsam juhtida.

- **Järgige elektritööriista, tarvikute, tööriistaotsikute jm kasutamisel neid juhiseid ning arvestage töötingimuste ja -ülesandega.** Elektritööriista kasutamine muuks kui ettenähtud otstarbeks võib põhjustada ohtliku olukorra.
- **Hoidke käepidemed ja haardepinnad kuivad, puhtad ning õli- ja määrdevabad.** Libedate käepidemete ja haardepindade korral ei ole ootamatutes olukordades võimalik tööriista ohutult käitseda ja juhtida.

Akutööriistade kasutamine ja hooldamine

- **Kasutage laadimiseks ainult tootja soovitatud laadijat.** Ühte tüüpi aku laadimiseks sobiv laadija võib koos teist tüüpi akuga kasutades tuleohtu põhjustada.
- **Kasutage mootortööriistades vaid spetsiaalselt neile loodud akusid.** Teisi akukogumeid kasutades riskite vigastuste ja tulekahjuga.
- **Kui aku pole hetkel kasutuses, hoidke seda eemal teistest metallesemetest (nt kirjakiambriid, mündid, võtmed, naelad, kruvid vms väiksed metallesemed), mis võiksid akuklemme omavahel ühendada.** Akuklemmide lühistamine võib põhjustada põletushaavu või tulekahju.
- **Väärkasutamise korral võib akust vedelikku lekkida; vältige kokkupuudet.** Kokkupuute korral loputage kannatada saanud kohta veega. Kui vedelik satub silma, loputage silma veega ja pöörduge arsti poole. Akust lekkinud vedelik võib põhjustada ärritust või põletushaavu.
- **Ärge kasutage defektsed või muudetud akut või tööriista.** Kahjustatud või muudetud akud võivad käituda ettearvamatult ning põhjustada tule-, plahvatus- või vigastusohu.
- **Ärge laske akul või tööriistal puutuda kokku tulega või liiga kõrgete temperatuuridega.** Kokkupuude leegi või üle 130 °C temperatuuriga võib põhjustada plahvatus.
- **Järgige kõiki laadimisjuhiseid ja ärge vahetage akut või tööriista temperatuuril, mis jääb väljapoole juhistes kirjeldatud temperatuurivahemikku.** Aku laadimine valesti või väljaspool selleks ettenähtud temperatuurivahemikku võib akut kahjustada ja suurendada tuleohtu.

Hooldus

- **Laske elektritööriista hooldada vastava väljaõppega remontijal, kes tohib kasutada ainult identseid asendusosi.** See tagab elektritööriista ohutuse säilimise.
- **Ärge kunagi hoolitage kahjustatud akusid.** Akusid võivad hooldada üksnes tootja või volitatud teenusepakkujad.

Muu üldine ohutusteave

- Täiendavad spetsiifilised ohutusreeglid leiata vastava lisatarviku kasutusjuhendist.

- Enne teise tööpiirkonda liikumist lülitage seade välja. Seadme üleandmisel teisele isikule eemaldage alati aku.
- Ärge kunagi asetage seadet maha enne, kui olete selle välja lülitanud ja aku eemaldanud. Ärge jätke sisselülitatud seadet järelevalveta.
- Lõikeseade ei seisku pärast seadme väljalülitamist kohe.
- Enne seadme kasutamist ning pärast löögi saamist tuleb kontrollida kulumis- ja kahjustusjärgi ning seadet vajadusel remontida.
- Kui seadmega töötamise ajal jääb midagi lõikeosa külge kinni, siis peatage seade ja lülitage see välja. Veenduge, et lõikeosa oleks täielikult seiskunud. Alati enne seadme ja/või lõikeosa puhastamise, kontrollimise või parandamise alustamist eemaldage aku.
- Kontrollige seadet enne kasutamist. Vt jaotises *Toote ohutusseadised lk 243 ja Hooldamine lk 246.* Ärge kasutage kahjustatud seadet. Järgige seadet kontrollides ja hooldades seadme kasutusjuhendi nõudeid.
- Vigane lõikeosa võib suurendada õnnetuste ohtu.
- Kontrollige alati, et õhutusavad oleksid puhtad.
- Veenduge, et seade oleks töökorras. Veenduge, et kõik mutrid ja kruvid oleksid korralikult pingutatud.
- Toode on ohtlik, kui kasutate seda valesti või ettevaatamatult. Toode võib tekitada kasutajale või teistele raske või surmava kehavigastuse.
- Seda seadet ei tohi kasutada isikud (sh lapsed), kellel on nõrgemad füüsilised, sensoorsed või vaimsed võimed või puudulikud teadmised ja kogemused, välja arvatud juhul, kui neid jälgib või juhendab seadme kasutamisel isik, kes vastutab nende ohutuse eest. Lapsi tuleb jälgida, et nad seadmega ei mängiks.
- Ärge laske lapsi seadme lähedale ega neil seadet kasutada! Kuna seadet on lihtne käivitada, võivad lapsed selle käivitada, kui neid piisavalt ei jälgita. Sellega võib kaasneda raskete vigastuste oht. Kui masin jääb valveta, lahutage aku.
- Ärge kunagi lubage seadet ega akut kasutada või hooldada lastel ega teistel isikutel, kes pole seadme ja/või aku kasutamise koolitust saanud.
- Seadet tuleb hoida lukustatud ruumis, kus lapsed ja kõrvalised isikud sellele ligi ei pääse.
- Hoiustamise ja transportimise ajal tuleb alati kasutada transportkaitset.
- Hoidke käed ja jalad alati lõikealast eemal, eriti mootori sisselülitamise ajal.
- Pärast toote väljalülitamist hoidke käed ja jalad lõikeosast eemal seni, kuni lõikeosa on täielikult seisma jäänud.
- Ärge eemaldage lõigatud materjali ega laske teistel inimestel lõigatud materjali eemaldada ajal, kui seade töötab või lõikeosa pöörleb, kuna see võib põhjustada ohtlikke kehavigastusi.

- Ärge unustage, et seadme kasutaja vastutab selle eest, et inimeste või nende varaga ei juhtuks õnnetus.
- Seadme algset konstruktsiooni ei tohi muuta ilma tootja loata. Kasutage alati originaalseid lisatarvikuid. Lubamatud muudatused ja/või lisatarvikud võivad põhjustada kasutaja ning teiste isikute raskeid või isegi eluohtlikke kehavigastusi. Garantii ei pruugi katta kahjusid, mis on põhjustatud volitamata lisatarvikute või varuosade kasutamisest.
- Selle tootega saab kasutada vaid selliseid lisatarvikuid, mis on loetletud soovitatud lisatarvikutena lisatarvikute peatükis.
- Ärge kunagi kasutage seadet, mille ehitust on muudetud
- Ärge kunagi kasutage kahjustatud seadet. Teostage ohutuskontroll ja hooldage seadet korrapäraselt, nagu käsitlemisõpetuses nõutud. Teatud hooldustoiminguid tohib teha ainult vastava väljaõppe saanud spetsialist. Vt jaotisest *Hooldamine lk 246*.
- Halva ilmaga töötamine väsitab ja sellega kaasneb tihti müüri ohte. Seadet pole soovitatav kasutada väga halva ilmaga, näiteks tiheda udu või vihma, tugeva tuule, väga külma temperatuuri või äikeseohtu korral.
- Ärge kunagi töötage redelil, toolil või muus kõrges asendis, mis ei ole täielikult fikseeritud.
- Kasutusest eemal olevat seadet tuleb hoida siseruumis – Kui seadet ei kasutata, hoidke seda siseruumis.
- Kõiki olukordi, mis võivad seadme käitamisel ette tulla, ei ole võimalik kirjeldada. Olge alati ettevaatlik ja kasutage tervet mõistust. Vältige olukordi, millega te ei pruugi toime tulla. Kui te pärast selle juhendi läbilugemist tunnete veel ebakindlust, küsige enne jätkamist nõu asjatundjalt.
- Veenduge, et inimesed ja loomad ei oleks töö ajal lähemal kui 15 meetrit. Kui samas kohas töötab mitu kasutajat, peab nende ohutusvahemaa olema vähemalt 15 meetrit. Vastasel juhul tekib raskete vigastuste oht. Seisake seade kohe, kui keegi läheneb. Ärge kunagi pöörake seadet ringi enne, kui olete selja taha vaadanud ja veendunud, et ohutsoonis pole kedagi.
- Kui seadmega töötamise ajal jääb midagi löikeosa külge kinni, siis peatage seade ja lülitage see välja. Veenduge, et löikeosa oleks täielikult seiskunud. Alati enne seadme ja/või löikeosa puhastamise, kontrollimise või parandamise alustamist eemaldage aku.
- Veenduge, et inimesed, loomad või kõrvalised esemed ei mõjutaks teie kontrolli seadme üle ega puutuks kokku löikeosaga või löikeosast väljapaiskuvate lahtiste esemetega. Ärge kunagi kasutage toodet olukordades, kus te ei saa õnnetuse korral abi kutsuda.
- Veenduge, et saate turvaliselt seista ja liikuda. Veenduge, et läheduses ei oleks tõkkeid (nt juuri, kive, oksa, kraava jms), mis oleksid takistuseks juhul,

kui tuleb kiiresti eemalduda. Olge eriti ettevaatlik kallakutel töötades.

- Kõndige ja ärge kunagi jookske.
- Vaadake üle tööpiirkond. Kõrvaldage kõik lahtised esemed (kivid, klaasikillud, naelad, traadid, nõõr jms), mis võivad välja paiskuda või lõikurisse või lõikuri piirdesse kinni jääda.
- Jälgige, et lõigatud oksajupid teie pihta ei paiskuks. Ärge lõigake liiga lähedal maapinnale, kus kivid ja muud esemed võivad õhku paiskuda.
- Kui seade on sisse lülitatud, siis jälgige, et riided või kehaosad ei puutuks vastu löikeosa. Hoidke seadet allpool puusa kõrgust.
- Hoiduge eemalepaiskuvate esemete eest. Kasutage alati heakskiidetud kaitseprille. Ärge kummarduge vaatama kaitsekatte taha. Kivid ja muud esemed või osakesed võivad lennata silma ja põhjustada ohtlikke kahjustusi või isegi pimedaks jäämist.
- Kui kasutate kõrvaklappe, olge tähelepanelik hõigete ja hoiatussignaalide suhtes. Eemaldage kõrvaklapid kohe, kui seade on seiskunud.
- Kui tekib ebasoovitav vibratsioon, kerige jõhvi välja, et anda jõhville õige pikkus, misjärel peaks vibratsioon vaibuma.
- Kui seade hakkab ebatavaliselt vibreerima, siis peatage masin ja eemaldage aku.
- Tugeva vibratsiooniga töötamine võib põhjustada vereringe- või närvikahjustusi, eriti neil, kel on vereringehäireid. Pöörduge arsti poole, kui ilmneb nähte, mis võivad olla vibratsioonist põhjustatud. Sellisteks sümptomiteks on näiteks tundetuse, surin, torkiv tunne, valu, nõrkus, muutused nahavärvis või naha seisukorras. Nimetatud nähtused esinevad tavaliselt sõrmedes, käelabades ja randmetes.
- Hoidke seadet alati kahe käega.

Isikukaitsevahendid



HOIATUS: Enne toote kasutamist loe läbi järgnevad hoiatused.

- Seadmega töötamisel tuleb kasutada ettenähtud isikukaitsevarustust. Isikukaitsevarustus ei välista täielikult kehavigastuste ohtu, kuid vähendab õnnetusjuhtumi korral kehavigastuse raskusastet. Õige varustuse valimiseks pöörduge edasimüüja poole.
- Kaitsekiivrit, kohtades, kus on langevate esemete oht.
- Kandke alati sobiva summutusvõimega kuulmiskaitsemeid. Pikaajaline müra võib tekitada püsiva kuulmiskahjustuse.
- Kanna heakskiidetud kaitseprille. Näokaitsme kasutamisel tuleb lisaks kasutada heakskiidetud kaitseprille. Heakskiidetud kaitseprillide all mõeldakse selliseid prille, mis vastavad standardile ANSI Z87.1 USA-s või EN 166 Euroopa Liidu riikides.

- Nao kaitsmiseks kasutage visiiri. Visiir ei ole silmade kaitsmiseks piisav.

(Joon. 22)

- Vajaduse korral kandke kaitsekindaid, näiteks löikeosa kinnitades, kontrollides või puhastades.
- Kandke tugevaid, mittelibisevaid saapaid.
- Kandke vastupidavast materjalist riideid. Kandke alati pikki raskeid pükse ja pikki varrukaid. Hoiduge liiga avaratest rõivastest, mis võivad okstesse takerduda. Ärge kandke ehteid, lühikesi pükse, lahtiseid jalatseid ega käige paljajalu. Kinnitage juuksed ohutult õlgadest kõrgemale.

(Joon. 23)

- Hoidke esmaabikomplekt käepärast.

(Joon. 24)

Toote ohutusseadised



HOIATUS: Enne toote kasutamist lugege läbi järgmised hoiatused.

Selles alalõigus kirjeldatakse masina turvavarustust, selle otstarvet ning kuidas läbi viia kontrollid ja hooldust, tagamaks masina nõuetekohane töö. Vaadake pealkirja all olevaid juhiseid, *Seadme tutvustus lk 238* et teada saada, kus need osad teie tootel asuvad.

Kui seadet ei hooldata õigesti ja korrapäraselt ning seadet ei paranda asjatundja, võib seadme tööiga lüheneda ja tekkida õnnetuste oht. Kui vajate täiendavat infot, pöörduge lähimasse teenindusse.



HOIATUS: Ärge kunagi kasutage toodet, mille turvavarustus on kahjustatud. Ohutusvarustust tuleb käesolevas lõigus toodud eeskirjade kohaselt hooldada ja kontrollida. Kui seade ei vasta ohutusnõuetele, laske see parandada hooldustöökojas.



ETTEVAATUST: Seadme hooldus ja parandamine nõuab eraldi väljaõpet. Eriti oluline on see seadme ohutusvarustuse puhul. Kui seade ei vasta allpool toodud nõuetele, viige see hoolduspunkti. Meie toodetele on tagatud professionaalne hooldus ja parandus. Kui seadme edasimüüja ei tegele hooldusega, paluge tal juhatada teid lähimasse hoolduspunkti.

Toitelüliti lukustuse kontrollimine

Toitelüliti lukustusfunktsioon väldib seadme juhusslikku käivitamist. Käepidemest lahti laskmise korral naasevad nii toitelüliti kui ka toitelüliti lukustus algasendisse.

1. Lükake toitelüliti lukustuse lukustusnuppu ettepoole. (Joon. 25)

2. Jälgige, et toitelüliti oleks lüliti lukustuse algasendis lukustatud. (Joon. 26)
3. Vajutage toitelüliti lukustust ühelt poolt ja seejärel teiselt poolt. Veenduge, et toitelüliti lukustus liiguks tagasi algasendisse. (Joon. 27)
4. Veenduge, et toitelüliti ja toitelüliti lukustus liiguvad takistamatult ning tagastusvedru töötaks õigesti. (Joon. 28)
5. Käivitage seade, vt jaotist *Toote käivitamine lk 246*.
6. Vabastage toitelüliti ja veenduge, et toode peatuks täielikult.

Ohutusjuhised kokkupanekul



HOIATUS: Lugege selle toiteseadme juhendit koos heakskiidetud lisatarviku juhendiga.

- Enne toote kokkumonteerimist eemaldage aku.
- Kandke heakskiidetud kaitsekindaid.
- Kahjustatud või vale kaitse võib põhjustada vigastusi. Ärge kasutage löikeosa, mille külge ei ole kinnitatud heakskiidetud kaitset.
- Enne toote käivitamist veenduge, et panite lisatarviku õigesti kokku.
- Kui kanderihmad tarnitakse lisatarvikuga, peavad need olema korralikult toote külge kinnitatud. Kanderihmad muudavad käitamise ohutuks ja ennetavad operatori jm isikute vigastusi.

Aku ohutus



HOIATUS: Lugege läbi kõik ohutus- ja üldjuhised. Ohutus- ja üldjuhiste eiramine võib põhjustada elektrilöögi, tulekahju ja/või ohtlikke kehavigastusi. **Hoidke kogu ohutussteave ja üldjuhised edaspidiseks kasutamiseks alles.**

- **Need ohutusjuhised kehtivad ainult POWER FOR ALL süsteemi 18 V liitium-ioonakudele.**
- **Kasutage laetavat akut ainult POWER FOR ALL süsteemi partnerite toodetes.** POWER FOR ALL märgisega 18 V laetavad akud ühilduvad täielikult järgmiste toodetega:
 - Kõik 18V POWER FOR ALL akusüsteemi tooted.
 - Kõik POWER FOR ALL süsteemi partnerite 18 V tooted.
- **Järgige oma toote kasutusjuhendis toodud aku soovitusi.** Ainult nii saab laetavat akut ja toodet ohutult kasutada ning akusid kaitsta ohtliku ülekoormuse eest.
- **Laadige akusid ainult tootja või POWER FOR ALL süsteemi partneri soovitatud laadijatega.** Üht tüüpi akudele sobiv laadija võib põhjustada tuleohtu, kui seda kasutatakse koos erineva akuga.

- **Aku on ostuhetkel osaliselt laetud.** Aku täismahutavuse tagamiseks laadige aku laadijas täielikult enne, kui elektrilist tööriista esimest korda kasutate.
- **Hoidke akud lastele kättesaamatus kohas.**
- **Ärge võtke akut lahti.** Esineb lühise oht.
- **Kahjustuste ja aku ebaõige kasutamise korral võivad eralduda aurud.** Aku võib süttida või plahvatada. Veenduge, et ala on hästi ventileeritud ja kui teie tervises esineb kõrvalnähte, pöörduge arsti poole. Aurud võivad ärritada hingamisteid.
- **Kui akut kasutatakse valesti või aku on kahjustatud, võib akust pritsida tuleohtlikku vedelikku.** Välistage kokkupuudet selle vedelikuga. Juhusliku kokkupuute korral loputage kokkupuutekohta veega. Kui vedelik satub silma, pöörduge arsti poole. Akust lekkinud vedelik võib põhjustada ärritust või põletushaavu.
- **Kui aku on kahjustatud, võib vedelik välja pritsida ja imbuda läheduses olevatele pindadele.** Kontrollige mõjutatud osi. Puhastage need osad või vahetage vajadusel välja.
- **Akusid ei tohi lühistada.** Kui aku pole hetkel kasutuses, hoidke seda eemal teistest metallesemetest (nt kirjaklambrid, mündid, võtmed, naelad, kruvid vms väiksed metallesemed), mis võiksid akuklemme omavahel ühendada. Akuklemmide lühistamine võib põhjustada põletushaavu või tulekahju.
- **Akut võivad kahjustada teravad esemed (nt naelad või kruvikeerajad) või väljastpoolt rakendatav jõud.** Võib tekkida sisemine lühis, mis põhjustab aku põlemise, suitsemise, plahvatusse või ülekuumenemise.
- **Ärge kunagi hooldage kahjustatud akusid.** Akusid võivad hooldada üksnes tootja või volitatud teenusepakujad.
- **Kaitske akut kuumuse eest, nt pideva intensiivse päikesevalguse, tule, mustuse, vee ja niiskuse eest.** Esineb plahvatus- ja lühiseoht.
- **Kasutage toote akut üksnes juhul, kui õhutemperatuur on vahemikus -5 °C – 40 °C.**
- **Hoidke akut ainult temperatuuril vahemikus -20 °C – 50 °C.** Ärge jätke akut näiteks suvel autosse. Kui temperatuur on alla 0 °C, võib mõnel seadmel võimsus väheneda.
- **Laadige akut ainult õhutemperatuuril, mis jääb vahemikku 0 °C – +35 °C.** Väljaspool seda temperatuurivahemikku laadimine võib suurendada aku kahjustamise ohtu ja põhjustada tuleohtu.

ja piiranguteta teostada või kui olete saanud vastavad juhised.

- **See laadija ei ole mõeldud kasutamiseks lastele ega nõrgemate füüsiliste, sensoorseste või vaimsete võimetega või puudulike kogemuste või teadmistega inimestele.** Seda laadijat võivad kasutada 8-aastased ja vanemad lapsed ning isikud, kellel on nõrgemad füüsilised, sensoorsed või vaimsed võimed või puudulikud kogemused või teadmised, kui nende ohutuse eest vastutav isik jälgib neid või on juhendanud laadija ohutut kasutamist ja nad mõistavad kaasnevaid ohte. Vastasel juhul tekib kasutamisevigade ja kehavigastuste oht.
- **Jälgige lapsi seadme kasutamise, puhastamise ja hoolduse ajal.** Nii ei saa lapsed laadijaga mängida.
- **Laadige ainult 18 V POWER FOR ALL süsteemi akusid, mille maht on vähemalt 1,5 Ah.** Aku pinge peab ühtima laadija aku laadimispingega. Ärge laadige mittelaetavaid akusid. Vastasel juhul tekib tulekahju- ja plahvatusoht.
- **Kasutage laadijat ainult suletud ruumides ja ärge jätke seda märga keskkonda.** Tööriista pääsenud vesi suurendab elektrilöögi ohtu.
- **Hoidke laadija puhas.** Mustus tekitab elektrilöögi ohtu.
- **Enne kasutamist kontrollige alati laadijat, kaablit ja pistikut.** Lõpetage laadija kasutamine, kui leiate kahjustusi. Ärge avage laadijat ise ja laske seda parandada ainult Husqvarna või volitatud müügilähesel teeninduskeskusel, kasutades ainult originaalvaruosi. Kahjustatud laadijad, kaablid ja pistikud suurendavad elektrilöögi ohtu.
- **Ärge kasutage laadijat kergesti süttival pinnal (nt paber, tekstiil jne) ega tuleohtlikus keskkonnas.** Laadija kuumeneb töötamise ajal ning tekitab tulekahjuohtu.
- **Ärge katke laadija ventilaatsiooniavasid kinni.** Vastasel juhul võib laadija üle kuumeneda ja ei tööta enam korralikult.
- **Kasutage laadimiseks ainult tootja soovitatud laadijat.** Ühte tüüpi aku laadimiseks sobiv laadija võib koos teist tüüpi akuga kasutades tuleohtu põhjustada.
- **Kahjustuste ja aku ebaõige kasutamise korral võivad ka aurud eralduda.** Veenduge, et ala on hästi ventileeritud ja kui teie tervises esineb kõrvalnähte, pöörduge arsti poole. Aurud võivad ärritada hingamisteid.
- **Väärkasutamise korral võib akust vedelikku lekkida.** Välistage kokkupuudet selle vedelikuga. Juhusliku kokkupuute korral loputage kokkupuutekohta veega. Kui vedelik satub silma, pöörduge arsti poole. Akust lekkinud vedelik võib põhjustada ärritust või põletushaavu.
- **Ainult Õhendkuningriigis müüvad tooted:** Teie toode on varustatud BS 1363/A heakskiidetud sisemise kaitsmega elektripistikuga (ASTA heakskiiduga BS 1362 järgi). Kui pistik ei sobi teie pistikupesaga, tuleb volitatud klienditeenindajal

Akulaadija ohutus



HOIATUS: Lugege läbi kõik ohutus- ja üldjuhised. Ohutus- ja üldjuhiste eiramine võib põhjustada elektrilöögi, tulekahju ja/või ohtlikke kehavigastusi. Hoidke neid juhiseid kindlas kohas. Kasutage laadijat ainult siis, kui saate kõiki funktsioone täielikult hinnata

see ära lõigata ja selle asemele paigaldada sobiv pistik. Asenduspistiku kaitsme väärtus peab olema sama kui originaalpistikul. Katkestatud pistik tuleb võimaliku löögiohu vältimiseks kõrvaldada ja seda ei tohi kunagi mujale pistikupessa ühendada.

Ohutusjuhised hooldamisel



HOIATUS: Enne seadme hooldustööde tegemist lugege läbi järgnevad hoiatused.

- Eemaldage aku enne hooldustööde või muude kontrolltoimingute või seadme kokkupanemise alustamist.
- Seadme kasutaja tohib teha üksnes käesolevas kasutusjuhendis kirjeldatud hooldustöid. Mahukamate hooldustööde tegemiseks pöörduge hooldusesindusse.

- Ärge puhastage akut või akulaadijat veega. Tugevatoimeline pesuvahend võib kahjustada plast detaile.
- Kui hooldustöid ei tehta, siis seadme kasutamisega lüheneb ja õnnetuste oht kasvab.
- Kõigi hooldus- ja parandustööde tegemiseks (eriti seadme ohutusseadiste juures) on vajalik eriväljaõpe. Kui pärast hooldustööde tegemist ei läbi seade kõiki käesolevas kasutusjuhendis kirjeldatud kontrolltoiminguid, siis pöörduge hooldusesinduse poole. Garanteerime, et hooldusesinduses tehakse teie seadmele professionaalsel tasemel remondi- ja hooldustööd.
- Kasutage ainult originaalvaruosi.
- Lõikeosa remontimisel kandke alati tugevaid kindaid. Lõiketerad on äärmiselt teravad ja võivad kergesti põhjustada kehavigastusi.

Kokkupanek

Sissejuhatus



HOIATUS: Enne toote kokkupanekut lugege ohutuspeatükki ja tehke selles olev teave endale arusaadavaks.

Lisatarviku paigaldamine

1. Kinnitage lisatarvik (A) toiteseadme (B) külge. Lisatarvik peab toiteseadme hoidikusse libisema kergelt; vastasel korral pole see õigesti paigaldatud. (Joon. 29)
2. Keerake lukustusnupp (C) kinni.

Märkus: Kui lisatarvik on toiteseadmele paigaldatud, katkestatakse lisaseadme kasutajaliidese ühendus.

Teleskoopvarre pikkuse reguleerimine

1. Tõstke varrel olevat hooba (A). (Joon. 30)
2. Reguleerige teleskoopvars sobivasse pikkusesse.
3. Teleskoopvarre lukustamiseks lükake hoob alla.

Hoiustuskonksu seinale paigaldamine

- Paigaldage hoiustuskonks siseruumidesse.
- Hoidke konksu päikesevalguse eest ja õhutemperatuuril -10 °C kuni 70 °C.
- Paigaldage hoiustuskonks kipsplaadile, puit- või betoonseinale.



ETTEVAATUST: Veenduge, et sein mahutab vähemalt 30 kg raskusi.

- Paigaldage hoiustuskonks 3 kruviga (A) seinale. Vajadusel kasutage seinakorke (B). (Joon. 31)



ETTEVAATUST: Veenduge, et kruvid sobivad teie seinatüübiga.

- Toote hoiustamistarvikute kohta lisateabe saamiseks pöörduge Husqvarna teenindusagendi poole.

Toote riputamine hoiustuskonksu külge

- Riputage toiteseadet konksu külge, nagu on näidatud joonisel. (Joon. 32)

Töö

Toimivuskontrolli tegemine enne seadme kasutamist

1. Eemaldage tootelt harjaga mustus.
2. Keerake kinni kõik mutrid ja poldid.
3. Veenduge, et lisatarvik oleks õigesti kinnitatud.
4. Veenduge, et toitelüliti lukustuse lukustusnupp on sisse lülitatud.

5. Veenduge, et pikendatud võlli ja pöördelemendi lukustusseadmed on lukustatud asendis.
6. Veenduge, et lisatarvikul pole kahjustusi, nt pragusid. Vahetage kahjustatud lisatarvik välja.
7. Veenduge, et katted oleks õigesti kinnitatud ning kahjustamata.
8. Veenduge, et toode töötaks korralikult.

Aku ühendamine seadmega



HOIATUS: Kasutage tootes ainult POWER FOR ALL süsteemi P4A 18 V liitumioonakusid.

1. Veenduge, et aku oleks täis laetud.
2. Asetage aku seadme akupessa. Aku peab hoidikusse libisema kergelt; vastasel korral pole aku õigesti paigaldatud. (Joon. 33)
3. Lükake aku täielikult akuhoidikusse. Aku on kohale lukustunud, kui kuulete klõpsatust.
4. Veenduge, et riiv lukustuks korralikult oma kohale.

Toote käivitamine

1. Lükake toitelüliti lukustuse lukustusnuppu ettepoole. (Joon. 25)
2. Vajutage toitelüliti lukustust (A) vasakult või paremalt küljelt ja hoidke toitelüliti (B) all. (Joon. 34)

toote seiskamine

1. Vabastage toitelüliti.

2. Toote lukustamiseks lükake toitelüliti lukustusnuppu tahapoole.
3. Vajutage aku vabastusnuppu ja tõmmake aku välja. (Joon. 35)
4. Vajadusel eemaldage lisatarvik toote küljest.

Toote kaldenurga reguleerimine

Toodet saab seadistada 7 erinevasse asendisse.



HOIATUS: Ärge seadistage nurka toote kasutamise ajal.

1. Seisake seade ja eemaldage aku.
2. Hoidke hoidikut (A) tugevalt kinni. (Joon. 36)
3. Vajutage ja hoidke pöördliigendit (B).
4. Seadke hoidik õigesse asendisse.
5. Vabastage pöördliigend hoidiku lukustamiseks.
6. Liigutage hoidikut üles ja alla, kuni see lukustub oma kohale.

Hooldamine

Sissejuhatus



HOIATUS: Enne seadme hooldamist lugege läbi ohutuspeatükk ja veenduge, et see oleks teile täielikult arusaadav.



HOIATUS: Enne seadme hooldustööde alustamist eemaldage aku.

Hooldusgraafik

Allpool esitatud loendis on kirjas toote hooldustööd, mida peab tegema toote kasutaja.

Hooldus	Enne kasutamist	Iga nädal	Iga kuu
Puhastage toote välised osad kuiva lapiga. Ärge kasutage vett.	X		
Veenduge, et toitelüliti lukustuse lukustusnupp töötab õigesti ega ole kahjustatud.	X		
Veenduge, et toitelüliti ja toitelüliti lukustus töötaksid õigesti ohutuse seisukohalt.	X		
Kontrollige, kas kõik juhtseadised töötavad korralikult ja on kahjustamata.	X		
Käepidemed tuleb hoida kuivad ja puhtad.	X		
Veenduge, et mutrid ja kruvid oleksid pingutatud.	X		
Veenduge, et aku vabastusnupud töötavad ning lukustavad aku kindlalt seadme külge.	X		
Veenduge, et aku ei oleks kahjustatud.	X		
Veenduge, et aku oleks laetud.	X		

Hooldus	Enne kasutamist	Iga nädal	Iga kuu
Kontrollige, kas akulaadija on kahjustamata ja töötab korralikult.	X		
Kontrollige kõiki juhtmeid, liitmikke ja ühendusi. Veenduge, et need on puhtad ja kahjustamata.		X	
Kontrollige aku ja seadme vahelisi ühendusi.			X
Samuti kontrollige aku ja akulaadija vahelisi ühendusi.			X

Seadme, aku ja akulaadija puhastamine

- Pärast kasutamist puhastage seade kuiva riidelapiga.

- Puhastage aku ja akulaadija kuiva riidelapiga. Hoidke akujuhikuid puhtana.
- Enne aku asetamist akulaadijasse või tootesse veenduge, et aku ja akulaadija klemmid oleksid puhtad.

Transportimine, hoiulepanek ja utiliseerimine

Transportimine ja hoiustamine

- Tarnitud liitiumioonakud vastavad ohtlike ainete eeskirjade nõuetele.
- Täitke kaubanduslikule transpordile kehtestatud pakendamise ja märgistamise erinõudeid (sh kolmandate osapoolte või ekspediitorite teenuseid kasutades).
- Enne seadme lähetamist konsulteerige isikuga, kes on läbinud ohtlike ainete käitlemise alase erikoolituse. Järgige kõiki kehtivaid riiklikke eeskirju.
- Enne aku pakendisse asetamist katke lahtised kontaktid isoleerteibiga. Asetage aku pakendisse tihkelt, et see ei saaks liikuma hakata.
- Hoiustamise ja transpordi ajaks tuleb aku eemaldada.
- Asetage aku ja akulaadija kohta, mis on kuiv ja mida ei ähvarda niiskus ega jäätumine.
- Ärge hoidke akut kohas, kus võib tekkida staatiline elekter. Ärge hoidke akut metallkastis.
- Hoidke akut ruumis, mille temperatuur püsib vahemikus -20...+50°C ja kus aku on varjatud otsese päikesevalguse eest.
- Hoidke akulaadijat ruumis, mille temperatuur püsib vahemikus 5 °C kuni 45 °C ja kus akulaadija on varjatud otsese päikesevalguse eest.
- Kasutage akulaadijat üksnes juhul, kui ümbritsev temperatuur on vahemikus 0 °C kuni 35 °C.
- Hoidke toodet ruumis, kus õhutemperatuur jääb vahemikku -40 °C kuni +60 °C.

- Laadige enne aku pikemaajalist hoiustamist see 30–50% ulatuses täis.
- Hoidke akulaadijat ruumis, mis on suletud ja kuiv.
- Ladustamisel hoidke aku akulaadijast eemal. Ärge lubage lastel ja teistel volitamata isikutel seadmeid puutuda. Hoidke seadmeid lukustatavas ruumis.
- Enne seadme pikemaajalist hoiustamist puhastage seade ja tehke sellele täishooldus.
- Transportimise ja hoiustamise ajal kasutage tootel olevat transpordikaitset, et vältida inimeste kehavigastusi ja toote kahjustusi.
- Kinnitage seade transpordi ajaks turvaliselt.
- Hoiustage toodet hoiuruumis horisontaalselt või riputage toode kaasasoleva konksu külge. Vt jaotisest *Toote riputamine hoiustuskonksu külge lk 245*.

Aku, akulaadija ja seadme kasutuselt kõrvaldamine

Allolev sümbol tähendab, et seade ei kuulu olmejäätmete hulka. Toimetage see elektri- ja elektroonikajäätmete vastuvõtupunkti. Nii aitate vältida keskkonna ja inimeste kahjustamist.

Lisateavet küsige kohalikelt ametkondadelt, olmejäätmete käitlejatelt või edasimüüjalt.

(Joon. 18)

Märkus: Sümbol asub tootel või toote pakendil.

Tehnilised andmed

Aspire Pole-P4A
Kaal

Aspire Pole-P4A	
Mass (ainult tooteseade), kg	1,5

Heakskiidetud akud

Seda toodet saab kasutada kõigi **POWER FOR ALL** akudega.

Aku	P4A 18-B36	P4A 18-B45	P4A 18-B72
Tüüp	Liitiumioonaku	Liitiumioonaku	Liitiumioonaku
Aku mahtuvus, Ah	2,0	2,5	4,0
Nimipinge, V	18	18	18
Kaal, kg	0,35	0,35	0,65
Elementide arv (liitium-ioonaku)	5	5	10

Heakskiidetud akulaadijad

Akulaadja	P4A 18-C50	P4A 18-C70
Sisendpinge, V	Vaadake laadija klassifitseerimisteavet	Vaadake laadija klassifitseerimisteavet
Sagedus, Hz	50-60	50-60
Võimsus, W	50	70

Lisavarustus

Lisatarvikud

Heakskiidetud lisatarvikud	Tüüp	Järgmistele mudelitele
Hekikäärde lisatarvik	Aspire S20-P4A	Aspire Pole-P4A
Lõikuri lisatarvik	Aspire P5-P4A	Aspire Pole-P4A

Vastavusdeklaratsioon

EÜ vastavusdeklaratsioon

Husqvarna AB, SE-561 82 Huskvarna, Rootsi, tel: +46
3614 6500, kinnitab ainuvastutusel, et toode:

Kirjeldus	Akuga töötav toitesead
Kaubamärk	Husqvarna
Tüüp/mudel	Aspire Pole-P4A
Identifitseerimine	Seerianumbrid alates 2023. aastast

vastab täielikult järgmistele EÜ direktiividele ja määrustele:

Direktiiv/eeskiri	Kirjeldus
2006/42/EÜ	„masinadirektiiv“
2014/30/EL	„elektromagnetilise ühilduvuse direktiiv“
2011/65/EL	„elektri- ja elektroonikaseadmetes teatavate ohtlike ainete kasutamise piiramise direktiiv“
2000/14/EÜ	„seadmete müra kohta käiv direktiiv“

ja et kohalduvad järgmised standardid ja/või tehnilised spetsifikatsioonid: EN 62841-1:2015/A11:2022, EN 62841-4-2:2019/A1:2022, EN IEC 62841-4-5:2021/A11:2021, EN ISO 11680-1:2011, EN ISO 12100:2010, EN IEC 55014-1:2021, EN IEC 55014-2:2021, EN IEC 63000:2018.

DEKRA Testing and Certification GmbH,
Handwerkstraße 15, 70565 Stuttgart, Germany, 0158
on teostanud vabatahtliku EÜ tüübikontrolli vastavalt masinadirektiivi (2006/42/EÜ) artikli 12 punktile 3b.
EÜ tüübihindamissertifikaat on tähistatud järgmise numbriga: 4815039.22006.

Rakendatud vastavushindamise protseduuri vastavalt direktiivi 2000/14/EÜ V lisale.

Lisaseadmega Aspire P5-P4A oksalõikurina:

- Mõõdetud helivõimsuse müratase: 88 dB (A)
- Garanteeritud helivõimsuse tase: 91 dB (A)

Lisaseadmega Aspire S20-P4A hekikäärdena:

- Põõsatera mõõdetud helivõimsuse tase: 83 dB (A)
- Rohutera mõõdetud helivõimsuse tase: 79 dB (A)
- Garanteeritud helivõimsuse tase: 84 dB (A)

Huskvarna, 2023-10-30



Claes Losdal, Husqvarna AB uurimis- ja arendusjuht
Tehnilise dokumentatsiooni eest vastutaja



Litsentsid

Autoriõigus © 2012–2020 STMicroelectronics

Garantii alla ei kuulu defektid, mis on tingitud tavalisest kulumisest, seadmega hooletust ümberkäämisest, valel otstarbel kasutamisest, volitamata remontimisest või imemiseadme ühendamisest vale pingega.

Kõik õigused kaitstud.

Edasi levitamine ja kasutamine lähte- ja kahendvormingus, muudatustega või ilma, on lubatud, kui on täidetud järgmised tingimused:

- Lähtekoodi edasilevitamisel tuleb säilitada ülalloodud autoriõiguse teatis, käesolev tingimuste loend ja järgmine lahtiütlus.
- Kahendvormingus levitamisel tuleb dokumentatsioonis ja/või muudes levitamiseks kaasas olevates materjalides reprodutseerida ülalloodud autoriõiguse teatis, käesolev tingimuste loend ja järgmine lahtiütlus.
- STMicroelectronicsi ega ka selle kaasautorite nimised ei tohi kasutada sellest tarkvarast tuletatud toodete toetamiseks ega reklaamimiseks ilma eelneva kirjaliku loata.

SEDA TARKVARA PAKUVAD AUTORIOIGUSTE OMANIKUD JA KAASAUTORID SELLISENA NAGU SEE ON NING MIS TAHES OTSESTEST VÕI KAUSDEST GARANTIIDEST (SEAHULGAS KAUSED GARANTIID KAUBELDAVUSE JA KONKREETSEKS OTSTARBEKS SOBIVUSE KOHTA) LOOBUTAKSE. AUTORIOIGUSE OMANIK VÕI KAASAUTORID EI VASTUTA MITTE MINGIL JUHUL OTSESTE, KAUSDETE, JUHUSLIKE, ERILISTE, NÄITLIKE EGA TEKKINUD KAHJUDE EEST (SEALHULGAS ASENDUSKAUPE VÕI -TEENUSTE HANKIMINE; KASUTAMISE, ANDMETE VÕI KASUMI KADU; VÕI ÄRIKATKESTUS) OLENEMATA PÕHJUSEST JA MIS TAHES VASTUTUSE TEOORIAST, OLENEMATA SELLEST, KAS SEE ON LEPINGULINE, RANGE VASTUTUS VÕI KAHJU (KAASA ARVATUD HOOLETUSEST VÕI MUUL VIISIL TEKKINUD), MIS TULENEVAD MIS TAHES VIISIL SELLE TARKVARA KASUTAMISEST, ISEGI KUI SELLISE KAHJU VÕIMALUSEST TEAVITATAKSE.

Apache 2.0 litsents

Autoriõigus © 2009–2019 Arm Limited. Kõik õigused kaitstud.

Versioon 2.0, jaanuar 2004 <http://www.apache.org/licenses/>

KASUTAMISE, REPRODUTSEERIMISE JA LEVITAMISE TINGIMUSED

1. Mõisted.

„Litsents“ tähendab kasutamise, reprodutseerimise ja levitamise tingimusi, nagu on määratletud käesoleva dokumendi jaotistes 1–9. „Litsentsandja“ tähendab

autoriõiguse omaniku või autoriõiguse omaniku volitatud üksust, kes litsentsi välja annab. „Juridiline isik“ tähendab detsetseva üksuse ja kõigi teiste üksuste liitu, mis seda üksust kontrollivad, mida kontrollib see üksus või mis on selle üksusega ühise kontrolli all. Selle määratluse tähenduses tähendab „kontroll“ (i) otsest või kaudset õigust panna sellist üksust juhtima kas lepingu alusel või muul viisil või (ii) viiskümmend protsenti (50%) või rohkem käibelolevate aktsiate omandiõigusest või (iii) sellise üksuse tegelikku tulu. „Teie“ tähendab füüsilist või juriidilist isikut, kes kasutab selle litsentsiga antud õigusi. „Allikas“ tähendab eelistatud vormi muudatuste tegemiseks, sealhulgas tarkvara lähtekoodi, dokumentatsiooni allika ja konfiguratsioonifailide tegemiseks. „Objekt“ vorm tähendab mis tahes vormi, mis tuleneb lähtevormi mehaanilisest teisendamise või tõlkimisest, sealhulgas kompleeeritud objektikood, loodud dokumentatsioon ja teisendused muudele meediumitüüpidele. „Teos“ tähendab litsentsi alusel kättesaadavaks tehtud autoriteost, olgu see siis allika või objekti kujul, nagu on näidatud teosesse lisatuna või lisana kaasatud autoriõiguse märkusest (näide on toodud allolevas lisas). „Tuletatud teosed“ tähendab mis tahes allika või objekti vormis teost, mis põhineb teosel või on sellest tuletatud ja mille toimetuskilud muudatused, annotatsioonid, täiendused või muud muudatused kujutavad endast tervikuna originaalteost autoriteost. Selle litsentsi tähenduses ei hõlma tuletatud teosed selliseid teoseid, mis jäävad teose ja tuletatud teoste liidestest eraldatavaks või on nendega ainult lingivad (või nime järgi seovad). „Kaastöö“ tähendab mis tahes autoriteost, kaasa arvatud teose alversioon ja selle teose või selle tuletatud teoste muudatused või täiendused, mille autoriõiguse omanik, tema volitatud isik või juriidiline isik on tahtlikult esitanud litsentsandjale teosesse lisamiseks. Selle määratluse tähenduses tähendab „esitatud“ mis tahes vormis elektroonilist, suulist või kirjalikku suhtlust, mis saadetakse litsentsandjale või tema esindajatele, sealhulgas e-postiloendites, lähtekoodi juhtimissüsteemides ja väljaannete jälgimissüsteemides, mida haldab litsentsandja või litsentsandja volitatud isik teose diskussiooni ja täiustamise eesmärgil, kuid välja arvatud suhtlus, mille autoriõiguse omanik on selgelt märkinud või muul viisil kirjalikult tähistanud kui „Ei ole kaastöö.“ „Kaasautor“ tähendab litsentsandjat ja mis tahes füüsilist või juriidilist isikut, kelle nimel litsentsandja on kaastöö vastu võtnud ja seejärel teosesse lisanud.

2. Autoriõiguse litsentsi andmine.

Vastavalt selle litsentsi tingimustele annab iga kaasautor teile alalise, ülemaailmse, mitteeksklusiivse, tasuta, kasutustasuta ja tühistamatu autoriõiguse litsentsi, et reprodutseerida, valmistada ette tuletatud teoseid, avalikult kuvada, avalikult esitada, all-litsentsida ja levitada teost ja selliseid tuletatud teoseid allika või objekti kujul.

3. Patendilitsentsi andmine.

Vastavalt selle litsentsi tingimustele annab iga kaasautor teile alalise, ülemaailmse, mitteeksklusiivse, tasuta, kasutustasuta, tühistamatu (välja arvatud selles jaotises märgitud) patendilitsentsi, et teha, lasta teha, kasutada pakkuda teost müüa, müüa, importida ja muul viisil üle anda, kui selline litsents kehtib ainult nende patendinoüete suhtes, mida see kaasautor litsentsib ja mida kaasautor rikub tingimata oma kaastöö(de)ga üksi või nende kaastöö(de) ja teosega ühiselt, millele selline/sellised kaastöö/kaastööd esitati. Kui algatate patendivaidluse mis tahes üksuse vastu (sealhulgas vastuhagi või vastuhagi kohtuasjas), väites, et teos või teoses sisalduv kaastöö kujutab endast otsest või kaastöö patendirikumist, lõpetavad teile selle teose jaoks selle litsentsi alusel antud patendilitsentsid kehtivuse kohtuvaidluse esitamise kuupäevast alates.

4. Ümberjaotus.

Võite reprodutseerida ja levitada teose või selle tuletatud teoste koopiasid mis tahes kandjal, muudatustega või ilma, ja allika või objekti kujul, tingimusel, et täidate järgmised tingimused:

- Peate andma kõigile teistele teose või tuletatud teoste saajatele selle litsentsi koopia; ja
- kõik muudetud failid peavad sisaldama konkreetseid märkuseid selle kohta, et muutsite faile; ja – peate säilitama mis tahes levitatavate tuletatud teoste lähtevormis kõik autoriõiguse, patendi, kaubamärgi ja omistamise märkused teose allika vormist, välja arvatud need märkused, mis ei puuduta tuletatud teoste ühegi osa. ; ja
- kui teos sisaldab levitamise osana tekstifaili „MÄRKUS“, peavad kõik teie levitatavad tuletatud teosed sisaldama loetavat koopiat sellises MÄRKUS-failis sisalduvatest omistamismärkustest, välja arvatud need märkused, mis ei puuduta tuletatud teose ühegi osa vähemalt ühes järgmistest kohtadest: tekstifailis MÄRKUS, mida levitatakse tuletatud teoste osana; allika vormis või dokumentatsioonis, kui see esitatakse koos tuletatud teostega; või tuletatud teoste loodud koval, kui ja kus iganes sellised kolmanda osapoole märkused tavaliselt ilmuvad. MÄRKUSE faili sisu on ainult informatiivsel eesmärgil ega muuda litsentsi. Võite lisada oma omistumärkuseid tuletatud teostesse, mida levitate, koos teose MÄRKUSE tekstiga või selle lisana, eeldusel, et selliseid täiendavaid omistamismärkuseid ei saa tõlgendada litsentsi muutmisenä. Võite lisada oma muudatustele oma autoriõiguse avalduse ja pakkuda täiendavaid või erinevaid litsentsitingimusi teie muudatuste kasutamiseks, reprodutseerimiseks või levitamiseks või mis tahes sellisele tuletatud teosele tervikuna, tingimusel et kasutate, reprodutseerite ja levitate muul viisil teost, mis vastab käesolevas litsentsis sätestatud tingimustele.

5. Kaastööde esitamine.

Kui te ei ole sõnaselgelt teatanud teisiti, kehtib teie poolt litsentsiandjale tahtlikult töösse lisamiseks esitatud kaastöö selle litsentsi tingimuste ja täiendavate tingimusteta. Olenemata üllatoodust ei asenda ega muuda miski siinkirjeldatud eraldi litsentsilepingu tingimusi, mille olete litsentsiandjaga selliste kaastööde osas sõlminud.

6. Kaubamärgid.

See litsents ei anna luba kasutada litsentsiandja kaubanimesisid, kaubamärke, teenusemärke või tootenimesid, välja arvatud juhul, kui see on vajalik mõistlikuks ja tavapäraseks kasutamiseks töö päritolu kirjeldamisel ja MÄRKUSE faili sisu reprodutseerimisel.

7. Garantii loobumine.

Välja arvatud juhul, kui kohaldatav seadus seda nõuab või kirjalikult kokku lepitud ei ole, annab litsentsiandja teose kasutusse (ja iga kaasautor annab oma kaastöö) SELLISELT, NAGU SEE ON, ILMA MIS TAHES otseste või kaudsete GARANTIIDETA VÕI TINGIMUSTETA (sealhulgas ilma piiranguteta mis tahes OMANDIÕIGUSE, MITTERIKKUMISE, TURUSTATAVUSE või TEATUD OTSTARBEKS SOBIVUSE garantiideta või tingimusteta). Te vastutate ainuisikuliselt teose kasutamise või edasilevitamise asjakohasuse kindlaksmääramise eest ja võtate endale kõik selle litsentsi alusel antud lubade kasutamise seotud riskid. 8. Piiratud vastutus. Mitte mingil juhul ja ühegi õigusteooria alusel, s.o. kahjunõuete (sealhulgas hooletuse), lepingu või muul viisil, välja arvatud juhul, kui kohaldatav seadus seda nõuab (nt tahtlikud ja tõsised hooletud teod) või kirjalike kokkulepeteta, ei vastuta kaasautor teie ees kahjude eest, sealhulgas mis tahes otsesed, kaudsed, erilised, juhuslikud või kaudsed kahjud, mis tulenevad sellest litsentsist või teose kasutamisest või suutmatusest seda kasutada (sealhulgas kahjud, mis tulenevad firmaväärtuse kadumisest, tööseisakust, arvutirikkest või talitlushäirest, või mis tahes muud ärilised kahjud või kaotused), isegi kui sellist kaasautorit on selliste kahjude võimalikkusest teavitatud.

9. Garantii või lisavastutuse aktsepteerimine.

Teose või sellest tuletatud teoste edasilevitamisel võite valida, kas soovite pakkuda toetust, garantiid, hüvitist või muid käesoleva litsentsiga kooskõlas olevaid kohustusi ja/või õigusi ning võtta selle eest tasu. Selliseid kohustusi vastu võttes võite tegutseda ainult enda nimel ja oma ainuvastutusel, mitte ühegi teise kaasautori nimel ja ainult siis, kui nõustute hüvitama, kaitsma ja hoidma iga kaasautorit mis tahes vastutuse eest, mis on tekkinud: või nõuded, mis on sellise kaasautori vastu esitatud, kuna nõustute mis tahes sellise garantii või lisavastutusega. TINGIMUSTE LÕPP

Saturs

Ievads.....	252	Pārvadāšana, glabāšana un utilizēšana.....	262
Drošība.....	253	Tehniskie dati.....	262
Montāža.....	259	Piederumi.....	263
Lietošana.....	260	Atbilstības deklarācija.....	264
Apkope.....	261	Licences.....	265

Ievads

Izstrādājuma apraksts

Husqvarna Aspire Pole-P4A ir ar akumulatoru darbināma piedziņas ierīce ar teleskopisko funkciju.

Piederumi lpp. 263. Lasiet šo rokasgrāmatu kopā ar apstiprināto piederumu rokasgrāmatu.

Paredzētā lietošana

Elektriskā ierīce ir atsevišķa ierīce, kas darbojas tikai kopā ar apstiprinātajiem piederumiem, skatiet tos šeit:

Izstrādājuma pārskats

(Att. 1)

1. Pagriežams savienojums
2. Piederuma bloķēšanas poga
3. Teleskopiskās funkcijas svira
4. Kāts
5. Mīksta uzmava
6. Stiprinājuma āķis
7. Piedziņas mēlītes bloķētāja fiksācijas poga
8. Aizmugurējais rokturis
9. Piedziņas mēlītes bloķētājs
10. Piedziņas mēlīte
11. Lietošanas rokasgrāmata
12. Akumulatora atvienošanas poga
13. Akumulatora lādētājs
14. Darbības un brīdinājuma indikators
15. Savienotājs
16. Uzglabāšanas āķis, skrūves un sienas spraudņi (dībeli)

(Att. 4)

Izmantojiet aizsargķiveri vietās, kur jums var uzkrīst priekšmeti. Izmantojiet apstiprinātus dzirdes aizsarglīdzekļus (paredzēts tikai Aspire P5-P4A + Aspire Pole-P4A) Izmantojiet apstiprinātus acu aizsarglīdzekļus.

(Att. 5)

Izmantojiet apstiprinātus aizsargcimdus.

(Att. 6)

Velciet darba apavus ar neslīdošām zolēm. (Attiecas tikai uz Aspire P5-P4A + Aspire Pole-P4A)

(Att. 7)

Līdzstrāva.

(Att. 8)

Spriegums, V

(Att. 9)

Nepakļaujiet ierīci lietus iedarbībai.

(Att. 10)

Traumu risks. Netuviniet rokas griešanas instrumentam.

Simboli uz izstrādājuma

(Att. 2)

BRĪDINĀJUMS. Šis izstrādājums var būt bīstams un radīt smagas vai nāvējošas traumas operatoram vai citām personām. Esiet uzmanīgi un lietojiet izstrādājumu pareizi.

(Att. 11)

Šis izstrādājums atbilst piemērojamo ES direktīvu prasībām.

(Att. 12)

Šis izstrādājums atbilst spēkā esošajiem AK regulām.

(Att. 3)

Rūpīgi izlasiet šo operatora rokasgrāmatu un pirms šī izstrādājuma lietošanas pārliedzinieties, vai izprotat norādījumus.

(Att. 13)

Izstrādājums vai iepakojums nav sadzīves atkritumi. Utilizējiet to elektrisko un elektronisko ierīču pārstrādes uzņēmumā.

(Att. 16)

BĪSTAMI! Turieties pietiekamā attālumā no elektropārvades līnijām.

(Att. 17)

Datu plāksnītē vai lāzera izdrukā ir norādīts sērijas numurs. **yyyy** ir ražošanas gads, un **ww** ir ražošanas nedēļa.

Piezīme: Pārējie uz izstrādājuma norādītie simboli/norādes atbilst konkrētu reģionu sertifikācijas prasībām.

Simboli uz akumulatora un/vai akumulatoru lādētāja

(Att. 18) Utilizējiet šo izstrādājumu elektrisko un elektronisko ierīču pārstrādes uzņēmumā. (Attiecas vienīgi uz Eiropu)

(Att. 19) Akumulatoru izmantojiet tikai POWER FOR ALL sistēmas partneru izstrādājumos.

(Att. 20) Aizsargājiet akumulatoru pret karstumu, piemēram, pret intensīvu saules gaismu, uguni, neīrūmiem, ūdeni un mitrumu.
(Att. 21) Pastāv sprādziena un išslēguma risks.

(Att. 14) Lietojiet un uzglabājiet akumulatoru lādētāju tikai iekšējās.

(Att. 15) Dubultā izolācija.

Produkta bojājumi

Mēs neatbildam par mūsu produkta bojājumiem, ja:

- ir veikts nepareizs produkta remonts;
- produkta remonts ir veikts, izmantojot detaļas, ko nav nodrošinājis vai apstiprinājis ražotājs;
- produktam tiek pievienots piederums, ko nav nodrošinājis vai apstiprinājis ražotājs;
- produkta remonts nav veikts pilnvarotā remontdarbnīcā vai pie pilnvarota speciālista.

Ražotājs

Husqvarna AB

Drottninggatan 2, SE-561 82 Huskvarna, Sweden, tel: +46-36-146 500

Drošība

Drošības definīcijas

Brīdinājumi, norādes "Uzmanību!" un piezīmes tiek izmantotas, lai izceltu īpaši svarīgas lietotāja rokasgrāmatas daļas.



BRĪDINĀJUMS: Tiek izmantota tad, ja rokasgrāmatā sniegto instrukciju neievērošanas dēļ operatoram vai blakus esošajām personām draud traumu vai nāves risks.



IEVĒROJIET: Tiek izmantota tad, ja rokasgrāmatā sniegto instrukciju neievērošanas dēļ rodas izstrādājuma, citu materiālu vai blakus esošās teritorijas bojājuma risks.

Piezīme: Tiek izmantota, lai sniegtu plašāku informāciju, kas nepieciešama attiecīgajā situācijā.

Vispārīgi drošības brīdinājumi par elektriskā darbarīka lietošanu



BRĪDINĀJUMS: Lasiet šo apstiprināto piederumu rokasgrāmatu kopā ar šīs elektriskās ierīces rokasgrāmatu.



BRĪDINĀJUMS: Izlasiet visas drošības instrukcijas, norādījumus, apskatiet attēlus un specifikācijas, kas ir komplektā ar šo elektrisko darbarīku. Tālāk norādīto brīdinājumu un norādījumu neievērošana var radīt strāvas triecienu, aizdegšanos un/vai nopietnas traumas.

Piezīme: Saglabājiet visus brīdinājumus un norādījumus turpmākām uzziņām. Brīdinājumos izmantotais termins "elektriskais darbarīks" attiecas uz elektrisko darbarīku, kura barošanu nodrošina elektroķīkls (ar kabeli) vai akumulators (bez kabeļa).

Darba zonas drošība

- **Darba zonai jābūt tīrai un labi apgaismotai.** Nekārtīgās un tumšās vietās bieži notiek negadījumi.
- **Nelietojiet elektriskos darbarīkus sprādzienbīstamā vidē, piemēram, viegli uzliesmojošu šķidrumu, gāzu vai putekļu tuvumā.** Elektriskie darbarīki rada dzirksteles, kas var izraisīt putekļu vai izgarojumu aizdegšanos.
- **Elektriskā darbarīka lietošanas laikā neļaujiet tuvumā atrasties bērniem un citām personām.** Uzmanības novēršanas dēļ varat zaudēt kontroli.

Elektrodrošība

- **Elektriskā darbarīka kontaktspaudņiem jāatbilst elektroķīkla kontaktlīdzdām. Nekādā gadījumā**

nepārveidojiet kontaktspraudnii Ar iezemētiem elektriskajiem darbarīkiem nedrīkst izmantot nekādus pārejas spraudņus. Nepārveidotas kontaktdakšas un atbilstošas kontaktilgšanas samazina strāvas triecienu risku.

- **Nepieļaujiet ķermeņa saskari ar iezemētām virsmām, piemēram, caurulēm, radiatoriem, plītiem un ledusskapjiem.** Ja ir izveidojies ķermeņa zemējums, pastāv paaugstināts strāvas triecienu risks.
- **Elektriskos darbarīkus nedrīkst pakļaut lietus vai mitruma iedarbībai.** Elektriskajā instrumentā iekļūvis ūdens paaugstina strāvas triecienu risku.
- **Lietojot kabeli, ievērojiet piesardzību. Nekad neizmantojiet kabeli elektriskā instrumenta pārvietošanai, vilkšanai vai atvienošanai no kontaktilgšanas. Sargiet kabeli no karstuma, eļļas, asām malām un kustīgām detaļām.** Bojāti vai savijušies vadi paaugstina strāvas triecienu risku.
- **Lietojot elektrisko instrumentu ārpus telpām, izmantojiet lietošanai ārā piemērotu pagarinātāju.** Lietošanai ārā piemērota pagarinājuma vada izmantošana samazina elektriskās strāvas triecienu risku
- **Ja no elektriskā instrumenta lietošanas mitros apstākļos nevar izvairīties, izmantojiet paliekošās strāvas ierīci (residual current device — RCD).** Izmantojot RCD, tiek samazināts elektriskās strāvas triecienu risks.

Individuālā aizsardzība

- **Lietojot elektrisko darbarīku, ievērojiet piesardzību, pārdomājiet savas darbības un rīkojieties saprātīgi. Nelietojiet elektrisko darbarīku, kad esat noguris, kā arī narkotiku, alkohola vai zāļu iespaidā.** Acumirkļīga neuzmanība strādājot ar elektrisko darbarīku var radīt smagas traumas.
- **Lietojiet individuālos aizsardzības līdzekļus. Vienmēr lietojiet acu aizsargus.** Individuālo aizsardzības līdzekļu, piemēram, putekļu maskas, aizsargapavu ar neslidošām zolēm, ķiveres vai dzirdes aizsarglīdzekļu, lietošana attiecīgos apstākļos samazina traumu gūšanas risku.
- **Nepieļaujiet nejaušu ieslēgšanu. Pirms darbarīka pievienošanas strāvas avotam un/vai akumulatora blokam, pacelšanas vai pārvietošanas pārbaudiet, vai slēdzis ir izslēgtā stāvoklī.** Elektrisko darbarīku pārvietošana, turot pirkstu uz slēdža, vai darbarīku pieslēgšana barošanai, ja slēdzis ir ieslēgts, var izraisīt negadījumus.
- **Pirms elektriskā darbarīka ieslēgšanas noņemiet regulēšanas atslēgu vai uzgriežņu atslēgu.** Uz elektriskā darbarīka rotējošajām detaļām atstāta uzgriežņu atslēga vai atslēga var radīt traumu.
- **Nesniedzieties pārāk tālu. Vienmēr stāviet stabil un saglabājiet līdzsvaru.** Tādējādi var labāk vadīt elektrisko darbarīku negaidītās situācijās.
- **Attiecīgi apģērbieties. Nevalkājiet vaļīgu apģērbu vai rotaslietas. Nepieļaujiet matu un apģērbu saskari ar kustīgajām daļām.** Vaļīgas drēbes, rotaslietas vai gari mati var iekerties kustīgajās detaļās.

- **Ja komplektācijā ir iekļautas pievienojamas putekļu iesūces ierīces un savākšanas tvertnes, pārbaudiet, vai tās ir piestiprinātas un tiek izmantotas pareizi.** Putekļu savākšanas līdzekļu izmantošana var samazināt putekļu radītos draudus.
- **Nekļūstiet nevērīgs pret darbarīka drošas izmantošanas principiem un neignorējiet tos pat tad, ja bieži izmantojat darbarīkus un esat labi iepazinies ar to darbību.** Neuzmanīga rīcība vienā acumirklī var radīt smagas traumas.
- **Bīstam! Nestrādājiet elektroinīņu tuvumā.** Šī ierīce nenodrošina aizsardzību pret strāvas triecienu, saskaroties ar gaisa elektropārvades līnijām. Iepazīstieties ar vietējiem noteikumiem par drošu attālumu no elektropārvades līnijām un pirms izstrādājuma izmantošanas pārliecinieties, ka darbu veikt ir droši.

Elektriskā darbarīka lietošana un uzturēšana

- **Nelietojiet elektrisko darbarīku ar spēku. Izmantojiet konkrētajam darbam piemērotu elektrisko darbarīku.** Izmantojot pareizo elektrisko darbarīku ar tam paredzēto ātrumu, darbu var paveikt labāk un drošāk.
- **Nelietojiet elektrisko darbarīku, ja, nospiežot slēdzi, tas neieslēdzas vai neizslēdzas.** Elektriskais darbarīks, kuru nevar vadīt, izmantojot slēdzi, rada draudus un ir jāremontē.
- **Pirms jebkādu regulēšanas darbu veikšanas, piederumu maiņas vai elektrisko darbarīku novietošanas uzglabāšanai atvienojiet kontaktspraudni no strāvas avota un/vai izņemiet akumulatora bloku.** Šādi piesardzības pasākumi samazina nejaušas elektriskā darbarīka palaišanas risku.
- **Novietojiet elektrisko darbarīku, kas darbojas tukšgaitā, bērniem nepieejamā vietā un neļaujiet to lietot personām, kas nepārzina tā lietošanu vai šeit sniegtos norādījumus.** Nonākot rokās lietotājam bez atbilstošām zināšanām, elektriskie darbarīki ir bīstami.
- **Apkopiet elektriskos instrumentus un piederumus. Pārbaudiet kustīgo detaļu salāgojumu un saķeri, bojājumus un jebkādus citus faktorus, kas var ietekmēt elektriskā darbarīka darbību.** Ja darbarīks bojāts, pirms tā lietošanas veiciet remontu. Daudzu nelaimes gadījumu iemesls ir slikti uzturēti elektriskie darbarīki.
- **Griezējinstrumenti jāuztur asi un tīri.** Pareizi uzturēti griezējinstrumenti ar asiem asmeņiem retāk saliecas, un tos ir vieglāk vadīt.
- **Lietojiet elektriskos instrumentus, piederumus un asmeņus u.c. detaļas atbilstoši šeit sniegtajiem norādījumiem, ņemot vērā darba apstākļus un veicamos uzdevumus.** Elektriskā instrumenta lietošana tam neparedzētiem mērķiem var radīt bīstamas situācijas.
- **Rokturiem un turēšanas virsmām ir jābūt sausām, tīrām un uz tām nedrīkst būt eļļas un smērvielas.** Slīdīgi rokturi un turēšanas virsmas traucē drošu

darbarīka izmantošanu un vadību negaidītās situācijās.

Akumulatora instrumenta lietošana un apkope

- **Uzlādei izmantojiet tikai ražotāja norādīto lādētāju.** Lādētājs, kas ir piemērots viena tipa akumulatora blokam, var kļūt ugunsbīstams, lietojot to cita veida akumulatora blokam.
- **Izmantojiet elektriskos darbarīkus tikai ar tiem paredzētajiem akumulatoru blokiem.** Jebkura cita akumulatora bloka lietošana var radīt traumas un ugunsgrēka risku.
- **Kad akumulatora bloks netiek izmantots, turiet to drošā attālumā no metāla priekšmetiem, piemēram, papīra saspraudēm, monētām, atslēgām, naglām, skrūvēm un citiem nelieliem metāla priekšmetiem, kas var savienot spalles.** Akumulatora spaiļu savienošana var radīt apdegumus vai aizdegšanos.
- **Nepareizi lietojot, no akumulatora var iztecēt šķidrums; izvairieties no saskares ar to. Ja nejauši notiek saskare, noskalojiet skarto vietu ar lielu daudzumu ūdens. Ja šķidrums iekļūst acīs, vērsieties pēc medicīniskās palīdzības.** No akumulatora iztecējis šķidrums var radīt kairinājumu vai apdegumus.
- **Nelietojiet akumulatoru bloku vai darbarīku, ja tas ir bojāts vai pārveidots.** Bojāts vai pārveidots akumulators var darboties neparedzami, izraisot aizdegšanos, sprādzienu vai traumu gūšanas risku.
- **Nepakļaujiet akumulatoru bloku vai darbarīku uguns vai pārmērīgi augstas temperatūras ietekmei.** Ja pakļauts ierīci uguns vai tādas temperatūras iedarbībai, kas pārsniedz 130 °C (266°F), var notikt sprādziens.
- **Nemiet vērā visus uzlādes norādījumus un neuzlādējiet akumulatoru bloku vai darbarīku temperatūrā, kas ir ārpus norādītajos norādītā diapazona.** Nepareiza uzlāde vai uzlāde temperatūrā, kas ir ārpus norādītā diapazona, var bojāt akumulatoru un palielināt aizdegšanās risku.

Apkope

- **Uzticiet elektriskā darbarīka apkopi kvalificētam remontdarbu speciālistam, kas izmanto tikai oriģinālas rezerves daļas.** Tādējādi tiks garantēta elektriskā darbarīka lietošanas drošība.
- **Nekad neveiciet bojātu akumulatoru apkopi.** Akumulatoru apkopi drīkst veikt tikai ražotājs vai pilnvarota apkopes nodrošinātājs.

Cita vispārīga drošības informācija

- Informāciju par papildu specifiskiem drošības noteikumiem skatiet attiecīgā piederuma lietotāja rokasgrāmatā.
- Pirms pārvietošanās uz citu vietu izslēdziet izstrādājumu. Nododot izstrādājumu citai personai, vienmēr izņemiet akumulatoru.

- Nekad nenolieciet izstrādājumu, kamēr neesat to izslēdzis un izņēmis akumulatoru. Neatstājiet izstrādājumu bez uzraudzības, kad tas ir ieslēgts.
- Griešanas mehānisms neapstājas uzreiz pēc izstrādājuma izslēgšanas.
- Pirms izstrādājuma lietošanas un pēc triecieniem pārbaudiet, vai nav radušās nodiluma vai bojājumu pazīmes, un, ja nepieciešams, saremontējiet.
- Ja griešanas ierīcē rodas nosprostojums izstrādājuma darbības laikā, apturiet un izslēdziet izstrādājumu. Pārļiecinieties, ka griešanas ierīce pilnībā apstājas. Pirms izstrādājuma un/vai griešanas ierīces tīrīšanas, pārbaudes vai remonta izņemiet akumulatoru.
- Pirms lietošanas pārbaudiet izstrādājumu. Skatiet šeit: *Izstrādājuma drošības ierīces lpp. 257 un Apkope lpp. 261*. Nelietojiet bojātu izstrādājumu. Ievērojiet šajā rokasgrāmatā aprakstītās drošības pārbaudes, tehniskās apkopes un remonta norādījumus.
- Bojāta griešanas ierīce var palielināt nelaimes gadījumu risku.
- Vienmēr pārbaudiet, vai izstrādājuma ventilācijas spraugas nav aizsērējušas.
- Pārbaudiet, vai izstrādājums ir ideālā darba stāvoklī. Pārbaudiet vai visas uzgriežņi un skrūves ir pievilktas.
- Šis izstrādājums ir bīstams instruments, ja ar to nerīkojas uzmanīgi vai ja to lieto nepareizi. Šis izstrādājums var izraisīt smagas vai nāvējošas traumas operatoram vai citām personām.
- Šo izstrādājumu nedrīkst lietot personas (tostarp bērni) ar ierobežotām kustībām, maņu vai garīgiem traucējumiem un personas ar nepietiekamu lietošanas pieredzi vai zināšanām, izņemot gadījumus, kad par šo personu drošību atbildīgā persona šīs personas uzrauga vai ir atbilstoši instruējis. Neļaujiet bērniem rotāļties ar šo ierīci.
- Neļaujiet bērniem lietot šo ierīci vai uz uzturēties tās tuvumā. Tā kā izstrādājumu ir vienkārši iedarbināt, bērni to var nejauši ieslēgt, ja netiek uzraudzīti. Tas var radīt smagu traumu. Ja ierīce netiek uzraudzīta, atvienojiet akumulatoru.
- Nekādā gadījumā neļaujiet bērniem vai citām atbilstoši neapmācītām personām strādāt ar izstrādājumu, mainīt akumulatoru vai veikt tehnisko apkopi.
- Uzglabājiet ierīci noslēdzamā vietā, kas nav pieejama bērniem un nepiederošām personām.
- Glabāšanas un pārvietošanas laikā obligāti jāizmanto transportēšanas aizsargs.
- Turiet rokas un kājas drošā attālumā no griešanas vietas, it īpaši ierīces motora ieslēgšanas laikā.
- Pēc izstrādājuma izslēgšanas netuviniet plaukstu un pēdas griešanas ierīcei, līdz tā ir pilnībā apstājusies.
- Nenonemiet sagrieztu materiālu un neļaujiet citiem noņemt sagrieztu materiālu, kad izstrādājums

darbojas vai griešanas aprīkojums griežas, jo tas var radīt smagas traumas.

- Atcerieties, ka jūs kā operators esat atbildīgs par cilvēku vai viņu īpašuma aizsardzību pret nelaimes gadījumiem vai apdraudējumu.
- Nekādā gadījumā bez ražotāja atļaujas nedrīkst mainīt šī izstrādājuma konstrukciju. Vienmēr izmantojiet oriģinālos piederumus. Neatļautas izmaiņas un/vai neatļauti piederumi var radīt smagas vai nāvējošas traumas izstrādājuma lietotājam un citiem. Jūsu garantija, iespējams, neattiecas uz bojājumiem vai atbildību, ko ir izraisījis nesankcionētu piederumu vai rezerves daļu lietošana.
- Šo izstrādājumu drīkst lietot tikai kopā ar mūsu ieteiktajām griešanas ierīcēm, kas norādītas piederumu nodaļā.
- Nekādā gadījumā nelietojiet izstrādājumu, kas ir pārveidots, neievērojot sākotnējo specifikāciju.
- Nekad nelietojiet bojātu izstrādājumu. Ievērojiet šajā rokasgrāmatā aprakstītās drošības pārbaudes, tehniskās apkopes un remonta norādījumus. Dažus apkopes un remonta darbus drīkst veikt tikai apmācīti un kvalificēti speciālisti. Skatiet šeit: *Apkope lpp. 261*.
- Darbs sliktos laikapstākļos ir nogurdinošs un bieži rada papildu risku. Paaugstinātā riska dēļ nav ieteicams izmantot izstrādājumu ļoti sliktos laikapstākļos, piemēram, biežā miglā, stiprā lietū, spēcīgā vējā, lielā aukstumā, negaisa laikā un tamlīdzīgos apstākļos.
- Nekad nestrādājiet, stāvot uz trepēm, paliktņa vai kāda cita nenostiprināta paaugstinājuma.
- Uzglabājiet izslēgtus izstrādājumus telpās — neizmantoti izstrādājumi ir jāuzglabā telpās.
- Ņemiet vērā, ka visas iespējamās situācijas nav iespējams paredzēt. Vienmēr esiet piesardzīgi un izmantojiet veselo saprātu. Izvairieties no situācijām, kurās nejutaties īsti pārliecināti par notiekošo vai veicamajām darbībām. Ja pēc šo norādījumu izlasīšanas joprojām nepārzināt veicamās darbības, pirms turpmākas rīcības konsultējieties ar kādu ekspertu.
- Strādājot sekojiet, lai nevienam cilvēkam vai dzīvniekam neatrastos jūsu darba vietai tuvāk par 50 pēdām (15 metriem). Ja vairāki operatori strādā vienā darba vietā, drošības attālumam starp tiem jābūt ne mazākam par 50 pēdām (15 metriem). Citādi var tikt radīta smaga trauma. Ja kāds tuvojās, nekavējoties apturiet kāta zāģi. Nekad nelietojiet izstrādājumu, pirms neesat paskatījis atpakaļ un pārliecinājies, ka drošības zonā neviena nav.
- Ja griešanas ierīcē rodas nosprostojums izstrādājuma darbības laikā, apturiet un izslēdziet izstrādājumu. Pārliecinieties, ka griešanas ierīce pilnībā apstājas. Pirms izstrādājuma un/vai griešanas ierīces tīrīšanas, pārbaudes vai remonta izņemiet akumulatoru.
- Nodrošiniet, lai cilvēki, dzīvnieki un citi apstākļi neietekmē izstrādājuma vadību, un tie nesaskaras ar

griešanas ierīci vai nestāv ceļā priekšmetiem, ko var izsviest griešanas ierīce. Nelietojiet izstrādājumu, ja nav iespējams izsaukt palīdzību nelaimes gadījumā.

- Pārliecinieties, ka ir iespējams droši pārvietoties un stāvēt. Pārbaudiet, vai tuvumā nav šķēršļu (saknes, akmeņi, zari, bedres utt.), kas var traucēt, ja piepeši nepieciešams pārvietoties. Ievērojiet īpašu piesardzību, strādājot nogāzēs.
- Ejjiet, nekādā gadījumā neskrīniet.
- Pārbaudiet darba zonu. Novāciet visus vaļīgos priekšmetus, piemēram, akmeņus, stikla lauskas, naglas, tērauda stiepli, auklas un citus priekšmetus, kas var tikt izsviesti vai aptīties apkārt griežējam vai griezēja aizsargam.
- Uzmanieties no zaru gabaliņiem, kas tiek izmesti griešanas laikā. Negrieziet pārāk tuvu zemei, kur var tikt izsviesti akmeņi un citi priekšmeti.
- Gādājiet, lai aktivizēta izstrādājuma griešanas ierīce nesaskartos ar apgērību vai ķermeņa daļām. Turiet izstrādājumu zem jostas līmeņa.
- Sargieties no izsviestiem priekšmetiem. Vienmēr lietojiet apstiprinātus acu aizsarglīdzekļus. Nekad nepārliecieties pār griešanas ierīces aizsargu. Akmeņi, gruzi u. c. var tikt izsviesti un trāpīt acīs, izraisot aklumu vai smagas traumas.
- Lietojot dzirdes aizsarglīdzekļus, vienmēr uzmanīgi klausieties, lai sadzirdētu brīdinājumu signālus vai saucienus. Kad izstrādājums apstājas, vienmēr noņemiet dzirdes aizsarglīdzekļus.
- Ja rodas nevēlama vibrācija, izvelciet jaunu auklu un iestatiet pareizu garumu — tādējādi vibrācija tiks novērsta.
- Ja izstrādājums rada normām neatbilstošu vibrāciju, apturiet tā darbību un izņemiet akumulatoru.
- Personām ar asinsrites traucējumiem pārmērīga atrašanās vibrāciju ietekmē var izraisīt asinsrites vai nervu sistēmas saslimšanu. Ja jūtat pārmērīgas vibrācijas ietekmes simptomus, sazinieties ar ārstu. Simptomi var būt šādi: nejutīgums, tirpšana, dūrieni, sāpes, spēka zudums, ādas krāsas vai stāvokļa izmaiņas. Šie simptomi parasti ir novērojami pirkstos, rokās vai locītavās.
- Vienmēr turiet izstrādājumu ar abām rokām.

Individuālie aizsarglīdzekļi



BRĪDINĀJUMS: Pirms sākat lietot šo izstrādājumu, izlasiet tālāk izklāstītos brīdinājumus.

- Izmantojot izstrādājumu, vienmēr lietojiet apstiprinātus individuālos aizsarglīdzekļus. Šādi līdzekļi nevar pilnībā novērst traumu gūšanas risku, taču samazina traumu smaguma pakāpi, ja negadījums tomēr notiek. Ļaujiet izplatītajam palīdzēt jums izvēlēties pareizo aprīkojumu.
- Izmantojiet aizsargķiveri, ja pastāv krītošu priekšmetu draudi.

- Lietojiet tādus dzirdes aizsarglīdzekļus, kas nodrošina pietiekamu trokšņa slāpēšanu. Ilgstoša uzturēšanās troksnī var radīt būtiskus dzirdes bojājumus.
- Izmantojiet apstiprinātus acu aizsarglīdzekļus. Apstiprinātas aizsargbrilles ir jālieto arī tad, ja tiek izmantots sejsegs. Apstiprinātas aizsargbrilles ir tādas, kas atbilst standarta ANSI Z87.1 prasībām ASV vai standarta EN 166 prasībām ES valstīs.
- Sejas aizsardzībai izmantojiet sejsegu. Ar sejsegu nepietiek, lai aizsargātu acis.

(Att. 22)

- Vajadzības gadījumā izmantojiet cimdus, piemēram, piestiprinot, pārbaudot vai fīrot griešanas ierīci.
- Valkājiet neslīdošus un stabilus zābakus.
- Lietojiet izturīga auduma apģērbu. Vienmēr valkājiet biezas, garas bikses un apģērbu ar garām piedurknēm. Nevalkājiet vaļīgu apģērbu, kas viegli var ieķerties krūmos un zaros. Nenēsājiet rotaslietas, nevelciet šortus, sandales un nestrādājiet basām kājām. Sakārtojiet matus droši virs pleciem.

(Att. 23)

- Gādājiet, lai tuvumā būtu pirmās palīdzības piederumi.

(Att. 24)

Izstrādājuma drošības ierīces



BRĪDINĀJUMS: Pirms izstrādājuma lietošanas izlasiet tālāk izklāstītos brīdinājumus.

Šajā sadaļā ir izskaidrotas izstrādājuma drošības funkcijas, tā nolūks un veidi, kā tiek veikta tā pārbaude un apkope, lai garantētu izstrādājuma pareizu darbību. Skatiet norādījumus nodaļā ar virsrakstu *Izstrādājuma pārskats lpp. 252* lai uzzinātu, kur izstrādājumā atrodas šīs daļas.

Šī izstrādājuma darbmūžs var saīsināties un var palielināties nelaiemes gadījumu risks, ja izstrādājuma apkope netiek veikta pareizi un ja apkope un/vai remonts netiek veikts profesionāli. Ja nepieciešama papildu informācija, sazinieties ar tuvāko izplatītāju, kas nodrošina apkopi.



BRĪDINĀJUMS: Nekādā gadījumā nelietojiet izstrādājumu ar bojātu drošības aprīkojumu. Izstrādājuma drošības aprīkojums ir jāpārbauda un jāuztur, pamatojoties uz šajā nodaļā izklāstīto informāciju. Ja izstrādājums neatbilst iepriekš aprakstīto pārbaudu prasībām, sazinieties ar vietējo remontdarbnieku, lai izstrādājumu saremontētu.



IEVĒROJIET: Izstrādājuma apkopi un remontu drīkst veikt tikai īpaši apmācīti tehniki. Tas jo īpaši attiecas uz izstrādājuma drošības aprīkojumu. Ja izstrādājums neatbilst zemāk aprakstīto pārbaudu prasībām, sazinieties ar apkopes pakalpojumu nodrošinātāju. Jebkura mūsu izstrādājuma iegāde garantē profesionāla remonta un apkopes pieejamību. Ja mazumtirgotājs, pie kura iegādājāties izstrādājumu, nav apkopi veicošs izplatītājs, uzziniet no viņa tuvākā apkopes veicēja adresi.

Piedziņas mēlītes bloķētāja pārbaude

Piedziņas mēlītes bloķētājs aizsargā pret nejaušu iedarbināšanu. Atlaižot rokturi, piedziņas mēlīte un piedziņas mēlītes bloķētājs atgriežas sākumstāvoklī.

1. Pabīdīet uz priekšu piedziņas mēlītes bloķētāja fiksācijas pogu. (Att. 25)
2. Pārbaudiet, vai piedziņas mēlīte ir fiksēta, kad piedziņas mēlītes bloķētājs ir sākumstāvoklī. (Att. 26)
3. Uzspiediet uz piedziņas mēlītes bloķētāja vienā pusē, tad otrā pusē. Pārlicinieties, ka piedziņas mēlītes bloķētājs atgriežas sākumstāvoklī. (Att. 27)
4. Pārbaudiet, vai piedziņas mēlīte un piedziņas mēlītes bloķētājs brīvi kustas un atgriezes atspere darbojas pareizi. (Att. 28)
5. Iedarbiniet izstrādājumu; skatiet *Izstrādājuma iedarbināšana lpp. 260*.
6. Atlaidiet piedziņas mēlīti un pārlicinieties, ka izstrādājums apstājas pilnībā.

Norādījumi par drošu uzstādīšanu



BRĪDINĀJUMS: Lasiet šo elektriskās ierīces rokasgrāmatu kopā ar apstiprināto piederumu rokasgrāmatu.

- Pirms izstrādājuma sagatavošanas darbam izņemiet no tā akumulatoru.
- Izmantojiet apstiprinātus aizsargcimdus.
- Bojāts vai nepareizs aizsargs var radīt traumu. Neizmantojiet griešanas ierīci, kam nav piestiprināts apstiprināts aizsargs.
- Pirms ieslēgt izstrādājumu, pārlicinieties, ka piederums ir uzstādīts pareizi.
- Ja stiprinājuma (drošības jostas) komplektācijā ir palīgierīce, stiprinājums (drošības josta) ir pareizi jāpievieno izstrādājumam. Stiprinājums (drošības josta) padara lietošanu drošu, kā arī nepieļauj operatora vai citu personu traumas.

Akumulatora drošība



BRĪDINĀJUMS: Izlasiet visus drošības un vispārīgos norādījumus. Drošības un vispārīgo norādījumu neievērošana var novest pie elektriskās strāvas trieciena, aizdegšanās un/vai smagas traumas. **Saglabājiet visu drošības informāciju un vispārīgos norādījumus turpmākām uzziņām.**

- Šie drošības norādījumi attiecas tikai uz **POWER FOR ALL** sistēmas 18 V litiņa jonu atkārtoti uzlādējamajiem akumulatoriem.
- **Atkārtoti uzlādējamo akumulatoru izmantojiet tikai POWER FOR ALL sistēmas partneru izstrādājumos.** 18 V atkārtoti uzlādējamie akumulatori, uz kuriem ir POWER FOR ALL uzlīme, ir pilnībā saderīgi ar tālāk norādītajiem izstrādājumiem:
 - visi 18 V POWER FOR ALL akumulatoru sistēmas izstrādājumi,
 - visi 18 V POWER FOR ALL sistēmas partneru izstrādājumi.
- **Ievērojiet ieteikumus par akumulatoriem, kas ietverti jūsu izstrādājuma rokasgrāmatā.** Tikai tādā veidā atkārtoti uzlādējamo akumulatoru un izstrādājumu var ekspluatēt droši, un atkārtoti uzlādējamie akumulatori ir pasargāti no bīstamas pārslodzes.
- **Akumulatoru uzlādēšanai izmantojiet tikai lādētājus, kuru izmantošanu iesaka ražotājs vai POWER FOR ALL sistēmas partneri.** Lādētājs, kas ir piemērots vienam akumulatoru veidam, var izraisīt aizdegšanās risku, ja tiek izmantots ar citu akumulatoru.
- **Akumulators, piegādājot ierīci, ir pilnībā uzlādēts.** Lai panāktu maksimālu akumulatora ietilpību, pirms mehānizētā darbarīka pirmās lietošanas reizes pilnībā uzlādējiet akumulatoru ar lādētāju.
- **Glabājiet akumulatoru blokus bērniem nepieejamā vietā.**
- **Neatveriet akumulatoru.** Pastāv īsslēguma risks.
- **Ja akumulators tiek bojāts vai nepareizi izmantots, var izplūst tvaiki. Akumulators var aizdegties vai uzsprāgt.** Pārlicinieties, ka vieta ir labi vēdināma, un vērsieties pēc medicīniskās palīdzības, ja rodas kādas nevēlamas parādības. Tvaiki var kairināt elpošanas sistēmu.
- **Ja akumulatoru izmanto nepareizi vai tas tiek bojāts, var izplūst ugunsnedrošs šķidrums. Sargieties no saskares ar šo šķidrumu. Ja tomēr notiek nejauša saskare, skalojiet skarto vietu ar lielu daudzumu ūdens. Ja šķidrums iekļūst acīs, vērsieties pēc medicīniskās palīdzības. No akumulatora iztecējis šķidrums var izraisīt kairinājumu vai apdegumus.**
- **Ja akumulators ir bojāts, var izplūst šķidrums un pārklāt tuvumā esošās virsmas. Pārbaudiet ietekmētās daļas. Notīriet šīs daļas un, ja nepieciešams, nomainiet.**

- **Neizraisiet akumulatoru bloka īsslēgumu. Kad akumulatora bloks netiek izmantots, turiet to drošā attālumā no metāla priekšmetiem, piemēram, papīra saspraudēm, monētām, atslēgām, naglām, skrūvēm un citiem nelieliem metāla priekšmetiem, kas var savienot spaiļes. Akumulatora spaiļu savienošana var radīt apdegumus vai aizdegšanos.**
- **Akumulatoru var sabojāt ar smailiem priekšmetiem, piemēram, naglām vai skrūvgrīžiem, vai ārēja spēka iedarbībā.** Var rasties iekšējs īsslēgums, izraisot akumulatora aizdegšanos, dūmošanu, sprādzienu vai pārkaršanu.
- **Nekad neveiciet bojātu akumulatoru apkopi.** Akumulatoru apkopi drīkst veikt tikai ražotājs vai pilnvarota apkopes pakalpojumu nodrošinātājs.
- **Aizsargājiet akumulatoru pret karstumu, piemēram, pret intensīvu saules gaismu, uguni, nēfūriem, ūdeni un mitrumu.** Pastāv sprādziena un īsslēguma risks.
- **Izmantojiet akumulatoru izstrādājumā tikai tad, ja apkārtējā temperatūra ir diapazonā -5 °C – 40 °C.**
- **Glabājiet akumulatoru tikai apkārtējās temperatūras diapazonā -20 °C – 50 °C.** Piemēram, vasaras laikā neatstājiet akumulatoru automašīnā. Ja temperatūra ir < 0 °C, dažām ierīcēm jaudas līmenis var būt samazināts.
- **Uzlādējiet akumulatoru tikai šādā temperatūrās diapazonā: 0 °C – +35 °C.** Uzlāde ārpus šī temperatūras diapazona var palielināt akumulatora bojājumu risku un radīt ugunsbīstamību.

Akumulatora lādētāja drošības norādes



BRĪDINĀJUMS: Izlasiet visus drošības un vispārīgos norādījumus. Drošības un vispārīgo norādījumu neievērošana var novest pie elektriskās strāvas trieciena, aizdegšanās un/vai smagas traumas. **Glabājiet šos lietošanas norādījumus drošā vietā.** Izmantojiet lādētāju tikai tad, ja varat pilnībā izvērtēt visas funkcijas un izpildīt tās bez ierobežojumiem vai, ja esat saņēmuši atbilstošus norādījumus.

- **Šo lādētāju nedrīkst izmantot bērni vai personas, kurām ir ierobežotas fiziskās, uztveres vai garīgās spējas, kā arī trūkst pieredzes vai zināšanu. Šo lādētāju drīkst lietot vismaz 8 gadus veci bērni un personas, kurām ir ierobežotas fiziskās, uztveres vai garīgās spējas, kā arī trūkst pieredzes vai zināšanu, ja viņu drošību garantē atbildīgā persona, kas viņus uzrauga vai ir sniegusi viņiem norādes par lādētāja drošu darbību, un viņi izprot ar to saistītās briesmas. Pretēja gadījumā var rasties darbības kļūdas un traumas.**
- **Uzraugiet bērnus lādētāja lietošanas, tīrīšanas un apkopes laikā. Tādējādi bērni nerotaļāsies ar lādētāju.**

- **Uzlādējiet tikai 18 V POWER FOR ALL sistēmas akumulatorus ar jaudu, sākot no 1,5 Ah. Akumulatora spriegumam jāatbilst lādētāja uzlādes spriegumam.** Neuzlādējiet neuzlādējamus akumulatorus. Pretējā gadījumā pastāv aizdegšanās un sprādziena risks.
- **Izmantojiet lādētāju tikai slēgtās telpās un sargiet to no mitruma.** Mehānizētājā darbarīkā iekļuvuš ūdens paaugstina elektriskās strāvas trieciena risku.
- **Gādājiet, lai lādētājs ir tīrs.** Netīrumi var izraisīt elektriskās strāvas trieciena risku.
- **Pirms lietošanas vienmēr pārbaudiet lādētāju, kabeli un kontaktspraudni.** Ja konstatējat kādus bojājumus, pārtrauciet lietot lādētāju. Neatveriet lādētāju; uzticiet tā remontu tikai Husqvarna vai pilnvarota pēc pārdošanas apkopes dienesta darbiniekiem, izmantojot vienīgi oriģinālās rezerves daļas. Bojāti lādētāji, kabeli un kontaktspraudņi palielina elektriskās strāvas trieciena risku.
- **Nelietojiet lādētāju uz ugunsdrošas virsmas (piemēram, uz papīra, tekstilmateriāliem utt.) vai viegli uzliesmojošā vidē.** Pastāv aizdegšanās risks, jo darbības laikā lādētājs sakarst.
- **Nepārkļāviet lādētāja ventilācijas atveres.** Pretējā gadījumā lādētājs var pārkarst un nedarboties pareizi.
- **Uzlādei izmantojiet tikai ražotāja norādīto lādētāju.** Lādētājs, kas ir piemērots viena tipa akumulatora blokam, var kļūt ugunsbīstams, lietojot to cita veida akumulatora blokam.
- **Ja akumulators tiek bojāts vai nepareizi izmantots, var arī izplūst tvaiki.** Pārlicinieties, ka vieta ir labi vēdināma, un vērsieties pēc medicīniskās palīdzības, ja rodas kādas nevēlamas parādības. Tvaiki var kairināt elpošanas sistēmu.
- **Nepareizi lietojot, no akumulatora var izteciēt šķidrums. Sargieties no saskares ar šo šķidrumu.** Ja tomēr notiek nejauša saskare, skalojiet skarto vietu ar lielu daudzumu ūdens. Ja šķidrums iekļūst acīs, vērsieties pēc medicīniskās palīdzības. No akumulatora izteciējies šķidrums var izraisīt kairinājumu vai apdegumus.
- **Izstrādājumi, kas tiek pārdoti tikai Apvienotajā Karalistē:** Jūsu izstrādājums ir aprīkots ar

BS 1363/A apstiprinātu elektrisku kontaktspraudni ar iekļautu drošinātāju (ASTA apstiprinājums atbilstoši BS 1362). Ja kontaktspraudnis nav piemērots kontaktligzdām jūsu valstī, tas jānogriež un pilnvarotam klientu apkalpošanas dienesta darbiniekam tā vietā jāuzstāda atbilstošs kontaktspraudnis. Rezerves kontaktspraudnim jābūt ar tādu pašu drošinātāju kā oriģinālajam kontaktspraudnim. Nogrieztais kontaktspraudnis ir jāizmet, lai novērstu elektriskās strāvas trieciena risku, un to nekādā gadījumā nedrīkst ievietot barošanas kontaktligzdā citur.

Norādījumi par drošu apkopi



BRĪDINĀJUMS: Pirms veicat produkta apkopi, izlasiet brīdinājuma norādījumus.

- Noņemiet akumulatoru, pirms veicat apkopi, citas pārbaudes vai montējat produktu.
- Operators drīkst veikt tikai šajā lietotāja rokasgrāmatā norādītos apkopes un servisa darbus. Par plašākiem apkopes un servisa darbiem sazinieties ar jūsu apkopes nodrošinātāju.
- Netīriet akumulatoru un tā lādētāju ar ūdeni. Spēcīgs mazgāšanas līdzeklis var radīt plastmasas bojājumus.
- Neveicot apkopi, samazinās produkta dzīves cikls un palielinās nelaimes gadījumu risks.
- Īpaša apmācība ir nepieciešama visiem apkopes un remontdarbiem, jo īpaši šī produkta drošības ierīcēm. Ja visas šajā lietotāja rokasgrāmatā norādītās pārbaudes netiek apstiprinātas pēc apkopes veikšanas, sazinieties ar apkopes nodrošinātāju. Mēs garantējam profesionālu remontdarbu un apkopes pieejamību jūsu produktam.
- Vienmēr izmantojiet tikai oriģinālās detaļas.
- Labojot griešanas ierīci, noteikti izmantojiet izturīgus cimdus. Asmeņi ir ļoti asi, tāpēc ļoti vienkārši var gūt traumas.

Montāža

Ievads



BRĪDINĀJUMS: Pirms izstrādājuma montāžas izlasiet un izprotiet drošības norādījumus.

Piederuma uzstādīšana

1. Pievienojiet piederumu (A) pie piedziņas ierīces (B). Piederumam ir viegli jāiebīdās piedziņas ierīces turētājā, pretējā gadījumā tas nav uzstādīts pareizi. (Att. 29)

2. Pievelciet fiksatoru (C).

Piezīme: Kad piederums ir nostiprināts pie piedziņas ierīces, piederuma lietotāja saskarne tiek atvienota.

Teleskopiskā kāta garuma regulēšana

1. Paceliet kāta sviru (A). (Att. 30)
2. Noregulējiet teleskopisko kātu piemērotā garumā.
3. Spiediet sviru uz leju, lai fiksētu teleskopisko kātu.

Uzglabāšanas āķa uzstādīšana pie sienas

- Uzstādiet uzglabāšanas āķi telpās.
- Neturiet uzglabāšanas āķi saules gaismā un apkārtējās vides temperatūrā no -10 °C līdz 70 °C.
- Nostipriniet uzglabāšanas āķi pie ģipškartona, koka vai betona sienas.



IEVĒROJIET: Pārlicinieties, ka sienas nestspēja ir vismaz 30 kg.

- Uzstādiēt āķi uzglabāšanai pie sienas, izmantojot 3 skrūves (A). Lietojiet dībeļus (B), ja nepieciešams. (Att. 31)



IEVĒROJIET: Pārbaudiet, vai skrūves ir piemērotas jūsu sienas tipam.

- Lai saņemtu informāciju par pieejamiem jūsu izstrādājuma uzglabāšanas piederumiem, sazinieties ar Husqvarna apkopes dienesta pārstāvi.

Izstrādājuma novietošana uz uzglabāšanas āķa

- Uzkariniet piedziņas ierīci uz āķa, kā parādīts ilustrācijā. (Att. 32)

Lietošana

Darbības pārbaude pirms izstrādājuma lietošanas

1. Ar suku notīriet no izstrādājuma nefūrumus un nevēlamus materiālus.
2. Pievelciet visus uzgriežņus un skrūves.
3. Pārlicinieties, ka piederums ir pareizi pievienots.
4. Pārbaudiet, vai ir ieslēgta fiksācijas poga uz piedziņas mēlītes bloķētāja.
5. Pārlicinieties, ka pagarinātā kāta un pagriežamā elementa stiprinājuma ierīces ir fiksētā stāvoklī.
6. Pārbaudiet, vai piederums nav bojāts, piemēram, vai tajā nav plaisu. Ja piederums ir bojāts, nomainiet to.
7. Pārlicinieties, ka pārsegi ir pievienoti pareizi un nav bojāti.
8. Pārlicinieties, ka izstrādājums darbojas pareizi.

Akumulatoru savienošana ar izstrādājumu



BRĪDINĀJUMS: Izstrādājumā izmantojiet tikai POWER FOR ALL sistēmas P4A 18 V litija jonu akumulatorus.

1. Pārlicinieties, vai akumulators ir pilnībā uzlādēts.
2. Ievietojiet akumulatoru izstrādājuma akumulatora turētājā. Akumulatoram ir viegli jāiebidās turētājā, pretējā gadījumā tas nav uzstādīts pareizi. (Att. 33)
3. Pilnībā iebīdiēt akumulatoru akumulatora turētājā. Atskanot klikšķim, akumulators automātiski fiksējas.
4. Pārlicinieties, ka fiksators fiksējas pareizi.

Izstrādājuma iedarbināšana

1. Pabīdiēt uz priekšu piedziņas mēlītes bloķētāja fiksācijas pogu. (Att. 25)
2. Bīdiēt piedziņas mēlītes bloķētāju (A) no labās vai kreisās puses un turiet piedziņas mēlīti (B). (Att. 34)

Izstrādājuma izslēgšana

1. Atlaidiet piedziņas mēlīti.
2. Pabīdiēt piedziņas mēlītes fiksācijas pogu uz aizmuguri, lai fiksētu izstrādājumu.
3. Nospīdiēt akumulatora atbrīvošanas pogu un izvelciet akumulatoru. (Att. 35)
4. Ja nepieciešams, noņemiet piederumu no izstrādājuma.

Izstrādājuma leņķa regulēšana

Izstrādājumu var noregulēt 7 dažādos stāvokļos.



BRĪDINĀJUMS: Lietojot izstrādājumu, neregulējiet tā leņķi.

1. Apturiet dzīvzoga šķēres un izņemiet akumulatoru.
2. Cieši satveriet turētāju (A). (Att. 36)
3. Turiet nospīdiestu pagriežamo savienojumu (B).
4. Iestatiet turētāju pareizajā pozīcijā.
5. Atlaidiet pagriežamo savienojumu, lai fiksētu turētāju.
6. Pārvietojiet turētāju uz augšu un uz leju, līdz tas fiksējas pozīcijā.

Apkope

Ievads



BRĪDINĀJUMS: Pirms izstrādājuma apkopes veikšanas izlasiet un izprotiet sadaļu par drošības pasākumiem.



BRĪDINĀJUMS: Pirms veicat izstrādājuma apkopi, izņemiet akumulatoru.

Tehniskās apkopes grafiks

Zemāk redzamais ir izstrādājuma tehniskās apkopes darbību saraksts.

Tehniskā apkope	Pirms izmantošanas	Reizi nedēļā	Reizi mēnesī
Tīriet izstrādājuma ārējās daļas ar sausu drānu. Neizmantojiet ūdeni.	X		
Pārliedcinieties, ka ieslēgšanas mēlītes bloķētāja fiksēšanas poga darbojas pareizi un nav bojāta.	X		
Pārbaudiet, vai piedziņas mēlīte un tās bloķētājs darbojas pareizi no drošības viedokļa.	X		
Pārliedcinieties, ka visas vadības ierīces darbojas pareizi un nav bojātas.	X		
Rokturus uzturiet sausus un tīrus.	X		
Pārliedcinieties, vai skrūves un uzgriežņi ir stingri pievilkti.	X		
Pārbaudiet, vai darbojas akumulatora atbrīvošanas pogas uz akumulatora un vai tās fiksē akumulatoru izstrādājumā.	X		
Pārliedcinieties, vai akumulators nav bojāts.	X		
Pārliedcinieties, vai akumulators ir uzlādēts.	X		
Pārbaudiet, vai akumulatora lādētājs nav bojāts un darbojas pareizi.	X		
Pārbaudiet visus kabeļus un savienojumus. Nodrošiniet, lai tie būtu tīri un nebojāti.		X	
Pārbaudiet savienojumus starp akumulatoru un izstrādājumu.			X
Pārbaudiet savienojumu starp akumulatoru un akumulatora lādētāju.			X

Produkta, akumulatora un akumulatora lādētāja tīrīšana

1. Pēc lietošanas tīriet produktu ar sausu drānu.
2. Tīriet akumulatoru un akumulatora lādētāju ar sausu drānu. Akumulatora vadotnes sliedēm ir vienmēr jābūt tīrām.

3. Pārliedcinieties, vai akumulatora un akumulatora lādētāja spaiļes ir tīras, pirms akumulators tiek ievietots akumulatora lādētājā vai produktā.

Pārvadāšana, glabāšana un utilizēšana

Pārvadāšana un uzglabāšana

- Komplektācijā iekļautie litija jonu akumulatori atbilst bīstamo preču normatīvo aktu prasībām.
- Ievērojiet īpašās prasības, kas norādītas uz iepakojuma un uzlīmēm attiecībā uz komerciālu transportēšanu, kā arī trešo pušu un sūtīšanas aģentu prasības.
- Pirms nosūtāt izstrādājumu, konsultējieties ar bīstamo preču apstrādes speciālistu. Ievērojiet visus spēkā esošos valsts likumus.
- Kad ievietojat akumulatoru iepakojumā, uz atklātajiem kontaktiem uzlieciet līmlenti. Cieši ievietojiet akumulatoru iepakojumā, lai nepieļautu izkustēšanos.
- Transportēšanas vai uzglabāšanas nolūkos izņemiet akumulatoru.
- Novietojiet akumulatoru un akumulatora lādētāju sausā vietā, kuru neietekmē mitrums un sāls.
- Neglabājiet akumulatoru vietās, kur var rasties statiskā elektrība. Neglabājiet akumulatoru metāla kārbā.
- Novietojiet akumulatoru uzglabāšanai vietā, kur temperatūra ir diapazonā no -20 °C/-4 °F līdz +50 °C/122 °F un kas nav pakļauta tiešas saules gaismas ietekmei.
- Novietojiet lādētāju glabāšanai vietā, kur temperatūra ir diapazonā no 5 °C/41 °F līdz 45 °C/113 °F un ko neskar tieša saules gaisma.
- Izmantojiet akumulatora lādētāju tikai tad, ja apkārtējā temperatūra ir diapazonā no 0 °C/32 °F līdz 35 °C/95 °F.
- Novietojiet produktu uzglabāšanai vietā, kur temperatūra ir diapazonā no -40 °C / -40 °F līdz +60 °C / 140 °F.

- Pirms akumulatoru novietojat ilgstošai uzglabāšanai, uzlādējiet to par 30–50%.
- Novietojiet akumulatora lādētāju slēgtā un sausā vietā.
- Uzglabāšanas laikā neturiet akumulatoru lādētāja tuvumā. Neļaujiet bērniem un citām nepiederošām personām pieskarties aprīkojumam. Glabājiet aprīkojumu slēdzamā vietā.
- Notīriet izstrādājumu un veiciet pilnu apkopi, pirms novietojat to ilgstošai glabāšanai.
- Izmantojiet transportēšanas aizsargu uz izstrādājuma, lai novērstu traumas vai izstrādājuma bojājumus transportēšanas vai glabāšanas laikā.
- Transportēšanas laikā droši nostipriniet izstrādājumu.
- Novietojiet izstrādājumu uzglabāšanai horizontāli vai uzkariniet izstrādājumu uz komplektā iekļautā āķa. Skatiet šeit: *Izstrādājuma novietošana uz uzglabāšanas āķa lpp. 260.*

Akumulatora, akumulatoru lādētāja un ierīces utilizācija

Zemāk esošais simbols norāda, ka ierīce nav sadzīves atkritumi. Utilizējiet to elektrisko un elektronisko ierīču pārstrādes uzņēmumā. Tādējādi tiek samazināta kaitīgā ietekme uz vidi un cilvēkiem.

Plašāku informāciju vaicājiet pašvaldības iestādēm, sadzīves atkritumu apsaimniekotājam vai izplatītājam.

(Att. 18)

Piezīme: Simbols ir redzams aiz ierīces vai ierīces iepakojuma.

Tehniskie dati

Aspire Pole-P4A	
Svars	
Svars (tikai piedziņas ierīce), kg	1,5

Apstiprinātie akumulatori

Šo izstrādājumu var izmantot ar visiem **POWER FOR ALL** akumulatoriem.

Akumulators	P4A 18-B36	P4A 18-B45	P4A 18-B72
Tips	Litija jonu	Litija jonu	Litija jonu
Akumulatora ietilpība, Ah	2,0	2,5	4,0

Akumulators	P4A 18-B36	P4A 18-B45	P4A 18-B72
Nominālais spriegums, V	18	18	18
Svars, kg	0,35	0,35	0,65
Elementu skaits (litija jonu)	5	5	10

Apstiprinātie akumulatoru lādētāji

Akumulatora lādētājs	P4A 18-C50	P4A 18-C70
Ieejas spriegums, V	Skatiet lādētāja parametrus.	Skatiet lādētāja parametrus.
Frekvence, Hz	50–60	50–60
Jauda, W	50	70

Piederumi

Ierīces

Apstiprinātās ierīces	Tips	Izmanto ar
Krūmu šķēru piederums	Aspire S20-P4A	Aspire Pole-P4A
Zaru zāģa piederums	Aspire P5-P4A	Aspire Pole-P4A

Atbilstības deklarācija

ES atbilstības deklarācija

Mēs, **Husqvarna AB**, SE-561 82 Huskvarna, Zviedrija, tālr. +46-36-146500, ar pilnu atbildību apliecinām, ka šis izstrādājums:

Apraksts	Ar akumulatoru darbināma piedziņas ierīce
Zīmols	Husqvarna
Tips/modelis	Aspire Pole-P4A
Identifikācija	Ar sērijas numuriem no 2023 un turpmākiem sērijas numuriem

pilnībā atbilst šādām ES direktīvām un noteikumiem:

Direktīva/regula	Apraksts
2006/42/EK	"par mehānismiem"
2014/30/ES	"par elektromagnētisko savietojamību"
2011/65/ES	Par dažādu bīstamo vielu lietošanas ierobežojumiem elektriskajos un elektroniskajos aprīkojumos
2000/14/EK	"par trokšņa emisiju vidē"

un ir ievēroti zemāk norādītie saskaņotie standarti un/vai tehniskie dati: EN 62841-1:2015/A11:2022, EN 62841-4-2:2019/A1:2022, EN IEC 62841-4-5:2021/A11:2021, EN ISO 11680-1:2011, EN ISO 12100:2010, EN IEC 55014-1:2021, EN IEC 55014-2:2021, EN IEC 63000:2018.

DEKRA Testing and Certification GmbH,
Handwerkstraße 15, 70565 Stuttgart, Germany, 0158
brīvprātīgi veica EK tipa pārbaudi saskaņā ar Mašīnu
direktīvas (2006/42/EK) 12. panta 3.b punktu. EK tipa
pārbaudes sertifikāta numurs: 4815039.22006.

Piemērotā atbilstības izvērtēšanas procedūra saskaņā
ar direktīvas 2000/14/EK V pielikumu.

Ar piederumu Aspire P5-P4A kā zaru zāģis:

- Izmērītais skaņas jaudas līmenis: 88 dB (A)
- Garantētais skaņas jaudas līmenis: 91 dB (A)

Ar piederumu Aspire S20-P4A kā krūmu šķēres ar kātu:

- Izmērītais skaņas jaudas līmenis krūmu asmenim:
83 dB (A)
- Izmērītais skaņas jaudas līmenis zāles asmenim:
79 dB (A)
- Garantētais skaņas jaudas līmenis: 84 dB (A)

Huskvarna, 2023-10-30



Claes Losdal, izpētes un atbilstības nodaļas vadītājs,
Husqvarna AB

Atbildīgais par tehnisko dokumentāciju



Licences

Autortiesības © 2012–2020 STMicroelectronics

Garantija neattiecas uz bojājumiem, kas radušies parastas nolietošanās, pavisās lietošanas, nesankcionēta remonta dēļ vai pievienojot sūkšanas aparātu neatbilstoša sprieguma elektroīklam.

Visas tiesības aizsargātas.

Ir atļauta izplatīšana un izmantošana avota un binārās formās (ar modifikācijām vai bez tām), ja tiek ievēroti tālāk norādītie nosacījumi:

- Izplatītājā avota kodā ir jābūt ietvertam iepriekš redzamajam autortiesību paziņojumam, šim nosacījumu sarakstam un tālāk redzamajai atrunai.
- Dokumentācijā un/vai citos materiālos, kas tiek nodrošināti izplatīšanas rezultātā binārā formā, ir jābūt atspoguļotam iepriekš redzamajam autortiesību paziņojumam, šim nosacījumu sarakstam un tālāk redzamajai atrunai.
- Ja iepriekš nav saņemta konkrēta rakstiska atļauja, tad ne STMicroelectronics nosaukumu, ne arī šī uzņēmuma līdzstrādnieku nosaukumu nedrīkst izmantot, lai veicinātu vai reklamētu no šīs programmatūras atvasinātos produktus.

AUTORTIESĪBU TURĒTĀJI UN LĪDZSTRĀDNIEKI NODROŠINA ŠO PROGRAMMATŪRU "TĀDU, KĀDA TĀ IR", UN NETIEK IETVERTAS NEKĀDAS IZTEIKTAS VAI IETVERTAS GARANTIJAS, TOSTARP (BET NE TIKAI) IETVERTĀ GARANTIJA ATTIECĪBĀ UZ PĀRDODAMĪBU VAI PIEMĒROTĪBU KONKRĒTAM MĒRĶIM. AUTORTIESĪBU TURĒTĀJI UN LĪDZSTRĀDNIEKI NEKĀDĀ GADĪJUMĀ NEATBILD PAR JEBKĀDIEM TIEŠIEM, NETIEŠIEM, NEJAUŠIEM, SPECĪĻIEM, PAMĀCOŠIEM VAI IZRIETOŠIEM ZAUDĒJUMIEM (IESKAITOT, BET NEAPROBEŽOJOTIES AR AIZSTĀJOŠU PREČU VAI PAKALPOJUMU NODROŠINĀŠANU, LIETOJAMĪBAS, DATU VAI PEĻNAS ZUDUMU, KĀ ARĪ UZŅĒMĒJDARBĪBAS PĀRTRAUKŠANU), LAI KĀ ARĪ TIE NETIKTU IZRAISĪTI, KĀ ARĪ JEBKUROŠ ATBILDĪBAS PIENĒMUMOS, VAI TAS BŪTU SASKAŅĀ AR LĪGUMU, NOTEIKTU ATBILDĪBU VAI CIVILTIESĪBĀM (IESKAITOT NOLAIDĪBU UN CITUS IEMESĻUS), KAS RODAS JEBKĀDĀ VEIDĀ, IZMANTOJOT ŠO PROGRAMMATŪRU, PAT TAD, JA TĪKA SNIEGTA INFORMĀCIJA PAR ŠĀDU ZAUDĒJUMU RAŠANĀS IESPĒJAMĪBU.

Apache 2.0 licence

Copyright © 2009–2019 Arm Limited. Visas tiesības aizsargātas.

Versija 2.0, 2004. gada janvāris <http://www.apache.org/licenses/>

NOTEIKUMI UN NOSACĪJUMI ATTIECĪBĀ UZ LIETOŠANU, REPRODUKČĒŠANU UN IZPLATĪŠANU

1. Definīcijas

"**Licence**" nozīmē noteikumus un nosacījumus attiecībā uz lietošanu, reproducēšanu un izplatīšanu, kā noteikts šī dokumenta 1.–9. punktā. "**Licenciārs**" ir autortiesību īpašnieks vai uzņēmums, ko autortiesību īpašnieks pilnvarojis, kas izsniedz licenci. "**Juridiskā persona**" nozīmē personu kopumu, kas veic darbības, un visas citas personas, kas kontrolē personu, kuras persona kontrolē vai kas atrodas kopējā kontrolē. Šīs definīcijas ietvaros "**kontrolē**" nozīmē (i) tiešs vai netiešs pilnvarojums ietekmēt šādas juridiskās personas pārvaldību līguma veidā vai kā citādi, (ii) vismaz piecdesmit procenti (50%) īpašumā esošu apgrozījumā esošu akciju vai (iii) vai faktiskas īpašumtiesības uz šādu juridisku personu. "**Jūs**" (vai "**Jūsu**") nozīmē fizisku vai Juridisku personu, kas izmanto ar šo licenci piešķirtās tiesības. "**Avota**" forma nozīmē izvēlēta forma modifikāciju veikšanai, tostarp (bet ne tikai) programmatūras avota kods, dokumentācijas avots un konfigurācijas faili. "**Objekta**" forma nozīmē jebkāda veida formu, kas iegūta, mehāniski pārveidojot vai tulkojot Avota formu, tostarp (bet ne tikai) apkopoto objekta kodu, ģenerēto dokumentāciju un pārveidojumus citos multivides veidos. "**Darbs**" nozīmē autortiesību darbu gan Avota, gan Objekta formā, kas tiek nodrošināts ar Licenci, kā norādīts autortiesību paziņojumā, kas ir ietverts darbā vai tam pievienots (piemērs ir sniegts tālāk Pielikumā). "**Atvasināti darbi**" nozīmē jebkāda veida darbu Avota vai Objekta formā, kura pamatā ir Darbs, vai kas to tā ir atvasināts, un kurā redaktora pārskatī, anotācijas, papildinājumi vai citas modifikācijas kopumā veido oriģinālo autortiesību darbu. Šīs Licences ietvaros Atvasinātie darbi nav darbi, kas paliek atdalāmi vai ir tikai piesaistīti (vai saistīti ar nosaukumu) ar Darba vai no tā Atvasināto darbu saskarnēm. "**Ieguldījums**" nozīmē jebkādu autortiesību darbu, tostarp Darba sākotnējo versiju un jebkādas Darba vai tā Atvasināto darbu modifikācijas vai papildinājumus, ko autortiesību īpašnieks, fiziska persona vai Juridiskā persona, ko autortiesību īpašnieks pilnvarojis iesniegt autortiesību īpašnieka vārdā, apzināti iesniedz Licenciāram iekļaušanai Darbā. Šīs definīcijas ietvaros "**iesniegt**" nozīmē jebkāda veida elektronisku, verbālu vai rakstisku komunikāciju, kas nosūtīta Licenciāram vai tā pārstāvjiem, tostarp (bet ne tikai) komunikācija elektroniskajos pasta sūtīšanas sarakstos, avota koda kontroles sistēmās un problēmu izsekošanas sistēmās, ko pārvalda Licenciārs vai kāds cita viņa vārdā ar mērķi pārrunāt un uzlabot Darbu, bet neietverot komunikāciju, kas ir marķēta kā aizdomīga vai arī, ja autortiesību īpašnieks to kā citādi rakstiski apzīmējis kā "**Nav ieguldījums**". "**Ieguldītājs**" ir Licenciārs vai jebkura fiziska vai Juridiska persona, kuras vārdā Licenciārs ir saņēmis ieguldījumu un pēc tam inkorporējis to Darbā.

2. Autortiesību Licences piešķiršana.

Saskaņā ar šīs Licences noteikumiem un nosacījumiem ar šo katrs ieguldītājs Jums piešķir beztermiņa neekskluzīvu, neatsaucamu autortiesību licenci, kas

darbojas visā pasaulē un tiek piešķirta bez maksas un autoratļauzības; licence ļauj reproducēt, sagatavot Atvasinātus darbus, publiski attēlot, publiski uzstāties, izdot apakšlicences un izplatīt Darbu un šādu Atvasinātus darbus Avota vai Objekta formā.

3. Patenta Licences piešķiršana.

Saskaņā ar šīs Licences noteikumiem un nosacījumiem ar šo katrs leguldītājs Jums piešķir beztermiņa neekskluzīvu, neatsaucamu (izņemot šajā sadaļā norādītos nosacījumus) patenta licenci, kas darbojas visā pasaulē un tiek piešķirta bez maksas un autoratļauzības; šī licence ļauj izgatavot (tagadnē un pagātnē), izmantot, piedāvāt tirdzniecībā, pārdot, importēt un citādā veidā nodot Darbu, ja šāda licence attiecas tikai uz tādām patentu prasībām, kurām Licences var piešķirt leguldītājs, kuras nenovēršami pārķāpj tikai savu(-s) leguldījumu(-s) vai savu(-us) leguldījumu(-us) kombināciju ar Darbu, kuram šāds(-i) leguldījums(-i) tika iesniegts(-i). Ja Jūs uzsākat patenta strīda tiesvedību pret kādu personu (ietverot pretraspību vai papildu pretraspības tiesas prāvā) apgalvojot, ka Darbs vai Darbā ietvertais leguldījums ir tiešs vai ietverts patenta pārķāpums, tad visas patenta licences, kas Jums piešķirtas šīs Licences ietvaros šim Darbam, zaudē spēku ar dienu, kad šāda tiesvedība tiek reģistrēta.

4. Tālāka izplatīšana.

Jūs drīkstat reproducēt un izplatīt Darba vai Atvasināto darbu kopijas jebkāda veida multivīdē, ar modifikācijām vai bez, Avota vai Objekta formā, ja vien tiek ievēroti tālāk norādītie nosacījumi:

- Jums jānodod šīs Licences kopija visiem citiem Darba vai Atvasināto darbu saņēmējiem;
- Jums jānodrošina, lai visos modificētajos failos būtu ietvertas skaidras norādes par to, ka Jūs veicāt izmaiņas failos; un – Jums Avota formā jā saglabā visi Atvasinātie darbi, kurus Jūs izplatāt, visi autoritātes, patenta, prečmērījumu un attiecinājuma paziņojumi no Darba Avota formas, izņemot tos paziņojumus, kas neattiecas ne uz vienu Atvasinātā darba daļu;
- Ja Darbā kā daļa no tā izplatīšanas ir ietverts teksta fails "**NOTICE**" (Paziņojums), tad jebkādos Jūsu izplatītajos Atvasinātajos darbos ir jābūt ietvertai šādā NOTICE failā ietvertu attiecinājuma paziņojumu lasāmai kopijai, izņemot paziņojumus, kas neattiecas ne uz vienu Atvasinātā darba daļu; tai jābūt vismaz vienā no šādām vietām: pašā NOTICE teksta failā, kas tiek izplatīts kā daļa no Atvasinātajiem darbiem; Avota formā vai dokumentācijā, ja tā tiek nodrošināta kopā ar Atvasinātajiem darbiem; vai arī displeja ietvaros, ko ģenerē Atvasinātie darbi, ja un kur šādi trešo pušu paziņojumi parasti parādās. NOTICE faila saturs ir paredzēts tikai informācijas nolūkiem, un tas nemođificē Licenci. Jūs savos izplatītajos Atvasinātajos darbos varat pievienot savus attiecinājuma paziņojumus, ietverot tos Darba NOTICE tekstā vai papildinot to, ar nosacījumu, ka šādu papildu attiecinājuma paziņojumus nevar

uzskatīt par Licences modifikāciju. Jūs savām modifikācijām varat pievienot savu autoritātes apliecinājumu, un Jūs varat sniegt papildu vai atsevišķus licences noteikumus un nosacījumus attiecībā uz lietošanu, reproducēšanu vai izplatīšanu Jūsu modifikācijām vai jebkāda veida šādiem Atvasinātiem darbiem kopumā, ar nosacījumu, ka Jūs veicat Darba izmantošanu, reproducēšanu un izplatīšanu saskaņā ar šīs Licences noteikumiem.

5. leguldījumu iesniegšana.

Ja vien Jūs skaidri nenorādāt citādi, uz jebkāda veida leguldījumu, kas apzināti ir iesniegts, lai Jūs vai Licenciārs to iekļautu Darbā, attiecas šīs Licences noteikumi un nosacījumi bez papildu noteikumiem un nosacījumiem. Neatkarīgi no iepriekš izklāstītā, attiecībā uz šāda veida leguldījumiem nekas šajā dokumentā neatceļ un nemođificē jebkāda atsevišķa licences līguma noteikumus, ko esat noslēdzis ar Licenciāru.

6. Preču zīmes.

Šī Licence nedod tiesības izmantot Licenciāra tirdzniecības nosaukumus, preču zīmes, pakalpojuma zīmes vai produktu nosaukumus, izņemot, cik tas nepieciešams atbilstoši un ierastai lietošanai, aprakstot Darba izcelsmi un reproducējot NOTICE faila saturu.

7. Garantijas atruna

Izņemot gadījumus, ja šāda prasība ir noteikta piemērojamajā likumdošanā vai par to pastāv rakstiska vienošanās, Licenciārs nodrošina Darbu (un katrs leguldītājs nodrošina savu leguldījumu) "TĀDU, KĀDS TAS IR", NENODROŠINOT NEKĀDA VEIDA GARANTIJAS VAI NOSACĪJUMUS, ne tiešus, ne netiešus, tostarp, bez ierobežojuma, nekādas garantijas vai nosacījumu attiecībā uz NOSAUKUMU, TIESĪBU NEAIZSKARŠANU, PIEMĒROTĪBU PĀRDOŠANAI vai ATBILSTĪBU NOTEIKTAM MĒRĪTAM. Jūs esat pilnībā atbildīgs par to, lai noteiktu Darba piemērotību izmantošanai vai izplatīšanai, un pilnībā uzņematies riskus saistībā ar to, kā Jūs izmantojat atļaujas šīs Licences ietvaros. 8. Atbildības ierobežojums. Nekādā gadījumā un nekādos atbildības pieņēmumos, vai tas būtu saistībā ar civiltiesībām (tostarp nevērību), saskaņā ar līgumu vai kā citādi, izņemot, ja tāda prasība noteikta piemērojamajā likumdošanā (piem., apzināta un rupji nolaidīga rīcība) vai par to ir rakstiska vienošanās, neviena leguldītājs nav atbildīgs attiecībā pret Jums par bojājumiem, tostarp jebkāda veida tiešiem, netiešiem, īpašiem, nejausiem vai izrietošiem bojājumiem, kas radušies šīs Licences rezultātā, Darba izmantošanas rezultātā vai tāpēc, ka Darbu nebija iespējams izmantot (tostarp (bet ne tikai) par bojājumiem saistībā ar nemateriālajiem zaudējumiem, darba pārtraukumiem, datoru atteici vai darbības traucējumiem, vai kāds vai visi no komerciāliem nodarījumiem vai zaudējumiem) pat tad, ja leguldītājs tika brīdināts par šādu bojājumu iespējamību.

9. Garantijas vai papildu atbildības apstiprināšana.

Kad Jūs izplatāt Darbu vai tā Atvasinātos darbus, Jūs varat izvēlēties piedāvāt un iekasēt maksu par atbalsta pieņemšanu, garantiju, atbrīvošanu no atbildības vai citām garantijas saistībām un/vai tiesībām saskaņā ar šo Licenci. Tomēr, pieņemot šādas saistības, Jūs varat rīkoties tikai savā vārdā un, pilnībā uzņemoties atbildību, nevis, pārstāvēt kādu citu leguldītāju, turklāt tikai tādā

gadījumā, ja Jūs piekrītat aizsargāt katru leguldītāju, nodrošinot atbildzinājumu un pasargājot leguldītāju no garantijām un prasībām, kas leguldītajam radušās jo Jūs esat uzņēmies jebkādu šādu garantiju vai papildu atbildību. NOTEIKUMU UN NOSACĪJUMU BEIGAS

TURINYS

Įvadas.....	267	Transportavimas, saugojimas ir utilizavimas.....	276
Sauga.....	268	Techniniai duomenys.....	277
Surinkimas.....	274	Priedai.....	278
Naudojimas.....	275	Atitikties deklaracija.....	279
Techninė priežiūra.....	275	Licencijos.....	280

Įvadas

Gaminio aprašas

Husqvarna Aspire Pole-P4A yra akumulatorinis maitinimo blokas su teleskopine funkcija.

Gaminio apžvalga

(Pav. 1)

1. Pasukama jungtis
2. Priedo fiksavimo rankenėlė
3. Teleskopinės funkcijos svirtis
4. Velenas
5. Minkšta mova
6. Diržo kablys
7. Maitinimo jungiklio fiksatoriaus užrakto mygtukas
8. Galinė rankena
9. Maitinimo jungiklio fiksatorius
10. Maitinimo jungiklis
11. Naudojimo instrukcija
12. Akumulatoriaus nuėmimo mygtukas
13. Akumulatoriaus įkroviklis
14. Maitinimo ir įspėjamasis indikatorius
15. Jungtis
16. Laikymo kablys, varžtai ir sieniniai kaiščiai

Simboliai ant gaminio

- (Pav. 2) ĮSPĖJIMAS. Šis gaminys gali būti pavojingas ir rimtai sužeisti arba prажудyti naudotoją arba aplinkinius. Būkite atsargūs ir tinkamai naudokite gaminį.
- (Pav. 3) Prieš naudodami gaminį atidžiai perskaitykite naudojimo instrukciją ir įsitikinkite, kad instrukcijas suprantate.

Numatytasis naudojimas

Šis maitinimo blokas veikia tik su patvirtintais priedais, kuriuos rasite *Priedai psl. 278*. Būtinai perskaitykite šį vadovą kartu su patvirtintu naudojimo vadovu.

- (Pav. 4) Vietose, kur ant jūsų gali užkristi daiktų, dėvėkite apsauginį šalmą. Naudokite patvirtintas apsaugines ausines (tik Aspire P5-P4A + Aspire Pole-P4A). Naudokite patvirtintas akių apsaugos priemonės.
- (Pav. 5) Naudokite patvirtintas apsaugines pirštines.
- (Pav. 6) Avėkite patvarius, neslystančius batus. (Taikoma tik Aspire P5-P4A + Aspire Pole-P4A)
- (Pav. 7) Nuolatinė srovė.
- (Pav. 8) Vardinė įtampa, V
- (Pav. 9) Nepalikite lietuje.
- (Pav. 10) Sužeidimų pavojus. Laikykite rankas atokiai nuo pjovimo įrankio.
- (Pav. 11) Šis gaminys atitinka taikomas ES direktyvas.
- (Pav. 12) Šis gaminys atitinka taikytinų JK reglamentų nuostatas.
- (Pav. 13) Gaminys ar gaminio pakuotė nepriskiriami buitiniams atliekoms. Nuvežkite jį į elektros ir elektronikos įrenginių perdirbimo punktą.

(Pav. 16)

PAVOJUS – nesiartinkite pernelyg arti prie elektros linijų.

(Pav. 17)

Lazeriu įspaustoje vardinėje parametų plokštelėje nurodytas serijos numeris. **yyyy** yra pagaminimo metai, o **ww** yra pagaminimo savaitė.

Pasižymėkite: Kiti ant įrenginio pateikti simboliai (lipdukai) skirti specialiems kai kurių rinkų sertifikavimo reikalavimams.

Simboliai ant akumulatoriaus ir (ar) akumulatoriaus įkroviklio

(Pav. 18) Nuvežkite šį gaminį į elektros ir elektronikos įrenginių perdirbimo punktą. (galioja tik Europoje)

(Pav. 19) Akumuliatorių naudokite tik POWER FOR ALL sistemos partnerių gaminiuose.

(Pav. 20) Saugokite akumuliatorių nuo šilumos, pvz., nuo ilgalaikio buvimo intensyvioje saulės šviesoje, ugnies, nešvarumų, vandens ir drėgmės. Akumuliatorius gali sprogti arba įvykti trumpasis jungimas.

(Pav. 21)

(Pav. 14) Akumulatoriaus įkroviklį naudokite ir laikykite tik uždarose patalpose.

(Pav. 15) Dviguba izoliacija.

Produkto pažeidimai

Mes neatsakome už mūsų gaminio sugadinimą, jei:

- gaminys netinkamai suremontuotas;
- gaminys suremontuotas naudojant kito gamintojo arba gamintojo nepatvirtintas dalis;
- gaminys turi kito gamintojo arba gamintojo nepatvirtintą priedą;
- gaminys suremontuotas ne patvirtintame techninės priežiūros centre arba jį suremontavo ne patvirtintas atstovas.

Gamintojas

Husqvarna AB

Drottninggatan 2, SE-561 82 Huskvarna, Sweden, tel: +46-36-146 500

Sauga

Saugos ženklų reikšmės

Įspėjimai, perspėjimai ir pastabos yra skirtos atkreipti dėmesį į ypač svarbias vadovo dalis.



PERSPĖJIMAS: Naudojamas, kai naudotojui ar šalia esantiems asmenims kyla mirtino arba sunkaus sužeidimo pavojus arba, jei nesilaikoma vadove pateiktų nurodymų.



PASTABA: Naudojamas, kai kyla pavojus sugadinti gaminį, kitas medžiagas arba padaryti žalą aplinkai, jei nesilaikoma vadove pateiktų nurodymų.

Pasižymėkite: Naudojamas papildomai informacijai apie konkrečią situaciją pateikti.

Bendrieji saugos įspėjimai naudojant elektros įrankius



PERSPĖJIMAS: Būtina perskaitykite patvirtinto priedo vadovą kartu su šio maitinimo bloko vadovu.



PERSPĖJIMAS: Perskaitykite visus saugos nurodymus, instrukcijas, iliustracijas ir specifikacijas, pateikiamas su šiuo elektriniu įrankiu. Nesilaikydami toliau nurodytų instrukcijų galite sukelti gaisrą, gauti elektros smūgį ir (ar) rimtai susižeisti.

Pasižymėkite: Saugokite visus įspėjimus ir instrukcijas, nes jų gali prireikti vėliau. Terminas „elektros įrankis“ įspėjimuose reiškia iš elektros tinklo maitinamą (laidinį) elektros įrankį arba akumuliatoriumi maitinamą (belaidį) elektros įrankį.

Sauga darbo vietoje

- **Darbo vieta turi būti švari ir gerai apšviesta.** Netvarkingose arba tamsiose darbo vietose dažnai įvyksta nelaimės.
- **Nenaudokite elektros įrankių sprogiose aplinkose, pavyzdžiui, ten, kur yra lengvai užsidegančių skysčių, dujų arba dulkių.** Elektros įrankiai kibirkščiuoja, todėl gali užsiliepsnoti dulkės arba garai.
- **Naudodami elektros įrankį, neleiskite arti būti vaikams ir pašaliniam asmeniui.** Išsiblaškę galite prarasti įrenginio kontrolę.

Elektrosauga

- **Elektrinių įrankių kištukai turi atitikti elektros lizdus.** Niekada nebandykite kokiu nors būdu perdaryti kištuko. Jei naudojate įžemintus elektros įrankius, nenaudokite jokių kištukų adapterių. Jeigu kištukai nėra perdaryti ir atitinka elektros lizdus, elektros smūgio pavojus yra mažesnis.
- **Nesilieskite prie elektros laidininkų paviršių, pavyzdžiui, vamzdžių, radiatorių, viryklių ir šaldytuvų.** Jei kūnas taps elektros laidininku, iškils elektros smūgio pavojus.
- **Nelaikykite elektrinių įrankių lietuje arba drėgnoje aplinkoje.** Į elektrinį įrenginį patekęs vanduo padidina elektros smūgio pavojų.
- **Tinkamai naudokite laidą.** Niekada neneškite įrankio laikydami už laido, netraukite jo ir nebandykite traukdamas už jo ištraukti elektrinio įrankio kištuką. Laikykite laidą atokiai nuo šilumos šaltinių, tepalų, aštrių briaunų ar judančių dalių. Dėl pažeistų arba susipainiojusių laidų padidėja elektros smūgio rizika.
- **Jei elektrinį įrankį naudojate lauke, naudokite lauke skirtą naudoti ilgutuvą.** Naudojant lauke skirtą naudoti ilgutuvą, sumažėja elektros smūgio rizika.
- **Jeigu elektrinį įrankį būtina naudoti drėgnoje aplinkoje, naudokite liekamosios srovės [taisu (LSI)] apsaugotą maitinimo šaltinį.** Naudojant LSI, sumažėja elektros smūgio pavojus.

Asmens sauga

- **Naudodami elektros įrankį, būkite budrūs, stebėkite savo veiksmus ir vadovaukitės sveiku protu.** Nenaudokite elektros įrankio, jei esate pavargę, apsvaigę nuo narkotikų, alkoholio arba vaistų. Dirbant elektros įrankiais netgi akimirksnis neatidumo gali būti sunkaus susižalojimo priežastimi.
- **Naudokite asmenines apsaugines priemones.** Visuomet užsidėkite akių apsaugos priemones. Dėl atitinkamomis sąlygomis naudojamų apsauginių priemonių, pavyzdžiui, respiratorių, neslystančių apsauginių batų, šalmo arba apsauginių ausinių, sumažėja sužeidimų rizika.
- **Saugokitės atsitiktinio įsijungimo.** Prieš prijungdami įrenginį prie maitinimo šaltinio ir (arba) akumuliatorių bloko, paimdami arba nešdami įrenginį, įsitikinkite, kad jungiklis yra išjungimo padėtyje. Jei nešite elektros įrankį laikydami pirštą ant jungiklio ar

prijungsite jį prie maitinimo šaltinio, kai jungiklis yra įjungimo padėtyje, gali įvykti nelaimingas atsitikimas.

- **Prieš jungdami elektros įrankį, pašalinkite iš jo visus reguliavimo raktus ar veržliarakčius.** Besisukančioje elektros įrankio dalyje paliktas veržliaraktis arba raktas gali sužeisti.
- **Neužsimokite per plačiai.** Visada tvirtai stovėkite ant kojų ir laikykite pusiausvyrą. Tokiu būdu geriau kontroliuosite elektros įrankį netikėtose situacijose.
- **Apsirenkite tinkamai.** Niekada nedėvėkite palaidų drabužių ar papuošalų. Nelaikykite plaukų ir drabužių arti judančių dalių. Palaidi drabužiai, papuošalai arba ilgi plaukai gali įkliūti į judančias dalis.
- **Jeigu naudojate įtaisus, skirtus dulkių surinkimo įrenginiams prijungti, įsitikinkite, kad jie tinkamai prijungti ir naudojami.** Naudojant dulkių surinkimo įrenginius, sumažėja su dulėmis susijusių pavojų rizika.
- **Įgudę naudotis įrankiais ir prie jų pripratę nenustokite paisyti įrankių saugos principų.** Neatidžiai veikiant per sekundės dalis galima patirti sunkių sužalojimų.
- **Pavojinga! Nedirbkite arti elektros energijos linijų.** Įrenginys nesukurtas taip, kad apsaugotų nuo elektros smūgio, jei įvyktų sąlytis su virš galvos esančiomis elektros linijomis. Peržiūrėję vietines taisykles sužinokite, koks yra saugus atstumas nuo virš galvos esančių elektros linijų, ir prieš padėdami naudoti gaminį įsitikinkite, kad darbinė padėtis yra saugi.

Elektros įrankių naudojimas ir priežiūra

- **Dirbdami su elektros įrankiu nenaudokite jėgos.** Naudokite savo darbui tinkamą elektros įrankį. Naudojant tam tikslui skirtą elektros įrankį, darbas bus atliktas saugiau ir greičiau.
- **Jeigu paspaudus jungiklį elektros įrankis neįsijungia arba neišsijungia, nenaudokite įrankio.** Elektros įrankis, kurio nepavyksta tinkamai valdyti jungikliu, kelia pavojų ir turi būti taisomas.
- **Prieš reguliuodami elektros įrankius, keisdami priedus arba padėdami saugoti, ištraukite maitinimo laido kištuką iš elektros lizdo ir (arba) išimkite akumuliatorių bloką, jei jį galima išimti.** Laikantis šių prevencinės apsaugos priemonių, sumažėja netyčinio elektros įrankio įjungimo rizika.
- **Nenaudojamus elektros įrankius laikykite vaikams nepasiekiamoje vietoje ir neleiskite naudoti elektros įrankio asmenims, kurie nemoka juo naudotis arba nėra susipažinę su šiomis instrukcijomis.** Nekvalifikuotų naudotojų rankose elektros įrankiai yra pavojingi.
- **Pržiūrėkite elektrinius įrankius ir priedus.** Patikrinkite, ar sureguliuotos ir nestringa judančios dalys, ar nėra sulūžusių dalių ir kitų veiksmų, kurie gali daryti įtaką elektros įrankio veikimui. Prieš naudojant, sugedusį elektros įrankį reikia sutaisyti. Daug nelaimingų atsitikimų įvyksta dėl netinkamai prižiūrimų elektros įrankių.
- **Pjovimo įrankiai turi būti pagalšti ir švarūs.** Tinkamai prižiūrėti pjovimo įrankiai su aštriomis

pjovimo briaunomis rečiau užstringa ir juos paprasčiau valdyti.

- **Elektros įrankius, priedus, įrankių galąstuvus ir pan. naudokite taip, kaip nurodyta šiose instrukcijose, atsižvelgdami į darbo sąlygas ir atliekamą darbą.** Naudojami elektros įrankį ne pagal paskirtį, galite sukelti pavojingą situaciją.
- **Rankenos ir laikomieji paviršiai visuomet turi būti sausi ir švarūs (neištepti alyva ar tepalais).** Slidžios rankenos ir laikymosi paviršiai neleidžia saugiai valdyti ir kontroliuoti netikėtose situacijose.

Akumuliatorių įrankių naudojimas ir priežiūra

- **Akumulatorius kraukite tik gamintojo nurodytu įkrovikliu.** Įkroviklis, tinkamas vienam akumuliatorių blokui, gali sukelti gaisro pavojų, naudojamas kitam akumuliatorių blokui įkrauti.
- **Elektros įrankius naudokite tik su jiems skirtais akumuliatorių blokais.** Naudojant bet kokį kitą akumuliatorių bloką kyla sužeidimo ir gaisro pavojus.
- **Nenaudojamą akumuliatorių bloką laikykite toliau nuo metalinių daiktų, galinčių sukurti jungtį tarp gnybtų, pavyzdžiui sąvaržėlių, monetų, raktų, vinių, varžtų ir kitų smulkių metalinių daiktų.** Trumpai sujungus akumuliatoriaus gnybtus gali kilti gaisras arba galite nudegti.
- **Esant nepalankioms sąlygoms, iš akumuliatoriaus gali imti tekėti skystis. Nelieskite jo. Ant odos netyčia patekusį skystį nuplaukite vandeniu. Skysčiu patekusį į akis kreipkitės medicininės pagalbos. Iš akumuliatoriaus ištekėjęs skystis gali sudirginti arba nudeginti.**
- **Nenaudokite pažeisto arba modifikuoto akumuliatorių bloko arba įrankio.** Naudojant pažeistus ar modifikuotus akumuliatorius, jų veikimas gali būti neprognozuojamas ir jie gali sukelti gaisrą, sprogingą ar sužaloti.
- **Saugokite akumuliatorių bloką arba įrankį nuo ugnies ir didelės temperatūros.** Sąlytis su ugnimi arba 130 °C (266 °F) temperatūra gali sukelti sprogingą.
- **Laikykites visų įkrovimo nurodymų ir neįkraukite akumuliatorių bloko ar įrankio, esant nurodytame diapazone neišsitenkančiai temperatūrai.** Netinkamai įkraunant arba esant nurodytame diapazone neišsitenkančiai temperatūrai gali būti pažeistas akumuliatorius ir padidėti gaisro tikimybė.

Techninė priežiūra

- **Elektros įrankio techninę priežiūrą privalo atlikti kvalifikuotas remonto specialistas, naudodamas tik tokias pačias pakaitines dalis.** Tokiu būdu bus užtikrinta elektros įrankio sauga.
- **Niekada neapžiūrėkite pažeistų akumuliatorių blokų.** Akumuliatorių blokų techninę priežiūrą gali atlikti tik gamintojas arba įgalioti paslaugų teikėjai.

Kita pagrindinė saugos informacija

- Papildomų konkrečių saugos taisyklių aprašymą rasite atitinkamo priedo naudojimo instrukcijoje.

- Išjunkite gaminį prieš perkeldami jį į kitą vietą. Perduodami gaminį kitam asmeniui visuomet nuimkite akumuliatorių.
- Jokiu būdu nedėkite gaminio ant žemės, jei jis nėra išjungtas ir nenuimtas akumuliatorius. Nepalikite gaminio be priežiūros, kai jis įjungtas.
- Išjungus gaminį pjovimo prietaisais sustoja ne iš karto.
- Prieš naudodami gaminį po bet kokio sutrenkimo, patikrinkite, ar nėra nusidėvėjimo ar pažeidimo požymių ir, jei reikia, pataisykite.
- Jei naudojant gaminį į pjovimo įtaisą patenka objektų ir jie stringa, sustabdykite ir išjunkite gaminį. Įsitinkite, kad pjovimo įtaisas visiškai sustojo. Prieš valydami, apžiūrėdami ar taisydami gaminį ir (arba) pjovimo įtaisą, nuimkite akumuliatorių.
- Prieš darbą atlikite produkto patikrą. Žr. *Gaminio apsauginės priemonės psl. 272 ir Techninė priežiūra psl. 275.* Sugadinto gaminio nenaudokite. Atlikite šiame vadove nurodytas saugos patikras, techninės priežiūros ir aptarnavimo procedūras.
- Netvarkingas ar sugedęs pjovimo įtaisas gali padidinti nelaimingų atsitikimų kilimo riziką.
- Užtikrinkite, kad ventiliacijos angos visuomet būtų apsaugotos nuo šiukšlių.
- Patikrinkite, ar gaminys yra nepriekaištingos darbinės būklės. Patikrinkite, ar visos veržlės ir varžtai yra priveržti.
- Šis gaminys gali būti pavojingas, jei būsute neatsargūs arba gaminį naudosite netinkamai. Šis gaminys gali rimtai sužeisti arba pražudyti operatorių arba aplinkinius.
- Šis prietaisas neskirtas naudoti asmenims (tarp jų ir vaikams) su ribotais fiziniais, jutimaisiais ar protiniais gebėjimais, neturinčiais patirties ar žinių, nebent asmuo, atsakingas už jų saugą, pateikė atitinkamas instrukcijas. Žiūrėkite, kad su prietaisu nežaistų vaikai.
- Niekada neleiskite vaikams naudoti įrenginį ar būti arti jo. Kadangi įrenginį užvesti labai paprasta, neprižiūrimi vaikai gali lengvai tai padaryti. Tai reiškia, kad iškyla pavojus sunkiai susižeisti. Paliekant įrenginį be priežiūros, prieš tai būtina atjungti akumuliatorių.
- Niekumet neleiskite vaikams ar kitiems asmenims, neapmokytiems naudotis gaminiumi ir / arba akumuliatoriumi, jais naudotis ar atlikti techninę priežiūrą.
- Įrangą laikykite rakinamoje patalpoje, kur jos nepasieks vaikai ir pašaliniai asmenys.
- Saugant ir gabenant visada privaloma naudoti gabenimo apsaugą.
- Rankas ir pėdas visuomet laikykite atokiau nuo pjovimo srities, ypač įjungdami variklį.
- Išjungę gaminį, rankas ir pėdas laikykite atokiau nuo pjovimo įtaiso, kol jis visiškai sustoja.
- Kai įrenginys įjungtas arba sukantis pjovimo įtaisui patys nemėginkite ir kitiems asmenims neleiskite

pašalinti nupjautos medžiagos, nes galima sunkiai susižeisti.

- Atminkite, kad Jūs, operatorius, atsakote už tai, kad nekiltų pavojus žmonėms ir jų nuosavybei.
- Be gamintojo leidimo jokiu atveju negalima keisti originalios gaminio konstrukcijos. Būtinai naudokite originalias atsargines dalis. Nesuderinti konstrukcijos pakeitimai bei nepritaikytos detalės gali sukelti rimtus kūno sužalojimus ir net mirtį. Žalai, patirtai dėl neigaliųjų priedų ar atsarginių dalių naudojimo, gali būti netaikoma garantija.
- Su gaminiu galite naudoti tik rekomenduojamus pjovimo įtaisus, kurie nurodyti skyriuje „Priedai“.
- Niekada nenaudokite gaminio, kurio konstrukcija yra pakeista ir neatitinka gamyklinių standartų.
- Niekada nenaudokite techniškai netvarkingo gaminio. Vykdykite šioje instrukcijoje nurodytas tikrinimo, techninės priežiūros ir remonto procedūras. Kai kuriuos techninės priežiūros darbus gali atlikti tik apmokyti ir kvalifikuoti specialistai. Žr. *Techninė priežiūra psl. 275*.
- Darbas blogu oru vargina ir dažnai padidina pavojaus riziką. Dėl didesnio pavojaus, nerekomenduojama naudoti įrenginio labai blogu oru, pavyzdžiui, kai yra didelis rūkas, smarkus lietus, stiprus vėjas, didelis šaltis, žaibo pavojus ir pan.
- Niekada nedirbkite stovėdami ant kopėčių, suoliuko ar kito netvirtai pakelto pagrindo.
- Išjungtus prietaisus laikykite patalpoje – nenaudojami prietaisai turi būti laikomi patalpoje.
- Neįmanoma numatyti visų situacijų, kurios gali iškilti. Visada elkitės atsargiai ir vadovaukitės sveiku protu. Neapsiimkite atlikti darbų, kuriems nesate pakankamai kvalifikuotas. Jeigu perskaitę šią instrukciją vis dar nesate tikri, kaip naudoti įrenginį, pasitarkite su tai išmanančiu asmeniu.
- Užtikrinkite, kad dirbant prie jūsų arčiau nei 15 metrų (50 pėdų) neprisiartintų žmonės ar gyvūnai. Kai vienoje vietoje šiais įrenginiais dirba keli asmenys, tarp jų turi būti išlaikomas mažiausiai 15 m (50 pėdų) saugus atstumas. Priešingu atveju iškyla pavojus sunkiai susižeisti. Kam nors priartėjus, nedelsdami sustabdykite gaminį. Jokiu būdu nesisukinėkite su gaminiu prieš tai neįsitikinę, kad už jūsų nieko nėra.
- Jei naudojant gaminį į pjovimo įtaisą patenka objektų ir jie stringa, sustabdykite ir išjunkite gaminį. Įsitikinkite, kad pjovimo įtaisas visiškai sustojo. Prieš valydami, apžiūrėdami ar taisydami gaminį ir (arba) pjovimo įtaisą, nuimkite akumuliatorių.
- Pasirūpinkite, kad žmonės, gyvūnai ar kiti objektai nepaveiktų jūsų gaminio valdymo arba neprisiliestų prie pjovimo įtaiso arba ant jų nenukristų pjovimo įtaiso sviesti palaidi objektai. Niekada nenaudokite gaminio, jei nelaimės atveju nebūtų kaip iškviešti pagalba.
- Įsitikinkite, kad galite saugiai judėti ir stovėti. Apžiūrėkite, ar jūsų darbo vietoje nėra kliūčių (išsikūšusių šaknų, akmenų, šakų, griovių ir pan.), kurios trukdytų, jei kartais reikėtų atlikti staigesnį judesį. Būkite labai atsargūs dirbdami ant šlaitų.

- Eikite, niekada nebėkite.
- Patikrinkite darbo zoną. Pašalinkite visus palaidus objektus, pavyzdžiui, akmenis, stiklo šukes, vinis, plieninę vielą, virvės galiukus ir pan., kurie gali būti iššviesti į orą arba apsvinoti aplink pjovimo įtaisą ar jo apsauginį skydą.
- Saugokitės šakų nuolaužų, kurios pjaunant gali būti iššviestiamos. Nepjunkite per arti žemės vietoje, kur gali būti iššviestiami į orą akmenys ir kiti objektai.
- Pasirūpinkite, kad prie pjovimo įtaiso nesiliestų drabužiai ar kūno dalys, kai gamins yra įjungtas. Gaminį laikykite žemiau juosmens.
- Saugokitės į orą iššviestiamų objektų. Būtinai dėvėkite patvirtintus apsauginius akinius. Jokiu būdu nesilenkite virš pjovimo įtaiso apsauginio skydo. Akmenukai, šiukšlės ir pan. gali pataikyti į akis ir apakinti ar sunkiai jas sužaloti.
- Jei dėvite apsaugines ausines, būkite atidūs, kad išgirstumėte galimus įspėjamuosius signalus ar šūksnius. Gaminiumi sustojus, būtinai nusiimkite apsaugines ausines.
- Jei pasireiškia nepageidaujamos vibracijos, išvyniokite papildomai lyno, taip nustatydami tinkamą jo ilgį, kad vibracijos liautųsi.
- Jeigu gamins pradeda neįprastai vibruoti, sustabdykite jį ir nuimkite akumuliatorių.
- Pernelyg stipri ar ilgai trunkanti vibracija gali pakenkti asmeniui, kurių silpna kraujo apytaka, kraujo apytakai ir nervų sistemai. Pajutę pernelyg stiprios ar ilgai trukusios vibracijos sukeltus simptomus, kreipkitės į gydytoją. Simptomai yra sustingimas, jutimo praradimas, dilgčiojimas, bėdymas, skausmas, silpnumas, odos spalvos ir būklės pakitimas. Šie simptomai dažniausiai pasireiškia pirštuose, plaštakose ir riešuose.
- Gaminį visada laikykite abiem rankomis.

Asmeninės apsauginės priemonės



PERSPĖJIMAS: Prieš naudodami gaminį, perskaitykite toliau esančius įspėjimus.

- Naudodami įrenginį būtinai dėvėkite patvirtintas asmenines apsaugines priemones. Asmeninės apsauginės priemonės nepadės visiškai išvengti pavojaus susižeisti, tačiau nelaimingo atsitikimo atveju mažiau nukentėsite. Leiskite prekybos atstovui padėti pasirinkti tinkamą įrangą.
- Naudokite apsauginį šalną ten, kur gali būti krentančių daiktų
- Naudokite pakankamomis garso slopinimo savybėmis pasižyminčias patvirtintas apsaugines ausines. Ilgalaisis triukšmo poveikis gali visam laikui pakenkti klausai.
- Naudokite patvirtintas akių apsaugos priemones. Jei naudojamas apsauginis skydelis, turi būti nešiojami ir patvirtinti apsauginiai akiniai. Patvirtinti apsauginiai

akiniai atitinka JAV ANSI Z87.1 standartą arba ES EN 166 standartą.

- Naudokite apsauginį veido skydelį. Akims apsaugoti vien skydelio nepakanka.

(Pav. 22)

- Kai būtina, pvz., montuojant, apžiūrint arba valant pjovimo įrangą, užsimaukite pirštines.
- Avėkite tvirtus, neslystančius batus.
- Vilkėkite iš stiprios medžiagos pagamintus drabužius. Būtinai mūvėkite tvirtas, ilgas kelnes, vilkėkite aprangą ilgomis rankovėmis. Nevilkėkite laisvų drabužių, kurie gali užkibti už krūmokšnių ir šakų. Nenešiotkite papuošalų, trumpų kelnų ar atvirų batų ir nevaikščiokite basomis. Saugiai susisiekite plaukus aukščiau pečių.

(Pav. 23)

- Netoliese turi būti pirmosios pagalbos vaistinė.

(Pav. 24)

Gaminio apsauginės priemonės



PERSPĖJIMAS: Prieš naudodami gaminį, perskaitykite toliau esančius įspėjimus.

Šiame skyriuje aprašytos gaminio saugos priemonės, jų paskirtis ir patarimai, kaip atlikti patikros ir priežiūros darbus, siekiant užtikrinti tinkamą gaminio veikimą. Žr. instrukcijas skyriuje, *Gaminio apžvalga psl. 267* kad sužinotumėte, kur jūsų gaminyje yra šios dalys.

Gaminio naudojimo laikas gali sutrumpėti, o nelaimingų atsitikimų pavojus gali padidėti, jei gaminys nebus tinkamai prižiūrimas, o techninė priežiūra ir (arba) remonto darbai nebus atliekami profesionaliai. Prireikus daugiau informacijos, prašome kreiptis į artimiausią techninės priežiūros atstovą.



PERSPĖJIMAS: Niekada nenaudokite gaminio, kurio apsauginės dalys yra pažeistos. Gaminio saugos įranga turi būti tikrinama ir prižiūrima taip, kaip yra aprašyta šiame skyrelyje. Jei gaminys neatitinka bet kurio iš šių kontrolinių reikalavimų, kreipkitės į savo techninės priežiūros atstovą dėl gaminio remonto.



PASTABA: Įrenginio techninė priežiūra ir taisymas reikalauja specialaus pasirengimo. Tai ypač susiję su įrenginio saugos įranga. Jei jūsų įrenginys neatitiks nors vieno iš žemiau pateiktų kontrolės reikalavimų, kreipkitės į sertifikuotą remonto dirbtuvę. Įsigijus mūsų gaminį, garantuojame profesionalų aptarnavimą ir techninę priežiūrą. Jei įrenginio pardavėjas neatlieka aptarnavimo, paprašykite jo duoti artimiausios remonto dirbtuvės adresą.

Maitinimo jungiklio užrakto patikra

Maitinimo jungiklio fiksatoriaus apsaugo nuo atsitiktinio įsijungimo. Atleidus rankena, tiek maitinimo jungiklis, tiek jo fiksatorius grįžta į pradinę padėtį.

1. Pastumkite maitinimo jungiklio fiksatoriaus užrakto mygtuką į priekį. (Pav. 25)
2. Patikrinkite, ar maitinimo jungiklis yra užfiksuotas, kai maitinimo jungiklio fiksatorius yra pradinėje padėtyje. (Pav. 26)
3. Paspauskite maitinimo jungiklio fiksatorių vienoje pusėje, o paskui – kitoje. Įsitinkinkite, kad maitinimo jungiklio fiksatorius grįžta į pradinę padėtį. (Pav. 27)
4. Įsitinkinkite, kad maitinimo jungiklis ir jo fiksatorius laisvai juda, o grįžimo spyruoklė veikia tinkamai. (Pav. 28)
5. Paleiskite gaminį, žr. *Gaminio paleidimas psl. 275*.
6. Atleiskite maitinimo jungiklį ir įsitinkinkite, kad gaminys visiškai sustoja.

Surinkimo saugos instrukcijos



PERSPĖJIMAS: Perskaitykite maitinimo bloko vadovą kartu su patvirtinto priedo vadovu.

- Prieš surinkdami gaminį nuimkite akumuliatorių.
- Naudokite patvirtintas apsaugines pirštines.
- Naudojant pažeistą arba netinkamą apsaugą galima susižeisti. Nenaudokite pjovimo įtaiso be patvirtinto apsaugo.
- Prieš paleisdami gaminį įsitinkinkite, kad tinkamai surinkote priedą.
- Jei su priedu pateikiami laikymo diržai, jie turi būti uždėti ant gaminio. Su laikymo diržais gaminį galima naudoti saugiai ir išvengti operatoriaus ar kitų asmenų sužeidimų.

Akumuliatorių naudojimo sauga



PERSPĖJIMAS: Perskaitykite visus saugos ir bendrosius nurodymus. Nesilaikant saugos ir bendrųjų nurodymų, gali įvykti elektros smūgis, gaisras ir (arba) patirti sunkių sužalojimų. **Išsaugokite visą saugos informaciją ir bendrosius nurodymus, kad galėtumėte pasinaudoti ateityje.**

- Šie saugos nurodymai taikomi tik **POWER FOR ALL** sistemos 18 V įkraunamiems ličio jonų akumuliatoriams.
- Įkraunamą akumuliatorių naudokite tik **POWER FOR ALL** sistemos partnerių gaminiuose. **POWER FOR ALL** Etiketė paženklinti 18 V įkraunami akumuliatoriai visiškai suderinami su šiais gaminiais:

– Visais 18 V POWER FOR ALL akumuliatorių sistemos gaminiais.

– Visais POWER FOR ALL sistemos partnerių 18 V gaminiais.

- **Laikykites akumulatoriaus naudojimo rekomendacijų, pateiktų jūsų gaminio naudojimo instrukcijoje.** Tik tokiu būdu galima saugiai naudoti įkraunamą akumuliatorių ir gaminį bei apsaugoti įkraunamus akumulatorius nuo pavojingos perkrovos.
- **Akumulatorius įkraukite tik gamintojo arba POWER FOR ALL sistemos partnerių rekomenduojamais įkrovikliais.** Vieno tipo akumulatoriui tinkamą įkroviklį naudojant kito tipo akumulatoriui įkrauti, gali kilti gaisro pavojus.
- **Naujas akumulatorius yra iš dalies įkrautas.** Prieš pirmą kartą naudodami elektrinį įrankį, norėdami užtikrinti maksimalią akumulatoriaus talpą, visiškai įkraukite akumuliatorių įkrovikliu.
- **Akumuliatorių blokus laikykite vaikams neprieinamoje vietoje.**
- **Neatidarykite akumulatoriaus.** Yra trumpojo jungimo pavojus.
- **Pažeidus arba netinkamai naudojant akumuliatorių, gali pasklisti garai.** Akumulatorius gali užsiliepsnoti arba sprogti. Patyrus nepageidaujamą poveikį, pasirūpinkite, kad vieta būtų gerai vėdinama ir kreipkitės į gydytoją. Garai gali dirginti kvėpavimo sistemą.
- **Jei akumuliatorius naudojamas netinkamai arba yra pažeistas, iš jo gali ištekėti degus skystis.** Venkite sąlyčio su šiuo skystčiu. Netyčinio sąlyčio atveju nuplaukite vandeniu. Jei skystčio pateko į akis, kreipkitės į gydytoją. Iš akumulatoriaus ištekėjęs skystis gali sudirginti arba nudeginti.
- **Jei akumuliatorius yra pažeistas, iš jo gali ištekėti skystis ir pasklisti ant netoliese esančių paviršių.** Patikrinkite paveiktas dalis. Nuvalykite šias dalis arba, jei reikia, pakeiskite jas.
- **Nesukelkite akumuliatorių bloko trumpojo jungimo.** Nenaudojamą akumuliatorių bloką laikykite toliau nuo metalinių daiktų, galinčių sukurti jungtį tarp gnybtų, pavyzdžiui, sąvaržėlių, monetų, raktų, vinių, varžtų ir kitų smulkių metalinių daiktų. Trumpai sujungus akumulatoriaus gnybtus gali kilti gaisras arba galite nudegti.
- **Akumuliatorių galima pažeisti smailiais daiktais, pavyzdžiui, vinimis ar atsuktuvais, arba iš išorės paveikiant jėga.** Gali įvykti vidinis trumpasis jungimas, dėl kurio akumuliatorius gali užsiliepsnoti, skeisti dūmus, sprogti ar perkaisti.
- **Niekada neapžiūrinkite pažeistų akumuliatorių bloką.** Akumuliatorių bloką techninę priežiūrą gali atlikti tik gamintojas arba įgalioti paslaugų teikėjai.
- **Saugokite akumuliatorių nuo šilumos, pvz., nuo ligalaikio buvimo intensyvioje saulės šviesoje, ugnies, nešvarumų, vandens ir drėgmės.** Akumulatorius gali sprogti arba įvykti trumpasis jungimas.

- **Akumuliatorių gaminyje naudokite tik kai aplinkos temperatūra yra -5 °C – 40 °C.**
- **Akumuliatorių laikykite tik tokiomis sąlygomis, kuriomis aplinkos temperatūra yra -20 °C – 50 °C.** Nepalikite akumulatoriaus savo automobilyje, pavyzdžiui, vasarą. Esant < 0 °C temperatūrai, kai kurių įrenginių galia gali sumažėti.
- **Akumuliatorių įkraukite tik kai aplinkos temperatūra yra 0 °C – +35 °C.** Kraunant ne šiame temperatūros intervale, didėja akumulatoriaus pažeidimo rizika ir kyla gaisro pavojus.

Įkroviklio sauga



PERSPĖJIMAS: Perskaitykite visus saugos ir bendrusius nurodymus.

Nesilaikant saugos ir bendrųjų nurodymų, gali įvykti elektros smūgis, gaisras ir (arba) patirti sunkių sužalojimų. **Šias naudojimo instrukcijas laikykite saugioje vietoje.** Įkroviklių naudokite tik tuo atveju, jei galite visiškai įvertinti visas funkcijas ir jas atlikti be apribojimų, arba esate gavę atitinkamas instrukcijas.

- **Šio įkroviklio negali naudoti vaikai ir asmenys turintys fizinį, jutiminių ar protinių negalių, taip pat stokojantys patirties ar žinių.** Šiuo įkrovikliu gali naudotis vyresni nei 8 m. vaikai ir asmenys turintys fizinį, jutiminių ar protinių negalių, taip pat stokojantys patirties ar žinių, jei juos prižiūri už jų saugumą atsakingas asmuo arba jei toks asmuo paaiškino jiems, kaip saugiai naudotis įkrovikliu ir jie suvokia su tuo susijusias grėsmes. Priešingu atveju kyla veikimo klaidų ir sužeidimų grėsmė.
- **Naudojant, valant ir atliekant techninės priežiūros darbus, nepalikite vaikų be priežiūros.** Tokiu būdu užtikrinsite, kad vaikai nežaistų su įkrovikliu.
- **Įkraukite tik 18V POWER FOR ALL sistemos akumuliatorius, kurių talpa 1,5 Ah ir daugiau.** Akumulatoriaus įtampa turi atitikti įkroviklio akumuliatorių įkrovimo įtampą. Nekraukite jokių neįkraunamų akumuliatorių. Priešingu atveju gali kilti gaisras arba sprogimas.
- **Įkroviklių naudokite tik uždarose patalpose ir saugokite jį nuo drėgmės.** Į įrenginį patekęs vanduo padidina elektros smūgio pavojų.
- **Rūpinkitės įkroviklio švara.** Nešvarumai kelia elektros smūgio pavojų.
- **Prieš naudodami, būtinai patikrinkite įkroviklį, kabelį ir kištuką.** Aptikę pažeidimų, nustokite naudoti įkroviklį. Neatidarykite įkroviklio patys ir atiduokite jį taisyti tik Husqvarna arba įgaliotam techninės priežiūros centrui, kuriame naudojamos tik originalios atsarginės dalys. Pažeisti įkrovikliai, kabeliai ir kištukai padidina elektros smūgio pavojų.
- **Nenaudokite įkroviklio ant lengvai užsiliepsnojančio paviršiaus (pvz., popieriaus, tekstilės ir kt.) arba degioje aplinkoje.** Kadangi naudojant įkroviklis įkaista, gali kilti gaisro pavojus.

- **Neuždenkite įkroviklio ventilacijos angų.** Priešingu atveju įkroviklis gali perkaisti ir pradėti netinkamai veikti.
- **Akumulatorius kraukite tik gamintojo nurodytu įkrovikliu.** Įkroviklis, tinkamas vienam akumuliatorių blokui, gali sukelti gaisro pavojų, naudojamas kitam akumuliatorių blokui įkrauti.
- **Pažeidus arba netinkamai naudojant akumuliatorių, gali pasklisti garai.** Patyrus nepageidaujamą poveikį, pasirūpinkite, kad vieta būtų gerai vėdinama ir kreipkitės į gydytoją. Garai gali dirginti kvėpavimo sistemą.
- **Naudojant nepalankiomis sąlygomis, iš akumulatoriaus gali ištekėti skystis. Venkite sąlyčio su šiuo skystčiu. Netyčinio sąlyčio atveju nuplaukite vandeniu. Jei skystis pateko į akis, kreipkitės į gydytoją.** Iš akumulatoriaus ištekėjęs skystis gali sudirginti arba nudeginti.
- **Tik Didžiojoje Britanijoje parduodami gaminiai:** Jūsų gaminyje įtaisytas BS 1363/A patvirtintas elektros kištukas su vidiniu saugikliu (ASTA patvirtintas pagal BS 1362). Jei kištukas netinkamas jūsų maitinimo lizdams, įgaliotasis klientų aptarnavimo centro atstovas jį turėtų nupjauti ir vietoj jo pritvirtinti tinkamą kištuką. Pakeitimui naudojamo kištuko saugiklio parametrai turi būti tokie pat, kaip originalaus kištuko. Nupjautą kištuką reikia pašalinti, siekiant išvengti galimo trumpojo jungimo pavojaus, ir jo jokių būdu negalima kišti į kitus elektros maitinimo tinklo lizdus.
- Prieš atlikdami techninę priežiūrą, kitą patikrą ar montuodami įrenginį, išimkite akumuliatorių.
- Operatorius gali atlikti tik tokius priežiūros ir techninės priežiūros darbus, kurie aprašyti šiame operatoriaus vadove. Dėl didesnių techninės priežiūros ir aptarnavimo darbų kreipkitės į techninės priežiūros atstovą.
- Nevalykite akumulatoriaus ar įkroviklio vandeniu. Stiprus ploviklis gali sugadinti įrenginį.
- Neatliekant techninės priežiūros trumpėja įrenginio naudojimo laikas ir didėja nelaimingų atsitikimų pavojus.
- Visiems techninės priežiūros ir remonto darbams atlikti būtini specialūs mokymai, ypač atliekant su sauga susijusios įrangos priežiūrą. Jeigu atlikus techninę priežiūrą patvirtinti ne visi šiame vadove nurodyti punktai, kreipkitės į techninės priežiūros atstovą. Garantuojame, kad jis suteiks profesionalią priežiūrą ir atliks gaminio techninės priežiūros darbus.
- Naudokite tik originalias atsargines dalis.
- Naudodami įjovimo įtaisą, visada mūvėkite storas darbinės pirštines. Peiliai yra labai aštrūs, todėl jas lengva susižeisti.

Priežiūros saugos instrukcijos



PERSPĖJIMAS: Prieš atlikdami gaminio techninę priežiūrą, perskaitykite toliau esančius įspėjimus.

Surinkimas

Įvadas



PERSPĖJIMAS: Prieš surinkdami gaminį perskaitykite ir supraskite skyrių apie saugą.

Priedo montavimas

1. Pritvirtinkite priedą (A) prie maitinimo bloko (B). Priedas turi lengvai įsistatyti į laikiklį ant maitinimo bloko. Jei lengvai neįsistato, vadinas, jį dedate netinkamai. (Pav. 29)
2. Priveržkite fiksuojamąją rankenėlę (C).

Pasižymėkite: Kai priedas yra sumontuotas ant maitinimo bloko, priedo naudotojo sąjasa atjungiama.

Teleskopinio veleno ilgio reguliavimas

1. Pakelkite ant veleno esančią svirtį (A). (Pav. 30)
2. Nustatykite reikiamą teleskopinio veleno ilgį.
3. Nuleiskite svirtį ir užfiksukite teleskopinį veleną.

Kablo tvirtinimas prie sienos

- Laikymo kablį tvirtinkite patalpoje.
- Laikymo kablys turi būti įrengtas atokiau nuo saulės šviesos, o jo įrengimo vietoje aplinkos temperatūra turi būti nuo -10 iki 70 °C.
- Laikymo kablį tvirtinkite prie gipso kartono plokštės, medinės ar betoninės sienos.



PASTABA: Įsitinkite, kad siena gali išlaikyti mažiausiai 30 kg apkrovą.

- Laikymo kablį prie sienos tvirtinkite 3 varžtais (A). Jei reikia, naudokite sieninius kaiščius (B). (Pav. 31)



PASTABA: Įsitinkinkite, kad varžtai atitinka sienos tipą.

- Dėl informacijos apie galimus sandėliavimo priedus, skirtus jūsų gaminiui, kreipkitės į Husqvarna techninės priežiūros atstovą.

Naudojimas

Funkcijų patikra prieš įrenginio naudojimą

1. Šepetėliu nuo įrenginio nuvalykite nešvarumus ir pašalines medžiagas.
2. Priveržkite visas varžles ir varžtus.
3. Įsitinkinkite, kad priedas yra tinkamai pritvirtintas.
4. Įsitinkinkite, kad maitinimo jungiklio fiksatoriaus užrakto mygtukas yra įjungtas.
5. Įsitinkinkite, kad ilginamojo veleno ir pasukamojo elemento fiksavimo įrenginiai yra užfiksuoti.
6. Patikrinkite, ar priedas nepažeistas, pvz., nėra įtrūkimų. Sugadintą priedą pakeiskite.
7. Įsitinkinkite, kad gaubtai tinkamai pritvirtinti ir nepažeisti.
8. Įsitinkinkite, kad gaminys veikia tinkamai.

Akumuliatoriaus prijungimas prie įrenginio



PERSPĖJIMAS: Į gaminį dėkite tik POWER FOR ALL sistemos P4A 18 V ličio jonų akumuliatorius.

1. Įsitinkinkite, kad akumuliatorius visiškai įkrautas.
2. Įstatykite akumuliatorių į gaminio akumuliatoriaus laikiklį. Akumuliatorius turi lengvai įsistatyti į laikiklį. Jeigu nepavyksta, vadinasi įstatomas netinkamai. (Pav. 33)
3. Akumuliatorių iki galo įstumkite į akumuliatoriaus laikiklį. Akumuliatorius bus užfiksuotas tada, kai išgirsite spragtelėjimą.
4. Įsitinkinkite, kad fiksatorius užfiksuotas tinkamoje padėtyje.

Gaminio pakabinimas ant laikymo kablo

- Maitinimo bloką ant laikymo kablo pakabinkite kaip parodyta paveikslėlyje. (Pav. 32)

Gaminio paleidimas

1. Pastumkite maitinimo jungiklio fiksatoriaus užrakto mygtuką į priekį. (Pav. 25)
2. Paspauskite maitinimo jungiklio fiksatorių (A) kairėje arba dešinėje pusėje ir laikykite maitinimo jungiklį (B). (Pav. 34)

Gaminio sustabdymas

1. Atleiskite maitinimo jungiklį.
2. Pastumkite maitinimo jungiklio fiksatoriaus užrakto mygtuką atgal, kad užfiksuotumėte gaminį.
3. Paspauskite akumuliatoriaus atlaisvinimo mygtuką ir ištraukite akumuliatorių. (Pav. 35)
4. Jei reikia, nuimkite priedą nuo gaminio.

Gaminio kampo reguliavimas

Gaminį galima nustatyti į 7 skirtingas padėtis.



PERSPĖJIMAS: Nereguliuokite kampo, kai dirbate su gaminiu.

1. Sustabdykite gaminį ir išimkite akumuliatorių.
2. Tvirtai laikykite laikiklį (A). (Pav. 36)
3. Paspauskite ir laikykite nuspaudę pasukamą jungtį (B).
4. Nustatykite laikiklį į tinkamą padėtį.
5. Atleiskite pasukamą jungtį ir užfiksuokite laikiklį.
6. Judinkite laikiklį aukštyn ir žemyn, kol jis užsifiksuos.

Techninė priežiūra

Įvadas



PERSPĖJIMAS: Prieš atlikdami produkto priežiūros darbus, perskaitykite ir supraskite saugos skyrių.



PERSPĖJIMAS: Prieš atlikdami gaminio priežiūros darbus, išimkite akumuliatorių.

Techninės priežiūros grafikas

Toliau pateiktas būtinų gaminio techninės priežiūros darbų sąrašas.

Techninė priežiūra	Prieš naudojimą	Kas savaitę	Kas mėnesį
Nuvalykite išorines gaminio dalis sausa šluoste. Nenaudokite vandens.	X		
Įsitikinkite, kad maitinimo jungiklio fiksatorius veikia tinkamai ir nėra pažeistas.	X		
Patikrinkite, ar maitinimo jungiklis ir jo užraktai funkcija veikia saugiai.	X		
Įsitikinkite, kad visi valdikliai tinkamai veikia ir nėra pažeisti.	X		
Pasirūpinkite, kad rankenos visuomet būtų sausos ir švarios.	X		
Patikrinkite, ar gerai priveržtos veržlės ir varžtai.	X		
Įsitikinkite, kad tinkamai veikia akumuliatoriaus atlaisvinimo mygtukai, ir užfiksuokite akumuliatorių gaminyje.	X		
Įsitikinkite, kad akumuliatorius nepažeistas.	X		
Patikrinkite, ar akumuliatorius įkrautas.	X		
Patikrinkite, ar akumuliatoriaus įkroviklis nepažeistas ir veikia tinkamai.	X		
Patikrinkite visus kabelius, movas ir jungtis. Patikrinkite, kad jie būtų švarūs ir nepažeisti.		X	
Patikrinkite jungtis tarp akumuliatoriaus ir gaminio.			X
Patikrinkite jungtį tarp akumuliatoriaus ir akumuliatoriaus įkroviklio.			X

Įrenginio, akumuliatoriaus ir akumuliatorių įkroviklio valymas

1. Baigę darbą nuvalykite įrenginį sausa šluoste.
2. Nuvalykite akumuliatorių ir akumuliatorių įkroviklį sausa šluoste. Akumuliatoriaus uždėjimo takeliai turi būti švarūs.

3. Prieš įstatydami akumuliatorių į akumuliatorių įkroviklį ar įrenginį, įsitikinkite, kad akumuliatoriaus kontaktai ir akumuliatorių įkroviklio kontaktai yra švarūs.

Transportavimas, saugojimas ir utilizavimas

Gabenimas ir laikymas

- Pateikiamam ličio jonų akumuliatoriui taikomos pavojingų krovinių gabenimo taisyklės.
- Laikykitės specialių komercinių krovinių gabenimui, įskaitant trečiųjų šalių ar tarpininko transporto priemonėmis, taikomų reikalavimų dėl pakavimo ir ženklavimo.
- Pasitarkite su pavojingų medžiagų gabenimo specialistu prieš siųsdami įrenginį. Laikykitės visų taikomų nacionalinių reikalavimų.
- Pakuodami akumuliatorių uždėkite juostą ant atvirų kontaktų. Tvirtai supakuokite akumuliatorių, kad jis nejudėtų.
- Sandėliavimo ar transportavimo metu atjunkite akumuliatorių.
- Akumuliatorių ir akumuliatorių įkroviklį laikykite sausoje, drėgnoje ir teigiamos temperatūros vietoje.
- Nelaikykite akumuliatoriaus tokioje vietoje, kur gali susidaryti statiniai krūviai. Nelaikykite akumuliatoriaus metalinėje dėžutėje.
- Laikykite akumuliatorių vietoje, kurios temperatūra nuo $-20\text{ }^{\circ}\text{C}$ / $-4\text{ }^{\circ}\text{F}$ iki $+50\text{ }^{\circ}\text{C}$ / $122\text{ }^{\circ}\text{F}$, saugokite nuo tiesioginių saulės spindulių.
- Laikykite akumuliatorių įkroviklį vietoje, kurios temperatūra nuo $5\text{ }^{\circ}\text{C}$ / $41\text{ }^{\circ}\text{F}$ iki $45\text{ }^{\circ}\text{C}$ / $113\text{ }^{\circ}\text{F}$, saugokite nuo tiesioginių saulės spindulių.

- Akumuliatoriaus įkroviklį naudokite, tik kai aplinkos temperatūra yra 0–32 °C / 35–95 °F.
- Gaminį laikykite aplinkoje, kurios temperatūra nuo -40–+60 °C (-40–140 °F).
- Prieš saugodami ilgesnį laiką pasirūpinkite, kad akumuliatorius būtų įkrautas 30–50 %.
- Akumuliatorių įkroviklį laikykite uždaroje ir sausoje patalpoje.
- Saugodami išimkite akumuliatorių iš akumuliatoriaus įkroviklio. Neleiskite vaikams ar kitiems nepatvirtintiems asmenims liesti įrenginio. Įrenginį laikykite užrakinamoje vietoje.
- Prieš saugodami gaminį ilgesnį laiką, išvalykite jį ir atlikite visus techninės priežiūros darbus.
- Transportuodami ar sandėliuodami įrenginį naudokite įrenginio transportavimo apsaugą, kad išvengtumėte sužalojimų ar produkto sugadinimo.
- Gabendami saugiai pritvirtinkite įrenginį.
- Gaminį sandėlyje laikykite horizontalios padėties arba pakabintą ant komplekte pateikto kablo. Žr. *Gaminio pakabinimas ant laikymo kablo psl. 275.*

Akumuliatoriaus, akumuliatorių įkroviklio ir įrenginio šalinimas

Tolesnis simbolis nurodo, kad įrenginys nepriskiriamas būtinoms atliekomis. Nuvežkite jį į elektros ir elektronikos įrenginių perdirbimo punktą. Taip saugosite nuo taršos aplinką ir žmones.

Daugiau informacijos kreipkitės į atsakingas vietas institucijas, buitinių atliekų priežiūros tarnybą ar prekybos atstovą.

(Pav. 18)

Pasižymėkite: Simbolis, rodomas ar įrenginio arba įrenginio pakuotės.

Techniniai duomenys

Aspire Pole-P4A	
Svoris	
Svoris (tik maitinimo blokas), kg	1,5

Patvirtinti akumuliatoriai

Šis gaminys gali būti naudojamas su visais **POWER FOR ALL** akumuliatoriais.

Akumuliatorius	P4A 18-B36	P4A 18-B45	P4A 18-B72
Tipas	Ličio jonų	Ličio jonų	Ličio jonų
Akumuliatoriaus talpa, Ah	2,0	2,5	4,0
Nominali įtampa, V	18	18	18
Svoris, kg	0,35	0,35	0,65
Elementų skaičius (ličio jonų)	5	5	10

Patvirtinti akumuliatorių įkrovikliai

Akumuliatoriaus įkroviklis	P4A 18-C50	P4A 18-C70
Įvado įtampa, V	Žr. įkroviklio techninių duomenų informaciją.	Žr. įkroviklio techninių duomenų informaciją.
Dažnis, Hz	50–60	50–60

Akumulatoriaus įkroviklis	P4A 18-C50	P4A 18-C70
Galia, W	50	70

Priedai

Priedai

Patvirtinti priedai	Tipas	Naudojami
Krūmų žirklių priedas	„Aspire“ S20-P4A	„Aspire Pole-P4A“
Genėjimo priedas	„Aspire“ P5-P4A	„Aspire Pole-P4A“

Atitikties deklaracija

ES atitikties deklaracija

Mes, **Husqvarna AB**, SE-561 82 Huskvarna, Švedija, tel. +46-36-146500, atsakingai patvirtiname, kad gaminy:

Aprašymas	Akumuliatorinis maitinimo blokas
Gamintojas	Husqvarna
Tipas / modelis	Aspire Pole-P4A
Identifikacijos numeris	Serijos numeriai nuo šios datos: 2023 ir vėlesni

visiškai atitinka šias ES direktyvas ir reglamentus:

Direktyva / reglamentas	Aprašymas
2006/42/EB	„dėl mašinų“
2014/30/ES	dėl elektromagnetinio suderinamumo
2011/65/ES	„dėl tam tikrų pavojingų medžiagų naudojimo elektros ir elektroninėje įrangoje apribojimo“
2000/14/EB	„dėl į aplinką skleidžiamo triukšmo“

ir kad laikomasi šių standartų ir (arba) techninių specifikacijų: EN 62841-1:2015/A11:2022, EN 62841-4-2:2019/A1:2022, EN IEC 62841-4-5:2021/A11:2021, EN ISO 11680-1:2011, EN ISO 12100:2010, EN IEC 55014-1:2021, EN IEC 55014-2:2021, EN IEC 63000:2018.

DEKRA Testing and Certification GmbH, Handwerkstraße 15, 70565 Stuttgart, Germany, 0158 atliko savanorišką EB tipo patikrą pagal Mašinų direktyvos (2006/42/EB) 12 straipsnio 3b punktą. ES tipo patikros sertifikato numeris: 4815039.22006.

Taikoma atitikties įvertinimo procedūra, vadovaujantis 2000/14/EB direktyvos V priedu.

Su priedu „Aspire P5-P4A“ kaip genėtuvas su ilga rankena:

- Išmatuotas triukšmingumo lygis: 88 dB (A)
- Garantuotas triukšmingumas: 91 dB (A)

Su priedu „Aspire S20-P4A“ kaip stiebinės krūmų žirkklės:

- Krūmų pjovimo peilio išmatuotas triukšmingumo lygis: 83 dB (A)
- Peilio žolei išmatuotas triukšmingumo lygis: 79 dB (A)
- Garantuotas triukšmingumas: 84 dB (A)

Huskvarna, 2023-10-30



Claes Losdal, Mokslinių tyrimų ir plėtros skyriaus vadovas, „Husqvarna AB“

Atsakingas už techninę dokumentaciją



Licencijos

Autorių teisės © 2012–2020 „STMicroelectronics“

Garantija netaikoma defektams, atsiradusiems dėl įprasto susidėvėjimo, aplaidumo, netinkamo naudojimo, neteisėto taisymo arba siurbimo aparato prijungimo prie netinkamos įtampos lizdo.

Visos teisės saugomos.

Tolesnis platinimas (perskirstymas) ir naudojimas šaltinio bei dvejetainėmis formomis, su pakeitimais arba be jų, leidžiamas, jei laikomasi toliau nurodytų sąlygų:

- Atlikus šaltinio kodo tolesnius platinimus (perskirstymus), turi būti išsaugotas pirmiau minėtas pranešimas dėl autorių teisių, sąlygų sąrašas ir toliau pateiktas atsakomybės ribojimo pareiškimas.
- Atlikus tolesnius platinimus (perskirstymus) dvejetainė forma, platinant pateikiamoje dokumentacijoje ir (arba) kitoje medžiagoje turi būti atkurtas pirmiau minėtas pranešimas dėl autorių teisių, sąlygų sąrašas ir toliau pateiktas atsakomybės ribojimo (atsisakymo) pareiškimas.
- Neturint specialaus išankstinio raštinio leidimo, iš šios programinės įrangos gautiems produktams patvirtinti ar reklamuoti negali būti naudojamas nei įmonės „STMicroelectronics“ pavadinimas, nei jos bendraautorių pavadinimai.

ŠIA PROGRAMINĘ ĮRANGĄ AUTORIŲ TEISIŲ TURĖTOJAI IR BENDRAAUTORIAI PATEIKIA „KAIP YRA“ IR VISAS AIŠKIAS AR NUMANOMAS GARANTIJAS, ĮSKAITANT, BET NEAPSIRIBOJANT, NUMANOMAS GARANTIJAS DĖL TINKAMUMO PREKYBAI AR KONKREČIAI PASKIRČIAI, YRA ATSIŠAKOMA SUTEIKTI. AUTORIŲ TEISIŲ TURĖTOJAS AR BENDRAAUTORIAI JOKIU ATVEJU NEATSAKO UŽ JOKIĄ TIESIOGINĘ, NETIESIOGINĘ, ATSTITIKINĘ, SPECIALIAI PADARYTĄ, PADARYTĄ NORINT ĮSPĖTI (PAGAŠDINTI) AR PASEKMINE ŽALĄ (ĮSKAITANT, BET NEAPSIRIBOJANT, PAKAITINIŲ PREKIŲ AR PASLAUGŲ PIRKIMĄ, NAUDOJIMO, DUOMENŲ AR PELNO NUOSTOLIUS ARBA VERSLO VEIKLOS SUTRIKDYMĄ), PATIRTĄ AR TEORIŠKAI GALIMĄ PATIRTI DĖL ATSAKOMYBĖS, NESVARBU AR PAGAL SUTARTĮ, GRIEŽTOS ATSAKOMYBĖS SĄLYGĄ, AR PAGAL DELIKTĄ (ĮSKAITANT DĖL NEATSARGUMO, APLAUDUMO AR KITOKIOS KALTĖS), BET KURIUO ATVEJU KYLANČIA DĖL ŠIOS PROGRAMINĖS ĮRANGOS NAUDOJIMO, NET JEI APIE TOKIOS ŽALOS KILIMO GALIMYBĘ YRA PRANEŠTA.

„Apache 2.0“ licencija

Autorių teisės © 2009–2019 „Arm Limited“. Visos teisės saugomos.

Versija 2.0, 2004 m. sausis, <http://www.apache.org/licenses/>

NAUDOJIMO, ATKŪRIMO IR PLATINIMO NUOSTATOS IR SĄLYGOS

1. Apibrėžimai.

„Licencija“ reiškia naudojimo, atkūrimo ir platinimo nuostatas ir sąlygas, kaip apibrėžta šio dokumento 1–9 skirsniuose. „Licencijos išdavėjas“ reiškia autorių teisių savininką ar Licenciją suteikiančio autorių teisių savininko įgaliotą subjektą. „Juridinis asmuo“ reiškia veikiančio subjekto ir visų kitų subjektų, kurie šį subjektą kontroliuoja arba yra jo kontroliuojami arba bendrai su juo vykdo kontrolę, sąjungą. Šiame apibrėžime sąvoka „kontrolė“ reiškia (i) tiesioginę arba netiesioginę tokio subjekto teisę vadovauti arba valdyti pagal sutartį ar kitu būdu, arba (ii) tokio subjekto nuosavybės teisę turėti penkiasdešimt procentų (50 %) ar daugiau apyvartoje esančių (neapmokėtų) akcijų arba (iii) būti tikrųjų savininku. „Jūs“ (arba „Jūs“) reiškia asmenį arba Juridinį asmenį, besinaudojančią šia Licencija suteiktais leidimais. „Šaltinio“ forma reiškia pageidaujamą pakeitimų atlikimo formą, įskaitant, bet neapsiribojant, programinės įrangos šaltinio kodo, dokumentacijos šaltinio ir konfigūracijos failų pakeitimų atlikimo formą. „Objekto“ forma reiškia bet kokią formą, gaunamą mechanškai transformuojant ar paverčiant šaltinio formą, įskaitant, bet neapsiribojant, kompiliuoto objekto kodo, sugeneruotos dokumentacijos ir konvertavimo į kitų tipų laikmenas, formą. „Darbas“ reiškia autorystės darbą, nesvarbu, šaltinio ar Objekto forma, kuri galima atlikti pagal Licenciją, kaip nurodyta pranešime dėl autorių teisių, kuris yra įtrauktas į darbą arba prie jo pridėtas (pavyzdys pateiktas Priede toliau). „Išvestiniai darbai“ reiškia bet kokį darbą, nesvarbu, šaltinio ar Objekto forma, kuris yra pagrįstas Darbu (arba iš jo gautas ir kurio atžvilgiu parengtos redaguotos versijos, anotacijos, detalizavimai ar kiti pakeitimai bendrai reiškia autorystės originalų darbą. Šioje Licencijoje sąvoka Išvestiniai darbai neapima darbų, kurie lieka atskiriami nuo šiamo dokumente minimų sąsajų, Darbo ir Išvestinių darbų arba yra paprasčiausiai su jais susiję (ar susieti pagal pavadinimą). „Indėlis“ (bendradarbiavimo) reiškia bet kokį autorystės darbą, įskaitant originalią Darbo versiją ir bet kokius šio Darbo ar šiame dokumente minimų Išvestinių darbų pakeitimus, kuriuos specialiai pateikia Licencijos išdavėjas, kad juos į Darbą įtrauktų autorių teisių savininkas arba asmuo ar Juridinis asmuo, įgaliotas juos pateikti autorių teisių savininko vardu. Šiame apibrėžime sąvoka „pateikta“ reiškia bet kokią komunikacijos formą – elektroninę, žodinę ar rašytinę, kuria bendrauja Licencijos išdavėjas ar jo atstovai, įskaitant, bet neapsiribojant, komunikaciją naudojant elektroninio pašto adresų sąrašus, šaltinio kodo kontrolės sistemas ir problemų sekimo sistemas, kurias valdo Licencijos išdavėjas arba jo vardu veikiantis subjektas, siekiant aptarti ir tobulinti Darbą, tačiau neįskaitant komunikacijos, kurią autorių teisių savininkas akivaizdžiai pažymi ar kitaip raštu įvardija kaip „Ne indėlis.“ „Bendraautorius“ reiškia Licencijos išdavėją ar kitą asmenį arba Juridinį asmenį, kurio vardu Licencijos išdavėjas gauna Indėlį, kurį po to įtraukia į Darbą.

2. Autorių teisių licencijos suteikimas.

Atsižvelgiant į šios Licencijos nuostatas ir sąlygas, kiekvienas Bendraautorius šiuo dokumentu suteikia Jums neribotam laikui, pasaulinio masto, neišimtinę, nemokamą, neapmokestinamą autoriniais mokesčiais, neatšaukiamą autorių teisių licenciją atkurti bei paruošti Darbo Išvestinius darbus, viešai rodyti, viešai vykdyti, sublicencijuoti Darbą ir atitinkamus Išvestinius darbus Šaltinio arba Objekto forma.

3. Patento licencijos suteikimas.

Atsižvelgiant į šios Licencijos nuostatas ir sąlygas, kiekvienas Bendraautorius šiuo dokumentu suteikia Jums neribotam laikui, pasaulinio masto, neišimtinę, nemokamą, neapmokestinamą autoriniais mokesčiais, neatšaukiamą (išskyrus kaip nurodyta šiame skirsnyje) patento licenciją atlikti, nurodyti atlikti, naudoti, pasiūlyti parduoti, parduoti, importuoti ir kitaip perduoti Darbą, kai ši licencija taikoma tik tiems patento reikalavimams (apibrėžtims), licencijuotiniams tokio Bendraautoriams, kurie yra neišvengiamai pažeidžiami jų paties (-ų) Indėlio (-ų) arba jų Indėlio (-ų) ir Darbo, kuriam toks (-ie) Indėlis (-iai) buvo pateiktas, derinio. Jeigu Jūs pradėdote ginčą (bylinėjimąsi) dėl patento su bet kuriuo subjektu (įskaitant kryžminio ieškinio arba priešieškinio iškėlimą) teigdami, jog Darbas ar į Darbą įtrauktas Indėlis tiesiogiai ar pagal bendraautorystės indėlių lemia patentų pažeidimą, tuomet bet kokios Jums pagal šią Licenciją šiam Darbui suteiktos patentų licencijos nutraukiamos nuo teisminės bylos iškėlimo datos.

4. Tolsnis platinimas (persikirstymas).

Jūs galite atkurti ir platinti šiame dokumente minimo Darbo ar Išvestinių darbų kopijas bet kokiose laikmenose, su pakeitimais arba be jų ir Šaltinio arba Objekto forma, jei Jūs laikotės toliau nurodytų sąlygų:

- Jūs privalote pateikti bet kokiems kitiems Darbo ar Išvestinių darbų gavėjams šios Licencijos kopiją; ir
- Jūs privalote pasirūpinti, kad į bet kokius pakeistus failus būtų įtrauktos gerai matomos pastabos, kuriose nurodyta, jog Jūs pakeitėte failus ir Jūs privalote išsaugoti Šaltinio forma visus Išvestinius darbus, kuriuos Jūs platinatė, visas pastabas dėl autorių teisių, patentų, prekių ženklų ir savybių priskyrimo iš Darbo Šaltinio formos, išskyrus tas pastabas, kurios nesusijusios su jokia Išvestinių darbų dalimi ir jai nepriskiriamos; ir
- Jeigu platinat Darbą įtraukiamas tekstinis failas „PASTABA“, tai Jūsų platinamuose Išvestiniuose darbuose turi būti įtraukta įskaitoma pastabų dėl savybių priskyrimo, esančių tokiaime faile PASTABA, kopija, išskyrus tas pastabas, kurios nesusijusios su jokia Išvestinių darbų dalimi ir jai nepriskiriamos, mažiausiai vienoje iš šių vietų: tekstiniam faile PASTABA, kuris platinamas kartu su Išvestiniais darbais, Šaltinio formoje arba dokumentacijoje, jei numatyta, jog turi būti pateikta kartu su Išvestiniais darbais, arba Išvestinių darbų sugeneruotame ekrane, jei ir kai tokios trečiųjų šalių pastabos įprastai pasirodo ekrane. PASTABOS failo turinys

yra tik informacinio pobūdžio ir Licencijos turinio nepakeičia. Jūs galite įtraukti savo pastabas dėl savybių priskyrimo į Išvestinius darbus, kuriuos Jūs platinatė, kartu arba kaip priedą prie Darbo teksto PASTABA, jeigu tokios papildomos pastabos dėl savybių priskyrimo negali būti aiškinamos kaip pakeičiančios Licencijos turinį. Jūs galite įtraukti savo pareiškimą dėl autorių teisių į savo pakeitimus ir galite pateikti papildomas ar kitas licencijos nuostatas ir sąlygas dėl jūsų pakeitimų arba, bendrai, dėl bet kokių Išvestinių darbų naudojimo, atkūrimo arba platinimo, jeigu Jūs kitoks Darbo naudojimas, atkūrimas ar platinimas atitinka šioje Licencijoje išdėstytas sąlygas.

5. Indėlių pateikimas.

Jei Jūs aiškiai nenurodote kitaip, bet koks Indėlis, kurį Jūs specialiai pateikiate Licencijos išdavėjui įtraukti į Darbą, turi atitikti šios Licencijos nuostatas ir sąlygas be jokių papildomų nuostatų ir sąlygų. Nepaisant pirmiau išdėstytų sąlygų, nė viena šiame dokumente pateikta sąlyga nepašalina arba nepakeičia jokių atskiros licencijos sutarties, kurią galbūt yra tekę įgyvendinti su Licencijos išdavėju dėl tokių Indėlių, sąlygų.

6. Prekių ženklai.

Ši Licencija nesuteikia leidimo naudoti Licencijos išdavėjo prekių pavadinimų, prekių ženklų, paslaugų ženklų ar produktų pavadinimų, išskyrus atvejus, kai to pagrįstai ir įprastai reikia Darbo kilmei apibūdinti ir failo PASTABA turinui atkurti.

7. Garantijos ribojimas (atsisakymas).

Licencijos išdavėjas pateikia Darbą (o kiekvienas Bendraautorius – savo Indėlius) PAGAL „KAIP YRA“, NESUTEIKDAMAS GARANTIJŲ IR NETAIKYDAMAS KITOKIŲ SĄLYGŲ, aiškių ar numanomų, įskaitant, bet neapsiribojant, bet kokias garantijas ar sąlygas dėl PAVADINIMO, NEPAŽEIDŽIAMUMO, TINKAMUMO PREKYBAI AR KONKREČIAI PASKIRČIAI, nebent to reikalauja galiojantys įstatymai arba susitariama raštu. Tik Jūs esate atsakingi už Darbo tinkamumo naudoti ar toliau platinti (persikirstyti) nustatymą ir prisiimate visą riziką, susijusią su teise naudotis leidimais pagal šią Licenciją. 8. Atsakomybės ribojimas. Joks Bendraautorius jokių atveju ir pagal jokią teisės teoriją, nesvarbu, ar pagal deliktą (įskaitant dėl neatsargumo, aplaidumo), sutartį ar dėl kitokios kaltės neatsako prieš Jus už žalą, įskaitant bet kokią tiesioginę, netiesioginę, specialiai padarytą, atsitiktinę ar pasekmę dėl kio pobūdžio žalą, kylančią dėl šios Licencijos arba Darbo naudojimo ar negalėjimo naudoti (įskaitant, bet neapsiribojant, žalą, patirtą dėl prestižo praradimo, darbų sustabdymo (prastovų), kompiuterių gedimų ar trikčių, ar kitokio pobūdžio komercinės žalos ar nuostolių), net jei tokiam Bendraautoriumi apie tokios žalos kilimo galimybę yra pranešta, nebent to reikalauja galiojantys įstatymai (pavyzdžiui, tyčinių arba didelio neatsargumo, aplaidumo veiksmų atveju) arba susitariama raštu.

9. Garantijos ar Papildomos atsakomybės prisiėmimas.

Toliau platindami (perskirstydami) šiam dokumente minimą Darbą ar Išvestinius darbus, Jūs galite rinktis galimybę siūlyti ir nustatyti bei imti mokesčių už paramos, garantijos, žalos atlyginimo ar kitų atsakomybės įsipareigojimų bei prievolių ir (arba) teisių, susijusių su šia Licencija, prisiėmimą. Tačiau, prisiėmdami tokius įsipareigojimus bei prievoles, Jūs galite veikti tik savo

vardu bei atsakomybe, o ne kito Bendraautoriaus vardu, ir tik tokiu atveju, jei Jūs sutinkate atlyginti žalą, ginti ir apsaugoti kiekvieną Bendraautorių nuo bet kokios tokiam Bendraautoriui iškilusios atsakomybės arba jam pareikštų pretenzijų, tuo, jog Jūs prisiimate atitinkamą garantiją ar papildomą atsakomybę. NUOSTATŲ IR SĄLYGŲ PABAIGA

Sadržaj

Uvod.....	282	Prijevoz, spremanje i zbrinjavanje.....	291
Sigurnost.....	283	Tehnički podaci.....	292
Sastavljanje.....	289	Dodaci.....	292
Rad.....	290	Izjava o sukladnosti.....	294
Održavanje.....	290	Licence.....	295

Uvod

Opis proizvoda

Husqvarna Aspire Pole-P4A baterijska je jedinica s teleskopskom funkcijom.

potražite pod *Dodaci na stranici 292*. Obavezno pročitajte ovaj priručnik, kao i priručnik odobrene opreme.

Namjena

Ova električna jedinica pogoljena je jedinica koja radi samo s odobrenom opremom. Odobrenu opremu

Pregled proizvoda

(SI. 1)

1. Okretni zglob
2. Pričvrtni kotačić za priključak
3. Ručica teleskopske funkcije
4. Vratilo
5. Meki rukavac
6. Kuka za naramenice
7. Gumb za zaključavanje okidača paljenja
8. Stražnja ručka
9. Blokada okidača paljenja
10. Okidač paljenja
11. Korisnički priručnik
12. Gumbi za otpuštanje baterije
13. Punjač baterije
14. Indikator uključеног napajanja i upozorenja
15. Priključak
16. Kuka za skladištenje, vijci i tiple za zid

(SI. 3)

Prije upotrebe proizvoda pažljivo pročitajte priručnik za rukovatelja i dobro usvojite upute.

(SI. 4)

Na lokacijama na kojima postoji opasnost od padajućih predmeta nosite zaštitnu kacigu. Koristite odobrenu zaštitu sluha (samo za Aspire P5-P4A + Aspire Pole-P4A). Upotrebļavajte odobrenu zaštitu za oči.

(SI. 5)

Koristite odobrene zaštitne rukavice.

(SI. 6)

Nosite čizme za teške uvjete rada otporne na klizanje. (Primjenjivo samo za Aspire P5-P4A + Aspire Pole-P4A)

(SI. 7)

Istosmjerna struja.

(SI. 8)

Nazivni napon, V

Simboli na proizvodu

(SI. 2)

UPOZORENJE: Ovaj proizvod može biti opasan i izazvati teške ozljede ili smrt rukovatelja ili drugih osoba. Budite oprezni i pravilno upotrebļavajte ovaj proizvod.

(SI. 9)

Nemojte izlagati kiši.

(SI. 10)

Opasnost od ozljeda. Šake držite dalje od reznog alata.

(Sl. 11) Proizvod ispunjava primjenjive direktive EZ-a.

(Sl. 12) Ovaj je proizvod u skladu s važećim direktivama UK-a.

(Sl. 16) OPASNOST – održavajte dovoljnu udaljenost od električnih vodova.

(Sl. 17) Serijski broj nalazi se na natpisnoj pločici ili laserskom ispisu. **yyyy** je godina proizvodnje, a **ww** je tjedan proizvodnje.

(Sl. 13) Ni proizvod ni njegova ambalaža ne spadaju u kućanski otpad. Reciklirajte ga u reciklažnoj stanici za električnu i elektroničku opremu.

Napomena: Drugi simboli/naljepnice na proizvodu odnose se na zahtjeve za certifikaciju za pojedina tržišta.

(Sl. 14) Punjač baterije upotrebljavajte i čuvajte isključivo u zatvorenom prostoru.

(Sl. 15) Dvostruka izolacija.

Simboli na bateriji i/ili punjaču baterija

(Sl. 18)

Reciklirajte ovaj proizvod u reciklažnoj stanici za električnu i elektroničku opremu. (Primjenjuje se samo u Europi)

(Sl. 19)

Baterije upotrebljavajte samo u proizvodima s partnerskim sustavima POWER FOR ALL.

(Sl. 20)

Zaštitite bateriju od topline, npr. od trajne intenzivne sunčeve svjetlosti, plamena, prjavištine, vode i vlažnosti. Postoji opasnost od eksplozije i kratkog spoja.

(Sl. 21)

Oštećenje proizvoda

U sljedećim okolnostima nećemo biti odgovorni za oštećenja proizvoda:

- proizvod nepravilno popravljen
- proizvod popravljen dijelovima koje nije proizveo proizvođač ili nemaju odobrenje proizvođača
- proizvod ima dodatnu opremu koje nije proizveo proizvođač ili nemaju odobrenje proizvođača
- proizvod nije popravljen u odobrenom servisnom centru ili kod ovlaštene osobe.

Proizvođač

Husqvarna AB

Drottninggatan 2, SE-561 82 Huskvarna, Sweden, tel: +46-36-146 500

Sigurnost

Sigurnosne definicije

Upozorenjima, oprezima i napomenama naglašavaju se posebno važni dijelovi priručnika.



UPOZORENJE: Koristi se kada nepoštivanje uputa iz priručnika može uzrokovati smrt ili ozljede rukovatelja ili promatrača.



OPREZ: Koristi se kada nepoštivanje uputa iz priručnika može uzrokovati oštećenje proizvoda ili drugih materijala u neposrednoj blizini.

Napomena: Koristi se prikaz neophodnih dodatnih informacija za zadanu situaciju.

Opća sigurnosna upozorenja za električne alate



UPOZORENJE: Obavezno pročitajte priručnik za odobrenu opremu zajedno s priručnikom za ovu električnu jedinicu.



UPOZORENJE: Pročitajte sva sigurnosna upozorenja, upute, ilustracije i specifikacije isporučene s ovim električnim alatom. Nepoštivanje svih uputa u nastavku može uzrokovati električni udar, požar i/ili ozbiljne ozljede.

Napomena: Spremite sva upozorenja i upute za buduće potrebe. Pojam „električni alat“ u upozorenjima

odnosi se na električni alat koji se napaja kabelom putem mrežne utičnice (ožičeni) ili električni alat na baterije (bežični).

Sigurnost na radnom mjestu

- **Radno mjesto mora biti čisto i dobro osvijetljeno.** Zakrčeni i tamni prostori čest su uzrok nesreća.
- **Nemojte upotrebljavati električne alate u eksplozivnim okruženjima, primjerice u blizini zapaljivih tekućina, plinova i prašine.** Električni alati stvaraju iskre koje mogu zapaliti prašinu ili isparenja.
- **Dok rukujete električnim alatom, pazite da u blizini nema djece ni promatrača.** Svako ometanje može uzrokovati gubitak nadzora nad strojem.

Električna sigurnost

- **Utičkači električnog alata moraju odgovarati utičnicama.** Nemojte ni na koji način mijenjati utikač. Nemojte upotrebljavati utikače prilagodnika za električne alate s uzemljenjem. Originalni utikači i odgovarajuće utičnice smanjuju opasnost od strujnog udara.
- **Izbjegavajte kontakt s uzemljenim površinama kao što su cijevi, radijatori, štednjaci i hladnjaci.** Postoji velika opasnost od strujnog udara ako dođete u dodir s uzemljenom površinom.
- **Električne alate nemojte izlagati kiši ili vlažnim uvjetima.** U slučaju dospijevanja vode u električni alat povećava se opasnost od strujnog udara.
- **Pazite na kabel.** Kabel nemojte upotrebljavati za prenošenje, povlačenje ili isključivanje električnog alata. Držite ga podalje od vrućine, ulja, oštih rubova ili pokretnih dijelova. Oštećeni ili zapetljani kabeli povećavaju opasnost od strujnog udara.
- **Kada električni alat upotrebljavate na otvorenom, morate upotrebljavati odgovarajući produžni kabel.** Kabel predviđen za upotrebu na otvorenom smanjuje opasnost od strujnog udara.
- **Ako električnim alatom morate rukovati na vlažnom mjestu, koristite napajanje putem zaštitnog uređaja diferencijalne struje (RCD).** Primjenom zaštitnog uređaja diferencijalne struje (RCD) smanjuje se opasnost od strujnog udara.

Osobna sigurnost

- **Budite usredotočeni, pazite što radite i razumno upravljajte električnim alatom.** Električni alat nemojte upotrebljavati umorni ili pod djelovanjem droga, alkohola ili lijekova. Trenutak nepažnje pri rukovanju električnim alatom može uzrokovati ozbiljne tjelesne ozljede.
- **Upotrebljavajte osobnu zaštitnu opremu.** Uvijek nosite zaštitu za oči. Upotreba zaštitne opreme poput maske za prašinu, protukliznih zaštitnih cipela, kacige i štitnika za uši u odgovarajućim uvjetima smanjuje opasnost od osobnih ozljeda.
- **Sprječite nehotično pokretanje stroja.** Prije podizanja ili prenošenja alata ili pak njegova priključivanja na napajanje i/ili bateriju sklopka

mora biti u isključenom položaju. Držanje prsta na prekidaču prilikom nošenja električnih alata ili priključivanje napajanja električnih alata kojima je prekidač uključen povećava rizik od nesreće.

- **Prije uključivanja električnog alata izvadite klin za prilagođavanje ili uklonite ključ.** Ako ključ ili klin ostanu na pokretnom dijelu električnog alata, može doći do tjelesnih ozljeda.
- **Ne posežite predaleko.** Uvijek imajte dobar oslonac i održavajte ravnotežu. To omogućuje bolju kontrolu električnog alata u neočekivanim situacijama.
- **Nosite prikladnu odjeću.** Nemojte nositi široku odjeću ni nakit. Kosu i odjeću držite podalje od pomičnih dijelova. Široka odjeća, nakit ili duga kosa mogu zapeti u pokretnim dijelovima stroja.
- **Ako su priloženi uređaji za povezivanje mehanizama za izdvajanje i prikupljanje prašine, pripazite na njihovo pravilno priključivanje i upotrebu.** Upotreba mehanizma za prikupljanje prašine može smanjiti opasnosti uzrokovane prašinom.
- **Zbog rutine nastale čestom primjenom alata nemojte postati samodopadni te zanemarivati sigurnosna načela.** Neoprezan rad u djeliću sekunde može uzrokovati ozbiljnu ozljedu.
- **Opasnost! Ne upotrebljavajte proizvod blizu električnih vodova.** Jedinica nije dizajnirana radi zaštite od električnog udara ako dođe u dodir s električnim vodovima koji se nalaze iznad. U lokalnim propisima potražite sigurne udaljenosti od nadzemnih električnih vodova i prije upotrebe proizvoda osigurajte sigurnost i zaštićenost radnog položaja.

Upotreba i održavanje električnog alata

- **Nemojte preopterećivati električni alat.** Upotrebljavajte električni alat koji odgovara namjeni. Odgovarajući električni alat posao će obaviti bolje i sigurnije pri onoj brzini za koju je oblikovan.
- **Nemojte upotrebljavati električni alat ako mu se sklopka ne može uključiti i isključiti.** Električni alat kojim ne možete upravljati putem sklopke opasan je i potrebno ga je popraviti.
- **Prije bilo kakvih izmjena, zamjene dodatne opreme ili spremanja električnog alata isključite utikač od izvora napajanja i/ili izvadite baterijski paket iz električnog alata.** Te preventivne sigurnosne mjere smanjuju opasnost od nehotičnog pokretanja električnog alata.
- **Električne alate koji nisu u upotrebi skladištite izvan dohvata djece i osobama koje ne poznaju alat i nisu pročitale ove upute nemojte dopustiti rukovanje alatom.** Električni alati mogu biti opasni kada njima rukuju neiskusni korisnici.
- **Održavajte električni aparat i dodatnu opremu.** Provjerite jesu li spojni ili pokretni dijelovi pogrešno namješteni, je li neki dio oštećen te postoje li neki drugi uzroci koji bi mogli onemogućiti ispravan rad električnog alata. Ako postoje oštećenja, popravite električni alat prije upotrebe. Uzrok mnogim nesrećama jest loše održavanje električnih alata.

- **Alati za rezanje moraju biti oštri i čisti.** Ispravno održavani alati za rezanje s oštrim reznim oštricama neće se zablokirati te ih je lakše kontrolirati.
- **Upotrebjavajte električni alat, dodatke i dijelove itd. u skladu s ovim uputama, uzimajući u obzir radne uvjete i posao koji treba obaviti.** Upotreba električnih alata u neodgovarajuće svrhe može dovesti do opasnih situacija.
- **Ručke i prihvatne površine moraju biti suhe, čiste i bez tragova ulja i masti.** Klizave ručke i prihvatne površine u neočekivanim situacijama onemogućuju sigurno rukovanje i kontrolu na alatom.

Upotreba i čišćenje alata za bateriju

- **Bateriju punite samo punjačem koji navodi proizvođač.** Punjač prikladan za jednu vrstu baterije može uzrokovati opasnost od požara ako se upotrebljava s drugim baterijskim kompletom.
- **Upotrebjavajte električne alate samo s posebnom namijenjenim baterijskim kompletima.** Upotreba bilo kojeg drugog baterijskog kompleta može izazvati rizik od ozljede i požara.
- **Kad baterijski komplet ne upotrebljavate, držite ga dalje od drugih metalnih predmeta poput spojnice za papir, novčića, ključeva, čavala, vijaka ili drugih malih metalnih predmeta koji mogu spojiti priključke.** Kratki spoj priključaka baterije može uzrokovati opekline ili požar.
- **U uvjetima lošeg postupanja, iz baterije može štrcnuti tekućina; izbjegavajte dodir s njom. Ako slučajno dođe do dodira, isperite vodom. Ako tekućina dođe u dodir s očima, potražite i liječničku pomoć.** Tekućina koja štrcne iz baterije može izazvati iritacije ili opekline.
- **Nemojte upotrebljavati baterijski komplet ili alat koji je oštećen ili modificiran.** Oštećene ili izmijenjene baterije mogu se ponašati nepredvidivo te uzrokovati požar, eksploziju ili opasnost od ozljede.
- **Baterijski komplet i alat nemojte izlagati vatri ni ekstremnim temperaturama.** Izlaganje vatri ili temperaturama većima od 130 °C / 266 °F može dovesti do eksplozija.
- **Pridržavajte se svih uputa za punjenje, a baterijski komplet i alat nemojte puniti izvan temperaturnog raspona navedenog u uputama.** Neispravno punjenje ili držanje na temperaturama izvan navedenog raspona može oštetiti bateriju i povećati mogućnost od požara.

Servisiranje

- **Električni alat mora servisirati obučeni serviser s jednakim zamjenskim dijelovima.** Time se zadržava sigurnost električnog alata.
- **Oštećene baterijske pakete nikada nemojte servisirati.** Servisiranje baterijskih paketa dopušteno je samo proizvođaču ili ovlaštenim servisnim distributerima.

Druge opće sigurnosne informacije

- Dodatna specifična sigurnosna pravila potražite u korisničkom priručniku za odgovarajući priključak.
- Isključite proizvod prije prelaska na drugo područje. Obavezno uklonite bateriju uvijek kada proizvod predajete drugoj osobi.
- Nikada nemojte spuštati proizvod ako ga niste isključili i uklonili bateriju. Uključeni proizvod nemojte ostavljati bez nadzora.
- Rezni alat ne zaustavlja se odmah nakon isključivanja proizvoda.
- Prije upotrebe proizvoda i nakon svakog udarca provjerite ima li znakova istrošenosti ili oštećenja te ih po potrebi popravite.
- Ako tijekom pogona dođe do zaglavljenja reznog pribora, zaustavite i isključite proizvod. Provjerite je li rezni pribor potpuno zaustavljen. Prije čišćenja, pregleda ili popravka proizvoda i/ili reznog pribora uklonite bateriju.
- Pregledajte proizvod prije upotrebe. Pogledajte *Sigurnosni uređaji na proizvodu na stranici 287* i *Održavanje na stranici 290*. Nemojte upotrebljavati oštećen proizvod. Provodite sigurnosne provjere, održavanje i servis opisane u ovom priručniku.
- Neispravan rezni pribor povećava opasnost od nezgoda.
- Otvori za ventilaciju moraju biti čisti od krhotina.
- Provjerite je li uređaj u savršenom radnom stanju. Provjerite zategnutost svih matrica i vijaka.
- Ako ga upotrebljavate neoprezno ili nepravilno, ovaj proizvod je opasan alat. Ovaj proizvod može izazvati teške ozljede ili smrt rukovatelja ili drugih osoba.
- Uređaj ne smiju koristiti osobe (uključujući djecu) s umanjnim fizičkim, osjetilnim ili mentalnim sposobnostima ili nedostatkom iskustva i znanja, osim ako im osoba odgovorna za njihovu sigurnost nije osigurala nadzor ili uputila u sigurno korištenje uređaja. Djecu treba nadzirati kako se ne bi igrala s uređajem.
- Djeci nije dopušteno upotrebljavati proizvod ili se zadržavati u njegovoj blizini. Budući da se uređaj lako pokreće, djeca bi ga mogla pokrenuti ako nisu pod strogim nadzorom. To može rezultirati ozbiljnim tjelesnim ozljedama. Odspojite bateriju kada uređaj nije pod strogim nadzorom.
- Upotrebu ili servisiranje proizvoda i/ili baterije nikada nemojte prepuštiti djeci ili osobama bez odgovarajuće obuke.
- Opremu spremite u zaključan prostor kako bi bila izvan dohvata djece i neovlaštenih osoba.
- Prijenosni štitičnik mora se obavezno postaviti za skladištenje i transport.
- Ruke i stopala uvijek držite podalje od područja rezanja, naročito prilikom uključivanja stroja.
- Pri isključenju proizvoda šake i stopala držite podalje od reznog pribora sve dok se potpuno ne zaustavi.

- Nemojte uklanjati odrezani materijal ili dopustiti to drugima dok je proizvod u pogonu i rezni pribor se okreće jer to može uzrokovati ozbiljne ozljede.
- Imajte na umu da ste vi kao rukovatelj odgovorni za zaštitu drugih osoba ili njihove imovine od nezgoda ili opasnosti.
- Ni u kojem slučaju ne smijete mijenjati dizajn proizvoda bez odobrenja od proizvođača. Obavezno upotrebljavajte originalnu dodatnu opremu. Neovlaštene izmjene i/ili rezervna oprema može uzrokovati ozbiljne osobne ozljede ili smrt rukovatelja ili drugih osoba. Jamstvo ne mora pokrивati oštećenje ili obuhvaćati odgovornost za upotrebu neovlaštene dodatne opreme ili zamjenskih dijelova.
- Jedina dodatna oprema s kojom je dopušten pogon ovog proizvoda rezni su priključci preporučeni u poglavlju Dodatna oprema.
- Nikada nemojte upotrebljavati proizvod koji je na bilo koji način izmijenjen u odnosu na izvorne specifikacije.
- Nikada nemojte upotrebljavati neispravan proizvod. Provodite sigurnosne provjere, održavanje i servis opisane u ovom priručniku. Neke od radnji održavanja i servisiranja moraju provoditi isključivo obučeni i kvalificirani stručnjaci. Pogledajte *Održavanje na stranici 290*.
- Rad u lošim vremenskim uvjetima umara i često je opasniji. Zbog povećane opasnosti ne preporučuje se upotreba proizvoda po vrlo lošem vremenu, npr. u gustoj magli, po jakoj kiši, snažnom vjetru, intenzivnoj hladnoći ili opasnosti od grmljavinskog nevremena.
- Nikada nemojte raditi s ljestvi, stolice ili drugog nepotpuno osiguranog povišenog položaja.
- Nekorištene uređaje uskladištite u zatvorenom prostoru – kada uređaje ne upotrebljavate, trebete ih uskladištiti u zatvorenom
- Nije moguće obuhvatiti sve situacije s kojima se možete susresti. Uvijek postupajte oprezno i slijedite zdrav razum. Izbjegavajte sve situacije izvan vaših sposobnosti. Ako i nakon čitanja ovih uputa niste sigurni u radne postupke, prije nastavka obratite se stručnjaku.
- Tijekom rada ljudima ili životinjama onemogućite pristup na bliže od 50 stopa (15 metara). Kada nekoliko rukovatelja radi na istom području sigurnosna udaljenost treba biti barem 50 stopa (15 metara). U suprotnom može doći do ozbiljnih tjelesnih ozljeda. Ako se netko približi, odmah zaustavite proizvod. Nikada se nemojte okretati s proizvodom bez prethodne provjere sigurnosnog područja iza vas.
- Ako tijekom pogona dođe do zaglavljenja reznog pribora, zaustavite i isključite proizvod. Provjerite je li rezni pribor potpuno zaustavljen. Prije čišćenja, pregleda ili popravka proizvoda i/ili reznog pribora uklonite bateriju.
- Pobrinite se da ljudi, životinje ili drugi predmeti ne mogu utjecati na vaš nadzor nad proizvodom

i da oni ne dolaze u doticaj s reznim priborom ili nepričvršćenim predmetima koje rezni pribor odbacuje. Međutim, proizvod nemojte upotrebljavati ako ne postoji mogućnost pozivanja u pomoć u slučaju nesreće.

- Osigurajte sigurno kretanje i stav. Provjerite ima li u okolnom području prepreka (korijenja, kamenja, grana, rupa i slično) za slučaj naglog kretanja. Budite izuzetno oprezni pri radu na kosini.
- Hodajte, nemojte trčati.
- Pregledajte radno područje. Uklonite sve slobodne predmete poput kamenja, razbijenog stakla, čavala, čelične žice, konopca, i sl. koji bi mogli biti izbačeni ili omotani oko rezača ili štitnika rezača.
- Pripazite na panjeve ili grane koje mogu biti izbačene tijekom rezanja. Nemojte rezati preblizu tlu kako ne biste izbacili kamenje i druge predmete.
- Pri pokretanju proizvoda pazite da niti jedan dio odjeće ili dijela tijela ne dođe u dodir s reznim priborom. Stroj držite ispod razine struka.
- Pazite na izbačene predmete. Obavezno nosite odobrenu zaštitu za oči. Nipošto se nemojte naginjati preko štitnika reznog pribora. Kamenje, otpaci i sl. mogu biti odbačeni u oči, što može prouzročiti sljepoću ili ozbiljne ozljede.
- Uvijek pazite na znakove upozorenja ili dovike prilikom upotrebe zaštite sluha. Obavezno uklonite zaštitu sluha odmah po zaustavljanju proizvoda.
- Ako se pojave neželjene vibracije, istisnite novi flaks na ispravnu duljinu kako biste zaustavili vibraciju.
- Ako proizvod počne neuobičajeno vibrirati, zaustavite ga i uklonite bateriju.
- Preveliko izlaganje vibracijama može uzrokovati poremećaj cirkulacije ili oštećenje živčanog sustava kod ljudi koji sa slabom cirkulacijom. Ako imate simptome uzrokovane prevelikom izlaganjem vibracijama, obratite se liječniku. Simptomi uključuju obamlost, nedostatak osjećaja, škljokanje, trnce, bol, gubitak snage, promjene boje ili stanja kože. Simptomi se uglavnom pojavljuju na prstima, rukama ili zglobovima.
- Uvijek držite ovaj proizvod objema rukama.

Oprema za osobnu zaštitu



UPOZORENJE: Prije upotrebe proizvoda pročitajte upozoravajuće upute u nastavku.

- Prilikom uporabe proizvoda uvijek upotrebljavajte odobrenu osobnu zaštitnu opremu. Oprema za osobnu zaštitu ne može u potpunosti spriječiti ozljede, no smanjuje stupanj ozljede u slučaju nezgode. Pri odabiru odgovarajuće opreme zatražite pomoć ovlaštenog trgovca.
- Upotrebljavajte zaštitnu kacigu ako postoji opasnost od pada predmeta.
- Upotrebljavajte odobrenu zaštitu sluha koja osigurava odgovarajuće prigušenje zvuka.

Dugotrajno izlaganje buci može uzrokovati trajno oštećenje sluha.

- Upotrebljavajte odobrenu zaštitu za oči. Ako nosite vizir, morate nositi i odobrene zaštitne naočale. Odobrene zaštitne naočale moraju ispunjavati normu ANSI Z87.1 za SAD ili EN 166 za države EU-a.
- Upotrijebite vizir za zaštitu lica. Vizir nije dovoljan u zaštiti očiju.

(Sl. 22)

- Prema potrebi nosite rukavice, primjerice prilikom pričvršćenja, pregleda ili čišćenja rezne opreme.
- Nosite čvrste protuklizne čizme.
- Nosite odjeću napravljenu od čvrstog materijala. Uvijek nosite teške duge hlače i duge rukave. Nemojte nositi široku odjeću koja može zapinjati za grane i prutove. Nemojte nositi nakit, kratke hlače, sandale ili biti bos. Kosu podignite iznad ramena.

(Sl. 23)

- Imajte u blizini pribor za prvu pomoć.

(Sl. 24)

Sigurnosni uređaji na proizvodu



UPOZORENJE: Prije upotrebe proizvoda pročitajte upute upozorenja u nastavku.

U ovom odjeljku opisane su sigurnosne značajke proizvoda, njegova namjena te način provedbe provjera i održavanja za osiguranje ispravnog rada. Potražite upute pod naslovom *Pregled proizvoda na stranici 282* kako biste pronašli položaj ovih dijelova na proizvodu.

Nepravilno održavanje te neprofesionalno servisiranje i/ili popravci proizvoda skraćuju vijek trajanja proizvoda i povećavaju opasnost od nezgoda. Sve dodatne informacije zatražite od najbližeg servisnog trgovca.



UPOZORENJE: Nikada nemojte upotrebljavati proizvod s oštećenim sigurnosnim komponentama. Provodite provjere i održavajte sigurnosnu opremu proizvoda prema uputama opisanim u ovom odjeljku. Ako proizvod ne zadovolji bilo koju od ovih provjera, obratite se serviseru radi popravka.



OPREZ: Ptreban je specijalan tečaj za servisiranje i popravak stroja. Ovo se posebno odnosi na sigurnosnu opremu stroja. Ako stroj ne zadovolji neke od provjera navedenih u nastavku, obratite se serviseru. Pri kupnji naših proizvoda jamčimo dostupnost profesionalnih popravaka i servisa. Ako prodavač koji vam je prodao proizvod nije zadužen i za servisiranje, zatražite adresu najbližeg servisera.

Provjera blokade okidača paljenja

Blokada okidača paljenja sprječava nehotično pokretanje. Kada otpustite ručku, okidač paljenja i blokada okidača paljenja vraćaju se na svoj početni položaj.

1. Gumb za zaključavanje okidača paljenja pritisnite naprijed. (Sl. 25)
2. Provjerite je li okidač paljenja zaključan kada je zaključavanje okidača paljenja u početnom položaju. (Sl. 26)
3. Blokadu okidača paljenja pomaknite na jednu, a potom na drugu stranu. Provjerite vraća li se blokada okidača paljenja natrag u početni položaj. (Sl. 27)
4. Provjerite pomiču li se okidač paljenja i blokada okidača paljenja neometano, kao i ispravnost povratne opruge. (Sl. 28)
5. Pokrenite proizvod, pogledajte *Pokretanje proizvoda na stranici 290*.
6. Otpustite okidač paljenja i provjerite je li se proizvod potpuno zaustavio.

Sigurnosne upute za sastavljanje



UPOZORENJE: Pročitajte priručnik za ovu električnu jedinicu te priručnik za odobrenu opremu.

- Prije sastavljanja proizvoda uklonite bateriju iz proizvoda.
- Koristite odobrene zaštitne rukavice.
- Oštećeni ili neodgovarajući štitnik može uzrokovati ozljedu. Nemojte upotrebljavati rezni pribor bez pričvršćenog odgovarajućeg štitnika.
- Pravilno sklopite priključak prije pokretanja proizvoda.
- Naramenica mora biti ispravno postavljena na proizvod (ako je isporučena s proizvodom). Naramenica omogućava siguran rad i sprječava ozljede rukovatelja ili drugih osoba.

Sigurnost baterije



UPOZORENJE: Pročitajte sve sigurnosne i opće upute. Nepridržavanjem sigurnosnih i općih uputa možete uzrokovati strujni udar, požar i / ili teške ozljede.
Sačuvajte sve sigurnosne informacije i opće upute za buduću upotrebu.

- **Ove sigurnosne upute primjenjive su samo za litij-ionske punjive baterije od 18 V za sustav POWER FOR ALL.**
- **Punjive baterije upotrebljavajte samo u proizvodima s partnerskim sustavima POWER FOR ALL.** Punjive baterije od 18 V s oznakom POWER FOR ALL potpuno su kompatibilne sa sljedećim proizvodima:

– Svim proizvodima s baterijskim sustavom POWER FOR ALL od 18 V.

– Svim proizvodima s partnerskim sustavima POWER FOR ALL od 18 V.

- **Poštujte preporuke za baterije iz korisničkog priručnika za proizvod.** Samo tako je punjive baterije i proizvod moguće sigurno upotrebljavati, a punjive baterije zaštititi od opasnog preopterećenja.
- **Baterije punite samo punjačima koje preporučuje proizvođač ili iz partnerskih sustava POWER FOR ALL.** Punjač prikladan za jednu vrstu baterije može uzrokovati opasnost od požara ako se upotrebljava s drugom baterijom.
- **Baterija se isporučuje djelomično napunjena.** Kako biste osigurali puni kapacitet baterije, prije prve upotrebe motornog proizvoda napunite bateriju u punjaču.
- **Baterijske pakete držite izvan dohvata djece.**
- **Bateriju nemojte otvarati.** Postoji opasnost od kratkog spoja.
- **U slučaju oštećenja ili nepravilne upotrebe baterije može doći do ispuštanja para.** Baterija se može zapaliti ili eksplodirati. Osigurajte dobro prozračenošću prostora i zatražite liječničku pomoć ako osjetite negativne učinke. Pare mogu nadražiti respiratorni sustav.
- **Ako se nepravilno upotrebljavaju ili dođe do oštećenja baterije, može doći do ispuštanja zapaljive tekućine iz baterija.** Kontakt s tom tekućinom treba izbjegavati. Ako slučajno dođe do kontakta, isperite vodom. Ako tekućina dođe u kontakt s očima, zatražite dodatnu liječničku pomoć. Tekućina koja štrcne iz baterije može izazvati iritacije ili opekline.
- **Ako se baterija ošteti, može doći do ispuštanja tekućine koja će prekriti okolne površine.** Provjerite zahvaćene dijelove. Očistite dijelove ili ih po potrebi zamijenite.
- **Baterijski paket nemojte kratko spajati.** Kad baterijski paket ne upotrebljavate, držite ga dalje od drugih metalnih predmeta poput spojnice za papir, novčića, ključeva, čavala, vijaka ili drugih malih metalnih predmeta koji mogu spojiti priključke. Kratki spoj priključaka baterije može uzrokovati opekline ili požar.
- **Bateriju mogu oštetiti šiljasti predmeti poput čavala ili odvijača, ili vanjska sila.** Može doći do unutarnjeg kratkog spoja koji uzrokuje zapaljenje, dimljenje, eksploziju ili pregrijavanje baterije.
- **Oštećene baterijske komplete nikada nemojte servisirati.** Servisiranje baterijskih kompleta dopušteno je samo proizvođaču ili ovlaštenim servisnim distributerima.
- **Zaštite bateriju od topline, npr. od trajne intenzivne sunčeve svjetlosti, plamena, prljavštine, vode i vlažnosti.** Postoji opasnost od eksplozije i kratkog spoja.
- **Bateriju u proizvodu upotrebljavajte samo pri temperaturama okoline u rasponu od -5 °C – 40 °C.**

- **Bateriju skladištite samo pri temperaturi okoline u rasponu od -20 °C – 50 °C.** Na primjer, bateriju tijekom ljeta nemojte ostavljati u automobilu. Pri temperaturama < 0 °C na nekim uređajima dolazi do smanjenja snage.
- **Bateriju punite samo kada je temperatura okoline između 0 °C – +35 °C.** Punjenjem izvan ovog raspona temperature može se povećati opasnost od oštećenja baterije te predstavlja opasnost od požara.

Sigurnost punjača baterije



UPOZORENJE: Pročitajte sve

sigurnosne i opće upute. Nepridržavanjem sigurnosnih i općih uputa možete uzrokovati strujni udar, požar i / ili teške ozljede.

Ove upute spremite na sigurno mjesto.

Punjač upotrebljavajte samo ako možete u potpunosti procijeniti sve funkcije i provoditi ih bez ograničenja, ili ako ste dobili odgovarajuće upute.

- **Ovaj punjač ne smiju upotrebljavati djeca ili osobe s umanjnim fizičkim, osjetilnim ili mentalnim sposobnostima ili nedostatkom iskustva i znanja.** Ovaj uređaj smiju upotrebljavati djeca od 8 godina ili starija s umanjnim fizičkim, osjetilnim ili mentalnim sposobnostima ili nedostatkom iskustva i znanja ako su pod nadzorom osobe odgovorne za njihovu sigurnost ili ako su upućeni u sigurnu upotrebu punjača te razumiju obuhvaćene opasnosti. U suprotnom postoji opasnost od pogrešaka tijekom rada ili ozljeda.
- **Nadzirite djecu tijekom upotrebe, čišćenja i održavanja.** Tako osiguravate da se djeca ne igraju s punjačem.
- **Punite samo baterije od 18 V iz sustava POWER FOR ALL, kapaciteta 1,5 Ah i većeg.** Napon baterije mora se podudarati s naponom punjača za punjenje baterije. Nemojte puniti baterije koje se ne mogu puniti. U suprotnom uzrokuje opasnost od požara i eksplozije.
- **Punjač upotrebljavajte samo u zatvorenim prostorima i ne izlažite ga vlažnim uvjetima.** Prodor vode u motorni alat povećava opasnost od strujnog udara.
- **Punjač održavajte čistim.** Onečišćenje uzrokuje opasnost od strujnog udara.
- **Prije upotrebe obavezno pregledajte punjač, kabel i utikač.** Ako pronađete bilo kakvo oštećenje, prekinite s upotrebom punjača. Punjač nemojte otvarati sami, a popravak prepustite samo tvrtki Husqvarna ili ovlaštenom servisnom centru s isključivo originalnim zamjenskim dijelovima. Oštećeni punjači, kabeli i utikači povećavaju opasnost od strujnog udara.
- **Punjač nemojte upotrebljavati na lako zapaljivoj površini (npr. papiru, tkanini itd.) ili u zapaljivom okruženju.** Postoji opasnost od požara zbog zagrijavanja punjača tijekom rada.

- **Ventilacijske otvore punjača nemojte pokrivati.** Inače može doći do pregrijavanja i punjač više neće raditi ispravno.
- **Bateriju puniti samo punjačem koji navodi proizvođač.** Punjač prikladan za jednu vrstu baterije može uzrokovati opasnost od požara ako se upotrebljava s drugim baterijskim kompletom.
- **U slučaju oštećenja ili nepravilne upotrebe baterije također može doći do ispuštanja para.** Osigurajte dobro prozračenošću prostora i zatražite liječničku pomoć ako osjetite negativne učinke. Pare mogu nadražiti respiratorni sustav.
- **Pri zlouporabi iz baterije može štrcnuti tekućina. Kontakt s tom tekućinom treba izbjegavati. Ako slučajno dođe do kontakta, isperite vodom. Ako tekućina dođe u kontakt s očima, zatražite dodatnu liječničku pomoć.** Tekućina koja štrcne iz baterije može izazvati iritacije ili opekline.
- **Proizvodi koji se prodaju samo u VB:** Proizvod je opremljen s električnim utikačem s unutarnjim osiguračem s odobrenjem BS 1363/A (odobrenje ASTA prema BS 1362). Ako je utikač neprikladan za utičnice, kod ovlaštenog servisnog agenta trebate zamijeniti s prikladnim utikačem. Zamjenski utikač mora imati isti osigurač kao i originalni utikač. Odvojeni utikač mora se baciti u otpad kako bi se spriječila od strujnog udara i nikada se ne smije umetati u mrežnu utičnicu.

Sigurnosne upute za održavanje



UPOZORENJE: Prije održavanja proizvoda pročitajte upozoravajuće upute u nastavku.

- Uklonite bateriju prije održavanja, drugih provjera ili sastavljanja proizvoda.
- Rukovatelj smije provoditi samo radove održavanja i servisiranja opisane u ovom korisničkom priručniku. Za veća održavanja i servisiranje obratite se serviseru.
- Bateriju ili punjač baterije nikada nemojte čistiti vodom. Jači deterdžent može oštetiti plastiku.
- Ako ne provodite održavanje, smanjujete vijek trajanja stroja i povećavate opasnost od nezgoda.
- Sva servisiranja i popravci uvjetuju posebnu obuku, posebice oni na sigurnosnim uređajima na proizvodu. Ako nakon provedbe održavanja nisu odobrene sve provjere iz ovog korisničkog priručnika, obratite se serviseru. Jamčimo dostupnost profesionalnih popravaka i servisiranja za vaš proizvod.
- Upotrebljavajte samo originalne rezervne dijelove.
- Pri popravku reznog pribora obavezno nosite rukavice na teške uvjete rada. Noževi su vrlo oštri i možete se lako ozlijediti.

Sastavljanje

Uvod



UPOZORENJE: Prije sklapanja proizvoda s razumijevanjem pročitajte poglavlje o sigurnosti.

Instaliranje priključka

1. Postavite priključak (A) na jedinicu napajanja (B). Ako priključak ne ulazi lako u držač na jedinici napajanja, nije pravilno postavljen. (Sl. 29)
2. Zategnite pričvrtni kotačić (C).

Napomena: Kada je priključak postavljen na jedinicu napajanja, korisničko sučelje priključak odspojeno je.

Prilagodba duljine teleskopskog vratila

1. Podignite ručicu (A) na vratilu. (Sl. 30)
2. Postavite teleskopsko vratilo na odgovarajuću duljinu.
3. Pritisnite ručicu dolje kako biste zaključali teleskopsko vratilo.

Postavljanje kuke za skladištenje na zid

- Kuku za skladištenje postavite u zatvorenom prostoru.
- Kuka za skladištenje treba biti izvan doseg sunčevih zraka, na temperaturi okoline od -10 °C do 70 °C.
- Kuku za skladištenje postavite na gipsani zid, drvo ili betonski zid.



OPREZ: Provjerite ima li zid nosivost od najmanje 30 kg.

- Kuku za skladištenje na zid postavite s tri vijka (A). Ako je potrebno, primijenite tiple (B). (Sl. 31)



OPREZ: Provjerite jesu li vijci prikladni za vrstu vašeg zida.

- Informacije o dostupnoj opremi za skladištenje proizvoda zatražite od servisnog agenta tvrtke Husqvarna.

Objesite proizvod na kuku za skladištenje.

- Jedinicu napajanja objesite na kuku za skladištenje na način prikazan na slici. (Sl. 32)

Rad

Provjera ispravnosti rada prije upotrebe proizvoda

1. Četkom uklonite onečišćenja i nepoželjan materijal iz proizvoda.
2. Zategnite sve matice i vijke.
3. Provjerite je li priključak pravilno pričvršćen.
4. Gumb za zaključavanje okidača paljenja obavezno mora biti primijenjen.
5. Zabavni uređaji na izvučenom vratilu i zakretni element moraju biti u zaključanom položaju.
6. Provjerite ima li na priključku oštećenja, primjerice pukotina. Zamijenite priključak ako je oštećen.
7. Provjerite jesu li poklopci pravilno pričvršćeni i neoštećeni.
8. Provjerite ispravnost rada proizvoda.

Priključivanje baterije na proizvod



UPOZORENJE: U proizvodu upotrebljavajte samo litij ionske baterije P4A 18 V iz sustava POWER FOR ALL.

1. Provjerite je li baterija potpuno napunjena.
2. Postavite bateriju u držač baterije na proizvodu. Ako baterija ne ulazi lako u držač, nije pravilno umetnuta. (Sl. 33)
3. Bateriju potpuno utisnite u držač baterije. Baterija se učvršćuje u položaju sa škljocajem.
4. Provjerite je li zasun zatvoren na pravom mjestu.

Pokretanje proizvoda

1. Gumb za zaključavanje okidača paljenja pritisnite naprijed. (Sl. 25)
2. Blokadu okidača paljenja (A) pomaknite slijeva nadesno i zadržite okidač paljenja (B). (Sl. 34)

Zaustavljanje proizvoda

1. Otpustite prekidač za uključivanje.
2. Pritisnite gumb za zaključavanje okidača paljenja natrag kako biste zaključali proizvod.
3. Pritisnite gumb za otpuštanje baterije i izvadite bateriju. (Sl. 35)
4. Ako je potrebno, odvojite priključak od proizvoda.

Prilagodba kuta proizvoda

Proizvod je moguće postaviti u 7 različitih položaja.



UPOZORENJE: Kut nikada nemojte prilagođavati tijekom upotrebe proizvoda.

1. Zaustavite proizvod i uklonite bateriju.
2. Čvrsto držite držač (A). (Sl. 36)
3. Pritisnite i zadržite okretni zglob (B).
4. Držač postavite u ispravan položaj.
5. Otpustite okretni zglob kako biste zaključali držač.
6. Pomičite držač gore i dolje dok se ne zaključa u položaju.

Održavanje

Uvod



UPOZORENJE: Prije održavanja proizvoda s razumijevanjem pročitajte odjeljak o mjerama sigurnosti.



UPOZORENJE: Prije održavanja proizvoda izvadite bateriju.

Raspored održavanja

U nastavku je popis koraka održavanja neophodnih za održavanje proizvoda.

Održavanje	Prije rada	Tjedno	Mjesečno
Vanjske dijelove proizvoda očistite suhom krpom. Nemojte prati vodom.	X		
Provjerite je li gumb za zaključavanje blokade okidača paljenja ispravan i neoštećen.	X		

Održavanje	Prije rada	Tjedno	Mjesečno
Iz sigurnosnih razloga provjerite ispravnost okidača paljenja i blokade okidača paljenja.	X		
Provjerite ispravnost i neoštećenost svih komandi.	X		
Ručke održavajte suhima i čistima.	X		
Provjerite jesu li vijci i matice pritegnuti.	X		
Provjerite jesu li gumbi za otpuštanje na bateriji ispravni i pričvršćuju li bateriju pravilno u proizvodu.	X		
Provjerite je li baterija neoštećena.	X		
Provjerite je li baterija napunjena.	X		
Provjerite je li punjač baterije neoštećen te radi li ispravno.	X		
Pregledajte sve kabele, spojnice i priključke. Održavajte ih čistim i bez oštećenja.		X	
Provjerite spojeve između baterije i proizvoda.			X
Provjerite spoj između baterije i punjača.			X

Čišćenje proizvoda, baterije i punjača baterije

1. Proizvod nakon upotrebe očistite suhom krpom.
2. Bateriju i punjač baterije čistite suhom krpom.
Vodilice za bateriju održavajte čistima.

3. Prije umetanja baterije u punjač baterije ili proizvod provjerite jesu li čisti priključci baterije i punjača baterije.

Prijevoz, spremanje i zbrinjavanje

Prijevoz i skladištenje

- Isporučene litij-ionske baterije podliježu zahtjevima propisa o opasnim proizvodima.
- Pridržavajte se posebnih zahtjeva o pakiranju i označavanju u komercijalnom transportu, uključujući treće strane i prijevoznike.
- Prije slanja proizvoda obratite se osobi s posebnom obukom za opasni materijal. Pridržavajte se svih mjerodavnih nacionalnih propisa.
- Kada bateriju stavljate u pakiranje, otvorene kontakte prelijepite trakom. Učvrstite bateriju u pakiranju kako biste onemogućili pomicanje.
- Izvadite bateriju prilikom prijevoza ili skladištenja.
- Bateriju i punjač baterije spremite u suh prostor bez vlage i mraza.
- Bateriju nemojte spremati u prostor u kojem može nastati statički elektricitet. Bateriju nemojte čuvati u metalnoj kutiji.
- Bateriju uskladištite na mjestu s temperaturom između -20 °C / -4 °F i 50 °C / 122 °F, zaštićenu od izravne sunčane svjetlosti.
- Punjač baterije uskladištite na mjestu s temperaturom između 5 °C/41 °F i 45 °C/113 °F te izvan izravnog sunčeva svjetla.

- Punjač baterije upotrebljavajte samo pri temperaturama okoline između 0 °C/32 °F i 35 °C/95 °F.
- Proizvod skladištite na mjestima s temperaturom od -40 °C / -40 °F do 60 °C / 140 °F.
- Prije dugotrajnog skladištenja bateriju napunite na 30 % do 50 %.
- Punjač baterije uskladištite u zatvorenom i suhom prostoru.
- Tijekom skladištenja bateriju držite podalje od punjača baterije. Djeci i drugim neovlaštenim osobama onemogućite dodirivanje opreme. Opremu spremite u prostor koji možete zaključati.
- Prije dugotrajnog skladištenja proizvoda očistite ga i provedite cjeloviti servis.
- Na proizvod prije transporta i skladištenja postavite prijenosni štitičnik kako biste spriječili ozljede ili oštećenje proizvoda.
- Čvrsto pričvrstite proizvod tijekom transporta.
- Proizvod uskladištite u vodoravnom položaju ili ga objesite na priloženu kuku. Pogledajte *Objesite proizvod na kuku za skladištenje. na stranici 289.*

Zbrinjavanje baterije, punjača baterije i proizvoda

Simbol u nastavku označava proizvod koji se ne ubraja u kućanski otpad. Reciklirajte ga u reciklažnoj stanici za električnu i elektroničku opremu. Tako sprječavate oštećenje okoliša i ozljeđivanje osoba.

Više informacija zatražite od lokalnih vlasti, komunalne službe ili distributera.

(Sl. 18)

Napomena: Simbol se nalazi na proizvodu ili pakovanju proizvoda.

Tehnički podaci

Aspire Pole-P4A	
Težina	
Težina (samo električna jedinica), kg	1,5

Odobreni baterije

Ovaj proizvod radi sa svim **POWER FOR ALL** baterijama.

Baterija	P4A 18-B36	P4A 18-B45	P4A 18-B72
Vrsta	Litij-ionska	Litij-ionska	Litij-ionska
Kapacitet baterije, Ah	2,0	2,5	4,0
Nazivni napon, V	18.	18.	18.
Težina, kg	0,35	0,35	0,65
Broj ćelija (litij-ionske)	5.	5.	10.

Odobreni punjači baterije

Punjač baterije	P4A 18-C50	P4A 18-C70
Ulazni napon, V	Pogledajte podatke o nazivnoj snazi punjača.	Pogledajte podatke o nazivnoj snazi punjača.
Frekvencija, Hz	50 – 60	50 – 60
Snaga, W	50.	70

Dodaci

Priključci

Odobreni dodaci	Vrsta	Koristi se uz
Priključak za škare za žbunje	Aspire S20-P4A	Aspire Pole-P4A

Odobreni dodaci	Vrsta	Koristi se uz
Priključak za obrezivač	Aspire P5-P4A	Aspire Pole-P4A

Izjava o sukladnosti

EU izjava o sukladnosti

Mi, **Husqvarna AB**, SE-561 82 Huskvarna, Švedska, tel.: +46-36-146500, pod punom odgovornošću izjavljujemo da proizvod:

Opis	Baterijska jedinica napajanja
Marka	Husqvarna
Vrsta/model	Aspire Pole-P4A
Identifikacija	Serijski brojevi iz 2023 i noviji

u potpunosti su sukladni sljedećim EU direktivama i propisima:

Direktiva/propis	Opis
2006/42/EC	„o strojevima“
2014/30/EU	„koja se odnosi na elektromagnetsku kompatibilnost“
2011/65/EU	„o ograničenoj upotrebi određenih opasnih tvari u električnoj i elektroničkoj opremi“
2000/14/EC	„koja se odnosi na emisije buke u okoliš“

i primjenjuju se sljedeće norme i/ili tehničke specifikacije: EN 62841-1:2015/A11:2022, EN 62841-4-2:2019/A1:2022, EN IEC 62841-4-5:2021/A11:2021, EN ISO 11680-1:2011, EN ISO 12100:2010, EN IEC 55014-1:2021, EN IEC 55014-2:2021, EN IEC 63000:2018.

DEKRA Testing and Certification GmbH, Handwerkstraße 15, 70565 Stuttgart, Germany, 0158 proveo je dobrovoljno ispitivanje tipa EZ sukladno direktivi o strojevima (2006/42/EZ) članak 12., točka 3b. Broj certifikata za ispitivanje EZ je: 4815039.22006.

Primjenjuje se postupak procjene sukladnosti u skladu s Direktivom 2000/14/EC, dodatak V.

Uz priključak Aspire P5-P4A kao štapni obrezivač:

- Izmjerena jakost zvuka: 88 dB(A)
- Zajamčena jakost zvuka: 91 dB(A)

Uz priključak Aspire S20-P4A kao štapne škare za žbunje:

- Izmjerena jakost zvuka za nož za grmlje: 83 dB(A)
- Izmjerena jakost zvuka za nož za travu: 79 dB(A)
- Zajamčena jakost zvuka: 84 dB(A)

Husqvarna, 2023-10-30



Claes Losdal, Menadžer odjela za istraživanje i razvoj, Husqvarna AB

Osoba odgovorna za tehničku dokumentaciju



Licence

Autorsko pravo © 2012. – 2020., STMicroelectronics

Jamstvo ne pokriva kvarove koji su rezultat uobičajenog trošenja i habanja, nemara, zlouporabe, neovlaštenog popravka ili priključivanja usisnog aparata na neispravan napon.

Sva prava zadržana.

Redistribucija i upotreba u izvornim i binarnim oblicima, s ili bez izmjena, dopuštene su pod sljedećim uvjetima:

- Redistribucije izvornog koda moraju zadržati prethodnu obavijest o autorskim pravima, ovaj popis uvjeta i sljedeće odricanje od odgovornosti.
- Redistribucije u binarnom obliku u dokumentaciji i/ili drugim materijalima ustupljenima s distribucijom moraju sadržavati prethodnu obavijest o autorskim pravima, ovaj popis uvjeta i sljedeće odricanje od odgovornosti.
- Bez prethodnog posebnog pisanog odobrenja naziv STMicroelectronics ili nazive njihovih suradnika nije dopušteno upotrebljavati za podržavanje ili promoviranje proizvoda izvedenih iz ovog softvera.

OVAJ SOFTVER VLASNICI AUTORSKOG PRAVA I SURADNICI USTUPAJU „KAKAV JEST“ TE SE ODRICU SVIH IZRČITIH ILI PREŠUTNIH JAMSTAVA, KOJA OBUHVAČAJU, ALI NISU OGRANIČENA NA PREŠUTNA JAMSTVA UTRŽIVOSTI I POGODNOSTI ZA ODREĐENU SVRHU. VLASNIK AUTORSKOG PRAVA ILI SURADNICI NI U KOJEM SLUČAJU NE SNOSE ODGOVORNOST ZA BILO KAKVE IZRAVNE, NEIZRAVNE, SLUČAJNE, PRIMJERNE ILI POSLJEDIČNE ŠTETE (UKLJUČUJUĆI, ALI NE OGRANIČAVAJUĆI SE NA NABAVU ZAMJENSKIH DOBARA ILI USLUGA; NEMOGUĆNOST UPOTREBE, GUBITAK PODATAKA I ZARADE; ILI PREKID POSLOVANJA), BEZ OBZIRA NA UZROK ILI BILO KOJU TEORIJU ODGOVORNOSTI, BILA ONA ZASNOVANA NA UGOVORU, STROGOJ OBVEZI ILI NEDOPUŠTENJOJ ŠTETNOJ RADNJI (UKLJUČUJUĆI NEMAR ILI SLIČNO), KOJA NA BILO KOJI NAČIN PROIZLAZI IZ UPOTREBE OVOG SOFTVERA, ČAK I AKO STE UPOZORENI NA MOGUĆNOST TAKVE ŠTETE.

Licenca za Apache 2.0

Autorsko pravo © 2009. –2019., Arm Limited. Sva prava zadržana.

Verzija 2.0, siječanj 2004., <http://www.apache.org/licenses/>

ODREDBE I UVJETI ZA UPOTREBU, REPRODUKCIJU I DISTRIBUCIJU

1. Definicije.

„Licenca“ su uvjeti i odredbe za upotrebu, reprodukciju i distribuciju definirani u odjeljcima 1 do 9 u ovom dokumentu. „Davatelj licence“ vlasnik je autorskog prava

ili tijelo s ovlaštenjem vlasnika koje ustupa Licencu.

„Pravno tijelo“ zajednica je izvršnih tijela i svih drugih tijela koja upravljaju, kojima upravljaju ili koja su pod zajedničkom kontrolom tog tijela. Za potrebe ove definicije, „kontrola“ je (i) moć, izravna ili neizravna, usmjeravanja ili upravljanja takvih tijelom, ugovorna ili ostvarena na drugi način ili (ii) vlasništvo pedeset posto (50 %) ili više dionica u optjecaju ili (iii) stvarno vlasništvo takvog tijela. „VI“ (ili „Vaš“) pojedinac je ili Pravno tijelo koje ostvaruje privilegije ustupljene ovom Licencom. „Izvorni“ oblik preferirani je oblik izmjenjivanja, koji obuhvaća, ali nije ograničen na izvorni kod softvera, izvor dokumentacije i konfiguracijske datoteke. „Objekt“ je bilo koji oblik nastao mehaničkom preobrazbom ili prijevodom Izvornog oblika, koji obuhvaća, ali nije ograničen na prevedeni kod objekta, izrađenu dokumentaciju te razmjene s drugim vrstama medija. „Djelo“ je autorsko djelo, u Izvornom obliku ili kao Objekt, izrađeno pod ovom Licencom, kako je navedeno u obavijesti o autorskom pravu izvršenom u djelo ili priloženom djelu (za primjer je ustupljen Dodatak u nastavku). „Izvedena djela“ svako su djelo, u Izvornom obliku ili kao Objekt, utemeljeno na Djelu (ili izvedeno iz njega), za koje uredničke recenzije, primjedbe, razrade ili druge izmjene, u cjelini, predstavljaju originalno autorsko djelo. Za potrebe ove Licence, Izvedeni radovi ne sadržavaju radove koji ostaju u zasebnom obliku ili se samo povezuju (ili su povezani nazivom) s njegovim sučeljem, Djelom i iz njega Izvedenim radovima.

„Doprinos“ je bilo koje autorsko djelo, uključujući izvornu verziju Djela i sve izmjene ili dodatke Djelu, ili iz njih Izvedena djela, koje je vlasnik autorskog prava, pojedinac ili Pravno tijelo ovlašteno za slanje u ime vlasnika autorskog prava namjerno poslao Davatelju licence radi izvrštenja u Djelo. Za potrebe ove definicije, s „poslano“ označava se svaki oblik elektroničke, verbalne ili pisane komunikacije poslana Davatelju licence ili njegovim predstavnicima, što obuhvaća, ali nije ograničeno na komunikaciju putem popisa elektroničke pošte, upravljačkih sustava Izvornog koda te sustava za praćenje problema, kojima upravlja ili kojima se upravlja u ime Davatelja licence, u svrhu raspravljanja o Djelu i njegovog poboljšanja, no bez komunikacije koju je vlasnik autorskog prava uočljivo označio ili drugim pisanim putem okarakterizirao kao „Nije doprinos“. „Suradnik“ je Davatelj licence i svaki pojedinac ili Pravno tijelo u čije je ime Davatelj licence primio Doprinos te ga potom uvrstio u Djelo.

2. Ustupanje licence za autorska prava.

Podložno uvjetima i odredbama iz ove Licence, svaki Suradnik ovim Vam ustupa trajnu, globalnu, neekskluzivnu, besplatnu, nenaplativu, neopozivu licencu za autorska prava za reprodukciju, pripremu Izvedenih djela, javno objavljivanje, javno izvođenje, podlicenciranje i distribuciju Djela i takvih Izvedenih djela u obliku Izvora ili Objekta.

3. Ustupanje licence za patent.

Podložno uvjetima i odredbama iz ove Licence, svaki Suradnik ovim Vam ustupa trajnu, globalnu, neekskluzivnu, besplatnu, nenaplativu, neopozivu (osim sukladno navedenom u ovom odjeljku) licencu za patent za izradu, zadavanje izrade, upotrebu, ponudu za prodaju, prodaju, uvoz i druge prijenose Djela, pri čemu se licenca primjenjuje samo na ona patentna potraživanja koje takav Suradnik može licencirati, a koja nužno povređuju sami njihovi Doprinosi ili kombinacija Doprinosa Djelu za koja su takvi Doprinosi poslani. Ako pokrenete patentnu parnicu protiv bilo kojeg tijela (uključujući međusobna potraživanja ili protutužbu u parnici) tvrdeći da Djelo ili Doprinos koji sadrži Djelo predstavlja izravnu ili doprinosnu povredu patenta, patentne licence koje su Vam Licencom ustupljene za to Djelo ukidaju se na datum pokretanja takve parnice.

4. Redistribucija.

Kopije Djela ili iz njega Izvedenih djela možete reproducirati i distribuirati na bilo kojem mediju, s ili bez izmjena te u Izvornom obliku ili kao Objekt, kada ispunjavate sljedeće uvjete:

- Svim drugim primateljima Djela ili Izvedenog djela morate predati kopiju ove Licence; i
- Sve izmijenjene datoteke moraju imati uočljive obavijesti o tome da ste ih promijenili; i, u Izvornom obliku svakog Izvedenog djela koje distribuirate, – morate zadržati sve obavijesti o autorskim pravima, patentima, robnim markama i dodjelama iz Izvornog oblika Djela, osim obavijesti koje se ne odnose na bilo koji dio Izvedenih djela; i
- Ako distribucija Djela obuhvaća tekstnu datoteku „OBAVIJEST“, sva Izvedena djela koje distribuirate moraju sadržavati čitljivu kopiju obavijesti o dodjeljivanju u takvoj datoteci OBAVIJEST, osim obavijesti koje se ne odnose na bilo koji dio Izvedenih djela, na barem jednoj od sljedećih lokacija: u tekstnoj datoteci OBAVIJEST koja se distribuira kao dio Izvedenih djela; u Izvornom obliku ili dokumentaciji, ako se prilaže Izvedenim djelima; ili u prikazu koji izrađuju Izvedena djela, ako i kada se prikazuju takve obavijesti trećih strana. Sadržaji datoteke OBAVIJEST samo su obavijesni i ne izmjenjuju Licencu. U Izvedena djela koja distribuirate možete dodati vlastite obavijesti o dodjeljivanju, uz OBAVIJEST iz Djela ili kao dodatak njenom tekstu, pod uvjetom da se takve dodatne obavijesti o dodjeljivanju mogu protumačiti kao izmjena Licence. Svojim izmjenama ili bilo kojim Izvedenim djelima u cjelini možete dodati vlastitu izjavu o autorskim pravima te zadati dodatne ili različite licencne uvjete i odredbe za upotrebu, reprodukciju ili distribuciju Vaših izmjena, pod uvjetom da su Vaša upotreba, reprodukcija i distribucija Djela inače u skladu s uvjetima propisanim ovom Licencom.

5. Slanje Doprinosa.

Osim ako izričito ne navedete drugačije, svaki Doprinos koji Davatelju licence namjerno pošaljete za uključivanje u Djelo moraju ispunjavati uvjete i odredbe ove Licence, bez ikakvih dodatnih uvjeta i odredbi. Bez obzira na prethodno navedeno, ništa ovdje ne zamjenjuje ili izmjenjuje uvjete bilo kojeg zasebnog licencnog ugovora koji ste o takvim Doprinosima izvršili s Davateljem licence.

6. Zaštitni znakovi.

Ovom Licencom ne ustupa se dopuštenje za upotrebu trgovačkih naziva, zaštitnih znakova, servisnih znakova ili naziva proizvoda Davatelja licence, osim za potrebe razumne i uobičajene upotrebe u opisivanju porijekla Djela i reprodukciji datoteke OBAVIJEST.

7. Odricanje jamstva.

Osim kada to zahtjeva primjenjivi zakon ili uz pisanu suglasnost, Davatelj licence ustupa Djelo (a svaki Suradnik ustupa svoje doprinose) „KAKVO JEST“, BEZ IKAKVIH JAMSTAVA ILI UVJETA, izričitih ili prešutnih, uključujući, ali Ne ograničavajući se na bilo koje jamstvo ili uvjete za NAZIV, NEPOVREDIVOST, UTRŽIVOST ili PRIKLADNOST ZA POJEDINU SVRHU. Nosite isključivu odgovornost za utvrđivanje prikladnosti upotrebe i redistribucije Djela te preuzimate sve rizike povezane s Vašim korištenjem dopuštenja iz ove Licence. 8. Ograničenje od odgovornosti. Suradnik ni pod kojim uvjetima i ni po kojoj pravnoj teoriji, bilo zbog nedopuštene štetne radnje (uključujući nemar), po ugovoru ili na neki drugi način, osim ako to ne zahtjeva primjenjivi zakon (primjerice za namjerne i izrazito nemarne radnje) ili postoji pisani pristanak, prema Vama ne snosi odgovornost za štete, uključujući sve izravne, neizravne, posebne, slučajne ili posljedične štete bilo koje vrste, a koje su nastale kao rezultat Licence, upotrebom ili nemogućnošću upotrebe Djela (uključujući, ali ne ograničavajući se na štete zbog gubitka dobre volje, zastoja u radu, kvara ili neispravnosti računala te sve druge komercijalne gubitke ili štete), čak i ako je taj Suradnik bio upozoren na vjerojatnost takvih šteta.

9. Prihvaćanje jamstva ili dodatne odgovornosti.

Tijekom redistribucije Djela ili Izvedenih djela iz njega možete odabrati ponuditi prihvaćanje potpore, jamstvo, naknadu ili druge obvezujuće obveze i/ili prava sukladno s ovom Licencom te naplaćivati naknadu. Međutim, po prihvaćanju takvih obveza možete djelovati samo u vlastito ime i na vlastitu odgovornost, ne i u ime bilo kojeg drugog Suradnika, i samo ako pristanete na obeštećenje, zaštitu i osiguranje svakog drugog Suradnika od svake odgovornosti koje su se pojavile te svih zahtjeva koji su nametnuti takvom Suradniku zbog prihvaćanja bilo kojeg jamstva ili dodatne odgovornosti. ZAVRŠETAK UVJETA I ODREDBI

Obsah

Úvod.....	297	Přeprava, skladování a likvidace.....	306
Bezpečnost.....	298	Technické údaje.....	307
Montáž.....	304	Příslušenství.....	308
Provoz.....	305	Prohlášení o shodě.....	309
Údržba.....	306	licence.....	310

Úvod

Popis výrobku

Husqvarna Aspire Pole-P4A je akumulátorová pohonná jednotka s teleskopickou funkcí.

schválené příslušenství v části *Příslušenství na straně 308*. Přečtěte si tento návod společně s návodem ke schválenému příslušenství.

Zamýšlené použití

Tato pohonná jednotka je holá jednotka, která funguje pouze společně se schváleným příslušenstvím, viz

Přehled výrobku

(Obr. 1)

1. Otočný kloub
2. Upevňovací knoflík na nástavec
3. Páčka pro teleskopickou funkci
4. Hřídel
5. Měkká objímka
6. Hák nosného popruhu
7. Blokovací tlačítko pro pojistku páčky spínače
8. Zadní rukojeť
9. Pojistka páčky spínače
10. Páčka spínače
11. Návod k používání
12. Tlačítko pro uvolnění baterie
13. Nabíječka baterií
14. Indikátor napájení a výstražný indikátor
15. Konektor
16. Skladovací hák, šrouby a hmoždinky

(Obr. 5) Použijte schválené ochranné rukavice.

(Obr. 6) Použijte odolnou obuv s protiskluzovou podrážkou. (Platí pouze pro model Aspire P5-P4A + Aspire Pole-P4A.)

(Obr. 7) Stejnoseměrný proud.

(Obr. 8) Jmenovité napětí, V

(Obr. 9) Nevystavujte dešti.

(Obr. 10) Nebezpečí poranění. Nepřibližujte ruce k řezacímu nástroji.

(Obr. 11) Výrobek odpovídá příslušným směrnici EU.

(Obr. 12) Tento výrobek vyhovuje platným předpisům Spojeného království.

Symbols na výrobku

(Obr. 2) **VAROVÁNÍ:** Tento výrobek může být nebezpečný a způsobit obsluze či dalším osobám vážné zranění. Buďte opatrní a výrobek používejte správně.

(Obr. 13) Výrobek ani obal výrobku nelze zlikvidovat jako domácí odpad. Odevzdejte jej ve stanici pro recyklaci elektrických a elektronických zařízení.

(Obr. 3) Pečlivě si prostudujte návod k použití a předtím, než produkt začnete používat, se přesvědčte o tom, že pokynům rozumíte.

(Obr. 4) Použijte ochrannou přilbu v místech, kde hrozí pád předmětů. Použijte schválenou ochranu sluchu (pouze pro model Aspire P5-P4A + Aspire Pole-P4A). Vždy používejte schválenou ochranu očí.

- (Obr. 16) NEBEZPEČÍ – Udržujte výrobek v dostatečné vzdálenosti od drátů elektrického vedení.
- (Obr. 17) Typový štítek s výrobním číslem nebo natištěné číslo. **yyyy** znamená rok výroby a **ww** znamená týden výroby.

Povšimněte si: Další symboly/štítky na výrobku se týkají zvláštních certifikačních požadavků pro určité obchodní trhy.

Symboly na baterii nebo na nabíječe baterií

- (Obr. 18) Odevzdejte výrobek ve stanici pro recyklaci elektrických a elektronických zařízení. (Platí pouze pro Evropu)
- (Obr. 19) Baterii použijte pouze ve výrobcích od partnerů systému POWER FOR ALL.
- (Obr. 20) Chraňte baterii před teplem, např. před nepřetržitým intenzivním slunečním světlem, ohněm, nečistotami, vodou a vlhkostí. Hrozí nebezpečí výbuchu a zkratu.
- (Obr. 21)

(Obr. 14) Nabíječku baterií používejte a skladujte pouze ve vnitřních prostorech.

(Obr. 15) Dvojitá izolace.

Poškození výrobku

Neneseme odpovědnost za poškození výrobku, pokud:

- byl výrobek nesprávně opraven.
- byl výrobek opraven pomocí součástí od jiného výrobce nebo součástí, které nejsou výrobcem schváleny.
- má výrobek příslušenství od jiného výrobce nebo příslušenství, které není výrobcem schváleno.
- výrobek nebyl opraven ve schváleném servisním středisku nebo schváleným odborníkem.

Výrobce

Husqvarna AB

Drottninggatan 2, SE-561 82 Huskvarna, Sweden, tel: +46-36-146 500

Bezpečnost

Definice týkající se bezpečnosti

Varování, upozornění a poznámky slouží jako upozornění na specifické důležité části návodu.



VÝSTRAHA: Používá se v případě nebezpečí úrazu nebo usmrčení obsluhy nebo okolních osob, pokud nejsou dodrženy pokyny uvedené v této příručce.



VAROVÁNÍ: Používá se v případě nebezpečí poškození výrobku, dalších materiálů či škod na majetku v blízkém okolí, pokud nejsou dodrženy pokyny uvedené v této příručce.

Povšimněte si: Používá se k poskytnutí dalších informací, které jsou nezbytné v dané situaci.

Obecné bezpečnostní výstrahy pro elektrické nářadí



VÝSTRAHA: Přečtěte si tento návod k pohonné jednotce společně s návodem ke schválenému příslušenství.



VÝSTRAHA: Prohlédněte si všechny bezpečnostní pokyny, pokyny, ilustrace a technické údaje dodané s tímto elektrickým nástrojem. Při nedodržení některého z pokynů uvedených níže může dojít k úrazu elektrickým proudem, požáru nebo vážnému poranění.

Povšimněte si: Uložte si veškerá upozornění a pokyny pro použití v budoucnu. Termín „elektrický nástroj“ v upozorněních označuje buď nástroj napájený ze sítě (kabelem), nebo napájený baterií (bezdrátový).

Bezpečnost pracovního prostoru

- **Udržujte pracovní prostor čistý a dobře osvětlený.** Přeplněné či tmavé prostory nahrávají nehodám.
- **Nepoužívejte elektrické nástroje ve výbušném prostředí, například v přítomnosti hořlavých kapalin, plynů či prachu.** Elektrické nástroje vytvářejí jiskry, které mohou zapálit prach nebo výpary.
- **Při práci s elektrickým nástrojem musí být děti i okolostojící osoby v dostatečné vzdálenosti.** Rozptýlení může způsobit, že ztratíte kontrolu nad nástrojem.

Bezpečnost při používání el. energie

- **Zástrčky elektrických nástrojů musí odpovídat elektrické zásuvce.** Nikdy zásuvku žádným způsobem neupravujte. U uzemněných elektrických nástrojů nepoužívejte žádné adaptéry. Původní zástrčky a odpovídající zásuvky snižují nebezpečí úrazu elektrickým proudem.
- **Zabraňte tělesnému kontaktu s uzemněnými povrchy, např. trubkami, radiátory, sporáky a chladničkami.** Pokud je lidské tělo uzemněno, hrozí větší nebezpečí úrazu el. proudem.
- **Nevystavujte elektrické nástroje dešti nebo působení vlhkosti.** Pokud do elektrického nástroje vnikne voda, zvyšuje se nebezpečí úrazu elektrickým proudem.
- **Nezacházejte hrubě s napájecím kabelem.** Nikdy elektrický nástroj nenoste za kabel. Za kabel netahajte a neodpojujte nástroj od sítě taháním za kabel. Nevystavujte napájecí kabel působení tepla, oleje, nepoškodte ho ostrými hranami nebo pohyblivými částmi. Poškozený nebo ohnutý kabel zvyšuje nebezpečí úrazu elektrickým proudem.
- **Při používání elektrického nástroje venku použijte prodlužovací kabel určený pro venkovní použití.** Použití kabelu určeného pro venkovní použití snižuje nebezpečí úrazu elektrickým proudem.
- **Pokud je nezbytné pracovat s el. nástrojem ve vlhkém prostředí, použijte zdroj s proudovým chráničem.** Použití proudového chrániče snižuje nebezpečí úrazu elektrickým proudem.

Osobní bezpečnost

- **Při práci s elektrickým nástrojem dávejte pozor, sledujte, co děláte a používejte zdravý rozum.** Nepracujte s elektrickým nástrojem, pokud jste unaveni nebo jste pod vlivem drog, alkoholu či léků. Při práci s elektrickým nástrojem stačí okamžik nepozornosti a následkem může být vážný úraz.
- **Používejte osobní ochranné pomůcky.** Vždy používejte ochranu zraku. Ochranné prostředky, jako jsou respirátor, protiskluzové bezpečnostní boty, ochranná helma nebo ochrana sluchu, použité správným způsobem snižují nebezpečí úrazu.
- **Zabraňte náhodnému spuštění. Před připojením k elektrickému napájení nebo vložení baterií, zvednutím nebo nošením nástroje se přesvědčte, že je vypínač ve vypnuté poloze.** Přenašením

elektrických nástrojů s prstem na spoušti nebo zapnutých elektrických nástrojů nahráváte nehodám.

- **Před zapnutím elektrického nástroje vyjměte jakýkoli seřizovací klíč nebo klíč na matice.** Klíč ponechaný na rotující části elektrického nástroje může způsobit úraz.
- **Nenatahujte se příliš daleko. Neustále pevně stůjte a držte rovnováhu.** Budete tak mít lepší kontrolu nad nástrojem v neočekávaných situacích.
- **Noste vhodný oděv. Nenoste volné oblečení ani šperky. Udržujte vlasy a oděv mimo dosah pohyblivých částí.** Pohyblivé části mohou zachytit volný oděv, šperky nebo dlouhé vlasy.
- **Pokud jsou zařízení přizpůsobena pro připojení odsávačů a lapačů prachu, musí být připojena a správně použity.** Použitím lapačů prachu snižujete rizika spojená s výskytem prachu.
- **Nedovoďte, aby rutina nabytá častým používáním nástrojů způsobila, že začnete být neopatrní a budete ignorovat bezpečnostní zásady při zacházení s nástrojem.** Neopatrný úkon může způsobit vážné zranění ve zlomku sekundy.
- **Nebezpečí! Nepoužívejte výrobek v blízkosti drátů elektrického vedení.** Zařízení nebylo navrženo tak, aby poskytovalo ochranu před zásahem elektrickým proudem v případě kontaktu s nadzemním elektrickým vedením. Před použitím výrobku si ověřte místní předpisy ohledně bezpečných vzdáleností od nadzemního elektrického vedení a ujistěte se, že je provozní poloha bezpečná a bez rizika.

Použití elektrických nástrojů a péče o ně

- **Při práci s elektrickými nástroji nepoužívejte násilí. Používejte správný elektrický nástroj pro danou aplikaci.** Správný elektrický nástroj vykoná práci lépe a bezpečněji rychlostí, pro kterou byl navržen.
- **Nepoužívejte el. nástroj, pokud nefunguje vypínač pro zapnutí a vypnutí.** Každý elektrický nástroj, který nelze ovládat vypínačem, je nebezpečný a musí se opravit.
- **Před jakýmkoli nastavováním, výměnou příslušenství nebo uložením elektrického nástroje odpojte zástrčku od napájení nebo vytáhněte z nástroje baterie, pokud je to možné.** Takováto preventivní bezpečnostní opatření snižují riziko náhodného spuštění el. nástroje.
- **Nepoužívané el. nástroje ukládejte mimo dosah dětí a nedovoďte, aby s nástrojem pracovaly osoby, které ho dobře neznají nebo si nepřečetly tento návod k použití nástroje.** Elektrické nástroje jsou v rukou neproškolených uživatelů nebezpečné.
- **Udržujte elektrické nástroje a příslušenství. Kontrolujte chybné zarovnání nebo spojení pohyblivých částí, rozbítí jakýchkoli částí nebo jiné stavy, které mohou ovlivnit provoz elektrického nástroje. Pokud je elektrický nástroj poškozen, nechte ho opravit.** Mnohé nehody jsou způsobeny špatnou údržbou elektrických nástrojů.

- **Udržujte řezací nástroje ostré a čisté.** Správně udržované řezací nástroje s ostrým ostřím jsou méně náchylné k „zakousnutí“ a snadněji se ovládají.
- **Používejte elektrický nástroj, příslušenství a vsazené nože podle těchto pokynů. V úvahu je třeba brát pracovní podmínky a prováděnou práci.** Použitím elektrického nástroje k jinému účelu, než pro který je určen, může mít za následek vznik nebezpečné situace.
- **Rukojeti a uchopovací plochy udržujte suché, čisté a bez zbytků oleje a maziva.** Kluzké rukojeti a uchopovací plochy neumožňují bezpečné ovládání a v neočekávaných situacích může dojít ke ztrátě kontroly.

Použití nástrojů napájených z baterie a péče o ně

- **Baterii dobíjejte pouze nabíječkou specifikovanou výrobcem.** Použití nabíječky vhodné pro jeden typ baterie může pro jiný typ baterie představovat nebezpečí vzniku požáru.
- **Elektrické nástroje používejte pouze s příslušnými speciálními bateriovými moduly.** Při použití jakékoli jiné baterie hrozí riziko úrazu a požáru.
- **Když baterii nepoužíváte, udržujte ji stranou od kovových předmětů, např. kancelářských sponek, mincí, klíčů, hřebíků, šroubů nebo jiných malých kovových předmětů, které by mohly spojit kontakty baterie.** Při zkratování kontaktů baterie může dojít k popáleninám nebo k požáru.
- **V nevhodných podmínkách může dojít k vytečení kapaliny z baterie.** Vyvarujte se kontaktu s kapalinou. Pokud dojde k náhodnému kontaktu, opláchněte postižené místo vodou. Při zasažení očí kapalinou vyhledejte lékařskou pomoc. Kapalina vyteká z baterie může způsobit podráždění nebo popáleniny.
- **Nepoužívejte poškozenou nebo upravenou baterii nebo výrobek.** Poškozené nebo upravené baterie mohou vykazovat neočekávané chování vedoucí k požáru, výbuchu nebo nebezpečí poranění.
- **Nevystavuje baterii ani nástroj ohni a nadměrným teplotám.** Vystavení ohni a teplotám nad 130 °C může způsobit explozi.
- **Dodržujte veškeré pokyny k nabíjení a nenabíjejte baterii ani nástroj mimo rozsah teplot uvedený v pokynech.** Nesprávné nabíjení nebo nabíjení při teplotách mimo uvedený rozsah může mít za následek poškození baterie a zvýšené nebezpečí požáru.

Servis

- **Servis elektrického nástroje smí provádět pouze kvalifikovaná osoba za použití identických náhradních součástí.** Tím bude zajištěna bezpečnost elektrického nástroje.

- **Nikdy neprovádějte servis poškozených baterií.** Servis baterií smí provádět pouze výrobce nebo autorizovaný servis.

Další obecné bezpečnostní informace

- Další specifická bezpečnostní pravidla naleznete v návodu k používání příslušného nástavce.
- Před přemístěním do jiné oblasti vypněte výrobek. Před předáním výrobku jiné osobě vždy vyjměte baterii.
- Nikdy neodkládejte výrobek, dokud jej nedeaktivujete a nevyjmete baterii. Nenechávejte výrobek bez dozoru, když je spuštěný.
- Žací nástroj se po vypnutí výrobku nezastaví okamžitě.
- Před použitím výrobku a po každém nárazu zkontrolujte, zda nevykazuje známky opotřebení a v případě potřeby proveďte nutné opravy.
- Pokud nějaký předmět uvízne v řezacím nástavci při použití výrobku, vypněte jej a deaktivujte. Zkontrolujte, zda se řezací nástavec zcela zastavil. Před kontrolou, čištěním nebo opravou výrobku nebo řezacího nástavce vyjměte baterii.
- Před použitím výrobek zkontrolujte. Viz část *Bezpečnostní zařízení na produktu na strani 302 a Údržba na strani 306.* Nepoužívejte poškozený výrobek. Dodržujte pokyny pro kontrolu, údržbu a servis popsané v této příručce.
- Nesprávný řezací nástavec zvyšuje nebezpečí úrazu.
- Vždy se ujistěte, že větrací otvory nejsou zanesené nečistotami.
- Zkontrolujte, zda je výrobek v perfektním provozním stavu. Zkontrolujte, zda jsou všechny matice a šrouby dotažené.
- Při neopatrném nebo nesprávném použití se stává tento výrobek velmi nebezpečným nástrojem. Tento výrobek může způsobit obsluhu a dalším osobám vážné zranění.
- Toto zařízení není určeno k použití osobami (včetně dětí) s omezenými fyzickými, smyslovými nebo duševními schopnostmi nebo s nedostatečnými zkušenostmi či znalostmi, pokud nejsou pod dozorem nebo pokud jim osobou zodpovídající za jejich bezpečnost nebyly sděleny pokyny k používání zařízení. Děti musí být pod dozorem, který zajistí, aby si se zařízením nehrály.
- Nenechte nikdy děti používat stroj nebo se zdržovat v jeho blízkosti. Jelikož lze zařízení snadno spustit, mohou jej spustit i děti, pokud nejsou celou dobu pod dozorem. Tím může dojít k nebezpečí vážného úrazu. V době, kdy stroj není plně pod dozorem, musí být odpojená baterie.
- Výrobek ani baterii nikdy nedovolte používat dětem nebo osobám, které nejsou k jejich používání vyškoleny.
- Skladujte zařízení v uzamykatelném prostoru mimo dosah dětí a nepovolaných osob.

- Při uskladnění a přepravě musí být vždy použit přepravní kryt.
- Po celou dobu práce se strojem a obzvláště ve chvíli zapínání motoru držte ruce a nohy v bezpečné vzdálenosti od oblasti sečení.
- Při vypnutí výrobku se rukama ani nohama nepřibližujte k sekacímu nástavci, dokud se zcela nezastaví.
- Neodstraňujte posečený nebo pořezaný materiál ani jej nedovolte odstraňovat jiným osobám, pokud je výrobek aktivován nebo se sekací zařízení otáčí; může dojít k vážnému zranění.
- Odpovědností obsluhy je, aby lidé nebo jejich majetek byli chráněni před nehodami a dalšími riziky.
- Konstrukce produktu nesmí být za žádných okolností upravována bez svolení výrobce. Vždy používejte originální příslušenství. Nepovolené úpravy nebo příslušenství mohou vést k vážnému nebo smrtelnému zranění obsluhy nebo jiných osob. Vaše záruka se nemusí vztahovat na poškození krytu nebo odpovědnost za škody, pokud jsou způsobeny použitím neoprávněného příslušenství nebo náhradních dílů.
- Jediným příslušenstvím, které se smí používat spolu s tímto výrobkem, jsou sekací nástavce doporučené v kapitole příslušenství.
- Nikdy nepoužívejte výrobek, jehož konstrukce byla jakkoli pozměněna oproti jeho původním specifikacím.
- Nikdy nepoužívejte výrobek, který není zcela v pořádku. Dodržujte pokyny pro kontroly, údržbu a servis popsané v této příručce. Některé úkony údržby a opravy mohou provádět pouze vyškolení a kvalifikovaní odborníci. Viz část *Údržba na strani 306*.
- Práce za nepříznivého počasí je únavná a často může zahrnovat další nebezpečí. Kvůli dalším možným nebezpečím nedoporučujeme používat stroj za špatného počasí, například v husté mlze, prudkém dešti, silném mrazu, při riziku výskytu blesků atd.
- Nikdy nepracujte ze žebříku, stoličky nebo v jiné zvýšené poloze, která není dokonale zajištěna.
- Skladujte zařízení ve vnitřních prostorech – zařízení je třeba uložit do vnitřního prostoru, pokud se nepoužívá.
- Není možné zmínit všechny představitelné situace, se kterými se můžete setkat. Buďte stále opatrní a používejte zdravý rozum. Vyhněte se všem situacím, o kterých se domníváte, že jsou nad vaše možnosti. Pokud si ani po přečtení tohoto návodu nebudete jisti, jak stroj správně používat, než budete pokračovat v práci, obraťte se na odborníka.
- Zajistěte, aby se během práce nevyskytovaly v okruhu 15 metrů žádné osoby nebo zvířata. Pokud na stejném pracovišti pracuje více uživatelů, musí být udržována bezpečnostní vzdálenost nejméně 15 metrů. Jinak hrozí nebezpečí vážného zranění osob. Jestliže se někdo přiblíží, okamžitě vypněte výrobek. Nikdy neotáčejte výrobek, aniž byste se nejprve podívali za sebe a zkontrolovali, zda se někdo nenachází v bezpečnostní zóně.
- Pokud nějaký předmět uvízne v řezacím nástavci při použití výrobku, vypněte jej a deaktivujte. Zkontrolujte, zda se řezací nástavec zcela zastavil. Před kontrolou, čištěním nebo opravou výrobku nebo řezacího nástavce vyjměte baterii.
- Zajistěte, aby další osoby, zvířata nebo jiné věci nemohly ovlivnit vaši kontrolu nad výrobkem a aby nemohly přijít do kontaktu se sekacím nástavcem nebo volnými předměty, které odmrští sekací nástavec. Nikdy nepracujte s výrobkem, nemáte-li možnost přivolat pomoc v případě nehody.
- Ujistěte se, že se můžete volně pohybovat a bezpečně stát. Zkontrolujte, zda ve vašem bezprostředním okolí nejsou nějaké překážky (kořeny, kameny, větve, jámy, příkopy apod.), pro případ, že by bylo nutné se rychle přesunout. Zvláštní pozornost věnujte práci ve svažitém terénu.
- Stroj používejte za chůze, nikdy za běhu.
- Zkontrolujte pracovní prostor. Odstraňte veškeré volné předměty, jako jsou kameny, střepy, hřebíky, ocelové dráty, šňůry apod., které by mohly být odmrštěny nebo zachyceny sekacím zařízením nebo krytem sekacího zařízení.
- Dávejte pozor na větve nebo pahýly, které mohou během řezání odlétávat. Nesekejte příliš blízko u země, odkud by mohly odlétávat kameny nebo jiné předměty.
- Dbejte na to, aby se žádné části oděvu nebo těla nedostaly do kontaktu s řezacím nástavcem aktivovaného výrobku. Udržujte výrobek pod úrovní pasu.
- Dejte pozor na odmrštěné předměty. Použijte vždy schválenou ochranu očí. Nikdy se nenahýbejte nad kryt sekacího nástavce. Odlétávající kamení nebo jiný materiál může zasáhnout zrak a způsobit oslepnutí nebo jiná vážná zranění.
- Používáte-li ochranu sluchu, vždy je nutné dávat pozor na výstražné signály nebo volání. Sejměte vždy ochranu sluchu ihned po zastavení výrobku.
- Pokud dojde k nežádoucím vibracím, poklepem vysuňte žací strunu na správnou délku a vibrace by měly přestat.
- Pokud výrobek začne nezvykle vibrovat, zastavte jej a vyjměte baterii.
- Nadměrné vystavení vibracím může u osob se zhoršenou funkcí krevního oběhu vést k poruchám oběhového nebo nervového systému. V případě, že byste pocítili příznaky obtíží způsobených nadměrným vystavením vibracím, obraťte se na svého lékaře. Mezi tyto příznaky patří strnulost končetin, ztráta citu, mravenčení, píchání, bolest, zeslábnutí, změna barvy nebo vzhledu pokožky. Tyto příznaky se obvykle objevují v prstech, na rucech nebo v zápěstí.
- Vždy držte výrobek oběma rukama.

Osobní ochranné prostředky



VÝSTRAHA: Před použitím výrobku si přečtěte následující varování.

- Při použití výrobku je nutné vždy používat schválené osobní ochranné prostředky. Osobní ochranné prostředky nemohou zcela eliminovat nebezpečí úrazu, ale v případě nehody pomáhají snížit míru poranění. Požádejte prodejce, aby vám pomohl vybrat správné vybavení.
- Používejte ochrannou přilbu tam, kde hrozí nebezpečí padajících předmětů.
- Použijte schválenou ochranu sluchu s dostatečným tlumícím účinkem. Dlouhodobé vystavování působení hluku může vést k trvalému poškození sluchu.
- Vždy používejte schválenou ochranu očí. Použijete-li štít, je nutno použít i schválené ochranné brýle. Schválené ochranné brýle musí být v souladu s normou ANSI Z87.1 v USA nebo EN 166 v zemích EU.
- Pro ochranu obličeje použijte ochranný štít. Ochranný štít není dostatečná ochrana očí.

(Obr. 22)

- Při určitých činnostech používejte rukavice, například při nasazování, prohlídce nebo čištění řezacího zařízení.
- Používejte pevnou, neklouzavou obuv.
- Noste oblečení vyrobené z pevné tkaniny. Vždy používejte silné, dlouhé kalhoty a dlouhé rukávy. Nepoužívejte volné oblečení, které se může zachytit o keře nebo větve. Nepoužívejte šperky, krátké kalhoty nebo sandály a nepracujte bosí. Stáhněte si vlasy bezpečně nahoru nad úroveň ramen.

(Obr. 23)

- Mějte při ruce lékárníčku.

(Obr. 24)

Bezpečnostní zařízení na produktu



VÝSTRAHA: Před použitím výrobku si přečtěte následující varování.

V této části je popsáno bezpečnostní vybavení výrobku, jeho účel a způsob provádění kontroly a údržby k zajištění správného provozu. Viz pokyny v části *Přehled výrobku na strani 297* pro informace o umístění těchto dílů na výrobku.

Životnost výrobku se může zkracovat a riziko úrazů zvyšovat, jestliže se údržba neprovádí správně anebo se opravy neprovádějí odborně. Pokud potřebujete další informace, obraťte se na nejbližšího servisního prodejce.



VÝSTRAHA: Nikdy výrobek nepoužívejte s poškozenými bezpečnostními součástmi. Kontrolu a údržbu bezpečnostního vybavení výrobku je nutno provádět podle postupů uvedených v této části. V případě, že by výrobek nevyhověl při jakékoli z těchto kontrol, je nutno vyhledat autorizované servisní středisko a nechat závalu odstranit.



VAROVÁNÍ: Servis a opravy stroje vyžadují speciální odborné školení. To se zvláště týká servisu a oprav bezpečnostního zařízení stroje. V případě, že by stroj nevyhověl při některé z níže uvedených kontrol, je nutno vyhledat servisní opravnu. Každému zákazníkovi, který zakoupí kterýkoli z našich výrobků, zaručujeme dostupnost profesionálních oprav a servisních prací. Pokud prodejce, který vám stroj prodal, neposkytuje servisní práce, požádejte jej o adresu naší nejbližší servisní opravny.

Kontrola pojistky páčky spínače

Pojistka páčky spínače brání nechtěnému spuštění výrobku. Při uvolnění rukojeti se páčka spínače a pojistka páčky spínače vrátí zpět do své původní polohy.

1. Zatlačte blokovací tlačítko pro pojistku páčky spínače dopředu. (Obr. 25)
2. Je-li pojistka páčky spínače ve své původní poloze, ujistěte se, zda je páčka spínače zajištěna. (Obr. 26)
3. Stiskněte pojistku páčky spínače na jedné straně a poté na druhé straně. Ujistěte se, že se pojistka páčky spínače vrátí zpět do původní polohy. (Obr. 27)
4. Zkontrolujte, zda se páčka spínače a pojistka páčky spínače volně pohybují a zda vratná pružina funguje správně. (Obr. 28)
5. Spusťte výrobek, viz *Spuštění výrobku na strani 305*.
6. Uvolněte páčku spínače a zkontrolujte, zda se výrobek zcela zastaví.

Bezpečnostní pokyny pro montáž



VÝSTRAHA: Přečtěte si tento návod k pohonné jednotce společně s návodem ke schválenému příslušenství.

- Před montáží výrobku z něj vyjměte baterii.
- Používejte schválené ochranné rukavice.
- Poškozený nebo nesprávný kryt může způsobit zranění. Nepoužívejte sekací nástavec bez připevněného schváleného krytu.

- Před spuštěním výrobku zkontrolujte, zda je nástavec správně namontován.
- Pokud je s nástavcem dodáván nosný popruh, musí být nosný popruh správně připojen k výrobku. Popruh zajišťuje bezpečný provoz a zabraňuje zranění obsluhy nebo jiných osob.

Bezpečnostní pokyny týkající se baterií



VÝSTRAHA: Přečtěte si všechny bezpečnostní a všeobecné pokyny. Při nedodržení bezpečnostních a všeobecných pokynů může dojít k úrazu elektrickým proudem, požáru nebo vážnému poranění. **Veškeré bezpečnostní informace a obecné pokyny uschovejte pro budoucí použití.**

- Tyto bezpečnostní pokyny se vztahují pouze na 18V dobíjecí Li-ion baterie pro systém POWER FOR ALL.
- Dobíjecí baterií používejte pouze v produktech od partnerů systému POWER FOR ALL. Dobíjecí 18V baterie označené symbolem POWER FOR ALL jsou plně kompatibilní s následujícími výrobky:
 - Všechny výrobky 18V bateriového systému POWER FOR ALL.
 - Všechny 18V výrobky od partnerů systému POWER FOR ALL.
- Dodržujte doporučení týkající se baterie uvedené v návodu k používání výrobku. Pouze tímto způsobem lze dobíjecí baterii a výrobek používat bez nebezpečí a chránit dobíjecí baterii před nebezpečným přetížením.
- Baterie nabíjejte pouze pomocí nabíječek doporučených výrobcem nebo partnery systému POWER FOR ALL. Nabíječka vhodná pro jeden typ baterie může při použití s jinou baterií představovat nebezpečí požáru.
- Baterie se dodává částečně nabitá. Aby byla zajištěna plná kapacita baterie, před prvním použitím elektrického nástroje zcela nabijte baterii v nabíječce baterií.
- Baterie uchovávejte mimo dosah dětí.
- Neotevírejte baterii. Hrozí nebezpečí zkratu.
- V případě poškození a nesprávného použití baterie může dojít k úniku výparů. Baterie se může vznítit nebo explodovat. Ujistěte se, že je prostor dobře větrán, a vyhledejte lékařskou pomoc, pokud se u vás vyskytnou nežádoucí účinky. Výpary mohou dráždit dýchací systém.
- Při nesprávném použití nebo při poškození baterie může dojít k vytečení hořlavé kapaliny z baterie. Je třeba vyvarovat se kontaktu s touto kapalinou. Pokud dojde k náhodnému kontaktu, opláchněte postižené místo vodou. Pokud se kapalina dostane do kontaktu s očima, vyhledejte další lékařskou pomoc. Kapalina vyteká z baterie může způsobit podráždění nebo popáleniny.

- Pokud je baterie poškozená, může dojít k vytečení kapaliny, která může pokrýt okolní povrchy. Zkontrolujte příslušné díly. Vyčistěte tyto díly nebo je v případě potřeby vyměňte.
- Baterie se nesmí zkratovat. Když baterii nepoužíváte, udržujte ji stranou od kovových předmětů, např. kancelářských sponek, mincí, klíčů, hřebíků, šroubů nebo jiných malých kovových předmětů, které by mohly spojit kontakty baterie. Při zkratování kontaktů baterie může dojít k popáleninám nebo k požáru.
- Baterie může být poškozena špičatými předměty, jako jsou hřebíky nebo šroubováky, nebo vnější silou. Může dojít k vnitřnímu zkratu, který způsobí, že se baterie spálí, bude kouřit, exploduje nebo se začne přehřívat.
- Nikdy neprovádějte servis poškozených baterií. Servis baterií smí provádět pouze výrobce nebo autorizovaný servis.
- Chraňte baterii před teplem, např. před nepřetržitým intenzivním slunečním světlem, ohněm, nečistotami, vodou a vlhkostí. Hrozí nebezpečí výbuchu a zkratu.
- Baterii ve výrobku používejte pouze při okolní teplotě v rozsahu -5 °C – 40 °C.
- Baterii skladujte pouze při okolní teplotě v rozsahu -20 °C – 50 °C. Například nenechávejte baterii v létě v autě. Při teplotách < 0 °C může u některých zařízení dojít ke ztrátě výkonu.
- Baterii nabíjejte pouze při okolní teplotě v rozsahu 0 °C – +35 °C. Nabíjení mimo tento teplotní rozsah může zvýšit riziko poškození baterie a představovat riziko požáru.

Bezpečnostní pokyny pro nabíječku baterií



VÝSTRAHA: Přečtěte si všechny bezpečnostní a všeobecné pokyny. Při nedodržení bezpečnostních a všeobecných pokynů může dojít k úrazu elektrickým proudem, požáru nebo vážnému poranění. **Tyto pokyny uchovávejte na bezpečném místě.** Nabíječku používejte pouze v případě, že můžete plně posoudit všechny funkce a provádět je bez omezení, nebo pokud jste obdrželi příslušné pokyny.

- Tato nabíječka není určena pro použití dětmi nebo osobami s omezenými fyzickými, smyslovými nebo duševními schopnostmi nebo nedostatkem zkušeností či znalostí. Tuto nabíječku mohou používat děti od 8 let nebo osoby s omezenými fyzickými, smyslovými nebo duševními schopnostmi či nedostatkem zkušeností nebo znalostí pod dohledem osoby odpovědné za jejich bezpečnost nebo pokud je tato osoba poučila o bezpečném provozu nabíječky a rozumí souvisejícím nebezpečím. V opačném případě hrozí nebezpečí provozních chyb a zranění.

- **Dohlížejte na děti během používání, čištění a údržby.** Tím zajistíte, že děti si s nabíječkou nebudou hrát.
- **Nabíjete pouze 18V baterie systému POWER FOR ALL.** s kapacitou 1,5 Ah a vyšší. **Napětí baterie musí odpovídat nabíjecímu napětí nabíječky. Nenabíjete baterie, které nejsou určené k dobíjení.** V opačném případě hrozí nebezpečí požáru a výbuchu.
- **Nabíječku používejte pouze v uzavřených prostorách a nevystavujte ji vlhkému prostředí.** Pokud do elektrického nástroje vnikne voda, zvyšuje se nebezpečí úrazu elektrickým proudem.
- **Udržujte nabíječku čistou.** Nečistoty představují nebezpečí úrazu elektrickým proudem.
- **Před použitím vždy zkontrolujte nabíječku, kabel a zástrčku.** Pokud zjistíte jakékoli poškození, přestaňte nabíječku používat. Neotvírejte nabíječku sami a nechte ji opravit pouze společností Husqvarna nebo autorizovaným servisním střediskem pro poprodejní služby, které používá výhradně originální náhradní díly. Poškozené nabíječky, kabely a zástrčky zvyšují nebezpečí úrazu elektrickým proudem.
- **Neprovazujte nabíječku na povrchu, který se může snadno vznítit (např. na papíře, textilu atd.) nebo v hořlavém prostředí.** V důsledku zahřívání nabíječky během provozu hrozí nebezpečí požáru.
- **Nezakrývejte větrací otvory nabíječky.** V opačném případě se nabíječka může přehřát a přestane správně fungovat.
- **Baterii dobíjete pouze nabíječkou specifikovanou výrobcem.** Použití nabíječky vhodné pro jeden typ baterie může pro jiný typ baterie představovat nebezpečí vzniku požáru.
- **V případě poškození a nesprávného použití baterie může také dojít k úniku výparů.** Ujistěte se, že je prostor dobře větrán, a vyhledejte lékařskou pomoc, pokud se u vás vyskytnou nežádoucí účinky. Výpary mohou dráždit dýchací systém.
- **V nevhodných podmínkách může dojít k vytečení kapaliny z baterie. Je třeba vyvarovat se kontaktu s touto kapalinou. Pokud dojde k náhodnému kontaktu, opláchněte postižené místo vodou. Pokud se kapalina dostane do kontaktu s očima, vyhledejte**

další lékařskou pomoc. Kapalina vyteklá z baterie může způsobit podráždění nebo popáleniny.

- **Produkty prodávané pouze ve Velké Británii:** Váš výrobek je vybaven elektrickou zástrčkou schválenou dle BS 1363/A s vnitřní pojistkou (schválenou dle ASTA pro BS 1362). Pokud zástrčka není vhodná pro zásuvky, je nezbytné, aby ji zástupce autorizovaného zákaznického servisu odpojil a instaloval na její místo vhodnou zástrčku. Náhradní zástrčka by měla mít stejnou jmenovitou hodnotu pojistky jako původní zástrčka. Poškozenou zástrčku je nutné zlikvidovat, aby se předešlo možnému nebezpečí úrazu elektrickým proudem a nikdy ji nevkládáte do jiné elektrické zásuvky.

Bezpečnostní pokyny pro údržbu



VÝSTRAHA: Před prováděním údržby výrobku si přečtete následující varování.

- Před prováděním údržby, kontroly nebo montáže výrobku vyjměte baterii.
- Obsluha smí provádět pouze takové údržbařské a servisní úkony, které jsou popsány v tomto návodu k používání. Před provedením údržby a servisu většího rozsahu se obraťte na servisního prodejce.
- Baterii ani nabíječku baterií nečistěte vodou. Silné čisticí prostředky mohou způsobit poškození plastových dílů.
- Pokud byste neprováděli údržbu, podstatně by se zkrátil životní cyklus výrobku a zvýšilo se nebezpečí nehod.
- K provádění servisu a oprav je nutné speciální školení, zejména co se týče bezpečnostních zařízení. Pokud není možné po provedení údržby schválit všechny kontroly uvedené v tomto návodu k používání, obraťte se na servisního prodejce. Garantujeme, že jsou pro váš výrobek k dispozici profesionální opravy a servis.
- Používejte pouze originální náhradní díly.
- Při manipulaci se stříhacím nástavcem vždy používejte silné rukavice. Nože jsou mimořádně ostré a mohou snadno způsobit zranění.

Montáž

Úvod



VÝSTRAHA: Než začnete montovat výrobek, přečtete si pozorně kapitulu o bezpečnosti.

2. Utáhněte pojistný knoflík (C).

Povšimněte si: Když je nástavec nainstalován na pohonné jednotce, uživatelské rozhraní nástavce je odpojeno.

Instalace nástavce

1. Připevněte nástavec (A) k pohonné jednotce (B). Nástavec musí jít snadno zasunout do držáku na pohonné jednotce. Pokud to není možné, není instalován správně. (Obr. 29)

Upravení délky teleskopického hřídele

1. Zvedněte páčku (A) na hřídeli. (Obr. 30)
2. Nastavte teleskopický hřídel na příslušnou délku.
3. Zatlačením páčky dolů zajistíte teleskopický hřídel.

Instalace skladovacího háku na stěnu

- Namontujte skladovací hák do vnitřního prostoru.
- Udržujte skladovací hák mimo sluneční světlo a při okolní teplotě -10 až 70 °C.
- Namontujte skladovací hák na sádkartonovou, dřevěnou nebo betonovou stěnu.



VAROVÁNÍ: Ujistěte se, že zeď unese zatížení minimálně 30 kg.

- Upevněte skladovací hák na stěnu pomocí 3 šroubů (A). V případě potřeby použijte hmoždinky (B). (Obr. 31)



VAROVÁNÍ: Ujistěte se, že jsou šrouby vhodné pro použití do konkrétního typu zdi.

- Informace o dostupném příslušenství pro skladování vašeho výrobku získáte u servisního pracovníka Husqvarna.

Zavěšení výrobku na skladovací hák

- Zavěste pohonnou jednotku na hák podle obrázku. (Obr. 32)

Provoz

Kontrola funkcí před použitím výrobku

1. Pomocí kartáče odstraňte z výrobku nečistoty a nežádoucí materiál.
2. Utáhněte všechny matice a šrouby.
3. Zkontrolujte, zda je nástavec správně připevněn.
4. Ujistěte se, že je aktivováno blokovací tlačítko pro pojistku páčky spínače.
5. Ujistěte se, že jsou aretační zařízení vysunuté hřídele a otočné části v zajištěné poloze.
6. Zkontrolujte, zda nástavec nevykazuje příznaky poškození, např. praskliny. Poškozený nástavec je nutné vyměnit.
7. Zkontrolujte, zda jsou kryty správně připevněny a nevykazují známky poškození.
8. Zkontrolujte, zda výrobek funguje správně.

Instalace baterie do výrobku



VÝSTRAHA: Ve výrobku používejte pouze lithium-iontové baterie systému POWER FOR ALL P4A 18 V.

1. Zkontrolujte, zda je baterie plně nabitá.
2. Vložte baterii do držáku baterie výrobku. Baterie musí jít snadno zasunout do držáku. Pokud to není možné, není instalována správně. (Obr. 33)
3. Zatlačte baterii zcela do držáku baterie. Baterie je zajištěná na místě, jakmile uslyšíte cvaknutí.
4. Zkontrolujte, zda západka zapadne do správné polohy.

Spuštění výrobku

1. Zatlačte blokovací tlačítko pro pojistku páčky spínače dopředu. (Obr. 25)
2. Stiskněte pojistku páčky spínače (A) z levé nebo pravé strany a podržte páčku spínače (B). (Obr. 34)

Zastavení výrobku

1. Uvolněte páčku spínače.
2. Zatažením blokovacího tlačítka pro pojistku páčky spínače dozadu zajistíte výrobek.
3. Stiskněte tlačítko pro uvolnění baterie a baterii vyjměte. (Obr. 35)
4. V případě potřeby odmontujte nástavec z výrobku.

Seřízení úhlu výrobku

Výrobek lze nastavit do 7 různých poloh.



VÝSTRAHA: Nenastavujte úhel během používání výrobku.

1. Vypněte výrobek a vyjměte baterii.
2. Pevně podržte držák (A). (Obr. 36)
3. Zatlačte a podržte otočný kloub (B).
4. Nastavte držák do správné polohy.
5. Uvolněním otočného kloubu zajistíte držák.
6. Pohybuje držákem nahoru a dolů, dokud se nezajistí na místě.

Údržba

Úvod



VÝSTRAHA: Než začnete na výrobku provádět údržbu, přečtěte si pozorně kapitolu o bezpečnosti.



VÝSTRAHA: Před prováděním údržby výrobku vyjměte baterii.

Plán údržby

Níže je uveden seznam kroků údržby, které je třeba provést na výrobku.

Údržba	Před provozem	Týdně	Měsíčně
Očistěte vnější povrch výrobku suchým hadříkem. Nepoužívejte vodu.	X		
Ujistěte se, že zajišťovací tlačítko pojistky páčky spínače funguje správně a není poškozené.	X		
Zkontrolujte, zda páčka spínače a její pojistka fungují bezpečně.	X		
Ujistěte se, že správně fungují všechny ovládací prvky a že nejsou poškozené.	X		
Udržujte rukojeti suché a čisté.	X		
Zkontrolujte, zda jsou šrouby a matice dotažené.	X		
Zkontrolujte, zda tlačítka pro uvolnění baterie na baterii fungují správně a zda drží baterii ve výrobku.	X		
Zkontrolujte, zda není baterie poškozená.	X		
Zkontrolujte, zda je baterie nabitá.	X		
Zkontrolujte, zda není poškozená nabíječka baterií a zda funguje správně.	X		
Zkontrolujte všechny kabely, spojky a konektory. Přesvědčte se, zda jsou čisté a nepoškozené.		X	
Zkontrolujte spojení mezi baterií a výrobkem.			X
Zkontrolujte spojení mezi baterií a nabíječkou baterií.			X

Čištění výrobku, baterie a nabíječky baterií

- Po použití vyčistěte výrobek suchou utěrkou.
- Vyčistěte baterii a nabíječku baterií suchou utěrkou. Udržujte v čistotě vodící kolejničky baterie.

- Před vložením baterie do nabíječky baterií nebo výrobku zkontrolujte, zda jsou svorky na baterii a nabíječce baterií čisté.

Přeprava, skladování a likvidace

Přeprava a skladování

- Dodané Li-ion baterie podléhají požadavkům legislativy o nebezpečném zboží.

- Dodržujte zvláštní požadavky uvedené na obalu a označení pro komerční přepravu, platí i pro třetí strany a dopravce.
- Než odešlete výrobek, promluvte si s osobou speciálně vyškolenou ohledně manipulace

s nebezpečnými materiály. Dodržujte platné celostátní předpisy.

- Před vložením baterie do obalu zalepte rozpojené kontakty páskou. Vložte baterii do obalu a zajistěte ji proti pohybu.
- Před přepravou nebo uskladněním vyjměte baterii.
- Uložte baterii a nabíječku baterií na místo, které je suché a chráněné před vlhkostí a mrazem.
- Neskladujte baterii v místech, kde může docházet k výbojům statické elektřiny. Neskladujte baterii v kovovém obalu.
- Baterii skladujte na místě, kde je teplota v rozsahu -20 až $+50$ °C a mimo přímé sluneční světlo.
- Nabíječku baterií skladujte na místě, kde je teplota v rozsahu 5 až 45 °C a mimo přímé sluneční světlo.
- Nabíječku používejte pouze při okolních teplotách v rozsahu 0 až 35 °C.
- Výrobek skladujte při teplotách v rozsahu -40 až $+60$ °C.
- Před dlouhodobým uskladněním se ujistěte, že je baterie nabitá na 30 až 50 %.
- Uložte baterii a nabíječku baterií do uzavřené a suché místnosti.
- Skladujte baterii mimo nabíječku baterií. Nedovolte, aby se děti nebo neoprávněné osoby dotýkaly zařízení. Uchovávejte zařízení na místě, které lze uzamknout.

- Před dlouhodobým skladováním výrobku jej vyčistěte a proveďte kompletní údržbu.
- Před přepravou a uskladněním umístěte na výrobek přepravní kryt pro prevenci zranění a poškození.
- Během přepravy musí být výrobek bezpečně upevněný.
- Uchovávejte výrobek ve vodorovné poloze nebo jej zavěste na dodaný hák. Viz část *Zavěšení výrobku na skladovací hák na strani 305*.

Likvidace baterie, nabíječky baterií a výrobku

Níže uvedený symbol znamená, že výrobek nelze zlikvidovat jako domácí odpad. Odevzdejte jej ve stanici pro recyklaci elektrických a elektronických zařízení. To pomůže eliminovat nebezpečí poškození životního prostředí a zdraví osob.

Další informace získáte od místních úřadů, služby zajišťující zpracování domácího odpadu nebo prodejce.

(Obr. 18)

Povšimněte si: Tento symbol je znázorněn na výrobku nebo obalu výrobku.

Technické údaje

Aspire Pole-P4A

Hmotnost

Hmotnost (pouze pohonná jednotka), kg

1,5

Schválené baterie

Tento výrobek lze používat se všemi bateriemi **POWER FOR ALL**.

Baterie	P4A 18-B36	P4A 18-B45	P4A 18-B72
Typ	Lithium-iontová	Lithium-iontová	Lithium-iontová
Kapacita baterie, Ah	2	2,5	4
Jmenovité napětí, V	18	18	18
Hmotnost, kg	0,35	0,35	0,65
Počet článků (Li-ion)	5	5	10

Schválené nabíječky baterií

Nabíječka baterií	P4A 18-C50	P4A 18-C70
Vstupní napětí, V	Viz jmenovité údaje nabíječky.	Viz jmenovité údaje nabíječky.
Frekvence, Hz	50–60	50–60
Výkon, W	50	70

Příslušenství

Nástavce

Schválené nástavce	Typ	Pro použití s
Nástavec nůžek na keře	Aspire S20-P4A	Aspire Pole-P4A
Nástavec prořezávače	Aspire P5-P4A	Aspire Pole-P4A

Prohlášení o shodě

Prohlášení o shodě EU

Společnost **Husqvarna AB**, SE-561 82 Huskvarna,
Švédsko, tel.: +46-36-146500, na svou výhradní
odpovědnost prohlašuje, že výrobek:

Popis	Akumulátorová pohonná jednotka
Značka	Husqvarna
Typ/Model	Aspire Pole-P4A
Identifikace	Výrobní čísla od roku 2023 a dále

je zcela ve shodě s následujícími směrnici a předpisy
EU:

Směrnice/předpis	Popis
2006/42/ES	„o strojních zařízeních“
2014/30/EU	„o elektromagnetické kompatibilitě“
2011/65/EU	„o omezení používání některých nebezpečných látek v elektrických a elektronických zařízeních“
2000/14/ES	„týkající se emisí hluku do okolního prostředí“

a že byly použity následující normy nebo
technické specifikace: EN 62841-1:2015/A11:2022,
EN 62841-4-2:2019/A1:2022, EN IEC 62841-4-5:2021/
A11:2021, EN ISO 11680-1:2011, EN ISO 12100:2010,
EN IEC 55014-1:2021, EN IEC 55014-2:2021, EN IEC
63000:2018.

Společnost DEKRA Testing and Certification GmbH,
Handwerkstraße 15, 70565 Stuttgart, Germany, 0158
provedla dobrovolnou typovou zkoušku podle směrnice
ES pro strojní zařízení (2006/42/ES), článek 12,
bod 3b. Certifikát o typové zkoušce ES má číslo:
4815039.22006.

Byl použit postup posouzení shody v souladu se
směrnicí 2000/14/ES, příloha V.

S nástavcem Aspire P5-P4A jako tyčovým
prořezávačem:

- Naměřená hladina akustického výkonu: 88 dB (A)
- Garantovaná hladina akustického výkonu: 91 dB (A)

S nástavcem Aspire S20-P4A jako tyčovými nůžkami na
keře:

- Naměřená hladina akustického výkonu lišty na keře:
83 dB (A)
- Naměřená hladina akustického výkonu nože na
trávu: 79 dB (A)
- Garantovaná hladina akustického výkonu: 84 dB (A)

Huskvarna, 2023-10-30



Claes Losdal, manažer výzkumu a vývoje, Husqvarna
AB

Osoba odpovědná za technickou dokumentaci



licence

Copyright © 2012–2020 STMicroelectronics

Záruka se nevztahuje na vady vzniklé běžným opotřebením, nedbalostí, vadným používáním, neautorizovanou opravou sacího zařízení připojeného k nesprávnému napětí.

Všechna práva vyhrazena.

Redistribuce a použití ve zdrojových a binárních formách, s úpravami nebo bez nich, jsou povoleny za předpokladu, že jsou splněny následující podmínky:

- Redistribuce zdrojového kódu musí obsahovat výše uvedené upozornění na autorská práva, tento seznam podmínek a následující zřeknutí se odpovědnosti.
- Redistribuce v binární formě musí obsahovat výše uvedené upozornění na autorská práva, tento seznam podmínek a následující zřeknutí se odpovědnosti v dokumentaci nebo jiných materiálech poskytnutých s distribucí.
- Název společnosti STMicroelectronics ani názvy jejích příspěvatelů nesmí být použity k propagaci ani v rámci reklamních aktivit spojených s výrobkou odvozenými od tohoto softwaru bez předchozího písemného souhlasu.

TENTO SOFTWARE POSKYTUJÍ DRŽITELÉ AUTORSKÝCH PRÁV A PŘÍSPĚVATELÉ „TAK, JAK JE“, A VEŠKERÉ VÝSLOVNÉ ČI PŘEDPOKLÁDANÉ ZÁRUKY, VČETNĚ, MIMO JINÉ, PŘEDPOKLÁDANÝCH ZÁRUK OBCHODOVATELNOSTI A VHDNOSTI PRO KONKRÉTNÍ ÚČEL, JSOU VYLOUČENY. ZA ŽÁDNÝCH OKOLNOSTÍ NEPONESE VLASTNÍK AUTORSKÝCH PRÁV ANI PŘÍSPĚVATELÉ ZODPOVĚDNOST ZA ŽÁDNÉ PŘÍMÉ, NEPŘÍMÉ, NÁHODNÉ, ZVLÁŠTNÍ, EXEMPLÁRNÍ NEBO NÁSLEDNÉ ŠKODY (VČETNĚ, MIMO JINÉ, NÁKUPU NÁHRADNÍHO ZBOŽÍ NEBO SLUŽEB, ZTRÁTY POUŽITÍ, DAT NEBO ZISKU NEBO PŘERUŠENÍ PODNIKÁNÍ), JAKKOLI ZPŮSOBENÉ A NA ZÁKLADĚ JAKÉKOLI TEORIE ODPOVĚDNOSTI, AŽ UŽ SMLUVNÍ, OBJEKTIVNÍ ODPOVĚDNOSTI NEBO OBČANSKOPRÁVNÍM VZTAHEM (VČETNĚ NEDBALOSTI NEBO JINAK) VYPLYVAJÍCÍ Z POUŽÍVÁNÍ TOHOTO SOFTWARE, A TO I V PŘÍPADĚ, ŽE JSOU NA MOŽNOST TAKOVÉ ŠKODY UPOZORNĚNI.

licence Apache 2.0

Copyright © 2009–2019 Arm Limited. Všechna práva vyhrazena.

Verze 2.0, leden 2004 <http://www.apache.org/licenses/>
PODMÍNKY POUŽITÍ, REPRODUKCE A DISTRIBUCE

1. Definice.

„**Licenci**“ se rozumí podmínky použití, reprodukce a distribuce definované v částech 1 až 9 tohoto dokumentu. „**Poskytovatelem licence**“ se rozumí vlastník autorských práv nebo subjekt oprávněný vlastníkem autorských práv, který licenci uděluje. „**Právním subjektem**“ se rozumí sdružení jednatelského subjektu a všech ostatních subjektů, které kontrolují tento subjekt, jsou kontrolovány tímto subjektem nebo jsou s tímto subjektem pod společnou kontrolou. Pro účely této definice se „**kontrolou**“ rozumí i) moc, přímá nebo nepřímá, která způsobuje řízení nebo vedení tohoto subjektu, ať už smluvně nebo jinak, nebo ii) vlastnictví padesáti procent (50 %) nebo více akcií v oběhu, nebo iii) skutečné vlastnictví takového subjektu. „**Vy**“ („**váš**“) znamená jednotlivce nebo právní subjekt využívající oprávnění udělená touto licencí. „**Zdrojovou**“ formou se rozumí upřednostněná forma pro provádění úprav, včetně, mimo jiné, zdrojového kódu softwaru, zdroje dokumentace a konfiguračních souborů. „**Cílovou**“ formou se rozumí jakákoli forma vyplývající z mechanické transformace nebo překladu zdrojové formy, včetně, mimo jiné, sestaveného cílového kódu, vygenerované dokumentace a převoduů na jiné typy médií. „**Dílem**“ se rozumí autorské dílo, ať už ve zdrojové nebo cílové formě, které je zpřístupněno v rámci licence, jak je uvedeno v upozornění na autorská práva, které je zahrnuto v díle nebo které je k němu připojeno (příklad je uveden v příloze níže). „**Odvozenými díly**“ se rozumí jakékoli dílo, ať už ve zdrojové nebo cílové formě, které je založeno na díle (nebo od něj odvozeno) a pro které redakční revize, anotace, zpracování nebo jiné úpravy představují jako celek původní autorské dílo. Pro účely této licence odvozená díla nezahrnují díla, která zůstávají oddělitelná od díla nebo se pouze propojují (nebo se vážou jménem) s rozhraními díla a z něho odvozených děl. „**Příspěvkem**“ se rozumí jakékoli autorské dílo, včetně původní verze díla a jakýchkoli úprav nebo dodatků k tomuto dílu nebo z něho odvozeným dílům, které je záměrně předloženo poskytovateli licence k zařazení do díla vlastníkem autorských práv nebo jednotlivcem či právním subjektem oprávněným k předložení jménem vlastníka autorských práv. Pro účely této definice se „**předložením**“ rozumí jakákoli forma elektronické, verbální nebo písemné komunikace zasláná poskytovateli licence nebo jeho zástupcům, včetně, mimo jiné, komunikace na seznamech elektronické pošty, systémech kontroly zdrojových kódů a systémech sledování vydání, které spravuje poskytovatel licence nebo jsou spravovány jeho jménem za účelem diskutování a zlepšení díla, avšak s výjimkou komunikace, která je jasně označena nebo jinak písemně označena vlastníkem autorských práv jako „**Není příspěvek**“. „**Příspěvatelem**“ se rozumí poskytovatel licence a jakýkoli jednotlivec nebo právní subjekt, jménem kterého poskytovatel licence obdržel příspěvek, který následně začlenil do díla.

2. Udělení licence k autorským právům.

V souladu s podmínkami této licence vám každý příspěvatel tímto uděluje trvalou, celosvětovou, nevýhradní, bezplatnou, neodvolatelnou licenci k autorským právům na reprodukci, přípravu odvozených děl, veřejné zobrazení, veřejné provedení, poskytnutí sublicence a distribuci díla a takovýchto odvozených děl ve zdrojové nebo cílové formě.

3. Udělení patentové licence.

V souladu se smluvními podmínkami této licence vám každý příspěvatel tímto uděluje trvalou, celosvětovou, nevýhradní, bezplatnou, neodvolatelnou (s výjimkou případů uvedených v této části) patentovou licenci k výrobě, nechání si vyrobit, používání, nabízení k prodeji, prodeji, importování a jinému přenosu díla, kde tato licence platí pouze pro patentové nároky licencovatelné takovýmto příspěvatelem, které jsou nezbytně porušovány samotným příspěvkem (příspěvký) nebo kombinací jejich příspěvku (příspěvků) do díla, pro které byl takovýto příspěvek (příspěvký) předložen. Pokud vedete patentový spor proti jakémukoli subjektu (včetně protizaloby nebo protinároku v soudním sporu) tvrdící, že dílo nebo příspěvek začleněný do díla představuje přímé nebo nepřímé porušení patentu, poté budou veškeré patentové licence udělené vám na základě této licence pro toto dílo ukončeny ke dni podání takového sporu.

4. Redistribuce.

Kopie díla nebo jeho odvozených děl můžete reprodukovat a distribuovat na jakémkoli médiu, s úpravami nebo bez nich a ve zdrojové nebo cílové formě za předpokladu, že splňujete následující podmínky:

- Musíte dát všem ostatním příjemcům díla nebo odvozených děl kopii této licence; a
- Musíte zajistit, že jakékoli upravené soubory budou obsahovat upozornění, že jste soubory změnili; a musíte ve zdrojové formě jakýchkoli odvozených děl, která distribuujete, ponechat veškerá oznámení o autorských právech, patentech, ochranných známkách a autorství ze zdrojové formy díla, s výjimkou těch oznámení, která se nevztahují k žádné části odvozených děl; a
- Pokud dílo obsahuje textový soubor „OZNÁMENÍ“ jako součást jeho distribuce, potom jakákoli odvozená díla, která distribuujete, musí obsahovat čitelnou kopii oznámení o autorství obsažených v tomto souboru OZNÁMENÍ, s výjimkou těch oznámení, která se nevztahují k žádné části odvozených děl, alespoň na jednom z následujících míst: v textovém souboru OZNÁMENÍ distribuovaném jako součást odvozených děl; v rámci zdrojové formy nebo dokumentace, pokud je poskytována společně s odvozenými díly; nebo v rámci zobrazení generovaného odvozenými díly, pokud a kdekoli se taková oznámení třetích stran obvykle objevují. Obsah souboru OZNÁMENÍ je pouze informativní

a neupravuje licenci. Můžete přidávat vlastní oznámení o autorství v rámci odvozených děl, která distribuujete, společně s textem OZNÁMENÍ nebo jako dodatek k textu OZNÁMENÍ z díla, za předpokladu, že taková další oznámení o autorství nelze vykládat jako úpravu licence. K vašim úpravám můžete přidat vlastní prohlášení o autorských právech a můžete poskytnout další nebo jiné licenční smluvní podmínky pro použití, reprodukci nebo distribuci vašich modifikací nebo pro jakákoli takováto odvozená díla jako celek za předpokladu, že vaše použití, reprodukce a distribuce díla jinak splňují podmínky uvedené v této licenci.

5. Předkládání příspěvků.

Pokud výslovně neuvedete jinak, jakýkoli příspěvek, který jste úmyslně předložili poskytovateli licence k zařazení do díla, musí být za smluvních podmínek této licence bez jakýchkoli dalších smluvních podmínek. Bez ohledu na výše uvedené nic v tomto dokumentu nenahrazuje ani nemění podmínky jakékoli samostatné licenční smlouvy, kterou jste mohli s poskytovatelem licence uzavřít ohledně těchto příspěvků.

6. Ochranné známky.

Tato licence neuděluje povolení používat obchodní názvy, ochranné známky, značky služeb nebo názvy produktů poskytovatele licence, s výjimkou případů, kdy je to vyžadováno pro přiměřené a obvyklé použití při popisu původu díla a reprodukci obsahu souboru OZNÁMENÍ.

7. Odmítnutí záruky.

Není-li to vyžadováno příslušným zákonem nebo dohodnuto písemně, poskytovatel licence poskytuje dílo (a každý příspěvatel poskytuje své příspěvky) „TAK, JAK JE“, BEZ ZÁRUK NEBO PODMÍNEK JAKÉHOKOLI DRUHU, ať už výslovných nebo předpokládaných, včetně, mimo jiné, jakýchkoli záruk nebo podmínek VLASTNICTVÍ, NEPORUŠENÍ PRÁV, OBCHODOVATELNOSTI nebo VHODNOSTI PRO KONKRÉTNÍ ÚČEL. Nesete výhradní odpovědnost za stanovení vhodnosti používání nebo redistribuci díla a berete na sebe veškerá rizika spojená s vašim uplatněním oprávnění v rámci této licence. 8. Omezení odpovědnosti. V žádném případě a podle žádné právní teorie, ať už občanskoprávní (včetně nedbalosti), smluvní nebo jiné, pokud to nevyžadují platné zákony (jako jsou úmyslné a hrubé nedbalé činy) nebo tak není písemně dohodnuto, vám nebude jakýkoli příspěvatel odpovědný za škody, včetně přímých, nepřímých, zvláštních, náhodných nebo následných škod jakéhokoli charakteru, vyplývající z této licence nebo z použití nebo nemožnosti použití díla (včetně, mimo jiné, poškození v důsledku ztráty dobrého jména, zastavení práce, selhání nebo nesprávné funkce počítače nebo jakýchkoli a veškerých ostatních obchodních škod nebo ztrát), i když takový příspěvatel byl informován o možnosti takových škod.

9. Přijetí záruky nebo další odpovědnosti.

Při redistribuci díla nebo jeho odvozených děl se můžete rozhodnout nabídnout a účtovat poplatek za přijetí podpory, záruky, odškodnění nebo jiných závazků odpovědnosti nebo práv v souladu s touto licencí. Při přijímání těchto závazků však můžete jednat pouze svým jménem a na svou výhradní odpovědnost,

nikoli jménem jiného příspěvatele, a pouze pokud souhlasíte s odškodněním, obranou a zbavením každého příspěvatele jakékoli odpovědnosti, která příspěvateli vznikla, nebo nároků, které vůči němu byly uplatněny, z důvodu vašeho přijetí takové záruky nebo další odpovědnosti. KONEC SMLUVNÍCH PODMÍNEK

Obsah

Úvod.....	312	Preprava, skladovanie a likvidácia.....	322
Bezpečnosť.....	313	Technické údaje.....	322
Montáž.....	320	Príslušenstvo.....	323
Prevádzka.....	320	Vyhľadanie o zhode.....	324
Údržba.....	321	Licencie.....	325

Úvod

Popis výrobku

Husqvarna Aspire Pole-P4A je akumulátorová pohonná jednotka s teleskopickým motorom.

(toto schválené príslušenstvo sa nachádza v časti *Príslušenstvo na strane 323*). Prečítajte si tento návod, ako aj návod k schválenému príslušenstvu.

Plánované použitie

Toto elektrické zariadenie je základné zariadenie, ktoré funguje iba spolu so schváleným príslušenstvom

Prehľad výrobku

(Obr. 1)

1. Otočný spoj
2. Upevňovacia skrutka nadstavca
3. Páka s teleskopickou funkciou
4. Hriadeľ
5. Mäkké puzdro
6. Hák popruhu
7. Poistné tlačidlo poistky páčky vypínača
8. Zadná rukoväť
9. Blokovanie páčky vypínača
10. Spúšťáč
11. Návod na obsluhu
12. Tlačidlo uvoľnenia batérie
13. Nabíjačka batérie
14. Indikátor zapnutia a upozornenia
15. Spojka
16. Hák na skladovanie, skrutky a príchytky

(Obr. 3) Pred používaním výrobku si prečítajte návod na obsluhu a uistite sa, že rozumiete uvedeným pokynom.

(Obr. 4) V miestach, kde na vás niečo môže spadnúť, používajte ochrannú prilbu. Používajte schválené chrániče sluchu (len v prípade Aspire P5-P4A + Aspire Pole-P4A). Používajte schválené chrániče očí.

(Obr. 5) Používajte schválené ochranné rukavice.

(Obr. 6) Používajte odolné protišmykové topánky. (Platí len pre Aspire P5-P4A + Aspire Pole-P4A)

(Obr. 7) Jednosmerný prúd.

(Obr. 8) Menovité napätie, V

(Obr. 9) Výrobok nevystavujte dažďu.

(Obr. 10) Riziko zranenia. Nepríbližujte sa rukami k rezaciemu nástroju.

(Obr. 11) Tento výrobok je v súlade s príslušnými smernicami EÚ.

Symbyly na výrobku

(Obr. 2) **UPOZORNENIE:** Tento výrobok môže byť nebezpečný a spôsobiť vážne poranenie alebo usmrtienie obsluhujúceho pracovníka alebo iných osôb. Postupujte opatrne a používajte výrobok správnym spôsobom.

(Obr. 12) Tento výrobok je v súlade s príslušnými právnymi predpismi Spojeného kráľovstva.

(Obr. 13) Výrobok alebo jeho obal nepredstavuje komunálny odpad. Recyklujte ho v recyklačnej stanici určenej pre elektrické a elektronické zariadenia.

(Obr. 16) NEBEZPEČENSTVO – Dodržiavajte dostatočnú vzdialenosť od vedení elektrického prúdu.

(Obr. 17) Výkonový štítok alebo laserová tlač zobrazuje výrobné číslo. **yyyy** je rok výroby a **ww** je týždeň výroby.

Poznámka: Ostatné symboly/štítky na výrobku obsahujú údaje v súlade so zvláštnymi požiadavkami certifikácie pre určité trhy.

(Obr. 14) Nabíjačku batérie používajte a skladujte len v interiéri.

(Obr. 15) Dvojitá izolácia.

Symbole na batérii a/alebo na nabíjačke batérií

(Obr. 18) Tento výrobok recyklujte v recyklačnej stanici určenej pre elektrické a elektronické zariadenia. (Uplatňuje sa iba na Európu)

(Obr. 19) Batériu používajte len vo výrobkoch od partnerov systému POWER FOR ALL.

(Obr. 20) Chráňte akumulátor pred teplom, napr. pred dlhodobým intenzívnym slnečným žiarením, ohňom, nečistotami, vodou a vlhkosťou. Hrozí nebezpečenstvo výbuchu a skratu.

(Obr. 21)

Poškodenie výrobku

Nie sme zodpovední za škody na našom výrobku v prípade:

- nesprávne vykonanej opravy výrobku,
- opravy výrobku, pri ktorej neboli použité diely od výrobcu alebo diely schválené výrobcom,
- používania príslušenstva od iného výrobcu alebo príslušenstva, ktoré nie je schválené výrobcom,
- opravy výrobku, ktoré neboli vykonané v schválenom servisnom stredisku alebo schválenými kompetentnými osobami.

Výrobca

Husqvarna AB

Drottningatan 2, SE-561 82 Huskvarna, Sweden, tel: +46-36-146 500

Bezpečnosť

Bezpečnostné definície

Výstrahy, upozornenia a poznámky slúžia na zdôraznenie mimoriadne dôležitých častí návodu.



VÝSTRAHA: Používa sa, ak pre obsluhu alebo osoby v okolí existuje nebezpečenstvo poranenia alebo smrti v prípade nedodržania pokynov v návode.



VAROVANIE: Používa sa, ak hrozí nebezpečenstvo poškodenia produktu, iných materiálov alebo okolitej oblasti v prípade nedodržania pokynov v návode.

Poznámka: Používa sa na poskytnutie informácií nad rámec nevyhnutných informácií v danej situácii.

Všeobecné bezpečnostné upozornenie pre elektrické nástroje



VÝSTRAHA: Prečítajte si návod k schválenému príslušenstvu, ako aj návod k tomuto elektrickému zariadeniu.



VÝSTRAHA: Prečítajte si všetky bezpečnostné upozornenia, pokyny a pozrite si ilustrácie a uvedené technické údaje tohto elektrického nástroja. Nedodržanie všetkých nižšie uvedených

pokynov môže spôsobiť zásah elektrickým prúdom, požiar alebo ťažké zranenia.

Poznámka: Uchovajte si všetky upozornenia a pokyny pre budúce použitie. Výraz „elektrický nástroj“ v upozorneniach označuje elektrický nástroj napájaný z elektrickej siete (s káblom) alebo napájaný z batérie (bez kábla).

Bezpečnosť na pracovisku

- **Udržiavajte pracovisko v čistote a dobre osvetlené.** Neporiadok alebo nedostatočné osvetlenie spôsobujú nehody.
- **Nepoužívajte elektrické nástroje vo výbušnom ovzduší, napríklad v prítomnosti horľavých kvapalín, plynov alebo prachu.** Elektrické nástroje vytvárajú iskry, ktoré môžu vznietiť prach alebo výpary.
- **Pri používaní elektrického nástroja zabráňte deťom a okoloidúcim, aby sa zdržovali vo vašej blízkosti.** Rušivé podnety môžu spôsobiť stratu kontroly.

Elektrická bezpečnosť

- **Parametre elektrických nástrojov sa musia zhodovať s parametrami napájacej zásuvky.** Nikdy a žiadnym spôsobom nemodifikujte elektrickú zástrčku. S uzemnenými elektrickými nástrojmi nepoužívajte žiadne adaptérové zástrčky. Ak sa zástrčky neupravujú a používajú sa zodpovedajúce zásuvky, zníži sa riziko úrazu elektrickým prúdom.
- **Zabráňte kontaktu tela s uzemnenými povrchmi, ako sú rúry, radiátory, sporáky a chladničky.** Riziko úrazu elektrickým prúdom je vyššie, ak je vaše telo uzemnené.
- **Nevystavujte elektrické nástroje dažďu alebo vlhkým podmienkam.** Voda vnikajúca do elektrického náradia zvýši riziko úrazu elektrickým prúdom.
- **Nepoužívajte kábel nesprávnym spôsobom.** Nikdy nepoužívajte kábel na nosenie, ťahanie alebo odpájanie elektrického náradia. Chráňte šnúru pred horúčavou, olejom, ostrými hranami alebo pohybujúcimi sa dielcami. Poškodené alebo zamotané káble zvyšujú riziko úrazu elektrickým prúdom.
- **Pri práci s elektrickým náradím vonku používajte predlžovací kábel vhodný na vonkajšie použitie.** Používanie predlžovacej šnúry určenej do vonkajšieho prostredia znižuje riziko zásahu elektrickým prúdom.
- **Ak je nevyhnutné použiť elektrický nástroj vo vlhkom prostredí, na napájanie nástroja použite vedenie vybavené prúdovým chráničom (RCD).** Použitie prúdového chrániča znižuje riziko úrazu elektrickým prúdom.

Osobná bezpečnosť

- **Buďte pozorní, sledujte, čo robíte, a pri používaní elektrického nástroja postupujte rozumne.** Nepoužívajte elektrický nástroj, keď ste unavení

alebo pod vplyvom drog, alkoholu alebo liekov.

Chvilka nepozornosti pri používaní elektrických nástrojov môže spôsobiť vážne osobné poranenie.

- **Používajte osobné ochranné pomôcky. Vždy noste ochranné prostriedky očí.** Používanie osobných ochranných prostriedkov, ako je maska proti prachu, protišmyková bezpečnostná obuv, ochranná prilba alebo ochrana sluchu podľa druhu a spôsobu použitia elektrického náradia, znižujú riziko poranenia.
- **Zabráňte neúmyselnému spusteniu zariadenia. Pred pripojením k elektrickej sieti alebo akumulátoru overte zdvihnutím alebo prenesením nástroja, či je vypínač vo vypnutej polohe.** Prenášanie elektrických nástrojov s prstom na vypínači alebo pripojenie napájania k nástrojom, ktoré majú vypínač zapnutý, zvyšuje riziko nehôd.
- **Pred zapnutím elektrického nástroja vyberte nastavovací kľúč alebo kľúč na matice.** Kľúč nasadený na otáčajúcu sa časť elektrického nástroja môže spôsobiť úraz.
- **Nenaťahujte sa príliš ďaleko. Vždy si udržiavajte rovnováhu a správny postoj.** To umožňuje lepšie ovládanie elektrického nástroja v neočakávaných situáciách.
- **Vhodne sa oblečte. Nenoste voľné oblečenie alebo šperky. Udržujte svoje vlasy a oblečenie mimo dosahu pohyblivých častí.** Voľné oblečenie, šperky alebo dlhé vlasy sa môžu zachytiť v pohyblivých častiach.
- **Ak je možné pripojiť zariadenia na odsávanie a zber prachu, overte, či sú tieto zariadenia pripojené a či sa správne používajú.** Používanie zberača prachu môže obmedziť nebezpečenstvá týkajúce sa prachu.
- **Nedovoľte, aby vás skúsenosti získané častým používaním nástrojov uspokojili, a ignorovali by ste bezpečnostné pravidlá pri používaní nástroja.** Nepozorné konanie môže v zlomku sekundy viesť k ťažkým poraneniám.
- **Nebezpečenstvo! Nepoužívajte v blízkosti elektrického vedenia.** Zariadenie nebolo navrhnuté tak, aby v prípade kontaktu s nadzemným elektrickým vedením poskytl ochranu pred úrazom elektrickým prúdom. Pozrite si informácie o bezpečnej vzdialenosti od nadzemného elektrického vedenia v miestnych nariadeniach a pred používaním výrobku sa uistite, že prevádzková poloha je bezpečná.

Používanie a starostlivosť o elektrické náradie

- **Nepoužívajte elektrický nástroj násilím. Používajte správny elektrický nástroj na dané použitie.** Správny elektrický nástroj vykoná prácu lepšie a bezpečnejšie pri rýchlosti, na akú je určený.
- **Nepoužívajte elektrický nástroj, ak sa nedá zapnúť a vypnúť vypínačom.** Akýkoľvek elektrický nástroj, ktorý sa nedá ovládať vypínačom, je nebezpečný a musí sa opraviť.
- **Pred akýmkoľvek nastavením, výmenou príslušenstva alebo skladovaním elektrického**

nástroja odpojte zástrčku od zdroja napájania alebo vyberte akumulátor z elektrického nástroja, ak je vyberateľný. Takéto preventívne bezpečnostné opatrenia znižujú riziko náhodného spustenia elektrického nástroja.

- **Nepoužívané elektrické nástroje udržiavajte mimo dosahu detí a nedovoľte osobám, ktoré nepoznajú elektrické nástroje alebo tieto pokyny, aby elektrický nástroj používali.** Elektrické nástroje sú nebezpečné v rukách neskúsených používateľov.
- **Vykonávajte údržbu elektrického náradia a príslušenstva. Skontrolujte vychýlenie alebo ohnutie pohyblivých častí, nalomenie častí alebo akékoľvek iné poškodenie, ktoré môže ovplyvniť prevádzku elektrického nástroja. Ak je elektrický nástroj poškodený, dajte ho pred použitím opraviť.** Mnoho nehôd je spôsobených nedostatočne udržiavanými elektrickými nástrojmi.
- **Rezacie nástroje udržiavajte nabrúsené a v čistote.** Správne udržiavané rezacie nástroje s ostrými hranami sú menej náchylné na ohnutie a ľahšie sa ovládajú.
- **Používajte elektrický nástroj, príslušenstvo a diely nástroja atď. v súlade s týmito pokynmi, pričom vezmite do úvahy pracovné podmienky a typ vykonávanej práce.** Používanie elektrického náradia na iné ako určené účely môže vyvolať nebezpečnú situáciu.
- **Rukoväti a úchytné povrchy udržiavajte suché, čisté a neznečistené olejom a mazivom.** Šmyklavé rukoväti a povrchy na uchopenie neumožňujú bezpečnú manipuláciu a ovládanie nástroja v nečakaných situáciách.

Používanie nástroja napájaného akumulátorom a starostlivosť oň

- **Nabíjajte iba pomocou nabíjačky špecifikovanej výrobcom.** Nabíjačka, ktorá je vhodná pre jeden typ akumulátora, môže pri použití s iným akumulátorom predstavovať nebezpečenstvo požiaru.
- **Elektrické nástroje používajte iba so špecificky označenými akumulátormi.** Pri použití akéhokoľvek iného akumulátora môže hroziť nebezpečenstvo poranenia a požiaru.
- **Keď sa akumulátor nepoužíva, udržiajte ho mimo dosahu kovových predmetov, ako sú spony na papier, mince, kľúče, klince, skrutky alebo iné drobné kovové predmety, ktoré môžu vytvoríť spoj medzi svorkami.** Skratovanie svoriek akumulátora môže spôsobiť popálenie alebo požiar.
- **Pri neopatrnom zaobchádzaní môže z akumulátora uniknúť tekutina. Nedotýkajte sa jej. V prípade náhodného kontaktu umyte postihnuté miesto vodou. Ak sa dostane kvapalina z akumulátora do očí, vyhľadajte aj lekársku pomoc.** Kvapalina vystrekujúca z akumulátora môže spôsobiť podráždenie alebo popálenie.
- **Nepoužívajte poškodený alebo upravený akumulátor alebo nástroj.** Poškodené alebo upravené akumulátory môžu mať za následok nepredvídateľné

fungovanie a spôsobiť požiar, výbuch alebo predstavovať nebezpečenstvo poranenia.

- **Akumulátor alebo nástroj nevystavujte ohňu alebo nadmerne vysokým teplotám.** Pri vystavení ohňu alebo teplote nad 130 °C (266°F) môže dôjsť k výbuchu.
- **Dodržiavajte všetky pokyny na nabíjanie a pri nabíjaní nevystavujte akumulátor alebo nástroj teplotám, ktoré sú mimo teplotného rozsahu uvedeného v pokynoch.** Pri nesprávnom nabíjaní alebo pri vonkajších teplotách mimo uvedeného rozsahu hrozí poškodenie akumulátora a zvyšuje sa nebezpečenstvo požiaru.

Servis

- **Elektrické náradie zverte do opravy iba kvalifikovanému odborníkovi a používajte iba originálne náhradné súčiastky.** Tým sa zaisťuje zachovanie bezpečnosti elektrického nástroja.
- **Poškodené akumulátory nikdy neservisujte sami.** Servis akumulátorov smie vykonávať len výrobca alebo autorizovaný servis.

Ďalšie všeobecné bezpečnostné informácie

- **Ďalšie špecifické bezpečnostné pravidlá nájdete v návode na obsluhu príslušného nadstavca.**
- **Pred prechodom na iné miesto výrobok vypnite.** Pri predávaní výrobku inej osobe vždy vyberte batériu.
- **Výrobok nikdy neodkladajte, kým ho nevypnete a nevyberiete z neho batériu.** Zapnutý výrobok nenechávajte bez dozoru.
- **Rezací nástroj sa nezastaví ihneď po vypnutí zariadenia.**
- **Pred použitím výrobku a po akomkoľvek náraze skontrolujte známky opotrebovania alebo poškodenia a ak je potreba, opravte ich.**
- **Ak sa počas prevádzky výrobku v rezacom nadstavci niečo zasekne, prácu prerušte a vypnite výrobok.** Zaisťte, aby sa rezací nadstavec úplne zastavil. Pred čistením, kontrolou alebo opravou výrobku alebo rezného zariadenia vyberte batériu.
- **Pred používaním výrobok skontrolujte.** V časti *Bezpečnostné zariadenia na výrobku na strane 317 a Údržba na strane 321.* Ak sa výrobok poškodí, nepoužívajte ho. Vykonávajte bezpečnostné kontroly, údržby a dodržiavajte servisné pokyny uvedené v tomto návode.
- **Chybný rezací nadstavec môže zvýšiť riziko nehôd.**
- **Vždy skontrolujte, či sa vo vetracích otvoroch nenachádzajú nečistoty.**
- **Skontrolujte, že je výrobok v úplnom poriadku.** Skontrolujte, že sú všetky matice a skrutky utiahnuté.
- **Tento výrobok môže byť nebezpečný, ak nie ste opatrní alebo ho používate nesprávne.** Tento výrobok môže spôsobiť vážne poranenie alebo usmrtenie obsluhujúceho pracovníka alebo iných osôb.

- Tento spotrebič nie je určený na použitie osobami (vrátane detí) s obmedzenými fyzickými, zmyslovými alebo mentálnymi schopnosťami, alebo s nedostatkom skúseností a vedomostí, pokiaľ tieto osoby nie sú pod dohľadom alebo ak neboli poučené o používaní spotrebiča osobou zodpovednou za ich bezpečnosť. Deti by mali byť pod dohľadom, aby sa zabezpečilo, že sa so zariadením nehrajú.
- Nikdy nedovoľte deťom používať stroj alebo sa zdržiavať v jeho blízkosti. Keďže stroj sa ľahko štartuje, deti môžu byť schopné naštartovať ho, pokiaľ nie sú pod neustálym dohľadom. To môže znamenať riziko vážneho poranenia. Ak prístroj nie je pod dohľadom, odpojte batériu.
- Nikdy nedovoľte deťom a iným osobám, ktoré nie sú vyskolené v používaní výrobku a/alebo batérie, používať alebo opravovať výrobok alebo batériu.
- Skladujte vybavenie na uzamykateľnom mieste, aby bolo mimo dosahu detí a nepovolovaných osôb.
- Pri preprave a skladovaní vždy použite transportný kryt.
- Ruky a nohy nikdy nepribližujte k oblasti rezania, najmä nie pri zapínaní motora.
- Po vypnutí výrobku majte ruky a nohy mimo dosahu rezacieho nadstavca, kým sa úplne nezastaví.
- Narezaný materiál neodstraňujte ani nenechajte iné osoby odstraňovať, kým je výrobok spustený alebo kým sa otáča rezné zariadenie, keďže by mohlo dôjsť k vážnemu zraneniu.
- Majte na pamäti, že vy ako operátor ste zodpovedný za to, aby ste nevystavovali osoby alebo ich majetok nehodám alebo nebezpečenstvu.
- Za žiadnych okolností nemeňte pôvodnú konštrukciu výrobku bez schválenia od výrobcu. Vždy používajte originálne príslušenstvo. Nepovolené zmeny alebo príslušenstvo môžu viesť k vážnemu zraneniu alebo smrti operátora alebo ostatných osôb. Vaša záruka nemusí pokrývať poškodenia ani škody spôsobené neschváleným príslušenstvom alebo náhradnými dielmi.
- Jediné príslušenstvo, ktoré môžete používať s týmto výrobkom, je rezací nadstavec, ktorý odporúčame v kapitole príslušenstvo.
- Nikdy nepoužívajte výrobok, ktorý bol pozmenený a nezhoduje sa s originálnymi špecifikáciami.
- Nikdy nepoužívajte poškodený výrobok. Vykonávajte bezpečnostné kontroly, údržby a dodržiavajte servisné pokyny uvedené v tomto návode. Určité opatrenia týkajúce sa servisu a údržby zariadenia musia vykonávať iba školení a kvalifikovaní odborníci. V časti *Údržba na strane 321*.
- Práca v nepriaznivom počasí je únavná a často prináša zvýšené nebezpečenstvo. Vzhľadom na zvýšené nebezpečenstvo sa neodporúča používať výrobok za veľmi nepriaznivého počasia, napríklad za hustej hmly, silného dažďa, silného vetra, keď je veľmi chladno alebo počas búrky atď.
- Nikdy nepracujte, ak stojíte na rebríku alebo v inej vyvýšenej polohe, ktorá nie je úplne bezpečná.
- Nepoužívaný spotrebič uložte v interiéri – keď sa spotrebič nepoužíva, treba ho uložiť v interiéri.
- Nie je možné predvídať každú situáciu, ktorá môže nastať. Vždy konajte opatrne a riadte sa zdravým rozumom. Vyvarujte sa každej situácie, ktorá podľa vás presahuje vaše možnosti. Ak si ani po prečítaní týchto pokynov nie ste istý, ako so strojom zaobchádzať, obráťte sa na odborníka.
- Uistite sa, že sa počas práce v okruhu do 15 metrov (50 stôp) od výrobku nenachádzajú žiadni ľudia ani zvieratá. Pokiaľ v rovnakom priestore pracujú niekoľkí používatelia, bezpečná vzdialenosť medzi nimi by mala byť minimálne 15 metrov (50 stôp). V opačnom prípade existuje riziko vážneho zranenia. Ak sa niekto k výrobku viac priblíži, okamžite ho zastavte. Nikdy neatáčajte výrobkom okolo seba bez toho, aby ste sa presvedčili, či sa niekto nenachádza v nebezpečnej zóne.
- Ak sa počas prevádzky výrobku v rezacom nadstavci niečo zasekne, prácu prerušte a vypnite výrobok. Zaisťte, aby sa rezací nadstavec úplne zastavil. Pred čistením, kontrolou alebo opravou výrobku alebo rezného zariadenia vyberte batériu.
- Ubezpečte sa, že ľudia, zvieratá alebo iné veci nebudú môcť ovplyvniť ovládanie výrobku, nemôžu prísť do kontaktu s rezacím nadstavcom a ani ich nezasiahnu predmety odhodnené rezacím nadstavcom. Výrobok smiete používať len v prípade, že ste schopní privolať pomoc v prípade nehody.
- Uistite sa, že sa môžete pohybovať a stáť bezpečne. Skontrolujte, že okolo vás nie sú možné prekážky (korene, skaly, konáre, jamy a podobne) pre prípad, že by ste sa museli náhle pohnúť. Dávajte veľký pozor pri práci na prudkých svahoch.
- Pri práci so zariadením kráčajte, nebežte.
- Skontrolujte pracovnú oblasť. Odstráňte všetky voľné predmety, ako kamene, úlomky skla, klince, oceľové drôty, šnúry a pod., ktoré by mohli byť pri strihaní vystrelené od alebo sa namotať na rezací nástroj alebo kryt rezacieho nástroja.
- Dávajte pozor na zvyšky konárov, ktoré môžu pri rezaní odletávať. S výrobkom nepracujte príliš blízko pri zemi, pretože môže dôjsť k odletovaniu kameňov a iných predmetov.
- Ubezpečte sa, že žiadne oblečenie alebo časti tela neprídu do styku s rezacím nadstavcom po zapnutí výrobku. Výrobok držte pod úrovňou pásu.
- Dávajte pozor na odletujúce predmety. Vždy používajte schválené chrániče očí. Nikdy sa nenakláňajte ponad kryt rezacieho nástroja. Kamene, úlomky, atď. môžu vyletieť do očí a zapríčiniť slepotu alebo vážne poranenie.
- Ak nosíte chrániče sluchu, dávajte pozor na varovné signály alebo výkriky. Vždy si chrániče sluchu skladajte hneď, ako sa výrobok zastaví.
- Ak dochádza k nežiaducim vibráciám, vyrežte novú šnúru so správnou dĺžkou a vibrácie by mali ustať.
- Ak výrobok začne nadmerne vibrovať, zastavte ho a vyberte batériu.

- Nadmerné vystavenie vibráciám môže viesť k poškodeniu krvného obehu alebo nervovým poškodeniam u ľudí, ktorý majú zhoršený krvný obeh. Pri symptómoch nadmerného vystavenia vibráciám sa obráťte na svojho lekára. Tieto príznaky sú trpnutie, strata citu, chvenie, pichanie, bolesť, strata sily, zmeny vo farbe a stave pleti. Tieto symptómy sa bežne objavujú na prstoch, rukách a zápästiach.
- Výrobok vždy držte oboma rukami.

Osobné ochranné prostriedky



VÝSTRAHA: Skôr než budete výrobok používať, prečítajte si nasledujúce výstrahy.

- Pri používaní produktu vždy používajte schválené osobné ochranné prostriedky. Osobné ochranné prostriedky nedokážu úplne vylúčiť riziko, ale môžu znížiť vážnosť zranenia v prípade nehody. Váš predajca vám pomôže pri výbere správnych prostriedkov.
- V prípade rizika padajúcich predmetov používajte ochrannú prilbu.
- Používajte schválené chrániče sluchu, ktoré zaručujú primeranú redukciu hluku. Dlhodobé vystavenie sa hluku môže spôsobiť trvalé poškodenie sluchu.
- Používajte schválené chrániče očí. Ak používate štít, musíte tiež používať schválené ochranné okuliare. Schválené ochranné okuliare musia zodpovedať norme ANSI Z87.1 platnej v USA alebo norme EN 166 platnej v krajinách EÚ.
- Na ochranu tváre používajte ochranný štít. Štít nie je dostatočnou ochranou očí.

(Obr. 22)

- Keď je to potrebné, používajte rukavice, ako napríklad pri montáži, kontrole alebo čistení rezného zariadenia.
- Používajte pevnú protišmykovú obuv.
- Používajte odev vyrobený z pevnej tkaniny. Vždy noste pevné, dlhé nohavice a dlhé rukávy. Nepoužívajte voľný odev, ktorý sa môže zachytiť v konároch a vetvách. Nenoste šperky, krátke nohavice, sandále a nebuďte bosí. Vlasy si bezpečne uchýťte nad úrovňou ramien.

(Obr. 23)

- Majte poruke pomôcky na poskytnutie prvej pomoci.

(Obr. 24)

Bezpečnostné zariadenia na výrobku



VÝSTRAHA: Skôr než budete výrobok používať, prečítajte si nasledujúce výstrahy.

V tejto časti je opísané bezpečnostné vybavenie výrobku, jeho účel a postup, ako vykonávať kontroly a

údržbu, aby bola zabezpečená jeho správna činnosť. Pozrite si pokyny v časti *Prehľad výrobku na strane 312* kde nájdete informácie o umiestnení týchto častí na výrobku.

Ak údržba výrobku nebude vykonávaná správne, skráti sa tým jeho životnosť a zvýši sa riziko nehodovosti. Servis a/alebo opravy musia byť vykonané odborne. Ak potrebujete podrobnejšie informácie, obráťte sa na najbližší servis.



VÝSTRAHA: Nikdy nepoužívajte výrobok, ktorý má chybné bezpečnostné prvky. Bezpečnostné vybavenie výrobku sa musí kontrolovať a udržiavať tak, ako je to opísané v tejto časti. Ak výrobok neprejde niektorou z kontrol, obráťte sa na servisného zástupcu na účel opravy.



VAROVANIE: Všetky servisné a opravné práce na stroji si vyžadujú špeciálne školenie. Toto najmä platí o bezpečnostnom vybavení výrobku. Ak stroj neprejde niektorou z kontrol popísaných nižšie, doneste ho do servisnej dielne. Pri kúpe ktoréhokoľvek z našich výrobkov vám zaručujeme dostupnosť odborných opráv a servis. Ak maloobchodný predajca, ktorý vám predáva stroj nie je servisný zástupca, požiadajte ho o adresu najbližšej servisnej dielne.

Kontrola poistky páčky vypínača

Poistka páčky vypínača zabraňuje náhodnému spusteniu. Keď uvoľníte rukoväť, páčka vypínača aj poistka páčky vypínača sa vrátia späť do východiskovej polohy.

- Zatlačte poistné tlačidlo poistky páčky vypínača dopredu. (Obr. 25)
- Ubezpečte sa, či je páčka vypínača zaistená, keď je poistka páčky vypínača vo svojej východiskovej polohe. (Obr. 26)
- Zatlačte poistku páčky vypínača na jednu stranu a potom na druhú stranu. Skontrolujte, či sa poistka páčky vypínača vrátila späť do pôvodnej polohy. (Obr. 27)
- Páčka vypínača a poistka páčky vypínača sa musia pohybovať voľne a spätná pružina musí správne fungovať. (Obr. 28)
- Spustite výrobok, pozrite si časť *Zapnutie výrobku na strane 320*.
- Uvoľníte páčku vypínača a skontrolujte, či sa výrobok úplne zastavil.

Bezpečnostné pokyny pre montáž



VÝSTRAHA: Prečítajte si návod k tomuto elektrickému zariadeniu, ako aj návod k schválenému príslušenstvu.

- Pred montážou výrobku z neho odstráňte akumulátor.
- Používajte schválené ochranné rukavice.
- Poškodený alebo nesprávny ochranný kryt môže spôsobiť zranenie. Nepoužívajte rezacie nadstavce bez osadeného schváleného krytu.
- Pred nasadením výrobku sa uistite, že je správne nasadený nadstavec.
- Ak sa k nadstavcu dodáva popruh, musíte ho správne pripevniť k výrobku. Popruh robí prevádzku zariadenia bezpečnou a zamedzuje zraneniu používateľa alebo iných osôb.

Bezpečnosť batérie



VÝSTRAHA: Prečítajte si všetky bezpečnostné a všeobecné pokyny. Nedodržanie bezpečnostných a všeobecných pokynov môže spôsobiť úraz elektrickým prúdom, požiar alebo vážne zranenie. **Uchovajte si všetky bezpečnostné informácie a všeobecné pokyny pre budúce použitie.**

- **Tieto bezpečnostné pokyny platia len pre 18 V lítiové nabíjateľné batérie pre systém POWER FOR ALL.**
- **Nabíjateľné batérie používajte len vo výrobkoch od partnerov systému POWER FOR ALL.** 18 V nabíjateľné označené štítkom POWER FOR ALL sú úplne kompatibilné s nasledujúcimi výrobkami:
 - všetkými výrobkami systému 18 V batérií POWER FOR ALL,
 - všetkými 18 V výrobkami od partnerov systému POWER FOR ALL.
- **Dodržujte odporúčania týkajúce sa batérie v návode na obsluhu výrobku.** Len tak možno nabíjateľnú batériu a výrobok používať bez nebezpečenstva a nabíjateľné batérie chrániť pred nebezpečným preťažením.
- **Batérie nabíjajte iba pomocou nabíjačiek odporúčaných výrobcom alebo partnermi systému POWER FOR ALL.** Nabíjačka, ktorá je vhodná pre jeden typ batérie, môže predstavovať riziko požiaru, ak sa používa s inou batériou.
- **Akumulátor sa dodáva čiastočne nabitý.** Aby ste zaisťili plnú kapacitu akumulátora, pred prvým použitím elektrického náradia akumulátor úplne nabite v nabíjačke.
- **Akumulátor uchovávajte mimo dosahu detí.**
- **Akumulátor neotvárajte.** Hrozí nebezpečenstvo skratu.

- **V prípade poškodenia a nesprávneho používania akumulátora sa môžu uvoľňovať výpary. Batéria sa môže vznietiť alebo vybuchnúť.** Zabezpečte dobré vetranie priestoru a v prípade akýchkoľvek nežiaducich účinkov vyhľadajte lekársku pomoc. Výpary môžu dráždiť dýchací systém.
- **Pri nesprávnom používaní alebo pri poškodení akumulátora z neho môže vystreknúť horľavá kvapalina. Zabráňte kontaktu s touto kvapalinou. V prípade náhodného kontaktu umyte postihnuté miesto vodou. Ak sa kvapalina dostane do kontaktu s očami, vyhľadajte ďalšiu lekársku pomoc.** Kvapalina vytekajúca z akumulátora môže spôsobiť podráždenie alebo popálenie.
- **Ak je akumulátor poškodený, kvapalina môže uniknúť a dostať sa na okolité povrchy. Skontrolujte zasiahnuté časti.** Vyčistite tieto časti alebo ich v prípade potreby vymeňte.
- **Akumulátor neskratujte. Keď sa akumulátor nepoužíva, udržiajte ho mimo dosahu kovových predmetov, ako sú spony na papier, mince, kľúče, klince, skrutky alebo iné drobné kovové predmety, ktoré môžu vytvoriť spoj medzi svorkami.** Skratovanie svoriek akumulátora môže spôsobiť popálenie alebo požiar.
- **Akumulátor môžu poškodiť špicaté predmety, ako sú klince alebo skrutkovače, alebo sila pôsobiaca zvonka.** Môže dôjsť k vnútornému skratu, ktorý spôsobí vznietenie, dymenie, výbuch alebo prehriatie akumulátora.
- **Poškodené akumulátory nikdy neservisujte sami.** Servis akumulátora smie vykonávať len výrobca alebo autorizovaný servis.
- **Chráňte akumulátor pred teplom, napr. pred dlhodobým intenzívnym slnečným žiarením, ohňom, nečistotami, vodou a vlhkosťou.** Hrozí nebezpečenstvo výbuchu a skratu.
- **Batériu vo výrobku používajte iba vtedy, keď je teplota okolitého prostredia v rozsahu -5 °C – 40 °C.**
- **Batériu skladujte len v prostredí s teplotou medzi -20 °C – 50 °C.** V lete batériu napríklad neponechávajte v automobile. Pri teplotách <0 °C môže u niektorých zariadení dôjsť k strate napájania.
- **Akumulátor nabíjajte len pri teplote okolitého prostredia medzi 0 °C – +35 °C.** Nabíjanie mimo tohto teplotného rozsahu môže zvýšiť riziko poškodenia akumulátora a predstavovať riziko požiaru.

Bezpečnosť nabíjačky batérií



VÝSTRAHA: Prečítajte si všetky bezpečnostné a všeobecné pokyny. Nedodržanie bezpečnostných a všeobecných pokynov môže spôsobiť úraz elektrickým prúdom, požiar alebo vážne zranenie. **Tieto pokyny uchovávajte na bezpečnom mieste.** Nabíjačku používajte len vtedy, ak dokážete plne posúdiť všetky

funkcie a vykonávať ich bez obmedzení,
alebo ak ste dostali príslušné pokyny.

- **Táto nabíjačka nie je určená na to, aby ju používali deti alebo osoby s obmedzenými fyzickými, zmyslovými alebo mentálnymi schopnosťami alebo s nedostatkom skúseností a vedomostí. Túto nabíjačku smú používať deti staršie ako 8 rokov a osoby s obmedzenými fyzickými, zmyslovými alebo mentálnymi schopnosťami alebo s nedostatkom skúseností a vedomostí, pokiaľ sú pod dohľadom osoby zodpovednej za ich bezpečnosť alebo ňou boli poučené o bezpečnom používaní nabíjačky a chápu súvisiace riziká.** V opačnom prípade hrozí nebezpečenstvo pochybení pri prevádzke a zranení.
- **Nenechávajte deti osamote, keď nabíjačku používate, čistíte alebo na nej vykonávate údržbu.** Zabezpečíte tak, že sa deti nebudú s nabíjačkou hrať.
- **Slúži výhradne na nabíjanie 18 V akumulátorov systému POWER FOR ALL s kapacitou od 1,5 Ah.** Napätie akumulátora sa musí zhodovať s nabíjacím napätím nabíjačky pre batérie. **Nenabíjajte žiadne nenabíjateľné akumulátory.** V opačnom prípade hrozí nebezpečenstvo požiaru a výbuchu.
- **Nabíjačku používajte len v uzavretých priestoroch a nevystavujte ju vlhkosti.** Ak sa do elektrického nástroja dostane voda, zvyšuje sa nebezpečenstvo úrazu elektrickým prúdom.
- **Nabíjačku udržiavajte čistú.** Nečistoty predstavujú riziko úrazu elektrickým prúdom.
- **Pred použitím vždy skontrolujte nabíjačku, kábel a zástrčku. Ak zistíte akékoľvek poškodenie, prestaňte nabíjačku používať. Nabíjačku svojpomocne neotvárajte a dajte ju opraviť iba spoločnosti Husqvarna alebo autorizovanému servisnému stredisku pre popredajné služby, ktoré používa iba originálne náhradné diely.** Poškodené nabíjačky, káble a zástrčky zvyšujú riziko úrazu elektrickým prúdom.
- **Nabíjačku nepoužívajte na ľahko zápalnom povrchu (napr. papier, textilie atď.) alebo v horľavom prostredí.** Hrozí nebezpečenstvo požiaru v dôsledku zahrievania nabíjačky počas prevádzky.
- **Nezakrývajte vetracie otvory nabíjačky.** V opačnom prípade sa môže nabíjačka prehriať a prestať správne fungovať.
- **Nabíjajte iba pomocou nabíjačky špecifikovanej výrobcom.** Nabíjačka, ktorá je vhodná pre jeden typ akumulátora, môže pri použití s iným akumulátorom predstavovať nebezpečenstvo požiaru.
- **V prípade poškodenia a nesprávneho použitia akumulátora sa tiež môžu uvoľňovať výpary.**

Zabezpečte dobré vetranie priestoru a v prípade akýchkoľvek nežiaducich účinkov vyhľadajte lekársku pomoc. Výpary môžu dráždiť dýchací systém.

- **Pri nevhodnom používaní môže z akumulátora vyprsknúť kvapalina. Zabráňte kontaktu s touto kvapalinou. V prípade náhodného kontaktu umyte postihnuté miesto vodou. Ak sa kvapalina dostane do kontaktu s očami, vyhľadajte ďalšiu lekársku pomoc.** Kvapalina vytekajúca z akumulátora môže spôsobiť podráždenie alebo popáleniny.
- **Výrobky predávané len vo Veľkej Británii:** Váš výrobok je vybavený schválenou elektrickou zástrčkou podľa normy BS 1363/A s vnútornou poistkou (schválenie ASTA podľa normy BS 1362). Ak zástrčka nie je vhodná pre vašu zásuvku, mal by ju odrezať autorizovaný zástupca zákaznického servisu a na jej miesto nasadiť vhodnú zástrčku. Náhradná zástrčka by mala mať rovnakú klasifikáciu poistky ako pôvodná zástrčka. Odrezaná zástrčka sa musí zlikvidovať, aby sa predišlo možnému nebezpečenstvu úrazu elektrickým prúdom, a nikdy by sa nemala zasúvať do sieťovej zásuvky na inom mieste.

Bezpečnostné pokyny pre údržbu



VÝSTRAHA: Skôr než začnete s údržbou výrobku, prečítajte si nasledujúce výstrahy.

- Pred vykonávaním údržby, inými kontrolami alebo zmontovaním produktu vyberte batériu.
- Obsluha je povinná vykonávať iba údržbu a servisné úkony uvedené v tomto návode na obsluhu. O vykonanie rozsiahlejšej údržby alebo servisu požiadajte svojho servisného zástupcu.
- Batériu ani nabíjačku batérií nečistite vodou. Silné čistiace prostriedky môžu spôsobiť poškodenie plastov.
- V prípade zanedbania údržby sa skracuje životnosť výrobku a zvyšuje sa riziko vzniku nehôd.
- Na vykonávanie všetkých servisných a opravných úkonov, najmä na bezpečnostných zariadeniach na výrobku, je potrebné špeciálne odborné vzdelanie. Ak po vykonaní údržby nie je možné úspešne vykonať všetky kontroly v tomto návode na obsluhu, požiadajte o pomoc servisného predajcu. Zaručujeme, pre tento výrobok sú k dispozícii profesionálne opravné a servisné služby.
- Používajte iba originálne náhradné diely.
- Pri oprave rezacieho nadstavca vždy noste odolné rukavice. Čepele sú veľmi ostré a ľahko sa na nich môžete poraniť.

Montáž

Úvod



VÝSTRAHA: Pred montážou výrobku si prečítajte kapitolu o bezpečnosti a uistite sa, že rozumiete informáciám, ktoré sa v nej uvádzajú.

Inštalácia nadstavca

1. Pripojte nadstavec (A) k pohonnej jednotke (B). Nadstavec sa musí dať ľahko zasunúť do držiaka na pohonnej jednotke, v opačnom prípade nie je nainštalovaný správne. (Obr. 29)
2. Utiahnite upevňovaciu skrutku (C).

Poznámka: Keď je nadstavec nainštalovaný na pohonnej jednotke, používateľské rozhranie nadstavca sa odpojí.

Nastavenie dĺžky teleskopической tyče

1. Zdvihnite páku (A) na hriadeľ. (Obr. 30)
2. Nastavte teleskopický hriadeľ na príslušnú dĺžku.
3. Stlačení páky nadol zaistíte teleskopický hriadeľ.

Montáž háku na skladovanie na stenu

- Hák na skladovanie namontujte v interiéri.

- Hák na skladovanie chráňte pred slnečným žiarením a uchovávajte pri teplote prostredia od -10 °C do 70 °C.
- Hák na skladovanie inštalujte na sadrokartónovú, drevenú alebo betónovú stenu.



VAROVANIE: Uistite sa, že stena udrží záťaž s hmotnosťou minimálne 30 kg.

- Namontujte hák na skladovanie na stenu pomocou 3 skrutiek (A). V prípade potreby použite hmoždinky (B). (Obr. 31)



VAROVANIE: Uistite sa, že skrutky sú vhodné na použitie pre váš typ steny.

- Informácie o dostupnom príslušenstve na skladovanie výrobku získate od servisného zástupcu spoločnosti Husqvarna.

Zavesenie výrobku na hák na skladovanie

- Pohonnú jednotku zavesíte na hák na skladovanie tak, ako je to znázornené na obrázku. (Obr. 32)

Prevádzka

Kontrola funkcií pred používaním výrobku

1. Pomocou kľey odstráňte špinu a nežiaduci materiál z výrobku.
2. Dotiahnite všetky matice a skrutky.
3. Skontrolujte, či je nadstavec správne pripojený.
4. Uistite sa, že je aktivované poistné tlačidlo poistky páčky vypínača.
5. Uistite sa, že poistky predĺženého hriadeľa a otočného prvku sú v zaistenej polohe.
6. Skontrolujte, či nie je nadstavec poškodený, napríklad prasknutý. Poškodený nadstavec vymeňte.
7. Skontrolujte, či sú kryty správne upevnené a či nie sú poškodené.
8. Skontrolujte, či výrobok funguje správne.

Pripojenie batérie k výrobku



VÝSTRAHA: Vo výrobku používajte iba lítium-iónové batérie POWER FOR ALL systému P4A 18 V.

1. Uistite sa, že je batéria plne nabitá.
2. Vložte batériu do držiaka na batériu na výrobku. Akumulátor sa musí dať ľahko zasunúť do držiaka, v opačnom prípade nie je nainštalovaný správne. (Obr. 33)
3. Batériu úplne zatlačte do držiaka na batériu. Akumulátor sa zaistí na mieste, keď sa ozve cvaknutie.
4. Západka sa musí riadne zaistiť v správnej polohe.

Zapnutie výrobku

1. Zatlačte poistné tlačidlo poistky páčky vypínača dopredu. (Obr. 25)
2. Potlačte poistku páčky vypínača (A) zľava doprava a podržte páčku vypínača (B). (Obr. 34)

Zastavenie výrobku

1. Uvoľnite spúšťač.
2. Zatlacením poistného tlačidla poistky páčky vypínača dozadu zaistíte zariadenie.
3. Stlačte uvoľňovacie tlačidlo batérie a vytiahnite batériu von. (Obr. 35)

4. Ak je to potrebné, odstráňte z výrobku nastavtec.

Nastavenie uhla výrobku

Výrobok sa dá nastaviť v 7 rôznych polohách.



VÝSTRAHA: V žiadnom prípade nenastavujte uhol počas používania výrobku.

1. Zastavte zariadenie a vyberte batériu.
2. Pevne držte držiak (A). (Obr. 36)
3. Stlačte a podržte otočný spoj (B).
4. Nastavte držiak do správnej polohy.
5. Uvoľnením otočného spoja zablokujete držiak.
6. Posuňte držiak nahor a nadol, kým sa v danej polohe nezaistí.

Údržba

Úvod

že rozumiete informáciám, ktoré sú v nej uvedené.



VÝSTRAHA: Pred údržbou výrobku si prečítajte kapitolu o bezpečnosti a uistite sa,



VÝSTRAHA: Pred vykonaním údržby výrobku vyberte batériu.

Plán údržby

Nasleduje zoznam postupov údržby, ktoré na výrobku musíte vykonávať.

Údržba	Pred pre- vádzkou	Týžd- enne	Mesačne
Očistite externé súčasti výrobku suchou handričkou. Nepoužívajte vodu.	X		
Skontrolujte, či poistné tlačidlo poistky páčky vypínača správne funguje a či nie je poškodené.	X		
Skontrolujte, či páčka vypínača a poistka páčky vypínača fungujú správne z hľadiska bezpečnosti.	X		
Skontrolujte, či všetky ovládače fungujú správne a nie sú poškodené.	X		
Rukoväť udržiavajte čisté a suché.	X		
Skontrolujte, či sú matice a skrutky dotiahnuté.	X		
Skontrolujte, či uvoľňovacie tlačidlá na batérii fungujú správne a riadne zaistia batériu vo výrobku.	X		
Skontrolujte, či batéria nie je poškodená.	X		
Uistite sa, že je batéria nabitá.	X		
Dbajte na to, aby nabíjačka batérie nebola poškodená a správne fungovala.	X		
Skontrolujte všetky káble, spojky a konektory. Uistite sa, že sú čisté a nepoškodené.		X	
Skontrolujte prepojenia medzi batériou a výrobkom.			X
Skontrolujte aj prepojenie medzi batériou a nabíjačkou batérie.			X

Čistenie výrobku, batérie a nabíjačky batérií

1. Výrobok po použití očistite suchou handričkou.

2. Očistite batériu a nabíjačku batérií čistou handričkou. Vodiace dráhy batérie udržiavajte čisté.
3. Než vložíte batériu do nabíjačky alebo výrobku, skontrolujte, či sú koncovky na batérii a nabíjačke batérií čisté.

Preprava, skladovanie a likvidácia

Preprava a uskladnenie

- Dodávané lítium-iónové batérie spĺňajú požiadavky právnych predpisov, ktoré sa týkajú nebezpečného tovaru.
- Dodržiavajte špeciálne požiadavky na balení a štítkoch pri obchodnej preprave. Táto požiadavka platí aj pre tretie strany a prepravcov.
- Pred odoslaním výrobku sa poraďte s osobou s osobitým vzdelaním v oblasti nebezpečných materiálov. Dodržiavajte všetky príslušné vnútroštátne právne predpisy.
- Odhalené kontakty zaistíte páskou pri vkladaní akumulátora do balenia. Batériu v balení pevne zabezpečte, aby sa nemohla posúvať.
- Pred skladovaním alebo prepravou batériu vyberte.
- Umiestnite batériu a nabíjačku batérií do suchého priestoru bez výskytu vlhkosti a mrazov.
- Neskladujte batériu na mieste, kde sa môže vyskytovať statická elektrina. Batériu nekladajte do kovovej skrinky.
- Batériu uložte na mieste, kde sa teplota pohybuje v intervale -20 °C (-4°F) až +50 °C (122 °F) a kde je chránená pred priamym slnečným svetlom.
- Nabíjačku batérií uložte na mieste, kde sa teplota pohybuje v intervale 5 °C (41 °F) až 45 °C (113°F) a kde je chránená pred priamym slnečným svetlom.
- Nabíjačku batérií používajte iba vtedy, keď je teplota okolitého prostredia v rozsahu 0 °C (32 °F) až 35 °C (95 °F).
- Výrobok skladujte v prostredí s teplotou v rozmedzí -40 °C (-40°F) až 60 °C (140 °F).
- Pred dlhodobým skladovaním batériu nabite na 30 – 50 % kapacity.

- Nabíjačku batérií uchovajte na uzavretom a suchom mieste.
- Batériu skladujte mimo nabíjačky batérií. Nedovoľte deťom ani iným nepovolánym osobám, aby sa dotýkali zariadenia. Uchovávajte zariadenia na mieste, ktoré je možné uzamknúť.
- Pred dlhodobým uskladnením výrobok vyčistite a vykonajte kompletný servis.
- Pomocou prepravného krytu na výrobku zamedzte vzniku zranení alebo poškodenia produktu počas prepravy a uskladnenia.
- Pred prepravou výrobok bezpečne upevnite.
- Výrobok skladujte vodorovne alebo ho zaveste na dodaný hák. V časti *Zavesenie výrobku na hák na skladovanie na strane 320*.

Likvidácia batérie, nabíjačky batérií a výrobku

Nižšie uvedený symbol signalizuje, že výrobok nepredstavuje komunálny odpad. Recyklujte ho v recyklačnej stanici určenej pre elektrické a elektronické zariadenia. Napomôže tým zamedziť vzniku poškodeniu životného prostredia a osôb.

Ďalšie informácie vám poskytnú miestne úrady, služba na likvidáciu komunálneho odpadu alebo predajca.

(Obr. 18)

Poznámka: Tento symbol sa nachádza na výrobku alebo na jeho obale.

Technické údaje

Aspire Pole-P4A	
Hmotnosť	
Hmotnosť (iba elektrického zariadenia), kg	1,5

Schválené batérie

Tento produkt je kompatibilný s **POWER FOR ALL** batériami.

Batéria	P4A 18-B36	P4A 18-B45	P4A 18-B72
Typ	Lítium-iónová	Lítium-iónová	Lítium-iónová
Kapacita batérie, Ah	2,0	2,5	4,0

Batéria	P4A 18-B36	P4A 18-B45	P4A 18-B72
Menovité napätie, V	18	18	18
Hmotnosť, kg	0,35	0,35	0,65
Počet článkov (Li-Ion)	5	5	10

Schválené nabíjačky akumulátorov

Nabíjačka batérie	P4A 18-C50	P4A 18-C70
Vstupné napätie, V	Pozrite si informácie o parametroch nabíjačky.	Pozrite si informácie o parametroch nabíjačky.
Frekvencia, Hz	50–60	50–60
Výkon, W	50	70

Príslušenstvo

Nadstavce

Schválené nadstavce	Typ	Použité s
Nadstavec na nožnice na kríky	Aspire S20-P4A	Aspire Pole-P4A
Nadstavec na prerezávač	Aspire P5-P4A	Aspire Pole-P4A

Vyhlásenie o zhode

Vyhlásenie o zhode EÚ

My, spoločnosť **Husqvarna AB**, SE-561 82 Huskvarna, Švédsko, tel.: +46-36-146500, vyhlasujeme s plnou zodpovednosťou, že výrobok:

Popis	Pohonná jednotka poháňaná akumulátorom
Značka	Husqvarna
Typ/model	Aspire Pole-P4A
Identifikácia	Výrobné čísla od roku 2023 a novšie

plne spĺňa nasledujúce smernice a nariadenia EÚ:

Smernice/Nariadenia	Popis
2006/42/ES	„o strojových zariadeniach“
2014/30/EÚ	„o elektromagnetickej kompatibilite“
2011/65/EÚ	„o obmedzení používania určitých nebezpečných látok v elektrických a elektronických zariadeniach“
2000/14/ES	„týkajúca sa emisie hluku v prostredí pochádzajúceho zo zariadení používaných vo voľnom priestranstve“

a že sa pri ňom uplatňujú nasledujúce normy a technické špecifikácie: EN 62841-1:2015/A11:2022, EN 62841-4-2:2019/A1:2022, EN IEC 62841-4-5:2021/A11:2021, EN ISO 11680-1:2011, EN ISO 12100:2010, EN IEC 55014-1:2021, EN IEC 55014-2:2021, EN IEC 63000:2018.

Spoločnosť DEKRA Testing and Certification GmbH, Handwerksstraße 15, 70565 Stuttgart, Germany, 0158 vykonala dobrovoľnú typovú skúšku ES v súlade so smernicou o strojných zariadeniach (2006/42/ES), článok 12, bod 3b. Certifikát ES typovej skúšky má číslo: 4815039.22006.

Uplatnený postup posudzovania zhody v súlade s ustanovením prílohy V smernice 2000/14/ES.

S nadstavcom Aspire P5-P4A na orezávanie stromov:

- Nameraná hladina akustického výkonu: 88 dB (A)
- Zaručená úroveň hlučnosti: 91 dB (A)

S nadstavcom Aspire S20-P4A ako tyčovými nožnicami na kríky:

- Nameraná hladina akustického výkonu v prípade noža na krovie: 83 dB (A)
- Nameraná hladina akustického výkonu v prípade noža na tráv: 79 dB (A)
- Zaručená úroveň hlučnosti: 84 dB (A)

Huskvarna, 2023-10-30



Claes Losdal, manažér pre vývoj a výskum, Husqvarna AB

Zodpovedný za technickú dokumentáciu



Licencie

Copyright © 2012–2020 STMicroelectronics

Záruka sa nevzťahuje na poruchy, ktoré vznikli v dôsledku bežného opotrebovania a poškodenia, nedbanlivosti, nesprávneho použitia, nepovolených opravy alebo pripojenia sacieho mechanizmu k zásuvke s nesprávnym napätím.

Všetky práva vyhradené.

Redistribúcia a používanie v zdrojovej a binárnej forme, s úpravami alebo bez nich, sú povolené za predpokladu, že sú splnené nasledujúce podmienky:

- Redistribúcie zdrojového kódu musia obsahovať vyššie uvedené oznámenie o autorských právach, tento zoznam podmienok a nasledujúce vylúčenie zodpovednosti.
- V redistribúciách v binárnej forme sa musí reprodukovať vyššie uvedené oznámenie o autorských právach, tento zoznam podmienok a nasledujúce vyhlásenie o vylúčení zodpovednosti v dokumentácii a/alebo iných materiáloch poskytnutých s distribúciou.
- Ani názov STMicroelectronics, ani mená prispievateľov sa nesmú použiť na podporu alebo propagáciu výrobkov odvodených z tohto softvéru bez osobitného predchádzajúceho písomného povolenia.

DRŽITELIA AUTORSKÝCH PRÁV A PRISPIEVATELIA POSKYTUJÚ TENTO SOFTVÉR „TAK, AKO JE“ A AKÉKÖLVEK VÝSLOVNÉ ALEBO IMPLICITNÉ ZÁRUKY VRÁTANE, ALE NIE VÝHRADNE, IMPLIKOVANÝCH ZÁRUK PREDAJNOSTI A VHDNOSTI NA KONKRÉTNY ÚČEL SA ODMIETAJÚ. V ŽIADNOM PRÍPADE NEBUDÚ VLASTNÍK AUTORSKÝCH PRÁV ANI PRISPIEVATELIA ZODPOVEDNÍ ZA AKÉKÖLVEK PRIAME, NEPRIAME, NÁHODNÉ, ŠPECIÁLNE ALEBO NÁSLEDNÉ ŠKODY ANI EXEMPLÁRNU NÁHRADU ŠKODY (VRÁTANE, ALE NIE VÝHRADNE, OBSTARÁVANIA NÁHRADNÉHO TOVARU ALEBO SLUŽIEB, NÁHRADY ZA STRATU MOŽNOSTI POUŽITIA, ÚDAJOV ALEBO STRATU ZISKU ALEBO PRERUŠENIE PODNIKANIA), ČI UŽ IDE O ZMLUVU, OBJEKTÍVNU ZODPOVEDNOSŤ ALEBO NÁROKY Z MIMOSÚDNEJ ZODPOVEDNOSTI (VRÁTANE NEDBALOSTI ALEBO INÉ), VYPLÝVAJÚCE AKÝMKÖLVEK SPÖSÖBOM Z POUŽÍVANIA TOHTO SOFTVÉRU, A TO ANI V PRÍPADE UPOZORNENIA NA MOŽNOSŤ TAKEJTO ŠKODY.

Licencia Apache 2.0

Copyright © 2009-2019 Arm Limited. Všetky práva vyhradené.

Verzia 2.0, január 2004 <http://www.apache.org/licenses/>

ZMLUVNÉ PODMIENKY POUŽÍVANIA, REPRODUKOVANIA A DISTRIBÚCIE

1. Definície.

„**Licencia**“ znamená podmienky používania, reprodukcie a distribúcie, ako sú definované v častiach 1 až 9 tohto dokumentu. „**Poskytovateľ licencie**“ znamená vlastníka autorských práv alebo subjekt poverený vlastníkom autorských práv, ktorý udeľuje licenciu.

„**Právnická osoba**“ znamená spojenie konajúceho subjektu a všetkých ostatných subjektov, ktoré tento subjekt ovládajú, sú ním kontrolované alebo sú s ním pod spoločnou kontrolou. Na účely tejto definície „**kontrola**“ znamená (i) priamu alebo nepriamu právomoc vykonávať riadenie alebo správu takéhoto subjektu, či už na základe zmluvy alebo inak, alebo (ii) vlastníctvo päťdesiatich percent (50 %) alebo viac akcií v obehu alebo (iii) bezprostredné vlastníctvo takéhoto subjektu.

„**Vy**“ (alebo „**váš**“) znamená fyzickú osobu alebo právnickú osobu, ktorá uplatňuje povolenia udelené touto licenciou. „**Zdrojová**“ forma znamená preferovanú formu na vykonávanie úprav vrátane, ale nie výlučne, zdrojového kódu softvéru, zdroja dokumentácie a konfiguračných súborov. „**Objektová**“ forma znamená akúkoľvek formu, ktorá je výsledkom mechanickej transformácie alebo prekladu zdrojovej formy vrátane, ale nie výlučne, skompilovaného objektového kódu, vygenerovanej dokumentácie a konverzií na iné typy médií.

„**Dielo**“ znamená autorské dielo, či už v zdrojovej forme alebo objektivej forme, sprístupnené na základe licencie, ako je uvedené v oznámení o autorských právach, ktoré je súčasťou diela alebo je k nemu pripojené (príklad je uvedený v prílohe nižšie). „**Odvodené diela**“ znamenajú akékoľvek dielo, či už v zdrojovej forme alebo objektivej forme, ktoré je založené na diele (alebo je z neho odvodené) a pre ktoré redakčné revízie, anotácie, rozpracovania alebo iné úpravy predstavujú ako celok pôvodné autorské dielo. Na účely tejto licencie nebudú odvodené diela zahŕňať diela, ktoré zostanú oddeliteľné od rozhraní diela a odvodených diel alebo sú s nimi prepojené (alebo sú s nimi prepojené názvom).

„**Príspevok**“ znamená akékoľvek autorské dielo vrátane pôvodnej verzie diela a akýchkoľvek úprav alebo dodatkov k tomuto dielu alebo odvodeným dielam, ktoré vlastníka autorských práv alebo jednotlivca alebo právnická osoba oprávnená na odovzdanie v mene vlastníka autorských práv zámerne odovzdá poskytovateľovi licencie na zahrnutie do diela. Na účely tejto definície výraz „**odovzdanie**“ znamená akúkoľvek formu elektronickej, verbálnej alebo písomnej komunikácie odoslanú poskytovateľovi licencie alebo jeho zástupcom vrátane, nie však výlučne, komunikácie o elektronických zoznamoch adries, systémoch kontroly zdrojového kódu a systémoch sledovania problémov, ktoré sú spravované poskytovateľom licencie alebo v jeho mene za účelom diskusie a zlepšovania diela avšak s výnimkou komunikácie, ktorá je nápadne označená alebo inak písomne označená vlastníkom autorských práv ako „**Toto nie je príspevok**“. „**Prispievateľ**“ znamená poskytovateľa licencie a akúkoľvek fyzickú osobu alebo

právnickú osobu, v mene ktorej poskytovateľ licencie prijal príspevok a následne ho začlenil do diela.

2. Udelenie licencie na autorské práva.

V súlade so zmluvnými podmienkami tejto licencie vám každý prispievateľ týmto udeľuje trvalú, celosvetovú, nevýhradnú, bezplatnú a bez autorských poplatkov, neodvolateľnú autorskú licenciu na reprodukciu, prípravu odvodených diel, verejnú zobrazovanie, verejnú predvádzanie, sublicencovanie a distribuovanie diela a odvodených diel v zdrojovej forme alebo objektivej forme.

3. Udelenie patentovej licencie.

V súlade so zmluvnými podmienkami tejto licencie vám každý prispievateľ týmto udeľuje trvalú, celosvetovú, nevýhradnú, bezplatnú a bez autorských poplatkov, neodvolateľnú (okrem prípadov uvedených v tejto časti) patentovú licenciu na vytváranie, používanie, ponúknanie na predaj, predaj, dovoz alebo iný prevod diela, ak sa takáto licencia vzťahuje len na tie patentové nároky, na ktoré daný prispievateľ poskytuje licenciu a ktoré sú bezpodmienečne obmedzené jeho príspevkom (príspevkami) samotným alebo kombináciou jeho príspevku (príspevkov) s dielom, do ktorého bol takýto príspevok (príspevky) odovzdaný. Ak zahájite patentový súdny spor proti ktorémukoľvek subjektu (vrátane krížového nároku alebo protinároku v súdnom spore), v ktorom tvrdíte, že dielo alebo príspevok začlenený do diela predstavuje priame porušenie patentu alebo porušenie patentu spoluúčastou, potom budú všetky patentové licencie udelené vám na základe tejto licencie na toto dielo ukončené dňom zahájenia takéhoto súdneho sporu.

4. Redistribúcia.

Môžete reprodukovať a distribuovať kópie diela alebo z neho odvodených diel na akomkoľvek médiu s úpravami alebo bez nich a v zdrojovej forme alebo objektivej forme za predpokladu, že splníte nasledujúce podmienky:

- ostatným príjmom diela alebo odvodených diel musíte poskytnúť kópiu tejto licencie a
- musíte zabezpečiť, aby všetky upravené súbory obsahovali výrazné upozornenia, že ste súbory zmenili; a – v zdrojovej forme akýchkoľvek odvodených diel, ktoré distribuujete, musíte ponechať všetky oznámenia o autorských právach, patentoch, ochranných známkach a upozornenia na autorstvo zo zdrojovej formy diela s výnimkou tých oznámení, ktoré sa netýkajú žiadnej časti odvodených diel, a
- ak dielo obsahuje textový súbor „OZNÁMENIE“ ako súčasť distribúcie, potom akékoľvek odvodené diela, ktoré distribuujete, musia obsahovať čitateľnú kópiu upozornení na autorstvo, ktoré sa nachádzajú v takomto súbore OZNÁMENIE, s výnimkou tých upozornení, ktoré sa netýkajú žiadnej časti odvodeného diela, aspoň na jednom z nasledujúcich miest: v textovom

súbore OZNÁMENIE distribuovanom ako súčasť odvodených diel; v zdrojovej forme alebo dokumentácii, ak sa poskytujú spolu s odvodenými dielami; alebo v rámci zobrazenia vygenerovaného odvodenými dielami, ak a kdekkoľvek sa takéto oznámenia tretích strán bežne vyskytujú. Obsah súboru OZNÁMENIE slúži len na informačné účely a nemení licenciu. V rámci odvodených diel, ktoré distribuujete, môžete pridať svoje vlastné upozornenia na autorstvo spolu s textom OZNÁMENIA z diela alebo ako jeho dodatok za predpokladu, že takéto dodatočné upozornenia na autorstvo nemožno vykladať ako úpravu licencie. K svojim úpravám môžete pridať vlastné vyhlásenie o autorských právach a môžete poskytnúť dodatočné alebo odlišné licenčné podmienky na používanie, reprodukciu alebo distribúciu vašich úprav alebo pre akékoľvek takéto odvodené diela ako celok za predpokladu, že vaše používanie, reprodukcia a distribúcia diela inak vyhovuje podmienkam uvedeným v tejto licencii.

5. Odovzdanie príspevkov.

Ak výslovne neuvediete inak, každý príspevok, ktorý odovzdáte poskytovateľovi licencie na zahrnutie do diela, bude podliehať podmienkam tejto licencie bez akýchkoľvek ďalších podmienok. Bez ohľadu na vyššie uvedené nič v tomto dokumente nenahrádza ani neupravuje podmienky akékoľvek samostatnej licenčnej zmluvy, ktorú ste mohli uzavrieť s poskytovateľom licencie v súvislosti s takýmito príspevkami.

6. Obchodné značky.

Táto licencia neudeľuje povolenie na používanie obchodných názvov, obchodných značiek, servisných značiek alebo názvov výrobkov poskytovateľa licencie s výnimkou prípadov, keď je to potrebné na primerané a obvyklé použitie pri opise pôvodu diela a reprodukciu obsahu súboru OZNÁMENIE.

7. Zrieknutie sa záruky.

Pokiaľ to nevyžaduje príslušný zákon alebo nie je dohodnuté písomne, poskytovateľ licencie poskytuje dielo (a každý prispievateľ poskytuje svoje príspevky) „TAK, AKO JE“, BEZ ZÁRUK ALEBO PODMIENOK AKÉHOKOĽVEK DRUHU, či už výslovných alebo predpokladaných, vrátane, bez obmedzenia, akýchkoľvek záruk alebo podmienok VLASTNÍCTVA, NEPORUŠENIA, OBCHODOVATEĽNOSTI alebo VHODNOSTI NA KONKRÉTNY ÚČEL. Výhradne zodpovedáte za určenie vhodnosti použitia alebo redistribúcie diela a preberáte akékoľvek riziká spojené s vašim uplatňovaním povolení podľa tejto licencie.

8. Obmedzenie zodpovednosti. V žiadnom prípade a podľa žiadnej právnej teórie, či už v rámci mimosúdnej zodpovednosti (vrátane nedbanlivosti), zmluvy alebo inak, pokiaľ to nevyžaduje príslušný zákon (ako sú úmyselné činy a hrubá nedbalosť) alebo ak to nie je dohodnuté písomne, žiadny prispievateľ vám nebude zodpovedať za škody vrátane akýchkoľvek priamych,

niepriamych, specjalnych, náhodných alebo následných škód akéhokoľvek charakteru, ktoré vznikli v dôsledku tejto licencie alebo v dôsledku používania alebo nemožnosti použiť dielo (vrátane, ale nie výlučne, škód za stratu dobrého mena, zastavenie práce, zlyhanie alebo nefunkčnosť počítača alebo akékoľvek iné komerčné škody alebo straty), a to aj vtedy, ak bol daný prispievateľ upozornený na možnosť takýchto škód.

9. Prijatie záruky alebo dodatočnej zodpovednosti.

Pri redistribúcii diela alebo diel odvodených od neho sa môžete rozhodnúť ponúknuť a účtovať poplatok

za prijatie podpory, záruky, odškodnenia alebo iných záväzkov a/alebo práv v súlade s touto licenciou. Pri prijímaní takýchto záväzkov však môžete konať iba vo svojom mene a na svoju výhradnú zodpovednosť, nie v mene akéhokoľvek iného prispievateľa, a iba ak súhlasíte s tým, že odškodníte, budete brániť a chrániť každého prispievateľa za akúkoľvek zodpovednosť, ktorá vznikne, alebo nároky uplatnené voči takémuto prispievateľovi z dôvodu vášho prijatia akejkoľvek takejto záruky alebo dodatočnej zodpovednosti. KONIEC ZMLUVNÝCH PODMIENOK

SPIS TREŚCI

Wstęp.....	327	Transport, przechowywanie i utylizacja.....	338
Bezpieczeństwo.....	328	Dane techniczne.....	338
Montaż.....	335	Akcesoria.....	339
Przeznaczenie.....	336	Deklaracja zgodności.....	340
Przegląd.....	337	Licencje.....	341

Wstęp

Opis produktu

Husqvarna Aspire Pole-P4A to akumulatorowy zespół napędowy z funkcją teleskopową.

Przeznaczenie

Jednostka napędowa to urządzenie niez izolowane, które działa wyłącznie z zatwierdzonymi akcesoriami, patrz

Przegląd produktu

(Rys. 1)

1. Przegub obrotowy
2. Pokrętko blokujące osprzęt
3. Dźwignia funkcji teleskopowej
4. Wałek
5. Miękki rękaw
6. Hak na szelki
7. Przycisk blokujący blokady manetki gazu
8. Uchwyt tylny
9. Blokada manetki gazu
10. Manetka gazu
11. Instrukcja obsługi
12. Przycisk odłączania akumulatora
13. Ładowarka
14. Wskaźnik włączonego zasilania i ostrzegawczy
15. Złącze
16. Hak do przechowywania, śruby i kołki ściennie

akcesoria zatwierdzone w dokumencie *Akcesoria na stronie 339*. Należy zapoznać się z niniejszą instrukcją obsługi wraz z instrukcją obsługi zatwierdzonego akcesorium.

Symbole znajdujące się na produkcie

- (Rys. 2) OSTRZEŻENIE: Produkt może spowodować poważne obrażenia ciała lub śmierć operatora lub innych osób. Należy zachować ostrożność i prawidłowo korzystać z produktu.
- (Rys. 3) Przed użyciem produktu należy dokładnie i ze zrozumieniem przeczytać instrukcję obsługi.
- (Rys. 4) Stosować kask ochronny w miejscach zagrożonych spadającymi obiektami. Stosować atestowane ochronniki słuchu (tylko dla Aspire P5-P4A + Aspire Pole-P4A). Stosować atestowane środki ochrony oczu.
- (Rys. 5) Nosić rękawice ochronne.

- (Rys. 6) Stosować mocne, przeciwpoślizgowe obuwie ochronne. (Tylko dla Aspire P5-P4A + Aspire Pole-P4A)
- (Rys. 7) Prąd stały.
- (Rys. 8) Napięcie znamionowe, V
- (Rys. 9) Chronić przed deszczem.
- (Rys. 10) Ryzyko odniesienia obrażeń. Trzymać ręce z dala od narzędzia tnącego.
- (Rys. 11) Produkt jest zgodny z odpowiednimi dyrektywami UE.
- (Rys. 12) Ten produkt jest zgodny z przepisami obowiązującymi w Wielkiej Brytanii.
- (Rys. 13) Tego produktu ani opakowania nie można traktować jak odpadów domowych. Należy poddawać je recyklingowi w zatwierdzonym punkcie zbiórki sprzętu elektrycznego i elektronicznego.
- (Rys. 16) NIEBEZPIECZEŃSTWO – zachować odpowiednią odległość od linii elektroenergetycznych.
- (Rys. 17) Tabliczka znamionowa lub laserowy nadruk zawiera numer seryjny. **yyyy** to rok produkcji, a **ww** oznacza tydzień produkcji.

Uwaga: Pozostałe symbole/naklejki samoprzylepne umieszczone na produkcie dotyczą specjalnych wymogów certyfikacyjnych dla niektórych rynków.

Symbole na akumulatorze i/lub na ładowarce.

- (Rys. 18) Należy poddać urządzenie recyklingowi w punkcie zbiórki sprzętu elektrycznego i elektronicznego. (Dotyczy tylko Europy)
- (Rys. 19) Akumulatora należy używać wyłącznie w produktach partnerów systemu POWER FOR ALL.
- (Rys. 20) Chronić akumulator przed wysoką temperaturą, np. przed wystawieniem na ciągłe, intensywne światło słoneczne, ogień, brud, wodę i wilgoć. Istnieje ryzyko wybuchu i zwarcia.
- (Rys. 21)

- (Rys. 14) Ładowarkę używać i przechowywać wyłącznie wewnątrz.
- (Rys. 15) Podwójna izolacja.

Uszkodzenie produktu

Nie odpowiadamy za uszkodzenia naszego produktu, w przypadku gdy:

- produkt jest nieprawidłowo naprawiany.
- produkt jest naprawiany przy użyciu części niepochodzących od producenta lub niezatwierdzonych przez producenta.
- produkt jest wyposażony w akcesoria niepochodzące od producenta lub niezatwierdzone przez producenta.
- produkt nie jest naprawiany w autoryzowanym centrum serwisowym lub przez autoryzowaną placówkę.

Producent

Husqvarna AB
Drottninggatan 2, SE-561 82 Huskvarna, Sweden, tel: +46-36-146 500

Bezpieczeństwo

Definicje dotyczące bezpieczeństwa

Ostrzeżenia, uwagi i informacje są używane do zwrócenia uwagi na szczególnie ważne sekcje instrukcji obsługi.



OSTRZEŻENIE: Jest używane, gdy istnieje ryzyko poważnych obrażeń, śmierci

operatora lub uszkodzenia otoczenia w wyniku nieprzestrzegania instrukcji obsługi.



UWAGA: Jest używane, gdy istnieje ryzyko uszkodzenia materiałów lub urządzenia w wyniku nieprzestrzegania instrukcji obsługi.

Uwaga: Stosuje się, aby przekazać więcej informacji, które są przydatne w danej sytuacji.

Ostrzeżenia zasady bezpieczeństwa dla narzędzi elektrycznych



OSTRZEŻENIE: Należy zapoznać się z zatwierdzoną instrukcją obsługi akcesoriów wraz z niniejszą instrukcją obsługi zespołu napędowego.



OSTRZEŻENIE: Zapoznać się ze wszystkimi ostrzeżeniami dotyczącymi bezpieczeństwa, zasadami, ilustracjami i specyfikacjami dołączonymi do tego narzędzia. Niezastosowanie się do wszystkich poniższych instrukcji może spowodować porażenie prądem, pożar lub poważne obrażenia.

Uwaga: Zachowaj wszystkie ostrzeżenia i instrukcje do korzystania z nich w przyszłości. Termin „narzędzie elektryczne” używany w ostrzeżeniach dotyczy narzędzia zasilanego prądem z sieci elektrycznej (przewodowego) lub narzędzia zasilanego z akumulatora (beprzewodowego).

Bezpieczeństwo miejsca pracy

- **Miejsce pracy powinno być czyste i dobrze oświetlone.** Obszary zaciemnione i takie, w których panuje nieład, mogą powodować wypadki.
- **Nie należy używać narzędzi elektrycznych w atmosferze wybuchowej,** takiej jak w przypadku obecności cieczy palnych, gazów lub pyłów. Narzędzia zasilane tworzą iskry, które mogą zapalić pył lub opary.
- **Podczas pracy z użyciem narzędzia elektrycznego należy trzymać dzieci i osoby przechodzące z daleka.** W wyniku utraty uwagi możesz stracić kontrolę nad urządzeniem.

Zasady bezpieczeństwa – elektryczność

- **Wtyczki narzędzi elektrycznych muszą odpowiadać gniazdom.** Zabrania się dokonywania przeróbek wtyczki. **Nie należy stosować adapterów w przypadku uziemionych narzędzi elektrycznych.** Nieprzerobione wtyczki i dopasowane gniazdka pozwalają zredukować ryzyko porażenia prądem.
- **Należy unikać kontaktu ciała z powierzchniami uziemionymi, takimi jak rury, grzejniki, kuchenki i lodówki.** Uziemienie ciała powoduje zwiększenie ryzyka porażenia prądem.
- **Nie należy wystawiać narzędzi elektrycznych na działanie deszczu lub wilgoci.** Woda, która przedostanie się do narzędzia elektrycznego, zwiększa ryzyko porażenia elektrycznego.

- **Nie niszczyć przewodu. Nigdy nie korzystać z przewodu do przenoszenia, ciągnięcia lub odłączania narzędzia elektrycznego.** Przewód należy utrzymywać z dala od źródeł ciepła, olejów, ostrych krawędzi lub ruchomych części. Uszkodzone lub splecione kable zwiększają zagrożenie porażenia prądem.
- **Używając narzędzia elektrycznego na zewnątrz budynków, należy korzystać z odpowiedniego przedłużacza.** Stosowanie przewodu przeznaczonego do użytku na zewnątrz budynków pozwala ograniczyć ryzyko porażenia prądem.
- **Jeśli nieuniknione jest użycie narzędzia w warunkach dużej wilgotności, należy zastosować zasilanie chronione wyłącznikiem różnicowo-prądowym (RCD).** Korzystanie z wyłącznika różnicowo-prądowego (RCD) zmniejsza ryzyko porażenia prądem.

Bezpieczeństwo osób

- **Używając narzędzi elektrycznych, należy zachować skupienie, obserwować wykonywane czynności i kierować się zdrowym rozsądkiem.** Nie należy używać narzędzi elektrycznych, kiedy użytkownik jest zmęczony lub pod wpływem działania narkotyków, alkoholu lub leków. Chwila nieuwagi podczas obsługi narzędzia elektrycznego może doprowadzić do poważnych obrażeń.
- **Stosować środki ochrony osobistej. Należy zawsze stosować środki ochrony wzroku.** Sprzęt ochronny, taki jak maski, antypoślizgowe buty robocze, kask lub środki ochrony słuchu stosowane w odpowiednich warunkach pozwalają obniżyć ryzyko odniesienia obrażeń.
- **Należy zapobiec niezamierzonemu rozruchowi.** Przed podłączeniem do źródła zasilania i/lub akumulatora, podniesieniem lub przeniesieniem narzędzia należy upewnić się, że przełącznik znajduje się w położeniu wyłączenia. Przenoszenie narzędzia zasilanego z palcem na przełączniku lub wystawianie włączonego narzędzia na działanie energii elektrycznej może prowadzić do wypadków.
- **Przed włączeniem narzędzia elektrycznego należy usunąć wszelkie klucze.** Klucz pozostawiony przy części wirującej narzędzia może spowodować obrażenia ciała.
- **Nie należy przeceniać swoich możliwości. Stać na stabilnym podłożu i zachować równowagę.** Pozwoli to zachować lepszą kontrolę nad narzędziem elektrycznym w nieoczekiwanych sytuacjach.
- **Należy odpowiednio się ubierać. Nie należy zakładać luźnych ubrań i nosić biżuterii.** Włosy oraz ubranie należy trzymać z dala od elementów ruchomych. Luźna odzież, biżuteria lub długie włosy mogą zostać wciągnięte przez ruchome części.
- **Jeśli dołączone jest wyposażenie służące do podłączenia urządzeń odprowadzających i gromadzących pył, należy zadbać o jego podłączenie i właściwe używanie.** Stosowanie

urządzeń odprowadzających pył może ograniczyć zagrożenia związane z obecnością pyłu.

- **Częste używanie urządzeń nie zwalnia operatora z obowiązku zachowania czujności i przestrzegania zasad bezpieczeństwa podczas korzystania z produktu.** Nieuwaga przy pracy może w ułamku sekundy doprowadzić do ciężkich obrażeń ciała.
- **Niebezpieczeństwo! Nie używać w pobliżu linii elektroenergetycznych.** Urządzenie zostało zaprojektowane w sposób, który nie zapewnia ochrony przed porażeniem elektrycznym w przypadku zetknięcia się z napowietrzną linią elektroenergetyczną. Przed rozpoczęciem korzystania z urządzenia należy zapoznać się z przepisami dotyczącymi zachowania bezpiecznej odległości od napowietrznych linii elektroenergetycznych w celu zapewnienia bezpieczeństwa użytkownika.

Użytkowanie i konserwacja narzędzia elektrycznego

- **Nie należy wysilać nadmiernie narzędzia. Używać narzędzia elektrycznego dopasowanego do zastosowania.** Właściwe narzędzie zasilane pozwoli lepiej i bezpieczniej wykonać pracę, do której zostało przeznaczone.
- **Nie należy używać narzędzia elektrycznego, jeśli przełącznik nie może go włączyć lub wyłączyć.** Jeśli narzędzie zasilane nie może być kontrolowane za pomocą wyłącznika, jest ono niebezpieczne i musi być oddane do naprawy.
- **Przed dokonaniem jakichkolwiek regulacji, zmianą akcesoriów lub odłożeniem do przechowywania odłączyć wtyczkę od źródła zasilania i/lub wyjąć akumulator z narzędzia, jeśli jest taka możliwość.** Takie działania zapobiegawcze redukuje ryzyko przypadkowego uruchomienia narzędzia.
- **Należy przechowywać nieużywane narzędzia elektryczne poza zasięgiem dzieci i nie pozwalać osobom nie zaznajomionym z narzędziami elektrycznymi lub niniejszymi instrukcjami ich obsługiwać.** Narzędzia zasilane są niebezpieczne w rękach nieprzeszkolonych użytkowników.
- **Konserwacja narzędzi elektrycznych i akcesoriów** Należy sprawdzić ustawienie w osi elementów mocujących lub ruchomych, uszkodzenia części i inne warunki, które mogą mieć wpływ na działanie narzędzia elektrycznego. W przypadku uszkodzenia narzędzie zasilane należy naprawić przed użyciem. Wiele wypadków spowodowanych jest przez niewłaściwą konserwację narzędzi elektrycznych.
- **Narzędzia tnące należy utrzymywać w stanie naostrzonym i czystym.** Właściwie konserwowane narzędzia tnące, z ostrymi krawędziami tnącymi dają mniejsze prawdopodobieństwo zacinania i łatwiej je kontrolować.
- **Narzędzia elektryczne, oprzyrządowanie i końcówki powinny być używane zgodnie z niniejszymi instrukcjami, biorąc pod uwagę warunki robocze oraz zadanie, jakie należy wykonać.** Korzystanie z

narzędzia zasilanego do zadań innych, niż te, do których jest przeznaczone, może być niebezpieczne.

- **Utrzymywać uchwyt i powierzchnie do chwytania w stanie suchym, czystym oraz wolnym od smaru i oleju.** Śliskie uchwyt i powierzchnie do chwytania nie pozwalają na bezpieczną obsługę i kontrolę narzędzia w nieoczekiwanych sytuacjach.

Użytkowanie i konserwacja narzędzia elektrycznego zasilanego akumulatorem

- **Ładować jedynie za pomocą ładowarki wskazanej przez producenta.** Ładowarka przeznaczona do jednego rodzaju akumulatora może grozić pożarem w przypadku wykorzystania jej do ładowania innego rodzaju akumulatora.
- **Narzędzi elektrycznych należy używać wyłącznie w połączeniu z określonym rodzajem akumulatorów.** Użycie akumulatorów innego rodzaju może stworzyć zagrożenie obrażeniami ciała i pożarem.
- **Kiedy akumulator nie jest używany, należy przechowywać go z dala od innych metalowych przedmiotów, takich jak spinacze do papieru, monety, klucze, gwoździe i śruby oraz innych niewielkich metalowych przedmiotów, które mogłyby połączyć dwa zaciski akumulatora.** Spięcie zacisków akumulatora może spowodować oparzenia lub pożar.
- **W niewłaściwych warunkach z akumulatora może wypłynąć płyn. Należy unikać kontaktu z tym płynem. Jeżeli dojdzie do kontaktu, przemyć wodą. Jeśli dojdzie do kontaktu płynu z oczami, należy dodatkowo skorzystać z pomocy medycznej.** Płyn wydostający się z akumulatora może wywołać podrażnienia lub oparzenia.
- **Nie używać akumulatora ani narzędzia, jeśli są one uszkodzone lub zostały zmodyfikowane.** Uszkodzone lub zmodyfikowane akumulatory mogą charakteryzować się nieprzewidywalnymi właściwościami skutkującymi pożarem, eksplozją lub ryzykiem doznania obrażeń przez użytkownika.
- **Nie wystawiać akumulatora ani narzędzia na działanie ognia bądź nadmiernej temperatury.** Narażenie na pożar lub temperaturę przekraczającą 130°C (266 °F) może spowodować wybuch.
- **Postępować zgodnie ze wszystkimi instrukcjami dotyczącymi ładowania i nie ładować akumulatora ani narzędzia w temperaturach wykraczających poza zakres określony w instrukcji.** Nieprawidłowe ładowanie lub ładowanie w temperaturach wykraczających poza dopuszczalny zakres może uszkodzić akumulator i zwiększyć ryzyko pożaru.

Serwis

- **Narzędzie zasilane należy przekazać do wykwalifikowanego personelu serwisowego w celu naprawy z użyciem identycznych części zamiennych.** Zapewni to bezpieczną pracę narzędzia elektrycznego.
- **Pod żadnym pozorem nie należy serwisować uszkodzonych akumulatorów.** Serwisowanie

akumulatorów powinno być wykonywane wyłącznie przez producenta lub autoryzowany serwis.

Pozostałe informacje ogólne dotyczące bezpieczeństwa

- Dodatkowe szczegółowe zasady bezpieczeństwa można znaleźć w instrukcji obsługi odpowiedniego osprzętu.
- Przechodząc na inne miejsce pracy, należy wyłączyć produkt. Zawsze wyjmować akumulator przed przekazaniem produktu innej osobie.
- Nigdy nie należy odkładać urządzenia, chyba że zostało wyłączone, a akumulator został wyjęty. Nie pozostawiać urządzenia bez nadzoru, gdy jest włączone.
- Narzędzie tnące nie zatrzymuje się natychmiast po wyłączeniu urządzenia.
- Przed użyciem urządzenia i po każdym uderzeniu należy sprawdzić je pod kątem oznak zużycia lub uszkodzenia i w razie potrzeby naprawić.
- Jeżeli cokolwiek zablokuje się w osprzęcie tnącym podczas obsługi produktu, należy zatrzymać i wyłączyć urządzenie. Upewnić się, że osprzęt tnący zatrzymał się całkowicie. Przed czyszczeniem, sprawdzaniem lub naprawą produktu bądź osprzętu tnącego należy wyjąć akumulator.
- Przed uruchomieniem produktu należy sprawdzić jego stan techniczny. Patrz *Zespoły zabezpieczające na produkcie na stronie 333* oraz *Przegląd na stronie 337*. Nie wolno używać uszkodzonego produktu. Przeprowadzać kontrole bezpieczeństwa oraz czynności z zakresu konserwacji i obsługi technicznej podane w niniejszej instrukcji.
- Niewłaściwy lub uszkodzony osprzęt tnący zwiększa ryzyko wypadku.
- Otwory wentylacyjne muszą być cały czas wolne od zanieczyszczeń.
- Sprawdzić, czy urządzenie działa prawidłowo. Sprawdzić, czy dokrecone są wszystkie śruby i nakrętki.
- Ten produkt jest niebezpiecznym narzędziem w przypadku nieostrożnego postępowania lub nieprawidłowego korzystania. Produkt może spowodować poważne obrażenia ciała lub śmierć operatora lub innych osób.
- Urządzenie nie może być używane przez osoby (w tym dzieci) o ograniczonych zdolnościach fizycznych, sensorycznych lub umysłowych, lub nie posiadające odpowiedniego doświadczenia i wiedzy, chyba że są pod nadzorem lub zostały poinstruowane na temat użytkowania urządzenia przez osobę odpowiedzialną za ich bezpieczeństwo. Dzieci muszą być pod nadzorem, aby nie mogły bawić się urządzeniem.
- Nigdy nie pozwalać dzieciom na użytkowanie lub przebywanie w pobliżu urządzenia. Ponieważ maszynę łatwo uruchomić, dzieci mogą być w stanie ją włączyć, jeżeli nie będą pilnowane. Oznacza

to ryzyko poważnych obrażeń. Należy odłączyć akumulator, gdy maszyna nie jest pod nadzorem.

- Nigdy nie pozwalać na użytkowanie ani serwisowanie produktu dzieciom lub innym osobom, które nie mają odpowiednich kwalifikacji.
- Przechowywać urządzenie w miejscu niedostępnym dla dzieci i osób niepowołanych.
- Na czas przechowywania i transportu należy zawsze zakładać osłonę transportową.
- Ręce i stopy należy cały czas trzymać z dala od obszaru cięcia, zwłaszcza w czasie włączania silnika.
- Trzymać ręce i stopy z dala od osprzętu tnącego aż do momentu całkowitego zatrzymania po wyłączeniu urządzenia.
- Nie próbować odciągać ciętego materiału ani nie pozwalać tego robić innym, kiedy urządzenie pracuje lub osprzęt tnący się obraca, gdyż może to doprowadzić do poważnych obrażeń.
- Pamiętać o tym, że operator ponosi odpowiedzialność za narażanie ludzi i ich własności na wypadki lub zagrożenia.
- Pod żadnym pozorem nie wolno zmieniać ani modyfikować fabrycznej konstrukcji urządzenia bez zezwolenia wydanego przez producenta. Zawsze należy korzystać z oryginalnych akcesoriów. Samowolne wprowadzanie zmian oraz/lub montowanie wyposażenia niezatwierdzonego przez producenta może stać się przyczyną groźnych obrażeń lub śmierci obsługującego urządzenie bądź innych osób. Gwarancja może nie obejmować uszkodzeń powstałych w wyniku używania niezatwierdzonych akcesoriów lub części zamiennych.
- Jedynymi akcesoriami, których można używać z tym urządzeniem, są elementy osprzętu tnącego zalecane w rozdziale Akcesoria.
- Nie wolno używać urządzenia, które zostało w jakikolwiek sposób zmodyfikowane.
- Nie wolno pracować uszkodzonym urządzeniem. Przeprowadzać kontrole bezpieczeństwa oraz czynności z zakresu konserwacji i obsługi technicznej podane w niniejszej instrukcji. Niektóre czynności konserwacyjne i obsługowe muszą być wykonane przez przeszkolonego i wykwalifikowanego specjalistę. Patrz *Przegląd na stronie 337*.
- Praca przy złej pogodzie jest męcząca i często zwiększa ryzyko obrażeń. Nie zaleca się używać urządzenia w bardzo niesprzyjających warunkach np. w gęstej mgle, podczas silnego deszczu, przy silnym wietrze, na silnym mrozie lub gdy występuje ryzyko wyładowań atmosferycznych.
- Nigdy nie pracować, stojąc na drabinie lub stołku ani na żadnym podwyższeniu, które nie jest stabilne i nie zapewnia zachowania statecznej postawy podczas pracy.
- Nieużywane urządzenia należy przechowywać wewnątrz pomieszczeń.

- Nie jest możliwe omówienie wszystkich sytuacji, w jakich potencjalnie możesz się znaleźć. Należy zachowywać zawsze ostrożność i kierować się zdrowym rozsądkiem. Użytkownik nie powinien podejmować się prac, jeżeli uważa, że przekraczają one jego kwalifikacje. Jeżeli po przeczytaniu niniejszej instrukcji użytkownik nadal nie ma pewności co do sposobów postępowania, nie powinien on kontynuować pracy, zanim nie zwróci się o poradę do eksperta.
- Należy dopilnować, aby podczas pracy żadne osoby postronne ani zwierzęta nie znajdowały się w odległości mniejszej niż 50 stóp (15 m). Jeśli w tym samym miejscu pracuje kilku użytkowników, odległość między nimi powinna wynosić co najmniej 50 stóp (15 m). W przeciwnym razie istnieje ryzyko poważnych obrażeń. W przypadku zbliżenia się osób trzecich natychmiast wyłączyć urządzenie. Nigdy nie obracać produktu gwałtownie, nie upewniwszy się, że nikt nie znajduje się w strefie zagrożenia.
- Jeżeli cokolwiek zablokuje się w osprzęcie tnącym podczas obsługiwanego produktu, należy zatrzymać i wyłączyć urządzenie. Upewnić się, że osprzęt tnący zatrzymał się całkowicie. Przed czyszczeniem, sprawdzeniem lub naprawą produktu bądź osprzętu tnącego należy wyjąć akumulator.
- Dopilnować, aby ludzie, zwierzęta ani inne objekty nie mogły zakłócić pracy urządzenia oraz aby nie weszły w kontakt z osprzętem tnącym ani luźnymi przedmiotami odrzucanymi przez osprzęt. Nigdy nie używać urządzenia, jeśli nie ma możliwości wezwania pomocy w razie wypadku.
- Należy zapewnić sobie bezpieczne poruszanie i pozycję przy pracy. Przy nagłym poruszaniu się po obszarze pracy należy uważać na ewentualne przeszkody (korzenie, gałęzie, rowy itp.). Szczególną ostrożność należy zachować podczas pracy na pochyłym terenie.
- Należy iść, nie biec.
- Dokonać inspekcji obszaru pracy. Usunąć wszystkie luźne przedmioty, takie jak kamienie, potłuczone szkło, gwoździe, druty, sznurki i inne, które mogą zostać odrzucone przez maszynę lub utknąć na ostrzu tnącym lub jego osłonie.
- Uważać na koniuszki gałęzi, które podczas cięcia mogą być odrzucane przez maszynę. Nie odcinać zbyt blisko podłoża, ponieważ grozi to wyrzuceniem przez maszynę kamieni i innych przedmiotów.
- Upewnić się, czy odzież ani żadne części ciała nie będą miały kontaktu z osprzętem tnącym, gdy produkt jest uruchomiony. Urządzenie należy trzymać poniżej pasa.
- Należy uważać na odrzucane przedmioty. Należy zawsze używać zatwierdzonych osłon oczu. Nigdy nie nachylać się nad osłoną zabezpieczającą osprzęt tnący. Odrzucane przez urządzenie kamienie, odłamki, itp. mogą trafić w oczy, powodując utratę wzroku lub inne poważne obrażenia.
- Mając założone ochronniki słuchu należy zawsze być szczególnie uważnym na sygnały i zawołania ostrzegawcze. Ochronniki słuchu należy zdejmować zaraz po wyłączeniu maszyny.
- W przypadku wystąpienia niechcianych wibracji uderzyć głowicą w celu wysunięcia żyłki do właściwej długości. Po tym wibracje powinny ustąpić.
- Jeśli produkt zacznie wibrować w nietypowy sposób, zatrzymać go i wymontować akumulator.
- Nadmierne wibracje mogą spowodować uszkodzenia naczyń krwionośnych lub nerwów u osób mających problemy z krążeniem. W przypadku rozpoznania u siebie objawów, których przyczyną może być nadmierne wibracje, należy zwrócić się do lekarza. Przykładem takich objawów jest drętwienie, brak czucia, mrowienie, kłucie, ból, utrata sił, zmiany koloru lub wyglądu skóry. Objawy te występują zazwyczaj w palcach, dłoniach lub nadgarstkach.
- Trzymać zawsze maszynę oburącz.

Środki ochrony osobistej



OSTRZEŻENIE: Przed rozpoczęciem użytkowania produktu przeczytać następujące ostrzeżenia.

- Podczas używania produktu zawsze nosić na sobie zatwierdzone środki ochrony osobistej. Środki ochrony osobistej nie eliminują ryzyka odniesienia obrażeń, ograniczają natomiast ich rozmiar w razie zaistnienia wypadku. Skorzystaj z pomocy dealera przy wyborze odpowiedniego sprzętu.
- Stosować kask ochronny, gdy zachodzi ryzyko uderzenia spadającymi przedmiotami.
- Stosować ochronnik słuchu o wystarczających właściwościach tłumiących. Długotrwałe przebywanie w hałasie może doprowadzić do trwałej utraty słuchu.
- Stosować atestowane środki ochrony oczu. Używając maski ochronnej twarzy, nosić także zatwierdzone okulary ochronne. Za zatwierdzone okulary ochronne uważane są takie, które są zgodne z normami ANSI Z87.1 dla USA lub EN 166 dla krajów UE.
- Należy używać maski ochronnej twarzy. Maski ochronna twarzy nie chroni wystarczająco oczu. (Rys. 22)
- W razie potrzeby, na przykład podczas mocowania, badania czy czyszczenia narzędzi tnących, stosować rękawice ochronne.
- Należy nosić trwale, antypoślizgowe obuwie.
- Nosić odzież wykonaną z mocnego materiału. Nosić odzież z długimi nogawkami i długimi rękawami, wykonaną z mocnego materiału. Luźne części odzieży mogą zahaczyć o krzewy lub gałęzie. Nie nosić biżuterii, krótkich spodni ani sandałów i nie

pracować z odsłoniętymi stopami. Związywać włosy w sposób bezpieczny powyżej poziomu barków.

(Rys. 23)

- Zawsze mieć pod ręką apteczkę pierwszej pomocy.

(Rys. 24)

Zespoły zabezpieczające na produkcji



OSTRZEŻENIE: Przed rozpoczęciem użytkowania produktu przeczytać następujące ostrzeżenia.

W tym rozdziale opisano funkcje bezpieczeństwa produktu, jego przeznaczenie oraz sposób przeprowadzania czynności kontrolnych i konserwacji, aby zapewnić jego poprawne działanie. Patrz wskazówki podane w punkcie *Przegląd produktu na stronie 327*, aby sprawdzić, gdzie te części są zlokalizowane w Twoim produkcie.

Jeżeli urządzenie nie jest prawidłowo konserwowane i nie jest poddawane profesjonalnie wykonywanym naprawom i/lub obsłudze technicznej, skraca się jego żywotność i zwiększa ryzyko wypadu. Aby uzyskać dodatkowe informacje, należy skontaktować się z najbliższym punktem serwisowym.



OSTRZEŻENIE: Nie wolno używać urządzenia, którego elementy zabezpieczające są uszkodzone. Elementy zabezpieczające produktu należy kontrolować i konserwować zgodnie z opisem w niniejszym rozdziale. Jeżeli Twój produkt nie spełnia któregokolwiek z warunków kontrolnych, skontaktuj się z przedstawicielem serwisu w celu dokonania naprawy.



UWAGA: Wszelkie czynności obsługowe i naprawy maszyny wymagają specjalnego przeszkolenia. Szczególnie dotyczy to elementów zabezpieczających urządzenia. Jeżeli maszyna nie spełnia jakiegokolwiek z niżej wymienionych warunków kontrolnych, należy ją oddać do warsztatu obsługi technicznej. Kupując nasze produkty, zyskujesz także gwarancję profesjonalnej obsługi i napraw. Jeżeli w miejscu zakupu nie jest prowadzona obsługa serwisowa, zapytaj o adres najbliższego warsztatu obsługi technicznej.

Sprawdzanie blokady manetki gazu

Blokada manetki gazu zapobiega przypadkowemu naciśnięciu. Po zwolnieniu uchwytu blokada i manetka gazu powrócą do swoich pozycji wyjściowych.

1. Przesunąć przycisk blokujący blokady manetki gazu do przodu. (Rys. 25)

2. Sprawdzić, czy manetka gazu jest zablokowana, gdy jej blokada znajduje się w swoim położeniu wyjściowym. (Rys. 26)
3. Nacisnąć blokadę manetki gazu po jednej stronie, a następnie po drugiej stronie. Upewnić się, że blokada manetki gazu cofa się do pozycji początkowej. (Rys. 27)
4. Upewnić się, że manetka gazu i jej blokada poruszają się płynnie, a sprężyna powrotna działa prawidłowo. (Rys. 28)
5. Uruchomić urządzenie — patrz część *Uruchamianie urządzenia na stronie 336*.
6. Zwolnić manetkę gazu i sprawdzić, czy urządzenie zatrzymuje się całkowicie.

Instrukcje bezpieczeństwa dotyczące montażu



OSTRZEŻENIE: Należy zapoznać się z instrukcją obsługi zespołu napędowego oraz z zatwierdzoną instrukcją obsługi akcesoriów.

- Przed złożeniem produktu wyjąć z niego akumulator.
- Nosić zatwierdzone rękawice ochronne.
- Uszkodzona lub nieodpowiednia osłona może spowodować obrażenia ciała. Nie wolno używać osprzętu tnącego bez zamontowanej zatwierdzonej osłony.
- Przed uruchomieniem urządzenia upewnić się, że osprzęt jest prawidłowo zamontowany.
- Jeśli wraz z osprzętem dostarczono szelki, należy ją prawidłowo zamocować do produktu. Szelki zapewniają bezpieczeństwo pracy i zapobiegają odniesieniu obrażeń ciała operatora i osób postronnych.

Zasady bezpieczeństwa związane z akumulatorem



OSTRZEŻENIE: Zapoznać się ze **wszystkimi instrukcjami ogólnymi i dotyczącymi bezpieczeństwa**. Niezastosowanie się do instrukcji ogólnych i bezpieczeństwa może spowodować porażenie prądem i/lub poważne obrażenia. **Wszystkie informacje dotyczące bezpieczeństwa i ogólne instrukcje należy zachować w celu późniejszego wykorzystania.**

- Niniejsze instrukcje bezpieczeństwa dotyczą **wyłącznie akumulatorów litowo-jonowych 18 V do systemu POWER FOR ALL**.
- **Akumulatora należy używać wyłącznie w produktach partnerów systemu POWER FOR ALL.** Akumulatory 18 V z oznaczeniem POWER FOR ALL są w pełni kompatybilne z następującymi produktami:

– Wszystkie produkty należące do systemu POWER FOR ALL z akumulatorem 18 V.

– Wszystkie produkty partnerów systemu POWER FOR ALL wymagające napięcia 18 V.

- **Należy przestrzegać zaleceń dotyczących akumulatora zawartych w instrukcji obsługi urządzenia.** Jest to niezbędne do bezpiecznej obsługi akumulatora i urządzenia oraz zabezpieczenia akumulatorów przed niebezpiecznym przeciążeniem.
- **Akumulatory należy ładować wyłącznie przy użyciu ładowarek zalecanych przez producenta lub partnerów systemu POWER FOR ALL.** Ładowarka odpowiednia do jednego rodzaju akumulatorów może wywołać pożar, gdy współpracuje z innym akumulatorem.
- **Akumulator jest dostarczany w stanie częściowo naładowanym.** Aby zapewnić pełną pojemność akumulatora, należy go całkowicie naładować za pomocą ładowarki przed użyciem narzędzia elektrycznego po raz pierwszy.
- **Przechowywać akumulatory w miejscu niedostępnym dla dzieci.**
- **Nie należy otwierać akumulatora.** Istnieje ryzyko zwarcia.
- **W przypadku uszkodzenia lub nieprawidłowego użytkowania akumulatora może dojść do emisji niebezpiecznych oparów.** Akumulator może się zapalić lub wybuchnąć. Upewnij się, że w miejscu pracy zapewniona jest dobra wentylacja i w razie wystąpienia jakichkolwiek niepożądanych skutków należy skonsultować się z lekarzem. Opary mogą podrażnić układ oddechowy.
- **Nieprawidłowe użytkowanie lub uszkodzenie akumulatora może spowodować wytrysnięcie z niego łatwopalnej cieczy.** Należy unikać kontaktu z tą cieczą. Jeśli dojdzie do przypadkowego kontaktu, należy przemyć wodą. W przypadku przedostania się cieczy do oczu należy niezwłocznie skorzystać z dodatkowej pomocy medycznej. Płyn wydobywający się z akumulatora może powodować podrażnienia lub poparzenia.
- **Jeśli akumulator jest uszkodzony, może z niego wytrysnąć ciecz, która pokryje pobliskie powierzchnie.** Sprawdzić elementy, które zostały narażone. Oczyszczyć te elementy lub wymienić je w razie potrzeby.
- **Uważać, aby nie doszło do zwarcia akumulatora.** Kiedy akumulator nie jest używany, należy przechowywać go z dala od innych metalowych przedmiotów, takich jak spinacze do papieru, monety, klucze, gwoździe i śruby oraz innych niewielkich metalowych przedmiotów, które mogłyby połączyć dwa zaciski akumulatora. Spięcie zacisków akumulatora może spowodować oparzenia lub pożar.
- **Akumulator może zostać uszkodzony przez ostro zakończony elementy, takie jak gwoździe lub śrubokręty, albo przez wywieraną z zewnątrz siłę.** Może wystąpić zwarcie wewnętrzne, które

spowoduje przepalenie, zadymienie, wybuch lub przegrzanie akumulatora.

- **Pod żadnym pozorem nie należy serwisować uszkodzonych akumulatorów.** Serwisowanie akumulatorów powinno być wykonywane wyłącznie przez producenta lub autoryzowany serwis.
- **Chronić akumulator przed wysoką temperaturą, np. przed wystawieniem na ciągłe, intensywne światło słoneczne, ogień, brud, wodę i wilgoć.** Istnieje ryzyko wybuchu i zwarcia.
- **Akumulator urządzenia może być używany wyłącznie przy temperaturach otoczenia -5 °C – 40 °C.**
- **Podczas przechowywania akumulatora temperatura otoczenia musi wynosić -20 °C – 50 °C.** Nie wolno zostawiać akumulatora w samochodzie na przykład latem. Przy temperaturach < 0 °C niektóre urządzenia mogą mieć mniejszą moc.
- **Akumulator należy ładować wyłącznie przy temperaturze otoczenia w zakresie 0 °C – +35 °C.** Ładowanie poza tym zakresem temperatur może zwiększyć ryzyko uszkodzenia akumulatora i spowodować zagrożenie pożarowe.

Zasady bezpieczeństwa w czasie obsługi ładowarki



OSTRZEŻENIE: Zapoznać się ze wszystkimi instrukcjami ogólnymi i dotyczącymi bezpieczeństwa. Niezastosowanie się do instrukcji ogólnych i bezpieczeństwa może spowodować porażenie prądem i/lub poważne obrażenia. **Przechowywać niniejsze instrukcje w bezpiecznym miejscu.** Ładowarki należy używać wyłącznie wtedy, gdy można w pełni ocenić wszystkie funkcje i wykonać je bez żadnych ograniczeń lub jeśli użytkownik otrzymał odpowiednie instrukcje.

- **Ładowarki nie powinny obsługiwać dzieci lub osoby o ograniczonych zdolnościach fizycznych, sensorycznych lub umysłowych lub nieposiadające odpowiedniego doświadczenia i wiedzy.** Ładowarka może być obsługiwana przez dzieci, które ukończyły 8. rok życia, oraz przez osoby o ograniczonych zdolnościach fizycznych, sensorycznych lub umysłowych lub nieposiadające odpowiedniego doświadczenia i wiedzy pod warunkiem, że są one pod nadzorem lub zostały poinstruowane w zakresie bezpiecznego użytkowania ładowarki i rozumieją wiążące się z tym zagrożenia. W przeciwnym razie istnieje ryzyko błędów w obsłudze i odniesienia obrażeń.
- **Należy nadzorować dzieci podczas użytkowania, czyszczenia i konserwacji.** Należy dopilnować, aby dzieci nie bawiły się ładowarką.
- **Należy ładować tylko akumulatory 18V systemu POWER FOR ALL o pojemności min. 1,5 Ah.** Napięcie akumulatora musi być zgodne z napięciem

ładowania ładowarki akumulatora. Nie należy ładować żadnych baterii, które nie nadają się do ponownego ładowania. W przeciwnym razie istnieje ryzyko pożaru i eksplozji.

- **Ładowarki należy używać wyłącznie w zamkniętych pomieszczeniach i nie wolno narażać jej na działanie wilgoci.** Woda, która przedostanie się do elektronarzędzia zwiększy ryzyko porażenia prądem.
- **Utrzymywać czystość ładowarki.** Brud stwarza ryzyko porażenia prądem.
- **Przed użyciem należy zawsze sprawdzić ładowarkę, kabel i wtyczkę.** W przypadku wykrycia jakichkolwiek uszkodzeń należy zaprzestać korzystania z ładowarki. Nie wolno samodzielnie otwierać ładowarki i należy zlecać jej naprawę wyłącznie firmie Husqvarna lub autoryzowanemu centrum obsługi posprzedażowej, korzystając tylko z oryginalnych części zamiennych. Uszkodzone ładowarek, kabli i wtyczek zwiększa ryzyko porażenia prądem.
- **Ładowarki nie należy używać na powierzchni, która może łatwo ulec zapłonowi (np. na papierze, tkaninach itp.) ani w środowisku łatwopalnym.** Istnieje ryzyko pożaru z powodu nagrzewania się ładowarki podczas pracy.
- **Nie zakrywać otworów wentylacyjnych ładowarki.** W przeciwnym razie może dojść do przegrzania się ładowarki i jej nieprawidłowego działania.
- **Ładować jedynie za pomocą ładowarki wskazanej przez producenta.** Ładowarka przeznaczona do jednego rodzaju akumulatora może grozić pożarem w przypadku wykorzystania jej do ładowania innego rodzaju akumulatora.
- **W przypadku uszkodzenia lub nieprawidłowego użytkowania akumulatora może dojść również do emisji niebezpiecznych oparów.** Upewnij się, że w miejscu pracy zapewniona jest dobra wentylacja i w razie wystąpienia jakichkolwiek niepożądanych skutków należy skonsultować się z lekarzem. Opary mogą podrażnić układ oddechowy.
- **W niewłaściwych warunkach z akumulatora może wydostać się płyn. Należy unikać kontaktu z tą cieczą. Jeśli dojdzie do przypadkowego kontaktu, należy przemyć wodą. W przypadku przedostania się cieczy do oczu należy niezwłocznie skorzystać z dodatkowej pomocy medycznej.** Płyn wydobywający się z akumulatora może powodować podrażnienia lub poparzenia.

- **Produkty sprzedawane wyłącznie w Wielkiej Brytanii:** Produkt jest wyposażony we wtyczkę elektryczną BS 1363/A z wewnętrznym bezpiecznikiem (atest ASTA BS 1362). Jeśli wtyczka nie jest odpowiednia do gniazdka, należy zgłosić to do autoryzowanego warsztatu obsługi technicznej, w którym zostanie ona odcięta, a w jej miejsce zainstalowana prawidłowa wtyczka. Wymieniona wtyczka powinna mieć bezpiecznik o takich samych parametrach, jak oryginalna wtyczka. Odciętą wtyczkę należy wyrzucić, aby uniknąć ryzyka porażenia prądem. Nigdy nie należy jej wkładać do gniazdka elektrycznego.

Instrukcje bezpieczeństwa dotyczące konserwacji



OSTRZEŻENIE: Przed rozpoczęciem prac konserwacyjnych produktu przeczytać następujące ostrzeżenia.

- Wyjąć akumulator przed rozpoczęciem prac konserwacyjnych, innych przeglądów lub montażu produktu.
- Użytkownikowi wolno wykonywać tylko te czynności konserwacyjne i serwisowe, które są wskazane w niniejszej instrukcji obsługi. W przypadku czynności konserwacyjnych i serwisowych o szerszym zakresie należy zwrócić się do autoryzowanego serwisu.
- Do czyszczenia akumulatora ani ładowarki nie należy używać wody. Silne detergenty mogą spowodować uszkodzenie tworzywa sztucznego.
- Zaniechanie czynności konserwacyjnych skróci cykl życia produktu i zwiększy ryzyko wypadków.
- Dla wszystkich prac serwisowych i naprawczych, zwłaszcza dla urządzeń zabezpieczających na produkcie, konieczne jest specjalne przeszkolenie. Jeśli nie wszystkie opisane w niniejszej instrukcji obsługi kontrole zakończą się pomyślnie po wykonaniu konserwacji, należy zwrócić się do autoryzowanego serwisu. Gwarantujemy profesjonalne naprawy i serwisowanie produktu.
- Używaj wyłącznie oryginalnych części zamiennych.
- Przystępując do naprawy osprzętu tnącego zawsze zakładaj mocne rękawice ochronne. Ostrza tnące są bardzo ostre i mogą łatwo spowodować obrażenia.

Montaż

Wstęp



OSTRZEŻENIE: Przed zmontowaniem produktu należy zapoznać się z rozdziałem dotyczącym bezpieczeństwa.

Montaż osprzętu

1. Przymocować osprzęt (A) do zespołu napędowego (B). Osprzęt musi łatwo wchodzić w uchwyty na zespole napędowym. Jeżeli tak się nie dzieje, oznacza to, że nie został prawidłowo włożony. (Rys. 29)
2. Dokręcić pokrętko blokujące (C).

Uwaga: Po zamontowaniu osprzętu na zespole napędowym interfejs użytkownika osprzętu jest odłączony.

Regulacja długości wałka teleskopowego

1. Unieść dźwignię (A) na wałku. (Rys. 30)
2. Wyregulować wałek teleskopowy do odpowiedniej długości.
3. Pchnąć dźwignię w dół, aby zablokować wałek teleskopowy.

Montaż haka do przechowywania na ścianie

- Zamontować hak do przechowywania wewnątrz pomieszczenia.
- Hak do przechowywania należy trzymać w miejscu nienarażonym na działanie promieni słonecznych oraz w temperaturze otoczenia od -10°C do 70°C.
- Zamontować hak do przechowywania na ścianie wykonanej z płyty gipsowo-kartonowej, drewna lub betonu.



UWAGA: Należy upewnić się, że ściana wytrzymuje obciążenie co najmniej 30 kg.

- Zamontować hak do przechowywania na ścianie za pomocą 3 śrub (A). W razie potrzeby użyć kołków rozporowych (B). (Rys. 31)



UWAGA: Upewnić się, że śruby są odpowiednie dla danego typu ściany.

- Aby uzyskać informacje na temat akcesoriów do przechowywania produktu, należy skontaktować się z warsztatem obsługi technicznej Husqvarna.

Zawieszanie urządzenia na haku do przechowywania

- Zawiesić zespół napędowy na haku do przechowywania, jak pokazano na ilustracji. (Rys. 32)

Przeznaczenie

Wykonanie kontroli funkcjonalnej przed użyciem produktu

1. Za pomocą szczotki usunąć zanieczyszczenia i niepożądane materiały.
2. Dokręcić wszystkie nakrętki i śruby.
3. Należy zadbać, aby osprzęt był prawidłowo zamocowany.
4. Upewnić się, że przycisk blokujący blokady manetki gazu jest włączony.
5. Upewnić się, że urządzenia blokujące wysuniętego wałka i elementu obrotowego są w położeniu zablokowania.
6. Sprawdzić osprzęt pod kątem uszkodzeń, na przykład pęknięć. Wymienić osprzęt, jeżeli jest uszkodzony.
7. Upewnić się, że osłony są prawidłowo przymocowane i nieuszkodzone.
8. Upewnić się, że produkt działa prawidłowo.

Podłączanie akumulatora do produktu



OSTRZEŻENIE: Stosować wyłącznie akumulatory litowo-jonowe systemu POWER FOR ALL P4A 18 V w urządzeniu.

1. Należy sprawdzić, czy akumulator jest w pełni naładowany.

2. Włożyć akumulator do uchwytu akumulatora produktu. Akumulator musi łatwo wchodzić w uchwyt. Jeżeli tak się nie dzieje, oznacza to, że nie został prawidłowo włożony. (Rys. 33)
3. Wcisnąć akumulator do końca w uchwyt. Po usłyszeniu kliknięcia akumulator zablokuje się na miejscu.
4. Upewnić się, że zatrzask zamknął się prawidłowo.

Uruchamianie urządzenia

1. Przesunąć przycisk blokujący blokady manetki gazu do przodu. (Rys. 25)
2. Przesunąć blokadę manetki gazu (A) z lewej lub prawej strony i przytrzymać manetkę gazu (B). (Rys. 34)

Wyłączanie urządzenia

1. Zwolnić manetkę gazu.
2. Przesunąć przycisk blokujący blokady manetki gazu do tyłu, aby zablokować urządzenie.
3. Nacisnąć przycisk zwalnający akumulator i wyciągnąć akumulator. (Rys. 35)
4. W razie potrzeby wymontować osprzęt z urządzenia.

Regulacja kąta urządzenia

To urządzenie może zostać ustawione w 7 różnych pozycjach.



OSTRZEŻENIE: Nie regulować kąta podczas obsługi urządzenia.

1. Wyłączyć urządzenie i wyjąć akumulator.
2. Przytrzymać mocno uchwyt (A). (Rys. 36)

3. Nacisnąć i przytrzymać przegub obrotowy (B).
4. Ustawić uchwyt w prawidłowym położeniu.
5. Zwolnić przegub obrotowy, aby zablokować uchwyt.
6. Przesunąć uchwyt w górę i w dół, aż zablokuje się we właściwym położeniu.

Przegląd

Wstęp



OSTRZEŻENIE: Przed przystąpieniem do konserwacji produktu

zapoznać się z rozdziałem dotyczącym bezpieczeństwa.



OSTRZEŻENIE: Przed przystąpieniem do konserwacji produktu wyjąć akumulator.

Plan konserwacji

Poniżej zamieszczono listę czynności konserwacyjnych, które należy wykonywać przy urządzeniu.

Konserwacja	Przed pracą	Co tydzień	Co miesiąc
Oczyszczyć zewnętrzne części produktu za pomocą suchej szmatki. Nie należy stosować wody.	X		
Upewnić się, że przycisk blokujący blokady manetki gazu działa prawidłowo i nie jest uszkodzony.	X		
Sprawdzić, czy manetka gazu i blokada manetki gazu działają prawidłowo pod względem bezpieczeństwa.	X		
Upewnić się, że wszystkie elementy sterujące działają poprawnie i nie są uszkodzone.	X		
Uchwyty powinny być czyste i suche.	X		
Upewnić się, że wszystkie nakrętki i śruby są prawidłowo dokręcone.	X		
Sprawdzić, czy prawidłowo działają przyciski uwalniające akumulator oraz blokują go w odpowiednim miejscu w urządzeniu.	X		
Należy sprawdzić, czy akumulator nie jest uszkodzony.	X		
Należy sprawdzić, czy akumulator jest naładowany.	X		
Sprawdzić, czy ładowarka nie jest uszkodzona i działa prawidłowo.	X		
Sprawdzić stan wszystkich przewodów, połączeń i złączy. Upewnić się, że są czyste i nieuszkodzone.		X	
Sprawdzić połączenia pomiędzy akumulatorem a urządzeniem.			X
Sprawdzić połączenie pomiędzy akumulatorem a ładowarką.			X

Czyszczenie produktu, akumulatora i ładowarki

1. Po użyciu wyczyścić produkt za pomocą suchej szmatki.

2. Wyczyścić akumulator i ładowarkę suchą szmatką. Akumulator i zaciski należy utrzymywać w czystości.
3. Upewnić się, że styki akumulatora i ładowarki są czyste przed umieszczeniem akumulatora w ładowarce lub w produkcie.

Transport, przechowywanie i utylizacja

Transport i przechowywanie

- Dołączone akumulatory litowo-jonowe są zgodne z przepisami dotyczącymi towarów niebezpiecznych.
- Należy przestrzegać specjalnych zaleceń podanych na opakowaniu i etykietach, dotyczących transportu komercyjnego, w tym także usług transportowych świadczonych przez strony trzecie i spedytorów.
- Przed wysłaniem produktu należy porozmawiać z osobą przeszkoloną w zakresie materiałów niebezpiecznych. Przestrzegać wszystkich przepisów krajowych, które mają zastosowanie.
- Podczas umieszczania akumulatora w opakowaniu zabezpieczyć otwarte zaciski taśmą. Zapakować akumulator w taki sposób, aby ściśle przylegał do opakowania, co zapobiegnie jego przemieszczaniu.
- Wyjmować akumulator na czas przechowywania lub transportu.
- Przechowywać akumulator i ładowarkę w miejscu suchym i wolnym od wilgoci oraz nienarażonym na mróz.
- Nie przechowywać akumulatora w miejscu, gdzie może występować prąd statyczny. Nie przechowywać akumulatora w metalowym pojemniku.
- Przechowywać akumulator w miejscu, w którym temperatura wynosi od $-20^{\circ}\text{C}/-4^{\circ}\text{F}$ do $+50^{\circ}\text{C}/122^{\circ}\text{F}$, z dala od bezpośredniego działania promieni słonecznych.
- Przechowywać ładowarkę w miejscu, w którym temperatura wynosi od $5^{\circ}\text{C}/41^{\circ}\text{F}$ do $45^{\circ}\text{C}/113^{\circ}\text{F}$, z dala od bezpośredniego działania promieni słonecznych.
- Ładowarkę należy użytkować w temperaturze otoczenia od $0^{\circ}\text{C}/32^{\circ}\text{F}$ do $35^{\circ}\text{C}/95^{\circ}\text{F}$.
- Urządzenie należy przechowywać w zakresie temperatur od $-40^{\circ}\text{C}/-40^{\circ}\text{F}$ do $+60^{\circ}\text{C}/140^{\circ}\text{F}$.
- Naładować akumulator od 30% do 50% przed dłuższym okresem jego przechowywania.

- Przechowywać ładowarkę w zamkniętym i suchym miejscu.
- Przechowywać akumulator z dala od ładowarki. Nie wolno pozwalać dzieciom ani innym osobom postronnym na dotykaniu sprzętu. Przechowywać sprzęt w miejscu, które można zamknąć.
- Przed odstawieniem urządzenia na dłuższe przechowywanie należy je wyczyścić oraz przeprowadzić pełny przegląd.
- Użyć osłony transportowej na produkcie, aby zapobiec obrażeniom lub uszkodzeniu urządzenia podczas transportu i przechowywania.
- Przymocować bezpiecznie produkt podczas transportu.
- Przechowywać urządzenie w pozycji poziomej lub zawiesić na dołączonym do zestawu haku. Patrz *Zawieszanie urządzenia na haku do przechowywania na stronie 336*.

Usuwanie akumulatora, ładowarki i produktu

Poniższy symbol oznacza, że produkt nie stanowi odpadu gospodarczego. Należy poddawać je recyklingowi w zatwierdzonym punkcie zbiórki sprzętu elektrycznego i elektronicznego. Pomaga to chronić środowisko i ludzi.

W celu uzyskania dodatkowych informacji należy skonsultować się z władzami lokalnymi, przedsiębiorstwem gospodarki komunalnej albo punktem sprzedaży.

(Rys. 18)

Uwaga: symbol widoczny jest na urządzeniu lub opakowaniu produktu.

Dane techniczne

Aspire Pole-P4A	
Waga	
Waga (tylko zespół napędowy), kg	1,5

Zatwierdzone akumulatory

Urządzenie może być zasilane wszystkimi akumulatorami **POWER FOR ALL**.

Akumulator	P4A 18-B36	P4A 18-B45	P4A 18-B72
Typ	Litowo-jonowy	Litowo-jonowy	Litowo-jonowy
Pojemność akumulatora, Ah	2,0	2,5	4,0
Napięcie znamionowe, V	18	18	18
Masa, kg	0,35	0,35	0,65
Liczba ogniw (litowo-jonowych)	5	5	10

Zatwierdzone ładowarki

Ładowarka	P4A 18-C50	P4A 18-C70
Napięcie wejściowe, V	Patrz informacje o wartościach znamionowych ładowarki.	Patrz informacje o wartościach znamionowych ładowarki.
Częstotliwość, Hz	50–60	50–60
Moc, W	50	70

Akcesoria

Akcesoria

Zatwierdzony osprzęt	Typ	Przeznaczone do
Osprzęt nożyc do krzewów	Aspire S20-P4A	Aspire Pole-P4A
Osprzęt do okrzyszania	Aspire P5-P4A	Aspire Pole-P4A

Deklaracja zgodności

Deklaracja zgodności UE

Firma **Husqvarna AB**, SE-561 82 Huskvarna,
Szwecja, tel.: +46-36-146500, deklarujemy z pełną
odpowiedzialnością, że produkt:

Opis	Akumulatorowy zespół napędowy
Marka	Husqvarna
Typ/model	Aspire Pole-P4A
Identyfikacja	Numery seryjne z roku 2023 i nowsze

spełnia wszystkie wymogi określone w odpowiednich
dyrektywach i przepisach UE:

Dyrektywa/przepis	Opis
2006/42/WE	„w sprawie maszyn”
2014/30/UE	„dotycząca zgodności elektromagnetycznej”
2011/65/UE	„dotycząca ograniczenia użycia niektórych substancji niebezpiecznych w sprzęcie elektrycznym i elektronicznym”
2000/14/WE	„dotycząca emisji hałasu do środowiska”

oraz został zaprojektowany zgodnie z następującymi normami i specyfikacjami technicznymi: EN 62841-1:2015/A11:2022, EN 62841-4-2:2019/A1:2022, EN IEC 62841-4-5:2021/A11:2021, EN ISO 11680-1:2011, EN ISO 12100:2010, EN IEC 55014-1:2021, EN IEC 55014-2:2021, EN IEC 63000:2018.

Firma DEKRA Testing and Certification GmbH, Handwerkstraße 15, 70565 Stuttgart, Germany, 0158 przeprowadziła dobrowolne badanie typu WE zgodnie z dyrektywą maszynową (2006/42/WE), artykuł 12, punkt 3b. Świadectwo przeprowadzenia badania typu WE nosi numer: 4815039.22006.

Zastosowana procedura oceny zgodności zgodnie z dyrektywą 2000/14/WE, załącznik V.

Z osprzętem Aspire P5-P4A jako podkrzesywarką:

- Zmierzony poziom mocy akustycznej: 88 dB(A)
- Gwarantowany poziom mocy akustycznej: 91dB (A)

Z osprzętem Aspire S20-P4A jako teleskopowymi nożycami do krzewów:

- Zmierzony poziom mocy akustycznej dla noża do krzewów: 83 dB(A)
- Zmierzony poziom mocy akustycznej dla noża do trawy: 79 dB(A)
- Gwarantowany poziom mocy akustycznej: 84 dB(A)

Huskvarna, 2023-10-30



Claes Losdal, Dyrektor ds. badań i rozwoju, Husqvarna AB

Osoba odpowiedzialna za dokumentację techniczną



Licencje

Copyright © 2012–2020 STMicroelectronics

Gwarancja nie obejmuje uszkodzeń wynikających z normalnej eksploatacji, zaniedbań, używania niezgodnie z przeznaczeniem, nieautoryzowanej naprawy lub podłączenia mechanizmu ssącego do nieprawidłowego napięcia.

Wszelkie prawa zastrzeżone.

Redystrybucja i użytkowanie w postaci źródłowej i binarnej, z modyfikacjami lub bez, są dozwolone pod warunkiem spełnienia następujących warunków:

- Redystrybucje kodu źródłowego muszą zawierać powyższe zawiadomienie o prawach autorskich, niniejszą listę warunków oraz następujące zrzeczenie się odpowiedzialności.
- Redystrybucje w formie binarnej muszą zawierać powyższe zawiadomienie o prawach autorskich, niniejszą listę warunków oraz następujące zrzeczenie się odpowiedzialności w dokumentacji i/lub innych materiałach dostarczonych wraz z dystrybucją.
- Ani nazwa firmy STMicroelectronics, ani dane współautorów nie mogą być używane do wspierania lub promowania produktów pochodnych tego oprogramowania bez uzyskania uprzedniej pisemnej zgody.

NINIEJSZE OPROGRAMOWANIE JEST DOSTARCZANE PRZEZ WŁAŚCICIELI PRAW AUTORSKICH I WSPÓLAUTORÓW W STANIE, W JAKIM JEST, I NIE SĄ UDZIELANE ŻADNE WYRAŻNE ANI DOROZUMIANE GWARANCJE, W TYM MIĘDZY INNYMI, LECZ NIE WYŁĄCZNIE, DOROZUMIANE GWARANCJE PRZYDATNOŚCI HANDLOWEJ I PRZYDATNOŚCI DO OKREŚLONEGO CELU. W ŻADNYM WYPADKU WŁAŚCICIEL PRAW AUTORSKICH ANI WSPÓLAUTORZY NIE PONOSZĄ ODPOWIEDZIALNOŚCI ZA JAKIEKOLWIEK SZKODY BEZPOŚREDNIE, POŚREDNIE, PRZYPADKOWE, SPECJALNE, MORALNE LUB WYNIKOWE (W TYM MIĘDZY INNYMI, LECZ NIE WYŁĄCZNIE, DOSTARCZANIE TOWARÓW LUB USŁUG ZASTĘPCZYCH; UTRATĘ MOŻLIWOŚCI UŻYTKOWANIA, DANYCH LUB ZYSKÓW, ALBO PRZERWY W PROWADZENIU DZIAŁALNOŚCI), NIEZALEŻNIE OD TEGO, CZY JEST TO ODPOWIEDZIALNOŚĆ UMOWNĄ, ŚCISŁĄ, CZY DELIKTOWĄ (W TYM ZANIEDBANIA LUB INNE) WYNIKAJĄCA W JAKIKOLWIEK SPOŚÓB Z KORZYSTANIA Z TEGO OPROGRAMOWANIA, NAWET JEŚLI ZOSTALI POINFORMOWANI O MOŻLIWOŚCI WYSTĄPIENIA TAKICH SZKÓD.

Licencja Apache 2.0

Copyright © 2009-2019 Arm Limited. Wszelkie prawa zastrzeżone.

Wersja 2.0, styczeń 2004 <http://www.apache.org/licenses/>

WARUNKI UŻYTKOWANIA, POWIELANIA I DYSTRYBUCJI

1. Definicje.

„**Licencja**” oznacza warunki użytkowania, powielania i dystrybucji określone w sekcjach od 1 do 9 niniejszego dokumentu. „**Licencjodawca**” oznacza właściciela praw autorskich lub podmiot upoważniony przez właściciela praw autorskich, który udziela licencji. „**Podmiot prawny**” oznacza związek podmiotu działającego i wszystkich innych podmiotów, które kontrolują lub są kontrolowane przez ten podmiot lub znajdują się pod wspólną kontrolą z tym podmiotem. Do celów niniejszej definicji „**kontrola**” oznacza (i) bezpośrednią lub pośrednią władzę, która umożliwia kierowanie lub zarządzanie takim podmiotem, na podstawie umowy lub w inny sposób, lub (ii) własność pięćdziesięciu procent (50%) lub więcej akcji znajdujących się w obrocie, lub (iii) faktyczne prawa własności takiego podmiotu. „**Użytkownik**” (lub „**Ty**”) oznacza osobę fizyczną lub prawną, która korzysta z uprawnień przyznanych na mocy niniejszej licencji. „**Źródło**” oznacza preferowaną formę do wprowadzania zmian, w tym między innymi, lecz nie wyłącznie, kod źródłowy oprogramowania, źródło dokumentacji i pliki konfiguracyjne. „**Obiekt**” oznacza każdą formę powstałą w wyniku mechanicznego przekształcenia lub tłumaczenia formy źródłowej, w tym między innymi, lecz nie wyłącznie, skompilowany kod obiektu, wygenerowana dokumentacja i konwersje na inne typy mediów. „**Dzielo**” oznacza dzieło autorskie, zarówno w formie źródłowej, jak i obiektowej, udostępnione na mocy licencji, jak wskazano w zawiadomieniu o prawach autorskich zawartych w dziele lub do niego dołączonych (przykład znajduje się w Załączniku poniżej). „**Dziela pochodne**” oznaczają wszelkie dzieła, zarówno w formie źródłowej, jak i obiektowej, oparte na dziele lub z niego pochodzące, których rewizje redakcyjne, adnotacje, opracowania lub inne modyfikacje stanowią, jako całość, oryginalne dzieło autorskie. Do celów niniejszej licencji dzieła pochodne nie obejmują dzieł, które pozostają rozdzielne lub jedynie łączą (lub wiążą poprzez nazwę) z interfejsami wymienione powyżej dzieło i dzieła pochodne. „**Wkład**” oznacza każde dzieło autorskie, w tym oryginalną wersję dzieła oraz wszelkie modyfikacje lub dodatki do wymienionych powyżej dzieł lub dzieł pochodnych, które zostały celowo przedłożone Licencjodawcy w celu włączenia do dzieła przez właściciela praw autorskich lub osobę fizyczną lub prawną upoważnioną do działania w imieniu właściciela praw autorskich. Do celów niniejszej definicji „**przesłane**” oznacza każdą formę komunikacji elektronicznej, ustnej lub pisemnej, wysłanej do Licencjodawcy lub jego przedstawicieli, w tym między innymi, lecz nie wyłącznie, komunikację przy użyciu elektronicznych list wysyłkowych, systemów kontroli kodu źródłowego oraz

systemów śledzenia problemów, które są zarządzane przez Licencjodawcę lub w jego imieniu, w celu omówienia i udoskonalenia dzieła, ale z wyłączeniem komunikacji, która jest wyraźnie oznaczona lub w inny sposób określona na piśmie przez właściciela praw autorskich jako „Nie wkład”. „Współautor” oznacza Licencjodawcę oraz każdą osobę fizyczną lub prawną, w imieniu której Licencjodawca otrzymał wkład, który następnie włączył do dzieła.

2. Udzielenie licencji na prawa autorskie.

Z zastrzeżeniem warunków niniejszej licencji każdy Współautor niniejszym udziela Użytkownikowi wieczystej, ogólnoswiatowej, niewyłącznej, nieodwołalnej licencji na prawa autorskie bez pobierania opłat ani tantiem, upoważniającej do powielania, przygotowywania dzieł pochodnych, publicznego pokazywania, publicznego wykorzystywania, udzielania sublicencji oraz dystrybucji dzieła i dzieł pochodnych w formie źródłowej lub obiektowej.

3. Udzielenie licencji patentowej.

Z zastrzeżeniem warunków niniejszej licencji każdy Współautor niniejszym udziela Użytkownikowi wieczystej, ogólnoswiatowej, niewyłącznej, nieodwołalnej (z wyjątkiem przypadków określonych w niniejszej sekcji) licencji patentowej, bez pobierania opłat ani tantiem, na wykonywanie, powierzanie wykonywania, użytkowanie, oferowanie do sprzedaży, sprzedawanie, importowanie i inne sposoby transferowania dzieła, gdy taka licencja dotyczy tylko tych roszczeń patentowych, na które licencji może udzielać taki Współautor oraz które muszą zostać naruszone przez sam(e) jego wkład(y) lub przez połączenie jego wkładu(-ów) z dziełem, do którego został(y) przesłany(-e) taki(e) wkład(y). Jeżeli wszczęto postępowanie sądowe w sprawie patentu przeciwko któremukolwiek podmiotowi (w tym roszczenie wzajemne w postępowaniu sądowym), w którym stwierdzono, że dzieło lub wkład wniesiony w dzieło stanowi naruszenie patentu bezpośrednio lub poprzez wkład, wszelkie licencje patentowe, udzielone Użytkownikowi na podstawie niniejszej licencji w odniesieniu do dzieła, wygasają z dniem złożenia pozwu.

4. Redystrybucja.

Użytkownik może powielać i dystrybuować kopie dzieła lub dzieł pochodnych wymienionych powyżej przy użyciu dowolnego medium, z modyfikacjami lub bez, oraz w formie źródłowej lub obiektowej, pod warunkiem spełnienia następujących warunków:

- Użytkownik musi przekazać kopię niniejszej licencji wszystkim innym odbiorcom dzieła lub dzieł pochodnych; oraz
- Użytkownik musi zadbać, aby wszelkie zmodyfikowane pliki posiadały wyraźnie widoczne zawiadomienia, że zostały zmienione przez Użytkownika, a także musi zachować w formie źródłowej wszelkich dystrybuowanych dzieł

pochodnych wszystkie zawiadomienia o prawach autorskich, patentach, znakach towarowych i przynależnych prawach z formy źródłowej dzieła, z wyjątkiem tych zawiadomień, które nie dotyczą żadnej części dzieł pochodnych; oraz

- Jeżeli dzieło zawiera plik tekstowy „ZAWIADOMIENIE”, który stanowi część jego dystrybucji, wszelkie dzieła pochodne dystrybuowane przez Użytkownika muszą zawierać czytelną kopię powiadomień o przynależnych prawach, zawartą w takim pliku ZAWIADOMIENIE, z wyjątkiem tych zawiadomień, które nie dotyczą żadnej części dzieł pochodnych, w co najmniej jednym z następujących miejsc: w pliku tekstowym ZAWIADOMIENIE, dystrybuowanym jako część dzieł pochodnych; w formie źródłowej lub dokumentacji, jeśli jest ona dostarczana wraz z dziełami pochodnymi; lub w formie prezentacji generowanej za każdym razem przez dzieła pochodne, jeśli normalnie pojawiają się takie powiadomienia dotyczące stron trzecich. Zawartość pliku ZAWIADOMIENIE ma wyłącznie charakter informacyjny i w żaden sposób nie może modyfikować licencji. Użytkownik może dodawać własne zawiadomienia o przynależnych prawach w dziełach pochodnych, które dystrybuuje, wraz z tekstem ZAWIADOMIENIA lub jako dodatek do tekstu ZAWIADOMIENIA pochodzącego z dzieła, pod warunkiem że takie dodatkowe zawiadomienia o przynależnych prawach nie mogą być interpretowane jako modyfikowanie licencji. Użytkownik może dodać własne oświadczenie o prawach autorskich do swoich modyfikacji i może dostarczyć dodatkowe lub inne warunki licencji na użytkowanie, powielanie lub dystrybucję modyfikacji Użytkownika lub wszelkich takich dzieł pochodnych jako całości, pod warunkiem że używanie, powielanie i dystrybucja dzieła przez Użytkownika pod wszystkimi innymi względami spełnia wymogi podane w warunkach określonych w niniejszej licencji.

5. Przesyłanie wkładów.

O ile Użytkownik wyraźnie nie zawiadomi inaczej, wszelkie wkłady umyślnie przesłane Licencjodawcy w celu włączenia do dzieła będą podlegać warunkom niniejszej licencji bez żadnych dodatkowych warunków. Bez względu na powyższe postanowienia, żadne postanowienie nie zastępuje ani nie zmienia warunków jakiegokolwiek odrębnej umowy licencyjnej, którą Użytkownik mógł zawrzeć z Licencjodawcą w odniesieniu do takich wkładów.

6. Znaki towarowe.

Niniejsza Licencja nie udziela pozwolenia na używanie nazw handlowych, znaków towarowych, znaków usługowych ani nazw produktów Licencjodawcy, z wyjątkiem sytuacji, gdy jest to wymagane do rozsądnego i zwyczajowego użycia w opisie pochodzenia dzieła i reprodukcji zawartości pliku ZAWIADOMIENIE.

7. Wylączenie gwarancji.

O ile nie jest to wymagane przez obowiązujące prawo lub nie zostało uzgodnione na piśmie, Licencjodawca dostarcza dzieło (a każdy Współautor dostarcza swój wkład) W STANIE, W JAKIM JEST, BEZ UDZIELANIA JAKICHKOLWIEK GWARANCJI LUB WARUNKÓW, wyraźnych lub dorozumianych, w tym bez ograniczeń, wszelkich gwarancji lub warunków dotyczących TYTUŁU, NIENARUSZANIA PRAW, PRZYDATNOŚCI HANDLOWEJ LUB PRZYDATNOŚCI DO OKREŚLONEGO CELU. Użytkownik ponosi wyłączną odpowiedzialność za określenie przydatności dzieła do używania lub redystrybucji oraz za wszelkie ryzyka związane z wykonywaniem przez niego uprawnień na mocy niniejszej licencji. 8. Ograniczenie odpowiedzialności. W żadnym wypadku i na podstawie żadnej teorii prawnej, niezależnie od tego, czy jest to odpowiedzialność ścisła (obejmująca zaniedbania), umowna, czy inna, chyba że jest to wymagane przez obowiązujące prawo (na przykład w związku z umyślnymi i rażącymi aktami zaniedbania) lub uzgodnione na piśmie, żaden Współautor nie ponosi odpowiedzialności wobec Użytkownika za szkody, w tym wszelkiego rodzaju szkody bezpośrednio, pośrednio, szczególnie, przypadkowe lub wynikowe, powstałe w

wyniku zastosowania niniejszej licencji albo użytkowania lub niemożności użytkowania dzieła (w tym między innymi, lecz nie wyłącznie, szkody spowodowane stratami wizerunkowymi, zatrzymaniem pracy, awarią lub nieprawidłowym działaniem komputerów, ani wszelkie inne szkody lub straty handlowe), nawet jeśli Współautor został powiadomiony o możliwości wystąpienia takich szkód.

9. Akceptowanie gwarancji lub dodatkowej odpowiedzialności.

Podczas redystrybucji dzieła lub dzieł pochodnych Użytkownik może zaoferować i obciążyć opłatami akceptację wsparcia, gwarancji, odszkodowania lub innych zobowiązań i/lub praw zgodnych z niniejszą licencją. Jednakże Użytkownik akceptujący takie zobowiązania może działać wyłącznie w swoim imieniu i na swoją wyłączną odpowiedzialność, ale nie w imieniu żadnego innego Współautora, i tylko wtedy, gdy wyraża zgodę na zwolnienie z odpowiedzialności, obronę i zwolnienie każdego Współautora z wszelkiej odpowiedzialności i wszelkich roszczeń wobec takiego Współautora związanych z zaakceptowaniem przez Użytkownika takiej gwarancji lub dodatkowej odpowiedzialności. KONIEC WARUNKÓW

TARTALOMJEGYZÉK

Bevezető.....	343	Szállítás, tárolás és ártalmatlanítás.....	353
Biztonság.....	345	Műszaki adatok.....	354
Összeszerelés.....	351	Tartozékok.....	355
Üzemeltetés.....	352	Megfelelőségi nyilatkozat.....	356
Karbantartás.....	352	Licenc.....	357

Bevezető

Termékleírás

A Husqvarna Aspire Pole-P4A egy teleszkópos funkcióval rendelkező akkumulátoros tápegység.

Rendeltetés szerű használat

A tápegység egy különálló egység, amely kizárólag jóváhagyott tartozékokkal együtt használható. Ezen

tartozékok listáját lásd a következő fejezetben: *Tartozékok 355. oldalon*. A jelen használati utasítást a jóváhagyott tartozék használati utasításával együtt olvassa el.

A(z) áttekintése

(ábra 1)

1. Csukló
2. Tartozék rögzítőgombja
3. Teleszkóp karja
4. Nyél
5. Puha hüvely
6. Hevederhurok
7. Kapcsológomb retesze
8. Hátsó fogantyú

9. Kapcsológomb retesze
10. Kapcsológomb
11. Kezelői kézikönyv
12. Akkumulátorkioldó gomb
13. Akkumulátortöltő
14. Bekapcsolás- és figyelmeztetésjelző
15. Csatlakozó
16. Tárolókampó, csavarok és tiplik

A terméken található jelzések

(ábra 2) FIGYELMEZTETÉS: A termék veszélyes lehet a kezelőre és másokra, valamint a súlyos sérüléseket és halálukat okozhatja. Körültekintően járjon el, és megfelelően használja a terméket.

(ábra 3) Olvassa el a használati utasítást, és a termék használatba vétele előtt mindenképpen legyen tisztában a benne foglaltakkal.

(ábra 4) Használjon védősisakot minden olyan helyen, ahol tárgyak hullhatnak le. Használjon jóváhagyott fűlvédőt (csak a Aspire P5-P4A + Aspire Pole-P4A esetében) Használjon jóváhagyott védőszemüveget.

(ábra 5) Használjon jóváhagyott védőkesztyűt.

(ábra 6) Használjon csúszásálló munkavédelmi bakancsot. (csak a Aspire P5-P4A + Aspire Pole-P4A esetében)

(ábra 16) VIGYÁZAT – Tartson kellő távolságot az elektromos vezetékektől!

(ábra 17) A típusablán vagy a lézeryomtatott jelölésen megtalálható a sorozatszám. **éééé** a gyártási év és **hh** pedig a gyártási hét.

(ábra 7) Egyenáram.

(ábra 8) Feszültségosztály, V

(ábra 9) Ővja a terméket az esőtől.

(ábra 10) Sérülésveszély. Tartsa távol a kezét a vágóeszköztől.

(ábra 11) Ez a termék megfelel a vonatkozó EK-irányelveknek.

(ábra 12) A termék megfelel a vonatkozó egyesült királyságbeli irányelveknek.

(ábra 13) A termék és a termék csomagolása nem minősül háztartási hulladéknak. Újrahasznosítását egy elektromos és elektronikus berendezések újrahasznosítására szolgáló ponton kell elvégezni.

Megjegyzés: A terméken szereplő többi jel/címke egyes piacok specifikus vizsgáztatási követelményeire vonatkozik.

Szimbólumok az akkumulátoron, illetve az akkumulátortöltőn

(ábra 18) A termék újrahasznosítását elektromos és elektronikus berendezések újrahasznosítására szolgáló ponton kell elvégezni. (Kizárólag Európára vonatkozik)

(ábra 19) Az akkumulátort csak a POWER FOR ALL rendszer partnereinek termékeiben használja.

(ábra 20) Védje az akkumulátort a hőtől, pl. a folyamatos intenzív napsugárzástól, tűztől, szennyeződéstől, víztől és nedveségtől. Robbanás és rövidzárlat veszélye áll fenn.

(ábra 14) Az akkumulátortöltőt kizárólag beltérben szabad használni és tárolni.

(ábra 15) Kettős szigetelés.

A termék károsodása

A termékben keletkezett károkért nem vállalunk felelősséget, amennyiben:

- a termék javítását helytelenül végezték;
- a termék javítása nem a gyártótól származó vagy általa jóváhagyott alkatrészekkel történt;
- a terméket nem a gyártótól származó vagy általa jóváhagyott kiegészítővel szerelték fel;
- a termék javítását nem hivatalos szakszerviz vagy jóváhagyott egyéb szerviz végezte.

Gyártó

Husqvarna AB

Biztonság

Biztonsági meghatározások

A figyelmeztetések, óvintézkedések és megjegyzések a használati utasítás kiemelten fontos részeire hívják fel a figyelmet.



FIGYELMEZTETÉS: Akkor használatos, ha a kézikönyv utasításainak be nem tartása esetén fennáll a kezelő vagy a közelben tartózkodók sérülésének vagy halálának veszélye.



VIGYÁZAT: Akkor használatos, ha a kézikönyv utasításainak be nem tartása esetén fennáll a vagyoni kár, illetve a termék vagy a környező terület károsodásának veszélye.

Megjegyzés: További információt biztosít az adott helyzetben szükséges tennivalóról.

A motoros szerszámmal kapcsolatos általános biztonsági figyelmeztetések



FIGYELMEZTETÉS: A jóváhagyott tartozék használati utasítását a jelen tápegység használati utasításával együtt olvassa el.



FIGYELMEZTETÉS: Olvassa el a jelen szerszámgépre vonatkozó összes biztonsági utasítást, útmutatást, ábrát és specifikációt. A az alább felsorolt utasítások figyelmen kívül hagyása áramütést, tüzet és/vagy komoly sérülést okozhat.

Megjegyzés: Tegyen el minden figyelmeztetést és utasítást, mert a jövőben szüksége lehet rájuk. A „motoros szerszám” kifejezés a figyelmeztetésekben a hálózatról működő (vezetékes) motoros szerszámra vagy az akkumulátorról működő (vezeték nélküli) motoros szerszámra vonatkozik.

A munkaterület biztonsága

- **Tartsa a munkaterületet tisztán és világítsa meg jól.** A zsúfolt vagy sötét területeken könnyen bekövetkeznek balesetek.
- **Ne működtesse a motoros szerszámot robbanásveszélyes környezetben, pl. gyúlékony folyadékok, gázok vagy por jelenlétében.** A motoros

szerszám szikrát vethet, amely begyűjthetja a port vagy a kipárolgást.

- **Tartsa távol a gyermekeket és a szemlélődőket a motoros szerszám működtetése közben.** A figyelem elvonása miatt elvesztheti az uralmát a szerszám felett.

Elektromos biztonság

- **A motoros szerszám dugaszának illeszkednie kell az aljzatba. A dugón soha semmilyen átalakítást ne végezzen. Ne használjon adapter dugaszt a földelt motoros szerszámokhoz.** Kisebb az áramütés veszélye, ha eredeti dugókat és hozzájuk illő aljzatokat használ.
- **Kerülje el a földelt felületekkel, pl. csövekkel, radiátorokkal, tűzhelyekkel és hűtőszekrényekkel való érintkezést.** Megnövekszik az áramütés veszélye, ha a teste le van földelve.
- **Ne tegye ki a motoros szerszámot esőnek, és ne tartsa azt nedves környezetben.** A gépbe jutó víz növeli az áramütés kockázatát.
- **Ne bányon durván a kábellel. Soha ne használja a kábelt a motoros szerszám hordozására, húzására vagy a dugasz kihúzására. Tartsa távol a kábelt hőtől, olajtól, éles széléktől vagy mozgó alkatrészekről.** A sérült vagy összegabalyodott kábelek megnövelik az áramütés kockázatát.
- **Ha kültéren használja a motoros szerszámot, használjon kültéri használatra megfelelő hosszabbítókábelt.** A kültéri alkalmazáshoz megfelelő hosszabbító használata csökkenti az áramütés veszélyét.
- **Ha a szerszámgépet feltétlenül nedves helyen kell használni, alkalmazzon életvédelmi relével (RCD) védett tápellátást.** Az RCD használatával csökkenthető az áramütés kockázata.

Személyes biztonság

- **Legyen elővigyázatos, figyeljen arra, amit csinál, és használja a józan eszét a motoros szerszám működtetése során. Ne használja a motoros szerszámot, ha fáradt, vagy ha gyógyszer, gyógykezelés vagy alkohol hatása alatt áll.** A szerszám működése közben egy pillanatnyi figyelemkiesés is súlyos személyi sérülést okozhat.
- **Használjon személyi védőfelszerelést. Mindig viseljen védőszemüveget.** A megfelelő környezetben a védőfelszerelések, például a pormaszok, a csúszásgátló védőcipő, a kemény fejtámla és a fülvédő használata csökkenti a személyi sérülések kockázatát.
- **Kerülje el a véletlen indítást. Ellenőrizze, hogy a bekapcsoló gomb kikapcsoló állásban van-e, mielőtt csatlakoztatja az áramforrást és/vagy az**

akkumulátort, illetve felveszi vagy szállítja a szerszámot. Az ujjá kapcsolón tartásával vagy a bekapcsolt motoros szerszám áram alá helyezésével baleseteket okozhat.

- **Távolítson el minden beállító kulcsot vagy csavar kulcsot, mielőtt bekapcsolná a motoros szerszámot.** A motoros szerszám forgó alkatrészéhez csatlakozó kulcs vagy más szerszám személyi sérülést okozhat.
- **Ne nyújtózkodjon a termékkel. Mindig szilárdan álljon a talajon, és őrizze meg az egyensúlyát.** Így jobban uralhatja a motoros szerszámot váratlan helyzetekben.
- **Öltözködjön megfelelően. Ne viseljen ékszereket, rövidnadrágot, szandált, illetve ne legyen mezítláb. Tartsa távol a haját és ruházatát a mozgó alkatrészekről.** A mozgó alkatrészek bekaphatják a laza ruhát, az ékszert vagy a hosszú haját.
- **Ha a készülékhez csatlakoztatható porgyűjtő berendezés, mindig csatlakoztassa és használja azt.** A porgyűjtő alkalmazása csökkenti a porral kapcsolatos veszélyeket.
- **A szerszámok rendszeres használatából adódó tapasztalata ne vezessen oda, hogy a terméket könnyelműen, a szerszámbiztonsági alapelvek figyelmen kívül hagyásával működteti.** Egy gondatlanul kivitelezett művelet akár egy századmásodperc alatt is súlyos sérüléshez vezethet.
- **Veszély! Ne használja elektromos távvezetékek közelében.** A készülék nem véd az áramütéssel szemben, ha az magasfeszültségű távvezetékekkel érintkezik. Tartsa be a helyi rendelkezéseket, amelyek előírják a magasfeszültségű távvezetékű tartandó biztonságos távolságot, és a termék használata előtt győződjön meg róla, hogy üzemeltetés közben testtartása biztonságos.

A motoros szerszám használata és karbantartása

- **Ne erőltesse a motoros szerszámot. Használjon a feladathoz megfelelő motoros szerszámot.** A megfelelő szerszám gép jobb és biztonságosabb munkát fog végezni azon a sebességen, amire tervezték.
- **Ne használja a motoros szerszámot, ha a kapcsoló nem kapcsolja ki vagy be.** A kapcsolóval nem vezérelhető szerszámok veszélyesek és javítandók.
- **Húzza ki a dugaszt az áramforrásból és/vagy vegye ki az akkumulátort (amennyiben kivethető), ha bármilyen beállítást végez, kicserél egy tartozékot vagy tárolja a motoros szerszámot.** Az ilyen megelőző biztonsági intézkedések csökkentik a motoros szerszám véletlen elindításának veszélyét.
- **A nem használt motoros szerszámot tartsa távol a gyermekektől, és ne engedje, hogy olyan személyek működtessék, akik nem ismerik a motoros szerszámot és ezeket az utasításokat.**

A motoros szerszámok képzetlen felhasználók kezében veszélyt jelentenek.

- **Végezze el a szerszámok és tartozékok karbantartását. Ellenőrizze a mozgó alkatrészek hibás elhelyezkedését és rögzítését, az alkatrészek sérülését, és minden olyan állapotot, amely hatással lehet a szerszám működésére. Ha sérült, javíttassa meg a motoros szerszámot használat előtt.** A rosszul karbantartott motoros szerszámok rengeteg balesetet okoznak.
- **Tartsa élesen és tisztán a vágószerszámokat.** A megfelelően karbantartott, éles vágószerszámok kevésbé hajlamosak a beszorulásra, és könnyebb kezelni őket.
- **A szerszámot, a tartozékokat és az alkatrészeket stb. ezen utasításokkal összhangban használja, vegye figyelembe a munkakörülményeket és az elvégzendő feladatot.** Ha a szerszámot másféle tevékenységre használják, mint amire tervezték, veszélyes helyzet állhat elő.
- **A fogantyúkat és fogófelületeket tartsa szárazon, tisztán, olaj- és zsírmentesen.** A csúszós fogantyúk és fogófelületek nem teszik lehetővé a szerszám biztonságos kezelését és irányítását váratlan helyzetekben.

Az akkumulátor használata és karbantartása

- **Csak a gyártó által meghatározott töltővel töltsen.** Az a töltő, amelyik az egyik típusú akkumulátorhoz használható, tűzveszélyes lehet, ha másik típusú akkumulátorral használják.
- **A motoros szerszámokat csak a típusuknak megfelelő akkumulátorokkal használja.** Bármilyen más típusú akkumulátor használata sérülés- és tűzveszélyes.
- **Amikor az akkumulátort nem használja, tartsa távol más fémtárgyaktól, például gémkapcsoktól, érméktől, kulcsoktól, tűktől, csavaroktól vagy más kisebb fémtárgyaktól, amelyek összekapcsolhatják a sarukat.** Az akkumulátorsaruk rövidre zárása égést vagy tüzet okozhat.
- **Nem megfelelő körülmények hatására az akkumulátorból folyadék szivároghat ki. Kerülje az érintkezést. Ha ez véletlenül mégis megtörténik, öblítse le vízzel. Ha a folyadék szembe kerül, forduljon orvoshoz.** Az akkumulátorból távozó folyadék irritációt vagy égési sérülést okozhat.
- **Ne használjon sérült vagy módosított akkumulátort vagy szerszámot.** A sérült vagy módosított akkumulátorok kiszámíthatatlanul viselkedhetnek, ami tüzet, robbanást vagy sérülést okozhat.
- **Az akkumulátort vagy szerszámot ne tegye ki tűznek vagy túl magas hőmérsékletnek.** A tűznek való kitettség, illetve a 130 °C/266 °F feletti hőmérséklet robbanást okozhat.
- **Kövesse a töltésre vonatkozó utasításokat, és ne töltsen az akkumulátort vagy a szerszámot az utasításokban megadott hőmérséklet-tartományon kívül.** A nem megfelelő, illetve a megadott

tartományon kívül eső hőmérsékleten való töltés károsíthatja az akkumulátort és növeli a tűzveszélyt.

Szervizelés

- **A motoros szerszám szervizelését képzett szerelővel végeztesse el, aki kizárólag eredeti cserealkatrészeket használ.** Így fenntartható a motoros szerszám biztonsága.
- **Soha ne szervizelje a sérült akkumulátort.** Az akkumulátor szervizelését csak a gyártó vagy egy hivatalos szolgáltató végezheti el.

Egyéb általános biztonsági információk

- A további speciális biztonsági szabályokat az adott tartozék kezelői kézikönyvében találja.
- Kapcsolja ki a terméket, mielőtt másik helyre megy vele. Amikor más személynek adja át a terméket, vegye ki belőle az akkumulátort.
- Kizárólag abban az esetben tegye le a terméket, ha kikapcsolta azt és kivette belőle az akkumulátort. Ne hagyja felügyelet nélkül a bekapcsolt terméket.
- A vágóeszköz nem áll le azonnal a termék kikapcsolásakor.
- A termék használata előtt, illetve ütközés után ellenőrizze, hogy nem láthatók-e a termékben kopás vagy sérülés nyomai, és szükség esetén gondoskodjon a javításról.
- Ha működés közben valami beleakad a vágófelszerelésbe, állítsa le és kapcsolja ki a terméket. Győződjön meg arról, hogy a vágófelszerelés teljesen leállt-e. A termék és/vagy a vágóeszköz tisztítása, ellenőrzése vagy javítása előtt vegye ki az akkumulátort.
- Használat előtt ellenőrizze a terméket. Lásd: *Biztonsági eszközök a terméken 349. oldalon és Karbantartás 352. oldalon.* Ne használjon sérült terméket. Végezze el a jelen használati utasításban előírt ellenőrzési, karbantartási és szervizmunkákat.
- A hibás vágófelszerelés használata növelheti a balesetveszélyt.
- A szellőzőnyílásokat mindig tartsa szennyeződésmentesen.
- Ellenőrizze, hogy a termék teljes mértékben működőképes állapotban van-e. Ellenőrizze, hogy az anyák és csavarok szorosan meg vannak-e húzva.
- Ez a termék veszélyes szerszám, ha nem körültekintően járnak el a használata során, vagy nem megfelelőképpen használják. A gép a kezelő és mások súlyos sérülését és halálát is okozhatja.
- A készüléket csökkent fizikai, érzékelési vagy mentális képességekkel rendelkező, illetve a szükséges tapasztalattal és tudással nem rendelkező személy (beleértve a gyermekeket is) csak akkor használhatja, ha a biztonságukért felelős személy felügyeli őket vagy útmutatást nyújt számukra. Biztosítsa, hogy a gyermekek ne játsszanak a készülékkel.
- Soha ne engedje, hogy gyermekek használják a gépet, vagy a gép közelében tartózkodjanak. Mivel a gép könnyen indul, szigorú felügyelet nélkül a gyermekek könnyen beindíthatják. Ez súlyos személyi sérüléshez vezethet. Válassza le az akkumulátort, ha nem tud folyamatosan felügyelni a gépre.
- Soha ne engedje, hogy gyermek vagy a termék használatában nem jártas személy használja vagy szervizelje a terméket, illetve az akkumulátort.
- A berendezést zárható helyen tartsa, hogy ne kerülhessen gyermekek vagy illetéktelen személyek kezébe.
- Tárolás és szállítás során mindig használja a szállítási biztosítószerkezetet.
- A kezét és lábát mindig tartsa távol a vágási területtől, különösen a motor bekapcsolásakor.
- Se a kezével, se a lábával ne érjen a vágófelszereléshez, amíg az teljesen le nem áll a termék kikapcsolását követően.
- Amíg a termék működésben van, vagy a vágóeszköz forog, ne távolítsa el és másoknak se engedje, hogy eltávolítsák a levágtott anyagokat a termékről, mert ez súlyos sérüléseket okozhat.
- Ne feledje, hogy a kezelő, azaz Ön a felelős más személyek vagy azok tulajdonának sérüléseiről vagy veszélyeztetéséért.
- A termék eredeti kivitelezésén a gyártó cég engedélye nélkül semmilyen módosítást sem szabad végezni. Mindig eredeti tartozékokat használjon. Nem engedélyezett módosítások és/vagy pótalkatrészek komoly sérülésekhez vagy halálos balesetekhez vezethetnek. Előfordulhat, hogy a garancia nem terjed ki a nem engedélyezett tartozékok vagy cserealkatrészek használatából adódó károokra és felelősségre.
- A termékhez a tartozékokról szóló fejezetben javasolt vágófelszereléseken kívül semmilyen egyéb tartozék nem használható.
- Soha ne használjon olyan terméket, amelynek eredeti konstrukcióján bármilyen módon is változtattak.
- Soha ne használjon olyan terméket, amely hibás. Végezze el az ebben a használati utasításban előírt ellenőrzési, karbantartási és szervizmunkákat. Bizonyos karbantartási és szervizmunkákat szakembernek kell végrehajtania. Lásd: *Karbantartás 352. oldalon.*
- A rossz időben végzett munka fárasztó, és gyakran kockázatokkal is jár. Fokozott veszély miatt a gép használata rossz időjárási körülmények között, például sűrű ködben, intenzív esőzéskor, erős szélben, rendkívüli hidegben és villámátláskor nem ajánlott.
- Csak akkor dolgozzon létrán, széken vagy más emelvényen, ha azt teljes mértékben rögzítette.
- Tárolja zárt térben a használaton kívüli terméket – Ha nem használja a terméket, tárolja beltéren.

- Lehetetlen az összes elképzelhető helyzetet ismertetni. Mindig megfontoltan és előrelátóan tevékenykedjen. Kerülje az olyan helyzeteket, amelyek saját megítélése szerint meghaladják a képességeit. Ha a jelen kézikönyv elolvasása után is bizonytalannak érzi magát az üzemeltetési eljárásokkal kapcsolatban, a folytatás előtt kérje ki egy szakértő véleményét.
- Ügyeljen arra, hogy a munka során se ember, se állat ne jöjjön 15 m-nél (50 lábnál) közelebb. Ha ugyanazon a munkaterületen többen is dolgoznak, a biztonsági távolságnak legalább 15 méternek (50 láb) kell lennie. Ellenkező esetben komoly személyi sérülések veszélye áll fenn. Ha valaki megközelíti Önt, azonnal állítsa le a terméket. Mielőtt megfordulna a termékkel, mindig ellenőrizze, hogy nem tartózkodik-e valaki a biztonsági zónán belül.
- Ha működés közben valami beleakad a vágófelszerelésbe, állítsa le és kapcsolja ki a terméket. Győződjön meg arról, hogy a vágófelszerelés teljesen leállt-e. A termék és/vagy a vágószerkezet tisztítása, ellenőrzése vagy javítása előtt vegye ki az akkumulátort.
- Ügyeljen arra, sem emberek, sem állatok vagy egyéb tényezők ne befolyásolhassák az Ön uralmát a termék felett, illetve hogy a fent említettek ne kerülhessenek érintkezésbe a vágófelszereléssel vagy a szétszóródó tárgyakkal. Ne használja a terméket olyan körülmények között, amelyeknél baleset esetén nem lenne lehetősége segítséget hívni.
- Bizonyosodjon meg arról, hogy biztonságosan tud járni és állni. Nézzon körül és ellenőrizze lehetséges akadályok (például gyökerek, kövek, ágak, árkok stb.) jelenlétét arra az esetre, ha hirtelen el kellene mozdulnia. Legyen nagyon óvatos, amikor lejtős talajon dolgozik.
- Sétáljon, soha ne fusson.
- Ellenőrizze a munkaterületet. Távolítsa el minden mozdítható tárgyat, pl. köveket, üvegserepeket, szögeket, fémdrótokat, zsinegeket stb., amelyeket a vágófej vagy a vágófelszerelés kidobhat, vagy amelyek esetleg a felszerelésre csavarodhatnak.
- Ügyeljen az ágakon lévő gallyakra, amelyek vágás közben elrepülhetnek. Ne vágjon a talajhoz túl közel, mert az ott található kövek és egyéb tárgyak felpatanhatnak.
- Ügyeljen arra, hogy a termék működése közben a vágófelszereléshez ne érjen ruha vagy bármilyen testrész. A terméket tartsa derékmagasság alatt.
- Vigyázzon a felcsapódó tárgyaktól. Mindig elismert szemvédőt használjon. Soha ne hajoljon a vágófelszerelés védőegysége fölé. Kő, szemét stb. kerülhet a szembe, amely vakságot, illetve súlyos sérüléseket okozhat.
- Fülvédő viselése esetén mindig figyeljen a figyelmeztető jelzésekre és hangokra. A termék leállítását követően azonnal vegye le a fülvédőket.

- Nemkívánatos rezgés esetén a rezgés megszüntetése érdekében ütéssel állítsa az új szálát megfelelő hosszúságúra.
- Ha a termék rendellenes vibrálásba kezd, állítsa le, és távolítsa el az akkumulátort.
- Az erős rezgés miatt a vérkeringési zavarokban szenvedő személyeknél ér- vagy idegsérülések léphetnek fel. Forduljon orvoshoz, ha olyan tüneteket tapasztal, amelyeket feltehetőleg az erős rezgés okozott. Ezek a tünetek többek között zsibbadás, érzéskiesés, bizsergés, szűró érzés, fájdalom, erőtlenség, a bőr színének vagy felületének megváltozása. A tünetek többnyire az ujjakban, a kézben vagy a csuklóban jelentkeznek.
- Mindig két kézzel tartsa a terméket.

Személyi védőfelszerelés



FIGYELMEZTETÉS: A termék használata előtt olvassa el az alábbi figyelmeztetéseket.

- A termék használata során viseljen jóváhagyott személyi védőfelszerelést. A személyi védőfelszerelés nem küszöböli ki teljes mértékben a sérülés kockázatát, de csökkenti a sérülés mértékét, ha bekövetkezik a baleset. A megfelelő felszerelés kiválasztásában kérje a kereskedő segítségét.
- Használjon védősisakot azokon a helyeken, ahol fennáll a veszélye annak, hogy tárgyak esnek a földre.
- Használjon elegendő hangtompító hatással rendelkező, jóváhagyott fülvédőt. Hosszú távon a tartós zajártalom maradandó halláskárosodást okozhat.
- Használjon jóváhagyott védőszemüveget. Ha arcvédőt használ, jóváhagyott védőszemüveget is kell viselnie. Jóváhagyott védőszemüvegek azok, amelyek megfelelnek az ANSI Z87.1 (USA), illetve EN 166 (EU-országok) szabványoknak.
- Az arcvédelem érdekében használjon arcvédőt. Az arcvédő használata nem elegendő a szemek védelméhez.
(ábra 22)
- Ha szükséges, viseljen kesztyűt – például a vágószerkezet felhelyezésekor, ellenőrzésekor vagy tisztításakor.
- Viseljen stabil, csúszásgátló talppal ellátott csizmát.
- Viseljen sűrű szövésű anyagból készült ruházatot. Vastag, hosszú nadrágot és hosszú ujjú felsőrészt viseljen. Ne viseljen bő ruházatot, mert az beakadhat a gallyakba és a bokrok ágaiba. Ne viseljen ékszereket, rövidnadrágot, szandált, illetve ne legyen meztőláb. Igazítsa haját vállmagasság fölé.
(ábra 23)
- Tartson elsősegélykészletet a közelben.
(ábra 24)

Biztonsági eszközök a terméken



FIGYELMEZTETÉS: A termék használata előtt olvassa el az alábbi figyelmeztetéseket.

Ez a fejezet a termék biztonsági funkcióit és rendeltetését, valamint a megfelelő üzemelést biztosító ellenőrzések és karbantartási műveletek elvégzésének módját ismerteti. Tekintse át a fejléc alatt szereplő utasításokat, *A(z) áttekintése 343. oldal*on hogy megtudja, hol található ez az alkatrész a terméken.

A termék élettartama lecsökkenhet, a balesetveszély pedig megnövekedhet, ha a termék karbantartását nem megfelelően hajtják végre, illetve ha a szervizt és/vagy a javításokat nem szakszerűen végzik. Ha további információra van szüksége, vegye fel a kapcsolatot a legközelebbi szervizszolgáltatóval.



FIGYELMEZTETÉS: Soha ne használja a terméket sérült biztonsági felszerelésekkel. A termék biztonsági felszerelésének ellenőrzését és a karbantartási munkálatokat a jelen fejezetben leírtak szerint kell elvégezni. Ha az Ön terméke nem felel meg az alábbi vizsgálatok valamelyikénél, forduljon szervizműhelyéhez.



VIGYÁZAT: A gép szervizeléséhez és javításához speciális szakmai kiképzésre van szükség. Ez különösen érvényes a gép biztonsági felszeréseire. Ha az Ön gépe nem felel meg az alábbi vizsgálatok valamelyikénél, akkor forduljon szervizműhelyéhez. Bármely termékünk megvásárlásakor garantáljuk a szakképzett javítást és szervizelést. Ha a gépet nem szervizműhellyel rendelkező szakkereskedőtől vásárolta, akkor kérje el tőle a legközelebbi szervizműhely címét.

A kapcsológomb reteszének ellenőrzése

A kapcsológomb retesze megakadályozza a gomb véletlen megnyomását. Amikor elengedi a fogantyút, a kapcsológomb és annak retesze visszaáll az eredeti helyzetébe.

1. Nyomja meg előre a kapcsológomb reteszét. (ábra 25)
2. Ellenőrizze, hogy reteszelt-e a kapcsológomb, amikor a retesze az eredeti helyzetében van. (ábra 26)
3. Nyomja meg a kapcsológomb reteszét az egyik, majd a másik oldalon. Ellenőrizze, hogy a kapcsológomb retesze visszatér-e az eredeti helyzetébe. (ábra 27)

4. Győződjön meg arról, hogy a kapcsológomb és a kapcsológomb retesze akadálymentesen mozog-e, valamint hogy a visszatérítő rugó megfelelően működik-e. (ábra 28)
5. Indítsa el a terméket; tekintse át a következőt: *A termék elindítása 352. oldal*on.
6. Engedje el a kapcsológombot, és győződjön meg róla, hogy a termék leállt-e.

Biztonsági utasítások az összeszereléshez



FIGYELMEZTETÉS: A jelen tápegység használati utasítását a jóváhagyott tartozék használati utasításával együtt olvassa el.

- A termék összeszerelése előtt vegye ki az akkumulátort a készülékből.
- Használjon jóváhagyott védőkesztyűt.
- Személyi sérüléshez vezethet, ha sérült vagy nem megfelelő pengevédőt használ. Ne használjon vágófelszerelést jóváhagyott védőburkolat csatlakoztatása nélkül.
- A termék beindítása előtt ellenőrizze, hogy megfelelően összeszerelte-e a tartozékot.
- Ha a vágófelszereléshez heveder is tartozik, ügyeljen arra, hogy a hevedert megfelelően rögzítse a termékhez. A heveder gondoskodik a biztonságos működtetésről, valamint megakadályozza a kezelő vagy más személyek sérülését.

Az akkumulátorral kapcsolatos biztonsági előírások



FIGYELMEZTETÉS: Olvassa el az összes biztonsági és általános utasítást. A biztonsági és általános utasítások figyelmen kívül hagyása áramütést, tüzet és/vagy komoly sérülést okozhat. **Őrizze meg az összes biztonsági információt és általános utasítást a későbbi használatra.**

- **Ezek a biztonsági utasítások csak a POWER FOR ALL rendszer 18 V-os Li-Ion akkumulátoraira vonatkoznak.**
- **Az újratölthető akkumulátort csak a POWER FOR ALL rendszer partnereinek termékeiben használja.** Az olyan 18 V-os akkumulátorok, amelyek a POWER FOR ALL felirat szerepel, teljes mértékben kompatibilisek a következő termékekkel:
 - A 18 V-os POWER FOR ALL akkumulátorrendszer minden terméke.
 - A POWER FOR ALL rendszer partnereinek összes 18 V-os terméke.
- **Tartsa be a termék használati utasításában található, akkumulátorra vonatkozó ajánlásokat.** Az

akkumulátor és a termék csak így üzemeltethető veszély nélkül, és az akkumulátorok így védhetők meg a veszélyes túlterheléstől.

- **Az akkumulátorokat csak a gyártó vagy a POWER FOR ALL rendszer partnerei által ajánlott töltőkkel töltsse.** Az egyik akkumulátortípushoz megfelelő töltő tűzveszélyes lehet, ha egy másik akkumulátortípussal használja.
- **Az akkumulátort részben feltöltve szállítjuk.** Az akkumulátor teljes kapacitásának biztosításához a szerszám gép első használatba vétele előtt teljesen töltsse fel az akkumulátort a töltővel.
- **Az akkumulátor gyermekektől elzárva tartandó.**
- **Ne nyissa fel az akkumulátort.** Fennáll a rövidzárlat veszélye.
- **Az akkumulátor sérülése és helytelen használata esetén gőzök szabadulhatnak fel.** Az akkumulátor kigyulladhat vagy felrobbanhat. Gondoskodjon a terület jó szellőzéséről, és forduljon orvoshoz, ha bármilyen káros hatást tapasztal. A gőzök irritálhatják a légzőszerveket.
- **Nem megfelelő használat vagy az akkumulátor sérülése esetén az akkumulátorból gyúlékony folyadék kerülhet ki.** Az ilyen folyadékkal való érintkezést kerülni kell. Ha ez véletlenül mégis megtörténik, öblítse le vízzel. Ha a folyadék a szemébe kerül, forduljon orvoshoz. Az akkumulátorból távozó folyadék irritációt vagy égési sérülést okozhat.
- **Ha az akkumulátor megsérül, folyadékot övellhet ki, ami elboríthatja a közeli felületeket. Ellenőrizze az érintett alkatrészeket.** Tisztítsa meg ezeket az alkatrészeket, vagy szükség esetén cserélje ki őket.
- **Ne zárja rövidre az akkumulátort.** Amikor az akkumulátort nem használja, tartsa távol más fémtárgyaktól, például gémkapcsoktól, érméktől, kulcsoktól, tűktől, csavaroktól vagy más kisebb fémtárgyaktól, amelyek összekapcsolhatják a sarukat. Az akkumulátorsaruk rövidre zárása égést vagy tüzet okozhat.
- **Az akkumulátort hegyes tárgyak, például szög vagy csavarhúzó, illetve kívülről ható erő is károsíthatja.** Belső rövidzárlat léphet fel, ami az akkumulátor égését, füstölését, robbanását vagy túlmelegedését okozhatja.
- **Soha ne szervelje a sérült akkumulátort.** Az akkumulátor szervizelését csak a gyártó vagy egy hivatalos szolgáltató végezheti el.
- **Védje az akkumulátort a hőtől, pl. a folyamatos intenzív napsugárzástól, tűztől, szennyeződéstől, víztől és nedvességtől.** Robbanás és rövidzárlat veszélye áll fenn.
- **Az akkumulátort csak -5 °C – 40 °C közötti környezeti hőmérséklet mellett használja a termékben.**
- **Az akkumulátort csak -20 °C – 50 °C közötti környezeti hőmérsékleten tárolja.** Ne hagyja például nyáron az akkumulátort az autóban. 0 °C alatti hőmérséklet esetén egyes készülékek teljesítménye csökkenhet.

- **Csak 0 °C – +35 °C környezeti hőmérsékleten töltsse az akkumulátort.** Az ezen hőmérséklet-tartományon kívüli töltés növelheti az akkumulátor károsodásának kockázatát, és tűzveszélyt jelenthet.

Az akkumulátortöltő készülék biztonsága



FIGYELMEZTETÉS: Olvassa el az összes biztonsági és általános utasítást. A biztonsági és általános utasítások figyelmen kívül hagyása áramütést, tüzet és/vagy komoly sérülést okozhat. **Tartsa biztonságos helyen az útmutatót.** Csak akkor használja a töltőt, ha minden funkciót teljes mértékben ki tud értékelni és korlátozások nélkül el tud végezni, vagy ha megfelelő utasításokat kapott.

- **A töltőt csökkent fizikai, érzékelési vagy szellemi képességekkel rendelkező, vagy a készülék működtetésében járatlan személyek nem használhatják.** A töltőt 8 éven felüli gyermekek, illetve csökkent fizikai, érzékelési vagy szellemi képességekkel rendelkező, vagy a készülék működtetésében járatlan személyek is használják, amennyiben ezt felügyelet mellett teszik, illetve ismerik a készülék biztonságos működtetésének módját és az azzal járó veszélyeket. Ellenkező esetben meghibásodás és sérülés veszélye áll fenn.
- **Felügyelje a gyermekeket használat, tisztítás és karbantartás közben.** Így biztosíthatja, hogy a gyerekek ne játszanak a töltővel.
- **Csak a POWER FOR ALL rendszer 18 V-os, 1,5 Ah-s és nagyobb akkumulátorait töltsse.** Az akkumulátor feszültségének meg kell egyeznie a töltő töltőfeszültségével. Nem újratölthető akkumulátorokat ne töltsön. Ellenkező esetben fennáll a tűz- és robbanásveszély.
- **A töltőt csak beltérben használja, nedves körülményeknek ne tegye ki.** A gépbe jutó víz növeli az áramütés kockázatát.
- **Tartsa tisztán a töltőt.** A szennyeződés áramütés veszélyét rejti magában.
- **Használat előtt mindig ellenőrizze a töltőt, a kábelt és a csatlakozót.** Ha bármilyen sérülést észlel, ne használja tovább a töltőt. Ne nyissa fel a töltőt, és csak Husqvarna vagy engedéllyel rendelkező szakemberrel javíttassa meg, kizárólag eredeti cserealkatrészeket felhasználva. A sérült töltők, kábelek és dugók növelik az áramütés veszélyét.
- **Ne üzemeltesse a töltőt könnyen gyulladó felületen (pl. papír, textil stb.) vagy gyúlékony környezetben.** A töltő működés közbeni felmelegedése miatt fennáll a tűzveszély.
- **Ne takarja le a töltő szellőzőnyílásait.** Ellenkező esetben a töltő túlmelegedhet, és nem fog megfelelően működni.
- **Csak a gyártó által meghatározott töltővel töltsse.** Az a töltő, amelyik az egyik típusú akkumulátorhoz

használható, tűzveszélyes lehet, ha másik típusú akkumulátorral használják.

- **Az akkumulátor sérülése és helytelen használata esetén gőzök is keletkezhetnek.** Gondoskodjon a terület jó szellőzéséről, és forduljon orvoshoz, ha bármilyen káros hatást tapasztal. A gőzök irritálhatják a légzőszerveket.
- **Nem rendeltetészerű használat esetén folyadék lövellhet ki az akkumulátorból. Az ilyen folyadékkal való érintkezést kerülni kell. Ha ez véletlenül mégis megtörténik, öblítse le vízzel. Ha a folyadék a szemébe kerül, forduljon orvoshoz.** Az akkumulátorból távozó folyadék irritációt vagy égési sérülést okozhat.
- **Csak a Nagy-Britanniában értékesített termékek esetén:** A termék BS 1363/A szabvány szerint jóváhagyott elektromos dugasszal van felszerelve, belső biztosítékkal (ASTA a BS 1362 szabvány szerint jóváhagyva). Ha a dugasz nem alkalmas az Ön aljzataihoz, akkor azt le kell vágni, és egy megfelelő dugaszt kell a helyére szereltetni egy hivatalos szakszervizzel. A cseredugasznak ugyanolyan teljesítményű biztosítékkal kell rendelkeznie, mint az eredeti dugasznak. Az esetleges áramütésveszély elkerülése érdekében a levágott dugaszt dobja ki, és soha ne dugja be a hálózati aljzatba.

- Karbantartás, egyéb ellenőrzések vagy a termék összeszerelése előtt távolítsa el az akkumulátort.
- A kezelő kizárólag a jelen használati utasításban szereplő karbantartási és szervizmunkákat végezheti el. A szélesebb körű karbantartási és szervizmunkákkal kapcsolatban forduljon a szakszervizhez.
- Soha ne tisztítsa vízzel az akkumulátort vagy az akkumulátortöltőt. Az erős tisztítószerek kárt tehetnek a műanyagban.
- A karbantartási műveletek elmulasztása csökkenti a termék élettartamát, illetve növeli a balesetveszélyt.
- A gépen végzett minden szerviz- és javítási munkát szakképzettséget igényel, különös tekintettel a biztonsági eszközökre. Amennyiben a karbantartást követően nem minden, a használati utasításban leírt ellenőrzési művelet jóváhagyott, forduljon a szakszervizhez. Garantáljuk a termékéhez megfelelő, professzionális javítást és szervizelést.
- Kizárólag eredeti pótalkatrészeket használjon.
- A vágófelszerelés javítása során mindig viseljen strapabíró védőkesztyűt. A kések nagyon élesek, és könnyen sérülést okozhatnak.

Biztonsági utasítások a karbantartáshoz



FIGYELMEZTETÉS: A terméken végzett karbantartási műveletek előtt olvassa el az alábbi figyelmeztetéseket.

Összeszerelés

Bevezető



FIGYELMEZTETÉS: Figyelmesen olvassa el a biztonságról szóló fejezetet, mielőtt összeállítaná a terméket.

A tartozék felszerelése

1. Csatlakoztassa a tartozékot (A) a tápegységhez (B). Az tartozéknak könnyen be kell csúsznia a tápegységen lévő tartóba – ha nem ez történik, akkor nem megfelelően helyezte be. (ábra 29)
2. Húzza meg a rögzítógombot (C).

Megjegyzés: Ha a tartozék a tápegységre van felszerelve, a tartozék felhasználói felülete nincs csatlakoztatva.

A teleszkópos nyél hosszának beállítása

1. Emelje meg a nyélen lévő kart (A). (ábra 30)
2. Állítsa a teleszkópos nyelet a kívánt hosszúságúra.
3. Nyomja le a kart a teleszkópos nyél rögzítéséhez.

A tárolókampó felszerelése a falra

- A tárolókampót beltérben szerelje fel.
- Tartsa a tárolókampót napfénytől védve és -10 °C és 70 °C közötti környezeti hőmérsékleten.
- A tárolókampót gipszkarton-, fa- vagy betonfalra szerelje.



VIGYÁZAT: Ügyeljen arra, hogy a fal legalább 30 kg terhet képes legyen megtartani.

- Szerelje fel a tárolókampót a falra a 3 csavarral (A). Szükség esetén használjon tipliket (B). (ábra 31)



VIGYÁZAT: Győződjön meg arról, hogy a csavarok megfelelnek a fal típusának.

- A termékhez elérhető tárolótartozékokkal kapcsolatos információkért forduljon a Husqvarna szervizműhelyhez.

A termék felakasztása a tárolókampóra

- Akassza a tápegységet a tárolókampóra az ábrán látható módon. (ábra 32)

Üzemeltetés

A funkciók ellenőrzése a termék használata előtt

1. Kefével távolítsa el a szennyeződést és a nem kívánt anyagokat a termékről.
2. Húzza meg a csavarokat és az anyákat.
3. Győződjön meg arról, hogy a tartozék megfelelően lett rögzítve.
4. Győződjön meg róla, hogy a kapcsológomb reteszelve van.
5. Győződjön meg arról, hogy a teleszkópos nyél és a csukló reteszelve vannak.
6. Ellenőrizze, hogy a tartozékon nem találhatók-e sérülések, például repedések. Ha a tartozék sérült, cserélje ki.
7. Győződjön meg arról, hogy a burkolatok megfelelően vannak rögzítve, illetve sértetlenek.
8. Győződjön meg arról, hogy a termék megfelelően működik-e.

Az akkumulátor csatlakoztatása a termékhez



FIGYELMEZTETÉS: A termékben csak a POWER FOR ALL rendszer P4A 18 V lítium-ion akkumulátorait használja.

1. Ellenőrizze, hogy az akkumulátor teljesen fel van-e töltve.
2. Helyezze az akkumulátort a terméken található akkumulátortartóba. Az akkumulátornak könnyedén be kell csúsznia a tartóba – ha nem ez történik, akkor nem megfelelően helyezte be. (ábra 33)
3. Tolja be teljesen az akkumulátort a tartójába. Az akkumulátor egy kattanás kíséretében a helyére kattan.

4. Győződjön meg arról, hogy a reteszek megfelelően rögzülnek a helyükön.

A termék elindítása

1. Nyomja meg előre a kapcsológomb reteszét. (ábra 25)
2. Nyomja meg a kapcsológomb reteszét (A) balról vagy jobbról, és tartsa lenyomva a kapcsológombot (B). (ábra 34)

A termék leállítása

1. Engedje el a kapcsológombot.
2. Tolja hátra a kapcsológomb reteszelőgombját a termék reteszeléséhez.
3. Nyomja meg a kioldógombot, és húzza ki az akkumulátort. (ábra 35)
4. Ha szükséges, távolítsa el a tartozékot a termékről.

A termék szögének beállítása

A termék 7 különböző helyzetbe állítható.



FIGYELMEZTETÉS: A termék működtetése közben ne módosítsa a szöget.

1. Állítsa le a terméket és távolítsa el az akkumulátort.
2. Tartsa meg stabilan a tartót (A). (ábra 36)
3. Nyomja be a csukló gombját (B).
4. Állítsa a tartót a megfelelő pozícióba.
5. A tartó rögzítéséhez engedje ki a csukló gombját.
6. Mozgassa a tartót felfelé és lefelé, amíg nem rögzül.

Karbantartás

Bevezető



FIGYELMEZTETÉS: A termék karbantartása előtt olvassa el és értelmezze a biztonsággal foglalkozó fejezetet.



FIGYELMEZTETÉS: Karbantartás előtt vegye ki az akkumulátort.

Karbantartási terv

A következő lista a termék karbantartásával kapcsolatos lépéseket tartalmazza.

Karbantartás	Működés előtt	Hetente	Havi
Tisztítsa meg a gép külső részeit egy száraz törlőkendővel. Ne használjon vizet.	X		
Győződjön meg róla, hogy a kapcsológomb megfelelően működik és nem sérült.	X		
Ellenőrizze, hogy biztonsági szempontból megfelelő-e a kapcsológomb és a kapcsológomb reteszének működése.	X		
Ellenőrizze, hogy az összes vezérlő megfelelően működik és sértetlen-e.	X		
A fogantyúkat tartsa szárazon és tisztán.	X		
Ellenőrizze, hogy a csavarok és anyák szorosan rögzülnek-e.	X		
Ellenőrizze, hogy az akkumulátor kioldógombjai megfelelően működnek-e, és rögzítik-e az akkumulátort a termékben.	X		
Ellenőrizze, hogy az akkumulátor sértetlen-e.	X		
Ellenőrizze, hogy az akkumulátor fel van töltve.	X		
Ellenőrizze, hogy az akkumulátortöltő sértetlen-e, és megfelelően működik.	X		
Ellenőrizze az összes kábelt, csatlakozót és csatlakozást. Ügyeljen rá, hogy tiszták és sérülésmentesek legyenek.		X	
Végezze el az akkumulátor és a termék közötti csatlakozások ellenőrzését.			X
Végezze el az akkumulátor és az akkumulátortöltő közötti csatlakozás ellenőrzését.			X

A termék, az akkumulátor és az akkumulátortöltő tisztítása

1. Használat után tisztítsa meg a terméket egy száraz ruhával.
2. Tisztítsa meg az akkumulátort és az akkumulátortöltőt egy száraz ruhával. Tartsa tisztán az akkumulátorvezető síneket.

3. Mielőtt a töltőkészülékbe vagy a termékbe helyezné az akkumulátort, gondoskodjon az akkumulátor és a töltő érintkezőinek tisztaságáról.

Szállítás, tárolás és ártalmatlanítás

Szállítás és raktározás

- A mellékelt lítium-ion akkumulátorokra a veszélyes anyagokra vonatkozó jogszabályok követelményei érvényesek.
- Kereskedelmi szállításnál – harmadik fél és szállítmányozó cégek esetén is – a csomagolásra és címkézésre vonatkozó speciális előírásokat be kell tartani.
- A termék elküldése előtt forduljon egy veszélyes anyagok tekintetében szakképzett személyhez. Tartsa be az összes vonatkozó nemzeti előírást.

- Ha az akkumulátort becsomagolja, a szabadon álló érintkezőket le kell fedni ragasztószalaggal. Szorosan csomagolja be az akkumulátort, hogy az ne mozdulhasson el a csomagoláson belül.
- Tároláshoz vagy szállításhoz távolítsa el az akkumulátort.
- Helyezze az akkumulátort és az akkumulátortöltőt száraz, nedvesség- és fagymentes helyre.
- Ne tartsa az akkumulátort olyan helyen, ahol elektrosztatikus töltés lehet jelen. Ne tartsa az akkumulátort fém dobozban.

- Helyezze az akkumulátort közvetlen napfénytől védett helyre, ahol a hőmérséklet -20 °C (-4 °F) és $+50\text{ °C}$ (122 °F) között van.
- Helyezze az akkumulátortöltőt közvetlen napfénytől védett helyre, ahol a hőmérséklet 5 °C (41 °F) és 45 °C (113 °F) között van.
- Az akkumulátortöltőt csak 0 °C (32 °F) és 35 °C (95 °F) közötti környezeti hőmérséklet mellett használja.
- A terméket olyan helyen tárolja, ahol a környezeti hőmérséklet 40 °C (-40 °F) és 60 °C (140 °F) között van.
- Hosszú ideig való tárolás előtt tölts fel az akkumulátort 30–50%-ra.
- Az akkumulátortöltőt száraz, zárt helyen tárolja.
- A tárolás során tartsa távol az akkumulátort az akkumulátortöltőtől. Ügyeljen arra, hogy gyermekek és más jogosulatlan személyek ne érhessenek a berendezéshez. A berendezést kulccsal zárható helyen tárolja.
- A hosszú ideig való tárolás előtt tisztítsa meg a terméket, és végezze el annak teljes karbantartását.
- A sérülések és a termék károsodásának elkerülése érdekében szállításkor és tároláskor használja a terméken található szállítási biztosítószerkezetet.

- Szállításkor rögzítse biztosan a terméket.
- Tartsa a terméket vízszintesen a tárolóhelyen, vagy akassza a mellékelt kampóra. Lásd: *A termék felakasztása a tárolókampóra 352. oldalon.*

Az akkumulátor, az akkumulátortöltő és a termék ártalmatlanítása

Az alábbi szimbólum azt jelzi, hogy a termék nem minősül háztartási hulladéknak. Újrahasznosítását egy elektromos és elektronikus berendezések újrahasznosítására szolgáló ponton kell elvégezni. Ez elősegíti a környezetre és a személyekre gyakorolt káros hatások megelőzését.

További információkért forduljon a helyi hatóságokhoz, hulladékártalmatlanítási szolgáltatást végző vállalkozáshoz vagy kereskedőjéhez.

(ábra 18)

Megjegyzés: A szimbólum a terméken vagy annak csomagolásán található.

Műszaki adatok

Aspire Pole-P4A	
Tömeg	
Tömeg (csak a tápegység), kg	1,5

Jóváhagyott akkumulátorok

A termék minden **POWER FOR ALL** akkumulátorral használható.

Akkumulátor	P4A 18-B36	P4A 18-B45	P4A 18-B72
Típus	Lítium-ion	Lítium-ion	Lítium-ion
Akkumulátor kapacitása, Ah	2,0	2,5	4,0
Névleges feszültség, V	18	18	18
Tömeg, kg	0,35	0,35	0,65
Cellák száma (Li-ion)	5	5	10

Jóváhagyott akkumulátortöltők

Akkumulátortöltő	P4A 18-C50	P4A 18-C70
Bemeneti feszültség, V	Lásd a töltő teljesítményére vonatkozó információt.	Lásd a töltő teljesítményére vonatkozó információt.
Frekvencia, Hz	50–60	50–60
Teljesítmény, W	50	70

Tartozékok

Tartozékok

Jóváhagyott tartozékok	Típus	Ehhez a típushoz
Bokornyíró tartozék	Aspire S20-P4A	Aspire Pole-P4A
Ágvágó tartozék	Aspire P5-P4A	Aspire Pole-P4A

Megfelelőségi nyilatkozat

EU megfelelési nyilatkozat

A **Husqvarna AB**, SE-561 82 Huskvarna, Sweden (tel.: +46-36-146500), a saját felelősségére kijelenti, hogy a termék:

Leírás	Akkumulátoros tápegység
Márka	Husqvarna
Típus/modell	Aspire Pole-P4A
Megjelölés	2023-as és újabb sorozatszámok

teljes mértékben megfelelnek a következő EU-irányelveknek és szabályozásoknak:

Irányelv/rendelet	Leírás
2006/42/EK	„gépre vonatkozó”
2014/30/EU	„elektromágneses megfelelésre vonatkozó”
2011/65/EU	„az egyes veszélyes anyagok elektromos és elektronikus berendezésekben való alkalmazásának korlátozására vonatkozó”
2000/14/EK	„környezeti zajkibocsátásra vonatkozó”

valamint hogy az alábbi szabványok és/vagy műszaki előírások kerültek alkalmazásra: EN 62841-1:2015/ A11:2022, EN 62841-4-2:2019/A1:2022, EN IEC 62841-4-5:2021/A11:2021, EN ISO 11680-1:2011, EN ISO 12100:2010, EN IEC 55014-1:2021, EN IEC 55014-2:2021, EN IEC 63000:2018.

A DEKRA Testing and Certification GmbH, Handwerksstraße 15, 70565 Stuttgart, Germany, 0158 elvégezte az EK szerinti önkéntes bevizsgálást a gépekről szóló irányelv (2006/42/EK) 12. cikkelyének 3b pontjával összhangban. Az EK típusú bevizsgálásra vonatkozó tanúsítvány a következő számot viseli: 4815039.22006.

A 2000/14/EK irányelv V. melléklete szerinti megfelelési felmérés elvégezve.

Az Aspire P5-P4A tartozékkal, mint magassági ágvágóval:

- Mért hangteljesítményszint: 88 dB (A)
- Garantált hangteljesítményszint: 91 dB (A)

Az Aspire S20-P4A tartozékkal, mint teleszkópos bokornyíróval:

- Mért hangteljesítményszint bozótívágóhoz: 83 dB (A)
- Mért hangteljesítményszint fűvágó késhez: 79 dB (A)
- Garantált hangteljesítményszint: 84 dB (A)

Huskvarna, 2023-10-30



Claes Losdal, K+F menedzser, Husqvarna AB

A műszaki dokumentációk felelőse



Licenc

Copyright © 2012–2020 STMicroelectronics

A garancia nem vonatkozik a normál felhasználásból, a gondatlanságból, a hibás használatból, a jogosulatlan javításból vagy abból eredő hibákra, hogy a szívókészüléket nem megfelelő feszültségről próbálták használni.

Minden jog fenntartva.

Az újraelosztás és a felhasználás forrás- és bináris formában, módosítással vagy anélkül, a következő feltételek teljesülése esetén engedélyezett:

- A forráskód újraelosztásakor a fenti szerzői jogi közleményt, a feltételek listáját és a következő nyilatkozatot kell megtartani.
- A bináris formában történő újraelosztásoknak a fenti szerzői jogi közleményt, a feltételek jelen listáját és az alábbi nyilatkozatot kell tartalmazniuk a dokumentációban és/vagy a terjesztéssel együtt adott egyéb anyagokban.
- Sem az STMicroelectronics neve, sem a közreműködők neve nem használható a szoftverből származó termékek támogatására vagy népszerűsítésére külön előzetes írásbeli engedély nélkül.

A JELEN SZOFTVERT A SZERZŐI JOGOK TULAJDONOSAI ÉS A HOZZÁJÁRULÓK ADOTT ÁLLAPOTBAN BIZTOSÍTJÁK, ÉS KIZÁRNÁK MINDEN KIFEJEZETT VAGY VÉLELMEZETT GARANCIÁT, KORLÁTOZÁS NÉLKÜL IDEÉRTVE A FORGALOMKÉPESSÉGRE ÉS AZ ADOTT CÉLRA VALÓ ALKALMASSÁGRA VONATKOZÓ VÉLELMEZETT GARANCIÁKAT. A SZERZŐI JOGOK TULAJDONOSAI VAGY A KÖZREMŰKÖDŐK SEMMILYEN ESETBEN SEM VISELNEK FELELŐSSÉGET SEMMILYEN KÖZVETLEN, KÖZVETETT, JÁRULÉKOS, KÜLÖNLEGES, ELRETTENTÉSI CÉLT SZOLGÁLÓ VAGY KÖVETKEZMÉNYES KÁROKÉRT (BELEÉRTVE TÖBBEK KÖZÖTT A HELYETTESÍTŐ ÁRUK VAGY SZOLGÁLTATÁSOK BESZERZÉSÉT; A HASZNÁLHATÓSÁG, AZ ADATOK VAGY A NYERESÉG ELVESZTÉSÉT; VAGY AZ ÜZLETI TEVÉKENYSÉG MEGSZAKADÁSÁT IS), ANNAK OKÁTÓL ÉS A FELELŐSSÉG ELMÉLETI ALAPJÁTÓL FÜGGETLENÜL, AKÁR SZERZŐDÉSES, AKÁR OBJEKTÍV FELELŐSSÉGEN ALAPULÓ, AKÁR JOGELLENES KÁROKOZÁS (BELEÉRTVE A GONDATLANSÁGBÓL ELKÖVETETT ÉS EGYÉB KÁROKOZÁSOKAT IS) TÖRTÉNT, AMELY BÁRMILYEN MÓDON ENNEK A SZOFTVERNEK A HASZNÁLATÁBÓL ERED, MÉG AKKOR IS, HA AZ ILYEN KÁROK LEHETŐSÉGÉRŐL A TÁJÉKOZTATÁS MEGTÖRTÉNT.

Apache 2.0 licenc

Copyright © 2009-2019 Arm Limited. Minden jog fenntartva.

2.0 verzió, 2004. január <http://www.apache.org/licenses/>

A HASZNÁLATRA, MÁSOLÁSRA ÉS TERJESZTÉSRE VONATKOZÓ FELTÉTELEK

1. Meghatározások.

A „**licenc**” a jelen dokumentum 1–9. szakaszában meghatározott használati, másolási és terjesztési feltételeket jelenti. A „**licencadó**” a szerzői jog tulajdonosa vagy a licencet adó szerzői jog tulajdonosa által engedélyezett jogalany. A „**jogi személy**” az eljáró jogalany és minden más olyan jogalany egyesülése, amely az adott jogalanyt ellenőrzi, annak ellenőrzése alatt áll, vagy közös ellenőrzés alatt áll vele. A jelen meghatározás alkalmazásában az „**ellenőrzés**” (i) a közvetlen vagy közvetett jogkör, amely az ilyen jogalany irányítását vagy kezelését szerződés által vagy más módon teszi lehetővé, vagy (ii) a fennálló részvények legalább ötven százalékának (50%) tulajdonjoga, vagy (iii) az ilyen jogalany tényleges tulajdonjoga. Az „**On**” (vagy „**Öné**”) a jelen licenc által biztosított engedélyeket gyakorló egyénre vagy jogi személyre vonatkozik. A „**forrás**” forma a módosítások előnyben részesített formáját jelenti, korlátozás nélkül ideértve a szoftver forráskódját, a dokumentáció forrását és a konfigurációs fájlokat is. A „**tárgy**” forma a forrás forma mechanikai átalakításából vagy fordításából eredő bármilyen formát jelenti, beleértve, de nem kizárólagosan a lefordított tárgykódot, a létrehozott dokumentációt és a más adathordozó-típusokba történő konverziókat. A „**munka**” a forrás vagy tárgy formában lévő szerzői mű, amely a licenc keretében áll rendelkezésre, amit a műben szereplő vagy ahhoz csatolt szerzői jogi közlemény jelez (az alábbi függelékben található egy példa erre). A „**származékos művek**” minden olyan – forrás vagy tárgy formában lévő – mű, amely a munkán alapul (vagy abból származik), és amely esetében a szerkesztői módosítások, megjegyzések, kidolgozások vagy egyéb módosítások egésze egy eredeti szerzői művet jelent. E licenc alkalmazásában a származékos művek nem tartalmazhatnak olyan munkákat, amelyek a munka és származékos művek felületeitől elválaszthatók vagy alig kapcsolhatók (vagy köthetők név alapján) hozzájuk. A „**közreműködés**” bármely olyan szerzői mű – beleértve a munka eredeti verzióját és az adott munka vagy származékos művek módosításait vagy kiegészítéseit is –, amelyet a szerzői jog tulajdonosa, illetve egy, a szerzői jog tulajdonosa nevében eljáró magánszemély vagy jogi személy szándékosan nyújt be a licencadónak a munkába való belefoglalás érdekében. E meghatározás alkalmazásában a „**beküldött**” bármilyen, a licencadónak vagy annak képviselőinek küldött elektronikus, szóbeli vagy írásos kommunikáció formáját jelenti, nem kizárólagosan beleértve az elektronikus levelezőlistákat, a forráskód-ellenőrző rendszereken és a problémakövető rendszereken keresztül történő kommunikációt is, amelyet a licencadó kezel vagy annak nevében kezelnek a munka megváltása és javítása

céljából, kizárva azonban az olyan kommunikációt, amelyet a szerzői jog tulajdonosa nyilvánvalóan vagy más módon „nem közreműködésként” jelölt meg. A „közreműködő” a licencadó és az a magánszemély vagy jogi személy, akinek nevében a közreműködést a licencadó megkapta, és ezt követően beillesztette a munkába.

2. Szerzői jogi engedély megadása.

A jelen licenc feltételeinek megfelelően minden közreműködő egy állandó, világszerte érvényes, nem kizárólagos, díjmentes, visszavonhatatlan szerzői jogi licencet biztosít Önnek a munka másolásához, nyilvános megjelenítéséhez, nyilvános végrehajtásához, allicenciába adásához, a munkából való származékos művek készítéséhez, valamint a munka és az effajta származékos művek forrás és tárgy formában történő terjesztéséhez.

3. Szabadalmi engedély megadása.

A jelen licenc feltételeinek megfelelően minden közreműködő örök, világszerte érvényes, nem kizárólagos, díjmentes, jogdíjmentes, visszavonhatatlan (kivéve az ebben a szakaszban meghatározottak szerint) szabadalmi engedélyt ad Önnek a munka készítésére, használatára, értékesítésre kínálására, értékesítésére, importálására és egyéb módon történő átadására, amennyiben az ilyen engedély csak azokra a szabadalmi igényekre vonatkozik, amelyeket az ilyen közreműködő engedélyezhet, és amelyeket a közreműködés(ek) önmagukban, vagy a közreműködés(ek) és annak a munkának a kombinációja, amelyhez az ilyen közreműködés(ek) be lettek küldve, szükségszerűen megsért. Ha Ön szabadalmi peres eljárást kezdeményez bármely jogalany ellen (beleértve a peres ellenköveteléseket vagy viszontkereseteket is) azt állítva, hogy a munkába belefoglalt mű vagy közreműködés közvetlen vagy közreműködői szabadalomtörletésnek minősül, akkor az adott munkához a jelen licenc alapján Önnek adott szabadalmi engedélyek az ilyen peres eljárás kezdeményezésének napján megszűnnek.

4. Újraelosztás.

A munka vagy származékos művek példányait másolhatja és terjesztheti tetszőleges eszközön, módosításokkal vagy anélkül, valamint forrás vagy tárgy formájában, feltéve, hogy Ön megfelel az alábbi feltételeknek:

- A munka vagy a származékos művek más címzettjeinek is adnia kell egy példányt a jelen licencből; és
- A módosított fájlokban figyelemfelkeltő megjegyzéseket kell tartalmazni arról, hogy Ön módosította a fájlokat; és – meg kell őriznie az Ön által terjesztett származékos művek forrás formájában az összes szerzői jogi, szabadalmi, védjegyre vonatkozó és szerzői jogi közleményt a munka forrás formájából, kivéve

azokat a közleményeket, amelyek nem tartoznak a származékos művek valamely részéhez; valamint

- Ha a munka tartalmaz egy „NOTICE” szövegfájlt a terjesztés részeként, akkor az Ön által terjesztett bármely származékos művek tartalmaznia kell egy olvasható példányt az ilyen NOTICE fájlban található szerzői jogi közleményekről, kivéve azokat a közleményeket, amelyek nem tartoznak a származékos művek részéhez sem, a következő helyek legalább egyikén: a származékos művek részeként terjesztett NOTICE szövegfájlban belül; a forrás formában vagy dokumentációban, ha mellékelve van a származékos művekhez; illetve a származékos művek által létrehozott megjelenítésen belül, amennyiben és ahol az ilyen harmadik féltől származó közlemények általában megjelennek. A NOTICE fájl tartalma csak tájékoztató jellegű, és nem módosítja a licencet. Ön saját szerzői jogi közleményt adhat hozzá az Ön által terjesztett származékos művekben a munka NOTICE szövege mellé vagy annak kiegészítéseként, feltéve, hogy az ilyen további szerzői jogi közlemények nem tekinthetők a licenc módosításának. Ön saját szerzői jogi nyilatkozatát hozzáadhatja a módosításaihoz, és további vagy eltérő licencfeltételeket biztosíthat a módosításai használatához, másolásához vagy terjesztéséhez, illetve bármely ilyen származékos mű egészéhez, amennyiben a munkával kapcsolatos Ön általi használat, másolat és terjesztés megfelel a jelen licenc feltételeinek.

5. Hozzájárulások benyújtása.

Hacsak Ön kifejezetten másként nem rendelkezik, az Ön által a licencadónak szándékosan benyújtott közreműködésre a jelen licenc feltételei vonatkoznak, egyéb további feltételek nélkül. A fentiek ellenére semmi sem helyettesítheti vagy módosíthatja a licencadóval az ilyen közreműködésekkel kapcsolatban végrehajtott külön licencszerződés feltételeit.

6. Védjegyek.

A jelen licenc nem ad engedélyt a licencadó kereskedelmi neveinek, védjegyeinek, szolgáltatási védjegyeinek vagy termékneveinek használatára, kivéve, ha ez szükséges a munka eredetének észszerű és szokásos használata melletti leírásához és a NOTICE fájl tartalmának reprodukálásához.

7. A szavatossági felelősség kizárása.

Az alkalmazandó jogszabályok vagy írásbeli megállapodás eltérő rendelkezése hiányában a licencadó részéről a munka terjesztésére (és az egyes közreműködők a közreműködéseikre) ADOTT ÁLLAPOTBAN KERÜL SOR bármilyen kifejezett vagy vélelmezett GARANCIA VAGY FELTÉTELE NÉLKÜL, beleértve, de nem kizárólagosan a JOGÍMRE, JOGSÉRTÉS HIÁNYÁRA, PIACKÉPESSÉGRE, ILLETVE ADOTT CÉLRA VALÓ ALKALMASSÁGRA vonatkozó garanciákat és feltételeket. Kizárólag Ön felelős a munka használatára és újraelosztására

vonatkozó megfelelőség megítéléséért, és vállalja a jelen licenc alapján történő jogosultság gyakorlásával kapcsolatos kockázatokat. 8. A felelősség korlátozása. Semmilyen esetben és semmilyen jogelmelet alapján, legyen szó károkozásról (ideértve a gondatlanságot is), szerződésről vagy más módról, kivéve, ha az alkalmazandó jogszabály előírja (mint például szándékos és súlyos gondatlanság) vagy írásos megegyezés esetén, sem vállal felelősséget egyik közreműködő sem az Önt ért károkra vonatkozóan, beleértve a jelen licencből eredő bármilyen jellegű közvetlen, közvetett, rendkívüli, véletlenszerű vagy következményes károkat is, a munka használatából vagy használatának ellehetetlenülése következtében (korlátozás nélkül ideértve a jó hírnév sérelméből, munkaleállásból, számítógép kieséséből vagy meghibásodásából eredő károkat vagy bármely más kereskedelmi kárt vagy veszteséget), valamint

abban az esetben sem, ha az ilyen közreműködő tájékoztatást kapott az effajta károk lehetőségéről.

9. Garancia vagy további felelősség elfogadása.

A munka vagy a származékos művek újraelosztása mellett választhatja, hogy felajánl, és díjat számít fel a támogatási, jótállási, kártérítési vagy egyéb felelősségi kötelezettségek és/vagy a jelen licenccel összhangban lévő jogok elfogadásáért. Az ilyen kötelezettségek elfogadásakor azonban csak saját nevében és kizárólagos felelősségére járhat el, nem pedig bármely más közreműködő nevében, és csak abban az esetben, ha vállalja, hogy kártalanít, megvéd és véttelnek nyilvánít minden egyes közreműködőt bármely felmerülő kötelezettséggel vagy követeléssel szemben az effajta garancia vagy további felelősség elfogadása miatt. A HASZNÁLATI FELTÉTELEK VÉGE

目次

はじめに.....	359	搬送、保管、廃棄.....	368
安全性.....	360	主要諸元.....	369
組立.....	366	アクセサリー.....	370
Operation (操作)	367	適合宣言.....	371
メンテナンス.....	367	ライセンス.....	372

はじめに

製品の説明

Husqvarna Aspire Pole-P4A は、伸縮機構を備えたバッテリー駆動パワーユニットです。

用途

このパワーユニットは、認可されたアクセサリーと組み合わせる場合にのみ機能するペアユニットです。認可さ

れたアクセサリーについては、アクセサリー 370 ページを参照してください。この取扱説明書は、必ず認可されたアクセサリーの取扱説明書と併せてお読みください。

製品の概要 -

(図 1)

1. 回転ジョイント
2. アタッチメント用ロックノブ
3. 伸縮機能レバー
4. シャフト
5. ソフトスリーブ
6. ハーネスフック
7. パワートリガーロックのロックボタン
8. リアハンドル
9. パワートリガーロック
10. パワートリガー
11. 取扱説明書
12. バッテリーリリースボタン
13. バッテリー充電器
14. 電源オン / 警告インジケータ
15. コネクタ

16. 収納フック、ネジ、ウォールプラグ

製品に表記されるシンボルマーク

- (図 2) 警告：本製品の使用は危険を伴います。操作者や付近にいる人が重傷を負う、または死亡するおそれがあります。十分に注意し、本製品を正しく使用してください。
- (図 3) 本取扱説明書をよくお読みになり、内容をしっかりと把握したうえで、本製品を使用してください。
- (図 4) 物が頭上に落下する恐れのある場所では、保護用のヘルメットを使用してください。認可されたイヤマフを着用してください (Aspire P5-P4A + Aspire Pole-

- P4A の場合のみ)。認可された防護メガネを使用してください。
- (図 5) 認可された保護手袋を着用してください。
- (図 6) 丈夫で滑りにくいブーツを着用してください。(Aspire P5-P4A + Aspire Pole-P4A のみ該当)
- (図 7) 直流。
- (図 8) 定格電圧、V
- (図 9) 雨が当たらないようにしてください。
- (図 10) 負傷のおそれがあります。切断ツールに手を近づけないでください。
- (図 11) 本製品は EU 指令適合製品です。
- (図 12) この製品は該当する UK 規制に準拠しています。
- (図 13) 本製品や本製品のパッケージは、一般廃棄物ではありません。電気・電子機器のリサイクル業者にリサイクルを依頼してください。
- (図 16) 危険 - 電線からは十分な距離をとってください。
- (図 17) 製造番号はシリアルプレートまたはレーザー印刷に記載されています。yyyy は製造年、ww は製造された週です。

注記：本製品に付いている他のシンボル / 銘板はそれぞれの市場地域に向けた特別な認定条件を示します。

バッテリーやバッテリー充電器のシンボルマーク

- (図 18) 電気・電子機器のリサイクル業者にリサイクルを依頼してください。(ヨーロッパのみ適用)
- (図 19) バッテリーは POWER FOR ALL システムパートナーの製品でのみ使用してください。
- (図 20) バッテリーは熱 (長時間の直射日光など)、炎、汚れ、水、湿気から保護してください。爆発や短絡の危険性があります。
- (図 21)

- (図 14) バッテリー充電器は屋内でのみ使用、保管してください。
- (図 15) 二重絶縁。

製品の損傷

以下の場合、当社は製品の損傷について責任を負いません。

- 本製品が誤って修理された場合。
- メーカーによるものではない部品、またはメーカーの認可していない部品を使用して本製品を修理した場合。
- メーカーによるものではないアクセサリ、またはメーカーの認可していないアクセサリを本製品に使用した場合。
- 認定サービスセンターまたは認定販売店で本製品が修理されていない場合。

メーカー

Husqvarna AB
Drottninggatan 2, SE-561 82 Huskvarna, Sweden, tel: +46-36-146 500

安全性

安全性の定義

警告、注意、注記は、取扱説明書の特に重要な部分を示しています。



警告：取扱説明書の指示に従わない場合、使用者が負傷したり、死亡したりするが、あるいは付近の人に損傷を与える危険があることを意味します。



注意：取扱説明書の指示に従わない場合、製品や他の物品、または隣接するエリアに損傷を与える危険があることを意味します。

注記：特定の状況で必要とされる詳細情報を提供するために使用されます。

パワーツールの一般的な安全上の警告



警告： 本電源ユニットの取扱説明書と併せて、認可されたアクセサリーの取扱説明書も必ずお読みください。



警告： このパワーツールに付属している安全に関する警告、注意事項、図、仕様をすべてお読みください。下記のすべての指示に従わない場合、感電、火災、あるいは深刻な傷害を招くことがあります。

注記： すべての警告や説明は、以後の参考のために保管してください。警告の「パワーツール」とは、電源で動作する（コード付）パワーツールまたはバッテリー駆動（コードレス）のパワーツールを指します。

作業エリアの安全

- 作業場所を清潔に、照明を明るく保ちます。乱雑な、あるいは暗い場所では、事故が起こりやすくなります。
- 可燃性の液体や気体、塵がある所など、爆発性雰囲気の中でパワーツールを動作させないでください。パワーツールは、塵やガスを発火させる火花を発生させます。
- パワーツールの操作中は子供やそばにいる人たと十分な距離を置いてください。注意が散漫になって、操作ミスを引き起こす可能性があります。

電気保安

- パワーツールのプラグはコンセントに適合しなければなりません。決してプラグを改造しないでください。アダプタプラグをアースの付いた（接地された）パワーツールとともに使用しないでください。改造されていないプラグおよび型と同じコンセントを使用すれば、感電のリスクが低くなります。
- パイプやラジエータ、レンジ、冷蔵庫など、アースの付いた表面または接地された表面に触れないようにしてください。体が接地していたりアースされていたりすると、感電のリスクが高くなります。
- パワーツールを雨露や湿潤な環境に曝さないでください。パワーツール内に水が浸入すると、感電のリスクが高まります。
- コードを本来の目的以外に使用しないでください。コードを持ってパワーツールを移動したり、引っ張ったり、電源を抜いたりすることのないようにしてください。熱やオイル、とがった先端や可動部にコードを近づけないでください。コードが破損したり絡まると、感電のリスクが高くなります。
- 屋外でパワーツールを操作する場合は、屋外での使用に適した延長コードを使用してください。屋外での使用に適したコードを使用することで、感電の危険性は少なくなります。
- 湿気のある場所でパワーツールを操作せざるを得ない場合は、電源を保護するために漏電遮断器（RCD）使用してください。RCDは感電の危険を低減します。

個人の安全

- パワーツールを操作するときは、十分に気をつけて慎重に行動し、常識に従ってください。疲れているときや、医薬品およびアルコールの影響が残っている状態でパワーツールを使用しないでください。パワーツールの操作中は、一瞬の不注意により重傷を負うおそれがあります。
- 身体保護具を使用してください。必ず防護メガネを着用してください。防塵マスクや滑り止め用の安全靴、ヘルメット、イヤマフなどのプロテクティブ装具を使用すると、負傷の危険性が少なくなります。
- 予期せぬ始動を防止してください。電源やバッテリーパックを接続したり、ツールを持ち運んだりする前に、必ずスイッチがオフの位置にあることを確認してください。スイッチに指を掛けてパワーツールを運んだり、スイッチが入った状態でパワーツールに通電したりすると、事故につながります。
- パワーツールをオンにする前に、調整キーとレンチを外してください。パワーツールの回転部にレンチやキーが取り付けられたままになっていると、負傷の原因となります。
- 無理な体勢で作業しないでください。常に、安定した足場とバランスを保つようにしてください。これにより、想定外の事態でもパワーツールを安定して制御することができます。
- 適切な服装を心がけてください。ゆったりした衣服や装身具を身につけないでください。可動部に髪の毛や衣服を近づけないでください。ゆったりした衣服や装身具、長髪は可動部に絡まるおそれがあります。
- 集塵装置の接続用装備が提供されている場合、それらが接続されて正しく使用されているか確認してください。集塵装置を使用すると、塵に関連する危険を回避できます。
- ツールを頻繁に使用することによる慣れで、安全への関心を失ってツールの安全原則を無視することは非常に危険です。不注意な行動により、一瞬で重大な人身事故が発生するおそれがあります。
- 危険！電線の近くでは操作しないでください。本機は、頭上の電線に接触した場合に感電から保護するように設計されていません。本製品を使用する前に、頭上の電線からの安全な距離について各地域の規制を確認し、操作位置が安全かつ確実であることを確認してください。

パワーツールの使用と手入れ

- パワーツールを無理に使用しないでください。用途に合った正しいパワーツールを使用してください。正しいパワーツールを使用する方が、意図された速度でより良く安全に作業を行います。
- スイッチが機能しない場合はパワーツールを使用しないでください。スイッチで制御できないパワーツールは危険なため、修理する必要があります。
- パワーツールの調整、アクセサリーの変更、またはパワーツールの保管前は、電源プラグを外し、パワーツールからバッテリーパックを取り外してください（着脱可能な場合）。予防的な安全対策を行うことで、誤ってパワーツールを始動させる危険性が少なくなります。

- 使用していないパワーツールは子供の手の届かない所に保管して、パワーツールやこの取扱説明書に詳しくない人間がパワーツールを操作しないように注意してください。不慣れたユーザーがパワーツールを扱うと危険です。
- パワーツールとアクセサリをメンテナンスします。可動部品の誤調整や巻き付き、部品の破損やパワーツールの動作に影響する他の状態がないかどうか確認します。破損している場合は、使用する前にパワーツールを修理してください。ほとんどの事故は、正しいメンテナンスを受けていないパワーツールが原因です。
- 切削工具は研いだ状態で清潔に保ちます。正しくメンテナンスされて研いだ切削工具は、ハインドすることも少なく、制御が簡単です。
- パワーツール、アクセサリ、工具ビットなどは、これらの取扱説明書に従って使用し、作業条件および行う作業を考慮してください。意図されていない作業でパワーツールを使用すると、危険な状況を招くことがあります。
- ハンドル部および保持面は乾燥させて、オイルや油が付着しないようにきれいな状態を保ってください。ハンドルと保持面が滑りやすいと、予期しない状況でツールの安全な取り扱いや制御ができません。

バッテリーツールの使用と手入れ

- メーカー指定の充電器のみを使って充電してください。1種類のバッテリーパックのみに適合する充電器は、それ以外のバッテリーパックの充電で使した場合、火災を起こす恐れがあります。
- 仕様で指定されたバッテリーパックのみでパワーツールを使用してください。それ以外のバッテリーパックを使用すると、怪我や火災を招く危険があります。
- バッテリーパックを使用しないときは、ペーパークリップ、コイン、キー、爪きり、ネジなどの金物、あるいは端子間を短絡するおそれがある他の小さな金物から遠ざけるようにしてください。バッテリー端子の短絡は、火傷や火災を引き起こす恐れがあります。
- 劣悪な環境では、液体がバッテリーから漏れ出すことがあります。そのような場合、液体には触れないようご注意ください。もし万が一誤って触れてしまった場合、水で洗い流してください。液体が目に入ってしまった場合、医師の診察を受けてください。バッテリーから漏れ出した液体は、炎症や火傷を引き起こすことがあります。
- 損傷した、または改造されたバッテリーパックやツールは使用しないでください。損傷した、または改造されたバッテリーは、予測不可能な挙動を起こし、発火や破裂、障害の原因となる可能性があります。
- バッテリーパックやツールを火や高温にさらさないでください。火または 130 °C (266 °F) 以上の温度環境にさらすと爆発する恐れがあります。
- 充電の手順にすべて従い、指示された温度範囲外でバッテリーパックまたはツールを充電しないでください。充電を不適切に行ったり、指定された範囲から外れた温度環境で行ったりした場合、バッテリー

の損傷や火災発生の危険の増加につながることがあります。

サービス

- パワーツールのサービスは、資格のある修理担当者が同じ交換部品を使って行うようにしてください。こうすることで、パワーツールの安全性を維持できます。
- 損傷したバッテリーパックを決して修理しようとしないでください。バッテリーパックの修理は、製造元または認定サービス代理店しか行えません。

その他の一般的な安全情報

- その他の特定の安全規則については、該当するアタッチメントの取扱説明書を参照してください。
- 本製品の電源をオフにしてから別のエリアに移動してください。本製品を別の人に渡すときは、必ずバッテリーを外してください。
- 本製品を置くときは、必ず先に電源をオフにして、バッテリーを取り外してください。電源を入れた状態で本製品を放置しないでください。
- 切断ツールは、本製品の電源をオフにした後もしくは停止しませんが、何らかの衝撃を受けた後は、磨耗や損傷の兆候がないか確認の上、必要があれば修理してください。
- 本製品の操作中に何かがカuttingアタッチメントに挟まった場合は、本製品を停止して、電源をオフしてください。カuttingアタッチメントが完全に停止していることを確認してください。本製品またはカuttingアタッチメントを清掃、点検、または修理する前に、バッテリーを外してください。
- 使用前に本製品を点検してください。参照：本製品の安全装置 364 ページおよびメンテナンス 367 ページ。損傷した製品は使用しないでください。この取扱説明書の内容に従って、安全点検、メンテナンス、サービスを行ってください。
- 故障したカuttingアタッチメントを使用すると、事故の危険性が高まる恐れがあります。
- 冷却用空気取り入れ口に物が入らないよう常に注意してください。
- 本製品が正常に動作することを確認してください。すべてのナットとネジが確実に締められているかどうかを確認してください。
- 本製品は、慎重かつ適切に使用しないと、危険な道具となります。本製品により、作業業者や付近にいる人が重傷を負う、または死亡するおそれがあります。
- 本機は、正常な体力や感覚、精神力がない人や、経験や知識のない人（子供を含む）の使用を想定していません。ただし、使用者の安全に責任を持つ人物が本機の使用に関して監督や指導をする場合を除きます。子供が本機で遊ばないように、監視する必要があります。
- 本機を子供に使用させたり、本機の付近に子供を近づけたりしないでください。本機は簡単に始動できるため、十分に監視していない限り子供が始動することも可能です。重大な身体的傷害を引き起こす

危険があります。本製品が十分な監視下でない場合は、バッテリーを外してください。

- 子供、または本製品やバッテリーの扱いに不慣れな人が本製品を使用しないようにしてください。
- 本機は、鍵のかかる場所に保管し、子供や、承認を受けていない人が触れることのないようにしてください。
- 保管や搬送の際は、必ずカバーをかけてください。
- 常に切断エリアから手足を離し、特にモーターのスイッチをオンにするときは注意してください。
- 本製品の電源をオフにしてカuttingアタッチメントが完全に停止するまで、カuttingアタッチメントに手や脚を近づけないようにしてください。
- 本製品が作動しているときやカutting装置が回転している最中に、切断対象を外したり、他の人が切断対象を外したりすることがないようにしてください。重症事故の原因になる可能性があります。
- 周囲の人やその所有物をさまざまな事故や危険にさらさないようにする責任は、使用者自身にあることを忘れないでください。
- いかなる理由であれ、製造者の承認を得ることなく本製品に改造を加えないでください。常に純正の部品をお使いください。不認可の改造や付属品は、使用者やその他の人の重傷や致命傷の原因となることがあります。品質保証されていないアクセサリや交換部品を使用した場合、損害または製造物責任に対して保証が適用されないことがあります。
- 本製品に使用可能なアクセサリは、「アクセサリ」の章で推奨されているカuttingアタッチメントのみです。
- 何らかの改造を受け、出荷時の仕様と異なる製品は、絶対に使用しないでください。
- 本製品に不具合がある場合は絶対に使用しないでください。この取扱説明書の内容に従って、安全点検、メンテナンス、サービスを行ってください。メンテナンスやサービスの内容によっては、専門家で行わなければならないものもあります。参照：メンテナンス 367 ページ。
- 悪天候下での作業は疲れやすく、危険性も高まります。濃霧、豪雨、強風、厳寒、落雷の恐れがあるなど、天候が非常に悪い場合はリスクが高まるため、本製品を使用しないことをお勧めします。
- ハシゴ、スツール、その他の不安定な台に乗って作業しないでください。
- 使用しないときは、屋内に本製品を保管してください。
- 起こり得る状況をすべて予測し、対応することは不可能です。常に注意を払い、常識に合った使用方法で操作してください。使用者の能力範囲外であると思われる場合は、操作を行わないでください。これらの注意事項を読んだ後でも、不明点などがある場合は、使用を続けずに専門コンサルタントにご相談ください。
- 作業中は 50 フィート（15 メートル）以内に人や動物が近づかないようにしてください。同じエリアに数人の作業者がいる場合、安全距離を 50 フィート（15 メートル）以上とる必要があります。重傷事故のおそれがあります。誰かが近づいたら、すぐに本製品を停止してください。本製品を持って向きを変

えるときは、まず後ろを確認して、安全距離内に誰もいないように徹底してください。

- 本製品の操作中に何かがカuttingアタッチメントに挟まった場合は、本製品を停止して、電源をオフにしてください。カuttingアタッチメントが完全に停止していることを確認してください。本製品またはカuttingアタッチメントを清掃、点検、または修理する前に、バッテリーを外してください。
- 人、動物、その他の物体が本製品の操作を妨げたり、カuttingアタッチメントに触れたり、カuttingアタッチメントによりはじかれた物体に接触したりしないようにしてください。事故のときに助けを求めることができない状況で、本製品を使用しないでください。
- 身体の動きが自由に取れ、足場が良いことを確認してください。とっさに身をかきまなければならない場合に邪魔になる物（木の根、岩、枝、溝など）が周囲にないか確認してください。斜面で作業する場合は、特に注意してください。
- 歩きながら操作し、決して走らないでください。
- 作業エリアを点検します。石や割れたガラス、くぎ、鋼線、ひもなど、固定されており飛ばされたりカッターやカッターガードに絡まったりしそうなものをすべて取り除いてください。
- 鋸断中に飛んでくる可能性のある枝の切株に注意してください。石やその他の物が飛ばされるおそれがあるため、地面付近で鋸断作業をしないでください。
- 衣服や体の部分が、作動している状態のカuttingアタッチメントに接触しないようにしてください。本製品は腰から下の位置に保持してください。
- 飛んでくる物に気をつけてください。常に認可された防護メガネを着用してください。カuttingアタッチメントガードの上に身を乗り出さないでください。石やごみなどが目に入って、失明したり重傷を負ったりする可能性があります。
- イヤマフを着用している間は、警告信号や叫び声に気を付けてください。エンジンが停止したら、速やかにイヤマフを外してください。
- 異常な振動が発生した場合は、適切な長さまで新たにコードを引き出し、振動を止めてください。
- 異常な振動をじだした場合は、本製品を停止してバッテリーを取り外してください。
- 循環器系の弱い人が振動を長期間受け続けると、循環器障害や神経障害を起こすことがあります。過度の振動を受け続けたために症状が現れた場合は、医師の診断を受けてください。症状にはしびれ、感覚麻痺、ヒリヒリ感、刺痛、痛み、脱力感、皮膚の色や状態の変化などがあります。これらの症状は通常、指や手の甲、手首に現れます。
- 本製品は常に両手で持ってください。

プロテクティブ装具



警告： 本製品を使用する前に、以下の警告指示をお読みください。

- 本製品を使用するときは、常に、認可された身体保護具を着用してください。身体保護具で怪我を完全に防止できるわけではありませんが、万が一事故が起った場合、負傷の度合いを軽減することができます。適切な保護具の選択については、販売店にご相談ください。
- 落下物の危険性がある場合には保護ヘルメットを使用してください。
- 騒音を十分に軽減する認可されたイヤマフを着用してください。長時間騒音にさらされることは、恒久的な聴覚障害の原因になることがあります。
- 認可された防護メガネを使用してください。バイザーを使用する場合は、認可された防護ゴーグルも使用する必要があります。認可された保護メガネは、米国の ANSI Z87.1 規格または EU 諸国の EN 166 に適合しなければなりません。
- 顔を保護するためにバイザーを使用してください。眼の保護にはバイザーでは不十分です。

(図 22)

- カッティング装置の取り付け、点検、清掃を行う場合は、必要に応じて保護グローブを着用してください。
- 丈夫で滑りにくいブーツを着用してください。
- 丈夫な素材でできた服を着用してください。常に厚手の長いズボンと長袖を着用してください。小枝や枝が引っかかるようなゆったりした衣服は身につけないでください。宝飾品、半ズボン、サンダルを着用したり、はだして作業したりしないでください。安全のため、髪の毛は肩よりも上にまとめてください。

(図 23)

- 救急器具を近くに準備してください。

(図 24)

本製品の安全装置



警告： 本製品を使用する前に、以下の警告指示をお読みください。

この項では、本製品の安全機能とその目的、本機の正しい動作を確保するための点検とメンテナンスの方法について説明します。本製品の部品の位置については、**製品の概要 - 359 ページ**を参照してください。

本製品のメンテナンスを適切に行わなかったり、専門技術者が整備・修理を行わなかったりすると、本製品の寿命が短くなり、事故発生の危険性が増します。詳しくは、お近くのサービス代理店にお問い合わせください。



警告： 安全装置が損傷している製品は決して使用しないでください。本項目の記載に従って、本製品の安全装置の点検、メンテナンスを行ってください。お持ちの製品がこれらの点検項目を一点でも満たさない場合は、お近くのサービス代理店に修理を依頼してください。



注意： 本機に関するすべてのサービス、修理には、特別な研修が必須です。本機の安全装置には、特に研修が必要です。本取扱説明書の点検に基づき、本機に不具合が見つかった場合は、サービス代理店に連絡してください。弊社の製品を購入されると、専門的な修理とサービスの提供も保証されます。本機を販売した小売店がサービス代理店ではない場合、最寄りのサービス代理店の住所を小売店にお尋ねください。

パワートリガーロックの点検

パワートリガーロックにより、偶発的な操作を防ぎます。ハンドルから手を放すと、パワートリガーとパワートリガーロックは元の位置に戻ります。

- パワートリガーロックのロックボタンを前方に押しします。(図 25)
- パワートリガーロックが初期位置にあるときに、パワートリガーがロックされていることを確認します。(図 26)
- パワートリガーロックを一方の側に押ししてから、反対側に押しします。パワートリガーロックが元の位置に戻ることを確認します。(図 27)
- パワートリガーとパワートリガーロックがスムーズに動き、リターンスプリングが正しく作動することを確認します。(図 28)
- 本製品を始動します。参照：**本製品の始動方法 367 ページ**。
- パワートリガーを放し、本製品が完全に停止していることを確認します。

組み立ての安全注意事項



警告： 本パワーユニットの取扱説明書と併せて、認可されたアクセサリーの取扱説明書もお読みください。

- 本製品を組み立てる前に、本製品からバッテリーを取り外してください。
- 認可された保護手袋を着用してください。
- 損傷しているガードや不適切なガードを使用すると、負傷の原因となる場合があります。認可されたガードが取り付けられていないカッティングアタッチメントは使用しないでください。
- 本製品を始動する前に、アタッチメントを正しく取り付けてください。
- アタッチメントにハーネスが付属している場合は、ハーネスを製品に正しく取り付けてください。ハーネスは作業の安全を確保し、作業者や周囲の人の負傷を防止します。

バッテリーの安全



警告：安全および一般的な注意事項をすべて読んでください。安全および一般的な注意事項に従わない場合、感電、火災、あるいは深刻な傷害に至る場合があります。すべての安全に関する情報と一般的な注意事項は、後で参照できるように保管しておいてください。

- この安全上の注意事項は、POWER FOR ALL システム用 18 V リチウムイオン充電式バッテリーにのみ適用されます。
- 充電式バッテリーは POWER FOR ALL システムパートナーの製品でのみ使用してください。POWER FOR ALL のラベルが貼付されている 18 V 充電式バッテリーは、次の製品と完全に互換性があります。
 - 18 V POWER FOR ALL バッテリーシステムのすべての製品。
 - POWER FOR ALL システムパートナーの 18 V 製品。
- お使いの製品の取扱説明書に記載されているバッテリーの推奨事項に従ってください。この方法により、充電式バッテリーと製品を安全に操作でき、充電式バッテリーを危険な過負荷から保護できます。
- バッテリーを充電する場合は、製造元または POWER FOR ALL システムパートナーが推奨する充電器のみを使用してください。1 種類のバッテリーのみに適合する充電器では、異なる種類のバッテリーを使用した場合、火災が発生するおそれがあります。
- バッテリーは一定レベル充電された状態で提供されます。バッテリー容量を最大限に活用するには、最初にバッテリーツールを使用する前に、充電器でバッテリーをフル充電してください。
- バッテリーパックは子供が近づけない場所に保管してください。
- バッテリーは開けないでください。短絡する危険があります。
- バッテリーが損傷していたり、バッテリーを不適切に使用したりすると、蒸気が発生する場合があります。バッテリーが発火または爆発するおそれがあります。換気の良い場所で作業してください。気分が悪くなった場合は医師の診察を受けてください。蒸気を吸い込むと呼吸器系に痛みを感じる場合があります。
- 誤って使用した場合、またはバッテリーが損傷した場合、バッテリーから可燃性の液体が漏れ出す場合があります。この液体に触れないでください。誤って触ってしまった場合は、水で洗い流してください。液体が目に入った場合は、医師の診察を受けてください。バッテリーから漏れ出した液体は、炎症や火傷を引き起こすことがあります。
- バッテリーが損傷している場合、液体が漏れ、製品が液体で覆われる可能性があります。液体がかかった部品を確認してください。これらの部品は洗浄するか、必要に応じて交換してください。

- バッテリーパックを短絡させないでください。バッテリーパックを使用しないときは、ペーパークリップ、コイン、キー、爪きり、ネジなどの金物、あるいは端子間を短絡するおそれがある他の小さな金物から遠ざけるようにしてください。バッテリー端子の短絡は、火傷や火災を引き起こす恐れがあります。
- バッテリーは、釘やドライバーなどの鋭利な物により、または外部から強い力を受けることで、損傷する可能性があります。内部短絡が発生し、バッテリーが発火、発煙、爆発、または過熱する可能性があります。
- 損傷したバッテリーパックを決して修理しようとししないでください。バッテリーパックの修理は、製造元または認定サービス代理店が行えません。
- バッテリーは熱（長時間の直射日光）、炎、汚れ、水、湿気などから保護してください。爆発や短絡の危険性があります。
- 周囲温度が -5°C - 40°C の場合にのみ本製品にバッテリーを使用してください。
- バッテリーは、周囲温度 -20°C - 50°C の範囲内でのみ保管してください。例えば、夏場にバッテリーを車内に放置しないでください。温度が 0°C 未満の場合、一部のデバイスでは電源が喪失する可能性があります。
- バッテリーは、周囲温度 0°C - $+35^{\circ}\text{C}$ の範囲内でのみ充電してください。この温度範囲外で充電すると、バッテリーが損傷し、火災の危険が生じるおそれがあります。

バッテリー充電器の安全性



警告：安全および一般的な注意事項をすべて読んでください。安全および一般的な注意事項に従わない場合、感電、火災、あるいは深刻な傷害に至る場合があります。これらの注意事項は安全な場所に保管してください。充電器は、すべての機能を完全に評価して制限なく実行できる場合、または対応する取扱説明書を受け取った場合のみ使用してください。

- この充電器は、お子様や、身体面、感覚面、精神面で制限のある方、経験や知識のない方による使用を想定していません。8 歳以上のお子様や、身体面、感覚面、精神面で制限のある方、経験や知識のない方でも、使用者の安全に責任を負う人から充電器の安全操作について監督または指導を受け、関連する危険を理解した場合には、この充電器を使用できます。そうしないと、操作ミスや負傷のリスクが生じます。
- 使用中、清掃中、およびメンテナンス中は子供が近づかないようにしてください。子供が充電器に触れないようにしてください。
- 容量 1.5 Ah 以上の 18 V POWER FOR ALL システムバッテリーのみを充電してください。バッテリー電圧は、充電器のバッテリー充電電圧と一致する必要があります。充電式以外のバッテリーは充電しないでください。充電すると、火災や爆発のおそれがあります。

- 充電器は必ず密閉された場所で使用してください。充電器を湿潤環境にさらさないでください。パワーツール内に水が入ると、感電のリスクが高まります。
- 充電器は清潔に保ってください。埃により感電する危険があります。
- 充電器、ケーブル、プラグは、使用前に必ず確認してください。損傷がある場合は、充電器の使用を中止してください。充電器を開けないでください。純正の交換部品のみを使用する Husqvarna または認定アフターセールスサービスセンターに修理を依頼してください。充電器、ケーブル、プラグが損傷すると、感電の危険性が高まります。
- 充電器は、容易に発火する表面（紙、繊維など）や引火性の環境で使用しないでください。作動中に充電器が過熱すると、火災が発生する可能性があります。
- 充電器の通風孔が塞がれないようにしてください。充電器が過熱し、正常に機能しなくなる可能性があります。
- メーカー指定の充電器のみを使って充電してください。1 種類のバッテリーパックのみに適合する充電器は、それ以外のバッテリーパックの充電で使用した場合、火災を起こす恐れがあります。
- バッテリーが損傷していたり、バッテリーを不適切に使用したりすると、蒸気が発生する場合もあります。換気の良い場所で作業してください。気分が悪くなった場合は医師の診察を受けてください。蒸気を吸い込むと呼吸器系に痛みを感じる場合があります。
- 劣悪な環境では、液体がバッテリーから漏れ出すことがあります。この液体に触れないでください。誤って触れてしまった場合は、水で洗い流してください。液体が目に入った場合は、医師の診察を受けてください。バッテリーから漏れ出した液体は、炎症や火傷を引き起こすことがあります。
- 製品は英国でのみ販売されています。本製品には、内部ヒューズ付き BS 1363/A 認証電気プラグが装備

されています（ASTA は BS 1362 を承認）。プラグがコンセントに適合しない場合は、認定カスタマーサービス担当者がプラグを切断し、適切なプラグを所定の場所に取り付ける必要があります。交換用プラグのヒューズ定格は、元のプラグと同じ必要があります。破損したプラグは、感電を防ぐために廃棄してください。また、コンセント以外には絶対に差し込まないでください。

メンテナンスのための安全注意事項



警告： 本製品のメンテナンスを行う前に、以下の警告指示を読んでください。

- メンテナンス、その他の点検、または製品の組み立てを行う前に、バッテリーを取り外してください。
- 作業者は本取扱説明書に記載されているメンテナンスとサービスだけを実施してください。メンテナンスおよびさまざまなサービスについては、サービス代理店にお問い合わせください。
- バッテリーまたはバッテリー充電器は、水で洗淨しないでください。強い洗剤を使用すると、プラスチックの部品が損傷する場合があります。
- メンテナンスを実施しないと、製品の寿命が短くなり、事故の危険性が増します。
- 特に本製品の安全装置については、すべての整備と修理の作業に特殊な訓練が必要です。メンテナンスを実施した後、この取扱説明書の点検項目の中に不合格の項目があった場合は、サービス代理店にお問い合わせください。当社は、お客様の製品のために、プロフェッショナルな修理と整備を提供することを保証します。
- 純正の交換部品のみを使用してください。
- カuttingアタッチメントを修理する際は、常に丈夫な作業用手袋を使用してください。ブレードの刃先は非常に鋭く、触れると怪我をしやすいためご注意ください。

組立

はじめに



警告： 本製品を組み立てる前に、安全に関する章を読んで理解してください。

アタッチメントの取り付け方法

1. アタッチメント (A) をパワーユニット (B) に取り付けます。アタッチメントはパワーユニットのホルダーに簡単にはまります。はまらない場合は、正しく取り付けられていません。(図 29)
2. ロックノブ (C) を締め込みます。

注記： アタッチメントをパワーユニットに取り付けると、アタッチメントのユーザーインターフェイスが切断されます。

伸縮シャフトの長さの調整方法

1. シャフトのレバー (A) を持ち上げます。(図 30)
2. 伸縮シャフトが快適な長さになるように調整します。
3. レバーを押し下げて伸縮シャフトをロックします。

収納フックを壁面に取り付ける場合

- 収納フックは屋内に取り付けます。
- 収納フックに直射日光が当たらないようにして、周囲温度は -10 °C ~ 70 °C にしてください。
- 収納フックは乾式壁、木製壁、コンクリート壁に取り付けます。



注意： 壁が少なくとも 30 kg の負荷を保持できることを確認してください。

- 3本のネジ(A)で壁面に収納フックを取り付けます。必要に応じて、ウォールプラグ(B)を使用します。(図31)



注意：ネジが壁のタイプに適していることを確認してください。

- 製品の保管に使用できるアクセサリーについての情報は、Husqvarna サービス担当者に連絡してください。

本製品を収納フックに掛ける場合

- 図に示すように、パワーユニットを収納フックに掛けます。(図32)

Operation (操作)

製品使用前の機能チェック

1. ブラシで、本製品から埃や不要な物を取り除きます。
2. すべてのナットとネジを締め込みます。
3. アタッチメントが正しく取り付けられていることを確認します。
4. パワートリガーロックのロックボタンが作動していることを確認します。
5. 延長シャフトと回転エレメントのロック装置がロック位置にあることを確認します。
6. アタッチメントにヒビなどの損傷がないか調べます。損傷している場合は、アタッチメントを交換します。
7. カバーが正しく取り付けられており、損傷がないことを確認します。
8. 製品が正常に作動することを確認します。

バッテリーの取り付け方法



警告：本製品では、POWER FOR ALL システムのP4A 18V リチウムイオン電池のみを使用してください。

1. バッテリーがフル充電されていることを確認してください。
2. バッテリーを本製品のバッテリーホルダーに入れます。バッテリーは簡単にホルダーにはまります。はまらない場合は、正しく取り付けられていません。(図33)
3. バッテリーをバッテリーホルダーにしっかりと押し込みます。バッテリーがロックされると、カチッという音がします。
4. ラッチが所定の位置で正しくロックされていることを確認します。

本製品の始動方法

1. パワートリガーロックのロックボタンを前方に押しします。(図25)
2. パワートリガーロック(A)を左側または右側から押し、パワートリガー(B)を保持します。(図34)

本製品の停止方法

1. フロントトリガーを解放します。
2. パワートリガーロックのロックボタンを後方に押し、本製品をロックします。
3. バッテリーリリースボタンを押して、バッテリーを引き出します。(図35)
4. 必要に応じて、本製品からアタッチメントを取り外します。

本製品の角度の調整方法

本製品の位置は7段階に調節できます。



警告：本製品の動作中に角度を調整しないでください。

1. 本製品を停止して、バッテリーを取り外します。
2. ホルダー(A)をしっかりと固定します。(図36)
3. 回転ジョイント(B)を押し続けます。
4. ホルダーを正しい位置に設定します。
5. 回転ジョイントを放して、ホルダーをロックします。
6. ホルダーを上下に動かして、所定の位置にロックします。

メンテナンス

はじめに



警告：本製品のメンテナンスを実行する前に、安全に関する章を読んで理解してください。



警告：本製品のメンテナンスを実行する前にバッテリーを外してください。

メンテナンスのスケジュール

本製品に必要なメンテナンス手順のリストは以下のとおりです。

メンテナンス	使用前	毎週	毎月
乾いた布で製品外側の部品を清掃します。水は使わないでください。	X		
パワートリガーロックのロックボタンが正しく作動し、損傷していないことを確認します。	X		
パワートリガーとパワートリガーのロック機能が、安全面から見て正しく作動することを確認します。	X		
すべてのコントロールが正しく動作し、損傷がないことを確認します。	X		
ハンドルは乾いて清潔な状態に保ってください。	X		
ネジとナットが確実に締められていることを確認します。	X		
バッテリーのバッテリーリリースボタンが正常に作動し、本製品にバッテリーをロックしていることを確認します。	X		
バッテリーに損傷がないことを確認します。	X		
バッテリーが充電されていることを確認します。	X		
バッテリー充電器に損傷がなく、正しく動作することを確認します。	X		
すべてのケーブル、カップリング、接続部を点検します。清潔で、損傷していないことを確認します。		X	
バッテリーと本製品の接続を確認します。			X
バッテリーとバッテリー充電器の接続を確認します。			X

製品、バッテリー、およびバッテリー充電器の清掃方法

1. 使用後は、製品を乾いた布で拭いてください。
2. バッテリーとバッテリー充電器を、乾いた布で拭いてください。バッテリーガイドトラックは清潔さを保ってください。

3. バッテリーをバッテリー充電器や本製品に入れる前に、バッテリーとバッテリー充電器の端子に汚れがないことを確認してください。

搬送、保管、廃棄

搬送と保管

- 同梱のリチウムイオンバッテリーは、危険物の規制に関する規則に準拠しています。
- 民間の運送業者による商用輸送においては、梱包およびラベル付けに関して所定の要件に従ってください。
- 本製品を発送する前に、危険物に関して特別な訓練を受けた担当者にご相談ください。該当するすべての国内規制に従ってください。
- バッテリーを梱包するときは、露出している端子にテープを貼ってください。バッテリーを固定し、動かないように梱包してください。
- 保管するときや搬送時はバッテリーを外してください。
- バッテリーとバッテリー充電器は、乾燥して湿気や霜がない場所に置いてください。
- 静電気が発生する可能性のある場所に本製品を保管しないでください。バッテリーは金属製の箱に保管しないでください。
- バッテリーは温度が $-20 \sim +50^{\circ}\text{C}$ ($-4 \sim 122^{\circ}\text{F}$) の場所に保管し、直射日光から遠ざけてください。
- バッテリー充電器は温度が $5 \sim 45^{\circ}\text{C}$ ($41 \sim 113^{\circ}\text{F}$) の場所に保管し、直射日光から遠ざけてください。
- バッテリー充電器は、周囲温度が $0 \sim 35^{\circ}\text{C}$ ($32 \sim 95^{\circ}\text{F}$) の場合にのみ使用してください。

- 本製品は、温度が -40 ~ +60 °C (-40 ~ 140 °F) の場所に保管してください。
- バッテリーを長期間保管するときは、充電量を 30 ~ 50 % にしてください。
- バッテリー充電器は、密閉した乾いた場所に保管してください。
- バッテリーの保管中は、バッテリー充電器から遠ざけてください。子供や許可されていない他の人が機器に触れないようにしてください。施錠できる場所に装置を保管してください。
- 製品を長期間保管する場合は、その前に製品を清掃し、よく点検しておいてください。
- 搬送中および保管中に製品が傷ついたり損傷したりしないように、製品の移動用ガードを使用してください。
- 搬送中は製品をしっかりと固定してください。
- 本製品は、水平に保管するか、付属のフックに掛けて保管してください。参照：本製品を収納フックに掛ける場合 367 ページ。

バッテリー、バッテリー充電器、および製品の廃棄

以下のマークは、本製品が家庭ゴミではないことを示しています。電気・電子機器のリサイクル業者にリサイクルを依頼してください。これは、環境および人への被害を防止するためです。

詳細については、自治体の担当部局、家庭ゴミ収集業者、または販売店にお問い合わせください。

(図 18)

注記： マークは、製品または製品の容器に表示されています。

主要諸元

Aspire Pole-P4A	
質量	
質量 (パワーユニットのみ)、kg	1.5

認可されたバッテリー

本製品はすべての POWER FOR ALL バッテリーで操作できます。

バッテリー	P4A 18-B36	P4A 18-B45	P4A 18-B72
タイプ	リチウムイオン	リチウムイオン	リチウムイオン
バッテリー容量 (Ah)	2.0	2.5	4.0
公称電圧、V	18	18	18
質量、kg	0.35	0.35	0.65
セル数 (Li-Ion)	5	5	10

認可されたバッテリー充電器

バッテリー充電器	P4A 18-C50	P4A 18-C70
入力電圧、V	充電器の定格情報を参照してください。	充電器の定格情報を参照してください。
周波数、Hz	50 ~ 60	50 ~ 60
電力、W	50	70

アクセサリ

アタッチメント

認可済みアタッチメント	タイプ	対応アタッチメント
芝生バリカンアタッチメント	Aspire S20-P4A	Aspire Pole-P4A
剪定器具アタッチメント	Aspire P5-P4A	Aspire Pole-P4A

適合宣言

EU 適合宣言

ハスクバーナ社 (Husqvarna AB, SE-561 82 Huskvarna, Sweden、電話番号 : +46-36-146500) は、単独責任のもとで、以下の製品の適合を宣言します。

名称	バッテリー駆動パワーユニット
ブランド	Husqvarna
タイプ / モデル	Aspire Pole-P4A
ID	2023 年以降の製造番号

が以下の EU 指令および規制を完全に順守し、

指令 / 規制	名称
2006/42/EC	「機械類に関する」
2014/30/EU	「電磁環境適合性に関する」
2011/65/EU	「電気・電子製品に含まれる特定有害物質の使用制限に関する」
2000/14/EC	「環境への騒音排出に関する」

および以下の規格または技術仕様が適用されています。
EN 62841-1:2015/A11:2022, EN 62841-4-2:2019/
A1:2022, EN IEC 62841-4-5:2021/A11:2021, EN
ISO 11680-1:2011, EN ISO 12100:2010, EN IEC
55014-1:2021, EN IEC 55014-2:2021, EN IEC
63000:2018。

DEKRA Testing and Certification GmbH,
Handwerkstraße 15, 70565 Stuttgart, Germany, 0158
が機械指令 (2006/42/EC) の条例 12、項目 3b に基づ
き自主的な EC タイプコントロールテストを実施しまし
た。EC タイプコントロールテストの証明書の番号は次
のとおりです。4815039.22006。

指令 2000/14/EC の付録 V に従って適合性評価手順を適
用しました。

アタッチメント Aspire P5-P4A をポールの剪定器具と
して装着した場合 :

- 計測音響レベル : 88 dB (A)
- 保証音響レベル : 91 dB (A)

アタッチメント Aspire S20-P4A をポールの芝生バリカ
ンとして装着した場合 :

- 低木ブレードの計測音響レベル : 83 dB (A)
- グラスブレードの計測音響レベル : 79 dB (A)
- 保証音響レベル : 84 dB (A)

Husqvarna, 2023-10-30



Claes Losdal, R&D Manager, Husqvarna AB

正式代表兼技術文書担当



ライセンス

Copyright © 2012–2020 STMicroelectronics

通常の磨耗、破損、過失、不適切な使用、不正修理、または吸引装置が誤った電圧に接続されていることによる不具合は、保証に含まれません。

All rights reserved.

ソース形式およびバイナリ形式での再配布および使用は、変更の有無にかかわらず、次の条件が満たされている場合に許可されます。

- ソースコードの再配布では、上記の著作権表示、この条件リスト、および以下の免責事項を保持する必要があります。
- バイナリ形式での再配布では、上記の著作権表示、この条件リスト、および次の免責事項を、配布物に付属のマニュアルおよび/またはその他の資料に複製する必要があります。
- STMicroelectronics の名称およびそのコントリビュータの名称は、書面による事前の許可なく、このソフトウェアから派生した製品を承認または宣伝するために使用することはできません。

本ソフトウェアは、著作権所有者およびコントリビュータにより「現状のまま」提供され、商品性および特定目的への適合性に関する黙示的な保証を含む（ただし、これらに限定されない）明示的または黙示的でない保証も放棄されます。いかなる場合でも、著作権所有者、またはコントリビュータは、直接的損害、間接的損害、偶発的損害、特別損害、懲罰的損害、または派生的損害（代替品またはサービスの調達、使用不能、データ、または利益の損失、もしくはビジネスの中断などを含むがこれらに限定されない）について、当該損害の発生する可能性について知らされていた場合でも、責任の法理に基づいて、契約、厳格責任、または本ソフトウェアの使用から生じる不法行為（過失またはその他を含む）にかかわらず、責任を負わないものとします。

Apache 2.0 のライセンス

Copyright © 2009-2019 Arm Limited. All rights reserved.

バージョン 2.0、2004 年 1 月 <http://www.apache.org/licenses/>

使用、複製、配布に関する利用規約

1. 定義。

「**ライセンス**」とは、本書の 1~9 項で定義されている使用、複製、および配布に関する利用規約を意味します。「**ライセンサー**」とは、著作権所有者、またはライセンスを付与する著作権所有者が承認した事業体を意味します。「**法人**」とは、事業体と、事業体を管理するか、事業体により管理されるか、または事業体と共通の管理下にあるその他すべての事業体の集合を意味します。この定義の場合、「**管理**」とは、(i) 契約の有無にかかわらず、直接または間接的に、当該事業体を指示または管理する権利、または (ii) 50 % 以上の発行済み株式の所有権、または (iii) 当該事業体の受益所有権のことを意味しています。「**お客様**」とは、本ライセンスにより付与された権限を行使する個人または法人を意味

します。「**ソース**」形式とは変更を行うための推奨形式（ソフトウェアソースコード、ドキュメントソース、および構成ファイルなどを含むがこれらに限定されない）を意味します。「**オブジェクト**」形式とは、ソース形式の機械的な変換または変換によって生じるあらゆる形式（コンパイル済みのオブジェクトコード、生成されたドキュメント、他のメディアタイプへの変換などを含むがこれらに限定されない）を意味します。「**著作物**」とは、著作物に含まれる、または貼付されている著作権表示（以下の付録に例示）に示されているように、ソース形式またはオブジェクト形式にかかわらず、本ライセンスに基づいて使用可能な著作成果物を意味します。「**二次的著作物**」とは、ソース形式またはオブジェクト形式にかかわらず、著作物に基づいた（または著作物から派生した）著作物、および編集上の改訂、注釈、加工、またはその他の修正が、元の著作成果物全体を表すすべての著作物を意味します。本ライセンスでは、著作物および二次的著作物から分離できる著作物や、著作物および二次的著作物のインターフェイスの単なるリンク（または名前によるバインド）は、二次的著作物に含まれません。「**コントリビューション**」とは、著作権所有者、または著作権所有者に代わり提出する権限を付与された個人もしくは法人により、著作物に含めるために意図的にライセンサーに提出された、著作物のオリジナルバージョン、およびその著作物または二次的著作物に対する変更または追加を含む、あらゆる著作成果物を意味します。この定義の場合、「**提出**」とは、著作物について話し合い、改善する目的で、ただし、著作権所有者が書面で「**コントリビューションではない**」と明記した、またはその他の方法で指定した通信を除く、ライセンサーまたはその担当者に送信される電子、口頭、または書面によるあらゆる形式の通信（ライセンサーにより、またはライセンサーに代わり管理される電子メール、メーリングリスト、ソースコード管理システム、および課題管理システムなどによる通信を含むがこれらに限定されない）を意味します。「**コントリビュータ**」とは、そのコントリビューションがライセンサーに受領されて著作物に組み込まれたライセンサーおよびその代理を務める個人または法人のことを意味します。

2. 著作権の付与。

各コントリビュータは、本ライセンスの利用規約に従って、著作物および当該二次的著作物をソース形式またはオブジェクト形式で複製、作成、公に表示、公に実行、サブライセンス、および配布するために本ライセンスの、無期限かつ世界的、非独占的で無償の取り消し不能な著作権をお客様に付与します。

3. 特許ライセンスの付与。

各コントリビュータは、本ライセンスの利用規約に従って、著作物を作成、使用、販売用の提供、販売、輸入、またはその他の方法で譲渡するための無期限かつ世界的、非独占的で無償の取り消し不能な（本項に記載されている場合を除く）特許ライセンスをお客様に付与します。ただし、当該ライセンスは、当該コントリビューションが単独で、またはそのコントリビューションと当該コントリビューションが提出された著作物との組み合わせ

せにより必然的に侵害される場合にのみ適用されます。お客様が、著作物または著作物に組み込まれたコントリビューションが直接的または寄与特許侵害であると主張している事業体（訴訟での交差請求または反訴を含む）に対して特許訴訟を提起した場合、当該著作物について本ライセンスに基づいてお客様に付与された特許ライセンスは、当該訴訟が提起された時点で終了するものとしめます。

4.再配布。

お客様は、以下の条件を満たしている場合、著作物またはその二次的著作物の複製物を、変更の有無にかかわらず、ソース形式またはオブジェクト形式で、あらゆる媒体で複製および配布することができます。

- お客様は、著作物または二次的著作物の他の受領者には、本ライセンスのコピーを提供する必要があります。
- お客様は、変更したファイルに、お客様がファイルを変更したことを示す明示的な通知を提示する必要があります。また、お客様は、お客様が配布する二次的著作物のソース形式で、二次的著作物のいかなる部分にも関係のない通知を除き、著作物のソース形式からの著作権、特許、商標、および著作権の帰属に関するすべての通知を保持する必要があります。
- 配布物の一部として「通知」テキストファイルが含まれている場合、お客様が配布する二次的著作物には、二次的著作物のいかなる部分にも関係のない通知を除き、当該通知ファイルに含まれる帰属通知の読み取り可能なコピーを、二次的著作物の一部として配布される通知テキストファイル内、ソース形式もしくはドキュメント内（二次的著作物とともに提供される場合）、または二次的著作物により生成される表示物内（当該第三者の通知が通常表示される場合）のうち少なくとも1つの場所を含める必要があります。通知ファイルの内容は情報提供のみを目的としたものであり、ライセンスは変更されません。お客様は、著作物からの通知テキストとともに、またはその補足として、お客様が配布する二次的著作物内に独自の帰属通知を追加することができます。ただし、当該帰属通知が本ライセンスの変更と解釈されないことを条件とします。お客様は、独自の著作権宣言文をお客様の変更に加えることができ、お客様の変更の使用、複製、または配布について、または当該二次的著作物全体に対して、著作物の使用、複製、および配布が、本ライセンスに記載されている条件に準拠していることを条件として、追加の、または異なるライセンス利用規約を提供することができます。

5.コントリビューションの提出。

お客様が明記しない限り、お客様が著作物に含めるために意図的にライセンサーに提出するすべてのコントリビ

ューションは、追加の契約条件なしで本ライセンスの利用規約に従うものとしめます。上記にかかわらず、本契約のいかなる条項も、当該コントリビューションに関してライセンサーと締結した個別のライセンス契約の条件に優先したり、それを変更したりすることはありません。

6.商標。

本ライセンスは、著作物の出所を記述し、通知ファイルの内容を再現するための合理的かつ慣習的な使用の場合を除き、ライセンサーの商号、商標、サービスマーク、または製品名を使用する権限を付与するものではありません。

7.保証の否認。

適用法によって要求された場合、または書面により同意された場合を除き、ライセンサーは、いかなる種類の保証または条件でも「現状のまま」（権利、非侵害、商品性、または特定目的の保証と条件を制限なく含む）を明示的または黙示的に著作物を提供します（および各コントリビューターはそのコントリビューションを提供します）。お客様は、著作物の使用または再配布の適切性を判断する責任を単独で負い、本ライセンスに基づく許可の行使に関連するリスクを負うものとしめます。8.賠償責任の制限。いかなる法的理論においても、不法行為（過失を含む）、契約、その他の方法にかかわらず、適用法（意図的かつ重大な過失行為など）により要求された場合、または書面で合意された場合を除き、コントリビューターは、本ライセンスに起因する、または著作物の使用または使用不能に起因するあらゆる性質の直接的損害、間接的損害、特別損害、偶発的損害、派生的損害（業務上の信用の喪失、作業停止、コンピュータの故障または誤作動、またはその他のすべての商業的損害または損失などを含むがそれらに限定されない）について、当該コントリビューターが上記損害の発生する可能性について知らされている場合でも、責任を負わないものとしめます。

9.保証または追加責任の同意。

著作物またはその二次的著作物を再配布する場合、お客様は、本ライセンスに準拠したサポート、保証、補償、またはその他の責任義務および/または権利を提供し、料金を請求することができます。ただし、当該義務に同意する場合、お客様は、各コントリビューターに生じた責任またはそのコントリビューターに対して主張された申し立てについて、各コントリビューターを補償し、弁償し、損失を与えないことに同意した場合に限り、当該保証または追加責任にお客様が同意することを理由として、他のコントリビューターの代理ではなく、お客様自身がお客様の単独責任で行動することができます。利用規約の終了

Зміст

Вступ.....	374	Експлуатація.....	383
Безпека.....	375	ТЕХНІЧНЕ ОБСЛУГОВУВАННЯ.....	384
Збирання.....	383	Транспортування, зберігання й утилізація.....	385

Технічні характеристики.....	386	Декларація відповідності.....	388
Акcesуари.....	386	Ліцензії.....	389

Вступ

Опис виробу

Husqvarna Aspire Pole-P4A – це акумуляторний пристрій із телескопічною конструкцією.

Акcesуари на сторінці 386. Обов'язково прочитайте цей посібник і посібник користувача схвалених акcesуарів.

Призначення

Цей силовий агрегат працює лише зі схваленими акcesуарами. Список схвалених акcesуарів див. у

Огляд виробу

(Мал. 1)

1. Поворотний шарнір
2. Фіксувальна головка для насадки
3. Важіль телескопічної конструкції
4. Вал
5. М'яка муфта
6. Гачок ременя
7. Кнопка блокування фіксатора механічного пускового пристрою
8. Задня ручка
9. Фіксатор механічного пускового пристрою
10. Механічний пусковий пристрій
11. Посібник користувача
12. Кнопка для виймання акумулятора
13. Зарядний пристрій
14. Індикатор живлення / попереджувальний індикатор
15. З'єднувач
16. Гак для зберігання, саморізи й дюбелі

(Мал. 5) Використовуйте відповідні захисні рукавиці.

(Мал. 6) Використовуйте міцні чоботи, що не ковзають. (Лише для Aspire P5-P4A + Aspire Pole-P4A.)

(Мал. 7) Постійний струм.

(Мал. 8) Номінальна напруга, В

(Мал. 9) Захищайте від дощу.

(Мал. 10) Ризик травмування. Не наближайте руки до леза.

(Мал. 11) Виріб відповідає застосовним директивам ЄС.

(Мал. 12) Цей виріб відповідає вимогам застосованих норм Сполученого Королівства.

Символи на виробі

(Мал. 2) **УВАГА!** Цей виріб може бути небезпечним і здатний спричинити тяжкі травми або смерть оператора чи сторонніх осіб. Будьте обережні й використовуйте виріб належним чином.

(Мал. 13) Цей виріб і його пакування не можна утилізувати разом із побутовими відходами. Утилізацію необхідно проводити на підприємстві з переробки відходів електричного й електронного обладнання.

(Мал. 3) Перед початком експлуатації виробу уважно прочитайте посібник користувача й переконайтеся в тому, що ви зрозуміли наведені в ньому вказівки.

(Мал. 4) На ділянках, де існує ризик падіння предметів, завжди надягайте захисний шолом. Користуйтеся відповідними захисними навушниками (лише для Aspire P5-P4A + Aspire Pole-P4A) Користуйтеся відповідними засобами захисту очей.

(Мал. 16)

НЕБЕЗПЕКА: не наближайте до лінії електропередачі.

(Мал. 17)

На таблиці з паспортними даними чи на етикетці вказано серійний номер. **уууу** указує на рік виготовлення, а **ww** – на тиждень виготовлення.

Зверніть увагу: Інші позначення на виробі стосуються спеціальних сертифікатів для певних країн чи регіонів.

(Мал. 14) Заряджальний пристрій треба використовувати та зберігати лише в приміщенні.

Позначення на акумуляторі та/або на заряджальному пристрої

(Мал. 15) Подвійна ізоляція.

(Мал. 18)

Утилізувати виріб треба на підприємстві з перероблення відходів електричного й електронного обладнання. (Лише для країн Європи.)

(Мал. 19)

Використовуйте цей акумулятор лише у виробх партнерів Системи POWER FOR ALL.

(Мал. 20)

Захищайте акумулятор від нагрівання, наприклад безперервним інтенсивним сонячним світлом чи вогнем, а також від бруду, води й вологи. Існує ризик вибуху й короткого замикання.

(Мал. 21)

Пошкодження виробу

Ми не несемо відповідальності за пошкодження, якщо:

- виріб було неправильно відремонтовано;
- виріб було відремонтовано із використанням деталей, виготовлених не виробником або не затверджених ним;
- виріб обладнано аксесуаром, виготовленим не виробником або не затвердженим ним;
- виріб було відремонтовано в неавторизованому сервісному центрі або неавторизованою компанією;

Виробник

Husqvarna AB

Drottninggatan 2, SE-561 82 Huskvarna, Sweden, tel: +46-36-146 500

Безпека

Визначення щодо безпеки

Попередження, застереження й примітки служать для наголошення на особливо важливих положеннях посібника.



ПОПЕРЕДЖЕННЯ: Вказує на те, що в разі порушення інструкцій, наведених у цьому посібнику, існує небезпека поранення або смерті оператора чи інших осіб, що знаходяться поруч.



УВАГА: Вказує на те, що в разі порушення інструкцій, наведених у цьому посібнику, існує небезпека пошкодження виробу, інших матеріалів або навколишніх об'єктів.

Зверніть увагу: Використовується для надання додаткової інформації щодо певної ситуації.

Загальні правила безпеки при роботі з електроінструментами



ПОПЕРЕДЖЕННЯ: Обов'язково прочитайте цей посібник користувача пристрою й посібник користувача схвалених аксесуарів.



ПОПЕРЕДЖЕННЯ: Ознайомтеся з усіма попередженнями щодо техніки безпеки, інструкціями, рисунками й технічними характеристиками до цього виробу. Недотримання наведених далі інструкцій може призвести до враження

електричним струмом, пожежі та / або серйозних травм.

Використання ПЗВ знижує ризик ураження електричним струмом.

Зверніть увагу: Збережіть усі попереджувальні знаки й інструкції для звернення до них у майбутньому. Терміном «електроінструмент» у попередженнях позначається ваш електроінструмент, який працює від електромережі (з кабелем), або акумуляторний (безпроводний) електроінструмент.

Безпека в робочій зоні

- **Забезпечуйте порядок та добре освітлення в робочій зоні.** Безлад і погане освітлення сприяють нещасним випадкам.
- **Не використовуйте електроінструмент у вибухонебезпечному середовищі, наприклад, у присутності вогнебезпечних рідин, газів або пилу.** Електроінструменти утворюють іскри, які можуть запалити пил або випари.
- **Не підпускайте до себе дітей та сторонніх осіб, коли працюєте з електроінструментом.** Ви можете відволіктися та втратити контроль.

Електробезпека

- **Вилки інструментів повинні підходити до розетки.** У жодному разі не змінюйте вилку будь-яким чином. Під час роботи із заземленими електроінструментами не використовуйте будь-які перехідники. Незмінні вилки та відповідні розетки зменшують ризик враження електричним струмом.
- **Уникайте тілесного контакту із заземленими поверхнями, такими як труби, радіатори, кухонні плити та холодильники.** Існує підвищений ризик враження електричним струмом, якщо ваше тіло заземлене.
- **Захищайте інструмент від дощу та вологи.** Потрапляння води в інструмент збільшує загрозу ураження електричним струмом.
- **Використовуйте кабель лише за призначенням.** Ніколи не використовуйте кабель для перенесення чи перетягування предметів і не тягніть за нього, щоб виїняти вилку з розетки. Тримайте кабель подалі від джерела тепла, мастила, гострих країв або рухомих деталей. Пошкоджений чи заплутаний кабель збільшує ризик враження електричним струмом.
- **Під час експлуатації електроінструмента надворі використовуйте подовжувальний кабель, що підходить для застосування надворі.** Використання кабелю, який підходить для застосування надворі, зменшує ризик враження електричним струмом.
- **Якщо застосування електроінструменту у вологому середовищі є обов'язковим, використовуйте джерело живлення, обладнане пристроєм захисного відключення (ПЗВ).**

Особиста безпека

- **Будьте пильними, слідкуйте за тим, що робите та дотримуйтеся правил здорового глузду під час експлуатації електроінструмента. Не використовуйте електроінструмент, коли ви стомлені або перебуваєте під впливом наркотиків, алкоголю або лікарських засобів.** Втрата уваги на мить під час експлуатації електроінструмента може призвести до серйозної травми.
- **Використовуйте засоби індивідуального захисту. Обов'язково необхідно користуватися засобами захисту для очей.** Захисне спорядження, наприклад респіратор, черевики з нековзною підшоивою, каска або захисні навушники за використання у відповідних умовах зменшують ризик травмування.
- **Запобігайте випадковому запуску. Переконайтеся, що вимикач перебуває у вимкненому положенні, перш ніж підключати інструмент до джерела живлення чи акумуляторного блока, піднімати або переносити його.** Небезпечно переносити інструмент, тримаючи палець на перемикачі, або заряджати його, коли перемикач стоїть у позиції Вкл.: це може призвести до нещасливих випадків.
- **Перед вимкненням інструмента приберіть будь-які регульовальні або гайкові ключі.** Якщо залишити на обертальній частині гайковий ключ або гайковий вороток, це може призвести до травм.
- **Не тягніться. Завжди дотримуйтеся належних дистанцій і балансування.** Це дозволить краще контролювати електроінструмент у несподіваних ситуаціях.
- **Одягайтеся правильно. Не вдягайте просторий широкий одяг, не надягайте на себе ювелірні вироби.** Тримайте волосся й одяг подалі від рухомих частин. Просторий широкий одяг, ювелірні вироби або довге волосся можуть потрапити в рухомі деталі.
- **У разі наявності обладнання з видалення й збору пилу переконайтеся в тому, що воно під'єднано та використовується правильно.** Використання обладнання для збору пилу зменшує ризики, поєднані з пилом.
- **Досвід роботи, отриманий під час регулярного використання цього інструмента, не має бути підставою для самовпевненості під час експлуатації виробу й ігнорування правил техніки безпеки.** Необережні дії можуть миттєво призвести до тяжких травм.
- **Небезпек! Не працюйте біля ліній електропередачі.** Дизайн інструмента не передбачає захисту від ураження електричним струмом у разі контакту з повітряними лініями електропередачі. Ознайомтеся з місцевими нормативними вимогами, що містять інформацію

про безпечну відстань від повітряних ліній електропередачі, перш ніж користуватися виробом.

Експлуатація та догляд за електроінструментом

- **Не прикладайте силу до електроінструмента. Вибирайте електроінструмент, що підходить для ваших потреб.** Електроінструмент краще, безпечніше та швидше виконає ту роботу, для якої він призначений.
- **Не використовуйте електроінструмент, якщо вимикач не працює.** Будь-який електроінструмент, яким неможливо керувати за допомогою вимикача, є небезпечним та підлягає ремонту.
- **Перед тим як виконувати будь-які налаштування, замінювати приладдя або залишати інструмент на зберігання, витягніть штекер із розетки живлення й / або знімний акумуляторний блок з електроінструмента.** Такі запобіжні заходи зменшують ризик ненавмисного запуску електроінструмента.
- **Вимкнені електроінструменти зберігайте в недоступному для дітей місці й не дозволяйте користуватися ними особам, які не ознайомилися з роботою електроінструмента або з цією інструкцією.** Електричні інструменти становлять небезпеку в руках невідготовлених користувачів.
- **Виконуйте технічне обслуговування електроінструментів і приладдя.** Перевіряйте електроінструмент на предмет зміщення чи вигину рухомих деталей, поломку деталей та будь-якого іншого стану, що може негативно позначитися на його роботі. У разі пошкодження відремонтуйте електроінструмент, перш ніж користуватися ним. Багато нещасних випадків виникають внаслідок недостатнього технічного обслуговування електричних інструментів.
- **Підтримуйте різальні елементи в нагостреному та чистому стані.** Різальні елементи, що добре обслуговуються та мають гострі різальні кромки, будуть легше керуватися та з меншою імовірністю будуть заклимати.
- **Використовуйте електроінструмент, приладдя та різці у відповідності з цією інструкцією, враховуючи умови та характер роботи, яку потрібно виконати.** Використання електроінструмента для виконання непередбачених операцій може призвести до небезпечної ситуації.
- **Рукоятки та поверхні для тримання мають бути сухими, чистими й знежиреними.** Неможливо надійно тримати інструмент за слизькі рукоятки чи інші поверхні або керувати ним у непередбачених ситуаціях.

Використання інструментів з акумуляторною батареєю та догляд за ними

- **Заряджати акумулятор треба виключно за допомогою заряджального пристрою, зазначеного виробником.** Використання заряджального пристрою, призначеного для роботи з акумуляторами одного типу, з акумуляторами іншого типу може призвести до пожежі.
- **Використовуйте електроінструмент лише з призначеними для нього батареями.** Використання акумуляторних батарей інших типів може призвести до травмування чи пожежі.
- **Якщо акумуляторний блок не використовується, слід тримати його подалі від металевих предметів, таких як скріпки, монети, ключі, цвяхи, гвинти й інші дрібні металеві предмети, які можуть з'єднати один контакт батареї з іншим.** Замикання контактів акумулятора може призвести до опіків або пожежі.
- **У разі неправильного застосування з акумулятора може виплискуватися рідина; уникайте контакту з нею.** При випадковому контакті промийте місце контакту водою. В разі потраплення рідини в очі на додаток до їхнього інтенсивного промивання зверніться по медичну допомогу. Рідина з акумуляторної батареї може викликати подразнення та опіки.
- **Не використовуйте пошкоджені чи змінені акумуляторний блок або інструмент.** Пошкоджені або модифіковані акумулятори працюють нестабільно: вони можуть зайнятися, вибухнути або іншим чином травмувати оператора.
- **Захищайте акумуляторний блок та інструмент від вогню й надмірних температур.** Під впливом вогню або температури понад 130 °C (266 °F) може статися вибух.
- **Дотримуйтеся всіх інструкцій із заряджання та не заряджайте акумуляторну батарею чи інструмент поза межами діапазону температур, зазначеного в інструкціях.** Неналежне заряджання за температури поза межами зазначеного діапазону може пошкодити акумулятор і підвищує ризик займання.

Обслуговування

- **Сервісне обслуговування електроінструмента повинен виконувати кваліфікований майстер з використанням лише ідентичних запасних частин.** Це гарантуватиме підтримання безпечної роботи електроінструмента.
- **За жодних умов не виконуйте технічного обслуговування пошкоджених акумуляторних блоків.** Технічне обслуговування акумуляторних блоків мають виконувати лише спеціалісти виробника або вповноваженого постачальника послуг.

Додаткові загальні правила техніки безпеки

- Додаткові спеціальні правила техніки безпеки можна дізнатися в посібнику користувача відповідної насадки.
- Перш ніж перейти в інше місце, вимикайте виріб. Завжди виймайте акумулятор, якщо передасте виріб іншій особі.
- Не кладіть виріб на землю, якщо ви не вимкнули його й не витягли з нього акумулятор. Не залишайте виріб без нагляду, якщо він увімкнений.
- Різальний інструмент не зупиняється одразу після вимкнення виробу.
- Перед початком використання виробу та після того, як він зазнав будь-якого удару, перевірте його на ознаки зношеності чи пошкодження та відремонтуйте за потреби.
- Якщо під час експлуатації виробу щось застрягне в різальній насадці, зупиніться й вимкніть живлення пристрою. Переконайтеся, що різальна насадка повністю зупинилася. Виймайте акумулятор перед очищенням, оглядом чи ремонтом виробу та/або різального обладнання.
- Перевірте виріб перед використанням. Дивіться розділ *Запобіжне обладнання на виріб на сторінці 379* і *ТЕХНІЧНЕ ОБСЛУГОВУВАННЯ на сторінці 384*. Не користуйтеся пошкодженим виробом. Вживайте заходи техніки безпеки та дотримуйтеся вказівок із технічного обслуговування, наведених у цьому посібнику.
- Несправна різальна насадка може збільшувати ймовірність виникнення нещасних випадків.
- Не допускайте засмічення вентиляційних отворів.
- Переконайтеся, що виріб у справному стані. Переконайтеся, що всі гайки й гвинти затягнуто належним чином.
- У разі неправильного або недбалого використання цей виріб може становити небезпеку. Він може спричинити серйозні травми або загибель оператора чи сторонніх осіб.
- Цей прилад не призначений для експлуатації особами з обмеженими фізичними, сенсорними або психічними можливостями або тими, які не мають досвіду та знань (у тому числі дітьми), хіба що вони користуються виробом під наглядом відповідальної за їхню безпеку особи або належним чином проінструктовані нею. Необхідно наглядати за дітьми, щоб вони не гралися з цим приладом.
- Ніколи не дозволяйте дітям використовувати інструмент чи знаходитися біля нього. Оскільки запустити пристрій досить просто, діти можуть це зробити, якщо залишити їх без нагляду. Це може означати ризик тяжкої травми. Якщо пристрій знаходиться без нагляду, слід від'єднувати акумулятор.
- Ніколи не дозволяйте дітям або невідготовленим людям використовувати виріб і / або акумулятор чи здійснювати його технічне обслуговування.
- Зберігайте обладнання в закритому місці, недоступному для дітей і сторонніх осіб.
- Чохол для транспортування має завжди використовуватись під час зберігання й транспортування.
- Завжди тримайте руки та ноги на відстані від зони різання, особливо під час запуску двигуна.
- Тримайте руки й ноги на безпечній відстані від різальної насадки, доки вона повністю не зупиниться після вимкнення виробу.
- Заборонено прибирати зрізану траву самому або дозволяти роботи це іншим, коли виріб працює або різальне обладнання обертається, адже це може призвести до тяжких травм.
- Пам'ятайте, що саме ви, користувач, є відповідальним за те, щоб люди та їхнє майно не наражалося на небезпеку та не страждали від нещасних випадків.
- За жодних обставин не змінюйте конструкцію виробу без дозволу виробника. Використовуйте лише оригінальні приладдя. Застосування незатверджених модифікацій та/або приладдя може призвести до серйозної чи смертельної травми користувача чи інших осіб. Гарантія на виріб не розповсюджується на пошкодження чи відповідальність через використання несертифікованих аксесуарів чи запчастин.
- Єдине приладдя, яке дозволено використовувати під час роботи із цим виробом, – різальні насадки, рекомендовані в розділі «Аксесуари».
- Заборонено користуватися виробом, якщо його конструкцію було якимось чином змінено
- Заборонено користуватися несправним виробом. Дотримуйтеся вимог із техніки безпеки та вказівок щодо технічного обслуговування, наведених у цьому посібнику. Деякі операції технічного обслуговування мають виконувати лише кваліфіковані фахівці. Дивіться розділ *ТЕХНІЧНЕ ОБСЛУГОВУВАННЯ на сторінці 384*.
- Робота за несприятливих погодних умов утомлює і часто створює додаткову небезпеку. Не рекомендовано використовувати виріб за складних погодних умов, наприклад у густий туман, під час зливи, сильного вітру чи холоду, коли є ризик ураження блискавкою тощо, адже це створює додаткову небезпеку
- Ніколи не працюйте на драбині, табуреті та в іншому піднятому положенні, яке не є достатньо надійним.
- Зберігайте прилади в приміщеннях – прилади, які не використовуються, мають зберігатися в приміщеннях.
- Неможливо передбачити в посібнику всі ситуації, які можуть виникнути під час використання пристрою. Завжди будьте обережні та керуйтеся здоровим глуздом. Уникайте завдань, які виходять за межі ваших можливостей. Якщо після ознайомлення з інструкціями у вас усе ще залишаться сумніви щодо процедур використання

інструмента, перед продовженням необхідно проконсультуватися зі знавцем.

- Подбайте, щоб під час роботи в радіусі 15 м (50 футів) навколо не було людей і тварин. Коли в одному місці застосовують декілька виробів, безпечна відстань між операторами має становити щонайменше 15 метрів (50 футів). Інакше існує ризик серйозного травмування. Якщо хтось підійде, негайно вимкніть пристрій. Ніколи не повертайте виріб, не перевірявши, чи не стоїть хтось за спиною.
- Якщо під час експлуатації виробу щось застрягне в різальній насадці, зупиніться й вимкніть живлення пристрою. Переконайтеся, що різальна насадка повністю зупинилася. Виймайте акумулятор перед очищенням, оглядом чи ремонтом виробу та/або різального обладнання.
- Переконайтеся, що люди, тварини чи будь-що інше не перешкоджатиме вам під час користування виробом і не постраждають від різальної насадки або предметів, які можуть відскочити від неї. Не користуйтеся виробом, якщо в разі нещасного випадку немає можливості покликати по допомогу.
- Переконайтеся, що ви можете безпечно стояти й рухатися. Перевірте, чи немає навколо можливих перешкод (коріння, каміння, гілок, ям тощо) на випадок, якщо треба буде різко переміститися. Будьте дуже уважні, працюючи на схилах.
- Пересувайтеся повільно, ніколи не біжіть.
- Перевірте робочу зону. Приберіть усі незакріплені предмети на кшталт каміння, розбитого скла, цвяхів, сталевих дротів, мотузок тощо, які можуть відскочити чи намотатися на різальний інструмент чи його кожух.
- Бережіться пнів і гілок, які можуть відлітати під час різання. Не косіть занадто близько до землі, якщо існує ризик відскакування каміння й інших предметів.
- Переконайтеся, що під час увімкнення виробу одяг або частини тіла не торкаються різальної насадки. Тримайте виріб нижче рівня талії.
- Остерігайтеся предметів, що відскакують. Завжди користуйтеся засобами захисту очей затвердженого зразка. Ніколи не нахилийтеся через захисний кожух різальної насадки. Каміння, сміття тощо може відскочити й потрапити в очі, спричинивши сліпоту чи тяжку травму.
- Працюючи в захисних навушниках, прислухайтеся до попереджувальних сигналів і окликів. Коли виріб зупиниться, одразу зніміть захисні навушники.
- Якщо виникають небажані вібрації, випустіть нову нитку, щоб скорегувати її довжину, після чого вібрації мають припинитися.
- Якщо виріб починає незвично вібрувати, необхідно зупинити його й вийняти акумулятор.
- У людей, які мають погіршений кровообіг, надмірна вібрація може пошкодити нервову систему або систему кровообігу. Якщо у вас

проявляються симптоми надмірного впливу вібрації, зверніться до свого лікаря. До таких симптомів належать: оніміння, утрата чутливості, пощипування, поколювання, занепад сил, зміни кольору або стану шкіри. Зазвичай ці симптоми проявляються в пальцях, руках і зап'ястках.

- Завжди тримайте інструмент обома руками.

Засоби індивідуального захисту



ПОПЕРЕДЖЕННЯ: Перш ніж розпочати використання виробу, уважно прочитайте наведені нижче попередження.

- Під час роботи з виробом завжди використовуйте сертифіковані засоби індивідуального захисту. Засоби індивідуального захисту не можуть повністю усунути небезпеку травмування, але в разі нещасного випадку знизять ступінь тяжкості травми. Дозвольте дилеру допомогти вам із вибором підходящого обладнання.
- Надягайте захисний шолом у місцях, де є небезпека падіння предметів.
- Використовуйте сертифіковані захисні навушники, які захистять від зайвого шуму. Тривала робота за сильного шуму може призвести до погіршення слуху.
- Користуйтеся відповідними засобами захисту очей. У разі використання захисної маски необхідно додатково вдягати схвалені захисні окуляри. Схвалені захисні окуляри мають відповідати стандарту ANSI Z87.1 у США або EN 166 у країнах ЄС.
- Для захисту обличчя використовуйте маску. Для захисту очей маски недостатньо.

(Мал. 22)

- За потреби використовуйте рукавиці, наприклад якщо необхідно приєднати, оглянути або почистити різальне обладнання.
- Взувайте міцне взуття з нековзною підшовою.
- Використовуйте одяг, виготовлений із міцної тканини. Завжди використовуйте довгі штани з міцної тканини й сорочку з довгими рукавами. Уникайте надто просторого одягу, який може зачепитися за сучки або гілки. Не надягайте на час роботи прикраси, короткі штани, сандалії, а також не ходіть босоніж. Заколойте волосся вище рівня плечей.

(Мал. 23)

- Тримайте під рукою аптечку.

(Мал. 24)

Запобіжне обладнання на виробі



ПОПЕРЕДЖЕННЯ: Перш ніж розпочати використання виробу,

уважно прочитайте наведені нижче попередження.

У цьому розділі описано засоби безпеки виробу, його призначення, а також порядок виконання перевірок і технічного обслуговування, необхідний для забезпечення його правильної роботи. Див. інструкції в розділі *Огляд виробу на сторінці 374* щодо розташування цих деталей на виробі.

Термін служби виробу може зменшитись, а небезпека виникнення нещасних випадків збільшиться, якщо його технічне обслуговування виконується неправильно або якщо обслуговування та / або ремонт виконуються непрофесійно. Для отримання додаткової інформації зверніться до найближчого сервісного дилера.



ПОПЕРЕДЖЕННЯ: Не використовуйте виріб із пошкодженими елементами захисту. Захисне обладнання виробу потрібно перевіряти й здійснювати його технічне обслуговування згідно з указівками, поданими в цьому розділі. Якщо виріб не відповідає хоча б одній із вимог перевірки, зверніться до центру обслуговування для ремонту.



УВАГА: Щоб проводити обслуговування та роботи з ремонту, потрібно мати спеціальну підготовку. Це особливо стосується захисного обладнання інструмента. Якщо інструмент не відповідає принаймні одній із вимог перевірки, що наведені нижче, зверніться до працівника центру обслуговування. Купуючи будь-який наш виріб, ви отримуєте гарантію на професійний ремонт та обслуговування. Якщо продавець, у якого ви купуєте інструмент, не надає послуг з обслуговування, дізнайтеся в нього, де знаходиться найближчий центр обслуговування.

Перевірка фіксатора механічного пускового пристрою

Фіксатор механічного пускового пристрою запобігає випадковому вмиканню. Коли ви відпускаєте ручку, фіксатор і механічний пусковий пристрій повертаються у вихідне положення.

1. Натисніть кнопку фіксатора механічного пускового пристрою. (Мал. 25)
2. Переконайтеся, що механічний пусковий пристрій заблоковано, коли фіксатор механічного пускового пристрою перебуває в початковому положенні. (Мал. 26)

3. Натисніть на фіксатор механічного пускового пристрою з одного боку, а потім з іншого. Переконайтеся, що фіксатор механічного пускового пристрою повернувся в початкове положення. (Мал. 27)
4. Переконайтеся, що механічний пусковий пристрій і фіксатор рухаються вільно, а зворотна пружина працює належним чином. (Мал. 28)
5. Запустіть виріб – див. розділ *Запуск виробу на сторінці 384*.
6. Відпустіть механічний пусковий пристрій і переконайтеся, що пристрій повністю зупинився.

Правила техніки безпеки під час монтажу



ПОПЕРЕДЖЕННЯ: Обов'язково прочитайте цей посібник користувача пристрою й посібник користувача схвалених аксесуарів.

- Перед монтажем вийміть акумулятор із виробу.
- Використовуйте схвалені захисні рукавиці.
- Використання пошкодженого або невідповідного кожуха може призвести до травмування. Забороняється використовувати різальні насадки без сертифікованого захисного кожуха.
- Перед запуском пристрою переконайтеся, що насадку змонтовано відповідним чином.
- Якщо в комплекті з насадкою постачається пасова підвіска, її має бути закріплено на виробі належним чином. Пасова підвіска робить експлуатацію безпечною і дає змогу запобігти травмуванню оператора чи сторонніх осіб.

Заходи безпеки під час роботи з акумуляторами



ПОПЕРЕДЖЕННЯ: Прочитайте всі загальні інструкції та інструкції щодо техніки безпеки. Недотримання загальних інструкцій та інструкцій щодо техніки безпеки може призвести до ураження електричним струмом, пожежі та/або тяжкого травмування. **Збережіть інформацію щодо правил техніки безпеки й загальні інструкції для подальшого користування.**

- Ці інструкції щодо техніки безпеки застосовуються лише до літій-іонних акумуляторів на 18 В системи POWER FOR ALL.
- Використовуйте акумулятор лише у виробач партнерів системи POWER FOR ALL. Акумулятори на 18 В із маркуванням POWER FOR ALL цілковито сумісні з такими виробами:
 - усі виробы з акумуляторною системою POWER FOR ALL на 18 В;

– усі виробни на 18 В партнерів системи POWER FOR ALL.

- **Дотримуйтеся рекомендацій щодо акумулятора, які містяться в посібнику з експлуатування вашого виробу.** Тільки таким чином акумуляторну батарею та виріб можна експлуатувати без небезпеки, а акумуляторні батареї будуть захищені від небезпечного перевантаження.
- **Заряджайте акумулятори лише за допомогою заряджальних пристроїв, рекомендованих виробником або партнерами системи POWER FOR ALL.** Заряджальний пристрій для акумуляторів певного типу може створювати ризик пожежі в разі використання з іншим акумулятором.
- **Акумулятори постачаються частково зарядженими.** Щоб забезпечити повну ємність акумулятора, перед першим використанням електроінструмента повністю зарядіть акумулятор у заряджальному пристрої.
- **Зберігайте блоки акумулятора в недоступному для дітей місці.**
- **Не відкривайте акумулятор.** У цьому разі існує ризик короткого замикання.
- **У разі пошкодження та неправильного використання акумулятора можливий викид випаровувань.** Акумулятор може спалахнути або вибухнути. Переконайтеся, що приміщення добре провітрюється, а якщо відчуєте будь-які несприятливі наслідки, зверніться по медичну допомогу. Випаровування можуть викликати подразнення дихальної системи.
- **У разі неправильного використання або пошкодження акумуляторів із них може витікати легкозаймиста рідина.** Уникайте контактів із цією рідиною. У разі випадкового контакту з нею промийте місце контакту водою. Якщо рідина потрапить в очі, зверніться по додаткову медичну допомогу. Рідина, виплеснута з акумулятора, може викликати подразнення або опіки.
- **У разі пошкодження акумулятора рідина може вилитись і забруднити прилегли поверхню.** Перевірте частини, які перебували під впливом. Очистьте ці частини або замініть їх у разі потреби.
- **Уникайте коротких замикань в акумуляторних блоках.** Якщо акумуляторний блок не використовується, треба тримати його подалі від металевих об'єктів, як-от скріпки, монети, ключі, цвяхи, гвинти й інші дрібні металеві предмети, які можуть з'єднати одну клему акумулятора з іншою. Замикання контактів акумулятора може призвести до опіків або пожежі.
- **Акумулятор можна пошкодити гострими предметами, як-от цвяхи чи викрутки, або докладанням зовнішнього зусилля.** Може статися внутрішнє коротке замикання, яке спричинить горіння, задимлення, вибух або перегрівання.
- **За жодних умов не виконуйте технічне обслуговування пошкоджених акумуляторних**

блоків. Технічне обслуговування акумуляторних блоків мають виконувати лише спеціалісти виробника або вповноваженого постачальника послуг.

- **Захищайте акумулятор від нагрівання, наприклад безперервним інтенсивним сонячним світлом чи вогнем, а також від бруду, води й вологи.** Існує ризик вибуху й короткого замикання.
- **Використовуйте акумулятор виробу лише за температури навколишнього середовища в межах -5 °C – 40 °C.**
- **Зберігайте акумулятор лише за температури навколишнього середовища в межах -20 °C – 50 °C.** Не залишайте акумулятор у машині, наприклад улітку. За температури <0 °C у деяких пристроях може забракнути живлення.
- **Заряджайте акумулятор лише за температури навколишнього середовища (у діапазоні 0 °C – +35 °C).** Заряджання за межами зазначеного температурного діапазону збільшує ризик пошкодження акумулятора та створює небезпеку пожежі.

Заходи безпеки під час роботи із зарядним пристроєм



ПОПЕРЕДЖЕННЯ: Прочитайте всі загальні інструкції та інструкції щодо техніки безпеки. Недотримання загальних інструкцій та інструкцій щодо техніки безпеки може призвести до ураження електричним струмом, пожежі та/або тяжкого травмування. **Зберігайте ці інструкції в безпечному місці.** Використовуйте заряджальний пристрій, лише якщо ви можете оцінити всі функції та користуватися ними без обмежень або якщо дістали відповідні інструкції.

- **Цей зарядний пристрій не призначений для використання дітьми або особами з фізичними, сенсорними чи психічними обмеженнями та особами, які не мають необхідного досвіду чи знань.** Цим зарядним пристроєм можуть користуватися діти віком від 8 років і особи з обмеженими фізичними, сенсорними чи психічними можливостями або особи без необхідного досвіду чи знань, якщо особа, відповідальна за їхню безпеку, наглядає за ними або проінструктувала їх щодо безпечної експлуатації зарядного пристрою та вони розуміють пов'язану із цим небезпеку. Інакше існує ризик виникнення помилок у роботі та травм.
- **Під час використання, чищення та обслуговування акумулятора стежте за дітьми.** Це гарантує, що діти не гратимуться із заряджальним пристроєм.
- **Заряджайте лише акумулятори системи POWER FOR ALL з напругою 18 В і ємністю 1,5 А-год**

та вище. Напруга акумулятора має відповідати напрузі заряджального пристрою для заряджання акумулятора. **Не заряджайте неперезаряджувані батареї.** Інакше існує ризик пожежі або вибуху.

- **Використовуйте зарядний пристрій лише в закритих приміщеннях і не піддавайте його впливу вологи.** Потрапляння води в інструмент підвищує ризик ураження електричним струмом.
- **Тримайте заряджальний пристрій у чистоті.** Забруднення збільшує ризик ураження електричним струмом.
- **Перед використанням завжди перевіряйте заряджальний пристрій, кабель і вилку.** Якщо виявите будь-які пошкодження, припиніть використовувати заряджальний пристрій. **Не відкривайте зарядний пристрій самостійно – його ремонт може здійснювати лише кваліфікований фахівець компанії Husqvarna або авторизованого центру післяпродажного обслуговування з використанням тільки оригінальних запасних частин.** Пошкоджений заряджальний пристрій, кабель або вилка збільшують ризик ураження електричним струмом.
- **Не використовуйте заряджальний пристрій на легкозаймистій поверхні (наприклад, на папері, тканині тощо) або в легкозаймистому середовищі.** Існує ризик пожежі через нагрівання заряджального пристрою під час роботи.
- **Не закривайте вентиляційні отвори заряджального пристрою.** Інакше заряджальний пристрій може перегреться і перестати працювати належним чином.
- **Заряджати акумулятор треба виключно за допомогою заряджального пристрою, зазначеного виробником.** Використання заряджального пристрою, призначеного для роботи з акумуляторами одного типу, з акумуляторами іншого типу може призвести до пожежі.
- **У разі пошкодження та неправильного використання акумулятора також можливий викид випаровувань.** Переконайтеся, що приміщення добре провітрюється, а якщо відчуєте будь-які несприятливі наслідки, зверніться по медичну допомогу. Випаровування можуть викликати подразнення дихальної системи.
- **У разі неналежного застосування може відбутися викид рідини з акумулятора.** Уникайте контактів із цією рідиною. У разі випадкового контакту з нею промийте місце контакту водою. Якщо рідина потрапить в очі, зверніться по додаткову медичну допомогу. Рідина, виплеснута з акумулятора, може викликати подразнення або опіки.

- **Вироби, продані виключно у Великій Британії:** Ваш виріб оснащено схваленою за стандартом BS 1363/A електричною вилкою з внутрішнім запобіжником (ASTA схвалено за стандартом BS 1362). Якщо вилка непридатна для вашої розетки, треба відрізати її та встановити на її місце відповідну вилку за допомогою агента авторизованої служби підтримки клієнтів. Вилка для заміни повинна мати той самий номінал запобіжника, що й оригінальна. Треба утилізувати відрізану вилку, щоб уникнути можливого ураження електричним струмом, і ніколи не вставляти її в будь-яку розетку.

Правила техніки безпеки під час обслуговування



ПОПЕРЕДЖЕННЯ: Перш ніж розпочати технічне обслуговування виробу, уважно прочитайте наведені нижче попередження.

- Перед технічним обслуговуванням, іншими перевітками чи монтажем виробу необхідно виймати акумулятор.
- Оператор має виконувати лише ті види технічного обслуговування, що описані в цьому посібнику користувача. У разі необхідності виконання складніших робіт із технічного обслуговування слід звернутися до сервісного дилера.
- Заборонено мити батарею чи зарядний пристрій водою. Використання сильнодіючих миючих засобів може призвести до пошкодження пластику.
- Відсутність технічного обслуговування зменшує термін служби виробу й підвищує вірогідність виникнення нещасних випадків.
- Для виконання робіт з обслуговування й ремонту, особливо в разі роботи із захисними пристроями виробу, необхідна спеціальна підготовка. Якщо після технічного обслуговування виріб не пройде частину перевірок, наведених у цьому посібнику користувача, зверніться до свого сервісного дилера. Ми гарантуємо можливість професійного ремонту й обслуговування вашого виробу.
- Використовуйте лише оригінальні запасні частини.
- Під час роботи з різальною насадкою завжди надягайте міцні рукавиці. Леза дуже гострі й можуть легко спричинити травми.

Збирання

Вступ



ПОПЕРЕДЖЕННЯ: Перед збиранням виробу уважно прочитайте розділ про правила техніки безпеки.

Установлення насадки

1. Прикріпіть насадку (А) до силового модуля (В). Насадка має легко рухатись у тримачі силового модуля; якщо це не так, його встановлено неправильно. (Мал. 29)
2. Затягніть фіксувальну головку (С).

Зверніть увагу: Коли насадку встановлено на силовому модулі, інтерфейс користувача насадки відключений.

Змінення довжини телескопічної штанги

1. Відпустіть важіль (А) на штанзі. (Мал. 30)
2. Налаштуйте довжину телескопічної штанги.
3. Натисніть на важіль униз, щоб зафіксувати телескопічну штангу.

Монтаж гака для зберігання на стіні

- Гак для зберігання має бути встановлений у приміщенні.

- Гак для зберігання має бути захищеним від сонячного світла, а температура навколишнього повітря має становити від -10°C до 70°C .
- Гак для зберігання можна закріпити на стіні з гіпсокартону, деревини або бетону.



УВАГА: Переконайтеся, що стіна витримує навантаження не менше 30 кг.

- Прикріпіть гак для зберігання до стіни за допомогою 3 гвинтів (А). Якщо треба, скористайтеся дюбелями (В). (Мал. 31)



УВАГА: Упевніться, що гвинти відповідають до типу вашої стіни.

- Зверніться до агента служби підтримки Husqvarna по інформацію про доступні аксесуари для зберігання вашого виробу.

Розміщення виробу на гаку для зберігання

- Підвісьте пристрій на гак для зберігання, як показано на рисунку. (Мал. 32)

Експлуатація

Робоча перевірка перед початком використання виробу

1. Видаліть із виробу бруд і зайвий матеріал за допомогою щітки.
2. Затягніть усі гвинти й гайки.
3. Переконайтеся, що насадку прикріплено належним чином.
4. Переконайтеся, що фіксатор механічного пускового пристрою задіяний.
5. Переконайтеся, що фіксатори подовженої штанги та поворотного елемента перебувають у заблокованому положенні.
6. Перевірте насадку на наявність пошкоджень на кшталт тріщин. Якщо насадка пошкоджена, замініть її.
7. Переконайтеся, що кожухи встановлені правильно й не пошкоджені.
8. Переконайтеся, що виріб працює належним чином.

Під'єднання акумулятора до виробу



ПОПЕРЕДЖЕННЯ:

Використовуйте у виробі тільки літій-іонні акумулятори POWER FOR ALL системи P4A 18 V.

1. Переконайтеся, що акумулятор повністю заряджений.
2. Вставте акумулятор у тримач акумулятора виробу. Акумулятор має вставлятися в тримач легко. Якщо це не так, його встановлено неправильно. (Мал. 33)
3. Повністю вставте акумулятор у тримач акумулятора. Коли почується клацання, акумулятор буде зафіксовано.
4. Переконайтеся, що фіксатори стали на свої місця.

Запуск виробу

1. Натисніть кнопку фіксатора механічного пускового пристрою. (Мал. 25)
2. Натисніть на фіксатор механічного пускового пристрою (А) з лівого або правого боку та утримуйте механічний пусковий пристрій (В). (Мал. 34)

Вимкнення виробу

1. Відпустіть механічний пусковий пристрій.
2. Натисніть на фіксатор механічного пускового пристрою назад, щоб заблокувати виріб.
3. Натисніть кнопку фіксатора акумулятора й витягніть акумулятор. (Мал. 35)
4. Якщо необхідно, зніміть насадку з виробу.

Регулювання робочого кута виробу

Виріб можна встановити в сім різних позицій.



ПОПЕРЕДЖЕННЯ: Заборонено налаштовувати кут під час експлуатації виробу.

1. Зупиніть виріб і вийміть акумулятор.
2. Міцно тримайте тримач (А). (Мал. 36)
3. Натисніть і втримуйте поворотний шарнір (В).
4. Установіть тримач у правильне положення.
5. Відпустіть поворотний шарнір, щоб зафіксувати тримач.
6. Переміщайте тримач угору та вниз, доки він не зафіксується в потрібному положенні.

ТЕХНІЧНЕ ОБСЛУГОВУВАННЯ

Вступ



ПОПЕРЕДЖЕННЯ: Перед початком технічного обслуговування

уважно прочитайте розділ про правила техніки безпеки.



ПОПЕРЕДЖЕННЯ: Перед початком технічного обслуговування виробу вийміть акумулятор.

Графік технічного обслуговування

Нижче наведено перелік заходів технічного обслуговування, які слід виконувати.

Технічне обслуговування	Перед початком роботи	Щотижня	Щомісяця
Очистьте зовнішні деталі виробу сухою ганчіркою. Не використовуйте воду.	X		
Переконайтеся, що кнопка блокування механічного пускового пристрою працює належним чином і не пошкоджена.	X		
Переконайтеся, що механічний пусковий пристрій і його фіксатор працюють правильно з точки зору безпеки.	X		
Переконайтеся, що всі елементи керування працюють відповідним чином і не пошкоджені.	X		
Тримайте ручки чистими й сухими.	X		
Переконайтеся в тому, що всі гвинти й гайки затягнуті.	X		
Переконайтеся, що кнопки фіксатора на акумуляторі справні та надійно втримують акумулятор у виробі.	X		
Перевірте акумулятор на відсутність пошкоджень.	X		
Переконайтеся, що акумулятор заряджений.	X		
Переконайтеся, що зарядний пристрій не пошкоджений і працює належним чином.	X		

Технічне обслуговування	Перед початком роботи	Щотижня	Щомісяця
Перевірте всі кабелі та з'єднання. Переконайтеся, що вони чисті й не пошкоджені.		X	
Перевірте з'єднання між акумулятором і виробом.			X
Перевірте з'єднання між акумулятором і зарядним пристроєм.			X

Чищення виробу, акумулятора й зарядного пристрою

- Після використання протріть виріб сухою тканиною.
- Протріть сухою тканиною акумулятор і зарядний пристрій. Тримайте напрямні рейки акумулятора в чистоті.

- Перед встановленням акумулятора в зарядний пристрій чи виріб переконайтеся, що контакти акумулятора й зарядного пристрою чисті.

Транспортування, зберігання й утилізація

Транспортування та зберігання

- На літій-іонні акумулятори поширюються правила щодо небезпечного вантажу.
- У разі перевезення пасажирським або вантажним транспортом дотримуйтеся спеціальних вимог щодо упаковки й маркування (це правило також стосується третіх осіб і експедиторів).
- Перш ніж відправляти виріб, проконсультуйтеся з особою, що пройшла спеціальну підготовку щодо поводження з небезпечними матеріалами. Дотримуйтеся всіх застосованих національних норм і правил.
- Перед пакуванням акумулятора ізолюйте відкриті контакти. Зафіксуйте акумулятор в упаковці, щоб він не рухався.
- Під час підготовки до зберігання чи транспортування виробу завжди виймайте акумулятор.
- Зберігайте акумулятор і зарядний пристрій у сухому приміщенні, захищеному від вологи та низьких температур.
- Заборонено зберігати акумулятор у місці, де можуть утворюватися статичні заряди. Не зберігайте акумулятор у металевій коробці.
- Зберігайте акумулятор за температури від $-20\text{ }^{\circ}\text{C}$ до $50\text{ }^{\circ}\text{C}$ у захищеному від прямих сонячних променів місці.
- Зберігайте зарядний пристрій за температури від $5\text{ }^{\circ}\text{C}$ до $45\text{ }^{\circ}\text{C}$ у захищеному від прямих сонячних променів місці.
- Використовуйте зарядний пристрій лише за температури навколишнього середовища від $0\text{ }^{\circ}\text{C}$ до $35\text{ }^{\circ}\text{C}$.
- Зберігайте виріб лише за температури від $-40\text{ }^{\circ}\text{C}$ до $+60\text{ }^{\circ}\text{C}$.

- Перед довготривалим зберіганням акумулятор необхідно зарядити на 30–50 %.
- Зберігайте зарядний пристрій у сухому закритому приміщенні.
- Зберігайте акумулятор і зарядний пристрій окремо. Не дозволяйте дітям та іншим особам без належної підготовки торкатися обладнання. Зберігайте обладнання в приміщеннях, які можна закрити на замок.
- Перед тривалим зберіганням промийте виріб і проведіть повне технічне обслуговування.
- Під час транспортування й зберігання використовуйте чохол для транспортування, що допоможе захистити виріб від травм і пошкоджень.
- Під час транспортування надійно закріплюйте виріб.
- Під час зберігання розташуйте виріб горизонтально або повісьте його на гачок, що входить до комплекту. Дивіться розділ *Розміщення виробу на гаку для зберігання на сторінці 383*.

Утилізація акумулятора, зарядного пристрою й виробу

Символ, наведений нижче, означає, що цей виріб не можна утилізувати разом із побутовими відходами. Утилізацію необхідно проводити на підприємстві з переробки відходів електричного й електронного обладнання. Це допоможе запобігти шкоді навколишньому середовищу й людям.

Щоб отримати детальнішу інформацію, проконсультуйтеся з органами місцевої влади,

місцевою службою переробки відходів чи своїм дилером.

(Мал. 18)

Зверніть увагу: Символ нанесений на виріб чи упаковку виробу.

Технічні характеристики

Aspire Pole-P4A	
Маса	
Вага (без аксесуарів), кг	1,5

Схвалені акумулятори

Для живлення цього пристрою можна використовувати будь-які акумулятори **POWER FOR ALL**.

Акумулятор	P4A 18-B36	P4A 18-B45	P4A 18-B72
Тип	Літій-іонний	Літій-іонний	Літій-іонний
Ємність батареї, ампер-години	2,0	2,5	4,0
Номинальна напруга, В	18	18	18
Маса, кг	0,35	0,35	0,65
Кількість елементів (Li-Ion)	5	5	10

Сертифіковані зарядні пристрої

Зарядний пристрій	P4A 18-C50	P4A 18-C70
Вхідна напруга, В	Див. інформацію про номінальні характеристики зарядного пристрою.	Див. інформацію про номінальні характеристики зарядного пристрою.
Частота, Гц	50–60	50–60
Потужність, Вт	50	70

Аксесуари

Насадки

Схвалене приладдя	Тип	Використовувати з
Насадка-кущоріз	Aspire S20-P4A	Aspire Pole-P4A

Схвалене приладдя	Тип	Використовувати з
Насадка-висоторіз	Aspire P5-P4A	Aspire Pole-P4A

Декларація відповідності

Декларація відповідності ЄС

Ми, компанія **Husqvarna AB**, SE-561 82 Huskvarna, Швеція, тел.: +46-36-146500, заявляємо під свою виключну відповідальність, що представлений виріб:

Опис	Пристрій з акумуляторним живленням
Бренд	Husqvarna
Тип / модель	Aspire Pole-P4A
Ідентифікація	Серійні номери за 2023 рік і пізніше

повністю відповідає таким директивам і нормам ЄС:

Директива/норма	Опис
2006/42/EC	«Про механічне обладнання»
2014/30/EU	«Про електромагнітну сумісність»
2011/65/EU	«Про обмеження використання деяких небезпечних речовин в електричному й електронному обладнанні»
2000/14/EC	«Про виділення шуму в навколишнє середовище»

і що до нього застосовуються вказані далі узгоджені стандарти та (або) технічні специфікації: EN 62841-1:2015/A11:2022, EN 62841-4-2:2019/A1:2022, EN IEC 62841-4-5:2021/A11:2021, EN ISO 11680-1:2011, EN ISO 12100:2010, EN IEC 55014-1:2021, EN IEC 55014-2:2021, EN IEC 63000:2018.

Компанія DEKRA Testing and Certification GmbH, Handwerkstraße 15, 70565 Stuttgart, Germany, 0158, виконала безкоштовну сертифікацію на відповідність вимогам ЄС згідно з пунктом 3b статті 12 директиви Ради ЄС «Про машини та механізми» (2006/42/EC). Номер сертифіката типової перевірки ЄС: 4815039.22006.

Застосовано процедуру оцінки відповідності згідно з Директивою 2000/14/EC, Додаток V.

З використанням насадки Aspire P5-P4A як висоторіза

- Рівень звукової потужності згідно з вимірюваннями: 88 дБ(А)
- Гарантований рівень звукової потужності: 91 дБ(А)

З використанням насадки Aspire S20-P4A як куцюріза із подовжувачем

- Вимірний рівень звукової потужності роботи ножа для куців: 83 дБ(А)
- Вимірний рівень звукової потужності роботи ножа для трави: 79 дБ(А)

- Гарантований рівень звукової потужності: 84 дБ(А)

Husqvarna, 2023-10-30



Клас Лосдал (Claes Losdal), директор відділу НДДКР, Husqvarna AB

Відповідальний за технічну документацію



Ліцензії

Copyright © 2012–2020 STMicroelectronics

Гарантія не поширюється на дефекти, що з'явилися внаслідок нормального зношування, недбалого поводження, використання не за призначенням, несанкціонованого ремонту або в разі під'єднання всмоктувального апарата до джерела невідповідної напруги.

Усі права застережено.

Поширення та використання на вихідній і двійковій формах, зі змінами або без них, дозволено в разі дотримання таких умов:

- Поширення вихідного коду має супроводжуватися наведеним вище повідомленням про авторські права, переліком цих умов і подальшим застереженням.
- Комплект постачання для поширення у двійковій формі має супроводжуватися в документації та/або інших матеріалах, що надаються разом із таким комплектом, вищезазначеним повідомленням про авторські права, переліком цих умов і подальшою відмовою від відповідальності.
- Ані назва STMicroelectronics, ані назви учасників не можуть використовуватися для підтримки чи просування продуктів, створених на основі цього програмного забезпечення, без спеціального попереднього письмового дозволу.

ЦЕ ПРОГРАМНЕ ЗАБЕЗПЕЧЕННЯ НАДАЮТЬ ВЛАСНИКИ АВТОРСЬКИХ ПРАВ ТА УЧАСНИКАМИ У ВИГЛЯДІ «ЯК Є», ІЗ ВІДМОВОЮ ВІД БУДЬ-ЯКИХ БЕЗПОСЕРЕДНИХ АБО ОПОСЕРЕДКОВАНИХ ГАРАНТІЙ, ВКЛЮЧНО ОПОСЕРЕДКОВАНИМИ ГАРАНТІЯМИ КОМЕРЦІЙНОЇ ПРИДАТНОСТІ ТА ПРИДАТНОСТІ ДЛЯ БУДЬ-ЯКОЇ КОНКРЕТНОЇ МЕТИ, АЛЕ НЕ ОБМЕЖУЮЧИСЬ НИМИ. ВЛАСНИК АВТОРСЬКИХ ПРАВ АБО УЧАСНИКІ В ЖОДНОМУ РАЗІ НЕ НЕСУТЬ ВІДПОВІДАЛЬНОСТІ ЗА БУДЬ-ЯКІ БЕЗПОСЕРЕДНІ, ОПОСЕРЕДКОВАНІ, ВПАДКОВІ, ОСОБЛИВІ, ШТРАФНІ АБО ПОБІЧНІ ЗБИТКИ (ВКЛЮЧНО З ПРИДБАННЯМ ТОВАРІВ АБО ПОСЛУГ НА ЗАМІНУ, ВТРАТОЮ МОЖЛИВОСТІ ВИКОРИСТАННЯ, ДАНИХ АБО ПРИБУТКУ АБО ПЕРЕРВОЮ У ВЕДЕННІ ДІЯЛЬНОСТІ, АЛЕ НЕ ОБМЕЖУЮЧИСЬ НИМИ) НЕЗАЛЕЖНО ВІД ПРИЧИН І ЗГІДНО З БУДЬ-ЯКИМИ ПРИЧИНАМИ Й ВИДАМИ ВІДПОВІДАЛЬНОСТІ, ЧИ-ТО ДОГОВОРОМ, ЧИ-ТО БЕЗПОСЕРЕДНЬОЮ ВІДПОВІДАЛЬНОСТІЮ АБО ДЕЛІКТОМ (ВКЛЮЧНО З НЕДБАЛІСТЮ АБО ІНШИМИ ПІДСТАВАМИ), ЯКІ ВИНИКАЮТЬ ЧЕРЕЗ БУДЬ-ЯКИЙ СПОСІБ ВИКОРИСТАННЯ ЦЬОГО ПРОГРАМНОГО ЗАБЕЗПЕЧЕННЯ, НАВІТЬ ЯКЩО БУЛО ПОВІДОМЛЕНО ПРО МОЖЛИВІСТЬ ТАКОГО ЗБИТКУ.

Ліцензія Apache 2.0

Авторське право © 2009–2019 Arm Limited. Усі права застережено.

Версія 2.0, січень 2004 <http://www.apache.org/licenses/>

УМОВИ Й ПОЛОЖЕННЯ ЩОДО ВИКОРИСТАННЯ, ВІДТВОРЕННЯ ТА ПОШИРЕННЯ

1. Визначення.

«Ліцензія» означатиме положення та умови використання, відтворення та поширення, як визначено в Розділах 1–9 цього документа.

«Ліцензіар» означатиме власника авторських прав або організацію, уповноважену власником авторських прав, яка надає цю Ліцензію. **«Юридична особа»** означатиме сукупність виконавчої організації та всіх інших організацій, які керують цією організацією, керуються нею або перебувають під спільним керуванням із нею. Для цілей цього визначення **«керування»** означає (i) повноваження, безпосередні або опосередковані, розпоряджатися або керувати такою організацією, за контрактом або будь-яким іншим чином, або (ii) володіння п'ятдесяти відсотками (50 %) або більшою кількістю акцій, що перебувають в обігу, або (iii) бенефіціарне володіння такою організацією. **«Ви»** (або **«Ваш»**) означатиме фізичну або юридичну особу, яка користується дозволами, наданими за цією Ліцензією. **«Вихідна»** форма означатиме бажану форму для внесення змін, включно з вихідним кодом програмного забезпечення, вихідною документацією та файлами конфігурації, але не обмежуючись ними. **«Об'єктна»** форма означатиме будь-яку форму, отриману в результаті механічного перетворення або трансляції Вихідної форми, включно зі скомпільованим об'єктним кодом, згенерованою документацією та перетворенням для носіїв інших типів. **«Робота»** означатиме авторську роботу у вихідній чи об'єктній формі, надану згідно з Ліцензією, як зазначено в повідомленні про авторські права, яке включено чи додано до такої роботи (приклад наведено в Додатку нижче). **«Похідні роботи»** означатиме будь-яку роботу у вихідній чи об'єктній формі, засновану на Роботі (або похідну від неї), для якої редакційні виправлення, зауваження, уточнення або інші модифікації є загалом оригінальною авторською роботою. Для цілей цієї Ліцензії Похідні роботи не включатимуть у себе роботи, які залишаються відокремленими або просто пов'язані (або прив'язані за назвою) до інтерфейсів Роботи та її Похідних робіт. **«Внесок»** означатиме будь-яку авторську роботу, включно з оригінальною версією Роботи й будь-якими модифікаціями цієї Роботи чи доповненнями до неї або до Похідних робіт від неї, яку навмисно надано Ліцензіарові власником авторських прав або фізичною чи Юридичною особою, уповноваженою діяти від імені власника авторських прав, для включення до складу Роботи. Для цілей цього визначення, **«надана»**

означає будь-яку форму електронного, усного чи письмового повідомлення, надісланого Ліцензіарові або його представникам, включно з повідомленнями за списками електронного розсилання, але не обмежуючись ними, у системах контролю вихідного коду й системах відстежування проблем у ПЗ, керування якими здійснюється Ліцензіаром або від його імені, метою яких є обговорення та вдосконалення Роботи, але виключає повідомлення, які явним або іншим чином позначено в письмовій формі власником авторських прав як **«Не є внеском»**. **«Учасник»** означатиме Ліцензіара й будь-яку фізичну чи Юридичну особу, від імені якої Внесок було отримано Ліцензіаром і згодом включено до складу Роботи.

2. Надання Ліцензії на авторське право.

Згідно з умовами та положеннями цієї Ліцензії кожен Учасник цим надає Вам безстрокову, усесвітню, невиключну, безкоштовну, безоплатну, безвідкличну ліцензію на авторське право для здійснення відтворення, підготовки Похідних робіт, публічного показу, публічного виконання, субліцензування та поширення Роботи й таких Похідних робіт у вихідній або об'єктній формі.

3. Надання Патентної ліцензії.

Згідно з умовами й положеннями цієї Ліцензії, кожен Учасник цим надає Вам безстрокову, усесвітню, невиключну, безкоштовну, безоплатну, безвідкличну (за винятком випадків, зазначених у цьому розділі) патентну ліцензію на створення, використання, пропозицію продажу, продаж, імпорт та передавання Роботи іншим чином, якщо така ліцензія поширюється лише на ті патентні претензії, які можуть бути ліцензовані таким Учасником, права на які обов'язково порушуються лише його Внеском(-ами) або поєднанням його Внеску(-ів) з Роботою, до якої було надано такий Внесок(-и). Якщо Ви порушуєте патентний позов проти будь-якої організації (включно з перекресним позовом або зустрічним позовом у складі судового позову), стверджуючи, що Робота або Внесок, включений до складу Роботи, є прямим або непрямым порушенням патентних прав, тоді чинність будь-яких патентних ліцензій, наданих Вам згідно з цією Ліцензією на цю Роботу, буде припинено з дати подання такого позову.

4. Поширення.

Ви можете відтворювати й поширювати копії Роботи або Похідних робіт на будь-якому носії, зі змінами або без них, у вихідній чи об'єктній формі, за умови, що Ви відповідаєте таким умовам:

- Ви повинні надати будь-яким іншим одержувачам Роботи або Похідних робіт копію цієї Ліцензії; і
- Ви повинні зробити так, щоб будь-які змінені файли містили помітні повідомлення про те, що Ви внесли зміни до цих файлів; і Ви повинні залишати у Вихідній формі будь-яких

Похідних робіт, які поширюєте, усі повідомлення про авторські права, патенти, товарні знаки й покликання на авторство з Вихідної форми Роботи, за винятком тих повідомлень, які не стосуються жодної частини Похідних робіт; і

- Якщо Робота включає в себе текстовий файл **«ПОВІДОМЛЕННЯ»** як частину комплекту постачання, тоді будь-які Похідні роботи, які ви поширюєте, повинні містити придатну для читання копію повідомлень про авторство, які містяться в такому файлі ПОВІДОМЛЕННЯ, за винятком тих повідомлень, які не стосуються жодної частини Похідної роботи, принаймні в одному з таких місць: у текстовому файлі ПОВІДОМЛЕННЯ, який поширюють як частину Похідних робіт; у Вихідній формі або документації, якщо вони надаються разом із Похідними роботами; або в межах відображення, згенерованого Похідними роботами, незалежно від наявності та звичайних місць відображення аналогічних повідомлень третіх сторін. Вміст файлу ПОВІДОМЛЕННЯ призначено лише для інформаційних цілей, а не для зміни Ліцензії. У Похідних роботах, які Ви поширюєте, Ви можете додавати свої власні повідомлення про авторство поряд із текстом ПОВІДОМЛЕННЯ щодо Роботи або як додаток до нього, за умови, що такі додаткові повідомлення про авторство не можуть тлумачитися як внесення змін до Ліцензії. Ви можете додати до своїх модифікацій власну заяву про авторські права й передбачити додаткові або інші умови ліцензії на використання, відтворення чи поширення своїх модифікацій або для будь-яких таких Похідних робіт загалом, за умови, що використання, відтворення та розповсюдження Роботи Вами в іншому разі відповідає умовам, зазначеним у цій Ліцензії.

5. Надання Внесків.

Якщо Ви явним чином не зазначите інше, будь-який Внесок, навмисно наданий Вами Ліцензіарові для включення до складу Роботи, має відповідати положенням та умовам цієї Ліцензії без будь-яких додаткових положень або умов. Незважаючи на вищесказане, ніщо в цьому документі не замінює та не змінює умов будь-якої окремої ліцензійної угоди, яку ви могли укласти з Ліцензіаром щодо таких Внесків.

6. Товарні знаки.

Ця Ліцензія не надає дозволу на використання торгових назв, товарних знаків, знаків обслуговування або назв продуктів Ліцензіара, за винятком випадків, коли це потрібно для доцільного та звичного використання в описі походження Роботи й відтворення вмісту файлу ПОВІДОМЛЕННЯ.

7. Відмова від Гарантії.

Якщо цього не вимагає застосовне законодавство або якщо це не погоджено в письмовій формі, Ліцензіар надає Роботу (і кожен Учасник надає свої Внески) у вигляді «ЯК Є», БЕЗ БУДЬ-ЯКИХ ГАРАНТІЙ АБО УМОВ, виражених явним чином або таких, що мають на увазі, включно, без обмежень, із будь-якими гарантіями чи умовами ПРАВА ВОЛОДІННЯ, НЕПОРУШЕННЯ ПРАВ, КОМЕРЦІЙНОЇ ПРИДАТНОСТІ або ПРИДАТНОСТІ ДЛЯ КОНКРЕТНОЇ МЕТИ. Ви несете виключну відповідальність за визначення доцільності застосування або поширення Роботи та приймаєте на себе будь-які ризики, пов'язані з користуванням дозволами, наданими згідно з цією Ліцензією. 8. Обмеження відповідальності. За будь-яких обставин і згідно з будь-якою законодавчою базою, чи-то делікт (включно з недбалістю), чи-то договір або інше, якщо цього не вимагає застосовне законодавство (наприклад, навмисні дії та груба недбалість) або це не погоджено в письмовій формі, жоден Учасник не нестиме відповідальності перед Вами за збитки, зокрема будь-які безпосередні, опосередковані, особливі, випадкові або наслідкові збитки будь-якого характеру, що виникають унаслідок цієї Ліцензії або через використання чи неможливість

використання Роботи (включно зі збитками за втрату репутації, припинення діяльності, збій чи несправність комп'ютера або будь-які інші комерційні збитки чи втрати, але не обмежуючись ними), навіть якщо такого Учасника було повідомлено про можливість таких збитків.

9. Прийняття на себе гарантії або додаткової відповідальності.

У разі поширення Роботи або її Похідних робіт Ви можете вибрати пропозицію та визначити плату за прийняття на себе підтримки, гарантії, відшкодування чи інших зобов'язань та/або прав, які відповідають цій Ліцензії. Однак, приймаючи на себе такі зобов'язання, Ви можете діяти лише від власного імені й виключно під свою відповідальність, а не від імені будь-якого іншого Учасника, і лише в разі, якщо Ви погоджуєтесь відшкодувати, захищати та звільняти кожного Учасника від будь-якої понесеної відповідальності або претензій, висунутих проти такого Учасника через те, що ви приймаєте на себе будь-яку таку гарантію чи додаткову відповідальність. КІНЕЦЬ УМОВ І ПОЛОЖЕНЬ

VSEBINA

Uvod.....	391	Transport skladiščenje in odstranitev.....	401
Varnost.....	393	Tehnični podatki.....	401
Montaža.....	399	Dodatna oprema.....	402
Delovanje.....	399	Izjava o skladnosti.....	403
Vzdrževanje.....	400	Licence.....	404

Uvod

Opis izdelka

Husqvarna Aspire Pole-P4A je akumulatorska napajalna enota s teleskopskim drogom.

Namen uporabe

Ta električna naprava je le osnovna enota, ki deluje samo v povezavi z odobreno dodatno opremo; za

odobreno dodatno glejte *Dodatna oprema na strani 402*. Ta navodila uporabljajte v kombinaciji z navodili za uporabo atestiranega priključka.

Pregled izdelka

(Sl. 1)

1. Vrtljivi zglob
2. Zaklepni vijak za priključek
3. Vzvod za teleskopsko funkcijo
4. Gred
5. Mehak ovoj
6. Kavelj oprtnika
7. Zaklepni gumb za zaklep sprožilca plina
8. Zadnji ročaj
9. Zaklep sprožilca plina
10. Sprožilec plina
11. Navodila za uporabo
12. Gumb za sprostitve baterije
13. Polnilnik akumulatorske baterije
14. Indikator vklopa in opozoril
15. Priključek
16. Kavelj za shranjevanje, vijaki in stenska vtičnica

Simboli na izdelku

- (SI. 2) OPOZORILO: Ta izdelek je lahko nevaren in lahko povzroči hude poškodbe oziroma smrt uporabnika ali drugih. Bodite previdni in uporabljajte izdelek pravilno.
- (SI. 3) Pred uporabo tega izdelka morate pazno prebrati navodila za uporabo ter jih razumeti.
- (SI. 4) Na območjih, kjer bi lahko na vas padel kakšen predmet, uporabljajte zaščitno čelado. Uporabljajte odobreno zaščitno za sluh (samo za Aspire P5-P4A + Aspire Pole-P4A). Uporabljajte odobreno zaščitno oči.
- (SI. 5) Uporabljajte odobrene zaščitne rokavice.
- (SI. 6) Uporabljajte trpežno obutev, ki ne drsi. (Velja samo za Aspire P5-P4A + Aspire Pole-P4A)
- (SI. 7) Enosmerni tok.
- (SI. 8) Nazivna napetost, V
- (SI. 9) Izdelek ne sme biti izpostavljen dežju.
- (SI. 10) Nevarnost poškodb. Z rokami ne segajte v območje delovanja rezil.
- (SI. 11) Izdelek je skladen z veljavnimi direktivami EU.
- (SI. 12) Izdelek je v skladu z veljavnimi direktivami ZK.
- (SI. 13) Izdelek ali embalaža izdelka ne spadata med gospodinjске odpadke. Treba ga je reciklirati v zbirnem centru za reciklažo električne in elektronske opreme.
- (SI. 16) NEVARNOST – vzdržujte zadostno oddaljenost od električnih vodov.
- (SI. 17) Na tipski ploščici ali laserskemu natisu je navedena serijska številka. **yyyy** je proizvodno leto in **ww** je proizvodni teden.

Opomba: Ostali znaki in nalepke na izdelku se nanašajo na specifične certifikacijske zahteve, ki veljajo na nekaterih tržiščih.

Simboli na bateriji in/ali polnilniku baterije

- (SI. 18) Izdelek je treba reciklirati v zbirnem centru za reciklažo električne in elektronske opreme. (Velja samo za Evropo)
- (SI. 19) Baterijo uporabljajte samo v izdelkih POWER FOR ALL sistemskih partnerjev.
- (SI. 20) Baterijo zaščitite pred vročino, npr. pred izpostavljenostjo neprekinjeni močni sončni svetlobi, ognju, umazaniji, vodi in vlagi. Obstaja nevarnost eksplozije in kratkega stika.
- (SI. 21) Baterijo zaščitite pred vročino, npr. pred izpostavljenostjo neprekinjeni močni sončni svetlobi, ognju, umazaniji, vodi in vlagi. Obstaja nevarnost eksplozije in kratkega stika.

- (SI. 14) Baterijski polnilnik hranite in uporabljajte samo v zaprtih prostorih.
- (SI. 15) Dvojna izolacija.

Škoda izdelka

Za škodo na izdelku ne odgovarjamo, če:

- Izdelek ni pravilno popravljen.
- Izdelek je popravljen z deli, ki jih ni izdelal ali odobril proizvajalec.
- Na izdelku je nameščena dodatna oprema, ki je ni izdelal ali odobril proizvajalec.
- Izdelek ni bil popravljen v pooblaščenem servisnem centru ali pri pooblaščenem organu.

Proizvajalec

Husqvarna AB

Drottninggatan 2, SE-561 82 Huskvarna, Sweden, tel: +46-36-146 500

Varnost

Varnostne definicije

Opozorila, svarila in opombe opozarjajo na posebej pomembne dele priročnika.



OPOZORILO: Se uporabi, če obstaja nevarnost telesne poškodbe ali smrti uporabnika ali opazovalcev ob neupoštevanju navodil v tem priročniku.



POZOR: Se uporabi, če obstaja nevarnost poškodbe izdelka, drugih materialov ali okolice ob neupoštevanju navodil v tem priročniku.

Opomba: Se uporabi za podajanje podrobnejših informacij, potrebnih v dani situaciji.

Splošna varnostna opozorila za električno orodje



OPOZORILO: Navodila za uporabo atestiranega priključka uporabljajte v kombinaciji z navodili za uporabo te električne naprave.



OPOZORILO: Preberite vsa varnostna opozorila, navodila, slike in specifikacije, dobavljene s tem električnim orodjem. Neupoštevanje vseh spodaj navedenih navodil lahko povzroči električni udar, požar in/ali težko telesno poškodbo.

Opomba: Shranite vsa opozorila in navodila za bodočo uporabo. Izraz »električno orodje« v opozorilih se nanaša na orodje z napajanjem prek kabla neposredno iz električnega omrežja ali baterijsko električno orodje (brez kabla).

Varnost delovnega področja

- **Poskrbite za čistočo in dobro osvetlitev delovnega področja.** Prenatrpani ali mračni prostori kar kličejo nesrečo.
- **Električnega orodja ne uporabljajte v eksplozivnem okolju, na primer v bližini vnetljivih tekočin, plinov ali prahu.** Električna orodja sprožajo iskre, ki lahko vžgejo prah ali hlape.
- **Ne dovolite, da bi bili med uporabo električnega orodja prisotni otroci ali opazovalci.** Odvratanje pozornosti lahko povzroči izgubo nadzora.

Električna varnost

- **Vtiči električnega orodja se morajo ujemati z vtičnico. Vtiča na noben način ne spreminjajte. Z ozemljenim električnim orodjem ne uporabljajte adapterjev za vtičač.** Nepredelani vtiči in ustrezne vtičnice poskrbijo za zmanjšano nevarnost električnega udara.
- **Izogibajte se telesnega stika z ozemljenimi površinami, kot so cevi, radiatorji, štedilniki in hladilniki.** Če je vaše telo ozemljeno, se nevarnost električnega udara poveča.
- **Električnega orodja ne izpostavljajte dežju ali vlagi.** Če v električno orodje prodre voda, se poveča nevarnost električnega udara.
- **Ne ravajte grobo s kablom. Nikoli ne uporabljajte kabla za prenašanje, vlečenje ali izklapljanje električnega orodja iz vtičnice. Kabel ne sme priti v stik z vročino toplote, oljem, ostrimi robovi ali premikajočimi deli.** Poškodovani ali zavozlani kabli povečujejo nevarnost električnega udara.
- **Če uporabljate električno orodje zunaj, uporabljajte kabelski podaljšek, ki je primeren za zunanjo uporabo.** Za zmanjšanje nevarnosti električnega udara uporabljajte kabel, primeren za zunanjo uporabo.
- **Če se ne morete izogniti upravljanju stroja v vlažnem okolju, uporabite zaščitno napravo na diferenčni tok (RCD).** Uporaba naprave RCD zmanjšuje nevarnost električnega udara.

Osebna zaščita

- **Med uporabo električnega orodja bodite pozorni, pazite na svoja dejanja in ravnajte razumno. Ne uporabljajte električnega orodja, ko ste utrujeni ali pod vplivom drog, alkohola ali zdravil.** Trenutek nepozornosti med uporabo obrezovalnika žive meje lahko povzroči težko osebno poškodbo.
- **Uporabljajte osebno zaščitno opremo. Vedno uporabljajte zaščito za oči.** Zaščitna oprema, na primer prašna maska, čevlji z nedrsečimi podplati, čelada ali zaščita za sluh, uporabljena v pravih okoliščinah, zmanjšuje nevarnost osebnih poškodb.
- **Izogibajte se neželenemu zagonu. Pred priklopom na vir napajanja ali baterijo, vzamete v roke ali ga prenašate se prepričajte, da je stikalo v položaju za izklop.** Prenašanje električnega orodja s prstom na stikalo ali priklop električnega orodja z vklopljenim stikalom lahko povzroči nesrečo.
- **Preden električno orodje vklopite, odstranite ključ za nastavitev ali izvijač.** Če ostane ključ ali izvijač pritrjen na vrteči se del električnega orodja, lahko pride do telesne poškodbe.
- **Rok ne stegujte predaleč. Vedno zanesljivo stopajte in pazite na ravnotežje.** To vam omogoča boljši nadzor nad električnim orodjem ob nepričakovanih dogodkih.

- **Primerne se oblecite. Ne nosite ohlapnih oblačil in nakita. Z lasmi in oblačili ne segajte v območje gibljivih delov.** Ohlapne obleke, nakit ali dolgi lasje se lahko zapletejo v premične dele.
- **Če so naprave opremljene s priključkom za odvajanje in zbiranje prahu, mora biti ta zaseden in pravilno uporabljen.** Zbiranje prahu lahko zmanjša nevarnost zaradi vdihavanja tega.
- **Ne bodite samozadovoljni, ker ste zaradi pogoste uporabe navajeni orodja, in kljub vsemu upoštevajte varnostna načela orodja.** Brezbrižna uporaba lahko v trenutku povzroči hudo telesno poškodbo.
- **Nevarnost! Ne uporabljajte v bližini električnih vodov.** Enota ni zasnovana tako, da bi nudila zaščito pred električnimi udari v primeru stika z nadzemnimi električnimi vodi. Upoštevajte lokalne predpise za varne razdalje z nadzemnimi električnimi vodi in se prepričajte, da je delovni položaj varen in ste na tem mestu zaščiteni med uporabo izdelka.

Uporaba in nega električnega orodja

- **Ne preobremenite električnega orodja. Uporabite pravilno električno orodje za vrsto uporabe.** Pravilno električno orodje bo delo opravilo bolje in varneje, če deluje pri hitrosti, za katero je bil zasnovano.
- **Električnega orodja ne uporabljajte, če stikalo za vklop/izklop ne deluje.** Orodje, ki ga ni mogoče upravljati s stikalom, je nevarno in ga je potrebno popraviti.
- **Pred izvajanjem nastavitvev, menjavo priključkov ali shranjevanjem električnega orodja izvlecite vtič iz omrežne vtičnice in/ali odstranite baterijo iz električnega orodja, če je to mogoče.** Taki preventivni ukrepi pomagajo zmanjšati nevarnost neželenega zagona električnega orodja.
- **Električno orodje, ki ga ne potrebujete, shranite izven dosega otrok in ne dovolite, da bi ga uporabljale osebe, ki električnega orodja ne poznajo ali ne poznajo teh navodil.** Električna orodja so v rokah neukih oseb nevarna.
- **Vzdržujte električna orodja in dodatno opremo. Preverite poravnavo ali zatikanje pomičnih delov. Preverite, da noben del ni poškodovan in vsa druga stanja, ki bi lahko vplivala na delovanje električnega orodja. Če je električno orodje poškodovano, ga pred uporabo odnesite v popravilo.** Veliko nesreč povzročijo slabo vzdrževana električna orodja.
- **Rezila naj bodo vedno ostra in čista.** Pravilno vzdrževana rezila z ostrimi rezalnimi robovi se manj zatikajo in jih je lažje kontrolirati.
- **Električna orodja, dodatke, rezalne ploščice ipd. uporabljajte skladno s temi navodili ter upoštevajte delovne pogoje in delo, ki ga boste opravljali.** Uporaba električnega orodja za opravlja, za katera ta naprava ni namenjena, je lahko nevarna.
- **Ročaji in prijemalne površine naj bodo suhi, čisti in brez ostankov olja in masti.** Če so ročaji in prijemalne površine spolzki, ne omogočajo varne uporabe in upravljanja z orodjem v nepričakovanih razmerah.

Uporaba in nega baterije

- **Baterijo polnite le s polnilnikom, ki ga določi proizvajalec.** Polnilnik, ki je primeren za eno vrsto baterij, lahko poveča nevarnost požara pri drugih baterijah.
- **Električno orodje uporabljajte le s točno določenimi baterijami.** Če uporabite druge baterije, se lahko poveča nevarnost poškodb in požara.
- **Ko baterije ne uporabljate, ne sme priti v stik z drugimi kovinskimi predmeti, kot so sponke za papir, kovanci, ključi, žebliji, vijaki ali drugi majhni kovinski predmeti, ki lahko vzpostavijo povezavo med dvema poloma.** Kratek stik med poloma baterije lahko povzroči opekline ali požar.
- **Ob nepravilni in grobi uporabi lahko iz baterije izteka tekočina; izogibajte se stiku s tekočino. Če se tekočine nehote dotaknete, sperite roke z vodo. Če pride tekočina v stik z očmi, poiščite zdravniško pomoč.** Tekočina, ki izteka iz baterije, lahko povzroči draženje ali opekline.
- **Ne uporabljajte poškodovanega ali spremenjenega baterijskega paketa ali orodja.** Poškodovani ali predelani akumulatorji se lahko obnašajo nepredvidljivo in lahko posledično zagorijo, eksplodirajo ali predstavljajo nevarnost poškodb.
- **Baterijskega paketa ali orodja ne izpostavljajte ognju ali previsokim temperaturam.** Izpostavljenost ognju ali temperaturam nad 130 °C (266 °F) lahko povzroči eksplozijo.
- **Upoštevajte vsa navodila za polnjenje in ne polnite baterijskega paketa ali orodja pri temperaturah zunaj temperaturnega območja, navedenega v navodilih.** Neustrezna zamenjava ali temperature zunaj dovoljenega območja lahko povzročijo poškodbe baterije in povečajo nevarnost požara.

Servis

- **Popravila električnega orodja sme izvajati usposobljen serviser in pri tem uporabljati originalne nadomestne dele.** S tem zagotovite ohranitev kakovosti in varnosti električnega orodja.
- **Ne servisirajte poškodovanih baterijskih enot.** Baterijske pakete lahko servisirajo samo proizvajalec in pooblaščen servisni ponudniki.

Druge splošne varnostne informacije

- Za dodatne posebne varnostne predpise si oglejte navodila za uporabo ustrezne dodatne opreme.
- Izdelek izklopite, preden se premaknete na drugo območje. Pred predajo izdelka drugi osebi obvezno odstranite baterijo.
- Izdelka nikoli ne odložite, če ga niste izklopili in odstranili baterije. Kadar je izdelek vklopljen, mora biti vedno pod vašim nadzorom.
- Orodje za rezanje se po izklopu izdelka ne zaustavi takoj.
- Pred začetkom uporabe in po kakršnem koli trku pregledajte izdelek in poiščite morebitne poškodbe ter jih po potrebi popravite.

- Če se med uporabo izdelka karkoli zatakne v rezalni priključek, prenehajte delo in izdelek izklopite. Rezalni priključek se mora popolnoma zaustaviti. Pred čiščenjem, pregledom ali popravilom izdelka in/ali rezalne opreme odstranite baterijo.
 - Pred uporabo preverite izdelek. Glejte, *Varnostne naprave na izdelku na strani 396* in *Vzdrževanje na strani 400*. Ne uporabljajte poškodovanega izdelka. Izvajajte varnostne preglede in vzdrževalna dela ter upoštevajte servisna navodila, opisana v tem priročniku.
 - Poškodovan rezalni priključek lahko pomeni večjo nevarnost nesreč pri delu.
 - Prezračevalne odprtine morajo biti obvezno proste.
 - Preverite, ali je izdelek v brezhibnem delovnem položaju. Preverite ali so vsi vijaki in matice zatesnjeni.
 - Izdelek je nevarno orodje, če niste previdni ali če ga ne uporabljate pravilno. Ta izdelek lahko povzroči hude poškodbe oziroma smrt upravljavca ali drugih.
 - Ta stroj ni namenjen uporabi s strani oseb (vključno z otroci) z omejenimi telesnimi, zaznavalnimi ali duševnimi sposobnostmi ali osebe z nezadostnimi izkušnjami in znanjem, razen če jih pri uporabi nadzoruje ali jim o uporabi svetuje oseba, ki je odgovorna za njihovo varnost. Otroci morajo biti pod nadzorom, da se s strojem ne igrajo.
 - Nikoli ne dovolite otrokom, da uporabljajo napravo ali da so v njeni bližini. Ker je zagon stroja zelo preprost, ga lahko zaženejo tudi otroci, če jih ne nadzorujete. To lahko pomeni tveganje resne osebne poškodbe. Zaradi tega odklopite akumulator, ko izdelka ne morete ustrezno nadzorovati.
 - Izdelka in/ali akumulatorja ne smejo uporabljati, vzdrževali ali popravljali otroci ali druge osebe, ki za to niso usposobljene.
 - Napravo shranite v prostoru, ki ga lahko zaklenete, da ni v dosegu otrok in nepooblaščenih oseb.
 - Pri skladiščenju in transportu je treba vedno uporabiti transportno zaščito.
 - Z rokami ali stopali ne posegajte v območja rezanja, še posebej med vklopom motorja.
 - Z rokami in nogami ne segajte v območje rezalnega priključka, dokler se popolnoma ne zaustavi in je izdelek izklopljen.
 - Ne odstranjujte odrezanega materiala in ne dovolite drugim, da bi ga odstranjevali, kadar je izdelek vklopljen ali se rezalna oprema vrt. Takšno ravnanje lahko povzroči resne poškodbe.
 - Ne pozabite, da ste kot uporabnik odgovorni za morebitno izpostavitve ljudi ali njihove lastnine nesrečam ali nevarnosti.
 - Nikoli ne smete spreminjati prvotne izvedbe izdelka brez predhodnega dovoljenja proizvajalca. Uporabljajte samo originalno dodatno opremo. Spremembe brez pooblastila in/ali neoriginalni deli lahko povzročijo resne poškodbe ali smrt uporabnika in drugih. Garancija morda ne krije
- škode ali odgovornosti, ki je nastala zaradi uporabe neodobrenih dodatkov ali nadomestnih delov.
 - Edini priključki, ki jih lahko uporabljate s tem izdelkom, so rezalni priključki, ki jih priporočamo v poglavju z Dodatno opremo.
 - Nikoli ne uporabljajte izdelka, katerega prvotne specifikacije so bile na kakršen koli način spremenjene.
 - Ne uporabljajte pokvarjenega izdelka. Sledite navodilom za varnostni pregled, vzdrževanje in servis v skladu z napotki v teh navodilih. Nekatere vrste vzdrževalnih del in popravil lahko opravi samo za to usposobljeno strokovno osebo. Glejte, *Vzdrževanje na strani 400*.
 - Delo v slabem vremenu izčrpava in pogosto prispeva k dodatnim tveganjem. Zaradi povečanega tveganja uporaba stroja v zelo slabem vremenu ni priporočljiva, na primer v gosti megli, nalihvih, močnem vetru, hudem mrazu ali ob nevarnosti udara strele itd.
 - Orodja ne uporabljajte z lestve, stola ali drugega dvignjenega položaja, ki ni povsem varen.
 - Naprave, ki jih ne uporabljate, shranjujte v zaprtih prostorih – kadar naprave ne uporabljate, jo shranite v notranjem prostoru.
 - Vseh možnih situacij ni mogoče predvideti. Pri delu s strojem bodite vedno previdni in prisebni. Izogibajte se situacijam, ki se vam zdijo prezahtevne. Če po branju teh navodil še vedno niste prepričani o delovnih postopkih, se pred nadaljevanjem posvetujte s strokovnjakom.
 - V premeru 15 metrov (50 čevljev) delovnega mesta ne sme biti ljudi ali živali. Če sočasno v območju dela več uporabnikov, mora biti varnostna razdalja med njimi vsaj 15 metrov (50 čevljev). To lahko pomeni nevarnost resne telesne poškodbe. V primeru približevanja oseb nemudoma izklopite izdelek. Z izdelkom nikoli ne zamahnite, ne da bi pred tem preverili prostor za sabo in se tako prepričali, da v varnostnem območju ni nikogar.
 - Če se med uporabo izdelka karkoli zatakne v rezalni priključek, prenehajte delo in izdelek izklopite. Rezalni priključek se mora popolnoma zaustaviti. Pred čiščenjem, pregledom ali popravilom izdelka in/ali rezalne opreme odstranite baterijo.
 - Zagotovite, da osebe, živali ali drugi predmeti ne morejo vplivati na nadzor nad izdelkom in ne morejo priti v stik z rezalnim priključkom ali predmeti, ki jih rezalni priključek meče naokrog. Nikoli ne uporabljajte izdelka, če v primeru nesreče ne morete priklicati pomoči.
 - Prepričajte se, da se lahko varno gibljete in stojite. Če se morate nepričakovano premakniti, preverite okolico za morebitne ovire (korenine, kamenje, veje, jarke, itd.). Pri delu na nagnjenih tleh bodite še posebej previdni.
 - Hodite, nikoli ne tecite.
 - Preglejte delovno območje. Odstranite vse trde dele, na primer kamenje, razbito steklo, žeblje, jeklene

žice, vrvi ipd., ki bi jih rezilo lahko izvrglo ali pa se lahko navijejo okrog rezila ali ščitnika.

- Pazite na kose in veje, ki jih izdelki lahko izvrže med rezanjem. Ne režite preblizu tlom, od koder bi se lahko izvrgli kamni in drugi predmeti.
- Kadar je izdelek vklopljen, oblačila ali deli telesa ne smejo priti v stik z rezalnim priključkom. Izdelek držite pod višino pasu.
- Pozor pred izmetom predmetov. Uporabljajte vedno odobrena zaščitna očala. Nikoli se ne nagibajte čez ščitnik rezalnega priključka. Kamenje, odpadke ipd. lahko stroj vrže v oči, to pa lahko povzroči slepoto ali resne poškodbe.
- Bodite vedno pozorni na svarilne znake in klice, ko nosite zaščito za sluh. Zaščito za sluh odstranite takoj, ko se izdelek izklopi.
- Če se pojavi neželeno tresenje, s kosilno glavo udarite po tleh in tako podaljšajte nitko, da se izdelek preneha tresti.
- Če začne izdelek nenadzorovano tresti, ga izklopite in odstranite baterijo.
- Pri osebah, ki imajo težave s krvnim obtokom, lahko pretirana izpostavljenost tresljam povzroči poškodbe ožilja ali živčevja. Če opazite simptome pretirane izpostavljenosti tresljam, se posvetujte z zdravnikom. Ti simptomi zajemajo otrplost, izgubo občutenja, ščemenje, zbadanje, bolečino, zmanjšano moč in spremembe barve ali stanja kože. Običajno se pojavijo v prstih, na rokah ali na zapestjih.
- Izdelek vedno primite z obema rokama.

Oseba zaščitna oprema



OPOZORILO: Pred uporabo izdelka preberite navodila v povezavi z opozorili v nadaljevanju.

- Pri uporabi izdelka vedno uporabljajte odobreno osebno zaščitno opremo. Osebna zaščitna oprema ne more popolnoma preprečiti poškodb, vendar v primeru nesreče omili posledice. Prodajalec naj vam pomaga izbrati ustrezno opremo.
 - Uporabljajte zaščitno čelado, če obstaja nevarnost padajočih predmetov.
 - Nosite homologirano zaščito za sluh, ki ustrezno zmanjšuje hrup. Dolgotrajna izpostavljenost hrupu lahko povzroči trajne okvare sluha.
 - Uporabljajte odobreno zaščito oči. Tudi če uporabljate vizir, morate vedno uporabljati tudi homologirana zaščitna očala. Homologirana zaščitna očala morajo biti skladna s standardom ANSI Z87.1 za ZDA ali s standardom EN 166 za države EU.
 - Za zaščito obraza uporabite vizir. Vizir ne zadostuje za zaščito oči.
- (Sl. 22)
- Po potrebi uporabite rokavice, npr. kadar pritrjujete, pregledujete ali čistite rezalno opremo.
 - Nosite trpežno obutev, ki ne drsi.

- Uporabljajte oblačila iz trpežnih materialov. Vedno uporabljajte trpežne dolge hlače in dolge rokave. Ne uporabljajte ohlapnih oblačil, ki se lahko zataknejo za vejice ali veje. Ne nosite nakita, kratkih hlač in sandalov in ne hodite bos. Lase si varno spnite nad rameni.

(Sl. 23)

- Paket prve pomoči hranite na doseg roke.

(Sl. 24)

Varnostne naprave na izdelku



OPOZORILO: Pred uporabo izdelka preberite navodila v povezavi z opozorili v nadaljevanju.

V tem poglavju so opisane varnostne funkcije izdelka, njihov namen ter kako je stroj treba pregledovati in vzdrževati, da bo deloval pravilno. Glejte navodila v poglavju *Pregled izdelka na strani 391* za mesta delov na izdelku.

Življenjska doba izdelka se lahko zaradi nepravilnega vzdrževanja oziroma zaradi nestrokovnih popravil ali servisiranja skrajša, poveča pa se tudi nevarnost nesreč. Če potrebujete več informacij, se obrnite na najbližjega pooblaščenega servisnega trgovca.



OPOZORILO: Nikoli ne uporabljajte izdelka s poškodovanimi varnostnimi deli. Varnostno opremo stroja je treba pregledovati in vzdrževati v skladu z navodili, ki so podana v tem poglavju. Če izdelek ob pregledu ne izpolnjuje vseh opisanih pogojev, se nemudoma obrnite na pooblaščenega servisera za popravilo.



POZOR: Vsa servisna dela in popravila na stroju zahtevajo posebno usposabljanje. To še posebej velja za varnostno opremo stroja. Če pri spodaj opisanem pregledu ugotovite, da kateri koli del stroja ne deluje tako, kot je opisano spodaj, se nemudoma obrnite na pooblaščenega servisno delavnico. Pri nakupu vseh naših izdelkov vam jamčimo dostop do strokovnih popravil in servisa. Če stroja niste kupili v kateri od naših pooblaščenih servisnih prodajal, vprašajte prodajalca, kje je najbližja pooblaščenca servisna delavnica.

Preverjanje delovanja zaklepa vklopnega sprožilnika

Zaklep vklopnega sprožilnika preprečuje neželeno sprožitev. Če ročaj sprostite, se vklopni sprožilnik in zaklep vklopnega sprožilnika vrmeta v izhodiščni položaj.

1. Zaklepni gumb za zaklep sprožilnika plina potisnite naprej. (Sl. 25)

2. Ko je zaklep vklopnega sprožilnika v izhodiščnem položaju, se prepričajte, da je vklopni sprožilnik res zaklenjen. (Sl. 26)
3. Potisnite zaklep vklopnega sprožilnika najprej na eno stran in nato na drugo stran. Preverite, ali se zaklep vklopnega sprožilnika vrne nazaj v izhodiščni položaj. (Sl. 27)
4. Vklonni sprožilnik in zaklep vklopnega sprožilnika se morata prosto premikati in povratna vzmet mora delovati pravilno. (Sl. 28)
5. Zaženite izdelek, glejte *Zagon izdelka na strani 399*.
6. Sprostite sprožilnik plina in se prepričajte, da se izdelek popolnoma ustavi.

Varnostna navodila za nameščanje



OPOZORILO: Navodila za uporabo atestiranega priključka uporabljajte v kombinaciji z navodili za uporabo te električne naprave.

- Preden sestavite izdelek, iz njega odstranite baterijo.
- Uporabljajte odobrene zaščitne rokavice.
- Poškodovan ali napačen ščitnik lahko povzroči poškodbe. Ne uporabljajte rezalnega priključka, ki nima nameščenega odobrenega ščitnika.
- Pred zagonom izdelka se prepričajte, da ste pravilno sestavili priljuček.
- Če je priključku priložen oprtnik, ga pravilno namestite na izdelek. Oprtnik omogoča varno delo ter preprečuje poškodbe uporabnika in drugih oseb.

Varna uporaba baterije



OPOZORILO: Preberite vsa varnostna in splošna navodila. Neupoštevanje varnostnih in splošnih navodil lahko povzroči električni udar, požar in/ali resno poškodbo. **Shranite vse potrebne varnostne informacije in splošna navodila za poznejšo uporabo.**

- **Ta varnostna navodila veljajo samo za akumulatorske baterije Li-Ion 18 V, ki se uporabljajo v POWER FOR ALL sistemu.**
 - **Akumulatorske baterije uporabljajte samo v izdelkih POWER FOR ALL sistemskih partnerjev.** Akumulatorske baterije 18 V, označene z znakom POWER FOR ALL, so v celoti združljive z naslednjimi izdelki:
 - vsemi izdelki POWER FOR ALL baterijskega sistema 18 V,
 - vsemi izdelki z napetostjo 18 V POWER FOR ALL sistemskih partnerjev.
 - **Bodite pozorni na priporočene baterije v navodilih za uporabo vašega izdelka.** Samo na ta način lahko akumulatorsko baterijo in izdelek uporabljate brez
- nevarnosti, akumulatorske baterije pa so zaščitene pred nevarnimi preobremenitvami.
 - **Baterije polnite samo s polnilniki, ki jih priporoča proizvajalec ali POWER FOR ALL sistemski partnerji.** Polnilnik, ki je primeren za eno vrsto baterij, lahko ob uporabi z drugimi baterijami povzroči nevarnost za nastanek požara.
 - **Priložena baterija je delno napolnjena.** Polno zmogljivost baterije dosežete tako, da jo pred prvo uporabo električnega orodja popolnoma napolnite v polnilniku.
 - **Baterijske enote naj bodo vedno izven dosega otrok.**
 - **Baterije ne odpirajte.** Obstaja nevarnost kratkega stika.
 - **V primeru poškodbe in neustrezne uporabe baterije lahko pride do izpuščanja hlapov. Baterija se lahko vžge ali eksplodira.** Prepričajte se, da je prostor dobro prezračevan in poiščite zdravniško pomoč, če opazite kakršnekoli neželene učinke. Hlapi lahko dražijo dihala.
 - **Če baterijo uporabljate nepravilno ali če je poškodovana, se lahko iz baterije izlije vnetljiva tekočina. Izogibajte se stiku s to tekočino. Če se tekočine nehotе dotaknete, sperite mesto dotika z vodo. Če tekočina pride v stik z očmi, poiščite zdravniško pomoč.** Tekočina, ki izteka iz baterije, lahko povzroči draženje ali opekline.
 - **Če je baterija poškodovana in se iz nje lahko izlije tekočina, pokrijte površine v bližini. Preverite prizadete dele.** Dele očistite ali jih po potrebi zamenjajte.
 - **Pazite, da na baterijski enoti ne sprožite kratkega stika. Ko baterijske enote ne uporabljate, ne sme priti v stik z drugimi kovinskimi predmeti, kot so sponke za papir, kovanci, ključji, žebli, vijaki ali drugi majhni kovinski predmeti, ki lahko vzpostavijo povezavo med dvema poloma.** Kratek stik med poloma baterije lahko povzroči opekline ali požar.
 - **Baterijo lahko poškodujejo koničasti predmeti, kot so žebli in izvijači, ali zunanja sila.** Lahko pride do notranjega kratkega stika, zaradi česar baterija zagori, oddaja dim, eksplodira ali se pregreje.
 - **Ne servisirajte poškodovanih baterijskih enot.** Baterijske pakete lahko servisirajo samo proizvajalec in pooblaščen servisni ponudniki.
 - **Zaščitite baterijo pred vročino, npr. pred neprekinjeno močno sončno svetlobo, ognjem, umazanijo, vodo in vlago.** Obstaja nevarnost eksplozije in kratkega stika.
 - **Baterijo uporabljajte v izdelku samo, ko je temperatura okolja med -5 °C – 40 °C.**
 - **Baterijo shranjujte samo v okolju, kjer je temperatura med -20 °C – 50 °C.** Baterije na primer ne puščajte poleti v avtomobilu. Pri temperaturah pod 0 °C lahko pri nekaterih napravah pride do izgube moči.
 - **Baterijo polnite samo v okolju s temperaturo med 0 °C – +35 °C.** Polnjenje izven tega temperaturnega območja lahko poveča nevarnost

poškodb akumulatorske baterije in povzroči nevarnost požara.

Varna uporaba polnilnika baterije



OPOZORILO: Preberite vsa varnostna in splošna navodila.

Neupoštevanje varnostnih in splošnih navodil lahko povzroči električni udar, požar in/ali resno poškodbo. **Ta navodila hranite na varnem mestu.** Polnilnik uporabljajte le, če lahko v celoti ocenite delovanje vseh funkcij in jih izvajate brez omejitev ali če ste prejeli ustrezna navodila.

- **Ta polnilnik ni namenjen uporabi s strani otrok ali oseb z omejenimi telesnimi, zaznavalnimi ali duševnimi sposobnostmi ali oseb z nezadostnimi izkušnjami in znanjem. Ta polnilnik lahko uporabljajo otroci, stari 8 let ali več, in osebe z omejenimi telesnimi, zaznavalnimi ali duševnimi sposobnostmi ali s pomanjkanjem izkušenj ali znanja, vendar le, če so pri tem pod nadzorom ali jih o varni uporabi ter morebitnih nevarnostih podučijo odgovorna oseba ter le če so seznanjene s povezanimi nevarnostmi.** V nasprotnem primeru obstaja nevarnost napak in poškodb med delovanjem.
- **Med uporabo, čiščenjem in vzdrževanjem naj bodo otroci pod nadzorom.** Tako boste preprečili, da bi se otroci igrali s polnilnikom.
- **Polnite lahko le 18 V akumulatorske baterije sistema POWER FOR ALL s kapaciteto 1,5 Ah in več. Napetost baterije se mora ujemati s polnilno napetostjo baterije polnilnika. Ne polnite baterij za enkratno uporabo.** V nasprotnem primeru lahko pride do požara ali eksplozije.
- **Polnilnik uporabljajte samo v zaprtih prostorih in ga ne izpostavljajte mokremu okolju.** Če v električno orodje prodre voda, se poveča nevarnost električnega udara.
- **Polnilnik redno čistite.** Umazanija predstavlja nevarnost električnega udara.
- **Pred uporabo vedno preverite polnilnik, kabel in vtič. Prenehajte uporabljati polnilnik, če opazite poškodbo. Polnilnika ne odpirajte sami. Popravilo lahko opravi le družba Husqvarna ali pooblaščen servisni center, ki uporablja samo originalne nadomestne dele.** Poškodovani polnilniki, kabli in vtiči povečujejo nevarnost električnega udara.
- **Ne uporabljajte polnilnika na lahko vnetljivi površini (npr. papir, tekstil, ipd.) ali v vnetljivem okolju.** Obstaja nevarnost požara zaradi segrevanja polnilnika med delovanjem.
- **Prezračevalnih rež polnilnika ne pokrivajte.** V nasprotnem primeru se polnilnik lahko pregreje in ne deluje več brezhibno.

- **Baterijo polnite le s polnilnikom, ki ga določi proizvajalec.** Polnilnik, ki je primeren za eno vrsto baterij, lahko poveča nevarnost požara pri drugih baterijah.
- **V primeru poškodb in neustrezne uporabe baterije lahko pride tudi do izpuščanja hlapov.** Prepričajte se, da je prostor dobro prezračen in poiščite zdravniško pomoč, če opazite kakršnekoli neželene učinke. Hlapi lahko dražijo dihala.
- **Ob nepravilni in grobi uporabi lahko iz baterije izteka tekočina. Izogibajte se stiku s to tekočino. Če se tekočine nehotе dotaknete, sperite mesto dotika z vodo. Če tekočina pride v stik z očmi, poiščite zdravniško pomoč.** Tekočina, ki izteka iz baterije, lahko povzroči draženje ali opekline.
- **Izdelki na prodaj le v Združenem kraljestvu:** Vaš izdelek je opremljen z odobrenim električnim vtičem BS 1363/A z notranjo varovalko (v skladu s standardom ASTA ustreza BS 1362). Če vtič ne ustreza vašim vtičnicam, ga mora pooblaščen serviser odrezati in namestiti ustrezen vtič. Zamenjani vtiči bi moral imeti enako moč varovalke kot originalni vtič. Odrezani vtiči morate zavreči, da se izognete morebitnemu električnemu udaru. Nikoli ga ne vstavljajte v omrežno vtičnico kje drugje.

Varnostna navodila za vzdrževanje



OPOZORILO: Pred vzdrževanjem izdelka preberite naslednja opozorilna navodila.

- Pred vzdrževanjem, drugimi pregledi ali sestavljanjem izdelka odstranite baterijo.
- Uporabnik sme sam izvajati le tista vzdrževalna in servisna dela, ki so navedena v teh navodilih za uporabo. Za obsežnejša vzdrževalna in servisna dela se obrnite na servisnega zastopnika.
- Baterije ali polnilnika nikoli ne čistite z vodo. Močno čistilo lahko poškoduje plastiko.
- Če ne vzdržujete izdelka, skrajšate njegovo življenjsko dobo in povečate nevarnost nesreč.
- Za servisiranje in popravila izdelka, zlasti za varnostne naprave na izdelku, je potrebno posebno usposabljanje. Če po izvedenem vzdrževanju niso vsa preverjanja uspešno opravljena, se obrnite na servisnega zastopnika. Zagotavljam vam, da so za vaš izdelek na voljo strokovna popravila in servisne storitve.
- Uporabljajte samo originalne nadomestne dele.
- Pri popravilu rezalnega priključka morate vedno nositi močne zaščitne rokavice. Rezila so zelo ostra in se lahko hitro poškodujete.

Montaža

Uvod



OPOZORILO: Preden začnete sestavljati izdelek, morate prebrati in razumeti poglavje o varnosti.

Namestitev priključka

1. Priključek (A) priključite na napajalno enoto (B). Priključek mora nemoteno zdrsni v nosilec na napajalni enoti. V nasprotnem primeru ga ne vstavljate pravilno. (Sl. 29)
2. Zategnite pritrditveni gumb (C).

Opomba: Ko je priključek nameščen na napajalni enoti, je uporabniški vmesnik priključka odklopljen.

Namestitev dolžine teleskopske gredi

1. Privzdignite ročico (A) na gredi. (Sl. 30)
2. Teleskopsko gred si prilagodite na primerno dolžino.
3. Ročico potisnite navzdol za zaklepanje teleskopske gredi.

Namestitev kavlja za shranjevanje na steno

- Kavelj za shranjevanje namestite v zaprtem prostoru.

- Kavlja za shranjevanje ne izpostavljajte sončni svetlobi in okolju s temperaturo od -10°C do 70°C .
- Kavelj za shranjevanje namestite na mavčno, leseno ali betonsko steno.



POZOR: Prepričajte se, da stena prenese obremenitev najmanj 30 kg.

- S 3 vijaki (A) na steno namestite kavelj za shranjevanje. Po potrebi uporabite stensko vtičnico (B). (Sl. 31)



POZOR: Prepričajte se, da so vijaki primerni za vrsto stene.

- Za informacije o razpoložljivih dodatkih za shranjevanje izdelka se obrnite na pooblaščen servisno delavnico Husqvarna.

Obešanje izdelka na kavelj za shranjevanje

- Napajalno enoto obesite na kavelj za shranjevanje, kot je prikazano na sliki. (Sl. 32)

Delovanje

Preverjanje delovanja pred uporabo izdelka

1. Travo in neželen material z izdelka odstranite s krtačo.
2. Privijte vse matice in vijake.
3. Preverite, ali je priključek pravilno nameščen.
4. Zaklepni gumb za zaklep sprožilnika plina mora biti v aktiviran.
5. Zaklepne naprave iztegnjene teleskopske gredi in vrtljivi zglob morajo biti v zaklenjenem položaju.
6. Preverite, ali je priključek poškodovan, na primer, ali so na njem razpoke. Če je priključek poškodovan, ga zamenjajte.
7. Prepričajte se, da so pokrovi pravilno nameščeni in niso poškodovani.
8. Preverite, ali izdelek pravilno deluje.

Vstavitev baterije v izdelek



OPOZORILO: V izdelku uporabljajte samo litij-ionske baterije sistema POWER FOR ALL P4A 18 V.

1. Baterija mora biti popolnoma napolnjena.
2. Vstavite baterijo v držalo baterije v izdelku. Baterija mora popolnoma nemoteno zdrsni v držalo, saj jo v nasprotnem primeru vstavljate napačno. (Sl. 33)
3. Baterijo do konca potisnite v držalo baterije. Baterija se zaskoči, ko slišite klik.
4. Preverite, da se zapah pravilno zaskoči.

Zagon izdelka

1. Zaklepni gumb za zaklep sprožilnika plina potisnite naprej. (Sl. 25)
2. Zaklep vklopnega sprožilnika (A) potisnite v levo ali desno ter pridržite vklopni sprožilnik (B). (Sl. 34)

Zaustavitev izdelka

1. Sprostite vklopni sprožilnik.
2. Za zaklep izdelka morate zaklepni gumb za zaklep sprožilnika plina potisniti nazaj.
3. Pritisnite gumb za sprostitev akumulatorske baterije in jo izvlecite. (Sl. 35)
4. Po potrebi odstranite priključek z izdelka.

1. Izklopite izdelek in odstranite akumulatorsko baterijo.
2. Nosilec (A) trdno držite. (Sl. 36)
3. Potisnite in pridržite vrtljivi zglob (B).
4. Nosilec premaknite v pravičen položaj.
5. Sprostite vrtljivi zglob, da zaklenete nosilec.
6. Nosilec premakajte navzgor in navzdol, dokler se ne zaskoči v ustrezen položaj.

Prilagajanje kota izdelka

Izdelek lahko nastavite v 7 različnih položajev.



OPOZORILO: Kota ne nastavljajte med uporabo izdelka.

Vzdrževanje

Uvod



OPOZORILO: Pred izvajanjem vzdrževalnih del na izdelku morate prebrati in razumeti poglavje o varnosti.



OPOZORILO: Pred vzdrževanjem izdelka odstranite baterijo.

Urnik vzdrževanja

V nadaljevanju je naveden seznam vzdrževalnih korakov, ki jih je treba opraviti pri izdelku.

Vzdrževanje	Pred uporabo	Tedensko	Mesečno
Zunanje dele izdelka očistite s suho krpo. Ne uporabljajte vode.	X		
Prepričajte se, da zaklepni gumb za zaklep sprožilnika plina deluje pravilno in ni poškodovan.	X		
Z varnostnega vidika se prepričajte, da vklopni sprožilnik in zaklep vklopnega sprožilnika delujeta pravilno.	X		
Preverite, ali upravljalni elementi delujejo pravilno in niso poškodovani.	X		
Pazite, da so ročaji čisti in suhi.	X		
Prepričajte se, da so vijaki in matice dobro priviti.	X		
Gumba za sprostitev na bateriji morata delovati pravilno in omogočati pravičen zaklep baterije v izdelek.	X		
Baterija ne sme biti poškodovana.	X		
Baterija mora biti napolnjena.	X		
Prepričajte se, da baterijski polnilnik ni poškodovan in pravilno deluje.	X		
Preverite vse kable, spoje in povezave. Prepričajte se, da so čisti in nepoškodovani.		X	
Preverite priključke med baterijo in izdelkom.			X

Vzdrževanje	Pred up-orabo	Teden-sko	Mesečno
Preverite priključek med baterijo in polnilnikom baterije.			X

Čiščenje izdelka, baterije in polnilnika baterije

- Izdelek po uporabi očistite s suho krpo.
- Baterijo in polnilnik baterije očistite s suho krpo. Vodila baterije morajo biti vedno čista.
- Poli na bateriji in polnilniku baterije morajo biti čisti, ko vstavite baterijo v polnilnik ali izdelek.

Transport skladiščenje in odstranitev

Prevoz in skladiščenje

- Priložene litij-ionske baterije so skladne z zahtevami zakonodaje o nevarnem blagu.
- Pri transportu, tudi če ga izvaja tretja oseba ali posrednik, je treba upoštevati posebna navodila na embalaži in nalepkah.
- Pred pošiljanjem izdelka se posvetujte z osebo, ki je posebej usposobljena za nevarne snovi. Upoštevajte vse veljavne nacionalne predpise.
- Ob vstavljanju baterije v paket prelepite izpostavljene kontakte. Baterijo vstavite v paket tako, da se ne more premikati.
- Pri skladiščenju ali prevozu vedno odstranite baterijo.
- Baterijo in polnilnik baterije hranite v suhem prostoru, kjer ni vlage in zmrzali.
- Baterije ne shranjujte v prostoru, v katerem je lahko prisotna statična električna. Baterije ne shranjujte v kovinski škatli.
- Akumulatorsko baterijo shranite v prostor s temperaturami med $-20\text{ °C}/-4\text{ °F}$ in $+50\text{ °C}/122\text{ °F}$, v katerem ne sme biti izpostavljena neposredni sončni svetlobi.
- Polnilnik baterije shranite v prostor s temperaturami med $5\text{ in }45\text{ °C}$ ($41\text{--}113\text{ °F}$) tako, da ne bo izpostavljen neposredni sončni svetlobi.
- Polnilnik baterije uporabljajte samo v okolju s temperaturami od $0\text{ do }35\text{ °C}$ ($32\text{--}95\text{ °F}$).
- Izdelek hranite v okolju s temperaturami med $-40\text{ °C}/-40\text{ °F}$ in $+60\text{ °C}/140\text{ °F}$.
- Pred dolgotrajnejšim skladiščenjem mora biti baterija napolnjena med 30 % in 50 %.

- Polnilnik baterije shranite v zaprt in suh prostor.
- Med shranjevanjem baterija ne sme biti v bližini polnilnika. Otroci in druge nepooblaščen osebe se ne smejo dotikati opreme. Oprema mora biti shranjena v prostoru, ki ga je mogoče zakleniti.
- Pred dolgotrajnejšim skladiščenjem izdelek očistite in opravite popoln servis.
- Pred prevozom in skladiščenjem na izdelek namestite transportno zaščito, da preprečite telesne poškodbe ali škodo na izdelku.
- Med prevozom varno pritrđite izdelek.
- Izdelek shranite v vodoravnem položaj ali ga obesite na priloženo kljuko. Glejte, *Obešanje izdelka na kavelj za shranjevanje na strani 399*.

Odstranitev baterije, baterijskega polnilnika in izdelka

Spodnji simbol pomeni, da izdelek ni gospodinjstvi odpadki. Treba ga je reciklirati v zbirnem centru za reciklažo električne in elektronske opreme. Tako se pomaga preprečiti škodovanje okolju in ogrožanje zdravja ljudi.

Za več informacij se obrnite na lokalne oblasti, službo za gospodinjstvi odpadke ali prodajalca.

(Sl. 18)

Opomba: Simbol je prikazan na izdelku ali embalaži izdelka.

Tehnični podatki

Aspire Pole-P4A	
Teža	
Teža (samo električna naprava), kg	1,5

Homologirane baterije

Ta izdelek lahko uporabljate z vsemi baterijami **POWER FOR ALL**.

Akumulatorska baterija	P4A 18-B36	P4A 18-B45	P4A 18-B72
Vrsta	Litij-ionska	Litij-ionska	Litij-ionska
Zmogljivost akumulatorja v Ah	2,0	2,5	4,0
Nazivna napetost, V	18	18	18
Teža, kg	0,35	0,35	0,65
Število celic (Litij-ionskih)	5	5	10

Odobreni polnilniki baterije

Polnilnik akumulatorske baterije	P4A 18-C50	P4A 18-C70
Vhodna napetost, V	Glejte tipske podatke na napajalno enoto.	Glejte tipske podatke na napajalno enoto.
Frekvenca, Hz	50–60	50–60
Moč, W	50	70

Dodatna oprema

Priključki

Homologirani priključki	Vrsta	Za model
Priključek za sškarje za grmičevje	Aspire S20-P4A	Aspire Pole-P4A
Priključek obrezovalnika	Aspire P5-P4A	Aspire Pole-P4A

Izjava o skladnosti

Izjava EU o skladnosti

Mi, **Husqvarna AB**, SE--561 82 Huskvarna, Švedska,
tel.: +46-36-146500, izjavljamo na lastno odgovornost,
da je izdelek:

Opis	Baterijska pogonska naprava
Znamka	Husqvarna
Vrsta/model	Aspire Pole-P4A
Identifikacija	Serijske številke od letnika 2023 dalje

v celoti skladen z naslednjimi direktivami in uredbami
EU:

Direktiva/uredba	Opis
2006/42/ES	"o strojih"
2014/30/EU	o elektromagnetni združljivosti
2011/65/EU	"o omejevanju uporabe nekaterih nevarnih snovi v električni in elektronski opremi"
2000/14/ES	"o emisijah hrupa v okolico"

in so pri tem v veljavi naslednji standardi in/ali
tehnične specifikacije: EN 62841-1:2015/A11:2022,
EN 62841-4-2:2019/A1:2022, EN IEC 62841-4-5:2021/
A11:2021, EN ISO 11680-1:2011, EN ISO 12100:2010,
EN IEC 55014-1:2021, EN IEC 55014-2:2021, EN IEC
63000:2018.

Družba DEKRA Testing and Certification GmbH,
Handwerkstraße 15, 70565 Stuttgart, Germany, 0158 je
opravila tipski prostovoljni preizkus v skladu z direktivo
ES o strojih (2006/42/ES); člen 12, točka 3b. Številka
certifikata za tipski preizkus ES: 4815039.22006.

Uporabljen postopek ugotavljanja skladnosti v skladu z
Direktivo 2000/14/ES, Priloga V.

S priključkom Aspire P5-P4A kot obrezovalnik na drogu:

- Izmerjena raven zvočne moči: 88 dB (A)
- Zagotovljena raven zvočne moči: 91 dB (A)

S priključkom Aspire S20-P4A kot teleskopske škarje za
grmičevje:

- Izmerjena raven zvočne moči za profil ležaja: 83 dB
(A)
- Izmerjena raven zvočne moči za rezilo za travo: 79
dB (A)
- Zagotovljena raven zvočne moči: 84 dB (A)

Huskvarna, 2023-10-30



Claes Losdal, Vodja oddelka za raziskave in razvoj,
Husqvarna AB

Odgovorni za tehnično dokumentacijo



Licence

Avtorske pravice © 2012–2020 STMicroelectronics

Garancija ne krije okvar, ki so posledica normalne obrabe, malomarnosti, nepravilne uporabe, nepooblaščenih popravil ali priklopa naprave na nepravilno napetost.

Vse pravice pridržane.

Vnovična distribucija in uporaba v izvornih in dvojiških oblikah s spremembami ali brez je dovoljena pod naslednjimi pogoji:

- Pri vnovični distribuciji izvorne kode morajo biti ohranjeni zgornje obvestilo o avtorskih pravicah, ta seznam pogojev in spodnja izjava.
- Vnovične distribucije v dvojiški obliki morajo v dokumentaciji in/ali drugih priloženih gradivih vsebovati zgornje obvestilo o avtorskih pravicah, ta seznam pogojev in spodnjo izjavo.
- Tako ime STMicroelectronics kot imena drugih sodelujočih oseb ne smejo biti uporabljena v smislu izražanja podpore ali promocije izdelkov, izpeljanih iz te programske opreme, razen s predhodnim pisnim soglasjem.

TO PROGRAMSKO OPREMO IMETNIKI AVTORSKIH PRAVIC IN DRUGE SODELUJOČE OSEBE PONUJAJO "TAKŠNO, KOT JE", PRI ČEMER SO IZKLJUČENA VSA IZREČNA ALI IMPLICITNA JAMSTVA, VKLJUČNO Z, A NE OMEJENO NA IMPLICIRANA JAMSTVA TER POGOJE O PRIMERNOSTI ZA PRODAJO. IMETNIK AVTORSKIH PRAVIC IN DRUGE SODELUJOČE OSEBE V NOBENEM PRIMERU NISO ODGOVORNE ZA KAKRŠNO KOLI NEPOSREDNO, POSREDNO, NAKLJUČNO, POSEBNO ALI POSREDNO ŠKODO TER EKSEMPPLARIČNO ODŠKODNINO (VKLJUČNO Z, A NE OMEJENO NA DOBAVO NADOMESTNIH IZDELKOV ALI STORITEV, IZGUBO MOŽNOSTI UPORABE, PODATKE, DOBIČEK IN PREKINITEV POSLOVANJA), NE GLEDE NA TO, KAKO JE NASTALA IN NA PODLAGI KATEREGA TEMELJA ZA ODGOVORNOST SE UVELJAVLJA, BODISI POGODBENEGA, ODŠKODNINSKEGA ALI NA PODLAGI ODGOVORNOSTI (VKLJUČNO Z MALOMARNOSTJO ALI DRUGAČE), KI IZHAJA IZ KAKRŠNE KOLI UPORABE TE PROGRAMSKE OPREME, TUDI V PRIMERU OBVESTILA, DA OBSTAJA MOŽNOST TAKŠNE ŠKODE.

Licenca Apache 2.0

Avtorske pravice © 2009–2019 Arm Limited. Vse pravice pridržane.

Različica 2.0, januar 2004 <http://www.apache.org/licenses/>

DOLOČILA IN POGOJI ZA UPORABO, VNOVIČNO DISTRIBUCIJO IN DISTRIBUCIJO

1. Opredelitve pojmov

"Licenca" pomeni določila in pogoje za uporabo, vnovično distribucijo in distribucijo, kot je opredeljeno v poglavjih 1–9 tega dokumenta. "Dajalec licence" pomeni lastnika avtorskih pravic ali s strani lastnika avtorskih pravic pooblaščen subjekt, ki podeljuje Licenco. "Pravni subjekt" pomeni skupnost delujočega subjekta in vseh drugih subjektov, ki nadzorujejo ali so pod nadzorom tega subjekta ali so pod skupnim nadzorom s tem subjektom. "Nadzor" za namen opredelitve teh pojmov pomeni (i) moč, neposredno ali posredno za usmerjanje ali upravljanje takšnega subjekta, bodisi s pogodbo ali drugače ali (ii) lastništvo petdesetih odstotkov (50 %) ali več delnic ali (iii) dejansko lastništvo takšnega subjekta. "Vi" (ali "Vas") pomeni vas kot posameznika ali pravni subjekt, ki izvaja dovoljenja, podeljena s to Licenco. "Izvorna" oblika pomeni prednostno obliko za izvajanje sprememb, vključno z, a ne omejeno na izvorno kodo programske opreme, izvorno dokumentacijo in konfiguracijskimi datotekami. "Objektna" oblika pomeni vsako obliko, ki je rezultat mehanske pretvorbe ali prevoda Izvorne oblike, vključno z, a ne omejeno na prevedeno objektno kodo, generirano dokumentacijo in pretvorbe v druge vrste predstavnosti. "Delo" pomeni delo avtorstva, bodisi v Izvorni bodisi v Objektni obliki, dano na voljo pod Licenco, kot označuje obvestilo o avtorskih pravicah, ki je vključeno ali je priloga k delu (primer je naveden v prilogi spodaj). "Izvedena dela" pomenijo vsako delo, bodisi v Izvorni bodisi v Objektni obliki, ki temeljijo na (izhajajo iz) Dela in za katera uredniške revizije, komentarji, dodelave ali druge spremembe kot celota predstavljajo izvorno delo avtorstva. Za namene te Licence, Izvedena dela ne vključujejo del, ki jih je še naprej mogoče ločiti od ali se zgolj povezujejo (ali so povezana z imenom) z vmesniki Dela in na njem temelječih Izvedenih del. "Prispevek" pomeni vsako delo avtorstva, vključno z izvorno različico Dela in morebitnimi spremembami ali dodatki k temu Delu ali na njem temelječim Izvedenim delom, ki je s strani lastnika avtorskih pravic ali z njegove strani pooblaščen osebe ali pravnega subjekta posredovano z namenom, da ga v njegovem imenu vključi v Delo. Za namen te opredelitve "posredovano" pomeni vsakršno obliko elektronske, ustne ali pisne komunikacije, poslana Dajalcu licence ali njegovim predstavnikom, vključno z, a ne omejeno na komunikacijo prek elektronskih dopisnih seznamov, sistemov za nadzor izvorne kode ter sistemov za sledenje težavam, ki jih upravlja Dajalec licence ali druga oseba v njegovem imenu za namene razprave in izboljšav Dela, pri čemer je izključena komunikacija, ki je vidno označena ali drugače s strani lastnika avtorskih pravic pisno opredeljena kot "Ni prispevek." "Sodelujoča oseba" pomeni Dajalca licence in vsakega posameznika ali pravni subjekt, v imenu kogar je Dajalec licence prejel Prispevek in ga posledično vključil v Delo.

2. Podelitev licence za uporabo avtorskega dela

Na podlagi določil in pogojev te Licence vam vsaka Sodelujoča oseba podeljuje trajno, po vsem svetu veljavno, neizključno, brezplačno in brez licenčnih ter nepreklicno avtorsko licenco za vnovično distribucijo, pripravo Izvedenih del, javni prikaz, javno izvedbo, podlicenciranje in distribucijo Dela in Izvedenih del v Izvorni ali Objektni obliki.

3. Podelitev patentne licence

V skladu z določili in pogoji te Licence vam vsak Sodelavec podeljuje trajno, po vsem svetu veljavno, neizključno, brezplačno, nepreklicno (razen kot je navedeno v tem poglavju) patentno licenco, brez plačila licenčnine, za neposredno izdelavo, izdelavo, uporabo, ponudbo za prodajo, prodajo, uvoz in druge načine prenosa dela, kjer taka licenca velja samo za tiste patentne zahtevke, ki jih lahko licencira tak Sodelavec in ki so nujno kršene z njihovim Prispevkom samim ali s kombinacijo njihovega prispevka z Delom, h kateremu so bili predloženi takšni Prispevki. Če sprožite patentni spor proti kateremu koli subjektu (vključno z navzkrižnim zahtevkom ali nasprotnim zahtevkom v tožbi), v katerem navajate, da Delo ali Prispevek, vključen v Delo, predstavlja neposredno ali prispevajočo kršitev patenta, bodo vse patentne licence, ki so vam podeljene v skladu s to Licenco, za to Delo prenehale veljati z dnem vložitve take tožbe.

4. Vnovična distribucija

Dovoljena vam je vnovična distribucija in distribucija kopij Dela ali iz njega Izvedenih del v katerem koli mediju, z ali brez sprememb, v Izvorni ali Objektni obliki, če izpolnjujete naslednje pogoje:

- vsem ostalim prejemnikom Dela ali Izvedenega dela morate izročiti kopijo te licence; in
- zagotoviti morate, da imajo vse spremenjene datoteke vidna obvestila, ki navajajo, da ste te datoteke spremenili vi; in v izvorni obliki katerega koli Izvedenega dela, ki ga distribuirate, morate ohraniti vsa obvestila o avtorskih pravicah, patentih in blagovnih znamkah ter obvestila o pripisovanju, razen tistih obvestil, ki se ne nanašajo na noben del Izvedenega dela; in
- če Delo kot del distribucije vsebuje besedilno datoteko "**OBVESTILO**", morajo vsa Izvedena dela, ki jih distribuirate, vsebovati berljivo kopijo obvestil, o pripisovanju, vsebovanih v takšni datoteki z **OBVESTILOM**, razen tistih obvestil, ki se ne nanašajo na noben del Izvedenega dela, in sicer na vsaj enem od naslednjih mest: v besedilni datoteki **OBVESTILO**, distribuirani kot del Izvedenih del, v Izvorni obliki ali dokumentaciji, če je priložena Izvedenim delom ali v prikazu, ki ga generirajo Izvedena dela, če in kjerkoli se takšna obvestila tretjih oseb običajno pojavijo. Vsebina datoteke **OBVESTILO** je informativne narave in ne spreminja Licence. Svoja obvestila o pripisovanju lahko dodate znotraj Izvedenih del, ki jih distribuirate, poleg ali kot dodatek k besedilu **OBVESTILA** iz Dela, pod pogojem, da takih dodatnih obvestil o pripisovanju ni mogoče obravnavati kot spreminjanje Licence.

Svojim spremembam lahko dodate lastno izjavo o avtorskih pravicah in zagotovite dodatne ali drugačne licenčne pogoje in pogoje za uporabo, reprodukcijo ali distribucijo vaših sprememb ali katerih koli Izvedenih del kot celote, pod pogojem, da vaša uporaba, reprodukcija in distribucija Dela izpolnjuje pogoje, navedene v tej Licenci.

5. Posredovanje prispevkov

Razen če izrecno ne navedete drugače, bo vsak Prispevek, ki ste ga načrtno predložili Dajalcu licence z namenom vključitve v Delo, podvržen določilom in pogojem te Licence brez kakršnih koli dodatnih določil in pogojev. Ne glede na zgoraj navedeno, nič v tej Licenci ne nadomešča ali spreminja pogojev katere koli ločene licenčne pogodbe, ki ste jo sklenili z Dajalcem licence glede takšnih Prispevkov.

6. Blagovne znamke

Ta Licenca ne podeljuje dovoljenja za uporabo blagovnih znamk in imen, storitvenih znamk ali imen izdelkov Dajalca licence, razen kolikor je to potrebno za razumno in običajno uporabo pri opisovanju izvora Dela in reproduciranju vsebine datoteke **OBVESTILO**.

7. Izjava o jamstvu

Razen če to zahteva veljavna zakonodaja ali če je to dogovorjeno v pisni obliki, Dajalec licence zagotavlja Delo (in Sodelavec svoje Prispevke) "**TAKŠNO, KOT JE**", **BREZ JAMSTEV ALI KAKRŠNIH KOLI POGOJEV**, izrecnih ali impliciranih, vključno in brez omejitev s kakršnimi koli garancijami ali pogoji glede **LASTNIŠTVA, NEKRŠITEV, PRIMERNOSTI ZA PRODAJO** ali **PRIMERNOSTI ZA DOLOČEN NAMEN**. Sami ste odgovorni za ugotavljanje primernosti uporabe ali vnovične distribucije Dela in prevzimate vsa tveganja, povezana z vašo uporabo dovoljenj v okviru te Licence. 8. Omejitev odgovornosti V nobenem primeru in v skladu z nobeno pravno teorijo, ne glede na to, ali gre za odškodninsko odgovornost (vključno z malomarnostjo), pogodbo ali drugo, razen če to zahteva veljavna zakonodaja (kot so naklepna ravnanja in ravnanja s hudo malomarnostjo) ali je dogovorjeno v pisni obliki, vam noben Sodelavec ne odgovarja za škodo, vključno z neposredno, posredno, posebno, naključno ali posledično škodo kakršne koli narave, ki izhaja iz te Licence ali zaradi uporabe ali nezmožnosti uporabe Dela (vključno z, vendar ne omejeno na škodo zaradi izgube dobrega imena, ustavitve dela, okvare ali nepravilnega delovanja računalnika ali kakršno koli drugo komercialno škodo ali izgubo), tudi če je bil tak Sodelavec obveščen o možnosti takšne škode.

9. Sprejem jamstev ali dodatne odgovornosti

Pri vnovični distribuciji Dela ali njegovih Izvedenih del se lahko odločite, da ponudite in zaračunate prispevek za zagotavljanje podpore, garancije, nadomestila ali drugih obveznosti in/ali pravic v skladu s to Licenco. Vendar pa lahko pri sprejemanju takšnih obveznosti delujete le v svojem imenu in na lastno odgovornost in ne v imenu

katerega koli drugega Sodelavca, in samo v primeru, če se strinjate, da boste vsakega Sodelavca izvzeli oziroma ščitili pred kakršno koli odgovornostjo ali zahtevki zaradi vašega sprejema kakršnega koli jamstva ali dodatne odgovornosti. KONEC DOLOČIL IN POGOJEV



Points de collecte sur www.quefairedemesdechets.fr
Privilégiez la réparation ou le don de votre appareil !

Husqvarna®

www.husqvarna.com

Original instructions
Оригинални инструкции
Αρχικές οδηγίες
Istruzioni originali
Originalanweisungen
Instructions d'origine
Originele instructies
Instrucțiuni inițiale
Instrucciones originales

Instruções originais
Orijinal talimatlar
Bruksanvisning i original
Originale instruktioner

Originale instruksjoner
Alkuperäiset ohjeet
Originaaljuhend
Lietošanas pamācība
Originalios instrukcijos
Originalne upute
Původní pokyny
Pôvodné pokyny
Originalne instrukcije
Eredeti útmutatás
取扱説明書原本
Оригінальні інструкції
Izvirna navodila



1143890-38



2023-12-08