



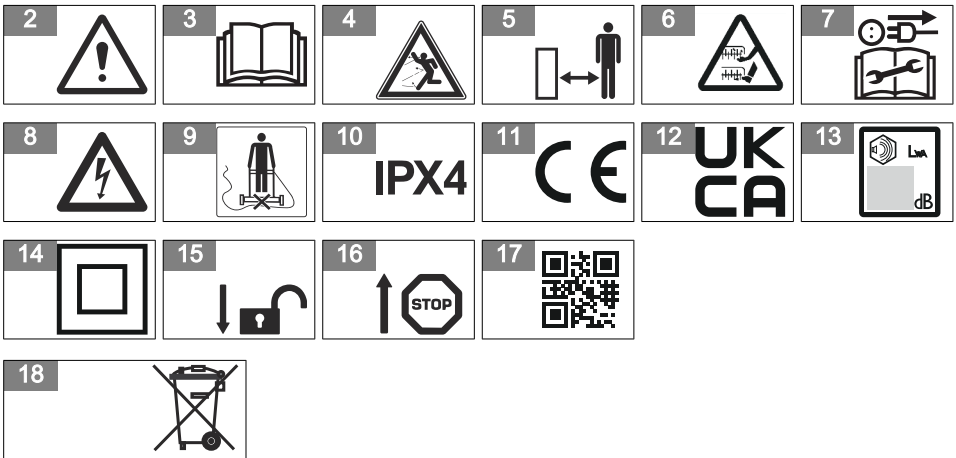
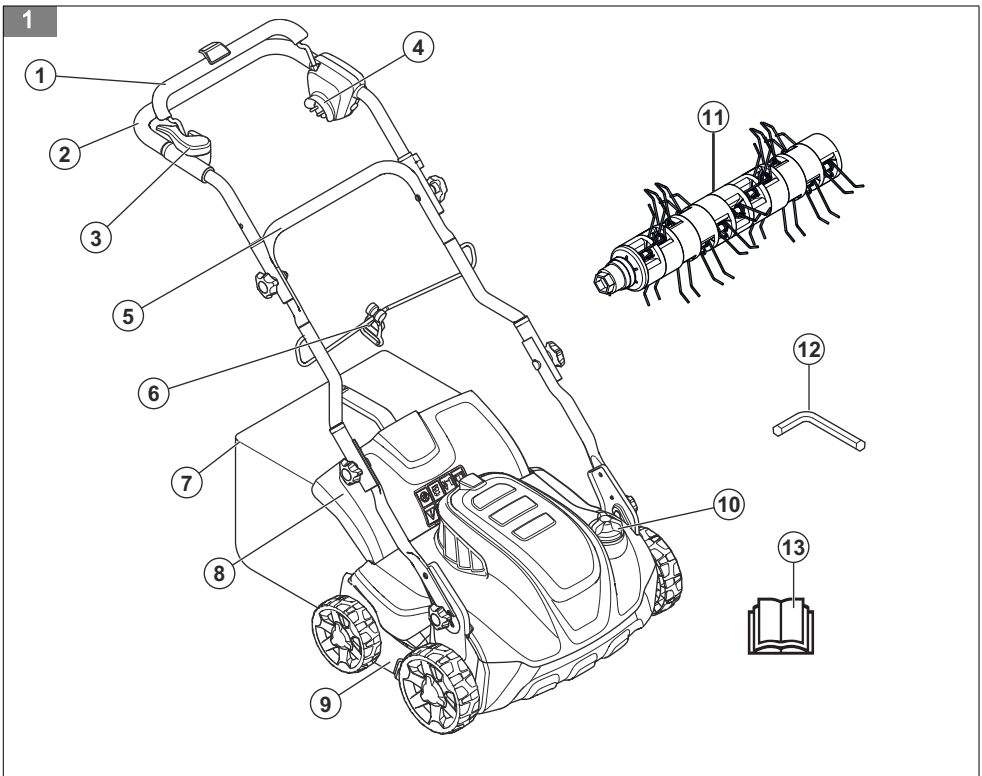
Husqvarna®



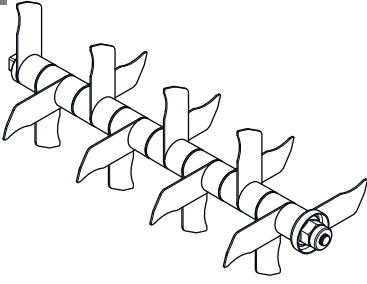
S 138C



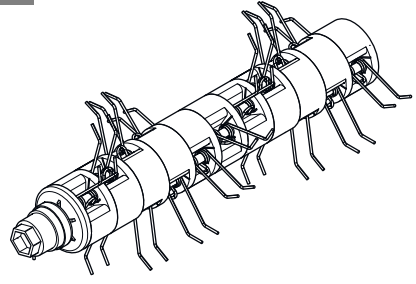
EN	Operator's manual	6-18
BG	Ръководство за експлоатация	19-34
CS	Návod k použití	35-47
DA	Brugsanvisning	48-61
DE	Bedienungsanweisung	62-77
EL	Οδηγίες χρήσης	78-93
ES	Manual de usuario	94-107
ET	Kasutusjuhend	108-120
FI	Käyttöohje	121-133
FR	Manuel d'utilisation	134-148
HR	Priručnik za korištenje	149-161
HU	Használati utasítás	162-175
IT	Manuale dell'operatore	176-189
JA	取扱説明書	190-202
LT	Operatoriaus vadovas	203-216
LV	Lietošanas pamācība	217-230
NL	Gebruiksaanwijzing	231-244
NO	Bruksanvisning	245-257
PL	Instrukcja obsługi	258-272
PT	Manual do utilizador	273-286
RO	Instrucțiuni de utilizare	287-300
RU	Руководство по эксплуатации	301-316
SK	Návod na obsluhu	317-330
SL	Navodila za uporabo	331-343
SR	Priručnik za rukovaoca	344-357
SV	Bruksanvisning	358-370
TR	Kullanım kılavuzu	371-383
UK	Посібник користувача	384-399



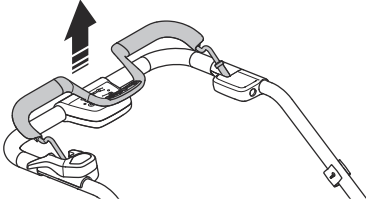
19



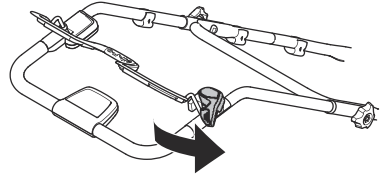
20



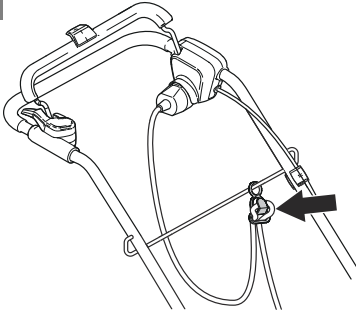
21



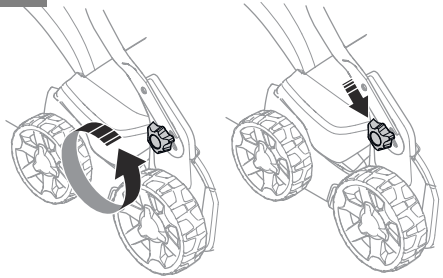
22



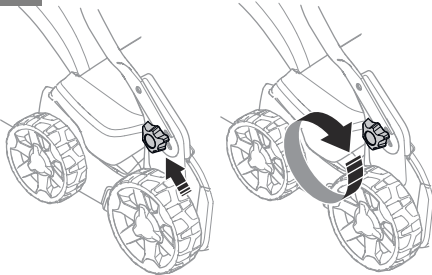
23



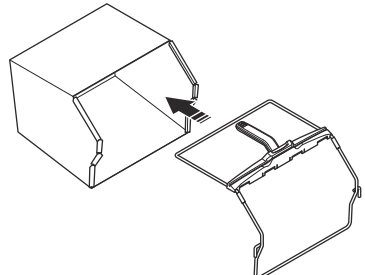
24

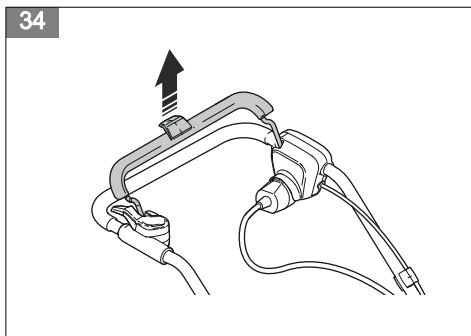
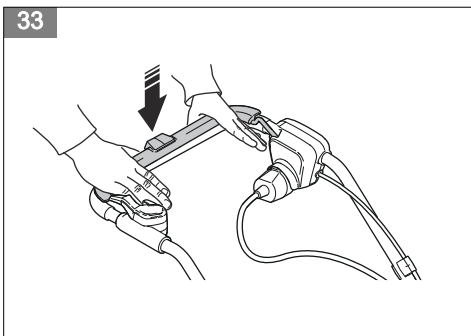
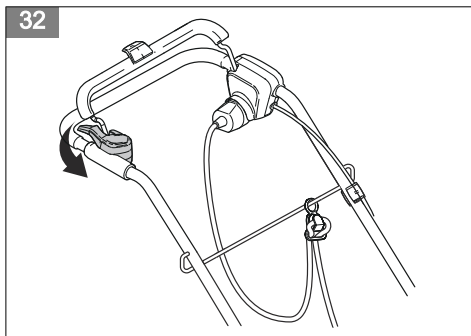
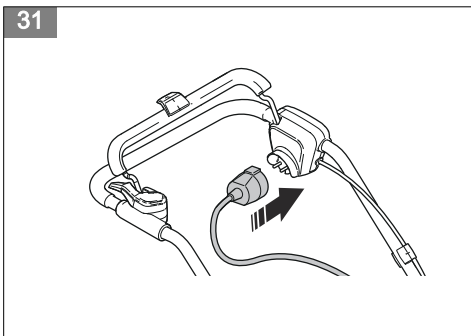
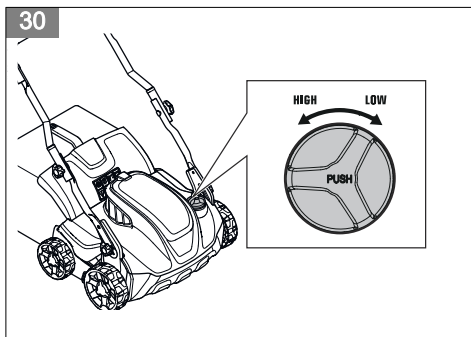
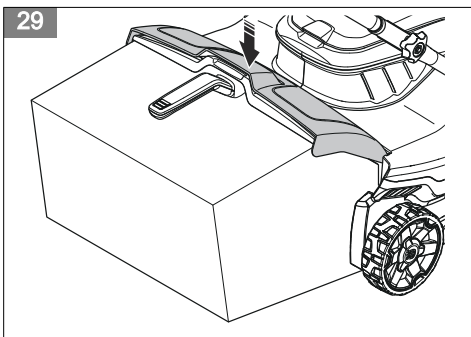
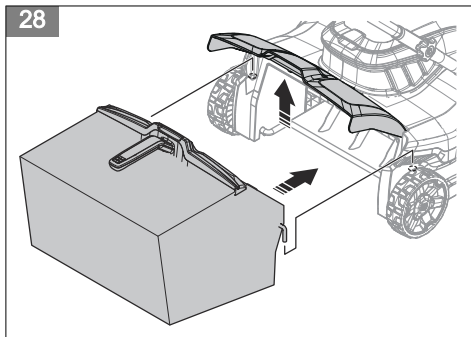
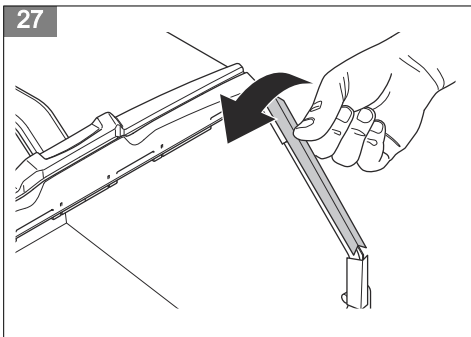


25

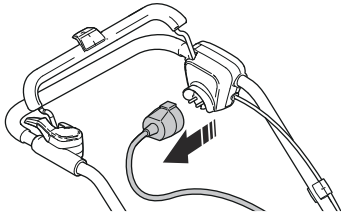


26

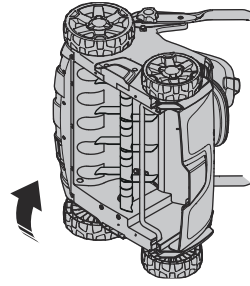




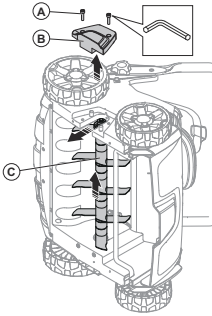
35



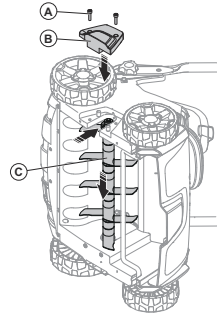
36



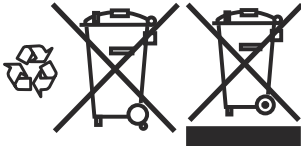
37



38



39



Contents

Introduction.....	6	Troubleshooting.....	16
Safety.....	8	Transportation, storage and disposal.....	16
Assembly.....	14	Technical data.....	16
Operation.....	14	Declaration of Conformity.....	18
Maintenance.....	15		

Introduction

Product description

The product is a pedestrian-controlled electrical dethatcher. The product removes thatch from the lawn and loosens the soil to let air and water into the lawn. The thatch is collected in a grass catcher or is released on to the lawn. The product has 2 types of dethatcher equipment.

Dethatcher equipment

Refer to *To replace the dethatcher equipment on page 15* for information on how to replace the dethatcher equipment.

Blade tines

The blade tines remove thatch and cut the grass roots vertically. Use the blade tines on slopes, terraces and in

soils that have a high quantity of clay. The blade tines let the water go down into the lawn and prevent that water collects on the surface

(Fig. 19)

Spring tines

The spring tines carefully remove dead grass and thatch from the lawn with no damage to the grass roots.

(Fig. 20)

Intended use

Use the product to remove thatch and moss and to loosen the soil in private gardens. Do not use the product for other tasks.

Product overview

(Fig. 1)

1. Motor brake handle
2. Upper handle
3. Start inhibitor
4. Power socket
5. Lower handle
6. Cable clamp
7. Grass catcher
8. Rear cover
9. Dethatcher cover
10. Adjustment knob for the work depth
11. Spring tines
12. Hex key
13. Operator's manual

Symbols on the product

(Fig. 2) **Warning: Not careful or incorrect use can result in injury or death for the operator or others.**

(Fig. 3)

Read the operator's manual and make sure that you understand the instructions before you use this product.

(Fig. 4)

Look out for thrown objects and ricochets.

(Fig. 5)

Keep persons and animals at a safe distance from the work area.

(Fig. 6)

WARNING - Keep hands and feet away from the tines.

- (Fig. 7) Disconnect the product from electrical outlet before you do maintenance on the product. Tines continue to rotate after the motor is switched off.
- (Fig. 8) Electrical shock hazard.
- (Fig. 9) Warning: Do not operate the product across the power cord as this can result in electrical shock or damage to the product.
- (Fig. 10) This product has protection against splashing water.
- (Fig. 11) This product is in accordance with applicable EC directives.
- (Fig. 12) This product conforms to the applicable UK regulations.
- (Fig. 13) Noise emission to the environment label as per EU and UK directives and regulations, and New South Wales legislation "Protection of the Environment Operations (Noise Control) Regulation 2017". The guaranteed sound power level of the product is specified in *Technical data on page 16* and on the label.
- (Fig. 14) Double insulation.
- (Fig. 18) Recycle this product at a recycling location for electrical and electronic equipment. (Applies to Europe only)
- (Fig. 15) Start procedure: loosen start inhibitor, push motor brake handle down.
- (Fig. 16) Release the motor brake handle to stop.
- (Fig. 17) Scannable code.
-
- Note:** Other symbols/decals on the product refer to certification requirements for some markets.
-
- Product damage**
- We are not responsible for damages to our product if:
- the product is incorrectly repaired.
 - the product is repaired with parts that are not from the manufacturer or not approved by the manufacturer.
 - the product has an accessory that is not from the manufacturer or not approved by the manufacturer.
 - the product is not repaired at an approved service center or by an approved authority.

Safety definitions

Warnings, cautions and notes are used to point out specially important parts of the manual.



WARNING: Used if there is a risk of injury or death for the operator or bystanders if the instructions in the manual are not obeyed.



CAUTION: Used if there is a risk of damage to the product, other materials or the adjacent area if the instructions in the manual are not obeyed.

Note: Used to give more information that is necessary in a given situation.

General safety instructions



WARNING: Read the warning instructions that follow before you use the product.

-
- This product is dangerous if used incorrectly or if you are not careful. Injury or death can

occur if you do not obey the safety instructions.

- This product produces an electromagnetic field during operation. This field may under some circumstances interfere with active or passive medical implants. To reduce the risk of serious or fatal injury we recommend persons with medical implants to consult their physician and the medical implant manufacturer before operating this product.
- Always be careful and use your common sense. If you are not sure how to operate the product in a special situation, stop and speak to your Husqvarna dealer before you continue.
- Keep in mind that the operator will be held responsible for accidents that involve other persons or their property.
- Keep the product clean. Make sure that you can clearly read signs and decals.
- Never allow children or people unfamiliar with these instructions to use the appliance. Local regulations may restrict the age of the operator

- Always monitor a person, with decreased physical capacity or mental capacity, that uses the product. A responsible adult must be there at all times.
- Do not use the product if you are tired, ill, or under the influence of alcohol, drugs or medicine. This has a negative effect on your vision, alertness, coordination and judgment.
- Do not use the product if it is defective.
- Do not change this product or use it if it is possible that it has been changed by others.
- Never use the product in bad weather such as fog, rain, strong winds, intense cold and risk of lightning. To use the product in bad weather or in moist or wet locations is tiring. Bad weather can cause dangerous conditions, such as slippery surfaces.
- Look out for persons, objects and situations that can prevent safe operation of the product.
- Look out for obstacles, such as roots, stones, twigs, pits and ditches. Long grass can hide obstacles.
- To operate the product on slopes can be dangerous. Do not use the product on ground that slopes more than 15°.
- Operate the product across the face of slopes. Do not move up and down.
- Be careful when you go near hidden corners and objects that prevent a clear view.

Work area safety



WARNING: Read the warning instructions that follow before you use the product.

- Remove objects such as branches, twigs and stones from the work area before you use the product.
- Objects that hit against the dethatcher equipment can eject and cause damage to persons and objects. Keep bystanders and animals at a safe distance from the product.

Work safety



WARNING: Read the warning instructions that follow before you use the product.



WARNING: Stop the product, disconnect the

power cord and make sure that the tines have come to a complete stop before you touch the dethatcher equipment.

- Use this product to remove thatch and moss from grass lawns only. It is not permitted to use it for other tasks.
- Use personal protective equipment. Refer to *Personal protective equipment on page 11*.
- Do not operate the product in rain or wet conditions. The risk of electrical shock increases if water enters the product.
- Do not operate the product with a damaged power cord.
- Do not operate the product unless the dethatcher equipment and all covers are attached correctly. An incorrectly attached dethatcher equipment can come loose and cause personal injury.
- Make sure that the dethatcher equipment does not hit objects such as stones and roots. This can do damage to the dethatcher equipment and bend the motor shaft. A bent axle causes heavy vibration and a very high risk that

the dethatcher equipment becomes loose.

- If the dethatcher equipment hits an object or if vibrations occur, stop the product immediately. Stop the motor and disconnect the power cord. Examine the product for damages. Repair damages or let an authorised service agent do the repair.
- Never attach the motor brake handle permanently to the handle when the motor is started.
- Put the product on a stable, flat surface and start it. Make sure that the dethatcher equipment does not hit the ground or other objects.
- Always stay behind the product when you operate it.
- Let all the wheels stay on the ground and keep 2 hands on the handle when you operate the product. Keep your hands and feet away from the rotating dethatcher equipment.
- Do not tilt the product when the motor is started.
- Be careful when you pull the product rearward.
- Never lift up the product when the motor is started. If you must lift the product, first stop

the motor and disconnect the power cord.

- Do not walk rearward when you operate the product.
- Stop the motor when you move across areas without grass, for example paths made of gravel, stone and asphalt.
- Do not run with the product when the motor is started. Always walk when you operate the product.
- Stop the motor before you change the work depth. Never make adjustments with the motor started.
- Never let the product stay out of view with the motor started. Stop the motor, disconnect the power cord and make sure that the dethatcher equipment does not rotate.

Safety instructions for operation

Personal protective equipment

You must use approved personal protective equipment whenever you use the product. Personal protective equipment cannot eliminate the risk of injury but it will reduce the degree of injury if an accident does happen. Ask your dealer for help in choosing the right equipment.

Always wear:

- Hearing protection to minimise the risk of hearing impairment.
- Sturdy, non-slip boots or shoes. Do not wear sandals or go barefoot.
- Heavy, long pants. Do not wear shorts.

Wear gloves when required, for example when fitting, inspecting or cleaning the dethatcher equipment.



WARNING: Use approved hearing protection. Long term exposure to noise can result in permanent hearing impairment.

Safety devices on the product



WARNING: Read the warning instructions that follow before you use the product.

- Do not use a product with defective safety devices.
- Do a check of the safety devices regularly. If the safety devices are defective, speak to your Husqvarna service agent.

To do a check of the covers

The dethatcher cover decreases vibrations in the product and decreases the risk of injury from the dethatcher equipment.

- Examine the side dethatcher cover to make sure that there are no damages such as cracks.
- Examine the rear cover to make sure that there are no damages such as cracks.

Motor brake handle

The motor brake handle stops the motor. When the motor brake handle is released, the motor stops.

To do a check of the motor brake, start the motor and then release the motor brake handle. If the motor does not stop in 3 seconds, let an approved Husqvarna service agent adjust the motor brake.

(Fig. 21)

To examine the start inhibitor

Do a check of the start inhibitor to make sure that it prevents operation of the motor.

1. Push the motor brake handle in the direction of the handlebar. The start inhibitor stops the movement.
2. Push the start inhibitor out. (Fig. 22)
3. Release the start inhibitor and make sure that it goes back to its initial position.

To use the power cord holder

The power cord holder decreases the strain on the power socket and the power cord. The power cord holder also decreases the risk that you fall.

1. Bend the power cord to a small loop.
2. Put the loop in to the hole in the power cord holder.
3. Put the loop around the hook.
4. Pull the power cord to tighten the loop around the hook. (Fig. 23)

Power cord safety

- The use of a Residual Current Device (R.C.D.) with a tripping current of not more than 30mA is recommended. Even with an R.D.C. installed, 100% safety cannot be guaranteed and

safe work procedures must be obeyed at all times. Do a check of your R.C.D. each time you use it.

- Immediately disconnect from the mains if the power cord is cut or the insulation is damaged.
- Do not touch a cut or damaged power cord until the electrical supply is disconnected.
- Do not repair a cut or damaged power cord. Replace it with a new one.

Safety instructions for maintenance



WARNING: Read the warning instructions that follow before you use the product.

- To prevent accidental start during maintenance, disconnect the power cord.
- Do the maintenance work correctly to increase the lifetime of the product and decrease the risk of accidents. Let an approved service agent do the professional repairs. Speak to your nearest service agent for more information.
- Only do the maintenance work written in this operator's manual. More extensive work must be done by an approved service agent.
- To prevent injury, do not remove or do modifications to safety devices.
- Put on heavy duty gloves when you use the dethatcher equipment. The dethatcher equipment is very sharp and cuts can easily occur.
- Keep the tines on the dethatcher equipment sharp and clean for the best and safest performance.
- Let your service agent regularly examine the product and make necessary adjustments and repairs.
- Replace damaged, worn or broken parts. Always use original spare parts from the manufacturer. Other spare parts can cause damage to the product and increase the risk of accidents.
- Obey the instructions for how to change accessories. Only use accessories from the manufacturer.

Assembly

Introduction



WARNING: Before you assemble the product, read the safety chapter.



WARNING: To prevent accidental start during assembly, disconnect the power cord.

To assemble the handle

1. Loosen the lower knobs.
2. Move the knobs to the lower end of the grooves on the left and the right side of the product. (Fig. 24)
3. Set the handle height in one of the 2 available positions.
4. Move the knobs up in the direction of the handle until they stop and you hear a click. (Fig. 25)

5. Tighten the knobs fully.

To assemble the grass catcher

1. Attach the grass catcher frame to the grass bag with the rigid part of the bag on the bottom. Keep the handle of the frame on top of the grass bag. (Fig. 26)
2. Attach the bottom section of the grass catcher frame in the groove on the bottom of the grass catcher.
3. Attach the grass bag to the grass catcher frame with the clips. (Fig. 27)
4. Lift the rear cover.
5. Move the grass catcher into the correct position. (Fig. 28)
6. Attach the grass catcher to the top edge of the chassis. Make sure that the rear cover seals against the grass catcher to prevent leakage. (Fig. 29)

Operation

Introduction



WARNING: Before you operate the product, you must read and understand the safety chapter.

Husqvarna Connect

Husqvarna Connect is a free app for your mobile device. The Husqvarna Connect app gives extended functions for your Husqvarna product:

- Extended product information.
- Information about, and help with, product parts and servicing.

To start to use Husqvarna Connect

1. Download the Husqvarna Connect app on your mobile device.
2. Register in the Husqvarna Connect app.
3. Do the instruction steps in the Husqvarna Connect app to connect and register the product.

To set the work depth



WARNING: Do not adjust the work depth when you operate the product.

1. Push and turn the adjustment knob for the work depth counterclockwise to increase the work depth.
2. Push and turn the adjustment knob for the work depth clockwise to decrease the work depth. (Fig. 30)

To start the product

1. Connect a power cord to the socket below the handle. (Fig. 31)
2. Put the power cord in the power cord holder. Refer to *To use the power cord holder on page 12*. (Fig. 23)
3. Stay behind the product.
4. Loosen the start inhibitor. (Fig. 32)
5. Push the motor brake handle in the direction of the handlebar. (Fig. 33)

To stop the product

1. Release the motor brake handle to stop the motor. (Fig. 34)
2. Disconnect the power cord from the mains and then from the product. (Fig. 35)



CAUTION: Pull the plug straight out. Do not pull the power cord.

Maintenance

Introduction



WARNING: Before you do maintenance, you must read and understand the safety chapter.

For all servicing and repair work on the product, special training is necessary. We guarantee the availability of professional repairs and servicing. If your dealer is not a service agent, speak to them for information about the nearest service agent.

For more detailed information, refer to www.husqvarna.com.

Maintenance schedule

The maintenance intervals are calculated from daily use of the product. The intervals change if the product is not used daily.

For maintenance identified with *, refer to *Safety devices on the product on page 11*.

	Each use	Monthly	Each season
Do a general inspection.	X		
Clean the product.	X		
Examine the dethatcher equipment.	X		
Make sure that the safety devices on the product are not defective. *	X		
Examine the covers. *	X		
Do a check of the motor brake handle. *	X		
Do a check of the start inhibitor. *	X		

To do a general inspection

- Make sure that the nuts and screws on the product are tightened.
- Make sure that the cables on the product are not in a position where they can get damaged.
- Make sure that there is no blockage in the product.

equipment. The tines on the dethatcher equipment are very sharp and cuts can easily occur.

- Examine the dethatcher equipment for damage or cracks. Always replace a damaged dethatcher equipment.

To clean the product

- Clean plastic parts with a clean and dry cloth.
- Do not use water to clean the product. Water can enter the battery or the motor and cause short circuit or damage to the product.
- Do not use a high pressure washer to clean the product.
- Do not flush water directly on the motor.
- Use a brush to remove leaves, grass and dirt.

To replace the dethatcher equipment



WARNING: Use protective gloves when you do maintenance on the dethatcher equipment. The dethatcher equipment is very sharp and cuts can easily occur

1. Put the product on its right side. (Fig. 36)
2. Remove the 2 screws (A) and the dethatcher cover (B). Push the dethatcher equipment (C) up and out to remove it. (Fig. 37)
3. Push the new dethatcher equipment (C) into the groove and down the hole. Attach the dethatcher cover (B) and the 2 screws (A). (Fig. 38)

To examine the dethatcher equipment



WARNING: To prevent accidental start, disconnect the power cord.



WARNING: Use protective gloves when you do maintenance on the dethatcher

Troubleshooting

Troubleshooting

Problem	Possible cause	Solution
The product does not start.	The power cord is not connected to a power source.	Connect the power cord to a power source.
	The power cord is not connected to the product.	Connect the power cord to the socket below the handle.
	The motor brake handle is not pushed in the direction of the handlebar.	Push the motor brake handle in the direction of the handlebar.
	The power cord is damaged.	Speak to an approved service agent.
	Other errors.	

Transportation, storage and disposal

Transportation

- For commercial transports special requirements on package and labels must be obeyed.
- Make sure that you obey the regulations for dangerous material when you prepare the product for transport. Local regulations can apply.
- Attach the product during transport.

Storage

- Let the product become cool before storage.
- Keep the product where the ambient temperature is between -10°C and 40°C.
- Keep the product in a locked area out of reach for children and not approved persons.
- Clean the product and do a complete servicing before you put the product in storage for a long time.
- Do the maintenance procedures given in this operator's manual. Refer to *Maintenance schedule on page 15*.

- Do a complete servicing before long time storage.

Disposal

Symbols on the product or the packaging of the product indicate that this product cannot be handled as domestic waste. It must be submitted to an appropriate recycling station for the recovery of electrical and electronic equipment.

By ensuring that this product is taken care of correctly, you can help to counteract the potential negative impact on the environment and people that can otherwise result through the incorrect waste management of this product. For more detailed information about recycling this product, contact your municipality, your domestic waste service or the shop from where you purchased the product.

(Fig. 39)

Technical data

Technical data

S 138C	
Motor	
Motor type	Series AC Motor
Attachment speed – SavE, rpm	N/A
Attachment speed – Nominal, rpm	4200

S 138C	
Motor output – max. kW	1.8
Motor output – Nominal, kW	1.6
Weight	
Weight, kg	19.0
Noise emissions ¹	
Sound power level, measured dB (A)	96
Sound power level, guaranteed L _{WA} dB (A)	98
Sound levels ²	
Sound pressure level at the operators ear, dB (A)	82
Vibration levels ³	
Handle, m/s ²	8.3
Operation	
Work depth max/min, mm	-8/+5
Work width, cm	37.5
Blade tines attachment	5973510-01
Spring tines attachment	5973509-01
Grass catcher capacity, litre	45

¹ Noise emissions in the environment measured as sound power (L_{WA}) in conformity with EC directive 2000/14/EC.

² Reported data for noise pressure level has a typical statistical dispersion (standard deviation) of 1.2 dB (A).

³ Reported data for vibration level has a typical statistical dispersion (standard deviation) of 0.2 m/s².

Declaration of Conformity

EU Declaration of Conformity

We, **Husqvarna AB**, SE-561 82 Huskvarna, SWEDEN,
tel: +46 36 146500, declare on our sole responsibility
that the product:

Description	Scarifier
Brand	Husqvarna
Type / Model	S 138C
Identification	Serial numbers dating from 2023 and onwards

complies fully with the following EU directives and regulations:

Directive/Regulation	Description
2011/65/EU	"on the restriction of the use of certain hazardous substances in electrical and electronic equipment"
2006/42/EC	"relating to machinery"
2014/30/EU	"relating to electromagnetic compatibility"
2000/14/EC	"relating to the noise emissions in the environment"

and that the following standards and/or technical specifications are applied: EN 60335-1:2012/A11:2014/A13:2017/A15:2021, EN 50636-2-92:2014, EN 55014-1:2017/A11:2020, EN 55014-2:2015, EN 61000-3-2:2014, EN 61000-3-11:2000, EN IEC 63000:2018.

For information relating to noise emissions, refer to
Technical data on page 16.

Huskvarna, 2024-03-01



Claes Losdal
Development Manager/Garden Products
Husqvarna AB
Responsible for technical documentation



Съдържание

Въведение.....	19	Отстраняване на проблеми.....	31
Безопасност.....	21	Транспортиране, съхранение и изхвърляне.....	32
Монтаж.....	29	Технически данни.....	32
Операция.....	29	Декларация за съответствие.....	34
Поддръжка.....	30		

Въведение

Описание на продукта

Този продукт е пешеходно управляван електрически вертикутир. Продуктът премахва сплъстена трева от моравата и разрохва почвата, за да позволи на въздуха и водата да проникнат в моравата. Сплъстената трева се събира в кош за трева или се разпределя по моравата. Продуктът има 2 типа оборудване за вертикутир.

Оборудване за вертикутир

Направете справка с *За смяна на оборудването за вертикутир на страница 31* за информацията относно това как да смените оборудването за вертикутир.

Режещи зъбци

Режещите зъбци отстраняват сплъстената трева и отрязват корените на тревата вертикално. Използвайте режещите зъбци на наклони, тераси и

за почви с високо съдържание на глина. Режещите зъбци позволяват на водата да се просмуква в моравата и предотвратяват задържането на вода на повърхността

(Фиг. 19)

Пружинни остриета

Пружинните остриета внимателно премахват сплъстена и мъртва трева от моравата, без да нараняват корените на тревата.

(Фиг. 20)

Предназначение

Използвайте продукта, за да премахнете сплъстената трева и да разрохкате почвата в частни градини. Не използвайте продукта за други задачи.

Общ преглед на продукта

(Фиг. 1)

1. Ръкохватка за спирачката на двигателя
2. Горна дръжка
3. Блокировка на стартирането
4. Захранващ контакт
5. Ниска ръкохватка
6. Скоба на кабел
7. Кош за трева
8. Заден капак
9. Капак на вертикутир
10. Ръкохватка за регулиране на дълбочината на работа
11. Пружинни зъбци
12. Шестостенен ключ
13. Ръководство за оператора

Символи върху продукта

(Фиг. 2)

**Предупреждение:
Непредпазливото
или неправилното**

използване може да
доведе до нараняване
или смърт на
оператора или други
хора.

(Фиг. 3)

Прочетете
ръководството за
оператора и се
уверете, че разбирате
инструкциите, преди
да използвате този
продукт.

- (Фиг. 4) Пазете се от отскачащи предмети и рикошети.
- (Фиг. 5) Дръжте хората и животните на безопасно разстояние от работната площ.
- (Фиг. 6) ПРЕДУПРЕЖДЕНИЕ – дръжте ръцете и краката си настрана от зъбците.
- (Фиг. 7) Изключете уреда от електрическия контакт преди извършване на техническа поддръжка на продукта. Зъбците продължават да се въртят след изключване на двигателя.
- (Фиг. 8) Опасност от токов удар.
- (Фиг. 9) Предупреждение: При работа с продукта не преминавайте върху хранващия шнур, тъй като това може да доведе до електрически удар или повреда на продукта.
- (Фиг. 10) Продуктът е със защита от пръски вода.
- (Фиг. 11) Този продукт отговаря на изискванията на приложимите директиви на ЕО.
- (Фиг. 12) Този продукт съответства на приложимите регламенти на Обединеното кралство.
- (Фиг. 13) Етикет за шумовите емисии за околната среда съгласно директивите и регламентите на ЕС и Обединеното кралство и законодателството на Нов Южен Уелс "Регламент 2017 относно защитата от дейности, оказващи влияние на околната среда (контрол на шума)". Гарантираното ниво на звуковата мощност на продукта е посочено в *Технически данни на страница 32* и на етикета.
- (Фиг. 14) Двойна изолация.

(Фиг. 18)

Рециклирайте този продукт в пункт за рециклиране на отпадъци от електрическо и електронно оборудване. (валидно само за Европа)

спирачката на двигателя надолу.

(Фиг. 16)

Освободете ръкохватката за спирачката на двигателя, за да спрете.

(Фиг. 17)

Код с възможност за сканиране.

(Фиг. 15)

Процедура за стартиране: разхлабете блокировката на стартирането, натиснете ръкохватката на

Забележка: Останалите символи/стикери на продукта се отнасят до изисквания по отношение на сертификати за определени пазари.

Повреда на продукта

Ние не носим отговорност за повреди по нашия продукт, ако:

- продуктът е неправилно ремонтиран.
- продуктът е ремонтиран с части, които не са от производителя или не са одобрени от производителя.
- продуктът има принадлежност, която не е от производителя или не е одобрена от производителя.
- продуктът не е ремонтиран в одобрен сервизен център или от одобрен орган.

Безопасност

Дефиниции за безопасност

Предупреждения, знаци за внимание и бележки се използват за указване на особено важни части на инструкцията.

околните, ако не се спазват инструкциите в ръководството.



ПРЕДУПРЕЖДЕНИЕ: Използва се, ако има опасност от нараняване или смърт за оператора или за



ВНИМАНИЕ: Използва се, ако има опасност от повреждане на машината, други материали или съседната зона, ако не се спазват

инструкциите в
ръководството.

Забележка: Използва се за предоставяне на повече информация, която е необходима в дадена ситуация.

Общи инструкции за безопасност



ПРЕДУПРЕЖДЕНИЕ:
Прочетете следващите
предупредителни
указания, преди да
използвате машината.

- Този продукт е опасен, ако се използва неправилно или ако не сте внимателни. Неспазването на инструкциите за безопасност може да доведе до нараняване или смърт.
- Тази машина създава електромагнитно поле по време на работа. При някои условия това поле може да интерферира с активни или пасивни медицински имплантанти. За да намалите риска от тежко или смъртоносно нараняване, ние препоръчваме лицата с медицински импланти да говорят с лекаря си и производителя на медицинския имплант, преди да започнат да работят с тази машина.
- Винаги бъдете внимателни и подхождайте разумно. Ако не сте сигурни как да работите с продукта при специална ситуация, спрете и се обърнете към Вашия дилър на Husqvarna, преди да продължите.
- Имайте предвид, че операторът носи отговорност за нещастни случаи, включващи други хора или тяхното имущество.
- Поддържайте продукта чист. Уверете се, че разчитате ясно знаците и стикерите.
- Никога не позволявайте на деца или на хора, незапознати с тези инструкции, да използват уреда. Местните разпоредби може да поставят възрастови ограничения за оператора
- Винаги наблюдавайте лица с намален физически или умствен капацитет, които използват продукта. През цялото време трябва

да присъства отговорен възрастен.

- Не използвайте продукта, ако сте уморени, болни или под въздействието на алкохол, наркотици или лекарства. Това състояние оказва отрицателно въздействие върху Вашето зрение, бдителност, координация и преценка.
- Не използвайте продукта, ако е неизправен.
- Не променяйте този продукт или не го използвайте, ако има вероятност той да е бил променен от друг.

Безопасност на работната област



ПРЕДУПРЕЖДЕНИЕ:

Прочетете следващите предупредителни указания, преди да използвате машината.

- Отстранете препятствия като клони, пръчки и камъни от работната зона, преди да използвате продукта.
- Обектите, които се удрят във вертикутира, могат да бъдат изхвърлени и да причинят нараняване на хората и щети на предметите. Дръжте страничните наблюдатели и животните на безопасно разстояние от продукта.
- Никога не използвайте продукта в лошо време – например при мъгла, дъжд, силни ветрове, много силен студ и риск от мълнии. Използването на продукта в лошо време или върху влажни или мокри терени е изморително. Лошото време може да създаде опасни условия, като например хлъзгави повърхности.
- Внимавайте за лица, предмети и ситуации, които могат да са причина за намаляване на безопасната работа на продукта.
- Внимавайте за препятствия като корени, камъни, клони, ями и канавки. Дългата трева може да крие препятствия.
- Работата с продукта на склон може да бъде опасна. Не работете с продукта, когато наклонът на повърхността е повече от 15°.
- Използвайте продукта напречно на склона. Не се движете нагоре и надолу.
- Внимавайте, когато преминавате покрай

закриват ъгли и предмети, които скриват зрителното Ви поле.

Безопасност при работа



ПРЕДУПРЕЖДЕНИЕ:
Прочетете следващите предупредителни инструкции, преди да използвате продукта.



ПРЕДУПРЕЖДЕНИЕ:
Спрете продукта, разкачете захранващия шнур и се уверете, че зъбците са спрели напълно, преди да докоснете оборудването за отстраняване на окосеното.

- Използвайте този продукт, за да отстраните сплъстената трева и мъх само от морава. Не се допуска използването му за други цели.
- Използвайте лични предпазни средства. Направете справка с *Лични предпазни средства на страница 25*.
- Не работете с продукта при дъжд или влага. Рискът от

токов удар се повишава при навлизане на вода в продукта.

- Не работете с продукта при повреден захранващ шнур.
- Не работете с продукта, докато оборудването за отстраняване на окосеното и всички капаци не се закрепят правилно. Неправилно закрепеното оборудване за отстраняване на окосеното може да се разхлаби и да причини телесна повреда.
- Уверете се, че оборудването за отстраняване на окосеното няма да се удрия в предмети, като например камъни и корени. Това може да доведе до повреда на оборудването за отстраняване на окосеното и до огъване на вала на двигателя. Огънатата ос причинява силни вибрации и има много голям риск оборудването за отстраняване на окосеното да се разхлаби.
- Ако оборудването за отстраняване на окосеното се удари в някакъв предмет или се получат вибрации, спрете веднага продукта. Спрете двигателя

и разкачете захранващия шнур. Проверете продукта за повреди. Ремонтирайте повредите или потърсете оторизиран сервиз за извършване на ремонтните дейности.

- Никога не закрепвайте ръкохватката за спирачката на двигателя за постоянно върху ръкохватката, когато двигателят е стартиран.
- Поставете продукта върху стабилна, равна повърхност и го стартирайте. Уверете се, че оборудването за отстраняване на окосеното не се удря в земята или други предмети.
- Винаги стойте зад продукта, когато работите с него.
- Всички колела трябва да бъдат на земята и да държите ръкохватката с 2 ръце, когато работите с продукта. Дръжте ръцете и краката си далеч от въртящото се оборудване за отстраняване на окосеното.
- Не накланяйте продукта, когато двигателят е стартиран.
- Бъдете внимателни, когато дърпате продукта назад.
- Никога не повдигайте продукта, когато двигателят

е стартиран. Ако се наложи да повдигате продукта, първо спрете двигателя и разкачете захранващия шнур.

- Не ходете назад, когато работите с продукта.
- Спрете двигателя, когато преминавате през площи без трева, като например пътеки от чакъл, камък и асфалт.
- Не тичайте с продукта, когато двигателят е стартиран. Винаги ходете, когато работите с продукта.
- Спрете двигателя, преди да промените дълбочината на работа. Никога не регулирайте при стартиран двигател.
- Никога не оставяйте продукта без надзор при стартиран двигател. Спрете двигателя, разкачете захранващия шнур и се уверете, че оборудването за отстраняване на окосеното не се върти.

Инструкции за безопасност за работа

Лични предпазни средства

При всяка работа с продукта трябва да използвате одобрени лични предпазни средства. Личните

предпазни средства не могат да елиминират риска от нараняване, но ще намалят сериозността на нараняването при възникване на злополука. Помолете своя дилър за помощ при избора на подходящо оборудване.

Необходимо е винаги да носите:

- Защита на слуха, за да сведете до минимум риска от увреждане на слуха.
- Здрави ботуши или обувки, които не се хлъзгат. Не носете сандали и не работете боси.
- Дълги панталони от здрав плат. Не носете къси панталони.

Носете ръкавици, когато е необходимо, например когато поставяте, проверявате или почиствате оборудването за вертикутир.



ПРЕДУПРЕЖДЕНИЕ:

Използвайте одобрена защита на слуха. Продължителното излагане на шум може да доведе до трайно увреждане на слуха.

Устройства за безопасност на продукта



ПРЕДУПРЕЖДЕНИЕ:

Прочетете следващите предупредителни инструкции, преди да използвате продукта.

- Не използвайте продукт с дефектни устройства за безопасност.
- Извършвайте редовно проверка на устройствата за безопасност. Ако устройствата за безопасност са дефектни, говорете с Вашия сервиз Husqvarna.

За извършване на проверка на капачите

Капакът на вертикутира намалява вибрациите в продукта и риска от нараняване, причинени от оборудването за вертикутир.

- Проверете страничния капак на вертикутира, за да се уверите, че няма повреди, като например пукнатини.
- Проверете задния капак, за да се уверите, че няма повреди, като например пукнатини.

Ръкохватка за спирачката на двигателя

Ръкохватка за спирачката на двигателя спира двигателя. Когато ръкохватката за спирачката на двигателя бъде освободена, двигателят спира.

За да извършите проверка на спирачката на двигателя, стартирайте двигателя и след това освободете ръкохватката за спирачката на двигателя. Ако двигателят не спре до 3 секунди, позволете на одобрен сервиз на Husqvarna да регулира спирачката на двигателя.

(Фиг. 21)

За проверка на блокировката на стартирането

Извършете проверка на блокировката на стартирането, за да се уверите, че тя не допуска работата на двигателя.

1. Натиснете ръкохватката за спирачката на двигателя по посока на управлението. Блокировката на стартирането спира движението.

2. Натиснете блокировката на стартирането навън. (Фиг. 22)
3. Освободете блокировката на стартирането и се уверете, че тя се е върнала в първоначалното си положение.

За използване на държача на хранващия шнур

Държачът на хранващия шнур намалява натоварването върху хранващия контакт и хранващия шнур. Държачът на хранващия шнур намалява също и риска да паднете.

1. Сгънете хранващия шнур, за да оформите малка примка.
2. Поставете примката в отвора на държача на хранващия шнур.
3. Поставете примката около куката.
4. Дръпнете хранващия шнур, за да затегнете примката около куката. (Фиг. 23)

Безопасност на захранващия шнур

- Препоръчва се използването на дефектнотокова защита (R.C.D.) с ток на задействане не повече от 30 mA. Дори с монтирана R.C.D. не може да се гарантира 100% безопасност и процедурите за безопасна работа трябва да се следват по всяко време. Извършвайте проверка на R.C.D. при всяко използване.
- Ако по захранващия шнур има срязвания или ако изолацията е повредена, незабавно го разкачете от мрежовото захранване.
- Не докосвайте срязан или повреден захранващ шнур, преди да разкачите електрозахранването.
- Не поправяйте срязан или повреден захранващ шнур. Сменете го с нов.

Инструкции за безопасност при техническо обслужване



ПРЕДУПРЕЖДЕНИЕ: Прочетете следващите предупредителни инструкции, преди да използвате продукта.

- За да предотвратите случайно стартиране по време на техническо обслужване, разкачете захранващия шнур.
- Извършете правилно техническото обслужване, за да увеличите срока на експлоатация на продукта и да намалите риска от инциденти. Възложете извършването на професионалните ремонтни дейности на одобрен сервиз. За повече информация се обърнете към най-близкия до Вас сервиз.
- Извършвайте само работите по техническото обслужване, посочени в това ръководство за оператора. По-значителни професионални дейности трябва да се извършват от одобрен сервиз.
- За предотвратяване на нараняване не отстранявайте устройствата за безопасност и не ги модифицирайте.
- Сложете ръкавици за тежки условия, когато използвате оборудването за вертикутир. Оборудването за вертикутир е много остро и можете лесно да се порежете.

- Поддържайте зъбците на оборудването за вертикутир остри и чисти за най-добра и безопасна работа.
- Редовно проверявайте продукта при Вашия сервиз и извършвайте необходимите корекции и ремонтни дейности.
- Заменете повредени, износени или счупени части. Винаги използвайте оригинални резервни части от производителя. Други резервни части могат да причинят повреждане на продукта и да увеличат риска от злополуки.
- Следвайте инструкциите за смяна на принадлежностите. Използвайте само принадлежности от производителя.

Монтаж

Въведение



ПРЕДУПРЕЖДЕНИЕ: Преди да сглобите продукта, прочетете главата за безопасност.



ПРЕДУПРЕЖДЕНИЕ: За да предотвратите случайно стартиране по време на монтаж, разкачете захранващия шнур.

За да монтирате ръкохватката

1. Разхлабете долните копчета.
2. Преместете фиксаторите към долния край на каналите от лявата и дясната страна на продукта. (Фиг. 24)
3. Задайте височината на дръжката в едно от 2 възможни положения.
4. Преместете фиксаторите по посока на дръжката, докато спрат и се чуе щракване. (Фиг. 25)
5. Затегнете напълно фиксаторите.

За сглобяване на коша за трева

1. Прикрепете рамката на коша за трева към торбата за събиране на трева, като твърдата част на торбата трябва да е отдолу. Дръжте ръкохватката на рамката от горната страна на торбата за трева. (Фиг. 26)
2. Прикрепете долната секция на рамката на коша за трева в канала от долната страна на коша за трева.
3. Прикрепете торбата за трева към рамката на коша за трева с фиксаторите. (Фиг. 27)
4. Вдигнете задния капак.
5. Преместете коша за трева в правилната позиция. (Фиг. 28)
6. Прикрепете коша за трева към горния ръб на шасито. Уверете се, че задният капак прилепва плътно към коша за трева за предотвратяване на теч. (Фиг. 29)

Операция

Въведение



ПРЕДУПРЕЖДЕНИЕ: Преди работа с продукта трябва да прочетете и разберете главата за безопасност.

Husqvarna Connect

Husqvarna Connect е безплатно приложение за Вашето мобилно устройство. Приложението

Husqvarna Connect осигурява разширени функции за Вашия продукт на Husqvarna:

- Разширена продуктова информация.
- Информация и помощ за частите на продукта и сервисното обслужване.

За да започнете да използвате Husqvarna Connect

1. Изтеглете приложението Husqvarna Connect на Вашето мобилно устройство.

2. Регистрирайте се в приложението Husqvarna Connect.
3. Изпълнете стъпките с инструкции в приложението Husqvarna Connect, за да свържете и регистрирате продукта.

За да зададете дълбочина на работа



ПРЕДУПРЕЖДЕНИЕ: Не регулирайте дълбочината на работа, когато работите с продукта.

1. Натиснете и завъртете ръкохватката за регулиране на дълбочината на работа по посока обратна на часовниковата стрелка, за да увеличите дълбочината на работа.
2. Натиснете и завъртете ръкохватката за регулиране на дълбочината на работа по посока на часовниковата стрелка, за да намалите дълбочината на работа. (Фиг. 30)

За стартиране на продукта

1. Свържете захранващ кабел към контакта под ръкохватката. (Фиг. 31)

2. Поставете захранващия шнур в държача на захранващия шнур. Вижте *За използване на държача на захранващия шнур на страница 27.* (Фиг. 23)
3. Останете зад продукта.
4. Разхлабете инхибитора за стартиране. (Фиг. 32)
5. Натиснете ръкохватката за спирачката на двигателя по посока на управлението. (Фиг. 33)

Спиране на продукта

1. Освободете ръкохватката за спирачката на двигателя, за да спрете двигателя. (Фиг. 34)
2. Разкачете захранващия шнур от контакта и след това от продукта. (Фиг. 35)



ВНИМАНИЕ: Издърпайте щепсела докрай навън. Не дърпайте захранващия шнур.

Поддръжка

Въведение



ПРЕДУПРЕЖДЕНИЕ: Преди да извършите техническо обслужване, трябва да прочетете и разберете главата за безопасност.

За всички работи по обслужването и поправката на продукта е необходимо специално обучение. Осигуряваме предлагане на професионални ремонти и обслужване. Ако Вашият дилър не предлага сервизно обслужване, се свържете с него, за да Ви даде информация за най-близкия сервиз.

За по-подробна информация направете справка с www.husqvarna.com.

Разписание за техническо обслужване

Интервалите за техническо обслужване са изчислени в зависимост от ежедневната употреба на продукта. Интервалите се променят, ако продуктът не се използва ежедневно.

За техническо обслужване, маркирано със *, направете справка с *Устройства за безопасност на продукта на страница 26.*

	При всяка употреба	Всеки месец	Всеки сезон
Извършете обща проверка.	X		
Почистете продукта.	X		
Прегледайте оборудването за вертикутир.	X		
Уверете се, че устройствата за безопасност на продукта не са дефектни. *	X		
Проверете капаците. *	X		
Извършете проверка на ръкохватката за спирачката на двигателя. *	X		
Извършете проверка на блокировката на стартирането. *	X		

За извършване на обща проверка

- Уверете се, че всички гайки и винтове на продукта са затегнати.
- Уверете се, че кабелите на продукта не са в положение, в което могат да бъдат повредени.
- Уверете се, че няма запушване в продукта.

За почистване на машината

- Почиствайте пластмасовите части със суха кърпа.
- Не използвайте вода за почистване на продукта. Водата може да навлезе в акумулатора или в двигателя и да причини късо съединение или повреда на продукта.
- Не мийте продукта с устройство за миене под високо налягане.
- Не пръскайте вода директно върху двигателя.
- За отстраняване на листа, трева и прах използвайте четка.

За проверка на оборудването за вертикутир



ПРЕДУПРЕЖДЕНИЕ: За да предотвратите случайно стартиране, разкачете захранващия шнур.



ПРЕДУПРЕЖДЕНИЕ: Носете защитни ръкавици, когато извършвате

техническо обслужване на оборудването за вертикутир. Зъбците на оборудването за вертикутир са много остри и можете лесно да се порежете.

- Проверете оборудването за вертикутир за повреди или пукнатини. Винаги сменяйте повредено оборудване за вертикутир.

За смяна на оборудването за вертикутир



ПРЕДУПРЕЖДЕНИЕ: Носете защитни ръкавици, когато изпълнявате дейности, свързани с техническото обслужване на оборудването за вертикутир. Оборудването за вертикутир е много остро и можете лесно да се порежете

1. Поставете продукта на дясната му страна. (Фиг. 36)
2. Отстранете 2-та винта (А) и капака на вертикутира (В). Натиснете оборудването за вертикутир (С) нагоре и навън, за да го премахнете. (Фиг. 37)
3. Натиснете новото оборудване за вертикутир (С) в канала и надолу до отвора. Прикрепете капака на вертикутира (В) и 2-та винта (А) (Фиг. 38)

Отстраняване на проблеми

Отстраняване на неизправности

Проблем	Възможна причина	Решение
Продуктът не стартира.	Захранващият шнур не е свързан към източник на захранване.	Свържете захранващия шнур към източник на захранване.
	Захранващият шнур не е свързан правилно към продукта.	Свържете захранващия шнур към контакта под ръкохватката.
	Ръкохватката на спиралката на двигателя не е натисната по посока на управлението.	Натиснете ръкохватката за спиралката на двигателя по посока на управлението.
	Захранващият шнур е повреден.	Обърнете се към одобрен сервиз.
	Други грешки.	

Транспортиране, съхранение и изхвърляне

Транспортиране

- За търговско транспортиране трябва да се спазват специалните изисквания върху опаковката и етикетите.
- Задължително спазвайте разпоредбите за опасни материали, когато подготвяте продукта за транспортиране. Може да са в сила местни разпоредби.
- Закрепете продукта по време на транспортиране.

оператора. Направете справка с *Разписание за техническо обслужване на страница 30*.

- Извършете пълно сервизно обслужване преди съхранение за дълъг период от време.

Изхвърляне

Символите на продукта или на неговата опаковка показват, че този продукт не може да бъде третиран като битов отпадък. Той трябва да бъде подаден в съответната рециклираща станция за използване на електрическо и електронно оборудване.

Подавайки този продукт на правилното място, вие спомагате за предотвратяване на потенциалното негативно отражение върху околната среда и хората, което би могло да настъпи иначе в резултат на неправилно изхвърляне на този продукт. За повече подробна информация относно рециклирането на този продукт се свържете с местната администрация, услугите за битови отпадъци или магазина, откъдето сте закупили продукта.

(Фиг. 39)

Съхранение

- Оставете продукта да се охлади, преди да го оставите за съхранение.
- Съхранявайте продукта при околна температура между -10°C и 40°C .
- Съхранявайте продукта в заключена площ, недостъпна за деца и неупълномощени лица.
- Почистете продукта и извършете пълно сервизно обслужване, преди да го оставите за съхранение за дълъг период от време.
- Извършвайте процедурите по техническото обслужване, посочени в това ръководство за

Технически данни

Технически характеристики

S 138C	
Двигател	
Тип на двигателя	Двигател, серия AC
Скорост на приставката – SavE, об/мин	Не е налично
Скорост на приставката – номинална, об/мин	4200
Изходна мощност на двигателя – макс. kW	1,8
Изходна мощност на двигателя – номинална, kW	1,6
Тегло	
Тегло, kg	19,0
Шумови емисии ⁴	
Ниво на звуковата мощност, измерено, измерена dB (A)	96
Ниво на звуковата мощност, гарантирано L_{WA} dB (A)	98
Нива на шума ⁵	

⁴ Емисии на шума в околната среда, измерени като звукова мощност (L_{WA}) в съответствие с директива на ЕО 2000/14/ЕО.

⁵ Отчетените данни за нивото на шумовото налягане имат типична статистическа дисперсия (стандартно отклонение) от 1,2 dB (A).

S 138C	
Ниво на звуковото налягане при ухото на оператора, dB (A)	82
Нива на вибрациите⁶	
Ръкохватка, m/s ²	8,3
Експлоатация	
Работна дълбочина, макс./мин., mm	-8/+5
Работна ширина, cm	37,5
Приставка режещи зъбци	5973510-01
Приставка за пружинни остриета	5973509-01
Капацитет на коша за трева, литри	45

⁶ Отчетените данни за нивото на вибрациите имат типична статистическа дисперсия (стандартно отклонение) от 0,2 m/s².

Декларация за съответствие

Декларация за съответствие на ЕС

Ние, **Husqvarna AB**, SE-561 82 Huskvarna, ШВЕЦИЯ,
тел.: +46 36 146500, декларираме на своя собствена
отговорност, че продуктът:

Описание	Скарификатор
Марка	Husqvarna
Тип/модел	S 138C
Идентификация	Серийни номера от 2023 и нататък

отговаря напълно на следните директиви и
регламенти на ЕС:

Директива/регламент	Описание
2011/65/EC	"по отношение на ограничението за използване на определени опасни вещества в електрическо и електронно оборудване"
2006/42/EO	"относно машините"
2014/30/EC	"относно електромагнитната съвместимост"
2000/14/EO	"относно шумовите емисии в околната среда"

и че следните стандарти и/или технически
спецификации са приложени: EN 60335-1:2012/
A11:2014/A13:2017/A15:2021, EN 50636-2-92:2014,
EN 55014-1:2017/A11:2020, EN 55014-2:2015, EN
61000-3-2:2014, EN 61000-3-11:2000, EN IEC
63000:2018.

За информация относно шумовите емисии
направете справка с *Технически характеристики на*
страница 32.

Huskvarna, 2024-03-01



Claes Losdal

Мениджър "Разработки и развитие/градински
продукти"

Husqvarna AB

Отговорен за техническата документация



Obsah

Úvod.....	35	Odstraňování problémů.....	45
Bezpečnost.....	37	Přeprava, skladování a likvidace.....	45
Montáž.....	43	Technické údaje.....	46
Provoz.....	43	Prohlášení o shodě.....	47
Údržba.....	44		

Úvod

Popis produktu

Výrobek je elektrický odmechovač s péší obsluhou. Výrobek odstraňuje z trávníku travní plst' a uvolňuje půdu, aby mohl do trávníku lépe pronikat vzduch a voda. Travní plst' se shromažďuje v koši na trávu nebo je uvolněna na trávník. Výrobek má 2 typy ústrojí odmechovače.

Ústrojí odmechovače

Informace o výměně ústrojí odmechovače naleznete v části *Výměna ústrojí odmechovače na strani 45*.

Nože

Nože odstraňují travní plst' a svisle přežezávají kořeny trávy. Nože používejte na svazích, terasách a na

půdách s vysokým podílem jílu. Nože umožňují lepší pronikání vody do trávníku a zabraňují jejímu hromadění na povrchu.

(Obr. 19)

Pružinové hroty

Pružinové hroty opatrně odstraňují odumřelou trávu a travní plst' z trávníku bez poškození kořenů trávy.

(Obr. 20)

Doporučené použití

Použijte výrobek k odstraňování travní plsti a mechu a uvolňování půdy na soukromých zahradách. K jiným činnostem výrobek nepoužívejte.

Popis výrobku

(Obr. 1)

1. Rukojeť brzdy motoru
2. Horní část řídicíků
3. Inhibitor spuštění
4. Elektrická zásuvka
5. Dolní část řídicíků
6. Svorka lanka
7. Koš na trávu
8. Zadní kryt
9. Kryt odmechovače
10. Knoflík nastavení pracovní hloubky
11. Pružinové hroty
12. Šestihřanný imbusový klíč
13. Návod k používání

Symboly na výrobku

(Obr. 2)

Varování: Neopatrné nebo nesprávné použití může vést ke zranění nebo usmrcení obsluhy a dalších osob.

(Obr. 3)

Přečtěte si návod k používání a nepoužívejte stroj, pokud mu zcela nerozumíte.

(Obr. 4)

Pozor na odvržené a odražené předměty.

(Obr. 5)

Zajistěte, aby se v pracovní oblasti a jejím okolí nezdržovaly nepovolané osoby či zvířata.

(Obr. 6)

VAROVÁNÍ – Ruce a nohy udržujte mimo dosah nožů/hrotů.

- (Obr. 7) Před prováděním údržby výrobku jej odpojte od elektrické sítě. Hroty se otáčejí i po vypnutí motoru.
- (Obr. 8) Nebezpečí úrazu elektrickým proudem.
- (Obr. 9) Varování: Dávejte pozor, abyste nepřejeli přes kabel napájení a nepřesekli jej. Může to způsobit úraz elektrickým proudem nebo poškození výrobku.
- (Obr. 10) Tento výrobek má ochranu proti stříkající vodě.
- (Obr. 11) Tento výrobek vyhovuje příslušným směrnici ES.
- (Obr. 12) Tento výrobek vyhovuje platným předpisům Spojeného království.
- (Obr. 13) Štítek s emisemi hluku do okolí podle směrnic a předpisů Evropské unie a Spojeného království a nařízení o regulaci hluku v australském Novém Jižním Walesu
- „Protection of the Environment Operations (Noise Control) Regulation 2017“.
Garantovaná hladina akustického výkonu tohoto výrobku je uvedena v části *Technické údaje na straně 46* a na štítku.
- (Obr. 14) Dvojitá izolace.
- (Obr. 18) Odevzdejte výrobek na sběrném místě elektrických a elektronických zařízení. (Platí pouze pro Evropu)
- (Obr. 15) Startovací proces: povolte inhibitor spuštění, zatlačte rukojeť brzdy motoru směrem dolů.
- (Obr. 16) Uvolněním rukojeti brzdy motoru zastavíte.
- (Obr. 17) Skenovatelný kód.

Povšimněte si: Další symboly/štítky na výrobku se týkají certifikačních požadavků pro určité obchodní trhy.

Poškození výrobku

Neneseme odpovědnost za poškození výrobku, pokud:

- byl výrobek nesprávně opraven.

- byl výrobek opraven pomocí součástí od jiného výrobce nebo součástí, které nejsou výrobcem schváleny.
- má výrobek příslušenství od jiného výrobce nebo příslušenství, které není výrobcem schváleno.
- výrobek nebyl opraven ve schváleném servisním středisku nebo schváleným odborníkem.

Bezpečnost

Definice týkající se bezpečnosti

Varování, upozornění a poznámky slouží jako upozornění na specifické důležité části návodu.



VÝSTRAHA: Používá se v případě nebezpečí úrazu nebo usmrcení obsluhy nebo okolních osob, pokud nejsou dodrženy pokyny uvedené v této příručce.



VAROVÁNÍ: Používá se v případě nebezpečí poškození výrobku, dalších materiálů či škod na majetku v blízkém okolí, pokud nejsou dodrženy pokyny uvedené v této příručce.

Povšimněte si: Používá se k poskytnutí dalších informací, které jsou nezbytné v dané situaci.

Obecné bezpečnostní pokyny



VÝSTRAHA: Před použitím výrobku si přečtěte následující varování.

- Tento výrobek je nebezpečný, nepoužívá-li se správně nebo není-li věnována provozu řádná pozornost. Nedodržení bezpečnostních pokynů může vést ke zranění nebo usmrcení.
- Tento výrobek vytváří během provozu elektromagnetické pole. Toto pole může za určitých okolností narušovat funkci aktivních či pasivních implantovaných lékařských přístrojů. Za účelem snížení rizika možného zranění nebo smrtelného úrazu doporučujeme osobám s implantovanými lékařskými přístroji poradit se před použitím výrobku s lékařem a s výrobcem implantovaného lékařského přístroje.
- Buďte stále opatrní a používejte zdravý rozum.

Nejste-li si jisti, jak ovládat výrobek ve zvláštních situacích, vypněte jej a promluvte si s prodejcem Husqvarna, než budete pokračovat v práci.

- Mějte na paměti, že obsluha je odpovědná za nehody a škody vzniklé jiným osobám nebo na jejich majetku.
- Udržujte výrobek čistý. Ujistěte se, že jsou značky a štítky dobře čitelné.
- Nikdy nedovoďte dětem nebo osobám, které se neseznámily s těmito pokyny, aby zařízení používaly. Věk obsluhy přístroje může být omezen místními předpisy.
- Vždy sledujte osoby s fyzickým nebo mentálním postižením při práci s výrobkem. Vždy musí být přítomna zodpovědná dospělá osoba.
- Nepoužívejte výrobek, jste-li unavení, nemocní nebo pod vlivem alkoholu, drog nebo léků. To by mohlo ovlivnit váš zrak, ostražitost, koordinaci a úsudek.
- Nepoužívejte výrobek, pokud je vadný.
- Nikdy neupravujte výrobek a nepoužívejte jej, pokud je

možné, že jej upravil někdo jiný.

Bezpečnost pracovního prostoru



VÝSTRAHA: Před použitím výrobku si přečtěte následující varování.

- Před použitím výrobku, odkliďte z pracovní oblasti předměty, jako jsou větve, větvičky a kameny.
- Předměty, které zachytí ústrojí odmechovače, mohou být odmrštěny a způsobit zranění osob a poškození předmětů. Udržujte osoby v okolí a zvířata v bezpečné vzdálenosti od výrobku.
- Nikdy nepoužívejte výrobek za špatného počasí, jako je mlha, déšť, silný vítr, intenzivní chlad a nebezpečí blesku. Použití výrobku za špatného počasí nebo ve vlhkých či mokrých podmínkách je namáhavé. Nepříznivé počasí může vytvořit nebezpečné podmínky, např. kluzký povrch.
- Dávejte pozor na osoby, předměty a situace, které mohou bránit bezpečnému provozu výrobku.

- Dávejte pozor na překážky, jako jsou kořeny, kameny, větve, díry a příkopy. Vysoká tráva může překážky skrýt.
- Použití výrobku na svazích může být nebezpečné. Nepoužívejte výrobek na svahu se sklonem větším než 15°.
- S výrobkem jezděte po vrstevnicích. Nepohybujte se na svahu nahoru a dolů.
- Postupujte opatrně v blízkosti skrytých rohů a objektů, které mohou bránit ve výhledu.
- Používejte osobní ochranné pomůcky. Viz část *Osobní ochranné prostředky na strani 40*.
- Neprovozujte výrobek v dešti a vlhku. Nebezpečí úrazu elektrickým proudem se zvyšuje, přijde-li výrobek do styku s vodou.
- Nepoužívejte výrobek s poškozeným napájecím kabelem.
- Neprovozujte výrobek, pokud není správně namontované ústrojí odmechovače a nejsou správně nasazeny všechny kryty. V případě nesprávného připevnění by se mohlo ústrojí odmechovače uvolnit a způsobit zranění osob.

Bezpečnost práce



VÝSTRAHA: Před použitím výrobku si přečtěte následující varování.



VÝSTRAHA: Než se dotknete ústrojí odmechovače, zastavte výrobek, odpojte napájecí kabel a přesvědčte se, že se hroty zcela zastavily.

- Tento výrobek používejte pouze k odstraňování travní plsti a mechu z trávníků. Není dovoleno používat výrobek k jiným činnostem.
- Zajistěte, aby ústrojí odmechovače nenarazilo do předmětů, jako jsou kameny a kořeny. Mohlo by dojít k poškození ústrojí odmechovače a ohnutí hřídele motoru. Ohnutý hřídel způsobuje velké vibrace a hrozí velmi vysoké riziko uvolnění ústrojí odmechovače.
- Pokud ústrojí odmechovače narazí do nějakého předmětu nebo se objeví vibrace, okamžitě zastavte výrobek. Zastavte motor a odpojte napájecí kabel. Zkontrolujte,

zda není výrobek poškozený. Opravte poškozené díly nebo svěřte opravu autorizovanému servisu.

- Po nastartování motoru nikdy nepřipevňujte rukojeť brzdy motoru trvale k rukojeti sekačky.
- Umístěte výrobek na stabilní, rovný povrch a nastartujte jej. Zkontrolujte, zda nemůže ústrojí odmechovače přijít do kontaktu se zemí nebo cizími předměty.
- Při práci s výrobkem vždy stůjte za ním.
- Při provozu nechte všechna kola spočívat na zemi a držte říditka oběma rukama. Ruce a nohy udržujte mimo dosah rotujícího ústrojí odmechovače.
- Nenaklánějte výrobek, když je spuštěný motor.
- Buďte opatrní při tažení výrobku dozadu.
- Nikdy výrobek nezvedejte, když je spuštěný motor. Pokud musíte výrobek zvednout, nejprve vypněte motor a odpojte napájecí kabel.
- Při práci s výrobkem nechoďte směrem dozadu.
- Před přejezdem ploch bez trávy, jako jsou cesty

vytvořené ze šterku, kamenů nebo asfaltu, vypněte motor.

- Neběhejte s výrobkem, když je spuštěný motor. Při práci s výrobkem vždy pouze chodíte.
- Před změnou pracovní hloubky vypněte motor. Nikdy neupravujte nastavení při spuštěném motoru.
- Nikdy nenechte výrobek se spuštěným motorem bez dozoru. Vypněte motor, odpojte napájecí kabel a ujistěte se, že se ústrojí odmechovače neotáčí.

Bezpečnostní pokyny pro provoz

Osobní ochranné prostředky

Při každém použití produktu je nutné používat schválené osobní ochranné pomůcky. Osobní ochranné pomůcky nemohou vyloučit nebezpečí úrazu, ale sníží míru poranění v případě, že dojde k nehodě. Požádejte svého prodejce o pomoc při výběru správného vybavení.

Vždy používejte následující prostředky:

- Ochranu sluchu za účelem snížení rizika poškození sluchu.

- Pevnou, protiskluzovou obuv. Nenoste sandály a nepracujte bosí.
- Silné, dlouhé kalhoty. Nenoste krátké kalhoty.

Pokud je třeba, noste rukavice, například při nasazování, kontrole nebo čištění ústrojí odmechovače.



VÝSTRAHA: Vždy používejte schválenou ochranu sluchu. Dlouhodobé vystavování působení hluku může vést k trvalému poškození sluchu.

Bezpečnostní zařízení na produktu



VÝSTRAHA: Před použitím výrobku si přečtěte následující varování.

- Nepoužívejte výrobek, jehož bezpečnostní zařízení jsou vadná!
- Pravidelně kontrolujte bezpečnostní zařízení. Pokud je zařízení vadné, obraťte se na servis Husqvarna.

Kontrola krytů

Kryt ústrojí odmechovače snižuje vibrace výrobku a snižuje nebezpečí poranění ústrojím odmechovače.

- Zkontrolujte boční kryt odmechovače, aby bylo zajištěno, že nevykazuje známky poškození, např. praskliny.
- Zkontrolujte zadní kryt, aby bylo zajištěno, že nevykazuje známky poškození, např. praskliny.

Rukojeť brzdy motoru

Rukojeť brzdy motoru slouží k zastavení motoru. Když uvolníte rukojeť brzdy motoru, motor se zastaví.

Chcete-li zkontrolovat funkci brzdy motoru, nastartujte motor a uvolněte rukojeť brzdy motoru. Pokud se motor nevypne během 3 sekund, požádejte schváleného servisního pracovníka Husqvarna o seřízení brzdy motoru.

(Obr. 21)

Kontrola inhibitoru spuštění

Proveďte kontrolu inhibitoru spuštění a ujistěte se, že brání provozu motoru.

1. Zatlačte rukojeť brzdy motoru směrem k řídkům. Inhibitor spuštění zastaví pohyb.
2. Zatlačte inhibitor spuštění směrem ven. (Obr. 22)
3. Uvolněte inhibitor spuštění a ujistěte se, že se vrátí do své výchozí polohy.

Použití držáku napájecího kabelu

Držák napájecího kabelu snižuje tlak na zásuvku a napájecí kabel. Držák napájecího kabelu rovněž snižuje riziko, že upadnete.

1. Ohněte napájecí kabel do malé smyčky.
2. Vložte smyčku do otvoru v držáku napájecího kabelu.
3. Položte smyčku na hák.
4. Zatáhnutím za napájecí kabel smyčku kolem háku utáhněte. (Obr. 23)

Bezpečnost napájecího kabelu

- Doporučuje se použít proudový chránič (RCD) se spouštěcím proudem do hodnoty 30 mA. Ani s proudovým chráničem nelze 100% zaručit bezpečnost a je nutné vždy dodržovat

bezpečné pracovní postupy. Při každém použití zkontrolujte proudový chránič.

- Pokud dojde k přerušení napájecího kabelu nebo poškození izolace, okamžitě odpojte stroj od elektrické sítě.
- Nedotýkejte se přerušeno nebo poškozeného napájecího kabelu, dokud nebude přerušeno elektrické napájení.
- Přerušeno nebo poškozený napájecí kabel se nepokoušejte opravit. Vyměňte ho za nový.

Bezpečnostní pokyny pro údržbu



VÝSTRAHA: Před použitím výrobku si přečtěte následující varování.

-
- Neúmyslnému spuštění během údržby můžete zabránit tím, že odpojíte napájecí kabel.
 - Správným provedením údržby zvýšíte životnost výrobku a snížíte nebezpečí nehod. Odborné opravy by měl provést schválený servis. Pro další informace se obraťte na nejbližší servis.
 - Provádějte pouze údržbu uvedenou v tomto návodu

k používání. Rozsáhlejší zásahy musí provést schválený servis.

- Abyste zabránili zranění, neodstraňujte ani neupravujte bezpečnostní zařízení.
- Při manipulaci s ústrojím odmechovače používejte silné rukavice. Ústrojí odmechovače je velmi ostré a může snadno dojít k pořezání.
- Pro dosažení nejlepšího výsledku a bezpečnosti zajistěte, aby byly nože/hroty na ústrojí odmechovače čisté a ostré.

- Zajistěte pravidelné kontroly a provádění potřebného seřízení a oprav výrobku v servisu.
- Poškozené, opotřebené či prasklé součásti vyměňte. Vždy používejte originální náhradní díly od výrobce. Jiné náhradní díly mohou výrobek poškodit a zvýšit riziko nehod.
- Dodržujte pokyny pro výměnu příslušenství. Používejte výhradně příslušenství od výrobce.

Montáž

Úvod



VÝSTRAHA: Před montáží výrobku si přečtěte kapitolu o bezpečnosti.



VÝSTRAHA: Neúmyslnému spuštění během montáže můžete zabránit tím, že odpojíte napájecí kabel.

Montáž rukojeti

1. Povolte spodní matice.
2. Posuňte knoflíky na spodní konec drážek na pravé i na levé straně výrobku. (Obr. 24)
3. Nastavte výšku rukojeti do jedné ze 2 dostupných poloh.

4. Posuňte knoflíky směrem k rukojeti, dokud se nezastaví a neuslyšíte cvaknutí. (Obr. 25)
5. Knoflíky řádně utáhněte.

Montáž koše na trávu

1. Vložte rám do koše na trávu tak, aby pevná část koše směřovala dolů. Dbejte na to, aby bylo madlo rámu na venkovní straně koše. (Obr. 26)
2. Nasadte spodní část rámu do drážky na spodní straně koše na trávu.
3. Připevněte koš na trávu k rámu pomocí svorek. (Obr. 27)
4. Zvedněte zadní kryt.
5. Umístěte koš na trávu do správné polohy. (Obr. 28)
6. Upevněte sběrací koš k hornímu okraji podvozku. Zkontrolujte, zda je zadní kryt utěsněn proti koši na trávu, aby nedocházelo k úniku materiálu. (Obr. 29)

Provoz

Úvod



VÝSTRAHA: Před používáním produktu je třeba, abyste si přečetli a porozuměli kapitole o bezpečnosti.

Husqvarna Connect

Husqvarna Connect je bezplatná aplikace pro mobilní zařízení. Aplikace Husqvarna Connect dodá vašemu výrobku Husqvarna doplňkové funkce:

- Rozšířené informace o výrobku.

- Informace o dílech a servisu a nápověda pro tyto položky.

Jak začít používat aplikaci Husqvarna Connect

1. Stáhněte si aplikaci Husqvarna Connect do svého mobilního zařízení.
2. V aplikaci Husqvarna Connect se zaregistrujte.
3. Při připojování a registraci výrobku postupujte podle pokynů v aplikaci Husqvarna Connect.

Nastavení pracovní hloubky



VÝSTRAHA: Nenastavujte pracovní hloubku během používání výrobku.

1. Zatláčením a otočením knoflíku nastavení pracovní hloubky proti směru hodinových ručiček zvýšíte pracovní hloubku.
2. Zatláčením a otočením knoflíku nastavení pracovní hloubky ve směru hodinových ručiček snížíte pracovní hloubku. (Obr. 30)

Spuštění výrobku

1. Připojte napájecí kabel do zásuvky pod rukojeť. (Obr. 31)
2. Vložte napájecí kabel do držáku napájecího kabelu. Další informace naleznete v části *Použití držáku napájecího kabelu na straně 42*. (Obr. 23)
3. Postavte se za výrobek.
4. Povolte inhibitor spuštění. (Obr. 32)
5. Zatláče rukojeť brzdy motoru směrem k řidítkům. (Obr. 33)

Zastavení výrobku

1. Zastavte motor uvolněním rukojeti brzdy motoru. (Obr. 34)
2. Odpojte napájecí kabel z elektrické sítě a poté z výrobku. (Obr. 35)



VAROVÁNÍ: Zástrčku vytahujte rovně. Netahejte za napájecí kabel.

Údržba

Úvod



VÝSTRAHA: Před prováděním údržby je třeba, abyste si přečetli kapitolu o bezpečnosti a porozuměli jí.

Pro servis a opravy výrobku je nezbytné speciální školení. Garantujeme dostupnost profesionálních oprav a servisu. Pokud prodejce neposkytuje servisní služby, požádejte jej o informace o nejbližším servisu.

Podrobnější informace jsou uvedeny v části www.husqvarna.com.

Plán údržby

Intervaly údržby se vypočítávají na základě každodenního používání výrobku. Intervaly se mění, není-li výrobek používán denně.

Pro údržbu označenou symbolem * najdete pokyny v části *Bezpečnostní zařízení na produktu na straně 41*.

	Každé použití	Měsíčně	Každou sezónu
Provedte běžnou kontrolu.	X		
Vyčistěte výrobek.	X		
Zkontrolujte ústrojí odmechovače.	X		
Zkontrolujte, zda nejsou vadná bezpečnostní zařízení výrobku. *	X		
Zkontrolujte kryty. *	X		
Zkontrolujte rukojeť brzdy motoru. *	X		
Zkontrolujte inhibitor spuštění. *	X		

Provedení běžné kontroly

- Zajistěte, aby byly matice a šrouby na výrobku správně dotažené.
- Ujistěte se, že kabely výrobku nejsou na místě, kde by mohlo dojít k jejich poškození.

- Ujistěte se, že žádná část výrobku není zablokovaná.

Čištění výrobku

- Plastové části čistěte čistou a suchou utěrkou.

- Nečistěte výrobek vodou. Voda může proniknout do baterie nebo motoru a způsobit zkrat nebo poškození výrobku.
- K čištění výrobku nepoužívejte vodu pod vysokým tlakem.
- Motor nesmí být přímo oplachován vodou.
- Pomocí kartáče odstraňte listí, trávu a nečistoty.

odmehovače jsou velmi ostré a může snadno dojít k pořezání.

- Zkontrolujte, zda ústrojí odmehovače není poškozené nebo prasklé. Poškozené ústrojí odmehovače vždy vyměňte.

Kontrola ústrojí odmehovače



VÝSTRAHA: Neúmyslnému spuštění můžete zabránit tím, že odpojíte napájecí kabel.



VÝSTRAHA: Při provádění údržby ústrojí odmehovače používejte ochranné rukavice. Nože/hroty na ústrojí



VÝSTRAHA: Při provádění údržby ústrojí odmehovače používejte ochranné rukavice. Ústrojí odmehovače je velmi ostré a může snadno dojít k pořezání.

1. Položte výrobek na jeho pravou stranu. (Obr. 36)
2. Vyšroubujte 2 šrouby (A) a sejměte kryt odmehovače (B). Zatlačením nahoru a ven vysuňte ústrojí odmehovače (C). (Obr. 37)
3. Zasuňte nové ústrojí odmehovače (C) do drážky a dolů do otvoru. Upevněte kryt odmehovače (B) pomocí 2 šroubů (A). (Obr. 38)

Odstraňování problémů

Odstraňování problémů

Problém	Možná příčina	Řešení
Výrobek nespouští.	Napájecí kabel není připojen ke zdroji napájení.	Připojte napájecí kabel ke zdroji napájení.
	Napájecí kabel není připojen k výrobku.	Připojte napájecí kabel do zásuvky pod říditky.
	Rukojeť brzdy motoru není zatlačena směrem k říditkům.	Zatlačte rukojeť brzdy motoru směrem k říditkům.
	Napájecí kabel je poškozený.	Obrat'te se na schválený servis.
	Jiné chyby.	

Přeprava, skladování a likvidace

Přeprava

- Při komerční přepravě musí být dodrženy speciální požadavky na balení a označení.
- Při přípravě výrobku k přepravě nezapomeňte dbát předpisů pro nebezpečné materiály. Mohou platit místní předpisy.
- Během přepravy výrobek zajistěte.

- Výrobek skladujte v uzamčeném prostoru mimo dosah dětí a nepovolaných osob.
- Před dlouhodobým skladováním výrobku jej vyčistěte a proveďte kompletní údržbu.
- Proveďte postupy údržby uvedené v tomto návodu k používání. Viz část *Plán údržby na strani 44*.
- Před dlouhodobým uskladněním proveďte kompletní servis.

Skladování

- Před uskladněním nechte výrobek vychladnout.
- Umístěte výrobek na místo, kde je teplota v rozsahu -10 až 40 °C.

Likvidace

Symbyly na produktu nebo jeho obalu označují, že tento výrobek nesmí být likvidován jako domácí odpad.

Musí být odevzdán do příslušné recyklační stanice pro recyklaci elektrických a elektronických zařízení.

Zajištěním odpovídající likvidace tohoto výrobku pomůžete zabránit potenciálnímu negativnímu dopadu na životní prostředí a zdraví lidí, který by jinak mohl být důsledkem nesprávné likvidace tohoto výrobku.

Podrobnější informace o recyklaci tohoto výrobku získáte na městském úřadě, u služby zajišťující zpracování domácího odpadu nebo v prodejně, kde jste výrobek zakoupili.

(Obr. 39)

Technické údaje

Technické údaje

S 138C	
Motor	
Typ motoru	Sériový motor na střídavý proud
Otáčky ústrojí – SavE, ot/min	Není k dispozici
Otáčky ústrojí – jmenovité, ot/min	4200
Výkon motoru – max., kW	1,8
Výkon motoru – jmenovitý, kW	1,6
Hmotnost	
Hmotnost, kg	19
Emise hluku ⁷	
Hladina akustického výkonu, změřená dB (A)	96
Hladina akustického výkonu, zaručená L _{WA} dB (A)	98
Hladiny hluku ⁸	
Hladina akustického tlaku na sluch obsluhy, dB (A)	82
Úrovně vibrací ⁹	
Řídítka, m/s ²	8,3
Provoz	
Pracovní hloubka, max./min., mm	-8/+5
Pracovní šířka, cm	37,5
Ústrojí, nože	5973510-01
Ústrojí, pružinové hroty	5973509-01
Kapacita koše na trávu, litry	45

⁷ Emise hluku do okolního prostředí měřené jako akustický výkon (L_{WA}) v souladu se směrnicí 2000/14/ES.

⁸ Uváděná data pro hladinu tlaku zvuku mají typickou statistickou odchylku (standardní odchylku) 1,2 dB (A).

⁹ Uváděná data o úrovni vibrací mají typickou statistickou odchylku (standardní odchylku) 0,2 m/s².

Prohlášení o shodě

Prohlášení o shodě EU

Společnost **Husqvarna AB**, SE-561 82 Huskvarna,
ŠVÉDSKO, tel.: +46-36-146500, na svou výhradní
odpovědnost prohlašuje, že výrobek:

Popis	Vertikutátor
Značka	Husqvarna
Typ/Model	S 138C
Identifikace	Výrobní čísla od roku 2023 a dále

je zcela ve shodě s následujícími směrnicemi a předpisy
EU:

Směrnice/předpis	Popis
2011/65/EU	„o omezení používání některých nebezpečných látek v elektrických a elektronických zařízeních“
2006/42/ES	„o strojních zařízeních“
2014/30/EU	„o elektromagnetické kompatibilitě“
2000/14/ES	„týkající se emisí hluku do okolního prostředí“

a že byly použity následující normy nebo technické
specifikace: EN 60335-1:2012/A11:2014/A13:2017/
A15:2021, EN 50636-2-92:2014, EN 55014-1:2017/
A11:2020, EN 55014-2:2015, EN 61000-3-2:2014, EN
61000-3-11:2000, EN IEC 63000:2018.

Informace o emisích hluku najdete v části *Technické
údaje na straně 46*.

Huskvarna, 2024-03-01



Claes Losdal

Ředitel vývoje zahradního sortimentu

Husqvarna AB

Osoba odpovědná za technickou dokumentaci



Indhold

Indledning.....	48	Fejlfinding.....	58
Sikkerhed.....	50	Transport, opbevaring og bortskaffelse.....	59
Montering.....	56	Tekniske data.....	59
Drift.....	57	Overensstemmelseserklæring.....	61
Vedligeholdelse.....	57		

Indledning

Produktbeskrivelse

Produktet er en elektrisk vertikalskærer med gående fører. Produktet fjerner filt fra græsplænen og løsner jorden, så luft og vand kan komme ned i plænen. Filten opsamles i en græsopsamler eller kastes ud på græsplænen. Dette produkt har 2 typer af vertikalskærerudstyr.

Vertikalskærerudstyr

Se *Sådan udskiftes vertikalskærerudstyret på side 58* for at få oplysninger om udskiftning af vertikalskærers udstyr.

Knivtænder

Knivtænderne fjerner mos og klipper græsrodderne lodret. Brug knivtænderne på skråninger, terrasser og

i jord, der er meget lerholdig. Knivtænderne lader vandet komme ned i græsplænen og forhindrer, at der samler sig vand på overfladen

(Fig. 19)

Fjederknive

Fjederknivene fjerner forsigtigt dødt græs og filt fra græsplænen uden at beskadige græsrodderne.

(Fig. 20)

Anvendelsesformål

Brug dette produkt til at fjerne filt og mos og til at løsne jorden i private haver. Brug ikke produktet til andre opgaver.

Produktoversigt

(Fig. 1)

1. Motorbremsehåndtag
2. Øvre del af styret
3. Startspærre
4. Strømutag
5. Nederste styr
6. Kabelklemme
7. Græsopsamler
8. Bageste afskærmning
9. Afskærmning til vertikalskærer
10. Justeringsgreb til arbejdsdybde
11. Fjedertænder
12. Sekskantnøgle
13. Brugervejledning

(Fig. 3)

Læs

brugervejledningen, og sørg for at have forstået indholdet, inden du bruger dette produkt.

(Fig. 4)

Pas på udslyngede genstande og rikochettering.

(Fig. 5)

Hold uvedkommende personer og dyr på sikker afstand af arbejdsstedet.

Symboler på produktet

(Fig. 2)

Advarsel: Skødesløs eller forkert brug kan medføre personskade eller dødsfald for føreren eller andre.

- (Fig. 6) ADVARSEL – Hold hænder og fødder væk fra tænderne.
- (Fig. 7) Afbryd produktet fra stikkontakten, før der udføres vedligeholdelse på produktet. Tænderne fortsætter med at rotere, efter at motoren er slukket.
- (Fig. 8) Fare for elektrisk stød.
- (Fig. 9) Advarsel: Kør ikke produktet hen over netledningen, da dette kan medføre elektrisk stød eller beskadigelse af produktet.
- (Fig. 10) Dette produkt er beskyttet mod vandstænk.
- (Fig. 11) Dette produkt er i overensstemmelse med gældende EF-direktiver.
- (Fig. 12) Dette produkt er i overensstemmelse med gældende UK-bestemmelser.
- (Fig. 13) Mærkat vedrørende emission af støj til omgivelserne i henhold til direktiver og regulativer i EU og Storbritannien og New South Wales' lovgivning om "Beskyttelse af miljøet (støjbegrænsning) forordning 2017". Produktets garanterede lydeffektniveau er angivet i *Tekniske data på side 59* og på mærkaten.
- (Fig. 14) Dobbelt isolering.
- (Fig. 18) Aflever produktet på en genbrugsstation for elektrisk og elektronisk udstyr. (Gælder kun Europa)
- (Fig. 15) Startprocedure: Løsn startspærren, tryk motorbremsehåndtaget ned.
- (Fig. 16) Slip motorbremsehåndtaget for at stoppe.
- (Fig. 17) Kode, der kan scannes.

Bemærk: Andre symboler/mærkater på produktet henviser til certificeringskrav på visse markeder.

Skader på produktet

Vi er ikke ansvarlige for skader på vores produkt, hvis:

- produktet er forkert repareret.

- produktet er repareret med dele, der ikke er fra producenten eller ikke er godkendt af producenten
- produktet har tilbehør, der ikke er fra producenten eller ikke er godkendt af producenten.

- produktet ikke er repareret på et godkendt servicecenter eller af en godkendt myndighed.

Sikkerhed

Sikkerhedsdefinitioner

Advarsler, forholdsregler og bemærkninger bruges til at pege på særligt vigtige dele af brugsanvisningen.



ADVARSEL: Bruges, hvis føreren udsætter sig selv eller omkringstående personer for risiko for personskade eller dødsfald ved tilsidesættelse af instruktionerne i brugsanvisningen.



BEMÆRK: Bruges, hvis der er risiko for skader på produktet, andre materialer eller det omgivende område ved tilsidesættelse af instruktionerne i brugsanvisningen.

Bemærk: Bruges til at give yderligere oplysninger, der er nødvendige i en given situation.

Generelle sikkerhedsinstruktioner



ADVARSEL:
Læs følgende advarselsinstruktioner, inden du bruger produktet.

- Dette produkt er farligt, hvis det bruges forkert, eller hvis du ikke er forsigtig. Personskade eller dødsfald kan forekomme, hvis du ikke overholder sikkerhedsinstruktionerne.
- Dette produkt danner et elektromagnetisk felt under drift. Dette felt kan i nogle tilfælde påvirke aktive eller passive medicinske implantater. For at reducere risikoen for alvorlige eller dødbringende kvæstelser anbefaler vi, at personer med medicinske implantater kontakter deres læge og producenten af det medicinske implantat, før de tager produktet i brug.
- Vær altid forsigtig, og brug din sunde fornuft. Hvis du ikke er

sikker på, hvordan produktet betjenes en særlig situation: Stop, og kontakt Husqvarna forhandleren, inden du fortsætter.

- Vær opmærksom på, at føreren er ansvarlig for ulykker, der involverer andre personer eller disses ejendom.
- Hold produktet rent. Sørg for, at skilte og mærkater er tydeligt læsbare.
- Lad aldrig børn eller personer, der ikke kender apparatet, bruge det. Der kan være lokale regler, for hvor gammel brugeren skal være
- Hold altid øje med personer med nedsat fysisk eller mental kapacitet, der bruger produktet. En voksen skal være til stede hele tiden.
- Brug ikke produktet, hvis du er træt, syg eller påvirket af alkohol, narkotika eller medicin. Det har en negativ virkning på synet, overblikket, koordinationsevnen og dømmekraften.
- Brug ikke produktet, hvis det er fejlbehæftet.
- Foretag ikke ændringer på produktet, og undlad at bruge det, hvis der er risiko for, at det er blevet ændret af andre.

Sikkerhed i arbejdsområdet



ADVARSEL:

Læs følgende advarselsinstruktioner, inden du bruger produktet.

- Fjern genstande såsom grene, kviste og sten fra arbejdsområdet, inden du bruger produktet.
- Genstande, som rammer vertikalskærerudstyret, kan udslynges og forårsage person- og tingskade. Hold omkringstående personer og dyr på sikker afstand af produktet.
- Undlad at bruge produktet i dårligt vejr, som f.eks. tåge, regn, hård vind, kraftig kulde og ved risiko for lynnedslag. Det kan være trættende at bruge produktet i dårligt vejr eller i fugtige eller våde områder. Dårligt vejr kan medføre farlige forhold, f.eks. glatte underlag.
- Pas på personer, genstande og situationer, som kan forhindre sikker brug af produktet.
- Pas på forhindringer som f.eks. rødder, sten, kviste,

huller og grøfter. Langt græs kan skjule hindringer.

- Det kan være farligt at betjene produktet på skråninger. Brug ikke produktet på skråninger, der hælder mere end 15°.
- Lad produktet køre på tværs af skråninger. Kør ikke op og ned.
- Vær forsigtig, når du nærmer dig uoverskuelige hjørner og genstande, som blokerer for udsynet.

Arbejdssikkerhed



ADVARSEL:

Læs følgende advarselsinstruktioner, inden du bruger produktet.



ADVARSEL:

Stands produktet, frakobl netledningen, og sørg for, at tænderne er standset helt, før du rører ved vertikalskærerudstyret.

- Brug kun dette produkt til at fjerne filt og mos fra græsplæner. Det er ikke tilladt at bruge det til andre opgaver.
- Bær personligt beskyttelsesudstyr. Se

Personligt beskyttelsesudstyr på side 53.

- Betjen ikke produktet i regn eller våde omgivelser. Risikoen for elektriske stød øges, hvis der trænger vand ind i produktet.
- Betjen ikke produktet med en beskadiget netledning.
- Betjen ikke produktet, medmindre vertikalskærerudstyret og alle afskærmninger er monteret korrekt. Et forkert monteret vertikalskærerudstyr kan løsne sig og forårsage personskade.
- Sørg for, at vertikalskærerudstyret ikke rammer genstande som f.eks. sten og rødder. Det kan beskadige vertikalskærerudstyret og bøje motorakslen. En bøjet aksel giver kraftige vibrationer og stor risiko for, at vertikalskærerudstyret løsner sig.
- Hvis vertikalskærerudstyret rammer en genstand, eller der opstår vibrationer, skal du straks standse produktet. Stands motoren, og tag strømkablet ud. Undersøg, om produktet er blevet beskadiget. Reparer skader, eller lad

- et autoriseret serviceværksted udføre reparationen.
- Fastgør aldrig motorbremsehåndtaget permanent på styret, når motoren er startet.
 - Anbring produktet på et stabilt, fladt underlag, og start det. Sørg for, at vertikalskærerudstyret ikke rammer jorden eller andre genstande.
 - Hold dig altid bag produktet, mens du betjener det.
 - Lad alle hjulene blive på jorden, og hold 2 hænder på styret, når du betjener produktet. Hold hænder og fødder på sikker afstand af det roterende vertikalskærerudstyr.
 - Tip ikke produktet, når motoren er startet.
 - Vær forsigtig, når du trækker produktet baglæns.
 - Løft aldrig produktet, når motoren er startet. Hvis du er nødt til at løfte produktet, skal du først stoppe motoren og frakoble netledningen.
 - Gå ikke baglæns, når du betjener produktet.
 - Stands motoren, når du bevæger dig hen over områder uden græs, f.eks. stier med grus, sten og asfalt.
 - Undlad at løbe med produktet, når motoren er startet. Gå altid, når du betjener produktet.
 - Stands motoren, inden du ændrer arbejdsdybden. Udfør aldrig justeringer, mens motoren kører.
 - Efterlad aldrig produktet uden opsyn, når motoren er startet. Stands motoren, frakobl netledningen, og sørg for, at vertikalskærerudstyret ikke roterer.

Sikkerhedsinstruktioner for betjening

Personligt beskyttelsesudstyr

Ved enhver anvendelse af produktet skal der bruges godkendt personligt beskyttelsesudstyr. Personligt beskyttelsesudstyr udelukker ikke risikoen for personskader, men det mindsker indvirkningen af skaderne i tilfælde af, at der skulle ske en ulykke. Bed din forhandler om hjælp til at vælge det rigtige udstyr.

Brug altid:

- Høreværn for at mindske risikoen for høreskader.
- Skridsikre, kraftige støvler eller sko. Bær ikke sandaler, og gå ikke barfodet.

- Kraftige, lange bukser. Bær ikke shorts.

Bær handsker, når det er nødvendigt, f.eks. ved montering, eftersyn eller rengøring af vertikalskærerudstyr.



ADVARSEL: Brug godkendt høreværn. Langvarig eksponering for støj kan medføre permanente høreskader.

Sikkerhedsanordninger på produktet



ADVARSEL: Læs følgende advarselsinstruktioner, inden du bruger produktet.

- Brug ikke et produkt med defekte sikkerhedsanordninger.
- Kontrollér sikkerhedsanordningerne regelmæssigt. Hvis sikkerhedsanordningerne er defekte, skal du henvende dig til dit Husqvarna-serviceværksted.

Sådan kontrolleres afskærmningerne

Vertikalskærerens afskærmning mindsker vibrationer i produktet og reducerer risikoen for skader fra vertikalskærerudstyret.

- Undersøg vertikalskærerens sideafskærmning for at sikre, at der ikke er skader såsom revner.
- Undersøg bageste afskærmning for at sikre, at der ikke er skader såsom revner.

Motorbremsehåndtag

Motorbremsehåndtaget standser motoren. Når motorbremsehåndtaget slippes, standser motoren.

Ved kontrol af motorbremsen startes motoren, hvorefter motorbremsehåndtaget slippes. Hvis motoren ikke standser inden for 3 sekunder, skal et godkendt Husqvarna-serviceværksted justere motorbremsen.

(Fig. 21)

Sådan efterses startspærren

Efterse startspærren for at sikre, at den forhindrer drift af motoren.

1. Skub bøjlen til fremtrækket i retning mod håndtaget. Startspærren standser bevægelsen.
2. Skub startspærren ud. (Fig. 22)
3. Slip startspærren, og sørg for, at den returnerer til udgangspositionen.

Sådan bruges netledningsholderen

Netledningsholderen reducerer belastningen på strømstikket og netledningen. Netledningsholderen mindsker også risikoen for, at du falder.

1. Bøj netledningen, så den danner en smal løkke.
2. Sæt løkken ind i hullet i netledningsholderen.
3. Sæt løkken rundt om krogen.
4. Træk i netledningen for at stramme løkken rundt om krogen. (Fig. 23)

Sikkerhed for netledning

- Det anbefales at bruge en fejlstrømsafbryder (Residual Current Device, RCD), der udløses ved en modstand på ikke over 30 mA. Selv om der er installeret en fejlstrømsafbryder, er

sikkerheden ikke garanteret 100%, og der skal altid anvendes sikre arbejdsprocedurer. Udfør en kontrol af fejlstrømsafbryderen hver gang den bruges.

- Hvis netledningen overskæres eller isoleringen bliver beskadiget, skal apparatet kobles fra med det samme.
- Rør ikke en overskåret eller beskadiget netledning, før strømmen er koblet fra.
- Reparér aldrig en overskåret eller beskadiget netledning. Udskift den med en ny.

Sikkerhedsinstruktioner for vedligeholdelse



ADVARSEL:

Læs følgende advarselsinstruktioner, inden du bruger produktet.

- For at forhindre utilsigtet start under vedligeholdelse skal netledningen frakobles.
- Udfør vedligeholdelsesarbejde korrekt for at øge levetiden for produktet og mindske risikoen for ulykker. Lad et godkendt serviceværksted udføre professionelle reparationer. Kontakt dit nærmeste

serviceværksted for at få flere oplysninger.

- Foretag kun den form for vedligeholdelsesarbejde, der er angivet i denne brugervejledning. Mere omfattende arbejde skal udføres af et godkendt serviceværksted.
- For at forhindre skader må du ikke fjerne eller foretage ændringer af sikkerhedsanordninger.
- Ifør dig kraftige handsker, når du anvender vertikalskærerudstyret. Vertikalskærerudstyret er meget skarpt, og du kan nemt komme til at skære dig.
- Hold tænderne på vertikalskærerudstyret skarpe

og rene for at sikre den bedste og mest sikre ydeevne.

- Lad jævnligt serviceværkstedet efterse produktet og foretage de nødvendige justeringer og reparationer.
- Udskift beskadigede, slidte eller defekte dele. Brug altid originale reservedele fra producenten. Andre reservedele kan beskadige produktet og øge risikoen for ulykker.
- Følg vejledningen for, hvordan du udskifter tilbehør. Brug kun tilbehør fra producenten.

Montering

Indledning



ADVARSEL: Før du samler produktet, skal du læse sikkerhedskapitlet.



ADVARSEL: For at forhindre utilsigtet start under monteringen, skal du frakoble netledningen.

Sådan samles styret

1. Løsn de nederste skruehåndtag.
2. Flyt grebene til den nederste ende af rillerne på venstre og højre side af produktet. (Fig. 24)
3. Sæt håndtagets højde i en af de 2 mulige stillinger.
4. Flyt grebene op i retning af håndtaget, indtil de stopper, og der høres et klik. (Fig. 25)

5. Spænd skruehåndtagene hårdt.

Sådan samles græsopsamleren

1. Fastgør græsopsamlerens ramme til græsposen med den afstivede del af posen nederst. Hold håndtaget på rammen oven på græsposen. (Fig. 26)
2. Fastgør den nederste del af græsopsamlerens ramme i sporet i bunden af græsopsamleren.
3. Fastgør græsposen til græsopsamlerens ramme med clipsene. (Fig. 27)
4. Løft det bageste dæksel.
5. Flyt græsopsamleren til den korrekte position. (Fig. 28)
6. Fastgør græsopsamleren på chassissets øverste kant. Sørg for, at det bageste dæksel slutter til mod græsopsamleren for at undgå lækage. (Fig. 29)

Drift

Indledning



ADVARSEL: Før du bruger produktet, skal du læse og forstå kapitlet om sikkerhed.

Husqvarna Connect

Husqvarna Connect er en gratis app til din mobile enhed. Appen Husqvarna Connect giver udvidede funktioner til dit Husqvarna produkt:

- Yderligere produktoplysninger.
- Oplysninger om, og hjælp til, dele og service.

Sådan kommer du i gang med at bruge Husqvarna Connect

1. Download Husqvarna Connect appen på din mobile enhed.
2. Tilmeld dig i Husqvarna Connect appen.
3. Følg instruktionerne i Husqvarna Connect appen for at tilslutte og registrere produktet.

Sådan indstilles arbejdsdybden



ADVARSEL: Undlad at justere arbejdsdybden, mens produktet betjenes.

1. Tryk og drej justeringsgrebet til arbejdsdybde mod uret for at øge arbejdsdybden.
2. Tryk og drej justeringssskruen til arbejdsdybde med uret for at reducere arbejdsdybden. (Fig. 30)

Sådan startes produktet

1. Tilslut en netledning til stikket under håndtaget. (Fig. 31)
2. Anbring netledningen i netledningsholderen. Se *Sådan bruges netledningsholderen på side 55.* (Fig. 23)
3. Stil dig bag produktet.
4. Løsn startspærren. (Fig. 32)
5. Skub bøjlen til fremtrækket i retning mod styret. (Fig. 33)

Sådan standses produktet

1. Slip motorbremsehåndtaget for at standse motoren. (Fig. 34)
2. Frakobl strømkablet fra stikkontakten, og derefter fra produktet. (Fig. 35)



BEMÆRK: Træk stikket lige ud. Træk ikke i ledningen.

Vedligeholdelse

Indledning



ADVARSEL: Inden der foretages vedligeholdelse, skal du læse og forstå kapitlet om sikkerhed.

Alt service- og reparationsarbejde på produktet kræver specialuddannelse. Vi garanterer faglig korrekt reparation og service. Hvis forhandleren ikke er et serviceværksted, kan vedkommende oplyse om nærmeste serviceværksted.

Se www.husqvarna.com for at få mere detaljerede oplysninger.

Vedligeholdelsesskema

Vedligeholdelsesintervallerne er fastlagt baseret på daglig brug af produktet. Intervallerne ændres, hvis produktet ikke bruges dagligt.

For vedligeholdelse identificeret med *, se *Sikkerhedsanordninger på produktet på side 54.*

	Hver brug	Månedligt	Hver sæson
Foretag et generelt eftersyn.	X		
Rengør produktet.	X		
Efterse vertikalskærerudstyret.	X		
Sørg for, at sikkerhedsanordningerne på produktet ikke er defekte. *	X		
Efterse afskærmningerne. *	X		
Kontrollér motorbremsehåndtaget. *	X		

	Hver brug	Månedligt	Hver sæson
Kontrollér startspærren. *	X		

Sådan udføres et generelt eftersyn

- Sørg for, at møtrikker og skruer på produktet er spændt.
- Sørg for, at kablerne på produktet ikke er placeret på en måde, så de kan blive beskadiget.
- Sørg for, at der ikke er nogen blokeringer i produktet.

Sådan rengøres produktet

- Rengør plasticdele med en ren og tør klud.
- Brug ikke vand til rengøring af produktet. Vand kan trænge ind i batteriet eller motoren og forårsage kortslutning eller beskadigelse af produktet.
- Brug ikke en højtryksrensers til at rengøre produktet.
- Sprøjt aldrig vand direkte på motoren.
- Brug en børste til at fjerne blade, græs og snavs.

Sådan efterses vertikalskærerudstyret



ADVARSEL: For at forhindre utilsigtet start, skal du frakoble netledningen.



ADVARSEL: Brug beskyttelseshandsker, når du udfører

vedligeholdelse på vertikalskærerudstyret. Tænderne på vertikalskærerudstyret er meget skarpe, og du kan nemt komme til at skære dig.

- Efterses vertikalskærerudstyret for skader eller revner. Udskift altid vertikalskærerudstyret, hvis det er beskadiget.

Sådan udskiftes vertikalskærerudstyret



ADVARSEL: Brug handsker, når du udfører vedligeholdelse på vertikalskærerudstyret. Vertikalskærerudstyret er meget skarpt, og du kan nemt komme til at skære dig

1. Placer produktet på dets højre side. (Fig. 36)
2. Fjern de 2 skruer (A), og fjern vertikalskærerens dæksel (B). Skub vertikalskærerudstyret (C) op og ud for at fjerne det. (Fig. 37)
3. Skub det nye vertikalskærerudstyr (C) ind i rillen og ned i hullet. Fastgør vertikalskærerens dæksel (B) med de 2 skruer (A). (Fig. 38)

Fejlfinding

Fejlfinding

Problem	Mulig årsag	Løsning
Produktet starter ikke.	Netledningen er ikke tilsluttet til en strømkilde.	Tilslut netledningen til en strømkilde.
	Netledningen er ikke tilsluttet til produktet.	Tilslut netledningen til stikket under håndtaget.
	Motorbremsehåndtaget er ikke skubbet i retning af styret.	Skub bøjlen til fremtrækket i retning mod håndtaget.
	Netledningen er beskadiget.	Kontakt et godkendt serviceværksted.
	Andre fejl.	

Transport, opbevaring og bortskaffelse

Transport

- Ved kommerciel transport skal særlige krav vedrørende emballering og mærkning overholdes.
- Sørg for at overholde bestemmelserne for farligt materiale, når du klargør produktet til transport. Lokale bestemmelser kan være gældende.
- Fastspænd produktet under transporten.

Opbevaring

- Lad produktet køle af, inden du sætter det til opbevaring.
- Opbevar produktet på et sted, hvor omgivelsestemperaturen er mellem -10°C og 40°C .
- Opbevar produktet i et aflåst område uden for rækkevidde for børn og ikke godkendte personer.
- Rengør produktet, og udfør fuld service, før du sætter produktet til opbevaring i længere tid.
- Foretag den form for vedligeholdelse, der er beskrevet i denne brugervejledning. Se *Vedligeholdelsesskema på side 57*.

- Udfør en komplet service før længere tids opbevaring.

Bortskaffelse

Symbolerne på produktet eller emballagen angiver, at produktet ikke må behandles som almindeligt husholdningsaffald. Det skal afleveres til en passende genbrugsstation med henblik på genvinding af elektrisk og elektronisk udstyr.

Hvis du sørger for, at dette produkt håndteres korrekt, kan du være med til at modvirke potentielle negative indvirkninger på mennesker og miljø, som ellers kan være et resultat af fejlagtig affaldshåndtering i forbindelse med dette produkt. Nærmere oplysninger om genanvendelse af dette produkt fås hos kommunen, det lokale renovationselskab eller forretningen, hvor produktet er købt.

(Fig. 39)

Tekniske data

Tekniske data

S 138C	
Motor	
Motortype	Serie-AC-motor
Omdrejningstal for udstyr - SavE, o/min.	N/A
Omdrejningstal for udstyr - nominelt, o/min.	4200
Motoreffekt - maks. kW	1,8
Motoreffekt - nominel, kW	1,6
Vægt	
Vægt, kg	19,0
Støjemissioner ¹⁰	
Lydeffektniveau, målt dB(A)	96
Lydeffektniveau, garanteret L_{WA} dB (A)	98
Lydniveauer ¹¹	
Lydtryksniveau ved brugerens øre, dB(A)	82
Vibrationsniveauer ¹²	

¹⁰ Støjemissioner til omgivelserne målt som lydeffekt (L_{WA}) i henhold til EF-direktiv 2000/14/EF.

¹¹ Rapporterede data for lydtryksniveau har en typisk statistisk spredning (standardafvigelse) på 1,2 dB (A).

¹² Rapporterede data for vibrationsniveau har en typisk statistisk spredning (standardafvigelse) på 0,2 m/s².

S 138C	
Styr, m/s ²	8,3
Drift	
Arbejdsdybde, maks. /min., mm	-8/+5
Arbejdsbredde, cm	37,5
Knivtænder, tilbehør	5973510-01
Fjedertænder, tilbehør	5973509-01
Græsopsamlerens kapacitet, l	45

Overensstemmelseserklæring

EU-overensstemmelseserklæring

Vi, **Husqvarna AB**, SE-561 82 Huskvarna, SVERIGE,
tlf.: +46-36-146500 erklærer under eneansvar, at det
pågældende produkt:

Beskrivelse	Kultivator
Varemærke	Husqvarna
Type / model	S 138C
Identifikation	Serienumrene fra 2023 og fremefter

overholder følgende EU-direktiver og bestemmelser:

Direktiv/bestemmelser	Beskrivelse
2011/65/EU	"om begrænsning af anvendelsen af visse farlige stoffer i elektrisk og elektronisk udstyr"
2006/42/EF	"vedrørende maskiner"
2014/30/EU	"vedrørende elektromagnetisk kompatibilitet"
2000/14/EF	"vedrørende støjemissioner til omgivelserne"

og at følgende standarder og/eller tekniske
specifikationer anvendes: EN 60335-1:2012/A11:2014/
A13:2017/A15:2021, EN 50636-2-92:2014, EN
55014-1:2017/A11:2020, EN 55014-2:2015, EN
61000-3-2:2014, EN 61000-3-11:2000, EN IEC
63000:2018.

Vedr. oplysninger om støjemission, se *Tekniske data på
side 59*.

Huskvarna, 2024-03-01



Claes Losdal

Udviklingschef/haveprodukter

Husqvarna AB

Ansvarlig for teknisk dokumentation



Inhalt

Einleitung.....	62	Fehlerbehebung.....	73
Sicherheit.....	64	Transport, Lagerung und Entsorgung.....	74
Montage.....	71	Technische Angaben.....	75
Betrieb.....	71	Konformitätserklärung.....	77
Wartung.....	72		

Einleitung

Gerätebeschreibung

Bei dem Gerät handelt es sich um einen handgeführten elektrischen Vertikutierer. Das Gerät entfernt Moos aus dem Rasen und lockert den Boden, um Luft und Wasser in den Rasen zu lassen. Den Rasenfilz wird in einem Grasfängers gesammelt oder auf dem Rasen verteilt. Das Gerät verfügt über zwei Vertikutiereraußergeräte.

Vertikutiereraußergeräte

Informationen zum Austauschen der Vertikutiereraußergeräte finden Sie unter *So ersetzen Sie den Vertikutierer auf Seite 73*.

Messerzinken

Die Messerzinken entfernen Moos und schneiden die Graswurzeln senkrecht. Verwenden Sie die Messerzinken an Hängen, auf Terrassen und sowie auf

Geräteübersicht

(Abb. 1)

1. Motorbremsgriff
2. Oberer Griff
3. Startsperr
4. Netzanschluss
5. Unterer Griff
6. Kabelklemme
7. Grasfänger
8. Heckklappe
9. Vertikutiererabdeckung
10. Einstellknopf für die Arbeitstiefe
11. Federzähne
12. Inbusschlüssel
13. Bedienungsanleitung

Symbole auf dem Gerät

(Abb. 2) **Warnung: Unvorsichtige oder unsachgemäße Verwendung kann zu Verletzungen oder zum Tode des Bedieners**

sehr lehmreichen Böden. Durch die Messerzinken kann Wasser in den Rasen eindringen. So wird verhindert, dass sich Wasser auf der Oberfläche sammelt.

(Abb. 19)

Federzähne

Der Federzähne entfernen vorsichtig abgestorbenes Gras und Rasenfilz aus dem Rasen, ohne die Graswurzeln zu beschädigen.

(Abb. 20)

Verwendungszweck

Verwenden Sie das Gerät zum Entfernen von Rasenfilz und Moos und zum Lockern des Bodens in privaten Gärten. Verwenden Sie das Gerät nicht für andere Aufgaben.

oder anderer Personen führen.

(Abb. 3)

Lesen Sie die Bedienungsanleitung, und machen Sie sich mit den Anweisungen vertraut, bevor Sie dieses Gerät verwenden.

(Abb. 4)

Achten Sie auf hochgeschleuderte und abprallende Objekte.

(Abb. 5)

Andere Personen oder Tiere müssen sich in

sicherem Abstand vom Arbeitsbereich befinden.

(Abb. 6) **WARNUNG:** Halten Sie Hände und Füße von den Zinken fern.

(Abb. 7) Trennen Sie vor Wartungsarbeiten das Gerät vom Stromnetz. Die Zinken drehen sich nach dem Ausschalten des Motors weiter.

(Abb. 8) Stromschlaggefahr.

(Abb. 9) **Warnung:** Mähen Sie nicht über das Netzkabel. Dies kann zu einem elektrischen Schlag und Schäden am Gerät führen.

(Abb. 10) Dieses Gerät ist gegen Spritzwasser geschützt.

(Abb. 11) Dieses Gerät stimmt mit den geltenden EG-Richtlinien überein.

(Abb. 12) Dieses Gerät entspricht den geltenden UK-Richtlinien.

(Abb. 13) Etikett mit Geräuschemissionen gemäß EU- und UK-Richtlinien und Verordnungen sowie

der australischen „Protection of the Environment Operations (Noise Control) Regulation 2017“ (Umweltschutz-/Lärmschutzbestimmung) von New South Wales. Der garantierte Schalleistungspegel des Geräts ist unter *Technische Angaben auf Seite 75* und auf dem Etikett angegeben.

(Abb. 14) Doppelt isoliert.

(Abb. 18) Recyceln Sie dieses Gerät an einer Recyclingstation für elektrische und elektronische Geräte. (Gilt nur für Europa)

(Abb. 15) Startvorgang: Lösen Sie die Startsperrle, und drücken Sie den Motorbremsgriff nach unten.

(Abb. 16) Lassen Sie den Motorbremsgriff los, um den Motor zu stoppen.

(Abb. 17) Scanbarer Code.

Hinweis: Sonstige Symbole/Aufkleber auf dem Gerät beziehen sich auf Zertifizierungsanforderungen, die in einigen Märkten gelten.

Produktschäden

Wir haften nicht für Schäden an unserem Produkt, wenn:

- das Gerät nicht ordnungsgemäß repariert wird.

- das Gerät mit Teilen repariert wird, die nicht vom Hersteller stammen oder nicht vom Hersteller zugelassen sind.
- ein Zubehörteil mit dem Gerät verwendet wird, das nicht vom Hersteller stammt oder nicht vom Hersteller zugelassen ist.
- das Gerät nicht bei einem zugelassenen Service Center oder von einem zugelassenen Fachmann repariert wird.

Sicherheit

Sicherheitsdefinitionen

Warnungen, Vorsichtsmaßnahmen und Hinweise werden verwendet, um auf besonders wichtige Teile der Bedienungsanleitung hinzuweisen.



WARNUNG: Wird verwendet, wenn bei Nichtbeachtung der Anweisungen in diesem Handbuch die Gefahr von Verletzung oder Tod des Bedieners oder anderer Personen besteht.



ACHTUNG: Wird verwendet, wenn bei Nichtbeachtung der Anweisungen in diesem Handbuch die Gefahr von Schäden am Gerät, an anderen Materialien oder in der Umgebung besteht.

Hinweis: Für weitere Informationen, die in bestimmten Situationen nötig sind.

Allgemeine Sicherheitshinweise



WARNUNG: Lesen Sie die folgenden Warnhinweise, bevor Sie das Gerät benutzen.

- Dieses Gerät ist gefährlich, wenn es falsch bedient wird oder Sie unvorsichtig sind. Wenn die Sicherheitshinweise nicht befolgt werden, kann dies zu Verletzungen oder zum Tod führen.
- Dieses Gerät erzeugt beim Betrieb ein elektromagnetisches Feld. Dieses Feld kann sich unter bestimmten Bedingungen auf die Funktionsweise aktiver oder passiver medizinischer Implantate auswirken. Um die Gefahr von Situationen,

die zu schweren oder tödlichen Verletzungen führen können, zu reduzieren, sollten Personen mit einem medizinischen Implantat vor der Nutzung dieses Geräts ihren Arzt und den Hersteller des Implantats konsultieren.

- Lassen Sie immer Vorsicht walten, und arbeiten Sie mit gesundem Menschenverstand. Wenn Sie sich nicht sicher sind, wie das Gerät in einer bestimmten Situation zu bedienen ist, unterbrechen Sie die Arbeit und wenden sich an Ihren Husqvarna-Händler, bevor Sie fortfahren.
- Denken Sie daran, dass der Bediener für Unfälle mit anderen Personen oder deren Eigentum verantwortlich ist.
- Halten Sie das Gerät sauber. Stellen Sie sicher, dass Symbole und Aufkleber deutlich lesbar sind.
- Verhindern Sie, dass Kinder oder Personen, die mit den Anweisungen nicht vertraut sind, das Gerät benutzen. Unter Umständen gelten gesetzlich vorgeschriebene Altersbeschränkungen für den Bediener
- Stellen Sie sicher, dass Personen mit verminderter

physischer oder psychischer Leistungsfähigkeit dieses Gerät nicht unbeobachtet verwenden. Es muss immer ein verantwortlicher Erwachsener anwesend sein.

- Verwenden Sie das Gerät nicht, wenn Sie müde oder krank sind oder unter Einfluss von Alkohol, Drogen oder Medikamenten stehen. Dies wirkt sich negativ auf Ihre Sehkraft, Ihre Aufmerksamkeit sowie Ihr Koordinations- und Urteilsvermögen aus.
- Verwenden Sie das Gerät nicht, wenn es defekt ist.
- Verändern oder verwenden Sie dieses Gerät nicht, wenn die Möglichkeit besteht, dass andere es verändert haben.

Sicherheit im Arbeitsbereich



WARNUNG: Lesen

Sie die folgenden Warnhinweise, bevor Sie das Gerät benutzen.

- Entfernen Sie Gegenstände wie Äste, Zweige und Steine aus dem Arbeitsbereich, bevor Sie das Gerät verwenden.
- Gegenstände, die auf den Vertikutierer treffen, können herausgeschleudert werden und Personen

- und Gegenständen Schaden zufügen. Halten Sie andere Personen und Tiere in einem sicheren Abstand zum Gerät.
- Benutzen Sie das Gerät niemals bei schlechtem Wetter wie Nebel, Regen, starkem Wind, intensiver Kälte und bei der Gefahr eines Blitzeinschlags. Die Verwendung des Geräts bei schlechtem Wetter oder an feuchten oder nassen Stellen ist anstrengend. Schlechtes Wetter kann gefährliche Zustände wie rutschige Oberflächen verursachen.
 - Achten Sie auf Personen, Gegenstände und Situationen, die einen sicheren Betrieb des Geräts verhindern könnten.
 - Achten Sie auf Hindernisse wie Wurzeln, Steine, Zweige, Löcher und Gräben. Langes Gras kann Hindernisse verdecken.
 - Der Betrieb der Geräts an Steigungen kann gefährlich sein. Verwenden Sie das Gerät nicht in einem Gelände mit einer Neigung von mehr als 15°.
 - Betreiben Sie das Gerät quer zum Hang. Bewegen Sie sich nicht nach oben und nach unten.

- Seien Sie vorsichtig, wenn Sie um versteckte Ecken oder Objekte herum fahren, die Ihre freie Sicht verhindern.

Arbeitssicherheit



WARNUNG: Lesen Sie die folgenden Warnhinweise, bevor Sie das Gerät verwenden.



WARNUNG: Schalten Sie das Gerät aus, ziehen Sie das Netzkabel ab, und stellen Sie sicher, dass die Zinken vollständig zum Stillstand gekommen sind, bevor Sie den Vertikutierer berühren.

- Verwenden Sie dieses Gerät zum Entfernen von Rasenfilz und Moos aus Rasenflächen. Es ist nicht erlaubt, das Gerät für andere Aufgaben zu verwenden.
- Tragen Sie eine persönliche Schutzausrüstung. Siehe *Persönliche Schutzausrüstung auf Seite 68*.
- Verwenden Sie das Gerät nicht im Regen oder in feuchter Umgebung. Das Risiko eines elektrischen

- Schlags wird erhöht, wenn Wasser in das Gerät eindringt.
- Betreiben Sie das Gerät nicht mit einem beschädigten Netzkabel.
 - Starten Sie das Gerät nicht, bevor der Vertikutierer und alle Abdeckungen korrekt befestigt sind. Falsch befestigte Vertikutiererteile können sich lösen und Personenschaden verursachen.
 - Stellen Sie sicher, dass der Vertikutierer nicht auf Gegenstände wie Steine und Wurzeln trifft. Dies kann den Vertikutierer beschädigen und die Motorwelle verbiegen. Eine verbogene Achse führt zu starken Vibrationen und birgt ein hohes Risiko, dass sich Vertikutiererteile lösen.
 - Wenn der Vertikutierer auf ein Objekt trifft oder Vibrationen auftreten, müssen Sie das Gerät sofort abstellen. Stoppen Sie den Motor, und ziehen Sie das Netzkabel ab. Untersuchen Sie das Gerät auf beschädigte Teile. Reparieren Sie Schäden oder lassen Sie eine autorisierte Servicewerkstatt die Reparatur durchführen.
 - Befestigen Sie den Motorbremsbügel niemals fest am Griff, wenn der Motor läuft.
 - Stellen Sie das Gerät auf eine stabile, flache Oberfläche, und starten Sie es. Stellen Sie sicher, dass der Vertikutierer nicht den Boden oder ein anderes Objekt berührt.
 - Bleiben Sie immer hinter dem Gerät, wenn Sie es betreiben.
 - Lassen Sie alle Räder auf dem Boden bleiben, und halten Sie den Griff mit beiden Händen, wenn Sie das Gerät betreiben. Halten Sie Hände und Füße von dem rotierenden Vertikutierer fern.
 - Kippen Sie das Gerät nicht, wenn der Motor läuft.
 - Seien Sie vorsichtig, wenn Sie das Gerät nach hinten ziehen.
 - Heben Sie das Gerät nicht hoch, wenn der Motor läuft. Wenn Sie das Gerät anheben müssen, stoppen Sie den Motor und trennen Sie das Netzkabel.
 - Gehen Sie nicht rückwärts, wenn Sie das Gerät betreiben.
 - Stellen Sie den Motor ab, wenn Sie sich über Bereiche ohne Gras bewegen, zum Beispiel Wege aus Kies, Stein und Asphalt.

- Rennen Sie nicht mit dem Gerät, wenn der Motor läuft. Gehen Sie immer, wenn Sie das Gerät benutzen.
- Stellen Sie den Motor ab, bevor Sie die Arbeitstiefe verändern. Verändern Sie die Einstellungen niemals, wenn der Motor läuft.
- Lassen Sie das Gerät niemals aus den Augen, wenn der Motor läuft. Stellen Sie den Motor ab, trennen Sie das Netzkabel und stellen Sie sicher, dass sich der Vertikutierer nicht dreht.

Sicherheitshinweise für den Betrieb

Persönliche Schutzausrüstung

Bei der Benutzung des Gerätes muss die vorgeschriebene persönliche Schutzausrüstung angewendet werden. Die persönliche Schutzausrüstung beseitigt nicht die Unfallgefahr, begrenzt aber den Umfang der Verletzungen und Schäden. Bei der Wahl der Schutzausrüstung einen Fachhändler um Rat fragen.

Benutzen Sie immer:

- Gehörschutz, um das Risiko von Gehörschäden zu verringern.

- Rutschfeste und stabile Stiefel oder Schuhe. Gehen Sie nicht barfuß. Tragen Sie keine Sandalen.
- Schwere, lange Hose. Tragen Sie keine kurzen Hosen.

Tragen Sie ggf. Handschuhe, beispielsweise bei der Montage, Kontrolle oder Reinigung des Vertikutiers.



WARNUNG: Tragen Sie einen zugelassenen Gehörschutz. Eine längerfristige Beschallung mit Lärm kann zu bleibenden Gehörschäden führen.

Sicherheitsvorrichtungen am Gerät



WARNUNG: Lesen Sie die folgenden Warnhinweise, bevor Sie das Gerät verwenden.

- Benutzen Sie kein Gerät mit defekten Sicherheitsvorrichtungen.
- Führen Sie regelmäßig eine Überprüfung der Sicherheitsvorrichtungen durch. Wenn die Sicherheitsvorrichtungen defekt sind, wenden Sie

sich an Ihre Husqvarna-
Servicewerkstatt.

So prüfen Sie die Abdeckungen

Die Vertikutiererabdeckung verringert Vibrationen im Gerät und das Verletzungsrisiko durch den Vertikutierer.

- Untersuchen Sie die seitliche Vertikutiererabdeckung, um sicherzustellen, dass es keine Beschädigungen wie zum Beispiel Risse gibt.
- Untersuchen Sie die hintere Abdeckung, um sicherzustellen, dass es keine Beschädigungen wie zum Beispiel Risse gibt.

Motorbremsgriff

Der Motorbremsgriff stoppt den Motor. Wenn der Motorbremsgriff losgelassen wird, stoppt der Motor.

Um eine Prüfung der Motorbremse durchzuführen, starten Sie den Motor und lassen dann den Motorbremsbügel los. Wenn der Motor nicht innerhalb von 3 Sekunden stoppt, lassen Sie die Motorbremse von einer autorisierten Husqvarna Servicewerkstatt einstellen.

(Abb. 21)

So überprüfen Sie die Startsperr

Führen Sie eine Prüfung der Startsperr durch, um sicherzustellen, dass diese den Betrieb des Motors verhindert.

1. Drücken Sie den Motorbremsgriff in Richtung des Lenkers. Die Startsperr stoppt die Bewegung.
2. Drücken Sie die Startsperr heraus. (Abb. 22)
3. Lösen Sie die Startsperr, und stellen Sie sicher, dass sie sich zurück in die Ausgangsstellung bewegt.

So verwenden Sie den Netzkabelhalter

Der Netzkabelhalter reduziert die Belastung für Steckdose und Netzkabel. Der Netzkabelhalter verringert zudem das Risiko eines Sturzes.

1. Biegen Sie das Netzkabel zu einer kleinen Schlaufe.
2. Legen Sie die Schlaufe in die Öffnung im Netzkabelhalter.
3. Legen Sie die Schlaufe um den Haken.

4. Ziehen Sie am Netzkabel, um die Schlaufe am Haken enger zu ziehen. (Abb. 23)

Netzkabelsicherung

- Die Verwendung einer Fehlerstromschutzvorrichtung (FI) mit einem Auslösestrom von höchstens 30 mA wird empfohlen. Auch bei installiertem FI-Schutzschalter kann eine 100 %-ige Sicherheit nicht garantiert werden, weshalb immer sichere Arbeitsmethoden befolgt werden müssen. Überprüfen Sie den FI-Schutzschalter bei jeder Verwendung.
- Trennen Sie das Kabel sofort von der Stromversorgung, wenn das Netzkabel eingeschnitten oder die Isolierung beschädigt ist.
- Berühren Sie das eingeschnittene oder beschädigte Elektrokabel erst, wenn es von der Stromversorgung getrennt wurde.
- Reparieren Sie kein eingeschnittenes oder beschädigtes Netzkabel. Ersetzen Sie es durch ein neues.

Sicherheitshinweise für die Wartung



WARNUNG: Lesen Sie die folgenden Warnhinweise, bevor Sie das Gerät verwenden.

- Um ein versehentliches Starten während der Wartung zu verhindern, ziehen Sie das Netzkabel ab.
- Führen Sie die Wartungsarbeiten zur Erhöhung der Lebensdauer des Geräts und Verringerung der Unfallgefahr ordnungsgemäß aus. Lassen Sie professionelle Reparaturarbeiten von einer zugelassenen Servicewerkstatt durchführen. Weitere Informationen erhalten Sie von Ihrer Servicewerkstatt.
- Führen Sie die Wartung nur gemäß dieser Betriebsanleitung durch. Größere Eingriffe sind von einer zugelassenen Servicewerkstatt auszuführen.
- Um Verletzungen zu vermeiden, entfernen oder verändern Sie keine Sicherheitsvorrichtungen.

- Tragen Sie beim Umgang mit dem Vertikutierer schwere Arbeitshandschuhe. Der Vertikutierer ist sehr scharf und man schneidet sich sehr leicht.
- Halten Sie die Zinken des Vertikutierers sauber und scharf, um die beste und sicherste Leistung zu erreichen.
- Ihre Servicewerkstatt sollte das Gerät regelmäßig überprüfen und notwendige Einstellungen und Reparaturen vornehmen.
- Ersetzen Sie beschädigte, verschlissene oder defekte Teile. Verwenden Sie nur die vom Hersteller angebotenen Originalersatzteile. Andere Ersatzteile können das Gerät beschädigen und die Unfallgefahr erhöhen.
- Befolgen Sie die Anweisungen für das Auswechseln von Zubehörteilen. Verwenden Sie nur Zubehör vom Gerätehersteller.

Montage

Einleitung



WARNUNG: Lesen Sie das Kapitel über Sicherheit vor der Montage des Geräts.



WARNUNG: Ziehen Sie das Netzkabel ab, um ein versehentliches Starten während der Montage zu verhindern.

Für die Montage des Griffs

1. Lösen Sie die unteren Knöpfe.
2. Schieben Sie die Flügelmuttern zum unteren Ende der Nut an der linken und der rechten Seite des Geräts. (Abb. 24)
3. Stellen Sie die Höhe des Griffs in einer der 2 verfügbaren Positionen ein.
4. Bewegen Sie die Flügelmuttern nach oben in Richtung Griff, bis sie den Anschlag erreichen und Sie ein Klicken hören. (Abb. 25)
5. Ziehen Sie die Knöpfe vollständig an.

So montieren Sie den Grasfänger

1. Befestigen Sie den Rahmen des Grasfängers am Fangbeutel, sodass der starre Teil des Beutels nach unten weist. Halten Sie den Griff des Rahmens am oberen Ende des Fangbeutels fest. (Abb. 26)
2. Setzen Sie den unteren Teil des Rahmens des Grasfängers in die Nut an der Unterseite des Grasfängers.
3. Befestigen Sie den Fangbeutel mit den Klemmen am Rahmen des Grasfängers. (Abb. 27)
4. Heben Sie die hintere Abdeckung an.
5. Bringen Sie den Grasfänger in die richtige Position. (Abb. 28)
6. Befestigen Sie den Grasfänger an der Oberkante des Chassis. Stellen Sie sicher, dass die hintere Abdeckung dicht mit dem Grasfänger abschließt, um Undichtigkeiten zu verhindern. (Abb. 29)

Betrieb

Einleitung



WARNUNG: Vor dem Betrieb des Gerätes müssen Sie die

Sicherheitsinformationen lesen und verstehen.

Husqvarna Connect

Husqvarna Connect ist eine kostenlose App für Ihr Mobilgerät. Die Husqvarna Connect App bietet erweiterte Funktionen für Ihr Gerät:

- Erweiterte Produktinformationen
- Informationen über Produktteile und -wartung sowie entsprechende Hilfe dazu.

So verwenden Sie Husqvarna Connect

1. Laden Sie die Husqvarna Connect App auf Ihr Mobiltelefon.
2. Anmeldung bei der Husqvarna Connect App.
3. Befolgen Sie die Anweisungen in der Husqvarna Connect App, um sich zu verbinden und das Gerät zu registrieren.

So stellen Sie die Arbeitstiefe ein



WARNUNG: Stellen Sie die Arbeitstiefe nicht ein, während Sie das Gerät verwenden.

1. Drücken und drehen Sie den Einstellknopf für die Arbeitstiefe gegen den Uhrzeigersinn, um die Arbeitstiefe zu erhöhen.

2. Drücken und drehen Sie den Einstellknopf für die Arbeitstiefe im Uhrzeigersinn, um die Arbeitstiefe zu senken. (Abb. 30)

So starten Sie das Gerät

1. Stecken Sie das Netzkabel in die Steckdose unten am Griff. (Abb. 31)
2. Setzen Sie das Netzkabel in den Netzkabelhalter. *Siehe So verwenden Sie den Netzkabelhalter auf Seite 69.* (Abb. 23)
3. Bleiben Sie hinter dem Gerät.
4. Lösen Sie die Wegfahrsperre. (Abb. 32)
5. Drücken Sie den Motorbremsbügel in die Richtung des Lenkers. (Abb. 33)

So stoppen Sie das Produkt

1. Lösen Sie den Motorbremsbügel, um den Motor auszuschalten. (Abb. 34)
2. Ziehen Sie das Netzkabel von der Steckdose und anschließend vom Gerät ab. (Abb. 35)



ACHTUNG: Ziehen Sie den Stecker gerade heraus. Ziehen Sie nicht am Netzkabel.

Wartung

Einleitung



WARNUNG: Bevor Sie eine Wartung durchführen, müssen Sie das Kapitel über die Sicherheit lesen und verstehen.

Für alle Wartungs- und Reparaturarbeiten am Produkt ist eine spezielle Schulung erforderlich. Wir garantieren die Verfügbarkeit von professionellen Reparaturen und Wartungsarbeiten. Wenn Ihr Händler keine Servicewerkstatt ist, sprechen Sie mit ihm, um Informationen über die nächste Servicewerkstatt zu erhalten.

Genauere Informationen finden Sie unter www.husqvarna.com.

Wartungsplan

Die Wartungsintervalle werden anhand der täglichen Nutzung des Geräts berechnet. Die Intervalle ändern sich, wenn das Gerät nicht täglich verwendet wird.

Informationen zur Wartung mit * finden Sie unter *Sicherheitsvorrichtungen am Gerät auf Seite 68.*

	Nach jedem Einsatz	Monatlich	Zu jeder Jahreszeit
Allgemeine Inspektion durchführen.	X		
Das Gerät reinigen.	X		
Den Vertikutierer prüfen.	X		
Sicherstellen, dass die Sicherheitsvorrichtungen am Gerät nicht beschädigt sind. *	X		
Die Abdeckungen prüfen. *	X		
Den Motorbremsgriff prüfen. *	X		

	Nach jedem Einsatz	Monatlich	Zu jeder Jahreszeit
Die Startsperrung prüfen. *	X		

So führen Sie eine allgemeine Inspektion durch

- Stellen Sie sicher, dass die Muttern und Schrauben am Gerät nicht beschädigt sind.
- Stellen Sie sicher, dass die Kabel an dem Gerät nicht so liegen, dass sie beschädigt werden könnten.
- Sicherstellen, dass das Gerät nicht blockiert ist.

So reinigen Sie das Gerät

- Kunststoffteile mit einem sauberen und trockenen Tuch reinigen.
- Verwenden Sie kein Wasser zur Reinigung des Produkts. Wasser kann in den Akku oder den Motor eindringen und einen Kurzschluss oder andere Schäden am Produkt verursachen.
- Reinigen Sie das Gerät nicht mit einem Hochdruckreiniger.
- Lassen Sie kein Wasser direkt auf den Motor gelangen.
- Verwenden Sie einen Pinsel, um Blätter, Gras und Schmutz zu entfernen.

So prüfen Sie den Vertikutierer



WARNUNG: Ziehen Sie das Netzkabel ab, um ein versehentliches Starten zu verhindern.



WARNUNG: Tragen Sie Schutzhandschuhe, wenn Sie am Vertikutierer eine Wartung durchführen. Die Zinken des Vertikutierers sind sehr scharf und man schneidet sich sehr leicht.

- Prüfen Sie den Vertikutierer auf Beschädigungen oder Risse. Wechseln Sie einen beschädigten Vertikutierer unbedingt aus.

So ersetzen Sie den Vertikutierer



WARNUNG: Tragen Sie Schutzhandschuhe, wenn Sie an am Vertikutierer eine Wartung durchführen. Der Vertikutierer ist sehr scharf und man schneidet sich sehr leicht.

1. Drehen Sie das Gerät auf die rechte Seite. (Abb. 36)
2. Entfernen Sie die 2 Schrauben (A) und die Vertikutiererabdeckung (B). Drücken Sie den Vertikutierer (C) nach oben und aus dem Gerät heraus. (Abb. 37)
3. Drücken Sie den neuen Vertikutierer (C) in die Nut und das Loch. Befestigen Sie die Vertikutiererabdeckung (B) mit den 2 Schrauben (A). (Abb. 38)

Fehlerbehebung

Störungen beseitigen

Problem	Mögliche Ursache	Lösung
Das Gerät springt nicht an.	Das Netzkabel ist nicht an eine Stromquelle angeschlossen.	Verbinden Sie das Netzkabel mit einem Netzanschluss.
	Das Netzkabel ist nicht an das Gerät angeschlossen.	Stecken Sie das Netzkabel in die Steckdose unten am Griff.
	Der Motorbremshebel wird nicht in Richtung Lenker gedrückt.	Drücken Sie den Motorbremsgriff in Richtung des Lenkers.
	Das Netzkabel ist beschädigt.	Bitte eine autorisierte Servicewerkstatt kontaktieren.
	Andere Fehler.	

Transport, Lagerung und Entsorgung

Transport

- Für gewerbliche Transporte müssen besondere Anforderungen bei Verpackung und Kennzeichnung eingehalten werden.
- Stellen Sie sicher, dass Sie sich an die Vorschriften für gefährliche Güter halten, wenn Sie das Produkt für den Transport vorbereiten. Gegebenenfalls gelten örtliche Vorschriften.
- Sichern Sie das Produkt während des Transports.



Die durchgestrichene Abfalltonne weist darauf hin, dass Sie gesetzlich verpflichtet sind, dieses Gerät getrennt vom unsortierten Siedlungsabfall zu entsorgen. Die Entsorgung im Restmüll oder im gelben Sack ist verboten. Wenn das Produkt Einwegbatterien oder Akkus enthält, die nicht dauerhaft installiert sind, müssen diese vor der Entsorgung des Produkts entfernt und separat als Batterien bzw. Akkus entsorgt werden.

Lagerung

- Lassen Sie das Gerät vor der Lagerung abkühlen.
- Lagern Sie das Gerät an einem Ort mit einer Umgebungstemperatur zwischen -10°C und 40°C.
- Bewahren Sie das Gerät an einem verschließbaren Ort und für Kinder und unbefugte Personen unzugänglich auf.
- Reinigen Sie das Produkt und lassen Sie es vollständig warten, bevor Sie es längere Zeit einlagern.
- Führen Sie die Wartungsarbeiten durch, die in dieser Betriebsanleitung beschrieben sind. Siehe *Wartungsplan auf Seite 72*.
- Führen Sie vor einer langen Lagerung eine vollständige Wartung durch.

Informationen zur Rückgabe von Elektro- und Elektronik-Altgeräten für Privathaushalte:

Wie im Folgenden näher beschrieben, sind bestimmte Verkäufer verpflichtet, Elektro- und Elektronik-Altgeräte kostenlos zurückzunehmen.

Verkäufer von Elektro- und Elektronikgeräten mit einer Verkaufsfläche von mindestens 400 m² und Lebensmittelhändler mit einer Gesamtverkaufsfläche von mindestens 800 m², die mehrmals im Kalenderjahr oder beständig Elektro- und Elektronikgeräte abgeben und verkaufen, sind unter den folgenden Umständen zur Rücknahme von Geräten verpflichtet:

1. Beim Verkauf eines neuen Elektro- oder Elektronikgeräts muss der Verkäufer ein Altgerät desselben Gerätetyps kostenlos zurücknehmen, das im Wesentlichen die gleichen Funktionen wie das neue Gerät bereitstellt. Dies muss an dem Standort, an dem das Gerät abgegeben wird, oder in unmittelbarer Nähe geschehen. Privathaushalte gelten auch als der Ort, an dem das Gerät abgegeben wird, sofern das Produkt dorthin geliefert wird: In diesem Fall werden Altgeräte ohne Kosten für den Endbenutzer abgeholt.
2. Der Verkäufer muss Altgeräte mit einem Durchmesser von weniger als 25 cm auf Wunsch des Endbenutzers an der Verkaufsstelle oder in unmittelbarer Nähe zurücknehmen. Diese Rückgabe muss nicht mit dem Kauf von Elektro- oder Elektronikgeräten in Verbindung stehen und ist auf drei Altgeräte pro Gerätetyp beschränkt.

Bei Abschluss des Kaufvertrags für ein neues Elektro- oder Elektronikgerät muss der Verkäufer den Endbenutzer über sein Recht informieren, das Altgerät zurückzugeben oder kostenlos abholen zu lassen, und den Endbenutzer fragen, ob er beabsichtigt, ein Altgerät bei der Lieferung des neuen Geräts zurückzugeben.

Dies gilt auch für den Vertrieb über Telekommunikation, wenn die Lager- und Versandfläche für Elektro- und Elektronikgeräte mindestens 400 m² beträgt oder wenn die gesamte Lager- und Versandfläche mindestens 800 m² beträgt, wobei die kostenlose Abholung von Elektro-

Entsorgung

Durch Symbole auf dem Produkt oder seiner Verpackung wird angezeigt, dass dieses Produkt nicht über den Hausmüll entsorgt werden darf. Es ist einer entsprechenden Recycling-Einrichtung zuzuführen, damit elektrische und elektronische Komponenten wiedergewonnen werden können.

Dadurch, dass Sie sicherstellen, dass Sie mit diesem Produkt sorgfältig umgehen, können Sie helfen, den potentiellen negativen Auswirkungen auf die Umwelt und Ihre Mitmenschen entgegenzuwirken, die sich andernfalls durch eine unsachgemäße Entsorgung dieses Produkts ergeben können. Genauere Informationen über die ordnungsgemäße Entsorgung dieses Produkts erhalten Sie bei Ihrer Stadtverwaltung, Ihrem Abfallentsorgungsunternehmen oder dem Geschäft, in dem Sie Ihr Produkt gekauft haben.

(Abb. 39)

Entsorgen von Elektro- und Elektronik-Altgeräten

Gilt nur für Deutschland

oder Elektronikgeräten auf die folgenden Kategorien beschränkt ist:

- 1 (Wärmeüberträger)
- 2 (Geräte mit Displays) und
- 4 (große Geräte mit mindestens einer äußeren Abmessung von mehr als 50 cm)

Für alle anderen Elektro- und Elektronikgeräte muss der Verreiber entsprechende Rücknahmestellen in angemessener Nähe zum Endverbraucher sicherstellen. Dies gilt auch für Altgeräte, bei denen keine äußere Abmessung 25 cm überschreitet, die der Endbenutzer zurückgeben möchte, ohne ein neues Gerät zu erwerben.

Datenschutz

Alle Endbenutzer von Elektro- und Elektronik-Altgeräten sind dafür verantwortlich, alle personenbezogenen

Daten von den zu entsorgenden Elektro- und Elektronik-Altgeräten zu löschen.

WEEE-Registrierungsnummer

Husqvarna 10168717

Sammlungs- und Verwertungsraten

Gemäß der WEEE-Richtlinie sind die EU-Mitgliedstaaten verpflichtet, Daten über Elektro- und Elektronik-Altgeräte zu sammeln und diese Daten an die Europäische Kommission zu übermitteln. Weitere Informationen hierzu finden Sie auf der BMUV-Website: <https://www.bmu.de/themen/wasser-ressourcen-abfall/kreislaufwirtschaft/statistiken/elektro-und-elektronikaltgeraete>

Technische Angaben

Technische Daten

S 138C	
Motor	
Motortyp	Wechselstrommotor
Anbaugerätdrehzahl – SavE, U/min	k.A.
Anbaugerätdrehzahl – Nennwert, U/min	4200
Motorleistung – max. kW	1,8
Motorleistung – Nennwert, kW	1,6
Gewicht	
Gewicht, kg	19,0
Geräuschemissionen ¹³	
Schalleistungspegel, gemessen dB (A)	96
Schalleistungspegel, garantiert L _{WA} dB (A)	98
Schallpegel ¹⁴	
Schalldruckpegel am Ohr des Bedieners, dB (A)	82
Vibrationspegel ¹⁵	
Griff, m/s ²	8,3
Betreiben	
Arbeitstiefe max./min., mm	-8/+5

¹³ Umweltbelastende Geräuschemissionen, gemessen als Schalleistung (L_{WA}) gemäß EG-Richtlinie 2000/14/EG.

¹⁴ Berichten zufolge liegt der Schalldruckpegel normalerweise bei einer Ausbreitungsklasse (Standardabweichung) von 1,2 dB (A).

¹⁵ Berichten zufolge liegt der Vibrationspegel normalerweise bei einer Ausbreitungsklasse (Standardabweichung) von 0,2 m/s².

S 138C	
Arbeitsbreite, cm	37,5
Messerzinken-Anbaugerät	5973510-01
Federzahn-Anbaugerät	5973509-01
Grasfängerkapazität, Liter	45

Konformitätserklärung

EU-Konformitätserklärung

Die **Husqvarna AB**, SE-561 82 Huskvarna, Schweden,
Tel.: +46-36-146500, erklärt in alleiniger Verantwortung,
dass das Gerät:

Beschreibung	Vertikutierer
Marke	Husqvarna
Typ/Modell	S 138C
Identifizierung	Seriennummern ab 2023

die folgenden EU-Richtlinien und -Verordnungen erfüllt:

Richtlinie/Verordnung	Beschreibung
2011/65/EU	„zur Beschränkung der Verwendung bestimmter gefährlicher Stoffe in Elektro- und Elektronikgeräten“
2006/42/EG	„Maschinenrichtlinie“
2014/30/EU	„über elektromagnetische Verträglichkeit“
2000/14/EG	„über umweltbelastende Geräuschemissionen von zur Verwendung im Freien vorgesehenen Geräten und Maschinen“

und dass die folgenden Normen und/oder technischen
Daten angewendet werden: EN 60335-1:2012/
A11:2014/A13:2017/A15:2021, EN 50636-2-92:2014,
EN 55014-1:2017/A11:2020, EN 55014-2:2015, EN
61000-3-2:2014, EN 61000-3-11:2000, EN IEC
63000:2018.

Informationen zu Geräuschemissionen finden Sie unter
Technische Daten auf Seite 75.

Huskvarna, 2024-03-01



Claes Losdal

Entwicklungsleiter/Gartenprodukte

Husqvarna AB

Verantwortlich für die technische Dokumentation



Περιεχόμενα

Εισαγωγή.....	78	Αντιμετώπιση προβλημάτων.....	90
Ασφάλεια.....	80	Μεταφορά, αποθήκευση και απόρριψη.....	90
Συναρμολόγηση.....	88	Τεχνικά στοιχεία.....	91
Λειτουργία.....	88	Δήλωση Συμμόρφωσης.....	93
Συντήρηση.....	89		

Εισαγωγή

Περιγραφή προϊόντος

Το προϊόν είναι ένας ηλεκτρικός αραιωτήρας πεζού χειριστή. Το προϊόν αφαιρεί τα ξερά χόρτα από το γρασίδι και αφρατεύει το χώμα για να μπει αέρας και νερό μέσα στο γρασίδι. Τα ξερά χόρτα συλλέγονται σε έναν συλλέκτη χόρτου ή αδειάζονται στο γρασίδι. Το προϊόν διαθέτει 2 τύπους εξοπλισμού αραιωτήρα.

Εξοπλισμός αραιωτήρα

Ανατρέξτε στην ενότητα *Αντικατάσταση του εξοπλισμού αραιωτήρα στη σελίδα 90* για πληροφορίες σχετικά με την αντικατάσταση του εξοπλισμού αραιωτήρα.

Δόντια λεπίδας

Τα δόντια λεπίδας αφαιρούν τα ξερά χόρτα και κόβουν τις ρίζες του γρασιδιού κατακόρυφα. Χρησιμοποιήστε τα δόντια λεπίδας σε πλαγιές, βεράντες και εδάφη

Επισκόπηση προϊόντος

(Εικ. 1)

1. Λαβή φρένου μοτέρ
2. Πάνω λαβή
3. Αναστολέας εκκίνησης
4. Πρίζα
5. Κάτω λαβή
6. Σφιγκτήρας καλωδίου
7. Συλλέκτης χόρτου
8. Πίσω κάλυμμα
9. Κάλυμμα αποβρωστή
10. Κουμπί ρύθμισης του βάθους εργασίας
11. Ελατηριωτά δόντια
12. Εξάγωνο κλειδί
13. Εγχειρίδιο χρήσης

Σύμβολα στο προϊόν

(Εικ. 2)

Προειδοποίηση: Η απρόσεκτη ή λανθασμένη χρήση μπορεί να οδηγήσει σε τραυματισμό ή θάνατο

με μεγάλη περιεκτικότητα αργίλου. Τα δόντια λεπίδας επιτρέπουν στο νερό να εισχωρήσει σε βάθος μέσα στο γρασίδι και αποτρέπουν τη συγκέντρωσή του στην επιφάνεια.

(Εικ. 19)

Ελατηριωτές λεπίδες

Οι ελατηριωτές λεπίδες αφαιρούν προσεκτικά τα νεκρά και ξερά χόρτα από το γρασίδι χωρίς να καταστρέφουν τις ρίζες του γρασιδιού.

(Εικ. 20)

Προβλεπόμενη χρήση

Χρησιμοποιήστε το προϊόν για να αφαιρέσετε τα ξερά χόρτα και τα βρύα και για να αφρατέψετε το χώμα σε ιδιωτικούς κήπους. Μην χρησιμοποιείτε το προϊόν για άλλες εργασίες.

του χειριστή ή άλλων ατόμων.

(Εικ. 3)

Διαβάστε το εγχειρίδιο χρήσης και βεβαιωθείτε ότι έχετε κατανοήσει τις οδηγίες προτού χρησιμοποιήσετε αυτό το προϊόν.

(Εικ. 4)

Προσέχετε για αντικείμενα που μπορεί να εκτοξευθούν ή να εξοστρακιστούν.

(Εικ. 5)

Διατηρήστε τα άλλα άτομα και τα ζώα σε

- απόσταση ασφαλείας από την περιοχή εργασίας.
- (Εικ. 6) ΠΡΟΕΙΔΟΠΟΙΗΣΗ – Κρατήστε τα χέρια και τα πόδια σας μακριά από τα δόντια.
- (Εικ. 7) Προτού εκτελέσετε εργασίες συντήρησης στο προϊόν, αποσυνδέστε το από την πρίζα. Τα δόντια συνεχίζουν να περιστρέφονται και αφού σβήσετε το μοτέρ.
- (Εικ. 8) Κίνδυνος ηλεκτροπληξίας.
- (Εικ. 9) Προειδοποίηση: Μην χρησιμοποιείτε το προϊόν περνώντας το πάνω από το καλώδιο ρεύματος, καθώς μπορεί να προκληθεί ηλεκτροπληξία ή ζημιά στο προϊόν.
- (Εικ. 10) Αυτό το προϊόν διαθέτει προστασία από εκτινασσόμενο νερό.
- (Εικ. 11) Αυτό το προϊόν συμμορφώνεται με τις ισχύουσες οδηγίες ΕΚ.
- (Εικ. 12) Αυτό το προϊόν συμμορφώνεται με τις ισχύουσες οδηγίες του Η.Β.
- (Εικ. 13) Ετικέτα εκπομπών θορύβου στο περιβάλλον σύμφωνα με οδηγίες και κανονισμούς της ΕΕ και του Η.Β. και τη νομοθεσία της Νότιας Νέας Ουαλίας "Κανονισμός για την προστασία των περιβαλλοντικών δράσεων (έλεγχος θορύβου) του 2017". Η εγγυημένη στάθμη θορύβου του προϊόντος καθορίζεται στην ενότητα *Τεχνικά στοιχεία στη σελίδα 91* και στην ετικέτα.
- (Εικ. 14) Διπλή μόνωση.
- (Εικ. 18) Ανακυκλώστε αυτό το προϊόν σε κέντρο ανακύκλωσης ηλεκτρικού και ηλεκτρονικού εξοπλισμού. (Ισχύει μόνο για την Ευρώπη)

(Εικ. 15) Διαδικασία εκκίνησης:
Χαλαρώστε τον
αναστολέα εκκίνησης,
πιέστε προς τα κάτω
τη λαβή του φρένου
κινητήρα.

(Εικ. 16) Για να διακόψετε τη
λειτουργία, αφήστε τη
λαβή του φρένου του
μοτέρ.

(Εικ. 17) Κωδικός με δυνατότητα
σάρωσης.

Περιεχόμενα Άλλα σύμβολα/σήματα που
υπάρχουν στο προϊόν αναφέρονται σε απαιτήσεις
πιστοποίησης για ορισμένες αγορές.

Ζημιά στο προϊόν

Δεν φέρουμε ευθύνη για ζημιές στο προϊόν μας εάν:

- Το προϊόν έχει επισκευαστεί λανθασμένα.
- Το προϊόν έχει επισκευαστεί με εξαρτήματα που δεν προέρχονται από τον κατασκευαστή ή που δεν έχουν εγκριθεί από τον κατασκευαστή.
- Το προϊόν διαθέτει ένα αξεσουάρ που δεν προέρχεται από τον κατασκευαστή ή που δεν έχει εγκριθεί από τον κατασκευαστή.
- Το προϊόν δεν έχει επισκευαστεί σε εγκεκριμένο κέντρο σέρβις ή από εγκεκριμένη αρχή.

Ασφάλεια

Ορισμοί για την ασφάλεια

Για την επισήμανση ειδικών
σημαντικών τμημάτων του
εγχειριδίου χρησιμοποιούνται
προειδοποιήσεις, συστάσεις
προσοχής και σημειώσεις.



ΠΡΟΕΙΔΟΠΟΙΗΣΗ:

Χρησιμοποιείται όταν
υπάρχει κίνδυνος
τραυματισμού ή θανάτου
του χειριστή ή άλλων
παριστάμενων ατόμων,
αν δεν τηρηθούν οι
οδηγίες που παρέχονται
στο εγχειρίδιο.



ΠΡΟΣΟΧΗ:

Χρησιμοποιείται όταν
υπάρχει κίνδυνος

πρόκλησης ζημιάς στο
προϊόν, σε άλλα υλικά ή
στον παρακείμενο χώρο,
αν δεν τηρηθούν οι
οδηγίες που παρέχονται
στο εγχειρίδιο.

Περιεχόμενα Χρησιμοποιείται
για παροχή περισσότερων
πληροφοριών, οι οποίες
χρειάζονται σε μια δεδομένη
κατάσταση.

Γενικές οδηγίες ασφαλείας



ΠΡΟΕΙΔΟΠΟΙΗΣΗ:

Προτού χρησιμοποιήσετε
το προϊόν, διαβάστε
τις παρακάτω

προειδοποιητικές οδηγίες.

- Αυτό το προϊόν είναι επικίνδυνο αν δεν χρησιμοποιηθεί σωστά ή αν δεν είστε προσεκτικοί. Αν δεν τηρείτε τις οδηγίες ασφαλείας, μπορεί να προκληθεί τραυματισμός ή θάνατος.
- Αυτό το προϊόν παράγει ηλεκτρομαγνητικό πεδίο κατά τη λειτουργία του. Το πεδίο αυτό, υπό ορισμένες συνθήκες, μπορεί να προκαλέσει παρεμβολές σε ενεργά ή παθητικά ιατρικά εμφυτεύματα. Για να μειωθεί ο κίνδυνος σοβαρών ή θανατηφόρων τραυματισμών, συνιστούμε στα άτομα με ιατρικά εμφυτεύματα να συμβουλευονται το θεράποντα ιατρό τους και τον κατασκευαστή του ιατρικού εμφυτεύματος, προτού θέσουν το προϊόν σε λειτουργία.
- Πρέπει πάντα να προσέχετε και να χρησιμοποιείτε την κοινή λογική. Αν δεν είστε βέβαιοι πώς να χειριστείτε το προϊόν σε μια ιδιαίτερη κατάσταση, σταματήστε και μιλήστε με τον αντιπρόσωπο της Husqvarna προτού συνεχίσετε.
- Πρέπει να θυμάστε ότι ο χειριστής θεωρείται υπεύθυνος για ατυχήματα που μπορεί να προκληθούν σε άλλα άτομα ή στην περιουσία τους.
- Να διατηρείτε το προϊόν καθαρό. Βεβαιωθείτε ότι μπορείτε να διαβάσετε καθαρά τις ενδείξεις και τα σήματα.
- Μην επιτρέπετε ποτέ σε παιδιά ή άλλα άτομα, που δεν έχουν εξοικειωθεί με αυτές τις οδηγίες, να χρησιμοποιήσουν τη συσκευή. Οι τοπικές διατάξεις μπορεί να θέτουν περιορισμούς στην ηλικία του χρήστη
- Αν το προϊόν χρησιμοποιείται από ένα άτομο με μειωμένη σωματική ή διανοητική ικανότητα, θα πρέπει πάντα να το επιβλέπετε. Πρέπει να είναι παρών ένας υπεύθυνος ενήλικας ανά πάσα στιγμή.
- Μην χρησιμοποιείτε το προϊόν αν είστε κουρασμένοι, άρρωστοι ή υπό την επήρεια αλκοόλ, ναρκωτικών ή φαρμάκων. Αυτά έχουν αρνητικές συνέπειες στην όραση, την αυτοσυγκέντρωση, τον συντονισμό και την κρίση σας.
- Μην χρησιμοποιείτε το προϊόν αν είναι ελαττωματικό.

- Μην τροποποιείτε το προϊόν και μην το χρησιμοποιείτε αν είναι εμφανές ότι έχει τροποποιηθεί από άλλους.

Ασφάλεια στο χώρο εργασίας



ΠΡΟΕΙΔΟΠΟΙΗΣΗ:

Προτού χρησιμοποιήσετε το προϊόν, διαβάστε τις παρακάτω προειδοποιητικές οδηγίες.

- Αφαιρέστε αντικείμενα όπως κλαδιά, κλωνάρια και πέτρες από την περιοχή εργασίας πριν χρησιμοποιήσετε το προϊόν.
- Τα αντικείμενα που χτυπούν πάνω στον εξοπλισμό αραιωτήρα μπορεί να εκτιναχθούν και να προκαλέσουν τραυματισμό ή ζημιά. Να διατηρείτε τους παρευρισκόμενους και τα ζώα σε απόσταση ασφαλείας από το προϊόν.
- Μην χρησιμοποιείτε ποτέ το προϊόν σε κακές καιρικές συνθήκες, όπως ομίχλη, βροχή, ισχυρό άνεμο, έντονο κρύο και κίνδυνο κεραυνού. Η χρήση του προϊόντος σε κακές καιρικές συνθήκες, σε συνθήκες υγρασίας ή σε υγρές τοποθεσίες είναι

εξαιρετικά κουραστική. Οι κακές καιρικές συνθήκες μπορεί να προκαλέσουν επικίνδυνες καταστάσεις, όπως ολισθηρές επιφάνειες.

- Να προσέχετε για πρόσωπα, αντικείμενα και καταστάσεις που μπορεί να αποτρέψουν την ασφαλή λειτουργία του προϊόντος.
- Να προσέχετε για εμπόδια, όπως ρίζες, πέτρες, κλωνάρια, λακκούβες και χαντάκια. Το μακρύ γρασίδι μπορεί να κρύβει εμπόδια.
- Η λειτουργία του προϊόντος σε πλαγιές μπορεί να είναι επικίνδυνη. Μην χρησιμοποιείτε το προϊόν σε πλαγιές με κλίση πάνω από 15°.
- Να κατευθύνετε το προϊόν κατά πλάτος στις επιφάνειες με κλίση. Να μην μετακινείστε προς τα πάνω και προς τα κάτω.
- Να είστε ιδιαίτερα προσεκτικοί κοντά σε κρυφές γωνίες και αντικείμενα που εμποδίζουν το οπτικό σας πεδίο.

Ασφάλεια στην εργασία



ΠΡΟΕΙΔΟΠΟΙΗΣΗ:

Προτού χρησιμοποιήσετε το προϊόν, διαβάστε τις παρακάτω



ΠΡΟΕΙΔΟΠΟΙΗΣΗ:

Διακόψτε τη λειτουργία του προϊόντος, αποσυνδέστε το καλώδιο ρεύματος και βεβαιωθείτε ότι τα δόντια έχουν σταματήσει εντελώς προτού αγγίξετε τον εξοπλισμό αποβρυωτή.

- Χρησιμοποιήστε αυτό το προϊόν μόνο για να αφαιρέσετε τα ξερά χόρτα και τα βρύα από το γρασίδι. Δεν επιτρέπεται η χρήση του για άλλες εργασίες.
- Πρέπει να χρησιμοποιείτε προσωπικό εξοπλισμό προστασίας. Ανατρέξτε στην ενότητα *Εξοπλισμός ατομικής προστασίας στη σελίδα 84*.
- Μην χρησιμοποιείτε το προϊόν σε συνθήκες βροχής ή υγρασίας. Αν εισέλθει νερό στο προϊόν, αυξάνεται ο κίνδυνος ηλεκτροπληξίας.
- Μην χρησιμοποιείτε το προϊόν με κατεστραμμένο καλώδιο ρεύματος.
- Μην χρησιμοποιείτε το προϊόν αν ο εξοπλισμός αποβρυωτή και όλα τα καλύμματα δεν είναι σωστά συνδεδεμένα. Αν ο εξοπλισμός αποβρυωτή δεν είναι σωστά συνδεδεμένος, μπορεί να χαλαρώσει και να προκαλέσει τραυματισμό.
- Βεβαιωθείτε ότι ο εξοπλισμός αποβρυωτή δεν χτυπάει σε αντικείμενα, όπως πέτρες και ρίζες. Αυτό μπορεί να προκαλέσει ζημιά στον εξοπλισμό αποβρυωτή και να λυγίσει τον άξονα του κινητήρα. Ο λυγισμένος άξονας προκαλεί ισχυρές δονήσεις και πολύ υψηλό κίνδυνο χαλάρωσης του εξοπλισμού αποβρυωτή.
- Σε περίπτωση πρόσκρουσης του εξοπλισμού αποβρυωτή σε αντικείμενο ή ύπαρξης κραδασμών, διακόψτε αμέσως τη λειτουργία του προϊόντος. Διακόψτε τη λειτουργία του κινητήρα και αποσυνδέστε το καλώδιο ρεύματος. Ελέγξτε το προϊόν για ζημιές. Επισκευάστε τις ζημιές ή αναθέστε την επισκευή σε έναν εξουσιοδοτημένο αντιπρόσωπο σέρβις.
- Μην συνδέετε ποτέ μόνιμα τη λαβή φρένου του κινητήρα στη λαβή όταν έχει εκκινηθεί ο κινητήρας.
- Τοποθετήστε το προϊόν σε μια σταθερή, επίπεδη επιφάνεια και εκκινήστε το. Βεβαιωθείτε ότι ο εξοπλισμός αποβρυωτή

δεν χτυπάει στο έδαφος ή σε άλλα αντικείμενα.

- Να παραμένετε πάντα πίσω από το προϊόν κατά τη λειτουργία.
- Κατά τη λειτουργία του προϊόντος, θα πρέπει όλοι οι τροχοί να ακουμπούν στο έδαφος και να διατηρείτε και τα 2 χέρια πάνω στη λαβή. Φροντίστε τα χέρια και τα πόδια σας να βρίσκονται μακριά από τον περιστρεφόμενο εξοπλισμό αποβρυωτή.
- Μην γέρνετε το προϊόν όταν έχει εκκινήσει ο κινητήρας.
- Να είστε προσεκτικοί όταν τραβάτε το προϊόν προς τα πίσω.
- Μην ανασηκώνετε ποτέ το προϊόν όταν έχει εκκινήσει ο κινητήρας. Αν πρέπει να ανασηκώσετε το προϊόν, διακόψτε πρώτα τη λειτουργία του κινητήρα και αποσυνδέστε το καλώδιο ρεύματος.
- Μην περπατάτε προς τα πίσω όταν χρησιμοποιείτε το προϊόν.
- Σβήστε τον κινητήρα όταν κινείστε σε περιοχές χωρίς χόρτα, για παράδειγμα μονοπάτια από χαλίκι, πέτρα και άσφαλτο.
- Μην τρέχετε με το προϊόν όταν έχει εκκινήσει ο κινητήρας.

Να περπατάτε πάντα προς τα εμπρός όταν χρησιμοποιείτε το προϊόν.

- Σβήστε τον κινητήρα προτού αλλάξετε το βάθος εργασίας. Μην προβαίνετε ποτέ σε ρυθμίσεις ενώ έχει εκκινήσει ο κινητήρας.
- Μην αφήνετε ποτέ το προϊόν εκτός του οπτικού σας πεδίου ενώ έχει εκκινήσει ο κινητήρας. Διακόψτε τη λειτουργία του κινητήρα, αποσυνδέστε το καλώδιο ρεύματος και βεβαιωθείτε ότι ο εξοπλισμός αποβρυωτή δεν περιστρέφεται.

Οδηγίες ασφαλείας για τη λειτουργία

Εξοπλισμός ατομικής προστασίας

Κατά τη χρήση του προϊόντος, πρέπει να χρησιμοποιείτε εγκεκριμένο προσωπικό εξοπλισμό προστασίας. Ο προσωπικός εξοπλισμός προστασίας δεν μπορεί να εξαλείψει τον κίνδυνο τραυματισμών, ωστόσο μειώνει την έκτασή τους σε περίπτωση ατυχήματος. Απευθυνθείτε στον αντιπρόσωπο για βοήθεια σχετικά με την επιλογή του σωστού εξοπλισμού.

Πρέπει πάντα να φοράτε:

- Προστατευτικά ακοής για να ελαχιστοποιείται ο κίνδυνος πρόκλησης βλάβης στην ακοή.
- Ανθεκτικές, αντιολισθητικές μπότες ή παπούτσια. Μην φοράτε πέδιλα και μην είστε ξυπόλητοι.
- Χοντρά, μακριά παντελόνια. Μην φοράτε σορτς.

Φοράτε γάντια όταν απαιτείται, για παράδειγμα κατά την τοποθέτηση, την επιθεώρηση ή τον καθαρισμό του εξοπλισμού αραιωτήρα.



ΠΡΟΕΙΔΟΠΟΙΗΣΗ:

Χρησιμοποιείτε εγκεκριμένη προστασία ακοής. Η μακροχρόνια έκθεση στο θόρυβο μπορεί να προκαλέσει μόνιμη βλάβη στην ακοή.

Συσκευές ασφαλείας στο προϊόν



ΠΡΟΕΙΔΟΠΟΙΗΣΗ:

Προτού χρησιμοποιήσετε το προϊόν, διαβάστε τις παρακάτω προειδοποιητικές οδηγίες.

- Μην χρησιμοποιείτε ποτέ το προϊόν, αν υπάρχουν

ελαττωματικές συσκευές ασφαλείας.

- Πρέπει να κάνετε τακτικά έλεγχο των συσκευών ασφαλείας. Αν οι συσκευές ασφαλείας είναι ελαττωματικές, απευθυνθείτε στον αντιπρόσωπο σέρβις της Husqvarna.

Έλεγχος των καλυμμάτων

Το κάλυμμα αποβρυωτή μειώνει τους κραδασμούς στο προϊόν και τον κίνδυνο τραυματισμού από τον εξοπλισμό αποβρυωτή.

- Ελέγξτε το πλαϊνό κάλυμμα του αποβρυωτή για να βεβαιωθείτε ότι δεν υπάρχουν ζημιές όπως ρωγμές.
- Ελέγξτε το πίσω κάλυμμα για να βεβαιωθείτε ότι δεν υπάρχουν ζημιές όπως ρωγμές.

Λαβή φρένου μοτέρ

Χρησιμοποιήστε τη λαβή φρένου του κινητήρα, για να σβήσετε τον κινητήρα. Εάν απελευθερώσετε τη λαβή φρένου του κινητήρα, ο κινητήρας σβήνει.

Για να ελέγξετε το φρένο του κινητήρα, εκκινήστε τον κινητήρα και, στη συνέχεια, απελευθερώστε τη λαβή φρένου του κινητήρα. Αν

ο κινητήρας δεν σβήσει εντός 3 δευτερολέπτων, απευθυνθείτε σε έναν εγκεκριμένο αντιπρόσωπο σέρβις της Husqvarna για τη ρύθμιση του φρένου του κινητήρα.

(Εικ. 21)

Έλεγχος αναστολέα εκκίνησης

Ελέγξτε τον αναστολέα εκκίνησης για να βεβαιωθείτε ότι εμποδίζει τη λειτουργία του κινητήρα.

1. Σπρώξτε τη λαβή του φρένου του μοτέρ προς την κατεύθυνση της χειρολαβής. Ο αναστολέας εκκίνησης σταματά να κινείται.
2. Σπρώξτε τον αναστολέα εκκίνησης προς τα έξω. (Εικ. 22)
3. Αφήστε τον αναστολέα εκκίνησης και βεβαιωθείτε ότι επιστρέφει στην αρχική του θέση.

Χρήση του στηρίγματος του καλωδίου ρεύματος

Το στήριγμα του καλωδίου ρεύματος μειώνει τη μηχανική καταπόνηση της υποδοχής σύνδεσης και του καλωδίου ρεύματος. Το στήριγμα του καλωδίου ρεύματος μειώνει

επίσης τον κίνδυνο πτώσης σας.

1. Λυγίστε το καλώδιο ρεύματος ώστε να σχηματίσει μια μικρή θηλιά.
2. Τοποθετήστε τη θηλιά στην οπή του στηρίγματος του καλωδίου ρεύματος.
3. Τοποθετήστε τη θηλιά γύρω από το γάντζο.
4. Τραβήξτε το καλώδιο ρεύματος για να σφίξετε τη θηλιά γύρω από το γάντζο. (Εικ. 23)

Ασφάλεια καλωδίου ρεύματος

- Συνιστάται η χρήση μιας διάταξης προστασίας ρεύματος διαρροής (Residual Current Device (R.C.D.)) με ρεύμα ενεργοποίησης όχι μεγαλύτερο από 30 mA. Ακόμη και όταν έχει τοποθετηθεί R.C.D., η ασφάλεια δεν μπορεί να είναι 100% εγγυημένη και πρέπει να τηρούνται πάντοτε οι πρακτικές ασφαλούς εργασίας. Κάντε έναν έλεγχο της R.C.D. κάθε φορά που τη χρησιμοποιείτε.
- Εάν το καλώδιο ρεύματος κοπεί ή υποστεί ζημιά ή μόνωσή του, αποσυνδέστε το αμέσως από την παροχή ρεύματος.

- Μην αγγίζετε ένα κομμένο ή κατεστραμμένο καλώδιο ρεύματος μέχρι να αποσυνδεθεί από την παροχή ρεύματος.
- Μην επιχειρήσετε να επισκευάσετε ένα κομμένο ή κατεστραμμένο καλώδιο ρεύματος. Αντικαταστήστε το με ένα καινούργιο.

Οδηγίες ασφαλείας για τη συντήρηση



ΠΡΟΕΙΔΟΠΟΙΗΣΗ:

Προτού χρησιμοποιήσετε το προϊόν, διαβάστε τις παρακάτω προειδοποιητικές οδηγίες.

- Για την αποφυγή τυχόν ακούσιας εκκίνησης κατά τη διάρκεια των εργασιών συντήρησης, πρέπει να αποσυνδέετε το καλώδιο ρεύματος.
- Να εκτελείτε σωστά τις εργασίες συντήρησης για να αυξήσετε τη διάρκεια ζωής του προϊόντος και να μειώσετε τον κίνδυνο ατυχημάτων. Να αναθέτετε τις επαγγελματικές επισκευές σε έναν εγκεκριμένο αντιπρόσωπο σέρβις. Επικοινωνήστε με τον πλησιέστερο αντιπρόσωπο σέρβις για περισσότερες πληροφορίες.
- Να πραγματοποιείτε μόνο τις εργασίες συντήρησης που περιλαμβάνονται στο παρόν εγχειρίδιο χρήσης. Οι εκτεταμένες εργασίες πρέπει να εκτελούνται από εξουσιοδοτημένο αντιπρόσωπο σέρβις.
- Για την αποφυγή τραυματισμών, μην αφαιρείτε και μην τροποποιείτε τις συσκευές ασφαλείας.
- Φοράτε ανθεκτικά γάντια όταν χρησιμοποιείτε τον εξοπλισμό αποβρυωτή. Ο εξοπλισμός αποβρυωτή είναι πολύ κοφτερός και μπορεί εύκολα να κοπείτε.
- Διατηρείτε τα δόντια στον εξοπλισμό αποβρυωτή κοφτερά και καθαρά για καλύτερη απόδοση και μεγαλύτερη ασφάλεια.
- Να αναθέτετε στον αντιπρόσωπο σέρβις να ελέγχει συχνά το προϊόν και να κάνει τις απαραίτητες ρυθμίσεις και επισκευές.
- Φροντίστε να αντικαθιστάτε τυχόν κατεστραμμένα, φθαρμένα ή σπασμένα εξαρτήματα. Να χρησιμοποιείτε πάντα γνήσια ανταλλακτικά από τον κατασκευαστή. Άλλα ανταλλακτικά μπορεί να

προκαλέσουν ζημιά στο προϊόν και να αυξήσουν τον κίνδυνο ατυχημάτων.

- Τηρείτε τις οδηγίες για την αλλαγή των αξεσουάρ.

Χρησιμοποιήστε μόνο αξεσουάρ του κατασκευαστή.

Συναρμολόγηση

Εισαγωγή



ΠΡΟΕΙΔΟΠΟΙΗΣΗ: Πριν συναρμολογήσετε το προϊόν, διαβάστε το κεφάλαιο για την ασφάλεια.



ΠΡΟΕΙΔΟΠΟΙΗΣΗ: Για την αποφυγή τυχόν ακούσιων εκκίνησης κατά τη διάρκεια της συναρμολόγησης, πρέπει να αποσυνδέετε το καλώδιο ρεύματος.

Για να συναρμολογήσετε την λαβή

1. Χαλαρώστε τις κάτω χειρόβιδες.
2. Μετακινήστε τους μοχλούς στο κατώτερο άκρο των αυλακώσεων από την αριστερή και τη δεξιά πλευρά του προϊόντος. (Εικ. 24)
3. Ρυθμίστε το ύψος της χειρολαβής σε μία από τις 2 διαθέσιμες θέσεις.
4. Μετακινήστε τους μοχλούς προς την κατεύθυνση της χειρολαβής μέχρι να σταματήσουν και να ακούσετε ένα κλικ. (Εικ. 25)

5. Σφίξτε πλήρως τις χειρόβιδες.

Συναρμολόγηση του συλλέκτη χόρτου

1. Τοποθετήστε το πλαίσιο συλλέκτη χόρτου στον σάκο χόρτου με το άκαμπο τμήμα του σάκου να ακουμπά στο έδαφος. Κρατήστε τη λαβή του πλαισίου στο επάνω μέρος του σάκου χόρτου. (Εικ. 26)
2. Τοποθετήστε το κάτω τμήμα του πλαισίου του συλλέκτη χόρτου στην εγκοπή στο κάτω μέρος του συλλέκτη χόρτου.
3. Στερεώστε τον σάκο χόρτου στο πλαίσιο του συλλέκτη χόρτου με τα κλιπ. (Εικ. 27)
4. Ανασηκώστε το πίσω κάλυμμα.
5. Μετακινήστε το συλλέκτη χόρτου στη σωστή θέση. (Εικ. 28)
6. Συνδέστε το συλλέκτη χόρτου στο επάνω άκρο του σασί. Βεβαιωθείτε ότι το πίσω κάλυμμα εφαρμόζει ερμητικά πάνω στο συλλέκτη χόρτου για την αποφυγή διαρροής. (Εικ. 29)

Λειτουργία

Εισαγωγή



ΠΡΟΕΙΔΟΠΟΙΗΣΗ: Προτού χρησιμοποιήσετε το προϊόν, πρέπει να διαβάσετε και να κατανοήσετε το κεφάλαιο για την ασφάλεια.

Husqvarna Connect

Η Husqvarna Connect είναι μια δωρεάν εφαρμογή για τη φορητή συσκευή σας. Η εφαρμογή Husqvarna Connect παρέχει εκτεταμένες λειτουργίες για το προϊόν σας Husqvarna:

- Περισσότερες πληροφορίες για το προϊόν.
- Πληροφορίες και βοήθεια για τα ανταλλακτικά και το σέρβις του προϊόντος.

Για να αρχίσετε να χρησιμοποιείτε το προϊόν Husqvarna Connect

1. Κατεβάστε την εφαρμογή Husqvarna Connect στη φορητή συσκευή σας.
2. Εγγραφείτε στην εφαρμογή Husqvarna Connect.
3. Ακολουθήστε τα βήματα με τις οδηγίες που θα βρείτε στην εφαρμογή Husqvarna Connect για να συνδέσετε και να δηλώσετε το προϊόν.

Ρύθμιση του βάθους εργασίας



ΠΡΟΕΙΔΟΠΟΙΗΣΗ: Μην ρυθμίζετε το βάθος εργασίας όταν χειρίζεστε το προϊόν.

1. Πατήστε και γυρίστε το κουμπί ρύθμισης του βάθους εργασίας αριστερόστροφα για να αυξήσετε το βάθος εργασίας.

2. Πατήστε και γυρίστε το κουμπί ρύθμισης του βάρους εργασίας δεξιόστροφα για να μειώσετε το βάθος εργασίας. (Εικ. 30)

Εκκίνηση του προϊόντος

1. Συνδέστε ένα καλώδιο ρεύματος στην υποδοχή κάτω από τη λαβή. (Εικ. 31)
2. Τοποθετήστε το καλώδιο ρεύματος στο στήριγμα του καλωδίου ρεύματος. Ανατρέξτε στην ενότητα *Χρήση του στηριγματος του καλωδίου ρεύματος στη σελίδα 86*. (Εικ. 23)
3. Να παραμένετε πίσω από το προϊόν.
4. Χαλαρώστε τον αναστολέα εκκίνησης. (Εικ. 32)

5. Σπρώξτε τη λαβή φρένου του κινητήρα προς την κατεύθυνση της χειρολαβής. (Εικ. 33)

Διακοπή λειτουργίας του προϊόντος

1. Απελευθερώστε τη λαβή φρένου του κινητήρα για να σβήσετε τον κινητήρα. (Εικ. 34)
2. Αποσυνδέστε το καλώδιο ρεύματος από την πρίζα και μετά από το προϊόν. (Εικ. 35)



ΠΡΟΣΟΧΗ: Τραβίξτε το φινι ευθεία προς τα έξω. Μην τραβάτε το καλώδιο.

Συντήρηση

Εισαγωγή



ΠΡΟΕΙΔΟΠΟΙΗΣΗ: Προτού εκτελέσετε εργασίες συντήρησης, πρέπει να διαβάσετε και να κατανοήσετε το κεφάλαιο για την ασφάλεια.

Για όλες τις εργασίες συντήρησης και επισκευής στο προϊόν, είναι απαραίτητη ειδική εκπαίδευση. Μπορούμε να εγγυηθούμε για τη διαθεσιμότητα των επαγγελματικών επισκευών και τη συντήρηση. Αν ο αντιπρόσωπός σας δεν είναι αντιπρόσωπος σέρβις, μιλήστε του για πληροφορίες σχετικά με τον πλησιέστερο αντιπρόσωπο σέρβις.

Για λεπτομερέστερες πληροφορίες, ανατρέξτε στη σελίδα www.husqvarna.com.

Πρόγραμμα συντήρησης

Τα διαστήματα συντήρησης υπολογίζονται με βάση την καθημερινή χρήση του προϊόντος. Τα διαστήματα αλλάζουν αν το προϊόν δεν χρησιμοποιείται καθημερινά.

Για τις εργασίες συντήρησης που επισημαίνονται με αστερίσκο (*), ανατρέξτε στην ενότητα *Συσκευές ασφαλείας στο προϊόν στη σελίδα 85*.

	Σε κάθε χρήση	Κάθε μήνα	Σε κάθε σεζόν
Πραγματοποιήστε γενική επιθεώρηση.	X		
Καθαρίστε το προϊόν.	X		
Ελέγξτε τον εξοπλισμό αποβρυωτή.	X		
Βεβαιωθείτε ότι οι συσκευές ασφαλείας στο προϊόν δεν είναι ελαττωματικές. *	X		
Ελέγξτε τα καλύμματα. *	X		
Ελέγξτε τη λαβή του φρένου του μοτέρ. *	X		
Ελέγξτε τον αναστολέα εκκίνησης. *	X		

Εκτέλεση γενικής επιθεώρησης

- Βεβαιωθείτε ότι τα παξιμάδια και οι βίδες πάνω στο προϊόν είναι σφιγμένα.
- Βεβαιωθείτε ότι τα καλώδια στο προϊόν δεν βρίσκονται σε σημείο όπου μπορούν να υποστούν ζημιά.
- Βεβαιωθείτε ότι δεν υπάρχει έμφραξη στο προϊόν.

Καθαρισμός του προϊόντος

- Καθαρίζετε τα πλαστικά εξαρτήματα με καθαρό και στεγνό πανί.

- Μην χρησιμοποιείτε νερό για να καθαρίσετε το προϊόν. Το νερό μπορεί να εισχωρήσει στην μπαταρία ή στον κινητήρα και να προκαλέσει βραχυκύκλωμα ή ζημιά στο προϊόν.
- Μην χρησιμοποιείτε σύστημα πλύσης με υψηλή πίεση για να καθαρίσετε το προϊόν.
- Μην ρίχνετε νερό απευθείας επάνω στον κινητήρα.
- Χρησιμοποιήστε μια βούρτσα για να αφαιρέσετε φύλλα, γρασιδί και ακαθαρσίες.

Έλεγχος του εξοπλισμού αποβρυωτή



ΠΡΟΕΙΔΟΠΟΙΗΣΗ: Για την αποφυγή τυχόν ακούσιας εκκίνησης, πρέπει να αποσυνδέετε το καλώδιο ρεύματος.



ΠΡΟΕΙΔΟΠΟΙΗΣΗ: Να χρησιμοποιείτε προστατευτικά γάντια όταν κάνετε συντήρηση του εξοπλισμού αποβρυωτή. Τα δόντια στον εξοπλισμό αποβρυωτή είναι πολύ κοφτερά και μπορεί εύκολα να κοπείτε.

- Ελέγξτε τον εξοπλισμό αποβρυωτή για ζημιές ή ρωγμές. Αντικαθιστάτε πάντα τον εξοπλισμό αποβρυωτή, αν έχει υποστεί ζημιά.

Αντικατάσταση του εξοπλισμού αραιωτήρα



ΠΡΟΕΙΔΟΠΟΙΗΣΗ: Να χρησιμοποιείτε προστατευτικά γάντια όταν κάνετε συντήρηση του εξοπλισμού αραιωτήρα. Ο εξοπλισμός αραιωτήρα είναι πολύ κοφτερός και μπορεί εύκολα να κοπείτε.

1. Τοποθετήστε το προϊόν με τη δεξιά πλευρά. (Εικ. 36)
2. Αφαιρέστε τις 2 βίδες (A) και το κάλυμμα του αραιωτήρα (B). Σπρώξτε τον εξοπλισμό αραιωτήρα (C) προς τα πάνω και προς τα έξω και αφαιρέστε τον. (Εικ. 37)
3. Σπρώξτε τον καινούργιο εξοπλισμό αραιωτήρα (C) στην εγκοπή και προς τα κάτω μέσα στην οπή. Τοποθετήστε το κάλυμμα αραιωτήρα (B) και τις 2 βίδες (A). (Εικ. 38)

Αντιμετώπιση προβλημάτων

Επίλυση προβλημάτων

Πρόβλημα	Πιθανή αιτία	Λύση
Το προϊόν δεν τίθεται σε λειτουργία.	Το καλώδιο ρεύματος δεν είναι συνδεδεμένο σε πηγή ρεύματος.	Συνδέστε το καλώδιο ρεύματος σε μια πηγή ισχύος.
	Το καλώδιο ρεύματος δεν είναι συνδεδεμένο στο προϊόν.	Συνδέστε το καλώδιο ρεύματος στην υποδοχή κάτω από τη λαβή.
	Η λαβή του φρένου του κινητήρα δεν έχει μετακινηθεί προς την κατεύθυνση της χειρολαβής.	Σπρώξτε τη λαβή του φρένου του μοτέρ προς την κατεύθυνση της χειρολαβής.
	Το καλώδιο ρεύματος έχει υποστεί ζημιά.	Επικοινωνήστε με έναν εγκεκριμένο αντιπρόσωπο σέρβις.
Άλλα σφάλματα.		

Μεταφορά, αποθήκευση και απόρριψη

Μεταφορά

- Για τις εμπορικές μεταφορές πρέπει να τηρούνται οι ειδικές απαιτήσεις που αναγράφονται στη συσκευασία και στις ετικέτες.

- Βεβαιωθείτε ότι τηρείτε τους κανονισμούς για επικίνδυνα υλικά κατά τη μεταφορά του προϊόντος. Μπορεί να ισχύουν τοπικοί κανονισμοί.
- Στερεώστε το προϊόν κατά τη μεταφορά.

Αποθήκευση

- Πρέπει να αφηρέτε το προϊόν να κρυώσει προτού το αποθηκεύσετε.
- Αποθηκεύστε το προϊόν μόνο σε χώρο όπου η θερμοκρασία περιβάλλοντος είναι μεταξύ -10 °C και 40 °C.
- Αποθηκεύστε το προϊόν σε χώρο που μπορεί να κλειδωθεί, ώστε να μην έχουν πρόσβαση παιδιά και μη εξουσιοδοτημένα άτομα.
- Καθαρίστε το προϊόν και πραγματοποιήστε πλήρες σέρβις προτού το αποθηκεύσετε για μεγάλο χρονικό διάστημα.
- Εκτελείτε τις εργασίες συντήρησης που περιγράφονται σε αυτό το εγχειρίδιο χρήσης. Ανατρέξτε στην ενότητα *Πρόγραμμα συντήρησης στη σελίδα 89*.
- Εκτελέστε πλήρη συντήρηση πριν από μακροχρόνια αποθήκευση.

Απόρριψη

Τα σύμβολα που υπάρχουν πάνω στο προϊόν ή στη συσκευασία του, υποδεικνύουν ότι δεν πρέπει να μεταχειριστείτε το συγκεκριμένο προϊόν ως οικιακό απόρριμμα. Αντιθέτως, πρέπει να το παραδώσετε σε κατάλληλο σταθμό ανακύκλωσης για ανάκτηση του ηλεκτρικού και ηλεκτρονικού εξοπλισμού.

Εξασφαλίζοντας τη σωστή απόρριψη του προϊόντος, συνεισφέρετε στην αντιμετώπιση πιθανών αρνητικών επιπτώσεων που θα μπορούσε να έχει στο περιβάλλον και τους ανθρώπους η λανθασμένη απόρριψη αυτού του προϊόντος. Για περισσότερες πληροφορίες σχετικά με την ανακύκλωση αυτού του προϊόντος, απευθυνθείτε στο δήμο σας, την τοπική υπηρεσία συλλογής απορριμμάτων ή το κατάστημα από το οποίο αγοράσατε το προϊόν.

(Εικ. 39)

Τεχνικά στοιχεία

Τεχνικά στοιχεία

S 138C	
Μοτέρ	
Τύπος μοτέρ	Σειρά κινητήρα AC
Ταχύτητα παρελκόμενου - Λειτουργία SavE, σ.α.λ.	Δ/Υ
Ταχύτητα παρελκόμενου - Ονομαστική, σ.α.λ.	4200
Ισχύς μοτέρ – μέγ. kW	1,8
Ισχύς μοτέρ - Ονομαστική, kW	1,6
Βάρος	
Βάρος, κιλά	19,0
Εκπομπές θορύβου ¹⁶	
Στάθμη ηχητικής ισχύος, μετρούμενη τιμή σε dB (A)	96
Στάθμη ηχητικής ισχύος, εγγυημένη L _{WA} dB (A)	98
Στάθμες ήχου ¹⁷	
Στάθμη πίεσης ήχου στο αυτί του χειριστή, σε dB (A)	82
Στάθμες κραδασμών ¹⁸	
Λαβή, m/s ²	8,3
Λειτουργία	

¹⁶ Οι εκπομπές θορύβου στο περιβάλλον μετρούνται ως ηχητική ισχύς (L_{WA}) σε συμμόρφωση με την Οδηγία 2000/14/ΕΚ.

¹⁷ Τα καταγεγραμμένα στοιχεία για τη στάθμη πίεσης θορύβου έχουν τυπική στατιστική διασπορά (τυπική απόκλιση) 1,2 dB(A).

¹⁸ Τα καταγεγραμμένα στοιχεία για τη στάθμη κραδασμών έχουν τυπική στατιστική διασπορά (τυπική απόκλιση) ίση με 0,2 m/s².

S 138C	
Μέγ./Ελάχ. βάθος εργασίας, mm	-8/+5
Πλάτος εργασίας, cm	37,5
Δόντια λεπίδας, εξάρτημα	5973510-01
Ελατηριωτές λεπίδες, εξάρτημα	5973509-01
Χωρητικότητα συλλέκτη χόρτου, λίτρα	45

Δήλωση Συμμόρφωσης

Δήλωση συμμόρφωσης ΕΕ

Εμείς, η **Husqvarna AB**, SE-561 82 Huskvarna,
ΣΟΥΗΔΙΑ, τηλ.: +46-36-146500, δηλώνουμε με
αποκλειστική μας ευθύνη ότι το προϊόν:

Περιγραφή	Καλλιεργητής
Μάρκα	Husqvarna
Τύπος / Μοντέλο	S 138C
Αναγνώριση	Αριθμοί σειράς με ημερομηνία από το 2023 και έπειτα

συμμορφώνεται πλήρως με τις ακόλουθες οδηγίες και
τους κανονισμούς της ΕΕ:

Οδηγία/Κανονισμός	Περιγραφή
2011/65/ΕΕ	"σχετικά με τον περιορισμό της χρήσης ορισμένων επικίνδυνων ουσιών σε είδη ηλεκτρικού και ηλεκτρονικού εξοπλισμού"
2006/42/ΕΚ	"σχετικά με τα μηχανήματα"
2014/30/ΕΕ	"σχετικά με την ηλεκτρομαγνητική συμβατότητα"
2000/14/ΕΚ	"σχετικά με τις εκπομπές θορύβου στο περιβάλλον"

και ότι εφαρμόζονται τα παρακάτω πρότυπα
ή/και τεχνικές προδιαγραφές: EN 60335-1:2012/
A11:2014/A13:2017/A15:2021, EN 50636-2-92:2014,
EN 55014-1:2017/A11:2020, EN 55014-2:2015, EN
61000-3-2:2014, EN 61000-3-11:2000, EN IEC
63000:2018.

Για πληροφορίες σχετικά με τις εκπομπές θορύβου,
ανατρέξτε στην ενότητα *Τεχνικά στοιχεία στη σελίδα 91*.

Huskvarna, 2024-03-01



Claes Losdal

Διευθυντής ανάπτυξης/Προϊόντα κήπου

Husqvarna AB

Υπεύθυνος για την τεχνική τεκμηρίωση



Contenido

Introducción.....	94	Resolución de problemas.....	105
Seguridad.....	96	Transporte, almacenamiento y eliminación.....	105
Montaje.....	103	Datos técnicos.....	106
Funcionamiento.....	103	Declaración de conformidad.....	107
Mantenimiento.....	104		

Introducción

Descripción del producto

El producto es un escarificador eléctrico conducido a pie. El producto elimina la paja del césped y remueve la tierra para permitir que el aire y el agua lleguen al césped. La paja es se recoge en un recogedor de césped o se dispersa sobre el césped. El producto cuenta con 2 tipos de equipo escarificador.

Equipo escarificador

Consulte la sección *Sustitución del equipo escarificador en la página 105* para obtener más información sobre cómo cambiar el equipo escarificador.

Cuchillas

Las cuchillas retiran la cubierta vegetal muerta y apelmazada, y cortan las raíces del césped en vertical.

Descripción del producto

(Fig. 1)

1. Palanca del freno del motor
2. Manillar superior
3. Inhibidor de arranque
4. Toma de corriente
5. Manillar inferior
6. Anclaje del cable
7. Recogedor de césped
8. Cubierta trasera
9. Cubierta del escarificador
10. Mando de ajuste de la profundidad de trabajo
11. Púas
12. Llave Allen
13. Manual de usuario

Símbolos que aparecen en el producto

(Fig. 2) **Advertencia:** Un uso negligente o erróneo puede provocar lesiones o la muerte al usuario o a otras personas.

Utilice las cuchillas en pendientes, bancales y suelos que tengan una gran proporción de arcilla. Las cuchillas permiten que el agua entre en el césped y evitan que se estanque en la superficie.

(Fig. 19)

Dientes flexibles

Los dientes flexibles retiran con cuidado la hierba muerta y la paja del césped sin dañar las raíces del césped.

(Fig. 20)

Uso previsto

Utilice el producto para eliminar la paja y el musgo y para descompactar la tierra en jardines privados. No utilice el producto para otras tareas.

(Fig. 3)

Lea el manual de usuario y asegúrese de que entiende las instrucciones antes de utilizar este producto.

(Fig. 4)

Tenga cuidado con los objetos que salgan despedidos o rebotados.

(Fig. 5)

Mantenga a las personas y animales a una distancia de seguridad respecto al área de trabajo.

(Fig. 6)

ADVERTENCIA:
Mantenga los pies y las

manos alejados de las cuchillas y las púas.

(Fig. 7) Desconecte el producto de la toma eléctrica antes de realizar tareas de mantenimiento en él. Las cuchillas o púas pueden seguir girando tras apagarse el motor.

(Fig. 8) Riesgo de descarga eléctrica.

(Fig. 9) Advertencia: No utilice el producto sobre el cable de alimentación, ya que podría producirse una descarga eléctrica o daños en el producto.

(Fig. 10) Este producto está protegido frente a las salpicaduras de agua.

(Fig. 11) Este producto cumple con las directivas CE vigentes.

(Fig. 12) Este producto cumple con las directivas del Reino Unido vigentes.

(Fig. 13) Etiqueta de emisiones sonoras al medioambiente conforme con las directivas y normativas

europeas y del Reino Unido, y con la regulación de 2017 sobre de protección del medioambiente (control de ruidos) (Protection of the Environment Operations - Noise Control) de la legislación de Nueva Gales del Sur. El nivel de potencia acústica garantizado del producto se especifica en el apartado *Datos técnicos en la página 106* y en la etiqueta.

(Fig. 14) Doble aislamiento.

(Fig. 18) Recicle el producto en un centro de reciclaje para equipos eléctricos y electrónicos. (Aplicable solo para Europa)

(Fig. 15) Procedimiento de arranque: libere el inhibidor de arranque, presione la palanca del freno del motor.

(Fig. 16) Suelte la palanca del freno del motor para detenerse.

Nota: Los demás símbolos y etiquetas que aparecen en el producto corresponden a requisitos de homologación específicos en algunos mercados.

Daños en el producto

No nos hacemos responsables de los daños que pueda sufrir el producto si:

Seguridad

Definiciones de seguridad

Las advertencias, precauciones y notas se utilizan para destacar información especialmente importante del manual.



ADVERTENCIA: Indica un riesgo de lesiones o incluso de muerte del usuario o de las personas cercanas si no se respetan las instrucciones del manual.



PRECAUCIÓN: Indica un riesgo de daños en el producto, otros materiales o el área adyacente si no se respetan las instrucciones del manual.

Nota: Se usa para proporcionar más información necesaria en una situación determinada.

- El producto se ha reparado incorrectamente.
- El producto se ha reparado con piezas que no eran del fabricante o no autorizadas por el fabricante.
- El producto tiene un accesorio que no es del fabricante o no está autorizado por este.
- El producto no se ha reparado en un centro de servicio autorizado o por un organismo homologado.

Instrucciones generales de seguridad



ADVERTENCIA: Lea las siguientes instrucciones de advertencia antes de utilizar el producto.

- Este producto es una herramienta peligrosa si se usa incorrectamente o si no se tiene cuidado. Puede causar lesiones graves o incluso la muerte si no siguen las instrucciones de seguridad.
- Este producto genera un campo electromagnético durante el funcionamiento. Este campo magnético puede, en determinadas circunstancias, interferir con implantes médicos activos o pasivos. Para reducir el riesgo de que se den condiciones que provocarían lesiones graves o letales, las personas que utilizan implantes médicos

deben consultar con su médico y con el fabricante del implante antes de poner en marcha este producto.

- Proceda siempre con cuidado y utilice siempre el sentido común. Si no está seguro de cómo manejar el producto en una situación especial, pare y consulte con su distribuidor Husqvarna antes de continuar.
- Debe tenerse en cuenta que el operador será responsable de los accidentes que involucren a otras personas o a su propiedad.
- Mantenga el producto limpio. Asegúrese de que puede leer claramente las etiquetas.
- No permita que niños ni adultos que no estén familiarizados con estas instrucciones utilicen el aparato. Las normas de seguridad locales pueden fijar límites a la edad del operador
- Si una persona con discapacidad física o mental usa el producto, asegúrese de supervisarla en todo momento. Debe haber presente en todo momento una persona mayor de edad responsable.
- No utilice el producto si está cansado, enfermo o

si se encuentra bajo los efectos de alcohol, drogas o medicamentos. Esto tiene un efecto negativo en su visión, vigilancia, coordinación y capacidad de decisión.

- No utilice el producto si está defectuoso.
- No modifique este producto ni lo utilice si puede haber sido modificado por otras personas.

Seguridad en el área de trabajo



ADVERTENCIA: Lea las siguientes instrucciones de advertencia antes de utilizar el producto.

- Retire objetos tales como ramas, palos y piedras de la zona de trabajo antes de usar el producto.
- Los objetos que chocan contra el equipo escarificador pueden salir despedidos y causar daños a personas y objetos. Mantenga a las personas y los animales a una distancia de seguridad respecto al producto.
- No utilice el producto en condiciones climáticas desfavorables, como niebla, lluvia, viento fuerte, frío intenso y riesgo de

relámpagos. El uso del producto en condiciones climáticas desfavorables o en entornos húmedos o mojados produce mucho cansancio. El mal tiempo puede causar condiciones peligrosas, como superficies resbaladizas.

- Preste atención a las personas, objetos y situaciones que puedan impedir el funcionamiento seguro del producto.
- Tenga cuidado con los posibles obstáculos, como raíces, piedras, ramas, hoyos y zanjas. El césped crecido puede esconder obstáculos.
- Hacer funcionar el producto en pendientes puede resultar peligroso. No utilice el producto en pendientes de más de 15°.
- Utilice el producto a lo largo de las laderas de las pendientes. No se desplace hacia arriba y hacia abajo.
- Tenga cuidado cuando se acerque a esquinas y objetos escondidos que puedan bloquear su campo de visión.

Seguridad en el trabajo



ADVERTENCIA: Lea las siguientes instrucciones

de advertencia antes de utilizar el producto.



ADVERTENCIA: Pare el producto, desconecte el cable de alimentación y asegúrese de que las cuchillas o púas se han detenido por completo antes de tocar el equipo escarificador.

- Utilice este producto para eliminar la cubierta vegetal muerta y apelmazada, y el musgo, solo en céspedes de hierba. No está permitido utilizar el producto para otras tareas.
- Utilice el equipo de protección personal. Consulte *Equipo de protección personal en la página 100*.
- No utilice el producto bajo la lluvia ni en ambientes húmedos. El riesgo de sacudida eléctrica aumenta si entra agua en el producto.
- No utilice el producto con un cable de alimentación dañado.
- No utilice el producto a menos que el equipo escarificador y todas las cubiertas estén fijados correctamente.

Un escarificador fijado incorrectamente puede soltarse y provocar daños personales.

- Asegúrese de que el escarificador no golpea ningún objeto, como piedras o raíces. Esto puede causar daños al escarificador y doblar el eje del motor. Un eje doblado causa vibraciones excesivas y un riesgo muy alto de que el equipo escarificador se suelte.
- Si el equipo escarificador choca con algún objeto o si se producen vibraciones, pare el producto inmediatamente. Pare el motor y desconecte el cable de alimentación. Examine el producto para comprobar si ha sufrido daños. Repare los daños o lleve el producto a un taller de servicio autorizado para realizar la reparación.
- No acople la palanca del freno del motor permanentemente al manillar cuando el motor esté encendido.
- Ponga el producto en una superficie plana y estable, y arránquelo. Asegúrese de que el equipo escarificador no entre en contacto con el suelo u otros objetos.
- Manténgase siempre detrás del producto durante su uso.
- Mientras utilice el producto, mantenga todas las ruedas apoyadas en el suelo y las dos manos en el manillar. Mantenga alejados las manos y los pies del equipo escarificador mientras gira.
- No incline el producto con el motor en marcha.
- Tenga cuidado cuando tire del producto hacia atrás.
- Nunca levante el producto con el motor en marcha. Si tiene que levantar el producto, detenga el motor y desenchufe el cable de alimentación.
- No camine hacia atrás mientras utiliza el producto.
- Detenga el motor cuando se desplace por áreas sin hierba, por ejemplo, caminos de grava, piedra y asfalto.
- No corra con el producto con el motor en marcha. Camine siempre mientras utiliza el producto.
- Detenga el motor antes de cambiar la profundidad de trabajo. Nunca realice ajustes con el motor en marcha.
- No deje el producto desatendido con el motor en marcha. Pare el motor

desenchufe el cable de alimentación y asegúrese de que el equipo esarificador no gire.

Instrucciones de seguridad para el funcionamiento

Equipo de protección personal

Para trabajar con el producto debe utilizarse un equipo de protección personal homologado. El equipo de protección personal no elimina el riesgo de lesiones, pero reduce su efecto en caso de accidente. Pida a su distribuidor que le asesore en la elección del equipo.

Utilice siempre:

- Protectores auriculares para reducir al mínimo el riesgo de sufrir daños crónicos en el oído.
- Utiliza botas o zapatos antideslizantes y resistentes. No trabaje con sandalias ni los pies descalzos.
- Pantalón largo y resistente. No lleve pantalones cortos.

Utilice guantes cuando sea necesario, por ejemplo, para el montaje, inspección o limpieza del equipo esarificador.



ADVERTENCIA: Utilice protectores auriculares

homologados. La exposición prolongada al ruido puede causar daños crónicos en el oído.

Dispositivos de seguridad en el producto



ADVERTENCIA: Lea las siguientes instrucciones de advertencia antes de utilizar el producto.

- No utilice un producto que tenga dispositivos de seguridad averiados.
- Realice una comprobación de los dispositivos de seguridad con frecuencia. Si los dispositivos de seguridad están averiados, hable con su taller de servicio Husqvarna.

Comprobación de las cubiertas

La cubierta del equipo esarificador disminuye las vibraciones en el producto y el riesgo de lesiones provocadas por el equipo esarificador.

- Examine la cubierta lateral del equipo esarificador para asegurarse de que no presenta daños como, por ejemplo, grietas.

- Examine la cubierta trasera del equipo escarificador para asegurarse de que no presenta daños como, por ejemplo, grietas.

Palanca del freno del motor

La palanca del freno del motor detiene el motor. Cuando se suelta la palanca del freno del motor, el motor se para.

Para realizar una comprobación del freno del motor, arranque el motor y luego suelte la palanca del freno. Si el motor no se detiene en 3 segundos, lleve el producto a un taller de servicio Husqvarna autorizado para realizar el ajuste del freno del motor.

(Fig. 21)

Examen del inhibidor de arranque

Compruebe el inhibidor de arranque para verificar que evita el funcionamiento del motor.

1. Oprima la palanca del freno del motor contra el manillar. El inhibidor de arranque impide el movimiento.
2. Empuje el inhibidor de arranque hacia fuera. (Fig. 22)

3. Suelte el inhibidor de arranque y asegúrese de que regresa a su posición inicial.

Uso del soporte del cable de alimentación

El soporte del cable de alimentación reduce la tensión sobre la toma de corriente y el cable de alimentación.

El soporte del cable de alimentación también disminuye el riesgo de caída.

1. Doble el cable de alimentación hasta formar un pequeño lazo.
2. Introduzca el lazo en el orificio del soporte del cable de alimentación.
3. Coloque el lazo alrededor del gancho de sujeción.
4. Tire del cable de alimentación para ajustar el lazo al gancho de sujeción. (Fig. 23)

Seguridad relacionada con el cable de alimentación

- Se recomienda el uso de un interruptor diferencial (RCD) con una corriente de desconexión no superior a 30 mA. Incluso con un diferencial instalado no es

posible garantizar la seguridad al 100 %, por lo que se deben seguir en todo momento procedimientos de trabajo seguros. Compruebe el interruptor diferencial cada vez que lo utilice.

- Si el cable de alimentación presenta cortes, o el aislamiento está dañado, desenchúfelo inmediatamente de la red eléctrica.
- Si el cable de alimentación está cortado o dañado, no lo toque hasta haber desconectado el suministro eléctrico.
- No repare el cable de alimentación si está cortado o dañado. Sustitúyalo por uno nuevo.

Instrucciones de seguridad para el mantenimiento



ADVERTENCIA: Lea las siguientes instrucciones de advertencia antes de utilizar el producto.

- Para evitar un arranque accidental durante las operaciones de mantenimiento, desenchufe el cable de alimentación.
- Realice los trabajos de mantenimiento correctamente

para aumentar la vida útil del producto y reducir el riesgo de accidentes. Deje que un taller de servicio homologado haga las reparaciones profesionales. Póngase en contacto con su taller de servicio más cercano para obtener más información.

- Realice únicamente las tareas de mantenimiento que figuran en este manual de usuario. Los trabajos de mayor envergadura debe realizarlos un taller de servicio autorizado.
- No retire los dispositivos de seguridad ni realice cambios en ellos para prevenir lesiones.
- Utilice guantes resistentes al utilizar el equipo escarificador. El equipo escarificador está muy afilado y se pueden producir cortes con mucha facilidad.
- Mantenga las cuchillas o púas del equipo escarificador afiladas y limpias para obtener los mejores resultados con la máxima seguridad.
- Diríjase a su taller de servicio para que examinen el producto regularmente y para que realicen los ajustes y las reparaciones necesarios.

- Sustituya las piezas dañadas, desgastadas o rotas. Utilice siempre piezas de repuesto originales del fabricante. Si utiliza otras piezas de repuesto podría dañar el producto y aumentará el riesgo de accidentes.
- Respete las instrucciones correspondientes al cambio de accesorios. Utilice únicamente los accesorios del fabricante.

Montaje

Introducción



ADVERTENCIA: Antes de montar este producto, lea el capítulo sobre seguridad.



ADVERTENCIA: Para evitar un arranque accidental durante el montaje, desenchufe el cable de alimentación.

Para montar el manillar

1. Afloje las ruedecillas inferiores.
2. Mueva los mandos hacia el extremo inferior de las ranuras en el lado izquierdo y derecho del producto. (Fig. 24)
3. Ajuste la altura del manillar en una de las 2 posiciones disponibles.
4. Mueva los mandos hacia arriba, en dirección al manillar, hasta que finalice su recorrido y escuche un clic. (Fig. 25)

5. Apriete las ruedecillas a fondo.

Para montar el recogedor de césped

1. Coloque el bastidor del recogedor de césped en la bolsa de hierba con la parte rígida de la bolsa en la parte inferior. Mantenga el asa del bastidor en la parte superior de la bolsa para césped. (Fig. 26)
2. Coloque la parte inferior del bastidor del recogedor de césped en la ranura de la parte inferior del recogedor de césped.
3. Fije la bolsa para césped al bastidor del recogedor de césped con los clips. (Fig. 27)
4. Levante la cubierta trasera.
5. Mueva el recogedor de césped a la posición correcta. (Fig. 28)
6. Encaje el recogedor de césped en el borde superior del chasis. Asegúrese de que la cubierta trasera se selle contra el recogedor de césped para evitar fugas. (Fig. 29)

Funcionamiento

Introducción



ADVERTENCIA: Antes de utilizar el producto, debe leer y entender el capítulo sobre seguridad.

Husqvarna Connect

Husqvarna Connect es una aplicación gratuita para su dispositivo móvil. La aplicación Husqvarna Connect proporciona más funciones para su producto Husqvarna:

- Información ampliada sobre el producto.
- Información y asistencia sobre piezas y mantenimiento de productos.

Para empezar a utilizar Husqvarna Connect

1. Descargue la aplicación Husqvarna Connect en su dispositivo móvil.
2. Registre una cuenta en la aplicación Husqvarna Connect.
3. Siga las instrucciones de la aplicación Husqvarna Connect para conectarse y registrar el producto.

Ajustar la profundidad de trabajo



ADVERTENCIA: No ajuste la profundidad de trabajo mientras utiliza el producto.

1. Para aumentar la profundidad de trabajo, presione y gire hacia la izquierda la perilla de ajuste de la profundidad de trabajo.
2. Para reducir la profundidad de trabajo, presione y gire la perilla de ajuste de la profundidad de trabajo. (Fig. 30)

Arranque del producto.

1. Conecte un cable de alimentación a la toma situada debajo del manillar. (Fig. 31)
2. Coloque el cable de alimentación en el soporte del cable de alimentación. Consulte la sección *Uso del soporte del cable de alimentación en la página 101*. (Fig. 23)
3. Manténgase detrás del producto.

4. Afloje el inhibidor de arranque. (Fig. 32)
5. Empuje la palanca del freno del motor hacia el manillar. (Fig. 33)

Para detener el producto

1. Suelte la maneta del freno del motor para detener el motor. (Fig. 34)
2. Desconecte el cable de alimentación de la red eléctrica y, a continuación, del producto. (Fig. 35)



PRECAUCIÓN: Tire de la clavija recto hacia fuera. No tire del cable de alimentación.

Mantenimiento

Introducción



ADVERTENCIA: Antes de realizar cualquier trabajo de mantenimiento, debe leer y entender el capítulo sobre seguridad.

Para todos los trabajos de mantenimiento y reparación del producto, es necesario realizar una formación especial. Husqvarna garantiza que los trabajos de mantenimiento y reparación sean realizados por profesionales. Si su distribuidor no es un taller de servicio, pídale información sobre el taller de servicio más cercano.

Para obtener información detallada, consulte www.husqvarna.com.

Programa de mantenimiento

Los intervalos de mantenimiento se calculan a partir del uso diario del producto. Los intervalos cambian si el producto no se utiliza a diario.

Para las tareas de mantenimiento, identificadas con *, consulte *Dispositivos de seguridad en el producto en la página 100*.

	En cada uso	Mensualmente	Cada temporada
Realice una inspección general.	X		
Limpie el producto.	X		
Examine el equipo escarificador.	X		
Asegúrese de que los dispositivos de seguridad del producto no estén dañados. *	X		
Examine las cubiertas. *	X		
Compruebe la palanca del freno del motor. *	X		
Compruebe el inhibidor de arranque. *	X		

Inspección general

- Asegúrese de que las tuercas y los tornillos del producto estén bien apretados.
- Asegúrese de que los cables del producto no estén en una posición en la que puedan resultar dañados.
- Asegúrese de que no hay obstrucciones en el producto.

Limpieza del producto

- Limpie las piezas de plástico con un paño limpio y seco.
- No utilice agua para limpiar el producto. El agua puede entrar en la batería o el motor y causar un cortocircuito o daños en el producto.
- No utilice un equipo de limpieza a alta presión para limpiar el producto.

- No vierta agua directamente sobre el motor.
- Use un cepillo para retirar las hojas, la hierba y la suciedad.

Inspección del equipo escarificador



ADVERTENCIA: Para evitar un arranque accidental, desenchufe el cable de alimentación.



ADVERTENCIA: Utilice guantes protectores cuando realice el mantenimiento del equipo escarificador. Las cuchillas o púas del equipo escarificador están muy afiladas y se pueden producir cortes con facilidad.

- Inspeccione el equipo escarificador para comprobar si presenta daños o grietas. Sustituya siempre el equipo escarificador si presenta daños.

Sustitución del equipo escarificador



ADVERTENCIA: Utilice guantes protectores cuando realice el mantenimiento del equipo escarificador. El equipo escarificador está muy afilado y se pueden producir cortes con facilidad.

1. Ponga el producto en su lado derecho. (Fig. 36)
2. Retire los 2 tornillos (A) y la cubierta del escarificador (B). Empuje el equipo escarificador (C) hacia arriba y hacia afuera para extraerlo. (Fig. 37)
3. Empuje el nuevo equipo escarificador (C) en la ranura y hacia abajo por el orificio. Fije la cubierta del escarificador (B) y los 2 tornillos (A). (Fig. 38)

Resolución de problemas

Resolución de problemas

Problema	Causa posible	Solución
El producto no se pone en marcha.	El cable de alimentación no está enchufado a una toma de corriente.	Enchufe el cable de alimentación a una toma de corriente.
	El cable de alimentación no está conectado al producto.	Conecte el cable de alimentación a la toma situada debajo del manillar.
	No se ha presionado la palanca del freno del motor contra el manillar.	Oprima la palanca del freno del motor contra el manillar.
	El cable de alimentación está dañado.	Acuda a un taller de servicio autorizado.
	Otros errores.	

Transporte, almacenamiento y eliminación

Transporte

- Para los transportes comerciales, se deben acatar los requisitos especiales sobre embalajes y etiquetas.
- Cuando prepare el producto para su transporte, asegúrese de que se cumplan las disposiciones sobre materiales peligrosos. Es posible que existan normativas locales aplicables.
- Inmovilice el producto durante el transporte.

Almacenamiento

- Deje que el producto se enfríe antes de guardarlo.

- Cuando guarde el producto, hágalo en un lugar con una temperatura ambiente comprendida entre -10 °C y 40 °C.
- Mantenga el producto en un lugar bajo llave fuera del alcance de niños y personas no autorizadas.
- Limpie el producto y realice un mantenimiento completo antes de almacenarlo durante un periodo de tiempo prolongado.
- Lleve a cabo las tareas de mantenimiento que se indican en este manual de usuario. Consulte *Programa de mantenimiento en la página 104*.
- Realice un mantenimiento completo antes de guardar el producto durante un periodo prolongado.

Eliminación

Los símbolos del producto o del embalaje del producto indican que este producto no puede desecharse como residuo doméstico. Debe enviarse a una estación de reciclaje apropiada para la recuperación de piezas eléctricas y electrónicas.

Si se asegura de que se trata este producto correctamente, puede ayudar a contrarrestar el posible

impacto negativo para el medio ambiente y las personas que podría darse por una gestión incorrecta de los residuos del mismo. Si desea información más detallada sobre el reciclaje de este producto, póngase en contacto con su ayuntamiento, el servicio de recogida de basuras o la tienda donde lo adquirió.

(Fig. 39)

Datos técnicos

Datos técnicos

S 138C	
Motor	
Tipo de motor	Motor de serie CA
Velocidad del accesorio - SavE, rpm	N/P
Velocidad del accesorio - nominal, rpm	4200
Potencia del motor (máx.), kW	1,8
Potencia del motor (nominal), kW	1,6
Peso	
Peso, kg	19,0
Emisiones de ruido ¹⁹	
Nivel de potencia acústica medido, dB(A)	96
Nivel de potencia acústica garantizado L _{WA} dB(A)	98
Niveles acústicos ²⁰	
Nivel de presión sonora en el oído del usuario, dB(A)	82
Niveles de vibración ²¹	
Manillar, m/s ²	8,3
Funcionamiento	
Profundidad de trabajo máx/min, mm	-8/+5
Anchura de trabajo, cm	37,5
Accesorio de cuchillas	5973510-01
Accesorio de púas	5973509-01
Capacidad del recogedor de hierba, litros	45

¹⁹ Emisiones sonoras en el entorno medidas como potencia acústica (L_{WA}) según la directiva 2000/14/CE.

²⁰ Los datos referidos del nivel de presión sonora tienen una dispersión estadística habitual (desviación típica) de 1,2 dB (A).

²¹ Los datos referidos del nivel de vibración poseen una dispersión estadística habitual (desviación típica) de 0,2 m/s².

Declaración de conformidad

Declaración de conformidad CE

Nosotros, **Husqvarna AB**, SE-561 82 Huskvarna (SUECIA), tel.: +46 36 146500, declaramos bajo nuestra exclusiva responsabilidad que el producto:

Descripción	Escarificador
Marca	Husqvarna
Tipo/Modelo	S 138C
Identificación	Números de serie a partir del año 2023

Cumple las siguientes directivas y normas de la UE:

Directiva/Norma	Descripción
2011/65/UE	"relativa a restricciones de utilización de determinadas sustancias peligrosas en aparatos eléctricos y electrónicos"
2006/42/CE	"relativa a las máquinas"
2014/30/UE	"relativa a la compatibilidad electromagnética"
2000/14/CE	"relativa a las emisiones sonoras en el entorno"

Y que se aplican las especificaciones técnicas o los estándares siguientes: EN 60335-1:2012/ A11:2014/A13:2017/A15:2021, EN 50636-2-92:2014, EN 55014-1:2017/A11:2020, EN 55014-2:2015, EN 61000-3-2:2014, EN 61000-3-11:2000, EN IEC 63000:2018.

Para obtener información respecto a las emisiones sonoras, consulte *Datos técnicos en la página 106*.

Husqvarna, 2024-03-01



Claes Losdal

Director de desarrollo/Productos para el jardín

Husqvarna AB

Responsable de la documentación técnica



Sisukord

Sissejuhatus.....	108	Veaoitsing.....	118
Ohutus.....	110	Transportimine, hoiulepanek ja utiliseerimine.....	118
Kokkupanek.....	116	Tehnilised andmed.....	118
Töö.....	116	Vastavusdeklaratsioon.....	120
Hooldamine.....	117		

Sissejuhatus

Toote kirjeldus

See toode on lükatav elektriline samblaemaldaja. Tootega eemaldatakse murult kuivanud rohi ja kobestatakse pinnast, et lasta selle hingata ja veel murusse imbuda. Rohi kogutakse rohkogurisse või heidetakse murule. Tootel on kahte tüüpi samblaemaldusosad.

Samblaemaldusosad

Vt *Samblaemaldusosa vahetamine lk 117*rohkema teabe saamiseks, kuidas vahetada samblaemaldusosi.

Lõiketera piid

Lõiketera piidega eemaldatakse kuivanud rohi ja lõigatakse rohujuuri vertikaalselt. Kasutage lõiketera

piisid kallakutel, astangutel ja savirikkal pinnasel. Lõiketerade piide abil imbub vesi murusse ning välditakse selle kogunemist murupinnale.

(Joon. 19)

Vedrupiid

Vedrupiidega eemaldatakse murult vana rohi ja sammal vigastamata rohujuuri.

(Joon. 20)

Kasutusotstarve

Kasutage toodet vana rohu ja sambla eemaldamiseks ning pinnase kobestamiseks. Ärge kasutage toodet muude tööde tegemiseks.

Toote tutvustus

(Joon. 1)

1. Mootori pidurikäepide
2. Ülemine käepide
3. Käivitustõke
4. Pistikupesa
5. Alumine käepide
6. Kaabliklamber
7. Rohukogur
8. Tagumine kate
9. Samblaemaldi kate
10. Töösügavuse reguleerimisnupp
11. Vedrupiid
12. Kuuskantvõti
13. Kasutusjuhend

(Joon. 3)

Enne seadme kasutamist lugege kasutusjuhend läbi ja veenduge, et oleksite juhistest aru saanud.

(Joon. 4)

Olge ettevaatlik – lenduvate esemete ning tagasipõrkumise oht.

(Joon. 5)

Teised inimesed ja loomad peavad viibima tööalast ohutus kauguses.

(Joon. 6)

HOIATUS! Hoidke käed ja jalad piidest eemal.

Sümbolid tootel

(Joon. 2)

Hoiatus! Hooletu või väär käsitlemine võib põhjustada kehavigastusi või surma kasutajale või juuresolijaile.

- (Joon. 7) Enne seadme hooldustööde alustamist lahutage see vooluvõrgust. Piid pöörlevad pärast mootori seiskamist edasi.
- (Joon. 8) Elektrilöögi oht.
- (Joon. 9) Hoiatus! Ärge sõitke seadmega üle toitekaabli, võite saada elektrilöögi või seadet kahjustada.
- (Joon. 10) Seade on kaitstud pritsiva vee eest.
- (Joon. 11) See toode vastab kehtivatele EÜ direktiividele.
- (Joon. 12) See toode vastab kehtivatele UK direktiividele.
- (Joon. 13) Müraremissioonile viitav keskkonnasilt vastavalt ELi ja UK direktiividele ja määrustele ja Uus Lõuna-Walesi õigusaktile „Protection of the Environment Operations (Noise Control) Regulation 2017“. Toote garanteeritud helivõimsuse taseme andmed leiate jaotisest *Tehnilised andmed lk 118* ja sildil.
- (Joon. 14) Topeltisolatsioon.
- (Joon. 18) Toimetage seade elektri- ja elektroonika-jäätmete ringlussevõtukeskusesse. (Keh- tib vaid Euroo- pas)
- (Joon. 15) Käivitusprotseduur: avage käivitustõkesti, vajutage mootori pidurikäepide alla.
- (Joon. 16) Seiskamiseks vabastage mootori pidurikäepide.
- (Joon. 17) Skannitav kood.

Märkus: Ülejäänud seadmel toodud sümbolid/ tähised vastavad teatud riikides kehtivatele sertifitseerimisnõuetele.

Toote kahjustused

Me ei vastuta meie tootele tekitatud kahjude eest, kui:

- toodet on valesti parandatud;
- toote parandamisel on kasutatud osi, mis ei ole tootja poolt valmistatud või heaks kiidetud;
- tootel on kasutatud tarvikut, mis ei ole tootja poolt valmistatud või heaks kiidetud;
- toodet ei ole parandatud volitatud hoolduskeskuses või volitatud isiku poolt.

Ohutuse määratlused

Mõistetega „hoiatus”, „ettevaatust” ja „märkus” juhitakse tähelepanu eriti olulistele kohtadele kasutusjuhendis.



HOIATUS: Tähistab kasutusjuhendi juhiste eiramise korral kasutaja või kõrvalseisjate kehavigastuse või surmaga lõppeva õnnetuse ohtu.



ETTEVAATUST: Tähistab kasutusjuhendi juhiste eiramise korral seadme, muude esemete või läheduses asuvate objektide kahjustamise ohtu.

Märkus: Tähistab antud olukorras vajalikku lisateavet.

Üldised ohutuseeskirjad



HOIATUS: Enne seadme kasutamist lugege läbi järgnevad hoiatused.

- Toode on ohtlik, kui seda kasutada valesti või ettevaatamatult. Ohutuseeskirjade eiramine võib põhjustada kehavigastuse või surma.
- Seade tekitab töötades elektromagnetvälja. Teatud tingimustel võib väli häirida aktiivsete või passiivsete meditsiiniliste implantaatide tööd. Raskete või surmaga lõppevate kehavigastuste ohu vähendamiseks soovitame meditsiinilisi implantaate kasutavatel inimestel pidada enne selle seadme kasutamist nõu oma arsti ja implantaadi valmistajaga.
- Olge alati ettevaatlik ja kasutage tervet mõistust. Kui te pole kindel, kuidas toodet eriolukorras kasutada, lõpetage töö ja pidage enne jätkamist nõu Husqvarna edasimüüjaga.
- Arvestage, et teiste isikute ja nende varaga seotud õnnetuste korral kannab vastutust seadme kasutaja.
- Hoidke toode puhas. Veenduge, et märgid ja tähised oleksid selgelt loetavad.

- Ärge kunagi lubage lastel või nende juhistega mittetutvunud inimestel seadet kasutada. Kohalikud kehtivad eeskirjad võivad piirata kasutaja lubatud vanust
- Kui toodet kasutab piiratud füüsiliste või vaimsete võimetega isik, peab ta olema kogu aeg järelevalve all. Vastutusvõimeline täiskasvanu peab kogu aeg kasutaja juures viibima.
- Ärge kasutage toodet, kui olete väsinud, haige või tarvitanud alkoholi, narkootikume või ravimeid. Sellel on negatiivne mõju teie nägemisele, tähelepanuvõimele, liikumisele ja otsustamisvõimele.
- Ärge kasutage toodet, kui see on kahjustatud.
- Ärge muutke toodet ega kasutage seda, kui keegi teine võib olla seda muutnud.
- Samblaeemaldusosaga kokku puutuvad esemed võivad õhku paiskuda ning inimesi vigastada ja esemeid kahjustada. Juuresolijad ja loomad peavad viibima tootest ohutus kauguses.
- Ärge kasutage toodet halva ilmaga, näiteks udu, vihma, tugeva tuule, tugeva pakase ja pikseohu korral. Tootte kasutamine halva ilma ning niiskete ja märgade tingimuste korral on väsitav. Halb ilm võib põhjustada ohtlikke tingimusi (nt libedaid pindu).
- Suhtuge tähelepanelikult inimestesse, esemetesse ja olukordadesse, mis võivad takistada toote ohutut kasutamist.
- Olge ettevaatlik takistuste (nt juurte, kivide, oksade, aukude ja kraavide) suhtes. Kõrge rohi võib peita takistusi.
- Tootega töötamine kallakutel võib olla ohtlik. Ärge kasutage toodet alal, mille kalle ületab 15°.
- Kasutage toodet kallakul risti liikudes. Ärge liikuge üles ja alla.
- Olge ettevaatlik varjatud nurkade ja vaatevälja varjavate esemete läheduses.

Tööala ohutus



HOIATUS: Enne seadme kasutamist lugege läbi järgnevad hoiatused.

- Enne toote kasutamist eemaldage tööalalt oksad ja kivid.

Tööohutus



HOIATUS: Enne toote kasutamist lugege läbi järgmised hoiatused.



HOIATUS: Peatage toode, eemaldage toitejuhe ja veenduge, et piid on täielikult seiskunud, enne kui puudutate samblaemaldusosa.

- Kasutage seda toodet ainult murult vana rohu ja sambla eemaldamiseks. Muude toimingute tegemiseks toodet kasutada ei tohi.
- Kasutage isikukaitsevahendeid. Vt jaotisest *Isikukaitsevahendid lk 113*.
- Toodet ei tohi kasutada vihma käes või märjas keskkonnas. Toote sisse pääsenud vesi suurendab elektrilöögi ohtu.
- Ärge kasutage toodet kahjustatud toitejuhtmega.
- Ärge kasutage toodet enne, kui samblaemaldusosa ja katted on õigesti kinnitatud. Valesti kinnitatud samblaemaldusosa võib lahti tulla ja inimesi vigastada.
- Veenduge, et samblaemaldusosa ei puutuks kokku esemetega (nt kivide ja juurtega). See võib samblaemaldusosa kahjustada ja põhjustada mootori võlli väändumist. Paindega telg põhjustab tugevat vibratsiooni ja suurt samblaemaldusosa lahtitulemise ohtu.
- Kui samblaemaldusosa puutub kokku mõne esemega või esineb vibratsioon, peatage toode viivitamatult. Seisake mootor ja lahutage toitejuhe. Kontrollige toodet kahjustuste suhtes. Parandage kahjustused või laske toodet remontida volitatud hooldustöökojas.
- Kui mootor töötab, ärge kinnitage kunagi mootori pidurikäepidet püsivalt käepideme külge.
- Asetage toode stabiilsele ja tasasele pinnale ning käivitage see. Veenduge, et samblaemaldusosa ei puutuks vastu maad ega muid esemeid.
- Olge toote kasutamisel alati toote taga.
- Toodet kasutamisel hoidke mõlema käega käepidemest ja kõik toote rattad maas.

Hoidke käed ja jalad liikuvast samblaemaldusosast eemal.

- Kui mootor on käivitatud, ärge kallutage toodet.
- Olge toote tagasisuunas tõmbamisel ettevaatlik.
- Kui mootor on käivitatud, ärge tõstke toodet. Kui teil on vaja toode üles tõsta, seisake esmalt mootor ja lahutage toitejuhe.
- Ärge kõndige toote kasutamise ajal tagurpidi.
- Seisake mootor, kui liigute alal, kus pole muru, näiteks kruusa-, kivi- ja asfaltkattega teedel.
- Ärge lükake toodet joostes, kui mootor on käivitatud. Toote kasutamise ajal kõndige.
- Enne töösügavuse muutmist seisake mootor. Ärge kunagi tehke reguleerimisi, kui mootor töötab.
- Ärge laske toodet silmist, kui mootor töötab. Seisake mootor, lahutage toitejuhe ja veenduge, et samblaemaldusosa ei pöörleks.

Ohutusjuhised kasutamisel

Isikukaitsevahendid

Seadmega töötamisel tuleb kasutada ettenähtud isiklikku kaitsevarustust.

Isikukaitsevarustus ei välista õnnetusi, kuid vähendab vigastuse astet. Palu seadme müüjalt abi sobiva varustuse valimisel.

Kandke alati järgmisi kaitsevahendeid.

- Kuulmiskahjustuste riski vähendamiseks kasutage kõrvaklappe.
- Vastupidavad, mittelibisevad jalatsid. Ärge kandke lahtiseid jalatseid ega käige paljajalu.
- Tugevad pikad püksid. Ärge kandke lühikesi pükse.

Vajadusel kandke kindaid, näiteks samblaemaldusosa paigaldades, kontrollides või puhastades.



HOIATUS: Kandke heakskiidetud kõrvaklappe. Pikaajaline müra võib tekitada püsiva kuulmiskahjustuse.

Toote ohutusseadised



HOIATUS: Enne toote kasutamist lugege läbi järgmised hoiatused.

- Ärge kunagi kasutage seadet, kui selle ohutusseadised on defektsed.

- Kontrollige ohutusseadiseid regulaarselt. Kui ohutusseadised on defektsed, pöörduge Husqvarna hooldustöökotta.

Katete kontrollimine

Samblaeemaldaja kate vähendab toote vibratsiooni ja samblaeemaldusosast tingitud vigastuste ohtu.

- Kontrollige samblaeemaldaja külgkatet kahjustuste (nt pragude) suhtes.
- Kontrollige tagumist katet kahjustuste (nt pragude) suhtes.

Mootori pidurikäepide

Mootori pidurikäepideme abil saab mootori seisata. Mootori pidurikäepideme vabastamisel mootor seiskub.

Mootoripiduri kontrollimiseks käivitage mootor ja vabastage mootori pidurikäepide. Kui mootor kolme sekundi jooksul ei seisku, laske mootoripidurit Husqvarna volitatud hooldustöökogas reguleerida.

(Joon. 21)

Käivitustõkesti kontrollimine

Kontrollige, kas käivitustõkesti takistab mootori tööd.

1. Lükake mootori pidurikäepidet juhtraua suunas. Käivitustõkesti peatab liikumise.
2. Lükake käivitustõkesti välja. (Joon. 22)
3. Laske käivitustõkesti lahti ja veenduge, et see läheks tagasi lähteasendisse.

Toitekaabli hoidiku kasutamine

Toitekaabli hoidik vähendab koormust pistikupesale ja toitekaablile. Samuti vähendab toitekaabli hoidik teie kukkumise ohtu.

1. Moodustage toitekaabliga väike silmus.
2. Asetage silmus toitekaabli hoidiku ava sisse.
3. Asetage silmus ümber konksu.
4. Tõmmake toitekaablit, et silmus ümber konksu pingule tõmbuks. (Joon. 23)

Toitekaabli ohutus

- Soovitatav on paigaldada rikkevoolukaitse, mille rakendumise voolutugevus ei ole suurem kui 30 mA. Kuid isegi rikkevoolukaitse paigaldamine ei garanteeri 100% ohutust ja seetõttu

tuleb alati järgida turvalise töötamise põhimõtteid. Kontrollige rikkevoolukaitset iga kord, kui seda kasutate.

- Kui toitekaablile tekib sisselõige või selle isolatsioon saab kahjustada, lahutage seade kohe toitevõrgust.
- Ärge puudutage sisselõikega või kahjustatud isolatsiooniga toitekaablit enne, kui seade on vooluvõrgust lahutatud.
- Ärge parandage sisselõikega või kahjustatud isolatsiooniga toitekaablit. Asendage see uuega.

Ohutusjuhised hooldamisel



HOIATUS: Enne toote kasutamist lugege läbi järgmised hoiatused.

- Hooldage toodet ainult selle kasutusjuhendi järgi. Keerukamad tööd laske teostada volitatud hooldustöökojas.
 - Vigastuste vältimiseks ärge eemaldage ohutusseadmeid ega tehke neile muudatusi.
 - Samblaeemaldusosa käsitsedes kandke alati tugevaid kindaid. Samblaeemaldusosa on väga terav ja võib kergesti põhjustada löikevigastusi.
 - Parima ja ohutuima töö tagamiseks hoidke samblaeemaldusosa piid teravana ning puhtana.
 - Laske hooldustöökojas toodet korrapäraselt kontrollida ning teha vajalikke seadistamisi ja parandusi.
 - Asendage kahjustatud, kulunud ja katkised osad. Kasutage alati tootja originaalvaruosi. Muud varuosad võivad toodet kahjustada ja suurendada õnnetuste ohtu.
 - Järgige lisatarvikute vahetamise juhiseid. Kasutage ainult tootja valmistatud lisatarvikuid.
- Hooldustööde ajal seadme juhusliku käivitumise vältimiseks lahutage toitejuhe.
 - Toote kasutusea tõstmiseks ja õnnetuste ohu vähendamiseks tehke kõik hooldustööd korrektselt. Laske professionaalsed parandustööd teha volitatud hooldustöökojas. Lisateavet küsige lähimast hooldustöökojast.

Kokkupanek

Sissejuhatus



HOIATUS: Enne toote kokkupanemist lugege läbi ohutust puudutav peatükk.



HOIATUS: Kokkupanemise ajal seadme juhusliku käivitamise vältimiseks lahutage toitejuhe.

Käepideme kokkupanek

1. Keerake alumised hoovad lahti.
2. Liigutage nupud toote vasakul ja paremal küljel olevatesse soonetes. (Joon. 24)
3. Reguleerige käepideme kõrgus ühte kahest võimalikust asendist.

4. Liigutage nuppusid üles käepideme suunas, kuni need peatuvad ja kostub klõpsatus. (Joon. 25)
5. Keerake nupud korralikult kinni.

Rohukoguri kokkupanek

1. Kinnitage rohukoguri raam rohukoti külge nii, et koti jäik osa jääb põhja. Hoidke raami käepidet rohukoti peal. (Joon. 26)
2. Kinnitage rohukoguri raami alumine osa rohukoguri allosas asuvasse soonde.
3. Kinnitage rohukott klambritega rohukoguri raami külge. (Joon. 27)
4. Kergitage tagakaant.
5. Pange rohukogur õigesse asendisse. (Joon. 28)
6. Kinnitage rohukogur raami ülaservale. Veenduge, et tagakaan on lekke vältimiseks tihedalt rohukoguri vastas. (Joon. 29)

Töö

Sissejuhatus



HOIATUS: Enne seadme kasutamist lugege põhjalikult läbi ohutust puudutav jaotis.

Husqvarna Connect

Husqvarna Connect on mobiilsideseadmetele mõeldud tasuta rakendus. Rakendus Husqvarna Connect annab teie Husqvarna tootele lisafunktsionaalsuse:

- Täiendav tooteteave.
- Toote osade ja hoolduse alane teave ja abi.

Toote Husqvarna Connect kasutamise alustamine

1. Laadige Husqvarna Connect rakendus oma mobiilsideseadmesse.
2. Registreeruge Husqvarna Connect rakenduses.
3. Toote ühendamiseks ja registreerimiseks järgige Husqvarna Connect rakenduse juhiseid.

Töösügavuse seadistamine



HOIATUS: Ärge seadistage töösügavust toote kasutamise ajal.

1. Vajutage ja pöörake töösügavuse reguleerimisnupu vastupäeva, et suurendada töösügavust.
2. Vajutage ja pöörake töösügavuse reguleerimisnupu päripäeva, et vähendada töösügavust. (Joon. 30)

Seadme käivitamine

1. Ühendage toitekaabel käepideme all olevasse pistikupessa. (Joon. 31)
2. Pange toitekaabel toitekaabli hoidikusse. Vt jaotist *Toitekaabli hoidiku kasutamine lk 114*. (Joon. 23)
3. Olge toote taga.
4. Avage käivitustõkesti. (Joon. 32)
5. Lükake mootori pidurikäepidet juhtraua suunas. (Joon. 33)

Seadme seiskamine

1. Mootori seiskamiseks vabastage mootori pidurikäepide. (Joon. 34)
2. Lahutage toitekaabel vooluvõrgust ja seejärel seadmest. (Joon. 35)



ETTEVAATUST: Tõmmake pistik välja sirgelt. Ärge tõmmake toitejuhet.

Hooldamine

Sissejuhatus

Lisateavet vt www.husqvarna.com.



HOIATUS: Enne seadme hooldamist lugege põhjalikult läbi ohutust puudutav peatükk.

Seadme hooldamiseks ja remontimiseks on vaja erioskusi. Tagame asjatundliku remondi- ja hooldustöö. Kui edasimüüjal, kellelt toote ostsite, pole hooldustöökoda, küsige neilt teavet lähima hooldustöökoja kohta.

Hooldusgraafik

Hooldusintervallide arvutamisel on aluseks võetud seadme igapäevane kasutamine. Intervallid muutuvad, kui seadet igapäevaselt ei kasutata.

Tärniga (*) tähistatud hooldustööde kohta vt jaotist *Toote ohutusseadised lk 113*.

	Igal kasutuskorral	Iga kuu	Igal hooajal
Tehke üldkontroll.	X		
Puhastage toode.	X		
Kontrollige samblaemaldusosa.	X		
Veenduge, et toote ohutusseadistel poleks defekte. *	X		
Kontrollige katteid. *	X		
Kontrollige mootori pidurikäepidet. *	X		
Kontrollige käivitustõkestit. *	X		

Üldülevaatus läbiviimine

Samblaemaldusosa piid on väga teravad ja võivad kergesti põhjustada löikehaavu.

- Veenduge, et toote mutrid ja kruvid oleksid pingutatud.
- Veenduge, et toote juhtmed ei oleks sellises asendis, kus need võiksid kahjustada saada.
- Veenduge, et tootes ei oleks ummistust.

- Kontrollige samblaemaldusosa kahjustuste ja mõrade suhtes. Kahjustatud samblaemaldusosa tuleb alati välja vahetada.

Toote puhastamine

- Puhastage plastosi puhta ja kuiva lapiga.
- Ärge puhastage seadet veega. Vesi võib pääseda aku või mootori sisse ja põhjustada lühise või kahjustada toodet.
- Ärge kasutage seadme puhastamiseks survespesurit.
- Ärge valage vett otse mootorile.
- Eemaldage lehed, muru ja pori harja abil.

Samblaemaldusosa vahetamine



HOIATUS: Samblaemaldusosa hooldamisel kandke kaitsekindaid. Samblaemaldusosa on väga terav ja võib kergesti põhjustada löikevigastusi.

1. Asetage toode selle paremale küljele. (Joon. 36)
2. Eemaldage kruvid (A) ja samblaemaldusosa luuk (B). Lükake samblaemaldusosa (C) eemaldamiseks ülesse ja võtke välja. (Joon. 37)
3. Lükake uus samblaemaldusosa (C) soonde ja oma pesa. Kinnitage samblaemaldusosa kate (B) ja kaks kruvi (A). (Joon. 38)

Samblaemaldusosa kontrollimine



HOIATUS: Juhusliku käivitumise vältimiseks lahutage toitejuhe.



HOIATUS: Samblaemaldusosa hooldamisel kandke kaitsekindaid.

Veotsing

Tõrkeotsing

Probleem	Võimalik põhjus	Lahendus
Toode ei käivitu.	Toitejuhe ei ole toiteallikaga ühendatud.	Ühendage toitejuhe toiteallikaga.
	Toitejuhe ei ole tootega ühendatud.	Ühendage toitejuhe käepideme all olevasse pistikupessa.
	Mootori pidurikäepide pole juhtraua suunas lukatud.	Lükake mootori pidurikäepidet juhtraua suunas.
	Toitejuhe on kahjustatud.	Pöörduge volitatud hooldustöökoja poole.
	Muud tõrked.	

Transportimine, hoiulepanek ja utiliseerimine

Transportimine

- Kaubandusliku transpordi korral tuleb järgida pakendamise ja märgistamise erinõudeid.
- Toote transportimiseks ettevalmistamisel järgige kindlasti ohtlikele ainetele kehtivaid eeskirju. Kehtida võivad ka kohalikud eeskirjad.
- Kinnitage seade transportimise ajaks.

Hoiustamine

- Enne hoiustamist laske seadmel maha jahtuda.
- Hoidke toodet kohas, kus õhutemperatuur jääb vahemikku $-10\text{ }^{\circ}\text{C}$ kuni $40\text{ }^{\circ}\text{C}$.
- Hoidke seadet suletud ruumis, kuhu ei pääse lapsed ja volitamata kõrvalised isikud.
- Enne seadme pikemaajalist hoiustamist puhastage seade ja tehke sellele täishooldus.

- Tehke kasutusjuhendis toodud hooldustoimingud. Vt jaotisest *Hooldusgraafik lk 117*.
- Tehke täielik hooldus enne pikaajalist hoiustamist.

Kõrvaldamine

Tootel või selle pakendil olevad sümbolid viitavad, et toodet ei tohi visata olmeprügi hulka. See tuleb toimetada ettenähtud vastuvõtupunkti, kus elektri- ja elektroonikaseadmed võetakse uuesti ringlusesse.

Hoolitsedes toote eest õigel viisil aitate vähendada võimalikke negatiivseid mõjusid keskkonnale ja inimestele, mis võivad avalduda toote vale käitlemise korral. Lisateabe saamiseks toote ringlussevõtu kohta pöörduge vastava kohaliku ametkonna, jäätmekäitlusettevõtte või toote müünud kaupluse poole.

(Joon. 39)

Tehnilised andmed

Tehnilised andmed

S 138C	
Mootor	
Mootori tüüp	Jadaergutusega vahelduvvoolumootor
Samblaemaldusosa pöörlemissagedus – SavE, p/min	–
Samblaemaldusosa pöörlemissagedus – nimisagedus, p/min	4200
Mootori väljundvõimsus – max kW	1,8

S 138C	
Mootori väljundvõimsus – nimivõimsus, kW	1,6
Kaal	
Kaal, kg	19,0
Müra tasemed ²²	
Helivõimsuse tase, mõõdetud dB(A)	96
Helivõimsuse tase, garanteeritud L _{WA} dB(A)	98
Helitasemed ²³	
Helirõhutase kasutaja kõrva juures, dB(A)	82
Vibratsioonitase ²⁴	
Käepide, m/s ²	8,3
Töö	
Maks/min töösügavus, mm	-8/+5
Töölaius, cm	37,5
Lõiketera piide lisatarvik	5973510-01
Vedrupiid	5973509-01
Rohukoguri maht, l	45

²² Müraemissioon ümbritsevasse keskkonda, mõõdetud helivõimsuse tasemena (L_{WA}) vastavalt EÜ direktiivile 2000/14/EÜ

²³ Müra rõhutase kohta toodud andmete statistiline dispersioon (standardhälve) on 1,2 dB(A).

²⁴ Vibratsioonitaseme kohta toodud andmete tüüpiline statistiline dispersioon (standardhälve) on 0,2 m/s².

Vastavusdeklaratsioon

EÜ vastavusdeklaratsioon

Husqvarna AB, SE-561 82 Huskvarna, ROOTSI, tel: +46
36 146500, kinnitab ainuvastutusel, et toode:

Kirjeldus	Pinnasefrees
Kaubamärk	Husqvarna
Tüüp/mudel	S 138C
Identifitseerimine	Seerianumbrid alates 2023. aastast

vastab täielikult järgmistele EÜ direktiividele ja määrustele:

Direktiiv/eeskir	Kirjeldus
2011/65/EL	„elektri- ja elektroonikaseadmetes teatavate ohtlike ainete kasutamise piiramise direktiiv“
2006/42/EÜ	„masinadirektiiv“
2014/30/EL	„elektromagnetilise ühilduvuse direktiiv“
2000/14/EÜ	„seadmete müra kohta käiv direktiiv“

ja et kohalduvad järgmised standardid ja/või tehnilised spetsifikatsioonid: EN 60335-1:2012/ A11:2014/A13:2017/A15:2021, EN 50636-2-92:2014, EN 55014-1:2017/A11:2020, EN 55014-2:2015, EN 61000-3-2:2014, EN 61000-3-11:2000, EN IEC 63000:2018.

Lisateavet mürataseme kohta vt jaotisest *Tehnilised andmed lk 118*.

Huskvarna, 2024-03-01



Claes Losdal

Aiandustoodete arendusdirektor

Husqvarna AB

Tehnilise dokumentatsiooni eest vastutaja



Sisällys

Johdanto.....	121	Vianmääritys.....	131
Turvallisuus.....	123	Kuljettaminen, säilyttäminen ja hävittäminen.....	131
Asentaminen.....	129	Tekniset tiedot.....	132
Käyttö.....	129	Vaatimustenmukaisuusvakuutus.....	133
Huolto.....	130		

Johdanto

Tuotekuvaus

Laite on kävellen ohjattava sähkökäyttöinen pintailmaaja. Laite poistaa tiivistyneen leikkuujätteen nurmikolta ja möyhentää maata, jotta ilma ja vesi pääsevät maaperään. Tiivistynyt leikkuujäte kerätään ruohonkerääjään tai levitetään nurmikolle. Laitteessa on kaksi erilaista pintailmaajavarustusta.

Pintailmaajavarustus

Tietoja pintailmaajavarustuksen vaihtamisesta on kohdassa *Pintailmaajavarustuksen vaihtaminen sivulla 130*.

Teräpiikit

Teräpiikit irrottavat tiivistyneen leikkuujätteen ja leikkaavat ruohojen juuret pystysuunnassa. Käytä

teräpiikkejä rinteissä, penkereillä ja savipitoisella maaperällä. Teräpiikit päästävät veden nurmikon maaperään ja estävät veden kerääntymistä maan pinnalle.

(Kuva 19)

Jousipiikit

Jousipiikit poistavat kuolleen ruohon ja tiivistyneen leikkuujätteen nurmikolta vahingoittamatta ruohon juuria.

(Kuva 20)

Käyttötarkoitus

Poista tiivistynyt leikkuujäte ja sammal ja möyhennä maata yksityisissä puutarhoissa. Älä käytä laitetta muihin tehtäviin.

Tuotteen kuvaus

(Kuva 1)

1. Moottorin jarrukahva
2. Ylempi työntöaisa
3. Käynnistyskenesto
4. Virtalähde
5. Alempi työntöaisa
6. Kaapelin kiinnitin
7. Ruohonkerääjä
8. Takasuojus
9. Pintailmaajan suojus
10. Työskentelysvyvyyden säätönappi
11. Jousipiikit
12. Kuusiokoloavain
13. Käyttöohje

Tuotteen symbolit

(Kuva 2)

Varoitus: Huolimaton tai virheellinen käyttö voi aiheuttaa käyttäjälle tai sivullisille vammoja tai kuoleman.

(Kuva 3)

Lue käyttöohje huolellisesti ja varmista, että ymmärrät sen sisällön, ennen kuin alat käyttää tätä tuotetta.

(Kuva 4)

Varo sinkoutuvia esineitä ja kimmokkeita.

(Kuva 5)

Pidä sivulliset ja eläimet turvallisen välimatkan päässä työalueesta.

(Kuva 6)

VAROITUS – Pidä kätesi ja jalkasi poissa piikkien läheisyydestä.

(Kuva 7) Irrota virtajohto pistorasiasta ennen tuotteen huoltotöiden aloittamista. Piikit jatkavat pyörimistä sen jälkeen, kun moottori on sammutettu.

(Kuva 8) Sähköiskun vaara.

(Kuva 9) Varoitus: Älä aja tuotteella virtajohdon yli, sillä se voi aiheuttaa sähköiskun tai vaurioittaa tuotetta.

(Kuva 10) Tuote on suojattu roiskuvilta vedeltä.

(Kuva 11) Tämä tuote täyttää sovellettavien EY-direktiivien vaatimukset.

(Kuva 12) Tämä tuote täyttää sovellettavissa olevien UK-säädösten vaatimukset.

(Kuva 13) Melupäästöt ympäristöön -tarra EU:n ja Yhdistyneen kuningaskunnan direktiivien ja säädösten mukaisesti sekä Uuden Etelä-Walesin "Protection of the Environment Operations (Noise Control)

Regulation 2017" -asetuksen mukaisesti. Tuotteen taattu äänentehotaso on määritelty kohdassa *Tekniset tiedot sivulla 132* ja arvokilvessä.

(Kuva 14) Kaksoiseristys.

(Kuva 18) Vie tämä laite asianmukaiseen sähkö- ja elektroniikkalaitteiden keräyspisteeseen. (Vain Euroopassa)

(Kuva 15) Käynnistäminen: vapauta käynnistyksenesto ja paina moottorin jarrukahva alas.

(Kuva 16) Pysäytä vapauttamalla moottorin jarrukahva.

(Kuva 17) Skannattava koodi.

Huomautus: Muita laitteen symboleita/tarroja tarvitaan joillakin markkina-alueilla ilmaisemaan sertifiointivaatimuksia.

Tuotteen vaurioituminen

Emme ole vastuussa tuotteen vaurioitumisesta, jos:

- tuote on korjattu virheellisesti
- tuotteen korjaamiseen on käytetty muita kuin valmistajan omia tai sen hyväksymiä osia
- tuotteessa on muu kuin valmistajan oma tai sen hyväksymä lisävaruste

- tuotetta ei ole korjattu valtuutetussa huoltopisteessä tai hyväksytyllä asiantuntijalla.

Turvallisuus

Turvallisuusmääritelmät

Varoituksia, huomioita ja huomautuksia käytetään, kun jotakin käyttöohjeen osaa halutaan erityisesti korostaa.



VAROITUS: Tätä käytetään, jos käyttöohjeen noudattamatta jättämisestä voi seurata käyttäjän tai sivullisen vamma tai kuolema.



HUOMAUTUS: Tätä käytetään, jos käyttöohjeen noudattamatta jättämisestä voi seurata koneen, muiden materiaalien tai ympäristön vaurioituminen.

Huomautus: Tätä käytetään tietyissä tilanteissa tarvittavien lisätietojen antamiseen.

Yleiset turvaohjeet



VAROITUS: Lue seuraavat varoitusohjeet

ennen laitteen käyttämistä.

- Tämä laite on vaarallinen, jos sitä käytetään huolimattomasti tai virheellisesti. Turvaohjeiden noudattamatta jättäminen voi aiheuttaa vammoja tai kuoleman.
- Laite muodostaa käytön aikana sähkömagneettisen kentän. Kenttä saattaa joissakin olosuhteissa häiritä aktiivisten tai passiivisten lääketieteellisten implanttien toimintaa. Vakavien tai hengenvaarallisten tapaturmien ehkäisemiseksi kehotamme lääketieteellisiä implantteja käyttäviä henkilöitä neuvottelemaan lääkärin ja lääketieteellisen implantin valmistajan kanssa ennen laitteen käyttämistä.
- Ole aina varovainen ja käytä tervettä järkeä. Jos et ole varma, miten laitetta käytetään erityistilanteessa, sammuta laite ja ota yhteys Husqvarna-jälleenmyyjään, ennen kuin jatkat.
- Muista, että käyttäjä on vastuussa muille ihmisille

tai heidän omaisuudelleen aiheutuvista vahingoista.

- Pidä laite puhtaana. Varmista, että tuotteen merkit ja tarrat ovat luettavissa.
- Älä anna lasten tai näitä ohjeita tuntemattomien henkilöiden käyttää laitetta. Paikalliset määräykset saattavat rajoittaa käyttäjän ikää.
- Valvo aina laitetta käyttävää henkilöä, jonka fyysiset tai psyykkiset taidot ovat heikentyneet. Vastuullisen aikuisen on oltava aina paikalla.
- Älä käytä laitetta ollessasi väsynyt tai sairas tai jos olet alkoholin, huumaavien aineiden tai lääkkeiden vaikutuksen alaisena. Niillä on negatiivinen vaikutus näkökykyysi, vireytesi, harkintakykyysi ja kehosi hallintaan.
- Älä käytä konetta, jos se on viallinen.
- Älä tee koneeseen muutoksia tai käytä konetta, mikäli epäilet jonkun muun muuttaneen sitä.

Työalueen turvallisuus



VAROITUS: Lue seuraavat varoitusohjeet

ennen laitteen käyttämistä.

- Poista työskentelyalueelta oksat, risut ja kivet ennen laitteen käyttämistä.
- Pintailmaajavarustukseen osuvat esineet sinkoutuvat edelleen ja voivat siten aiheuttaa vahinkoa ihmisille ja esineille. Pidä sivulliset ja eläimet turvallisen välimatkan päässä laitteesta.
- Älä koskaan käytä laitetta huonolla säällä esimerkiksi sumussa, sateessa, kovassa tuulessa, ankarassa pakkasessa tai ukkosella. Laitteen käyttäminen huonolla säällä tai kosteissa tai märissä olosuhteissa on raskasta. Huono sää voi aiheuttaa vaaratilanteita, kuten liukastumisvaaran.
- Varo henkilöitä, esineitä ja tilanteita, jotka voivat estää laitteen turvallisen käytön.
- Varo esteitä, kuten juuria, kiviä, risuja, kuoppia ja ojia. Pitkän ruohon seassa voi olla esteitä.
- Laitteen käyttö rinteissä voi olla vaarallista. Älä käytä laitetta rinteessä, jonka kaltevuus on yli 15°.

- Käytä laitetta sivusuunnassa rinteeseen nähden. Älä käytä laitetta pystysuunnassa.
- Ole varovainen lähestyessäsi piilossa olevia kulmia ja esineitä, jotka estävät näkyvyyden.

Työturvallisuus



VAROITUS: Lue seuraavat varoitukset ennen tuotteen käyttöä.



VAROITUS: Pysäytä tuote, irrota virtajohto ja varmista, että piikit ovat pysähtyneet kokonaan ennen kuin kosket pintailmaajaan.

- Käytä tätä tuotetta vain tiivistyneen leikkuujätteen ja sammalen poistamiseen nurmikoilta. Tuotteita ei saa käyttää muihin käyttötarkoituksiin.
- Käytä henkilökohtaisia suojarusteita. Katso kohdasta *Henkilönsuojaimet sivulla 126*.
- Älä käytä tuotetta sateella tai märissä olosuhteissa. Sähköiskun vaara kasvaa, jos tuotteeseen pääsee vettä.
- Älä käytä tuotetta, jos sen virtajohto on vioittunut.
- Älä käytä tuotetta, ellei sen pintailmaajaa ja kaikkia suojuksia ole kiinnitetty asianmukaisesti. Virheellisesti kiinnitetty pintailmaajavarustus saattaa irrota ja aiheuttaa henkilövahinkoja.
- Varmista, ettei pintailmaajavarustus osu esimerkiksi kiviin tai juuriin. Tämä voi vaurioittaa pintailmaajavarustusta, ja moottorin akseli voi vääntyä. Vääntynyt akseli aiheuttaa voimakasta tärinää. Tällöin on erittäin suuri riski, että pintailmaajavarustus irtoaa.
- Jos pintailmaajavarustus osuu esineeseen tai alkaa täristä, pysäytä tuote välittömästi. Sammuta moottori ja irrota virtajohto. Tarkista tuote vaurioiden varalta. Korjaa vauriot tai tee korjaustyöt valtuutetussa huoltoliikkeessä.
- Älä koskaan kiinnitä moottorin jarrukahvaa pysyvästi kahvaan, kun moottori on käynnissä.
- Aseta tuote kiinteälle, tasaiselle alustalle ja käynnistä se. Varmista, ettei pintailmaajavarustus

pääse osumaan maahan tai mihinkään esineeseen.

- Seiso aina tuotteen takana käyttäessäsi sitä.
- Pidä kaikki renkaat maassa ja molemmat kätesi työntöaisalla käyttäessäsi tuotetta. Pidä kätesi ja jalkasi poissa pyörivän pintailmaajavarustuksen läheisyydestä.
- Älä kallista tuotetta moottorin käynnistyksen aikana.
- Ole varovainen vetäessäsi tuotetta taaksepäin.
- Älä koskaan nosta tuotetta, kun moottori on käynnissä. Jos tuotetta on nostettava, sammuta ensin moottori ja irrota virtajohto.
- Älä kävele taaksepäin käyttäessäsi tuotetta.
- Sammuta moottori, kun siirrät tuotteen ruohottoman alueen yli, esimerkiksi ylittäessäsi sora-, kivi- tai asfalttipolkuja.
- Älä juokse tuotteen kanssa, kun moottori on käynnissä. Kävele aina, kun käytät tuotetta.
- Sammuta moottori ennen kuin muutat työskentelysyvyyttä. Älä koskaan tee säätöjä moottorin käydessä.
- Älä koskaan jätä tuotetta ilman valvontaa moottorin käydessä.

Sammuta moottori, irrota virtajohto ja varmista, ettei pintailmaajavarustus pyöri.

Turvallisuusohjeet käyttöä varten

Henkilönsuojaimet

Tuotetta käytettäessä on aina käytettävä hyväksytyjä henkilösuojaimia. Henkilösuojaimet eivät poista tapaturmariskiä, mutta lieventävät vammoja onnettomuustilanteessa. Pyydä jälleenmyyjältä apua suojaimien valinnassa.

Käytä aina seuraavia suojaimia:

- Kuulonsuojaimia kuulon heikkenemisen ehkäisemiseksi.
- Luistamattomia, tukevia saappaita tai kenkiä. Älä käytä sandaaleja. Älä myöskään kulje paljain jaloin.
- Vahvakankaisia, pitkiä housuja. Älä käytä shortseja.

Käytä käsineitä tarvittaessa, esim. pintailmaajavarustuksen asennuksen, tarkastuksen tai puhdistuksen aikana.



VAROITUS: Käytä hyväksytyjä kuulonsuojaimia. Pitkäaikainen

altistuminen melulle saattaa aiheuttaa pysyviä kuulovaurioita.

Tuotteen turvalaitteet



VAROITUS: Lue seuraavat varoitukset ennen tuotteen käyttöä.

- Älä käytä tuotetta, jos jokin sen turvalaitteista on rikki.
- Tarkasta turvalaitteet säännöllisesti. Jos turvalaitteissa on vikoja, ota yhteyttä Husqvarna-huoltoliikkeeseen.

Suojusten tarkistaminen

Pintailmaajan suojus vähentää laitteen tärinää ja pintailmaajavarustuksen aiheuttamaa tapaturmavaaraa.

- Tarkista pintailmaajan suojus vaurioiden, kuten halkeamien, varalta.
- Tarkista takasuojus vaurioiden, kuten halkeamien, varalta.

Moottorin jarrukahva

Moottorin jarrukahva pysäyttää moottorin. Kun moottorin jarrukahva vapautetaan, moottori pysähtyy.

Tarkista moottorin jarru käynnistämällä moottori ja vapauttamalla sitten moottorin jarrukahva. Jos moottori ei pysähdy kolmessa sekunnissa, anna valtuutetun Husqvarna-huoltoliikkeen säätää moottorin jarru.

(Kuva 21)

Käynnistykseneston tarkistaminen

Tarkista käynnistyksenesto ja varmista, että se estää moottorin toiminnan.

1. Työnnä moottorin jarrukahvaa kahvaston suuntaan. Käynnistyksenesto pysäyttää liikkeen.
2. Työnnä käynnistyksenesto ulos. (Kuva 22)
3. Vapauta käynnistyksenesto ja varmista, että se palaa alkuasentoonsa.

Virtajohdon pidikkeen käyttö

Virtajohdon pidike vähentää pistorasiaan ja johtoon kohdistuvaa räsitusta. Virtajohdon pidike vähentää myös kaatumisriskiä.

1. Tee virtajohtoon pieni silmukka johtoa taivuttamalla.

2. Laita silmukka virtajohton pidikkeen reikään.
3. Aseta silmukka koukkuun.
4. Kiristä silmukka koukun ympärille vetämällä. (Kuva 23)

Virtajohton turvaohjeet

- On suositeltavaa käyttää vikavirtasuojakytkintä, jonka laukaisuvirta on enintään 30 mA. Asennettu vikavirtasuojakytkinkään ei takaa täydellistä turvallisuutta, ja turvaohjeita on aina noudatettava. Tarkasta vikavirtasuojakytkin jokaisella käyttökerralla.
- Irrota tuote sähköverkosta välittömästi, jos virtajohto on katkennut tai jos sen eristeessä on vaurioita.
- Älä kosketa katkennutta tai vaurioitunutta sähköjohtoa, ennen kuin tuote on irrotettu sähkönsyötöstä.
- Älä korjaa katkennutta tai vaurioitunutta virtajohtoa. Vaihda se uuteen.

Kunnossapitoon liittyvät turvallisuusohjeet



VAROITUS: Lue seuraavat varoitukset ennen tuotteen käyttöä.

- Vältä tuotteen käynnistyminen vahingossa huollon aikana irrottamalla virtajohto.
- Tuotteen oikeanlainen huoltaminen pidentää sen käyttöikää ja pienentää onnettomuusvaaraa. Anna huoltotyö valtuutetun huoltoliikkeen tehtäväksi. Kysy lisätietoja lähimmästä huoltoliikkeestä.
- Tee tuotteelle ainoastaan käyttöohjekirjassa mainitut huoltotoimenpiteet. Laajemmat toimenpiteet on teetettävä valtuutetussa huoltoliikkeessä.
- Älä poista turvalaitteita tai tee niihin muutoksia, koska se voi johtaa loukkaantumiseen.
- Käytä työrukkasia, kun käsittelet pintailmaajavarustusta. Pintailmaajavarustus on erittäin terävä ja aiheuttaa helposti haavoja.
- Pidä pintailmaajavarustuksen piikit terävinä ja puhtaina, jotta tuotteen suorituskyky ja turvallisuus pysyvät mahdollisimman hyvänä.
- Anna huoltoliikkeen tarkastaa tuote säännöllisesti ja tarvittaessa säätää ja korjata se.
- Vaihda vaurioituneet, kuluneet tai rikkoutuneet

osat. Käytä aina valmistajan alkuperäisiä varaosia. Muut varaosat voivat vahingoittaa tuotetta ja lisätä onnettomuusriskiä.

- Noudata lisävarusteiden vaihtoa koskevia ohjeita. Käytä ainoastaan valmistajan lisävarusteita.

Asentaminen

Johdanto



VAROITUS: Ennen kuin kokoat tuotteen, lue turvallisuutta koskeva luku.



VAROITUS: Vältä tuotteen käynnistyminen vahingossa kokoamisen aikana irrottamalla virtajohto.

Kahvan asentaminen

1. Irrota alemmat nupit.
2. Liu'uta nupit urien alaosaan laitteen molemmin puolin. (Kuva 24)
3. Aseta kahvan korkeus jompaankumpaan käytettävissä olevista asennoista.

4. Liu'uta nuppeja ylöspäin kahvaa kohti, kunnes ne pysähtyvät ja kuulet naksahduksen. (Kuva 25)
5. Kiristä nupit huolellisesti.

Ruohonkerääjän asentaminen

1. Kiinnitä ruohonkerääjän kehys keruupussiin niin, että pussin jäykkä osa on alhaalla. Pidä kehysten kahva keruupussin yläpuolella. (Kuva 26)
2. Kiinnitä ruohonkerääjän kehysten alaosa ruohonkerääjän alaosaan olevaan uraan.
3. Kiinnitä keruupussi ruohonkerääjän runkoon kiinnikkeillä. (Kuva 27)
4. Nosta takasuojus ylös.
5. Käännä ruohonkerääjä oikeaan asentoon. (Kuva 28)
6. Kiinnitä ruohonkerääjä rungon yläreunaan. Varmista, että takasuojus kiinnittyy tiukasti ruohonkerääjän vasten, eikä pääse vuotamaan. (Kuva 29)

Käyttö

Johdanto



VAROITUS: Lue turvallisuutta käsittelevä luku niin, että ymmärrät sen sisällön, ennen laitteen käyttämistä.

Husqvarna Connect

Husqvarna Connect on ilmainen mobiililaitesovellus. Husqvarna Connect -sovellus saat lisätoimintoja Husqvarna-koneeseen:

- Enemmän tuotetietoja.
- Tietoja koneen osista ja huolto-ohjeita.

Husqvarna Connect -käytön aloittaminen

1. Lataa Husqvarna Connect -sovellus mobiililaitteeseesi.
2. Rekisteröi Husqvarna Connect -sovelluksessa.
3. Liitä ja rekisteröi kone Husqvarna Connect -sovelluksen ohjeiden mukaan.

Työskentelysyvyyden säätäminen



VAROITUS: Älä säädä työskentelysyvyyttä käyttäessäsi laitetta.

1. Paina ja käännä työskentelysyvyyden säätönappia vastapäivään, kun haluat lisätä työskentelysyvyyttä.
2. Paina ja käännä työskentelysyvyyden säätönappia myötäpäivään, kun haluat vähentää työskentelysyvyyttä. (Kuva 30)

Laitteen käynnistäminen

1. Kytke virtajohto kahvan alapuolella olevaan pistorasiaan. (Kuva 31)
2. Aseta virtajohto virtajohdon pidikkeeseen. Katso *Virtajohdon pidikkeen käyttö sivulla 127*. (Kuva 23)
3. Seiso laitteen takana.
4. Avaa käynnistykseen. (Kuva 32)
5. Työnnä moottorin jarrukahvaa kahvaston suuntaan. (Kuva 33)

Koneen pysäyttäminen

1. Pysäytä moottori vapauttamalla moottorin jarrukahva. (Kuva 34)
2. Irrota virtajohto pistorasiasta ja sitten tuotteesta. (Kuva 35)



HUOMAUTUS: Vedä pistoke ulos suoraan. Älä vedä virtajohtosta.

Huolto

Johdanto



VAROITUS: Ennen minkäänlaisten huoltotöiden aloittamista sinun on luettava turvallisuutta käsittelevä luku niin, että ymmärrät sen sisällön.

Kaikkiin tuotteelle tehtäviin huolto- ja korjaustöihin tarvitaan erityiskoulutus. Takaamme, että tuotteen huolletaan ja korjataan ammattimaisesti. Jos jälleenmyyjäsi ei ole huoltoliike, pyydä jälleenmyyjää neuvomaan lähin huoltoliike.

Katso lisätietoja kohdasta www.husqvarna.com.

Huoltokaavio

Huoltovälit on laskettu tuotteen päivittäisen käytön perusteella. Välit voivat muuttua, jos tuotetta ei käytetä päivittäin.

Lisätietoja *-merkillä merkityistä huolloista on kohdassa *Tuotteen turvalaitteet sivulla 127*.

	Jokaisella käyttökerralla	Kuukausittain	Kerran käyttökaudessa
Tee yleistarkastus.	X		
Puhdista tuote.	X		
Tarkista pintailmaajavarustus.	X		
Varmista, että laitteen turvalaitteissa ei ole vikoja. *	X		
Tarkista suojukset. *	X		
Tarkista moottorin jarrukahva. *	X		
Tarkista käynnistyksenesto. *	X		

Yleistarkastus

- Varmista, että tuotteen kaikki ruuvit ja mutterit on kiristetty.
- Varmista, että tuotteen kaapelit on asennettu siten, että ne eivät vahingoitu.
- Varmista, ettei tuotteessa ole tukoksia.

Laitteen puhdistaminen

- Puhdista muoviosat puhtaalla ja kuivalla liinalla.
- Älä käytä vettä, kun puhdistat laitetta. Vesi voi päästä akkuun tai moottoriin ja vaurioittaa laitetta tai aiheuttaa oikosulun.
- Älä käytä laitteen puhdistamiseen painepesuria.
- Älä suihkuta vettä suoraan moottorin päälle.
- Poista lehdet, ruoho ja lika harjalla.

Pintailmaajavarustuksen tarkistaminen



VAROITUS: Vältä tuotteen käynnistyminen vahingossa irrottamalla virtajohto.



VAROITUS: Käytä suojakäsineitä huoltaessasi pintailmaajavarustusta. Pintailmaajavarustuksen piikit ovat erittäin teräviä ja aiheuttavat helposti haavoja.

- Tutki pintailmaajavarustus vaurioiden tai halkeamien varalta. Vaurioitunut pintailmaajavarustus on aina vaihdettava.

Pintailmaajavarustuksen vaihtaminen



VAROITUS: Käytä suojakäsineitä huoltaessasi pintailmaajavarustusta.

Pintailmaajavarustus on erittäin terävä ja aiheuttaa helposti haavoja.

3. Työnnä uusi pintailmaajavarustus (C) uraan ja alas reikään. Kiinnitä pintailmaajan suojus (B) kahdella ruuvilla (A). (Kuva 38)

1. Käännä laite oikealle kyljelleen. (Kuva 36)
2. Irrota kaksi ruuvia (A) ja pintailmaajan suojus (B). Irrota pintailmaajavarustus (C) työntämällä sitä ylös ja ulos. (Kuva 37)

Vianmääritys

Vianmääritys

Ongelma	Mahdollinen syy	Ratkaisu
Tuote ei käynnisty.	Virtajohtoa ei ole kytketty virtalähteeseen.	Kytke virtajohto virtalähteeseen.
	Virtajohtoa ei ole kytketty tuotteeseen.	Kytke virtajohto kahvan alapuolella olevaan pistorasiaan.
	Moottorin jarrukahvaa ei ole työnnetty kahvaston suuntaan.	Työnnä moottorin jarrukahvaa kahvaston suuntaan.
	Virtajohto on vaurioitunut.	Ota yhteys valtuutettuun huoltoliikkeeseen.
	Muut virheet.	

Kuljettaminen, säilyttäminen ja hävittäminen

Kuljettaminen

- Tavarakuljetuksessa on noudatettava pakkausta ja merkintöjä koskevia erityismääräyksiä.
- Muista noudattaa vaarallisia aineita koskevia määräyksiä, kun valmistelet tuotetta kuljetukseen. Myös mahdollisia paikallisia määräyksiä on noudatettava.
- Kiinnitä tuote kuljetuksen ajaksi.

Säilytys

- Anna tuotteen jäähtyä ennen kuin alat tehdä huoltotoimenpiteitä.
- Säilytä tuotetta paikassa, jonka lämpötila on $-10...40$ °C.
- Säilytä tuotetta lukitussa tilassa lasten ja asiaankuulumattomien henkilöiden ulottumattomissa.
- Puhdista tuote ja tee täysi huolto ennen pitkäaikaista säilytystä.
- Huolla tuote käyttöohjekirjassa annettujen ohjeiden mukaisesti. Katso kohdasta *Huoltokaavio sivulla 130*.

- Suorita kaikki huoltotoimet ennen pitkäaikaista säilytystä.

Hävittäminen

Laitteessa tai sen pakkauksessa olevat symbolit osoittavat, ettei laitetta saa hävittää kotitalousjätteen mukana. Se on toimitettava asianmukaisesti sähkö- ja elektroniikkalaitteiden keräyspisteeseen.

Varmistamalla laitteen asianmukaisen hävittämisen autat vähentämään mahdollisia negatiivisia ympäristövaikutuksia, joita tämän laitteen virheellisestä hävittämisestä koituisi. Lisätietoja tämän laitteen kierrätyksestä saat ottamalla yhteyden kotikuntasi viranomaisiin, jätehuoltoon tai laitteen myyneeseen liikkeeseen.

(Kuva 39)

Tekniset tiedot

Tekniset tiedot

S 138C	
Moottori	
Moottorityyppi	Sarjan AC moottori
Lisälaitteen nopeus – SavE, r/min	–
Lisälaitteen nopeus – nimellinen, r/min	4 200
Moottorin teho – enintään, kW	1,8
Moottorin teho – nimellisteho, kW	1,6
Paino	
Paino, kg	19,0
Melupäästöt ²⁵	
Äänentehotaso, mitattu dB(A)	96
Äänentehotaso, taattu L _{WA} dB(A)	98
Äänitasot ²⁶	
Äänenpainetaso käyttäjän korvan tasalla, dB(A)	82
Tärinätasot ²⁷	
Työntöaisa, m/s ²	8,3
Käyttö	
Työskentelysyvyys enint. / väh., mm	-8 / +5
Työskentelyleveys, cm	37,5
Teräpiikkilisälaite	5973510-01
Jousipiikkilisälaite	5973509-01
Ruohonkerääjän tilavuus, litraa	45

²⁵ Melupäästö ympäristöön äänitehona (L_{WA}) EY-direktiivin 2000/14/EY mukaisesti mitattuna.

²⁶ Äänenpainetasoista ilmoitettujen tietojen tyypillinen tilastollinen hajonta (keskihajonta) on 1,2 dB(A).

²⁷ Tärinätasolle ilmoitetuissa tiedoissa tyypillinen tilastollinen hajonta (vakiopoikkeama) on 0,2 m/s².

Vaatimustenmukaisuusvakuutus

EU-vaatimustenmukaisuusvakuutus

Husqvarna AB, SE-561 82 Huskvarna, Ruotsi, puh. +46
36 146 500, vakuuttaa täten, että tuote:

Kuvaus	Pintailmaaja
Tuotemerkki	Husqvarna
Tyyppi/malli	S 138C
Tunniste	Sarjanumerot vuodesta 2023 alkaen

vastaavat täysin seuraavien EU:n direktiivien ja
asetusten vaatimuksia:

Direktiivi/asetus	Kuvaus
2011/65/EU	Direktiivi tiettyjen vaarallisten aineiden käytön rajoittamisesta sähkö- ja elektroniikkalaitteissa
2006/42/EC	konedirektiivi
2014/30/EU	EMC-direktiivi
2000/14/EC	Melupäästädirektiivi

ja että asiassa sovelletaan seuraavia standardeja ja/tai
teknisiä tietoja: EN 60335-1:2012/A11:2014/A13:2017/
A15:2021, EN 50636-2-92:2014, EN 55014-1:2017/
A11:2020, EN 55014-2:2015, EN 61000-3-2:2014, EN
61000-3-11:2000, EN IEC 63000:2018.

Katso lisätietoja melupäästöistä osiosta *Tekniset tiedot*
sivulla 132.

Huskvarna, 2024-03-01



Claes Losdal

Kehityspäällikkö/puutarhatuotteet

Husqvarna AB

Teknisestä dokumentaatiosta vastaava edustaja



Sommaire

Introduction.....	134	Dépannage.....	145
Sécurité.....	136	Transport, entreposage et mise au rebut.....	146
Montage.....	143	Caractéristiques techniques.....	146
Utilisation.....	143	Déclaration de conformité.....	148
Entretien.....	144		

Introduction

Description du produit

Le produit est un démousseur électrique à pousser. Le produit retire le chaume de la pelouse et ameublit le sol pour permettre à l'air et à l'eau de s'infiltrer dans la pelouse. Le chaume est récupéré dans un collecteur d'herbe ou est relâché sur la pelouse. Le produit dispose de 2 types de démousseur.

Démousseur

Reportez-vous à la section *Pour remplacer l'équipement de démoussage à la page 145* pour plus d'informations sur la procédure de remplacement du démousseur.

Griffes

Les griffes éliminent le chaume et coupent les racines de l'herbe verticalement. Utilisez les griffes sur les

Aperçu du produit

(Fig. 1)

1. Poignée de frein moteur
2. Poignée supérieure
3. Antidémarrage
4. Prise d'alimentation
5. Poignée inférieure
6. Collier de câble
7. Bac de ramassage
8. Capot arrière
9. Capot du scarificateur
10. Bouton de réglage de la profondeur de travail
11. Griffes
12. Clé à six pans
13. Manuel d'utilisation

Symboles concernant le produit

(Fig. 2) **Avertissement : une utilisation erronée ou négligente peut occasionner des blessures graves,**

pent, les terrasses et les sols riches en argile. Les griffes permettent à l'eau de s'infiltrer dans la pelouse et l'empêchent de s'accumuler à la surface

(Fig. 19)

Dents flexibles

Les dents flexibles retirent soigneusement l'herbe morte et le chaume de la pelouse sans endommager les racines de l'herbe.

(Fig. 20)

Utilisation prévue

Utilisez le produit pour retirer le chaume et la mousse et pour ameubler le sol dans des jardins privés. N'utilisez pas ce produit pour d'autres travaux.

voire mortelles, pour l'opérateur ou d'autres personnes.

(Fig. 3)

Lisez le manuel d'utilisation et assurez-vous de bien comprendre les instructions avant d'utiliser ce produit.

(Fig. 4)

Attention : projections et ricochets.

(Fig. 5)

Maintenez les personnes et les animaux à une distance

suffisante de la zone de travail.

(Fig. 13)

Étiquette relative aux émissions sonores dans l'environnement selon les directives et réglementations européennes et du Royaume-Uni et la législation de la Nouvelle-Galles du Sud « Protection of the Environment Operations (Noise Control) Regulation 2017 ». Le niveau de puissance sonore garanti du produit est spécifié à la section *Caractéristiques techniques à la page 146* et sur l'étiquette.

(Fig. 6)

AVERTISSEMENT : maintenez vos mains et vos pieds à distance des griffes.

(Fig. 7)

Débranchez le produit de la prise électrique avant de procéder à l'entretien. Les griffes continuent de tourner après l'arrêt du moteur.

(Fig. 8)

Risque de choc électrique.

(Fig. 9)

Avertissement : n'utilisez pas le produit sur le cordon d'alimentation, car cela peut causer un choc électrique ou endommager le produit.

(Fig. 14)

Double isolation.

(Fig. 10)

Le produit est protégé contre les éclaboussures d'eau.

(Fig. 18)

Déposez ce produit dans une station de recyclage pour équipements électriques et électroniques. (Concerne seulement l'Europe)

(Fig. 11)

Ce produit est conforme aux directives CE en vigueur.

(Fig. 12)

Ce produit est conforme aux directives en vigueur au Royaume-Uni.

(Fig. 15)

Procédure de démarrage : desserrez l'antidémarrage,

poussez la poignée de frein moteur vers le bas.

(Fig. 16) Relâchez la poignée de frein moteur pour arrêter.

(Fig. 17) Code optiquement lisible.

Remarque: les autres symboles/autocollants présents sur le produit concernent des exigences de certification spécifiques à certains marchés.

Endommagement du produit

Nous ne sommes pas responsables des dommages subis par le produit si :

- le produit n'est pas correctement réparé ;
- le produit est réparé avec des pièces qui ne proviennent pas du fabricant ou qui ne sont pas homologuées par le fabricant ;
- le produit est équipé d'un accessoire qui ne provient pas du fabricant ou qui n'est pas homologué par le fabricant ;
- le produit n'est pas réparé par un centre d'entretien agréé ou par une autorité homologuée.

Sécurité

Définitions de sécurité

Des avertissements, des recommandations et des remarques sont utilisés pour souligner des parties spécialement importantes du manuel.



AVERTISSEMENT: Symbole utilisé en cas de risque de blessures ou de mort pour l'opérateur ou les personnes à proximité si les instructions du manuel ne sont pas respectées.



REMARQUE: Symbole utilisé en cas de risque de dommages pour le produit,

d'autres matériaux ou les environs si les instructions du manuel ne sont pas respectées.

Remarque: Symbole utilisé pour donner des informations supplémentaires pour une situation donnée.

Instructions générales de sécurité



AVERTISSEMENT: Lisez les instructions qui suivent avant d'utiliser le produit.

- Ce produit est dangereux s'il est utilisé de manière incorrecte ou imprudente. Des blessures graves ou mortelles

peuvent se produire si vous ne respectez pas les instructions de sécurité.

- Ce produit génère un champ électromagnétique durant son fonctionnement. Ce champ peut dans certaines circonstances perturber le fonctionnement d'implants médicaux actifs ou passifs. Pour réduire le risque de blessures graves ou mortelles, les personnes portant des implants médicaux doivent consulter leur médecin et le fabricant de leur implant avant d'utiliser ce produit.
- Soyez toujours prudent et utilisez votre bon sens. Si vous ne savez pas comment faire fonctionner le produit dans une situation particulière, ne l'utilisez pas et contactez votre Husqvarna revendeur avant de poursuivre.
- N'oubliez pas que l'opérateur sera tenu responsable des accidents occasionnés à des tiers et à leurs biens.
- Maintenez le produit propre. Assurez-vous que vous pouvez lire clairement les avertissements et les autocollants.
- N'autorisez jamais des enfants ou des personnes qui ne sont

pas familiarisées avec ces instructions à se servir de cet appareil. Les réglementations nationales peuvent limiter l'âge de l'utilisateur

- Surveillez constamment les personnes aux capacités physiques ou mentales réduites qui utilisent ce produit. Un adulte responsable doit être présent à tout moment.
- N'utilisez jamais l'appareil si vous êtes fatigué ou malade, ou si vous êtes sous l'emprise d'alcool, de drogues ou de médicaments. Cela a un effet négatif sur votre vision, votre vigilance, votre coordination et votre jugement.
- N'utilisez pas le produit si celui-ci est défectueux.
- Ne modifiez jamais le produit et ne l'utilisez jamais s'il est susceptible d'avoir été modifié par un tiers.

Sécurité dans l'espace de travail



AVERTISSEMENT:

Lisez les instructions qui suivent avant d'utiliser le produit.

- Retirez les objets tels que les branches, les brindilles et les

pierres de la zone de travail avant d'utiliser le produit.

- Les objets heurtant l'équipement de démoussage peuvent être éjectés et causer des blessures ou des dégâts matériels. Maintenez les personnes aux alentours et les animaux à une distance suffisante du produit.
- N'utilisez jamais le produit par mauvais temps, par exemple en cas de brouillard, de pluie, de vent violent, de froid intense et de risque d'éclair. Utiliser le produit par mauvais temps ou dans des environnements humides est fatigant. Le mauvais temps peut rendre les conditions de travail dangereuses : des surfaces peuvent par exemple devenir glissantes.
- Identifiez les éventuels personnes, objets et situations susceptibles de nuire à la sécurité du fonctionnement du produit.
- Soyez attentif aux obstacles tels que les racines, les pierres, les brindilles, les fosses et les fossés. L'herbe haute peut cacher des obstacles.
- Il peut être dangereux d'utiliser le produit sur des terrains en

penne. N'utilisez pas le produit sur un sol dont la pente est supérieure à 15°.

- Faites fonctionner le produit en travers de la courbe de la pente, jamais de haut en bas.
- Soyez prudent lorsque vous vous approchez de coins cachés et d'objets qui empêchent d'avoir une vue dégagée.

Sécurité du travail



AVERTISSEMENT: lisez les instructions qui suivent avant d'utiliser le produit.



AVERTISSEMENT: arrêtez le produit, débranchez le cordon d'alimentation et assurez-vous que les griffes sont complètement à l'arrêt avant de toucher le scarificateur.

- Utilisez ce produit pour éliminer le chaume et la mousse des pelouses uniquement. Il est interdit d'utiliser le produit pour d'autres tâches.

- Utilisez un équipement de protection individuel. Reportez-vous à la section *Équipement de protection individuel à la page 140*.
- Le produit ne doit pas être exposé à la pluie ou à l'humidité. Le risque de choc électrique augmente si de l'eau pénètre dans le produit.
- N'utilisez pas le produit si le cordon d'alimentation est endommagé.
- Faites fonctionner le produit uniquement si le scarificateur et tous les capots sont fixés correctement. Un scarificateur fixé de manière inadéquate risque de se détacher et de causer des blessures personnelles.
- Assurez-vous que le scarificateur ne heurte pas d'objets tels que des pierres et des racines. Cela peut endommager le scarificateur et tordre l'arbre du moteur. Un arbre tordu entraîne de fortes vibrations, il y a alors un risque important que le scarificateur se détache.
- Si le scarificateur vibre ou heurte un objet, arrêtez immédiatement le produit. Arrêtez le moteur et débranchez le cordon d'alimentation. Vérifiez que le produit n'est pas endommagé. Réparez les éventuels dommages ou demandez à un atelier agréé de procéder aux réparations.
- N'attachez jamais la poignée de frein moteur en permanence à la poignée de commande quand le moteur est mis en marche.
- Placez le produit sur une surface stable et plane, puis lancez-le. Vérifiez que le scarificateur ne heurte pas le sol ou tout autre objet.
- Restez toujours derrière le produit lorsque vous l'utilisez.
- Faites reposer toutes les roues sur le sol et conservez vos deux mains sur la poignée lorsque vous faites fonctionner le produit. Maintenez les mains et les pieds à distance du scarificateur en rotation.
- N'inclinez pas le produit quand le moteur est mis en marche.
- Soyez prudent lorsque vous tirez le produit vers l'arrière.
- Ne soulevez jamais le produit quand le moteur est mis en marche. Si vous devez soulever le produit, arrêtez d'abord le moteur puis débranchez le cordon d'alimentation.

- Ne marchez pas vers l'arrière lorsque vous utilisez le produit.
- Arrêtez le moteur lorsque vous vous déplacez à travers des zones exemptes d'herbe, par exemple des chemins avec des graviers, des pierres ou de l'asphalte.
- Ne courez pas lorsque vous utilisez le produit et que le moteur est mis en marche. Vous devez toujours marcher lorsque vous utilisez le produit.
- Arrêtez le moteur avant de modifier la profondeur de travail. N'effectuez jamais de réglages pendant que le moteur tourne.
- Ne quittez jamais le produit des yeux pendant que le moteur tourne. Arrêtez le moteur, débranchez le cordon d'alimentation et assurez-vous que le scarificateur ne tourne pas.

Instructions de sécurité pour le fonctionnement

Équipement de protection individuel

Utilisez impérativement un équipement de protection individuel homologué lors de tout travail avec le produit. L'équipement de protection individuel n'élimine pas les

risques, mais réduit la gravité des blessures en cas d'accident. Demandez conseil à votre revendeur afin de choisir un équipement adéquat.

Utilisez toujours :

- Des protège-oreilles afin de minimiser le risque de perte auditive.
- Des bottes ou chaussures antidérapantes et stables. Ne portez pas de sandales et ne marchez pas pieds-nus.
- Des pantalons longs et épais. Ne portez pas de short.

Portez des gants si nécessaire, par exemple lors du montage, de l'inspection ou du nettoyage de l'aérateur de pelouse.



AVERTISSEMENT:

Utilisez des protège-oreilles homologués. Une exposition prolongée au bruit risque de causer des lésions auditives permanentes.

Dispositifs de sécurité sur le produit



AVERTISSEMENT:

Lisez les instructions qui suivent avant d'utiliser le produit.

- N'utilisez pas un produit avec des dispositifs de sécurité défectueux.
- Contrôlez les dispositifs de sécurité régulièrement. Si les dispositifs de sécurité sont défectueux, parlez-en à votre agent d'entretien Husqvarna.

Pour contrôler les capots

Le capot de l'aérateur de pelouse réduit les vibrations dans le produit et réduit le risque de blessures provoquées par l'aérateur de pelouse.

- Examinez le capot latéral de l'aérateur de pelouse pour vous assurer qu'il ne présente pas de dommages tels que des fissures.
- Examinez le capot arrière pour vous assurer qu'il ne présente pas de dommages tels que des fissures.

Poignée de frein moteur

La poignée de frein moteur arrête le moteur. Lorsque la poignée de frein moteur est relâchée, le moteur s'arrête.

Pour inspecter le frein moteur, démarrez le moteur, puis relâchez la poignée de frein moteur. Si le moteur ne s'arrête pas au bout de 3 secondes, demandez à un

atelier Husqvarna spécialisé agréé de régler le frein moteur.

(Fig. 21)

Pour contrôler l'antidémarrage

Contrôlez l'antidémarrage afin de vous assurer qu'il empêche le fonctionnement du moteur.

1. Poussez la poignée de frein moteur en direction du guidon. L'antidémarrage arrête le mouvement.
2. Poussez l'antidémarrage. (Fig. 22)
3. Relâchez l'antidémarrage et assurez-vous qu'il revient dans sa position initiale.

Pour utiliser le support du cordon d'alimentation

Le support du cordon d'alimentation diminue la tension exercée sur la prise électrique et le cordon.

Le support du cordon d'alimentation réduit également le risque de chute.

1. Pliez le cordon d'alimentation pour former une petite boucle.
2. Passez la boucle dans le trou du support de cordon d'alimentation.

3. Placez la boucle autour du crochet.
4. Tirez le cordon d'alimentation pour serrer la boucle autour du crochet. (Fig. 23)

Sécurité relative au cordon d'alimentation

- L'utilisation d'un disjoncteur différentiel de fuite à la terre (RCD) doté d'un courant de déclenchement inférieur ou égal à 30 mA est recommandée. Il est impossible de garantir une sécurité absolue, même lorsqu'un RCD est installé. Il faut donc constamment s'en tenir à des procédures de travail sûres. Contrôlez votre RCD à chaque utilisation.
- Débranchez-le immédiatement de l'alimentation secteur si le cordon d'alimentation est sectionné ou si l'isolation est détériorée.
- Ne touchez pas à un cordon électrique sectionné ou endommagé tant que l'appareil est sous tension.
- Ne réparez pas un cordon d'alimentation sectionné ou endommagé. Remplacez-le par un neuf.

Instructions de sécurité pour l'entretien



AVERTISSEMENT: lisez les instructions qui suivent avant d'utiliser le produit.

- Pour éviter tout démarrage accidentel lors de l'entretien, débranchez le cordon d'alimentation.
- Effectuez l'entretien correctement afin de prolonger la durée de vie du produit et de réduire les risques d'accident. Faites réaliser les réparations professionnelles par un agent d'entretien agréé. Contactez votre agent d'entretien le plus proche pour plus d'informations.
- Effectuez uniquement les tâches d'entretien décrites dans le présent manuel d'utilisation. Les réparations plus poussées doivent être effectuées par un agent d'entretien agréé.
- Afin de limiter les risques de blessure, ne retirez ou ne modifiez pas les dispositifs de sécurité.
- Portez des gants de protection résistants lorsque vous manipulez le

scarificateur. Le scarificateur est extrêmement tranchant et peut facilement entraîner des coupures.

- Maintenez les griffes du scarificateur aiguisées et propres pour profiter de performances optimales et sûres.
- Laissez à l'agent d'entretien le soin de contrôler régulièrement le produit et d'effectuer les réglages et les réparations nécessaires.
- Remplacez les pièces endommagées, usées ou cassées. Utilisez toujours des pièces de rechange d'origine du fabricant. L'utilisation d'autres pièces de rechange peut endommager le produit et augmenter le risque d'accident.
- Respectez les instructions relatives au remplacement des accessoires. Utilisez uniquement des accessoires obtenus auprès du fabricant.

Montage

Introduction



AVERTISSEMENT: avant de monter le produit, consultez le chapitre sur la sécurité.



AVERTISSEMENT: Afin d'éviter tout démarrage accidentel lors de l'assemblage, débranchez le cordon d'alimentation.

Pour monter la poignée

1. Desserrez les boutons inférieurs.
2. Faites glisser les boutons jusqu'aux extrémités inférieures des rainures sur le côté gauche et le côté droit de la machine. (Fig. 24)
3. Réglez la hauteur de la poignée selon l'une des deux positions disponibles.
4. Déplacez les boutons vers le haut, en direction de la poignée, jusqu'à ce qu'ils s'arrêtent et qu'un clic se fasse entendre. (Fig. 25)

5. Serrez fermement les boutons.

Montage du collecteur d'herbe

1. Fixez le châssis du collecteur d'herbe au sac à herbe, la partie rigide du sac étant sur la partie inférieure. Maintenez la poignée du châssis sur le dessus du sac à herbe. (Fig. 26)
2. Fixez la partie inférieure du châssis du collecteur d'herbe dans la rainure au bas du collecteur d'herbe.
3. Fixez le sac à herbe au châssis du collecteur d'herbe à l'aide des clips. (Fig. 27)
4. Soulevez le capot arrière.
5. Déplacez le collecteur d'herbe dans la position appropriée. (Fig. 28)
6. Attachez le collecteur d'herbe au bord supérieur du châssis. Vérifiez l'étanchéité entre le couvercle arrière et le collecteur d'herbe pour éviter toute fuite. (Fig. 29)

Utilisation

Introduction



AVERTISSEMENT: Avant d'utiliser le produit, vous devez lire et comprendre le chapitre sur la sécurité.

Husqvarna Connect

Husqvarna Connect est une application gratuite pour votre appareil mobile. L'application Husqvarna Connect offre des fonctions étendues à votre produit Husqvarna :

- Informations produit détaillées.

- Informations et aide sur les pièces et l'entretien du produit.

Pour commencer à utiliser Husqvarna Connect

1. Téléchargez l'application Husqvarna Connect sur votre appareil mobile.
2. Enregistrez-vous sur l'application Husqvarna Connect.
3. Suivez les instructions de l'application Husqvarna Connect pour vous connecter et enregistrer le produit.

Pour régler la profondeur de coupe



AVERTISSEMENT: Ne modifiez pas la profondeur de coupe lorsque vous utilisez le produit.

1. Poussez et tournez le bouton de réglage de la profondeur de coupe dans le sens contraire des aiguilles d'une montre pour augmenter la profondeur de coupe.
2. Poussez et tournez le bouton de réglage de la profondeur de coupe dans le sens des aiguilles d'une montre pour diminuer la profondeur de coupe. (Fig. 30)

Pour démarrer le produit

1. Branchez un câble d'alimentation à la prise située en-dessous de la poignée. (Fig. 31)
2. Placez le câble d'alimentation dans le support du cordon d'alimentation. Reportez-vous à la section *Pour utiliser le support du cordon d'alimentation à la page 141.* (Fig. 23)
3. Restez derrière le produit.
4. Relâchez l'antidémarrage. (Fig. 32)
5. Poussez la poignée de frein moteur en direction du guidon. (Fig. 33)

Pour arrêter le produit

1. Relâchez la poignée de frein moteur pour arrêter le moteur. (Fig. 34)
2. Débranchez le cordon d'alimentation de la prise secteur et ensuite, du produit. (Fig. 35)



REMARQUE: Tirez sur la fiche immédiatement. Ne tirez pas le cordon d'alimentation.

Entretien

Introduction



AVERTISSEMENT: Avant d'effectuer des travaux d'entretien, vous devez lire et comprendre le chapitre sur la sécurité.

Une formation spécifique est nécessaire pour effectuer tous les travaux d'entretien et de réparation du produit. Nous garantissons qu'il vous est possible d'obtenir des services de réparation et d'entretien effectués par des professionnels. Si votre revendeur n'est pas un atelier

spécialisé, demandez-lui des informations à propos de l'atelier spécialisé le plus proche.

Pour des informations plus détaillées, reportez-vous à www.husqvarna.com.

Calendrier d'entretien

Les intervalles d'entretien sont calculés selon une utilisation quotidienne du produit. Les intervalles sont différents si le produit n'est pas utilisé tous les jours.

Pour l'entretien marqué d'un *, reportez-vous à *Dispositifs de sécurité sur le produit à la page 140.*

	Toutes utilisations	Mensuel	À chaque saison
Faites une inspection générale.	X		
Nettoyez le produit.	X		
Inspectez le scarificateur.	X		
Assurez-vous que les dispositifs de sécurité sur le produit ne sont pas défectueux. *	X		
Examinez les capots. *	X		
Contrôlez la poignée du frein moteur. *	X		

	Toutes utilisations	Mensuel	À chaque saison
Contrôlez l'antidémarrage. *	X		

Pour faire une inspection générale

- Assurez-vous que les vis et les écrous du produit sont serrés.
- Assurez-vous que les câbles du produit ne se trouvent pas dans une position où ils risquent d'être endommagés.
- Assurez-vous que le produit ne présente aucune obstruction.

Pour nettoyer le produit

- Nettoyez les éléments en plastique avec un chiffon sec et propre.
- N'utilisez pas d'eau pour nettoyer le produit. L'eau pourrait pénétrer dans la batterie ou le moteur et provoquer un court-circuit ou endommager le produit.
- N'utilisez pas de nettoyeur haute pression pour le nettoyage du produit.
- Ne jetez pas d'eau directement sur le moteur.
- Utilisez une brosse pour enlever les feuilles, l'herbe et la saleté.

Inspection du scarificateur



AVERTISSEMENT: Afin d'éviter tout démarrage accidentel, débranchez le cordon d'alimentation.



AVERTISSEMENT: Utilisez des gants de protection lorsque vous procédez à l'entretien du scarificateur. Les griffes du scarificateur sont extrêmement tranchantes et peuvent entraîner facilement des coupures.

- Inspectez le scarificateur afin de détecter d'éventuels dommages ou fissures. Remplacez toujours un scarificateur endommagé.

Pour remplacer l'équipement de démoussage



AVERTISSEMENT: Utilisez des gants de protection lorsque vous procédez à l'entretien de l'équipement de démoussage. L'équipement de démoussage est extrêmement tranchant et peut entraîner des coupures facilement

- Placez le produit du bon côté. (Fig. 36)
- Déposez les 2 vis (A) et le capot du démousseur (B). Poussez l'équipement de démoussage (C) vers le haut et sortez-le pour le retirer. (Fig. 37)
- Poussez le nouvel équipement de démoussage (C) dans la rainure et dans le trou. Fixez le capot du démousseur (B) et les 2 vis (A) (Fig. 38)

Dépannage

Recherche de pannes

Problème	Cause possible	Solution
Le produit ne démarre pas.	Le cordon d'alimentation n'est pas branché à une source d'alimentation.	Branchez le cordon d'alimentation à une source d'alimentation.
	Le cordon d'alimentation n'est pas relié au produit.	Branchez le cordon d'alimentation à la prise située sous la poignée.
	La poignée de frein moteur n'a pas été poussée en direction du guidon.	Poussez la poignée de frein moteur en direction du guidon.
	Le cordon d'alimentation est endommagé.	Adressez-vous à un atelier de réparation agréé.
	Autres erreurs.	

Transport, entreposage et mise au rebut

Transport

- Les exigences spécifiques au transport commercial indiquées sur l'emballage et les étiquettes doivent être respectées.
- Assurez-vous de toujours respecter la législation sur les matières dangereuses lorsque vous préparez le produit pour le transport. Des réglementations locales peuvent s'appliquer.
- Sécurisez le produit pendant le transport.

Remisage

- Laissez le produit refroidir avant le remisage.
- Entreposez le produit à une température ambiante comprise entre -10 °C et 40 °C.
- Conservez le produit dans un endroit verrouillé, hors de portée des enfants et des personnes non autorisées.
- Nettoyez le produit et effectuez un entretien complet avant de remiser le produit pendant une période prolongée.
- Effectuez les tâches d'entretien décrites dans le présent manuel d'utilisation. Reportez-vous à la section *Calendrier d'entretien à la page 144*.

- Effectuer un entretien complet avant un remisage prolongé.

Mise au rebut

Les symboles figurant sur le produit ou l'emballage indiquent que ce produit ne peut pas être traité comme un déchet domestique ordinaire. Il doit être déposé dans un site de recyclage prévu pour la récupération d'équipements électriques et électroniques.

En prenant soin correctement de ce produit, vous contribuez à compenser l'éventuel effet négatif sur l'environnement et les personnes, qui autrement pourrait être engendré par la mauvaise gestion de la mise au rebut du produit. Pour obtenir de plus amples informations sur le recyclage de ce produit, contactez votre municipalité, votre service des ordures ménagères ou le magasin où vous avez acheté ce produit.

(Fig. 39)

Caractéristiques techniques

Caractéristiques techniques

S 138C	
Moteur	
Type de moteur	Moteur série CA
Vitesse de l'accessoire - SavE, tr/min	N/A
Vitesse de l'accessoire - nominale, tr/min	4 200
Sortie du moteur - max. kW	1,8
Sortie moteur - nominale, kW	1,6
Poids	
Poids, kg	19,0
Émissions sonores ²⁸	
Niveau de puissance acoustique mesuré, dB (A)	96
Niveau de puissance acoustique garanti L _{WA} , dB (A)	98
Niveaux sonores ²⁹	

²⁸ Émissions sonores dans l'environnement mesurées comme puissance acoustique (L_{WA}) selon la directive européenne CE 2000/14/CE.

²⁹ Les données reportées pour le niveau de pression sonore montrent une dispersion statistique typique (déviation standard) de 1,2 dB (A).

S 138C	
Niveau de pression sonore à l'oreille de l'utilisateur, dB (A)	82
Niveaux de vibrations ³⁰	
Poignée, m/s ²	8,3
Fonctionnement	
Profondeur de coupe max/min, mm	-8/+5
Largeur de coupe, cm	37,5
Fixation des griffes	5973510-01
Fixation des dents flexibles	5973509-01
Capacité du bac de ramassage, en litres	45

³⁰ Les données reportées pour le niveau de vibrations montrent une dispersion statistique typique (déviat ion standard) de 0,2 m/s².

Déclaration de conformité

Déclaration de conformité UE

Nous, **Husqvarna AB**, SE-561 82 Huskvarna, SUÈDE,
tél : +46 36 146500, déclarons sous notre entière
responsabilité que le produit :

Description	Scarificateur
Marque	Husqvarna
Type/Modèle	S 138C
Identification	Les numéros de série à partir de 2023 et ultérieurs

est entièrement conforme à la réglementation et aux
directives de l'UE suivantes :

Directive/Réglementation	Description
2011/65/UE	« relative à la limitation de l'utilisation de certaines substances dangereuses au sein d'équipements électriques et électroniques »
2006/42/CE	« relative aux machines »
2014/30/UE	« relative à la compatibilité électromagnétique »
2000/14/CE	« relative aux émissions sonores dans l'environnement »

et que les normes et/ou les spécifications techniques
suivantes sont appliquées : EN 60335-1:2012/
A11:2014/A13:2017/A15:2021, EN 50636-2-92:2014,
EN 55014-1:2017/A11:2020, EN 55014-2:2015, EN
61000-3-2:2014, EN 61000-3-11:2000, EN IEC
63000:2018.

Pour toute information relative aux émissions sonores,
voir *Caractéristiques techniques à la page 146*.

Huskvarna, 2024-03-01



Claes Losdal

Directeur du développement/Articles de jardinage

Husqvarna AB

Responsable de la documentation technique



Sadržaj

Uvod.....	149	Rješavanje problema.....	159
Sigurnost.....	151	Prijevoz, spremanje i zbrinjavanje.....	159
Sastavljanje.....	157	Tehnički podaci.....	160
Rad.....	157	Izjava o sukladnosti.....	161
Održavanje.....	158		

Uvod

Opis proizvoda

Ovaj je proizvod električni prozračivač kojim upravljaju pješaci. Ovaj proizvod uklanja otpalu travu s travnjaka i omekšava tlo kako bi zrak i voda prodri u travnjak. Otpala se trava sakuplja u sakupljaču trave ili se ispušta na travnjak. Ovaj proizvod ima dvije vrste nastavaka prozračivača.

Nastavci prozračivača

Pogledajte *Zamjena nastavaka prozračivača na stranici 159* za informacije o načinu zamjene nastavaka prozračivača.

Zupci noža

Zupci noža uklanjaju otpalu travu i okomito režu korijenje trave. Zupce noža upotrebljavajte na nagibima,

Pregled proizvoda

(Sl. 1)

1. Ručka kočnice motora
2. Gornja ručica
3. Blokada pokretanja
4. Električna utičnica
5. Donja ručica
6. Obujmica kabla
7. Sakupljač trave
8. Stražnji poklopac
9. Poklopac prozračivača
10. Gumb za prilagodbu dubine rada
11. Opružni zupci
12. Šesterokutni ključ
13. Korisnički priručnik

Simboli na proizvodu

(Sl. 2) **Upozorenje: Neoprezna ili nepravilna upotreba može uzrokovati ozljede ili smrt rukovatelja ili drugih osoba.**

terasama i na tlu s visokim udjelom ilovače. Zupci noža omogućuju prodor vode u travnjak te sprječavaju nakupljanje vode na površini

(Sl. 19)

Opružne vile

Opružne vile pažljivo uklanjaju mrtvu travu i otpalu travu s travnjaka, a pritom ne oštećuju korijenje trave.

(Sl. 20)

Namjena

Upotrebljavajte ovaj proizvod za uklanjanje otpale trave i mahovine te za omekšavanje tla u privatnim vrtovima. Proizvod nemojte upotrebljavati za druge zadatke.

(Sl. 3)

Pročitajte korisnički priručnik i dobro usvojite sadržaj prije korištenja proizvoda.

(Sl. 4)

Pazite na izbačene predmete i odbijanja.

(Sl. 5)

Osobe i životinje držite na sigurnoj udaljenosti od radnog područja.

(Sl. 6)

UPOZORENJE – šake i stopala držite podalje od zubaca.

(Sl. 7)

Prije održavanja odvojite proizvod od električne

	utičnice. Zupci se okreću i nakon isključenja motora.		<i>na stranici 160</i> i na naljepnici.
(Sl. 8)	Opasnost od električnog udara	(Sl. 14)	Dvostruka izolacija.
(Sl. 9)	Upozorenje: Nemojte raditi s ovim proizvodom preko kabela napajanja jer tako možete uzrokovati električni udar ili oštećenje proizvoda.	(Sl. 18)	Reciklirajte ovaj proizvod u reciklažnoj stanici za električnu i elektroničku opremu. (Primjenjuje se samo u Europi)
(Sl. 10)	Ovaj proizvod ima zaštitu od prskanja vode.	(Sl. 15)	Postupak pokretanja : otpustite blokadu pokretanja i pritisnite ručicu motorne kočnice.
(Sl. 11)	Ovaj je proizvod u suglasnosti je s važećim direktivama EZ-a.	(Sl. 16)	Za zaustavljanje otpustite ručku kočnice motora.
(Sl. 12)	Ovaj je proizvod u skladu s važećim direktivama UK-a.	(Sl. 17)	Kôd koji se može skenirati.
(Sl. 13)	Naljepnica emisije buke u okoliš u skladu s direktivama i propisima EU i UK te propisom Novog Južnog Walesa „Zaštita od radova u okolišu (kontrola buke) iz 2017“. Zajamčena razina jačine zvuka proizvoda naznačena je u <i>Tehnički podaci</i>		

Napomena: Drugi simboli/naljepnice na proizvodu odnose se na zahtjeve za certifikaciju na pojedinim tržištima.

Oštećenje proizvoda

U sljedećim okolnostima nećemo biti odgovorni za oštećenja proizvoda:

- proizvod nepravilno popravljen
- proizvod popravljen dijelovima koje nije proizveo proizvođač ili nemaju odobrenje proizvođača
- proizvod ima dodatnu opremu koje nije proizveo proizvođač ili nemaju odobrenje proizvođača
- proizvod nije popravljen u odobrenom servisnom centru ili kod ovlaštene osobe.

Sigurnosne definicije

Upozorenjima, oprezima i napomenama naglašavaju se posebno važni dijelovi priručnika.



UPOZORENJE: Koristi se kada nepoštivanje uputa iz priručnika može uzrokovati smrt ili ozljede rukovatelja ili promatrača.



OPREZ: Koristi se kada nepoštivanje uputa iz priručnika može uzrokovati oštećenje proizvoda ili drugih materijala u neposrednoj blizini.

Napomena: Koristi se prikaz neophodnih dodatnih informacija za zadanu situaciju.

Opće sigurnosne upute



UPOZORENJE: Prije korištenja proizvoda pročitajte upozoravajuće upute u nastavku.

- Proizvod je opasan ako ga koristite nepravilno ili ako niste oprezni. Nepoštivanje sigurnosnih uputa može uzrokovati ozljede ili smrt.
- Proizvod tijekom rada proizvodi elektromagnetsko polje. To polje u određenim okolnostima može ometati aktivne ili pasivne medicinske implantate. Za smanjenje opasnosti od smrtonosne ozljede osobama s medicinskim implantatima prije korištenja uređaja preporučujemo obraćanje liječniku i proizvođaču medicinskog implantata.
- Uvijek budite pažljivi i razumni. Ako u posebnim situacijama niste sigurni u način upotrebe stroja, prije nastavka stanite i obratite se svom distributeru tvrtke Husqvarna.
- Imajte na umu kako se rukovatelj smatra odgovornim za nezgode koje uključuju druge osobe ili njihovo vlasništvo.
- Proizvod održavajte čistim. Znakovi i naljepnice moraju biti jasno čitljivi.
- Djeci ili osobama koje nisu upoznate s ovim uputama ne

dopuštajte da upotrebljavaju uređaj. Lokalni propisi mogu ograničavati starosnu dob operatora

- Osobu smanjenih fizičkih ili mentalnih sposobnosti obavezno nadzirite tijekom uporabe proizvoda. Cijelo vrijeme mora biti prisutna odgovorna odrasla osoba.
- Proizvod nemojte koristiti kada ste umorni, bolesni ili pod utjecajem alkohola, droge ili lijekova. To negativno utječe na vaš vid, pažnju, koordinaciju i prosudbu.
- Nemojte upotrebljavati neispravan proizvod.
- Nemojte izmjenjivati proizvod ili ga upotrebljavati ako postoji mogućnost da je izmijenjen.

Sigurnost na radnom mjestu



UPOZORENJE: Prije korištenja proizvoda pročitajte upozoravajuće upute u nastavku.

- Prije korištenja proizvoda iz radnog područja uklonite sve predmete poput grana, prutova i kamenja.
- Predmeti koji udare u nastavke prozračivača mogu biti izbačeni te uzrokovati ozljede ili oštećenja.

Promatrače i životinje držite na sigurnoj udaljenosti od proizvoda.

- Proizvod nikada nemojte upotrebljavati u lošim vremenskim uvjetima kao što su magla, kiša, jak vjetar, intenzivna hladnoća i pri opasnosti od grmljavinskog nevremena. Upotreba proizvoda po lošem vremenu ili na vlažnim odnosno mokrim lokacijama zamorna je. Pri lošem vremenu mogu nastati opasni uvjeti, primjerice skliske površine.
- Pazite na osobe, predmete i situacije koje mogu onemogućiti siguran rad proizvoda.
- Pazite na prepreke kao što su korijenje, kamenje, prutovi, jame i jarci. Visoka trava može sakrivati prepreke.
- Rad s ovim proizvodom na nagibima može biti opasan. Proizvod nemojte upotrebljavati na tlu s nagibom većim od 15°.
- Proizvod upotrebljavajte poprečno preko nagiba. Nemojte se kretati prema gore i dolje.

- Oprezno prilazite skrivenim kutovima i predmetima koji onemogućavaju jasan pregled.

Sigurnost pri radu



UPOZORENJE: Prije upotrebe proizvoda pročitajte upute upozorenja u nastavku.



UPOZORENJE: Prije dodirivanja nastavaka prozračivača zaustavite proizvod, odspojite kabel napajanja i provjerite jesu li se zupci potpuno zaustavili.

- Ovim se proizvodom koristite samo za uklanjanje otpale trave i mahovine s travnjaka. Upotreba za druge zadatke nije dopuštena.
- Upotrebljavajte osobnu zaštitnu opremu. Pogledajte *Oprema za osobnu zaštitu na stranici 154.*
- Proizvod nemojte pogoniti na kiši ni u mokrim uvjetima. Ako voda prodre u proizvod, povećava se opasnost od električnog udara.
- Proizvod nemojte pogoniti ako je kabel napajanja oštećen.
- Proizvod upotrebljavajte samo ako su nastavci prozračivača i svi poklopci pravilno postavljeni. Nepravilno postavljen nastavak prozračivača može se otpustiti i uzrokovati osobne ozljede.
- Pazite da nastavkom prozračivača ne udarate u predmete kao što je kamenje ili korijenje. Time možete oštetiti nastavak prozračivača i saviti vratilo motora. Savijena osovina uzrokuje snažne vibracije i vrlo visoku opasnost od otpuštanja nastavka prozračivača.
- Ako nastavkom prozračivača udarate u predmet ili osjetite vibracije, odmah zaustavite proizvod. Zaustavite motor i odspojite kabel napajanja. Pregledajte je li proizvod oštećen. Popravite oštećenja ili popravak prepustite ovlaštenom serviseru.
- Ručicu kočnice motora nikada trajno nemojte pričvrstiti za ručku kada je motor u pogonu.
- Proizvod postavite na stabilnu, ravnu površinu i pokrenite ga. Nastavci prozračivača ne smiju udarati u tlo ili druge predmete.

- Tijekom rukovanja proizvodom obavezno budite iza njega.
- Tijekom rukovanja proizvodom svi kotači trebaju biti na tlu, a obje ruke na ručki. Šake i stopala držite podalje od rotirajućih nastavaka prozračivača.
- Proizvod nemojte naginjati kada je motor pokrenut.
- Budite pažljivi pri povlačenju proizvoda unatrag.
- Proizvod nikada nemojte podizati kada je motor pokrenut. Ako morate podići proizvod, prvo zaustavite motor i odspojite kabel napajanja.
- Tijekom rada s proizvodom nemojte hodati unatrag.
- Zaustavite motor prilikom prelaska preko velikih površina bez trave, primjerice šljunčanih, kamenih i asfaltnih staza.
- Nemojte trčati s proizvodom kada je motor pokrenut. Obavezno hodajte tijekom rada s proizvodom.
- Prije promjene dubine rada zaustavite motor. Nemojte provoditi prilagodbe s pokrenutim motorom.
- Proizvod s pokrenutim motorom ne ispuštajte iz vida. Zaustavite motor, odspojite

kabel napajanja i provjerite je li nastavak prozračivača zaustavljen.

Sigurnosne upute za rad

Oprema za osobnu zaštitu

Prilikom korištenja proizvoda morate koristiti odobrenu opremu za osobnu zaštitu. Osobna zaštitna oprema ne može ukloniti opasnost od ozljeda, ali će smanjiti stupanj ozljeđivanja u slučaju nezgode. Pri odabiru odgovarajuće opreme zatražite pomoć trgovca.

Uvijek upotrijebite:

- Zaštitu sluha kako biste smanjili opasnost od slabljenja sluha.
- Čvrste, neklizajuće čizme ili cipele. Nemojte nositi sandale ili biti bos.
- Čvrste, duge hlače. Nemojte nositi kratke hlače.

Prema potrebi nosite rukavice, primjerice prilikom postavljanja, pregleda ili čišćenja nastavaka prozračivača.



UPOZORENJE:

Upotrebljavajte odobrenu zaštitu sluha. Dugotrajno izlaganje buci može

uzrokovati trajno
oštećenje sluha.

Sigurnosni uređaji na proizvodu



UPOZORENJE: Prije
upotrebe proizvoda
pročitajte upute
upozorenja u nastavku.

- Nemojte koristiti proizvod s oštećenim zaštitnim uređajima.
- Redovito pregledavajte sigurnosne uređaje. Ako su sigurnosni uređaji neispravni, obratite se Husqvarna ovlaštenom trgovcu.

Provjera poklopaca

Poklopac prozračivača smanjuje vibriranje proizvoda te opasnost od ozljede nastavkom prozračivača.

- Provjerite ima li na bočnom poklopcu prozračivača oštećenja, primjerice napuklina.
- Provjerite ima li na stražnjem poklopcu prozračivača oštećenja, primjerice napuklina.

Ručka kočnice motora

Ručicom kočnice motora zaustavljate motor. Motor se

zaustavlja po otpuštanju ručice kočnice motora.

Za provjeru ručice kočnice motora pokrenite motor i potom otpustite ručicu kočnice motora. Ako se motor ne zaustavi za 3 sekunde, podesite kočnicu motora kod servisera tvrtke Husqvarna.

(Sl. 21)

Pregled blokade pokretanja

Ispitajte blokadu pokretanja kako biste se uvjerali da sprječava pogon motora.

1. Ručku kočnice motora gurnite prema upravljaču. Blokada pokretanja zaustavlja pomak.
2. Istisnite blokadu pokretanja. (Sl. 22)
3. Otpustite blokadu pokretanja i provjerite vraća li se u početni položaj.

Upotreba držača kabela napajanja

Držać kabela napajanja smanjuje naprezanje na strujnoj utičnici i kabele napajanja. Držać kabela napajanja također smanjuje i rizik od vašeg pada.

1. Savijte električni kabel kako biste oblikovali malu petlju.

2. Stavite tu petlju u provrt u držaču kabela napajanja.
3. Ovijte petlju oko kukice.
4. Povucite kabel napajanja kako biste zategnuli petlju oko kukice. (Sl. 23)

Sigurno korištenje kabela za napajanje

- Preporučuje se korištenje zaštitnog uređaja diferencijalne struje (Residual Current Device, R.C.D.) sa strujom okidanja manjom od 30 mA. Čak i uz upotrebu uređaja RCD potpuna sigurnost se ne može zajamčiti pa je potrebno stalno se pridržavati sigurnih radnih postupaka. Provjerite svoj R.C.D. svaki put kad se njime koristite.
- Ako dođe do presijecanja kabela napajanja ili oštećenja izolacije, kabel odmah izvucite iz utičnice.
- Nemojte dodirivati presječeni ili oštećeni kabel napajanja dok ga ne izvučete iz utičnice za napajanje.
- Presječeni ili oštećeni kabel nemojte popravljati. Zamijenite ga drugim.

Sigurnosne upute za održavanje



UPOZORENJE: Prije upotrebe proizvoda pročitajte upute upozorenja u nastavku.

- Za sprječavanje nenamjernog pokretanja tijekom održavanja odspojite kabel napajanja.
- Pravilno provedite radove održavanja kako biste produljili vijek trajanja proizvoda i smanjili opasnost od nezgoda. Profesionalna održavanja prepustite odobrenom serviseru. Za više informacija obratite se najbližem serviseru.
- Provodite samo održavanje opisano u ovom korisničkom priručniku. Opsežnije radove obavezno mora provoditi ovlašteni serviser.
- Kako biste spriječili ozljede, nemojte uklanjati ili izmjenjivati sigurnosne uređaje.
- Tijekom rada s nastavcima prozračivača nosite rukavice za teške uvjete rada. Nastavak prozračivača vrlo je oštar i lako dolazi do posjekotina.
- Zupce nastavka prozračivača održavajte naoštrenima i

čistima kako biste osigurali najsigurnije radne značajke.

- Redovno pregledavajte proizvod i provodite potrebne prilagodbe i popravke kod servisera.
- Zamijenite oštećene, istrošene ili polomljene dijelove. Obavezno upotrebljavajte originalne

rezervne dijelove odgovarajućeg proizvođača. Drugi rezervni dijelovi mogu oštetiti proizvod i povećavaju opasnost od nezgoda.

- Pridržavajte se uputa za zamjenu dodatne opreme. Upotrebljavajte isključivo dodatnu opremu proizvođača.

Sastavljanje

Uvod



UPOZORENJE: Prije sastavljanja proizvoda pročitajte poglavlje o sigurnosti.



UPOZORENJE: Za sprječavanje nenamjernog pokretanja tijekom sastavljanja odspojite kabel napajanja.

Sastavljanje ručke

1. Otpustite donje vijke.
2. Pomaknite kotačiće u donji dio utora na lijevoj i desnoj strani proizvoda. (Sl. 24)
3. Postavite visinu ručke u jednu od dva dostupna položaja.
4. Pomičite kotačiće gore u smjeru ručke dok se ne zaustave uz škljocaj. (Sl. 25)

5. Kotačiće zategnite do kraja.

Montaža sakupljača trave

1. Okvir sakupljača trave pričvrstite za vreću za travu tako da kruti dio vreće bude na dnu. Ručka okvira treba biti na vrhu vreće za travu. (Sl. 26)
2. Donji dio okvira sakupljača trave pričvrstite u utor na dnu sakupljača trave.
3. Vreću za travu kopčama pričvrstite za okvir sakupljača trave. (Sl. 27)
4. Podignite stražnji poklopac.
5. Pomaknite sakupljač trave u pravi položaj. (Sl. 28)
6. Pričvrstite sakupljač trave za gornji rub šasije. Pobrinite se da stražnji poklopac tijesno naliježe na sakupljač trave radi sprječavanja propuštanja. (Sl. 29)

Rad

Uvod



UPOZORENJE: Prije rada s proizvodom morate pročitati i usvojiti poglavlje o sigurnosti.

Husqvarna Connect

Husqvarna Connect besplatna je aplikacija za mobilni uređaj. Aplikacija Husqvarna Connect pruža vam dodatne funkcije za proizvod Husqvarna.

- Opširnije informacije o proizvodu.
- Dodatne informacije i pomoć za dijelove i servisiranje proizvoda.

Početak rada sa Husqvarna Connect

1. Preuzmite aplikaciju Husqvarna Connect na svoj mobilni uređaj.
2. Prijavite se na aplikaciju Husqvarna Connect.
3. Pratite upute u aplikaciji Husqvarna Connect kako biste se spojili i registrirali proizvod.

Postavljanje dubine rada



UPOZORENJE: Tijekom rada s proizvodom nikada nemojte postavljati dubinu rada.

1. Pritisnite i suprotno od smjera kretanja kazaljke na satu okrenite gumb za prilagodbu dubine rada za povećanje dubine rada.
2. Pritisnite i u smjeru kretanja kazaljke na satu okrenite gumb za prilagodbu dubine rada za smanjenje dubine rada. (Sl. 30)

Pokretanje proizvoda

1. Priključite električni kabel na utičnicu ispod ručke. (Sl. 31)
2. Postavite kabel napajanja u držač kabela napajanja. Pogledajte *Upotreba držača kabela napajanja na stranici 155*. (Sl. 23)
3. Stanite iza proizvoda.

4. Otpustite blokadu pokretanja. (Sl. 32)
5. Ručicu kočnice motora gurnite prema upravljaču. (Sl. 33)

Zaustavljanje proizvoda

1. Otpustite ručicom kočnice motora kako biste zaustavili motor. (Sl. 34)
2. Kabel napajanja prvo odspojite od mreže, a potom i od proizvoda. (Sl. 35)



OPREZ: Priključak povlačite ravno prema van. Nemojte povlačiti kabel za napajanje.

Održavanje

Uvod



UPOZORENJE: Prije održavanja morate pročitati i usvojiti poglavlje o sigurnosti.

Za sve radove servisiranja i održavanja na proizvodu potrebna je posebna obuka. Jamčimo dostupnost profesionalnih popravaka i servisa. Ako vaš distributer nije serviser, od njega zatražite informacije o najbližem serviseru.

Detaljnije informacije potražite pod www.husqvarna.com.

Raspored održavanja

Intervali održavanja izračunati su za dnevnu upotrebu proizvoda. Intervali se mijenjaju ako se proizvod ne upotrebljava svakodnevno.

Za održavanje označeno znakom* pogledajte *Sigurnosni uređaji na proizvodu na stranici 155*.

	Svaka upotreba	Mjesečno	Svake sezone
Provedite opći pregled.	X		
Očistite proizvod.	X		
Pregledajte nastavak prozračivača.	X		
Provjerite ispravnost sigurnosnih uređaja na proizvodu. *	X		
Pregledajte poklopce. *	X		
Provjerite ručku kočnice motora. *	X		
Provjerite blokadu paljenja. *	X		

Opći pregled

- Provjerite jesu li zategnuti matice i vijci na proizvodu.
- Kabeli na proizvodu ne smiju biti u položaju u kojem se mogu oštetiti.
- Na proizvodu ne smiju postojati blokade.

- Za čišćenje proizvoda nemojte koristiti visokotlačni stroj za pranje.
- Nemojte liti vodu izravno na motor.
- Četkom uklonite lišće, travu i onečišćenja.

Za čišćenje proizvoda

- Plastične dijelove čistite čistom i suhom krpom.
- Proizvod nemojte čistiti vodom. Voda može prodrijeti u bateriju ili motor i uzrokovati kratki spoj ili oštetiti proizvod.

Pregled nastavka prozračivača



UPOZORENJE: Za sprječavanje nenamjernog pokretanja odspojite kabel napajanja.



UPOZORENJE: Tijekom održavanja nastavka prozračivača nosite zaštitne rukavice. Zupci na nastavku prozračivača vrlo su oštri i lako dolazi do posjekotina.

- Pregledajte ima li na nastavku prozračivača oštećenja ili pukotina. Oštećeni nastavak prozračivača obavezno zamijenite.

Zamjena nastavaka prozračivača



UPOZORENJE: Tijekom održavanja nastavaka prozračivača nosite zaštitne

rukavice. Nastavci prozračivača vrlo su oštri i lako dolazi do posjekotina.

1. Postavite proizvod na desnu stranu. (Sl. 36)
2. Uklonite dva vijka (A) i poklopac prozračivača (B). Gurnite nastavak prozračivača (C) prema gore i skinite ga. (Sl. 37)
3. Gurnite nastavak prozračivača (C) u utor i prema dolje u provrt. Pričvrstite poklopac prozračivača (B) i dva vijka (A) (Sl. 38)

Rješavanje problema

Rješavanje problema

Problem	Mogući uzrok	Rješenje
Proizvod se ne pokreće.	Kabel napajanja nije priključen na izvor napajanja.	Kabel napajanja priključite na izvor napajanja.
	Kabel napajanja nije pravilno priključen na proizvod.	Priključite kabel napajanja na utičnicu ispod ručke.
	Ručka kočnice motora nije gurnuta prema upravljaču.	Ručku kočnice motora gurnite prema upravljaču.
	Kabel napajanja je oštećen.	Obratite se ovlaštenom serviseru.
	Ostale pogreške.	

Prijevoz, spremanje i zbrinjavanje

Transportiranje

- Za komercijalne Transporte morate poštivati posebne zahtjeve za pakiranje i oznake.
- Provjerite poštivanje propisa za opasne materijale tijekom pripreme proizvoda za transport. Primjenjuju se lokalni propisi.
- Pričvrstite proizvod tijekom transporta.

Skladištenje

- Prije skladištenja pričekajte da se proizvod ohladi.
- Proizvod čuvajte na temperaturi okoline između -10 °C i 40 °C.
- Proizvod skladištite u zaključanom prostoru izvan doseg djece i neodobrenih osoba.
- Prije dugotrajnog skladištenja proizvoda očistite ga i provedite cjeloviti servis.

- Provodite postupke održavanja iz ovog korisničkog priručnika. Pogledajte *Raspored održavanja na stranici 158*.
- Prije dugotrajnog skladištenja provedite cjeloviti servis.

Odlaganje

Oznake na proizvodu ili ambalaži proizvoda znače da se proizvod ne smije odlagati zajedno s komunalnim otpadom. Umjesto toga, potrebno ga je odnijeti u propisani reciklažni centar za prihvata električne i elektroničke opreme.

Ispravnim rukovanjem proizvodom pomažete u ublažavanju negativnih učinaka po okoliš i osobe do kojih može doći u slučaju pogrešnog upravljanja otpadnim tvarima ovog proizvoda. Pojednosti o recikliranju proizvoda zatražite od lokalnih tijela uprave,

Tehnički podaci

Tehnički podaci

S 138C	
Motor	
Vrsta motora	Serijski izmjenični motor
Broj okretaja nastavka – SavE, o/min	Nije primjenjivo
Broj okretaja nastavka – nazivni, o/min	4200
Snaga motora – maks. kW	1,8
Snaga motora – nazivna, kW	1,6
Težina	
Težina, kg	19,0
Emisije buke ³¹	
Razina jačine zvuka, mjerena u dB (A)	96
Razina jačine zvuka, zajamčena L _{WA} dB (A)	98
Jačina zvuka ³²	
Razina tlaka zvuka na uhu rukovatelja, dB (A)	82
Razine vibracije ³³	
Ručka, m/s ²	8,3
Rad	
Dubina rada maks./min, mm	-8/+5
Širina rada, cm	37,5
Nastavak sa zupcima noža	5973510-01
Nastavak s opružnim vilama	5973509-01
Zapremnina sakupljača trave, litre	45.

³¹ Emisije buke u okoliš izmjerene kao jačina zvuka (L_{WA}) u skladu s Direktivom EZ 2000/14/EC.

³² Navedeni podaci za razinu pritiska zvuka uključuju tipično statističko raspršenje (standardno odstupanje) od 1,2 dB (A).

³³ Podaci o razini vibracije pokazuju tipičnu statističku disperziju (standardnu devijaciju) od 0,2 m/s².

Izjava o sukladnosti

EU izjava o sukladnosti

Mi, **Husqvarna AB**, SE-561 82 Huskvarna, ŠVEDSKA,
tel.: +46-36-146500, pod punom odgovornošću
izjavljujemo da proizvod:

Opis	Drljača
Marka	Husqvarna
Vrsta/model	S 138C
Identifikacija	Serijski brojevi iz 2023 i noviji

u potpunosti su sukladni sljedećim EU direktivama i
propisima:

Direktiva/propis	Opis
2011/65/EU	„o ograničenoj upotrebi određenih opasnih tvari u električnoj i elektroničkoj opremi“
2006/42/EC	„o strojevima“
2014/30/EU	„o elektromagnetskoj kompatibilnosti“
2000/14/EC	„koja se odnosi na emisije buke u okoliš“

i primjenjuju se sljedeće norme i/ili tehničke
specifikacije: EN 60335-1:2012/A11:2014/A13:2017/
A15:2021, EN 50636-2-92:2014, EN 55014-1:2017/
A11:2020, EN 55014-2:2015, EN 61000-3-2:2014, EN
61000-3-11:2000, EN IEC 63000:2018.

Informacije o emisiji buke potražite u odjeljku *Tehnički
podaci na stranici 160*.

Huskvarna, 2024-03-01



Claes Losdal

Razvojni menadžer / proizvodi za vrtove

Husqvarna AB

Osoba odgovorna za tehničku dokumentaciju



TARTALOMJEGYZÉK

Bevezető.....	162	Hibaelhárítás.....	173
Biztonság.....	164	Szállítás, tárolás és ártalmatlanítás.....	173
Összeszerelés.....	171	Műszaki adatok.....	174
Üzemeltetés.....	171	Megfelelőségi nyilatkozat.....	175
Karbantartás.....	172		

Bevezető

Termékleírás

A termék egy gyalog kísért elektromos gyeplazító. A termék eltávolítja a pázsitról az elfilcesedett fűvet és fellazítja a talajt, ezzel elősegítve, hogy a levegő és a víz a talajba juthasson. Az elfilcesedett fű a fűgyűjtőbe vagy a pázsitra kerül. A termék két különböző típusú gyeplazító szerkezettel rendelkezik.

Gyeplazító szerkezet

A gyeplazító szerkezet cseréjével kapcsolatban lásd: *A gyeplazító szerkezet cseréje 172. oldalon.*

Késfogak

A késfogak eltávolítják az elfilcesedett fűvet, és függőlegesen vágják le a fűgyökereket. A késfogak

A termék áttekintése

(ábra 1)

1. Motorfékfogantyú
2. Fogantyú felső része
3. Indításgátló
4. Csatlakozóaljzat
5. Alsó fogantyú
6. Kábelrögzítő
7. Fűgyűjtő
8. Hátsó burkolat
9. A gyeplazító burkolata
10. A munkamélység beállítására szolgáló gomb
11. Rugós fogak
12. Hatszögkulcs
13. Kezelői kézikönyv

A terméken található jelzések

(ábra 2)

Figyelmeztetés:
A gondatlan vagy helytelen használat a kezelő vagy mások sérülését vagy halálát okozhatja.

lejtőkön, teraszokon és magas agyagtartalmú talajokon használhatók. A késfogak lehetővé teszik, hogy a víz a pázsitra juthasson, és megakadályozzák a víz a felszínen való összegyűlését.

(ábra 19)

Rugós fogak

A rugós fogak óvatosan, a fűgyökerek sérülése nélkül távolítják el a pázsiton lévő elhalt és elfilcesedett fűvet.

(ábra 20)

Rendeltetésszerű használat

A termék magánkertekben, az elfilcesedett fű és moha eltávolítására, valamint a talaj fellazítására használható. Ne használja a terméket egyéb feladatokra.

(ábra 3)

Olvassa el a használati utasítást, és a termék használatba vétele előtt győződjön meg róla, hogy megértette a benne foglaltakat.

(ábra 4)

Legyen óvatos a kivetett és visszapattanó tárgyakkal.

(ábra 5)

A személyeket és állatokat tartsa biztonságos távolságban a munkaterülettől.

- (ábra 6) VIGYÁZAT – Tartsa távol a kezét és a lábát a fogaktól.
- (ábra 7) Karbantartás előtt húzza ki a termék tápkábelét a csatlakozóaljzatból. A kultivátorfogak egy ideig a motor kikapcsolását követően is forognak.
- (ábra 8) Elektromos áramütés veszélye.
- (ábra 9) Figyelmeztetés: A terméket ne működtesse a tápkábelen áthaladva, mert ez áramütést, illetve a termék károsodását okozhatja.
- (ábra 10) A termék fröccsenő víz elleni védett.
- (ábra 11) Ez a termék megfelel a vonatkozó EK irányelveknek.
- (ábra 12) A termék megfelel a vonatkozó egyesült királyságbeli irányelveknek.
- (ábra 13) Az EU és az Egyesült Királyság irányelveinek és jogszabályainak, és New South Wales
- „Környezetben történő munkavégzés szabályozása (zajszabályozás), 2017” irányelvének megfelelő környezeti zajkibocsátási címke. A termék garantált hangteljesítményszintjére vonatkozó adatok megtalálhatók az alábbi részen: *Műszaki adatok 174. oldalon* és a címkén.
- (ábra 14) Kettős szigetelés.
- (ábra 18) A termék újrahasznosítását elektromos és elektronikus berendezések újrahasznosítására szolgáló ponton kell elvégezni. (Kizárólag Európára vonatkozik)
- (ábra 15) Indítási eljárás: lazítsa meg az indításgátlót, nyomja lefelé a motorfékfogantyút.
- (ábra 16) A leállításhoz engedje el a motorfékfogantyút.
- (ábra 17) Beolvasható kód.

Megjegyzés: A terméken szereplő többi jel/címke egyes piacok specifikus vizsgáztatási követelményeire vonatkozik.

A termék károsodása

A termékben keletkezett károkért nem vállalunk felelősséget, amennyiben:

- a termék javítását helytelenül végezték;
- a termék javítása nem a gyártótól származó vagy általa jóváhagyott alkatrészekkel történt;
- a terméket nem a gyártótól származó vagy általa jóváhagyott kiegészítővel szerelték fel;
- a termék javítását nem hivatalos szakszerviz vagy jóváhagyott egyéb szerviz végezte.

Biztonság

Biztonsági meghatározások

A figyelmeztetések, óvintézkedések és megjegyzések a használati utasítás kiemelten fontos részeire hívják fel a figyelmet.



FIGYELMEZTETÉS:

Akkor használatos, ha a kézikönyv utasításainak be nem tartása esetén fennáll a kezelő vagy a közelben tartózkodók sérülésének vagy halálának veszélye.



VIGYÁZAT:

Akkor használatos, ha a kézikönyv utasításainak be nem tartása esetén fennáll a vagyoni kár, illetve a termék vagy a környező terület károsodásának veszélye.

Megjegyzés: További információt biztosít az

adott helyzetben szükséges tennivalókról.

Általános biztonsági utasítások



FIGYELMEZTETÉS:

A termék használata előtt olvassa el az alábbi figyelmeztetéseket.

- Ez a termék veszélyes, ha helytelenül használja, vagy ha nem vigyáz. A biztonsági utasítások be nem tartása sérüléssel vagy halállal járhat.
- A termék működés közben elektromágneses mezőt hoz létre. Ez bizonyos körülmények esetén hatással lehet az aktív vagy passzív orvosi implantátumokra. A súlyos vagy halálos sérülés kockázatának csökkentése érdekében azt javasoljuk, hogy az orvosi implantátumot használó személyek a termék alkalmazása előtt kérjék ki orvosuk vagy az orvosi

implantátum gyártójának tanácsát.

- Mindig megfontoltan és előrelátóan cselekedjen. Ha nem biztos benne, hogyan kell a terméket speciális helyzetben üzemeltetni, akkor hagyja abba a tevékenységet, és beszéljen a Husqvarna kereskedőjével a folytatás előtt.
- Ne feledje, hogy a kezelő felelős a másokat és a mások tulajdonát érő balesetekért is.
- Tartsa tisztán a terméket. Ügyeljen arra, hogy a jelek és címkék jól olvashatóak legyenek.
- Soha ne engedje, hogy gyermekek vagy a kezelési utasításokat nem ismerő személyek használják a készüléket. A helyi rendelkezések adott esetben kezelési korhatárt szabhatnak meg
- Csökkent fizikai vagy szellemi képességekkel rendelkező személy csak felügyelet mellett használhatja a terméket. Egy felelős felnőttnek mindig jelen kell lennie.
- Ne használja a terméket, ha fáradt, beteg, illetve alkohol, drog vagy gyógyszer hatása

alatt áll. Ez negatív hatással van a látására, az éberségére, a koordinációjára és az ítélőképességére.

- Ne használja a terméket, ha hibás.
- Ne változtassa meg a terméket, vagy ne használja, ha feltehetőleg valaki más változtatásokat hajtott végre rajta.

A munkaterület biztonsága



FIGYELMEZTETÉS:

A termék használata előtt olvassa el az alábbi figyelmeztetéseket.

- A termék használata előtt távolítsa el a különböző tárgyakat, például ágakat, gallyakat és köveket a munkaterületről.
- A gyeplazító szerkezetnek ütköző tárgyak elrepülve személyek vagy tárgyak sérülését okozhatják. A közelben állókat és az állatokat tartsa biztonságos távolságban a terméktől.
- Ne használja a terméket rossz időben, például ködben, esőben, erős szélben, nagy hidegben, villámlás veszélyes esetén. A termék rossz időjárási körülmények

között vagy nyirkos, nedves helyeken történő használata fásasztó. A rossz időjárás veszélyes körülményeket, például csúszós felületeket okozhat.

- Ügyeljen az olyan személyekre, tárgyakra és helyzetekre, amelyek akadályozzák a termék biztonságos üzemeltetését.
- Ügyeljen az olyan akadályokra, mint a gyökerek, kövek, gallyak, gödrök és árkok. A magas fű akadályokat rejthet.
- A termék lejtőn való működtetése veszélyes lehet. Ne használja a terméket 15 foknál meredekebb lejtőn.
- Az emelkedőknél/lejtőknél mindig oldalirányban működtesse a terméket. Ne haladjon felfelé vagy lefelé.
- Legyen körültekintő, ha olyan sarkok és tárgyak közelébe ér, amelyek gátolják a tiszta kilátást.

Munkabiztonság



FIGYELMEZTETÉS:

A termék használata előtt olvassa el az alábbi figyelmeztetéseket.



FIGYELMEZTETÉS:

Állítsa le a terméket, húzza ki a tápkábelt, és győződjön meg arról, hogy a fogak teljesen leállnak, mielőtt hozzáérne a gyeplazító szerkezethez.

- A terméket csak füves gyepen lévő elfilcesedett fű és moha eltávolítására használja. A termék más feladatokra történő használata nem megengedett.
- Használjon személyi védőfelszerelést. Lásd: *Személyi védőfelszerelés 168. oldalon.*
- Ne működtesse a terméket esős vagy nedves körülmények között. A termékbe jutó víz növeli az áramütés kockázatát.
- Ne működtesse a terméket sérült tápkábellel.
- Csak abban az esetben működtesse a terméket, ha a gyeplazító szerkezet és a burkolatok megfelelően fel vannak szerelve. A nem megfelelően rögzített gyeplazító szerkezet meglazulhat, és személyi sérülést okozhat.

- Ügyeljen arra, hogy a gyeplazító szerkezet ne ütközzön kövekbe, gyökerekbe és hasonló tárgyakra. Ez kárt tehet a gyeplazító szerkezetben, és meghajlíthatja a motor tengelyét. A meghajlott tengely erős rezgést okoz, amely a gyeplazító szerkezet meglazulásának fokozott kockázatát hordozza magában.
- Ha a gyeplazító szerkezet beleütközik egy tárgyba vagy rezegni kezd, azonnal állítsa le a terméket. Állítsa le a motort, és húzza ki a tápkábelt. Ellenőrizze, hogy a termék sérülésmentes-e. Javítsa meg a sérüléseket, vagy végeztesse el a szakszervizzel a javításokat.
- Amikor a motor működésben van, soha ne rögzítse tartósan a motorfékfogantyút a fogantyúhoz.
- Helyezze a terméket stabil, vízszintes felületre, és kapcsolja be. Gondoskodjon arról, hogy a gyeplazító szerkezet ne ütközzön se a talajba, se egyéb tárgyakra.
- Mindig maradjon a termék mögött, amikor működteti.
- A termék üzemeltetése során minden kerék legyen a talajon, és tartsa két kézzel a fogantyút. Tartsa távol a kezét és a lábát a forgó gyeplazító szerkezettől.
- Ne döntse meg a terméket, ha a motor jár.
- Legyen óvatos, amikor hátrafelé húzza a terméket.
- Soha ne emelje fel a terméket, ha a motor jár. Ha mindenképpen fel kell emelnie a terméket, először állítsa le a motort, és húzza ki a tápkábelt.
- Ne sétáljon hátrafelé a termék működtetése során.
- Állítsa le a motort, ha olyan területeken halad át, ahol nincs fű, például kavicsos, kövezett és aszfaltozott járdákon.
- Ne fusson a termékkel, ha a motor jár. Mindig sétáljon a termék működtetése során.
- A munkamélység módosítása előtt állítsa le a motort. Soha ne végezzen beállításokat, amikor a motor jár.
- Soha ne hagyja a terméket felügyelet nélkül járó motor esetén. Állítsa le a motort, húzza ki a tápkábelt, és győződjön meg arról, hogy

a gyeplazító szerkezet nem forog.

Biztonsági utasítások az üzemeltetéshez

Személyi védőfelszerelés

Amikor a terméket használja, viseljen mindig jóváhagyott személyi védőfelszerelést. A személyi védőfelszerelés nem küszöböli ki a sérülések kockázatát, de csökkenti a sérülés mértékét, ha bekövetkezik a baleset. A megfelelő felszerelés kiválasztásához kérje a kereskedő segítségét.

Mindig viselje a következőket:

- Fülvédőt, hogy minimalizálja a halláskárosodás kockázatát.
- Stabil, nem csúszós csizmát vagy cipőt. Ne viseljen szandált, illetve ne legyen mezítláb.
- Erős anyagból készült hosszúnadrágot. Ne viseljen rövidnadrágot.

Ha szükséges, viseljen kesztyűt, pl. a gyeplazító szerkezet felszerelése, vizsgálata és tisztítása során.



FIGYELMEZTETÉS:
Használjon jóváhagyott fülvédőt. Hosszú

távon a tartós zajártalom maradandó halláskárosodást okozhat.

Biztonsági eszközök a terméken



FIGYELMEZTETÉS:

A termék használata előtt olvassa el az alábbi figyelmeztetéseket.

- Ne használjon olyan terméket, amelynek hibásak a biztonsági eszközei.
- Rendszeresen ellenőrizze a biztonsági eszközöket. A biztonsági eszközök meghibásodása esetén vegye fel a kapcsolatot a(z) Husqvarna szervizműhellyel.

A burkolatok ellenőrzése

A gyeplazító burkolata csökkenti a termék rezgését és a gyeplazító szerkezet okozta sérülések kockázatát.

- Vizsgálja meg a gyeplazító oldalsó burkolatát, hogy nincs-e rajta sérülés, például repedés.
- Vizsgálja meg a hátsó burkolatot, hogy nincs-e rajta sérülés, például repedés.

Motorfékfogantyú

A motorfékfogantyú a motor leállítására szolgál. Ha elengedi a motorfékfogantyút, a motor leáll.

A motorfék ellenőrzéséhez indítsa el a motort, majd engedje el a motorfékfogantyút. Ha a motor 3 másodpercen belül nem áll le, állíttassa be egy hivatalos Husqvarna szakszervizben a motorféket.

(ábra 21)

Az indításgátló ellenőrzése

Bizonyosodjon meg arról, hogy az indításgátló megakadályozza a motor elindulását.

1. Nyomja a motorfékfogantyút a fogantyú irányába. Az indításgátló megakadályozza a mozgást.
2. Nyomja kifelé az indításgátlót. (ábra 22)
3. Engedje ki az indításgátlót, és győződjön meg arról, hogy az visszatér alaphelyzetbe.

A tápkábeltartó használata

A tápkábeltartó csökkenti a csatlakozóaljzat és a tápkábel feszülését. A tápkábeltartó

csökkenti továbbá az elesés kockázatát is.

1. Képezzen kis hurkot a tápkábelből.
2. Illessze a hurkot a tápkábeltartóban lévő nyílásba.
3. Helyezze a hurkot a horogra.
4. A tápkábel meghúzásával feszítse meg a hurkot a horgon. (ábra 23)

A tápkábel biztonságos használata

- Legfeljebb 30 mA kikapcsolóáramra szabályozott maradékáram-korlátozó készülék (R.C.D.) alkalmazása javasolt. 100%-os biztonság még maradékáram-korlátozó készülék használata esetén sem garantálható, ezért mindenkor be kell tartani a biztonságos munkaeljárásokat. Minden használat előtt ellenőrizze a maradékáram-korlátozó készüléket.
- Ha a tápkábel szakadt vagy a szigetelése sérült, azonnal válassza le a készüléket az elektromos hálózatról.
- Ne érintse meg a szakadt vagy sérült tápkábelt, amíg

ki nem húzta a készülék csatlakozóját az aljzathoz.

- Ne próbálja megjavítani a szakadt vagy sérült kábelt. Szereljen be új tápkábelt.

Biztonsági utasítások a karbantartáshoz



FIGYELMEZTETÉS:

A termék használata előtt olvassa el az alábbi figyelmeztetéseket.

- A véletlen beindítás elkerülése érdekében a karbantartás során húzza ki a tápkábelt.
- A termék élettartamának növelése és a balesetveszély csökkentése érdekében végezze el szakszerűen a karbantartási műveleteket. Bízva hivatalos szervizműhelyre a professzionális javítást. Bővebb információért forduljon a legközelebbi szakszervizhez.
- Csak a felhasználói kézikönyvben megadott karbantartást végezze el. Komolyabb beavatkozásokat csak hivatalos szakszerviz végezhet.
- A sérülések elkerülése érdekében ne távolítsa el és ne végezzen módosításokat a biztonsági eszközökön.
- A gyeplazító szerkezet használata során viseljen strapabíró védőkesztyűt. A gyeplazító szerkezet nagyon éles, könnyen megvághatja magát.
- A legjobb és legbiztonságosabb teljesítmény érdekében tartsa a gyeplazító szerkezet fogait élesen és tisztán.
- Rendszeresen ellenőriztesse a gépet a szakszervizzel, és végeztesse el a szükséges beállításokat és javításokat.
- A sérült, kopott vagy törött alkatrészt cserélje ki. Mindig a gyártó eredeti pótalkatrészeit használja. Más pótalkatrészek károsíthatják a terméket, és növelhetik a balesetveszélyt.
- Kövesse a tartozékcsereére vonatkozó utasításokat. Kizárólag a gyártótól származó tartozékokat használja.

Összeszerelés

Bevezetés



FIGYELMEZTETÉS: A termék összeszerelése előtt olvassa el a biztonságra vonatkozó fejezetet.



FIGYELMEZTETÉS: A véletlen beindítás elkerülése érdekében az összeszerelés során húzza ki a tápkábelt.

A fogantyú összeszerelése

1. Lazítsa meg az alsó csavarokat.
2. A gombokat a termék bal és jobb oldalán is csúsztassa a hornyok alsó végébe. (ábra 24)
3. Állítsa a fogantyú magasságát a két lehetséges pozíció egyikébe.
4. A gombokat ütközésig csúsztassa a fogantyú irányába, amíg egy kattanó hangot nem hall. (ábra 25)

5. Teljesen húzza meg a gombokat.

A fűgyújtó doboz felszerelése

1. Rögzítse a fűgyújtó keretét a fűzsákban úgy, hogy a fűzsák merev része alul legyen. A keret fogantyúja a fűzsák tetején legyen. (ábra 26)
2. Illesse a fűgyújtó keret alsó részét a fűgyújtó alján lévő vátatba.
3. A kapcsokkal rögzítse a fűzsákat a fűgyújtó keretéhez. (ábra 27)
4. Emelje fel a hátsó burkolatot.
5. Állítsa a fűgyújtót a megfelelő pozícióba. (ábra 28)
6. Csatlakoztassa a fűgyújtót a vázszekrény felső széléhez. A szivárgás elkerülése érdekében győződjön meg arról, hogy a hátsó burkolat szorosan illeszkedik-e a fűgyújtóhoz. (ábra 29)

Üzemeltetés

Bevezető



FIGYELMEZTETÉS: A termék működtetése előtt el kell olvasnia és meg kell értenie a biztonságról szóló fejezetet.

Husqvarna Connect

A Husqvarna Connect egy ingyenes mobilalkalmazás. A Husqvarna Connect alkalmazás kibővített funkciókat biztosít Husqvarna termékéhez:

- Bővebb termékinformációk.
- Információk és segítség a termékalkatrészekkel és a szervizeléssel kapcsolatban.

A Husqvarna Connect használatának megkezdése

1. Töltse le a Husqvarna Connect alkalmazást mobilkészletére.
2. Regisztráljon egy fiókot a Husqvarna Connect alkalmazásban.
3. A termék csatlakoztatásához és regisztrálásához kövesse a Husqvarna Connect alkalmazásban megjelenő utasításokat.

A munkamélység beállítása



FIGYELMEZTETÉS: A termék működtetése közben ne módosítsa a munkamélységet.

1. A munkamélység növeléséhez nyomja le és fordítsa a munkamélység beállítására szolgáló gombot az óramutató járásával ellentétes irányba.
2. A munkamélység csökkentéséhez nyomja le és fordítsa a munkamélység beállítására szolgáló gombot az óramutató járásával megegyező irányba. (ábra 30)

A termék elindítása

1. Csatlakoztassa a tápkábelt a fogantyú alatti aljzatba. (ábra 31)
2. Helyezze a tápkábelt a tápkábeltartóba. Lásd az *A tápkábeltartó használata 169. oldalon* fejezetet. (ábra 23)
3. Maradjon a termék mögött.
4. Oldja ki az indításgátlót. (ábra 32)
5. Nyomja a motorfékfogantyút a fogantyú irányába. (ábra 33)

A termék leállítása

1. A motor leállításához engedje fel a motorfékfogantyút. (ábra 34)

2. Húzza ki a tápkábelt a hálózati aljzatról, majd a termékből. (ábra 35)



VIGYÁZAT: Egyenesen húzza ki a dugaszt. Ne a hálózati tápkábelt húzza.

Karbantartás

Bevezetés



FIGYELMEZTETÉS: Karbantartás előtt el kell olvasnia és meg kell értenie a biztonságról szóló fejezetet.

A gépen végzett minden szerviz- és javítási munkálat szakképzettséget igényel. Garantáljuk a professzionális javítások és szervizelés lehetőségét. Ha márkakereskedője nem szervizműhely, forduljon hozzájuk a legközelebbi szervizműhellyel kapcsolatban.

Részletesebb információért lásd: www.husqvarna.com.

Karbantartási terv

A karbantartási intervallumok meghatározásakor a termék napi használatát feltételeztük. Az intervallum változik, ha a terméket nem napi rendszerességgel használja.

A * szimbólummal jelölt karbantartási műveletekkel kapcsolatban lásd: *Biztonsági eszközök a terméken 168. oldalon.*

	Minden használat során	Havi	Évszakonként
Végezzen általános ellenőrzést.	X		
Tisztítsa meg a terméket.	X		
Ellenőrizze a gyeplazító szerkezetet.	X		
Ellenőrizze, hogy a termék biztonsági eszközei nem hibásak-e. *	X		
Ellenőrizze a burkolatokat. *	X		
Ellenőrizze a motorfékfogantyút. *	X		
Ellenőrizze az indításgátlót. *	X		

Általános ellenőrzés

- Ellenőrizze, hogy az anyák és csavarok meg vannak-e szorítva a terméken.
- Ellenőrizze, hogy a termék kábelei úgy helyezkednek el, hogy ne tudjanak megsérülni.
- Győződjön meg arról, hogy a termék nincs-e eltömődve.

A termék tisztítása

- A műanyag részeket tiszta, száraz törlőkendővel tisztítsa.
- A termék tisztításához ne használjon vizet. A víz az akkumulátorba vagy a motorba jutva azok rövidzárlatát vagy a termék károsodását okozhatja.
- Ne használjon nagynyomású mosót a termék tisztításához.
- Ne irányítsa a vízsugarat közvetlenül a motorra.
- Kéfével távolítsa el a leveleket, a fűvet és az egyéb szennyeződések.

A gyeplazító szerkezet ellenőrzése



FIGYELMEZTETÉS: A véletlen beindítás elkerülése érdekében húzza ki a tápkábelt.



FIGYELMEZTETÉS: A gyeplazító szerkezet karbantartásakor viseljen védőkesztyűt. A gyeplazító szerkezet fogai nagyon élesek, könnyen megvághatja magát.

- Ellenőrizze, hogy a gyeplazító szerkezeten nem található-e sérülések vagy repedések. Mindig cserélje ki a sérült a gyeplazító szerkezetet.

A gyeplazító szerkezet cseréje



FIGYELMEZTETÉS: A gyeplazító szerkezet karbantartásakor viseljen védőkesztyűt. A gyeplazító szerkezet nagyon éles, könnyen megvághatja magát.

1. Fordítsa a terméket a jobb oldalára. (ábra 36)
2. Távolítsa el a két csavart (A) és a gyeplazító burkolatát (B). Nyomja a gyeplazító szerkezetet (C) felfelé és kifelé, majd távolítsa el. (ábra 37)
3. Nyomja az új gyeplazító szerkezetet (C) a mélyedésbe, majd lefelé a nyílásba. Rögzítse a gyeplazító burkolatát (B) és a két csavart (A). (ábra 38)

Hibaelhárítás

Hibaelhárítás

Probléma	Lehetséges ok	Megoldás
A termék nem indul.	A tápkábel nincs áramforráshoz csatlakoztatva.	Csatlakoztassa a tápkábelt egy áramforráshoz.
	A tápkábel nincs csatlakoztatva a termékhez.	Csatlakoztassa a tápkábelt a fogantyú alatti aljzatba.
	A motorfékfogantyú nem a fogantyú irányába lett lenyomva.	Nyomja a motorfékfogantyút a fogantyú irányába.
	Sérült a tápkábel.	Forduljon egy hivatalos szakszervizhez.
	Egyéb hibák.	

Szállítás, tárolás és ártalmatlanítás

Szállítás

- Kereskedelmi szállításnál be kell tartani a csomagoláson és címkéken szereplő speciális előírásokat.
- Ügyeljen rá, hogy betartsa a veszélyes anyagokra vonatkozó jogszabályokat a termék szállításra való előkészítésekor. Az esetleges helyi jogszabályokat is be kell tartani.
- Szállításkor rögzítse a terméket.

Tárolás

- Tárolás előtt várja meg, amíg a termék lehül.
- A terméket olyan helyen tárolja, ahol a környezeti hőmérséklet -10 °C és 40 °C között van.
- Tartsa a terméket gyermekektől és jogosulatlan személyektől elzárt területen.
- A hosszú ideig való tárolás előtt tisztítsa meg a terméket, és végezze el annak teljes karbantartását.
- Végezze el a jelen kezelői kézikönyvben megadott karbantartási eljárásokat. Lásd: *Karbantartási terv172. oldal*on.

- Hosszú idejű tárolás előtt végezzen teljes szervizelést.

Hulladékként való kezelés

A terméken vagy a csomagolásán található szimbólum azt jelzi, hogy ezt a terméket nem szabad a háztartási hulladék közé helyezni. A megfelelő újrafeldolgozó pontra el kell juttatni az elektromos és elektronikus berendezések hasznosítása érdekében.

A termék megfelelő kezelésének biztosításával segíthet kiküszöbölni azokat a környezetre és az emberre gyakorolt potenciális negatív hatásokat, amelyeket a termék helytelen hulladékkezelése okozhat. A termék újrahasznosításával kapcsolatban az önkormányzat, a hulladékartalmatlanítási szolgáltatást végző vállalkozás, illetve a terméket értékesítő szakkereskedés nyújthat részletesebb tájékoztatást.

(ábra 39)

Műszaki adatok

Műszaki adatok

S 138C	
Motor	
Motortípus	Váltóáramú motor
A tartozék fordulatszáma – SavE, ford./perc	n.a.
A tartozék fordulatszáma – Névleges, ford./perc	4200
Motor teljesítménye – max. kW	1,8
Motor teljesítménye – névleges, kW	1,6
Tömeg	
Tömeg, kg	19,0
Zajkibocsátás ³⁴	
Hangteljesítményszint, mért dB (A) érték	96
Hangteljesítményszint, garantált, L _{WA} dB (A)	98
Zajszintek ³⁵	
Hangnyomásszint a felhasználó fülénél, dB (A)	82
Rezgésszintek ³⁶	
Fogantyú, m/s ²	8,3
Működés	
Munkamélység, max./min., mm	-8/+5
Munkaszélesség, cm	37,5
Késfogas tartozék	5973510-01
Rugós fogas tartozék	5973509-01
Fűgyűjtő űrtartalma, liter	45

³⁴ A környezetben a 2000/14/EK sz. EK irányelvvel összhangban hangteljesítményként mért zajkibocsátás (L_{WA}).

³⁵ A zajnyomásszintre vonatkozó jelentési adatok az 1,2 dB (A) tipikus statisztikus ingadozásával (szórásával) rendelkeznek.

³⁶ A rezgésszintre vonatkozó jelentési adatok a 0,2 m/s² tipikus statisztikus ingadozásával (szórásával) rendelkeznek.

Megfelelőségi nyilatkozat

EU megfelelési nyilatkozat

A **Husqvarna AB**, SE-561 82 Huskvarna, SVÉDORSZÁG (tel.: +46 36 146500) a saját felelősségére kijelenti, hogy a termék:

Leírás	Irtóborona
Márka	Husqvarna
Típus/modell	S 138C
Megjelölés	2023-as és újabb sorozatszámok

teljes mértékben megfelelnek a következő EU-irányelveknek és szabályozásoknak:

Irányelv/rendelet	Leírás
2011/65/EU	„az egyes veszélyes anyagok elektromos és elektronikus berendezésekben való alkalmazásának korlátozására vonatkozó”
2006/42/EK	„gépre vonatkozó”
2014/30/EU	„elektromágneses megfelelésre vonatkozó”
2000/14/EK	„környezeti zajkibocsátásra vonatkozó”

valamint hogy az alábbi szabványok és/vagy műszaki előírások kerültek alkalmazásra: EN 60335-1:2012/A11:2014/A13:2017/A15:2021, EN 50636-2-92:2014, EN 55014-1:2017/A11:2020, EN 55014-2:2015, EN 61000-3-2:2014, EN 61000-3-11:2000, EN IEC 63000:2018.

A zajkibocsátásra vonatkozó tájékoztatást illetően tekintse át a következőt: *Műszaki adatok 174. oldalon.*

Huskvarna, 2024-03-01



Claes Losdal

Fejlesztési Igazgató/Kertművelési termékek

Husqvarna AB

A műszaki dokumentációk felelőse



Sommario

Introduzione.....	176	Ricerca guasti.....	187
Sicurezza.....	178	Trasporto, stoccaggio e smaltimento.....	187
Montaggio.....	185	Dati tecnici.....	188
Utilizzo.....	185	Dichiarazione di conformità.....	189
Manutenzione.....	186		

Introduzione

Descrizione del prodotto

Il prodotto è un arieggiatore elettrico con operatore a piedi. Il prodotto rimuove l'erba secca dal prato e dissoda il terreno in modo da consentire la penetrazione di aria e acqua. L'erba secca viene raccolta in un raccogliherba o rilasciata sul prato. Il prodotto è dotato di 2 tipi di arieggiatori.

Arieggiatore

Fare riferimento a *Sostituzione dell'arieggiatore alla pagina 187* per informazioni su come sostituire l'arieggiatore.

Rebbi della lama

I rebbi della lama rimuovono l'erba secca e tagliano le radici dell'erba in verticale. Utilizzare i rebbi della lama

Panoramica del prodotto

(Fig. 1)

1. Leva del freno motore
2. Impugnatura superiore
3. Inibitore di avviamento
4. Presa di corrente
5. Impugnatura inferiore
6. Fascetta ferma cavo
7. Raccogliherba
8. Coperchio posteriore
9. Coperchio arieggiatore
10. Manopola di regolazione della profondità di lavoro
11. Denti a molla
12. Brugola
13. Manuale dell'operatore

Simboli riportati sul prodotto

(Fig. 2) **Avvertenza: L'uso improprio del prodotto può provocare lesioni anche mortali**

su dislivelli, terrazze e su terreni con elevato contenuto di argilla. I rebbi della lama lasciano scorrere l'acqua nel prato ed evitano che l'acqua si accumuli sulla superficie

(Fig. 19)

Denti a molla

I denti a molla rimuovono con cautela l'erba secca e morta dal prato senza danneggiare le radici dell'erba.

(Fig. 20)

Uso previsto

Utilizzare il prodotto per rimuovere l'erba secca e il muschio e per dissodare il terreno nei giardini privati. Non utilizzare il prodotto per altre attività.

all'operatore o alle persone circostanti.

(Fig. 3)

Leggere il Manuale dell'operatore e accertarsi di aver compreso le relative istruzioni prima di utilizzare questo prodotto.

(Fig. 4)

Prestare attenzione a oggetti lanciati o rimbalzati.

(Fig. 5)

Mantenere le persone e gli animali a una

- distanza di sicurezza dalla zona di lavoro.
- (Fig. 6) **AVVERTENZA - Tenere mani e piedi lontani dai rebbi.**
- (Fig. 7) Scollegare il prodotto dalla presa elettrica prima di eseguire lavori di manutenzione sul prodotto. I denti continuano a ruotare dopo lo spegnimento del motore.
- (Fig. 8) Pericolo di scossa elettrica.
- (Fig. 9) **Avvertenza: Non azionare il prodotto se il cavo di alimentazione si trova sotto poiché può provocare scosse elettriche o danni al prodotto.**
- (Fig. 10) Questo prodotto è dotato di protezione contro gli spruzzi d'acqua.
- (Fig. 11) Il prodotto è conforme alle direttive CE vigenti.
- (Fig. 12) Il presente prodotto è conforme alle direttive del Regno Unito vigenti.
- (Fig. 13) Emissioni di rumore nell'ambiente in conformità alle direttive e alle norme UE e UK e alla norma del Nuovo Galles del Sud in materia di protezione dell'ambiente "Protection of the Environment Operations (Noise Control) Regulation 2017". Il livello di potenza sonora garantito del prodotto è specificato in *Dati tecnici alla pagina 188* nonché sull'etichetta.
- (Fig. 14) Doppio isolamento.
- (Fig. 18) Riciclare questo prodotto in una stazione di riciclaggio per apparecchiature elettriche ed elettroniche. (Solo per l'Europa)
- (Fig. 15) Procedura di avviamento: allentare l'inibitore di avviamento, spingere verso il basso l'impugnatura del freno motore.

(Fig. 16) Rilasciare l'impugnatura del freno motore per arrestarlo.

(Fig. 17) Codice scansionabile.

Nota: I restanti simboli/decalcomanie sul prodotto riguardano particolari requisiti necessari per ottenere la certificazione in alcuni mercati.

Danni al prodotto

Non siamo responsabili dei danni al prodotto se:

- Il prodotto viene riparato in modo errato.
- Il prodotto viene riparato con parti che non provengono o non sono omologate dal produttore.
- Il prodotto contiene un accessorio che non proviene o non è omologato dal produttore.
- Il prodotto non viene riparato presso un centro di assistenza autorizzato o presso un'autorità competente.

Sicurezza

Definizioni di sicurezza

Le avvertenze, le precauzioni e le note sono utilizzate per evidenziare le parti importanti del manuale.



AVVERTENZA: Utilizzato se è presente un rischio di lesioni o morte dell'operatore o di passanti nel caso in cui le istruzioni del manuale non vengano rispettate.



ATTENZIONE: Utilizzato se è presente un rischio di danni al prodotto, ad altri materiali oppure alla zona adiacente nel caso in cui le istruzioni del manuale non vengano rispettate.

Nota: Utilizzato per fornire ulteriori informazioni necessarie in una determinata situazione.

Istruzioni di sicurezza generali



AVVERTENZA: Leggere le seguenti avvertenze prima di utilizzare il prodotto.

- Questo prodotto è pericoloso se utilizzato in maniera impropria o se non si presta attenzione. La mancata osservanza delle istruzioni di sicurezza può causare lesioni anche fatali.
- Durante il funzionamento, questo prodotto genera un campo elettromagnetico. Tale campo può interferire, in alcuni casi, con persone portatrici di impianti medici attivi o passivi. Per ridurre il rischio di condizioni che

- possono implicare lesioni gravi o mortali, i portatori di tali impianti devono consultare il proprio medico e il produttore dell'impianto prima di utilizzare questo prodotto.
- Usare la massima cautela e il buon senso. Se non si è sicuri di come utilizzare il prodotto in una particolare situazione, fermarsi e rivolgersi al proprio rivenditore Husqvarna prima di continuare.
 - Tenere presente che l'operatore potrà essere ritenuto responsabile di eventuali incidenti che coinvolgono altre persone o i loro beni.
 - Tenere pulito il prodotto. Assicurarsi che sia possibile leggere chiaramente simboli e decalcomanie.
 - Non consentire mai l'uso dell'apparecchio a bambini o persone che non conoscono le presenti istruzioni. Alcune normative locali possono limitare l'età dell'operatore
 - Controllare sempre qualsiasi persona, dalle capacità fisiche o mentali ridotte, che utilizzi il prodotto. È necessaria sempre la supervisione di un adulto responsabile.
 - Non utilizzare l'apparecchio quando si è stanchi, ammalati o sotto effetto di alcool, farmaci o medicinali. Essi potrebbero compromettere la vista, l'attenzione, il coordinamento e il giudizio.
 - Se difettoso, non utilizzare il prodotto.
 - Non modificare il prodotto né utilizzarlo nel caso in cui vi sia la possibilità che sia stato modificato da altri.

Sicurezza dell'area di lavoro



AVVERTENZA: Leggere le seguenti avvertenze prima di utilizzare il prodotto.

- Rimuovere oggetti quali rami, ramoscelli o pietre dall'area di lavoro prima di utilizzare il prodotto.
- Gli oggetti che urtano contro l'arieggiatore potrebbero essere proiettati e causare danni a cose e persone. Mantenere persone e animali a una distanza di sicurezza dal prodotto.
- Non utilizzare mai il prodotto in condizioni meteorologiche avverse quali nebbia, pioggia, vento forte, freddo intenso e rischio di fulmini. L'uso

del prodotto in condizioni meteorologiche avverse o in ambienti umidi è stancante. Condizioni meteorologiche avverse possono causare situazioni di pericolo quali superfici scivolose.

- Prestare attenzione a persone, cose e situazioni che possono impedire un utilizzo sicuro del prodotto.
- Prestare attenzione a ostacoli quali radici, pietre, ramoscelli, fossi e avvallamenti. L'erba alta può nascondere eventuali ostacoli.
- Azionare il prodotto in pendenza può risultare pericoloso. Non utilizzare il prodotto su terreni con pendenze superiori a 15°.
- Utilizzare il prodotto trasversalmente lungo i pendii. Non spostarsi seguendo tragitti verso l'alto e verso il basso.
- Prestare attenzione in prossimità di angoli e oggetti nascosti che potrebbero ostacolare la visuale.

Sicurezza sul lavoro



AVVERTENZA: Leggere le seguenti avvertenze prima di utilizzare il prodotto.



AVVERTENZA:

Arrestare il prodotto, scollegare il cavo di alimentazione e assicurarsi che i rebbi si siano arrestati completamente prima di toccare l'arieggiatore.

- Utilizzare il prodotto per rimuovere l'erba secca e il muschio solo dai prati. Non è consentito utilizzare il prodotto per altri scopi.
- Usare sempre abbigliamento protettivo personale. Fare riferimento a *Dispositivi di protezione individuale alla pagina 182*.
- Non utilizzare il prodotto con pioggia o umidità. Il rischio di scosse elettriche aumenta se l'acqua penetra nel prodotto.
- Non utilizzare il prodotto se il cavo di alimentazione è danneggiato.
- Non azionare il prodotto senza prima aver montato correttamente l'arieggiatore e tutti i coperchi. Un arieggiatore non correttamente fissato potrebbe allentarsi e causare lesioni personali.
- Assicurarsi che l'arieggiatore non urti oggetti quali pietre e

radici. Ciò potrebbe provocare danni all'arieggiatore e piegare l'albero motore. Un'asse piegato provoca forti vibrazioni e un alto rischio di allentamento dell'arieggiatore.

- Qualora l'arieggiatore urti contro un oggetto o all'insorgere di vibrazioni arrestare immediatamente il prodotto. Arrestare il motore e scollegare il cavo di alimentazione. Verificare la presenza di eventuali danni al prodotto. Riparare eventuali danni o contattare un'officina autorizzata per far svolgere la riparazione.
- Non fissare l'impugnatura del freno motore in modo permanente al manubrio quando il motore è avviato.
- Posizionare il prodotto su una superficie piana e stabile e avviarlo. Assicurarsi che l'arieggiatore non venga a contatto con il terreno o con altri oggetti.
- Collocarsi sempre posteriormente al prodotto quando lo si utilizza.
- Consentire a tutte le ruote di restare a contatto con il suolo e tenere le 2 mani sull'impugnatura mentre si aziona il prodotto.

Tenere mani e piedi lontani dall'arieggiatore rotante.

- Non ribaltare il prodotto a motore acceso.
- Prestare attenzione quando si tira il prodotto verso di sé.
- Non sollevare mai il prodotto a motore avviato. Se è necessario sollevare il prodotto, arrestare prima di tutto il motore, poi scollegare il cavo di alimentazione.
- Non camminare all'indietro quando si utilizza il prodotto.
- Arrestare il motore quando si attraversano zone prive d'erba quali vialetti in ghiaia, pietra e asfalto.
- Non correre con il prodotto quando il motore è acceso. Camminare sempre durante l'utilizzo del prodotto.
- Arrestare il motore prima di apportare qualsiasi modifica alla profondità di lavoro. Non effettuare mai regolazioni quando il motore è acceso.
- Non perdere mai di vista il prodotto quando il motore è acceso. Arrestare il motore, scollegare il cavo di alimentazione e assicurarsi che l'arieggiatore non giri.

Istruzioni di sicurezza per il funzionamento

Dispositivi di protezione individuale

Quando si utilizza il prodotto, indossare sempre abbigliamento protettivo personale omologato. L'uso di abbigliamento protettivo personale non elimina il rischio di lesioni, ma ne riduce la gravità in caso di incidente. Chiedere consiglio al proprio rivenditore di fiducia per la scelta dell'attrezzatura adeguata.

Usare sempre:

- Cuffie protettive per ridurre al minimo il rischio di lesioni all'udito.
- Scarpe o stivali robusti e antiscivolo. Non indossare sandali e non lavorare a piedi nudi.
- Pantaloni lunghi di tessuto pesante. Non indossare pantaloni corti.

Indossare i guanti quando è necessario, ad esempio durante il montaggio, l'ispezione o la pulizia dell'arieggiatore.



AVVERTENZA: Usare cuffie protettive omologate. Una lunga

esposizione al rumore può comportare lesioni permanenti all'udito.

Dispositivi di sicurezza sul prodotto



AVVERTENZA: Leggere le seguenti avvertenze prima di utilizzare il prodotto.

- Non utilizzare un prodotto con dispositivi di sicurezza difettosi.
- Effettuare regolarmente un controllo dei dispositivi di sicurezza. Se i dispositivi di sicurezza sono difettosi, rivolgersi alla propria officina Husqvarna.

Controllo dei coperchi

Il coperchio dell'arieggiatore riduce le vibrazioni del prodotto e il rischio di ferirsi con l'arieggiatore.

- Esaminare il coperchio dell'arieggiatore laterale per accertarsi che non presenti danni quali crepe.
- Esaminare il coperchio posteriore per accertarsi che non presenti danni quali crepe.

Leva del freno motore

L'impugnatura del freno motore arresta il motore. Quando si rilascia l'impugnatura del freno motore, il motore si arresta.

Per controllare il freno motore, avviare il motore e quindi rilasciare l'impugnatura del freno motore. Se il motore non si arresta entro 3 secondi, far regolare il freno motore presso un'officina Husqvarna autorizzata.

(Fig. 21)

Per esaminare l'inibitore di avviamento

Effettuare un controllo dell'inibitore di avviamento per accertarsi che impedisca il funzionamento del motore.

1. Spingere l'impugnatura del freno motore in direzione del manubrio. L'inibitore di avviamento arresta il movimento.
2. Tirare fuori l'inibitore di avviamento. (Fig. 22)
3. Rilasciare l'inibitore di avviamento e accertarsi che ritorni nella sua posizione iniziale.

Per utilizzare il supporto del cavo di alimentazione

Il supporto del cavo di alimentazione riduce la tensione tra la presa e il cavo. Il supporto del cavo di alimentazione riduce anche il rischio di caduta.

1. Piegare il cavo di alimentazione in modo da formare un anello stretto.
2. Inserire l'anello nel foro sul supporto del cavo di alimentazione.
3. Avvolgere il cavo attorno al gancio.
4. Tirare il cavo di alimentazione per fissare l'anello attorno al gancio. (Fig. 23)

Sicurezza del cavo di alimentazione

- Si consiglia l'utilizzo di un interruttore automatico differenziale con corrente di rilascio che non superi 30 mA. Anche con un interruttore automatico differenziale installato, non è possibile garantire al 100% la sicurezza e occorre sempre osservare le pratiche di sicurezza sul lavoro. Effettuare un controllo dell'interruttore

automatico differenziale ogni volta che si utilizza.

- Se il cavo è tagliato o se l'isolamento è danneggiato, scollegare immediatamente l'attrezzo dalla rete elettrica.
- Non toccare il cavo tagliato o danneggiato fino a quando non è stata scollegata la rete elettrica.
- Non riparare un cavo di alimentazione tagliato o danneggiato. Sostituirlo con uno nuovo.

Istruzioni di sicurezza per la manutenzione



AVVERTENZA: Leggere le seguenti avvertenze prima di utilizzare il prodotto.

- Per evitare l'avviamento accidentale durante la manutenzione, scollegare il cavo di alimentazione.
- Eseguire gli interventi di manutenzione correttamente in modo da aumentare la durata di vita del prodotto e ridurre il rischio di incidenti. Affidare le riparazioni professionali a un'officina autorizzata. Per ulteriori informazioni,

rivolgersi all'officina più vicina.

- Eseguire esclusivamente gli interventi di manutenzione riportati nel presente manuale operatore. Per operazioni di maggiore entità, rivolgersi a un'officina autorizzata.
- Per evitare lesioni, non rimuovere o apportare modifiche ai dispositivi di sicurezza.
- Indossare guanti per lavori pesanti quando si utilizza l'arieggiatore. L'arieggiatore è molto affilato e ci si può ferire facilmente.
- Mantenere i rebbi sull'arieggiatore affilati e puliti per prestazioni più sicure e ottimali.
- Far esaminare regolarmente il prodotto da un'officina per messe a punto e riparazioni necessarie.
- Sostituire le parti danneggiate, usurate o rotte. Utilizzare sempre parti di ricambio originali raccomandati dal produttore. Altri pezzi di ricambio possono danneggiare il prodotto e aumentare il rischio di incidenti.
- Rispettare le istruzioni per la sostituzione degli accessori.

Utilizzare solo accessori del produttore.

Montaggio

Introduzione



AVVERTENZA: Prima di montare il prodotto, leggere il capitolo sulla sicurezza.



AVVERTENZA: Per evitare l'avviamento accidentale durante il montaggio, scollegare il cavo di alimentazione.

Per montare l'impugnatura

1. Allentare le manopole inferiori.
2. Spostare le manopole verso l'estremità inferiore delle scanalature dei lati sinistro e destro del prodotto. (Fig. 24)
3. Impostare l'altezza dell'impugnatura su una delle 2 posizioni disponibili.
4. Spostare le manopole verso l'alto in direzione dell'impugnatura fino a quando un clic ne segnala l'arresto. (Fig. 25)
5. Stringere completamente le manopole.

Per assemblare il raccoglierba

1. Fissare il telaio del raccoglierba al relativo sacco con la parte rigida di quest'ultimo posta in basso. Mantenere l'impugnatura del telaio dalla parte alta del sacco raccoglierba. (Fig. 26)
2. Fissare la parte inferiore del telaio del raccoglierba nella scanalatura in basso del raccoglierba.
3. Fissare il sacco sul telaio del raccoglierba utilizzando i fermi. (Fig. 27)
4. Sollevare il coperchio posteriore.
5. Spostare il raccoglierba nella posizione corretta. (Fig. 28)
6. Fissare il raccoglierba al bordo superiore del telaio. Assicurarsi che il coperchio posteriore sia sigillato sul raccoglierba per evitare perdite. (Fig. 29)

Utilizzo

Introduzione



AVVERTENZA: Prima di utilizzare il prodotto, è necessario leggere e comprendere il capitolo relativo alla sicurezza.

Husqvarna Connect

Husqvarna Connect è un'app gratuita per i dispositivi mobili. L'app Husqvarna Connect fornisce funzioni estese per il prodotto Husqvarna:

- Informazioni aggiuntive sul prodotto.
- Dettagli, guida, parti del prodotto e manutenzione.

Primo utilizzo Husqvarna Connect

1. Scaricare l'app Husqvarna Connect sul proprio dispositivo mobile.
2. Registrarsi nell'app Husqvarna Connect.
3. Attenersi alle istruzioni dell'app Husqvarna Connect per collegare e registrare il prodotto.

Impostazione della profondità di lavoro



AVVERTENZA: Non regolare la profondità di lavoro durante l'uso del prodotto.

1. Spingere e ruotare la manopola di regolazione della profondità di lavoro in senso antiorario per aumentarla.
2. Spingere e ruotare la manopola di regolazione della profondità di lavoro in senso orario per ridurla. (Fig. 30)

Avviamento dell'unità

1. Collegare un cavo di alimentazione alla presa sotto l'impugnatura. (Fig. 31)
2. Posizionare il cavo di alimentazione nel supporto del cavo di alimentazione. Vedere *Per utilizzare il supporto del cavo di alimentazione alla pagina 183.* (Fig. 23)
3. Collocarsi dietro il prodotto.
4. Allentare l'inibitore di avviamento. (Fig. 32)
5. Spingere l'impugnatura del freno motore in direzione del manubrio. (Fig. 33)

Arresto del prodotto

1. Rilasciare l'impugnatura del freno motore per arrestare il motore. (Fig. 34)
2. Scollegare il cavo di alimentazione dalla presa elettrica e successivamente dal prodotto. (Fig. 35)



ATTENZIONE: Estrarre la spina in linea retta. Non tirare il cavo di alimentazione.

Manutenzione

Introduzione



AVVERTENZA: Prima di svolgere la manutenzione, leggere e comprendere il capitolo relativo alla sicurezza.

Per tutti gli interventi di assistenza e riparazione sul prodotto, è necessaria una formazione specifica. La nostra azienda garantisce la disponibilità di personale qualificato per le riparazioni e l'assistenza. Se non avete acquistato il prodotto presso un rivenditore dotato di officina, informatevi sull'ubicazione della più vicina officina autorizzata.

Per ulteriori informazioni dettagliate, fare riferimento a www.husqvarna.com.

Programma di manutenzione

Gli intervalli di manutenzione sono calcolati sulla base di un uso quotidiano del prodotto. Gli intervalli cambiano se il prodotto non viene usato quotidianamente.

Per gli interventi di manutenzione identificati con *, fare riferimento a *Dispositivi di sicurezza sul prodotto alla pagina 182*.

	A ciascun utilizzo	Una volta al mese	Ogni stagione
Effettuare un'ispezione generale.	X		
Pulire il prodotto.	X		
Controllare l'arieggiatore.	X		
Assicurarsi che i dispositivi di sicurezza del prodotto non siano difettosi. *	X		
Esaminare i coperchi. *	X		
Controllare la leva del freno motore. *	X		
Eseguire un controllo dell'inibitore di avviamento. *	X		

Ispezione generale

- Controllare che tutti i dadi e le viti del prodotto siano ben serrati.
- Accertarsi che i cavi del prodotto non sono in una posizione in cui possono danneggiarsi.
- Accertarsi che non siano presenti ostruzioni nel prodotto.

- Utilizzare una spazzola per rimuovere foglie, erba e sporcizia.

Controllo dell'arieggiatore



AVVERTENZA: Per evitare l'avviamento accidentale, scollegare il cavo di alimentazione.

Per pulire il prodotto

- Pulire le parti in plastica con un panno pulito e asciutto.
- Non utilizzare acqua per pulire il prodotto. L'acqua può penetrare nella batteria o nel motore e causare un corto circuito o danni al prodotto.
- Non utilizzare una lancia ad alta pressione per pulire il prodotto.
- Non dirigere getti d'acqua sul motore.



AVVERTENZA: Indossare guanti protettivi quando si esegue la manutenzione dell'arieggiatore. I rebbi sull'arieggiatore sono molto affilati e ci si può ferire facilmente.

- Controllare l'arieggiatore per individuare danni o crepe. Sostituire sempre l'arieggiatore danneggiato.

Sostituzione dell'arieggiatore



AVVERTENZA: Indossare guanti protettivi quando si esegue la manutenzione dell'arieggiatore. L'arieggiatore è molto affilato e ci si può ferire facilmente

1. Posizionare il prodotto sul lato destro. (Fig. 36)
2. Rimuovere le 2 viti (A) ed estrarre il coperchio dell'arieggiatore (B). Spingere l'arieggiatore (C) verso l'alto e verso l'esterno per rimuoverlo. (Fig. 37)
3. Spingere il nuovo arieggiatore (C) nella scanalatura e nel foro. Fissare il coperchio dell'arieggiatore (B) con le 2 viti (A) (Fig. 38)

Ricerca guasti

Risoluzione dei problemi

Problema	Possibile causa	Soluzione
Il prodotto non si avvia.	Il cavo di alimentazione non è collegato a una presa di alimentazione.	Collegare il cavo di alimentazione a una presa di alimentazione.
	Il cavo di alimentazione non è collegato al prodotto.	Collegare il cavo di alimentazione alla presa sotto l'impugnatura.
	L'impugnatura del freno motore non è spinta in direzione del manubrio.	Spingere l'impugnatura del freno motore in direzione del manubrio.
	Il cavo di alimentazione è danneggiato.	Rivolgersi a un tecnico dell'assistenza autorizzato.
	Altri errori.	

Trasporto, stoccaggio e smaltimento

Trasporto

- Rispettare i requisiti speciali riportati sulla confezione e sulle etichette per il trasporto commerciale.
- Durante la preparazione al trasporto del prodotto, attenersi alle normative relative ai materiali pericolosi. Possono essere in vigore alcune normative locali.
- Fissare il prodotto durante il trasporto.

Stoccaggio

- Attendere che il prodotto si raffreddi prima del rimessaggio.
- Conservare il prodotto a una temperatura ambiente compresa tra -10 °C e 40 °C.
- Conservare il prodotto, in un luogo chiuso a chiave, fuori dalla portata di bambini e di persone non autorizzate.
- Pulire il prodotto ed eseguire una manutenzione completa prima di riporlo per lunghi periodi.
- Eseguire gli interventi di manutenzione riportati nel presente manuale operatore. Fare riferimento a *Programma di manutenzione alla pagina 186.*

- Eseguire una manutenzione completa prima di un lungo periodo di rimessaggio.

Smaltimento

I simboli sul prodotto o sull'imballaggio indicano che il presente prodotto non può essere trattato come rifiuto domestico. Deve essere portato presso un centro di raccolta specializzato nel recupero di apparecchiature elettriche ed elettroniche.

Trattando questo prodotto correttamente, si contribuisce a contrastare il potenziale impatto negativo sull'ambiente e sulle persone che può altrimenti sortire da una gestione impropria del prodotto come rifiuto. Per informazioni più dettagliate sul riciclaggio di questo prodotto, contattare l'autorità municipale, il servizio rifiuti domestici o il punto vendita in cui è stato acquistato.

(Fig. 39)

Dati tecnici

Dati tecnici

S 138C	
Motore	
Tipo di motore	Serie motore AC
Velocità gruppo – SavE, giri/min	N/D
Velocità gruppo – Nominale, giri/min	4200
Potenza del motore - max kW	1,8
Potenza del motore - Nominale, kW	1,6
Peso	
Peso, kg	19,0
Emissioni di rumore ³⁷	
Livello di potenza acustica, misurato dB(A)	96
Livello acustico, garantito L _{WA} dB(A)	98
Livelli di rumorosità ³⁸	
Livello di pressione sonora all'orecchio dell'operatore, dB (A)	82
Livelli di vibrazioni ³⁹	
Impugnatura, m/s ²	8,3
Funzionamento	
Profondità di lavoro max/min, mm	-8/+5
Larghezza di lavoro, cm	37,5
Gruppo rebbi della lama	5973510-01
Gruppo denti a molla	5973509-01
Capacità del raccoglierba, litri	45

³⁷ Emissioni di rumore nell'ambiente misurate come potenza sonora (L_{WA}) in base alla direttiva CE 2000/14/CE.

³⁸ I dati riportati per il livello di pressione acustica hanno una dispersione statistica tipica (deviazione standard) di 1,2 dB(A).

³⁹ I dati riportati per il livello di vibrazioni presentano una dispersione statistica tipica (deviazione standard) di 0,2 m/s².

Dichiarazione di conformità

Dichiarazione di conformità UE

Husqvarna AB, SE-561 82 Huskvarna, SVEZIA, tel:
+46-36-146500, dichiara sotto la propria esclusiva
responsabilità che il prodotto indicato:

Descrizione	Scarificatore
Marchio	Husqvarna
Tipo/Modello	S 138C
Identificazione	Numeri di serie a partire da 2023 e successivi

È pienamente conforme alle seguenti norme e direttive
UE:

Direttiva/norma	Descrizione
2011/65/UE	"sulle restrizioni dell'uso di determinate sostanze pericolose nelle apparecchiature elettriche ed elettroniche"
2006/42/CE	"sulle macchine"
2014/30/EU	"sulla compatibilità elettromagnetica"
2000/14/CE	"sull'emissione di rumore nell'ambiente"

e che sono applicati gli standard e/o le
specifiche tecniche seguenti: EN 60335-1:2012/
A11:2014/A13:2017/A15:2021, EN 50636-2-92:2014,
EN 55014-1:2017/A11:2020, EN 55014-2:2015, EN
61000-3-2:2014, EN 61000-3-11:2000, EN IEC
63000:2018.

Per informazioni sulle emissioni acustiche, fare
riferimento a *Dati tecnici alla pagina 188*.

Huskvarna, 2024-03-01



Claes Losdal

Responsabile sviluppo/Prodotti da giardino

Husqvarna AB

Responsabile della documentazione tecnica



目次

はじめに.....	190	トラブルシューティング.....	200
安全性.....	192	搬送、保管、廃棄.....	200
組立.....	197	主要諸元.....	200
Operation(操作).....	198	適合宣言.....	202
メンテナンス.....	198		

はじめに

製品の説明

本製品は、手押し式電動デサッチャーです。本製品は芝生からサッチを取り除き、土壌をほぐして芝生に空気と水を取り入れます。サッチはグラスキャッチャーに回収されるか、芝生上に放出されます。本製品には2種類のデサッチャー装置があります。

デサッチャー装置

デサッチャー装置の交換方法については、**デサッチャー装置の交換方法** 199 ページを参照してください。

ブレードタイン

ブレードタインはサッチを取り除き、芝の根を垂直に切断します。ブレードタインは、斜面や階段状の地面、粘

土の量が多い土壌で使用してください。ブレードタインは、水を芝生に落とし入れ、水が表面に溜まらないようにします

(図 19)

スプリングタイン

スプリングタインは、芝の根を傷つけずに、芝生から枯草やサッチを慎重に取り除きます。

(図 20)

用途

本製品はサッチや苔を取り除き、ご家庭の庭の土壌をほぐすために使用します。他の作業に本製品を使用しないでください。

製品の概要

(図 1)

1. モーターブレーキハンドル
2. 上部ハンドル
3. 始動抑制装置
4. 電源ソケット
5. 下部ハンドル
6. ケーブルクランプ
7. グラスキャッチャー
8. 後部カバー
9. デサッチャーカバー
10. 作業深さの調整ノブ
11. スプリングタイン
12. 六角レンチ
13. 取扱説明書

(図 3)

本製品を使用する前に、この取扱説明書をお読みにになり、指示内容をよく理解してください。

(図 4)

飛び散ったり跳ね返ってくる物体に気をつけてください。

(図 5)

作業領域からは人や動物との安全な距離を保ってください。

製品に表記されるシンボルマーク

(図 2)

警告：不注意な取り扱いや誤った取り扱いは作業者や周囲の人などに傷害を与え、時には致命的な傷害を引き起こすことがあります。

(図 6)

警告 - タインに手や足を近づけないでください。

(図 7)

本製品のメンテナンスを行う前に、製品を電源コンセントから取り外

してください。モーターのスイッチをオフにした後も、タインは回転し続けます。

れています： *主要諸元*
200 ページ。

(図 8)

感電の危険。

(図 14)

二重絶縁。

(図 9)

警告：本製品の運転中に、電源コードを横切らないでください。感電や製品損傷のおそれがあります。

(図 18)

電気・電子機器のリサイクル業者にリサイクルを依頼してください。(ヨーロッパにのみ適用)

(図 10)

本製品は防沫仕様です。

(図 15)

始動手順：始動抑制装置を緩め、モーターブレーキハンドルを押し下げます。

(図 11)

この製品は EC 指令適合製品です。

(図 12)

この製品は該当する UK 規制に準拠しています。

(図 16)

モーターブレーキハンドルを放すと、モーターは停止します。

(図 13)

環境に対する騒音レベルは EC 指令と英国の指令および規制、ニューサウスウェールズの法規「Protection of the Environment Operations (Noise Control) Regulation 2017」に準拠しています。本製品の保証音響レベルは次の場所とラベルに記載さ

(図 17)

スキャン用のコード

注記： 本製品に付いている他のシンボル / デカールは、一部の市場地域に向けた認定条件を示します。

製品の損傷

以下の場合、当社は製品の損傷について責任を負いません。

- 本製品が誤って修理された場合。
- メーカーによるものではない部品、またはメーカーの認可していない部品を使用して本製品を修理した場合。
- メーカーによるものではないアクセサリ、またはメーカーの認可していないアクセサリを本製品に使用した場合。
- 認定サービスセンターまたは認定販売店で本製品が修理されていない場合。

安全性の定義

警告、注意、注記は、取扱説明書の特に重要な部分を示しています。



警告： 取扱説明書の指示に従わない場合、使用者が負傷したり、死亡したりするか、あるいは付近の人に損傷を与える危険があることを意味します。



注意： 取扱説明書の指示に従わない場合、製品や他の物品、または隣接するエリアに損傷を与える危険があることを意味します。

注記： 特定の状況で必要とされる詳細情報を提供するために使用されます。

一般的な安全注意事項



警告： 本製品を使用する前に、以下の警告指示をお読みください。

- 本製品は、慎重かつ適切に使用しないと、危険な道具となります。安全注意事項に従わない

と、負傷や死亡事故が発生するおそれがあります。

- 本製品では、運転中に電磁場が発生します。この電磁場は、ある条件下でアクティブ、またはパッシブな医療用インプラントに影響を及ぼすことがあります。深刻な傷害または致命傷の危険を避けるため、医療用インプラントを使用している方は、本製品を使用する前に主治医および医療用インプラントの製造元に相談することをお勧めします。
- 常に常識に基づいて注意して使用してください。特殊な状況での本製品の操作方法がわからない場合、作業を続ける前に本製品を停止して、Husqvarna 販売店までご連絡ください。
- 第三者やその所有物が事故に関係する場合、その責任は、作業員にあることを忘れないでください。
- 本製品は清潔に保ってください。標識やラベルがはっきりと読み取れるようにしてください。
- 子供や使用方法に習熟していない人には本製品を使用させないでください。居住地の法規によっては、使用者の年齢制限がある場合があります。

- 身体的、精神的にハンデを負った人が本製品を使用する場合は常に監視してください。責任を有する大人が常にそばにいる必要があります。
- 疲労時、疾病時、アルコールや医薬品の影響が残っているときは、本製品を使用しないでください。視力、注意力、動作、判断力に悪影響を与えます。
- 本製品に不具合がある場合は使用しないでください。
- 本製品を改造しないでください。また、本製品が改造されている可能性がある場合は使用しないでください。

作業エリアの安全



警告： 本製品を使用する前に、以下の警告指示をお読みください。

- 本製品を使用する前に、大小の枝や石などの物体を作業範囲から取り除いてください。
- デサッチャー装置にぶつかった物体がはじかれて、人が怪我をしたり物が損傷したりするおそれがあります。本製品と周囲の人や動物との間に安全な距離を保ってください。
- 霧、雨、強風、極寒、雷の危険などの悪天候下で本製品を使用しないでください。悪天候下や、湿気のある場所、濡れた場所で本製品を使用すると疲

勞します。悪天候の場合、路面が滑りやすくなるなど、危険な状態を引き起こすことがあります。

- 製品の安全な操作を妨げる可能性がある人、物、状況に注意してください。
- 根、石、小枝、窪み、溝などの障害物に注意してください。長い芝の中に障害物が隠れていることがあります。
- 斜面で本製品を操作することは危険を伴います。15度を超える斜面では、本製品を使用しないでください。
- 斜面を横切りながら本製品を操作してください。上下に移動しないでください。
- 陰になった隅や視界を遮る物に近づくときは気を付けてください。

安全な作業



警告： 本製品を使用する前に、以下の警告指示をお読みください。



警告： デサッチャー装置に触れる前に、本製品を停止し、電源コードを外して、タインが完全に停止していることを確認してください。

- 本製品は、芝生のサッチと苔を取り除くためにのみ使用してください。他の作業には使用できません。
 - 身体保護具を使用してください。参照：身体保護具 195 ページ。
 - 雨降りや湿潤な環境下で本製品を操作しないでください。本製品に水が入ると、感電の危険性が高まります。
 - 電源コードが損傷している場合は、本製品を操作しないでください。
 - デサッチャー装置やすべてのカバーを適切に装着してから本製品を始動させてください。デサッチャー装置が適切に装着されていないと、緩んで、怪我をすることがあります。
 - デサッチャー装置が石や根などの物体にぶつからないように気を付けてください。デサッチャー装置が損傷したり、モーターシャフトが曲がったりするおそれがあります。シャフトが曲がると振動が激しくなり、デサッチャー装置が緩む危険性が非常に高くなります。
 - デサッチャー装置が物に当たったり振動が発生したりした場合は、すぐに本製品を停止してください。モーターを停止し、電源コードを外します。製品に損傷がないか点検します。損傷部を修復するか、認定サー
- ビス代理店に修理を依頼してください。
 - モーターの始動時は、モーターブレーキハンドルをハンドルに完全に固定しないでください。
 - 製品を平らで安定した面に置き、始動します。デサッチャー装置が地面やその他の物に触れないよう、注意してください。
 - 本製品の操作時は、必ず製品の後ろに立ってください。
 - 製品を操作するときは、すべてのホイールを地面につけ、両手でハンドルをつかんで操作してください。回転しているデサッチャー装置に手や足を近づけないでください。
 - モーターの作動中は、本製品を傾けないでください。
 - 本製品を後方に引くときは注意してください。
 - モーターの作動中は、本製品を持ち上げないでください。本製品を持ち上げる場合は、モーターを停止し、電源コードを外してください。
 - 本製品を操作するときは、後方に歩かないでください。
 - 砂利、石、アスファルトなど、芝面以外の領域を横切るときは、モーターを停止してください。
 - モーターの作動中は、本製品を操作しながら走らないでくだ

さい。本製品を操作するとき
は、必ず歩いてください。

- 作業深さを変更する場合は、ま
ずモーターを停止してください。
モーターが作動している
状態での調整は決して行わな
いください。
- モーターが作動している状態
で、見えない場所に製品を放置
しないでください。モーター
を停止し、電源コードを外し
て、デサッチャー装置が回転し
ていないことを確認してくだ
さい。

操作のための安全注意事項

身体保護具

本製品を使用するときは、認可
されたプロテクティブ装具を必
ず着用してください。プロテク
ティブ装具で負傷の危険性をな
くすることができるわけではあり
ませんが、万が一事故が起こっ
た場合でも、負傷の程度を軽減
できます。プロテクティブ装具
の選択については、販売店にご
相談ください。

常に下記の物を着用してくださ
い。

- 聴覚障害の危険性を最小限に
するためのイヤマフ。
- 丈夫で滑りにくいブーツまた
は靴。サンダルや裸足は禁
止。
- 厚手の長ズボン。短パンは着
用しないでください。

デサッチャー装置の取り付け、
点検、清掃の場合など、必要な
場合は保護手袋を着用してくだ
さい。



警告： 認可されたイヤマ
フを使用してください。
長時間騒音にさらされる
ことは、恒久的な聴覚障
害の原因になることがあ
ります。

本製品の安全装置



警告： 本製品を使用する
前に、以下の警告指示を
お読みください。

- 安全装置に欠陥のある製品は
使用しないでください。
- 安全装置は定期的に点検して
ください。安全装置に欠陥が
ある場合は、Husqvarna サ
ービス代理店にご相談くださ
い。

カバーの点検

デサッチャーカバーは、本製品
の振動を抑え、デサッチャー装
置で負傷する危険性を低減しま
す。

- サイドデサッチャーカバーを
点検して、亀裂などの損傷が
ないことを確認してくださ
い。

- 後部カバーを点検して、亀裂などの損傷がないことを確認してください。

モーターブレーキハンドル

モーターブレーキハンドルは、モーターを停止させるための物です。モーターブレーキハンドルを放すと、モーターが停止します。

モーターブレーキを点検するには、モーターを始動させてから、モーターブレーキハンドルを放します。モーターが3秒で停止しない場合は、Husqvarnaの認定サービス代理店にモーターブレーキの調整を依頼してください。

(図 21)

始動抑制装置の点検

始動抑制装置を点検して、モーターの作動が抑制されることを確認します。

1. ハンドルバーの方向にモーターブレーキハンドルを押します。始動抑制装置により動きが停止します。
2. 始動抑制装置を押します。
(図 22)
3. 始動抑制装置を放して、最初の位置に戻ることを確認します。

電源コードホルダーの使用法

電源コードホルダーにより、電源ソケットや電源コードへの負荷が緩和されます。電源コードホルダーは、作業者が倒れるリスクも低減します。

1. 電源コードを曲げて小さな輪を作ります。
2. この輪を電源コードホルダーの穴に差し込みます。
3. 輪をフックに掛けます。
4. 電源コードを引いて、輪をフックの周りに留めます。(図 23)

電源コードの安全

- トリップ電流が 30 mA 以下の残留電流装置 (R.C.D.) を使用することを推奨します。R.C.D. を取り付けても 100 % の安全は保証されません。常に安全作業手順を守る必要があります。使用のたびに R.C.D. を点検してください。
- 電源コードの切断や、絶縁体の損傷があった場合は、直ちに主電源を切ってください。
- 電源が切れるまで、切断または損傷した電源コードには触れないでください。
- 切断または損傷した電源コードを修理しないでください。新しいコードと交換してください。

メンテナンスのための安全注意事項



警告： 本製品を使用する前に、以下の警告指示をお読みください。

- メンテナンス中に誤って始動しないようにするために、電源コードを外します。
- 適切にメンテナンス作業を実施すると、製品の寿命が延び、事故のリスクを低減することができます。認定サービス代理店に専門的な修理を依頼してください。詳しくは、最寄りのサービス代理店までお問い合わせください。
- 本取扱説明書に記載されているメンテナンスのみを実施してください。本書に記載されている内容以外のメンテナンスは、必ず認定サービス代理店に依頼してください。
- 負傷を防ぐために、安全装置を修理または改造しないでください。
- デサッチャー装置を取り扱う際は、丈夫な作業用手袋を着用してください。デサッチャー装置は非常に鋭利なため、切り傷を負う危険性があります。
- 最も安全で最良の性能を実現するために、デサッチャー装置のタインを目立てし、清潔に保ってください。
- サービス代理店に本製品の定期点検を依頼し、必要な調整や修理を受けてください。
- 損傷、摩耗、破損した部品は交換してください。必ずメーカーが推奨する純正スペアパーツのみを使用してください。その他のスペアパーツを使用すると、本製品が損傷し、事故の危険性が高まる可能性があります。
- アクセサリーの交換は、手順に従って実施してください。純正のアクセサリーのみを使用してください。

組立

はじめに



警告： 製品を組み立てる前に、安全に関する章を読んでください。



警告： 組み立て中に誤って始動しないようにするために、電源コードを外します。

ハンドルの組み立て

1. 下側ノブを緩めます。
2. 本製品の左右にある溝の下端までノブを動かします。(図 24)
3. ハンドルを2つの高さのいずれかにセットします。
4. カチツと音がして止まるまでノブをハンドル方向上方に動かします。(図 25)
5. ノブを完全に締め込みます。

グラスキャッチャーの組み付け方法

1. グラスキャッチャーフレームを、バッグ下部の硬質な部分を使用してグラスバッグに取り付けます。フレームのハンドルがグラスバッグの上になるようにします。(図 26)
2. グラスキャッチャーフレームの下部をグラスキャッチャーの底の溝に取り付けます。
3. グラスバッグをグラスキャッチャーフレームにクリップで取り付けます。(図 27)

4. 後部カバーを持ち上げます。
5. グラスキャッチャーを正しい位置に動かします。(図 28)
6. グラスキャッチャーをシャーシの上端に取り付けます。漏れを防ぐため、後部カバーがグラスキャッチャーに密着していることを確認してください。(図 29)

Operation (操作)

はじめに



警告： 本製品を操作する前に、安全に関する章をお読みにになり、内容を理解してください。

Husqvarna Connect

Husqvarna Connect は、モバイルデバイス用の無料アプリです。Husqvarna Connect アプリは、お持ちの Husqvarna 製品の拡張機能を提供します。

- 拡張製品情報。
- 製品の部品とサービスに関する情報とヘルプ。

Husqvarna Connect の使い方

1. Husqvarna Connect アプリをモバイルデバイスにダウンロードします。
2. Husqvarna Connect アプリで登録を行います。
3. Husqvarna Connect アプリの指示に沿って、製品を接続して登録します。

作業深さの設定方法



警告： 本製品を操作するときは、作業深さを調整しないでください。

1. 作業深さの調整ノブを押して反時計方向に回すと、作業深さが深くなります。
2. 作業深さの調整ノブを押して時計方向に回すと、作業深さが浅くなります。(図 30)

本製品の始動方法

1. 電源コードをハンドルの下のソケットに接続します。(図 31)
2. 電源コードを電源コードホルダーに入れます。電源コードホルダーの使用方法 196 ページを参照してください。(図 23)
3. 製品の後ろに立ってください。
4. 始動抑制装置を緩めます。(図 32)
5. ハンドルバーの方向にモーターブレーキハンドルを押します。(図 33)

本製品を停止するには

1. モーターブレーキハンドルを放すと、モーターは停止します。(図 34)
2. 主電源から電源コードを抜いてから、製品から取り外します。(図 35)



注意： プラグはまっすぐに引き抜いてください。電源コードを引っ張らないでください。

メンテナンス

はじめに



警告： メンテナンスを行う前に、安全に関する章をお読みにになり、内容を理解してください。

本製品のすべての整備と修理作業には、特別な訓練が必要で、当社では責任をもって専門的な修理と整備作業を提供します。お客様の販売店がサービス代理店でない場合は、最寄りのサービス代理店に関する情報をお問い合わせください。

詳しくは、www.husqvarna.com を参照してください。

メンテナンスのスケジュール

メンテナンス間隔は、本製品が毎日使用されることを前提に算出されています。本製品を毎日使用しない場合は、メンテナンス間隔が変わります。

* 印の付いたメンテナンスの詳細： **本製品の安全装置** 195 ページ。

	使用ごと	毎月	季節ごと
一般的な点検を実施します。	X		

	使用ごと	毎月	季節ごと
製品を清掃します。	X		
デサッチャー装置を点検します。	X		
本製品の安全装置に不具合がないことを確認します。*	X		
カバーを点検します。*	X		
モーターブレーキハンドルを点検します。*	X		
始動抑制装置を点検します。*	X		

一般点検の実施方法

- 製品のナットとネジが締め込まれていることを確認します。
- 製品のケーブルが損傷しやすい場所に配置されていないことを確認します。
- ファンに詰まりがないことを確認します。

製品の清掃方法

- プラスチック部品は清潔で乾燥した布で清掃してください。
- 本製品を水で洗淨しないでください。バッテリーやモーターに水が浸入して、本製品が短絡したり、破損したりする原因となります。
- 本製品の清掃には高圧水を使用しないでください。
- モーターに直接水をかけないでください。
- ブラシで、葉、草、土を取り除いてください。

デサッチャー装置の点検方法



警告： 誤って始動しないようにするために、電源コードを外します。



警告： デサッチャー装置のメンテナンスを実施するときは、保護グローブを着用して

ください。デサッチャー装置のタインは非常に鋭利なため、切り傷を負う危険性があります。

- デサッチャー装置に損傷やひび割れがないか点検してください。損傷したデサッチャー装置は必ず交換してください。

デサッチャー装置の交換方法



警告： デサッチャー装置のメンテナンスを実施するときは、保護グローブを着用してください。デサッチャー装置は非常に鋭利なため、切り傷を負う危険性があります。

1. 本製品を右側に置きます。(図 36)
2. 2本のネジ(A)とデサッチャーカバー(B)を取り外します。デサッチャー装置(C)を押し上げて取り外します。(図 37)
3. 新しいデサッチャー装置(C)を溝に押し込んで、下向きに穴に押し込みます。デサッチャーカバー(B)と2本のネジ(A)を取り付けます。(図 38)

トラブルシューティング

トラブルシューティング

問題	考えられる原因	解決策
製品が始動しない。	電源コードが電源に接続されていない。	電源コードを電源に接続します。
	電源コードが本製品に接続されていない。	電源コードをハンドルの下のソケットに接続します。
	モーターブレイキハンドルがハンドルバーの方向に押されていない。	ハンドルバーの方向にモーターブレイキハンドルを押しします。
	電源コードが損傷している。	販売店にご相談ください。
	その他のエラー。	

搬送、保管、廃棄

搬送

- 商用搬送においては、梱包およびラベル付けに関する特別な要件を遵守する必要があります。
- 本製品の搬送準備をする際は、危険物に関する規制を遵守していることを確認してください。地域の規制が適用されることがあります。
- 搬送中は本製品を固定してください。

保管

- 保管前に本製品を冷ましてください。
- 本製品は、周囲温度が -10°C ~ 40°C の場所に保管してください。
- 本製品は、鍵のかかる場所に保管し、子供や許可されていない人の手が届かないようにしてください。
- 製品を長期間保管する前に、製品を清掃し、完全に整備してください。
- 取扱説明書に記載されているメンテナンスを実施してください。参照：メンテナンスのスケジュール 198 ページ。

- 長期間保管する前に、完全に整備してください。

廃棄

本製品や本製品パッケージ上のマークは、本製品が家庭ゴミとして取り扱われてはならないことを示します。電気：電子機器の再利用を行うため、適切にリサイクル営業所に引き渡す必要があります。

以上を遵守することで、本製品は正しく処理され、本製品を不適切に廃棄した場合に環境や人に与えられる悪影響を防止することができます。本製品のリサイクルについての詳細は、あなたの所在する地区の地方自治体、廃棄物処理サービス、本製品を購入した代理店に連絡してください。

(図 39)

主要諸元

主要諸元

S 138C	
モーター	
モータータイプ	シリーズ AC モーター
アタッチメント回転数 - SavE、rpm	該当なし
アタッチメント回転数 - 公称、rpm	4,200

S 138C	
モーター出力 - 最大、kW	1.8
モーター出力 - 公称、kW	1.6
質量	
質量、kg	19.0
騒音排出⁴⁰	
実測音響レベル dB (A)	96
保証音響レベル (L _{WA}) dB (A)	98
サウンドレベル⁴¹	
使用者の耳における音圧レベル、dB (A)	82
振動レベル⁴²	
ハンドル、m/s ²	8.3
動作	
最大作業深さ/最小作業深さ、mm	-8/+5
作業深さ、cm	37.5
ブレードタインアタッチメント	5973510-01
スプリングタインアタッチメント	5973509-01
グラスキャッチャー容量、リットル	45

⁴⁰ 環境における騒音の排出は、EC 指令 2000/14/EC に従って、音響パワー (L_{WA}) として測定。

⁴¹ 報告データによれば、騒音音圧レベルの一般的な統計上のばらつき (標準偏差) は、1.2 dB (A) です。

⁴² 報告データによれば、等価振動レベルの一般的な統計上のばらつき (標準偏差) は、0.2 m/s² です。

適合宣言

EU 適合宣言

ハスクバーナ社(Husqvarna AB) SE-561 82 Huskvarna, Sweden、電話番号 : +46-36-146500) は、単独責任のもとで、以下の製品の適合を宣言します。

名称	スカリアファイヤ
ブランド	Husqvarna
タイプ / モデル	S 138C
ID	2023 年以降の製造番号

が以下の EU 指令および規制を完全に順守し、

指令 / 規制	名称
2011/65/EU	「電気・電子製品に含まれる特定有害物質の使用制限に関する」
2006/42/EC	「機械類に関する」
2014/30/EU	「電磁環境適合性に関する」
2000/14/EC	「環境への騒音排出に関する」

および以下の規格または技術仕様が適用されています。
EN 60335-1:2012/A11:2014/A13:2017/A15:2021, EN 50636-2-92:2014, EN 55014-1:2017/A11:2020, EN 55014-2:2015, EN 61000-3-2:2014, EN 61000-3-11:2000, EN IEC 63000:2018。

騒音排出に関する詳細 : 主要語元 200 ページ。

Huskvarna, 2024-03-01



Claes Losdal

開発マネージャー / 造園製品

ハスクバーナ AB

正式代表兼技術文書担当



TURINYS

Įvadas.....	203	Gedimai ir jų šalinimas.....	213
Sauga.....	205	Transportavimas, saugojimas ir utilizavimas.....	213
Surinkimas.....	211	Techniniai duomenys.....	214
Naudojimas.....	211	Atitikties deklaracija.....	216
Techninė priežiūra.....	212		

Įvadas

Gaminio aprašas

Šis gaminys yra pėsčiojo valdomas elektrinis skarifikatorius. Gaminys nuo vejos pašalina veltinį ir išpureną dirvožemį, kad į veją galėtų patekti oras ir vanduo. Veltinis surenkamas į žolės rinktuvą arba išmetamas į veją. Gaminys naudojamas su 2 tipų skarifikatoriaus įranga.

Skarifikatoriaus įranga

Informacijos, kaip keisti skarifikatoriaus įrangą, žr. *Norėdami pakeisti skarifikatoriaus įrangą psl. 213.*

Skarifikavimo peiliai

Skarifikavimo peiliai pašalina veltinį ir vertikaliai nupjauna žolės šaknis. Naudokite skarifikavimo peilius

Gaminio apžvalga

(Pav. 1)

1. Variklio stabdymo rankena
2. Viršutinė rankena
3. Apsauga nuo netyčinio paleidimo
4. Maitinimo lizdas
5. Apatinė rankena
6. Troso gnybtas
7. Žolės rinktuvas
8. Galinis gaubtas
9. Skarifikatoriaus dangtis
10. Darbinio gylio reguliavimo rankenėlė
11. Spyruoklinės akėčios
12. Šešiabriaunis raktas
13. Naudojimo instrukcija

Simboliai ant gaminio

(Pav. 2)

Įspėjimas. Aplaidžiai ar netinkamai naudojant gali būti rimtai ar net mirtinai sužalotas operatorius ar kiti žmonės.

šlaituose, terasose ir esant molingiems dirvožemiams. Naudojant skarifikavimo peilius vanduo gali susigerti į veją ir nesikaupia ant paviršiaus

(Pav. 19)

Spyruoklinės akėčios

Spyruoklinės akėčios atsargiai pašalina negyvą žolę ir veltinį nuo vejos, nepažeisdamos žolės šaknų.

(Pav. 20)

Naudojimas

Naudokite produktą pašalinti veltiniui ir samanoms bei purenti dirvožemiui privačiuose sodose. Nenaudokite gaminio kitiems darbams.

(Pav. 3)

Prieš naudodami gaminį perskaitykite naudojimo instrukciją ir įsitikinkite, kad instrukcijas suprantate.

(Pav. 4)

Saugokitės išmetamų ir rikošetu atšokusių daiktų.

(Pav. 5)

Asmenims ir gyvūnams būtina laikytis saugaus atstumo nuo darbo zonos.

(Pav. 6)

ĮSPĖJIMAS – saugokite rankas bei kojas

ir nekiškite jų į skarifikavimo peilius.

(Pav. 7) Prieš atlikdami gaminio priežiūros darbus, atjunkite gaminį nuo elektros tinklo. Išjungus variklį, skarifikavimo peiliai dar kurį laiką sukasi.

(Pav. 8) Elektros smūgio pavojus.

(Pav. 9) Įspėjimas. Nenaudokite gaminio ant maitinimo laido, nes galite patirti elektros smūgį arba sugadinti gaminį.

(Pav. 10) Šis gaminy yra apsaugotas nuo vandens pusrų.

(Pav. 11) Šis įrenginys atitinka jam taikomas EB direktyvas.

(Pav. 12) Šis gaminy atitinka taikytinų JK reglamentų nuostatas.

(Pav. 13) Triukšmo emisijos į aplinką ženklimas atitinka ES ir Jungtinės Karalystės direktyvas bei reglamentus ir Naujojo Pietų Velso įstatymą „2017 m.

aplinkos apsaugos (triukšmo kontrolės) reglamentas“. Gaminio garantuotasis garso galios lygis nurodytas *Techniniai duomenys psl. 214* ir etiketėje.

(Pav. 14) Dviguba izoliacija.

(Pav. 18) Nuvežkite šį gaminį į elektros ir elektronikos įrenginių perdirbimo punktą. (galioja tik Europoje)

(Pav. 15) Paleidimo procedūra: atleiskite apsaugą nuo netyčinio paleidimo, nuspauskite variklio stabdymo rankeną.

(Pav. 16) Norėdami sustabdyti, atleiskite variklio stabdymo rankeną.

(Pav. 17) Nuskaitomas kodas.

Pasižymėkite: Kiti ant gaminio pateikti simboliai (etiketės) skirti kai kurių rinkų sertifikavimo reikalavimams.

Produkto pažeidimai

Mes neatsakome už mūsų gaminio sugadinimą, jei:

- gaminy netinkamai suremontuotas;
- gaminy suremontuotas naudojant kito gamintojo arba gamintojo nepatvirtintas dalis;
- gaminy turi kito gamintojo arba gamintojo nepatvirtintą priedą;

- gaminys suremontuotas ne patvirtintame techninės priežiūros centre arba jį suremontavo ne patvirtintas atstovas.

Sauga

Saugos ženklų reikšmės

Įspėjimai, perspėjimai ir pastabos yra skirtos atkreipti dėmesį į ypač svarbias instrukcijos dalis.



PERSPĖJIMAS:

Naudojamas, kai naudotojui ar šalia esantiems asmenims kyla mirtino arba sunkaus sužeidimo pavojus arba, jei nesilaikoma naudotojo instrukcijoje pateiktų nurodymų.



PASTABA: Naudojamas, kai kyla pavojus sugadinti gaminį, kitas medžiagas arba padaryti žalą aplinkai, jei nesilaikoma naudotojo instrukcijoje pateiktų nurodymų.

Pasižymėkite: Naudojama pateikti daugiau, nei būtina esamoje situacijoje, informacijos.

Bendrieji saugos nurodymai



PERSPĖJIMAS: Prieš naudodami gaminį, perskaitykite toliau esančius įspėjimus.

- Netinkamai arba neatidžiai naudojant šis gaminys yra pavojingas. Jei nesilaikysite saugos nurodymų, kyla sužeidimų arba mirties pavojus.
- Šis gaminys veikdamas sukuria elektromagnetinį lauką. Tam tikromis aplinkybėmis šis laukas gali trikdyti aktyviųjų arba pasyviųjų medicininių implantų veiklą. Kad sumažėtų sunkių ar mirtinų sužeidimų pavojus, medicininių implantų turintiems asmenims rekomenduojame prieš naudojant šį gaminį pasitarti su gydytoju ir implanto gamintoju.
- Visada elkitės atsargiai ir vadovaukitės sveiku protu. Jei tiksliai nežinote, kaip naudoti gaminį konkrečioje situacijoje, sustabdykite darbą ir prieš tęsdami darbą pasitarkite

su „Husqvarna“ pardavimo atstovu.

- Atsiminkite, kad už nelaimingus atitikimus, kurių metu nukentės asmenys ar turtas, bus atsakingas naudotojas.
- Rūpinkitės gaminio švara. Įsitikinkite, kad galite aiškiai perskaityti ženklus ir lipdukus.
- Neleiskite vaikams bei suaugusiesiems, nesusipažinusiems su instrukcijomis, naudotis įrenginiu. Gali būti, kad pagal vietos teisės aktus ribojamas naudotojo amžius.
- Visada prižiūrėkite gaminį naudojantį fizinę arba protinę negalią turintį asmenį. Būtina nuolatinė atsakingo suaugusiojo priežiūra.
- Neeksploatuokite gaminio, jeigu esate pavargę, sergate, vartojote alkoholio, narkotikų ar vaistų. Tai neigiamai veikia jūsų regėjimą, nuovoką ar koordinaciją.
- Neeksploatuokite gaminio, jei jis sugadintas.
- Nekeiskite gaminio ir nenaudokite jo, jei jį galėjo pakeisti kiti.

Sauga darbo vietoje



PERSPĖJIMAS: Prieš naudodami gaminį, perskaitykite toliau esančius įspėjimus.

- Prieš naudodami gaminį nuo darbo zonos pašalinkite tokius objektus, kaip šakos, šakelės ir akmenys.
- Atsitrenkę į skarifikatoriaus įrangą objektai gali atšokti ir sužeisti asmenis bei sugadinti daiktus. Šalia esantiems asmenims ir gyvūnams būtina laikytis saugaus atstumo nuo gaminio.
- Gaminio niekuomet nenaudokite blogu oru, pvz., kai pakyla rūkas, lyja, pučia stiprus vėjas, stipriai šąla ir gali žaibuoti. Darbas gaminiu blogu oru arba drėgnose ar šlapiose vietose yra varginantis. Blogu oru gali susidaryti pavojingos sąlygos, pvz., slidūs paviršiai.
- Saugokitės asmenų, daiktų ir tam tikrų situacijų kurios gali neleisti saugiai naudoti gaminio.
- Saugokitės kliūčių, pvz., šaknų, akmenų, šakelių, duobių ir griovių. Aukštoje

žolėje kliūtys gali būti nematomos.

- Gali būti pavojinga pjauti žolę šlaituose. Nenaudokite gaminio, jei šlaitas yra statnesnis nei 15°.
- Šlaitus pjaukite skersai. Nevažiuokite į viršų ir žemyn.
- Būkite atsargūs artėdami prie nematomų kampų ir daiktų, kurie užstoja vaizdą.

Darbo sauga



PERSPĖJIMAS: Prieš naudodami gaminį, perskaitykite toliau esančius įspėjimus.



PERSPĖJIMAS: Sustabdykite gaminį, atjunkite maitinimo laidą, įsitikinkite, kad skarifikavimo peiliai visiškai sustojo, ir tik tada lieskite skarifikatoriaus įrangą.

- Šį gaminį naudokite tik šalinti veltiniui ir samanoms, esančioms žolės vejose. Neleidžiama jo naudoti kitoms užduotims atlikti.
- Naudokite asmenines apsaugines priemones.

Žr. *Asmeninės apsauginės priemonės psl. 208.*

- Nenaudokite gaminio Lietuje arba drėgnoje aplinkoje. Į gaminį patekus vandens, padidėja elektros smūgio pavojus.
- Nenaudokite gaminio, jei maitinimo laidas yra pažeistas.
- Nenaudokite gaminio tinkamai neuždengę skarifikatoriaus įrangos ir neuždėję kitų dangčių. Netinkamai uždėta skarifikatoriaus įranga gali atsilaisvinti ir sužeisti.
- Užtikrinkite, kad skarifikatoriaus įranga neatsitrenktų į tokius objektus, kaip akmenys ir šaknys. Tai gali sugadinti skarifikatoriaus įrangą ir sulenkti variklio veleną. Sulenkta ašis sukelia didelę vibraciją ir kyla didžiulis pavojus, kad skarifikatoriaus įranga atsilaisvins.
- Jei į skarifikatoriaus įrangą atsitrenkia objektas arba susidaro vibracijos, nedelsdami sustabdykite gaminį. Sustabdykite variklį ir atjunkite maitinimo laidą. Patikrinkite, ar gaminys neapgadintas. Pataisykite sugadintas dalis arba remonto

- darbus perleiskite įgaliotajam techninės priežiūros atstovui.
- Niekada nepritvirtinkite variklio stabdymo rankenos prie rankenos visam laikui, kai variklis veikia.
 - Padėkite gaminį ant stabilaus, plokščio paviršiaus ir paleiskite jį. Patikrinkite, ar skarifikatoriaus įranga neliečia žemės ar kokių kitų daiktų.
 - Visada būkite už gaminio, kai jį naudojate.
 - Prižiūrėkite, kad visi ratukai būtų ant žemės ir abi rankas laikykite ant rankenos, kai naudojate gaminį. Saugokite rankas bei kojas ir nekiškite jų prie besisukančios skarifikatoriaus įrangos.
 - Dirbant varikliui nepakreipkite gaminio.
 - Būkite atsargūs, kai gaminį traukiate atgal.
 - Dirbant varikliui niekada nekelkite gaminio. Jei reikia pakelti gaminį, pirma išjunkite variklį ir atjunkite maitinimo laidą.
 - Naudodami gaminį neikite atgal.
 - Veždami įrenginį per zonas be žolės, pvz., žvirgždo, akmenų ir asfalto takelius, sustabdykite variklį.

- Dirbant varikliui nebėkite su gaminiu. Naudodami gaminį visada eikite.
- Prieš pakeisdami darbinį gylį, pirmiausia išjunkite variklį. Niekada nereguliuokite varikliui veikiant.
- Niekada nepaleiskite gaminio iš akių, kai veikia variklis. Sustabdykite variklį, atjunkite maitinimo laidą ir įsitinkite, kad skarifikatoriaus įranga nesisuka.

Naudojimo saugos instrukcijos

Asmeninės apsauginės priemonės

Naudodami gaminį, visada dėvėkite patvirtintas asmenines apsaugines priemones. Asmeninės apsauginės priemonės nepašalins pavojaus susižeisti, tačiau nelaimingo atsitikimo atveju mažiau nukentėsite. Paprašykite pardavėjo išrinkti jums tinkamiausias priemones.

Būtinai dėvėkite

- Apsaugines ausines, kad sumažėtų klausos pažeidimo pavojus.
- Tvirtus, neslystančius aulinius batus ar pusbačius. Nedirbkite avėdami sandalus arba basomis.

- Storas, ilgas kelnes.
Nemūvēkite šortu.

Kai būtina, pvz., montuojant, apžiūrint arba valant skarifikatoriaus įrangą, užsimaukite pirštines.



PERSPĖJIMAS:

Naudokite patvirtintas apsaugines ausines. Ilgalaikis triukšmo poveikis gali negrįžtamai pakenkti klausai.

Gaminio apsauginės priemonės



PERSPĖJIMAS: Prieš naudodami gaminį, perskaitykite toliau esančius įspėjimus.

- Nesinaudokite gaminiu, jei jo apsauginės priemonės yra netvarkingos.
- Reguliariai tikrinkite apsaugines priemones. Jei apsauginės priemonės yra pažeistos, pasitarkite su „Husqvarna“ techninės priežiūros atstovu.

Norėdami atlikti dangčių patikrą

Skarifikatoriaus dangtis sumažina gaminio vibracijas ir sumažina skarifikatoriaus įrangos keliamą sužeidimų pavojų.

- Apžiūrėkite skarifikatoriaus dangtį, kad įsitikintumėte, jog nėra pažeidimų, pvz., įtrūkių.
- Apžiūrėkite galinį dangtį, kad įsitikintumėte, jog nėra pažeidimų, pvz., įtrūkių.

Variklio stabdymo rankena

Variklio stabdymo rankena sustabdo variklį. Atleidus variklio stabdymo rankeną variklis sustoja.

Norėdami patikrinti variklio stabdį, paleiskite variklį ir atleiskite variklio stabdymo rankeną. Jei variklis nesustoja per 3 sekundes, paprašykite, kad įgaliotasis „Husqvarna“ techninės priežiūros atstovas sureguliuotų variklio stabdį.

(Pav. 21)

Apsaugos nuo netyčinio užvedimo patikrinimas

Patikrinkite apsaugą nuo netyčinio užvedimo ir įsitinkinkite, kad ji neleidžia užvesti variklio.

1. Pastumkite variklio stabdymo rankeną link gaminio rankenos. Apsauga nuo netyčinio užvedimo neleidžia judėti.
2. Išstumkite apsaugą nuo netyčinio užvedimo. (Pav. 22)

3. Atleiskite apsaugą nuo netyčinio užvedimo ir įsitikinkite, kad ji grįžta į savo pradinę padėtį.

Maitinimo laido laikiklio naudojimas

Maitinimo laido laikiklis sumažina maitinimo lizdai ir laidai tenkančią apkrovą. Maitinimo laido laikiklis taip pat sumažina pavojų pargriūti.

1. Sulenkite maitinimo laidą į mažą kilpą.
2. Įkiškite kilpą į maitinimo laido laikiklio angą.
3. Užnerkite kilpą ant kablo.
4. Patraukite maitinimo laidą, kad užveržtumėte ant kablo užnertą kilpą. (Pav. 23)

Maitinimo laido sauga

- Rekomenduojama naudoti liekamosios srovės įtaisą (RCD) su ne didesne nei 30 mA atjungiamąja srove. Net jei RCD yra sumontuotas, 100 % sauga negarantuojama ir visuomet būtina laikyti saugaus darbo procedūrų. Kiekvieną kartą naudodami RCD, jį patikrinkite.
- Jei maitinimo laidas įpjaunamas arba pažeidžiama

izoliacija, nedelsdami atjunkite įrenginį nuo maitinimo tinklo.

- Nelieskite įpjauto ar pažeisto maitinimo laido, kol neatjungsite elektros maitinimo.
- Netaisykite įpjauto ar pažeisto kabelio. Pakeiskite jį nauju.

Priežiūros saugos instrukcijos



PERSPĖJIMAS: Prieš naudodami gaminį, perskaitykite toliau esančius įspėjimus.

- Kad netyčia nepaleistumėte atlikdami priežiūros darbus, atjunkite maitinimo laidą.
- Kad gaminys tarnautų ilgiau ir sumažėtų nelaimingų atsitikimų pavojus, tinkamai atlikite priežiūros darbus. Profesionalius remonto darbus leiskite atlikti patvirtintam techninės priežiūros atstovui. Jei reikia daugiau informacijos, kreipkitės į artimiausią techninės priežiūros atstovą.
- Atlikite tik naudojimo instrukcijoje nurodytus techninės priežiūros darbus. Sudėtingesnius darbus turi atlikti patvirtintas techninės priežiūros atstovas.

- Kad nesusižalotumėte, nepašalinkite ir nemodifikuokite apsauginių priemonių.
- Naudodami skarifikatoriaus įrangą, mūvėkite storas darbines pirštines. Skarifikatoriaus įranga labai aštri ir gali lengvai įpjauti.
- Kad darbas vyktų saugiai ir efektyviai, pasirūpinkite, kad skarifikatoriaus įrangos peiliai būtų aštrūs ir švarūs.
- Leiskite savo techninės priežiūros atstovui reguliariai

tikrinti gaminį ir atlikti reikiamus nustatymo ir remonto darbus.

- Pakeiskite pažeistas, sulūžusias arba susidėvėjusias dalis. Visada naudokite gamintojo originalias atsargines dalis. Naudojat kitas atsargines dalis, galima pažeisti gaminį ir gali padidėti nelaimingų atsitikimų pavojus.
- Laikykitės priedų keitimo nurodymų. Naudokite tik gamintojo priedus.

Surinkimas

Įvadas



PERSPĖJIMAS: Prieš surinkdami gaminį perskaitykite skyrių apie saugą.



PERSPĖJIMAS: Kad netyčia nepaleistumėte surinkdami, atjunkite maitinimo laidą.

Rankenos surinkimas

1. Atsukite apatines rankenėles.
2. Stumkite rankenėles iki apatinio griovelių krašto kairėje ir dešinėje produkto pusėje. (Pav. 24)
3. Nustatykite rankenos aukštį į vieną iš dviejų aukščio padėčių.
4. Stumkite rankenėles į viršų link rankenos, kol jos sustos ir išgirsite spragtelėjimą. (Pav. 25)

5. Iki galo priveržkite rankenėles.

Žolės rinktuvo montavimas

1. Įdėkite žolės rinktuvo rėmą į žolės krepšį taip, kad standi krepšio dalis būtų apačioje. Rėmo rankeną laikykite žolės krepšio viršuje. (Pav. 26)
2. Įstatykite žolės rinktuvo rėmo apatinę dalį į griovelį žolės rinktuvo apačioje.
3. Pritvirtinkite žolės krepšį prie žolės rinktuvo rėmo fiksatoriais. (Pav. 27)
4. Pakelkite galinį dangtį.
5. Perkelkite žolės rinktuvą į tinkamą padėtį. (Pav. 28)
6. Prikabinkite žolės rinktuvą prie viršutinio važiuoklės krašto. Įsitinkinkite, kad galinis dangtis užsandarina žolės rinktuvą, kad išvengtumėte nutekėjimo. (Pav. 29)

Naudojimas

Įvadas



PERSPĖJIMAS: Prieš naudodami gaminį perskaitykite ir supraskite saugos skyriaus informaciją.

Husqvarna Connect

Husqvarna Connect yra nemokama programėlė, skirta mobiliesiems įrenginiams. Programėlė Husqvarna Connect suteikia Husqvarna gaminiui papildomas funkcijas:

- Papildoma informacija apie gaminį.

- Informacija ir patarimai apie gaminio dalis ir priežiūrą.

Norėdami pradėti naudoti Husqvarna Connect

1. Atsisiųskite „Husqvarna Connect“ programėlę į mobilųjį įrenginį.
2. Užsiregistruokite „Husqvarna Connect“ programėlėje.
3. Norėdami prisijungti ir užregistruoti gaminį, vykdykite „Husqvarna Connect“ programėlėje pateiktas instrukcijas.

Norėdami nustatyti darbinį gylį



PERSPĖJIMAS: Nereguliuokite darbinio gylio, kai dirbate su gaminio.

1. Norėdami padidinti darbinį gylį, paspauskite ir pasukite darbinio gylio reguliavimo rankenėlę prieš laikrodžio rodyklę.
2. Norėdami sumažinti darbinį gylį, paspauskite ir pasukite darbinio gylio reguliavimo rankenėlę laikrodžio rodyklės kryptimi. (Pav. 30)

Gaminio paleidimas

1. Prijunkite maitinimo laidą prie lizdo, esančio po rankena. (Pav. 31)
2. Įstatykite maitinimo laidą į laido laikiklį. Žr. *Maitinimo laido laikiklio naudojimas psl. 210.* (Pav. 23)
3. Stovėkite už gaminio.
4. Atleiskite apsaugą nuo netyčinio paleidimo. (Pav. 32)
5. Pastumkite variklio stabdymo rankeną link gaminio rankenos. (Pav. 33)

Gaminio sustabdymas

1. Norėdami sustabdyti variklį, atleiskite variklio stabdymo rankeną. (Pav. 34)
2. Maitinimo laidą pirmiausia atjunkite nuo elektros tinklo, o tada nuo gaminio. (Pav. 35)



PASTABA: Kištuką traukite tiesiai. Netraukite už elektros laido.

Techninė priežiūra

Įvadas



PERSPĖJIMAS: Prieš atlikdami priežiūros darbus perskaitykite ir supraskite saugos skyriaus informaciją.

Visiems gaminio techninės priežiūros ir remonto darbams reikia specialių apmokymų. Garantuojame profesionalaus remonto ir techninės priežiūros darbų pasiekiamumą. Jei jūsų pardavėjas nėra techninės priežiūros atstovas, paprašykite jo informacijos apie artimiausią techninės priežiūros atstovą.

Išsamesnės informacijos žr. www.husqvarna.com.

Techninės priežiūros grafikas

Techninės priežiūros intervalai apskaičiuojami pagal kasdienį gaminio naudojimą. Intervalai keičiasi, jei gaminys nenaudojamas kasdien.

Informacijos apie techninės priežiūros veiksmus, pažymėtus *, žr. *Gaminio apsauginės priemonės psl. 209.*

	Kiekvieną kartą naudojant	Kas mėnesį	Kas sezoną
Atlikite bendrąją apžiūrą.	X		
Nuvalykite gaminį.	X		
Patikrinti skarifikatoriaus įrangą.	X		
Įsitikinti, kad gaminio saugos įtaisai nepažeisti. *	X		
Patikrinti dangčius. *	X		
Patikrinti variklio stabdymo rankeną. *	X		
Patikrinti apsaugą nuo netyčinio paleidimo. *	X		

Bendroji apžiūra

- Įsitinkinkite, kad gaminio veržlės ir varžtai priveržti.
- Įsitinkinkite, kad gaminio kabeliai nėra tokioje padėtyje, kurioje jie galėtų būti pažeisti.
- Įsitinkinkite, kad gaminys nėra užsikimšęs.

Gaminio valymas

- Plastikines dalis valykite švaria ir sausa šluoste.
- Valydami gaminį nenaudokite vandens. Vandeniui pateikus į akumuliatorių arba variklį gali įvykti trumpasis jungimas arba gaminys gali sugesti.
- Gaminio neplaukite aukšto slėgio plovimo aparatu.
- Nepilkite vandens tiesiai ant variklio.
- Lapus, žolę ir purvą nuvalykite šepečiu.

Norėdami patikrinti skarifikatoriaus įrangą



PERSPĖJIMAS: Kad netyčia nepaleistumėte, atjunkite maitinimo laidą.



PERSPĖJIMAS: Skarifikatoriaus įrangos techninės priežiūros darbus

atlikite apsimovę apsaugines pirštines. Skarifikatoriaus įrangos peiliai labai aštrūs ir gali lengvai įpjauti.

- Patikrinkite, ar skarifikatoriaus įrangą nepažeista ir neįskilusi. Visada pakeiskite pažeistą skarifikatoriaus įrangą.

Norėdami pakeisti skarifikatoriaus įrangą



PERSPĖJIMAS: Skarifikatoriaus įrangos techninės priežiūros darbus atlikite apsimovę apsaugines pirštines. Skarifikatoriaus įrangą labai aštri ir gali lengvai įpjauti

1. Paverskite gaminį ant dešinėsios pusės. (Pav. 36)
2. Išsukite 2 varžtus (A) ir nuimkite skarifikatoriaus dangtelį (B). Paspauskite skarifikatoriaus įrangą (C) į viršų ir į išorę, kad ją išimtumėte. (Pav. 37)
3. Įstatykite naują skarifikatoriaus įrangą (C) į griovelį ir į angą. Uždėkite skarifikatoriaus dangtelį (B) ir prisukite 2 varžtus (A) (Pav. 38)

Gedimai ir jų šalinimas

Trikčių šalinimas

Problema	Galima priežastis	Sprendimas
Nepavyksta paleisti gaminio.	Maitinimo laidas neprijungtas prie maitinimo lizdo.	Prijunkite maitinimo laidą prie maitinimo lizdo.
	Maitinimo laidas neprijungtas prie gaminio.	Prijunkite maitinimo laidą prie lizdo, esančio po rankena.
	Variklio stabdymo rankena nepastumta link gaminio rankenos.	Pastumkite variklio stabdymo rankeną link gaminio rankenos.
	Pažeistas maitinimo laidas.	Kreipkitės į patvirtintą techninės priežiūros atstovą.
	Kitos klaidos.	

Transportavimas, saugojimas ir utilizavimas

Gabenimas

- Jeigu krovinys gabenamas komerciniu transportu, būtina laikytis specialių reikalavimų dėl pakavimo ir žymėjimo.

- Ruošdamiesi gaminį transportuoti, užtikrinkite, kad būtų laikomasi pavojingų medžiagų tvarkymo taisyklių. Gali būti taikomi vietos teisės aktai.
- Transportuodami gaminį, jį pritvirtinkite.

Sandėliavimas

- Prieš padėdami į sandėlį, palaukite, kol gaminys atvės.
- Gaminį saugokite vietoje, kurios aplinkos temperatūra yra nuo $-10\text{ }^{\circ}\text{C}$ iki $40\text{ }^{\circ}\text{C}$.
- Gaminį laikykite rakinamoje patalpoje, kur jo negalėtų pasiekti vaikai ir pašaliniai asmenys.
- Prieš saugodami gaminį ilgesnį laiką, išvalykite jį ir atlikite visus techninės priežiūros darbus.
- Atlikite naudojimo instrukcijoje nurodytas techninės priežiūros procedūras. Žr. *Techninės priežiūros grafikas psl. 212*.
- Prieš padėdami gaminį į sandėlį ilgam laikui, atlikite nuodugnią techninę priežiūrą.

Utilizavimas

Ant gaminio ar ant jo pakuotės pateikti simboliai rodo, kad šio gaminio negalima išmesti kartu su buitinėmis atliekomis. Įrenginį reikia atiduoti į atitinkamą perdirbimo įmonę, kuri utilizuotų elektrines ir elektronines dalis.

Rūpindamiesi, kad šis gaminys būtų tvarkomas teisingai, padėdate išvengti galimo neigiamo poveikio aplinkai ir žmonėms, kurį gali sukelti netinkamas šio gaminio atliekų tvarkymas. Jei reikia daugiau informacijos apie šio gaminio perdirbimą, kreipkitės į savivaldybę, buitinių atliekų tvarkymo tarnybą arba parduotuovę, kurioje įsigijote gaminį.

(Pav. 39)

Techniniai duomenys

Techniniai duomenys

S 138C	
Variklis	
Variklio tipas	AC serijos variklis
Įtaiso greitis – „SavE“, aps./min.	Netaikoma
Įtaiso greitis – nominalus, aps./min.	4 200
Variklio galingumas – maks., kW	1,8
Variklio galingumas – nominalus, kW	1,6
Svoris	
Svoris, kg	19,0
Skleidžiamas triukšmas ⁴³	
Garso galios lygis, išmatuotas dB (A)	96
Garso galios lygis, garantuojamas L_{WA} dB (A)	98
Garso lygiai ⁴⁴	
Operatoriaus ausį veikiantis garso slėgis, dB (A)	82
Vibracijos lygis ⁴⁵	
Rankena, m/s^2	8,3
Naudojimas	
Darbinis gylis, maks./min., mm	-8 / +5
Darbinis plotis, cm	37,5
Skarifikavimo peilių priedas	5973510-01
Spyruoklinių akėčių įtaisas	5973509-01

⁴³ Triukšmas, skleidžiamas į aplinką, išmatuotas kaip garso galia (L_{WA}) pagal EB direktyvą 2000/14/EB.

⁴⁴ Pateikiamų triukšmo slėgio duomenų būdingoji statistinė sklaida (standartinis nuokrypis) lygi 1,2 dB (A).

⁴⁵ Pateiktuose vibracijos lygio duomenyse yra $0,2\text{ m/s}^2$ tipiška statistinė sklaida (standartinis nuokrypis).

S 138C	
Žolės rinktuvo talpa, litrai	45

Atitikties deklaracija

ES atitikties deklaracija

Mes, **Husqvarna AB**, SE-561 82 Huskvarna, Švedija, tel.
+46 36 146500, atsakingai patvirtiname, kad gaminys:

Aprašymas	Betono frezavimo mašina
Gamintojas	Husqvarna
Tipas / modelis	S 138C
Identifikacijos numeris	Serijos numeriai nuo šios datos: 2023 ir vėlesnis

visiškai atitinka šias ES direktyvas ir reglamentus:

Direktyva / reglamentas	Aprašymas
2011/65/ES	„dėl tam tikrų pavojingų medžiagų naudojimo elektros ir elektroninėje įrangoje apribojimo“
2006/42/EB	„dėl mašinų“
2014/30/ES	„dėl elektromagnetinio suderinamumo“
2000/14/EB	„dėl į aplinką skleidžiamo triukšmo“

ir kad laikomasi šių standartų ir (arba) techninių specifikacijų: EN 60335-1:2012/A11:2014/A13:2017/ A15:2021, EN 50636-2-92:2014, EN 55014-1:2017/ A11:2020, EN 55014-2:2015, EN 61000-3-2:2014, EN 61000-3-11:2000, EN IEC 63000:2018.

Daugiau informacijos apie triukšmo emisiją žr. *Techniniai duomenys psl. 214*.

Huskvarna, 2024-03-01



Claes Losdal,

plėtros vadovas / sodo gaminiai

„Husqvarna AB“

Atsakingas už techninę dokumentaciją



Saturs

Ievads.....	217	Problēmu novēršana.....	228
Drošība.....	219	Pārvadāšana, glabāšana un utilizēšana.....	228
Montāža.....	225	Tehniskie dati.....	228
Lietošana.....	226	Atbilstības deklarācija.....	230
Apkope.....	226		

Ievads

Izstrādājuma apraksts

Izstrādājums ir gājējam vadāms elektriskais zāliena skarifikators. Zāliena skarifikators attīra zālienu no sausās zāles un uzirdina augsni, lai zālienā ieplūstu gaiss un ūdens. Sausā zāle tiek savākta zāles uztvērējā vai atstāta uz zāliena. Izstrādājumam ir divu veidu zāliena skarifikatora aprīkojums.

Zāliena skarifikatora aprīkojums

Informāciju par to, kā nomainīt zāliena skarifikatora aprīkojumu, skatiet šeit: *Zāliena skarifikatora aprīkojuma maiņa lpp. 227.*

Asmeņu zari

Asmeņu zari noņem sauso zāli un vertikāli sagriež zāles saknes. Izmantojiet asmeņu zarus nogāzēs, uz

Lādētāja pārskats

(Att. 1)

1. Motora bremzes rokturis
2. Augšējais rokturis
3. Iedarbināšanas kavētājs
4. Barošanas kontaktligzda
5. Apakšējais rokturis
6. Kabeļa skava
7. Zāles savācējs
8. Aizmugurējais pārsegs
9. Zāliena skarifikatora pārsegs
10. Darba dziļuma regulators
11. Atsperu zari
12. Sešstūra atslēga
13. Lietošanas rokasgrāmata

Simboli uz lādētāja

(Att. 2) **Brīdinājums.** Pavirša vai nepareiza lietošana var radīt smagas vai nāvējošas traumas lietotājam vai citiem.

terasēm un augsnēs, kurās ir daudz māla. Asmeņu zari nodrošina ūdens ieplūšanu zālienā un nepieļauj ūdens uzkrāšanos uz virsmas.

(Att. 19)

Atsperu zari

Atsperu zari rūpīgi savāc nokaltušo un sauso zāli no zāliena, nebojājot zāles saknes.

(Att. 20)

Paredzētā lietošana

Izmantojiet šo ražojumu, lai noņemtu sauso zāli un sūnas un uzirdinātu piemājas dārza augsni. Nelietojiet zāliena sagatavotāju citiem uzdevumiem.

(Att. 3)

Uzmanīgi izlasiet šo lietošanas rokasgrāmatu un pirms izstrādājuma lietošanas parliecinieties, vai izprotat norādījumus.

(Att. 4)

Uzmanieties no izmestiem un rikošetā atlecošiem priekšmetiem.

(Att. 5)

Nodrošiniet, lai cilvēki un dzīvnieki atrastos drošā attālumā no darba zonas.

- (Att. 6) **BRĪDINĀJUMS.**
Netuviniet rokas un kājas zariem.
- (Att. 7) Pirms produkta apkopes veikšanas atvienojiet to no elektrības kontaktligzdas. Frēzes turpina griezties arī pēc motora izslēgšanas.
- (Att. 8) Elektrošoka risks.
- (Att. 9) Brīdinājums. Nebrauciet ar produktu pāri strāvas vadam, jo tādējādi var gūt elektrošoku vai sabojāt produktu.
- (Att. 10) Šis izstrādājums ir aizsargāts pret ūdens šļakatām.
- (Att. 11) Šis izstrādājums atbilst spēkā esošajām EK direktīvām.
- (Att. 12) Šis izstrādājums atbilst spēkā esošajiem AK regulām.
- (Att. 13) Trokšņa emisijas vidē uzlīme atbilstoši ES un Apvienotās Karalistes direktīvām un noteikumiem, kā arī Jaundienvidvelsas tiesību aktam "Darba vides aizsardzības (trokšņa kontroles) regula (2017)".
Izstrādājuma garantētais skaņas jaudas līmenis ir norādīts *Tehniskie dati lpp. 228* un uz etiķetes.
- (Att. 14) Dubultā izolācija.
- (Att. 18) Utilizējiet šo izstrādājumu elektrisko un elektronisko ierīču pārstrādes vietā. (Attiecas vienīgi uz Eiropu)
- (Att. 15) Iedarbināšana: atbrīvojiet iedarbināšanas ierobežotāju, nospiediet motora bremžu rokturi.
- (Att. 16) Atlaidiet motora bremžu rokturi, lai apturētu.
- (Att. 17) Skenējams kods.

Piezīme: Pārējie uz izstrādājuma norādītie simboli/norādes atbilst dažu valstu sertifikācijas prasībām.

Produkta bojājumi

Mēs neatbildam par mūsu produkta bojājumiem, ja:

- ir veikts nepareizs produkta remonts;
- produkta remonts ir veikts, izmantojot detaļas, ko nav nodrošinājis vai apstiprinājis ražotājs;
- produktam tiek pievienots piederums, ko nav nodrošinājis vai apstiprinājis ražotājs;

- produkta remonts nav veikts pilnvarotā remontdarbnīcā vai pie pilnvarota speciālista.

Drošība

Drošības definīcijas

Brīdinājumi, norādes “Uzmanību!” un piezīmes tiek izmantotas, lai izceltu īpaši svarīgas lietotāja rokasgrāmatas daļas.



BRĪDINĀJUMS: Tiek izmantota tad, ja rokasgrāmatā sniegto instrukciju neievērošanas dēļ operatoram vai blakus esošajām personām draud traumu vai nāves risks.



IEVĒROJIET: Tiek izmantota tad, ja rokasgrāmatā sniegto instrukciju neievērošanas dēļ rodas izstrādājuma, citu materiālu vai blakus esošās teritorijas bojājuma risks.

Piezīme: Tiek izmantota, lai sniegtu plašāku informāciju, kas nepieciešama attiecīgajā situācijā.

Vispārīgi norādījumi par drošību



BRĪDINĀJUMS: Pirms sākat lietot izstrādājumu, izlasiet tālāk izklāstītās brīdinājuma instrukcijas.

- Šis izstrādājums ir bīstams, ja to lieto nepareizi vai ja nerīkojaties piesardzīgi. Drošības instrukciju neievērošana var izraisīt traumas vai nāvi.
- Šis izstrādājums darbības laikā rada elektromagnētisko lauku. Noteiktos apstākļos šis lauks var traucēt aktīvā vai pasīvā medicīniskā implantāta darbību. Lai samazinātu nopietnas traumas gūšanas vai dzīvības zaudēšanas risku, mēs iesakām personām, kam ir medicīniskie implantāti, pirms šī izstrādājuma lietošanas konsultēties ar savu ārstu un medicīniskā implantāta ražotāju.
- Vienmēr rīkojieties piesardzīgi un saprātīgi. Ja neesat drošs par to, kā izmantot šo izstrādājumu konkrētā situācijā, pārtrauciet darbu un

sazinieties ar savu Husqvarna izplatītāju, pirms turpināt.

- Paturiet prātā, ka operators ir atbildīgs par negadījumiem, kuros iesaistītas citas personas.
- Gādājiet, lai izstrādājums ir tīrs. Pārlicinieties, ka varat skaidri izlasīt zīmes un uzlīmes.
- Nekādā gadījumā neļaujiet lietot ierīci bērniem vai cilvēkiem, kas nepazīna instrukcijas. Lietotāja vecums var būt norādīts vietējos noteikumos
- Ja izstrādājumu izmanto persona ar samazinātām fiziskajām vai garīgajām spējām, vienmēr uzraugiet šo personu. Tuvumā vienmēr jābūt pieaugušajam.
- Neizmantojiet šo izstrādājumu, ja esat noguris, slims vai esat alkohola, narkotiku vai medikamentu izraisītā reibumā. Šāds stāvoklis negatīvi ietekmē jūsu redzi, modrību, koordināciju un spriestspēju.
- Neizmantojiet izstrādājumu, ja tas ir bojāts.
- Neveiciet izmaiņas šajā izstrādājumā un neizmantojiet to, ja ir iespējams, ka citas

personas tajā ir veikušas izmaiņas.

Darba zonas drošība



BRĪDINĀJUMS: Pirms sākat lietot šo izstrādājumu, izlasiet zemāk izklāstītos brīdinājumus.

- Pirms izmantojat izstrādājumu, noņemiet no darba zonas priekšmetus, piemēram, zarus, žaģarus un akmeņus.
- Priekšmeti, kas saskaras ar zāliena skarifikatoru, var atlēkt un radīt traumas vai bojājumus. Gādājiet, lai citi cilvēki un dzīvnieki atrastos drošā attālumā no izstrādājuma.
- Nekad neizmantojiet izstrādājumu sliktos laika apstākļos, piemēram, miglā, lietū, stiprā vējā, lielā aukstumā un pērkona negaisa laikā. Izstrādājuma izmantošana sliktos laika apstākļos vai mitrā vai slapjā vietā ir nogurdinoša. Slikti laikapstākļi var izraisīt bīstamas situācijas, piemēram, padarot virsmas slidenas.
- Pārlicinieties, vai nav personu, priekšmetu un

- situāciju, kas var kavēt izstrādājuma drošu darbību.
- Skatieties, vai nav šķēršļu, piemēram, sakņu, akmeņu, zaru, bedru un grāvju. Garā zālē var atrasties dažādi šķēršļi.
 - Lietošana uz nogāzēm var būt bīstama. Neizmantojiet izstrādājumu uz virsmas, kuras slīpums pārsniedz 15°.
 - Uz nogāzēm ar izstrādājumu strādājiet, virzoties šķērsām tām. Nepārvielojieties augšup un lejup.
 - Esiet uzmanīgi, kad tuvojaties stūriem, aiz kuriem nekas nav redzams, un priekšmetiem, kas aizsedz redzamību.

Darba drošība



BRĪDINĀJUMS: Pirms izstrādājuma lietošanas izlasiet zemāk izklāstītos brīdinājumus.



BRĪDINĀJUMS: Izslēdziet produktu, atvienojiet barošanas kabeli un pārliedzinieties, vai frēzes ir pilnībā apstājušās, pirms pieskaraties zāliena skarifikatora aprīkojumam.

- Izmantojiet šo produktu, lai noņemtu sauso zāli un sūnas tikai no zālieniem. Izstrādājumu nav atļauts izmantot citu darbu veikšanai.
- Lietojiet individuālos aizsardzības līdzekļus. Skatiet šeit: *Individuālie aizsarglīdzekļi lpp. 222.*
- Nedarbiniet pūtēju lietus laikā un nepakļaujiet to lietus vai mitruma iedarbībai. Ja pūtējā iekļūst ūdens, palielinās elektrotraumas risks.
- Nedarbiniet produktu ar bojātu barošanas kabeli.
- Nedarbiniet produktu, ja zāliena skarifikatora aprīkojums un visi pārsegi nav pareizi piestiprināti. Nepareizi piestiprināts zāliena skarifikatora aprīkojums var kļūt vaļīgs un radīt traumu.
- Pārliedzinieties, vai zāliena skarifikatora aprīkojums neatsitas pret priekšmetiem, piemēram, akmeņiem un saknēm. Šādi var sabojāt zāliena skarifikatora aprīkojumu un saliekt dzinēja vārpstu. Saliekta vārpsta rada stipras vibrācijas un ļoti lielu zāliena skarifikatora aprīkojuma atvienošanās risku.

- Ja zāliena skarifikatora aprīkojums saskaras ar kādu priekšmetu vai rodas vibrācijas, nekavējoties izslēdziet produktu. Izslēdziet motoru un atvienojiet barošanas kabeli. Pārbaudiet, vai izstrādājumam nav bojājumu. Novērsiet bojājumus vai uzticiet šo darbu pilnvarotam apkopes dienesta pārstāvim.
- Nekādā gadījumā nepiestipriniet motora bremžu rokturi rokturim, kad motors darbojas.
- Novietojiet izstrādājumu uz stabilas, līdzenas virsmas un iedarbiniet to. Pārliedzinieties, vai zāliena skarifikatora aprīkojums nepieskaras zemei vai citiem priekšmetiem.
- Darbinot pūtēju, vienmēr stāviet aiz tā.
- Lietojot izstrādājumu, pārbaudiet, vai visi riteņi atrodas uz zemes un turiet rokturi ar abām rokām. Turiet rokas un kājas drošā attālumā no rotējošā zāliena skarifikatora aprīkojuma.
- Nekādā gadījumā nenasveriet produktu motora darbības laikā.
- Esiet piesardzīgi, velkot izstrādājumu atpakaļ.
- Nekādā gadījumā neceliet pūtēju uz augšu motora darbības laikā. Ja produkts ir jāpaceļ, vispirms izslēdziet motoru un atvienojiet barošanas kabeli.
- Neejiet atmuguriski pūtēja lietošanas laikā.
- Izslēdziet motoru, kad pārvietojaties pa teritorijām, ko neklāj zāle, piemēram, pa grants, akmens vai asfalta celiņiem.
- Nekādā gadījumā neskrīniet ar pūtēju motora darbības laikā. Lietojot pūtēju, vienmēr ejiet.
- Apturiet motoru, pirms maināt darba dziļumu. Nekādā gadījumā nemēģiniet veikt regulēšanu motora darbības laikā.
- Nekad neatstājiet izstrādājumu bez uzraudzības motora darbības laikā. Izslēdziet motoru, atvienojiet barošanas kabeli un pārliedzinieties, vai zāliena skarifikatora aprīkojums negriežas.

Darbības drošības norādījumi

Individuālie aizsarglīdzekļi

Izmantojot izstrādājumu, ir jālieto apstiprināti individuālie aizsarglīdzekļi. Individuālie aizsarglīdzekļi nenovērsīs

traumas, taču samazinās to smaguma pakāpi, ja notiktu negadījums. Lai izvēlētos piemērotu aprīkojumu, sazinieties ar izplatītāju.

Vienmēr izmantojiet:

- Dzirdes aizsarglīdzekļus, kas mazina dzirdes bojājumu risku.
- Izturīgus, neslīdošus zābakus vai apavus. Nenēsājiet sandales un nestrādājiēt basām kājām.
- Izturīgas garās bikses. Nevalkājiet šortus.

Izmantojiet cimdus, kad tas nepieciešams, piemēram, montējot, pārbaudot vai tīrot zāliena skarifikatora aprīkojumu.



BRĪDINĀJUMS:

Izmantojiet apstiprinātus dzirdes aizsarglīdzekļus. Ilgstoša uzturēšanās troksnī var radīt būtisku kaitējumu dzirdei.

Izstrādājuma drošības ierīces



BRĪDINĀJUMS: Pirms izstrādājuma lietošanas izlasiet tālāk izklāstītos brīdinājumus.

-
- Nelietojiet izstrādājumu, ja ir bojātas drošības ierīces.

- Regulāri pārbaudiet drošības ierīces. Ja drošības ierīces ir bojātas, sazinieties ar Husqvarna apkopes dienesta pārstāvi.

Pārsegu pārbaude

Zāliena skarifikatora pārsegs mazina izstrādājuma vibrāciju un zāliena skarifikatora aprīkojuma radītu traumu gūšanas risku.

- Pārbaudiet zāliena skarifikatora sānu pārsegu, lai pārlicinātos, vai nav bojājumu, piemēram, plaisu.
- Pārbaudiet aizmugurējo pārsegu, lai pārlicinātos, vai nav bojājumu, piemēram, plaisu.

Motora bremzes rokturis

Motora bremžu rokturis aptur dzinēju. Atlaižot motora bremžu rokturi, motors apstājas.

Lai pārbaudītu dzinēja bremzes, iedarbiniet dzinēju un pēc tam atlaidiet dzinēja bremžu rokturi. Ja motors neapstājas 3 sekunžu laikā, lieciet pilnvarotā Husqvarna apkopes dienesta pārstāvim noregulēt dzinēja bremzes.

(Att. 21)

Iedarbināšanas ierobežotāja pārbaude

Pārbaudiet iedarbināšanas ierobežotāju, lai pārliecinātos, ka tas nepieļauj motora darbību.

1. Nospiediet motora bremžu rokturi roktura virzienā. Iedarbināšanas ierobežotājs aptur kustību.
2. Izstumiet iedarbināšanas ierobežotāju. (Att. 22)
3. Atlaidiet iedarbināšanas ierobežotāju un pārliecinieties, ka tas atgriežas sākotnējā stāvoklī.

Barošanas kabeļa turētāja lietošana

Barošanas kabeļa turētājs samazina kontaktligzdas un barošanas kabeļa spriegojumu. Barošanas kabeļa turētājs samazina arī pakrišanas risku.

1. Salokiet barošanas kabeli, izveidojot nelielu cilpu.
2. Ievietojiet cilpu barošanas kabeļa turētāja atverē.
3. Aplieciet cilpu ap āķi.
4. Pavelciet barošanas kabeli, lai cilpu ap āķi savilkto ciešāk. (Att. 23)

Barošanas kabeļa drošība

- Ieteicams izmantot atlikušās strāvas ierīci (Residual Current Device, R.C.D.), kuras nostrādes strāva nav lielāka par 30 mA. Pat ja ir uzstādīta R.D.C., nevar garantēt 100% drošību, tāpēc vienmēr jāievēro darba drošības noteikumi. Pārbaudiet R.C.D. pirms katras lietošanas reizes.
- Ja barošanas kabelis tiek sagriezts vai tiek bojāta tā izolācija, nekavējoties atvienojiet izstrādājumu no barošanas avota.
- Nepieskarities sagrieztajam vai bojātajam barošanas kabelim, iekams tas nav atvienots no barošanas avota.
- Sagrieztu vai bojātu barošanas kabeli nedrīkst labot. Nomainiet to ar jaunu.

Tehniskās apkopes drošības norādījumi



BRĪDINĀJUMS: Pirms izstrādājuma lietošanas izlasiet zemāk izklāstītos brīdinājumus.

- Lai nepieļautu nejaušu iedarbināšanu apkopes laikā, atvienojiet barošanas kabeli.

- Veiciet tehnisko apkopi pareizi, lai palielinātu izstrādājuma darbību un samazinātu nelaiemes gadījumu risku. Uzticiet remontdarbu veikšanu pilnvarotam apkopes dienesta pārstāvim. Lai saņemtu papildinformāciju, sazinieties ar tuvāko apkopes dienesta pārstāvi.
- Veiciet tikai tos tehniskās apkopes darbus, kas norādīti lietošanas rokasgrāmatā. Sarežģītāki darbi ir jāveic pilnvarotam apkopes dienesta pārstāvim.
- Nenoņemiet un nepārveidojiet drošības ierīces, lai neradītu traumas.
- Lietojot zāliena skarifikatora aprīkojumu, uzvelciet izturīgus cimdus. Zāliena skarifikatora aprīkojums ir ļoti ass, un ar to var viegli sagriezties.
- Uzturiet zāliena skarifikatora aprīkojuma zarus asus un tīrus, lai nodrošinātu labāko un drošāko darbību.
- Ļaujiet pūtēju regulāri pārbaudīt apkopes dienesta darbiniekiem un veikt nepieciešamos regulēšanas un remonta darbus.
- Nomainiet bojātās, nodilušās un salūzušās detaļas. Izmantojiet tikai oriģinālās ražotāja rezerves daļas. Citas rezerves daļas var izraisīt pūtēja bojājumus un palielināt negadījumu risku.
- Ievērojiet piederumu maiņas norādījumus. Lietojiet tikai ražotāja apstiprinātos piederumus.

Montāža

Ievads



BRĪDINĀJUMS: Pirms izstrādājuma montāžas izlasiet sadaļu par drošību.



BRĪDINĀJUMS: Lai nepieļautu nejaušu iedarbināšanu montāžas laikā, atvienojiet strāvas vadu.

Roktura montāža

1. Atlaidiet apakšējos fiksatorus.
2. Pārvietojiet fiksatorus uz rievu apakšējo galu izstrādājuma kreisajā un labajā pusē. (Att. 24)
3. Iestatiet roktura augstumu vienā no diviem pieejamiem stāvokļiem.

4. Pārvietojiet fiksatorus uz augšu roktura virzienā, līdz tie apstājas un atskan klikšķis. (Att. 25)
5. Pilnībā pievelciet fiksatorus.

Zāles uztvērēja montāža

1. Piestipriniet zāles uztvērēja rāmi zāles maisam tā, lai maisa stingrā daļa būtu apakšā. Nodrošiniet, lai rāmja rokturis ir zāles maisa augšdaļā. (Att. 26)
2. Iestipriniet zāles uztvērēja rāmja apakšdaļu zāles uztvērēja apakšdaļas rievā.
3. Piestipriniet zāles maisu zāles uztvērēja rāmim ar spaiļēm. (Att. 27)
4. Paceliet aizmugurējo pārsegu.
5. Novietojiet zāles uztvērēju pareizā stāvoklī. (Att. 28)
6. Piestipriniet zāles uztvērēju šasijas augšmalai. Pārbaudiet, vai aizmugurējais pārsegs bļīvi saskaras ar zāles uztvērēju, lai nepieļautu noplūdi. (Att. 29)

Lietošana

Ievads



BRĪDINĀJUMS: Pirms sākat darbu ar produktu, izlasiet nodaļu par drošību un pārliecinieties, vai saprotat to.

Husqvarna Connect

Husqvarna Connect ir bezmaksas lietotne jūsu mobilajai ierīcei. Lietotne Husqvarna Connect nodrošina paplašinātas funkcijas jūsu Husqvarna izstrādājumam:

- Paplašināta izstrādājuma informācija.
- Informācija par izstrādājuma daļām un apkopi iekšējā palīdzībā ar to.

Lai sāktu izmantot Husqvarna Connect

1. Lejupielādējiet Husqvarna Connect lietotni savā mobilajā ierīcē.
2. Reģistrējieties Husqvarna Connect lietotnē.
3. Izpildiet Husqvarna Connect lietotnē sniegtos norādījumus, lai savienotu un reģistrētu produktu.

Darba dziļuma iestatīšana



BRĪDINĀJUMS: Lietojot izstrādājumu, neregulējiet darba dziļumu.

1. Nospiediet un grieziet regulatoru pretēji pulkstenrādītāju kustības virzienam, lai palielinātu darba dziļumu.
2. Nospiediet un grieziet regulatoru pulkstenrādītāju kustības virzienā, lai samazinātu darba dziļumu. (Att. 30)

Izstrādājuma iedarbināšana

1. Pieslēdziet barošanas kabeli kontaktligzdai zem roktura. (Att. 31)
2. Ievietojiet barošanas kabeli tā turētājā. Skatiet šeit: *Barošanas kabeļa turētāja lietošana lpp. 224.* (Att. 23)
3. Stāviet aiz izstrādājuma.
4. Atbrīvojiet iedarbināšanas ierobežotāju. (Att. 32)
5. Nospiediet motora bremžu rokturi roktura virzienā. (Att. 33)

Izstrādājuma izslēgšana

1. Atļaidiet dzinēja bremžu rokturi, lai apturētu dzinēju. (Att. 34)
2. Atvienojiet strāvas vadu no strāvas avota un pēc tam no izstrādājuma. (Att. 35)



IEVĒROJIET: Velciet kontaktdakšu taisni. Nevelciet aiz strāvas vada.

Apkope

Ievads



BRĪDINĀJUMS: Pirms veicat apkopi, izlasiet nodaļu par drošību un pārliecinieties, vai izprotat to.

Lai veiktu visus izstrādājuma apkopes un remonta darbus, ir nepieciešama īpaša apmācība. Mēs garantējam profesionāla remonta un apkopes pieejamību. Ja jūsu izplatītājs nav servisa pārstāvis, vērsieties pie viņa, lai iegūtu informāciju par tuvāko servisa pārstāvi.

Papildinformāciju skatiet šeit: www.husqvarna.com.

Tehniskās apkopes grafiks

Apkopes intervāli tiek aprēķināti atbilstoši zāles plāvēja ikdienas lietošanai. Intervāli mainās, ja zāles plāvēju neizmanto katru dienu.

Informāciju par apkopes darbiem, kas atzīmēti ar zvaigznīti *, skatiet šeit: *Izstrādājuma drošības ierīces lpp. 223.*

	Katrā lietošanas reizē	Reizi mēnesī	Katru sezonu
Veiciet vispārīgu pārbaudi.	X		
Notīriet izstrādājumu.	X		
Pārbaudiet zāliena skarifikatora aprīkojumu.	X		
Pārliecinieties, ka izstrādājuma drošības ierīces nav bojātas. *	X		

	Katrā lietošanas reizē	Reizi mēnesī	Katru sezonu
Pārbaudiet pārsegus. *	X		
Pārbaudiet motora bremžu rokturi. *	X		
Pārbaudiet iedarbināšanas ierobežotāju. *	X		

Vispārējās pārbaudes veikšana

- Pārlicinieties, vai uzgriežņi un skrūves uz produkta ir cieši pievilktas.
- Pārlicinieties, vai produkta kabeli nav novietoti tā, ka tie var tikt bojāti.
- Pārlicinieties, vai produkts nav nosprostots.

Produkta tīrīšana

- Plastmasas daļas notīriet ar tīru un sausu drāniņu.
- Produkta tīrīšanai neizmantojiet ūdeni. Ūdens var iekļūt akumulatorā vai dzinējā un rādīt īssavienojumu vai produkta bojājumus.
- Produktu nedrīkst skalot ar augstspiediena ūdens strūklu.
- Nekādā gadījumā neļiejiet ūdeni tieši uz dzinēja.
- Izmantojiet suku, lai notīrītu lapas, zāli un nefirumus.

Zāliena skarifikatora aprīkojuma pārbaude



BRĪDINĀJUMS: Lai nepieļautu nejaušu iedarbināšanu, atvienojiet barošanas kabeli.



BRĪDINĀJUMS: Veicot zāliena skarifikatora aprīkojuma apkopi, lietojiet

aizsargcimdus. Zāliena skarifikatora aprīkojuma zari ir ļoti asi, un ar tiem var viegli sagriezties.

- Pārbaudiet, vai zāliena skarifikatora aprīkojums nav bojāts vai ieplaisājis. Vienmēr nomainiet bojātu zāliena skarifikatora aprīkojumu.

Zāliena skarifikatora aprīkojuma maiņa



BRĪDINĀJUMS: Veicot zāliena skarifikatora aprīkojuma apkopi, lietojiet aizsargcimdus. Zāliena skarifikatora aprīkojums ir ļoti ass, un ar to var viegli sagriezties.

1. Novietojiet izstrādājumu uz tā labā sāna. (Att. 36)
2. Izskrūvējiet abas skrūves (A) un noņemiet zāliena skarifikatora pārsegu (B). Pabīdīet zāliena skarifikatora aprīkojumu (C) uz augšu un noņemiet. (Att. 37)
3. Iebīdīet zāliena skarifikatora aprīkojumu (C) rievā un uz leju atverē. Piestipriniet zāliena skarifikatora pārsegu (B), pieskrūvējot abas skrūves (A). (Att. 38)

Problēmu novēršana

Problēmu novēršana

Problēma	Iespējamais iemesls	Risinājums
Izstrādājums nesāk darboties.	Barošanas kabelis nav savienots ar barošanas avotu.	Savienojiet barošanas kabeli ar barošanas avotu.
	Barošanas kabelis nav savienots ar produktu.	Pieslēdziet barošanas kabeli kontaktligzdai zem roktura.
	Motora bremžu rokturis nav nospiests roktura virzienā.	Nospiediet motora bremžu rokturi roktura virzienā.
	Barošanas kabelis ir bojāts.	Sazinieties ar pilnvarotu apkopes pārstāvi.
	Citas kļūdas.	

Pārvadāšana, glabāšana un utilizēšana

Transportēšana

- Komerčiālas transportēšanas gadījumā ir jāievēro īpašās prasības, kas norādītas uz iepakojuma un uzlīmēm.
- Ievērojiet noteikumus, kas attiecas uz bīstamiem materiāliem, kad produktu sagatavoja transportēšanai. Var tikt piemēroti vietējie noteikumi.
- Transportēšanas laikā nostipriniet produktu.

Uzglabāšana

- Pirms novietojat izstrādājumu glabāšanai, ļaujiet tam atdzist.
- Uzglabājiet izstrādājumu vietā, kur apkārtējā temperatūra ir diapazonā no -10 °C līdz 40 °C.
- Glabājiet produktu slēgtā vietā, kas nav pieejama bērniem un nepiederošām personām.
- Notīriet izstrādājumu un veiciet pilnu apkopi, pirms novietojat izstrādājumu ilgstošai glabāšanai.

- Veiciet tikai tās apkopes darbības, kas norādītas lietotāja rokasgrāmatā. Skatiet šeit: *Tehniskās apkopes grafiks lpp. 226.*
- Pirms ilgstošas uzglabāšanas veiciet pilnu apkopi.

Atbrīvošanās no produkta

Simboli uz produkta vai tā iepakojuma norāda, ka no šī produkta nedrīkst atbrīvoties kā no sadzīves atkritumiem. Tas ir jānodod atbilstošā elektrisko un elektronisko ierīču pārstrādes uzņēmumā.

Nodrošinot, ka šis izstrādājums tiek pareizi pārstrādāts, varat palīdzēt novērst iespējamo negatīvo ietekmi uz vidi un cilvēkiem. Pretējā gadījumā tiek veikta nepareiza šī izstrādājuma utilizēšana. Lai uzzinātu vairāk par šī izstrādājuma pārstrādi, sazinieties ar vietējo pašvaldību, atkritumu pārstrādes uzņēmumu vai veikalu, kurā iegādājāties šo izstrādājumu.

(Att. 39)

Tehniskie dati

Tehniskie dati

S 138C	
Motors	
Motora tips	Maiņstrāvas virknes slēguma motors
Paļģierģes ātrums — SavE, apgr./min	NAV PIEEJAMS
Paļģierģes ātrums — nominālais, apgr./min	4200

S 138C	
Motora jauda — maks., kW	1,8
Motora jauda — nominālā, kW	1,6
Svars	
Svars, kg	19,0
Troksņa emisija ⁴⁶	
Skaņas jaudas līmenis, izmērītais dB (A)	96
Skaņas jaudas līmenis, garantētais L _{WA} dB (A)	98
Skaņas līmeņi ⁴⁷	
Skaņas spiediena līmenis pie operatora auss, dB(A)	82
Vibrācijas līmeņi ⁴⁸	
Rokturis, m/s ²	8,3
Lietošana	
Darba dziļums, maks./min., mm	-8/+5
Darba platums, cm	37,5
Asmeņu zaru stiprinājums	5973510-01
Atsperu zaru stiprinājums	5973509-01
Zāles uztvērēja tilpums, litros	45

⁴⁶ Atbilstoši EK direktīvai 2000/14/EK troksņa emisija apkārtņē ir mērīta kā akustiskā jauda (L_{WA}).

⁴⁷ Sniegtajos datos par skaņas spiediena līmeni tipiskā statistiskā izkliede ir 1,2 dB(A) (standartnovirze).

⁴⁸ Sniegtajos datos par vibrācijas līmeni tipiska statistiskā izkliede ir 0,2 m/s² (standarta novirze).

Atbilstības deklarācija

ES atbilstības deklarācija

Mēs, **Husqvarna AB**, SE-561 82 Huskvarna,
ZVIEDRIJA, tālr. +46-36-146500, ar pilnu atbildību
apliecinām, ka šis izstrādājums:

Apraksts	Skarifikators
Zīmols	Husqvarna
Tips/modelis	S 138C
Identifikācija	Sākot ar sērijas numuriem 2023

pilnībā atbilst šādām ES direktīvām un noteikumiem:

Direktīva/regula	Apraksts
2011/65/ES	“par dažu bīstamu vielu izmantošanas ierobežošanu elektriskās un elektroniskās iekārtās”
2006/42/EK	“par mehānismiem”
2014/30/ES	par elektromagnētisko savietojamību
2000/14/EK	“par trokšņa emisiju vidē”

un ir ievēroti zemāk norādītie saskaņotie standarti un/vai
tehniskie dati: EN 60335-1:2012/A11:2014/A13:2017/
A15:2021, EN 50636-2-92:2014, EN 55014-1:2017/
A11:2020, EN 55014-2:2015, EN 61000-3-2:2014, EN
61000-3-11:2000, EN IEC 63000:2018.

Informāciju par trokšņa emisiju skatiet šeit: *Tehniskie
dati lpp. 228.*

Huskvarna, 2024-03-01



Claes Losdal

Nodaļas vadītājs/dārzkopības izstrādājumi

Husqvarna AB

Atbildīgais par tehnisko dokumentāciju



Inhoud

Inleiding.....	231	Probleemoplossing.....	242
Veiligheid.....	233	Vervoer, opslag en verwerking.....	242
Montage.....	240	Technische gegevens.....	243
Werking.....	240	Verklaring van overeenstemming.....	244
Onderhoud.....	241		

Inleiding

Productbeschrijving

Het product is een handbediende elektrische verticuteermachine. Het product verwijdert dood materiaal van het gazon en maakt de grond los zodat water en lucht het gazon in kunnen. Het dode materiaal wordt verzameld in een grasopvangbak of op het gazon geplaatst. Het product heeft 2 typen verticuteerapparatuur.

Verticuteerapparatuur

Raadpleeg *De verticuteerapparatuur vervangen op pagina 242* voor informatie over het vervangen van de verticuteerapparatuur.

Bladtanden

De bladtanden verwijderen dood materiaal en maaien de graswortels verticaal. Gebruik de bladtanden op

hellingen, terrassen en in bodems met een groot kleigehalte. De bladtanden zorgen dat water in het gazon terechtkomt en zich niet ophoopt op het oppervlak

(Fig. 19)

Veertanden

De veertanden verwijderen dood gras en ander dood materiaal zorgvuldig uit het gazon zonder de graswortels te beschadigen.

(Fig. 20)

Gebruik

Gebruik het product om dood materiaal en mos te verwijderen en de grond los te maken in particuliere tuinen. Gebruik het product niet voor andere taken.

Productoverzicht

(Fig. 1)

1. Remhendel van de motor
2. Bovenste hendel
3. Startvergrendeling
4. Contactdoos
5. Onderste hendel
6. Kabelklem
7. Grasopvangbak
8. Achterklep
9. Afdekking van de verticuteermachine
10. Afstelknop voor de werkdiepte
11. Veertanden
12. Inbussleutel
13. Gebruikershandleiding

Symbolen op het product

(Fig. 2)

Waarschuwing:
Onzorgvuldig of onjuist gebruik kan leiden tot

letsel of overlijden van de gebruiker of anderen.

(Fig. 3)

Lees de bedieningshandleiding door en zorg dat u de instructies hebt begrepen voordat u dit product gebruikt.

(Fig. 4)

Kijk uit voor weggeslingerde en afgeketste voorwerpen.

(Fig. 5)

Houd personen en dieren op veilige afstand van het werkgebied.

- (Fig. 6) **WAARSCHUWING -** Houd uw handen en voeten uit de buurt van de tanden.
- (Fig. 7) Koppel het product los uit de contactdoos voordat u onderhoud aan het product uitvoert. De tanden blijven ronddraaien nadat de motor is uitgeschakeld.
- (Fig. 8) Gevaar voor elektrische schokken.
- (Fig. 9) Waarschuwing: Ga niet met het product over de voedingskabel heen, omdat dit een elektrische schok of beschadiging van het product kan veroorzaken.
- (Fig. 10) Dit product biedt bescherming tegen opspattend water.
- (Fig. 11) Dit product voldoet aan de geldende EG-richtlijnen.
- (Fig. 12) Dit product voldoet aan de geldende VK-regelgeving.
- (Fig. 13) Geluidsemissies naar het omgevingslabel
- volgens de richtlijnen en voorschriften van de EU en het VK en de wetgeving van Nieuw-Zuid-Wales "Protection of the Environment Operations (Noise Control) Regulation 2017". Het gegarandeerde geluidsvermogensniveau u van het product staat vermeld in *Technische gegevens op pagina 243* en op het label.
- (Fig. 14) Dubbele isolatie.
- (Fig. 18) Lever dit product in bij een recyclepunt voor elektrische en elektronische apparatuur. (Alleen geldig voor Europa)
- (Fig. 15) Startprocedure: maak de startvergrendeling los, druk de remhendel van de motor omlaag.
- (Fig. 16) Laat de remhendel van de motor los om te stoppen.
- (Fig. 17) Scanbare code.

Let op: Andere symbolen/stickers op het product hebben betrekking op certificeringseisen voor bepaalde markten.

Schade aan het product

We zijn niet verantwoordelijk voor schade aan ons product als:

- het product niet goed is gerepareerd.
- het product is gerepareerd met onderdelen die niet van de fabrikant afkomstig zijn, of onderdelen die niet zijn goedgekeurd door de fabrikant.
- het product een accessoire bevat dat niet afkomstig is van de fabrikant of niet is goedgekeurd door de fabrikant.
- het product niet is gerepareerd door een erkend servicepunt of door een erkende autoriteit.

Veiligheid

Veiligheidsdefinities

Waarschuwingen, voorzorgsmaatregelen en opmerkingen worden gebruikt om te wijzen op belangrijke delen van de handleiding.



WAARSCHUWING:

Wordt gebruikt om te wijzen op de kans op ernstig of fataal letsel voor de gebruiker of omstanders wanneer de instructies in de handleiding niet worden gevolgd.



OPGELET: Wordt gebruikt indien er een risico bestaat op schade aan het product en andere eigendommen of aan de omgeving wanneer de instructies in de handleiding niet worden gevolgd.

Let op: Geven verdere informatie die nodig is in een bepaalde situatie.

Algemene veiligheidsinstructies



WAARSCHUWING:

Lees de volgende waarschuwingen voordat u het product gaat gebruiken.

- Dit product is gevaarlijk als het verkeerd wordt gebruikt, of als u niet voorzichtig bent. Letsel of overlijden kunnen het gevolg zijn als u de veiligheidsvoorschriften negeert.
- Dit product produceert tijdens bedrijf een elektromagnetisch veld. Dit veld kan onder bepaalde omstandigheden de werking van actieve of passieve medische implantaten verstoren. Om het risico op ernstig of dodelijk letsel te beperken, raden we

personen met een medisch implantaat aan om contact op te nemen met hun arts en de fabrikant van het medische implantaat alvorens dit product te gaan gebruiken.

- Wees altijd voorzichtig en gebruik uw gezond verstand. Als u niet zeker weet hoe u het product moet bedienen in een bepaalde situatie, stop dan en informeer bij uw Husqvarna dealer voordat u verdergaat.
- Denk erom dat de bediener of gebruiker verantwoordelijk is voor ongelukken of beschadigingen aan eigendommen.
- Houd het product schoon. Zorg ervoor dat u de aanduidingen en stickers duidelijk kunt lezen.
- Laat kinderen of mensen die niet bekend zijn met deze gebruiksaanwijzing het apparaat niet gebruiken. Er kunnen plaatselijke regels zijn met betrekking tot de minimumleeftijd voor het bedienen van dit apparaat
- Houd personen met een lichamelijke of geestelijke beperking die het product gebruiken, altijd in de gaten. Er moet te allen tijde een

verantwoordelijke volwassene aanwezig zijn.

- Gebruik het product nooit als u moe of ziek bent, of onder invloed van alcohol, drugs of medicijnen verkeert. Dit heeft een negatief effect op uw visie, alertheid, coördinatie en oordeel.
- Gebruik het product niet als het defect is.
- Wijzig dit product niet of gebruik het niet als het door anderen kan zijn gewijzigd.

Veiligheid van het werkgebied



WAARSCHUWING:

Lees de volgende waarschuwingen voordat u het product gaat gebruiken.

- Verwijder objecten zoals takken, twijgen en stenen uit het werkgebied voordat u het product gaat gebruiken.
- Objecten die tegen de verticuteerapparatuur aankomen, kunnen worden uitgeworpen en schade veroorzaken aan personen en objecten. Houd omstanders en dieren op veilige afstand van het product.
- Gebruik het product nooit in slechte weersomstandigheden

zoals mist, regen, sterke wind, hevige kou of als er gevaar is voor blikseminslag. Het gebruik van dit product bij slecht weer of op vochtige of natte plaatsen is vermoeiend. Slecht weer kan leiden tot gevaarlijke situaties zoals gladde ondergronden.

- Kijk uit voor personen, objecten en situaties die een veilig gebruik van het product kunnen verhinderen.
- Kijk uit voor obstakels zoals wortels, stenen, takjes, kuilen en greppels. Obstakels kunnen moeilijk te zien zijn door hoog gras.
- Het gebruik van dit product op hellingen kan gevaarlijk zijn. Gebruik het product niet op een helling van meer dan 15°.
- Gebruik het product dwars over het oppervlak van hellingen. Ga niet van boven naar beneden.
- Wees voorzichtig wanneer u in de buurt komt van onoverzichtelijke bochten en voorwerpen die uw zicht kunnen belemmeren.

Werkveiligheid



WAARSCHUWING:

Lees de volgende waarschuwingen voordat

u het product gaat gebruiken.



WAARSCHUWING: Stop het product, koppel de voedingskabel los en zorg ervoor dat de tanden volledig tot stilstand zijn gekomen voordat u de verticuteerapparatuur aanraakt.

- Gebruik dit product alleen om een viltlaag en mos van gazons te verwijderen. Het is niet toegestaan om het product voor andere doeleinden te gebruiken.
- Maak altijd gebruik van persoonlijke beschermingsmiddelen. Raadpleeg *Persoonlijke beschermingsuitrusting op pagina 237*.
- Gebruik het product niet in regen of natte omstandigheden. Het risico van een elektrische schok neemt toe als water het product binnendringt.
- Gebruik het product niet met een beschadigde voedingskabel.

- Gebruik dit product alleen als de verticuteerapparatuur en alle afdekkingen correct zijn bevestigd. Verkeerd bevestigde verticuteerapparatuur kan losraken en letsel veroorzaken.
- Zorg ervoor dat de verticuteerapparatuur geen voorwerpen raakt zoals stenen en wortels. Hierdoor kan de verticuteerapparatuur beschadigd raken en de motoras verbuigen. Een gebogen as veroorzaakt zware trillingen en een zeer groot risico dat de verticuteerapparatuur losraakt.
- Stop het product onmiddellijk als de verticuteerapparatuur een voorwerp raakt of als zich trillingen voordoen. Stop de motor en koppel de voedingskabel los. Controleer het product op schade. Repareer schade of laat een erkende servicewerkplaats de reparatie uitvoeren.
- Bevestig de motorremhendel nooit permanent aan de handgreep wanneer de motor wordt gestart.
- Plaats het product op een stabiele, vlakke ondergrond en start het. Zorg ervoor dat de verticuteerapparatuur niet in aanraking komt met de grond of andere voorwerpen.
- Blijf altijd achter het product wanneer u het gebruikt.
- Zorg dat alle wielen op de grond blijven en houd 2 handen op de handgreep tijdens de bediening van het product. Houd uw handen en voeten uit de buurt van de roterende verticuteerapparatuur.
- Kantel het product niet terwijl de motor draait.
- Wees voorzichtig wanneer u het product naar achteren trekt.
- Til het product nooit op terwijl de motor draait. Als u het product moet optillen, zet u eerst de motor uit en koppelt u de voedingskabel los.
- Loop niet achteruit wanneer u het product bedient.
- Stop de motor als u in gebieden zonder gras komt, bijvoorbeeld op paden van grind, stenen en asfalt.
- Loop niet hard met het product wanneer de motor is ingeschakeld. Loop altijd rustig wanneer u het product bedient.
- Stop de motor voordat u de werkdiepte wijzigt. Voer nooit

afstellingen uit terwijl de motor draait.

- Houd altijd toezicht op het product wanneer de motor draait. Schakel de motor uit, koppel de voedingskabel los en zorg ervoor dat de verticuteerapparatuur niet draait.

Veiligheidsinstructies voor bediening

Persoonlijke beschermingsuitrusting

Bij gebruik van het product moeten altijd goedgekeurde persoonlijke beschermingsmiddelen worden gebruikt. Een persoonlijke beschermingsuitrusting elimineert de risico's niet, maar vermindert de ernst van het letsel als er toch een ongeluk gebeurt. Vraag uw dealer om raad bij de aanschaf van de juiste veiligheidsuitrusting.

Draag altijd:

- Gehoorbescherming om het risico van gehoorschade tot een minimum te beperken.
- Stevige laarzen of schoenen met antislipzool. Draag geen sandalen en loopt niet op blote voeten.
- Een lange broek van stevige stof. Draag geen korte broek.

Draag indien nodig handschoenen, bijvoorbeeld bij monteren, inspecteren of reinigen van verticuteerapparatuur.



WAARSCHUWING:

Gebruik goedgekeurde gehoorbescherming. Langdurige blootstelling aan lawaai kan leiden tot permanente gehoorbeschadiging.

Veiligheidsvoorzieningen op het product



WAARSCHUWING:

Lees de volgende waarschuwingen voordat u het product gaat gebruiken.

- Gebruik het product nooit wanneer de veiligheidsvoorzieningen defect zijn.
- Controleer de veiligheidsvoorzieningen regelmatig op een juiste werking. Als de veiligheidsvoorzieningen defect zijn, neem dan contact op met uw Husqvarna servicewerkplaats.

De afdekkingen controleren

De afdekking van de verticuteermachine vermindert trillingen in het product en vermindert het risico op letsel door de verticuteerapparatuur.

- Controleer de afdekking aan de zijkant van de verticuteermachine op schade, zoals barsten.
- Controleer de achterste afdekking op schade, zoals barsten.

Remhendel van de motor

De remhendel van de motor stopt de motor. Als de remhendel van de motor wordt losgelaten, stopt de motor.

Voor een inspectie van de motorrem start u de motor en laat u de motorremhendel los. Als de motor niet binnen 3 seconden stopt, laat de motorrem dan afstellen door een erkende Husqvarna servicewerkplaats.

(Fig. 21)

Startvergrendeling onderzoeken

Controleer de startvergrendeling om er zeker van te zijn dat deze de werking van de motor voorkomt.

1. Druk de hendel van de motorrem in de richting van de handgreep. De startvergrendeling stopt de beweging.
2. Duw de startvergrendeling naar buiten. (Fig. 22)
3. Laat de startvergrendeling los en controleer of deze teruggaat naar de oorspronkelijke stand.

De houder voor de voedingskabel gebruiken

De houder voor de voedingskabel vermindert de belasting op de contactdoos en de voedingskabel. De houder voor de voedingskabel verkleint ook de kans dat u valt.

1. Buig de voedingskabel in een smalle lus.
2. Plaats de lus in het gat in de houder voor de voedingskabel.
3. Leg de lus om de haak.
4. Trek aan de voedingskabel om de lus om de haak aan te halen. (Fig. 23)

Veiligheid voedingskabel

- Het gebruik van een overstroombeveiliging met een afschakelstroom van

- 30 mA of minder wordt aanbevolen. Zelfs met een overstroombeveiliging is 100% veiligheid niet gegarandeerd en moet er altijd veilig worden gewerkt. Controleer uw overstroombeveiliging telkens als u deze gebruikt.
- Koppel het apparaat onmiddellijk los van het stroomnet als de voedingskabel doorgesneden is of als de isolatie beschadigd is.
 - Raak een doorgesneden of beschadigde voedingskabel niet aan totdat de stroomtoevoer is uitgeschakeld.
 - Repareer een doorgesneden of beschadigde voedingskabel niet. Vervang deze door een nieuwe kabel.

Veiligheidsinstructies voor onderhoud



WAARSCHUWING:

Lees de volgende waarschuwingen voordat u het product gaat gebruiken.

- Voer de onderhoudswerkzaamheden naar behoren uit om de levensduur van het product te verlengen en het risico op ongevallen te verlagen. Laat professionele reparaties uitvoeren door een erkende servicewerkplaats. Neem contact op met uw dichtstbijzijnde servicewerkplaats voor meer informatie.
 - Voer alleen onderhoudswerkzaamheden uit zoals beschreven in deze bedieningshandleiding. Verdergaande werkzaamheden moeten door een erkende servicewerkplaats worden uitgevoerd.
 - Verwijder geen veiligheidsvoorzieningen en voer er geen veranderingen aan uit, om letsel te voorkomen.
 - Draag handschoenen voor zwaar gebruik wanneer u de verticuteermachine hanteert. De verticuteermachine is zeer scherp en kan gemakkelijk snijwonden veroorzaken.
 - Houd de tanden van de verticuteermachine scherp en schoon voor optimale prestaties en veiligheid.
- Koppel de voedingskabel los tijdens het onderhoud om onbedoeld starten te voorkomen.

- Laat het product regelmatig controleren door uw servicewerkplaats en laat noodzakelijke aanpassingen en reparaties uitvoeren.
- Vervang beschadigde, versleten of defecte onderdelen. Gebruik altijd originele reserveonderdelen

van de fabrikant. Andere reserveonderdelen kunnen het product beschadigen en het risico op ongelukken verhogen.

- Volg de instructies voor het vervangen van accessoires. Gebruik alleen accessoires van de fabrikant.

Montage

Inleiding



WAARSCHUWING: Lees het hoofdstuk over veiligheid voordat u het product monteert.



WAARSCHUWING: Koppel de voedingskabel los tijdens de montage om onbedoeld starten te voorkomen.

Hendel monteren

1. Draai de onderste knoppen los.
2. Beweeg de knoppen naar het onderste uiteinde van de sleuven aan de linker- en rechterzijde van het product. (Fig. 24)
3. Stel de hendelhoogte af op een van de twee beschikbare posities.
4. Beweeg de knoppen omhoog naar de handgreep tot de aanslag en u een klik hoort. (Fig. 25)

5. Draai de knoppen volledig vast.

Grasopvangbak monteren

1. Breng het frame van de grasopvangbak aan in de graszak met het stevige gedeelte van de zak aan de onderzijde. Zorg dat de hendel van het frame aan de bovenkant van de graszak blijft. (Fig. 26)
2. Bevestig het onderste gedeelte van het frame van de grasopvangbak in de groef aan de onderzijde van de grasopvangbak.
3. Bevestig de graszak met de klemmen aan het frame van de grasopvangbak. (Fig. 27)
4. Til de achterklep op.
5. Plaats de grasopvangbak in de correcte positie. (Fig. 28)
6. Bevestig de grasopvangbak aan de bovenrand van het chassis. Zorg ervoor dat de achterste afdichting de grasopvangbak volledig afsluit om lekkage te voorkomen. (Fig. 29)

Werking

Inleiding



WAARSCHUWING: Voordat u het product gaat gebruiken, dient u het hoofdstuk over veiligheid te lezen en hebben begrepen.

Husqvarna Connect

Husqvarna Connect is een gratis app voor uw mobiele apparaat. De Husqvarna Connect-app biedt uitgebreide functies voor uw Husqvarna-product:

- Uitgebreide productinformatie.
- Informatie over, en hulp bij, onderdelen en onderhoud van uw product.

Husqvarna Connect gebruiken

1. Download de Husqvarna Connect-app op uw mobiele apparaat.
2. Registreer in de Husqvarna Connect-app.
3. Volg de instructies in de Husqvarna Connect-app om verbinding te maken met het product en dit te registreren.

De werkdiepte instellen



WAARSCHUWING: Stel de werkdiepte niet in wanneer u het product gebruikt.

1. Duw en draai de afstelknop voor de werkdiepte linksom om de werkdiepte te vergroten.
2. Duw en draai de afstelknop voor de werkdiepte rechtsom om de werkdiepte te verkleinen. (Fig. 30)

Product starten

1. Sluit een voedingskabel aan op de contactdoos onder de hendel. (Fig. 31)
2. Breng de voedingskabel in de houder voor de voedingskabel aan. Zie *De houder voor de voedingskabel gebruiken op pagina 238*. (Fig. 23)
3. Blijf achter het product.
4. Maak de startvergrendeling los. (Fig. 32)

5. Druk de hendel van de motorrem in de richting van de handgreep. (Fig. 33)

Product stoppen

1. Laat de remhendel van de motor los om de motor te stoppen. (Fig. 34)
2. Koppel de voedingskabel los van het stroomnet en daarna van het product. (Fig. 35)



OPGELET: Trek de stekker er recht uit. Trek niet aan de voedingskabel.

Onderhoud

Inleiding



WAARSCHUWING: Voordat u onderhoud gaat uitvoeren, dient u het hoofdstuk over veiligheid te lezen en hebben begrepen.

Voor alle onderhouds- en reparatiewerkzaamheden aan het product is speciale training nodig. Wij garanderen de beschikbaarheid van professionele reparaties en onderhoud. Indien uw dealer geen servicewerkplaats heeft, vraag hem dan naar de dichtstbijzijnde servicewerkplaats.

Zie www.husqvarna.com voor meer gedetailleerde informatie.

Onderhoudsschema

De onderhoudsintervallen worden berekend op basis van het dagelijks gebruik van het product. De intervallen veranderen als het product niet dagelijks wordt gebruikt.

Voor onderhoud dat is gemarkeerd met *: zie *Veiligheidsvoorzieningen op het product op pagina 237*.

	Elk gebruik	Maandelijks	Elk seizoen
Voer een algemene inspectie uit.	X		
Reinig het product.	X		
Controleer de verticaleermachine.	X		
Controleer of de veiligheidsvoorzieningen op het product in orde zijn. *	X		
Controleer de afschermingen. *	X		
Controleer de remhendel van de motor. *	X		
Controleer de startvergrendeling. *	X		

Algemene inspectie uitvoeren

- Controleer of de moeren en schroeven op het product goed zijn vastgedraaid.
- Zorg dat de kabels van het product zich in een positie vinden waarin ze niet beschadigd kunnen raken.
- Controleer of het product niet geblokkeerd is.

- Gebruik geen water om het product te reinigen. Water kan de accu of de motor binnendringen en kortsluiting of schade aan het product veroorzaken.
- Reinig het product niet met een hogedrukspuit.
- Laat nooit water rechtstreeks op de motor stromen.
- Gebruik een borstel om bladeren, gras en vuil te verwijderen.

Product reinigen

- Reinig de kunststof onderdelen met een schone en droge doek.

De verticuteermachine controleren



WAARSCHUWING: Koppel de voedingskabel los om onbedoeld starten te voorkomen.



WAARSCHUWING: Draag veiligheidshandschoenen wanneer u onderhoud aan de verticuteermachine uitvoert. De tanden van de verticuteermachine zijn zeer scherp en kunnen gemakkelijk snijwonden veroorzaken.

- Controleer de verticuteermachine op beschadiging en scheuren. Vervang een beschadigde verticuteermachine altijd.

De verticuteerapparatuur vervangen



WAARSCHUWING: Draag veiligheidshandschoenen wanneer u onderhoud aan de verticuteerapparatuur uitvoert. De verticuteerapparatuur is zeer scherp en kan gemakkelijk snijwonden veroorzaken

- Plaats het product op zijn rechterzijde. (Fig. 36)
- Verwijder de 2 schroeven (A) en de afdekking (B) van de verticuteermachine. Duw de verticuteerapparatuur (C) omhoog en naar buiten om hem te verwijderen. (Fig. 37)
- Duw de nieuwe verticuteerapparatuur (C) in de groef en de opening. Bevestig de afdekking (B) van de verticuteermachine en de 2 schroeven (A) (Fig. 38)

Probleemoplossing

Probleemoplossing

Probleem	Mogelijke oorzaak	Oplossing
Het product start niet.	De voedingskabel is niet aangesloten op een stopcontact.	Sluit de voedingskabel aan op een stopcontact.
	De voedingskabel is niet aangesloten op het product.	Sluit de voedingskabel aan op de contactdoos onder de hendel.
	De hendel van de motorrem is niet in de richting van de handgreep gedrukt.	Druk de hendel van de motorrem in de richting van de handgreep.
	De voedingskabel is beschadigd.	Neem contact op met een erkende servicewerkplaats.
	Andere fouten.	

Vervoer, opslag en verwerking

Transport

- Voor commercieel transport moet aan speciale vereisten voor de verpakking en labels worden voldaan.
- Zorg dat u de regels voor gevaarlijke materialen in acht neemt bij het voorbereiden van het product voor transport. Er kunnen lokale voorschriften van toepassing zijn.
- Zet het product vast tijdens transport.

Opslag

- Laat het product afkoelen voordat u het opbergt.
- Bewaar het product bij een omgevingstemperatuur tussen -10 °C en 40 °C.

- Bewaar het product in een afgesloten ruimte, buiten bereik van kinderen en onbevoegden.
- Reinig het product en voer een volledige onderhoudsbeurt uit voordat u het product voor langere tijd opslaat.
- Voer de onderhoudsprocedures uit die in deze bedieningshandleiding staan beschreven. Raadpleeg *Onderhoudsschema op pagina 241*.
- Voer een volledige onderhoudsbeurt uit voordat u het product voor langere tijd opbergt.

Afvoeren

Symbolen op het product of op de verpakking van het product geven aan dat dit product niet beschouwd kan worden als huishoudelijk afval. Het

moet worden ingeleverd bij een geschikt inzamelstation voor het terugwinnen van elektrische en elektronische apparatuur.

Als u ervoor zorgt dat dit product goed wordt verwerkt, helpt u mogelijk negatieve gevolgen voor het milieu en mensen door verkeerd afvalbeheer van dit product

tegen te gaan. Neem voor meer informatie over het recyclen van dit product contact op met de gemeente, het afvalverwerkingsbedrijf of de winkel waar u het product hebt gekocht.

(Fig. 39)

Technische gegevens

Technische gegevens

S 138C	
Motor	
Motor type	Motor van AC-serie
Toerental apparatuur – SavE, tpm	N.v.t.
Toerental apparatuur – nominaal, tpm	4200
Uitgangsvermogen motor – max. kW	1,8
Uitgangsvermogen motor – nominaal, kW	1,6
Gewicht	
Gewicht, kg	19,0
Geluidsemissies ⁴⁹	
Geluidsvermogensniveau, gemeten dB(A)	96
Geluidsvermogensniveau, gegarandeerd L _{WA} dB (A)	98
Geluidsniveaus ⁵⁰	
Geluidsdrukniveau bij het oor van de gebruiker, dB(A)	82
Trillingsniveau ⁵¹	
Hendel, m/s ²	8,3
Werking	
Werkdiepte max./min. mm	-8/+5
Werkbreedte, cm	37,5
Opzetstuk bladtanden	5973510-01
Opzetstuk veertanden	5973509-01
Capaciteit grasopvangbak, liter	45

⁴⁹ Geluidsemissie naar de omgeving gemeten als geluidsvermogen (L_{WA}) volgens EG-richtlijn 2000/14/EG.

⁵⁰ De gerapporteerde gegevens voor het geluidsdrukniveau vertonen een typische statistische spreiding (standaardafwijking) van 1,2 dB (A).

⁵¹ De gerapporteerde gegevens voor een trillingsniveau vertonen een typische statistische spreiding (standaardafwijking) van 0,2 m/s².

Verklaring van overeenstemming

EU-verklaring van overeenstemming

Wij, **Husqvarna AB**, SE-561 82 Huskvarna, ZWEDEN,
tel.: +46 36 146500, verklaren onder onze
alleenverantwoordelijkheid dat het product:

Beschrijving	Verticuteermachine
Merk	Husqvarna
Type/model	S 138C
Identificatie	Serienummers vanaf 2023 en verder

voldoen volledig aan de volgende EU-richtlijnen en
-regelgeving:

Richtlijn/Verordening	Beschrijving
2011/65/EU	"inzake beperking van het gebruik van bepaalde gevaarlijke stoffen in elektrische en elektronische apparatuur"
2006/42/EG	"betreffende machines"
2014/30/EU	"betreffende elektromagnetische compatibiliteit"
2000/14/EG	"betreffende de geluidsemissies in het milieu"

en dat de volgende normen en/of technische
specificaties zijn toegepast: EN 60335-1:2012/
A11:2014/A13:2017/A15:2021, EN 50636-2-92:2014,
EN 55014-1:2017/A11:2020, EN 55014-2:2015, EN
61000-3-2:2014, EN 61000-3-11:2000, EN IEC
63000:2018.

Voor informatie over geluidsemissies, zie *Technische
gegevens op pagina 243*.

Huskvarna, 2024-03-01



Claes Losdal

Development Manager/Garden Products

Husqvarna AB

Verantwoordelijk voor technische documentatie



INNHold

Innledning.....	245	Feilsøking.....	255
Sikkerhet.....	247	Transport, oppbevaring og avhending.....	255
Montering.....	253	Tekniske data.....	256
Drift.....	253	Samsvarserklæring.....	257
Vedlikehold.....	254		

Innledning

Produktbeskrivelse

Produktet er en elektrisk vertikalskjærer som styres manuelt. Produktet fjerner gressfilt fra plenen og løser jorden, slik at luft og vann kommer inn i plenen. Gressfiltene samles i en gressoppsamler eller slippes på plenen. Produktet har to typer utstyr for vertikalskjæring.

Utstyr for vertikalskjæring

Se *Slik bytter du ut utstyr for vertikalskjæring på side 255* for nærmere opplysninger om hvordan du skifter utstyr for vertikalskjæring.

Knivtinder

Knivtindene fjerner gressfilt og klipper gressrøtter vertikalt. Bruk knivtindene i skråninger, terrasseplener

Produktoversikt

(Fig. 1)

1. Motorbremshåndtak
2. Øvre håndtak
3. Startspærre
4. Strømuttak
5. Nedre håndtak
6. Kabelklemme
7. Oppsamler
8. Bakdeksel
9. Vertikalskjærerdeksel
10. Justeringsknott for arbeidsdybde
11. Fjærtinder
12. Unbrakonøkkel
13. Bruksanvisning

Symboler på produktet

(Fig. 2)

Advarsel: Uforsiktig eller feilaktig bruk kan resultere i skader eller dødsfall for brukeren eller tilskuere.

og i jord med mye leire. Knivtinder gjør at vann slipper inn i plenen og forhindrer at det samler seg vann på overflaten.

(Fig. 19)

Fjærtinder

Fjærtindene fjerner dødt gress og gressfilt skånsomt fra plenen uten at gressrøttene skades.

(Fig. 20)

Bruksområder

Bruk produktet til å fjerne gressfilt og mose og til å løsne jord i private hager. Ikke bruk produktet til andre oppgaver.

(Fig. 3)

Les brukerhåndboken og forsikre deg om at du forstår instruksjonene før du bruker produktet.

(Fig. 4)

Se opp for gjenstander som slynges ut og rikosjetterer.

(Fig. 5)

Hold personer og dyr på trygg avstand fra arbeidsområdet.

(Fig. 6)

ADVARSEL – hold hender og føtter borte fra tindene.

- (Fig. 7) Koble produktet fra strømuttaket før du utfører vedlikehold på produktet. Tindene fortsetter å rotere etter at motoren er slått av.
- (Fig. 8) Fare for elektrisk støt.
- (Fig. 9) Advarsel: Klipp ikke over strømledningen. Dette kan føre til elektrisk støt og/eller skade på produktet.
- (Fig. 10) Dette produktet har beskyttelse mot vannsprut.
- (Fig. 11) Dette produktet er i overensstemmelse med gjeldende EU-direktiver.
- (Fig. 12) Dette produktet samsvarer med gjeldende britiske direktiver.
- (Fig. 13) Støyutslipp til omgivelsene som i EU-direktiver og forskrifter, britiske direktiver og forskrifter og New South Wales-forskriften «Protection of the Environment Operations (Noise Control) Regulation 2017».
- Garantert lydeffektnivå for produktet er angitt i *Tekniske data på side 256* og på etiketten.
- (Fig. 14) Dobbeltisolert.
- (Fig. 18) Lever dette produktet til et gjenvinningsanlegg for elektrisk og elektronisk utstyr. (Gjelder kun Europa)
- (Fig. 15) Startprosedyre: Løsne startsperran, og skyv motorbrems håndtaket ned.
- (Fig. 16) Slipp motorbrems håndtaket for å stoppe.
- (Fig. 17) Kode som kan skannes.
-
- Merk:** Øvrige symboler/klistremerker angitt på produktet gjelder sertifiseringskrav for visse markeder.
-
- Skader på produktet**
- Vi er ikke ansvarlige for skader på produktet vårt hvis:
- Produktet er reparert på feil måte.
 - Produktet er reparert med deler som ikke kommer fra produsenten eller som ikke er godkjent av produsenten.
 - Produktet har et tilbehør som ikke kommer fra produsenten eller som ikke er godkjent av produsenten.
 - Produktet er ikke reparert på et godkjent servicesenter eller av en godkjent aktør.

Sikkerhetsdefinisjoner

Advarsler, oppfordringer og merknader brukes for å understreke spesielt viktige deler av bruksanvisningen.



ADVARSEL: Brukes hvis det er fare for personskade eller død for føreren eller andre personer om instruksjonene i håndboken ikke følges.



OBS: Brukes hvis det er fare for skade på produktet, annet materiell eller nærliggende områder om instruksjonene i håndboken ikke følges.

Merk: Brukes for å gi mer nødvendig informasjon for en spesifikk situasjon.

Generelle sikkerhetsinstruksjoner



ADVARSEL: Les de følgende advarselinstruksjonene før du bruker produktet.

- Dette produktet er farlig hvis det brukes feil, eller hvis du ikke er forsiktig. Personskade eller død kan forekomme hvis du ikke følger sikkerhetsinstruksjonene.
- Dette produktet danner et elektromagnetisk felt når det er i bruk. Dette feltet kan under visse forhold forstyrre aktive eller passive medisinske implantater. For å redusere faren for hendelser som kan føre til alvorlig eller livstruende skade, anbefaler vi at personer med medisinske implantater rådfører seg med lege og produsenten av det medisinske implantatet før dette produktet tas i bruk.
- Vær alltid forsiktig og bruk sunn fornuft. Hvis du ikke er sikker på hvordan du skal bruke produktet i en bestemt situasjon, må du stoppe og snakke med Husqvarna-forhandleren før du fortsetter.
- Husk at brukeren er ansvarlig for ulykker som involverer andre personer eller deres eiendom.
- Hold produktet rent. Sørg for at du kan lese skilt og merker.

- La aldri barn eller personer som ikke har satt seg inn i bruksanvisningen, bruke apparatet. Operatørens lavalder kan være fastsatt i lokale forskrifter
- Overvåk alltid personer med redusert fysisk eller mental kapasitet når de bruker produktet. En ansvarlig voksen må alltid være til stede.
- Ikke bruk produktet dersom du er trett eller syk eller under påvirkning av alkohol, andre rusmidler eller medisiner. Disse tingene har en negativ effekt på synet, vurderingsevnen og dømmekraften din.
- Ikke bruk produktet hvis det er defekt.
- Ikke modifier dette produktet, og ikke bruk det dersom det er mulig at andre har modifisert det.
- Gjenstander som treffer utstyret for vertikalskjæring, kan slynges ut og forårsake skade på personer og gjenstander. Hold tilskuere og dyr på trygg avstand fra produktet.
- Bruk aldri produktet i dårlig vær, for eksempel i tåke, regn, sterk vind, sterk kulde, eller ved fare for lyn. Det er slitsomt å bruke produktet i dårlig vær eller på fuktige eller våte steder. Dårlig vær kan forårsake farlige forhold, for eksempel glatt underlag.
- Hold utkikk etter personer, objekter og situasjoner som kan forhindre sikker bruk av produktet.
- Se etter hindringer, for eksempel røtter, steiner, kvister, fordypninger og grøfter. Høyt gress kan skjule hindringer.

Sikkerhet i arbeidsområdet



ADVARSEL: Les de følgende advarselinstruksjonene før du bruker produktet.

- Fjern gjenstander som greiner, kvister og steiner fra området før du bruker produktet.
- Det kan være farlig å bruke produktet i skråninger. Ikke bruk produktet i skråninger som heller mer enn 15 grader.
- Bruk produktet på tvers av skråninger. Ikke gå opp og ned.
- Vær forsiktig når du nærmer deg skjulte hjørner eller gjenstander som blokkerer sikten.

Arbeidssikkerhet



ADVARSEL: Les de følgende advarselsinstruksjonene før du bruker produktet.



ADVARSEL: Stopp produktet, koble fra strømledningen, og kontroller at tindene har stoppet helt før du berører vertikalskjæringen.

- Bruk dette produktet kun til å fjerne gressfilt og mose fra gressplener. Det er ikke tillatt å bruke det til andre formål.
- Bruk personlig verneutstyr. Se *Personlig verneutstyr på side 250*.
- Produktet må ikke brukes i regn eller fuktige omgivelser. Fare for elektrisk støt øker hvis det kommer vann inn i produktet.
- Ikke bruk produktet hvis strømledningen er skadet.
- Ikke bruk produktet med mindre utstyret for vertikalskjæring og alle deksler er riktig montert. Utstyr for vertikalskjæring som er feilmontert, kan løsne og forårsake personskade.
- Pass på at utstyret for vertikalskjæring ikke kommer borti gjenstander som steiner og røtter. Dette kan skade utstyret for vertikalskjæring og bøye motorakselen. En bøyd aksel kan forårsake mye vibrasjon og utgjør en svært høy fare for at utstyret for vertikalskjæring blir løst.
- Hvis utstyret for vertikalskjæring treffer en gjenstand eller det oppstår kraftige vibrasjoner, må produktet stanses øyeblikkelig. Stopp motoren, og koble fra strømledningen. Kontroller produktet for skader. Reparer skader, eller la et autorisert serviceverksted utføre reparasjon.
- Du må aldri feste motorbremshåndtaket permanent til håndtaket når motoren er i gang.
- Plasser produktet på et stabilt, flatt underlag, og start det. Pass på at utstyret for vertikalskjæring ikke berører bakken eller andre gjenstander.
- Hold deg alltid bak produktet når du bruker det.
- La alle hjulene være på bakken, og hold begge hender på håndtaket når du bruker

produktet. Hold hender og føtter borte fra det roterende utstyret for vertikalskjæring.

- Unngå å vippe produktet opp mens motoren er i gang.
- Vær forsiktig når du trekker produktet bakover.
- Du må aldri løfte produktet når motoren er i gang. Hvis du har behov for å løfte produktet, må du først stoppe motoren og koble fra strømledningen.
- Ikke gå bakover når du bruker produktet.
- Stopp motoren når du går over områder uten gress, for eksempel gangveier av grus, stein og asfalt.
- Ikke løp med produktet når motoren er på. Du må alltid gå mens du bruker produktet.
- Stopp motoren før du endrer arbeidsdybde. Utfør aldri justeringer mens motoren er i gang.
- La aldri produktet være ute av syne mens motoren er i gang. Stopp motoren, koble fra strømledningen og forsikre deg om at utstyret for vertikalskjæring ikke roterer.

Sikkerhetsinstruksjoner for drift

Personlig verneutstyr

Du må alltid bruke godkjent personlig verneutstyr når du

bruker produktet. Personlig verneutstyr eliminerer ikke skaderisikoen, men det reduserer virkningen av en skade hvis ulykken skulle være ute. Be forhandleren om hjelp ved valg av utstyr.

Bruk alltid:

- hørselsvern for å redusere faren for hørselsskade til et minimum
- sklisikre og solide støvler eller sko ikke bruk sandaler og ikke gå barbert
- Tykke langbukser. Ikke bruk shorts.

Bruk hansker når det er nødvendig, for eksempel når du monterer, kontrollerer eller rengjør utstyret for vertikalskjæring.



ADVARSEL: Bruk godkjent hørselsvern. Langvarig eksponering for støy kan gi varige hørselsskader.

Sikkerhetsutstyr på produktet



ADVARSEL: Les de følgende advarselsinstruksjonene før du bruker produktet.

- Ikke bruk produktet dersom sikkerhetsstyret er defekt.
- Utfør regelmessig kontroll av sikkerhetsstyret. Ta kontakt med Husqvarna-serviceverkstedet ditt dersom sikkerhetsstyret er defekt.

Slik kontrollerer du dekslene

Vertikalskjærerdekselet gir mindre vibrasjoner og minsker risikoen for skader forårsaket av utstyret for vertikalskjæring.

- Undersøk sidedekselet på vertikalskjæreren for å sikre at det ikke er noen skader, for eksempel sprekker.
- Undersøk bakdekselet for å sikre at det ikke er noen skader, for eksempel sprekker.

Motorbremshåndtak

Motorbremshåndtaket stopper motoren. Når du slipper motorbremshåndtaket, stopper motoren.

Hvis du vil kontrollere motorbremsen, starter du motoren og slipper deretter motorbremshåndtaket. Hvis motoren ikke stopper innen tre sekunder, må du la et godkjent Husqvarna-serviceverksted justere motorbremsen.

(Fig. 21)

Slik undersøker du startsperran

Utfør en kontroll av startsperran for å sikre at den hindrer driften av motoren.

1. Trykk motorbremshåndtaket i retning av håndtaket. Startsperran stopper bevegelsen.
2. Skyv startsperran ut. (Fig. 22)
3. Løsne startsperran, og kontroller at den går tilbake til sin opprinnelige posisjon.

Slik bruker du strømledningsholderen

Strømledningsholderen reduserer belastningen på stikkontakten og strømledningen. Strømledningsholderen reduserer også faren for at du faller.

1. Bøy strømledningen for å danne en liten sløyfe.
2. Plasser sløyfen i hullet i strømledningsholderen.
3. Legg sløyfen rundt kroken.
4. Dra i strømledningen for å stramme sløyfen rundt kroken. (Fig. 23)

Sikkerhet med strømledningen

- Det anbefales å bruke en sikringsenhet (Residual Current Device, R.C.D.) som utløses ved maks. 30 mA. Selv når en sikringsenhet er installert, kan ikke 100 % sikkerhet garanteres, og sikre arbeidsprosedyrer må følges til enhver tid. Kontroller sikringsenheten hver gang du bruker den.
- Koble fra strømtilførselen umiddelbart dersom strømledningen er kuttet eller isolasjonen er skadet.
- Ikke berør en kuttet eller skadet strømledning før strømtilførselen er koblet fra.
- Ikke prøv å reparere en kuttet eller skadet strømledning. Erstatt den ut med en ny.

Sikkerhetsinstruksjoner for vedlikehold



ADVARSEL: Les de følgende advarselsinstruksjonene før du bruker produktet.

- Koble fra strømledningen for å hindre utilsiktet start under vedlikehold.
- Utfør vedlikeholdsarbeidet på riktig måte for å øke levetiden til produktet og redusere risikoen for ulykker. La et godkjent serviceverksted utføre det fagmessige vedlikeholdet. Snakk med nærmeste serviceverksted for mer informasjon.
- Utfør bare vedlikeholdsarbeid som er beskrevet i denne bruksanvisningen. Mer omfattende inngrep skal utføres av et godkjent serviceverksted.
- For å forhindre skade må du ikke fjerne eller gjøre endringer på sikkerhetsutstyret.
- Bruk robuste hansker når du bruker utstyret for vertikalskjæring. Utstyret for vertikalskjæring er svært skarpt, og det er lett å skjære seg.
- Hold tindene på utstyret for vertikalskjæring skarpe og rene for å oppnå best og sikrest ytelse.
- La serviceverkstedet undersøke produktet regelmessig og utføre de nødvendige justeringene og reparasjonene.
- Skift ut alle skadde, slitte eller ødelagte deler. Bruk bare originale reservedeler fra produsenten. Andre reservedeler kan forårsake

skade på produktet og øke risikoen for ulykker.

- Følg instruksjonene for utskifting av tilbehør. Bruk bare tilbehør fra produsenten.

Montering

Innledning



ADVARSEL: Før du monterer produktet, må du lese kapittelet om sikkerhet.



ADVARSEL: Koble fra strømledningen for å hindre utilsiktet start under montering.

Slik monterer du håndtaket

1. Løsne de nedre knottene.
2. Flytt knottene til den nedre enden av sporene på venstre og høyre side av produktet. (Fig. 24)
3. Angi høyden på håndtaket til én av de to tilgjengelige posisjonene.
4. Flytt knottene oppover i retning av håndtaket til de stopper og du hører et klikk. (Fig. 25)

5. Trekk til knottene helt.

Slik monterer du oppsamleren

1. Fest oppsamlerammen til gressposen med den faste delen av posen på undersiden. Hold håndtaket på rammen på toppen av gressposen. (Fig. 26)
2. Fest nedre del av oppsamlerammen i sporet på bunnen av oppsamleren.
3. Fest gressposen til oppsamlerammen med klemmene. (Fig. 27)
4. Løft det bakre dekselet.
5. Sett oppsamleren i riktig posisjon. (Fig. 28)
6. Fest oppsamleren til den øverste kanten av chassiset. Kontroller at det bakre dekselet sitter tett mot gressoppamleren, slik at lekkasje forhindres. (Fig. 29)

Drift

Innledning



ADVARSEL: Før du bruker produktet, må du lese og forstå kapittelet om sikkerhet.

Husqvarna Connect

Husqvarna Connect er en kostnadsfri app for mobilenheten din. Husqvarna Connect-appen gir utvidede funksjoner for Husqvarna-produktet ditt:

- utvidet produktinformasjon
- informasjon om og hjelp med produktdelel og service

Slik begynner du å bruke Husqvarna Connect

1. Last ned Husqvarna Connect-appen på mobilenheten din.
2. Utfør registrering i Husqvarna Connect-appen.
3. Følg instruksjonene i Husqvarna Connect-appen for å koble til og registrere produktet.

Slik angir du arbeidsdybde



ADVARSEL: Ikke juster arbeidsdybden mens du bruker produktet.

1. Skyv inn og vri justeringsknotten for arbeidsdybde mot urviseren for å øke arbeidsdybden.
2. Skyv inn og vri justeringsknotten for arbeidsdybde med urviseren for å redusere arbeidsdybden. (Fig. 30)

Slik starter du produktet

1. Koble strømledningen til kontakten under håndtaket. (Fig. 31)
2. Sett strømledningen i strømledningsholderen. Se *Slik bruker du strømledningsholderen på side 251.* (Fig. 23)
3. Stå bak produktet.
4. Løsne startsperran. (Fig. 32)
5. Trykk motorbrems håndtaket i retning av styret. (Fig. 33)

Slik stopper du produktet

1. Slipp motorbrems håndtaket for å stoppe motoren. (Fig. 34)
2. Koble strømledningen fra stikkontakten og deretter fra produktet. (Fig. 35)



OBS: Dra støpselet rett ut. Ikke dra i ledningen.

Vedlikehold

Innledning



ADVARSEL: Før du utfører vedlikeholdsarbeid, må du lese og forstå kapittelet om sikkerhet.

For alt vedlikehold og reparasjonsarbeid på produktet er det nødvendig med spesiell opplæring. Vi garanterer fagmessig reparasjon og service. Hvis forhandleren ikke er et serviceverksted, må du snakke med dem for å få informasjon om nærmeste serviceverksted.

Hvis du vil ha mer detaljert informasjon, kan du se www.husqvarna.com.

Vedlikeholdsskjema

Vedlikeholdsintervallene er beregnet med utgangspunkt i daglig bruk av produktet. Intervallene kan endres hvis produktet ikke brukes daglig.

For vedlikehold identifisert med * kan du se *Sikkerhetsutstyr på produktet på side 250*.

	Hver bruk	Månedlig	Hver sesong
Utfør en generell inspeksjon.	X		
Rengjør produktet.	X		
Undersøk utstyret for vertikalskjæring.	X		
Pass på at sikkerhetsutstyret på produktet ikke er defekt. *	X		
Undersøk dekslene. *	X		
Kontroller motorbrems håndtaket. *	X		
Kontroller startsperreren. *	X		

Slik utfører du en generell inspeksjon

- Kontroller at mutrene og skruene på produktet er trukket til.
- Sørg for at kablene på produktet ikke er i en posisjon der de kan bli skadet.
- Kontroller at det ikke er en blokkering i produktet.

Slik rengjør du produktet

- Rengjør plastdeler med en tørr, ren klut.
- Ikke bruk vann til å rengjøre produktet. Vann kan komme inn i batteriet eller motoren og forårsake kortslutning eller skade på produktet.
- Produktet må ikke rengjøres med høytrykksspyler.
- Ikke spyl vann direkte på motoren.
- Bruk en børste for å fjerne løv, gress og smuss.

Slik undersøker du utstyret for vertikalskjæring



ADVARSEL: Koble fra strømledningen for å hindre utilsiktet start.



ADVARSEL: Bruk vernehansker når du utfører vedlikehold på utstyret for vertikalskjæring. Tindene på utstyret for vertikalskjæring er svært skarpe, og det er fort gjort å skjære seg.

- Kontroller utstyret for vertikalskjæring med henblikk på skader og sprekkdannelse. Bytt alltid ut skadet utstyr for vertikalskjæring.

Slik bytter du ut utstyr for vertikalskjæring



ADVARSEL: Bruk vernehansker når du utfører vedlikehold på utstyret for vertikalskjæring. Utstyret for vertikalskjæring er svært skarpt, og det er fort gjort å skjære seg.

1. Legg produktet ned på produktets høyre side. (Fig. 36)
2. Fjern de to skruene (A) og vertikalskjærrerdekslet (B). Skyv utstyret for vertikalskjæring (C) opp og ut for å fjerne det. (Fig. 37)
3. Skyv det nye utstyret for vertikalskjæring (C) inn i sporet og ned i hullet. Fest vertikalskjærrerdekslet (B) og de to skruene (A). (Fig. 38)

Feilsøking

Feilsøking

Problem	Mulig årsak	Løsning
Produktet starter ikke.	Strømkabelen er ikke koblet til et strømuttak.	Koble strømkabelen til et strømuttak.
	Strømkabelen er ikke koblet til produktet.	Koble strømkabelen til kontakten under håndtaket.
	Motorbremshåndtaket er ikke trykket i retning av håndtaket.	Trykk motorbremshåndtaket i retning av håndtaket.
	Strømkabelen er skadet.	Ta kontakt med et godkjent serviceverksted.
	Andre feil.	

Transport, oppbevaring og avhending

Transport

- For kommersiell transport må spesielle krav på emballasje og etiketter følges.
- Sørg for at du overholder lovene om farlig materiale når du klargjør produktet for transport. Lokale forskrifter kan gjelde.
- Sikre produktet under transport.

Oppbevaring

- La produktet bli avkjølt før oppbevaring.
- Oppbevar produktet på et sted der omgivelsestemperaturen er mellom -10 °C og 40 °C.
- Oppbevar produktet i et låsbart område, utilgjengelige for barn og uautoriserte personer.
- Rengjør produktet og utfør en fullstendig service før du setter det til oppbevaring i lang tid.
- Utfør vedlikeholdsprosedyrene som er beskrevet i denne bruksanvisningen. Se *Vedlikeholdsskjema på side 254*.

- Utfør en fullstendig service før oppbevaring over lang tid.

Avhending

Symbolene på produktet eller produktemballasjen indikerer at produktet ikke skal håndteres som husholdningsavfall. Produktet skal innleveres til et gjenvinningsanlegg som gjenvinner elektrisk og elektronisk utstyr.

Ved å sikre at produktet håndteres på riktig måte, kan du bidra til å motvirke potensielt negative virkninger på miljø og mennesker, som kan oppstå som følge av at produktet ikke avfallshåndteres på riktig måte. Kontakt det lokale renovasjonsvesenet eller forhandleren der du kjøpte produktet hvis du ønsker mer detaljert informasjon.

(Fig. 39)

Tekniske data

Tekniske data

S 138C	
Motor	
Motorstype	AC-motorserie
Hastigheten til tilbehør – SaveE, turtall	Ikke tilgjengelig
Hastigheten til tilbehør – nominelt turtall	4200
Motoreffekt – maks. kW	1,8
Motoreffekt – nominell, kW	1,6
Vekt	
Vekt, kg	19,0
Støyutslipp ⁵²	
Lydeffektnivå, målt dB (A)	96
Lydeffektnivå, garantert L _{WA} dB (A)	98
Lydnivåer ⁵³	
Lydtryknivå ved brukerens øre, dB (A)	82
Vibrasjonsnivåer ⁵⁴	
Håndtak, m/s ²	8,3
Drift	
Arbeidsdybde, maks./min., mm	-8/+5
Arbeidsbredde, cm	37,5
Feste for knivtinder	5973510-01
Fjærtindertilbehør	5973509-01
Gressoppsamlerkapasitet, liter	45

⁵² Utslipp av støy til omgivelsene målt som lydeffekt (L_{WA}) samsvarer med EF-direktiv 2000/14/EF.

⁵³ Rapporterte data for lydtryknivå for maskinen har en typisk statistisk spredning (standardavvik) på 1,2 dB (A).

⁵⁴ Rapporterte data for vibrasjonsnivå har en typisk statistisk spredning (standardavvik) på 0,2 m/s².

Samsvarserklæring

EU-samsvarserklæring

Vi, **Husqvarna AB**, SE-561 82 Huskvarna, SVERIGE,
tlf.: +46 36 146500, erklærer på eget ansvar at
produktet:

Beskrivelse	Vertikalskjærer
Merke	Husqvarna
Type/modell	S 138C
ID	Serienumre datert 2023 og senere

fullstendig overholder følgende EU-direktiver og
-forskrifter:

Direktiv/regulering	Beskrivelse
2011/65/EU	«om begrensning av bruk av visse farlige stoffer i elektrisk og elektronisk utstyr»
2006/42/EF	«angående maskiner»
2014/30/EU	«angående elektromagnetisk kompatibilitet»
2000/14/EF	«angående utslipp av støy til omgivelsene»

og at følgende standarder eller tekniske spesifikasjoner
er anvendt: EN 60335-1:2012/A11:2014/A13:2017/
A15:2021, EN 50636-2-92:2014, EN 55014-1:2017/
A11:2020, EN 55014-2:2015, EN 61000-3-2:2014, EN
61000-3-11:2000, EN IEC 63000:2018.

For informasjon som gjelder støytutslipp, kan du se
Tekniske data på side 256.

Huskvarna, 2024-03-01



Claes Losdal

Utviklingssjef/hageproduktansvarlig

Husqvarna AB

Ansvarlig for teknisk dokumentasjon



SPIS TREŚCI

Wstęp.....	258	Rozwiązywanie problemów.....	270
Bezpieczeństwo.....	260	Transport, przechowywanie i utylizacja.....	270
Montaż.....	267	Dane techniczne.....	270
Przeznaczenie.....	268	Deklaracja zgodności.....	272
Przegląd.....	268		

Wstęp

Opis produktu

Produkt jest elektrycznym pchanym wertykulatorem. Produkt usuwa filc i mech z trawnika oraz rozluźnia glebę, aby umożliwić nawodnienie i napowietrzenie trawnika. Filc jest zbierany do kosza na trawę lub wyrzucany na trawnik. Produkt ma 2 rodzaje osprzętu wertykulacyjnego.

Osprzęt wertykulacyjny

Patrz *Wymiana osprzętu wertykulacyjnego na stronie 269*, gdzie opisano sposób wymiany osprzętu wertykulacyjnego.

Zęby noża

Zęby noża usuwają ściółkę i nacinają korzenie trawy w pionie. Zęby noża należy stosować na zboczach,

Przegląd produktu

(Rys. 1)

1. Dźwignia hamulca silnikowego
2. Uchwyt górny
3. Blokada rozruchu
4. Gniazdo zasilania
5. Uchwyt dolny
6. Zacisk kabla
7. Pojemnik na trawę
8. Pokrywa tylna
9. Osłona wertykulatora
10. Pokrętko regulacji głębokości roboczej
11. Brona sprężynowa
12. Klucz sześciokątny
13. Instrukcja obsługi

Symbole znajdujące się na produkcie

(Rys. 2)

Ostrzeżenie:
Następstwem
nieuważnej lub
nieprawidłowej obsługi
mogą być obrażenia

tarasach i glebach, które mają dużą ilość gliny. Zęby noża umożliwiają przedostanie się wody w głąb trawnika i zapobiegają jej gromadzeniu się na powierzchni.

(Rys. 19)

Brona sprężynowa

Brona sprężynowa delikatnie usuwa martwą trawę i filc z trawnika bez uszkodzania korzeni trawy.

(Rys. 20)

Przeznaczenie

Produktu należy używać do usuwania filcu i mchu oraz do rozluźnienia gleby w prywatnych ogrodach. Nie używać produktu do innych zadań.

lub śmierć użytkownika
bądź innych osób.

(Rys. 3)

Przed użyciem produktu
należy przeczytać ze
zrozumieniem instrukcję
obsługi.

(Rys. 4)

Należy uważać
na wyrzucane
i rykoszetujące
przedmioty.

(Rys. 5)

Ludzie i zwierzęta
powinny przebywać
w bezpiecznej
odległości od obszaru
roboczego.

- (Rys. 6) OSTRZEŻENIE – nie zbliżać rąk i stóp do zębów.
- (Rys. 7) Przed rozpoczęciem czynności konserwacyjnych odłączyć urządzenie od gniazdka zasilającego. Zęby obracają się nadal po wyłączeniu silnika.
- (Rys. 8) Zagrożenie porażenia prądem elektrycznym.
- (Rys. 9) Ostrzeżenie: Nie należy używać produktu, jeśli pod spodem znajduje się przewód zasilający, ponieważ może to doprowadzić do porażenia prądem lub uszkodzenia urządzenia.
- (Rys. 10) Produkt jest zabezpieczony przed rozbryzgami wody.
- (Rys. 11) Niniejszy produkt jest zgodny z obowiązującymi dyrektywami WE.
- (Rys. 12) Ten produkt jest zgodny z przepisami obowiązującymi w Wielkiej Brytanii.
- (Rys. 13) Etykieta emisji hałasu do środowiska zgodnie z dyrektywami oraz przepisami UE i Wielkiej Brytanii, a także przepisami Nowej Południowej Walii „Protection of the Environment Operations (Noise Control) Regulation 2017”. Gwarantowany poziom mocy akustycznej urządzenia jest określony w *Dane techniczne na stronie 270* oraz na etykiecie.
- (Rys. 14) Podwójna izolacja.
- (Rys. 18) Produkt należy poddać recyklingowi w punkcie zbiórki sprzętu elektrycznego i elektronicznego. (Dotyczy tylko Europy)
- (Rys. 15) Procedura uruchomienia: poluzować blokadę rozruchu, nacisnąć dźwignię hamulca silnikowego.

(Rys. 16) **Zwolnić dźwignię hamulca silnikowego, aby zatrzymać.**

(Rys. 17) **Kod do przeskanowania**

Uwaga: Pozostałe symbole/naklejki samoprzylepne umieszczone na produkcie dotyczą wymogów związanych z certyfikatami w niektórych krajach.

Uszkodzenie produktu

Nie odpowiadamy za uszkodzenia naszego produktu, w przypadku gdy:

- produkt jest nieprawidłowo naprawiany.
- produkt jest naprawiany przy użyciu części niepochodzących od producenta lub niezatwierdzonych przez producenta.
- produkt jest wyposażony w akcesoria niepochodzące od producenta lub niezatwierdzone przez producenta.
- produkt nie jest naprawiany w autoryzowanym centrum serwisowym lub przez autoryzowaną placówkę.

Bezpieczeństwo

Definicje dotyczące bezpieczeństwa

Ostrzeżenia, uwagi i informacje są używane do zwrócenia uwagi na szczególnie ważne sekcje instrukcji obsługi.



OSTRZEŻENIE: Stosuje się, gdy istnieje ryzyko poważnych obrażeń lub śmierci operatora albo osób postronnych w wyniku nieprzestrzegania instrukcji obsługi.



UWAGA: Stosuje się, gdy istnieje ryzyko uszkodzenia produktu, innych materiałów lub otoczenia w wyniku

nieprzestrzegania instrukcji obsługi.

Uwaga: stosuje się, aby przekazać więcej informacji, które są przydatne w danej sytuacji.

Ogólne zasady bezpieczeństwa



OSTRZEŻENIE: Przed rozpoczęciem użytkowania produktu przeczytać następujące ostrzeżenia.

- Produkt ten może być niebezpieczny w przypadku jego nieprawidłowego użytkowania i niezachowania ostrożności. Nieprzestrzeganie instrukcji bezpieczeństwa

może spowodować obrażenia ciała lub śmierć.

- Podczas pracy urządzenie wytwarza pole elektromagnetyczne. W pewnych okolicznościach pole to może zakłócać pracę aktywnych lub pasywnych implantów medycznych. Przed użyciem tego produktu osoby z wszczepionym implantem medycznym powinny skonsultować się z lekarzem i producentem implantu w celu ograniczenia ryzyka poważnych lub śmiertelnych obrażeń.
- Zawsze zachowywać ostrożność i kierować się zdrowym rozsądkiem. Jeśli nie ma pewności, w jaki sposób należy obsługiwać ten produkt w konkretnej sytuacji, przed wznowieniem pracy należy porozmawiać z dealerem Husqvarna.
- Pamiętać o tym, że operator ponosi odpowiedzialność za wypadki z udziałem innych ludzi i ich własności.
- Utrzymywać produkt czystym. Upewnić się, że można łatwo odczytać oznaczenia i naklejki.
- Nie wolno pozwalać dzieciom ani osobom, które nie zapoznały się z niniejszymi

instrukcjami obsługi, na obsługiwaniu urządzenia. Przepisy prawa lokalnego mogą narzucić ograniczenia dotyczące wieku operatora urządzenia

- Należy zawsze kontrolować osobę o ograniczonych możliwościach fizycznych lub umysłowych podczas używania produktu. Zawsze musi jej towarzyszyć odpowiedzialna osoba dorosła.
- Osoba, która jest zmęczona, chora lub pod wpływem alkoholu, narkotyków lub lekarstw nie może obsługiwać urządzenia. Stany te mają negatywny wpływ na wzrok, uwagę, koordynację i osąd.
- Nie stosować uszkodzonego produktu.
- Nie wolno dokonywać w maszynie zmian stanowiących modyfikację jej oryginalnej wersji. Nie używać maszyny, jeżeli istnieje podejrzenie, że ktoś inny wprowadził w niej zmiany.

Bezpieczeństwo miejsca pracy



OSTRZEŻENIE:

Przed rozpoczęciem użytkowania produktu

przeczytać następujące ostrzeżenia.

- Usunąć obiekty, takie jak gałęzie, gałązki i kamienie z obszaru roboczego przed rozpoczęciem korzystania z maszyny.
- Obiekty, które zderzają się z osprzętem wertykulatoryjnym, mogą zostać wyrzucone i spowodować obrażenia osób i uszkodzenia przedmiotów. Osoby znajdujące się w pobliżu i zwierzęta powinny zachować bezpieczną odległość od maszyny.
- Nigdy nie należy używać produktu w niesprzyjających warunkach np. we mgle, w deszczu, przy silnym wietrze, na silnym mrozie, gdy występuje ryzyko wyładowań atmosferycznych. Korzystanie z maszyny w niesprzyjających warunkach lub w wilgotnych czy mokrych lokalizacjach jest męczące. Niesprzyjające warunki pogodowe mogą stworzyć niebezpieczne warunki, takie jak śliskie powierzchnie.
- Należy uważać na osoby, przedmioty i sytuacje, które mogą uniemożliwić bezpieczną obsługę maszyny.

- Należy zwracać uwagę na przeszkody, takie jak korzenie, kamienie, gałązki, dziury i doły. Wysoka trawa może zasłaniać przeszkody.
- Używanie produktu na pochyłościach może być niebezpieczne. Nie należy używać maszyny na pochyłościach terenu przekraczających 15°.
- Należy używać maszyny, prowadząc ją w poprzek zbocza. Nie należy jeździć w górę i w dół zbocza.
- Zachować ostrożność podczas zbliżania się do narożników lub innych obiektów, które mogą ograniczać widoczność.

Pracuj bezpiecznie



OSTRZEŻENIE:

Przed rozpoczęciem użytkowania produktu przeczytać następujące ostrzeżenia.



OSTRZEŻENIE: Przed dotknięciem osprzętu wertykulatoryjnego należy zatrzymać urządzenie, odłączyć przewód zasilający i upewnić się, że zęby całkowicie się zatrzymały.

- Produkt ten należy używać wyłącznie do usuwania filcu i mchu z trawników. Nie jest dozwolone wykorzystanie maszyny do innych zadań.
- Stosować środki ochrony osobistej. Patrz *Środki ochrony osobistej na stronie 264*.
- Nie używać urządzenia podczas deszczu ani w wilgotnym otoczeniu. Dostanie się wody do wnętrza urządzenia zwiększa ryzyko porażenia prądem.
- Nie wolno używać urządzenia z uszkodzonym przewodem zasilającym.
- Nie należy obsługiwać produktu, jeśli osprzęt wertykulacyjny oraz wszystkie osłony nie zostały prawidłowo zamocowane. Nieprawidłowo zamocowany osprzęt wertykulacyjny może się obluzować i spowodować obrażenia.
- Należy upewnić się, że osprzęt wertykulacyjny nie uderza w żadne obiekty, takie jak kamienie czy korzenie. Może to spowodować uszkodzenie osprzętu wertykulacyjnego oraz wygięcie wału silnika. Zgięta oś powoduje silne wibracje oraz bardzo wysokie zagrożenie obluzowaniem osprzętu wertykulacyjnego.
- Jeśli osprzęt wertykulacyjny uderzy w jakikolwiek obiekt lub jeśli wystąpią wibracje, należy natychmiast wyłączyć produkt. Zatrzymać silnik i odłączyć przewód zasilający. Należy sprawdzić maszynę pod kątem uszkodzeń. Należy naprawić uszkodzenia lub zlecić przeprowadzenie naprawy przez autoryzowany punkt serwisowy.
- Nigdy nie należy na stałe przymocowywać dźwigni hamulca silnikowego do uchwytu podczas pracy silnika.
- Maszynę należy ustawić na stabilnej, płaskiej powierzchni i ją uruchomić. Należy upewnić się, że osprzęt wertykulacyjny nie uderza w podłoże ani inne przedmioty.
- Podczas obsługi maszyny zawsze należy stać za nią.
- Podczas obsługi maszyny należy upewnić się, że wszystkie koła dotykają podłoża oraz trzymać na kierownicy obie dłonie. Ręce i stopy należy trzymać z dala

od obracającego się osprzętu wertykulacyjnego.

- Nie przechylać produktu, kiedy uruchomiony jest silnik.
- Należy zachować ostrożność podczas ciągnięcia maszyny do tyłu.
- Nigdy nie należy podnosić maszyny przy włączonym silniku. Jeśli konieczne jest podniesienie urządzenia, należy najpierw wyłączyć silnik i odłączyć przewód zasilający.
- Nie należy poruszać się do tyłu podczas obsługi maszyny.
- Podczas poruszania się po obszarach bez trawy, na przykład po żwirowych, kamiennych lub asfaltowych ścieżkach, należy wyłączyć silnik.
- Nie należy biegać z maszyną przy włączonym silniku. Podczas obsługi maszyny zawsze należy poruszać się chodem.
- Przed zmianą głębokości roboczej należy wyłączyć silnik. Nie wolno przeprowadzać regulacji, gdy silnik pracuje.
- Nigdy nie należy pozostawiać maszyny poza zasięgiem wzroku przy włączonym silniku. Wyłączyć silnik, odłączyć przewód zasilający

i upewnić się, że osprzęt wertykulacyjny nie obraca się.

Instrukcje bezpieczeństwa dotyczące obsługi

Środki ochrony osobistej

Podczas używania urządzenia należy zawsze mieć na sobie środki ochrony osobistej dopuszczone do użytku przez odpowiednie władze. Środki ochrony osobistej nie eliminują ryzyka odniesienia obrażeń, natomiast ograniczają ich rozmiar w razie zaistnienia wypadku. Można poprosić lokalnego dealera o pomoc w wyborze środków ochrony osobistej.

Zawsze należy zakładać:

- Ochronę słuchu w celu zminimalizowania ryzyka jego uszkodzenia.
- Mocne, przeciwpoślizgowe, wysokie obuwie ochronne lub obuwie robocze. Nie należy zakładać sandałów ani pracować bez obuwia.
- Długie spodnie z mocnej tkaniny. Nie zakładać szortów.

W razie konieczności zakładać rękawice, na przykład podczas mocowania, kontrolowania lub czyszczenia osprzętu wertykulacyjnego.

**OSTRZEŻENIE:**

Stosować atestowane ochronniki słuchu. Długotrwałe przebywanie w hałasie może doprowadzić do trwałej utraty słuchu.

Zespoły zabezpieczające na produkcji**OSTRZEŻENIE:**

Przed rozpoczęciem użytkowania produktu przeczytać następujące ostrzeżenia.

- Nie wolno używać produktu z uszkodzonymi urządzeniami zabezpieczającymi.
- Regularnie przeprowadzać kontrole urządzeń zabezpieczających. Jeśli urządzenia zabezpieczające są uszkodzone, skontaktować się z warsztatem obsługi technicznej Husqvarna.

Sprawdzanie osłon

Osłona wertykulatora ogranicza drgania produktu i obniża ryzyko odniesienia obrażeń od osprzętu wertykulacyjnego.

- Sprawdzić boczną osłonę wertykulatora, aby upewnić się, że nie nosi ona znamion uszkodzenia, takich jak pęknięcia.
- Sprawdzić tylną osłonę wertykulatora, aby upewnić się, że nie nosi ona znamion uszkodzenia, takich jak pęknięcia.

Dźwignia hamulca silnikowego

Dźwignia hamulca silnikowego zatrzymuje silnik. Po zwolnieniu dźwigni hamulca silnikowego następuje wyłączenie silnika.

Aby przeprowadzić kontrolę hamulca silnika, należy uruchomić silnik, a następnie zwolnić dźwignię hamulca silnikowego. Jeśli silnik nie wyłączy się w czasie 3 sekund, autoryzowany punkt serwisowy Husqvarna powinien wyregulować hamulec silnika.

(Rys. 21)

Sprawdzanie blokady rozruchu

Skontrolować blokadę rozruchu urządzenia, aby upewnić się, że zapobiega ono uruchomieniu silnika.

1. Pchnąć dźwignię hamulca silnikowego w stronę uchwytu sterowniczego. Blokada rozruchu urządzenia zatrzymuje ruch.
2. Popchnąć blokadę rozruchu na zewnątrz. (Rys. 22)
3. Zwolnić blokadę rozruchu urządzenia, aby upewnić się, że powróci do swojego położenia wyjściowego.

Korzystanie z uchwytu przewodu zasilającego

Uchwyt przewodu zasilającego zmniejsza naprężenie na gnieździe zasilania i przewodzie. Uchwyt przewodu zasilającego zmniejsza również ryzyko upadku użytkownika.

1. Zagiąć przewód zasilający, aby utworzyć małą pętlę.
2. Umieścić pętlę w otworze w uchwycie przewodu zasilającego.
3. Założyć pętlę wokół haka.
4. Pociągnąć za przewód zasilający, aby zacisnąć pętlę na haku. (Rys. 23)

Bezpieczeństwo używania przewodu zasilającego

- Zalecane jest stosowanie wyłącznika

różnicowoprądowego (RCD) o prądzie wyłączeniowym nie większym niż 30 mA. Nawet gdy wyłącznik RCD jest zamontowany, nie ma 100% gwarancji bezpieczeństwa i należy zawsze przestrzegać procedur bezpiecznej pracy. Należy sprawdzać wyłącznik RCD przy każdym użyciu.

- Jeśli przewód zasilający jest przecięty lub izolacja jest uszkodzona, należy bezzwłocznie odłączyć zasilanie sieciowe.
- Nie wolno dotykać przeciętego ani uszkodzonego przewodu zasilającego, dopóki zasilanie elektryczne nie zostanie odłączone.
- Nie wolno naprawiać przeciętego lub uszkodzonego przewodu zasilającego. Należy wymienić go na nowy.

Instrukcje bezpieczeństwa dotyczące konserwacji



OSTRZEŻENIE:

Przed rozpoczęciem użytkowania produktu przeczytać następujące ostrzeżenia.

- Aby zapobiec przypadkowemu uruchomieniu podczas

konserwacji, należy odłączyć przewód zasilający.

- Prace konserwacyjne należy wykonywać w prawidłowy sposób, aby zwiększyć żywotność produktu i zmniejszyć ryzyko wypadków. Wykonanie profesjonalnych napraw należy zlecić autoryzowanemu punktowi serwisowemu. Więcej informacji można uzyskać w najbliższym punkcie serwisowym.
- Należy wykonywać jedynie prace konserwacyjne opisane w instrukcji obsługi. Większe i bardziej skomplikowane prace muszą być wykonywane w autoryzowanym punkcie serwisowym.
- Nie wolno wymontowywać ani modyfikować urządzeń zabezpieczających, ponieważ grozi to odniesieniem obrażeń.
- Podczas obsługi osprzętu wertykulacyjnego należy nosić specjalistyczne

rękawice. Osprzęt wertykulacyjny jest bardzo ostry i może łatwo doprowadzić do skaleczenia.

- Aby uzyskać jak najlepsze efekty i zapewnić bezpieczeństwo, zęby osprzętu wertykulacyjnego powinny być ostre i czyste.
- Regularnie oddawać urządzenie do autoryzowanego punktu serwisowego w celu jego kontroli i dokonania koniecznych regulacji lub napraw.
- Wymienić uszkodzone, zużyte lub zniszczone części. Zawsze należy używać oryginalnych części zamiennych, dostarczanych przez producenta. Inne części zamienne mogą spowodować uszkodzenie produktu i zwiększyć ryzyko wypadków.
- Należy przestrzegać instrukcji wymiany akcesoriów. Używać wyłącznie akcesoriów od producenta urządzenia.

Montaż

Wstęp



OSTRZEŻENIE: Przed montażem produktu należy przeczytać rozdział dotyczący bezpieczeństwa.



OSTRZEŻENIE: Aby zapobiec przypadkowemu uruchomieniu podczas montażu, należy odłączyć przewód zasilający.

Montaż uchwytu

1. Poluzować dolne pokrętła.
2. Przesunąć pokrętła do dolnych końców rowków po lewej i prawej stronie produktu. (Rys. 24)
3. Ustawić wysokość uchwytu w jedną z 2 dostępnych pozycji.
4. Przesunąć pokrętła w górę w kierunku uchwytu aż do zatrzaśnięcia. (Rys. 25)
5. Dokręcić do końca pokrętła.

Montaż pojemnika na trawę

1. Przymocować ramę pojemnika na trawę do worka na trawę tak, aby sztywna część worka znajdowała się na dole. Upewnić się, że uchwyt ramy znajduje się na górze worka na trawę. (Rys. 26)

2. Zamocować dolną część ramy pojemnika na trawę w rowku na spodzie pojemnika na trawę.
3. Przymocować worek do ramy pojemnika na trawę za pomocą zacisków. (Rys. 27)
4. Unieść tylną osłonę.
5. Umieścić kosz na trawę we właściwej pozycji. (Rys. 28)
6. Zamocować zbiornik na trawę do górnej krawędzi obudowy. Upewnić się, że tylna osłona dolega do kosza na trawę, aby zapobiec wysypywaniu. (Rys. 29)

Przeznaczenie

Wstęp



OSTRZEŻENIE: Przed użyciem urządzenia należy przeczytać ze zrozumieniem rozdział poświęcony bezpieczeństwu.

Husqvarna Connect

Husqvarna Connect to darmowa aplikacja na urządzenia mobilne. Husqvarna ConnectHusqvarna

- Extended product information.
- Information about, and help with, product parts and servicing.

Rozpoczęcie użytkowania Husqvarna Connect

1. Pobierz aplikację Husqvarna Connect na swoim urządzeniu mobilnym.
2. Zarejestruj się w aplikacji Husqvarna Connect.
3. Wykonaj instrukcje wyświetlane w aplikacji Husqvarna Connect, aby nawiązać połączenie i zarejestrować produkt.

Ustawianie głębokości roboczej



OSTRZEŻENIE: Nie regulować głębokości roboczej podczas działania produktu.

1. Aby zwiększyć głębokość roboczą, należy nacisnąć i obrócić pokrętło regulacyjne głębokości roboczej w lewo.
2. Aby zmniejszyć głębokość roboczą, należy nacisnąć i obrócić pokrętło regulacyjne głębokości roboczej w prawo. (Rys. 30)

Uruchamianie produktu

1. Podłączyć przewód zasilający do gniazda pod uchwytem. (Rys. 31)
2. Umieścić przewód zasilania w uchwycie. Patrz *Korzystanie z uchwytu przewodu zasilającego na stronie 266*. (Rys. 23)
3. Należy pozostawać za maszyną.
4. Poluzować opóźniacz rozruchu. (Rys. 32)
5. Pchnąć dźwignię hamulca silnika w stronę drążka sterującego. (Rys. 33)

Zatrzymywanie

1. Aby wyłączyć silnik, należy zwolnić uchwyt hamulca silnika. (Rys. 34)
2. Odłączyć przewód zasilający od zasilania sieciowego i urządzenia. (Rys. 35)



UWAGA: Wyciągnąć wtyk na wprost. Nie ciągnąć z przewód.

Przegląd

Wstęp



OSTRZEŻENIE: Przed przeprowadzeniem konserwacji należy

przeczytać i zrozumieć rozdział o bezpieczeństwie.

Do wykonywania wszelkich prac serwisowych i naprawczych konieczne jest specjalistyczne przeszkolenie. Gwarantujemy dostępność

profesjonalnych napraw i usług serwisowych. Jeśli dany dealer nie jest autoryzowanym punktem serwisowym, poproś sprzedawcę o informacje na temat najbliższego autoryzowanego punktu serwisowego.

Aby uzyskać więcej szczegółowych informacji, patrz www.husqvarna.com.

Plan konserwacji

Odstępy pomiędzy konserwacjami obliczane są w oparciu o codzienne wykorzystanie produktu. Odstępy

	Każde użycie	Co miesiąc	Co sezon
Przeprowadzić ogólny przegląd.	X		
Wyczyścić urządzenie.	X		
Sprawdzić osprzęt wertykulacyjny.	X		
Sprawdzić, czy urządzenia zabezpieczające są sprawne. *	X		
Sprawdzić osłony. *	X		
Sprawdzić dźwignię hamulca silnikowego. *	X		
Sprawdzić blokadę rozruchu. *	X		

Przegląd ogólny

- Należy upewnić się, że nakrętki i śruby maszyny są dokręcone.
- Upewnić się, że przewody urządzenia nie znajdują się w położeniu, w którym mogłyby ulec uszkodzeniu.
- Upewnić się, że urządzenie jest drożne.

Czyszczenie produktu

- Plastikowe części należy czyścić czystą i suchą ściereczką.
- Do czyszczenia urządzenia nie należy używać wody. Woda mogłaby dostać się do akumulatora lub silnika i wywołać zwarcie lub uszkodzenie urządzenia.
- Nie używać myjek wysokociśnieniowych do czyszczenia urządzenia.
- Nie polewać silnika bezpośrednio wodą.
- W celu usunięcia liści, trawy i brudu należy użyć szczotki.

Kontrola osprzętu wertykulacyjnego



OSTRZEŻENIE: Aby zapobiec przypadkowemu uruchomieniu, należy odłączyć przewód zasilający.



OSTRZEŻENIE: W trakcie konserwacji osprzętu wertykulacyjnego należy używać rękawic ochronnych. Zęby osprzętu wertykulacyjnego są bardzo ostre i mogą łatwo doprowadzić do skaleczenia.

- Należy skontrolować, czy osprzęt wertykulacyjny nie jest uszkodzony ani pęknięty. Zawsze wymieniać uszkodzony osprzęt wertykulacyjny.

Wymiana osprzętu wertykulacyjnego



OSTRZEŻENIE: W trakcie konserwacji osprzętu wertykulacyjnego należy używać rękawic ochronnych. Osprzęt wertykulacyjny jest bardzo ostry i może łatwo doprowadzić do skaleczenia

- Położyć produkt na prawej stronie. (Rys. 36)
- Wykręcić 2 śruby (A) i zdjąć osłonę wertykulatora (B). Popchnąć osprzęt wertykulacyjny (C) w górę i na zewnątrz, aby go wyjąć. (Rys. 37)
- Wepchnąć nowy osprzęt wertykulacyjny (C) do rowka i w dół otworu. Zamocować osłonę wertykulatora (B) przy użyciu 2 śrub (A). (Rys. 38)

Rozwiązywanie problemów

Rozwiązywanie problemów

Problem	Możliwa przyczyna	Rozwiązanie
Produkt nie uruchamia się.	Przewód zasilający nie jest podłączony do źródła zasilania.	Podłączyć przewód zasilający do źródła zasilania.
	Przewód zasilający nie jest podłączony do urządzenia.	Podłączyć przewód zasilający do gniazda pod uchwycem.
	Dźwignia hamulca silnikowego nie została popchnięta w stronę uchwytu sterowniczego.	Pchnąć dźwignię hamulca silnikowego w stronę uchwytu sterowniczego.
	Przewód zasilający jest uszkodzony.	Skontaktować się z autoryzowanym punktem serwisowym.
	Inne błędy.	

Transport, przechowywanie i utylizacja

Transportowanie

- W przypadku transportu komercyjnego należy przestrzegać specjalnych wymagań umieszczonych na opakowaniu i etykietach.
- W trakcie przygotowywania urządzenia do transportu należy upewnić się, że postępuje się zgodnie z przepisami dotyczącymi materiałów niebezpiecznych. Mogą obowiązywać również lokalne przepisy.
- W trakcie transportu urządzenie należy zamocować.

Przechowywanie

- Przed rozpoczęciem przechowywania poczekać na ostygnięcie urządzenia.
- Produkt należy przechowywać w temperaturze otoczenia w zakresie od -10°C do 40°C .
- Urządzenie należy trzymać w zamkniętym pomieszczeniu, niedostępnym dla dzieci ani osób nieupoważnionych.
- Przed odstawieniem urządzenia na dłuższe przechowywanie należy je wyczyścić oraz przeprowadzić pełny przegląd.

- Konserwację należy przeprowadzać wyłącznie według instrukcji użytkownika. Patrz *Plan konserwacji na stronie 269*.
- Przed dłuższym przechowywaniem należy przeprowadzić pełny przegląd.

Utylizacja

Symbole znajdujące się na urządzeniu oraz na opakowaniu informują o tym, że nie wolno traktować go jak zwykłego odpadu domowego. Musi ono zostać oddane do odpowiedniego punktu pobierania surowców wtórnych, zajmującego się przetwarzaniem urządzeń elektrycznych oraz elektronicznych.

Przekazując produkt w odpowiednie miejsce, pomagasz przeciwdziałać jego potencjalnemu negatywnemu wpływowi na środowisko naturalne i ludzi. Aby uzyskać więcej informacji na temat recyklingu niniejszego produktu, skontaktować się z urzędem miasta lub gminy, przedsiębiorstwem gospodarki komunalnej albo punktem sprzedaży, w którym produkt został kupiony.

(Rys. 39)

Dane techniczne

Dane techniczne

S 138C	
Silnik	

S 138C	
Typ silnika	Silnik AC
Prędkość osprzętu — SavE, obr./min	N/D
Prędkość osprzętu — nominalna, obr./min	4200
Moc silnika – maks., kW	1,8
Moc silnika – nominalna, kW	1,6
Waga	
Masa, kg	19,0
Poziom hałasu ⁵⁵	
Zmierzony poziom mocy akustycznej, dB(A)	96
Poziom głośności, gwarantowana moc akustyczna L _{WA} dB(A)	98
Poziomy głośności ⁵⁶	
Poziom ciśnienia akustycznego przy uchu operatora, dB(A)	82
Poziomy drgań ⁵⁷	
Uchwyt, m/s ²	8,3
Działanie	
Głębokość robocza maks./min., mm	-8/+5
Szerokość robocza, cm	37,5
Brona zębów noża	5973510-01
Brona sprężynowa	5973509-01
Pojemność pojemnika na trawę, l	45

⁵⁵ Emisję hałasu do otoczenia zmierzono jako moc akustyczną (L_{WA}), zgodnie z dyrektywą Rady 2000/14/WE.

⁵⁶ Odnotowane dane dla ciśnienia akustycznego mają typowe rozproszenie statystyczne (odchylenie standardowe) w wysokości 1,2 dB (A).

⁵⁷ Odnotowane dane dla poziomu wibracji mają typowe rozproszenie statystyczne (odchylenie standardowe) w wysokości 0,2 m/s².

Deklaracja zgodności

Deklaracja zgodności UE

Firma **Husqvarna AB**, SE-561 82 Huskvarna,
SZWECJA, tel. +46-36-146500, deklarujemy z pełną
odpowiedzialnością, że produkt:

Opis	Frezarka do posadzek
Marka	Husqvarna
Typ/model	S 138C
Identyfikacja	Numery seryjne z roku 2023 i nowsze

spełnia wszystkie wymogi określone w odpowiednich
dyrektywach i przepisach UE:

Dyrektywa/przepis	Opis
2011/65/UE	„dotycząca ograniczenia użycia niektórych substancji niebezpiecznych w sprzęcie elektrycznym i elektronicznym”
2006/42/WE	„w sprawie maszyn”
2014/30/UE	„dotycząca zgodności elektromagnetycznej”
2000/14/WE	„dotycząca emisji hałasu do środowiska”

oraz został zaprojektowany zgodnie z następującymi
normami i specyfikacjami technicznymi: EN
60335-1:2012/A11:2014/A13:2017/A15:2021, EN
50636-2-92:2014, EN 55014-1:2017/A11:2020,
EN 55014-2:2015, EN 61000-3-2:2014, EN
61000-3-11:2000, EN IEC 63000:2018.

Informacje dotyczące emisji hałasu, patrz *Dane
techniczne na stronie 270.*

Huskvarna, 2024-03-01



Claes Losdal

Szef ds. Rozwoju Produkcji/Produkty ogrodowe

Husqvarna AB

Osoba odpowiedzialna za dokumentację techniczną



ÍNDICE

Introdução.....	273	Resolução de problemas.....	284
Segurança.....	275	Transporte, armazenamento e eliminação.....	284
Montagem.....	282	Especificações técnicas.....	284
Funcionamento.....	282	Declaração de conformidade.....	286
Manutenção.....	283		

Introdução

Descrição do produto

O produto é um escarificador elétrico de controlo apreado. O produto remove erva seca do relvado e solta o solo, para permitir a entrada de ar e água no relvado. A erva seca é recolhida num coletor de relva ou é lançada para o relvado. O produto tem 2 tipos de equipamento escarificador.

Equipamento escarificador

Consulte *Substituir o equipamento escarificador na página 283* para obter informações sobre como substituir o equipamento escarificador.

Dentes da lâmina

Os dentes da lâmina removem a erva seca e cortam as raízes da relva na vertical. Utilize os dentes da lâmina

Vista geral do produto

(Fig. 1)

1. Punho do travão do motor
2. Punho superior
3. Inibidor de arranque
4. Tomada de alimentação
5. Punho inferior
6. Abraçadeira de cabo
7. Coletor de relva
8. Cobertura traseira
9. Cobertura do escarificador
10. Botão de ajuste da profundidade de funcionamento
11. Dentes de mola
12. Chave Allen
13. Manual do utilizador

Símbolos no produto

(Fig. 2)

Aviso: a utilização indevida ou incorreta poderá provocar ferimentos ou a morte

em declives, terraços e em solos com uma quantidade elevada de argila. Os dentes da lâmina permitem que a água escorra para o relvado e evitam que esta se acumule na superfície

(Fig. 19)

Dentes de mola

Os dentes de mola removem cuidadosamente a relva morta e a erva seca do relvado, sem qualquer dano para as raízes da relva.

(Fig. 20)

Finalidade

Utilize o produto para remover a erva seca e o musgo e para soltar o solo em jardins privados. Não utilize o produto para outras tarefas.

do operador ou de terceiros.

(Fig. 3)

Leia o manual do operador e certifique-se de que compreende as instruções antes de utilizar este produto.

(Fig. 4)

Tenha cuidado com objetos projetados e ricochetes.

(Fig. 5)

Mantenha as pessoas e os animais a uma distância de segurança da área de trabalho.

- (Fig. 6) AVISO – Mantenha as mãos e os pés afastados dos dentes.
- (Fig. 7) Desligue o produto da tomada elétrica antes de realizar tarefas de manutenção no mesmo. Os dentes continuam a rodar após o motor ser desligado.
- (Fig. 8) Perigo de choque elétrico.
- (Fig. 9) Aviso: Não utilize o produto sobre o cabo de alimentação, uma vez que tal pode provocar um choque elétrico ou danos no produto.
- (Fig. 10) Este produto possui proteção contra salpicos de água.
- (Fig. 11) Este produto está em conformidade com as diretivas aplicáveis da CE.
- (Fig. 12) Este produto está em conformidade com os regulamentos aplicáveis do Reino Unido.
- (Fig. 13) Emissão de ruído para a etiqueta ambiental de acordo com as
- diretivas e regulamentos da União Europeia e do Reino Unido e o regulamento "Protection of the Environment Operations (Noise Control) Regulation 2017" (regulamento de proteção de operações no meio ambiente [controlo do ruído] de 2017) da Nova Gales do Sul. O nível de potência sonora garantido do produto está especificado nas *Especificações técnicas na página 284* e na etiqueta.
- (Fig. 14) Isolamento duplo.
- (Fig. 18) Recicle este produto numa localização de reciclagem para equipamentos elétricos e eletrónicos. (Válido unicamente na Europa)
- (Fig. 15) Procedimento de arranque: desaperte o inibidor de arranque e empurre o punho do

travão do motor para baixo.

(Fig. 16) Solte o punho do travão do motor para parar.

(Fig. 17) Código para leitura.

Nota: Os restantes símbolos/autocolantes existentes no produto dizem respeito às exigências de homologação de alguns países.

Danos no produto

Não somos responsáveis por danos no nosso produto se:

- o produto tiver sido incorretamente reparado.
- o produto tiver sido reparado com peças que não sejam do fabricante ou que não sejam aprovadas pelo fabricante.
- o produto tiver um acessório que não seja do fabricante ou que não seja aprovado pelo fabricante.
- o produto não tiver sido reparado por um centro de assistência autorizado ou por uma autoridade aprovada.

Segurança

Definições de segurança

Os avisos, as precauções e as notas são utilizados para indicar partes especialmente importantes do manual.



ATENÇÃO: Utilizado no caso de existir risco de ferimento ou morte para o utilizador ou transeuntes, se não forem respeitadas as instruções do manual.



CUIDADO: Utilizado se existir risco de danos para o produto, para outros materiais ou para a área adjacente, se não forem respeitadas as instruções do manual.

Nota: Utilizado para disponibilizar informações

adicionais necessárias numa determinada situação.

Instruções de segurança gerais



ATENÇÃO: Leia as instruções de aviso que se seguem antes de utilizar o produto.

- Este produto é perigoso se for utilizado de forma incorreta ou se não o utilizador for cuidadoso. Podem ocorrer ferimentos graves ou mesmo morte se as instruções de segurança não forem respeitadas.
- Este produto produz um campo eletromagnético durante o funcionamento. Em determinadas circunstâncias, este campo pode interferir com o funcionamento de implantes médicos ativos ou

passivos. Para diminuir o risco de ferimentos graves ou mortais, recomendamos que os portadores de implantes médicos consultem o seu médico e o fabricante do implante antes de utilizar este produto.

- Seja sempre cuidadoso e use o seu senso comum. Se não tiver a certeza sobre como utilizar o produto numa situação especial, pare e fale com o seu revendedor Husqvarna antes de continuar.
- Tenha em atenção que o utilizador é responsável pelos acidentes que incluam outras pessoas ou a respetiva propriedade.
- Mantenha o produto limpo. Certifique-se de que pode ler claramente os sinais e os autocolantes.
- Não permita a utilização do equipamento por crianças ou pessoas não familiarizadas com estas instruções. As normas locais podem restringir a idade do utilizador
- Monitorize sempre a utilização do produto por pessoas com diminuição da capacidade física ou mental. Tem de estar sempre presente um adulto responsável.

- Não utilize o produto se estiver cansado, doente ou sob a influência de álcool, drogas ou medicamentos. Estes têm um efeito negativo na sua visão, atenção, capacidade de discernimento ou controlo físico.
- Não utilize o produto se este apresentar algum defeito.
- Não altere este produto e não o utilize se houver a possibilidade de ter sido alterado por outros.

Segurança no local de trabalho



ATENÇÃO: Leia as instruções de aviso que se seguem antes de utilizar o produto.

- Retire objetos como ramos, galhos e pedras da área de trabalho antes de utilizar o produto.
- Os objetos que embatem no equipamento escarificador podem ser projetados e causar danos a pessoas e objetos. Mantenha terceiros e animais a uma distância de segurança do produto.
- Nunca utilize o produto em más condições meteorológicas, como nevoeiro, chuva, ventos fortes,

frio intenso e risco de trovoadas. A utilização do produto em más condições meteorológicas ou em localizações molhadas ou com humidade é cansativa. As más condições meteorológicas podem causar condições perigosas, como superfícies escorregadias.

- Observe se há pessoas, objetos e situações que possam impedir o funcionamento seguro do produto.
- Observe se há obstáculos como raízes, pedras, ramos, buracos e valas. A relva longa pode ocultar obstáculos.
- Operar o produto em declives pode ser perigoso. Não utilize o produto em terrenos com um declive superior a 15°.
- Utilize o produto ao longo da face dos declives. Não se desloque para cima e para baixo.
- Tenha cuidado ao aproximar-se de esquinas com pouca visibilidade e de objetos que possam impedir uma boa visibilidade.

Segurança do trabalho



ATENÇÃO: Leia as instruções de aviso que

se seguem antes de utilizar o produto.



ATENÇÃO: Pare o produto, desligue o cabo de alimentação e certifique-se de que os dentes pararam completamente antes de tocar no equipamento escarificador.

- Utilize este produto apenas para remover erva seca e musgo de relvados. Não é permitido utilizá-lo para outras tarefas.
- Use equipamento de proteção pessoal. Consulte *Equipamento de proteção pessoal na página 279*.
- Não utilize o produto em condições de chuva ou de humidade. O risco de choque elétrico aumenta se entrar água no produto.
- Não utilize o produto com um cabo de alimentação danificado.
- Não utilize o produto, a menos que o equipamento escarificador e todas as coberturas estejam corretamente montados. Um equipamento escarificador

- montado incorretamente pode soltar-se e causar ferimentos pessoais.
- Certifique-se de que o equipamento escarificador não atinge objetos como pedras e raízes. Isto pode danificar o equipamento escarificador e dobrar o eixo do motor. Um eixo dobrado provoca fortes vibrações e um elevado risco de o equipamento escarificador se soltar.
 - Se o equipamento escarificador atingir um objeto ou ocorrerem vibrações, pare o produto imediatamente. Pare o motor e desligue o cabo de alimentação. Examine se o produto apresenta sinais de danos. Repare os danos ou solicite a reparação numa oficina autorizada.
 - Nunca ligue o manípulo de travão do motor de modo permanente ao punho durante o arranque do motor.
 - Coloque o produto numa superfície estável e plana e ligue-o. Certifique-se de que o equipamento escarificador não atinge o solo ou outros objetos.
 - Mantenha-se sempre por trás do produto quando o operar.
 - Mantenha todas as rodas no chão e as duas mãos sobre o punho quando utilizar o produto. Mantenha as mãos e os pés afastados do equipamento escarificador rotativo.
 - Não incline o produto quanto ligar o motor.
 - Tenha cuidado quando puxar o produto para trás.
 - Nunca levante o produto quando ligar o motor. Se tiver de levantar o produto, primeiro pare o motor e, em seguida, desligue o cabo de alimentação.
 - Não caminhe para trás quando operar o produto.
 - Pare o motor quando se deslocar em zonas sem relva, por exemplo caminhos de gravilha, pedra e asfalto.
 - Não corra com o produto quando o motor está ligado. Caminhe sempre que operar o produto.
 - Pare o motor antes de mudar a profundidade de funcionamento. Nunca efetue ajustes com o motor ligado.
 - Nunca deixe o produto fora de vista com o motor ligado. Pare o motor, desligue o cabo de alimentação e certifique-

se de que o equipamento
escarificador não roda.

Instruções de segurança para funcionamento

Equipamento de proteção pessoal

Utilize sempre equipamento
de proteção pessoal aprovado
durante a utilização do produto.
O equipamento de proteção
pessoal não elimina o risco de
ferimentos mas reduz a sua
gravidade em caso de acidente.
Consulte o seu revendedor na
escolha do equipamento certo.

Use sempre:

- Protetores acústicos para
minimizar o risco de danos
auditivos permanentes.
- Botas ou sapatos
antideslizantes e estáveis.
Não use sandálias e não
ande descalço.
- Calças compridas grossas.
Não utilize calções.

Use luvas quando necessário,
por exemplo, aquando da
montagem, inspeção ou
limpeza do equipamento
escarificador.



ATENÇÃO: Utilize
protetores acústicos
aprovados. A exposição

prolongada a ruídos
pode provocar danos
auditivos permanentes.

Dispositivos de segurança no produto



ATENÇÃO: Leia as
instruções de aviso que
se seguem antes de
utilizar o produto.

- Não utilize o produto com
dispositivos de segurança
defeituosos.
- Verifique regularmente os
dispositivos de segurança. Se
os dispositivos de segurança
estiverem defeituosos, fale
com a sua oficina Husqvarna
autorizada.

Verificar as coberturas

A cobertura do escarificador
reduz as vibrações no produto e
o risco de ferimentos causados
pelo equipamento escarificador.

- Examine a cobertura lateral
do escarificador para se
certificar de que não existem
danos, como fissuras.
- Examine a cobertura traseira
para se certificar de que
não existem danos, como
fissuras.

Punho do travão do motor

O punho do travão do motor para o motor. Quando soltar o punho do travão do motor, o motor para.

Para verificar o funcionamento do travão do motor, ligue o motor e, em seguida, solte o punho do travão do motor. Se o motor não parar em 3 segundos, solicite o ajuste do travão do motor numa oficina Husqvarna autorizada.

(Fig. 21)

Verificar o inibidor de arranque

Verifique o inibidor de arranque para se certificar de que este impede o funcionamento do motor.

1. Empurre o punho do travão do motor no sentido da barra de direção. O inibidor de arranque para o movimento.
2. Empurre o inibidor de arranque para fora. (Fig. 22)
3. Solte o inibidor de arranque e certifique-se de que este volta à respetiva posição inicial.

Utilizar o suporte do cabo de alimentação

O suporte do cabo de alimentação diminui a pressão sobre a tomada e o cabo de alimentação. O suporte do cabo de alimentação também diminui o risco de queda.

1. Dobre o cabo de alimentação, criando um pequeno laço.
2. Coloque o laço dentro do orifício no suporte do cabo de alimentação.
3. Coloque o laço em redor do gancho.
4. Puxe o cabo de alimentação para apertar o laço em redor do gancho. (Fig. 23)

Segurança do cabo de alimentação

- Recomenda-se a utilização de um dispositivo diferencial residual (R.C.D.) com uma corrente de disparo que não deve ser superior a 30 mA. Mesmo com o R.D.C. instalado, não é possível garantir uma segurança total e os procedimentos de trabalho em segurança têm de ser sempre seguidos. Verifique o R.C.D. sempre que o utilizar.

- Desligue imediatamente da corrente se o cabo de alimentação estiver cortado ou se o isolamento estiver danificado.
- Não toque num cabo de alimentação cortado ou danificado até que a corrente elétrica seja desligada.
- Não repare um cabo de alimentação cortado ou danificado. Substitua-o por um novo.

Instruções de segurança para manutenção



ATENÇÃO: Leia as instruções de aviso que se seguem antes de utilizar o produto.

- Para evitar o arranque acidental durante a manutenção, desligue o cabo de alimentação.
- Efetue os trabalhos de manutenção corretamente para aumentar a vida útil do produto e reduzir o risco de acidentes. Solicite a realização de reparações profissionais numa oficina autorizada. Para mais informações, contacte a sua oficina autorizada.
- Efetue apenas os trabalhos de manutenção indicados neste manual do operador. As intervenções maiores têm de ser efetuadas por uma oficina autorizada.
- Para evitar a ocorrência de ferimentos, não remova os dispositivos de segurança, nem os modifique.
- Calce luvas resistentes quando utilizar o equipamento escarificador. O equipamento escarificador é muito afiado e pode facilmente provocar cortes.
- Mantenha os dentes do equipamento escarificador afiados e limpos para garantir um desempenho melhor e mais seguro.
- Solicite à sua oficina autorizada a inspeção regular do produto e a realização dos ajustes e reparações necessários.
- Substitua as peças danificadas, gastas ou partidas. Utilize peças sobresselentes originais do fabricante. Outras peças sobresselentes podem causar danos no produto e aumentar o risco de acidentes.
- Cumpra as instruções relativas à substituição dos acessórios. Utilize apenas os acessórios do fabricante.

Montagem

Introdução



ATENÇÃO: Antes de montar o produto, leia o capítulo sobre segurança.



ATENÇÃO: Para evitar o arranque acidental durante a montagem, desligue o cabo de alimentação.

Montar a barra

1. Desaperte os manípulos inferiores.
2. Desloque os botões para a extremidade inferior das ranhuras, dos lados esquerdo e direito do produto. (Fig. 24)
3. Defina a altura do punho para uma das 2 posições disponíveis.
4. Desloque os botões para cima em direção ao punho, até pararem e ouvir um clique. (Fig. 25)

5. Aperte os botões totalmente.

Montar o coletor de relva

1. Coloque a estrutura do coletor de relva no saco de relva com a parte rígida do saco no fundo. Mantenha o punho da estrutura na parte superior do saco de relva. (Fig. 26)
2. Fixe a secção inferior da estrutura do coletor de relva na ranhura da parte inferior do mesmo.
3. Fixe o saco de relva na estrutura do coletor de relva com os grampos. (Fig. 27)
4. Levante a cobertura traseira.
5. Coloque o coletor de relva na posição correta. (Fig. 28)
6. Prenda o coletor de relva à extremidade superior do chassi. Certifique-se de que a cobertura traseira está completamente encostada ao coletor de relva para prevenir fugas. (Fig. 29)

Funcionamento

Introdução



ATENÇÃO: Antes de utilizar o produto, tem ler e compreender o capítulo sobre segurança.

Husqvarna Connect

A Husqvarna Connect é uma aplicação gratuita para o seu dispositivo móvel. A aplicação Husqvarna Connect disponibiliza funções alargadas para o seu produto Husqvarna:

- Informações alargadas sobre o produto.
- Informações sobre, e ajuda relacionada com peças e manutenção do produto.

Começar a utilizar Husqvarna Connect

1. Transfira a aplicação Husqvarna Connect para o seu dispositivo móvel.
2. Registe-se na aplicação Husqvarna Connect.
3. Siga os passos das instruções na aplicação Husqvarna Connect para ligar e registar o produto.

Definir a profundidade de funcionamento



ATENÇÃO: Não ajuste a profundidade de funcionamento enquanto operar o produto.

1. Empurre e rode o manípulo de regulação da profundidade de funcionamento para a esquerda, para aumentar a profundidade de funcionamento.
2. Empurre e rode o manípulo de regulação da profundidade de funcionamento para a direita, para diminuir a profundidade de funcionamento. (Fig. 30)

Arranque

1. Ligue um cabo de alimentação à tomada na parte inferior do punho. (Fig. 31)
2. Coloque o cabo de alimentação no suporte do cabo de alimentação. Consulte *Utilizar o suporte do cabo de alimentação na página 280*. (Fig. 23)
3. Mantenha-se atrás do produto.
4. Desaperte o inibidor de arranque. (Fig. 32)
5. Empurre o manípulo de travão do motor no sentido da barra de direção. (Fig. 33)

Para desligar o produto

1. Solte o manípulo de travão do motor para parar o motor. (Fig. 34)
2. Desligue o cabo de alimentação da corrente e, em seguida, do produto. (Fig. 35)



CUIDADO: Retire a ficha. Não puxe o cabo de alimentação.

Manutenção

Introdução



ATENÇÃO: Antes de efetuar a manutenção, tem de ler e compreender o capítulo sobre segurança.

É necessário ter formação especial para realizar qualquer tarefa de manutenção ou reparação. Garantimos a disponibilidade de reparações e manutenção profissionais. Se o seu distribuidor não for uma oficina autorizada, pergunte-lhe onde se situa a oficina autorizada mais próxima.

Para obter informações mais detalhadas, consulte www.husqvarna.com.

Esquema de manutenção

Os intervalos de manutenção são calculados a partir da utilização diária do produto. Os intervalos são alterados se o produto não for utilizado diariamente.

Relativamente às tarefas de manutenção identificadas com *, consulte *Dispositivos de segurança no produto na página 279*.

	A cada utilização	Mensalmente	A cada estação
Efetuar uma inspeção geral.	X		
Limpe o produto.	X		
Examine o equipamento escarificador.	X		
Certifique-se de que os dispositivos de segurança do produto não apresentam defeito. *	X		
Examine as coberturas. *	X		
Verifique o punho do travão do motor. *	X		
Verifique o inibidor de arranque. *	X		

Proceder a uma inspeção geral

- Certifique-se de que as porcas e os parafusos do produto estão apertados.
- Certifique-se de que os cabos no produto não estão numa posição suscetível a danos.
- Certifique-se de que não existe qualquer obstrução no produto.

Limpar o produto

- Limpe os componentes plásticos com um pano seco e limpo.
- Não utilize água para limpar o produto. A água pode entrar na bateria ou no motor, provocando um curto-circuito ou danos no produto.
- Não utilize uma máquina de lavar à pressão para limpar o produto.
- Não verta água diretamente no motor.
- Utilize uma escova para remover folhas, relva e sujidade.

Examinar o equipamento escarificador



ATENÇÃO: Para evitar o arranque acidental, desligue o cabo de alimentação.



ATENÇÃO: Use luvas de proteção quando realizar a manutenção do equipamento escarificador. Os dentes do equipamento escarificador são muito afiados e podem facilmente provocar cortes.

- Examine se o equipamento escarificador está danificado ou se apresenta fissuras. Substitua sempre um equipamento escarificador danificado.

Substituir o equipamento escarificador



ATENÇÃO: Use luvas de proteção quando realizar a manutenção do equipamento escarificador. O equipamento escarificador é muito afiado e pode facilmente provocar cortes

1. Coloque o produto sobre o seu lado direito. (Fig. 36)
2. Retire os 2 parafusos (A) e a cobertura do escarificador (B). Empurre o equipamento escarificador (C) para cima e para fora para o retirar. (Fig. 37)
3. Empurre o novo equipamento escarificador (C) para dentro da ranhura e do orifício. Fixe a cobertura do escarificador (B) e os 2 parafusos (A) (Fig. 38)

Resolução de problemas

Resolução de problemas

Problema	Causa possível	Solução
O produto não ar-ranca.	O cabo de alimentação não está ligado a uma fonte de alimentação.	Ligue o cabo de alimentação a uma fonte de alimentação.
	O cabo de alimentação não está ligado ao produto.	Ligue o cabo de alimentação à tomada na parte inferior do punho.
	O punho do travão do motor não está pressionado no sentido da barra de direção.	Empurre o punho do travão do motor no sentido da barra de direção.
	O cabo de alimentação está danificado. Outros erros.	Contacte uma oficina autorizada.

Transporte, armazenamento e eliminação

Transporte

- Para um transporte comercial, é necessário cumprir os requisitos especiais na embalagem e nas etiquetas.
- Quando preparar o produto para transporte, certifique-se de que cumpre os regulamentos sobre mercadorias perigosas. Podem aplicar-se normas locais.
- Fixe o produto durante o transporte.

Armazenamento

- Deixe o produto arrefecer antes de o armazenar.
- Armazene o produto num local onde a temperatura ambiente se encontre entre -10 °C e 40 °C.
- Mantenha o produto num local fechado à chave, fora do alcance de crianças e de pessoas não autorizadas.
- Antes de armazenar o produto durante longos períodos de tempo, limpe-o e efetue uma manutenção completa do mesmo.
- Realize os procedimentos de manutenção indicados neste manual do utilizador. Consulte *Esquema de manutenção na página 283*.

- Efetue uma manutenção completa antes de armazenar durante muito tempo.

Eliminação

Os símbolos no produto ou na respetiva embalagem indicam que este produto não deve ser tratado como um resíduo doméstico. Tem de ser enviado para uma estação de reciclagem adequada para a recuperação de equipamentos elétricos e eletrónicos.

Ao garantir que este produto é tratado corretamente, pode ajudar a neutralizar o potencial impacto negativo sobre o meio ambiente e as pessoas, que de outra forma pode resultar da gestão incorreta dos resíduos deste produto. Para informações mais detalhadas sobre a reciclagem deste produto, contacte o seu município, o serviço de recolha de resíduos domésticos ou a loja onde adquiriu o produto.

(Fig. 39)

Especificações técnicas

Especificações técnicas

S 138C	
Motor	

S 138C	
Tipo de motor	Motor CC de série
Velocidade do acessório – SavE, rpm	N/A
Velocidade do acessório – Nominal, rpm	4200
Potência do motor – máx. kW	1,8
Potência do motor – nominal, kW	1,6
Peso	
Peso, kg	19,0
Emissões de ruído ⁵⁸	
Nível de potência sonora, medido dB (A)	96
Nível de potência sonora, garantido L _{WA} dB (A)	98
Níveis sonoros ⁵⁹	
Nível de pressão sonora ao nível do ouvido do operador, dB(A)	82
Níveis de vibração ⁶⁰	
Punho, m/s ²	8,3
Funcionamento	
Profundidade de funcionamento máx/mín., mm	-8/+5
Largura de funcionamento, cm	37,5
Acessório dos dentes da lâmina	5973510-01
Acessório dos dentes de mola	5973509-01
Capacidade do coletor de relva, litros	45

⁵⁸ Emissões de ruído para as imediações, medidas sob forma de potência sonora (L_{WA}) em conformidade com a diretiva da CE 2000/14/CE.

⁵⁹ Os dados comunicados relativamente ao nível de pressão de ruído têm uma dispersão estatística típica (desvio padrão) de 1,2 dB (A).

⁶⁰ Os dados comunicados relativamente ao nível de vibração têm uma dispersão estatística típica (desvio padrão) de 0,2 m/s².

Declaração de conformidade

Declaração UE de conformidade

A Husqvarna AB, SE-561 82 Huskvarna, SUÉCIA,
tel.: +46-36-146500, declara, sob sua inteira
responsabilidade, que o produto:

Descrição	Escarificador
Marca	Husqvarna
Tipo/Modelo	S 138C
Identificação	Os números de série referentes a 2023 e posteriores

estão em plena conformidade com as seguintes
diretivas e regulamentos da UE:

Diretiva/Regulamen- to	Descrição
2011/65/UE	"relativa à restrição do uso de determinadas substâncias perigosas em equipamento elétrico e eletrónico"
2006/42/CE	"relativa a máquinas"
2014/30/UE	"relativa à compatibilidade eletromagnética"
2000/14/CE	"relativa a emissões de ruído para o ambiente"

e que as seguintes normas e/ou especificações técnicas
são aplicadas: EN 60335-1:2012/A11:2014/A13:2017/
A15:2021, EN 50636-2-92:2014, EN 55014-1:2017/
A11:2020, EN 55014-2:2015, EN 61000-3-2:2014, EN
61000-3-11:2000, EN IEC 63000:2018.

Para mais informações sobre as emissões de ruído,
consulte *Especificações técnicas na página 284*.

Huskvarna, 2024-03-01



Claes Losdal

Chefe de desenvolvimento/produtos de jardinagem

Husqvarna AB

Responsável pela documentação técnica



CUPRINS

Introducere.....	287	Depanarea.....	298
Siguranță.....	289	Transportul, depozitarea și eliminarea.....	298
Asamblarea.....	295	Date tehnice.....	299
Funcționarea.....	296	Declarație de conformitate.....	300
Întreținerea.....	297		

Introducere

Descrierea produsului

Produsul este un scarificator electric controlat de un operator-pieton. Produsul elimină resturile vegetale uscate de pe gazon și afânează solul pentru a permite aerului și apei să pătrundă în gazon. Resturile vegetale sunt strânse într-un colector de iarbă sau sunt eliberate pe gazon. Produsul are 2 tipuri de echipamente pentru scarificator.

Echipamente pentru scarificator

Consultați *Pentru a înlocui echipamentul scarificatorului la pagina 297* pentru informații despre modalitatea de înlocuire a echipamentelor pentru scarificator.

Dinții de lamă

Dinții de lamă elimină resturile vegetale uscate și taie pe verticală rădăcinile ierbii. Utilizați dinții de lamă pe pante,

terase și soluri foarte argiloase. Dinții de lamă permit apei să pătrundă în gazon și previn colectarea apei la suprafață

(Fig. 19)

Dispozitiv cu dinți și resort

Dispozitivul cu dinți și resort elimină cu grijă iarba veștedă și resturile vegetale uscate de pe gazon, fără a deteriora rădăcinile ierbii.

(Fig. 20)

Domeniul de utilizare

Utilizați produsul pentru a elimina resturile vegetale uscate și mușchiul, dar și pentru a afâna solul din grădinile private. Nu utilizați produsul pentru alte sarcini.

Prezentare generală a produsului

(Fig. 1)

1. Maneta frânei de motor
2. Mâner superior
3. Inhibitor de pornire
4. Priză de alimentare
5. Mâner inferior
6. Clemă cablu
7. Colector de iarbă
8. Capac posterior
9. Capacul scarificatorului
10. Butonul de reglare a adâncimii de lucru
11. Dispozitiv cu dinți și resort
12. Cheie hexagonală
13. Manual de utilizare

Simbolurile de pe produs

(Fig. 2)

Avertisment: Utilizarea neatență sau incorectă poate cauza vătămări corporale sau moartea

operatorului sau a altor persoane.

(Fig. 3)

Citiți manualul operatorului și asigurați-vă că înțelegeți instrucțiunile înainte de a utiliza acest produs.

(Fig. 4)

Feriți-vă de obiectele proiectate sau care ricoșează.

(Fig. 5)

Țineți persoanele și animalele la o distanță sigură de zona de lucru.

- (Fig. 6) AVERTISMENT – Feriți-vă mâinile și picioarele de dinții lamei.
- (Fig. 7) Deconectați produsul de la priza electrică înainte de a efectua operații de întreținere asupra produsului. Dinții continuă să se rotească și după oprirea motorului.
- (Fig. 8) Pericol de electrocutare.
- (Fig. 9) Avertisment: Nu permiteți trecerea produsului peste cablul de alimentare deoarece acest lucru poate duce la electrocutare sau la deteriorarea produsului.
- (Fig. 10) Acest produs este protejat împotriva stropilor de apă.
- (Fig. 11) Acest produs este în conformitate cu directivele UE aplicabile.
- (Fig. 12) Acest produs este în conformitate cu reglementările aplicabile din Regatul Unit.
- (Fig. 13) Etichetă privind emisiile de zgomot în mediu, conform directivelor și reglementărilor din UE și Regatul Unit și legislației din New South Wales „Regulamentul privind măsurile de protecție a mediului (controlul zgomotului) din 2017”. Nivelul de putere sonoră garantat al produsului este specificat în *Date tehnice la pagina 299* și pe etichetă.
- (Fig. 14) Izolație dublă.
- (Fig. 18) Reciclați acest produs la un centru de reciclare pentru echipamente electrice și electronice. (Este valabilă numai pentru Europa)
- (Fig. 15) Procedura de pornire: slăbiți inhibitorul de pornire, împingeți în jos maneta frânei de motor.
- (Fig. 16) Eliberați maneta frânei de motor pentru oprire.
- (Fig. 17) Cod scanabil.

Nota: Celelalte simboluri/autocolante de pe produs se referă la cerințele de certificare pentru unele piețe.

Deteriorarea produsului

Nu suntem responsabili pentru deteriorarea produsului dacă:

- produsul este reparat necorespunzător.
- produsul este reparat cu piese care nu provin de la producător sau care nu sunt aprobate de acesta.

- produsul are un accesoriu care nu provine de la producător sau care nu este aprobat de acesta.
- produsul nu este reparat la un centru de service omologat sau de o autoritate omologată.

Siguranță

Definiții privind siguranța

Avertismentele, atenționările și notele sunt utilizate pentru a desemna părți foarte importante din manual.



AVERTISMENT: Se utilizează dacă există risc de vătămare sau de deces pentru operator sau pentru trecători, în cazul în care instrucțiunile din manual nu sunt respectate.



ATENȚIE: Se utilizează dacă există un risc de deteriorare a produsului, a altor materiale sau a zonelor învecinate, dacă instrucțiunile din manual nu sunt respectate.

Nota: Se utilizează pentru a furniza mai multe informații care sunt necesare într-o situație dată.

Instrucțiuni generale de siguranță



AVERTISMENT: Înainte de a utiliza produsul, citiți instrucțiunile de avertizare de mai jos.

- Acest produs este periculos dacă este utilizat incorect sau dacă nu sunteți atent. Nerespectarea instrucțiunilor de siguranță poate cauza vătămări corporale sau decesul.
- În timpul funcționării, acest produs produce un câmp electromagnetic. În anumite condiții, acest câmp poate interfera cu implanturile medicale active sau pasive. Pentru a reduce riscul de vătămări corporale grave sau mortale, recomandăm persoanelor cu implanturi medicale să consulte medicul și producătorul implantului medical înainte de a utiliza acest produs.

- Procedați întotdeauna cu atenție și folosiți-vă judecata. Dacă nu sunteți sigur cum să utilizați produsul într-o situație specială, opriți-l și adresați-vă distribuitorului Husqvarna înainte de a continua.
- Rețineți că operatorul poartă responsabilitatea privind orice accidente care implică alte persoane sau bunurile acestora.
- Păstrați produsul curat. Asigurați-vă că puteți citi clar semnele și etichetele.
- Nu lăsați niciodată copii sau persoanele nefamiliarizate cu aceste instrucțiuni să folosească aparatul. Este posibil ca reglementările locale să limiteze vârsta operatorului
- Monitorizați permanent o persoană cu capacități fizice sau mentale reduse care utilizează produsul. Un adult responsabil trebuie să fie prezent în permanență.
- Nu utilizați produsul atunci când sunteți obosit, bolnav sau dacă ați consumat alcool, droguri sau ați luat medicamente. Acestea vă afectează negativ acuitatea vizuală, atenția, coordonarea și judecata.

- Nu utilizați produsul dacă este defect.
- Nu modificați acest produs și nu îl utilizați dacă este posibil să fi fost modificat de către alte persoane.

Siguranța zonei de lucru



AVERTISMENT: Înainte de a utiliza produsul, citiți instrucțiunile de avertizare de mai jos.

- Înainte de a utiliza produsul, îndepărtați obiectele precum crengile, rămurelele și pietrele din zona de lucru.
- Obiectele care se lovesc de echipamentul scarificatorului pot ricoșa, provocând vătămări corporale și pagube materiale. Țineți trecătorii și animalele la o distanță sigură de produs.
- Nu utilizați produsul pe vreme rea, de exemplu pe ceață, ploaie, vânt puternic, la temperaturi exterioare foarte scăzute și atunci când există riscul de descărcări electrice. Utilizarea produsului pe vreme nefavorabilă sau pe teren umed sau inundat este obositoare. Vremea nefavorabilă poate conduce la apariția de situații

periculoase, de exemplu suprafețe alunecoase.

- Verificați dacă există persoane, obiecte și situații care pot împiedica funcționarea în siguranță a produsului.
- Atenție la obstacole, precum rădăcini, pietre, ramuri, gropi și șanțuri. În iarba înaltă se pot ascunde obstacole.
- Poate fi periculoasă operarea produsului pe pante. Nu utilizați produsul pe pante cu înclinație mai mare de 15°.
- Utilizați produsul de-a curmezișul pantei. Nu efectuați mișcări în sus și în jos.
- Procedați cu atenție atunci când vă apropiați de colțuri ascunse și de obiecte care blochează vederea.

Siguranța în lucru



AVERTISMENT: Înainte de a utiliza produsul, citiți instrucțiunile de avertizare de mai jos.



AVERTISMENT: Oprii produsul, deconectați cablul de alimentare și asigurați-vă că dinții s-au oprit complet, înainte

de a atinge echipamentul scarificatorului.

- Utilizați acest produs doar pentru îndepărtarea resturilor vegetale uscate și a mușchiului de pe gazon. Nu este permisă utilizarea acestui produs pentru alte lucrări.
- Utilizați echipament individual de protecție. Consultați *Echipament de protecție personală la pagina 292*.
- Nu utilizați produsul în ploaie sau în condiții de umezeală. Riscul de electrocutare crește dacă apa pătrunde în produs.
- Nu utilizați produsul cu un cablu de alimentare deteriorat.
- Utilizați produsul doar după ce au fost montate corect echipamentul scarificatorului și toate capacele. Un echipament pentru scarificator montat incorect se poate desprinde, provocând vătămări corporale.
- Asigurați-vă că echipamentul scarificatorului nu lovește obiecte, precum pietre și rădăcini. Acestea pot deteriora echipamentul scarificatorului și pot îndoii arborele motorului. Un ax îndoit poate genera vibrații puternice și prezintă un

- risc foarte ridicat de slăbire a echipamentului scarificatorului.
- Dacă echipamentul scarificatorului lovește un obiect sau dacă observați vibrații, opriți produsul imediat. Opriți motorul și deconectați cablul de alimentare. Verificați dacă produsul nu este deteriorat. Reparați defecțiunile sau solicitați unui agent de service autorizat să le repare.
 - Nu atașați niciodată maneta frânei de motor la mâner, în mod permanent, atunci când motorul este pornit.
 - Poziționați produsul pe o suprafață stabilă, plană și porniți-l. Asigurați-vă că echipamentul scarificatorului nu atinge solul sau alte obiecte.
 - Stați întotdeauna în spatele produsului atunci când îl utilizați.
 - Mențineți toate roțile pe sol și țineți ambele mâini pe mâner când utilizați produsul. Feriți-vă mâinile și picioarele de echipamentul scarificatorului care se rotește.
 - Nu înclinați produsul când motorul este pornit.
 - Fiți atent atunci când trageți produsul în spate.

- Nu ridicați niciodată produsul când motorul este pornit. Dacă trebuie să ridicați produsul, mai întâi opriți motorul și deconectați cablul de alimentare.
- Nu mergeți cu spatele în timp ce utilizați produsul.
- Opriți motorul când traversați zone fără iarbă, de exemplu alei din pietriș, piatră și asfalt.
- Nu alergați cu produsul când motorul este pornit. Întotdeauna mergeți în timp ce utilizați produsul.
- Opriți motorul înainte de a schimba adâncimea de lucru. Nu efectuați niciodată reglări cu motorul pornit.
- Nu lăsați niciodată produsul să iasă din câmpul vizual cu motorul pornit. Opriți motorul și deconectați cablul de alimentare și asigurați-vă că echipamentul scarificatorului nu se rotește.

Instrucțiuni de siguranță pentru utilizare

Echipament de protecție personală

Trebuie să folosiți echipament de protecție personală ori de câte ori folosiți produsul. Echipamentul de protecție individuală nu poate elimina

riscul de rănire, dar poate reduce efectele unei răniri, în caz că se produce un accident. Cereți ajutorul dealerului pentru a alege echipamentul corect.

Purtați întotdeauna:

- Protecție pentru urechi pentru a reduce riscul de afectare a auzului.
- Ghete sau pantofi solizi, cu talpă antiderapantă. Nu purtați sandale și nu umblați desculți.
- Pantaloni lungi, groși. Nu purtați pantaloni scurți.

Purtați mănuși atunci când este necesar, de exemplu în momentul montării, inspectării sau curățării echipamentului pentru scarificator.



AVERTISMENT: Utilizați un sistem omologat de protecție a auzului. Expunerea pe termen lung la zgomot vă poate afecta ireversibil auzul.

Dispozitivele de siguranță de pe produs



AVERTISMENT: Înainte de a utiliza produsul, citiți instrucțiunile de avertizare de mai jos.

- Nu utilizați un produs cu dispozitive de siguranță deteriorate.
- Verificați regulat dispozitivele de siguranță. Dacă dispozitivele de siguranță sunt defecte, contactați agentul de service Husqvarna.

Verificarea capacelor

Capacul scarificatorului reduce vibrațiile în produs și reduce riscul de rănire de la echipamentul pentru scarificator.

- Examinați capacul lateral al scarificatorului și asigurați-vă că nu există defecte, precum fisuri.
- Examinați capacul posterior și asigurați-vă că nu există defecte, precum fisuri.

Maneta frânei de motor

Maneta frânei de motor oprește motorul. Când maneta frânei de motor este eliberată, motorul se oprește.

Pentru a efectua o inspecție a frânei de motor, porniți motorul și apoi eliberați maneta frânei de motor. Dacă motorul nu se oprește în 3 secunde, cereți-i unui agent de service autorizat

Husqvarna să regleze frâna de motor.

(Fig. 21)

Pentru examinarea inhibitorului de pornire

Verificați inhibitorul de pornire pentru a vă asigura că acesta împiedică funcționarea demarorului.

1. Împingeți maneta frânei de motor în direcția mânerului. Inhibitorul de pornire oprește mișcarea.
2. Împingeți inhibitorul de pornire în afară. (Fig. 22)
3. Eliberați inhibitorul de pornire și asigurați-vă că revine la poziția sa inițială.

Utilizarea suportului pentru cablul de alimentare

Suportul cablului de alimentare scade tensiunea asupra prizei de alimentare și asupra cablului de alimentare. Suportul cablului de alimentare scade, de asemenea, riscul de căderi.

1. Îndoiiți cablul de alimentare într-o buclă mică.
2. Puneți bucla în orificiul suportului cablului de alimentare.

3. Puneți bucla în jurul cârligului.
4. Trageți cablul de alimentare pentru a strânge bucla în jurul cârligului. (Fig. 23)

Siguranța cablului de alimentare

- Se recomandă utilizarea unui dispozitiv cu curent rezidual (R.C.D.) cu un curent de declanșare de peste 30 mA. Chiar și în condițiile unui R.C.D. instalat, nu se poate garanta siguranța în proporție de 100%, așadar este necesară respectarea permanentă a procedurilor de lucru în siguranță. Verificați R.C.D. la fiecare utilizare.
- Deconectați imediat de la priză în cazul în care cablul de alimentare este tăiat sau izolația este deteriorată.
- Nu atingeți un cablu de alimentare tăiat sau deteriorat până când alimentarea electrică nu este deconectată.
- Nu reparați cablul de alimentare dacă este tăiat sau deteriorat. Înlocuiți-l cu unul nou.

Instrucțiuni de siguranță pentru întreținere



AVERTISMENT: Înainte de a utiliza produsul, citiți instrucțiunile de avertizare de mai jos.

- Pentru a preveni pornirea accidentală în timpul operațiilor de întreținere, deconectați cablul de alimentare.
- Efectuați lucrările de întreținere în mod corect pentru a prelungi durata de viață a produsului și reduce pericolul de accidente. Lucrările de reparații profesionale trebuie efectuate de un agent de service autorizat. Discutați cu agentul de service cel mai apropiat de dvs. pentru mai multe informații.
- Efectuați numai lucrările de întreținere care se regăsesc în acest manual al operatorului. Operațiile de service mai extinse trebuie efectuate de un agent de service autorizat.
- Pentru a preveni rănirea, nu demontați și nu aduceți modificări la dispozitivele de siguranță.
- Puneți-vă mănuși de protecție rezistente atunci când utilizați echipamentul pentru scarificatorului. Echipamentul scarificatorului este foarte ascuțit și vă puteți tăia foarte ușor.
- Păstrați dinții de pe dispozitivul de desprăfuire ascuțiți și curați pentru cea mai bună și mai sigură performanță.
- Permiteți agentului de service să verifice periodic produsul și să efectueze reglajele și reparațiile necesare.
- Înlocuiți piesele deteriorate, uzate sau defecte. Utilizați întotdeauna piese de schimb originale de la producător. Alte piese de schimb pot deteriora produsul și pot crește riscul de accidente.
- Respectați instrucțiunile privind modul de schimbare a accesoriilor. Utilizați numai accesoriile furnizate de producător.

Asamblarea

Introducere



AVERTISMENT: Înainte de a asambla produsul, citiți capitolul privind siguranța.



AVERTISMENT: Pentru a preveni pornirea accidentală în timpul asamblării, deconectați cablul de alimentare.

Pentru a asambla mânerul

1. Slăbiți butoanele inferioare.
2. Deplasați butoanele spre capătul inferior al canelurilor de pe partea stângă și de pe partea dreaptă a produsului. (Fig. 24)
3. Setări înălțimea mânerului într-una dintre cele 2 poziții disponibile.
4. Deplasați butoanele în sus în direcția mânerului, până când acestea se opresc și se aude un clic. (Fig. 25)
5. Strângeți rozetele până la capăt.

Pentru a asambla colectorul de iarbă

1. Prindeți cadrul colectorului de iarbă de sacul de iarbă, cu partea rigidă a sacului în jos. Mențineți mânerul cadrului deasupra sacului de iarbă. (Fig. 26)

2. Atașați partea inferioară a cadrului colectorului de iarbă în canelura de pe partea inferioară a colectorului de iarbă.
3. Prindeți sacul de iarbă de cadrul colectorului de iarbă cu ajutorul clemelor. (Fig. 27)
4. Ridicați capacul posterior.
5. Mutați colectorul de iarbă în poziția corectă. (Fig. 28)
6. Fixați colectorul de iarbă de marginea superioară a carcasei. Asigurați-vă că capacul posterior se etanșează pe colectorul de iarbă pentru a preveni scurgerile. (Fig. 29)

Funcționarea

Introducere



AVERTISMENT: Înainte de a utiliza produsul, trebuie să citiți și să înțelegeți capitolul privind siguranța.

Husqvarna Connect

Husqvarna Connect este o aplicație gratuită pentru dispozitivul dvs. mobil. Aplicația Husqvarna Connect vă oferă funcții extinse pentru produsul dvs. Husqvarna:

- Informații pe larg despre produs.
- Informații despre piese pentru produse și service și asistență pentru acestea.

Pentru a începe să utilizați Husqvarna Connect

1. Descărcați aplicația Husqvarna Connect pe dispozitivul dvs. mobil.
2. Înregistrați-vă în aplicația Husqvarna Connect.
3. Urmați pașii cu instrucțiuni din aplicația Husqvarna Connect pentru a conecta și înregistra produsul.

Setarea adâncimii de lucru



AVERTISMENT: Nu reglați adâncimea de lucru atunci când utilizați produsul.

1. Împingeți și rotiți butonul de reglare pentru adâncimea de lucru în sens invers acelor de ceasornic pentru a mări adâncimea de lucru.
2. Împingeți și rotiți butonul de reglare pentru adâncimea de lucru în sensul acelor de ceasornic pentru a reduce adâncimea de lucru. (Fig. 30)

Pornirea produsului

1. Conectați un cablu de alimentare la priza de sub mâner. (Fig. 31)
2. Puneți cablul de alimentare pe suportul cablului de alimentare. Consultați *Utilizarea suportului pentru cablul de alimentare la pagina 294*. (Fig. 23)
3. Stați în spatele produsului.
4. Slăbiți inhibitorul de pornire. (Fig. 32)
5. Împingeți maneta frânei de motor în direcția mânerului. (Fig. 33)

Oprirea produsului

1. Eliberați maneta frânei de motor pentru a opri motorul. (Fig. 34)
2. Deconectați cablul de alimentare de la priză și apoi de la produs. (Fig. 35)



ATENȚIE: Trageți de ștecher în afară. Nu trageți de cablul de alimentare.

Întreținerea

Introducere



AVERTISMENT: Înainte de a efectua orice operații de întreținere, citiți și înțelegeți capitolul privind siguranța.

Toate lucrările de service și de reparații la produs necesită instruire specială. Garantăm disponibilitatea unor lucrări profesionale de reparații și service. Dacă distribuitorul dvs. nu este agent de service, solicitați acestuia informații cu privire la cel mai apropiat agent de service.

Pentru informații mai detaliate, consultați www.husqvarna.com.

Program de întreținere

Intervalele de întreținere sunt calculate având în vedere o utilizare zilnică a produsului. Intervalele se modifică dacă produsul nu este utilizat zilnic.

Pentru întreținerea identificată cu *, consultați *Dispozitivele de siguranță de pe produs la pagina 293*.

	La fiecare utilizare	Lunar	În fiecare sezon
Efectuați o inspecție generală.	X		
Curățați produsul.	X		
Examinați echipamentul scarificatorului.	X		
Asigurați-vă că dispozitivele de siguranță ale produsului nu sunt defecte. *	X		
Examinați capacele. *	X		
Verificați maneta frânei de motor. *	X		
Verificați inhibitorul de pornire. *	X		

Pentru a efectua o inspecție generală

- Asigurați-vă că șuruburile și piulițele produsului sunt strânse.
- Asigurați-vă că cablurile de pe produs nu sunt într-o poziție în care să poată fi deteriorate.
- Asigurați-vă că nu există niciun blocaj în produs.

Curățarea produsului

- Curățați componentele din plastic cu o cârpă curată și uscată.
- Nu utilizați apă pentru a curăța produsul. Apa poate pătrunde în baterie sau în motor și poate provoca scurtcircuite sau poate avaria produsul.
- Nu utilizați o instalație de spălare cu presiune ridicată pentru a curăța produsul.
- Nu stropiți niciodată direct motorul cu apă.
- Folosiți o perie pentru a elimina frunzele, iarba și murdăria.

Examinarea echipamentului scarificatorului



AVERTISMENT: Pentru a preveni pornirea accidentală, deconectați cablul de alimentare.



AVERTISMENT: Purtați mănuși de protecție când efectuați întreținerea echipamentului scarificatorului. Dinții de pe scarificator sunt foarte ascuțiți și se pot produce cu ușurință tăieturi.

- Examinați echipamentul scarificatorului pentru a identifica eventuale deteriorări sau crăpături. Înlocuiți întotdeauna echipamentele deteriorate pentru scarificator.

Pentru a înlocui echipamentul scarificatorului



AVERTISMENT: Purtați mănuși de protecție când efectuați întreținerea echipamentului scarificatorului. Echipamentul scarificatorului este foarte ascuțit și vă puteți tăia foarte ușor

1. Puneți produsul pe partea sa dreaptă. (Fig. 36)
2. Îndepărtați cele 2 șuruburi (A) și capacul scarificatorului (B). Împingeți echipamentul scarificatorului (C) în sus și în afară pentru a-l îndepărta. (Fig. 37)

3. Împingeți noul echipament al scarificatorului (C) în canelură și în orificiu. Atașați capacul scarificatorului (B) și cele 2 șuruburi (A) (Fig. 38)

Depanarea

Depanare

Problemă	Cauza posibilă	Soluție
Produsul nu pornește.	Cablul de alimentare nu este conectat la o sursă de energie electrică.	Conectați cablul de alimentare la o sursă de energie electrică.
	Cablul de alimentare nu este conectat la produs.	Conectați cablul de alimentare la priza de sub mâner.
	Maneta frânei de motor nu este împinsă în direcția mânerului.	Împingeți maneta frânei de motor în direcția mânerului.
	Cablul de alimentare este deteriorat.	Discutați cu un agent de service autorizat.
	Alte erori.	

Transportul, depozitarea și eliminarea

Transport

- Pentru transporturile comerciale, trebuie respectate cerințele speciale de pe ambalaj și etichete.
- Respectați cu atenție reglementările privind materialele periculoase atunci când pregătiți produsul pentru transport. Pot exista reglementări locale aplicabile.
- Fixați produsul în timpul transportului.

Depozitarea

- Lăsați produsul să se răcească înainte de a îl depozita.
- Depozitați produsul într-un loc unde temperatura ambiantă este între -10 și 40°C.
- Păstrați produsul într-un loc încuiat, la care nu au acces copiii și persoanele neavizate.
- Curățați produsul și efectuați un service complet înainte de a depozita produsul pentru o perioadă lungă de timp.
- Efectuați procedurile de întreținere descrise în acest manual. Consultați *Program de întreținere la pagina 297*.

- Efectuați un service complet înainte de o depozitare de lungă durată.

Dezafectarea

Simbolurile de pe produs sau de pe ambalajul acestuia indică faptul că acest produs nu poate fi tratat ca deșeu menajer. Trebuie trimis la un centru de reciclare corespunzător pentru recuperarea echipamentelor electrice și electronice.

Asigurându-vă că aveți grijă de acest produs în mod corect, puteți contribui la neutralizarea impactului negativ potențial asupra mediului înconjurător și asupra persoanelor; în caz contrar, putând conduce la gestionarea incorectă a deșeurilor acestui produs. Pentru informații mai detaliate referitoare la reciclarea acestui produs, contactați autoritățile, serviciul pentru deșeurii menajere sau magazinul de unde ați achiziționat produsul.

(Fig. 39)

Date tehnice

Date tehnice

S 138C	
Motor	
Tip de motor	Motor seria AC
Turație accesoriu – SavE, rpm	N/A
Turație accesoriu – Valoare nominală, rpm	4200
Putere motor – Valoare max., kW	1,8
Putere motor - Valoare nominală, kW	1,6
Greutate	
Greutate, kg	19
Emisii de zgomot ⁶¹	
Nivel de putere acustică, măsurat dB(A)	96
Nivel de putere acustică garantat L_{WA} dB(A)	98
Niveluri de zgomot ⁶²	
Nivel de presiune a sunetului la urechea operatorului, dB (A)	82
Niveluri de vibrații ⁶³	
Mâner, m/s^2	8,3
Funcționare	
Adâncime de lucru max/min, mm	-8/+5
Lățime de lucru, cm	37,5
Accesoriu lamă cu dinți	5973510-01
Accesoriu dispozitiv cu dinți și resort	5973509-01
Capacitate colector de iarbă, litri	45

⁶¹ Emisiile de zgomot în mediu măsurate ca putere acustică (L_{WA}) în conformitate cu directiva CE 2000/14/CE.

⁶² Datele raportate pentru nivelul presiunii zgomotului prezintă o dispersie statistică tipică (abatere standard) de 1,2 dB(A).

⁶³ Datele raportate pentru nivelul de vibrații prezintă o dispersie statistică tipică (abatere standard) de 0,2 m/s^2 .

Declarație de conformitate

Declarație de conformitate UE

Noi, **Husqvarna AB**, SE-561 82 Huskvarna, SUECIA,
tel.: +46-36-146500, declarăm pe propria răspundere că
produsul:

Descriere	Scarificator
Marcă	Husqvarna
Tip/Model	S 138C
Identificare	Numerele de serie începând cu 2023

respectă în totalitate următoarele directive și
reglementări UE:

Directivă/Regula- ment	Descriere
2011/65/UE	„privind restricțiile de utilizare a anumitor substanțe periculoase în echipamentele electrice și electronice”
2006/42/CE	„privind echipamentele tehnice”
2014/30/UE	„privind compatibilitatea electromagnetică”
2000/14/CE	„privind emisiile de zgomot în medii înconjurător”

și că au fost aplicate următoarele standarde
și/sau specificații tehnice: EN 60335-1:2012/A11:2014/
A13:2017/A15:2021, EN 50636-2-92:2014, EN
55014-1:2017/A11:2020, EN 55014-2:2015, EN
61000-3-2:2014, EN 61000-3-11:2000, EN IEC
63000:2018.

Pentru informații privind emisiile de zgomot, consultați
Date tehnice la pagina 299.

Huskvarna, 2024-03-01



Claes Losdal

Director de dezvoltare / Produse de grădinarit

Husqvarna AB

Responsabil pentru documentația tehnică



Содержание

Введение.....	301	Поиск и устранение неисправностей.....	314
Безопасность.....	303	Транспортировка, хранение и утилизация.....	314
Сборка.....	311	Технические данные.....	315
Эксплуатация.....	312	Декларация о соответствии.....	316
Техническое обслуживание.....	313		

Введение

Описание изделия

Изделие представляет собой пешеходный электрический скарификатор. Изделие удаляет с газона солому, а также рыхлит почву, обеспечивая проникновение в нее воздуха и воды. Солома собирается в травосборник или выбрасывается на газон. Изделие оснащено оборудованием скарификатора 2 типов.

Оборудование скарификатора

Сведения о процедуре замены оборудования скарификатора см. в разделе *Замена оборудования скарификатора на стр. 314*.

Ударные ножи

Ударные ножи удаляют солому и вертикально разрезают корни травы. Ударные ножи следует

использовать на склонах, насыпях и для почв с высоким содержанием глины. Ударные ножи позволяют воде проникать в почву, чтобы она не скапливалась на поверхности

(Рис. 19)

Пружинные зубцы

Пружинные зубцы бережно удаляют омертвевшую траву и солому с газона, не повреждая корни травы.

(Рис. 20)

Назначение

Изделие используется в частных садах для удаления соломы и мха, а также для рыхления почвы. Запрещается использовать изделие для других видов работ.

Обзор изделия

(Рис. 1)

1. Рукоятка моторного тормоза
2. Верхняя рукоятка
3. Ограничитель запуска
4. Гнездо питания
5. Нижняя рукоятка
6. Кабельный зажим
7. Травосборник
8. Задняя крышка
9. Крышка скарификатора
10. Регулятор рабочей глубины
11. Пружинные грабли
12. Шестигранный ключ
13. Руководство по эксплуатации

Символы на изделии

(Рис. 2)

Предупреждение.
Небрежная или неправильная эксплуатация может привести к травме или

смерти оператора или других лиц.

(Рис. 3)

Перед началом работы с изделием прочитайте руководство по эксплуатации и убедитесь, что понимаете приведенные здесь инструкции.

(Рис. 4)

Берегитесь отскакивающих предметов и рикошетов.

- (Рис. 5) Следите за тем, чтобы в зоне проведения работ не было людей и животных.
- (Рис. 6) ПРЕДУПРЕЖДЕНИЕ: не подносите руки и ноги к ножам и граблям.
- (Рис. 7) Перед выполнением технического обслуживания отключите изделие от электрической сети. Грабли продолжают вращаться после отключения двигателя.
- (Рис. 8) Риск поражения электрическим током.
- (Рис. 9) Предупреждение. Запрещается во время работы пересекать шнур питания, поскольку это может привести к поражению электрическим током или повреждению изделия.
- (Рис. 10) Данное изделие имеет защиту от брызг воды.
- (Рис. 11) Данное изделие отвечает требованиям
- соответствующих директив ЕС.
- (Рис. 12) Данное изделие отвечает требованиям действующих директив Великобритании.
- (Рис. 13) Табличка с уровнем эмиссии шума в окружающую среду в соответствии с директивами и нормативами Европейского союза, Великобритании и законодательством Нового Южного Уэльса "Регламент 2017 года по защите окружающей среды (контроль уровня шума)". Гарантированный уровень мощности звука изделия указан в разделе *Технические данные на стр. 315* и на табличке.
- (Рис. 14) Двойная изоляция.

(Рис. 18)

После завершения срока службы изделие необходимо передать в пункт переработки электрического и электронного оборудования.
(Только для Европы)

опустите рукоятку моторного тормоза.

(Рис. 16)

Для остановки отпустите рукоятку моторного тормоза.

(Рис. 17)

Сканируемый код.

(Рис. 15)

Процедура запуска:
разблокируйте
ограничитель запуска,

Примечание: Другие символы/наклейки на изделии относятся к специальным требованиям сертификации на определенных рынках.

Повреждение изделия

Мы не несем ответственности за повреждение изделия в следующих случаях:

- ненадлежащий ремонт изделия;
- использование для ремонта изделия неоригинальных деталей или деталей, не одобренных производителем;
- использование неоригинальных дополнительных принадлежностей или принадлежностей, не одобренных производителем;
- ремонт изделия в неавторизованном сервисном центре или неквалифицированным специалистом.

Безопасность

Инструкции по технике безопасности

Предупреждения, предостережения и примечания используются для выделения особо важных пунктов руководства.



ПРЕДУПРЕЖДЕНИЕ: Используется, когда несоблюдение инструкций руководства может привести к травмам или

смерти оператора или находящихся рядом посторонних лиц.



ВНИМАНИЕ: Используется, когда несоблюдение инструкций руководства может привести к повреждению изделия, других материалов или прилегающей территории.

Примечание: Используется для предоставления дополнительных сведений о конкретной ситуации.

Общие инструкции по технике безопасности



ПРЕДУПРЕЖДЕНИЕ: В обязательном порядке прочитайте следующие инструкции по технике безопасности, прежде чем приступить к эксплуатации изделия.

- При небрежном или неправильном обращении изделие может оказаться опасным инструментом. Несоблюдение инструкций по технике безопасности может привести к травмам или смерти.
- Во время работы данное изделие создает электромагнитное поле. В определенных обстоятельствах это поле может создавать помехи для пассивных и активных медицинских имплантатов. В целях снижения риска серьезной или смертельной травмы лицам с медицинскими имплантатами рекомендуется проконсультироваться с врачом и изготовителем имплантата, прежде чем приступить к эксплуатации данного изделия.
- Будьте всегда осторожны и руководствуйтесь здравым смыслом. Если вы не уверены, как правильно эксплуатировать изделие в определенной ситуации, прекратите работу и проконсультируйтесь со своим дилером Husqvarna, прежде чем продолжить.
- Помните: ответственность за аварии, угрожающие другим людям или их имуществу, несет оператор.
- Содержите изделие в чистоте. Следите за тем, чтобы знаки и наклейки были легко читаемыми.
- Ни в коем случае не позволяйте использовать оборудование детям или лицам, не ознакомившимся с данными инструкциями. Допустимый возраст пользователя может быть ограничен местным законодательством.
- Не оставляйте без присмотра людей

- с физическими или умственными нарушениями, использующих изделие. Они должны постоянно находиться под присмотром взрослого.
- Ни в коем случае не используйте изделие, если вы устали, больны или находитесь под воздействием спиртного, наркотических веществ или лекарственных препаратов. Это может повлиять на ваше зрение, реакцию, координацию или оценку действительности.
 - Запрещается использовать изделие, если оно повреждено.
 - Запрещается вносить в изделие модификации или использовать изделие, если вы подозреваете, что в его конструкцию внесены изменения другими лицами.

Техника безопасности на рабочем месте



ПРЕДУПРЕЖДЕНИЕ: В обязательном порядке прочитайте следующие инструкции по технике безопасности, прежде чем приступить к эксплуатации изделия.

- Уберите ветви, сучья, камни и прочие посторонние предметы из рабочей зоны перед началом эксплуатации изделия.
- Предметы, ударяющиеся об оборудование скарификатора, могут быть отброшены, что приведет к травмам или повреждению имущества. Следите за тем, чтобы посторонние лица и животные находились на безопасном расстоянии от изделия.
- Ни в коем случае не используйте изделие при неблагоприятных погодных условиях, например, в туман, дождь, при сильном ветре, низких температурах и риске удара молнии. Эксплуатация изделия при плохих погодных условиях или на сырых участках утомительна. Плохие погодные условия могут создавать опасные условия для работы, например, скользкие поверхности.
- Следите за возможным появлением посторонних лиц, предметов или условий, которые могут препятствовать безопасной эксплуатации изделия.

- Следите за возможным появлением препятствий, таких как корни, камни, сучья, ямы или рвы. Высокая трава может скрывать препятствия.
- Эксплуатация изделия на склоне может представлять опасность. Запрещается использовать изделие на участках с уклоном более 15°.
- Используйте изделие поперек поверхности склона. Не передвигайтесь вверх и вниз по поверхности склона.
- Проявляйте особую осторожность при приближении к скрытым из видимости поворотам или предметам, которые могут затруднять обзор.

Техника безопасности во время работы



ПРЕДУПРЕЖДЕНИЕ: В обязательном порядке прочитайте следующие инструкции по технике безопасности, прежде чем приступить к эксплуатации изделия.



ПРЕДУПРЕЖДЕНИЕ: Остановите изделие,

извлеките вилку шнура питания из розетки и убедитесь, что грабли полностью остановились, прежде чем касаться оборудования скарификатора.

- Используйте данное изделие только для удаления соломы и мха с газонов. Запрещается использовать изделие не по назначению.
- Пользуйтесь средствами индивидуальной защиты. См. раздел *Средства индивидуальной защиты на стр. 308*.
- Запрещается эксплуатировать изделие под дождем или в условиях высокой влажности. При попадании воды внутрь изделия повышается риск поражения электрическим током.
- Запрещается использовать изделие, если шнур питания поврежден.
- Запрещается использовать изделие, если оборудование скарификатора или кожухи отсутствуют или установлены неправильно. Неправильно установленное

оборудование скариффикатора может высвободиться и нанести травму.

- Следите за тем, чтобы оборудование скариффикатора не ударялось о предметы, например камни и корни. Это может повредить оборудование скариффикатора и привести к искривлению вала двигателя. При искривлении вала увеличивается уровень вибрации, что может привести к снижению надежности крепления оборудования скариффикатора.
- В случае удара оборудования скариффикатора о предмет или возникновения вибрации незамедлительно остановите изделие. Выключите двигатель и извлеките вилку шнура питания из розетки. Проверьте изделие на наличие повреждений. Выполните ремонт повреждений или обратитесь в авторизованный сервисный центр для выполнения ремонта.
- Во время работы двигателя не прижимайте рукоятку моторного тормоза к рукоятке изделия на длительный период времени.
- При запуске изделие должно находиться на устойчивой ровной поверхности. Убедитесь, что оборудование скариффикатора не касается грунта или любого другого предмета.
- При работе с изделием всегда стойте сзади.
- Во время работы все колеса изделия должны находиться на земле; держите рукоятку обеими руками. Держите руки и ноги на безопасном расстоянии от вращающегося оборудования скариффикатора.
- Запрещается наклонять изделие во время работы двигателя.
- Соблюдайте осторожность, когда тянете изделие назад.
- Запрещается поднимать изделие во время работы двигателя. Перед тем как поднять изделие, выключите двигатель и извлеките вилку шнура питания из розетки.

- При работе с изделием запрещается двигаться назад.
- Выключайте двигатель при пересечении участков без травы, например дорожек из гравия, камня или асфальта.
- Запрещается бегать с изделием во время работы двигателя. Работайте с изделием в спокойном темпе.
- Выключите двигатель, прежде чем менять рабочую глубину. Запрещается выполнять регулировку при работающем двигателе.
- Ни в коем случае не выпускайте из вида изделие с работающим двигателем. Выключите двигатель, извлеките вилку шнура питания из розетки и убедитесь, что оборудование скарификатора не вращается.

Инструкции по технике безопасности во время эксплуатации

Средства индивидуальной защиты

При работе с инструментом обязательно используйте рекомендованные средства

индивидуальной защиты. Средства индивидуальной защиты не могут полностью исключить риск получения травмы, но при несчастном случае они снижают тяжесть травмы. За помощью в выборе средств защиты обращайтесь к дилеру.

Обязательно используйте следующие средства личной защиты:

- Средства защиты органов слуха, чтобы свести к минимуму риск нарушения слуха.
- Устойчивая и нескользящая обувь. Не носите сандалии и не ходите босиком.
- Прочные длинные брюки. Не носите шорты.

При необходимости надевайте перчатки, например, при установке, осмотре или очистке оборудования скарификатора.



ПРЕДУПРЕЖДЕНИЕ:

Используйте одобренные средства защиты органов слуха. Продолжительное воздействие шума может повлечь неизлечимое ухудшение слуха.

Защитные устройства на изделии



ПРЕДУПРЕЖДЕНИЕ: В обязательном порядке прочитайте следующие инструкции по технике безопасности, прежде чем приступать к эксплуатации изделия.

- Запрещается использовать изделие с неисправными защитными устройствами.
- Регулярно выполняйте проверку защитных устройств. Если защитные устройства неисправны, обратитесь в сервисный центр Husqvarna.

Проверка крышек

Крышка скарификатора снижает уровень вибрации изделия и риск травмирования оборудованием скарификатора.

- Проверьте боковую крышку скарификатора и убедитесь, что на ней отсутствуют повреждения, такие как трещины.

- Проверьте заднюю крышку и убедитесь, что на ней отсутствуют повреждения, такие как трещины.

Рукоятка моторного тормоза

Рукоятка моторного тормоза предназначена для остановки двигателя. При отпускании рукоятки тормоза двигатель останавливается.

Чтобы проверить моторный тормоз, запустите двигатель, а затем отпустите рукоятку тормоза. Если двигатель не остановится через 3 секунды, обратитесь в официальный сервисный центр Husqvarna для регулировки моторного тормоза.

(Рис. 21)

Проверка ограничителя запуска

Проверьте ограничитель запуска и убедитесь, что он блокирует работу двигателя.

1. Прижмите рукоятку моторного тормоза в направлении рукоятки управления. Ограничитель запуска останавливает движение.

2. Поверните ограничитель запуска в направлении, указанном стрелкой. (Рис. 22)
3. Разблокируйте ограничитель запуска и убедитесь, что он возвращается в исходное положение.

Использование держателя шнура питания

Держатель шнура питания уменьшает нагрузку на гнездо и шнур питания. Кроме того, держатель шнура питания снижает риск вашего падения.

1. Сверните шнур питания в небольшую петлю.
2. Вставьте эту петлю в отверстие в держателе шнура питания.
3. Оберните петлю вокруг крюка.
4. Потяните шнур питания, чтобы затянуть петлю на крюке. (Рис. 23)

Защитное устройство для шнура питания

- При эксплуатации рекомендуется использовать устройство защитного отключения (УЗО) с

током отключения не более 30 мА. Даже установка УЗО не полностью исключит все риски, поэтому всегда соблюдайте правила техники безопасности. Проверяйте УЗО при каждом использовании.

- В случае повреждения шнура питания или изоляции следует незамедлительно отключить изделие от сети.
- Не касайтесь поврежденного или оборванного шнура, пока он не будет отключен от источника питания.
- Не выполняйте ремонт оборванного или поврежденного шнура. Замените его новым.

Инструкции по технике безопасности во время технического обслуживания



ПРЕДУПРЕЖДЕНИЕ: В обязательном порядке прочитайте следующие инструкции по технике безопасности, прежде чем приступить к эксплуатации изделия.

- Во избежание случайного запуска во время технического обслуживания

извлеките вилку шнура питания из розетки.

- Чтобы продлить срок службы изделия и снизить вероятность несчастных случаев, соблюдайте все требования к проведению обслуживания. Обратитесь в официальный сервисный центр для выполнения ремонта. Для получения дополнительной информации обратитесь в ближайший сервисный центр.
- Выполняйте только те работы по техобслуживанию, которые указаны в данном руководстве по эксплуатации. Расширенное обслуживание выполняется в официальном сервисном центре.
- Во избежание травм не вносите никаких изменений в защитные устройства и не снимайте их.
- При работе с оборудованием скарификатора надевайте прочные защитные перчатки. Оборудование скарификатора очень острое и при неосторожном обращении может легко привести к порезам.
- Для повышения качества и безопасности работы регулярно затачивайте и чистите ножи и грабли скарификатора.
- Регулярно обращайтесь в сервисный центр для проверки изделия и выполнения необходимых регулировок и ремонта.
- Замените поврежденные, сломанные или изношенные детали. Используйте только оригинальные запчасти от производителя. Другие запчасти могут привести к повреждению изделия и повысить риск несчастных случаев.
- Соблюдайте указания по замене принадлежностей. Пользуйтесь только оригинальными принадлежностями от производителя.

Сборка

Вводная информация



ПРЕДУПРЕЖДЕНИЕ: Прежде чем выполнять сборку изделия, прочитайте раздел по технике безопасности.



ПРЕДУПРЕЖДЕНИЕ: Во избежание случайного запуска во время сборки извлеките вилку шнура питания из розетки.

Сборка рукоятки

1. Ослабьте нижние ручки.
2. Переместите ручки в нижние положения в пазах с левой и правой стороны изделия. (Рис. 24)
3. Установите рукоятку в одно из 2 доступных положений по высоте.
4. Переместите ручки вверх в направлении рукоятки до упора. Вы должны услышать щелчок. (Рис. 25)
5. Надежно затяните ручки.

Установка травосборника

1. Установите раму травосборника на мешок травосборника таким образом, чтобы жесткая часть мешка оказалась внизу. Ручка рамы должна располагаться поверх мешка. (Рис. 26)

2. Установите нижнюю часть рамы травосборника в канавку в нижней части травосборника.
3. Закрепите мешок на раме травосборника зажимами. (Рис. 27)
4. Поднимите заднюю крышку.
5. Правильно разместите травосборник. (Рис. 28)
6. Установите травосборник на верхний край шасси. Во избежание утечек убедитесь, что задняя крышка плотно прилегает к травосборнику. (Рис. 29)

Эксплуатация

Введение



ПРЕДУПРЕЖДЕНИЕ: Перед эксплуатацией прибора необходимо внимательно изучить раздел безопасности.

Husqvarna Connect

Husqvarna Connect представляет собой бесплатное приложение для мобильного устройства. Приложение Husqvarna Connect позволяет пользоваться расширенными функциями вашего изделия Husqvarna:

- Дополнительная информация об изделии.
- Сведения о деталях и помощь в техническом обслуживании.

Как начать использовать Husqvarna Connect

1. Загрузите приложение Husqvarna Connect на свое мобильное устройство.
2. Зарегистрируйтесь в приложении Husqvarna Connect.
3. Выполните пошаговые инструкции в приложении Husqvarna Connect для подключения и регистрации изделия.

Настройка рабочей глубины



ПРЕДУПРЕЖДЕНИЕ: Запрещается регулировать рабочую глубину во время эксплуатации изделия.

1. Нажмите на ручку регулировки рабочей глубины и поверните ее против часовой стрелки, чтобы увеличить рабочую глубину.
2. Нажмите на ручку регулировки рабочей глубины и поверните ее по часовой стрелке, чтобы уменьшить рабочую глубину. (Рис. 30)

Запуск изделия

1. Подключите шнур питания к гнезду под рукояткой. (Рис. 31)
2. Поместите шнур питания в держатель. См. раздел *Использование держателя шнура питания на стр. 310*. (Рис. 23)
3. Стойте сзади изделия.
4. Разблокируйте ограничитель запуска. (Рис. 32)
5. Прижмите рукоятку моторного тормоза в направлении рукоятки агрегата. (Рис. 33)

Остановка изделия

1. Отпустите рукоятку моторного тормоза, чтобы остановить двигатель. (Рис. 34)
2. Отсоедините шнур питания от сети, а затем от изделия. (Рис. 35)



ВНИМАНИЕ: Извлеките штекер по прямой. Не тяните за кабель питания.

Техническое обслуживание

Вводная информация



ПРЕДУПРЕЖДЕНИЕ: Перед выполнением техобслуживания необходимо внимательно изучить и понять информацию в раздел по технике безопасности.

Для выполнения любых работ по сервисному обслуживанию и ремонту изделия необходимо пройти специальное обучение. Мы гарантируем доступность услуг по профессиональному ремонту и сервисному обслуживанию. Если ваш дилер не предоставляет услуги сервисного обслуживания,

обратитесь к нему для получения информации о ближайшем сервисном центре.

Дополнительную информацию см. в разделе www.husqvarna.com.

График технического обслуживания

График технического обслуживания составлен исходя из ежедневного использования изделия. Если изделие не используется ежедневно, интервалы техобслуживания изменятся.

Сведения о техническом обслуживании, отмеченном знаком *, см. в разделе *Защитные устройства на изделии на стр. 309*.

	При каждом использовании	Ежемесячно	Каждый сезон
Выполните общий осмотр.	X		
Очистите изделие.	X		
Проверьте оборудование скарификатора.	X		
Убедитесь, что защитные устройства изделия не повреждены. *	X		
Проверьте крышки. *	X		
Проверьте рукоятку моторного тормоза. *	X		
Проверьте работу ограничителя запуска. *	X		

Общий осмотр

- Проверьте натяжку гаек и винтов на изделии.
- Убедитесь, что кабели на изделии расположены в тех местах, где они не могут быть повреждены.
- Убедитесь в отсутствии засорения изделия.

Очистка изделия

- Очистите пластмассовые детали чистой и сухой тканью.
- Не используйте воду для очистки изделия от загрязнений. Попадание воды в аккумулятор или двигатель может вызвать короткое замыкание или повредить изделие.
- Не используйте моечный агрегат высокого давления для очистки изделия.
- Не направляйте струю воды непосредственно на двигатель.
- Используйте щетку для удаления листьев, травы и грязи.

Проверка оборудования скарификатора



ПРЕДУПРЕЖДЕНИЕ: Во избежание случайного запуска извлеките вилку шнура питания из розетки.



ПРЕДУПРЕЖДЕНИЕ: Надевайте защитные перчатки при техобслуживании оборудования скарификатора. Ножи и грабли скарификатора очень острые и при неосторожном обращении могут легко привести к порезам.

- Проверьте оборудование скарификатора на наличие повреждений или трещин. Всегда заменяйте поврежденное оборудование скарификатора.

Замена оборудования скарификатора

неосторожном обращении может легко
привести к порезам



ПРЕДУПРЕЖДЕНИЕ:

Надевайте защитные перчатки при техобслуживании оборудования скарификатора. Оборудование скарификатора очень острое, что при

1. Положите изделие на правый бок. (Рис. 36)
2. Отверните 2 винта (А) и снимите крышку скарификатора (В). Потяните оборудование скарификатора (С) вверх и наружу, чтобы извлечь его. (Рис. 37)
3. Вставьте новое оборудование скарификатора (С) в паз и вниз по отверстию. Установите крышку скарификатора (В) и заверните 2 винта (А) (Рис. 38)

Поиск и устранение неисправностей

Поиск и устранение неисправностей

Проблема	Возможная причина	Решение
Изделие не запускается.	Вилка шнура питания не подключена к розетке.	Подключите вилку шнура питания к розетке.
	Шнур питания не подсоединен к изделию.	Подсоедините шнур питания к гнезду под ручкой.
	Рукоятка моторного тормоза не прижата к рукоятке управления.	Прижмите рукоятку моторного тормоза в направлении рукоятки управления.
	Шнур питания поврежден.	Обратитесь в официальный сервисный центр.
	Прочие ошибки.	

Транспортировка, хранение и утилизация

Транспортировка

- Соблюдайте специальные требования к перевозке коммерческим транспортом, указанные на упаковке и маркировке.
- При подготовке изделия к транспортировке в обязательном порядке соблюдаете правила перевозки опасных материалов. Могут также применяться требования местного законодательства.
- Закрепите изделие на время транспортировки.

Хранение

- Перед помещением на хранение дайте изделию остыть.
- Храните изделие при температуре окружающей среды в диапазоне от -10 до 40 °С.
- Храните изделие в запечатом помещении, вне доступа детей и лиц, не имеющих соответствующего разрешения.

- Перед помещением изделия на длительное хранение очистите его от загрязнений и проведите полное обслуживание.
- Выполняйте техобслуживание в соответствии с инструкциями, приведенными в данном руководстве по эксплуатации. См. раздел *График технического обслуживания на стр. 313*.
- Перед помещением изделия на длительное хранение проведите полное обслуживание

Утилизация

Обозначения на изделии или его упаковке указывают, что данное изделие не может быть утилизировано в качестве бытовых отходов. Оно должно быть передано в соответствующий пункт для переработки электрического и электронного оборудования.

Обеспечив надлежащую утилизацию данного изделия, вы сможете предотвратить потенциальное отрицательное влияние на окружающую среду и здоровье людей, которое иначе могло быть

последствием неправильной утилизации. Более подробную информацию о переработке данного изделия получите в Городском управлении, у

службы, занимающейся переработкой бытовых отходов либо в магазине, где вы приобрели изделие. (Рис. 39)

Технические данные

Технические данные

S 138C	
Электродвигатель	
Тип двигателя	Серийный электродвигатель переменного тока
Частота вращения оборудования – SavE, об/мин	Неприменимо
Частота вращения оборудования – номинальная, об/мин	4200
Мощность двигателя — макс., кВт	1,8
Мощность двигателя — номинальная, кВт	1,6
Вес	
Вес, кг	19,0
Излучение шума ⁶⁴	
Уровень мощности звука, измеренный, дБ(A)	96
Уровень мощности звука, гарантированный, L _{WA} , дБ(A)	98
Уровни шума ⁶⁵	
Уровень звукового давления на уши оператора, дБ(A)	82
Уровни вибрации ⁶⁶	
На рукоятке, м/с ²	8,3
Работа	
Рабочая глубина, макс./мин., мм	-8/+5
Рабочая ширина, см	37,5
Оборудование, ударные ножи	5973510-01
Оборудование, пружинные грабли	5973509-01
Емкость травосборника, л	45

⁶⁴ Излучение шума в окружающую среду измеряется как мощность звука (L_{WA}) согласно директиве ЕС 2000/14/ЕС.

⁶⁵ Указанные данные об уровне шумового давления имеют типичный статистический разброс (стандартное отклонение) 1,2 дБ(A).

⁶⁶ Указанные данные об уровне вибрации имеют типичный статистический разброс (стандартное отклонение) 0,2 м/с².

Декларация о соответствии

Декларация соответствия требованиям ЕС

Мы, компания **Husqvarna AB**, SE-561 82
Husqvarna, ШВЕЦИЯ, тел.: +46-36-146500, с полной
ответственностью заявляем, что изделие:

Описание	Скарификатор
Марка	Husqvarna
Тип / Модель	S 138C
Идентификация	Серийные номера начиная с 2023 года и далее

полностью соответствует следующим директивам и
нормативам ЕС:

Директива/Норма- тив	Описание
2011/65/EU	"Об ограничении использования определенных опасных веществ в электрическом и электронном оборудовании"
2006/42/EC	"О механическом оборудовании"
2014/30/EU	"Об электромагнитной совместимости"
2000/14/EC	"Об излучении шума в окружающую среду"

а также требованиям следующих стандартов
и/или технических регламентов: EN 60335-1:2012/
A11:2014/A13:2017/A15:2021, EN 50636-2-92:2014,
EN 55014-1:2017/A11:2020, EN 55014-2:2015, EN
61000-3-2:2014, EN 61000-3-11:2000, EN IEC
63000:2018.



Информацию по излучению шума см. в разделе
Технические данные на стр. 315.

Husqvarna, 2024-03-01

Клаес Лосдал (Claes Losdal)

Директор отдела разработок/садовая техника

Husqvarna AB

Ответственный за техническую документацию

141400, Московская обл., Г. Химки, ул. Ленинградская,
владение 39, строение 6, здание II этаж 4,
помещение ОВ02_04,
телефон горячей линии 8-800-200-1689

Obsah

Úvod.....	317	Riešenie problémov.....	328
Bezpečnosť.....	319	Preprava, skladovanie a likvidácia.....	328
Montáž.....	325	Technické údaje.....	328
Prevádzka.....	326	Vyhľadanie o zhode.....	330
Údržba.....	326		

Úvod

Popis výrobku

Elektrický odmachovač s chodiacou obsluhou. Výrobok odstraňuje z trávnik trávnu plst' a kypří pôdu, vďaka čomu umožňuje prenikanie vzduchu a vody do trávnik. Trávna plst' sa zhromažďuje do zberného koša alebo sa po spracovaní vypúšťa naspäť do trávnik. Výrobok obsahuje 2 typy výbavy odmachovača.

Výbava odmachovača

Informácie o výmene výbavy odmachovača nájdete v časti *Výmena výbavy odmachovača na strane 327*.

Nožové hroty

Nožové hroty odstraňujú plevel a vertikálne prerezávajú korene trávy. Nožové hroty používajte na svahoch,

terasách alebo pri pôdach s vysokým obsahom ílu. Nožové hroty umožňujú prenikanie vody do trávnik a zabraňujú tak zhromažďovaniu vody na povrchu

(Obr. 19)

Pružinové hroty

Pružinové hroty dôkladne odstraňujú odumretú trávu a trávnu plst' z trávnik bez poškodenia korenkov trávy.

(Obr. 20)

Plánované použitie

Výrobok používajte na odstraňovanie trávnej plsti a machu a na kyprenie pôdy v súkromných záhradách. Výrobok nepoužívajte na iné účely.

Prehľad výrobku

(Obr. 1)

1. Rukoväť motorovej brzdy
2. Vrchná rukoväť
3. Poistka naštartovania
4. Siet'ová zásuvka
5. Spodná rukoväť
6. Svorka lanka
7. Zberný kôš
8. Zadný kryt
9. Kryt odmachovača
10. Otočný regulátor nastavenia pracovnej hĺbky
11. Pružinové hroty
12. Šesťhranný kľúč
13. Návod na obsluhu

Symbody na výrobku

(Obr. 2)

Upozornenie: Neopatrné alebo nesprávne používanie môže spôsobiť zranenie alebo usmrtienie obsluhy alebo iných osôb.

(Obr. 3)

Pred používaním tohto výrobku si prečítajte návod na obsluhu a uistite sa, že porozumiete uvedeným pokynom.

(Obr. 4)

Dávajte pozor na vymrštené predmety a spätné nárazy.

(Obr. 5)

Dbajte na to, aby osoby a zvieratá nevstupovali do pracovnej oblasti.

(Obr. 6)

UPOZORNENIE – Ruky a nohy držte

v bezpečnej vzdialenosti od hrotov.

- (Obr. 7) Pred vykonávaním údržby odpojte výrobok od elektrickej zásuvky. Hroty sa budú otáčať aj po vypnutí motora.
- (Obr. 8) Nebezpečenstvo úrazu elektrickým prúdom.
- (Obr. 9) Upozornenie:
S výrobkom neprechádzajte cez napájací kábel, pretože môže dôjsť k úrazu elektrickým prúdom alebo poškodeniu výrobku.
- (Obr. 10) Tento výrobok je vybavený ochranou proti striekajúcej vode.
- (Obr. 11) Tento výrobok je v súlade s príslušnými smernicami EÚ.
- (Obr. 12) Tento výrobok je v súlade s príslušnými právnymi predpismi Spojeného kráľovstva.
- (Obr. 13) Označenie týkajúce sa emisie hluku do okolia podľa smerníc a nariadení EÚ a UK a legislatívy v štáte New

South Wales „Protection of the Environment Operations (Noise Control) Regulation 2017“ (Nariadenie o ochrane životného prostredia pri prevádzke (kontrola hluku) z roku 2017). Garantovaná hladina akustického výkonu produktu je uvedená v *Technické údaje na strane 328* a na štítku.

(Obr. 14) Dvojitá izolácia.

(Obr. 18) Tento výrobok recyklujte v miestnom recyklačnom zariadení určenom pre elektrické a elektro-nické zariadenia. (Uplatňuje sa iba na Európu)

(Obr. 15) Postup štartovania: uvoľnite poistku naštartovania, potlačte rukoväť motorovej brzdy nadol.

(Obr. 16) Zastavte uvoľnením rukoväti motorovej brzdy.

(Obr. 17) Snímateľný kód.

Poznámka: Ostatné symboly/emblémy na výrobku odkazujú na zvláštne požiadavky certifikácie pre určité trhy.

Poškodenie výrobku

Nie sme zodpovední za škody na našom výrobku v prípade:

- nesprávne vykonanej opravy výrobku,
- opravy výrobku, pri ktorej neboli použité diely od výrobcu alebo diely schválené výrobcom,
- používania príslušenstva od iného výrobcu alebo príslušenstva, ktoré nie je schválené výrobcom,
- opravy výrobku, ktoré neboli vykonané v schválenom servisnom stredisku alebo schválenými kompetentnými osobami.

Bezpečnosť

Bezpečnostné definície

Výstrahy, upozornenia a poznámky slúžia na zdôraznenie mimoriadne dôležitých častí návodu.



VÝSTRAHA: Používa sa, ak pre obsluhu alebo osoby v okolí existuje nebezpečenstvo poranenia alebo smrti v prípade nedodržania pokynov v návode.



VAROVANIE: Používa sa, ak hrozí nebezpečenstvo poškodenia produktu, iných materiálov alebo okolitej oblasti v prípade nedodržania pokynov v návode.

Poznámka: Používa sa na poskytnutie informácií nad

rámec nevyhnutných informácií v danej situácii.

Všeobecné bezpečnostné pokyny



VÝSTRAHA: Skôr než budete výrobok používať, prečítajte si nasledujúce výstrahy.

- Tento výrobok je nebezpečný, ak sa nepoužíva správne alebo ak nie ste pri jeho používaní opatrní. V prípade nedodržania bezpečnostných pokynov hrozí poranenie alebo usmrtenie.
- Tento výrobok vytvára počas prevádzky elektromagnetické pole. Toto pole môže za určitých okolností spôsobovať rušenie aktívnych alebo pasívnych implantovaných lekárskeho prístrojov. Na zníženie rizika vážneho

alebo smrteľného zranenia odporúčame, aby sa osoby s implantovanými lekáorskými prístrojmi poradili so svojim lekárom a výrobcom pomôcky ešte pred použitím tohto výrobku.

- Vždy zachovávajte opatrnosť a riadte sa zdravým úsudkom. Ak si v určitých situáciách nie ste istí, ako máte výrobok používať, výrobok nepoužívajte a pred pokračovaním v práci sa poraďte s predajcom spoločnosti Husqvarna.
- Myslite na to, že operátor bude zodpovedný za nehody zahŕňajúce iné osoby alebo ich majetok.
- Výrobok udržiavajte čistý. Uistite sa, že sú symboly a emblémy čitateľné.
- Nikdy nedovoľte používať zariadenie deťom ani osobám, ktoré sa neoboznámili s návodom na používanie. Miestne predpisy môžu obmedzovať vek používateľa
- Osoby so zníženými fyzickými alebo duševnými schopnosťami musia byť počas používania výrobku vždy pod dozorom. Vyžaduje sa neustála prítomnosť zodpovednej dospeljej osoby.

- Výrobok nepoužívajte, ak ste unavení, chorí alebo ste pod vplyvom alkoholu, drog alebo liekov. Vyššie uvedené prípady majú negatívny vplyv na váš zrak, ostražitosť, koordináciu a úsudok.
- Výrobok nepoužívajte, ak je poškodený.
- Výrobok žiadnym spôsobom neupravujte ani nepoužívajte, ak existuje možnosť, že bol upravený inými osobami.

Bezpečnosť na pracovisku



VÝSTRAHA: Skôr než budete výrobok používať, prečítajte si nasledujúce výstrahy.

- Pred používaním výrobku odstráňte z pracovnej oblasti všetky predmety, ako sú napr. konáre, vetvy a kamene.
- Predmety, ktoré narazia na výbavu odmachovača, môžu byť vymrštené a spôsobiť poranenie osôb alebo poškodenie iných predmetov. Dávajte pozor, aby okolo stojace osoby a zvieratá nevstupovali do pracovnej oblasti.
- Výrobok nikdy nepoužívajte počas nepriaznivých poveternostných podmienok,

napríklad v hmle, v daždi, v silnom vetre, v silnom mraze, pri vysokom riziku blýskania. Používanie výrobku počas nepriaznivých poveternostných podmienok alebo na vlhkých alebo mokrých miestach je namáhavé. Nepriaznivé poveternostné podmienky môžu mať za následok vznik nebezpečných podmienok, akými sú napr. klzké povrchy.

- Dávajte pozor na osoby, predmety a situácie, ktoré môžu zamedziť bezpečnej prevádzke výrobku.
- Dávajte pozor na prekážky, ako sú napr. korene, kamene, halúzky, jamy a priekopy. Vysoká tráva môže zakrývať prekážky.
- Používanie výrobku na svahoch môže byť nebezpečné. Výrobok nepoužívajte na svahoch so sklonom viac ako 15 °.
- S výrobkom sa pohybujte po vrstevnici. Nepohybujte sa smerom do svahu a zo svahu.
- V blízkosti skrytých rohov a objektov, ktoré vám bránia vo výhľade, sa pohybujte opatrne.

Bezpečnosť pri práci



VÝSTRAHA: Skôr než budete výrobok používať, prečítajte si nasledujúce výstrahy.



VÝSTRAHA: Predtým, ako sa dotknete zariadenia odmachovača, zastavte výrobok, odpojte napájací kábel a uistite sa, že sa hroty úplne zastavili.

- Tento výrobok používajte výlučne na odstraňovanie trávnej plsti a machu z trávnik. Výrobok sa nesmie používať na iné úlohy.
- Používajte osobné ochranné pomôcky. Pozri časť *Osobné ochranné prostriedky na strane 323*.
- Výrobok nepoužívajte na daždi alebo vlhkých miestach. V prípade preniknutia vody do výrobku sa zvyšuje riziko zásahu elektrickým prúdom.
- Nepoužívajte výrobok s poškodeným napájacím káblom.
- Výrobok nepoužívajte, pokiaľ nie sú všetky kryty

a výbava odmachovača správne upevnené.

Nesprávne pripojená výbava odmachovača sa môže uvoľniť a spôsobiť poranenia osôb.

- Dávajte pozor, aby výbava odmachovača nenarážala na predmety, ako sú napr. kamene alebo korene. Môže dôjsť k poškodeniu výbavy odmachovača a ohnutiú hriadeľa motora. Ohnutá náprava spôsobuje silné vibrácie a vzniká veľké nebezpečenstvo uvoľnenia výbavy odmachovača.
- Ak výbava odmachovača narazí na nejaký predmet alebo ak cítite vibrácie, výrobok okamžite vypnite. Zastavte motor a odpojte napájací kábel. Skontrolujte, či nie je výrobok poškodený. Opravte poškodenie alebo kontaktujte autorizovaného servisného zástupcu.
- Keď je naštartovaný motor, rukoväť motorovej brzdy nesmie byť nikdy trvalo pripevnená k rukoväti.
- Položte výrobok na stabilný, rovný povrch a naštartujte ho. Dávajte pozor, aby výbava odmachovača nenarážala do zeme alebo iných predmetov.

- Pri obsluhu vždy stojte za výrobkom.
- Pri obsluhu výrobku dávajte pozor, aby všetky kolesá dosadali na zem a rukoväť držte oboma rukami. Nepribližujte sa rukami a chodidlami k rotujúcej výbave odmachovača.
- Keď je motor spustený, výrobok nenakláňajte.
- Pri ťahaní výrobku smerom dozadu buďte opatrní.
- Výrobok nikdy nedvíhajte, keď je spustený motor. Ak výrobok musíte zdvihnúť, najskôr zastavte motor a odpojte napájací kábel.
- Počas obsluhy výrobku necúvajte.
- Pri prechádzaní cez oblasti bez trávy, ako sú napr. štrkové, kamenné a asfaltové chodníky, vypnite motor.
- Keď je zapnutý motor, s výrobkom neutekajte. Počas obsluhy výrobku vždy kráčajte.
- Pred zmenou pracovnej hĺbky zastavte motor. Nikdy nevykonávajte nastavenia so zapnutým motorom.
- Nikdy nenechávajte výrobok bez dozoru, keď je zapnutý motor. Zastavte motor, odpojte napájací kábel a uistite sa,

že sa výbava odmachovača neotáča.

Bezpečnostné pokyny pre prevádzku

Osobné ochranné prostriedky

Pri akomkoľvek používaní výrobku musíte používať schválené osobné ochranné prostriedky. Osobné ochranné vybavenie nevylučuje riziko nehôd, ale môže znížiť účinky zranenia v prípade nehody. Pri výbere správneho vybavenia sa poraďte so svojím predajcom.

Vždy majte na sebe:

- Chrániče sluchu, aby ste minimalizovali riziko poškodenia sluchu.
- Pevné protišmykové čižmy alebo topánky. Nenoste sandále ani nepracujte bosí.
- Odolné dlhé nohavice. Nenoste krátke nohavice.

Keď je to potrebné, používajte rukavice: napríklad pri montáži, kontrole alebo čistení výbavy odmachovača.



VÝSTRAHA: Používajte schválené chrániče sluchu. Dlhodobé vystavenie hluku môže spôsobiť trvalé poškodenie sluchu.

Bezpečnostné zariadenia na výrobku



VÝSTRAHA: Skôr než budete výrobok používať, prečítajte si nasledujúce výstrahy.

- Nepoužívajte produkt, ktorý má chybné bezpečnostné zariadenia.
- Pravidelne kontrolujte bezpečnostné zariadenia. Ak sú bezpečnostné zariadenia chybné, obráťte sa na servisného zástupcu spoločnosti Husqvarna.

Kontrola krytov

Kryt odmachovača tlmí vibrácie vo výrobku a znižuje riziko poranenia rotujúcou výbavou odmachovača.

- Skontrolujte bočný kryt odmachovača, aby ste sa uistili, že na ňom nie sú žiadne známky poškodenia, ako sú napr. praskliny.
- Skontrolujte zadný kryt, aby ste sa uistili, že na ňom nie sú žiadne známky poškodenia, ako sú napr. praskliny.

Rukoväť motorovej brzdy

Rukoväť motorovej brzdy slúži na zastavenie motora.

Keď rukoväť motorovej brzdy uvoľníte, motor sa zastaví.

Ak chcete motorovú brzdú skontrolovať, naštartujte motor a potom uvoľníte rukoväť motorovej brzdy. Ak sa motor v priebehu 3 sekúnd nezastaví, požiadajte servisného zástupcu spoločnosti Husqvarna o nastavenie motorovej brzdy.

(Obr. 21)

Kontrola poistky naštartovania

Skontrolujte poistku naštartovania, aby ste sa uistili, že zabráňuje prevádzke motora.

1. Potlačte rukoväť motorovej brzdy smerom k riadidlám. Poistka naštartovania zastaví pohyb.
2. Zatláčte poistku naštartovania smerom von. (Obr. 22)
3. Uvoľníte poistku naštartovania a uistite sa, že sa vráti do svojej pôvodnej polohy.

Používanie držiaka napájacieho kábla

Držiak napájacieho kábla znižuje napätie pôsobiace na sieťovú zásuvku a napájací kábel. Držiak napájacieho kábla tiež znižuje riziko vášho pádu.

1. Ohnite napájací kábel a vytvorte malú slučku.
2. Vložte slučku do otvoru v držiaku napájacieho kábla.
3. Umiestnite slučku okolo háka.
4. Potiahnite napájací kábel, aby sa slučka utiahla okolo háka. (Obr. 23)

Bezpečnosť pri používaní napájacieho kábla

- Odporúča sa používať prúdový chránič (R.C.D.) s aktiváciou pri prúde, ktorý nepresahuje hodnotu 30 mA. Ani pri inštalácii prúdového chrániča (R.D.C.) nie je možné zaručiť 100 % bezpečnosť, a preto je nutné vždy dodržiavať bezpečné pracovné postupy. Pred každým používaním zariadenia skontrolujte prúdový chránič (R.C.D.).
- Výrobok okamžite odpojte od siete, ak je napájací kábel prerezaný alebo ak je poškodená jeho izolácia.
- Nedotýkajte sa prerezaného alebo poškodeného napájacieho kábla, kým ho neodpojíte od elektrickej siete.

- Prerezaný alebo poškodený napájací kábel neopravujte. Vymeňte ju za novú.

Bezpečnostné pokyny pre údržbu



VÝSTRAHA: Skôr než budete výrobok používať, prečítajte si nasledujúce výstrahy.

- Neúmyselnému spusteniu počas vykonávania údržby predídete odpojením napájacieho kábla.
- Správnym vykonaním údržby zvýšite životnosť výrobku a znížite nebezpečenstvo nehôd. Vykonanie odborných opráv zverte schválenému servisnému zástupcovi. Ďalšie informácie získate od najbližšieho servisného zástupcu.
- Vykonávajte len údržbu uvedenú v tomto návode na obsluhu. Náročnejšie práce musí vykonávať schválený servisný zástupca.
- Aby ste predišli zraneniam, neodstraňujte ani neopravujte bezpečnostné zariadenia.
- Pri používaní výbavy odmachovača používajte odolné rukavice. Výbava odmachovača je veľmi ostrá a ľahko môže dôjsť k porezaniu.
- Hroty na výbave odmachovača udržiavajte ostré a čisté, aby ste dosiahli ten najlepší a najbezpečnejší výkon.
- Nechajte výrobok pravidelne prehliadnúť servisným zástupcom a vykonať na ňom potrebné nastavenia a opravy.
- Vymeňte všetky poškodené, opotrebované alebo zlomené diely. Vždy používajte originálne náhradné diely od výrobcu. Iné náhradné diely môžu spôsobiť poškodenie výrobku a zvýšiť riziko nehôd.
- Pri výmene príslušenstva sa riadte pokynmi. Používajte iba príslušenstvo od daného výrobcu.

Montáž

Úvod



VÝSTRAHA: Pred zostavením výrobku si prečítajte kapitolu o bezpečnosti.



VÝSTRAHA: Neúmyselnému spusteniu počas montáže predídete odpojením napájacieho kábla.

Montáž rukoväti

1. Uvoľnite spodné gombíky.

2. Posuňte gombíky smerom k spodnej časti drážok na ľavej a pravej strane výrobku. (Obr. 24)
3. Nastavte výšku rukoväti do jednej z 2 dostupných polôh.
4. Posuňte gombíky nahor smerom k rukoväti, kým sa nezastavia a nebudete počuť kliknutie. (Obr. 25)
5. Gombíky utiahnite na doraz.

Zostavenie zberného koša

1. Pripojte rám zberného koša k vaku na trávu tak, aby pevná časť vaku bola na spodnej strane. Rukoväť rámu držte nad vakom na trávu. (Obr. 26)

2. Pripojte spodnú časť rámu zberného koša do drážky v spodnej časti zberného koša.
3. Vak na trávu pripojte k rámu zberného koša pomocou svoriek. (Obr. 27)
4. Nadvihnite zadný kryt.
5. Posuňte zberný kôš do správnej polohy. (Obr. 28)
6. Upevnite zberný kôš na horný okraj rámu. V záujme zabránenia netesnosti sa uistite, či zadný kryt pevne dosadá na zberný kôš. (Obr. 29)

Prevádzka

Úvod



VÝSTRAHA: Pred používaním výrobku si musíte prečítať kapitolu o bezpečnosti a porozumieť informáciám, ktoré sa v nej uvádzajú.

Husqvarna Connect

Husqvarna Connect je bezplatná aplikácia pre mobilné zariadenia. Aplikácia Husqvarna Connect prináša rozšírené funkcie pre výrobok Husqvarna:

- Rozšírené informácie o výrobku.
- Informácie a podpora vzťahujúce sa na súčasti výrobku a servis.

Ak chcete začať, použite Husqvarna Connect

1. Stiahnite si aplikáciu Husqvarna Connect do mobilného zariadenia.
2. Zaregistrujte sa v aplikácii Husqvarna Connect.
3. Ak chcete pripojiť a zaregistrovať produkt, postupujte podľa pokynov v aplikácii Husqvarna Connect.

Nastavenie pracovnej hĺbky



VÝSTRAHA: V žiadnom prípade nenastavujte pracovnú hĺbku počas používania výrobku.

1. Ak chcete zväčšiť pracovnú hĺbku, stlačte a otočte otočný regulátor nastavenia proti smeru hodinových ručičiek.
2. Ak chcete zmenšiť pracovnú hĺbku, stlačte a otočte otočný regulátor nastavenia v smere hodinových ručičiek. (Obr. 30)

Zapnutie výrobku

1. Pripojte napájací kábel do zásuvky pod držadlom. (Obr. 31)
2. Vložte napájací kábel do držiaka napájacieho kábla. Pozrite si časť *Používanie držiaka napájacieho kábla na strane 324*. (Obr. 23)
3. Stoňte za výrobkom.
4. Povoľte poistku naštartovania. (Obr. 32)
5. Potlačte páku pohonu smerom k hornej rukoväti. (Obr. 33)

Vypnutie výrobku

1. Motor zastavíte uvoľnením brzdovej rukoväti motora. (Obr. 34)
2. Odpojte napájací kábel od elektrickej siete a potom od výrobku. (Obr. 35)



VAROVANIE: Zástrčku vyťahujte priamo von. Neťahajte za napájací kábel.

Údržba

Úvod



VÝSTRAHA: Pred vykonávaním akejkoľvek údržby si musíte prečítať kapitolu o bezpečnosti a porozumieť jej.

profesionálnych opravných prác a údržby. Ak váš predajca nie je servisný zástupca, kontaktujte predajcu, ktorý vám poskytne informácie o najbližšom servisnom zástupcovi.

Podrobnejšie informácie nájdete na stránke www.husqvarna.com.

Údržba a opravné práce na výrobku si vyžadujú špeciálne školenie. Zaručujeme dostupnosť

Plán údržby

Intervaly údržby sú vypočítané na základe každodenného používania výrobku. Ak sa výrobok nepoužíva každý deň, tieto intervaly sa menia.

Informácie o prvkoch údržby označených symbolom „**“ nájdete v časti *Bezpečnostné zariadenia na výrobku na strane 323*.

	Pri každom použití	Mesačne	Každú sezónu
Vykonajte všeobecnú kontrolu.	X		
Vyčistite výrobok.	X		
Skontrolujte výbavu odmachovača.	X		
Skontrolujte, či sú bezpečnostné zariadenia na výrobku nepoškodené. *	X		
Skontrolujte kryty. *	X		
Skontrolujte rukoväť motorovej brzdy. *	X		
Skontrolujte poistku naštartovania. *	X		

Vykonanie všeobecnej kontroly

- Uistite sa, že sú dotiahnuté matice a skrutky na výrobku.
- Skontrolujte, či káble výrobku nie sú v polohe, v ktorej by sa mohli poškodiť.
- Skontrolujte, či nie je výrobok upchatý.

Čistenie výrobku

- Plastové diely čistite čistou a suchou handričkou.
- Výrobok neumývajte vodou. Voda môže preniknúť do batérie alebo motora a spôsobiť skrat alebo poškodenie výrobku.
- Na čistenie výrobku nepoužívajte vysokotlakový čistič.
- Nikdy nelejte vodu priamo na motor.
- Pomocou kefy odstráňte listy, tráv a nečistoty.

Kontrola výbavy odmachovača



VÝSTRAHA: Neúmyselnému spusteniu predídete odpojením napájacieho kábla.



VÝSTRAHA: Pri vykonávaní údržby výbavy odmachovača používajte ochranné

rukavice. Hroty výbavy odmachovača sú veľmi ostré a ľahko môže dôjsť k porezaniu.

- Skontrolujte, či sa na výbave odmachovača nenachádzajú známky poškodenia alebo praskliny. Poškodenú výbavu odmachovača vždy vymeňte.

Výmena výbavy odmachovača



VÝSTRAHA: Pri vykonávaní údržby výbavy odmachovača používajte ochranné rukavice. Výbava odmachovača je veľmi ostrá a ľahko môže dôjsť k porezaniu

1. Položte výrobok pravou stranou nadol. (Obr. 36)
2. Odskrutkujte 2 skrutky (A) a zložte kryt odmachovača (B). Potlačte výbavu odmachovača (C) smerom nahor a von, aby ste ju vybrali. (Obr. 37)
3. Zatláčte novú výbavu odmachovača (C) do drážky a nadol do otvoru. Pripevnite kryt odmachovača (B) a priskrutkujte 2 skrutky (A). (Obr. 38)

Riešenie problémov

Riešenie problémov

Problém	Možná príčina	Riešenie
Výrobok sa nedá spustiť.	Napájací kábel nie je pripojený k zdroju napájania.	Zapojte napájací kábel do zdroja napájania.
	Napájací kábel nie je pripojený k výrobku.	Pripojte napájací kábel do zásuvky pod rukoväťou.
	Rukoväť motorovej brzdy nie je zatlačená smerom k riadidlám.	Potlačte rukoväť motorovej brzdy smerom k riadidlám.
	Napájací kábel je poškodený.	Kontaktujte schváleného servisného zástupcu spoločnosti.
	Iné chyby.	

Preprava, skladovanie a likvidácia

Preprava

- Pri obchodnej preprave je nutné dodržiavať špeciálne požiadavky týkajúce sa balenia a štítkov.
- Počas prípravy výrobku na prepravu zaistíte, aby ste spĺňali právne predpisy týkajúce sa nebezpečných materiálov. Môžu sa uplatňovať miestne predpisy.
- Počas prepravy výrobok zaistíte.

Skladovanie

- Pred uložením nechajte výrobok vychladnúť.
- Výrobok skladujte pri teplote okolitého prostredia v rozsahu -10°C až 40°C.
- Výrobok skladujte v uzamknutom priestore mimo dosahu detí a neoprávnených osôb.
- Pred dlhodobým uskladnením výrobok vyčistite a vykonajte kompletný servis.
- Vykonávajte údržbu uvedenú v tomto návode na obsluhu. Pozri časť *Plán údržby na strane 327*.

- Pred dlhodobým uskladnením vykonajte kompletný servis.

Likvidácia

Symbols na výrobku alebo na obale výrobku označujú, že sa tento výrobok nesmie likvidovať ako domáci odpad. Musí sa odovzdať do príslušnej recyklačnej stanice pre recykláciu elektrických a elektronických zariadení.

Zaistením správnej likvidácie tohto výrobku pomôžete zabrániť potenciálnemu negatívemu dopadu na životné prostredie a zdravie ľudí, ktorý by inak mohol byť dôsledkom nesprávnej likvidácie tohto výrobku. Podrobnejšie informácie o recyklácii tohto výrobku získate na mestskom úrade, od služby zaisťujúcej spracovanie domáceho odpadu alebo v predajni, kde ste výrobok zakúpili.

(Obr. 39)

Technické údaje

Technické údaje

S 138C	
Motor	
Typ motora	Sériový motor AC
Otáčky nastavca – SavE, ot./min.	–
Otáčky nastavca – menovité, ot./min.	4200
Výstupný výkon motora – max., kW	1,8

S 138C	
Výstupný výkon motora – menovitý, kW	1,6
Hmotnosť	
Hmotnosť, kg	19,0
Emisie hluku ⁶⁷	
Nameraná hladina akustického výkonu, dB (A)	96
Zaručená úroveň hlučnosti L _{WA} dB(A)	98
Úrovne hlučnosti ⁶⁸	
Hladina akustického tlaku pri uchu obsluhy, dB(A)	82
Úrovne vibrácií ⁶⁹	
Rukoväť, m/s ²	8,3
Prevádzka	
Pracovná hĺbka max./min., mm	-8/+5
Pracovná šírka, cm	37,5
Nadstavec s nožovými hrotmi	5973510-01
Nadstavec s pružinovými hrotmi	5973509-01
Kapacita zberného koša, litre	45

⁶⁷ Hladina hluku meraná ako akustický tlak (L_{WA}) v súlade s európskou smernicou 2000/14/ES.

⁶⁸ Uvádzané údaje pre hladinu akustického tlaku majú typický štatistický rozptyl (štandardnú odchýlku) 1,2 dB (A).

⁶⁹ Uvádzané údaje pre ekvivalentný stupeň vibrácií majú typický štatistický rozptyl (štandardnú odchýlku) 0,2 m/s².

Vyhlásenie o zhode

Vyhlásenie o zhode EÚ

My, spoločnosť **Husqvarna AB**, SE-561 82 Huskvarna, ŠVÉDSKO, tel.: +46-36-146500, vyhlasujeme s plnou zodpovednosťou, že výrobok:

Popis	Zdrsňovač
Značka	Husqvarna
Typ/model	S 138C
Identifikácia	Výrobné čísla od roku 2023 a novšie

plne spĺňa nasledujúce smernice a nariadenia EÚ:

Smernice/Nariadenia	Popis
2011/65/EÚ	„o obmedzení používania určitých nebezpečných látok v elektrických a elektronických zariadeniach“
2006/42/ES	„o strojových zariadeniach“
2014/30/EÚ	„o elektromagnetickej kompatibilite“
2000/14/ES	„týkajúca sa emisie hluku v prostredí pochádzajúceho zo zariadení používaných vo voľnom priestranstve“

a že sa pri ňom uplatňujú nasledujúce normy a technické špecifikácie: EN 60335-1:2012/A11:2014/A13:2017/A15:2021, EN 50636-2-92:2014, EN 55014-1:2017/A11:2020, EN 55014-2:2015, EN 61000-3-2:2014, EN 61000-3-11:2000, EN IEC 63000:2018.

Informácie týkajúce sa emisii hluku nájdete v časti *Technické údaje na strane 328*.

Huskvarna, 2024-03-01



Claes Losdal

Manažér vývoja/Produkty pre záhradu

Husqvarna AB

Zodpovedný za technickú dokumentáciu



VSEBINA

Uvod.....	331	Odpravljanje težav.....	341
Varnost.....	333	Transport skladiščenje in odstranitev.....	341
Montaža.....	339	Tehnični podatki.....	342
Delovanje.....	339	Izjava o skladnosti.....	343
Vzdrževanje.....	340		

Uvod

Opis izdelka

Izdelek je potisni električni prezračevalnik. Namenjen je odstranjevanju slame s trave in zrahlja zemljo, da postane bolj prepustna za vodo in zrak. Slama se zbira v zbiralniku za travo ali pa se vrača na travo. Izdelek ima 2 vrsti opreme za prezračevanje

Oprema za prezračevanje

Informacije o zamenjavi opreme za prezračevanje so vam na voljo v *Zamenjava opreme za prezračevanje na strani 341*.

Zobje rezila

Zobje rezila odstranjujejo travo in režejo travne korenine v navpični smeri. Zobe rezila uporabljajte na naklonih,

Pregled izdelka

(Sl. 1)

1. Motorna zavorna ročica
2. Zgornji ročaj
3. Blokada vžiga
4. Vtičnica
5. Spodnji ročaj
6. Spojka
7. Zbiralnik za travo
8. Zadnji pokrov
9. Pokrov prezračevalnika
10. Gumb za nastavitev globine obdelave
11. Vzmetni zobje
12. Ključ inbus
13. Navodila za uporabo

Simboli na izdelku

(Sl. 2)

Opozorilo: Nepredvidna ali napačna uporaba lahko povzroči poškodbe in celo smrt uporabnika ali drugih.

terasah in pri zemlji z visoko vsebnostjo gline. Zobje rezila olajšajo pronicanje vode v travo in preprečujejo nastajanje lužic na površju

(Sl. 19)

Vzmetni zobje

Vzmetni zobje nežno odstranjujejo odmrlo travo in seno s trave, ne da bi pri tem poškodovali travne korenine.

(Sl. 20)

Namen uporabe

Izdelek uporabljajte za odstranjevanje slame in mahu ter za rahljanje zemlje v zasebnih vrtovih. Izdelka ne uporabljajte za druga opravila.

(Sl. 3)

Pred uporabo tega izdelka morate prebrati navodila za uporabo ter jih razumeti.

(Sl. 4)

Pazite na leteče in odbite predmete.

(Sl. 5)

Poskrbite, da so osebe in živali na varni razdalji od delovnega območja.

(Sl. 6)

OPOZORILO – Z rokami in nogami ne segajte v območje zob.

(Sl. 7)

Pred vzdrževanjem morate izdelek odklopiti

iz električne vtičnice.
Zobje se po zaustavitvi
motorja še vedno vrtijo.

(Sl. 8) Nevarnost električnega
udara.

(Sl. 9) Opozorilo: Pazite, da pri
košnji ne zapeljete čez
napajalni kabel, saj s
tem povzročite električni
udar ali poškodbe
izdelka.

(Sl. 10) Izdelek je zaščiten pred
pljuski vode.

(Sl. 11) Izdelek je v skladu z
veljavnimi predpisi CE.

(Sl. 12) Izdelek je v skladu
z veljavnimi direktivami
ZK.

(Sl. 13) Emisija hrupa v okolje
je skladna z direktivami
in uredbami EU, ZK
ter zakonodajo Novega
južnega Walesa, in
sicer z direktivo
"Zaščita okolja pri
delu (nadzor hrupa) iz
2017". Zajamčena raven
zvočne moči izdelka
je navedena na in

v *Tehnični podatki na
strani 342* in na oznaki.

(Sl. 14) Dvojna izolacija.

(Sl. 18) Izdelek je treba
oddati v zbir-
nem centru za
reciklažo elek-
trične in elek-
tronske opre-
me. (Velja sa-
mo za Evropo)

(Sl. 15) Postopek zagona:
sprostite blokado vžiga
ter pritisnite ročico
motorne zavore navzdol.

(Sl. 16) Za zaustavitev sprostite
ročico zavore motorja.

(Sl. 17) Bralna koda.

Opomba: Ostali simboli in oznake na izdelku se
nanašajo na zahteve za certifikacijo, ki veljajo za
nekatero trge.

Škoda izdelka

Za škodo na izdelku ne odgovarjamo, če:

- Izdelek ni pravilno popravljen.
- Izdelek je popravljen z deli, ki jih ni izdelal ali odobril proizvajalec.
- Na izdelku je nameščena dodatna oprema, ki je ni izdelal ali odobril proizvajalec.
- Izdelek ni bil popravljen v pooblaščenem servisnem centru ali pri pooblaščenem organu.

Varnostne definicije

Opozorila, svarila in opombe opozarjajo na posebej pomembne dele priročnika.



OPOZORILO: Se uporabi, če obstaja nevarnost telesne poškodbe ali smrti uporabnika ali opazovalcev ob neupoštevanju navodil v tem priročniku.



POZOR: Se uporabi, če obstaja nevarnost poškodbe izdelka, drugih materialov ali okolice ob neupoštevanju navodil v tem priročniku.

Opomba: Se uporabi za podajanje podrobnejših informacij, potrebnih v dani situaciji.

Splošna varnostna navodila



OPOZORILO: Pred uporabo izdelka preberite navodila v povezavi z opozorili v nadaljevanju.

- Ta izdelek je lahko nevaren, če ga ne uporabljate pravilno ali če niste previdni. Če ne upoštevate varnostnih navodil, lahko nastopijo poškodbe ali celo smrt.
- Izdelek med delovanjem ustvarja elektromagnetno polje. To polje lahko v nekaterih pogojih moti delovanje aktivnih ali pasivnih medicinskih vsadkov. Uporabnikom medicinskih vsadkov svetujemo, da se pred uporabo tega izdelka posvetujejo z zdravnikom ali proizvajalcem medicinskega vsadka, s čimer zmanjšajo nevarnost resnih ali smrtnih poškodb.
- Vedno bodite previdni in ravnajte razumno. Če niste prepričani, kako upravljati ta izdelek v določeni situaciji, prenehajte z delom in se pogovorite s prodajalcem Husqvarna.
- Ne pozabite, da je uporabnik odgovoren za nesreče, ki jih povzroči drugim ljudem ali njihovi lastnini.
- Stroj redno čistite. Pozorno preberite znake in nalepke.

- Naprave ne smejo uporabljati otroci ali osebe, ki niso seznanjene z navodili. Lokalni predpisi lahko omejujejo starost delavca
- Če izdelek uporabljajo osebe z zmanjšanimi fizičnimi ali intelektualnimi sposobnostmi, jih nenehno nadzorujte. Vedno mora biti prisotna odgovorna odrasla oseba.
- Izdelka ne uporabljajte, ko ste utrujeni, bolni, ali pod vplivom alkohola, drog ali zdravil. To negativno vpliva na vaš vid, pozornost, koordinacijo in presojo.
- Izdelka ne uporabljajte, če je poškodovan.
- Izdelka ne spreminjajte ali uporabljajte, če obstaja možnost, da so ga spremenile tretje osebe.
- Izvrže, zaradi česar lahko poškodujejo osebe in druge predmete. Opazovalci in živali naj bodo na varni razdalji od izdelka.
- Izdelka nikoli ne uporabljajte v slabem vremenu, kot je megla, dež, močan veter, izreden mraz ter nevarnost strele. Če izdelek uporabljate v slabem vremenu ali v vlažnih ali mokrih okoljih, vas bo to utrudilo. Slabo vreme lahko povzroči nevarne pogoje, kot je spolzka podlaga.
- Bodite pozorni na osebe, predmete in situacije, ki lahko preprečijo varno obratovanje izdelka.
- Bodite pozorni na ovire, kot so korenine, kamni, veje, jame in jarki. Visoka trava lahko prekriva ovire.

Varnost delovnega področja



OPOZORILO: Pred uporabo izdelka preberite navodila v povezavi z opozorili v nadaljevanju.

- Z delovnega območja pred začetkom dela odstranite predmete, kot so veje, vejice in kamni.
- Predmete, ki pridejo v stik s prezračevalnikom, lahko uporabljate na naklonu je lahko nevarna. Izdelka ne uporabljajte na pobočjih z naklonom, večjim od 15°.
- Izdelek uporabljajte prečno na pobočje. Ne premikajte se navzgor in navzdol.
- Bodite previdni, kadar se približujete kotom in predmetom, ki omejujejo pogled.

Varnost pri delu



OPOZORILO: Pred uporabo izdelka preberite navodila v povezavi z opozorili v nadaljevanju.



OPOZORILO: Zaustavite izdelek, odklopite napajalni kabel in se pred dotikanjem opreme za prezračevanje tal prepričajte, da so se zobje popolnoma zaustavili.

- Izdelek uporabljajte samo za odstranjevanje slame in mahu s travnatih površin. Ne uporabljajte ga za druga opravila.
- Uporabljajte osebno zaščitno opremo. Glejte, *Osebna zaščitna oprema na strani 336*.
- Izdelka ne uporabljajte dežju ali visoki vlagi. Nevarnost električnega udara se poveča, če v izdelek vdre voda.
- Izdelka s poškodovanim napajalnim kablom ne uporabljajte.
- Izdelka ne uporabljajte, če oprema za prezračevanje in vsi pokrovi niso nameščeni pravilno. Nepravilno nameščena oprema za prezračevanje se lahko sname in povzroči poškodbe.
- Oprema za prezračevanje ne sme udarjati ob predmete, npr. kamenje in korenine. To lahko poškoduje opremo za prezračevanje in ukrivi motorno gred. Če je os zvita, povzroča močno tresenje in predstavlja veliko nevarnost, da se oprema za prezračevanje zvije.
- Če oprema za prezračevanje trči ob predmet ali začutite vibracije, izdelek nemudoma izklopite. Izklopite motor in odklopite napajalni kabel. Preglejte, ali je izdelek morda poškodovan. Poškodbe popravite ali pa popravilo prepustite pooblaščenemu serviserju.
- Ročice zavore motorja nikoli ne pritrdite trajno na ročaj, ko motor deluje.
- Izdelek vklopite na stabilni in ravni podlagi. Pazite, da oprema za prezračevanje ne udarja ob tla ali druge predmete.
- Vedno bodite za izdelkom, ko ga upravljate.
- Ko upravljate izdelek, morajo biti vsa kolesa na tleh, prav tako pa imejte na ročaju obe

roki. Roke in noge držite stran od vrtljive opreme za prezračevanje.

- Izdelka z delujočim motorjem nikoli ne nagibajte.
- Ko izdelek potegnete nazaj, bodite previdni.
- Izdelka ne dvigajte, ko motor deluje. Če morate izdelek dvigniti, najprej izklopite motor in odklopite napajalni kabel.
- Med uporabo izdelka ne hodite vzvratno.
- Med premikanjem prek področij brez trave, npr. po poti iz gramoza, kamna in asfalta, izklopite motor.
- Pri delujočem motorju ne tecite z izdelkom. Pri uporabi tega izdelka vedno hodite.
- Pred spreminjanjem globine obdelave ustavite motor. Ne izvajajte nastavitvev, ko motor deluje.
- Izdelek z delujočim motorjem morate imeti vedno na očeh. Izklopite motor, odklopite napajalni kabel in se prepričajte, da se oprema za prezračevanje ne vrti.

Varnostna navodila za uporabo

Osebna zaščitna oprema

Ob vsaki uporabi izdelka obvezno uporabljajte ustrezno osebno zaščitno opremo.

Osebna zaščitna oprema ne izključuje nevarnosti poškodb, vendar pa v primeru nesreče omili posledice. Pri izbiri zaščitne opreme se posvetujte z vašim trgovcem.

Pri delu vedno uporabljajte:

- zaščito za sluh, da zmanjšate možnost okvare sluha;
- Trpežne škornje ali čevlje, ki ne drsijo. Ne nosite sandalov in ne hodite bosih;
- Trpežne dolge hlače. Ne nosite kratkih hlač.

Po potrebi nosite rokavice, na primer pri nameščanju, pregledovanju ali čiščenju oprema za prezračevanje.



OPOZORILO:

Uporabljajte odobreno zaščito za sluh. Dolgotrajna izpostavljenost hrupu lahko povzroči trajne okvare sluha.

Varnostne naprave na izdelku



OPOZORILO: Pred uporabo izdelka preberite navodila v povezavi z opozorili v nadaljevanju.

- Ne uporabljajte izdelka s poškodovanimi varnostnimi napravami.
- Redno preverjajte varnostne naprave. Če so varnostne naprave poškodovane, se obrnite na pooblaščen servisno delavnico Husqvarna.

Preverjanje pokrovov

Pokrov opreme za prezračevanje blaži tresljaje v izdelku in zmanjšuje nevarnost poškodb zaradi opreme za prezračevanje.

- Preglejte stranski pokrov opreme za prezračevanje in se prepričajte, da ni poškodovan, na primer razpokan.
- Preglejte zadnji pokrov in se prepričajte, da ni poškodovan, na primer razpokan.

Motorna zavorna ročica

Zavorna ročica motorja izklopi motor. Ko spustite zavorno ročico motorja, se motor ustavi.

Za preverjanje motorne zavore morate motor zagnati, potem pa ročico zavore motorja sprostiti. Če se motor ne izklopi v 3 sekundah, mora izdelek preveriti pooblaščen

serviser Husqvarna, ki mora nato nastaviti motorno zavoro.

(Sl. 21)

Za pregled blokade vžiga

Preverite blokado vžiga in se prepričajte, da onemogoča zagon motorja.

1. Ročico motorne zavore potisnite v smer ročaja. Blokada vžiga ustavi premikanje.
2. Blokado vžiga potisnite ven. (Sl. 22)
3. Sprostite gumb blokade vžiga in se prepričajte, da se vrne v izhodiščni položaj.

Uporaba nosilca napajalnega kabla

Nosilec napajalnega kabla zmanjšuje obremenitve, ki sta jim izpostavljena vtičnica in kabel. Nosilec napajalnega kabla poleg tega tudi zmanjšuje nevarnost padca.

1. Napajalni kabel zvijte v majhno zanko.
2. Zanko vstavite v odprtino nosilca napajalnega kabla.
3. Zanko namestite na kavelj.
4. Povlecite za napajalni kabel in ga tako zategnite ob kavelj. (Sl. 23)

Varnost napajalnega kabla

- Priporočena je uporaba naprave na diferenčni tok (R.C.D.) s sprožilnim tokom do največ 30 mA. Tudi z nameščenim R.C.D. 100-% varnost ni zagotovljena, zato je treba obvezno spoštovati navodila za varno delo. Pred vsako uporabo preverite delovanje naprave na diferenčni tok (R.C.D.).
- V primeru poškodovane izolacije izdelek takoj odklopite iz električnega napajanja.
- Ne dotikajte se prerezanega ali poškodovanega kabla, dokler ne odklopite električnega napajanja.
- Ne popravljajte prerezanega ali poškodovanega napajalnega kabla. Zamenjajte ga z novim.

Varnostna navodila za vzdrževanje



OPOZORILO: Pred uporabo izdelka preberite navodila v povezavi z opozorili v nadaljevanju.

- Vzdrževalna dela opravljajte pravilno in tako podaljšajte življenjsko dobo izdelka ter zmanjšajte nevarnost nesreč. Pooblašteni serviser naj opravi popravila, za katera je zahtevano profesionalno osebje. Za več informacij se obrnite na najbližjega servisnega zastopnika.
 - Vzdrževalna dela opravite tako, kot piše v teh navodilih za uporabo. Zahtevnejše posege mora opraviti pooblaščen serviser.
 - Da preprečite nastanek telesnih poškodb, ne odstranjujte in ne spreminjajte varnostnih naprav.
 - Pri delu z opremo za prezračevanje morate nositi močne zaščitne rokavice. Oprema za prezračevanje je izjemno ostra, zato lahko hitro pride do poškodb.
 - Za najboljše in najvarnejše delovanje morajo biti zobje rezila opreme za prezračevanje ostra in čista.
 - Izdelek naj redno preverja in po potrebi nastavlja ter popravlja pooblaščen servisna delavnica.
 - Zamenjajte poškodovane, obrabljene ali zlomljene dele. Vedno uporabljajte originalne nadomestne dele proizvajalca. Drugi
- Za preprečevanje neželenega vklopa med vzdrževanjem odklopite napajalni kabel.

nadomestni deli lahko poškodujejo izdelek in povečajo nevarnost nesreč.

- Upoštevajte navodila za zamenjavo dodatne opreme.

Uporabljajte samo dodatno opremo, ki jo odobri proizvajalec.

Montaža

Uvod



OPOZORILO: Preden sestavite izdelek, preberite poglavje o varnosti.



OPOZORILO: Za preprečevanje neželenega vklopa med sestavljanjem odklopite napajalni kabel.

Montaža ročice

1. Sprostite spodnja gumbna vijaka.
2. Gumbna vijaka na levi in desni strani izdelka pomaknite v spodnji del utorov. (Sl. 24)
3. Višino ročice prestavite v enega od 2 razpoložljivih položajev.
4. Premaknite gumbna vijaka do konca navzgor proti ročici, da zaslišite klik. (Sl. 25)

5. Popolnoma zategnite gumbne vijake.

Namestitev zbiralnika za travo

1. Ogrodje zbiralnika za travo vstavite v vrečo za travo tako, da je trdi del vrečke na dnu. Ročaj ogrodja zbiralnika za travo mora biti vedno na vrhu. (Sl. 26)
2. Spodnji del ogrodja zbiralnika za travo vstavite v utor na dnu zbiralnika za travo.
3. Vrečo za travo namestite na ogrodje zbiralnika za travo in ga pritrdite z sponkami. (Sl. 27)
4. Dvignite zadnji pokrov.
5. Zbiralnik za travo potisnite v pravilen položaj. (Sl. 28)
6. Zbiralnik za travo pritrdite na zgornji rob ohišja. Prepričajte se, da se zadnji pokrov tesno prilega zbiralniku za travo, da ne bi prišlo do uhajanja. (Sl. 29)

Delovanje

Uvod



OPOZORILO: Pred uporabo izdelka morate prebrati in razumeti poglavje o varnosti.

Husqvarna Connect

Husqvarna Connect je brezplačna aplikacija za vašo mobilno napravo. Aplikacija Husqvarna Connect omogoča razširitev funkcij vašega izdelka Husqvarna:

- Dodatne informacije o izdelku.
- Informacije o izdelku, delih in servisu ter pomoč.

Začetek uporabe: Husqvarna Connect

1. V mobilno napravo si prenesite aplikacijo Husqvarna Connect.
2. Registrirajte se v aplikaciji Husqvarna Connect.
3. Za vzpostavitev povezave in registracijo izdelka sledite navodilom v aplikaciji Husqvarna Connect.

Nastavitev globine obdelave



OPOZORILO: Globine obdelave ne nastavljajte med uporabo izdelka.

1. Če želite povečati globino obdelave, pritisnite gumb za nastavitev globine obdelave ter ga zavrtite v nasprotni smeri urinega kazalca.
2. Če želite zmanjšati globino obdelave, pritisnite gumb za nastavitev globine obdelave ter ga zavrtite v smeri urinega kazalca. (Sl. 30)

Zagon izdelka

1. Napajalni kabel priključite v vtičnico pod ročajem. (Sl. 31)
2. Napajalni kabel vstavite v nosilec napajalnega kabla. Glejte poglavje *Uporaba nosilca napajalnega kabla na strani 337*. (Sl. 23)
3. Ostanite za izdelkom.
4. Sprostite blokado vžiga. (Sl. 32)

5. Ročico motorne zavore potisnite v smer ročaja. (Sl. 33)

2. Napajalni kabel odklopite iz električne vtičnice in nato še iz izdelka. (Sl. 35)

Izklop izdelka

1. Za izklop motorja sprostite ročico motorne zavore. (Sl. 34)



POZOR: Vtič povlecite naravnost iz vtičnice. Nikoli ne vlecite za napajalni kabel.

Vzdrževanje

Uvod



OPOZORILO: Pred izvajanjem vzdrževalnih del morate prebrati in razumeti poglavje o varnosti.

Za servisiranje in popravila na izdelku posebno usposabljanje ni potrebno. Zagotavljamo, da vam bodo na voljo strokovna popravila in servisiranje. Če vaš prodajalec ni pooblaščen serviser, ga povprašajte, kje je naslednja najbližja pooblaščen servisna delavnica.

Za več informacij glejte www.husqvarna.com.

Urnik vzdrževanja

Izračunani intervali vzdrževanja veljajo za vsakodnevno uporabo izdelka. Intervali se spremenijo, če izdelka ne uporabljate vsakodnevno.

Za vzdrževalne posege, ki so označeni z *, glejte *Varnostne naprave na izdelku na strani 336*.

	Pri vsaki uporabi	Mesečno	Vsako sezono
Opravite splošen pregled.	X		
Izdelek očistite.	X		
Preverite opremo za prezračevanje.	X		
Prepričajte se, da varnostne naprave izdelka niso poškodovane. *	X		
Preglejte pokrove. *	X		
Preverite ročico motorne zavore. *	X		
Preverite blokado vžiga. *	X		

Izvajanje splošnih pregledov

- Prepričajte se, da so matice in vijaki na izdelku dobro priviti.
- Prepričajte se, da kablji izdelka niso v položaju, v katerem bi se lahko poškodovali.
- Prepričajte se, da v izdelku ni blokad.

Čiščenje izdelka

- Plastične dele čistite s čisto in suho krpo.
- Izdelka ne čistite z vodo. Voda lahko vdre v baterijo ali motor in povzroči kratki stik ali poškoduje izdelek.
- Izdelka ne čistite z visokotlačnim čistilnikom.
- Vode ne zlivajte neposredno na motor.
- S krtačo odstranite listje, travo in umazanijo.

Pregledovanje opreme za prezračevanje



OPOZORILO: Za preprečevanje neželenega vklopa odklopite napajalni kabel.



OPOZORILO: Pri vzdrževanju opreme za prezračevanje uporabite zaščitne rokavice. Zobje rezila opreme za prezračevanje so izjemno ostri, zato lahko hitro pride do urednin.

- Preverite, ali je oprema za prezračevanje poškodovana oziroma razpokana. Če je oprema za prezračevanje poškodovana, jo zamenjajte.

Zamenjava opreme za prezračevanje



OPOZORILO: Pri vzdrževanju opreme za prezračevanje uporabite zaščitne rokavice. Oprema za prezračevanje je izjemno ostra, zato lahko hitro pride do uresnin.

1. Izdelek odložite na desno stran. (Sl. 36)
2. Odstranite 2 vijaka (A) in pokrov prezračevalnika (B). Potisnite opremo za prezračevanje (C) navzgor in navzven, da jo odstranite. (Sl. 37)
3. Novo opremo za prezračevanje (C) potisnite v utor in v odprtino. Pokrov prezračevalnika (B) znova privijte z 2 vijakoma (A). (Sl. 38)

Odpravljanje težav

Odpravljanje težav

Težava	Možen vzrok	Rešitev
Izdelka ni mogoče zagnati.	Napajalni kabel ni priklopljen na vir napajanja.	Napajalni kabel priklopite na vir napajanja.
	Napajalni kabel ni pravilno priklopljen na izdelek.	Napajalni kabel priklopite v vtičnico pod ročajem.
	Ročico motorne zavore ni pritisnjena v smer ročaja.	Ročico motorne zavore potisnite v smer ročaja.
	Napajalni kabel je poškodovan.	Obrnite se na pooblaščenega servisnega zastopnika.
	Druge napake.	

Transport skladiščenje in odstranitev

Prevoz

- Pri transportu v komercialne namene morate upoštevati posebne zahteve, navedene na pakiranju in nalepkah.
- Pri pripravi izdelka za transport morate upoštevati uredbe za ravnanje z nevarnimi materiali. Veljajo lokalni predpisi.
- Med transportom izdelek pritrdite.

Skladiščenje

- Pred skladiščenjem se mora izdelek ohladiti.
- Izdelek shranjujete v prostoru s temperaturo med – 10 °C in 40 °C.
- Izdelek hranite v zaklenjenem prostoru, do katerega otroci in nepooblaščen osebe nimajo dostopa.
- Pred dolgotrajnejšim skladiščenjem izdelek očistite in opravite popoln servis.
- Vzdrževalna dela opravite tako, kot je navedeno v teh navodilih za uporabo. Glejte, *Urnik vzdrževanja na strani 340.*

- Pred dolgotrajnim skladiščenjem opravite celovit servis.

Odlaganje

Simboli na izdelku ali njegovi embalaži opozarjajo, da izdelka ne smete obravnavati kot gospodinjskega odpadka. Odnesti ga je treba v ustrezno zbirališče, kjer bodo poskrbeli za recikliranje električnih in elektronskih naprav.

Z zagotavljanjem pravilne obravnave izdelka boste pomagali preprečiti njegov morebiten škodljiv učinek na okolje in ljudi, do katerega bi lahko prišlo, kot posledica nepravilnega upravljanja z odpadki. Podrobnejše informacije o recikliranju tega izdelka lahko dobite v svoji občini, v komunalnem podjetju ali v trgovini, kjer ste ga kupili.

(Sl. 39)

Tehnični podatki

Tehnični podatki

S 138C	
Motor	
Tip motorja	Zaporedni izmenični motor
Št. vrtljajev priključka – SavE, vrt/min	Ni navedeno
Št. vrtljajev priključka – nazivno, vrt/min	4200
Najvišja izhodna moč motorja v kW	1,8
Nazivna izhodna moč motorja v kW	1,6
Teža	
Teža, kg	19,0
Emisije hrupa ⁷⁰	
Raven zvočne moči, izmerjena v dB (A)	96
Raven zvočne moči, zajamčena L_{WA} v dB(A)	98
Nivoji hrupa ⁷¹	
Nivo zvočnega tlaka pri ušesu operaterja, dB(A)	82
Ravni vibracij ⁷²	
Ročaj, m/s^2	8,3
Delovanje	
Največja/najmanjša globina obdelave v mm	-8/+5
Širina obdelave v cm	37,5
Nastavek za zobe rezila	5973510-01
Priključek z vzmetnimi zobmi	5973509-01
Prostornina zbiralnika za travo v litrih	45

⁷⁰ Emisije hrupa v okolje, merjene kot moč zvoka (L_{WA}), v skladu z direktivo ES 2000/14/ES.

⁷¹ Zabeleženi podatki za nivo zvočnega tlaka imajo tipično statistično razpršitev (standardni odklon) 1,2 dB (A).

⁷² Zabeleženi podatki za raven vibracij imajo tipično statistično razpršitev (standardni odklon) 0,2 m/s^2 .

Izjava o skladnosti

Izjava EU o skladnosti

Mi, **Husqvarna AB**, SE--561 82 Huskvarna, ŠVEDSKA,
tel: +46-36-146500, izjavljamo na lastno odgovornost,
da je izdelek:

Opis	Prezračevalnik zemlje
Znamka	Husqvarna
Vrsta/model	S 138C
Identifikacija	Serijske številke od letnika 2023 dalje

v celoti skladen z naslednjimi direktivami in uredbami
EU:

Direktiva/uredba	Opis
2011/65/EU	"o omejevanju uporabe nekaterih nevarnih snovi v električni in elektronski opremi"
2006/42/ES	"o strojih"
2014/30/EU	"o elektromagnetni združljivosti"
2000/14/ES	"o emisijah hrupa v okolico"

in so pri tem v veljavi naslednji standardi in/ali tehnične
specifikacije: EN 60335-1:2012/A11:2014/A13:2017/
A15:2021, EN 50636-2-92:2014, EN 55014-1:2017/
A11:2020, EN 55014-2:2015, EN 61000-3-2:2014, EN
61000-3-11:2000, EN IEC 63000:2018.

Za informacije v zvezi z emisijami hrupa glejte poglavje
Tehnični podatki na strani 342.

Huskvarna, 2024-03-01



Claes Losdal

Vodja oddelka za razvoj vrtno opreme

Husqvarna AB

Odgovorni za tehnično dokumentacijo



Sadržaj

Uvod.....	344	Rešavanje problema.....	354
Bezbednost.....	346	Transport, skladištenje i odlaganje.....	354
Sklapanje.....	352	Tehnički podaci.....	355
Rukovanje.....	352	Deklaracija o usaglašenosti.....	357
Održavanje.....	353		

Uvod

Opis proizvoda

Proizvod je električni ditačer koji kontroliše rukovalac. Proizvod uklanja tač (slamu) sa travnjaka i čini zemljište rastresitijim kako bi vazduh i voda prodrli u travnjak. Tač se prikuplja u hvatač trave ili se izbacuje na travnjak. Proizvod ima dve vrste opreme za ditačer.

Oprema za ditačer

Pogledajte *Zamena opreme za ditačer na stranici 354* za informacije kako da zamenite opremu za ditačer.

Zupci sečiva

Zupci sečiva uklanjaju tač i režu koren trave vertikalno. Koristite zupce sečiva na nagibima, ravnim uzdignutim

Pregled proizvoda

(Sl. 1)

1. Ručica kočnice motora
2. Gornja ručica
3. Inhibitor pokretanja
4. Utičnica za struju
5. Donja ručica
6. Kablovska stezaljka
7. Hvatač trave
8. Zadnji poklopac
9. Poklopac ditačera
10. Dugme za podešavanje radne dubine
11. Opružni zupci
12. Šestougaoni ključ
13. Uputstvo za rukovaoca

Simboli na proizvodu

(Sl. 2)

Upozorenje: Nepažljiva ili nepravilna upotreba može dovesti do povrede ili smrti rukovaoca ili drugih osoba.

oblastima i zemljištima koja imaju veliku količinu gline. Zupci sečiva omogućavaju da voda proдре u travnjak i sprečavaju da se voda sakuplja na površini.

(Sl. 19)

Opružni zupci

Opružni zupci pažljivo uklanjaju mrtvu travu i tač sa travnjaka bez oštećenja korena trave.

(Sl. 20)

Namena

Koristite proizvod u privatnim vrtovima za uklanjanje tača i mahovine i da učinite zemljište rastresitijim. Nemojte koristiti proizvod za druge zadatke.

(Sl. 3)

Pre korišćenja proizvoda, pročitajte korisničko uputstvo i budite sigurni da razumete njegov sadržaj.

(Sl. 4)

Pazite na odbačene predmete i odskakivanja.

(Sl. 5)

Pazite da ljudi i životinje budu na bezbednoj udaljenosti od radnog područja.

(Sl. 6)

UPOZORENJE – udaljite šake i stopala od zubaca.

- (Sl. 7) Isključite proizvod iz priključka za struju pre održavanja proizvoda. Zupci se nastavljaju rotirati i kad isključite motor.
- (Sl. 8) Opasnost od strujnog udara.
- (Sl. 9) Upozorenje: Nemojte rukovati proizvodom preko kabla za napajanje jer to može rezultirati strujnim udarom ili oštećenjem proizvoda.
- (Sl. 10) Ovaj proizvod ima zaštitu od prskanja vode.
- (Sl. 11) Proizvod je usaglašen sa važećim direktivama EZ.
- (Sl. 12) Proizvod je usaglašen sa važećim direktivama UK.
- (Sl. 13) Oznaka emisije buke u okruženje u skladu sa direktivama i propisima EU i UK i propisom o zaštiti radova u okruženju (kontrola buke) Novog Južnog Velsa iz 2017. Garantovani nivo zvučne snage za ovaj proizvod naveden je u *Tehnički podaci na stranici 355* i na nalepnici.
- (Sl. 14) Dvostruka izolacija.
- (Sl. 18) Reciklirajte ovaj proizvod u pogonu za recikliranje električne i elektronske opreme. (Odnosi se samo na Evropu)
- (Sl. 15) Postupak pokretanja: otpustite inhibitor pokretanja, pritisnite nadole ručicu kočnice motora.
- (Sl. 16) Otpustite ručicu kočnice motora za zaustavljanje.
- (Sl. 17) Kôd koji se može skenirati.

Napomena: Ostali simboli/nalepnice koji su navedeni na proizvodu važe za specifične zahteve sertifikata na određenim tržištima.

Oštećenje proizvoda

Nismo odgovorni za oštećenja proizvoda u sledećim slučajevima:

- proizvod je popravljen na pogrešan način
- proizvod je popravljen korišćenjem delova koji nisu napravljeni ili odobreni od strane proizvođača
- proizvod ima opremu koja ne potiče ili nije odobrena od strane proizvođača

- proizvod nije popravljen u ovlašćenom servisnom centru ili od strane ovlašćenog stručnjaka

Bezbednost

Bezbednosne definicije

Upozorenja, mere opreza i napomene se koriste da ukažu na naročito važne delove korisničkog uputstva.



UPOZORENJE: Koristi se ako, usled nepoštovanja uputstava, postoji rizik od nastanka telesnih povreda ili smrti kod rukovaoca ili prisutnih osoba.



OPREZ: Koristi se ako, usled nepoštovanja uputstava, postoji rizik od nastanka oštećenja na proizvodu, drugim materijalima ili susednim oblastima.

Napomena: Koristi se za pružanje više informacija koje su neophodne u datoj situaciji.

Opšta bezbednosna uputstva



UPOZORENJE: Pročitajte upozoravajuća

uputstva koja slede pre korišćenja proizvoda.

- Proizvod je opasan ako se koristi na nepravilan način ili ako niste oprezni. Može doći do telesne povrede ili smrti ako se ne pridržavate bezbednosnih uputstava.
- Ovaj proizvod pri radu stvara elektromagnetno polje. Ovo polje u određenim uslovima može da izazove smetnje na aktivnim i pasivnim medicinskim implantatima. U cilju smanjenja rizika od uslova nastanka teških ili smrtnih telesnih povreda, preporučujemo osobama koje imaju medicinske implantate da se pre upotrebe ovog proizvoda konsultuju sa lekarom ili proizvođačem implantata.
- Uvek budite pažljivi i koristite zdrav razum. Ako niste sigurni kako da rukujete proizvodom u određenoj situaciji, prekinite rad i obratite se Husqvarna prodavcu pre nastavka rada.
- Imajte na umu da će se rukovalac smatrati odgovornim za nesrećne slučajeve koji

- uključuju druge osobe ili njihovu imovinu.
- Održavajte proizvod čistim. Pobrinite se da jasno možete pročitati znakove i nalepnice.
 - Nikada nemojte dozvoliti deci ili osobama koje nisu pročitale ova uputstva da koriste uređaj. Uzrast rukovaoca je možda ograničen lokalnim propisima
 - Uvek nadzirite osobu sa smanjenim fizičkim ili mentalnim sposobnostima koja koristi proizvod. Odgovorna odrasla osoba mora biti prisutna sve vreme.
 - Nemojte da koristite proizvod kada ste umorni, bolesni ili pod uticajem alkohola, droge ili lekova. To ima negativan uticaj na vašu moć vida, opreznost, koordinaciju i rasuđivanje.
 - Nemojte da koristite proizvod ako je pokvaren.
 - Nemojte vršiti izmene na proizvodu i nemojte koristiti proizvod ako postoji mogućnost da su druge osobe vršile izmene na njemu.
- Uklonite predmete kao što su grane, grančice i kamenje iz radnog područja pre nego što počnete da koristite proizvod.
 - Predmeti koji udare o opremu za ditačer mogu da budu izbačeni i izazovu povredu osoba ili oštećenje predmeta. Pazite da prisutne osobe i životinje budu na bezbednoj udaljenosti od proizvoda.
 - Nikada nemojte koristiti proizvod u lošim vremenskim uslovima kao što su magla, kiša, jak vetar, intenzivna hladnoća i kada postoji opasnost od pojave munja. Korišćenje proizvoda u lošim vremenskim uslovima ili na vlažnim lokacijama je zamorno. Loši vremenski uslovi mogu da izazovu opasne okolnosti, kao što su klizave površine.
 - Vodite računa o osobama, predmetima i situacijama koji bi mogli da spreče bezbedan rad proizvoda.
 - Pazite na prepreke, kao što su korenje, kamenje, grančice, jame i jarci. Visoka trava može da sakrije prepreke.
 - Rukovanje proizvodom na nagibima može biti opasno. Nemojte koristiti proizvod na

Bezbednost u oblasti rada



UPOZORENJE:

Pročitajte upozoravajuća uputstva koja slede pre korišćenja proizvoda.

terenu koji ima nagib veći od 15°.

- Rukujte proizvodom preko prednjih strana nagiba. Nemojte ga pomerati gore i dole.
- Budite pažljivi kada se približavate skrivenim uglovima i predmetima koji bi mogli da blokiraju vaš vidik.

Bezbednost na radu



UPOZORENJE:

Pročitajte upozoravajuća uputstva koja slede pre korišćenja proizvoda.



UPOZORENJE:

Zaustavite proizvod, iskopčajte kabl za napajanje i uverite se da su zupci potpuno prestali okretati pre nego što dodirnete opremu za ditačer.

- Koristite proizvod samo za uklanjanje tača i mahovine sa travnjaka. Nije dozvoljeno njegovo korišćenje za druge zadatke.
- Koristite ličnu zaštitnu opremu. Pogledajte *Lična zaštitna oprema na stranici 349*.

- Nemojte raditi sa proizvodom po kiši ili u vlažnim uslovima. Opasnost od strujnog udara se povećava ako voda prodre u proizvod.
- Nemojte raditi sa proizvodom ako je kabl za napajanje oštećen.
- Nemojte raditi sa proizvodom ako oprema za ditačer i svi poklopci nisu pravilno postavljeni. Nepravilno postavljena oprema za ditačer se može otkaçiti i prouzrokovati telesnu povredu.
- Pobrinite se da oprema za ditačer ne udara o predmete kao što su kamenje ili korenje. To može dovesti do oštećenja opreme za ditačer i savijanja osovine motora. Savijena osovina proizvodi velike vibracije i postoji povećana opasnost da se oprema za ditačer olabavi.
- Ako oprema za ditačer udari o predmet ili ako se pojave vibracije, odmah zaustavite proizvod. Zaustavite motor i odspojite kabl za napajanje. Pregledajte proizvod u pogledu oštećenja. Otklonite oštećenja ili dozvolite ovlašćenom servisnom agentu da izvrši popravku.

- Nikada nemojte postavljati ručicu kočnice motora trajno na ručku kada je motor pokrenut.
- Postavite proizvod na stabilnu, ravnu površinu i pokrenite ga. Vodite računa da oprema za ditačer ne dodiruje tlo ili druge predmete.
- Uvek stojte iza proizvoda kada radite sa njim.
- Vodite računa da svi točkići ostanu na tlu i držite dve ruke na ručki kada rukujete proizvodom. Udaljite šake i stopala od rotirajuće opreme za ditačer.
- Nemojte nagnjati proizvod kada je motor pokrenut.
- Budite pažljivi kada povlačite proizvod unazad.
- Nikada nemojte podizati proizvod kada je motor pokrenut. Ako morate podići proizvod, prvo zaustavite motor i odspojite kabl za napajanje.
- Nemojte hodati unazad kada radite sa proizvodom.
- Zaustavite motor kada se krećete preko područja bez trave, na primer, stazica napravljenih od šljunka, kamena i asfalta.
- Nemojte trčati sa proizvodom kada je motor pokrenut.

Uvek hodajte kada radite sa proizvodom.

- Zaustavite motor pre nego što promenite radnu dubinu. Nikada nemojte da vršite podešavanja dok je motor pokrenut.
- Nikada nemojte dozvoliti da proizvod ostane bez nadzora dok je motor pokrenut. Zaustavite motor, odspojite kabl za napajanje i uverite se da se oprema za ditačer ne okreće.

Bezbednosna uputstva za rukovanje

Lična zaštitna oprema

Morate koristiti odobrenu ličnu zaštitnu opremu kada god rukujete proizvodom. Lična zaštitna oprema ne može da otkloni potpuno opasnost od povrede, ali će umanjiti stepen povrede ako dođe do nezgode. Zamolite prodavca da vam pomogne u izboru odgovarajuće opreme.

Uvek nosite:

- Zaštitu za uši kako bi se rizik od povrede sluha sveo na najmanju moguću meru.
- Čvrste čizme ili cipele koje ne klizaju. Nemojte nositi sandale ili hodati bosih nogu.

- Teške, duge pantalone.
Nemojte nositi kratku odeću.

Nosite rukavice kada je potrebno, na primer, prilikom postavljanja, pregleda ili čišćenja opreme za ditačer.



UPOZORENJE: Koristite odobrenu zaštitu za sluh. Dugotrajno izlaganje buci može prouzrokovati trajne povrede sluha.

Bezbednosni uređaji na proizvodu



UPOZORENJE: Pročitajte upozoravajuća uputstva koja slede pre korišćenja proizvoda.

- Nemojte koristiti proizvod na kojem su oštećeni bezbednosni uređaji.
- Redovno proveravajte bezbednosne uređaje. Ako su bezbednosni uređaji neispravni, obratite se svom Husqvarna servisnom agentu.

Pregled poklopaca

Poklopac ditačera smanjuje vibracije u proizvodu, kao i rizik od povrede od opreme za ditačer.

- Pregledajte bočni poklopac ditačera kako biste se uverili da nema oštećenja kao što su naprsline.
- Pregledajte zadnji poklopac kako biste se uverili da nema oštećenja kao što su naprsline.

Ručica kočnice motora

Ručica kočnice motora zaustavlja motor. Kada je ručica kočnice motora otpuštena, motor se zaustavlja.

Da biste izvršili proveru kočnice motora, pokrenite motor a zatim otpustite ručicu kočnice motora. Ako se motor ne zaustavi u roku od 3 sekunde, neka ovlašćeni Husqvarna servisni agent izvrši podešavanje kočnice motora.

(Sl. 21)

Provera inhibitora pokretanja

Izvršite proveru inhibitora pokretanja kako biste se uverili da sprečava rad motora.

1. Pritisnite ručicu kočnice motora u smeru upravljača. Inhibitor pokretanja zaustavlja kretanje.
2. Pritisnite inhibitor pokretanja ka spolja. (Sl. 22)

3. Otpustite inhibitor pokretanja i uverite se da se vraća u početni položaj.

Korišćenje držača kabla za napajanje

Držać kabla za napajanje smanjuje pritisak na utičnicu napajanja i kabl za napajanje. Držać kabla za napajanje takođe smanjuje vaš rizik od pada.

1. Savijte kabl za napajanje u malu petlju.
2. Postavite petlju u otvor na držaču kabla za napajanje.
3. Stavite petlju oko kuke.
4. Povucite kabl za napajanje kako biste zategnuli petlju oko kuke. (Sl. 23)

Bezbedna upotreba kabla za napajanje

- Korišćenje uređaja za rezidualnu struju (R.C.D.) sa prekidnom strujom ne većom od 30 mA se preporučuje. Čak i sa postavljenim uređajem za rezidualnu struju, 100% bezbednost se ne može garantovati i potrebno je sve vreme pridržavati se bezbednih radnih procedura. Prilikom svakog korišćenja

proverite uređaj za rezidualnu struju.

- Odmah iskopčajte iz električne mreže ako je kabl za napajanje presečen ili ako se izolacija ošteti.
- Nemojte dodirivati presečeni ili oštećeni kabl za napajanje dok se ne isključi električno napajanje.
- Ne popravljajte presečen ili oštećen kabl za napajanje. Zamenite ga novim.

Bezbednosna uputstva za održavanje



UPOZORENJE:

Pročitajte upozoravajuća uputstva koja slede pre korišćenja proizvoda.

- Kako biste sprečili slučajno pokretanje tokom održavanja, iskopčajte kabl za napajanje.
- Pravilno vršite rad na održavanju kako biste povećali radni vek proizvoda i smanjili rizik od nesrećnih slučajeva. Neka ovlašćeni servisni agent izvrši stručne popravke. Obratite se najbližem servisnom agentu za više informacija.
- Vršite samo one radove na održavanju proizvoda koji su navedeni u ovom korisničkom

uputstvu. Svaki veći rad mora da izvrši ovlašćeni servisni agent.

- Da biste sprečili povrede, ne uklanjajte i ne prepravljajte bezbednosne uređaje.
- Nosite čvrste rukavice kada koristite opremu za ditačer. Oprema za ditačer je veoma oštra i lako dolazi do posekotina.
- Održavajte zupce na opremi za ditačer oštroma i čistima kako biste dobili najbolje i najbezbednije performanse.
- Neka servisni agent redovno proverava proizvod i vrši

potrebna podešavanja i popravke.

- Zamenite oštećene, pohabane ili pokvarene delove. Uvek koristite originalne rezervne delove proizvođača. Ostali rezervni delovi mogu da oštete proizvod i povećavaju rizik od nezgoda.
- Pridržavajte se uputstava za zamenu opreme. Koristite samo opremu od proizvođača.

Sklapanje

Uvod



UPOZORENJE: Pre sklapanja proizvoda, pročitajte poglavlje o bezbednosti.



UPOZORENJE: Kako biste sprečili slučajno pokretanje tokom sklapanja, iskopčajte kabl za napajanje.

Sklapanje ručke

1. Olabavite donju dugmad.
2. Pomerite dugmad u donji kraj žlebova na levoj i desnoj strani proizvoda. (Sl. 24)
3. Stavite ručku u jedan od 2 položaja za visinu.
4. Pomerite dugmad nagore u smeru ručke dok se ne zaustave i ne čujete klik zvuk. (Sl. 25)

5. Potpuno zategnite dugmad.

Sklapanje hvatača trave

1. Postavite ram hvatača trave na vreću za travu tako da krut deo vreće bude na dnu. Ručica rama treba da bude na vrhu vreće za travu. (Sl. 26)
2. Postavite donji deo rama hvatača trave u žleb na dnu hvatača trave.
3. Pričvrstite okvir vreće za travu spojnicama. (Sl. 27)
4. Podignite zadnji poklopac.
5. Pomerite hvatač trave u odgovarajući položaj. (Sl. 28)
6. Pričvrstite hvatač trave na gornju ivicu šasije. Uverite se da zadnji poklopac dobro naleže na hvatač trave kako bi se sprečilo curenje. (Sl. 29)

Rukovanje

Uvod



UPOZORENJE: Pre rada sa proizvodom, morate pročitati i razumeti poglavlje o bezbednosti.

Husqvarna Connect

Husqvarna Connect je besplatna aplikacija za mobilne uređaje. Aplikacija Husqvarna Connect pruža proširene funkcije za proizvod Husqvarna:

- Dodatne informacije o proizvodu.
- Informacije o delovima proizvoda i servisiranju i pomoći u vezi s njima.

Da biste počeli koristiti Husqvarna Connect

1. Preuzmite aplikaciju Husqvarna Connect na svoj mobilni uređaj.
2. Registrujte se u aplikaciji Husqvarna Connect.
3. Pratite uputstva u aplikaciji Husqvarna Connect da biste se spojili i registrovali proizvod.

Podešavanje radne dubine



UPOZORENJE: Nemojte podešavati radnu dubinu dok rukujete proizvodom.

1. Pritisnite i okrenite dugme za podešavanje radne dubine suprotno kretanju kazaljke na satu da biste povećali radnu dubinu.
2. Pritisnite i okrenite dugme za podešavanje radne dubine u pravcu kazaljke na satu da biste smanjili radnu dubinu. (Sl. 30)

Pokretanje proizvoda

1. Priključite kabl za napajanje u utičnicu ispod ručke. (Sl. 31)
2. Stavite kabl za napajanje u držač kabla za napajanje. Pogledajte *Korišćenje držača kabla za napajanje na stranici 351.* (Sl. 23)
3. Stanite iza proizvoda.
4. Olabavite inhibitor pokretanja. (Sl. 32)
5. Pritisnite ručicu kočnice motora u smeru upravljača. (Sl. 33)

Zaustavljanje proizvoda

1. Otpustite ručicu kočnice motora da biste zaustavili motor. (Sl. 34)
2. Iskopčajte kabl za napajanje iz mrežnog napajanja a zatim iz proizvoda. (Sl. 35)



OPREZ: Izvucite utikač. Ne vucite kabl za napajanje.

Održavanje

Uvod



UPOZORENJE: Pre održavanja, morate pročitati i razumeti poglavlje o bezbednosti.

Za sva servisiranja i popravke proizvoda, potrebna je specijalna obuka. Garantujemo dostupnost stručnih popravki i servisiranja. Ako vaš prodavac nije servisni agent, obratite mu se za informacije o najbližem servisnom agentu.

Za detaljnije informacije pogledajte www.husqvarna.com.

Šema održavanja

Intervali održavanja su izračunati na osnovu svakodnevnog korišćenja proizvoda. Intervali se menjaju ako se proizvod ne koristi svakodnevno.

Za održavanje označeno sa *, pogledajte *Bezbednosni uređaji na proizvodu na stranici 350.*

	Svaka upotreba	Mesečno	Svaka sezona
Izvršite generalni pregled.	X		
Očistite proizvod.	X		
Pregledajte opremu za ditačer.	X		
Uverite se da bezbednosni uređaji na proizvodu nisu neispravni. *	X		
Pregledajte poklopce. *	X		
Proverite ručicu kočnice motora. *	X		
Proverite inhibitor pokretanja. *	X		

Vršenje opšteg pregleda

- Uverite se da su navrtke i zavrtnji na proizvodu zategnuti.

- Uverite se da kablovi na proizvodu nisu u položaju u kojem se mogu oštetiti.
- Uverite se da u proizvodu nema blokade.

Čišćenje proizvoda

- Očistite plastične delove čistom i suvom krpom.
- Nemojte čistiti proizvod vodom. Voda može da proдре u akumulator ili motor i izazove kratak spoj ili oštećenje proizvoda.
- Nemojte da koristite čistač pod visokim pritiskom za čišćenje proizvoda.
- Nemojte direktno ispirati motor vodom.
- Uklonite lišće, travu i prijavštinu pomoću četke.

Pregled opreme za ditačer



UPOZORENJE: Kako biste sprečili slučajno pokretanje, iskopčajte kabl za napajanje.



UPOZORENJE: Nosite zaštitne rukavice kada vršite održavanje na opremi

za ditačer. Zupci na opremi za ditačer su veoma oštri i lako dolazi do posekotina.

- Pregledajte opremu za ditačer u pogledu oštećenja ili naprslina. Uvek zamenite oštećenu opremu za ditačer.

Zamena opreme za ditačer



UPOZORENJE: Nosite zaštitne rukavice kada vršite održavanje na opremi za ditačer. Oprema za ditačer je veoma oštra i lako dolazi do posekotina.

1. Postavite proizvod na njegovu desnu stranu. (Sl. 36)
2. Uklonite 2 zavrtnja (A) i poklopac ditačera (B). Pritisnite opremu za ditačer (C) nagore i izvan kako biste je uklonili. (Sl. 37)
3. Pritisnite novu opremu za ditačer (C) u žleb i nadole u otvor. Postavite poklopac ditačera (B) i 2 zavrtnja (A). (Sl. 38)

Rešavanje problema

Rešavanje problema

Problem	Mogući uzrok	Rešenje
Proizvod ne može da se pokrene.	Kabel za napajanje nije povezan s izvorom napajanja.	Kabel za napajanje utaknite u izvor napajanja.
	Kabl za napajanje nije povezan s proizvodom.	Priključite kabl za napajanje u utičnicu ispod ručke.
	Ručicu kočnice motora nije gurnuta u smeru upravljača.	Pritisnite ručicu kočnice motora u smeru upravljača.
	Kabel za napajanje je oštećen. Druge greške.	Obratite se ovlašćenom servisnom agentu.

Transport, skladištenje i odlaganje

Transport

- Za komercijalni transport moraju se poštovati posebni zahtevi koji su navedeni na pakovanju i nalepticama.
- Pobrinite se da se pridržavate propisa za transport opasnih materija prilikom pripreme proizvoda za transport. Lokalni propisi se mogu primenljivati.
- Fiksirajte proizvod tokom transporta.

Skladištenje

- Sačekajte da se proizvod ohladi pre nego što ga uskladištite.
- Čuvajte proizvod na mestu gde je temperatura okoline između -10 °C i 40 °C.
- Čuvajte proizvod na zaključanom mestu izvan domašaja dece i neovlašćenih osoba.
- Očistite proizvod i izvršite kompletno servisiranje pre nego što uskladištite proizvod na duži vremenski period.

- Obavljajte poslove održavanja opisane u ovom korisničkom uputstvu. Pogledajte *Šema održavanja na stranici 353*.
- Izvršite kompletno servisiranje pre nego što uskladištite proizvod na duži vremenski period.

Starajući se da se na odgovarajući način pobrinite za ovaj proizvod, možete da pomognete da se ublaži mogući negativni uticaj na životnu sredinu i ljude, do kojeg bi u suprotnom došlo u slučaju nepravilnog odlaganja ovog proizvoda na otpad. Za detaljnije informacije o recikliranju ovog proizvoda, obratite se vašoj opštini, „Gradskoj čistoći“ ili osoblju u prodavnici u kojoj ste proizvod kupili.

(Sl. 39)

Odlaganje

Simboli na proizvodu ili njegovom pakovanju ukazuju na to da se ovim proizvodom ne može rukovati kao otpadom iz domaćinstva. On se mora odneti u odgovarajući reciklažni pogon za obnavljanje električne i elektronske opreme.

Tehnički podaci

Tehnički podaci

S 138C	
Motor	
Tip motora	Serijski AC motora
Brzina dodatka – SavE, o/min	N/A
Brzina dodatka – nominalna, o/min	4200
Izlazna snaga motora – maks. kW	1,8
Izlazna snaga motora – nominalna, kW	1,6
Težina	
Težina, kg	19,0
Emisija buke ⁷³	
Nivo zvučne snage, mereno dB (A)	96
Nivo zvučne snage, garantovano L _{WA} dB (A)	98
Nivoi zvuka ⁷⁴	
Nivo zvučnog pritiska na uho rukovaoca, dB (A)	82
Nivoi vibracije ⁷⁵	
Ručka, m/s ²	8,3
Rad	
Maks./min. radna dubina, mm	-8/+5
Radna dubina, cm	37,5
Dodatak zubaca sečiva	5973510-01
Dodatak opružnih zubaca	5973509-01

⁷³ Emisije buke u životnoj sredini merene kao zvučna snaga (L_{WA}) u skladu sa direktivom 2000/14/EZ.

⁷⁴ Prijavljeni podaci za nivo zvučnog pritiska imaju tipičnu statističku disperziju (standardna devijacija) od 1,2 dB (A).

⁷⁵ Podaci o nivou vibracije imaju tipičnu statističku disperziju (standardnu devijaciju) od 0,2 m/s².

S 138C	
Kapacitet hvatača trave, litara	45.

Deklaracija o usaglašenosti

EU deklaracija o usaglašenosti

Mi, **Husqvarna AB**, SE-561 82 Huskvarna, Švedska, tel:
+46-36-146500, izjavljujemo pod punom odgovornošću
da je proizvod:

Opis	Žasekač
Marka	Husqvarna
Tip/model	S 138C
Identifikacija	Serijski brojevi od 2023 i nadalje

su u potpunosti usaglašeni sa sledećim EU direktivama i propisima:

Direktiva/propis	Opis
2011/65/EU	„koji se odnose na ograničenje upotrebe određenih opasnih supstanci u električnoj i elek-tronskoj opremi“
2006/42/EC	„koji se odnose na mašine“
2014/30/EU	„koji se odnose na elektromagnetsku kompatibilnost“
2000/14/EC	„koji se odnose na emisiju buke u okruženju“

i da su sledeći standardi i/ili tehničke specifikacije primenjeni: EN 60335-1:2012/A11:2014/A13:2017/ A15:2021, EN 50636-2-92:2014, EN 55014-1:2017/ A11:2020, EN 55014-2:2015, EN 61000-3-2:2014, EN 61000-3-11:2000, EN IEC 63000:2018.

Za informacije o emisiji buke pogledajte *Tehnički podaci na stranici 355*.

Huskvarna, 2024-03-01



Claes Losdal

Menadžer razvoja / baštenski proizvodi

Husqvarna AB

Odgovoran za tehničku dokumentaciju



Innehåll

Introduktion.....	358	Felsökning.....	368
Säkerhet.....	360	Transport, förvaring och kassering.....	368
Montering.....	366	Tekniska data.....	369
Drift.....	366	Försäkran om överensstämmelse.....	370
Underhåll.....	367		

Introduktion

Produktbeskrivning

Produkten är en eldriven vertikalskärare som styrs av en gående person. Produkten tar bort dött gräs och luckrar upp jorden så att luft och vatten kan tränga in i gräsmattan. Det döda gräset samlas i en gräsuppsamlare eller släpps ut på gräsmattan. Produkten har två typer av vertikalskärningsutrustning.

Vertikalskärningsutrustning

Se *Byta ut vertikalskärningsutrustningen på sida 367* för information om hur vertikalskärningsutrustningen byts ut.

Bladknivar

Bladknivarna tar bort dött gräs och kapar gräsrötterna vertikalt. Använd bladknivarna i sluttningar, på avsatser

Produktöversikt

(Fig. 1)

1. Motorbromsbygel
2. Övre handtag
3. Startspärr
4. Strömuttag
5. Undre handtag
6. Kabelklämma
7. Gräsuppsamlare
8. Bakre kåpa
9. Vertikalskärarkåpa
10. Inställningsvred för arbetsdjup
11. Fjäderknivar
12. Insexnyckel
13. Bruksanvisning

Symboler på produkten

(Fig. 2)

Varning! Slarvigt eller felaktigt användande kan resultera i skador eller dödsfall för operatören eller andra.

och i jordar med hög lerhalt. Bladknivar gör att vatten kan tränga ner i gräsmattan och förhindrar vattenansamling vid ytan.

(Fig. 19)

Fjädertänder

Fjädertänderna tar varsamt bort gräsrester utan att skada gräsrötterna.

(Fig. 20)

Avsedd användning

Använd produkten för att ta bort dött gräs och mossa och för att luckra upp jorden i trädgården. Använd inte produkten till andra uppgifter.

(Fig. 3)

Läs igenom bruksanvisningen och se till att du förstår innehållet innan du använder produkten.

(Fig. 4)

Akta dig för utslungade föremål och rikoschetter.

(Fig. 5)

Håll alltid människor och djur på säkert avstånd från arbetsområdet.

(Fig. 6)

VARNING! Håll händer och fötter borta från knivarna.

- (Fig. 7) Koppla bort produkten från eluttaget innan du utför underhåll på produkten. Knivarna fortsätter rotera efter det att motorn har stängts av.
- (Fig. 8) Risk för elektriska stötar.
- (Fig. 9) Varning! Se till att produkten inte hamnar över nätsladden. Det kan orsaka elektriska stötar eller skada på produkten.
- (Fig. 10) Produkten har skydd mot vattenstänk.
- (Fig. 11) Produkten överensstämmer med gällande EG-direktiv.
- (Fig. 12) Denna produkt överensstämmer med gällande brittiska direktiv.
- (Fig. 13) Miljömärkning för bulleremission enligt direktiv och bestämmelser för EU och Storbritannien samt New South Wales-lagen "Protection of the Environment Operations (Noise Control) Regulation 2017". Produktens garanterade ljudeffektnivå anges i *Tekniska data på sida 369* och på etiketten.
- (Fig. 14) Dubbelisolerad.
- (Fig. 15) Återvinn produkten vid en återvinningsstation för elektrisk och elektronisk utrustning. (Gäller endast Europa)
- (Fig. 16) Startprocedur: lyft på startspärren, tryck ned motorbromsbygeln.
- (Fig. 17) Stoppa genom att släppa motorbromsbygeln.
- (Fig. 18) Kod som kan skannas.

Notera: Övriga symboler/etiketter på produkten avser specifika krav för certifieringar på vissa marknader.

Produktskada

Vi ansvarar inte för skador på vår produkt om:

- produkten repareras felaktigt
- produkten repareras med delar som inte kommer från tillverkaren eller inte har godkänts av tillverkaren
- produkten har ett tillbehör som inte kommer från tillverkaren eller inte har godkänts av tillverkaren
- produkten inte repareras vid ett godkänt servicecenter eller av en godkänd person.

Säkerhetsdefinitioner

Varningar, försiktighetsåtgärder och anmärkningar används för att betona speciellt viktiga delar i bruksanvisningen.



WARNING: Används om det finns risk för skador eller dödsfall för föraren eller kringstående om anvisningarna i bruksanvisningen inte följs.



OBSERVERA: Används om det finns risk för skada på produkten, annat material eller det angränsande området om anvisningarna i bruksanvisningen inte följs.

Notera: Används för att ge mer information som är nödvändig i en viss situation.

Allmänna säkerhetsanvisningar



WARNING: Läs varningsinstruktionerna nedan innan du använder produkten.

- Denna produkt är farlig om den används på fel sätt, och om du inte är försiktig. Skada eller dödsfall kan inträffa om du inte följer säkerhetsinstruktionerna.
- Denna produkt alstrar ett elektromagnetiskt fält under drift. Detta fält kan under vissa omständigheter ge påverkan på aktiva eller passiva medicinska implantat. För att reducera risken för omständigheter som kan leda till allvarliga eller livshotande skador rekommenderar vi därför personer med implantat att rådgöra med läkare samt tillverkaren av det medicinska implantatet innan denna produkt används.
- Var alltid försiktig och använd sunt förnuft. Om du inte vet hur du ska använda produkten i en särskild situation ska du stanna den och tala med en Husqvarna-återförsäljare innan du fortsätter.
- Tänk på att användaren kommer att hållas ansvarig för olyckor som involverar andra människor eller deras egendom.

- Håll produkten ren. Se till att du kan läsa skyltar och dekalering tydligt.
- Låt aldrig barn eller personer som inte känner till de här instruktionerna använda produkten. Det kan finnas en åldersgräns för användning enligt lokala föreskrifter.
- Övervaka alltid en person med nedsatt fysisk eller mental kapacitet som använder produkten. En vuxen person måste vara närvarande hela tiden.
- Använd aldrig produkten om du är trött, sjuk eller om du är påverkad av alkohol, droger eller läkemedel. Detta har en negativ inverkan på din syn, ditt omdöme och din kroppskontroll.
- Använd inte produkten om den är trasig.
- Modifiera aldrig den här produkten och använd den inte om det är möjligt att den har blivit modifierad av andra.
- Ta bort föremål som grenar, kvistar och stenar från arbetsområdet innan du använder produkten.
- Objekt som slår mot vertikalskäraren kan slungas ut och orsaka skador på personer och föremål. Håll alltid människor och djur på säkert avstånd från produkten.
- Använd aldrig produkten i dåligt väder, som dimma, regn, hård vind, extrem kyla och risk för blixtnedslag. Det är ansträngande att använda produkten i dåligt väder eller på fuktiga eller våta platser. Dåligt väder kan leda till farliga förhållanden, t.ex. hala ytor.
- Håll utkik efter personer, föremål och situationer som kan förhindra säker användning av produkten.
- Håll utkik efter hinder, som rötter, stenar, grenar, gropar och diken. Långt gräs kan dölja hinder.
- Det kan vara farligt att använda produkten i sluttningar. Använd inte produkten i terräng som lutar mer än 15°.
- Klipp tvärs över sluttningar. Inte upp och ned.

Säkerhet i arbetsområdet



VARNING: Läs varningsinstruktionerna nedan innan du använder produkten.

- Var uppmärksam när du närmar dig dolda hörn och föremål som skymmer sikten.

Arbetssäkerhet



WARNING: Läs varningsinstruktionerna nedan innan du använder produkten.



WARNING: Stoppa produkten, dra ur strömssladden och se till att knivarna har stannat helt innan du vidrör vertikalskärningsutrustningen.

- Använd enbart den här produkten för att ta bort dött gräs och mossa från gräsmattor. Det är inte tillåtet att använda den för andra uppgifter.
- Använd personlig skyddsutrustning. Se *Personlig skyddsutrustning på sida 363*.
- Använd inte produkten i regn eller vid blöta förhållanden. Risken för elektriska stötar ökar om vatten kommer in i produkten.
- Använd inte produkten om strömssladden är skadad.
- Använd inte produkten om inte vertikalskärningsutrustningen och alla kåpor är korrekt monterade. Felaktigt monterad vertikalskärningsutrustning kan lossna och orsaka personskador.
- Se till att vertikalskärningsutrustningen inte slår emot föremål som stenar och rötter. Detta kan orsaka skador på vertikalskärningsutrustningen och böja motoraxeln. En böjd axel orsakar kraftiga vibrationer och risken för att vertikalskärningsutrustningen lossnar blir mycket hög.
- Om vertikalskärningsutrustningen träffar ett föremål eller om det uppstår vibrationer ska du omedelbart stoppa produkten. Stoppa motorn och koppla bort strömssladden. Kontrollera om det finns några skador på produkten. Reparera skadorna eller låt en behörig serviceverkstad utföra reparationen.
- Fäst aldrig motorbromsbygeln permanent på handtaget när motorn är igång.
- Ställ produkten på ett stabilt plant underlag och starta den. Se till att vertikalskärningsutrustningen

inte vidrör marken eller andra föremål.

- Håll dig alltid bakom produkten när du använder den.
- Låt alla hjul stå på marken och håll båda händerna på handtaget när du använder produkten. Håll händer och fötter borta från den roterande vertikalskärningsutrustningen.
- Luta inte produkten när motorn är igång.
- Var försiktig när du drar produkten bakåt.
- Lyft aldrig upp produkten när motorn är igång. Om du måste lyfta upp produkten ska du först stoppa motorn och koppla bort strömsladden.
- Gå inte baklänges när du använder produkten.
- Stäng av motorn när du rör dig över områden utan gräs, t.ex. gångar av grus, sten och asfalt.
- Spring inte med produkten när motorn är igång. Gå alltid när du använder produkten.
- Stäng av motorn innan du ändrar arbetsdjupet. Gör aldrig justeringar med motorn igång.
- Lämna aldrig produkten utom synhåll med motorn igång. Stoppa motorn, koppla bort strömsladden och se till att

vertikalskärningsutrustningen inte roterar.

Säkerhetsinstruktioner för drift

Personlig skyddsutrustning

Godkänd personlig skyddsutrustning ska användas då du använder produkten. Personlig skyddsutrustning kan inte eliminera skaderisken, men den reducerar effekten av en skada vid ett eventuellt olyckstillbud. Be din återförsäljare om hjälp vid val av utrustning.

Använd alltid:

- Hörselskydd för att minimera risken för hörselskador.
- Halkfria, stabila stövlar eller skor. Använd inte sandaler och gå inte barfota.
- Tjocka långbyxor. Använd inte shorts.

Använd handskar när det behövs, till exempel vid montering, inspektion och rengöring av vertikalskärningsutrustningen.



WARNING: Använd godkända hörselskydd. Långvarig exponering för buller kan ge bestående hörselskador.

Säkerhetsanordningar på produkten



VARNING: Läs varningsinstruktionerna nedan innan du använder produkten.

- Använd inte en produkt med defekta säkerhetsanordningar.
- Kontrollera säkerhetsanordningarna regelbundet. Om säkerhetsanordningarna är defekta ska du prata med din Husqvarna serviceverkstad.

Kontrollera kåporna

Vertikalskärarkåpan dämpar vibrationerna och minskar risken för skador orsakade av vertikalskärningsutrustningen.

- Undersök vertikalskärarens sidokåpa för att se till att den inte har några skador, t.ex. sprickor.
- Undersök den bakre kåpan för att se till att den inte har några skador, t.ex. sprickor.

Motorbromsbygel

Motorbromsbygeln stänger av motorn. När motorbromsbygeln släpps stannar motorn.

För att inspektera motorbromsen ska du starta motorn och sedan släppa motorbromsbygeln. Om motorn inte stannar inom tre sekunder ska du låta en godkänd Husqvarna-serviceverkstad justera motorbromsen.

(Fig. 21)

Undersöka startspärren

Gör en kontroll av startspärren för att se till att den hindrar drift av motorn.

1. Tryck motorbromsbygeln i styrets riktning. Startspärren stoppar rörelsen.
2. Tryck ut startspärren. (Fig. 22)
3. Lossa startspärren och se till att den går tillbaka till ursprungsläget.

Använda strömsladdshållare

Strömsladdshållaren minskar belastningen på eluttaget och strömsladden. Strömsladdshållaren minskar också risken för att du ska falla.

1. Gör en smal ögla genom att böja strömsladden.
2. Placera ögla i hålet i strömsladdshållaren.

3. Placera öglan runt kroken.
 4. Dra åt strömsladden så öglan spänns åt runt kroken. (Fig. 23)
- Koppla ifrån strömsladden för att förhindra oavsiktlig start vid underhåll.
 - Utför underhållsarbete på rätt sätt för att öka produktens livslängd och minska risken för olyckor. Låt en godkänd serviceverkstad utföra fackmannamässig reparation. Tala med din närmaste serviceverkstad för mer information.

Strömsladdssäkerhet

- Vi rekommenderar användning av en jordfelsbrytare (RCD) med fränslagning vid högst 30 mA. Även med en jordfelsbrytare installerad kan 100 % säkerhet inte garanteras och säkra arbetsmetoder måste alltid följas. Kontrollera jordfelsbrytaren varje gång du använder den.
- Tänk på att koppla bort produkten från eluttaget om strömsladden eller isoleringen är skadad.
- Vidrör inte en skadad strömsladd förrän strömmen har kopplats ifrån.
- Reparera inte en skadad strömsladd. Byt till en ny.
- Utför endast det underhållsarbete som anges i den här bruksanvisningen. Mer omfattande arbete ska utföras av en godkänd serviceverkstad.
- Undvik risken för skador: Ta inte bort och gör inga ändringar på säkerhetsanordningar.
- Använd kraftiga arbetshandskar när du använder vertikalskärningsutrustningen. Vertikalskärningsutrustningen är mycket vass och skärskador uppstår lätt.

Säkerhetsinstruktioner för underhåll



WARNING: Läs varningsinstruktionerna nedan innan du använder produkten.

- Håll knivarna på vertikalskärningsutrustningen välslipade och rena för bästa och säkraste prestanda.
- Låt din serviceverkstad regelbundet kontrollera produkten och göra nödvändiga inställningar och reparationer.

- Byt ut skadade, slitna eller trasiga delar. Använd alltid reservdelar i original från tillverkaren. Andra reservdelar kan orsaka skador på

produkten och öka risken för olyckor.

- Följ instruktionerna för byte av tillbehör. Använd endast tillbehör från tillverkaren.

Montering

Introduktion



VARNING: Innan du monterar produkten ska du läsa säkerhetskapitlet.



VARNING: Koppla ifrån strömsladden för att förhindra oavsiktlig start vid montering.

Montera handtaget

1. Lossa de nedre vreden.
2. Flytta vreden till den nedre delen av spåren på produktens vänstra och högra sida. (Fig. 24)
3. Ställ in handtagshöjden till ett av två tillgängliga lägen.

4. Skjut vreden uppåt mot handtaget tills det tar stopp och du hör ett klick. (Fig. 25)
5. Dra åt vreden helt.

Montera gräsupsamlaren

1. Fäst gräsupsamlarens ram i gräsbehållaren, med behållarens stela del nedåt. Håll ramens handtag ovanpå gräsbehållaren. (Fig. 26)
2. Sätt fast den nedre delen av gräsupsamlarens ram i spåret på undersidan av gräsupsamlaren.
3. Fäst gräsbehållaren på gräsupsamlarens ram med klämmorna. (Fig. 27)
4. Lyft den bakre kåpan.
5. Flytta gräsupsamlaren till rätt läge. (Fig. 28)
6. Fäst gräsupsamlaren i den övre kanten på chassit. Kontrollera att den bakre kåpan ligger helt tätt mot gräsupsamlaren för att förhindra läckage. (Fig. 29)

Drift

Introduktion



VARNING: Innan du använder produkten måste du läsa igenom och förstå kapitlet om säkerhet.

Husqvarna Connect

Husqvarna Connect är en kostnadsfri app för mobila enheter. Husqvarna Connect-appen utökar funktionerna för Husqvarna-produkten:

- Mer produktinformation.
- Information om, och hjälp med, produktdelar och service.

Börja använda Husqvarna Connect

1. Hämta Husqvarna Connect-appen på din mobila enhet.
2. Utför registreringen i Husqvarna Connect-appen.
3. Följ instruktionerna i Husqvarna Connect-appen för att ansluta och registrera produkten.

Ställa in arbetsdjupet



VARNING: Ställ inte in arbetsdjupet när du använder produkten.

1. Tryck in och vrid inställningsvredet för arbetsdjup moturs för att öka arbetsdjupet.
2. Tryck in och vrid inställningsvredet för arbetsdjup medurs för att minska arbetsdjupet. (Fig. 30)

Starta produkten

1. Anslut nätsladden till uttaget nedanför handtaget. (Fig. 31)
2. Sätt nätsladden i sladdhållaren. Se *Använda strömsladdshållare på sida 364*. (Fig. 23)
3. Stå bakom produkten.
4. Lossa startspärren. (Fig. 32)
5. Tryck motorbromsbygeln i handtagets riktning. (Fig. 33)

Stänga av produkten

1. Släpp motorbromsbygeln för att stänga av motorn. (Fig. 34)
2. Koppla bort nätsladden från eluttaget och därefter ur produkten. (Fig. 35)



OBSERVERA: Dra kontakten kraft ut. Dra inte i nätsladden.

Underhåll

Introduktion



VARNING: Innan du utför underhåll måste du läsa och förstå kapitlet om säkerhet.

För allt service- och reparationsarbete på produkten krävs särskild utbildning. Vi garanterar att du kan få en fackmannamässig reparation och service utförd. Om din återförsäljare inte är en serviceverkstad kan du tala med dem för information om närmaste serviceverkstad.

Mer information finns här i www.husqvarna.com.

Underhållsschema

Underhållsintervallen beräknas utifrån daglig användning av produkten. Intervallen ändras om produkten inte används dagligen.

För underhåll som markeras med *, se *Säkerhetsanordningar på produkten på sida 364*.

	Varje användning	Varje månad	Varje säsong
Utför en allmän inspektion.	X		
Rengöra produkten.	X		
Undersök vertikalskärningsutrustningen.	X		
Kontrollera att produktens säkerhetsanordningar inte är defekta. *	X		
Undersök kåporna. *	X		
Kontrollera motorbromsbygeln. *	X		
Kontrollera startspärren. *	X		

Allmän inspektion

- Se till att skruvar och muttrar på produkten är åtdragna.
- Se till att produktens kablar inte är i ett läge där de kan skadas.
- Se till att det inte finns någon överbelastning i produkten.

Rengöra produkten

- Rengör plastdelar med en ren och torr trasa.
- Använd inte vatten för att rengöra produkten. Vatten kan tränga in i batteriet eller motorn och orsaka kortslutning eller skada på produkten.
- Undvik att använda högttryckstvätt när du rengör maskinen.
- Spola inte vatten direkt på motorn.
- Använd en borste för att ta bort löv, gräs och smuts.

Undersöka vertikalskärningsutrustningen



VARNING: Koppla ifrån strömsladden för att förhindra oavsiktlig start.



VARNING: Använd skyddshandskar när du utför underhåll på vertikalskärningsutrustningen. Knivarna på vertikalskärningsutrustningen är mycket vassa och skärskador uppstår lätt.

- Kontrollera att vertikalskärningsutrustningen inte är skadad eller har sprickor. Byt alltid ut skadad vertikalskärningsutrustning.

Byta ut vertikalskärningsutrustningen



VARNING: Använd skyddshandskar när du utför underhåll på vertikalskärningsutrustningen.

Vertikalskärningsutrustningen är mycket vass och skärskador uppstår lätt.

1. Ställ produkten på sidan. (Fig. 36)
2. Ta bort de två skruvarna (A) och vertikalskärarkåpan (B). Tryck vertikalskärningsutrustningen (C) uppåt och utåt för att ta bort den. (Fig. 37)

3. Skjut den nya vertikalskärningsutrustningen (C) in i spåret och ned i hålet. Montera vertikalskärarkåpan (B) och de två skruvarna (A). (Fig. 38)

Felsökning

Felsökning

Problem	Möjlig orsak	Lösning
Produkten startar inte.	Strömsladden är inte ansluten till en strömkälla.	Sätt in strömsladden i ett eluttag.
	Strömsladden är inte ansluten till produkten.	Anslut strömsladden till uttaget nedanför handtaget.
	Motorbromsbygeln trycks inte i styrets riktning.	Tryck motorbromsbygeln i styrets riktning.
	Strömsladden är skadad.	Tala med en godkänd serviceverkstad.
	Andra fel.	

Transport, förvaring och kassering

Transport

- För kommersiella transporter måste särskilda krav på förpackning och etiketter följas.
- Se till att du följer kraven gällande farligt material när du förbereder produkten för transport. Lokala föreskrifter kan gälla.
- Fäst produkten under transport.

Förvaring

- Låt produkten svalna före förvaring.
- Förvara produkten i temperaturer mellan -10 och 40 °C.
- Förvara produkten i ett låst utrymme utom räckhåll för barn och personer som inte är godkända.
- Rengör produkten och gör en fullständig service innan du ska förvara produkten under en längre tid.
- Utför underhåll enligt anvisningarna i den här bruksanvisningen. Se *Underhållsschema på sida 367*.

- Utför en fullständig service före långtidsförvaring.

Kassering

Symbolen på produkten eller dess förpackning indikerar att denna produkt inte får hanteras som hushållsavfall. Istället ska den överlämnas till lämplig återvinningsstation för återvinning av elektrisk och elektronisk utrustning.

Genom att se till att denna produkt omhändertas ordentligt kan du hjälpa till att motverka potentiella negativa konsekvenser på miljö och människor, vilka annars kan orsakas genom oriktig avfallshantering av denna produkt. För mer detaljerad information om återvinning av denna produkt, kontakta din kommun, din hushållsavfallsservice eller affären där du köpte produkten.

(Fig. 39)

Tekniska data

Tekniska data

S 138C	
Motor	
Motortyp	Seriens AC-motor
Utrustningens varvtal – SavE, varv/min	Ej tillämpligt
Utrustningens varvtal – nominellt, varv/min	4 200
Motoreffekt – max. kW	1,8
Motoreffekt – nominell, kW	1,6
Vikt	
Vikt, kg	19,0
Bulleremission ⁷⁶	
Ljudeffektnivå, uppmätt dB(A)	96
Ljudeffektnivå, garanterad L _{WA} dB(A)	98
Ljudnivåer ⁷⁷	
Ljudtrycksnivå vid användarens öra, dB(A)	82
Vibrationsnivåer ⁷⁸	
Handtag, m/s ²	8,3
Drift	
Arbetsdjup, max/min, mm	-8/+5
Arbetsbredd, cm	37,5
Bladknivar, tillbehör	5973510-01
Fjäderknivar, tillbehör	5973509-01
Gräsuppsamlarens kapacitet, liter	45

⁷⁶ Bulleremission till omgivningen uppmätt som ljudeffekt (L_{WA}) enligt EG-direktiv 2000/14/EG.

⁷⁷ Redovisade data för ljudtrycksnivå har ett typiskt spridningsmått (standardavvikelse) på 1,2 dB (A).

⁷⁸ Rapporterade data för vibrationsnivå har en typisk statistisk spridning (standardavvikelse) på 0,2 m/s².

Försäkran om överensstämmelse

EU-försäkran om överensstämmelse

Vi, **Husqvarna AB**, SE-561 82 Huskvarna, Sverige, tel:
+46 36 146500, försäkrar på eget ansvar att produkten:

Beskrivning	Vertikalskärare
Varumärke	Husqvarna
Typ/Modell	S 138C
Identifiering	Serienummer daterade 2023 och framåt

uppfyller alla krav i följande EU-direktiv och förordningar:

Direktiv/förordning	Beskrivning
2011/65/EU	"angående begränsning av användning av vissa farliga ämnen i elektrisk och elektronisk utrustning"
2006/42/EG	"om maskiner"
2014/30/EU	"angående elektromagnetisk kompatibilitet"
2000/14/EC	"angående emission av buller till omgivningen"

och att följande standarder och/eller tekniska specifikationer tillämpas: EN 60335-1:2012/A11:2014/A13:2017/A15:2021, EN 50636-2-92:2014, EN 55014-1:2017/A11:2020, EN 55014-2:2015, EN 61000-3-2:2014, EN 61000-3-11:2000, EN IEC 63000:2018.

Information om bulleremission finns i *Tekniska data på sida 369*.

Huskvarna, 2024-03-01



Claes Losdal

Utvecklingschef/trädgårdsprodukter, Husqvarna AB

Husqvarna AB

Ansvarig för teknisk dokumentation



İçindekiler

Giriş.....	371	Sorun giderme.....	381
Güvenlik.....	373	Taşıma, depolama ve atma.....	381
Montaj.....	379	Teknik veriler.....	382
Çalışma.....	379	Uyumluluk Bildirimi.....	383
Bakım.....	380		

Giriş

Ürün açıklaması

Ürün, yaya kumandalı bir elektrikli çim havalandırıcıdır. Ürün, çimenlik alandaki ayrık otları temizleyip toprağı gevşeterek çimenlik alana hava ve su girmesini sağlar. Ayrık otlar, çim toplama sepetinde toplanır veya çimenlik alana bırakılır. Bu üründe 2 tip çim havalandırıcı ekipmanı vardır.

Çim havalandırıcı ekipmanı

Çim havalandırıcı ekipmanının değiştirilmesi hakkında bilgi için bkz. *Çim havalandırıcı ekipmanını değiştirme sayfa*: 380.

Bıçak dişler

Bıçak dişler, zor çürüyen bitkisel tabakayı temizler ve çim köklerini dikey olarak keser. Bıçak dişleri

Ürüne genel bakış

(Şek. 1)

1. Motor fren kolu
2. Üst tutma yeri
3. Başlatma engelleyici
4. Elektrik prizi
5. Alt tutma yeri
6. Kablo kelepçesi
7. Çim toplama sepeti
8. Arka kapak
9. Ayırıştırıcı kapağı
10. Çalışma derinliği ayar düğmesi
11. Yaylı dişler
12. Alyan anahtarı
13. Kullanım kılavuzu

Ürün üzerindeki semboller

(Şek. 2)

Uyarı: Dikkatsiz ya da yanlış kullanım, operatörün veya başkalarının

eğimli alanlarda, yamaçlarda ve kil bakımından zengin topraklarda kullanın. Bıçak dişler, suyun çimenlik alanın içine işlemesini sağlayarak yüzeyde birikmesini önler

(Şek. 19)

Yaylı dişler

Yaylı dişler, çimenlik alandaki kuru çimleri ve ayrık otları çim köklerine zarar vermeden itinayla temizler.

(Şek. 20)

Kullanım amacı

Bu ürünü özel bahçelerdeki toprağı gevşetmenin yanı sıra ayrık ot ve yosunları temizlemek için kullanın. Ürünü başka işler için kullanmayın.

yaralanmasına veya ölmesine neden olabilir.

(Şek. 3)

Bu ürünü kullanmadan önce kullanım kılavuzunu okuyun ve talimatları anladığınızdan emin olun.

(Şek. 4)

Atılan nesnelere ve seken cisimlere dikkat edin.

(Şek. 5)

İnsanları ve hayvanları çalışma alanından güvenli bir uzaklıkta tutun.

- (Şek. 6) UYARI - Ellerinizi ve ayaklarınızı dişlerden uzakta tutun.
- (Şek. 7) Ürün üzerinde bakım yapmadan önce ürünün elektrik priziyle bağlantısını kesin. Motor kapatıldıktan sonra dişler dönmeye devam eder.
- (Şek. 8) Elektrik çarpması tehlikesi.
- (Şek. 9) Uyarı: Elektrik çarpmasına veya ürünün zarar görmesine neden olabileceğinden ürünü güç kablosunun üzerinden geçirmeyin.
- (Şek. 10) Ürün, su sıçramasına karşı korumalıdır.
- (Şek. 11) Bu ürün yürürlükteki AT direktiflerine uygundur.
- (Şek. 12) Bu ürün yürürlükteki Birleşik Krallık yönetmeliklerine uygundur.
- (Şek. 13) AB ve BK direktifleri ile yönetmelikleri ve Yeni Güney Galler mevzuatı "Çevre Koruma Operasyonları (Gürültü Kontrolü) Yönetmeliği

2017" uyarınca çevreye yayılan gürültü emisyonu etiketi. Ürünün garantili ses gücü düzeyi *Teknik veriler sayfa: 382* bölümünde ve etiketin üstünde belirtilmektedir.

(Şek. 14) Çift yalıtım.

(Şek. 18) Bu ürünü, elektrikli ve elektronik ekipmanlara uygun bir geri dönüşüm noktasında geri dönüştürün. (Sadece Avrupa için geçerlidir)

(Şek. 15) Çalıştırma prosedürü: Başlatma engelleyiciyi gevşetin, motor fren kolunu aşağıya doğru itin.

(Şek. 16) Durdurmak için motor fren kolunu serbest bırakın.

(Şek. 17) Taranabilir kod.

Not: Ürünün üzerindeki diğer semboller/etiketler, bazı pazarların sertifikalandırma gereklilikleri ile ilgilidir.

Üründe oluşabilecek hasarlar

Aşağıdaki durumlarda ürünümüzde oluşabilecek hasarlardan sorumlu olmayız:

- ürünün hatalı bir şekilde onarılması,

- ürünün, üretici tarafından onaylanmayan veya üreticiden alınmayan parçalarla tamir edilmesi,
- üründe, üreticiden alınmayan veya üretici tarafından onaylanmayan bir aksesuar bulunması,

- ürünün, onaylı bir servis merkezinde veya yetkili bir kurum tarafından tamir edilmemesi.

Güvenlik

Güvenlik tanımları

Kılavuzdaki önemli kısımları vurgulamak için uyarılar ve notlar kullanılmıştır.



UYARI: Kılavuzdaki talimatlara uyulmadığı takdirde operatör veya çevredeki kişiler için ciddi yaralanma veya ölüm tehlikesi varsa kullanılır.



DİKKAT: Kılavuzdaki talimatlara uyulmadığı takdirde ürünün, diğer malzemelerin veya çevrenin zarar görme riski olduğunda kullanılır.

Not: Belirli bir durumda bilgi verilmesi gerektiğinde kullanılır.

Genel güvenlik talimatları



UYARI: Ürünü kullanmadan önce aşağıdaki uyarı talimatlarını okuyun.

- Bu ürün yanlış kullanıldığında veya dikkatli olmazsanız tehlikelidir. Güvenlik talimatlarına uyulmaması yaralanmalara veya ölüme yol açabilir.
- Bu ürün, çalışırken elektromanyetik bir alan oluşturur. Bu alan, bazı koşullarda aktif veya pasif tıbbi implantlarda girişime neden edebilir. Ciddi veya ölümcül yaralanma riskini azaltmak için tıbbi implantı olan kişilerin, bu ürünü kullanmadan önce doktorlarına ve tıbbi implant üreticilerine danışmalarını öneririz.
- Her zaman dikkatli olun ve sağduyunuzu kullanın. Özel bir durumda aracı nasıl kullanacağınızdan emin değilseniz durun ve devam etmeden önce Husqvarna yetkili satıcınızla görüşün.
- Diğer insanları veya bu insanlara ait mülkleri içeren kazalardan operatörün sorumlu tutulacağını unutmayın.

- Ürünü temiz tutun. İşaretleri ve etiketleri net bir şekilde okuyabildiğinizden emin olun.
- Çocukların veya bu kullanma talimatlarını bilmeyen kişilerin cihazı kullanmasına asla izin vermeyin. Yerel yönetmeliklerde operatör yaşına dair bir sınırlama olabilir
- Fiziksel veya zihinsel kapasitesi düşük olan bir kişi ürünü kullanırken bu kişiyi daima gözetim altında tutun. Sorumluluk sahibi bir yetişkin her zaman orada olmalıdır.
- Ürünü yorgun, hasta veya alkol ya da ilaç etkisi altındayken kullanmayın. Bu durum görüş, dikkat, koordinasyon ve doğru bir şekilde düşünmenizi olumsuz yönde etkiler.
- Arızalıysa ürünü kullanmayın.
- Başkaları tarafından değiştirilmiş olma olasılığı varsa bu ürünü değiştirmeyin veya kullanmayın.
- Ürünü kullanmadan önce çalışma alanındaki dal, çalı çırpı ve taş gibi nesnelere alın.
- Çim havalandırıcı ekipmanına çarpan nesnelere fırlatılarak kişi ve nesnelere zarar görmesine neden olabilir. Etraftaki insanları ve hayvanları üründen güvenli bir uzaklıkta tutun.
- Ürünü sis, yağmur, kuvvetli rüzgar, şiddetli soğuk ve yıldırım düşmesi riski gibi olumsuz hava koşullarında hiçbir zaman kullanmayın. Ürünü olumsuz hava koşullarında veya nemli ya da ıslak yerlerde kullanmak yorucudur. Kötü hava, kaygan yüzeyler gibi tehlikeli koşullara neden olabilir.
- Ürünün güvenli bir şekilde çalışmasını önleyebilecek kişi, nesne ve durumlara dikkat edin.
- Kök, taş, çalı çırpı, çukur, hendek gibi engellere dikkat edin. Uzun çim nesnelere saklayabilir.
- Ürünü eğimli yerlerde kullanmak tehlikeli olabilir. Ürünü 15°'den daha eğimli zeminlerde kullanmayın.
- Yokuşlarda ürünü yatay olarak kullanın. Yukarı ve aşağı hareket ettirmeyin.

Çalışma alanı güvenliği



UYARI: Ürünü kullanmadan önce aşağıdaki uyarı talimatlarını okuyun.

- Gizli köşelere ve açık görüşü engelleyen nesnelere yanına giderken dikkatli olun.

Çalışma güvenliği



UYARI: Ürünü kullanmadan önce aşağıdaki uyarı talimatlarını okuyun.



UYARI: Ayırıştırıcı ekipmanına dokunmadan önce ürünü durdurun, güç kablosunu çıkarın ve dişlerin tamamen durduğundan emin olun.

- Bu ürünü sadece çimenlik alanlardaki zor çürüyen bitkisel tabakayı ve yosunları temizlemek için kullanın. Ürünün başka işler için kullanılması yasaktır.
- Kişisel koruyucu ekipmanlar kullanın. Düşük sıcaklıklara yönelik doğru yağ için bkz. *Kişisel koruyucu ekipman sayfa: 376.*
- Ürünü yağmurda veya ıslak koşullarda çalıştırmayın. Ürünün içine su girerse elektrik çarpması riski artar.
- Ürünü hasarlı bir güç kablosuyla çalıştırmayın.

- Ayırıştırıcı ekipmanını ve tüm kapakları doğru bir şekilde takmadan ürünü çalıştırmayın. Yanlış bir şekilde takılan ayırıştırıcı ekipmanı gevşeyerek yaralanmanıza neden olabilir.
- Ayırıştırıcı ekipmanının taş veya kök gibi nesnelere çarpmamasına dikkat edin. Aksi takdirde ayırıştırıcı ekipmanı zarar görebilir ve motor mili bükülebilir. Bükülmüş aks, ağır titreşime ve çok yüksek bir ayırıştırıcı ekipmanı gevşemesi riskine neden olabilir.
- Ayırıştırıcı ekipmanı bir cisme çarpar veya titreşim oluşursa ürünü hemen durdurun. Motoru durdurun ve güç kablosunu çıkarın. Üründe hasar olup olmadığını kontrol edin. Hasarları onarın veya yetkili bir servis noktasının onarım yapmasını sağlayın.
- Motor çalıştırıldığında motor fren kolunu asla sürekli olarak tutma yerine takmayın.
- Ürünü sabit ve düz bir yüzeye koyup çalıştırın. Ayırıştırıcı ekipmanının yere veya diğer nesnelere çarpmadığından emin olun.
- Ürünü çalıştırırken her zaman arkasında durun.

- Ürünü kullanırken tüm tekerleklerin yere basmasını sağlayın ve 2 elinizi tutma yerinin üzerinde tutun. Ellerinizi ve ayaklarınızı döner ayrıştırıcı ekipmanından uzakta tutun.
- Motor çalışırken ürünü yatırmayın.
- Ürünü arkaya doğru çekerken dikkatli olun.
- Motor çalışırken ürünü hiçbir zaman yukarı kaldırmayın. Ürünü kaldırmanız gerekiyorsa önce motoru durdurup güç kablosunu çıkarın.
- Ürünü kullanırken arkaya doğru yürümeyin.
- Çakıl, taş ve asfalt gibi malzemelerden yapılmış, çim olmayan alanlardan geçerken motoru durdurun.
- Motor çalışırken ürünle birlikte koşmayın. Ürünü kullanırken her zaman yürüyün.
- Çalıştırma derinliğini değiştirmeden önce motoru durdurun. Motor çalışırken asla ayarlama yapmayın.
- Motor çalışırken ürünün görüş alanından çıkmasına asla izin vermeyin. Motoru durdurun, güç kablosunu çıkarın ve ayrıştırıcı ekipmanının dönmediğinden emin olun.

Kullanım için güvenlik talimatları

Kişisel koruyucu ekipman

Ürünü her kullandığınızda, onaylı kişisel koruyucu ekipmanlar kullanmalısınız. Kişisel koruyucu ekipman yaralanma riskini ortadan kaldırmaz ancak bir kaza durumunda yaralanmanın ciddiyetini azaltacaktır. Doğru ekipmanı seçmek için bayinizden yardım isteyin.

Her zaman aşağıdakileri kullanın:

- İşitme bozukluğu riskini minimum seviyeye indirmek için kulak koruma ekipmanı.
- Sağlam, kaymayan botlar veya ayakkabılar. Sandalet giymeyin veya ürünü çıplak ayakla kullanmayın.
- Kalın, uzun pantolonlar. Şort giymeyin.

Ayrıştırıcı ekipmanını takma, kontrol etme veya temizleme gibi eldiven gerektiren durumlarda eldiven takın.



UYARI: Onaylı kulak koruma ekipmanı kullanın. Uzun süre gürültüye maruz kalınması kalıcı işitme bozukluğuna yol açabilir.

Ürünün üzerindeki güvenlik araçları



UYARI: Ürünü kullanmadan önce aşağıdaki uyarı talimatlarını okuyun.

- Güvenlik araçları arızalı olan bir ürünü kullanmayın.
- Güvenlik araçlarını düzenli olarak kontrol edin. Güvenlik araçları arızalıysa Husqvarna servis noktanızla görüşün.

Kapakları kontrol etme

Ayrıştırıcı kapağı, üründeki titreşimleri ve ayrıştırıcı ekipmanının neden olabileceği yaralanma riskini azaltır.

- Yan ayrıştırıcı kapağını inceleyip çatlak gibi hasarlar olmadığından emin olun.
- Arka kapağı inceleyip çatlak gibi hasarlar olmadığından emin olun.

Motor fren kolu

Motor fren kolu motoru durdurur. Motor fren kolu serbest bırakıldığında motor durur.

Motor frenini kontrol etmek için motoru çalıştırıp motor fren kolunu serbest bırakın. Motor 3 saniye içinde durmazsa motor

frenini onaylı bir Husqvarna servis noktasına ayarlatın.

(Şek. 21)

Başlatma engelleyiciyi inceleme

Başlatma engelleyiciyi kontrol edip motorun çalışmasını engellediğinden emin olun.

1. Motor fren kolunu tutma çubuğu yönünde itin. Başlatma engelleyici, hareketi durdurur.
2. Başlatma engelleyiciyi dışarı doğru itin. (Şek. 22)
3. Başlatma engelleyiciyi serbest bırakın ve başlangıç konumuna geri döndüğünden emin olun.

Güç kablosu tutucusunu kullanma

Güç kablosu tutucusu, prizdeki ve güç kablosundaki gerilimi azaltır. Güç kablosu tutucusu, düşme riskinizi de azaltır.

1. Güç kablosunu bükerek küçük bir halka oluşturun.
2. Halkayı güç kablosu tutucusundaki deliğe yerleştirin.
3. Halkayı kancanın etrafına yerleştirin.

4. Kancanın etrafındaki halkayı sıkmak için güç kablosunu çekin. (Şek. 23)

Güç kablosu güvenliği

- Maksimum 30 mA kesme akımına sahip bir Artık Akım Cihazı (R.C.D.) kullanılması önerilir. R.C.D. takılıyken bile %100 güvenlik garantisi edilemez ve güvenli çalışma prosedürlerine her zaman uyulması gerekir. Her kullanımda R.C.D.nizi kontrol edin.
- Güç kablosunda kesik veya yalıtımda hasar varsa derhal elektrik şebekesiyle bağlantısını kesin.
- Elektrik kaynağı bağlantısı kesilmeden kesik veya hasar görmüş güç kablolarına dokunmayın.
- Kesik veya hasarlı güç kablolarını onarmayın. Yenisiyle değiştirin.

Bakım için güvenlik talimatları



UYARI: Ürünü kullanmadan önce aşağıdaki uyarı talimatlarını okuyun.

- Bakım sırasında yanlışlıkla çalıştırmayı önlemek için güç kablosunu çıkarın.

- Ürünün ömrünü uzatmak ve kaza riskini azaltmak için bakım işini doğru şekilde yapın. Onaylı bir servis noktasında profesyonel onarım yaptırın. Daha fazla bilgi için size en yakın servis noktası ile görüşün.
- Yalnızca bu kullanım kılavuzunda belirtilen bakım çalışmasını yapın. Bu kapsamın dışındaki işlemler onaylı bir servis noktası tarafından yapılmalıdır.
- Yaralanmaları önlemek için güvenlik cihazlarını çıkarmayın veya cihazların üzerinde değişiklik yapmayın.
- Ayırıştırıcı ekipmanını kullanırken ağır hizmet tipi eldiven giyin. Ayırıştırıcı ekipmanı çok keskindir ve kolaylıkla kesiklere yol açabilir.
- En iyi ve en güvenli performans için ayırıştırıcı ekipmanındaki dişlerin keskin ve temiz olmasına özen gösterin.
- Servis noktanızın düzenli olarak ürünü kontrol etmesini ve gerekli ayarları ve onarımları yapmasını sağlayın.
- Hasarlı, aşınmış veya bozuk parçaları değiştirin. Her zaman üreticinin orijinal yedek parçalarını kullanın.

Diğer yedek parçalar üründe hasara neden olabilir ve kaza riskini artırabilir.

- Aksesuar değiştirmeye ilgili talimatlara uyun. Yalnızca

üreticiden gelen aksesuarları kullanın.

Montaj

Giriş



UYARI: Ürünü monte etmeden önce, güvenlik bölümünü okuyun.



UYARI: Montaj sırasında yanlışlıkla çalıştırmayı önlemek için güç kablosunu çıkarın.

Kolun takılması

1. Alt düğmeleri gevşetin.
2. Düğmeleri ürünün sol ve sağ tarafındaki girintilerin alttaki ucuna getirin. (Şek. 24)
3. Kol yüksekliğini mevcut 2 konumdan birine ayarlayın.
4. Düğmeleri durana ve tık sesi duyulana kadar kol yönünde yukarı hareket ettirin. (Şek. 25)

5. Düğmeleri tamamen sıkın.

Çim toplama sepetinin takılması

1. Çim toplama sepeti çerçevesini, torbanın sert kısmı aşağı gelecek şekilde çim torbasına takın. Çerçevenin kolunu çim torbasının üst kısmında tutun. (Şek. 26)
2. Çim toplama sepeti çerçevesinin alt kısmını çim toplama sepetinin altındaki oluğa takın.
3. Çim torbasını, klipslerle çim toplama sepeti çerçevesine takın. (Şek. 27)
4. Arka kapağı kaldırın.
5. Çim toplama sepetini doğru konuma getirin. (Şek. 28)
6. Çim toplama sepetini şasinin üst kenarına takın. Dökülmeyi önlemek için arka kapağın çim toplama sepetine oturduğundan emin olun. (Şek. 29)

Çalışma

Giriş



UYARI: Ürünü kullanmadan önce güvenlik bölümünü okuyup anlamalısınız.

Husqvarna Connect

Husqvarna Connect, mobil cihazınız için ücretsiz bir uygulamadır. Husqvarna Connect uygulaması, Husqvarna ürününüz için ayrıntılı işlevler sunar:

- Ayrıntılı ürün bilgileri.
- Ürün parçaları ve servis hakkında bilgi ve yardım.

Husqvarna Connect uygulamasını kullanmaya başlamak için

1. Husqvarna Connect uygulamasını mobil cihazınıza indirin.
2. Husqvarna Connect uygulamasında kaydolun.
3. Ürünü bağlamak ve kaydetmek için Husqvarna Connect uygulamasındaki talimatları izleyin.

Çalışma derinliğini ayarlama



UYARI: Ürünü çalıştırırken çalışma derinliğini ayarlamayın.

1. Çalışma derinliğini artırmak için çalışma derinliği ayar düğmesine basın ve saat yönünün tersine çevirin.
2. Çalışma derinliğini azaltmak için çalışma derinliği ayar düğmesine basın ve saat yönünde çevirin. (Şek. 30)

Ürünü çalıştırma

1. Kolun altındaki sokete bir güç kablosu bağlayın. (Şek. 31)
2. Güç kablosunu, güç kablosu tutucusuna yerleştirin. Bkz. *Güç kablosu tutucusunu kullanma sayfa: 377*. (Şek. 23)
3. Ürünün arkasında durun.
4. Başlatma engelleyiciyi gevşetin. (Şek. 32)
5. Motor freni kolunu gidonun yönünde itin. (Şek. 33)

Ürünü durdurma

1. Motoru durdurmak için motor fren kolunu serbest bırakın. (Şek. 34)
2. Güç kablosunun elektrik şebekesiyle ve ardından ürünle bağlantısını kesin. (Şek. 35)



DİKKAT: Fişi düz bir doğrultuda çekin. Güç kablosunu çekmeyin.

Bakım

Giriş



UYARI: Bakım yapmadan önce güvenlik bölümünü okuyup anlamazın gerekir.

Ürüne uygulanacak tüm servis ve onarım işlemleri için özel eğitim gereklidir. Profesyonel onarım ve servis hizmetlerinin mevcut bulunduğunu garanti etmekteyiz. Yetkili satıcınız servis noktası değilse kendisiyle görüşüp en yakınınızdaki servis noktası hakkında bilgi edinin.

Daha ayrıntılı bilgi için bkz. www.husqvarna.com.

Bakım takvimi

Bakım aralıkları, ürünün günlük kullanımına göre hesaplanır. Ürün her gün kullanılmıyorsa aralıklar değişir.

* İşaretili bakım işlemleri için bkz. *Ürünün üzerindeki güvenlik araçları sayfa: 377.*

	Her kullanımda	Aylık	Her mevsimde
Genel inceleme yapın.	X		
Ürünü temizleyin.	X		
Ayrıştırıcı ekipmanını inceleme.	X		
Üründeki güvenlik araçlarının hatalı olmadığından emin olun. *	X		
Kapakları kontrol edin. *	X		
Motor fren kolunu kontrol edin. *	X		
Başlatma engelleyiciyi kontrol edin. *	X		

Genel denetim yapma

- Ürünün üzerindeki somun ve vidaların sıkı olduğundan emin olun.
- Üründeki kabloların hasar görebilecekleri bir konumda olmadıklarından emin olun.
- Üründe tıkanıklık olmadığından emin olun.

Ürünün temizlenmesi

- Plastik parçaları temiz ve kuru bir bezle temizleyin.
- Ürünü temizlemek için su kullanmayın. Aküye veya motora su girebilir ve üründe kısa devreye veya hasara neden olabilir.
- Ürünü temizlemek için yüksek basınçlı yıkayıcı kullanmayın.
- Motora doğrudan su tutmayın.
- Yaprak, çim ve kırıları gidermek için fırça kullanın.

Ayrıştırıcı ekipmanını kontrol etme



UYARI: Yanlışlıkla çalıştırmayı önlemek için güç kablosunu çıkarın.



UYARI: Ayrıştırıcı ekipmanında bakım yaparken koruyucu eldiven kullanın. Ayrıştırıcı ekipmanındaki dişler çok keskindir ve kolaylıkla kesiklere yol açabilir.

- Ayrıştırıcı ekipmanında hasar veya çatlak olup olmadığını inceleyin. Hasarlı bir ayrıştırıcı ekipmanını mutlaka değiştirin.

Çim havalandırıcı ekipmanını değiştirme



UYARI: Çim havalandırıcı ekipmanında bakım yaparken koruyucu eldiven kullanın.

Çim havalandırıcı ekipmanı çok keskindir ve kolaylıkla kesiklere yol açabilir

1. Ürünü sağa yatırın. (Şek. 36)
2. 2 vidayı (A) ve çim havalandırıcı kapağını (B) çıkarın. Çim havalandırıcı ekipmanını (C) yukarı ve dışarı doğru iterek çıkarın. (Şek. 37)

3. Yeni çim havalandırıcı ekipmanını (C) yuvaya yerleştirin ve aşağıdaki deliğe doğru itin. Çim havalandırıcı kapağını (B) ve 2 vidayı (A) takın (Şek. 38)

Sorun giderme

Sorun giderme

Sorun	Olası neden	Çözüm
Ürün çalışmıyor.	Güç kablosu bir güç kaynağına bağlı değildir.	Güç kablosunu bir güç kaynağına bağlayın.
	Güç kablosu ürüne bağlı değildir.	Tutma yerinin altındaki sokete güç kablosunu bağlayın.
	Motor fren kolu tutma çubuğu yönünde itilmemiştir.	Motor fren kolunu tutma çubuğu yönünde itin.
	Güç kablosu hasarlıdır.	Onaylı bir servis noktasıyla görüşün.
	Diğer hatalar.	

Taşıma, depolama ve atma

Taşıma

- Ticari amaçlı taşımalarda, paketdeki ve etiketlerdeki özel gerekliliklere uyulmalıdır.
- Ürünü taşıma için hazırlarken tehlikeli malzeme yönetmeliklerine uyduğunuzdan emin olun. Yerel yönetmelikler uygulanabilir.
- Taşıma sırasında ürünü bağlayın.

Depolama

- Depolamadan önce ürünün soğumasını bekleyin.
- Ürünü, ortam sıcaklığının -10°C ile 40°C arasında olduğu bir yerde tutun.
- Ürünü, çocukların ve onaylı olmayan kişilerin erişemeyeceği kilitli bir alanda tutun.
- Uzun süreli depolamadan önce ürünü temizleyin ve ürüne eksiksiz bir bakım yapın.
- Bu kullanım kılavuzunda verilen bakım prosedürlerini gerçekleştirin. Düşük sıcaklıklara yönelik doğru yağ için bkz. *Bakım takvimi sayfa: 380.*

- Uzun süreli depolamadan önce eksiksiz bir bakım yapın.

Atma

Ürün veya ürün ambalajı üzerinde bulunan semboller, bu ürünün evsel atık olarak değerlendirilemeyeceğini belirtir. Elektrikli ve elektronik ekipman, kurtarma için uygun bir geri dönüşüm istasyonuna gönderilmelidir.

Bu ürüne doğru önemin verilmesini sağlayarak, çevreye ve insanlara olabilecek potansiyel negatif etkisini önlemeye yardımcı olabilirsiniz, aksi takdirde bu ürünün yanlış atık yönetimi durumunda negatif etkiler meydana gelebilir. Bu ürünün geri dönüşümü hakkında daha ayrıntılı bilgi için belediyenize, mahallenizdeki atık hizmetine veya ürünü satın aldığınız mağazaya danışın.

(Şek. 39)

Teknik veriler

Teknik veriler

S 138C	
Motor	
Motor tipi	AC Serisi Motor
Ataşman devri – SavE, dev/dak	Geçerli değil
Ataşman devri – Nominal, dev/dak	4200
Motor çıkışı – maks. kW	1,8
Motor çıkışı – Nominal, kW	1,6
Ağırlık	
Ağırlık, kg	19,0
Gürültü emisyonu ⁷⁹	
Ses gücü düzeyi, ölçülmüş dB (A)	96
Ses gücü düzeyi, garantili L _{WA} dB (A)	98
Ses düzeyleri ⁸⁰	
Operatörün kulağındaki ses basıncı düzeyi, dB(A)	82
Titreşim düzeyleri ⁸¹	
Tutma yeri, m/sn ²	8,3
Çalışma	
Maks./min. çalışma derinliği, mm	-8/+5
Çalışma genişliği, cm	37,5
Bıçak dişler ataşmanı	5973510-01
Yaylı dişler ataşmanı	5973509-01
Çim toplama sepeti kapasitesi, litre	45

⁷⁹ 2000/14/AT sayılı AT direktifi uyarınca ses gücü (L_{WA}) olarak çevrede ölçülen gürültü emisyonu düzeyi.

⁸⁰ Ses basıncı düzeyi için bildirilen verilerdeki tipik istatistik dağılım (standart sapma) 1,2 dB(A) şeklindedir.

⁸¹ Titreşim düzeyi için bildirilen verilerdeki tipik istatistik dağılım (standart sapma) 0,2 m/sn² şeklindedir.

Uyumluluk Bildirimi

AB Uyumluluk Bildirimi

Biz, **Husqvarna AB**, SE-561 82 Huskvarna, İSVEÇ, tel: +46-36-146500 olarak tek sorumlu vasfıyla ürüne ilişkin aşağıdaki beyanlarda bulunmaktayız:

Açıklama	Zemin kazıyıcı
Marka	Husqvarna
Tıp/Model	S 138C
Kimlik	2023 ve sonrası tarihli seri numaraları

aşağıdaki AB direktifleri ve yönetmelikleriyle tamamen uyumludur:

Direktif/Yönetmelik	Açıklama
2011/65/AB	"elektrikli ve elektronik ekipmanlarda belirli tehlikeli maddelerin kullanımının kısıtlanmasıyla ilgili"
2006/42/AT	"makinelere ilgili"
2014/30/AB	"elektromanyetik uyumlulukla ilgili"
2000/14/AT	"çevredeki gürültü emisyonlarıyla ilgili"

ve aşağıdaki standartlar ve/veya teknik özellikler uygulanmıştır: EN 60335-1:2012/A11:2014/A13:2017/A15:2021, EN 50636-2-92:2014, EN 55014-1:2017/A11:2020, EN 55014-2:2015, EN 61000-3-2:2014, EN 61000-3-11:2000, EN IEC 63000:2018.

Gürültü emisyonları ile ilgili bilgi için bkz. *Teknik veriler sayfa: 382.*

Huskvarna, 2024-03-01



Claes Losdal

Geliştirme Müdürü/Bahçe Ürünleri

Husqvarna AB

Teknik dokümantasyon sorumlusu

Türk ithalat şirketi daha fazla bilgi için temas edilecek:

Çullas Orman Bahçe ve Tarım Mak. San. Tic. A.Ş.

Suadiye Mh. Bağdat Cd. No:455/4

Kadıköy – 34740 İstanbul / Türkiye

Telefon: +90 216 519 88 82

Faks: +90 216 519 88 78

info@cullas.com.tr



Зміст

Вступ.....	384	Усунення несправностей.....	396
Безпека.....	386	Транспортування, зберігання й утилізація.....	396
Збирання.....	394	Технічні характеристики.....	397
Експлуатація.....	394	Декларація відповідності.....	399
ТЕХНІЧНЕ ОБСЛУГОВУВАННЯ.....	395		

Вступ

Опис виробу

Цей виріб – це електричний ґрунторозпушувач, керований пішим оператором. Він прибирає з газону солому й розпушує ґрунт, щоб у газон потрапляло повітря й вода. Солома збирається в травозбірник чи викидається знову на газон. Виріб має дві ґрунторозпушувальні насадки.

Ґрунторозпушувальне обладнання

Інформацію щодо заміни ґрунторозпушувального обладнання див. у *Заміненні ґрунторозпушувального обладнання на сторінці 396*.

Вертикальні леза

Вертикальні леза прибирають солому й вертикально підрізують корені трави. Використовуйте вертикальні

Огляд виробу

(Мал. 1)

1. Ручка зупинення двигуна
2. Верхня ручка
3. Обмежувач запуску
4. Роз'єм живлення
5. Нижня ручка
6. Кабельний затискач
7. Травозбірник
8. Задній кожух
9. Кришка ґрунторозпушувача
10. Ручка регулювання робочої глибини
11. Паросткові зубці
12. Шестигранний ключ
13. Посібник користувача

Символи на виробі

(Мал. 2)

Увага! Неуважне чи неправильне використання може призвести до травм

леза на схилах, терасах і ґрунті, який містить багато глини. Вертикальні леза дають воді змогу потрапляти в газон і запобігають її скупченню на поверхні

(Мал. 19)

Паросткові зубці

Паросткові зубці обережно прибирають із газону суху траву й солому без шкоди корінню трави.

(Мал. 20)

Призначення

Використовуйте виріб для прибирання соломи й моху та розпушення ґрунту в приватних садах. Забороняється використовувати продукт для інших завдань.

або смерті оператора чи інших осіб.

(Мал. 3)

Перед використанням виробу прочитайте посібник користувача й переконайтеся, що ви зрозуміли наведені в ньому вказівки.

(Мал. 4)

Остерігайтеся рикошету й об'єктів, які можуть вилітати з-під виробу.

(Мал. 5)

Сторонні особи та тварини повинні перебувати на

безпечній відстані від
робочої зони.

(Мал. 6) **ПОПЕРЕДЖЕННЯ.**
Тримайте руки й ноги
на безпечній відстані
від лез.

(Мал. 7) Перед технічним
обслуговуванням
виробу від'єднайте
його від
електромережі. Після
зупинення двигуна
вістря деякий
час продовжують
обертатися.

(Мал. 8) Небезпека ураження
електричним струмом.

(Мал. 9) Увага! Не
переїжджайте шнур
живлення виробом,
оскільки це може
спричинити ураження
електричним струмом
або пошкодження
виробу.

(Мал. 10) Цей виріб захищено
від бризок.

(Мал. 11) Цей виріб відповідає
вимогам відповідних
директив ЄС.

(Мал. 12) Цей виріб відповідає
вимогам застосованих

норм Сполученого
Королівства.

(Мал. 13) Етикетка з
інформацією щодо
шумових викидів
у навколишнє
середовище відповідно
до вимог директив
і нормативних актів
ЄС і Сполученого
Королівства та Закону
про збереження
навколишнього
середовища (контроль
шуму) 2017 р. Нового
Південного Уельсу.
Гарантований рівень
звукової потужності
виробу вказано
в розділі *Технічні
характеристики на
сторінці 397* і на
етикетці.

(Мал. 14) Подвійна ізоляція.

(Мал. 18) Утилізацію ви-
робу необхідно
проводити на
підприємстві з
переробки від-
ходів елек-
тричного й
електронного
обладнання.
(Лише для
країн Європи.)

(Мал. 15) Процедура запуску:
відпустіть обмежувач
запуску, натисніть
ручку зупинення
двигуна.

(Мал. 16) Щоб зупинити двигун,
відпустіть ручку
зупинення двигуна.

(Мал. 17) Сканований код.

Пошкодження виробу

Ми не несемо відповідальності за пошкодження,
якщо:

- виріб було неправильно відремонтовано;
- виріб було відремонтовано із використанням деталей, виготовлених не виробником або не затверджених ним;
- виріб обладнано аксесуаром, виготовленим не виробником або не затвердженим ним;
- виріб було відремонтовано в неавторизованому сервісному центрі або неавторизованою компанією;

Зверніть увагу: Інші позначення на виробі відповідають вимогам сертифікації для певних ринків.

Безпека

Визначення щодо безпеки

Попередження, застереження й примітки служать для наголошення на особливо важливих положеннях посібника.

у цьому посібнику,
існує небезпека
пошкодження виробу,
інших матеріалів або
навколишніх об'єктів.



ПОПЕРЕДЖЕННЯ:

Вказує на те, що в разі порушення інструкцій, наведених у цьому посібнику, існує небезпека поранення або смерті оператора чи інших осіб, що знаходяться поруч.

Зверніть увагу:

Використовується для надання додаткової інформації щодо певної ситуації.

Загальні правила техніки безпеки



ПОПЕРЕДЖЕННЯ:

Перш ніж розпочати використання виробу, уважно прочитайте



УВАГА: Вказує на те, що в разі порушення інструкцій, наведених

наведені нижче
попередження.

- Цей виріб може бути небезпечним у разі неправильного або недбалого використання. Порушення правил техніки безпеки може призвести до травм або смерті.
- Під час роботи цього виробу утворюється електромагнітне поле. Це поле може за деяких умов взаємодіяти з активними чи пасивними медичними імплантатами. Щоб зменшити ризик тяжких або смертельних травм, рекомендуємо особам із медичними імплантатами проконсультуватися зі своїм лікарем і виробником медичного імплантату перед початком експлуатації цього виробу.
- Завжди будьте обережні та керуйтеся здоровим глуздом. Якщо ви маєте сумніви щодо того, як користуватися виробом у конкретній ситуації, припиніть роботу та проконсультуйтеся з дилером Husqvarna.
- Пам'ятайте, що оператор несе відповідальність за нещасні випадки, в результаті яких постраждали інші особи або їхнє майно.
- Підтримуйте виріб чистим. Переконайтеся, що знаки та наклейки знаходяться в читабельному стані.
- У жодному разі не дозволяйте користуватися приладом дітям або людям, які не ознайомилися з цим посібником. Вік оператора може обмежуватися місцевими нормами
- Завжди наглядуйте за особами з обмеженими фізичними чи розумовими можливостями, що використовують виріб. Біля виробу, що працює, повинна завжди знаходитися відповідальна доросла особа.
- Забороняється використовувати виріб, якщо ви втомлені, хворі, чи перебуваєте під впливом наркотиків, алкоголю або медикаментів. Ці фактори мають негативний вплив на ваш зір, зосередженість, свідомість та координацію рухів.

- Забороняється використовувати виріб у разі його несправності.
- Забороняється зміни конструкцію виробу чи використовувати виріб, якщо є підозра, що його було змінено сторонніми особами.

Безпека в робочій зоні



ПОПЕРЕДЖЕННЯ:

Перш ніж розпочати використання виробу, уважно прочитайте наведені нижче попередження.

- Перед використанням виробу приберіть з робочої зони всі гілки, лозу та каміння.
- Предмети, що потрапляють на ґрунторозпушувальне обладнання, можуть відлетіти й поранити сторонніх осіб або пошкодити інші предмети. Сторонні особи та тварини повинні знаходитися на безпечній відстані від виробу.
- Забороняється використовувати виріб за поганої погоди на кшталт туману, дощу, сильного вітру, значного холоду або

грози. Робота в погану погоду або на вологих ділянках виснажує. Погана погода може стати причиною небезпечних умов роботи, таких як слизькі поверхні.

- Бережіться осіб, предметів та ситуацій, які можуть зашкодити безпечній роботі виробу.
- Бережіться перешкод на кшталт коріння, каміння, гілок, ям або канав. Висока трава може приховувати перешкоди.
- Експлуатація виробу на схилах може становити небезпеку. Не використовуйте виріб на ділянках із нахилом понад 15°.
- Використовуйте виріб на схилах у горизонтальному напрямку. Не рухайтесь вгору і вниз.
- Будьте обережні, наближаючись до прихованих кутів та предметів, які можуть закривати поле зору.

Техніка безпеки



ПОПЕРЕДЖЕННЯ:

Перш ніж розпочати використання виробу, уважно прочитайте

наведені нижче
попередження.



ПОПЕРЕДЖЕННЯ:

Зупиніть виріб,
від'єднайте кабель
живлення та
переконайтеся, що
вістря повністю
зупинилися, перш
ніж торкатися
ґрунторозпушувального
обладнання.

- Використовуйте цей виріб для прибирання соломи й моху з газонів, на яких росте лише трава. Заборонено використовувати виріб для інших цілей.
- Використовуйте засоби індивідуального захисту. Дивіться розділ *Засоби індивідуального захисту на сторінці 390*.
- Не використовуйте виріб під дощем або в умовах підвищеної вологості. Потраплення води у виріб збільшує загрозу ураження електричним струмом.
- Не використовуйте виріб із пошкодженим шнуром живлення.
- Забороняється використовувати виріб без правильно встановленого ґрунторозпушувального обладнання й усіх кожухів. Неправильно встановлене ґрунторозпушувальне обладнання може від'єднатися й призвести до травм.
- Слідкуйте, щоб ґрунторозпушувальне обладнання не зачіпляло сторонні предмети на кшталт каміння й коріння. Це може призвести до пошкодження ґрунторозпушувального обладнання й згинання вала двигуна. Зігнута вісь викликає значні вібрації й призводить до ризику від'єднання ґрунторозпушувального обладнання від виробу.
- У разі зіткнення ґрунторозпушувального обладнання з будь-яким стороннім предметом чи появи вібрації негайно зупиніть виріб. Зупиніть двигун і від'єднайте шнур живлення. Перевіряйте виріб на наявність пошкоджень. Ремонтуйте пошкодження або здавайте виріб на ремонт в авторизований центр обслуговування.

- Забороняється закріплювати ручку зупинення двигуна на рукоятці, коли працює двигун.
- Поставте виріб на тверду рівну поверхню й увімкніть його. При цьому ґрунторозпушувальне обладнання не повинно торкатися землі або інших предметів.
- Під час роботи з виробом завжди залишайтеся позаду нього.
- Під час роботи з виробом усі колеса мають залишатися на землі, а обидві руки треба тримати на ручці. Тримайте руки й ноги на безпечній відстані від ґрунторозпушувального обладнання, що обертається.
- Не нахиляйте виріб, коли двигун увімкнений.
- Будьте обережні під час руху у зворотному напрямку.
- Забороняється піднімати виріб, коли двигун увімкнений. Якщо потрібно підняти виріб, спочатку зупиніть двигун і від'єднайте шнур живлення.
- Не рухайтесь у зворотному напрямку під час роботи з виробом.
- Вимикайте двигун під час руху через ділянки без трави на кшталт доріжок із гравію, каменю або асфальту.
- Не бігайте з виробом, коли двигун увімкнений. Під час роботи з виробом необхідно ходити зі звичайною швидкістю.
- Вимикайте двигун, перш ніж змінювати робочу глибину. Забороняється виконувати регулювання, коли двигун увімкнено.
- Забороняється залишати виріб без нагляду коли двигун працює. Зупиніть двигун, від'єднайте шнур живлення й переконайтеся, що ґрунторозпушувальне обладнання не обертається.

Правила техніки безпеки під час використання виробу

Засоби індивідуального захисту

Кожного разу під час роботи з виробом обов'язково користуйтеся затвердженими засобами індивідуального захисту. Засоби індивідуального захисту не можуть повністю ліквідувати небезпеку травм, але в разі нещасного випадку вони знизять

ступінь серйозності травми. Зверніться до продавця по допомогу у виборі правильних засобів захисту.

Обов'язково надягайте наведені нижче засоби захисту.

- Захисні навушники, щоб знизити ризик погіршення слуху.
- Міцні черевики або чоботи з підошвою, що не ковзає. Не надягайте на час роботи сандалі та не ходіть босоніж.
- Цупкі довгі штани. Не носіть під час роботи шорти.

За необхідності надягайте захисні рукавиці, наприклад під час установа, перевірки або чищення ґрунторозпушувального обладнання.



ПОПЕРЕДЖЕННЯ:

Користуйтеся відповідними захисними навушниками. Тривала робота в умовах сильного шуму може призвести до необоротних порушень слуху.

Запобіжне обладнання на виробі



ПОПЕРЕДЖЕННЯ:

Перш ніж розпочати використання виробу, уважно прочитайте наведені нижче попередження.

- Не використовуйте виріб із пошкодженими захисними пристроями.
- Регулярно перевіряйте захисні пристрої. У випадку пошкодження захисних пристроїв зверніться до центру обслуговування Husqvarna.

Перевірка кожухів

Кожух ґрунторозпушувача частково поглинає вібрацію виробу й знижує небезпеку травмування ґрунторозпушувальним обладнанням.

- Огляньте боковий кожух ґрунторозпушувача й переконайтеся, що він не має пошкоджень на кшталт тріщин.
- Огляньте задній кожух і переконайтеся, що він не має пошкоджень на кшталт тріщин.

Ручка зупинення двигуна

Ручка зупинення двигуна зупиняє двигун. За відпускання ручки зупинення двигуна він зупиняється.

Щоб перевірити роботу гальма двигуна, запустіть двигун, а потім відпустіть ручку зупинення. Якщо двигун не зупиняється протягом 3 секунд, необхідно передати виріб в авторизований центр обслуговування Husqvarna для налаштування гальма двигуна.

(Мал. 21)

Перевірка обмежувача запуску

Перевірте обмежувач запуску, щоб переконатися, що він дійсно блокує роботу двигуна.

1. Перемістіть ручку зупинення двигуна в напрямку рукоятки. Обмежувач запуску блокує рух.
2. Потягніть обмежувач запуску. (Мал. 22)
3. Відпустіть обмежувач запуску та переконайтеся, що він повертається до початкового положення.

Використання тримача шнура живлення

Тримач шнура живлення зменшує механічне навантаження на розетку та шнур живлення. Тримач шнура живлення також знижує ризик того, що ви перечепитесь через нього.

1. Зігніть шнур живлення, утворивши вузьку петлю.
2. Вставте петлю в отвір у тримачу шнура живлення.
3. Надягніть петлю на гачок.
4. Потягніть за шнур живлення, щоб затягнути петлю навколо гачка. (Мал. 23)

Захисний пристрій для шнура живлення

- Рекомендовано використовувати пристрій захисного вимкнення (ПЗВ) зі струмом вимкнення не більше 30 мА. Навіть якщо ПЗВ встановлено, це не гарантує повної безпеки, тому завжди слід дотримуватися правил техніки безпеки. Перевіряйте ПЗВ перед кожним використанням.
- Якщо шнур живлення перерізано або пошкоджено

ізоляцію, негайно від'єднайте виріб від електромережі.

- Не торкайтеся пошкодженого чи перерізаного шнура живлення, доки не від'єднаєте виріб від електромережі.
- Не ремонтуйте перерізаний або пошкоджений кабель живлення. Замініть його новим.

Правила техніки безпеки під час обслуговування



ПОПЕРЕДЖЕННЯ:

Перш ніж розпочати використання виробу, уважно прочитайте наведені нижче попередження.

- Щоб запобігти випадковому запуску двигуна під час обслуговування, від'єднайте шнур живлення.
- Виконуйте технічне обслуговування правильно, адже це допоможе збільшити термін експлуатації виробу та знизить ризик виникнення нещасних випадків. Доручайте професійний ремонт уповноваженому центру обслуговування. Більш детальну інформацію можна дізнатися в найближчому центрі обслуговування.
- Виконуйте лише те технічне обслуговування, що наведене в цьому посібнику користувача. Більш серйозні роботи повинні виконуватися працівниками сертифікованих центрів обслуговування.
- Щоб запобігти травмуванню, не знімайте захисні пристрої та не змінюйте їхню конструкцію.
- Під час роботи з ґрунторозпушувальним обладнанням завжди надягайте міцні рукавиці. Ґрунторозпушувальне обладнання дуже гостре, тож ним можна легко порізатися.
- Для найвищої продуктивності й безпеки слід підтримувати леза ґрунторозпушувального обладнання гострими та чистими.
- Регулярно віддавайте виріб до центру обслуговування, де його будуть перевіряти, робити необхідні налаштування або ремонт.

- Замінійте пошкоджені, зношені або зламані деталі. Завжди використовуйте лише оригінальні запасні частини виробника. Інші запасні частини можуть пошкодити виріб і

підвищити ризик нещасних випадків.

- Дотримуйтеся інструкцій щодо заміни аксесуарів. Користуйтеся аксесуарами лише від виробника обладнання.

Збирання

Вступ



ПОПЕРЕДЖЕННЯ: Перед монтажем виробу необхідно прочитати розділ про заходи безпеки.



ПОПЕРЕДЖЕННЯ: Щоб запобігти випадковому запуску двигуна під час монтажу, від'єднайте шнур живлення.

Монтаж ручки

1. Відпустіть нижні фіксувальні головки.
2. Пересуньте головки у нижню частину прорізів зліва та справа виробу. (Мал. 24)
3. Встановіть висоту ручки в одне з двох доступних положень.
4. Пересуньте головки вгору в напрямку ручки, доки вони не зупиняться та ви не почуєте клацання. (Мал. 25)

5. Надійно затягніть фіксувальні головки.

Монтаж травозбірника

1. Встановіть рамку травозбірника на мішок для трави. Твердий бік мішка має бути низу. Тримайте рукоятку рами зверху мішка для трави. (Мал. 26)
2. Вставте нижню частину рами травозбірника в паз низу травозбірника.
3. Зафіксуйте мішок для трави на рамі травозбірника за допомогою затискачів. (Мал. 27)
4. Підніміть задню кришку.
5. Установіть травозбірник у правильне положення. (Мал. 28)
6. Під'єднайте травозбірник до верхньої кромки рами. Переконайтеся, що задній кожух щільно прилягає до травозбірника, щоб уникнути випадіння трави. (Мал. 29)

Експлуатація

Вступ



ПОПЕРЕДЖЕННЯ: Перед експлуатацією виробу обов'язково прочитайте й усвідомте зміст розділу про заходи безпеки.

Husqvarna Connect

Husqvarna Connect є безкоштовною програмою для мобільного пристрою. У програмі Husqvarna Connect доступна ціла низка розширених функцій для користування Husqvarna:

- розширена інформація про виріб;
- відомості про деталі й обслуговування виробу, а також довідкова інформація.

Щоб почати користуватися Husqvarna Connect

1. Завантажте програму Husqvarna Connect на свій мобільний пристрій.
2. Зареєструйтеся в програмі Husqvarna Connect.
3. Виконайте кроки з реєстрації в програмі Husqvarna Connect, щоб під'єднати та зареєструвати виріб.

Установлення робочої глибини



ПОПЕРЕДЖЕННЯ:

Забороняється налаштовувати робочу глибину під час експлуатації виробу.

1. Натисніть і поверніть ручку регулювання робочої глибини проти годинникової стрілки, щоб збільшити робочу глибину.

- Натисніть і поверніть ручку регулювання робочої глибини за годинниковою стрілкою, щоб зменшити робочу глибину. (Мал. 30)

Запуск виробу

- Вставте шнур живлення в гніздо під ручкою. (Мал. 31)
- Вставте шнур живлення у тримач шнура живлення. Див. *Використання тримача шнура живлення на сторінці 392*. (Мал. 23)
- Залишайтеся позаду виробу.
- Відпустіть обмежувач запуску. (Мал. 32)

- Перемістіть ручку зупинення двигуна в напрямку рукоятки. (Мал. 33)

Зупинка виробу

- Для зупинення двигуна відпустіть ручку зупинення двигуна. (Мал. 34)
- Від'єднайте шнур живлення від електромережі, а потім від виробу. (Мал. 35)



УВАГА: Тягніть штепсель назад, не розхитуючи. У жодному разі не тягніть за шнур живлення.

ТЕХНІЧНЕ ОБСЛУГОВУВАННЯ

Вступ



ПОПЕРЕДЖЕННЯ: Перед виконанням робіт із технічного обслуговування обов'язково прочитайте й усвідомте зміст розділу про заходи безпеки.

Для всіх робіт з обслуговування та ремонту необхідна спеціальна підготовка. Ми гарантуємо доступність послуг із професійного ремонту та обслуговування. Якщо ваш дилер не є агентом з обслуговування, зверніться до нього по інформацію щодо найближчого центру обслуговування.

Для отримання більш детальної інформації див. www.husqvarna.com.

Графік технічного обслуговування

Інтервали технічного обслуговування зазначено з урахуванням щоденного використання виробу. Інтервали змінюються для іншої частоти використання виробу.

Відомості про види обслуговування, позначені зірочкою (*), дивіться в розділі *Запобіжне обладнання на виробі на сторінці 391*.

	Перед кожним використанням	Щомісяця	Кожного сезону
Загальна перевірка.	X		
Очистьте виріб.	X		
Перевірка ґрунторозпушувального обладнання.	X		
Перевірка справності захисних систем виробу. *	X		
Перевірка кожухів. *	X		
Перевірка ручки зупинення двигуна. *	X		
Перевірка обмежувача запуску. *	X		

Процедура загальної перевірки

- Переконайтеся, що всі гайки й гвинти на виробі затягнуті.
- Переконайтеся, що кабелі встановлені в спосіб, який запобігатиме їх пошкодженню.
- Переконайтеся, що виріб не забитий.

Чищення виробу

- Для очищення пластмасових деталей використовуйте суху чисту тканину.

- Не користуйтеся водою для очищення виробу. Вода може потрапити в акумулятор чи двигун та призвести до короткого замикання або пошкодження виробу.
- Для чищення виробу не використовуйте миючий апарат високого тиску.
- Забороно лити воду безпосередньо на двигун.
- Прибирайте листя, траву та бруд за допомогою щітки.

Перевірка ґрунторозпушувального обладнання



ПОПЕРЕДЖЕННЯ: Щоб запобігти випадковому запуску двигуна, від'єднайте шнур живлення.



ПОПЕРЕДЖЕННЯ: Під час технічного обслуговування ґрунторозпушувального обладнання використовуйте захисні рукавиці. Леза на ґрунторозпушувальному обладнанні є дуже гострими, тож ними можна легко порізатися.

- Перевірте ґрунторозпушувальне обладнання на наявність пошкоджень або тріщин. Обов'язково замінійте пошкоджене ґрунторозпушувальне обладнання.

Замінення ґрунторозпушувального обладнання



ПОПЕРЕДЖЕННЯ: Під час технічного обслуговування ґрунторозпушувального обладнання використовуйте захисні рукавиці. Ґрунторозпушувальне обладнання дуже гостре, тож ним можна легко порізатися

1. Покладіть виріб на праву сторону. (Мал. 36)
2. Відкрутіть 2 гвинти (А) й кожух ґрунторозпушувача (В). Потягніть за ґрунторозпушувальне обладнання (С) й зніміть його. (Мал. 37)
3. Вставте нове ґрунторозпушувальне обладнання (С) у паз і далі в отвір. Установіть кожух ґрунторозпушувача (В) й два гвинти (А) (Мал. 38)

Усунення несправностей

Усунення несправностей

Несправність	Можлива причина	Вирішення
Виріб не запускається.	Шнур живлення не під'єднано до джерела живлення.	Під'єднайте шнур живлення до джерела живлення.
	Шнур живлення не під'єднано до пристрою.	Вставте шнур живлення в гніздо під рукою.
	Ручку зупинення двигуна не натиснуто в напрямку рукоятки.	Перемістіть ручку зупинення двигуна в напрямку рукоятки.
	Шнур живлення пошкоджений.	Зверніться в авторизований центр обслуговування.
	Інші помилки.	

Транспортування, зберігання й утилізація

Транспортування

- Під час транспортування цивільним транспортом слід дотримуватися спеціальних вимог, що зазначені на пакуванні й наклейках.
- У разі підготовки виробу до транспортування переконайтеся, що ви дотримуєтесь законодавства щодо небезпечних матеріалів. Крім того, можуть застосовуватися місцеві норми.
- Під час транспортування закріплюйте виріб.

Зберігання

- Перш ніж поміщати виріб на зберігання, дайте йому охолонути.
- Зберігайте виріб за температури навколишнього середовища від -10 до 40 °С.
- Зберігайте виріб у закритому приміщенні, куди не зможуть дістатися діти й особи без належної підготовки.
- Перед тривалим зберіганням промийте виріб і проведіть повне технічне обслуговування.
- Виконуйте роботи з технічного обслуговування, описані в цьому посібнику користувача. Дивіться

розділ *Графік технічного обслуговування на сторінці 395.*

- Перед тривалим зберіганням виконуйте повне обслуговування.

Утилізація

Символи на виробі або його упаковці вказують на те, що його не слід утилізувати разом з побутовими відходами. Утилізацію цього виробу слід здійснювати на спеціалізованому підприємстві з переробки відходів електричного й електронного обладнання.

Належна утилізація виробу допоможе запобігти потенційному негативному впливу на стан навколишнього середовища та здоров'я людей, який може стати наслідком некоректної обробки відходів. Докладну інформацію про утилізацію цього виробу можна отримати в органах місцевого самоврядування, місцевих службах переробки відходів або в магазині, де було придбано цей пристрій.

(Мал. 39)

Технічні характеристики

Технічні характеристики

S 138C	
Електродвигун	
Тип двигуна	Серія двигунів змінного струму
Частота обертання насадки – SavE, об/хв	Не застосовується
Частота обертання насадки – номінальна, об/хв	4200
Вихідна потужність двигуна – максимальна, кВт	1,8
Вихідна потужність двигуна – номінальна, кВт	1,6
Маса	
Маса, кг	19,0
Випромінювання шуму ⁸²	
Рівень звукової потужності, дБ (A)	96
Гарантований рівень звукової потужності, L _{WA} дБ(A)	98
Рівні звуку ⁸³	
Рівень звукового тиску у вусі оператора, дБ(A)	82
Рівні вібрації ⁸⁴	
Ручка, м/с ²	8,3
Експлуатація	
Мін. / макс. робоча глибина, мм	-8 / +5
Робоча ширина, см	37,5
Насадка з вертикальними лезами	5973510–01
Насадка з паростковими зубцями	5973509–01

⁸² Випромінювання шуму в середовище, виміряне як звукова потужність (L_{WA}), відповідає директиві ЄС 2000/14/ЕС.

⁸³ Заявлені дані про рівень звукового тиску мають стандартну статистичну розбіжність (стандартне відхилення) у 1,2 дБ(A).

⁸⁴ Заявлені дані щодо рівня вібрації мають стандартну статистичну розбіжність (стандартне відхилення) у 0,2 м/с².

S 138C	
Місткість травозбірника, л	45

Декларація відповідності

Декларація відповідності ЄС

Ми, компанія **Husqvarna AB**, SE-561 82 Huskvarna, ШВЕЦІЯ, тел.: +46-36-146500, заявляємо під свою виключну відповідальність, що представлений виріб:

Опис	Скарифкатор
Бренд	Husqvarna
Тип / модель	S 138C
Ідентифікація	Серійні номери за 2023 рік і пізніше

повністю відповідає таким директивам і нормам ЄС:

Директива/норма	Опис
2011/65/EU	«Про обмеження використання деяких небезпечних речовин в електричному й електронному обладнанні»
2006/42/EC	«Про механічне обладнання»
2014/30/EU	«Про електромагнітну сумісність»
2000/14/EC	«Про виділення шуму в навколишнє середовище»

і що до нього застосовуються вказані далі узгоджені стандарти та (або) технічні специфікації: EN 60335-1:2012/A11:2014/A13:2017/A15:2021, EN 50636-2-92:2014, EN 55014-1:2017/A11:2020, EN 55014-2:2015, EN 61000-3-2:2014, EN 61000-3-11:2000, EN IEC 63000:2018.

Відомості стосовно випромінювання шуму дивіться в розділі *Технічні характеристики на сторінці 397*.

Huskvarna, 2024-03-01



Клас Лосдал (Claes Losdal)

Директор із питань розвитку / продукти для садівництва

Husqvarna AB

Відповідальний за технічну документацію





FR

Cet appareil,
ses cordons,
et batterie
se recyclent

À DÉPOSER
EN MAGASIN

OU

À DÉPOSER
EN DÉCHÈTERIE

Points de collecte sur www.quefairedemesdechets.fr
Privilégiez la réparation ou le don de votre appareil !

Husqvarna®

www.husqvarna.com

Original instructions
Оригинални инструкции
Původní pokyny
Originale instruktioner
Originalanweisungen
Αρχικές οδηγίες
Instrucciones originales
Originaaljuhend
Alkuperäiset ohjeet
Instructions d'origine

Originalne upute
Eredeti útmutatás
Istruzioni originali
取扱説明書原本

Originalios instrukcijos
Lietošanas pamācība
Originale instructies
Originale instruksjoner
Oryginalne instrukcje
Instruções originais
Instruccjuni inițiale
Оригинальные инструкции
Põvodné pokyny
Izvirna navodila
Originalna uputstva
Bruksanvisning i original
Orijinal talimatlar
Оригинальні інструкції



FR

1143953-38



2024-03-08