

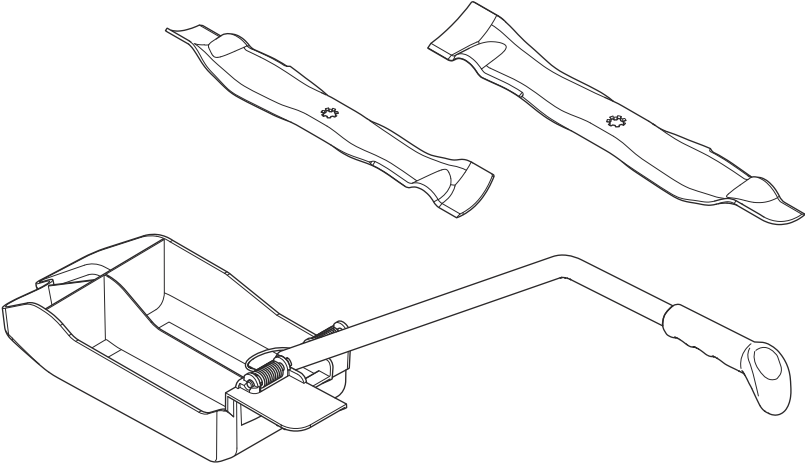


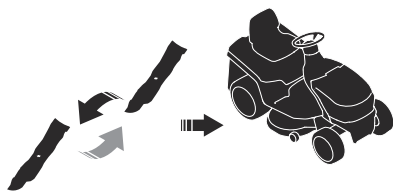
**Husqvarna®**

## **Husqvarna Attachments**

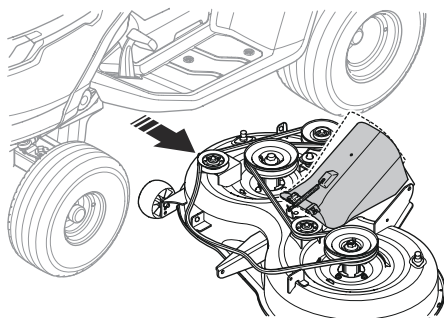
**Mulch kit 546 51 50-01, 547 35 66-01**

**Mulch kit: 546 51 50-01, 547 35 66-01**

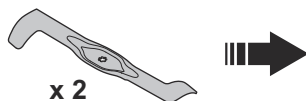
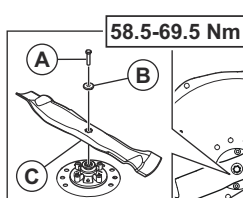




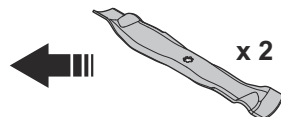
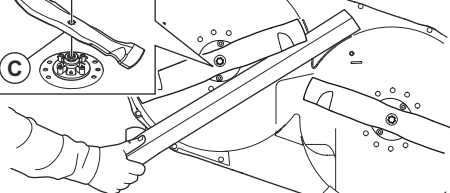
1



2

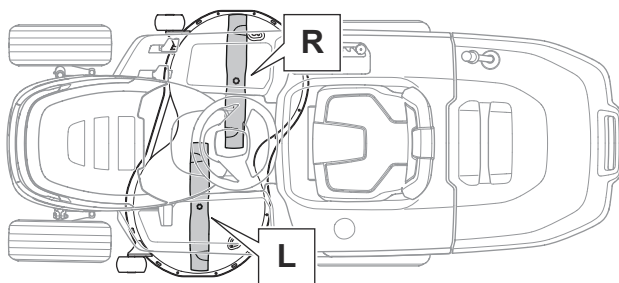


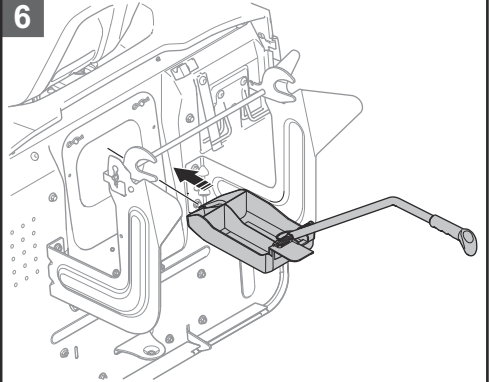
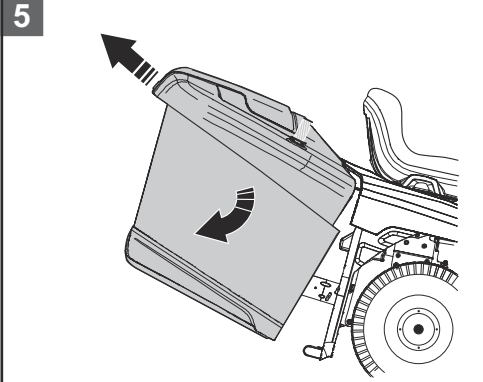
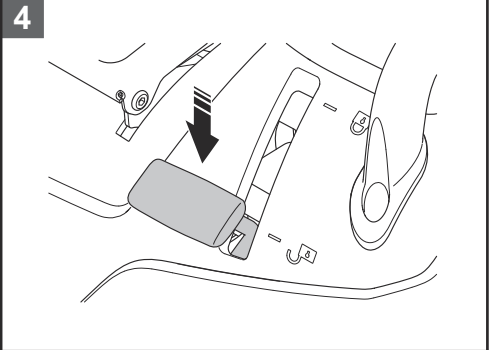
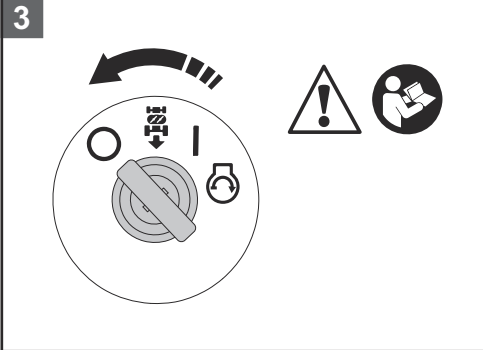
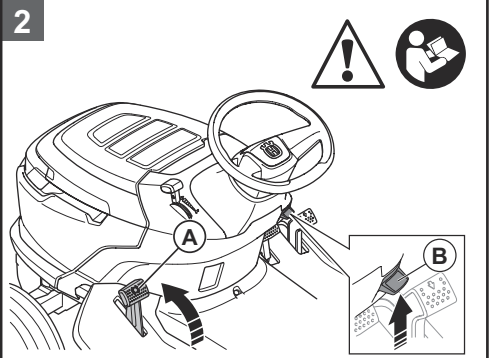
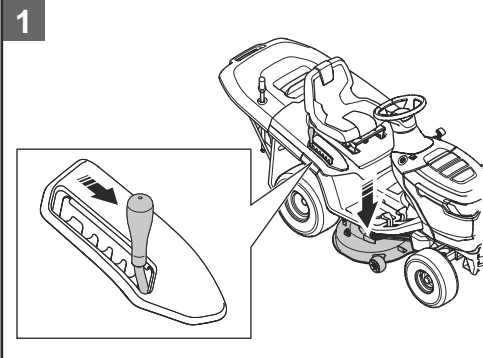
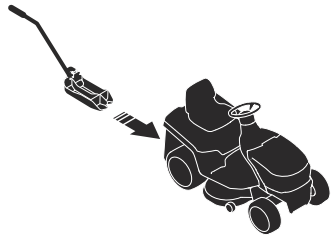
x 2



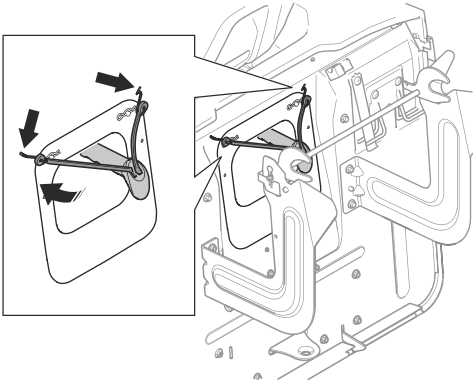
x 2

3

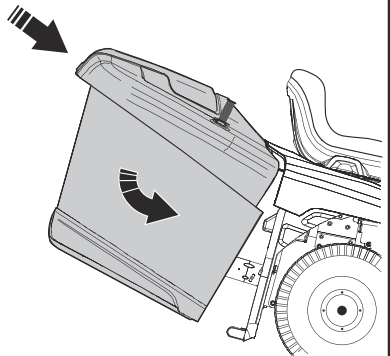




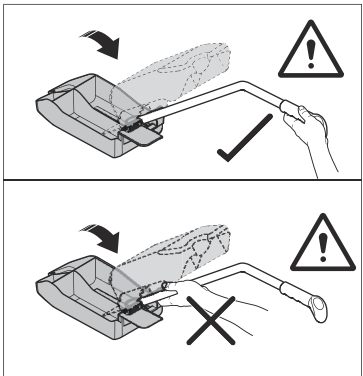
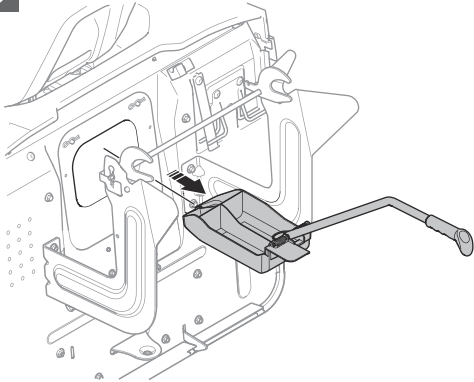
7



8



9







# Husqvarna®

[www.husqvarna.com](http://www.husqvarna.com)

Original instructions



1144012-38



2024-03-15