



# Husqvarna®



## 322HD60

EN	Operator's manual	2-17
BG	Ръководство за експлоатация	18-34
DA	Brugsanvisning	35-49
DE	Bedienungsanweisung	50-66
EL	Οδηγίες χρήσης	67-83
ET	Kasutusjuhend	84-99
FI	Käyttöohje	100-114
FR	Manuel d'utilisation	115-131
LV	Lietošanas pamācība	132-147
NL	Gebruiksaanwijzing	148-163
NO	Bruksanvisning	164-178
SL	Navodila za uporabo	179-194
SV	Bruksanvisning	195-209

# Contents

Introduction.....	2	Troubleshooting.....	13
Safety.....	3	Transportation, storage and disposal.....	14
Operation.....	7	Technical data.....	14
Maintenance.....	10	Declaration of Conformity.....	16

## Introduction

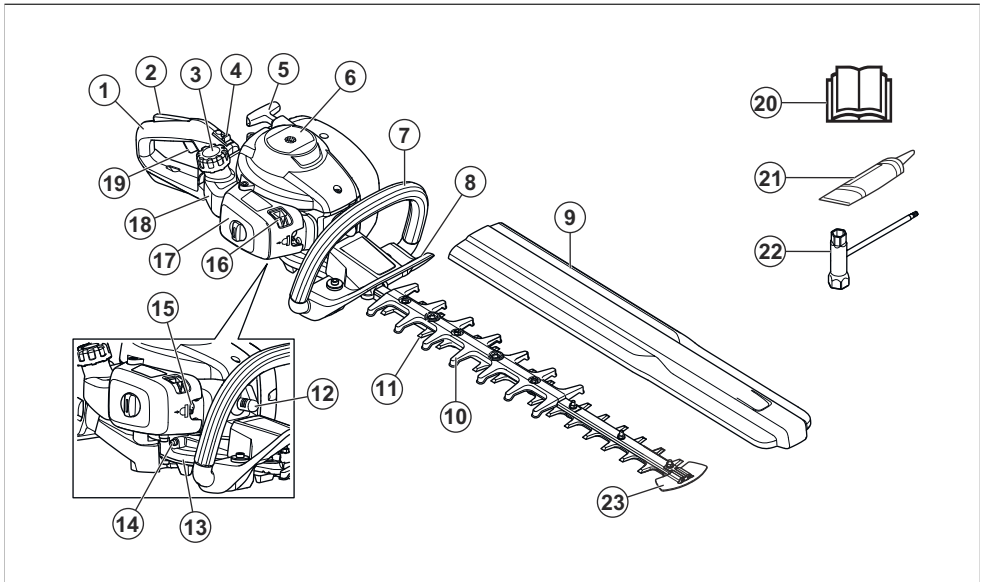
### Product description

The product is a hedge trimmer with a combustion engine.

### Intended use

Use the product to cut branches and twigs. Do not use the product for other tasks.

### Product overview



- |                                   |                          |
|-----------------------------------|--------------------------|
| 1. Rear handle                    | 15. Air purge bulb       |
| 2. Throttle trigger lockout       | 16. Choke control        |
| 3. Fuel tank cap                  | 17. Air filter cover     |
| 4. Stop switch                    | 18. Fuel tank            |
| 5. Starter rope handle            | 19. Throttle trigger     |
| 6. Cylinder cover                 | 20. Operator's manual    |
| 7. Front handle                   | 21. Tube of grease       |
| 8. Hand guard                     | 22. Combination wrench   |
| 9. Transport guard                | 23. Blade tip protection |
| 10. Blade guard                   |                          |
| 11. Blade                         |                          |
| 12. Spark plug cap and spark plug |                          |
| 13. Gear housing                  |                          |
| 14. Grease nipple                 |                          |

### Symbols on the product



**WARNING!** This product is dangerous. Injury or death can occur to the operator or bystanders if the product is not used carefully and correctly. To prevent injury

to the operator or bystanders, read and obey all safety instructions in the operator's manual.



Read the operator's manual carefully and make sure that you understand the instructions before use.



Use approved hearing protection and approved eye protection.



Use approved protective gloves.



Use heavy-duty slip-resistant boots.

T

Idle adjustment screw.

H

High speed needle.

L

Low speed needle.



Noise emission to the environment label as per European Directive 2000/14/EC, UK directives and regulations and New South Wales legislation "Protection of the Environment Operations (Noise Control) Regulation 2017". The guaranteed sound power level of the product is specified in *Technical data on page 14* and on the label.



The product agrees with the applicable EC directives.

yyyywwxxxx

The rating plate shows serial number. **yyyy** is the production year and **ww** is the production week.

**Note:** Other symbols/decals on the product refer to certification requirements for some markets.

## Euro V Emissions



**WARNING:** Tampering with the engine voids the EU type-approval of this product.

## Safety

### Safety definitions

Warnings, cautions and notes are used to point out specially important parts of the manual.



**WARNING:** Used if there is a risk of injury or death for the operator or bystanders if the instructions in the manual are not obeyed.



**CAUTION:** Used if there is a risk of damage to the product, other materials or the adjacent area if the instructions in the manual are not obeyed.

**Note:** Used to give more information that is necessary in a given situation.

### General safety instructions



**WARNING:** Read the warning instructions that follow before you use the product.

- Incorrect or careless use of the product can turn it into a dangerous tool that can cause serious or even fatal injury. It is extremely important that you read and understand the contents of this operator's manual.
- This product produces an electromagnetic field during operation. This field may under some circumstances interfere with active or passive medical implants. To reduce the risk of serious or fatal injury, we recommend persons with medical implants to consult their physician and the medical implant manufacturer before operating this product.
- Overexposure to vibration can lead to circulatory damage or nerve damage in people who have

impaired circulation. Contact your doctor if you experience symptoms of overexposure to vibration. Such symptoms include numbness, loss of feeling, tingling, pricking, pain, loss of strength, changes in skin color or condition. These symptoms normally appear in the fingers, hands or wrists. The risk increases at low temperatures.

- If you encounter a situation where you are uncertain how to proceed you should ask an expert. Contact your dealer or your service workshop. Avoid all usage which you consider to be beyond your capability.
- A used muffler/spark arrester and spark arrester mounting face may contain deposits of combustion particles that may be carcinogenic. Avoid being exposed to these compounds when handling the muffler and/or spark arrester. Prior to any handling of the muffler and/or the spark arrester, refer to *To do a check of the muffler on page 6*.
- Keep in mind that the operator is responsible for accidents or hazards occurring to other people or their property.
- Never allow anyone else to use the product without first ensuring that they have understood the contents of the operator's manual.
- Never allow children to use or be in the vicinity of the product. As the product is equipped with a spring-loaded stop switch and can be started by low speed and force on the starter handle, even small children under some circumstances can produce the force necessary to start the product. This can mean a risk of serious personal injury. Therefore remove the spark plug cap when the product is not under close supervision.
- Store the product out of reach of children.
- Never use the product if you are tired, if you have drunk alcohol, or if you are taking medication that could affect your vision, your judgement or your coordination.
- Never use a product that is faulty. Carry out the checks, maintenance and service instructions described in this manual. Some maintenance and service measures must be carried out by trained and qualified specialists. Refer to instructions under the heading Maintenance.
- Never use a product that has been modified in any way from its original specification.

- Observe your surroundings and make sure that there is no risk of people or animals coming into contact with the cutting equipment.
- Inspect the working area. Remove any objects that could be thrown out.
- Always ensure you have a safe and stable working position.
- Never leave the product unsupervised with the engine running.
- Make sure that your hands and feet do not come near the cutting unit when the engine is running.
- If anything jams in the blades while you are working, switch off the engine and wait until it has stopped completely before cleaning the blades. Disconnect the spark plug cap from the spark plug.
- When the engine is switched off, keep your hands and feet away from the cutting unit until it has stopped completely.
- Watch out for stumps of branches that can be thrown out during cutting.
- Listen out for warning signals or shouts when you are wearing hearing protection. Always remove your hearing protection as soon as the engine stops.
- Never work from a ladder, stool or any other raised position that is not fully secured.
- Always use both hands to hold the product. Hold the product in front of your body.
- If any foreign object is hit or if vibrations occur stop the product immediately. Disconnect the spark plug cap from the spark plug. Check that the product is not damaged. Repair any damage.
- Ensure that the spark plug cap and ignition lead are undamaged to avoid the risk of electric shock.
- Check that all nuts and screws are tight.
- Make sure the gearbox is lubricated correctly. Refer to *To lubricate the gear housing on page 12*.
- The gearbox gets hot when the product has been in use. To avoid burning yourself do not touch the gearbox.
- All covers and guards must be fitted before starting.
- If the blades get stuck, they can be loosened by sticking the combination wrench into the gearbox. Stick the combination wrench into the gearing and turn it back and forth. Refer to *To examine the blades on page 12*.
- The transport guard should always be fitted to the cutting unit when the product is not in use.

## Safety instructions for operation



**WARNING:** Read the warning instructions that follow before you use the product.

- Never use the product in extreme weather conditions such as severe cold, very hot and/or humid climates.
- Faulty blades can increase the risk of accidents.
- Ensure that no people or animals comes closer than 15 m / 50 ft while you work.

## Personal protective equipment

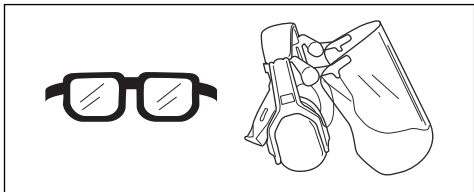


**WARNING:** Read the warning instructions that follow before you use the product.

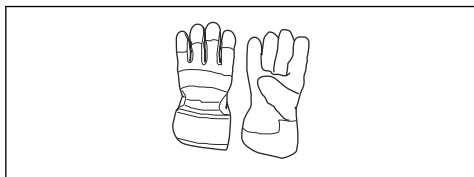
- Always use approved personal protective equipment when you use the product. Personal protective equipment cannot fully prevent injury but it decreases the degree of injury if an accident does

occur. Let your dealer help you select the right equipment.

- Use approved hearing protection that provides adequate noise reduction. Long-term exposure to noise can result in permanent hearing impairment.
- Use approved eye protection. If you use a visor, you must also use approved protective goggles. Approved protective goggles must comply with the ANSI Z87.1 standard in the USAs or EN 166 in EU countries.



- Use gloves when necessary, for example when you attach, examine or clean the cutting equipment.



- Use sturdy non-slip boots or shoes.



- Use clothing made of a strong fabric. Always use heavy, long pants and long sleeves. Do not use loose clothing that can catch on twigs and branches. Do not wear jewelry, short pants, sandals or go with bare feet. Put your hair up safely above shoulder level.
- Keep first aid equipment close at hand.



## Safety devices on the product

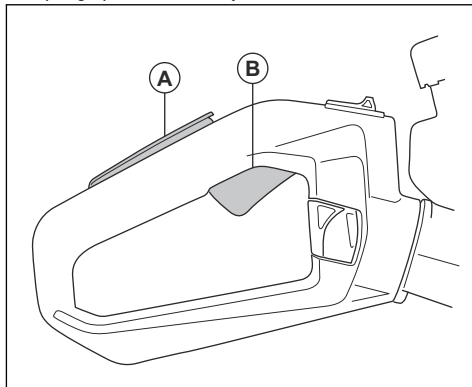


**WARNING:** Read the warning instructions that follow before you use the product.

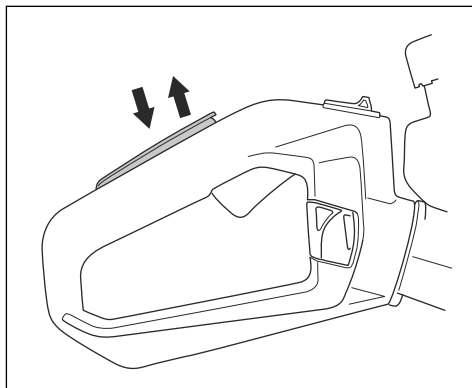
- Do not use a product with safety devices that are damaged or do not operate correctly.
- Do a check of the safety devices regularly. If the safety devices are damaged or do not operate correctly, speak to your Husqvarna service agent.
- Do not make modifications to safety devices.

### To do a check of the throttle trigger lockout

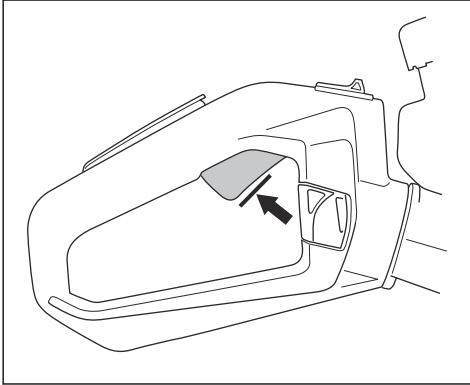
1. Make sure that the throttle trigger lockout (A) and throttle trigger (B) move freely and that the return spring operates correctly.



2. Push down the throttle trigger lockout and make sure that it goes back to its initial position when you release it.



3. Release the throttle trigger lockout and make sure that the throttle trigger is locked at idle speed position.



4. Start the engine and apply full throttle.
5. Release the throttle trigger and make sure that the blades stop fully.



**WARNING:** If the blades move when the throttle trigger is in the idle speed position, adjust the idle speed. Refer to *To adjust the idle speed on page 11*.

#### To do a check of the stop switch

1. Start the engine.
2. Push the stop switch to the stop position and make sure that the engine stops.



**WARNING:** The stop switch automatically goes back to start position. To prevent accidental start, remove the spark plug cap from the spark plug when you assemble or do maintenance on the product.

#### To do a check of the hand guard

The hand guard prevents injuries from the blades.

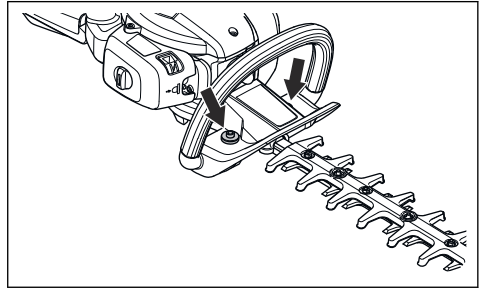
1. Stop the engine.
2. Make sure that the hand guard is attached correctly.
3. Examine the hand guard for damages.

#### To do a check of the vibration damping system

The vibration damping system decreases vibration in the handles. The vibration damping units operate as a separation between the product body and the handle unit.

1. Do a visual check for deformation and damage.

2. Make sure that the vibration damping units are correctly attached.



#### To do a check of the muffler



**WARNING:** Do not use the product if the muffler is missing or damaged. A muffler that is damaged or missing increases the noise level and the risk of fire. Keep fire extinguishing tools near. Do not use a product without, or with a broken, spark arrester mesh if you must have a spark arrester mesh in your area.



**WARNING:** The mufflers become very hot during and after operation, also at idle speed.



**CAUTION:** If the spark arrester screen is frequently blocked it can be a sign that performance of the catalytic converter is decreased. Turn to your servicing dealer to examine the muffler. A blocked spark arrester screen will cause overheating and result in damage to the cylinder and piston.

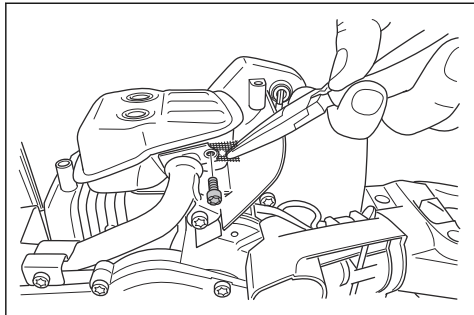


**WARNING:** The inner surfaces of the muffler contain chemicals that can cause cancer. Be careful not to touch these elements if the muffler is damaged.

The muffler keeps the noise levels to a minimum and points the exhaust fumes away from the operator. A muffler with a catalytic converter decrease harmful exhaust gases.

1. Stop the engine.
2. Do a visual check for damage and deformation.
3. Make sure that the muffler is correctly attached to the product.

- Clean the spark arrester screen with a wire brush.



#### To do a check of the blades and blade guard

The outer part of the blades has the function of a blade guard. The blade guard prevents cut injuries.

- Stop the engine and make sure that the blades stop.
- Remove the spark plug cap from the spark plug.
- Put on protective gloves.
- Make sure that the blade and blade guard is not damaged or bent. Always replace a damaged or bent blade, or a damaged blade guard.
- Make sure that the screws to the blades and blade guard are tight.

#### Fuel safety



**WARNING:** Read the warning instructions that follow before you use the product.

- Do not start the product if there is fuel or engine oil on the product. Remove the unwanted fuel/oil and let the product dry.
- If you spill fuel on your clothing, change clothing immediately.
- Do not get fuel on your body, it can cause injury. If you get fuel on your body, use soap and water to remove the fuel.
- Do not start the product if the engine has a leak. Examine the engine for leaks regularly.
- Be careful with fuel. Fuel is flammable and the fumes are explosive and can cause injuries or death.
- Do not breathe in the fuel fumes, it can cause injury. Make sure that there is a sufficient airflow.

- Do not smoke near the fuel or the engine.
- Do not put warm objects near the fuel or the engine.
- Do not add the fuel when the engine is on.
- Make sure that the engine is cool before you refuel.
- Before you refuel, open the fuel tank cap slowly and release the pressure carefully.
- Do not add fuel to the engine in an indoor area. Not sufficient airflow can cause injury or death because of asphyxiation or carbon monoxide.
- Tighten the fuel tank cap fully. If the fuel tank cap is not tightened, there is a risk of fire.
- Move the product a minimum of 3 m / 10 ft from the position where you filled the tank before a start.
- Do not fill the fuel tank fully. Heat causes the fuel to expand. Keep a space at the top of the fuel tank.

#### Safety instructions for maintenance



**WARNING:** Read the warning instructions that follow before you use the product.

- Stop the engine and make sure that the cutting equipment stops. Let the product become cool before you do the maintenance.
- Disconnect the spark plug cap before you do the maintenance.
- The exhaust fumes from the engine contain carbon monoxide, an odourless, poisonous and very dangerous gas that can cause death. Do not run the product indoors or in closed spaces.
- The exhaust fumes from the engine are hot and can contain sparks. Do not run the product indoors or near flammable material.
- Accessories and changes to the product that are not approved by the manufacturer, can cause serious injury or death. Do not change the product. Always use original accessories.
- If the maintenance is not done correctly and regularly, there is an increased risk of injury and damage to the product.
- Only do the maintenance as this operator's manual recommends. Let an approved Husqvarna service agent do all other servicing.
- Let an approved Husqvarna service agent do servicing on the product regularly.
- Replace damaged, worn or broken parts.

## Operation

### Introduction



**WARNING:** Read and understand the safety chapter before you use the product.

### Fuel

This product has a two-stroke engine.



**CAUTION:** Incorrect type of fuel can result in engine damage. Use a mixture of gasoline and two-stroke oil.

### Premixed fuel

- Use Husqvarna premixed alkylate fuel for best performance and extension of the engine life. This fuel contains less harmful chemicals compared to regular fuel, which decreases harmful exhaust fumes. The quantity of remains after combustion is lower with this fuel, which keeps the components of the engine more clean.

### To mix fuel

#### Gasoline

- Use good quality unleaded gasoline with a maximum of 10% ethanol contents.



**CAUTION:** Do not use gasoline with an octane grade less than 90 RON/87 AKI. Use of a lower octane grade can cause engine knocking, which causes engine damages.

#### Two-stroke oil

- For best results and performance use Husqvarna two-stroke oil.
- If Husqvarna two-stroke oil is not available, use a two-stroke oil of good quality for air-cooled engines. Speak to your servicing dealer to select the correct oil.



**CAUTION:** Do not use two-stroke oil for water-cooled outboard engines, also referred to as outboard oil. Do not use oil for four-stroke engines.

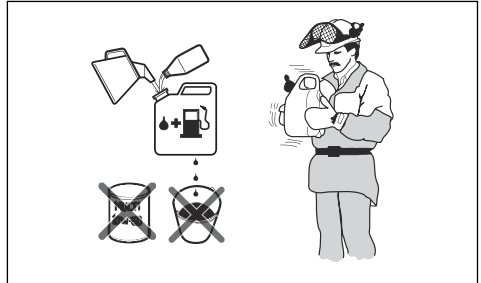
### To mix gasoline and two-stroke oil

Gasoline, liter	Two-stroke oil, liter
	<b>2% (50:1)</b>
5	0.10
10	0.20
15	0.30
20	0.40



**CAUTION:** Small errors can influence the ratio of the mixture drastically when you mix small quantities of fuel. Measure the

quantity of oil carefully and make sure that you get the correct mixture.



1. Fill half the quantity of gasoline in a clean container for fuel.
2. Add the full quantity of oil.
3. Shake the fuel mixture.
4. Add the remaining quantity of gasoline to the container.
5. Carefully shake the fuel mixture.



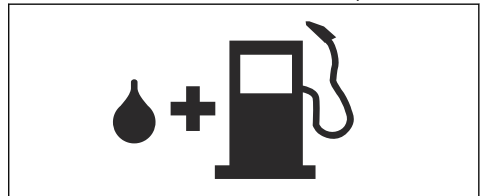
**CAUTION:** Do not mix fuel for more than 1 month at a time.

### To fill the fuel tank



**WARNING:** Obey the procedure that follows for your safety.

1. Stop the engine and let the engine become cool.
2. Clean the area around the fuel tank cap.



3. Shake the container and make sure that the fuel is fully mixed.
4. Remove the fuel tank cap slowly to release the pressure.
5. Fill the fuel tank.



**CAUTION:** Make sure that there is not too much fuel in the fuel tank. The fuel expands when it becomes hot.

6. Tighten the fuel tank cap carefully.
7. Clean fuel spillage on and around the product.



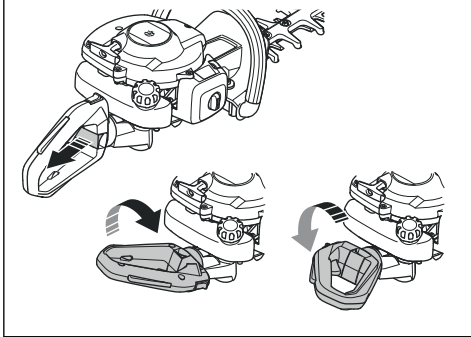
8. Move the product 3 m/10 ft or more away from the refueling area and fuel source before you start the engine.

**Note:** To see where the fuel tank is on your product, refer to *Introduction on page 2*.

### To adjust the handle

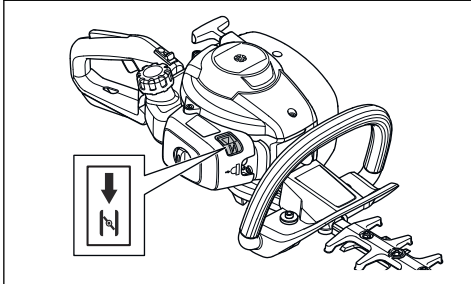
The rear handle can be adjusted into 3 positions.

- Release the handle lock and turn the handle.



### To start the product with a cold engine

1. Pull the choke control to choke position.



2. Push the air purge bulb approximately 6 times or until the bulb starts to fill with fuel. It is not necessary to fill the air purge bulb fully.
3. Hold the body of the product on the ground with your left hand. Do not step on the product.
4. Pull the starter rope handle slowly with your right hand until you feel some resistance, then pull the starter rope handle quickly and with force.



**WARNING:** Do not wind the starter rope around your hand.



**CAUTION:** Do not pull the starter rope to full extension and do not let go of the starter rope handle.

5. Continue to pull the starter rope handle until the engine fires, then push the choke control to its initial position.



**WARNING:** The blades move when the engine starts.

6. Continue to pull the starter rope handle until the engine starts.
7. Push and release the throttle trigger to set the engine to idle speed.
8. Push the throttle trigger gradually to increase the engine speed.
9. Make sure that the engine runs smoothly.

### To start the product with a warm engine

1. Hold the body of the product on the ground with your left hand. Do not step on the product.
2. Pull the starter rope handle slowly with your right hand until you feel some resistance, then pull the starter rope handle quickly and with force. Continue until the engine starts.

**Note:** For more information about how to start the product, refer to *To start the product with a cold engine on page 9*.

### To stop the product

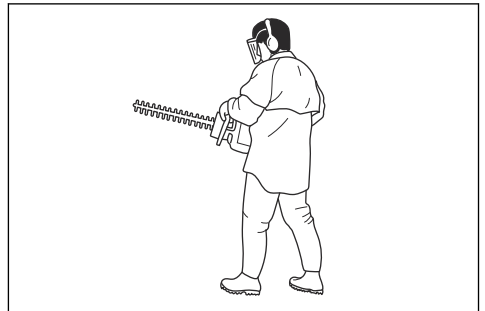
- Move the stop switch to the stop position to stop the engine.



**CAUTION:** The stop switch automatically goes back to run position.

### To operate the product

1. Start near the ground and move the product up along the hedge when you cut the sides. Make sure that the body of the product does not touch the hedge.





**WARNING:** Make sure that the front of the cutting equipment does not touch the ground.

2. Adjust the speed to align with the work load.

3. Hold the product near your body for a stable work position.
4. Be careful and operate the product slowly.

## Maintenance

### Introduction



**WARNING:** Read and understand the safety chapter before you do maintenance on the product.

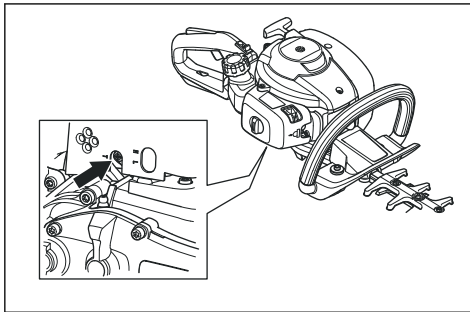
### Maintenance schedule

Maintenance	Before operation	After 40 h	After 100 h
Clean the external surface.	After each operation.		
Clean the muffler, exhaust pipe and engine from leaves, dirt and unwanted lubricant.	After each operation.		
Make sure that the cutting unit does not move at idle speed.	X		
Do a check of the stop switch. Refer to <i>To do a check of the stop switch on page 6.</i>	X		
Examine the cutting unit for damages and cracks. Replace if it is damaged.	X		
Examine the hand guard for damages and cracks. Replace if it is damaged.	X		
Do a check of the throttle trigger lockout and the throttle trigger. Refer to <i>To do a check of the throttle trigger lockout on page 5.</i>	X		
Examine the engine, the fuel tank and the fuel hose for leaks.	X		
Tighten nuts and screws.	X		
Examine the starter and the starter rope for damages.		X	
Do a check that the screws that hold the blades together are correctly tightened.		X	
Clean the air filter. Clean more frequently if used in areas which has dust. Replace if it is damaged.		X	
Examine the vibration damping units for damages and cracks. Replace if it is damaged.		X	
Clean the external surface of the spark plug and the area around it. Remove the spark plug and measure the electrode gap. Adjust the electrode gap or replace the spark plug. Refer to <i>To do a check of the spark plug on page 11.</i>		X	
Clean the cooling system.		X	
Clean the external surface of the carburetor and the area around it.		X	
Examine the fuel filter for contamination and the fuel hose for cracks and other damages. Replace if it is damaged.			X
Clean the spark arrester screen on the muffler, replace if it is damaged.			X
Clean the inner surface of the fuel tank.			X

Maintenance	Before operation	After 40 h	After 100 h
Replace the spark plug.			X
Examine the clutch, clutch spring and the clutch drum for wear. Replace if it is damaged by an approved servicing dealer.			X
Make sure that the gear housing is filled with grease.			X
Do a check of all cables and connections.			X

## To adjust the idle speed

1. Clean the air filter and attach the air filter cover.
2. Start the product. Refer to *To start the product with a cold engine on page 9*.
3. Turn the idle adjustment screw T clockwise until the cutting unit starts to move.



4. Turn the idle adjustment screw counterclockwise until the cutting unit stops.

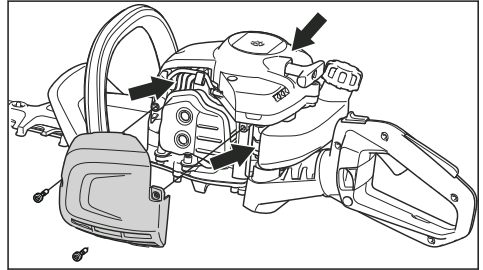


**WARNING:** If the cutting unit does not stop when you adjust the idle speed, speak to your nearest servicing dealer. Do not use the product until it is correctly adjusted or repaired.

**Note:** The idle speed is correct when the engine operates smoothly in all positions. Refer to *Technical data on page 14* for the recommended idle speed.

## To clean the cooling system

The cooling system keeps the engine temperature down. The cooling system includes the cooling fins on the cylinder, the cylinder cover and the air intake through the crankcase.



**CAUTION:** The air intake between the fuel tank and crankcase, is easily blocked by leaves. Clean the air intake fully.

1. Clean the cooling system with a brush weekly or more frequently if it is necessary.
2. Make sure that the cooling system is not dirty or blocked.

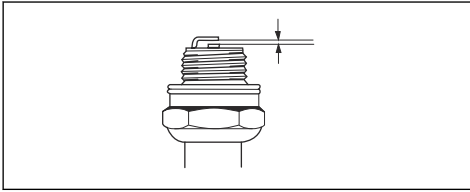
## To do a check of the spark plug



**CAUTION:** Always use the recommended spark plug type. Incorrect spark plug type can cause damage to the product.

- Do a check of the spark plug if the engine is low on power, is not easy to start or does not operate correctly at idle speed.
- To decrease the risk of unwanted material on the spark plug electrodes, obey these instructions:
  - a) Make sure that the idle speed is correctly adjusted.
  - b) Make sure that the fuel mixture is correct.
  - c) Make sure that the air filter is clean.

- If the spark plug is dirty, clean it and make sure that the electrode gap is correct, refer to *Technical data on page 14*.

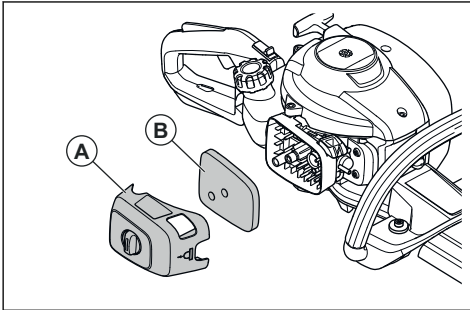


- Replace the spark plug if it is necessary.

## To clean the air filter

Clean the air filter regularly from dirt and dust. This prevents carburetor malfunctions, starting problems, loss of engine power, wear to engine parts and more fuel consumption than usual.

1. Remove the air filter cover (A).
2. Remove the filter (B) from the filter frame.



3. Clean the filter with warm soap water.

**Note:** An air filter that is used for a long time can not be fully cleaned. Replace the air filter regularly and always replace a damaged air filter.

4. Make sure that the filter is dry.
5. Apply oil to the air filter. Refer to *To apply oil to the foam air filter on page 12*
6. Clean the inner surface of the air filter cover. Use compressed air or a brush.

## To apply oil to the foam air filter



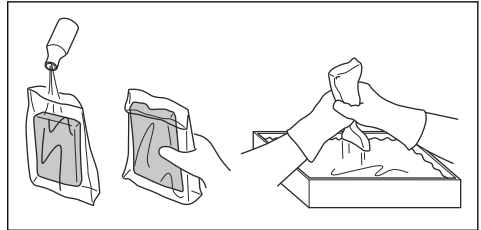
**CAUTION:** Always use Husqvarna special air filter oil. Do not use other types of oil.



**WARNING:** Put on protective gloves. The air filter oil can cause skin irritation.

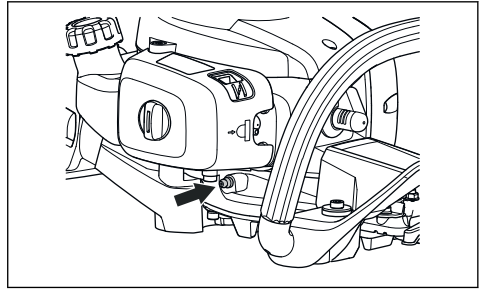
1. Put the foam air filter in a plastic bag.

2. Put the oil in the plastic bag.
3. Rub the plastic bag to supply the oil equally across the foam air filter.
4. Push the unwanted oil out of the foam air filter while in the plastic bag.



## To lubricate the gear housing

- Use Husqvarna special grease. Speak to your servicing dealer for more information about recommended grease.
- Add the grease through the grease nipple.



**CAUTION:** Do not fill the gear housing fully.

## To clean and lubricate the blades

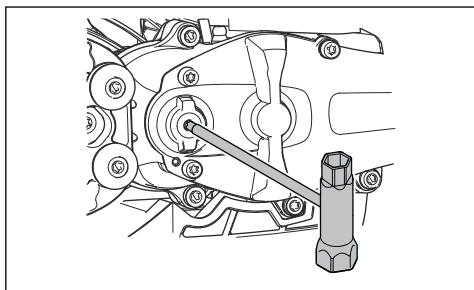
1. Clean the blades from unwanted materials before and after you use the product.
2. Lubricate the blades before long periods of storage.

**Note:** Speak to your servicing dealer for more information about recommended cleaning agents and lubricants.

## To examine the blades

1. Remove the cap on the gear housing.

2. Make sure that the blades move freely. Put the combination wrench in the gear housing and turn clockwise and counterclockwise.



3. Examine the edges of the blades for damages and deformation.

4. Use a file to remove burrs on the blades.

## Troubleshooting

### Troubleshooting

The engine does not start		
Problem	Possible cause	Recommended step
Starter pawls	The starter pawls cannot move freely.	Adjust or replace the starter pawls.
		Clean around the starter pawls.
		Speak to an approved servicing dealer.
Fuel tank	Incorrect fuel type.	Drain it and use correct fuel.
Carburetor	Incorrect idle speed.	Adjust the idle speed.
No spark	The spark plug is dirty or wet.	Make sure that the spark plug is dry and clean.
	Incorrect electrode gap.	Clean the spark plug. Make sure that the electrode gap of the spark plug is correct. Make sure that the spark plug is installed with a suppressor.
		Refer to <i>Technical data on page 14</i> for correct electrode gap.
Spark plug	The spark plug is loose.	Tighten the spark plug.

The engine starts but stops again		
Problem	Possible cause	Recommended step
Fuel tank	Incorrect fuel type.	Drain it and use correct fuel.
Carburetor	Incorrect idle speed.	Adjust the idle speed. Refer to <i>To adjust the idle speed on page 11</i> . Speak to your servicing dealer if it is necessary.
Air filter	Clogged air filter.	Clean the air filter.

Blade		
Problem	Possible causes	Recommended step
The blade moves slowly or does not move.	The blade is blocked or it is damaged.	Clean the blades from unwanted materials. Refer to <i>To clean and lubricate the blades on page 12</i> . Remove burrs from the blade, refer to <i>To examine the blades on page 12</i> . Replace the blade if it is damaged.
The blade does not cut easily.	The blade is not sharp or it is damaged.	Sharpen the blade, refer to <i>To examine the blades on page 12</i> . Replace the blade if it is damaged.
The blade becomes hot.	There is friction between the blades.	Remove burrs from the blade and lubricate the blade. Refer to <i>To clean and lubricate the blades on page 12</i> .

---

## Transportation, storage and disposal

---

### Transportation and storage

- Always allow the product to cool down before storage.
- For storage and transportation of the product and fuel, make sure that there are no leaks or fumes. Sparks or open flames, for example from electrical devices or boilers, can start a fire.
- Always use approved containers for storage and transportation of fuel.
- Empty the fuel before transportation or before long-term storage. Discard the fuel at an applicable disposal location.
- Attach the transport guard during transportation and storage.

- Remove the spark plug cap from the spark plug.
- Attach the product during transportation. Make sure that it cannot move.
- Clean and do servicing on the product before long-term storage.

### Disposal

- Obey the local recycling requirements and applicable regulations.
- Discard all chemicals, such as engine oil or fuel, at a servicing dealer or at an applicable disposal location.
- When the life of the engine has expired, send the engine to a Husqvarna servicing dealer or discard it at a recycling location.

---

## Technical data

---

### Technical data

	<b>322HD60</b>
<b>Engine</b>	
Cylinder displacement, cm <sup>3</sup>	21.7
Idle speed, rpm	2900
Recommended max speed, rpm	9000
Maximum engine power acc. to ISO 8893, kW/hp @ rpm	0.6/0.8 @ 7800
Catalytic converter muffler	Yes
<b>Ignition system</b>	
Spark plug	HQT-4 672201
Electrode gap, mm	0.5

	<b>322HD60</b>
<b>Fuel</b>	
Fuel tank capacity, l/cm <sup>3</sup>	0.3/300
<b>Weight</b>	
Without fuel, kg	5.2
<b>Noise emissions</b> <sup>1</sup>	
Sound power level, measured dB (A)	101
Sound power level, guaranteed L <sub>WA</sub> dB (A)	102
<b>Sound levels</b> <sup>2</sup>	
Equivalent sound pressure level at the operator's ear, measured according to EN ISO 22868, dB(A)	92
<b>Vibration levels</b> <sup>3</sup>	
Equivalent vibration levels (a <sub>h<sub>v,eq</sub></sub> ) at handles, measured according to EN ISO 22867, m/s <sup>2</sup> :	
Front/Rear, mm/s <sup>2</sup>	4.4/4.3
<b>Blades</b>	
Type	Double sided
Cutting length, mm	600
Cutting speed, cuts/min	4400

<sup>1</sup> Noise emissions in the environment measured as sound power (L<sub>WA</sub>) in conformity with EC directive 2000/14/EC. Reported sound power level for the product has been measured with the original cutting attachment that gives the highest level. The difference between guaranteed and measured sound power is that the guaranteed sound power also includes dispersion in the measurement result and the variations between different products of the same model according to Directive 2000/14/EC.

<sup>2</sup> Reported data for noise pressure level has a typical statistical dispersion (standard deviation) of 1 dB (A).

<sup>3</sup> Reported data for vibration level has a typical statistical dispersion (standard deviation) of 1 m/s<sup>2</sup>.

---

# Declaration of Conformity

---

## EU Declaration of Conformity

We, **Husqvarna AB**, SE-561 82 Huskvarna, Sweden, tel: +46-36-146500, declares on our sole responsibility that the product:

<b>Description</b>	Hedge trimmer
<b>Brand</b>	Husqvarna
<b>Type/Model</b>	322HD60
<b>Identification</b>	Serial numbers dating from 2022 and onwards

complies fully with the following EU directives and regulations:

<b>Regulation</b>	<b>Description</b>
2006/42/EC	"relating to machinery"
2014/30/EU	"relating to electromagnetic compatibility"
2000/14/EC	"relating to the noise emissions in the environment"
2011/65/EU	"on the restriction of the use of certain hazardous substances in electrical and electronic equipment"

and that the following standards and/or technical specifications are applied;



The following standards have been applied:

**EN ISO 12100:2010, EN ISO 10517:2019, EN IEC 63000:2018, EN ISO 14982:2009**

SMP Svensk Maskinprovning, Box 4053, SE-904 03 Umeå, Sweden has performed voluntary type examination according to annex IX of 2006/42/EC.

SMP Svensk Maskinprovning, has also verified agreement with annex V of the council's directive 2000/14/EC.

For information relating to noise emissions, refer to *Technical data on page 14*.

Huskvarna, 2023-07-10

Two handwritten signatures in black ink are shown. The first signature is 'Stefan Holmberg' and the second is 'J. Hult'. Both are written in a cursive, flowing style.

Stefan Holmberg, R&D Director, Technology Management, Husqvarna AB

Responsible for technical documentation



## UK Declaration of conformity

We, **Husqvarna AB**, SE-561 82 Huskvarna, Sweden, tel: +46-36-146500, declares on our sole responsibility that the product:

<b>Description</b>	Hedge trimmer
<b>Brand</b>	Husqvarna
<b>Type / Model</b>	322HD60
<b>Identification</b>	Serial numbers dating from 2022 and onwards

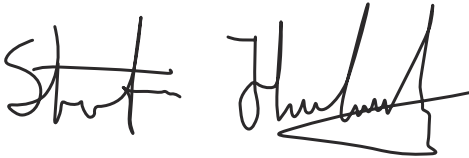
complies fully with the following UK regulations:

<b>Description</b>
The Restriction of the Use of Certain Hazardous Substances in Electrical and Electronic Equipment Regulations 2012
The Supply of Machinery (Safety) Regulations 2008
The Noise Emission in the Environment by Equipment for use Outdoors Regulations 2001, schedule 9
Electromagnetic Compatibility Regulations 2016

and that the following standards and/or technical specifications are applied: EN ISO 12100:2010, EN ISO 10517:2019, EN IEC 63000:2018, EN ISO 14982:2009.

For information relating to noise emissions, refer to *Technical data on page 14*.

Huskvarna, 2023-07-10



Stefan Holmberg, R&D Director, Technology Management, Husqvarna AB

Responsible for technical documentation

**UK  
CA**

UK Importer:  
Husqvarna UK Ltd  
Preston Road, Co. Durham  
DL5 6UP

## Съдържание

Въведение.....	18	Отстраняване на проблеми.....	30
Безопасност.....	19	Транспортиране, съхранение и изхвърляне.....	32
Операция.....	24	Технически данни.....	32
Поддръжка.....	27	Декларация за съответствие.....	34

## Въведение

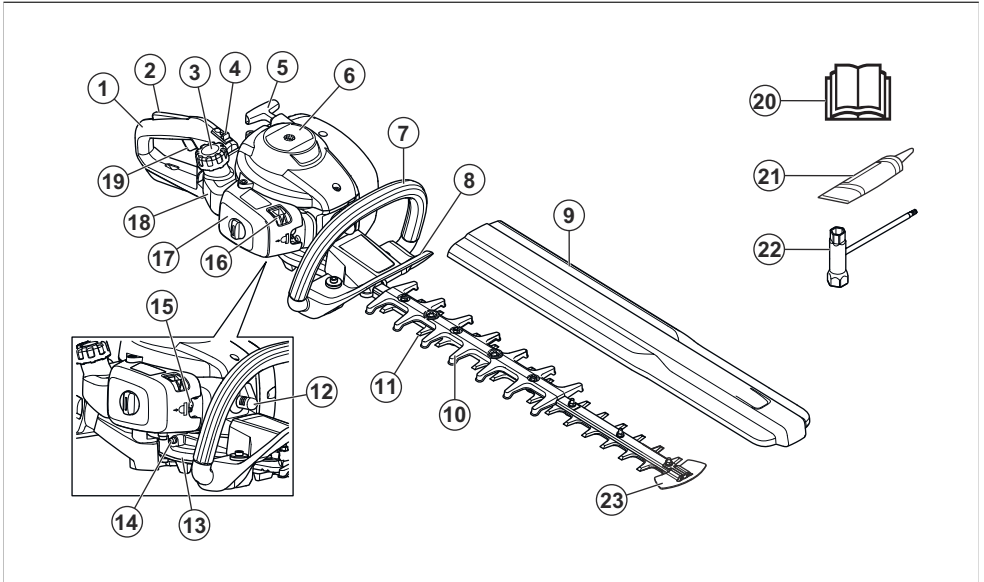
### Описание на продукта

Продуктът е ножици за кастрене на жив плет с двигател с вътрешно горене.

### Предназначение

Използвайте продукта за изрязване на клони и вейки. Не използвайте продукта за други задачи.

### Общ преглед на продукта



1. Задна ръкохватка
2. Блокировка на регулатор за газта
3. Капачка на резервоара за гориво
4. Превключвател за спиране
5. Дръжка на въжето на стартера
6. Капак на цилиндъра
7. Предна дръжка
8. Защита за ръцете
9. Защита при транспортиране
10. Предпазен щит на резеца
11. Нож
12. Капачка на свещ и свещ
13. Корпус на предавката
14. Смазочен нипел

15. Купол на горивната помпа
16. Смукач
17. Капак на въздушния филтър
18. Резервоар за гориво
19. Регулатор за газта
20. Инструкция за експлоатация
21. Туба с грес
22. Комбиниран гаечен ключ
23. Защита за върха на острието

### Символи върху продукта



**ПРЕДУПРЕЖДЕНИЕ!** Този продукт е опасен. Невнимателното и погрешното използване на продукта може да доведе до нараняване или смърт

на оператора или наблюдатели. За да предотвратите нараняване на оператора или наблюдатели, прочетете и спазвайте всички инструкции за безопасност в ръководството за оператора.



Прочетете внимателно ръководството за оператора и се уверете, че разбирате инструкциите, преди да използвате машината.



Използвайте одобрена защита на слуха и одобрена защита на очите.



Използвайте одобрени защитни ръкавици.



Използвайте устойчиви на плъзгане ботуши за тежък режим на работа.

T

Регулиращ винт за обороти на празен ход.

H

Иглен регулатор за висока скорост.

L

Иглен регулатор за ниска скорост.



Етикет за шумовите емисии за околната среда съгласно Европейска директива 2000/14/ЕО, директиви и регламенти на Обединеното кралство и законодателството на Нов Южен Уелс "Регламент 2017 относно защитата от дейности, оказващи влияние на околната среда (контрол на шума)". Гарантираното ниво на звуковата мощност на продукта е посочено в *Технически характеристики на страница 32* и върху етикета.



Продуктът е в съответствие с приложимите директиви на ЕО.

yyyywwxxxx

На табелката с данни е изписан серийният номер. **yyyy** е годината на производство, а **ww** – седмицата на производство.

**Забележка:** Останалите символи/стикери на продукта се отнасят до изисквания по отношение на сертификати за определени пазари.

## Емисии Euro V



**ПРЕДУПРЕЖДЕНИЕ:** Намесата в двигателя прави невалидно ЕС одобрението на тип на този продукт.

## Безопасност

### Дефиниции за безопасност

Предупреждения, знаци за внимание и бележки се използват за указване на особено важни части на инструкцията.



**ПРЕДУПРЕЖДЕНИЕ:** Използва се, ако има опасност от нараняване или смърт за оператора или за околните, ако не се спазват инструкциите в ръководството.



**ВНИМАНИЕ:** Използва се, ако има опасност от повреждане на машината, други материали или съседната зона,

ако не се спазват инструкциите в ръководството.

**Забележка:** Използва се за предоставяне на повече информация, която е необходима в дадена ситуация.

### Общи инструкции за безопасност



**ПРЕДУПРЕЖДЕНИЕ:** Прочетете следващите предупредителни инструкции, преди да използвате продукта.

- Неправилното или невнимателно използване на продукта може да го превърне в опасен инструмент, който може да причини сериозно или дори смъртоносно нараняване. Изключително важно е да прочетете това ръководство за оператора и да разберете съдържанието му.
- Този продукт създава електромагнитно поле по време на работа. При някои условия това поле може да предизвика смущения в активни или пасивни медицински импланти. За да намалите риска от сериозно или смъртоносно нараняване, ние препоръчваме лицата с медицински импланти да говорят с лекаря си и производителя на медицинския имплант, преди да започнат да работят с този продукт.
- Прекомерното излагане на вибрации може да доведе до поражение върху кръвоносни съдове и нервната система на хора със смущения в кръвообращението. Потърсете лекарска помощ, ако се появят симптоми, които могат да са резултат от вибрации. Такива симптоми са например изтръпване, загуба на чувствителност, "иглички", "бодежи", болки, физическа отпуснатост, промени в цвета или състоянието на кожата. Тези симптоми се появяват обикновено на пръстите, ръцете и китките. Рискът се увеличава при ниски температури.
- Ако се окажете в ситуация, в която сте неуверени как да постъпите, се посъветвайте със специалист. Свържете се с Вашия дилър или с Вашия сервис. Избягвайте всякаква употреба, за която се чувствате недостатъчно квалифицирани.
- Използван ауслух/искрогасител и монтажна повърхност на искрогасител може да съдържат отлагания на изгорени частици, които може да са канцерогенни. Избягвайте да се излагате на тези съединения, когато боравите с ауслуха и/или искрогасителя. Преди да боравите с ауслуха и/или искрогасителя, направете справка с *За извършване на проверка на ауслуха на страница 23*.
- Имайте предвид, че операторът носи отговорност за злополуки или опасности за други хора или тяхното имущество.
- Не позволявайте никой друг да използва продукта, без първо да сте се уверили, че е разбрал съдържанието на ръководството за оператора.
- Никога не позволявайте на деца да използват продукта или да бъдат в близост до него. Тъй като продуктът е оборудван с пружинен превключвател за спиране и може да бъде стартиран чрез прилагане на ниска скорост и сила върху ръкохватката на стартера, дори и малките деца при някои обстоятелства могат да са способни да приложат необходимата сила за стартиране на продукта. Това може да означава риск от сериозна телесна повреда. Поради това отстранявайте лулата на запалителната

свещ, когато продуктът не е под прякото Ви наблюдение.

- Съхранявайте продукта на място, недостъпно за деца.
- Никога не използвайте продукта, ако сте уморени, употребили сте алкохол или приемате лекарства, които могат да повлияят върху зрението, преценката или координацията Ви.
- Никога не използвайте продукт, който е неизправен. Извършвайте описаните в това ръководство проверки, техническо обслужване и сервиз. Определени операции по поддръжката и сервиза се извършват единствено от квалифицирани специалисти. Направете справка с инструкциите в раздел „Техническо обслужване“.
- Никога не използвайте продукт с модификации на оригиналните технически характеристики.

## Инструкции за безопасност за работа



**ПРЕДУПРЕЖДЕНИЕ:** Прочетете следващите предупредителни указания, преди да използвате продукта.

- Никога не използвайте продукта при екстремни атмосферни условия, например много студен, много горещ и/или влажен климат.
- Неизправните остриета могат да повишат риска от злополуки.
- Уверете се, че хора или животни не се приближават в радиус от 15 m/50 ft, докато работите.
- Съобразете се с средата и се уверете, че няма риск за хора или животни при съприкосновение с режещото оборудване.
- Проверете работния участък. Отстранете всички обекти, които могат да изхвърчат във въздуха.
- Винаги се грижете да заставате в безопасно и стабилно работно положение.
- Никога не оставяйте продукта без надзор, докато двигателят работи.
- Уверете се, че ръцете и краката Ви са далеч от режещия модул, когато двигателят работи.
- Ако нещо заседне в ножовете, докато работите, изключете мотора и изчакайте, докато спре напълно, преди да почистите ножовете. Разкачете лулата на запалителната свещ от запалителната свещ.
- Когато двигателят е изключен, пазете ръцете и краката си от режещия модул, докато той не спре напълно.
- Внимавайте за парчета от клоните, които могат да изхвърчат по време на рязането.
- Бъдете винаги нащрек за предупредителни сигнали или подвиквания, когато използвате

антифони. Винаги сваляйте антифоните незабавно след спиране на двигателя.

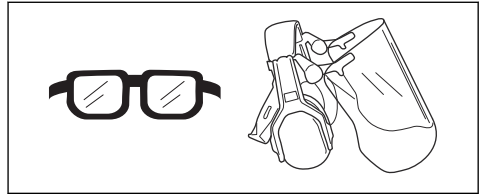
- Не работете никога от стълба, столче или друго положение на високо, което не е напълно обезопасено.
- Винаги дръжте продукта с две ръце. Винаги дръжте продукта пред тялото си.
- Ако някакъв чужд обект бъде ударен или ако се получат вибрации, спрете веднага продукта. Разкачете лулата на запалителната свещ от запалителната свещ. Проверете дали продуктът не е повреден. Поправете всяка повреда.
- Уверете се дали капачката на запалителната свещ и запалващият кабел са изправни, за да избегнете опасността от електрически удар.
- Проверете дали всички гайки и винтове са затегнати.
- Уверете се, че скоростната кутия е смазана правилно. Вижте *За смазване на корпуса на скоростната кутия на страница 30*.
- Скоростната кутия се нагорещява, когато продуктът е в употреба. За да избегнете изгаряния, не докосвайте скоростната кутия.
- Всички капаци и предпазители трябва да са поставени преди стартиране.
- Ако резците заядат, те могат да се разхлабят, като поставите комбинирания гаечен ключ в скоростната кутия. Поставете комбинирания гаечен ключ в скоростната кутия, след което го завъртете напред и назад. Вижте *За проверка на ножовете на страница 30*.
- Защитата при транспортиране трябва винаги да е поставена на режещия модул, когато продуктът не се използва.

## Лични предпазни средства

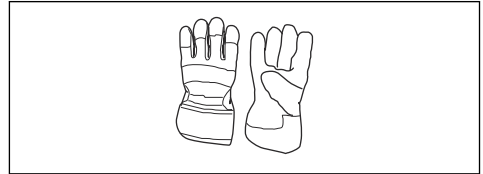


**ПРЕДУПРЕЖДЕНИЕ:** Прочетете следващите предупредителни указания, преди да използвате машината.

- При работа с продукта винаги използвайте одобрени лични предпазни средства. Личните предпазни средства не изключват изцяло риска от нараняване, но намаляват степента на нараняването при злополука. Нека вашият дилър Ви помогне да изберете подходящото оборудване.
- Използвайте одобрени антифони, осигуряващи подходящо намаляване на шума. Дълготрайното излагане на шум може да доведе до постоянно влошаване на слуха.
- Използвайте одобрени защитни средства за очите. Ако използвате маска, използвайте също и одобрени защитни очила. С одобрени защитни очила се има предвид такива, които отговарят на стандарт ANSI Z87.1 за САЩ или EN 166 за страните от ЕС.



- Когато е необходимо, носете ръкавици, например, когато закрепвате, проверявате или почиствате режещото оборудване.



- Носете здрави ботуши или обувки, които не се хлъзгат.



- Използвайте дрехи, направени от здрава тъкан. Винаги използвайте здрави, дълги панталони и дълги ръкави. Не носете използвайте дрехи, които могат да се захванат за храсти и клони. Не носете бижута, къси панталони, сандали и не работете боси. Носете косата си безопасно над нивото на рамената.
- Дръжте в близост комплект за първа помощ.



## Устройства за безопасност на продукта



**ПРЕДУПРЕЖДЕНИЕ:** Прочетете следващите предупредителни инструкции, преди да използвате продукта.

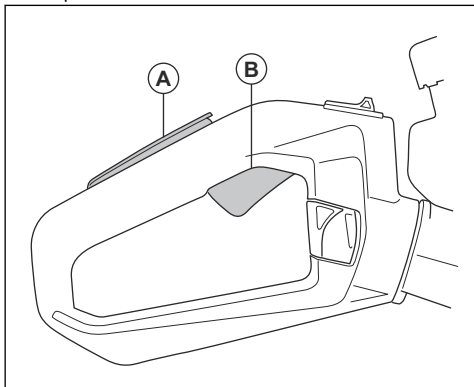
- Не използвайте продукт с устройства за безопасност, които са повредени или не работят правилно.
- Извършвайте редовно проверка на устройствата за безопасност. Ако устройствата за безопасност

са повредени или не работят правилно, говорете с Вашия сервиз на Husqvarna.

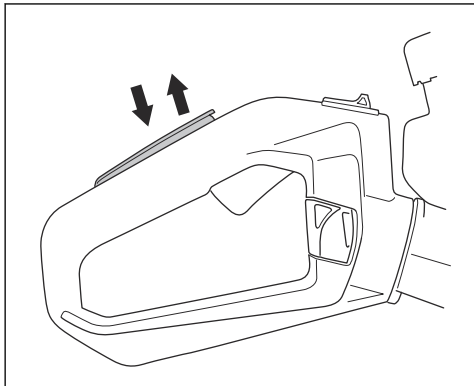
- Не правете модификации по устройствата за безопасност.

### За проверка на блокировката на регулатора на газта

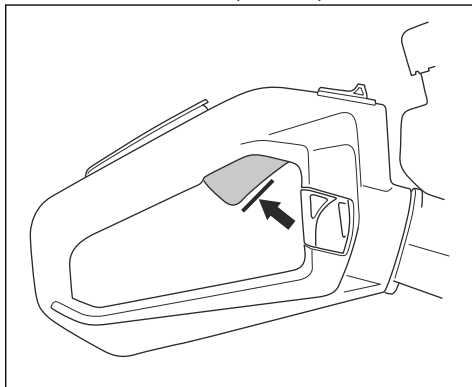
1. Уверете се, че блокировката на регулатора за газта (A) и регулаторът за газта (B) се движат свободно и възвратната пружина работи изправно.



2. Натиснете надолу блокировката на газта и се уверете, че се връща в първоначалната си позиция, когато я отпуснете.



3. Освободете блокировката на регулатора за газта и се уверете, че регулаторът за газта е фиксиран на положението за обороти на празния ход.



4. Стартирайте двигателя и подайте пълна газ.
5. Освободете регулатора за газта и се уверете, че резците спират изцяло.



**ПРЕДУПРЕЖДЕНИЕ:** Ако резците се движат, когато регулаторът за газта е на положение за обороти на празния ход, регулирайте оборотите на празния ход. Вижте *Регулиране на оборотите на празния ход на страница 28*.

### За проверка на превключвателя за спиране

1. Стартирайте двигателя.
2. Преместете превключвателя за спиране до положението за спиране и се уверете, че двигателят спира.



### ПРЕДУПРЕЖДЕНИЕ:

Превключвателят за спиране автоматично се връща в положение за стартиране. За да предотвратите случайно стартиране, махнете лулата на запалителната свещ от свещта, когато монтирате или извършвате техническо обслужване на продукта.

### За проверка на защитата за ръцете

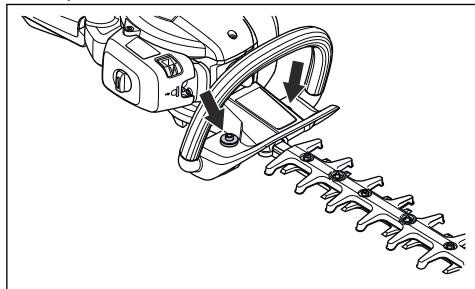
Защитата за ръце не позволява нараняване от ножовете.

1. Спрете двигателя.
2. Проверете дали защитата за ръце е правилно поставена.
3. Проверете защитата за ръцете за повреди.

### За проверка на антивибрационната система

Антивибрационната система намалява вибрациите на дръжките. Антивибрационните части действат като разделител между корпуса на продукта и модула на дръжките.

1. Извършете визуална проверка за деформация и повреда.
2. Уверете се, че антивибрационните части не са повредени.



### За извършване на проверка на ауспуха



**ПРЕДУПРЕЖДЕНИЕ:** Не използвайте продукта, ако ауспухът липсва или е повреден. Повреденият или липсващ ауспух увеличава нивото на шума и риска от пожар. Дръжте наблизо оборудване за гасене на пожар. Не използвайте продукта без или със скъсана искрогасителна мрежа, ако трябва да разполагате с искрогасителна мрежа в площта, в която работите.



**ПРЕДУПРЕЖДЕНИЕ:** Ауспусите се нагряват много по време и след работа и при обороти на празен ход.



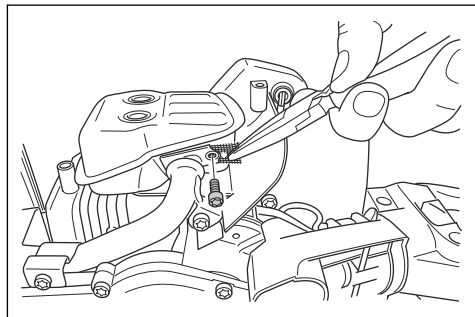
**ВНИМАНИЕ:** Ако искрогасителната мрежа се запущва често, това може да е признак, че ефективността на катализатора е намалена. Обърнете се към Вашия сервизен дилър за проверка на ауспуха. Запушена искрогасителна мрежа ще причини прегряване, което ще доведе до повреда на цилиндъра и буталото.



**ПРЕДУПРЕЖДЕНИЕ:** Вътрешните повърхности на ауспуха съдържат химикали, които могат да причинят рак. Внимавайте да не докосвате тези елементи, ако ауспухът е повреден.

Ауспухът е предназначен за намаляване на нивата на шума до минимум и за отвеждане на отработените газове настрана от оператора. Ауспух с катализатор намалява вредните отработените газове.

1. Спрете двигателя.
2. За извършване на визуална проверка за повреда и деформация.
3. Уверете се, че ауспухът е правилно закрепен към продукта.
4. Почистете искрогасителната мрежа с телена четка.



### За проверка на резците и предпазния щит на резеца

Външните краища на резците функционират като предпазен щит на резеца. Предпазният щит на резеца предотвратява наранявания от порязване.

1. Спрете двигателя и се уверете, че резците спират.
2. Отстранете лулата на запалителната свещ от запалителната свещ.
3. Сложете защитни ръкавици.
4. Уверете се, че резецът и предпазният щит на резеца не са повредени или огънати. Винаги сменяйте повреден или огънат резец или повреден предпазен щит на резеца.
5. Уверете се, че винтовете на резците и предпазният щит на резеца са затегнати.

### Безопасност при работа с гориво



**ПРЕДУПРЕЖДЕНИЕ:** Прочетете следващите предупредителни указания, преди да използвате машината.

- Не включвайте продукта, ако върху него има гориво или моторно масло. Отстранете нежеланото гориво/масло и оставете продукта да изсъхне.
- Ако разлеете гориво по дрехите си, сменете ги незабавно.
- Внимавайте да не попадне гориво върху тялото Ви, това може да доведе до телесни

увреждания. Ако гориво попадне върху тялото Ви, използвайте сапун и вода, за да го отстраните.

- Не стартирайте продукта, ако от двигателя има теч. Проверявайте редовно двигателя за течове.
- Внимавайте с горивото. Горивото е запалимо, изпаренията са взривоопасни и могат да причинят телесни увреждания или смърт.
- Не вдъшавайте горивните изпарения, това може да доведе до телесни увреждания. Уверете се, че има достатъчен въздушен поток.
- Не пушете близо до горивото или двигателя.
- Не поставяйте топли предмети близо до горивото или двигателя.
- Не добавяйте гориво, когато двигателят работи.
- Уверете се, че двигателят е изстинал преди зареждане с гориво.
- Преди зареждане с гориво отворете бавно капачката на резервоара за гориво и освободете внимателно налягането.
- Не добавяйте гориво към двигателя на закрито. Недостатъчният въздушен поток може да доведе до нараняване или смърт поради задушаване или въглероден окис.
- Затегнете капачката на резервоара за гориво докрай. Ако капачката на резервоара за гориво не е затегната, има риск от злополука.
- Преди да включите двигателя, преместете продукта най-малко на 3 m/10 ft от мястото, където сте заредили резервоара.
- Не зареждайте резервоара за гориво догоре. Топлината причинява увеличаване на обема на горивото. Оставете място в горната част на резервоара за гориво.

- Спрете двигателя и се уверете, че режещото оборудване спира. Преди да извършите техническо обслужване, оставете продуктът да се охлади.
- Разкачете лулата на запалителната свещ, преди да извършите техническо обслужване.
- Отработените газове от двигателя съдържат въглероден окис, много опасен, отровен газ без миризма, който може да причини смърт. Не работете с продукта на закрито или в затворени пространства.
- Отработените газове от двигателя са горещи и могат да съдържат искри. Не стартирайте продукта на закрито или близо до запалими материали.
- Аксесоари и промени на продукта, които не са одобрени от производителя, могат да доведат до сериозно нараняване или смърт. Не правете промени по продукта. Винаги използвайте оригинални принадлежности.
- Ако техническото обслужване не се изпълнява правилно и редовно, съществува повишена опасност от нараняване и повреда на продукта.
- Изпълнявайте техническото обслужване, както е посочено в настоящата инструкция за експлоатация. Цялото обслужване трябва да се извършва от одобрен сервиз на Husqvarna.
- Позволете одобрен Husqvarna сервиз редовно да обслужва продукта.
- Заменете повредени, износени или счупени части.

## Инструкции за безопасност при техническо обслужване



**ПРЕДУПРЕЖДЕНИЕ:** Прочетете следващите предупредителни указания, преди да използвате машината.

## Операция

### Въведение



**ПРЕДУПРЕЖДЕНИЕ:** Прочетете и разберете раздела с инструкции за безопасност преди използване на продукта.

### Гориво

Този продукт разполага с двутактов двигател.



**ВНИМАНИЕ:** Неподходящият тип гориво може да доведе до повреда на двигателя. Използвайте смес от бензин и масло за двутактови двигатели.

### Предварително смесено гориво

- За постигане на оптимални работни характеристики и за удължаване на срока на експлоатация на двигателя използвайте предварително смесено алкилатно гориво на Husqvarna. Това гориво съдържа по-малко вредни химикали в сравнение с обикновеното



гориво и това намалява вредните отработени газове. С това гориво количеството остатъци след изгарянето е по-ниско, което запазва компонентите на двигателя по-чисти.

сте сигурни, че ще получите правилната смес.

## За изготвяне на горивна смес

### Бензин

- Използвайте качествен безоловен бензин с максимално съдържание на етанол 10%.



**ВНИМАНИЕ:** Не използвайте бензин с октаново число, по-малко от 90 RON/87 AKI. Използването на по-ниско октаново число може да доведе до детонационно горене в двигателя, което предизвиква повреди в него.

### Масло за двутактов двигател

- За постигане на най-добри резултати и работни характеристики използвайте масло за двутактови двигатели на Husqvarna.
- Ако не разполагате с масло за двутактови двигатели на Husqvarna, използвайте друго висококачествено масло за двутактови двигатели, разработено за двигатели с въздушно охлаждане. Говорете с дистрибутора по сервизното обслужване за избор на точното масло.



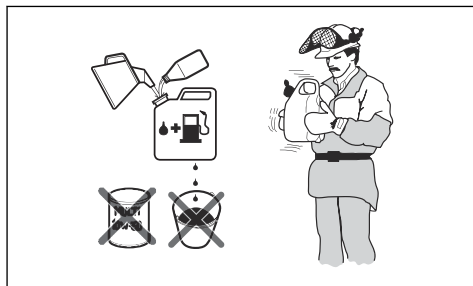
**ВНИМАНИЕ:** Не използвайте масло за извънбордови двутактови двигатели с водно охлаждане, понякога наричано извънбордово масло. Не използвайте масло за четиритактови двигатели.

### Смесване на бензин и масло за двутактов двигател

Бензин, литри	Масло за двутактов двигател, литри
	<b>2% (50:1)</b>
5	0,10
10	0,20
15	0,30
20	0,40



**ВНИМАНИЕ:** Малки грешки могат да повлияят драстично на съотношението в сместа, когато смесвате малки количества гориво. Измервайте внимателно количеството масло, за да



1. Налейте половината гориво в чист съд за гориво.
2. Добавете цялото количество масло.
3. Разклатете горивната смес.
4. Долейте останалото количество бензин в съда.
5. Разклатете внимателно горивната смес.



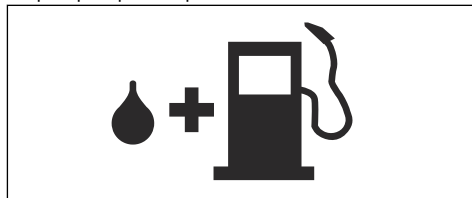
**ВНИМАНИЕ:** Не смесвайте количество гориво, което ще престоя повече от 1 месец.

### Пълнене на резервоара за гориво



**ПРЕДУПРЕЖДЕНИЕ:** Спазвайте следната процедура за Ваша безопасност.

1. Спрете двигателя и го оставете да се охлади.
2. Почистете областта около капачката на резервоара за гориво.



3. Разклатете контейнера и се уверете, че горивото е напълно смесено.
4. Отстранете бавно капачката на резервоара за гориво, за да освободите налягането.
5. Напълнете резервоара за гориво.



**ВНИМАНИЕ:** Уверете се, че в резервоара за гориво няма твърде много гориво. Когато се нагрее, горивото се разширява.

6. Затегнете капачката на резервоара за гориво внимателно.

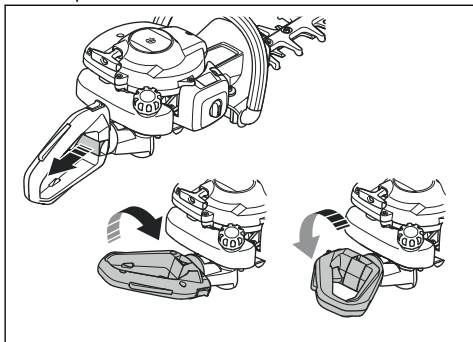
- Почистете разлятото гориво върху продукта и около него.
- Преди стартиране на двигателя преместете продукта на 3 m/10 ft или повече от мястото, където се извършва зареждането с гориво и където се намира източникът на горивото.

**Забележка:** За местоположението на резервоара за гориво на Вашия продукт направете справка с *Въведение на страница 18*.

### За регулиране на ръкохватката

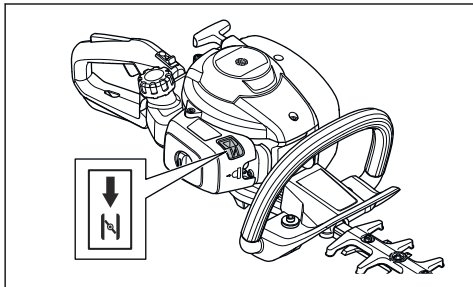
Задната ръкохватка може да се регулира в 3 позиции.

- Освободете заключването на дръжката и я завъртете.



### За да стартирате продукта при студен двигател

- Дръпнете смукача на положение "задействан смукач".



- Натиснете купола на горивната помпа приблизително 6 пъти или докато горивото започне да запълва купола. Не е необходимо да се пълни докрай куполът на горивната помпа.
- Дръжте корпуса на продукта на земята с лявата си ръка. Не стъпвайте върху продукта.

- Дръпнете бавно дръжката на въжето за стартиране с дясната си ръка, докато не усетите съпротивление, след което дръпнете дръжката на въжето за стартиране бързо и със сила.



**ПРЕДУПРЕЖДЕНИЕ:** Не навивайте въжето за стартиране около ръката си.



**ВНИМАНИЕ:** Не дърпайте докрай въжето на стартера и не пускайте дръжката на въжето на стартера.

- Продължете да дърпате дръжката на въжето на стартера, докато двигателят запали, след което натиснете смукача до първоначалното му положение.



**ПРЕДУПРЕЖДЕНИЕ:** При стартиране на двигателя резците се движат.

- Продължете да дърпате ръкохватката на въжето за стартиране, докато двигателят запали.
- Натиснете и освободете регулатора за газта, за да установите двигателя до обороти на празния ход.
- Натиснете постепенно регулатора на газта, за да увеличите оборотите на двигателя.
- Уверете се, че двигателят работи плавно.

### За да стартирате продукта при топъл двигател

- Дръжте корпуса на продукта на земята с лявата си ръка. Не стъпвайте върху продукта.
- Дръпнете бавно дръжката на въжето за стартиране с дясната си ръка, докато не усетите съпротивление, след което дръпнете дръжката на въжето за стартиране бързо и със сила. Продължете, докато двигателят стартира.

**Забележка:** За повече информация относно как да стартирате продукта направете справка с *За да стартирате продукта при студен двигател на страница 26*.

### Спиране на продукта

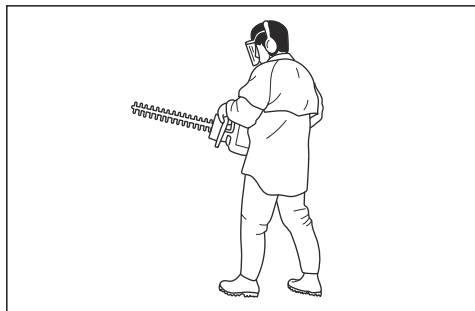
- За да изключите мотора, преместете превключвателя за спиране в положение за спиране.



**ВНИМАНИЕ:** Превключвателят за спиране автоматично се връща в положение за работа.

## За да работите с продукта

1. Започнете близо до земята и местете продукта нагоре по плета, когато режете страните.  
Уверете се, че корпусът на продукта не докосва плета.



## ПРЕДУПРЕЖДЕНИЕ:

Уверете се, че предната част на режещото оборудване не докосва земята.

2. Регулирайте скоростта за подравняване с работното натоварване.
3. Дръжте продукта близо до тялото си за стабилна работна позиция.
4. Внимавайте и използвайте продукта бавно.

## Поддръжка

### Въведение

за безопасност, преди да започнете техническо обслужване на продукта.



**ПРЕДУПРЕЖДЕНИЕ:** Прочетете и разберете главата с инструкции

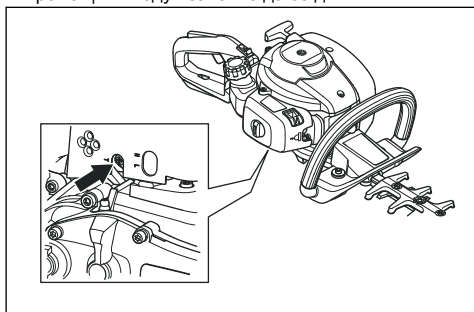
### Разписание за техническо обслужване

Техническо обслужване	Преди работа	След 40 часа	След 100 часа
Почистете външната повърхност.		След всяка работа.	
Почистете ауспуха, тръбата за отработени газове и двигателя от листа, мръсотия и излишно смазочно средство.		След всяка работа.	
Уверете се, че режещият апарат не се движи при обороти на празен ход.	X		
Извършете проверка на превключвателя за спиране. Направете справка с <i>За проверка на превключвателя за спиране на страница 22.</i>	X		
Проверете режещия апарат за повреди и пукнатини. Сменете при повреда.	X		
Проверете предпазителя за ръцете за повреди и пукнатини. Сменете при повреда.	X		
Извършете проверка на блокировката на регулатора за газта и на регулатора за газта. Направете справка с <i>За проверка на блокировката на регулатора на газта на страница 22.</i>	X		
Проверете двигателя, резервоара за гориво и маркуча за гориво за течове.	X		
Затегнете гайките и винтовете.	X		
Проверете стартера и стартерното въже за повреди.		X	
Извършете проверка дали винтовете, които придържат ножовете един към друг, са затегнати правилно.		X	

Техническо обслужване	Преди работа	След 40 часа	След 100 часа
Почистете въздушния филтър. Почиствайте по-често, ако използвате в площи, в които има прах. Сменете при повреда.		X	
Проверете антивибрационните елементи за повреди и пукнатини. Сменете при повреда.		X	
Почистете външната повърхност на запалителната свещ и участъка около нея. Отстранете запалителната свещ и измерете разстоянието между електродите. Регулирайте разстоянието между електродите или сменете запалителната свещ. Направете справка с <i>За извършване на проверка на запалителната свещ на страница 29.</i>		X	
Почистете системата за охлаждане.		X	
Почистете външната повърхност на карбуратора и мястото около него.		X	
Проверете горивния филтър за замърсяване и маркуचा за гориво за пукнатини и други повреди. Сменете при повреда.			X
Почистете искрогасителната мрежа на ауслуха и я сменете, ако е повредена.			X
Почистете вътрешната повърхност на резервоара за гориво.			X
Сменете запалителната свещ.			X
Проверете съединителя, пружината на съединителя и барабана на съединителя за износване. Ако има повреда, трябва да се извърши смяна от одобрен сервизен дилър.			X
Уверете се, че корпусът на скоростната кутия е напълнен с грес.			X
Извършете проверка на всички кабели и връзки.			X

## Регулиране на оборотите на празния ход

1. Почистете въздушния филтър и поставете капака на въздушния филтър.
2. Стартирайте продукта. Вижте *За да стартирате продукта при студен двигател на страница 26.*
3. Завъртете регулиращия винт за празен ход Т по посока на часовниковата стрелка, докато режещият модул започне да се движи.



4. Завъртете регулиращия винт за празен ход обратно на часовниковата стрелка, докато режещият модул спре.



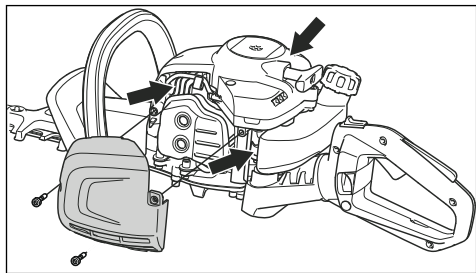
**ПРЕДУПРЕЖДЕНИЕ:** Ако режещият модул не спира, когато регулирате оборотите на празния ход, обърнете се към най-близкия сервизен търговец. Не използвайте продукта, докато не бъде правилно регулиран или ремонтиран.

**Забележка:** Оборотите на празния ход са правилни, когато двигателят работи плавно във всяко положение. За препоръчителните обороти на празния ход направете справка с *Технически данни на страница 32.*

## За почистване на системата за охлаждане

Системата за охлаждане поддържа ниска температурата на двигателя. Системата за охлаждане включва охладителните ребра на

цилиндъра, капака на цилиндъра и смукателния въздухопровод през картера.



**ВНИМАНИЕ:** Смукателният въздухопровод между резервоара за гориво и картера лесно може да се блокира от листа. Почистете изцяло смукателния въздухопровод.

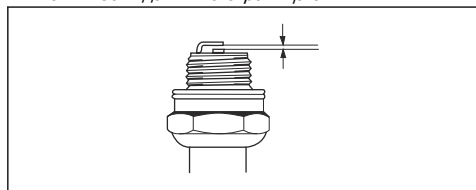
1. Почиствайте с четка системата за охлаждане ежеседмично или по-често, ако е необходимо.
2. Уверете се, че системата за охлаждане не е замърсена или запушена.

## За извършване на проверка на запалителната свещ



**ВНИМАНИЕ:** Използвайте винаги запалителните свещи от препоръчания вид. Използването на запалителна свещ от неправилен тип може да причини повреда на продукта.

- Извършете проверка на запалителната свещ, ако двигателят е с понижена мощност, стартира трудно или работи неправомерно при обороти на празен ход.
- За да намалите риска от попадане на нежелани материали върху електродите на запалителната свещ, следвайте тези инструкции:
  - a) Проверете дали оборотите на празен ход са правилно регулирани.
  - b) Уверете се, че горивната смес е правилна.
  - c) Уверете се, че въздушният филтър е чист.
- Ако запалителната свещ е замърсена, я почистете и проверете дали разстоянието между електродите е правилно, направете справка с *Технически данни на страница 32*.

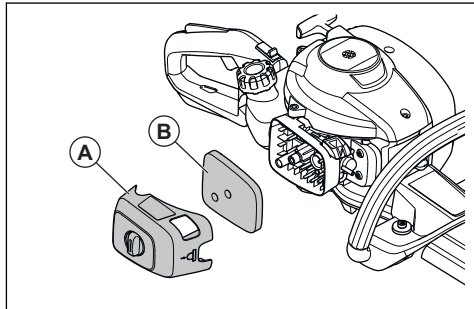


- Сменете запалителната свещ, ако е необходимо.

## Почистване на въздушния филтър

Почиствайте редовно въздушния филтър от замърсявания и прах. Това предотвратява неизправности на карбуратора, проблеми при стартиране, загуба на мощност на двигателя, износване на части на двигателя и по-голям от обичайния разход на гориво.

1. Отстранете капака на въздушния филтър (A).
2. Отстранете филтъра (B) от рамата на филтъра.



3. Почистете филтъра с топла сапунена вода.

**Забележка:** Въздушен филтър, който е използван дълго време, не може да се почисти напълно. Сменяйте редовно въздушния филтър и винаги сменяйте повреден въздушен филтър.

4. Уверете се, че филтърът е сух.
5. Нанесете масло върху въздушния филтър. Направете справка с *За да нанесете масло върху порестия въздушен филтър на страница 29*
6. Почистете вътрешната повърхност на капака на въздушния филтър. Използвайте сгъстен въздух или четка.

## За да нанесете масло върху порестия въздушен филтър



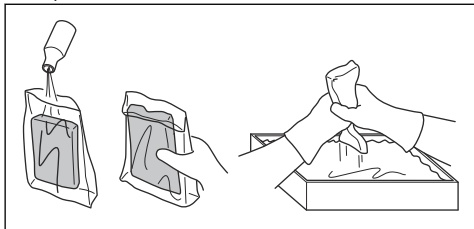
**ВНИМАНИЕ:** Винаги използвайте специално масло за въздушен филтър на Husqvarna. Не използвайте други типове масла.



**ПРЕДУПРЕЖДЕНИЕ:** Сложете защитни ръкавици. Маслото за въздушния филтър може да причини раздразнение на кожата.

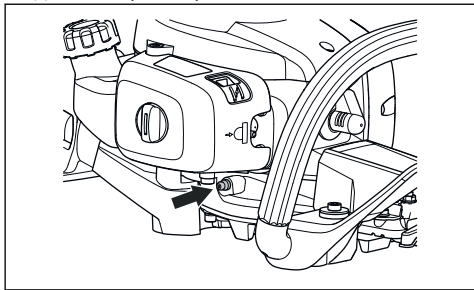
1. Поставете порестия въздушен филтър в найлонова торбичка.
2. Поставете маслото в найлоновата торбичка.

3. Разтрийте найлоновата торбичка, за да разнесете маслото равномерно върху порестия въздушен филтър.
4. Отстранете излишното масло от порестия въздушен филтър, докато е в найлоновата торбичка.



### За смазване на корпуса на скоростната кутия

- Използвайте специална грес Husqvarna. Говорете с Вашия дистрибутор по обслужването за повече информация относно препоръчителна грес.
- Добавете греса през смазочния нипел.



**ВНИМАНИЕ:** Не пълнете до горе корпуса на скоростната кутия.

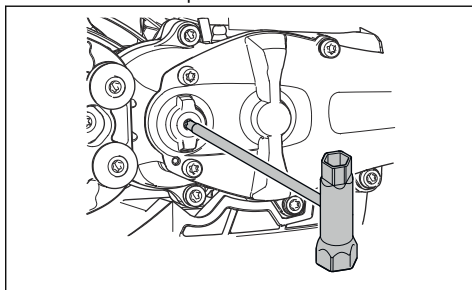
### За почистване и смазване на ножовете

1. Почистете резците от нежелани материали преди и след използване на Вашия продукт.
2. Смажете резците преди дълги периоди на съхранение.

**Забележка:** Обърнете се към Вашия сервизен търговец за повече информация относно препоръчителните почистващи препарати и смазки.

### За проверка на ножовете

1. Отстранете капачката от корпуса на скоростната кутия.
2. Уверете се, че остриетата се движат свободно. Поставете комбинирания гаечен ключ в корпуса на скоростната кутия и завъртете по часовниковата стрелка и обратно на часовниковата стрелка.



3. Проверете ръбовете на остриетата за повреди и деформация.
4. Използвайте пила за отстраняване на неравности върху остриетата.

## Отстраняване на проблеми

### Отстраняване на проблеми

Двигателят не се стартира		
Проблем	Възможна причина	Препоръчителна стъпка
Зъбци на стартера	Зъбците на стартера не могат да се движат свободно.	Регулирайте или сменете зъбците на стартера.
		Почистете около зъбците на стартера.
		Обърнете се към одобрен сервизен търговец.
Резервоар за гориво	Неправилен тип гориво.	Източете го и използвайте правилно гориво.

<b>Двигателят не се стартира</b>		
<b>Проблем</b>	<b>Възможна причина</b>	<b>Препоръчителна стъпка</b>
Карбуратор	Неправилни обороти на празния ход.	Регулирайте оборотите на празния ход.
Без искра	Запалителната свещ е замърсена или влажна.	Уверете се, че запалителната свещ е суха и чиста.
	Неправилно разстояние между електродите.	Почистете запалителната свещ. Уверете се, че разстоянието между електродите на запалителната свещ е правилно. Уверете се, че запалителната свещ е монтирана със супресор.
		Направете справка с <i>Технически данни на страница 32</i> за точното разстояние между електродите.
Запалителна свещ	Запалителната свещ е разхлабена.	Затегнете запалителната свещ.

<b>Двигателят стартира, но спира отново</b>		
<b>Проблем</b>	<b>Възможна причина</b>	<b>Препоръчителна стъпка</b>
Резервоар за гориво	Неправилен тип гориво.	Източете го и използвайте правилно гориво.
Карбуратор	Неправилни обороти на празния ход.	Регулирайте оборотите на празния ход. Вижте <i>Регулиране на оборотите на празния ход на страница 28</i> . Обърнете се към Вашия сервизен търговец, ако е необходимо.
Въздушен филтър	Запушен въздушен филтър.	Почистете въздушния филтър.

<b>Нож</b>		
<b>Проблем</b>	<b>Възможни причини</b>	<b>Препоръчителна стъпка</b>
Резецът се движи бавно или не се движи.	Резецът е блокиран или повреден.	Почистете резците от нежелани материали. Вижте <i>За почистване и смазване на ножовете на страница 30</i> . Отстранете неравностите по резеца, направете справка с <i>За проверка на ножовете на страница 30</i> . Подменете ножа, ако е повреден.
Резецът не реже с лекота.	Резецът не е остър или е повреден.	Заточете резеца, направете справка с <i>За проверка на ножовете на страница 30</i> . Подменете ножа, ако е повреден.
Резецът се нагорещява.	Има триене между резците.	Отстранете неравностите по резеца и го смажете. Вижте <i>За почистване и смазване на ножовете на страница 30</i> .

---

# Транспортиране, съхранение и изхвърляне

---

## Транспорт и съхранение

- Винаги оставяйте продукта да се охлади преди съхранение.
- При съхранението и транспортирането на продукта и горивото се уверете, че няма течове или изпарения. Искри или открит огън, например от електрически уреди или котли може да възникне пожар.
- Винаги използвайте одобрени контейнери за съхранение и транспортиране на гориво.
- Изпразнете горивото преди транспортиране или преди дългосрочно съхранение. Изхвърлете горивото на подходящо за целта място.
- Закрепете защитата при транспортиране по време на транспортиране и съхранение.
- Отстранете лулата на запалителната свещ от запалителната свещ.

- Закрепете продукта преди транспортиране. Уверете се, че не може да се движи.
- Почистете и извършете обслужване на продукта преди съхранение за дълъг период.

## Изхвърляне

- Спазвайте местните изисквания за рециклиране и приложимите регламенти.
- Изхвърлете всички химикали, като например двигателно масло или гориво, при сервизен дилър или на приложимото място за изхвърляне.
- Когато експлоатационният живот на двигателя изтече, изпратете го на сервизен дилър на Husqvarna или го изхвърлете на място за рециклиране.

---

## Технически данни

---

### Технически характеристики

	<b>322HD60</b>
<b>Двигател</b>	
Работен обем на цилиндъра, cm <sup>3</sup>	21,7
Обороти на празен ход, об/мин	2900
Препоръчителна макс. скорост, об/мин	9000
Максимална мощност на двигателя, в съответствие с ISO 8893, kW/hp при об/мин	0,6/0,8 при 7800
Ауспух с катализатор	Да
<b>Запалителна система</b>	
Запалителна свещ	HQT-4 672201
Разстояние между електродите, mm	0,5
<b>Гориво</b>	
Капацитет на резервоара за гориво, l/cm <sup>3</sup>	0,3/300
<b>Тегло</b>	
Без гориво, kg	5,2



	<b>322HD60</b>
<b>Шумови емисии</b> <sup>4</sup>	
Ниво на звуковата мощност, измерено, измерена dB (A)	101
Ниво на звуковата мощност, гарантирано L <sub>WA</sub> dB (A)	102
<b>Нива на шума</b> <sup>5</sup>	
Еквивалентно ниво на звуковото налягане при ухото на оператора, измерено съгласно EN ISO 22868, dB(A)	92
<b>Нива на вибрациите</b> <sup>6</sup>	
Еквивалентни нива на вибрации (a <sub>hV,eq</sub> ) в ръкохватките, измерени съгласно EN ISO 22867, m/s <sup>2</sup> :	
Предна/задна, mm/s <sup>2</sup>	4,4/4,3
<b>Ножове</b>	
Тип	Двустранен
Дължина на рязане, mm	600
Скорост на рязане, срез/мин	4400

<sup>4</sup> Емисии на шума в околната среда, измерени като звукова мощност (L<sub>WA</sub>) в съответствие с директива на ЕО 2000/14/ЕО. Отчетеното ниво на звуковата мощност за продукта е измерено с оригиналната режеща приставка, която създава най-високото ниво. Разликата между гарантираната и измерената звукова мощност е в това, че гарантираната звукова мощност включва също и дисперсията в резултата от измерването, както и вариациите между различните продукти от един и същи модел съгласно Директива 2000/14/ЕО.

<sup>5</sup> Отчетените данни за нивото на звуковото налягане имат типична статистическа дисперсия (стандартно отклонение) от 1 dB (A).

<sup>6</sup> Отчетените данни за нивото на вибрациите имат типична статистическа дисперсия (стандартно отклонение) от 1 m/s<sup>2</sup>.

# Декларация за съответствие

## Декларация за съответствие на ЕС

Ние, **Husqvarna AB**, SE-561 82 Huskvarna, Швеция,  
тел.: +46-36-146500, декларираме на своя собствена  
отговорност, че продуктът:

<b>Описание</b>	Ножици за кастрене на жив плет
<b>Марка</b>	Husqvarna
<b>Тип/модел</b>	322HD60
<b>Идентификация</b>	Серийни номера от 2022 г. и след това

отговаря напълно на следните директиви и  
регламенти на ЕС:

Регламент	Описание
2006/42/EO	"относно машините"
2014/30/EC	"относно електромагнитната съвместимост"
2000/14/EO	"относно шумовите емисии в околната среда"
2011/65/EC	"по отношение на ограничението за използване на определени опасни вещества в електрическо и електронно оборудване"

и че следните стандарти и/или технически  
характеристики са приложени;

Приложени са следните стандарти:

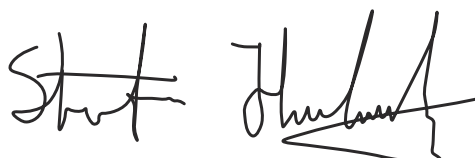
**EN ISO 12100:2010, EN ISO 10517:2019, EN IEC  
63000:2018, EN ISO 14982:2009**

SMP Svensk Maskinprovning, Box 4053, SE-904 03  
Umeå, Sweden извърши доброволно изпитване на  
типа съгласно приложение IX на 2006/42/EO.

SMP Svensk Maskinprovning, има и потвърдено  
съответствие с приложение V на директива на  
съвета 2000/14/EO.

За информация относно шумовите емисии  
направете справка с *Технически данни на страница  
32.*

Huskvarna, 2023-07-10



Стефан Холмберг, директор по развойна дейност,  
управление на технологиите, Husqvarna AB

Отговорен за техническата документация



## Indhold

Indledning.....	35	Fejlfinding.....	46
Sikkerhed.....	36	Transport, opbevaring og bortskaffelse.....	47
Drift.....	41	Tekniske data.....	48
Vedligeholdelse.....	43	Overensstemmelseserklæring.....	49

## Indledning

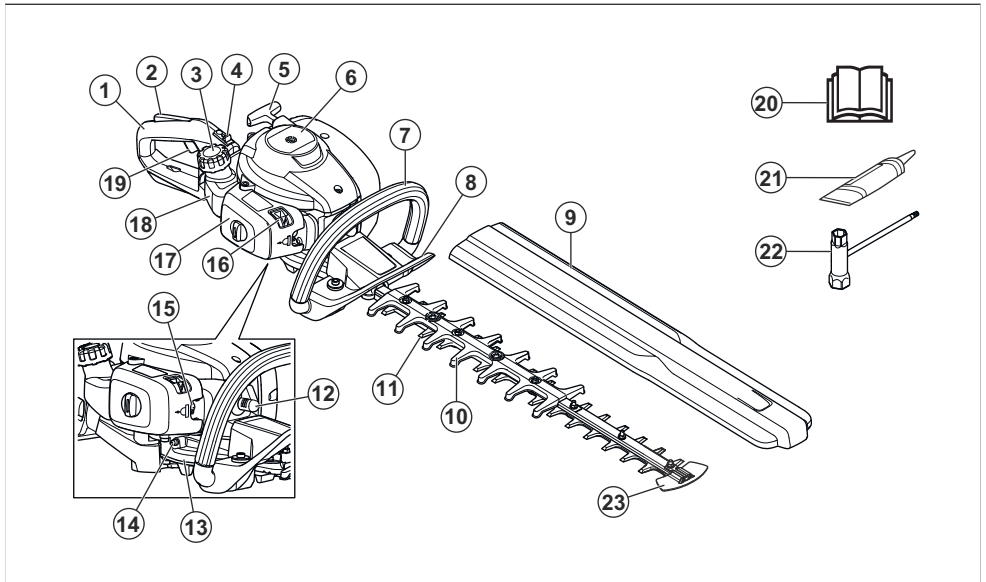
### Produktbeskrivelse

Produktet er en hækkeklipper med en forbrændingsmotor.

### Anvendelsesformål

Brug produktet til beskæring af grene og kviste. Brug ikke produktet til andre opgaver.

### Produktoversigt



- |                          |                          |
|--------------------------|--------------------------|
| 1. Bageste håndtag       | 15. Brændstofpumpebold   |
| 2. Gasreguleringslås     | 16. Choker               |
| 3. Brændstofftankdæksel  | 17. Luftfilterdæksel     |
| 4. Stopkontakt           | 18. Brændstoffank        |
| 5. Startsnorens håndgreb | 19. Gasregulering        |
| 6. Cylinderdæksel        | 20. Brugervejledning     |
| 7. Forreste håndtag      | 21. Fedttube             |
| 8. Håndbeskyttelse       | 22. Ring- og gaffelnøgle |
| 9. Transportbeskyttelse  | 23. Skærspidsbeskyttelse |
| 10. Klingebeskyttelse    |                          |
| 11. Kniv                 |                          |
| 12. Tændhætte og tændrør |                          |
| 13. Gearhus              |                          |
| 14. Smørenippel          |                          |

### Symboler på produktet



**ADVARSEL!** Dette produkt er farligt. Personskade eller død kan forekomme hos brugeren eller personer i nærheden, hvis produktet ikke anvendes forsigtigt

og korrekt. For at undgå, at brugeren eller personer i nærheden kommer til skade, skal alle sikkerhedsinstruktioner i brugervejledningen læses og overholdes.



Læs brugervejledningen omhyggeligt igennem, og sørg for at have forstået instruktionerne, inden du bruger produktet.



Brug godkendt høreværn og godkendt øjenværn.



Brug godkendte beskyttelseshandsker.



Brug altid kraftige, skridsikre støvler.

T

Justerskrue til tomgang.

H

Højmdrejningsnål.

L

Lavomdrejningsnål.



Mærkat vedrørende emission af støj til omgivelserne i henhold til EU-direktiv 2000/14/EF, direktiver og regulativer i Storbritannien og New South Wales' lovgivning om "Beskyttelse af miljøet (støjbegrensning) forordning 2017". Produktets garanterede lydeffektniveau er angivet i *Tekniske data på side 48* og på mærkaten.

CE

Produktet er i overensstemmelse med gældende EF-direktiver.

yyyywwxxxx

Typeskiltet viser serienummeret. **yyyy** er produktionsåret, **ww** er produktionsugen.

**Bemærk:** Andre symboler/mærkater på produktet henviser til certificeringskrav på visse markeder.

## Euro V-emissioner



**ADVARSEL:** Ved manipulation af motoren bortfalder EU-typegodkendelsen af dette produkt.

## Sikkerhed

### Sikkerhedsdefinitioner

Advarsler, forholdsregler og bemærkninger bruges til at pege på særligt vigtige dele af brugsanvisningen.



**ADVARSEL:** Bruges, hvis føreren udsætter sig selv eller omkringstående personer for risiko for personskade eller dødsfald ved tilsidesættelse af instruktionerne i brugsanvisningen.



**BEMÆRK:** Bruges, hvis der er risiko for skader på produktet, andre materialer eller det omgivende område ved tilsidesættelse af instruktionerne i brugsanvisningen.

**Bemærk:** Bruges til at give yderligere oplysninger, der er nødvendige i en given situation.

### Generelle sikkerhedsinstruktioner



**ADVARSEL:** Læs følgende advarselsinstruktioner, inden du bruger produktet.

- Produktet kan ved forkert eller skødesløs brug være et farligt redskab, som kan forårsage alvorlige, i visse tilfælde livsfarlige skader. Det er ekstremt vigtigt, at du læser og forstår indholdet i denne brugervejledning.
- Dette produkt danner et elektromagnetisk felt under betjening. Dette felt kan i visse tilfælde påvirke aktive eller passive medicinske implantater. For at reducere risikoen for alvorlige eller døbringende kvæstelser anbefaler vi, at personer med medicinske implantater kontakter deres læge og producenten af det medicinske implantat, før de tager produktet i brug.
- Overeksponering af vibrationer kan medføre kredsløbsforstyrrelser eller skader på nervesystemet hos personer med kredsløbsforstyrrelser. Hvis du oplever fysiske symptomer, som kan relateres

- til overeksponering af vibrationer, skal du straks søge læge. Eksempler på sådanne symptomer er følelsesløshed, manglende følesans, kildren, stikken, smerte, manglende eller reduceret styrke i forhold til normalt, forandringer i hudens farve eller i dens overflade. Disse symptomer opleves almindeligvis i fingre, hænder eller håndled. Risiciene kan øges ved lave temperaturer.
- Når du kommer ud for en situation, som gør dig usikker med hensyn til fortsat brug, skal du spørge en ekspert til råds. Henvend dig til din forhandler eller dit serviceværksted. Undgå al brug, som du ikke synes, du er tilstrækkeligt kvalificeret til.
  - En brugt lyd-dæmper/gnistfanger og monteringsflade til gnistfanger kan indeholde aflejringer af forbrændingspartikler, der kan være kræftfremkaldende. Undgå at blive udsat for disse aflejringer, når lyd-dæmperen og/eller gnistfangeren håndteres. Før håndtering af lyd-dæmperen og/eller gnistfangeren skal du se *Sådan kontrolleres lyd-dæmperen på side 39*.
  - Vær opmærksom på, at operatøren er ansvarlig for uheld og farer, som andre personer eller disses ejendom udsættes for.
  - Lad aldrig andre bruge produktet, uden at du har sikret dig, at vedkommende har forstået indholdet i brugervejledningen.
  - Tillad aldrig børn at anvende eller være i nærheden af produktet. Da produktet er forsynet med en stopkontakt med returfunktion og kan startes med lav hastighed og lille kraft på starthåndtaget, kan selv små børn under visse omstændigheder tilføre den kraft, der er nødvendig for at starte maskinen. Dette kan indebære risiko for alvorlige personskader. Tag derfor tændhætten af, når produktet ikke er under opsyn.
  - Opbevar produktet utilgængeligt for børn.
  - Brug aldrig produktet, hvis du er træt, hvis du har drukket alkohol, eller hvis du tager medicin, som kan påvirke dit syn, dit overblik eller din kropskontrol.
  - Brug aldrig et produkt, som er behæftet med fejl. Følg vedligeholdelses-, kontrol- og serviceanvisningerne i denne brugervejledning. Visse vedligeholdelses- og serviceforanstaltninger må kun udføres af erfarne og kvalificerede specialister. Se instruktionerne under overskriften Vedligeholdelse.
  - Brug aldrig et produkt, der er blevet ændret, så det ikke længere svarer til originalmodellen.
- Sørg for, at ingen mennesker eller dyr kommer nærmere end 15 meter (50 fod) under arbejdet.
  - Hold øje med omgivelserne, og kontrollér, at der ikke er nogen risiko for, at mennesker eller dyr kan komme i kontakt med skæreudstyret.
  - Kontrollér arbejdsområdet. Fjern alle genstande, der kan slynges op.
  - Sørg altid for, at du har en sikker og stabil arbejdsposition.
  - Du må ikke efterlade produktet uden opsyn, mens motoren kører.
  - Sørg for, at hænder og fødder ikke kommer i nærheden af skæreenheden, når motoren er i gang.
  - Skulle et eller andet sætte sig fast i knivene under arbejdets gang skal motoren slukkes og standse helt inden knivene rengøres. Frakobl tændhætten fra tændrøret.
  - Når motoren slukkes, skal du holde hænder og fødder væk fra skæreenheden, indtil den er standset helt.
  - Pas på grenstumper, som kan slynges væk under klipningen.
  - Vær altid opmærksom på advarselssignaler eller tilråb, når høreværnet bruges. Tag altid høreværnet af, så snart motoren er standset.
  - Arbejd aldrig på en stige, stol, palle eller fra et andet højt sted, som ikke er helt stabilt.
  - Brug altid begge hænder til at holde produktet. Hold produktet foran kroppen.
  - Hvis et fremmedlegeme rammes, eller der opstår vibrationer, skal du straks standse produktet. Frakobl tændhætten fra tændrøret. Kontrollér, at produktet ikke er beskadiget. Reparer eventuelle skader.
  - Kontrollér, at tændhætten og tændkablet er intakte, så du ikke får stød.
  - Kontrollér, at alle møtrikker og bolte er spændt.
  - Kontrollér, at gearkassen er smurt korrekt. Se *Sådan smøres gearhuset på side 46*.
  - Efter arbejde med produktet bliver gearkassen varm. Rør ikke ved gearkassen for at undgå forbrændinger.
  - Samtlige dæksler og beskyttelser skal være monteret før start.
  - Hvis klingerne kommer til at sidde fast, kan de løsnes igen ved at stikke ring- og gaffelnøglen ind i gearkassen. Stik ring- og gaffelnøglen ind i gearkassen, og drej den frem og tilbage. Se *Sådan efterses knivene på side 46*.
  - Transportbeskyttelsen skal altid sættes på skæreenheden, når produktet ikke anvendes.

## Sikkerhedsinstruktioner for betjening



**ADVARSEL:** Læs følgende advarselsinstruktioner, inden du bruger produktet.

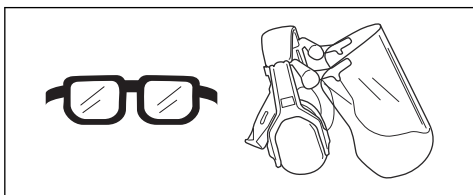
- Anvend aldrig produktet under ekstreme klimaforhold, såsom streng kulde eller i meget varmt og/eller fugtigt klima.
- Beskadigede knive kan øge risikoen for ulykker.



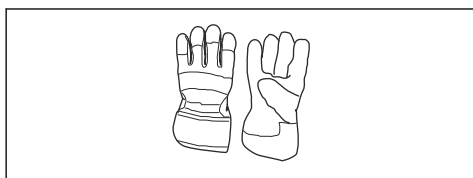
**ADVARSEL:** Læs følgende advarselsinstruktioner, inden du bruger produktet.

## Personligt beskyttelsesudstyr

- Brug godkendt personligt beskyttelsesudstyr, når du bruger produktet. Personligt beskyttelsesudstyr udelukker ikke fuldstændigt risikoen for personskader, men det mindsker graden af skaderne i tilfælde af, at der skulle ske en ulykke. Lad forhandleren hjælpe dig med at vælge det rigtige udstyr.
- Brug godkendt høreværn med tilstrækkelig dæmpning. Langvarig eksponering for støj kan medføre permanente høreskader.
- Brug godkendt øjenværn. Hvis du bruger et ansigtsværn, skal du også bruge godkendte beskyttelsesbriller. Godkendte beskyttelsesbriller skal overholde den amerikanske standard ANSI Z87.1 eller EU-standardEN 166.



- Brug om nødvendigt beskytteshandsker, f.eks. ved montering, eftersyn og rengøring af skæreudstyret.



- Brug skridsikre og stabile støvler eller sko.



- Brug beklædning, der er lavet af et stærkt materiale. Brug altid kraftige lange bukser og lange ærmer. Brug ikke løstsiddende tøj, som kan sætte sig fast i buske og grene. Undgå smykker, shorts og sandaler, og gå ikke barfodet. Sæt håret op i en sikker højde, dvs. over skulderen.
- Sørg for at have førstehjælpsudstyr ved hånden.



## Sikkerhedsanordninger på produktet

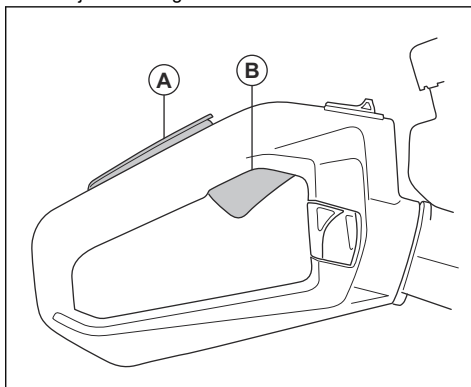


**ADVARSEL:** Læs følgende advarselsinstruktioner, inden du bruger produktet.

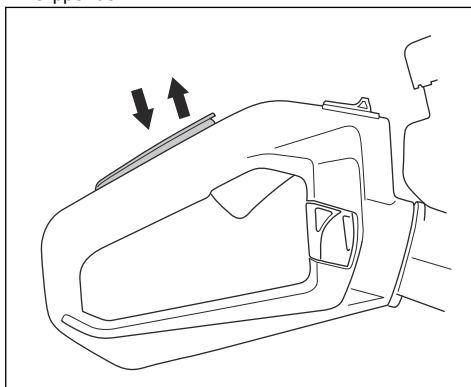
- Brug ikke et produkt med sikkerhedsanordninger, der er beskadigede eller ikke fungerer korrekt.
- Kontrollér sikkerhedsanordningerne regelmæssigt. Hvis sikkerhedsanordningerne er beskadigede eller ikke fungerer korrekt, skal du kontakte dit Husqvarna-serviceværksted.
- Foretag ikke ændringer på sikkerhedsanordninger.

### Sådan kontrolleres gasreguleringslåsen

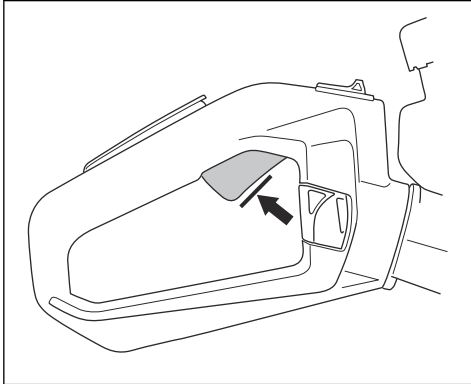
1. Kontrollér, at gasreguleringslåsen (A) og gasreguleringen (B) bevæger sig frit, og at returfederen fungerer korrekt.



2. Skub låsen på gasreguleringslåsen ned, og sørg for, at den går tilbage til sin oprindelige position, når du slipper den.



3. Slip gasreguleringslåsen, og sørg for, at gasreguleringen er låst i tomgangsstilling.



4. Start motoren og giv fuld gas.
5. Slip gasreguleringen, og sørg for, at knivene standser.



**ADVARSEL:** Hvis knivene bevæger sig, når gasreguleringen er i tomgangsstilling, skal omdrejningstallet i tomgang justeres. Se *Sådan justerer du tomgangshastigheden på side 44.*

#### Sådan kontrolleres stopkontakten

1. Start motoren.
2. Flyt stopkontakten til stoppositionen, og sørg for, at motoren standser.



**ADVARSEL:** Stopkontakten vender automatisk tilbage til sin startposition. For at forhindre utilsigtet start fjernes tændrørshætten fra tændrøret ved samling eller udførelse af vedligeholdelse på produktet.

#### Sådan kontrolleres håndafskærmningen

Håndafskærmningen skal beskytte mod skader forårsaget af knivene.

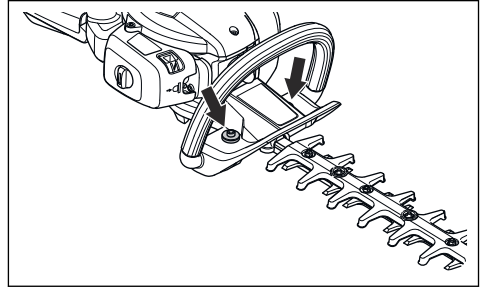
1. Stop motoren.
2. Sørg for, at håndafskærmningen er fastgjort korrekt.
3. Efterse håndafskærmningen for defekter.

#### Sådan kontrolleres vibrationsdæmpningssystemet

Vibrationsdæmpningssystemet reducerer vibrationer i håndtagene. Vibrationsdæmpningsenhederne fungerer som adskillelse mellem produktets hus og håndtagsenheden.

1. Se efter skader og defekter.

2. Sørg for, at vibrationsdæmpningsenhederne er fastgjort korrekt.



#### Sådan kontrolleres lyddæmperen



**ADVARSEL:** Brug ikke produktet, hvis lyddæmperen mangler eller er beskadiget. En beskadiget eller manglende lyddæmper øger støjniveauet og risikoen for brand. Sørg for, at der er brandslukningsudstyr i nærheden. Brug ikke et produkt uden eller med et defekt gnistfangernet, hvis du skal have et gnistfangernet i dit område.



**ADVARSEL:** Lyddæmperne bliver meget varme under og efter brug, også i tomgang.



**BEMÆRK:** Hvis gnistfangerskærmen ofte er tilstoppet, kan dette være tegn på, at katalysatorens funktion er nedsat. Kontakt dit serviceværksted, så de kan efterse lyddæmperen. En tilstoppet gnistfangerskærm overopheder enheden med skader på cylinder og stempel til følge.

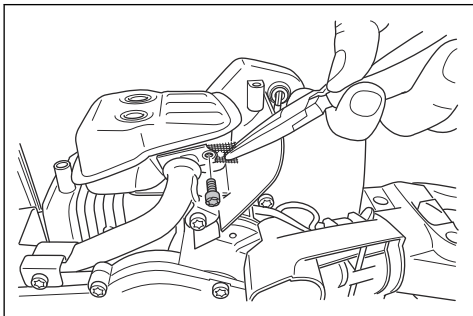


**ADVARSEL:** Lyddæmperens indvendige flader indeholder kemikalier, der kan være kræftfremkaldende. Pas på ikke at berøre disse elementer, hvis lyddæmperen er beskadiget.

Lyddæmperen sikrer et minimalt støjniveau og sender udstødningsgasserne væk fra føreren. En lyddæmper med katalysator reducerer skadelige udstødningsgasser.

1. Stop motoren.
2. Se efter skader og deformation.
3. Sørg for, at lyddæmperen er korrekt monteret på produktet.

4. Rengør gnistfangerskærmen forsigtigt med en stålborste.



### Sådan kontrolleres klinger og klingebeskyttelser

Den yderste del af klingerne fungerer som klingebeskyttelse. Klingebeskyttelsen forhindrer snitsår.

1. Stop motoren, og sørg for, at klingerne stopper.
2. Fjern tændhætten fra tændrøret.
3. Tag beskyttelseshandsker på.
4. Sørg for, at klingen og klingebeskyttelsen ikke er beskadiget eller bøjet. Udskift altid en beskadiget eller bøjet klinge eller en beskadiget klingebeskyttelse.
5. Sørg for, at skruerne til klingerne og klingebeskyttelsen er strammet.

### Brændstofsikkerhed



**ADVARSEL:** Læs følgende advarselsinstruktioner, inden du bruger produktet.

- Start ikke produktet, hvis der er brændstof eller motorolie på produktet. Fjern uønsket brændstof/olie og lad produktet tørre.
- Hvis du får brændstof på dit tøj, skal du skifte tøj med det samme.
- Undgå at få brændstof på kroppen, da det kan forårsage personskader. Hvis du får brændstof på kroppen, skal du bruge sæbe og vand til at fjerne brændstoffet.
- Start ikke produktet, hvis motoren lækker. Undersøg regelmæssigt motoren for lækager.
- Vær forsigtig med brændstof. Brændstof er letantændeligt og dampe er eksplosive og kan medføre personskader eller dødsfald.
- Undgå at indånde brændstoffampene, da det kan forårsage personskader. Sørg for, at der er tilstrækkelig luftstrøm.
- Ryg ikke i nærheden af brændstof eller motor.

- Anbring ikke varme genstande i nærheden af brændstof eller motor.
- Fyld ikke brændstof på, når motoren er tændt.
- Sørg for, at motoren er afkølet, inden du fylder brændstof på.
- Før du fylder brændstof på, skal du åbne brændstoftankens dæksel langsomt og forsigtigt udløse trykket.
- Fyld ikke brændstof på motoren i et indendørs område. Utilstrækkelig med luftstrøm kan forårsage personskader eller dødsfald på grund af kvælning eller kulilte.
- Spænd brændstoftankens dæksel helt. Hvis brændstoftankens dæksel ikke spændes, opstår der risiko for brand.
- Flyt produktet minimum 3 m / 10 ft fra det sted, hvor du fyldte tanken, før du starter det.
- Fyld aldrig brændstoftanken helt op. Varme får brændstoffet til at udvide sig. Sørg for at bevare ledig plads øverst i brændstoftanken.

### Sikkerhedsinstruktioner for vedligeholdelse



**ADVARSEL:** Læs følgende advarselsinstruktioner, inden du bruger produktet.

- Stop motoren, og sørg for, at skæreudstyret stopper. Lad produktet køle af, inden du udfører vedligeholdelse.
- Afmonter tændhætten, før du udfører vedligeholdelsen.
- Udstødningsgasserne fra motoren indeholder kulilte, som er en lugtfri, giftig og meget farlig gasart, som kan medføre dødsfald. Undlad at tænde produktet indendørs eller i lukkede rum.
- Motorens udstødningsgasser er varme og kan indeholde gnister. Lad ikke produktet køre indendørs eller i nærheden af brandfarligt materiale.
- Tilbehør til og ændringer på produktet, som ikke er godkendt af producenten, kan medføre alvorlig personskade eller dødsfald. Undlad at ændre produktet. Brug altid originalt tilbehør.
- Hvis vedligeholdelsen ikke udføres korrekt og regelmæssigt, øges risikoen for personskade og beskadigelse af produktet.
- Foretag kun den form for vedligeholdelse, der er angivet i denne brugervejledning. Lad et Husqvarna-godkendt serviceværksted udføre alle andre former for service.
- Lad et Husqvarna-godkendt serviceværksted foretage regelmæssig service af produktet.
- Udskift beskadigede, slidte eller defekte dele.



# Drift

## Indledning



**ADVARSEL:** Læs og forstå kapitlet om sikkerhed, før du bruger produktet.

## Brændstof

Dette produkt har en totaktsmotor.



**BEMÆRK:** Forkert brændstof kan medføre beskadigelse af motoren. Brug en blanding af benzin og totaktsolie.

## Forblandet brændstof

- Brug Husqvarna forblandet alkylatbenzin – det giver det bedste resultat og forlænger af motorens levetid. Dette brændstof indeholder færre skadelige kemikalier sammenlignet med almindeligt brændstof, hvilket reducerer skadelige udstødningssasser. Mængden af rester efter forbrændingen er lavere med dette brændstof, som holder komponenterne i motoren mere rene.

## Sådan blandes brændstof

### Benzin

- Brug blyfri benzin af god kvalitet med et ethanolinhold på maks. 10 %.



**BEMÆRK:** Brug ikke benzin med et oktantal mindre end 90 RON/87 AKI. Brug af et lavere oktantal kan forårsage motorbanken, hvilket beskadiger motoren.

### Totaktsolie

- De bedste resultater opnås ved anvendelse af Husqvarna-totaktsolie.
- Hvis du ikke kan få fat i Husqvarna-totaktsolie, kan du også bruge en anden totaktsolie af høj kvalitet, som er beregnet til luftkølede motorer. Tal med din serviceforhandler om valg af den korrekte olie.



**BEMÆRK:** Brug aldrig totaktsolie til vandafkølede udenbordsmotorer, såkaldt outboardoil. Brug ikke olie beregnet til firetaktsmotorer.

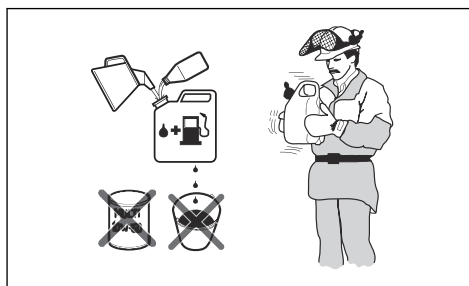
## Sådan blandes benzin og totaktsolie

Benzin, liter	Totaktsolie, liter
---------------	--------------------

	2 % (50:1)
5	0,10
10	0,20
15	0,30
20	0,40



**BEMÆRK:** Små fejl kan påvirke forholdet i blandingen drastisk, hvis du blander små mængder brændstof. Mål omhyggeligt mængden af olie, og sørg for, at du får den rigtige blanding.



1. Fyld halvdelen af mængden af benzin i en ren beholder til brændstof.
2. Tilføj al olien.
3. Ryst brændstofblandingen.
4. Hæld den resterende mængde over i beholderen.
5. Ryst brændstofblandingen omhyggeligt.



**BEMÆRK:** Bland ikke brændstof til mere end 1 måned ad gangen.

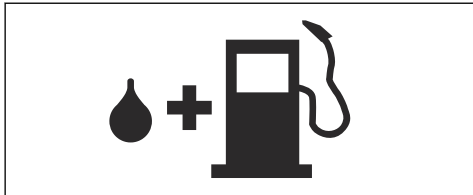
## Sådan fyldes brændstoftanken



**ADVARSEL:** Følg nedenstående fremgangsmåde for din egen sikkerheds skyld.

1. Stands motoren, og lad den blive kold.

2. Rengør omkring brændstoftankens dæksel.



3. Ryst beholderen, og sørg for, at brændstoffet er helt blandet.
4. Afmonter brændstoftankens dæksel langsomt for at aflaste trykket.
5. Fyld brændstoftanken.



**BEMÆRK:** Sørg for, at der ikke er for meget brændstof i tanken. Brændstoffet udvider sig, når det bliver varmt.

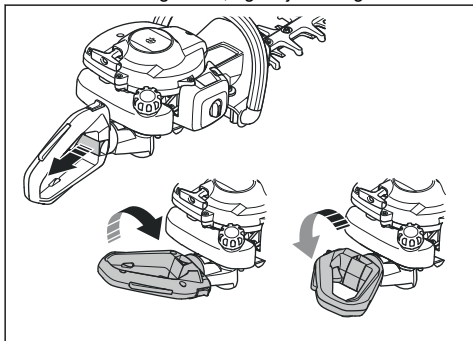
6. Spænd brændstoftankens dæksel helt.
7. Afrens spildt brændstof på og omkring produktet.
8. Flyt produktet mindst 3 m/10 fod væk fra tankningsstedet og -kilden, inden det startes.

**Bemærk:** Se *Indledning på side 35* for at se, hvor brændstoftanken sidder på produktet.

### Sådan justeres håndtaget (5)

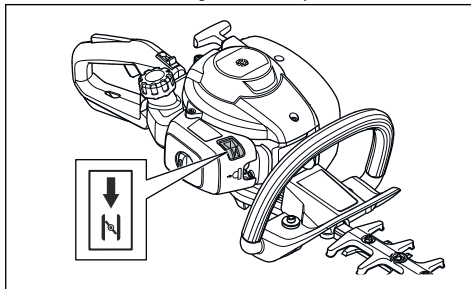
Det bageste håndtag kan justeres i 3 positioner.

- Frakobl håndtagslåsen, og drej håndtaget.



### Sådan startes produktet med en kold motor

1. Træk chokerhåndtaget til chokerposition.



2. Tryk på brændstofpumpebolden cirka 6 gange, indtil den begynder at fyldes med brændstof. Det er ikke nødvendigt at fylde brændstofpumpebolden helt.
3. Hold hoveddelen af produktet på jorden med venstre hånd. Træd ikke på produktet.
4. Træk langsomt i startsnorens håndtag med højre hånd, indtil du mærker modstand, og træk derefter hurtigt og kraftigt i startsnorens håndtag.



**ADVARSEL:** Sno aldrig startsnoren rundt om hånden.



**BEMÆRK:** Træk ikke startsnoren helt ud, og slip ikke startsnorens håndtag.

5. Fortsæt med at trække i startsnorens håndtag, indtil motoren starter, og skub derefter chokerhåndtaget til sin oprindelige position.



**ADVARSEL:** Klingerne bevæger sig, når motoren starter.

6. Træk i startsnorens håndtag, indtil motoren starter.
7. Tryk på og slip gasreguleringen for at indstille motorens omdrejningstal i tomgang.
8. Skub gasreguleringen gradvist for at øge motorens hastighed.
9. Sørg for, at motoren kører jævnt.

### Sådan startes produktet med en varm motor

1. Hold hoveddelen af produktet på jorden med venstre hånd. Træd ikke på produktet.
2. Træk langsomt i startsnorens håndtag med højre hånd, indtil du mærker modstand, og træk derefter hurtigt og kraftigt i startsnorens håndtag. Fortsæt, indtil motoren starter.

**Bemærk:** For yderligere oplysninger om, hvordan du starter produktet, se *Sådan startes produktet med en kold motor på side 42*.

## Sådan standses produktet

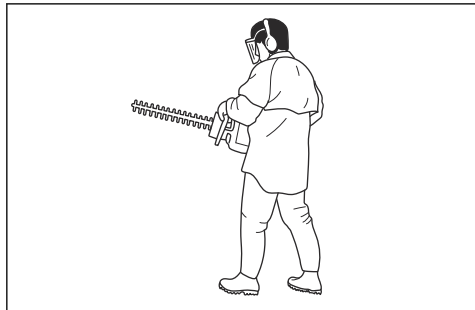
- Flyt stopkontakten til positionen stop for at standse motoren.



**BEMÆRK:** Stopkontakten vender automatisk tilbage til sin driftsposition.

## Betjening af produktet

1. Start tæt ved jorden, og bevæg produktet op langs hækken, når du beskærer siderne. Sørg for, at hoveddelen af produktet ikke berører hækken.



**ADVARSEL:** Sørg for, at spidsen af skæreudstyret ikke berører jorden.

2. Juster hastigheden, så den passer til arbejdsmængden.
3. Hold produktet tæt på kroppen for at opnå en stabil arbejdsstilling.
4. Vær forsigtig, og betjen produktet langsomt.

## Vedligeholdelse

### Indledning



**ADVARSEL:** Læs og forstå sikkerhedskapitlet, før du udfører vedligeholdelse på produktet.

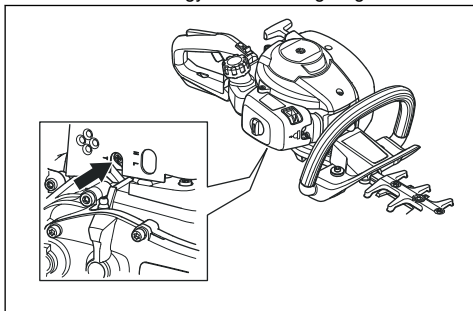
### Vedligeholdelsesskema

Vedligeholdelse	Før brug	Efter 40 timer	Efter 100 timer
Rens de udvendige flader.		Efter hver brug.	
Rengør lyddæmperen, karburatorrøret og motoren for blade, snavs og uønsket smøremiddel.		Efter hver brug.	
Sørg for, at skæreenheden ikke bevæger sig i tomgang.	X		
Kontroller stopkontakten. Se <i>Sådan kontrolleres stopkontakten på side 39.</i>	X		
Undersøg skæreenheden for skader og revner. Udskift dem, hvis de er beskadigede.	X		
Undersøg håndafskærmningen for skader og revner. Udskift dem, hvis de er beskadigede.	X		
Udfør en kontrol af gasreguleringslåsen og gasreguleringen. Se <i>Sådan kontrolleres gasreguleringslåsen på side 38.</i>	X		
Undersøg motoren, brændstoftanken og brændstofslangen for udsivning.	X		

Vedligeholdelse	Før brug	Efter 40 timer	Efter 100 timer
Spænd møtrikker og skruer.	X		
Undersøg startmotoren og startsnoren for skader.		X	
Kontrollér, at de skruer, som holder knivene, er fastspændt korrekt.		X	
Rens luftfilteret. Rengør oftere, hvis produktet bruges i støvholdige områder. Udskift dem, hvis de er beskadigede.		X	
Undersøg vibrationsdæmpningsenhederne for skader og revner. Udskift dem, hvis de er beskadigede.		X	
Rengør tændrørets udvendige flade og området omkring den. Fjern tændrøret, og mål elektrodeafstanden. Juster elektrodeafstanden, eller udskift tændrøret. Se <i>Sådan kontrolleres tændrøret på side 45</i> .		X	
Rens kølesystemet.		X	
Rens karburatorens udvendige flader og området omkring den.		X	
Undersøg, om brændstoffilteret er rent, og sørg for, at der ikke er revner og andre skader på brændstofslangen. Udskift dem, hvis de er beskadigede.			X
Rengør gnistfangerskærmen på lydæmperen, og udskift den om nødvendigt.			X
Rengør brændstoftanken indvendigt.			X
Udskift tændrøret.			X
Undersøg koblingen, koblingsfjederen og koblingstromlen for slitage. Få beskadigede dele udskiftet hos en godkendt serviceforhandler.			X
Sørg for, at gearhuset er fyldt op med fedt.			X
Udfør en kontrol af alle kabler og forbindelser.			X

## Sådan justerer du tomgangshastigheden

1. Rengør luftfilteret, og fastgør luftfilterdækslet.
2. Start produktet. Se *Sådan startes produktet med en kold motor på side 42*.
3. Drej tomgangsstilleringskruen T med uret, indtil skæreenheden begynder at bevæge sig.



4. Drej tomgangsstilleringskruen T mod uret, indtil skæreenheden stopper.

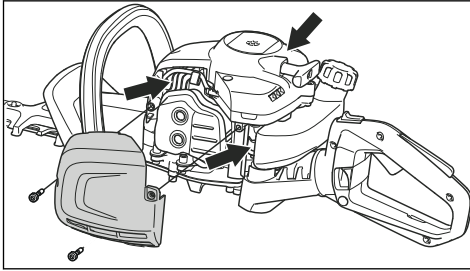


**ADVARSEL:** Hvis skæreenheden ikke stopper, når du justerer omdrejningstallet i tomgang, skal du kontakte din nærmeste serviceforhandler. Undlad at bruge produktet, indtil det er blevet korrekt indstillet eller repareret.

**Bemærk:** Tomgangshastigheden er korrekt, når motoren kører jævnt i alle positioner. Se *Tekniske data på side 48* for det anbefalede omdrejningstal i tomgang.

## Sådan rengøres kølesystemet

Kølesystemet holder motortemperaturen ned. Kølesystemet omfatter køleribberne på cylinderen, cylinderdækslet og luftindtag via krumtaphuset.



**BEMÆRK:** Luftindtaget mellem brændstoftanken og krumtaphuset bliver let blokeret af blade. Rengør luftindtaget helt.

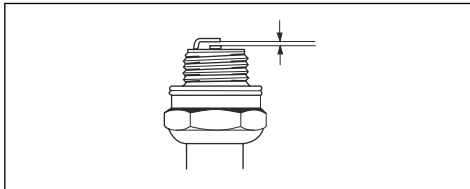
1. Rengør kølesystemet med en børste hver uge eller oftere, hvis det er nødvendigt.
2. Sørg for, at kølesystemet ikke er snavset eller tilstoppet.

## Sådan kontrolleres tændrøret



**BEMÆRK:** Brug altid anbefalet tændrørstype. Forkert tændrørstype kan forårsage skader på produktet.

- Undersøg tændrøret, hvis motoren mangler kraft, ikke starter nemt eller ikke fungerer korrekt i tomgangshastighed.
- Sådan mindsker du risikoen for uønsket materiale på tændrørets elektroder, følg disse instruktioner:
  - a) Sørg for, at tomgangshastigheden er indstillet korrekt.
  - b) Sørg for, at brændstofblandingen er korrekt.
  - c) Sørg for, at luftfilteret er rent.
- Hvis tændrøret er beskidt, skal det renses, og samtidig skal det kontrolleres, at elektrodeafstanden er korrekt, se *Tekniske data på side 48*.



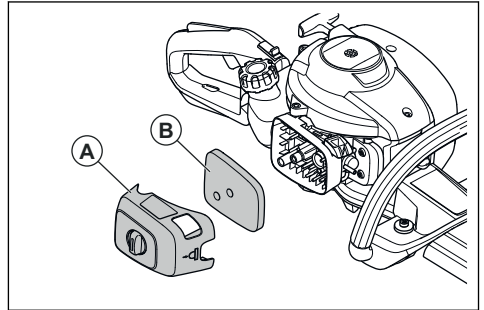
- Udskift tændrøret, når det er nødvendigt.

## Sådan rengøres luftfilteret

Rens regelmæssigt luftfilteret for snavs og støv. Dette forhindrer karburatorfejl, startproblemer, tab af

motoreffekt, slitage på motordelene og et højere brændstofforbrug end normalt.

1. Fjern luftfilterdækslet (A).
2. Fjern filteret (B) fra filterrammen.



3. Rengør filteret med varmt sæbevand.

**Bemærk:** Et luftfilter, der har været brugt i lang tid, kan ikke blive helt rent. Udskift luftfilteret regelmæssigt, og udskift altid et beskadiget luftfilter.

4. Sørg for, at filteret er tørt.
5. Sådan påfører du olie på luftfilteret. Se *Sådan påfører du olie på skumluftfilteret på side 45*
6. Rengør indersiden af luftfilterdækslet. Brug trykluft eller en børste.

## Sådan påfører du olie på skumluftfilteret

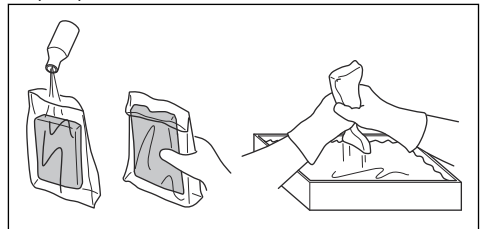


**BEMÆRK:** Brug altid Husqvarna specialluftfilterolie. Brug ikke andre typer olie.



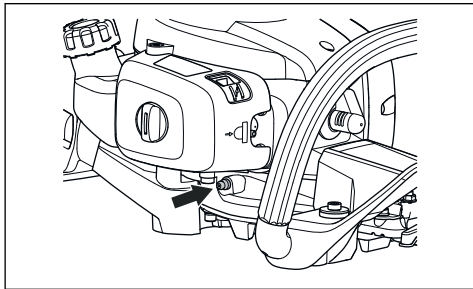
**ADVARSEL:** Tag beskyttelseshandsker på. Luftfilterets olie kan forårsage hudirritation.

1. Anbring skumluftfilteret i en plastpose.
2. Anbring olien i plastposen.
3. Gnub plastposen for at sikre, at olien bliver påført jævnt på skumluftfilteret.
4. Tryk uønsket olie ud af skumluftfilteret, mens det er i plastposen.



## Sådan smøres gearhuset

- Brug Husqvarna specialfedt. Spørg serviceforhandleren for at få yderligere oplysninger om det anbefalede fedt.
- Tilsæt fedt gennem fedtniplen.



**BEMÆRK:** Fyld ikke gearhuset helt op.

## Sådan rengøres og smøres klingerne

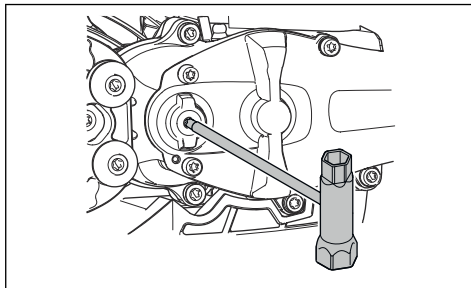
1. Rengør knivene for uønskede materialer før og efter brug af produktet.

2. Smør klingerne før længere tids opbevaring.

**Bemærk:** Spørg serviceforhandleren for at få yderligere oplysninger om anbefalede rengøringsmidler og smøremidler.

## Sådan efterses knivene

1. Fjern dækslet på gearhuset.
2. Sørg for, at knivene bevæger sig frit. Sæt ring- og gaffelnøglen i gearhuset, og drej den med uret og mod uret.



3. Undersøg knivenes ægge for skader og defekter.
4. Brug en fil til at fjerne ujævnheder på knivene.

## Fejlfinding

### Fejlfinding

Motoren starter ikke		
Problem	Mulig årsag	Anbefalet trin
Starthager	Starthagerne kan ikke bevæge sig frit.	Juster eller udskift starthager.
		Rengør omkring starthagerne.
		Kontakt en godkendt serviceforhandler.
Brændstoftank	Forkert brændstoftype.	Tøm den, og brug korrekt brændstof.
Karburator	Forkert omdrejningstal i tomgang.	Juster omdrejningstallet i tomgang.
Ingen gnist	Tændrøret er snavset eller vådt.	Sørg for, at tændrøret er tørt og rent.
	Forkert elektrodeafstand.	Rens tændrøret. Sørg for, at elektrodeafstanden på tændrøret er korrekt. Sørg for, at tændrøret er monteret med radiostøjdæmpning. Se <i>Tekniske data på side 48</i> for korrekt elektrodeafstand.
Tændrør	Tændrøret er løst.	Spænd tændrøret.

Motoren starter, men stopper igen		
Problem	Mulig årsag	Anbefalet trin
Brændstoftank	Forkert brændstoftype.	Tøm den, og brug korrekt brændstof.
Karburator	Forkert omdrejningstal i tomgang.	Juster omdrejningstallet i tomgang. Se <i>Sådan justerer du tomgangshastigheden på side 44</i> . Tal med din serviceforhandler, hvis det er nødvendigt.
Luftfilter	Tilstoppet luftfilter.	Rens luftfilteret.

Kniv		
Problem	Mulige årsager	Anbefalet trin
Kniven bevæger sig langsomt eller kan ikke bevæge sig.	Kniven er blokeret eller beskadiget.	Rengør knivene for uønskede materialer. Se <i>Sådan rengøres og smøres klingerne på side 46</i> . Fjern ujævnheder fra kniven, se <i>Sådan efterses knivene på side 46</i> . Udskift kniven, hvis den er beskadiget.
Kniven har svært ved at skære.	Kniven er ikke skarp eller den er beskadiget.	Skærp kniven, se <i>Sådan efterses knivene på side 46</i> . Udskift kling, hvis den er beskadiget.
Kniven bliver varm.	Der er friktion mellem knivene.	Fjern ujævnheder fra kniven, og smør den. Se <i>Sådan rengøres og smøres klingerne på side 46</i> .

---

## Transport, opbevaring og bortskaffelse

---

### Transport og opbevaring

- Lad altid produktet køle af, før det stilles væk.
- Ved opbevaring og transport af produktet og brændstoffet, skal du sørge for, at der ikke er utætheder eller dampe. Gnister eller åben ild, f.eks. fra elektriske enheder eller kedler, kan starte en brand.
- Brug altid godkendte beholdere til opbevaring og transport af brændstof.
- Tøm brændstoftanken før transport eller langtidsopbevaring. Bortskaf brændstoffet på en lokal miljøstation.
- Fastgør transportbeskyttelsen under transport og opbevaring.
- Fjern tændhætten fra tændrøret.

- Fastspænd produktet under transporten. Sørg for, at det ikke kan rykke sig.
- Rens og udfør service på produktet inden langtidsopbevaring.

### Bortskaffelse

- Overhold de lokale krav til genanvendelse og de gældende regler.
- Bortskaf alle kemikalier, som f.eks. motorolie eller brændstof, hos et servicecenter eller på en lokal miljøstation.
- Når motorens levetid er udløbet, skal du sende motoren til en Husqvarna serviceforhandler eller bortskaffe den på en genbrugsstation.

## Tekniske data

### Tekniske data

	<b>322HD60</b>
<b>Motor</b>	
Cylindervolumen, cm <sup>3</sup>	21,7
Omdrejningstal i tomgang, o/min.	2900
Anbefalet maks. hastighed, o/min.	9000
Maks. motoreffekt iht. ISO 8893, kW/hp ved o/min.	0,6/0,8 ved 7800
Lyddæmper med katalysator	Ja
<b>Tændingsystem</b>	
Tændrør	HQT-4 672201
Elektrodeafstand, mm	0,5
<b>Brændstof</b>	
Benzintankens kapacitet, l/cm <sup>3</sup>	0,3/300
<b>Vægt</b>	
Uden brændstof, kg	5,2
<b>Støjmissioner <sup>7</sup></b>	
Lydeffektniveau, målt dB(A)	101
Lydeffektniveau, garanteret L <sub>WA</sub> dB (A)	102
<b>Lydniveauer <sup>8</sup></b>	
Ækvivalent lydtrykniveau ved brugerens ører målt i henhold til EN ISO 22868, dB(A)	92
<b>Vibrationsniveauer <sup>9</sup></b>	
Ækvivalente vibrationsniveauer (a <sub>h<sub>v</sub>,eq</sub> ) i håndtag målt i henhold til EN ISO 22867, m/s <sup>2</sup> :	
Forreste/bageste, mm/s <sup>2</sup>	4,4/4,3
<b>Knive</b>	
Type	Dobbelt
Skærelængde, mm	600
Skærehastighed, klip/min.	4400

<sup>7</sup> Støjmissioner til omgivelserne målt som lydeffekt (L<sub>WA</sub>) i henhold til EF-direktiv 2000/14/EF. Rapporteret lydeffektniveau for produktet er målt med det originale skæreudstyr, der giver det højeste niveau. Forskellen mellem garanteret og målt lydeffekt er, at den garanterede lydeffekt også omfatter spredning i måleresultatet og variationerne mellem forskellige maskiner af samme model i henhold til direktivet 2000/14/EF.

<sup>8</sup> Rapporterede data for lydtrykniveau har en typisk statistisk spredning (standardafvigelse) på 1 dB (A).

<sup>9</sup> Rapporterede data for vibrationsniveau har en typisk statistisk spredning (standardafvigelse) på en m/s<sup>2</sup>.



# Overensstemmelseserklæring

## EU-overensstemmelseserklæring

Vi, **Husqvarna AB**, SE-561 82 Huskvarna, Sverige,  
tlf.: +46-36-146500 erklærer under eneansvar, at det  
pågældende produkt:

<b>Beskrivelse</b>	Hækkeklipper
<b>Varemærke</b>	Husqvarna
<b>Type/model</b>	322HD60
<b>Identifikation</b>	Serienumrene fra 2022 og fremefter

overholder følgende EU-direktiver og bestemmelser:

<b>Regulativ</b>	<b>Beskrivelse</b>
2006/42/EF	"vedrørende maskiner"
2014/30/EU	"vedrørende elektromagnetisk kompatibilitet"
2000/14/EF	"vedrørende støjemissioner til omgivelserne"
2011/65/EU	"om begrænsning af anvendelsen af visse farlige stoffer i elektrisk og elektronisk udstyr"

og at følgende standarder og/eller tekniske  
specifikationer anvendes;

Der er anvendt følgende standarder:

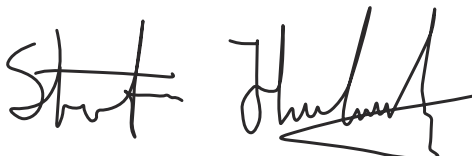
**EN ISO 12100:2010, EN ISO 10517:2019, EN IEC  
63000:2018, EN ISO 14982:2009**

SMP Svensk Maskinprovning, , Box 4053, SE-904 03  
Umeå, Sweden har foretaget en frivillig typeafprøvning  
i henhold til bilag IX til 2006/42/EF.

SMP Svensk Maskinprovning, har også bekræftet  
overensstemmelse med bilag V til Rådets direktiv  
2000/14/EF.

Vedr. oplysninger om støjemission, se *Tekniske data på  
side 48*.

Huskvarna, 2023-07-10



Stefan Holmberg, R&D Director, Technology  
Management, Husqvarna AB

Ansvarlig for teknisk dokumentation



# Inhalt

Einleitung.....	50	Fehlerbehebung.....	62
Sicherheit.....	51	Transport, Lagerung und Entsorgung.....	63
Betrieb.....	56	Technische Angaben.....	64
Wartung.....	59	Konformitätserklärung.....	66

## Einleitung

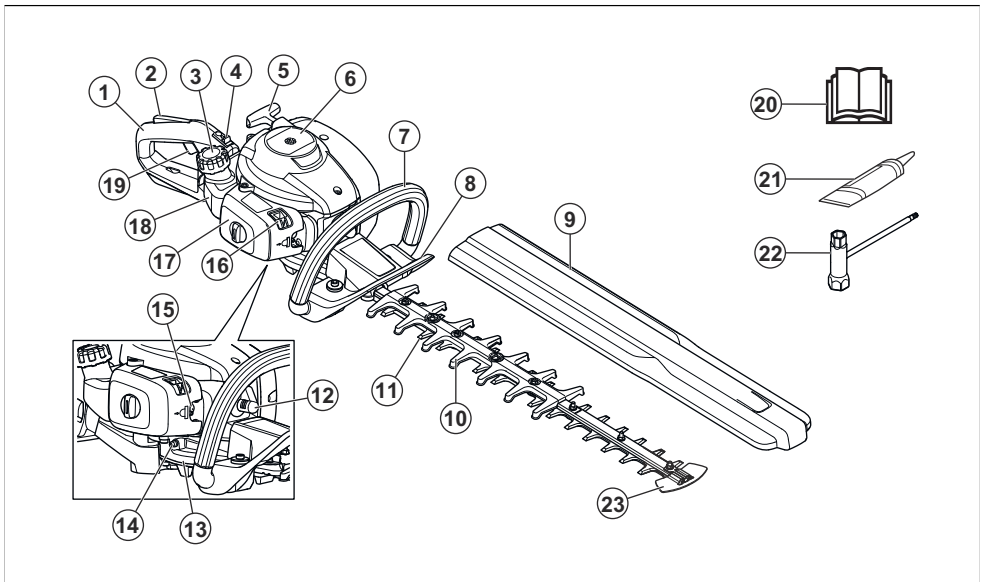
### Gerätebeschreibung

Das Gerät ist eine Heckenschere mit einem Verbrennungsmotor.

### Verwendungszweck

Verwenden Sie das Gerät zum Schneiden von Ästen und Zweigen. Verwenden Sie das Gerät nicht für andere Aufgaben.

### Geräteübersicht



- |                             |                           |
|-----------------------------|---------------------------|
| 1. Hinterer Griff           | 15. Kraftstoffpumpenblase |
| 2. Gashebelsperre           | 16. Choke-Hebel           |
| 3. Kraftstofftankdeckel     | 17. Luftfilterdeckel      |
| 4. Stoppschalter            | 18. Kraftstofftank        |
| 5. Startseilgriff           | 19. Gashebel              |
| 6. Zylinderdeckel           | 20. Bedienungsanleitung   |
| 7. Vorderer Handgriff       | 21. Schmierfetttube       |
| 8. Handschutz               | 22. Kombischlüssel        |
| 9. Transportschutz          | 23. Klingenspitzenschutz  |
| 10. Klingenschutz           |                           |
| 11. Klinge                  |                           |
| 12. Zündkappe und Zündkerze |                           |
| 13. Getriebegehäuse         |                           |
| 14. Schmiernippel           |                           |

## Symbole auf dem Gerät



**WARNUNG!** Dieses Gerät ist gefährlich. Wenn das Gerät nicht sorgfältig und ordnungsgemäß verwendet wird, kann es zu Verletzungen oder zum Tod des Bedieners oder anderer Personen kommen. Zur Vermeidung von Verletzungen des Bedieners oder umstehender Personen lesen und befolgen Sie alle Sicherheitshinweise in der Bedienungsanleitung.



Lesen Sie die Bedienungsanleitung sorgfältig durch, und machen Sie sich vor der Benutzung mit dem Inhalt vertraut.



Tragen Sie einen geprüften Gehör- und Augenschutz.



Tragen Sie zugelassene Schutzhandschuhe.



Tragen Sie robuste und rutschfeste Stiefel.

# T

Stellschraube für Leerlaufdrehzahl.

# H

Nadel für hohe Drehzahl.

# L

Nadel für niedrige Drehzahl.



Etikett mit Geräuschemissionen gemäß EG-Richtlinie 2000/14/EG, UK-Vorschriften und Richtlinien sowie der australischen „Protection of the Environment Operations (Noise Control) Regulation 2017“ (Umweltschutz-/Lärmschutzbestimmung) von New South Wales. Der garantierte Schalleistungspegel des Geräts ist unter *Technische Daten auf Seite 64* und auf dem Etikett angegeben.

# CE

Dieses Gerät entspricht den geltenden EG-Richtlinien.

yyyywwxxxx

Auf dem Typenschild ist die Seriennummer angegeben. **yyyy** ist das Produktionsjahr, und **ww** steht für die Produktionswoche.

**Hinweis:** Sonstige Symbole/Aufkleber auf dem Gerät beziehen sich auf Zertifizierungsanforderungen, die in einigen Märkten gelten.

## Emissionen nach Euro V



**WARNUNG:** Bei jeglichen Manipulationen des Motors erlischt die EU-Typgenehmigung für dieses Produkt.

## Sicherheit

### Sicherheitsdefinitionen

Warnungen, Vorsichtsmaßnahmen und Hinweise werden verwendet, um auf besonders wichtige Teile der Bedienungsanleitung hinzuweisen.



**WARNUNG:** Wird verwendet, wenn bei Nichtbeachtung der Anweisungen in diesem Handbuch die Gefahr von Verletzung oder Tod des Bedieners oder anderer Personen besteht.



**ACHTUNG:** Wird verwendet, wenn bei Nichtbeachtung der Anweisungen in diesem Handbuch die Gefahr von Schäden am

Gerät, an anderen Materialien oder in der Umgebung besteht.

**Hinweis:** Für weitere Informationen, die in bestimmten Situationen nötig sind.

### Allgemeine Sicherheitshinweise



**WARNUNG:** Lesen Sie die folgenden Warnhinweise, bevor Sie das Gerät verwenden.

- Ein unsachgemäß oder nachlässig verwendetes Gerät kann gefährlich werden und schwere oder gar lebensgefährliche Verletzungen verursachen.

Es ist sehr wichtig, dass Sie den Inhalt dieser Bedienungsanleitung gelesen und verstanden haben.

- Dieses Gerät erzeugt beim Betrieb ein elektromagnetisches Feld. Dieses Feld kann sich unter bestimmten Bedingungen auf die Funktionsweise aktiver oder passiver medizinischer Implantate auswirken. Um die Gefahr von Situationen, die zu schweren oder tödlichen Verletzungen führen können, auszuschließen, sollten Personen mit einem medizinischen Implantat vor der Nutzung dieses Geräts ihren Arzt und den Hersteller des Implantats konsultieren.
- Personen mit Kreislaufstörungen, die zu oft Vibrationen ausgesetzt werden, laufen Gefahr, Schäden an den Blutgefäßen oder am Nervensystem davonzutragen. Gehen Sie zum Arzt, wenn Sie Symptome feststellen, die darauf hinweisen, dass Sie übermäßigen Vibrationen ausgesetzt waren. Beispiele solcher Symptome sind: Taubheit von Körperteilen, Gefühlsverlust, Jucken, Stechen, Schmerz, Verlust oder Beeinträchtigung der normalen Körperkraft, Veränderungen der Hautfarbe oder der Haut. Diese Symptome treten üblicherweise in Fingern, Händen und Handgelenken auf. Bei niedrigen Temperaturen kann erhöhte Gefahr bestehen.
- Wenn Sie in eine Situation kommen, die Sie in Bezug auf die weitere Anwendung des Geräts verunsichert, lassen Sie sich von einem Experten beraten. Wenden Sie sich an Ihren Händler oder Ihre Servicewerkstatt. Führen Sie keine Arbeiten aus, mit denen Sie überfordert sind.
- Ein gebrauchter Schalldämpfer/Funkenfänger und die Montagefläche des Funkenfängers können potentiell krebserregende Ablagerungen von Verbrennungsteilchen enthalten. Vermeiden Sie beim Umgang mit dem Schalldämpfer und/oder dem Funkenfänger, dass Sie diesen Stoffen ausgesetzt sind. Vor dem Umgang mit dem Schalldämpfer und/oder dem Funkenfänger siehe *So prüfen Sie den Schalldämpfer auf Seite 55*.
- Denken Sie daran, dass der Bediener für Unfälle oder Gefahrensituationen verantwortlich ist, die anderen Personen oder deren Eigentum widerfahren.
- Lassen Sie niemals jemand anderen das Gerät benutzen, ohne sich zu vergewissern, dass die Person den Inhalt der Betriebsanleitung verstanden hat.
- Erlauben Sie niemals Kindern, das Gerät zu benutzen oder sich in seiner Nähe aufzuhalten. Da das Gerät mit einem rückfedernden Stopp-Schalter ausgerüstet ist und mit geringer Geschwindigkeit und Kraft am Starthandgriff gestartet werden kann, können u. U. auch kleine Kinder die Kraft aufbringen, die zum Starten erforderlich ist. Dies kann zu schweren Verletzungen führen. Daher ist stets die Zündkappe zu entfernen, wenn das Gerät ohne Aufsicht ist.

- Bewahren Sie das Gerät für Kinder unzugänglich auf.
- Arbeiten Sie niemals mit dem Gerät, wenn Sie müde sind, Alkohol getrunken oder Medikamente eingenommen haben, da hierdurch Sehkraft, Urteilsvermögen oder Körperkontrolle beeinträchtigt werden können.
- Arbeiten Sie niemals mit einem defekten Gerät. Die Wartungs-, Kontroll- und Serviceanweisungen in dieser Bedienungsanleitung sind sorgfältig zu befolgen. Gewisse Wartungs- und Servicemaßnahmen sind von geschulten, qualifizierten Fachleuten auszuführen. Siehe die Anweisungen unter der Überschrift „Wartung“.
- Arbeiten Sie niemals mit einem Gerät, das ohne Zustimmung des Herstellers modifiziert wurde und nicht mehr mit der Originalausführung übereinstimmt.

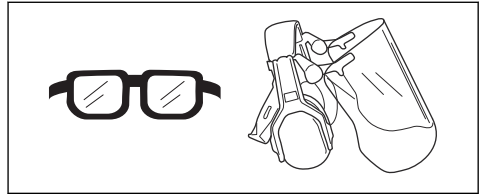
## Sicherheitshinweise für den Betrieb



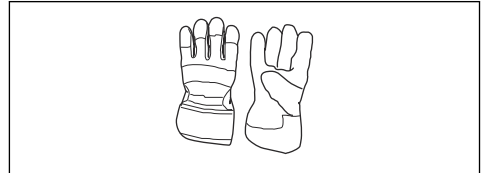
**WARNUNG:** Lesen Sie die folgenden Warnhinweise, bevor Sie das Gerät benutzen.

- Benutzen Sie das Gerät niemals bei extremen Klimaverhältnissen wie strenger Kälte oder sehr heißem und/oder feuchten Klima.
- Falsche Klingen können die Unfallgefahr erhöhen.
- Stellen Sie sicher, dass Menschen und Tiere während der Verwendung einen Abstand von mindestens 15 m/50 ft einhalten.
- Bei der Arbeit auf die Umgebung achten und sicherstellen, dass weder Menschen noch Tiere mit der Schneidausrüstung in Berührung kommen können.
- Kontrollieren Sie den Arbeitsbereich. Entfernen Sie Gegenstände, die weggeschleudert werden könnten.
- Sorgen Sie stets dafür, dass Sie bei der Arbeit fest und sicher stehen.
- Lassen Sie das Gerät niemals unbeaufsichtigt mit laufendem Motor stehen.
- Stellen Sie sicher, dass Hände und Füße nicht an die Schneideinheit kommen, wenn der Motor läuft.
- Sollte während der Arbeit Material zwischen den Klingen hängen bleiben, den Motor abstellen und abwarten, bis er völlig still steht, bevor die Klingen gereinigt werden. Ziehen Sie die Zündkappe von der Zündkerze ab.
- Wenn der Motor abgestellt worden ist, Hände und Füße von der Schneideinheit fernhalten, bis diese völlig still steht.
- Achten Sie auf Aststückchen, die beim Schneiden weggeschleudert werden können.
- Achten Sie immer genau auf Warnsignale oder Rufe, wenn Sie den Gehörschutz tragen. Nehmen Sie den Gehörschutz immer ab, sobald der Motor abgestellt ist.

- Arbeiten Sie niemals stehend auf einer Leiter oder einem Hocker oder in einer sonstigen, nicht ausreichend gesicherten erhöhten Position.
- Halten Sie das Gerät immer mit beiden Händen fest. Das Gerät vor dem Körper halten.
- Wenn ein Fremdkörper getroffen wird oder Vibrationen auftreten, müssen Sie das Gerät abstellen. Ziehen Sie die Zündkappe von der Zündkerze ab. Kontrollieren Sie, ob das Gerät beschädigt ist. Reparieren Sie eventuelle Schäden.
- Stellen Sie sicher, dass Zündkerzenschutz und Zündkabel unversehrt sind, um die Gefahr von elektrischen Schlägen auszuschließen.
- Prüfen Sie, ob alle Muttern und Schrauben angezogen sind.
- Sorgen Sie dafür, dass das Getriebe ausreichend geschmiert ist. Siehe *So schmieren Sie das Getriebegehäuse auf Seite 61*.
- Nach der Arbeit mit dem Gerät ist das Getriebe heiß. Berühren Sie das Getriebe nicht, um Verbrennungen zu vermeiden.
- Alle Gehäuse- und Schutzteile müssen vor dem Start montiert werden.
- Wenn die Klingen stecken bleiben, können sie gelöst werden, indem der Kombischlüssel in das Getriebe eingeführt wird. Führen Sie den Kombischlüssel in das Getriebe ein und drehen Sie ihn vor und zurück. Siehe *So überprüfen Sie die Klingen auf Seite 62*.
- Der Transportschutz ist immer an der Schneideinheit anzubringen, wenn das Gerät nicht benutzt wird.



- Tragen Sie bei Bedarf Schutzhandschuhe, beispielsweise bei der Montage, der Untersuchung oder der Reinigung der Schneidausrüstung.



- Verwenden Sie rutschfeste und stabile Stiefel oder Schuhe.



- Tragen Sie Kleidung aus reißfestem Material. Tragen Sie stets eng anliegende Kleidung, lange Hosen aus schwerem Stoff und lange Ärmel. Tragen Sie keine weite Kleidung, die sich leicht an Ästen und Zweigen verfangen könnte. Vermeiden Sie das Tragen von Schmuck, kurzen Hosen und Sandalen. Gehen Sie nicht barfuß. Binden Sie Ihre Haare sicherheitshalber zusammen, sodass sie nicht über Ihre Schulter fallen.
- Halten Sie eine Erste-Hilfe-Ausrüstung und einen Feuerlöscher griffbereit.



## Persönliche Schutzausrüstung



**WARNUNG:** Lesen Sie die folgenden Warnhinweise, bevor Sie das Gerät benutzen.

- Verwenden Sie stets die vorgeschriebene persönliche Schutzausrüstung bei der Benutzung des Geräts. Die persönliche Schutzausrüstung kann Verletzungen nicht vollständig vermeiden, vermindert aber den Umfang der Verletzungen und Schäden bei einem Unfall. Lassen Sie sich von Ihrem Händler bei der Auswahl der richtigen Ausrüstung unterstützen.
- Tragen Sie einen Gehörschutz mit ausreichender Dämmwirkung. Eine längerfristige Beschallung mit Lärm kann zu bleibenden Gehörschäden führen.
- Tragen Sie einen zugelassenen Augenschutz. Bei der Benutzung eines Visiers ist auch eine zugelassene Schutzbrille zu tragen. Zugelassene Schutzbrillen sind in diesem Falle diejenigen, die die Normen ANSI Z87.1 für die USA bzw. EN 166 für EU-Länder erfüllen.

## Sicherheitsvorrichtungen am Gerät



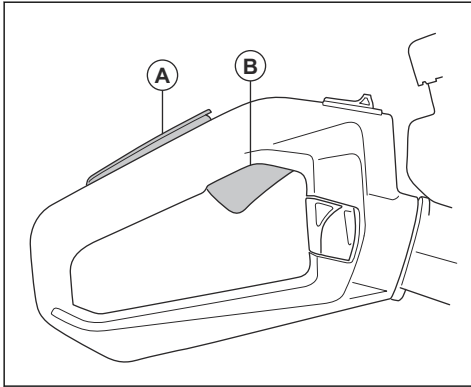
**WARNUNG:** Lesen Sie die folgenden Warnhinweise, bevor Sie das Gerät verwenden.

- Verwenden Sie kein Gerät mit Sicherheitsvorrichtungen, die beschädigt sind oder nicht ordnungsgemäß funktionieren.

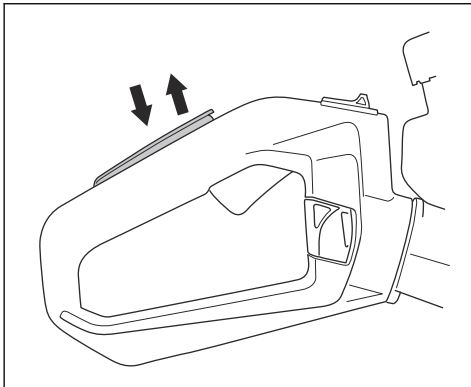
- Führen Sie regelmäßig eine Überprüfung der Sicherheitsvorrichtungen durch. Wenn die Sicherheitsvorrichtungen beschädigt sind oder nicht ordnungsgemäß funktionieren, wenden Sie sich an den Kundendienst von Husqvarna.
- Führen Sie keine Änderungen an den Sicherheitsvorrichtungen durch.

### So prüfen Sie die Gashebelsperre

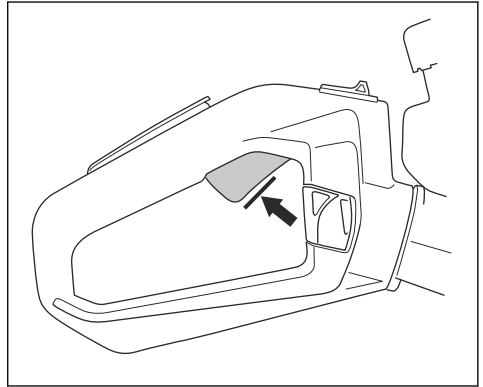
1. Prüfen Sie, ob sich die Gashebelsperre (A) und der Gashebel (B) frei bewegen lassen und ob die Rückholfeder korrekt funktioniert.



2. Drücken Sie die Gashebelsperre herunter und kontrollieren Sie, ob sie beim Loslassen in die Ausgangsstellung zurückkehrt.



3. Lösen Sie die Gashebelsperre und stellen Sie sicher, dass der Gashebel in der Leerlaufstellung verriegelt ist.



4. Starten Sie den Motor, und geben Sie Vollgas.
5. Lassen Sie den Gashebel los und prüfen Sie, ob die Klingen vollständig stoppen.



**WARNUNG:** Wenn sich die Klingen bewegen, während sich der Gashebel in Leerlaufstellung befindet, stellen Sie die Leerlaufdrehzahl ein. Siehe *So stellen Sie die Leerlaufdrehzahl ein auf Seite 60*.

### So prüfen Sie den Stoppschalter

1. Starten Sie den Motor.
2. Drücken Sie den Stoppschalter auf die Position „Aus“, und stellen Sie sicher, dass der Motor zum Stillstand kommt.



**WARNUNG:** Der Stoppschalter kehrt dann automatisch wieder in die Startposition zurück. Um ein versehentliches Starten zu verhindern, entfernen Sie die Zündkerze von der Zündkerze, wenn Sie das Gerät montieren oder warten.

### So prüfen Sie den Handschutz

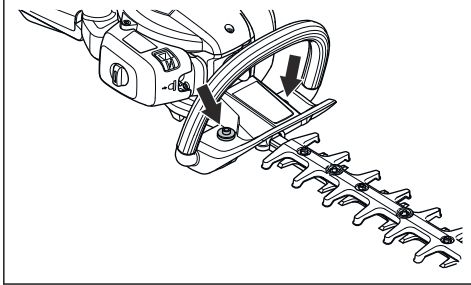
Der Handschutz verhindert, dass die Hand das sich bewegende Messer berührt.

1. Den Motor stoppen.
2. Stellen Sie sicher, dass der Handschutz richtig befestigt ist.
3. Überprüfen Sie den Handschutz auf Beschädigungen.

## So prüfen Sie das Antivibrationssystem

Das Antivibrationssystem verringert Vibrationen in den Griffen. Die Antivibrationselemente funktionieren als Trennung zwischen Gerät und Griff.

1. Führen Sie eine Sichtprüfung auf Verformungen und Beschädigungen durch.
2. Stellen Sie sicher, dass die Antivibrationseinheiten korrekt angebracht sind.



## So prüfen Sie den Schalldämpfer



**WARNUNG:** Verwenden Sie das Gerät nicht, wenn der Schalldämpfer fehlt oder beschädigt ist. Ein beschädigter oder fehlender Schalldämpfer erhöht den Geräuschpegel und die Brandgefahr. Halten Sie einen Feuerlöscher griffbereit. Verwenden Sie kein Gerät, bei dem das Funkenfängernetz fehlt oder defekt ist, wenn seine Verwendung für den Arbeitsbereich vorgeschrieben ist.



**WARNUNG:** Die Schalldämpfer werden während und nach dem Betrieb – auch im Leerlauf – sehr heiß.



**ACHTUNG:** Wenn das Funkenfängernetz häufig verstopft ist, kann dies ein Zeichen dafür sein, dass der Katalysator nicht einwandfrei arbeitet. Lassen Sie den Schalldämpfer von Ihrem Servicehändler kontrollieren. Ein verstopftes Funkenfängernetz kann zu Überhitzung führen, wodurch Schäden an Zylinder und Kolben entstehen können.

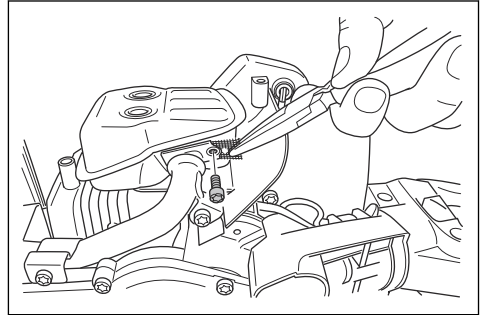


**WARNUNG:** Die Innenflächen des Schalldämpfers enthalten Chemikalien, die Krebs verursachen können. Achten Sie darauf, dass Sie diese Teile nicht berühren, wenn der Schalldämpfer beschädigt ist.

Der Schalldämpfer senkt den Geräuschpegel auf ein Mindestmaß und leitet die Abgase des Motors vom

Anwender weg. Ein Schalldämpfer mit Katalysator reduziert schädliche Abgase.

1. Stellen Sie den Motor ab.
2. Führen Sie eine Sichtkontrolle auf Beschädigungen und Verformungen durch.
3. Stellen Sie sicher, dass der Schalldämpfer fest am Gerät montiert ist.
4. Reinigen Sie das Funkenfängernetz vorsichtig mit einer Drahtbürste.



## So prüfen Sie die Klingen und den Klingenschutz

Der äußere Teil der Klingen dient als Klingenschutz. Der Klingenschutz verhindert Schnittverletzungen.

1. Stoppen Sie den Motor, und stellen Sie sicher, dass sich die Klingen nicht mehr bewegen.
2. Entfernen Sie die Zündkappe von der Zündkerze.
3. Ziehen Sie Schutzhandschuhe an.
4. Stellen Sie sicher, dass die Klinge und der Klingenschutz nicht beschädigt oder verbogen sind. Ersetzen Sie stets eine beschädigte oder verbogene Klinge bzw. einen beschädigten Klingenschutz.
5. Achten Sie darauf, dass die Schrauben an den Klingen und am Klingenschutz fest angezogen sind.

## Sicherer Umgang mit Kraftstoff



**WARNUNG:** Lesen Sie die folgenden Warnhinweise, bevor Sie das Gerät benutzen.

- Starten Sie das Gerät nicht, wenn sich Kraftstoff oder Öl darauf befindet. Entfernen Sie den unerwünschten Kraftstoff bzw. das Öl und lassen Sie das Gerät trocknen.
- Wechseln Sie sofort die Kleidung, wenn Sie Kraftstoff darauf verschütten.
- Lassen Sie keinen Kraftstoff auf Ihren Körper gelangen, denn dies kann zu Verletzungen führen. Wenn Kraftstoff auf Ihre Haut gelangt, waschen Sie diesen mit Wasser und Seife ab.
- Starten Sie das Gerät nicht, wenn der Motor undicht ist. Überprüfen Sie den Motor regelmäßig auf Undichtigkeiten.

- Gehen Sie vorsichtig mit Kraftstoff um. Kraftstoff ist feuergefährlich, und die Dämpfe sind explosiv und können zu Verletzungen oder sogar zum Tod führen.
- Atmen Sie die Kraftstoffdämpfe nicht ein, denn sie sind gesundheitsschädigend. Achten Sie auf ausreichende Belüftung.
- Rauchen Sie nicht in der Nähe des Kraftstoffs oder des Motors.
- Stellen Sie keine heißen Gegenstände in der Nähe des Kraftstoffs oder Motors ab.
- Füllen Sie keinen Kraftstoff nach, während der Motor läuft.
- Vergewissern Sie sich, dass der Motor abgekühlt ist, bevor Sie Kraftstoff nachfüllen.
- Öffnen Sie vor dem Nachfüllen den Tankdeckel langsam und lassen Sie den Druck vorsichtig entweichen.
- Füllen Sie keinen Kraftstoff in den Motor, wenn Sie sich in einem Innenraum befinden. Eine mangelhafte Luftzirkulation kann zu schweren oder tödlichen Verletzungen durch Ersticken oder eine Kohlenmonoxidvergiftung führen.
- Schrauben Sie den Kraftstofftankdeckel fest zu. Wenn der Tankverschluss nicht fest zugeschraubt ist, besteht Feuergefahr.
- Bewegen Sie das Produkt vor dem Starten mindestens 3 m von der Stelle fort, an der Sie den Tank befüllt hatten.
- Füllen Sie den Kraftstofftank nicht vollständig auf. Durch Hitze dehnt sich der Kraftstoff aus. Lassen Sie deshalb einen Freiraum im oberen Bereich des Kraftstofftanks.
- Stoppen Sie den Motor und stellen Sie sicher, dass sich die Schneidrüstung nicht mehr bewegt. Lassen Sie das Gerät abkühlen, bevor Sie Wartungsarbeiten durchführen.
- Trennen Sie die Zündkappe vor Beginn der Wartung.
- Die Abgase des Motors enthalten Kohlenmonoxid, ein geruchloses, giftiges und sehr gefährliches Gas, das zum Tod führen kann. Betreiben Sie das Gerät nicht in geschlossenen Räumen.
- Die Abgase des Motors sind heiß und können Funken schlagen. Lassen Sie das Gerät nicht im Innenbereich oder in der Nähe von brennbaren Materialien laufen.
- Zubehörteile und Änderungen am Gerät, die vom Hersteller nicht genehmigt wurden, können zu schweren Verletzungen oder zum Tod führen. Verändern Sie das Gerät nicht. Verwenden Sie stets Originalzubehör.
- Wenn die Wartung nicht ordnungsgemäß und regelmäßig erfolgt, erhöht sich die Verletzungsgefahr und das Risiko für eine Beschädigung des Geräts.
- Führen Sie die Wartung nur gemäß dieser Betriebsanleitung durch. Lassen Sie alle anderen Wartungsarbeiten von einer autorisierten Husqvarna Servicewerkstatt durchführen.
- Lassen Sie eine autorisierte Husqvarna Servicewerkstatt das Gerät regelmäßig warten.
- Ersetzen Sie beschädigte, abgenutzte oder defekte Teile.

## Sicherheitshinweise für die Wartung



**WARNUNG:** Lesen Sie die folgenden Warnhinweise, bevor Sie das Gerät benutzen.

## Betrieb

### Einleitung



**WARNUNG:** Lesen Sie vor Gebrauch des Geräts das Kapitel über Sicherheit, und machen Sie sich damit vertraut.

### Kraftstoff

Dieses Produkt verfügt über einen Zweitaktmotor.



**ACHTUNG:** Die Verwendung eines falschen Kraftstoffs kann zu einer Beschädigung des Motors führen. Verwenden Sie eine Mischung aus Benzin und Zweitaktöl.

### Vorgemischter Kraftstoff

- Verwenden Sie Husqvarna vorgemischten Alkylatkraftstoff. Dies sorgt für die beste Leistung und eine Verlängerung der Lebensdauer des Motors. Im Vergleich zu herkömmlichem Kraftstoff enthält dieser Kraftstoff weniger gesundheitsschädliche Substanzen, wodurch der Ausstoß schädlicher Abgase verringert wird. Die Menge von Rückständen nach der Verbrennung ist bei diesem Kraftstoff niedriger. Dadurch bleiben die Bauteile des Motors sauberer.

### So mischen Sie Kraftstoff vor

#### Benzin

- Verwenden Sie hochwertiges bleifreies Benzin mit maximal 10 % Ethanol (E10).





**ACHTUNG:** Verwenden Sie kein Benzin mit einer geringeren Oktanzahl als 90 RON (87 AKI). Bei Einsatz von Kraftstoff mit niedrigerer Oktanzahl kann es zu einem Klopfen im Motor kommen, das Motorschäden verursacht.

### Zweitaktöl

- Verwenden Sie für beste Ergebnisse und die beste Leistung Husqvarna Zweitaktöl.
- Wenn Husqvarna Zweitaktöl nicht verfügbar ist, verwenden Sie ein qualitativ hochwertiges Zweitaktöl für luftgekühlte Motoren. Wenden Sie sich an Ihren Kundendienst zur Auswahl der richtigen Ölsorte.



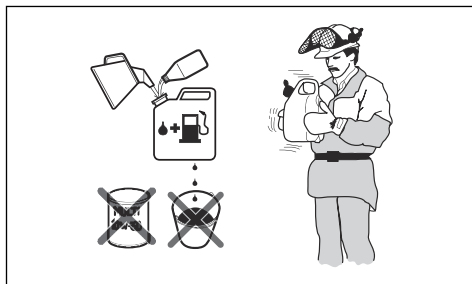
**ACHTUNG:** Verwenden Sie kein Zweitaktöl für wassergekühlte Außenbordmotoren (auch Outboardoil genannt). Verwenden Sie kein Öl für Viertaktmotoren.

### So mischen Sie Benzin und Zweitaktöl

Benzin, Liter	Zweitaktöl, Liter
	<b>2 % (50:1)</b>
5	0,10
10	0,20
15	0,30
20	0,40



**ACHTUNG:** Beim Mischen kleiner Kraftstoffmengen wirken sich auch kleine Abweichungen bei der Ölmenge stark auf das Mischungsverhältnis aus. Um das korrekte Mischungsverhältnis sicherzustellen, muss die beizumischende Ölmenge genau abgemessen werden.



1. Füllen die Hälfte des Benzins in einen sauberen Kraftstoffbehälter.

2. Fügen Sie die gesamte Menge Öl hinzu.
3. Schütteln Sie die Kraftstoffmischung.
4. Geben Sie dann den Rest des Benzins in den Behälter dazu.
5. Schütteln Sie die Kraftstoffmischung sorgfältig.



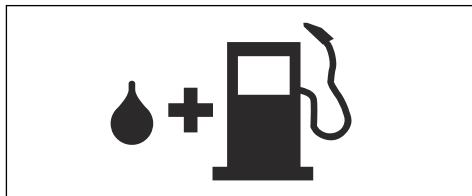
**ACHTUNG:** Mischen Sie Kraftstoff höchstens für einen Monat im Voraus.

### So füllen Sie den Kraftstofftank



**WARNUNG:** Befolgen Sie zu Ihrer eigenen Sicherheit das folgende Verfahren.

1. Stellen Sie den Motor ab, und lassen Sie den Motor abkühlen.
2. Säubern Sie den Bereich rund um den Tankdeckel.



3. Schütteln Sie den Behälter, und stellen Sie sicher, dass der Kraftstoff vollständig vermischt ist.
4. Entfernen Sie den Tankdeckel langsam, damit der Druck entweichen kann.
5. Füllen Sie den Kraftstofftank auf.



**ACHTUNG:** Stellen Sie sicher, dass der Kraftstofftank nicht zu viel Kraftstoff enthält. Der Kraftstoff dehnt sich beim Erwärmen aus.

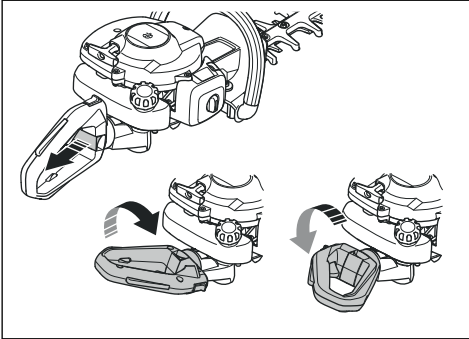
6. Ziehen Sie den Kraftstofftankdeckel vorsichtig fest.
7. Reinigen Sie das Gerät und den umgebenden Bereich von verschüttetem Kraftstoff.
8. Bewegen Sie das Gerät vor dem Start mindestens 3 m (10 ft) aus dem Auftankbereich und von der Kraftstoff-Auftankquelle weg.

**Hinweis:** Um herauszufinden, wo sich der Kraftstofftank an Ihrem Gerät befindet, siehe *Einleitung auf Seite 50*.

### EINSTELLEN DES HANDGRIFFS

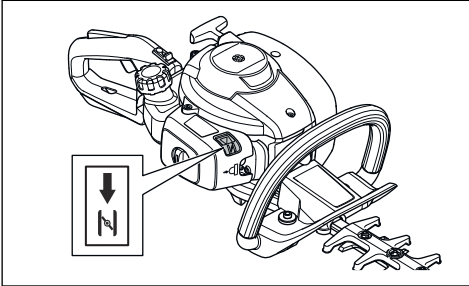
Der hintere Griff kann in 3 Positionen eingestellt werden.

- Lösen Sie die Griff Sperre, und drehen Sie den Griff.



### So starten Sie das Gerät bei kaltem Motor

1. Ziehen Sie den Choke-Hebel in die Choke-Lage.



2. Drücken Sie die Kraftstoffpumpenblase ca. 6 Mal, bis sich die Pumpenblase mit Kraftstoff füllt. Es ist nicht erforderlich, die Kraftstoffpumpenblase vollständig zu füllen.
3. Drücken Sie den Gerätekörper mit der linken Hand gegen den Boden. Treten Sie nicht auf das Gerät.
4. Ziehen Sie den Startseilhandgriff langsam mit der rechten Hand, bis Sie einen Widerstand spüren, und ziehen Sie dann schnell und mit Kraft am Startseilhandgriff.



**WARNUNG:** Wickeln Sie das Startseil nicht um Ihre Hand.



**ACHTUNG:** Ziehen Sie das Startseil nicht vollständig heraus, und lassen Sie den Startseilgriff nicht los.

5. Ziehen Sie dann am Startseilhandgriff, bis der Motor startet, und drücken Sie anschließend den Choke-Hebel in die Ausgangsstellung zurück.



**WARNUNG:** Die Klängen bewegen sich, wenn der Motor startet.

6. Ziehen Sie weiter am Startseilhandgriff, bis der Motor startet.
7. Drücken Sie den Gashebel, und lassen Sie ihn dann los, um den Motor im Leerlauf laufen zu lassen.
8. Drücken Sie den Gashebel langsam, um die Motordrehzahl zu erhöhen.
9. Stellen Sie sicher, dass der Motor einwandfrei läuft.

### Gerät bei warmem Motor starten

1. Drücken Sie den Gerätekörper mit der linken Hand gegen den Boden. Treten Sie nicht auf das Gerät.
2. Ziehen Sie den Startseilhandgriff langsam mit der rechten Hand, bis Sie einen Widerstand spüren, und ziehen Sie schnell und mit Kraft am Startseilhandgriff. Fahren Sie so lange damit fort, bis der Motor startet.

**Hinweis:** Für weitere Informationen zum Starten des Geräts siehe *So starten Sie das Gerät bei kaltem Motor auf Seite 58.*

### Gerät stoppen

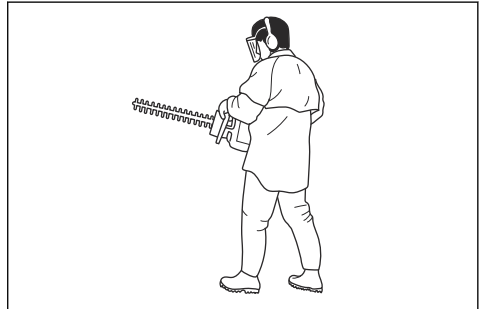
- Legen Sie den Stoppschalter in die Stopposition, um den Motor abzustellen.



**ACHTUNG:** Der Stoppschalter kehrt dann automatisch wieder in die Position RUN zurück.

### Inbetriebnahme des Geräts

1. Beginnen Sie in Bodennähe und bewegen Sie das Gerät dann nach oben, wenn Sie die Seitenscheiden. Passen Sie auf, dass das Gerätegehäuse nicht die Hecke berührt.



**WARNUNG:** Passen Sie auf, dass die Vorderseite der Schneidausrüstung nicht den Boden berührt.

2. Passen Sie das Tempo je nach Arbeitsaufwand an.
3. Halten Sie das Gerät für eine stabile Arbeitsposition nahe am Körper.
4. Gehen Sie vorsichtig vor, und verwenden Sie das Gerät langsam.

# Wartung

## Einleitung

Sicherheit, und machen Sie sich damit vertraut.



**WARNUNG:** Lesen Sie vor dem Warten des Geräts das Kapitel über

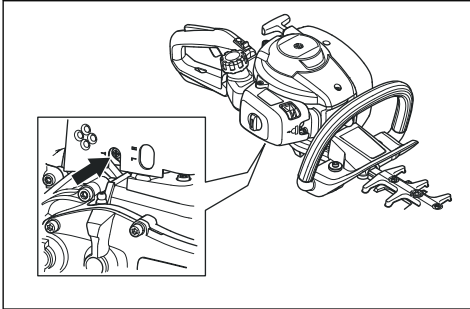
## Wartungsplan

Instand halten	Vor dem Betrieb	Nach 40 h	Nach 100 h
Die Außenfläche reinigen.		Nach jedem Gebrauch.	
Den Schalldämpfer, die Abgasleitung und den Motor von Laub, Schmutz und unerwünschten Schmiermitteln befreien.		Nach jedem Gebrauch.	
Sicherstellen, dass sich die Schneideinheit im Leerlauf nicht bewegt.	X		
Den Stoppschalter prüfen. Siehe <i>So prüfen Sie den Stoppschalter auf Seite 54.</i>	X		
Die Schneideinheit auf Beschädigung und Risse überprüfen. Bei Beschädigung ersetzen.	X		
Den Handschutz auf Beschädigung und Risse überprüfen. Bei Beschädigung ersetzen.	X		
Gashebelsperre und Gashebel überprüfen. Siehe <i>So prüfen Sie die Gashebelsperre auf Seite 54.</i>	X		
Den Motor, den Kraftstofftank und den Kraftstoffschlauch auf Undichtigkeiten überprüfen.	X		
Muttern und Schrauben festziehen.	X		
Startvorrichtung und Startseil auf Beschädigung überprüfen.		X	
Kontrollieren, ob die Schrauben, die die Klingen zusammenhalten, korrekt angezogen sind.		X	
Den Luftfilter reinigen. Bei Verwendung in staubigen Bereichen öfters reinigen. Bei Beschädigung ersetzen.		X	
Die Antivibrationseinheiten auf Beschädigung und Risse überprüfen. Bei Beschädigung ersetzen.		X	
Die Außenseite der Zündkerze und den umliegenden Bereich reinigen. Die Zündkerze Entfernen und den Elektrodenabstand messen. Den Elektrodenabstand korrigieren oder eine andere Zündkerze verwenden. Siehe <i>So prüfen Sie die Zündkerze auf Seite 60.</i>		X	
Das Kühlsystem reinigen.		X	
Die Außenseite des Vergasers und den umliegenden Bereich reinigen.		X	
Den Kraftstofffilter auf Verschmutzungen und den Kraftstoffschlauch auf Risse oder andere Beschädigungen überprüfen. Bei Beschädigung ersetzen.			X
Das Funkenfängernetz auf dem Schalldämpfer reinigen und bei Beschädigung ersetzen.			X
Kraftstofftank inwendig reinigen.			X

Instand halten	Vor dem Betrieb	Nach 40 h	Nach 100 h
Die Zündkerze ersetzen.			X
Die Kupplung, die Kupplungsfeder und die Kupplungstrommel auf Verschleiß überprüfen. Bei Beschädigung von einem zugelassenen Servicehändler ersetzen lassen.			X
Sicherstellen, dass das Getriebegehäuse mit Schmierfett gefüllt ist.			X
Alle Kabel und Anschlüsse überprüfen.			X

## So stellen Sie die Leerlaufdrehzahl ein

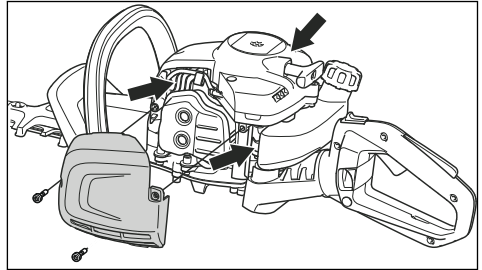
1. Reinigen Sie den Luftfilter, und montieren Sie den Luftfilterdeckel.
2. Starten Sie das Gerät. Siehe *So starten Sie das Gerät bei kaltem Motor auf Seite 58*.
3. Drehen Sie die Stellschraube T im Uhrzeigersinn, bis die Schneideinheit sich zu bewegen beginnt.



4. Drehen Sie die Stellschraube gegen den Uhrzeigersinn, bis die Schneideinheit stehen bleibt.



**WARNUNG:** Wenn Sie die Leerlaufdrehzahl anpassen und die Schneideinheit nicht anhält, wenden Sie sich an den nächsten Servicehändler. Verwenden Sie das Gerät erst wieder, wenn es richtig eingestellt oder repariert ist.



**ACHTUNG:** Der Lufteinlass zwischen dem Kraftstofftank und dem Kurbelgehäuse wird leicht durch Laub blockiert. Reinigen Sie den Lufteinlass vollständig.

1. Reinigen Sie das Kühlsystem wöchentlich oder bei Bedarf häufiger mit einer Bürste.
2. Stellen Sie sicher, dass das Kühlsystem nicht verschmutzt oder verstopft ist.

## So prüfen Sie die Zündkerze



**ACHTUNG:** Verwenden Sie stets den vom Hersteller empfohlenen Zündkerzentyp! Die Verwendung eines falschen Zündkerzentyps kann zu Schäden am Gerät führen.

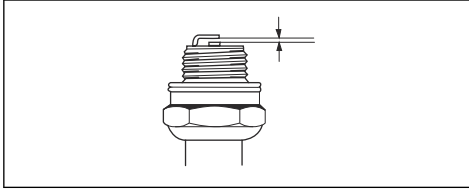
- Überprüfen Sie die Zündkerze, wenn der Motor nur schwache Leistung bringt, sich nur schwer starten lässt oder im Leerlauf nicht ordnungsgemäß läuft.
- Wenn Sie diese Anweisungen befolgen, verringern Sie die Gefahr von unerwünschtem Material an den Elektroden der Zündkerze:
  - a) Stellen Sie sicher, dass die Leerlaufdrehzahl richtig eingestellt ist.
  - b) Vergewissern Sie sich, dass das Kraftstoffgemisch korrekt ist.
  - c) Vergewissern Sie sich, dass der Luftfilter sauber ist.

**Hinweis:** Die Leerlaufdrehzahl ist richtig eingestellt, wenn der Motor in allen Stellungen gleichmäßig läuft. Siehe *Technische Angaben auf Seite 64* für die empfohlene Leerlaufdrehzahl.

## So reinigen Sie das Kühlsystem

Das Kühlsystem hält die Motortemperatur niedrig. Das Kühlsystem umfasst die Kühlrippen am Zylinder, den Zylinderdeckel und den Lufteinlass durch das Kurbelgehäuse.

- Ist die Zündkerze verschmutzt, so ist sie zu reinigen; gleichzeitig ist zu prüfen, ob der Elektrodenabstand korrekt ist, siehe *Technische Angaben auf Seite 64*.

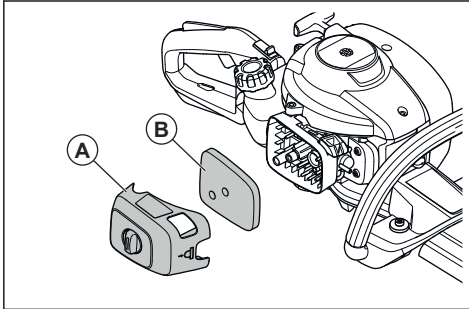


- Ersetzen Sie die Zündkerze bei Bedarf.

## Reinigen des Luftfilters

Reinigen Sie den Luftfilter regelmäßig von Staub und Schmutz. Dies verhindert Fehlfunktionen des Vergasers, Probleme beim Anlassen, einen Leistungsverlust des Motors, einen Verschleiß der Motorteile und einen höheren Kraftstoffverbrauch als gewöhnlich.

1. Entfernen Sie den Luftfilterdeckel (A).
2. Entfernen Sie den Filter (B) vom Filterrahmen.



3. Reinigen Sie den Filter in warmer Seifenlauge.

**Hinweis:** Ein Luftfilter, der über lange Zeit verwendet wurde, kann nicht vollständig gereinigt werden. Wechseln Sie den Luftfilter regelmäßig aus und ersetzen Sie stets beschädigte Luftfilter.

4. Stellen Sie sicher, dass der Filter trocken ist.
5. Tragen Sie Öl auf den Luftfilter auf. Siehe *So tragen Sie Öl auf den Schaumluftfilter auf auf Seite 61*
6. Reinigen Sie die Innenseite des Luftfilterdeckels. Verwenden Sie dazu Druckluft oder eine Bürste.

## So tragen Sie Öl auf den Schaumluftfilter auf

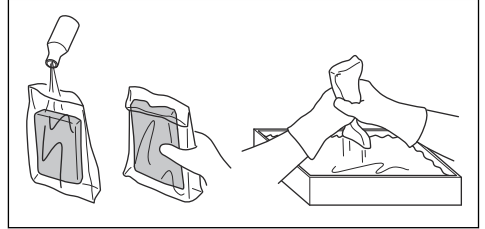


**ACHTUNG:** Verwenden Sie immer Husqvarna spezielles Luftfilteröl. Verwenden Sie keine anderen Arten von Öl.



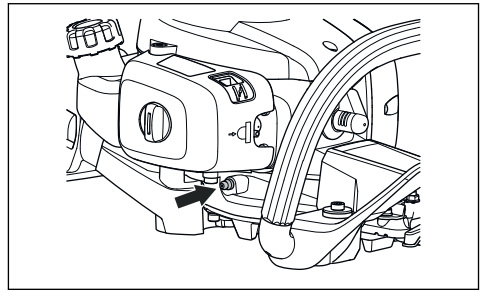
**WARNUNG:** Ziehen Sie Schutzhandschuhe an. Das Luftfilteröl kann Hautreizungen verursachen.

1. Stecken Sie den Schaumluftfilter in einen Plastikbeutel.
2. Schütten Sie das Öl in den Plastikbeutel.
3. Reiben Sie den Plastikbeutel, um das Öl gleichmäßig über den Schaumluftfilter zu verteilen.
4. Drücken Sie das unerwünschte Öl aus dem Schaumluftfilter, solange sich dieser im Plastikbeutel befindet.



## So schmieren Sie das Getriebegehäuse

- Verwenden Sie Husqvarna-Spezialfett. Ihr Servicehändler steht Ihnen gern für weitere Informationen zu empfohlenen Schmierfetten zur Verfügung.
- Geben Sie das Fett über den Schmiernippel hinzu.



**ACHTUNG:** Füllen Sie das Getriebegehäuse nicht vollständig.

## So reinigen und schmieren Sie die Klingen

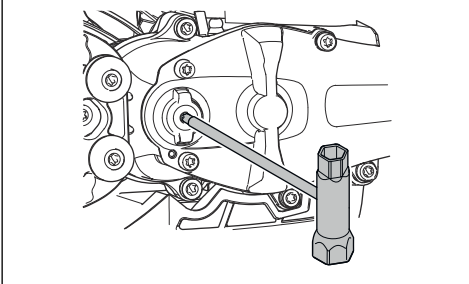
1. Reinigen Sie die Klingen vor und nach dem Betrieb des Geräts von unerwünschten Materialien.
2. Schmieren Sie vor der Langzeitaufbewahrung die Klingen.

**Hinweis:** Ihr Servicehändler steht Ihnen gerne für weitere Informationen zu empfohlenen Reinigungsmitteln und Schmierstoffen zur Verfügung.

3. Überprüfen Sie die Kanten der Klingen auf Schäden oder Verformungen.
4. Entfernen Sie mit einer Feile Grate auf den Klingen.

## So überprüfen Sie die Klingen

1. Entfernen Sie die Kappe am Getriebegehäuse.
2. Stellen Sie sicher, dass sich die Klingen frei bewegen können. Setzen Sie den Kombischlüssel in das Getriebegehäuse, und drehen Sie diesen im und gegen den Uhrzeigersinn.



## Fehlerbehebung

### Fehlerbehebung

Der Motor springt nicht an		
Störung	Mögliche Ursache	Empfohlene Schritte
Starterklinken	Die Starterklinken sind nicht frei beweglich.	Stellen Sie die Starterklinken ein oder tauschen Sie sie aus.
		Reinigen Sie den Bereich um die Starterklinken.
		Wenden Sie sich an einen zugelassenen Servicehändler.
Kraftstofftank	Falsche Kraftstoffsorte.	Entleeren Sie den Behälter und verwenden Sie den richtigen Kraftstoff.
Vergaser	Falsche Leerlaufdrehzahl	Stellen Sie die Leerlaufdrehzahl ein.
Kein Funke	Die Zündkerze ist verschmutzt oder nass.	Stellen Sie sicher, dass die Zündkerze sauber und trocken ist.
	Falscher Elektrodenabstand	Reinigen Sie die Zündkerze. Stellen Sie sicher, dass der Elektrodenabstand der Zündkerze korrekt ist. Stellen Sie sicher, dass die Zündkerze über eine sog. Funkenstörung verfügt.  Unter <i>Technische Angaben auf Seite 64</i> finden Sie den richtigen Elektrodenabstand.
Zündkerze	Die Zündkerze sitzt lose.	Zündkerze festziehen.

<b>Der Motor startet, geht aber wieder aus.</b>		
<b>Störung</b>	<b>Mögliche Ursache</b>	<b>Empfohlene Schritte</b>
Kraftstofftank	Falsche Kraftstoffsorte.	Entleeren Sie den Behälter und verwenden Sie den richtigen Kraftstoff.
Vergaser	Falsche Leerlaufdrehzahl	Stellen Sie die Leerlaufdrehzahl ein. Siehe <i>So stellen Sie die Leerlaufdrehzahl ein auf Seite 60</i> . Kontaktieren Sie, falls notwendig, Ihren zuständigen Servicehändler.
Luftfilter	Verstopfter Luftfilter.	Reinigen Sie den Luftfilter.

<b>Klinge</b>		
<b>Störung</b>	<b>Mögliche Ursachen</b>	<b>Empfohlene Schritte</b>
Die Klinge bewegt sich nur langsam oder gar nicht.	Die Klinge ist blockiert oder beschädigt.	Reinigen Sie die Klängen von unerwünschten Materialien. Siehe <i>So reinigen und schmieren Sie die Klängen auf Seite 61</i> . Entfernen Sie Grate von der Klinge, siehe <i>So überprüfen Sie die Klängen auf Seite 62</i> . Ersetzen Sie die Klinge bei Beschädigung.
Die Klinge schneidet nicht leicht.	Die Klinge ist nicht scharf oder sie ist beschädigt.	Schärfen Sie die Klinge, siehe <i>So überprüfen Sie die Klängen auf Seite 62</i> . Ersetzen Sie die Klinge bei Beschädigung.
Die Klinge wird heiß.	Es gibt Reibung zwischen den Klängen.	Entfernen Sie Grate von der Klinge und schmieren Sie die Klinge. Siehe <i>So reinigen und schmieren Sie die Klängen auf Seite 61</i> .

---

## Transport, Lagerung und Entsorgung

---

### Transport und Lagerung

- Lassen Sie das Gerät vor der Lagerung stets abkühlen.
- Für die Lagerung und den Transport des Geräts und des Kraftstoffs ist darauf zu achten, dass keine Lecks oder Dämpfe vorhanden sind. Funken oder offene Flammen, zum Beispiel von elektrischen Geräten oder einem Boiler, können ein Feuer auslösen.
- Verwenden Sie für die Lagerung und den Transport von Kraftstoff immer zugelassene Behälter.
- Leeren Sie den Kraftstofftank vor dem Transport oder vor der Langzeitaufbewahrung. Entsorgen Sie den Kraftstoff in einer geeigneten Abfallentsorgungsstelle.
- Bringen Sie den Transportschutz während des Transports und der Lagerung an.

- Entfernen Sie die Zündkappe von der Zündkerze.
- Befestigen Sie das Gerät während des Transports. Sorgen Sie dafür, dass sich das Gerät während des Transports nicht bewegen kann.
- Reinigen und warten Sie das Gerät, bevor Sie es für längere Zeit einlagern.

### Entsorgen

- Befolgen Sie die örtlichen Recyclinganforderungen und geltenden Vorschriften.
- Entsorgen Sie alle Chemikalien, z. B. Motoröl oder Kraftstoff, bei einem Servicehändler oder einer geeigneten Entsorgungsstelle.
- Wenn die Lebensdauer des Motors abgelaufen ist, senden Sie den Motor an einen Husqvarna Servicehändler oder entsorgen Sie ihn bei einer Recyclingstelle.

# Technische Angaben

## Technische Daten

	<b>322HD60</b>
<b>Motor</b>	
Hubraum, cm <sup>3</sup>	21,7
Leerlaufdrehzahl, U/min	2900
Empfohlene max. Drehzahl, U/min	9000
Motorhöchstleistung nach ISO 8893, kW/PS bei U/min	0,6/0,8 bei 7800
Katalysatorschalldämpfer	Ja
<b>Zündanlage</b>	
Zündkerze	HQT-4 672201
Elektrodenabstand, mm	0,5
<b>Kraftstoff</b>	
Füllmenge Kraftstofftank, (l/cm <sup>3</sup> )	0,3/300
<b>Gewicht</b>	
Ohne Kraftstoff, kg	5,2
<b>Geräuschemissionen</b> <sup>10</sup>	
Schalleistungspegel, gemessen dB (A)	101
Schalleistungspegel, garantiert L <sub>WA</sub> dB (A)	102
<b>Schallpegel</b> <sup>11</sup>	
Äquivalenter Schalldruckpegel am Ohr des Bedieners, gemessen nach EN ISO 22868, dB (A)	92
<b>Vibrationspegel</b> <sup>12</sup>	
Äquivalenter Vibrationspegel (a <sub>h<sub>v,eq</sub></sub> ) an den Griffen, gemessen nach EN ISO 22867, m/s <sup>2</sup> :	
Vorderseite/Hinterseite, mm/s <sup>2</sup>	4,4/4,3
<b>Klingen</b>	
Typ	Doppelseitig

<sup>10</sup> Umweltbelastende Geräuschemissionen, gemessen als Schalleistung (L<sub>WA</sub>) gemäß EG-Richtlinie 2000/14/EG. Der aufgezeichnete Lautstärkepegel für das Gerät wurde unter Verwendung der originalen Schneidausrüstung mit dem höchsten Pegel gemessen. Die Differenz zwischen garantiertem und gemessenem Schalleistungspegel besteht darin, dass beim garantierten Schalleistungspegel auch eine Streuung im Messergebnis und Variationen zwischen verschiedenen Geräten desselben Modells gemäß der Richtlinie 2000/14/EG berücksichtigt werden.

<sup>11</sup> Berichten zufolge liegt der Schalldruckpegel normalerweise bei einer Ausbreitungsklasse (Standardabweichung) von 1 dB (A).

<sup>12</sup> Berichten zufolge liegt der Vibrationspegel normalerweise bei einer Ausbreitungsklasse (Standardabweichung) von 1 m/s<sup>2</sup>.



	<b>322HD60</b>
Schnittlänge, mm	600
Schnittgeschwindigkeit, Schnitte/min	4400

# Konformitätserklärung

## EU-Konformitätserklärung

Wir, **Husqvarna AB**, SE-561 82 Huskvarna, Schweden, Tel.: +46-36-146500, erklären in alleiniger Verantwortung, dass das Gerät:

<b>Beschreibung</b>	Heckenschere
<b>Marke</b>	Husqvarna
<b>Typ/Modell</b>	322HD60
<b>Identifizierung</b>	Seriennummern ab 2022

die folgenden EU-Richtlinien und -Verordnungen erfüllt:

<b>Verordnung</b>	<b>Beschreibung</b>
2006/42/EG	„Maschinenrichtlinie“
2014/30/EU	„EMV-Richtlinie“
2000/14/EG	„über umweltbelastende Geräuschemissionen von zur Verwendung im Freien vorgesehenen Geräten und Maschinen“
2011/65/EU	„zur Beschränkung der Verwendung bestimmter gefährlicher Stoffe in Elektro- und Elektronikgeräten“

und dass die folgenden Normen und/oder technischen Daten angewendet werden;

Die folgenden Normen werden erfüllt:

**EN ISO 12100:2010, EN ISO 10517:2019, EN IEC 63000:2018, EN ISO 14982:2009**

SMP Svensk Maskinprovning, , Box 4053, SE-904 03 Umeå, Sweden hat eine freiwillige Baumusterprüfung gemäß Anhang IX der Richtlinie 2006/42/EG durchlaufen.

SMP Svensk Maskinprovning, hat auch die Übereinstimmung mit Anhang V der Richtlinie 2000/14/EG des Rates bestätigt.

Informationen zu Geräuschemissionen finden Sie unter *Technische Angaben auf Seite 64*.

Huskvarna, 2023-07-10



Stefan Holmberg, R&D Director, Technology Management, Husqvarna AB

Verantwortlich für die technische Dokumentation

## Περιεχόμενα

Εισαγωγή.....	67	Αντιμετώπιση προβλημάτων.....	79
Ασφάλεια.....	68	Μεταφορά, αποθήκευση και απόρριψη.....	80
Λειτουργία.....	73	Τεχνικά στοιχεία.....	81
Συντήρηση.....	76	Δήλωση συμμόρφωσης.....	83

## Εισαγωγή

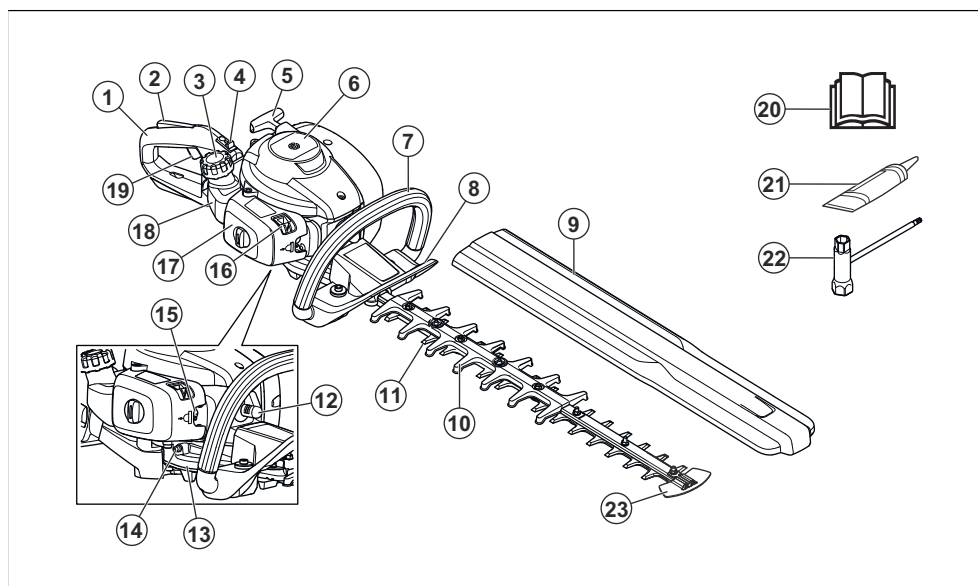
### Περιγραφή προϊόντος

Το προϊόν είναι ένα μπортουροψάλιδο με κινητήρα εσωτερικής καύσης.

### Προβλεπόμενη χρήση

Το προϊόν χρησιμοποιείται για την κοπή κλαδιών και κλωναριών. Μην χρησιμοποιείτε το προϊόν για άλλες εργασίες.

### Επισκόπηση προϊόντος



1. Οπίσθια χειρολαβή
2. Ασφάλεια σκανδάλης γκαζιού
3. Τάπα ντεπόζιτου καυσίμου
4. Διακόπτης διακοπής λειτουργίας
5. Λαβή κορδονιού συστήματος εκκίνησης
6. Κάλυμμα κυλίνδρου
7. Εμπρόσθια χειρολαβή
8. Προστατευτικό χεριού
9. Προστατευτικό μεταφοράς
10. Προστατευτικό δίσκου
11. Λεπίδα
12. Καπάκι μπουζί και μπουζί
13. Περιβλήμα γραναζιών
14. Γρασαδόρος
15. Φούσκα πλήρωσης χειροκίνητης αντλίας καυσίμου (πουάρ)
16. Χειριστήριο τσοκ
17. Κάλυμμα φίλτρου αέρα
18. Ντεπόζιτο καυσίμου
19. Σκανδάλη γκαζιού
20. Εγχειρίδιο χρήσης
21. Σωληνάριο γράσου
22. Γερμανοπολύγωνο κλειδί
23. Προστατευτικό άκρου της λεπίδας

## Σύμβολα στο προϊόν



**ΠΡΟΕΙΔΟΠΟΙΗΣΗ!** Αυτό το προϊόν είναι επικίνδυνο. Μπορεί να προκληθεί τραυματισμός ή θάνατος του χειριστή ή των παρευρισκόμενων αν το προϊόν δεν χρησιμοποιείται προσεκτικά και σωστά. Για να αποτραπεί ο τραυματισμός του χειριστή ή των παρευρισκόμενων, διαβάστε και τηρείτε όλες τις οδηγίες ασφαλείας που αναφέρονται στο εγχειρίδιο χρήσης.



Προτού χρησιμοποιήσετε το προϊόν, διαβάστε προσεκτικά το εγχειρίδιο χρήσης και βεβαιωθείτε ότι έχετε κατανοήσει τις οδηγίες.



Πρέπει να χρησιμοποιείτε προστατευτικά ακοής και εγκεκριμένα μέσα προστασίας των ματιών.



Χρησιμοποιείτε εγκεκριμένα προστατευτικά γάντια.



Χρησιμοποιήστε αντιολισθητικές μπότες βαρέος τύπου.

# T

Βίδα ρύθμισης ρελαντί.

# H

Βελόνα υψηλής ταχύτητας.

# L

Βελόνα χαμηλής ταχύτητας.



Επικέτα εκπομπών θορύβου στο περιβάλλον σύμφωνα με την ευρωπαϊκή οδηγία 2000/14/ΕΚ, των οδηγιών του Η.Β. και τη νομοθεσία της Νότιας Νέας Ουαλίας "Κανονισμός για την προστασία των περιβαλλοντικών δράσεων (έλεγχος θορύβου) του 2017". Η εγγυημένη στάθμη ηχητικής ισχύος του προϊόντος καθορίζεται στην ενότητα *Τεχνικά στοιχεία στη σελίδα 81* και στην ετικέτα.

# CE

Το προϊόν συμμορφώνεται με τις ισχύουσες οδηγίες ΕΚ.

yyyywwxxxx

Η πινακίδα στοιχείων δείχνει τον αριθμό σειράς. Το **yyyy** είναι το έτος παραγωγής και το **ww** είναι η εβδομάδα παραγωγής.

---

**Περιεχόμενα** Άλλα σύμβολα/σήματα που υπάρχουν στο προϊόν αναφέρονται σε απαιτήσεις πιστοποίησης για ορισμένες αγορές.

---

## Εκπομπές Euro V



**ΠΡΟΕΙΔΟΠΟΙΗΣΗ:** Οποιαδήποτε μη εξουσιοδοτημένη παρέμβαση στον κινητήρα ακυρώνει την έγκριση τύπου ΕΕ αυτού του προϊόντος.

---

## Ασφάλεια

### Ορισμοί για την ασφάλεια

Για την επισήμανση ειδικών σημαντικών τμημάτων του εγχειριδίου χρησιμοποιούνται προειδοποιήσεις, συστάσεις προσοχής και σημειώσεις.



**ΠΡΟΕΙΔΟΠΟΙΗΣΗ:** Χρησιμοποιείται όταν υπάρχει κίνδυνος τραυματισμού ή θανάτου του χειριστή ή άλλων παριστάμενων ατόμων, αν δεν τηρηθούν οι οδηγίες που παρέχονται στο εγχειρίδιο.



**ΠΡΟΣΟΧΗ:** Χρησιμοποιείται όταν υπάρχει κίνδυνος πρόκλησης ζημιάς στο προϊόν, σε άλλα υλικά ή στον παρακείμενο

χώρο, αν δεν τηρηθούν οι οδηγίες που παρέχονται στο εγχειρίδιο.

---

**Περιεχόμενα** Χρησιμοποιείται για παροχή περισσότερων πληροφοριών, οι οποίες χρειάζονται σε μια δεδομένη κατάσταση.

---

### Γενικές οδηγίες ασφαλείας



**ΠΡΟΕΙΔΟΠΟΙΗΣΗ:** Προτού χρησιμοποιήσετε το προϊόν, διαβάστε τις παρακάτω προειδοποιητικές οδηγίες.

---

- Η εσφαλμένη ή απρόσεκτη χρήση του προϊόντος μπορεί να το καταστήσει ένα επικίνδυνο εργαλείο, ικανό να προκαλέσει σοβαρό ή ακόμα και θανατηφόρο τραυματισμό. Είναι ιδιαίτερα σημαντικό να διαβάσετε και να κατανοήσετε τα περιεχόμενα του παρόντος εγχειριδίου χρήστη.
- Αυτό το προϊόν παράγει ηλεκτρομαγνητικό πεδίο κατά τη λειτουργία του. Το πεδίο αυτό, υπό ορισμένες συνθήκες, μπορεί να προκαλέσει παρεμβολές σε ενεργά ή παθητικά ιατρικά εμφυτεύματα. Προκειμένου να μειωθεί ο κίνδυνος παθήσεων που μπορεί να προκαλέσουν τραυματισμό ή θάνατο, συνιστούμε στα άτομα με ιατρικά εμφυτεύματα να συμβουλευτούν το θεράποντα ιατρό τους και τον κατασκευαστή του ιατρικού εμφυτεύματος, πριν να θέσουν το προϊόν σε λειτουργία.
- Η υπερέκθεση σε κραδασμούς μπορεί να προκαλέσει βλάβη στο κυκλοφορικό ή νευρικό σύστημα σε άτομα με βεβαρημένο κυκλοφορικό. Εάν αισθανθείτε συμπτώματα υπερέκθεσης σε κραδασμούς, επικοινωνήστε με τον γιατρό σας. Παραδείγματα τέτοιων συμπτωμάτων είναι το μούδιασμα, η απώλεια αίσθησης, οι σουβλιές, ο πόνος, η μυϊκή ατονία και η αλλαγή στο χρώμα ή την κατάσταση του δέρματος. Τα συμπτώματα αυτά συνήθως εμφανίζονται στα δάχτυλα, τις παλάμες ή τους καρπούς. Ο κίνδυνος αυξάνεται σε χαμηλές θερμοκρασίες.
- Εάν προκύψει μια κατάσταση όπου δεν είστε σίγουροι για το πώς πρέπει να προχωρήσετε, θα πρέπει να ζητήσετε τη συμβουλή ειδικού. Επικοινωνήστε με τον αντιπρόσωπο ή το συνεργείο σας. Αποφεύγετε τις καταστάσεις χρήσης, τις οποίες θεωρείτε πέραν των δυνατοτήτων σας.
- Μια χρησιμοποιημένη εξάτμιση (σιγαστήρας)/ φλογοπαγίδα και μια επιφάνεια στερέωσης φλογοπαγίδας μπορεί να περιέχει κατάλοιπα σωματιδίων καύσης που μπορεί να είναι καρκινογόνα. Αποφύγετε την έκθεση σε αυτές τις ενώσεις κατά τον χειρισμό της εξάτμισης (σιγαστήρα) ή/και της φλογοπαγίδας. Πριν από οποιοδήποτε χειρισμό της εξάτμισης (σιγαστήρα) ή/και της φλογοπαγίδας, βλ. *Έλεγχος της εξάτμισης (σιγαστήρα) στη σελίδα 72*.
- Λάβετε υπόψη ότι ο χειριστής είναι υπεύθυνος για ατυχήματα ή επικίνδυνες καταστάσεις που μπορεί να προκληθούν σε άλλα άτομα ή στην περιοχή τους.
- Μην επιτρέπετε ποτέ σε άλλα άτομα να χρησιμοποιούν το προϊόν χωρίς προηγούμενος να έχετε διασφαλίσει ότι έχουν κατανοήσει τα περιεχόμενα του εγχειριδίου χρήσης.
- Μην επιτρέπετε ποτέ σε παιδιά να χρησιμοποιούν το προϊόν ή να βρίσκονται κοντά σε αυτό. Καθώς το προϊόν είναι εξοπλισμένο με ελατηριωτό διακοπή λειτουργίας και μπορεί να εκκινήσει με χαμηλή ταχύτητα και δύναμη στη λαβή του συστήματος εκκίνησης, ακόμη και μικρά παιδιά, υπό ορισμένες συνθήκες, μπορούν να ασκήσουν τη δύναμη που χρειάζεται για την εκκίνηση του προϊόντος. Αυτό μπορεί να οδηγήσει σε σοβαρό

τραυματισμό. Συνεπώς, πρέπει να αφαιρείτε το καπάκι του μπουζί, όταν το προϊόν δεν βρίσκεται υπό στενή παρακολούθηση.

- Αποθηκεύστε το προϊόν μακριά από παιδιά.
- Μην χρησιμοποιείτε ποτέ το προϊόν εάν είστε κουρασμένοι, έχετε καταναλώσει αλκοόλ ή παίρνετε φάρμακα που μπορεί να επηρεάσουν την όραση, την κρίση ή το συντονισμό σας.
- Μην χρησιμοποιείτε ποτέ το προϊόν εάν παρουσιάξει πρόβλημα. Εκτελείτε όλους τους ελέγχους και τις οδηγίες συντήρησης και επισκευής που αναφέρονται στο παρόν εγχειρίδιο. Μερικά μέτρα συντήρησης και επισκευής πρέπει να εκτελούνται από εκπαιδευμένο και ειδικευμένο προσωπικό. Ανατρέξτε στις οδηγίες της ενότητας με τίτλο Συντήρηση.
- Μην χρησιμοποιείτε ποτέ το προϊόν, εάν έχει τροποποιηθεί με οποιοδήποτε τρόπο από τις αρχικές προδιαγραφές του.

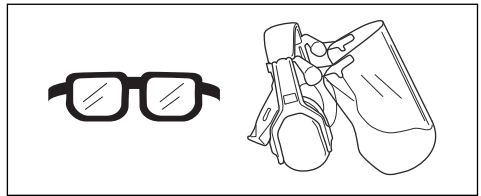
## Οδηγίες ασφαλείας για τη λειτουργία



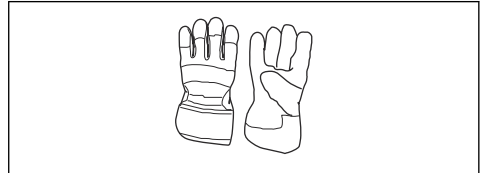
**ΠΡΟΕΙΔΟΠΟΙΗΣΗ:** Προτού χρησιμοποιήσετε το προϊόν, διαβάστε τις παρακάτω προειδοποιητικές οδηγίες.

- Μην χρησιμοποιείτε ποτέ το προϊόν σε ακραίες καιρικές συνθήκες π.χ. σε δριμύ ψύχος ή σε πολύ θερμά ή/και υγρά κλίματα.
- Οι ελαττωματικές λεπίδες μπορεί να αυξήσουν τον κίνδυνο ατυχημάτων.
- Βεβαιωθείτε ότι δεν υπάρχουν άτομα ή ζώα σε απόσταση μικρότερη από 15 m / 50 ft κατά τη διάρκεια της εργασίας.
- Παρακολουθείτε τον περιβάλλοντα χώρο και βεβαιωθείτε ότι δεν υπάρχει κίνδυνος να έρθουν σε επαφή άνθρωποι ή ζώα με τον εξοπλισμό κοπής.
- Επιθεωρήστε τον χώρο εργασίας. Απομακρύνετε αντικείμενα που μπορεί να εκτιναχτούν.
- Εξασφαλίστε πάντοτε μια ασφαλή και σταθερή θέση εργασίας.
- Μην αφήνετε ποτέ το μηχάνημα χωρίς επίβλεψη όταν ο κινητήρας λειτουργεί.
- Βεβαιωθείτε ότι τα χέρια και τα πόδια σας δεν πλησιάζουν στη μονάδα κοπής όταν ο κινητήρας βρίσκεται σε λειτουργία.
- Εάν μαγκώσει οτιδήποτε στις λάμες ενώ εργάζεστε, σβήστε τον κινητήρα και περιμένετε να ακινητοποιηθεί εντελώς προτού καθαρίσετε τις λεπίδες. Αποσυνδέστε το καπάκι του μπουζί από το μπουζί.
- Όταν σβήσει ο κινητήρας, κρατήστε τα χέρια και τα πόδια σας μακριά από τη μονάδα κοπής μέχρι να ακινητοποιηθεί εντελώς.
- Προσέχετε για κομμένα υπολείμματα κλαδιών που μπορεί να εκσφενδονιστούν κατά το κόψιμο.
- Επιδείξτε προσοχή στην ακρόαση προειδοποιητικών σημάτων ή κραυγών κατά τη χρήση προστατευτικών ακοής. Αφαιρείτε πάντα τα προστατευτικά ακοής μόλις σβήσει ο κινητήρας.

- Μην εργαζέστε ποτέ σε σκάλα, σκαμνή ή άλλη ανυψωμένη θέση η οποία δεν είναι απόλυτα ασφαλής.
- Κρατάτε πάντα το προϊόν και με τα δύο χέρια. Φροντίστε να κρατάτε το προϊόν μπροστά από το σώμα σας.
- Σε περίπτωση πρόσκρουσης σε ξένο σώμα ή υπαρέξης κραδασμών, διακόψτε αμέσως τη λειτουργία του μηχανήματος. Αποσυνδέστε το καπάκι του μπουζί από το μπουζί. Βεβαιωθείτε ότι το μηχανήμα δεν έχει υποστεί ζημιά. Επιδιορθώστε τυχόν ζημιές.
- Βεβαιωθείτε ότι το καπάκι του μπουζί και το μπουζοκαλώδιο δεν έχουν υποστεί ζημιά, για να αποφύγετε τον κίνδυνο ηλεκτροπληξίας.
- Βεβαιωθείτε ότι όλα τα παξιμάδια και οι βίδες είναι σφιγμένα.
- Βεβαιωθείτε ότι το κιβώτιο ταχυτήτων λιπαίνεται σωστά. Ανατρέξτε στην ενότητα *Λίπανση του περιβλήματος γραναζιών στη σελίδα 79*.
- Το κιβώτιο ταχυτήτων θερμαίνεται πολύ μετά τη χρήση του προϊόντος. Για να αποφύγετε τυχόν έγκαυμα, μην αγγίζετε το κιβώτιο ταχυτήτων.
- Όλα τα καλύμματα και τα προστατευτικά πρέπει να είναι τοποθετημένα στο μηχανήμα πριν το θέσετε σε λειτουργία.
- Αν κολλήσουν οι λεπίδες, μπορούν να χαλαρώσουν βάζοντας το γερμανοπολύγωνο κλειδί μέσα στο κιβώτιο ταχυτήτων. Τοποθετήστε το γερμανοπολύγωνο κλειδί μέσα στα γρανάζια και γυρίστε το εμπρός-πίσω. Ανατρέξτε στην ενότητα *Έλεγχος των λεπίδων στη σελίδα 79*.
- Το προστατευτικό μεταφοράς θα πρέπει πάντα να τοποθετείται στη μονάδα κοπής όταν το προϊόν δεν χρησιμοποιείται.



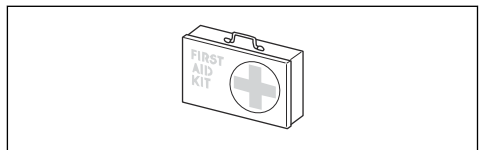
- Όταν χρειάζεται, να χρησιμοποιείτε γάντια, για παράδειγμα κατά την τοποθέτηση, την επιθεώρηση ή τον καθαρισμό του εξοπλισμού κοπής.



- Να χρησιμοποιείτε ανθεκτικές, αντιολισθητικές μπότες ή παπούτσια.



- Να φοράτε ρούχα από ανθεκτικό ύφασμα. Να φοράτε πάντα ανθεκτικό μακρύ παντελόνι και μακριά μανίκια. Να μην φοράτε φαρδιά ρούχα που μπορεί να πιαστούν σε κλωνάρια και κλαδιά. Να μην φοράτε κοσμήματα, κοντά παντελόνια, σανδάλια και να μην είστε ξυπόλυτοι. Να δένετε τα μαλλιά σας με ασφάλεια πάνω από το ύψος των ώμων.
- Να φροντίζετε να υπάρχει εξοπλισμός πρώτων βοηθειών σε κοντινή απόσταση.



### Συσκευές ασφαλείας στο προϊόν



**ΠΡΟΕΙΔΟΠΟΙΗΣΗ:** Προτού χρησιμοποιήσετε το προϊόν, διαβάστε τις παρακάτω προειδοποιητικές οδηγίες.

- Μην χρησιμοποιείτε το προϊόν με συσκευές ασφαλείας που έχουν υποστεί ζημιά ή δεν λειτουργούν σωστά.
- Πρέπει να κάνετε τακτικά έλεγχο των συσκευών ασφαλείας. Εάν οι συσκευές ασφαλείας έχουν υποστεί ζημιά ή δεν λειτουργούν σωστά,

### Προσωπικός εξοπλισμός προστασίας



**ΠΡΟΕΙΔΟΠΟΙΗΣΗ:** Προτού χρησιμοποιήσετε το προϊόν, διαβάστε τις παρακάτω προειδοποιητικές οδηγίες.

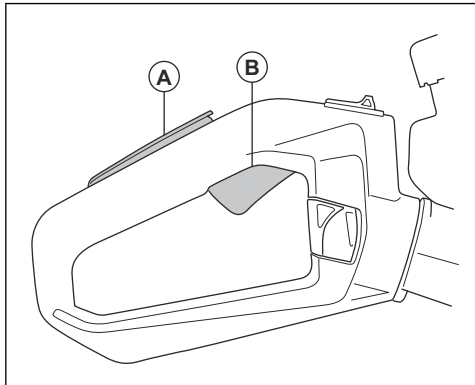
- Όταν χρησιμοποιείτε το προϊόν, να φοράτε πάντα εγκεκριμένο προσωπικό εξοπλισμό προστασίας. Ο προσωπικός εξοπλισμός προστασίας δεν μπορεί να εξαλείψει τον κίνδυνο τραυματισμών, ωστόσο μειώνει τη σοβαρότητά τους σε περίπτωση ατυχήματος. Ο αντιπρόσωπος θα σας βοηθήσει να επιλέξετε το σωστό εξοπλισμό.
- Να χρησιμοποιείτε εγκεκριμένα προστατευτικά ακοής που παρέχουν επαρκή μείωση θορύβου. Η μακροχρόνια έκθεση στο θόρυβο μπορεί να προκαλέσει μόνιμη βλάβη στην ακοή.
- Χρησιμοποιήστε εγκεκριμένη προστασία των ματιών. Εάν χρησιμοποιείτε προστατευτικό γέισο, πρέπει επίσης να χρησιμοποιείτε πάντα εγκεκριμένα προστατευτικά γυαλιά. Τα εγκεκριμένα προστατευτικά γυαλιά πρέπει να συμμορφώνονται με το πρότυπο ANSI Z87.1 στις Η.Π.Α. ή το πρότυπο EN 166 στις χώρες της Ε.Ε.

απευθυνθείτε στον αντιπρόσωπο σέρβις της Husqvarna.

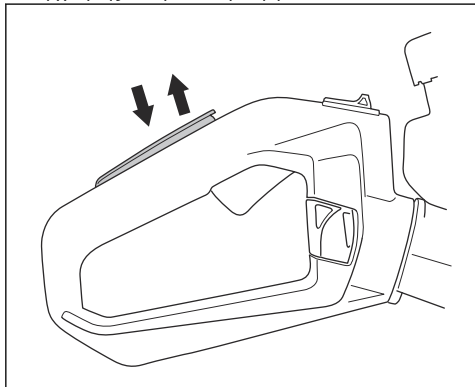
- Μην κάνετε τροποποιήσεις στις συσκευές ασφαλείας.

### Για τον έλεγχο της ασφάλειας σκανδάλης γκαζιού

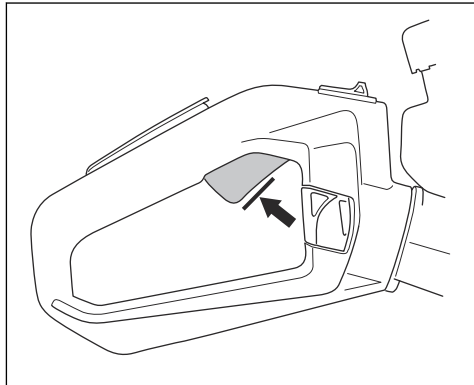
1. Βεβαιωθείτε ότι η ασφάλεια της σκανδάλης γκαζιού (A) και η σκανδάλη γκαζιού (B) κινούνται ελεύθερα και το ελατήριο επαναφοράς λειτουργεί σωστά.



2. Πιέστε προς τα κάτω την ασφάλεια της σκανδάλης του γκαζιού και βεβαιωθείτε ότι επιστρέφει στην αρχική της θέση όταν την αφήνετε.



3. Απελευθερώστε την ασφάλεια της σκανδάλης γκαζιού και βεβαιωθείτε ότι η σκανδάλη γκαζιού είναι ασφαλισμένη στη θέση στροφών ανά λεπτό ρελαντί.



4. Θέστε σε λειτουργία τον κινητήρα και ανοίξτε τέρμα το γκάζι.
5. Απελευθερώστε τη σκανδάλη γκαζιού και βεβαιωθείτε ότι οι λεπίδες έχουν σταματήσει εντελώς.



**ΠΡΟΕΙΔΟΠΟΙΗΣΗ:** Εάν οι λεπίδες κινούνται όταν η σκανδάλη γκαζιού βρίσκεται στη θέση στροφών ανά λεπτό ρελαντί, ρυθμίστε τις στρόφες ανά λεπτό ρελαντί. Ανατρέξτε στην ενότητα *Για να ρυθμίσετε τις στρόφες ανά λεπτό ρελαντί στη σελίδα 77.*

### Έλεγχος του διακόπτη τερματισμού λειτουργίας

1. Εκκινήστε τον κινητήρα.
2. Τοποθετήστε το διακόπτη διακοπής λειτουργίας στη θέση STOP και βεβαιωθείτε ότι ο κινητήρας σταματά.



**ΠΡΟΕΙΔΟΠΟΙΗΣΗ:** Ο διακόπτης διακοπής λειτουργίας επιστρέφει αυτόματα στη θέση εκκίνησης. Για να αποφευχθεί τυχόν ακούσια εκκίνηση, αφαιρέστε το καπάκι του μπουζι από το μπουζι κατά τη συναρμολόγηση ή κάντε συντήρηση στο προϊόν.

### Έλεγχος του προστατευτικού χεριού

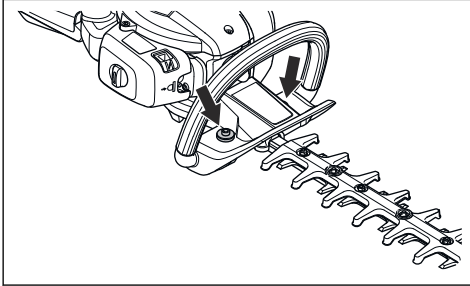
Το προστατευτικό χεριού αποτρέπει τους τραυματισμούς από τις λεπίδες.

1. Σβήστε τον κινητήρα.
2. Βεβαιωθείτε ότι το προστατευτικό χεριού είναι σωστά συνδεδεμένο.
3. Ελέγξτε το προστατευτικό χεριού για ζημιές.

## Για τον έλεγχο του συστήματος απόσβεσης κραδασμών

Το σύστημα απόσβεσης κραδασμών μειώνει τους κραδασμούς στις λαβές. Οι μονάδες απόσβεσης κραδασμών λειτουργούν ως διαχωριστικό ανάμεσα στο σώμα του προϊόντος και στη μονάδα της λαβής.

1. Πραγματοποιήστε έναν οπτικό έλεγχο για παραμόρφωση και ζημιά.
2. Βεβαιωθείτε ότι οι μονάδες απόσβεσης κραδασμών έχουν συνδεθεί σωστά.



## Έλεγχος της εξάτμισης (σιγαστήρα)



**ΠΡΟΕΙΔΟΠΟΙΗΣΗ:** Μην χρησιμοποιείτε το προϊόν, αν ο σιγαστήρας λείπει ή έχει καταστραφεί. Ένας κατεστραμμένος σιγαστήρας ή ένας σιγαστήρας που λείπει αυξάνει το επίπεδο θορύβου και τον κίνδυνο φωτιάς. Φροντίστε να έχετε κοντά σας εργαλεία πυρόσβεσης. Μην χρησιμοποιείτε ένα προϊόν χωρίς, ή με σπασμένη, σίτα συγκράτησης των σπινθήρων, εάν πρέπει να υπάρχει μια σίτα συγκράτησης των σπινθήρων στην περιοχή σας.



**ΠΡΟΕΙΔΟΠΟΙΗΣΗ:** Οι εξατμίσεις (σιγαστήρες) θερμαίνονται πολύ κατά τη διάρκεια και μετά τη λειτουργία, αλλά και σε στροφές στο ρελαντί.



**ΠΡΟΣΟΧΗ:** Αν η σίτα της φλογοπαγίδας φράζει συχνά, αυτό μπορεί να αποτελεί ένδειξη ότι η απόδοση του καταλυτικού μετατροπέα έχει μειωθεί. Απευθυνθείτε στον αντιπρόσωπο σέρβις για τον έλεγχο της εξάτμισης (σιγαστήρα). Εάν η σίτα της φλογοπαγίδας είναι φραγμένη, μπορεί να προκληθεί υπερθέρμανση και να υποστεί ζημιά ο κύλινδρος και το έμβολο.

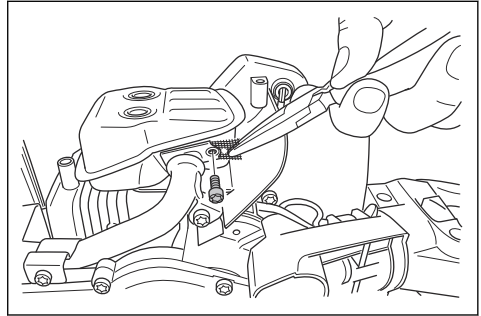


**ΠΡΟΕΙΔΟΠΟΙΗΣΗ:** Οι εσωτερικές επιφάνειες της εξάτμισης (σιγαστήρα) περιέχουν χημικά που μπορούν να προκαλέσουν καρκίνο. Προσέξτε να μην

αγγίξετε αυτά τα στοιχεία, αν η εξάτμιση (σιγαστήρας) έχει υποστεί ζημιά.

Η εξάτμιση (σιγαστήρας) διατηρεί τα επίπεδα θορύβου στο ελάχιστο και κατευθύνει τις αναθυμιάσεις της εξάτμισης μακριά από τον χειριστή. Ο καταλυτικός μετατροπέας της εξάτμισης μειώνει τα επιβλαβή καυσαέρια της εξάτμισης.

1. Σβήσιμο του κινητήρα.
2. Ελέγξτε οπτικά εάν υπάρχει τυχόν ζημιά ή παραμόρφωση.
3. Βεβαιωθείτε ότι η εξάτμιση (σιγαστήρας) έχει στερεωθεί σωστά στο προϊόν.
4. Καθαρίστε τη σίτα της φλογοπαγίδας με μια μεταλλική βούρτσα.



## Έλεγχος των λεπίδων και του προφυλακτήρα λεπίδας

Το εξωτερικό τμήμα των λεπίδων λειτουργεί ως προφυλακτήρας για τις λεπίδες. Ο προφυλακτήρας λεπίδας αποτρέπει τραυματισμούς λόγω κοψίματος.

1. Σβήστε τον κινητήρα και βεβαιωθείτε ότι οι λεπίδες έχουν σταματήσει.
2. Αφαιρέστε το καπάκι του μπουζι από το μπουζί.
3. Φορέστε προστατευτικά γάντια.
4. Βεβαιωθείτε ότι η λεπίδα και ο προφυλακτήρας λεπίδας δεν έχουν υποστεί ζημιά και δεν έχουν λυγίσει. Να αντικαθιστάτε πάντα μια κατεστραμμένη ή λυγισμένη λεπίδα, ή έναν κατεστραμμένο προφυλακτήρα λεπίδας.
5. Βεβαιωθείτε ότι οι βίδες που συγκρατούν τις λεπίδες και τον προφυλακτήρα λεπίδας είναι σφιγμένες.

## Ασφάλεια καυσίμου



**ΠΡΟΕΙΔΟΠΟΙΗΣΗ:** Προτού χρησιμοποιήσετε το προϊόν, διαβάστε τις παρακάτω προειδοποιητικές οδηγίες.

- Μην θέτετε το προϊόν σε λειτουργία, εάν υπάρχει καύσιμο ή λάδι κινητήρα στο προϊόν. Αφαιρέστε το ανεπιθύμητο καύσιμο/λάδι και αφήστε το προϊόν να στεγνώσει.



- Εάν χύσετε καύσιμο στα ρούχα σας, αλλάξτε τα αμέσως.
- Μην χύσετε καύσιμο στο σώμα σας, καθώς μπορεί να προκληθεί τραυματισμός. Αν χύσετε καύσιμο στο σώμα σας, χρησιμοποιήστε σαπούνι και νερό για να αφαιρέσετε το καύσιμο.
- Μην θέσετε το προϊόν σε λειτουργία, εάν ο κινητήρας έχει διαρροή. Εξετάζετε τακτικά τον κινητήρα για διαρροές.
- Να είστε προσεκτικοί με το καύσιμο. Το καύσιμο είναι εύφλεκτο και οι αναθυμιάσεις είναι εκρηκτικές και μπορούν να προκαλέσουν τραυματισμό ή θάνατο.
- Μην εισπνεύσετε τις αναθυμιάσεις καυσίμου, καθώς μπορεί να προκληθεί τραυματισμός. Βεβαιωθείτε ότι υπάρχει επαρκής ροή αέρα.
- Μην καπνίζετε κοντά στο καύσιμο ή τον κινητήρα.
- Μην τοποθετείτε ζεστά αντικείμενα κοντά στο καύσιμο ή τον κινητήρα.
- Μην προσθέτετε καύσιμο όταν λειτουργεί ο κινητήρας.
- Βεβαιωθείτε ότι ο κινητήρας έχει κρυώσει πριν από τον ανεφοδιασμό.
- Πριν από τον ανεφοδιασμό, ανοίξτε αργά την τάπα του νεπετόζιτου καυσίμου και εκτονώστε προσεκτικά την πίεση.
- Μην προσθέτετε καύσιμο στον κινητήρα σε εσωτερικό χώρο. Η ανεπαρκής ροή αέρα μπορεί να προκαλέσει τραυματισμό ή θάνατο λόγω ασφυξίας ή μονοξειδίου του άνθρακα.
- Να σφίγγετε πλήρως την τάπα του νεπετόζιτου καυσίμου. Αν η τάπα του νεπετόζιτου καυσίμου δεν είναι σφιγμένη, υπάρχει κίνδυνος πυρκαγιάς.
- Πριν από την εκκίνηση, μετακινήστε το προϊόν σε απόσταση τουλάχιστον 3 m / 10 ft από το σημείο όπου γεμίσατε το νεπετόζιτο.
- Μην γεμίζετε ποτέ εντελώς το νεπετόζιτο καυσίμου. Η υψηλή θερμοκρασία προκαλεί διαστολή του καυσίμου. Αφήνετε κενό στο επάνω μέρος του νεπετόζιτου.

## Οδηγίες ασφαλείας για τη συντήρηση



**ΠΡΟΕΙΔΟΠΟΙΗΣΗ:** Προτού χρησιμοποιήσετε το προϊόν, διαβάστε τις παρακάτω προειδοποιητικές οδηγίες.

- Σβήστε τον κινητήρα και βεβαιωθείτε ότι ο εξοπλισμός κοπής σταματά. Προτού εκτελέσετε εργασίες συντήρησης, αφήστε το προϊόν να κρυώσει.
- Αποσυνδέστε το καπάκι μπουζί προτού εκτελέσετε τις εργασίες συντήρησης.
- Οι αναθυμιάσεις της εξάτμισης από τον κινητήρα περιέχουν μονοξείδιο του άνθρακα, ένα άοσμο, δηλητηριώδες και ιδιαίτερα επικίνδυνο αέριο που μπορεί να οδηγήσει σε θάνατο. Μην χρησιμοποιείτε το προϊόν σε εσωτερικούς ή κλειστούς χώρους.
- Οι αναθυμιάσεις της εξάτμισης από τον κινητήρα είναι καυτές και μπορεί να περιέχουν σπινθήρες. Μην θέσετε το προϊόν σε λειτουργία σε εσωτερικό χώρο ή κοντά σε εύφλεκτα υλικά.
- Τα αξεσουάρ και οι τροποποιήσεις στο προϊόν που δεν είναι εγκεκριμένες από τον κατασκευαστή, μπορεί να προκαλέσουν σοβαρό τραυματισμό ή θάνατο. Να μην πραγματοποιείτε αλλαγές στο προϊόν. Πρέπει πάντα να χρησιμοποιείτε γνήσια αξεσουάρ.
- Αν οι εργασίες συντήρησης δεν εκτελούνται σωστά και τακτικά, υπάρχει αυξημένος κίνδυνος τραυματισμού και ζημιάς στο προϊόν.
- Εκτελείτε τις εργασίες συντήρησης μόνο όπως συνιστάται στο παρόν εγχειρίδιο χρήσης. Όλες οι υπόλοιπες εργασίες πρέπει να εκτελούνται από έναν εγκεκριμένο αντιπρόσωπο σέρβις της Husqvarna.
- Να αναθέτετε τη συντήρηση του προϊόντος σε έναν εγκεκριμένο αντιπρόσωπο σέρβις Husqvarna σε τακτά χρονικά διαστήματα.
- Να αντικαθιστάτε τυχόν κατεστραμμένα, φθαρμένα ή σπασμένα εξαρτήματα.

## Λειτουργία

### Εισαγωγή



**ΠΡΟΕΙΔΟΠΟΙΗΣΗ:** Προτού χρησιμοποιήσετε το προϊόν, διαβάστε και κατανοήστε το κεφάλαιο για την ασφάλεια.

### Καύσιμο

Αυτό το προϊόν διαθέτει δίχρονο κινητήρα.



**ΠΡΟΣΟΧΗ:** Τα καύσιμα εσφαλμένου τύπου μπορεί να προκαλέσουν ζημιά στον κινητήρα. Χρησιμοποιήστε μείγμα βενζίνης και λαδιού για δίχρονους κινητήρες.

### Προαναμεμιγμένο καύσιμο

- Για βέλτιστη απόδοση και παράταση της διάρκειας ζωής του κινητήρα, χρησιμοποιήστε προαναμεμιγμένο αλκυλιωμένο καύσιμο της Husqvarna. Αυτό το καύσιμο περιέχει λιγότερα επιβλαβή χημικά σε σύγκριση με τα κανονικά καύσιμα, με αποτέλεσμα να μειώνονται οι επιβλαβείς αναθυμιάσεις της εξάτμισης. Η ποσότητα των καταλοίπων της καύσης είναι χαμηλότερη με αυτό το καύσιμο, το οποίο προστατεύει τα εξαρτήματα του κινητήρα και τα διατηρεί πιο καθαρά.

## Ανάμιξη του καυσίμου

### Βενζίνη

- Χρησιμοποιήστε αμόλυβδη βενζίνη καλής ποιότητας με μέγιστο ποσοστό αιθανόλης 10%.



**ΠΡΟΣΟΧΗ:** Μην χρησιμοποιείτε βενζίνη με αριθμό οκτανίων κάτω από 90 RON/87 AKI. Η χρήση βενζίνης χαμηλότερου αριθμού οκτανίων μπορεί να προκαλέσει κύττο ("πειράκια") και ζημιά στον κινητήρα.

### Λάδι για δίχρονους κινητήρες

- Για καλύτερα αποτελέσματα και υψηλότερη απόδοση, χρησιμοποιήστε λάδι Husqvarna για δίχρονους κινητήρες.
- Εάν το λάδι για δίχρονους κινητήρες της Husqvarna δεν είναι διαθέσιμο, χρησιμοποιήστε διαφορετικό λάδι καλής ποιότητας για αερόψυκτους κινητήρες. Για την επιλογή του σωστού λαδιού, απευθυνθείτε στον αντιπρόσωπο σέρβις.



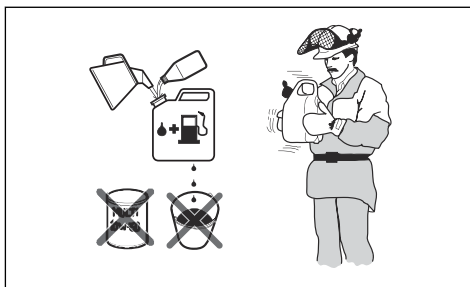
**ΠΡΟΣΟΧΗ:** Μην χρησιμοποιείτε λάδι για δίχρονους υδρόψυκτους εξωλέμβιους κινητήρες, το οποίο αναφέρεται επίσης ως λάδι για εξωλέμβιες. Μην χρησιμοποιείτε λάδι για τετράχρονους κινητήρες.

### Για να αναμίξετε βενζίνη και λάδι για δίχρονους κινητήρες

Βενζίνη, λίτρα	Λάδι για δίχρονους κινητήρες, λίτρα
	<b>2% (50:1)</b>
5	0,10
10	0,20
15	0,30
20	0,40



**ΠΡΟΣΟΧΗ:** Μικρά λάθη μπορεί να επηρεάσουν δραστικά την αναλογία του μείγματος κατά τη ανάμιξη μικρών ποσοτήτων καυσίμου. Μετρήστε προσεκτικά την ποσότητα του λαδιού και βεβαιωθείτε ότι το μείγμα που προκύπτει είναι σωστό.



- Ρίξτε σε ένα καθαρό δοχείο για καύσιμα τη μισή ποσότητα της βενζίνης.
- Προσθέστε ολόκληρη την ποσότητα λαδιού.
- Ανακινήστε το μίγμα καυσίμου.
- Προσθέστε στο δοχείο την υπόλοιπη ποσότητα της βενζίνης.
- Ανακινήστε προσεκτικά το μείγμα καυσίμου.



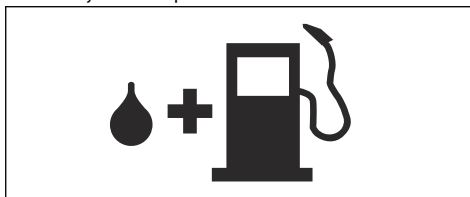
**ΠΡΟΣΟΧΗ:** Μην αναμιγνύετε καύσιμα για περισσότερο από 1 μήνα κάθε φορά.

### Γέμισμα ντεπόζιτου καυσίμου



**ΠΡΟΕΙΔΟΠΟΙΗΣΗ:** Ακολουθήστε την παρακάτω διαδικασία για την ασφάλειά σας.

- Σταματήστε τον κινητήρα και αφήστε τον να κρυώσει.
- Καθαρίστε την περιοχή γύρω από την τάπα του ντεπόζιτου καυσίμου.



- Ανακινήστε το δοχείο και βεβαιωθείτε ότι το καύσιμο έχει αναμιχθεί πλήρως.
- Αφαιρέστε αργά την τάπα του ντεπόζιτου καυσίμου για να εκτονώσετε την πίεση.
- Γεμίστε το ντεπόζιτο καυσίμου.



**ΠΡΟΣΟΧΗ:** Βεβαιωθείτε ότι δεν υπάρχει υπερβολικό καύσιμο στο ντεπόζιτο καυσίμου. Το καύσιμο διογκώνεται όταν ζεσταίνεται.

- Σφίξτε προσεκτικά την τάπα του ντεπόζιτου καυσίμου.
- Καθαρίζετε το καύσιμο που έχει χυθεί επάνω και γύρω από το προϊόν.

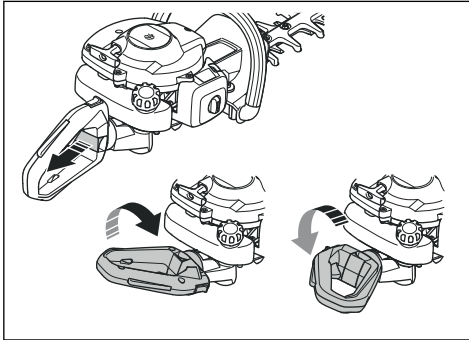
8. Προτού ξεκινήσετε, απομακρύνετε το προϊόν τουλάχιστον κατά 3 m/10 ft από το σημείο ανεφοδιασμού και την πηγή καυσίμου προτού θέσετε σε λειτουργία τον κινητήρα.

**Περιεχόμενα** Για να δείτε πού βρίσκεται το νεπετόζιτο καυσίμου στο προϊόν σας, ανατρέξτε στην ενότητα *Εισαγωγή στη σελίδα 67*.

## Ρύθμιση της λαβής

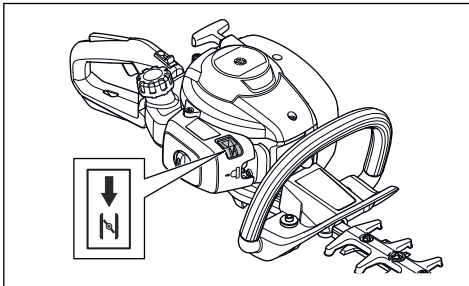
Η οπίσθια χειρολαβή μπορεί να ρυθμιστεί σε 3 θέσεις.

- Απελευθερώστε την ασφάλεια της λαβής και γυρίστε τη λαβή.



## Εκκίνηση του προϊόντος με κρύο κινητήρα

1. Τραβήξτε το χειριστήριο τσοκ στη θέση τσοκ.



2. Πιέστε τη φούσκα πλήρωσης της χειροκίνητης αντλίας καυσίμου (πουάρ) περίπου 6 φορές ή μέχρι η φούσκα πλήρωσης να αρχίσει να γεμίζει με καύσιμο. Δεν χρειάζεται να γεμίσετε πλήρως τη φούσκα της χειροκίνητης αντλίας καυσίμου (πουάρ).
3. Κρατήστε το σώμα του προϊόντος στο έδαφος με το αριστερό σας χέρι. Μην πατάτε επάνω στο προϊόν.
4. Τραβήξτε αργά τη λαβή του σχοινού εκκίνησης με το δεξί σας χέρι μέχρι να αισθανθείτε αντίσταση και κατόπιν τραβήξτε τη λαβή του σχοινού εκκίνησης γρήγορα και δυνατά.



**ΠΡΟΕΙΔΟΠΟΙΗΣΗ:** Μην τυλίγετε το κορδόνι του συστήματος εκκίνησης γύρω από το χέρι σας.



**ΠΡΟΣΟΧΗ:** Μην τραβήξετε το σχοινί εκκίνησης μέχρι τέρμα και μην αφήσετε τη λαβή του συστήματος εκκίνησης.

5. Συνεχίστε να τραβάτε τη λαβή του σχοινού εκκίνησης μέχρι ο κινητήρας να τεθεί σε λειτουργία και, κατόπιν, τοποθετήστε το χειριστήριο τσοκ στην αρχική του θέση.



**ΠΡΟΕΙΔΟΠΟΙΗΣΗ:** Οι λεπίδες κινούνται όταν τίθεται σε λειτουργία ο κινητήρας.

6. Συνεχίστε να τραβάτε τη λαβή του κορδονιού του συστήματος εκκίνησης μέχρι να ξεκινήσει ο κινητήρας.
7. Πιέστε και απελευθερώστε τη σκανδάλη γκαζιού για να θέσετε τον κινητήρα σε στροφές ανά λεπτό ρελαντί.
8. Πιέστε τη σκανδάλη γκαζιού σταδιακά, για να αυξήσετε τις στροφές ανά λεπτό (σ.α.λ) του κινητήρα.
9. Βεβαιωθείτε ότι ο κινητήρας λειτουργεί ομαλά.

## Για να ξεκινήσετε το προϊόν με ζεστό κινητήρα

1. Κρατήστε το σώμα του προϊόντος στο έδαφος με το αριστερό σας χέρι. Μην πατάτε επάνω στο προϊόν.
2. Τραβήξτε αργά τη λαβή του σχοινού εκκίνησης με το δεξί σας χέρι μέχρι να αισθανθείτε αντίσταση και κατόπιν τραβήξτε τη λαβή του σχοινού εκκίνησης γρήγορα και δυνατά. Συνεχίστε μέχρι ο κινητήρας να τεθεί σε λειτουργία.

**Περιεχόμενα** Για περισσότερες πληροφορίες σχετικά με τον τρόπο εκκίνησης του προϊόντος, ανατρέξτε στην ενότητα *Εκκίνηση του προϊόντος με κρύο κινητήρα στη σελίδα 75*.

## Απενεργοποίηση προϊόντος

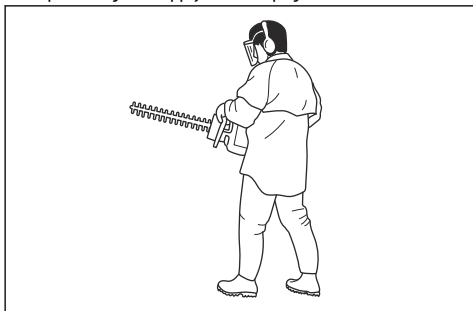
- Για να σβήσετε τον κινητήρα, μετακινήστε το διακόπτη διακοπής λειτουργίας στη θέση "Stop".



**ΠΡΟΣΟΧΗ:** Ο διακόπτης διακοπής λειτουργίας επιστρέφει αυτόματα στη θέση λειτουργίας.

## Λειτουργία του προϊόντος

1. Ξεκινήστε κοντά στο έδαφος και μετακινήστε το προϊόν προς τα πάνω κατά μήκος της μπροντούρας όταν κόβετε τις πλευρές. Βεβαιωθείτε ότι το σώμα του προϊόντος δεν αγγίζει το έδαφος.



**ΠΡΟΕΙΔΟΠΟΙΗΣΗ:** Βεβαιωθείτε ότι το μπροστινό μέρος του εξοπλισμού κοπής δεν αγγίζει το έδαφος.

2. Προσαρμόστε την ταχύτητα σύμφωνα με το φορτίο εργασίας.
3. Κρατήστε το προϊόν κοντά στο σώμα σας για να επιτύχετε σταθερή θέση εργασίας.
4. Να είστε προσεκτικοί και να χρησιμοποιείτε το προϊόν προσεκτικά.

## Συντήρηση

### Εισαγωγή

διαβάστε και κατανοήστε το κεφάλαιο για την ασφάλεια.



**ΠΡΟΕΙΔΟΠΟΙΗΣΗ:** Πρωτού εκτελέσετε εργασίες συντήρησης στο προϊόν,

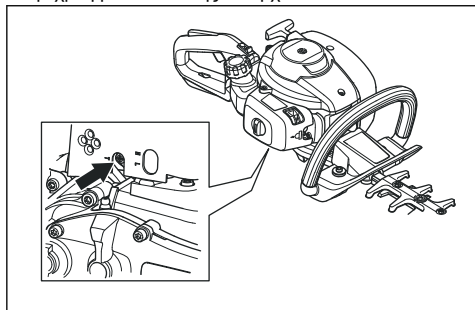
### Πρόγραμμα συντήρησης

Συντήρηση	Πριν από τη λειτουργία	Μετά από 40 ώρες	Μετά από 100 ώρες
Καθαρίστε την εξωτερική επιφάνεια.		Μετά από κάθε χρήση.	
Απομακρύνετε από την εξάτμιση (σιγαστήρα), τον σωλήνα εξάτμισης και τον κινητήρα τυχόν φύλλα, ακαθαρσίες και ανεπιθύμητο λιπαντικό.		Μετά από κάθε χρήση.	
Βεβαιωθείτε ότι η μονάδα κοπής δεν λειτουργεί σε στροφές ανά λεπτό ρελαντί.	X		
Ελέγξτε τον διακόπτη τερματισμού λειτουργίας. Ανατρέξτε στην ενότητα <i>Έλεγχος του διακόπτη τερματισμού λειτουργίας στη σελίδα 71.</i>	X		
Ελέγξτε τη μονάδα κοπής για τυχόν ζημιές και ρωγμές. Αν υπάρχει ζημιά, αντικαταστήστε το.	X		
Ελέγξτε το προστατευτικό χεριού για ζημιές και ρωγμές. Αν υπάρχει ζημιά, αντικαταστήστε το.	X		
Ελέγξτε την ασφάλεια της σκανδάλης γκαζιού και τη σκανδάλη. Ανατρέξτε στην ενότητα <i>Για τον έλεγχο της ασφάλειας σκανδάλης γκαζιού στη σελίδα 71.</i>	X		
Ελέγξτε τον κινητήρα, το ντεπόζιτο καυσίμου και τον σωλήνα καυσίμου για τυχόν διαρροές.	X		
Σφίξτε τα παξιμάδια και τις βίδες.	X		
Εξετάστε τη μίζα και το κορδόνι της μίζας για ζημιές.		X	
Βεβαιωθείτε ότι οι βίδες που συγκρατούν τις λεπίδες είναι σωστά σφιγμένες.		X	

Συντήρηση	Πριν από τη Λειτουργία	Μετά από 40 ώρες	Μετά από 100 ώρες
Καθαρίστε το φίλτρο αέρα. Καθαρίζετε τακτικά το προϊόν εάν το χρησιμοποιείτε σε περιοχές με σκόνη. Αν υπάρχει ζημιά, αντικαταστήστε το.		X	
Ελέγξτε τις μονάδες απόσβεσης κραδασμών για ζημιές και ρωγμές. Αν υπάρχει ζημιά, αντικαταστήστε το.		X	
Καθαρίστε την εξωτερική επιφάνεια του μπουζί και τον χώρο γύρω από αυτό. Αφαιρέστε το μπουζί και μετρήστε το διάκενο ηλεκτροδίου. Ρυθμίστε το διάκενο ηλεκτροδίου ή αντικαταστήστε το μπουζί. Ανατρέξτε στην ενότητα <i>Εκτέλεση ελέγχου μπουζί στη σελίδα 78</i> .		X	
Καθαρίστε το σύστημα ψύξης.		X	
Καθαρίστε την εξωτερική επιφάνεια του καρμπυρατέρ και τον χώρο γύρω από αυτό.		X	
Ελέγξτε το φίλτρο καυσίμου για ρύπους και τον σωλήνα καυσίμου για ρωγμές και άλλα ζημιές. Αν υπάρχει ζημιά, αντικαταστήστε το.			X
Καθαρίστε τη σίτα της φλογοπαγίδας στην εξάτμιση (σιγαστήρα) και αντικαταστήστε την αν έχει υποστεί ζημιά.			X
Καθαρίστε την εσωτερική επιφάνεια του ντεπόζιτου καυσίμου.			X
Αντικαταστήστε το μπουζί.			X
Ελέγξτε τον συμπλέκτη, το ελατήριο συμπλέκτη και την καμπάνα συμπλέκτη για τυχόν φθορά. Εάν κάποιο εξάρτημα έχει υποστεί ζημιά, απευθυνθείτε σε έναν εγκεκριμένο αντιπρόσωπο σέρβις.			X
Βεβαιωθείτε ότι το περίβλημα γραναζιών είναι γεμάτο με γράσο.			X
Ελέγξτε όλα τα καλώδια και τις συνδέσεις.			X

## Για να ρυθμίσετε τις στροφές ανά λεπτό ρελαντί

- Καθαρίστε το φίλτρο αέρα και τοποθετήστε το κάλυμμα του φίλτρου αέρα.
- Θέστε το προϊόν σε λειτουργία. Ανατρέξτε στην ενότητα *Εκκίνηση του προϊόντος με κρύο κινητήρα στη σελίδα 75*.
- Γυρίστε τη βίδα ρύθμισης T ρελαντί δεξιόστροφα μέχρι η μονάδα κοπής να κινείται.



- Γυρίστε τη βίδα ρύθμισης ρελαντί αριστερόστροφα μέχρι η μονάδα κοπής να σταματήσει.



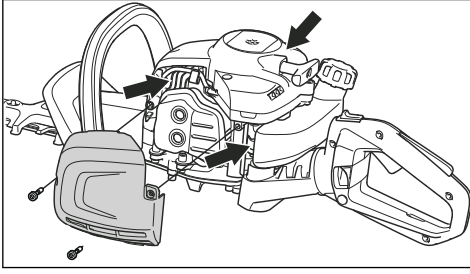
**ΠΡΟΕΙΔΟΠΟΙΗΣΗ:** Αν η μονάδα κοπής δεν σταματά κατά τη ρύθμιση των στροφών ανά λεπτό ρελαντί, απευθυνθείτε στον πλησιέστερο αντιπρόσωπο σέρβις. Μην χρησιμοποιείτε το προϊόν μέχρι να ρυθμιστεί σωστά ή να επισκευαστεί.

**Περιεχόμενα** Οι στροφές ανά λεπτό ρελαντί είναι σωστές όταν ο κινητήρας λειτουργεί ομαλά σε όλες τις θέσεις. Ανατρέξτε στην ενότητα *Τεχνικά στοιχεία στη σελίδα 81* για τις συνιστώμενες στροφές ανά λεπτό ρελαντί.

## Καθαρισμός του συστήματος ψύξης

Το σύστημα ψύξης διατηρεί χαμηλή τη θερμοκρασία του κινητήρα. Το σύστημα ψύξης αποτελείται από τα

περὺγια ψύξης στον κύλινδρο, το κάλυμμα κυλίνδρου και την εισαγωγή αέρα μέσω του στροφαλοθαλάμου.



**ΠΡΟΣΟΧΗ:** Η εισαγωγή αέρα μεταξύ του ντεπόζιτου καυσίμου και του στροφαλοθαλάμου φράσσεται εύκολα από φύλλα. Καθαρίστε καλά την εισαγωγή αέρα.

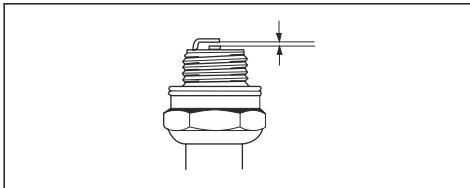
1. Εκτελείτε καθαρισμό του συστήματος ψύξης με βούρτσα κάθε εβδομάδα ή πιο συχνά, εάν χρειάζεται.
2. Βεβαιωθείτε ότι το σύστημα ψύξης δεν είναι βρώμικο ή φραγμένο.

## Εκτέλεση ελέγχου μπουζί



**ΠΡΟΣΟΧΗ:** Χρησιμοποιείτε πάντα τον συνιστώμενο τύπο μπουζί. Η χρήση λάθος τύπου μπουζί μπορεί να προκαλέσει ζημιά στο προϊόν.

- Ελέγξτε το μπουζί, αν ο κινητήρας έχει χαμηλή ισχύ, δεν εκκινεί εύκολα ή δεν λειτουργεί σωστά στο ρελαντί.
- Για να μειώσετε τον κίνδυνο συσσώρευσης ανεπιθύμητων υλικών στα ηλεκτρόδια του μπουζί, ακολουθήστε τις παρακάτω οδηγίες:
  - a) Βεβαιωθείτε ότι οι στροφές ανά λεπτό ρελαντί έχουν ρυθμιστεί σωστά.
  - b) Βεβαιωθείτε ότι το μίγμα καυσίμου είναι σωστό.
  - c) Βεβαιωθείτε ότι το φίλτρο αέρα είναι καθαρό.
- Αν το μπουζί είναι βρώμικο, καθαρίστε το και βεβαιωθείτε ότι το διάκενο του ηλεκτροδίου είναι σωστό, ανατρέξτε στην ενότητα *Τεχνικά στοιχεία στη σελίδα 81*.

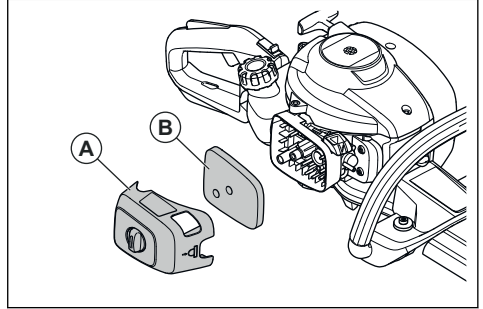


- Αν χρειάζεται, αντικαταστήστε το μπουζί.

## Καθαρισμός του φίλτρου αέρα

Καθαρίζετε τακτικά το φίλτρο αέρα για να απομακρύνετε τη βρομιά και τη σκόνη. Με αυτόν τον τρόπο προλαμβάνονται δυσλειτουργίες του καρμπυρατέρ, προβλήματα εκκίνησης, απώλειες ισχύος του κινητήρα, φθορά στα εξαρτήματα του κινητήρα και μεγαλύτερη κατανάλωση καυσίμου από ό,τι συνήθως.

1. Αφαιρέστε το κάλυμμα του φίλτρου αέρα (Α).
2. Αφαιρέστε το φίλτρο (Β) από το πλαίσιο φίλτρου.



3. Καθαρίστε το φίλτρο με ζεστό σαπουνόνερο.

## Περιεχόμενα

Αν το φίλτρο αέρα έχει χρησιμοποιηθεί για μεγάλο χρονικό διάστημα, δεν καθαρίζει πλήρως. Αντικαθιστάτε το φίλτρο αέρα τακτικά και πάντα αντικαθιστάτε ένα κατεστραμμένο φίλτρο αέρα.

4. Βεβαιωθείτε ότι το φίλτρο είναι στεγνό.
5. Απλώστε λάδι στο φίλτρο αέρα. Ανατρέξτε στην ενότητα *Εφαρμογή λαδιού στο αφρώδες φίλτρο αέρα στη σελίδα 78*.
6. Καθαρίστε την εσωτερική επιφάνεια του καλύμματος φίλτρου αέρα. Χρησιμοποιήστε πεπιεσμένο αέρα ή βούρτσα.

## Εφαρμογή λαδιού στο αφρώδες φίλτρο αέρα



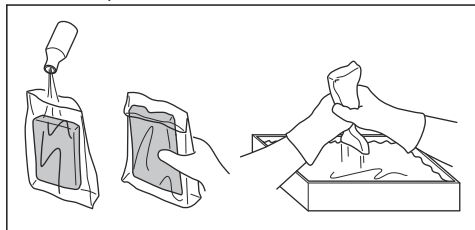
**ΠΡΟΣΟΧΗ:** Πρέπει πάντα να χρησιμοποιείτε ειδικό λάδι φίλτρου αέρα Husqvarna. Μην χρησιμοποιείτε άλλους τύπους λαδιού.



**ΠΡΟΕΙΔΟΠΟΙΗΣΗ:** Φορέστε προστατευτικά γάντια. Το λάδι φίλτρου αέρα μπορεί να προκαλέσει ερεθισμό στο δέρμα.

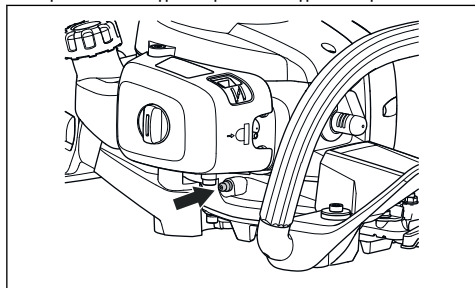
1. Τοποθετήστε το αφρώδες φίλτρο αέρα μέσα σε μια πλαστική σακούλα.
2. Ρίξτε το λάδι στην πλαστική σακούλα.
3. Τρίψτε την πλαστική σακούλα για να κατανεμηθεί το λάδι ομοιόμορφα στο αφρώδες φίλτρο αέρα.

4. Πιέστε το αφρώδες φίλτρο αέρα για να απομακρύνετε το ανεπιθύμητο λάδι, ενώ αυτό βρίσκεται μέσα στην πλαστική σακούλα.



## Λίπανση του περιβλήματος γραναζιών

- Χρησιμοποιήστε ειδικό γράσο Husqvarna. Απευθυνθείτε στον αντιπρόσωπο σέρβις για περισσότερες πληροφορίες σχετικά με το συνιστώμενο γράσο.
- Προσθέστε το γράσο μέσω του γρασαδούρου.



**ΠΡΟΣΟΧΗ:** Μην γεμίζετε εντελώς το περίβλημα γραναζιών.

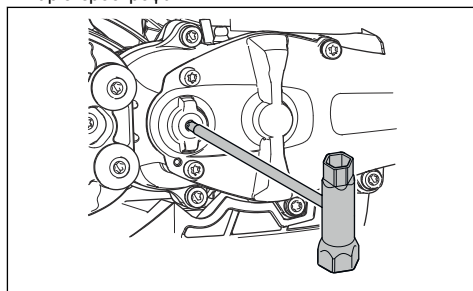
## Καθαρισμός και λίπανση των λεπίδων

1. Απομακρύνετε από τις λεπίδες τυχόν ανεπιθύμητα υλικά πριν από και μετά τη χρήση του προϊόντος.
2. Λιπαίνετε τις λεπίδες πριν από μεγάλα χρονικά διαστήματα αποθήκευσης.

**Περιεχόμενα** Απευθυνθείτε στον αντιπρόσωπο σέρβις της περιοχής σας για περισσότερες πληροφορίες σχετικά με τα συνιστώμενα καθαριστικά και λιπαντικά.

## Έλεγχος των λεπίδων

1. Αφαιρέστε το καπάκι στο περίβλημα γραναζιών.
2. Βεβαιωθείτε ότι οι λεπίδες κινούνται ανεμπόδιστα. Τοποθετήστε το γερμανοπολύγωνο κλειδί μέσα στο περίβλημα γραναζιών και γυρίστε το δεξιόστροφα και αριστερόστροφα.



3. Ελέγξτε τα άκρα των λεπίδων για ζημιές και παραμόρφωση.
4. Χρησιμοποιήστε μια λίμα για να απομακρύνετε τα ρινίσματα από τις λεπίδες.

## Αντιμετώπιση προβλημάτων

### Αντιμετώπιση προβλημάτων

Ο κινητήρας δεν εκκινείται		
Πρόβλημα	Πιθανή αιτία	Συνιστώμενο βήμα
Άγκιστρα εμπλοκής του συστήματος εκκίνησης με το βολάν	Τα άγκιστρα εμπλοκής του συστήματος εκκίνησης με το βολάν δεν μπορούν να κινηθούν ελεύθερα.	Ρυθμίστε ή αντικαταστήστε τα άγκιστρα εμπλοκής του συστήματος εκκίνησης.
		Καθαρίστε την περιοχή γύρω τα άγκιστρα εμπλοκής του συστήματος εκκίνησης με το βολάν.
		Απευθυνθείτε σε έναν εγκεκριμένο αντιπρόσωπο σέρβις.
Ντεπόζιτο καυσίμου	Λανθασμένος τύπος καυσίμου.	Αποστραγγίστε το και χρησιμοποιήστε σωστό καύσιμο.
Καρμπυρατέρ	Λανθασμένες στροφές ανά λεπτό ρελαντί.	Ρυθμίστε τις στροφές ανά λεπτό ρελαντί.

Ο κινητήρας δεν εκκινείται		
Πρόβλημα	Πιθανή αιτία	Συνιστώμενο βήμα
Δεν δημιουργείται σπινθήρας	Το μπουζί είναι λερωμένο ή υγρό.	Βεβαιωθείτε ότι το μπουζί είναι στεγνό και καθαρό.
	Λάθος διάκενο ηλεκτροδίου.	Καθαρίστε το μπουζί. Βεβαιωθείτε ότι το διάκενο ηλεκτροδίου του μπουζί είναι σωστό. Βεβαιωθείτε ότι το μπουζί έχει τοποθετηθεί με αντιπαρασπινθιακό. Για το σωστό διάκενο ηλεκτροδίου, ανατρέξτε στην ενότητα <i>Τεχνικά στοιχεία στη σελίδα 81</i> .
Μπουζί	Το μπουζί έχει χαλαρώσει.	Σφίξτε το μπουζί.

Ο κινητήρας ξεκινάει αλλά σταματάει ξανά		
Πρόβλημα	Πιθανή αιτία	Συνιστώμενο βήμα
Ντεπόζιτο καυσίμου	Λανθασμένος τύπος καυσίμου.	Αποστραγγίστε το και χρησιμοποιήστε σωστό καύσιμο.
Καρμπυρατέρ	Λανθασμένες στροφές ανά λεπτό ρελαντί.	Ρυθμίστε τις στροφές ανά λεπτό ρελαντί. Ανατρέξτε στην ενότητα <i>Για να ρυθμίσετε τις στροφές ανά λεπτό ρελαντί στη σελίδα 77</i> . Απευθυνθείτε στον αντιπρόσωπο σέρβις της περιοχής σας, εάν χρειάζεται.
Φίλτρο αέρα	Φραγμένο φίλτρο αέρα.	Καθαρίστε το φίλτρο αέρα.

Λεπίδα		
Πρόβλημα	Πιθανές αιτίες	Συνιστώμενο βήμα
Η λεπίδα κινείται αργά ή δεν κινείται καθόλου.	Η λεπίδα έχει μπλοκάρει ή έχει υποστεί ζημιά.	Απομακρύνετε από τις λεπίδες τυχόν ανεπιθύμητα υλικά. Ανατρέξτε στην ενότητα <i>Καθαρισμός και λίπανση των λεπίδων στη σελίδα 79</i> . Απομακρύνετε τυχόν ρινίσματα από τη λεπίδα, ανατρέξτε στην ενότητα <i>Έλεγχος των λεπίδων στη σελίδα 79</i> . Αντικαταστήστε τη λεπίδα, εάν έχει υποστεί ζημιά.
Η λεπίδα δεν κόβει με ευκολία.	Η λεπίδα δεν είναι ακονισμένη ή έχει υποστεί ζημιά.	Ακονίστε τη λεπίδα, ανατρέξτε στην ενότητα <i>Έλεγχος των λεπίδων στη σελίδα 79</i> . Αντικαταστήστε τη λεπίδα, εάν έχει υποστεί ζημιά.
Η λεπίδα υπερθερμαίνεται.	Υπάρχει τριβή μεταξύ των λεπίδων.	Απομακρύνετε τυχόν ρινίσματα και λιπάνετε τη λεπίδα. Ανατρέξτε στην ενότητα <i>Καθαρισμός και λίπανση των λεπίδων στη σελίδα 79</i> .

## Μεταφορά, αποθήκευση και απόρριψη

### Μεταφορά και αποθήκευση

- Αφήνετε πάντα το προϊόν να κρυώσει πριν το αποθηκεύσετε.

- Για την αποθήκευση και τη μεταφορά του προϊόντος και του καυσίμου, βεβαιωθείτε ότι δεν υπάρχουν διαρροές ή αναθυμιάσεις. Τυχόν σπινθήρες ή ακάλυπτες φλόγες, για παράδειγμα από ηλεκτρικές



- συσκευές ή λέβητες, μπορεί να προκαλέσουν πυρκαγιά.
- Να χρησιμοποιείτε πάντα εγκεκριμένα δοχεία για την αποθήκευση και τη μεταφορά των καυσίμων.
- Αδειάζετε το καύσιμο πριν από μεταφορά ή μακροχρόνια αποθήκευση. Απορρίψτε το καύσιμο σε κατάλληλη τοποθεσία απόρριψης.
- Προσαρτήστε το προστατευτικό μεταφοράς κατά τη μεταφορά και την αποθήκευση.
- Αφαιρέστε το καπάκι του μπουζι από το μπουζί.
- Να στερεώνετε το προϊόν κατά τη μεταφορά. Βεβαιωθείτε ότι δεν μπορεί να μετακινηθεί.

- Να καθαρίζετε και να κάνετε συντήρηση στο προϊόν πριν το αποθηκεύσετε για μεγάλο χρονικό διάστημα.

## Απόρριψη

- Πρέπει να συμμορφώνεστε με τις τοπικές απαιτήσεις ανακύκλωσης και τους ισχύοντες κανονισμούς.
- Απορρίψτε όλα τα χημικά, όπως το λάδι κινητήρα ή το καύσιμο, σε ένα κατάστημα σέρβις ή σε μια κατάλληλη τοποθεσία απόρριψης.
- Όταν λήξει η διάρκεια ζωής του κινητήρα, στείλτε τον κινητήρα σε ένα κατάστημα σέρβις Husqvarna ή απορρίψτε τον σε μια τοποθεσία ανακύκλωσης.

## Τεχνικά στοιχεία

### Τεχνικά στοιχεία

	<b>322HD60</b>
<b>Κινητήρας</b>	
Κυβισμός κυλίνδρου, cm <sup>3</sup>	21,7
Στροφές ανά λεπτό στο ρελαντί, σ.α.λ.	2900
Μέγ. συνιστώμενες στροφές, σ.α.λ	9000
Μέγιστη ισχύς κινητήρα κατά ISO 8893, kW/hr σε σ.α.λ.	0,6/0,8 στις 7800
Εξάτμιση (σιγαστήρας) καταλυτικού μετατροπέα	Ναι
<b>Σύστημα ανάφλεξης</b>	
Μπουζι	HQT-4 672201
Διάκενο ηλεκτροδίου, mm	0,5
<b>Καύσιμο</b>	
Χωρητικότητα ντεπόζιτου καυσίμου, l/cm <sup>3</sup>	0,3/300
<b>Βάρος</b>	
Χωρίς καύσιμο, kg	5,2
<b>Εκπομπές θορύβου</b> <sup>13</sup>	
Στάθμη ηχητικής ισχύος, μετρούμενη τιμή σε dB (A)	101
Στάθμη ηχητικής ισχύος, εγγυημένη L <sub>WA</sub> dB (A)	102
<b>Στάθμες ήχου</b> <sup>14</sup>	

<sup>13</sup> Οι εκπομπές θορύβου στο περιβάλλον μετρούνται ως ηχητική ισχύς (L<sub>WA</sub>) σε συμμόρφωση με την Οδηγία 2000/14/EK. Η καταγεγραμμένη στάθμη ηχητικής ισχύος για το προϊόν έχει μετρηθεί με το αυθεντικό παρελκόμενο κοπή, που δίνει την υψηλότερη στάθμη. Η διαφορά μεταξύ της εγγυημένης και της μετρούμενης ηχητικής ισχύος είναι ότι η εγγυημένη ηχητική ισχύς περιλαμβάνει επίσης τη διασπορά στο αποτέλεσμα της μέτρησης και τις αποκλίσεις μεταξύ των διαφορετικών προϊόντων του ίδιου μοντέλου σύμφωνα με την Οδηγία 2000/14/EK.

<sup>14</sup> Τα καταγεγραμμένα στοιχεία για τη στάθμη πίεσης θορύβου έχουν τυπική στατιστική διασπορά (τυπική απόκλιση) 1 dB(A).

	<b>322HD60</b>
Ισοδύναμη στάθμη ηχητικής πίεσης στα αυτιά του χειριστή, μετρημένη κατά EN ISO 22868, dB(A):	92
<b>Στάθμες κραδασμών</b> <sup>15</sup>	
Αντίστοιχα επίπεδα κραδασμών ( $a_{hv,eq}$ ) στις λαβές, μετρημένα κατά EN ISO 22867, $m/s^2$ :	
Εμπρός/πίσω, $mm/s^2$	4,4/4,3
<b>Λεπίδες</b>	
Τύπος	Διπλής όψης
Μήκος κοπής, mm	600
Ταχύτητα κοπής, τομές/λεπτό	4400

<sup>15</sup> Τα καταγεγραμμένα στοιχεία για το επίπεδο κραδασμών έχουν τυπική στατιστική διασπορά (τυπική απόκλιση) ίση με  $1 m/s^2$ .

# Δήλωση συμμόρφωσης

## Δήλωση συμμόρφωσης ΕΕ

Εμείς στη **Husqvarna AB**, SE-561 82 Huskvarna, Σουηδία, τηλ.: +46-36-146500, δηλώνουμε με αποκλειστική μας ευθύνη ότι το προϊόν:

<b>Περιγραφή</b>	Μπορντουροψάλιδο
<b>Επωνυμία</b>	Husqvarna
<b>Τύπος/Μοντέλο</b>	322HD60
<b>Αναγνώριση</b>	Αριθμοί σειράς με ημερομηνία από το 2022 και έπειτα

συμμορφώνεται πλήρως με τις ακόλουθες οδηγίες και τους κανονισμούς της ΕΕ:

<b>Κανονισμός</b>	<b>Περιγραφή</b>
2006/42/ΕΚ	"σχετικά με τα μηχανήματα"
2014/30/ΕΕ	"σχετικά με την ηλεκτρομαγνητική συμβατότητα"
2000/14/ΕΚ	"σχετικά με τις εκπομπές θορύβου στο περιβάλλον"
2011/65/ΕΕ	"σχετικά με τον περιορισμό της χρήσης ορισμένων επικίνδυνων ουσιών σε είδη ηλεκτρικού και ηλεκτρονικού εξοπλισμού"

και ότι εφαρμόζονται τα παρακάτω πρότυπα ή/και τεχνικές προδιαγραφές.

Εφαρμόστηκαν τα ακόλουθα πρότυπα:

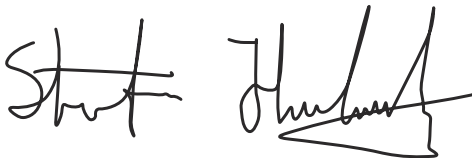
**EN ISO 12100:2010, EN ISO 10517:2019, EN IEC 63000:2018, EN ISO 14982:2009**

Η SMP Svensk Maskinprovning, Box 4053, SE-904 03 Umeå, Sweden έχει διεξαγάγει εθελοντικά εξέταση τύπου σύμφωνα με το παράρτημα ΙΧ της οδηγίας 2006/42/ΕΚ.

Η SMP Svensk Maskinprovning, έχει επίσης επαληθεύσει τη συμβατότητα με το παράρτημα V της οδηγίας 2000/14/ΕΚ του Συμβουλίου.

Για πληροφορίες σχετικά με τις εκπομπές θορύβου, ανατρέξτε στην ενότητα *Τεχνικά στοιχεία στη σελίδα 81*.

Huskvarna, 2023-07-10



Stefan Holmberg, Διευθυντής Έρευνας και Ανάπτυξης,  
Διαχείριση τεχνολογίας, Husqvarna AB

Υπεύθυνος για την τεχνική τεκμηρίωση



## Sisukord

Sissejuhatus.....	84	Veatsing.....	95
Ohutus.....	85	Transportimine, hoiulepanek ja utiliseerimine.....	96
Töö.....	90	Tehnilised andmed.....	97
Hooldamine.....	92	Vastavusdeklaratsioon.....	99

## Sissejuhatus

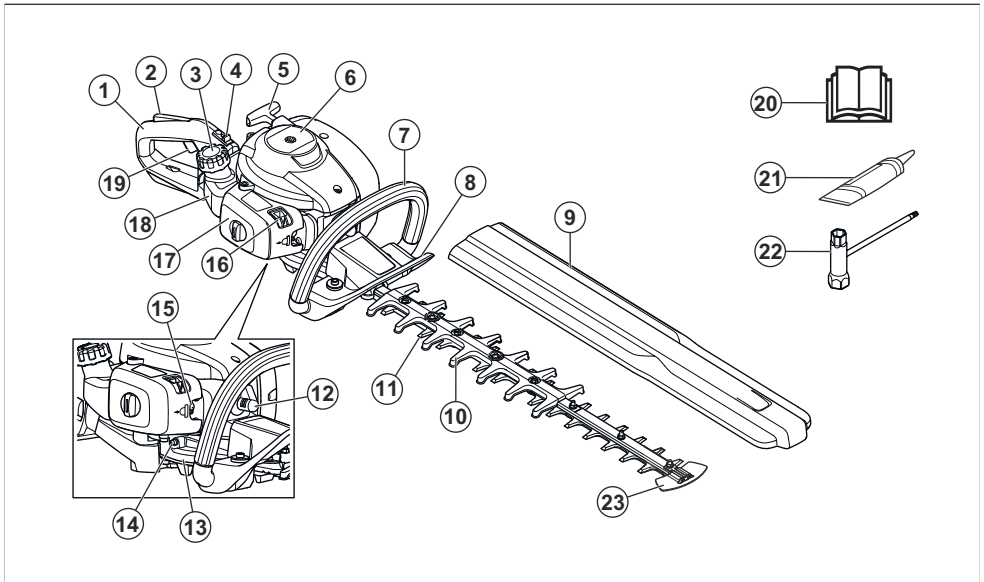
### Toote kirjeldus

See toode on sisepõlemismootoriga hekilõikur.

### Kasutusotstarve

Kasutage toodet okste ja raagude lõikamiseks. Ärge kasutage toodet muude tööde tegemiseks.

### Toote tutvustus



1. Tagumine käepide
2. Gaasipäästiku lukustus
3. Kütusepaagi kork
4. Seiskamislüliti
5. Käivitusnööri käepide
6. Silindri kate
7. Esikäepide
8. Käekaitse
9. Transportkaitse
10. Lõiketera kaitse
11. Lõiketera
12. Süütepea ja süüteküünal
13. Ülekanne
14. Määrdenippel
15. Kütusepump
16. Õhuklapp
17. Õhufiltri kaas
18. Kütusepaak
19. Gaasihoovastiku nupp
20. Kasutusjuhend
21. Määrdetuub
22. Lehtsilmsvõti
23. Lõiketera otsakaitse

### Sümbolid tootel



HOIATUS! See seade on ohtlik. Hooletu või väär käsitlemine võib põhjustada kehavigastusi või surma kasutajale või juuresolijatele. Kasutaja ja juuresolijate

vigastuste vältimiseks lugege läbi kõik kasutusjuhendis leiduvad ohutusjuhised ja järgige neid.



Enne toote kasutamist lugege kasutusjuhend hoolikalt läbi ja veenduge, et kõik juhised oleksid täiesti arusaadavad.



Kasutage heakskiidetud kõrvaklappe ja kaitseprille.



Kandke heakskiidetud kaitsekindaid.



Kandke vastupidavaid libisemiskindlaid jalanõusid.

T

Tühikäigu reguleerimiskruvi.

H

Suure kiiruse segukruvi.

L

Madala kiiruse segukruvi.



Välitingimustes kasutatavate seadmete müratase vastab Euroopa direktiivi 2000/14/EÜ ja Uus Lõuna-Walesi seaduse „Protection of the Environment Operations (Noise control) Regulation 2017“ nõuetele. Toote garanteeritud heliõimsuse taseme andmed leiate jaotisest *Tehnilised andmed lk 97* ja sildilt.



See toode vastab kehtivatele EÜ direktiividele.

aaaannxxxx

Mudeli andmesilt näitab seerianumbrit. **aaaa** on tootmisaasta ja **nn** on tootmisnädal.

**Märkus:** Ülejäänud seadmel toodud sümboolid/ tähised vastavad teatud riikides kehtivatele sertifitseerimisnõuetele.

## Euro V heitmed



**HOIATUS:** Mootori igasugune modifitseerimine, muutmine või rikkumine tühistab toote EL-i tüübikinnituse.

## Ohutus

### Ohutuse määratlused

Mõistetega „hoiatus“, „ettevaatus“ ja „märkus“ juhitakse tähelepanu eriti olulistele kohtadele kasutusjuhendis.



**HOIATUS:** Tähistab kasutusjuhendi juhiste eiramise korral kasutaja või kõrvalseisjate kehavigastuse või surmaga lõppeva õnnetuse ohtu.



**ETTEVAATUST:** Tähistab kasutusjuhendi juhiste eiramise korral seadme, muude esemete või läheduses asuvate objektide kahjustamise ohtu.

**Märkus:** Tähistab antud olukorras vajalikku lisateavet.

### Üldised ohutuseeskirjad



**HOIATUS:** Enne toote kasutamist lugege läbi järgmised hoiatused.

- Toode võib olla ohtlik, kui seda kasutatakse hooletult või valesti, ning võib põhjustada isegi eluohtlikke vigastusi. Väga tähtis on, et loeksite selle kasutusjuhendi hoolikalt läbi.
- Toode tekitab töötades elektromagnetvälja. Teatud tingimustel võib väli häirida aktiivsete või passiivsete meditsiiniliste implantaatide tööd. Raskete või surmaga lõppevate kahjustuste ohu vähendamiseks soovitage meditsiinilisi implantaate kasutavatel inimestel pidada enne selle toote kasutamist nõu oma arsti ja implantaadi valmistajaga.
- Tugeva vibratsiooniga töötamine võib põhjustada vereringe- või närvikahjustusi, eriti neil, kel on vereringehäireid. Pöörduge arsti poole, kui ilmneb

nähte, mis võivad olla vibratsioonist põhjustatud. Sellisteks sümptomiteks on näiteks tundetus, surin, torkiv tunne, valu, nõrkus, muutused nahavärvis või naha seisukorras. Nimetatud nähtused esinevad tavaliselt sõrmedes, käelabades ja randmetes. Oht on suurem külma korral.

- Kui olukord on teile tundmatu, katkestage töö ja küsige spetsialistilt nõu. Võtke ühendust edasimüüja või hooldustöökojaga. Ärge tehke tööd, milleks teil puudub väljaõpe või kogemused.
- Kasutatud summuti/sädemepüüdur ja sädemepüüduri paigaldustahk võib sisaldada põlemisest tekkinud osakeste setteid, mis võivad olla kantserogeense toimega. Kokkupuudet senede ainetega tuleb vältida, kui kasutatakse summutit ja/või sädemepüüdurit. Enne summuti ja/või sädemepüüduri käsitlemist vaadake jaotist *Summuti kontrollimine lk 88*.
- Ärge unustage, et seadme kasutaja vastutab seadmest tingitud ohtude ja õnnetuste ning varakahjude eest.
- Ärge lubage kellelgi toodet kasutada enne, kui olete kindel, et ta on kasutamiseõpetuse sisust aru saanud.
- Ärge laske lapsi seadme lähedale ega seadet kasutada. Kuna seadmel on vedruga käivitus- ja seisukamisüliti ning seda saab väikesel kiirusel kerge vaevaga käivituskäepidemest käivitada, võib mõnikord ka laps suuta seadme käima panna. Sellega võib kaasneda raskete vigastuste oht. Sellepärast tuleb seadmelt eemaldada süütepea, kui seade jääb valveta.
- Hoidke seadet lastele kättesaamatus kohas.
- Ärge kunagi töötage tootega, kui olete väsinud, alkoholi tarvitanud või kui olete saanud ravimite, mis mõjub teie nägemisele, otsustus- või keskendumisvõimele.
- Ärge kunagi kasutage kahjustatud seadet. Kontrolli ja hoolda seadet korrapäraselt, nagu käsitlemiseõpetuses nõutud. Teatud hooldustoiminguid tohib teha ainult vastava väljaõppe saanud spetsialist. Vt juhiseid jaotises „Hooldamine“.
- Ärge kunagi kasutage seadet, mille ehitust on muudetud.

- Vaadake üle tööpiirkond. Kõrvaldage kõrvalised esemed, mis võivad eemale paiskuda.
- Jälgi alati, et sul oleks kindel ja püsiv jalgealune.
- Ärge kunagi jätke töötava mootoriga seadet järelevalveta.
- Jälgige, et käed-jalad ei satuks löikeosa tööpiirkonda.
- Kui teradesse on midagi kinni jäänud, tuleb töötav seade välja lülitada, süütejuhe süüteküünlast lahti võtta ja seejärel asuda terasid puhastama. Lahuta süüteküünla kate süüteküünlast.
- Hoidke pärast mootori välja lülitamist käed-jalad löikeosast eemal, kuni see seisma jääb.
- Jälgige, et lõigatud oksajupid teie pihta ei paiskusu.
- Kui kasutate kuulmiskaitset, olge tähelepanelik hõigete ja hoiatussignaalide suhtes. Eemaldage kõrvaklapid kohe, kui mootor on seiskunud.
- Ärge kunagi töötage redelil, toolil või muus kõrges asendis, mis ei ole täielikult fikseeritud.
- Kasutage toote hoidmiseks alati kahte kätt. Hoidke toodet enda ees.
- Võõrkehadega kokkupõrkamise või vibratsiooni ilmumise korral peatage seade viivitamatult. Lahuta süüteküünla kate süüteküünlast. Kontrollige, et seade pole kahjustatud. Parandage vajadusel.
- Veenduge, et süüteküünla kate ja süütejuhe oleksid kahjustamata, et ära hoida elektrilöögi ohtu.
- Kontrollige, et kõik mutrid ja kruvid oleksid korralikult pingutatud.
- Veendu, kas käigukast on korralikult määritud. Vt jaotist *Ülekande puhastamine lk 95*.
- Toote kasutamisel muutub käigukast tuliseks. Ära puuduta käigukasti, sest see võib tekitada põletuse.
- Enne käivitamist peavad olema kõik kaitsed ja katted oma kohale paigaldatud.
- Kui löiketerad jäävad kinni, saab neid löövdendada käigukasti kaudu kombivõtme abil. Pane kombivõti ajamise ja keera seda edasi-tagasi. Vt jaotist *Löiketerade kontrollimine lk 95*.
- Kui te ei kasuta toodet, pange löikeosale kate peale.

## Isikukaitsevahendid



**HOIATUS:** Enne seadme kasutamist lugege läbi järgnevad hoiatused.

## Ohutusjuhised kasutamisel

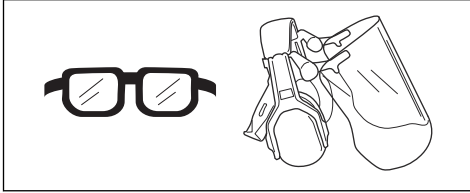


**HOIATUS:** Enne toote kasutamist loe läbi järgnevad hoiatused.

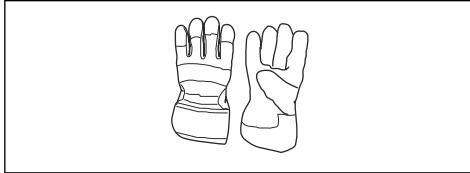
- Ärge kasutage toodet eriti rasketes ilmaoludes, väga külma, väga tuulise või niiske ilmaga.
- Kontrollige, et süütepea ja süütekaabel oleksid kahjustusteta, et elektrilööki ära hoida.
- Veendu, et inimesed ja loomad ei oleks töö ajal lähemal kui 15 m (50 jalga).
- Enne kui käivitatakse seadet, tehke kindlaks, et läheduses ei ole inimesi ega loomi, kellele see võiks ohtlikuks osutada.

- Seadmega töötamisel tuleb kasutada ettenähtud isikukaitsevarustust. Isikukaitsevarustus ei välista täielikult kehavigastuste ohtu, kuid vähendab õnnetusjuhtumi korral kehavigastuse raskusastet. Õige varustuse valimiseks pöörduge edasimüüja poole.
- Kandke alati sobiva summutusvõimega kuulmiskaitsemeid. Pikaajaline müra võib tekitada püsiva kuulmiskahjustuse.
- Kandke heakskiidetud kaitseprille. Näokaitse kasutamisel tuleb lisaks kasutada heakskiidetud kaitseprille. Heakskiidetud kaitseprillide all

mõeldakse selliseid prille, mis vastavad standardile ANSI Z87.1 USA-s või EN 166 Euroopa Liidu riikides.



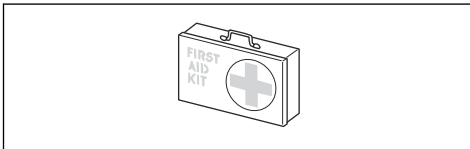
- Vajaduse korral kandke kaitsekindaid, näiteks löikeosa kinnitades, kontrollides või puhastades.



- Kandke vastupidavaid, mittelibisevaid jalatseid.



- Kandke vastupidavast materjalist riideid. Kandke alati pikki raskeid pükse ja pikki varrukaid. Hoiduge liiga avaratest rõivastest, mis võivad okstesse takerduda. Ärge kandke ehteid, lühikesi pükse, lahtiseid jalatseid ega käige paljajalu. Kinnitage juuksed ohutult õlgadest kõrgemale.
- Hoidke esmaabikomplekt käepärast.



## Toote ohutusseadised



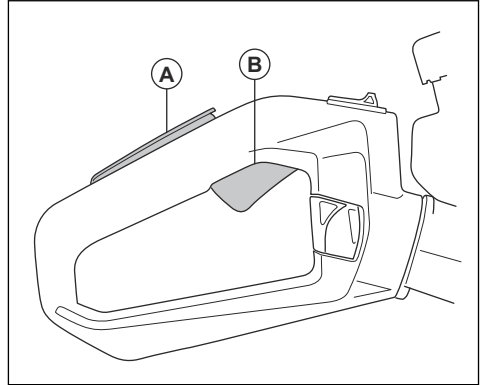
**HOIATUS:** Enne toote kasutamist lugege läbi järgmised hoiatused.

- Ärge kasutage toodet, mille ohutusseadmed on kahjustatud või ei tööta korralikult.
- Kontrollige ohutusseadiseid regulaarselt. Kui ohutusseadmed on kahjustatud või ei tööta korralikult, pöörduge Husqvarnahooldustöökoja poole.

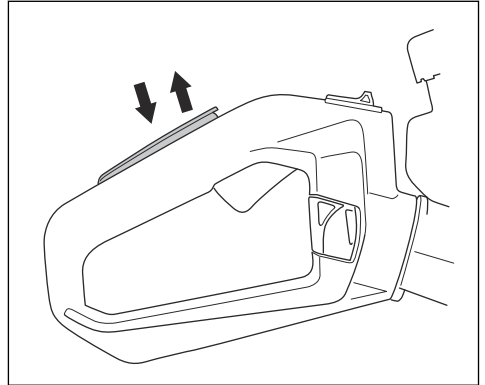
- Ärge muutke ohutusseadmeid.

## Gaasihoovastiku nupu luku kontrollimine

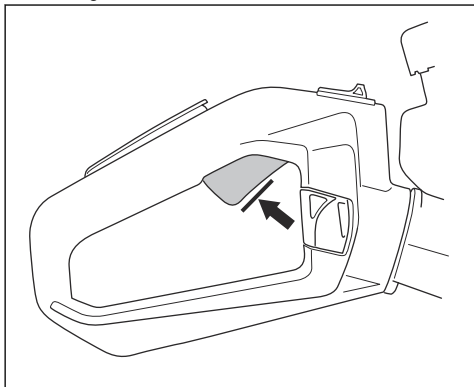
1. Veenduge, et gaasihoovastiku nupu lukustusmutter (A) ja gaasihoovastiku nupp (B) liiguksid takistamatult ning tagastusvedru töötaks korralikult.



2. Vajutage gaasihoovastiku nupu lukk alla ja veenduge, et vabastamisel liiguks see tagasi algasendisse.



3. Vabastage gaasihoovastiku nupu lukusti ja veenduge, et gaasihoovastiku nupp oleks lukus tühikäiguasendis.



4. Käivitage mootor ja rakendage täisgaas.
5. Vabastage gaasihoovastiku nupp ja veenduge, et terad peatuksid täielikult.



**HOIATUS:** Kui gaasihoovastiku nupp paneb tühikäiguasendis terad liikuma, tuleb tühikäigu pöörete arvu reguleerida. Vt jaotist *Tühikäigu pöörete arvu reguleerimine lk 93*.

#### Seiskamislüliti kontrollimine

1. Käivitage mootor.
2. Lükake seiskamislüliti seiskamisasendisse ja veenduge, et mootor seiskuks.



**HOIATUS:** Seiskamislüliti naaseb automaatselt algasendisse. Soovimatu käivitumise vältimiseks eemaldage enne toote kokkupanemise või hooldustööde alustamist süüteküünlä kate.

#### Käekaitse kontrollimine

Käekaitse kaitseb käsi vigastuste eest, mida löiketerad põhjustada võivad.

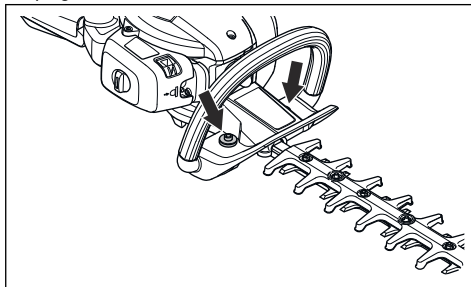
1. Seisake mootor.
2. Veenduge, et käekaitse oleks õigesti kinnitatud.
3. Kontrollige käekaitset kahjustuste suhtes.

#### Vibratsioonisummutussüsteemi kontrollimine

Vibratsioonisummutussüsteem vähendab käepidemete vibratsiooni. Vibratsioonisummutusseadised toimivad eraldajatena seadme korpuse ja käepideme vahel.

1. Otsige deformatsioone ja kahjustusi.

2. Veenduge, et vibratsioonisummutajad oleks õigesti paigaldatud.



#### Summuti kontrollimine



**HOIATUS:** Ärge kasutage seadet, kui summuti puudub või on kahjustatud. Kahjustatud summuti või selle puudumine tõstab mürataset ja suurendab tuleohtu. Hoidke tulekustutusvahendid käepärast. Kui tööpiirkonnas on vajalik sädemepüüdja võrgu kasutamine, siis ärge töötaga tootega, kui sädemepüüdja võrk puudub või on katki.



**HOIATUS:** Summutid muutuvad kasutamise ajal ja pärast kasutamist, samuti tühikäigul, väga kuumaks.



**ETTEVAATUST:** Kui sädemepüüdur ummistub sageli, võib see olla märk sellest, et katalüüsmuunduri jõudlus on vähenenud. Summuti kontrollimiseks võtke ühendust hooldusesindusega. Ummistunud sädemepüüdur põhjustab ülekuumenemist, mille tagajärjeks on silindri ja kolvi kahjustused.



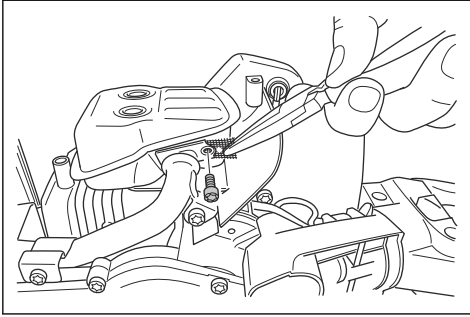
**HOIATUS:** Summuti sisepindadel on kemikaale, mis võivad tekitada vähki. Kui summuti on kahjustatud, olge ettevaatlik, et te neid osi ei puudutaks.

Summuti ülesandeks on hoida müratase võimalikult madalal ja suunata heitgaasid kasutajast eemale. Katalüüsmuunduriga summuti vähendab kahjulike ainete hulka heitgaasides.

1. Seisake mootor.
2. Otsige kahjustusi ja deformatsioone.
3. Veenduge, et summuti oleks õigesti toote külge kinnitatud.



#### 4. Puhastage sädemepüüdur traatharjaga.



#### Lõikeketaste ja lõikeketta kaitse kontrollimine

Ketaste välimisel osal on lõikeketta kaitse funktsioon. Lõikeketta kaitse hoiab ära lõikehaavade tekkimise.

1. Seisake mootor ja veenduge, et lõiketera oleks täielikult peatunud.
2. Eemaldage süüteküünla kate süüteküünalt.
3. Pange kätte kaitsekindad.
4. Veenduge, et lõikeketas ja lõikeketta kaitse ei oleks kahjustatud ega väändunud. Vahetage kahjustunud ja paindunud lõikeketas või kahjustunud lõikeketta kaitse alati välja.
5. Veenduge, et lõikeketta ja lõikeketta kaitse kruvid oleksid korralikult kinnitatud.

#### Ohutusnõuded kütuse käsitlemisel



**HOIATUS:** Enne seadme kasutamist lugege läbi järgnevad hoiatused.

- Ärge käivitage toodet, kui toote pinnale on sattunud kütust või mootoriõli. Eemaldage kütus/õli toote pinnalt ja laske tootel kuivada.
- Kui kütus satub rõivastele, siis vahetage kohe riideid.
- Vältige kütuse sattumist nahale, see võib põhjustada kehavigastusi. Kui kütus satub kehale, puhastage piirkond seebi ja veega.
- Ärge käivitage toodet, kui mootor lekib. Kontrollige regulaarselt mootori lekkekindlust.
- Olge kütuse käsitlemisel ettevaatlik. Kütus on tuleohtlik ja kütuse aurud on plahvatusohtlikud ning võivad põhjustada kehavigastusi või surma.
- Ärge hingake sisse kütuseaure, see võib põhjustada kehavigastuse. Tagage piisav õhuvahetus.
- Ärge suitsetage kütuse ega mootori läheduses.

- Ärge asetage kuumi esemeid kütuse ega mootori lähedusse.
- Ärge tankige kütust, kui mootor töötab.
- Enne tankimise alustamist veenduge, et mootor oleks külm.
- Enne tankimise alustamist avage aeglaselt kütusepaagi kork ja laske survele alaneda.
- Ärge tankige mootorit siseruumis. Ebapiisav õhuvahetus võib põhjustada lämbumisest või vingugaasimürgitusest tingitud kehavigastuse või surma.
- Pingutage kütusepaagi korki korralikult. Pingutamata kütusepaagi kork põhjustab tuleohtu.
- Enne käivitamist viige toode vähemalt 3 m kaugusele kohast, kus toimus kütusepaagi täitmine.
- Ärge täitke kütusepaaki täielikult. Soojuste mõjul kütus paisub. Jätke kütusepaagi ülaserava vaba ruumi.

#### Ohutusjuhised hooldamisel



**HOIATUS:** Enne seadme kasutamist lugege läbi järgnevad hoiatused.

- Seisake mootor ja veenduge, et lõikeosa oleks täielikult peatunud. Enne hooldustööde alustamist laske seadmel maha jahtuda.
- Enne hooldamist ühendage lahti süüteküünla kate.
- Mootori heitgaasid sisaldavad vingugaasi: lõhnutat, mürgist ja väga ohtlikku gaasi, mis võib põhjustada surma. Ärge laske seadmel töötada siseruumis või väikesel suletud alal.
- Mootori heitgaasid on kuumad ja võivad sisaldada sädemeid. Ärge käivitage toodet siseruumis ega tuleohtlike materjalide lähedal.
- Tootja heakskiidud tarvikud ja muudatused toote juurest võivad põhjustada tõsiseid kehavigastusi või surma. Ärge muutke toodet. Kasutage alati originaalilisatarkivikuid.
- Kui seadet regulaarselt ja õigesti ei hooldata, suureneb oht, et seade saab kahjustada ja võib kedagi vigastada.
- Hooldage toodet ainult nii, nagu selles kasutusjuhendis soovitatakse. Laske kõik muud hooldustööd teha Husqvarna heakskiidetud hooldustöökojas.
- Laske toodet regulaarselt hooldada Husqvarna heakskiiduga hooldustöökojas.
- Asendage kahjustatud, kulunud ja katkised osad.

# Töö

## Sissejuhatus



**HOIATUS:** Enne toote kasutamist lugege läbi ohutuspeatükk ja veenduge, et oleksite kõigest aru saanud.

## Kütus

Tootel on kahetaktiline mootor.



**ETTEVAATUST:** Vale kütuse kasutamine võib mootorit kahjustada. Kasutage bensiini ja kahetaktiõli segu.

## Eelsegatud kütus

- Parima jõudluse saavutamiseks ja mootori tööea pikendamiseks kasutage Husqvarna eelsegatud alkülaatkütust. See kütus sisaldab tavalise kütusega võrreldes vähem kahjulikke kemikaale, mis omakorda vähendab kahjulikke heitgaase. Selle kütuse korral on põlemisjääkide hulk väiksem ja see aitab hoida mootoriosad puhtamana.

## Kütuse segamine

### Bensiin

- Kasutage kvaliteetset kuni 10% etanoolisisaldusega pliivaba bensiini.



**ETTEVAATUST:** Ärge kasutage bensiini, mille oktaanirv on alla 90 RON (87 AKI). Madalama oktaanirvuga bensiini kasutamine võib põhjustada mootori klõppimist, mis omakorda kahjustab mootorit.

### Kahetaktiõli

- Parimate tulemuste ja jõudluse saavutamiseks kasutage Husqvarna kahetaktiõli.
- Kui Husqvarna kahetaktiõli pole saadaval, kasutage õhkjahutusega mootoritele mõeldud kvaliteetset kahetaktiõli. Õige õli valimiseks pöörduge hooldusesindusse.



**ETTEVAATUST:** Ärge kasutage vesijahutusega päramootoritele mõeldud kahetaktiõli, mida tuntakse ka paadimootoriõlina. Ärge kasutage neljatakimootori õlisid.

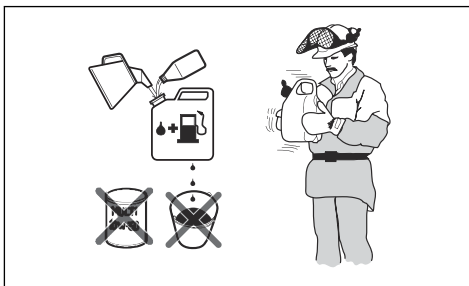
## Bensiini ja kahetaktiõli segamine

Bensiin, l	Kahetaktiõli, l
------------	-----------------

	2% (50:1)
5	0,10
10	0,20
15	0,30
20	0,40



**ETTEVAATUST:** Väikeste kütusekoguste segamisel võib väike viga segusuhet oluliselt mõjutada. Mõõtk segatava õli kogus väga täpselt ja veenduge, et segu oleks õige.



- Valage puhtasse kütusenõusse pool bensiinikogusest.
- Valage nõusse kogu vajaminev õlikogus.
- Segage kütusesegu.
- Lisage nõusse ülejäänud bensiinikogus.
- Segage kütusesegu hoolikalt.



**ETTEVAATUST:** Ärge segage kütust korraga rohkem, kui on teie ühe kuu varu.

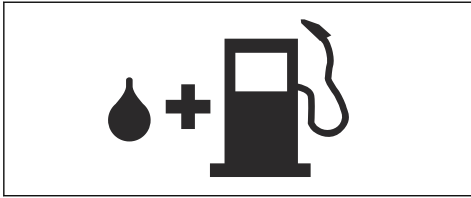
## Kütusepaagi täitmine



**HOIATUS:** Ohutuse tagamiseks järgige tegevusjuhiseid.

- Seisake mootor ja laske mootoril maha jahtuda.

2. Puhastage kütusepaagi korgi ümbrus.



3. Loksutage kütusenõu veendumaks, et kütus on täielikult segunenud.
4. Surve vabastamiseks avage kütusepaagi kork aeglaselt.
5. Täitke kütusepaak.



**ETTEVAATUST:** Veenduge, et paagis ei ole liiga palju kütust. Kuumenedes kütus paisub.

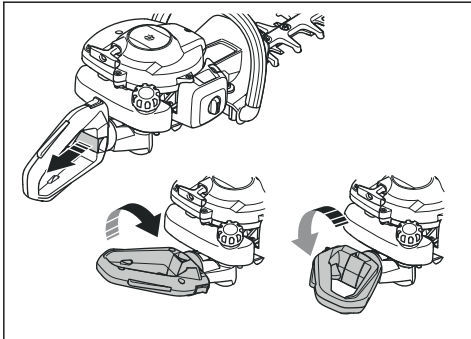
6. Pingutage kütusepaagi korki korralikult.
7. Eemaldage mahavalgunud kütus tootelt ja selle ümbrusest.
8. Enne mootori käivitamist viige seade tankimiskohast ja kütusenõust vähemalt kolme meetri kaugusele.

**Märkus:** Kütusepaagi asukoha leidmiseks oma seadmel vt *Sissejuhatus lk 84*.

### Käepideme reguleerimine

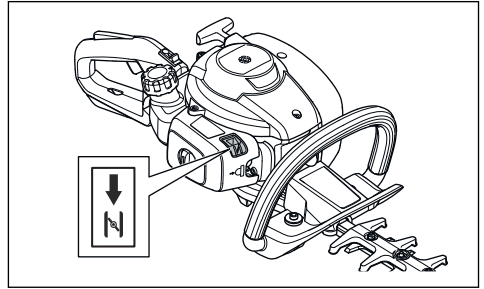
Tagumise käepideme saab seada 3 erinevasse asendisse.

- Vabastage käepideme lukustus ja keerake käepidet.



### Külma mootoriga toote käivitamine

1. Tõmmake õhuklapp õhuklapi asendisse.



2. Vajutage kütusepumpa umbes 6 korda või kuni pump hakkab kütusega täituma. Kütusepump peab olema kütusega täidetud.
3. Suruge toote korpus vasaku käega vastu maad. Ärge astuge tootele.
4. Tõmmake käivitusnööri käepidet aeglaselt parema käega, kuni tunnete kergest takistust, seejärel tõmmake käivitusnööri käepidet järsult ja jõuga.



**HOIATUS:** Käivitusnööri ei tohi kerida kae ümber.



**ETTEVAATUST:** Ärge tõmmake käivitusnööri lõpuni välja ja ärge laske käivitusnööri käest lahti.

5. Jätka käivitusnööri käepideme tõmbamist, kuni mootor käivitub, ja seejärel lükake õhuklapp algasendisse.



**HOIATUS:** Lõiketerad liiguvad, kui mootor käivitub.

6. Tõmmake käivitusnööri käepidet seni, kuni mootor käivitub.
7. Lükake ja vabastage gaasihoovastiku nupp, et seada mootor tühikäigule.
8. Mootori kiiruse suurendamiseks vajutage gaasihoovastiku nuppu järk-järgult.
9. Veenduge, et mootor töötab sujuvalt.

### Sooja mootoriga toote käivitamine

1. Suruge toote korpus vasaku käega vastu maad. Ärge astuge tootele.
2. Tõmmake käivitusnööri käepidet aeglaselt parema käega, kuni tunnete kergest takistust, seejärel tõmmake käivitusnööri käepidet järsult ja jõuga. Jätka, kuni mootor käivitub.

**Märkus:** Lisateavet toote käivitamise kohta leiate jaotisest *Külma mootoriga toote käivitamine lk 91*.

## Toote seiskamine

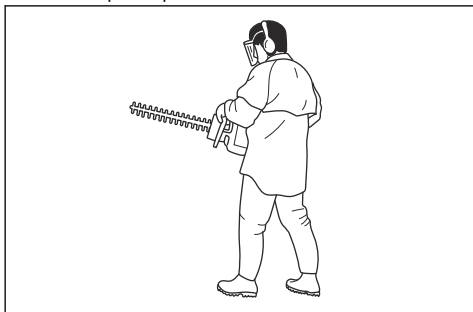
- Mootori seiskamiseks viige seiskamislüliti stoppasendisse.



**ETTEVAATUST:** Seiskamislüliti naaseb automaatselt tööasendisse.

## Toote kasutamine

- Kui lõikate heki külgi, alustage maapinna lähedalt ja liigutage toodet mööda hekki ülespoole. Jälgige, et toote korpus ei puudutaks hekki.



**HOIATUS:** Jälgige, et lõikeosa ots ei puudutaks maad.

- Reguleerige kiirust vastavalt töökoormusele.
- Stabiilse tööasendi hoidmiseks hoidke toodet keha lähedal.
- Olge ettevaatlik ja käitage toodet aeglaselt.

## Hooldamine

### Sissejuhatus



**HOIATUS:** Enne seadme hooldamist lugege läbi ohutuspeatükk ja veenduge, et see oleks teile täielikult arusaadav.

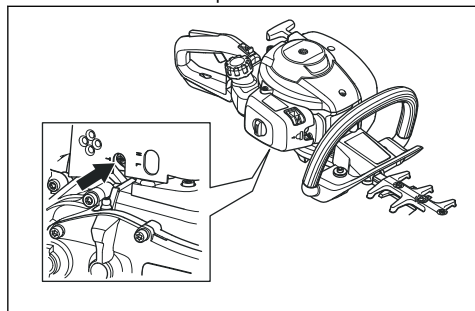
### Hooldusgraafik

Hooldus	Enne kasutamist	40 töötunni järel	100 töötunni järel
Puhastage välispinnad.		Pärast igat kasutuskorda.	
Puhastage summuti, väljalasketoru ja mootor lehtedest, mustusest ning liigestest määrdest.		Pärast igat kasutuskorda.	
Veenduge, et lõikeosa ei liiguks tühikäigul.	X		
Kontrollige seiskamislüliti. Vt jaotisest <i>Seiskamislüliti kontrollimine lk 88</i> .	X		
Kontrollige lõikeosa kahjustuste ja mõrade suhtes. Kahjustuste korral asendage.	X		
Kontrollige käekaitset kahjustuste ja mõrade suhtes. Kahjustuste korral asendage.	X		
Kontrollige gaasipäästiku lukustust ja gaasipäästikut. Vt jaotisest <i>Gaasihoovastiku nupu luku kontrollimine lk 87</i> .	X		
Kontrollige, et mootorist, kütusepaagist ega kütusevoolikust ei lekiks kütust.	X		

Hooldus	Enne kasutamist	40 töö-tunni järel	100 töö-tunni järel
Keerake mutrid ja poldid kinni.	X		
Kontrollige, kas starter ja käivitusnõör on terved.		X	
Kontrollige, kas terade kinnituskruvid on korralikult pingutatud.		X	
Puhastage õhufilter. Tolmustes piirkondades kasutamise korral puhastage sagedamini. Kahjustuste korral asendage.		X	
Kontrollige vibratsioonisummuteid kahjustuste ja mõrade suhtes. Kahjustuste korral asendage.		X	
Puhastage süüteküünla välispind ja selle ümbrus. Eemaldage süüteküünal ja mөөtke elektroodi vahet. Reguleerige elektroodi vahet või asendage süüteküünal. Vt jaotisest <i>Süüteküünla kontrollimine lk 94.</i>		X	
Puhastage jahutussüsteemi.		X	
Puhastage karburaatori välispind ja selle ümbrus.		X	
Kontrollige, kas kütusefilter on puhas ja kütusevoolik kahjustusteta. Kahjustuste korral asendage.			X
Puhastage summutil olev sädemepüüdur ja kui see on kahjustatud, asendage see.			X
Puhastage kütusepaak seest.			X
Vahetage süüteküünal.			X
Kontrollige sidurit, sidurivedru ja -trumlit kulumise suhtes. Kui need on kahjustatud, laske need heakskiidetud hooldusesinduses asendada.			X
Veenduge, et ülekande korpus oleks määrdega täidetud.			X
Kontrollige kõiki kaableid ja ühendusi.			X

## Tühikäigu pöörete arvu reguleerimine

1. Puhastage õhufilter ja õhufiltri kate.
2. Käivitage seade. Vt jaotist *Külma mootoriga toote käivitamine lk 91.*
3. Keerake tühikäigu reguleerimiskruvi T päripäeva, kuni löikeosa hakkab pöörlema.



4. Keerake tühikäigu reguleerimiskruvi vastupäeva, kuni löikeosa peatub.

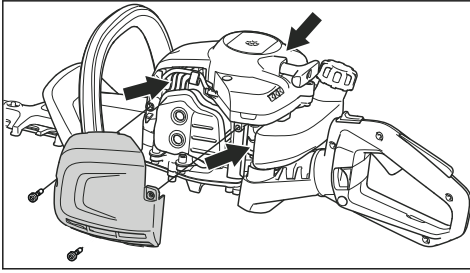


**HOIATUS:** Kui löikeosa tühikäigu pöörlemisageduse reguleerimisel ei seisku, pöörduge lähima hoolduse poole. Ära kasuta seadet enne, kui see on korralikult reguleeritud või parandatud.

**Märkus:** Tühikäigu pöörete arv on õige siis, kui mootor töötab igas asendis ühtlaselt. Teavet soovitatava tühikäigu pöörete arvu kohta vt jaotisest *Tehnilised andmed lk 97.*

## Jahutussüsteemi puhastamine

Jahutussüsteem hoiab mootori temperatuuri madalana. Jahutussüsteem hõlmab jahutusribisid silindril, silindri kattel ja karteri õhuvõtuaval.



**ETTEVAATUST:** Õhuvõtuava kütusepaagi ja karterivahel võib lehtede tõttu ummistuda. Puhastage õhuvõtuava täielikult.

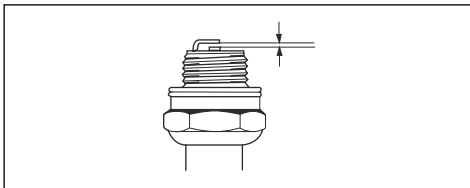
1. Puhastage jahutussüsteemi harjaga kord nädalas, vajaduse korral tihedamini.
2. Veendu, et jahutussüsteem poleks määrdunud ega ummistunud.

## Süüteküünla kontrollimine



**ETTEVAATUST:** Kasutage alati soovitatud tüüpi süüteküünalt. Vale tüüpi süüteküünal võib toodet kahjustada.

- Kontrollige süüteküünalt, kui mootori võimsus on madal, mootor ei käivitu kergesti või ei tööta tühikäigul korralikult.
- Süüteküünla elektroodidele võõrainete kogunemise ohu vähendamiseks täitke järgmisi juhiseid.
  - a) Veenduge, et tühikäigu pöörete arv on õigesti seadistatud.
  - b) Veenduge, et kütusesegu oleks õige.
  - c) Veenduge, et õhufilter oleks puhas.
- Kui süüteküünal on määrdunud, puhastage see ja kontrollige, kas elektroodide vahe on õige, vt jaotist *Tehnilised andmed lk 97*.

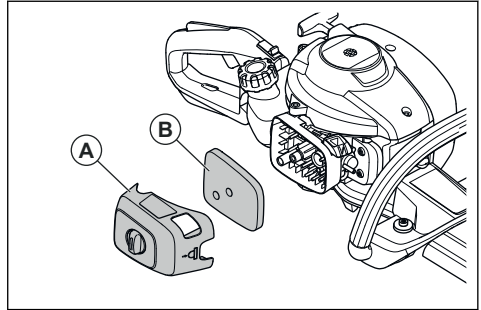


- Vajaduse korral vahetage süüteküünal välja.

## Õhufiltri puhastamine

Puhastage õhufiltrit regulaarselt mustusest ja tolmust. See hoiab ära karburaatori rikkeid, käivitusprobleeme, mootori võimsuse kadu, mootoriosade kulumist ja tavapärasest suuremat kütusekulu.

1. Eemaldage õhufiltri kate (A).
2. Eemaldage filtrikorpusest filter (B).



3. Puhastage filtrit sooja seebiveega.

**Märkus:** Pikka aega kasutatud õhufiltrit ei ole võimalik täiesti puhtaks pesta. Vahetage õhufiltrit regulaarselt, kahjustatud õhufilter vahetage alati välja.

4. Veenduge, et filter oleks kuiv.
5. Kandke õhufiltrile õli. Vt jaotisest *Õli kandmine vahtplastist õhufiltrile lk 94*
6. Puhastage õhufiltri katte sisepind. Kasutage suruõhku või harja.

## Õli kandmine vahtplastist õhufiltrile



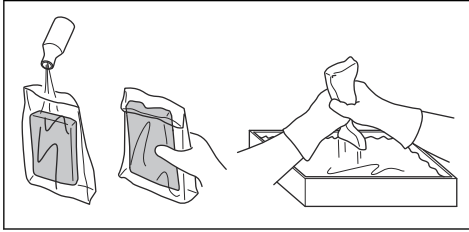
**ETTEVAATUST:** Kasutage alati Husqvarna spetsiaalset filtrioõli. Ärge kasutage teist tüüpi õlisid.



**HOIATUS:** Pange kätte kaitsekindad. Õhufiltri õli võib põhjustada nahaärritust.

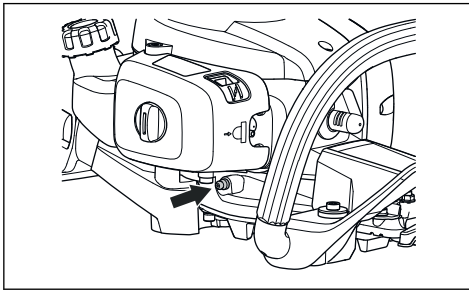
1. Asetage vahtplastist õhufilter kilekotti.
2. Asetage õli kilekotti.
3. Vajutage kilekotti, et õli kanduks ühtlaselt kogu vahtplastist õhufiltrile.

4. Suruge liigne õli vahtplastist õhufiltrist välja, kui see on veel kilekotis.



## Ülekande puhastamine

- Kasutage Husqvarna spetsiaalset määret. Soovitatud määre kohta lisateabe saamiseks võtke ühendust hooldusesindajaga.
- Lisage määret läbi määreniipi.



**ETTEVAATUST:** Ärge täitke ülekannet täielikult.

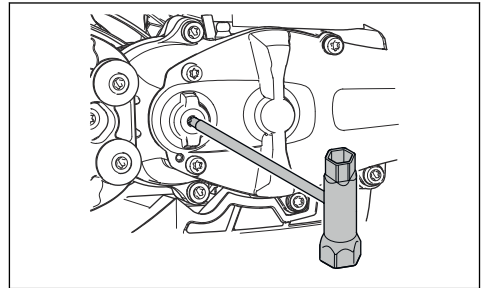
## Lõiketerade puhastamine ja määrimine

1. Puhastage lõiketerad enne ja pärast toote kasutamist soovimatust materjalist.
2. Enne pikaks ajaks hoiulepanekut määrige lõiketerasid.

**Märkus:** Soovitatud puhastusvahendite ja määrete kohta lisateabe saamiseks võtke ühendust hooldusesindajaga.

## Lõiketerade kontrollimine

1. Eemaldage ülekande kork.
2. Veenduge, et lõiketerad saavad vabalt liikuda. Pange lehtsilmusvõti ülekandesse ning keerake päripäeva ja vastupäeva.



3. Kontrollige lõiketerade servasid kahjustuste ja deformatsiooni suhtes.
4. Eemaldage viiliga lõiketeradelt kraadid.

## Veotsing

### Veotsing

Mootor ei käivitu		
Probleem	Võimalik põhjus	Soovitatav toiming
Käiviti pörklindid	Starterikutsikad ei saa vabalt liikuda.	Reguleerige käiviti pörklinke või vahetage need välja.
		Puhastage käiviti pörklinke ümbrus.
		Pöörduge volitatud hooldustöökoja poole.
Kütusepaak	Vale kütusetüüp.	Tühjendage see ja kasutage õiget kütust.
Karburaator	Vale tühikäigu pöörete arv.	Reguleerige tühikäigu pöörete arvu.

<b>Mootor ei käivitu</b>		
<b>Probleem</b>	<b>Võimalik põhjus</b>	<b>Soovitav toiming</b>
Sädet ei teki	Süüteküünal on määrdunud või märg.	Veenduge, et süüteküünal on kuiv ja puhas.
	Elektroodide vahe on vale.	Puhastage süüteküünal. Veenduge, et süüteküünla elektroodide vahe oleks õige. Veenduge, et süüteküünal on paigaldatud koos raadiohäirete kaitsega.
		Teavet õige elektroodide vahe kohta vt <i>Tehnilised andmed lk 97</i> .
Süüteküünal	Süüteküünal on lahti.	Keerake süüteküünal kinni.

<b>Mootor käivitub, kuid seejärel seiskub</b>		
<b>Probleem</b>	<b>Võimalik põhjus</b>	<b>Soovitav toiming</b>
Kütusepaak	Vale kütusetüüp.	Tühjendage see ja kasutage õiget kütust.
Karburaator	Vale tühikäigu pöörete arv.	Reguleerige tühikäigu pöörete arvu. Vt jaotist <i>Tühikäigu pöörete arvu reguleerimine lk 93</i> . Vajaduse korral pöörduge oma hooldusesinduse poole.
Õhufilter	Ummistunud õhufilter.	Puhastage õhufilter.

<b>Lõiketera</b>		
<b>Probleem</b>	<b>Võimalikud põhjused</b>	<b>Soovitav toiming</b>
Lõiketerad liiguvad aeglaselt või ei liigu üldse.	Lõiketera on blokeeritud või kahjustatud.	Eemaldage lõikeosadelt võõrkehad. Vt jaotist <i>Lõiketerade puhastamine ja määrimine lk 95</i> . Teavet lõiketeralt kraadide eemaldamise kohta leiate jaotisest <i>Lõiketerade kontrollimine lk 95</i> . Kahjustatud lõiketera vahetage välja.
Lõiketera ei pöörle kergesti.	Lõiketera pole terav või on kahjustatud.	Teavet lõiketera teritamise kohta leiate jaotisest <i>Lõiketerade kontrollimine lk 95</i> . Kahjustatud lõiketera vahetage välja.
Lõiketera muutub kuumaks.	Terade vahel on hõõrdumine.	Eemaldage teralt kraadid ja määrige lõiketera. Vt jaotist <i>Lõiketerade puhastamine ja määrimine lk 95</i> .

## Transportimine, hoialepanek ja utiliseerimine

### Transportimine ja hoiustamine

- Enne toote hoiukohta panekut laske sellel alati jahtuda.
- Toote ja kütuse transportimisel ning hoiustamisel veenduge, et puuduvad lekked ja aurud. Elektriseadmetest või boileritest pärit sädemed ja lahtine leek võivad põhjustada tulekahju.

- Kütuse transportimiseks ja hoiustamiseks kasutage heakskiidetud mahuteid.
- Enne transportimist või pikemaks ajaks hoialepanemist tühjendage kütusepaak. Kõrvaldage kütus spetsiaalses jäätmejaamas.
- Transpordi ja hoialepaneku ajaks kinnitage transportkaitse.
- Eemaldage süüteküünla kate süüteküünalt.



- Kinnitage seade transpordi ajaks. Veenduge, et see ei pääseks liikuma.
- Enne pikaks ajaks hoiulepanekut puhastage ja hooldage toode.
- Kemikaalid (nt mootoriõli ja kütus) kõrvaldage hoolduskeskuses või spetsiaalses jäätmejaamas.
- Kui mootori eluiga on lõppenud, saatke mootor Husqvarna hoolduskeskusesse või laske kõrvaldada see ümbertöötlemiskeskuses.

## Utiliseerimine

- Järgige kohalikke jäätmekäitluseeskirju ja kehtivaid seadusi.

## Tehnilised andmed

### Tehnilised andmed

	322HD60
<b>Mootor</b>	
Silindri maht, cm <sup>3</sup>	21,7
Tühikäigukiirus, p/min	2900
Soovitatud max kiirus, p/min	9000
Mootori max võimsus ISO 8893 järgi, kW kiirusel p/min	0,6 kiirusel 7800
Katalüüsmuunduriga summuti	Jah
<b>Süütesüsteem</b>	
Süüteküünlal	HQT-4 672201
Elektroodi vahe, mm	0,5
<b>Kütus</b>	
Kütusepaagi maht, l/cm <sup>3</sup>	0,3/300
<b>Kaal</b>	
Kaal ilma kütuseta, kg	5,2
<b>Müratasemed</b> <sup>16</sup>	
Helivõimsuse tase, mõõdetud dB(A)	101
Helivõimsuse tase, garanteeritud L <sub>WA</sub> dB(A)	102
<b>Helitasemed</b> <sup>17</sup>	
Ekvivalentne helirõhutase kasutaja kõrva juures, mõõdetud EN ISO 22868 järgi, dB(A):	92
<b>Vibratsioonitase</b> <sup>18</sup>	

<sup>16</sup> Müraremissioon ümbritsevasse keskkonda, mõõdetud helivõimsuse tasemena (L<sub>WA</sub>) vastavalt EÜ direktiivile 2000/14/EÜ Toote antud helitase mõõdeti enim müra tekitava originaalsaagimiseadme kasutamisel. Eri- nevus garanteeritud ja mõõdetud helivõimsustaseme vahel seisneb selles, et direktiivi 2000/14/EÜ alusel hõlmab garanteeritud helivõimsustase ka mõõtmistulemuste dispersiooni ja kõrvalekaldeid sama mudeli erine- vate toodete vahel.

<sup>17</sup> Helirõhutaseme kohta toodud andmete statistiline dispersioon (standardhälve) on 1 dB(A).

<sup>18</sup> Vibratsioonitaseme kohta toodud andmete tüüpiline statistiline dispersioon (standardhälve) on 1 m/s<sup>2</sup>.

	<b>322HD60</b>
EN ISO 22867 järgi mõõdetud käepidemete ekvivalentsed vibratsioonitasemed ( $a_{hv,eq}$ ), m/s <sup>2</sup>	
Ees/taga, mm/s <sup>2</sup>	4,4/4,3
<b>Lõiketerad</b>	
Tüüp	Kahepoolne
Lõikamispikkus, mm	600
Lõikamiskiirus, lõiget/min	4400

# Vastavusdeklaratsioon

## EÜ vastavusdeklaratsioon

Husqvarna AB, SE-561 82 Huskvarna, Rootsi, tel: +46  
3614 6500, kinnitab ainuvastutusel, et toode:

<b>Kirjeldus</b>	Hekilõikur
<b>Kaubamärk</b>	Husqvarna
<b>Tüüp/mudel</b>	322HD60
<b>Identifitseerimine</b>	Seerianumbrid alates 2022. aastast ja hilisemad

vastab täielikult järgmistele EÜ direktiividele ja määrustele:

Määrus	Kirjeldus
2006/42/EÜ	„masinadirektiiv“
2014/30/EL	„elektromagnetilise ühilduvuse direktiiv“
2000/14/EÜ	„seadmete müra kohta käiv direktiiv“
2011/65/EL	„elektri- ja elektroonikaseadmetes teatavate ohtlike ainete kasutamise piiramise direktiiv“

ja et kohalduvad järgmised standardid ja/või tehnilised spetsifikatsioonid:

Rakendatud on järgmisi standardeid:

**EN ISO 12100:2010, EN ISO 10517:2019, EN IEC 63000:2018, EN ISO 14982:2009**

SMP Svensk Maskinprovning, Box 4053, SE-904 03 Umeå, Sweden on läbinud vabatahtliku tüübikontrolli kooskõlas 2006/42/EÜ IX lisaga.

SMP Svensk Maskinprovning, on samuti kinnitanud vastavust nõukogu direktiivi 2000/14/EÜ lisale V.

Lisateavet mürataseme kohta vt jaotisest *Tehnilised andmed lk 97*.

Huskvarna, 2023-07-10

Stefan Holmberg, uurimis- ja arendustegevuse juht,  
tehnoloogiahaldus, Husqvarna AB

Tehnilise dokumentatsiooni eest vastutaja



## Sisällys

Johdanto.....	100	Vianmääritys.....	111
Turvallisuus.....	101	Kuljettaminen, säilyttäminen ja hävittäminen.....	112
Käyttö.....	106	Tekniset tiedot.....	113
Huolto.....	108	Vaatumusten mukaisuusvakuutus.....	114

## Johdanto

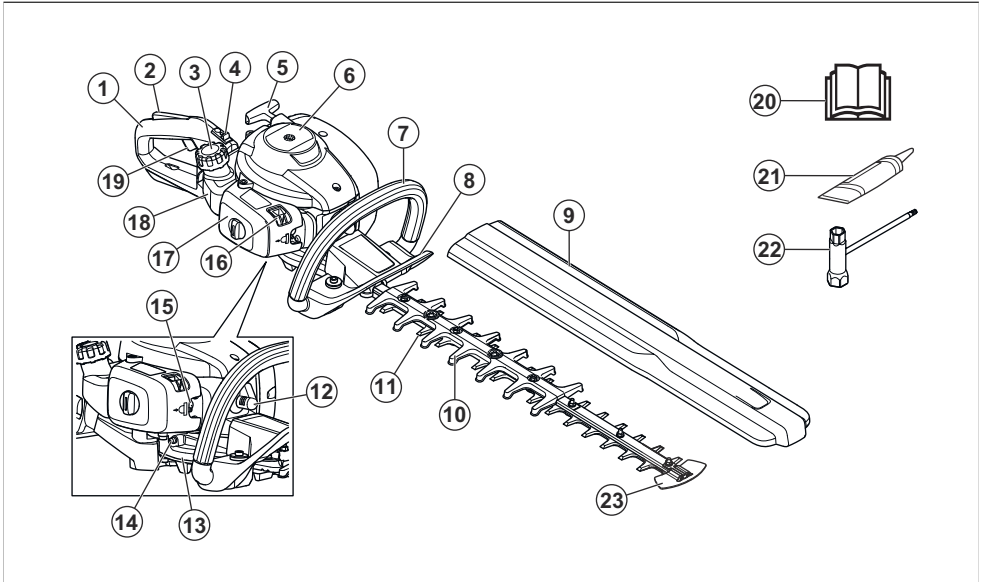
### Tuotekuvaus

Laitte on polttomoottorilla toimiva pensasleikkuri.

### Käyttötarkoitus

Käytä laitetta oksien ja risujen katkaisuun. Älä käytä laitetta muihin tehtäviin.

### Laitteen kuvaus



- |   |                               |
|---|-------------------------------|
| 1. Takakahva                              | 15. Polttoaineen ilmauspumppu |
| 2. Turvaliipaisimen varmistin             | 16. Rikastinvipu              |
| 3. Polttoainesäiliön korkki               | 17. Ilmansuodattimen kansi    |
| 4. Pysäytyskytkin                         | 18. Polttoainesäiliö          |
| 5. Käynnistysnarun kahva                  | 19. Turvaliipaisin            |
| 6. Sylinterin kotelo                      | 20. Käyttöohjekirja           |
| 7. Etukahva                               | 21. Rasvaputki                |
| 8. Kädensuojus                            | 22. Yhdistelmäavain           |
| 9. Kuljetussuojus                         | 23. Terän kärkisuojus         |
| 10. Laikansuojus                          |                               |
| 11. Terä                                  |                               |
| 12. Sytytystulpan suojus ja sytytystulppa |                               |
| 13. Vaihekotelo                           |                               |
| 14. Voitelunippa                          |                               |

### Tuotteen symbolit



**VAROITUS:** Tämä tuote on vaarallinen. Tuotteen huolimatonta tai virheellistä käyttöä voi aiheuttaa käyttäjälle tai sivullisille vammoja tai kuoleman. Käyttäjän ja

sivullisten vammojen välttämiseksi kaikki käyttöohjekirjan turvaohjeet on luettava ja niitä on noudatettava.



Lue käyttöohje huolellisesti ja varmista, että ymmärrät sen sisällön, ennen kuin alat käyttää tuotetta.



Käytä hyväksytyjä kuulonsuojaimia ja suojalaseja.



Käytä hyväksytyjä suojakäsineitä.



Käytä kestäviä luistamattomia jalkineita.

T

Joutokäynnin säätöruuvi.

H

Suurkierrosneula.

L

Matalakierrosneula.



Melupäästöt ympäristöön -tarra Euroopan parlamentin ja neuvoston direktiivin 2000/14/EY, Yhdistyneen kuningaskunnan direktiivien ja säädösten ja Uuden Etelä-Walesin lainsäädännön Protection of the Environment Operations (Noise Control) Regulation 2017 -asetuksen mukaisesti. Tuotteen taattu äänitehotaso on määritetty kohdassa *Tekniset tiedot sivulla 113* ja kilvessä.



Laite täyttää voimassa olevien EY-direktiivien vaatimukset.

yyyywwxxxx

Tyypikilvessä näkyy sarjanumero, jossa **yyyy** on valmistusvuosi ja **ww** on valmistusviikko.

**Huomautus:** Muita laitteen symboleita/tarroja tarvitaan joillakin markkina-alueilla ilmaisemaan sertifiointivaatimuksia.

## Euro V -päästöt



**VAROITUS:** Moottorin muokkaaminen mitätöi tuotteen EU-tyyppihväksynnän.

## Turvallisuus

### Turvallisuusmääritelmät

Varoituksia, huomioita ja huomautuksia käytetään, kun jotakin käyttöohjeen osaa halutaan erityisesti korostaa.



**VAROITUS:** Tätä käytetään, jos käyttöohjeen noudattamatta jättämisestä voi seurata käyttäjän tai sivullisen vamma tai kuolema.



**HUOMAUTUS:** Tätä käytetään, jos käyttöohjeen noudattamatta jättämisestä voi seurata koneen, muiden materiaalien tai ympäristön vaurioituminen.

**Huomautus:** Tätä käytetään tietyissä tilanteissa tarvittavien lisätietojen antamiseen.

### Yleiset turvallisuusohjeet



**VAROITUS:** Lue seuraavat varoitukset ennen tuotteen käyttöä.

- Tuote voi virheellisesti tai huolimattomasti käytettynä olla vaarallinen työväline, joka voi aiheuttaa vakavan tai jopa hengenvaarallisen tapaturman. On erittäin tärkeää, että luet ja ymmärrät tämän käyttöohjeen sisällön.
- Tuote muodostaa käytön aikana sähkömagneettisen kentän. Kenttä saattaa joissakin olosuhteissa häiritä aktiivisten tai passiivisten lääketieteellisten implanttien toimintaa. Vakavien tai hengenvaarallisten tapaturmien ehkäisemiseksi kehotamme lääketieteellisiä implanteja käyttäviä henkilöitä neuvottelemaan lääkärin ja lääketieteellisen implantin valmistajan kanssa ennen laitteen käyttämistä.

- Liiallinen altistuminen tärinöille saattaa aiheuttaa verisuoni- tai hermovaurioita verenkiertohäiriöistä kärsiville henkilöille. Hakeudu lääkäriin, jos havaitset oireita, jotka voivat liittyä liialliseen tärinöille altistumiseen. Esimerkkejä tällaisista oireista ovat puutuminen, tunnottomuus, kutina, pistely, kipu, voimattomuus tai heikkous sekä ihon värin tai pinnan muutokset. Näitä oireita esiintyy tavallisesti sormissa, käsissä tai ranteissa. Riski kasvaa alhaisissa lämpötiloissa.
- Jos olet epävarma mistään laitteen käyttöön liittyvästä asiasta, kysy neuvoa asiantuntijalta. Käännä jälleennympään tai huoltoosaston puoleen. Älä tee mitään sellaista, mihin et katso taitojesi riittävän.
- Käytetty äänenvaimennin/kipinänsammutin ja kipinänsammuttimen kiinnityspinta voivat sisältää mahdollisesti karsinogeenisiä pakokaasuhiukkasia. Vältä näille yhdisteille altistumista, kun käsittelet äänenvaimenninta ja/tai kipinänsammutinta. Ennen äänenvaimentimen ja/tai kipinänsammuttimen käsittelyä, katso kohta *Äänenvaimentimen tarkistaminen sivulla 104*.
- Muista, että käyttäjä on vastuussa muille ihmisille tai heidän omaisuudelleen aiheutuneista vahingoista tai niistä uhkaavista vaaroista.
- Älä koskaan anna kenenkään käyttää tuotetta varmistamatta ensin, että käyttäjä on ymmärtänyt käyttöohjeen sisällön.
- Älä anna koskaan lasten käyttää laitetta tai oleskella sen läheisyydessä. Koska tuotteessa on jousipalautteinen pysäytyskytkin ja se voidaan käynnistää käynnistyskahvasta alhaisella nopeudella ja voimalla, myös pienten lasten voima voi tietyissä olosuhteissa riittää tuotteen käynnistämiseen. Tämä voi johtaa vakaviin henkilövahinkoihin. Irrota sen vuoksi sytytystulpan suojus aina, kun laitetta ei valvota.
- Säilytä laite lasten ulottumattomissa.
- Älä koskaan käytä tuotetta, jos olet väsynyt, nauttinut alkoholia tai käyttänyt lääkkeitä, jotka voivat vaikuttaa näkökykyysi, harkintakykyysi tai kehosi hallintaan.
- Älä koskaan käytä viallista laitetta. Noudata tässä käyttöohjeessa annettuja kunnossapito-, tarkastus- ja huolto-ohjeita. Tietyt kunnossapito- ja huoltotyöt on annettava koulutettujen ja pätevien asiantuntijoiden tehtäviksi. Lisätietoja on kohdassa Kunnossapito.
- Älä koskaan käytä tuotetta, jota on muutettu niin, ettei sen rakenne enää ole alkuperäinen.
- Virheelliset terät voivat lisätä onnettomuuksien vaaraa.
- Huolehdi siitä, että ihmiset ja eläimet ovat työn aikana vähintään 15 metrin päässä laitteesta.
- Tarkkaile ympäristöä ja varmista, ettei terälaitte pääse osumaan ihmisiin tai eläimiin.
- Tarkista työskentelyalue. Poista kaikki esineet, jotka voivat sinkoutua ilmaan.
- Varmista, että seisot turvallisessa ja tukevassa työskentelyasennossa.
- Älä koskaan jätä konetta ilman valvontaa moottorin käydessä.
- Huolehdi, etteivät kädet ja jalat koske leikkuulaitteeseen, kun moottori on käynnissä.
- Jos teriin tarttuu jotakin työskentelyn aikana, sammuta moottori ja odota, että se pysähtyy kokonaan, ennen kuin alat puhdistaa teriä. Irrota sytytystulpan suojus sytytystulpasta.
- Kun moottori on pysäytetty, pidä kädet ja jalat etäällä leikkuulaitteesta, kunnes se on täysin pysähtynyt.
- Varo oksanpätkiä, joita voi sinkoutua ilmaan leikkuaan aikana.
- Tarkkaile aina varoitussignaaleja ja -huutoja kuulonsuojaimia käyttäessäsi. Riisu kuulonsuojaimet välittömästi moottorin pysäytyksen jälkeen.
- Älä koskaan työskentele tikkailla tai muulta huonosti kiinnitetyltä korkealta paikalta.
- Pidä laitteesta aina molemmin käsin kiinni. Pidä laite edessäsi.
- Jos laite osuu johonkin esineeseen tai alkaa tärähtää, pysäytä laite välittömästi. Irrota sytytystulpan suojus sytytystulpasta. Tarkista, onko laite vaurioitunut. Korjaa mahdolliset vauriot.
- Ehkäise sähköiskuja varmistamalla, sytytystulppa ja sytytysjohdin ovat vahingoittumattomat.
- Tarkista, että kaikki mutterit ja ruuvit on kiristetty.
- Varmista, että vaihdelaatikon on voideltu asianmukaisesti. Katso kohta *Vaihdelaatikon voitelemine sivulla 111*.
- Vaihdelaatikko kuumenee laitetta käytettäessä. Älä koske vaihdelaatikkoon, sillä se aiheuttaa palovammoja.
- Kaikkien koteloiden ja suojusten on oltava asennettuina ennen käynnistystä.
- Jos terät jäävät jumiin, ne saa löysäytyä viemällä yhdistelmäavaimen vaihdelaatikon sisään. Työnnä yhdistelmäavaimen vaihdelaatikkoon ja käännä sitä edestakaisin. Katso kohta *Terien tarkistaminen sivulla 111*.
- Kuljetussuojus on aina asetettava leikkuulaitteeseen, kun laitetta ei käytetä.

## Turvallisuusohjeet käyttöä varten



**VAROITUS:** Lue seuraavat varoitussuhteet ennen laitteen käyttämistä.

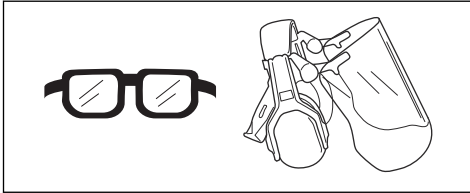
- Älä koskaan käytä laitetta äärimmäisissä ilmastolosuhteissa, kuten kovassa pakkasessa tai erittäin lämpimässä ja/tai kosteassa ilmastossa.



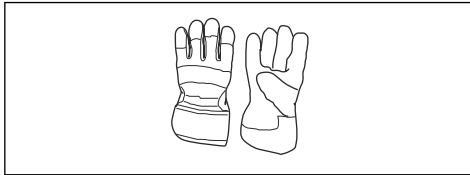
## Henkilökohtainen suojavarustus

**VAROITUS:** Lue seuraavat varoitussuhteet ennen koneen käyttämistä.

- Käytä aina hyväksytyjä henkilökohtaisia suojarusteita, kun käytät laitetta. Henkilökohtaiset suojarusteet eivät poista tapaturmien vaaraa, mutta ne lieventävät vammoja onnettomuustilanteessa. Anna jälleenmyyjän auttaa oikeiden varusteiden valinnassa.
- Käytä riittävän tehokkaasti vaimentavia hyväksytyjä kuulonsuojaimia. Pitkäaikainen altistuminen melulle saattaa aiheuttaa pysyviä kuulovammoja.
- Käytä hyväksytyjä silmäsuojaimia. Visiiriä käytettäessä on käytettävä myös hyväksytyjä suojalaseja. Hyväksytyillä suojalaseilla tarkoitetaan laseja, jotka täyttävät standardin ANSI Z87.1 (Yhdysvallat) tai EN 166 (EU-maat) vaatimukset.



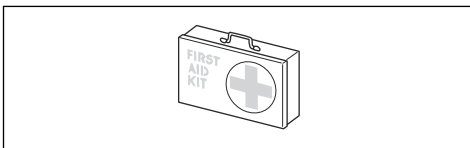
- Käytä käsineitä tarvittaessa esimerkiksi terävarustuksen asennuksen, tarkastuksen ja puhdistuksen aikana.



- Käytä luistamattomia ja tukevia saappaita tai kenkiä.



- Käytä lujasta materiaalista valmistettuja vaatteita. Käytä aina vahvakankaisia pitkiä housuja ja pitkähihaista takkia. Vältä liian löysiä vaatteita, jotka tarttuvat helposti risuihin ja oksiiin. Älä pidä koruja, shortseja tai sandaaleja. Älä myöskään kulje paljain jaloin. Sido hiukset turvallisesti olkapäiden yläpuolelle.
- Pidä ensiaputarvikkeet helposti saatavilla.



## Tuotteen turvalaitteet

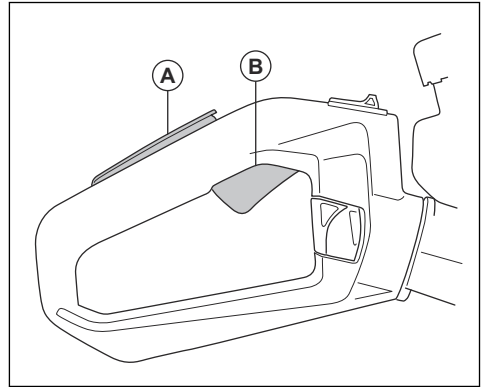


**VAROITUS:** Lue seuraavat varoitukset ennen tuotteen käyttöä.

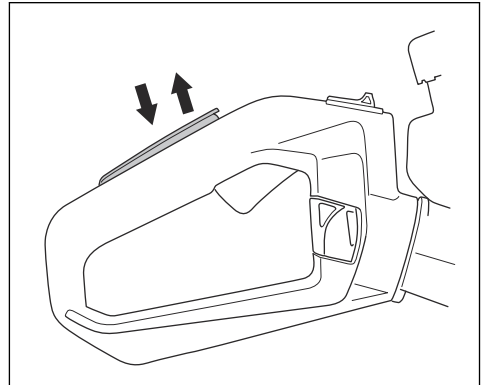
- Älä käytä tuotetta vahingoittuneiden tai viallisten turvalaitteiden kanssa.
- Tarkasta turvalaitteet säännöllisesti. Jos turvalaitteet ovat vahingoittuneet tai eivät toimi oikein, ota yhteys Husqvarna-huoltoliikkeeseen.
- Älä tee muutoksia turvalaitteisiin.

## Turvalliipaisimen varmistimen tarkistaminen

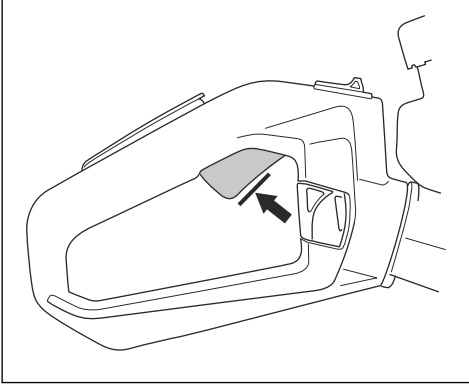
1. Tarkista, että turvalliipaisimen varmistin (A) ja turvalliipaisin (B) liikkuvat vapaasti ja että palautusjousi toimii oikein.



2. Paina turvalliipaisimen varmistin alas ja varmista, että se palautuu vapautettaessa lähtöasentoonsa.



3. Vapauta turvaliipaisimen varmistin ja varmista, että kaasuliipaisin on lukittu joutokäyntiasentoon.



4. Käynnistä moottori ja käytä täyttää kaasua.
5. Vapauta turvaliipaisin ja tarkista, että terät pysähtyvät kokonaan.



**VAROITUS:** Jos terät liikkuvat kaasuliipaisimen ollessa joutokäyntiasennossa, säädä joutokäyntiä. Katso *Joutokäyntinopeuden säätö sivulla 109.*

#### Pysäyttimen tarkistaminen

1. Käynnistä moottori.
2. Siirrä pysäytin pysäytysasentoon ja varmista, että moottori sammuu.



**VAROITUS:** Pysäytin palaa automaattisesti käynnistysasentoon. Estä tahaton käynnistys irrottamalla sytytystulpan suojus sytytystulpasta asennuksen tai huollon ajaksi.

#### Kädensuojuksen tarkistaminen

Kädensuojus estää käsiä terien aiheuttamia vammoja.

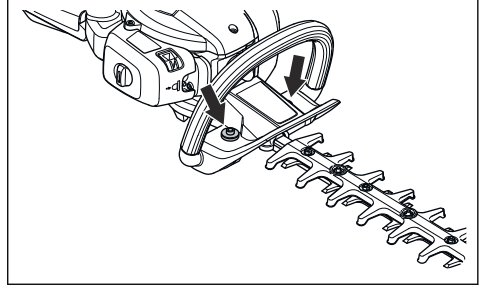
1. Pysäytä moottori.
2. Varmista, että kädensuojus on kiinnitetty oikein paikalleen.
3. Tarkista kädensuojus vaurioiden varalta.

#### Tärinänvaimennusjärjestelmän tarkistaminen

Tärinänvaimennusjärjestelmä vähentää kahvojen tärinää. Laitteen rungon ja kahvaston väliin on sijoitettu tärinänvaimennuselementtejä.

1. Tarkista silmämääräisesti, onko vääntymiä tai vaurioita,

2. Tarkista, että tärinänvaimentimet on kiinnitetty oikein.



#### Äänenvaimentimen tarkistaminen



**VAROITUS:** Älä käytä tuotetta, jos äänenvaimennin on vaurioitunut tai puuttuu kokonaan. Viallinen äänenvaimennin nostaa melutasoa ja lisää tulipalon riskiä. Pidä palonsammutusvälineet saatavilla. Jos alueella on oltava kipinänsammutusverkko, älä käytä tuotetta ilman kipinänsammutusverkkoa tai rikkinäisen kipinänsammutusverkon kanssa.



**VAROITUS:** Äänenvaimentimet kuumentuvat huomattavasti käytön aikana ja sen jälkeen, myös joutokäyntinopeudella.



**HUOMAUTUS:** Jos kipinänsammutusverkko tukkeutuu usein, se voi olla merkki katalysaattorin toiminnan heikentymisestä. Ota yhteyttä huoltoilikkeeseen äänenvaimentimen tarkistusta varten. Tukkeutunut kipinänsammutusverkko saa laitteen ylikuumenemaan, mistä seuraa sylinteri- ja mäntävaurioita.



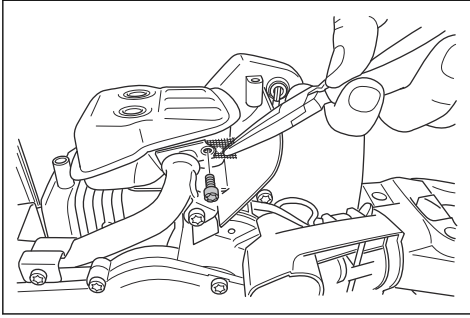
**VAROITUS:** Äänenvaimentimen sisäpinnat sisältävät kemikaaleja, jotka voivat aiheuttaa syöpää. Varo koskemasta näihin osiin, jos äänenvaimennin on vaurioitunut.

Äänenvaimennin pitää äänitason mahdollisimman alhaisena ja ohjaa moottorin pakokaasut käyttäjästä pois päin. Katalysaattorilla varustettu äänenvaimennin vähentää lisäksi pakokaasujen haitallisia aineita.

1. Pysäytä moottori.
2. Tarkista silmämääräisesti, onko vaurioita tai vääntymiä.
3. Varmista, että äänenvaimennin on kiinnitetty oikein tuotteeseen.



#### 4. Puhdista kipinänsammutusverkko teräsharjalla.



#### Terien ja teränsuojuksen tarkistaminen

Terien ulkoreuna toimii teränsuojuksena. Teränsuojus estää viiltovammoja.

1. Sammuta moottori ja varmista, että terät pysähtyvät.
2. Irrota sytytystulpan suojus sytytystulpasta.
3. Käytä suojakäsineitä.
4. Varmista, että terä ja teränsuojus ovat ehjiä ja etteivät ne ole vaurioituneet tai vääntyneet. Vaihda aina taipunut tai vaurioitunut terä ja vaurioitunut teränsuojus.
5. Varmista, että terien ja teränsuojuksen ruuvit ovat tiukasti kiinni.

#### Polttoaineturvallisuus



**VAROITUS:** Lue seuraavat varoitusohjeet ennen koneen käyttämistä.

- Älä käynnistä laitetta, jos sen päällä on polttoainetta tai moottoriöljyä. Poista ylimääräinen polttoaine tai öljy ja anna laitteen kuivua.
- Jos olet läikyttänyt polttoainetta vaatteillesi, vaihda vaatteet heti.
- Varo, ettei iholle pääse polttoainetta, sillä se voi aiheuttaa vamman. Jos ihollesi joutuu polttoainetta, pese se pois vedellä ja saippualla.
- Älä käynnistä laitetta, jos moottori vuotaa. Tarkista moottori säännöllisesti vuotojen varalta.
- Käsittele polttoainetta varoen. Polttoaine on syttyvää ja kaasut ovat räjähdysherkkiä, mikä voi aiheuttaa tapaturman tai kuoleman.
- Älä hengitä polttoainehöyryjä, sillä ne voivat aiheuttaa vamman. Varmista, että ilmanvirtaus on riittävä.
- Älä tupakoi polttoaineen tai moottorin lähistöllä.

- Älä sijoita lämpimiä esineitä polttoaineen tai moottorin lähelle.
- Älä lisää polttoainetta, kun moottori on käynnissä.
- Varmista ennen polttoaineen lisäämistä, että moottori on jäähtynyt.
- Ennen kuin lisäät polttoainetta, avaa polttoainesäiliön korkki hitaasti ja vapauta paine varovasti.
- Älä lisää polttoainetta moottoriin sisätilassa. Jos ilmanvirtaus ei ole riittävä, tukehtuminen tai hiilimonoksidin hengittäminen voi aiheuttaa vamman tai kuoleman.
- Kiristä polttoainesäiliön korkki tiukasti. Polttoainesäiliön korkin riittämätön kiristys aiheuttaa tulipalovaaran.
- Siirrä laite ennen käynnistystä vähintään 3 metrin päähän paikasta, jossa lisäsit polttoainetta.
- Älä täytä polttoainesäiliötä täyteen. Kuumuus saa polttoaineen laajenemaan. Jätä polttoainesäiliön päälle tyhjää tilaa.

#### Turvaohjeet huoltoa varten



**VAROITUS:** Lue seuraavat varoitusohjeet ennen laitteen käyttämistä.

- Sammuta moottori ja varmista, että terälaite pysähtyy. Anna laitteen jäähtyä ennen kuin alat tehdä huoltotoimenpiteitä.
- Irrota sytytystulpan suojus ennen huoltoa.
- Moottorin pakokaasut sisältävät hiilimonoksidia, joka on hajuton, myrkyllinen ja erittäin vaarallinen kaasu, joka voi aiheuttaa kuoleman. Älä käytä laitetta sisällä tai suljetussa tilassa.
- Moottorin pakokaasu on kuumaa ja voi sisältää kipinöitä. Älä käytä laitetta sisätiloissa tai lähellä herkästi syttyvää materiaalia.
- Lisävarusteet ja muut kuin valmistajan hyväksymät muutokset laitteeseen voivat aiheuttaa vakavan vamman tai kuoleman. Älä tee laitteeseen muutoksia. Käytä aina alkuperäisiä lisävarusteita.
- Jos laitetta ei ole huollettu asianmukaisesti ja säännöllisesti, tapaturmien ja laitteen vaurioitumisen vaara kasvaa.
- Huolla laite ainoastaan käyttöohjekirjassa annettujen ohjeiden mukaisesti. Anna valtuutetun Husqvarna-huolto liikkeen tehdä kaikki muut huoltotyöt.
- Anna valtuutetun Husqvarna-huolto liikkeen huoltaa laite säännöllisesti.
- Vaihda vaurioituneet, kuluneet tai rikkoutuneet osat.

# Käyttö

## Johdanto



**VAROITUS:** Lue ja sisäistä turvallisuutta käsittelevä luku ennen laitteen käyttöä.

## Polttoaine

Tässä laitteessa on kaksitahtimoottori.



**HUOMAUTUS:** Vääräntyyppinen polttoaine voi vaurioittaa moottoria. Käytä bensiiniin ja kaksitahtiöljyn seosta.

## Valmis polttoainesekoitus

- Käytä valmiiksi sekoitettua Husqvarna-alkylaattibensiiniä, sillä se takaa parhaan suorituskyvyn ja pidentää moottorin käyttöikää. Tällainen polttoaine sisältää tavallista polttoainetta vähemmän haitallisia kemikaaleja, mikä vähentää haitallisia pakokaasuja. Tällaisesta polttoaineesta jää vähemmän karstaa polton jälkeen, jolloin moottorin osat pysyvät puhtaampina.

## Polttoaineen sekoittaminen

### Bensiini

- Käytä korkealaatuista lyijytöntä bensiiniä, jossa on enintään 10 % etanolia.



**HUOMAUTUS:** Älä käytä bensiiniä, jonka oktaaniluku on pienempi kuin 90 RON / 87 AKI. Jos oktaaniluku on pienempi, moottori voi alkaa nakuttaa, mikä vaurioittaa moottoria.

### Kaksitahtiöljy

- Käytä Husqvarna-kaksitahtiöljyä, sillä se takaa parhaat tulokset ja suorituskyvyn.
- Jos Husqvarna-kaksitahtiöljyä ei ole saatavilla, voidaan käyttää jotakin muuta ilmajähdytteisille moottoreille tarkoitettua korkealaatuista kaksitahtiöljyä. Kysy huoltoilikkeestä ohjeita oikean öljyn valintaan.



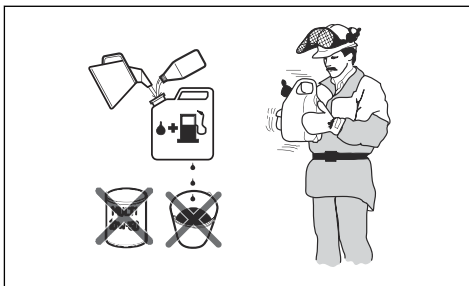
**HUOMAUTUS:** Älä käytä vesijähdytteisille ulkolaitamoottoreille tarkoitettua kaksitahtiöljyä. Älä käytä nelitahtimoottoreille tarkoitettua öljyä.

## Bensiinin ja kaksitahtiöljyn sekoitus

Bensiini, litraa	Kaksitahtiöljy, litraa
	<b>2 % (50:1)</b>
5	0,10
10	0,20
15	0,30
20	0,40



**HUOMAUTUS:** Kun polttoainetta sekoitetaan pieniä määriä, pienikin mittausvirhe voi vaikuttaa sekoitussuhteeseen suuresti. Mittaa öljymäärä huolellisesti ja varmista, että seoksen suhde on oikea.



- Lisää puhtaaseen polttoainesäiliöön puolet bensiinin kokonaismäärästä.
- Lisää koko öljymäärä.
- Ravista polttoaineseosta.
- Lisää loput bensiinistä säiliöön.
- Ravista polttoaineseosta huolellisesti.



**HUOMAUTUS:** Sekoita korkeintaan yhden kuukauden polttoaineet kerrallaan.

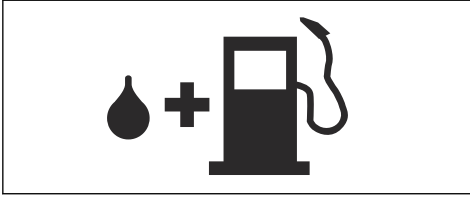
## Polttoainesäiliön täyttö



**VAROITUS:** Noudata seuraavia turvallisuustoimenpiteitä.

- Sammuta moottori ja anna sen jäähtyä.

2. Pyyhi polttoainesäiliön korkin ympäristö puhtaaksi.



3. Ravista kannua ja varmista, että polttoaine on sekoittunut kokonaan.
4. Vapauta polttoainesäiliöstä painetta avaamalla polttoainesäiliön korkki hitaasti.
5. Täytä polttoainesäiliö.



**HUOMAUTUS:** Varmista, että polttoainesäiliössä ei ole liikaa polttoainetta. Polttoaine laajenee lämmitessään.

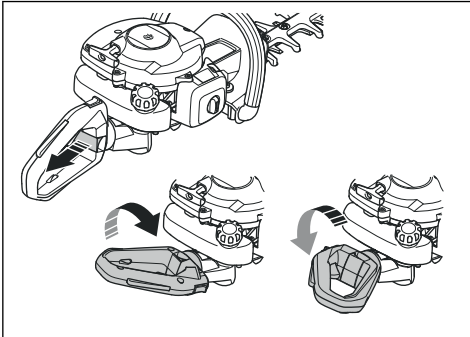
6. Kiristä polttoainesäiliön korkki tiukasti.
7. Puhdista polttoaineroiskeet laitteen päältä ja ympäriltä.
8. Siirrä laite vähintään 3 metrin päähän polttoaineen lisäämis- ja säilytyspaikalta ennen käynnistämistä.

**Huomautus:** Laitteen polttoainesäiliön paikka kerrotaan kohdassa *Johdanto sivulla 100*.

## Kahvan säätäminen

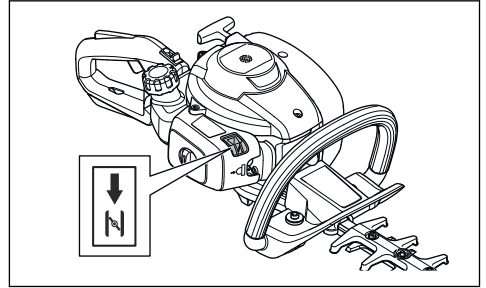
Takakahvan voi säätää kolmeen eri asentoon.

- Vapauta kahvan lukitus ja käännä kahvaa.



## Laitteen käynnistäminen moottorin ollessa kylmä

1. Siirrä rikastinvipu rikastusasentoon.



2. Paina polttoainepumppua noin 6 kertaa tai kunnes polttoainetta menee pumppuun. Polttoaineen ilmauspumppua ei tarvitse täyttää kokonaan.
3. Paina laitteen runkoa maata vasten vasemmalla kädellä. Älä astu laitteen päälle.
4. Vedä käynnistysnarun kahvaa hitaasti oikealla kädellä, kunnes tunnet vastuksen. Vedä sitten käynnistysnarun kahvaa nopeasti ja voimakkaasti.



**VAROITUS:** Älä kiedo käynnistysnarua kätesi ympärille.



**HUOMAUTUS:** Älä vedä käynnistysnarua loppuun asti, äläkä päästä irti käynnistysnarun kahvasta.

5. Jatka käynnistysnarun kahvasta vetämistä, kunnes moottori sytyttää, ja paina rikastin alkuperäiseen asentoonsa.



**VAROITUS:** Terät liikkuvat, kun moottori käynnistyy.

6. Jatka käynnistysnarun kahvasta vetämistä, kunnes moottori käynnistyy.
7. Aseta moottori joutokäyntinopeudelle painamalla ja vapauttamalla kaasuliipaisin.
8. Lisää moottorin käyntinopeutta painamalla turvaliipaisinta vähitellen.
9. Varmista, että moottori käy tasaisesti.

## Laitteen käynnistäminen moottorin ollessa kuuma

1. Paina laitteen runkoa maata vasten vasemmalla kädellä. Älä astu laitteen päälle.
2. Vedä käynnistysnarun kahvaa hitaasti oikealla kädellä, kunnes tunnet vastuksen. Vedä sitten käynnistysnarun kahvaa nopeasti ja voimakkaasti. Jatka, kunnes moottori käynnistyy.

**Huomautus:** Lisätietoja laitteen käynnistämisestä on kohdassa *Laitteen käynnistäminen moottorin ollessa kylmä sivulla 107.*

### Laitteen pysäyttäminen

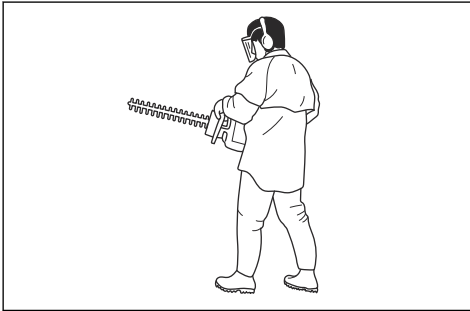
- Sammuta moottori siirtämällä pysäytyskytkin pysäytysasentoon.



**HUOMAUTUS:** Pysäytin palaa automaattisesti käyttöasentoon.

### Laitteen käyttö

1. Käynnistä lähellä maata ja nosta laitetta aitaan pitkin leikatessasi sivuja. Pidä huolta, ettei laitteen runko kosketa aitaan.



**VAROITUS:** Pidä huolta, ettei terälaitteen kärki kosketa maahan.

2. Säädä nopeutta työmäärän mukaan.
3. Pidä laite mahdollisimman lähellä kehoasi, jotta voit työskennellä tasapainoisessa asennossa.
4. Ole varovainen ja käytä laitetta hitaasti.

## Huolto

### Johdanto



**VAROITUS:** Lue ja sisäistä turvallisuutta käsittelevä luku ennen laitteen huoltamista.

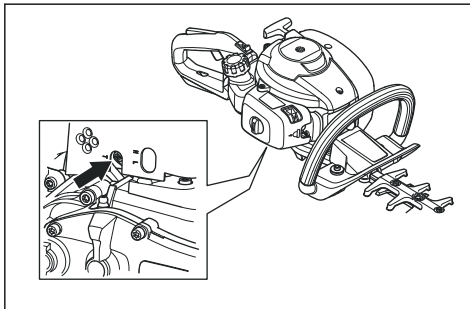
### Huoltokaavio

Huolto	Ennen käyttöä	40 h jäl-keen	100 h jäl-keen
Puhdista ulkopinta.		Jokaisen käytön jälkeen.	
Puhdista äänenvaimennin, pakoputki ja moottori lehdistä, liasta ja liasta voiteluaineesta.		Jokaisen käytön jälkeen.	
Varmista, ettei leikkuulaite liiku joutokäyntinopeudella.	X		
Tarkista pysäytyskytkin. Katso kohdasta <i>Pysäyttimen tarkistaminen sivulla 104.</i>	X		
Tarkista leikkuulaite vaurioiden ja halkeamien varalta. Vaihda, jos vaurioita on.	X		
Tarkista kädensuojus vaurioiden ja halkeamien varalta. Vaihda, jos vaurioita on.	X		
Tarkista turvaliipaisimen varmistin ja turvaliipaisin. Katso kohdasta <i>Turvaliipaisimen varmistimen tarkistaminen sivulla 103.</i>	X		

Huolto	Ennen käyttöä	40 h jälkeen	100 h jälkeen
Tarkista moottori, polttoainesäiliö ja polttoaineletku vuotojen varalta.	X		
Kiristä mutterit ja ruuvit.	X		
Tarkista käynnistin ja käynnistysnaru vaurioiden varalta.		X	
Tarkista, että terien kiinnitysruuvit on kiristetty oikein.		X	
Puhdista ilmansuodatin. Puhdista useammin, jos laitetta käytetään pölyisillä alueilla. Vaihda, jos vaurioita on.		X	
Tarkista tärinänvaimennuselementit vaurioiden ja halkeamien varalta. Vaihda, jos vaurioita on.		X	
Puhdista sytytystulpan ulkopinta ja sen ympäristö. Irrota sytytystulppa ja mittaa kärkiväli. Säädä kärkiväli tai vaihda sytytystulppa. Katso kohdasta <i>Sytytystulpan tarkistus sivulla 110</i> .		X	
Puhdista jäähdytysjärjestelmä.		X	
Puhdista kaasuttimen ulkopinta ja sen ympäristö.		X	
Tarkista polttoainesuodatin likaantumisen ja polttoaineletku halkeamien tai muiden vaurioiden varalta. Vaihda, jos vaurioita on.			X
Puhdista äänenvaimentimen kipinänsammutusverkko. Vaihda, jos se on vioittunut.			X
Puhdista polttoainesäiliö sisäpuolelta.			X
Vaihda sytytystulppa.			X
Tarkista kytkimen, kytkinjousen ja kytkinrummun kuluminen. Anna huoltoliikkeen vaihtaa vaurioituneet osat.			X
Varmista, että vaihde on täytetty rasvalla.			X
Tarkista kaikki kaapelit ja liitännät.			X

## Joutokäyntinopeuden säätö

1. Puhdista ilmansuodatin ja asenna ilmansuodattimen kansi.
2. Käynnistä laite. Katso kohta *Laitteen käynnistäminen moottorin ollessa kylmä sivulla 107*.
3. Kierrä T-ruuvia ensin myötäpäivään, kunnes leikkuulaite alkaa liikkua.



4. Kierrä joutokäyntiruuvia vastapäivään, kunnes leikkuulaite pysähtyy.



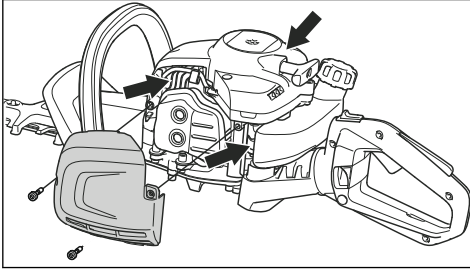
**VAROITUS:** Jos leikkuulaite ei pysähdy, kun säädät joutokäyntinopeutta, ota yhteyttä lähimpään huoltoliikkeeseen. Älä käytä laitetta, ennen kuin se on säädetty oikein tai korjattu.

**Huomaus:** Joutokäyntinopeus on oikea, kun moottori käy tasaisesti kaikilla asennoilla. Katso suositeltu joutokäyntinopeus kohdasta *Tekniset tiedot sivulla 113*.

## Jäähdytysjärjestelmän puhdistus

Jäähdytysjärjestelmä pitää moottorin lämpötilan alhaisena. Jäähdytysjärjestelmään kuuluvat sylinterin

jäähdytysrivat, sylinterin kotelo ja jäähdytysilma-aukko kampikammion läpi.



**HUOMAUTUS:** Lehdet tukkivat helposti polttoainesäiliön ja kampikammion välissä olevan ilmanottoaukon. Puhdista ilmanottoaukko kokonaan.

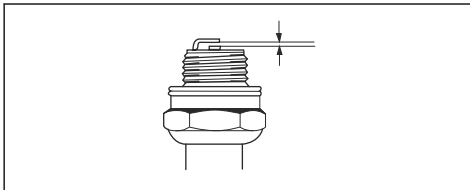
1. Puhdista jäähdytysjärjestelmä harjalla viikoittain tai tarvittaessa useammin.
2. Varmista, ettei jäähdytysjärjestelmä ole likainen tai tukossa.

## Sytytystulpan tarkistus



**HUOMAUTUS:** Käytä aina suositeltua sytytystulppaa. Väärä sytytystulpan tyyppi saattaa vaurioittaa tuotetta.

- Tarkista sytytystulppa, jos moottorin teho on heikko, moottoria on vaikea saada käyntiin tai se ei toimi oikein joutokäyntinopeudella.
- Ehkäise ylimääräisen materiaalin joutuminen sytytystulpan elektrodeihin noudattamalla seuraavia ohjeita:
  - a) Varmista, että joutokäyntinopeus on säädetty oikein.
  - b) Varmista, että polttoaineseos on oikea.
  - c) Varmista, että ilmansuodatin on puhdas.
- Jos sytytystulppa on karstoittunut, puhdista se ja tarkista samalla, että kärkiväli on oikea. Katso *Tekniset tiedot sivulla 113*.



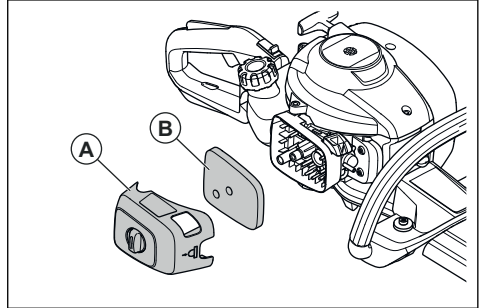
- Vaihda sytytystulppa tarvittaessa.

## Ilmansuodattimen puhdistaminen –

Puhdista ilmansuodatin säännöllisesti liasta ja pölystä. Tämä ehkäisee kaasuttimen toimintahäiriöitä, käynnistysongelmia, moottorin tehon menetystä,

moottorin osien kulumista ja polttoaineenkulutuksen kasvua.

1. Irrota ilmansuodattimen kansi (A).
2. Irrota suodatin (B) suodattimen kehyksestä.



3. Pese suodatin lämpimällä saippuavedellä.

**Huomautus:** Pitkään käytössä ollut ilmansuodatinta ei voi koskaan puhdistaa täysin puhtaaksi. Vaihda ilmansuodatin säännöllisin väliajoin, ja vaihda viallinen ilmansuodatin aina uuteen.

4. Varmista, että suodatin on kuiva.
5. Levitä ilmansuodattimeen öljyä. Katso kohdasta *Öljyn levitys vaahtomuovisuodattimeen sivulla 110*
6. Puhdista suodattimen kannen sisäpinta. Käytä paineilmaa tai harjaa.

## Öljyn levitys vaahtomuovisuodattimeen

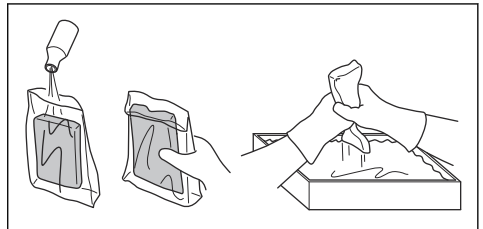


**HUOMAUTUS:** Käytä aina Husqvarna-erikoisilmansuodatinöljyä. Älä käytä muita öljytyyppejä.



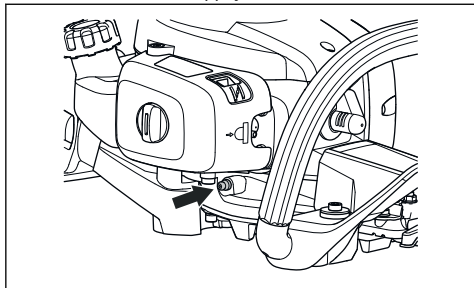
**VAROITUS:** Käytä suojakäsineitä. Ilmansuodatinöljy voi aiheuttaa ihoärsytystä.

1. Siirrä vaahtomuovisuodatin muovipussiin.
2. Kaada öljy muovipussiin.
3. Hiero muovipussia, jotta öljy levittyy tasaisesti koko vaahtomuovisuodattimeen.
4. Paina ylimääräinen öljy muovipussissa olevasta vaahtomuovisuodattimesta.



## Vaihdetönelon voiteleminen

- Käytä Husqvarna-erikoisrasvaa. Lisätietoja suosittelusta rasvasta saat huoltoliikkeestä.
- Lisää rasva voitelunippojen kautta.



**HUOMAUTUS:** Älä täytä vaihdetöneloa kokonaan.

## Terien puhdistaminen ja voiteleminen

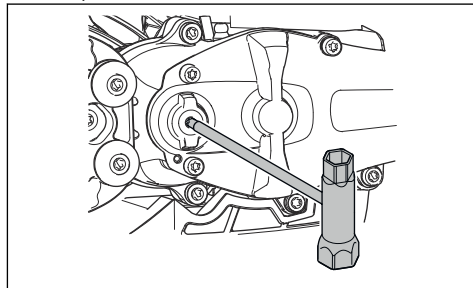
1. Puhdista terät ylimääräisistä materiaaleista ennen laitteen käyttöä ja käytön jälkeen.

2. Voitele terät ennen pidempiaikaista säilytystä.

**Huomautus:** Lisätietoja suositteluista puhdistus- ja voiteluaineista saat huoltoliikkeestä.

## Terien tarkistaminen

1. Irrota vaihteen kansi.
2. Varmista, että terät liikkuvat vapaasti. Laita yhdistelmäavain vaihteeseen ja käännä myötä- ja vastapäivään.



3. Tutki terien särmät vaurioiden ja vääntymien varalta.
4. Viilaa terien jäysteet pois.

## Vianmääritys

### Vianmääritys

Moottori ei käynnisty		
Vika	Mahdollinen syy	Suosittelava vaihe
KytKentäkynnet	KytKentäkynnet eivät pääse liikkumaan vapaasti.	Säädä tai vaihda kytKentäkynnet.
		Puhdista kytKentäkynsien ympärillä oleva alue.
		Ota yhteyttä valtuutettuun huoltoliikkeeseen.
Polttoainesäiliö	Väärä polttoainetyyppi.	Tyhjennä se ja käytä oikeanlaista polttoainetta.
Kaasutin	Virheellinen joutokäyntinopeus.	Säädä joutokäyntinopeutta.
Ei kipinä	Sytytystulppa on likainen tai märkä.	Varmista, että sytytystulppa on kuiva ja puhdas.
	Virheellinen kärkiväli.	Puhdista sytytystulppa. Tarkista, että sytytystulpan kärkiväli on oikea. Varmista, että sytytystulppa on varustettu häiriösuodattimella.
		Katso oikea kärkiväli kohdasta <i>Tekniset tiedot sivulla 113</i> .
Sytytystulppa	Sytytystulppa on löysä.	Kiristä sytytystulppa.

Moottorin käynnisty mutta sammuu uudelleen		
Vika	Mahdollinen syy	Suosittelava vaihe
Polttoainesäiliö	Väärä polttoainetyyppi.	Tyhjennä se ja käytä oikeanlaista polttoainetta.
Kaasutin	Virheellinen joutokäyntinopeus.	Säädä joutokäyntinopeutta. Katso kohta <i>Joutokäyntinopeuden säätö sivulla 109</i> . Ota tarvittaessa yhteyttä huoltoliikkeeseen.
ilmansuodatin	Ilmansuodatin tukossa.	Puhdista ilmansuodatin.

Terä		
Vika	Mahdolliset syyt	Suosittelava vaihe
Terä liikkuu hitaasti tai ei ollenkaan.	Terä on juuttunut tai vaurioitunut.	Puhdista ylimääräinen materiaali teristä. Katso kohta <i>Terien puhdistaminen ja voitelemine sivulla 111</i> . Poista teristä jäysteet. Katso kohta <i>Terien tarkistaminen sivulla 111</i> . Vaihda terä, jos se on vaurioitunut.
Terä ei leikkaa helposti.	Terä on tylsä tai vaurioitunut.	Teroita terä. Katso kohta <i>Terien tarkistaminen sivulla 111</i> . Vaihda terä, jos se on vaurioitunut.
Terä kuumenee.	Terien välillä on kitkaa.	Poista terästä jäysteet ja voitele terä. Katso <i>Terien puhdistaminen ja voitelemine sivulla 111</i> .

## Kuljettaminen, säilyttäminen ja hävittäminen

### Kuljetus ja säilytys

- Anna laitteen jäähtyä aina ennen varastointia.
- Kun säilytät ja kuljetat laitetta ja polttoainetta, varmista, ettei laite vuoda polttoainetta tai polttoainehöyryä. Esimerkiksi sähkölaitteista tai lämmityskattiloista peräisin olevat kipinät tai avotuli voivat aiheuttaa tulipalon.
- Käytä polttoaineen säilytyksessä ja kuljettamisessa aina hyväksytyjä polttoainesäiliöitä.
- Tyhjennä polttoaine ennen kuljetusta tai pitkäaikaista säilytystä. Hävitä polttoaine viemällä se asianmukaiseen keräyspisteeseen.
- Kiinnitä kuljetussuojus kuljetuksen ja säilytyksen ajaksi.
- Irrota sytytystulpan suojus sytytystulpasta.

- Kiinnitä laite kuljetuksen ajaksi. Varmista, ettei se pääse liikkumaan.
- Puhdista ja huolla laite ennen pitkäaikaista säilytystä.

### Hävittäminen

- Noudata paikallisia kierrätysvaatimuksia ja säädöksiä.
- Hävitä kaikki kemikaalit, kuten moottoriöljy ja polttoaine viemällä ne huoltoliikkeeseen tai asianmukaiseen keräyspisteeseen.
- Kun moottorin käyttöikä on päättynyt, lähetä moottori Husqvarna-huoltoliikkeeseen tai vie se kierrätyspisteeseen.



## Tekniset tiedot

### Tekniset tiedot

	<b>322HD60</b>
<b>Moottori</b>	
Sylinteritilavuus, cm <sup>3</sup>	21,7
Joutokäyntinopeus, r/min	2 900
Suositteltu enimmäisnopeus, r/min	9 000
Standardin ISO 8893 mukainen moottorin enimmäisteho, kW/hv @ r/min	0,6/0,8 @ 7 800
Katalysaattoriäänenvaimennin	Kyllä
<b>Sytytysjärjestelmä</b>	
Sytytystulppa	HQT-4 672201
Kärkiväli, mm	0,5
<b>Polttoaine</b>	
Polttoainesäiliön tilavuus, l/cm <sup>3</sup>	0,3/300
<b>Paino</b>	
Ilman polttoainetta, kg	5,2
<b>Melupäästöt</b> <sup>19</sup>	
Äänentehotaso, mitattu dB(A)	101
Äänentehotaso, taattu L <sub>WA</sub> dB(A)	102
<b>Äänitasot</b> <sup>20</sup>	
Ekvivalentti äänenpainetaso käyttäjän korvan tasalla mitattuna standardin EN ISO 22868 mukaan, dB(A)	92
<b>Tärinätasot</b> <sup>21</sup>	
Kahvojen vastaavat tärinätasot (a <sub>h<sub>v</sub>,eq</sub> ) mitattuna standardin EN ISO 22867 mukaan, m/s <sup>2</sup> :	
Etu/taka, mm/s <sup>2</sup>	4,4/4,3
<b>Terät</b>	
Tyyppi	Kaksipuolinen
Leikkuupituus, mm	600
Leikkuunopeus leikkuuta minuutissa	4 400

<sup>19</sup> Melupäästö ympäristöön äänitehona (L<sub>WA</sub>) EY-direktiivin 2000/14/EY mukaisesti mitattuna. Laitteen ilmoitettu äänentehotaso on mitattu käyttäen alkuperäistä terälaitetta, joka antaa suurimman äänentehotason. Taatun ja mitatun äänitehon erona on se, että taattu ääniteho sisältää myös mitatun tuloksen hajonnan ja vaihtelun saman mallin eri laitteiden välillä direktiivin 2000/14/EY mukaisesti.

<sup>20</sup> Äänenpainetasoista ilmoitettujen tietojen tyypillinen tilastollinen hajonta (keskihajonta) on 1 dB(A).

<sup>21</sup> Tärinätasolle ilmoitetuissa tiedoissa tyypillinen tilastollinen hajonta (vakiopoikkeama) on 1 m/s<sup>2</sup>.

# Vaatimustenmukaisuusvakuutus

## EU-vaatimustenmukaisuusvakuutus

Husqvarna AB, SE-561 82 Husqvarna, Ruotsi, puh. +46  
36 146500, vakuuttaa täten, että tuote:

<b>Kuvaus</b>	Pensasleikkuri
<b>Tuotemerkki</b>	Husqvarna
<b>Tyyppi/malli</b>	322HD60
<b>Tunniste</b>	Sarjanumerot vuodesta 2022 alkaen

vastaavat täysin seuraavien EU:n direktiivien ja  
asetusten vaatimuksia:

<b>Asetus</b>	<b>Kuvaus</b>
2006/42/EC	konedirektiivi
2014/30/EU	EMC-direktiivi
2000/14/EC	Melupäästädirektiivi
2011/65/EU	Direktiivi tiettyjen vaarallisten aineiden käytön rajoittamisesta sähkö- ja elektroniikkalaitteissa

ja että asiassa sovelletaan seuraavia standardeja ja/tai  
teknisiä tietoja:

Seuraavia standardeja on sovellettu:

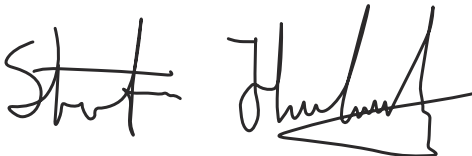
**EN ISO 12100:2010, EN ISO 10517:2019, EN IEC  
63000:2018, EN ISO 14982:2009**

SMP Svensk Maskinprovning, Box 4053, SE-904 03  
Umeå, Sweden on suorittanut direktiivin 2006/42/EY  
liitteen IX mukaisen vapaaehtoisen tyyppitarkastuksen.

SMP Svensk Maskinprovning, on myös vahvistanut  
vaatimustenmukaisuuden neuvoston direktiivin  
2000/14/EY liitteen V mukaisesti.

Katso lisätietoja melupäästöistä osiosta *Tekniset tiedot*  
*sivulla 113.*

Husqvarna, 2023-07-10



Stefan Holmberg, Tuotekehityspäällikkö, Technology  
Management, Husqvarna AB

Teknisestä dokumentaatiosta vastaava edustaja



# Sommaire

Introduction.....	115	Dépannage.....	127
Sécurité.....	116	Transport, entreposage et mise au rebut.....	128
Utilisation.....	121	Caractéristiques techniques.....	129
Entretien.....	124	Déclaration de conformité.....	131

## Introduction

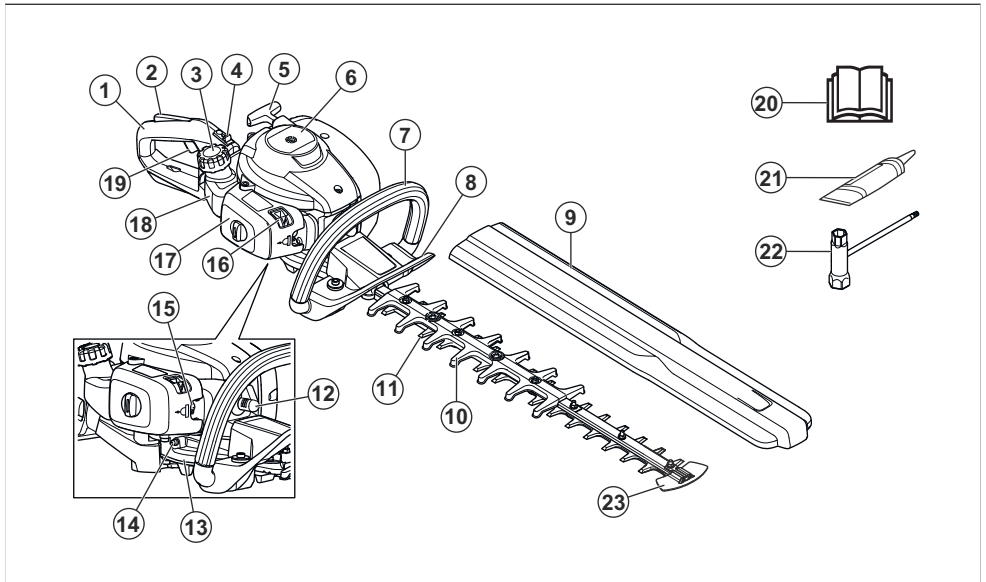
### Description du produit

Le produit est un taille-haie équipé d'un moteur à combustion.

### Utilisation prévue

Utilisez le produit pour couper les branches et les rameaux. N'utilisez pas ce produit pour d'autres travaux.

### Aperçu du produit



- |  |                                    |
|--|------------------------------------|
| 1. Poignée arrière                       | 15. Poire de la pompe à carburant  |
| 2. Blocage de la gâchette d'accélération | 16. Starter                        |
| 3. Bouchon du réservoir d'essence        | 17. Couvercle de filtre à air      |
| 4. Bouton d'arrêt                        | 18. Réservoir de carburant         |
| 5. Poignée du câble du démarreur         | 19. Gâchette d'accélération        |
| 6. Ensemble de                           | 20. Manuel de l'opérateur          |
| 7. Poignée avant                         | 21. Tube de graisse                |
| 8. Protection de main                    | 22. Clé mixte                      |
| 9. Protection de transport               | 23. Protection d'extrémité de lame |
| 10. Carter de disque                     |                                    |
| 11. Lame                                 |                                    |
| 12. Chapeau de bougie et bougie          |                                    |
| 13. Carter                               |                                    |
| 14. Graisseur                            |                                    |

### Symboles concernant le produit



**AVERTISSEMENT !** Ce produit est dangereux. L'opérateur ou les personnes situées à proximité peuvent subir des blessures graves ou mortelles si le

produit n'est pas utilisé correctement et avec précaution. Pour éviter de blesser l'opérateur ou d'autres personnes, lisez et respectez toutes les consignes de sécurité du manuel d'utilisation.



Étiquette relative aux émissions sonores dans l'environnement selon la directive européenne 2000/14/CE, les directives et réglementations du Royaume-Uni et la législation de la Nouvelle-Galles du Sud « Protection of the Environment Operations (Noise Control) Regulation 2017 ». Le niveau de puissance sonore garanti du produit est spécifié dans la section *Caractéristiques techniques à la page 129* et sur l'étiquette.



Lisez attentivement le manuel d'utilisation et assurez-vous de bien comprendre les instructions avant utilisation.



Utilisez des protège-oreilles et des protections pour les yeux homologués.



Utilisez des gants de protection homologués.



Utilisez des bottes antidérapantes robustes.

T

Vis de réglage du ralenti.

H

Pointeau de vitesse élevée.

L

Pointeau de vitesse lente.



Le produit est conforme aux directives CE en vigueur.

yyyywwxxxx

La plaque signalétique indique le numéro de série. **aaaa** désigne l'année de production et **ww** désigne la semaine de production.

**Remarque:** les autres symboles/autocollants présents sur le produit concernent des exigences de certification spécifiques à certains marchés.

## Émissions Euro V



**AVERTISSEMENT:** toute altération du moteur a pour effet d'annuler l'homologation de type UE de ce produit.

## Sécurité

### Définitions de sécurité

Des avertissements, des recommandations et des remarques sont utilisés pour souligner des parties spécialement importantes du manuel.



**AVERTISSEMENT:** Symbole utilisé en cas de risque de blessures ou de mort pour l'opérateur ou les personnes à proximité si les instructions du manuel ne sont pas respectées.



**REMARQUE:** Symbole utilisé en cas de risque de dommages pour le produit, d'autres matériaux ou les environs si les instructions du manuel ne sont pas respectées.

**Remarque:** Symbole utilisé pour donner des informations supplémentaires pour une situation donnée.

### Instructions générales de sécurité



**AVERTISSEMENT:** Lisez les instructions qui suivent avant d'utiliser le produit.

- S'il est utilisé de manière inappropriée ou imprudente, ce produit peut devenir un outil dangereux susceptible de causer des blessures graves, voire mortelles. Il est donc extrêmement important de lire attentivement et de bien assimiler le contenu de ce manuel d'utilisation.

- Ce produit génère un champ électromagnétique durant son fonctionnement. Ce champ peut dans certaines circonstances perturber le fonctionnement d'implants médicaux actifs ou passifs. Pour réduire le risque de blessures graves ou mortelles, les personnes portant des implants médicaux doivent consulter leur médecin et le fabricant de leur implant avant d'utiliser cet appareil.
- Une exposition excessive aux vibrations peut entraîner des troubles circulatoires ou nerveux chez les personnes sujettes à des troubles cardio-vasculaires. Consultez un médecin en cas de symptômes liés à une exposition excessive aux vibrations. Voici les symptômes possibles : engourdissement, perte de sensibilité, chatouillements, picotements, douleur, faiblesse musculaire, décoloration ou modification épidermique. Ces symptômes affectent généralement les doigts, les mains ou les poignets. Les risques augmentent à basse température.
- En cas de doute concernant la marche à suivre, consultez un expert. Adressez-vous à votre revendeur ou à votre atelier d'entretien. Évitez les tâches pour lesquelles vous ne vous sentez pas suffisamment qualifié.
- Un silencieux/pare-étincelles et une surface de montage pare-étincelles usagés peuvent présenter des dépôts de particules de combustion potentiellement cancérigènes. Évitez toute exposition à ces composés lors de la manipulation du silencieux et/ou du pare-étincelles. Avant toute manipulation du silencieux et/ou du pare-étincelles, reportez-vous à *Pour contrôler le silencieux à la page 120*.
- N'oubliez pas que l'opérateur est responsable des accidents ou dangers impliquant des tiers et leurs biens.
- Ne laissez jamais d'autres personnes utiliser le produit sans avoir vérifié au préalable qu'elles ont bien compris le contenu du manuel d'utilisation.
- Ne laissez jamais des enfants utiliser le produit ou s'en approcher. Le produit est équipé d'un bouton d'arrêt à détente et peut être démarré au moyen d'une activation à faible vitesse et de faible puissance de la poignée du lanceur ; dans certaines circonstances, de jeunes enfants peuvent produire la force nécessaire au démarrage du produit. Ceci peut entraîner un risque de graves blessures corporelles. Retirez donc le capuchon de bougie lorsque le produit n'est pas sous surveillance.
- Rangez le produit hors de portée des enfants.
- N'utilisez jamais le produit en cas de fatigue, de consommation d'alcool ou de prise de médicaments susceptibles d'affecter l'acuité visuelle, le jugement ou la maîtrise du corps.
- N'utilisez jamais un produit s'il est défectueux. Suivez les instructions de contrôle, de maintenance et d'entretien indiquées dans ce manuel. Certaines opérations de maintenance et d'entretien doivent être réalisées par un spécialiste dûment formé et

qualifié. Reportez-vous aux instructions du chapitre Entretien.

- N'utilisez jamais un produit qui a été modifié au point de ne plus être conforme aux spécifications d'origine.

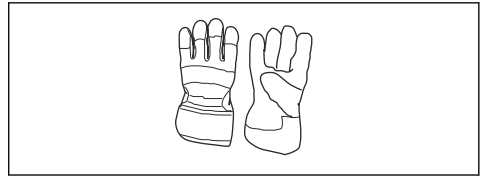
## Instructions de sécurité pour le fonctionnement



**AVERTISSEMENT:** Lisez les instructions qui suivent avant d'utiliser le produit.

- N'utilisez jamais le produit dans des conditions climatiques extrêmes telles qu'un froid intense ou un climat très chaud et/ou humide.
- Des couteaux en mauvais état augmentent le risque d'accident.
- Assurez-vous qu'aucune personne ou aucun animal ne se trouve à moins de 15 m/50 pi de votre zone de travail.
- Assurez-vous que la zone de travail est bien dégagée et qu'aucune personne et aucun animal ne risquent d'entrer en contact avec l'équipement de coupe.
- Inspecter la zone de travail. Retirer tout objet susceptible d'être projeté.
- Toujours adopter une position de travail sûre et stable.
- Ne laissez jamais le produit sans surveillance avec le moteur en marche.
- Veillez à ce que ni les mains ni les pieds ne soient en contact avec l'unité de coupe quand le moteur tourne.
- Si un objet se bloque dans les lames durant le travail, arrêter le moteur et attendre l'arrêt total du moteur avant de nettoyer les lames. Détachez le capuchon de bougie d'allumage.
- Après l'arrêt du moteur, maintenez mains et pieds à l'écart de l'unité de coupe jusqu'à l'arrêt total de celui-ci.
- Attention aux éclats de bois pouvant être projetés durant le sciage.
- Restez attentif aux signaux d'alerte ou aux appels lorsque vous portez des protecteurs d'oreille. Enlevez toujours vos protège-oreilles dès que le moteur s'arrête.
- Ne travaillez jamais debout sur une échelle, un tabouret, ou dans toute autre position élevée n'offrant pas une sécurité maximale.
- Tenez toujours la machine des deux mains. Tenez la machine devant vous.
- Arrêtez immédiatement le produit s'il vibre ou bute sur un objet. Détachez le capuchon de bougie d'allumage. Vérifiez que le produit n'a subi aucun dommage. Réparez tout éventuel dommage.

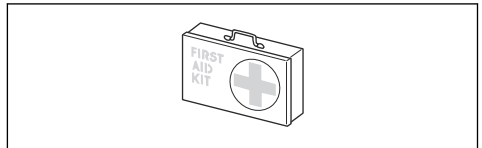
- Vérifiez que le chapeau de bougie et le câble d'allumage ne sont pas endommagés afin d'éviter tout risque de choc électrique.
- Contrôlez que tous les écrous et boulons sont correctement serrés.
- Assurez-vous que la boîte de vitesses a été correctement lubrifiée. Reportez-vous à la section *Pour lubrifier le carter d'engrenage à la page 126*.
- Après l'utilisation du produit, la boîte de vitesses est chaude. Ne touchez pas la boîte de vitesses afin d'éviter les brûlures.
- Tous les carters et toutes les protections doivent être montés avant le démarrage.
- Si les lames se coincent, il est possible de les débloquer en insérant la clé mixte dans la boîte de vitesses. Insérez la clé mixte dans le carter et tournez-la dans un sens puis dans l'autre. Reportez-vous à la section *Pour examiner les lames à la page 127*.
- La protection pour le transport doit toujours être mise sur l'unité de coupe quand le produit n'est pas utilisé.



- Utilisez des bottes ou des chaussures antidérapantes solides.



- Portez des vêtements fabriqués dans un matériau résistant. Portez toujours des pantalons longs, épais et des manches longues. Ne portez pas de vêtements amples qui risqueraient de se prendre dans les brindilles et les branches. Ne portez pas de bijoux, de shorts, de sandales et ne marchez pas pieds nus. Attachez vos cheveux de façon sécurisée au-dessus de vos épaules.
- Gardez toujours une trousse de premiers soins à portée de main.



## Dispositifs de sécurité sur le produit



**AVERTISSEMENT:** lisez les instructions qui suivent avant d'utiliser le produit.

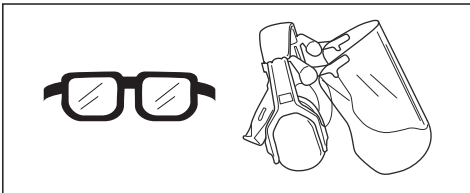
- N'utilisez pas un produit dont les dispositifs de sécurité sont endommagés ou ne fonctionnent pas correctement.
- Contrôlez les dispositifs de sécurité régulièrement. Si les dispositifs de sécurité sont endommagés ou ne fonctionnent pas correctement, contactez votre atelier spécialisé Husqvarna.
- N'apportez pas de modifications aux dispositifs de sécurité.

## Équipement de protection individuelle



**AVERTISSEMENT:** Lisez les instructions qui suivent avant d'utiliser le produit.

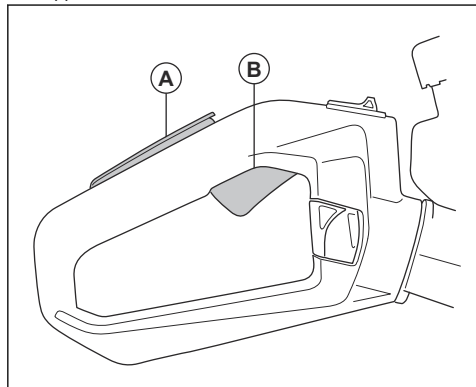
- Portez toujours un équipement de protection individuel homologué lorsque vous utilisez le produit. L'équipement de protection individuel ne protège pas complètement des blessures, mais il diminue la gravité des blessures en cas d'accident. Faites appel à votre revendeur pour vous aider à sélectionner l'équipement adéquat.
- Portez des protège-oreilles homologués ayant un effet atténuateur suffisant. Une exposition prolongée au bruit risque de causer des lésions auditives permanentes.
- Utilisez des protections pour les yeux homologuées. L'usage d'une visière doit toujours s'accompagner du port de lunettes de protection homologuées. Par lunettes de protection homologuées, on entend celles qui sont en conformité avec les normes ANSI Z87.1 (États-Unis) ou EN 166 (pays de l'UE).



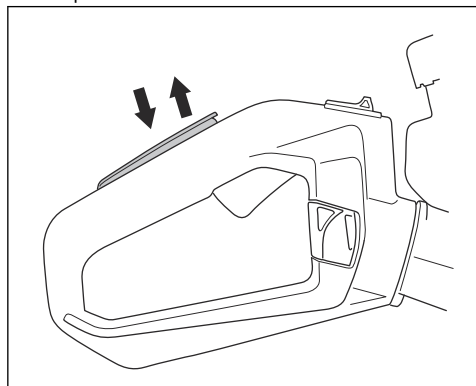
- Portez des gants de protection en cas de besoin, par exemple lorsque vous fixez, examinez ou nettoyez l'équipement de coupe.

### Pour contrôler le blocage de la gâchette d'accélération

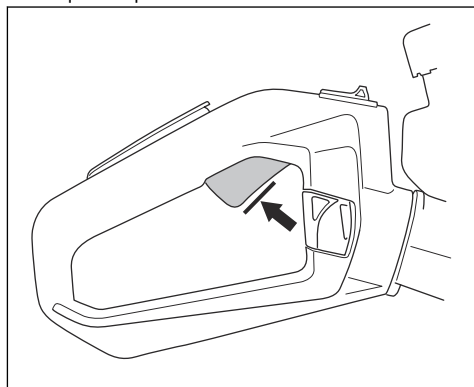
1. Assurez-vous que le blocage de la gâchette d'accélération (A) et que la gâchette d'accélération (B) se déplacent librement et que le ressort de rappel fonctionne correctement.



2. Appuyez sur le blocage de la gâchette d'accélération et assurez-vous qu'il retourne à sa position initiale lorsque vous le relâchez.



3. Relâchez le blocage de la gâchette d'accélération et assurez-vous que la gâchette d'accélération est bloquée en position de ralenti.



4. Démarrez le moteur et faites-le fonctionner à plein régime.
5. Relâchez la gâchette d'accélération et vérifiez que les lames s'arrêtent complètement.



**AVERTISSEMENT:** Si les lames bougent lorsque la gâchette d'accélération est en position de ralenti, réglez le régime de ralenti. Reportez-vous à la section *Pour régler le régime de ralenti* à la page 125.

### Pour contrôler l'interrupteur d'arrêt

1. Démarrez le moteur.
2. Mettez l'interrupteur de marche/arrêt en position d'arrêt et vérifiez que le moteur s'arrête.



**AVERTISSEMENT:** Le bouton marche/arrêt revient automatiquement à la position de démarrage. Afin d'éviter tout démarrage accidentel, retirez le capuchon de la bougie d'allumage lors du montage ou de l'entretien du produit.

### Pour contrôler la protection anti-rebond

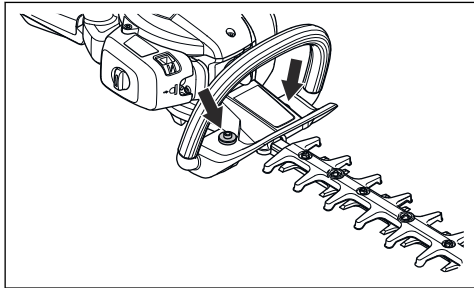
La protection anti-rebond empêche de se blesser avec les lames.

1. Arrêtez le moteur.
2. Assurez-vous que la protection de main est fixée correctement.
3. Vérifiez que la protection anti-rebond n'est pas endommagée.

### Pour contrôler le système anti-vibrations

Le système anti-vibrations réduit les vibrations dans les poignées. Les dispositifs anti-vibrations agissent comme une séparation entre le corps du produit et les poignées.

1. Réalisez un contrôle visuel pour détecter les déformations et les dommages.
2. Vérifiez que les dispositifs anti-vibrations sont correctement fixés.



### Pour contrôler le silencieux



**AVERTISSEMENT:** N'utilisez pas le produit si le silencieux est manquant ou défectueux. Un silencieux endommagé ou manquant augmente le niveau sonore et le risque d'incendie. Gardez des dispositifs extincteurs à proximité. N'utilisez pas un produit sans une grille pare-étincelles ou avec une grille pare-étincelles cassée si vous devez disposer d'une grille pare-étincelles dans votre région.



**AVERTISSEMENT:** Les silencieux deviennent très chauds pendant et après utilisation, même au régime de ralenti.



**REMARQUE:** Si l'écran pare-étincelles est fréquemment obstrué, cela peut indiquer que les performances du pot catalytique commencent à décliner. Faites contrôler le silencieux par votre atelier d'entretien. Un écran pare-étincelles obstrué provoque une surchauffe et la détérioration du cylindre et du piston.

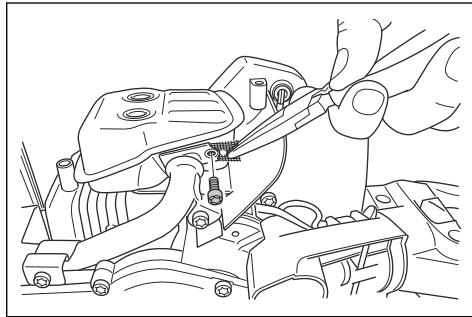


**AVERTISSEMENT:** Les surfaces internes du silencieux contiennent des produits chimiques pouvant causer un cancer. Veillez à ne pas toucher ces éléments si le silencieux est endommagé.

Le silencieux est conçu pour réduire au maximum le niveau sonore et rejeter les gaz d'échappement loin de l'opérateur. Un silencieux avec un convertisseur

catalytique réduit la teneur en substances toxiques des gaz d'échappement.

1. arrêtez le moteur.
2. Réalisez un contrôle visuel pour détecter les dommages et les déformations.
3. Assurez-vous que le silencieux est correctement fixé à l'appareil.
4. Nettoyez l'écran pare-étincelles à l'aide d'une brosse métallique.



### Pour contrôler les lames et le protège-lame

La partie extérieure des lames fait office de protège-lame. Le protège-lame évite les risques de coupures.

1. Arrêtez le moteur et assurez-vous que les lames s'arrêtent.
2. Déposez le capuchon de la bougie.
3. Mettez des gants de protection.
4. Assurez-vous que la lame et le protège-lame ne sont pas endommagés ou tordus. Remplacez toujours une lame endommagée ou tordue, ou bien un protège-lame endommagé.
5. Assurez-vous que les vis sur les lames et le protège-lame sont bien serrées.

### Sécurité carburant



**AVERTISSEMENT:** Lisez les instructions qui suivent avant d'utiliser le produit.

- Ne démarrez pas le produit si du carburant ou de l'huile moteur a été renversé(e) sur le produit. Essuyez le carburant/l'huile et attendez que le produit sèche.
- Si vous avez renversé du carburant sur vos vêtements, changez de vêtements immédiatement.
- Évitez tout contact de la peau avec le carburant. Le carburant peut causer des blessures. Si votre peau entre en contact avec le carburant, lavez les parties qui ont été en contact avec de l'eau et du savon.
- Ne démarrez pas le produit s'il y a une fuite de moteur. Vérifiez régulièrement s'il y a des fuites de moteur.



- Faites attention avec le carburant. Le carburant est inflammable et ses vapeurs sont explosives. Il peut causer des blessures graves, voire mortelles.
- Ne respirez pas les vapeurs de carburant, elles peuvent causer des blessures. Assurez-vous que la ventilation est suffisante.
- Ne fumez pas à proximité du carburant ou du moteur.
- Ne mettez pas d'objets chauds à proximité du carburant ou du moteur.
- N'ajoutez pas de carburant lorsque le moteur est allumé.
- Assurez-vous que le moteur est froid avant de faire le plein de carburant.
- Avant de faire le plein, ouvrez le bouchon du réservoir de carburant lentement et relâchez la pression avec précaution.
- N'ajoutez pas de carburant au moteur dans un espace intérieur. Un débit d'air insuffisant peut causer des blessures graves, voire mortelles dues à une asphyxie ou au monoxyde de carbone.
- Serrez complètement le bouchon du réservoir de carburant. Si le bouchon du réservoir de carburant n'est pas serré, il y a un risque d'incendie.
- Déplacez le produit à un minimum de 3 m/10 ft de l'endroit où a été fait le plein de carburant avant de démarrer le produit.
- Ne remplissez pas entièrement le réservoir de carburant. La chaleur entraîne la dilatation du carburant. Laissez un espace en haut du réservoir de carburant.
- Arrêtez le moteur et assurez-vous que l'unité de coupe s'arrête. Laissez la machine refroidir avant de procéder à des tâches d'entretien.
- Débranchez le chapeau de bougie d'allumage avant d'effectuer l'entretien.
- Les gaz d'échappement du moteur contiennent du monoxyde de carbone, un gaz inodore, toxique et très dangereux pouvant entraîner la mort. Ne faites pas tourner le moteur en intérieur ou dans des espaces fermés.
- Les gaz d'échappement du moteur sont très chauds et peuvent contenir des étincelles. N'utilisez pas le produit dans un local clos ou à proximité de matériaux inflammables.
- Les accessoires et les modifications apportées au produit qui ne sont pas approuvés par le fabricant peuvent causer des blessures très graves, voire mortelles. Ne modifiez pas le produit. Utilisez uniquement des accessoires d'origine.
- Si l'entretien n'est pas effectué correctement et régulièrement, le risque de blessures et d'endommagement du produit augmente.
- Effectuez uniquement les tâches d'entretien recommandées dans le présent manuel d'utilisation. Laissez un agent d'entretien Husqvarna approuvé se charger de toutes les autres opérations d'entretien.
- Demandez à un Husqvarna atelier spécialisé d'effectuer régulièrement l'entretien du produit.
- Remplacez les pièces endommagées, usées ou cassées.

## Consignes de sécurité pour l'entretien



**AVERTISSEMENT:** Lisez les instructions qui suivent avant d'utiliser le produit.

## Utilisation

### Introduction



**AVERTISSEMENT:** Assurez-vous de lire et de comprendre le chapitre dédié à la sécurité avant d'utiliser l'appareil.

### Carburant

Ce produit est équipé d'un moteur à deux temps.



**REMARQUE:** L'utilisation d'un type de carburant inadéquat peut endommager le moteur. Utilisez un mélange d'essence et d'huile deux temps.

### Carburant prémélangé

- Utilisez Husqvarna un carburant alkylate prémélangé pour des performances optimales et une plus longue durée de vie du moteur. Ce carburant contient des produits chimiques moins dangereux par rapport au carburant normal, ce qui réduit la quantité de gaz d'échappement dangereux. Ce carburant génère une faible quantité de résidus, ce qui permet de garder les composants du moteur propres plus longtemps.

### Pour mélanger le carburant

#### Essence

- Utilisez une essence sans plomb de bonne qualité avec un maximum de 10 % d'éthanol.



**REMARQUE:** n'utilisez pas d'essence avec un indice d'octane inférieur à 90 RON/87 AKI. L'utilisation d'une essence d'un indice d'octane inférieur peut entraîner des cognements, et donc endommager le moteur.

#### Huile deux temps

- Pour un résultat et un fonctionnement optimaux, utilisez de l'huile deux temps Husqvarna.
- Si l'huile deux temps Husqvarna n'est pas disponible, utilisez une huile deux temps de haute qualité pour moteurs refroidis à l'air. Contactez votre atelier d'entretien pour sélectionner l'huile appropriée.



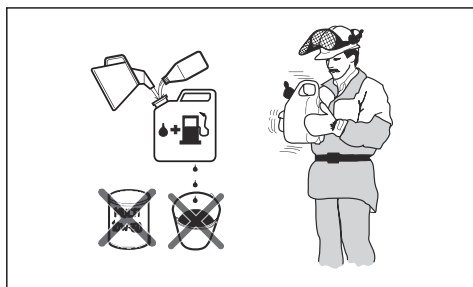
**REMARQUE:** N'utilisez pas d'huile deux temps pour les moteurs hors-bord refroidis par eau (huile outboard). N'utilisez pas d'huile pour moteurs à quatre temps.

#### Pour mélanger l'essence et l'huile deux temps

Essence, en litres	Huile deux temps, en litres
	<b>2 % (50:1)</b>
5	0,10
10	0,20
15	0,30
20	0,40



**REMARQUE:** lorsque vous mélangez de faibles quantités de carburant, de petites erreurs peuvent influencer considérablement sur le rapport de mélange. Mesurez soigneusement la quantité d'huile et assurez-vous que vous obtenez le mélange correct.



1. Remplissez la moitié de la quantité d'essence dans un récipient propre et adapté pour l'essence.
2. Ajoutez la quantité totale d'huile.
3. Mélangez en secouant le mélange de carburant.
4. Ajoutez le reste de l'essence dans le récipient.
5. Mélangez avec précaution en secouant le récipient.



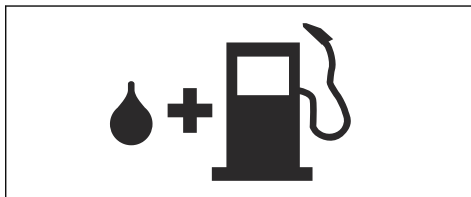
**REMARQUE:** Ne mélangez jamais plus d'un mois de carburant à chaque fois.

#### Pour remplir le réservoir de carburant



**AVERTISSEMENT:** Respectez la procédure suivante pour votre sécurité.

1. Arrêtez le moteur et laissez-le refroidir.
2. Essuyez le pourtour du bouchon du réservoir de carburant.



3. Secouez le conteneur et assurez-vous que le carburant est complètement mélangé.
4. Déposez lentement le couvercle du réservoir de carburant pour relâcher la pression.
5. Remplissez le réservoir de carburant.



**REMARQUE:** Assurez-vous qu'il n'y a pas de trop de carburant dans le réservoir de carburant. Le carburant se dilate lorsqu'il devient chaud.

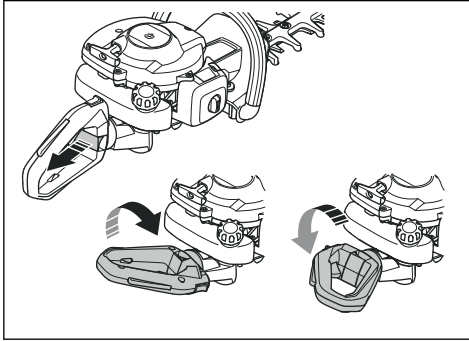
6. Serrez soigneusement le bouchon du réservoir de carburant.
7. Nettoyez tout déversement de carburant sur et autour du produit.
8. Positionnez le produit à au moins 3 m/10 pi de la zone et de la source du remplissage avant de démarrer le moteur.

**Remarque:** Pour connaître l'emplacement du réservoir de carburant sur votre produit, reportez-vous à la section *Introduction à la page 115*.

#### Pour régler la poignée

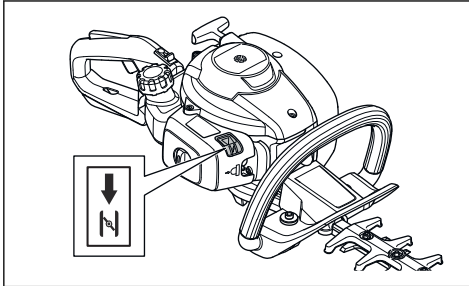
La poignée arrière peut être réglée dans 3 positions différentes.

- Relâchez le levier de verrouillage et tournez la poignée.



### Démarrage du produit lorsque le moteur est froid

1. Tirez la commande de starter en position de starter.



2. Appuyez environ 6 fois sur la poire de la pompe à carburant ou jusqu'à ce qu'elle commence à se remplir de carburant. Il n'est pas nécessaire de remplir entièrement la poire de la pompe à carburant.
3. Plaquez l'appareil contre le sol à l'aide de votre main gauche. Ne marchez pas sur le produit.
4. Tirez lentement la poignée du câble du démarreur à l'aide de votre main droite jusqu'à sentir une résistance, puis tirez la poignée du câble du démarreur rapidement et avec force.



**AVERTISSEMENT:** N'enroulez pas le câble du démarreur autour de votre main.



**REMARQUE:** Ne tirez pas complètement sur le câble du démarreur et ne lâchez pas la poignée du câble du démarreur.

5. Continuez à tirer sur la poignée du câble du démarreur jusqu'à ce que le moteur démarre, puis remettez la commande de starter en position initiale.



**AVERTISSEMENT:** Les lames bougent dès que le moteur démarre.

6. Continuez à tirer la poignée du câble du démarreur jusqu'à ce que le moteur démarre.
7. Appuyez sur la gâchette d'accélérateur puis relâchez-la pour régler le moteur au régime de ralenti.
8. Appuyez sur la gâchette d'accélérateur pour augmenter progressivement la vitesse du moteur.
9. Assurez-vous que le moteur tourne sans à-coups.

### Démarrage du produit lorsque le moteur est chaud

1. Plaquez l'appareil contre le sol à l'aide de votre main gauche. Ne marchez pas sur le produit.
2. Tirez lentement la poignée du câble du démarreur à l'aide de votre main droite jusqu'à sentir une résistance, puis tirez la poignée du câble du démarreur rapidement et avec force. Continuez l'opération jusqu'à ce que le moteur démarre.

**Remarque:** Pour plus d'informations sur le démarrage du produit, reportez-vous à *Démarrage du produit lorsque le moteur est froid* à la page 123.

### Pour arrêter le produit

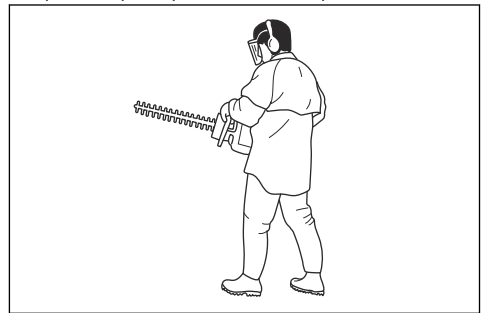
- Pour arrêter le moteur, passez l'interrupteur d'arrêt en position d'arrêt.



**REMARQUE:** Le bouton d'arrêt revient automatiquement en position de marche.

### Pour utiliser le produit

1. Démarrez à proximité du sol et déplacez le produit le long de la haie lorsque vous taillez. Assurez-vous que le corps du produit ne touche pas la haie.



**AVERTISSEMENT:** Assurez-vous que l'avant de l'équipement de coupe ne touche pas le sol.

- Réglez la vitesse afin qu'elle corresponde à la charge de travail.
- Tenez le produit près de votre corps pour une position de travail stable.

- Soyez prudent et utilisez le produit lentement.

## Entretien

### Introduction

sécurité avant de procéder à l'entretien du produit.



**AVERTISSEMENT:** assurez-vous de lire et de comprendre le chapitre sur la

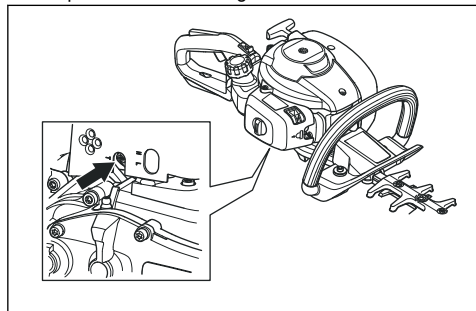
### Calendrier d'entretien

Entretien	Avant utilisation	Après 40 h	Après 100 h
Nettoyez la surface externe.	Après chaque utilisation.		
Nettoyez le silencieux, le tuyau d'échappement et le moteur en retirant les feuilles, la saleté et le lubrifiant indésirable.	Après chaque utilisation.		
Assurez-vous que l'unité de coupe ne bouge pas lorsque le moteur tourne au ralenti.	X		
Contrôlez l'interrupteur d'arrêt. Reportez-vous à la section <i>Pour contrôler l'interrupteur d'arrêt à la page 119.</i>	X		
Examinez l'unité de coupe à la recherche de dommages ou de fissures. Remplacez-la si elle est endommagée.	X		
Vérifiez que la protection anti-rebond est exempte de dommages ou de fissures. Remplacez-la si elle est endommagée.	X		
Contrôlez le blocage de la gâchette d'accélération et la gâchette d'accélération. Reportez-vous à la section <i>Pour contrôler le blocage de la gâchette d'accélération à la page 119.</i>	X		
Examinez le moteur, le réservoir de carburant et le tuyau à carburant à la recherche de fuites.	X		
Serrez les écrous et les vis.	X		
Vérifiez si le démarreur et le câble de démarreur sont endommagés.		X	
Vérifiez que les vis qui maintiennent les lames ensemble sont correctement serrées.		X	
Nettoyez le filtre à air. Nettoyez le filtre plus fréquemment s'il est utilisé dans des zones poussiéreuses. Remplacez-la si elle est endommagée.		X	
Vérifiez que les dispositifs anti-vibrations ne présentent pas de dommages ou de fissures. Remplacez-la si elle est endommagée.		X	
Nettoyez la surface extérieure de la bougie et la zone autour de celle-ci. Retirez la bougie et mesurez l'écartement des électrodes. Ajustez l'écartement des électrodes ou remplacez la bougie. Reportez-vous à la section <i>Pour inspecter la bougie à la page 126.</i>		X	
Nettoyez le système de refroidissement.		X	
Nettoyez la surface extérieure du carburateur et la zone autour de celui-ci.		X	

Entretien	Avant utilisation	Après 40 h	Après 100 h
Vérifiez que le filtre à carburant n'est pas contaminé et que le tuyau de carburant ne comporte pas de fissures ou d'autres dommages. Remplacez-la si elle est endommagée.			X
Nettoyez l'écran pare-étincelles du silencieux et remplacez-le s'il est endommagé.			X
Nettoyer la surface intérieure du réservoir de carburant.			X
Remplacez la bougie.			X
Vérifiez l'état d'usure de l'embrayage, du ressort d'embrayage et du tambour d'embrayage. Faites-les remplacer par un atelier d'entretien agréé s'ils sont endommagés.			X
Veillez à ce que le carter d'engrenage soit rempli de graisse.			X
Vérifiez tous les câbles et toutes les connexions.			X

## Pour régler le régime de ralenti

1. Nettoyez le filtre à air et fixez le couvercle de filtre à air.
2. Faites démarrer le produit. Reportez-vous à la section *Démarrage du produit lorsque le moteur est froid à la page 123*.
3. Tournez le pointeau T de ralenti dans le sens des aiguilles d'une montre jusqu'à ce que l'unité de coupe commence à bouger.



4. Tournez la vis de réglage T dans le sens contraire des aiguilles d'une montre jusqu'à l'arrêt de l'unité de coupe.



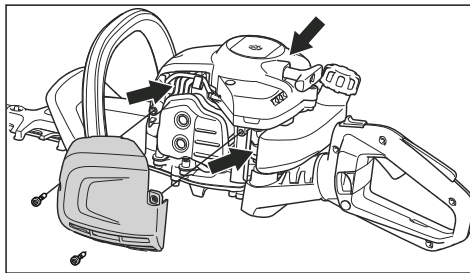
**AVERTISSEMENT:** Si l'unité de coupe ne s'arrête pas lorsque vous réglez le régime de ralenti, veuillez contacter l'atelier d'entretien le plus proche. N'utilisez pas le produit tant qu'il n'est pas réglé ou réparé correctement.

**Remarque:** Le régime de ralenti est correct lorsque le moteur fonctionne sans à-coups dans toutes les positions. Reportez-vous à la section *Caractéristiques*

*techniques à la page 129* pour connaître le régime de ralenti recommandé.

## Pour nettoyer le circuit de refroidissement

Le circuit de refroidissement maintient une température basse dans le moteur. Le circuit de refroidissement comprend les ailettes de refroidissement du cylindre, le carter de cylindre et la prise d'air par le carter moteur.



**REMARQUE:** La prise d'air entre le réservoir de carburant et le carter moteur peut facilement être bloquée par des feuilles. Nettoyez la prise d'air complètement.

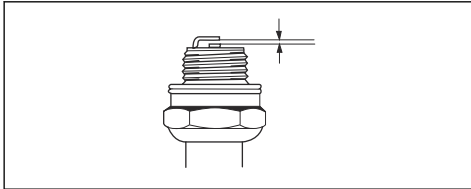
1. Nettoyez le circuit de refroidissement avec une brosse une fois par semaine ou plus fréquemment si nécessaire.
2. Assurez-vous que le système de refroidissement n'est pas encrassé ou colmaté.

## Pour inspecter la bougie



**REMARQUE:** Utilisez toujours le type de bougie recommandé. Un type de bougie inadéquat peut endommager le produit.

- Inspectez la bougie si le moteur manque de puissance, n'est pas facile à démarrer ou ne fonctionne pas correctement lorsqu'il tourne au régime de ralenti.
- Afin de réduire le risque de présence de matériaux indésirables sur les électrodes de la bougie, procédez comme suit :
  - Assurez-vous que le régime de ralenti est correctement réglé.
  - Assurez-vous que le mélange de carburant est correct.
  - Assurez-vous que le filtre à air est propre.
- Si la bougie est encrassée, nettoyez-la et vérifiez que l'écartement des électrodes est correct ; reportez-vous à la section *Caractéristiques techniques à la page 129*.

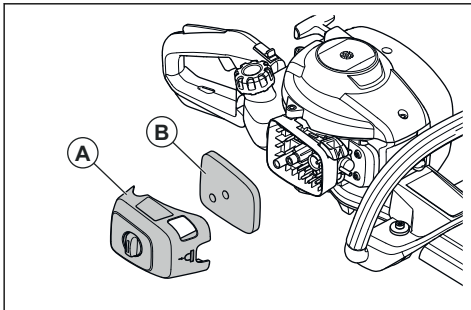


- Remplacez la bougie si nécessaire.

## Nettoyage du filtre à air

Nettoyez la saleté et la poussière du filtre à air régulièrement. Cela permet d'éviter un dysfonctionnement du carburateur, des problèmes de démarrage, une perte de puissance du moteur, l'usure des pièces du moteur et l'augmentation de la consommation de carburant.

- Retirez le couvercle du filtre à air (A).
- Retirez le filtre (B) du cadre du filtre.



- Nettoyez le filtre avec de l'eau chaude savonneuse.

**Remarque:** Un filtre à air ayant servi longtemps ne peut pas être complètement nettoyé. Remplacez le filtre à air régulièrement et remplacez toujours un filtre à air endommagé.

- Assurez-vous que le filtre est sec.
- Appliquez de l'huile sur le filtre à air. Reportez-vous à la section *Pour appliquer de l'huile sur le filtre à air en mousse à la page 126*
- Nettoyez la surface intérieure du couvercle de filtre à air. Utilisez de l'air comprimé ou une brosse.

## Pour appliquer de l'huile sur le filtre à air en mousse

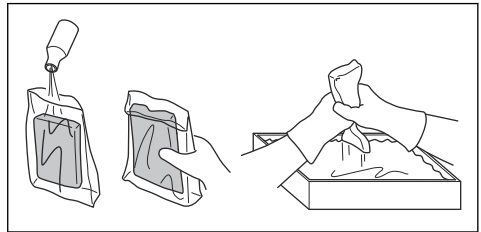


**REMARQUE:** Utilisez toujours une huile spéciale Husqvarna pour filtre à air. N'utilisez pas d'autres types d'huile.



**AVERTISSEMENT:** Mettez des gants de protection. L'huile pour filtre à air peut irriter la peau.

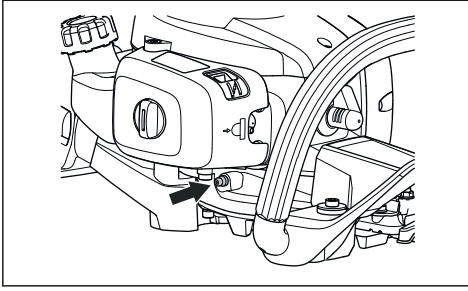
- Mettez le filtre à air en mousse dans un sachet en plastique.
- Versez l'huile dans le sachet en plastique.
- Pressez le sachet en plastique pour assurer une répartition uniforme de l'huile dans le filtre à air en mousse.
- Retirez l'excédent d'huile du filtre à air en mousse pendant qu'il est dans le sachet en plastique.



## Pour lubrifier le carter d'engrenage

- Utilisez de la graisse spéciale Husqvarna. Pour obtenir davantage d'informations sur la graisse recommandée, contactez votre atelier d'entretien.

- Ajoutez la graisse dans le raccord de graissage.



**REMARQUE:** Ne remplissez pas entièrement le carter d'engrenage.

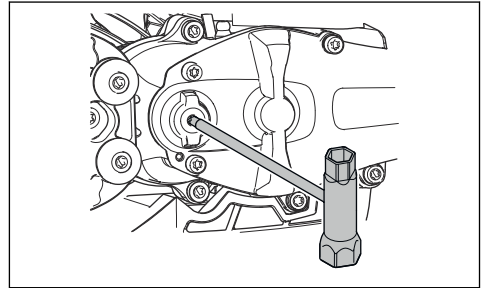
### Pour nettoyer et lubrifier les lames

1. Nettoyez les lames afin d'enlever les matériaux indésirables avant et après l'utilisation du produit.
2. Lubrifiez les lames avant les périodes de remisage prolongées.

**Remarque:** Pour davantage d'informations sur les nettoyants et lubrifiants recommandés, contactez votre atelier d'entretien.

### Pour examiner les lames

1. Déposez le couvercle du carter d'engrenage.
2. Assurez-vous que les lames tournent librement. Insérez la clé mixte dans le carter d'engrenage et tournez-la dans le sens des aiguilles d'une montre et dans le sens contraire des aiguilles d'une montre.



3. Examinez les bords de la lame pour vérifier si des dommages et des déformations sont présents.
4. Limez les bavures éventuelles sur les lames.

## Dépannage

### Dépannage

Le moteur ne démarre pas		
Problème	Cause possible	Étape recommandée
Cliquets du lanceur	Les cliquets du démarreur ne peuvent pas se déplacer librement.	Réglez ou remplacez les cliquets du démarreur.
		Nettoyez les cliquets du démarreur.
		Contactez un atelier d'entretien agréé.
Réservoir de carburant	Mauvais type de carburant.	Vidangez et utilisez le bon carburant.
Carbureteur	Régime de ralenti incorrect.	Réglez le ralenti.
Absence d'étincelle	La bougie d'allumage est sale ou humide.	Assurez-vous que la bougie est sèche et propre.
	Écartement des électrodes incorrect.	Nettoyez la bougie. Assurez-vous que l'écartement des électrodes de la bougie est correct. Assurez-vous que la bougie est dotée d'un antiparasite.
		Reportez-vous à la section <i>Caractéristiques techniques</i> à la page 129 pour connaître l'écartement des électrodes correct.

Le moteur ne démarre pas		
Problème	Cause possible	Étape recommandée
Bougie	La bougie d'allumage est desserrée.	Serrez la bougie d'allumage.

Le moteur démarre, puis s'arrête à nouveau		
Problème	Cause possible	Étape recommandée
Réservoir de carburant	Mauvais type de carburant.	Vidangez et utilisez le bon carburant.
Carburateur	Régime de ralenti incorrect.	Réglez le ralenti. Reportez-vous à la section <i>Pour régler le régime de ralenti à la page 125</i> . Consultez votre atelier d'entretien si nécessaire.
Filtre à air	Filtre à air bouché.	Nettoyez le filtre à air.

Lame		
Problème	Causes possibles	Étape recommandée
La lame bouge lentement ou ne bouge pas.	La lame est bloquée ou endommagée.	Nettoyez les lames des matériaux indésirables. Reportez-vous à la section <i>Pour nettoyer et lubrifier les lames à la page 127</i> . Pour éliminer les bavures de la lame, reportez-vous à <i>Pour examiner les lames à la page 127</i> . Remplacez la lame si elle est endommagée.
La lame coupe avec difficulté.	La lame n'est pas aiguisée ou elle est endommagée.	Pour affûter la lame, reportez-vous à la section <i>Pour examiner les lames à la page 127</i> . Remplacez la lame si elle est endommagée.
La lame devient chaude.	Il y a un frottement entre les lames.	Éliminez les bavures de la lame et lubrifiez-la. Reportez-vous à la section <i>Pour nettoyer et lubrifier les lames à la page 127</i> .

---

## Transport, entreposage et mise au rebut

---

### Transport et stockage

- Laissez toujours le produit refroidir avant de le remiser.
- Pour le stocker et transporter le produit et le carburant, assurez-vous qu'il n'y a pas de fuite ou de vapeurs. Les étincelles ou les flammes nues produites par exemple par des appareils électriques ou chaudières peuvent provoquer un incendie.
- Utilisez uniquement des récipients homologués pour le transport et le stockage de carburant.
- Videz le carburant avant le transport ou avant un remisage prolongé. Mettez le carburant au rebut dans une déchetterie appropriée.

- Fixez la protection de transport pendant le transport et le remisage.
- Déposez le capuchon de la bougie.
- Fixez le produit pour le transporter. Assurez-vous qu'il ne puisse pas bouger.
- Nettoyez et effectuez l'entretien sur le produit avant de le remiser pour une période prolongée.

### Mise au rebut

- Respectez les consignes locales de recyclage et la réglementation en vigueur.
- Mettez au rebut tous les produits chimiques tels que l'huile moteur ou le carburant dans un atelier d'entretien ou une déchetterie appropriée.



- Lorsque la durée de vie du moteur est dépassée, renvoyez-le à un atelier d'entretien Husqvarna ou mettez-le au rebut dans un centre de recyclage.

## Caractéristiques techniques

### Caractéristiques techniques

	322HD60
<b>Moteur</b>	
Cylindrée, cm <sup>3</sup>	21,7
Régime de ralenti, tr/min	2 900
Régime maximal recommandé, tr/min	9 000
Puissance moteur maximale selon ISO 8893, kW/ch/tr/min	0,6/0,8 à 7 800
Silencieux avec pot catalytique	Oui
<b>Système d'allumage</b>	
Bougie	HQT-4 672201
Écartement des électrodes, mm	0,5
<b>Carburant</b>	
Capacité du réservoir de carburant, l/cm <sup>3</sup>	0,3/300
<b>Poids</b>	
Sans carburant, kg	5,2
<b>Émissions sonores</b> <sup>22</sup>	
Niveau de puissance acoustique mesuré, dB (A)	101
Niveau de puissance acoustique garanti L <sub>WA</sub> , dB (A)	102
<b>Niveaux sonores</b> <sup>23</sup>	
Niveau de pression acoustique équivalente au niveau des oreilles de l'opérateur, mesurée selon EN ISO 22868, dB(A)	92
<b>Niveaux de vibrations</b> <sup>24</sup>	
Niveaux de vibrations équivalents (a <sub>h<sub>v</sub>,eq</sub> ) mesurés au niveau des poignées selon EN ISO 22867, en m/s <sup>2</sup> :	
Avant/arrière, mm/s <sup>2</sup>	4,4/4,3
<b>Lames</b>	

<sup>22</sup> Émissions sonores dans l'environnement mesurées comme puissance acoustique (L<sub>WA</sub>) selon la directive européenne CE 2000/14/CE. Le niveau de puissance sonore reporté pour le produit a été mesuré avec l'accessoire de coupe d'origine qui atteint le niveau le plus élevé. La différence entre le niveau de puissance sonore garanti et le niveau mesuré réside dans le fait que le niveau garanti prend également en compte la dispersion et les variations d'une machine à l'autre du même modèle, conformément à la directive 2000/14/CE.

<sup>23</sup> Les données reportées pour le niveau de pression sonore montrent une dispersion statistique typique (déviat-ion standard) de 1 dB (A).

<sup>24</sup> Les données reportées pour le niveau de vibrations montrent une dispersion statistique typique (déviat-ion standard) de 1 m/s<sup>2</sup>.

	<b>322HD60</b>
Type	Double tranchant
Longueur de coupe, mm	600
Vitesse de coupe, taille/min	4400

# Déclaration de conformité

## Déclaration de conformité UE

Nous, **Husqvarna AB**, SE-561 82 Huskvarna, Suède,  
tél. : +46-36-146500, déclarons sous notre entière  
responsabilité que le produit :

<b>Description</b>	Taille-haie
<b>Marque</b>	Husqvarna
<b>Type/Modèle</b>	322HD60
<b>Identification</b>	Numéros de série de l'année 2022 et ultérieurs

est entièrement conforme à la réglementation et aux  
directives de l'UE suivantes :

Réglementation	Description
2006/42/EC	« relative aux machines »
2014/30/UE	« relative à la compatibilité électromagnétique »
2000/14/CE	« relative aux émissions sonores dans l'environnement »
2011/65/UE	« relative à la limitation de l'utilisation de certaines substances dangereuses au sein d'équipements électriques et électroniques »

et que les normes et/ou les spécifications techniques  
suivantes sont appliquées :

Les normes harmonisées suivantes ont été appliquées :

**EN ISO 12100:2010, EN ISO 10517:2019, EN IEC  
63000:2018, EN ISO 14982:2009**

SMP Svensk Maskinprovning, Box 4053, SE-904 03  
Umeå, Sweden a effectué un examen de type volontaire  
conformément à l'annexe IX de la directive 2006/42/CE.

SMP Svensk Maskinprovning, a également vérifié la  
conformité avec l'annexe V de la directive du conseil  
2000/14/CE.

Pour toute information relative aux émissions sonores,  
voir *Caractéristiques techniques à la page 129*.

Huskvarna, 2023-07-10



Stefan Holmberg, Directeur R&D, gestion de la  
technologie, Husqvarna AB

Responsable de la documentation technique

## Saturs

Ievads.....	132	Problēmu novēršana.....	143
Drošība.....	133	Pārvadāšana, glabāšana un utilizēšana.....	144
Lietošana.....	138	Tehniskie dati.....	145
Apkope.....	140	Atbilstības deklarācija.....	147

## Ievads

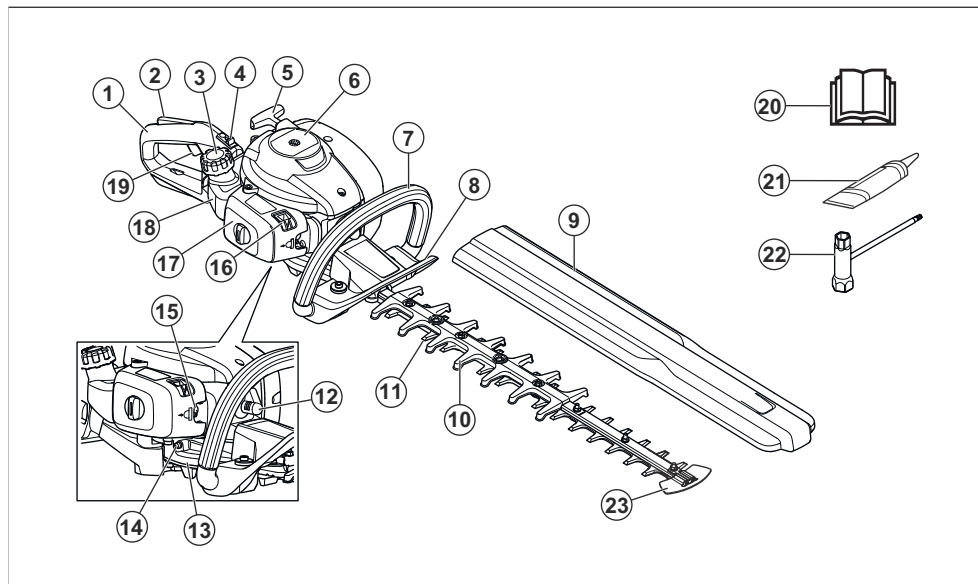
### Izstrādājuma apraksts

Izstrādājums ir dzīvzogu griezējs ar iekšdedzes dzinēju.

### Paredzētā lietošana

Izstrādājums paredzēts zaru un zariņu griešanai. Nelietojiet izstrādājumu citiem uzdevumiem.

### Izstrādājuma pārskats



1. Aizmugurējais rokturis
2. Droseles mēlītes bloķētājs
3. Degvielas tvertnes vāciņš
4. Apturēšanas slēdzis
5. Startera auklas rokturis
6. Cilindra pārsegs
7. Priekšējais rokturis
8. Rokas aizsargs
9. Transportēšanas aizsargs
10. Asmens aizsargs
11. Asmens
12. Aizdedzes sveces uzmava un aizdedzes svece
13. Pārnesumkārbas (reduktora) karteris
14. Elļošanas nipelis
15. Atgaisošanas sūkņa balons
16. Gaisa vārsta vadība
17. Gaisa filtra vāks
18. Degvielas tvertne
19. Droseles mēlīte
20. Lietotāja rokasgrāmata
21. Smērvielas tūbiņa
22. Kombinētā uzgriežņu atslēga
23. Asmens gala aizsargs

### Simboli uz dzīvzoga šķērēm



**BRĪDINĀJUMS!** Šis izstrādājums ir bīstams. Ja dzīvzoga šķēres lieto nepareizi un neuzmanīgi, var tikt radītas traumas vai nāvējošas traumas lietotājam

vai tuvumā esošajiem. Lai nepieļautu traumas operatoram vai līdzās esošajiem, izlasiet un ievērojiet visus drošības norādījumus lietotāja rokasgrāmatā.



Rūpīgi izlasiet lietotāja rokasgrāmatu un pirms dzīvzoga šķēru lietošanas pārlicinieties, ka izprotat norādījumus.



Izmantojiet apstiprinātus dzirdes un acu aizsarglīdzekļus.



Izmantojiet apstiprinātus aizsargcimdus.



Velciet darba apavus ar neslidošām zolēm.

T

Tukšgaitas regulēšanas skrūve.

H

Liela ātruma adata.

L

Neliela ātruma adata.



Trokšņa izplūdes vidē uzlīme atbilstoši Eiropas direktīvai 2000/14/EK, Apvienotās Karalistes direktīvām un Jaundienvidevīšanas tiesību aktam "Darba vides aizsardzības (trokšņa kontroles) regula (2017)". Dzīvzoga šķēru garantētais skaņas jaudas līmenis ir norādīts šeit: *Tehniskie dati lpp. 145*, kā arī uzlīmē.



Dzīvzoga šķēres atbilst spēkā esošo EK direktīvu prasībām.

yyyywwxxxx

Datu plāksnītē ir norādīts sērijas numurs. **yyyy** ir ražošanas gads un **ww** ir ražošanas nedēļa.

**Piezīme:** Pārējie uz dzīvzoga šķērēm norādītie simboli/norādes atbilst dažu valstu sertifikācijas prasībām.

## Euro V emisija



**BRĪDINĀJUMS:** Motora atvēršana anulē šī ķēdes zāga ES tipa apstiprinājumu.

## Drošība

### Drošības definīcijas

Brīdinājumi, norādes "Uzmanību!" un piezīmes tiek izmantotas, lai izceltu īpaši svarīgas lietotāja rokasgrāmatas daļas.



**BRĪDINĀJUMS:** Tiek izmantota tad, ja rokasgrāmatā sniegto instrukciju neievērošanas dēļ operatoram vai blakus esošajām personām draud traumu vai nāves risks.



**IEVĒROJIET:** Tiek izmantota tad, ja rokasgrāmatā sniegto instrukciju neievērošanas dēļ rodas izstrādājuma, citu materiālu vai blakus esošās teritorijas bojājuma risks.

**Piezīme:** Tiek izmantota, lai sniegtu plašāku informāciju, kas nepieciešama attiecīgajā situācijā.

### Vispārīgi drošības norādījumi



**BRĪDINĀJUMS:** Pirms izstrādājuma lietošanas izlasiet tālāk izklāstītos brīdinājumus.

- Izstrādājums var kļūt par bīstamu darba rīku, ja to lieto nepareizi vai pavisā, izraisot nopietnas un pat dzīvībai bīstamas traumas. Tāpēc ir ļoti svarīgi pirms lietošanas izlasīt un izprast šīs rokasgrāmatas saturu.
- Šis izstrādājums darbības laikā rada elektromagnētisko lauku. Zināmos apstākļos šis lauks var traucēt aktīvā vai pasīvā medicīniskā implantāta darbību. Lai samazinātu smagas vai

letālas traumas risku, mēs iesakām personām, kurām ir medicīniskie implantāti, pirms šī izstrādājuma lietošanas konsultēties ar savu ārstu un medicīniskā implantāta ražotāju.

- Personām ar asinsrites traucējumiem pārmērīga atrašanās vibrācijas ietekmē var negatīvi ietekmēt asinsriti vai nervu sistēmu. Ja jūtat pārmērīgas vibrāciju ietekmes simptomus, apmeklējiet ārstu. Simptomi var būt šādi: nejutīgums, tirpšana, dūrieni, sāpes, spēka zudums, ādas krāsas vai stāvokļa izmaiņas. Šie simptomi parasti ir novērojami pirkstiem, rokām vai locītavām. Risks palielinās zemā temperatūrā.
- Ja ir radusies situācija, kurā nezināt, kā rīkoties, lūdziet padomu speciālistam. Sazinieties ar izplatītāju vai apkopes darbnīcu. Izvairieties no lietošanas paņēmieniem, kurus nepārvaldāt.
- Izmantotais slāpētājs/dzirksteļu uztvērējs un dzirksteļu uztvērēja stiprinājuma virsma var saturēt degšanas daļiņu nogulsnes, kas var būt kancerogēnas. Izvairieties no saskares ar šiem savienojumiem, kad strādājat ar slāpētāju un/vai dzirksteļu uztvērēju. Pirms rīkoties ar trokšņa slāpētāju un/vai dzirksteļu uztvērēju, skatiet informāciju šeit: *Slāpētāja pārbaude lpp. 136*.
- Nemiet vērā, ka par negadījumiem vai apdraudējumu, kas tiek radīts citiem cilvēkiem vai viņu īpašumam, atbildīgs ir lietotājs.
- Nekad neļaujiet citām personām izmantot izstrādājumu, ja neesat pilnīgi pārliecināts, vai šīs personas ir sapratušas lietotāja rokasgrāmatu.
- Nekad neļaujiet bērniem lietot šo izstrādājumu vai uzturēties tā tuvumā. Tā kā šis izstrādājums ir aprīkots ar apturēšanas slēdzi ar atsperes mehānismu, kas atrodas uz startera roktura, un to var iedarbināt ar neliela ātruma un spēka kustību, arī mazi bērni noteiktos apstākļos var pieļikt pietiekamu spēku, lai iedarbinātu izstrādājumu. Tas var radīt smagu traumu. Tāpēc gadījumos, kad izstrādājums netiek pieskaflīts, ņemiet aizdedzes sveces uzmavu.
- Glabājiet izstrādājumu bērniem nepieejamā vietā.
- Nekādā gadījumā nelietojiet izstrādājumu, ja esat noguris, lietojis alkoholiskus dzērienus vai lietojat medikamentus, kas var ietekmēt redzi, reakciju, vai koordināciju.
- Nekad nelietojiet bojātu izstrādājumu. Ievērojiet šajā pamācībā norādītās apkopes, pārbaudes un servisa instrukcijas. Dažus apkopes un remonta darbus drīkst veikt tikai apmācīti un kvalificēti speciālisti. Skatiet arī norādījumus sadaļā Apkope.
- Nekādā gadījumā nelietojiet izstrādājumu, kas ir pārveidots neatbilstoši sākotnējai specifikācijai.

- Nekādā gadījumā nelietojiet izstrādājumu ekstremālos laika apstākļos, piemēram, lielā salā vai ļoti karstā un/vai mitrā klimatā.
- Nepareizi asmeņi var palielināt nelaimes gadījumu risku.
- Strādājot sekojiet, lai neviens cilvēks vai dzīvnieks netuvojās darba vietai tuvāk par 15 metriem/50 pēdām
- Pārliecinieties, ka tuvumā neatrodas cilvēki vai dzīvnieki, kas var nonākt saskarē ar griešanas aprīkojumu.
- Pārbaudiet darba zonu. Novāciet priekšmetus, kas var tikt izmesti, darba gaitā tiem pieskatoties.
- Vienmēr ieņemiet drošu un stabilu darba stāju.
- Nekādā gadījumā neatstājiet produktu bez uzraudzības, ja darbojas motors.
- Raugiet, lai rokas un kāju pēdas nenonāk kontaktā ar griezējmezglu, kad darbojas motors.
- Ja kaut kas iekeras nažos darba laikā, pirms nažu tīrīšanas pilnīgi jāapstādina motors un sveces kabelis jāatvieno no aizdedzes sveces. Atvienojiet aizdedzes sveces uzgali no aizdedzes sveces.
- Kad motors tiek izslēgts, nepieskarieties griezējmezglam ar rokām vai kāju pēdām, pirms tas ir pilnībā apstājies.
- Uzmanieties no zaru gabaliņiem, kas tiek izmesti griešanas laikā.
- Lietojot dzirdes aizsarglīdzekļus, vienmēr uzmanīgi klausieties, lai sadzirdētu brīdinājumu signālus vai saucienus. Kad motors apstājas, vienmēr ņemiet dzirdes aizsarglīdzekļus.
- Nekad neestrādājiet, stāvojt uz trepēm vai paliktņa vai kāda cita nenostiprināta paaugstinājuma.
- Izstrādājumu vienmēr turiet ar abām rokām. Turiet izstrādājumu sev priekšā.
- Ja izstrādājums saskaras ar svešķermeni vai rodas spēcīgas vibrācijas, nekavējoties izslēdziet izstrādājumu. Atvienojiet aizdedzes sveces uzgali no aizdedzes sveces. Pārbaudiet, vai izstrādājums nav bojāts. Salabojiet iespējamus bojājumus.
- Lai izvairītos no elektriskās strāvas trieciena, pārbaudiet, vai aizdedzes sveces uzmava un aizdedzes vads nav bojāts.
- Pārbaudiet vai visas skrūves un uzgriežņi ir pievilkti.
- Gādājiet, lai pārnēsunkārba ir labi ieeļļota. Skatiet: *Pārnēsunkārba (reduktora) kartera ieeļļošana lpp. 143*.
- Izstrādājuma lietošanas laikā pārnēsunkārba sakarst. Lai neapdedzinātos nepieskarieties pārnēsunkārbai.
- Pirms iedarbināšanas ir jābūt uzstādītiem visiem pārsegumiem aizsargiem.
- Ja asmeņi iestrēgst, tos var atbrīvot, ievietojot pārnēsunkārbā kombinēto uzgriežņu atslēgu. Ievietojiet kombinēto uzgriežņu atslēgu zobpāravadā un pagrieziet to uz priekšu un atpakaļ. Skatiet: *Asmeņu pārbaude lpp. 143*.

## Darba drošības norādījumi



**BRĪDINĀJUMS:** Pirms sākat lietot šo izstrādājumu, izlasiet tālāk izklāstītos brīdinājumus.

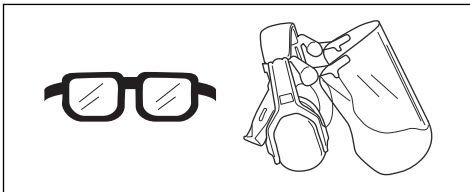
- Kad izstrādājums netiek izmantots, uz griezējmezgla vienmēr ir jāuzliek transportēšanas aizsargs.

## Individuālie aizsarglīdzekļi

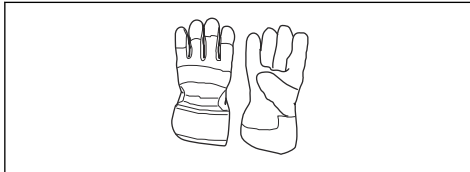


**BRĪDINĀJUMS:** Pirms sākat lietot izstrādājumu, izlasiet tālāk izklāstītās brīdinājuma instrukcijas.

- Izmantojot izstrādājumu, vienmēr lietojiet apstiprinātus individuālos aizsarglīdzekļus. Šādi līdzekļi nevar pilnībā novērst traumu gūšanas risku, taču samazina traumu smaguma pakāpi, ja negadījums tomēr notiek. Ļaujiet izplatītajam palīdzēt jums izvēlēties pareizo aprīkojumu.
- Lietojiet tādus dzirdes aizsarglīdzekļus, kas nodrošina pietiekamu trokšņa slāpēšanu. Ilgstoša uzturēšanās troksnī var radīt būtiskus dzirdes bojājumus.
- Izmantojiet apstiprinātus acu aizsarglīdzekļus. Apstiprinātas aizsargbrilles ir jālieto arī tad, ja tiek izmantots sejsegs. Apstiprinātas aizsargbrilles ir tādas, kas atbilst ASV standarta ANSI Z87.1 ASV vai standarta EN 166 prasībām ES valstīs.



- Vajadzības gadījumā izmantojiet cimdus, piemēram, piestiprinot, pārbaudot vai fīrot griešanas ierīci.



- Lietojiet izturīgus, neslīdošus zābakus vai kurpes.



- Lietojiet izturīga auduma apģērbu. Vienmēr valkājiet biezas, garas bikses un apģērbu ar garām piedurknēm. Nevalkājiet vaļīgu apģērbu, kas viegli var iekerties krūmos un zaros. Nenēsājiet rotaslietas, nevelciet šortus, sandales un nestrādājiet basām kājām. Sakārtojiet matus droši virs pleciem.

- Gādājiet, lai tuvumā būtu pirmās palīdzības piederumi.



## Izstrādājuma drošības ierīces

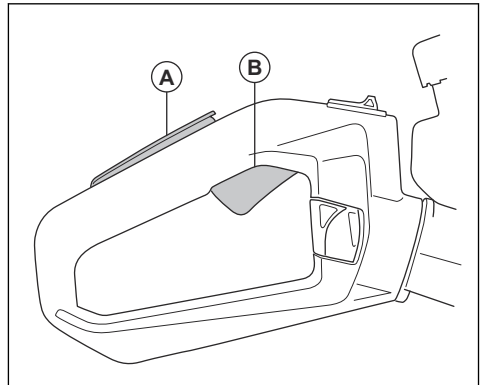


**BRĪDINĀJUMS:** Pirms izstrādājuma lietošanas izlasiet zemāk minētos brīdinājumus.

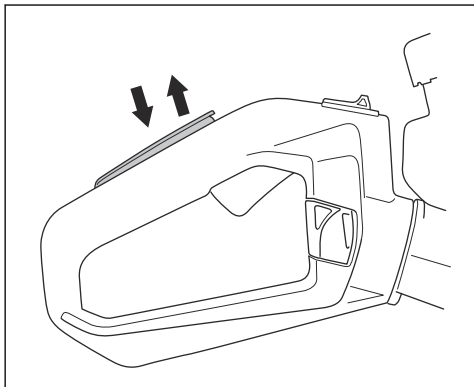
- Nelietojiet izstrādājumu kopā ar drošības ierīcēm, kas ir bojātas vai nedarbojas pareizi.
- Regulāri pārbaudiet drošības ierīces. Ja drošības ierīces ir bojātas vai nedarbojas pareizi, sazinieties ar Husqvarna apkopes dienesta pārstāvi.
- Nepārveidojiet drošības ierīces.

## Droseles mēlītes bloķētāja pārbaude

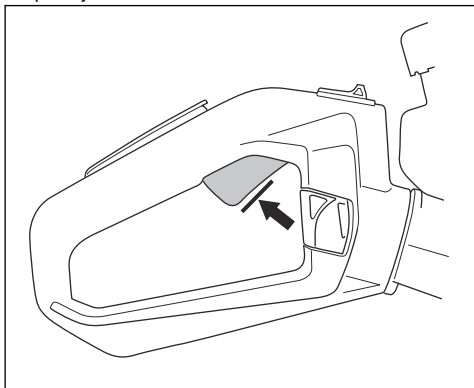
1. Pārbaudiet, vai droseles mēlītes bloķētājs (A) un droseles mēlīte (B) brīvi pārvietojas un atgriezējatspere darbojas pareizi.



2. Nospiediet uz leju droseles mēlītes bloķēšanas mehānismu un pārbaudiet, vai tas ieņem sākotnējo stāvokli, kad to atlaiž.



3. Atlaidiet droseles mēlītes bloķētāju un pārbaudiet, vai droseles mēlīte ir bloķēta brīvgaites ātruma pozīcijā.



4. Iedarbiniet dzinēju un padodiet pilnu jaudu.
5. Atlaidiet droseles mēlīti un pārbaudiet, vai asmeņi ir pilnībā apstājušies.



**BRĪDINĀJUMS:** Ja asmeņi ir kustībā, kad droseles mēlīte ir brīvgaites ātruma pozīcijā, noregulējiet brīvgaites apgrīezienu skaitu. Skatiet šeit: *Tukšgaitas apgrīezienu skaita regulēšana lpp. 141.*

#### Apturēšanas slēdža pārbaude

1. Iedarbiniet dzinēju.
2. Pabīdiet slēdzi izslēgšanas stāvoklī un pārliecinieties, vai dzinējs ir apstājies.



**BRĪDINĀJUMS:** Apturēšanas slēdzis automātiski atgriežas sākotnējā stāvoklī. Lai

nepieļautu nejaušu iedarbināšanu, izņemiet aizdedzes sveces uzgali no aizdedzes sveces, kad veicat izstrādājuma montāžu vai apkopi.

#### Rokas aizsarga pārbaude

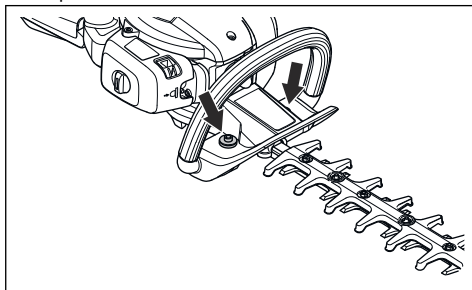
Rokas aizsargs pasargā rokas no traumām, ko var radīt asmeņi.

1. Apturiet dzinēju.
2. Pārliecinieties, ka rokas aizsargs ir pareizi pievienots.
3. Pārbaudiet, vai rokas aizsargs nav bojāts.

#### Vibrāciju slāpēšanas sistēmas pārbaude

Vibrāciju slāpēšanas sistēma samazina rokturu vibrāciju. Vibrāciju slāpēšanas bloki darbojas kā atdalītāji starp izstrādājuma korpusu un roktura bloku.

1. Vizuāli pārbaudiet, vai nav deformācijas un bojājumu.
2. Pārbaudiet, vai ir pareizi pievienoti vibrāciju slāpēšanas elementi.



#### Slāpētāja pārbaude



**BRĪDINĀJUMS:** Nelietojiet izstrādājumu, ja nav trokšņa slāpētāja vai tas ir bojāts. Bojāts slāpētājs vai tā neesamība var paaugstināt trokšņa līmeni un aizdegšanās risku. Turiet tuvumā ugunsdzēsamos aparātus. Neizmantojiet izstrādājumu, ja ir bojāts dzirksteļu aizturēšanas siets vai tā nav vispār, ja jūsu reģionā dzirksteļu aizturēšanas siets ir jāizmanto.



**BRĪDINĀJUMS:** Slāpētāji lietošanas laikā un pēc tās kļūst ļoti karsti — arī tukšgaitā.



**IEVĒROJIET:** Ja dzirksteļu uztvērēja siets bieži aizsērē, iespējams, ir pasliktinājies katalizatora darbība. Lai pārbaudītu slāpētāju, sazinieties ar



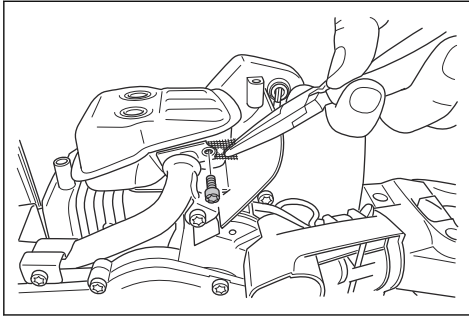
izplatītāju, kas nodrošina apkopi. Aizsērējis dzirksteli uztvērēja siets izraisīs pārkaršanu, kas, savukārt, radīs cilindra un virzuļa bojājumus.



**BRĪDINĀJUMS:** Slāpētāja iekšējās virsmas satur ķīmiskas vielas, kas var izraisīt vēzi. Esiet piesardzīgs, lai nepieskartos šiem elementiem, ja slāpētājs ir bojāts.

Slāpētājs maksimāli samazina troksni un atvirza dzinēja izplūdes gāzes no operatora. Slāpētājs ar katalizatoru samazina kaitīgās izplūdes gāzes.

1. Apturiet dzinēju.
2. Visuāli pārbaudiet, vai nav bojājumu un deformācijas.
3. Pārlicinieties, ka trokšņa slāpētājs ir pareizi piestiprināts izstrādājumam.
4. Notīriet dzirksteli uztvērēja sietu ar metāla suku.



### Asmeņu un asmens aizsarga pārbaude

Asmeņu ārējai daļai ir asmens aizsarga funkcija. Asmens aizsargs novērš traumas, ko rada griešana.

1. Izslēdziet dzinēju un pārlicinieties, vai asmeņi apstājas.
2. Noņemiet aizdedzes sveces uzgali no aizdedzes sveces.
3. Uzvelciet aizsargcimdus.
4. Pārbaudiet, vai asmens un asmens aizsargs nav bojāts vai salocīts. Vienmēr nomainiet bojātu vai saliektu asmeni vai bojātu asmens aizsargu.
5. Pārlicinieties, vai skrūves pie asmeņiem un asmens aizsarga ir cieši piegrieztas.

### Drošības norādījumi, rīkojoties ar degvielu



**BRĪDINĀJUMS:** Pirms sākat lietot šo izstrādājumu, izlasiet tālāk izklāstītās brīdinājuma instrukcijas.

- Nelietojiet izstrādājumu, ja uz tā ir degviela vai dzinēja eļļa. Notīriet nevēlamo degvielu/eļļu un ļaujiet izstrādājumam nožūt.
- Ja degviela ir nokļuvusi uz apģērba, nekavējoties pārģērbieties.
- Neļaujiet degvielai nonākt uz ķermeņa, jo tā var izraisīt savainojumus. Ja degviela ir nonākusi uz ķermeņa, izmantojiet ziepes un ūdeni, lai to nomazgātu.
- Nelietojiet izstrādājumu, ja dzinējā ir sūce. Regulāri pārbaudiet, vai dzinējam nav radusies sūce.
- Rīkojoties ar degvielu, esiet uzmanīgs. Degviela ir viegli uzliesmojoša, tās tvaiki ir sprādzienbīstami, un var izraisīt savainojumus vai nāvi.
- Neieelpojiet degvielas tvaikus, jo tie var izraisīt savainojumus. Pārlicinieties, vai gaisa plūsma ir pietiekama.
- Nesmēķējiet degvielas vai dzinēja tuvumā.
- Nenovietojiet siltus objektus degvielas vai dzinēja tuvumā.
- Nepievienojiet degvielu dzinēja darbības laikā.
- Pirms degvielas uzpildes pārlicinieties, vai dzinējs ir atdzisis.
- Pirms uzpildes lēni atveriet degvielas tvertnes vāciņu un uzmanīgi izlaidiet spiedienu.
- Neveiciet dzinēja degvielas uzpildi telpās. Nepietiekama gaisa plūsma var izraisīt savainojumus vai nāvi, nosmokot vai saindējoties ar oglekļa monoksīdu (tvana gāzi).
- Pilnībā piegrieziet degvielas tvertnes vāciņu. Ja degvielas tvertnes vāciņš nav piegriezts, pastāv aizdegšanās risks.
- Pirms iedarbināšanas pārvietojiet izstrādājumu vismaz 3 m (10 pēdas) no vietas, kur piepildījāt tvertni.
- Nepiepildiet degvielas tvertni pilnībā. Siltuma ietekmē degviela izplešas. Atstājiet degvielas tvertnes augšdaļu tukšu.

### Norādījumi par drošu apkopi



**BRĪDINĀJUMS:** Pirms sākat lietot šo izstrādājumu, izlasiet zemāk izklāstītās brīdinājumus.

- Izslēdziet dzinēju un pārlicinieties, vai griešanas aprīkojums ir apstājies. Pirms veicat apkopi, ļaujiet izstrādājumam atdzist.
- Pirms apkopes darbu veikšanas atvienojiet aizdedzes sveces uzgali.
- Dzinēja gāzu izplūdes satur oglekļa monoksīdu, kas ir bezkrāsaina, indīga un ļoti bīstama gāze, kura var izraisīt nāvi. Nedarbiniet izstrādājumu iekštelpās vai slēgtās telpās.
- Dzinēja izplūdes gāzes ir karstas, un tajās var būt dzirksteles. Nedarbiniet izstrādājumu telpās vai ugunsdrošu materiālu tuvumā.

- Piederumi un pārveidojumi izstrādājumā, kuras ražotājs nav apstiprinājis, var izraisīt nopietnas traumas vai nāvi. Nepārveidojiet izstrādājumu. Vienmēr izmantojiet oriģinālos piederumus.
- Ja apkope netiek veikta pareizi un regulāri, palielinās traumu gūšanas risks un bojājumu izstrādājumam risks.

- Veiciet tikai to apkopi, kas ir ieteikta šajā lietotāja rokasgrāmatā. Ļaujiet pilnvarotā Husqvarna servisa pārstāvim veikt visu pārējo apkopi.
- Ļaujiet pilnvarotā Husqvarna servisa pārstāvim regulāri veikt izstrādājuma apkopi.
- Nomainiet bojātās, nodilušās un salūzušās detaļas.

## Lietošana

### Ievads



**BRĪDINĀJUMS:** Pirms produkta lietošanas izlasiet un izprotiet drošības norādījumus.

### Degviela

Šim izstrādājumam ir divtaktu dzinējs.



**IEVĒROJIET:** Nepareiza veida degviela var sabojāt dzinēju. Izmantojiet benzīna un divtaktu dzinēja eļļas maisījumu.

### Iepriekš sajaukta degviela

- Lai uzlabotu veiktspēju un pagarinātu motora darbību, izmantojiet Husqvarna iepriekš sajauktu alkilātu degvielu. Šī degviela satur mazāk ķīmisku vielu, salīdzinot ar parasto degvielu, tādējādi tiek samazināts kaitīgo izplūdes gāzu apjoms. Izmantojot šo degvielu, atliekvielu līmenis pēc sadegšanas ir zemāks, kas saglabā tīrus motora komponentus.

### Degvielas sajaukšana

#### Benzīns

- Izmantojiet labas kvalitātes bezsvina benzīnu, ar maksimālo etanola saturu 10%.



**IEVĒROJIET:** Neizmantojiet benzīnu, kura oktānskaitlis ir mazāks par 90 RON/87 AKI. Degviela ar zemāku oktānskaitli var izraisīt dzinēja klauzdzēšanu, kas bojā dzinēju.

#### Divtaktu eļļa

- Lai uzlabotu rezultātus un veiktspēju, izmantojiet Husqvarna divtaktu dzinēja eļļu.
- Ja Husqvarna divtaktu dzinēja eļļa nav pieejama, izmantojiet kvalitatīvu divtaktu dzinēju eļļu, kas paredzēta motoriem ar gaisa dzesēšanu. Lai izvēlētu pareizu eļļu, sazinieties ar vietējo apkopes sniedzēju.



**IEVĒROJIET:** Nelietojiet divtaktu dzinēja eļļu, kas paredzēta ar ūdeni dzesējamiem piekarināmiem dzinējiem;

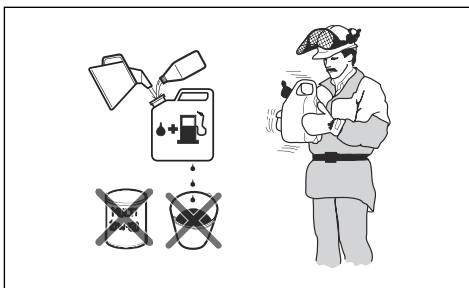
šādu eļļu dēvē arī par piekarināmu dzinēju eļļu. Nelietojiet četrtaktu dzinējiem paredzētu eļļu.

### Benzīna un divtaktu dzinēja eļļas sagatavošana

Benzīns, litri	Divtaktu dzinēja eļļa, litri
	<b>2% (50:1)</b>
5	0,10
10	0,20
15	0,30
20	0,40



**IEVĒROJIET:** Samaisot mazu degvielas daudzumu, nelielas kļūdas var būtiski ietekmēt maisījuma attiecību. Rūpīgi nomēriet eļļas daudzumu un pārbaudiet, vai tiek iegūts pareizs maisījums.



1. Iepildiet pusi benzīna daudzuma tīrā degvielas tvertnē.
2. Pievienojiet visu daudzumu eļļas.
3. Sakratiet degvielas maisījumu.
4. Pievienojiet tvertnē pārējo benzīna daudzumu.
5. Rūpīgi sakratiet degvielas maisījumu.



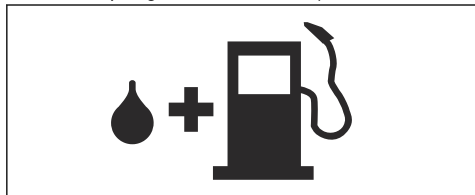
**IEVĒROJIET:** Vienā reizē sajauciet degvielu, lai tās pietiek tikai 1 mēnesim.

## Degvielas tvertnes uzpilde



**BRĪDINĀJUMS:** Drošības nolūkā ievērojiet tālāk norādīto procedūru.

1. Apturiet dzinēja darbību un ļaujiet tam atdzist.
2. Safīriet ap degvielas tvertnes vāciņu.



3. Sakratiet tvertni un pārbaudiet, vai degviela ir pilnībā sajaukusies ar eļļu.
4. Degvielas tvertnes vāciņu atveriet lēnām, lai samazinātu spiedienu.
5. Uzpildiet degvielas tvertni.



**IEVĒROJIET:** Pārļiecinieties, ka degvielas tvertnē nav pārāk daudz degvielas. Uzkarstot degviela izplešas.

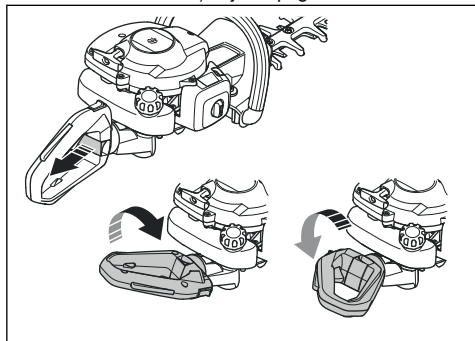
6. Rūpīgi pievelciet degvielas tvertnes vāciņu.
7. Notīriet degvielu, kas izlijusi uz izstrādājuma un ap to.
8. Pirms izstrādājuma iedarbināšanas pārvietojiet to vismaz 3 m/10 pēdu attālumā no degvielas uzpildīšanas vietas un degvielas avota.

**Piezīme:** Informāciju par to, kur atrodas konkrētā izstrādājuma degvielas tvertne, sk. *levads lpp. 132*.

## Roktura regulēšana

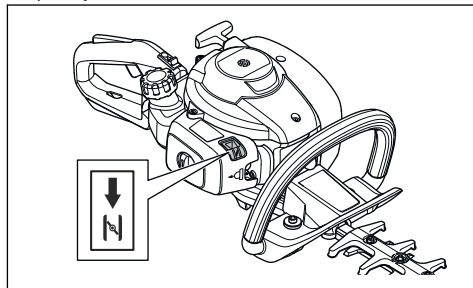
Aizmugurējā roktura augstumu var regulēt 3 pozīcijās.

- Atļaidiet roktura bloķētāju un pagrieziet rokturi.



## Produkta iedarbināšana, ja dzinējs ir auksts

1. Paveiciet gaisa vārsta vadību līdz gaisa vārsta pozīcijai.



2. Nospiediet atgaisošanas sūkņa balonu apmēram 6 reizes vai līdz degviela uzpilda balonu. Atgaisošanas sūkņa balons nav obligāti jāuzpilda līdz galam.
3. Ar kreiso roku piespiediet izstrādājumu pie zemes. Nekāpiet uz izstrādājuma.
4. Lēni velciet startera auklu ar labo roku, līdz sajūtat pretestību, pēc tam paveiciet startera auklas rokturi ātri un ar spēku.



**BRĪDINĀJUMS:** Netiniet startera auklu ap roku.



**IEVĒROJIET:** Neizvelciet startera auklu līdz galam un neatļaidiet startera auklas rokturi.

5. Turpiniet vilkt startera auklas rokturi, līdz dzinējs iedarbojas, pēc tam nospiediet gaisa vārsta vadību tās sākotnējā pozīcijā.



**BRĪDINĀJUMS:** Kad dzinējs ir iedarbināts, asmeņi sāk kustēties.

6. Turpiniet vilkt startera auklas rokturi, līdz dzinējs sāk darboties.
7. Lai iestatītu dzinēja brīvgaitas apgriezumu skaitu, piespiediet un atļaidiet droseles mēlīti.
8. Lai palielinātu dzinēja apgriezienus, pakāpeniski pabīdīet droseles mēlīti.
9. Pārļiecinieties, vai dzinējs darbojas vienmērīgi.

## Izstrādājuma iedarbināšana, ja dzinējs ir auksts

1. Ar kreiso roku piespiediet izstrādājumu pie zemes. Nekāpiet uz izstrādājuma.
2. Lēni velciet startera auklu ar labo roku, līdz sajūtat pretestību, pēc tam paveiciet startera auklas rokturi ātri un ar spēku. Turpiniet, līdz dzinējs tiek iedarbināts.

**Piezīme:** Papildinformāciju par izstrādājuma iedarbināšanu skatiet šeit: *Produkta iedarbināšana, ja dzinējs ir auksts lpp. 139.*

### Izstrādājuma izslēgšana

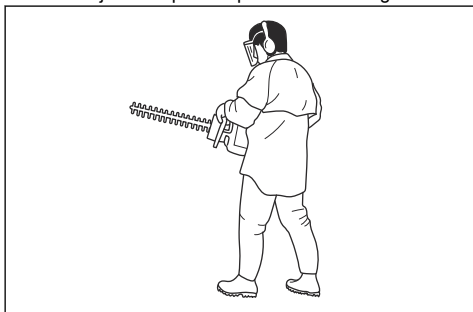
- Pārbīdiet apturēšanas slēdzi dzinēja apturēšanas stāvoklī.



**IEVĒROJIET:** Apturēšanas slēdzis automātiski atgriežas darbības stāvoklī.

### Izstrādājuma darbināšana

1. Apgriežot dzīvzoga malas, virziet izstrādājumu no dzīvzoga apakšas uz augšu. Raugieties, lai izstrādājuma korpuss nepieskartos dzīvzogam.



## Apkope

### Ievads



**BRĪDINĀJUMS:** Pirms ķēdes zāģa apkopes veikšanas izlasiet un izprotiet sadaļu par drošības pasākumiem.

### Tehniskās apkopes grafiks

Tehniskā apkope	Pirms izmantošanas	Pēc 40 h	Pēc 100 h
Notīriet ārējo virsmu.		Pēc katras lietošanas.	
Notīriet no slāpētāja, izplūdes caurules un dzinēja lapas, neīrurus un smērvielas pārpalikumus.		Pēc katras lietošanas.	
Pārbaidiet, vai griezējmezgls nekustas, dzinējam darbojoties tukšgaitā.	X		
Pārbaidiet apturēšanas slēdzi. Skatiet šeit: <i>Apturēšanas slēdža pārbaude lpp. 136.</i>	X		
Pārbaidiet, vai griezējmezgls nav bojāts vai ielplaisājis. Ja nepieciešams, nomainiet.	X		



**BRĪDINĀJUMS:** Raugieties, griešanas aprīkojuma priekšējā daļa nepieskartos zemei.

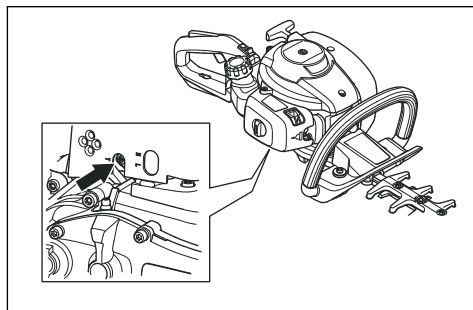
2. Noregulējiet ātrumu, lai tas atbilstu darba slodzei.
3. Lai nodrošinātu stabilu darba pozīciju, turiet izstrādājumu tuvu ķermenim.
4. Esiet uzmanīgs un strādājiet ar izstrādājumu lēnām.

Tehniskā apkope	Pirms izmantošanas	Pēc 40 h	Pēc 100 h
Pārbaudiet, vai rokas aizsargs nav bojāts vai ielplaisājis. Ja nepieciešams, nomainiet.	X		
Pārbaudiet drosesles mēlītes bloķētāju un drosesles mēlīti. Skatiet šeit: <i>Drosesles mēlītes bloķētāja pārbaude lpp. 135.</i>	X		
Pārbaudiet, vai dzinējā, degvielas tvertnē un degvielas caurulē nav noplūdes.	X		
Pievelciet uzgriežņus un skrūves.	X		
Pārbaudiet, vai nav bojāts starteris un startera aukla.		X	
Pārbaudiet, vai skrūves, kas tur asmeņus, ir pietiekami piegrieztas.		X	
Iztīriet gaisa filtru. Veiciet tīrīšanu biežāk, ja izstrādājums tiek izmantots putekļainās vietās. Ja nepieciešams, nomainiet.		X	
Pārbaudiet, vai vibrāciju slāpēšanas elementi nav bojāti vai ielplaisājuši. Ja nepieciešams, nomainiet.		X	
Nofīriet aizdedzes sveces ārējo virsmu un ap to esošo laukumu. Noņemiet aizdedzes sveci un izmēriet elektrodu atstarpi. Noregulējiet elektrodu atstarpi vai nomainiet aizdedzes sveci. Skatiet šeit: <i>Aizdedzes sveces pārbaude lpp. 142.</i>		X	
Iztīriet dzesēšanas sistēmu.		X	
Nofīriet karburatora ārējo virsmu un ap to esošo laukumu.		X	
Pārbaudiet, vai degvielas filtrs nav piesārņots un vai degvielas šļūtenei nav plaisu vai citu bojājumu. Ja nepieciešams, nomainiet.			X
Nofīriet dzirksteļu uztvērēja sietu uz slāpētāja, nomainiet to, ja nepieciešams, nomainiet.			X
Iztīriet degvielas tvertni no iekšpuses.			X
Nomainiet aizdedzes sveci.			X
Pārbaudiet, vai nav nodilis sajūgs, sajūga atsperes un sajūga cilindrs. Bojājumu gadījumā nomaina ir jāveic apstiprinātām izplatītājam, kas nodrošina apkopi.			X
Pārliecinieties, vai pārnēsrumkārbas (reduktora) karteris ir piepildīts ar smērvielu.			X
Pārbaudiet visus kabeljus un savienojumus.			X

## Tukšgaitas apgriezīgu skaita regulēšana

- Iztīriet gaisa filtru un piestipriniet gaisa filtra vāku.
- Iedarbiniet ierīci. Skatiet: *Produkta iedarbināšana, ja dzinējs ir auksts lpp. 139.*

- Vispirms grieziet brīvsgaitas regulēšanas skrūvi T pulkstenrādītāju kustības virzienā, līdz griezējmezgls sāk kustēties.



4. Grieziet brīvķaitas regulēšanas skrūvi pretēji pulksteņrādītāju kustības virzienam, līdz griezējmezgls apstājas.

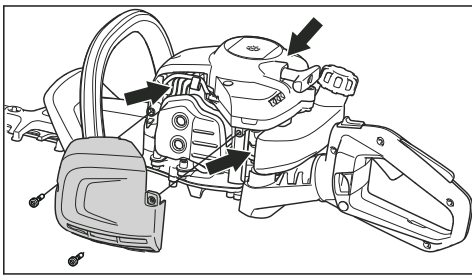


**BRĪDINĀJUMS:** Ja griezējmezgls neapstājas, regulējot brīvķaitas apgriezumu skaitu, sazinieties ar tuvāko izplatītāju, kas nodrošina apkopi. Nelietojiet izstrādājumu, kamēr tas nav pareizi noregulēts vai saremontēts.

**Piezīme:** Tukšģķaitas apgriezumu skaits ir pareizs, ja dzinējs vienmērīgi darbojas visās pozīcijās. Ieteicamo brīvķaitas apgriezumu skaitu skatiet šeit: *Tehniskie dati lpp. 145.*

## Dzesēšanas sistēmas tīrģšana

Dzesēšanas sistēma palīdz saglabāt zemu dzinēja temperatūru. Dzesēšanas sistēma ietver dzesēšanas ribas uz cilindra, cilindra pārsegu un kartera gaisa ielplūdi.



**IEVĒROJIET:** Gaisa ielplūdi starp degvielas tvertni un karteri var noblokēt lapas. Rūpīgi iztīriet gaisa ielplūdi.

1. Tīriet dzesēšanas sistēmu ar suku katru nedēļu vai biežāk, ja nepieciešams.
2. Pārliecinieties, vai dzesēšanas sistēma nav netīra vai aizsērējusi.

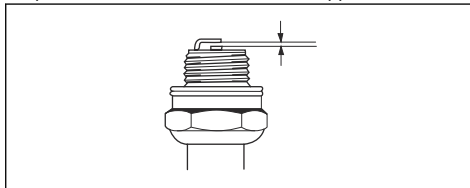
## Aizdedzes sveces pārbaude



**IEVĒROJIET:** Vienmēr lietojiet ieteiktā tipa aizdedzes sveci. Nepiemērota aizdedzes svece var radīt izstrādājuma bojājumus.

- Pārbaudiet aizdedzes sveci, ja dzinējam nepietiek jaudas, dzinēju nevar viegli iedarbināt vai arī tas nedarbojas pareizi tukšģķaitā.
- Lai samazinātu nevēlamu materiālu uzkrāšanos uz aizdedzes sveces elektrodiem, ievērojiet turpmākos norādījumus.

- a) Pārliecinieties, ka apgriezumu skaits tukšģķaitā ir noregulēts pareizi.
  - b) Pārliecinieties, ka degvielas maisģjums ir atbilstošs.
  - c) Pārliecinieties, ka gaisa filtrs ir tģrs.
- Ja aizdedzes svece ir netģra, notģriet to un pārbaudiet, vai atstātums starp elektrodiem ir pareizģ; skatiet šeit: *Tehniskie dati lpp. 145.*

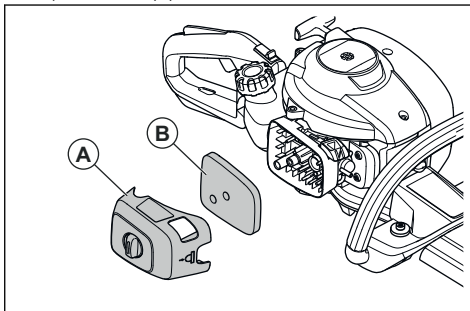


- Ja nepieciešams, nomainiet aizdedzes sveci.

## Gaisa filtra tģrģšana

Regulāri iztģriet netģrumus un puteķļus no gaisa filtra. Tādģjādi tiks novērsta karburatora nepareiza darbģba, iedarbināšanas problēmas, dzinēja jaudas samazināšanās, dzinēja detaļu nolģetošanās un palielināts degvielas patēriņģ.

1. Noģemiet gaisa filtra pārseģu (A).
2. Izģemiet filtru (B) no filtra ietvara.



3. Tģriet filtru ar siltu ziepjģdeni.

**Piezģme:** Gaisa filtru, kas ilgstoģi izmantots, nevar pilnģbā iztģrģt. Mainiet gaisa filtru regulāri; vienmēr nomainiet tad, ja tas ir bojģts.

4. Pārliecinieties, vai filtrs ir sauss.
5. Ielģģģjiet gaisa filtru. Skatiet šeit: *Putuplasta gaisa filtra eļģģšana lpp. 142*
6. Notģriet gaisa filtra vģķa iekšģģo virsmu. Izmantojiet saspiestu gaisu vai suku.

## Putuplasta gaisa filtra eļģģšana

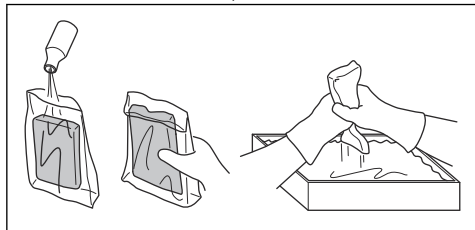


**IEVĒROJIET:** Vienmēr lietojiet tikai Husqvarna ģpaģģo gaisa filtru eļģģ. Neizmantojiet citu veidu eļģģas.



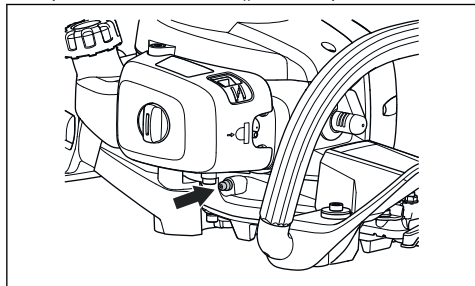
**BRĪDINĀJUMS:** Uzvelciet aizsargcimdus. Gaisa filtra eļļa var izraisīt ādas kairinājumu.

1. Ievietojiet putuplasta gaisa filtru plastmasas maisiņā.
2. Ielejiet eļļu plastmasas maisiņā.
3. Paberzējiet plastmasas maisiņu plaukstās, lai eļļa tiek vienmērīgi uzklāta uz putuplasta gaisa filtra.
4. Izspiediet eļļas pārpalikumu no putuplasta gaisa filtra, kamēr tas ir maisiņā.



## Pārnesumkārbas (reduktora) kartera ieeļļošana

- Lietojiet īpašo Husqvarna smērvielu. Lai iegūtu plašāku informāciju par ieteicamo smērvielu, sazinieties ar izplatītāju, kas nodrošina apkopi.
- Iepildiet smērvielu caur eļļošanas nipelī.



**IEVĒROJIET:** Nepiepildiet pārnesumkārbas (reduktora) karteri pilnībā.

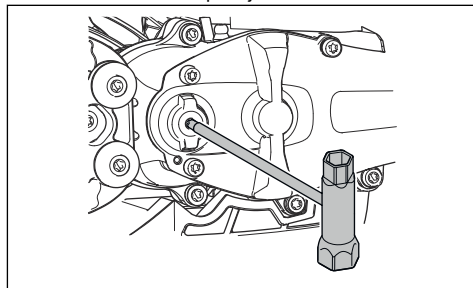
## Asmeņu tīrīšana un ieeļļošana

1. Pirms un pēc izstrādājuma izmantošanas notīriet no tā asmeņiem nevēlamos materiālus.
2. Pirms ilga uzglabāšanas perioda ieeļļojiet asmeņus.

**Piezīme:** Lai iegūtu plašāku informāciju par ieteicamajiem tīrīšanas līdzekļiem un smērvielām, sazinieties ar izplatītāju, kas nodrošina apkopi.

## Asmeņu pārbaude

1. Noņemiet pārnesumkārbas (reduktora) kartera pārsegu.
2. Pārlicinieties, vai asmeņi rotē brīvi. Ievietojiet kombinēto uzgriežņu atslēgu pārnesumkārbas (reduktora) karterī un pagrieziet pulksteņrādītāja kustības virzienā un pretēji tai.



3. Pārbaudiet, vai asmeņu malas nav bojātas vai deformētas.
4. Lai likvidētu asmeņu atskarpes, izmantojiet vīli.

## Problēmu novēršana

### Problēmu novēršana

Dzinējs neiedarbojas		
Problēma	Iespējamais iemesls	Ieteicamā darbība
Startera sprūdi	Startera sprūdi nevar brīvi kustēties.	Noregulējiet vai nomainiet startera aizturus.
		Notīriet vietu ap aizturiem.
		Sazinieties ar apstiprinātu izplatītāju, kas nodrošina apkopi.
Degvielas tvertne	Nepareizs degvielas tips.	Iztukšojiet un iepildiet pareizo degvielu.

Dzinējs neiedarbojas		
Problēma	Iespējamais iemesls	Ieteicamā darbība
Karburators	Nepareizs brīvgaits apgriezību skaits.	Noregulējiet brīvgaits apgriezību skaitu.
Nav dzirksteles	Aizdedzes svece ir netīra vai mitra.	Pārbaudiet, vai aizdedzes svece ir sausa un tīra.
	Nepareiza elektrodu atstarpe.	Notīriet aizdedzes sveci. Pārļiecinieties, vai aizdedzes sveces elektrodu atstarpe ir pareiza. Pārbaudiet, vai aizdedzes svece ir uzstādīta ar slāpētāju.
		Informāciju par pareizu elektrodu atstarpi skatiet šeit: <i>Tehniskie dati lpp. 145.</i>
Aizdedzes svece	Aizdedzes svece ir valģīga.	Pievelciet aizdedzes sveci.

Dzinējs sāk darboties, taču tad apstājas		
Problēma	Iespējamais iemesls	Ieteicamā darbība
Degvielas tvertne	Nepareizs degvielas tips.	Iztukšojiet un iepildiet pareizo degvielu.
Karburators	Nepareizs brīvgaits apgriezību skaits.	Noregulējiet brīvgaits apgriezību skaitu. Skatiet šeit: <i>Tukšgaitas apgriezību skaita regulēšana lpp. 141.</i> Ja nepieciešams, sazinieties ar izplatītāju, kas nodrošina apkopi.
Gaisa filtrs	Aizsērējis gaisa filtrs.	Iztīriet gaisa filtru.

Asmeņiem		
Problēma	Iespējamie iemesli	Ieteicamā darbība
Asmens kustas lēni vai nekustas vispār.	Asmens ir bloķēts vai bojāts.	Notīriet asmeņus no nevēlamām materiāliem. Skatiet šeit: <i>Asmeņu tīrīšana un ieeļļošana lpp. 143.</i> Nolīdziniet asmeņu atskarpes, skatiet šeit: <i>Asmeņu pārbaude lpp. 143.</i> Ja asmens ir bojāts, nomainiet to.
Griešana ar asmeni notiek smagi.	Asmens nav ass vai ir bojāts.	Uzasiniet asmeni, skatiet šeit: <i>Asmeņu pārbaude lpp. 143.</i> Ja asmens ir bojāts, nomainiet to.
Asmens sakarst.	Starp asmeņiem veidojas berze.	Nolīdziniet asmeņu atskarpes un ieeļļojiet tos. Skatiet šeit: <i>Asmeņu tīrīšana un ieeļļošana lpp. 143.</i>

## Pārvadāšana, glabāšana un utilizācija

### Pārvadāšana un uzglabāšana

- Pirms izstrādājuma novietošanas glabāšanai vienmēr ļaujiet tam atdzist.
- Attiecībā uz izstrādājuma un degvielas glabāšanu un transportēšanu pārļiecinieties, vai nav noplūdes

vai tvaiku. Dzirksteles vai atklātas liesmas, ko rada, piemēram, elektroierīces vai tvaika katli, var izraisīt ugunsgrēku.

- Vienmēr izmantojiet apstiprinātas tvertnes degvielas glabāšanai un transportēšanai.



- Pirms transportēšanas vai ilgstošas uzglabāšanas iztukšojiet tvertni. Utilizējiet degvielu atbilstošā utilizēšanas vietā.
- Transportēšanas un glabāšanas laikā piestipriniet transportēšanas aizsargu.
- Noņemiet aizdedzes sveces uzgali no aizdedzes sveces.
- Transportēšanas laikā nostipriniet izstrādājumu. Pārliecinieties, ka tas nevar kustēties.
- Pirms ilgstošas glabāšanas notīriet izstrādājumu un saremontējiet to.

## Utilizācija

- Ievērojiet konkrētās valsts pārstrādes prasības un spēkā esošos noteikumus.
- Utilizējiet visas ķīmikālijas, piemēram, dzinēja eļļu vai degvielu, izplatītāja apkopes dienestā vai atbilstošā utilizācijas vietā.
- Kad beidzies dzinēja darbmūžs, nogādājiet dzinēju Husqvarna izplatītāja apkopes dienestā vai pārstrādes vietā.

## Tehniskie dati

### Tehniskie dati

	322HD60
<b>Dzinējs</b>	
Cilindra darba tilpums, cm <sup>3</sup>	21,7
Apgriezienu skaits tukšgaitā, apgr./min	2900
Ieteicamais maksimālais apgriezienu skaits, apgr./min.	9000
Maksimālā dzinēja jauda saskaņā ar ISO 8893, kW/hp pie apgr./min	0,6/0,8 ar 7800
Trokšņa slāpētājs ar katalītisko neitralizatoru	Jā
<b>Aizdedzes sistēma</b>	
Aizdedzes svece	HQT-4 672201
Atstatums starp elektrodiem, mm	0,5
<b>Degviela</b>	
Degvielas tvertnes tilpums, l/cm <sup>3</sup>	0,3/300
<b>Svars</b>	
Bez degvielas, kg	5,2
<b>Trokšņa emisija</b> <sup>25</sup>	
Skaņas jaudas līmenis, izmērītais dB (A)	101
Skaņas jaudas līmenis, garantētais L <sub>WA</sub> dB (A)	102
<b>Skaņas līmeņi</b> <sup>26</sup>	
Ekvivalents skaņas spiediena līmenis pie lietotāja auss, mērīts saskaņā ar EN ISO 22868, dB(A)	92

<sup>25</sup> Atbilstoši EK direktīvai 2000/14/EK trokšņa emisija apkārtne ir mērīta kā akustiskā jauda (L<sub>WA</sub>). Ziņotais izstrādājuma skaņas jaudas līmenis tika mērīts ar pievienotu tādu oriģinālo griešanas aprīkojumu, kas rada augstāko līmeni. Atšķirība starp garantēto un izmērīto skaņas jaudas līmeni ir tāda, ka garantētā skaņas intensitātes līmeņa mērījumu rezultāts ietver arī izkliedi mērījuma rezultātā un atšķirības dažādiem tā paša modeļa izstrādājumiem atbilstoši direktīvai 2000/14/EK.

<sup>26</sup> Sniegtajos datos par skaņas spiediena līmeni tipiskā statistiskā izkliede ir 1 dB (A) (standartnovirze).

	322HD60
<b>Vibrācijas līmeņi</b> <sup>27</sup>	
Ekvivalents vibrācijas līmenis ( $a_{Hv,eq}$ ) pie rokturiem, mērīts atbilstoši standartam EN ISO 22867, $m/s^2$	
Priekšā/aizmugurē, $mm/s^2$	4,4/4,3
<b>Asmeņi</b>	
Tips	Abpusēji
Griešanas garums, cm	600
Griešanas ātrums, griešana/min.	4400

<sup>27</sup> Sniegtajos datos par vibrācijas līmeni tipiska statistiskā izkliede ir  $1 m/s^2$  (standartnovirze).

# Atbilstības deklarācija

## ES atbilstības deklarācija

Mēs, **Husqvarna AB**, SE-561 82 Huskvarna, Zviedrija, tālr. +46-36-146500, ar pilnu atbildību apliecinā, ka šis izstrādājums:

<b>Apraksts</b>	Dzīvžoga trimēris
<b>Zīmols</b>	Husqvarna
<b>Tips/modelis</b>	322HD60
<b>Identifikācija</b>	Ar sērijas numuriem, sākot ar 2022. gadu

pilnībā atbilst šādām ES direktīvām un noteikumiem:

<b>Regula</b>	<b>Apraksts</b>
2006/42/EK	"par mehānismiem"
2014/30/ES	"par elektromagnētisko savietojamību"
2000/14/EK	"par trokšņa emisiju vidē"
2011/65/ES	Par dažādu bīstamo vielu lietošanas ierobežojumiem elektriskajos un elektroniskajos aprīkojumos

un ir ievēroti tālāk norādītie standarti un/vai tehniskās specifikācijas;

Ir piemēroti šādi standarti:

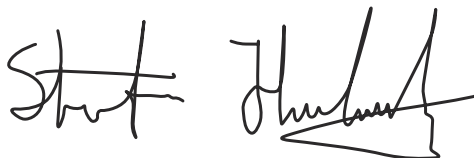
**EN ISO 12100:2010, EN ISO 10517:2019, EN IEC 63000:2018, EN ISO 14982:2009**

SMP Svensk Maskinprovning, Box 4053, SE-904 03 Umeå, Sweden ir veicis brīvprātīgu tipa pārbaudi saskaņā ar direktīvas 2006/42/EK IX pielikumu.

Uzņēmums SMP Svensk Maskinprovning, ir arī pārbaudījis atbilstību Eiropas Padomes direktīvas 2000/14/EK V pielikumam.

Informāciju par trokšņa emisiju skatiet šeit: *Tehniskie dati lpp. 145.*

Huskvarna, 2023-07-10



Stefan Holmberg, R&D Director, Technology Management, Husqvarna AB

Atbildīgais par tehnisko dokumentāciju



## Inhoud

Inleiding.....	148	Probleemoplossing.....	160
Veiligheid.....	149	Vervoer, opslag en verwerking.....	161
Werking.....	154	Technische gegevens.....	161
Onderhoud.....	157	Verklaring van overeenstemming.....	163

## Inleiding

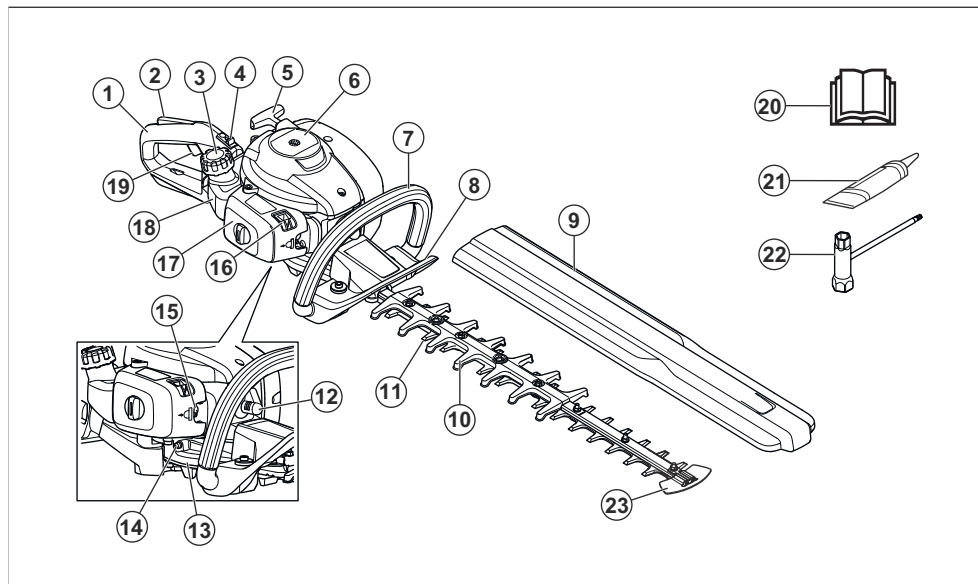
### Productbeschrijving

Het product is een heggenchaar met een verbrandingsmotor.

### Gebruik

Gebruik het product voor het snoeien van takken en twijgen. Gebruik het product niet voor andere taken.

### Productoverzicht



- |                           |                                  |
|---------------------------|----------------------------------|
| 1. Achterhandgreep        | 15. Primerbalg van brandstofpomp |
| 2. Gashendelvergrendeling | 16. Chokehendel                  |
| 3. Brandstoftankdop       | 17. Luchtfilterdeksel            |
| 4. Stopschakelaar         | 18. Brandstoftank                |
| 5. Startkoordgreep        | 19. Gashendel                    |
| 6. Cilinderkap            | 20. Bedieningshandleiding        |
| 7. Voorhandgreep          | 21. Tube vet                     |
| 8. Handbeveiliging        | 22. Ring-steeksleutel            |
| 9. Transportbescherming   | 23. Bescherming bladuiteinde     |
| 10. Bladbeschermkap       |                                  |
| 11. Mes                   |                                  |
| 12. Bougiekap en bougie   |                                  |
| 13. Tandwielhuis          |                                  |
| 14. Smeernippel           |                                  |

### Symbolen op het product



**WAARSCHUWING!** Dit product is gevaarlijk. Onzorgvuldig of onjuist gebruik van het product kan leiden tot letsel of de dood van de gebruiker of omstanders.

Lees en volg alle veiligheidsinstructies in de bedieningshandleiding om letsel bij de gebruiker of omstanders te voorkomen.



Lees de bedieningshandleiding zorgvuldig door en zorg dat u de instructies hebt begrepen voordat u het product gebruikt.



Gebruik goedgekeurde gehoorbescherming en oogbescherming.



Draag goedgekeurde veiligheidshandschoenen.



Gebruik antislipplaatzen voor zwaar gebruik.

T

Stelschroef voor stationair draaien.

H

Naald voor hoge toeren.

L

Naald voor lage toeren.



Geluidsemissies naar het omgevingslabel volgens de Europese richtlijn 2000/14/EG, de richtlijnen en voorschriften van het VK en de wetgeving van Nieuw-Zuid-Wales "Protection of the Environment Operations (Noise Control) Regulation 2017". Het gegarandeerde geluidsvermogensniveau van het product staat vermeld in *Technische gegevens op pagina 161* en het label.



Het product voldoet aan de geldende EG-richtlijnen.

yyyywwxxxx

Het serienummer staat op het productplaatje. **yyyy** is het productiejaar en **ww** is de productieweek.

**Let op:** Andere symbolen/stickers op het product hebben betrekking op certificeringseisen voor bepaalde markten.

## Euro V-emissies



**WAARSCHUWING:** De EU-typegoedkeuring van dit product vervalt als ongeoorloofde wijzigingen aan de motor aangebracht worden.

## Veiligheid

### Veiligheidsdefinities

Waarschuwingen, voorzorgsmaatregelen en opmerkingen worden gebruikt om te wijzen op belangrijke delen van de handleiding.



**WAARSCHUWING:** Wordt gebruikt om te wijzen op de kans op ernstig of fataal letsel voor de gebruiker of omstanders wanneer de instructies in de handleiding niet worden gevolgd.



**OPGELET:** Wordt gebruikt indien er een risico bestaat op schade aan het product en andere eigendommen of aan de omgeving wanneer de instructies in de handleiding niet worden gevolgd.

**Let op:** Geven verdere informatie die nodig is in een bepaalde situatie.

### Algemene veiligheidsinstructies



**WAARSCHUWING:** Lees de volgende waarschuwingen voordat u het product gaat gebruiken.

- Bij onjuist of onzorgvuldig gebruik kan het product een gevaarlijk gereedschap worden, dat ernstig of zelfs dodelijk letsel kan veroorzaken. Het is uiterst belangrijk dat u de inhoud van deze bedieningshandleiding doorleest en begrijpt.
- Dit product produceert tijdens bedrijf een elektromagnetisch veld. Dit veld kan onder bepaalde omstandigheden de werking van actieve of passieve medische implantaten verstoren. Om het risico op ernstig of fataal letsel te beperken, raden we

personen met een medisch implantaat aan om contact op te nemen met hun arts en de fabrikant van het medische implantaat voordat ze dit product gaan bedienen.

- Als men teveel wordt blootgesteld aan trillingen, kan dit tot bloedvat- en zenuwbeschadigingen leiden bij personen die een slechte bloedcirculatie hebben. Consulteer uw dokter wanneer u symptomen heeft die wijzen op te grote blootstelling aan trillingen. Dergelijke symptomen zijn o.a. een doof gevoel, gevoelloosheid, tintelingen, een prikkelend gevoel, pijn, krachtverlies, veranderingen van huidskleur of conditie van de huid. Deze symptomen komen meestal voor op vingers, handen of polsen. De risico's kunnen bij lage temperaturen toenemen.
- Wanneer u in een situatie belandt waarin u niet goed weet hoe u verder te werk moet gaan, moet u een expert raadplegen. Wend u tot uw dealer of uw servicewerkplaats. Gebruik de machine nooit voor taken waarvoor u niet voldoende gekwalificeerd bent.
- Een gebruikte geluiddemper/vonkenscherm en het montageoppervlak van het vonkenscherm kunnen afzettingen van verbrandingsdeeltjes bevatten die kankerverwekkend kunnen zijn. Vermijd blootstelling aan deze verbindingen bij het hanteren van de geluiddemper en/of het vonkenscherm. Voordat u met de geluiddemper en/of het vonkenscherm gaat werken, zie *Geluiddemper controleren op pagina 153*.
- Denk erom dat de gebruiker verantwoordelijk is voor ongelukken of beschadigingen van andere mensen of hun eigendommen.
- Laat nooit een ander het product gebruiken zonder u ervan te verzekeren dat ze de inhoud van de bedieningshandleiding hebben begrepen.
- Sta nooit toe dat kinderen het product gebruiken of in de buurt van het product komen. Omdat het product is uitgerust met een terugverende stopschakelaar en kan worden gestart op lage snelheid en met weinig kracht op de starthendel, kunnen zelfs kleine kinderen onder bepaalde omstandigheden het product op eigen kracht starten. In dat geval kan er een risico op ernstig persoonlijk letsel bestaan. Verwijder daarom de bougiekap wanneer u geen toezicht houdt op het product.
- Bewaar het product buiten het bereik van kinderen.
- Gebruik het product nooit als u moe bent, alcohol heeft gedronken of medicijnen hebt ingenomen die uw gezichtsvermogen, beoordelingsvermogen of coördinatievermogen negatief beïnvloeden.
- Gebruik nooit een machine die defect is. Volg de onderhouds-, controle- en service-instructies van deze gebruiksaanwijzing. Bepaalde onderhouds- en servicemaatregelen moeten door opgeleide en gekwalificeerde specialisten worden uitgevoerd. Zie de instructies in het hoofdstuk Onderhoud.
- Gebruik nooit een product dat zo gewijzigd is dat het niet langer overeenkomt met de originele uitvoering.

## Veiligheidsinstructies voor bediening



**WAARSCHUWING:** Lees de volgende waarschuwingen voordat u het product gaat gebruiken.

- Gebruik het product nooit bij extreme klimaatomstandigheden zoals strenge kou of een zeer warm en/of vochtig klimaat.
- Defecte snijbladen kunnen het risico op ongevallen vergroten.
- Zorg ervoor dat er zich geen personen of dieren op een afstand van minder dan 15 meter bevinden terwijl u werkt.
- Controleer de omgeving en vergewis u ervan dat er geen risico bestaat dat mensen of dieren in contact komen met de snijuitrusting.
- Controleer het werkgebied. Verwijder voorwerpen die weggeslingerd kunnen worden.
- Let erop dat u tijdens het werken altijd op een veilige en stabiele ondergrond staat.
- Laat de machine nooit onbeheerd achter terwijl de motor draait.
- Zorg ervoor dat uw handen en voeten niet bij het snij-aggregaat komen als de motor draait.
- Mocht er tijdens de werkzaamheden iets tussen de messen vast komen zitten, moet de motor uitgezet worden en moeten de messen helemaal gestopt zijn voordat ze worden schoongemaakt. Koppel de bougiekap los van de bougie.
- Wanneer u de motor hebt uitgeschakeld, moet u uw handen en voeten uit de buurt van het snij-aggregaat houden tot de motor helemaal gestopt is.
- Wees alert op stukken tak die tijdens het knippen weggeslingerd kunnen worden.
- Let als u gehoorbescherming draagt op waarschuwingssignalen of geschreeuw. Doe uw gehoorbescherming altijd af nadat de motor is gestopt.
- Werk nooit op een ladder, stoel of andere verhoging die niet stevig vast staat.
- Gebruik altijd beide handen om het product vast te houden. Houd het product voor uw lichaam.
- Stop het product onmiddellijk als een vreemd voorwerp wordt geraakt of als zich trillingen voordoen. Koppel de bougiekap los van de bougie. Controleer of het product niet beschadigd is. Repareer eventuele beschadigingen.
- Verzeker u ervan dat de bougiedop en ontstekingskabel onbeschadigd zijn om het risico van een elektrische schok te voorkomen.
- Controleer of alle moeren en bouten goed vastgedraaid zijn.
- Zorg ervoor dat de tandwielkast goed gesmeerd is. Zie *Voor het smeren van het tandwielhuis op pagina 159*.

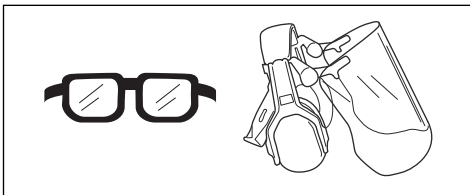
- De tandwielkast is warm wanneer het product is gebruikt. Raak de tandwielkast niet aan om brandwonden te voorkomen.
- Alle kappen en beschermkappen moeten gemonteerd zijn voor de start.
- Wanneer de bladen vastlopen, kunnen ze worden losgemaakt door de combinatiesleutel in de tandwielkast te steken. Steek de combinatiesleutel in de vertanding en draai hem heen en weer. Zie *De messen inspecteren op pagina 159*.
- De transportbescherming moet altijd op het snij-aggregaat worden geplaatst als het product niet wordt gebruikt.

## Persoonlijke beschermingsuitrusting

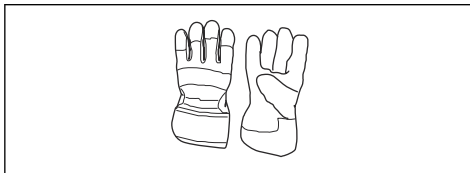


**WAARSCHUWING:** Lees de volgende waarschuwingen voordat u het product gaat gebruiken.

- Draag tijdens het gebruik van het product altijd goedgekeurde persoonlijke beschermingsuitrusting. Persoonlijke beschermingsuitrusting kunnen niet alle risico's uitsluiten maar kunnen de ernst van eventueel letsel helpen beperken. Vraag uw dealer u te helpen bij het kiezen van de juiste beschermingsmiddelen.
- Gebruik goedgekeurde gehoorbescherming met voldoende dempvermogen. Langdurige blootstelling aan lawaai kan leiden tot permanente gehoorbeschadiging.
- Gebruik goedgekeurde oogbescherming. Als u een vizier gebruikt, moet u ook een goedgekeurde veiligheidsbril gebruiken. Een goedgekeurde veiligheidsbril moet voldoen aan de norm ANSI Z87.1 voor de VS of EN 166 voor de EU-landen.



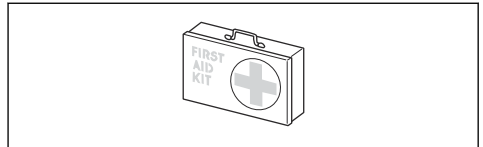
- Draag zo nodig handschoenen, bijvoorbeeld bij het monteren, inspecteren of reinigen van de snijuitrusting.



- Gebruik stevige laarzen of schoenen met antislipzool.



- Gebruik kleding van stevige stof. Gebruik altijd een zware lange broek en lange mouwen. Gebruik geen loszittende kleding die gemakkelijk kan blijven haken aan takjes en struikgewas. Draag geen sieraden, korte broek of sandalen of loop niet op blote voeten. Bind voor de veiligheid lang haar samen tot boven schouderhoogte.
- Houd een EHBO-does binnen handbereik.



## Veiligheidsvoorzieningen op het product

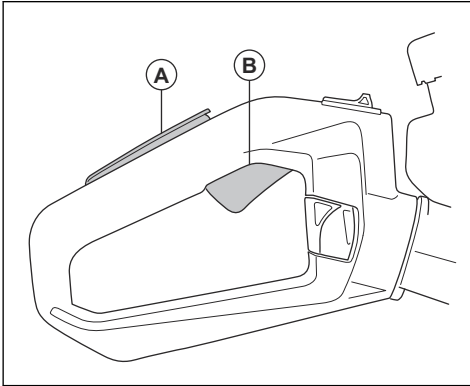


**WAARSCHUWING:** Lees de volgende waarschuwingen voordat u het product gaat gebruiken.

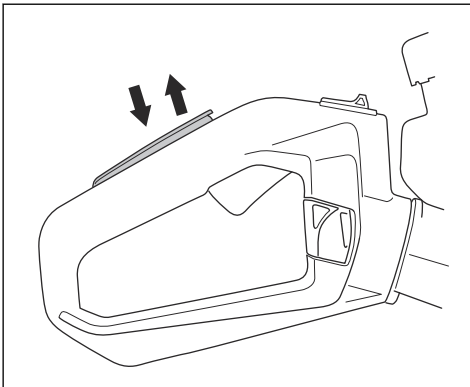
- Gebruik geen producten met veiligheidsvoorzieningen die beschadigd zijn of niet correct werken.
- Controleer de veiligheidsvoorzieningen regelmatig op een juiste werking. Als de veiligheidsvoorzieningen beschadigd zijn of niet goed werken, neem dan contact op met uw Husqvarna servicewerkplaats.
- Voer geen aanpassingen uit aan veiligheidsvoorzieningen.

### Gashendelvegrendeling controleren

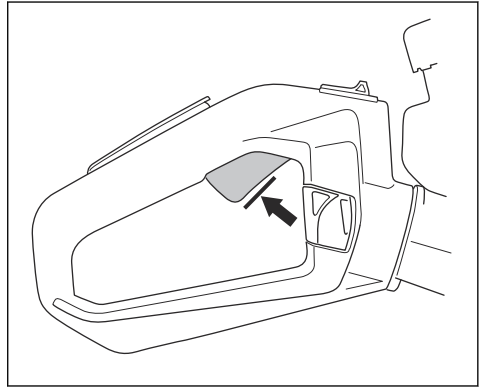
1. Controleer of gashendelvegrendeling (A) en de gashendel (B) vrij bewegen en of de retourveer correct werkt.



2. Duw de gashendelvegrendeling omlaag en controleer of deze terugkeert naar de oorspronkelijke stand wanneer u hem loslaat.



3. Laat de gashendelvegrendeling los en controleer of de gashendel vergrendeld is op een stationair toerental.



4. Start de motor en geef vol gas.
5. Laat de gashendel los en controleer of de bladen volledig stoppen.



**WAARSCHUWING:** Als de bladen bewegen wanneer de gashendel in de stationaire stand staat, moet het stationaire toerental worden afgesteld. Zie *Stationair toerental afstellen op pagina 158*.

### De stopschakelaar controleren

1. Start de motor.
2. Zet de stopschakelaar in de stopstand en zorg dat de motor stopt.



**WAARSCHUWING:** De stopschakelaar keert automatisch terug naar de startpositie. Om onbedoeld starten te voorkomen, verwijdert u de bougiekap van de bougie bij montage van of onderhoud aan het product.

### De handbescherming controleren

De handbescherming voorkomt letsel door de bladen.

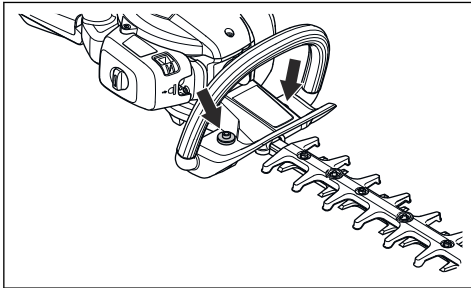
1. Stop de motor.
2. Zorg dat de handbescherming op de juiste manier is aangebracht.
3. Controleer de handbescherming op beschadigingen.

### Trillingsdempingssysteem controleren

Het trillingsdempingssysteem vermindert trillingen in de handgrepen. De trillingsdemping fungeert als scheiding tussen de behuizing van het product en de handgreep.



1. Voer een visuele controle uit op vervorming en beschadiging.
2. Controleer of de onderdelen van de trillingdempers correct zijn bevestigd.



### Geluiddemper controleren



**WAARSCHUWING:** Gebruik het product niet als de geluiddemper ontbreekt of beschadigd is. Een beschadigde of ontbrekende geluiddemper laat het geluidsniveau stijgen en vergroot het risico op brand. Houd brandblusmiddelen binnen handbereik. Gebruik een product nooit zonder of met een defect vonkenopvangnet als u in uw werkgebied een vonkenopvangnet moet hebben.



**WAARSCHUWING:** De dempers worden zeer heet tijdens en na het gebruik, ook bij stationair toerental.



**OPGELET:** Indien het vonkenscherm vaak verstopt is, kan dit erop duiden dat de werking van de katalysator is afgenomen. Neem contact op met uw servicedealer voor controle van de geluiddemper. Een verstopt vonkenscherm veroorzaakt oververhitting en dat leidt tot schade aan de cilinder en zuiger.



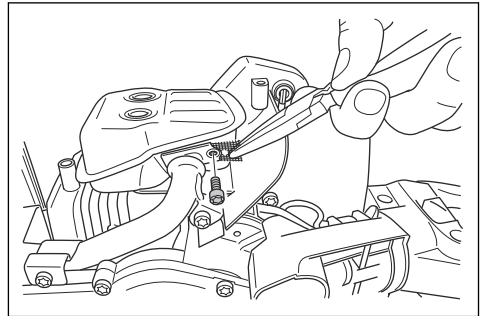
**WAARSCHUWING:** De binnenkanten van de geluiddemper bevatten chemische stoffen die kanker kunnen veroorzaken. Raak deze elementen niet aan als de geluiddemper is beschadigd.

De uitlaatdemper is bedoeld om het geluidsniveau zo laag mogelijk te houden en om de uitlaatgassen uit de buurt te houden van de gebruiker.

Een geluiddemper met een katalysator vermindert schadelijke uitlaatgassen.

1. Stop de motor.

2. Voer een visuele controle uit op beschadiging en vervorming.
3. Zorg ervoor dat de geluiddemper correct aan het product is bevestigd.
4. Reinig het vonkenscherm met een draadborstel.



### De bladen en bladbeschermkap controleren

De buitenste delen van de bladen fungeren als een bladbeschermkap. De bladbeschermkap voorkomt snijwonden.

1. Stop de motor en zorg ervoor dat de bladen stoppen.
2. Verwijder de bougiekap van de bougie.
3. Draag veiligheidshandschoenen.
4. Controleer of het blad en de bladbeschermkap niet zijn beschadigd of verbogen. Vervang altijd een beschadigd of verbogen blad, of een beschadigde bladbeschermkap.
5. Zorg ervoor dat de schroeven van de bladen en de bladbeschermkap goed vastzitten.

### Brandstofveiligheid



**WAARSCHUWING:** Lees de volgende waarschuwingen voordat u het product gaat gebruiken.

- Start het product niet als er brandstof of motorolie op het product aanwezig is. Verwijder de ongewenste brandstof/olie en laat het product drogen.
- Als u brandstof op uw kleding morst, trek dan direct andere kleding aan.
- Zorg dat er geen brandstof op uw lichaam terecht komt, dit kan letsel veroorzaken. Als er brandstof op uw lichaam terecht komt, verwijder deze dan met water en zeep.
- Start het product niet als er sprake is van een motorlekkage. Controleer de motor regelmatig op lekkage.
- Wees voorzichtig met brandstof. Brandstof is licht ontvlambaar en de dampen zijn explosief. Ze kunnen letsel veroorzaken of leiden tot de dood.
- Adem geen brandstofdampen in, dit kan letsel veroorzaken. Zorg voor voldoende ventilatie.

- Rook niet in de buurt van de brandstof of de motor.
- Plaats geen warme voorwerpen in de buurt van de brandstof of de motor.
- Vul geen brandstof bij terwijl de motor is ingeschakeld.
- Zorg ervoor dat de motor koud is wanneer u brandstof bijvult.
- Draai de tankdop langzaam open en laat de druk voorzichtig ontsnappen voordat u brandstof bijvult.
- Vul geen brandstof voor de motor bij in een afgesloten ruimte. Onvoldoende ventilatie kan leiden tot ernstig letsel of de dood door verstikking of het inademen van koolmonoxide.
- Draai de tankdop volledig aan. Als de tankdop niet volledig is aangedraaid, bestaat een risico op brand.
- Verplaats het product minstens 3 m van de plaats waar u de brandstoftank hebt gevuld, voordat u het product start.
- Vul de brandstoftank niet volledig. Door hitte zet de brandstof uit. Zorg ervoor dat er ruimte overblijft aan de bovenkant van de brandstoftank.
- Koppel de bougiekap los voordat u onderhoud uitvoert.
- Uitlaatgassen van de motor bevatten koolmonoxide, een geurloos, giftig en uiterst gevaarlijk gas, dat de dood kan veroorzaken. Laat het product nooit binnenshuis of in gesloten ruimten draaien.
- De uitlaatdampen van de motor zijn heet en kunnen vonken bevatten. Laat het product niet draaien in gesloten ruimtes of in de buurt van licht ontvlambaar materiaal.
- Accessoires en wijzigingen aan het product die niet zijn goedgekeurd door de fabrikant, kunnen leiden tot ernstig letsel of overlijden. Breng geen wijzigingen aan het product aan. Gebruik altijd originele accessoires.
- Als het onderhoud niet correct en regelmatig wordt uitgevoerd, bestaat een verhoogde kans op letsel of schade aan het product.
- Voer alleen onderhoud uit zoals aanbevolen in deze bedieningshandleiding. Laat een goedgekeurde Husqvarna-servicewerkplaats alle andere onderhoudswerkzaamheden uitvoeren.
- Laat een erkende Husqvarna servicewerkplaats regelmatig onderhoud aan het product uitvoeren.
- Vervang beschadigde, versleten of defecte onderdelen.

## Veiligheidsinstructies voor onderhoud



**WAARSCHUWING:** Lees de volgende waarschuwingen voordat u het product gaat gebruiken.

- Stop de motor en zorg dat de snijuitrusting stopt. Laat het product afkoelen voordat u onderhoudswerkzaamheden uitvoert.

## Werking

### Inleiding



**WAARSCHUWING:** Zorg dat u het hoofdstuk over veiligheid hebt gelezen en begrepen voordat u het product gebruikt.

### Brandstof

Dit product is uitgerust met een tweetaktmotor.



**OPGELET:** Een verkeerde soort brandstof kan leiden tot motorschade. Gebruik een mengsel van benzine en tweetaktolie.

### Voorgemengde brandstof

- Gebruik voorgemengde Husqvarna-alkylaatbrandstof voor optimale prestaties en een lange levensduur van de motor. Deze brandstof bevat minder schadelijke stoffen dan reguliere brandstof waardoor de uitstoot van schadelijke uitlaatgassen wordt beperkt. Bij gebruik van deze brandstof blijven er minder verbrandingsresten in de motor achter

waardoor de onderdelen van de motor schoner blijven.

### Brandstof mengen

#### Benzine

- Gebruik hoogwaardige loodvrije benzine met maximaal 10% ethanol (E10).



**OPGELET:** Gebruik geen benzine met een octaangetal lager dan 90 RON/87 AKI. Een lager octaangetal kan leiden tot pingelen van de motor wat tot motorschade kan leiden.

#### Tweetaktolie

- Gebruik voor de beste resultaten en optimale prestaties Husqvarna tweetaktolie.
- Als geen Husqvarna tweetaktolie beschikbaar is, gebruik dan een andere hoogwaardige tweetaktolie voor luchtgekoelde motoren. Bespreek de keuze van de tweetaktolie met uw servicedealer.



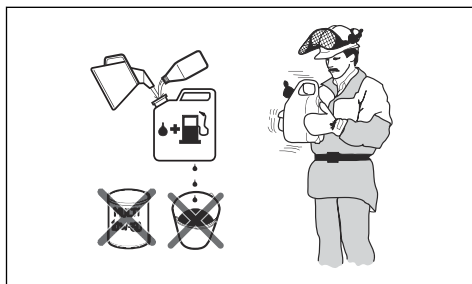
**OPGELET:** Gebruik geen tweetaktolie die bedoeld is voor watergekoelde buitenboordmotoren, zogenaamde outboardoil. Gebruik geen olie die is bedoeld voor viertaktmotoren.

### Benzine en tweetaktolie mengen

Benzine, liter	Tweetaktolie, liter
	<b>2% (50:1)</b>
5	0,10
10	0,20
15	0,30
20	0,40



**OPGELET:** Wanneer u kleine hoeveelheden brandstof mengt, kunnen kleine fouten grote gevolgen hebben voor de mengverhouding. Meet de hoeveelheid olie nauwkeurig af om het juiste mengsel te verkrijgen.



1. Giet de helft van de benzine in een schone brandstofbestendige houder.
2. Voeg de volledige hoeveelheid olie toe.
3. Schud het brandstofmengsel.
4. Giet de resterende hoeveelheid benzine in de houder.
5. Schud het brandstofmengsel grondig.



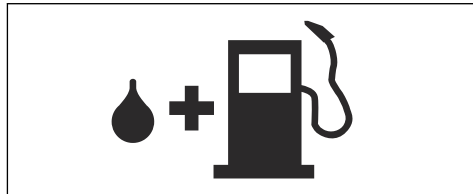
**OPGELET:** Meng maximaal de hoeveelheid brandstof die u nodig hebt voor 1 maand.

### Brandstoftank vullen



**WAARSCHUWING:** Houd u voor uw eigen veiligheid aan de volgende procedure.

1. Stop de motor en laat de motor afkoelen.
2. Maak het gebied rondom de brandstoftankdop goed schoon.



3. Schud de container en zorg ervoor dat de brandstof volledig is gemengd.
4. Draai de brandstoftankdop langzaam los om de druk te laten ontsnappen.
5. Vul de brandstoftank.



**OPGELET:** Zorg dat er niet te veel brandstof in de brandstoftank zit. De brandstof zet uit wanneer deze heet wordt.

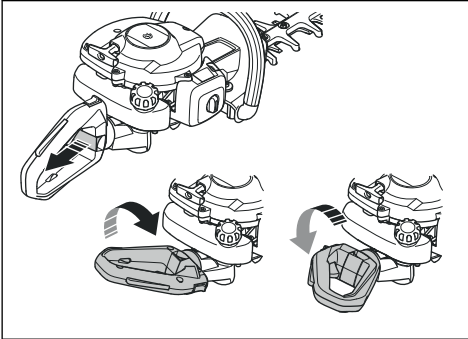
6. Draai de tankdop volledig vast.
7. Verwijder gemorste brandstof op en rond het product.
8. Verwijder het product altijd ten minste 3 m uit de buurt van de tankplaats en brandstofbron voordat u het product gaat starten.

**Let op:** Zie *Inleiding op pagina 148* om te zien waar de brandstoftank op uw product is.

### De handgreep afstellen

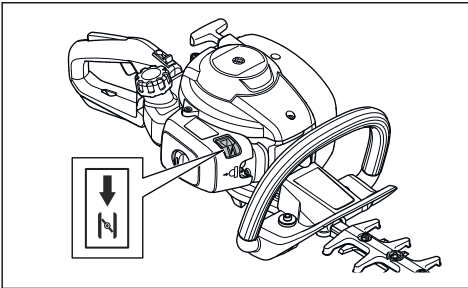
De achterhandgreep kan worden afgesteld op 3 posities.

- Ontgrendel de vergrendelknop van de handgreep en draai aan de handgreep.



### Het product starten met een koude motor

1. Trek de chokehendel in de chokestand.



2. Duw ongeveer 6 keer op de primerbalg van de brandstofpomp totdat de balg wordt gevuld met brandstof. Het is niet nodig de primerbalg volledig te vullen.
3. Druk de behuizing van het apparaat met uw linkerhand op de grond. Stap niet op het product.
4. Trek langzaam met uw rechterhand aan de startkoordhendel totdat u enige weerstand voelt en trek dan snel en met kracht aan de startkoordhendel.



**WAARSCHUWING:** Wikkel het startkoord niet rond uw hand.



**OPGELET:** Trek het startkoord niet helemaal uit en laat de greep niet los.

5. Blijf aan de startkoordhendel trekken totdat de motor aanslaat en duw vervolgens de chokehendel naar zijn oorspronkelijke stand.



**WAARSCHUWING:** Wanneer de motor start, gaan de bladen draaien.

6. Blijf aan de startkoordhendel trekken totdat de motor start.
7. Druk kort op de gashendel om de motor op het stationaire toerental in te stellen.
8. Duw het gaspedaal geleidelijk in om het motortoerental te verhogen.
9. Zorg ervoor dat de motor soepel loopt.

### Het product starten met een warme motor

1. Druk de behuizing van het apparaat met uw linkerhand op de grond. Stap niet op het product.
2. Trek langzaam met uw rechterhand aan de startkoordhendel totdat u enige weerstand voelt en trek dan snel en met kracht aan de startkoordhendel. Ga door totdat de motor aanslaat.

**Let op:** Raadpleeg *Het product starten met een koude motor op pagina 156* voor meer informatie over het starten van het product.

### Product stoppen

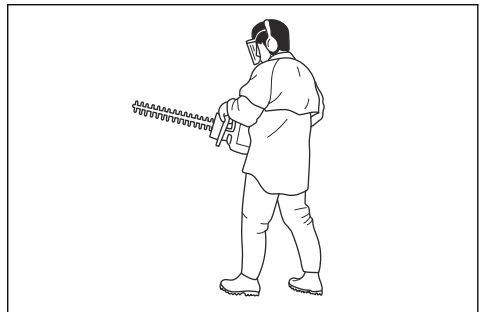
- Zet de stopschakelaar in de stopstand om de motor te stoppen.



**OPGELET:** De stopschakelaar keert automatisch terug naar de bedrijfsstand.

### Het product gebruiken

1. Begin bij de grond en beweeg het product omhoog langs de heg wanneer u de zijanten snoeit. Zorg ervoor dat de behuizing van het product de heg niet raakt.



**WAARSCHUWING:** Zorg ervoor dat de voorzijde van de snijuitrusting de grond niet raakt.

2. Pas de snelheid aan voor het uitlijnen met de werklust.
3. Houd het product dicht bij uw lichaam voor een stabiele werkpositie.
4. Wees voorzichtig en bedien het product langzaam.

# Onderhoud

## Inleiding

begrepen voordat u onderhoud aan het product gaat uitvoeren.



**WAARSCHUWING:** Zorg dat u het hoofdstuk over veiligheid hebt gelezen en

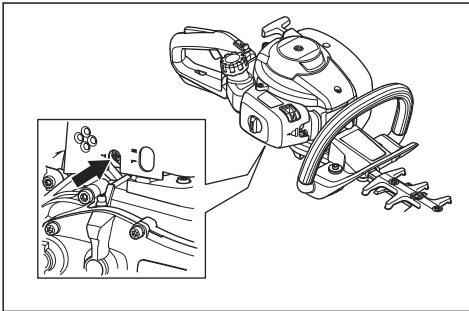
## Onderhoudsschema

Onderhoud	Voor gebruik	na 40 uur	na 100 uur
Reinig het externe oppervlak.		Na elke activiteit.	
Verwijder bladeren, vuil en overtollig smeermiddel van de geluiddemper, uitlaatpijp en motor.		Na elke activiteit.	
Zorg ervoor dat de het snij-aggregaat niet beweegt bij stationair toerental.	X		
Controleer de stopschakelaar. Raadpleeg <i>De stopschakelaar controleren op pagina 152.</i>	X		
Controleer het snij-aggregaat op beschadigingen en scheuren. Vervang indien beschadigd.	X		
Controleer de handbescherming op beschadigingen en scheuren. Vervang indien beschadigd.	X		
Controleer de gashendelvergrendeling en de gashendel. Raadpleeg <i>Gashendelvergrendeling controleren op pagina 152.</i>	X		
Controleer de motor, brandstoftank en brandstofleiding op lekkages.	X		
Draai moeren en bouten aan.	X		
Controleer de starter en het startkoord op beschadigingen.		X	
Controleer of de schroeven die de bladen bijeenhouden nog goed vastzitten.		X	
Maak het luchtfilter schoon. Reinig vaker bij gebruik in stoffige omgevingen. Vervang indien beschadigd.		X	
Controleer de trillingsdempers op beschadigingen en scheuren. Vervang indien beschadigd.		X	
Reinig het externe oppervlak van de bougie en het gebied eromheen. Verwijder de bougie en meet de elektrodenafstand. Pas de elektrodenafstand aan of vervang de bougie. Raadpleeg <i>De bougie controleren op pagina 158.</i>		X	
Reinig het koelsysteem.		X	
Reinig het externe oppervlak van de carburateur en het gebied er omheen.		X	
Controleer het brandstoffilter op verontreiniging en de brandstofslang op scheuren en andere beschadigingen. Vervang indien beschadigd.			X
Reinig het vonkenscherm op de geluiddemper en vervang het indien het is beschadigd.			X
Maak de binnenkant van de brandstoftank schoon.			X
Vervang de bougie.			X

Onderhoud	Voor gebruik	na 40 uur	na 100 uur
Controleer de koppeling, de koppelingsveer en koppelingstrommel op slijtage. Laat deze door een erkende servicedealer vervangen indien ze zijn beschadigd.			X
Zorg ervoor dat het tandwielhuis is gevuld met vet.			X
Controleer alle kabels en aansluitingen.			X

## Stationair toerental afstellen

1. Reinig het luchtfilter en bevestig het luchtfilterdeksel.
2. Start het product. Zie *Het product starten met een koude motor op pagina 156*.
3. Draai de stelschroef T rechtsom tot het snij-aggregaat begint te draaien.



4. Draai de stelschroef linksom tot het snij-aggregaat stopt.

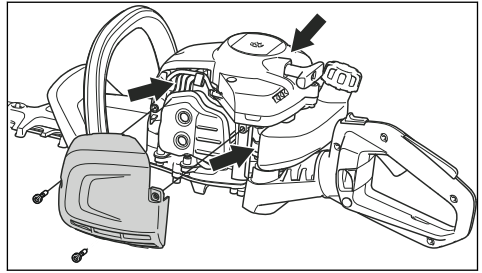


**WAARSCHUWING:** Als het snij-aggregaat niet stopt wanneer u het stationair toerental afstelt, neem dan contact op met uw dichtstbijzijnde servicedealer. Gebruik het product niet voordat het is juist afgesteld of gerepareerd.

**Let op:** Het stationaire toerental is juist wanneer de motor in alle standen soepel draait. Zie *Technische gegevens op pagina 161* voor het aanbevolen stationair toerental.

## Koelsysteem reinigen

Het koelsysteem zorgt ervoor dat de motor niet te warm wordt. Het koelsysteem omvat de koelribben op de cilinder, de cilinderkap en de luchtinlaat via het carter.



**OPGELET:** De luchtinlaat tussen de brandstoftank en het carter kan gemakkelijk verstopt raken door bladeren. Reinig de luchtinlaat volledig.

1. Maak het koelsysteem wekelijks schoon met een borstel, of vaker indien nodig.
2. Zorg ervoor dat het koelsysteem niet vuil of verstopt is.

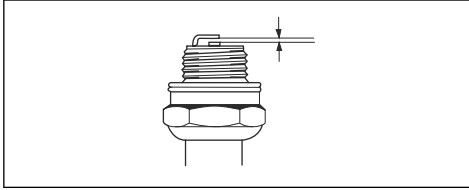
## De bougie controleren



**OPGELET:** Gebruik altijd het juiste bougietype. Een verkeerd type bougie kan schade aan het product veroorzaken.

- Controleer de bougie als de motor weinig vermogen heeft, niet gemakkelijk te starten is of stationair niet goed draait.
- Volg deze instructies om het risico van ongewenst materiaal op de elektroden van de bougie te beperken:
  - a) Zorg ervoor dat het stationair toerental altijd juist is afgesteld.
  - b) Zorg dat het brandstofmengsel correct is.
  - c) Zorg dat het luchtfilter schoon is.

- Maak de bougie schoon als deze vuil is en controleer of de afstand tussen de elektroden correct is, zie *Technische gegevens op pagina 161*.

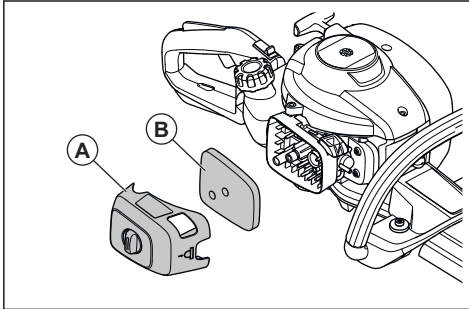


- Vervang de bougie indien nodig.

## Het luchtfilter reinigen

Reinig het luchtfilter regelmatig om vuil en stof te verwijderen. Hiermee voorkomt u een defecte carburateur, startproblemen, vermogensverlies, slijtage van motoronderdelen en een hoger brandstofverbruik dan normaal.

1. Verwijder het luchtfilterdeksel (A).
2. Verwijder het filter (B) uit het filterframe.



3. Reinig het filter met een warm sopje van water en zeep.

**Let op:** Een luchtfilter dat lange tijd is gebruikt, kan niet volledig worden gereinigd. Vervang het luchtfilter regelmatig en vervang een beschadigde luchtfilter altijd.

4. Zorg ervoor dat het filter droog is.
5. Breng olie aan op het luchtfilter. Raadpleeg *Olie aanbrengen op het schuimluchtfilter op pagina 159*
6. Reinig het binnenoppervlak van het luchtfilterdeksel. Gebruik perslucht of een borstel.

## Olie aanbrengen op het schuimluchtfilter

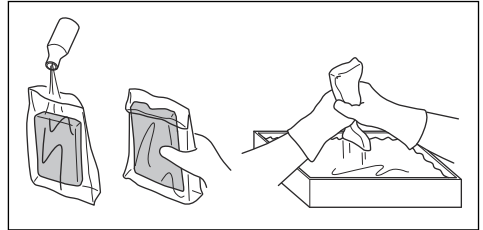


**OPGELET:** Gebruik altijd speciale luchtfilterolie van Husqvarna. Gebruik geen andere typen olie.



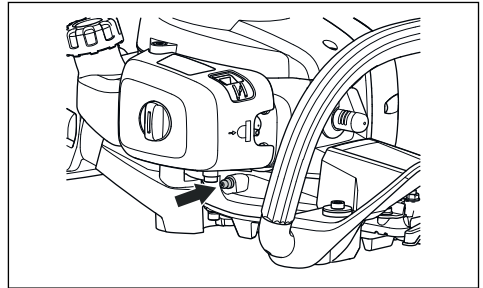
**WAARSCHUWING:** Draag veiligheidshandschoenen. De olie van het luchtfilter kan huidirritatie veroorzaken.

1. Doe het schuimluchtfilter in een plastic zak.
2. Doe de olie in de plastic zak.
3. Wrijf over de plastic zak, zodat de olie gelijkmatig over het schuimluchtfilter wordt verdeeld.
4. Duw de overtollige olie uit het schuimluchtfilter terwijl het in de plastic zak zit.



## Voor het smeren van het tandwielhuis

- Gebruik Husqvarna speciaalvet. Neem voor meer informatie over aanbevolen vet contact op met uw servicedealer.
- Breng vet aan via de smeernippel.



**OPGELET:** Vul het tandwielhuis niet volledig.

## De messen reinigen en smeren

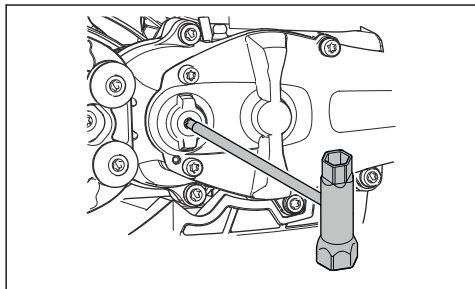
1. Verwijder ongewenste materialen van de bladen voor en nadat u het product gebruikt.
2. Smeer de bladen voorafgaand aan langdurige opslag.

**Let op:** Neem voor meer informatie over aanbevolen reinigings- en smeermiddelen contact op met uw servicedealer.

## De messen inspecteren

1. Verwijder de kap van het tandwielhuis.

2. Controleer of de messen vrij draaien. Plaats de combinatiesleutel in het tandwielhuis en draai rechtson en linksom.



3. Controleer de randen van de messen op beschadigingen en vervorming.
4. Gebruik een vijl om bramen op de messen te verwijderen.

## Probleemoplossing

### Probleemoplossing

De motor start niet		
Probleem	Mogelijke oorzaak	Aanbevolen stap
Starterpallen	De starterpallen kunnen niet vrij bewegen.	Verstel of vervang de starterpallen.
		Reinig rondom de starterpallen.
		Neem contact op met een erkende servicedealer.
Brandstoftank	Verkeerd type brandstof.	Aftappen en juiste brandstof gebruiken.
Carburateur	Incorrect stationair toerental.	Pas het stationaire toerental aan.
Geen vonk	De bougie is vies of nat.	Zorg ervoor dat de bougie droog en schoon is.
	Incorrecte elektrodenafstand.	Reinig de bougie. Controleer of de elektrodenafstand op de bougie juist is. Zorg ervoor dat de bougie is uitgerust met een onderdrukker. Raadpleeg <i>Technische gegevens op pagina 161</i> voor de juiste elektrodenafstand.
Bougie	De bougie zit los.	Draai de bougie vast.

De motor start, maar stopt weer		
Probleem	Mogelijke oorzaak	Aanbevolen stap
Brandstoftank	Verkeerd type brandstof.	Aftappen en juiste brandstof gebruiken.
Carburateur	Incorrect stationair toerental.	Pas het stationaire toerental aan. Zie <i>Stationair toerental afstellen op pagina 158</i> . Neem indien nodig contact op met uw servicedealer.
Luchtfilter	Verstopt luchtfilter.	Maak het luchtfilter schoon.



Mes		
Probleem	Mogelijke oorzaken	Aanbevolen stap
Het blad beweegt langzaam of beweegt niet.	Het blad wordt geblokkeerd of is beschadigd.	Verwijder ongewenste materialen van de bladen. Zie <i>De messen reinigen en smeren op pagina 159</i> . Verwijder bramen van het blad, zie <i>De messen inspecteren op pagina 159</i> . Vervang het blad als dit beschadigd is.
Het blad heeft moeite met snijden.	Het blad is niet scherp of is beschadigd.	Slijp het blad, zie <i>De messen inspecteren op pagina 159</i> . Vervang het blad als dit beschadigd is.
Het blad wordt heet.	Er is wrijving tussen de bladen.	Verwijder bramen van het blad en smeer het blad. Zie <i>De messen reinigen en smeren op pagina 159</i> .

## Vervoer, opslag en verwerking

### Transport en opslag

- Laat het product voor opslag altijd afkoelen.
- Controleer voor opslag en vervoer van het product en de brandstof of er geen lekken of dampen zijn. Vonken of open vuur, bijvoorbeeld van elektrische apparaten of ketels, kunnen tot brand leiden.
- Gebruik altijd goedgekeurde containers voor opslag en transport van brandstof.
- Leeg de brandstoftank voorafgaand aan transport of langdurige opslag. De brandstof via een geschikte verwijderingslocatie afvoeren.
- Bevestig de transportbescherming tijdens transport en opslag.
- Verwijder de bougiekap van de bougie.

- Bevestig het product tijdens transport. Zorg ervoor dat het niet kan bewegen.
- Reinig en onderhoud het product voor lange-termijnopslag.

### Afvoer

- Neem de plaatselijk geldende wet- en regelgeving voor recycling in acht.
- Voer alle chemicaliën, zoals olie of brandstof, af via een servicecentrum of een geschikte verwijderingslocatie.
- Wanneer de levensduur van de motor is verstreken, stuurt u de motor naar een Husqvarna servicedealer of voert u deze af via een recyclinglocatie.

## Technische gegevens

### Technische gegevens

	<b>322HD60</b>
<b>Motor</b>	
Cilinderinhoud, cm <sup>3</sup>	21,7
Stationair toerental, tpm	2900
Aanbevolen maximum toerental, tpm	9000
Maximaal motorvermogen volgens ISO 8893, kW/pk bij tpm	0,6/0,8 bij 7800
Geluidemper met katalysator	Ja
<b>Ontstekingsysteem</b>	
Bougie	HQT-4 672201
Elektrodenafstand, mm	0,5

	<b>322HD60</b>
<b>Brandstof</b>	
Inhoud brandstoftank, l/cm <sup>3</sup>	0,3/300
<b>Gewicht</b>	
Zonder brandstof, in kg	5,2
<b>Geluidsemissies</b> <sup>28</sup>	
Geluidsvermogeniveau, gemeten dB(A)	101
Geluidsvermogensniveau, gegarandeerd L <sub>WA</sub> dB (A)	102
<b>Geluidsniveaus</b> <sup>29</sup>	
Equivalent geluidsdruk niveau bij het oor van de gebruiker, gemeten volgens EN ISO 22868, dB(A)	92
<b>Trillingsniveau</b> <sup>30</sup>	
Equivalent trillingsniveaus (a <sub>h<sub>v,eq</sub></sub> ) in de handgrepen, gemeten volgens EN ISO 22867, m/s <sup>2</sup> :	
Voor/achter, m/s <sup>2</sup>	4,4/4,3
<b>Bladen</b>	
Type	Dubbelzijdig
Snijhoogte, mm	600
Snijnsnelheid, sneden/min	4400

<sup>28</sup> Geluidsemissie naar de omgeving gemeten als geluidsvermogen (L<sub>WA</sub>) volgens EG-richtlijn 2000/14/EG. Het gerapporteerde geluidsvermogeniveau voor het product is gemeten met de originele snijuitrusting die het hoogste niveau geeft. Het verschil tussen gegarandeerd en gemeten geluidsvermogen is dat het gegarandeerde geluidsvermogen ook spreiding in het meetresultaat omvat en de verschillen tussen de verschillende producten van hetzelfde model conform Richtlijn 2000/14/EG.

<sup>29</sup> De gerapporteerde gegevens voor het geluidsdruk niveau vertonen een typische statistische spreiding (standaardafwijking) van 1 dB (A).

<sup>30</sup> De gerapporteerde gegevens voor een trillingsniveau vertonen een typische statistische spreiding (standaardafwijking) van 1 m/s<sup>2</sup>.

# Verklaring van overeenstemming

## EU-verklaring van overeenstemming

Wij, **Husqvarna AB**, SE-561 82 Huskvarna, Zweden, tel: +46-36-146500, verklaren onder onze alleenverantwoordelijkheid dat het product:

<b>Beschrijving</b>	Heggenschaar
<b>Merk</b>	Husqvarna
<b>Type/model</b>	322HD60
<b>Identificatie</b>	Serienummers vanaf 2022 en verder

voldoen volledig aan de volgende EU-richtlijnen en -regelgeving:

<b>Verordening</b>	<b>Beschrijving</b>
2006/42/EG	"betreffende machines"
2014/30/EU	"betreffende elektromagnetische compatibiliteit"
2000/14/EG	"betreffende de geluidsemissies in het milieu"
2011/65/EU	"inzake beperking van het gebruik van bepaalde gevaarlijke stoffen in elektrische en elektronische apparatuur"

en dat de volgende normen en/of technische specificaties zijn toegepast:



De volgende normen zijn van toepassing:

**EN ISO 12100:2010, EN ISO 10517:2019, EN IEC 63000:2018, EN ISO 14982:2009**

SMP Svensk Maskinprovning, Box 4053, SE-904 03 Umeå, Sweden heeft een vrijwillig typeonderzoek ondergaan in overeenstemming met bijlage IX van 2006/42/EG.

SMP Svensk Maskinprovning, heeft ook overeenstemming bevestigd met bijlage V van de richtlijn 2000/14/EG van de raad.

Voor informatie over geluidsemissies, zie *Technische gegevens op pagina 161*.

Huskvarna, 2023-07-10

Stefan Holmberg, Directeur R&D,  
Technologiemanagement, Husqvarna AB

Verantwoordelijk voor technische documentatie

# INNHold

Innledning.....	164	Feilsøking.....	175
Sikkerhet.....	165	Transport, oppbevaring og avhending.....	176
Drift.....	170	Tekniske data.....	177
Vedlikehold.....	172	Samsvarserklæring.....	178

## Innledning

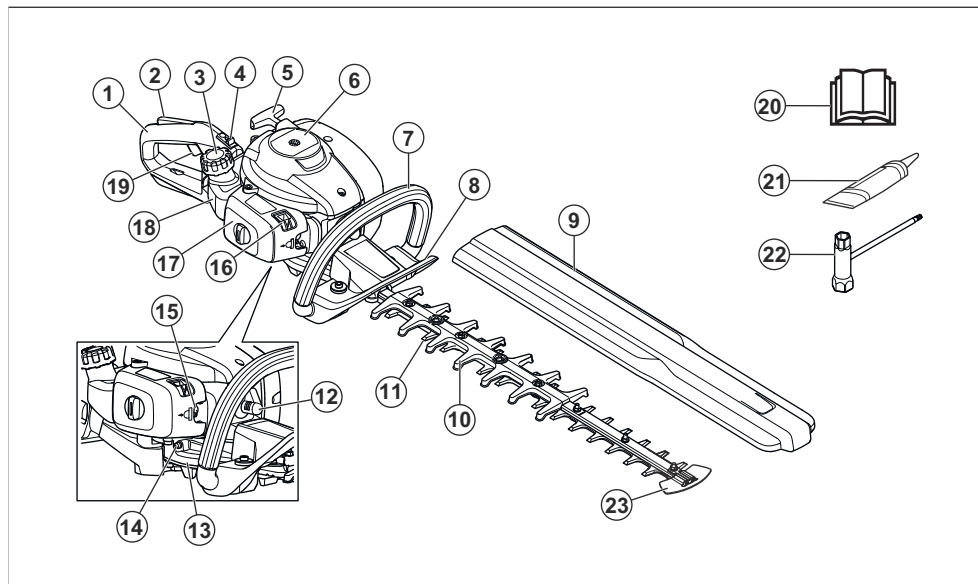
### Produktbeskrivelse

Produktet er en heksaks med forbrenningsmotor.

### Bruksområder

Bruk produktet å kappe grener og kvister. Ikke bruk produktet til andre oppgaver.

### Produktoversikt



- |                                 |                         |
|---------------------------------|-------------------------|
| 1. Bakre håndtak                | 15. Pumpe (blære)       |
| 2. Gassregulatorsperre          | 16. Struper             |
| 3. Drivstofflokk                | 17. Luftfilterdeksel    |
| 4. Stoppbryter                  | 18. Drivstofftank       |
| 5. Startsnorhåndtak             | 19. Gassregulator       |
| 6. Sylinderdeksel               | 20. Bruksanvisning      |
| 7. Fremre håndtak               | 21. Tube med fett       |
| 8. Håndbeskyttelse              | 22. Kombinasjonsnøkkel  |
| 9. Transportbeskyttelse         | 23. Bladtoppbeskyttelse |
| 10. Skivebeskyttelse            |                         |
| 11. Blad                        |                         |
| 12. Tennplugghette og tennplugg |                         |
| 13. Girhus                      |                         |
| 14. Smørenippel                 |                         |

### Symboler på produktet



**ADVARSEL!** Dette produktet er farlig. Brukeren eller personer i nærheten kan rammes av personskade eller død dersom produktet ikke brukes forsiktig og korrekt.

Les og følg alle sikkerhetsinstruksjonene i brukerhåndboken for å forhindre personskade på brukeren eller personer i nærheten.



Les nøye gjennom bruksanvisningen, og sørg for at du har forstått instruksjonene før bruk.



Bruk godkjent hørselsvern og godkjent øyevern.



Bruk godkjente vernehansker.



Bruk kraftige, sklisikre støvler.

T  
H

Justeringskrue for tomgang.

Nål for høyt turtall.

L

Nål for lavt turtall.



Støyutslipp til omgivelsene som i EU-direktiv 2000/14/EF og New South Wales-forskriften «Protection of the Environment Operations (Noise Control) Regulation 2017». Garantert lydeffektivnivå for produktet er angitt i *Tekniske data på side 177* og på etiketten.



Dette produktet samsvarer med gjeldende EC-direktiver.

yyyywwxxxx

Typeskiltet viser serienummeret. **yyyy** er produksjonsåret, og **ww** er produksjonsuken.

**Merk:** Øvrige symboler/klistremerker angitt på produktet gjelder sertifiseringskrav for visse markeder.

## Euro V-utslipp



**ADVARSEL:** Tulling med motoren opphever EU-type-godkjenningen til dette produktet.

## Sikkerhet

### Sikkerhetsdefinisjoner

Advarsler, oppfordringer og merknader brukes for å understreke spesielt viktige deler av bruksanvisningen.



**ADVARSEL:** Brukes hvis det er fare for personskade eller død for brukeren eller andre personer om instruksjonene i håndboken ikke følges.



**OBS:** Brukes hvis det er fare for skade på produktet, annet materiell eller nærliggende områder om instruksjonene i håndboken ikke følges.

**Merk:** Brukes for å gi mer nødvendig informasjon for en spesifikk situasjon.

### Generelle sikkerhetsinstruksjoner



**ADVARSEL:** Les de følgende advarselsinstruksjonene før du bruker produktet.

- Et produkt som brukes feil eller uaktsomt kan være et farlig redskap, som kan forårsake alvorlige, til og med livstruende skader. Det er meget viktig at du leser og forstår innholdet i denne bruksanvisningen.
- Dette produktet danner et elektromagnetisk felt når det er i bruk. Dette feltet kan under visse forhold forstyrre aktive eller passive medisinske implantater. For å redusere faren for forhold som kan føre til alvorlig eller livstruende skade, anbefaler vi at personer med medisinske implantater rådfører seg med sin lege og produsenten av det medisinske implantatet før dette produktet tas i bruk.
- Overeksponering for vibrasjoner kan føre til blodkar- eller nerveskader hos personer som har blodsirkulasjonsforstyrrelser. Oppsøk lege hvis du opplever fysiske symptomer som kan relateres til overeksponering for vibrasjoner. Eksempel på slike symptomer er dovnang, manglende følelse, «kiling»,

«stikk», smerte, manglende eller redusert styrke, forandringer i hudens farge eller overflate. Disse symptomene oppstår vanligvis i fingre, hender eller håndledd. Risikoen kan øke ved lave temperaturer.

- Når du kommer ut for en situasjon som gjør deg usikker på fortsatt bruk, skal du rådføre deg med en ekspert. Vend deg til din forhandler eller ditt serviceverksted. Unngå all bruk som du ikke føler deg kvalifisert til.
- En brukt lydtemper/gnistfanger og monteringsflate for gnistfanger kan inneholde avleiringer av forbrenningspartikler som kan være kreftfremkallende. Unngå å bli utsatt for disse materialene når du håndterer lydtemperen og/eller gnistfangeren. Før du håndterer lydtemperen og/eller gnistfangeren, må du se *Slik kontrollerer du lydtemperen på side 168*.
- Husk at brukeren er ansvarlig for ulykker eller farer som rammer andre mennesker eller deres eiendom.
- La aldri andre bruke produktet før du har forsikret deg om at de har forstått innholdet i bruksanvisningen.
- La aldri barn bruke eller oppholde seg i nærheten av produktet. Etersom produktet er utstyrt med tilbakefjærende stopp-bryter og kan startes med lav hastighet og kraft på starthåndtaket, kan selv små barn under visse omstendigheter oppnå den kraft som trengs for å starte maskinen. Dette kan medføre risiko for alvorlig personskade. Ta derfor av tennpluggen når produktet ikke er under oppsikt.
- Oppbevar produktet utilgjengelig for barn.
- Bruk aldri produktet hvis du er trett, har drukket alkohol eller bruker medisiner som kan påvirke syn, vurderingsevne eller koordinasjon.
- Bruk aldri et defekt produkt. Følg vedlikeholds-, kontroll- og serviceinstruksjonene i denne bruksanvisningen. Noen vedlikeholds- og servicetiltak må utføres av erfarne og kvalifiserte spesialister. Se instruksjonene under overskriften Vedlikehold.
- Bruk aldri et produkt som er modifisert slik at det ikke lenger er i samsvar med originalutførelsen.

## Sikkerhetsinstruksjoner for drift



**ADVARSEL:** Les de følgende advarselinstruksjonene før du bruker produktet.

- Bruk aldri produktet i ekstreme klimaforhold som sterk kulde eller meget varmt og/eller fuktig klima.
- Feil på knivene kan øke risikoen for ulykker.
- Sørg for at ingen mennesker eller dyr kommer nærmere enn 15 m (50 fot) unna mens du arbeider.
- Pass på omgivelsene og forviss deg om at det ikke er fare for at mennesker eller dyr kan komme i kontakt med skjærestyret.
- Inspiser arbeidsområdet. Fjern gjenstander som kan bli slynget av gårde.

- Pass alltid på at du har en sikker og stødig arbeidsstilling.
- La aldri produktet stå uten tilsyn når motoren er i gang.
- Påse at ikke hender og føtter kommer nær klippeaggregatet når motoren er i gang.
- Hvis noe skulle sette seg fast i knivene under arbeidets gang, skal motoren stanses og stanse helt før knivene rengjøres. Koble tennpluggen fra tennpluggen.
- Når motoren er slått av, må du holde hender og føtter unna klippeaggregatet helt til det har stanset helt.
- Se opp for grenstumper som kan slynges i vei under klippingen.
- Vær alltid oppmerksom på varsel signaler eller tilrop ved bruk av hørselsvern. Ta alltid av hørselvernet så snart motoren er stanset.
- Arbeid aldri på en stige, skammel eller stå på noe annet som ikke er ordentlig sikret.
- Bruk alltid begge hendene til å holde i produktet. Hold produktet foran kroppen.
- Hvis du treffer en gjenstand eller det oppstår kraftige vibrasjoner, må produktet stanses øyeblikkelig. Koble tennpluggen fra tennpluggen. Kontroller at produktet ikke er skadet. Reparer eventuelle skader.
- Påse at tennpluggen og tenningskabelen er uskadde for å unngå fare for elektrisk støt.
- Kontroller at alle muttere og skruer er trukket ordentlig til.
- Kontroller at girkassen er godt smurt. Se *Slik smører du girhuset på side 174*.
- Girkassen blir varm når produktet har vært i bruk. For å unngå brannskader må du ikke ta på girkassen.
- Samtlige deksler og beskyttelser må være montert før start.
- Hvis knivene setter seg fast, kan de løsnes ved å stikke kombinøkkelen inn i girkassen. Stikk kombinøkkelen inn i girkassen, og vri den frem og tilbake. Se *Slik undersøker du knivene på side 175*.
- Transportbeskyttelsen skal alltid settes på klippeaggregatet når produktet ikke brukes.

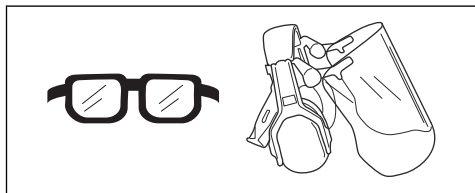
## Personlig verneutstyr



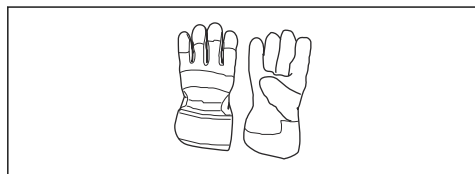
**ADVARSEL:** Les de følgende advarslene før du bruker produktet.

- Benytt alltid godkjent verneutstyr når du bruker produktet. Verneutstyr kan aldri fullstendig forhindre skade, men det reduserer skadeomfanget hvis ulykken inntreffer. Spør forhandleren din om hjelp til å velge riktig utstyr.
- Bruk godkjent hørselsvern med tilstrekkelig lyddeppe virkning. Langvarig eksponering overfor støy kan gi varige hørselsskader.

- Bruk godkjent øyevern. Ved bruk av visir skal det også brukes godkjente vernebriller. Godkjente vernebriller er slike som tilfredsstill standard ANSI Z87.1 for USA eller EN 166 for EU-land.



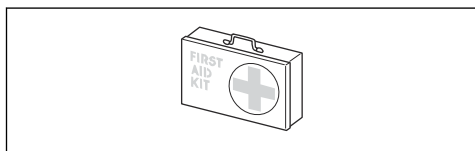
- Bruk hansker når det er nødvendig, for eksempel når du fester, undersøker eller rengjør skjæreutstyret.



- Bruk sklisikre og solide støvler eller sko.



- Bruk klær av et slitesterkt materiale. Bruk alltid tykke langbukser og lange ermer. Unngå bruk av altfor vide klær som lett henger seg fast i kvister og grener. Ikke bruk smykker, kortbukser eller sandaler, og ikke gå barbert. Sett håret opp over skuldernivå.
- Ha førstehjelpsutstyr for hånden.



## Sikkerhetsutstyr på produktet



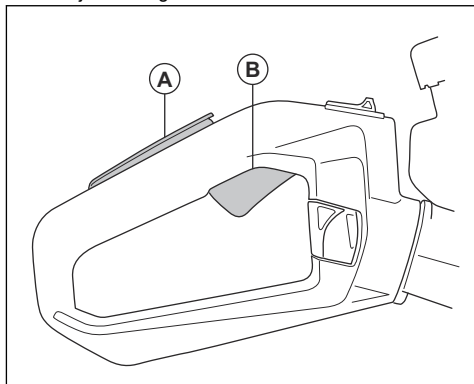
**ADVARSEL:** Les de følgende advarselsinstruksjonene før du bruker produktet.

- Ikke bruk et produkt med sikkerhetsutstyr som er skadet eller ikke fungerer som det skal.
- Utfør regelmessig kontroll av sikkerhetsutstyret. Hvis sikkerhetsutstyret er skadet eller ikke fungerer som det skal, må du kontakte Husqvarna-serviceverkstedet.

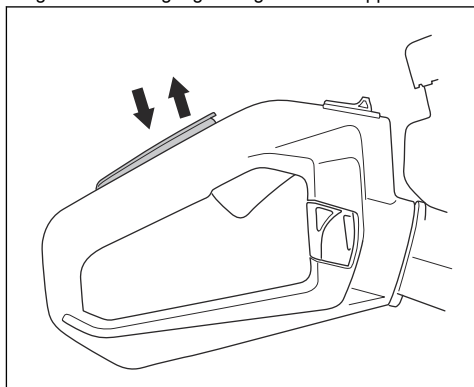
- Ikke foreta endringer på sikkerhetsutstyr.

## Slik kontrollerer du gassregulatorsperren

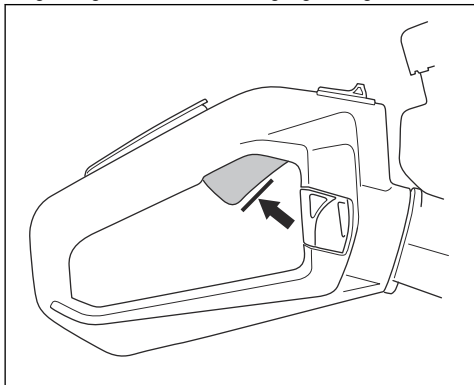
1. Kontroller at gassregulatorsperren (A) og gassregulatoren (B) kan bevege seg fritt, og at returfjæren fungerer som den skal.



2. Trykk på gassregulatorsperren, og kontroller at den går tilbake til utgangsstillingen når du slipper den.



- Slipp gassregulatorspærren, og kontroller at gassregulatoren er låst i tomgangsstilling.



- Start motoren, og gi full gass.
- Slipp gassregulatoren, og forsikre deg om at knivene stopper helt.



**ADVARSEL:** Hvis knivene beveger seg når gassregulatoren står i tomgangsstilling, må du justere tomgangsturtallet. Se *Slik justerer du tomgangsturtallet på side 173*.

#### Slik kontrollerer du stoppbryteren

- Start motoren.
- Skv stoppbryteren til stoppstillingen, og sjekk at motoren stopper.



**ADVARSEL:** Stoppbryteren går automatisk tilbake til startstillingen. For å hindre utilsiktet start må du fjerne tennpluggen fra tennpluggen når du monterer eller utfører vedlikehold på produktet.

#### Slik kontrollerer du håndbeskyttelsen

Håndbeskyttelsen forhindrer skade forårsaket av knivene.

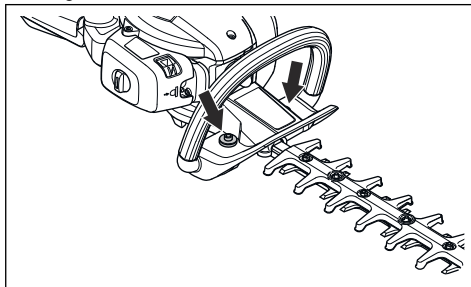
- Stopp motoren.
- Kontroller at håndbeskyttelsen er plassert riktig.
- Kontroller håndbeskyttelsen for skader.

#### Slik kontrollerer du avvibreringssystemet

Avvibreringssystemet reduserer vibrasjonene i håndtakene. Avvibreringsenhetene fungerer som et skille mellom produktets hoveddel og håndtaket.

- Utfør en visuell sjekk etter deformeringer og skader.

- Kontroller at de vibrasjonsdempende enhetene er riktig festet.



#### Slik kontrollerer du lydempere



**ADVARSEL:** Ikke bruk produktet hvis lydempere mangler eller er skadet. En skadet eller manglende lydempere øker lydnivået og brannfaren. Ha brannsløkkingsutstyr i nærheten. Ikke bruk et produkt uten, eller med et ødelagt, gnistfangernett hvis du må ha et gnistfangernett i ditt område.



**ADVARSEL:** Lyddempere blir svært varme under og etter bruk, også på tomgang.



**OBS:** Hvis gnistfangerskjermen ofte blir tett, kan dette være et tegn på redusert katalysatorytelse. Kontakt serviceforhandleren for kontroll av lydempere. Enheten overoppheves hvis gnistfangerskjermen er tett, med skader på sylinder og stempel som følge.



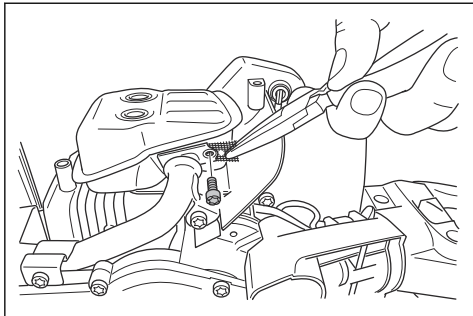
**ADVARSEL:** Lyddemperens indre overflater inneholder kjemikalier som kan forårsake kreft. Vær forsiktig så du ikke berører disse elementene dersom lydempere har blitt skadet.

Lyddempere begrenser støynivået og sender avgassene bort fra brukeren. En lydempere med katalysator gir lavere utslipp av skadelige avgasser.

- Stopp motoren.
- Utfør en visuell sjekk etter skader og deformeringer.
- Kontroller at lydempere er festet til produktet på riktig måte.



#### 4. Rengjør gnistfangernettet med en stålborste.



#### Slik sjekker du bladet og bladbeskyttelsen

Den ytre delen av bladet fungerer som en bladbeskyttelse. Bladbeskyttelsen hindrer kuttskader.

1. Stopp motoren, og kontroller at bladet stopper.
2. Fjern tennpluggetten fra tennpluggen.
3. Ta på deg vernehansker.
4. Kontroller at bladet og bladbeskyttelsen ikke er skadet eller bøyd. Bytt alltid ut et skadet eller bøyd blad eller en skadet bladbeskyttelse.
5. Kontroller at skruene i bladet og bladbeskyttelsen sitter stramt.

#### Drivstoffsikkerhet



**ADVARSEL:** Les de følgende advarelsene før du bruker produktet.

- Ikke start produktet hvis det er drivstoff eller motorolje på produktet. Fjern uønsket drivstoff/olje, og la produktet tørke.
- Skift klær umiddelbart hvis du søler drivstoff på klærne.
- Ikke få drivstoff på kroppen, det kan føre til personskade. Bruk såpe og vann for å fjerne drivstoff hvis du får drivstoff på kroppen.
- Ikke start produktet hvis motoren lekker. Kontroller motoren for lekkasjer med jevne mellomrom.
- Vær forsiktig med drivstoff. Drivstoff er brannfarlig, og avgassene er eksplosive og kan forårsake personskade eller død.
- Ikke pust inn bensindamp, det kan føre til personskade. Pass på at det er tilstrekkelig luftstrøm.

- Du må ikke røyke i nærheten av drivstoff eller motoren.
- Ikke sett varme gjenstander i nærheten av drivstoff eller motoren.
- Ikke fyll på drivstoff når motoren er på.
- Kontroller at motoren er avkjølt før du fyller på drivstoff.
- Åpne tanklokket sakte og slipp ut trykket forsiktig før du fyller.
- Ikke fyll drivstoff på motoren innendørs. En utilstrekkelig luftstrøm kan føre til personskade eller dødsfall på grunn av kveling eller karbonmonoksidforgiftning.
- Trekk til drivstofflokket helt. Hvis drivstofflokket ikke er strammet, kan det utgjøre en risiko for brann.
- Flytt produktet minst 3 m (10 fot) fra stedet der du fylte tanken, før du starter det.
- Fyll ikke drivstofftanken helt opp. Varme fører til at drivstoffet utvider seg. Lad det være litt plass øverst i drivstofftanken.

#### Sikkerhetsinstruksjoner for vedlikehold



**ADVARSEL:** Les de følgende advarelsinstruksjonene før du bruker produktet.

- Stopp motoren, og kontroller at skjæreutstyret stopper. La produktet bli avkjølt før du utfører vedlikehold.
- Koble fra tennpluggetten før du utfører vedlikehold.
- Eksosen fra motoren inneholder karbonmonoksid, en luktfri, giftig og svært farlig gass som kan forårsake dødsfall. Ikke bruk produktet innendørs eller i lukkede rom.
- Motorens avgasser er varme og kan inneholde gnister. Ikke bruk produktet innendørs eller i nærheten av brennbare materialer.
- Tilbehør og endringer på produktet som ikke er godkjent av produsenten, kan føre til alvorlig personskade eller dødsfall. Ikke foreta endringer av produktet. Bruk alltid originalt tilbehør.
- Hvis vedlikeholdet ikke utføres riktig og regelmessig, øker faren for personskade og skade på produktet.
- Bare utfør vedlikehold som er anbefalt i denne bruksanvisningen. La et godkjent Husqvarna-serviceverksted utføre all annen service.
- La et godkjent Husqvarna-serviceverksted utføre service på produktet regelmessig.
- Skift ut alle skadde, slitte eller ødelagte deler.

## Drift

### Innledning



**ADVARSEL:** Les og forstå kapittelet om sikkerhet før du bruker produktet.

### Drivstoff

Dette produktet har en totaktsmotor.



**OBS:** Feil type drivstoff kan føre til skader på motoren. Bruk en blanding av bensin og totaktsolje.

### Forhåndsblandet drivstoff

- Bruk Husqvarna forhåndsblandet alkylatdrivstoff for å få best mulig ytelse og forlengelse av motorens levetid. Drivstoffet inneholder færre skadelige stoffer sammenlignet med vanlig drivstoff, noe som reduserer skadelige avgasser. Mengden rester etter forbrenning er lavere med dette drivstoffet, noe som holder motoren ren.

### Slik blander du drivstoff

#### Bensin

- Bruk kvalitetsbensin av blyfri type med maksimalt 10 prosent etanolinnhold.



**OBS:** Ikke bruk bensin med et oktantal som er mindre enn 90 RON/87 AKI. Bruk av lavere oktantal kan føre til motorbanking, noe som forårsaker motorskader.

#### Totaktsolje

- For å få best mulig resultat og ytelse bør du bruke Husqvarna-totaktsolje.
- Hvis det ikke er mulig å få tak i Husqvarna-totaktsolje, kan du bruke en totaktsolje av høy kvalitet for luftkjølte motorer. Snakk med serviceforhandleren din for å velge riktig olje.



**OBS:** Bruk ikke totaktsolje beregnet på vannkjølte påhengsmotorer, såkalt outboardoil. Ikke bruk olje for firetaktsmotorer.

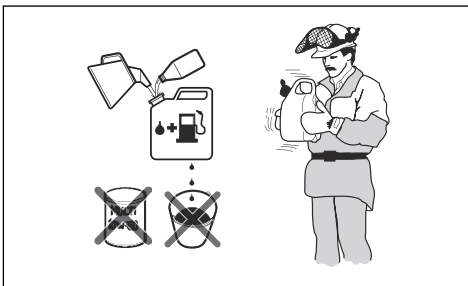
### Blande bensin og totaktsolje

Bensin, liter	Totaktsolje, liter
	2 % (50:1)

5	0,10
10	0,20
15	0,30
20	0,40



**OBS:** Små feil kan påvirke blandingsforholdet drastisk når du blander små mengder drivstoff. Mål oljemengden som skal blandes, svært nøyaktig for å sikre at du får riktig blandingsforhold.



1. Fyll halve drivstoffmengden i en ren beholder for drivstoff.
2. Tilsett all oljen.
3. Rist drivstoffblandingen.
4. Fyll resten av bensinen på beholderen.
5. Rist drivstoffblandingen forsiktig.



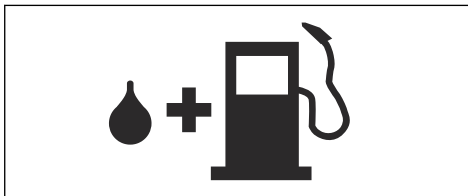
**OBS:** Ikke bland drivstoff for mer enn én måned om gangen.

### Slik fyller du drivstofftanken



**ADVARSEL:** Utfør følgende prosedyren for din egen sikkerhet.

1. Stopp motoren, og la motoren bli avkjølt.
2. Tørk rent rundt drivstofflokket.



- Rist beholderen, og forsikre deg om at drivstoffet er helt blandet.
- Åpne drivstofflokket sakte for å slippe ut trykket.
- Fyll drivstofftanken.



**OBS:** Kontroller at det ikke er for mye drivstoff i drivstofftanken. Drivstoffet utvides når det blir varmt.

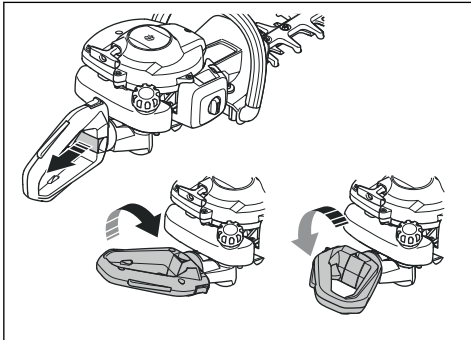
- Trekk forsiktig til drivstofflokket.
- Rengjør drivstoffsøl på og rundt produktet.
- Flytt produktet minst tre meter bort fra drivstoffkilden og stedet der du fylte drivstoff, før du starter motoren.

**Merk:** Hvis du vil finne ut hvor drivstofftanken er på produktet, kan du se *Innledning på side 164*.

### Slik justerer du håndtaket

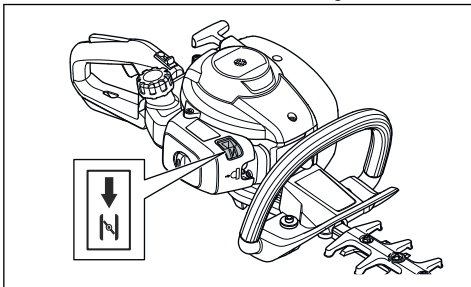
Det bakre håndtaket kan justeres til tre stillinger.

- Løse håndtakslåsen, og vri håndtaket.



### Slik starter du produktet når motoren er kald

- Trekk chokehendelen til choke-stillingen.



- Trykk på pumpen omtrent seks ganger eller til drivstoffet begynner å fylle blæren. Det er ikke nødvendig å fylle blæren helt.
- Hold produktet på bakken med venstre hånd. Ikke trakk på produktet.

- Dra forsiktig i startsnoren med høyre hånd til du føler litt motstand. Dra deretter raskt i startsnoren med kraft.



**ADVARSEL:** Surr aldri startsnoren rundt hånden.



**OBS:** Ikke trekk startsnoren helt ut, og ikke slipp håndtaket på startsnoren.

- Fortsett å trekke i startsnorhåndtaket til motoren starter, og skyv deretter chokehendelen til sin opprinnelige stilling.



**ADVARSEL:** Bladet beveger seg når motoren starter.

- Fortsett å trekke i startsnorhåndtaket til motoren starter.
- Trykk inn og slipp gassregulatoren for å stille inn motoren på tomgang.
- Skyv gradvis på gassregulatoren for å øke motorens turtall.
- Kontroller at motoren går jevnt.

### Slik starter du produktet når motoren er varm

- Hold produktet på bakken med venstre hånd. Ikke trakk på produktet.
- Dra forsiktig i startsnoren med høyre hånd til du føler litt motstand. Dra deretter raskt i startsnoren med kraft. Fortsett til motoren starter.

**Merk:** Hvis du vil ha mer informasjon om hvordan du starter produktet, kan du se *Slik starter du produktet når motoren er kald på side 171*.

### Slik stopper du produktet

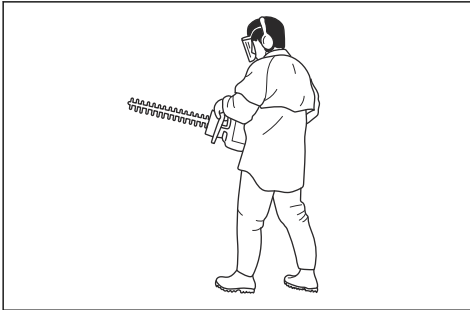
- Flytt stoppbryteren til stopposisjonen for å stoppe motoren.



**OBS:** Stoppbryteren går automatisk tilbake til driftsstillingen.

## Slik bruker du produktet

1. Når du klipper sidene på hekken, er det lurt å begynne nærme bakken og flytte produktet opp langs siden av hekken. Pass på at produktkroppen ikke kommer i kontakt med hekken.



**ADVARSEL:** Sørg for at tuppen av skjæreutstyret ikke kommer i kontakt med bakken.

2. Juster turtallet etter arbeidsbelastningen.
3. Hold produktet nær kroppen for å ha en stabil arbeidsposisjon.
4. Vær forsiktig, og bruk produktet langsomt.

## Vedlikehold

### Innledning



**ADVARSEL:** Les og forstå kapittelet om sikkerhet før du utfører vedlikehold på produktet.

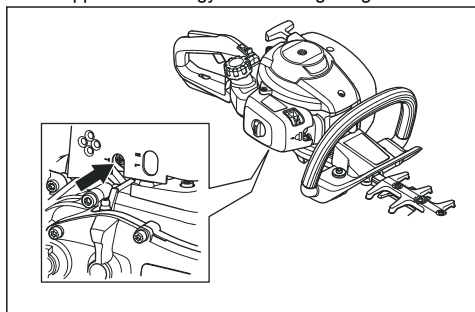
### Vedlikeholdsskjema

Vedlikehold	Før bruk	Etter 40 timer	Etter 100 timer
Rengjør de utvendige overflatene.		Etter hver bruk.	
Rengjør lydempere, eksosrøret og motoren for løv, smuss og uønsket smøremiddel.		Etter hver bruk.	
Kontroller at klippeaggregatet ikke går på tomgang.	X		
Kontroller stoppbryteren. Se <i>Slik kontrollerer du stoppbryteren på side 168.</i>	X		
Undersøk klippeaggregatet for skader og sprekker. Skift ut utstyret hvis det er skadet.	X		
Undersøk håndbeskyttelsen for skader og sprekker. Skift ut utstyret hvis det er skadet.	X		
Utfør en kontroll av gassregulatorsperren og gassregulatoren. Se <i>Slik kontrollerer du gassregulatorsperren på side 167.</i>	X		
Undersøk motoren, drivstofftanken og drivstoffslangen for lekkasjer.	X		
Trekk til muttere og skruer.	X		
Undersøk starteren og startsnoren for skader.		X	
Sørg for at skruene som holder kniven sammen, er trukket riktig til.		X	
Rengjør luftfilteret. Rengjør oftere hvis den brukes i områder som har støv. Skift ut utstyret hvis det er skadet.		X	

Vedlikehold	Før bruk	Etter 40 timer	Etter 100 timer
Undersøk de vibrasjonsdempende enhetene for skader og sprekker. Skift ut utstyret hvis det er skadet.		X	
Rengjør utsiden av tennpluggen og området rundt den. Fjern tennpluggen, og mål elektrodeavstanden. Juster elektrodeavstanden eller bytt ut tennpluggen. Se <i>Kontrollere tennpluggen på side 174.</i>		X	
Rengjør kjølesystemet.		X	
Rengjør utsiden av forgasseren og området rundt den.		X	
Kontroller at drivstoffilteret ikke er forurenset og at drivstoffslangen ikke har sprekker eller andre skader. Skift ut utstyret hvis det er skadet.			X
Rengjør gnistfangerskjermen på lyddemperen. Hvis den er skadet, må den byttes ut.			X
Rengjør de indre overflatene på drivstofftanken.			X
Skift tennplugg.			X
Se etter slitasje på clutchen, koblingsfjæren og koblingstrømmelen. Hvis utstyret er skadet, må det skiftes ut av en godkjent serviceforhandler.			X
Sørg for at girhuset er fylt med fett.			X
Kontroller alle kabler og forbindelser.			X

## Slik justerer du tomgangsturtallet

1. Rengjør luftfilteret, og fest luftfilterdekselet.
2. Start produktet. Se *Slik starter du produktet når motoren er kald på side 171.*
3. Vri justeringsskruen for tomgang (T) med urviseren til klippeenheten begynner å bevege seg.



4. Vri justeringsskruen for tomgang mot urviseren til klippeenheten stanser.

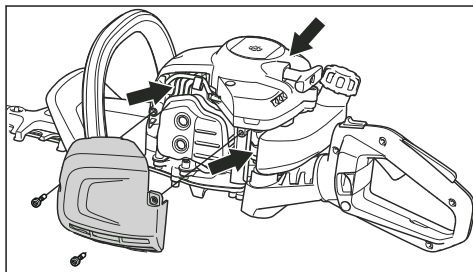


**ADVARSEL:** Hvis klippeenheten ikke stopper når du juster tomgangsturtallet, må du kontakte nærmeste serviceverksted. Ikke bruk produktet før det er riktig justert eller reparert.

**Merk:** Tomgangsturtallet er korrekt når motoren går jevnt i alle stillinger. Se *Tekniske data på side 177* for å finne anbefalt tomgangsturtall.

## Slik rengjør du kjølesystemet

Kjølesystemet holder motortemperaturen nede. Kjølesystemet omfatter kjøleflenser på sylindren, sylinderdekselet og luftinntaket gjennom veivhuset.



**OBS:** Luftinntaket mellom drivstofftanken og veivhuset kan fort bli tilstoppet av løv. Rengjør luftinntaket helt.

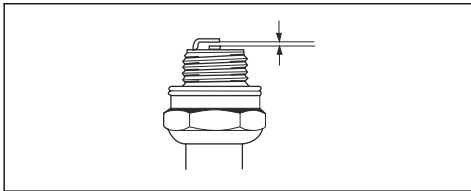
1. Rengjør kjølesystemet med en børste ukentlig, eller oftere ved behov.
2. Kontroller at kjølesystemet ikke er skittent eller tilstoppet.

## Kontrollere tennpluggen



**OBS:** Bruk alltid anbefalt type tennplugg. Feil tennpluggtype kan føre til skade på produktet.

- Undersøk tennpluggen hvis motorens effekt er for lav, den ikke er enkel å starte eller ikke fungerer riktig på tomgang.
- Følg disse instruksjonene for å redusere risikoen for uønsket materiale på tennpluggenes elektroder:
  - a) Pass på at tomgangsturtallet er riktig justert.
  - b) Pass på at drivstoffblandingen er riktig.
  - c) Kontroller at luftfilteret er rent.
- Hvis tennpluggen er skitten, må du rengjøre den og samtidig kontrollere at elektrodeavstanden er riktig. Se *Tekniske data på side 177*.

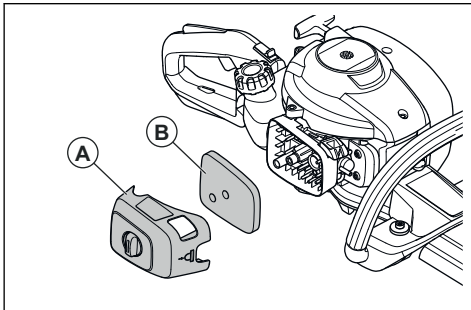


- Skift tennpluggen når det er nødvendig.

## Slik rengjør du luftfilteret

Fjern smuss og støv fra luftfilteret jevnlig. Dette forhindrer forgasserforstyrrelser, startproblemer, tap av motoreffekt, slitasje på motordelene og større drivstofforbruk enn vanlig.

1. Ta av luftfilterdekslet (A).
2. Ta ut filteret (B) fra filterrammen.



3. Rengjør filteret med varmt såpevann.

**Merk:** Et luftfilter som brukes i lang tid, blir aldri helt rent. Skift luftfilteret regelmessig, og skift alltid ut et skadet luftfilter.

4. Kontroller at filteret er tørt.
5. Påfør olje på luftfilteret. Se *Slik påfører du olje på skumlufffilteret på side 174*

6. Rengjør den indre overflaten til luftfilterdekslet. Bruk trykkluft eller en børste.

## Slik påfører du olje på skumlufffilteret

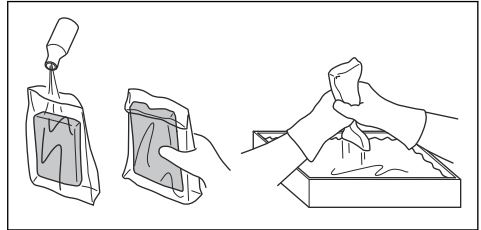


**OBS:** Bruk alltid Husqvarna spesiell luftfilterolje. Ikke bruk andre typer olje.



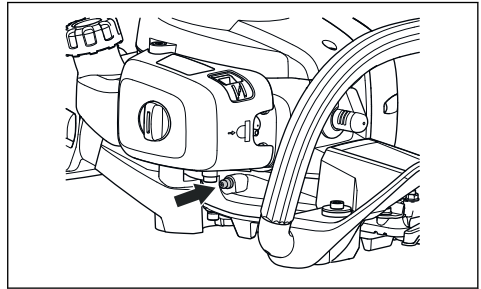
**ADVARSEL:** Ta på deg vernehansker. Luftfilterolje kan føre til hudirritasjon.

1. Plasser skumlufffilteret i en plastpose.
2. Hell oljen i plastposen.
3. Klem på plastposen for å fordele oljen likt på skumlufffilteret.
4. Skyv den uønskede oljen ut av skumlufffilteret mens det er i plastposen.



## Slik smører du girhuset

- Bruk Husqvarna spesialfett. Ta kontakt med serviceforhandleren din for å få mer informasjon om anbefalt fett.
- Påfør fett gjennom smørerippelen.



**OBS:** Ikke fyll girhuset helt.

## Slik rengjør og smører du bladet

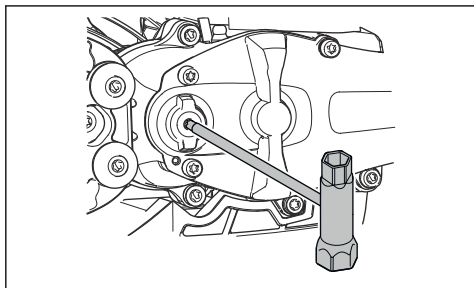
1. Rengjør uønsket materiale fra bladet før og etter bruk av produktet.
2. Smør bladet før lang tids oppbevaring.

**Merk:** Ta kontakt med serviceforhandleren din for å få mer informasjon om anbefalt rengjørings- og smøremiddel.

3. Undersøk eggene på knivene for skader og deformering.
4. Bruk en fil for å fjerne ujevnheter på knivene.

## Slik undersøker du knivene

1. Ta av lokket på girhuset.
2. Kontroller at knivene beveger seg fritt. Sett kombinasjonsnøkkelen i girhuset og dreii med og mot klokken.



## Feilsøking

### Feilsøking

Motoren starter ikke		
Problem	Mulig årsak	Anbefalt trinn
Starthaker	Starthakene beveger seg ikke fritt.	Juster eller skift ut starthakene.
		Rengjør rundt starthakene.
		Ta kontakt med en godkjent serviceforhandler.
Drivstofftank	Feil drivstofftype.	Tøm den og bruk riktig drivstoff.
Forgasser	Feil tomgangsturtall.	Juster tomgangsturtallet.
Ingen gnist	Tennpluggen er skitten eller våt.	Kontroller at tennpluggen er tørr og ren.
	Feil elektrodeavstand.	Rengjør tennpluggen. Påse at elektrodeavstanden på tennpluggen er riktig. Påse at tennpluggen har støydemping.
		Se <i>Tekniske data på side 177</i> for å finne informasjon om riktig elektrodeavstand.
Tennplugg	Tennpluggen er løs.	Stram til tennpluggen.

Motoren starter, men stopper igjen		
Problem	Mulig årsak	Anbefalt trinn
Drivstofftank	Feil drivstofftype.	Tøm den og bruk riktig drivstoff.
Forgasser	Feil tomgangsturtall.	Juster tomgangsturtallet. Se <i>Slik justerer du tomgangsturtallet på side 173</i> . Snakk med serviceforhandleren ved behov.
Luffilter	Tilstoppet luffilter.	Rengjør luffilteret.

Kniv		
Problem	Mulige årsaker	Anbefalt trinn
Kniven beveger seg sakte eller beveger seg ikke.	Kniven er blokkert eller skadet.	Fjern uønsket materiale fra knivene. Se <i>Slik rengjør og smører du bladet på side 174</i> . Fjern alle ujevnheter fra kniven. Se <i>Slik undersøker du knivene på side 175</i> . Bytt kniven hvis den er skadet.
Det er ikke alltid lett å skjære med kniven.	Kniven er ikke skarp, eller den er skadet.	Slip kniven. Se <i>Slik undersøker du knivene på side 175</i> . Bytt kniven hvis den er skadet.
Kniven blir varm.	Det er friksjon mellom knivene.	Fjern alle ujevnheter fra kniven, og smør den. Se <i>Slik rengjør og smører du bladet på side 174</i> .

---

## Transport, oppbevaring og avhending

---

### Transport og oppbevaring

- La alltid produktet kjøles ned før det settes bort.
- Før oppbevaring og transport av produktet og drivstoff, må du kontrollere at det ikke finnes lekkasjer eller gasser. Gnister eller åpen ild, for eksempel fra elektriske apparater eller varmekjeler, kan starte en brann.
- Bruk alltid godkjente beholdere for oppbevaring og transport av drivstoff.
- Tøm produktet for drivstoff før transport eller før lang tids oppbevaring. Lever drivstoffet hos en returstasjon.
- Fest transportbeskyttelsen under transport og oppbevaring.
- Fjern tennpluggen fra tennpluggen.

- Fest produktet under transport. Kontroller at det ikke kan bevege seg.
- Rengjør og utfør vedlikehold av produktet før lengre tids oppbevaring.

### Kassering

- Følg lokale gjenvinningsbestemmelser og gjeldende regelverk.
- Kast alle kjemikalier, for eksempel motorolje eller drivstoff, hos en serviceforhandler eller på en returstasjon.
- Når motorens levetid er utløpt, må du sende motoren til en Husqvarna-serviceforhandler eller kaste den på et gjenvinningssted.



## Tekniske data

### Tekniske data

	<b>322HD60</b>
<b>Motor</b>	
Sylindervolum, cm <sup>3</sup>	21,7
Tomgangsturtall, o/min	2900
Anbefalt maks. turtall, o/min	9000
Maksimum motoreffekt iht. ISO 8893, kW/hk ved o/min	0,6/0,8 ved 7800
Katalysatorlyddemper	Ja
<b>Tenningsystem</b>	
Tennplugg	HQT-4 672201
Elektrodeavstand, mm	0,5
<b>Drivstoff</b>	
Drivstofftankens kapasitet, l/cm <sup>3</sup>	0,3 / 300
<b>Vekt</b>	
Uten drivstoff, kg	5,2
<b>Støyutslipp</b> <sup>31</sup>	
Lydeffektnivå, målt dB (A)	101
Lydeffektnivå, garantert L <sub>WA</sub> dB (A)	102
<b>Lydnivåer</b> <sup>32</sup>	
Ekvivalent lydtrykksnivå ved brukerens øre, målt i henhold til EN ISO 22868, dB (A)	92
<b>Vibrasjonsnivåer</b> <sup>33</sup>	
Ekvivalente vibrasjonsnivåer (a <sub>h<sub>v</sub>,eq</sub> ) i håndtak, målt i henhold til EN ISO 22867, m/sek <sup>2</sup> :	
Foran/bak, mm/s <sup>2</sup>	4,4 / 4,3
<b>Kniver</b>	
Type	Dobbeltsidig
Skjærelengde, mm	600
Skjærehastighet, kutt/min	4400

<sup>31</sup> Utslipp av støy til omgivelsene målt som lydeffekt (L<sub>WA</sub>) samsvarer med EF-direktiv 2000/14/EF. Rapporterte lydeffektnivåer for produktet er målt med det originale skjæreutstyret som gir høyest nivå. Forskjellen mellom garantert og målt lydeffekt er at garantert lydeffekt også omfatter spredning i måleresultatet og variasjoner mellom forskjellige produkter av samme modell, i henhold til direktivet 2000/14/EF.

<sup>32</sup> Rapporterte data for lydtrykksnivå for maskinen har en typisk statistisk spredning (standardavvik) på 1 dB (A).

<sup>33</sup> Rapporterte data for vibrasjonsnivå har en typisk statistisk spredning (standardavvik) på 1 m/s<sup>2</sup>.

# Samsvarserklæring

## EU-samsvarserklæring

Vi, **Husqvarna AB**, SE-561 82 Huskvarna, Sverige, tlf.:  
+46-36-146500, erklærer på eget ansvar at produktet:

<b>Beskrivelse</b>	Hekksaks
<b>Merke</b>	Husqvarna
<b>Type/modell</b>	322HD60
<b>ID</b>	Serienumre datert 2022 og senere

fullstendig overholder følgende EU-direktiver og  
-forskrifter:

<b>Regulering</b>	<b>Beskrivelse</b>
2006/42/EF	«angående maskiner»
2014/30/EU	«om elektromagnetisk kompatibilitet»
2000/14/EF	«angående utslipp av støy til omgivelsene»
2011/65/EU	«om begrensning av bruk av visse farlige stoffer i elektrisk og elektronisk utstyr»

og at følgende standarder og/eller tekniske  
spesifikasjoner er anvendt:

Følgende standarder er blitt brukt:

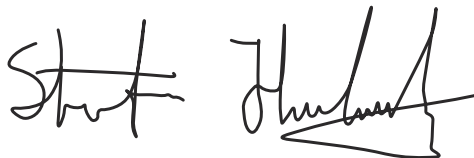
**EN ISO 12100:2010, EN ISO 10517:2019, EN IEC  
63000:2018, EN ISO 14982:2009**

SMP Svensk Maskinprovning, , Box 4053, SE-904 03  
Umeå, Sweden har utført frivillig typeprøving i samsvar  
med vedlegg IX i 2006/42/EF.

SMP Svensk Maskinprovning, har også bekreftet  
samsvar med vedlegg V i rådsdirektiv 2000/14/EF.

For informasjon som gjelder støyutslipp, kan du se  
*Tekniske data på side 177.*

Huskvarna, 2023-07-10



Stefan Holmberg, FoU-direktør, teknologiledelse,  
Husqvarna AB

Ansvarlig for teknisk dokumentasjon



# VSEBINA

Uvod.....	179	Odpravljanje težav.....	190
Varnost.....	180	Transport skladiščenje in odstranitev.....	191
Delovanje.....	185	Tehnični podatki.....	192
Vzdrževanje.....	187	Izjava o skladnosti.....	194

## Uvod

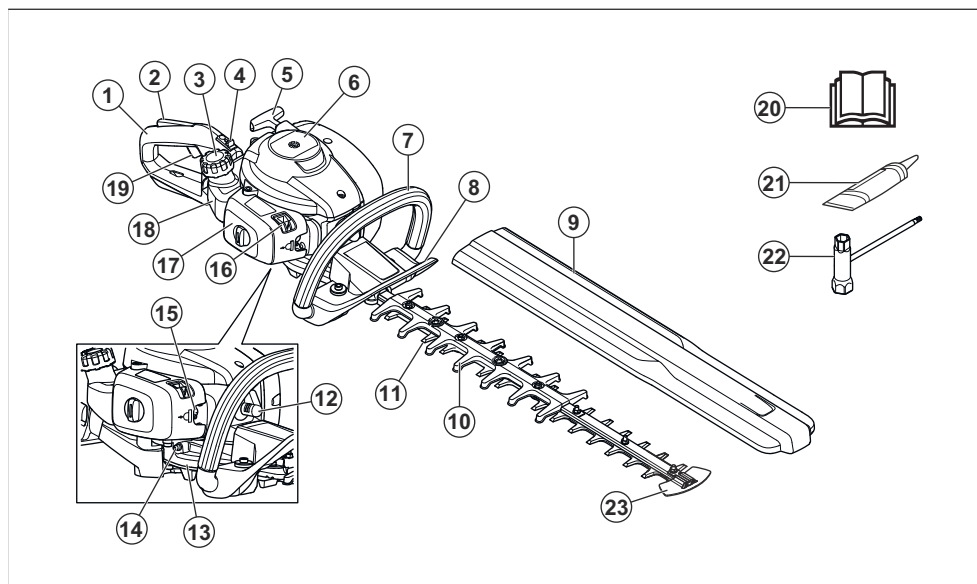
### Opis izdelka

Izdelek je model obrezovalnika žive meje z motorjem z notranjim zgorevanjem.

### Namen uporabe

Izdelek uporabljajte za obrezovanje vej in vejic. Izdelka ne uporabljajte za druga opravila.

### Pregled izdelka



- |                                    |                             |
|------------------------------------|-----------------------------|
| 1. Zadnji ročaj                    | 15. Membrana črpalke goriva |
| 2. Zaklep ročice plina             | 16. Ročica čoka             |
| 3. Pokrovček rezervoarja za gorivo | 17. Pokrov zračnega filtra  |
| 4. Stikalo za izklop               | 18. Rezervoar za gorivo     |
| 5. Ročica zaganjalne vrvice        | 19. Ročica plina            |
| 6. Pokrov valja                    | 20. Navodila za uporabo     |
| 7. Sprednji ročaj                  | 21. Tuba z mastjo           |
| 8. Ščitnik roke                    | 22. Kombiniran ključ        |
| 9. Transportna zaščita             | 23. Ščitnik konice rezila   |
| 10. Ščitnik rezila                 |                             |
| 11. Rezilo                         |                             |
| 12. Kapica svečke in svečka        |                             |
| 13. Ohišje menjalnika              |                             |
| 14. Mazalno mesto za mast          |                             |

### Simboli na izdelku



**OPOZORILO!** Ta izdelek je nevaren. Neprevidna in nepravilna uporaba izdelka lahko povzroči poškodbe in celo smrt uporabnika ali drugih navzočih oseb.

Da preprečite poškodbe uporabnika ali drugih navzočih oseb, preberite in upoštevajte varnostna navodila v navodilih za uporabo.



Pred začetkom uporabe izdelka natančno preberite navodila za uporabo in se prepričajte, da ste jih razumeli.



Uporabljajte odobreno zaščito za sluh in odobreno zaščito oči.



Uporabljajte odobrene zaščitne rokavice.



Uporabljajte trpežno obutev, ki ne drsi.

T

Nastavitveni vijak za prosti tek.

H

Igla visoke hitrosti.

L

Igla nizke hitrosti.



Emisija hrupa v okolje je skladna z Evropsko direktivo 2000/14/ES in zakonodaja Novega južnega Walesa, in sicer z direktivo "Zaščita okolja pri delu (nadzor hrupa) iz 2017". Zajamčena raven zvočne moči izdelka, kot je določeno v *Tehnični podatki na strani 192* in na nalepki.



Izdelek je skladen z veljavnimi direktivami ES.

yyyywwxxxx

Na tipski ploščici je navedena serijska številka. **yyyy** je proizvodno leto in **ww** je proizvodni teden.

**Opomba:** Ostali simboli in oznake na izdelku se nanašajo na zahteve za certifikacijo, ki veljajo za nekatere trge.

## Stopnja emisij Euro V



**OPOZORILO:** Zaradi predelave motorja se razveljavi EU-homologacija tega izdelka.

## Varnost

### Varnostne definicije

Opozorila, svarila in opombe opozarjajo na posebej pomembne dele priročnika.



**OPOZORILO:** Se uporabi, če obstaja nevarnost telesne poškodbe ali smrti uporabnika ali opazovalcev ob neupoštevanju navodil v tem priročniku.



**POZOR:** Se uporabi, če obstaja nevarnost poškodbe izdelka, drugih materialov ali okolice ob neupoštevanju navodil v tem priročniku.

**Opomba:** Se uporabi za podajanje podrobnejših informacij, potrebnih v dani situaciji.

### Splošna varnostna navodila



**OPOZORILO:** Pred uporabo izdelka preberite navodila v povezavi z opozorili in nadaljevanju.

- Pri nepravilni ali malomarni uporabi izdelek postane nevarno orodje, ki lahko povzroči resne ali celo smrtne poškodbe. Zato je zelo pomembno, da natančno preberete in razumete navodila za uporabo.
- Izdelek med delovanjem ustvarja elektromagnetno polje. To polje lahko v nekaterih pogojih interferira z aktivnimi ali pasivnimi medicinskimi vsadki. Da bi zmanjšali nevarnost ki bi lahko povzročila telesne poškodbe ali smrt, priporočamo, da se osebe z medicinskimi vsadki pred uporabo izdelka posvetujejo s svojim zdravnikom in proizvajalcem vsadka.
- Pri ljudeh, ki imajo težave s krvnim obtokom, lahko pretirana izpostavljenost tresljajem povzroči poškodbe ožilja ali živčevja. Če opazite znamenja pretirane izpostavljenosti tresljajem, se posvetujte z

- zdravnikom. Ti simptomi zajemajo otrplost, izgubo občutenja, ščemenje, zbadanje, bolečino, zmanjšano moč in spremembe barve ali stanja kože. Običajno se pojavijo v prstih, na rokah ali na zapestjih. Nevarnost je večja ob delu pri nizkih temperaturah.
- V primeru dvoma, ali je nadaljnja uporaba še primerna, se posvetujte s strokovnjakom. Obrnite se na svojega zastopnika ali servisno delavnico. Izogibajte se situacijam, ki se vam zdijo prezahtevne.
  - Rabljen dušilnik/lovilnik isker in pritrdilna površina lovilnika isker lahko vsebujeta ostanke delcev zgorevanja, ki so lahko rakotvorni. Pri rokovanju z dušilnikom in/ali lovilnikom isker pazite, da ne boste izpostavljeni tem spojinam. Pred kakršnim koli ravnanjem z dušilnikom in/ali lovilnikom isker si oglejte *Preverjanje dušilnika na strani 183*.
  - Ne pozabite, da je uporabnik odgovoren za nesreče ali nevarnosti, ki jih povzroči drugim ljudem ali njihovim lastnini.
  - Izdelka ne dovolite uporabljati nikomur, dokler se ne prepričate, da je razumel vsebino navodil za uporabo.
  - Otrokom nikoli ne dovolite, da uporabljajo izdelek ali da so zgolj v njegovi bližini. Ker je izdelek opremljen z vzmetnim stikalom za zaustavitev, ga lahko že z majhno hitrostjo in silo vključite, kar pomeni, da lahko tudi majhni otroci v določenih okoliščinah zaženejo izdelek. To lahko pomeni tveganje resne osebene poškodbe. Zato odstranite kapico svečke, ko izdelka ne morete nadzorovati.
  - Izdelek shranjujte izven dosega otrok.
  - Izdelka ne uporabljajte, če ste utrujeni, pod vplivom alkohola ali jemljete zdravila, ki lahko vplivajo na vid, presojo ali koordinacijo.
  - Ne uporabljajte pokvarjenega izdelka. Sledite navodilom za pregled, vzdrževanje in servis v skladu z napotki v teh navodilih. Nekatere vrste vzdrževalnih del in popravil lahko opravi samo za to usposobljeno strokovno osebje. Upoštevajte navodila v poglavju Vzdrževanje.
  - Nikoli ne uporabljajte izdelka, katerega prvotne specifikacije so bile na kakršen koli način spremenjene.
  - Opazujte okolico in se prepričajte, da ne obstaja nevarnost, da nobena oseba ali žival ne more priti v stik z rezalno opremo.
  - Preglejte delovno območje. Odstranite vse predmete, ki jih lahko izvrže.
  - Vedno morate imeti varen in stabilen položaj za delo.
  - Stroja nikoli ne pustite brez nadzora pri delujočem motorju.
  - Med delovanjem motorja vaše roke in noge ne smejo priti v bližino rezalne enote.
  - Če med delovanjem pride do ukleščenja med rezili, izklopite motor ter pred čiščenjem rezil počakajte, da se motor povsem zaustavi. Pokrov svečke odklopite s svečke.
  - Ko je motor izključen, odmaknite roke in noge iz bližine rezalne enote, dokler se motor povsem ne zaustavi.
  - Pazite na kose in veje, ki jih lahko naprava izvrže med obrezovanjem.
  - Kadar uporabljate zaščito za sluh, bodite pozorni na svarilne znake in klice. Zaščito za sluh odstranite takoj, ko se motor zaustavi.
  - Orodja ne uporabljajte z lestve, stola ali drugega dvignjenega položaja, ki ni povsem varen.
  - Izdelek vedno držite z obema rokama. Izdelek držite pred telesom.
  - Če zadenete ob predmet ali se pojavijo tresljaji, izdelek nemudoma zaustavite. Pokrov svečke odklopite s svečke. Prepričajte se, da izdelek ni poškodovan. Popravite poškodbe.
  - Za preprečevanje nevarnosti električnega udara se prepričajte, da pokrovček svečke in vžigalni kabel nista poškodovana.
  - Preverite ali so vsi vijaki in matice zatesnjeni.
  - Preverite, če je menjalnik pravilno namazan. Glejte *Mazanje ohišje menjalnika na strani 190*.
  - Med uporabo izdelka se menjalnik močno segreje. Da se ne bi opekli, se menjalnika ne dotikajte.
  - Pred zagonom morate namestiti vse pokrove in ščitnike.
  - Če se rezila zablokirajo, jih lahko sprostite tako, da v menjalnik vstavite kombiniran ključ. Kombiniran ključ vstavite v menjalnik in ga obračajte naprej in nazaj. Glejte *Pregledovanje rezil na strani 190*.
  - Ko izdelka ne uporabljate, motor rezalno enoto zaščititi s transportno zaščito.

## Varnostna navodila za uporabo



**OPOZORILO:** Pred uporabo izdelka preberite navodila v povezavi z opozorili v nadaljevanju.

- Izdelka nikoli ne uporabljajte v izrednih vremenskih pogojih, kot so izredno mrzli, izredno vroči in/ali vlažni pogoji.
- Pokvarjena rezila lahko povečajo nevarnost nesreč.
- V premeru 15 metrov/50 čevljev od delovnega mesta ne sme biti ljudi ali živali.

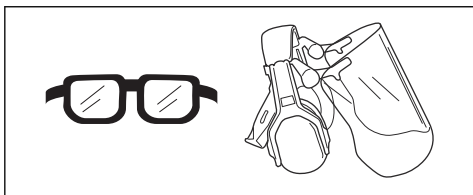
## Oseba zaščitna oprema



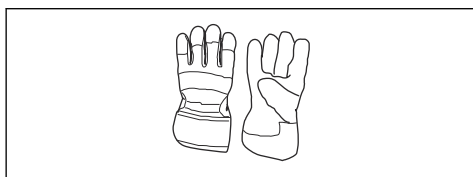
**OPOZORILO:** Pred uporabo izdelka preberite navodila v povezavi z opozorili v nadaljevanju.

- Pri uporabi izdelka vedno uporabljajte odobreno osebno zaščitno opremo. Oseba zaščitna oprema ne more popolnoma preprečiti poškodb, vendar v primeru nesreče omili posledice. Prodajalec naj vam pomaga izbrati ustrezno opremo.

- Nosite homologirano zaščito za sluh, ki ustrezno zmanjšuje hrup. Dolgotrajna izpostavljenost hrupu lahko povzroči trajne okvare sluha.
- Uporabljajte odobreno zaščito oči. Tudi če uporabljate vizir, morate vedno uporabljati tudi homologirana zaščitna očala. Homologirana zaščitna očala morajo biti skladna s standardom ANSI Z87.1 za ZDA ali s standardom EN 166 za države EU.



- Po potrebi uporabite rokavice, npr. kadar pritrjujete, pregledujete ali čistite rezalno opremo.



- Uporabite vzdržljive škornje ali cevlje, ki ne drsijo.



- Uporabljajte oblačila iz trpežnih materialov. Vedno uporabljajte trpežne dolge hlače in dolge rokave. Ne uporabljajte ohlapnih oblačil, ki se lahko zataknejo za vejice ali veje. Ne nosite nakita, kratkih hlač in sandalov in ne hodite bos. Lase si varno spnite nad rameni.
- Paket prve pomoči hranite na doseg roke.



## Varnostne naprave na izdelku

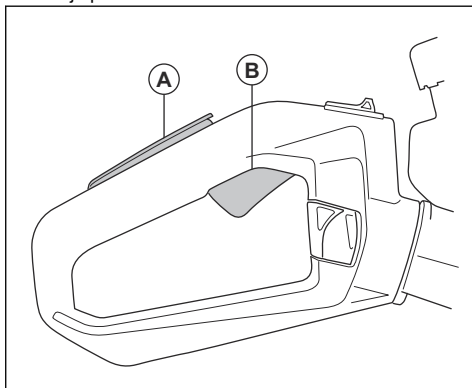


**OPOZORILO:** Pred uporabo izdelka preberite navodila v povezavi z opozorili v nadaljevanju.

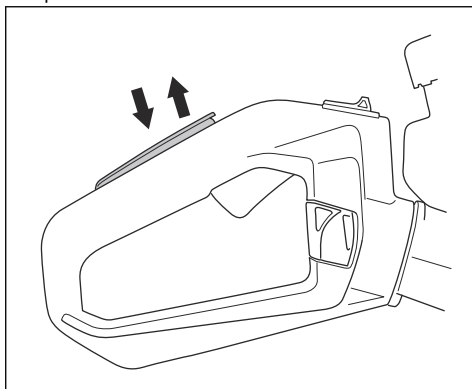
- Ne uporabljajte izdelka z varnostnimi napravami, ki so poškodovane ali ne delujejo pravilno.
- Redno preverjajte varnostne naprave. Če so varnostne naprave poškodovane ali ne delujejo pravilno, se obrnite na servisnega zastopnika Husqvarna.
- Ne spreminjajte varnostnih naprav.

## Preverjanje delovanja zaklepa ročice plina

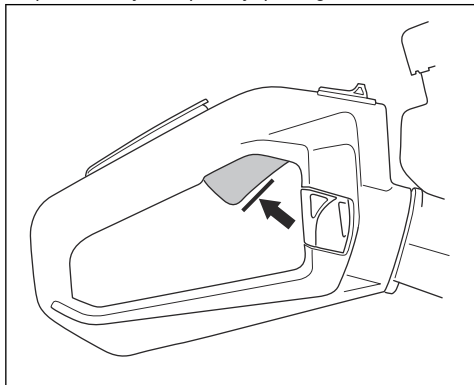
1. Prepričajte se, da se zaklep ročica plina (A) in ročica plina (B) premikata neovirano ter da povratna vzmet deluje pravilno.



2. Potisnite zaklep ročice plina navzdol in se prepričajte, da se vrne v začetni položaj, ko ga sprostite.



3. Sprostite zaklep ročice plina in preverite, ali je ročica plina zaklenjena v položaju prostega teka.



4. Zaženite motor in pritisnite polni plin.
5. Sprostite ročico plina in se prepričajte, da se rezilo popolnoma ustavi.



**OPOZORILO:** Če se rezilo premika, ko je ročica plina v položaju prostega teka, je treba nastaviti prosti tek. Glejte razdelek *Prilagajanje hitrosti prostega teka na strani 188*.

#### Preverjanje izklopnega stikala

1. Zagon motorja.
2. Izklopno stikalo potisnite v položaj za izklop in se prepričajte, da se je motor izklopil.



**OPOZORILO:** Stikalo za izklop se samodejno vrne v položaj za zagon. Pri sestavljanju ali vzdrževanju izdelka za preprečevanje neželenega zagona odstranite pokrov s svečke.

#### Preverjanje ščitnika roke

Ščitnik roke preprečuje poškodbe zaradi rezili.

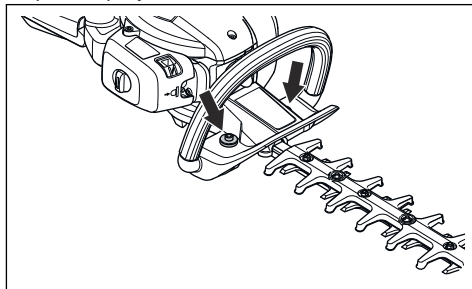
1. Izklopite motor.
2. Prepričajte se, da je ščitnik roke pravilno nameščen.
3. Preglejte, ali je ščitnik rok poškodovan.

#### Preverjanje sistema za dušenje treslajev

Sistem za dušenje treslajev zmanjša treslajve ročajev. Elementi za blaženje treslajev delujejo kot pregrada med ohišjem izdelka in ročajem.

1. Vizualno preverite, da ni prisotnih deformacij in poškodb.

2. Prepričajte se, da so elementi za blaženje treslajev pravilno pritrjeni.



#### Preverjanje dušilnika



**OPOZORILO:** Izdelka ne uporabljajte, če dušilnik ni nameščen ali je poškodovan. Poškodovan ali manjkajoč dušilnik zviša nivo hrupa in poveča nevarnost požara. V bližini imejte opremo za gašenje požara. Če je uporaba lovilnika isker v vašem območju zahtevana, izdelka ne uporabljajte brez nameščenega lovilnika isker, ali če je ta poškodovan.



**OPOZORILO:** Dušilniki med in po delovanju postanejo zelo vroči, tudi pri hitrosti prostega teka.



**POZOR:** Če je lovilnik isker pogosto zamašen, je to lahko znak, da je delovanje katalizatorja poslabšano. Dušilnik naj pregleda servisni zastopnik. Zamašena mrežica lovilnika isker povzroča pregrevanje, kar povzroči poškodbe valja in bata.

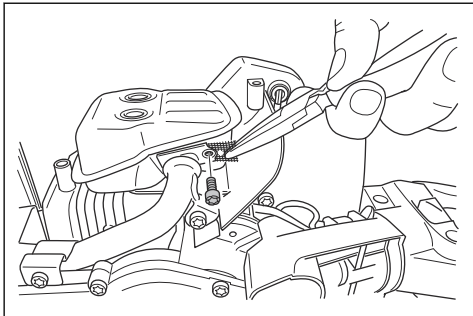


**OPOZORILO:** Notranje površine dušilnika vsebujejo kemikalije, ki lahko povzročajo raka. Pazite, da se ne dotikate teh elementov, če je dušilnik poškodovan.

Dušilnik zmanjšuje raven hrupa na najnižjo možno raven in usmerja izpušne pline stran od uporabnika. Dušilnik s katalizatorjem zmanjšuje škodljive izpušne pline.

1. Izklopite motor.
2. Vizualno preverite, da ni prisotnih poškodb in deformacij.
3. Poskrbite, da je dušilnik pravilno nameščen na izdelek.

#### 4. Lovilnik isker očistite z žično ščetko.



#### Pregled rezil in ščitnika rezila

Zunanji deli rezil delujejo kot ščitnik rezila. Ščitnik rezila ščiti pred urezninami.

1. Zaustavite stroj in se prepričajte, da so se rezila ustavila.
2. Pokrov svečke odstranite s svečke.
3. Nadenite si zaščitne rokavice.
4. Prepričajte se, da rezilo in ščitnik rezila nista poškodovana ali ukrivljena. Vedno zamenjajte poškodovano ali zvito rezilo ali poškodovan ščitnik rezila.
5. Prepričajte se, da so vijaki in ščitnik rezila priti.

#### Varnost pri delu z gorivom



**OPOZORILO:** Pred uporabo izdelka preberite navodila v povezavi z opozorili v nadaljevanju.

- Če so na izdelku ostanki goriva ali motornega olja, izdelka ne zaganjajte. Očistite ostanke goriva/olja in počakajte, da se izdelek posuši.
- Če se z gorivom polijete po obleki, se nemudoma preoblecite.
- Pazite, da goriva ne polijete po telesu, saj lahko pride do poškodb. Če gorivo polijete po telesu, se očistite z milom in vodo.
- Če motor pušča, izdelka ne zaganjajte. Redno preverjajte, ali motor pušča.
- Z gorivom ravnajte previdno. Gorivo je vnetljivo, hlapi pa so eksplozivni, zato lahko pride do poškodb ali smrti.
- Ne vdihavajte hlapov goriva, saj lahko pride do poškodb. Zagotovite zadosten pretok zraka.
- V bližini goriva ali motorja ne kadite.

- Vročih predmetov ne postavljajte v bližino goriva ali motorja.
- Goriva ne dolivajte, ko je motor vklopljen.
- Pred dolivanjem goriva se prepričajte, da je motor ohlajen.
- Pred dolivanjem počasi odprite pokrovček posode za gorivo in previdno sprostite pritisk.
- Goriva ne dolivajte v zaprtih prostorih. Nezaposten pretok zraka lahko povzroči poškodbe ali smrt zaradi zadušitve ali zastrupitve z ogljikovim monoksidom.
- Skrbno privijte pokrovček posode za gorivo. Če pokrovček posode za gorivo ni dobro zatesnjen, obstaja nevarnost požara.
- Preden izdelek vklopite, ga premaknite najmanj 3 m/10 čevljev stran od mesta, kjer ste napolnili posodo za gorivo.
- Rezervoar za gorivo ne napolnite do konca. Gorivo se razširi zaradi vročine. Pustite prazen prostor na vrhu rezervoarja za gorivo.

#### Varnostna navodila za vzdrževanje



**OPOZORILO:** Pred uporabo izdelka preberite navodila v povezavi z opozorili v nadaljevanju.

- Zaustavite stroj in se prepričajte, da se je rezalna oprema ustavila. Pred izvajanjem vzdrževalnih del se mora izdelek ohladiti.
- Pred vzdrževalnimi deli odklopite pokrov svečke.
- Izpušni plini iz motorja vsebujejo ogljikov monoksid, strupen in zelo nevaren plin brez vonja, ki lahko povzroči smrt. Izdelka ne zaganjajte v zaprtih prostorih.
- Izpušni plini iz motorja so vroči in lahko vsebujejo iskre. Izdelka nikoli ne zaganjajte v zaprtih prostorih ali v bližini vnetljivih materialov.
- Dodatki in spremembe izdelka, ki niso odobrene s strani proizvajalca, lahko vodijo k resnim poškodbam ali celo v smrt. Ne spreminjajte izdelka. Uporabljajte samo originalno dodatno opremo.
- Če izdelka ne vzdržujete pravilno in redno, se poveča nevarnost poškodb za osebe in izdelek.
- Vzdrževanje opravite v skladu s priporočili v teh navodilih za uporabo. Vsakršno drugačno vzdrževanje naj opravi Husqvarna osebje pooblašene servisne delavnice.
- Redno dovolite osebju pooblašene servisne delavnice Husqvarnaizvajati vzdrževalna dela.
- Zamenjajte poškodovane, obrabljene ali zlomljene dele.



# Delovanje

## Uvod



**OPOZORILO:** Preden začnete uporabljati izdelek, morate prebrati in razumeti poglavje o varnosti.

## Gorivo

Ta izdelek ima dvotaktni motor.



**POZOR:** Če uporabite neustrezno vrsto goriva, lahko poškodujete motor. Uporabite mešanico bencina in olja za dvotaktne motorje.

## Predhodno zmešano gorivo

- Za najboljše delovanje in daljšo življenjsko dobo motorja uporabljajte vnaprej pripravljeno mešanico goriva z alkilatom Husqvarna. V gorivu je manj škodljivih kemikalij v primerjavi z običajnim gorivom, kar zmanjšuje količino škodljivih izpušnih plinov. Po zgorevanju tega goriva je količina ostankov manjša, zaradi česar so deli motorja čistejši.

## Mešanje goriva

### Bencin

- Uporabljajte kakovosten neosvinčen bencin z največ 10-% vsebnostjo etanola.



**POZOR:** Ne uporabljajte bencina, ki ima oktansko število nižje od 90 RON/87 AKI. Uporaba nižjega oktanskega števila lahko povzroči klenkanje, kar povzroča poškodbe motorja.

### Olje za dvotaktne motorje

- Za čim boljše rezultate in zmogljivost uporabite olje za dvotaktne motorje Husqvarna.
- Če olje za dvotaktne motorje Husqvarna ni na voljo, lahko uporabite kakovostno olje za dvotaktne motorje z zračnim hlajenjem. Za izbiro ustreznega olja se obrnite na servisnega zastopnika.



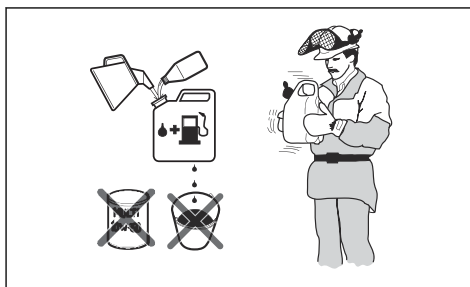
**POZOR:** Ne uporabljajte olja za vodno hlajene izvenkrmne dvotaktne motorje. Ne uporabljajte olja za štiritalne motorje.

### Mešanica bencina in olja za dvotaktne motorje

Bencin, liter	Olje za dvotaktne motorje, liter
	<b>2 % (50 : 1)</b>
5	0,10
10	0,20
15	0,30
20	0,40



**POZOR:** Pri mešanju manjših količin goriva lahko manjša odstopanja močneje vplivajo na razmerje mešanice. Natančno izmerite količino olja in tako ustvarite pravilno mešanico.



1. Dolijte polovico bencina v čisto posodo za gorivo.
2. Dodajte celotno količino olja.
3. Pretresite mešanico goriva.
4. V posodo dodajte še preostalo količino bencina.
5. Temeljito pretresite mešanico goriva.



**POZOR:** Naenkrat ne pripravite mešanice goriva za več kot en mesec.

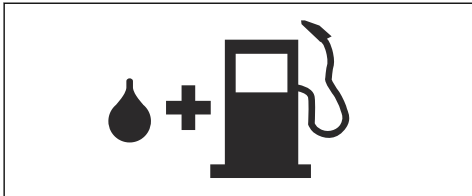
### Polnjenje posode za gorivo



**OPOZORILO:** Za lastno varnost upoštevajte postopek v nadaljevanju.

1. Zaustavite motor in pustite, da se ohladi.

- Očistite področje okrog pokrova posode za gorivo.



- Pretrsite posodo in tako poskrbite za ustrezno mešanje goriva.
- Odstranite pokrovček posode za gorivo, da sprostite pritisk.
- Napolnite posodo za gorivo.



**POZOR:** Prepričajte se, da v posodi za gorivo ni preveč goriva. Gorivo ima pri višjih temperaturah večjo prostornino.

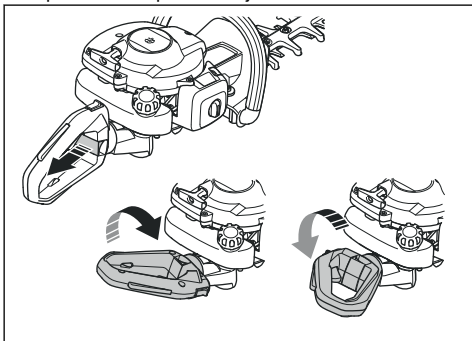
- Zategnite pokrovček posode za gorivo.
- Na izdelku in okoli njega očistite razlito gorivo.
- Izdelek pred zagonom za vsaj 3 m (10 čevljev) odmaknite od mesta, kjer ste točili gorivo, in od vira goriva.

**Opomba:** Za mesto rezervoarja za gorivo na vašem izdelku glejte *Uvod na strani 179*.

## Nastavitev ročaja

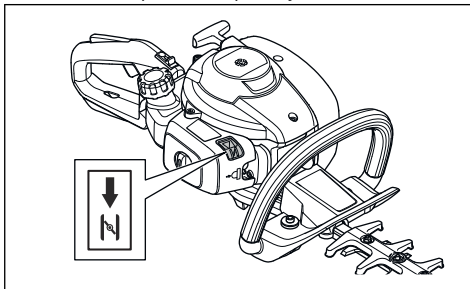
Zadnji ročaja je mogoče nastaviti v 3 položaje.

- Sprostite zaklep ročice in jo obrnite.



## Zagon izdelka s hladnim motorjem

- Ročico čoka povlecite v položaj za čok.



- Približno 6-krat pritisnite membrano črpalke goriva, dokler se membrana ne začne polniti z gorivom. Membrane črpalke za gorivo ni treba povsem napolniti.
- Z levo roko pritisnite ohišje izdelka ob tla. Ne stopajte na izdelek.
- Počasi z desno roko povlecite ročico zaganjalne vrvice, dokler ne začutite nekoliko upora, nato ročico zaganjalne vrvice hitro in močno povlecite.



**OPOZORILO:** Zaganjalne vrvice ne navijajte okoli svoje roke.



**POZOR:** Zaganjalne vrvice nikoli ne izvlecite do konca in ne izpuscite ročice zaganjalne vrvice.

- Ročico zaganjalne vrvi vlecite dokler motorja ne zaženete, nato pa ročico čoka potisnite v izhodiščni položaj.



**OPOZORILO:** Ob zagonu motorja se rezilo vrti.

- Ročico zaganjalne vrvice vlecite, dokler ne se motor ne zažene.
- Pritisnite in sprostite ročico plina za preklon motorja v prosti tek.
- Ročico plina postopoma pritiskajte, da povečate število vrtljajev motorja.
- Prepričajte se, da motor gladko deluje.

## Zagon izdelka s toplim motorjem

- Z levo roko pritisnite ohišje izdelka ob tla. Ne stopajte na izdelek.
- Počasi z desno roko povlecite ročico zaganjalne vrvice, dokler ne začutite nekoliko upora, nato ročico zaganjalne vrvice hitro in močno povlecite. Ponavljajte, dokler ne zaženete motorja.

**Opomba:** Za dodatne informacije o načinu zagona motorja glejte *Zagon izdelka s hladnim motorjem na strani 186*.

## Izklop izdelka

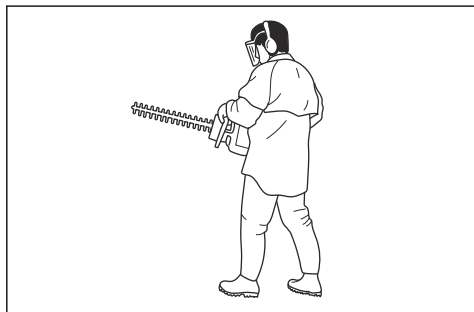
- Motor izklopite tako, da stikalo za zaustavitev premaknete v položaj za zaustavitev.



**POZOR:** Stikalo za izklop se samodejno vrne v delovni položaj.

## Uporaba izdelka

1. Ko obrezujete strani žive meje, začnite pri tleh in izdelek premikajte navzgor. Pazite, da se s telesom izdelka ne dotaknete obrezovalnika.



**OPOZORILO:** Pazite, da se s sprednjim delom rezalne opreme ne dotaknete tal.

2. Nastavite hitrost, ki bo ustrezala zahtevnosti dela.
3. Za stabilni delovni položaj izdelek držite ob telesu.
4. Bodite previdni in delajte počasi z izdelkom.

## Vzdrževanje

### Uvod



**OPOZORILO:** Pred izvajanjem vzdrževalnih del na izdelku morate prebrati in razumeti poglavje o varnosti.

### Urnik vzdrževanja

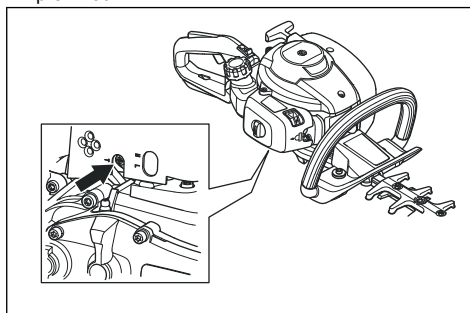
Vzdrževanje	Pred uporabo	Po 40 urah	Po 100 urah
Očistite zunanjo površino.		Po vsaki uporabi.	
Očistite listje, umazanijo in neželena mazivo iz dušilnika, izpušne cevi in motorja.		Po vsaki uporabi.	
Prepričajte se, da se rezalna enota v prostem teku ne premika.	X		
Preverite izklopno stikalo. Glejte, <i>Preverjanje izklopnega stikala na strani 183</i> .	X		
Preverite, ali je rezalna enota poškodovana ali razpokana. V primeru poškodb, zamenjajte.	X		
Preverite, ali je ščitnik rok poškodovan ali razpokan. V primeru poškodb, zamenjajte.	X		

Vzdrževanje	Pred uporabo	Po 40 urah	Po 100 urah
Preverite zaklep ročice plina in ročico plina. Glejte, <i>Preverjanje delovanja zaklepa ročice plina na strani 182</i> .	X		
Preglejte, ali iz motorja, posode ali cevi za gorivo izteka gorivo.	X		
Privijte matice in vijake.	X		
Preverite, ali sta zaganjalnik in zaganjalna vrstica poškodovana.		X	
Preverite, ali sta vijaka, s katerima sta pritrjeni rezili, pravilno zategnjena.		X	
Očistite zračni filter. Čistite pogosteje, če uporabljate v prašnih območjih. V primeru poškodb, zamenjajte.		X	
Preverite, ali so elementi za blaženje treslajev poškodovani ali razpokani. V primeru poškodb, zamenjajte.		X	
Očistite zunanjo površino vžigalne svečke in njeno okolico. Odstranite svečko in izmerite razmak med elektrodama. Nastavite razmak med elektrodama ali pa zamenjajte svečko. Glejte, <i>Preverjanje svečke na strani 189</i> .		X	
Očistite hladilni sistem.		X	
Očistite zunanjo površino uplinjalnika in območje okrog njega.		X	
Preverite, ali je filter goriva onesnažen ter ali ima cev goriva razpoke ali druge poškodbe. V primeru poškodb, zamenjajte.			X
Očistite mrežico lovilnika isker na dušilniku. ali jo v primeru poškodb zamenjajte.			X
Očistite notranje površine rezervoarja za gorivo.			X
Zamenjajte svečko.			X
Preverite, ali so sklopka, vzmet sklopke in boben sklopke obrabljeni. V primeru poškodb mora dele zamenjati pooblaščen serviser.			X
Prepričajte se, da je ohišje menjalnika napolnjeno z mastjo.			X
Preverite vse kable in priključke.			X

## Prilaganje hitrosti prostega teka

- Očistite zračni filter in namestite pokrov zračnega filtra.
- Zaženite izdelek. Glejte *Zagon izdelka s hladnim motorjem na strani 186*.

- Nastavitveni vijak T obračajte v smeri vrtenja urinih kazalcev, dokler se rezalna enota ne začne premikati.



- Nastavitveni vijak obračajte v nasprotni smeri vrtenja urinih kazalcev, dokler se rezalna enota ne ustavi.

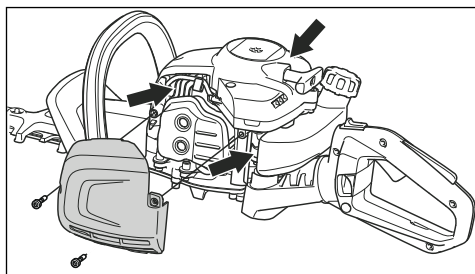


**OPOZORILO:** Če se rezalna enota po nastavitvi hitrosti v prostem teku ne zaustavi, se obrnite na najbližjega servisnega zastopnika. Izdelka ne uporabljajte, dokler ni pravilno nastavljen ali popravljen.

**Opomba:** Hitrost prostega teka je nastavljena pravilno, ko motor deluje enakomerno v vsakem položaju. Za priporočeno hitrost v prostem teku glejte *Tehnični podatki na strani 192.*

## Čiščenje hladilnega sistema

Hladilni sistem ohranja nizko temperaturo motorja. Hladilni sistem sestavljajo hladilna rebra na valju, pokrov valja in odprtina za dovod zraka v okrovu ročične gredi.



**POZOR:** Listje lahko hitro zamaši odprtino za dovod zraka med posodo za gorivo in okrovom ročične gredi. Odprtino za dovod zraka očistite v celoti.

1. Hladilni sistem očistite s krtačo enkrat tedensko ali po potrebi pogosteje.
2. Prepričajte se, da hladilni sistem ni umazan ali zamašen.

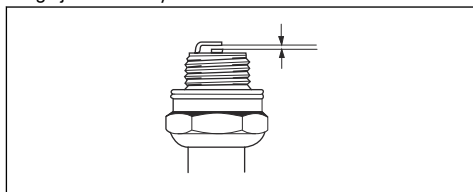
## Preverjanje svečke



**POZOR:** Vedno uporabljajte priporočeno vrsto vžigalne svečke. Zaradi neustrezne vrste vžigalne svečke se izdelek lahko poškoduje.

- Če se moč motorja zmanjša, motorja ni mogoče enostavno zagnati ali ta ne deluje ustrezno v prostem teku, preverite vžigalno svečko.
- Tveganje za pojav oblog na elektrodah vžigalne svečke lahko zmanjšate tako, da upoštevate ta navodila:
  - a) Hitrost prostega teka mora biti pravilno nastavljena.
  - b) Mešanica goriva mora biti ustrezna.
  - c) Zračni filter mora biti čist.

- Če je vžigalna svečka umazana, jo očistite in zagotovite, da je razmak med elektrodama ustrezen; glejte *Tehnični podatki na strani 192.*

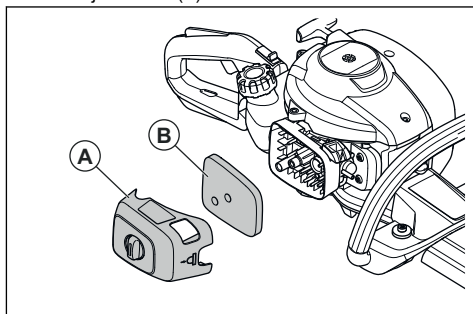


- Vžigalno svečko po potrebi zamenjajte.

## Čiščenje zračnega filtra

Z zračnega filtra redno odstranjujte umazanijo in prah. S tem preprečite okvare uplinjača, težave pri zagonu, izgubo moči motorja, obrabo delov motorja in večjo porabo goriva od običajne.

1. Odstranite pokrov zračnega filtra (A).
2. Z okvirja za filter (B) odstranite filter.



3. Filter očistite s toplo milnico.

**Opomba:** Zračnega filtra, ki je bil dolgo v uporabi, ni mogoče popolnoma očistiti. Redno menjajte zračni filter, če pa je ta poškodovan, ga obvezno zamenjajte.

4. Prepričajte se, da je filter suh.
5. Na zračni filter nanesite olje. Glejte, *Nanašanje olja na penasti zračni filter na strani 189*
6. Očistite notranjo površino pokrova zračnega filtra. Uporabite stisnjen zrak ali krtačko.

## Nanašanje olja na penasti zračni filter

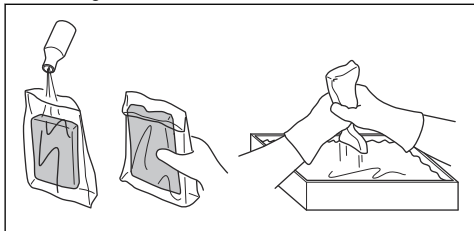


**POZOR:** Vedno uporabite posebno olje za zračne filtre Husqvarna. Ne uporabljajte drugih vrst olja.



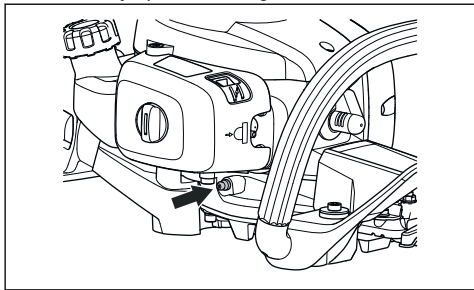
**OPOZORILO:** Nadenite si zaščitne rokavice. Olje za zračne filtre lahko draži kožo.

1. Penasti zračni filter vstavite v plastično vrečko.
2. V plastično vrečko vlijte olje.
3. Z drgnjenjem plastične vrečke olje enakomerno razporedite po celotnem penastem zračnem filtru.
4. Odvečno olje v plastični vrečki potisnite iz penastega zračnega filtra.



## Mazanje ohišje menjalnika

- Uporabite posebno mast Husqvarna. Če potrebujete več informacij o priporočeni masti, se obrnite na servisnega zastopnika.
- Mast dodajte prek mazalnega mesta.



**POZOR:** Ohišja menjalnika ne napolnite do konca.

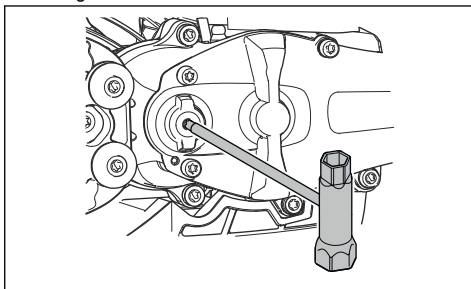
## Čiščenje in mazanje rezila

1. Odstranite neželene materiale z rezila pred in po uporabi izdelka.
2. Pred daljšim skladiščenjem rezila namažite.

**Opomba:** Če potrebujete več informacij o priporočenih čistil in mazivih, se obrnite na servisnega zastopnika.

## Pregledovanje rezil

1. Odstranite pokrov na ohišju menjalnika.
2. Prepričajte se, da se rezila nemoteno vrtijo. Kombiniran ključ vstavite v ohišje menjalnika ter ga obrnite v smeri urinega kazalca in v nasprotni smeri urinega kazalca.



3. Preglejte, ali so robovi rezila poškodovani in deformirani.
4. S pilo odstranite ostanke z rezila.

## Odpravljanje težav

### Odpravljanje težav

Motorja ni mogoče zagnati		
Težava	Možen vzrok	Priporočen korak
Zaskočke zaganjalnika	Zaskočne kljukice zaganjalnika se ne morejo prosto premikati.	Prilagodite ali nastavite zaskočne kljukice zaganjalnika.
		Očistite okolico zaskočnih kljukic.
		Obrnite se na pooblaščenega servisnega zastopnika.
Posoda za gorivo	Nepravilna vrsta goriva.	Izpraznite in uporabite pravo gorivo.
Uplinjač	Napačen prosti tek.	Nastavite prosti tek.

<b>Motorja ni mogoče zagnati</b>		
<b>Težava</b>	<b>Možen vzrok</b>	<b>Priporočen korak</b>
Ni iskre	Svečka je umazana ali mokra.	Poskrbite, da je svečka suha in čista.
	Napačen razmak elektrode.	Očistite svečko. Razmak elektrode svečke mora biti pravi. Na svečki mora biti nameščena zaščitna kapica. Ustrezen razmak med elektrodama si oglejte v poglavju <i>Tehnični podatki na strani 192.</i>
Svečka	Svečka ni čvrsto nameščena.	Zategnite svečko.

<b>Motor se zažene, vendar se ponovno zaustavi</b>		
<b>Težava</b>	<b>Možen vzrok</b>	<b>Priporočen korak</b>
Posoda za gorivo	Nepravilna vrsta goriva.	Izpraznite in uporabite pravo gorivo.
Uplinjač	Napačen prosti tek.	Nastavite prosti tek. Glejte razdelek <i>Prilagajanje hitrosti prostega teka na strani 188.</i> Po potrebi se obrnite na servisnega zastopnika.
Zračni filter	Zamašen zračni filter.	Očistite zračni filter.

<b>Rezilo</b>		
<b>Težava</b>	<b>Možni vzroki</b>	<b>Priporočen korak</b>
Rezilo se premika počasi, ali se sploh ne premika.	Rezilo je blokirano ali poškodovano.	Z rezila odstranite neželene materiale. Glejte razdelek <i>Čiščenje in mazanje rezila na strani 190.</i> Rezilo zbrusite, glejte <i>Pregledovanje rezil na strani 190.</i> Če je rezilo poškodovano, ga zamenjajte.
Rezilo ne reže nemoteno.	Rezilo je topo ali poškodovano.	Po potrebi naostrite rezilo, glejte <i>Pregledovanje rezil na strani 190.</i> Če je rezilo poškodovano, ga zamenjajte.
Rezilo se segreva.	Med reziloma je trenje.	Rezili zbrusite in namastite. Glejte <i>Čiščenje in mazanje rezila na strani 190.</i>

## Transport skladiščenje in odstranitev

### Prevoz in skladiščenje

- Pred vsakim shranjevanjem se mora izdelek ohladiti.
- Preden prevažate in skladiščite izdelek in gorivo, se prepričajte, da izdelek ne pušča in da ni hlapov. Iskre ali odprti plamen, npr. z električnih naprav ali kotlov, lahko zanetijo ogenj.
- Za prevoz in skladiščenje goriva vedno uporabite odobrene posode.
- Pred transportom ali dolgotrajnim skladiščenjem izpraznite posodo za gorivo. Gorivo zavrzite na temu primernem zbirnem mestu.
- Med prevozom in skladiščenjem namestite transportno zaščito.
- Pokrov svečke odstranite s svečke.
- Med prevozom pritrdite izdelek. Prepričajte se, da se ne more prestaviti.

- Pred dolgotrajnim skladiščenjem očistite izdelek in na njem opravite servis.

- Vse kemikalije, na primer motorno olje ali gorivo, zavržite pri servisnem zastopniku ali na drugem primernem mestu.
- Ko se življenjska doba motorja izteče, ga pošljite servisnemu zastopniku Husqvarna ali ga zavržite na mestu za recikliranje.

## Odlaganje

- Spoštujte lokalne zahteve za recikliranje in veljavne predpise.

# Tehnični podatki

## Tehnični podatki

	<b>322HD60</b>
<b>Motor</b>	
Gibna prostornina valja, cm <sup>3</sup>	21,7
Število vrtljajev prostega teka, vrt/min	2900
Priporočeno najvišje število vrtljajev, vrt/min	9000
Največja izhodna moč motorja, v skladu z ISO 8893, kW/KM pri vrt/min	0,6/0,8 pri 7800
Dušilnik s katalizatorjem	Da
<b>Vžigalni sistem</b>	
Svečka	HQT-4 672201
Razmak med elektrodama, mm	0,5
<b>Gorivo</b>	
Kapaciteta rezervoarja goriva v l/cm <sup>3</sup>	0,3/300
<b>Teža</b>	
Brez goriva, kg	5,2
<b>Emisije hrupa</b> <sup>34</sup>	
Raven zvočne moči, izmerjena v dB (A)	101
Raven zvočne moči, zajamčena L <sub>WA</sub> v dB(A)	102
<b>Nivoji hrupa</b> <sup>35</sup>	
Ekvivalentna raven zvočnega tlaka na uporabnikovem ušesu, merjena po EN ISO 22868, dB (A)	92
<b>Ravni vibracij</b> <sup>36</sup>	
Ekvivalentne ravni vibracij (a <sub>hveq</sub> ) v ročajih, izmerjene v skladu z EN ISO 22867, m/s <sup>2</sup>	
Spredaj/zadaj, mm/s <sup>2</sup>	4,4/4,3

<sup>34</sup> Emisije hrupa v okolje, merjene kot moč zvoka (L<sub>WA</sub>), v skladu z direktivo ES 2000/14/ES. Navedena raven zvočne moči izdelka je bila izmerjena z originalnim rezalnim priključkom, ki dosega najvišjo raven. Razlika med zajamčeno in izmerjeno ravno zvočne moči je v tem, da zajamčena raven zvočne moči, v skladu z direktivo 2000/14/ES, vključuje tudi razpršitev izmerjenih vrednosti in razlike med različnimi izdelki istega modela.

<sup>35</sup> Zabeleženi podatki za raven zvočnega tlaka imajo tipično statistično razpršitev (standardni odklon) 1 dB(A).

<sup>36</sup> Zabeleženi podatki za raven vibracij imajo tipično statistično razpršitev (standardni odklon) 1 m/s<sup>2</sup>



	<b>322HD60</b>
<b>Rezila</b>	
Vrsta	Dvostransko
Rezalna dolžina, mm	600
Hitrost rezanja, rezov/min	4400

# Izjava o skladnosti

## Izjava EU o skladnosti

Mi, **Husqvarna AB**, SE-561 82 Huskvarna, Švedska, tel.: +46-36-146500, izjavljamo na lastno odgovornost, da je izdelek:

<b>Opis</b>	Obrezovalnik žive meje
<b>Znamka</b>	Husqvarna
<b>Vrsta/model</b>	322HD60
<b>Identifikacija</b>	Serijske številke od letnika 2022 dalje

v celoti skladen z naslednjimi direktivami in uredbami EU:

<b>Uredba</b>	<b>Opis</b>
2006/42/ES	"o strojih"
2014/30/EU	"o elektromagnetni združljivosti"
2000/14/ES	"o emisijah hrupa v okolico"
2011/65/EU	"o omejevanju uporabe nekaterih nevarnih snovi v električni in elektronski opremi"

in so pri tem v veljavi naslednji standardi in/ali tehnične specifikacije:

Uporabljeni so naslednji standardi:

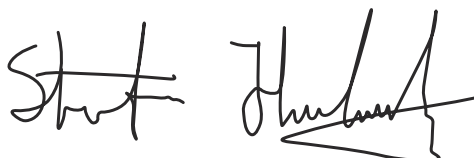
**EN ISO 12100:2010, EN ISO 10517:2019, EN IEC 63000:2018, EN ISO 14982:2009**

SMP Svensk Maskinprovning, , Box 4053, SE-904 03 Umeå, Sweden je izvedla prostovoljni tipski pregled v skladu s Prilogo IX k Direktivi 2006/42/ES.

Družba SMP Svensk Maskinprovning, je tudi preverila skladnost z Prilogo V Direktive sveta 2000/14/ES.

Za informacije v zvezi z emisijami hrupa glejte poglavje *Tehnični podatki na strani 192.*

Huskvarna, 2023-07-10



Stefan Holmberg, direktor oddelka za raziskave in razvoj, tehnološko upravljanje, Husqvarna AB

Odgovorni za tehnično dokumentacijo



## Innehåll

Introduktion.....	195	Felsökning.....	206
Säkerhet.....	196	Transport, förvaring och kassering.....	207
Drift.....	200	Tekniska data.....	207
Underhåll.....	203	Försäkran om överensstämmelse.....	209

## Introduktion

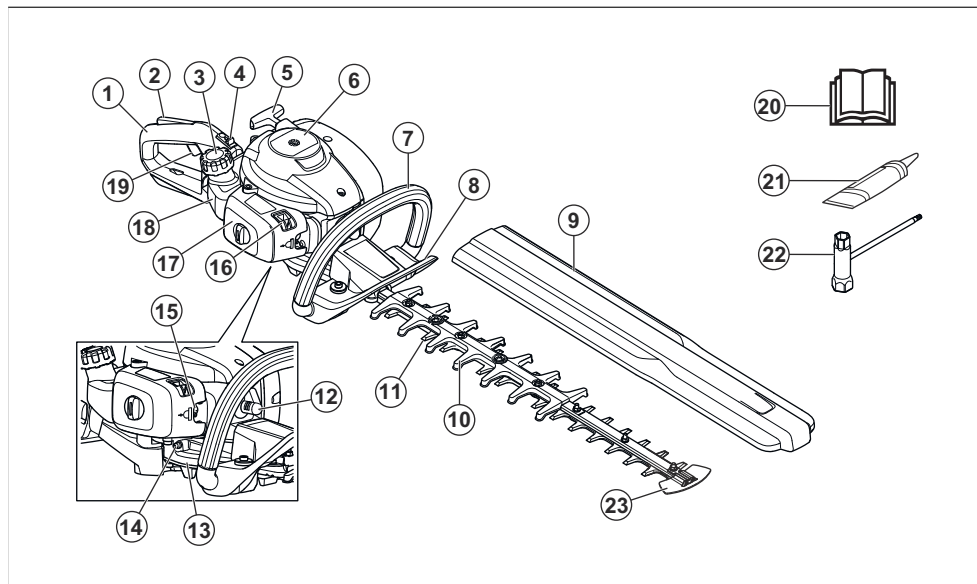
### Produktbeskrivning

Produkten är en häcksax med förbränningsmotor.

### Avsedd användning

Använd produkten för att klippa grenar och kvistar.  
Använd inte produkten till annat.

### Produktöversikt



- |                            |                      |
|----------------------------|----------------------|
| 1. Bakre handtag           | 15. Bränslepumpblåsa |
| 2. Gasreglagespär          | 16. Chokereglage     |
| 3. Bränsletankslock        | 17. Luftfilterlock   |
| 4. Stoppkontakt            | 18. Bränsletank      |
| 5. Startsnörets handtag    | 19. Gasreglage       |
| 6. Cylinderkåpa            | 20. Bruksanvisning   |
| 7. Främre handtag          | 21. Fettbehållare    |
| 8. Handskydd               | 22. Ringnyckel       |
| 9. Transportskydd          | 23. Knivspetskydd    |
| 10. Sprängskydd            |                      |
| 11. Klinga                 |                      |
| 12. Tändhatt och tändstift |                      |
| 13. Växelhus               |                      |
| 14. Smörjnippel            |                      |

### Symboler på produkten



**WARNING!** Denna produkt är farlig.  
Skador eller dödsfall kan inträffa för användaren eller människor runt omkring om produkten inte används försiktigt

och korrekt. För att förhindra att användaren eller människor runt omkring skadas ska du läsa och följa alla säkerhetsinstruktioner i bruksanvisningen.



Läs igenom bruksanvisningen noggrant och se till att du förstår instruktionerna innan användning.



Använd godkända hörselskydd och godkända ögonskydd.



Använd godkända skyddshandskar.



Använd kraftiga halksäkra kängor.

T

Justerskruv för tomgång.

H

Högvarvsnål.

L

Lågvarvsnål.



Miljömärkning för emission av buller enligt EU-direktiv 2000/14/EG, brittiska direktiv och bestämmelser samt New South Wales "Protection of the Environment Operations (Noise Control) Regulation 2017". Produktens garanterade ljudeffektnivå anges i *Tekniska data på sida 207* och på etiketten.



Produkten överensstämmer med gällande EG-direktiv.

ååååvvxxx

Typskylten visar serienumret. åååå är produktionsåret och vv är produktionsveckan.

**Notera:** Övriga symboler/etiketter på produkten avser specifika krav för certifieringar på vissa marknader.

## Euro V-utsläpp



**WARNING:** Manipulering av motorn upphäver EG-typgodkännandet för den här produkten.

## Säkerhet

### Säkerhetsdefinitioner

Varningar, försiktighetsåtgärder och anmärkningar används för att betona speciellt viktiga delar i bruksanvisningen.



**WARNING:** Används om det finns risk för skador eller dödsfall för användaren eller kringstående om anvisningarna i bruksanvisningen inte följs.



**OBSERVERA:** Används om det finns risk för skada på produkten, annat material eller det angränsande området om anvisningarna i bruksanvisningen inte följs.

**Notera:** Används för att ge mer information som är nödvändig i en viss situation.

### Allmänna säkerhetsanvisningar



**WARNING:** Läs varningsinstruktionerna nedan innan du använder produkten.

- Om du använder produkten på ett felaktigt eller slarvigt sätt kan den bli till ett farligt redskap som kan orsaka allvarliga eller livshotande skador. Det är mycket viktigt att du läser och förstår innehållet i denna bruksanvisning.
- Denna produkt alstrar ett elektromagnetiskt fält under drift. Detta fält kan under vissa omständigheter ge påverkan på aktiva eller passiva medicinska implantat. För att reducera risken för omständigheter som kan leda till allvarliga eller livshotande skador rekommenderar vi därför personer med implantat att rådgöra med läkare samt tillverkaren av det medicinska implantatet innan denna maskin används.
- Överexponering av vibrationer kan leda till blodkärls- eller nervskador hos personer som har blodcirkulationsstörningar. Uppsök läkare om ni upplever kroppsliga symptom som kan relateras

- till överexponering av vibrationer. Exempel på sådana symptom är domningar, avsaknad av känsel, "kittlingar", "stickningar", smärta, avsaknad eller reducering av normal styrka, förändringar i hudens färg eller dess tillstånd. Dessa symptom uppträder vanligtvis i fingrar, händer eller handleder. Riskerna kan öka vid låga temperaturer.
- När du räkar ut för en situation som gör dig osäker angående fortsatt användning ska du rådfråga en expert. Kontakta din återförsäljare eller serviceverkstad. Undvik all användning du anser dig otillräckligt kvalificerad för.
  - En använd ljustjämnare/gnistfångare och monteringsyta för gnistfångare kan innehålla avlagringar av förbränningspartiklar som kan vara cancerframkallande. Undvik att utsättas för dessa ämnen vid hantering av ljustjämnaren och/eller gnistfångaren. Läs innan du hanterar ljustjämnare och gnistfångare *Kontrollera ljustjämnaren på sida 199*.
  - Tänk på att användaren är ansvarig för olyckor eller faror för andra människor eller deras egendom.
  - Låt aldrig någon annan använda produkten utan att först säkerställa att denne har förstått innehållet i bruksanvisningen.
  - Tillåt aldrig barn att använda eller vara i närheten av produkten. Eftersom produkten är utrustad med ett återfjädrande START/STOP-reglage och kan startas med låg hastighet och kraft på starthandtaget kan även små barn under vissa omständigheter åstadkomma den kraft som behövs för att starta produkten. Detta kan innebära risk för allvarlig personskada. Avlägsna därför tändhatten när produkten inte är under uppsikt.
  - Förvara produkten oåtkomlig för barn.
  - Använd aldrig produkten om du är trött, om du har druckit alkohol eller om du tar mediciner som kan påverka din syn, ditt omdöme eller din kroppskontroll.
  - Använd aldrig en produkt som är defekt. Följ underhålls-, kontroll- och serviceinstruktioner i denna bruksanvisning. Vissa underhålls- och serviceåtgärder ska utföras av utbildade och kvalificerade specialister. Se anvisningarna under rubriken Underhåll.
  - Använd aldrig en produkt som modifierats så att den ej längre överensstämmer med originalutförandet.
  - Lakta omgivningen och var säker på att det inte finns risk att människor eller djur kan komma i kontakt med skärutrustningen.
  - Inspektera arbetsområdet. Avlägsna föremål som kan slungas iväg.
  - Se alltid till att du har en säker och stadig arbetsposition.
  - Lämna aldrig maskinen utan uppsikt med motorn igång.
  - Se till att händer och fötter inte kommer i närheten av klippaggregatet när motorn är i gång.
  - Skulle någonting fastna i knivarna under arbetets gång skall motorn stängas av, stanna helt och tändkabeln lossas från tändstiftet innan knivarna rengörs. Koppla bort tändhatten från tändstiftet.
  - När motorn stängts av ska du hålla händer och fötter borta från klippaggregatet tills det har stannat helt.
  - Se upp för grenstumpar som kan slungas iväg under kapningen.
  - Var alltid uppmärksam på varningssignaler eller tillrop skall hörselskydd används. Tag alltid av hörselskydden så snart motorn stoppats.
  - Arbeta aldrig från en stege eller pall eller annan ej väl förankrad upphöjd position.
  - Håll alltid produkten med båda händerna. Håll produkten framför kroppen.
  - Om du träffar ett främmande föremål eller det uppstår vibrationer ska du omedelbart stanna produkten. Koppla bort tändhatten från tändstiftet. Kontrollera att produkten inte är skadad. Reparera eventuella skador.
  - Se till att tändhatt och tändkabel är oskadade för att undvika risk för elektrisk stöt.
  - Kontrollera att alla muttrar och skruvar är åtdragna.
  - Se till att växellådan är ordentligt smord. Se *Att rengöra växellådan på sida 205*.
  - Efter arbete med produkten blir växellådan varm. Vidrör inte växellådan. Detta för att undvika brännskador.
  - Samtliga kåpor och skydd måste vara monterade före start.
  - Om knivarna fastnar går det att lossa dem genom att föra in kombinyckeln i växellådan. Stick in kombinyckeln i drevet och vrid den fram och tillbaka. Se *Inspektera knivarna på sida 205*.
  - Transportskyddet ska alltid sättas på klippaggregatet när produkten inte används.

## Säkerhetsinstruktioner för drift



**VARNING:** Läs varningsinstruktionerna nedan innan du använder produkten.

- Använd aldrig produkten vid extrema klimatförhållanden såsom sträng kyla eller mycket varmt och/eller fuktigt klimat.
- Felaktiga knivar kan öka risken för olyckor.
- Se till att inga människor eller djur kommer närmare än 15 meter under arbetets gång.

## Personlig skyddsutrustning

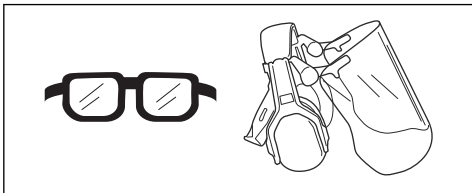


**VARNING:** Läs varningsinstruktionerna nedan innan du använder produkten.

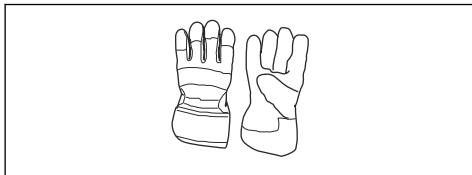
- Använd alltid godkänd personlig skyddsutrustning när du använder produkten. Personlig skyddsutrustning kan inte eliminera skaderisken helt, men den reducerar effekten av en skada vid ett

eventuellt olyckstillbud. Be din återförsäljare om hjälp med att välja rätt utrustning.

- Använd godkända hörselskydd med tillräcklig dämpoeffekt. Långvarig exponering för buller kan ge bestående hörselskador.
- Använd godkänt ögonskydd. Används visir måste även godkända skyddsglasögon användas. Godkända skyddsglasögon måste uppfylla standarden ANSI Z87.1 i USA eller SS-EN 166 i EU-länder.



- Använd handskar vid behov, till exempel när du ansluter, undersöker eller rengör skärutrustningen.



- Använd halkfria och stadiga stövlar eller skor.



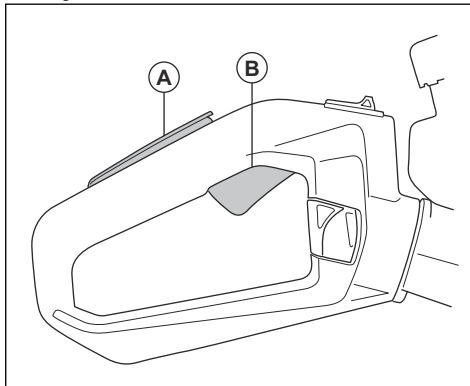
- Ha på dig kläder i slitstarkt material. Bär alltid kraftiga långbyxor och överdel med långa ärmar. Använd inte löst sittande kläder som kan fastna i kvistar och grenar. Bär inte smycken, kortbyxor eller sandaler och gå inte barfota. Sätt upp håret ordentligt så att det inte hänger nedanför axlarna.
- Ha första förband nära till hands.



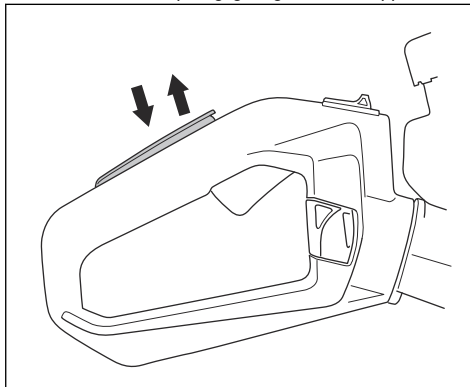
- Använd inte en produkt med säkerhetsanordningar som är skadade eller som inte fungerar korrekt.
- Kontrollera säkerhetsanordningarna regelbundet. Om säkerhetsanordningarna är skadade eller om de inte fungerar korrekt ska du kontakta en Husqvarna-serviceverkstad.
- Gör inga ändringar på säkerhetsanordningarna.

### Kontrollera dödmsgreppet

1. Kontrollera att dödmsgreppet (A) och gasreglaget (B) kan röra sig fritt samt att deras retur fjädersystem fungerar.



2. Tryck ner dödmsgreppet och se till att det går tillbaka till sitt ursprungliga läge när du släpper det.

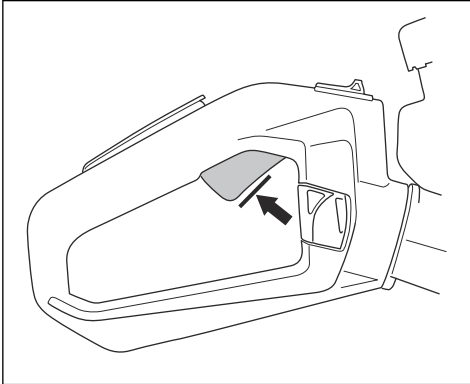


### Säkerhetsanordningar på produkten



**VARNING:** Läs varningsinstruktionerna nedan innan du använder produkten.

- Släpp gasreglagespärren och se till att gasreglaget är låst i tomgångsläge.



- Starta motorn och ge full gas.
- Släpp gasreglaget och se till att knivarna stannar helt.



**VARNING:** Om knivarna rör sig med gasreglaget i tomgångsläge ska tomgångsvarvtalet justeras. Se *Så justerar du tomgångsvarvtalet på sida 204.*

#### Kontrollera stoppkontakten

- Starta motorn.
- För stoppkontakten till stoppläget och se till att motorn stannar.



**VARNING:** Stoppkontakten återgår automatiskt till startläget. Förhindra att motorn startar oavsiktligt genom att ta bort tändhatten från tändstiftet när du monterar eller utför underhåll på produkten.

#### Kontrollera handskyddet

Handskyddet förhindrar skador från knivarna.

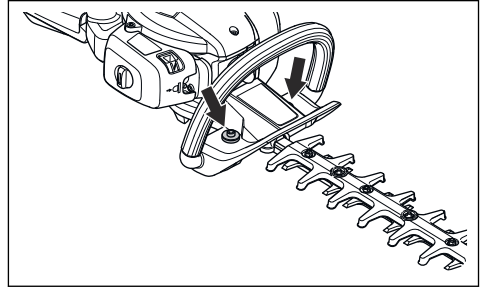
- Stoppa motorn.
- Se till att handskyddet är monterat på rätt sätt.
- Inspektera om handskyddet är skadat.

#### Kontrollera avvibreringssystemet

Avvibreringssystemet minskar vibrationerna i handtagen. Avvibreringselementen fungerar som en separation mellan produktens kaross och handtagsenheten.

- Kontrollera visuellt om det finns skador eller någon deformation.

- Kontrollera att avvibreringselementen är korrekt monterade.



#### Kontrollera ljuddämparen



**VARNING:** Använd inte produkten utan ljuddämpare eller med en skadad ljuddämpare. Om ljuddämparen är skadad eller saknas ökar ljudnivån och brandrisken. Ha verktyg för brandsläckning nära till hands. Använd inte en produkt utan, eller med ett trasigt, gnistfångarnät om du måste ha ett gnistfångarnät i ditt område.



**VARNING:** Ljuddämparna blir mycket heta under och efter drift, samt vid tomgångsvarvtal.



**OBSERVERA:** Om gnistfångarnätet ofta är igensatt kan det vara ett tecken på att katalysatorns funktion är nedsatt. Kontakta din serviceverkstad om ljuddämparen behöver ses över. Ett igensatt gnistfångarnät orsakar överhettning och leder till skador på cylinder och kolv.

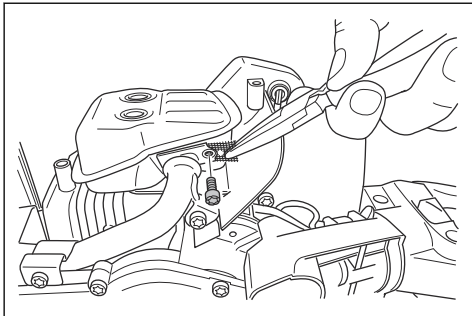


**VARNING:** Ljuddämparens insida innehåller kemikalier som kan orsaka cancer. Var försiktig så att du inte vidrör dessa element om ljuddämparen är skadad.

Ljuddämparen håller ljudnivån till ett minimum och leder bort motorns avgaser från användaren. En ljuddämpare med katalysator minskar skadliga avgaser.

- Stanna motorn.
- Kontrollera visuellt om det finns skador eller någon deformation.
- Se till att ljuddämparen sitter fast ordentligt på produkten.

#### 4. Rengör gnistfångarnätet med en stålborste.



#### Kontrollera knivarna och klingskyddet

Knivarnas yttre kanter fungerar som klingskydd. Klingskyddet förhindrar skärskador.

1. Stäng av motorn och se till att knivarna stannar.
2. Avlägsna tändhatten från tändstiftet.
3. Ta på skyddshandskar.
4. Se till att klingan och klingskyddet inte är skadade eller böjda. Byt alltid ut en skadad eller böjd klinga, eller ett skadat klingskydd.
5. Se till att skruvarna till knivarna och klingskyddet är åtdragna.

#### Bränslesäkerhet



**VARNING:** Läs varningsinstruktionerna nedan innan du använder produkten.

- Starta inte produkten om det finns bränsle eller motorolja på produkten. Ta bort det oönskade bränslet/oljan och låt produkten torka.
- Om du spillt bränsle på kläderna skall dessa bytas omedelbart.
- Se till att inte få bränsle på kroppen, det kan orsaka personskador. Om du får bränsle på kroppen ska du använda tvål och vatten för att ta bort bränslet.
- Starta inte produkten om motorn har en läcka. Undersök regelbundet om motorn läcker.
- Var försiktig med bränsle. Bränsle är brandfarligt och ångorna är explosiva och kan orsaka skador eller dödsfall.
- Undvik att andas in bränsleångor då det kan orsaka personskador. Se till att det finns tillräckligt luftflöde.

- Rök inte i närheten av bränslet eller motorn.
- Placera inga varma föremål i närheten av bränslet eller motorn.
- Fyll inte på bränsle när motorn är på.
- Se till att motorn har svalnat innan du fyller på bränsle.
- Innan du fyller på bränsle bör du öppna bränsletanklocket långsamt och försiktigt släppa på trycket.
- Fyll inte på bränsle i motorn inomhus. Otillräckligt luftflöde kan orsaka skador eller dödsfall på grund av kvävning eller kolmonoxidförgiftning.
- Dra åt bränsletanklocket ordentligt. Om bränsletanklocket inte dras åt ordentligt finns det en risk för brand.
- Flytta produkten minst 3 m från den plats där du fyllde på tanken innan du startar den.
- Fyll inte upp tanken helt. Värme gör att bränslet expanderar. Lämna lite plats längst upp på tanken.

#### Säkerhetsinstruktioner för underhåll



**VARNING:** Läs varningsinstruktionerna nedan innan du använder produkten.

- Stoppa motorn och se till att skärutrustningen stannar. Låt produkten svalna innan du utför underhåll.
- Koppla ifrån tändhatten innan du utför underhåll.
- Motors avgaser innehåller kolmonoxid, en luktlös, giftig och mycket farlig gas som kan orsaka dödsfall. Kör inte produkten inomhus eller i slutna utrymmen.
- Motoravgaserna är heta och kan medföra gnistor. Kör inte produkten inomhus eller nära brandfarligt material.
- Tillbehör och ändringar av produkten som inte godkänts av tillverkaren kan orsaka allvarliga skador eller dödsfall. Modifiera inte produkten. Använd alltid originaltillbehör.
- Om underhåll inte utförs korrekt och regelbundet ökar risken för personskador och skador på produkten.
- Utför endast det underhåll som anges i den här bruksanvisningen. Låt en godkänd Husqvarna-serviceverkstad utföra all annan service.
- Låt en godkänd Husqvarna-serviceverkstad utföra service på produkten regelbundet.
- Byt ut skadade, slitna och trasiga delar.

## Drift

### Introduktion



**VARNING:** Läs och förstå säkerhetskapitlet innan du använder produkten.

### Bränsle

Denna produkt har en tvåtaktsmotor.





**OBSERVERA:** Motorn kan skadas om du fyller på med fel typ av bränsle. Använd en blandning av bensin och tvätaktolja.

## Förblandat bränsle

- Använd förblandat alkylatbränsle från Husqvarna för bästa prestanda och förlängning av motorns livslängd. Det här bränslet innehåller mindre skadliga kemikalier jämfört med vanligt bränsle, vilket minskar de skadliga avgaserna. Mängden rester som finns kvar efter förbränning är lägre med detta bränsle, vilket håller komponenterna i motorn renare.

## Blanda bränsle

### Bensin

- Använd blyfri bensin av bra kvalitet med högst 10 % etanolhalt.



**OBSERVERA:** Använd inte bensin med ett lägre oktantal än 90 RON/87 AKI. Ett lägre oktantal kan orsaka motorknackning, vilket leder till motorskador.

### Tvätaktolja

- För bästa resultat och funktion ska du använda tvätaktolja från Husqvarna.
- Om tvätaktolja från Husqvarna inte finns tillgänglig kan du använda en annan tvätaktolja av hög kvalitet för luftkylda motorer. Tala med en serviceverkstad för att välja rätt olja.



**OBSERVERA:** Använd inte tvätaktolja för vattenkylda utombordsmotorer, s.k. outboardoil. Använd inte olja avsedd för fyrtaktsmotorer.

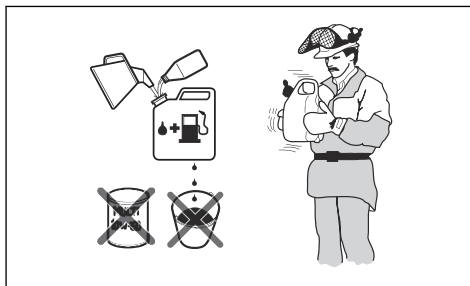
## Blanda bensin och tvätaktolja

Bensin, liter	Tvätaktolja, liter
	<b>2 % (50:1)</b>
5	0,10
10	0,20
15	0,30
20	0,40



**OBSERVERA:** Små fel kan påverka blandningsförhållandet drastiskt när du blandar små mängder bränsle. Mät noga

mängden olja för att se till att du får rätt blandning.



- Fyll halva mängden bensin i en ren behållare för bränsle.
- Tillsätt all olja.
- Skaka bränsleblandningen.
- Fyll i återstående mängd bensin i behållaren.
- Skaka omsorgsfullt bränsleblandningen.



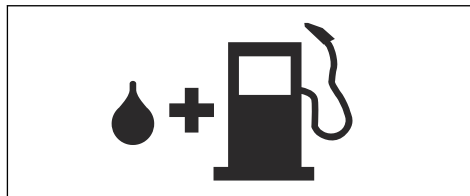
**OBSERVERA:** Blanda inte bränsle för mer än en månad i taget.

## Fylla på bränsletanken



**VARNING:** Följ nedanstående procedur för din säkerhet.

- Stanna motorn och vänta tills den har svalnat.
- Torka rent runt bränsletanklocket.



- Skaka behållaren och kontrollera att bränslet är helt blandat.
- Ta bort tanklocket långsamt för att släppa på trycket.
- Fyll bränsletanken.



**OBSERVERA:** Kontrollera att det inte finns för mycket bränsle i bränsletanken. Bränslet expanderar när det blir varmt.

- Dra åt bränsletanklocket ordentligt.
- Torka upp bränslespill på och runt produkten.

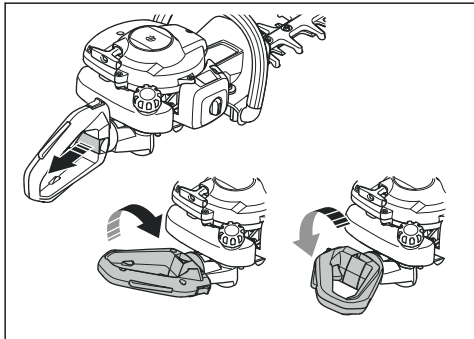
8. Flytta produkten minst tre meter bort från tankningsplatsen och bränsledepån innan du startar motorn.

**Notera:** Information om var bränsletanken sitter på produkten finner du i *Introduktion på sida 195*.

## Justera handtaget

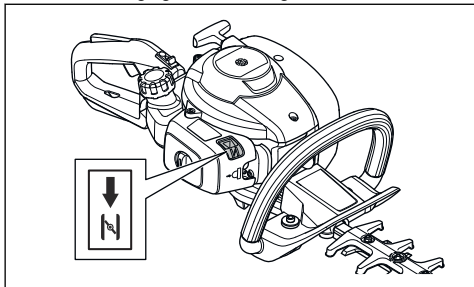
Det bakre handtaget kan justeras i tre positioner.

- Frigör handtagets lås och vrid handtaget.



## Starta produkten med kall motor

1. Dra chokereglaget till chokeläget.



2. Tryck på bränslepumpblåsan ungefär sex gånger eller tills blåsan börjar fyllas med bränsle. Det är inte nödvändigt att fylla bränslepumpblåsan helt.
3. Håll produktens chassi på marken med vänster hand. Kliv inte på produkten.
4. Dra långsamt i startsnörets handtag med höger hand tills du känner motstånd, och dra sedan snabbt och kraftigt i startsnörets handtag.



**VARNING:** Vira inte startsnöret runt handen.



**OBSERVERA:** Dra inte ut startsnöret helt och släpp inte heller startsnörets handtag.

5. Fortsätt att dra i startsnörets handtag tills motorn tändes och tryck sedan chokereglaget till ursprungsläget.



**VARNING:** Knivarna rör sig när motorn startar.

6. Fortsätt att dra i startsnörets handtag tills motorn startar.
7. Tryck in och släpp gasreglaget för att ställa in motorn på tomgång.
8. Skjut gasreglaget gradvis för att öka motorns varvtal.
9. Kontrollera att motorn går jämnt.

## Starta produkten med varm motor

1. Håll motorkroppen på marken med vänster hand. Kliv inte på produkten.
2. Dra långsamt i startsnörets handtag med höger hand tills du känner motstånd, och dra sedan snabbt och kraftigt i startsnörets handtag. Fortsätt tills motorn startar.

**Notera:** Mer information om hur du startar produkten finns i *Starta produkten med kall motor på sida 202*.

## Stänga av produkten

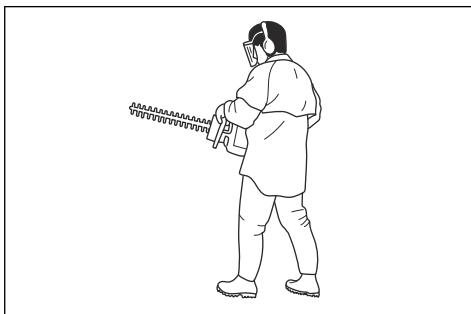
- Flytta stoppkontakten till stoppläge för att stanna motorn.



**OBSERVERA:** Stoppkontakten återgår automatiskt till driftläget.

## Använda produkten

1. Börja nära marken och flytta produkten upp längs häcken när du klipper sidorna. Se till att produktens chassi inte vidrör häcken.



**VARNING:** Se till att skärutrustningens spets inte vidrör marken.

2. Justera hastigheten för att passa arbetsbelastningen.

3. Håll produkten nära kroppen för en stabil arbetsställning.

4. Var försiktig och använd produkten långsamt.

## Underhåll

### Introduktion



**VARNING:** Läs och förstå säkerhetskapitlet innan du utför underhåll på produkten.

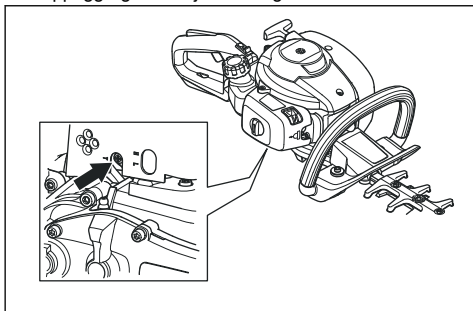
### Underhållsschema

Underhåll	Före användning	Efter 40 tim	Efter 100 tim
Rengör utsidan.		Efter varje användning.	
Rengör ljuddämparen, avgasröret och motorn för att få bort löv, smuts och oönskade smörjmedel.		Efter varje användning.	
Se till att klippaggregatet inte rör sig vid tomgång.	X		
Kontrollera stoppkontakten. Se <i>Kontrollera stoppkontakten på sida 199</i> .	X		
Undersök om klippaggregatet är skadat eller har sprickor. Byt ut vid skada.	X		
Undersök om handskyddet är skadat eller har sprickor. Byt ut vid skada.	X		
Kontrollera gasreglagespärren och gasreglaget. Se <i>Kontrollera dödmansgreppet på sida 198</i> .	X		
Undersök om motorn, bränsletanken eller bränsleslangen läcker.	X		
Dra åt muttrar och skruvar.	X		
Undersök om startmotorn och startsnöret är skadade.		X	
Kontrollera att skruvarna som håller fast knivarna är ordentligt åtdragna.		X	
Rengör luftfiltret. Rengör oftare om produkten används i dammiga miljöer. Byt ut vid skada.		X	
Undersök om avvibreringselementen har skador eller sprickor. Byt ut vid skada.		X	
Rengör tändstiftets utsida och området runtomkring. Ta bort tändstiftet och mät elektrodavståndet. Justera elektrodavståndet eller byt ut tändstiftet. Se <i>Kontrollera tändstiftet på sida 204</i> .		X	
Rengör kylsystemet.		X	
Rengör förgasarens utsida och området runt denna.		X	
Undersök om bränslefiltret är förorenat och om bränsleslangen har sprickor eller andra skador. Byt ut vid skada.			X
Rengör ljuddämparens gnistfångarnät och byt ut det om det är skadat.			X
Rengör bränsletanken invändigt.			X
Byt tändstiftet.			X
Undersök kopplingen, kopplingsfjädern och kopplingstrumman avseende slitage. Om delarna är skadade ska de bytas ut på en godkänd serviceverkstad.			X

Underhåll	Före användning	Efter 40 tim	Efter 100 tim
Se till att växelhuset är fyllt med fett.			X
Kontrollera alla kablar och anslutningar.			X

## Så justerar du tomgångsvarvtalet

1. Rengör luftfiltret och montera luftfilterkåpan.
2. Starta produkten. Se *Starta produkten med kall motor på sida 202*.
3. Vrid tomgångsjusterskruven medurs tills klippaggregatet börjar röra sig.



4. Vrid tomgångsjusterskruven moturs tills klippaggregatet stannar.

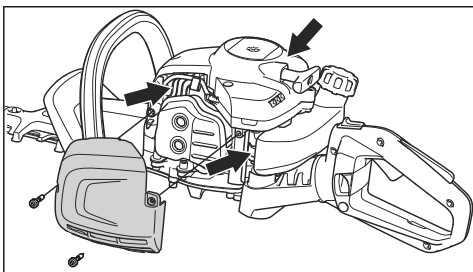


**VARNING:** Om klippaggregatet inte stannar när du justerar tomgångsvarvtalet ska du kontakta närmaste serviceverkstad. Använd inte produkten förrän den är korrekt inställd eller reparerad.

**Notera:** Tomgångsvarvtalet är korrekt när motorn arbetar jämnt i alla positioner. Se *Tekniska data på sida 207* för rekommenderat tomgångsvarvtal.

## Så rengör du kylsystemet

Kylsystemet håller motortemperaturen nere. Kylsystemet omfattar kylflänsarna på cylindern, cylinderkåpan och luftintaget genom vevhuset.



**OBSERVERA:** Luftintaget mellan bränsletanken och vevhuset blockeras lätt av löv. Rengör luftintaget helt.

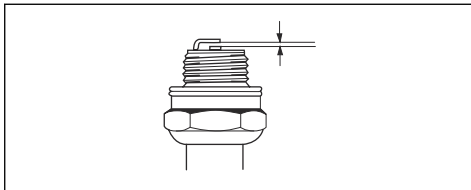
1. Rengör kylsystemet med en borste varje vecka eller oftare vid behov.
2. Se till att kylsystemet inte är smutsigt eller igensatt.

## Kontrollera tändstiftet



**OBSERVERA:** Använd alltid den rekommenderade tändstiftstypen. Fel typ av tändstift kan orsaka skador på produkten.

- Kontrollera tändstiftet om motorn har låg effekt, är svår att starta eller inte fungerar korrekt vid tomgångsvarvtal.
- Följ dessa instruktioner om du vill minska risken för oönskat material på tändstiftets elektroder:
  - a) Se till att tomgångsvarvtalet är korrekt justerat.
  - b) Se till att bränsleblandningen är korrekt.
  - c) Se till att luftfiltret är rent.
- Om tändstiftet är smutsigt rengör du det och ser till att elektrodavståndet är korrekt, se *Tekniska data på sida 207*.



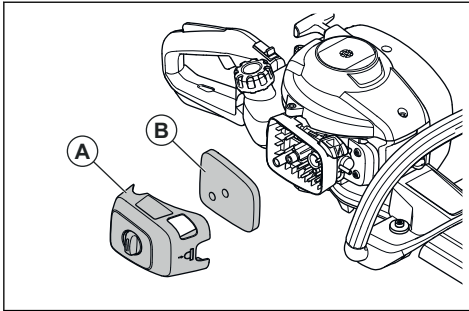
- Byt ut tändstiftet vid behov.

## Rengöra luftfiltret

Rengör luftfiltret från smuts och damm. Detta förhindrar förgasrstörningar, startproblem, dålig motoreffekt, slitage på motorns delar och mer bränsleförbrukning än vanligt.

1. Ta bort luftfilterkåpan (A).

2. Ta bort filtret (B) från filterramen.



3. Rengör filtret med varmt tvålatten.

**Notera:** Ett luftfilter som använts länge kan aldrig bli fullständigt rent. Byt ut luftfiltret regelbundet och byt alltid ut ett skadat luftfilter.

4. Se till att filtret är torrt.
5. Applicera olja på luftfiltret. Se *Applicera olja på skumluftfiltret på sida 205*
6. Rengör insidan av luftfilterkåpan. Använd tryckluft eller en borste.

## Applicera olja på skumluftfiltret

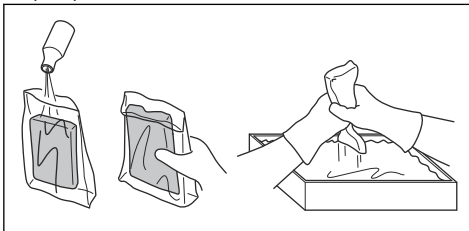


**OBSERVERA:** Använd alltid speciell luftfilterolja från Husqvarna. Använd inga andra typer av olja.



**VARNING:** Ta på skyddshandskar. Luftfilteroljan kan orsaka hudirritation.

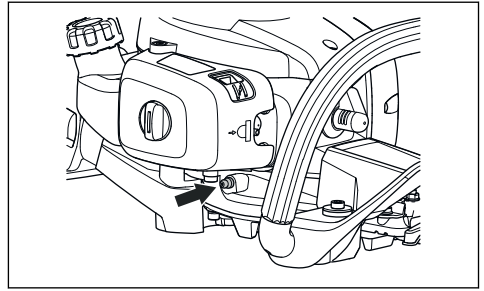
1. Lägg skumluftfiltret i en plastpåse.
2. Tillsätt oljan i plastpåsen.
3. Gnid på plastpåsen för att fördela oljan jämnt på skumluftfiltret.
4. Tryck ut önskad olja ur skumluftfiltret medan det är i plastpåsen.



## Att rengöra växelluset

- Använd specialfett från Husqvarna. Prata med en serviceverkstad för mer information om rekommenderat fett.

- Fyll på fett via smörjnippeln.



**OBSERVERA:** Fyll inte växelluset helt.

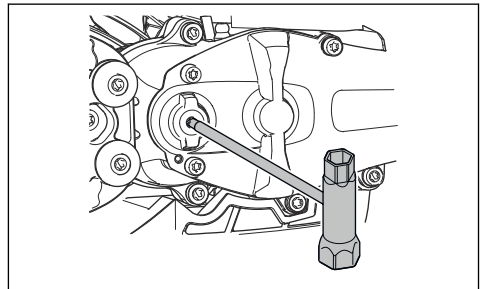
## Rengöra och smörja knivarna

1. Ta bort oönskat material från knivarna innan efter du använder produkten.
2. Smörj knivarna före längre tids förvaring.

**Notera:** Prata med en serviceverkstad för mer information om rekommenderade rengöringsmedel och smörjmedel.

## Inspektera knivarna

1. Ta bort locket på växelluset.
2. Se till att knivarna kan röra sig fritt. Placera kombinyckeln i växelluset och vrid medurs och moturs.



3. Undersök om knivarnas eggar har skador och deformationer.
4. Använd en fil för att ta bort grader på knivarna.

# Felsökning

## Felsökning

Maskinen startar inte		
Problem	Möjlig orsak	Rekommenderat steg
Starthakar	Starthakarna kan inte röra sig fritt.	Justera eller byt ut starthakarna.
		Rengör runt starthakarna.
		Kontakta en godkänd serviceverkstad.
Bränsletank	Fel bränsle påfyllt.	Töm den och använd rätt bränsle.
Förgasare	Felaktigt tomgångsvarvtal.	Justera tomgångsvarvtalet.
Ingen gnista	Tändstiftet är smutsigt eller vått.	Se till att tändstiftet är torrt och rent.
	Felaktigt elektrodavstånd.	Rengör tändstiftet. Kontrollera att tändstiftets elektrodavstånd är korrekt. Se till att tändstiftet har en dämpare.
		Se <i>Tekniska data på sida 207</i> för korrekt elektrodavstånd.
Tändstift	Tändstiftet sitter löst.	Dra åt tändstiftet.

Motorn startar men stannar igen		
Problem	Möjlig orsak	Rekommenderat steg
Bränsletank	Fel bränsle påfyllt.	Töm den och använd rätt bränsle.
Förgasare	Felaktigt tomgångsvarvtal.	Justera tomgångsvarvtalet. Se <i>Så justerar du tomgångsvarvtalet på sida 204</i> . Kontakta din serviceverkstad om det behövs.
Luftfilter	Igensatt luftfilter.	Rengör luftfiltret.

Klinga		
Problem	Möjliga orsaker	Rekommenderat steg
Klingan rör sig långsamt eller inte alls.	Klingan är blockerad eller skadad.	Ta bort oönskat material från knivarna. Se <i>Rengöra och smörja knivarna på sida 205</i> . Ta bort grader från klingan, se <i>Inspektera knivarna på sida 205</i> . Byt ut klingan om den är skadad.
Klingan klipper trögt.	Klingan är slö eller skadad.	Slipa klingan, se <i>Inspektera knivarna på sida 205</i> . Byt ut klingan om den är skadad.
Klingan blir varm.	Det är friktion mellan knivarna.	Ta bort grader från klingan och smörj den. Se <i>Rengöra och smörja knivarna på sida 205</i> .

# Transport, förvaring och kassering

## Transport och förvaring

- Låt alltid produkten svalna innan förvaring.
- Vid förvaring och transport av produkten och bränslet ska du se till att det inte förekommer något läckage eller avgaser. Gnistor eller öppen eld, t.ex. från elektriska apparater eller pannor, kan orsaka brand.
- Använd alltid godkända behållare för transport och förvaring av bränsle.
- Töm ut bränslet före transport och före långtidsförvaring. Kassera bränslet på lämplig anvisad plats.
- Sätt fast transportskyddet under transport och förvaring.

- Avlägsna tändhatten från tändstiftet.
- Sätt fast produkten under transport. Se till att den inte kan förflytta sig.
- Rengör och utför service på produkten innan långvarig förvaring.

## Avfallshantering

- Följ lokala återvinningsbestämmelser och tillämpliga förordningar.
- Kassera alla kemikalier, exempelvis olja och bränsle, vid en serviceverkstad eller på lämplig anvisad plats.
- När motorns livslängd har gått ut ska du skicka motorn till en Husqvarna -serviceverkstad eller kassera den på en återvinningsstation.

## Tekniska data

### Tekniska data

	<b>322HD60</b>
<b>Motor</b>	
Cylindervolym, cm <sup>3</sup>	21,7
Tomgångsvarvtal, varv/min	2900
Rekommenderat högsta varvtal, varv/min	9 000
Max. motoreffekt enligt ISO 8893, kW/hk vid varv/min	0,6/0,8 vid 7 800
Katalysatorljuddämpare	Ja
<b>Tändsystem</b>	
Tändstift	HQT-4 672201
Elektroдавstånd, mm	0,5
<b>Bränsle</b>	
Bränsletankvolym, l/cm <sup>3</sup>	0,3/300
<b>Vikt</b>	
Utan bränsle, kg	5,2
<b>Bulleremission</b> <sup>37</sup>	
Ljudeffektnivå, uppmätt dB(A)	101
Ljudeffektnivå, garanterad L <sub>WA</sub> dB(A)	102

<sup>37</sup> Bulleremission till omgivningen uppmätt som ljudeffekt (L<sub>WA</sub>) enligt EG-direktiv 2000/14/EG. Rapporterad ljudeffektnivå för produkten har uppmätts med den originalsärustrustning som ger den högsta nivån. Skillnaden mellan garanterad och uppmätt ljudeffekt är att den garanterade ljudeffekten också inkluderar spridning i mätresultatet och variationen mellan olika produkter av samma modell enligt direktiv 2000/14/EG.

	<b>322HD60</b>
<b>Ljudnivåer</b> <sup>38</sup>	
Ekvivalent ljudtrycksnivå vid användarens öra, uppmätt enligt EN ISO 22868, dB(A)	92
<b>Vibrationsnivåer</b> <sup>39</sup>	
Vibrationsnivåer ( $a_{hV,eq}$ ) i handtag, uppmätt enligt EN ISO 22867, $m/s^2$ :	
Främre/bakre, $mm/s^2$	4,4/4,3
<b>Knivar</b>	
Typ	Dubbelsidig
Klipplängd, mm	600
Skärhastighet, klipp/min	4 400

<sup>38</sup> Redovisade data för ljudtrycksnivå har ett typiskt spridningsmått (standardavvikelse) på 1 dB (A).

<sup>39</sup> Rapporterade data för vibrationsnivå har en typisk statistisk spridning (standardavvikelse) på 1  $m/s^2$ .



# Försäkran om överensstämmelse

## EU-försäkran om överensstämmelse

Vi, **Husqvarna AB**, 561 82 Huskvarna, Sverige, tel:  
+46-36-146500, försäkrar på eget ansvar att produkten:

<b>Beskrivning</b>	Häcksax
<b>Varumärke</b>	Husqvarna
<b>Typ/Modell</b>	322HD60
<b>Identifiering</b>	Serienummer daterade 2022 och framåt

uppfyller alla krav i följande EU-direktiv och förordningar:

<b>Lagstiftning</b>	<b>Beskrivning</b>
2006/42/EG	"om maskiner"
2014/30/EU	"angående elektromagnetisk kompatibilitet"
2000/14/EC	"angående emission av buller till omgivningen"
2011/65/EU	"angående begränsning av användning av vissa farliga ämnen i elektrisk och elektronisk utrustning"

och att följande standarder och/eller tekniska specifikationer tillämpas:

Följande standarder har tillämpats:

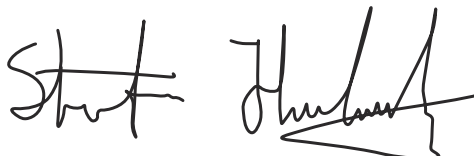
**EN ISO 12100:2010, EN ISO 10517:2019, EN IEC 63000:2018, EN ISO 14982:2009**

SMP Svensk Maskinprovning, , Box 4053, SE-904 03 Umeå, Sweden har utfört en frivillig typkontroll enligt bilaga IX till 2006/42/EG.

SMP Svensk Maskinprovning, har även intygat överensstämmelse med bilaga V till rådets direktiv 2000/14/EG.

För information om bulleremissioner, se *Tekniska data på sida 207*.

Huskvarna, 2023-07-10



Stefan Holmberg, R&D Director, Technology Management, Husqvarna AB

Ansvarig för teknisk dokumentation







# Husqvarna®

[www.husqvarna.com](http://www.husqvarna.com)

Original instructions  
Оригинални инструкции  
Originale instruktioner  
Originalanweisungen  
Αρχικές οδηγίες

Originaaljuhend  
Alkuperäiset ohjeet

Instructions d'origine  
Lietošanas pamācība  
Originale instructies  
Originale instruksjoner  
Izvirna navodila  
Bruksanvisning i original



1144131-38



2024-07-03