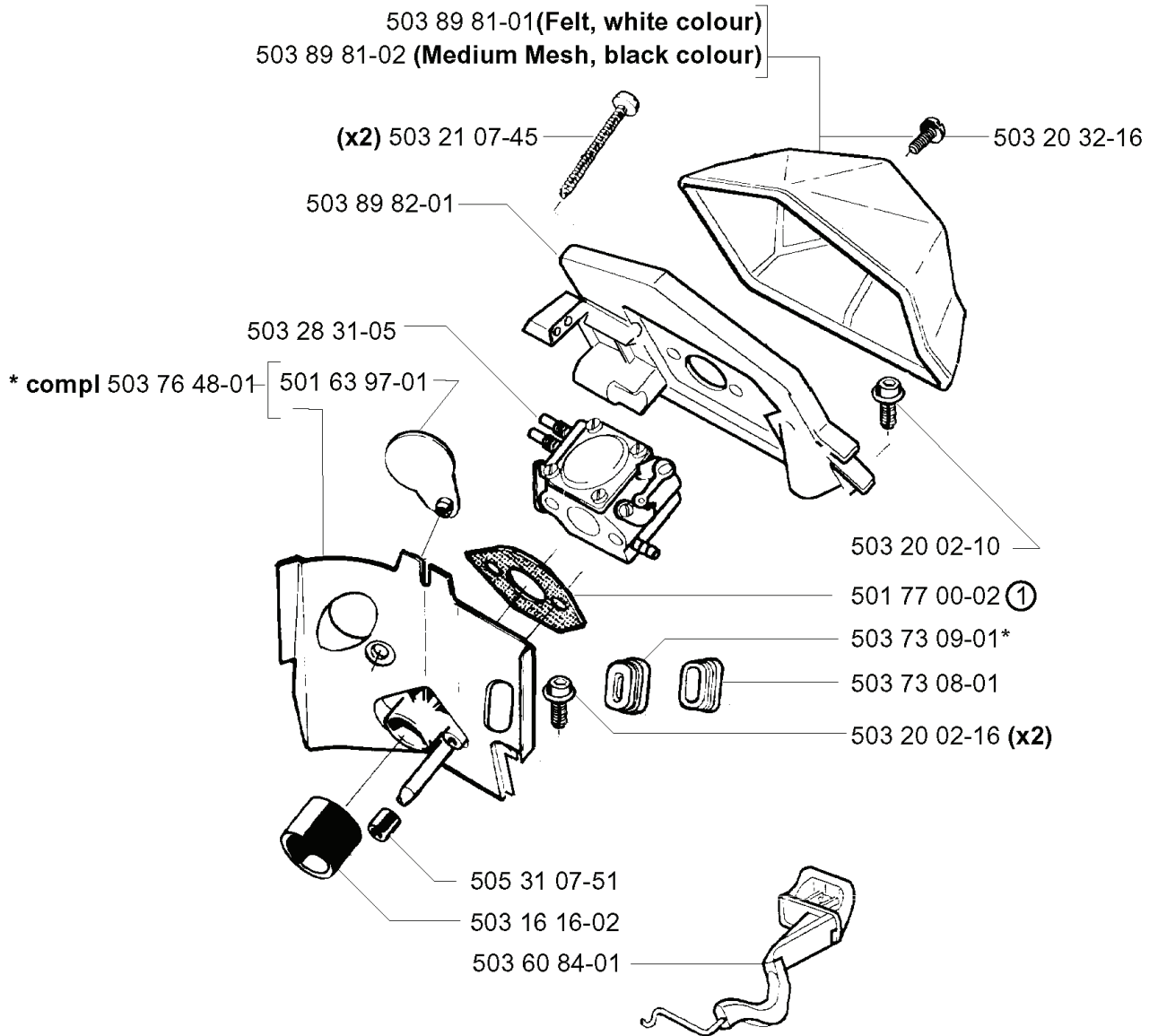


55, 20040100001-20051400000

SPARE PARTS LIST

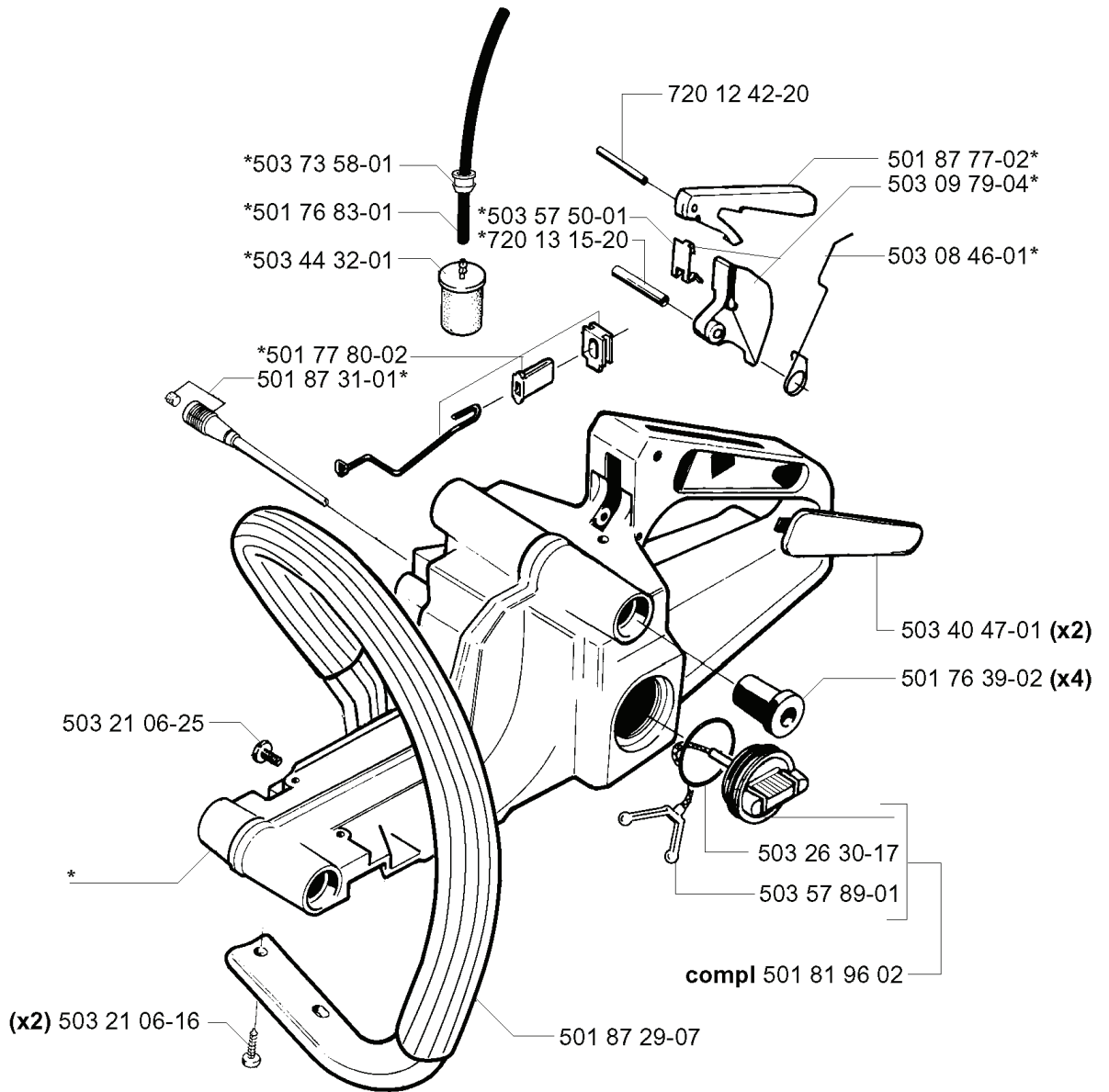
D



REF.	PART NO.	DESCRIPTION	REMARK	QTY.	KIT
503 89 81-01	503898101	AIR FILTER	FELT, WHITE COLOUR	1	
503 89 81-02	503898102	AIR FILTER	MEDIUM MESH, BLACK COLOUR	1	
503 21 07-45	503210745	SCREW IH SCT		2	
503 89 82-01	503898201	AIR FILTER HOLDER		1	
503 28 31-05	503283105	CARBURETTOR		1	
501 63 97-01	501639701	COVER		1	
503 76 48-01	503764801	KIT		1	
505 31 07-51	505310751	IMPULSE HOSE		1	
503 16 16-02	503161602	INLET PIPE		1	
503 60 84-01	503608401	CHOKE CONTROL		1	
503 20 02-16	503200216	SCREW IH SCFM		2	
503 73 08-01	503730801	GROMMET		1	
503 73 09-01	503730901	PLUG		1	
501 77 00-02	501770002	GASKET		1	
503 20 02-10	503200210	SCREW IH SCFM		1	
503 20 32-16	503203216	SCREW CCR PANMO		1	

E

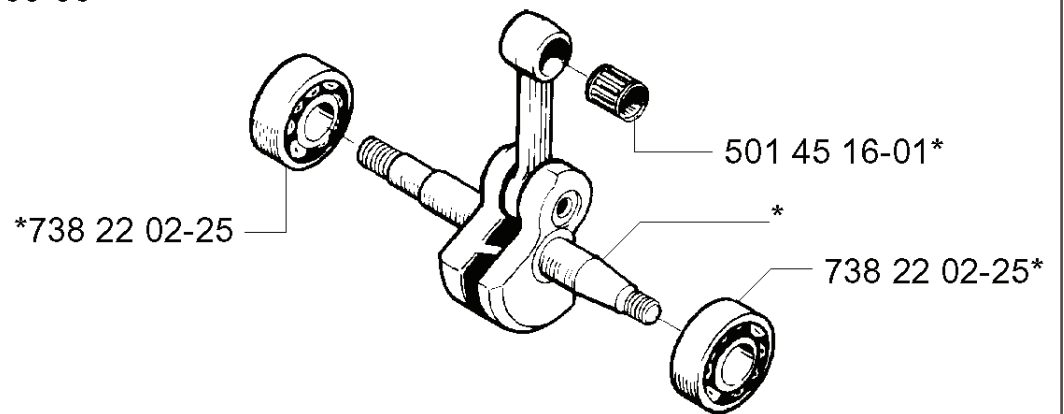
*compl 501 76 13-10



REF.	PART NO.	DESCRIPTION	REMARK	QTY.	KIT
501 76 13-10	501761310	FUEL TANK		1	
503 73 58-01	503735801	BUSHING		1	
501 76 83-01	501768301	FUEL HOSE		1	
503 44 32-01	503443201	FUEL FILTER		1	
501 77 80-02	501778002	TRIGGER		1	
501 87 31-01	501873101	TANK VENT ASSY		1	
503 21 06-25	503210625	SCREW IHSCFT		1	
503 21 06-16	503210616	SCREW IHSCFT		2	
501 87 29-07	501872907	FRONT HANDLE ASSY		1	
501 81 96 02	501819602	TANK CAP ASSY		1	
503 57 89-01	503578901	HOLDER		1	
503 26 30-17	503263017	O-RING		1	
501 76 39-02	501763902	ANTIVIBRATION ELEMENT		4	
503 40 47-01	503404701	HANDLE INSERT		2	
720 13 15-20	720131520	PARALLEL PIN		1	
503 57 50-01	503575001	WEAR PROTECTION		1	
503 08 46-01	503084601	RECOIL SPRING		1	
503 09 79-04	503097904	THROTTLE LEVER		1	
501 87 77-02	501877702	THROTTLE LOCKOUT		1	
720 12 42-20	720124220	PARALLEL PIN		1	

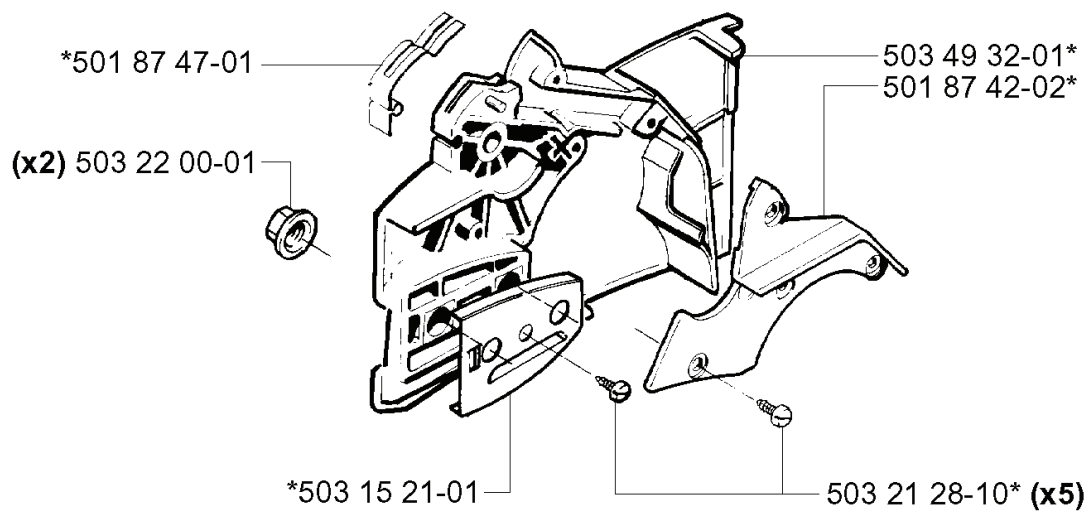
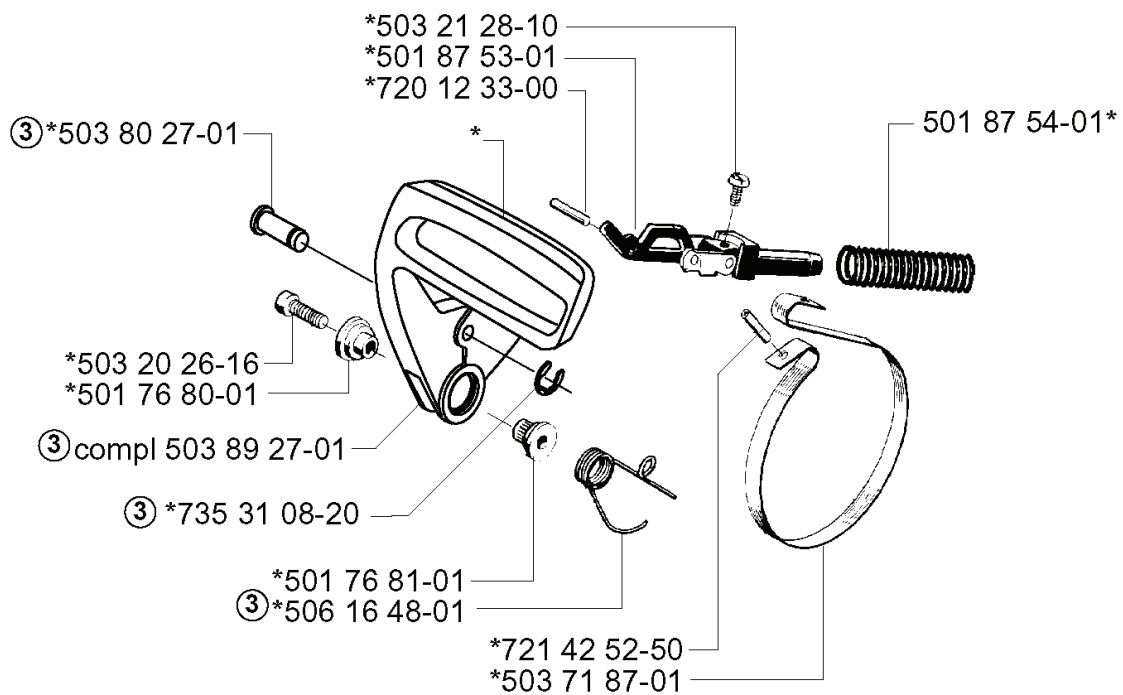
G

*compl 503 57 38-06



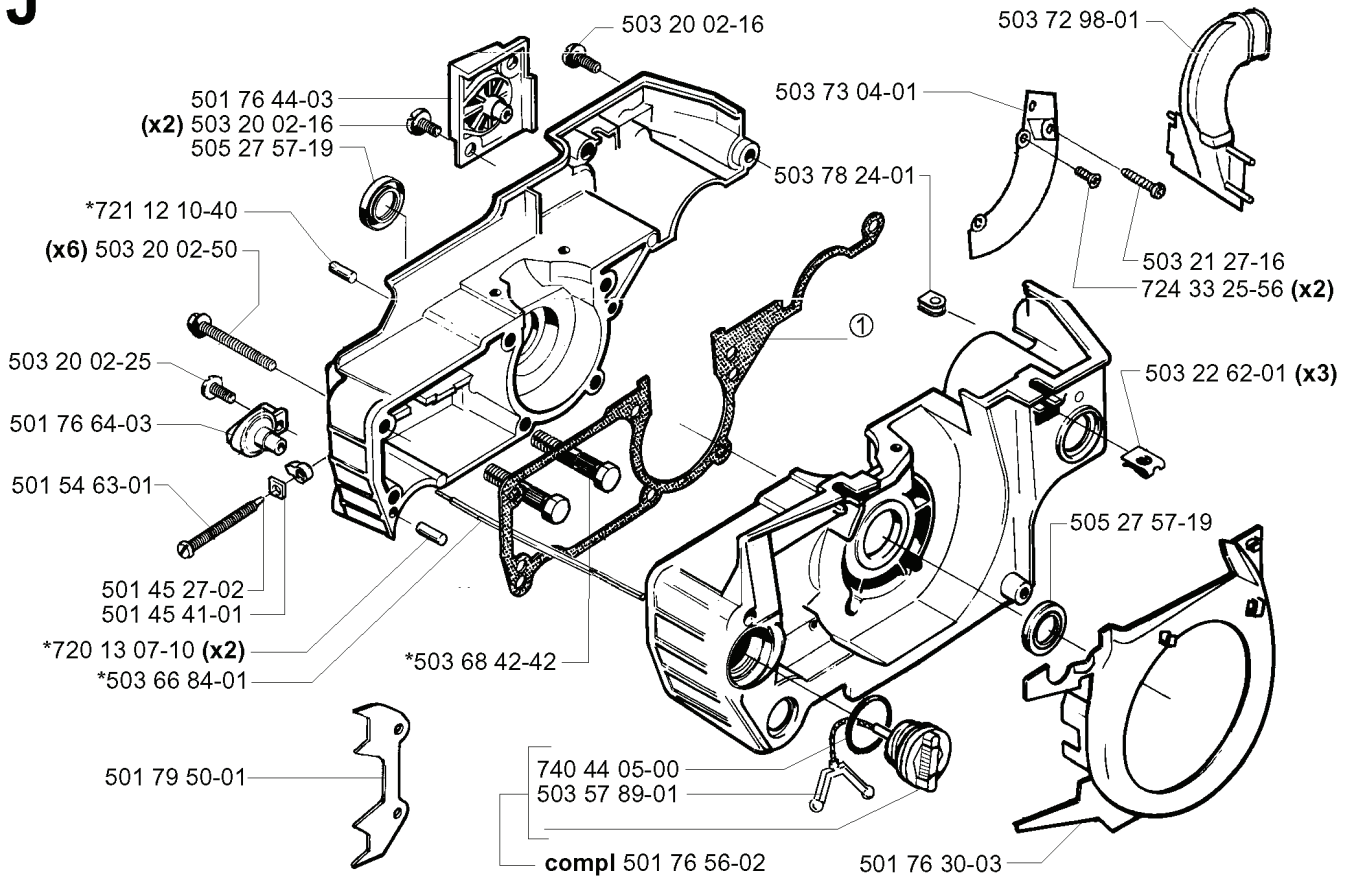
REF.	PART NO.	DESCRIPTION	REMARK	QTY.	KIT
503 57 38-06	503573806	CRANKSHAFT ASSY		1	
738 22 02-25	738220225	BALL BEARING		1	
501 45 16-01	501451601	NEEDLE BEARING		1	

A *compl 503 49 81-03



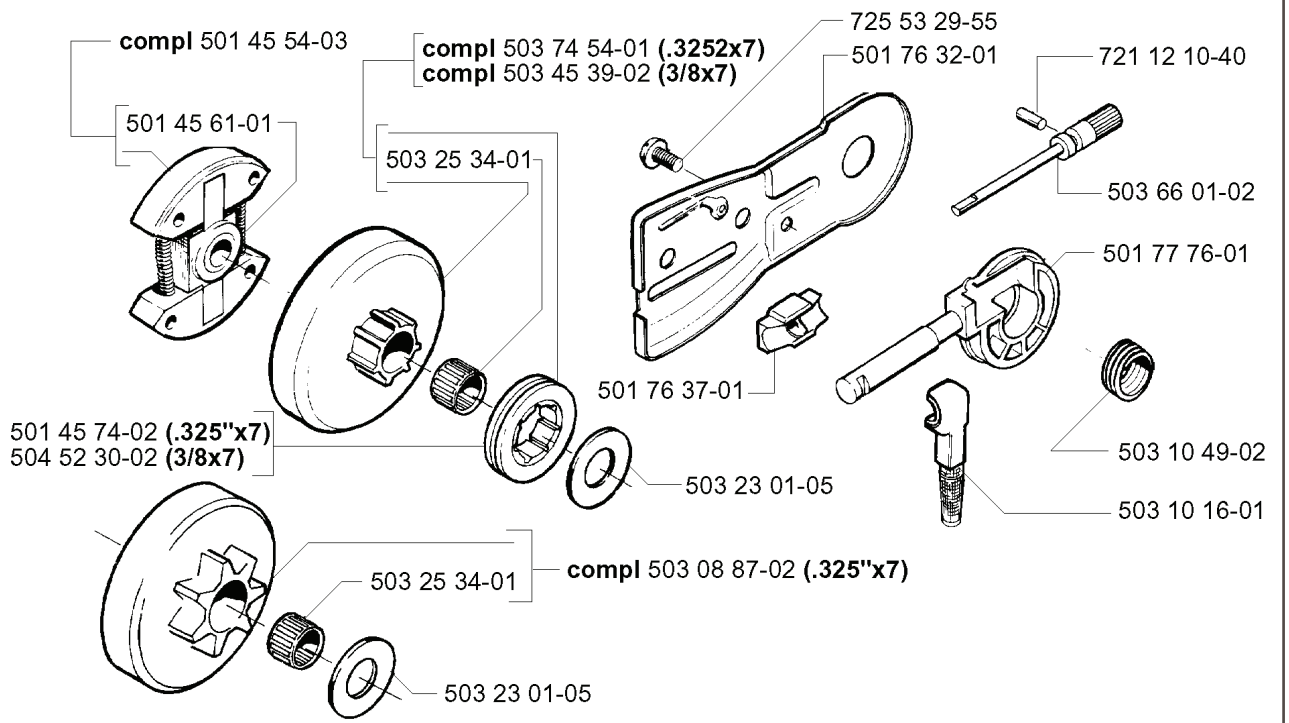
REF.	PART NO.	DESCRIPTION	REMARK	QTY.	KIT
503 49 81-03	503498103	CLUTCH COVER ASSY		1	
503 80 27-01	503802701	PIVOT PIN		1	
503 21 28-10	503212810	SCREW CCRPANT		1	
501 87 53-01	501875301	KNEE JOINT ASSY		1	
720 12 33-00	720123300	PARALLEL PIN		1	
503 20 26-16	503202616	SCREW IHSCM		1	
501 76 80-01	501768001	SHAFT		1	
503 89 27-01	503892701	HAND GUARD		1	
735 31 08-20	735310820	E-CLIP		1	
501 76 81-01	501768101	SHAFT		1	
506 16 48-01	506164801	POSITION SPRING		1	
721 42 52-50	721425250	SPRING PIN		1	
503 71 87-01	503718701	BRAKE BAND		1	
501 87 47-01	501874701	SPRING		1	
503 22 00-01	503220001	HEXAGON NUT		2	
503 15 21-01	503152101	COVER SHEET		1	
501 87 42-02	501874202	HUB CAP		1	
503 49 32-01	503493201	CLUTCH COVER		1	
501 87 54-01	501875401	BRAKE SPRING		1	

J *compl 501 76 22-02



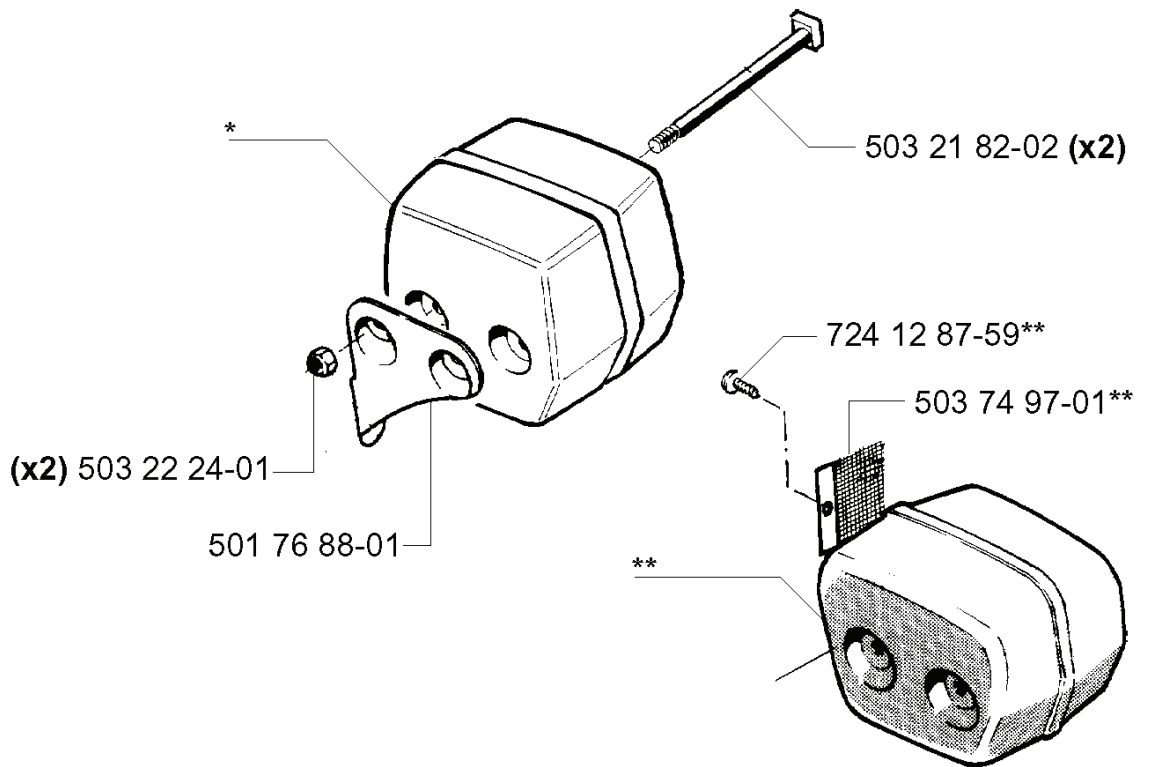
REF.	PART NO.	DESCRIPTION	REMARK	QTY.	KIT
501 76 22-02	501762202	CRANKCASE		1	
501 76 44-03	501764403	LID		1	
503 20 02-16	503200216	SCREW IHSCFM		2	
721 12 10-40	721121040	GROOVED PIN		1	
503 20 02-50	503200250	SCREW IHSCFM		6	
503 20 02-25	503200225	SCREW IHSCFM		1	
501 76 64-03	501766403	CHAIN CATCHER		1	
501 54 63-01	501546301	SCREW		1	
501 45 27-02	501452702	LOCK NUT		1	
501 45 41-01	501454101	NUT		1	
720 13 07-10	720130710	PARALLEL PIN		2	
503 66 84-01	503668401	TANK VENT ASSY		1	
501 79 50-01	501795001	SPIKE		1	
501 76 56-02	501765602	TANK CAP ASSY		1	
503 57 89-01	503578901	HOLDER		1	
740 44 05-00	740440500	O-RING		1	
503 68 42-42	503684242	BAR BOLT		1	
503 73 04-01	503730401	AIR CONDUCTOR		1	
503 78 24-01	503782401	GROMMET		1	
501 76 30-03	501763003	LEDSKENA		1	
505 27 57-19	505275719	SEALING RING		1	
503 22 62-01	503226201	NUT		3	
724 33 25-56	724332556	SCREW CRCSFM		2	
503 21 27-16	503212716	SCREW CRPANT		1	
503 72 98-01	503729801	AIR NOZZLE		1	

H



REF.	PART NO.	DESCRIPTION	REMARK	QTY.	KIT
501 45 54-03	501455403	CLUTCH ASSY		1	
501 45 61-01	501456101	CLUTCH SPRING		1	
501 45 74-02	501457402	RIM	.325X7	1	
504 52 30-02	504523002	RIM	3/8X7	1	
503 25 34-01	503253401	NEEDLE BEARING		1	
503 08 87-02	503088702	CLUTCH DRUM ASSY	.325X7	1	
503 23 01-05	503230105	WASHER		1	
501 76 37-01	501763701	SEALING		1	
503 45 39-02	503453902	CLUTCH DRUM ASSY	3/8X7	1	
503 74 54-01	503745401	CLUTCH DRUM ASSY	.3252X7	1	
725 53 29-55	725532955	SCREW IHSCM		1	
501 76 32-01	501763201	CHAIN GUIDE PLATE		1	
503 10 16-01	503101601	SUCTION HOSE ASSY		1	
503 10 49-02	503104902	PUMP PINION		1	
501 77 76-01	501777601	OIL PUMP		1	
503 66 01-02	503660102	PUMP PISTON		1	
721 12 10-40	721121040	GROOVED PIN		1	

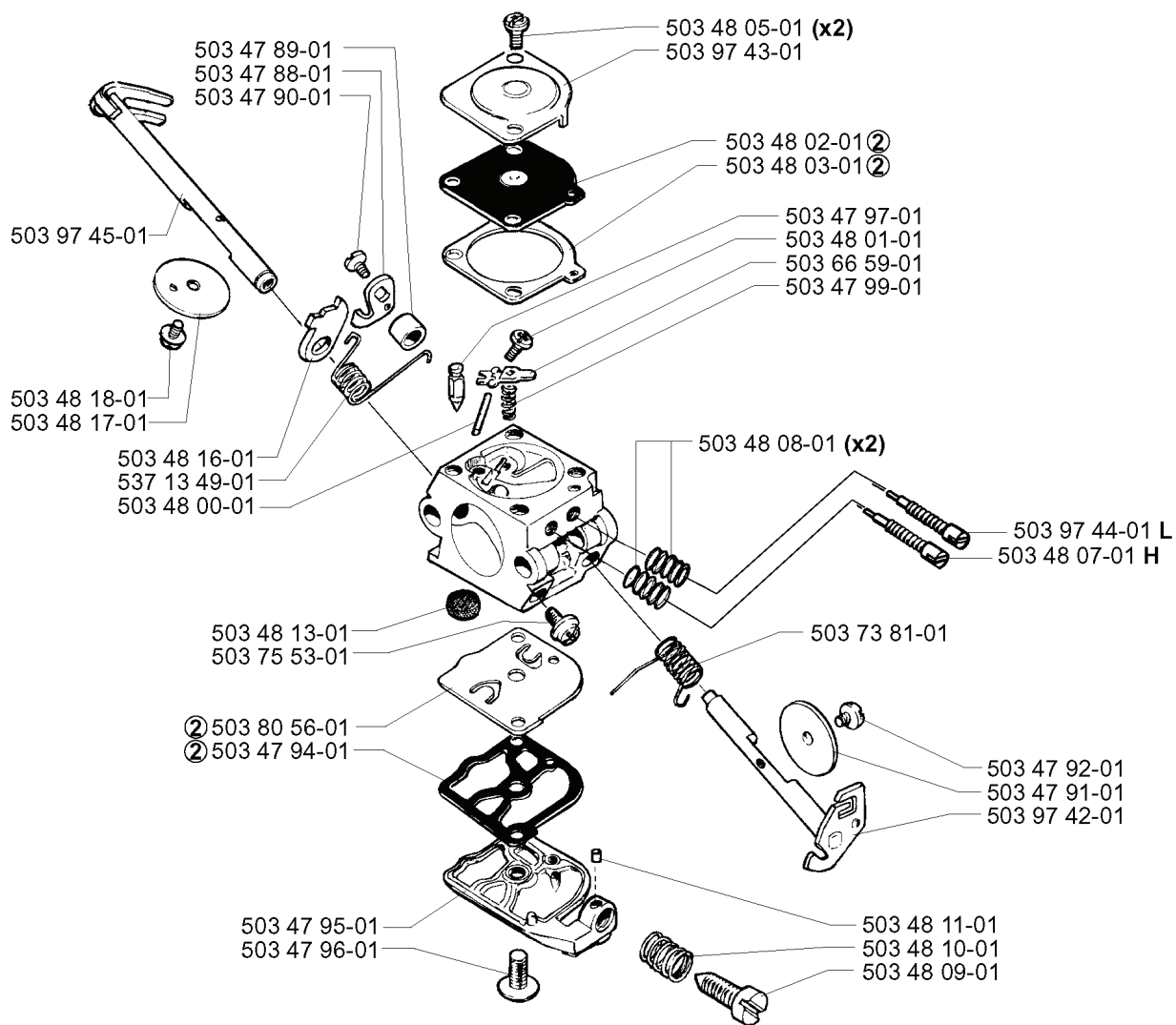
F *compl 501 76 66-02 (FG)
**compl 503 74 91-01 (FF)



REF.	PART NO.	DESCRIPTION	REMARK	QTY.	KIT
5017666-02	501766602	MUFFLER ASSY	FG	1	
5037491-01	503749101	MUFFLER FF	FF	1	
5032224-01	503222401	LOCK NUT		2	
5017688-01	501768801	BRACKET		1	
5037497-01	503749701	SPARK ARRESTER SCREEN		1	
7241287-59	724128759	SCREW CRPANM		1	
5032182-02	503218202	SCREW		2	

M compl 503 28 31-05 ZAMA C1Q-EL6

ZAMA C1Q-EL6

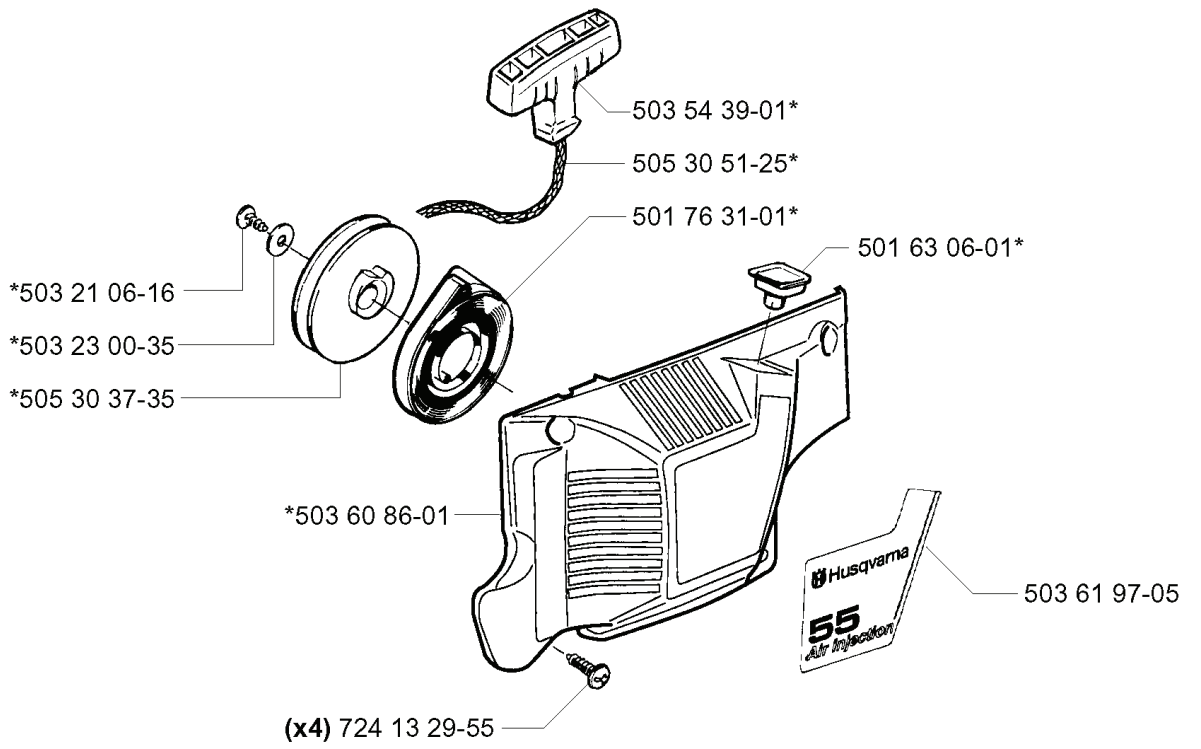


② 503 48 21-01
Set of gaskets
Dichtungssatz
Jeu de joints
Juego de Juntas
Packningssats

REF.	PART NO.	DESCRIPTION	REMARK	QTY.	KIT
503 28 31-05	503283105	CARBURETTOR	ZAMA C1Q-EL6	1	
503 47 89-01	503478901	COLLAR		1	
503 47 88-01	503478801	LEVER		1	
503 47 90-01	503479001	SCREW		1	
503 97 45-01	503974501	SHAFT		1	
503 48 18-01	503481801	SCREW		1	
503 48 17-01	503481701	VALVE		1	
503 48 16-01	503481601	LEVER		1	
537 13 49-01	537134901	SPRING		1	
503 48 00-01	503480001	PIN RETAINING SCREW		1	
503 48 13-01	503481301	STRAINER		1	
503 75 53-01	503755301	SCREW		1	
503 80 56-01	503805601	DIAPHRAGM PUMP	503 48 21-01 SET OF GASKETS	1	
503 47 94-01	503479401	GASKET	503 48 21-01 SET OF GASKETS	1	
503 47 95-01	503479501	COVER		1	
503 47 96-01	503479601	SCREW		1	
503 48 09-01	503480901	SCREW		1	
503 48 10-01	503481001	SPRING		1	
503 48 11-01	503481101	PIECE		1	
503 97 42-01	503974201	SHAFT		1	
503 47 91-01	503479101	VALVE		1	
503 47 92-01	503479201	SCREW		1	
503 73 81-01	503738101	RECOIL SPRING		1	
503 48 07-01	503480701	SCREW	H	1	
503 97 44-01	503974401	SCREW	L	1	
503 48 08-01	503480801	SPRING		2	
503 47 99-01	503479901	SPRING		1	
503 66 59-01	503665901	LEVER		1	
503 48 01-01	503480101	SCREW		1	
503 47 97-01	503479701	VALVE		1	
503 48 03-01	503480301	GASKET	503 48 21-01 SET OF GASKETS	1	
503 48 02-01	503480201	DIAPHRAGM	503 48 21-01 SET OF GASKETS	1	
503 97 43-01	503974301	COVER		1	
503 48 05-01	503480501	SCREW		2	

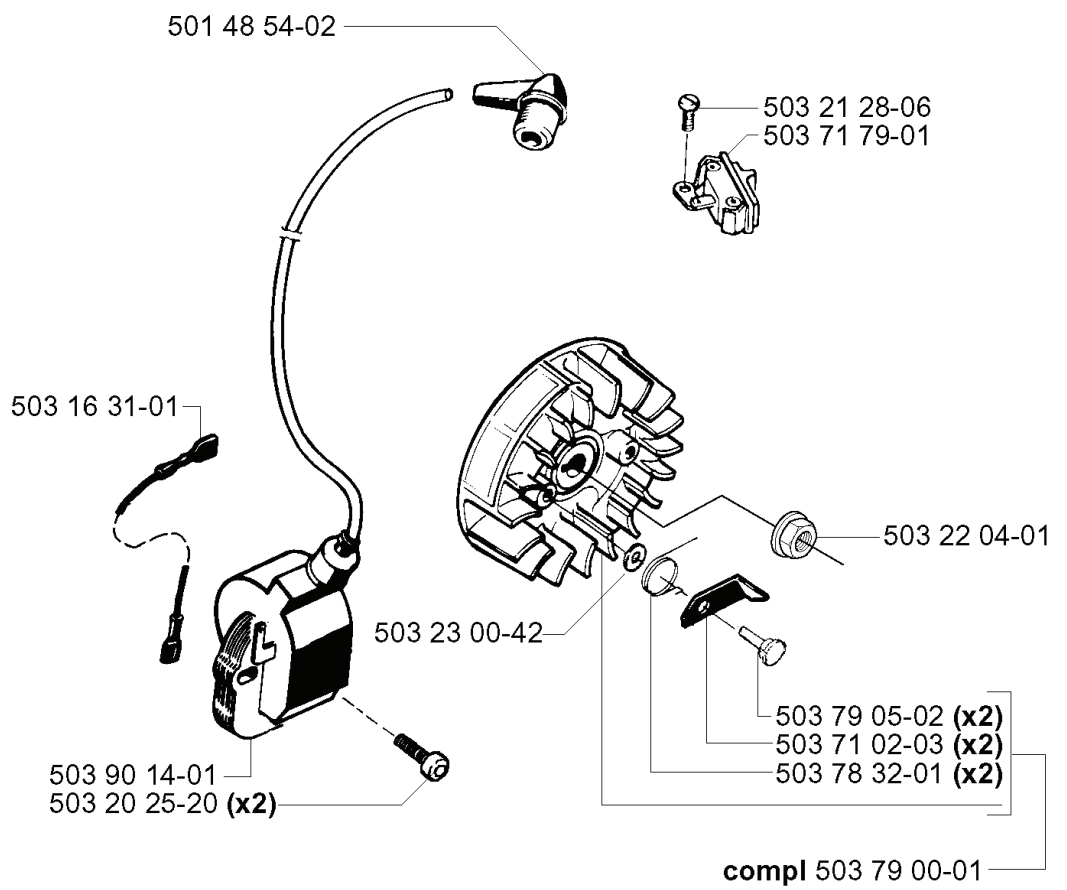


*compl 503 60 88-03



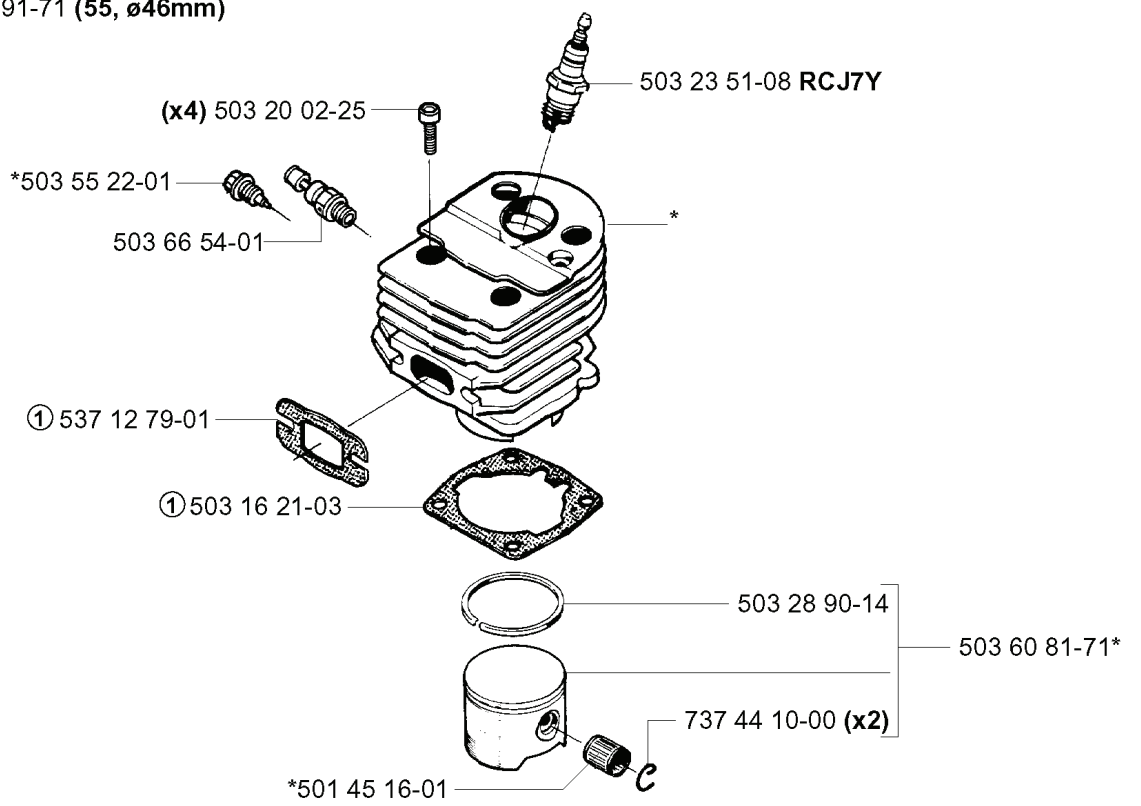
REF.	PART NO.	DESCRIPTION	REMARK	QTY.	KIT
5036088-03	503608803	STARTER ASSY		1	
5032106-16	503210616	SCREW IHSCT		1	
5032300-35	503230035	WASHER		1	
5053037-35	505303735	STARTER PULLEY		1	
5036086-01	503608601	STARTER HOUSING		1	
7241329-55	724132955	SCREW		4	
5036197-05	503619705	DECAL		1	
5016306-01	501630601	SLEEVE		1	
5017631-01	501763101	SPRING CASSETTE ASSY		1	
5053051-25	505305125	STARTER ROPE		1	
5035439-01	503543901	STARTER HANDLE		1	

K



REF.	PART NO.	DESCRIPTION	REMARK	QTY.	KIT
501 48 54-02	501485402	SPARK PLUG CAP		1	
503 16 31-01	503163101	CABLE		1	
503 23 00-42	503230042	WASHER		1	
503 90 14-01	503901401	ELECTRONIC MODULE		1	
503 20 25-20	503202520	SCREW IHSCM		2	
503 79 00-01	503790001	FLYWHEEL		1	
503 78 32-01	503783201	SPRING		2	
503 71 02-03	503710203	STARTER PAWL		2	
503 79 05-02	503790502	RIVET		2	
503 22 04-01	503220401	NUT		1	
503 71 79-01	503717901	STOP SWITCH		1	
503 21 28-06	503212806	SCREW CCRPANT		1	

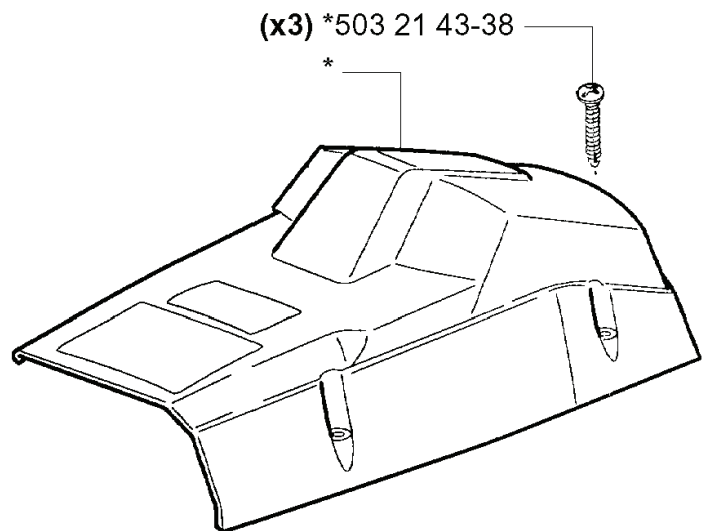
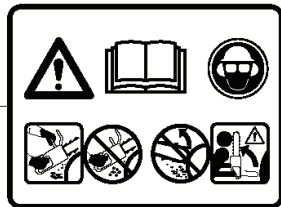
C *compl 503 60 91-71 (55, ø46mm)



REF.	PART NO.	DESCRIPTION	REMARK	QTY.	KIT
5036091-71	503609171	CYLINDER ASSY	55. DIA.46MM	1	
5032002-25	503200225	SCREW IHSCFM		4	
5035522-01	503552201	PLUG		1	
5036654-01	503665401	DECOMPRESSION VALVE		1	
5371279-01	537127901	GASKET		1	
5031621-03	503162103	GASKET		1	
5014516-01	501451601	NEEDLE BEARING		1	
7374410-00	737441000	SNAP RING		2	
5032890-14	503289014	PISTON RING		1	
5036081-71	503608171	PISTON ASSY		1	
5032351-08	503235108	SPARK PLUG	RCJ7Y	1	

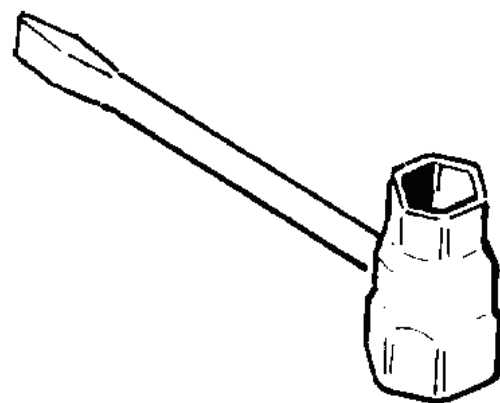
B *compl 503 60 90-06

*503 98 74-01



REF.	PART NO.	DESCRIPTION	REMARK	QTY.	KIT
503 60 90-06	503609006	CYLINDER COVER ASSY		1	
503 98 74-01	503987401	LABEL		1	
503 21 43-38	503214338	SCREW		3	

N Tillbehör
Accessories
Zubehöre
Accessoires
Accesorios



501 69 17-01

REF.	PART NO.	DESCRIPTION	REMARK	QTY.	KIT
5016917-01	501691701	COMBINATION WRENCH		1	