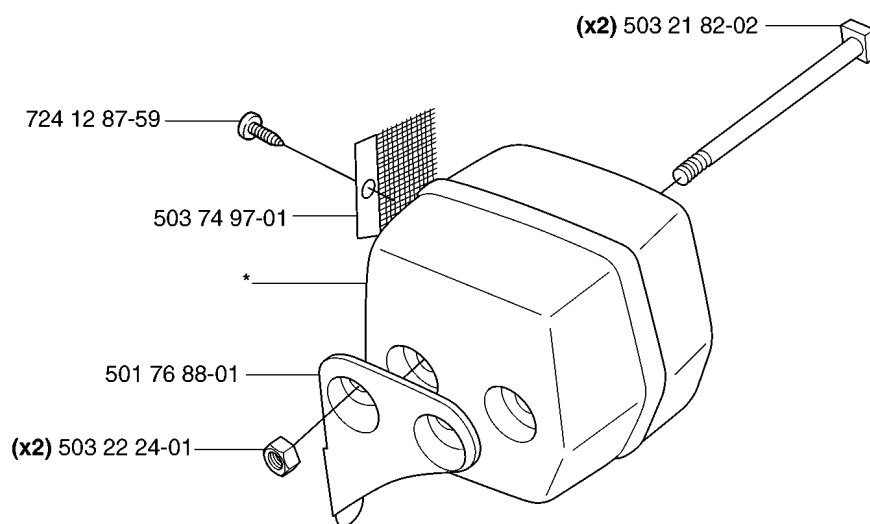


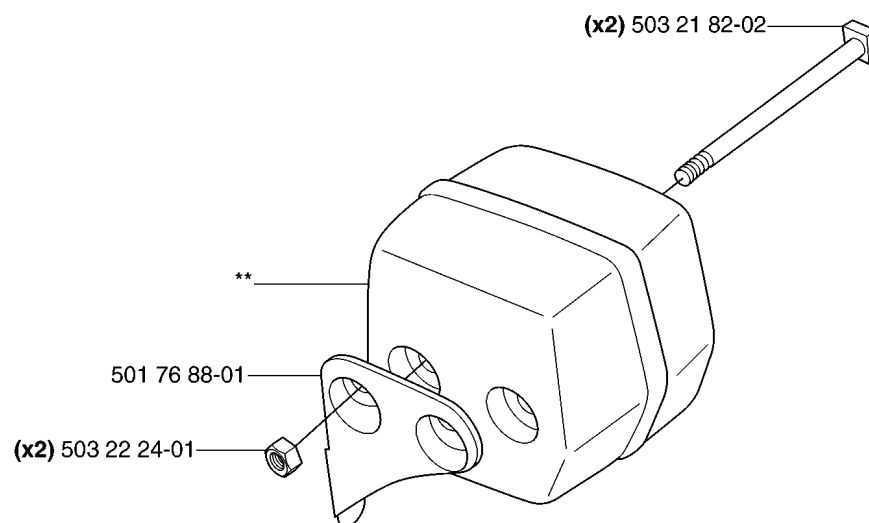
55 EU1, 20070500001-Current

SPARE PARTS LIST

F *compl 503 74 91-03 (FF) EPA, EU1

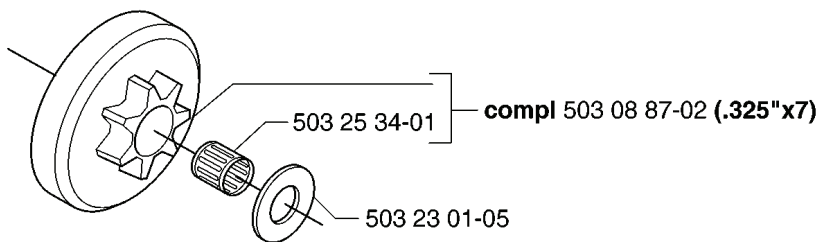
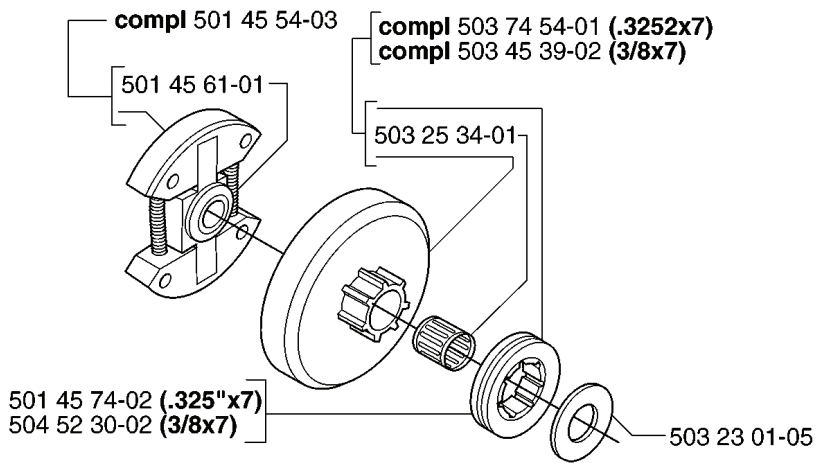
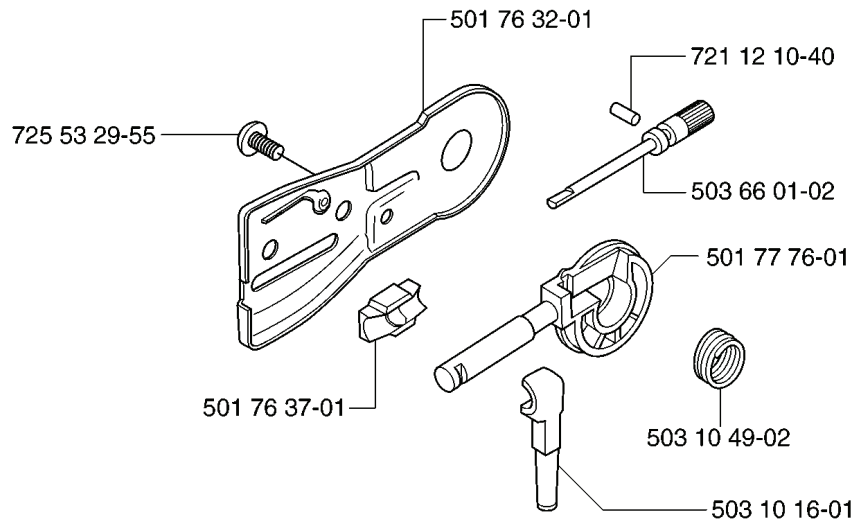


****compl 501 76 66-05 (FG)**



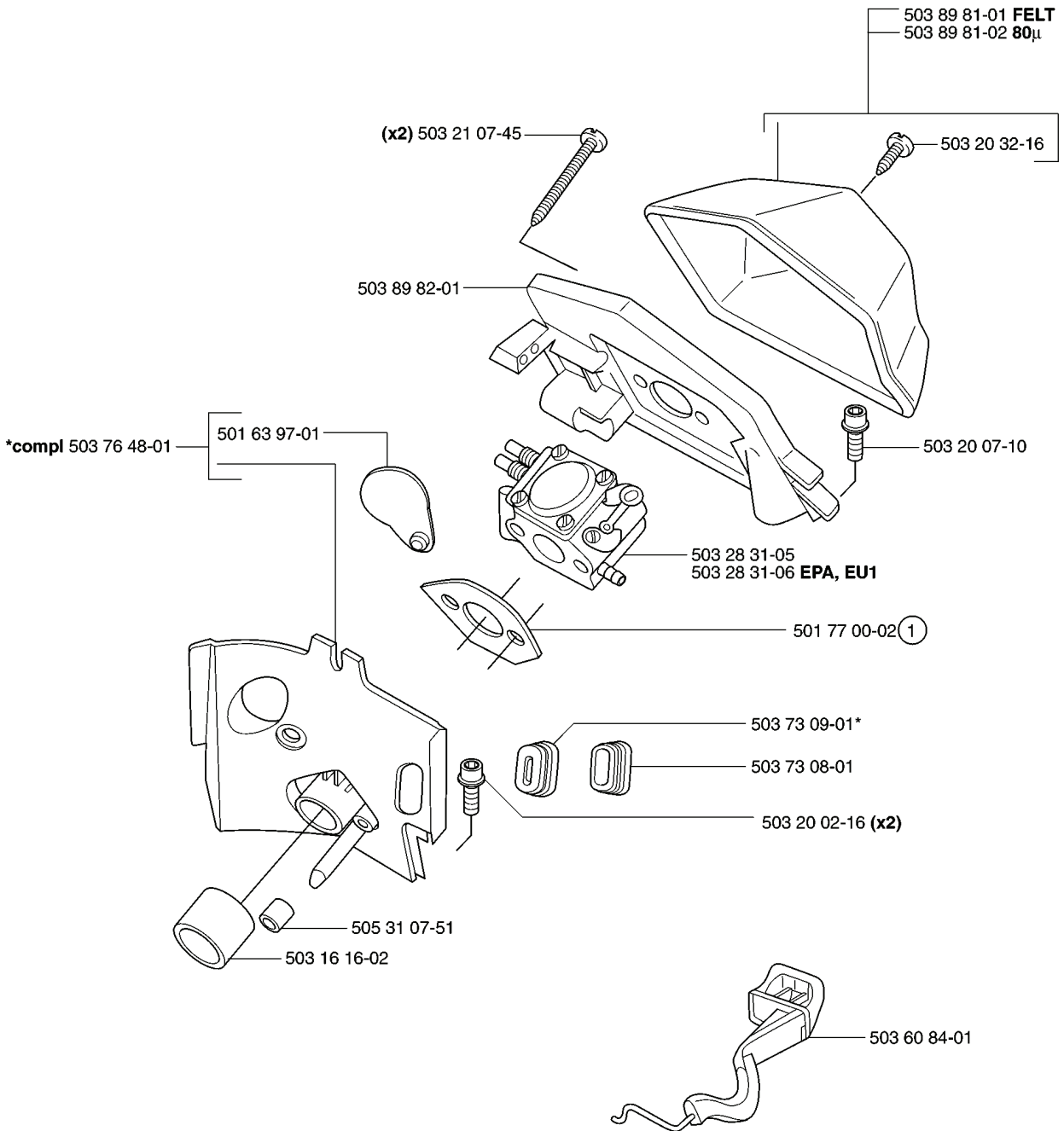
| REF. | PART NO. | DESCRIPTION | REMARK | QTY. | KIT |
|--------------|-----------|-----------------------|--------|------|-----|
| 503 74 91-03 | 503749103 | MUFFLER FF | | 1 | |
| 724 12 87-59 | 724128759 | SCREW CRPANM | | 1 | |
| 503 74 97-01 | 503749701 | SPARK ARRESTER SCREEN | | 1 | |
| 501 76 88-01 | 501768801 | BRACKET | | 1 | |
| 503 22 24-01 | 503222401 | LOCK NUT | | 2 | |
| 501 76 66-05 | 501766605 | MUFFLER ASSY | | 1 | |
| 503 21 82-02 | 503218202 | SCREW | | 2 | |

H



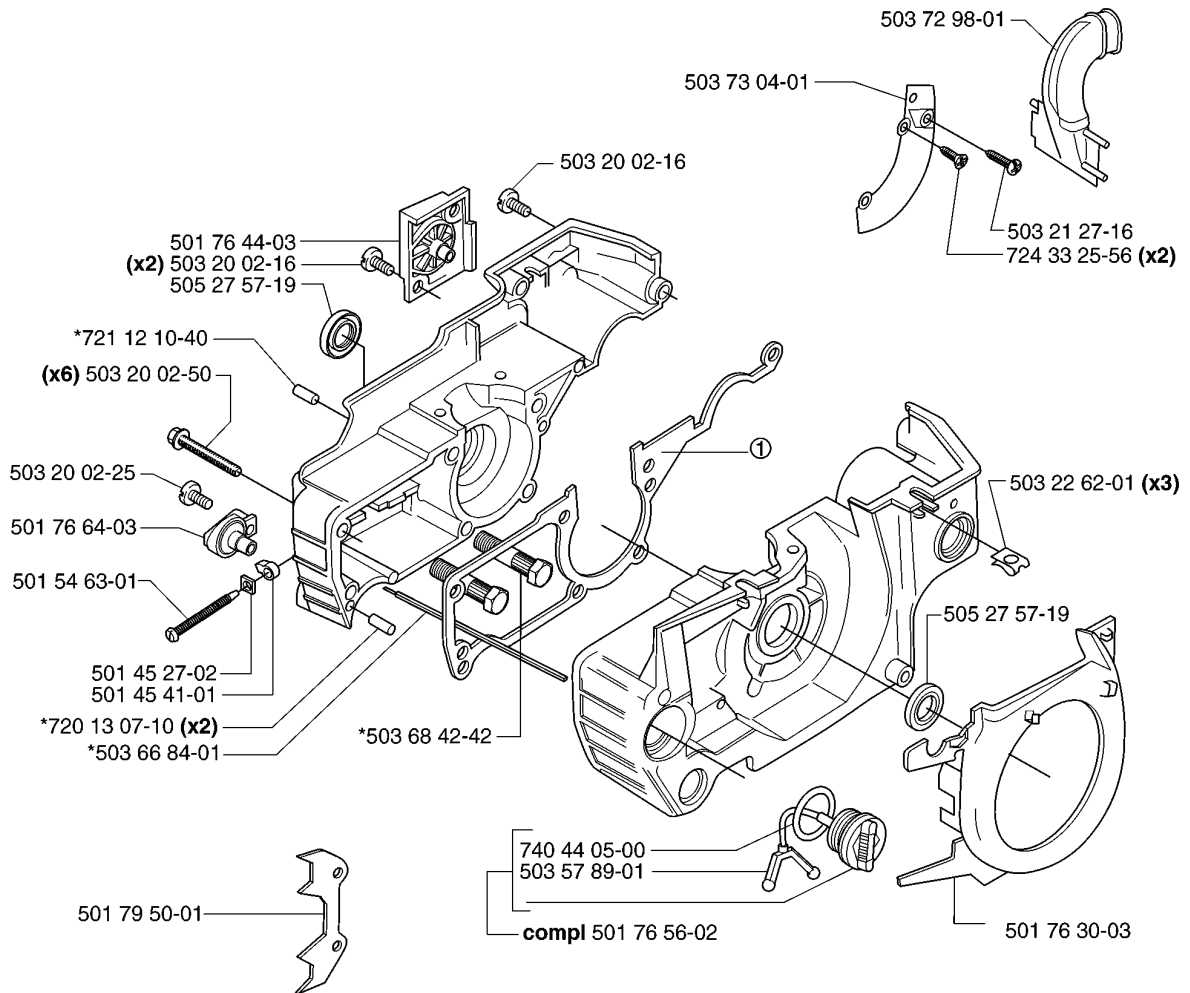
| REF. | PART NO. | DESCRIPTION | REMARK | QTY. | KIT |
|--------------|-----------|-------------------|--------|------|-----|
| 725 53 29-55 | 725532955 | SCREW IHSCM | | 1 | |
| 501 76 37-01 | 501763701 | SEALING | | 1 | |
| 501 45 54-03 | 501455403 | CLUTCH ASSY | | 1 | |
| 501 45 61-01 | 501456101 | CLUTCH SPRING | | 1 | |
| 501 45 74-02 | 501457402 | RIM | | 1 | |
| 504 52 30-02 | 504523002 | RIM | | 1 | |
| 503 08 87-02 | 503088702 | CLUTCH DRUM ASSY | | 1 | |
| 503 23 01-05 | 503230105 | WASHER | | 1 | |
| 503 25 34-01 | 503253401 | NEEDLE BEARING | | 1 | |
| 503 45 39-02 | 503453902 | CLUTCH DRUM ASSY | | 1 | |
| 503 74 54-01 | 503745401 | CLUTCH DRUM ASSY | | 1 | |
| 503 10 16-01 | 503101601 | SUCTION HOSE ASSY | | 1 | |
| 503 10 49-02 | 503104902 | PUMP PINION | | 1 | |
| 501 77 76-01 | 501777601 | OIL PUMP | | 1 | |
| 503 66 01-02 | 503660102 | PUMP PISTON | | 1 | |
| 721 12 10-40 | 721121040 | GROOVED PIN | | 1 | |
| 501 76 32-01 | 501763201 | CHAIN GUIDE PLATE | | 1 | |

C

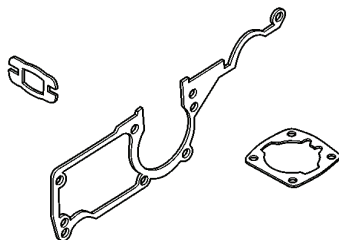


| REF. | PART NO. | DESCRIPTION | REMARK | QTY. | KIT |
|--------------|-----------|-------------------|--------|------|-----|
| 503 21 07-45 | 503210745 | SCREW IHSCCT | | 2 | |
| 503 89 82-01 | 503898201 | AIR FILTER HOLDER | | 1 | |
| 503 76 48-01 | 503764801 | KIT | | 1 | |
| 501 63 97-01 | 501639701 | COVER | | 1 | |
| 505 31 07-51 | 505310751 | IMPULSE HOSE | | 1 | |
| 503 16 16-02 | 503161602 | INLET PIPE | | 1 | |
| 503 60 84-01 | 503608401 | CHOKE CONTROL | | 1 | |
| 503 20 02-16 | 503200216 | SCREW IHSCFM | | 2 | |
| 503 73 08-01 | 503730801 | GROMMET | | 1 | |
| 503 73 09-01 | 503730901 | PLUG | | 1 | |
| 501 77 00-02 | 501770002 | GASKET | | 1 | |
| 503 28 31-06 | 503283106 | CARBURETTOR | | 1 | |
| 503 28 31-05 | 503283105 | CARBURETTOR | | 1 | |
| 503 20 07-10 | 503200710 | SCREW IHSCFM | | 1 | |
| 503 20 32-16 | 503203216 | SCREW CCRPANMO | | 1 | |
| 503 89 81-01 | 503898101 | AIR FILTER | | 1 | |

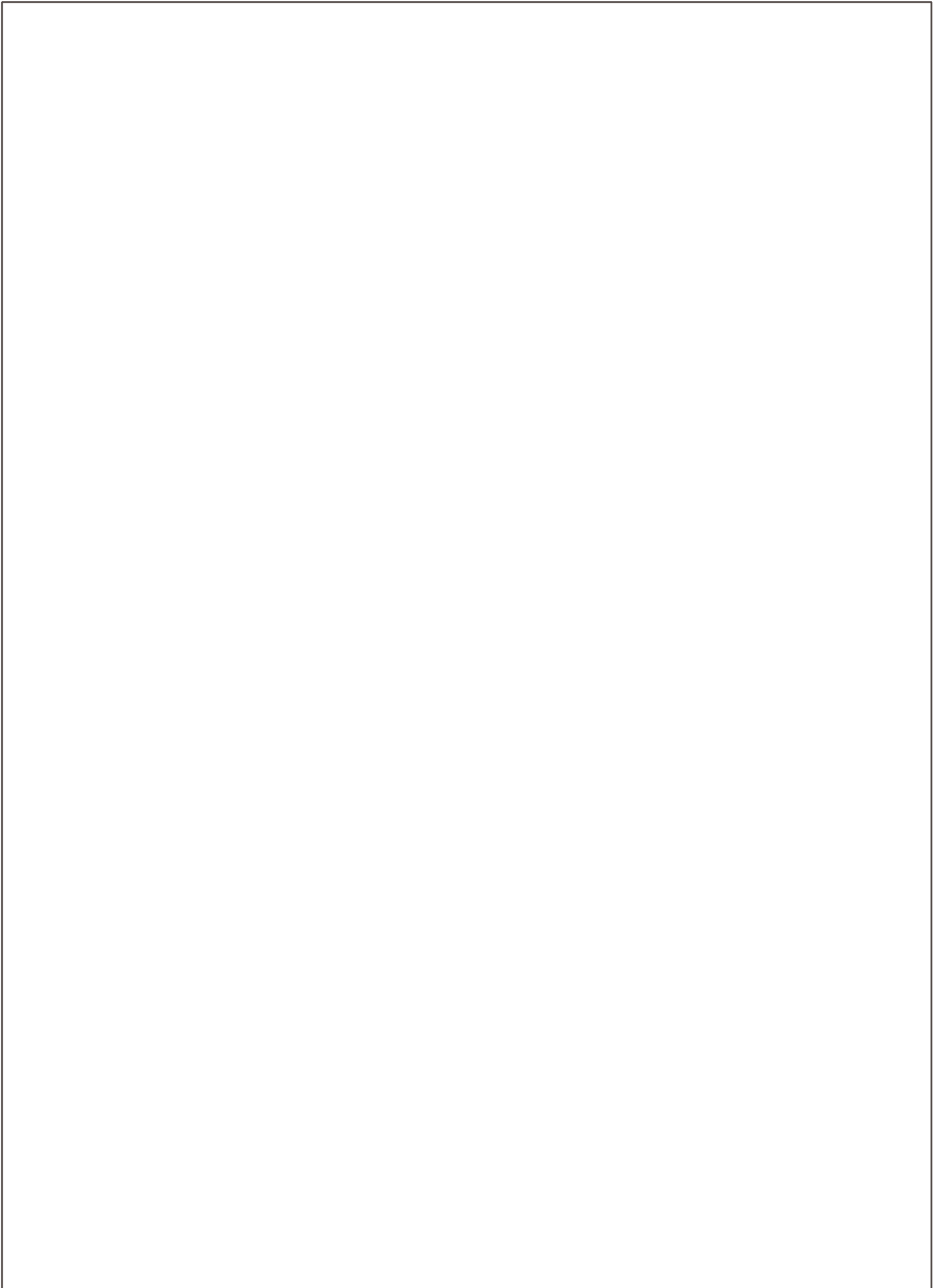
J *compl 501 76 22-02



① 501 76 18-02
Set of gaskets
Dichtungssatz
Jeu de joints
Juego de Juntas
Packningssatz

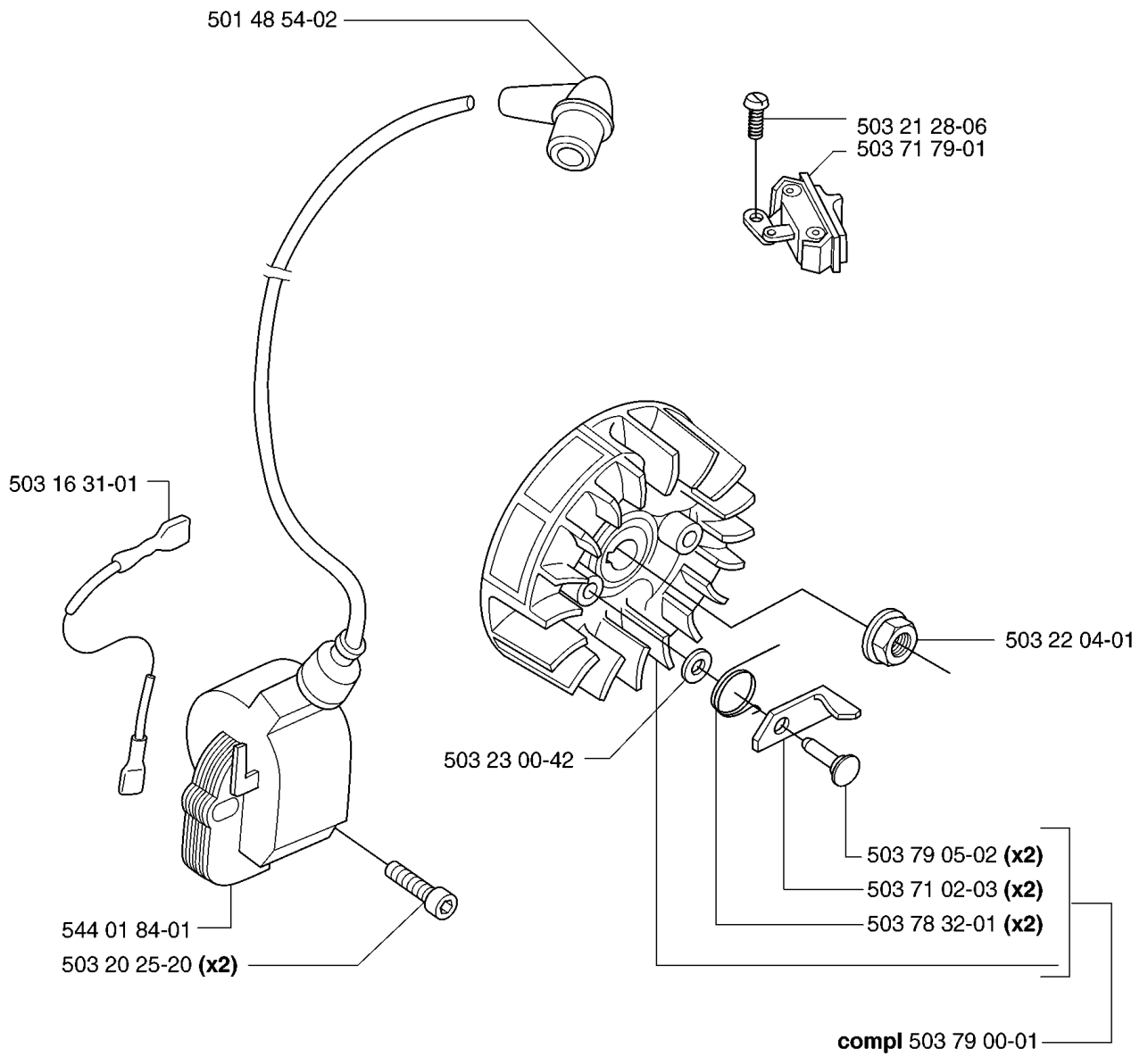


| REF. | PART NO. | DESCRIPTION | REMARK | QTY. | KIT |
|--------------|-----------|----------------|--------|------|-----|
| 501 76 22-02 | 501762202 | CRANKCASE | | 1 | |
| 501 76 44-03 | 501764403 | LID | | 1 | |
| 503 20 02-16 | 503200216 | SCREW IHSCFM | | 2 | |
| 721 12 10-40 | 721121040 | GROOVED PIN | | 1 | |
| 503 20 02-50 | 503200250 | SCREW IHSCFM | | 6 | |
| 503 20 02-25 | 503200225 | SCREW IHSCFM | | 1 | |
| 501 76 64-03 | 501766403 | CHAIN CATCHER | | 1 | |
| 501 54 63-01 | 501546301 | SCREW | | 1 | |
| 501 45 27-02 | 501452702 | LOCK NUT | | 1 | |
| 501 45 41-01 | 501454101 | NUT | | 1 | |
| 720 13 07-10 | 720130710 | PARALLEL PIN | | 2 | |
| 503 66 84-01 | 503668401 | TANK VENT ASSY | | 1 | |
| 501 79 50-01 | 501795001 | SPIKE | | 1 | |
| 501 76 56-02 | 501765602 | TANK CAP ASSY | | 1 | |
| 503 57 89-01 | 503578901 | HOLDER | | 1 | |
| 740 44 05-00 | 740440500 | O-RING | | 1 | |
| 503 68 42-42 | 503684242 | BAR BOLT | | 1 | |
| 503 73 04-01 | 503730401 | AIR CONDUCTOR | | 1 | |
| 505 27 57-19 | 505275719 | SEALING RING | | 1 | |
| 501 76 30-03 | 501763003 | LEDSKENA | | 1 | |
| 503 22 62-01 | 503226201 | NUT | | 3 | |
| 724 33 25-56 | 724332556 | SCREW CRCSFM | | 2 | |
| 503 21 27-16 | 503212716 | SCREW CRPANT | | 1 | |
| 503 72 98-01 | 503729801 | AIR NOZZLE | | 1 | |



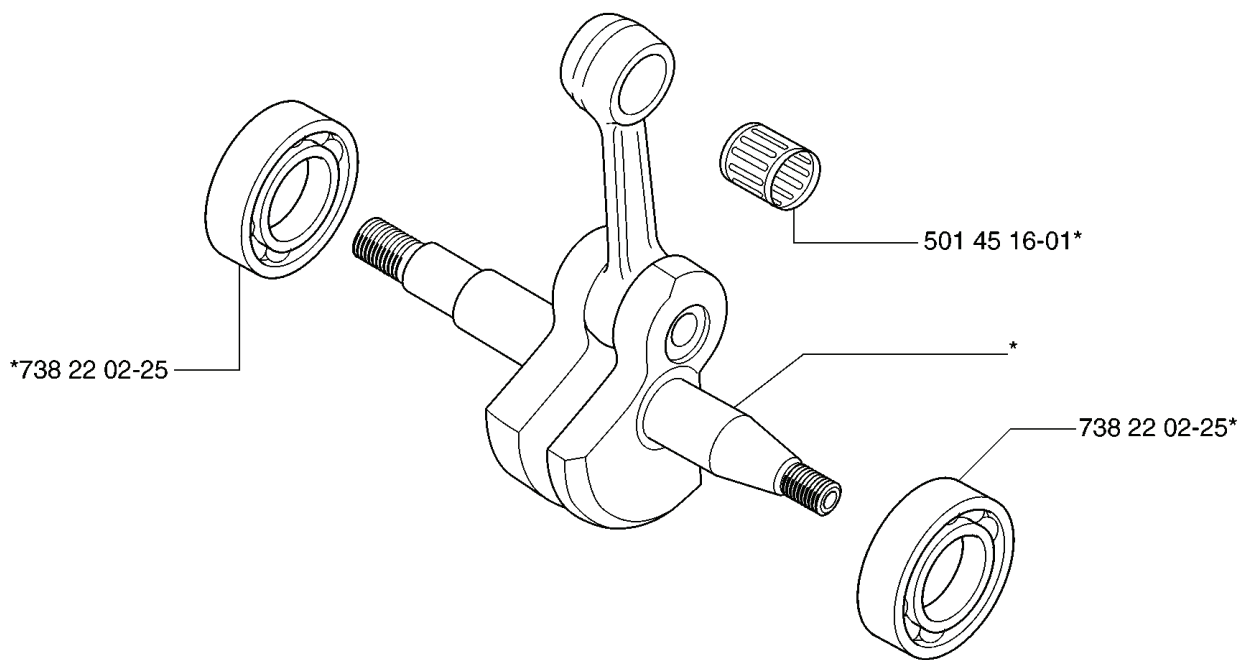
| REF. | PART NO. | DESCRIPTION | REMARK | QTY. | KIT |
|------------|-----------|----------------------|--------|------|-----|
| 5036088-03 | 503608803 | STARTER ASSY | | 1 | |
| 5032149-16 | 503214916 | SCREW IHSCFT | | 1 | |
| 5032300-35 | 503230035 | WASHER | | 1 | |
| 5053037-35 | 505303735 | STARTER PULLEY | | 1 | |
| 5036086-01 | 503608601 | STARTER HOUSING | | 1 | |
| 7241329-55 | 724132955 | SCREW | | 4 | |
| 5373598-01 | 537359801 | DECAL | | 1 | |
| 5036197-06 | 503619706 | LABEL | | 1 | |
| 5016306-01 | 501630601 | SLEEVE | | 1 | |
| 5017631-01 | 501763101 | SPRING CASSETTE ASSY | | 1 | |
| 5053051-25 | 505305125 | STARTER ROPE | | 1 | |
| 5035439-01 | 503543901 | STARTER HANDLE | | 1 | |

K



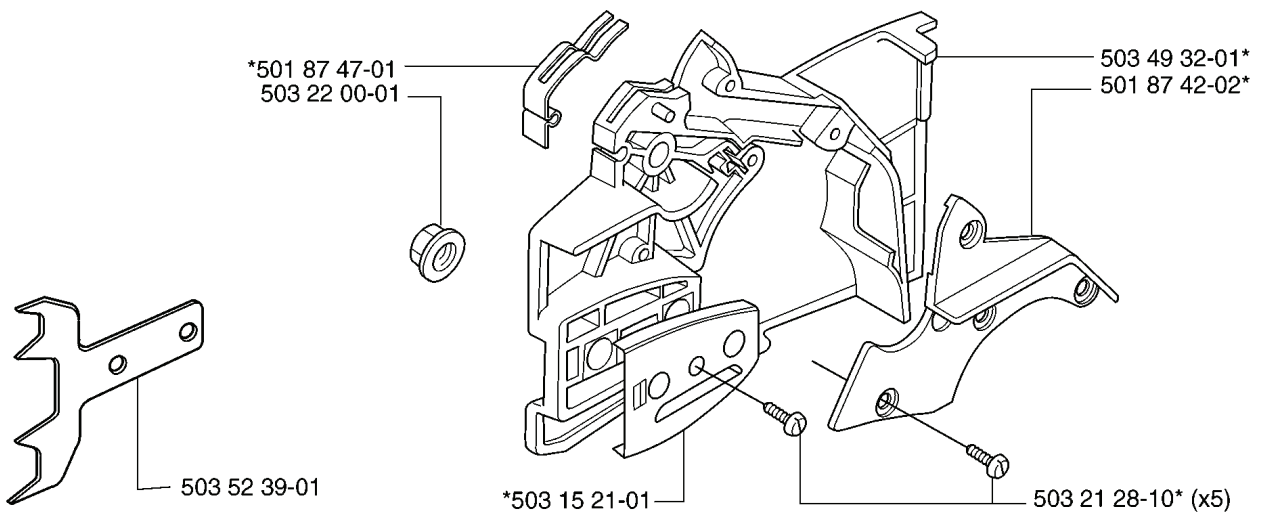
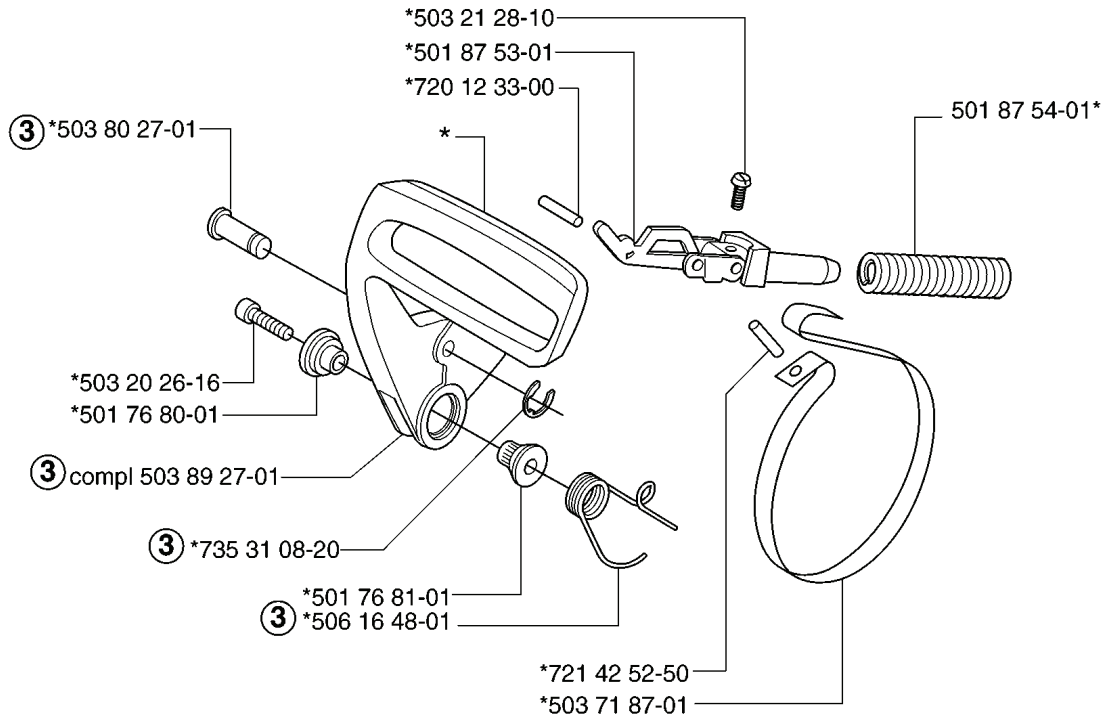
| REF. | PART NO. | DESCRIPTION | REMARK | QTY. | KIT |
|--------------|-----------|-----------------|--------|------|-----|
| 501 48 54-02 | 501485402 | SPARK PLUG CAP | | 1 | |
| 503 16 31-01 | 503163101 | CABLE | | 1 | |
| 544 01 84-01 | 544018401 | IGNITION SYSTEM | | 1 | |
| 503 20 25-20 | 503202520 | SCREW IHSCM | | 2 | |
| 503 23 00-42 | 503230042 | WASHER | | 1 | |
| 503 79 00-01 | 503790001 | FLYWHEEL | | 1 | |
| 503 78 32-01 | 503783201 | SPRING | | 2 | |
| 503 71 02-03 | 503710203 | STARTER PAWL | | 2 | |
| 503 79 05-02 | 503790502 | RIVET | | 2 | |
| 503 22 04-01 | 503220401 | NUT | | 1 | |
| 503 71 79-01 | 503717901 | STOP SWITCH | | 1 | |
| 503 21 28-06 | 503212806 | SCREW CCRPANT | | 1 | |

G *compl 503 57 38-06



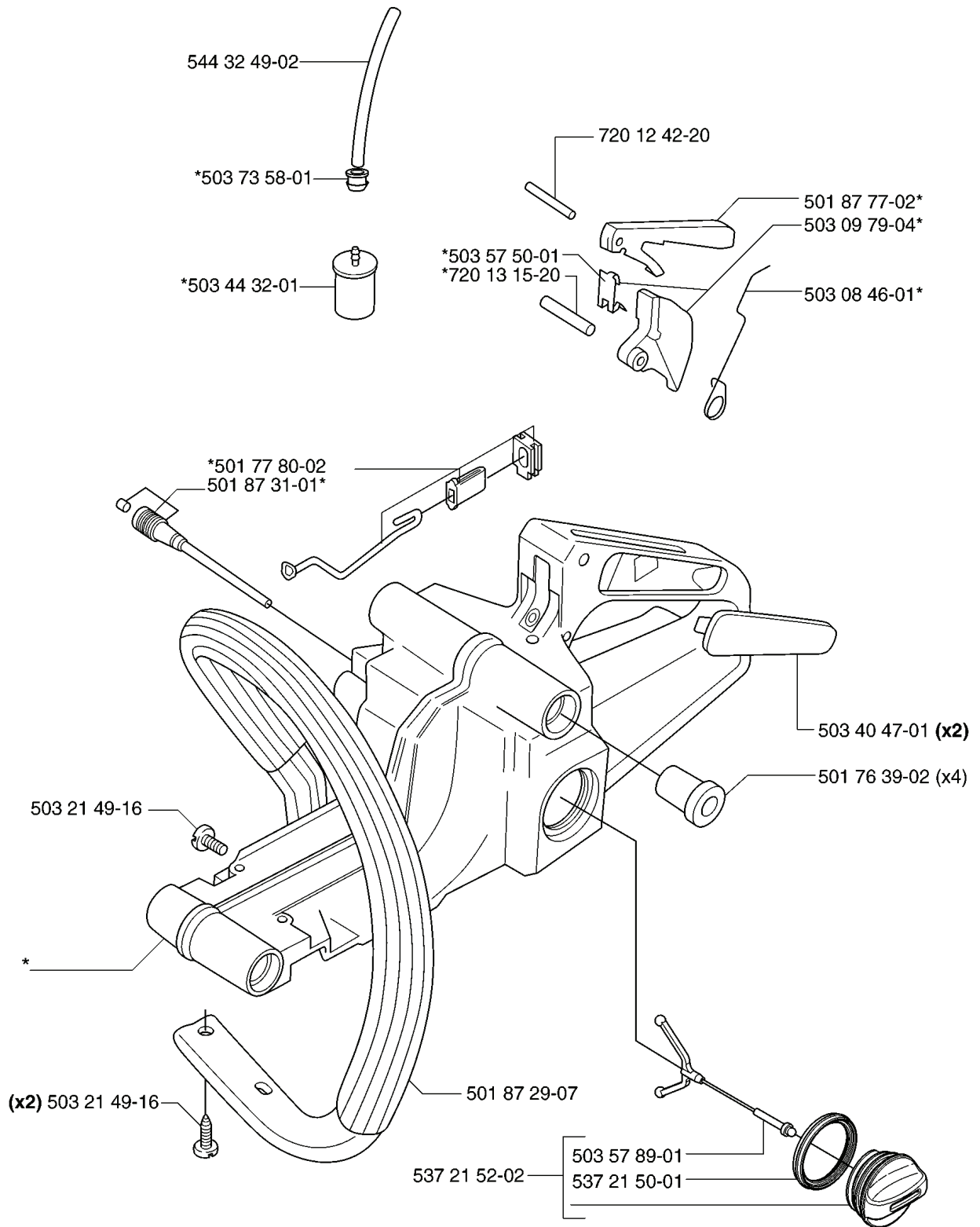
| REF. | PART NO. | DESCRIPTION | REMARK | QTY. | KIT |
|--------------|-----------|-----------------|--------|------|-----|
| 503 57 38-06 | 503573806 | CRANKSHAFT ASSY | | 1 | |
| 738 22 02-25 | 738220225 | BALL BEARING | | 1 | |
| 501 45 16-01 | 501451601 | NEEDLE BEARING | | 1 | |

A *compl 503 49 81-03



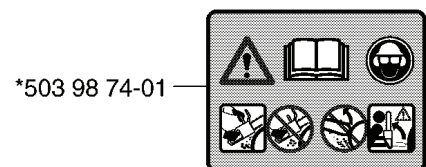
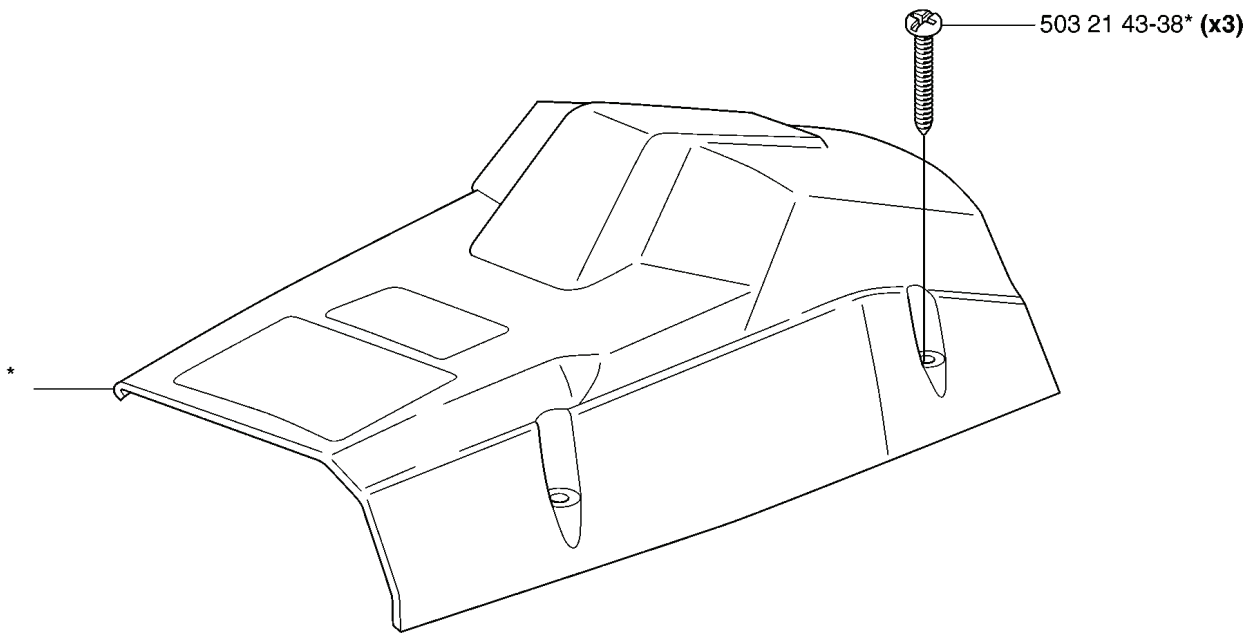
| REF. | PART NO. | DESCRIPTION | REMARK | QTY. | KIT |
|--------------|-----------|-------------------|--------|------|-----|
| 503 49 81-03 | 503498103 | CLUTCH COVER ASSY | | 1 | |
| 503 80 27-01 | 503802701 | PIVOT PIN | | 1 | |
| 503 20 26-16 | 503202616 | SCREW IHSCM | | 1 | |
| 501 76 80-01 | 501768001 | SHAFT | | 1 | |
| 503 89 27-01 | 503892701 | HAND GUARD | | 1 | |
| 735 31 08-20 | 735310820 | E-CLIP | | 1 | |
| 501 76 81-01 | 501768101 | SHAFT | | 1 | |
| 506 16 48-01 | 506164801 | POSITION SPRING | | 1 | |
| 501 87 47-01 | 501874701 | SPRING | | 1 | |
| 503 22 00-01 | 503220001 | HEXAGON NUT | | 1 | |
| 503 52 39-01 | 503523901 | SPIKE | | 1 | |
| 503 15 21-01 | 503152101 | COVER SHEET | | 1 | |
| 501 87 42-02 | 501874202 | HUB CAP | | 1 | |
| 503 49 32-01 | 503493201 | CLUTCH COVER | | 1 | |
| 503 71 87-01 | 503718701 | BRAKE BAND | | 1 | |
| 721 42 52-50 | 721425250 | SPRING PIN | | 1 | |
| 720 12 33-00 | 720123300 | PARALLEL PIN | | 1 | |
| 501 87 53-01 | 501875301 | KNEE JOINT ASSY | | 1 | |
| 503 21 28-10 | 503212810 | SCREW CCRPANT | | 1 | |
| 501 87 54-01 | 501875401 | BRAKE SPRING | | 1 | |

E *compl 501 76 13-10



| REF. | PART NO. | DESCRIPTION | REMARK | QTY. | KIT |
|------------|-----------|-----------------------|--------|------|-----|
| 5017613-10 | 501761310 | FUEL TANK | | 1 | |
| 5443249-02 | 544324902 | FUEL HOSE | | 1 | |
| 5037358-01 | 503735801 | BUSHING | | 1 | |
| 5034432-01 | 503443201 | FUEL FILTER | | 1 | |
| 5017780-02 | 501778002 | TRIGGER | | 1 | |
| 5018731-01 | 501873101 | TANK VENT ASSY | | 1 | |
| 5032149-16 | 503214916 | SCREW IHSCFT | | 2 | |
| 5372152-02 | 537215202 | TANK CAP ASSY | | 1 | |
| 5018729-07 | 501872907 | FRONT HANDLE ASSY | | 1 | |
| 5035789-01 | 503578901 | HOLDER | | 1 | |
| 5372150-01 | 537215001 | SEALING | | 1 | |
| 5017639-02 | 501763902 | ANTIVIBRATION ELEMENT | | 4 | |
| 5034047-01 | 503404701 | HANDLE INSERT | | 2 | |
| 7201315-20 | 720131520 | PARALLEL PIN | | 1 | |
| 5035750-01 | 503575001 | WEAR PROTECTION | | 1 | |
| 5030846-01 | 503084601 | RECOIL SPRING | | 1 | |
| 5030979-04 | 503097904 | THROTTLE LEVER | | 1 | |
| 5018777-02 | 501877702 | THROTTLE LOCKOUT | | 1 | |
| 7201242-20 | 720124220 | PARALLEL PIN | | 1 | |

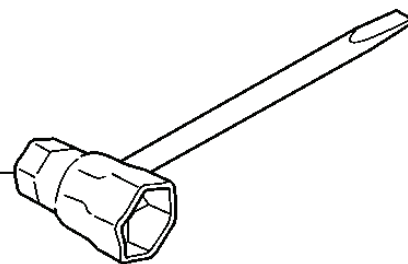
B *compl 503 60 90-06



| REF. | PART NO. | DESCRIPTION | REMARK | QTY. | KIT |
|--------------|-----------|---------------------|--------|------|-----|
| 503 60 90-06 | 503609006 | CYLINDER COVER ASSY | | 1 | |
| 503 98 74-01 | 503987401 | LABEL | | 1 | |
| 503 21 43-38 | 503214338 | SCREW | | 3 | |

N Tillbehör
Accessories
Zubehöre
Accessoires
Accesorios

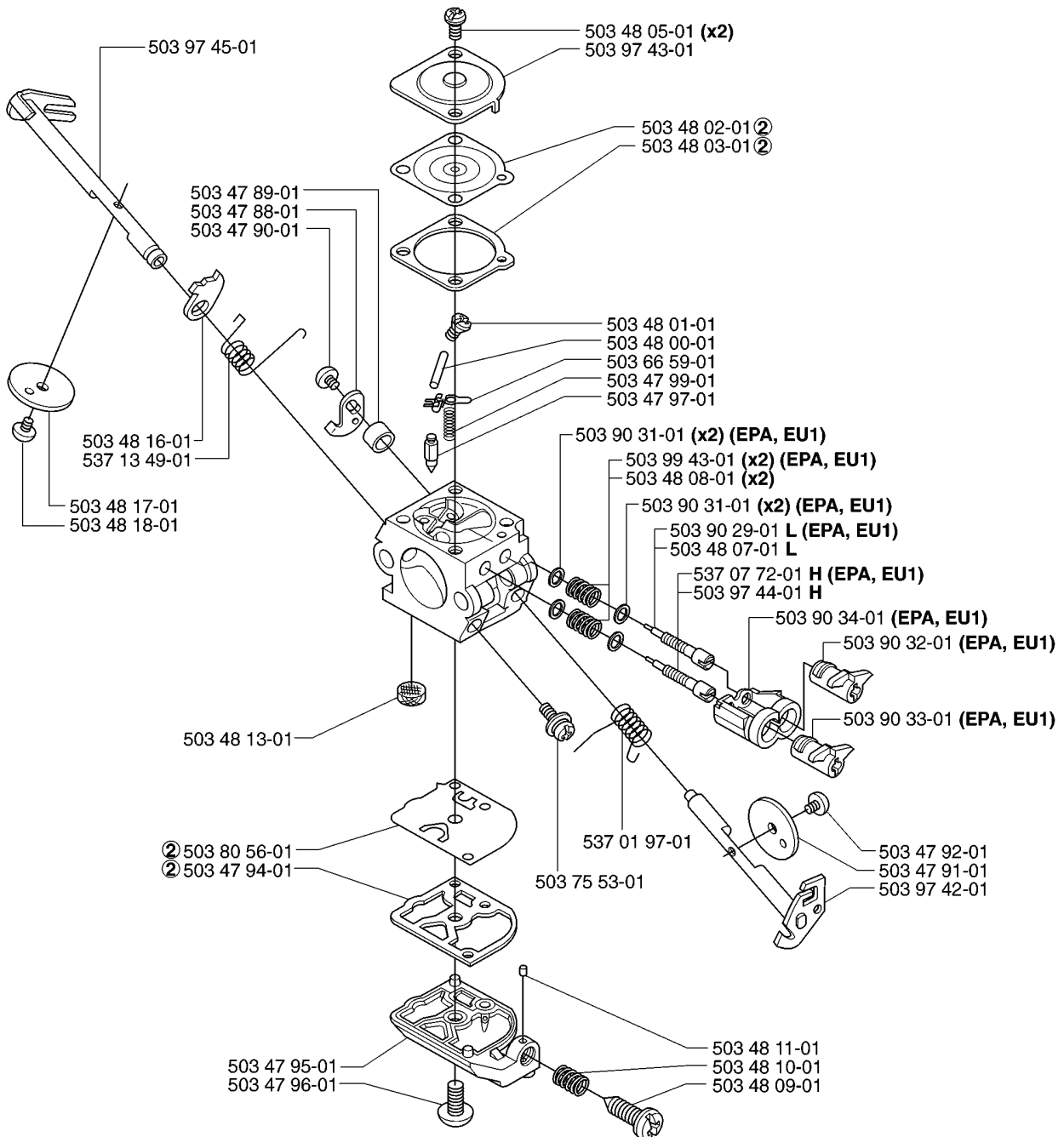
501 69 17-01



| REF. | PART NO. | DESCRIPTION | REMARK | QTY. | KIT |
|------------|-----------|--------------------|--------|------|-----|
| 5016917-01 | 501691701 | COMBINATION WRENCH | | 1 | |

M compl 503 28 31-06 ZAMA C1Q-EL7 (EPA, EU1)
compl 503 28 31-05 ZAMA C1Q-EL6

ZAMA C1Q-EL7 ZAMA C1Q-EL6

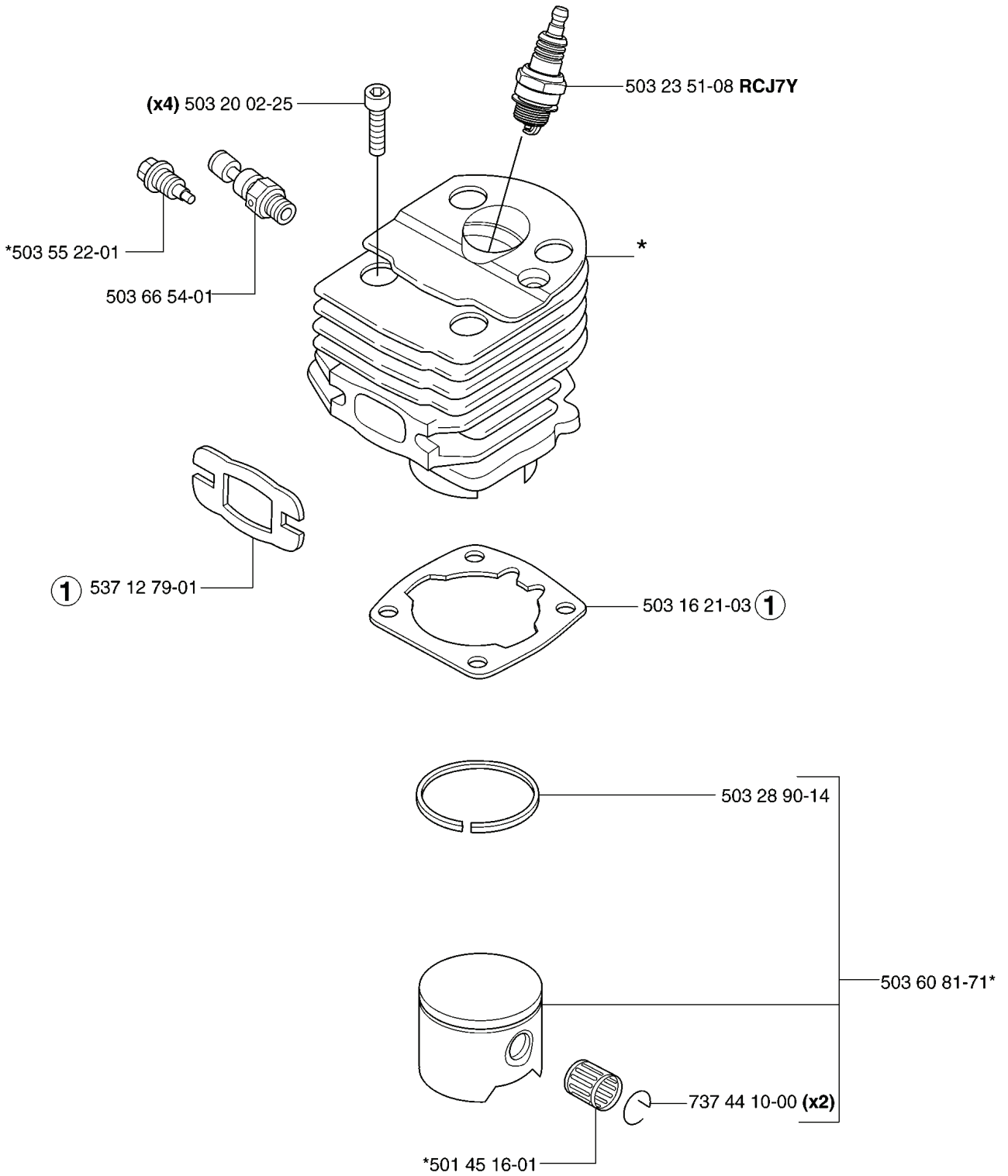


② 503 48 21-01
Set of gaskets
Dichtungssatz
Jeu de joints
Juego de Juntas
Packningssats

| REF. | PART NO. | DESCRIPTION | REMARK | QTY. | KIT |
|--------------|-----------|---------------------|--------|------|-----|
| 503 28 31-06 | 503283106 | CARBURETTOR | | 1 | |
| 503 28 31-05 | 503283105 | CARBURETTOR | | 1 | |
| 503 97 45-01 | 503974501 | SHAFT | | 1 | |
| 503 47 89-01 | 503478901 | COLLAR | | 1 | |
| 503 47 88-01 | 503478801 | LEVER | | 1 | |
| 503 47 90-01 | 503479001 | SCREW | | 1 | |
| 503 48 16-01 | 503481601 | LEVER | | 1 | |
| 537 13 49-01 | 537134901 | SPRING | | 1 | |
| 503 48 17-01 | 503481701 | VALVE | | 1 | |
| 503 48 18-01 | 503481801 | SCREW | | 1 | |
| 503 48 13-01 | 503481301 | STRAINER | | 1 | |
| 503 80 56-01 | 503805601 | DIAPHRAGM PUMP | | 1 | |
| 503 47 94-01 | 503479401 | GASKET | | 1 | |
| 503 47 95-01 | 503479501 | COVER | | 1 | |
| 503 47 96-01 | 503479601 | SCREW | | 1 | |
| 503 48 09-01 | 503480901 | SCREW | | 1 | |
| 503 48 10-01 | 503481001 | SPRING | | 1 | |
| 503 48 11-01 | 503481101 | PIECE | | 1 | |
| 503 75 53-01 | 503755301 | SCREW | | 1 | |
| 537 01 97-01 | 537019701 | SPRING | | 1 | |
| 503 97 42-01 | 503974201 | SHAFT | | 1 | |
| 503 47 91-01 | 503479101 | VALVE | | 1 | |
| 503 47 92-01 | 503479201 | SCREW | | 1 | |
| 503 90 33-01 | 503903301 | LIMITER CAP | | 1 | |
| 503 90 32-01 | 503903201 | LIMITER CAP | | 1 | |
| 503 90 34-01 | 503903401 | RETAINER | | 1 | |
| 503 97 44-01 | 503974401 | SCREW | | 1 | |
| 537 07 72-01 | 537077201 | SCREW | | 1 | |
| 503 48 07-01 | 503480701 | SCREW | | 1 | |
| 503 90 29-01 | 503902901 | SCREW | | 1 | |
| 503 90 31-01 | 503903101 | WASHER | | 2 | |
| 503 48 08-01 | 503480801 | SPRING | | 2 | |
| 503 99 43-01 | 503994301 | SPRING | | 2 | |
| 503 47 97-01 | 503479701 | VALVE | | 1 | |
| 503 47 99-01 | 503479901 | SPRING | | 1 | |
| 503 66 59-01 | 503665901 | LEVER | | 1 | |
| 503 48 00-01 | 503480001 | PIN RETAINING SCREW | | 1 | |
| 503 48 01-01 | 503480101 | SCREW | | 1 | |
| 503 48 03-01 | 503480301 | GASKET | | 1 | |
| 503 48 02-01 | 503480201 | DIAPHRAGM | | 1 | |
| 503 97 43-01 | 503974301 | COVER | | 1 | |

| REF. | PART NO. | DESCRIPTION | REMARK | QTY. | KIT |
|------------------|-----------|-------------|--------|------|-----|
| 503 48 05- 01 | 503480501 | SCREW | | 2 | |

D *compl 503 60 91-71



| REF. | PART NO. | DESCRIPTION | REMARK | QTY. | KIT |
|------------|-----------|---------------------|--------|------|-----|
| 5036091-71 | 503609171 | CYLINDER ASSY | | 1 | |
| 5032002-25 | 503200225 | SCREW IHSCFM | | 4 | |
| 5035522-01 | 503552201 | PLUG | | 1 | |
| 5036654-01 | 503665401 | DECOMPRESSION VALVE | | 1 | |
| 5371279-01 | 537127901 | GASKET | | 1 | |
| 5014516-01 | 501451601 | NEEDLE BEARING | | 1 | |
| 7374410-00 | 737441000 | SNAP RING | | 2 | |
| 5036081-71 | 503608171 | PISTON ASSY | | 1 | |
| 5032890-14 | 503289014 | PISTON RING | | 1 | |
| 5031621-03 | 503162103 | GASKET | | 1 | |
| 5032351-08 | 503235108 | SPARK PLUG | | 1 | |