

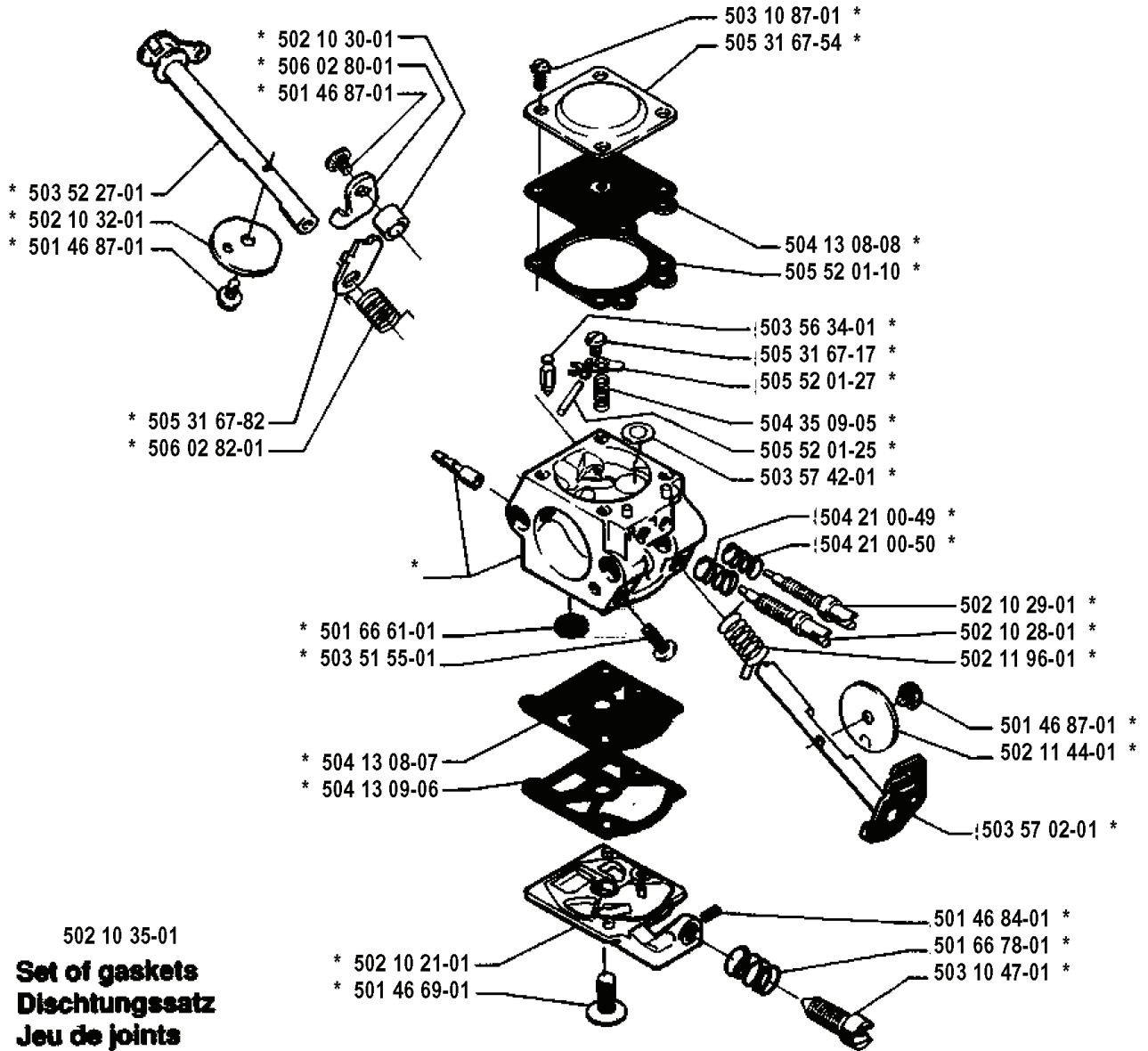
55, 19942300001-19982300000

SPARE PARTS LIST

M

* compl 503 28 15-04

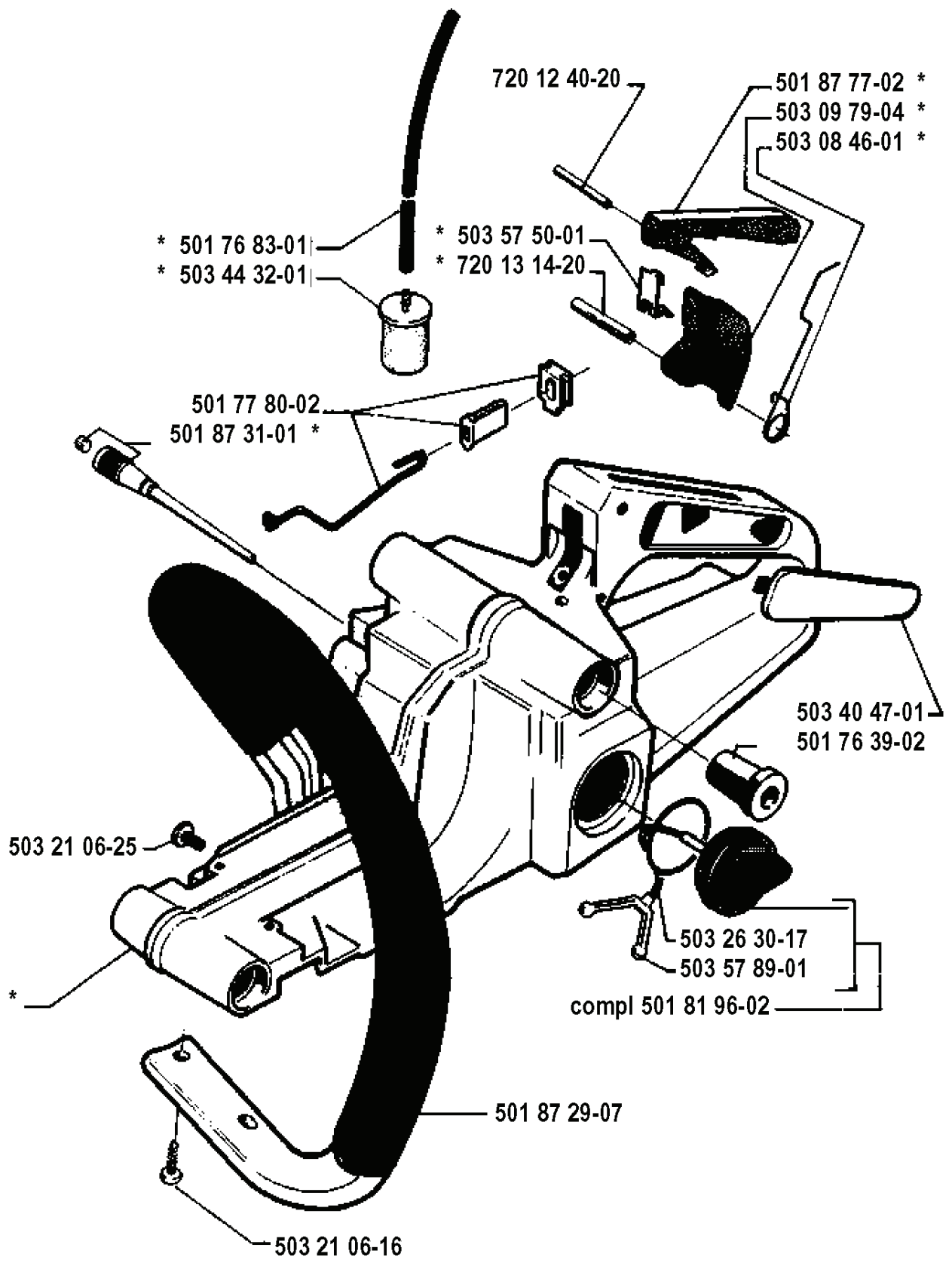
Walbro WT 170



502 10 35-01
Set of gaskets
Dischtungssatz
Jeu de joints
Juego de juntas
Packningssatz

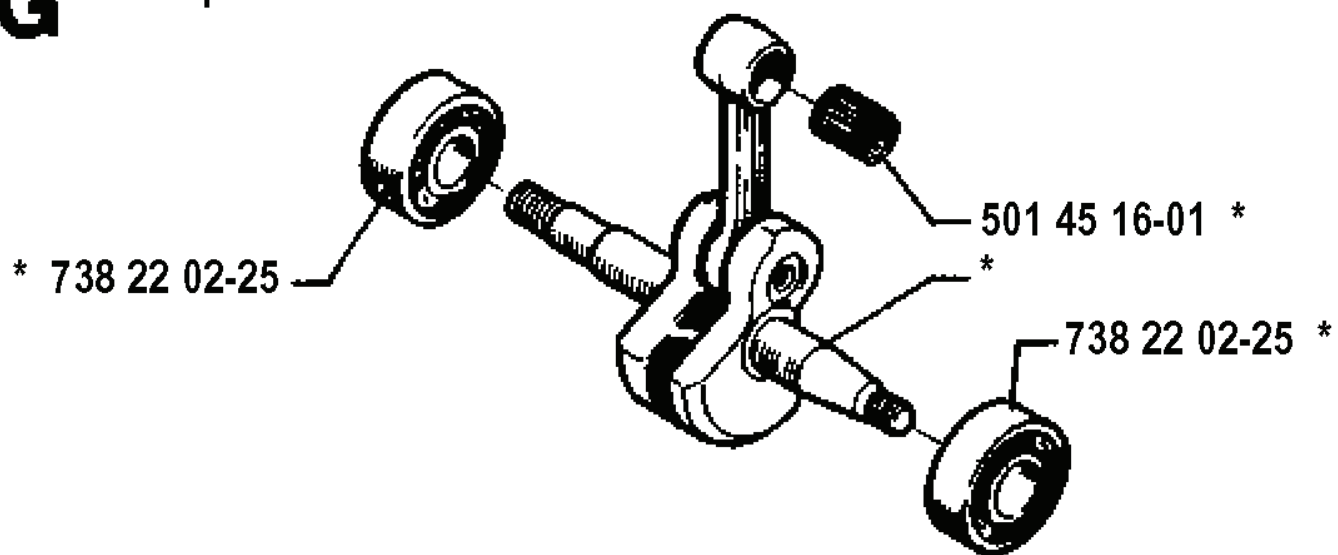
| REF. | PART NO. | DESCRIPTION | REMARK | QTY. | KIT |
|--------------|-----------|-------------------|----------------|------|-----|
| 503 28 15-04 | 503281504 | CARBURETTOR | | 1 | |
| 502 10 30-01 | 502103001 | DISTANCE | | 1 | |
| 506 02 80-01 | 506028001 | STARTGASARM | | 1 | |
| 503 52 27-01 | 503522701 | SHAFT ASSY | | 1 | |
| 502 10 32-01 | 502103201 | CHOKE SKIVA | | 1 | |
| 501 46 87-01 | 501468701 | SCREW | | 1 | |
| 505 31 67-82 | 505316782 | LEVER | | 1 | |
| 506 02 82-01 | 506028201 | SPRING | | 1 | |
| 501 66 61-01 | 501666101 | SCREEN | | 1 | |
| 503 51 55-01 | 503515501 | SCREW | | 1 | |
| 504 13 08-07 | 504130807 | DIAPHRAGM PUMP | | 1 | |
| 504 13 09-06 | 504130906 | GASKET | | 1 | |
| 502 10 21-01 | 502102101 | LOCK PUMPSIDA | | 1 | |
| 501 46 69-01 | 501466901 | SCREW | | 1 | |
| 502 10 35-01 | 502103501 | GASKET KIT | SET OF GASKETS | 1 | |
| 503 10 47-01 | 503104701 | SCREW | | 1 | |
| 501 66 78-01 | 501667801 | SPRING | | 1 | |
| 501 46 84-01 | 501468401 | SPRING | | 1 | |
| 503 57 02-01 | 503570201 | SHAFT ASSY | | 1 | |
| 502 11 44-01 | 502114401 | THROTTLE DISC | | 1 | |
| 502 11 96-01 | 502119601 | RECOIL SPRING | | 1 | |
| 502 10 28-01 | 502102801 | HIGH SPEED NEEDLE | | 1 | |
| 502 10 29-01 | 502102901 | LOW SPEED NEEDLE | | 1 | |
| 504 21 00-50 | 504210050 | SPRING | | 1 | |
| 504 21 00-49 | 504210049 | SPRING | | 1 | |
| 503 57 42-01 | 503574201 | PLUG | | 1 | |
| 505 52 01-25 | 505520125 | PIN | | 1 | |
| 504 35 09-05 | 504350905 | SPRING | | 1 | |
| 505 52 01-27 | 505520127 | LEVER | | 1 | |
| 505 31 67-17 | 505316717 | SCREW | | 1 | |
| 503 56 34-01 | 503563401 | NEEDLE VALVE | | 1 | |
| 505 52 01-10 | 505520110 | GASKET | | 1 | |
| 504 13 08-08 | 504130808 | DIAPHRAGM | | 1 | |
| 505 31 67-54 | 505316754 | LOCK STYRMEMBRAN | | 1 | |
| 503 10 87-01 | 503108701 | SCREW | | 1 | |

E * compl 501 76 13-10



| REF. | PART NO. | DESCRIPTION | REMARK | QTY. | KIT |
|--------------|-----------|-----------------------|--------|------|-----|
| 501 76 13-10 | 501761310 | FUEL TANK | | 1 | |
| 501 76 83-01 | 501768301 | FUEL HOSE | | 1 | |
| 503 44 32-01 | 503443201 | FUEL FILTER | | 1 | |
| 501 77 80-02 | 501778002 | TRIGGER | | 1 | |
| 501 87 31-01 | 501873101 | TANK VENT ASSY | | 1 | |
| 503 21 06-25 | 503210625 | SCREW IHSCFT | | 1 | |
| 503 21 06-16 | 503210616 | SCREW IHSCFT | | 1 | |
| 501 87 29-07 | 501872907 | FRONT HANDLE ASSY | | 1 | |
| 501 81 96-02 | 501819602 | TANK CAP ASSY | | 1 | |
| 503 57 89-01 | 503578901 | HOLDER | | 1 | |
| 503 26 30-17 | 503263017 | O-RING | | 1 | |
| 501 76 39-02 | 501763902 | ANTIVIBRATION ELEMENT | | 1 | |
| 503 40 47-01 | 503404701 | HANDLE INSERT | | 1 | |
| 720 13 14-20 | 720131420 | PARALLEL PIN | | 1 | |
| 503 57 50-01 | 503575001 | WEAR PROTECTION | | 1 | |
| 720 12 40-20 | 720124020 | PARALLEL PIN | | 1 | |
| 503 08 46-01 | 503084601 | RECOIL SPRING | | 1 | |
| 503 09 79-04 | 503097904 | THROTTLE LEVER | | 1 | |
| 501 87 77-02 | 501877702 | THROTTLE LOCKOUT | | 1 | |

G * compl 503 57 38-02



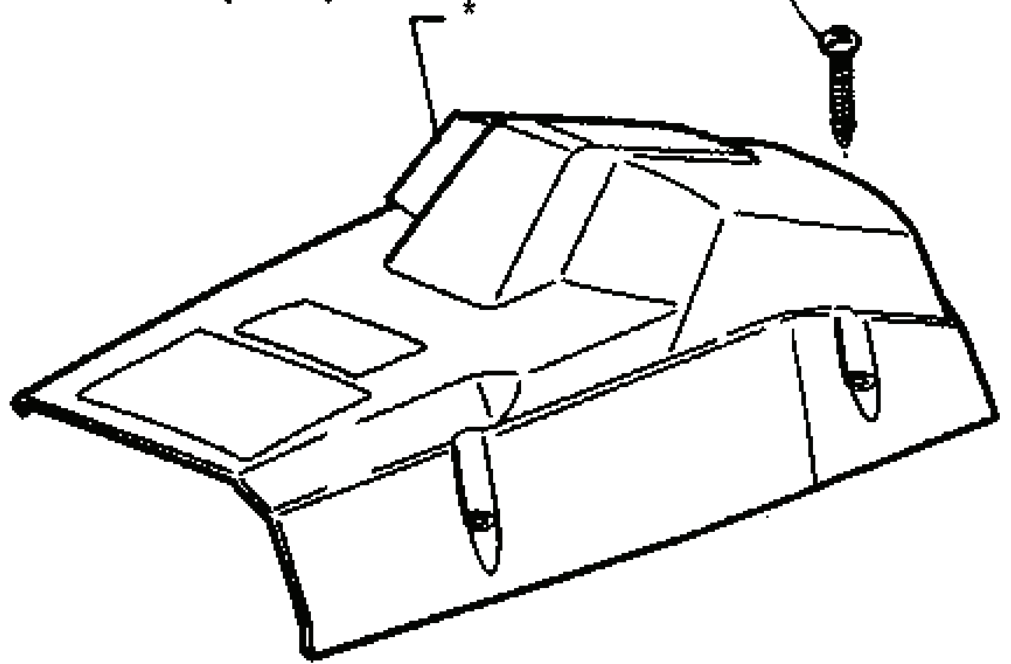
| REF. | PART NO. | DESCRIPTION | REMARK | QTY. | KIT |
|--------------|-----------|-----------------|--------|------|-----|
| 503 57 38-02 | 503573802 | CRANKSHAFT ASSY | | 1 | |
| 501 45 16-01 | 501451601 | NEEDLE BEARING | | 1 | |
| 738 22 02-25 | 738220225 | BALL BEARING | | 1 | |

B

* compl 503 60 90-05

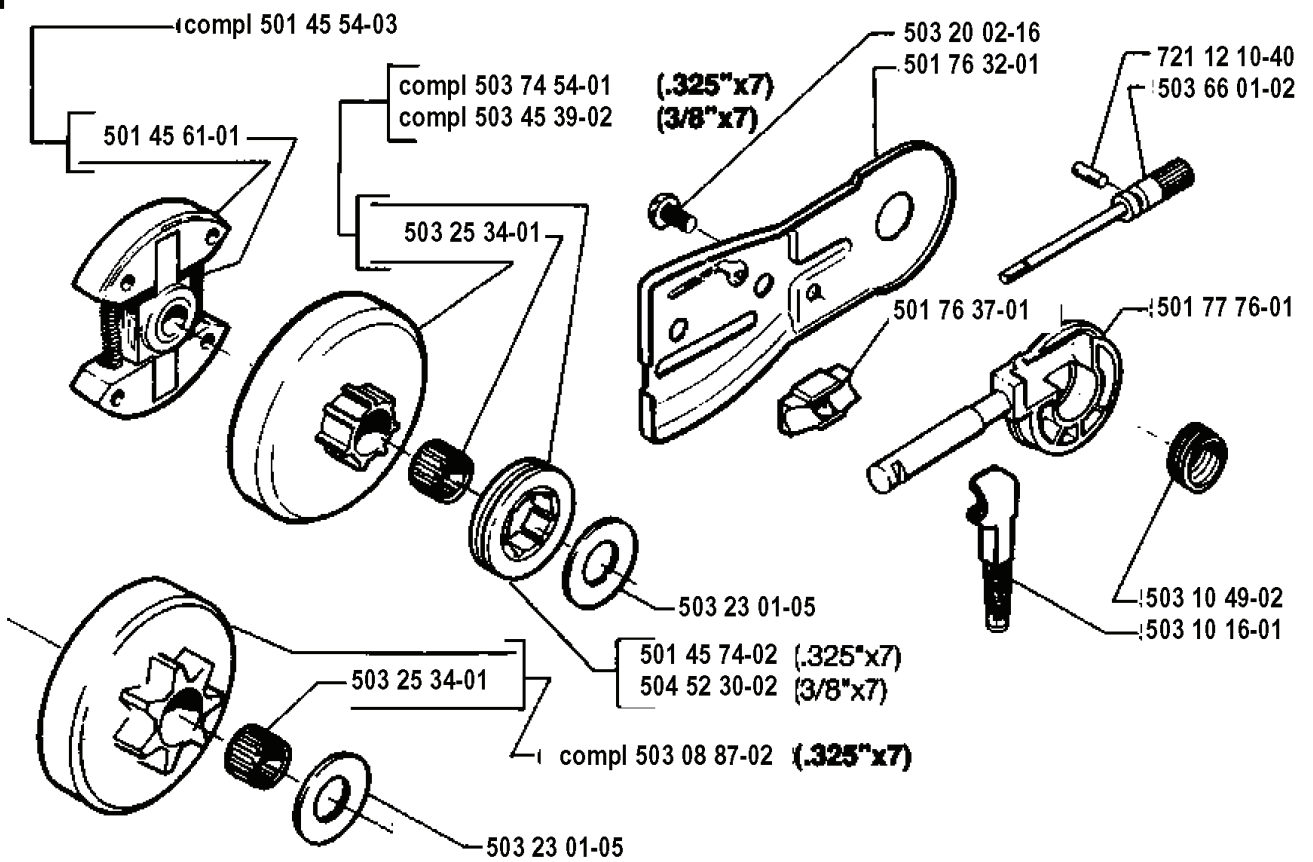
* compl 503 60 90-06 (USA)

* 503 21 43-38



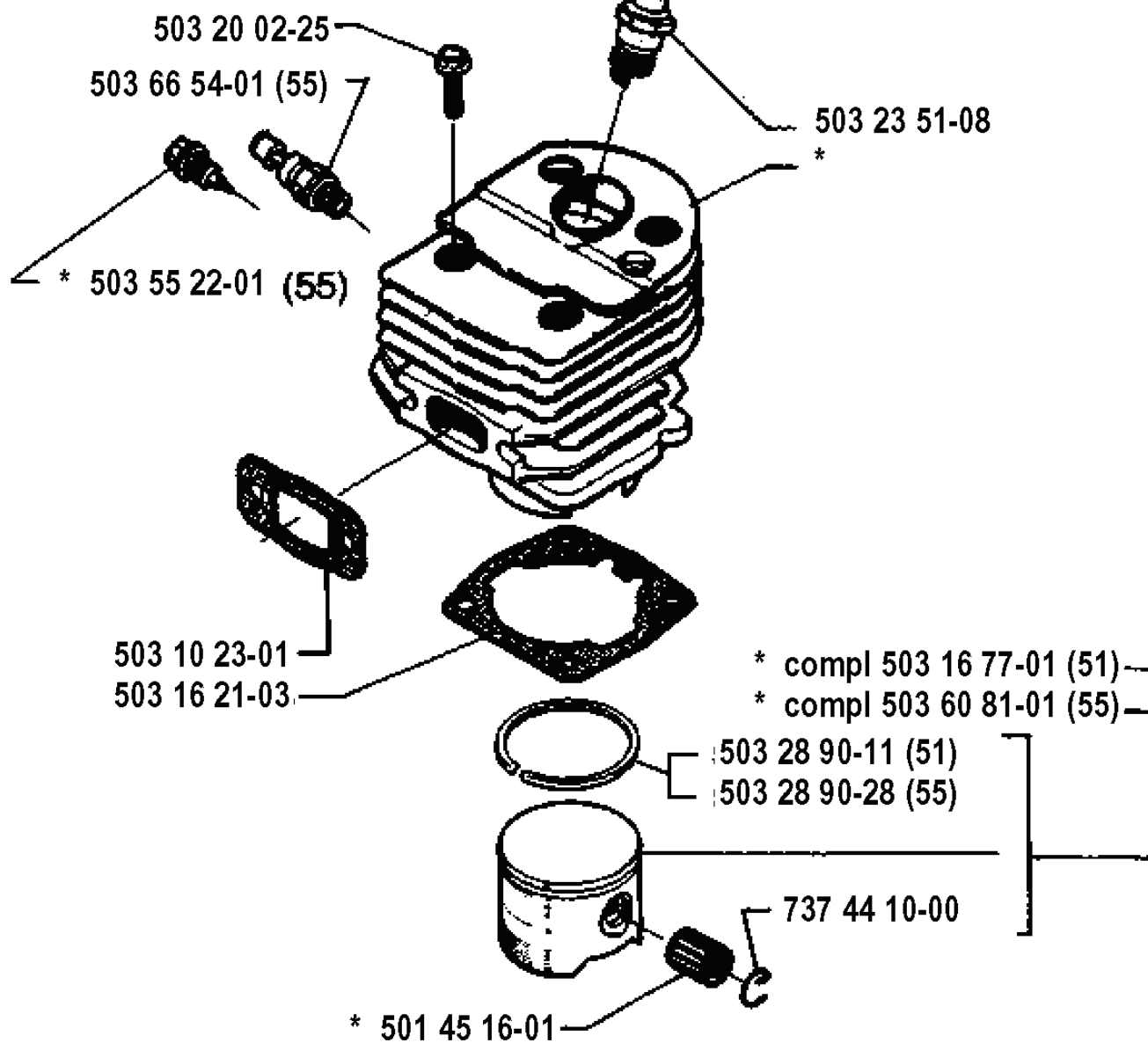
| REF. | PART NO. | DESCRIPTION | REMARK | QTY. | KIT |
|--------------|-----------|---------------------|--------|------|-----|
| 503 60 90-05 | 503609005 | CYLINDER COVER ASSY | | 1 | |
| 503 60 90-06 | 503609006 | CYLINDER COVER ASSY | USA | 1 | |
| 503 21 43-38 | 503214338 | SCREW | | 1 | |

H

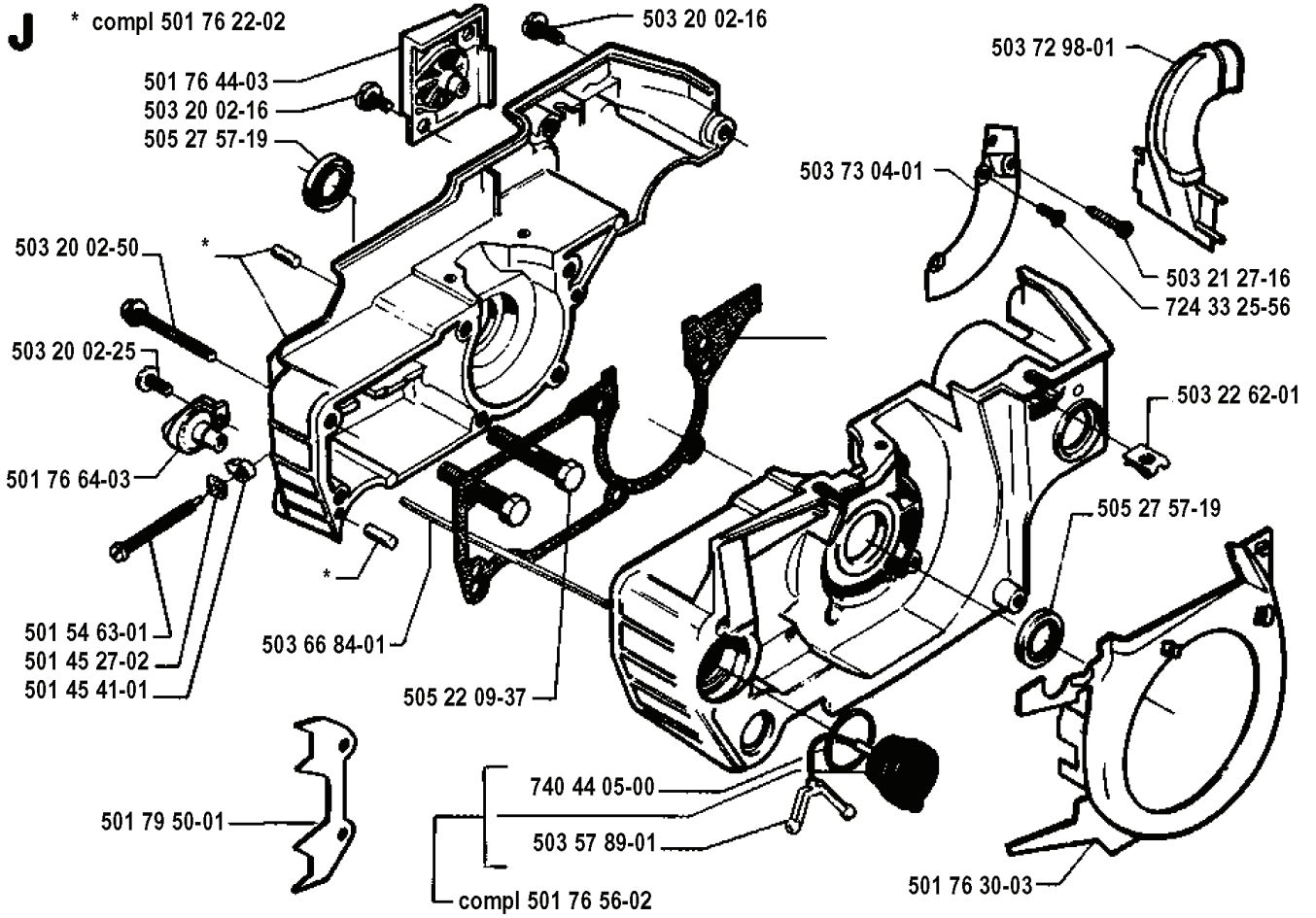


| REF. | PART NO. | DESCRIPTION | REMARK | QTY. | KIT |
|--------------|-----------|-------------------|--------|------|-----|
| 501 45 54-03 | 501455403 | CLUTCH ASSY | | 1 | |
| 501 45 61-01 | 501456101 | CLUTCH SPRING | | 1 | |
| 503 25 34-01 | 503253401 | NEEDLE BEARING | | 1 | |
| 503 45 39-02 | 503453902 | CLUTCH DRUM ASSY | 3/8X7 | 1 | |
| 503 74 54-01 | 503745401 | CLUTCH DRUM ASSY | .325X7 | 1 | |
| 503 23 01-05 | 503230105 | WASHER | | 1 | |
| 501 45 74-02 | 501457402 | RIM | .325X7 | 1 | |
| 504 52 30-02 | 504523002 | RIM | 3/8X7 | 1 | |
| 503 08 87-02 | 503088702 | CLUTCH DRUM ASSY | .325X7 | 1 | |
| 503 10 16-01 | 503101601 | SUCTION HOSE ASSY | | 1 | |
| 503 10 49-02 | 503104902 | PUMP PINION | | 1 | |
| 501 77 76-01 | 501777601 | OIL PUMP | | 1 | |
| 501 76 37-01 | 501763701 | SEALING | | 1 | |
| 501 76 32-01 | 501763201 | CHAIN GUIDE PLATE | | 1 | |
| 503 20 02-16 | 503200216 | SCREW IHSCFM | | 1 | |
| 503 66 01-02 | 503660102 | PUMP PISTON | | 1 | |
| 721 12 10-40 | 721121040 | GROOVED PIN | | 1 | |

C * compl 503 16 83-01 (51,Ø45mm)
* compl 503 60 91-04 (55,Ø46mm)

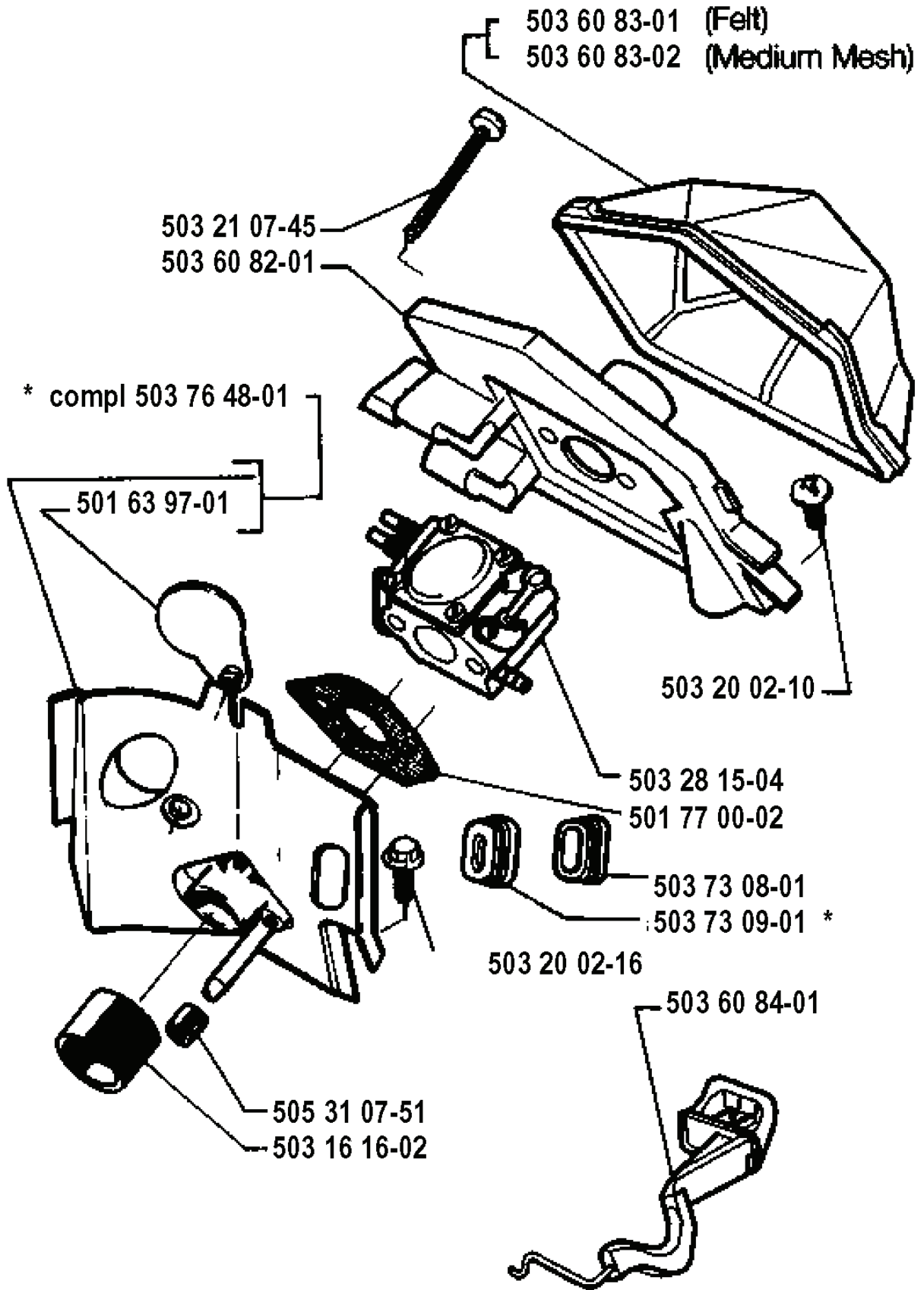


| REF. | PART NO. | DESCRIPTION | REMARK | QTY. | KIT |
|--------------|-----------|---------------------|-------------|------|-----|
| 503 16 83-01 | 503168301 | CYLINDER ASSY | 51.DIA.45MM | 1 | |
| 503 60 91-04 | 503609104 | CYLINDER ASSY | 55.DIA.46MM | 1 | |
| 503 20 02-25 | 503200225 | SCREW IHSCFM | | 1 | |
| 503 66 54-01 | 503665401 | DECOMPRESSION VALVE | 55 | 1 | |
| 503 55 22-01 | 503552201 | PLUG | 55 | 1 | |
| 503 10 23-01 | 503102301 | MUFFLER GASKET | | 1 | |
| 503 16 21-03 | 503162103 | GASKET | | 1 | |
| 501 45 16-01 | 501451601 | NEEDLE BEARING | | 1 | |
| 737 44 10-00 | 737441000 | SNAP RING | | 1 | |
| 503 28 90-28 | 503289028 | PISTON RING | 55 | 1 | |
| 503 28 90-11 | 503289011 | PISTON RING | 51 | 1 | |
| 503 60 81-01 | 503608101 | PISTON ASSY | 55 | 1 | |
| 503 16 77-01 | 503167701 | PISTON ASSY | 51 | 1 | |
| 503 23 51-08 | 503235108 | SPARK PLUG | | 1 | |



| REF. | PART NO. | DESCRIPTION | REMARK | QTY. | KIT |
|--------------|-----------|----------------|--------|------|-----|
| 501 76 22-02 | 501762202 | CRANKCASE | | 1 | |
| 501 76 44-03 | 501764403 | LID | | 1 | |
| 503 20 02-16 | 503200216 | SCREW IHSCFM | | 1 | |
| 503 20 02-50 | 503200250 | SCREW IHSCFM | | 1 | |
| 503 20 02-25 | 503200225 | SCREW IHSCFM | | 1 | |
| 501 76 64-03 | 501766403 | CHAIN CATCHER | | 1 | |
| 501 54 63-01 | 501546301 | SCREW | | 1 | |
| 501 45 27-02 | 501452702 | LOCK NUT | | 1 | |
| 501 45 41-01 | 501454101 | NUT | | 1 | |
| 501 79 50-01 | 501795001 | SPIKE | | 1 | |
| 501 76 56-02 | 501765602 | TANK CAP ASSY | | 1 | |
| 503 57 89-01 | 503578901 | HOLDER | | 1 | |
| 740 44 05-00 | 740440500 | O-RING | | 1 | |
| 505 22 09-37 | 505220937 | BAR BOLT | | 1 | |
| 503 66 84-01 | 503668401 | TANK VENT ASSY | | 1 | |
| 503 73 04-01 | 503730401 | AIR CONDUCTOR | | 1 | |
| 503 72 98-01 | 503729801 | AIR NOZZLE | | 1 | |
| 503 21 27-16 | 503212716 | SCREW CRPANT | | 1 | |
| 724 33 25-56 | 724332556 | SCREW CRCSFM | | 1 | |
| 503 22 62-01 | 503226201 | NUT | | 1 | |
| 505 27 57-19 | 505275719 | SEALING RING | | 1 | |
| 501 76 30-03 | 501763003 | LEDSKENA | | 1 | |

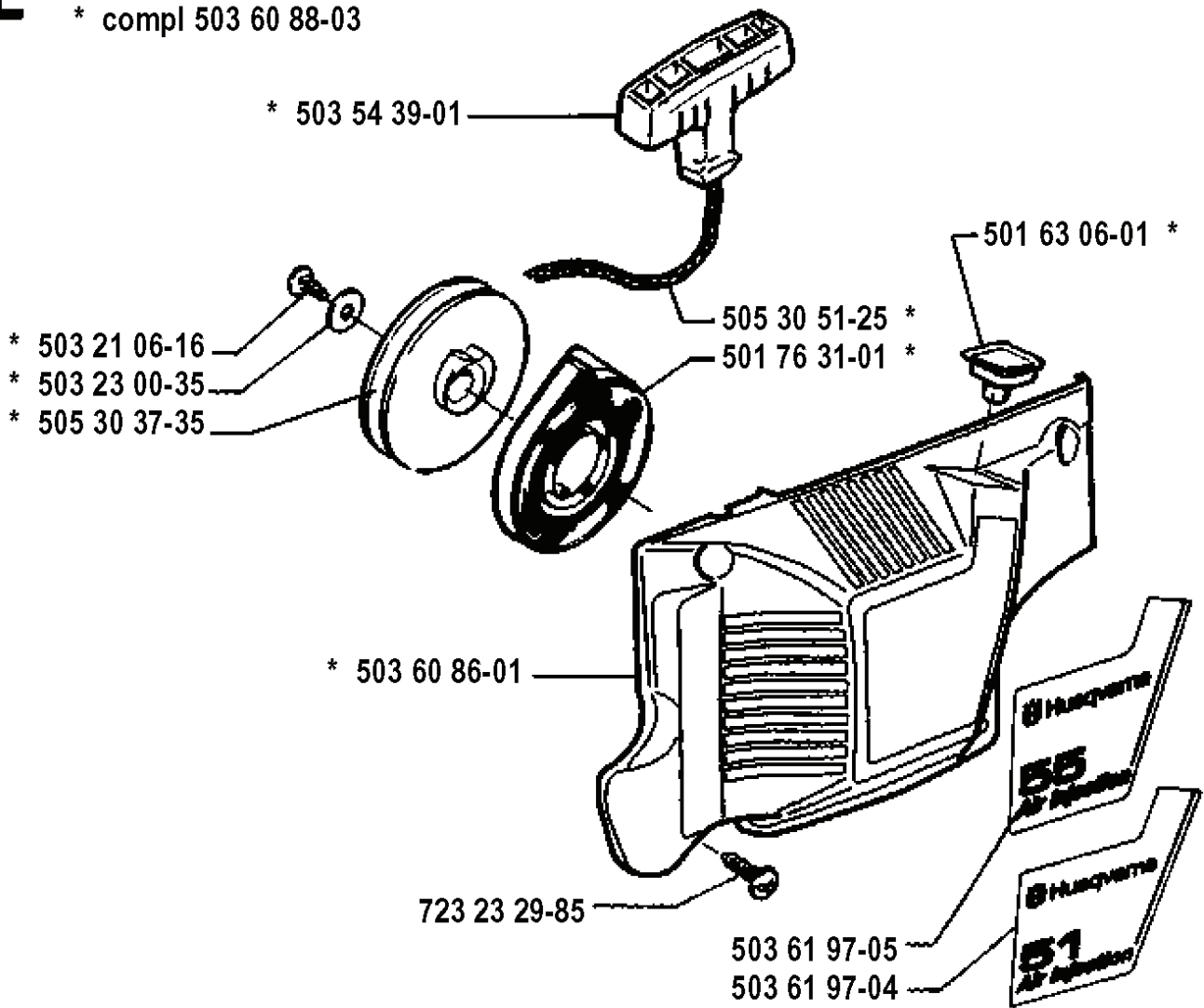
D



| REF. | PART NO. | DESCRIPTION | REMARK | QTY. | KIT |
|------------|-----------|---------------|-------------|------|-----|
| 5036083-01 | 503608301 | AIR FILTER | FELT | 1 | |
| 5036083-02 | 503608302 | AIR FILTER | MEDIUM MESH | 1 | |
| 5032107-45 | 503210745 | SCREW IH SCT | | 1 | |
| 5036082-01 | 503608201 | FILTER HOLDER | | 1 | |
| 5037648-01 | 503764801 | KIT | | 1 | |
| 5016397-01 | 501639701 | COVER | | 1 | |
| 5053107-51 | 505310751 | IMPULSE HOSE | | 1 | |
| 5031616-02 | 503161602 | INLET PIPE | | 1 | |
| 5032002-16 | 503200216 | SCREW IH SCFM | | 1 | |
| 5036084-01 | 503608401 | CHOKE CONTROL | | 1 | |
| 5037309-01 | 503730901 | PLUG | | 1 | |
| 5037308-01 | 503730801 | GROMMET | | 1 | |
| 5017700-02 | 501770002 | GASKET | | 1 | |
| 5032815-04 | 503281504 | CARBURETTOR | | 1 | |
| 5032002-10 | 503200210 | SCREW IH SCFM | | 1 | |

L

* compl 503 60 88-03

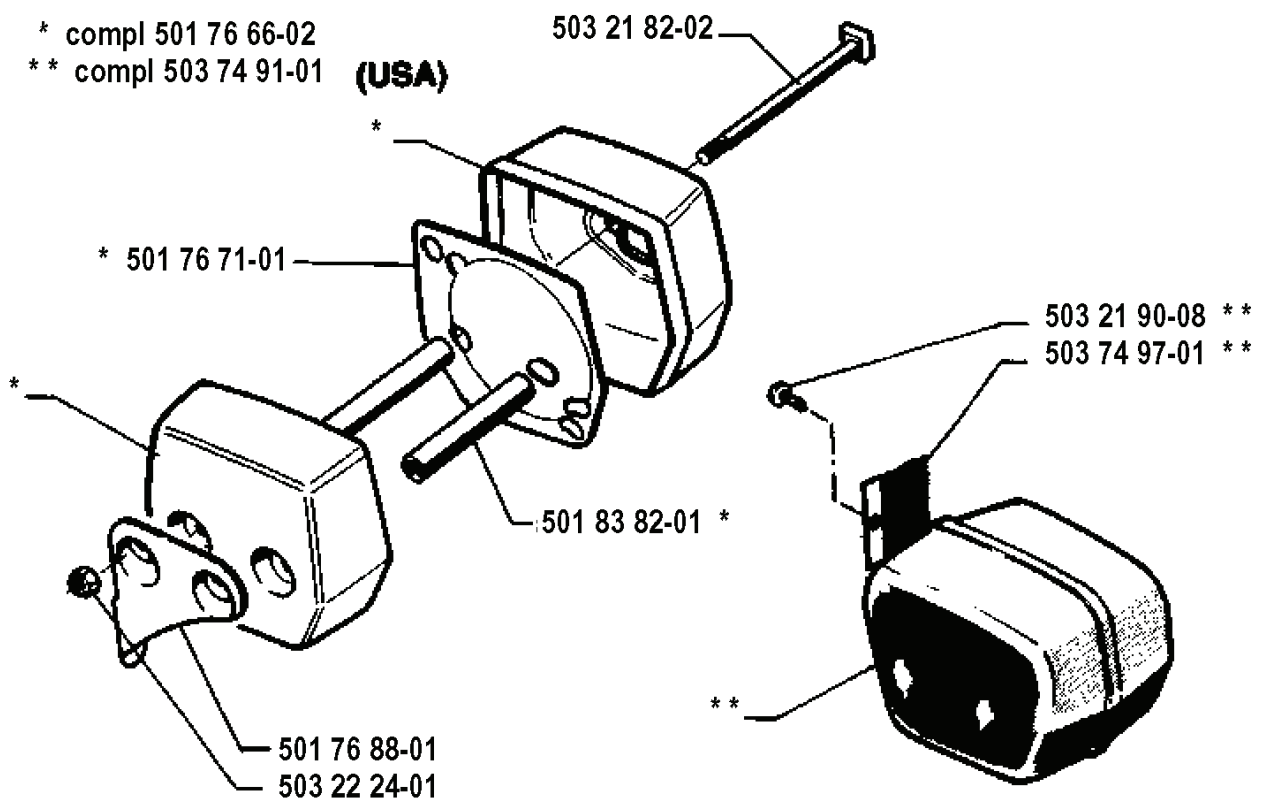


| REF. | PART NO. | DESCRIPTION | REMARK | QTY. | KIT |
|------------|-----------|----------------------|--------|------|-----|
| 5036088-03 | 503608803 | STARTER ASSY | | 1 | |
| 5035439-01 | 503543901 | STARTER HANDLE | | 1 | |
| 5032106-16 | 503210616 | SCREW IHSCT | | 1 | |
| 5032300-35 | 503230035 | WASHER | | 1 | |
| 5053037-35 | 505303735 | STARTER PULLEY | | 1 | |
| 5036086-01 | 503608601 | STARTER HOUSING | | 1 | |
| 7232329-85 | 723232985 | SCREW SLPANM | | 1 | |
| 5036197-04 | 503619704 | DECAL | | 1 | |
| 5036197-05 | 503619705 | DECAL | | 1 | |
| 5017631-01 | 501763101 | SPRING CASSETTE ASSY | | 1 | |
| 5053051-25 | 505305125 | STARTER ROPE | | 1 | |
| 5016306-01 | 501630601 | SLEEVE | | 1 | |

F

* compl 501 76 66-02
** compl 503 74 91-01

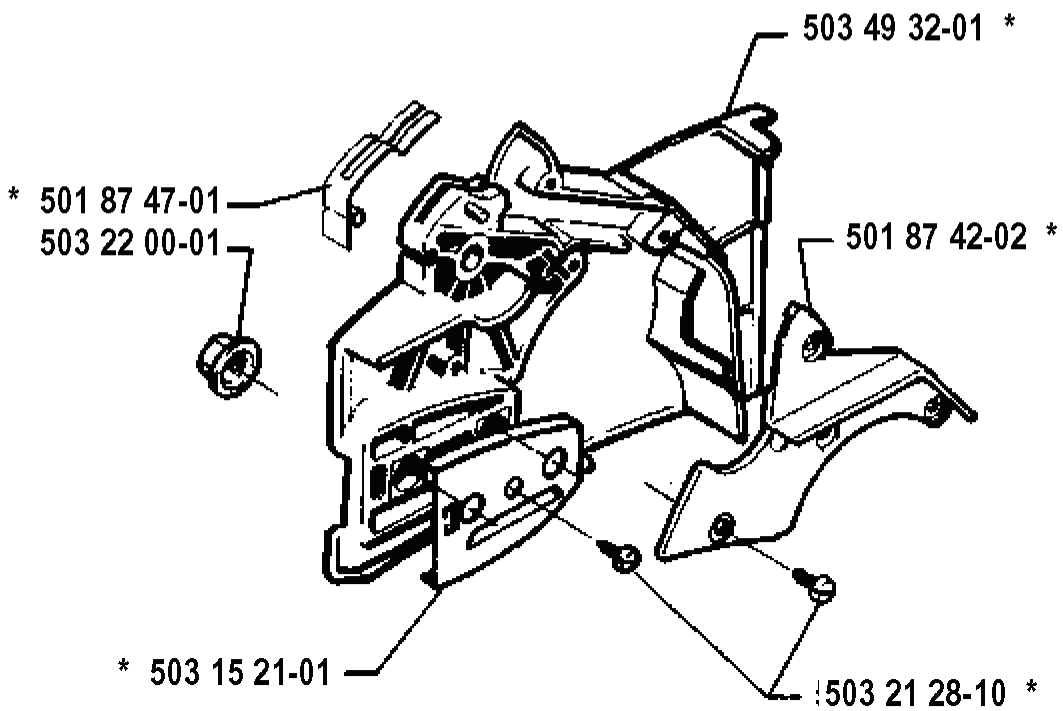
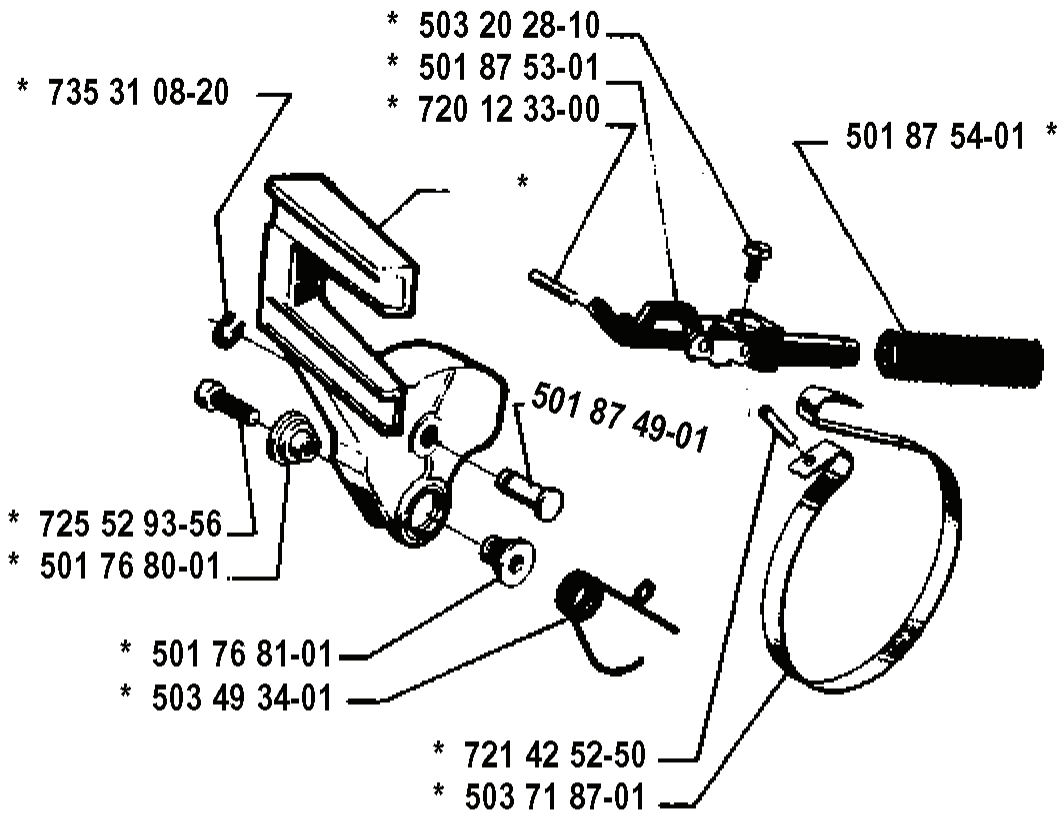
(USA)



| REF. | PART NO. | DESCRIPTION | REMARK | QTY. | KIT |
|------------|-----------|-----------------------|--------|------|-----|
| 5017666-02 | 501766602 | MUFFLER ASSY | | 1 | |
| 5037491-01 | 503749101 | MUFFLER FF | USA | 1 | |
| 5017671-01 | 501767101 | BAFFLE PLATE | | 1 | |
| 5017688-01 | 501768801 | BRACKET | | 1 | |
| 5032224-01 | 503222401 | LOCK NUT | | 1 | |
| 5018382-01 | 501838201 | PISTON | | 1 | |
| 5032182-02 | 503218202 | SCREW | | 1 | |
| 5032190-08 | 503219008 | SCREW CCRPANM | | 1 | |
| 5037497-01 | 503749701 | SPARK ARRESTER SCREEN | | 1 | |

Correction:
503 49 81-03

A * compl 49 81-02
compl 501 87 84-04



| REF. | PART NO. | DESCRIPTION | REMARK | QTY. | KIT |
|--------------|-----------|-------------------|------------|------|-----|
| 503 49 81-03 | 503498103 | CLUTCH COVER ASSY | CORRECTION | 1 | |
| 49 81-02 | 498102 | | | 1 | |
| 501 87 84-04 | 501878404 | HAND GUARD ASSY | | 1 | |
| 735 31 08-20 | 735310820 | E-CLIP | | 1 | |
| 725 52 93-56 | 725529356 | SCREW IHSCM | | 1 | |
| 501 76 80-01 | 501768001 | SHAFT | | 1 | |
| 501 76 81-01 | 501768101 | SHAFT | | 1 | |
| 503 49 34-01 | 503493401 | POSITION SPRING | | 1 | |
| 501 87 47-01 | 501874701 | SPRING | | 1 | |
| 503 22 00-01 | 503220001 | HEXAGON NUT | | 1 | |
| 503 15 21-01 | 503152101 | COVER SHEET | | 1 | |
| 503 21 28-10 | 503212810 | SCREW CCRPANT | | 1 | |
| 501 87 42-02 | 501874202 | HUB CAP | | 1 | |
| 503 49 32-01 | 503493201 | CLUTCH COVER | | 1 | |
| 503 71 87-01 | 503718701 | BRAKE BAND | | 1 | |
| 721 42 52-50 | 721425250 | SPRING PIN | | 1 | |
| 501 87 49-01 | 501874901 | PIVOT PIN | | 1 | |
| 501 87 54-01 | 501875401 | BRAKE SPRING | | 1 | |
| 720 12 33-00 | 720123300 | PARALLEL PIN | | 1 | |
| 501 87 53-01 | 501875301 | KNEE JOINT ASSY | | 1 | |
| 503 20 28-10 | 503202810 | | | 1 | |

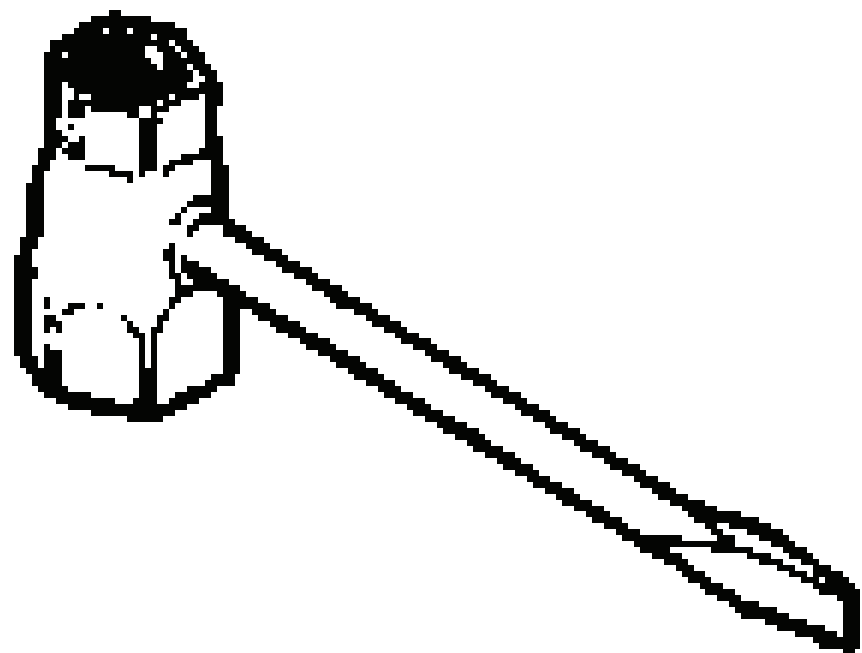
N

Accessories

Accessoires

Zubehöre

Tillbehör

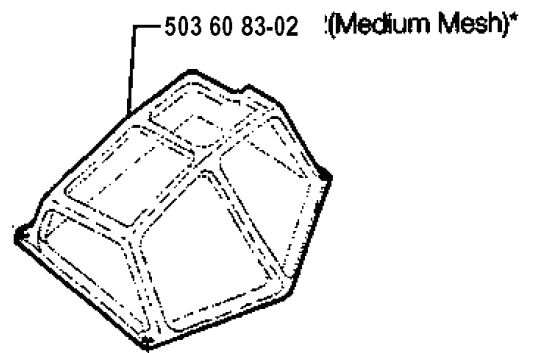
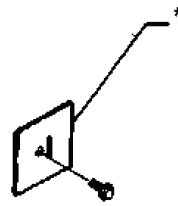


501 69 17-01

| REF. | PART NO. | DESCRIPTION | REMARK | QTY. | KIT |
|------------|-----------|--------------------|--------|------|-----|
| 5016917-01 | 501691701 | COMBINATION WRENCH | | 1 | |

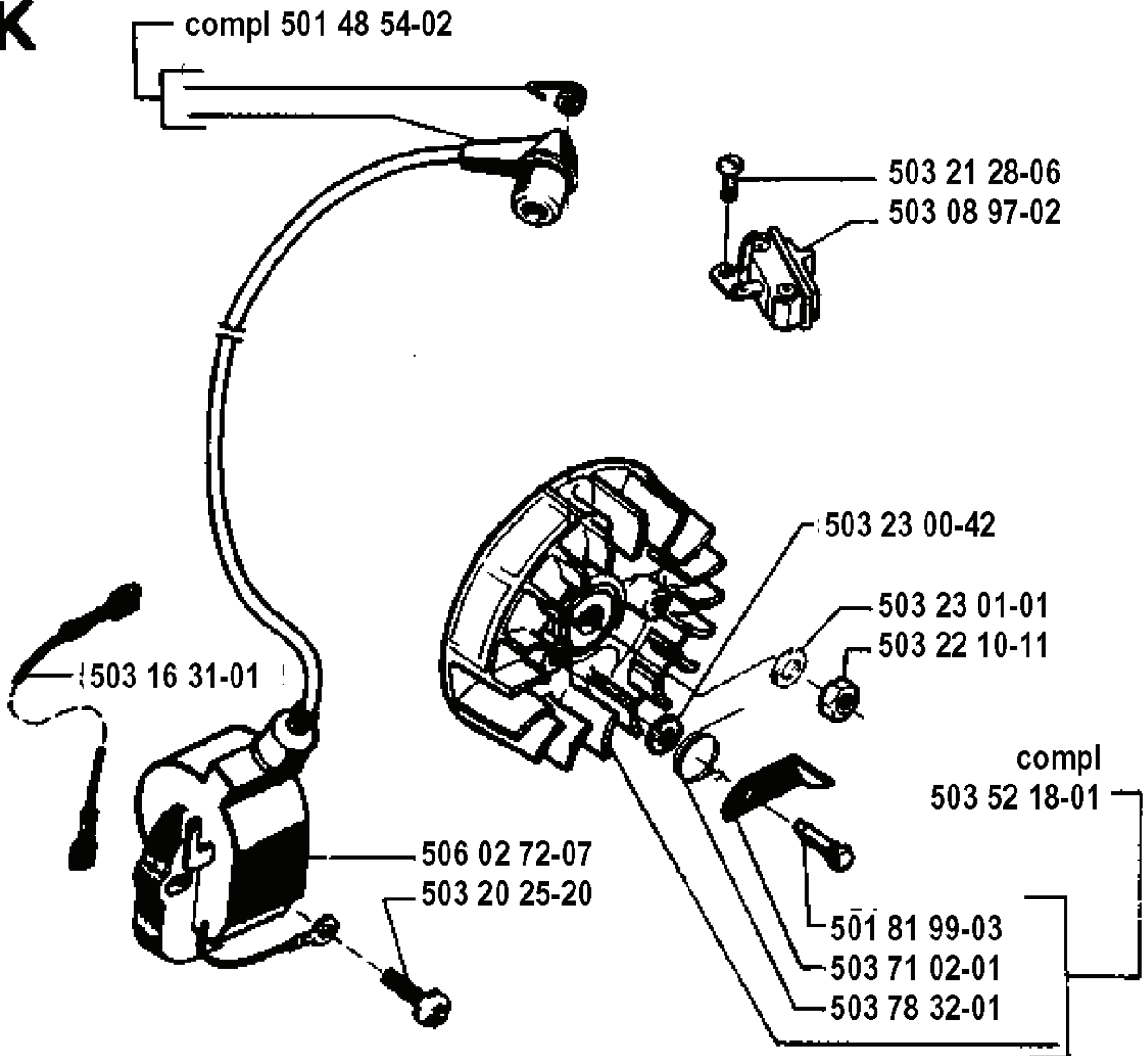
○ * compl 501 77 21-02

Winter equipment
Winterausrüstung
Equipment d'hiver
Vintersats



| REF. | PART NO. | DESCRIPTION | REMARK | QTY. | KIT |
|------------|-----------|-------------|-------------|------|-----|
| 5017721-02 | 501772102 | WINTER KIT | | 1 | |
| 5036083-02 | 503608302 | AIR FILTER | MEDIUM MESH | 1 | |

K



| REF. | PART NO. | DESCRIPTION | REMARK | QTY. | KIT |
|------------|-----------|-------------------|--------|------|-----|
| 5014854-02 | 501485402 | SPARK PLUG CAP | | 1 | |
| 5031631-01 | 503163101 | CABLE | | 1 | |
| 5060272-07 | 506027207 | ELECTRONIC MODULE | | 1 | |
| 5032025-20 | 503202520 | SCREW IHSCM | | 1 | |
| 5037832-01 | 503783201 | SPRING | | 1 | |
| 5037102-01 | 503710201 | PAWL | | 1 | |
| 5018199-03 | 501819903 | SCREW | | 1 | |
| 5035218-01 | 503521801 | FLYWHEEL ASSY | | 1 | |
| 5032210-11 | 503221011 | HEXAGON NUT | | 1 | |
| 5032301-01 | 503230101 | WASHER | | 1 | |
| 5032300-42 | 503230042 | WASHER | | 1 | |
| 5030897-02 | 503089702 | STOP SWITCH | | 1 | |
| 5032128-06 | 503212806 | SCREW CCRPANT | | 1 | |