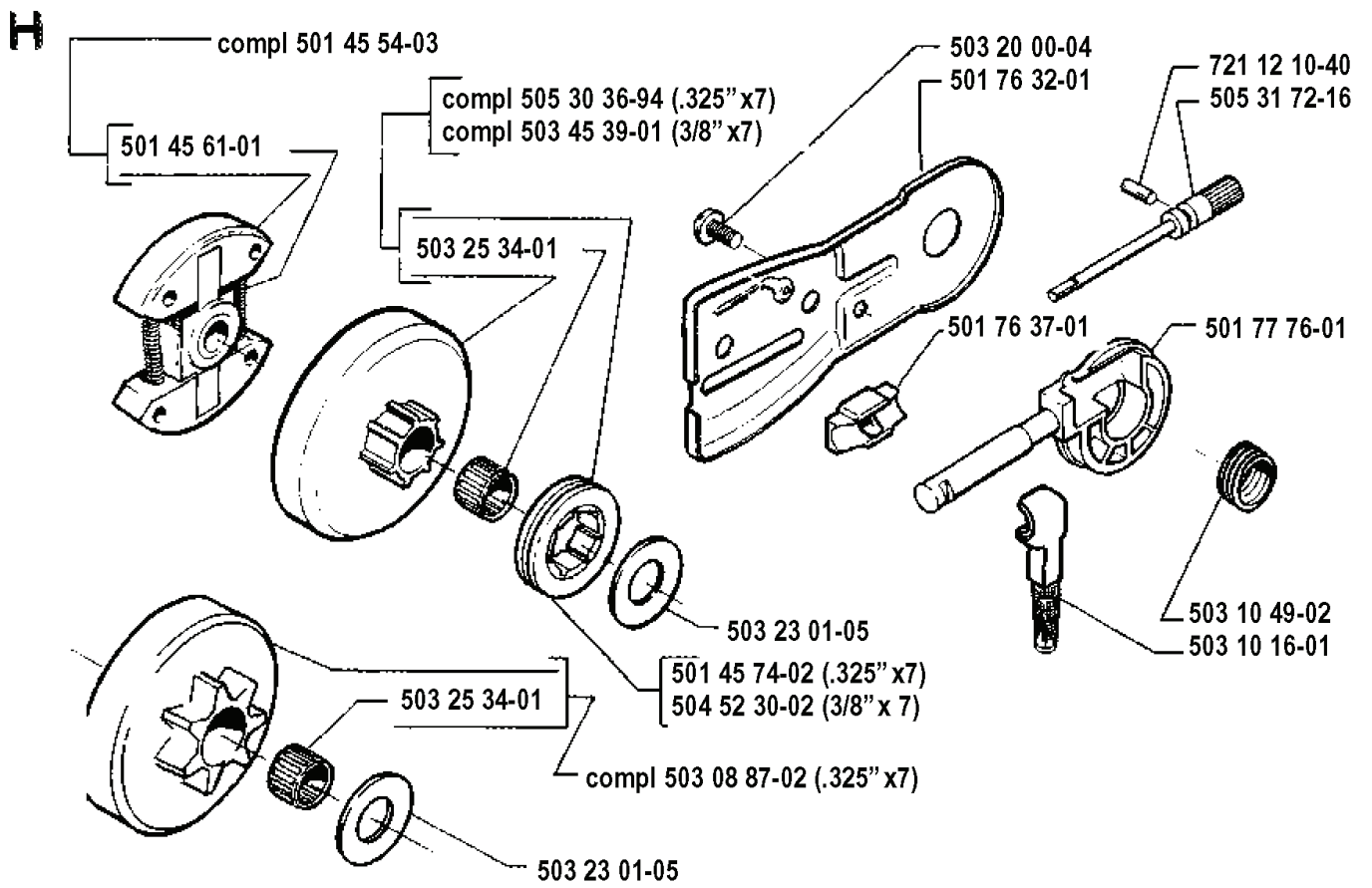


55, 19900100001-19914000000

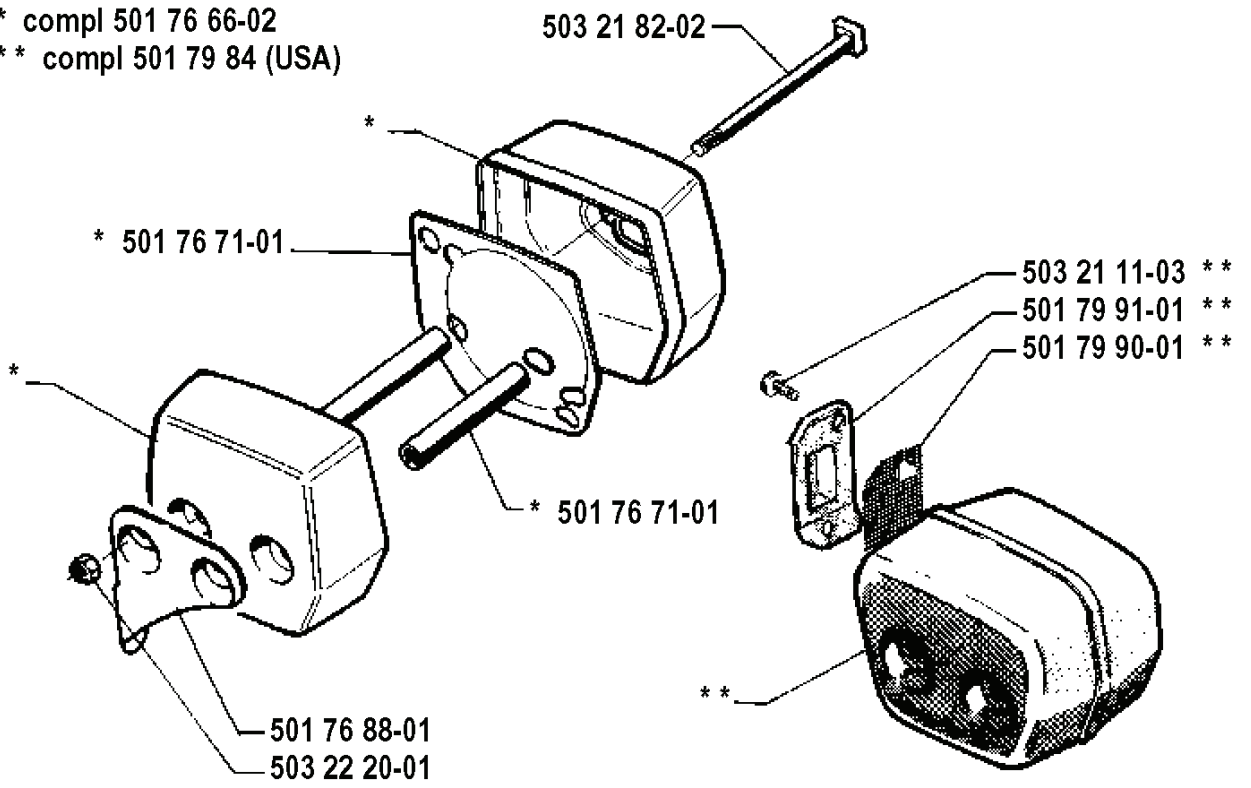
SPARE PARTS LIST



REF.	PART NO.	DESCRIPTION	REMARK	QTY.	KIT
501 45 54-03	501455403	CLUTCH ASSY		1	
505 30 36-94	505303694	CLUTCH DRUM ASSY	.325 X7	1	
503 45 39-01	503453901	CLUTCH DRUM ASSY	3/8 X7	1	
501 45 61-01	501456101	CLUTCH SPRING		1	
503 25 34-01	503253401	NEEDLE BEARING		1	
503 23 01-05	503230105	WASHER		1	
503 08 87-02	503088702	CLUTCH DRUM ASSY	.325 X7	1	
504 52 30-02	504523002	RIM	3/8 X 7	1	
501 45 74-02	501457402	RIM	.325 X7	1	
503 10 16-01	503101601	SUCTION HOSE ASSY		1	
503 10 49-02	503104902	PUMP PINION		1	
501 77 76-01	501777601	OIL PUMP		1	
501 76 37-01	501763701	SEALING		1	
501 76 32-01	501763201	CHAIN GUIDE PLATE		1	
503 20 00-04	503200004	SCREW EHHFM		1	
505 31 72-16	505317216	PUMP PISTON		1	
721 12 10-40	721121040	GROOVED PIN		1	

F

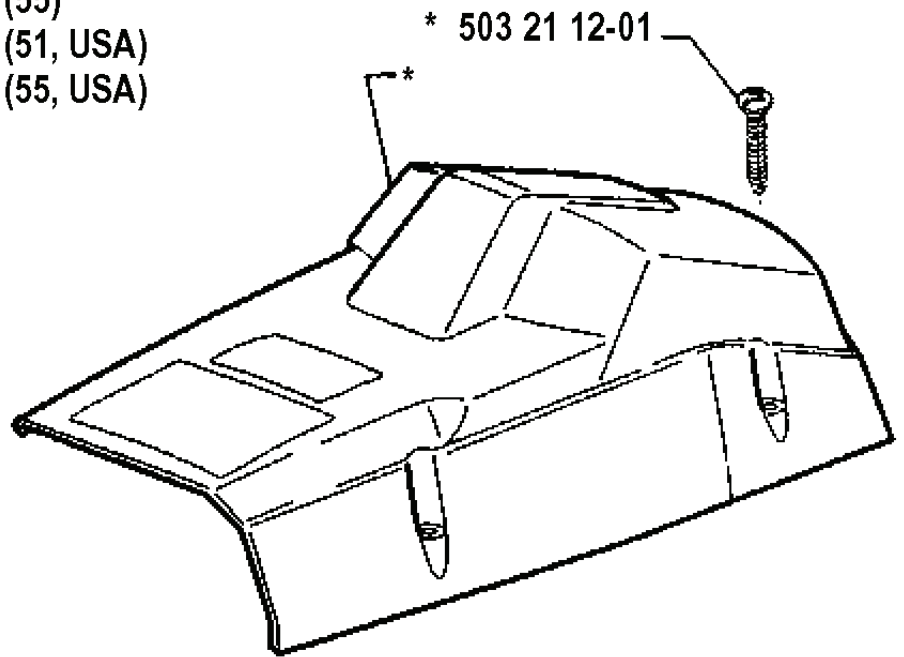
* compl 501 76 66-02
** compl 501 79 84 (USA)



REF.	PART NO.	DESCRIPTION	REMARK	QTY.	KIT
5017666-02	501766602	MUFFLER ASSY		1	
5017984	5017984		USA	1	
5017671-01	501767101	BAFFLE PLATE		1	
5017688-01	501768801	BRACKET		1	
5032220-01	503222001	LOCK NUT		1	
5017990-01	501799001	SPARK ARRESTER SCREEN		1	
5017991-01	501799101	EXHAUST DUCT		1	
5032111-03	503211103	SCREW SLPANT		1	
5032182-02	503218202	SCREW		1	

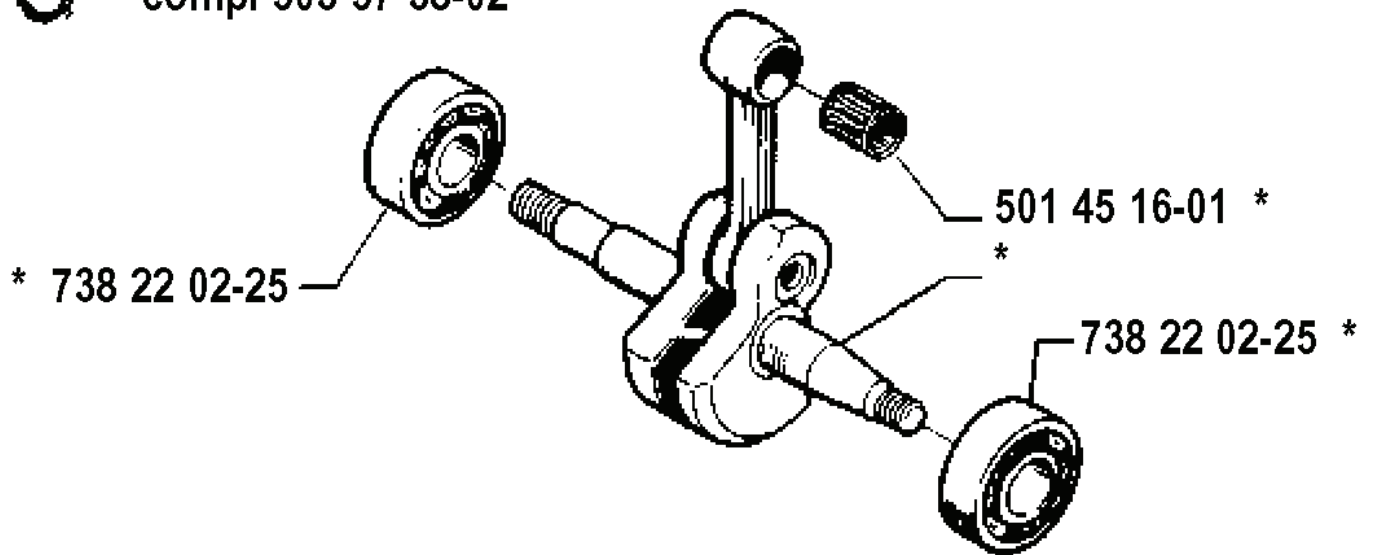
B

- * compl 503 60 90-01 (51)
- * compl 503 60 90-02 (55)
- * compl 503 60 90-03 (51, USA)
- * compl 503 60 90-04 (55, USA)



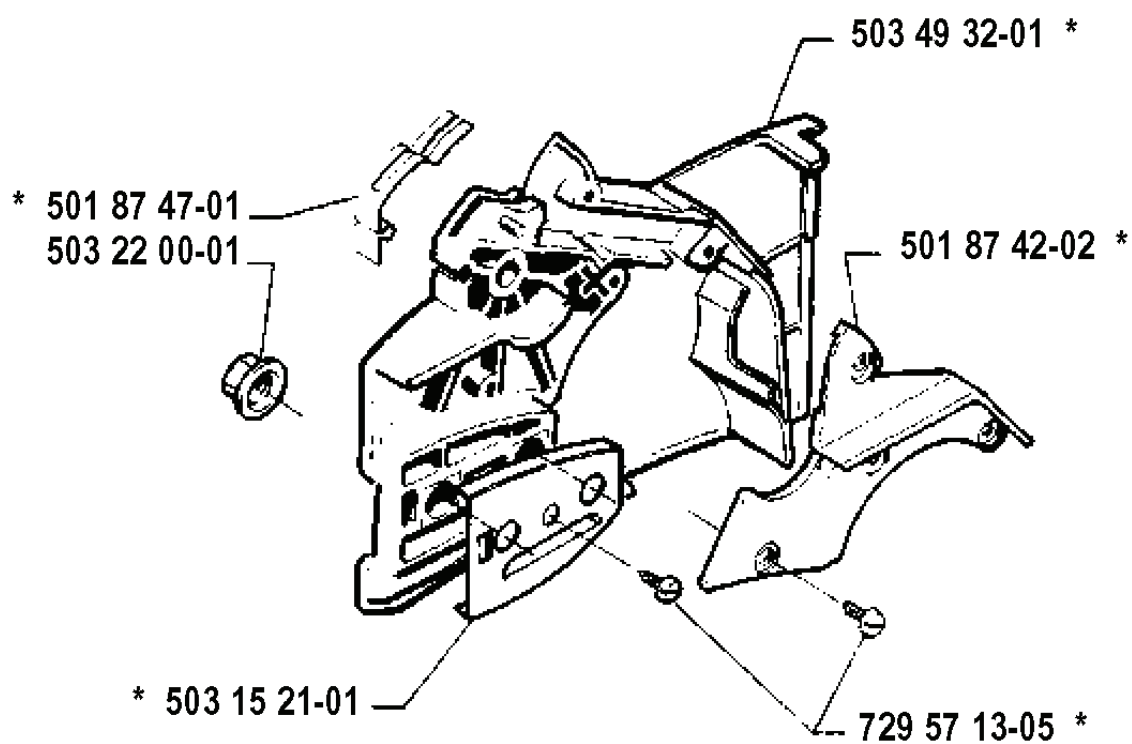
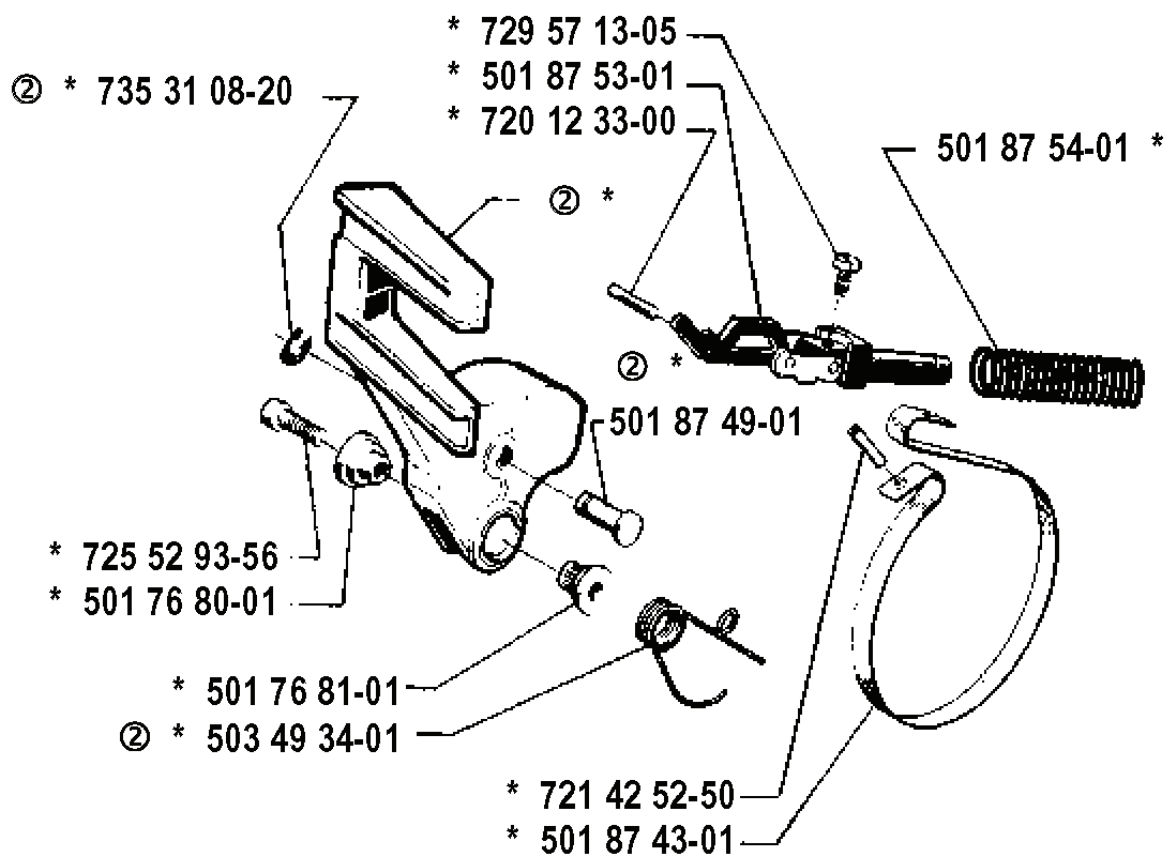
REF.	PART NO.	DESCRIPTION	REMARK	QTY.	KIT
503 60 90-01	503609001	CYLINDER COVER ASSY	51	1	
503 60 90-02	503609002	CYLINDER COVER ASSY	55	1	
503 60 90-03	503609003	CYLINDER COVER ASSY	51, USA	1	
503 60 90-04	503609004	CYLINDER COVER ASSY	55, USA	1	
503 21 12-01	503211201	SCREW SLPANTO		1	

G * compl 503 57 38-02



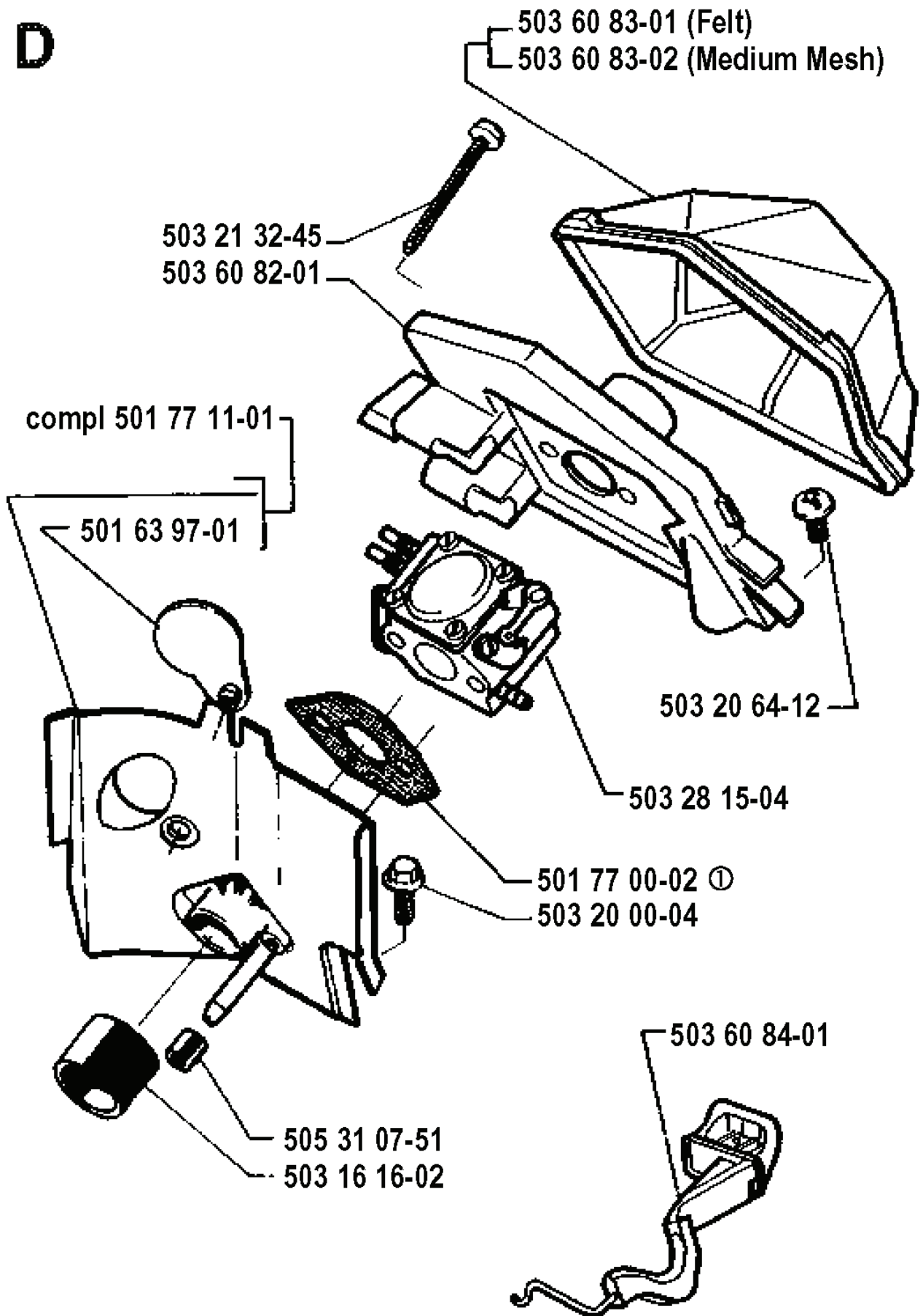
REF.	PART NO.	DESCRIPTION	REMARK	QTY.	KIT
503 57 38-02	503573802	CRANKSHAFT ASSY		1	
738 22 02-25	738220225	BALL BEARING		1	
501 45 16-01	501451601	NEEDLE BEARING		1	

A * compl 503 49 81-01
② compl 501 87 84-03



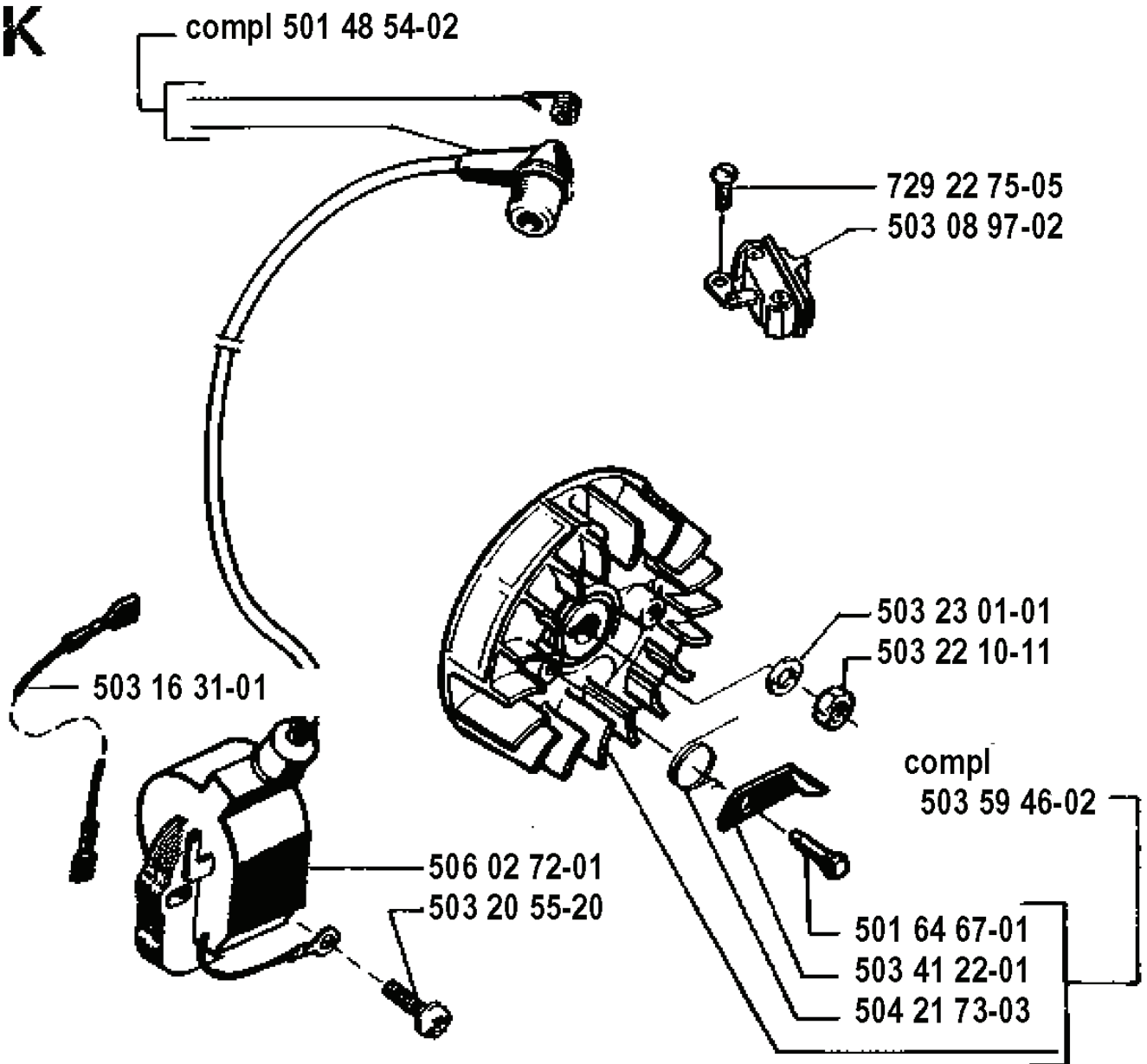
REF.	PART NO.	DESCRIPTION	REMARK	QTY.	KIT
503 49 81-01	503498101	CLUTCH COVER ASSY		1	
501 87 84-03	501878403	HAND GUARD ASSY		1	
735 31 08-20	735310820	E-CLIP		1	
729 57 13-05	729571305	SCREW CRPANT		1	
501 87 53-01	501875301	KNEE JOINT ASSY		1	
720 12 33-00	720123300	PARALLEL PIN		1	
501 87 49-01	501874901	PIVOT PIN		1	
725 52 93-56	725529356	SCREW IHSCM		1	
501 76 80-01	501768001	SHAFT		1	
501 76 81-01	501768101	SHAFT		1	
503 49 34-01	503493401	POSITION SPRING		1	
721 42 52-50	721425250	SPRING PIN		1	
501 87 43-01	501874301	BRAKE BAND		1	
501 87 47-01	501874701	SPRING		1	
503 22 00-01	503220001	HEXAGON NUT		1	
503 15 21-01	503152101	COVER SHEET		1	
501 87 42-02	501874202	HUB CAP		1	
503 49 32-01	503493201	CLUTCH COVER		1	
501 87 54-01	501875401	BRAKE SPRING		1	

D



REF.	PART NO.	DESCRIPTION	REMARK	QTY.	KIT
5032132-45	503213245	SCREW CITXPANT		1	
5036082-01	503608201	FILTER HOLDER		1	
5017711-01	501771101	INSULATION WALL		1	
5016397-01	501639701	COVER		1	
5053107-51	505310751	IMPULSE HOSE		1	
5031616-02	503161602	INLET PIPE		1	
5036084-01	503608401	CHOKE CONTROL		1	
5032000-04	503200004	SCREW EHHFM		1	
5017700-02	501770002	GASKET		1	
5032815-04	503281504	CARBURETTOR		1	
5032064-12	503206412	SCREW CITXPANM		1	
5036083-02	503608302	AIR FILTER	MEDIUM MESH	1	
5036083-01	503608301	AIR FILTER	FELT	1	

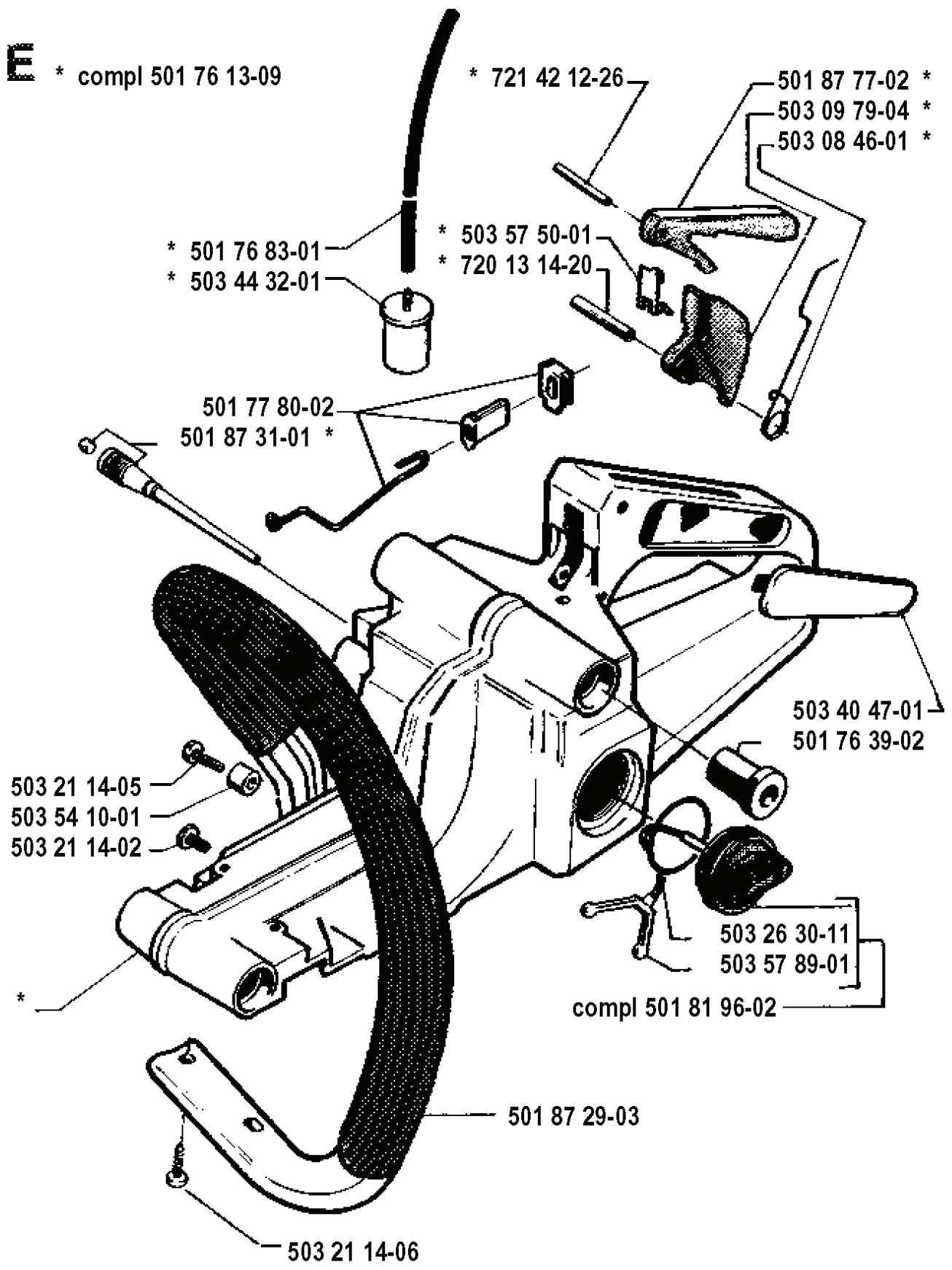
K



REF.	PART NO.	DESCRIPTION	REMARK	QTY.	KIT
501 48 54-02	501485402	SPARK PLUG CAP		1	
503 16 31-01	503163101	CABLE		1	
506 02 72-01	506027201	ELECTRONIC MODULE		1	
503 20 55-20	503205520	SCREW CITXPANM		1	
504 21 73-03	504217303	SPRING		1	
503 41 22-01	503412201	STARTER PAWL		1	
501 64 67-01	501646701	TAPP STARTHAKE		1	
503 59 46-02	503594602	FLYWHEEL ASSY		1	
503 22 10-11	503221011	HEXAGON NUT		1	
503 23 01-01	503230101	WASHER		1	
503 08 97-02	503089702	STOP SWITCH		1	
729 22 75-05	729227505	SCREW SLPANT		1	

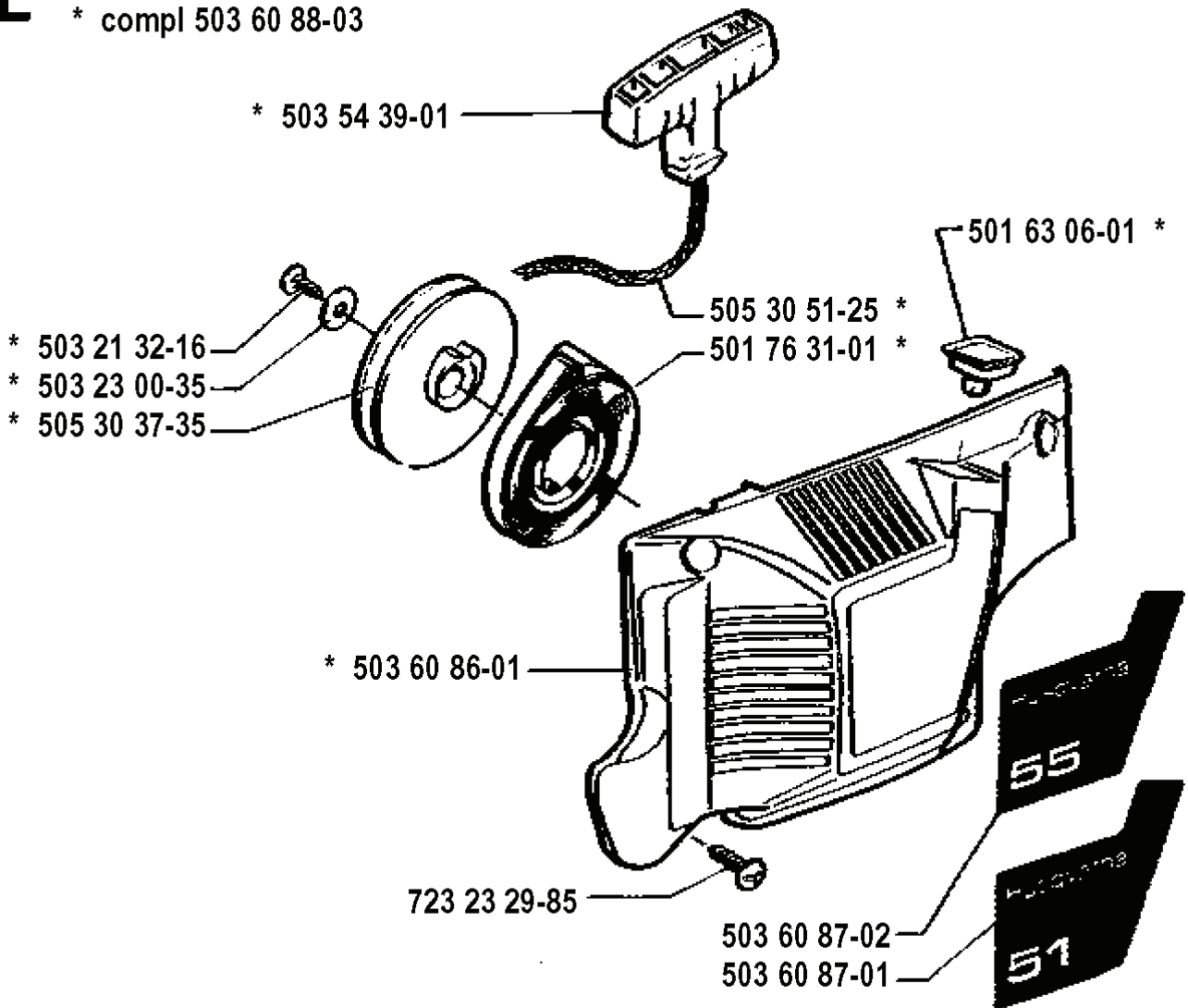
E

* compl 501 76 13-09

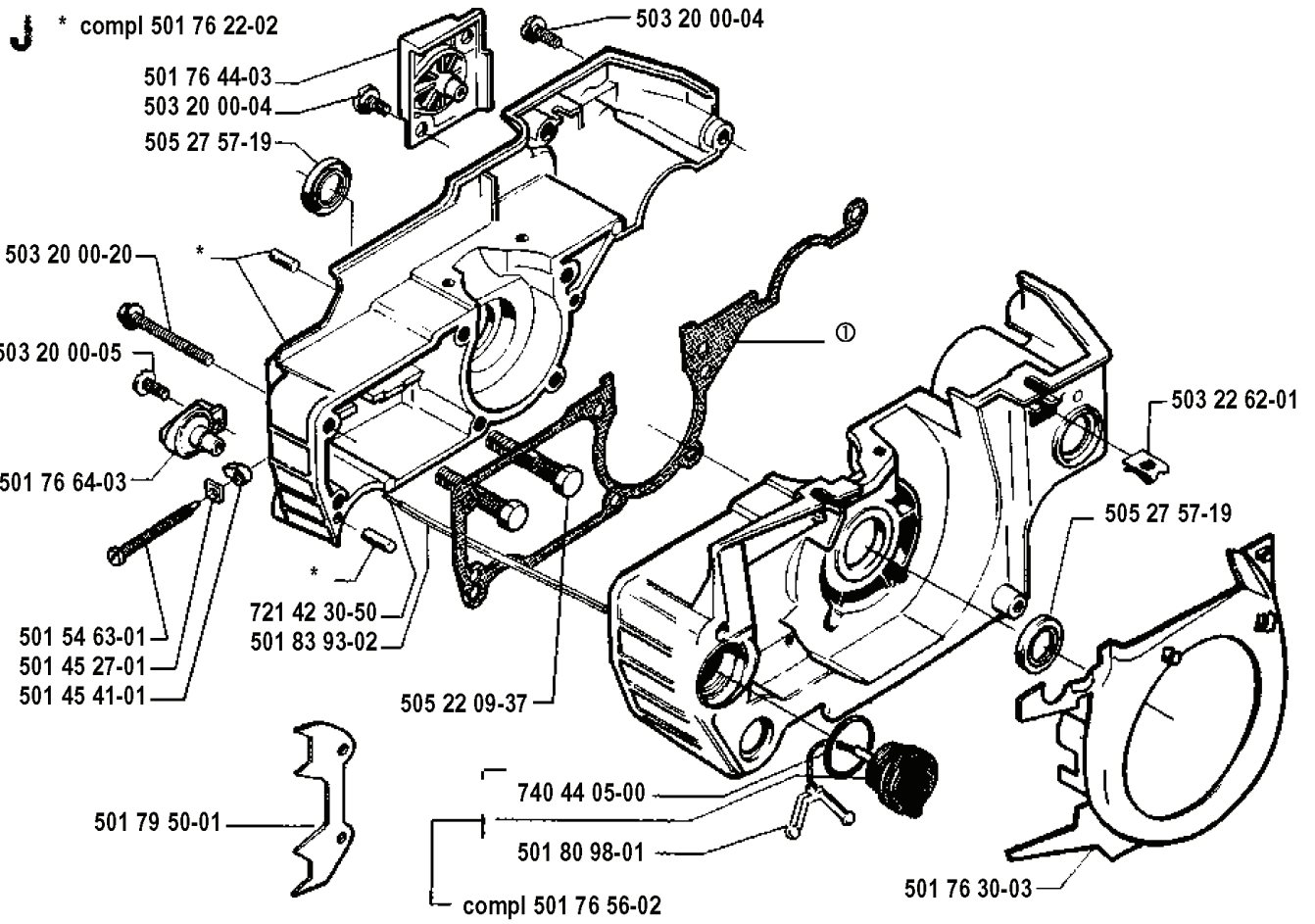


REF.	PART NO.	DESCRIPTION	REMARK	QTY.	KIT
501 76 13-09	501761309	FUEL TANK		1	
501 76 83-01	501768301	FUEL HOSE		1	
503 44 32-01	503443201	FUEL FILTER		1	
501 77 80-02	501778002	TRIGGER		1	
501 87 31-01	501873101	TANK VENT ASSY		1	
503 21 14-05	503211405	SCREW		1	
503 54 10-01	503541001	MOVEMENT LIMITER		1	
503 21 14-02	503211402	SCREW EHHFT		1	
503 21 14-06	503211406	SCREW EHHFT		1	
501 87 29-03	501872903	FRONT HANDLE		1	
501 81 96-02	501819602	TANK CAP ASSY		1	
503 57 89-01	503578901	HOLDER		1	
503 26 30-11	503263011	O-RING		1	
501 76 39-02	501763902	ANTIVIBRATION ELEMENT		1	
503 40 47-01	503404701	HANDLE INSERT		1	
720 13 14-20	720131420	PARALLEL PIN		1	
503 57 50-01	503575001	WEAR PROTECTION		1	
503 08 46-01	503084601	RECOIL SPRING		1	
503 09 79-04	503097904	THROTTLE LEVER		1	
501 87 77-02	501877702	THROTTLE LOCKOUT		1	
721 42 12-26	721421226	SPRING PIN		1	

L * compl 503 60 88-03



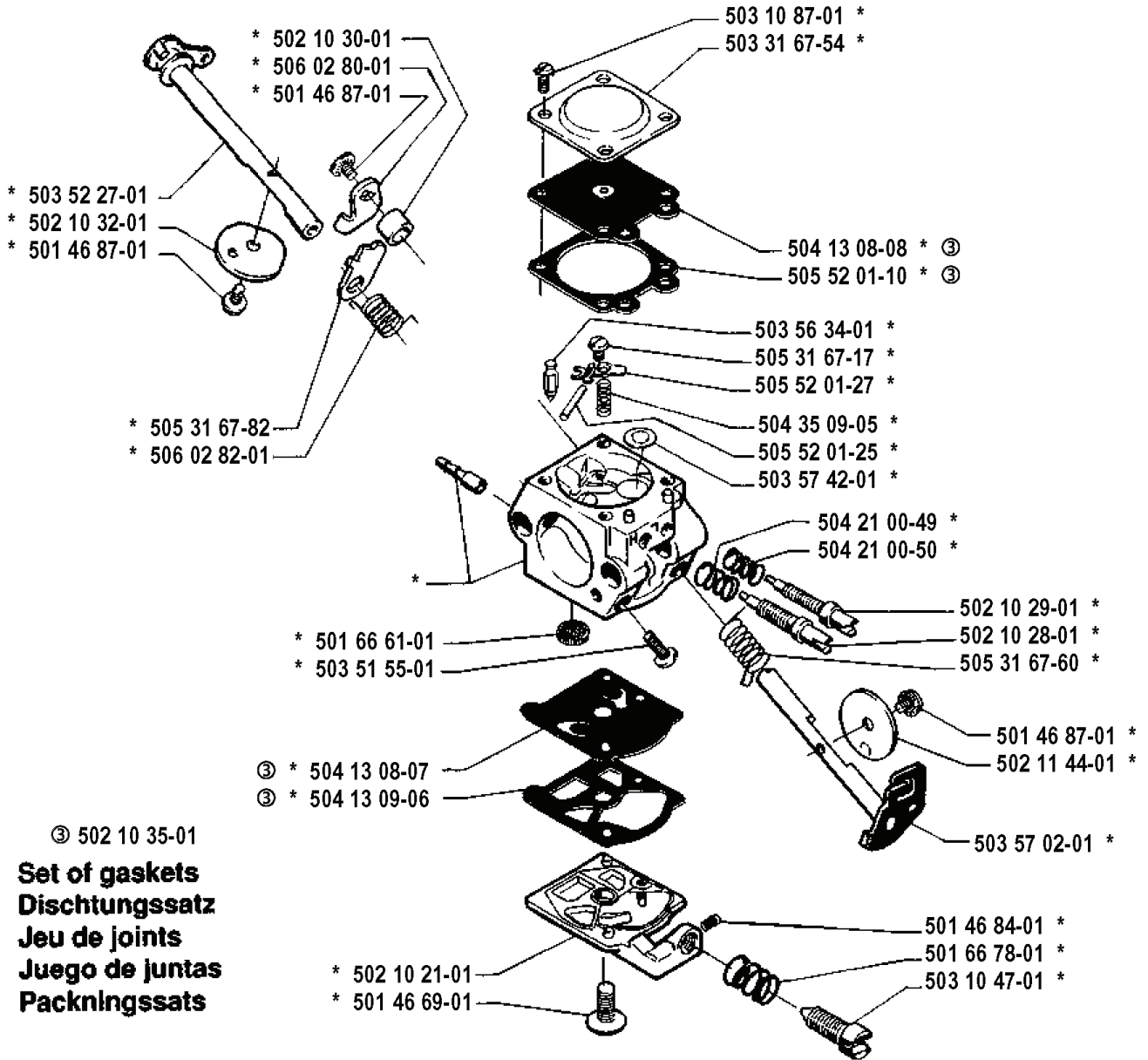
REF.	PART NO.	DESCRIPTION	REMARK	QTY.	KIT
5036088-03	503608803	STARTER ASSY		1	
5035439-01	503543901	STARTER HANDLE		1	
5032132-16	503213216	SCREW CITXPANT		1	
5032300-35	503230035	WASHER		1	
5053037-35	505303735	STARTER PULLEY		1	
5036086-01	503608601	STARTER HOUSING		1	
7232329-85	723232985	SCREW SLPANM		1	
5036087-01	503608701	LABEL		1	
5036087-02	503608702	LABEL		1	
5017631-01	501763101	SPRING CASSETTE ASSY		1	
5053051-25	505305125	STARTER ROPE		1	
5016306-01	501630601	SLEEVE		1	



REF.	PART NO.	DESCRIPTION	REMARK	QTY.	KIT
501 76 22-02	501762202	CRANKCASE		1	
501 76 44-03	501764403	LID		1	
503 20 00-20	503200020	SCREW EHHFM		1	
503 20 00-05	503200005	SCREW EHHFM		1	
501 76 64-03	501766403	CHAIN CATCHER		1	
721 42 30-50	721423050	SPRING PIN		1	
501 83 93-02	501839302	OIL TANK VENT		1	
501 54 63-01	501546301	SCREW		1	
501 45 27-01	501452701	LOCK NUT		1	
501 45 41-01	501454101	NUT		1	
501 79 50-01	501795001	SPIKE		1	
501 76 56-02	501765602	TANK CAP ASSY		1	
501 80 98-01	501809801	HOLDER		1	
740 44 05-00	740440500	O-RING		1	
505 22 09-37	505220937	BAR BOLT		1	
501 76 30-03	501763003	LEDSKENA		1	
505 27 57-19	505275719	SEALING RING		1	
503 22 62-01	503226201	NUT		1	
503 20 00-04	503200004	SCREW EHHFM		1	

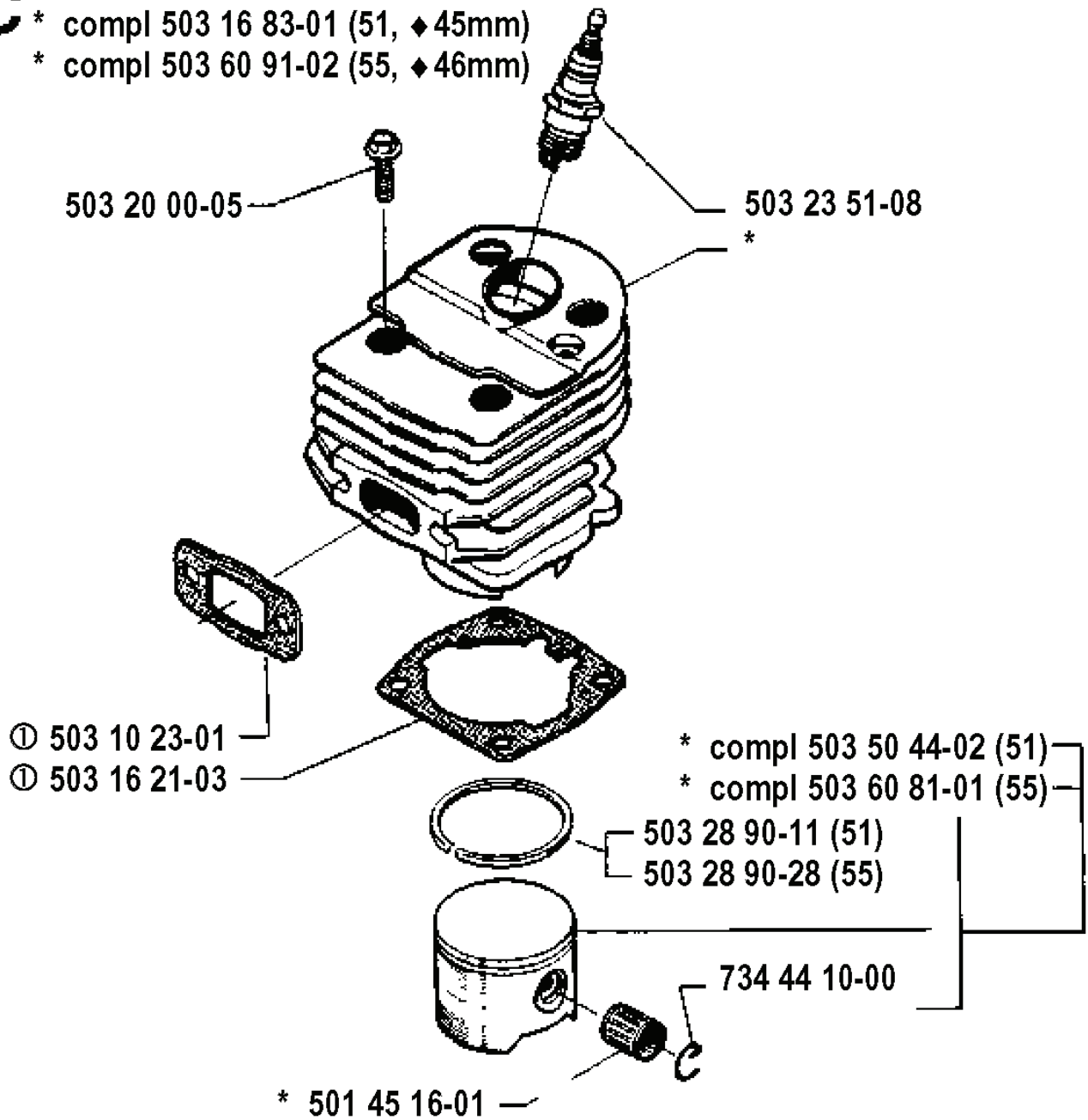
M * compl 503 28 15-04

Walbro WT 170



REF.	PART NO.	DESCRIPTION	REMARK	QTY.	KIT
503 28 15-04	503281504	CARBURETTOR		1	
502 10 30-01	502103001	DISTANCE		1	
506 02 80-01	506028001	STARTGASARM		1	
503 52 27-01	503522701	SHAFT ASSY		1	
502 10 32-01	502103201	CHOKE SKIVA		1	
505 31 67-82	505316782	LEVER		1	
506 02 82-01	506028201	SPRING		1	
501 66 61-01	501666101	SCREEN		1	
503 51 55-01	503515501	SCREW		1	
504 13 08-07	504130807	DIAPHRAGM PUMP	502 10 35-01 SET OF GASKETS	1	
504 13 09-06	504130906	GASKET	502 10 35-01 SET OF GASKETS	1	
502 10 21-01	502102101	LOCK PUMPSIDA		1	
501 46 69-01	501466901	SCREW		1	
503 10 47-01	503104701	SCREW		1	
501 66 78-01	501667801	SPRING		1	
501 46 84-01	501468401	SPRING		1	
503 57 02-01	503570201	SHAFT ASSY		1	
502 11 44-01	502114401	THROTTLE DISC		1	
501 46 87-01	501468701	SCREW		1	
505 31 67-60	505316760	SPRING		1	
502 10 28-01	502102801	HIGH SPEED NEEDLE		1	
502 10 29-01	502102901	LOW SPEED NEEDLE		1	
504 21 00-50	504210050	SPRING		1	
504 21 00-49	504210049	SPRING		1	
503 57 42-01	503574201	PLUG		1	
505 52 01-25	505520125	PIN		1	
504 35 09-05	504350905	SPRING		1	
505 52 01-27	505520127	LEVER		1	
505 31 67-17	505316717	SCREW		1	
503 56 34-01	503563401	NEEDLE VALVE		1	
505 52 01-10	505520110	GASKET	502 10 35-01 SET OF GASKETS	1	
504 13 08-08	504130808	DIAPHRAGM	502 10 35-01 SET OF GASKETS	1	
503 31 67-54	503316754	DIAPHRAGM COVER		1	
503 10 87-01	503108701	SCREW		1	

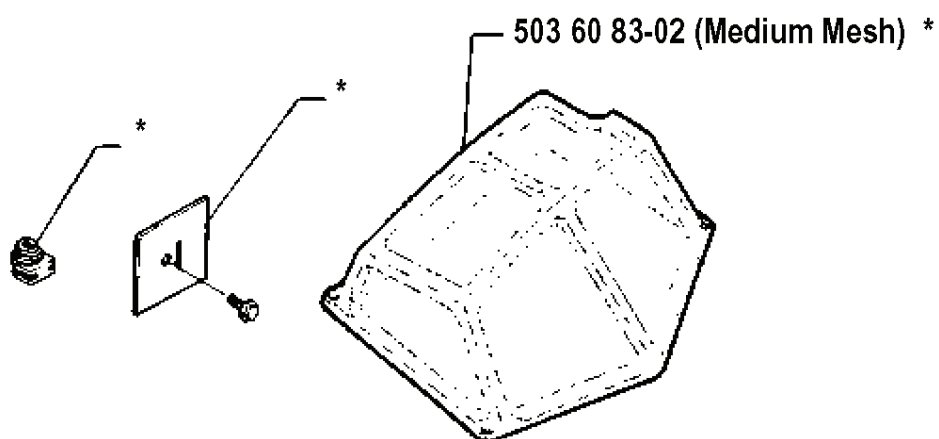
- C** * compl 503 16 83-01 (51, ◆45mm)
 * compl 503 60 91-02 (55, ◆46mm)



REF.	PART NO.	DESCRIPTION	REMARK	QTY.	KIT
503 16 83-01	503168301	CYLINDER ASSY	51.45MM	1	
503 60 91-02	503609102	CYLINDER ASSY	55.46MM	1	
503 20 00-05	503200005	SCREW EHHFM		1	
503 10 23-01	503102301	MUFFLER GASKET		1	
503 16 21-03	503162103	GASKET		1	
501 45 16-01	501451601	NEEDLE BEARING		1	
734 44 10-00	734441000			1	
503 28 90-28	503289028	PISTON RING	55	1	
503 28 90-11	503289011	PISTON RING	51	1	
503 60 81-01	503608101	PISTON ASSY	55	1	
503 50 44-02	503504402	PISTON ASSY	51	1	
503 23 51-08	503235108	SPARK PLUG		1	

○ * compl 501 77 21-02

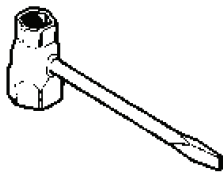
Winter equipment
Winterausrüstung
Equipment d'hiver
Vintersats



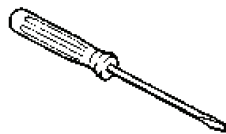
REF.	PART NO.	DESCRIPTION	REMARK	QTY.	KIT
5017721-02	501772102	WINTER KIT		1	
5036083-02	503608302	AIR FILTER	MEDIUM MESH	1	

N

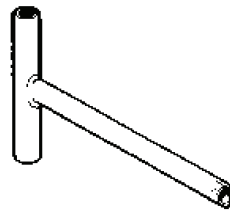
Accessories
Accessoires
Zubehöre
Tillbehör



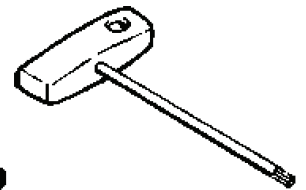
501 69 17-01



501 22 65-01



505 38 13-07



502 71 27-01

REF.	PART NO.	DESCRIPTION	REMARK	QTY.	KIT
5016917-01	501691701	COMBINATION WRENCH		1	
5012265-01	501226501	SCREWDRIVER		1	
5053813-07	505381307	SOCKET WRENCH		1	
5027127-01	502712701	WRENCH		1	