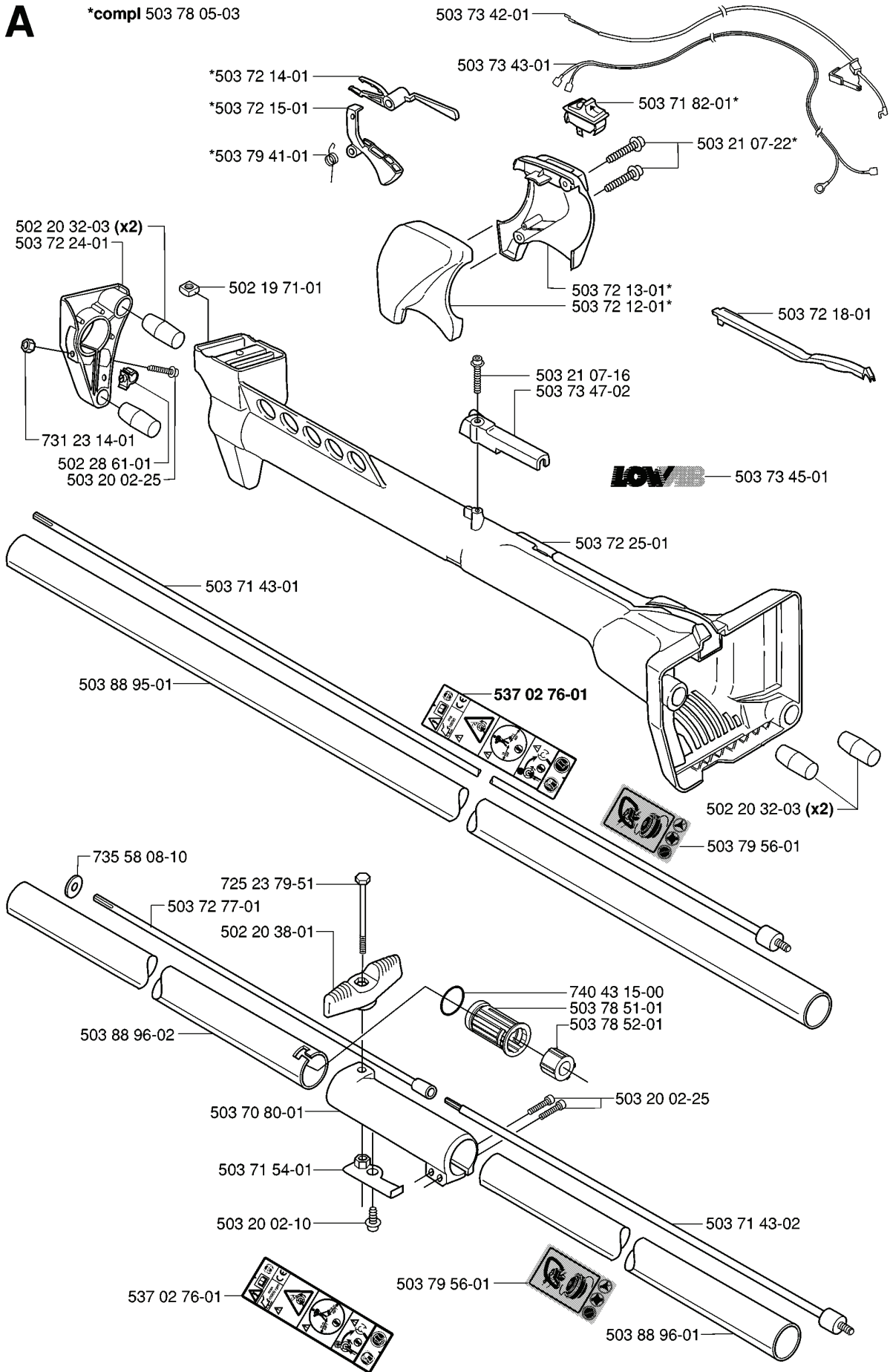


225 RD, 20004000001-Current

SPARE PARTS LIST

A

*compl 503 78 05-03

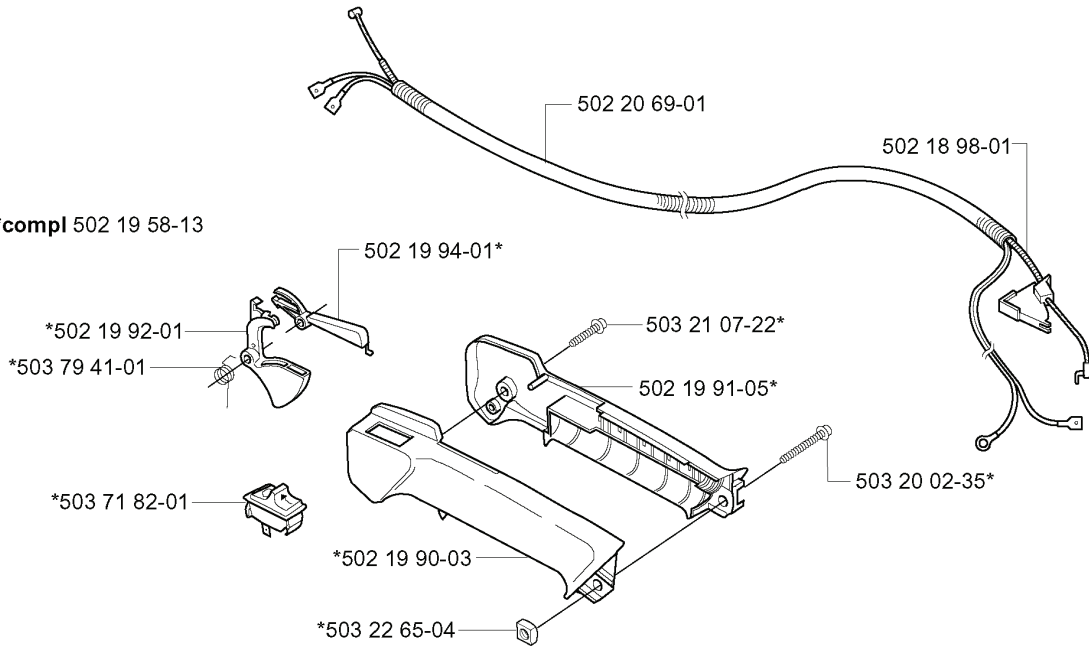


REF.	PART NO.	DESCRIPTION	REMARK	QTY.	KIT
503 78 05-03	503780503	HANDLE		1	
503 72 14-01	503721401	THROTTLE LOCKOUT		1	
503 72 15-01	503721501	THROTTLE TRIGGER		1	
503 79 41-01	503794101	RECOIL SPRING		1	
502 20 32-03	502203203	ANTIVIBRATION ELEMENT		2	
503 72 24-01	503722401	HOLDER ANTIVIBRATION		1	
502 19 71-01	502197101	SQUARE NUT		1	
731 23 14-01	731231401	HEXAGON NUT		1	
502 28 61-01	502286101	CLIP		1	
503 71 43-01	503714301	DRIVE SHAFT ASSY		1	
503 88 95-01	503889501	TUBE		1	
735 58 08-10	735580810	LOCKWASHER		1	
725 23 79-51	725237951	SCREW EHHM		1	
503 72 77-01	503727701	DRIVE SHAFT ASSY		1	
502 20 38-01	502203801	KNOB		1	
503 88 96-02	503889602	TUBE		1	
503 70 80-01	503708001	COMPRESSION SLEEVE		1	
503 71 54-01	503715401	LOCKING PLATE		1	
503 20 02-10	503200210	SCREW IHSCFM		1	
503 88 96-01	503889601	TUBE		1	
503 71 43-02	503714302	DRIVE SHAFT ASSY		1	
503 20 02-25	503200225	SCREW IHSCFM		1	
503 78 52-01	503785201	SUPPORTING BEARING		1	
503 78 51-01	503785101	BEARING CAGE		1	
740 43 15-00	740431500	O-RING		1	
503 79 56-01	503795601	LABEL		1	
537 02 76-01	537027601	LABEL		1	
503 72 25-01	503722501	SUSPENSION		1	
503 73 45-01	503734501	LABEL		1	
503 73 47-02	503734702	LOCK KABLAGE STYRE		1	
503 21 07-16	503210716	SCREW IH SCT		1	
503 72 12-01	503721201	HANDLE HALF		1	
503 72 13-01	503721301	HANDLE HALF		1	
503 72 18-01	503721801	COVER		1	
503 21 07-22	503210722	SCREW IH SCT		1	
503 71 82-01	503718201	SWITCH		1	
503 73 43-01	503734301	SHORT CIRCUIT CABLE		1	
503 73 42-01	503734201	THROTTLE CABLE ASSY		1	

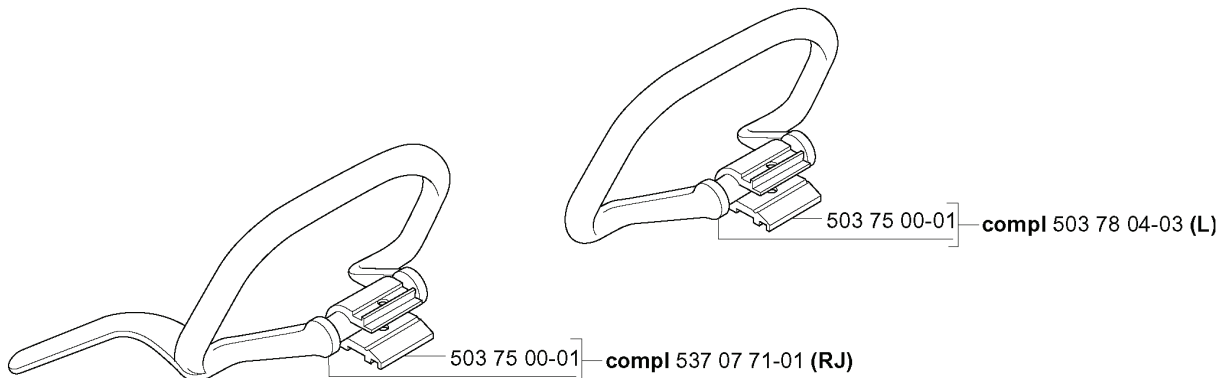
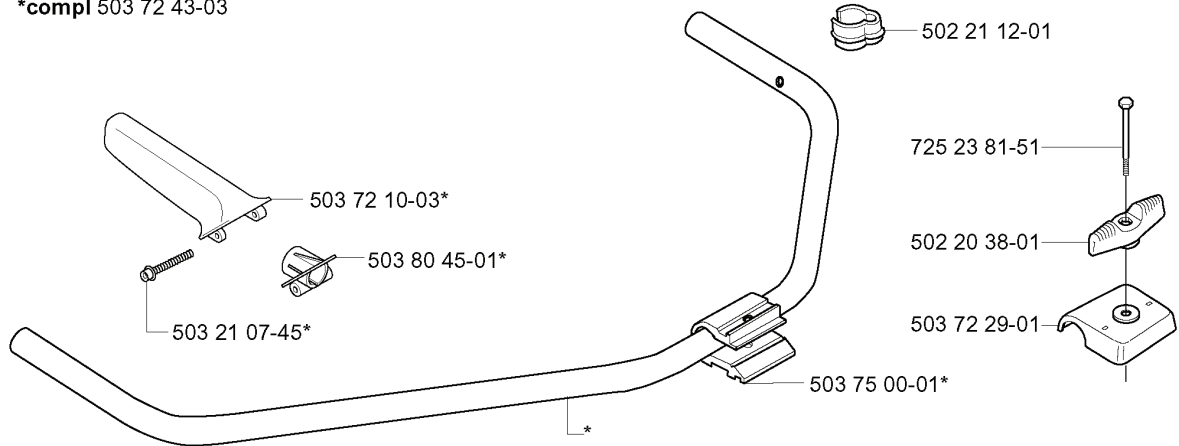
B

*compl 502 19 58-03
**compl 503 72 43-03

*compl 502 19 58-13



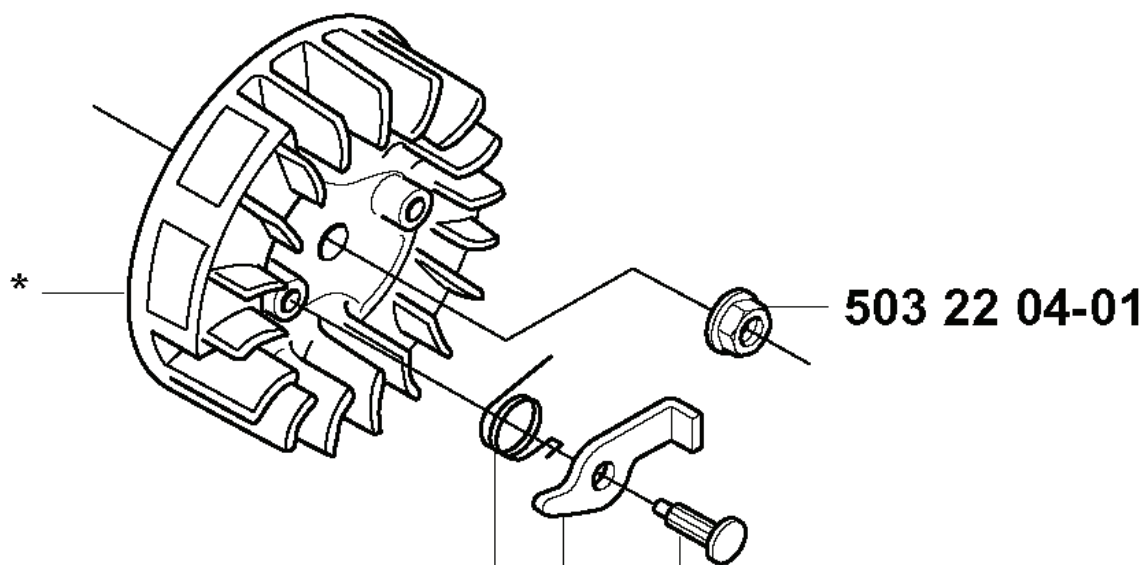
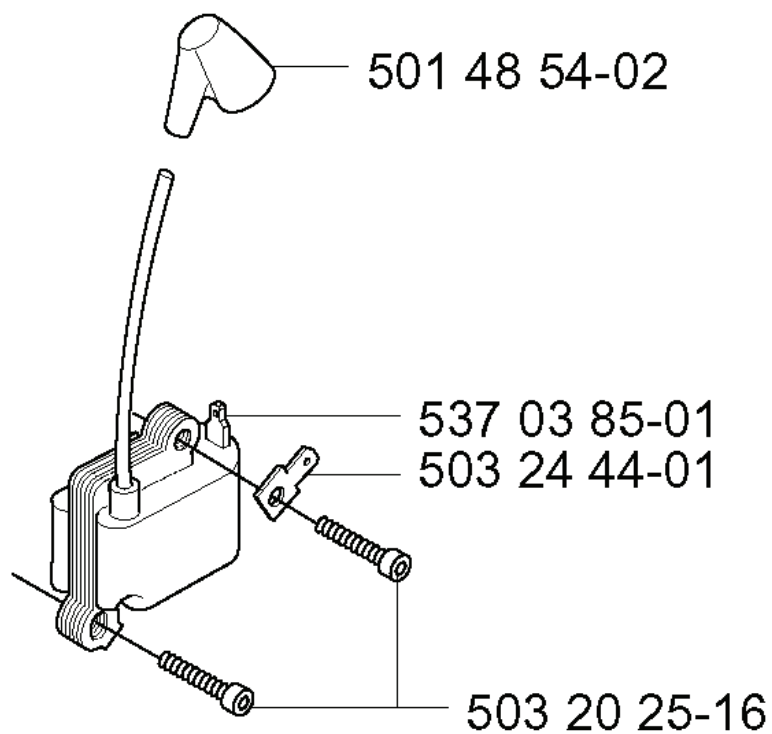
*compl 503 72 43-03



REF.	PART NO.	DESCRIPTION	REMARK	QTY.	KIT
502 19 58-03	502195803	HANDLE		1	
503 72 43-03	503724303	HANDLEBAR PART ASSY		1	
502 19 58-13	502195813	HANDLE		1	
502 19 92-01	502199201	THROTTLE TRIGGER		1	
503 79 41-01	503794101	RECOIL SPRING		1	
503 71 82-01	503718201	SWITCH		1	
503 72 10-03	503721003	HANDLE		1	
503 80 45-01	503804501	BRACKET		1	
503 21 07-45	503210745	SCREW IH SCT		1	
503 75 00-01	503750001	HANDLEBAR BRACKET		1	
537 07 71-01	537077101	HANDLE	RJ	1	
503 78 04-03	503780403	HANDLE LOOP	L	1	
503 72 29-01	503722901	COVER		1	
502 20 38-01	502203801	KNOB		1	
725 23 81-51	725238151	SCREW EHHM		1	
502 21 12-01	502211201	STAPLE		1	
503 22 65-04	503226504	SQUARE NUT		1	
502 19 90-03	502199003	HANDLE HALF		1	
503 20 02-35	503200235	SCREW IH SCFM		1	
502 19 91-05	502199105	HANDLE HALF		1	
503 21 07-22	503210722	SCREW IH SCT		1	
502 19 94-01	502199401	THROTTLE LOCKOUT		1	
502 20 69-01	502206901	WIRING		1	
502 18 98-01	502189801	THROTTLE CABLE		1	



***compl 503 79 06-01**



***503 81 29-01 (x2)**

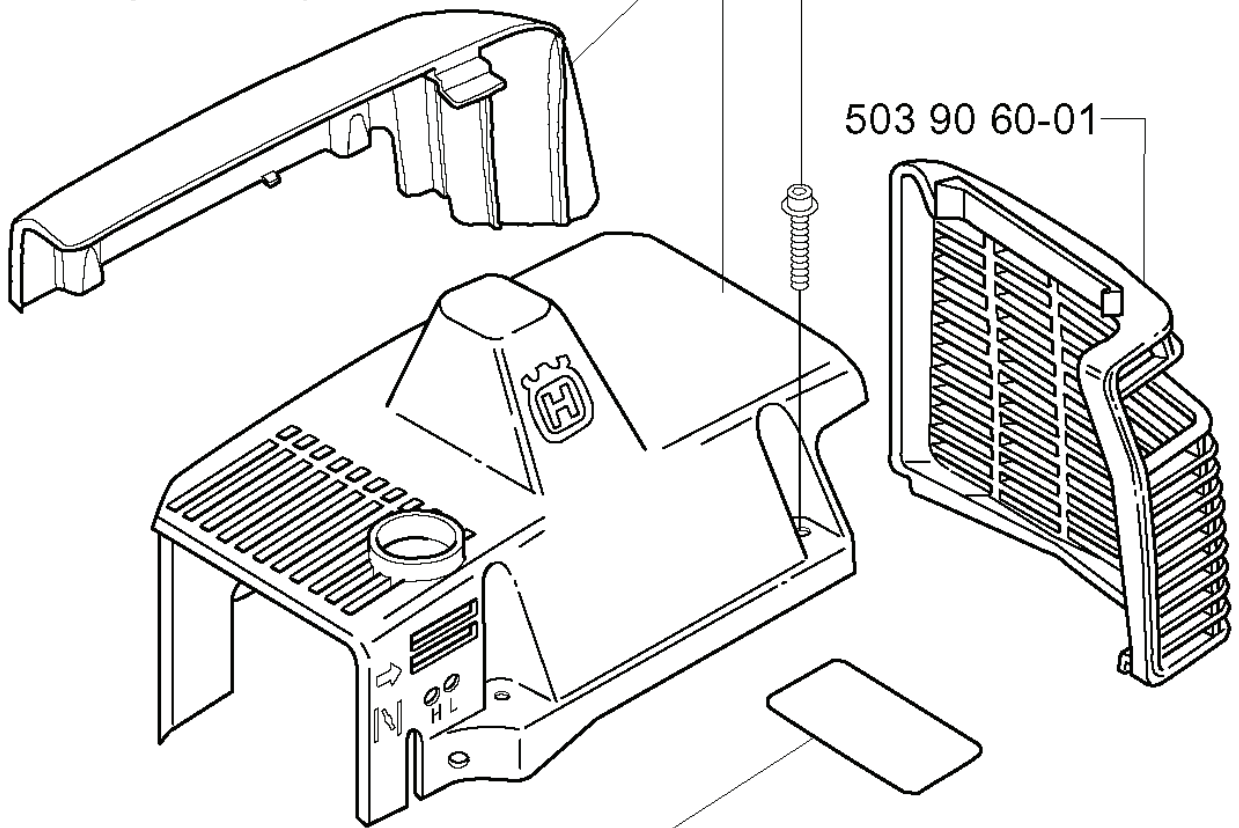
***503 81 24-01 (x2)**

***503 79 05-02 (x2)**

REF.	PART NO.	DESCRIPTION	REMARK	QTY.	KIT
5037906-01	503790601	FLYWHEEL		1	
5038129-01	503812901	SPRING		2	
5038124-01	503812401	STARTER PAWL		2	
5037905-02	503790502	RIVET		2	
5032204-01	503220401	NUT		1	
5032025-16	503202516	SCREW IHSCM		1	
5032444-01	503244401	FLAT PIN		1	
5370385-01	537038501	MODULE		1	
5014854-02	501485402	SPARK PLUG CAP		1	

C

503 21 47-27
(R/RD) 537 02 60-01
(L/LD/RJ) 537 02 60-02
(RJ/L/LD) 537 03 76-01



503 90 60-01

537 03 36-04 (R)
537 03 36-05 (RD)
227 537 03 36-02 (L)
537 03 36-03 (LD)
537 03 36-06 (RJ)

502 21 26-06 (R)
502 21 26-07 (RD)
502 21 26-08 (L) **225**
502 21 26-09 (LD)
502 21 26-10 (RJ)

REF.	PART NO.	DESCRIPTION	REMARK	QTY.	KIT
503 21 47-27	503214727	SCREW IHSCFTO		1	
537 02 60-01	537026001	CYLINDER COVER	R/RD	1	
537 02 60-02	537026002	CYLINDER COVER	L/LD/RJ	1	
537 03 76-01	537037601	ARM PROTECTION	RJ/L/LD	1	
537 03 36-04	537033604	LABEL	R	1	
537 03 36-05	537033605	LABEL	RD	1	
537 03 36-02	537033602	LABEL	L 227	1	
537 03 36-03	537033603	LABEL	LD	1	
537 03 36-06	537033606	LABEL	RJ	1	
502 21 26-10	502212610	DECAL	RJ	1	
502 21 26-09	502212609	DECAL	LD	1	
502 21 26-08	502212608	DECAL	L 225	1	
502 21 26-07	502212607	DECAL	RD	1	
502 21 26-06	502212606	DECAL	R	1	
503 90 60-01	503906001	HEAT PROTECTOR		1	

H

***compl 503 84 00-02**

503 82 80-04

501 27 82-01

503 90 92-01

***503 98 81-01 (x2)**

***503 22 72-01 (x4)**

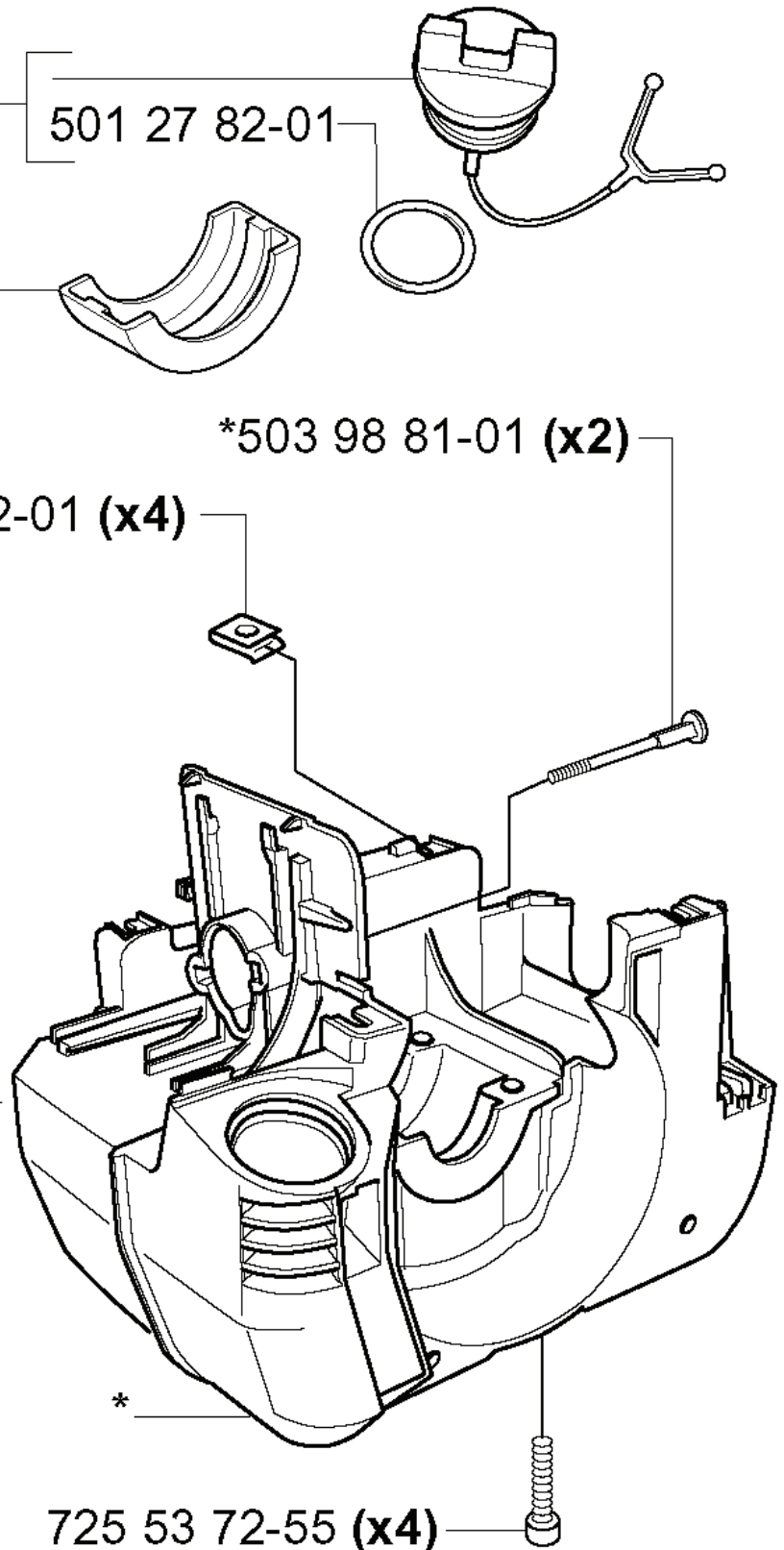
***503 73 58-01 (x2)**

537 04 24-03

***537 04 24-04**

***503 44 32-01**

725 53 72-55 (x4)



REF.	PART NO.	DESCRIPTION	REMARK	QTY.	KIT
503 84 00-02	503840002	CRANKCASE		1	
503 82 80-04	503828004	TANK CAP ASSY		1	
503 90 92-01	503909201	INSERT		1	
503 22 72-01	503227201	SPEED NUT		4	
503 73 58-01	503735801	BUSHING		2	
537 04 24-03	537042403	FUEL HOSE		1	
537 04 24-04	537042404	FUEL HOSE		1	
503 44 32-01	503443201	FUEL FILTER		1	
725 53 72-55	725537255	SCREW IHSCM		4	
503 98 81-01	503988101	SCREW		2	
501 27 82-01	501278201	GASKET		1	

D

***compl 537 03 95-01 (227 ø35mm)**

***compl 503 72 45-02 (225 ø34mm)**

503 23 51-08

Champion RCJ 7 Y

503 49 21-02

*

Correction:

503 28 90-30

503 28 90-27 (227(x2))

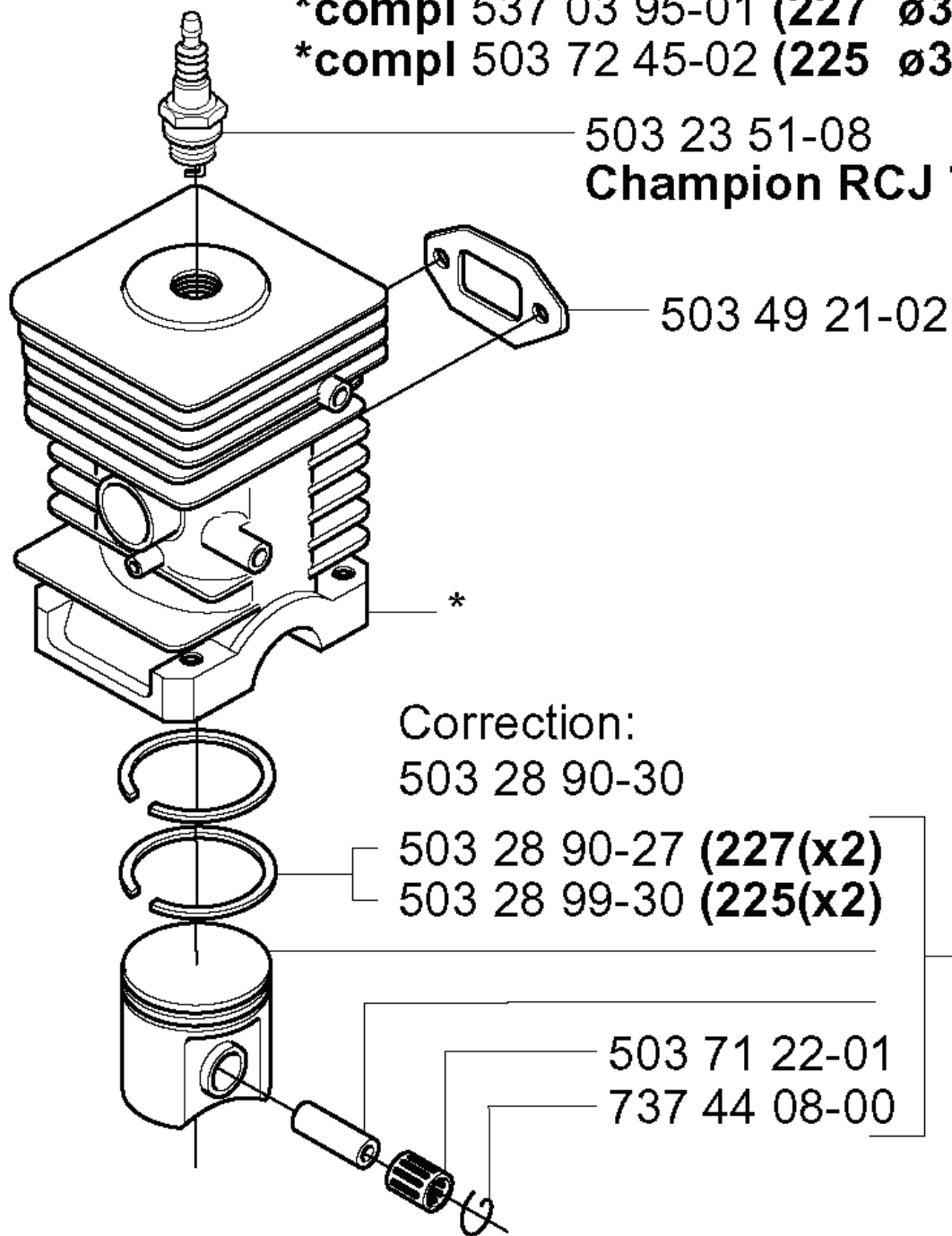
503 28 99-30 (225(x2))

503 71 22-01

737 44 08-00

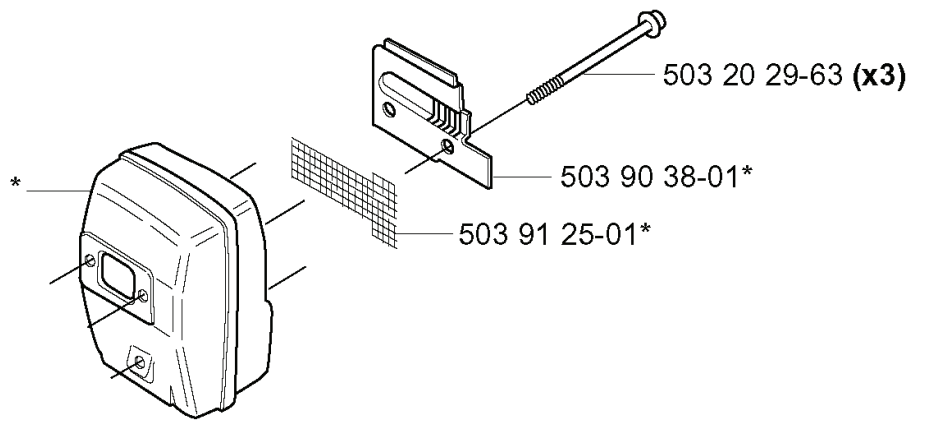
***compl 537 00 75-02 (227)**

***compl 503 85 97-02 (225)**



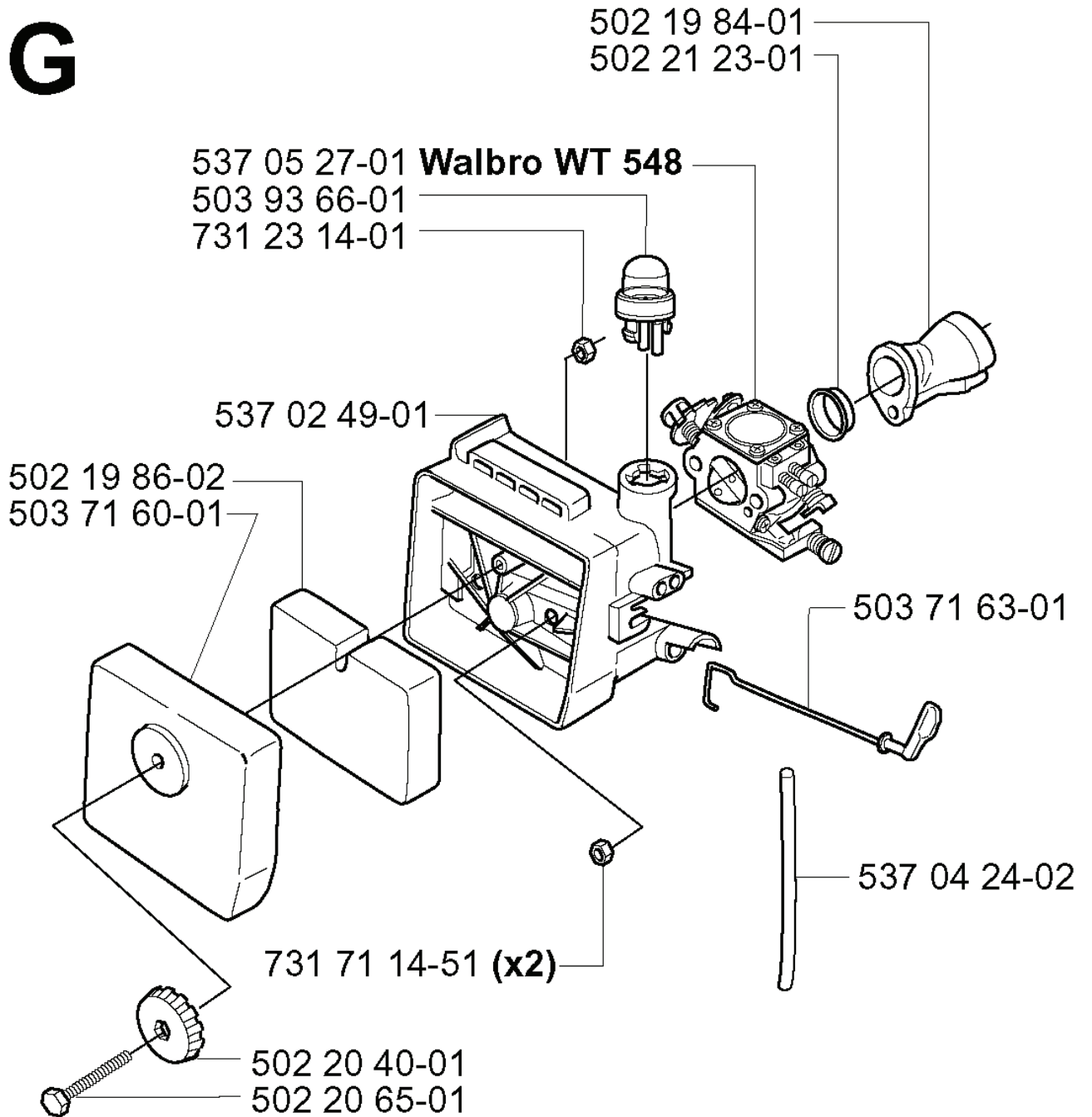
REF.	PART NO.	DESCRIPTION	REMARK	QTY.	KIT
537 03 95-01	537039501	PISTON	227 DIA.35MM	1	
503 72 45-02	503724502	PISTON	225 DIA.34MM	1	
503 23 51-08	503235108	SPARK PLUG	CHAMPION RCJ 7 Y	1	
503 49 21-02	503492102	GASKET		1	
503 28 90-30	503289030	PISTON RING		1	
503 28 90-27	503289027	PISTON RING	227	2	
503 28 99-30	503289930	RING	225	2	
503 71 22-01	503712201	BEARING		1	
737 44 08-00	737440800	CIRCLIP		1	
537 00 75-02	537007502	PISTON ASSY	227	1	
503 85 97-02	503859702	PISTON ASSY	225	1	

J *compl 503 90 40-03



REF.	PART NO.	DESCRIPTION	REMARK	QTY.	KIT
503 90 40-03	503904003	MUFFLER ASSY		1	
503 91 25-01	503912501	SPARK ARRESTER SCREEN		1	
503 90 38-01	503903801	EXHAUST DUCT		1	
503 20 29-63	503202963	SCREW IHSCFM		3	

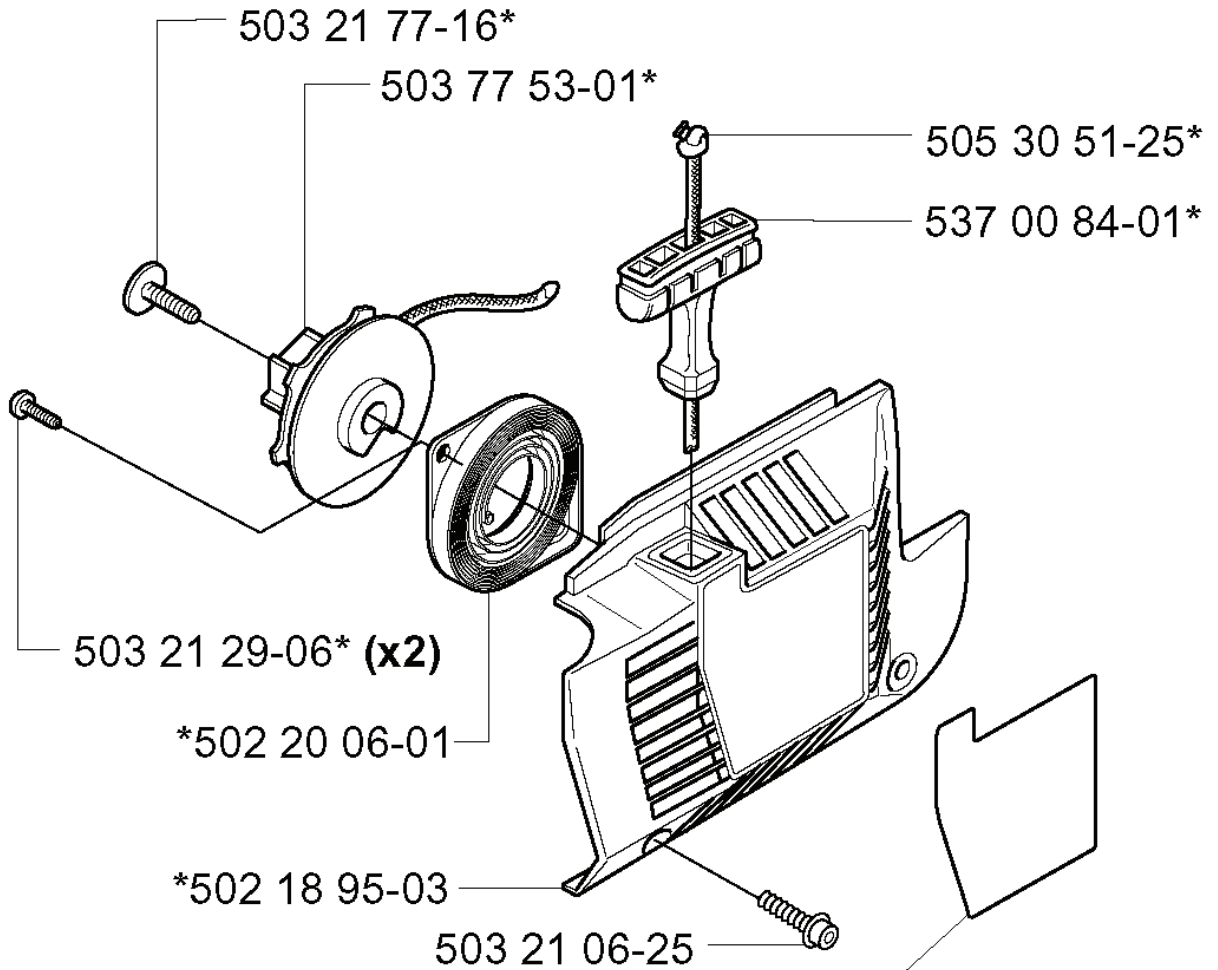
G



REF.	PART NO.	DESCRIPTION	REMARK	QTY.	KIT
502 19 84-01	502198401	INLET PIPE		1	
502 21 23-01	502212301	SUPPORT RING		1	
537 05 27-01	537052701	CARBURETTOR	WALBRO WT 548	1	
503 93 66-01	503936601	PURGE		1	
731 23 14-01	731231401	HEXAGON NUT		1	
537 02 49-01	537024901	FILTER HOLDER		1	
502 19 86-02	502198602	AIR FILTER		1	
503 71 60-01	503716001	FILTER COVER		1	
731 71 14-51	731711451	HEXAGON NUT FLANGE		2	
502 20 40-01	502204001	KNOB		1	
502 20 65-01	502206501	SCREW EHHM		1	
537 04 24-02	537042402	FUEL HOSE		1	
503 71 63-01	503716301	CHOKE CONTROL		1	

M

*compl 502 18 95-02



225

502 21 25-19 (R)
502 21 25-20 (RD)
502 21 25-21 (L)
502 21 25-22 (LD)
502 21 25-23 (RJ)

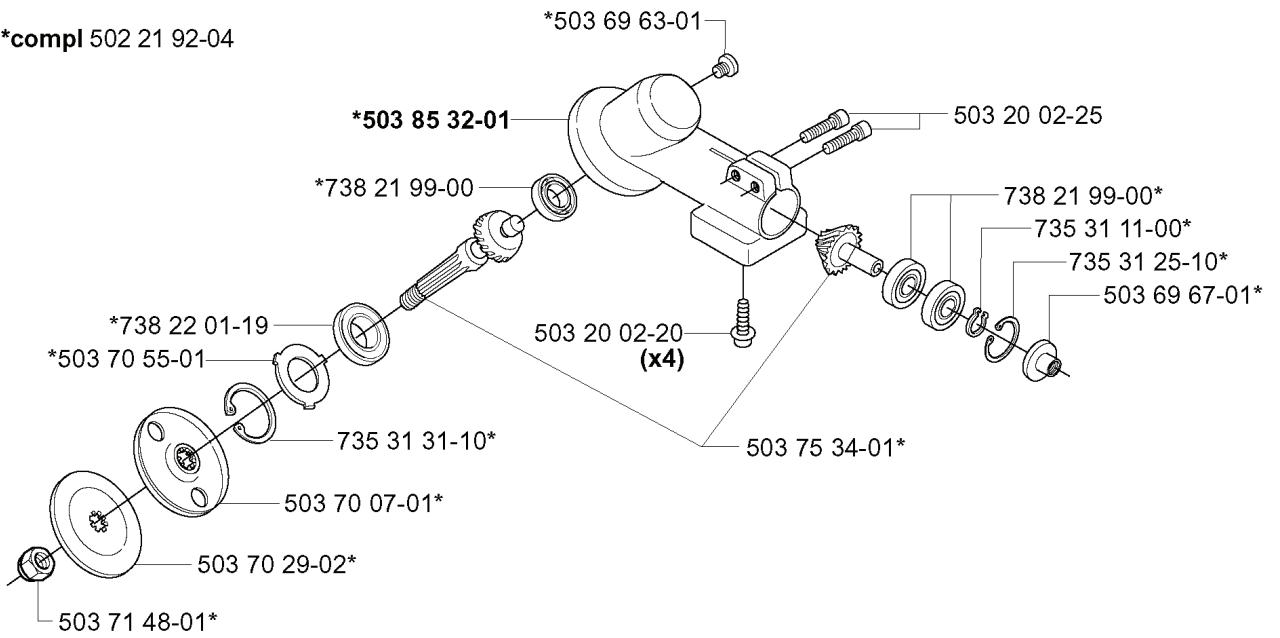
502 21 25-37 (R)
502 21 25-38 (RD)
502 21 25-35 (L)
502 21 25-36 (LD)
502 21 25-39 (RJ)

227

REF.	PART NO.	DESCRIPTION	REMARK	QTY.	KIT
502 18 95-02	502189502	STARTER		1	
503 21 77-16	503217716	SCREW IHSCST		1	
503 77 53-01	503775301	STARTER PULLEY		1	
503 21 29-06	503212906	SCREW CCRPANT		2	
502 20 06-01	502200601	SPRING CASSETTE ASSY		1	
502 18 95-03	502189503	STARTER		1	
503 21 06-25	503210625	SCREW IHSCFT		1	
502 21 25-19	502212519	LABEL	R	1	
502 21 25-20	502212520	LABEL	RD	1	
502 21 25-21	502212521	LABEL	L 225	1	
502 21 25-22	502212522	LABEL	LD	1	
502 21 25-23	502212523	LABEL	RJ	1	
502 21 25-39	502212539	LABEL	RJ	1	
502 21 25-36	502212536	LABEL	LD	1	
502 21 25-35	502212535	LABEL	L 227	1	
502 21 25-38	502212538	LABEL	RD	1	
502 21 25-37	502212537	LABEL	R	1	
537 00 84-01	537008401	STARTER HANDLE		1	
505 30 51-25	505305125	STARTER ROPE		1	

K

*compl 502 21 92-04

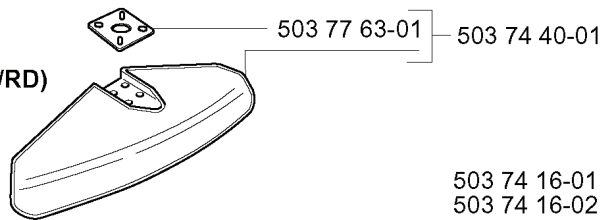
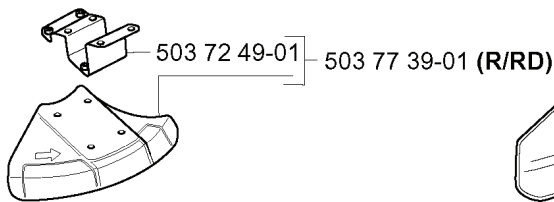
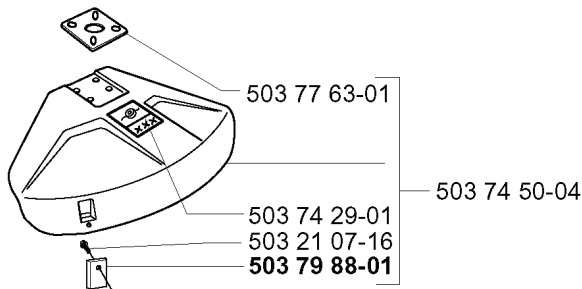
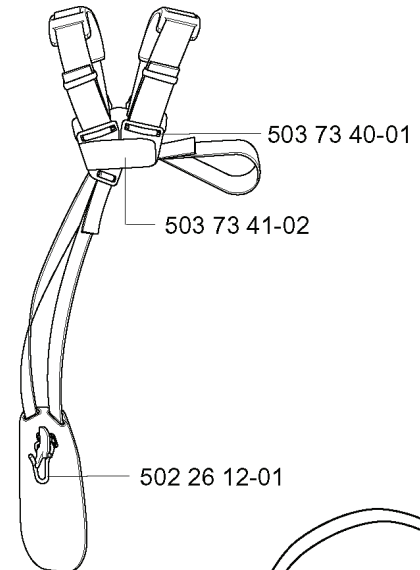
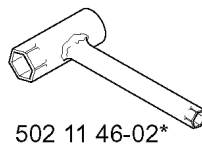
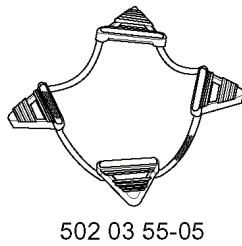
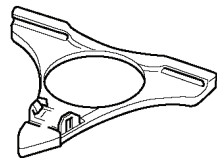
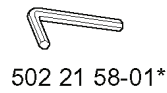
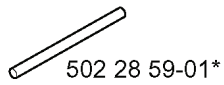


REF.	PART NO.	DESCRIPTION	REMARK	QTY.	KIT
502 21 92-04	502219204	GEAR		1	
738 22 01-19	738220119	BALL BEARING		1	
503 70 55-01	503705501	COVER WASHER		1	
735 31 31-10	735313110	CIRCLIP		1	
503 70 07-01	503700701	DRIVER		1	
503 70 29-02	503702902	SUPPORT FLANGE		1	
503 71 48-01	503714801	NUT BLADE		1	
503 75 34-01	503753401	GEAR WHEEL		1	
503 20 02-20	503200220	SCREW IHSCFM		4	
738 21 99-00	738219900	BALL BEARING		1	
503 85 32-01	503853201	GEAR HOUSING		1	
503 69 63-01	503696301	PLUG		1	
503 69 67-01	503696701	GASKET RING UPPER		1	
735 31 25-10	735312510	CIRCLIP		1	
735 31 11-00	735311100	CIRCLIP		1	
503 20 02-25	503200225	SCREW IHSCFM		1	

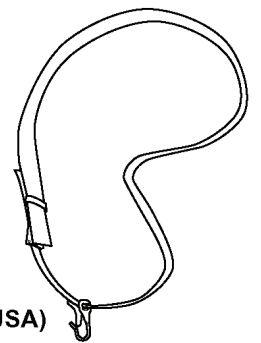
P Accessories
 Zubehöre
 Accessoires
 Accesorios
 Tillbehör

*compl 502 21 60-01

compl 503 73 63-03
 compl 503 73 63-04 (USA)



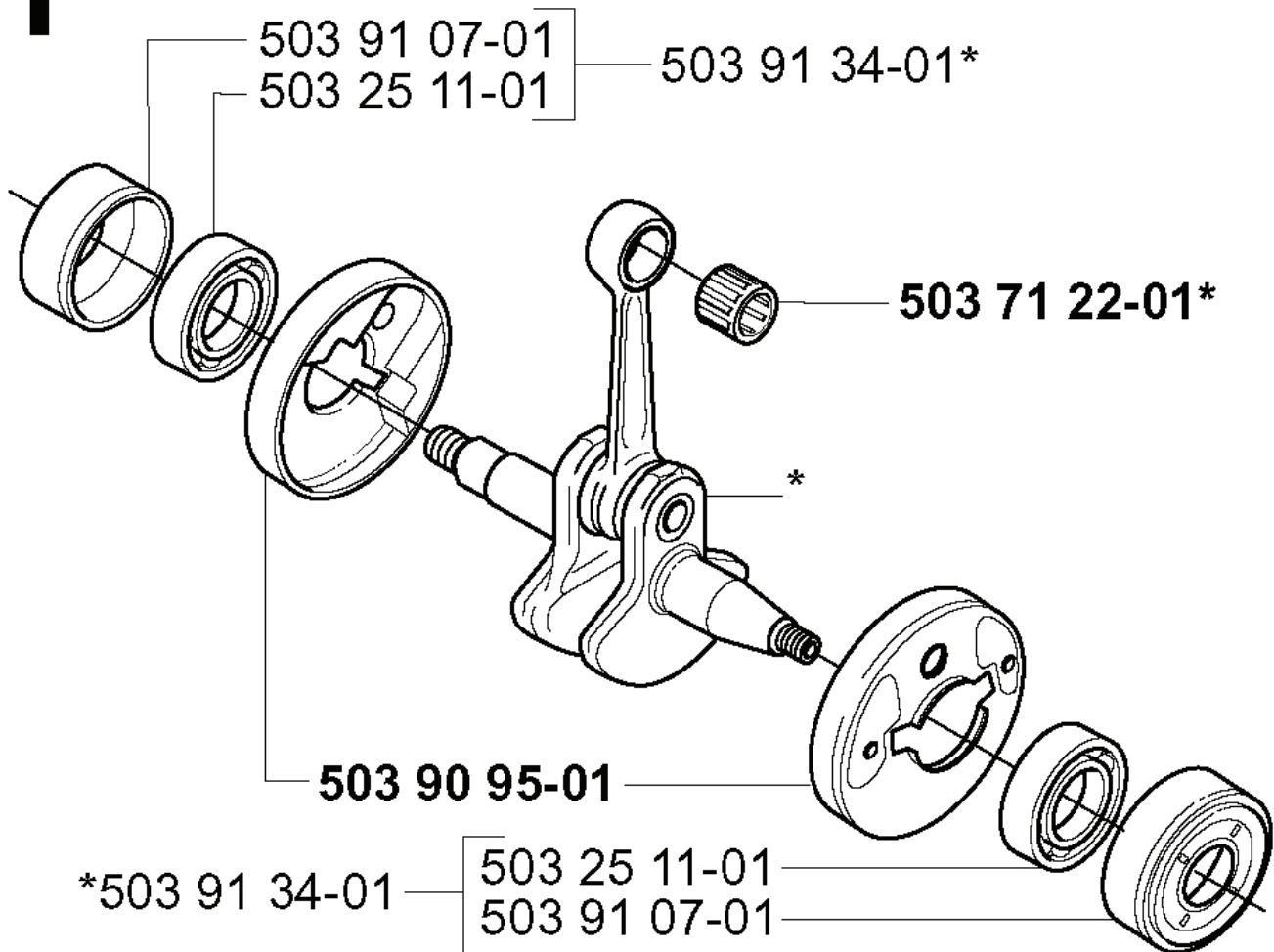
503 74 16-01
 503 74 16-02 (USA)



REF.	PART NO.	DESCRIPTION	REMARK	QTY.	KIT
502 21 60-01	502216001	ACCESSORY BAG		1	
502 28 59-01	502285901	STOP		1	
502 26 23-01	502262301	TRIMMER GUARD ASSY		1	
503 72 49-01	503724901	ADAPTER		1	
503 77 39-01	503773901	SAW BLADE GUARD	R/RD	1	
503 79 88-01	503798801	BLADE		1	
503 21 07-16	503210716	SCREW IHSCT		1	
503 74 29-01	503742901	DECAL		1	
503 74 50-04	503745004	TRIMMER GUARD		1	
502 03 55-05	502035505	TRANSPORT GUARD		1	
501 60 02-03	501600203	SCREWDRIVER		1	
502 21 58-01	502215801	WRENCH		1	
502 11 46-02	502114602	SOCKET WRENCH		1	
502 51 27-01	502512701	GREASE		1	
503 77 63-01	503776301	BASEPLATE		1	
503 74 16-02	503741602	HARNESS ASSY	USA	1	
503 74 16-01	503741601	HARNESS ASSY		1	
503 74 40-01	503744001	BLADE GUARD		1	
502 26 12-01	502261201	WELT HOOK		1	
503 73 41-02	503734102	BUCKLE		1	
503 73 40-01	503734001	FRONT PIECE		1	
503 73 63-04	503736304	HARNESS ASSY	USA	1	
503 73 63-03	503736303	HARNESS		1	

F

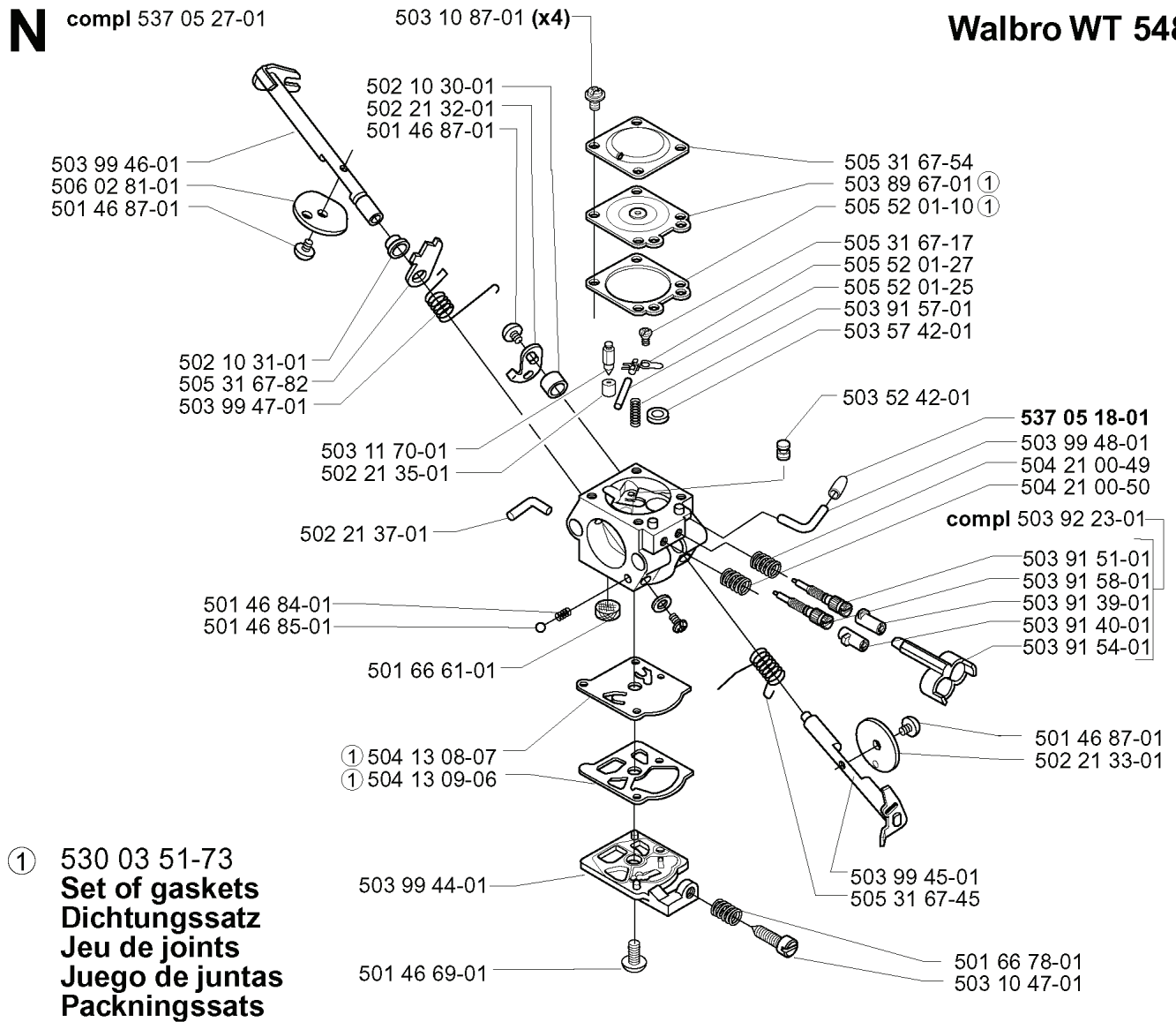
***compl 503 72 44-05**



REF.	PART NO.	DESCRIPTION	REMARK	QTY.	KIT
5037244-05	503724405	CRANKSHAFT ASSY		1	
5039095-01	503909501	CUP		1	
5039134-01	503913401	BEARING CAGE		1	
5039107-01	503910701	BEARING CAGE		1	
5032511-01	503251101	BALL BEARING		1	
5037122-01	503712201	BEARING		1	

N compl 537 05 27-01

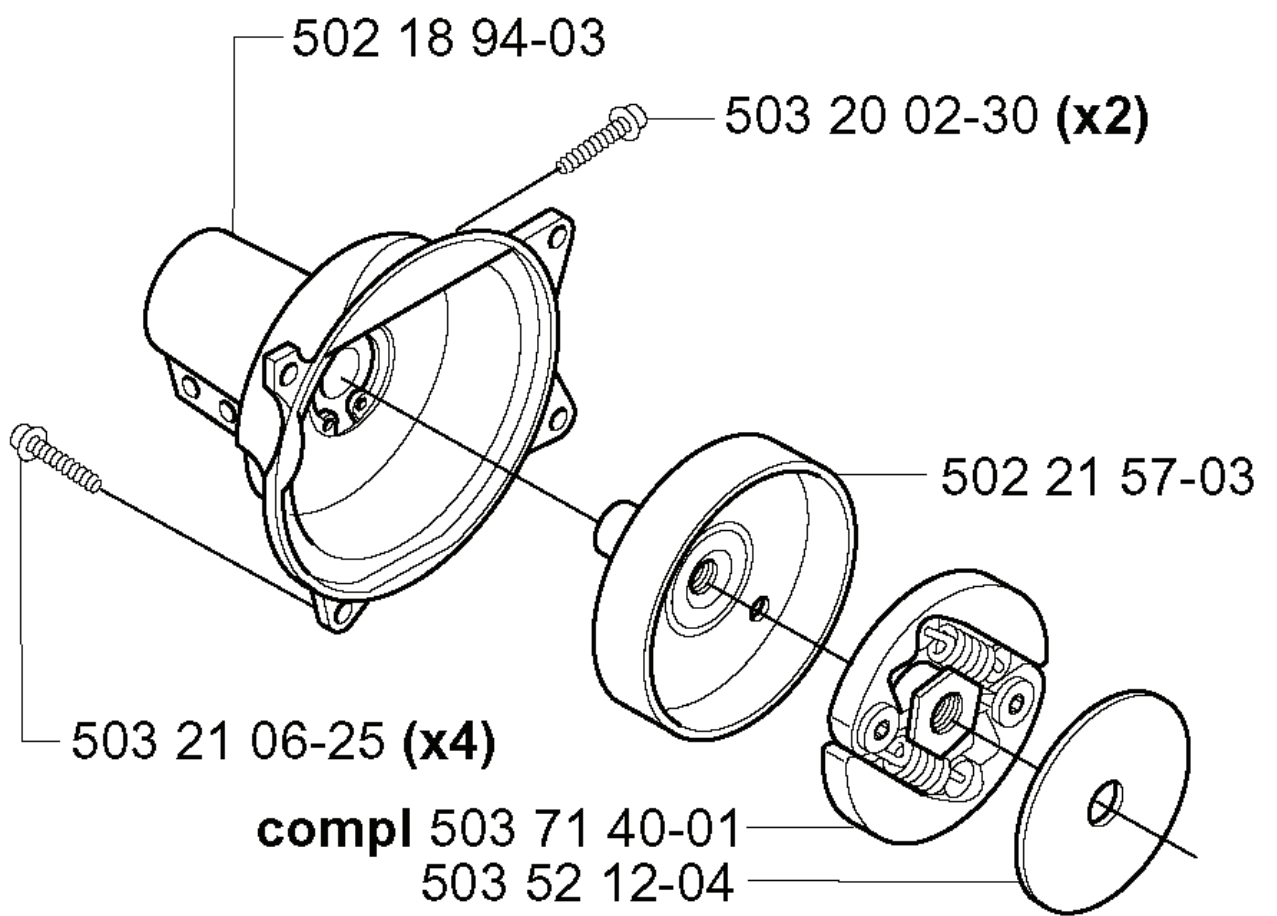
Walbro WT 548



REF.	PART NO.	DESCRIPTION	REMARK	QTY.	KIT
537 05 27-01	537052701	CARBURETTOR		1	
503 99 46-01	503994601	SHAFT ASSY		1	
506 02 81-01	506028101	VALVE		1	
502 10 31-01	502103101	BUSHING		1	
505 31 67-82	505316782	LEVER		1	
503 99 47-01	503994701	SPRING		1	
503 11 70-01	503117001	NEEDLE VALVE		1	
502 21 35-01	502213501	SEAT INLET VALVE		1	
502 21 37-01	502213701	FITTING		1	
501 46 84-01	501468401	SPRING		1	
501 46 85-01	501468501	BALL		1	
501 66 61-01	501666101	SCREEN		1	
504 13 08-07	504130807	DIAPHRAGM PUMP	530 03 51-73 SET OF GASKETS	1	
504 13 09-06	504130906	GASKET	530 03 51-73 SET OF GASKETS	1	
503 99 44-01	503994401	COVER		1	
501 46 69-01	501466901	SCREW		1	
503 10 47-01	503104701	SCREW		1	
501 66 78-01	501667801	SPRING		1	
505 31 67-45	505316745	SPRING		1	
503 99 45-01	503994501	SHAFT ASSY		1	
502 21 33-01	502213301	VALVE THROTTLE		1	
503 91 54-01	503915401	RETAINER		1	
503 91 40-01	503914001	LIMITER CAP		1	
503 91 39-01	503913901	LIMITER CAP		1	
503 91 58-01	503915801	NEEDLE		1	
503 91 51-01	503915101	NEEDLE		1	
503 92 23-01	503922301	LIMITER CAP		1	
504 21 00-50	504210050	SPRING		1	
504 21 00-49	504210049	SPRING		1	
503 99 48-01	503994801	FITTING		1	
537 05 18-01	537051801	PLUG		1	
503 52 42-01	503524201	NOZZLE ASSY		1	
503 57 42-01	503574201	PLUG		1	
503 91 57-01	503915701	SPRING		1	
505 52 01-25	505520125	PIN		1	
505 52 01-27	505520127	LEVER		1	
505 31 67-17	505316717	SCREW		1	
505 52 01-10	505520110	GASKET	530 03 51-73 SET OF GASKETS	1	
503 89 67-01	503896701	DIAPHRAGM	530 03 51-73 SET OF GASKETS	1	
505 31 67-54	505316754	LOCK STYRMEMBRAN		1	
501 46 87-01	501468701	SCREW		1	

REF.	PART NO.	DESCRIPTION	REMARK	QTY.	KIT
502 21 32-01	502213201	LEVER THROTTLE		1	
502 10 30-01	502103001	DISTANCE		1	
503 10 87-01	503108701	SCREW		4	

E



REF.	PART NO.	DESCRIPTION	REMARK	QTY.	KIT
502 18 94-03	502189403	CLUTCH COVER ASSY		1	
503 21 06-25	503210625	SCREW IHSCFT		4	
503 71 40-01	503714001	CLUTCH ASSY		1	
503 52 12-04	503521204	WASHER		1	
502 21 57-03	502215703	CLUTCH DRUM ASSY		1	
503 20 02-30	503200230	SCREW IHSCFM		2	