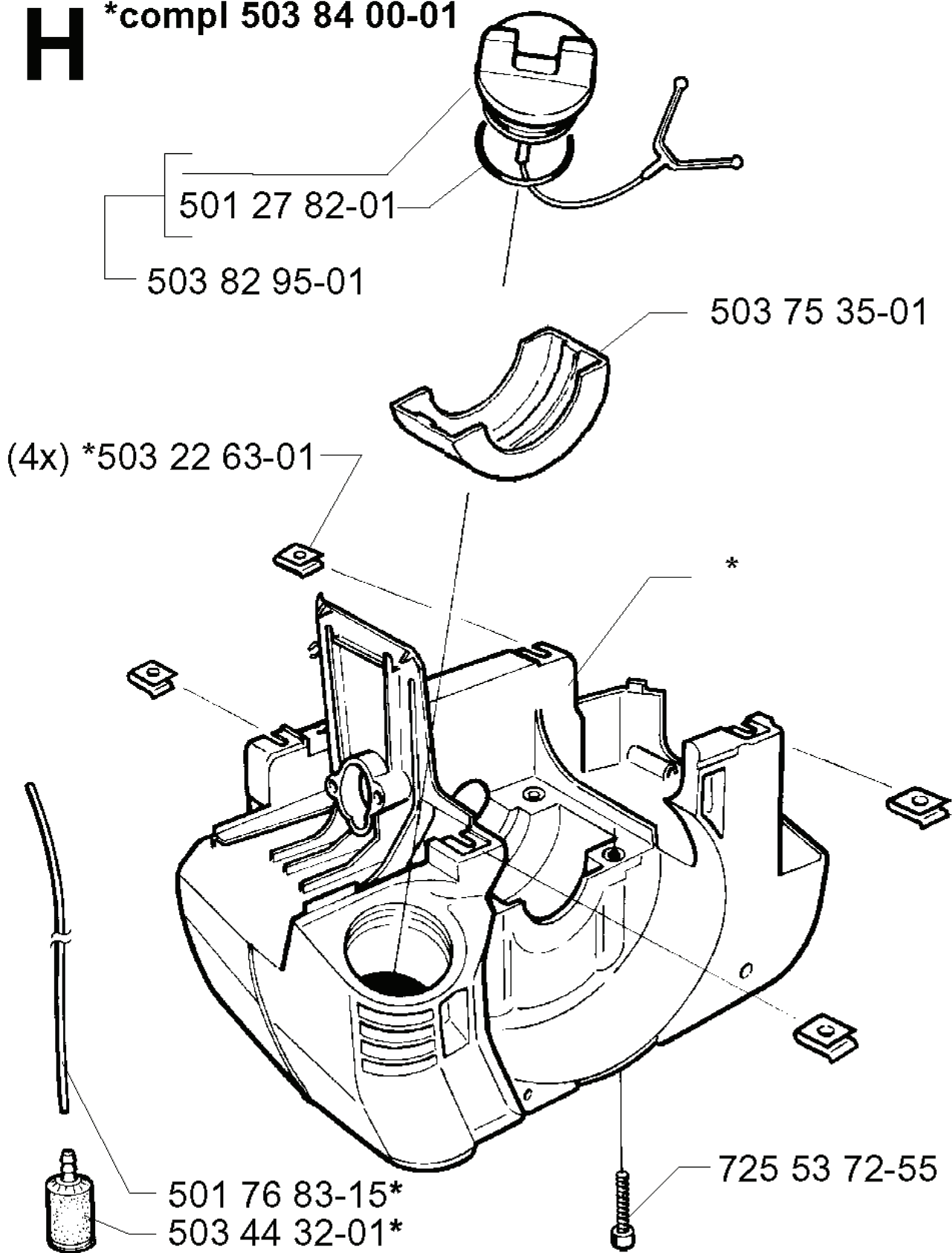


225 RD, 19962200001-19970500000

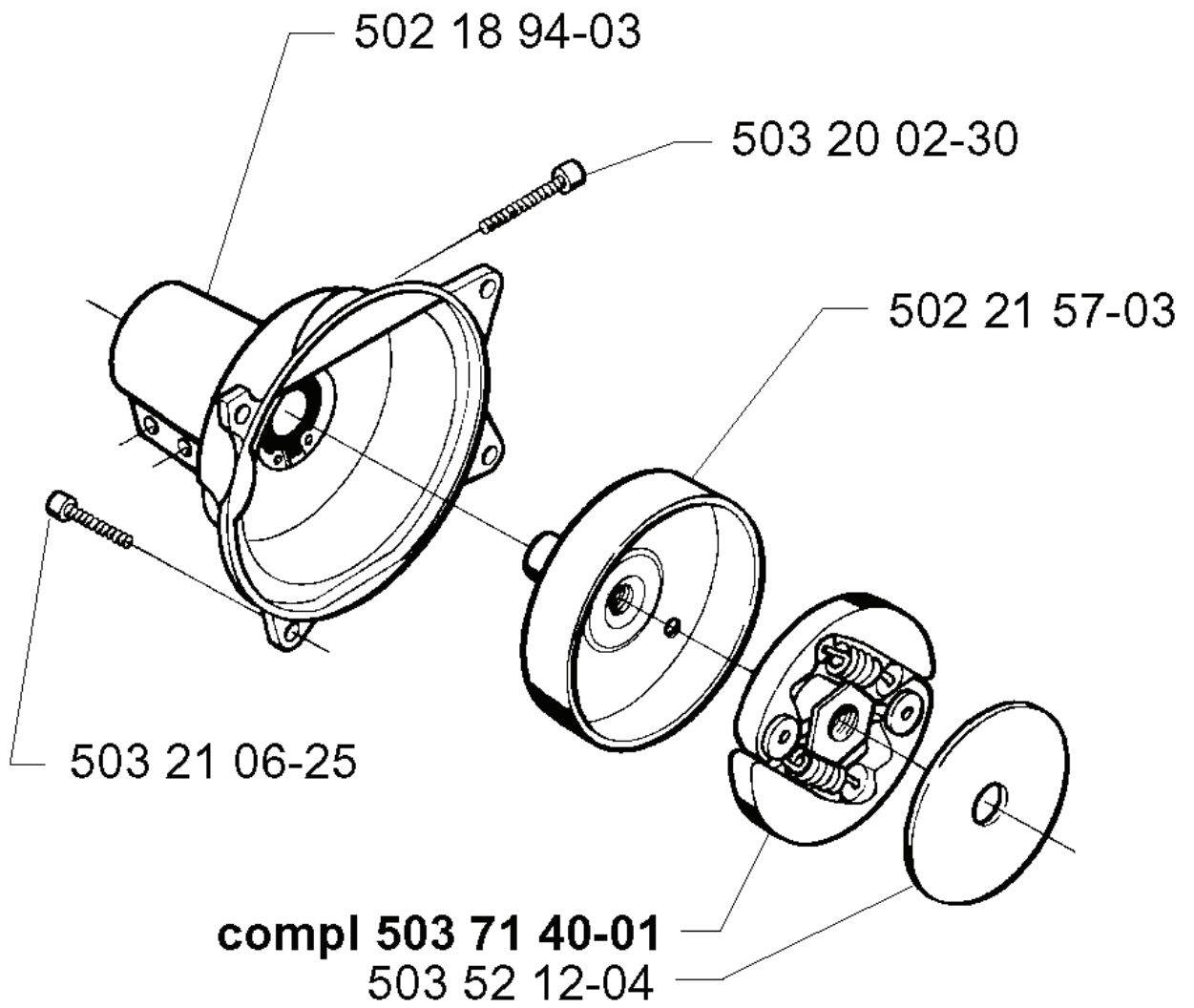
SPARE PARTS LIST

H *compl 503 84 00-01



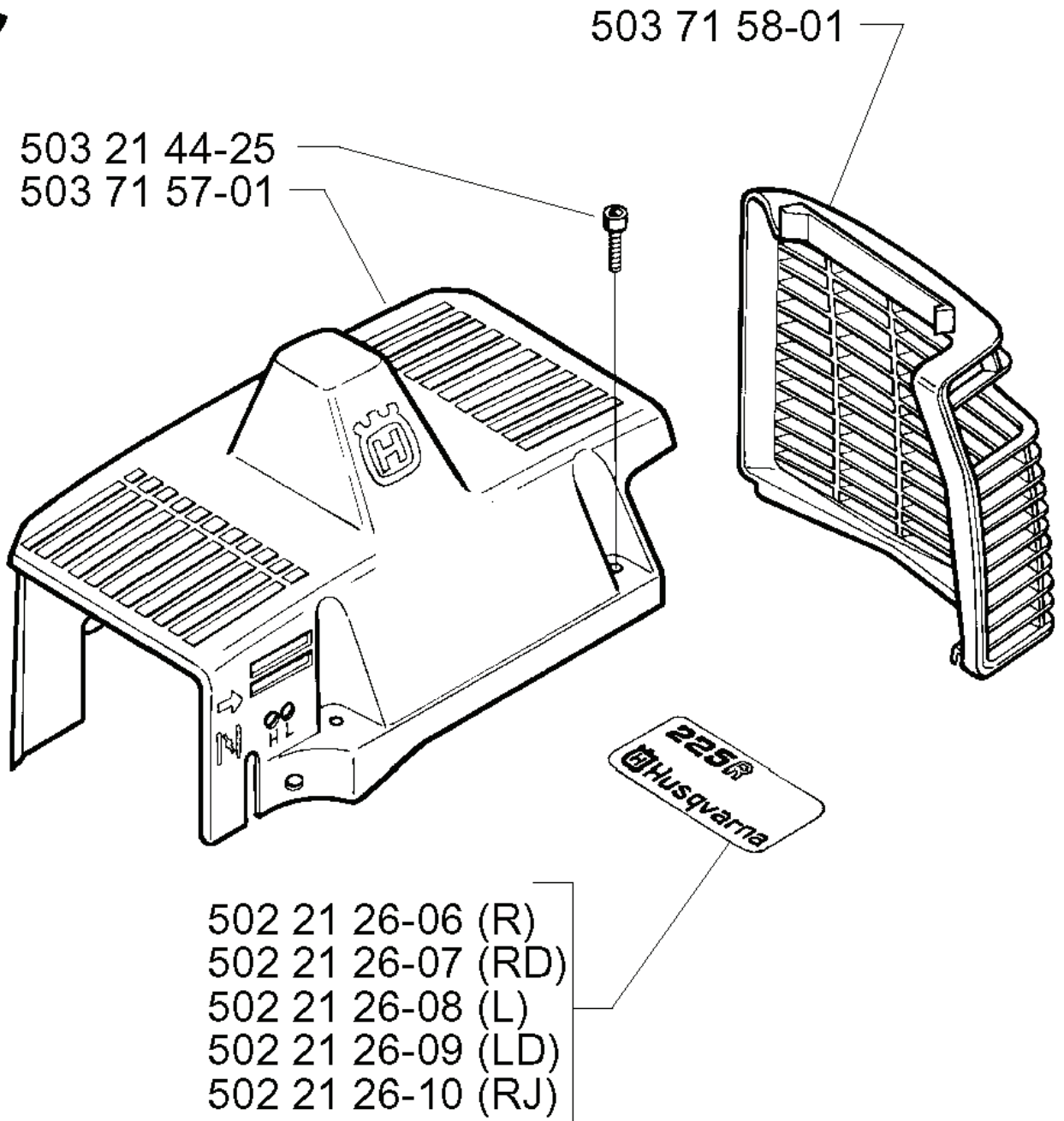
REF.	PART NO.	DESCRIPTION	REMARK	QTY.	KIT
503 84 00-01	503840001	CRANKCASE		1	
501 27 82-01	501278201	GASKET		1	
503 82 95-01	503829501	TANK CAP		1	
503 22 63-01	503226301	NUT QUICK-COUPLING	4X	1	
501 76 83-15	501768315	FUEL HOSE		1	
503 44 32-01	503443201	FUEL FILTER		1	
725 53 72-55	725537255	SCREW IHSCM		1	
503 75 35-01	503753501	INSERT		1	

E



REF.	PART NO.	DESCRIPTION	REMARK	QTY.	KIT
502 18 94-03	502189403	CLUTCH COVER ASSY		1	
503 21 06-25	503210625	SCREW IHSCFT		1	
503 71 40-01	503714001	CLUTCH ASSY		1	
503 52 12-04	503521204	WASHER		1	
502 21 57-03	502215703	CLUTCH DRUM ASSY		1	
503 20 02-30	503200230	SCREW IHSCFM		1	

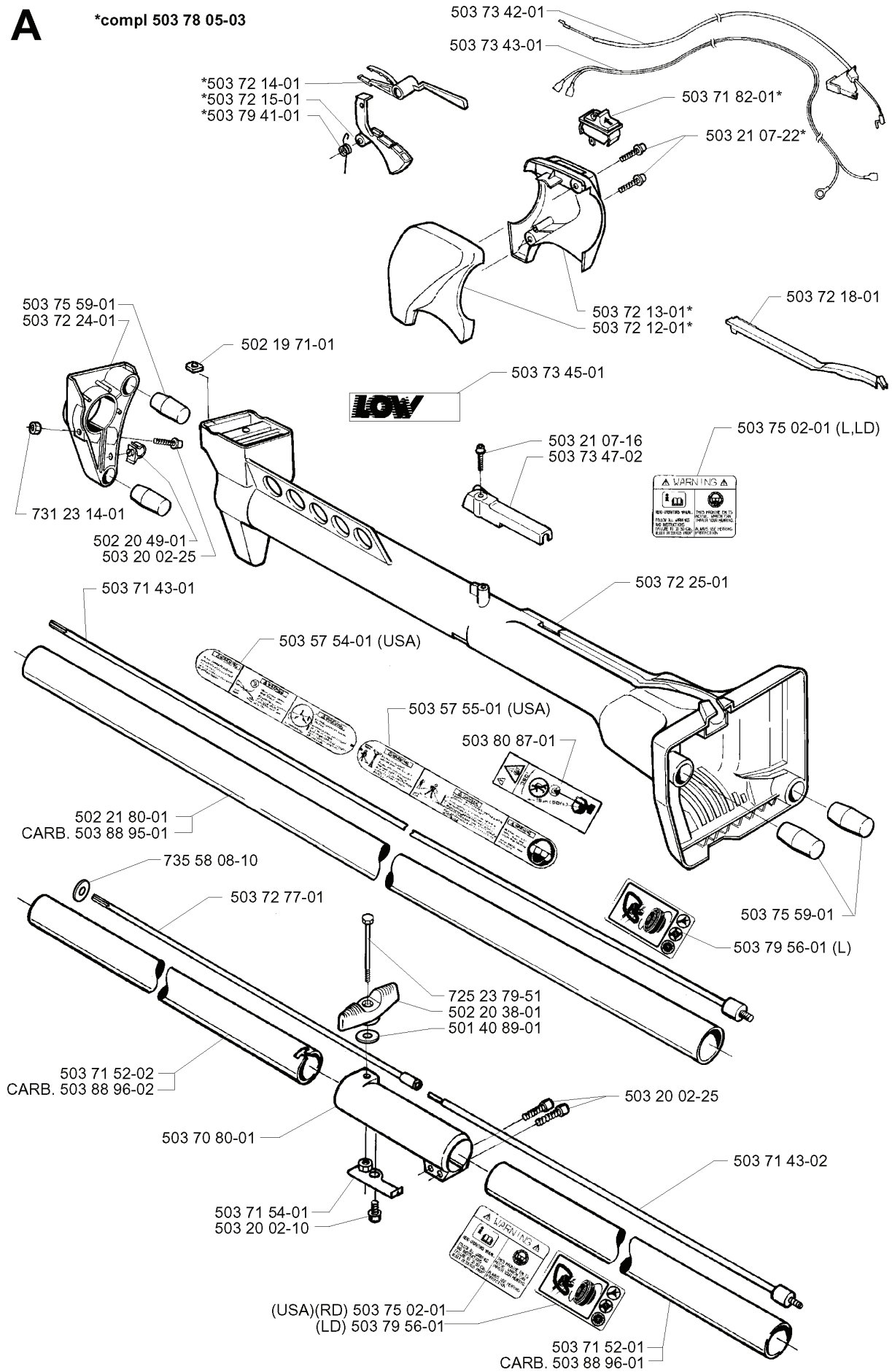
C



REF.	PART NO.	DESCRIPTION	REMARK	QTY.	KIT
503 21 44-25	503214425	SCREW IHSCFTO		1	
503 71 57-01	503715701	CYLINDER COVER		1	
502 21 26-06	502212606	DECAL	R	1	
502 21 26-07	502212607	DECAL	RD	1	
502 21 26-08	502212608	DECAL	L	1	
502 21 26-09	502212609	DECAL	LD	1	
502 21 26-10	502212610	DECAL	RJ	1	
503 71 58-01	503715801	HEAT PROTECTOR		1	

A

*compl 503 78 05-03

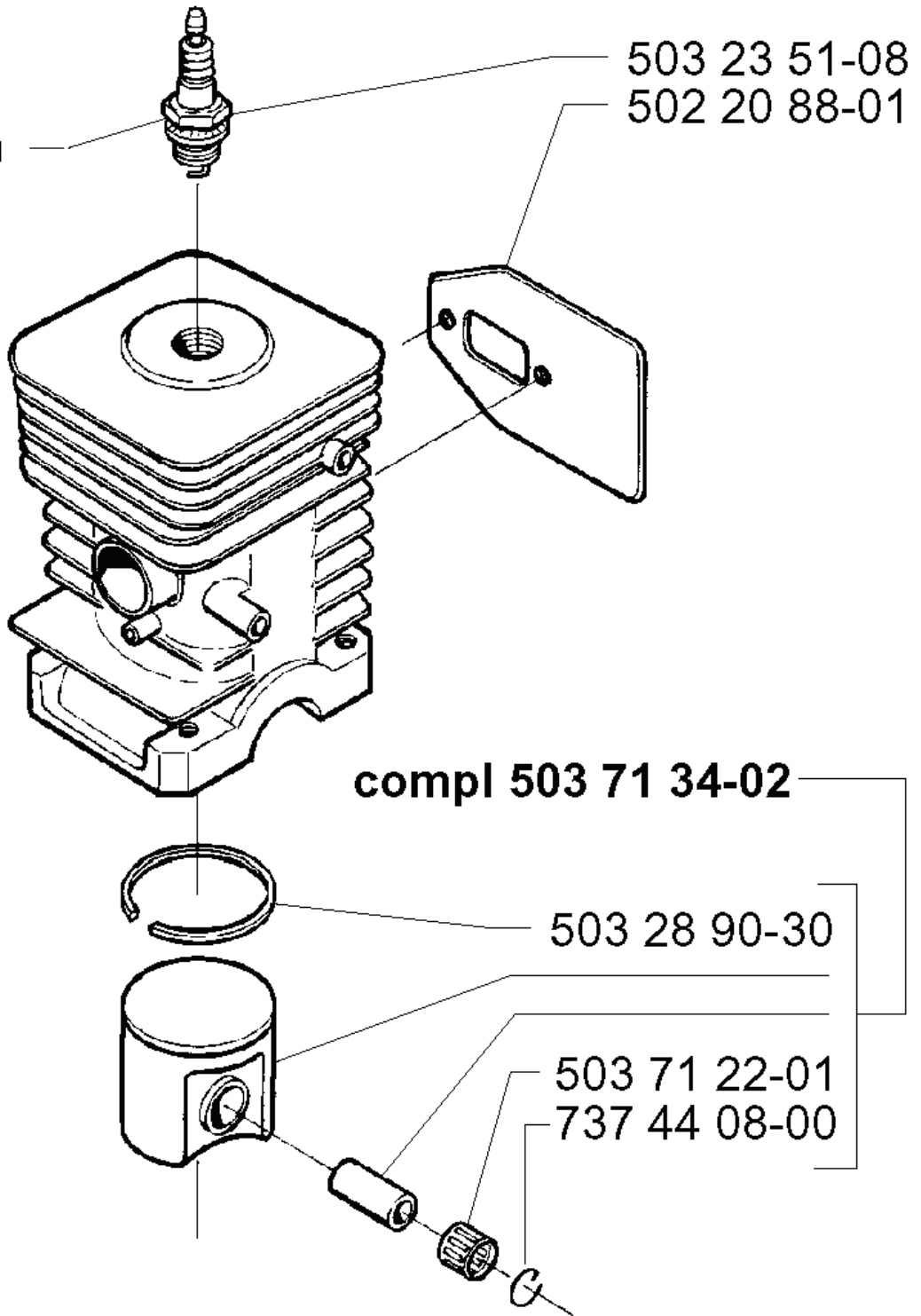


REF.	PART NO.	DESCRIPTION	REMARK	QTY.	KIT
503 78 05-03	503780503	HANDLE		1	
503 75 59-01	503755901	ANTIVIBRATION ELEMENT		1	
503 72 24-01	503722401	HOLDER ANTVIBRATION		1	
731 23 14-01	731231401	HEXAGON NUT		1	
502 20 49-01	502204901	CLIP		1	
503 20 02-25	503200225	SCREW IHSCFM		1	
503 71 43-01	503714301	DRIVE SHAFT ASSY		1	
502 21 80-01	502218001	TUBE DRIVESHAFT ASSY		1	
503 88 95-01	503889501	TUBE	CARB.	1	
503 71 52-02	503715202	TUBE		1	
503 88 96-02	503889602	TUBE	CARB.	1	
503 70 80-01	503708001	COMPRESSION SLEEVE		1	
503 71 54-01	503715401	LOCKING PLATE		1	
503 20 02-10	503200210	SCREW IHSCFM		1	
503 72 77-01	503727701	DRIVE SHAFT ASSY		1	
735 58 08-10	735580810	LOCKWASHER		1	
503 57 54-01	503575401	DECAL	USA	1	
502 19 71-01	502197101	SQUARE NUT		1	
503 79 41-01	503794101	RECOIL SPRING		1	
503 72 15-01	503721501	THROTTLE TRIGGER		1	
503 72 14-01	503721401	THROTTLE LOCKOUT		1	
503 73 42-01	503734201	THROTTLE CABLE ASSY		1	
503 73 43-01	503734301	SHORT CIRCUIT CABLE		1	
503 72 13-01	503721301	HANDLE HALF		1	
503 72 12-01	503721201	HANDLE HALF		1	
503 73 45-01	503734501	LABEL		1	
503 21 07-16	503210716	SCREW IHST		1	
503 73 47-02	503734702	LOCK KABLAGE STYRE		1	
503 57 55-01	503575501	DECAL	USA	1	
503 80 87-01	503808701	LABEL		1	
725 23 79-51	725237951	SCREW EHHM		1	
502 20 38-01	502203801	KNOB		1	
501 40 89-01	501408901	WASHER		1	
503 88 96-01	503889601	TUBE	CARB.	1	
503 71 52-01	503715201	TUBE		1	
503 71 43-02	503714302	DRIVE SHAFT ASSY		1	
503 79 56-01	503795601	LABEL	L	1	
503 72 25-01	503722501	SUSPENSION		1	
503 75 02-01	503750201	DECAL	L, LD	1	
503 72 18-01	503721801	COVER		1	
503 21 07-22	503210722	SCREW IHST		1	

REF.	PART NO.	DESCRIPTION	REMARK	QTY.	KIT
5037182-01	503718201	SWITCH		1	

D compl 503 72 45-01

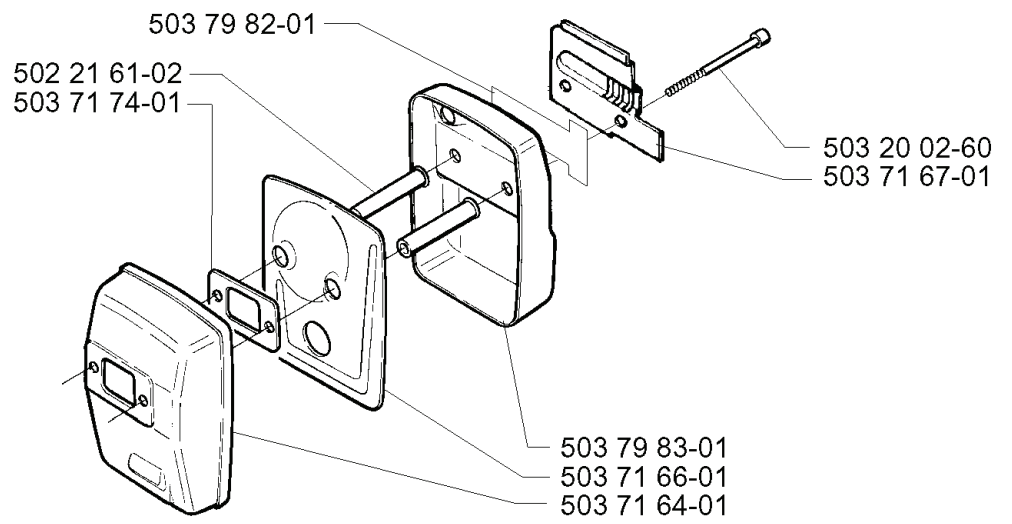
Champion
RCJ 7 Y



REF.	PART NO.	DESCRIPTION	REMARK	QTY.	KIT
503 72 45-01	503724501	PISTON		1	
737 44 08-00	737440800	CIRCLIP		1	
503 71 22-01	503712201	BEARING		1	
503 28 90-30	503289030	PISTON RING		1	
503 71 34-02	503713402	PISTON ASSY		1	
502 20 88-01	502208801	GASKET		1	
503 23 51-08	503235108	SPARK PLUG	CHAMPION RCJ 7 Y	1	

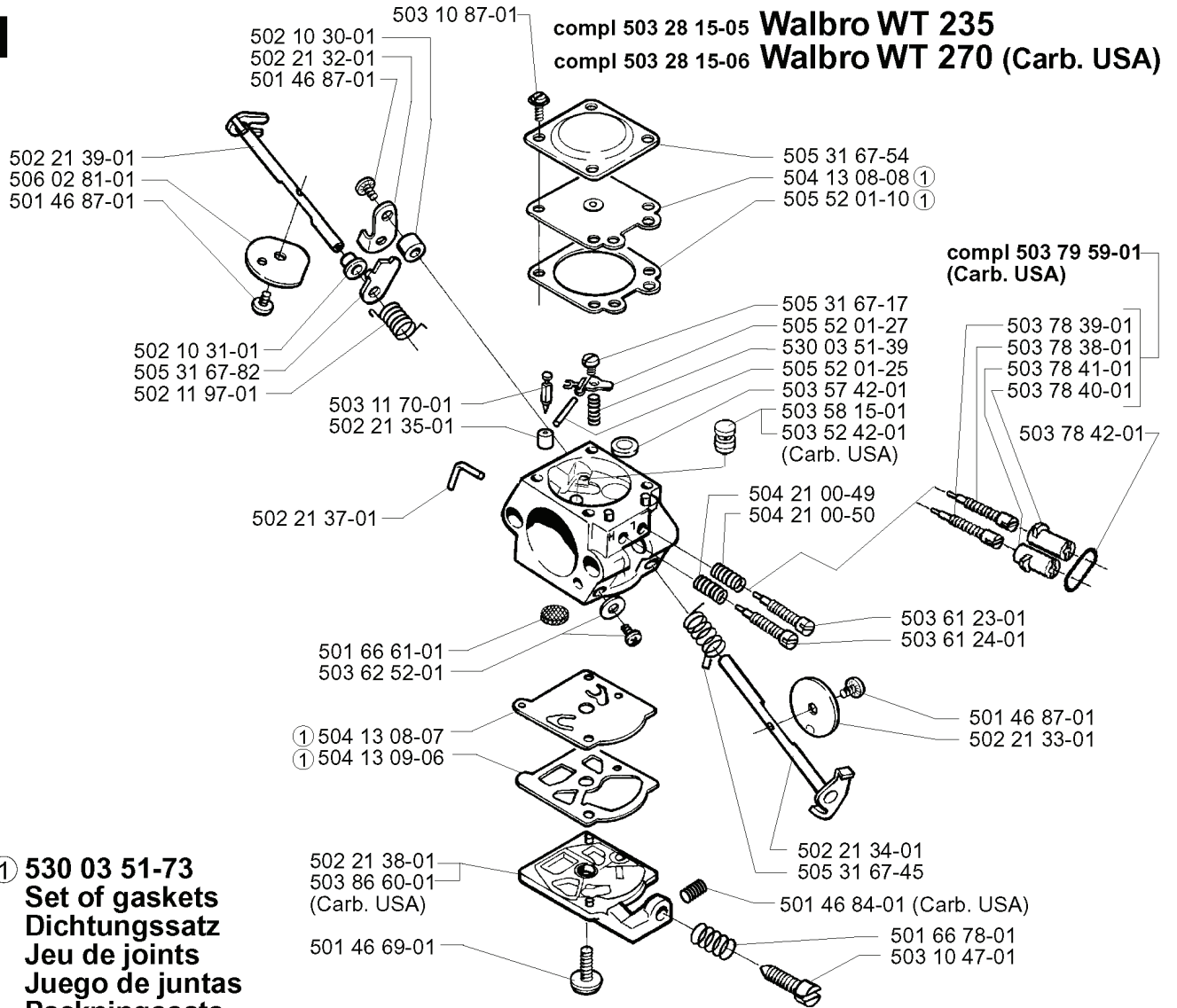
J

compl 503 71 73-03



REF.	PART NO.	DESCRIPTION	REMARK	QTY.	KIT
5037173-03	503717303	MUFFLER ASSY		1	
5037982-01	503798201	SPARK ARRESTER SCREEN		1	
5022161-02	502216102	SPACING TUBE		1	
5037174-01	503717401	REINFORCEMENT		1	
5037164-01	503716401	MUFFLER REAR HALF		1	
5037166-01	503716601	BAFFLE PLATE		1	
5037983-01	503798301	LJUDD.HALVA		1	
5037167-01	503716701	EXHAUST DUCT		1	
5032002-60	503200260	SCREW		1	

N

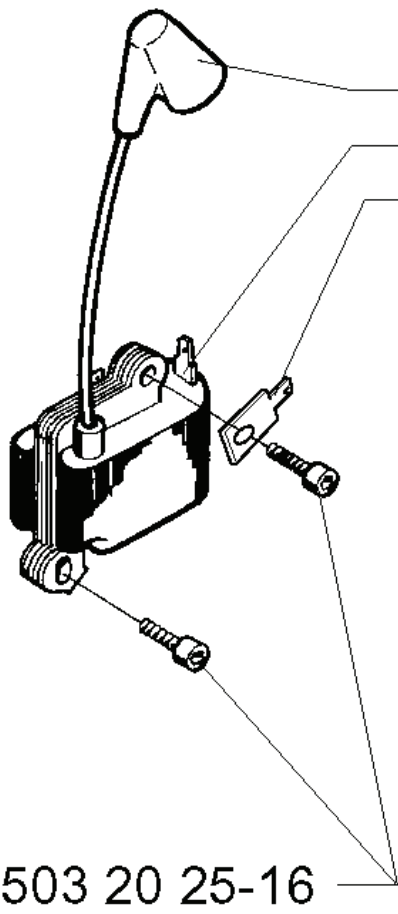


REF.	PART NO.	DESCRIPTION	REMARK	QTY.	KIT
502 21 39-01	502213901	SHAFT ASSY		1	
506 02 81-01	506028101	VALVE		1	
502 10 31-01	502103101	BUSHING		1	
505 31 67-82	505316782	LEVER		1	
502 11 97-01	502119701	RECOIL SPRING		1	
501 46 69-01	501466901	SCREW		1	
503 86 60-01	503866001	COVER	CARB. USA	1	
502 21 38-01	502213801	COVER		1	
504 13 09-06	504130906	GASKET	530 03 51-73 SET OF GASKETS	1	
504 13 08-07	504130807	DIAPHRAGM PUMP	530 03 51-73 SET OF GASKETS	1	
503 62 52-01	503625201	SCREW ASSY		1	
501 66 61-01	501666101	SCREEN		1	
502 21 37-01	502213701	FITTING		1	
502 21 35-01	502213501	SEAT INLET VALVE		1	
503 11 70-01	503117001	NEEDLE VALVE		1	
501 46 87-01	501468701	SCREW		1	
502 21 32-01	502213201	LEVER THROTTLE		1	
502 10 30-01	502103001	DISTANCE		1	
503 10 87-01	503108701	SCREW		1	
503 28 15-05	503281505	CARBURETTOR		1	
503 28 15-06	503281506	CARBURETTOR		1	
505 31 67-54	505316754	LOCK STYRMEMBRAN		1	
504 13 08-08	504130808	DIAPHRAGM	530 03 51-73 SET OF GASKETS	1	
505 52 01-10	505520110	GASKET	530 03 51-73 SET OF GASKETS	1	
505 31 67-17	505316717	SCREW		1	
505 52 01-27	505520127	LEVER		1	
530 03 51-39	530035139	SPRING		1	
505 52 01-25	505520125	PIN		1	
503 57 42-01	503574201	PLUG		1	
503 58 15-01	503581501	NOZZLE ASSY		1	
503 52 42-01	503524201	NOZZLE ASSY	CARB. USA	1	
504 21 00-49	504210049	SPRING		1	
504 21 00-50	504210050	SPRING		1	
502 21 34-01	502213401	SHAFT ASS THROTTLE		1	
505 31 67-45	505316745	SPRING		1	
501 46 84-01	501468401	SPRING	CARB. USA	1	
501 66 78-01	501667801	SPRING		1	
503 10 47-01	503104701	SCREW		1	
502 21 33-01	502213301	VALVE THROTTLE		1	
503 61 24-01	503612401	NEEDLE-HIGH SPEED		1	
503 61 23-01	503612301	NEEDLE IDLE SPEED		1	

REF.	PART NO.	DESCRIPTION	REMARK	QTY.	KIT
503 78 42-01	503784201	O-RING		1	
503 78 40-01	503784001	LIMITER CAP		1	
503 78 41-01	503784101	LIMITER CAP		1	
503 78 38-01	503783801	NEEDLE IDLE SPEED		1	
503 78 39-01	503783901	NEEDLE HIGH SPEED		1	
503 79 59-01	503795901	NEEDLE	CARB. USA	1	



***compl 502 19 59-01**



*

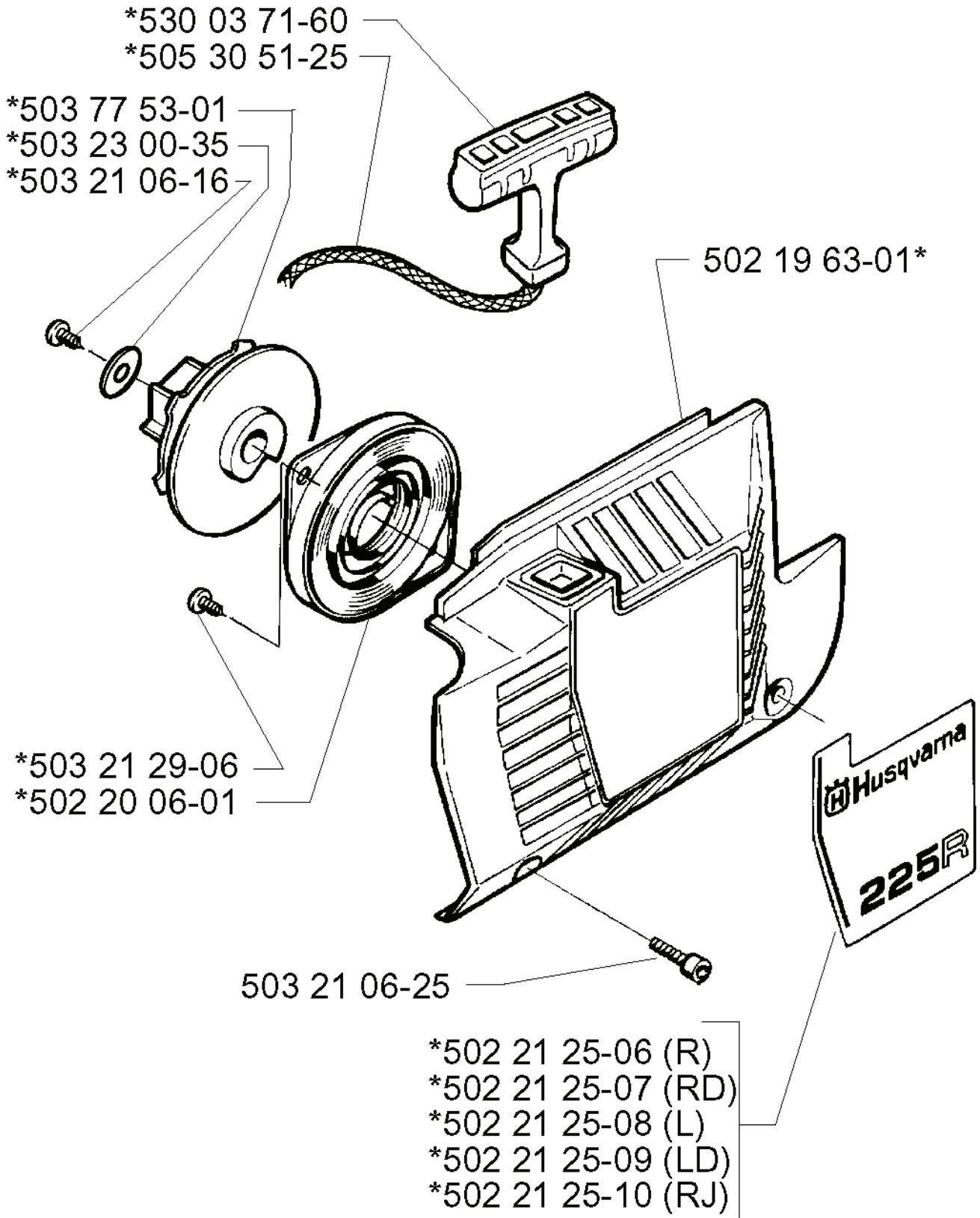
503 22 10-11
503 23 01-01

*530 04 20-59
*530 04 20-58
*530 01 52-26

REF.	PART NO.	DESCRIPTION	REMARK	QTY.	KIT
502 19 59-01	502195901	FLYWHEEL ASSY		1	
501 48 54-02	501485402	SPARK PLUG CAP		1	
503 76 16-01	503761601	ELECTRONIC MODULE		1	
503 24 44-01	503244401	FLAT PIN		1	
503 20 25-16	503202516	SCREW IHSCM		1	
530 01 52-26	530015226	PEN		1	
530 04 20-58	530042058	STARTER PAWL		1	
530 04 20-59	530042059	SPRING		1	
503 23 01-01	503230101	WASHER		1	
503 22 10-11	503221011	HEXAGON NUT		1	

M

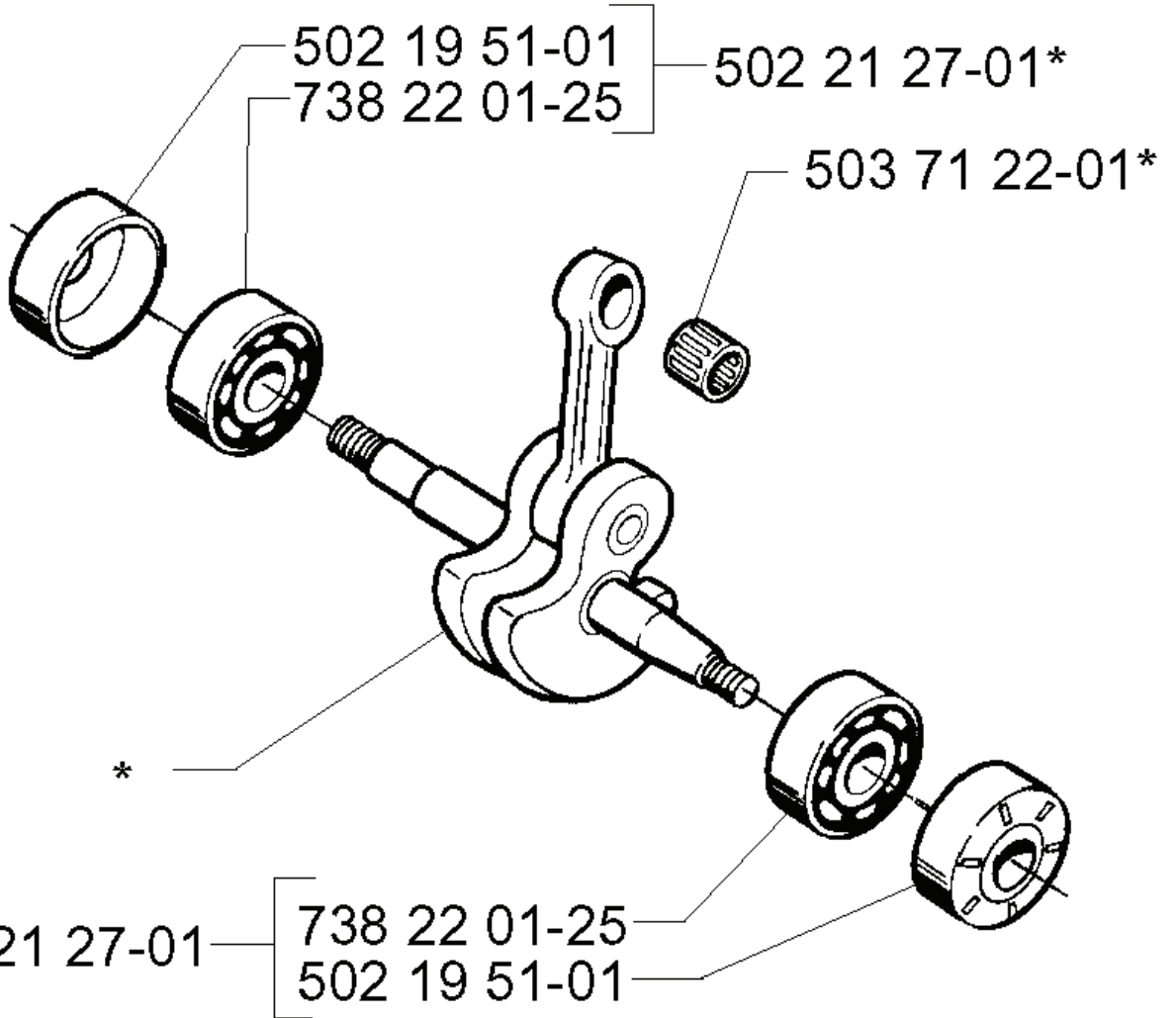
*compl 502 18 95-01



REF.	PART NO.	DESCRIPTION	REMARK	QTY.	KIT
502 18 95-01	502189501	STARTER		1	
530 03 71-60	530037160	STARTER HANDLE		1	
505 30 51-25	505305125	STARTER ROPE		1	
503 77 53-01	503775301	STARTER PULLEY		1	
503 23 00-35	503230035	WASHER		1	
503 21 06-16	503210616	SCREW IHSC T		1	
503 21 29-06	503212906	SCREW CCRPANT		1	
502 20 06-01	502200601	SPRING CASSETTE ASSY		1	
503 21 06-25	503210625	SCREW IHSCFT		1	
502 21 25-10	502212510	DECAL	RJ	1	
502 21 25-09	502212509	DECAL	LD	1	
502 21 25-08	502212508	DECAL	L	1	
502 21 25-07	502212507	DECAL	RD	1	
502 21 25-06	502212506	DECAL	R	1	
502 19 63-01	502196301	STARTER HOUSING		1	

F

***compl 503 72 44-01**



REF.	PART NO.	DESCRIPTION	REMARK	QTY.	KIT
5037244-01	503724401	CRANKSHAFT ASSY		1	
5021951-01	502195101	BEARING CAGE		1	
7382201-25	738220125	BALL BEARING		1	
5022127-01	502212701	BEARING CAGE		1	
5037122-01	503712201	BEARING		1	

P Accessories
 Zubehöre
 Accessoires
 Accesorios
 Tillbehör

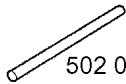
*compl 502 21 60-01



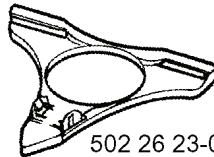
502 13 93-02



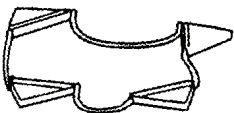
502 11 46-02*



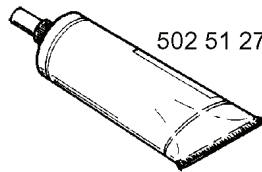
502 02 61-03*



502 26 23-01



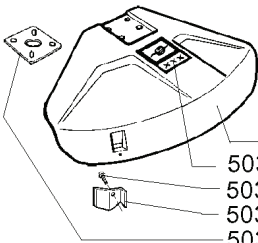
502 03 55-02



502 51 27-01

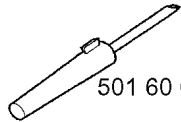


502 21 58-01*

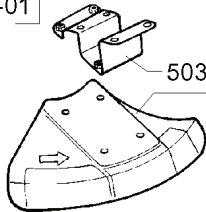


503 74 29-01
 503 21 07-16
 503 79 94-01
 503 77 63-01

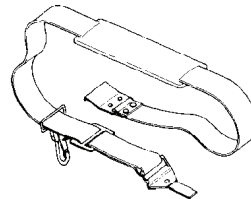
503 74 50-01



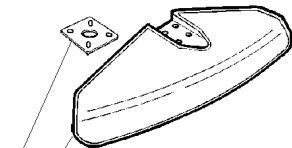
501 60 02-02*



503 72 49-01



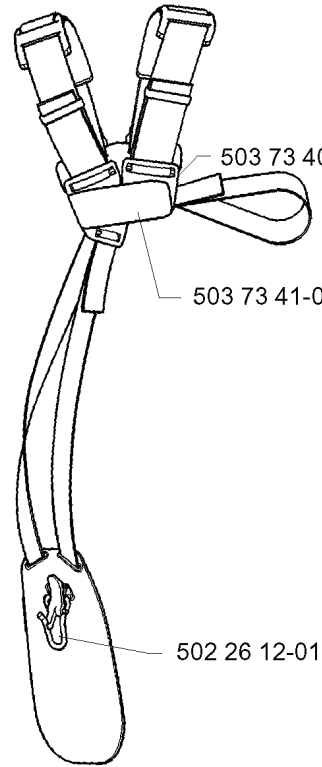
503 74 16-01
 503 74 16-02 (USA)



503 77 63-01 503 74 40-01

503 77 39-01

compl 503 73 63-03
 compl 503 73 63-04 (USA)



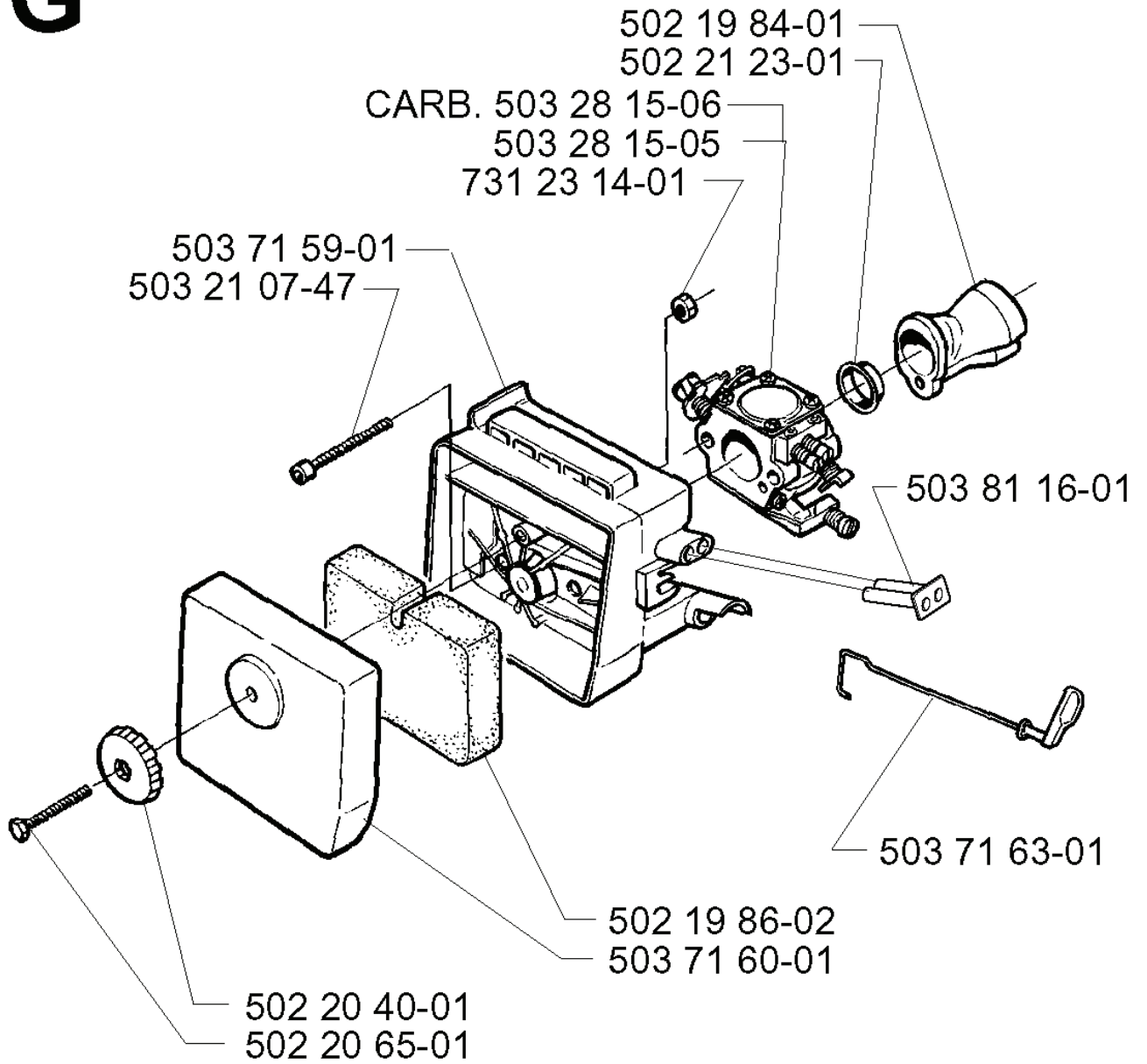
503 73 40-01

503 73 41-02

502 26 12-01

REF.	PART NO.	DESCRIPTION	REMARK	QTY.	KIT
502 03 55-02	502035502	TRANSPORTSKYDD KPL		1	
503 74 40-01	503744001	BLADE GUARD		1	
503 77 63-01	503776301	BASEPLATE		1	
503 79 94-01	503799401	BLADE		1	
503 21 07-16	503210716	SCREW IHSCT		1	
503 74 29-01	503742901	DECAL		1	
502 13 93-02	502139302	SUPPORT PLATE ASSY		1	
502 02 61-03	502026103	STOP		1	
502 51 27-01	502512701	GREASE		1	
503 74 50-01	503745001	TRIMMER GUARD		1	
503 72 49-01	503724901	ADAPTER		1	
503 77 39-01	503773901	SAW BLADE GUARD		1	
502 21 60-01	502216001	ACCESSORY BAG		1	
502 11 46-02	502114602	SOCKET WRENCH		1	
502 26 23-01	502262301	TRIMMER GUARD ASSY		1	
502 21 58-01	502215801	WRENCH		1	
501 60 02-02	501600202	SCREWDRIVER		1	
503 74 16-01	503741601	HARNESS ASSY		1	
503 74 16-02	503741602	HARNESS ASSY	USA	1	
502 26 12-01	502261201	WELT HOOK		1	
503 73 41-02	503734102	BUCKLE		1	
503 73 40-01	503734001	FRONT PIECE		1	
503 73 63-04	503736304	HARNESS ASSY	USA	1	
503 73 63-03	503736303	HARNESS		1	

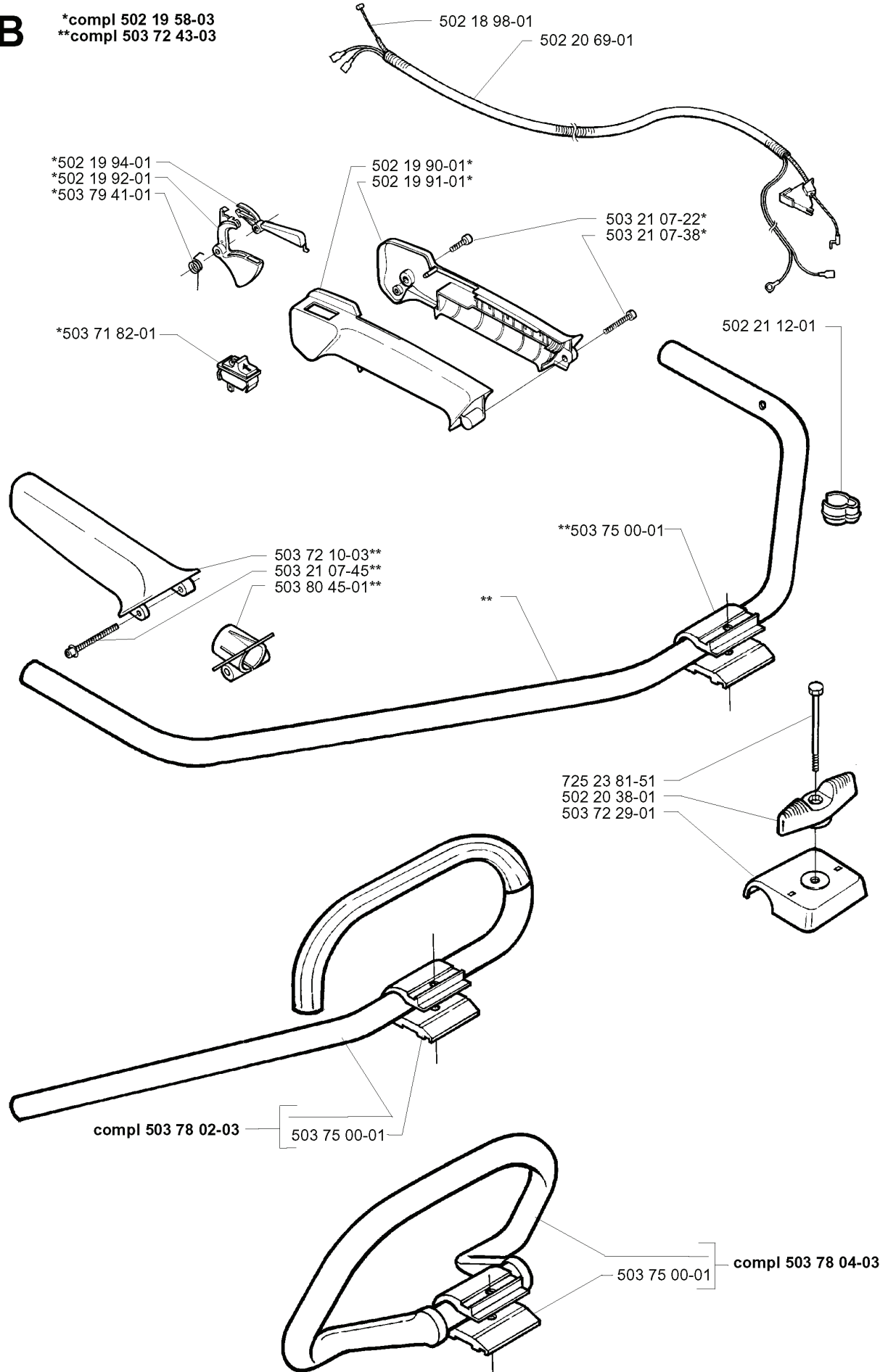
G



REF.	PART NO.	DESCRIPTION	REMARK	QTY.	KIT
5037159-01	503715901	FILTER HOLDER		1	
5032107-47	503210747	SCREW IHSCFT		1	
5022040-01	502204001	KNOB		1	
5022065-01	502206501	SCREW EHHM		1	
5037160-01	503716001	FILTER COVER		1	
5021986-02	502198602	AIR FILTER		1	
7312314-01	731231401	HEXAGON NUT		1	
5032815-05	503281505	CARBURETTOR		1	
5032815-06	503281506	CARBURETTOR	CARB.	1	
5022123-01	502212301	SUPPORT RING		1	
5021984-01	502198401	INLET PIPE		1	
5037163-01	503716301	CHOKE CONTROL		1	
5038116-01	503811601	GUIDE BUSHING		1	

B

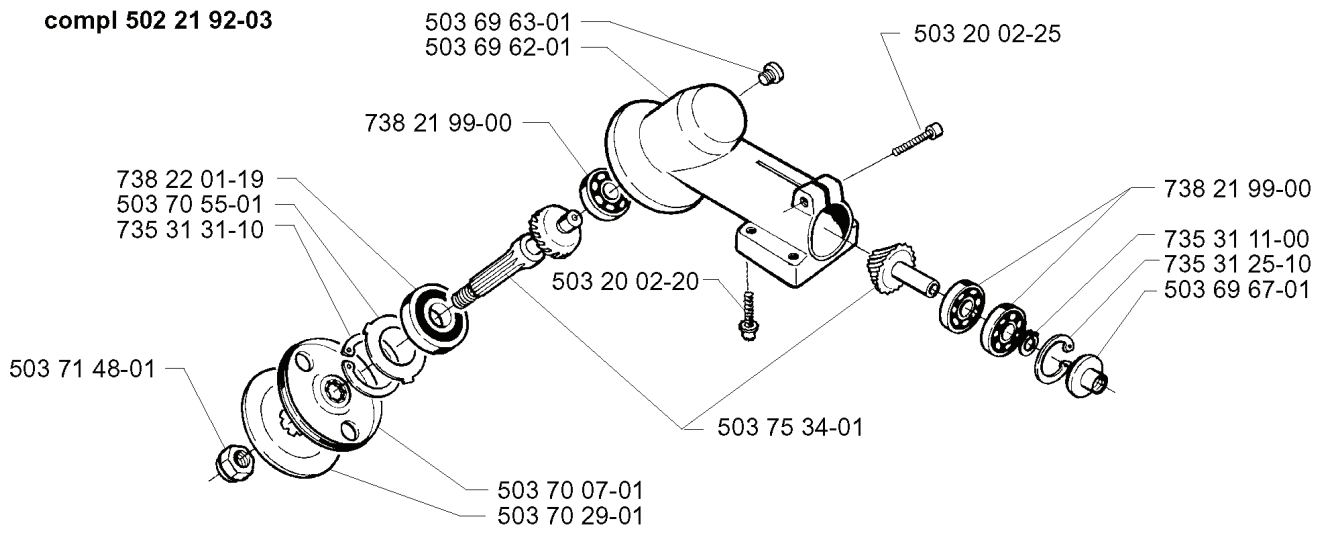
*compl 502 19 58-03
**compl 503 72 43-03



REF.	PART NO.	DESCRIPTION	REMARK	QTY.	KIT
502 19 58-03	502195803	HANDLE		1	
503 72 43-03	503724303	HANDLEBAR PART ASSY		1	
502 19 94-01	502199401	THROTTLE LOCKOUT		1	
502 19 92-01	502199201	THROTTLE TRIGGER		1	
503 79 41-01	503794101	RECOIL SPRING		1	
503 71 82-01	503718201	SWITCH		1	
503 78 02-03	503780203	HANDLE		1	
503 75 00-01	503750001	HANDLEBAR BRACKET		1	
503 80 45-01	503804501	BRACKET		1	
503 21 07-45	503210745	SCREW IHSCT		1	
503 72 10-03	503721003	HANDLE		1	
502 19 91-01	502199101	HANDLE HALF		1	
502 19 90-01	502199001	HANDLE HALF		1	
502 18 98-01	502189801	THROTTLE CABLE		1	
502 20 69-01	502206901	WIRING		1	
503 21 07-22	503210722	SCREW IHSCT		1	
503 21 07-38	503210738	SCREW IHSCT		1	
725 23 81-51	725238151	SCREW EHHM		1	
502 20 38-01	502203801	KNOB		1	
503 72 29-01	503722901	COVER		1	
503 78 04-03	503780403	HANDLE LOOP		1	
502 21 12-01	502211201	STAPLE		1	

K

compl 502 21 92-03



REF.	PART NO.	DESCRIPTION	REMARK	QTY.	KIT
502 21 92-03	502219203	GEAR		1	
738 22 01-19	738220119	BALL BEARING		1	
503 70 55-01	503705501	COVER WASHER		1	
735 31 31-10	735313110	CIRCLIP		1	
503 71 48-01	503714801	NUT BLADE		1	
503 70 29-01	503702901	SUPPORT FLANGE		1	
503 70 07-01	503700701	DRIVER		1	
503 20 02-20	503200220	SCREW IHSCFM		1	
738 21 99-00	738219900	BALL BEARING		1	
503 69 62-01	503696201	GEAR HOUSING		1	
503 69 63-01	503696301	PLUG		1	
503 75 34-01	503753401	GEAR WHEEL		1	
503 69 67-01	503696701	GASKET RING UPPER		1	
735 31 25-10	735312510	CIRCLIP		1	
735 31 11-00	735311100	CIRCLIP		1	
503 20 02-25	503200225	SCREW IHSCFM		1	