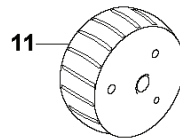
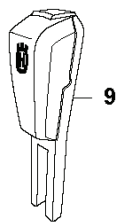
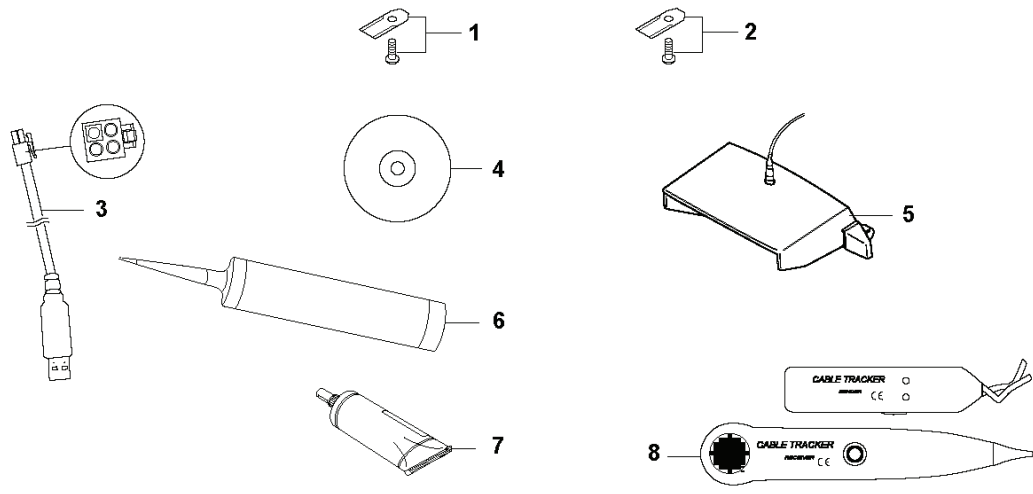


265 ACX, 2012-12

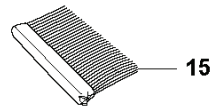
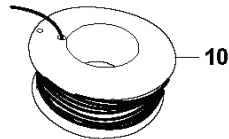
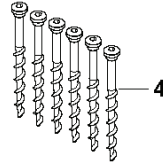
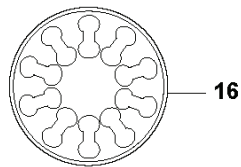
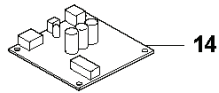
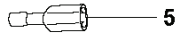
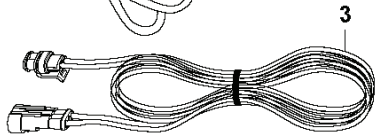
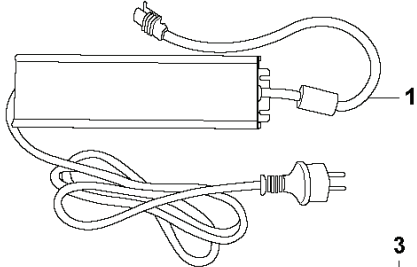
SPARE PARTS LIST

H AUTOMOWER 265 ACX ACCESSORIES



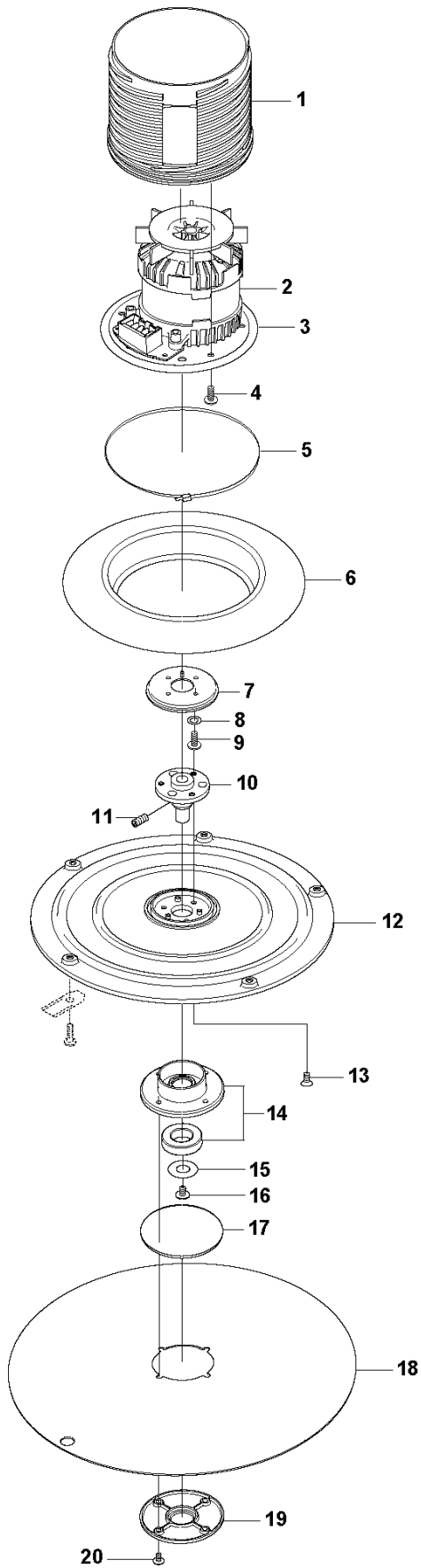
REF.	PART NO.	DESCRIPTION	REMARK	QTY.	KIT
1	535138702	BLADE SET	Carbon steel, 9pcs	1	
1	577864401	BLADE SET	Carbon steel, Blister Pack, 9pcs	1	
1	535138802	BLADE SET	Carbon steel, 30pcs	1	
1	505127802	BLADE SET	Carbon steel, 500pcs	1	
2	577606402	BLADE SET	Carbon steel, Thick, 9pcs	1	
2	577864601	BLADE SET	Carbon steel, Thick, Blister Pack, 9pcs	1	
2	577606502	BLADE SET	Carbon steel, Thick, 30pcs	1	
2	577606602	BLADE SET	Carbon steel, Thick, 300pcs	1	
3	535132302	WIRING	(USB)	1	
4	577858102	DVD		1	
5	522736501	ADAPTER		1	
6	578051302	GREASE	300 ml	1	
7	578051301	GREASE	85 ml	1	
8	577606801	TEST EQUIPMENT		1	
9	522425801	BOOSTER		1	
10	522916601	BAG		1	
11	575231702	WHEEL KIT	(400g)	1	
11	577865101	WHEEL KIT	(400g), Blister pack, 2pcs	1	

G AUTOMOWER 265 ACX
ACCESSORIES



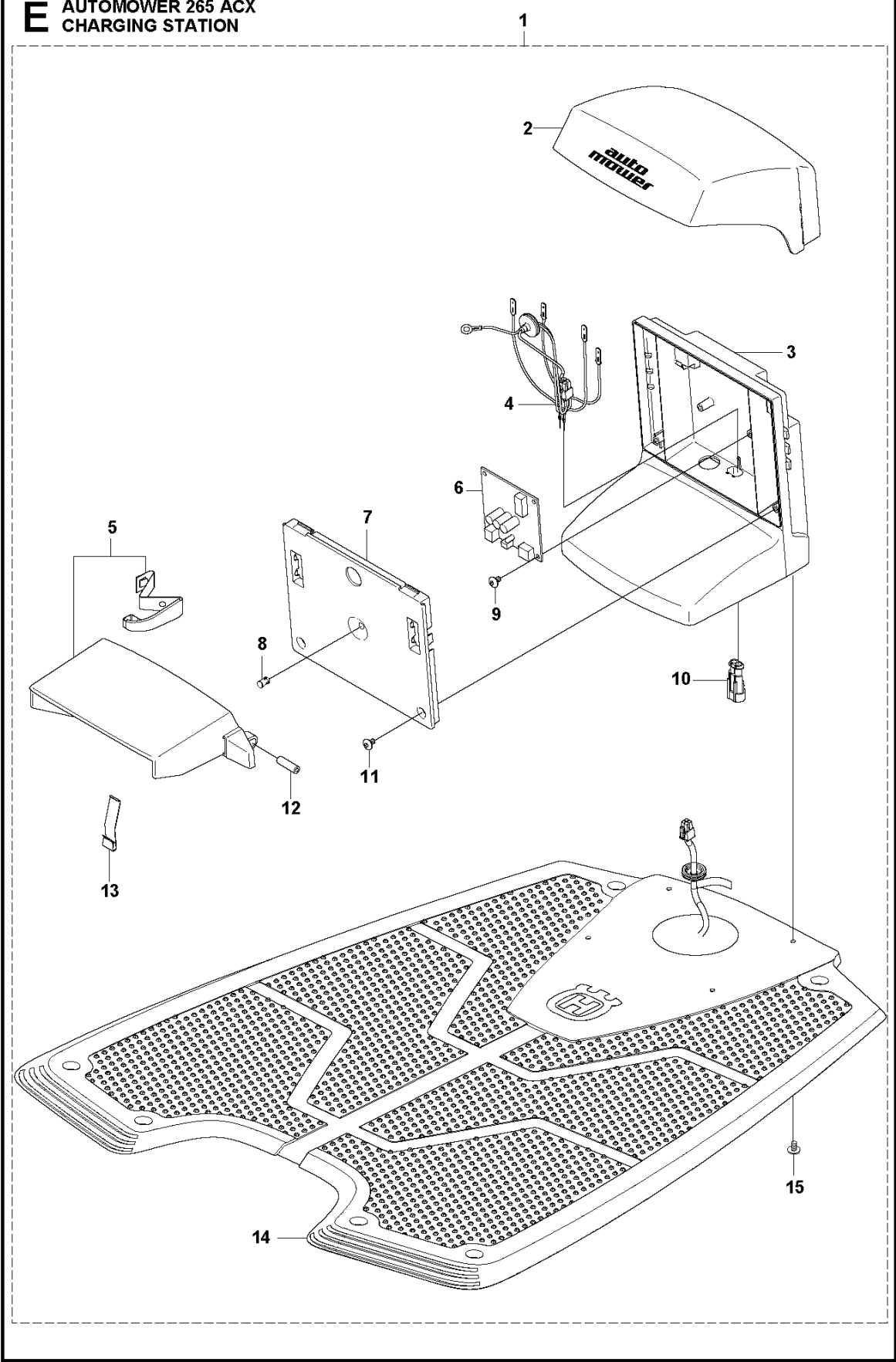
REF.	PART NO.	DESCRIPTION	REMARK	QTY.	KIT
1	578275301	POWER UNIT	(EU)	1	
1	578275304	TRANSFORMER	(US/MX)	1	
1	578275302	TRANSFORMER	(UK/IRL)	1	
1	578275305	TRANSFORMER	(AU/NZ)	1	
1	578275303	TRANSFORMER	(CH)	1	
2	577864201	STAPLE	Blister pack, 100pcs	1	
2	504049701	STAPLE	100pcs	1	
3	578848602	CABLE	20m	1	
4	575238601	SCREW KIT		1	
4	577864901	SCREW	Blister Pack, 3pcs	2	
5	529280801	CONNECTOR		1	
6	501980302	WIRE	150m	1	
6	577864301	WIRE	Blister pack, (150m)	1	
7	577864801	CONNECTOR	Blister Pack, 5pcs	1	
7	535129001	CONNECTOR		1	
8	501980301	WIRE	250m	1	
9	577864701	COUPLER	Blister pack, 5pcs	1	
9	501980201	COUPLER		1	
10	522914101	WIRE	500 m, Ø3.4 mm	1	
11	501980202	COUPLER	50pcs	1	
12	525637001	MEASURING ROD		1	
13	577914001	LABEL		1	
14	578788601	PRINTED CIRCUIT ASSY	Thunder lightning protection	1	
15	505132801	BRUSH	6pcs	1	
16	581842801	STICKER	Cable markers	1	

D AUTOMOWER 265 ACX
BLADE MOTOR
& CUTTING EQUIPMENT



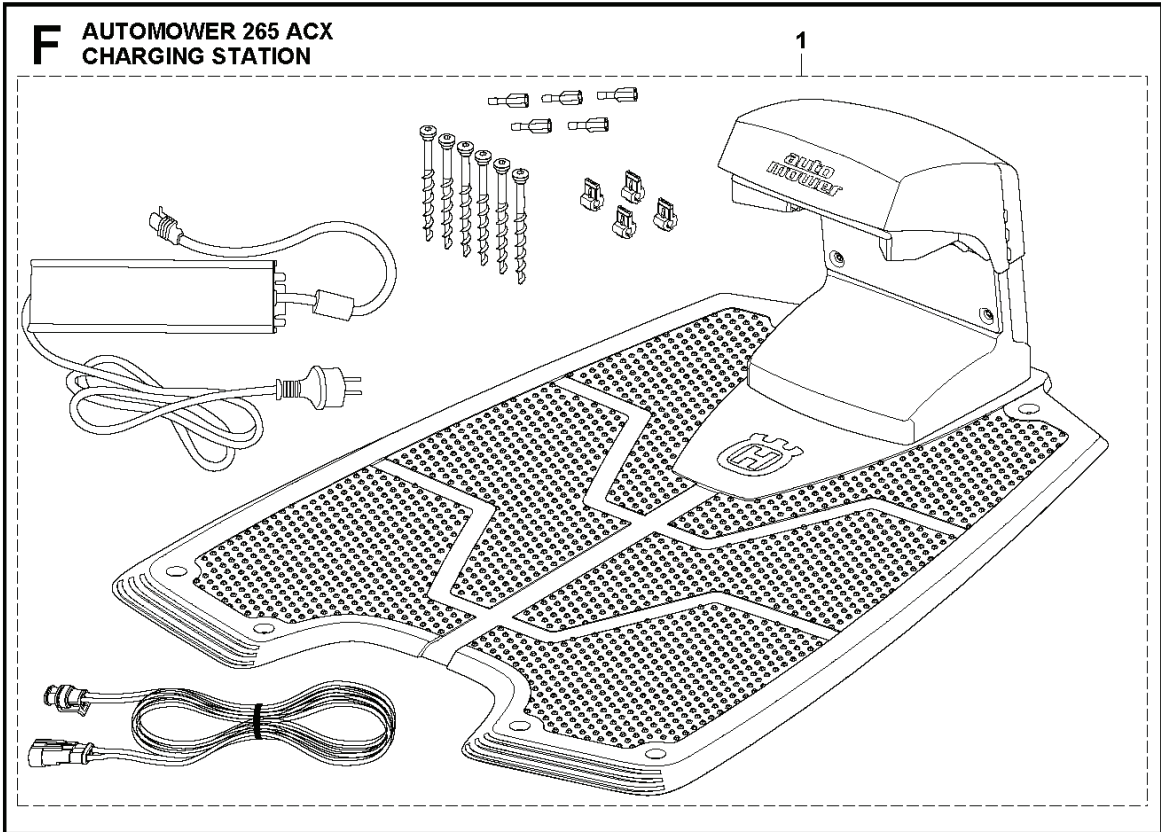
REF.	PART NO.	DESCRIPTION	REMARK	QTY.	KIT
1	510144101	MOTOR BOWL		1	
2	522510602	CUTTING ENGINE		1	
3	510144201	DISC		1	
4	575543314	SCREW	Grey 14mm	6	
5	525251401	TIE WRAP		1	
6	535122301	RUBBER GAITERS		1	
7	510066201	COLLAR		1	
8	735214601	LOCKWASHER		1	
9	502239101	SCREW		1	
10	575521601	HUB		1	
11	728836001	SCREW IHSETM	M6x6	1	
12	510058602	DISC		1	
13	535130501	SCREW	M4x8	3	
14	577357601	BEARING		1	
15	734181459	WASHER		1	
16	535076001	SCREW	M6x8	1	
17	575547201	O-RING		1	
18	575521901	SKID PLATE		1	
19	575521801	BEARING COVER		1	
20	575529501	SCREW ITPANTT		4	

E AUTOMOWER 265 ACX
CHARGING STATION



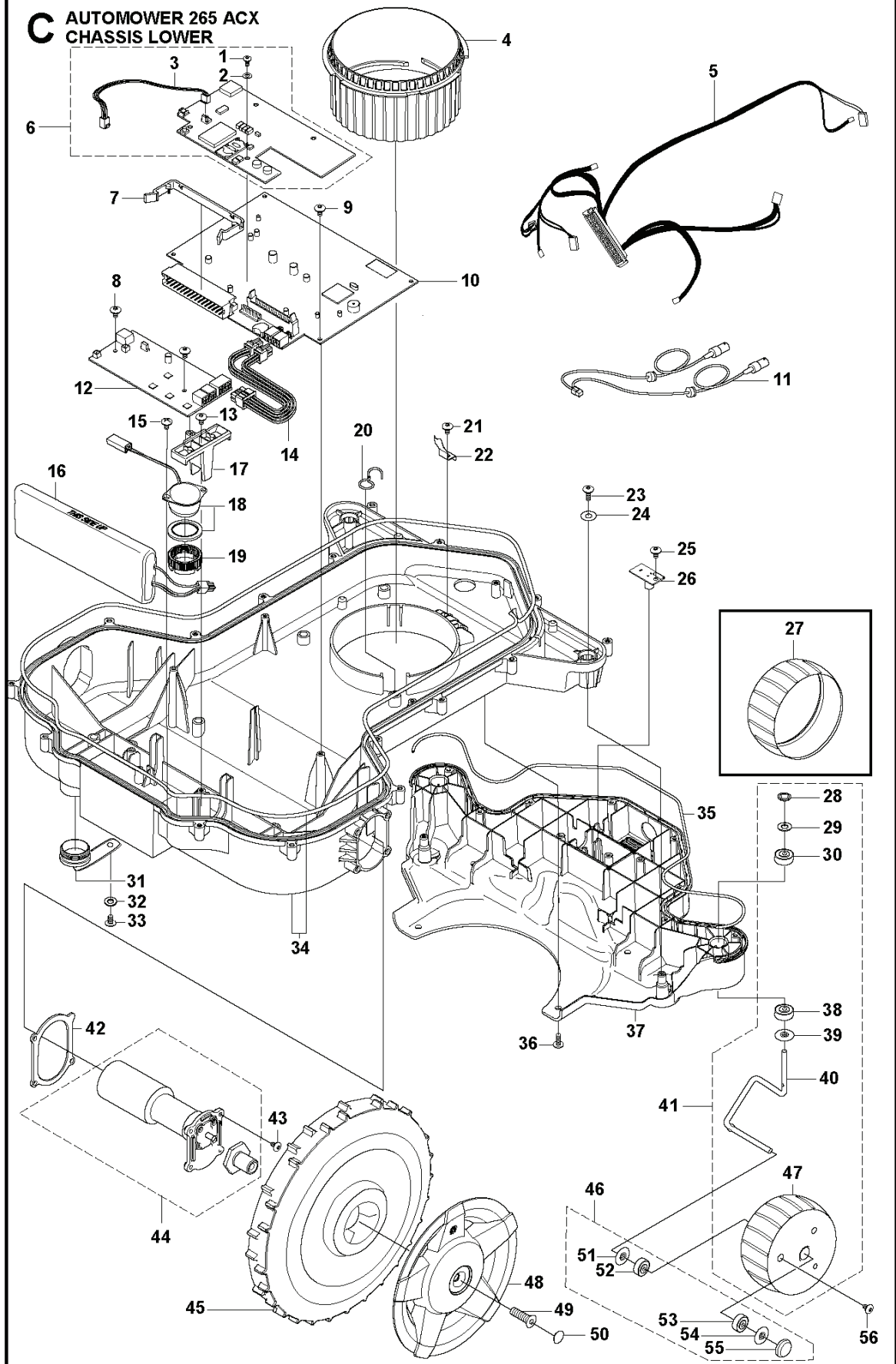
REF.	PART NO.	DESCRIPTION	REMARK	QTY.	KIT
1	574902007	CHARGING STATION		1	
1	574902008	CHARGING STATION	(CH)	1	
2	535124702	COVER		1	1
3	578894101	FRAME		1	1
4	544983808	WIRING ASSY		1	1
5	510059702	CONSOLE ASSY	Charging Plate	1	1
6	578788401	PRINTED CIRCUIT ASSY		1	1
6	578788601	PRINTED CIRCUIT ASSY	(CH)	1	1
7	535124401	HUB CAP		1	1
8	535128702	DIODE LENS		1	1
9	575543310	SCREW	Silver 10mm	2	1
10	535128501	CONTACT		1	1
11	575543314	SCREW	Grey 14mm	2	1
12	535125001	PEN		2	1
13	535128601	SPRING PLATE		2	1
14	575231601	CHARGING PLATE		1	1
15	575543314	SCREW	Grey 14mm	4	1

F AUTOMOWER 265 ACX
CHARGING STATION



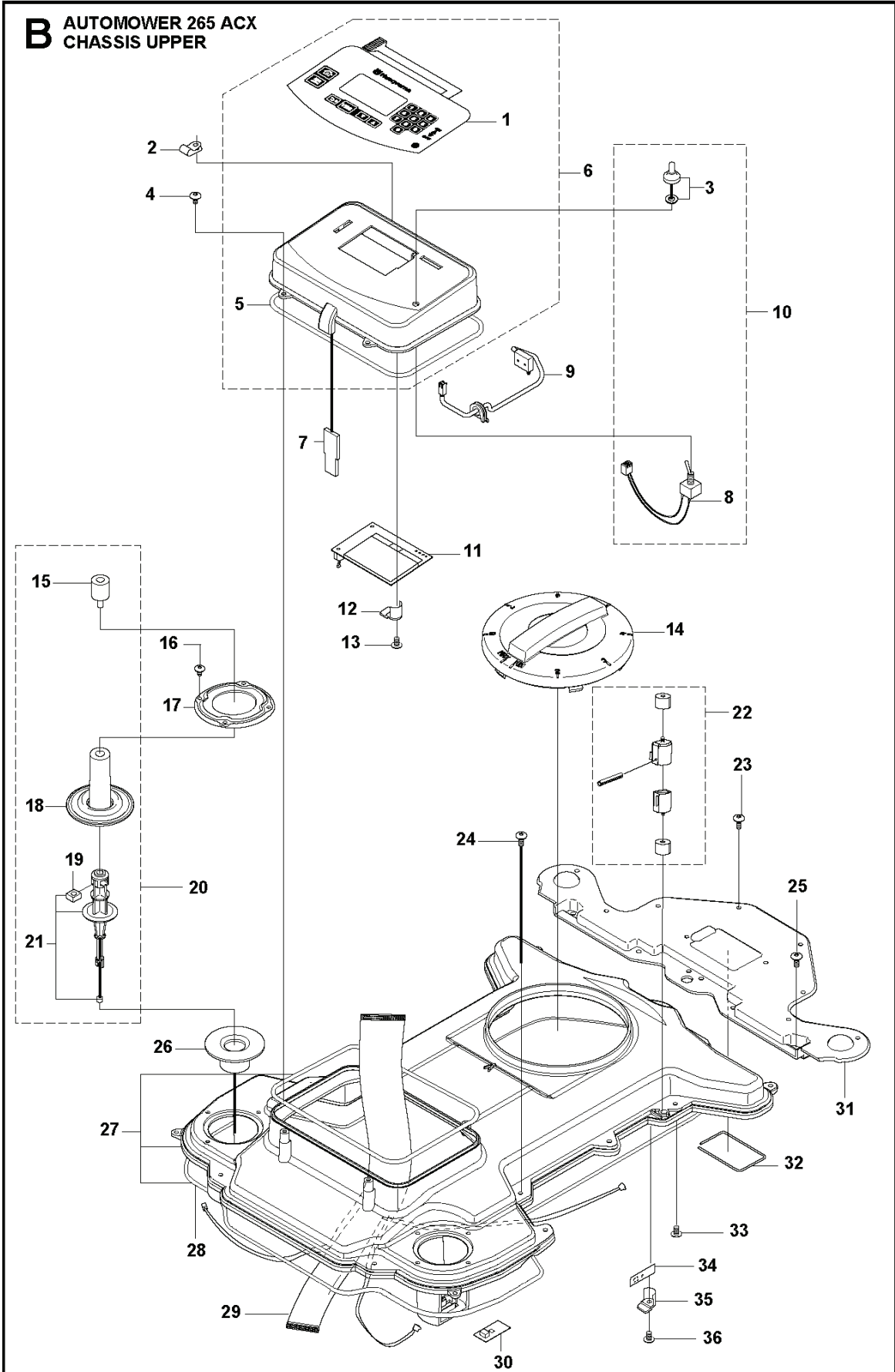
REF.	PART NO.	DESCRIPTION	REMARK	QTY.	KIT
1	579572801	CHARGING STATION	(EU)	1	
1	579572802	CHARGING STATION	(UK/IRL)	1	
1	579572803	CHARGING STATION	(CH)	1	
1	579572804	CHARGING STATION	(US/CA/MX)	1	
1	579572805	CHARGING STATION	(AU/NZ)	1	

**C AUTOMOWER 265 ACX
CHASSIS LOWER**



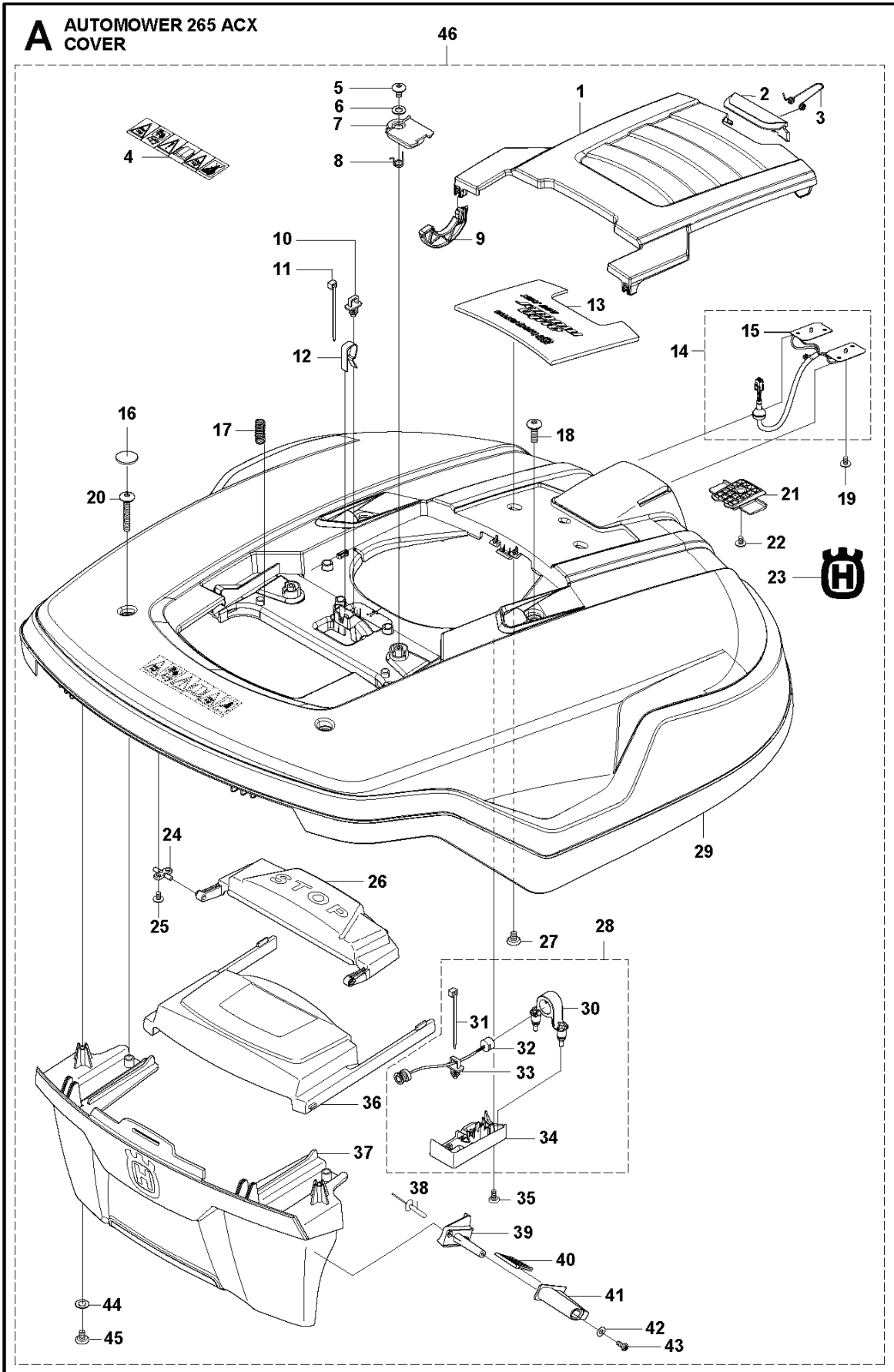
REF.	PART NO.	DESCRIPTION	REMARK	QTY.	KIT
1	522597101	SCREW		2	6
2	522597201	WASHER		2	6
3	576219401	WIRING ASSY		1	6
4	535122102	NUT		1	
5	501003704	MAIN WIRING		1	
6	575242403	GPS MODULE		1	
7	578056101	CLIP		1	
7	578056102	CLIP	50 pcs	1	
8	575543312	SCREW	Yellow 12mm	2	
9	575543310	SCREW	Silver 10mm	4	
10	578974301	PRINTED CIRCUIT ASSY	(MCB)	1	
11	523056002	WIRING ASSY		1	
12	581757802	CIRCUIT BOARD ASSY	(PCB)	1	
13	575543314	SCREW	Grey 14mm	2	
14	578898401	LOOM		1	
15	502859601	SCREW	2.5x10	2	
16	597213301	CABLE ASSY	Included in 597 21 32-01	1	
16	597213201	BATTERY	Li-Ion	2	
17	579734201	BRACKET		2	
18	501004201	LOUD SPEAKER		1	
19	579521201	NUT		1	
20	535139601	CABLE HOLDER		1	
21	535130314	SCREW ITXPANT		2	
22	535122401	LOCKING SPRING		2	
23	575543314	SCREW	Grey 14mm	2	
24	734113741	WASHER		2	
25	575543310	SCREW	Silver 10mm	2	
26	578788803	PRINTED CIRCUIT ASSY	Sensor board	2	
27	574449801	WHEEL		2	47
28	576019301	LOCKWASHER		2	41
29	576214301	WASHER		2	41
30	510144601	BALL BEARING		2	41
31	574427402	PLUG		1	
32	734113741	WASHER		1	
33	575543314	SCREW	Grey 14mm	1	
34	575943902	CHASSIS		1	
35	522039301	SEALING RING		1	
36	575543314	SCREW	Grey 14mm	4	
37	510086702	BRACKET		1	
38	510144601	BALL BEARING		2	41
39	535087803	WASHER		2	41
40	505193501	SPINDLE		2	41
41	574300303	WHEEL KIT	Front wheel	2	
42	535139203	GASKET		2	44
43	575543316	SCREW	Orange 16mm	8	
44	544907003	WHEEL MOTOR ASSY		2	
45	544905804	REAR WHEEL		2	
46	574300601	KIT	Bearing	2	41
47	575231701	WHEEL ASSY		2	41
48	544905102	HUB CAP		2	41
49	535139401	SCREW IHCSFM	M8x14	2	
50	504200801	COVER WASHER		2	
51	535087803	WASHER		2	41, 46
52	510144601	BALL BEARING		2	41, 46
53	510144601	BALL BEARING		2	41, 46
54	535087803	WASHER		2	41, 46
55	521933102	COVER WASHER		2	41, 46
56	575507601	SCREW ITXPANT		6	47

B AUTOMOWER 265 ACX
CHASSIS UPPER



REF.	PART NO.	DESCRIPTION	REMARK	QTY.	KIT
1	522985901	KEYBOARD		1	6
2	577527201	CABLE CLAMP		1	
3	535101701	SWITCH		1	10
4	574450101	SCREW ITXPANT		4	
5	575986301	SEALING STRIP	(10 pcs)	1	6,27
5	574874702	SEALING STRIP		1	
6	575944203	DISPLAY COVER		1	
7	535144701	FILTER		1	
8	535123901	MAIN SWITCH		1	10
9	577592301	SWITCH KIT		1	
10	535123901	MAIN SWITCH		1	
11	540060303	DISPLAY		1	
12	535127901	BRACKET		1	
13	575543314	SCREW	Grey 14mm	1	
14	535122201	STEERING WHEEL		1	
15	577670602	DAMPER		2	20
16	575543314	SCREW	Grey 14mm	8	
17	505174301	DUST SEAL		2	
18	577525801	RUBBER GAITERS		1	20
19	503226601	SQUARE NUT		2	19
20	577598402	COLUMN		2	
21	579248801	COLUMN		2	20
22	544141503	SENSOR		2	
23	575543314	SCREW	Grey 14mm	10	
24	574450101	SCREW ITXPANT		12	
25	574450101	SCREW ITXPANT		4	
26	535143201	DEFLECTION LIMITER		2	
27	575943801	CHASSIS		1	
28	575986201	SEALING STRIP	(10 pcs)	1	27
28	574874701	SEALING STRIP		1	
29	544126901	WIRING ASSY		1	
30	578789001	PRINTED CIRCUIT ASSY	Sensor board	2	
31	510086601	BRACKET		1	
32	522039302	SEALING RING		1	
33	535076002	SCREW	M6x10	2	
34	578789001	PRINTED CIRCUIT ASSY	Sensor board	1	
35	535127901	BRACKET		1	
36	575543314	SCREW	Grey 14mm	1	

A AUTOMOWER 265 ACX
COVER



REF.	PART NO.	DESCRIPTION	REMARK	QTY.	KIT
1	510143801	LID		1	
2	510143901	LATCH		1	
3	535135701	TORSION SPRING		1	
4	522792702	LABEL		1	
5	575543310	SCREW	Silver 10mm	2	
6	734113741	WASHER		2	
7	535126801	CLAMP		2	
8	535130201	TORSION SPRING		2	
9	535135301	PIVOT		2	
10	535130401	ANCHOR		1	
11	900238708	TIE WRAP		1	
12	535089801	CLIP		1	
13	578785801	PLATE		1	
14	535137304	WIRING		1	
15	535135901	CHARGING PLATE		2	14
16	521936101	COVER WASHER		4	
17	535130101	SPRING		2	
18	535129303	SCREW IH-PANM	M6x25	2	
19	575543306	SCREW	White 6mm	2	
20	535129304	SCREW IH-PANM	M6x60	2	
21	521936001	SPACER		1	
22	575543312	SCREW	Yellow 12mm	1	
23	574382101	DECAL		1	
24	535127801	SHAFT		2	
25	575543310	SCREW	Silver 10mm	4	
26	510144001	BUTTON		1	
27	575543312	SCREW	Yellow 12mm	2	
28	578903301	KIT		1	
29	510143401	MAIN BODY		1	
30	578893701	SUPPORT	Ultra Sonic	1	28
31	900238708	TIE WRAP		1	28
32	523055902	WIRING ASSY		2	28
33	535130401	ANCHOR		1	28
34	578893502	BRACKET	left	1	28
34	578893501	BRACKET	right	1	28
35	575543314	SCREW	Grey 14mm	4	
36	535126602	COVER		1	
37	510143702	MAIN BODY		1	
38	505161601	RIVET		4	
39	575497101	BRACKET	left	1	
39	575491801	BRACKET	right	1	
40	505132502	BRUSH	Wheel	2	
41	575491001	BRUSH HOLDER	Wheel	2	
42	734113741	WASHER		2	
43	575543314	SCREW	Grey 14mm	2	
44	734113741	WASHER		2	
45	535130340	SCREW ITPANT		2	
46	580292601	BODY	complete kit	1	