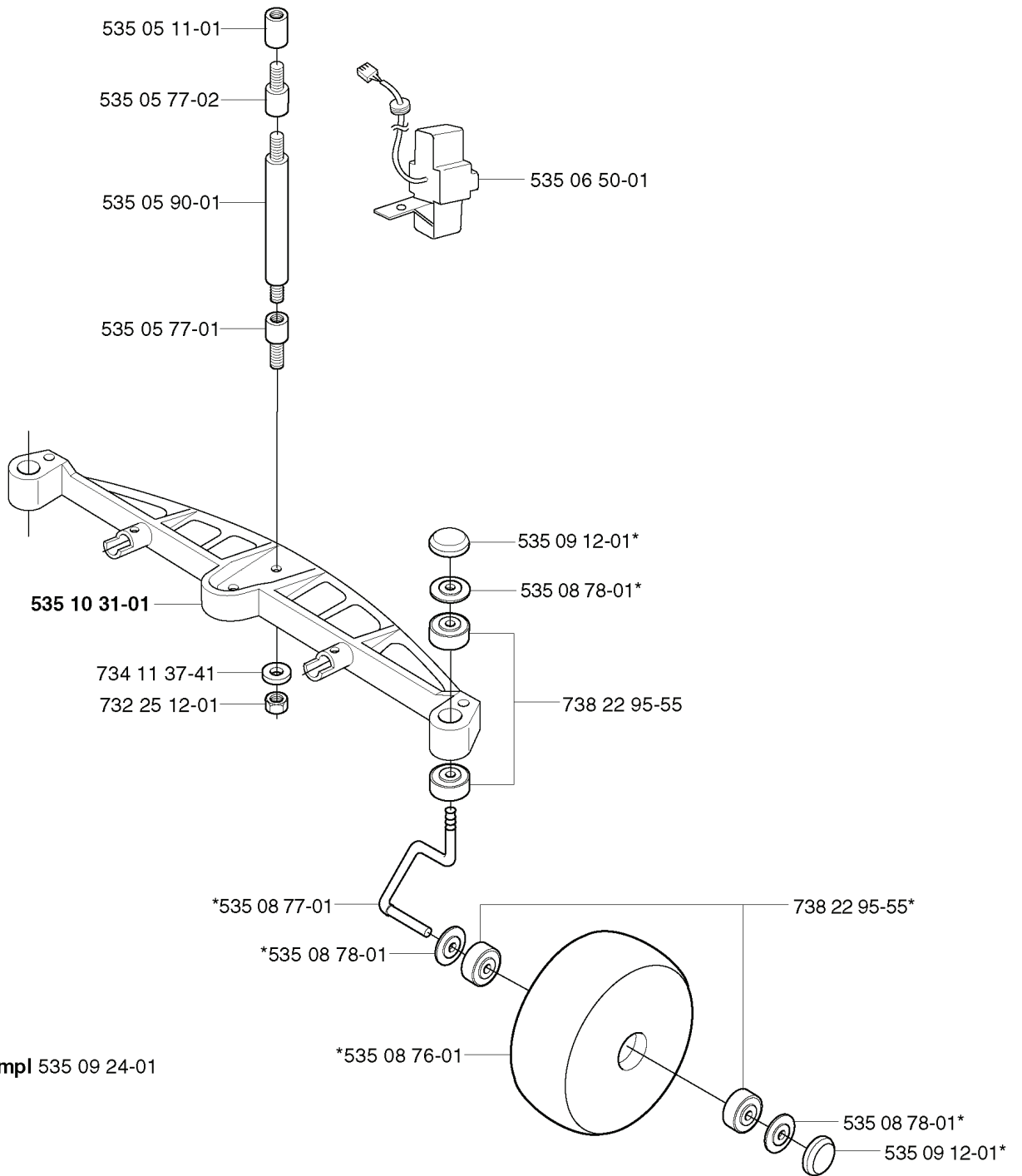


SOLARMOWER 2002 2002-01

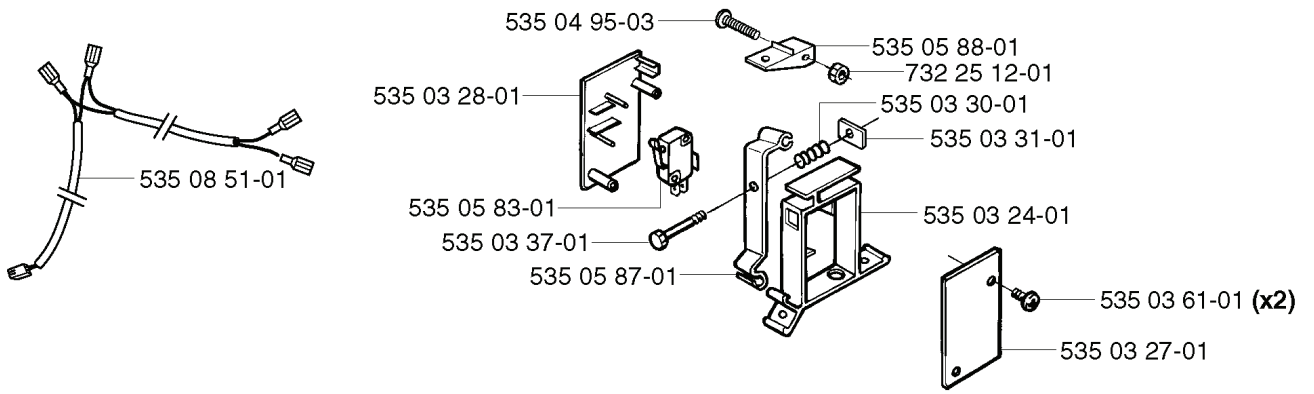
SPARE PARTS LIST

F



REF.	PART NO.	DESCRIPTION	REMARK	QTY.	KIT
535 05 11-01	535051101	BRACKET		1	
535 05 77-02	535057702	ABSORBER		1	
535 05 90-01	535059001	BRACKET		1	
535 05 77-01	535057701	ABSORBER		1	
535 10 31-01	535103101	BRACKET		1	
734 11 37-41	734113741	WASHER		1	
732 25 12-01	732251201	HEXAGON LOCKING NUT		1	
535 09 24-01	535092401	WHEEL		1	
535 08 77-01	535087701	SPINDLE SHAFT		1	
535 08 76-01	535087601	WHEEL		1	
535 09 12-01	535091201	WASHER		1	
535 08 78-01	535087801	COVER WASHER		1	
738 22 95-55	738229555	BALL BEARING		1	
535 06 50-01	535065001	SENSOR		1	

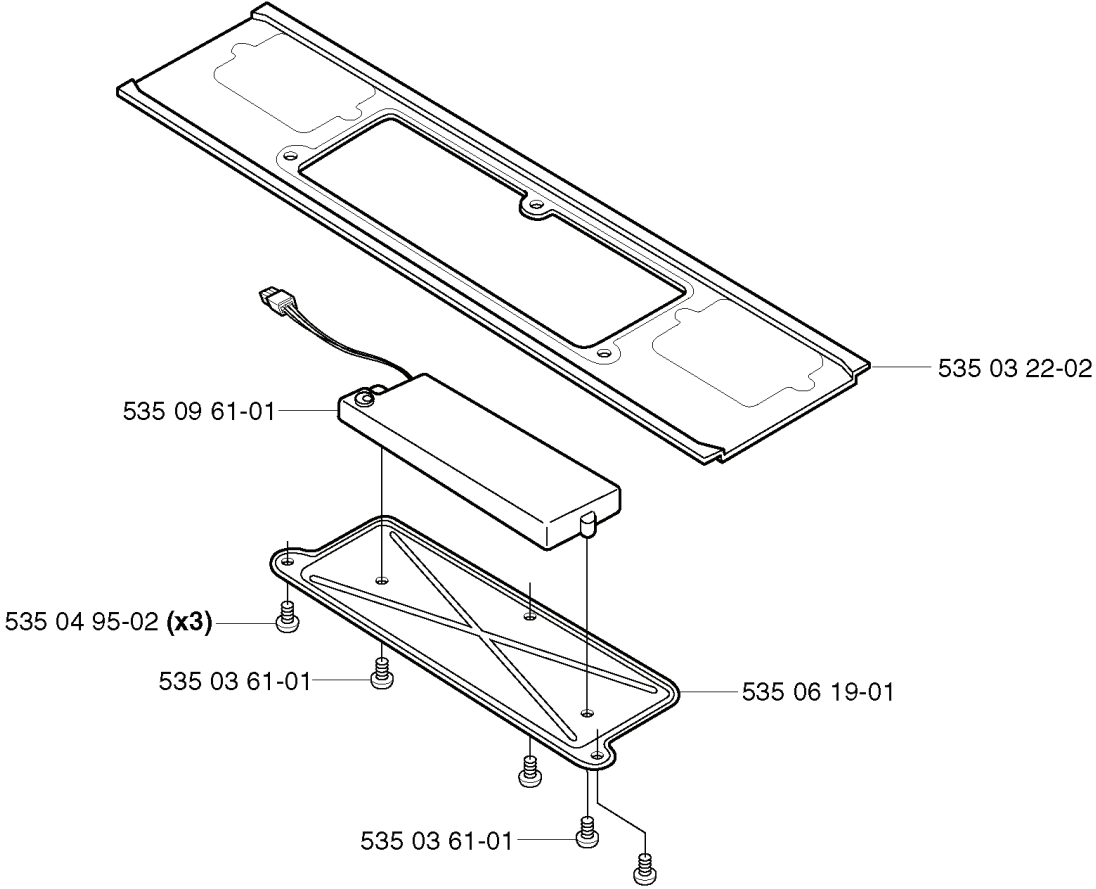
B



REF.	PART NO.	DESCRIPTION	REMARK	QTY.	KIT
535 08 51-01	535085101	CABLE ASSY		1	
535 04 95-03	535049503	SCREW IH PANM		1	
535 03 28-01	535032801	COVER		1	
535 05 83-01	535058301	SWITCH		1	
535 03 37-01	535033701	SCREW		1	
535 05 87-01	535058701	LEVER		1	
535 03 27-01	535032701	COVER		1	
535 03 61-01	535036101	SCREW		2	
535 03 24-01	535032401	BRACKET		1	
535 03 31-01	535033101	NUT		1	
535 03 30-01	535033001	SPRING		1	
732 25 12-01	732251201	HEXAGON LOCKING NUT		1	
535 05 88-01	535058801	BRACKET		1	

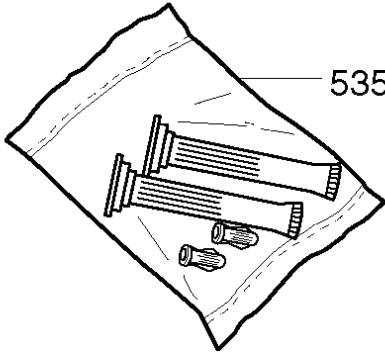
REF.	PART NO.	DESCRIPTION	REMARK	QTY.	KIT
535 10 13-01	535101301	BODY		1	
535 06 65-01	535066501	TAPE		1	
535 09 94-01	535099401	BODY		1	
535 09 95-01	535099501	BODY		1	
535 07 51-01	535075101	DECAL		1	
535 07 65-01	535076501	DECAL		1	
535 05 45-01	535054501	RAIL		1	
535 09 31-01	535093101	WASHER		1	
535 05 47-01	535054701	SWITCH		1	
734 11 23-71	734112371	WASHER		4	
722 78 22-09	722782209	BLIND RIVET		4	
535 06 65-02	535066502	TAPE		1	
535 07 07-01	535070701	TAPE		1	
535 06 85-01	535068501	WASHER		1	
535 04 95-02	535049502	SCREW IH PANM		1	
535 06 86-01	535068601	HUB CAP		1	

D

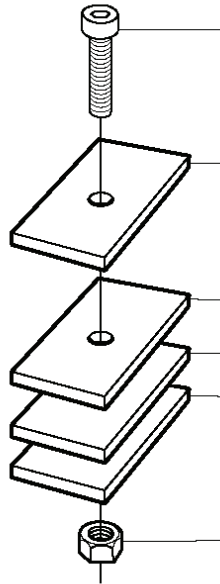


REF.	PART NO.	DESCRIPTION	REMARK	QTY.	KIT
535 09 61-01	535096101	BATTERY		1	
535 04 95-02	535049502	SCREW IHANM		3	
535 03 61-01	535036101	SCREW		1	
535 06 19-01	535061901	COVER		1	
535 03 22-02	535032202	COVER		1	

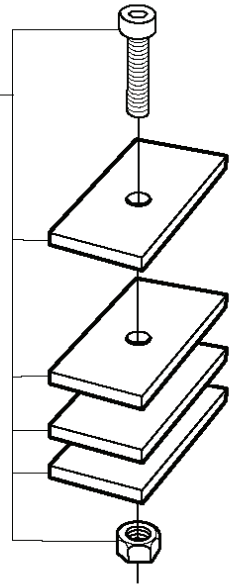
H



535 04 43-01



535 09 11-01



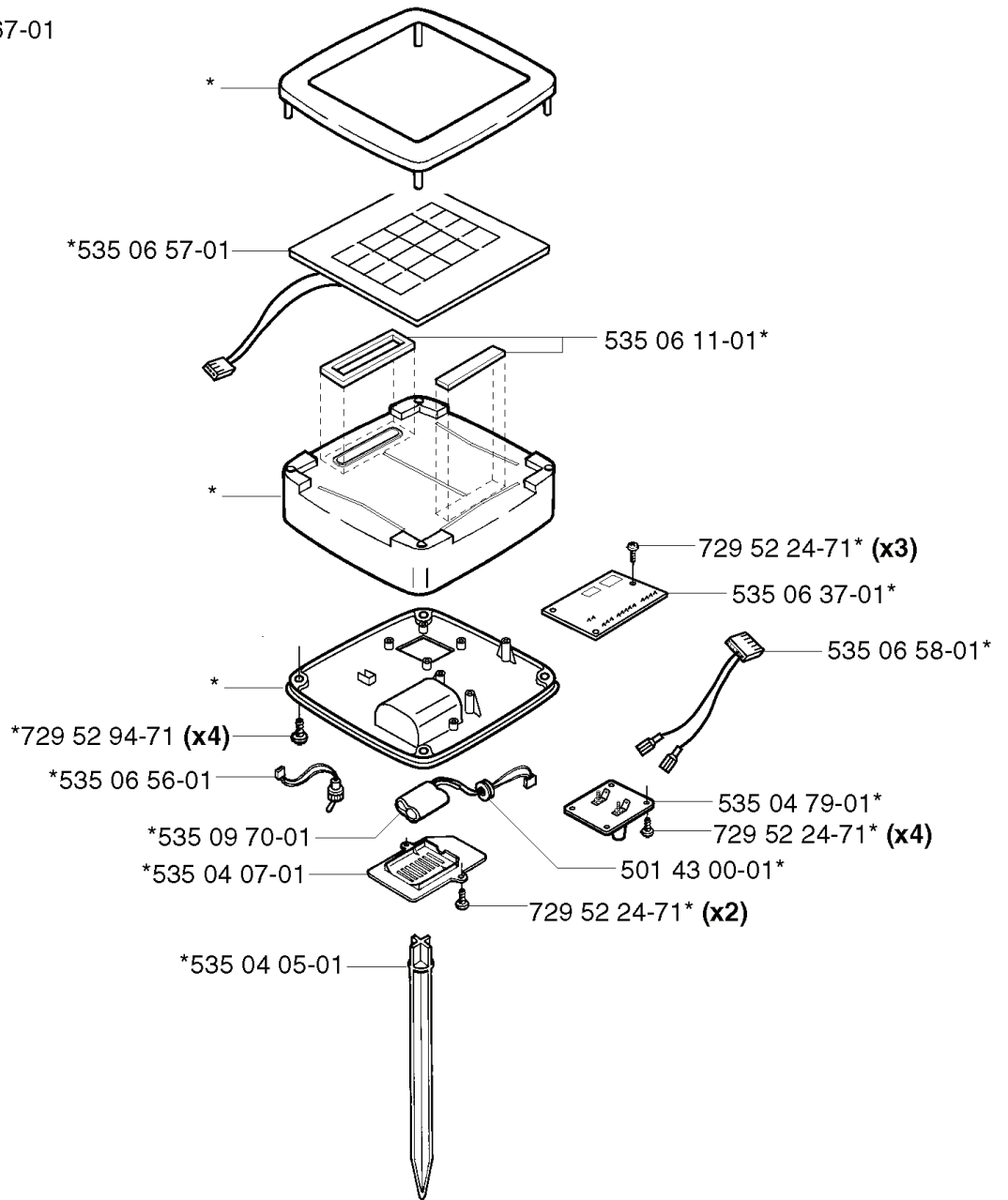
505 69 99-90



REF.	PART NO.	DESCRIPTION	REMARK	QTY.	KIT
535 04 43-01	535044301	COUPLER		1	
505 69 99-90	505699990	BAG		1	
535 09 11-01	535091101	COUNTERWEIGHT		1	

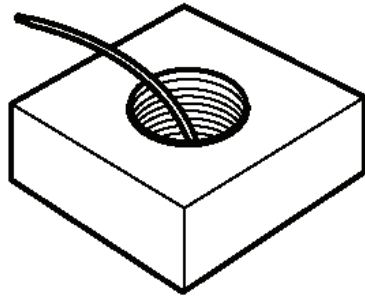
J

*compl 535 05 67-01



REF.	PART NO.	DESCRIPTION	REMARK	QTY.	KIT
535 05 67-01	535056701	GENERATOR		1	
535 06 57-01	535065701	PANEL. SOLAR		1	
729 52 94-71	729529471	SCREW CRPANT		4	
535 06 56-01	535065601	SWITCH		1	
535 09 70-01	535097001	BATTERY		1	
535 04 07-01	535040701	COVER		1	
535 04 05-01	535040501	BRACKET		1	
729 52 24-71	729522471	SCREW CRPANT		2	
501 43 00-01	501430001	CABLE GROMMET		1	
535 04 79-01	535047901	CONNECTION		1	
535 06 58-01	535065801	CABLE		1	
535 06 37-01	535063701	PRINTED CIRCUIT CARD		1	
535 06 11-01	535061101	GASKET		1	

G



535 04 16-01



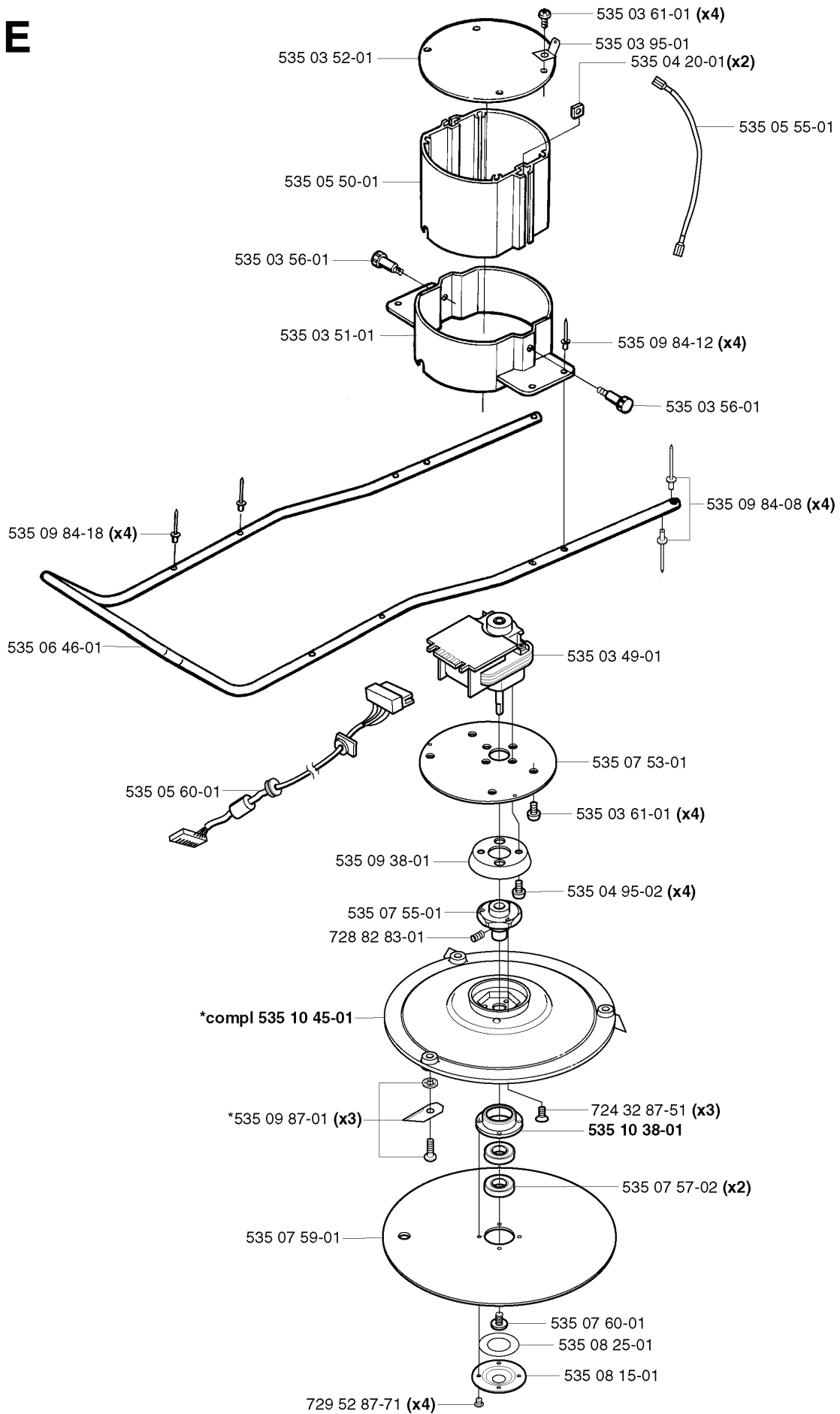
535 05 05-01



535 09 20-01

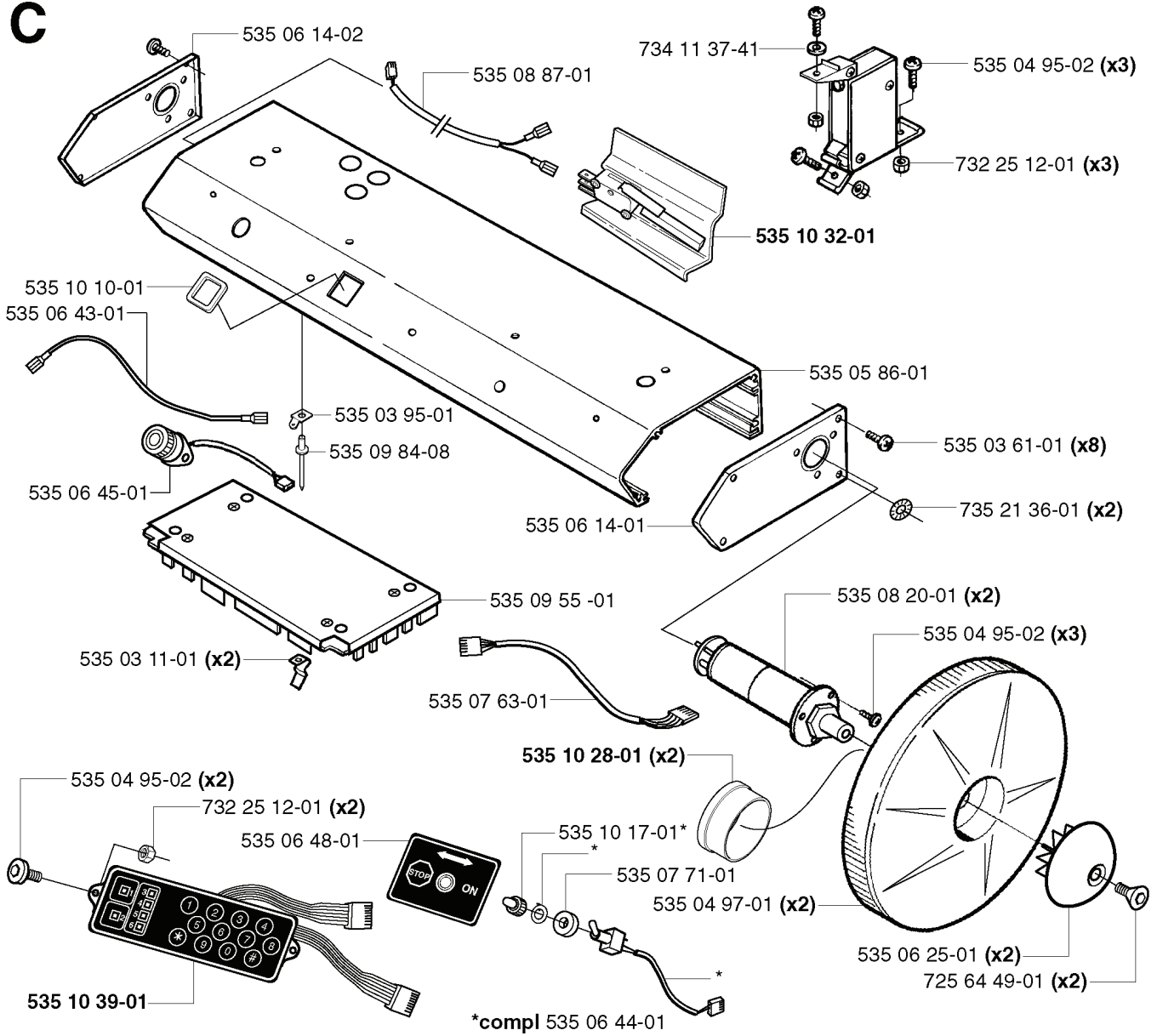
REF.	PART NO.	DESCRIPTION	REMARK	QTY.	KIT
535 04 16-01	535041601	WIRE		1	
535 05 05-01	535050501	STAPLE		1	
535 09 20-01	535092001	INSTRUCTION		1	

E



REF.	PART NO.	DESCRIPTION	REMARK	QTY.	KIT
535 03 52-01	535035201	COVER		1	
535 05 50-01	535055001	PIPE		1	
535 03 56-01	535035601	KNOB		1	
535 03 51-01	535035101	PIPE		1	
535 09 84-18	535098418	RIVET		4	
535 06 46-01	535064601	PIPE		1	
535 05 60-01	535056001	CABLE		1	
535 09 38-01	535093801	PROTECTION		1	
535 07 55-01	535075501	HUB		1	
728 82 83-01	728828301	SCREW IHSETM		1	
535 10 45-01	535104501	BLADE DISC		1	
535 09 87-01	535098701	BLADE SET		3	
535 07 59-01	535075901	SKID PLATE		1	
729 52 87-71	729528771	SCREW CCRPANT		4	
535 08 15-01	535081501	COVER WASHER		1	
535 08 25-01	535082501	GASKET		1	
535 07 60-01	535076001	SCREW		1	
535 07 57-02	535075702	BALL BEARING		2	
535 07 57-02	593080801	BALL BEARING	Tube 50 pcs	1	
535 10 38-01	535103801	HOLDER		1	
724 32 87-51	724328751	SCREW CRCFSM		3	
535 04 95-02	535049502	SCREW IH PANM		4	
535 03 61-01	535036101	SCREW		4	
535 07 53-01	535075301	PLATE		1	
535 03 49-01	535034901	ENGINE		1	
535 09 84-08	535098408	RIVET		4	
535 09 84-12	535098412	RIVET		4	
535 05 55-01	535055501	CABLE		1	
535 04 20-01	535042001	NUT		2	
535 03 95-01	535039501	CLIP		1	

C



REF.	PART NO.	DESCRIPTION	REMARK	QTY.	KIT
535 08 87-01	535088701	CABLE ASSY		1	
535 06 14-02	535061402	END		1	
535 10 10-01	535101001	GASKET		1	
535 06 43-01	535064301	CABLE		1	
535 03 95-01	535039501	CLIP		1	
535 09 84-08	535098408	RIVET		1	
535 06 45-01	535064501	BUZZER		1	
535 03 11-01	535031101	SPRING		2	
535 06 48-01	535064801	DECAL		1	
535 10 39-01	535103901	KEYBOARD		1	
535 06 44-01	535064401	SWITCH		1	
535 04 97-01	535049701	GEAR WHEEL		2	
535 07 71-01	535077101	WASHER		1	
535 10 17-01	535101701	SWITCH		1	
535 10 28-01	535102801	PROTECTION		2	
535 07 63-01	535076301	CABLE ASSY		1	
535 09 55-01	535095501	PRINTED CIRCUIT CARD		1	
535 06 14-01	535061401	END		1	
535 05 86-01	535058601	BOX		1	
535 10 32-01	535103201	SWITCH		1	
734 11 37-41	734113741	WASHER		1	
535 04 95-02	535049502	SCREW IH PANM		3	
732 25 12-01	732251201	HEXAGON LOCKING NUT		3	
535 03 61-01	535036101	SCREW		8	
735 21 36-01	735213601	LOCKWASHER		2	
535 08 20-01	535082001	ENGINE	Motor w/o gearbox 535 10 66-01	2	
535 06 25-01	535062501	WASHER		2	
725 64 49-01	725644901	SCREW IHCSFM		2	