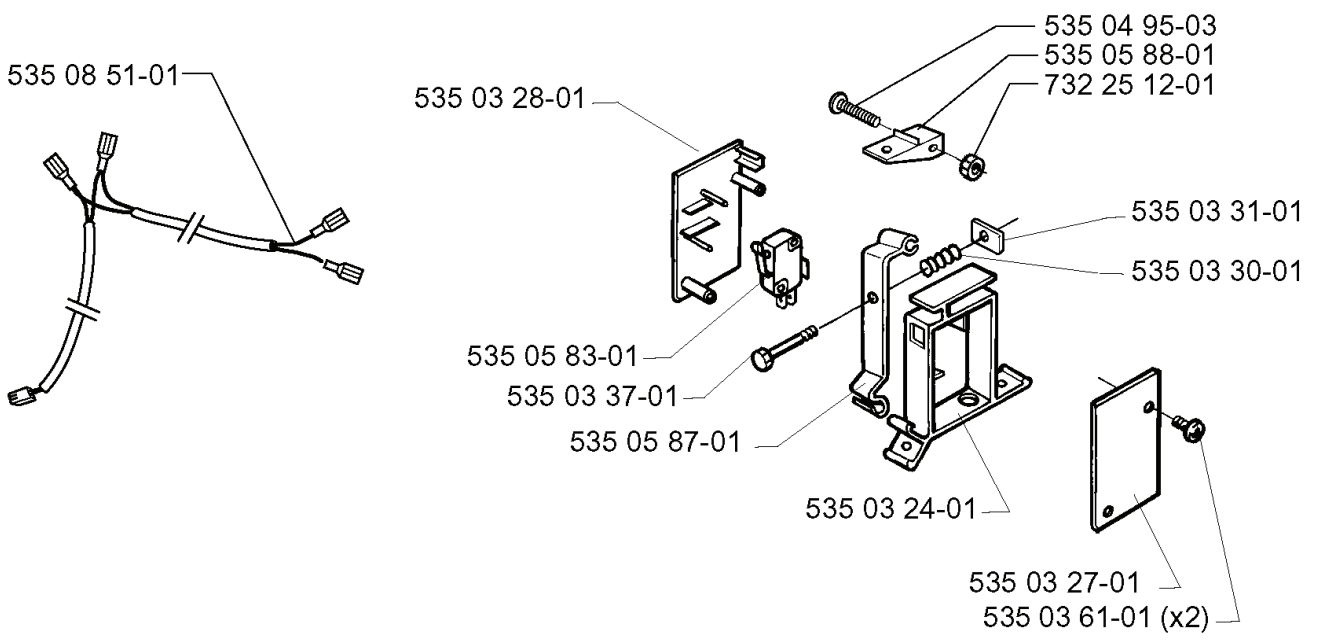


SOLARMOWER 2000 2000-02

---

# **SPARE PARTS LIST**

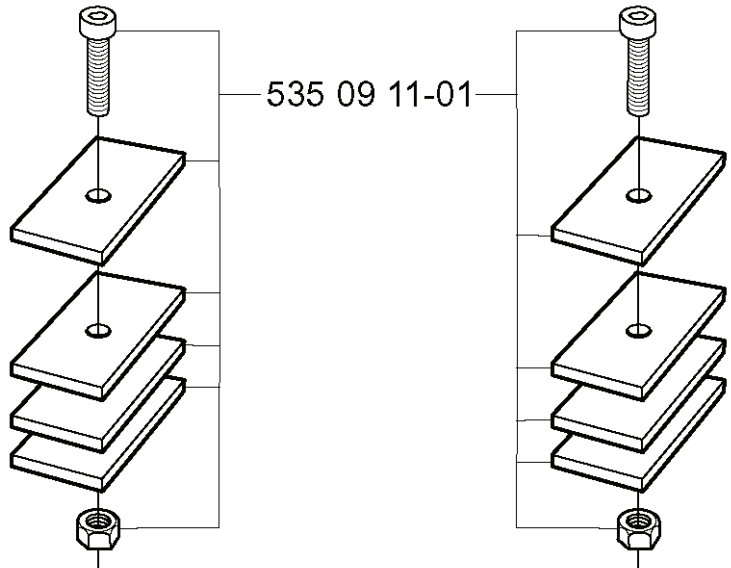
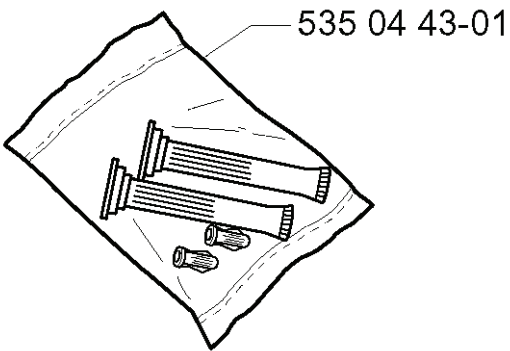
# B



---

REF.	PART NO.	DESCRIPTION	REMARK	QTY.	KIT
535 08 51-01	535085101	CABLE ASSY		1	
535 03 28-01	535032801	COVER		1	
535 05 83-01	535058301	SWITCH		1	
535 03 37-01	535033701	SCREW		1	
535 05 87-01	535058701	LEVER		1	
535 03 24-01	535032401	BRACKET		1	
535 03 27-01	535032701	COVER		1	
535 03 61-01	535036101	SCREW		2	
535 03 30-01	535033001	SPRING		1	
535 03 31-01	535033101	NUT		1	
732 25 12-01	732251201	HEXAGON LOCKING NUT		1	
535 05 88-01	535058801	BRACKET		1	
535 04 95-03	535049503	SCREW IH PANM		1	

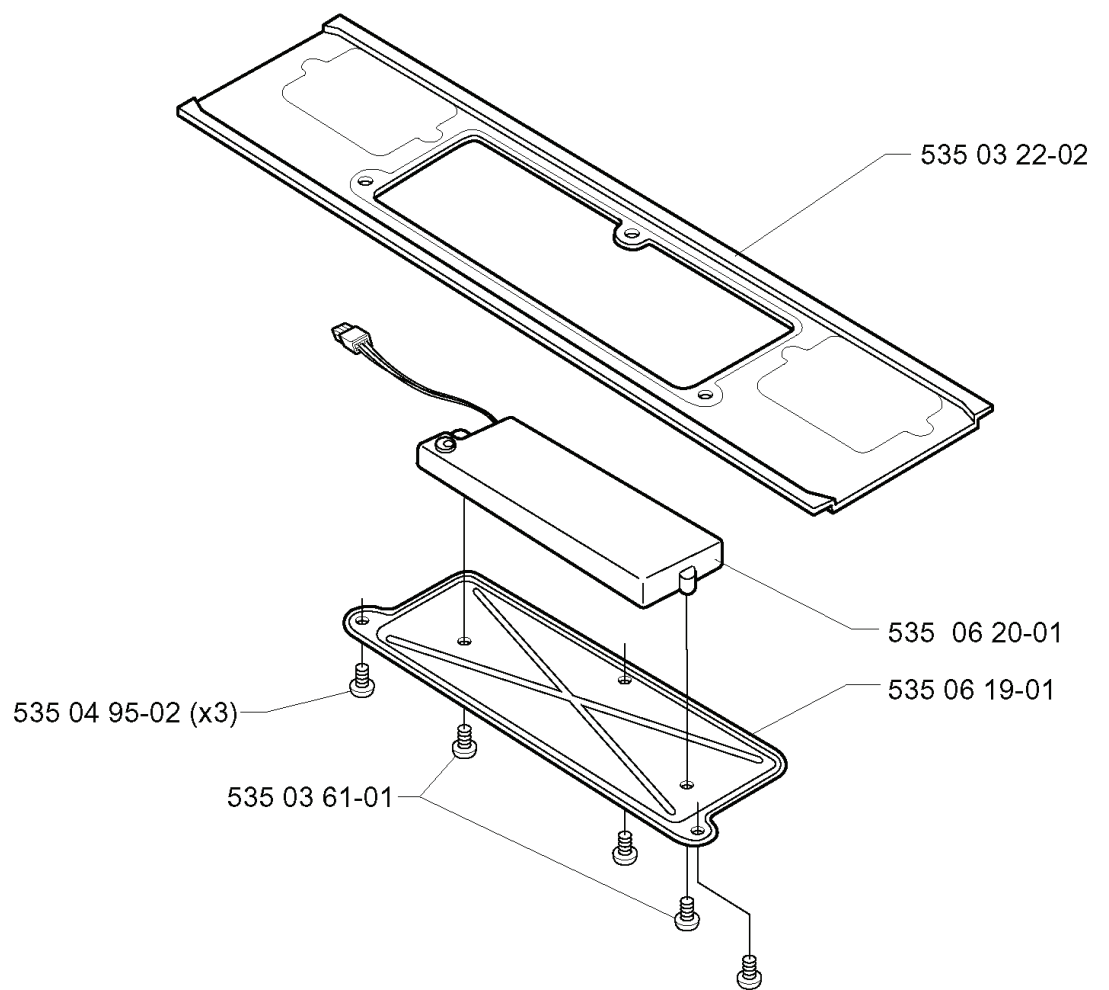
# H



---

REF.	PART NO.	DESCRIPTION	REMARK	QTY.	KIT
535 04 43-01	535044301	COUPLER		1	
505 69 99-90	505699990	BAG		1	
535 09 11-01	535091101	COUNTERWEIGHT		1	

**D**



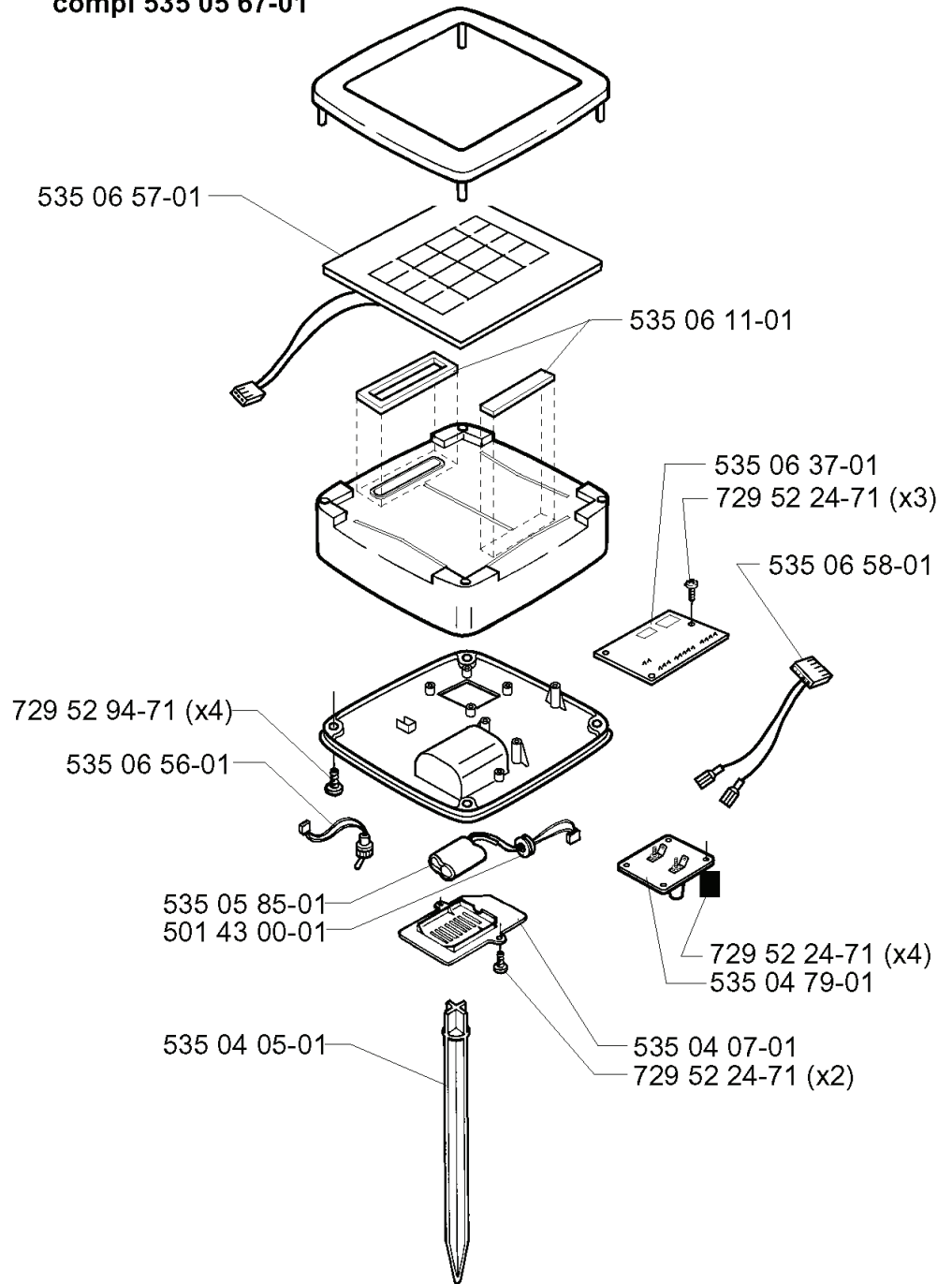
---

REF.	PART NO.	DESCRIPTION	REMARK	QTY.	KIT
535 04 95-02	535049502	SCREW IH PANM		3	
535 03 61-01	535036101	SCREW		1	
535 06 19-01	535061901	COVER		1	
535 06 20-01	535062001	BATTERY		1	
535 03 22-02	535032202	COVER		1	



**G**

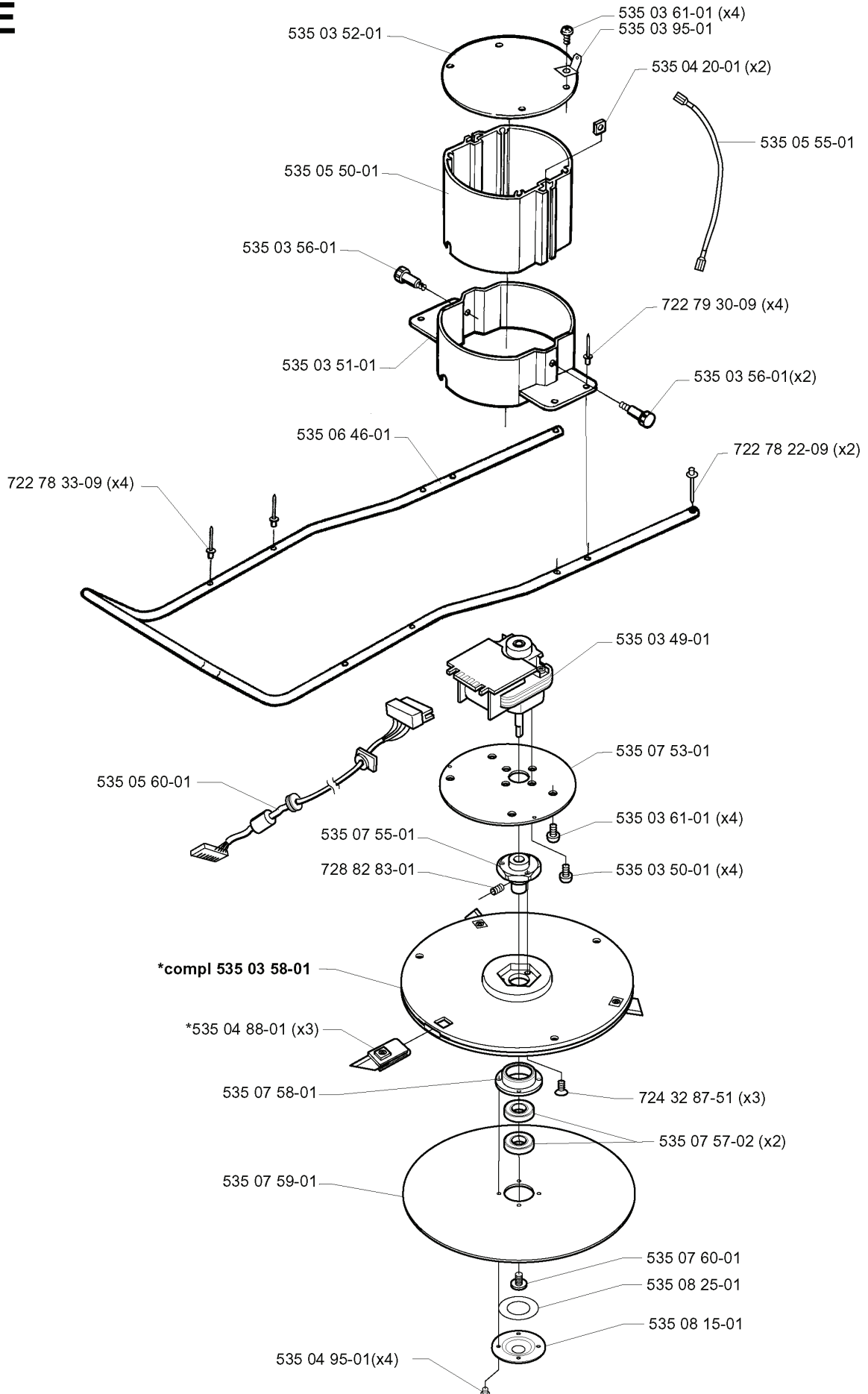
compl 535 05 67-01



---

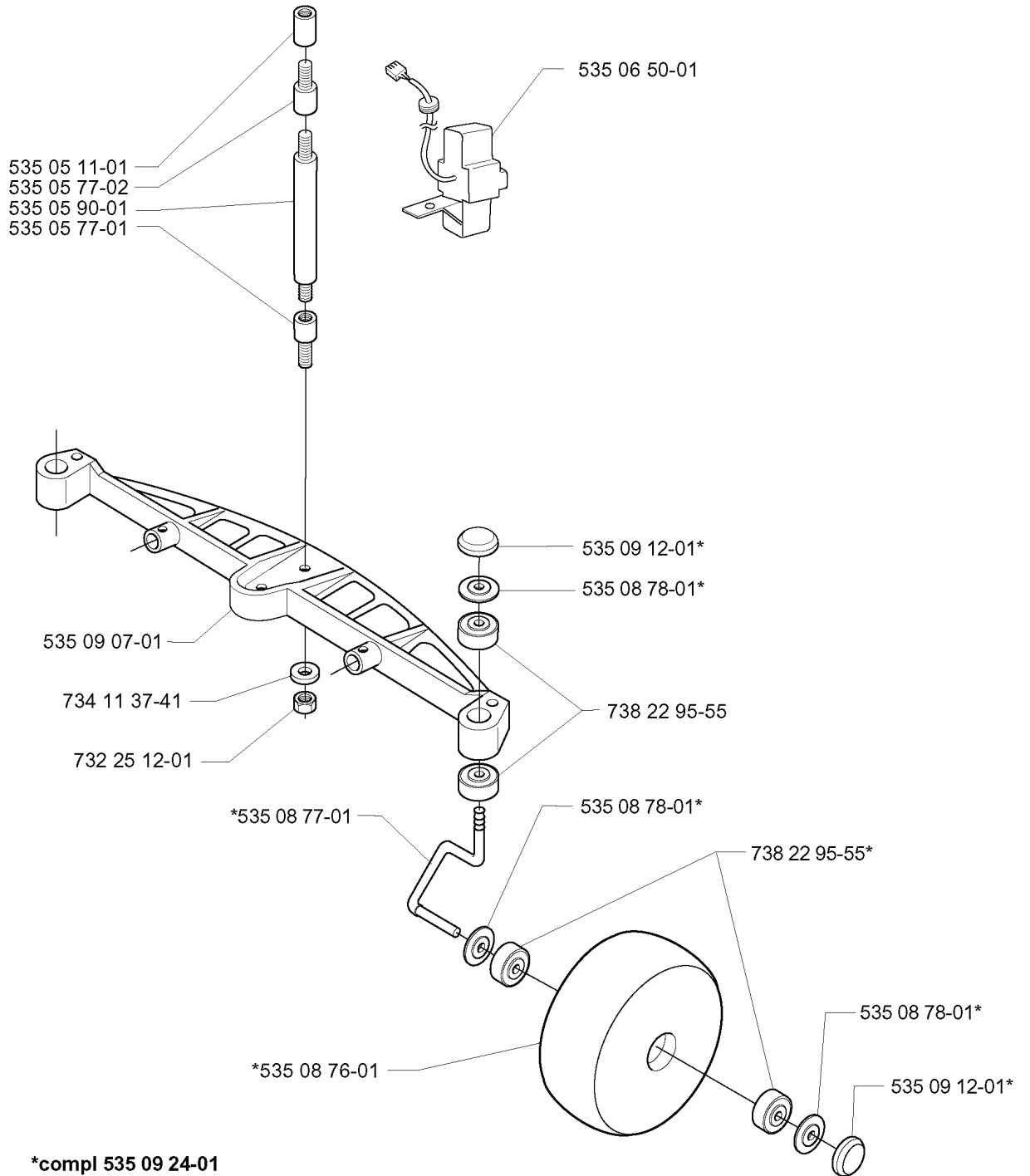
REF.	PART NO.	DESCRIPTION	REMARK	QTY.	KIT
535 05 67-01	535056701	GENERATOR		1	
535 06 57-01	535065701	PANEL. SOLAR		1	
729 52 94-71	729529471	SCREW CRPANT		4	
535 06 56-01	535065601	SWITCH		1	
535 05 85-01	535058501	BATTERY		1	
501 43 00-01	501430001	CABLE GROMMET		1	
535 04 05-01	535040501	BRACKET		1	
535 04 07-01	535040701	COVER		1	
535 04 79-01	535047901	CONNECTION		1	
729 52 24-71	729522471	SCREW CRPANT		4	
535 06 58-01	535065801	CABLE		1	
535 06 37-01	535063701	PRINTED CIRCUIT CARD		1	
535 06 11-01	535061101	GASKET		1	

# E



REF.	PART NO.	DESCRIPTION	REMARK	QTY.	KIT
535 03 52-01	535035201	COVER		1	
535 05 50-01	535055001	PIPE		1	
535 03 51-01	535035101	PIPE		1	
535 06 46-01	535064601	PIPE		1	
722 78 33-09	722783309	BLIND RIVET		4	
535 05 60-01	535056001	CABLE		1	
535 07 55-01	535075501	HUB		1	
728 82 83-01	728828301	SCREW IHSETM		1	
535 03 58-01	535035801	BLADE DISC. CPL.		1	
535 04 88-01	535048801	BLADE SET		3	
535 07 58-01	535075801	HOLDER		1	
535 07 59-01	535075901	SKID PLATE		1	
535 04 95-01	535049501	SCREW IH PANM		4	
535 08 15-01	535081501	COVER WASHER		1	
535 08 25-01	535082501	GASKET		1	
535 07 60-01	535076001	SCREW		1	
535 07 57-02	593080801	BALL BEARING	Tube 50 pcs	1	
535 07 57-02	535075702	BALL BEARING		2	
724 32 87-51	724328751	SCREW CRCSFM		3	
535 03 50-01	535035001	SCREW		4	
535 03 61-01	535036101	SCREW		4	
535 07 53-01	535075301	PLATE		1	
535 03 49-01	535034901	ENGINE		1	
722 78 22-09	722782209	BLIND RIVET		2	
535 03 56-01	535035601	KNOB		2	
722 79 30-09	722793009	BLIND RIVET		4	
535 05 55-01	535055501	CABLE		1	
535 04 20-01	535042001	NUT		2	
535 03 95-01	535039501	CLIP		1	

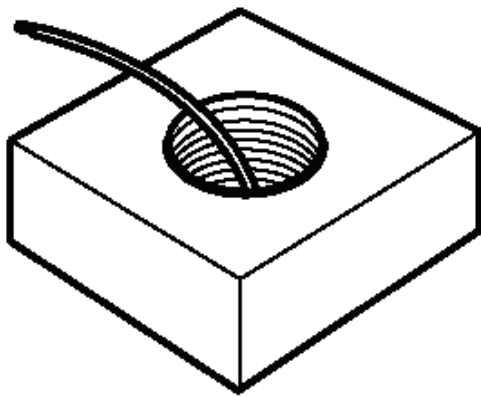
# F



---

REF.	PART NO.	DESCRIPTION	REMARK	QTY.	KIT
535 05 11-01	535051101	BRACKET		1	
535 05 77-02	535057702	ABSORBER		1	
535 05 90-01	535059001	BRACKET		1	
535 05 77-01	535057701	ABSORBER		1	
535 09 07-01	535090701	BRACKET		1	
734 11 37-41	734113741	WASHER		1	
732 25 12-01	732251201	HEXAGON LOCKING NUT		1	
535 08 77-01	535087701	SPINDLE SHAFT		1	
535 08 76-01	535087601	WHEEL		1	
535 09 24-01	535092401	WHEEL		1	
738 22 95-55	738229555	BALL BEARING		1	
535 08 78-01	535087801	COVER WASHER		1	
535 09 12-01	535091201	WASHER		1	
535 06 50-01	535065001	SENSOR		1	

**J**



535 04 16-01



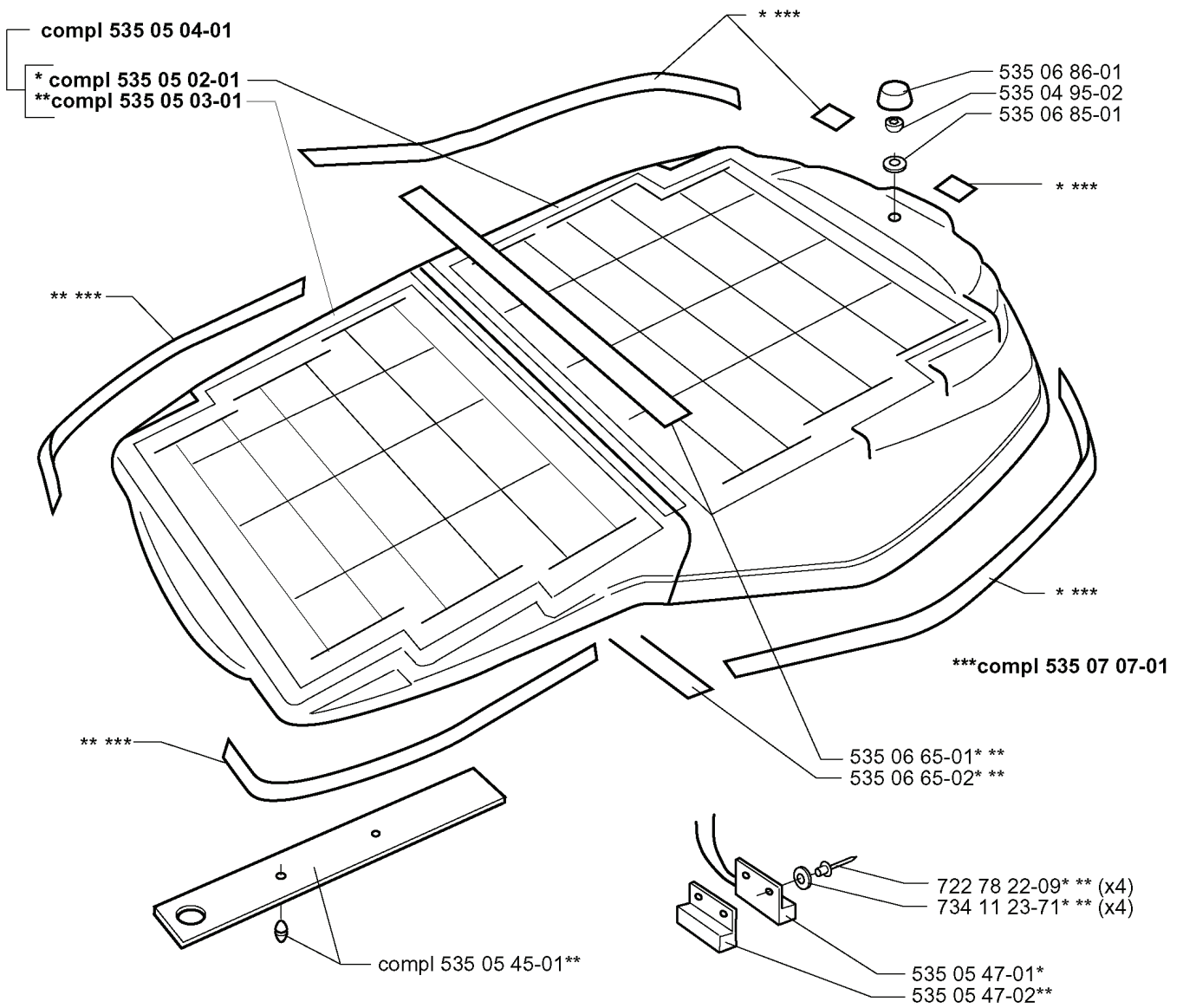
535 05 05-01

---

REF.	PART NO.	DESCRIPTION	REMARK	QTY.	KIT
535 04 16-01	535041601	WIRE		1	
535 05 05-01	535050501	STAPLE		1	

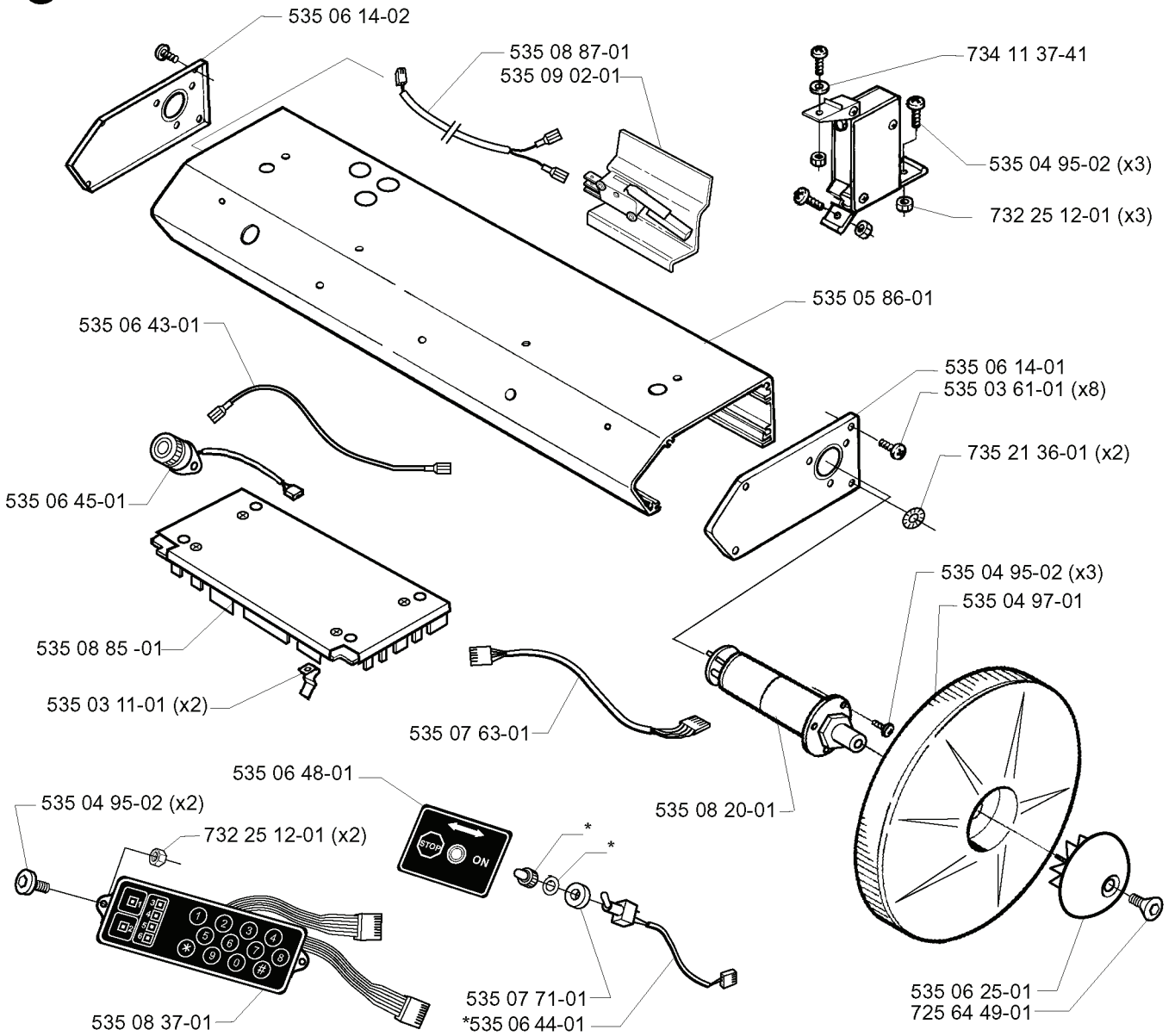


# A



REF.	PART NO.	DESCRIPTION	REMARK	QTY.	KIT
535 05 04-01	535050401	BODY KIT		1	
535 05 02-01	535050201	BODY, FRONT		1	
535 05 03-01	535050301	BODY, REAR		1	
535 05 45-01	535054501	RAIL		1	
535 05 47-02	535054702	MAGNET		1	
535 05 47-01	535054701	SWITCH		1	
734 11 23-71	734112371	WASHER		4	
722 78 22-09	722782209	BLIND RIVET		4	
535 06 65-02	535066502	TAPE		1	
535 06 65-01	535066501	TAPE		1	
535 07 07-01	535070701	TAPE		1	
535 06 85-01	535068501	WASHER		1	
535 04 95-02	535049502	SCREW IH PANM		1	
535 06 86-01	535068601	HUB CAP		1	

C



REF.	PART NO.	DESCRIPTION	REMARK	QTY.	KIT
535 06 14-02	535061402	END		1	
535 06 43-01	535064301	CABLE		1	
535 06 45-01	535064501	BUZZER		1	
535 08 85-01	535088501	PRINTED CIRCUIT CARD		1	
535 03 11-01	535031101	SPRING		2	
535 08 37-01	535083701	KEYBOARD		1	
535 06 44-01	535064401	SWITCH		1	
535 07 71-01	535077101	WASHER		1	
535 06 48-01	535064801	DECAL		1	
535 07 63-01	535076301	CABLE ASSY		1	
535 09 02-01	535090201	SWITCH		1	
535 08 87-01	535088701	CABLE ASSY		1	
535 08 20-01	535082001	ENGINE	Motor w/o gearbox 535 10 66-01	1	
725 64 49-01	725644901	SCREW IHCSFM		1	
535 06 25-01	535062501	WASHER		1	
535 04 97-01	535049701	GEAR WHEEL		1	
735 21 36-01	735213601	LOCKWASHER		2	
535 03 61-01	535036101	SCREW		8	
535 06 14-01	535061401	END		1	
535 05 86-01	535058601	BOX		1	
732 25 12-01	732251201	HEXAGON LOCKING NUT		3	
535 04 95-02	535049502	SCREW IH PANM		3	
734 11 37-41	734113741	WASHER		1	