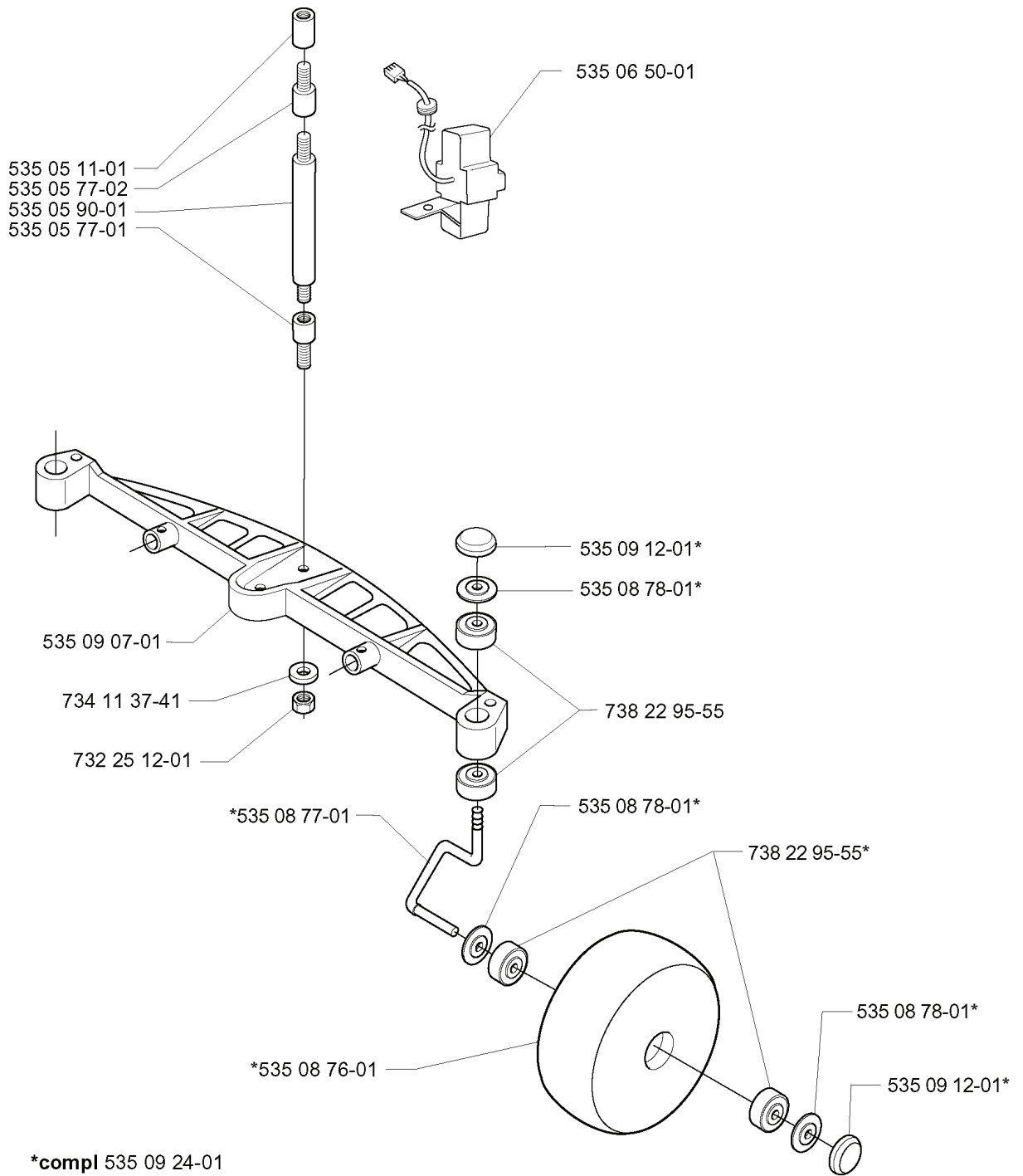


SOLARMOWER 2001 2001-01

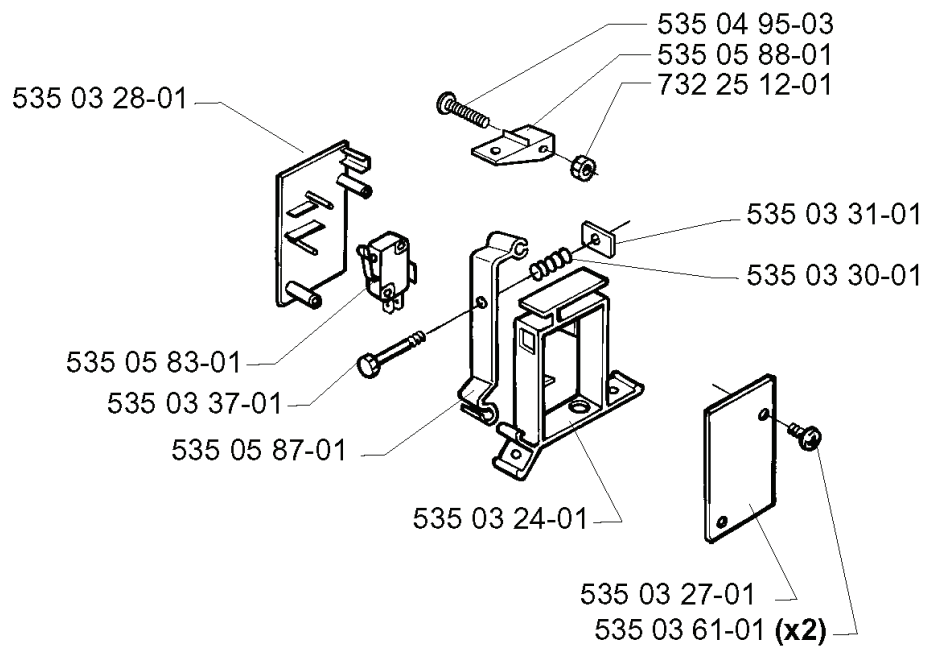
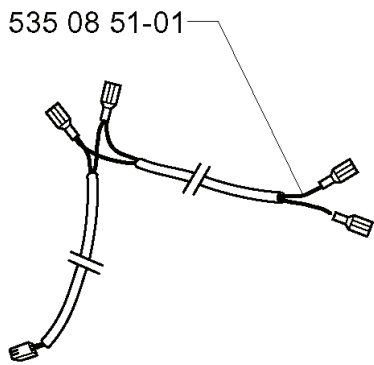
SPARE PARTS LIST

F



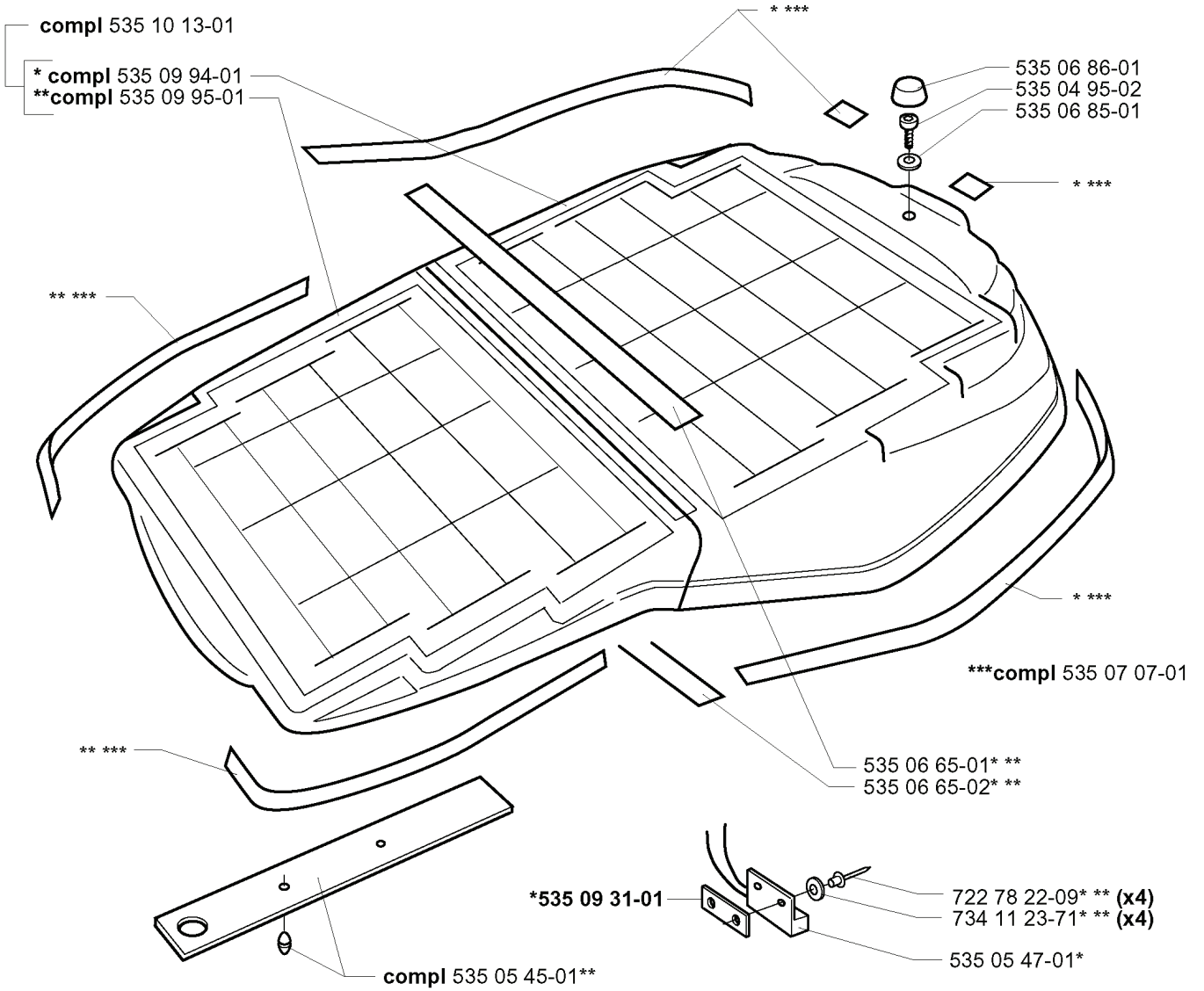
REF.	PART NO.	DESCRIPTION	REMARK	QTY.	KIT
535 05 11-01	535051101	BRACKET		1	
535 05 77-02	535057702	ABSORBER		1	
535 05 90-01	535059001	BRACKET		1	
535 05 77-01	535057701	ABSORBER		1	
535 09 07-01	535090701	BRACKET		1	
734 11 37-41	734113741	WASHER		1	
732 25 12-01	732251201	HEXAGON LOCKING NUT		1	
535 08 77-01	535087701	SPINDLE SHAFT		1	
535 08 76-01	535087601	WHEEL		1	
535 09 24-01	535092401	WHEEL		1	
535 09 12-01	535091201	WASHER		1	
738 22 95-55	738229555	BALL BEARING		1	
535 08 78-01	535087801	COVER WASHER		1	
535 06 50-01	535065001	SENSOR		1	

B



REF.	PART NO.	DESCRIPTION	REMARK	QTY.	KIT
535 08 51-01	535085101	CABLE ASSY		1	
535 03 28-01	535032801	COVER		1	
535 05 83-01	535058301	SWITCH		1	
535 03 37-01	535033701	SCREW		1	
535 05 87-01	535058701	LEVER		1	
535 03 24-01	535032401	BRACKET		1	
535 03 27-01	535032701	COVER		1	
535 03 61-01	535036101	SCREW		2	
535 03 30-01	535033001	SPRING		1	
535 03 31-01	535033101	NUT		1	
732 25 12-01	732251201	HEXAGON LOCKING NUT		1	
535 05 88-01	535058801	BRACKET		1	
535 04 95-03	535049503	SCREW IH PANM		1	

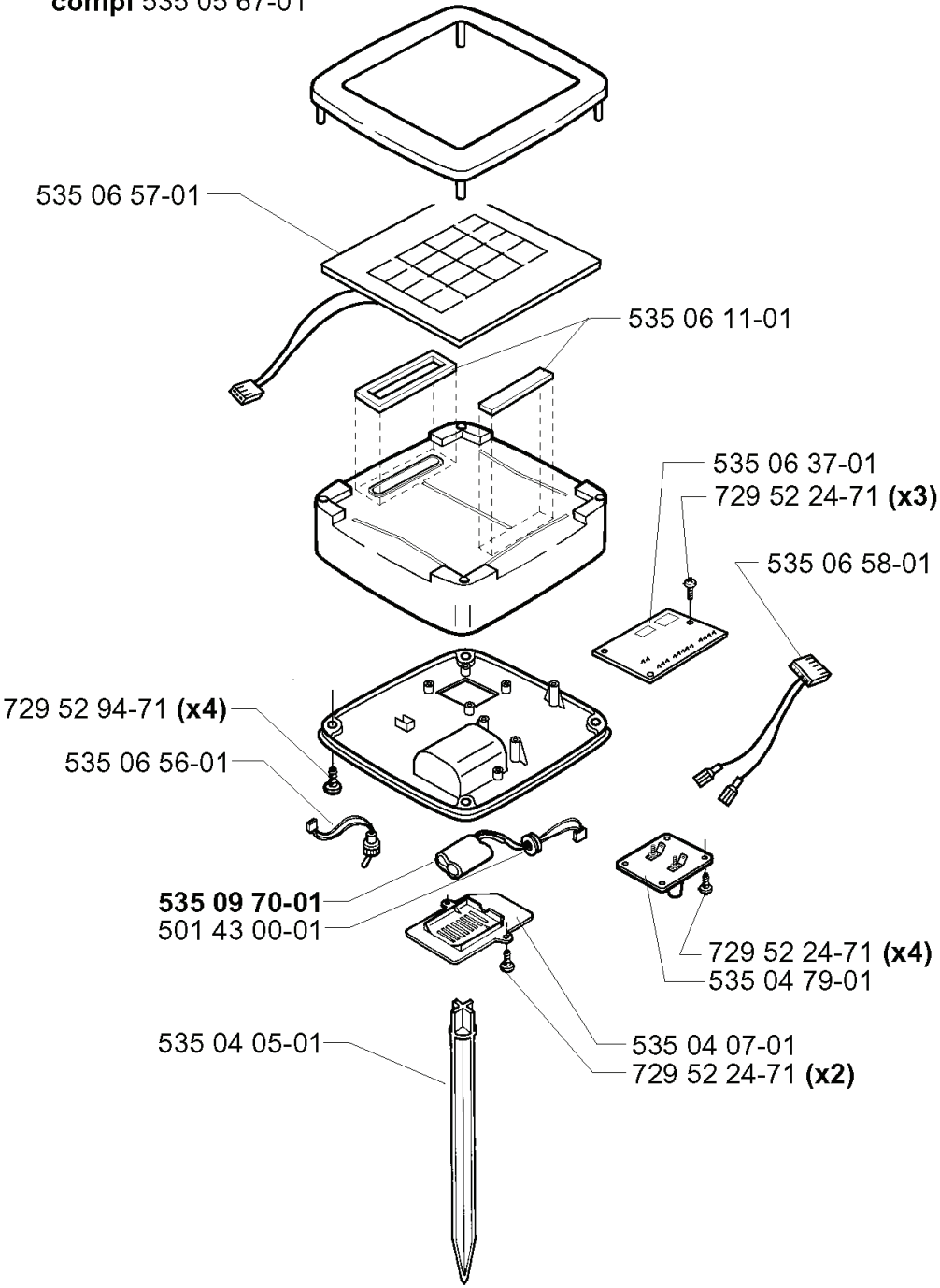
A



REF.	PART NO.	DESCRIPTION	REMARK	QTY.	KIT
535 10 13-01	535101301	BODY		1	
535 09 94-01	535099401	BODY		1	
535 09 95-01	535099501	BODY		1	
535 05 45-01	535054501	RAIL		1	
535 09 31-01	535093101	WASHER		1	
535 05 47-01	535054701	SWITCH		1	
734 11 23-71	734112371	WASHER		4	
722 78 22-09	722782209	BLIND RIVET		4	
535 06 65-02	535066502	TAPE		1	
535 06 65-01	535066501	TAPE		1	
535 07 07-01	535070701	TAPE		1	
535 06 85-01	535068501	WASHER		1	
535 04 95-02	535049502	SCREW IH PANM		1	
535 06 86-01	535068601	HUB CAP		1	

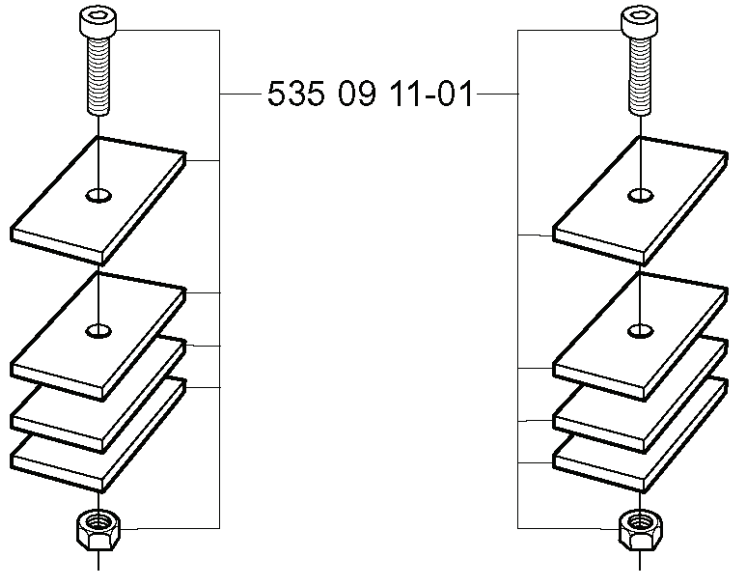
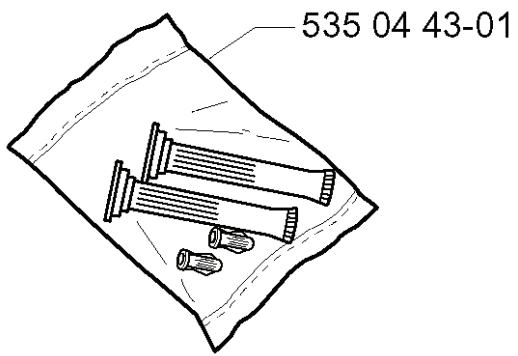
J

compl 535 05 67-01



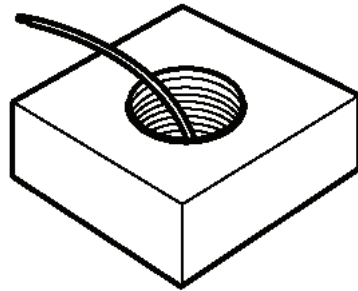
REF.	PART NO.	DESCRIPTION	REMARK	QTY.	KIT
535 05 67-01	535056701	GENERATOR		1	
535 06 57-01	535065701	PANEL. SOLAR		1	
729 52 94-71	729529471	SCREW CRPANT		4	
535 06 56-01	535065601	SWITCH		1	
535 09 70-01	535097001	BATTERY		1	
501 43 00-01	501430001	CABLE GROMMET		1	
535 04 05-01	535040501	BRACKET		1	
535 04 07-01	535040701	COVER		1	
535 04 79-01	535047901	CONNECTION		1	
729 52 24-71	729522471	SCREW CRPANT		4	
535 06 58-01	535065801	CABLE		1	
535 06 37-01	535063701	PRINTED CIRCUIT CARD		1	
535 06 11-01	535061101	GASKET		1	

H



REF.	PART NO.	DESCRIPTION	REMARK	QTY.	KIT
535 04 43-01	535044301	COUPLER		1	
505 69 99-90	505699990	BAG		1	
535 09 11-01	535091101	COUNTERWEIGHT		1	

G



535 04 16-01



535 05 05-01

Svenska	
A	B
Laddningssygl	Blockerad linjedisk
Nettåge (endast för utlösnar)	Utanför klippområdet
Klipptidsbild tid	Blockerad lyktnötk
Kod status	Hitler of laddstation (endast för utlösnar)
Klippan är inlängd	Kännet av signal fån sällags
För flera klipp av laddstation	Fel inläsning
För flera klipp av laddstation	För flera klipp av laddstation

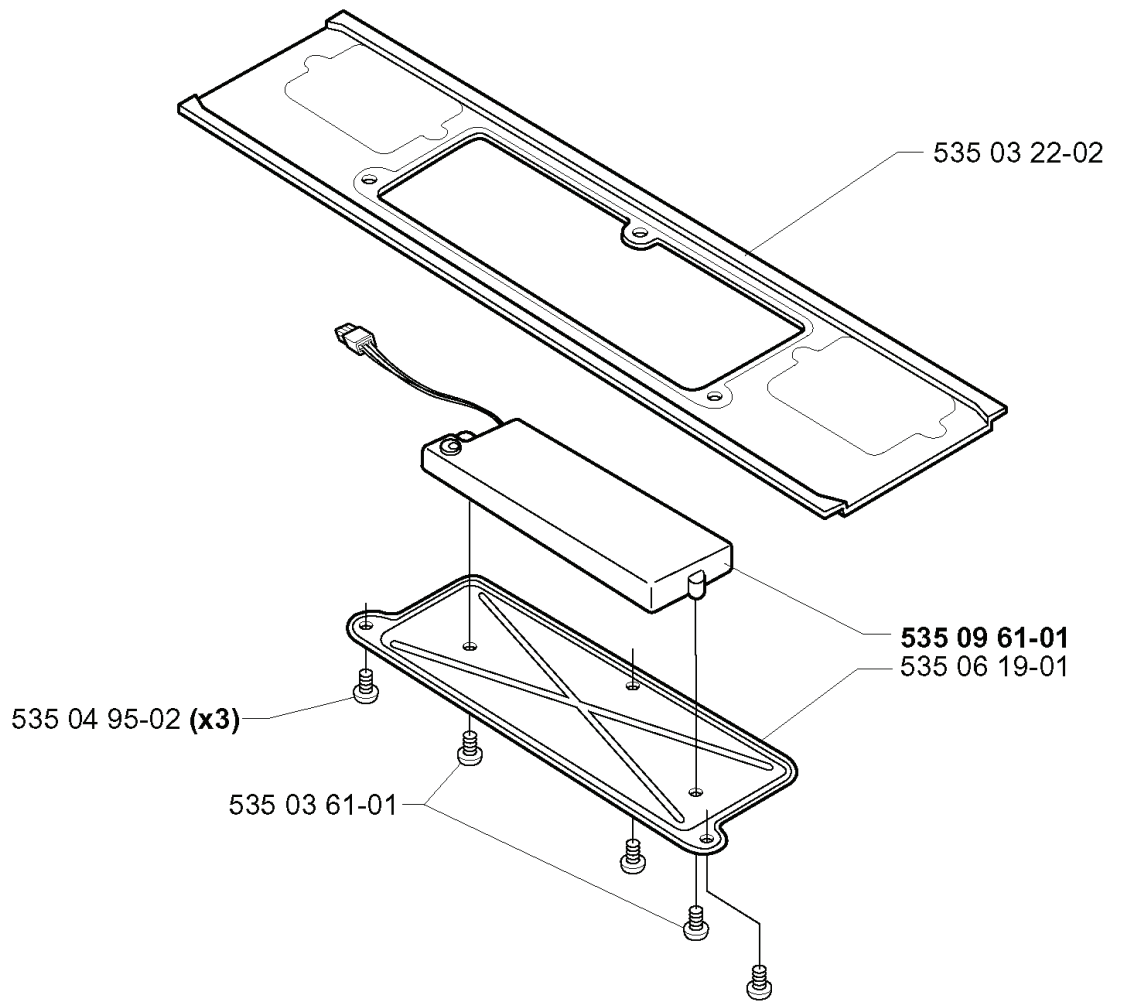
535 07 65-01



535 09 92-01

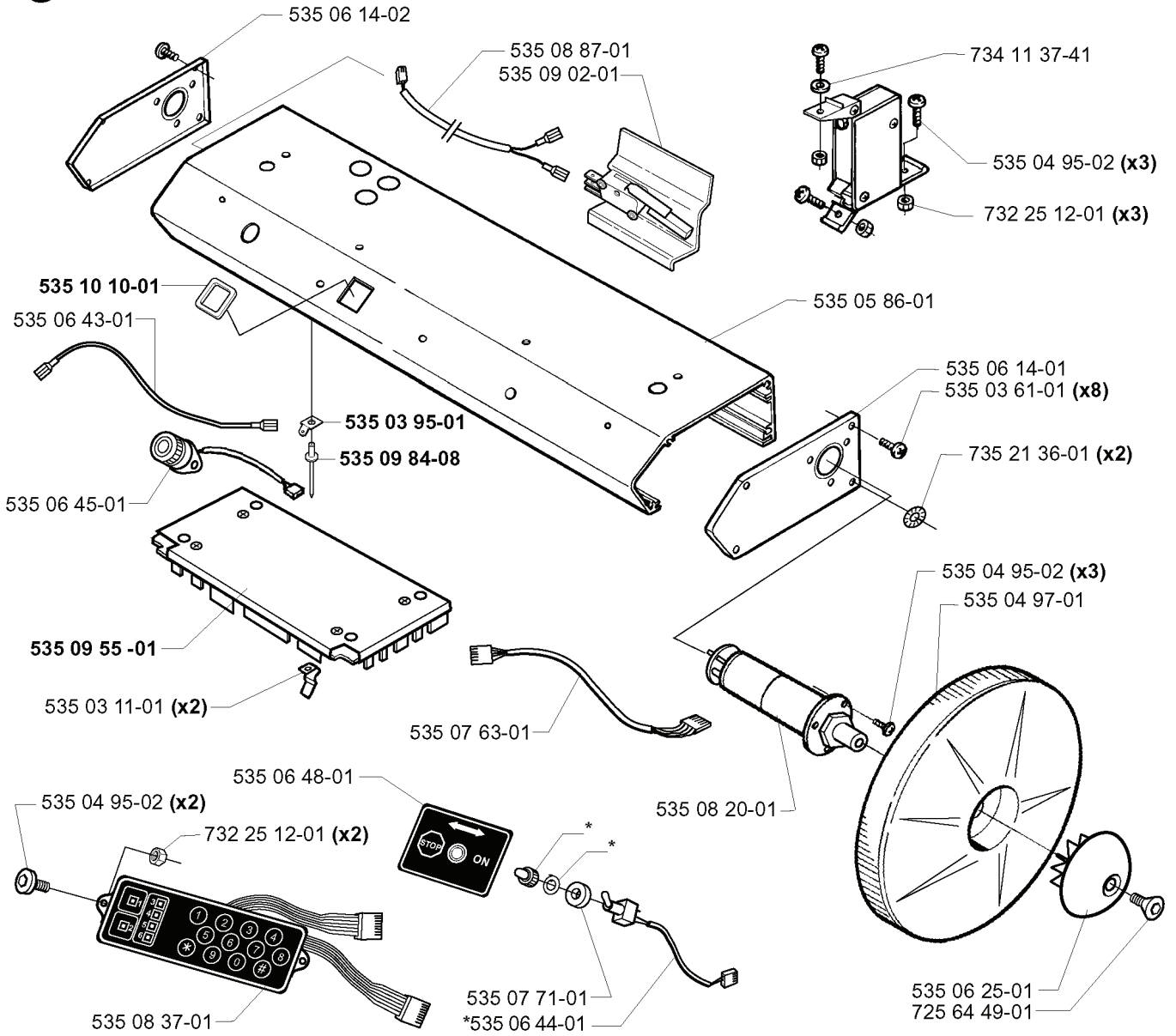
REF.	PART NO.	DESCRIPTION	REMARK	QTY.	KIT
535 04 16-01	535041601	WIRE		1	
535 05 05-01	535050501	STAPLE		1	
535 07 65-01	535076501	DECAL		1	
535 09 92-01	535099201	INSTRUCTION		1	

D



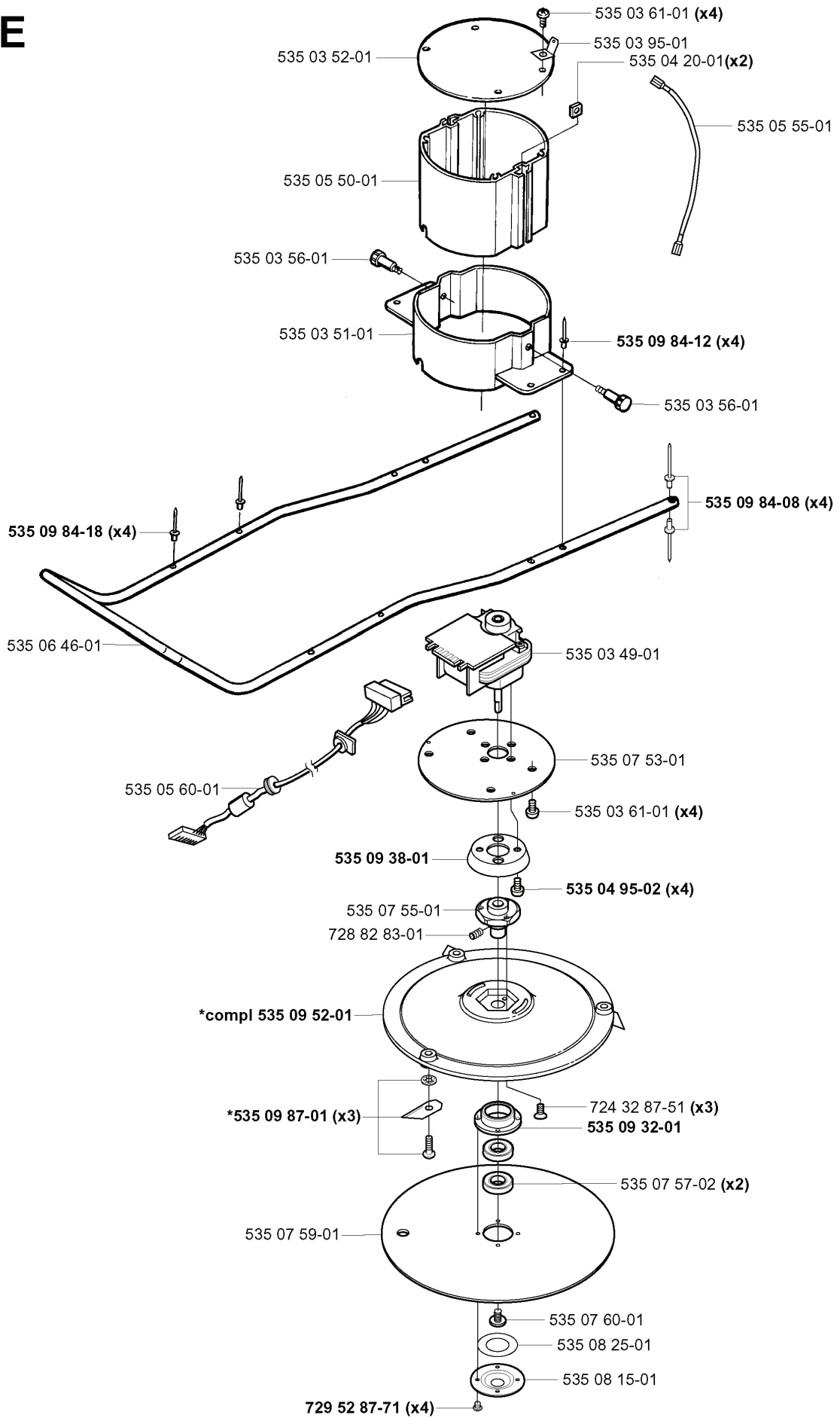
REF.	PART NO.	DESCRIPTION	REMARK	QTY.	KIT
535 04 95-02	535049502	SCREW IH PANM		3	
535 03 61-01	535036101	SCREW		1	
535 06 19-01	535061901	COVER		1	
535 09 61-01	535096101	BATTERY		1	
535 03 22-02	535032202	COVER		1	

C



REF.	PART NO.	DESCRIPTION	REMARK	QTY.	KIT
535 10 10-01	535101001	GASKET		1	
535 06 43-01	535064301	CABLE		1	
535 06 45-01	535064501	BUZZER		1	
535 09 55-01	535095501	PRINTED CIRCUIT CARD		1	
535 03 11-01	535031101	SPRING		2	
535 08 37-01	535083701	KEYBOARD		1	
535 06 44-01	535064401	SWITCH		1	
535 07 71-01	535077101	WASHER		1	
732 25 12-01	732251201	HEXAGON LOCKING NUT		2	
535 06 48-01	535064801	DECAL		1	
535 07 63-01	535076301	CABLE ASSY		1	
535 09 84-08	535098408	RIVET		1	
535 03 95-01	535039501	CLIP		1	
535 06 14-02	535061402	END		1	
535 08 87-01	535088701	CABLE ASSY		1	
535 09 02-01	535090201	SWITCH		1	
535 05 86-01	535058601	BOX		1	
535 08 20-01	535082001	ENGINE	Motor w/o gearbox 535 10 66-01	1	
725 64 49-01	725644901	SCREW IHCSFM		1	
535 06 25-01	535062501	WASHER		1	
535 04 97-01	535049701	GEAR WHEEL		1	
535 04 95-02	535049502	SCREW IH PANM		3	
735 21 36-01	735213601	LOCKWASHER		2	
535 03 61-01	535036101	SCREW		8	
535 06 14-01	535061401	END		1	
734 11 37-41	734113741	WASHER		1	

E



REF.	PART NO.	DESCRIPTION	REMARK	QTY.	KIT
535 03 52-01	535035201	COVER		1	
535 05 50-01	535055001	PIPE		1	
535 03 51-01	535035101	PIPE		1	
535 09 84-18	535098418	RIVET		4	
535 06 46-01	535064601	PIPE		1	
535 05 60-01	535056001	CABLE		1	
535 09 38-01	535093801	PROTECTION		1	
535 07 55-01	535075501	HUB		1	
728 82 83-01	728828301	SCREW IHSETM		1	
535 09 52-01	535095201	BLADE		1	
535 09 87-01	535098701	BLADE SET		3	
535 07 59-01	535075901	SKID PLATE		1	
729 52 87-71	729528771	SCREW CCRPANT		4	
535 08 15-01	535081501	COVER WASHER		1	
535 08 25-01	535082501	GASKET		1	
535 07 60-01	535076001	SCREW		1	
535 07 57-02	593080801	BALL BEARING	Tube 50 pcs	1	
535 07 57-02	535075702	BALL BEARING		2	
535 09 32-01	535093201	BEARING BOX		1	
724 32 87-51	724328751	SCREW CRCFSM		3	
535 04 95-02	535049502	SCREW IH PANM		4	
535 07 53-01	535075301	PLATE		1	
535 03 49-01	535034901	ENGINE		1	
535 09 84-08	535098408	RIVET		4	
535 03 56-01	535035601	KNOB		1	
535 09 84-12	535098412	RIVET		4	
535 05 55-01	535055501	CABLE		1	
535 04 20-01	535042001	NUT		2	
535 03 95-01	535039501	CLIP		1	
535 03 61-01	535036101	SCREW		4	