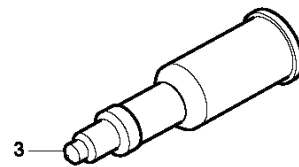
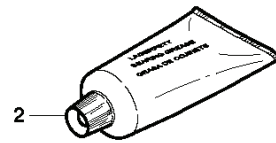
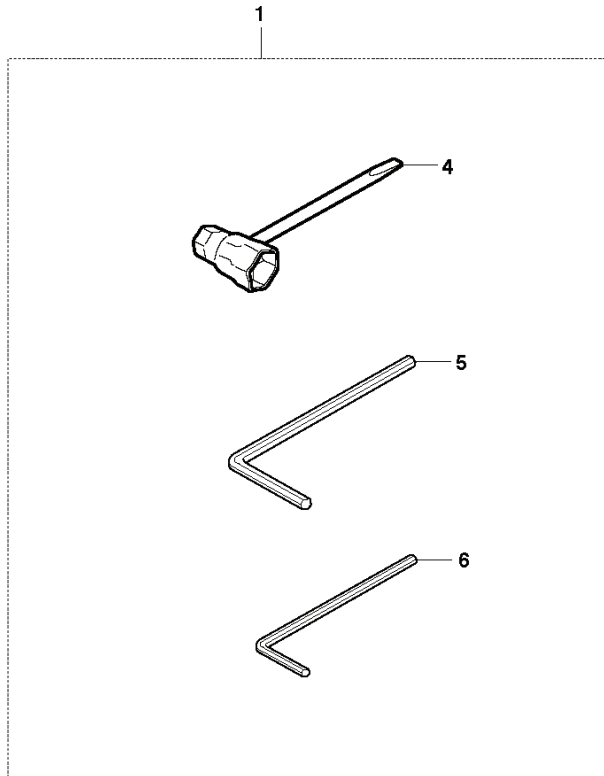


268, 20162700001-20182200000

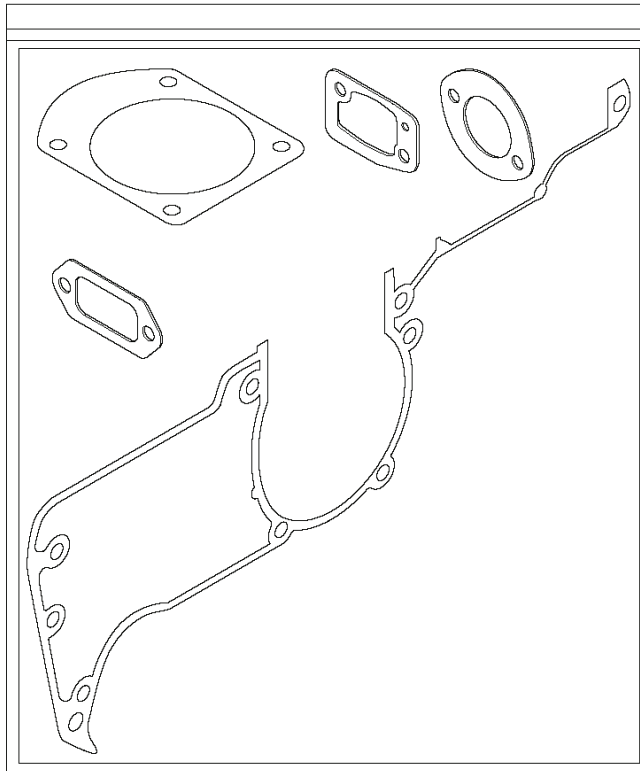
SPARE PARTS LIST

P Tillbehör
Accessories
Zubehöre
Accessoires
Accesorios



REF.	PART NO.	DESCRIPTION	REMARK	QTY.	KIT
1	503558501	TOOL		1	
2	503621201	GREASE		1	
3	501911401	GREASE GUN		1	
4	501691701	COMBINATION WRENCH		1	1
5	503558602	SPANNER		1	1
6	503558601	SPANNER		1	1

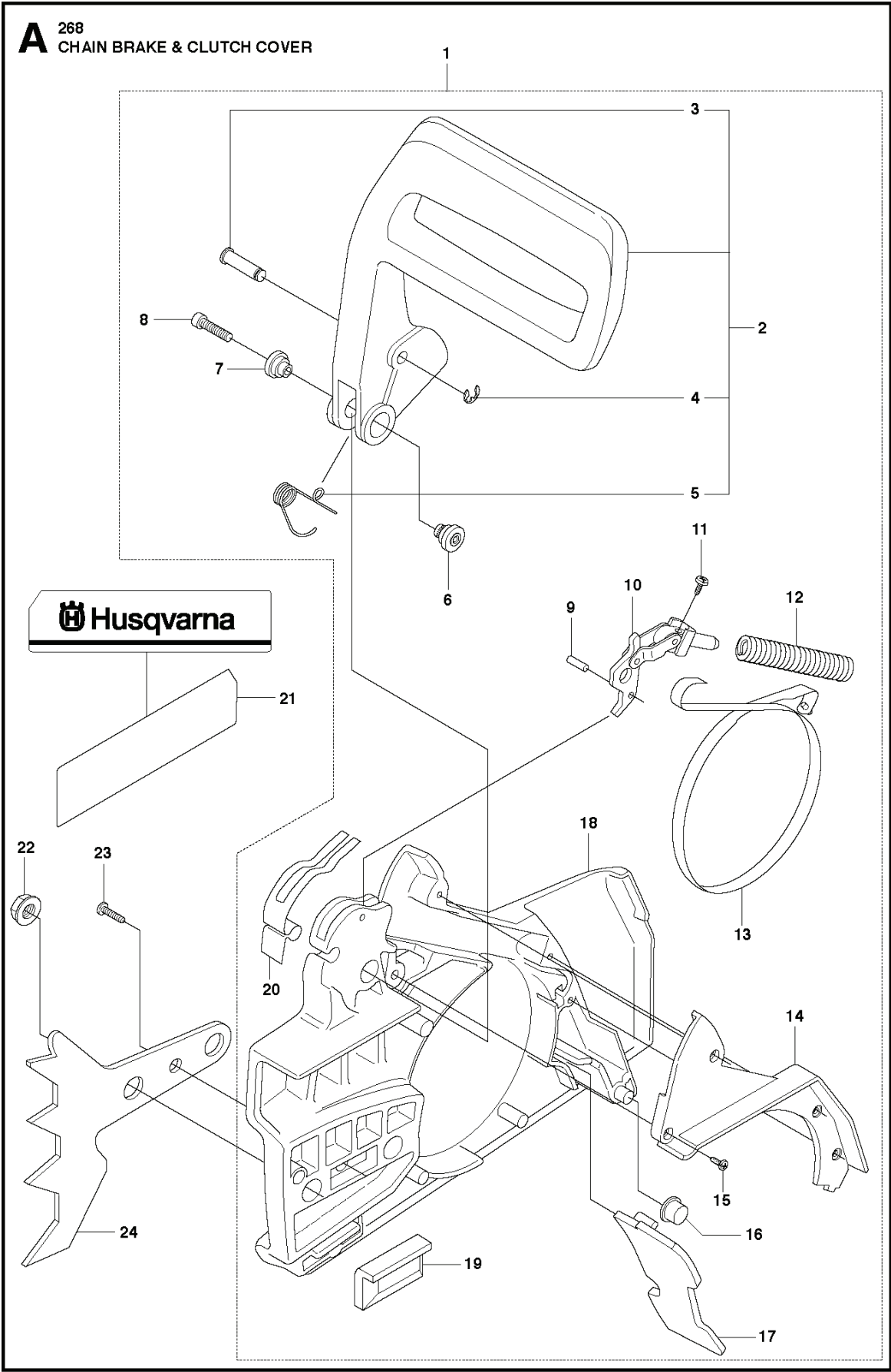
Q Leveras endast som reservdel
Delivery as spare part only
Nur als Ersatzteil lieferbar
Livrabable seulement comme pièce de rechange
Solo como repuesto
Zasilá se jenom jako náhradni díl



1 ①
Set of gaskets
Dichtungssatz
Jeu de joints
Juego de juntas
Packningssats

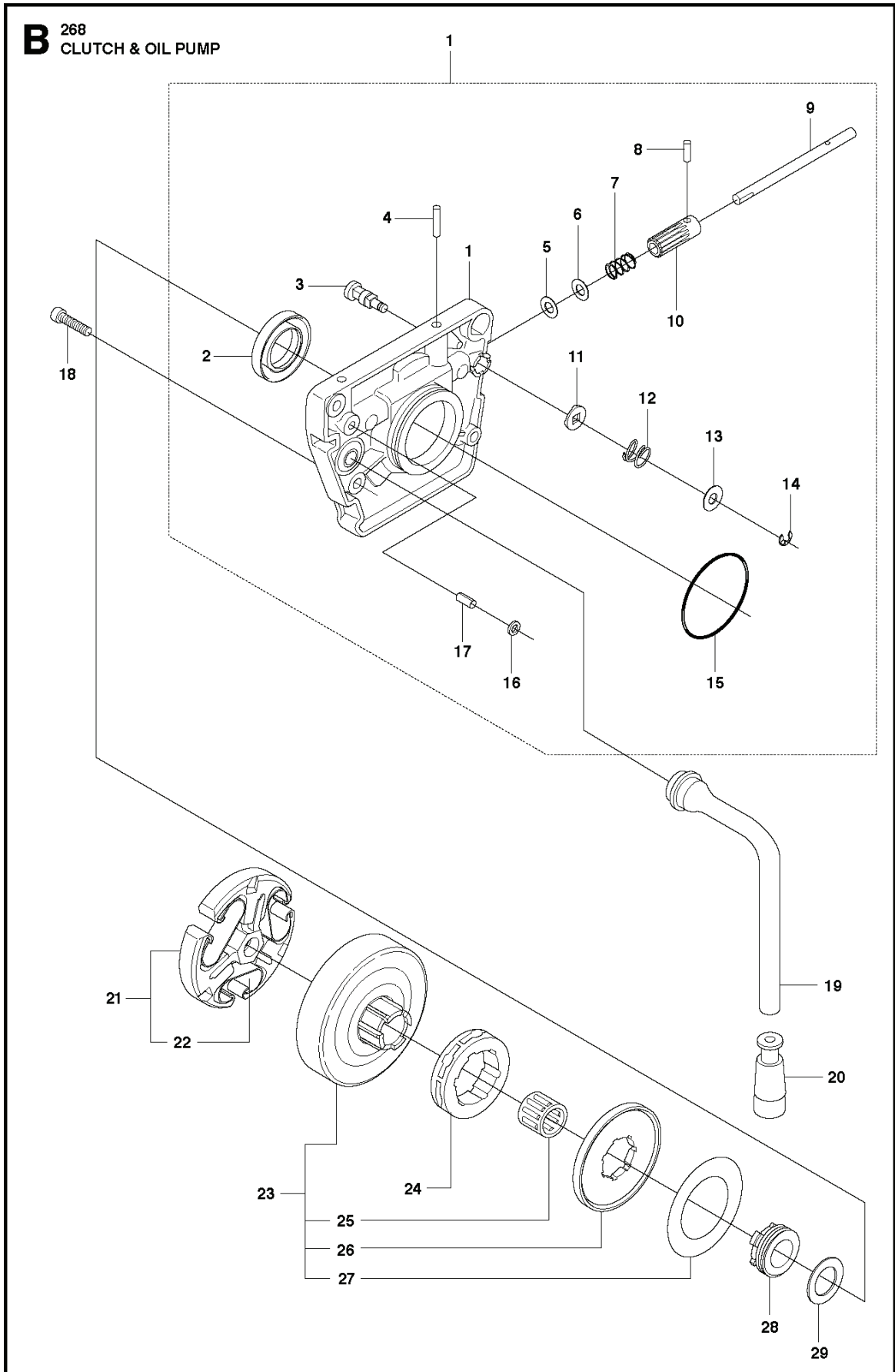
REF.	PART NO.	DESCRIPTION	REMARK	QTY.	KIT
1	501522604	GASKET KIT		1	

A 268
CHAIN BRAKE & CLUTCH COVER



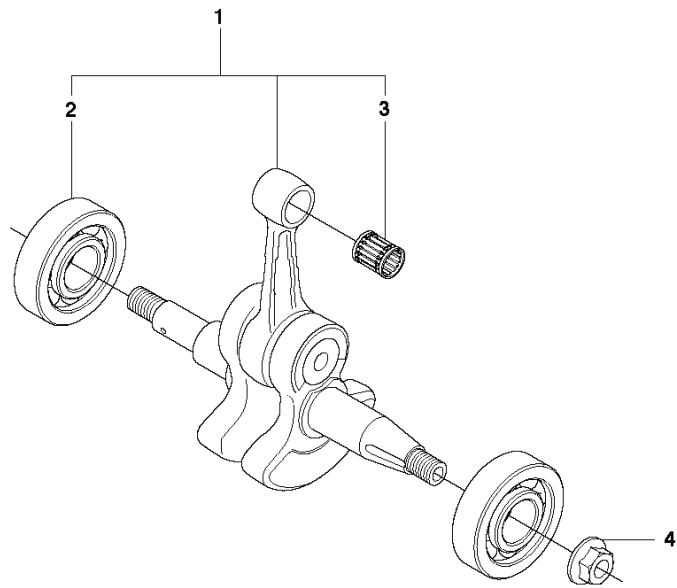
REF.	PART NO.	DESCRIPTION	REMARK	QTY.	KIT
1	503736601	CLUTCH COVER ASSY		1	
2	503727401	HAND GUARD ASSY		1	1
3	503802701	PIVOT PIN		1	2.1
4	735310820	E-CLIP		1	2.1
5	506164801	POSITION SPRING		1	2.1
6	503520801	SHAFT		1	1
7	501768001	SHAFT		1	1
8	503202616	SCREW IHSCM		1	1
9	720123351	PARALLEL PIN		1	1
10	501875303	KNEE JOINT		1	1
11	503212810	SCREW CCRPANT		1	1
12	503709901	BRAKE SPRING		1	1
13	503704002	BRAKE BAND ASSY		1	1
14	503704701	LID		1	1
15	503212810	SCREW CCRPANT		4	1
16	503723101	BUSHING		1	1
17	503730501	CHIP GUARD		1	1
18	503704601	CLUTCH COVER		1	1
19	501517201	CHAIN GUIDE		1	1
20	501874701	SPRING		1	1
21	503768101	LABEL		1	
22	503220001	HEXAGON NUT		2	
23	725532755	SCREW IHSCM		1	
24	503590701	SPIKE		1	

B 268
CLUTCH & OIL PUMP



REF.	PART NO.	DESCRIPTION	REMARK	QTY.	KIT
1	501512501	OIL PUMP ASSY		1	
2	503260204	SEALING RING		1	1
3	501513601	ADJUSTMENT SCREW		1	1
4	720123750	PARALLEL PIN		1	1
5	503231001	WASHER		1	1
6	503230016	WASHER		1	1
7	501513401	SPRING		1	1
8	501513301	STOP SCREW		1	1
9	501513201	SHAFT		1	1
10	501513101	GEAR WHEEL		1	1
11	501513701	FIXING WASHER		1	1
12	501513901	SPRING		1	1
13	734484801	WASHER		1	1
14	735310720	E-CLIP		1	1
15	740422100	O-RING		1	1
16	501288501	SEAL		1	1
17	721420325	PINNE FRP-LS3X6 OXSV		1	1
18	725529356	SCREW IHSCM		3	
19	501519901	OIL HOSE		1	
20	501544102	OIL SCREEN		1	
21	503744402	CLUTCH ASSY		1	
22	537360601	CLUTCH SPRING		3	21
23	501831503	CLUTCH DRUM ASSY		1	
23	501831504	CLUTCH DRUM ASSY		1	
24	505303661	RIM		1	
24	501598002	RIM		1	
25	503253401	NEEDLE BEARING		1	23
26	501831701	WASHER		1	23
27	501535901	WASHER		1	23
28	501513801	GEAR WHEEL		0	
29	503230013	WASHER		0	

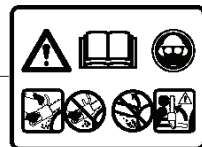
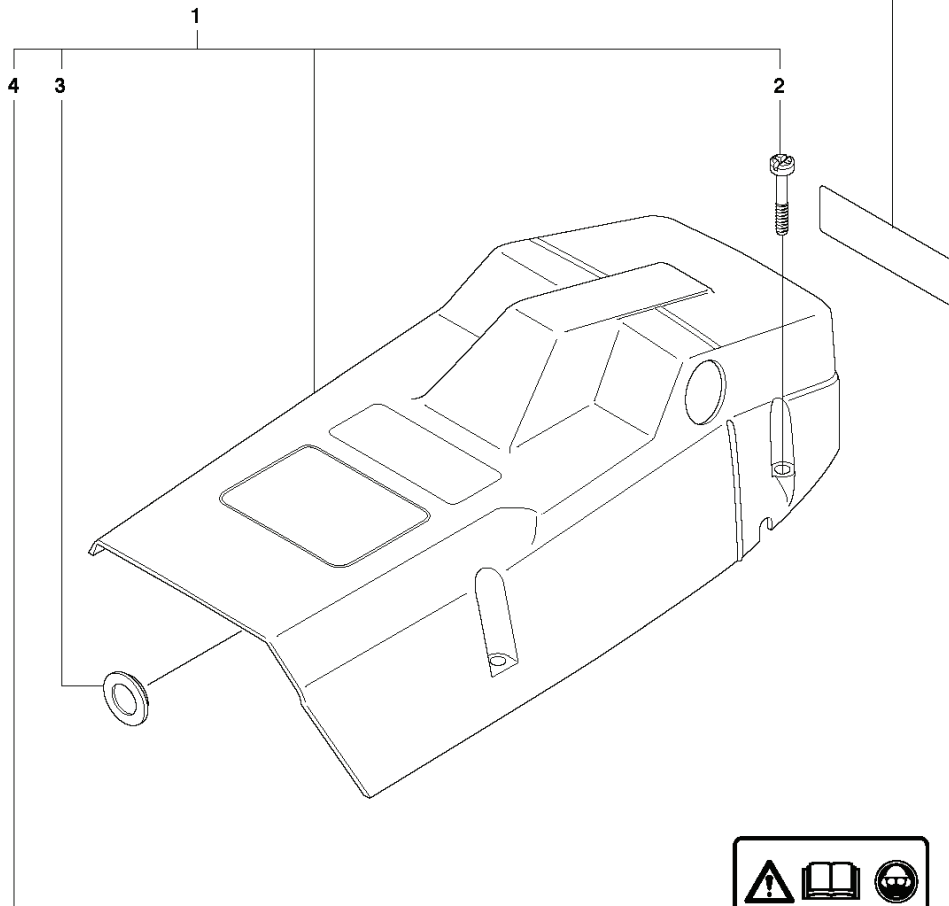
J 268
CRANKSHAFT



REF.	PART NO.	DESCRIPTION	REMARK	QTY.	KIT
1	503613371	CRANKSHAFT ASSY		1	
2	544068601	BALL BEARING		2	1
3	577572401	NEEDLE BEARING		1	1
4	503220401	NUT		1	

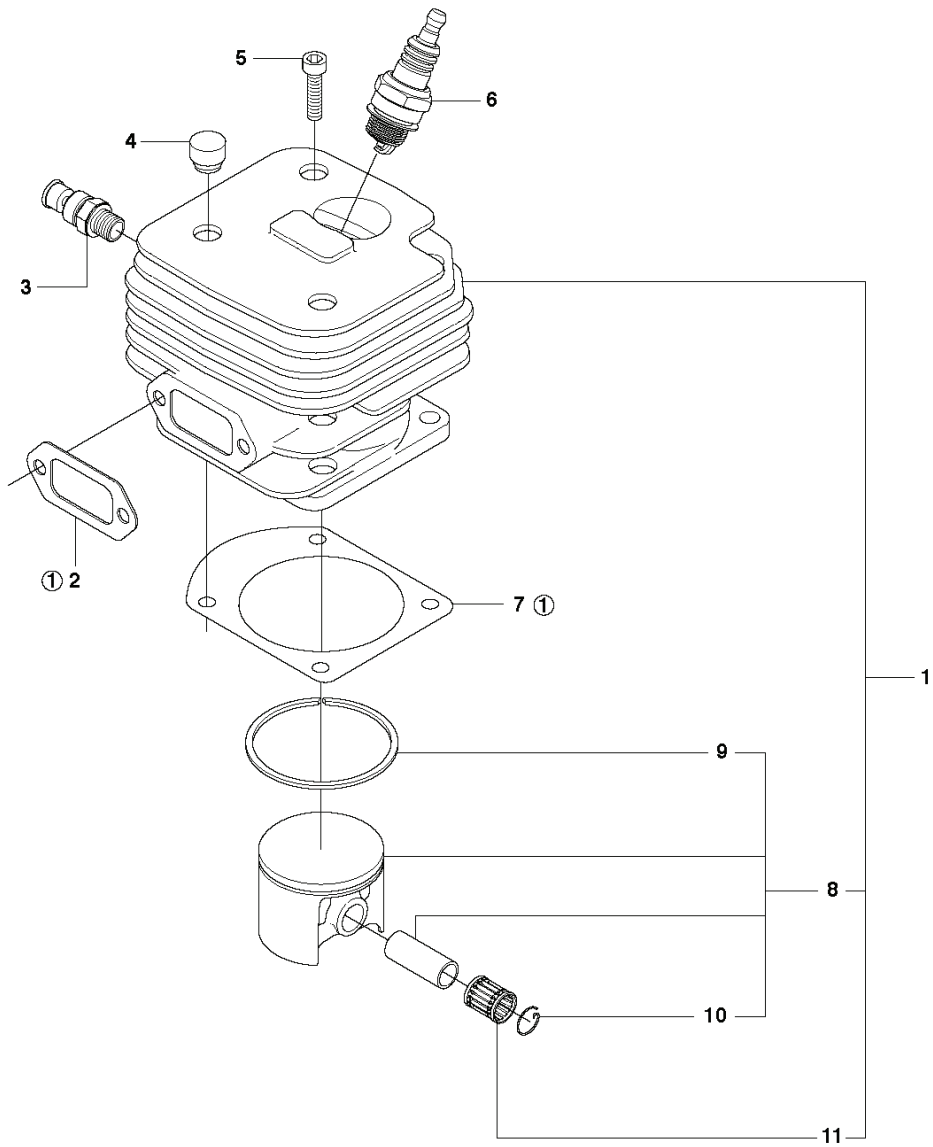
C 268
COVER

5 **268**
Husqvarna



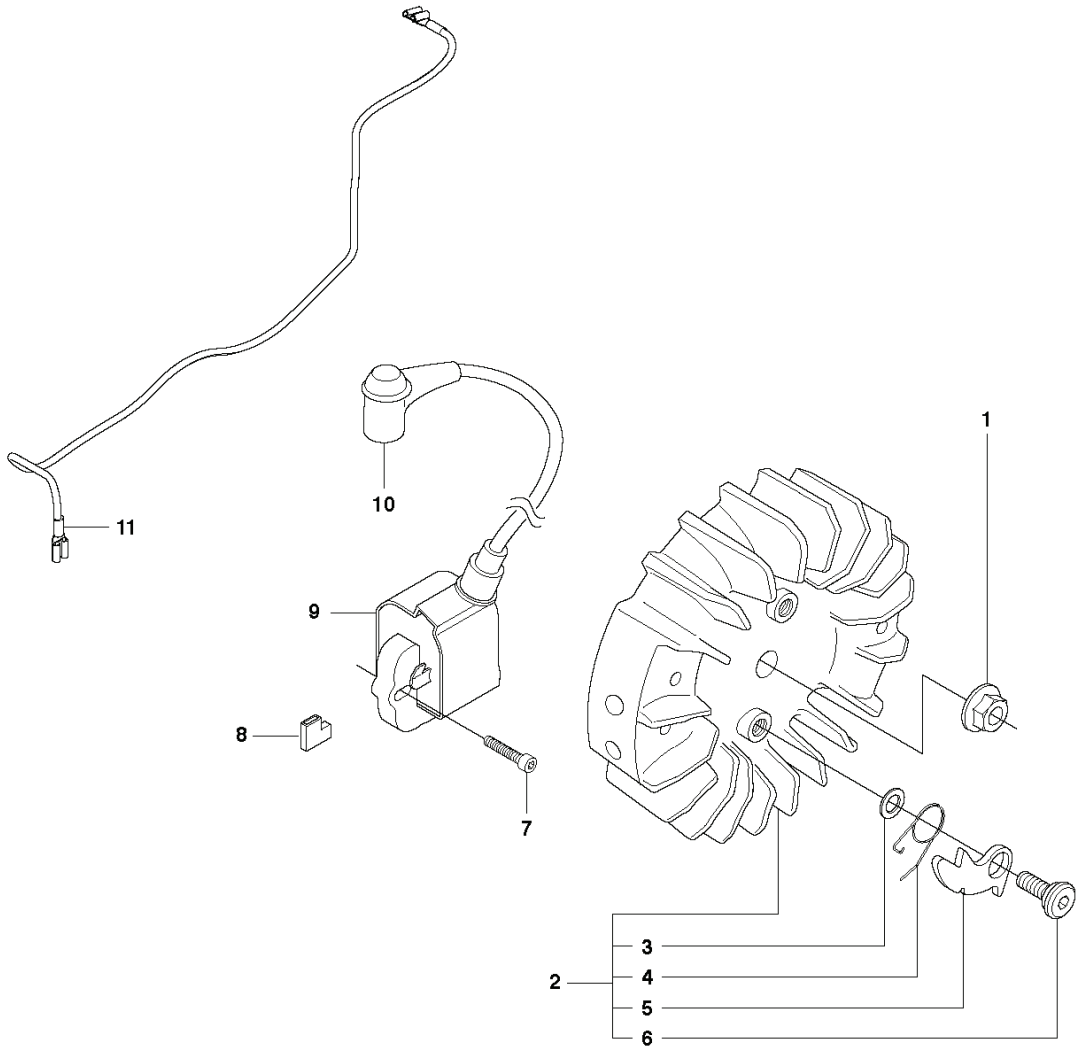
REF.	PART NO.	DESCRIPTION	REMARK	QTY.	KIT
1	503406002	CYLINDER COVER ASSY		1	
2	503203228	SCREW		4	1
3	503405901	WINTER PLUG		1	1
4	503987401	LABEL		1	1
6	503662810	DECAL		1	

H1 268
CYLINDER PISTON



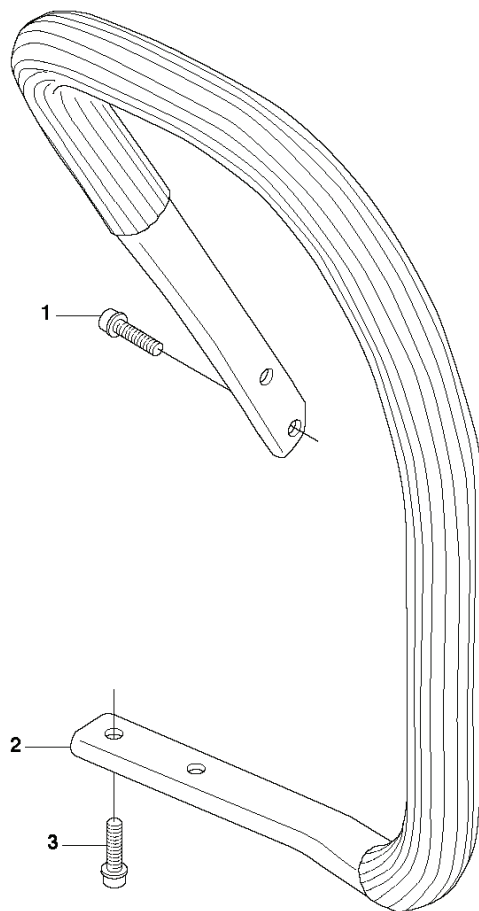
REF.	PART NO.	DESCRIPTION	REMARK	QTY.	KIT
1	544222902	CYLINDER ASSY	ø 50	1	
2	503405401	GASKET		1	
3	503715301	DECOMPRESSION VALVE		1	
4	501515401	SUPPORT		1	
5	503216025	SCREW		4	
6	503235108	SPARK PLUG		1	
7	501512204	GASKET		1	
8	544223903	PISTON ASSY	ø 50	1	1
9	503289017	PISTON RING		1	8.1
10	737431200	SNAP RING		2	8.1
11	577572401	NEEDLE BEARING		1	1

E 268
ELECTRICAL



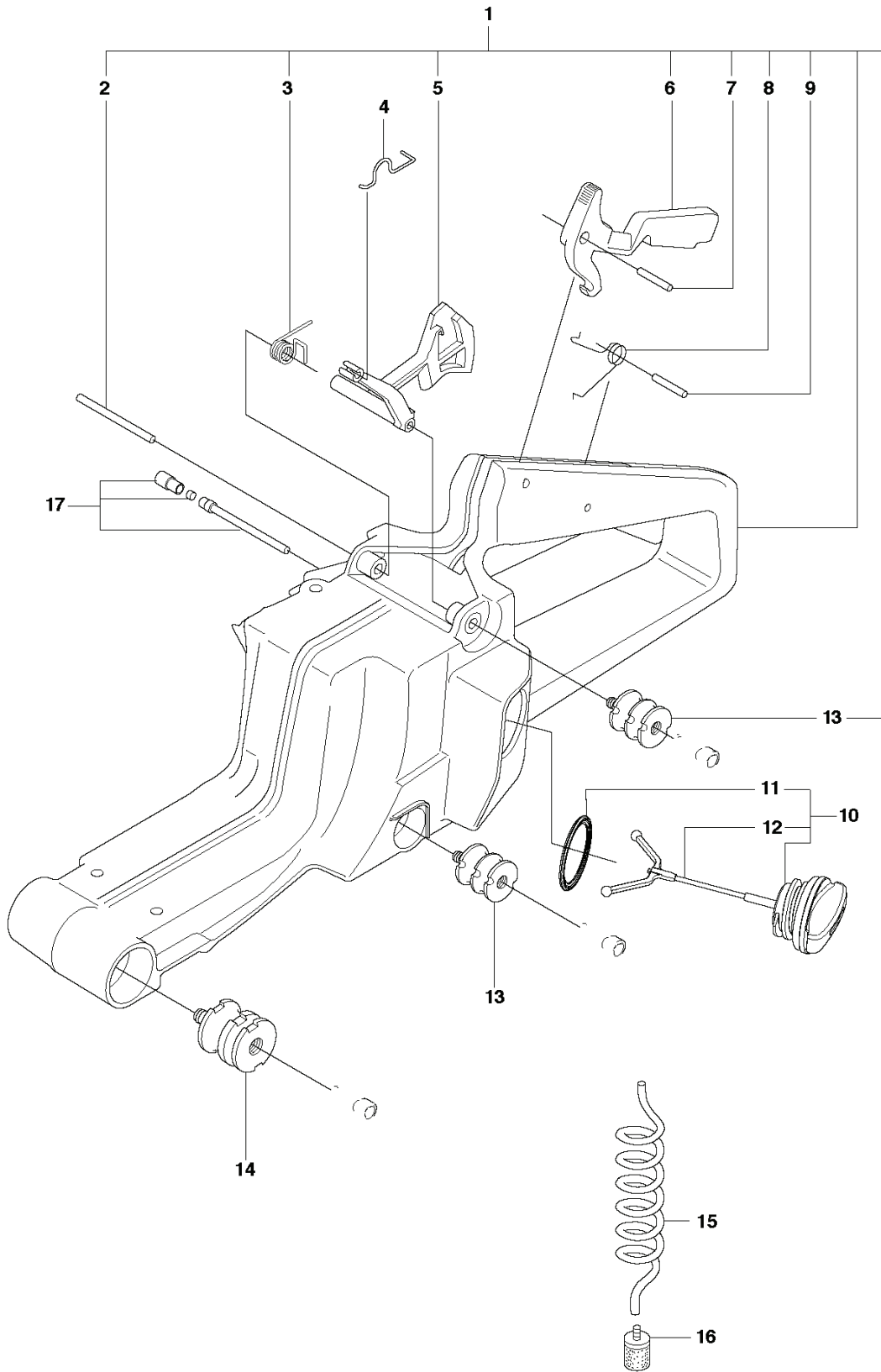
REF.	PART NO.	DESCRIPTION	REMARK	QTY.	KIT
1	503220401	NUT		1	
2	537051602	FLYWHEEL ASSY		1	
3	501673501	SPRING		2	2
4	503230042	WASHER		2	2
5	501673201	PAWL		2	2
6	501819901	SCREW		2	2
7	503202520	SCREW IHSCM		2	
8	503237202	INSULATING CAP		1	
9	587329601	IGNITION MODULE		1	
10	501485402	SPARK PLUG CAP		1	
11	501839801	CABLE		1	

M 268
HANDLE



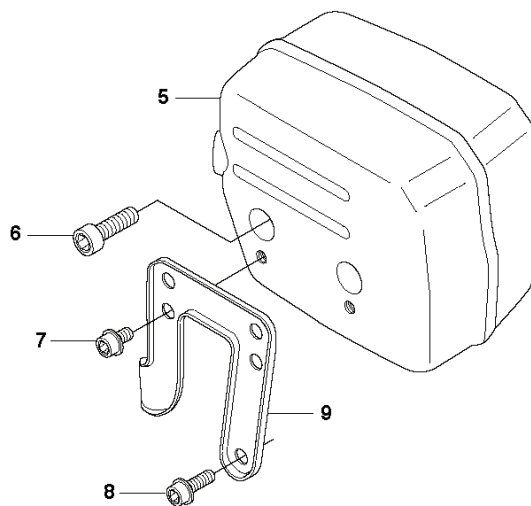
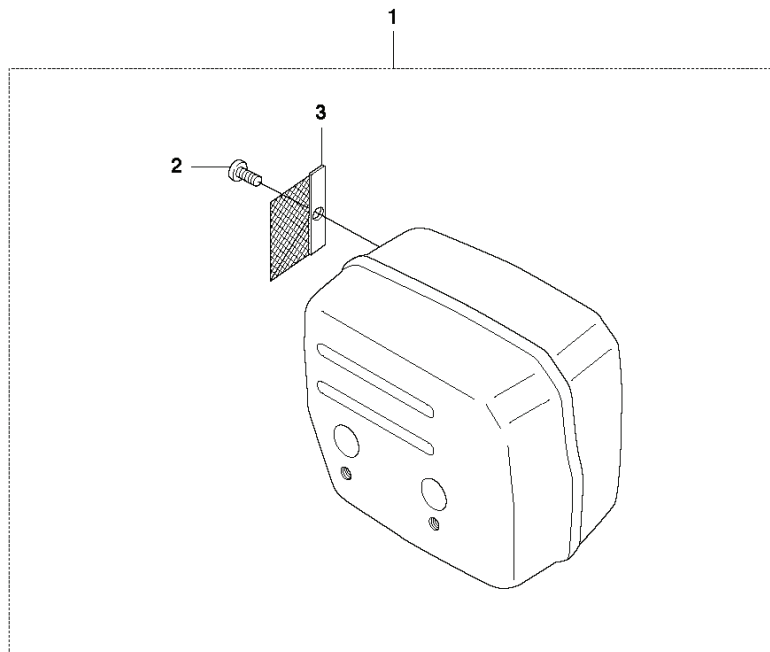
REF.	PART NO.	DESCRIPTION	REMARK	QTY.	KIT
1	503210622	SCREW IHSCT		2	
2	501534503	FRONT HANDLE ASSY		1	
3	503210622	SCREW IHSCT		2	

L 268
HANDLE & CONTROLS



REF.	PART NO.	DESCRIPTION	REMARK	QTY.	KIT
1	501699010	FUEL TANK ASSY		1	
2	501519702	ROD		1	1
3	501528801	RECOIL SPRING		1	1
4	503445801	THROTTLE WIRE		1	
5	501518002	THROTTLE LEVER		1	1
6	501518102	THROTTLE LOCKOUT		1	1
7	721421226	SPRING PIN		1	1
8	501424101	SPRING		1	1
9	721421226	SPRING PIN		1	1
10	501431402	TANK CAP ASSY		1	
11	501278201	GASKET		1	
12	503578901	HOLDER		1	
13	501773401	ANTIVIBRATION ELEMENT	Soft. 2 pcs included in kit 1	4	1
13	501628701	ANTIVIBRATION ELEMENT	Hard	4	
14	501773501	ANTIVIBRATION ELEMENT	Soft	2	
14	501699401	ANTIVIBRATION ELEMENT	Hard	2	
15	581756201	FUEL HOSE		1	
16	503443201	FUEL FILTER		1	
17	501629601	TANK VENT		1	

F 268
MUFFLER



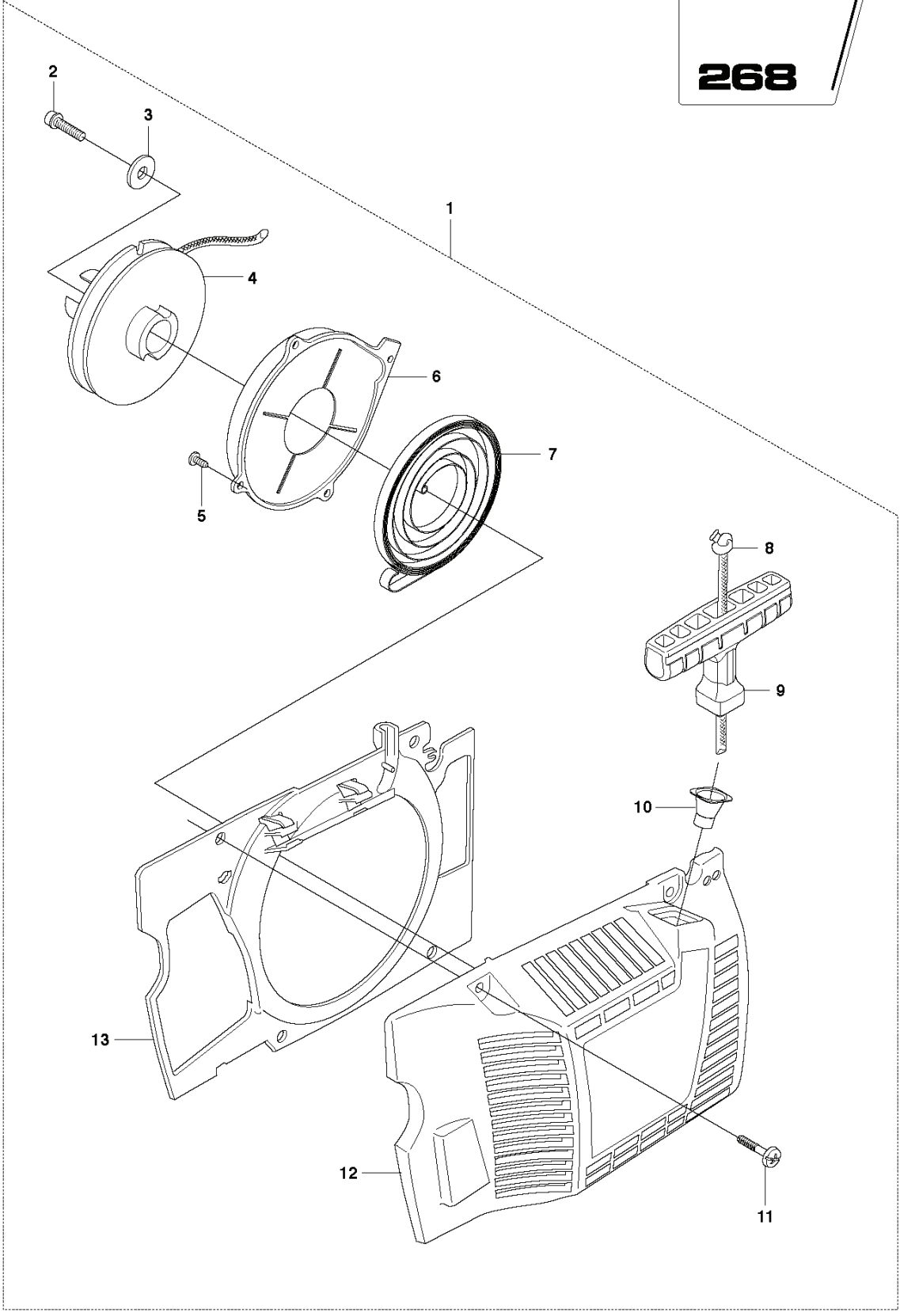
REF.	PART NO.	DESCRIPTION	REMARK	QTY.	KIT
1	503599206	MUFFLER ASSY	FF	1	
1	503599205	MUFFLER ASSY	DF	1	
2	724128759	SCREW CRPANM		1	1
3	503669101	SPARK ARRESTER SCREEN		1	1
5	503476901	MUFFLER ASSY		1	
6	725537055	SCREW IHSCM		2	
7	503200210	SCREW IHSCFM		2	
8	503200216	SCREW IHSCFM		1	
9	503535901	BRACKET		1	

D 268
STARTER

14

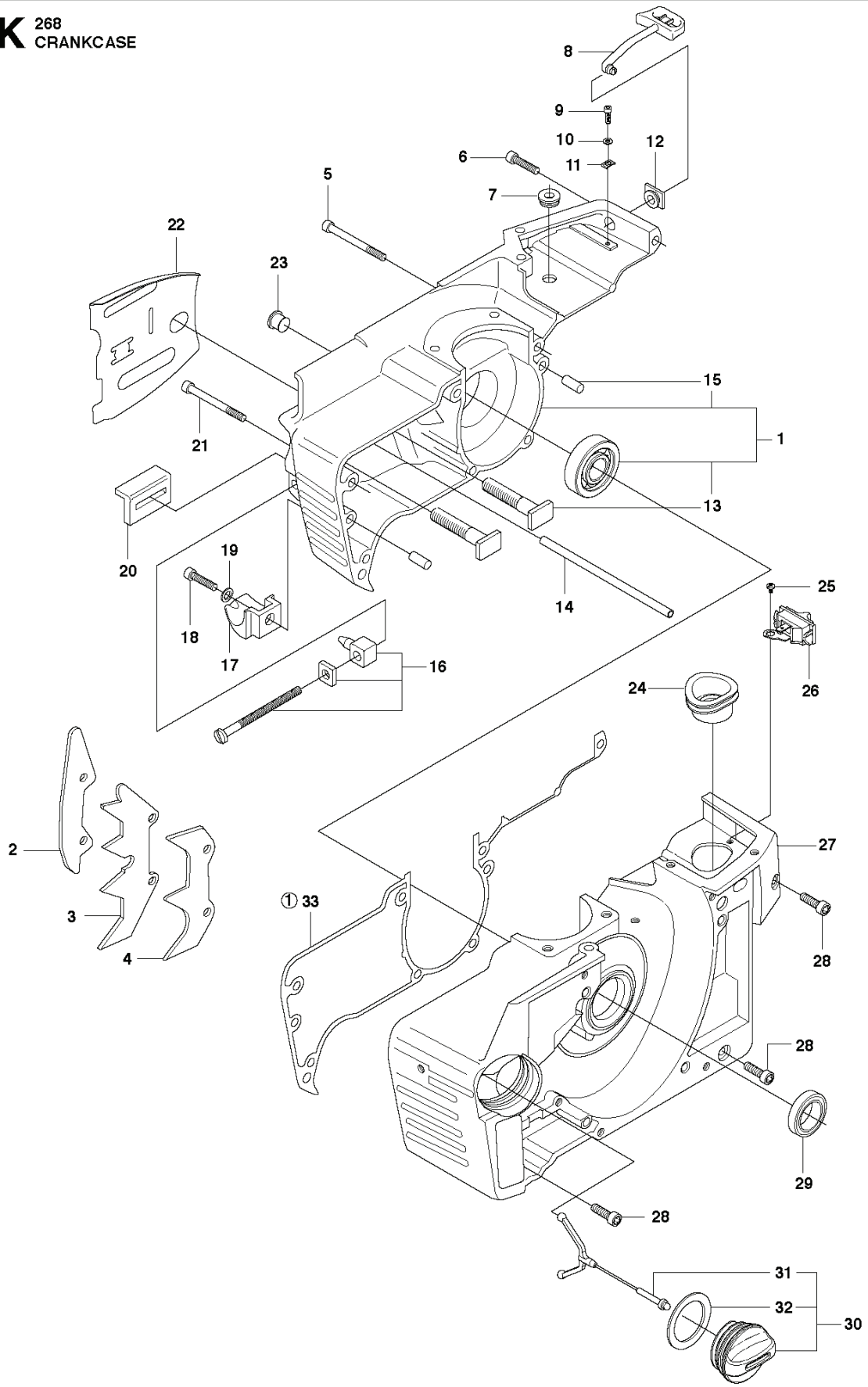
Husqvarna

268



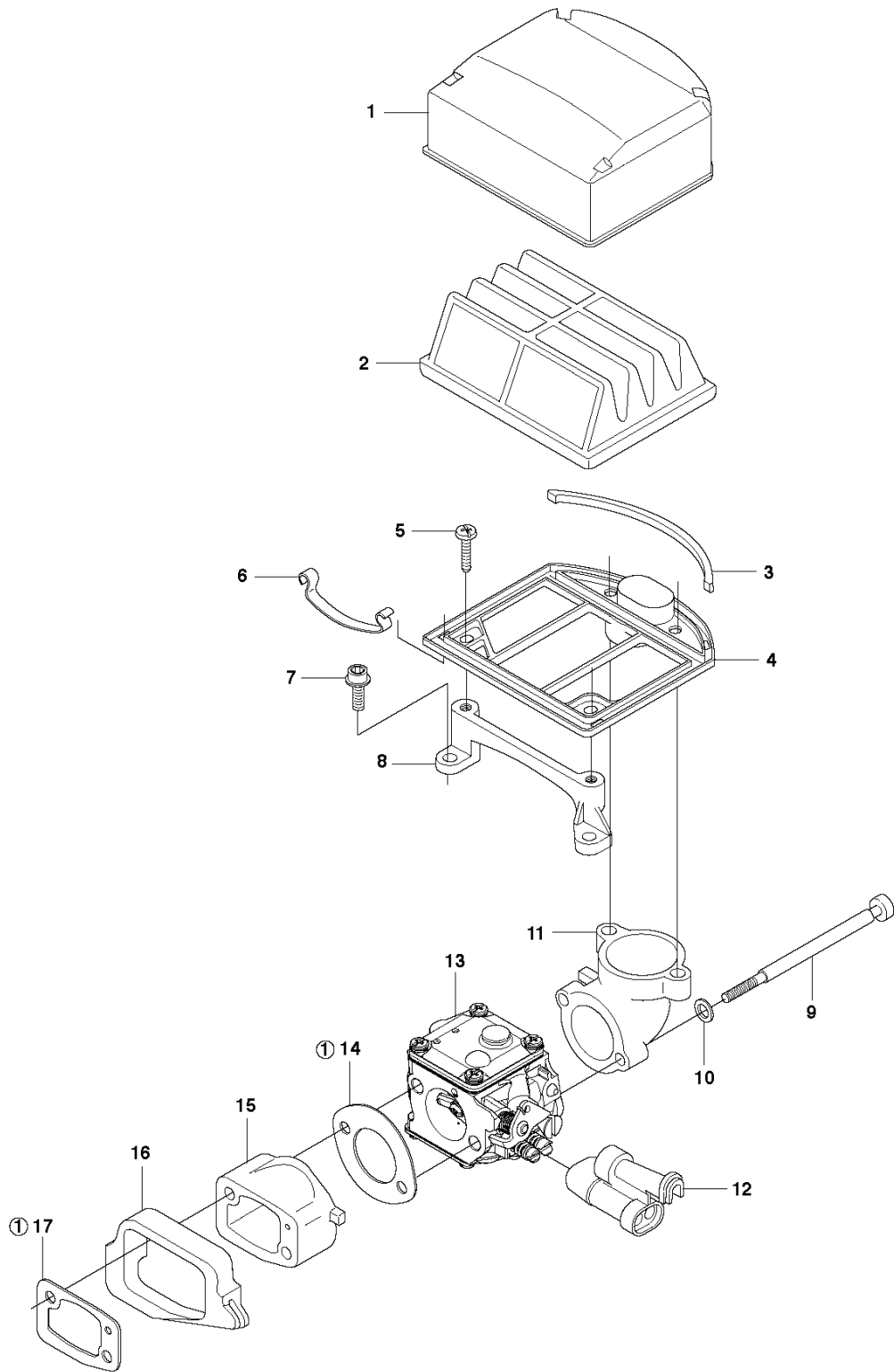
REF.	PART NO.	DESCRIPTION	REMARK	QTY.	KIT
1	503615571	STARTER ASSY		1	
2	503214972	SCREW IHSCFT		1	1
3	503234302	WASHER		1	1
4	503102405	STARTER PULLEY		1	1
5	503212806	SCREW CCRPANT		2	1
6	501529502	GUARD RING		1	1
7	501520402	RECOIL SPRING		1	1
8	501201502	STARTER ROPE		1	1
9	503543901	STARTER HANDLE		1	1
10	501630601	SLEEVE		1	1
11	503203416	SCREW CCRPANMO		4	1
12	503615601	STARTER HOUSING		1	1
13	501659201	AIR CONDUCTOR		1	1
14	503623902	LABEL		1	

K 268
CRANKCASE



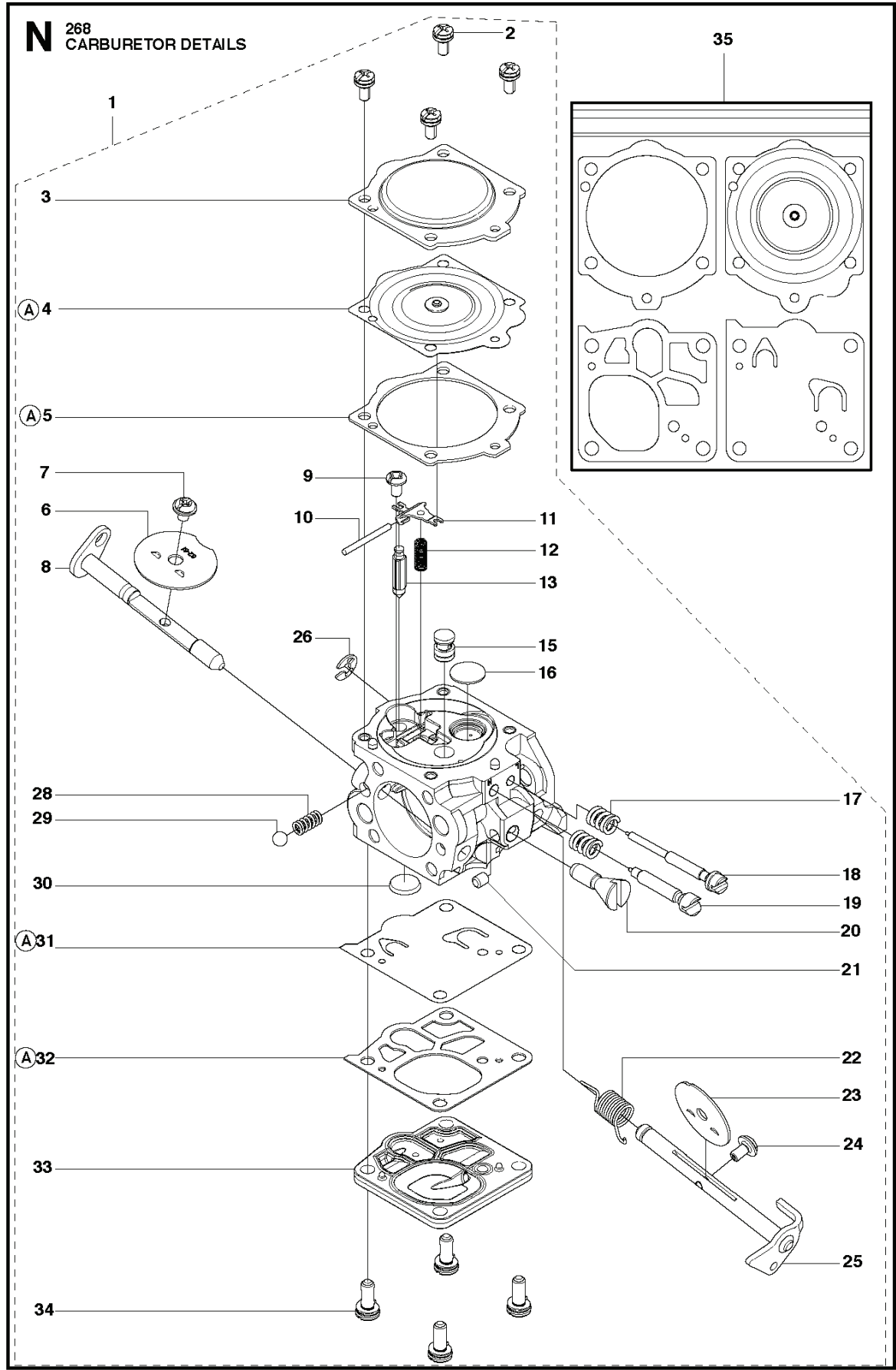
REF.	PART NO.	DESCRIPTION	REMARK	QTY.	KIT
1	501779901	CRANKCASE ASSY		1	
2	503445701	SPIKE		1	
3	503590801	SPIKE		1	
4	501528101	SPIKE		1	
5	725533755	SCREW IHSCM		4	
6	725533155	SCREW IHSCM		1	
7	503697601	GROMMET		1	
8	501527902	CHOKE CONTROL		1	
9	725529356	SCREW IHSCM		1	
10	503230001	WASHER		1	
11	503446401	BASE		1	
12	501527801	GROMMET		1	
13	501815701	BAR BOLT		2	1
14	503668403	TANK VENT ASSY		1	
15	720130710	PARALLEL PIN		2	1
16	501537101	CHAIN TENSIONER KIT		1	
17	503535801	CHAIN CATCHER		1	
18	725532755	SCREW IHSCM		1	
19	503230042	WASHER		1	
20	501517201	CHAIN GUIDE		1	
21	725534155	SCREW IHSCM		2	
22	501814801	PROTECTIVE PLATE		1	
23	503279004	PLUG		1	
24	503445001	BELLOWS		1	
25	503212806	SCREW CCRPANT		1	
26	503717901	STOP SWITCH		1	
27	501779901	CRANKCASE ASSY		1	
28	725532755	SCREW IHSCM		6	
29	503260204	SEALING RING		1	
30	501626602	TANK		1	
31	503578901	HOLDER		1	30
32	501626801	GASKET		1	30
33	501522604	GASKET KIT		1	

G 268
CARBURETOR & AIR FILTER



REF.	PART NO.	DESCRIPTION	REMARK	QTY.	KIT
1	503446901	FILTER HOLDER		1	
2	503447201	AIR FILTER		1	
2	503447204	AIR FILTER		1	
2	503447203	AIR FILTER		1	
3	503447102	GASKET		1	
4	503446701	FILTER HOLDER		1	
5	503212716	SCREW CRPANT		4	
6	503446801	SPRING		2	
7	503200312	SCREW IHSCFM		2	
8	503446301	CONSOLE		1	
9	503496901	SCREW		2	
10	734114601	WASHER		2	
11	503446571	FILTER HOLDER		1	
12	503445101	GUIDE BUSHING		1	
13	574331601	CARBURETTOR		1	
14	501296402	GASKET		1	
15	501806602	MANIFOLD		1	
16	501659001	SEALING COLLAR		1	
17	501806803	GASKET		1	

N 268
CARBURETOR DETAILS



REF.	PART NO.	DESCRIPTION	REMARK	QTY.	KIT
1	574331601	CARBURETTOR		1	
2	503108701	SCREW		4	1
3	505316702	COVER		1	1
4	503635801	DIAPHRAGM ASSY		1	1.35
5	501467501	GASKET		1	1.35
6	505316707	VALVE-CHOKE		1	1
7	537003401	SCREW		1	1
8	502525901	SHAFT ASSY		1	1
9	505316717	SCREW		1	1
10	505316731	PIN		1	1
11	505316734	LEVER		1	1
12	503117601	SPRING		1	1
13	503117001	NEEDLE VALVE		1	1
15	503800401	NOZZLE		1	1
16	503574101	PLUG		1	1
17	504210050	SPRING		2	1
18	503483701	NEEDLE IDLE SPEED	Low speed needle	1	1
19	502526501	NEEDLE	High speed needle	1	1
20	544897601	SCREW		1	1
21	503800501	PLUG		1	1
22	502526401	SPRING		1	1
23	574331701	VALVE		1	1
24	544111501	SCREW		1	1
25	502525801	SHAFT ASSY		1	1
28	503117701	SPRING		1	1
29	503117101	BALL		1	1
30	501666101	SCREEN		1	1
31	544897201	DIAPHRAGM PUMP		1	1.35
32	503117201	GASKET		1	1.35
33	503595801	COVER		1	1
34	503117501	SCREW		4	1
35	502529201	GASKET KIT	B2602-WJ, A = Set of Gasketes	1	
26	503799501	RETAINER RING		1	1