

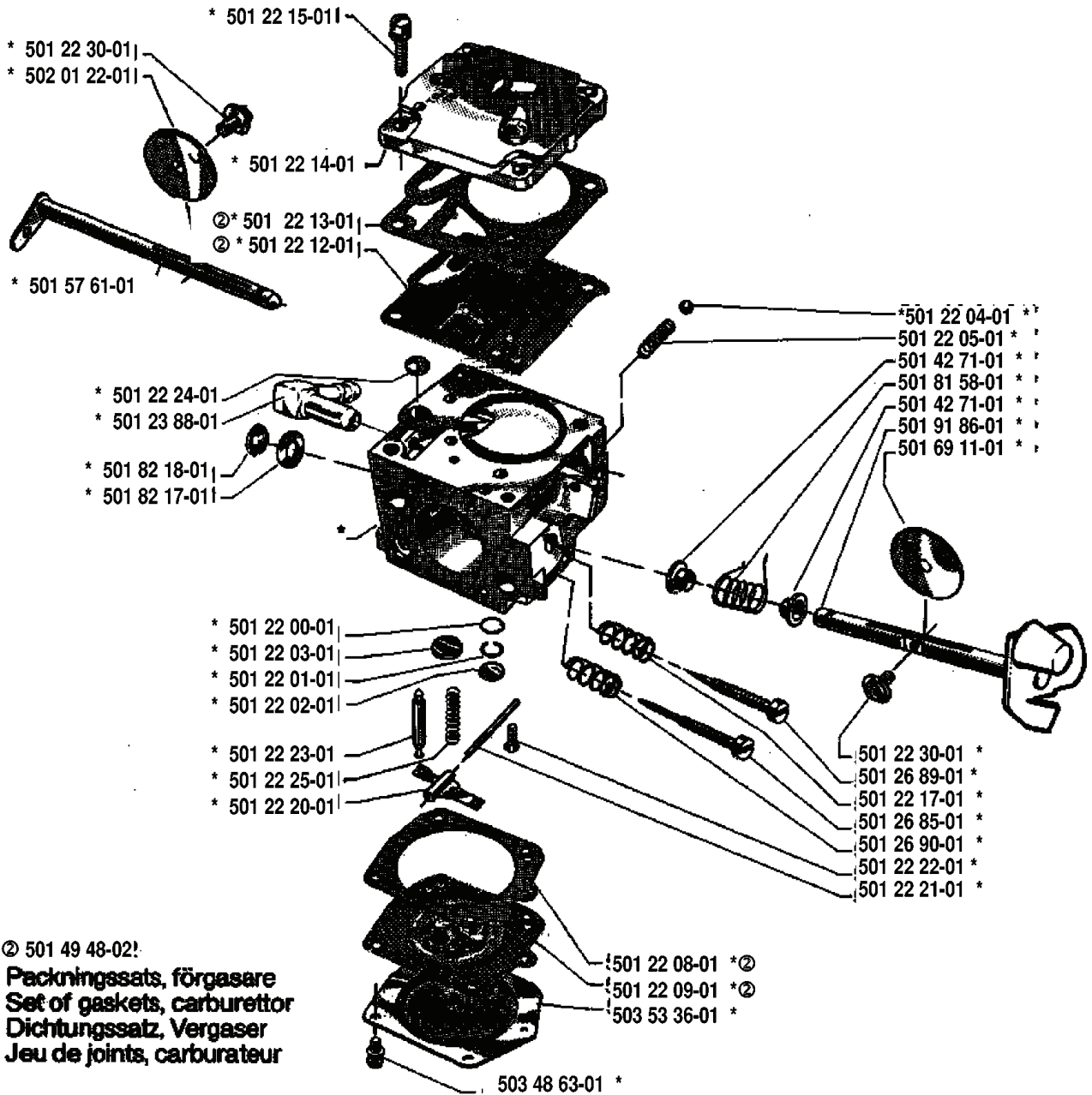
281, 19933600001-19974900000

SPARE PARTS LIST

N

* compl 503 28 01-18

Tillotson HS 228 B



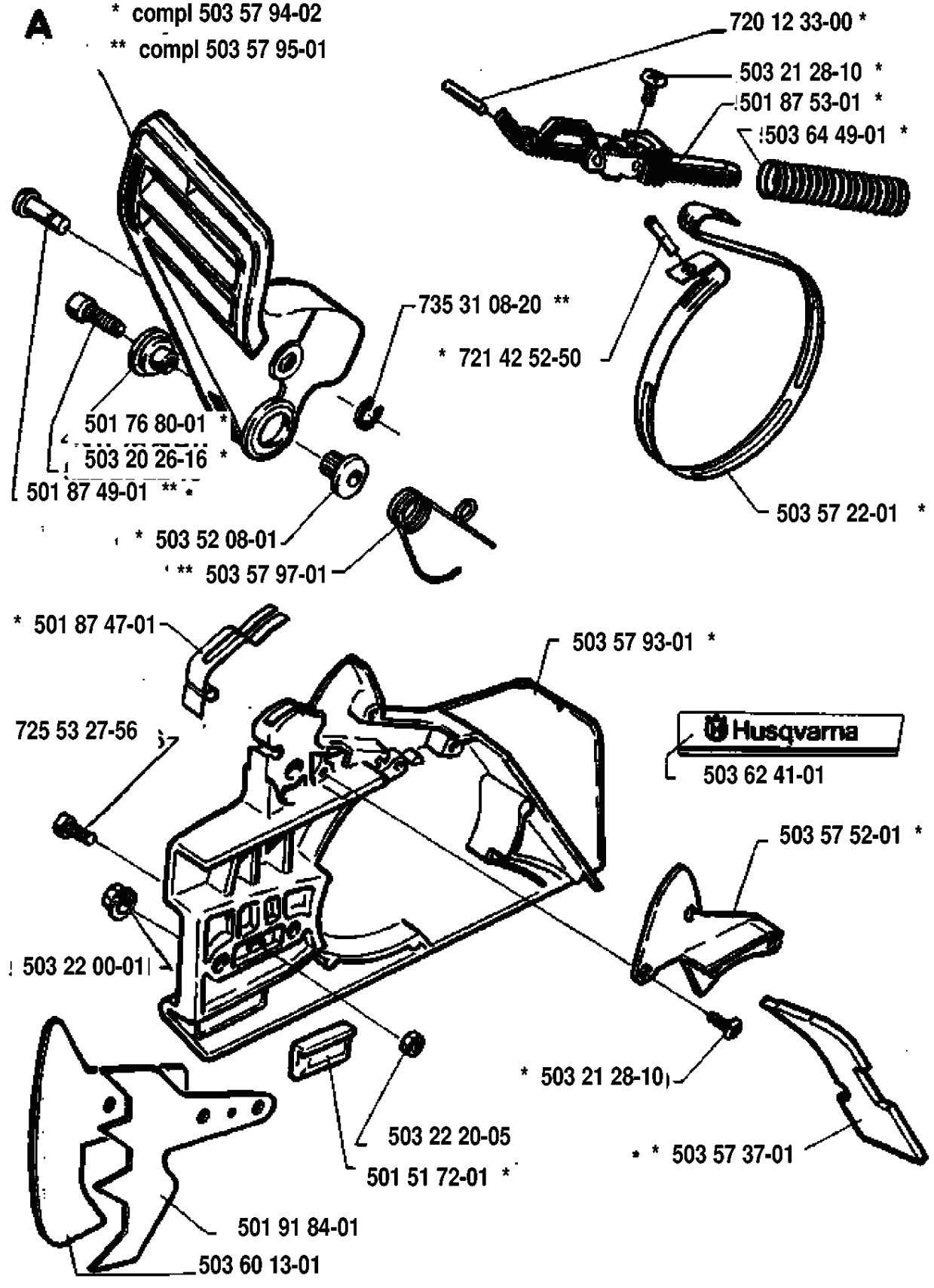
© 501 49 48-02!

Packningssats, förgasare
Set of gaskets, carburettor
Dichtungssatz, Vergaser
Jeu de joints, carburateur

REF.	PART NO.	DESCRIPTION	REMARK	QTY.	KIT
5032801-18	503280118	CARBURETTOR		1	
5020122-01	502012201	VALVE		1	
5015761-01	501576101	CHOKE SHAFT		1	
5012224-01	501222401	SCREEN		1	
5012388-01	501238801	HOSE COUPLING		1	
5018218-01	501821801	THROTTLE SH.'E' RING		1	
5018217-01	501821701	WASHER		1	
5012200-01	501220001	BODY CHANNEL SCREEN		1	
5012203-01	501220301	PLUG		1	
5012201-01	501220101	RETAINER RING		1	
5012202-01	501220201	PLUG		1	
5012223-01	501222301	NEEDLE		1	
5012225-01	501222501	SPRING		1	
5012220-01	501222001	LEVER		1	
5034863-01	503486301	SCREW		1	
5035336-01	503533601	DIAPHRAGM		1	
5012209-01	501220901	DIAPHRAGM	501 49 48-02 SET OF GASKETS	1	
5012208-01	501220801	GASKET	501 49 48-02 SET OF GASKETS	1	
5012212-01	501221201	DIAGRAM	501 49 48-02 SET OF GASKETS	1	
5012213-01	501221301	GASKET	501 49 48-02 SET OF GASKETS	1	
5012214-01	501221401	COVER		1	
5012215-01	501221501	SCREW		1	
5012221-01	501222101	PIN		1	
5012222-01	501222201	SCREW		1	
5012690-01	501269001	SPRING		1	
5012685-01	501268501	SCREW		1	
5012217-01	501221701	SPRING		1	
5012689-01	501268901	SCREW		1	
5012230-01	501223001	SCREW&LOCKWASHER		1	
5016911-01	501691101	THROTTLE VALVE		1	
5019186-01	501918601	TROTTELAXEL KPL.		1	
5018158-01	501815801	RECOIL SPRING		1	
5014271-01	501427101	SLEEVE		1	
5012205-01	501220501	SPRING		1	
5012204-01	501220401	BALL		1	

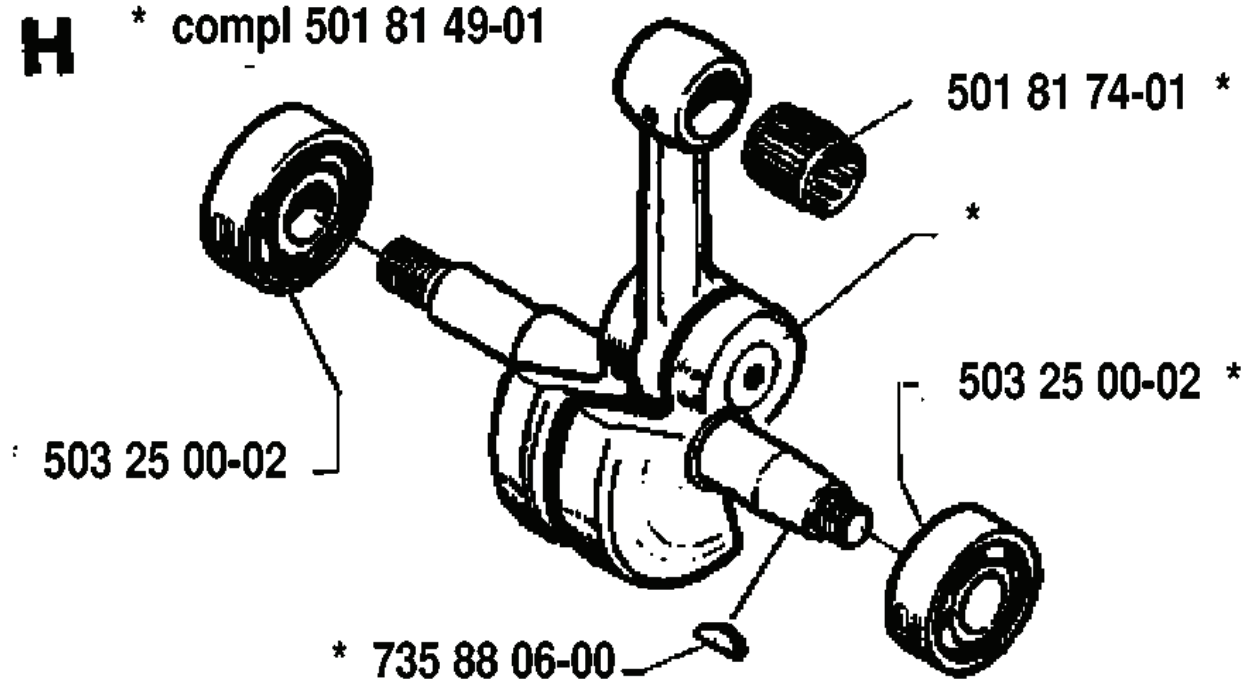
A

* compl 503 57 94-02
** compl 503 57 95-01



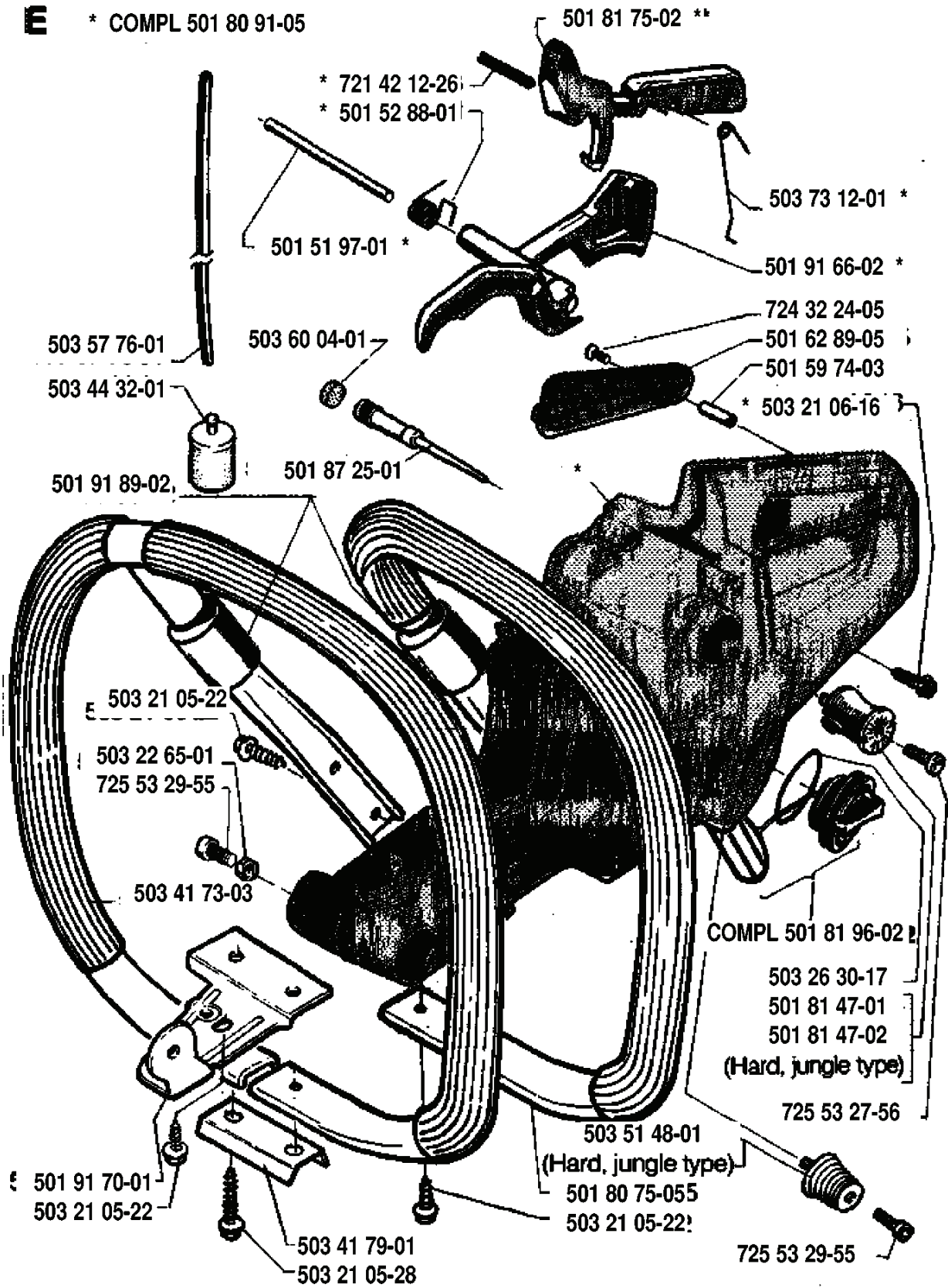
REF.	PART NO.	DESCRIPTION	REMARK	QTY.	KIT
503 57 94-02	503579402	CLUTCH COVER ASSY		1	
503 57 95-01	503579501	HAND GUARD ASSY		1	
501 76 80-01	501768001	SHAFT		1	
503 20 26-16	503202616	SCREW IHSCM		1	
501 87 49-01	501874901	PIVOT PIN		1	
503 52 08-01	503520801	SHAFT		1	
503 57 97-01	503579701	POSITION SPRING		1	
501 87 47-01	501874701	SPRING		1	
725 53 27-56	725532756	SCREW IHSCM		1	
503 22 00-01	503220001	HEXAGON NUT		1	
503 60 13-01	503601301	SPIKE		1	
501 91 84-01	501918401	SPIKE		1	
501 51 72-01	501517201	CHAIN GUIDE		1	
503 22 20-05	503222005	LOCK NUT		1	
503 57 37-01	503573701	CHIP GUARD		1	
503 57 52-01	503575201	LID		1	
503 62 41-01	503624101	LABEL		1	
503 57 93-01	503579301	CLUTCH COVER		1	
503 57 22-01	503572201	BRAKE BAND		1	
721 42 52-50	721425250	SPRING PIN		1	
735 31 08-20	735310820	E-CLIP		1	
503 64 49-01	503644901	BRAKE SPRING		1	
501 87 53-01	501875301	KNEE JOINT ASSY		1	
503 21 28-10	503212810	SCREW CCRPANT		1	
720 12 33-00	720123300	PARALLEL PIN		1	

H * compl 501 81 49-01



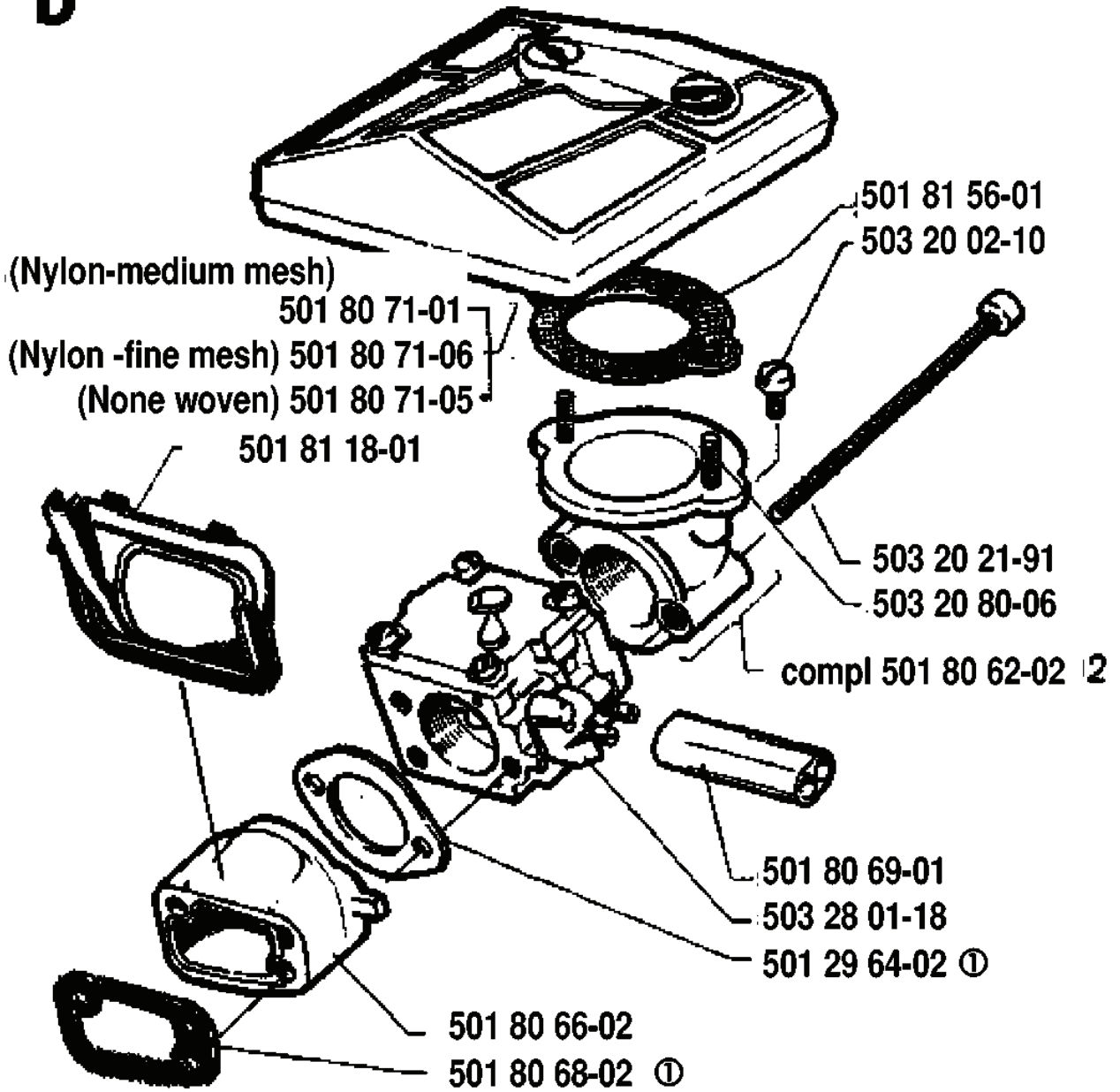
REF.	PART NO.	DESCRIPTION	REMARK	QTY.	KIT
5018149-01	501814901	CRANKSHAFT ASSY		1	
5032500-02	503250002	BALL BEARING		1	
7358806-00	735880600	WOODRUFF KEY		1	
5018174-01	501817401	NEEDLE BEARING		1	

E * COMPL 501 80 91-05



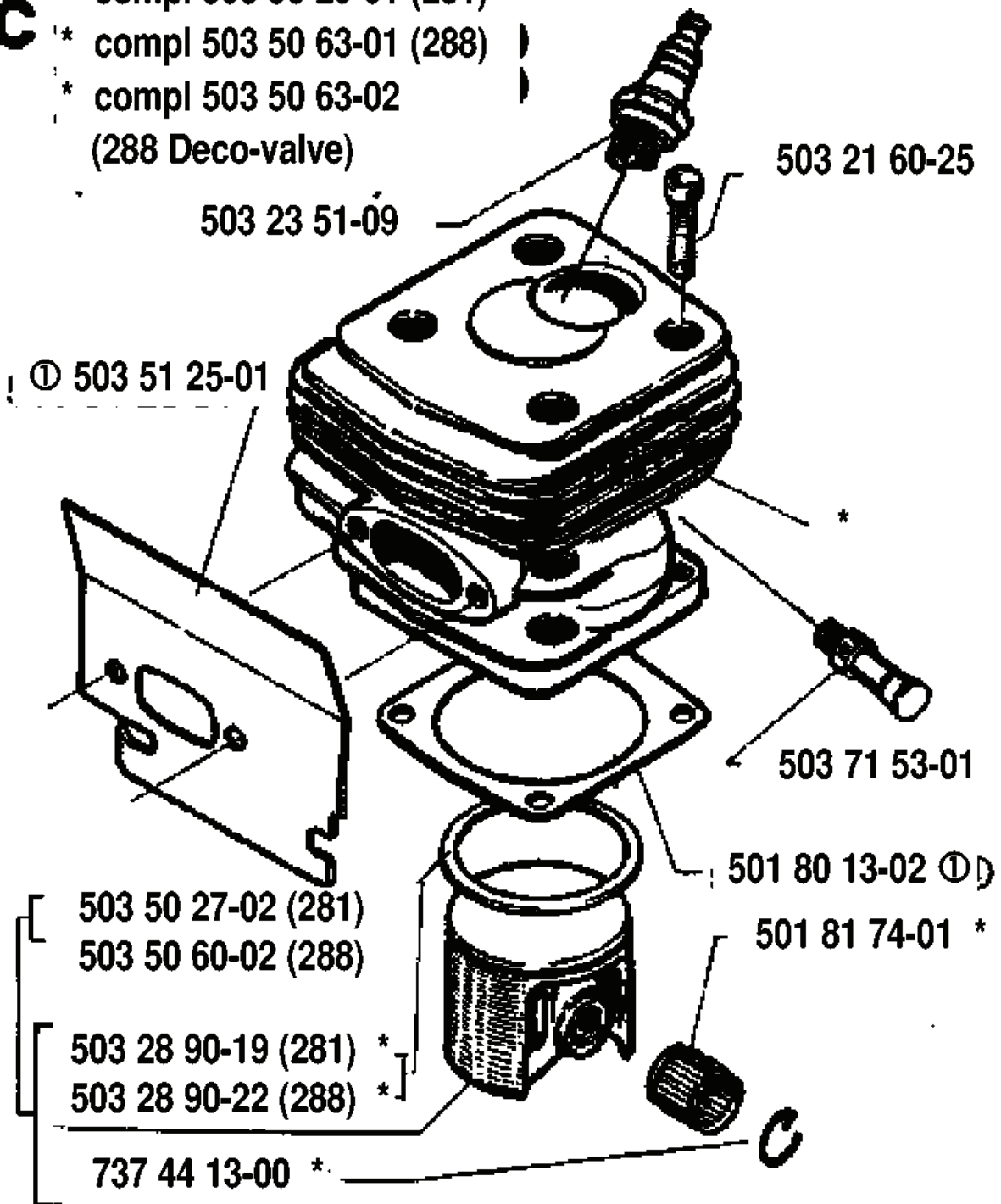
REF.	PART NO.	DESCRIPTION	REMARK	QTY.	KIT
5018091-05	501809105	FUEL TANK		1	
5035776-01	503577601	FUEL HOSE		1	
5034432-01	503443201	FUEL FILTER		1	
5019189-02	501918902	SUPPORT		1	
5032265-01	503226501	SQUARE NUT		1	
7255329-55	725532955	SCREW IHSCM		1	
5034173-03	503417303	HANDTAGSBYGEL KPL		1	
5019170-01	501917001	BRACKET		1	
5032105-22	503210522	SCREW IH SCT		1	
5032105-28	503210528			1	
5034179-01	503417901	ATTACHMENT PLATE		1	
5018725-01	501872501	TANK VENT		1	
5036004-01	503600401	FILTER PLUG		1	
5015197-01	501519701	ROD		1	
5015288-01	501528801	RECOIL SPRING		1	
7214212-26	721421226	SPRING PIN		1	
5018175-02	501817502	THROTTLE LOCKOUT		1	
5035148-01	503514801	ANTIVIBRATION ELEMENT	HARD, JUNGLE TYPE	1	
5018075-05	501807505	FRONT HANDLE ASSY		1	
7255327-56	725532756	SCREW IHSCM		1	
5018147-02	501814702	ANTIVIBRATION ELEMENT	HARD, JUNGLE TYPE	1	
5018147-01	501814701	ANTIVIBRATION ELEMENT		1	
5032630-17	503263017	O-RING		1	
5018196-02	501819602	TANK CAP ASSY		1	
5032106-16	503210616	SCREW IH SCT		1	
5015974-03	501597403	SPACER		1	
5016289-05	501628905	HANDLE INSERT		1	
7243224-05	724322405	SCREW CRCSFM		1	
5019166-02	501916602	THROTTLE LEVER		1	
5037312-01	503731201	SPRING		1	

D



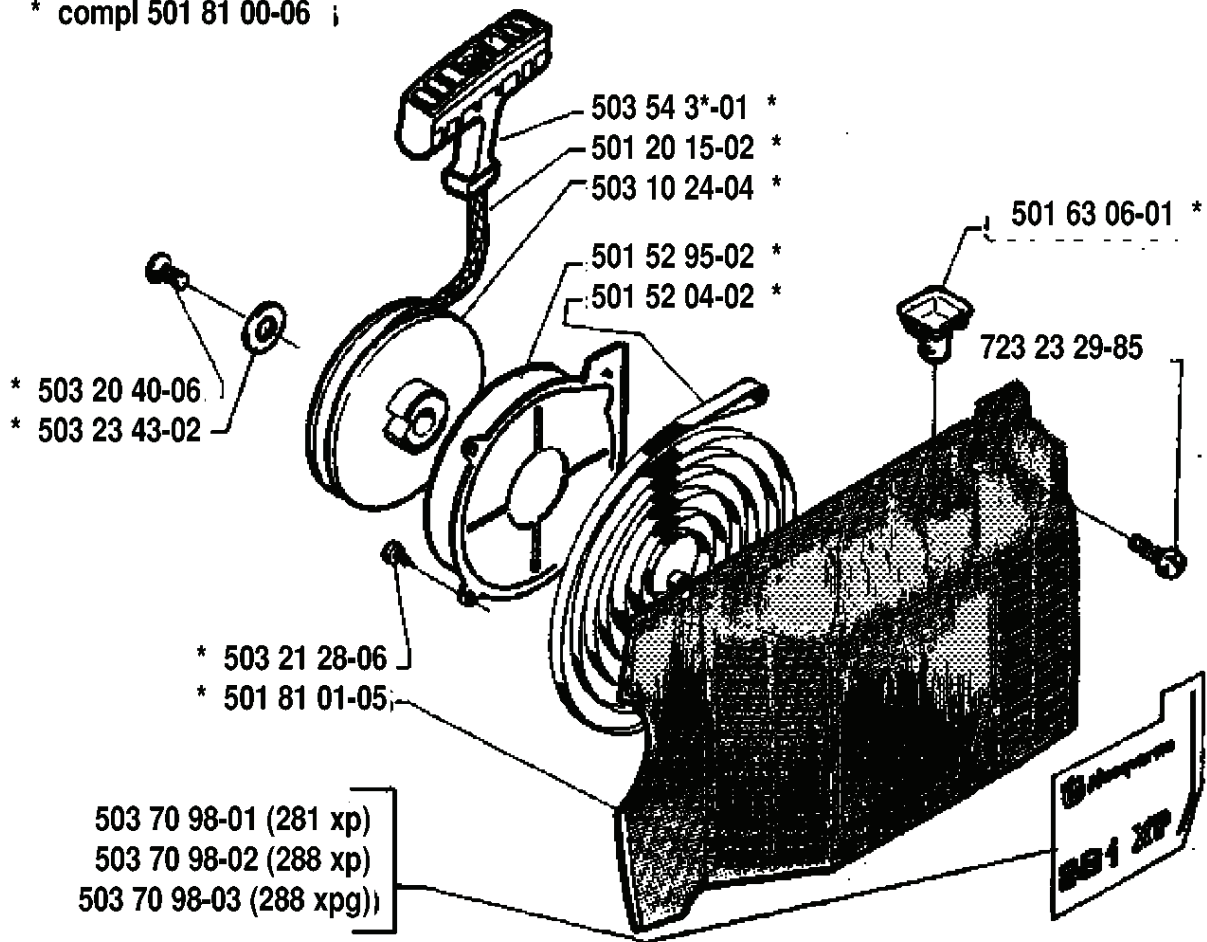
REF.	PART NO.	DESCRIPTION	REMARK	QTY.	KIT
5018071-01	501807101	AIR FILTER ASSY	NYLON-MEDIUM MESH	1	
5018071-06	501807106	AIR FILTER ASSY	NYLON -FINE MESH	1	
5018071-05	501807105	AIR FILTER ASSY	NONE WOVEN	1	
5018118-01	501811801	SEALING COLLAR		1	
5018066-02	501806602	MANIFOLD		1	
5018068-02	501806802	GASKET		1	
5012964-02	501296402	GASKET		1	
5032801-18	503280118	CARBURETTOR		1	
5018069-01	501806901	GUIDE BUSHING		1	
5018062-02	501806202	FILTER HOLDER ASSY		1	
5032080-06	503208006	SCREW		1	
5032021-91	503202191	SCREW IHSCM		1	
5032002-10	503200210	SCREW IHSCFM		1	
5018156-01	501815601	GASKET		1	

- C** * compl 503 50 29-01 (281)
 * compl 503 50 63-01 (288)
 * compl 503 50 63-02
 (288 Deco-valve)



REF.	PART NO.	DESCRIPTION	REMARK	QTY.	KIT
5035029-01	503502901	CYLINDER ASSY	281	1	
5035063-01	503506301	CYLINDER ASSY	288	1	
5035063-02	503506302	CYLINDER ASSY	288 DECO-VALVE	1	
5032351-09	503235109	SPARK PLUG		1	
5035125-01	503512501	HEAT DEFLECTOR		1	
5035027-02	503502702	PISTON ASSY	281	1	
5035060-02	503506002	PISTON ASSY	288	1	
5032890-19	503289019	PISTON RING	281	1	
5032890-22	503289022	PISTON RING	288	1	
7374413-00	737441300	CIRCLIP		1	
5018174-01	501817401	NEEDLE BEARING		1	
5018013-02	501801302	GASKET		1	
5037153-01	503715301	DECOMPRESSION VALVE		1	
5032160-25	503216025	SCREW		1	

M * compl 501 81 00-06 ;



REF.	PART NO.	DESCRIPTION	REMARK	QTY.	KIT
501 81 00-06	501810006	STARTER ASSY		1	
503 20 40-06	503204006	SCREW SLCSFM		1	
503 23 43-02	503234302	WASHER		1	
503 21 28-06	503212806	SCREW CCRPANT		1	
501 81 01-05	501810105	STARTER HOUSING		1	
503 70 98-01	503709801	DECAL	281 XP	1	
503 70 98-02	503709802	DECAL	288 XP	1	
503 70 98-03	503709803	DECAL	288 XPG	1	
723 23 29-85	723232985	SCREW SLPANM		1	
501 63 06-01	501630601	SLEEVE		1	
501 52 04-02	501520402	RECOIL SPRING		1	
501 52 95-02	501529502	GUARD RING		1	
503 10 24-04	503102404	STARTER PULLEY		1	
501 20 15-02	501201502	STARTER ROPE		1	
503 54 3-01	50354301			1	

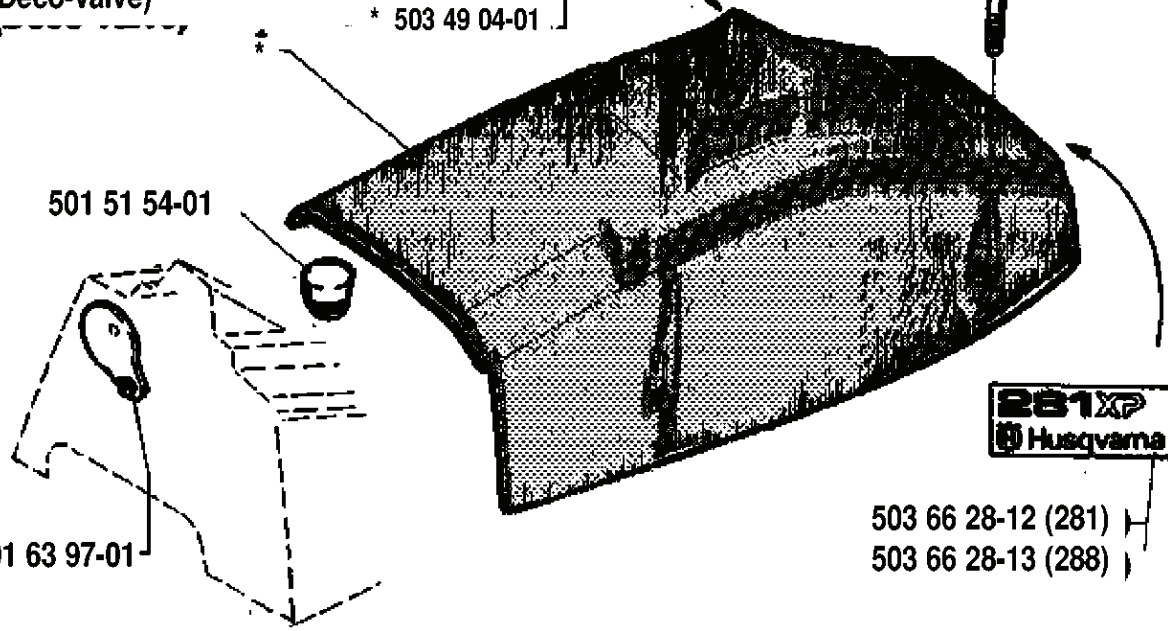
- B** * compl 501 80 59-04 (USA) (SA)
 * compl 501 80 59-02
 * compl 501 80 59-05
 (Deco-valve)

professional

* 503 20 32-28

* 503 49 04-01

501 51 54-01



281XP
 Husqvarna

503 66 28-12 (281)

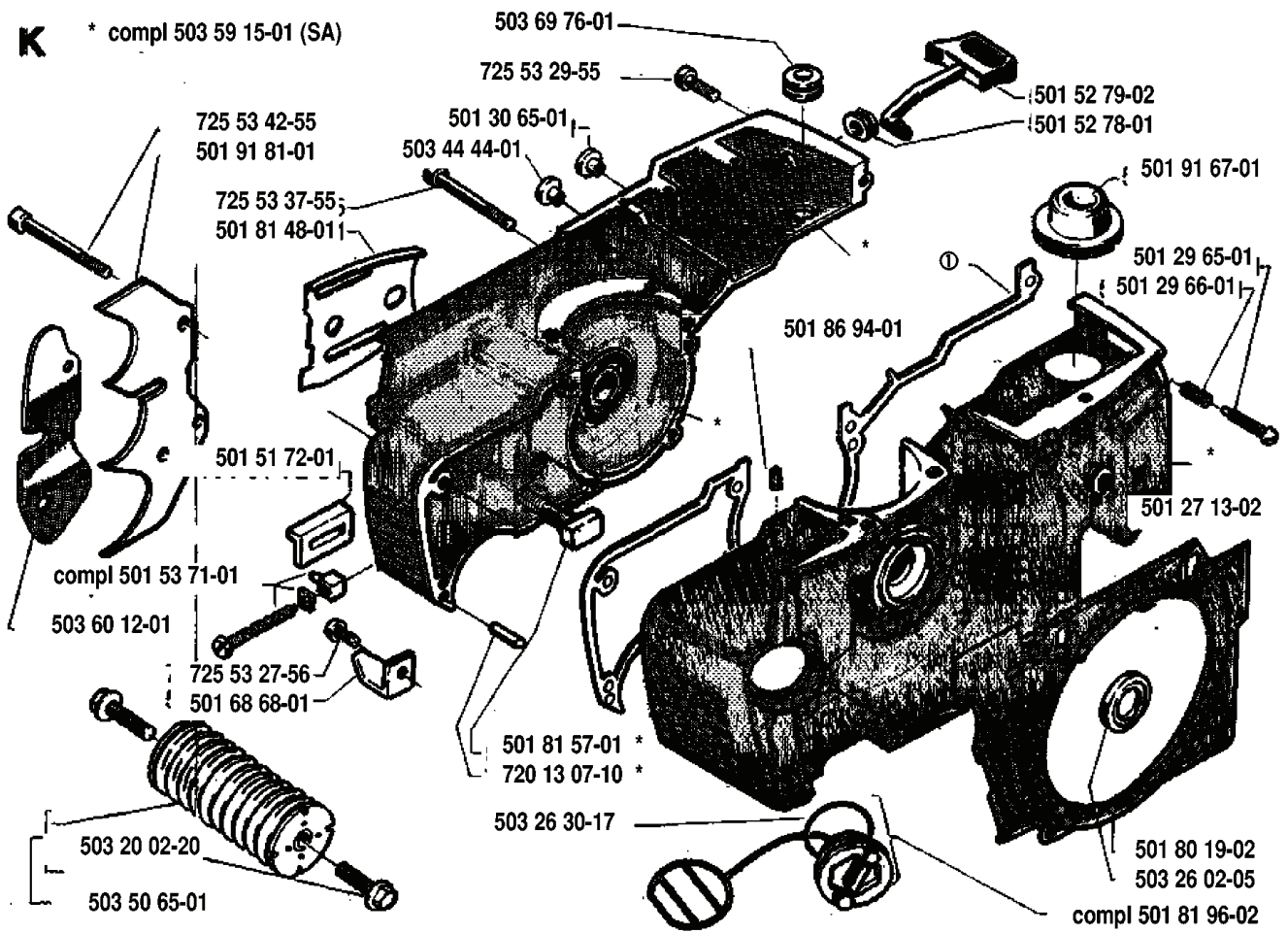
503 66 28-13 (288)

* 501 63 97-01

REF.	PART NO.	DESCRIPTION	REMARK	QTY.	KIT
5018059-04	501805904	CYLINDER COVER ASSY	USA	1	
5018059-02	501805902	CYLINDER COVER ASSY		1	
5018059-05	501805905	CYLINDER COVER ASSY	DECO-VALVE	1	
5015154-01	501515401	SUPPORT		1	
5016397-01	501639701	COVER		1	
5034904-01	503490401	DECAL		1	
5036628-13	503662813	DECAL	288	1	
5036628-12	503662812	DECAL	281	1	
5032032-28	503203228	SCREW		1	

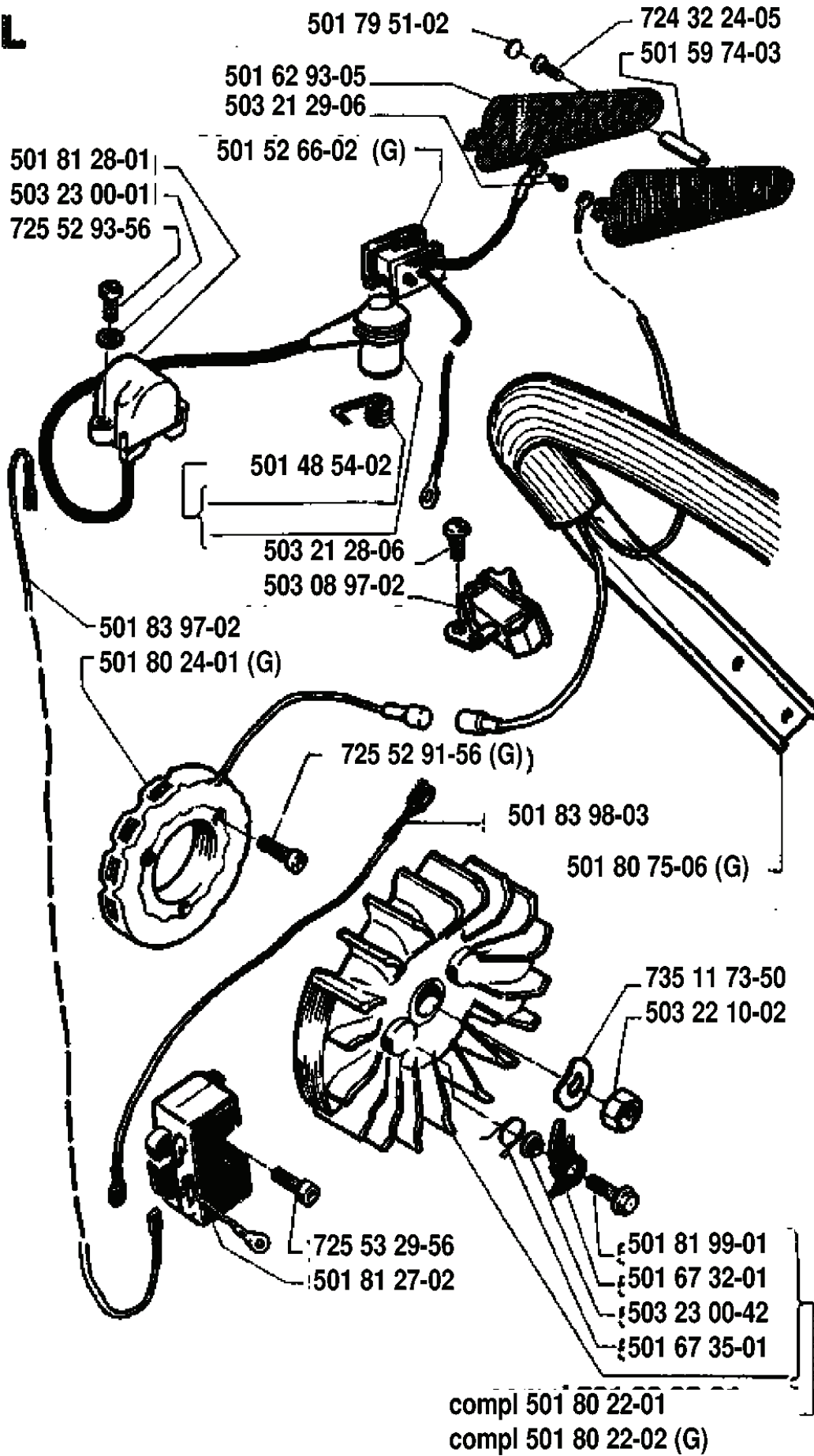
K

* compl 503 59 15-01 (SA)



REF.	PART NO.	DESCRIPTION	REMARK	QTY.	KIT
5035915-01	503591501	MUFFLER ASSY	SA	1	
7255342-55	725534255	SCREW IHSCM		1	
5019181-01	501918101	SPIKE		1	
7255337-55	725533755	SCREW IHSCM		1	
5018148-01	501814801	PROTECTIVE PLATE		1	
5015172-01	501517201	CHAIN GUIDE		1	
5015371-01	501537101	CHAIN TENSIONER KIT		1	
5036012-01	503601201	SPIKE		1	
7255327-56	725532756	SCREW IHSCM		1	
5016868-01	501686801	CHAIN CATCHER		1	
5032002-20	503200220	SCREW IHSCFM		1	
5035065-01	503506501	ANTIVIBRATION ELEMENT		1	
5032630-17	503263017	O-RING		1	
7201307-10	720130710	PARALLEL PIN		1	
5018157-01	501815701	BAR BOLT		1	
5034444-01	503444401	BUSHING		1	
5013065-01	501306501	PLUG		1	
7255329-55	725532955	SCREW IHSCM		1	
5036976-01	503697601	GROMMET		1	
5018694-01	501869401	SEALING		1	
5018196-02	501819602	TANK CAP ASSY		1	
5032602-05	503260205	SEALING RING		1	
5018019-02	501801902	LEDSKENA		1	
5012713-02	501271302	CABLE GROMMET		1	
5012966-01	501296601	SPRING		1	
5012965-01	501296501	SCREW		1	
5019167-01	501916701	BELLOWS		1	
5015278-01	501527801	GROMMET		1	
5015279-02	501527902	CHOKE CONTROL		1	

L

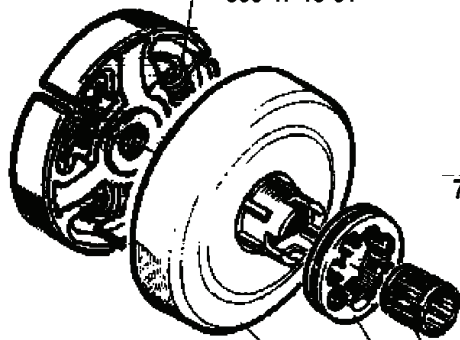


REF.	PART NO.	DESCRIPTION	REMARK	QTY.	KIT
5017951-02	501795102	COVER WASHER		1	
5016293-05	501629305	HANDLE INSERT		1	
5032129-06	503212906	SCREW CCRPANT		1	
5015266-02	501526602	SWITCH	G	1	
5018128-01	501812801	IGNITION COIL		1	
5032300-01	503230001	WASHER		1	
7255293-56	725529356	SCREW IHSCM		1	
5014854-02	501485402	SPARK PLUG CAP		1	
5032128-06	503212806	SCREW CCRPANT		1	
5030897-02	503089702	STOP SWITCH		1	
5018397-02	501839702	WIRE		1	
5018024-01	501802401	STATOR ASSY	G	1	
7255291-56	725529156	SCREW IHSCM	G	1	
7255329-56	725532956	SCREW IHSCM		1	
5018127-02	501812702	MODULE		1	
5018022-02	501802202	FLYWHEEL ASSY	G	1	
5018022-01	501802201	FLYWHEEL ASSY		1	
5016735-01	501673501	SPRING		1	
5032300-42	503230042	WASHER		1	
5016732-01	501673201	PAWL		1	
5018199-01	501819901	SCREW		1	
5032210-02	503221002	HEXAGON NUT		1	
7351173-50	735117350	SPRING WASHER		1	
5018075-06	501807506	FRONT HANDLE ASSY	G	1	
5018398-03	501839803	CABLE		1	
5015974-03	501597403	SPACER		1	
7243224-05	724322405	SCREW CRCSFM		1	

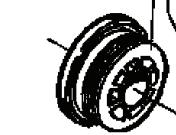
J

compl 503 47 19-01

503 47 18-01

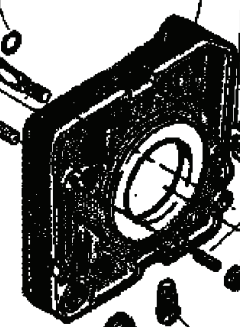


503 55 75-01
503 23 00-58

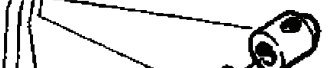


725 52 95 -56

501 29 38-01 *
740 42 01-00 *



503 23 10-02 *
503 23 00-19 *
501 54 48-01 *
503 69 82-01 *
501 29 39-02 *



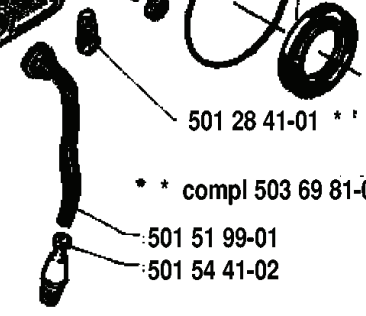
721 42 03-25 *
501 28 85-01 *
740 42 24-00 *
503 26 02-05 *

503 25 30-01
501 59 80-02 (3/8"x7)
compl 503 62 59-01 (3/8"x7)

501 28 41-01 **

** compl 503 69 81-01

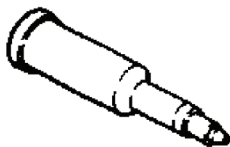
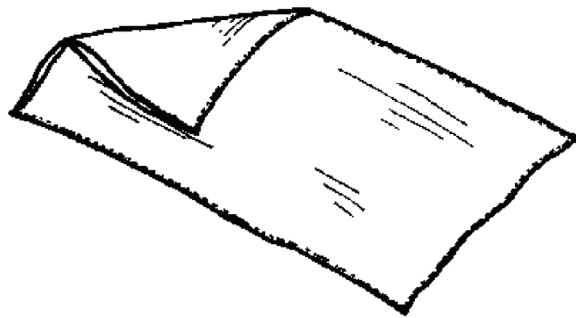
501 51 99-01
501 54 41-02



REF.	PART NO.	DESCRIPTION	REMARK	QTY.	KIT
503 47 19-01	503471901	CLUTCH ASSY		1	
503 47 18-01	503471801	CLUTCH SPRING		1	
725 52 95-56	725529556	SCREW IHSCM		1	
503 25 30-01	503253001	NEEDLE BEARING		1	
501 59 80-02	501598002	RIM	3/8X7	1	
503 62 59-01	503625901	CLUTCH DRUM ASSY	3/8X7	1	
501 54 41-02	501544102	OIL SCREEN		1	
501 51 99-01	501519901	OIL HOSE		1	
503 69 81-01	503698101	OIL PUMP ASSY		1	
501 28 41-01	501284101	SCREW		1	
503 26 02-05	503260205	SEALING RING		1	
740 42 24-00	740422400	O-RING		1	
501 28 85-01	501288501	SEAL		1	
721 42 03-25	721420325	PINNE FRP-LS3X6 OXSV		1	
740 42 01-00	740420100	O-RING		1	
501 29 38-01	501293801	ADJUSTMENT SCREW		1	
503 23 00-58	503230058	WASHER		1	
503 55 75-01	503557501	GEAR WHEEL		1	
501 29 39-02	501293902	BUSHING		1	
503 69 82-01	503698201	PUMP PISTON		1	
501 54 48-01	501544801	SPRING		1	
503 23 00-19	503230019	WASHER		1	
503 23 10-02	503231002	WASHER		1	

P * compl 503 55 85-01

**Tilbehör
Accessories
Accessoires
Zubehöre**



* 501 91 14-01



* 503 62 12-01



* 503 55 86-01



* 503 55 86-02



* 501 69 17-01

REF.	PART NO.	DESCRIPTION	REMARK	QTY.	KIT
5035585-01	503558501	TOOL		1	
5019114-01	501911401	GREASE GUN		1	
5036212-01	503621201	GREASE		1	
5035586-01	503558601	SPANNER		1	
5035586-02	503558602	SPANNER		1	
5016917-01	501691701	COMBINATION WRENCH		1	

R

Levereras endast som reservdel

Delivery as spare part only

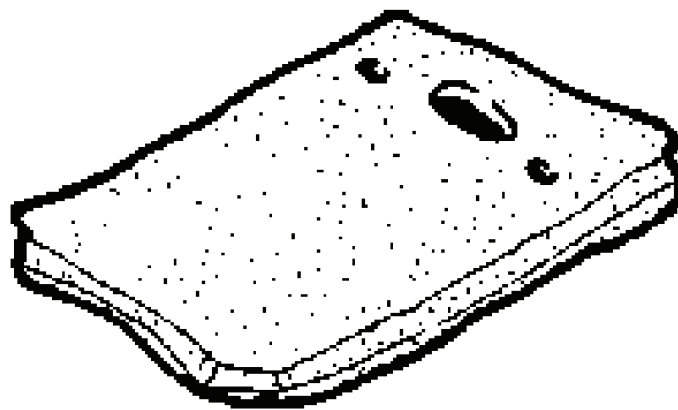
Nur als Ersatzteil lieferbar

Livable seulement comme pièce de rechange

Solo como repuesto

Zasílá se jenom jako náhradní díl

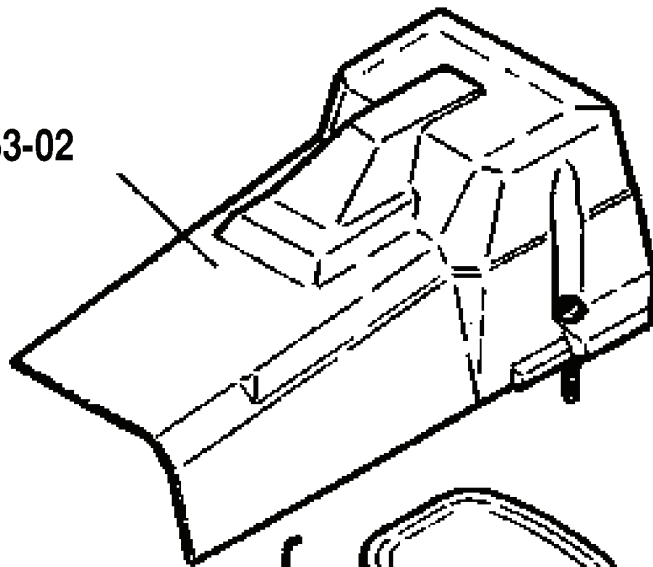
503 17 81-01



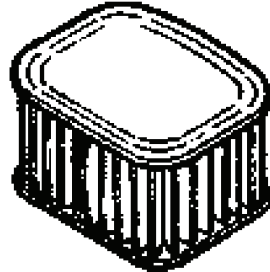
REF.	PART NO.	DESCRIPTION	REMARK	QTY.	KIT
503 17 81- 01	503178101	PREFILTER SOCK		1	

S

503 59 53-02



compl 503 55 12-71



503 56 00-02



503 59 54-01

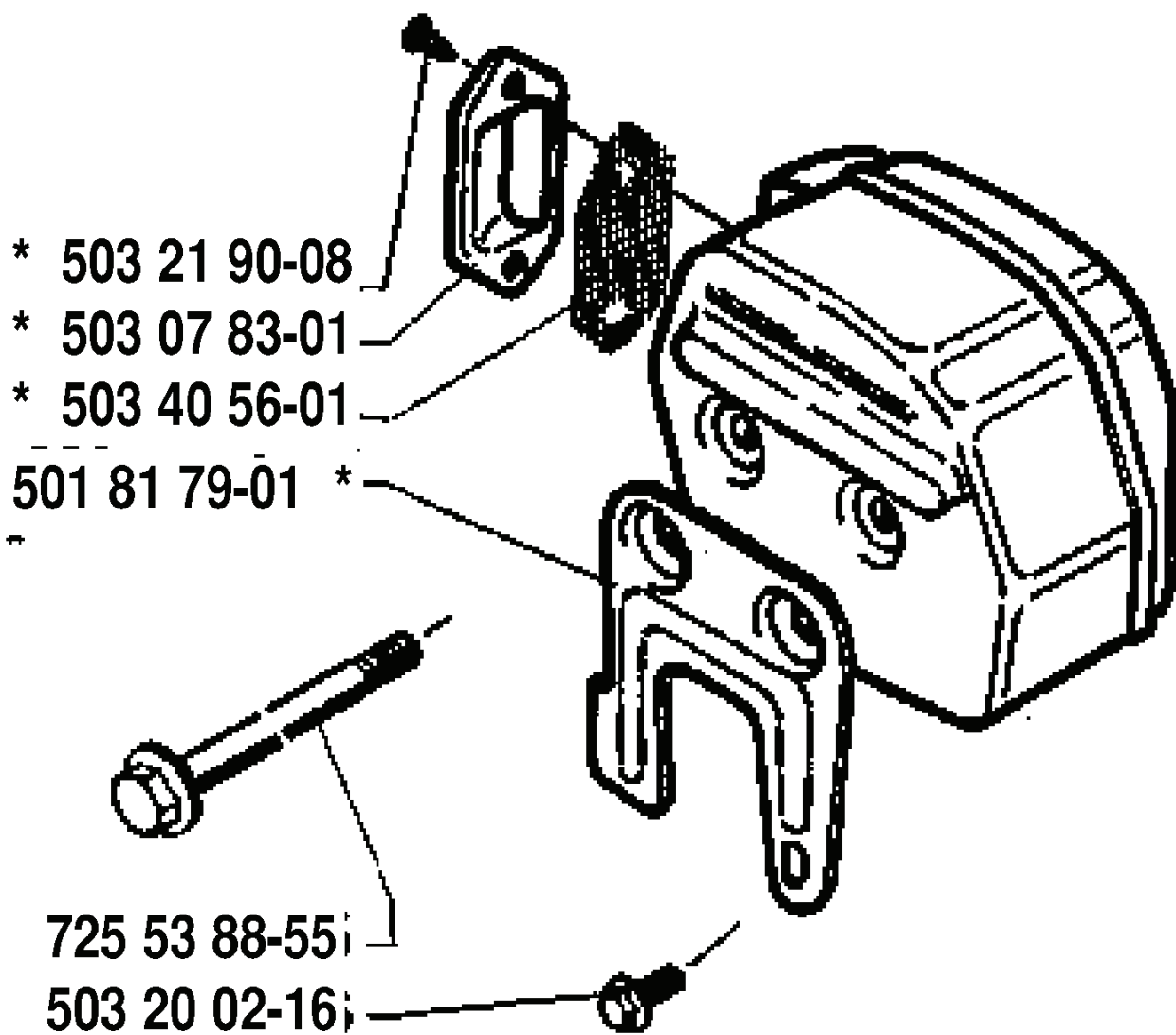


compl 503 61 76-03



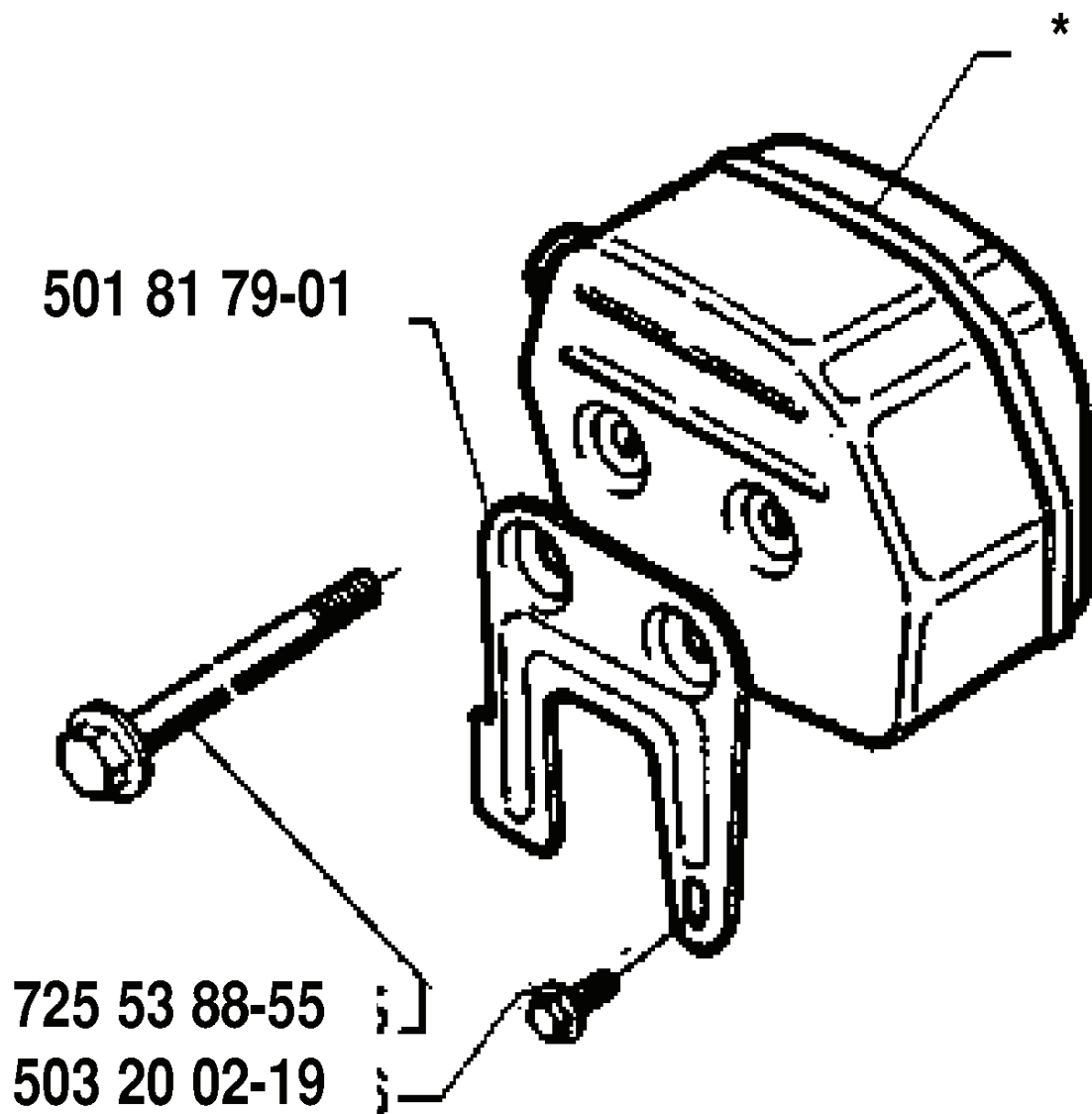
REF.	PART NO.	DESCRIPTION	REMARK	QTY.	KIT
5035953-02	503595302	CYLINDER COVER ASSY		1	
5035512-71	503551271	AIR FILTER		1	
5035600-02	503560002	HOSE CLAMP		1	
5035954-01	503595401	FILTER		1	
5036176-03	503617603	AIR FILTER		1	

F * compl 503 59 15-01 (SA)



REF.	PART NO.	DESCRIPTION	REMARK	QTY.	KIT
5035915-01	503591501	MUFFLER ASSY	SA	1	
5032190-08	503219008	SCREW CCRPANM		1	
5030783-01	503078301	EXHAUST DUCT		1	
5034056-01	503405601	SPARK ARRESTER SCREEN		1	
5018179-01	501817901	BRACKET		1	
7255388-55	725538855	SCREW IHSCM		1	
5032002-16	503200216	SCREW IHSCFM		1	

G ,compl 501 81 68-01 (Tube)
 ,compl 501 81 68-02 (Jungle)



REF.	PART NO.	DESCRIPTION	REMARK	QTY.	KIT
5018168-01	501816801	MUFFLER PIPE	TUBE	1	
5018168-02	501816802	MUFFLER	JUNGLE	1	
5018179-01	501817901	BRACKET		1	
7255388-55	725538855	SCREW IHSCM		1	
5032002-19	503200219			1	