

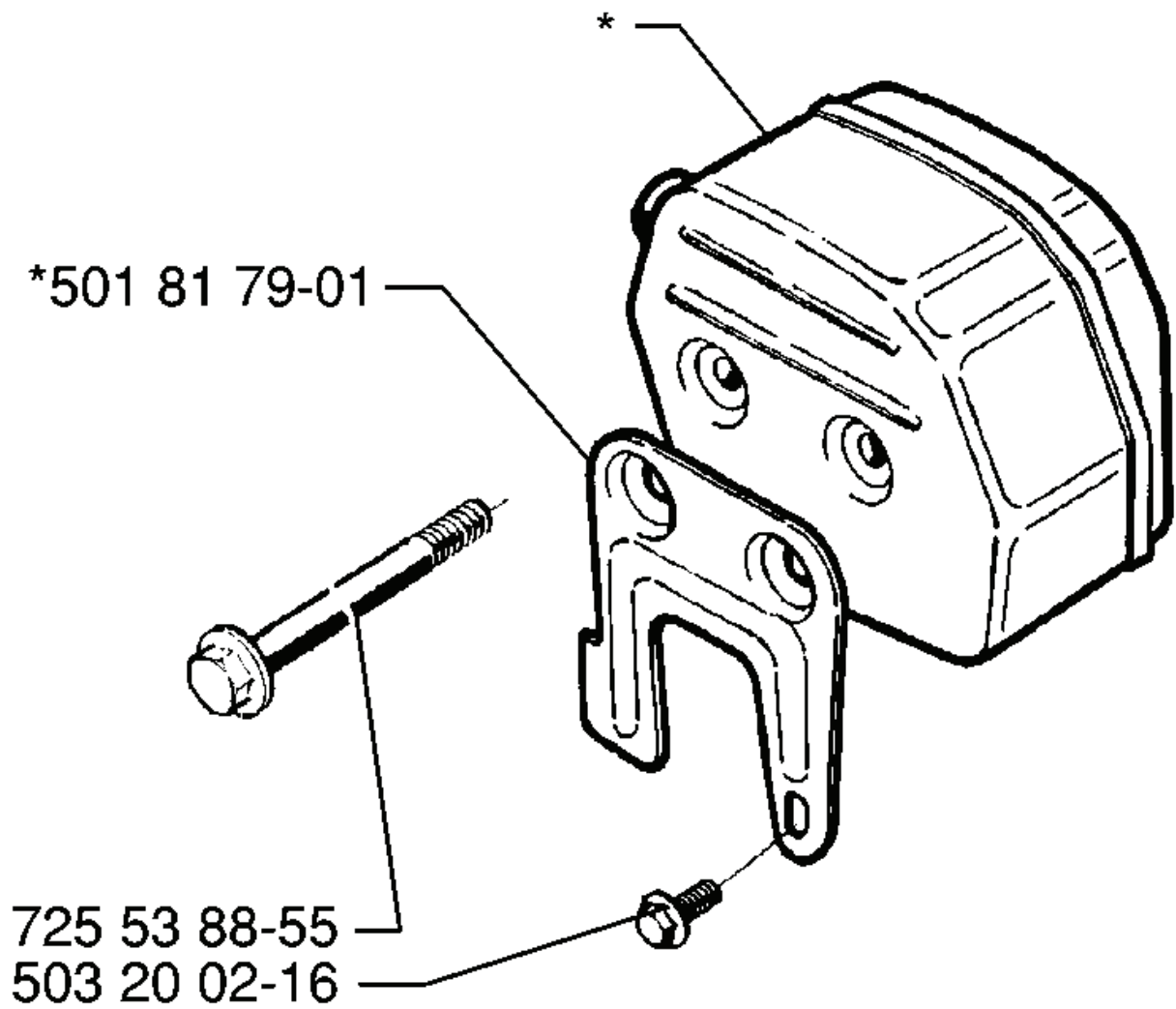
281, 19974900001-20000600000

SPARE PARTS LIST

G

***compl 501 81 68-01 (Tube)**

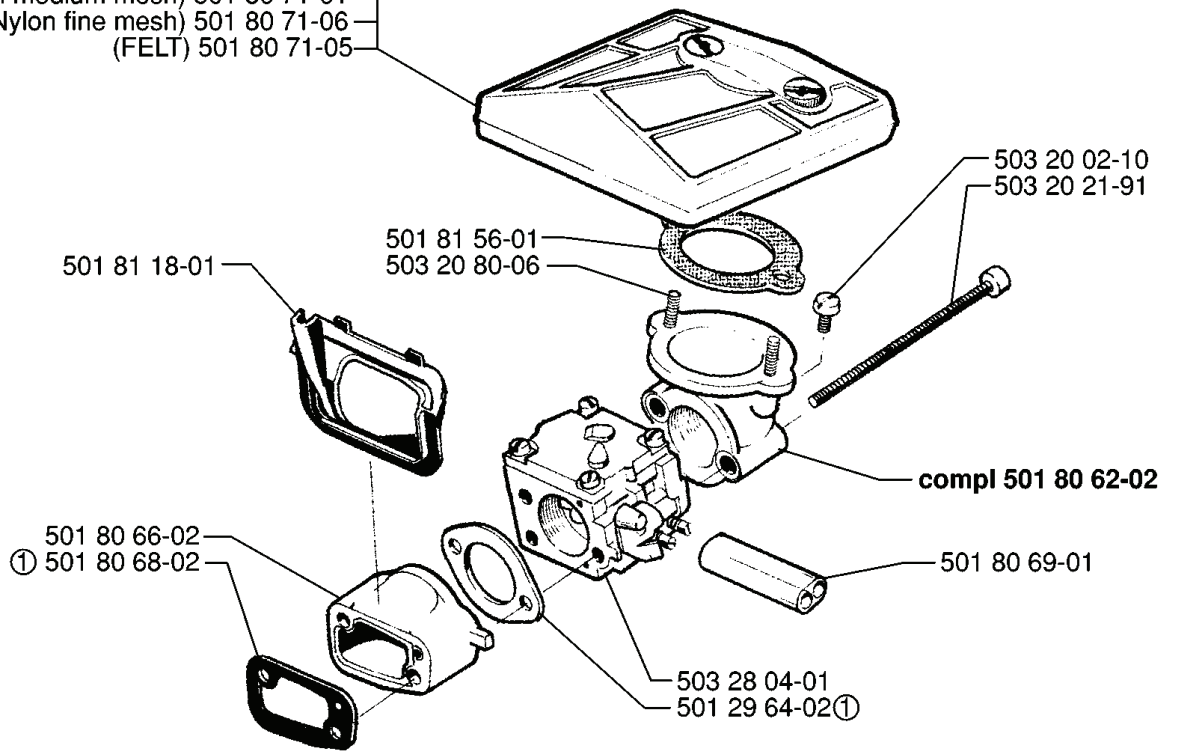
***compl 501 81 68-02 (Jungle)**



REF.	PART NO.	DESCRIPTION	REMARK	QTY.	KIT
5018168-01	501816801	MUFFLER PIPE	TUBE	1	
5018168-02	501816802	MUFFLER	JUNGLE	1	
5018179-01	501817901	BRACKET		1	
7255388-55	725538855	SCREW IHSCM		1	
5032002-16	503200216	SCREW IHSCFM		1	

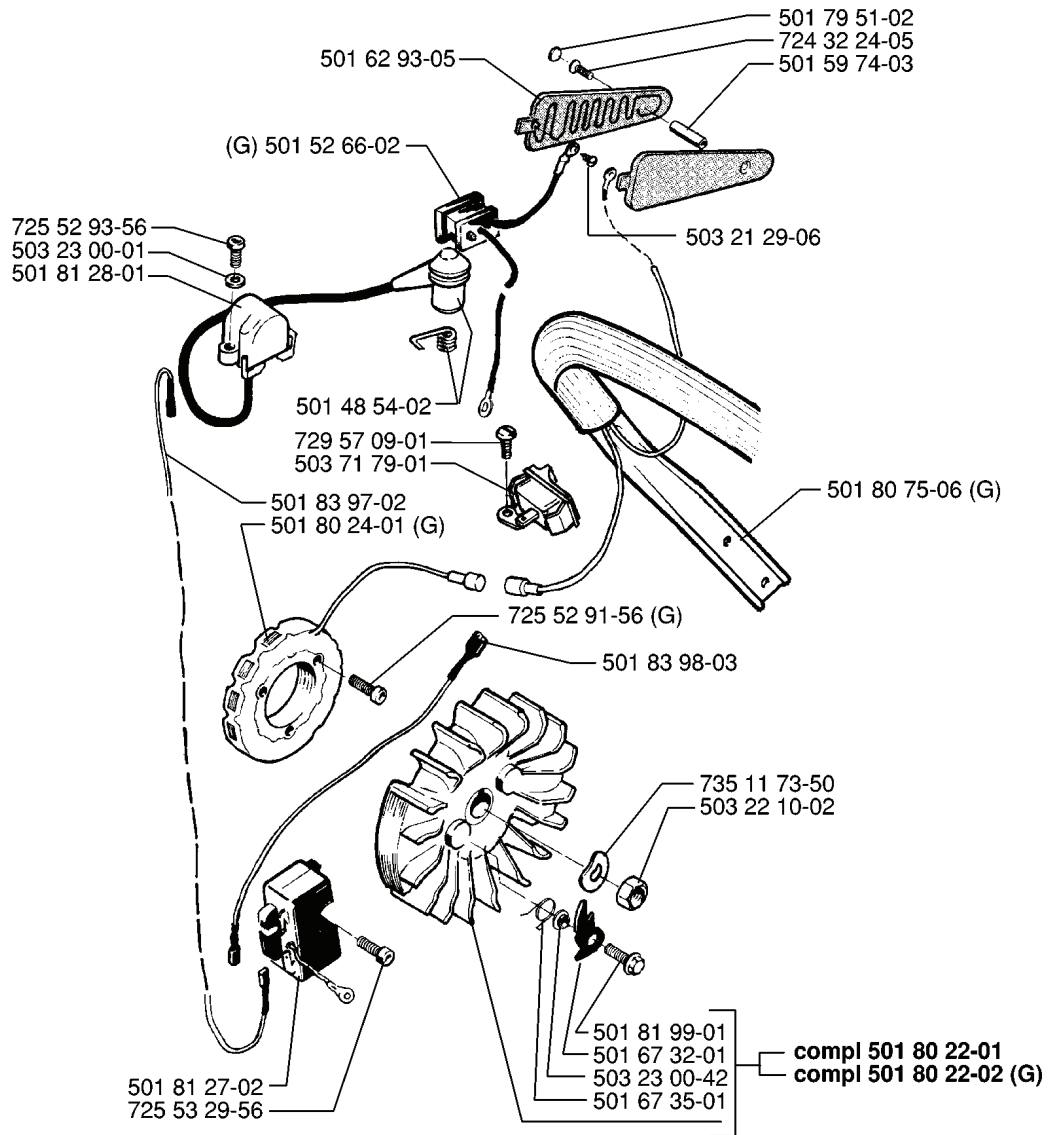
D

- (Nylon medium mesh) 501 80 71-01
- (Nylon fine mesh) 501 80 71-06
- (FELT) 501 80 71-05



REF.	PART NO.	DESCRIPTION	REMARK	QTY.	KIT
5018071-01	501807101	AIR FILTER ASSY	NYLON MEDIUM MESH	1	
5018071-06	501807106	AIR FILTER ASSY	NYLON FINE MESH	1	
5018071-05	501807105	AIR FILTER ASSY	FELT	1	
5018118-01	501811801	SEALING COLLAR		1	
5018066-02	501806602	MANIFOLD		1	
5018068-02	501806802	GASKET		1	
5032080-06	503208006	SCREW		1	
5018156-01	501815601	GASKET		1	
5032804-01	503280401	CARBURETTOR		1	
5012964-02	501296402	GASKET		1	
5018069-01	501806901	GUIDE BUSHING		1	
5018062-02	501806202	FILTER HOLDER ASSY		1	
5032021-91	503202191	SCREW IHSCM		1	
5032002-10	503200210	SCREW IHSCFM		1	

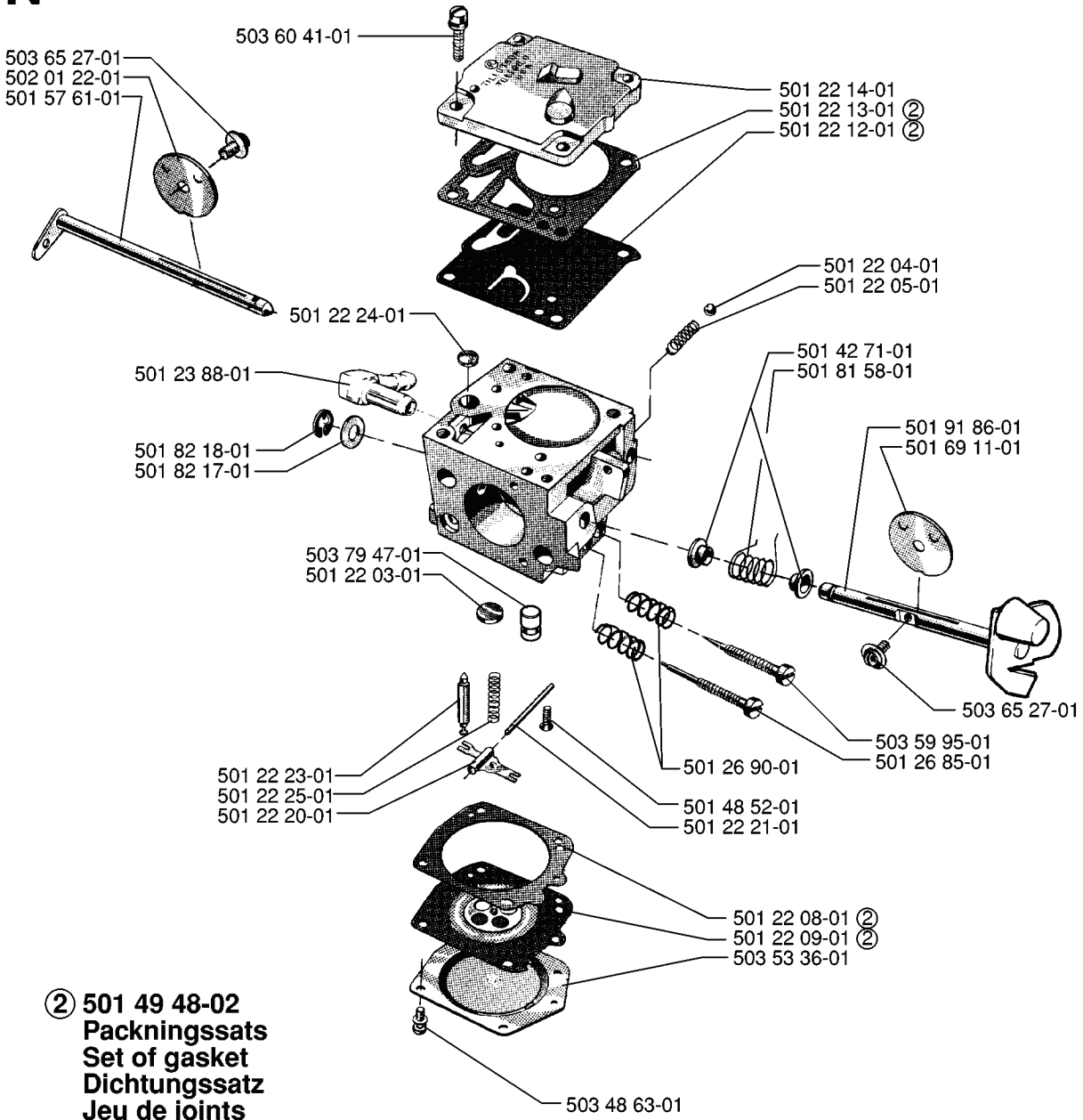
L



REF.	PART NO.	DESCRIPTION	REMARK	QTY.	KIT
5016293-05	501629305	HANDLE INSERT		1	
5015266-02	501526602	SWITCH	G	1	
7255293-56	725529356	SCREW IHSCM		1	
5032300-01	503230001	WASHER		1	
5018128-01	501812801	IGNITION COIL		1	
5014854-02	501485402	SPARK PLUG CAP		1	
7295709-01	729570901	SCREW CCRPANT		1	
5037179-01	503717901	STOP SWITCH		1	
5018397-02	501839702	WIRE		1	
5018024-01	501802401	STATOR ASSY	G	1	
5018127-02	501812702	MODULE		1	
7255329-56	725532956	SCREW IHSCM		1	
5016735-01	501673501	SPRING		1	
5032300-42	503230042	WASHER		1	
5016732-01	501673201	PAWL		1	
5018199-01	501819901	SCREW		1	
5018022-02	501802202	FLYWHEEL ASSY	G	1	
5018022-01	501802201	FLYWHEEL ASSY		1	
5032210-02	503221002	HEXAGON NUT		1	
7351173-50	735117350	SPRING WASHER		1	
5018398-03	501839803	CABLE		1	
7255291-56	725529156	SCREW IHSCM	G	1	
5018075-06	501807506	FRONT HANDLE ASSY	G	1	
5032129-06	503212906	SCREW CCRPANT		1	
5015974-03	501597403	SPACER		1	
7243224-05	724322405	SCREW CRCSFM		1	
5017951-02	501795102	COVER WASHER		1	

N compl 503 28 04-01

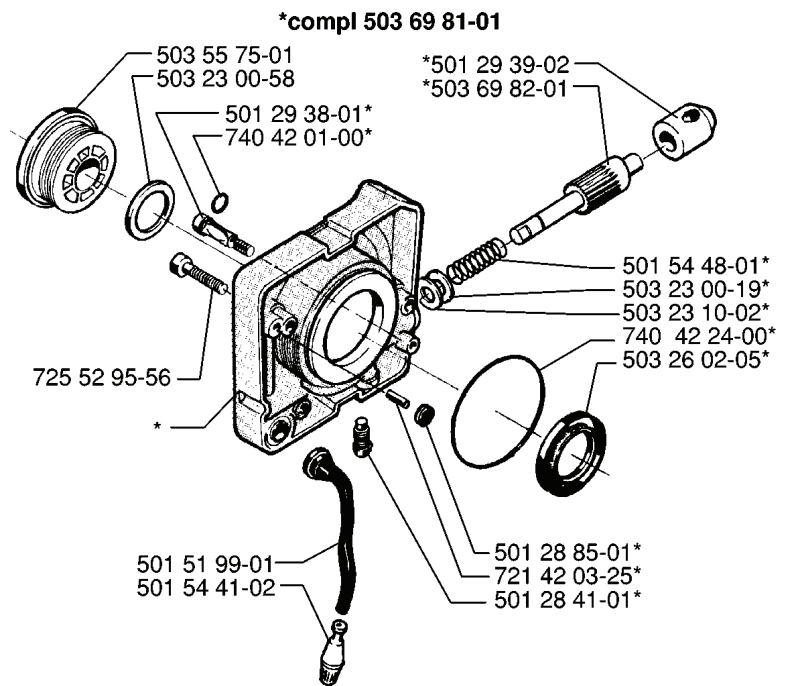
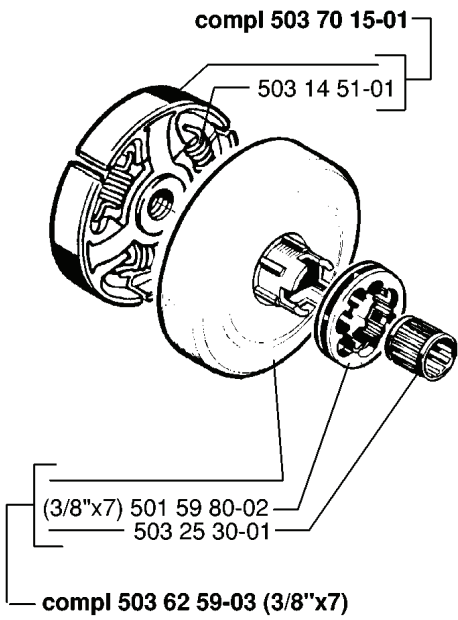
Tillotson HS 228 C



② 501 49 48-02
Packningssats
Set of gasket
Dichtungssatz
Jeu de joints

REF.	PART NO.	DESCRIPTION	REMARK	QTY.	KIT
5032804-01	503280401	CARBURETTOR		1	
5036041-01	503604101	SCREW		1	
5036527-01	503652701	SCREW SHUTTER		1	
5020122-01	502012201	VALVE		1	
5015761-01	501576101	CHOKE SHAFT		1	
5012224-01	501222401	SCREEN		1	
5012388-01	501238801	HOSE COUPLING		1	
5018218-01	501821801	THROTTLE SH.'E'RING		1	
5018217-01	501821701	WASHER		1	
5037947-01	503794701	NOZZLE ASSY		1	
5012203-01	501220301	PLUG		1	
5012223-01	501222301	NEEDLE		1	
5012225-01	501222501	SPRING		1	
5012220-01	501222001	LEVER		1	
5034863-01	503486301	SCREW		1	
5035336-01	503533601	DIAPHRAGM		1	
5012209-01	501220901	DIAPHRAGM	501 49 48-02 SET OF GASKET	1	
5012208-01	501220801	GASKET	501 49 48-02 SET OF GASKET	1	
5012221-01	501222101	PIN		1	
5014852-01	501485201	SCREW		1	
5012690-01	501269001	SPRING		1	
5012685-01	501268501	SCREW		1	
5035995-01	503599501	MAIN MIXTURE SCREW		1	
5016911-01	501691101	THROTTLE VALVE		1	
5019186-01	501918601	TROTTELAXEL KPL.		1	
5018158-01	501815801	RECOIL SPRING		1	
5014271-01	501427101	SLEEVE		1	
5012205-01	501220501	SPRING		1	
5012204-01	501220401	BALL		1	
5012212-01	501221201	DIAGRAM	501 49 48-02 SET OF GASKET	1	
5012213-01	501221301	GASKET	501 49 48-02 SET OF GASKET	1	
5012214-01	501221401	COVER		1	

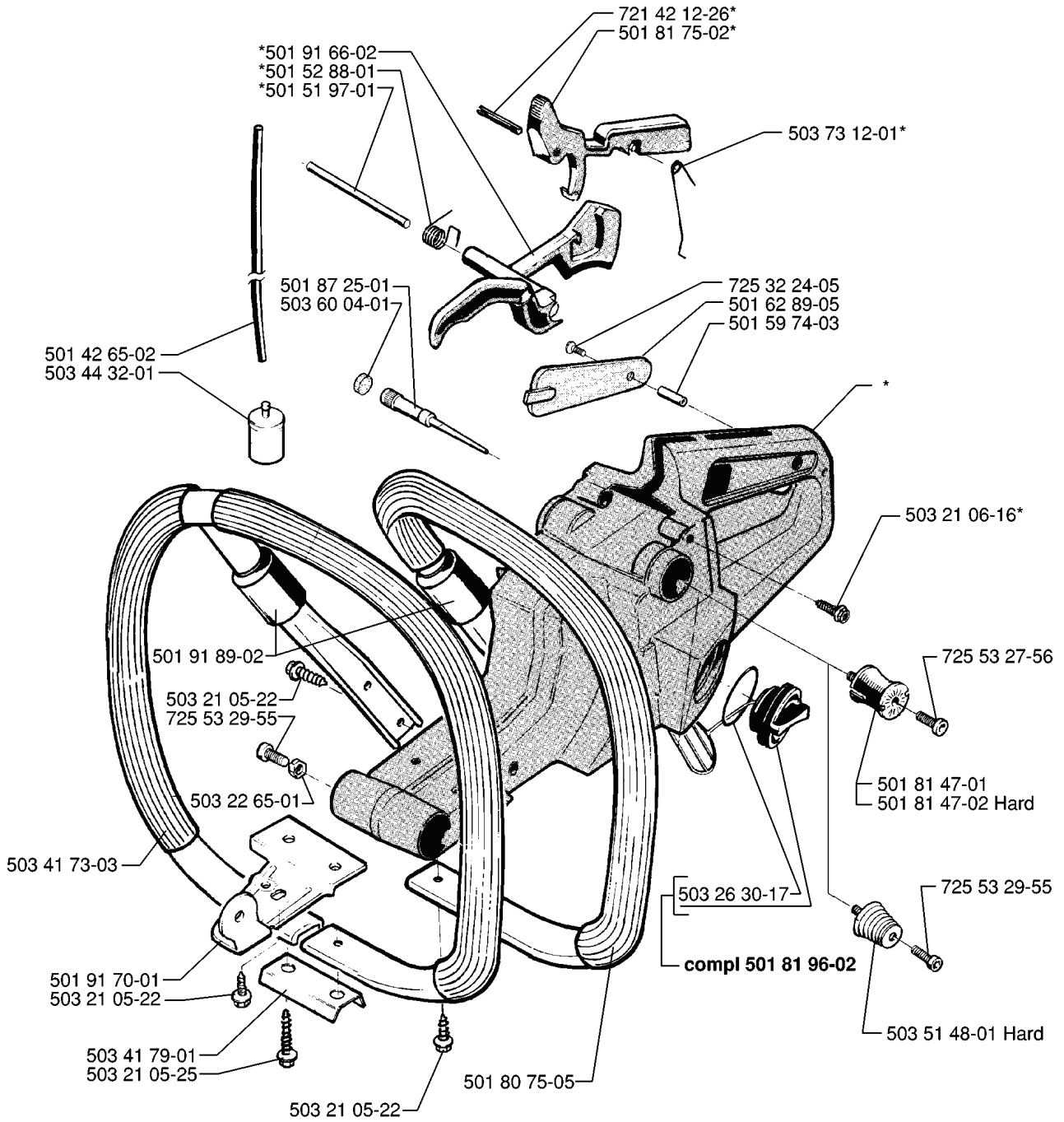
J



REF.	PART NO.	DESCRIPTION	REMARK	QTY.	KIT
503 70 15-01	503701501	CLUTCH ASSY		1	
503 14 51-01	503145101	CLUTCH SPRING		1	
501 59 80-02	501598002	RIM	3/8X7	1	
503 25 30-01	503253001	NEEDLE BEARING		1	
503 62 59-03	503625903	CLUTCH DRUM ASSY	3/8X7	1	
501 54 41-02	501544102	OIL SCREEN		1	
501 51 99-01	501519901	OIL HOSE		1	
725 52 95-56	725529556	SCREW IHSCM		1	
740 42 01-00	740420100	O-RING		1	
501 29 38-01	501293801	ADJUSTMENT SCREW		1	
503 23 00-58	503230058	WASHER		1	
503 55 75-01	503557501	GEAR WHEEL		1	
503 69 81-01	503698101	OIL PUMP ASSY		1	
501 28 85-01	501288501	SEAL		1	
721 42 03-25	721420325	PINNE FRP-LS3X6 OXSV		1	
501 28 41-01	501284101	SCREW		1	
503 26 02-05	503260205	SEALING RING		1	
740 42 24-00	740422400	O-RING		1	
503 23 10-02	503231002	WASHER		1	
503 23 00-19	503230019	WASHER		1	
501 54 48-01	501544801	SPRING		1	
503 69 82-01	503698201	PUMP PISTON		1	
501 29 39-02	501293902	BUSHING		1	

E

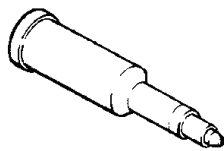
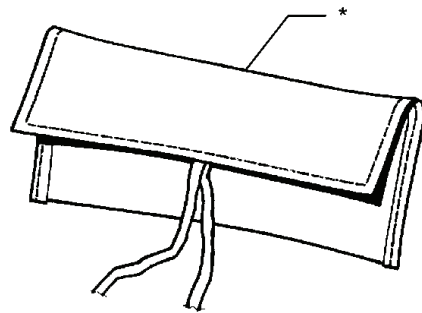
*compl 501 80 91-05



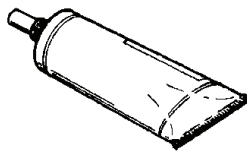
REF.	PART NO.	DESCRIPTION	REMARK	QTY.	KIT
5018091-05	501809105	FUEL TANK		1	
5019166-02	501916602	THROTTLE LEVER		1	
5015288-01	501528801	RECOIL SPRING		1	
5015197-01	501519701	ROD		1	
5018725-01	501872501	TANK VENT		1	
5036004-01	503600401	FILTER PLUG		1	
5014265-02	501426502	HOSE		1	
5034432-01	503443201	FUEL FILTER		1	
5019189-02	501918902	SUPPORT		1	
5032265-01	503226501	SQUARE NUT		1	
5034173-03	503417303	HANDTAGSBYGEL KPL		1	
5019170-01	501917001	BRACKET		1	
5034179-01	503417901	ATTACHMENT PLATE		1	
5032105-25	503210525	SCREW IH SCT		1	
5032105-22	503210522	SCREW IH SCT		1	
5018075-05	501807505	FRONT HANDLE ASSY		1	
5035148-01	503514801	ANTIVIBRATION ELEMENT	HARD	1	
5018196-02	501819602	TANK CAP ASSY		1	
5032630-17	503263017	O-RING		1	
7255329-55	725532955	SCREW IH SCM		1	
5018147-02	501814702	ANTIVIBRATION ELEMENT	HARD	1	
5018147-01	501814701	ANTIVIBRATION ELEMENT		1	
7255327-56	725532756	SCREW IH SCM		1	
5032106-16	503210616	SCREW IH SCT		1	
5015974-03	501597403	SPACER		1	
5016289-05	501628905	HANDLE INSERT		1	
7253224-05	725322405			1	
5037312-01	503731201	SPRING		1	
5018175-02	501817502	THROTTLE LOCKOUT		1	
7214212-26	721421226	SPRING PIN		1	

P *compl 503 55 85-01

**Tillbehör
Accessories
Accessoires
Zubehöre**



*501 91 14-01



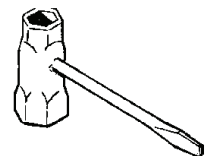
*503 62 12-01



*503 55 86-01



*503 55 86-02

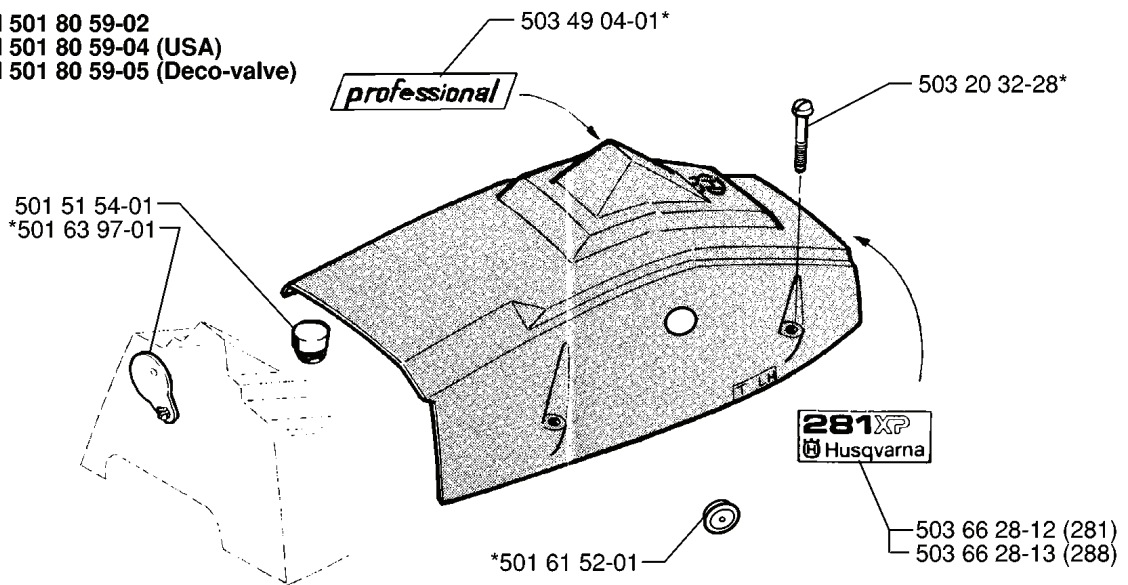


*501 69 17-01

REF.	PART NO.	DESCRIPTION	REMARK	QTY.	KIT
5035585-01	503558501	TOOL		1	
5019114-01	501911401	GREASE GUN		1	
5036212-01	503621201	GREASE		1	
5035586-01	503558601	SPANNER		1	
5035586-02	503558602	SPANNER		1	
5016917-01	501691701	COMBINATION WRENCH		1	

B

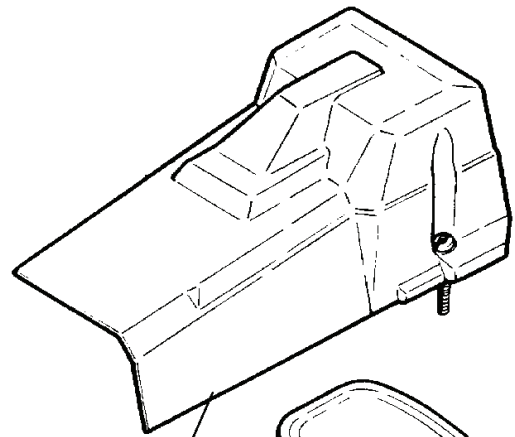
- *compl 501 80 59-02
- *compl 501 80 59-04 (USA)
- *compl 501 80 59-05 (Deco-valve)



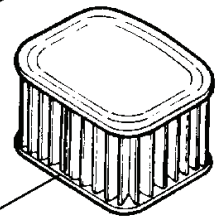
REF.	PART NO.	DESCRIPTION	REMARK	QTY.	KIT
5018059-02	501805902	CYLINDER COVER ASSY		1	
5018059-04	501805904	CYLINDER COVER ASSY	USA	1	
5018059-05	501805905	CYLINDER COVER ASSY	DECO-VALVE	1	
5015154-01	501515401	SUPPORT		1	
5016397-01	501639701	COVER		1	
5016152-01	501615201	PLUG		1	
5036628-13	503662813	DECAL	288	1	
5036628-12	503662812	DECAL	281	1	
5032032-28	503203228	SCREW		1	
5034904-01	503490401	DECAL		1	

R

***compl 503 61 76-03**



*503 59 53-02

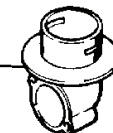


***compl 503 55 12-71**

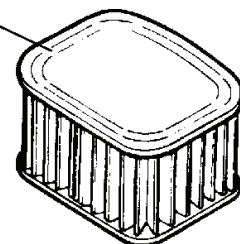
503 56 00-02



*503 59 54-01



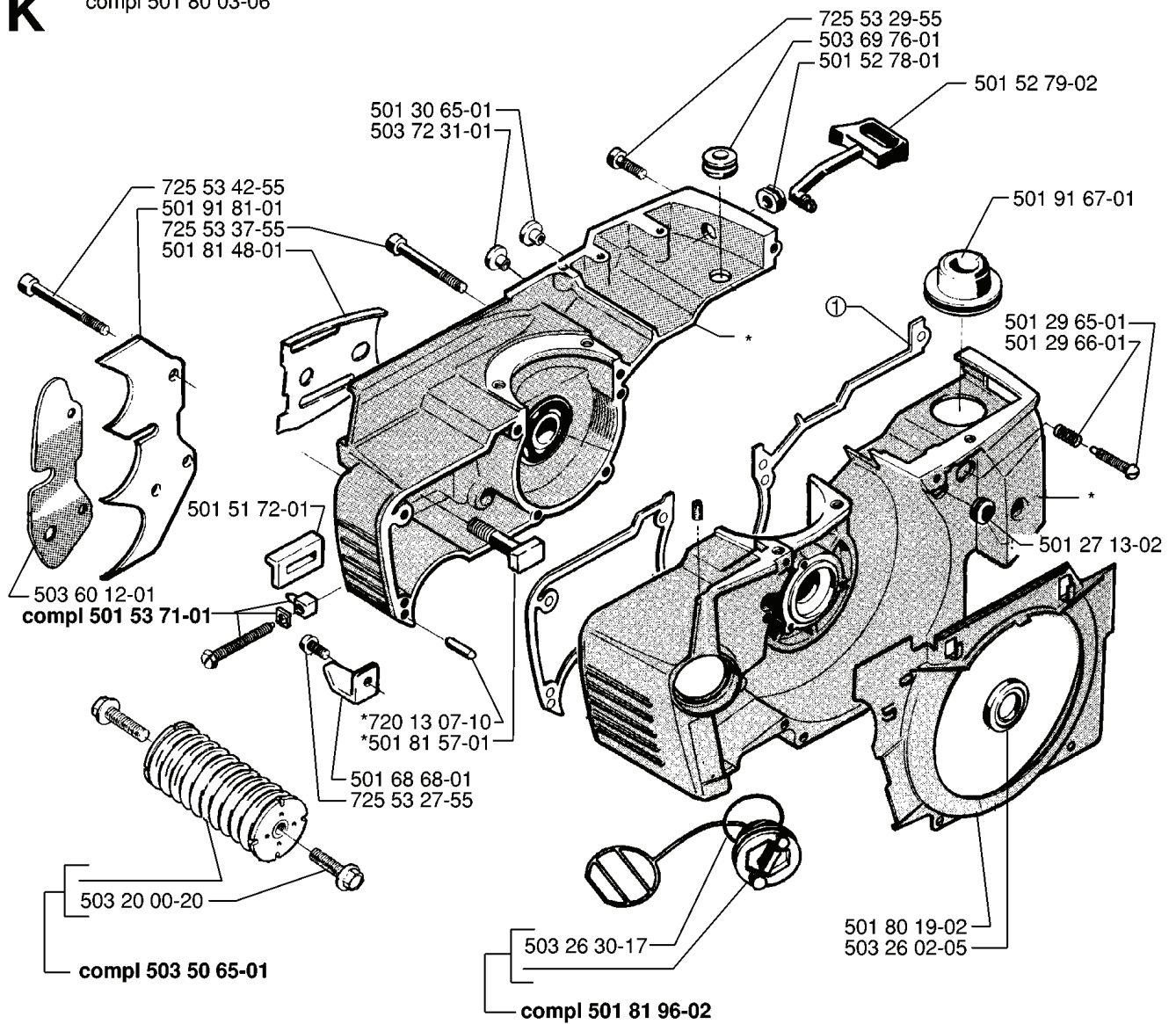
(Winter) 503 55 12-02



REF.	PART NO.	DESCRIPTION	REMARK	QTY.	KIT
5036176-03	503617603	AIR FILTER		1	
5035512-71	503551271	AIR FILTER		1	
5035512-02	503551202	AIR FILTER	WINTER	1	
5035954-01	503595401	FILTER		1	
5035600-02	503560002	HOSE CLAMP		1	
5035953-02	503595302	CYLINDER COVER ASSY		1	

K

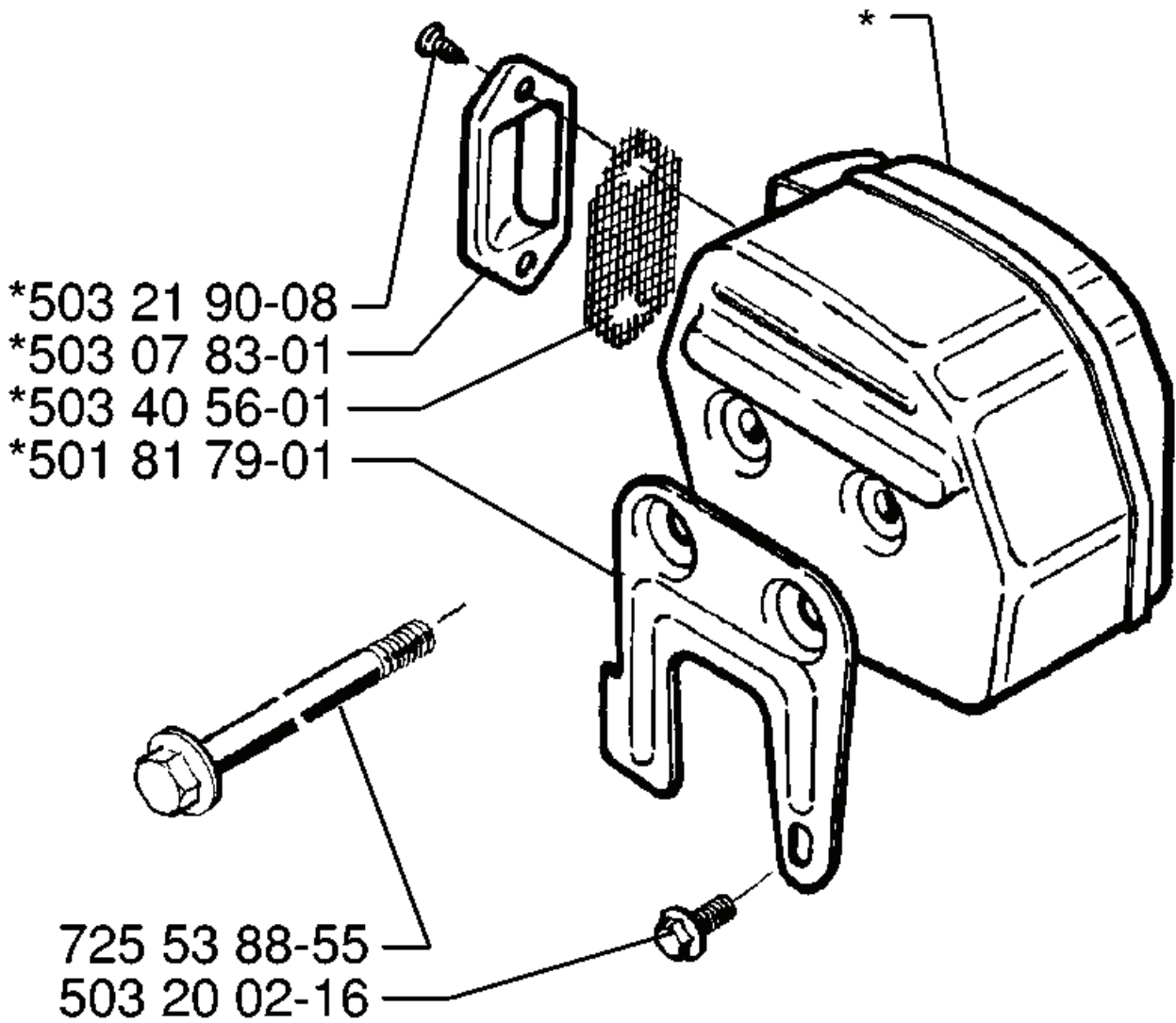
*compl 501 80 03-06



REF.	PART NO.	DESCRIPTION	REMARK	QTY.	KIT
5018003-06	501800306	CRANKCASE		1	
7255342-55	725534255	SCREW IHSCM		1	
5019181-01	501918101	SPIKE		1	
7255337-55	725533755	SCREW IHSCM		1	
5018148-01	501814801	PROTECTIVE PLATE		1	
5015172-01	501517201	CHAIN GUIDE		1	
5036012-01	503601201	SPIKE		1	
5015371-01	501537101	CHAIN TENSIONER KIT		1	
5032000-20	503200020	SCREW EHHFM		1	
5035065-01	503506501	ANTIVIBRATION ELEMENT		1	
7255327-55	725532755	SCREW IHSCM		1	
5016868-01	501686801	CHAIN CATCHER		1	
5018157-01	501815701	BAR BOLT		1	
7201307-10	720130710	PARALLEL PIN		1	
5037231-01	503723101	BUSHING		1	
5013065-01	501306501	PLUG		1	
5032630-17	503263017	O-RING		1	
5018196-02	501819602	TANK CAP ASSY		1	
5032602-05	503260205	SEALING RING		1	
5018019-02	501801902	LEDSKENA		1	
5012713-02	501271302	CABLE GROMMET		1	
5012966-01	501296601	SPRING		1	
5012965-01	501296501	SCREW		1	
5019167-01	501916701	BELLOWS		1	
5015279-02	501527902	CHOKE CONTROL		1	
5015278-01	501527801	GROMMET		1	
5036976-01	503697601	GROMMET		1	
7255329-55	725532955	SCREW IHSCM		1	

F

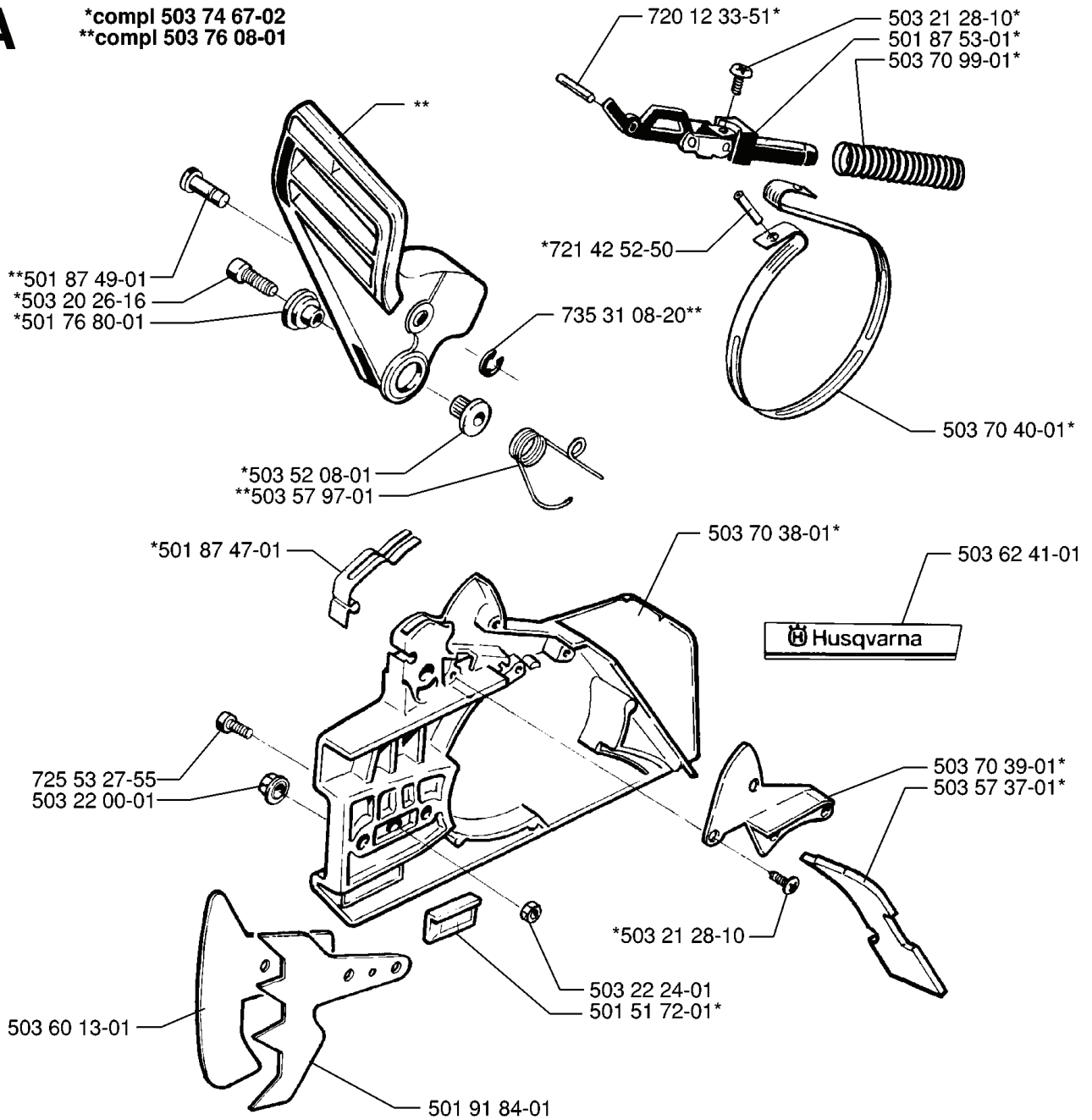
***compl 503 59 15-01 (SA, DF)**



REF.	PART NO.	DESCRIPTION	REMARK	QTY.	KIT
5035915-01	503591501	MUFFLER ASSY	SA,DF	1	
5032190-08	503219008	SCREW CCRPANM		1	
5030783-01	503078301	EXHAUST DUCT		1	
5034056-01	503405601	SPARK ARRESTER SCREEN		1	
5018179-01	501817901	BRACKET		1	
7255388-55	725538855	SCREW IHSCM		1	
5032002-16	503200216	SCREW IHSCFM		1	

A

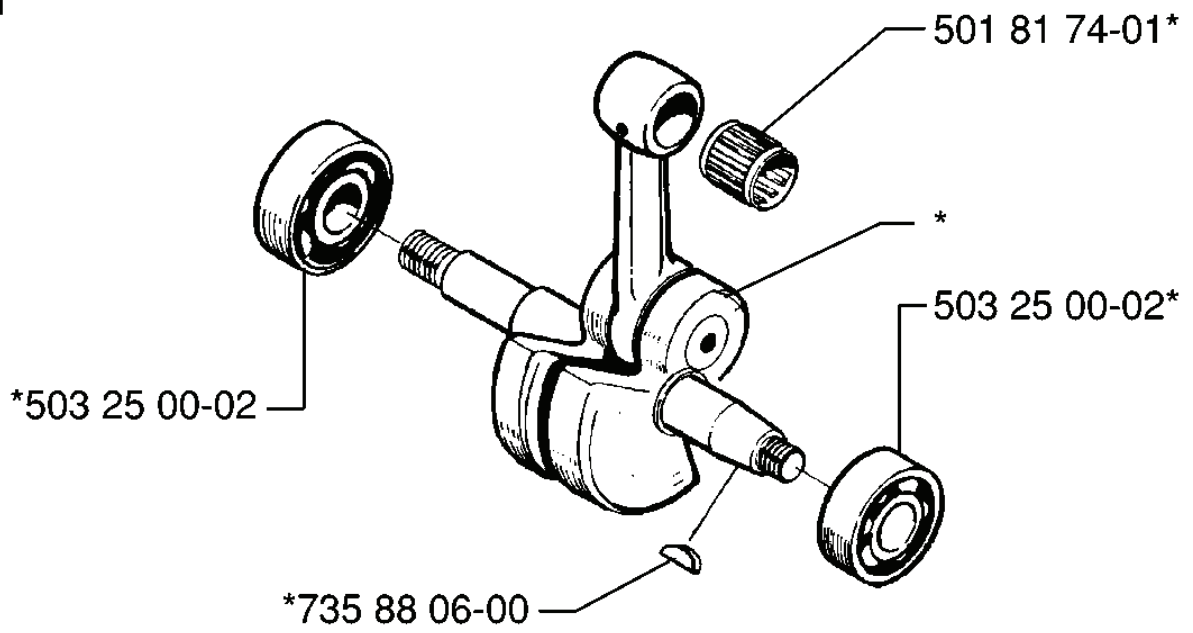
*compl 503 74 67-02
**compl 503 76 08-01



REF.	PART NO.	DESCRIPTION	REMARK	QTY.	KIT
503 74 67-02	503746702	CHAIN BRAKE ASSY		1	
503 76 08-01	503760801	HAND GUARD ASSY		1	
501 87 49-01	501874901	PIVOT PIN		1	
503 20 26-16	503202616	SCREW IHSCM		1	
501 76 80-01	501768001	SHAFT		1	
503 52 08-01	503520801	SHAFT		1	
503 57 97-01	503579701	POSITION SPRING		1	
501 87 47-01	501874701	SPRING		1	
725 53 27-55	725532755	SCREW IHSCM		1	
503 22 00-01	503220001	HEXAGON NUT		1	
503 60 13-01	503601301	SPIKE		1	
501 91 84-01	501918401	SPIKE		1	
501 51 72-01	501517201	CHAIN GUIDE		1	
503 22 24-01	503222401	LOCK NUT		1	
503 21 28-10	503212810	SCREW CCRPANT		1	
503 57 37-01	503573701	CHIP GUARD		1	
503 70 39-01	503703901	HUB CAP		1	
503 62 41-01	503624101	LABEL		1	
503 70 40-01	503704001	BRAKE BAND ASSY		1	
503 70 38-01	503703801	CLUTCH COVER		1	
735 31 08-20	735310820	E-CLIP		1	
721 42 52-50	721425250	SPRING PIN		1	
503 70 99-01	503709901	BRAKE SPRING		1	
501 87 53-01	501875301	KNEE JOINT ASSY		1	
720 12 33-51	720123351	PARALLEL PIN		1	

H

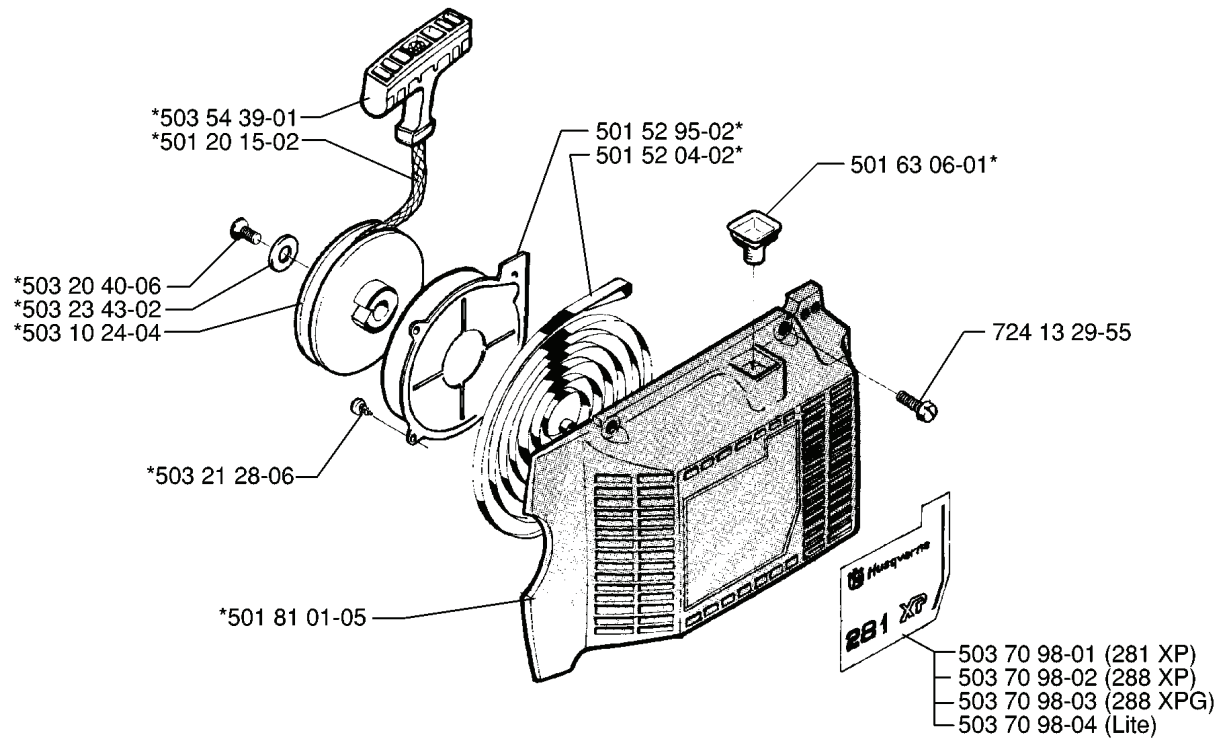
***compl 501 81 49-01**



REF.	PART NO.	DESCRIPTION	REMARK	QTY.	KIT
5018149-01	501814901	CRANKSHAFT ASSY		1	
5032500-02	503250002	BALL BEARING		1	
7358806-00	735880600	WOODRUFF KEY		1	
5018174-01	501817401	NEEDLE BEARING		1	

M

*compl 501 81 00-06

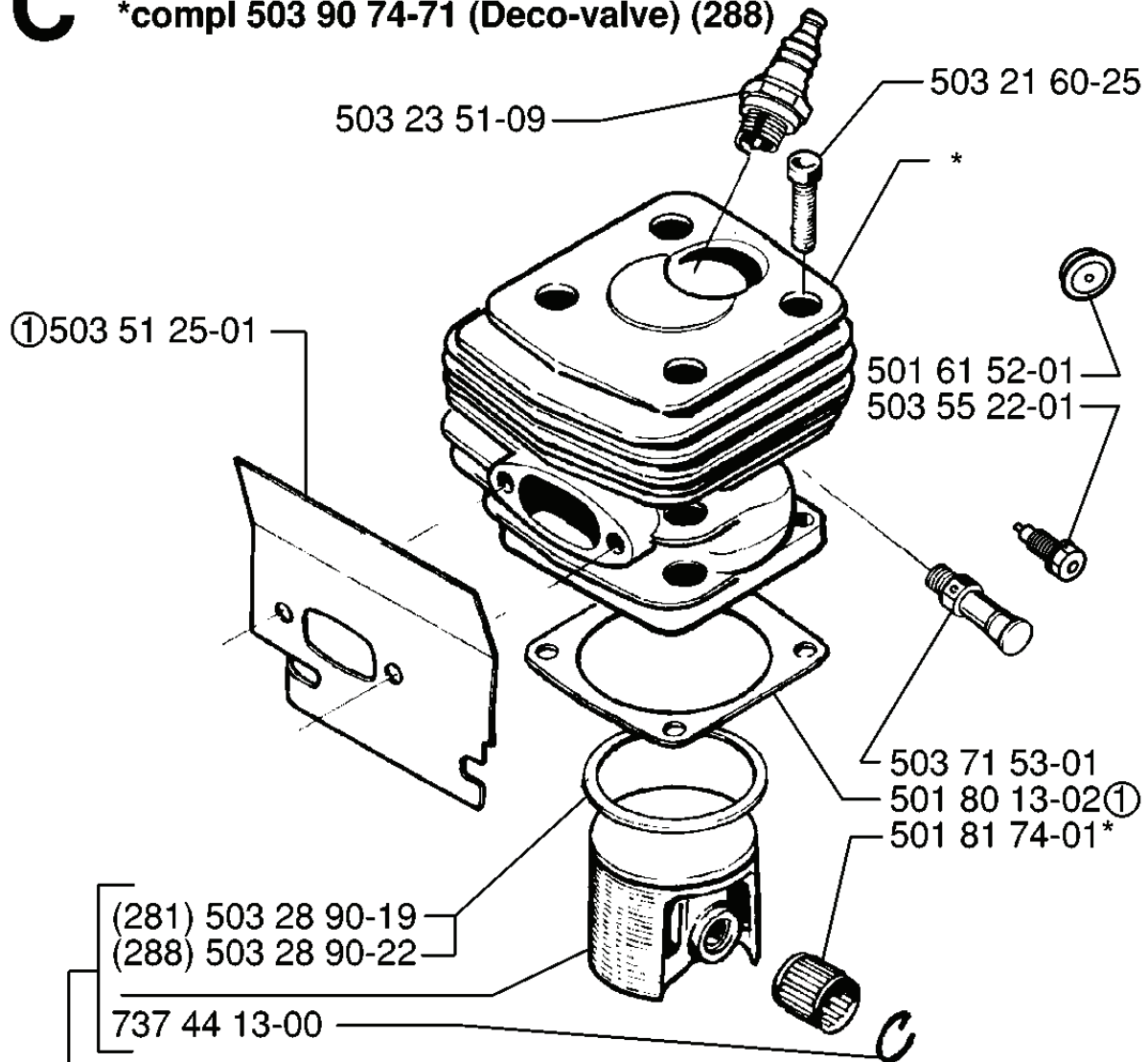


REF.	PART NO.	DESCRIPTION	REMARK	QTY.	KIT
5018100-06	501810006	STARTER ASSY		1	
5035439-01	503543901	STARTER HANDLE		1	
5012015-02	501201502	STARTER ROPE		1	
5032040-06	503204006	SCREW SLCSFM		1	
5032343-02	503234302	WASHER		1	
5031024-04	503102404	STARTER PULLEY		1	
5032128-06	503212806	SCREW CCRPANT		1	
5018101-05	501810105	STARTER HOUSING		1	
5037098-04	503709804	LABEL	LITE	1	
5037098-03	503709803	DECAL	288 XPG	1	
5037098-02	503709802	DECAL	288 XP	1	
5037098-01	503709801	DECAL	281 XP	1	
7241329-55	724132955	SCREW		1	
5016306-01	501630601	SLEEVE		1	
5015204-02	501520402	RECOIL SPRING		1	
5015295-02	501529502	GUARD RING		1	

C

*compl 503 50 29-01 (281)

*compl 503 90 74-71 (Deco-valve) (288)



compl 503 50 27-02 (281)

compl 503 50 60-02 (288)

REF.	PART NO.	DESCRIPTION	REMARK	QTY.	KIT
503 50 29-01	503502901	CYLINDER ASSY	281	1	
503 90 74-71	503907471	CYLINDER ASSY	DECO-VALVE 288	1	
503 23 51-09	503235109	SPARK PLUG		1	
503 51 25-01	503512501	HEAT DEFLECTOR		1	
503 28 90-19	503289019	PISTON RING	281	1	
503 28 90-22	503289022	PISTON RING	288	1	
737 44 13-00	737441300	CIRCLIP		1	
503 50 27-02	503502702	PISTON ASSY	281	1	
503 50 60-02	503506002	PISTON ASSY	288	1	
501 81 74-01	501817401	NEEDLE BEARING		1	
501 80 13-02	501801302	GASKET		1	
503 71 53-01	503715301	DECOMPRESSION VALVE		1	
503 55 22-01	503552201	PLUG		1	
501 61 52-01	501615201	PLUG		1	
503 21 60-25	503216025	SCREW		1	