

3120, 19900100001-19942300000

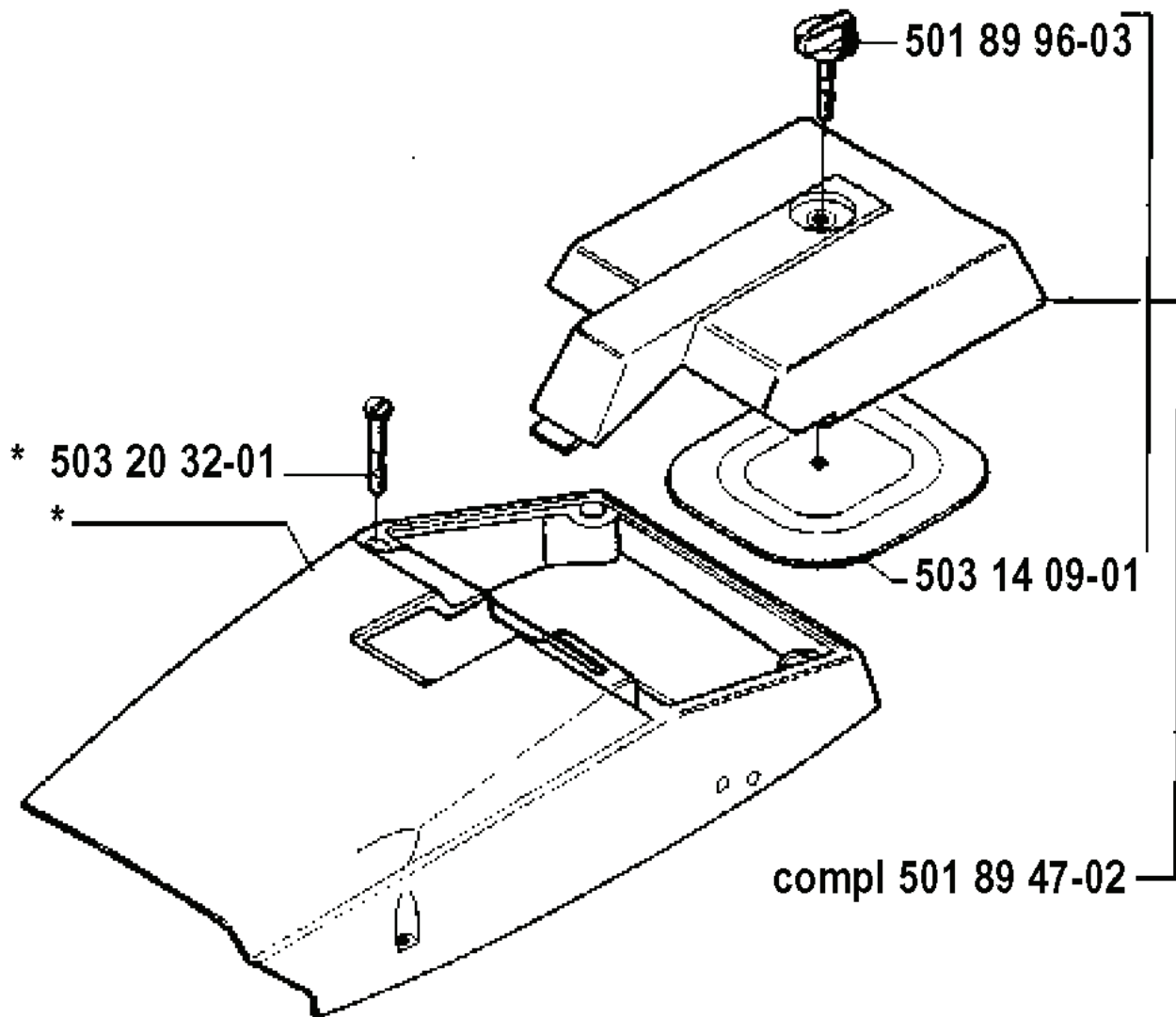
---

# **SPARE PARTS LIST**

**B**

\* compl 501 89 44-01

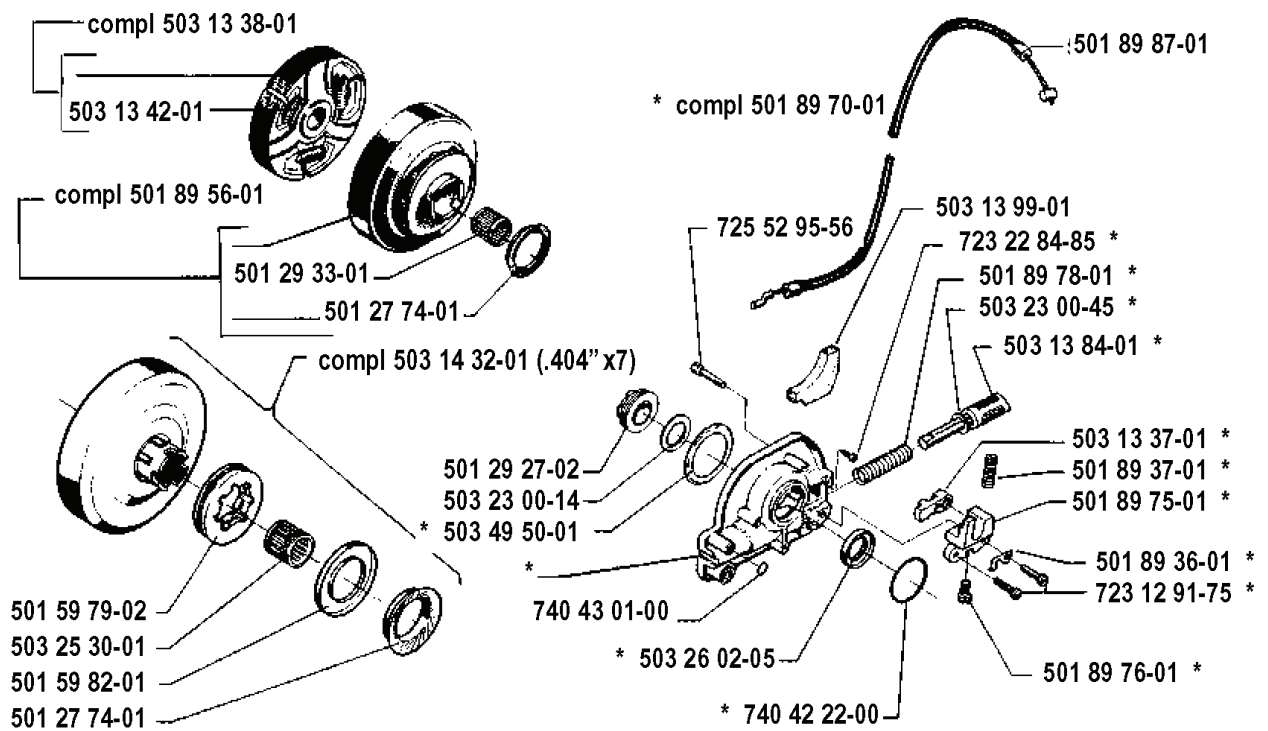
\* compl 501 89 44-02 USA



---

REF.	PART NO.	DESCRIPTION	REMARK	QTY.	KIT
501 89 44-01	501894401	CYLINDER COVER ASSY		1	
501 89 44-02	501894402	CYLINDER COVER ASSY	USA	1	
503 20 32-01	503203201	SCREW CCRPANMO		1	
501 89 47-02	501894702	FILTER COVER ASSY		1	
503 14 09-01	503140901	FILTER COVER		1	
501 89 96-03	501899603	KNOB		1	

# K



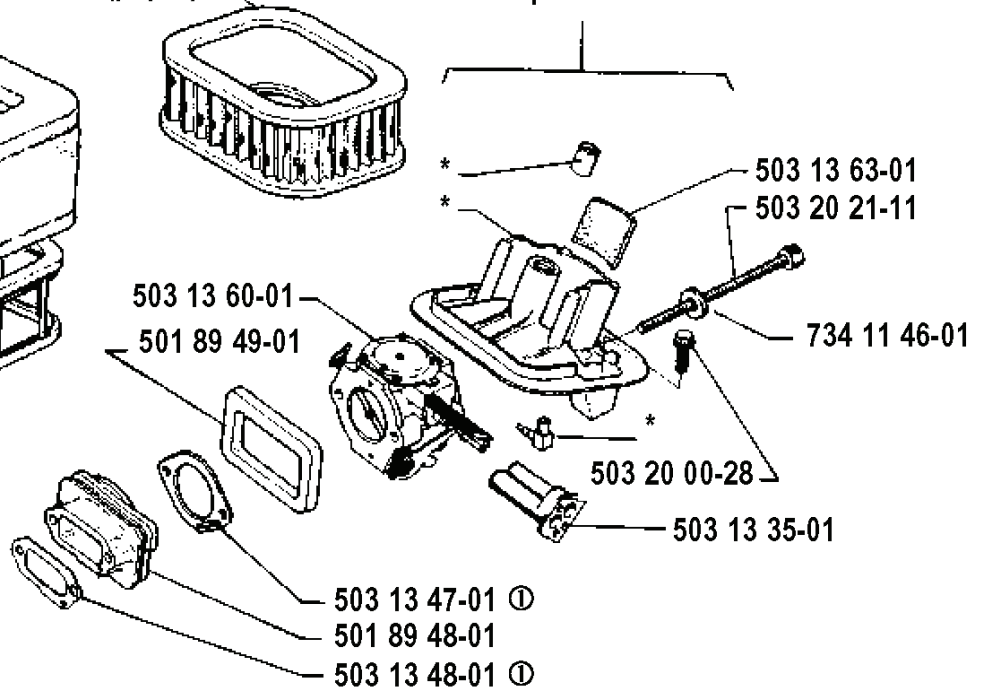
REF.	PART NO.	DESCRIPTION	REMARK	QTY.	KIT
503 13 38-01	503133801	CLUTCH ASSY		1	
503 13 42-01	503134201	CLUTCH SPRING		1	
501 89 56-01	501895601	CLUTCH DRUM ASSY		1	
501 59 79-02	501597902	RIM		1	
503 25 30-01	503253001	NEEDLE BEARING		1	
501 59 82-01	501598201	SEALING		1	
740 42 22-00	740422200	O-RING		1	
503 26 02-05	503260205	SEALING RING		1	
740 43 01-00	740430100	O-RING		1	
503 49 50-01	503495001	DUST COVER		1	
503 23 00-14	503230014	WASHER		1	
501 29 27-02	501292702	GEAR WHEEL ASSY		1	
503 14 32-01	503143201	CLUTCH DRUM ASSY	.404 X7	1	
501 27 74-01	501277401	V-RING		1	
501 29 33-01	501293301	NEEDLE BEARING		1	
501 89 70-01	501897001	OIL PUMP ASSY		1	
725 52 95-56	725529556	SCREW IHSCM		1	
501 89 76-01	501897601	ADJUSTMENT SCREW		1	
723 12 91-75	723129175	SCREW SLCHM		1	
501 89 36-01	501893601	LOCKING SPRING		1	
501 89 75-01	501897501	BRACKET		1	
501 89 37-01	501893701	SPRING		1	
503 13 37-01	503133701	LEVER		1	
503 13 84-01	503138401	PUMP PISTON		1	
503 23 00-45	503230045	WASHER		1	
501 89 78-01	501897801	RECOIL SPRING		1	
723 22 84-85	723228485	SCREW SLPANM		1	
503 13 99-01	503139901	SEALING		1	
501 89 87-01	501898701	WIRE ASSY		1	

**D**  
503 14 18-02  
(FOAM)

503 14 16-01

503 14 42-01 (paper)

\* compl 501 89 90-01

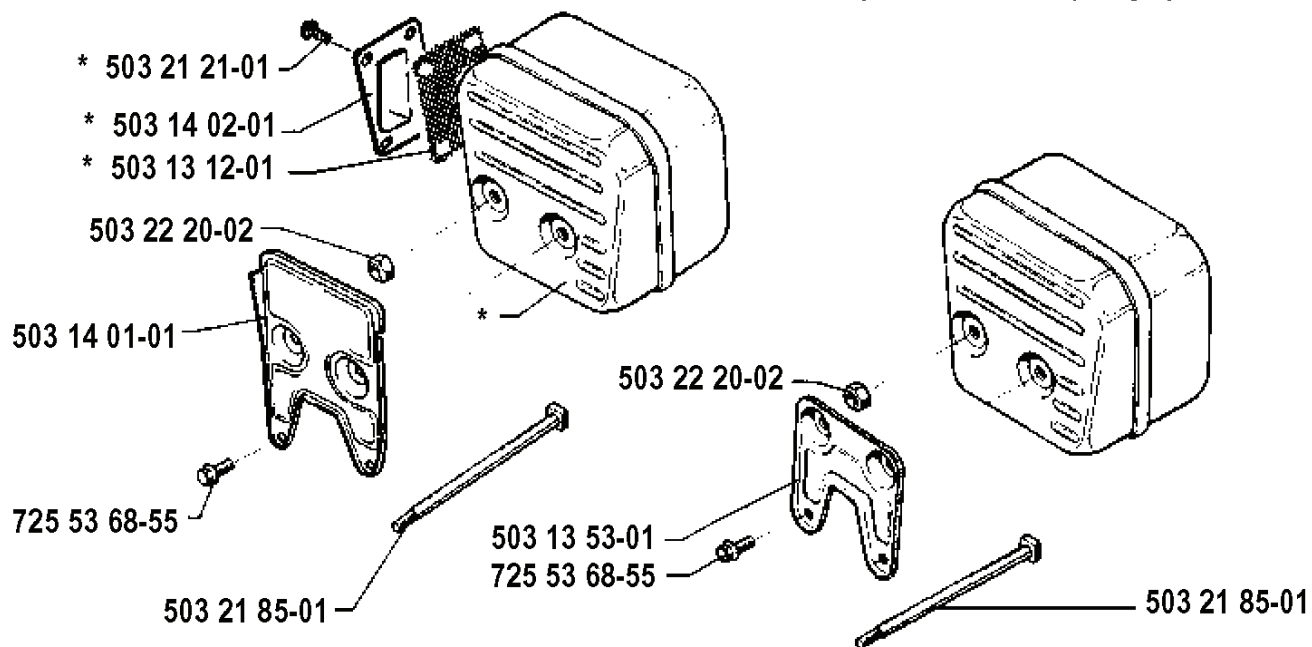


REF.	PART NO.	DESCRIPTION	REMARK	QTY.	KIT
503 14 18-02	503141802	AIR FILTER	FOAM	1	
503 14 16-01	503141601	AIR FILTER HOLDER		1	
503 13 48-01	503134801	GASKET		1	
501 89 48-01	501894801	INLET PIPE		1	
503 13 47-01	503134701	GASKET		1	
501 89 49-01	501894901	SEALING		1	
503 13 60-01	503136001	CARBURETTOR		1	
503 14 42-01	503144201	AIR FILTER	PAPER	1	
501 89 90-01	501899001	FILTER HOLDER ASSY		1	
503 20 00-28	503200028	SCREW EHHFM		1	
503 13 35-01	503133501	SLEEVE		1	
734 11 46-01	734114601	WASHER		1	
503 20 21-11	503202111	SCREW		1	
503 13 63-01	503136301	FILTER UNIT		1	



**G** \* compl 503 14 28-01 FF

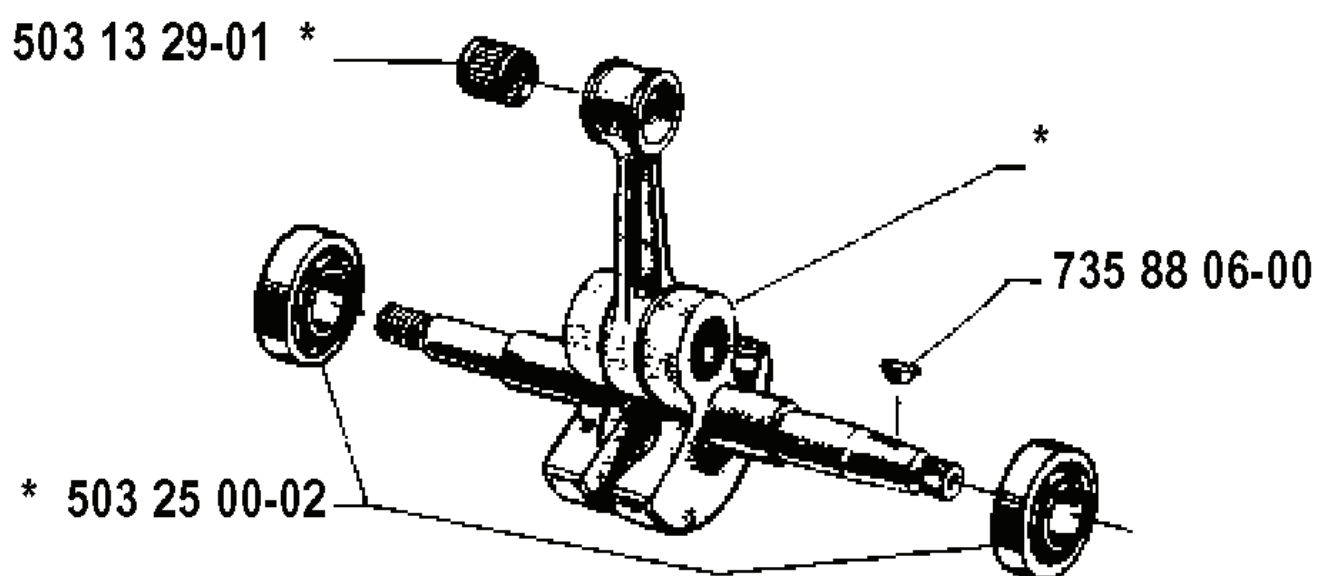
compl 503 14 30-01 (Jungle)



---

REF.	PART NO.	DESCRIPTION	REMARK	QTY.	KIT
503 14 28-01	503142801	MUFFLER ASSY	FF	1	
503 21 21-01	503212101	SCREW ITPANT		1	
503 14 02-01	503140201	EXHAUST DUCT		1	
503 13 12-01	503131201	SCREEN		1	
503 22 20-02	503222002	LOCK NUT		1	
503 14 01-01	503140101	SUPPORT		1	
725 53 68-55	725536855	SCREW IHSCM		1	
503 13 53-01	503135301	SUPPORT		1	
503 21 85-01	503218501	SCREW		1	
503 14 30-01	503143001	MUFFLER ASSY	JUNGLE	1	

**H** \* compl 503 14 20-01



---

REF.	PART NO.	DESCRIPTION	REMARK	QTY.	KIT
503 14 20-01	503142001	CRANKSHAFT ASSY		1	
503 13 29-01	503132901	NEEDLE HOLDER		1	
503 25 00-02	503250002	BALL BEARING		1	
735 88 06-00	735880600	WOODRUFF KEY		1	

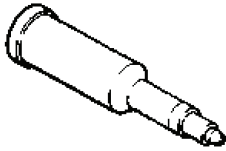
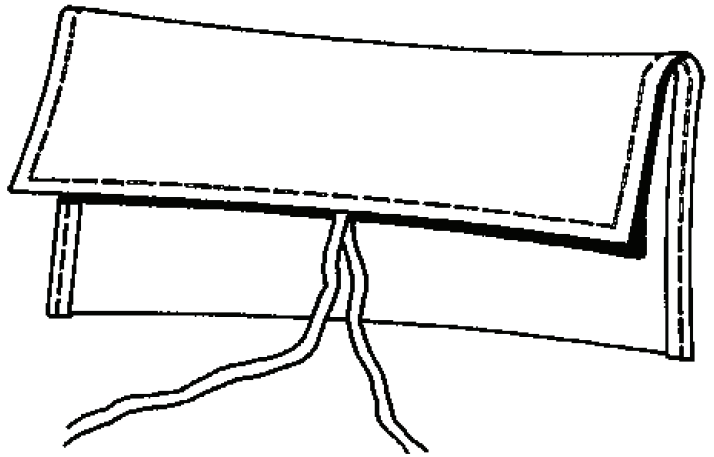
**S**



950 26 71-09



502 50 33-01



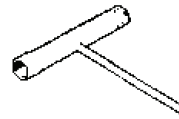
501 91 14-01



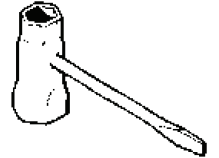
503 08 54-01



501 60 02-02



501 68 89-01



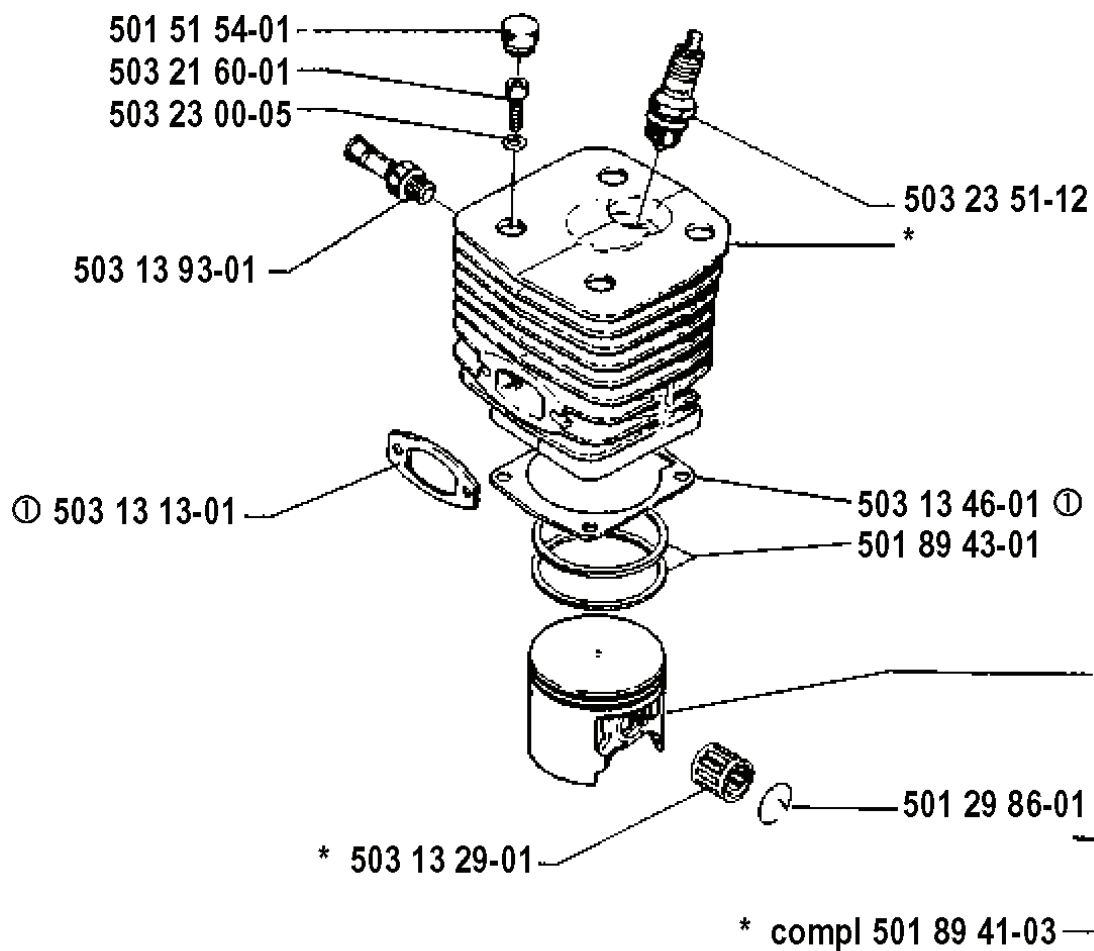
503 13 96-01

---

REF.	PART NO.	DESCRIPTION	REMARK	QTY.	KIT
950 26 71-09	950267109	SPANNER		1	
501 91 14-01	501911401	GREASE GUN		1	
503 08 54-01	503085401	GREASE		1	
502 50 33-01	502503301	PISTON STOP		1	
501 60 02-02	501600202	SCREWDRIVER		1	
501 68 89-01	501688901	COMBINATION WRENCH		1	
503 13 96-01	503139601	COMBINATION WRENCH		1	

**C**

\* compl 501 89 39-71

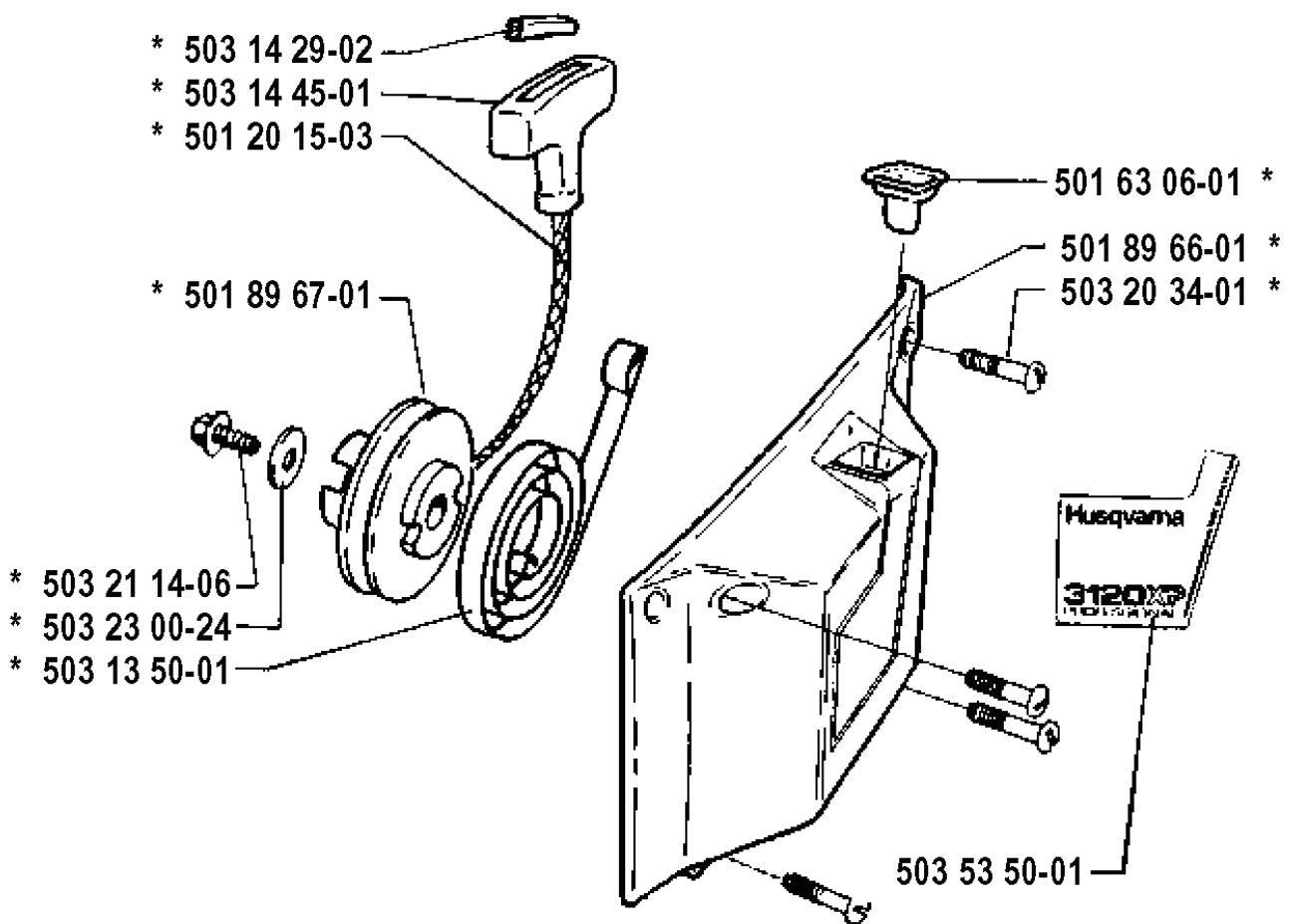


---

REF.	PART NO.	DESCRIPTION	REMARK	QTY.	KIT
5018939-71	501893971	CYLINDER ASSY		1	
5015154-01	501515401	SUPPORT		1	
5032160-01	503216001	SCREW		1	
5032300-05	503230005	WASHER		1	
5031393-01	503139301	VALVE		1	
5031313-01	503131301	GASKET		1	
5031329-01	503132901	NEEDLE HOLDER		1	
5018941-03	501894103	PISTON ASSY		1	
5012986-01	501298601	LOCK RING		1	
5018943-01	501894301	PISTON RING		1	
5031346-01	503134601	GASKET		1	
5032351-12	503235112	SPARK PLUG		1	



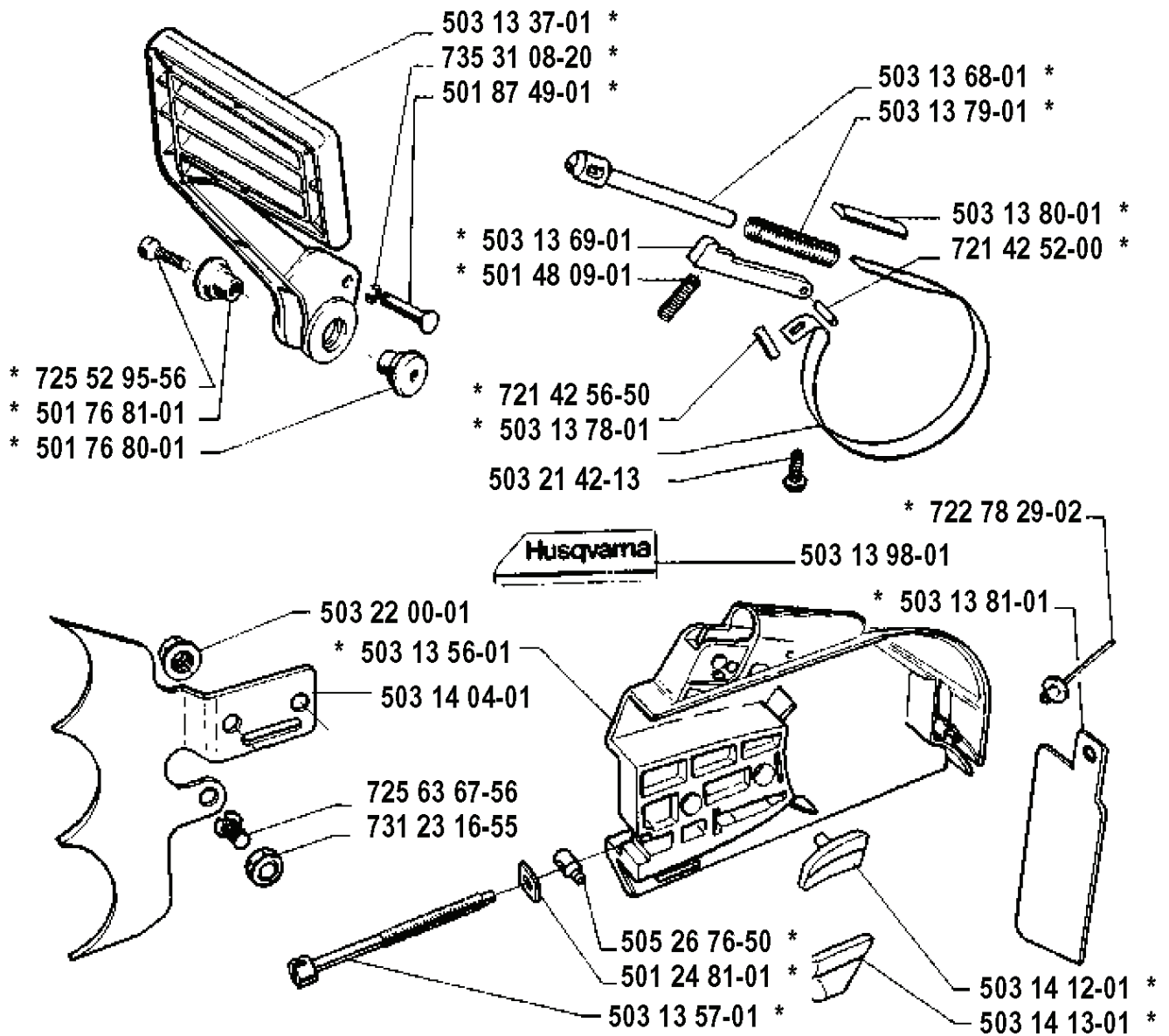
**N** \* compl 501 89 65-02



---

REF.	PART NO.	DESCRIPTION	REMARK	QTY.	KIT
501 89 65-02	501896502	STARTER ASSY		1	
503 14 29-02	503142902	WASHER		1	
503 14 45-01	503144501	STARTER HANDLE		1	
501 20 15-03	501201503	STARTER ROPE		1	
501 89 67-01	501896701	STARTER PULLEY		1	
503 21 14-06	503211406	SCREW EHHFT		1	
503 23 00-24	503230024	WASHER		1	
503 13 50-01	503135001	RECOIL SPRING		1	
503 53 50-01	503535001	DECAL		1	
503 20 34-01	503203401	SCREW CCRPANMO		1	
501 89 66-01	501896601	STARTER HOUSING		1	
501 63 06-01	501630601	SLEEVE		1	

**A** \* compl 503 13 55-02



REF.	PART NO.	DESCRIPTION	REMARK	QTY.	KIT
503 1355-02	503135502	CLUTCH COVER ASSY		1	
503 1337-01	503133701	LEVER		1	
735 3108-20	735310820	E-CLIP		1	
501 8749-01	501874901	PIVOT PIN		1	
503 1369-01	503136901	LATCH		1	
501 4809-01	501480901	LOCKING SPRING		1	
721 4256-50	721425650	SPRING PIN		1	
503 1378-01	503137801	BRAKE BAND		1	
503 2142-13	503214213	SCREW CCRPANT		1	
725 5295-56	725529556	SCREW IHSCM		1	
501 7681-01	501768101	SHAFT		1	
501 7680-01	501768001	SHAFT		1	
503 2200-01	503220001	HEXAGON NUT		1	
503 1356-01	503135601	CLUTCH COVER		1	
503 1404-01	503140401	SPIKE		1	
725 6367-56	725636756	SCREW IHCSFM		1	
731 2316-55	731231655	HEXAGON NUT		1	
505 2676-50	505267650	PAWL		1	
501 2481-01	501248101	LOCK NUT		1	
503 1357-01	503135701	SCREW		1	
503 1413-01	503141301	CHAIN GUIDE		1	
503 1412-01	503141201	CHAIN GUIDE		1	
503 1381-01	503138101	CHIP GUARD		1	
503 1398-01	503139801	DECAL		1	
722 7829-02	722782902	BLIND RIVET		1	
721 4252-00	721425200	SPRING PIN		1	
503 1380-01	503138001	GUIDE		1	
503 1379-01	503137901	BRAKE SPRING		1	
503 1368-01	503136801	PULL ROD		1	

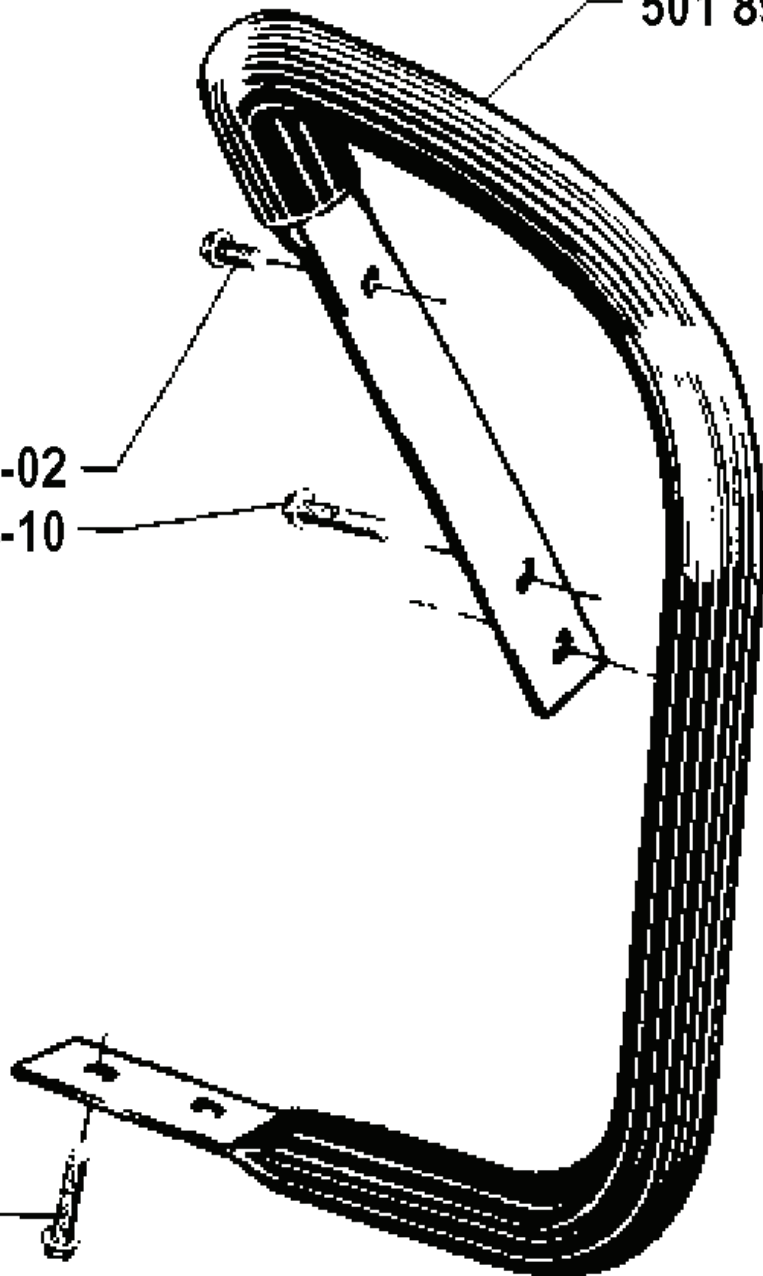
**J**

501 89 34-02

503 20 00-02

503 21 14-10

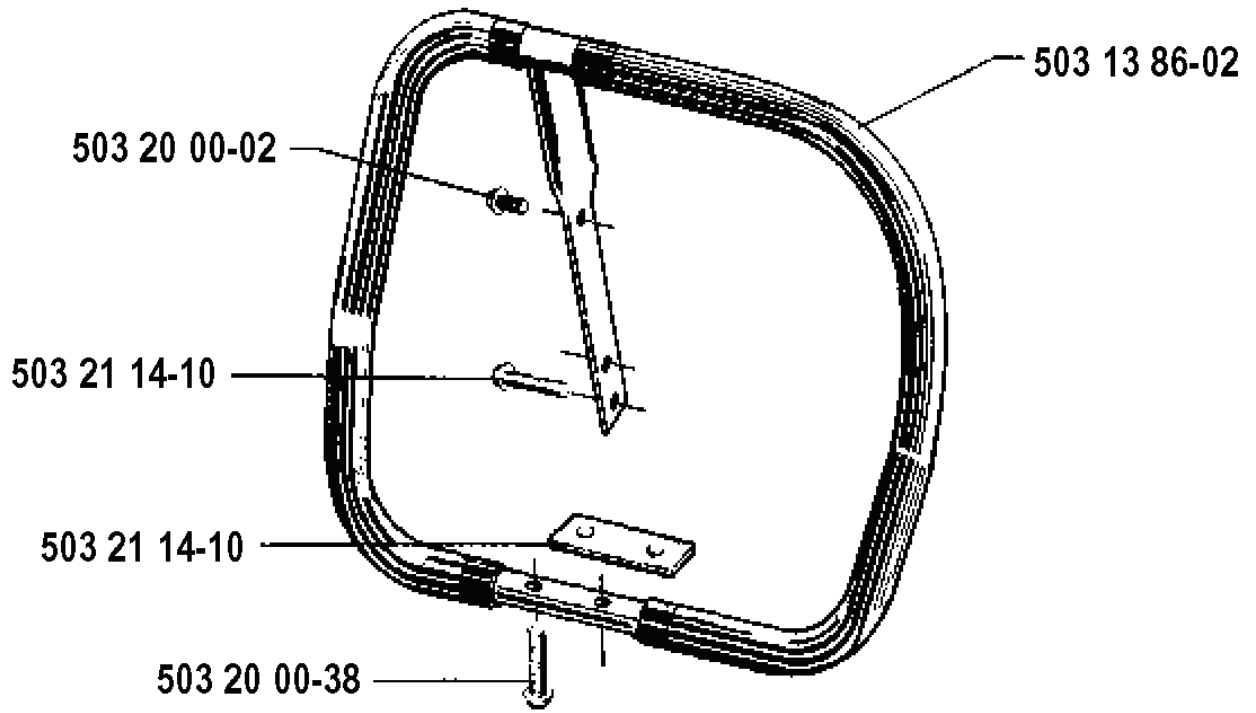
503 20 00-37



---

REF.	PART NO.	DESCRIPTION	REMARK	QTY.	KIT
503 20 00-02	503200002	SCREW EHHFM		1	
503 21 14-10	503211410	SCREW		1	
503 20 00-37	503200037	SCREW EHHFM		1	
501 89 34-02	501893402	FRONT HANDLE ASSY		1	

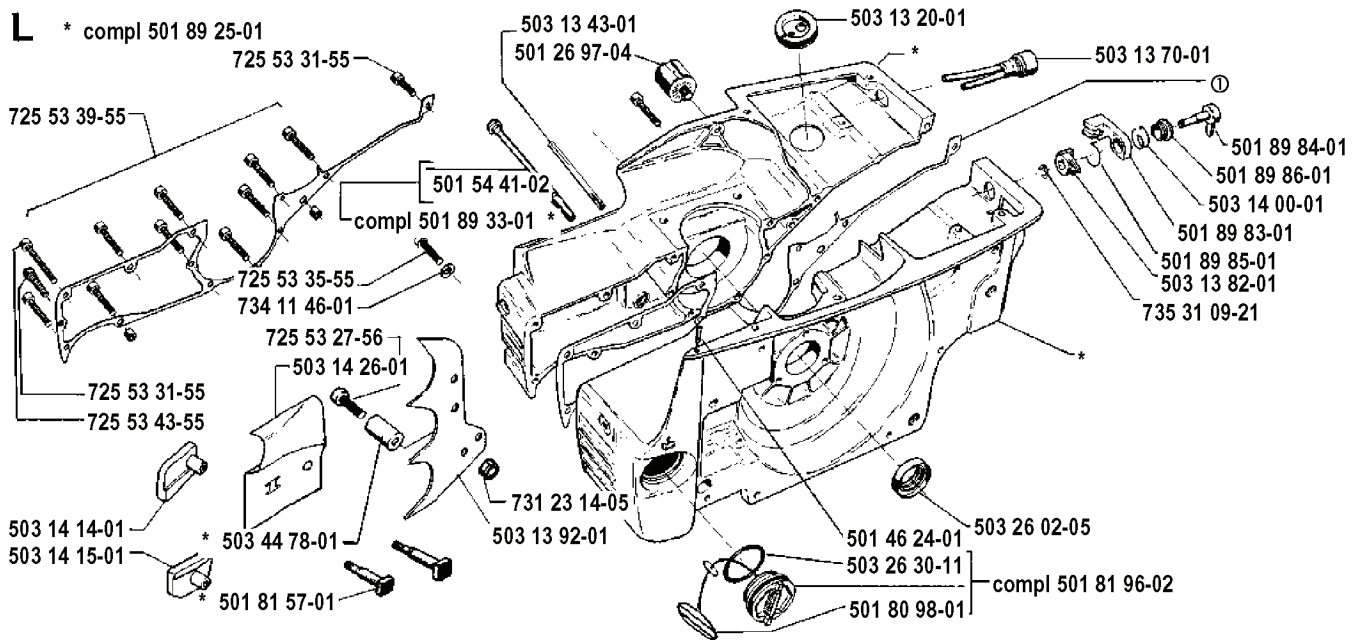
**R**



---

REF.	PART NO.	DESCRIPTION	REMARK	QTY.	KIT
503 20 00-02	503200002	SCREW EHHFM		1	
503 21 14-10	503211410	SCREW		1	
503 20 00-38	503200038	SCREW EHHFM		1	
503 13 86-02	503138602	HANDLE WRAP AROUND ASSY		1	

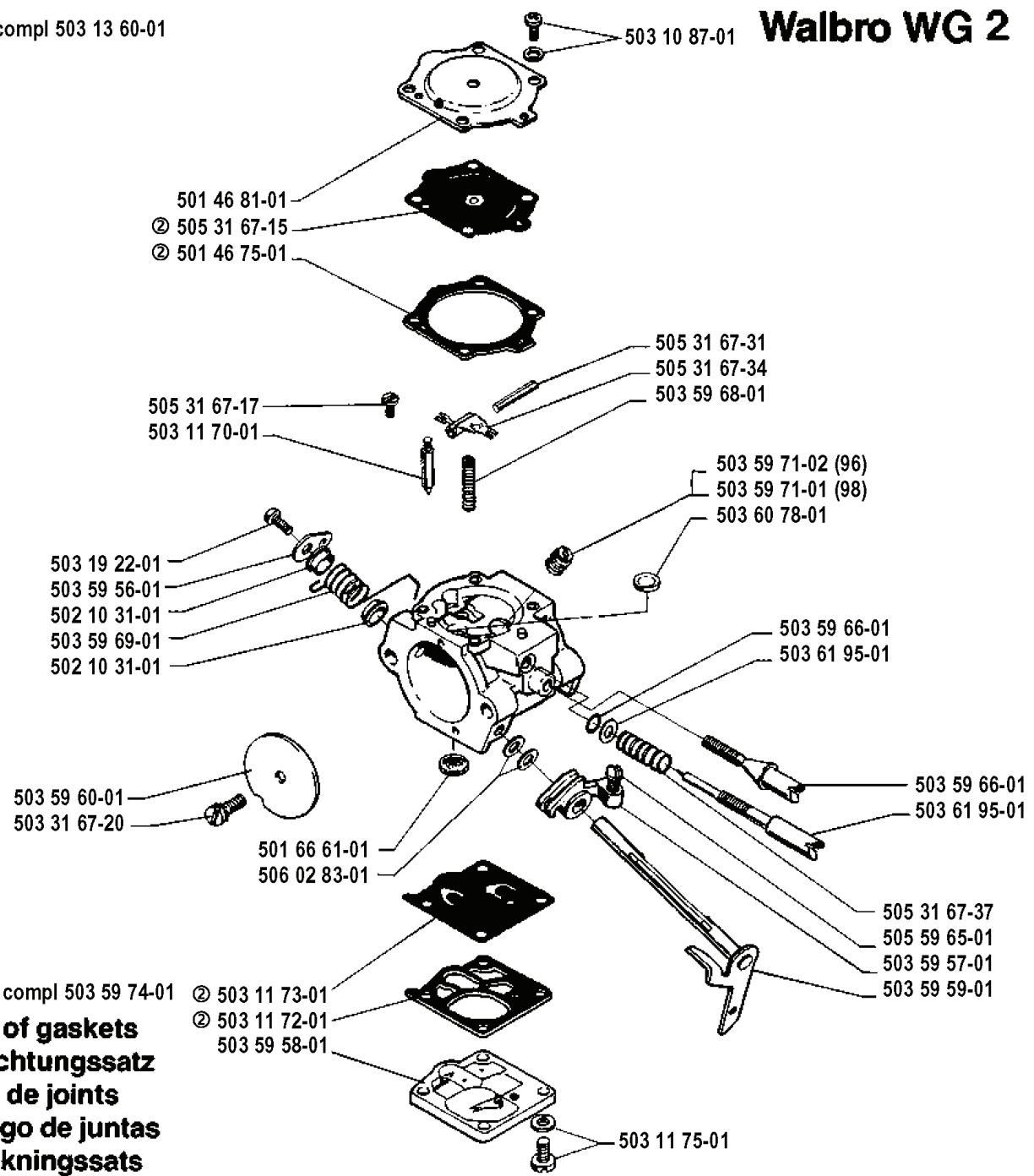




REF.	PART NO.	DESCRIPTION	REMARK	QTY.	KIT
5018925-01	501892501	CRANKCASE		1	
7255331-55	725533155	SCREW IHSCM		1	
7255339-55	725533955	SCREW IHSCM		1	
7255343-55	725534355	SCREW IHSCM		1	
5031414-01	503141401	CHAIN GUIDE		1	
5031415-01	503141501	CHAIN GUIDE		1	
5018157-01	501815701	BAR BOLT		1	
5034478-01	503447801	SLEEVE		1	
5031426-01	503142601	PROTECTIVE PLATE		1	
7255327-56	725532756	SCREW IHSCM		1	
7341146-01	734114601	WASHER		1	
7255335-55	725533555	SCREW IHSCM		1	
5031343-01	503134301	TANK VENT		1	
5012697-04	501269704	ANTIVIBRATION ELEMENT		1	
5015441-02	501544102	OIL SCREEN		1	
5018933-01	501893301	OIL HOSE		1	
7312314-05	731231405	HEXAGON NUT		1	
5031392-01	503139201	SPIKE		1	
5018098-01	501809801	HOLDER		1	
5032630-11	503263011	O-RING		1	
5014624-01	501462401	GROOVED PIN		1	
5032602-05	503260205	SEALING RING		1	
5018196-02	501819602	TANK CAP ASSY		1	
7353109-21	735310921	E-CLIP		1	
5031382-01	503138201	DRAW LEVER		1	
5018985-01	501898501	SPRING		1	
5018983-01	501898301	BRACKET		1	
5031400-01	503140001	SPRING		1	
5018986-01	501898601	SCREW		1	
5018984-01	501898401	KNOB		1	
5031370-01	503137001	PRIMER		1	
5031320-01	503132001	GROMMET		1	

**P** \* compl 503 13 60-01

# Walbro WG 2



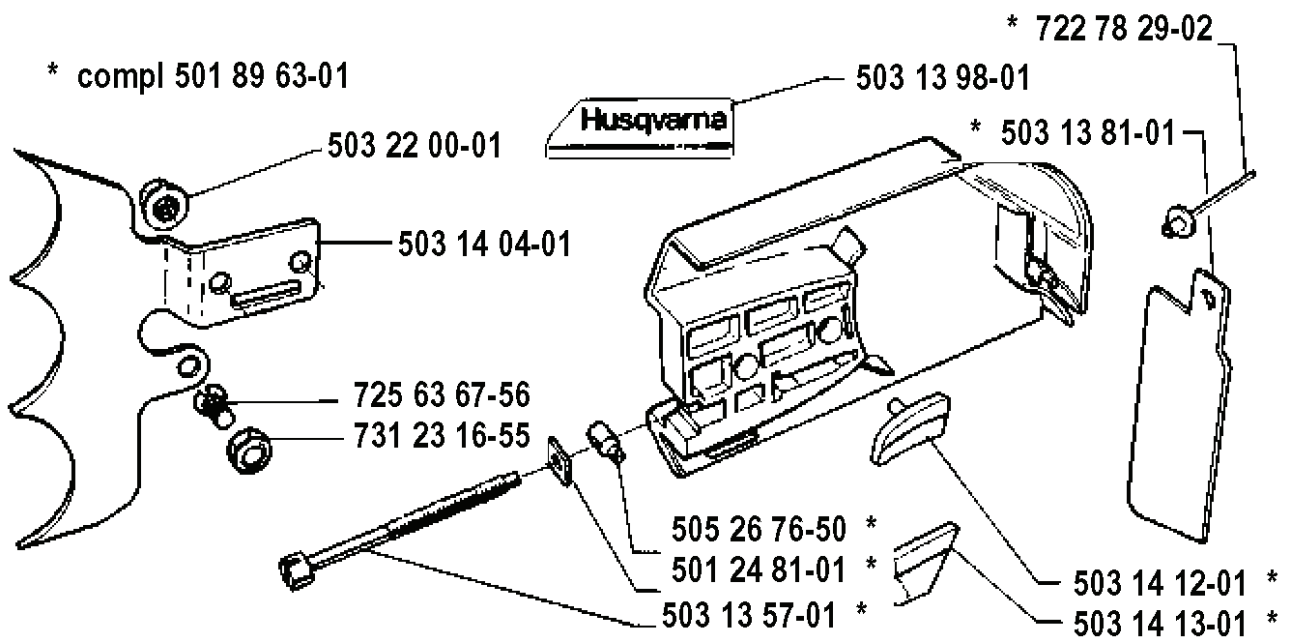
Ⓢ compl 503 59 74-01

**Set of gaskets**  
**Dischtungssatz**  
**Jeu de joints**  
**Juego de juntas**  
**Packningssats**

REF.	PART NO.	DESCRIPTION	REMARK	QTY.	KIT
503 1360-01	503136001	CARBURETTOR		1	
501 46 81-01	501468101	COVER		1	
505 31 67-15	505316715	DIAPHRAGM ASSY	503 59 74-01 SET OF GASKETS	1	
501 46 75-01	501467501	GASKET	503 59 74-01 SET OF GASKETS	1	
505 31 67-17	505316717	SCREW		1	
503 11 70-01	503117001	NEEDLE VALVE		1	
503 19 22-01	503192201	SCREW PAN HD(M2.5X5)		1	
503 59 56-01	503595601	LEVER		1	
502 10 31-01	502103101	BUSHING		1	
503 59 69-01	503596901	SPRING THROTT RETURN		1	
503 59 60-01	503596001	VALVE THROTTLE		1	
503 31 67-20	503316720			1	
501 66 61-01	501666101	SCREEN		1	
506 02 83-01	506028301	WASHER		1	
503 11 73-01	503117301	DIAPHRAGM PUMP	503 59 74-01 SET OF GASKETS	1	
503 11 72-01	503117201	GASKET	503 59 74-01 SET OF GASKETS	1	
503 59 58-01	503595801	COVER		1	
503 11 75-01	503117501	SCREW		1	
503 59 59-01	503595901	SHAFT ASSY		1	
503 59 57-01	503595701	LEVER		1	
505 59 65-01	505596501	SELF LOCK NUT		1	
505 31 67-37	505316737	SPRING		1	
503 61 95-01	503619501	NEEDLE IDLE SPEED		1	
503 59 66-01	503596601	SCREW IDLE SPEED		1	
503 60 78-01	503607801	PLUG WELCH		1	
503 59 71-01	503597101	JET	98	1	
503 59 71-02	503597102	JET	96	1	
503 59 68-01	503596801	SPRING METER G LEVER		1	
505 31 67-34	505316734	LEVER		1	
505 31 67-31	505316731	PIN		1	
503 10 87-01	503108701	SCREW		1	

**F**

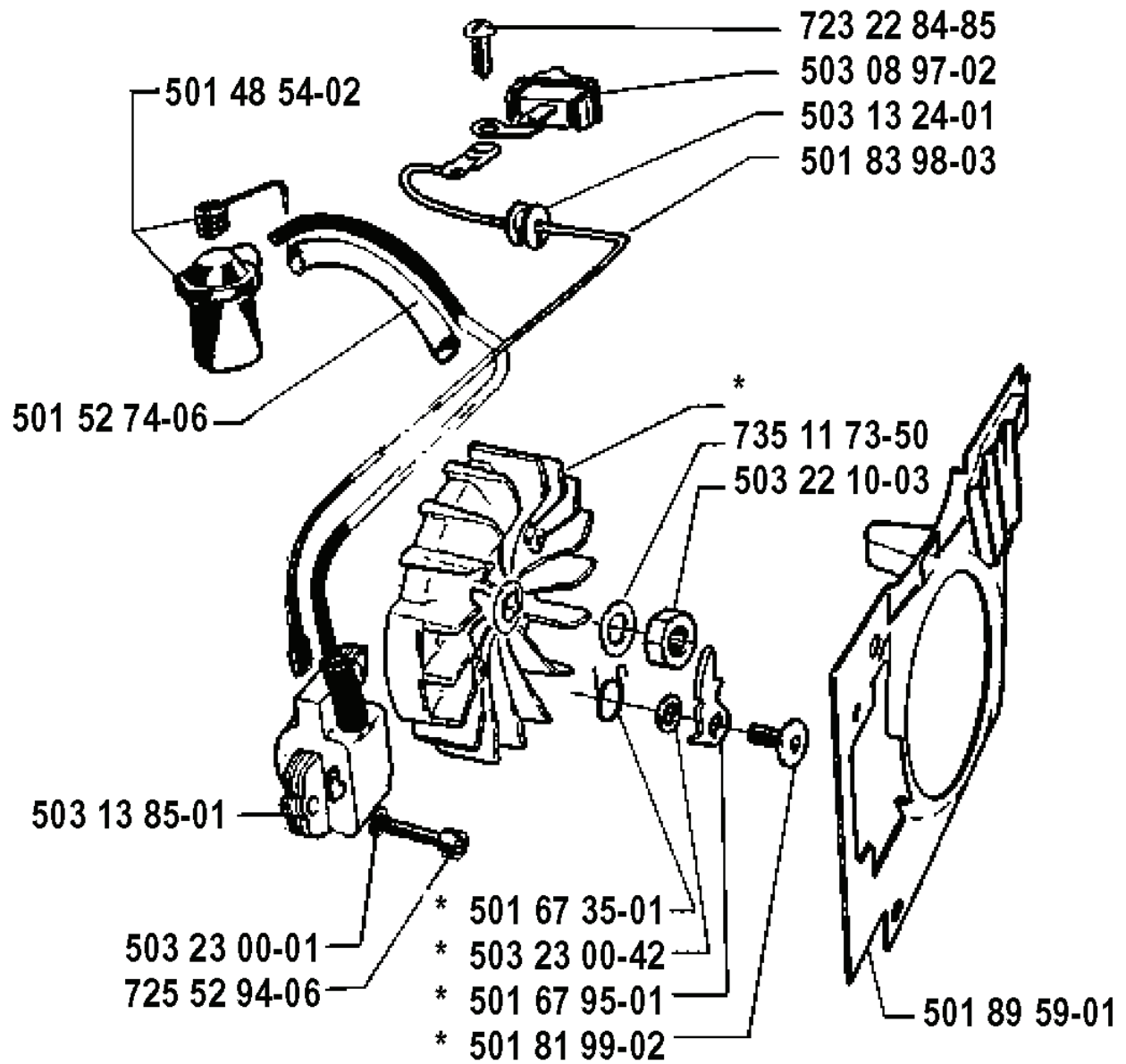
\* compl 501 89 63-01



---

REF.	PART NO.	DESCRIPTION	REMARK	QTY.	KIT
5018963-01	501896301	CLUTCH COVER ASSY		1	
5032200-01	503220001	HEXAGON NUT		1	
5031404-01	503140401	SPIKE		1	
7256367-56	725636756	SCREW IHCSFM		1	
7312316-55	731231655	HEXAGON NUT		1	
5052676-50	505267650	PAWL		1	
5012481-01	501248101	LOCK NUT		1	
5031357-01	503135701	SCREW		1	
5031413-01	503141301	CHAIN GUIDE		1	
5031412-01	503141201	CHAIN GUIDE		1	
5031381-01	503138101	CHIP GUARD		1	
5031398-01	503139801	DECAL		1	
7227829-02	722782902	BLIND RIVET		1	

**M** \* compl 501 89 50-01

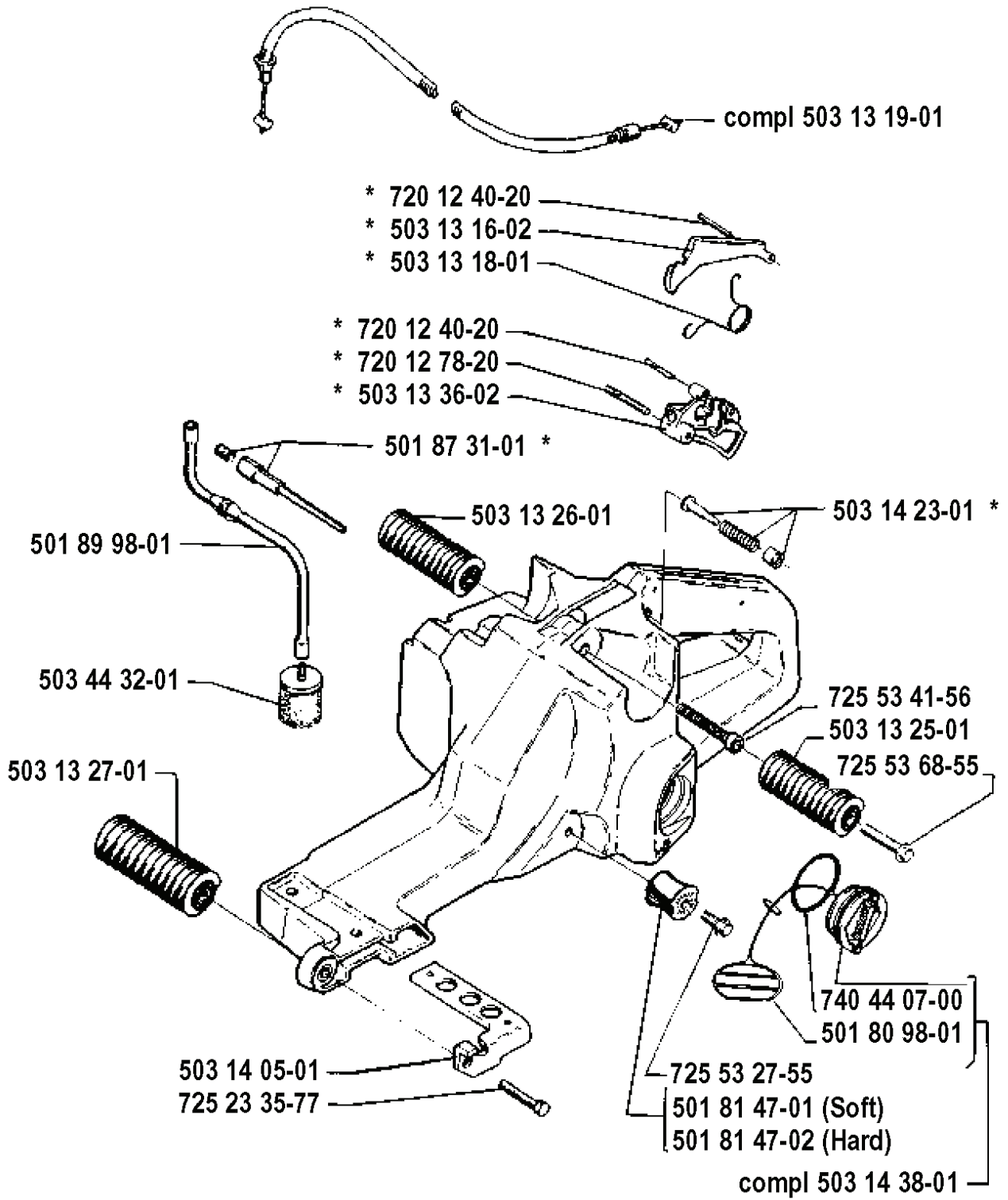


REF.	PART NO.	DESCRIPTION	REMARK	QTY.	KIT
5018950-01	501895001	FLYWHEEL ASSY		1	
5014854-02	501485402	SPARK PLUG CAP		1	
5015274-06	501527406	RUBBER HOSE		1	
5031385-01	503138501	ELECTRONIC MODULE		1	
5032300-01	503230001	WASHER		1	
7255294-06	725529406	SCREW		1	
5018199-02	501819902	SCREW		1	
5016795-01	501679501	PAWL		1	
5032300-42	503230042	WASHER		1	
5016735-01	501673501	SPRING		1	
5018959-01	501895901	LEDSKENA		1	
5032210-03	503221003	HEXAGON NUT		1	
7351173-50	735117350	SPRING WASHER		1	
5018398-03	501839803	CABLE		1	
5031324-01	503132401	CABLE GROMMET		1	
5030897-02	503089702	STOP SWITCH		1	
7232284-85	723228485	SCREW SLPANM		1	



# E

\* compl 503 14 21-02



REF.	PART NO.	DESCRIPTION	REMARK	QTY.	KIT
503 14 21-02	503142102	TANK UNIT ASSY		1	
503 13 16-02	503131602	THROTTLE LOCKOUT		1	
503 13 18-01	503131801	SPRING		1	
720 12 40-20	720124020	PARALLEL PIN		1	
720 12 78-20	720127820	PARALLEL PIN		1	
503 13 36-02	503133602	THROTTLE CONTROL ASSY		1	
501 87 31-01	501873101	TANK VENT ASSY		1	
503 13 26-01	503132601	ANTIVIBRATION ELEMENT		1	
501 89 98-01	501899801	FUEL HOSE		1	
503 44 32-01	503443201	FUEL FILTER		1	
503 13 27-01	503132701	ANTIVIBRATION ELEMENT		1	
503 14 05-01	503140501	BRACKET		1	
725 23 35-77	725233577	SCREW EHHM		1	
503 14 38-01	503143801	TANK CAP ASSY		1	
501 81 47-02	501814702	ANTIVIBRATION ELEMENT	HARD	1	
501 81 47-01	501814701	ANTIVIBRATION ELEMENT	SOFT	1	
725 53 27-55	725532755	SCREW IHSCM		1	
501 80 98-01	501809801	HOLDER		1	
740 44 07-00	740440700	O-RING		1	
725 53 68-55	725536855	SCREW IHSCM		1	
503 13 25-01	503132501	ANTIVIBRATION ELEMENT		1	
725 53 41-56	725534156	SCREW IHSCM		1	
503 14 23-01	503142301	PIN		1	
503 13 19-01	503131901	THROTTLE CABLE ASSY		1	