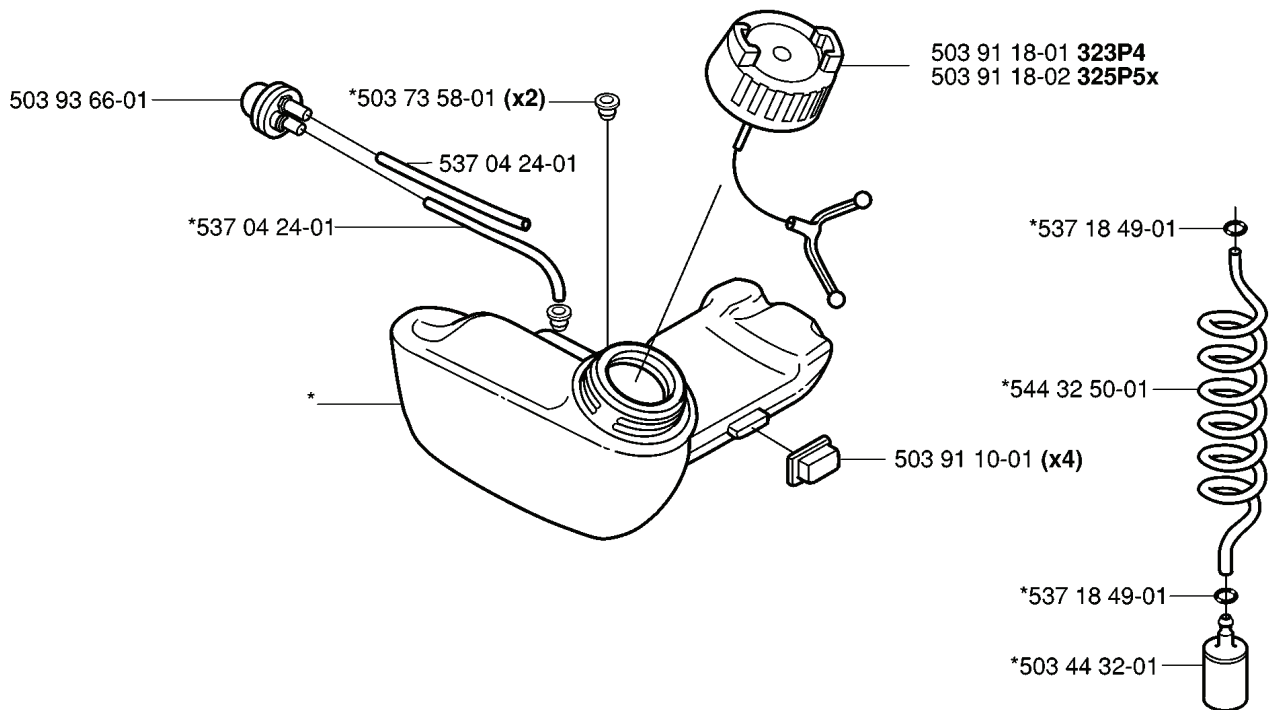


325P5, 20062700001-Current

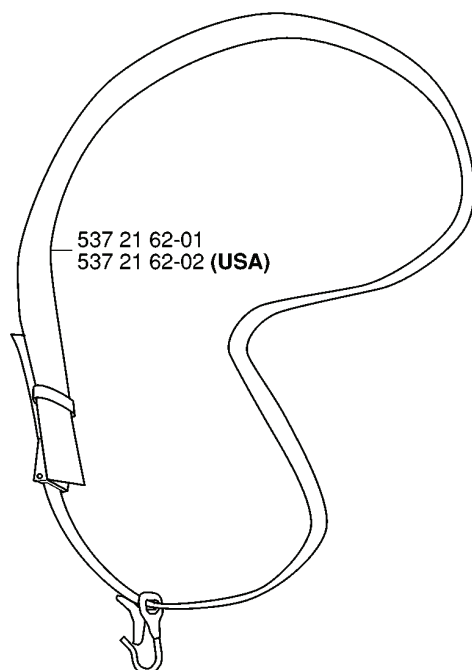
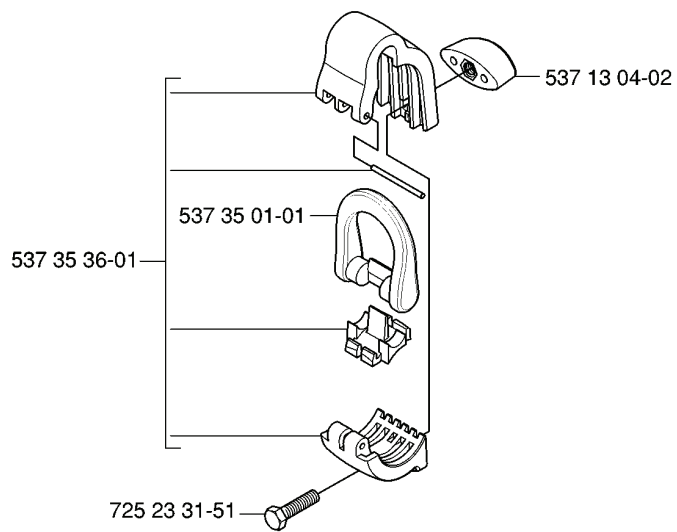
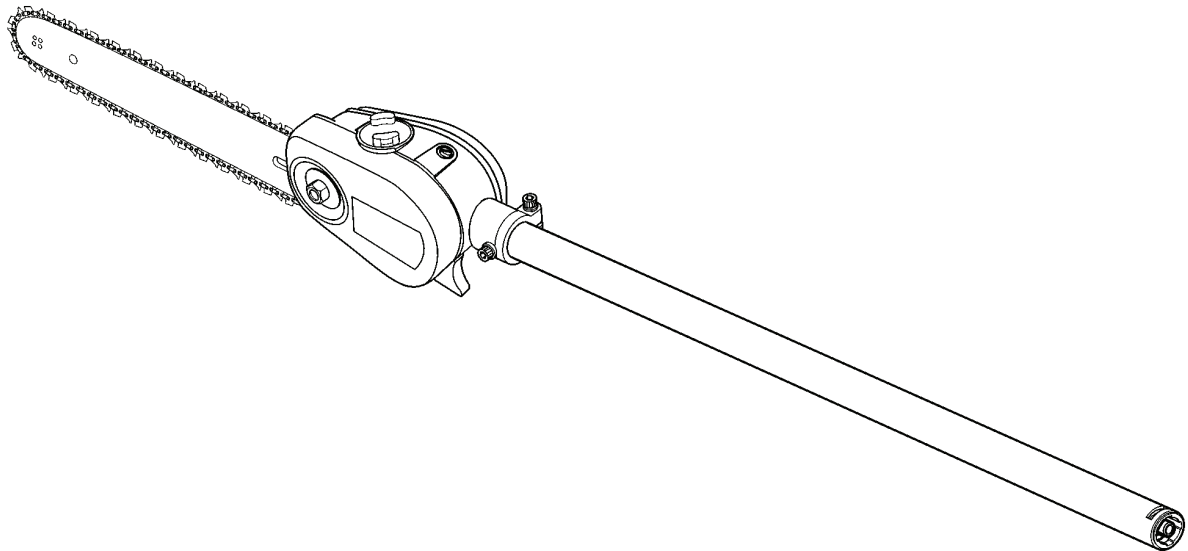
SPARE PARTS LIST

G *compl 537 06 86-02



REF.	PART NO.	DESCRIPTION	REMARK	QTY.	KIT
5370686-02	537068602	FUEL TANK		1	
5039366-01	503936601	PURGE		1	
5370424-01	537042401	FUEL HOSE		1	
5037358-01	503735801	BUSHING		2	
5039110-01	503911001	SUSPENSION		4	
5034432-01	503443201	FUEL FILTER		1	
5443250-01	544325001	FUEL HOSE		1	
5371849-01	537184901	O-RING		1	
5039118-02	503911802	TANK CAP		1	
5039118-01	503911801	TANK CAP		1	

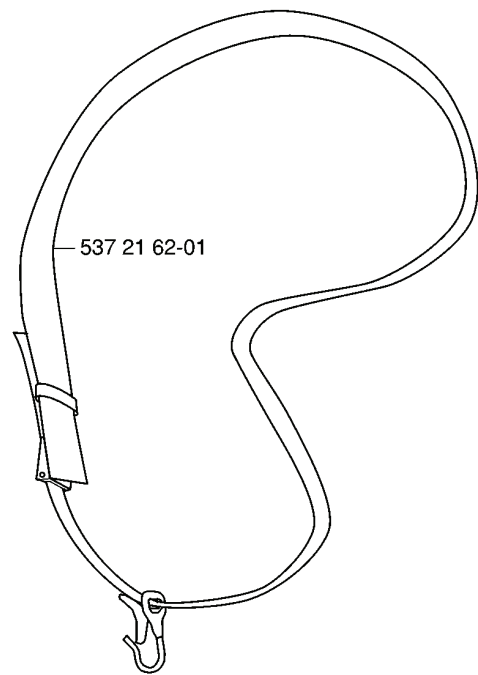
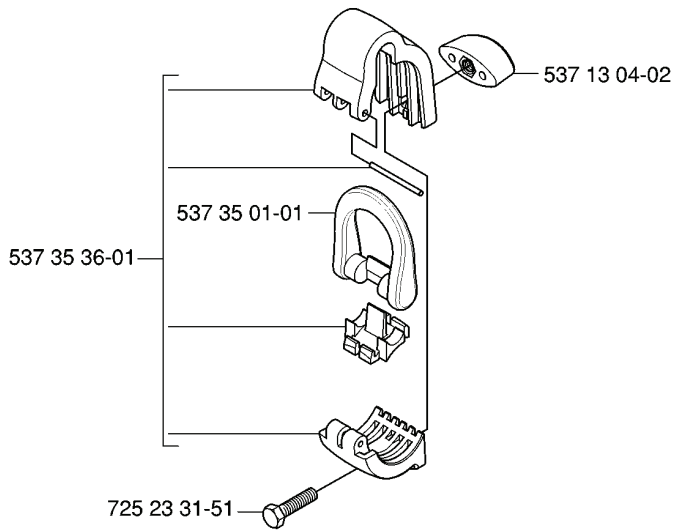
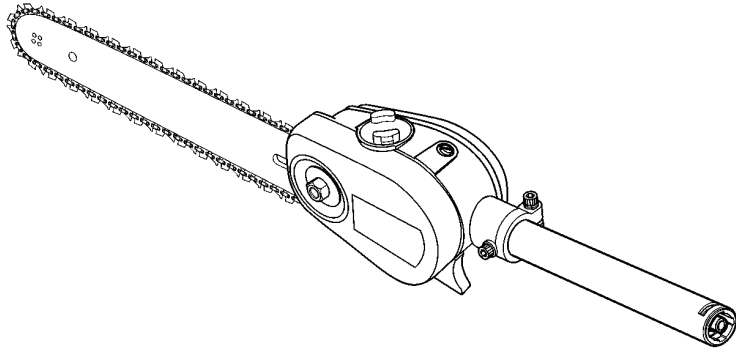
P Saw Attachment L=1100mm
compl 537 18 33-16
compl 537 18 33-17 (USA)



537 38 89-01

REF.	PART NO.	DESCRIPTION	REMARK	QTY.	KIT
537 18 33-16	537183316	ATTACHMENT		1	
537 18 33-17	537183317	ATTACHMENT		1	
537 38 89-01	537388901	LABEL		1	
537 21 62-02	537216202	HARNESS		1	
537 21 62-01	537216201	HARNESS		1	
537 13 04-02	537130402	KNOB		1	
537 35 01-01	537350101	LOOP		1	
537 35 36-01	537353601	LOOP		1	
725 23 31-51	725233151	SCREW		1	

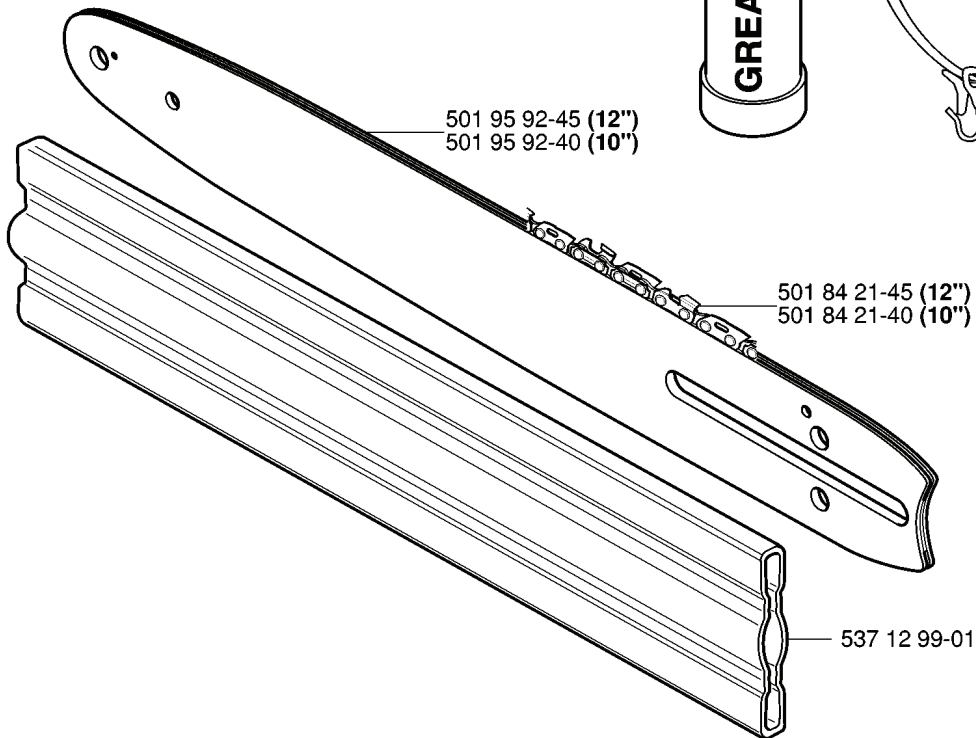
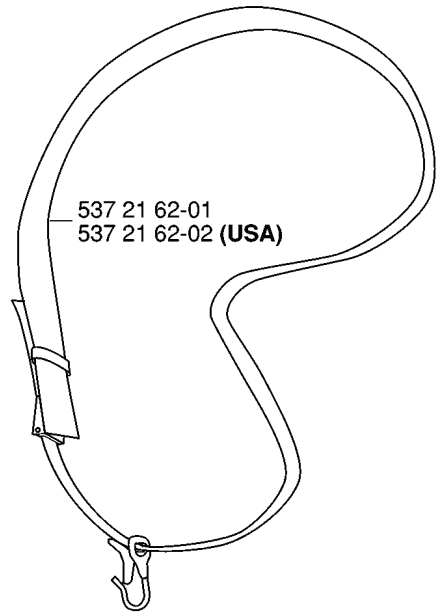
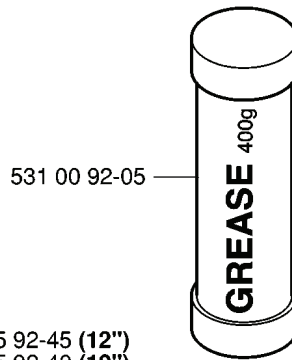
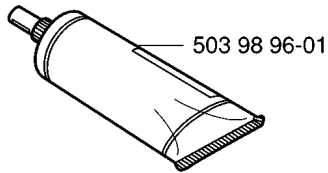
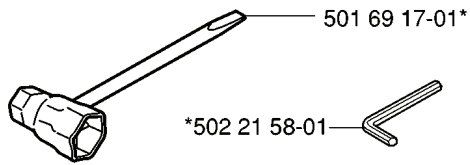
P Saw Attachment L=110mm
compl 537 18 33-13



537 38 89-01

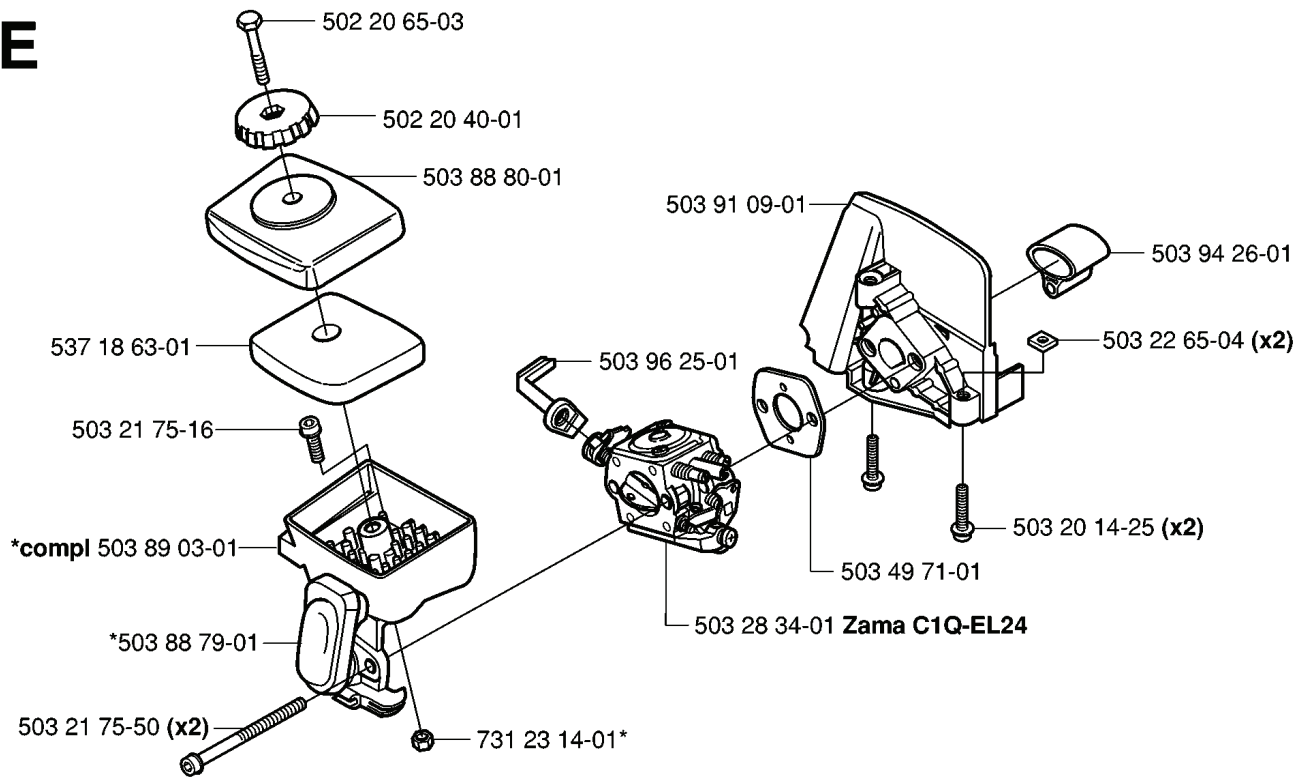
REF.	PART NO.	DESCRIPTION	REMARK	QTY.	KIT
537 18 33-13	537183313	ATTACHMENT		1	
537 38 89-01	537388901	LABEL		1	
537 21 62-01	537216201	HARNESS		1	
537 13 04-02	537130402	KNOB		1	
537 35 01-01	537350101	LOOP		1	
537 35 36-01	537353601	LOOP		1	
725 23 31-51	725233151	SCREW		1	

M Accessories
Zubehöre
Accessoires
Accessorios
Tillbehör
*compl 537 04 07-10



REF.	PART NO.	DESCRIPTION	REMARK	QTY.	KIT
537 04 07-10	537040710	ACCESSORY BAG		1	
503 98 96-01	503989601	GREASE		1	
501 95 92-45	501959245	BAR		1	
501 95 92-40	501959240	BAR		1	
531 00 92-05	531009205	GREASE		1	
502 21 58-01	502215801	WRENCH		1	
501 69 17-01	501691701	COMBINATION WRENCH		1	
501 84 21-45	501842145	SAW CHAIN		1	
501 84 21-40	501842140	SAW CHAIN		1	
537 12 99-01	537129901	BAR COVER		1	
537 21 62-02	537216202	HARNESS		1	
537 21 62-01	537216201	HARNESS		1	

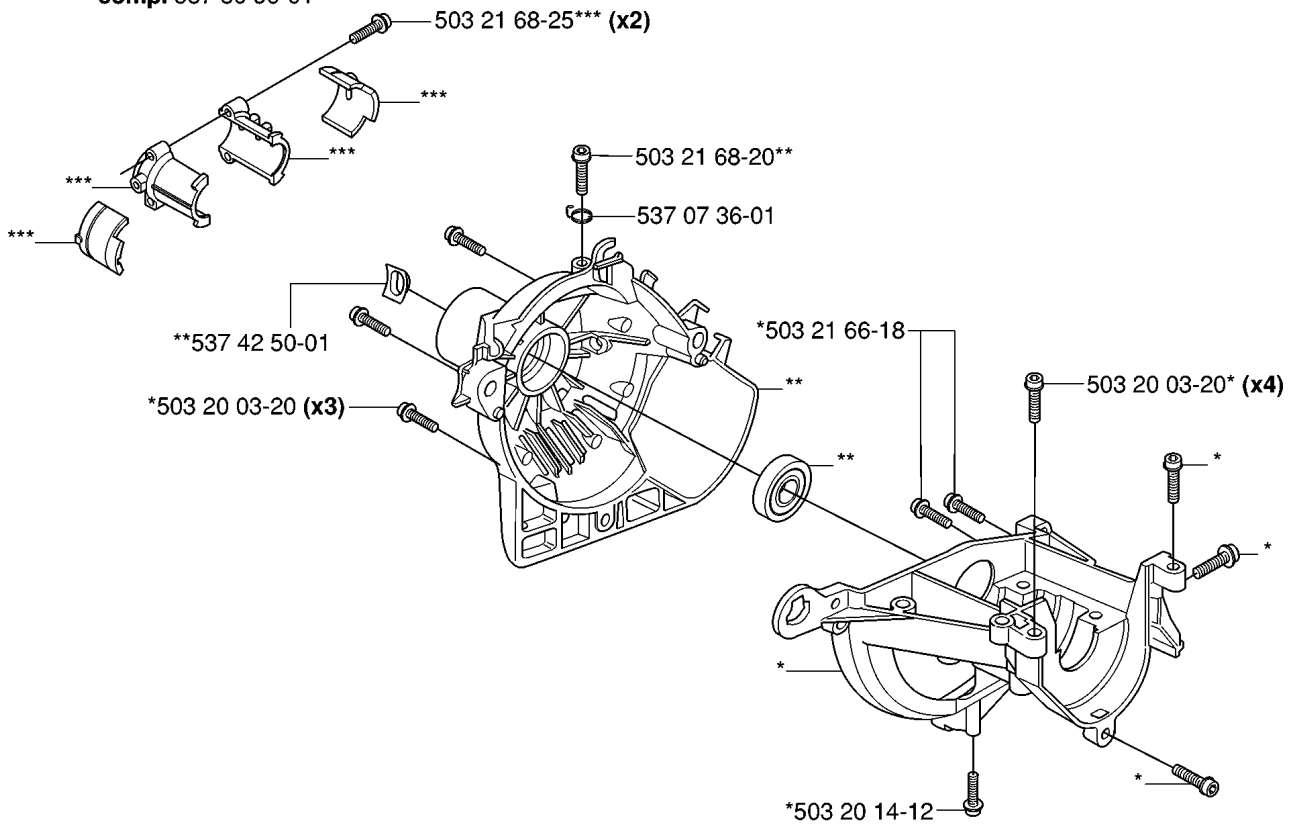
E



REF.	PART NO.	DESCRIPTION	REMARK	QTY.	KIT
537 18 63-01	537186301	AIR FILTER		1	
503 21 75-16	503217516	SCREW IHSCFT		1	
503 89 03-01	503890301	FILTER HOLDER		1	
503 88 79-01	503887901	HUB CAP		1	
503 21 75-50	503217550	SCREW IHSCFT		2	
731 23 14-01	731231401	HEXAGON NUT		1	
503 28 34-01	503283401	CARBURETTOR		1	
503 96 25-01	503962501	CHOKE CONTROL		1	
503 88 80-01	503888001	FILTER COVER		1	
502 20 40-01	502204001	KNOB		1	
502 20 65-03	502206503	SCREW EHHM		1	
503 91 09-01	503910901	INSULATION WALL		1	
503 49 71-01	503497101	GASKET		1	
503 20 14-25	503201425	SCREW IHSCFMO		2	
503 22 65-04	503226504	SQUARE NUT		2	
503 94 26-01	503942601	INLET PIPE		1	

K

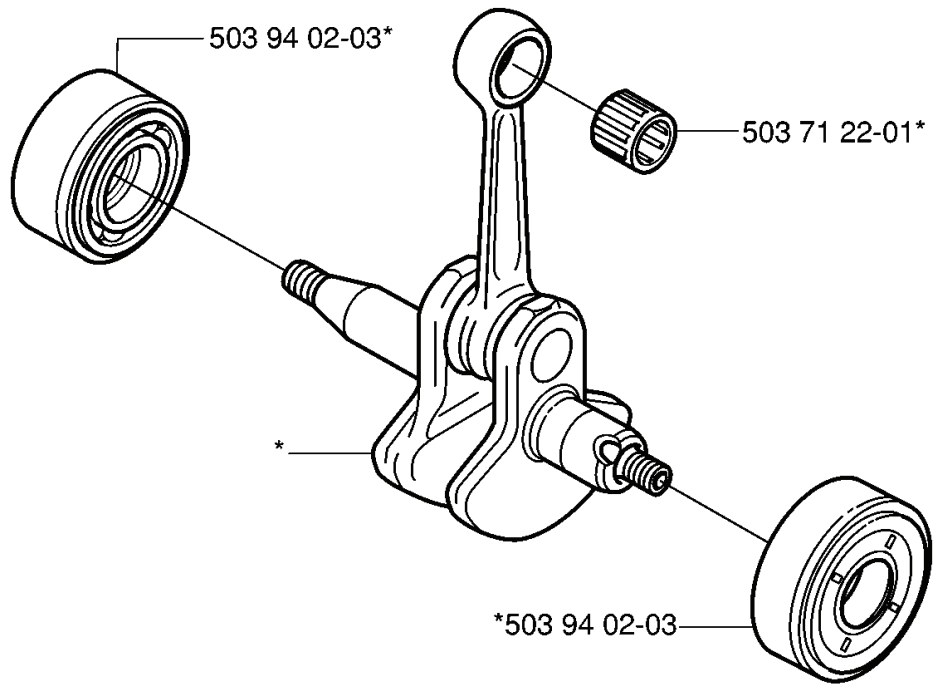
*compl 537 04 11-02
**compl 537 04 12-05
***compl 537 30 96-01



REF.	PART NO.	DESCRIPTION	REMARK	QTY.	KIT
537 30 96-01	537309601	SLEEVE		1	
537 07 36-01	537073601	SPRING		1	
503 21 68-20	503216820	SCREW IHSCFT		1	
503 21 68-25	503216825	SCREW IHSCFT		2	
537 04 12-05	537041205	CLUTCH COVER		1	
503 20 14-12	503201412	SCREW IHSCFMO		1	
503 21 66-18	503216618	SCREW IHSCFT		1	
503 20 03-20	503200320	SCREW IHSCFM		4	
537 04 11-02	537041102	CRANKCASE		1	
537 42 50-01	537425001	PROTECTIVE PLATE		1	

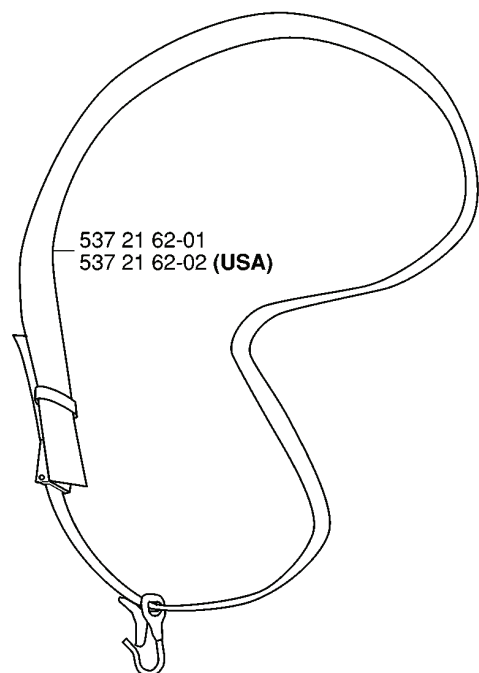
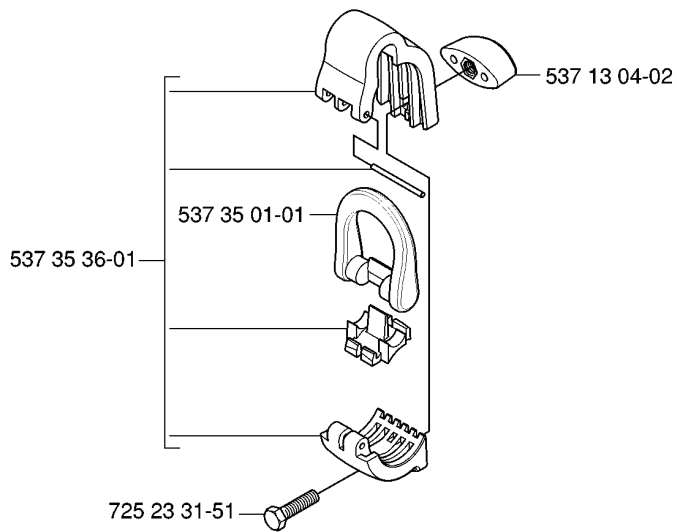
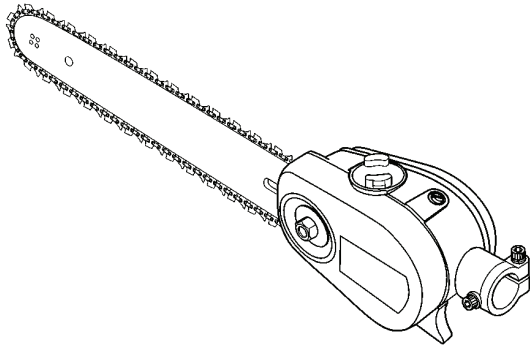


*compl 503 85 24-74

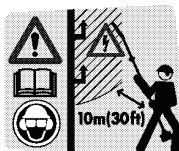


REF.	PART NO.	DESCRIPTION	REMARK	QTY.	KIT
503 85 24-74	503852474	CRANKSHAFT ASSY		1	
503 94 02-03	503940203	BEARING CAGE		1	
503 71 22-01	503712201	BEARING		1	

P Saw Attachment
compl 537 18 33-11
compl 537 18 33-12 (USA)



537 21 62-01
537 21 62-02 (USA)



537 38 89-01

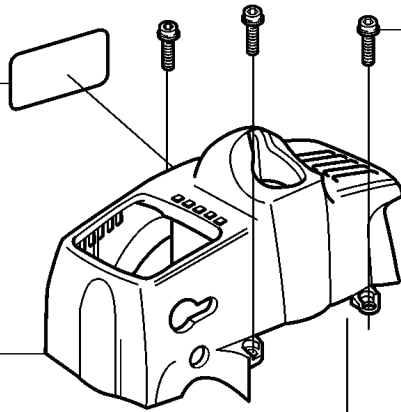
REF.	PART NO.	DESCRIPTION	REMARK	QTY.	KIT
537 18 33-11	537183311	ATTACHMENT		1	
537 18 33-12	537183312	ATTACHMENT		1	
537 35 36-01	537353601	LOOP		1	
537 35 01-01	537350101	LOOP		1	
725 23 31-51	725233151	SCREW		1	
537 38 89-01	537388901	LABEL		1	
537 21 62-02	537216202	HARNESS		1	
537 21 62-01	537216201	HARNESS		1	
537 1304-02	537130402	KNOB		1	

D

503 98 12-39 **323P4**
503 98 12-38 **325P5x**

503 21 68-20 (x3)

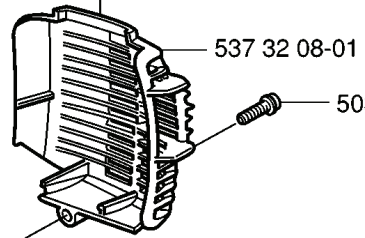
503 87 18-02



503 98 12-38 **325P5x**



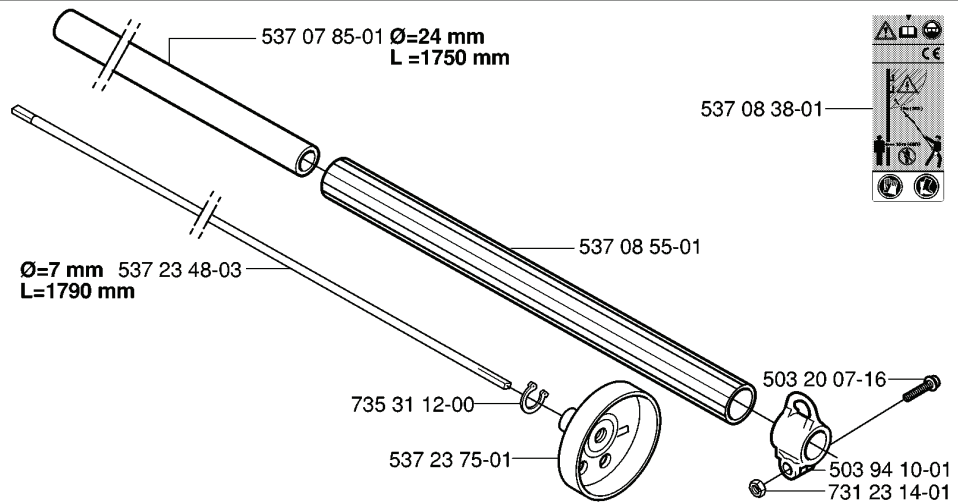
503 98 12-39 **323P4**



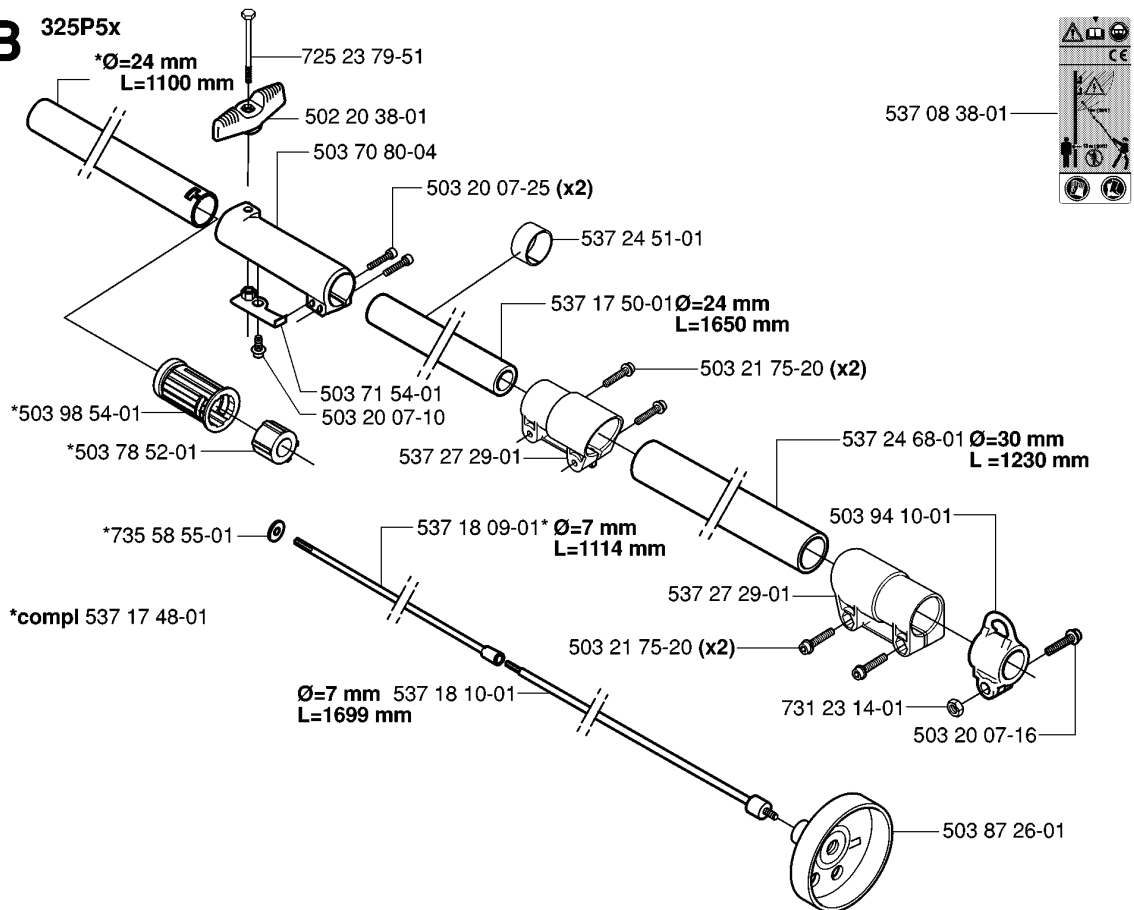
503 21 68-20

REF.	PART NO.	DESCRIPTION	REMARK	QTY.	KIT
503 87 18-01	503871801	CYLINDER COVER		1	
503 98 12-38	503981238	LABEL		1	
503 98 12-39	503981239	LABEL		1	
537 32 08-01	537320801	HEAT PROTECTOR		1	
503 21 68-20	503216820	SCREW IHSCFT		3	

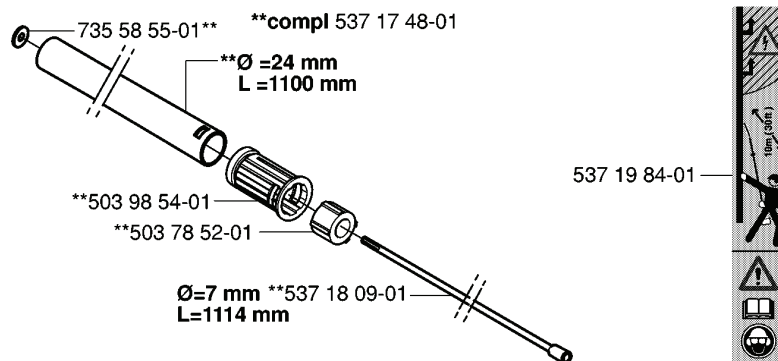
B 323P4



B 325P5x

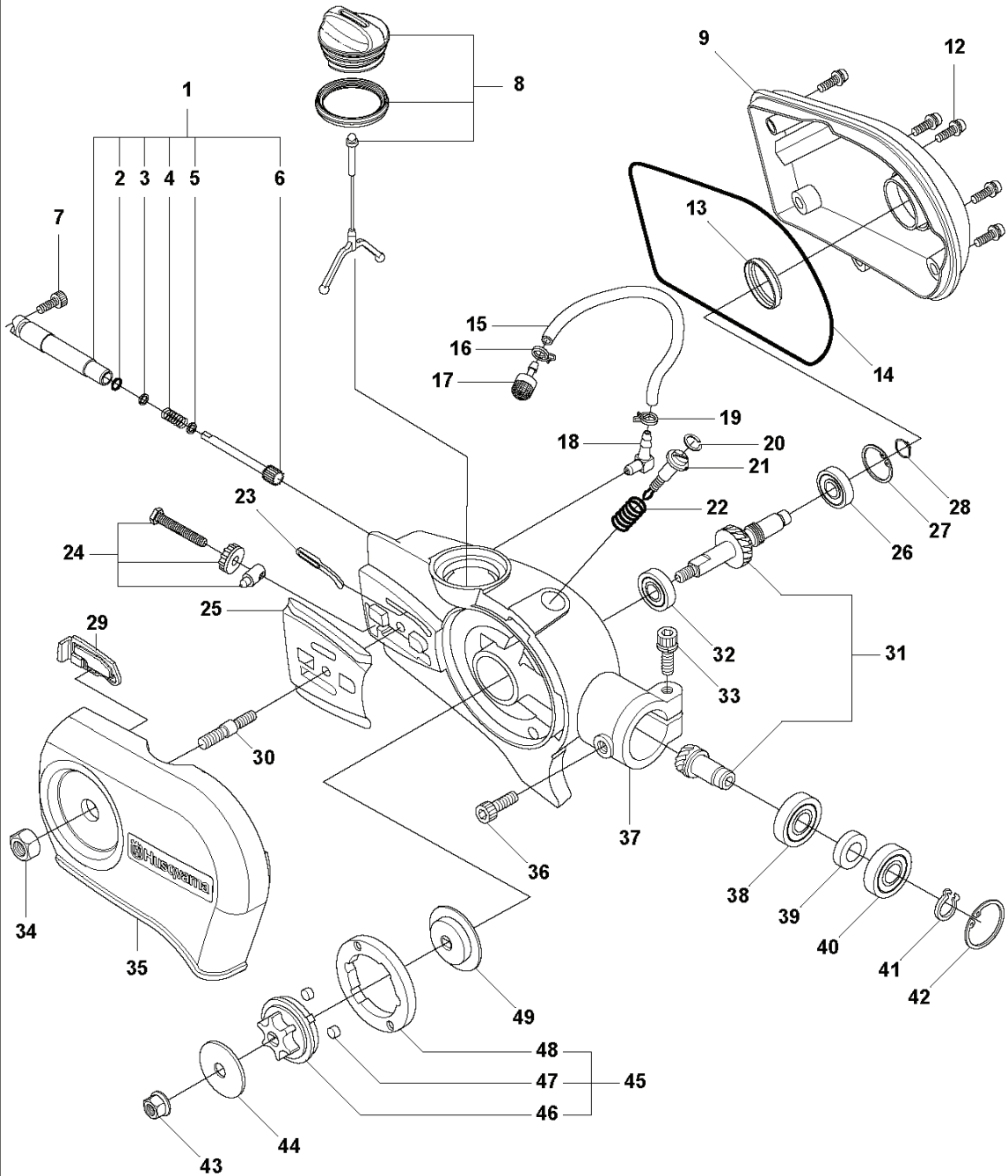


B Saw Attachment



REF.	PART NO.	DESCRIPTION	REMARK	QTY.	KIT
537 07 85-01	537078501	TUBE		1	
537 07 87-01	537078701	DRIVE SHAFT		1	
537 23 75-01	537237501	CLUTCH DRUM ASSY		1	
503 94 10-01	503941001	HOOK		1	
537 08 55-01	537085501	HANDLE		1	
537 08 38-01	537083801	LABEL		1	
735 31 12-00	735311200	CIRCLIP		1	
503 98 54-01	503985401	BEARING CAGE		1	
503 78 52-01	503785201	SUPPORTING BEARING		1	
735 58 55-01	735585501	WASHER		1	
537 17 48-01	537174801	TUBE		1	
537 18 10-01	537181001	DRIVE SHAFT		1	
503 20 07-10	503200710	SCREW IHSCFM		1	
503 71 54-01	503715401	LOCKING PLATE		1	
503 70 80-04	503708004	SLEEVE		1	
502 20 38-01	502203801	KNOB		1	
725 23 79-51	725237951	SCREW EHHM		1	
503 20 07-25	503200725	SCREW IHSCFM		2	
537 24 51-01	537245101	SPACER		1	
537 17 50-01	537175001	TUBE		1	
503 21 75-20	503217520	SCREW IHSCFT		2	
537 27 29-01	537272901	COMPRESSION SLEEVE		1	
731 23 14-01	731231401	HEXAGON NUT		1	
503 87 26-01	503872601	CLUTCH DRUM ASSY		1	
503 20 07-16	503200716	SCREW IHSCFM		1	
537 24 68-01	537246801	PIPE		1	
503 08 38-01	503083801	LABEL		1	
537 18 09-01	537180901	DRIVE SHAFT		1	
537 19 84-01	537198401	LABEL		1	

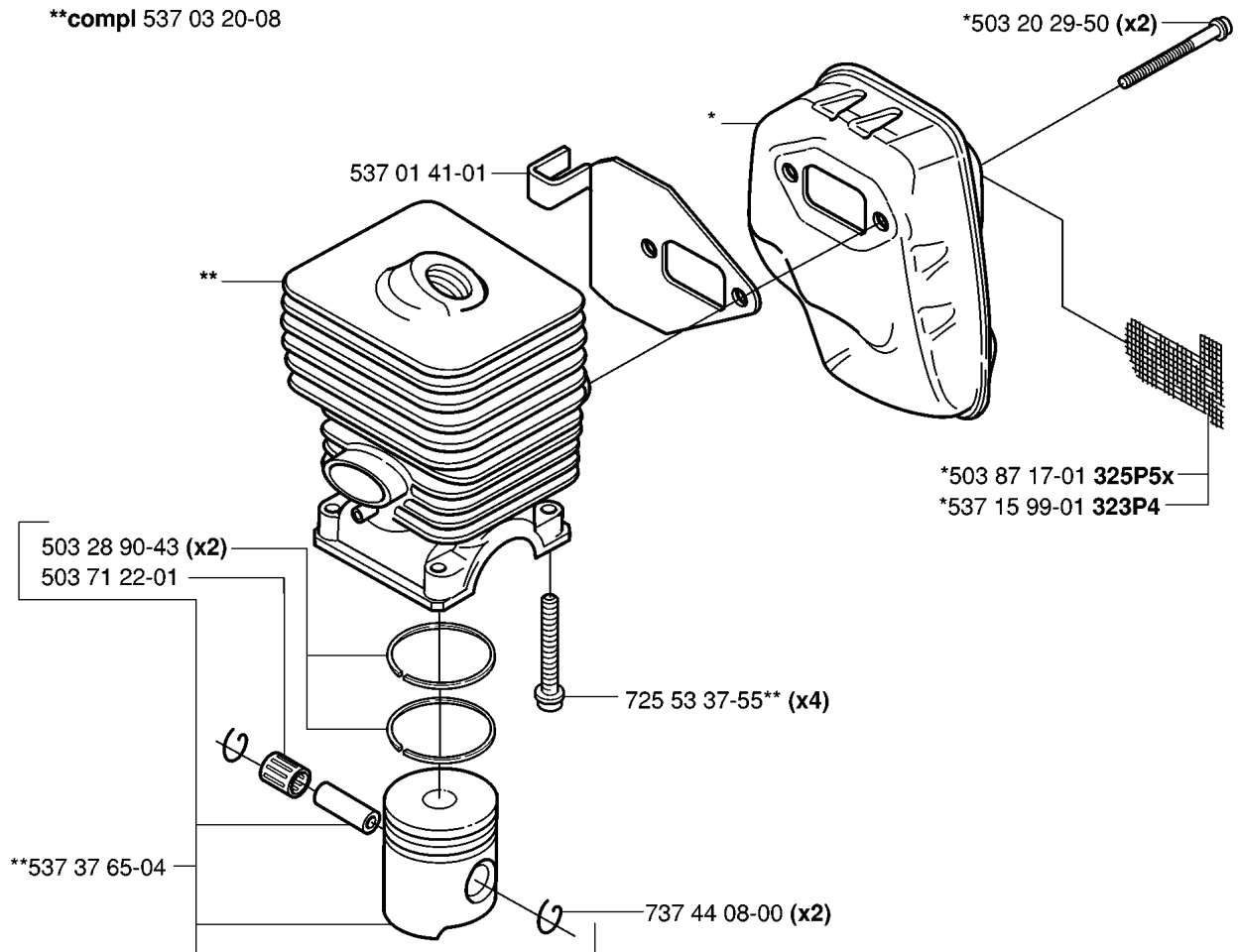
A 326P5
SAW HEAD



REF.	PART NO.	DESCRIPTION	REMARK	QTY.	KIT
1	537299201	OIL PUMP ASSY		1	
2	740420300	O-RING		1	1
3	503230016	WASHER		1	1
4	503184901	SPRING		1	1
5	503230016	WASHER		1	1
6	503808302	PUMP PISTON		1	1
7	725532755	SCREW IHSCM		1	
8	537281502	TANK CAP ASSY		1	
9	593620401	CAP ASSY		1	
12	725532955	SCREW IHSCM		5	
13	537330101	SEALING		1	
14	537291001	O-RING		1	
15	537291101	HOSE		1	
16	537371501	HOSE CLAMP		1	
17	504710003	OIL PLUMMET		1	
18	504340004	FITTING		1	
19	537371501	HOSE CLAMP		1	
20	537290901	CIRCLIP		1	
21	537056801	ADJUSTER		1	
22	503978201	SPRING		1	
23	537331701	OIL DUCT		1	
24	537228201	CHAIN TENSIONER		1	
25	537194201	CHAIN GUIDE PLATE		1	
26	738210004	BALL BEARING		1	
27	735312710	CIRCLIP		1	
28	735311200	CIRCLIP		1	
29	537329201	SEALING		1	
30	537194401	BAR BOLT		1	
31	537299001	GEAR WHEEL KIT		1	
32	738219904	BALL BEARING		1	
33	725533355	SCREW IHSCM		1	
34	731231801	HEXAGON NUT		1	
35	537246001	COVER		1	
36	725532755	SCREW IHSCM		1	
37	537227401	HOUSING		1	
38	738219904	BALL BEARING		1	
39	537247701	SPACER		1	
40	738219904	BALL BEARING		1	
41	735311100	CIRCLIP		1	
42	735312510	CIRCLIP		1	
43	731711651	HEXAGON NUT FLANGE		1	
44	503230068	WASHER		1	
45	537271801	FLYWHEEL		1	
46	537271501	HUB		1	45
47	537271701	BUSHING		2	45
48	537271401	RING		1	45
49	537271601	HUB CAP		1	
50	537230001	LABEL		1	

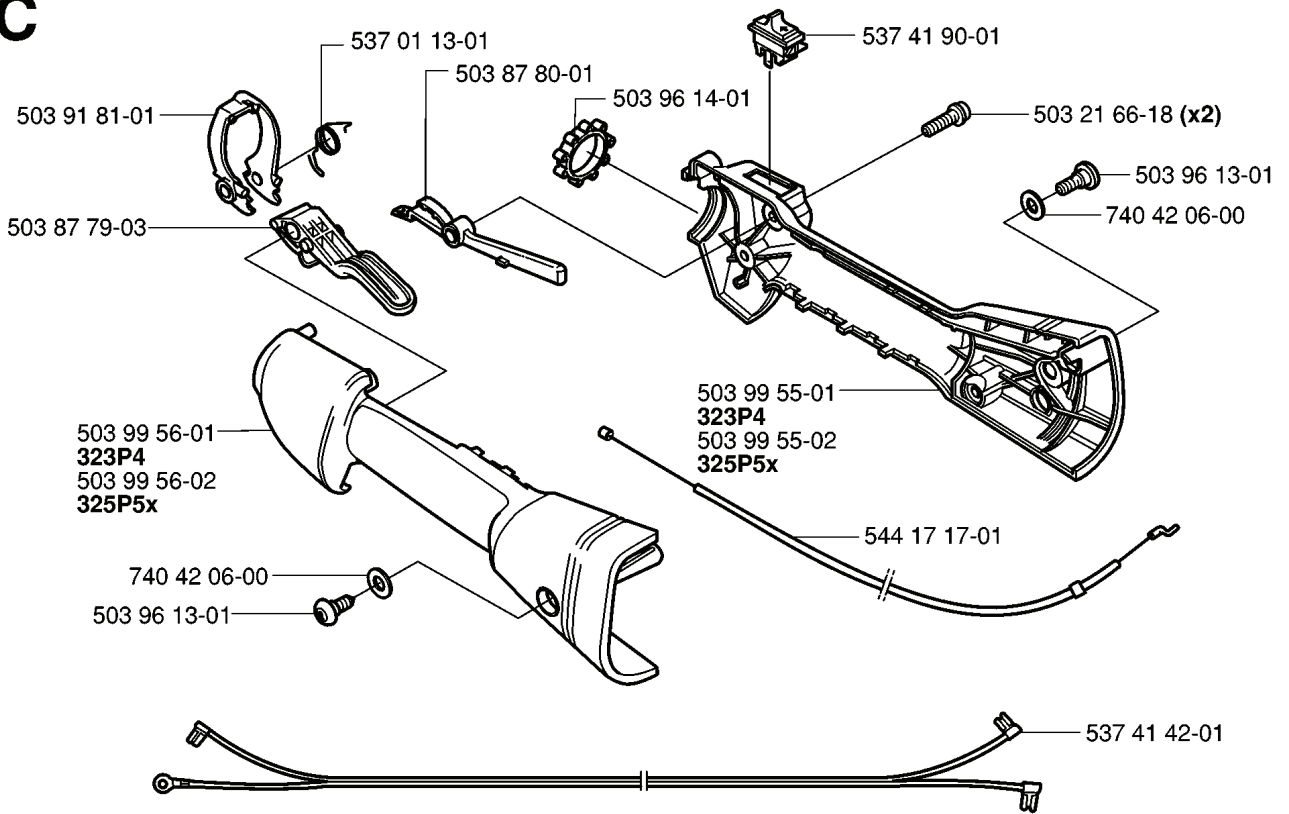
J *compl 537 03 94-01 325P5x
*compl 537 16 19-01 323P4

**compl 537 03 20-08



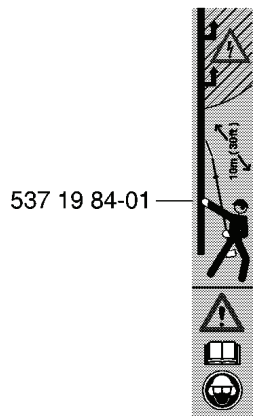
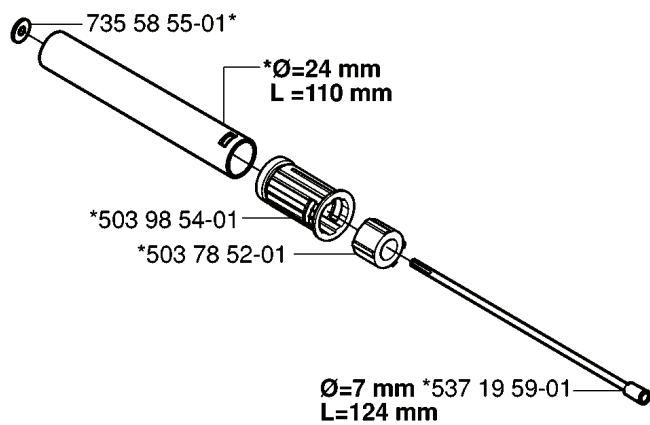
REF.	PART NO.	DESCRIPTION	REMARK	QTY.	KIT
537 03 20-08	537032008	CYLINDER		1	
503 28 90-41	503289041	PISTON RING		2	
503 71 22-01	503712201	BEARING		1	
537 37 65-04	537376504	PISTON		1	
737 44 08-00	737440800	CIRCLIP		2	
725 53 37-55	725533755	SCREW IHSCM		4	
537 01 41-01	537014101	GASKET		1	
537 15 99-01	537159901	SPARK ARRESTER SCREEN		1	
503 87 17-01	503871701	SPARK ARRESTER SCREEN		1	
503 20 29-50	503202950	SCREW IHSCFM		2	
537 16 19-01	537161901	MUFFLER ASSY		1	
537 03 94-01	537039401	MUFFLER ASSY		1	

C



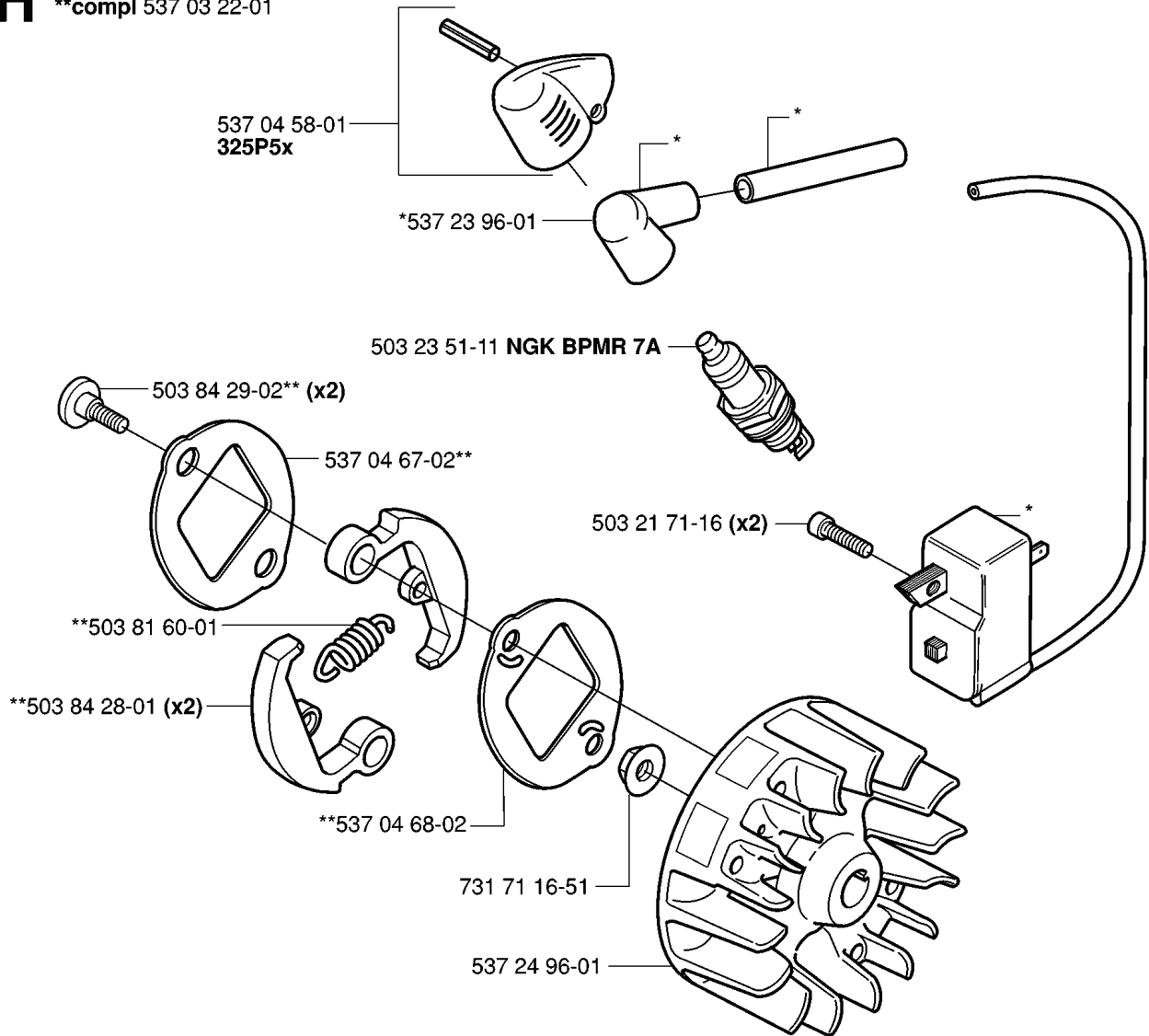
REF.	PART NO.	DESCRIPTION	REMARK	QTY.	KIT
5039181-01	503918101	THROTTLE LEVER		1	
5038779-01	503877901	THROTTLE TRIGGER		1	
5039956-01	503995601	HANDLE HALF		1	
5039956-02	503995602	HANDLE HALF		1	
7404206-00	740420600	O-RING		1	
5039613-01	503961301	SCREW		1	
5370113-01	537011301	RECOIL SPRING		1	
5038780-01	503878001	THROTTLE LOCKOUT		1	
5039614-01	503961401	ABSORBER		1	
5039955-01	503995501	HANDLE HALF		1	
5039955-02	503995502	HANDLE HALF		1	
5441717-01	544171701	THROTTLE CABLE ASSY		1	
5374142-01	537414201	SHORT CIRCUIT CABLE		1	
5032166-18	503216618	SCREW IHSCT		2	
5374190-01	537419001	SWITCH		1	

B Saw Attachment
*compl 537 19 58-01

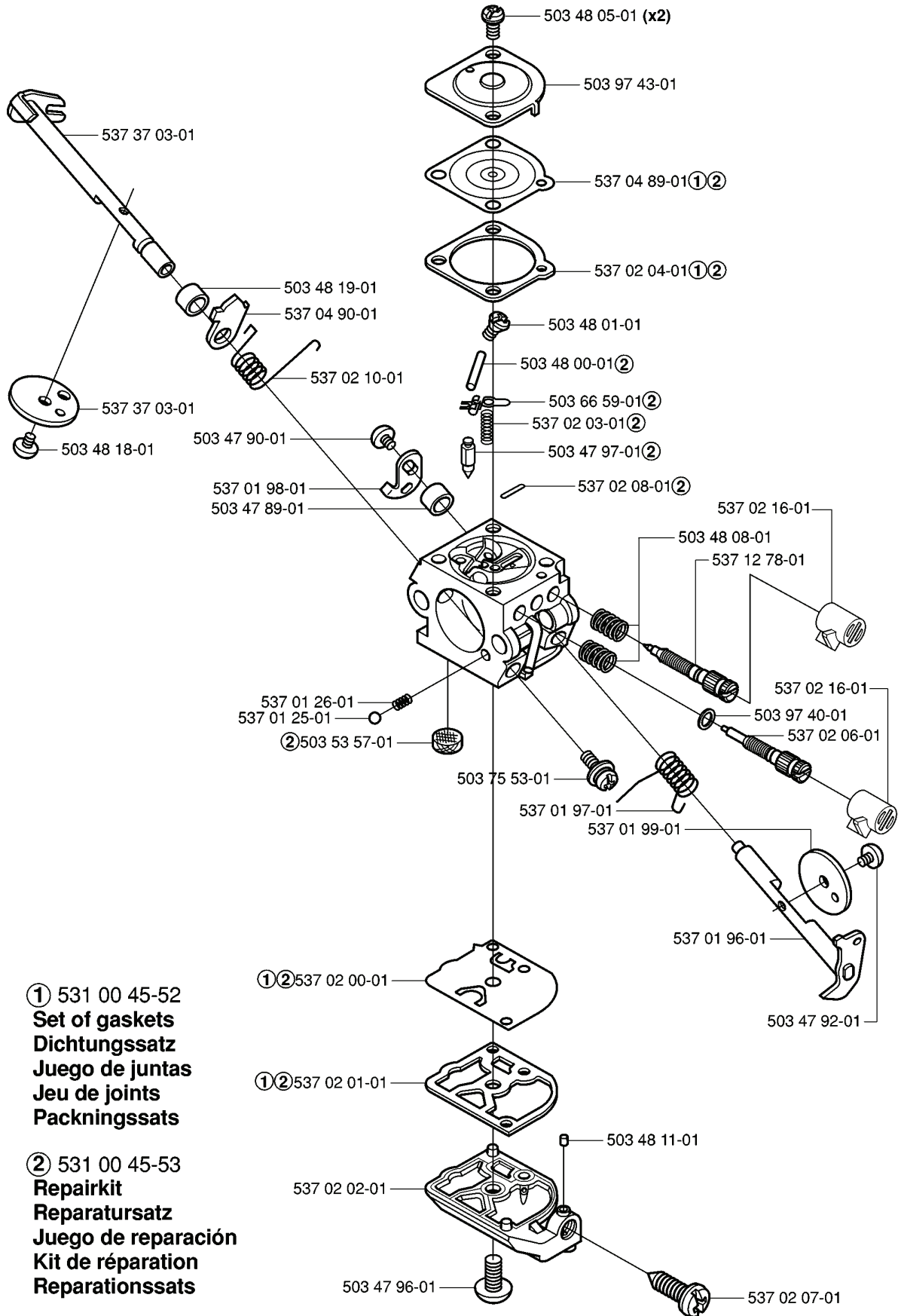


REF.	PART NO.	DESCRIPTION	REMARK	QTY.	KIT
537 19 58-01	537195801	TUBE		1	
735 58 55-01	735585501	WASHER		1	
503 98 54-01	503985401	BEARING CAGE		1	
503 78 52-01	503785201	SUPPORTING BEARING		1	
537 19 59-01	537195901	DRIVE SHAFT		1	
537 19 84-01	537198401	LABEL		1	

H * compl 537 41 87-01
**compl 537 03 22-01



REF.	PART NO.	DESCRIPTION	REMARK	QTY.	KIT
537 04 58-01	537045801	COVER		1	
503 84 29-02	503842902	SCREW		2	
503 81 60-01	503816001	CLUTCH SPRING		1	
503 84 28-01	503842801	CLUTCH SHOE		2	
537 03 22-01	537032201	CLUTCH ASSY		1	
537 24 96-01	537249601	FLYWHEEL		1	
731 71 16-51	731711651	HEXAGON NUT FLANGE		1	
537 04 68-02	537046802	WASHER		1	
537 04 67-02	537046702	WASHER		1	
503 23 51-11	503235111	SPARK PLUG		1	
537 23 96-01	537239601	SPARK PLUG CAP		1	
503 21 71-16	503217116	SCREW IHSCT		2	
537 41 87-01	537418701	IGNITION MODULE		1	



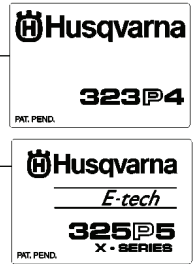
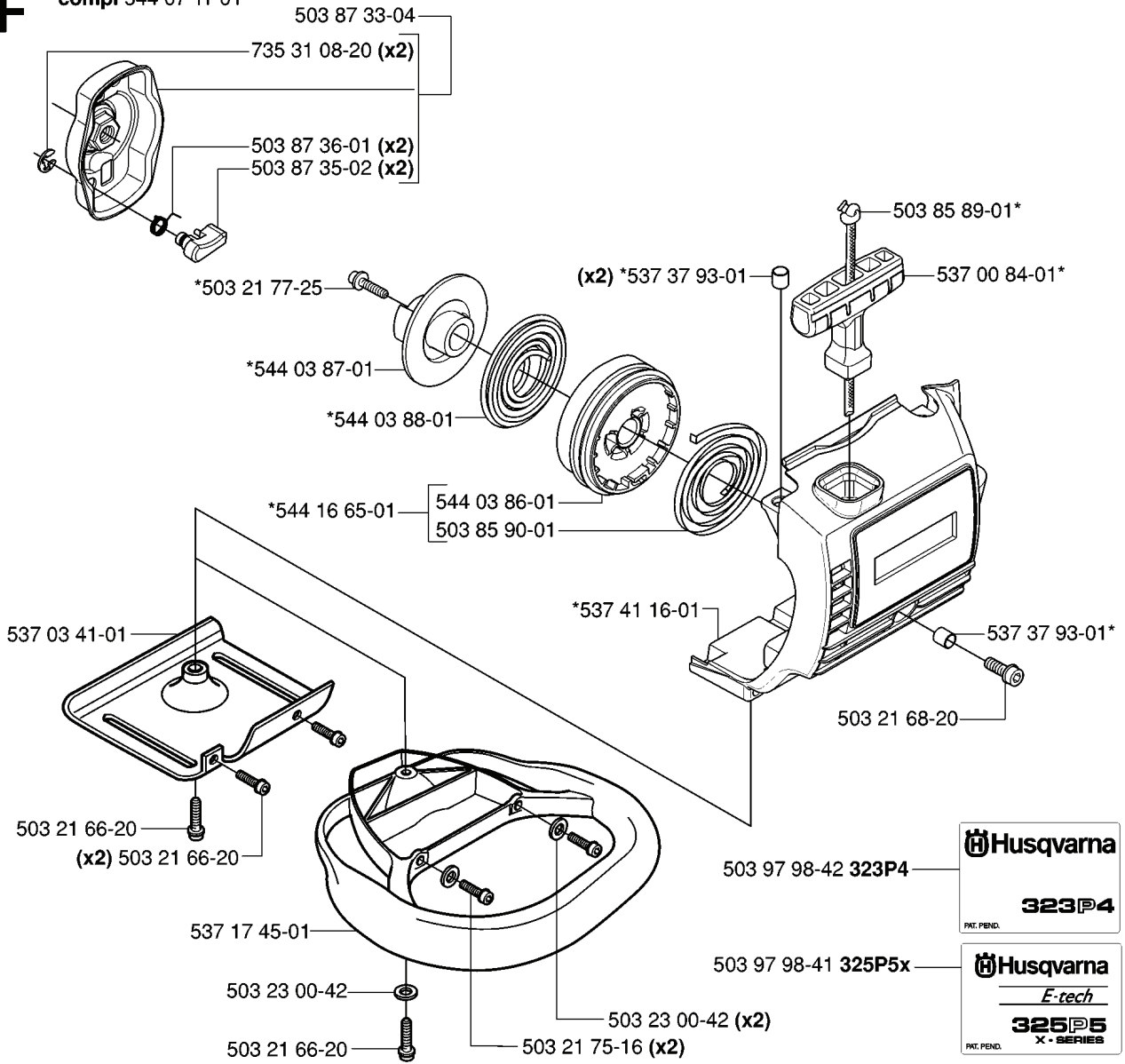
① 531 00 45-52
Set of gaskets
Dichtungssatz
Juego de juntas
Jeu de joints
Packningssats

② 531 00 45-53
Repairkit
Reparaturatz
Juego de reparación
Kit de réparation
Reparationssats

REF.	PART NO.	DESCRIPTION	REMARK	QTY.	KIT
503 28 34-01	503283401	CARBURETTOR		1	
537 37 03-01	537370301	VALVE		1	
503 48 18-01	503481801	SCREW		1	
503 47 96-01	503479601	SCREW		1	
537 02 02-01	537020201	COVER		1	
537 02 01-01	537020101	GASKET		1	
537 02 00-01	537020001	DIAPHRAGM PUMP		1	
503 53 57-01	503535701	STRAINER		1	
537 01 25-01	537012501	BALL		1	
537 01 26-01	537012601	SPRING		1	
503 47 89-01	503478901	COLLAR		1	
537 01 98-01	537019801	LEVER		1	
503 47 90-01	503479001	SCREW		1	
537 02 10-01	537021001	SPRING		1	
537 04 90-01	537049001	LEVER		1	
503 48 19-01	503481901	COLLAR		1	
503 75 53-01	503755301	SCREW		1	
537 01 97-01	537019701	SPRING		1	
537 01 99-01	537019901	VALVE		1	
503 48 11-01	503481101	PIECE		1	
537 02 07-01	537020701	SCREW		1	
503 47 92-01	503479201	SCREW		1	
537 01 96-01	537019601	SHAFT ASSY		1	
537 02 06-01	537020601	SCREW		1	
537 02 16-01	537021601	LIMITER CAP		1	
537 12 78-01	537127801	SCREW		1	
503 97 40-01	503974001	WASHER		1	
503 48 08-01	503480801	SPRING		1	
537 02 08-01	537020801	PLUG		1	
503 47 97-01	503479701	VALVE		1	
537 02 03-01	537020301	SPRING		1	
503 66 59-01	503665901	LEVER		1	
503 48 00-01	503480001	PIN RETAINING SCREW		1	
503 48 01-01	503480101	SCREW		1	
537 02 04-01	537020401	GASKET		1	
537 04 89-01	537048901	DIAPHRAGM		1	
503 97 43-01	503974301	COVER		1	
503 48 05-01	503480501	SCREW		2	

F

*compl 544 07 11-01



REF.	PART NO.	DESCRIPTION	REMARK	QTY.	KIT
503 87 33-04	503873304	STARTER PAWL BRIDGE		1	
735 31 08-20	735310820	E-CLIP		1	
503 87 36-01	503873601	SPRING		2	
503 87 35-02	503873502	STARTER PAWL		2	
537 03 41-01	537034101	PROTECTIVE PLATE		1	
503 97 98-42	503979842	DECAL		1	
503 97 98-41	503979841	DECAL		1	
503 21 66-20	503216620	SCREW IHSC T		1	
537 17 45-01	537174501	HANDLE		1	
503 21 77-25	503217725	SCREW IHSC T		1	
503 21 68-20	503216820	SCREW IHSC FT		1	
503 21 75-16	503217516	SCREW IHSC FT		2	
503 23 00-42	503230042	WASHER		2	
537 41 16-01	537411601	STARTER HOUSING		1	
537 00 84-01	537008401	STARTER HANDLE		1	
503 85 89-01	503858901	STARTER ROPE		1	
544 07 11-01	544071101	STARTER ASSY		1	
544 03 87-01	544038701	DRIVER		1	
544 03 88-01	544038801	SPRING		1	
544 16 65-01	544166501	STARTER PULLEY ASSY		1	
544 03 86-01	544038601	STARTER PULLEY		1	
503 85 90-01	503859001	RECOIL SPRING		1	
537 37 93-01	537379301	SPACING SLEEVE		1	