

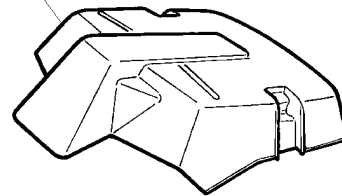
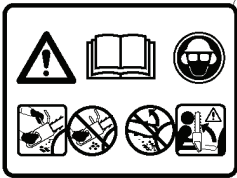
2 XP SPECIAL EPA, 20034000001-2005180

SPARE PARTS LIST

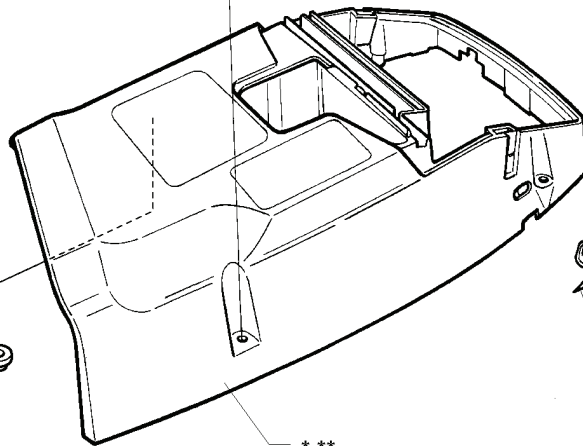
D *compl 503 62 78-07 Std
**compl 503 62 78-08 Hd

*503 62 80-01 Std
**503 81 77-01 Hd

503 98 74-01***



***503 20 34-25



537 01 65-01

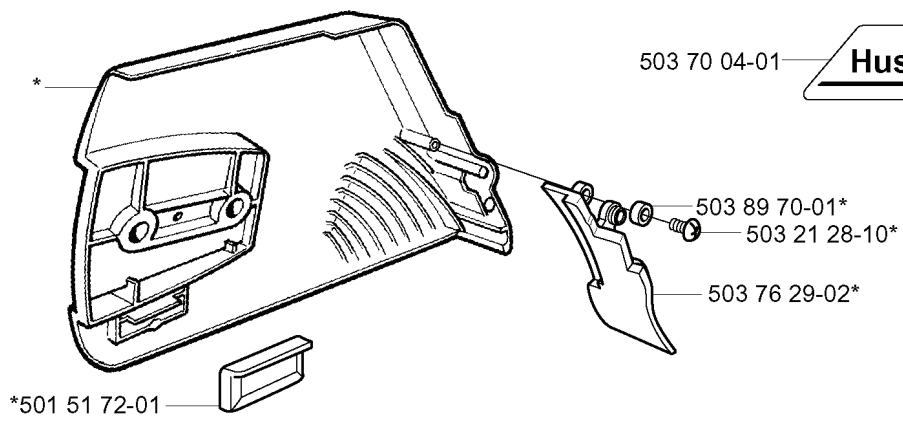


503 74 01-02***



REF.	PART NO.	DESCRIPTION	REMARK	QTY.	KIT
503 62 78-07	503627807	CYLINDER COVER ASSY	STD	1	
503 62 78-08	503627808	CYLINDER COVER ASSY	HD	1	
503 98 74-01	503987401	LABEL		1	
503 20 34-25	503203425	SCREW CCRPANMO		1	
537 01 65-01	537016501	SUPPORT		1	
503 74 01-02	503740102	SNAP LOCKING		1	
503 81 77-01	503817701	FILTER COVER	HD	1	
503 62 80-01	503628001	FILTER COVER	STD	1	

B *compl 503 76 92-01 362



REF.	PART NO.	DESCRIPTION	REMARK	QTY.	KIT
503 76 92-01	503769201	CLUTCH COVER ASSY	362	1	
501 51 72-01	501517201	CHAIN GUIDE		1	
503 76 29-02	503762902	CHIP GUARD		1	
503 21 28-10	503212810	SCREW CCRPANT		1	
503 89 70-01	503897001	SLEEVE		1	
503 70 04-01	503700401	LABEL		1	

N

*compl 537 08 72-01

*537 07 13-01

*537 06 04-01

537 07 18-02 (G)

503 20 26-16 (G)

503 23 01-01

503 22 10-11

503 55 49-01 (G)*

537 07 14-01*

501 67 35-01

503 23 00-42

537 01 55-01

501 81 99-01

501 43 00-01

*503 23 85-65

compl 537 05 16-06 (G)

*compl 537 01 59-01

*503 64 02-01 (G)

501 80 24-03 (G)

503 20 26-16 (G)

503 23 01-01

503 22 10-11

(G) 501 43 00-01*

(G)*

501 67 35-01

503 23 00-42

537 01 55-01

501 81 99-01

compl 537 05 16-04 (G)

503 21 38-01 (G)

501 48 54-02

503 71 82-01

503 70 59-01 (G)

503 62 61-01

503 89 76-01

503 21 28-10

*compl 503 62 67-72 (G)

*503 21 05-22

503 23 01-01

503 22 10-11

503 68 45-02

537 16 22-01

503 20 07-20 (x2)

501 67 35-01

503 23 00-42

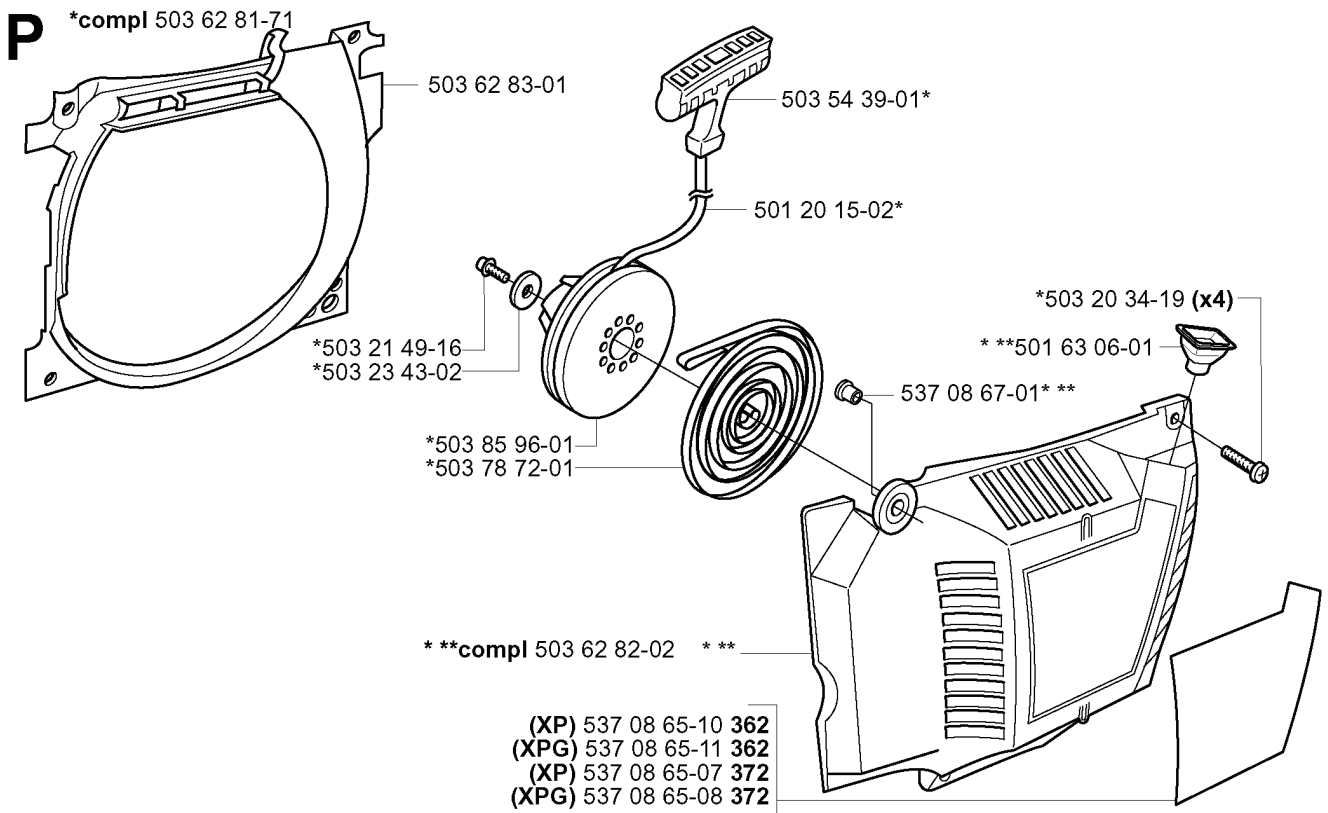
537 01 55-01

501 81 99-01

compl 537 05 16-05

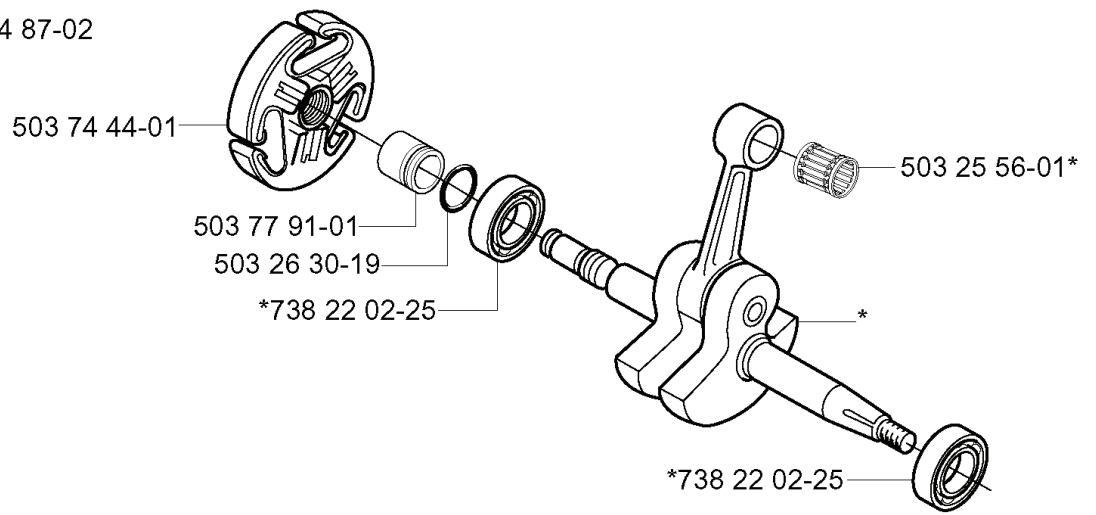
503 21 49-16*

REF.	PART NO.	DESCRIPTION	REMARK	QTY.	KIT
503 23 00-42	503230042	WASHER		1	
501 81 99-01	501819901	SCREW		1	
537 05 16-06	537051606	FLYWHEEL ASSY	G	1	
503 21 38-01	503213801	SCREW CRCSRT	G	1	
501 48 54-02	501485402	SPARK PLUG CAP		1	
503 71 82-01	503718201	SWITCH		1	
537 16 22-01	537162201	IGNITION SYSTEM		1	
503 20 07-20	503200720	SCREW IHSCFM		2	
537 05 16-05	537051605	FLYWHEEL ASSY		1	
537 01 55-01	537015501	STARTER PAWL		1	
503 21 05-22	503210522	SCREW IHSCF		1	
503 62 61-01	503626101	CABLE		1	
503 70 59-01	503705901	HEATING PLATE	G	1	
503 23 85-65	503238565	SHRINKAGE HOSE		1	
501 43 00-01	501430001	CABLE GROMMET	G	1	
537 07 14-01	537071401	FOIL ELEMENT		1	
503 55 49-01	503554901	SWITCH	G	1	
503 22 10-11	503221011	HEXAGON NUT		1	
503 23 01-01	503230101	WASHER		1	
537 07 18-02	537071802	STATOR ASSY	G	1	
537 06 04-01	537060401	RETAINER		1	
537 07 13-01	537071301	THERMOSTAT ASSY		1	
537 08 72-01	537087201	KIT		1	
501 80 24-03	501802403	STATOR ASSY	G	1	
503 20 26-16	503202616	SCREW IHSCM	G	1	
501 67 35-01	501673501	SPRING		1	
537 05 16-04	537051604	FLYWHEEL ASSY	G	1	
503 89 76-01	503897601	CABLE		1	
503 21 28-10	503212810	SCREW CCRPANT		1	
503 21 49-16	503214916	SCREW IHSCFT		1	
503 68 45-02	503684502	ANTIVIBRATION ELEMENT		1	
503 62 67-72	503626772	FRONT HANDLE ASSY	G	1	
503 64 02-01	503640201	SWITCH	G	1	
537 01 59-01	537015901	KIT		1	



REF.	PART NO.	DESCRIPTION	REMARK	QTY.	KIT
5036281-71	503628171	STARTER ASSY		1	
5032149-16	503214916	SCREW IHSCFT		1	
5032343-02	503234302	WASHER		1	
5038596-01	503859601	STARTER PULLEY		1	
5037872-01	503787201	RECOIL SPRING		1	
5036282-02	503628202	STARTER HOUSING		1	
5370865-10	537086510	LABEL	XP 362	1	
5370865-11	537086511	LABEL	XPG 362	1	
5370865-07	537086507	LABEL	XP 372	1	
5370865-08	537086508	LABEL	XPG 372	1	
5370867-01	537086701	BUSHING		1	
5016306-01	501630601	SLEEVE		1	
5032034-19	503203419	SCREW CCRPANMO		4	
5012015-02	501201502	STARTER ROPE		1	
5035439-01	503543901	STARTER HANDLE		1	
5036283-01	503628301	AIR CONDUCTOR		1	

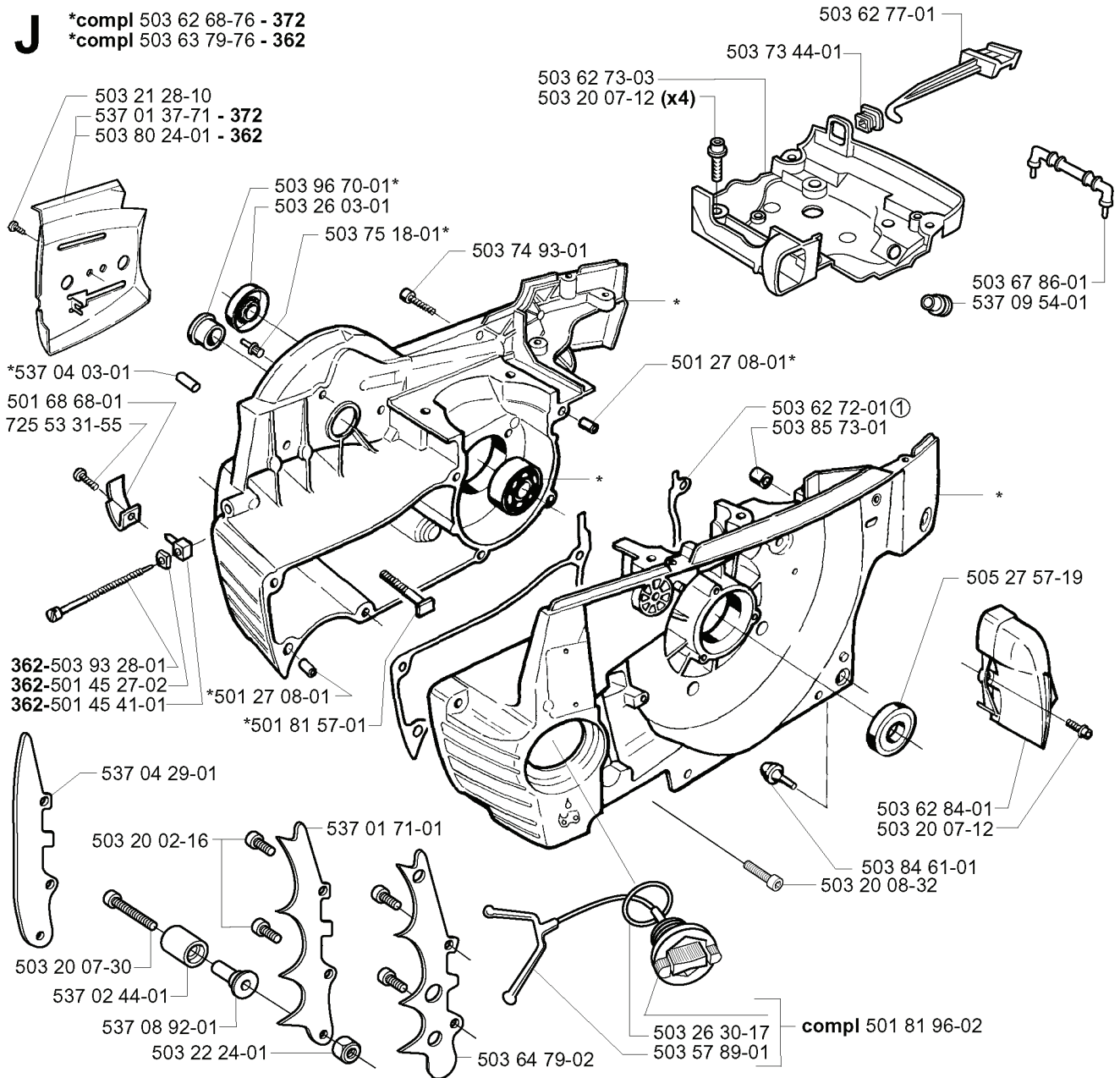
F *compl 503 74 87-02



REF.	PART NO.	DESCRIPTION	REMARK	QTY.	KIT
503 74 87-02	503748702	CRANKSHAFT ASSY		1	
503 74 44-01	503744401	CLUTCH ASSY		1	
503 77 91-01	503779101	SLEEVE		1	
503 26 30-19	503263019	O-RING		1	
738 22 02-25	738220225	BALL BEARING		1	
503 25 56-01	503255601	NEEDLE BEARING		1	

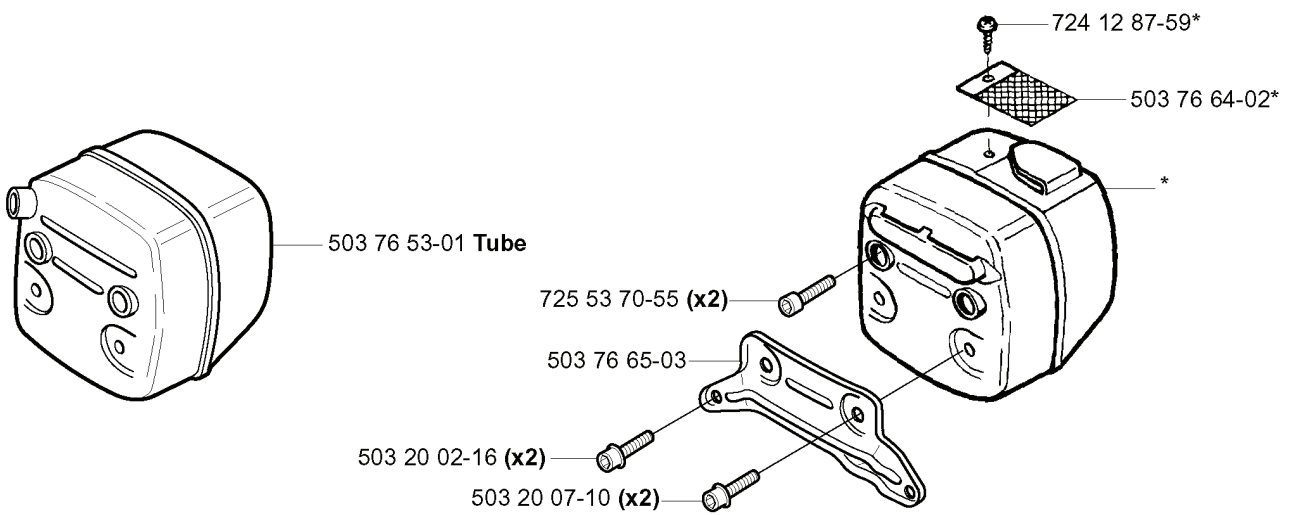
J

*compl 503 62 68-76 - 372
*compl 503 63 79-76 - 362



REF.	PART NO.	DESCRIPTION	REMARK	QTY.	KIT
503 62 68-76	503626876	CRANKCASE ASSY	372	1	
503 63 79-76	503637976	CRANKCASE ASSY	362	1	
503 21 28-10	503212810	SCREW CCRPANT		1	
537 01 37-71	537013771	CHAIN GUIDE PLATE	372	1	
503 80 24-01	503802401	CHAIN GUIDE PLATE	362	1	
537 04 03-01	537040301	VALVE		1	
501 68 68-01	501686801	CHAIN CATCHER		1	
725 53 31-55	725533155	SCREW IHSCM		1	
503 93 28-01	503932801	SCREW	362	1	
501 45 27-02	501452702	LOCK NUT	362	1	
501 45 41-01	501454101	NUT	362	1	
537 04 29-01	537042901	BUMPER		1	
503 20 02-16	503200216	SCREW IHSCFM		1	
503 20 07-30	503200730	SCREW IHSCFM		1	
537 02 44-01	537024401	WEAR PROTECTION		1	
537 08 92-01	537089201	CHAIN CATCHER		1	
503 22 24-01	503222401	LOCK NUT		1	
503 64 79-02	503647902	SPIKE		1	
537 01 71-01	537017101	SPIKE		1	
501 81 57-01	501815701	BAR BOLT		1	
503 26 30-17	503263017	O-RING		1	
503 57 89-01	503578901	HOLDER		1	
501 81 96-02	501819602	TANK CAP ASSY		1	
503 20 08-32	503200832	SCREW IHSCM		1	
503 84 61-01	503846101	BUFFER		1	
503 20 07-12	503200712	SCREW IHSCFM		1	
503 62 84-01	503628401	AIR NOZZLE		1	
505 27 57-19	505275719	SEALING RING		1	
503 85 73-01	503857301	COVER		1	
503 62 72-01	503627201	GASKET		1	
501 27 08-01	501270801	GUIDE BUSHING		1	
503 74 93-01	503749301	SCREW		1	
503 75 18-01	503751801	PIN		1	
503 26 03-01	503260301	SEALING RING		1	
503 96 70-01	503967001	BUSHING		1	
503 62 73-03	503627303	CARBURETTOR		1	
503 67 86-01	503678601	STÖTTA FÖRGASARE		1	
537 09 54-01	537095401	GROMMET		1	
503 73 44-01	503734401	GROMMET		1	
503 62 77-01	503627701	CHOKE CONTROL		1	

G compl 503 76 52-01 FG
*compl 503 76 53-02 Jungle
*compl 503 76 54-02 DF

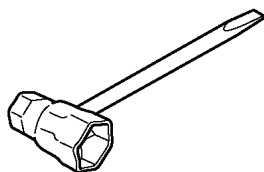


REF.	PART NO.	DESCRIPTION	REMARK	QTY.	KIT
503 76 52-01	503765201	MUFFLER ASSY	FG	1	
503 76 53-02	503765302	MUFFLER ASSY	JUNGLE	1	
503 76 54-02	503765402	MUFFLER ASSY	DF	1	
503 76 53-01	503765301	MUFFLER ASSY	TUBE	1	
503 20 02-16	503200216	SCREW IHSCFM		2	
503 20 07-10	503200710	SCREW IHSCFM		2	
503 76 65-03	503766503	BRACKET		1	
725 53 70-55	725537055	SCREW IHSCM		2	
503 76 64-02	503766402	SPARK ARRESTER SCREEN		1	
724 12 87-59	724128759	SCREW CRPANM		1	

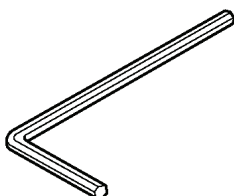
R Accessories
Zubehöre
Accessories
Accessorios
Tillbehör

*compl 503 55 85-01

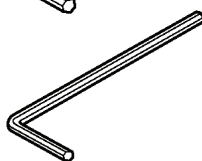
501 69 17-01*



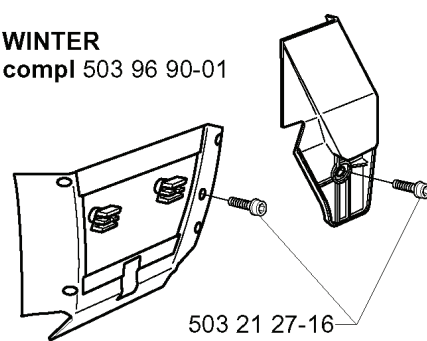
503 55 86-02* **NV5**



503 55 86-01* **NV4**

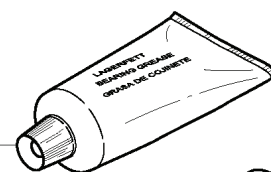


WINTER
compl 503 96 90-01

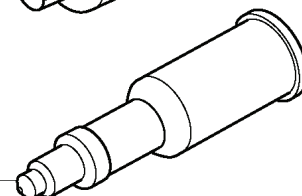


503 21 27-16

*503 62 12-01



*501 91 14-01

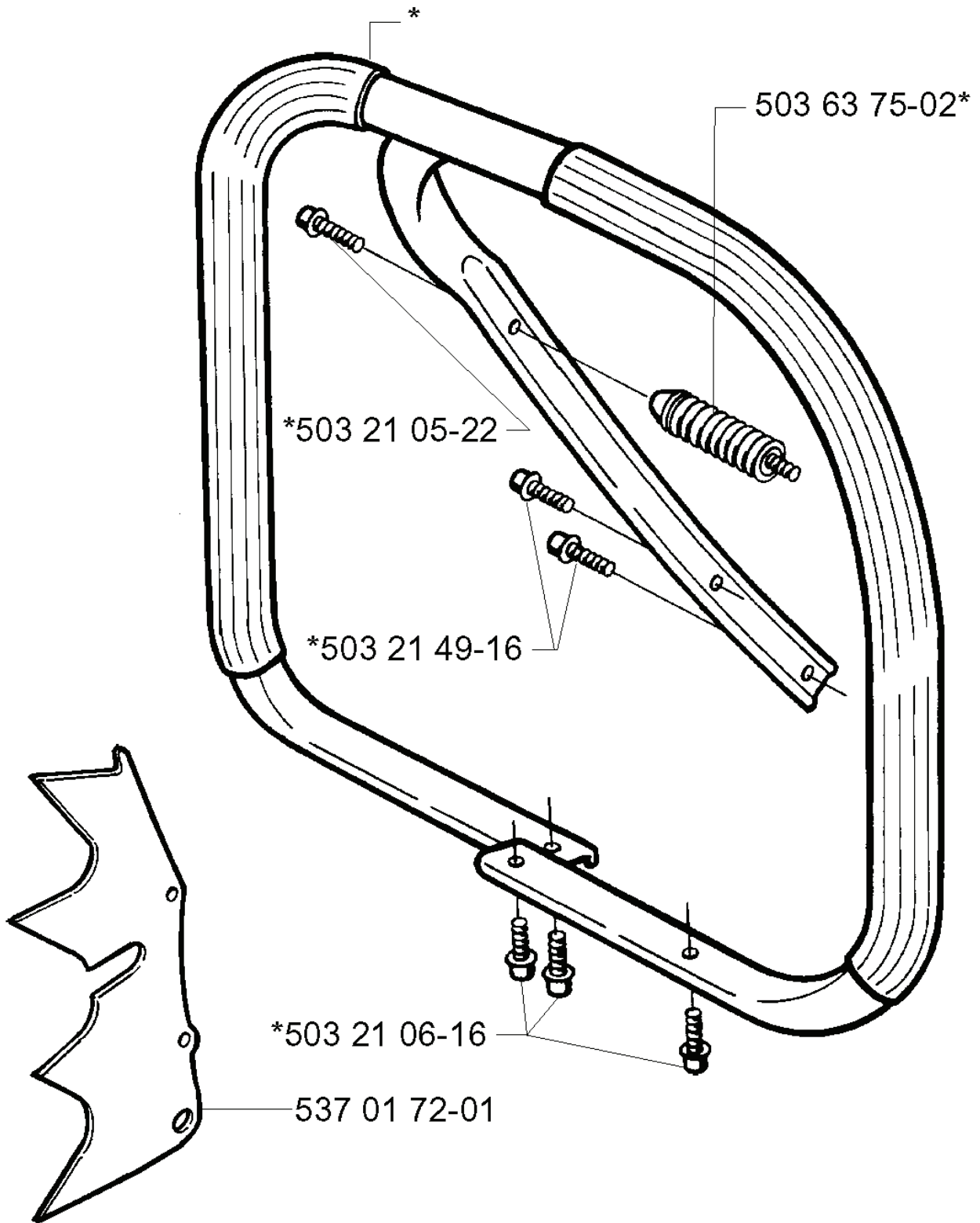


REF.	PART NO.	DESCRIPTION	REMARK	QTY.	KIT
5035585-01	503558501	TOOL		1	
5016917-01	501691701	COMBINATION WRENCH		1	
5035586-02	503558602	SPANNER	NV5	1	
5035586-01	503558601	SPANNER	NV4	1	
5019114-01	501911401	GREASE GUN		1	
5036212-01	503621201	GREASE		1	
5032127-16	503212716	SCREW CRPANT		1	
5039690-01	503969001	KIT	WINTER	1	

M

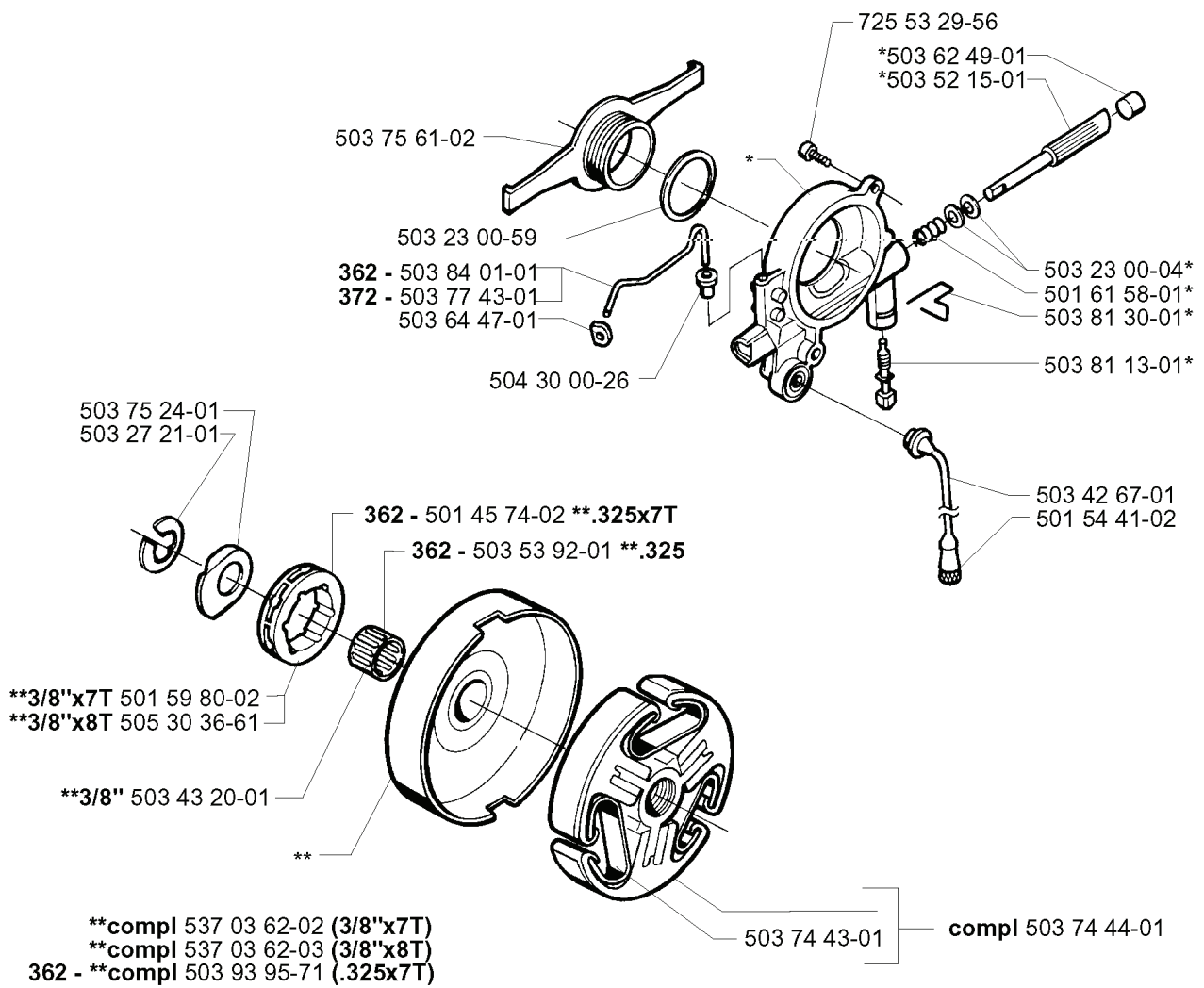
*compl 503 62 86-71 WRAP

*compl 503 62 86-02 WA G



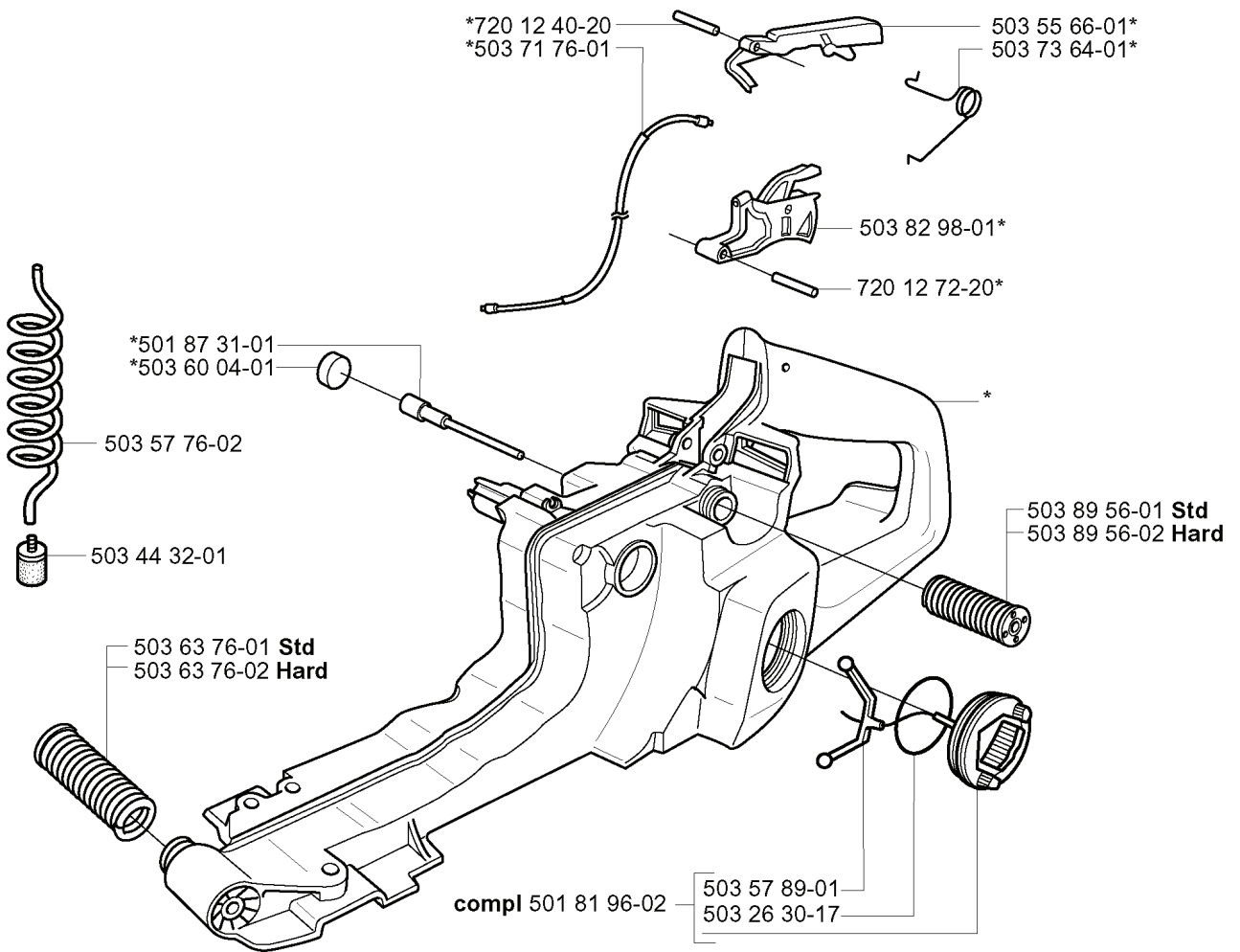
REF.	PART NO.	DESCRIPTION	REMARK	QTY.	KIT
503 62 86-71	503628671	HANDLE	WRAP	1	
503 62 86-02	503628602	HANDLE	WA G	1	
503 21 05-22	503210522	SCREW IHSCFT		1	
503 21 49-16	503214916	SCREW IHSCFT		1	
503 21 06-16	503210616	SCREW IHSCFT		1	
537 01 72-01	537017201	SPIKE		1	
503 63 75-02	503637502	ANTIVIBRATION ELEMENT		1	

C *compl 503 52 13-01



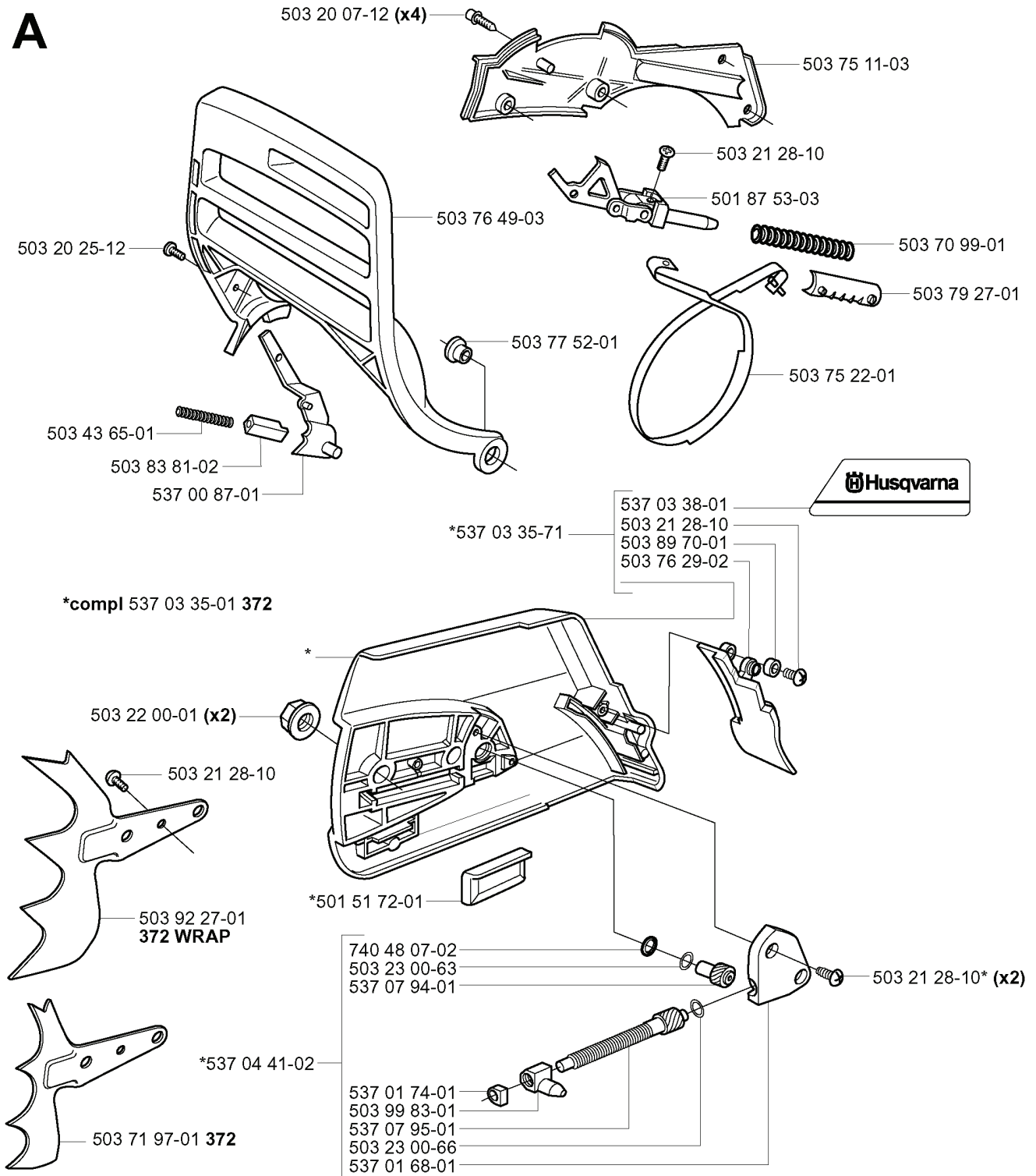
REF.	PART NO.	DESCRIPTION	REMARK	QTY.	KIT
5035213-01	503521301	OIL PUMP ASSY		1	
5037524-01	503752401	WASHER		1	
5032721-01	503272101	E-CLIP		1	
5015980-02	501598002	RIM	3/8X7T	1	
5053036-61	505303661	RIM	3/8X8T	1	
5034320-01	503432001	NEEDLE HOLDER	3/8	1	
5370362-02	537036202	CLUTCH DRUM	3/8X7T	1	
5370362-03	537036203	CLUTCH DRUM	3/8X8T	1	
5039395-71	503939571	CLUTCH DRUM	362.325X7T	1	
5035392-01	503539201	NEEDLE BEARING	362.325	1	
5014574-02	501457402	RIM	362.325X7T	1	
5043000-26	504300026	SEALING		1	
5036447-01	503644701	BUSHING		1	
5037743-01	503774301	OIL PIPE	372	1	
5038401-01	503840101	OIL PIPE	362	1	
5032300-59	503230059	WASHER		1	
5037561-02	503756102	GEAR WHEEL		1	
7255329-56	725532956	SCREW IHSCM		1	
5036249-01	503624901	SEALING PLUG		1	
5035215-01	503521501	PUMP PISTON		1	
5037443-01	503744301	CLUTCH SPRING		1	
5037444-01	503744401	CLUTCH ASSY		1	
5015441-02	501544102	OIL SCREEN		1	
5034267-01	503426701	OIL HOSE		1	
5038113-01	503811301	SCREW		1	
5038130-01	503813001	SPRING		1	
5016158-01	501615801	SPRING		1	
5032300-04	503230004	WASHER		1	

K *compl 503 71 32-75



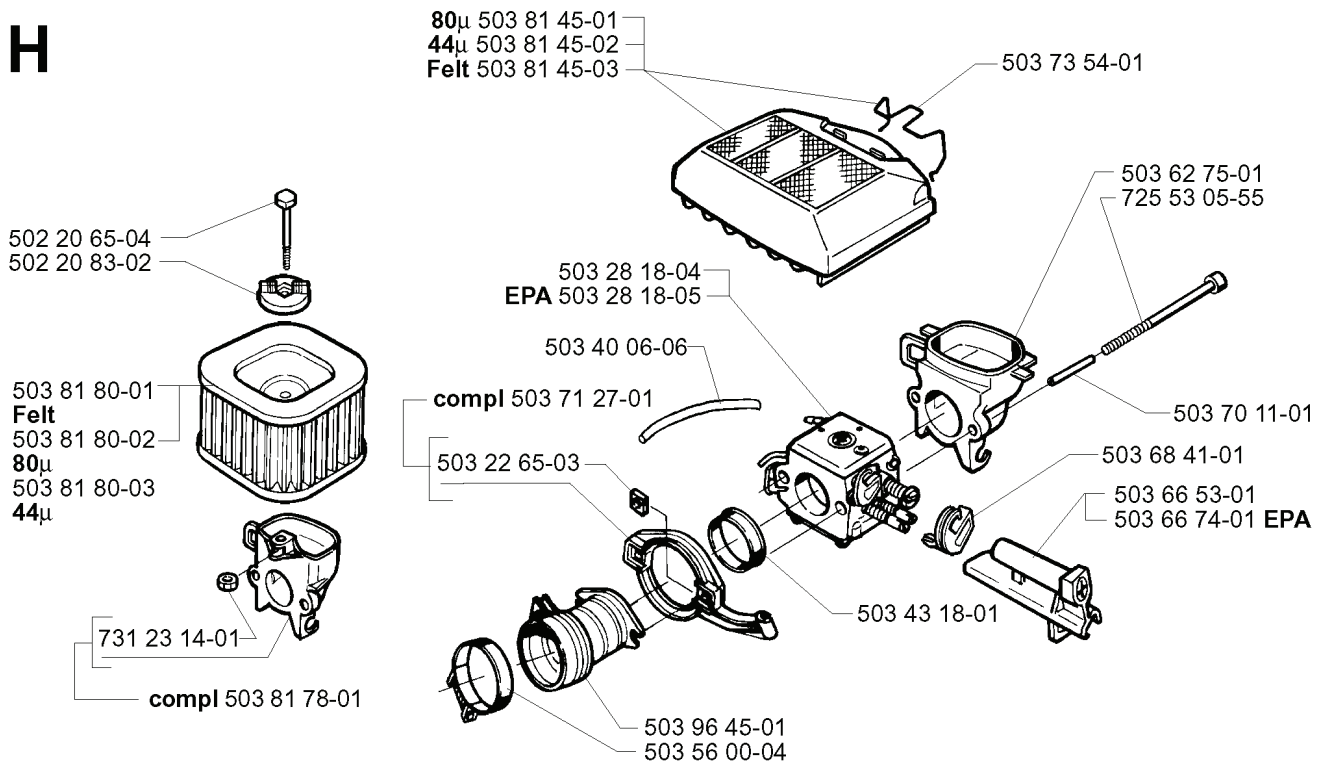
REF.	PART NO.	DESCRIPTION	REMARK	QTY.	KIT
503 71 32-75	503713275	FUEL TANK		1	
501 87 31-01	501873101	TANK VENT ASSY		1	
503 60 04-01	503600401	FILTER PLUG		1	
503 57 76-02	503577602	FUEL HOSE		1	
503 44 32-01	503443201	FUEL FILTER		1	
503 63 76-01	503637601	ANTIVIBRATION ELEMENT	STD	1	
503 63 76-02	503637602	ANTIVIBRATION ELEMENT	HARD	1	
501 81 96-02	501819602	TANK CAP ASSY		1	
503 26 30-17	503263017	O-RING		1	
503 57 89-01	503578901	HOLDER		1	
503 71 76-01	503717601	THROTTLE CABLE ASSY		1	
720 12 40-20	720124020	PARALLEL PIN		1	
503 82 98-01	503829801	TRIGGER		1	
720 12 72-20	720127220	PARALLEL PIN		1	
503 89 56-01	503895601	ANTIVIBRATION ELEMENT	STD	1	
503 89 56-02	503895602	ANTIVIBRATION ELEMENT	HARD	1	
503 73 64-01	503736401	SPRING		1	
503 55 66-01	503556601	THROTTLE LOCKOUT		1	

A



REF.	PART NO.	DESCRIPTION	REMARK	QTY.	KIT
503 20 25-12	503202512	SCREW IHSCM		1	
503 43 65-01	503436501	POSITION SPRING		1	
503 83 81-02	503838102	LOCK		1	
537 00 87-01	537008701	BRAKE LEVER		1	
537 03 35-01	537033501	CLUTCH COVER ASSY	372	1	
503 22 00-01	503220001	HEXAGON NUT		2	
503 92 27-01	503922701	SPIKE	372 WRAP	1	
503 71 97-01	503719701	SPIKE	372	1	
537 04 41-02	537044102	CHAIN TENSIONER		1	
501 51 72-01	501517201	CHAIN GUIDE		1	
740 48 07-02	740480702	O-RING		1	
503 23 00-63	503230063	WASHER		1	
537 07 94-01	537079401	WORM WHEEL		1	
537 01 74-01	537017401	BEARING SLEEVE		1	
503 99 83-01	503998301	PAWL		1	
537 07 95-01	537079501	WORM SCREW		1	
503 23 00-66	503230066	WASHER		1	
537 01 68-01	537016801	COVER		1	
503 76 29-02	503762902	CHIP GUARD		1	
503 89 70-01	503897001	SLEEVE		1	
537 03 38-01	537033801	LABEL		1	
537 03 35-71	537033571	CLUTCH COVER ASSY		1	
503 77 52-01	503775201	BUSHING		1	
503 76 49-03	503764903	HAND GUARD		1	
503 20 07-12	503200712	SCREW IHSCFM		4	
503 75 11-03	503751103	HUB CAP		1	
503 21 28-10	503212810	SCREW CCRPANT		1	
501 87 53-03	501875303	KNEE JOINT		1	
503 75 22-01	503752201	BRAKE BAND ASSY		1	
503 79 27-01	503792701	SUPPORT		1	
503 70 99-01	503709901	BRAKE SPRING		1	

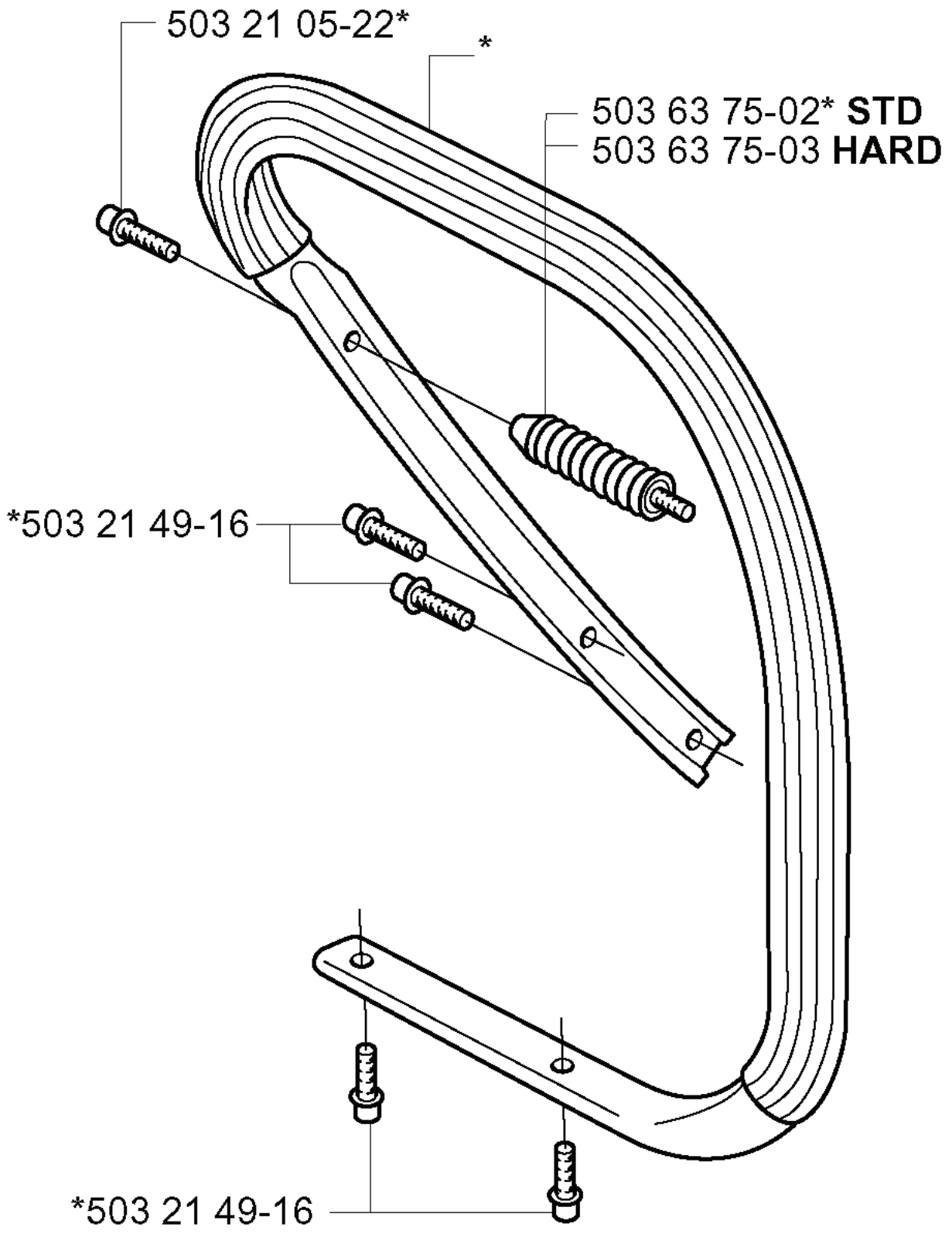
H



REF.	PART NO.	DESCRIPTION	REMARK	QTY.	KIT
502 20 65-04	502206504	SCREW EHMM		1	
502 20 83-02	502208302	KNOB		1	
503 81 80-01	503818001	AIR FILTER	FELT	1	
503 81 80-02	503818002	AIR FILTER		1	
503 81 80-03	503818003	AIR FILTER		1	
731 23 14-01	731231401	HEXAGON NUT		1	
503 81 78-01	503817801	FILTER HOLDER		1	
503 56 00-04	503560004	HOSE CLAMP		1	
503 96 45-01	503964501	INLET PIPE		1	
503 22 65-03	503226503	SQUARE NUT		1	
503 71 27-01	503712701	FLANGE		1	
503 40 06-06	503400606	IMPULSE HOSE		1	
503 28 18-05	503281805	CARBURETTOR	EPA	1	
503 28 18-04	503281804	CARBURETTOR		1	
503 81 45-03	503814503	AIR FILTER ASSY	FELT	1	
503 81 45-02	503814502	AIR FILTER ASSY		1	
503 81 45-01	503814501	AIR FILTER ASSY		1	
503 43 18-01	503431801	SUPPORT SLEEVE		1	
503 66 74-01	503667401	GUIDE BUSHING	EPA	1	
503 66 53-01	503665301	GUIDE BUSHING		1	
503 68 41-01	503684101	LEVER		1	
503 70 11-01	503701101	TUBE		1	
725 53 05-55	725530555	SCREW IHSCM		1	
503 62 75-01	503627501	FILTER HOLDER		1	
503 73 54-01	503735401	CLAMP		1	

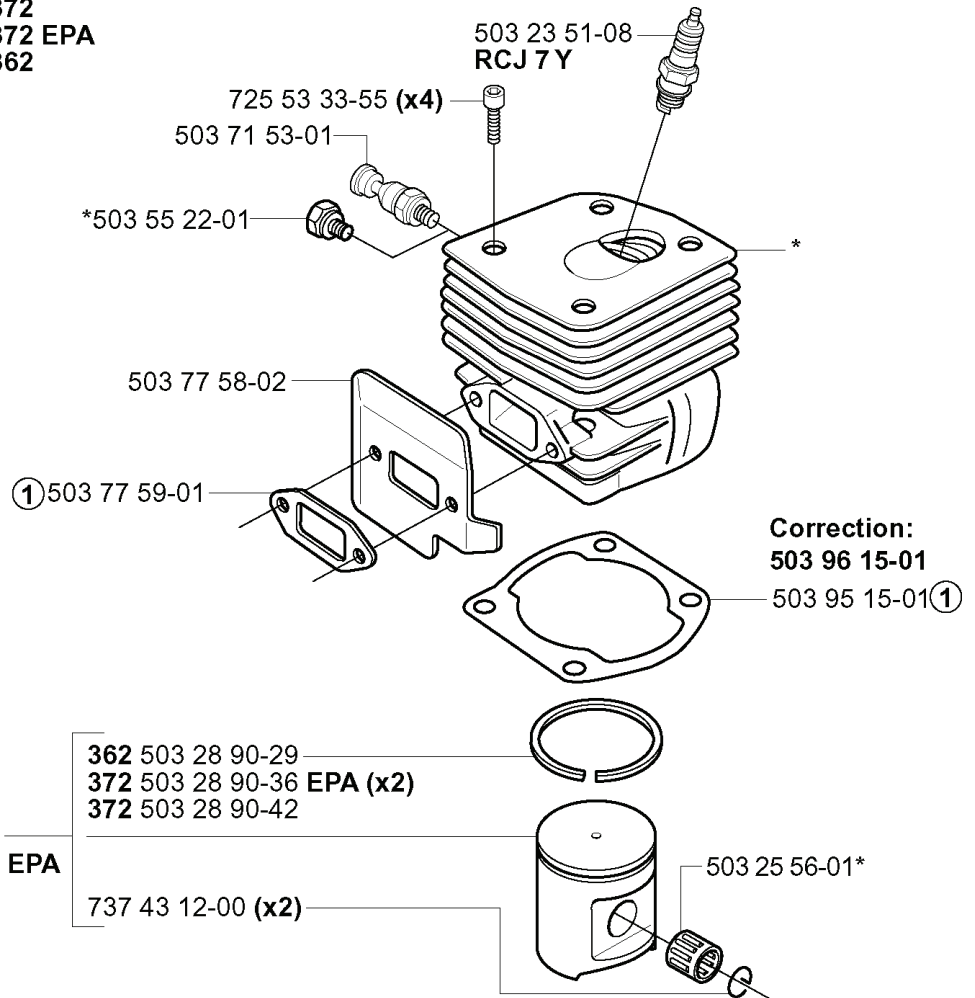


*compl 503 62 67-71



REF.	PART NO.	DESCRIPTION	REMARK	QTY.	KIT
5036267-71	503626771	FRONT HANDLE ASSY		1	
5032105-22	503210522	SCREW IHSCFT		1	
5032149-16	503214916	SCREW IHSCFT		1	
5036375-03	503637503	ANTIVIBRATION ELEMENT	HARD	1	
5036375-02	503637502	ANTIVIBRATION ELEMENT	STD	1	

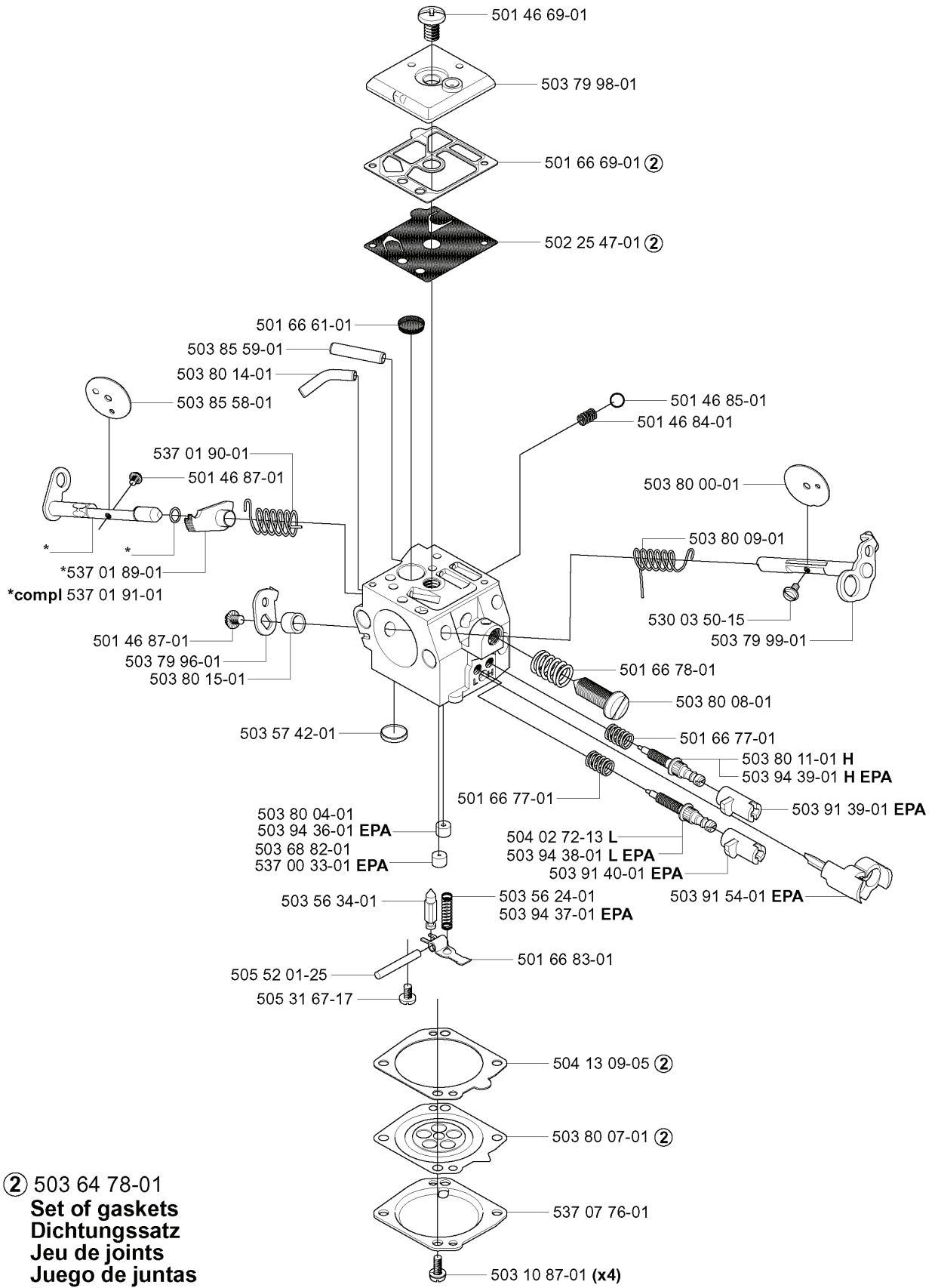
E *compl 503 62 64-73 **372**
 *compl 503 93 93-72 **372 EPA**
 *compl 503 96 52-71 **362**



REF.	PART NO.	DESCRIPTION	REMARK	QTY.	KIT
5036264-73	503626473	CYLINDER ASSY	372	1	
5039393-72	503939372	CYLINDER ASSY	372 EPA	1	
5039652-71	503965271	CYLINDER ASSY	362	1	
5036912-71	503691271	PISTON ASSY	372	1	
5036914-71	503691471	PISTON ASSY	362	1	
5039392-71	503939271	PISTON ASSY	372 EPA	1	
7374312-00	737431200	SNAP RING		2	
5032890-42	503289042	PISTON RING	372	1	
5032890-36	503289036	PISTON RING	372 EPA	2	
5032890-29	503289029	PISTON RING	362	1	
5037759-01	503775901	GASKET		1	
5037758-02	503775802	HEAT DEFLECTOR		1	
5035522-01	503552201	PLUG		1	
5037153-01	503715301	DECOMPRESSION VALVE		1	
7255333-55	725533355	SCREW IHSCM		4	
5032351-08	503235108	SPARK PLUG	RCJ 7 Y	1	
5032556-01	503255601	NEEDLE BEARING		1	
5039515-01	503951501	SNAP		1	
5039615-01	503961501	GASKET	CORRECTION:	1	

Q compl 503 28 18-04
 compl 503 28 18-05 EPA

Walbro HD-6B Walbro HD-12B EPA



② 503 64 78-01
Set of gaskets
Dichtungssatz
Jeu de joints
Juego de juntas
Packningssatz

REF.	PART NO.	DESCRIPTION	REMARK	QTY.	KIT
503 28 18-04	503281804	CARBURETTOR		1	
503 28 18-05	503281805	CARBURETTOR	EPA	1	
501 66 61-01	501666101	SCREEN		1	
503 85 59-01	503855901	FITTING		1	
503 80 14-01	503801401	FITTING		1	
503 85 58-01	503855801	VALVE		1	
537 01 90-01	537019001	SPRING		1	
501 46 87-01	501468701	SCREW		1	
537 01 89-01	537018901	LEVER		1	
537 01 91-01	537019101	SHAFT ASSY		1	
503 79 96-01	503799601	LEVER		1	
503 80 15-01	503801501	WASHER		1	
503 57 42-01	503574201	PLUG		1	
503 80 04-01	503800401	NOZZLE		1	
503 94 36-01	503943601	NOZZLE ASSY	EPA	1	
503 68 82-01	503688201	JET		1	
537 00 33-01	537003301	JET	EPA	1	
503 56 34-01	503563401	NEEDLE VALVE		1	
505 52 01-25	505520125	PIN		1	
505 31 67-17	505316717	SCREW		1	
503 10 87-01	503108701	SCREW		4	
537 07 76-01	537077601	COVER		1	
503 80 07-01	503800701	DIAPHRAGM	503 64 78-01 SET OF GASKETS	1	
504 13 09-05	504130905	GASKET	503 64 78-01 SET OF GASKETS	1	
501 66 83-01	501668301	LEVER		1	
503 94 37-01	503943701	SPRING	EPA	1	
503 56 24-01	503562401	SPRING		1	
503 91 40-01	503914001	LIMITER CAP	EPA	1	
503 94 38-01	503943801	NEEDLE	L EPA	1	
504 02 72-13	504027213	NEEDLE-IDLE SPEED	L	1	
503 91 54-01	503915401	RETAINER	EPA	1	
503 91 39-01	503913901	LIMITER CAP	EPA	1	
503 94 39-01	503943901	NEEDLE	H EPA	1	
503 80 11-01	503801101	NEEDLE	H	1	
501 66 77-01	501667701	SPRING		1	
503 80 08-01	503800801	SCREW		1	
501 66 78-01	501667801	SPRING		1	
503 79 99-01	503799901	SHAFT		1	
530 03 50-15	530035015	SCREW		1	
503 80 09-01	503800901	SPRING		1	
503 80 00-01	503800001	VALVE		1	

REF.	PART NO.	DESCRIPTION	REMARK	QTY.	KIT
501 46 84-01	501468401	SPRING		1	
501 46 85-01	501468501	BALL		1	
502 25 47-01	502254701	DIAPHRAGM PUMP	503 64 78-01 SET OF GASKETS	1	
501 66 69-01	501666901	GASKET	503 64 78-01 SET OF GASKETS	1	
503 79 98-01	503799801	COVER		1	
501 46 69-01	501466901	SCREW		1	