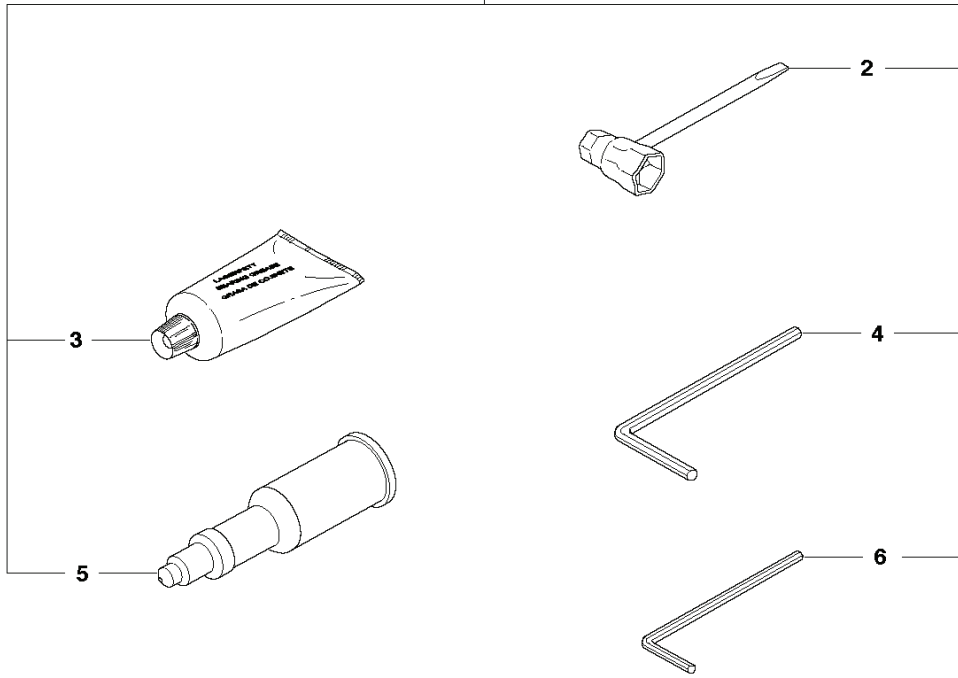


570, 570 EPA, 20090100001-Current

SPARE PARTS LIST

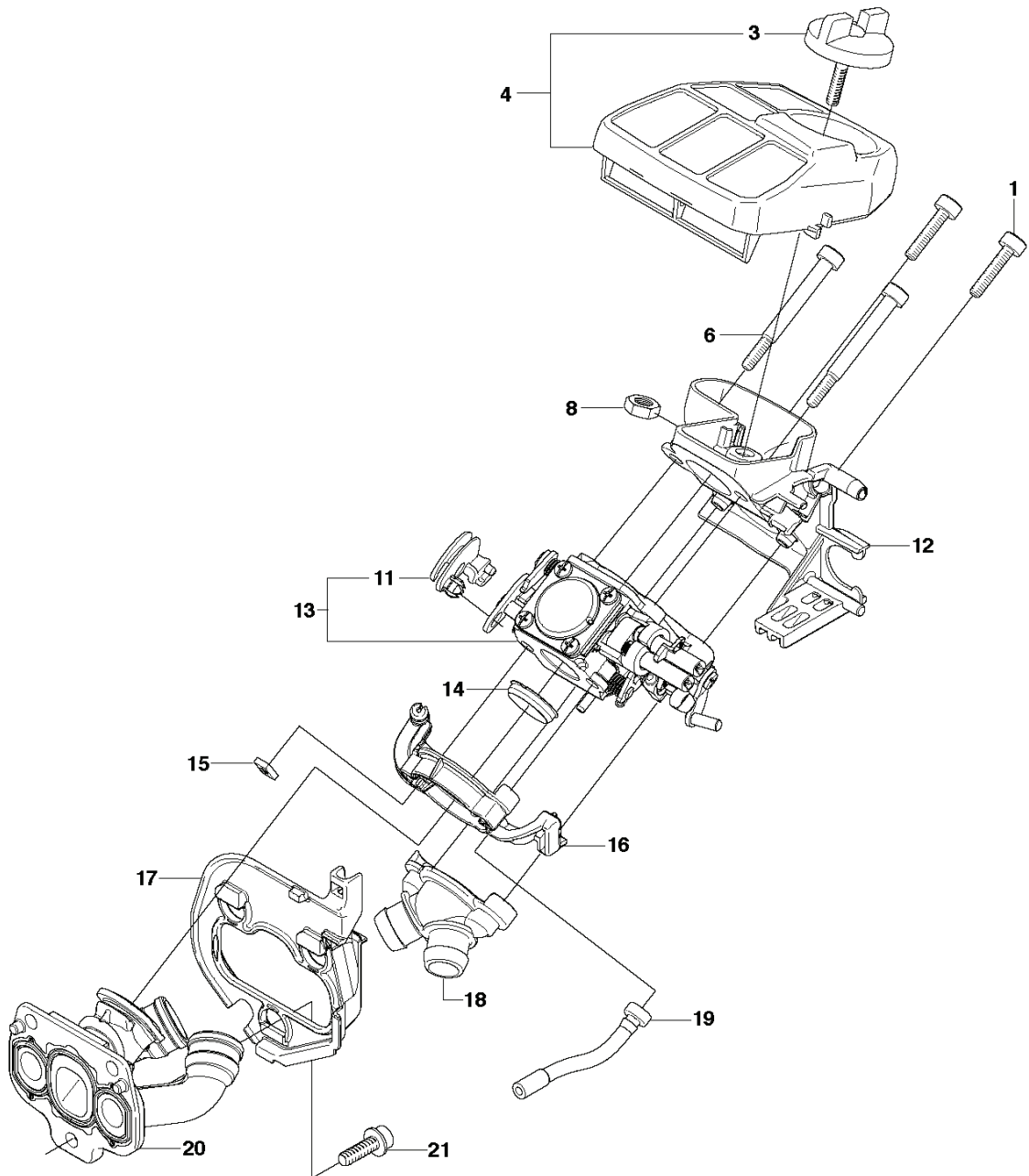
S 570

1



REF.	PART NO.	DESCRIPTION	REMARK	QTY.	KIT
1	503558501	TOOL		1	
2	501691701	COMBINATION WRENCH		1	
3	503621201	GREASE		1	
4	503558602	SPANNER		1	
5	501911401	GREASE GUN		1	
6	503558601	SPANNER		1	

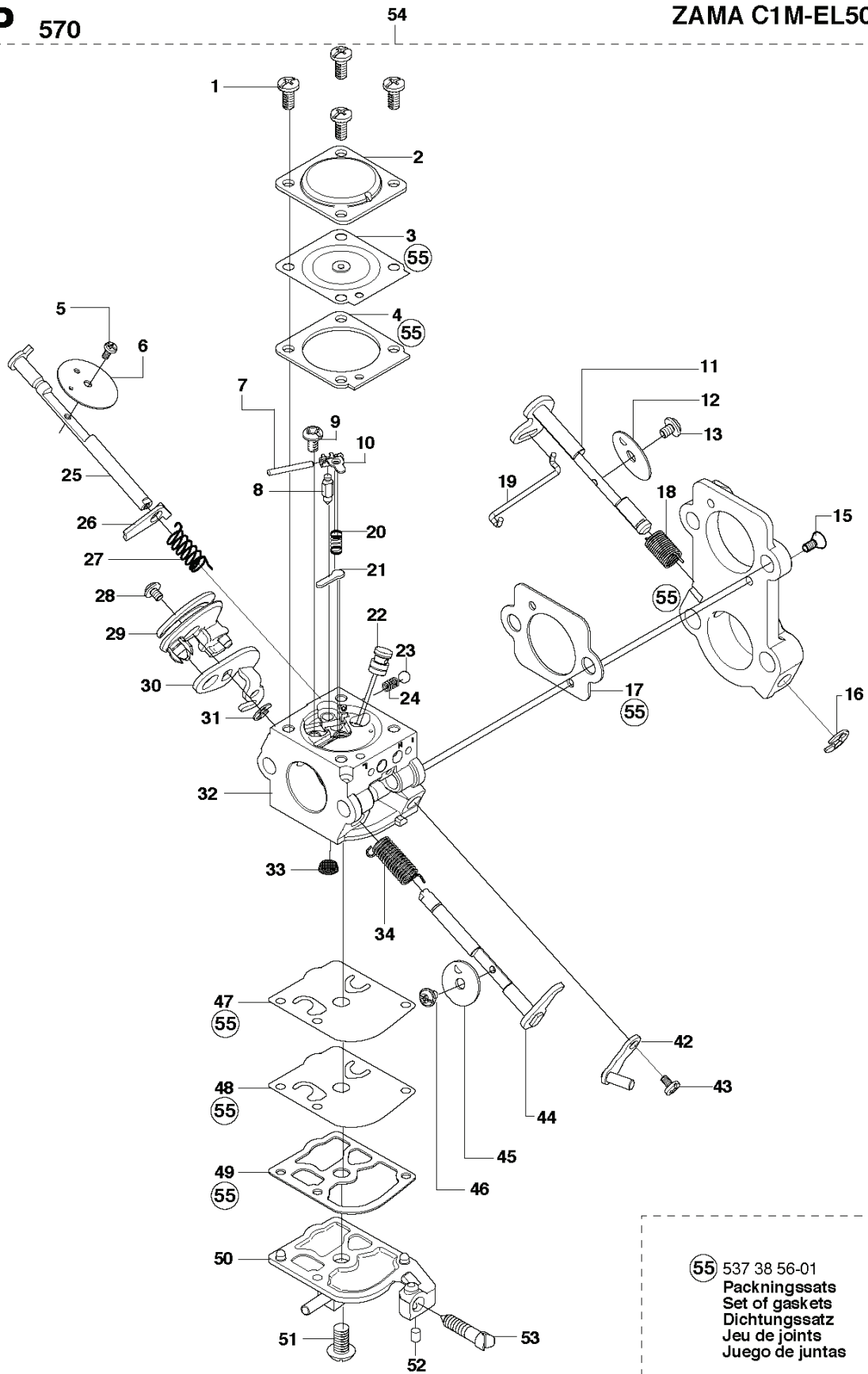
F 570



REF.	PART NO.	DESCRIPTION	REMARK	QTY.	KIT
1	503202520	SCREW IHSCM		2	
3	537213209	KNOB		1	
4	576486304	AIR FILTER		1	
4	576486305	AIR FILTER		1	
4	576486306	AIR FILTER		1	
6	503203901	SCREW IHSCM		2	
8	731231401	HEXAGON NUT		1	
11	537213701	LEVER		1	
12	537205001	FILTER HOLDER		1	
13	579462501	CARBURETTOR		1	
14	537204601	SUPPORT SLEEVE		1	
15	503226503	SQUARE NUT		2	
16	537204501	FLANGE		2	
17	537204701	INSULATION WALL		1	
18	537204901	FLANGE		1	
19	537203701	IMPULSE HOSE		1	
20	537204301	INLET PIPE		1	
20	585484301	INLET PIPE	Cold resistant Spare part only	1	
21	503200216	SCREW IHSCFM		3	

P 570

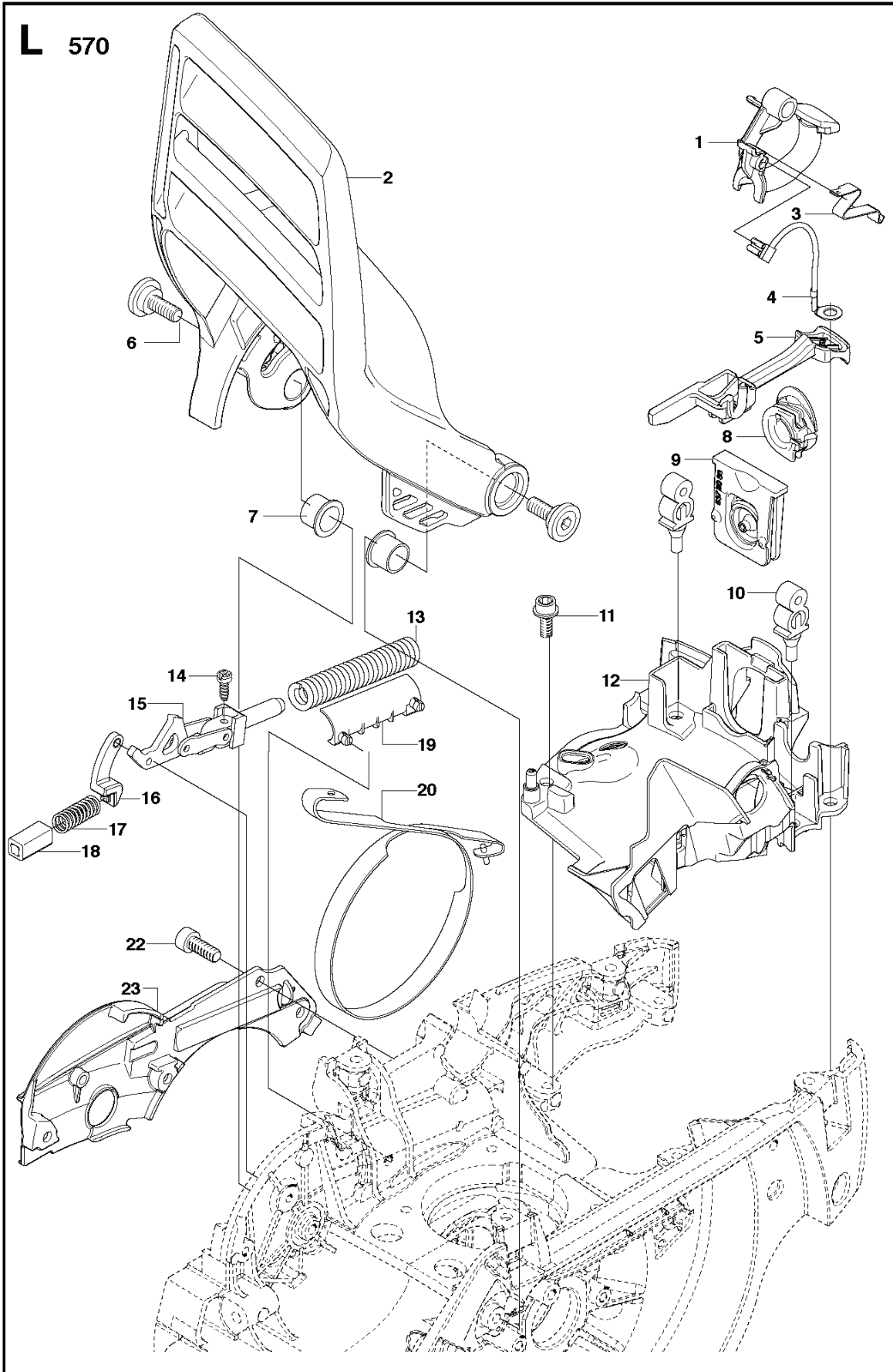
ZAMA C1M-EL50



55 537 38 56-01
Packningssats
Set of gaskets
Dichtungssatz
Jeu de joints
Juego de juntas

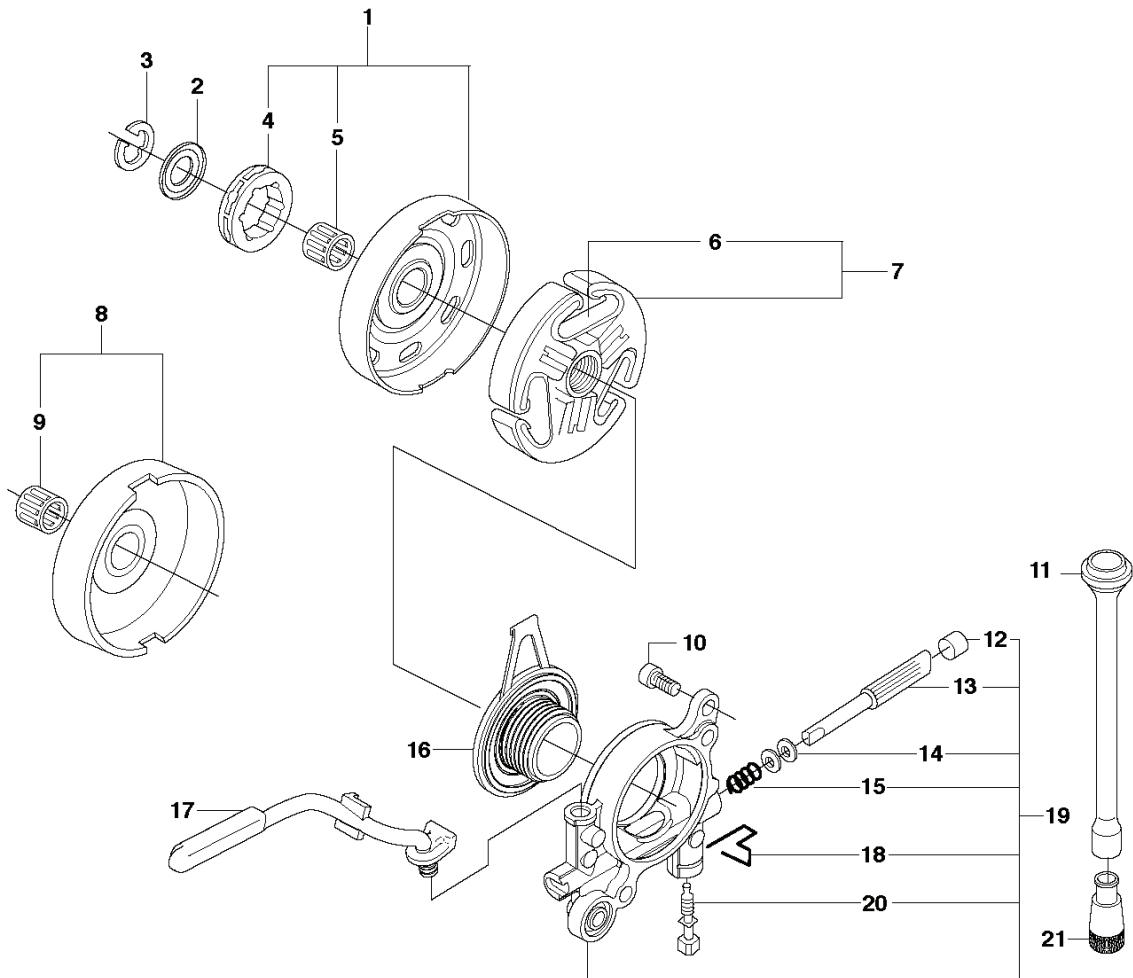
REF.	PART NO.	DESCRIPTION	REMARK	QTY.	KIT
1	503480501	SCREW		4	
2	537383701	COVER		1	
3	537383501	DIAPHRAGM		1	
4	537383601	GASKET		1	
5	503481801	SCREW		1	
6	537266801	VALVE		1	
7	503480001	PIN RETAINING SCREW		1	
8	503479701	VALVE		1	
9	503480101	SCREW		1	
10	503665901	LEVER		1	
11	544237801	SHAFT		1	
12	537177001	VALVE		1	
13	503481801	SCREW		1	
15	537385101	SCREW		2	
16	537385001	CLIP		1	
17	537385301	GASKET		1	
18	537385501	SPRING		1	
19	544237901	ROD		1	
20	537383401	SPRING		1	
21	503535601	PLUG WELCH		1	
22	544237701	NOZZLE ASSY		1	
23	537012501	BALL		1	
24	537012601	SPRING		1	
25	537384201	SHAFT ASSY		1	
26	544238001	LEVER		1	
27	537384401	SPRING		1	
28	503479001	SCREW		1	
29	537213701	LEVER		1	
30	537384101	LEVER		1	
31	504026701	CIRCLIP		1	
32	579462501	CARBURETTOR		1	
33	503535701	STRAINER		1	
34	537382901	SPRING		1	
37	503974001	WASHER		2	
38	537387501	SCREW		1	
39	537417001	LIMITER CAP		1	
40	537384601	LIMITER CAP		1	
42	537384501	LEVER		1	
43	503479001	SCREW		1	
44	577370501	THROTTLE SHAFT ASSY		1	
45	537383001	VALVE		1	
46	503481801	SCREW		1	
47	537383101	DIAPHRAGM PUMP		1	
48	537403301	DIAPHRAGM		1	
49	537020101	GASKET		1	
50	502078901	COVER		1	
51	503479601	SCREW		1	
52	503481101	PIECE		1	
53	537383301	SCREW		1	
54	579462501	CARBURETTOR		1	
55	537385601	GASKET KIT		1	

L 570



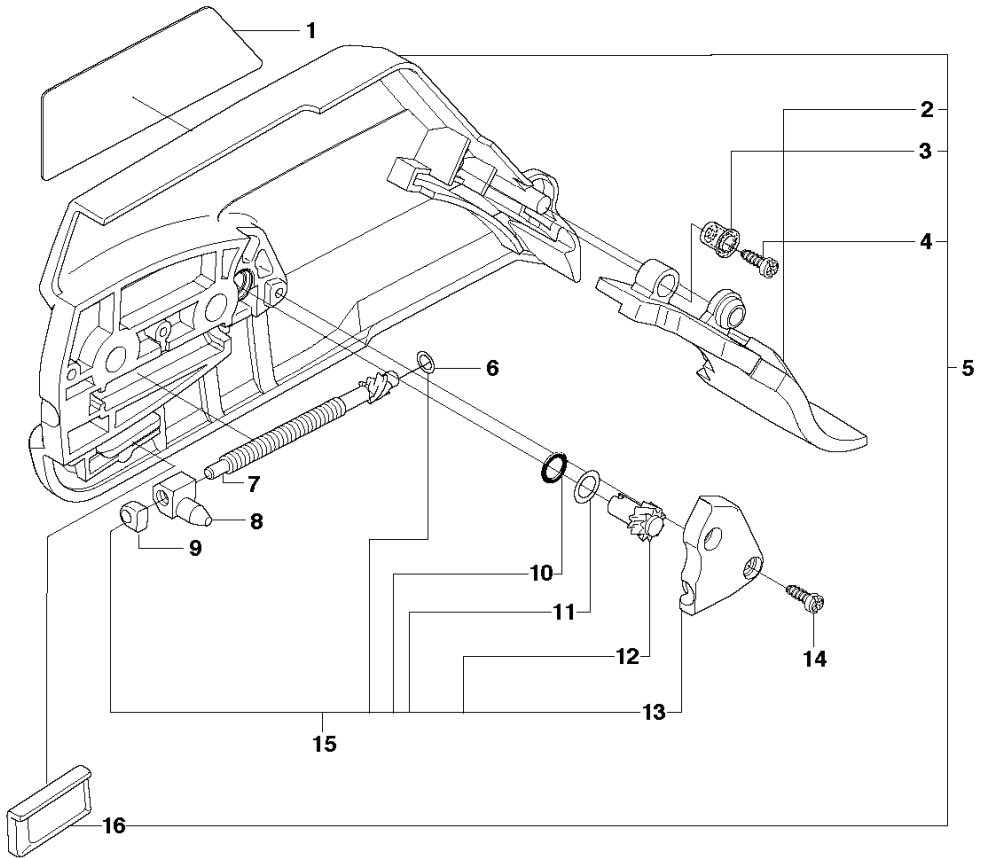
REF.	PART NO.	DESCRIPTION	REMARK	QTY.	KIT
1	537205101	STOP SWITCH		1	
2	537202701	HAND GUARD ASSY		1	
3	503869702	SPRING		1	
4	537208701	GROUND CABLE		1	
5	537205201	CHOKE CONTROL		1	
6	537209001	SCREW		2	
7	537202801	BUSHING		2	
8	537205301	SEALING		1	
9	537203801	GROMMET		1	
10	503869301	SUPPORT		2	
11	503200212	SCREW IHSCFM		4	
12	537203501	CARBURETTOR		1	
13	503709901	BRAKE SPRING		1	
14	503212810	SCREW CCRPANT		1	
15	501875304	KNEE JOINT		1	
16	537203101	LOCK		1	
17	503436501	POSITION SPRING		1	
18	537210701	SPRING GUIDE		1	
19	503792702	SUPPORT		1	
20	503752202	BRAKE BAND ASSY		1	
21	579233201	SLEEVE		1	
22	503217072	SCREW CCRPANT		4	
23	537203201	HUB CAP		1	

B 570



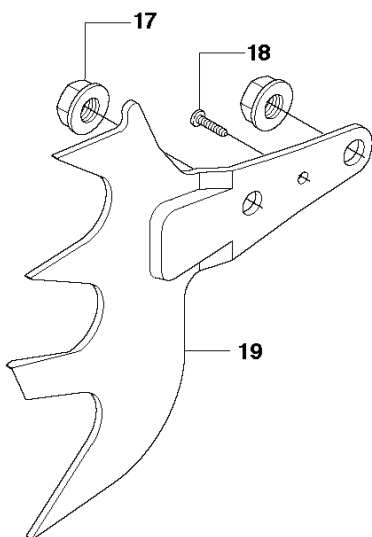
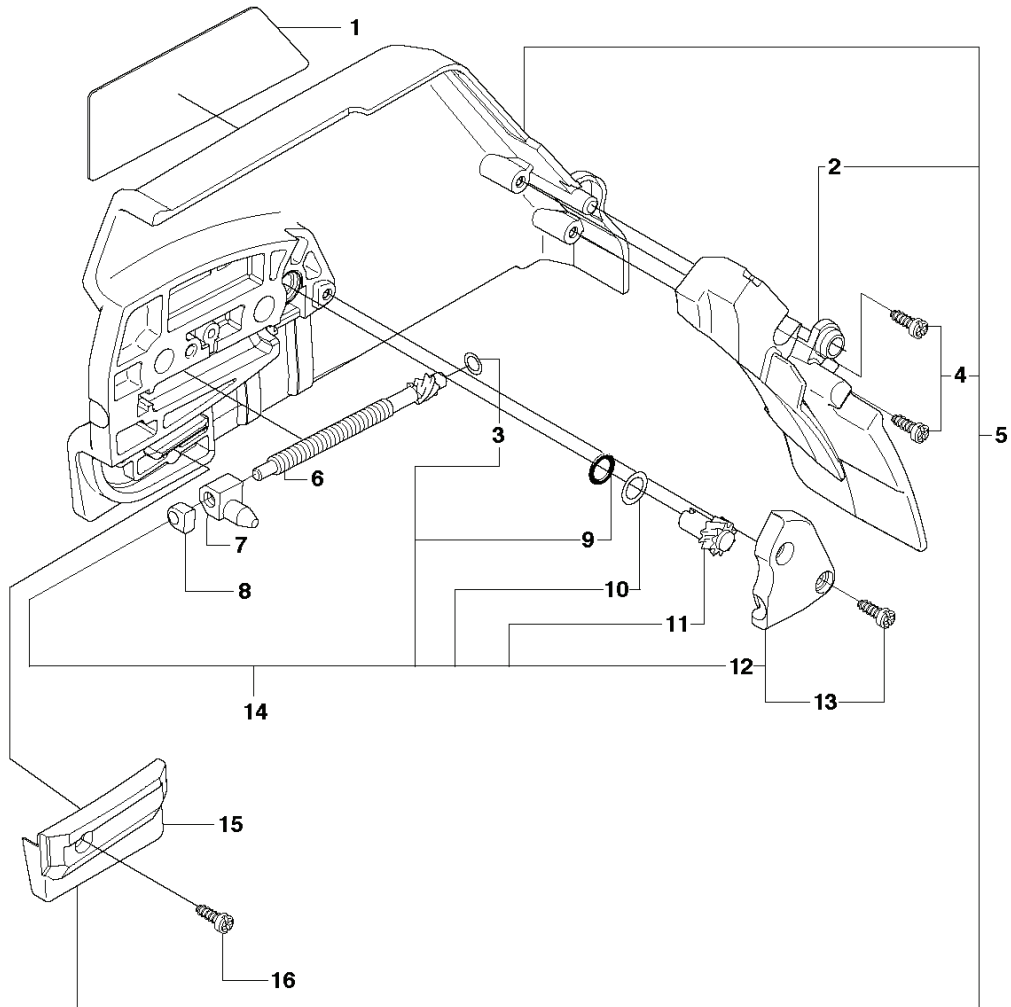
REF.	PART NO.	DESCRIPTION	REMARK	QTY.	KIT
1	537036205	CLUTCH DRUM		1	
1	537036206	CLUTCH DRUM		1	
2	503752401	WASHER		1	
3	503272101	E-CLIP		1	
4	501598002	RIM		1	
4	505303661	RIM		1	
5	503432001	NEEDLE HOLDER		1	
6	537360601	CLUTCH SPRING		3	
7	503744405	CLUTCH ASSY		1	
8	503861703	CLUTCH DRUM ASSY		1	
9	503432001	NEEDLE HOLDER		1	
10	503205301	SCREW IHSCM		2	
11	501895301	OIL HOSE		1	
12	503624901	SEALING PLUG		1	
13	503521501	PUMP PISTON		1	
14	503230004	WASHER		2	
15	501615801	SPRING		1	
16	537207804	PUMP PINION		1	
17	537209101	OIL PRESSURE HOSE		1	
18	503813001	SPRING		1	
19	503521303	OIL PUMP ASSY		1	
20	503811301	SCREW		1	
21	501544102	OIL SCREEN		1	

A2 570



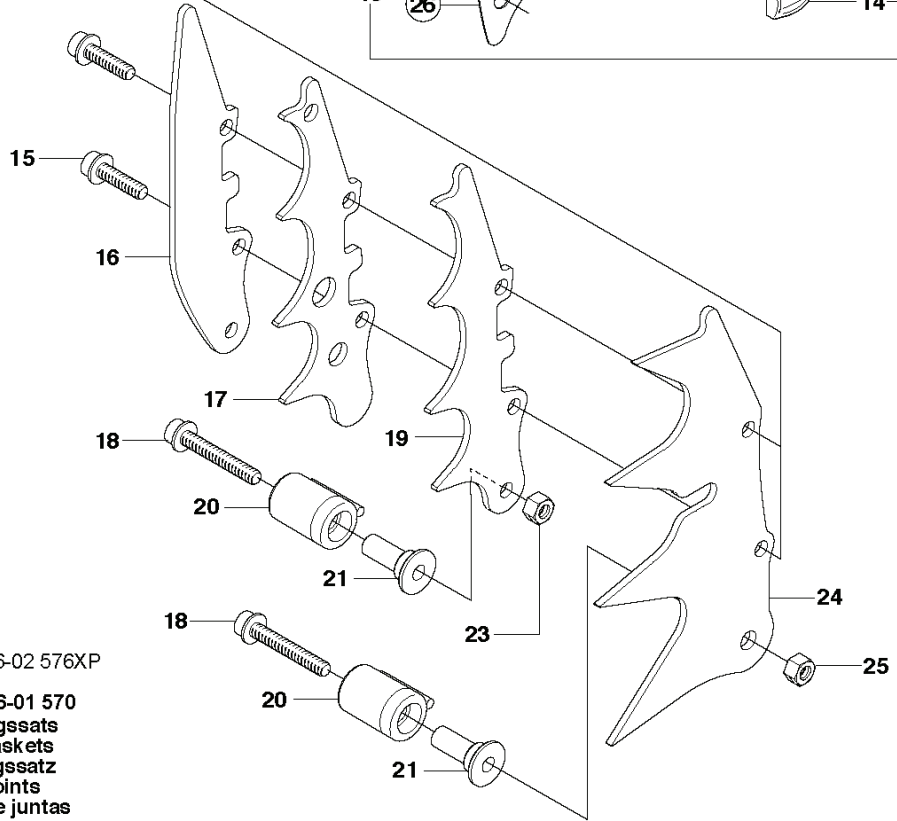
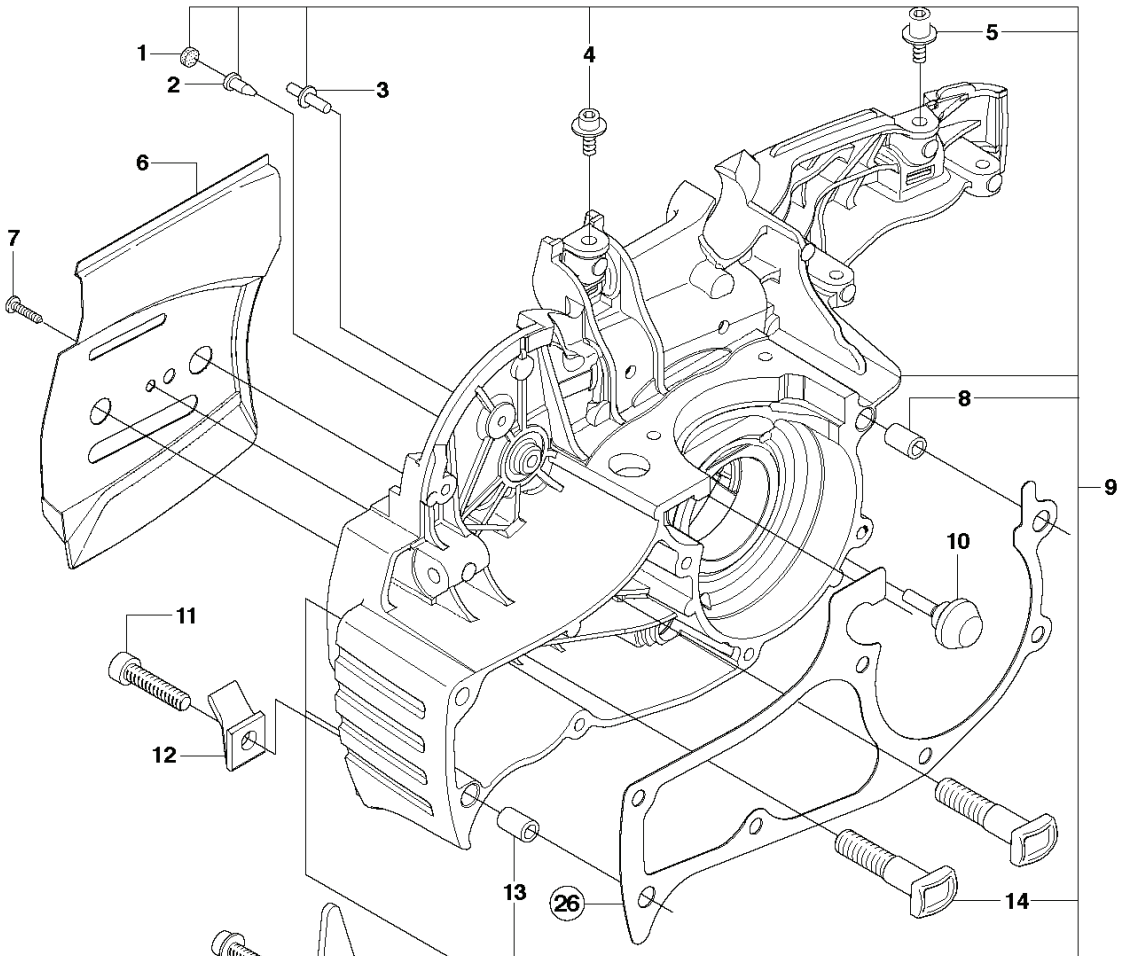
REF.	PART NO.	DESCRIPTION	REMARK	QTY.	KIT
1	537033803	LABEL		1	
2	503762902	CHIP GUARD		1	
3	503897001	SLEEVE		1	
4	503212810	SCREW CCRPANT		1	
5	537033501	CLUTCH COVER ASSY		1	
6	503230066	WASHER		1	
7	537079502	WORM SCREW		1	
8	503998301	PAWL		1	
9	537017401	BEARING SLEEVE		1	
10	740480702	O-RING		1	
11	503230063	WASHER		1	
12	537079402	WORM WHEEL		1	
13	537016801	COVER		1	
14	503212810	SCREW CCRPANT		2	
15	537044102	CHAIN TENSIONER		1	
16	501517201	CHAIN GUIDE		1	

A1 570 WA



REF.	PART NO.	DESCRIPTION	REMARK	QTY.	KIT
1	537033803	LABEL		1	
2	537174101	CHIP GUARD		1	
3	503230066	WASHER		1	
4	503212810	SCREW CCRPANT		1	
5	537331005	CLUTCH COVER ASSY		1	
6	537079502	WORM SCREW		1	
7	503998301	PAWL		1	
8	537017401	BEARING SLEEVE		1	
9	740480702	O-RING		1	
10	503230063	WASHER		1	
11	537079402	WORM WHEEL		1	
12	537016801	COVER		1	
13	503212810	SCREW CCRPANT		2	
14	537044102	CHAIN TENSIONER		1	
15	537043401	CHAIN GUIDE		1	
16	503212810	SCREW CCRPANT		1	
17	503220001	HEXAGON NUT		2	
18	503212810	SCREW CCRPANT		1	
19	503922701	SPIKE		1	

M1 570

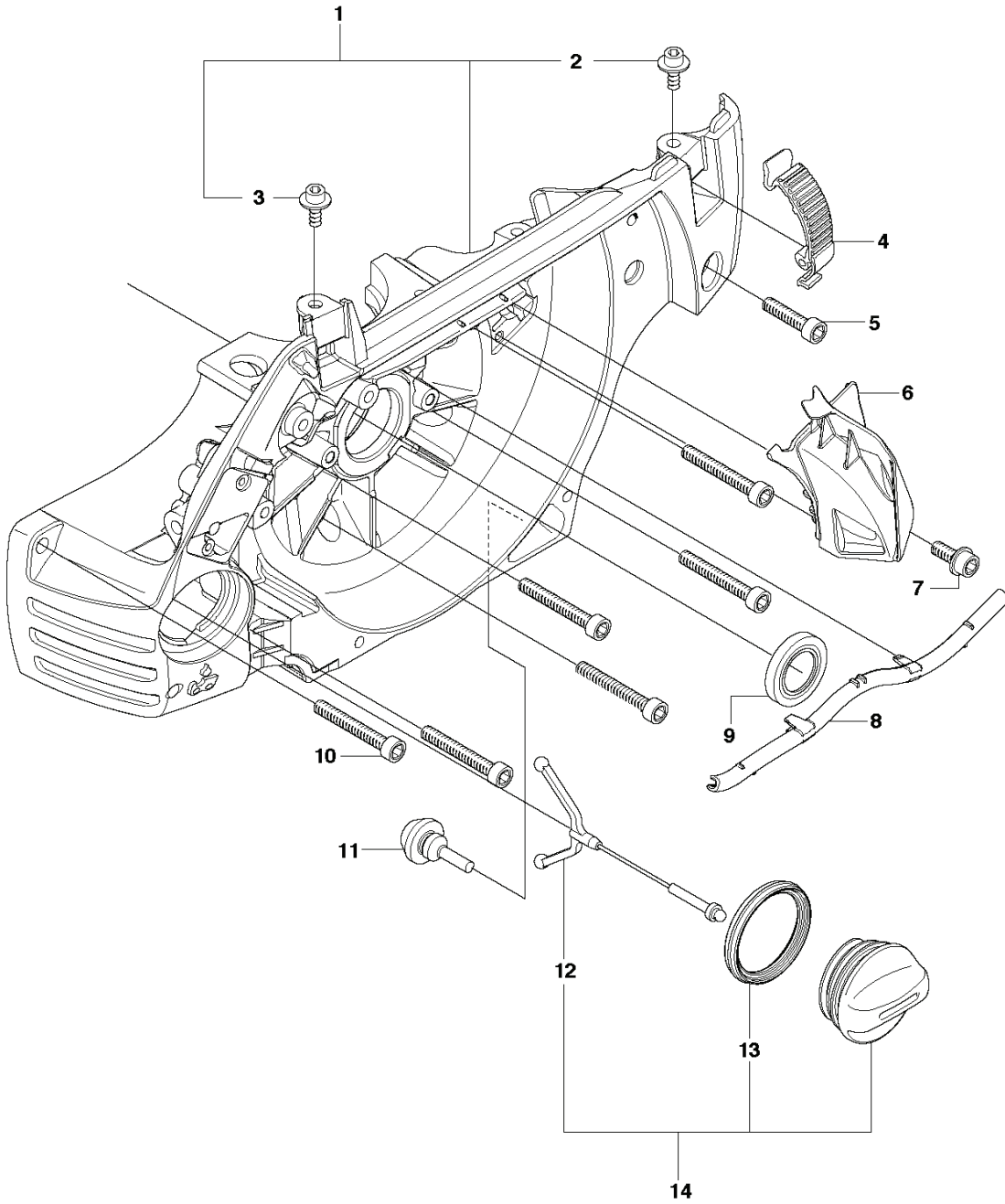


26 537 21 26-02 576XP

26 537 21 26-01 570
Packningsats
Set of gaskets
Dichtungssatz
Jeu de joints
Juego de juntas

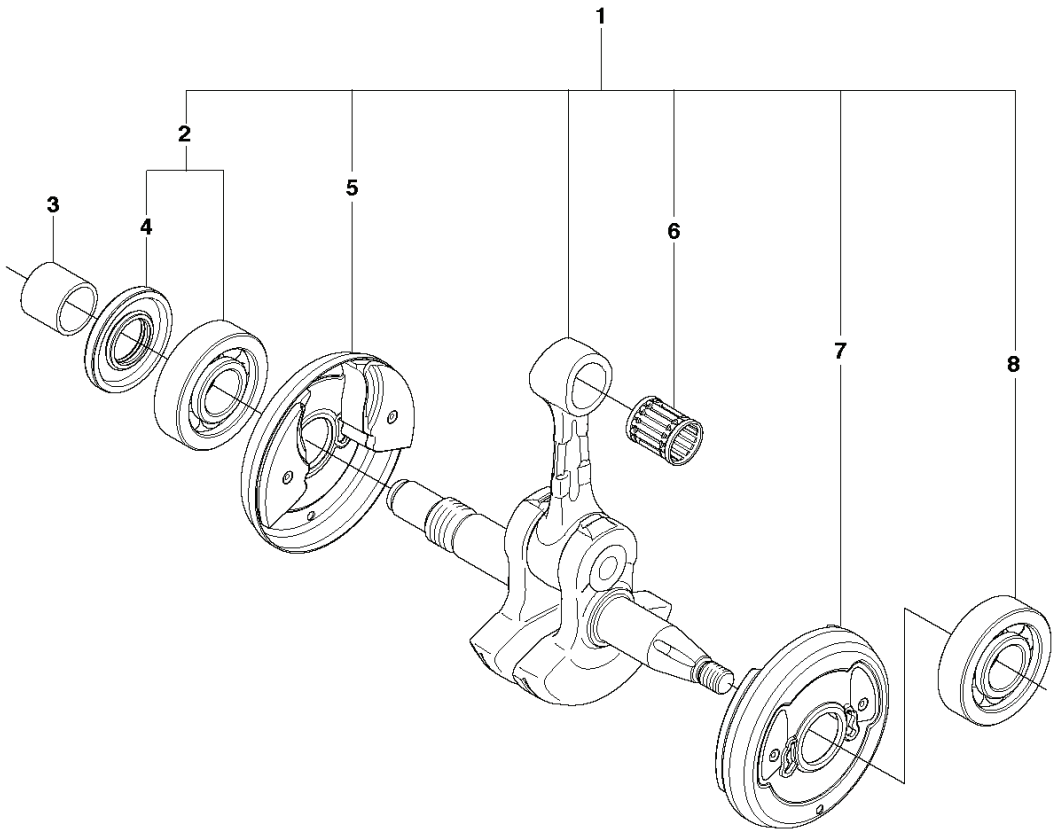
REF.	PART NO.	DESCRIPTION	REMARK	QTY.	KIT
1	537403501	FILTER		1	9
2	530026119	CHECK VALVE		1	9
3	537203001	PIN KNEE-JOINT		1	9
4	505111501	SCREW IHSCM		1	9
5	505111501	SCREW IHSCM		1	9
6	537013702	CHAIN GUIDE PLATE		1	
7	503212810	SCREW CCRPANT		1	
8	501270801	GUIDE BUSHING		1	9
9	537209308	CRANKCASE ASSY	570	1	
10	503846101	BUFFER		1	
11	503207320	SCREW IHSCM		1	
12	537377901	CHAIN CATCHER		1	
13	501270801	GUIDE BUSHING		1	9
14	537051301	BAR BOLT		2	9
15	503212616	SCREW IHSPANM		2	
16	537042901	BUMPER		1	
17	503647902	SPIKE		1	
18	503200780	SCREW IHSCFM		1	
19	537017101	SPIKE		1	
20	537024401	WEAR PROTECTION		1	
21	537089201	CHAIN CATCHER		1	
23	503222401	LOCK NUT		1	
24	537017201	SPIKE		1	
25	503222401	LOCK NUT		1	
26	537212601	GASKET KIT	570	1	

M2 570



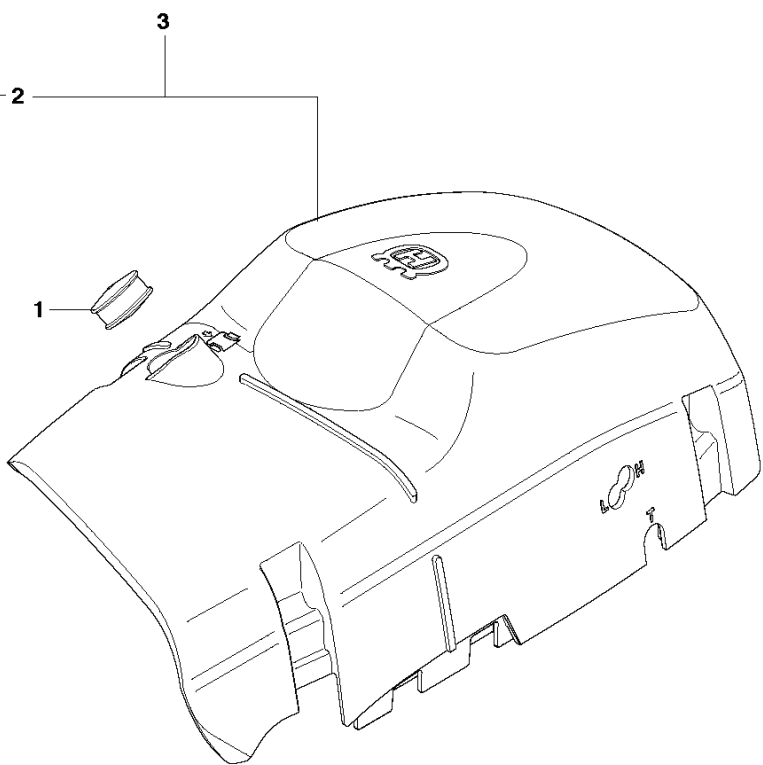
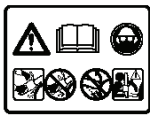
REF.	PART NO.	DESCRIPTION	REMARK	QTY.	KIT
1	537209308	CRANKCASE ASSY		1	
2	505111501	SCREW IHSCM		1	
3	505111501	SCREW IHSCM		1	
4	503894701	SNAP LOCKING		4	
5	503207320	SCREW IHSCM		1	
7	503200212	SCREW IHSCFM		1	
6	537209201	AIR NOZZLE		1	
8	537203901	CABLE HOLDER		1	
9	505275719	SEALING RING		1	
9	505486801	RADIAL SEAL		1	
10	503200870	SCREW IHSCM		6	
11	503846101	BUFFER		1	
12	503578901	HOLDER		1	
13	537215001	SEALING		1	
14	537215202	TANK CAP ASSY		1	

N 570



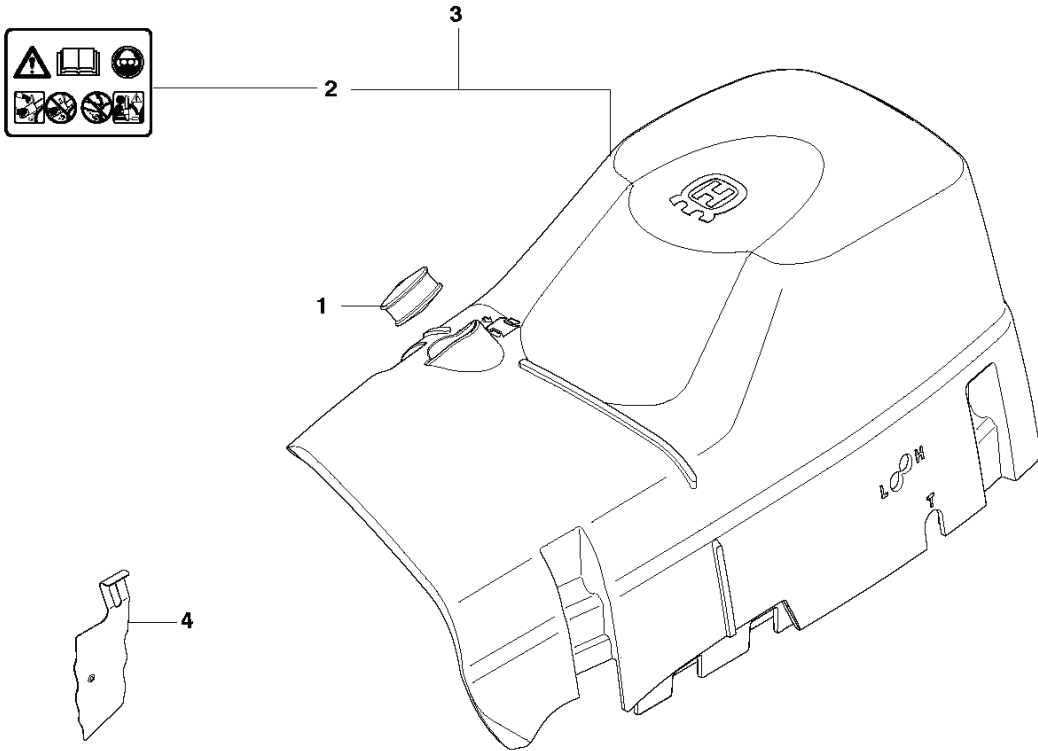
REF.	PART NO.	DESCRIPTION	REMARK	QTY.	KIT
1	505121902	CRANKSHAFT ASSY		0	
2	525434201	BALL BEARING		1	
3	537205801	SLEEVE		1	
4	505416101	RADIAL SEAL		1	
5	537203301	CUP		1	
6	503255601	NEEDLE BEARING		1	
7	537203301	CUP		1	
8	525434301	BALL BEARING		1	

E1 570



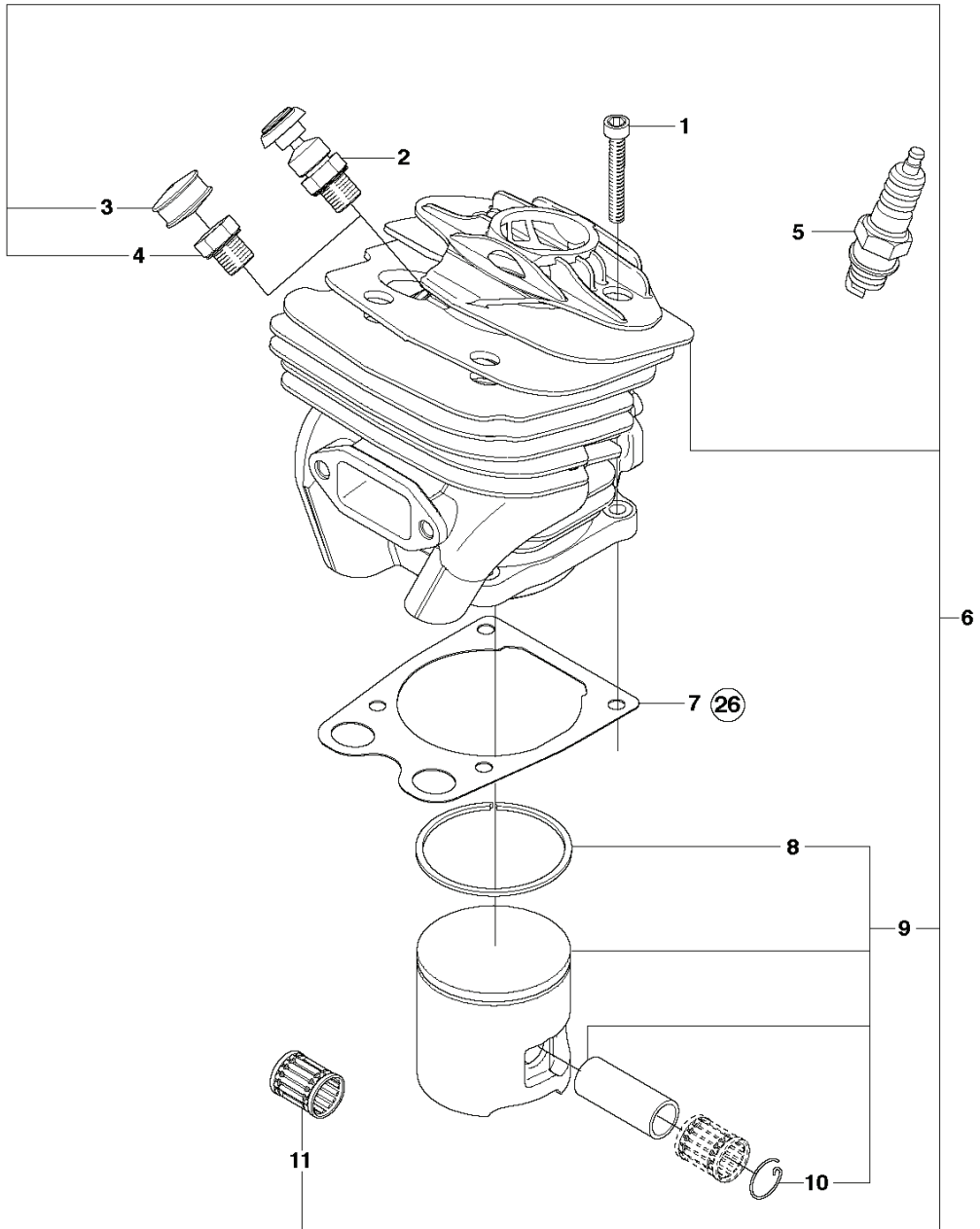
REF.	PART NO.	DESCRIPTION	REMARK	QTY.	KIT
1	537207101	PLUG		1	
2	503987401	LABEL		1	
3	537212501	CYLINDER COVER		1	
4	537210501	WINTER COVER		1	

E2 570



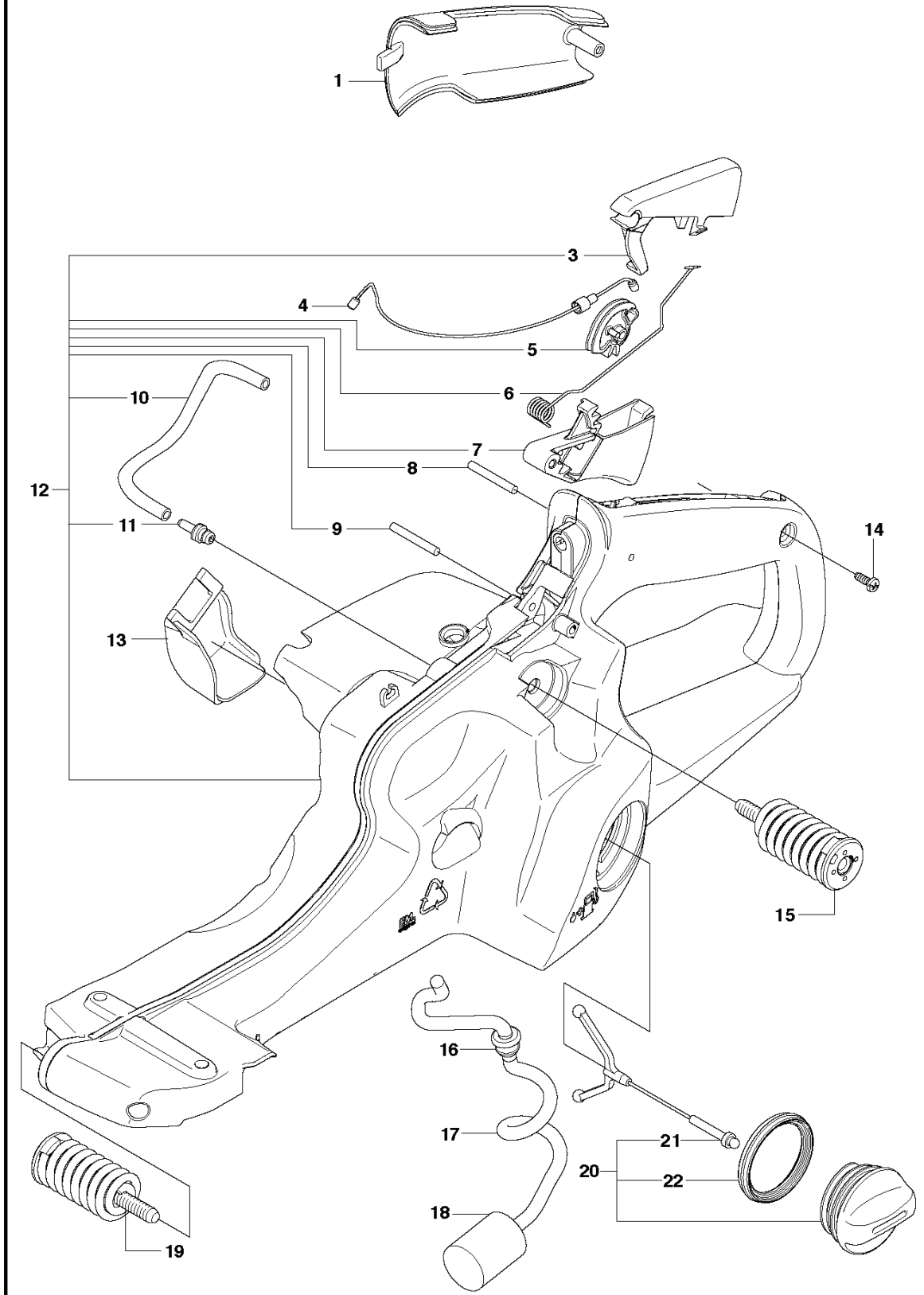
REF.	PART NO.	DESCRIPTION	REMARK	QTY.	KIT
1	537207101	PLUG		1	
2	503987401	LABEL		1	
3	537212502	CYLINDER COVER		1	
4	537210501	WINTER COVER		1	

H 570



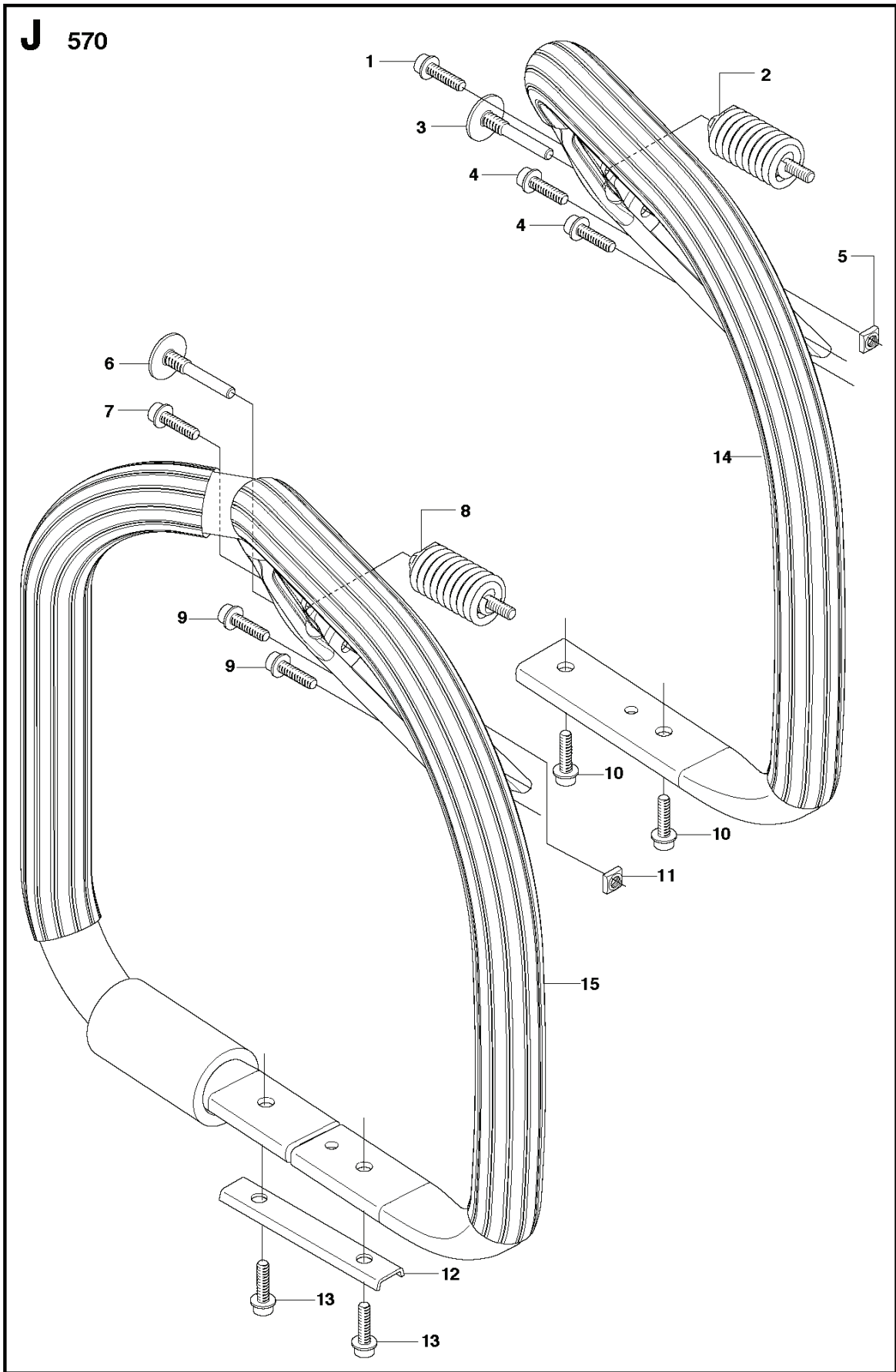
REF.	PART NO.	DESCRIPTION	REMARK	QTY.	KIT
1	725533355	SCREW IHSCM		4	
2	584288701	DECOMPRESSION VALVE		1	
3	537207101	PLUG		1	
4	503552201	PLUG		1	
5	503235111	SPARK PLUG		1	
6	525839402	CYLINDER ASSY		1	
7	537208001	GASKET		1	
8	503289046	PISTON RING		1	
9	537254702	PISTON		1	
10	737431200	SNAP RING		2	
11	577572401	NEEDLE BEARING		1	
26	537212601	GASKET KIT		0	

K 570



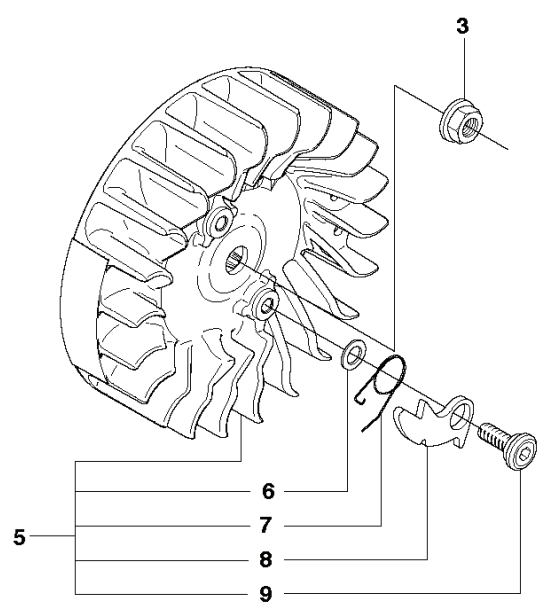
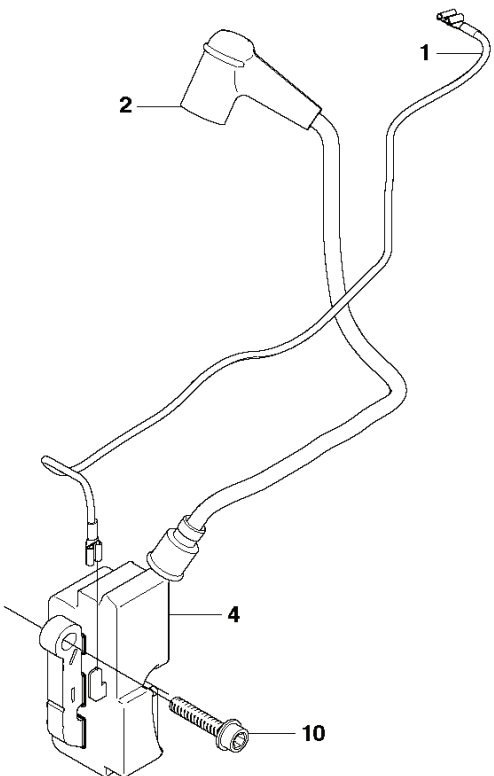
REF.	PART NO.	DESCRIPTION	REMARK	QTY.	KIT
1	537205501	COVER		1	
3	537208401	THROTTLE LOCKOUT		1	
4	537211101	THROTTLE CABLE		1	
5	537208501	LEVER		1	
6	537209801	SPRING		1	
7	537208301	THROTTLE TRIGGER		1	
8	720124020	PARALLEL PIN		1	
9	720124020	PARALLEL PIN		1	
10	581756106	FUEL HOSE		1	
11	537359501	TANK VENT ASSY		1	
12	537213504	FUEL TANK		1	
13	537205701	COVER		1	
14	503212810	SCREW CCRPANT		1	
15	537210301	ANTIVIBRATION ELEMENT		1	
15	537210302	ANTIVIBRATION ELEMENT		1	
16	503735801	BUSHING		1	
17	581756202	FUEL HOSE		1	
18	503443201	FUEL FILTER		1	
19	537210303	ANTIVIBRATION ELEMENT		1	
19	537210304	ANTIVIBRATION ELEMENT		1	
20	537215202	TANK CAP ASSY		1	
21	503578901	HOLDER		1	
22	537215001	SEALING		1	

J 570



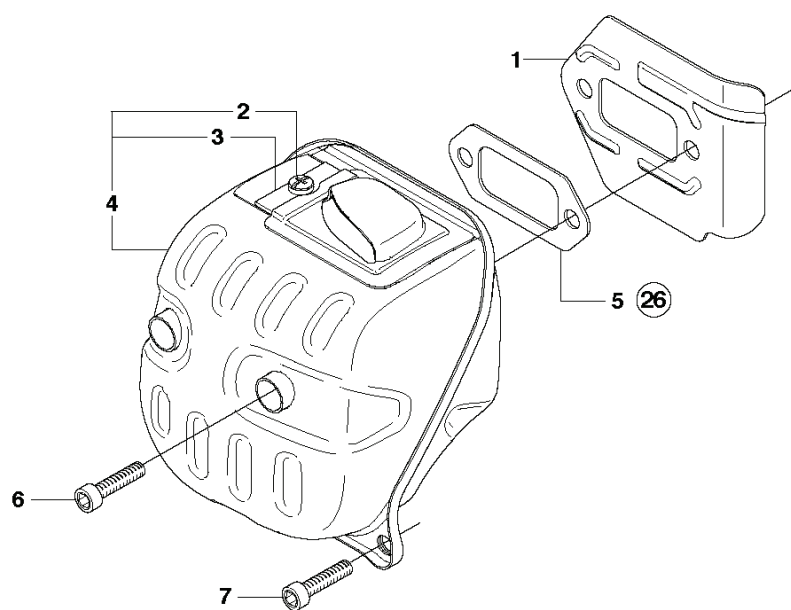
REF.	PART NO.	DESCRIPTION	REMARK	QTY.	KIT
1	503218874	SCREW IHSCT		1	
2	503637502	ANTIVIBRATION ELEMENT		1	
3	503204701	SCREW IH PANM		1	
4	503218874	SCREW IHSCT		2	
5	503226601	SQUARE NUT		1	
6	503204701	SCREW IH PANM		1	
7	503218874	SCREW IHSCT		1	
8	503637502	ANTIVIBRATION ELEMENT		1	
9	503218874	SCREW IHSCT		2	
10	503218874	SCREW IHSCT		2	
11	503226601	SQUARE NUT		1	
12	537037301	REINFORCING PLATE		1	
13	503218874	SCREW IHSCT		2	
14	537205903	FRONT HANDLE ASSY		1	
15	537208901	HANDLE		1	

D 570



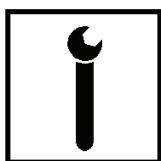
REF.	PART NO.	DESCRIPTION	REMARK	QTY.	KIT
1	537208601	SHORT CIRCUIT CABLE		1	
2	501485402	SPARK PLUG CAP		1	
3	503220401	NUT		1	
4	510115701	IGNITION MODULE		1	
5	537209601	FLYWHEEL ASSY		1	
6	503230042	WASHER		2	
7	501673501	SPRING		2	
8	501673201	PAWL		2	
9	501819901	SCREW		2	
10	503200220	SCREW IHSCFM		2	

G 570

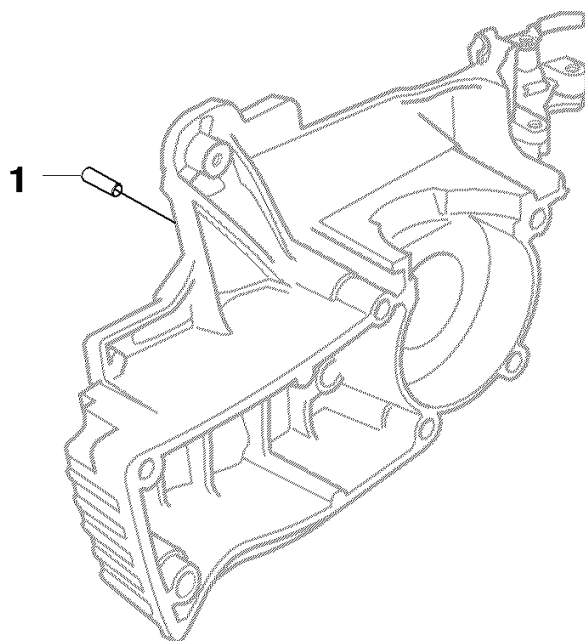


REF.	PART NO.	DESCRIPTION	REMARK	QTY.	KIT
1	537210601	HEAT DEFLECTOR		1	
2	724128759	SCREW CRPANM		1	
3	503766402	SPARK ARRESTER SCREEN		1	
4	544030201	MUFFLER ASSY		1	
4	544030202	MUFFLER ASSY		1	
5	537208201	GASKET		1	
6	725537055	SCREW IHSCM		2	
7	503207320	SCREW IHSCM		2	
26	537212601	GASKET KIT		0	

U 575XP



Up to 052400001

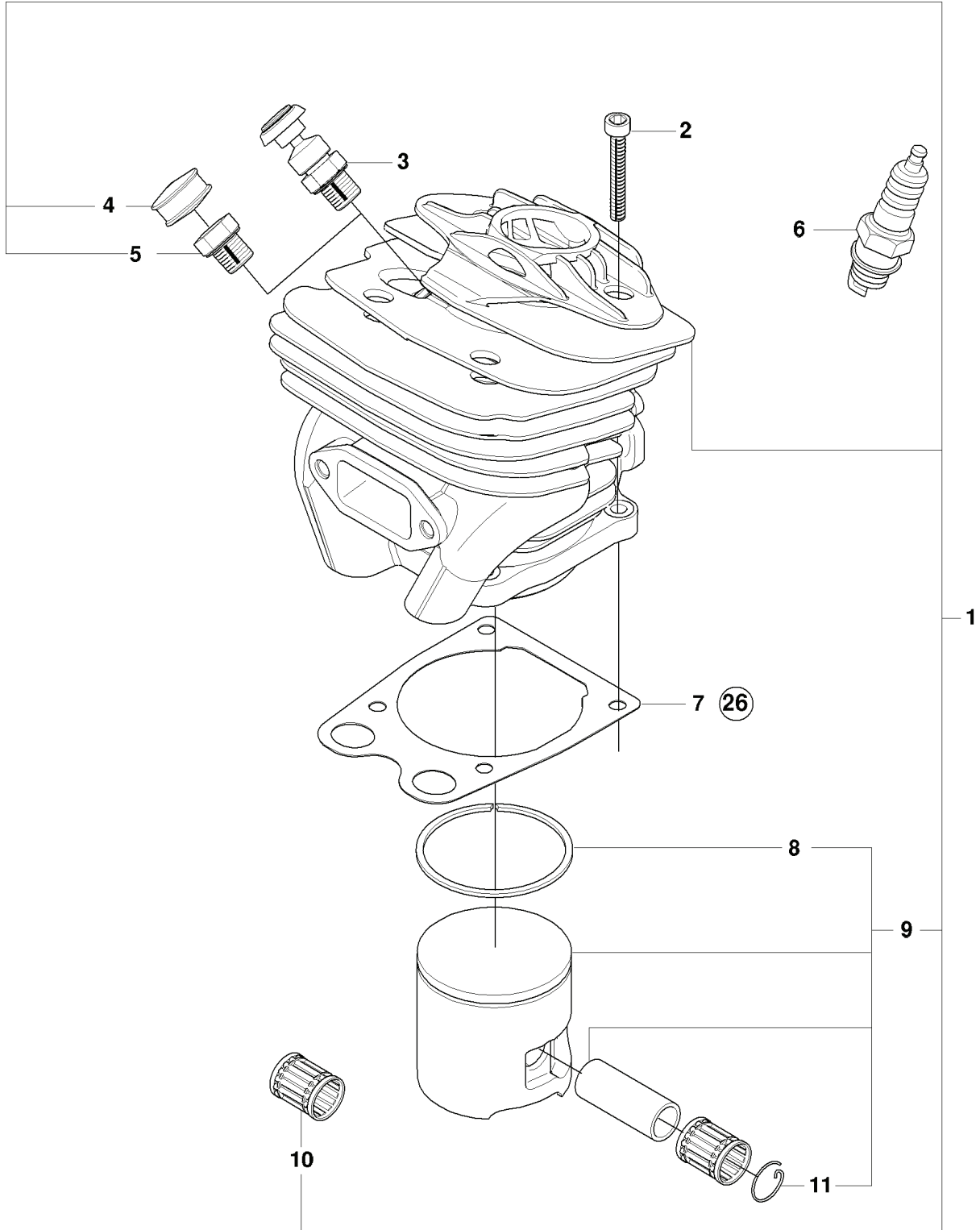


REF.	PART NO.	DESCRIPTION	REMARK	QTY.	KIT
1	537040301	VALVE		1	

T 575XP

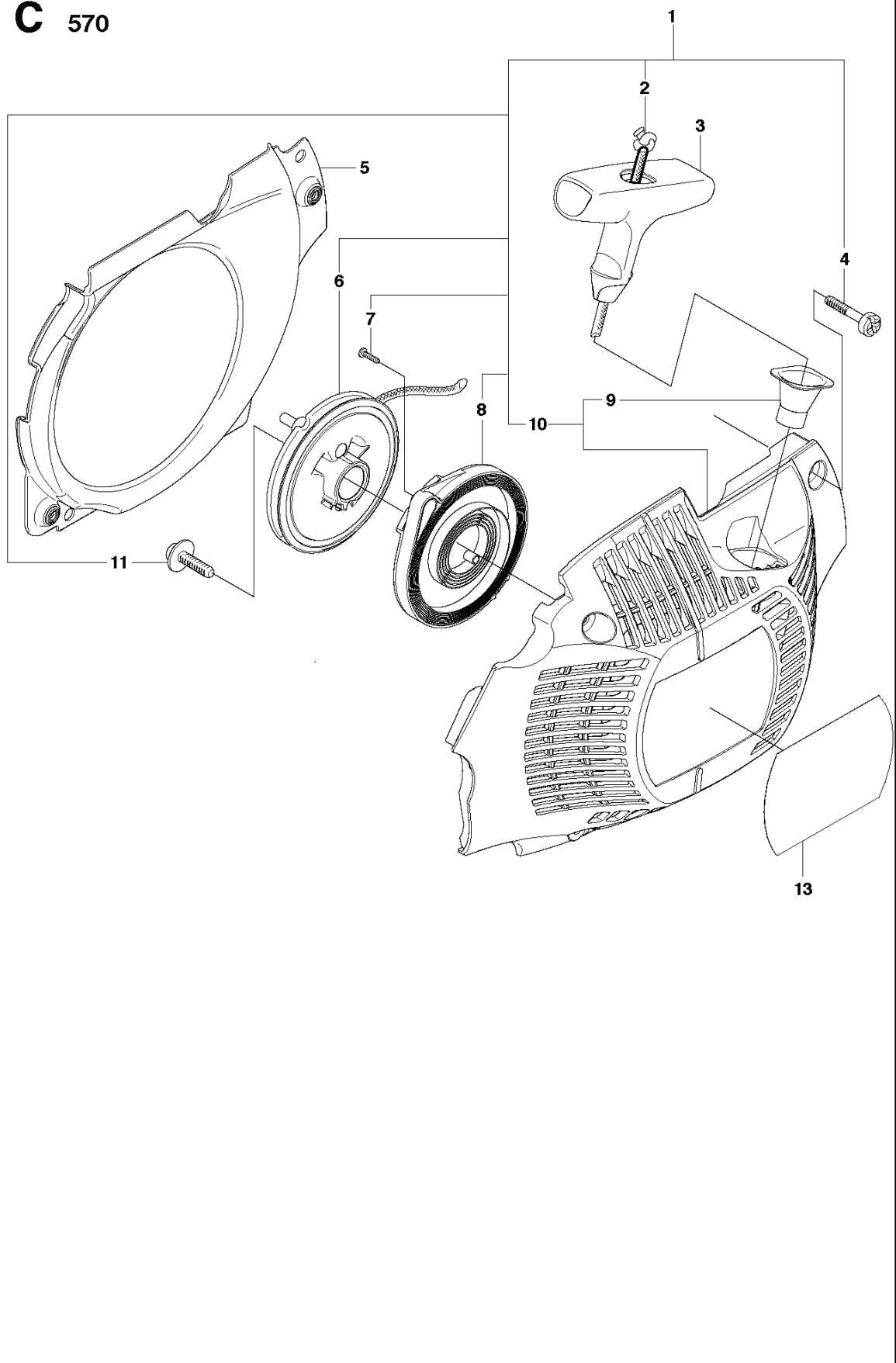


Up to 081700001



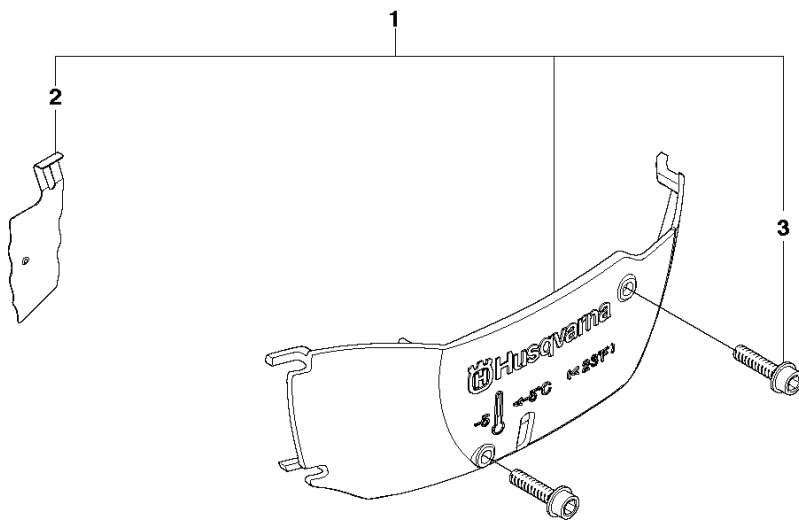
REF.	PART NO.	DESCRIPTION	REMARK	QTY.	KIT
1	537254502	CYLINDER		1	
2	725533355	SCREW IHSCM		4	
3	537294401	DECOMPRESSION VALVE		1	
4	537207101	PLUG		1	
5	503552201	PLUG		1	
6	503235111	SPARK PLUG		1	
7	537208001	GASKET		1	
8	503289046	PISTON RING		1	
9	537254702	PISTON		1	
10	503255601	NEEDLE BEARING		1	
11	737431200	SNAP RING		2	
26	537212601	GASKET KIT		0	

C 570



REF.	PART NO.	DESCRIPTION	REMARK	QTY.	KIT
1	504045502	STARTER ASSY		1	
1	537202902	STARTER		1	
2	505305125	STARTER ROPE		1	
3	537232501	STARTER HANDLE		1	
4	544080301	SCREW		4	
5	537202601	AIR CONDUCTOR		1	
6	537202401	STARTER PULLEY ASSY		1	
7	503212813	SCREW CCRPANT		2	
8	505065301	SPRING CASSETTE ASSY		1	
9	537283201	SLEEVE		1	
10	504045401	STARTER HOUSING		1	
10	537202301	STARTER HOUSING		1	
11	503205216	SCREW IHSCCT		1	
13	504094105	LABEL		1	

R 570



REF.	PART NO.	DESCRIPTION	REMARK	QTY.	KIT
1	504045702	WINTER KIT		1	
1	537212401	WINTER KIT		1	
2	537210501	WINTER COVER		1	
3	503217016	SCREW CCRPANT		2	