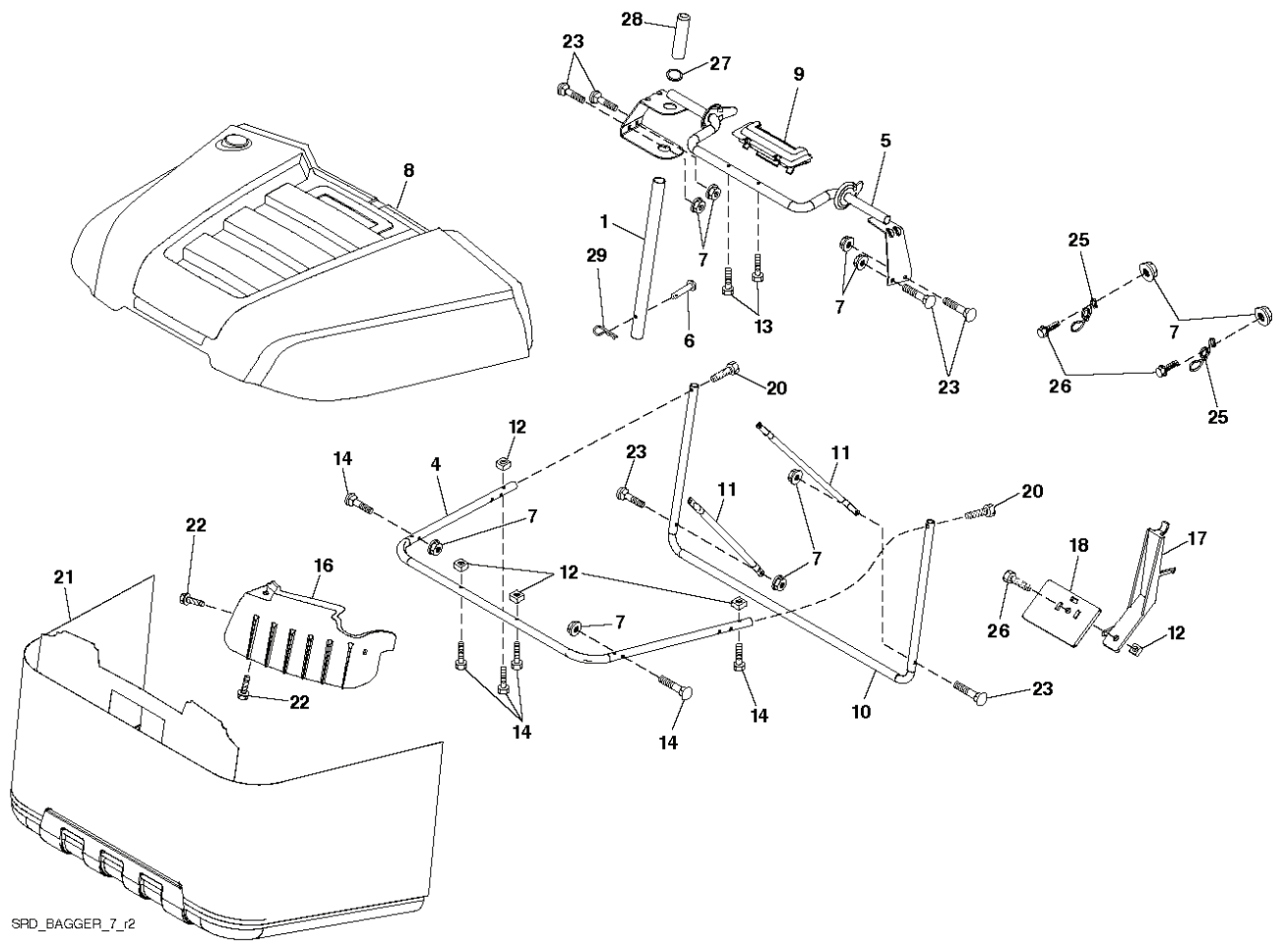


CT126, 96041007701, 2010-01

SPARE PARTS LIST

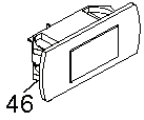


SPD_BAGGER_7_i2

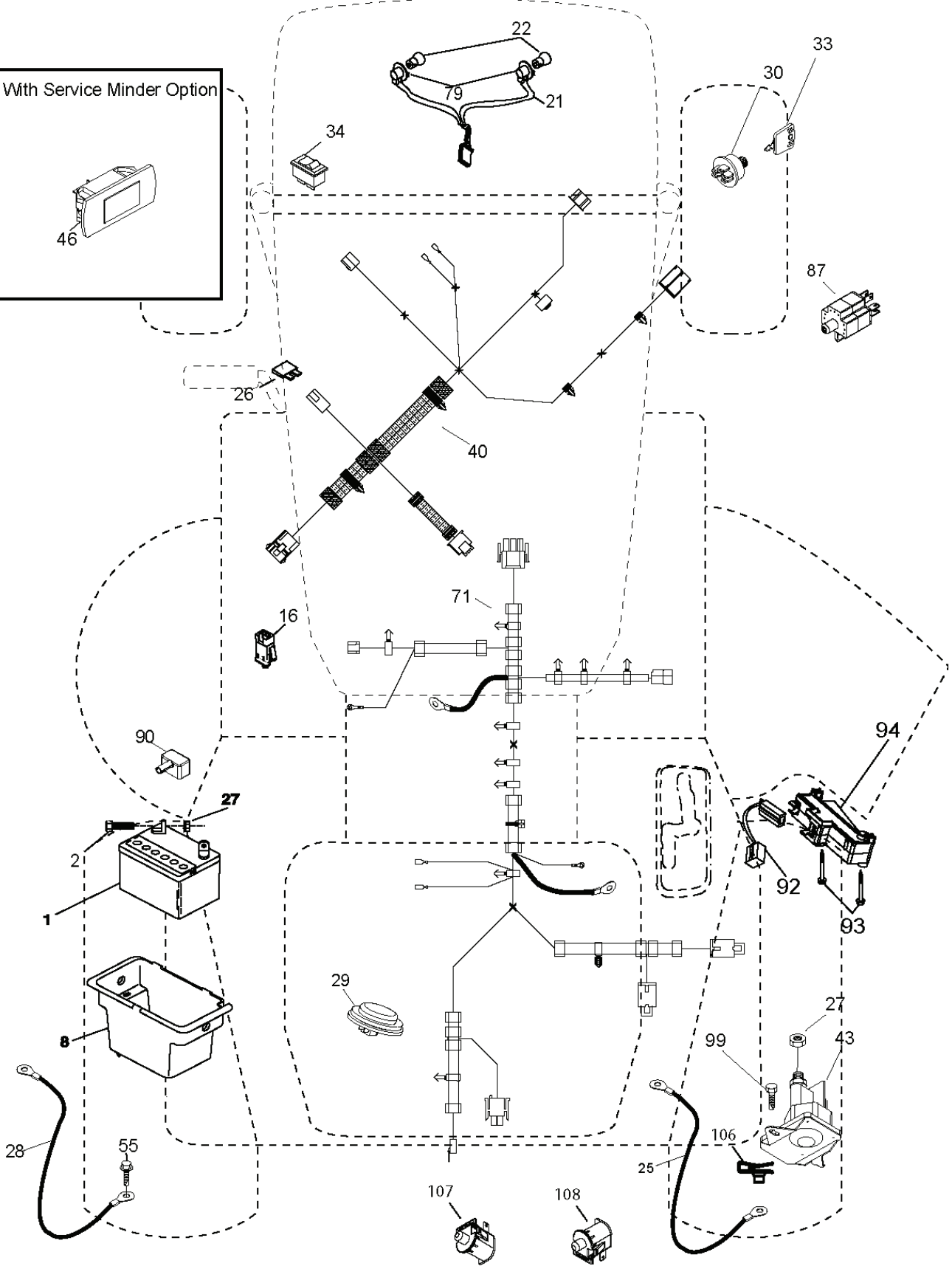
REF.	PART NO.	DESCRIPTION	REMARK	QTY.	KIT
1	532428610	TUBE		1	
4	532439612	TUBE		1	
5	532417632	FRAME		1	
6	532126875	RIVET		1	
7	873900400	NUT		1	
8	532435165	COVER		1	
9	532417629	INSERT		1	
10	532417190	FRAME		1	
11	532417188	SUPPORT		1	
12	532421793	NUT SQUARE		1	
13	532421780	SCREW		1	
14	532421800	BOLT		1	
16	532421566	DEFLECTOR		1	
17	532421749	LEVER		1	
18	532421750	BRACKET		1	
20	585368801	BOLT		1	
21	532429981	GRASSBAG		1	
22	532142432	SCREW		1	
23	872040410	BOLT		1	
25	532421614	SPRING		1	
26	817490412	SCREW		1	
27	532421262	GROMMET		1	
28	532165787	HANDLE		1	
29	532124670	RETAINER RING		1	

S01S

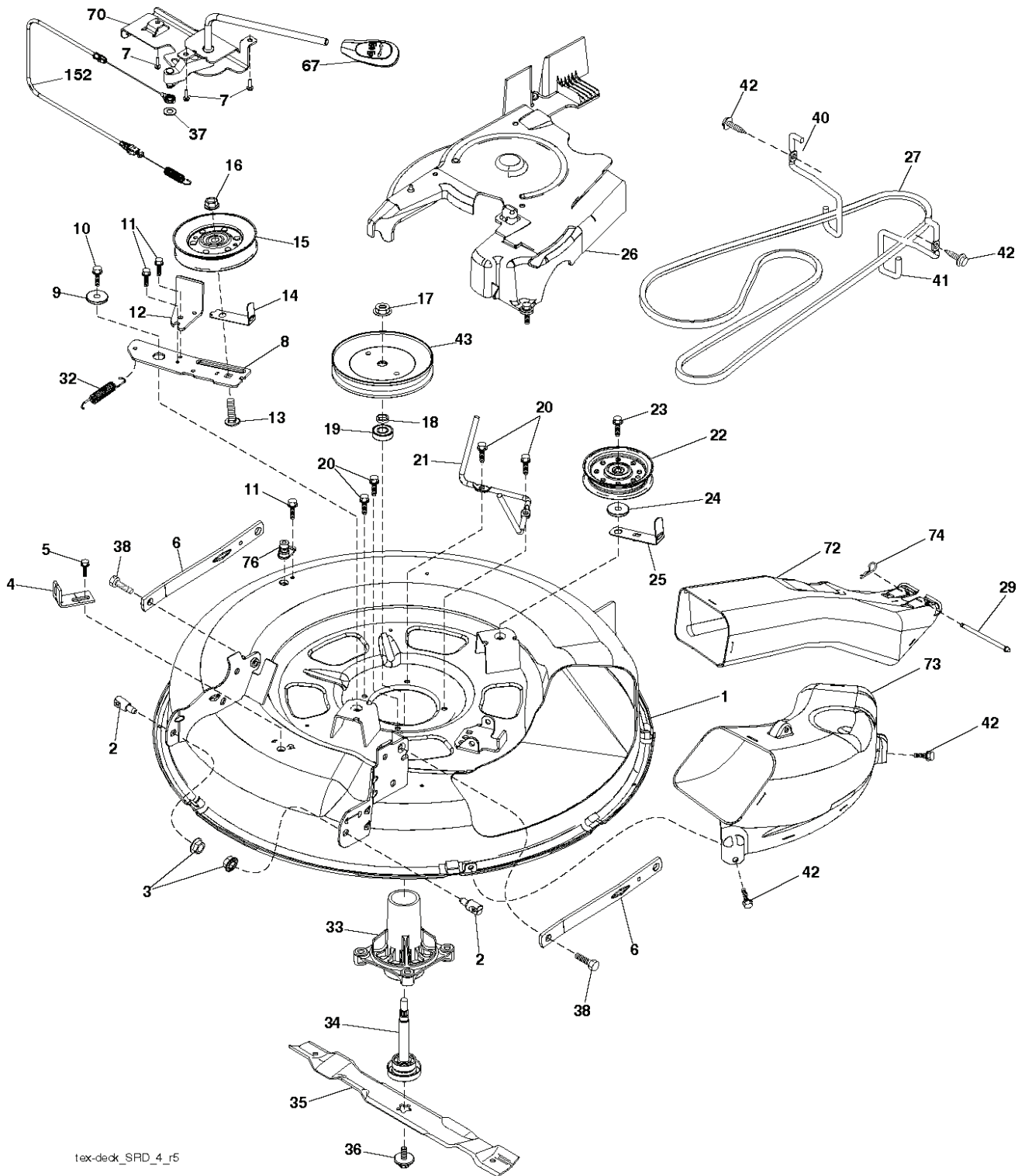
With Service Minder Option



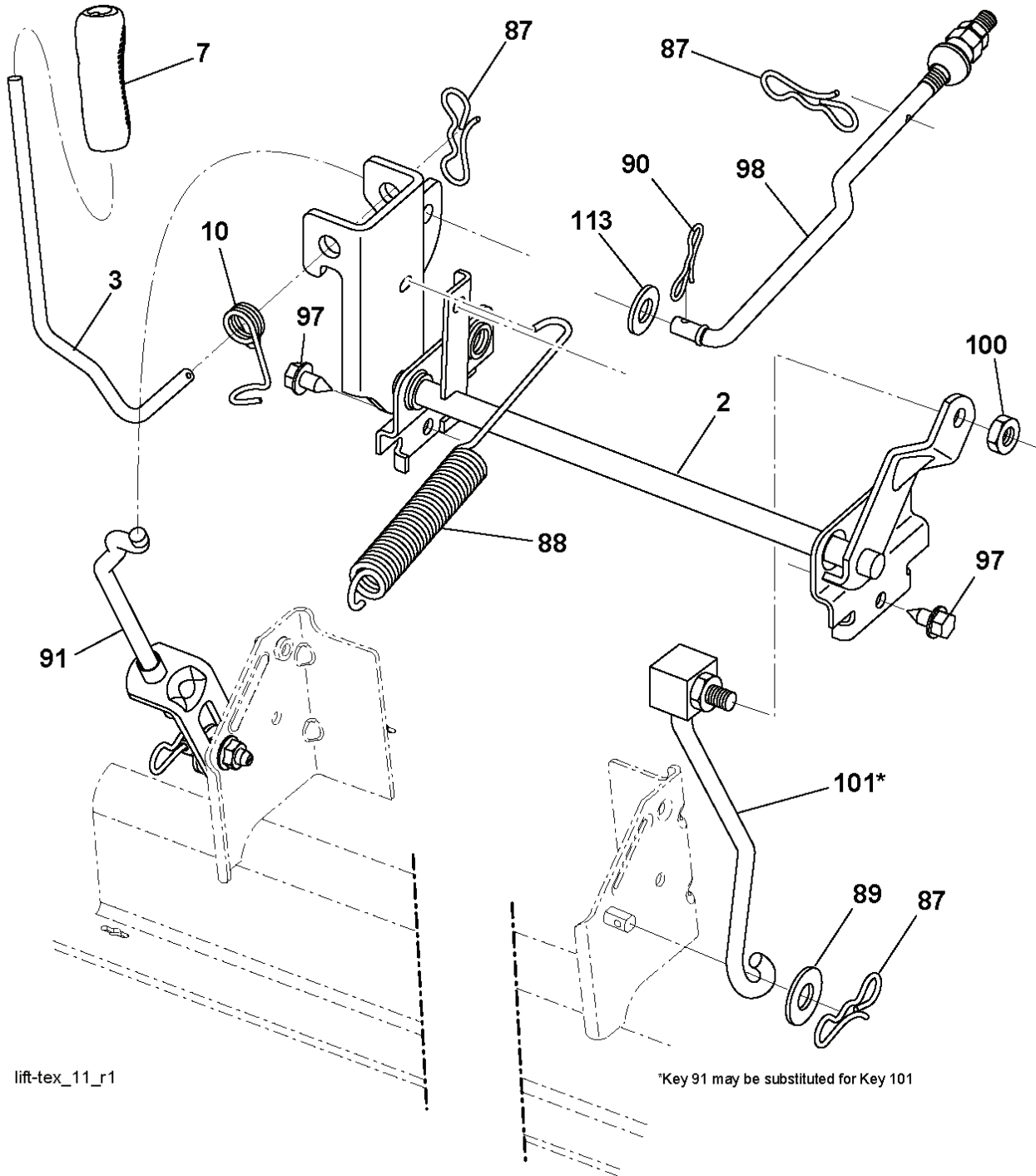
46



REF.	PART NO.	DESCRIPTION	REMARK	QTY.	KIT
1	532144924	BATTERY		1	
2	874760412	BOLT		1	
8	532419791	BATTERY BOX		1	
16	532176138	MICRO SWITCH		1	
21	532400252	HARNESS		1	
22	532004152	BULB		1	
25	532416694	CABLE		1	
26	532175158	FUSE		1	
27	873510400	NUT		1	
28	532421686	CABLE		1	
29	532401545	SWITCH		1	
30	532193350	IGNITION MODULE		1	
33	532411935	KEY		1	
34	532110712	SWITCH		1	
40	532421002	HARNESS		1	
43	532192507	SOLENOID		1	
55	817060512	SCREW		1	
71	532429412	HARNESS		1	
79	532175242	HOLDER		1	
87	532421060	SWITCH		1	
90	532400725	COVER		1	
92	532196615	CABLE ASSY		1	
93	532192540	SCREW		1	
94	532191834	MODULE.REVERSE.ROS		1	
99	817670412	SCREW		1	
106	532174814	NUT		1	
107	532421061	SWITCH		1	
108	532421062	SWITCH		1	

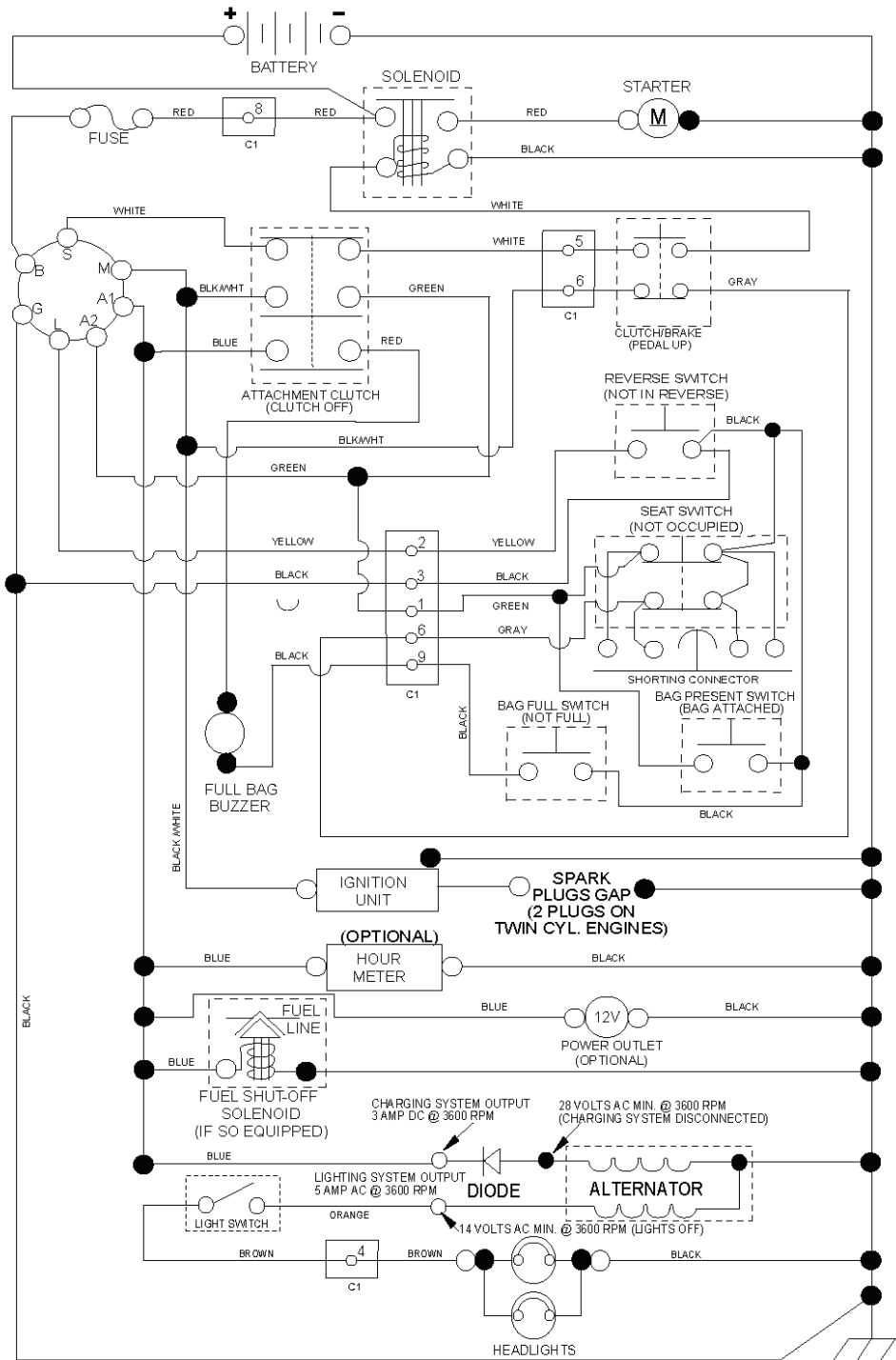


REF.	PART NO.	DESCRIPTION	REMARK	QTY.	KIT
1	532419272	CUTTING DECK		1	
2	532195161	STUD		1	
3	873900500	NUT		1	
4	532417645	BRACKET		1	
5	817000510	BOLT		1	
6	532418863	ARM		1	
7	532416358	SCREW		1	
8	532420252	ARM		1	
9	532199092	SPACER		1	
10	817000616	SCREW		1	
11	532137729	SCREW		1	
12	532199470	ARM		1	
13	872110612	BOLT		1	
14	532156085	BELT GUIDE		1	
15	532146763	PULLEY		1	
16	873900600	NUT		1	
17	532400234	NUT		1	
18	532187690	WASHER		1	
19	532110485	BEARING		1	
20	532173984	SCREW		1	
21	532416910	BELT GUARD		1	
22	532193198	PULLEY		1	
23	817490628	SCREW		1	
24	819132012	WASHER		1	
25	532420253	BELT GUARD		1	
26	532430313	COVER		1	
27	532419271	BELT		1	
29	532420895	HINGE PIN		1	
32	532401872	SPRING		1	
33	532187281	BEARING HOUSING		1	
34	532192872	SHAFT ASSY		1	
35	532419274	RIDE ON BLADE		1	
36	532193003	SCREW		1	
37	819131316	WASHER		1	
38	532196539	BOLT		1	
40	532419270	BELT GUARD		1	
41	532419265	BELT GUARD		1	
42	817000612	SCREW		1	
43	532416877	PULLEY		1	
67	532403012	HANDLE		1	
70	532401246	CLUTCH		1	
72	532417236	CHUTE		1	
73	532425274	CHUTE		1	
74	532124670	RETAINER RING		1	
76	532415598	HOSE COUPLING		1	
152	532408714	CABLE		1	
--	532416405	COUPLING		1	
--	532192870	SPINDLE	Mandrel Assembly (Includes Housing, Shaft Assembly, And Bearing Only - Pulley/ Nut/Washer And Blade Bolt/ Washers Not Included)	1	
--	532431550	CUTTING DECK		1	

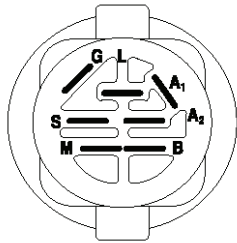


lift-tex_11_r1

REF.	PART NO.	DESCRIPTION	REMARK	QTY.	KIT
2	532422027	SHAFT		1	
3	532195231	LEVER		1	
7	532411555	GRIP		1	
10	532196314	SPRING		1	
87	532194209	SPRING		1	
88	532410710	SPRING		1	
89	819191912	WASHER		1	
90	532194208	PIN		1	
91	532195181	LINK		1	
97	817000612	SCREW		1	
98	532195264	LINK		1	
100	873930600	NUT		1	
101	532407003	LINK		1	
113	819171912	WASHER		1	

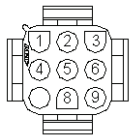


NOTE
 YOUR TRACTOR IS EQUIPPED WITH A SPECIAL ALTERNATOR SYSTEM. THE LIGHTS ARE NOT CONNECTED TO THE BATTERY, BUT HAVE THEIR OWN ELECTRICAL SOURCE. BECAUSE OF THIS, THE BRIGHTNESS OF THE LIGHTS WILL CHANGE WITH ENGINE SPEED. AT IDLE THE LIGHTS WILL DIM. AS THE ENGINE SPEED IS INCREASED, THE LIGHTS WILL BECOME THEIR BRIGHTEST.

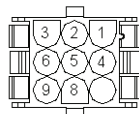


IGNITION SWITCH

POSITION	CIRCUIT	"MAKE"
OFF	M+G+A1	
RUN/OVERRIDE	B+A1	
RUN	B+A1	L+A2
START	B+S+A1	



CHASSIS HARNESS CONNECTOR (C1) (MATING SIDE)

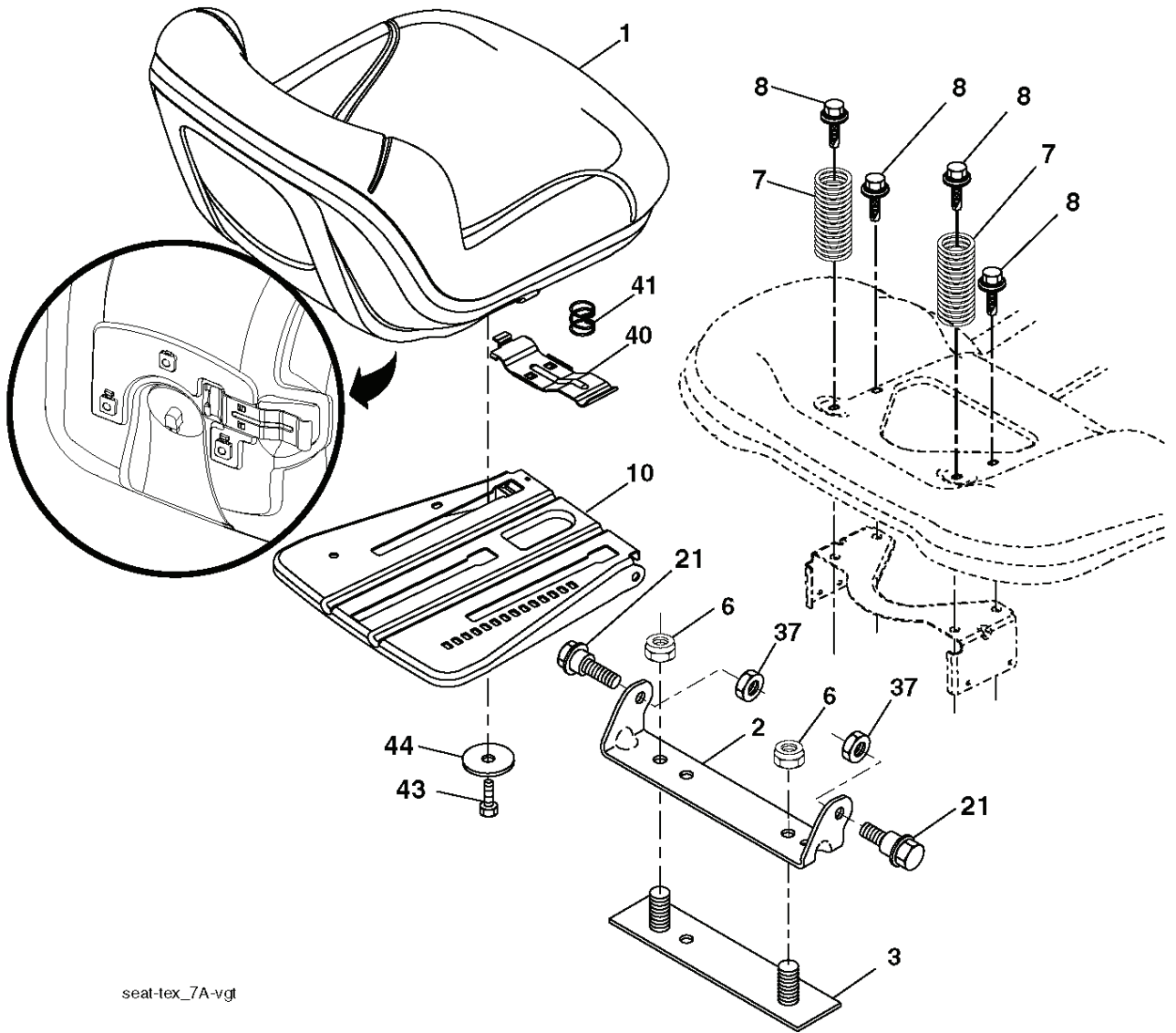


DASH HARNESS CONNECTOR (C1) (MATING SIDE)

WIRING INSULATED CLIPS
 NOTE: IF WIRING INSULATED CLIPS WERE REMOVED FOR SERVICING OF UNIT, THEY SHOULD BE RE-INSTALLED TO PROPERLY SECURE YOUR WIRING.

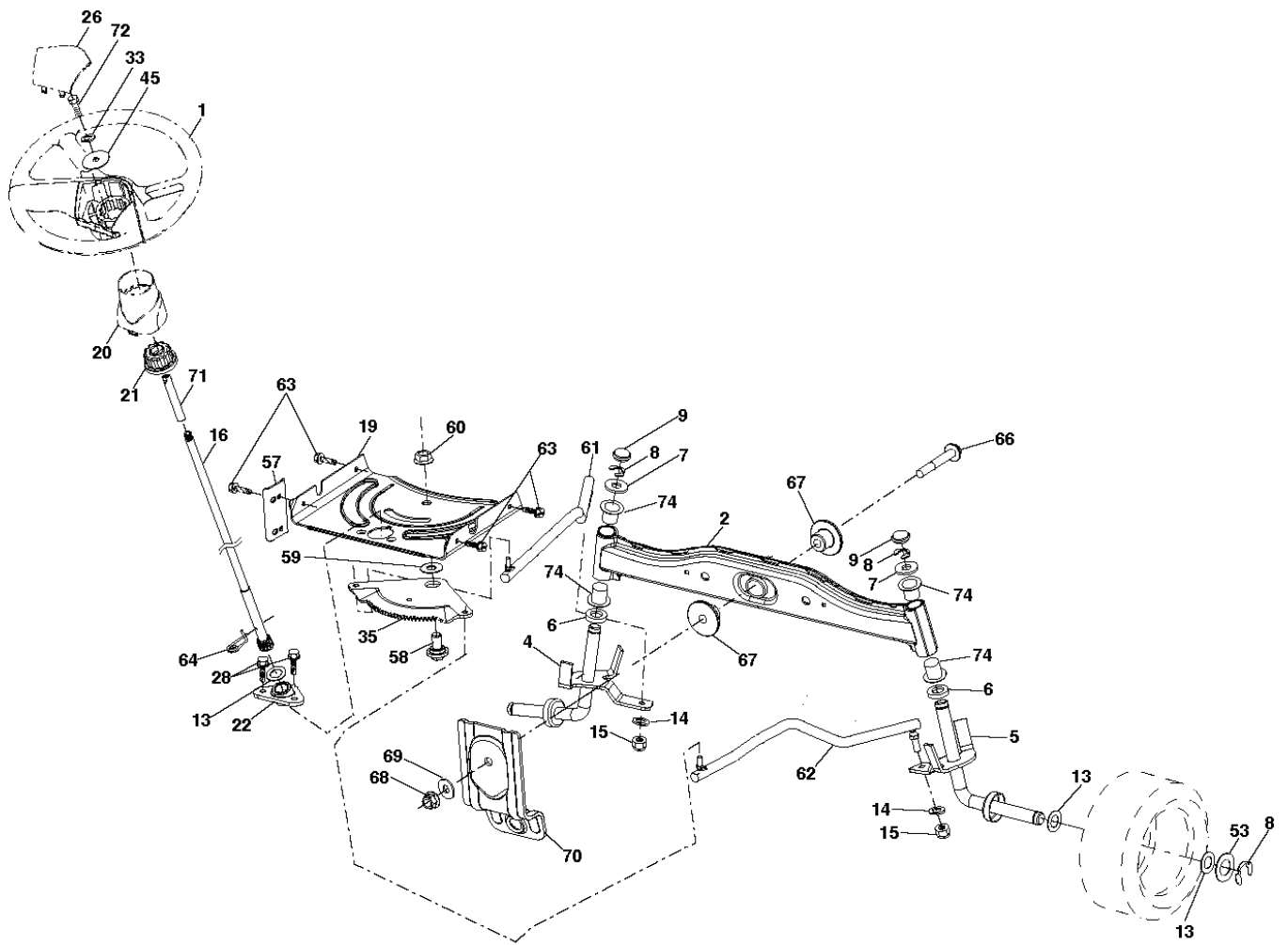
NON-REMOVABLE CONNECTIONS

REMOVABLE CONNECTIONS



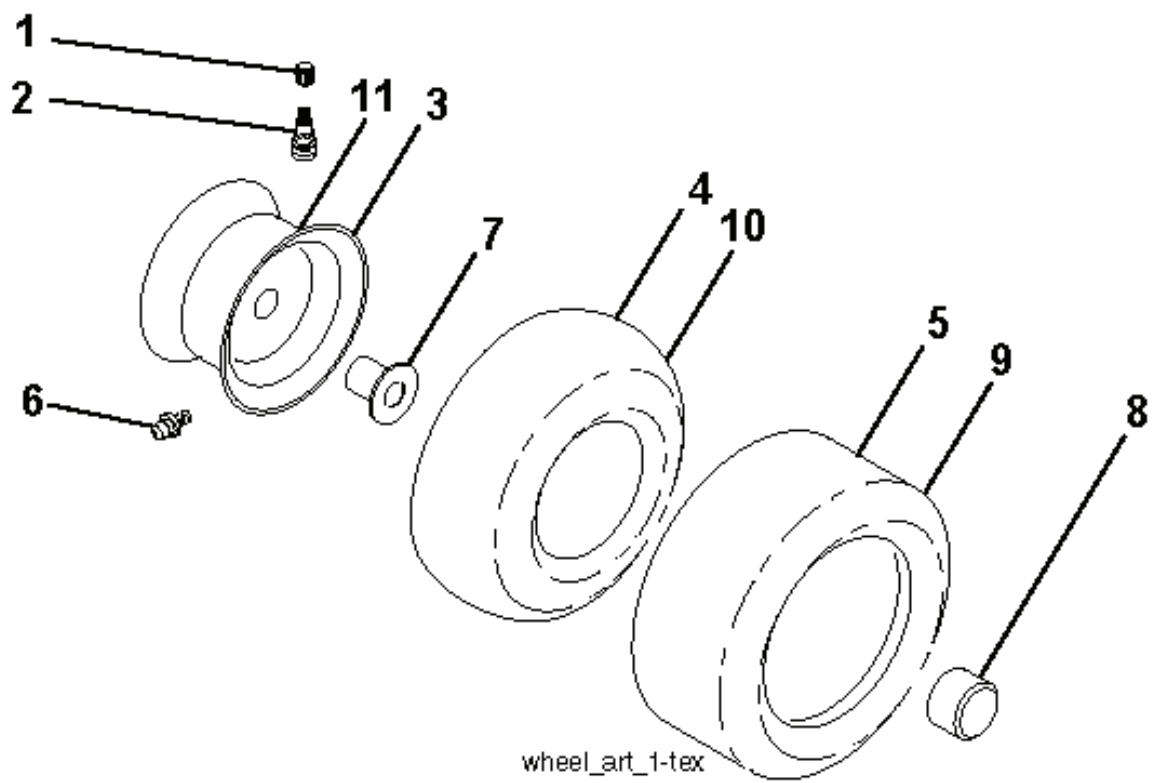
seat-tex_7A-vgt

REF.	PART NO.	DESCRIPTION	REMARK	QTY.	KIT
1	532424067	SEAT		1	
2	532180166	BRACKET		1	
3	532140675	STRAP		1	
6	873800600	NUT		1	
7	532124181	SPRING		1	
8	532171877	BOLT		1	
10	532196977	PLATE		1	
21	532171852	BOLT		1	
37	873800500	LOCK NUT		1	
40	532197661	HANDLE		1	
41	532198200	SPRING		1	
43	874760612	BOLT		1	
44	819133812	WASHER		1	

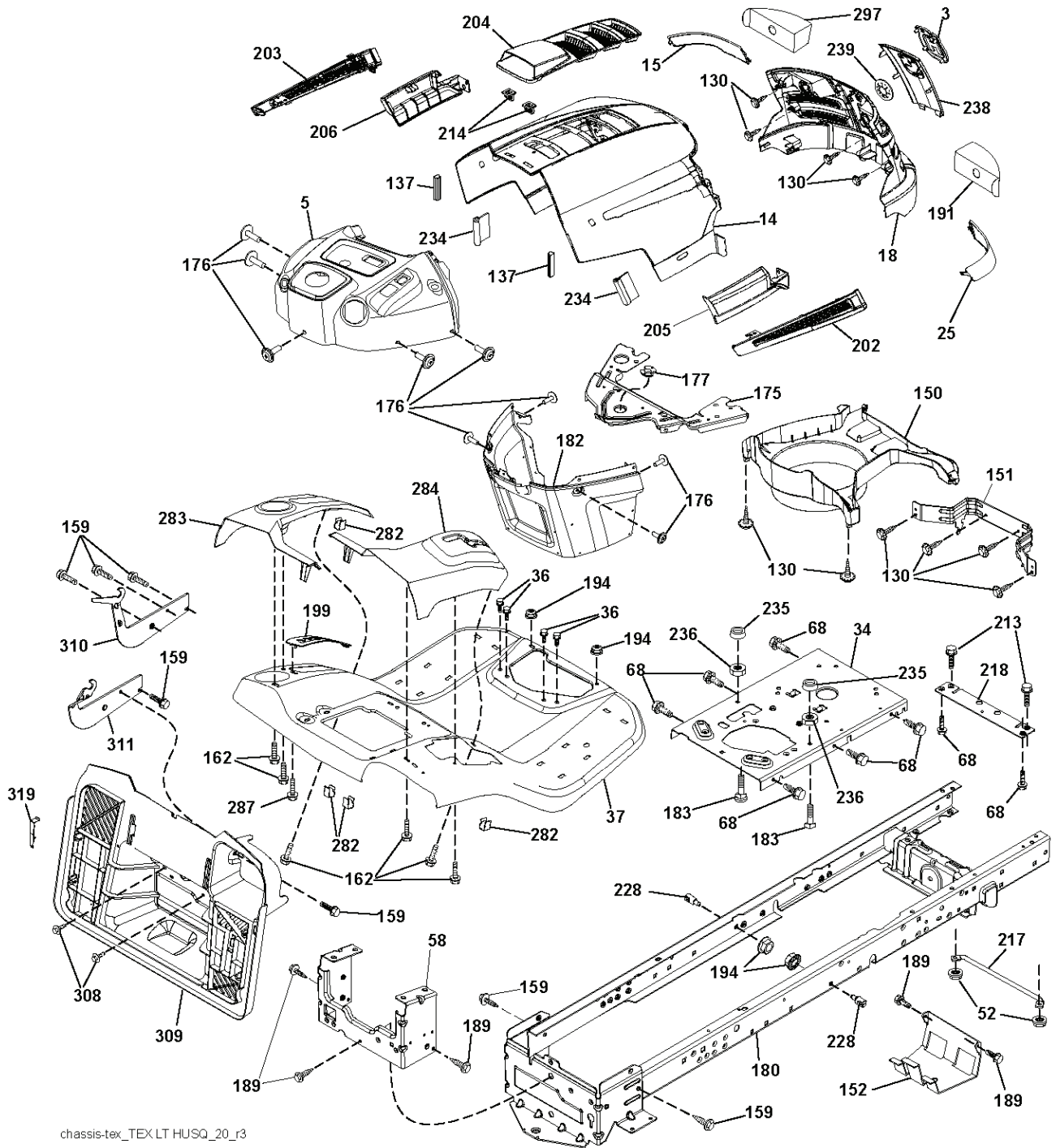


steering-tex_STDHRS_8

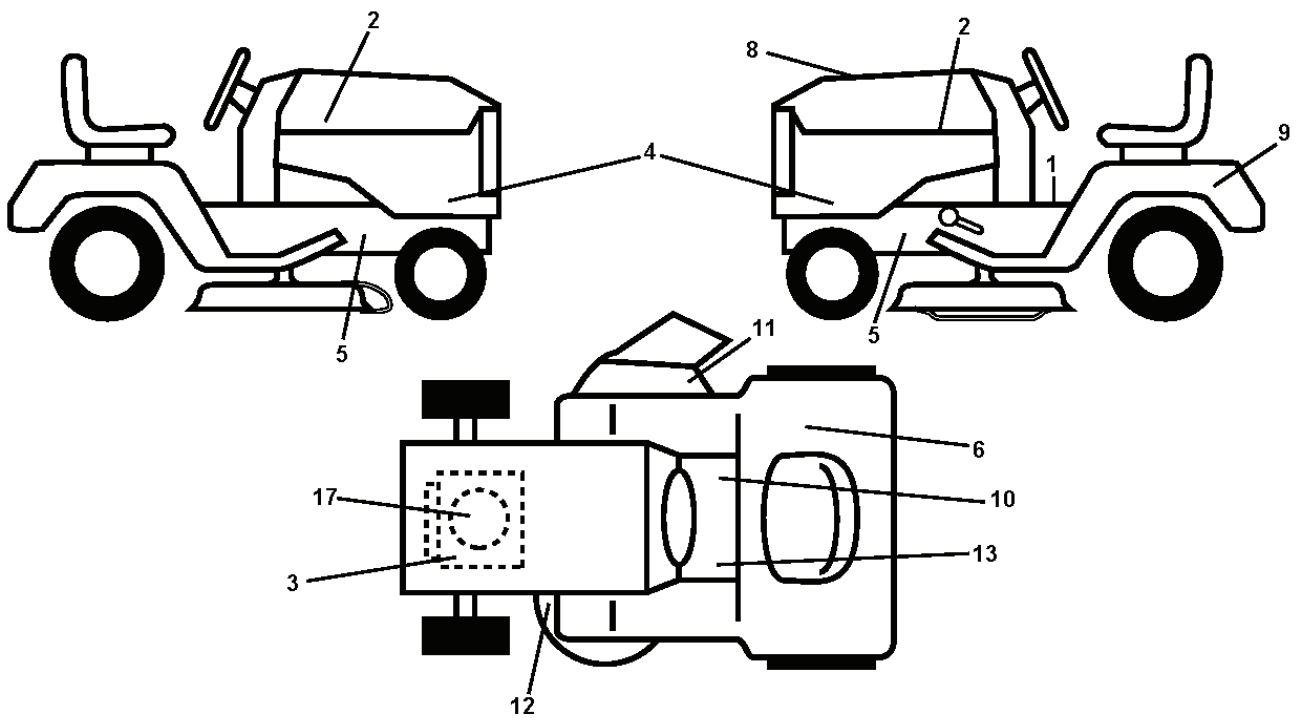
REF.	PART NO.	DESCRIPTION	REMARK	QTY.	KIT
1	532416480	STEERING WHEEL		1	
2	532418168	AXLE		1	
4	532416845	SPINDLE		1	
5	532416846	SPINDLE		1	
6	532124931	WASHER		1	
7	532121748	WASHER		1	
8	812000029	RETAINER RING		1	
9	532121232	HUB CAP		1	
13	532121749	WASHER		1	
14	810040600	WASHER		1	
15	873540600	NUT		1	
16	532429373	SHAFT		1	
19	532194729	PLATE		1	
20	532411139	STEERING COLUMN TUBE		1	
21	532186737	ADAPTER		1	
22	532420537	SUPPORT		1	
26	532415987	KNOB		1	
28	817000612	SCREW		1	
33	810040500	WASHER		1	
35	532194732	PLATE		1	
45	819113812	WASHER		1	
53	532188967	WASHER		1	
57	532407465	BRACKET		1	
58	532194747	BOLT		1	
59	532194748	WASHER		1	
60	873971000	NUT		1	
61	532194740	LINK		1	
62	532194741	LINK		1	
63	817000512	SCREW		1	
64	532199849	SPRING RETAINER		1	
66	871020748	BOLT		1	
67	532194737	BUSHING		1	
68	873900700	NUT		1	
69	532199162	WASHER		1	
70	532417065	BRACKET		1	
71	532190752	SHAFT		1	
72	532428982	BOLT		1	
74	532124937	BEARING COL. STRG.		1	



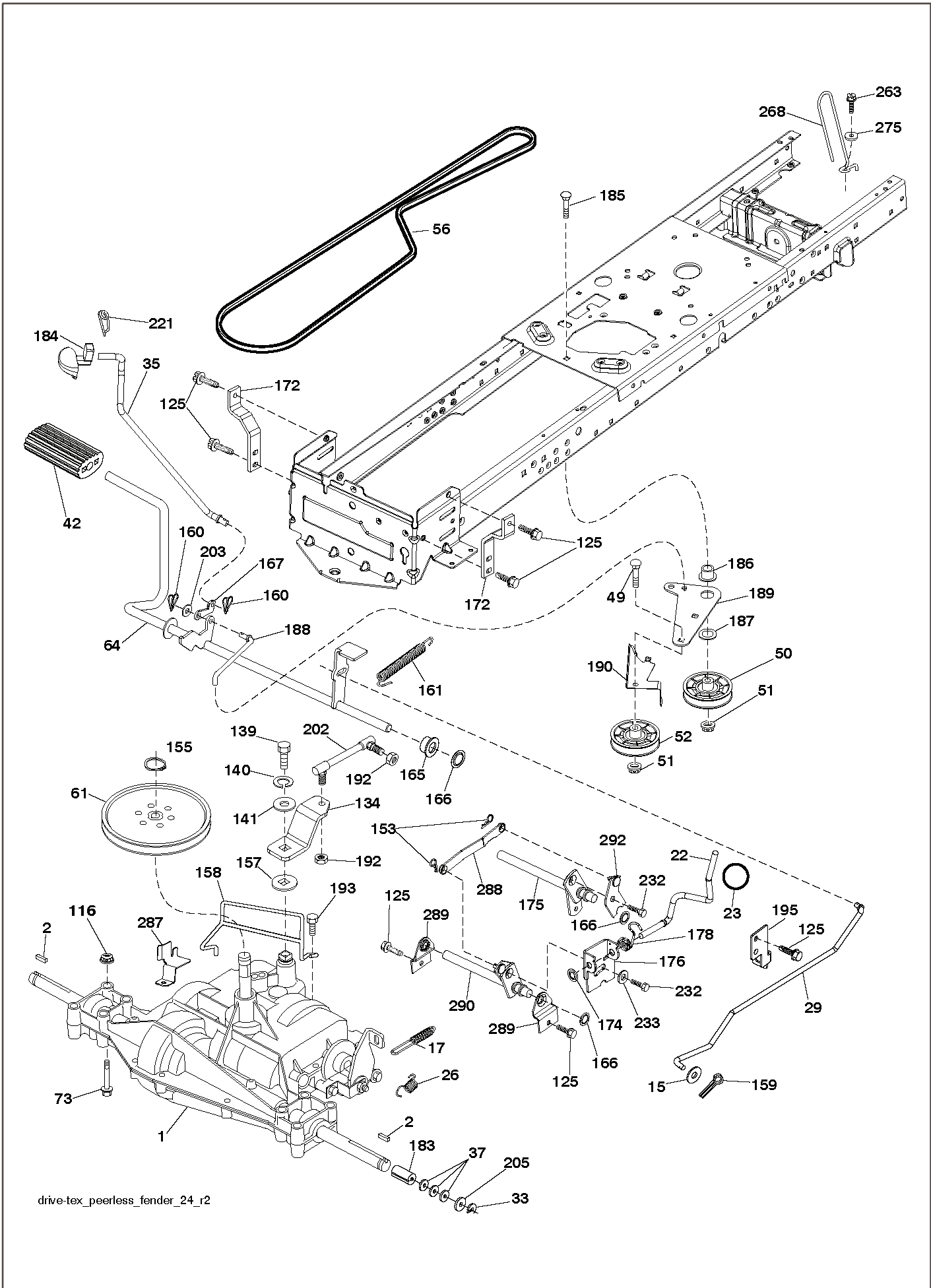
REF.	PART NO.	DESCRIPTION	REMARK	QTY.	KIT
1	532059192	CAP VALVE		1	
2	532065139	NIPPLE		1	
3	532425261	RIM	Front 6 x 3.25	1	
4	532421652	TUBE	Front 13 x 5-6 (Service Item Only)	1	
5	532123410	TIRE	Front 13 x 5.0 - 6	1	
6	532124957	FITTING	(Front Wheel Only)	1	
7	532124959	BEARING	(Front Wheel Only)	1	
8	532175039	HUB CAP		1	
9	532106230	TIRE	Rear 16 x 6.5	1	
10	532124926	HOSE	Rear (Service Item Only)	1	
11	532425262	RIM	Rear 8 x 5.375	1	
--	532144334	SEALING FOAM		1	



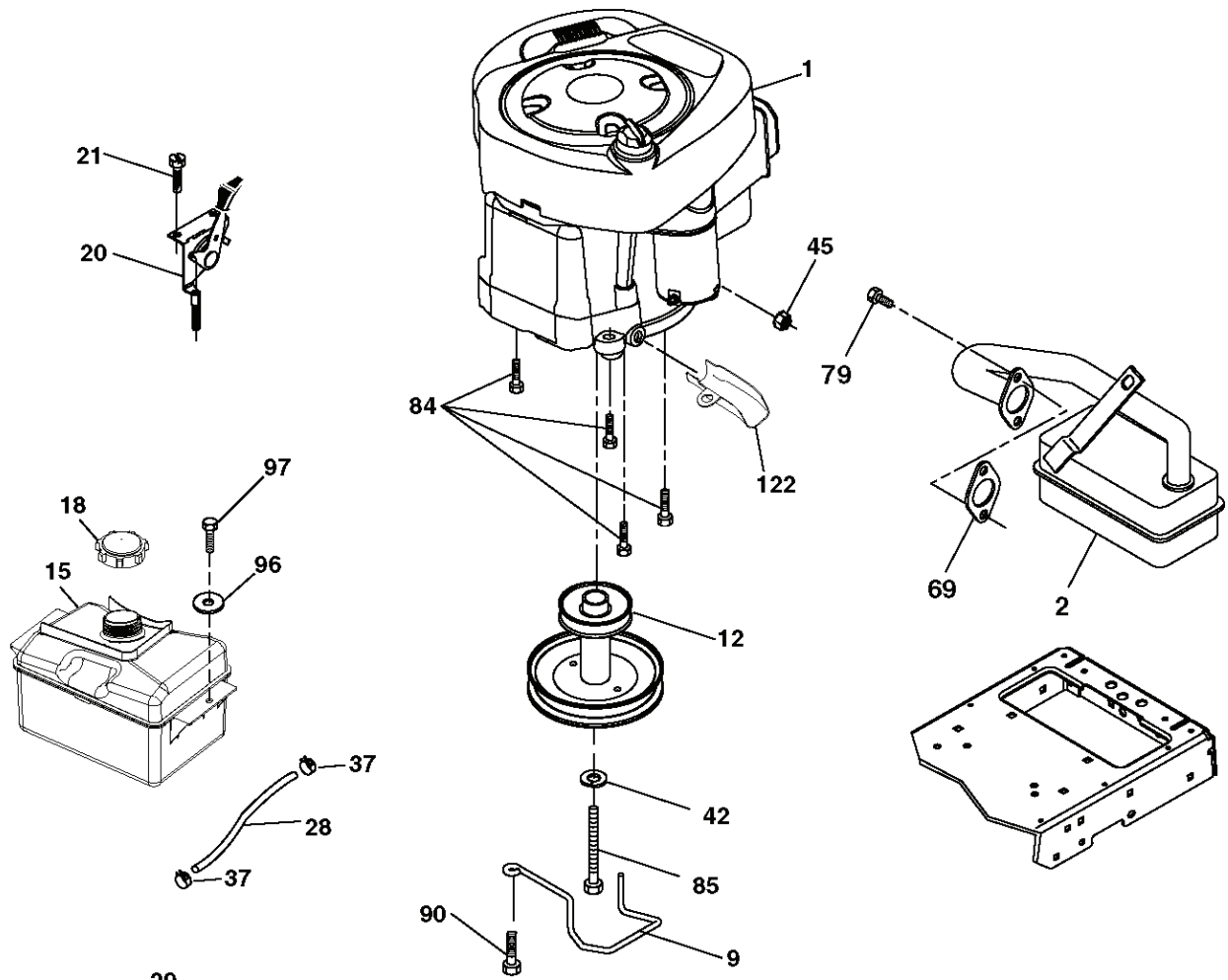
REF.	PART NO.	DESCRIPTION	REMARK	QTY.	KIT
3	532405012	LOGOTYPE		1	
5	532407592	PANEL		1	
14	532411073	HOOD		1	
15	532411079	LENS		1	
18	532426963	GRILLE		1	
25	532411078	LENS		1	
34	532196125	PLATE		1	
36	817060512	SCREW		1	
37	532441276	FENDER		1	
52	873680500	NUT		1	
58	532412280	PLATE		1	
68	817490508	SCREW		1	
130	532416358	SCREW		1	
137	532407590	DAMPING PIECE		1	
150	532406662	AIR DUCT		1	
151	532407807	BRACKET		1	
152	532199535	SHIELD		1	
159	817000612	SCREW		1	
162	532142432	SCREW		1	
175	532199472	PLATE		1	
176	532400776	SCREW		1	
177	532195228	BUSHING		1	
180	532414685	CHASSIS		1	
182	532407176	DASH		1	
183	874780520	BOLT		1	
189	817000512	SCREW		1	
191	532416500	INSERT		1	
194	873900500	NUT		1	
199	532418739	PLATE		1	
202	532411074	AIR CONDUCTOR		1	
203	532411075	AIR CONDUCTOR		1	
204	532411116	AIR CONDUCTOR		1	
205	532411076	FENDER		1	
206	532411077	FENDER		1	
213	874760512	BOLT		1	
214	532199145	CLIP		1	
217	532409167	ROD		1	
218	532196395	PLATE		1	
228	532195161	STUD		1	
234	532404742	DAMPING PIECE		1	
235	532406129	SPACER		1	
236	873930500	NUT		1	
238	532411119	FRONT COVER		1	
239	532404883	CLIP		1	
282	532414110	CLIP		1	
283	532425249	CONSOLE		1	
284	532425360	CONSOLE		1	
287	817600406	SCREW		1	
297	532406665	INSERT		1	
308	532171877	BOLT		1	
309	532430246	BACKPLATE		1	
310	532417195	BRACKET		1	
311	532417196	BRACKET		1	
319	532174662	BRACKET		1	
---	532411115	PLUG		1	



REF.	PART NO.	DESCRIPTION	REMARK	QTY.	KIT
1	532400389	LABEL		1	
2	532429196	DECAL		1	
3	532196841	DECAL		1	
4	532422585	DECAL		1	
5	532159736	DECAL		1	
6	532180432	DECAL		1	
8	532422597	DECAL		1	
9	532145005	DECAL		1	
10	532140837	DECAL		1	
11	532425113	DECAL		1	
12	532421543	DECAL		1	
13	532159737	DECAL		1	
17	532417926	DECAL		1	
--	532425258	PAD		1	
--	532425339	PAD		1	
--	532432421	MANUAL		1	
--	532432422	MANUAL		1	
--	532432423	MANUAL		1	
--	532432424	MANUAL		1	



REF.	PART NO.	DESCRIPTION	REMARK	QTY.	KIT
1	000000000	W/O DESCRIPTION	Transaxle, Peerless 206-565	1	
2	532123583	KEY		1	
15	819131316	WASHER		1	
17	532197297	SPRING		1	
22	532416614	ROD		1	
23	532121274	KNOB		1	
26	532197455	SPRING		1	
29	532197267	ROD		1	
33	812000001	RETAINER RING		1	
35	532401031	ROD		1	
37	532121749	WASHER		1	
42	532124872	PEDAL RUBBER		1	
49	872110614	BOLT		1	
50	532194327	PULLEY		1	
51	873900600	NUT		1	
52	532194326	PULLEY		1	
56	532138255	BELT		1	
61	532165999	PULLEY		1	
64	532196200	SHAFT		1	
73	874490544	SCREW		1	
116	873900500	NUT		1	
125	817000512	SCREW		1	
134	532197857	ROD		1	
139	874550412	BOLT		1	
140	810040400	WASHER		1	
141	819091210	WASHER		1	
153	532124788	RETAINER RING		1	
155	812000028	CLIP		1	
157	532105701	WASHER		1	
158	532194352	BELT GUIDE		1	
159	876020412	SPLIT PIN		1	
160	532169484	PIN		1	
161	532105709	SPRING		1	
165	532196212	BUSHING		1	
166	532428305	NUT		1	
167	532405257	LATCH		1	
172	532197657	STRAP		1	
174	532197289	NUT		1	
175	532197858	SHAFT		1	
176	532196214	ARM		1	
178	532196314	SPRING		1	
183	532137057	SPACER		1	
184	532409747	KNOB		1	
185	872110622	BOLT		1	
186	532194321	SPACER		1	
187	819133210	WASHER		1	
188	532194323	LINK		1	
189	532194317	PLATE		1	
190	532194318	BELT GUIDE		1	
192	532150360	NUT		1	
193	817060512	SCREW		1	
195	532197332	BRACKET		1	
202	532197859	LINK		1	
203	819111116	WASHER		1	
205	532121748	WASHER		1	
221	532403187	SPRING		1	
232	874780716	BOLT		1	
233	532405296	WASHER		1	
263	817000612	SCREW		1	
268	819131614	WASHER		1	
275	532182402	PROTECTOR		1	
287	532421648	KEEPER		1	
288	532416617	LINK ARM		1	
289	532417520	BRACKET		1	
290	532420014	SHAFT		1	
292	532419307	BRACKET		1	



OPTIONAL EQUIPMENT
Spark Arrester

engine-tex_BS_36

REF.	PART NO.	DESCRIPTION	REMARK	QTY.	KIT
1	000000000	W/O DESCRIPTION	Engine BS Model No. 219807-1210-B1	1	
2	532179758	MUFFLER		1	
9	532194319	BELT GUIDE		1	
12	532140186	PULLEY		1	
15	532407545	FUEL TANK		1	
18	532425162	LID		1	
20	532183897	CONTROL		1	
21	532416358	SCREW		1	
28	532137040	HOSE		1	
29	532137180	SPARK ARRESTER KIT		1	
37	532123487	HOSE CLAMP		1	
42	810040700	WASHER		1	
45	873510400	NUT		1	
69	532165291	GASKET		1	
79	532192334	SCREW		1	
84	817060620	SCREW		1	
85	532173937	BOLT		1	
90	817000616	SCREW		1	
96	819091416	WASHER		1	
97	817670412	SCREW		1	
122	532421922	EXTENSION PIPE		1	
	PART NO.		REMARK		KIT