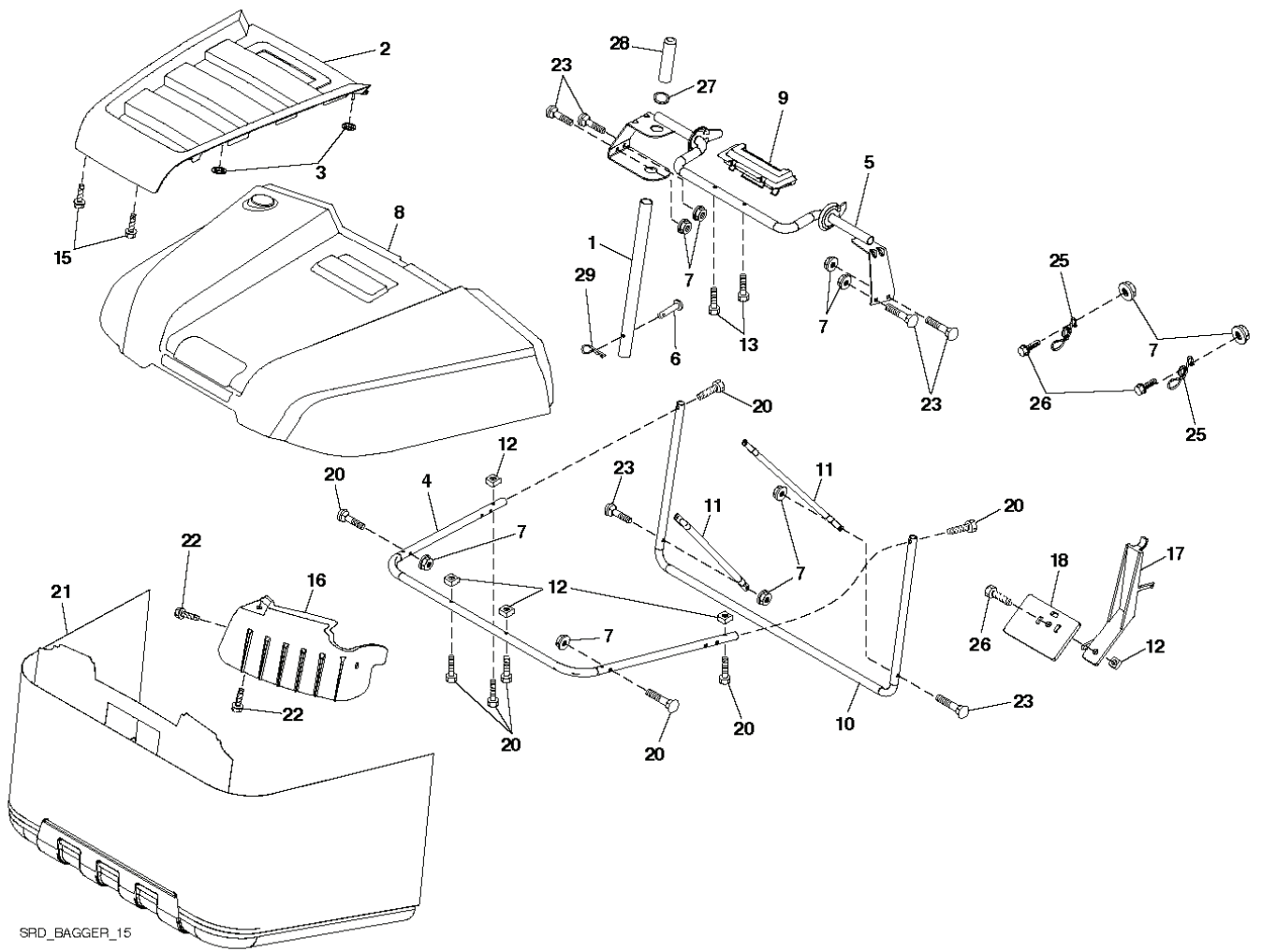


CT126, 96051000705, 2013-05

SPARE PARTS LIST

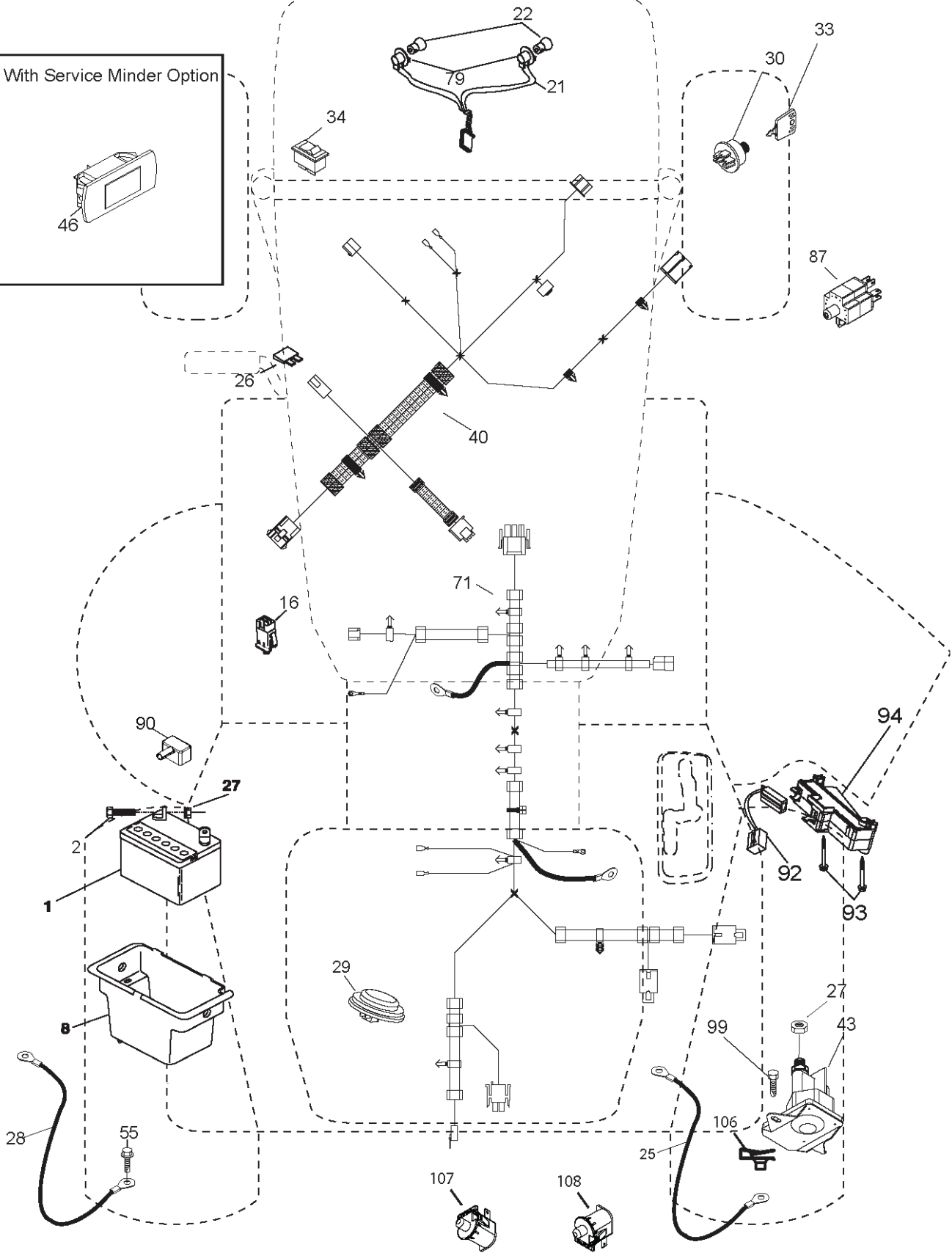
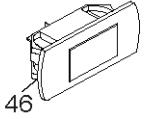


SRD_BAGGER_15

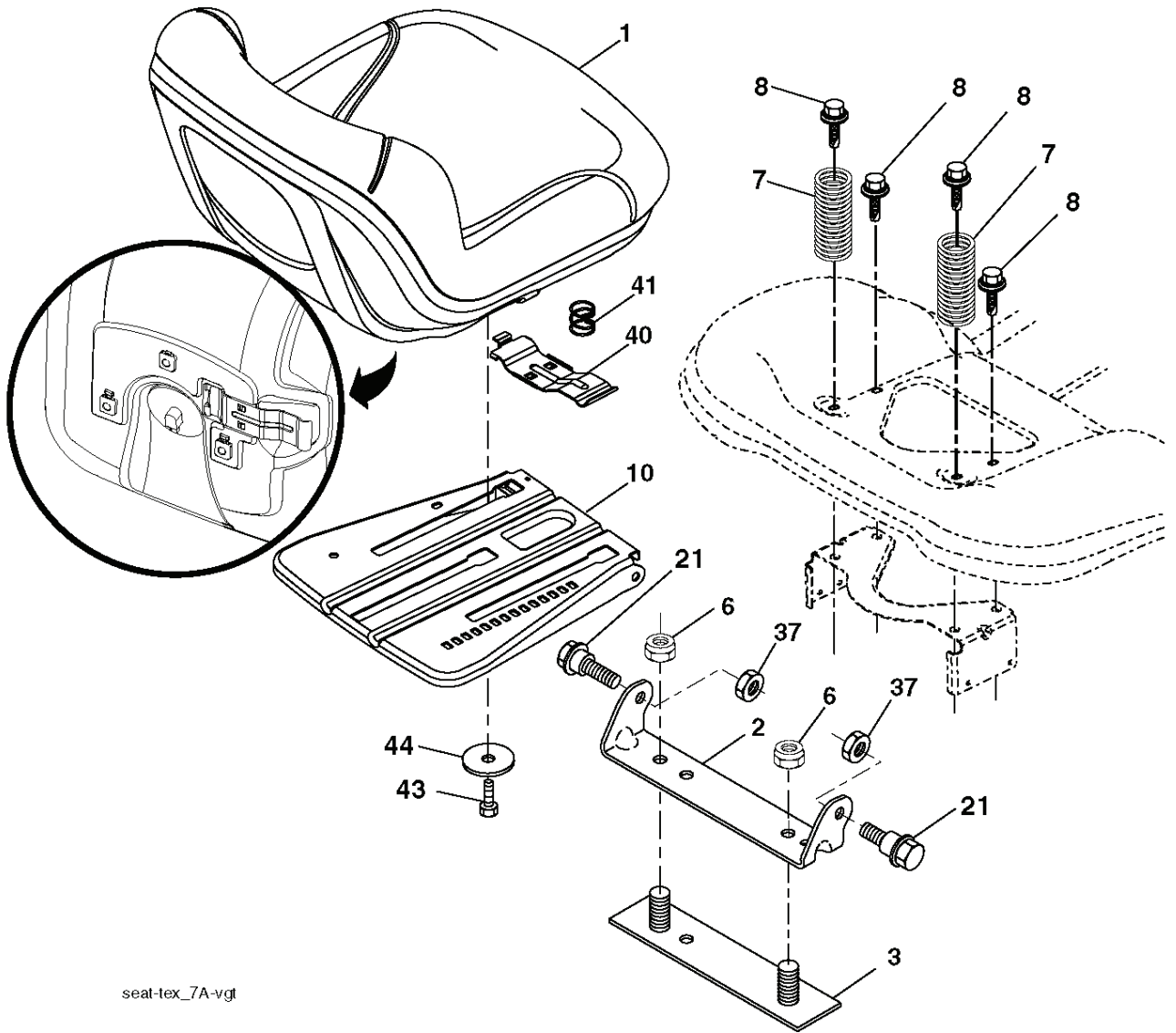
| REF. | PART NO. | DESCRIPTION | REMARK | QTY. | KIT |
|------|-----------|-------------|---------------------|------|-----|
| 1 | 532428610 | TUBE | | 1 | |
| 2 | 532441358 | BAGGER | Applique Top Bagger | 1 | |
| 3 | 532413808 | NUT | | 1 | |
| 4 | 532439612 | TUBE | | 1 | |
| 5 | 532417632 | FRAME | | 1 | |
| 6 | 532126875 | RIVET | | 1 | |
| 7 | 873900400 | NUT | | 1 | |
| 8 | 532441261 | COVER | | 1 | |
| 9 | 532417629 | INSERT | | 1 | |
| 10 | 532417190 | FRAME | | 1 | |
| 11 | 532417188 | SUPPORT | | 1 | |
| 12 | 532421793 | NUT SQUARE | | 1 | |
| 13 | 532421780 | SCREW | | 1 | |
| 15 | 532421801 | SCREW | | 1 | |
| 16 | 532421566 | DEFLECTOR | | 1 | |
| 17 | 532421749 | LEVER | | 1 | |
| 18 | 532421750 | BRACKET | | 1 | |
| 20 | 585368801 | BOLT | | 1 | |
| 21 | 532429981 | GRASSBAG | | 1 | |
| 22 | 532142432 | SCREW | | 1 | |
| 23 | 872040410 | BOLT | | 1 | |
| 25 | 532421614 | SPRING | | 1 | |
| 26 | 817490412 | SCREW | | 1 | |
| 27 | 532421262 | GROMMET | | 1 | |
| 28 | 532165787 | HANDLE | | 1 | |
| 29 | 532194208 | PIN | | 1 | |

S01S

With Service Minder Option

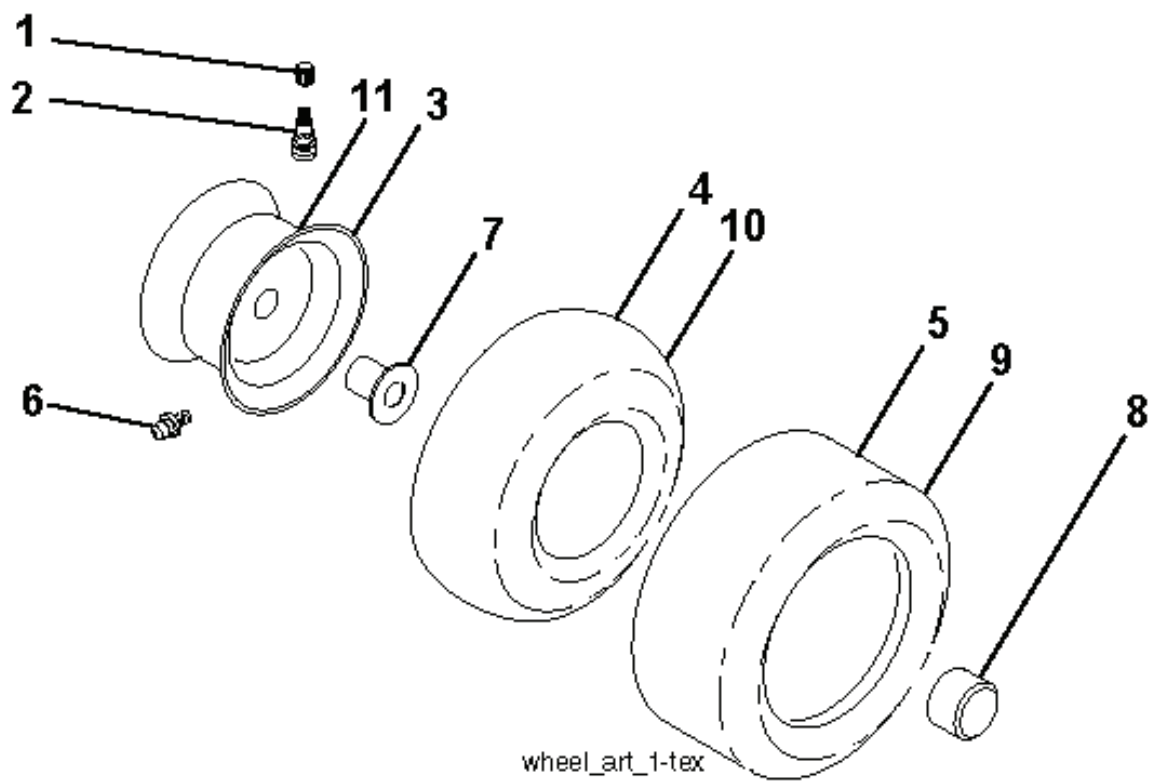


| REF. | PART NO. | DESCRIPTION | REMARK | QTY. | KIT |
|------|-----------|--------------------|--------|------|-----|
| 1 | 532144924 | BATTERY | | 1 | |
| 2 | 874760412 | BOLT | | 1 | |
| 8 | 532419791 | BATTERY BOX | | 1 | |
| 16 | 532176138 | MICRO SWITCH | | 1 | |
| 21 | 532400252 | HARNESS | | 1 | |
| 22 | 532004152 | BULB | | 1 | |
| 25 | 532416694 | CABLE | | 1 | |
| 26 | 532175158 | FUSE | | 1 | |
| 27 | 873510400 | NUT | | 1 | |
| 28 | 532421686 | CABLE | | 1 | |
| 29 | 532401545 | SWITCH | | 1 | |
| 30 | 532193350 | IGNITION MODULE | | 1 | |
| 33 | 532411935 | KEY | | 1 | |
| 34 | 532110712 | SWITCH | | 1 | |
| 40 | 532421002 | HARNESS | | 1 | |
| 43 | 532192507 | SOLENOID | | 1 | |
| 55 | 817060512 | SCREW | | 1 | |
| 71 | 532429412 | HARNESS | | 1 | |
| 79 | 532175242 | HOLDER | | 1 | |
| 87 | 532421060 | SWITCH | | 1 | |
| 90 | 532435395 | TERMINAL COVER | | 1 | |
| 92 | 532196615 | CABLE ASSY | | 1 | |
| 93 | 532192540 | SCREW | | 1 | |
| 94 | 532191834 | MODULE.REVERSE.ROS | | 1 | |
| 99 | 817670412 | SCREW | | 1 | |
| 106 | 532174814 | NUT | | 1 | |
| 107 | 532421061 | SWITCH | | 1 | |
| 108 | 532421062 | SWITCH | | 1 | |

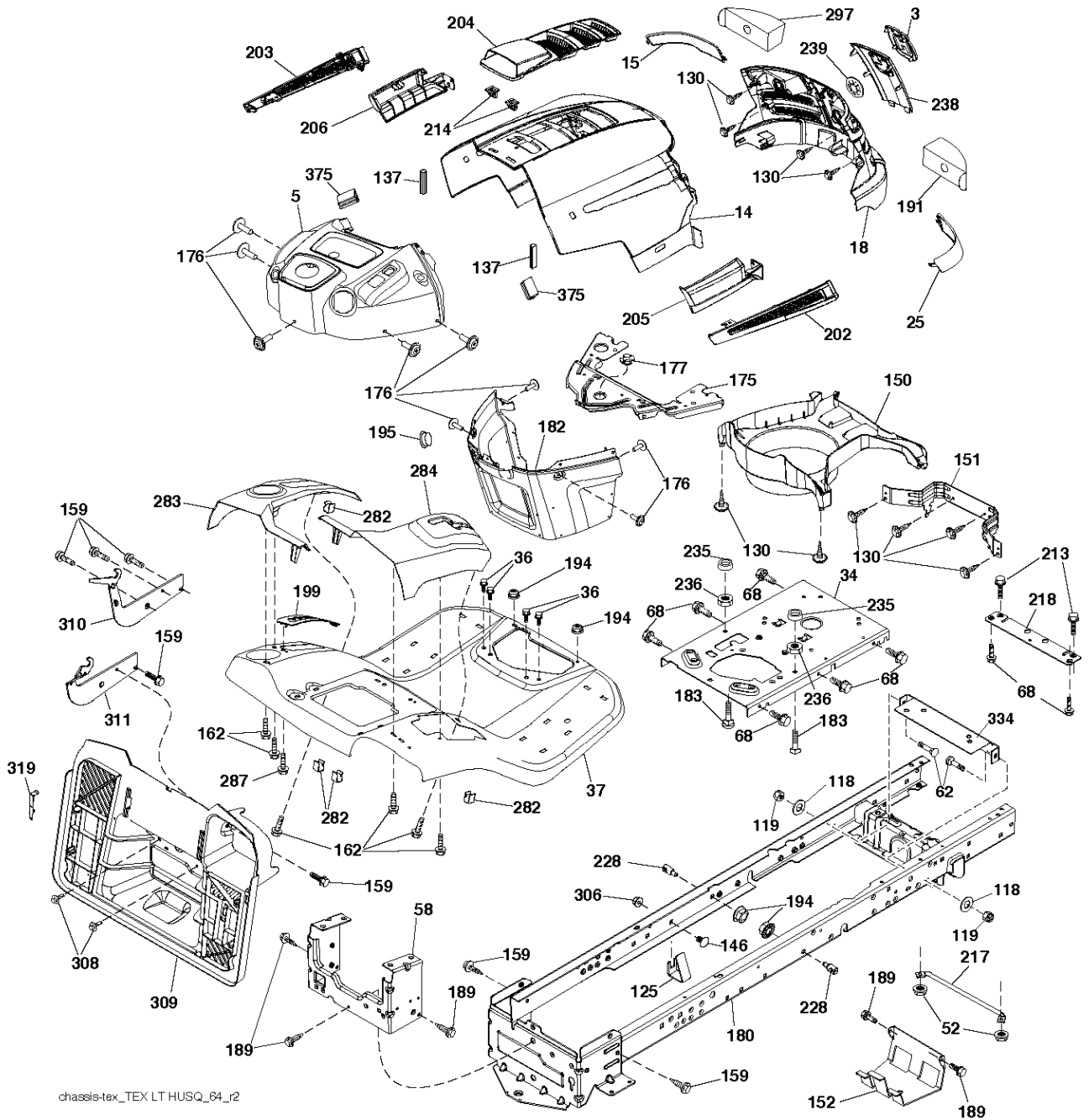


seat-tex_7A-vgt

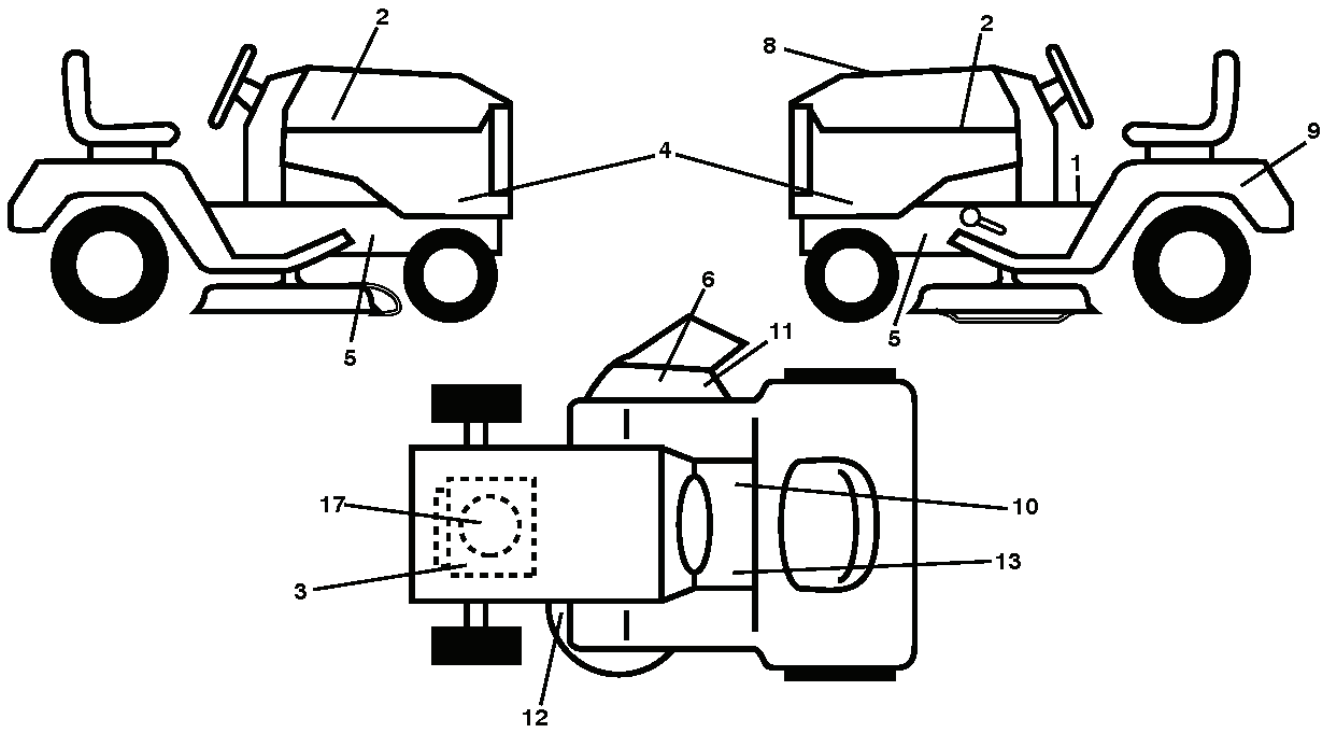
| REF. | PART NO. | DESCRIPTION | REMARK | QTY. | KIT |
|------|-----------|-------------|--------|------|-----|
| 1 | 532439819 | SEAT | | 1 | |
| 2 | 532180166 | BRACKET | | 1 | |
| 3 | 532140675 | STRAP | | 1 | |
| 6 | 873800600 | NUT | | 1 | |
| 7 | 532124181 | SPRING | | 1 | |
| 8 | 532171877 | BOLT | | 1 | |
| 10 | 532196977 | PLATE | | 1 | |
| 21 | 532171852 | BOLT | | 1 | |
| 37 | 873800500 | LOCK NUT | | 1 | |
| 40 | 532197661 | HANDLE | | 1 | |
| 41 | 532198200 | SPRING | | 1 | |
| 43 | 874760612 | BOLT | | 1 | |
| 44 | 819133812 | WASHER | | 1 | |



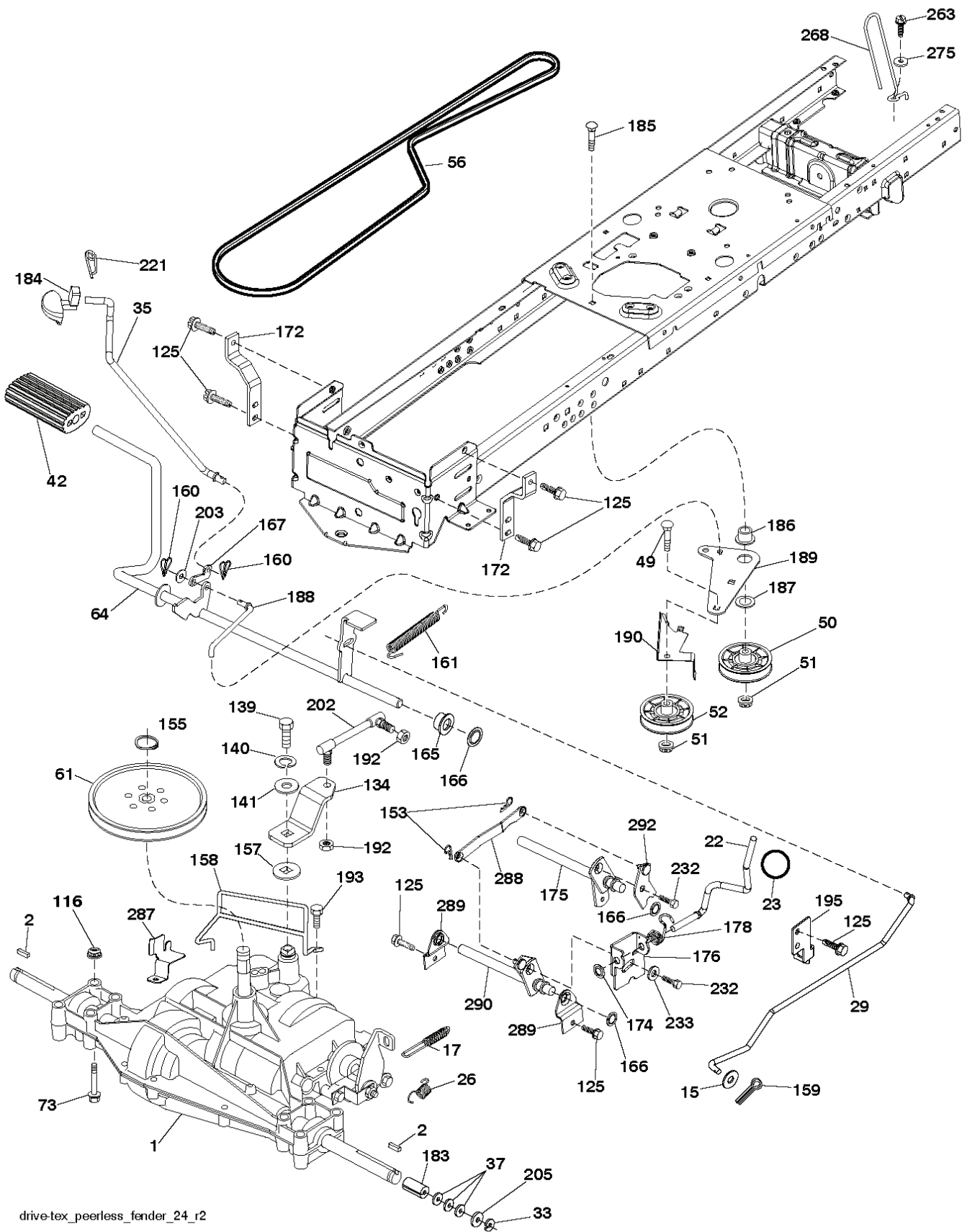
| REF. | PART NO. | DESCRIPTION | REMARK | QTY. | KIT |
|------|-----------|--------------|---------------------|------|-----|
| 1 | 532059192 | CAP VALVE | | 1 | |
| 2 | 532065139 | NIPPLE | | 1 | |
| 3 | 532425261 | RIM | Front 6" x 3.25" | 1 | |
| 4 | 532421652 | TUBE | (Service Item Only) | 1 | |
| 5 | 532123410 | TIRE | Front 13" x 5.0"-6" | 1 | |
| 6 | 532124957 | FITTING | (Front Wheel Only) | 1 | |
| 7 | 532124959 | BEARING | (Front Wheel Only) | 1 | |
| 8 | 532175039 | HUB CAP | | 1 | |
| 9 | 532106230 | TIRE | Rear 16" x 6.5"-8" | 1 | |
| 10 | 532007154 | HOSE | (Service Item Only) | 1 | |
| 11 | 532425262 | RIM | Rear 8" x 5.375" | 1 | |
| -- | 532144334 | SEALING FOAM | | 1 | |



| REF. | PART NO. | DESCRIPTION | REMARK | QTY. | KIT |
|------|-----------|---------------|--------|------|-----|
| 3 | 581056301 | LOGOTYPE | | 1 | |
| 5 | 532438964 | DASH | | 1 | |
| 14 | 532441267 | HOOD | | 1 | |
| 15 | 532441428 | LENS | LH | 1 | |
| 18 | 532441368 | GRILLE | | 1 | |
| 25 | 532441427 | LENS | | 1 | |
| 34 | 580910901 | PLATE | | 1 | |
| 36 | 817060512 | SCREW | | 1 | |
| 37 | 532441419 | FENDER | | 1 | |
| 52 | 873680500 | NUT | | 1 | |
| 58 | 532412280 | PLATE | | 1 | |
| 62 | 872110608 | BOLT | | 1 | |
| 68 | 817490508 | SCREW | | 1 | |
| 118 | 819131316 | WASHER | | 1 | |
| 119 | 873680600 | NUT | | 1 | |
| 125 | 581684801 | CLIP | | 1 | |
| 130 | 532416358 | SCREW | | 1 | |
| 137 | 532407590 | DAMPING PIECE | | 1 | |
| 146 | 581857901 | BOLT | | 1 | |
| 150 | 532406662 | AIR DUCT | | 1 | |
| 151 | 532407807 | BRACKET | | 1 | |
| 152 | 532199535 | SHIELD | | 1 | |
| 159 | 817000612 | SCREW | | 1 | |
| 162 | 532142432 | SCREW | | 1 | |
| 175 | 532199472 | PLATE | | 1 | |
| 176 | 532400776 | SCREW | | 1 | |
| 177 | 532195228 | BUSHING | | 1 | |
| 180 | 532414685 | CHASSIS | | 1 | |
| 182 | 532407176 | DASH | | 1 | |
| 183 | 874520520 | BOLT | | 1 | |
| 189 | 817000512 | SCREW | | 1 | |
| 191 | 532416501 | INSERT | | 1 | |
| 194 | 873900500 | NUT | | 1 | |
| 195 | 532439976 | PLUG | | 1 | |
| 199 | 532418739 | PLATE | | 1 | |
| 202 | 532441342 | COVER | RH | 1 | |
| 203 | 532441343 | COVER | | 1 | |
| 204 | 532441375 | COVER | | 1 | |
| 205 | 532441344 | SKIRT | | 1 | |
| 206 | 532441345 | SKIRT | | 1 | |
| 213 | 874760512 | BOLT | | 1 | |
| 214 | 532199145 | CLIP | | 1 | |
| 217 | 532409167 | ROD | | 1 | |
| 218 | 532196395 | PLATE | | 1 | |
| 228 | 532195161 | STUD | | 1 | |
| 235 | 532406129 | SPACER | | 1 | |
| 236 | 873930500 | NUT | | 1 | |
| 238 | 532441374 | SPARE PARTS | | 1 | |
| 239 | 532404883 | CLIP | | 1 | |
| 282 | 532414110 | CLIP | | 1 | |
| 283 | 532440531 | CONSOLE | | 1 | |
| 284 | 532440859 | CONSOLE | | 1 | |
| 287 | 817600406 | SCREW | | 1 | |
| 297 | 532406665 | INSERT | | 1 | |
| 306 | 873900600 | NUT | | 1 | |
| 308 | 532171877 | BOLT | | 1 | |
| 309 | 532430246 | BACKPLATE | | 1 | |
| 310 | 532446636 | BRACKET | | 1 | |
| 311 | 532446637 | BRACKET | | 1 | |
| 319 | 532174662 | BRACKET | | 1 | |
| 334 | 532442537 | BRACKET | | 1 | |
| 375 | 586908201 | BUMPER | | 1 | |

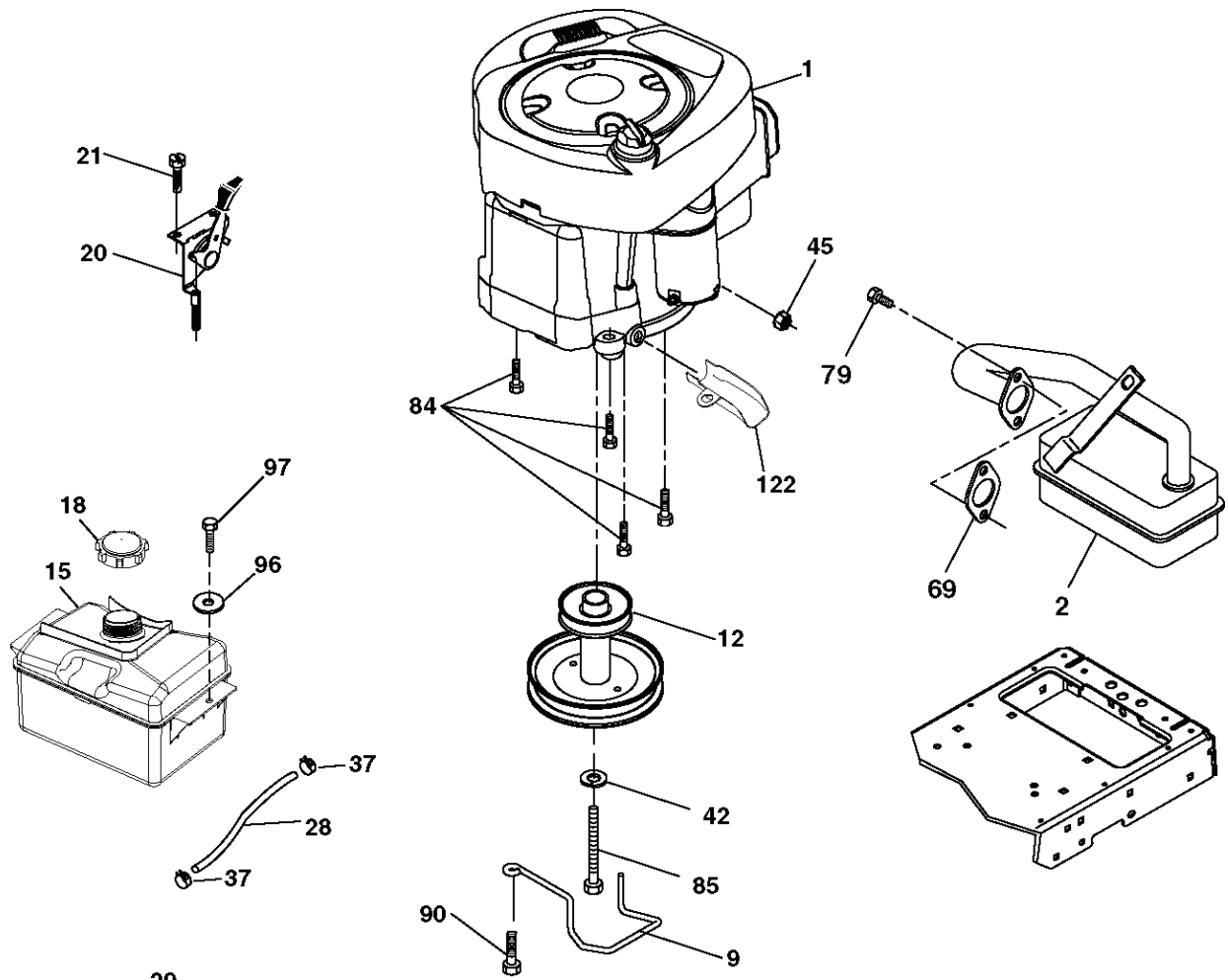


| REF. | PART NO. | DESCRIPTION | REMARK | QTY. | KIT |
|------|-----------|-------------|--------|------|-----|
| 1 | 581578101 | DECAL | | 1 | |
| 2 | 581627301 | DECAL | | 1 | |
| 3 | 581579701 | DECAL | | 1 | |
| 4 | 532440095 | DECAL | | 1 | |
| 5 | 581579601 | DECAL | | 1 | |
| 6 | 584904601 | DECAL | | 1 | |
| 8 | 532443241 | DECAL | | 1 | |
| 9 | 532145005 | DECAL | | 1 | |
| 10 | 581578001 | DECAL | | 1 | |
| 11 | 581579401 | DECAL | | 1 | |
| 12 | 581580004 | DECAL | | 1 | |
| 13 | 581724001 | DECAL | | 1 | |
| 17 | 532437410 | DECAL | | 1 | |
| -- | 532441409 | PAD | | 1 | |
| -- | 532441802 | PAD | | 1 | |



drive_tex_peerless_fender_24_r2

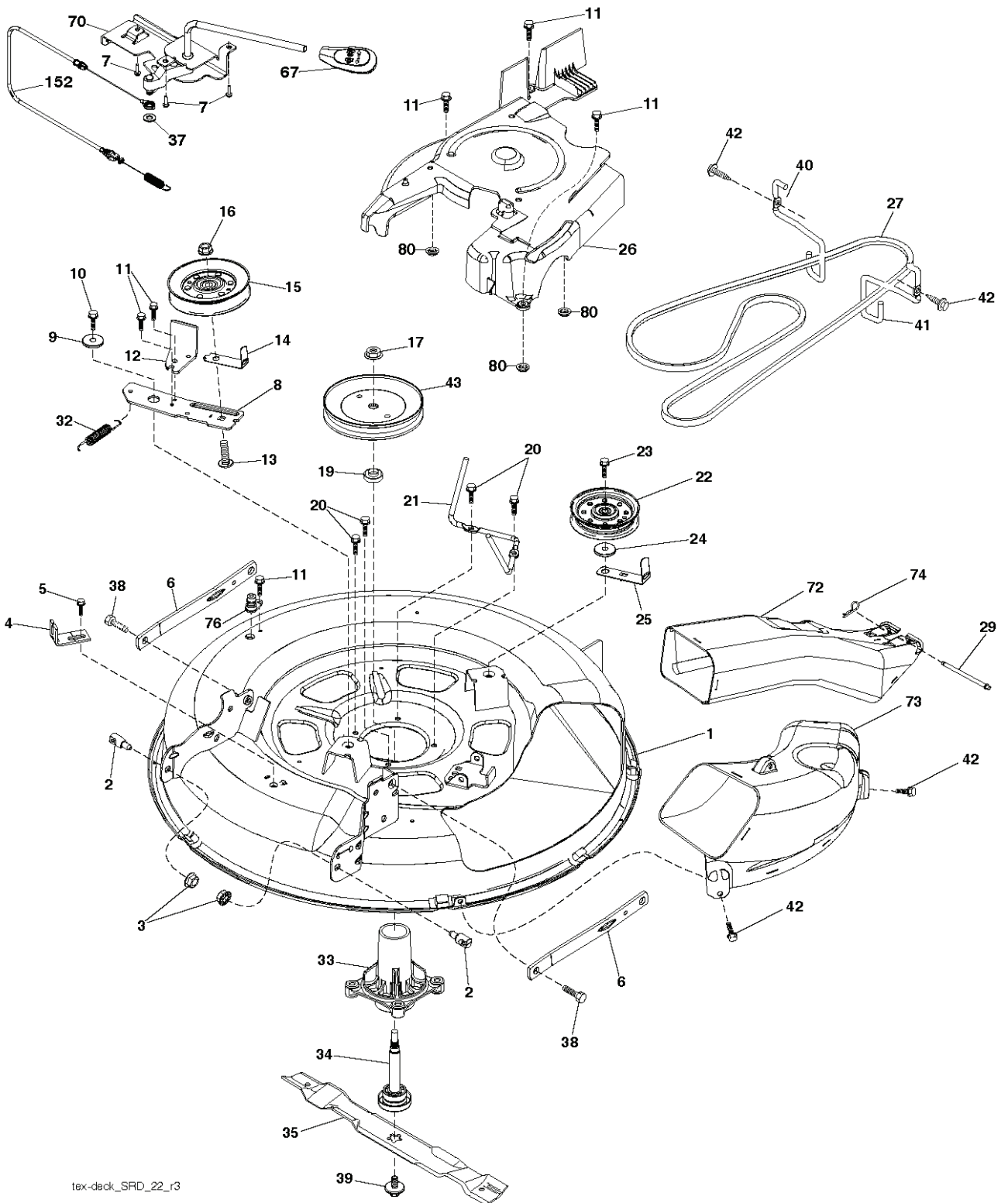
| REF. | PART NO. | DESCRIPTION | REMARK | QTY. | KIT |
|------|-----------|-----------------|--------------------------------------|------|-----|
| 1 | 000000000 | W/O DESCRIPTION | Transaxle, Peerless 206-565 (197941) | 1 | |
| 2 | 532123583 | KEY | | 1 | |
| 15 | 819131316 | WASHER | | 1 | |
| 17 | 532197297 | SPRING | | 1 | |
| 22 | 532416614 | ROD | | 1 | |
| 23 | 532121274 | KNOB | | 1 | |
| 26 | 532197455 | SPRING | | 1 | |
| 29 | 532197267 | ROD | | 1 | |
| 33 | 812000001 | RETAINER RING | | 1 | |
| 35 | 532401031 | ROD | | 1 | |
| 37 | 532121749 | WASHER | | 1 | |
| 42 | 532124872 | PEDAL RUBBER | | 1 | |
| 49 | 872110614 | BOLT | | 1 | |
| 50 | 532194327 | PULLEY | | 1 | |
| 51 | 873900600 | NUT | | 1 | |
| 52 | 532194326 | PULLEY | | 1 | |
| 56 | 532138255 | BELT | | 1 | |
| 61 | 532165999 | PULLEY | | 1 | |
| 64 | 532196200 | SHAFT | | 1 | |
| 73 | 874490540 | BOLT | | 1 | |
| 116 | 873900500 | NUT | | 1 | |
| 125 | 817000512 | SCREW | | 1 | |
| 134 | 532197857 | ROD | | 1 | |
| 139 | 874550412 | BOLT | | 1 | |
| 140 | 810040400 | WASHER | | 1 | |
| 141 | 819091210 | WASHER | | 1 | |
| 153 | 532124788 | RETAINER RING | | 1 | |
| 155 | 812000028 | CLIP | | 1 | |
| 157 | 532105701 | WASHER | | 1 | |
| 158 | 532194352 | BELT GUIDE | | 1 | |
| 159 | 876020412 | SPLIT PIN | | 1 | |
| 160 | 532169484 | PIN | | 1 | |
| 161 | 532105709 | SPRING | | 1 | |
| 165 | 532196212 | BUSHING | | 1 | |
| 166 | 532429164 | NUT | | 1 | |
| 167 | 532405257 | LATCH | | 1 | |
| 172 | 532197657 | STRAP | | 1 | |
| 174 | 532197289 | NUT | | 1 | |
| 175 | 532197858 | SHAFT | | 1 | |
| 176 | 532196214 | ARM | | 1 | |
| 178 | 532196314 | SPRING | | 1 | |
| 183 | 532137057 | SPACER | | 1 | |
| 184 | 532441407 | BRAKE | | 1 | |
| 185 | 872110622 | BOLT | | 1 | |
| 186 | 532194321 | SPACER | | 1 | |
| 187 | 819133210 | WASHER | | 1 | |
| 188 | 532194323 | LINK | | 1 | |
| 189 | 532194317 | PLATE | | 1 | |
| 190 | 532194318 | BELT GUIDE | | 1 | |
| 192 | 532150360 | NUT | | 1 | |
| 193 | 817060512 | SCREW | | 1 | |
| 195 | 532197332 | BRACKET | | 1 | |
| 202 | 532197859 | LINK | | 1 | |
| 203 | 819111116 | WASHER | | 1 | |
| 205 | 532121748 | WASHER | | 1 | |
| 221 | 532403187 | SPRING | | 1 | |
| 232 | 874780716 | BOLT | | 1 | |
| 233 | 532405296 | WASHER | | 1 | |
| 263 | 817000612 | SCREW | | 1 | |
| 268 | 532182402 | PROTECTOR | | 1 | |
| 275 | 819131614 | WASHER | | 1 | |
| 287 | 532421648 | KEEPER | | 1 | |
| 288 | 532416617 | LINK ARM | | 1 | |
| 289 | 532417520 | BRACKET | | 1 | |
| 290 | 532420014 | SHAFT | | 1 | |
| 292 | 532419307 | BRACKET | | 1 | |



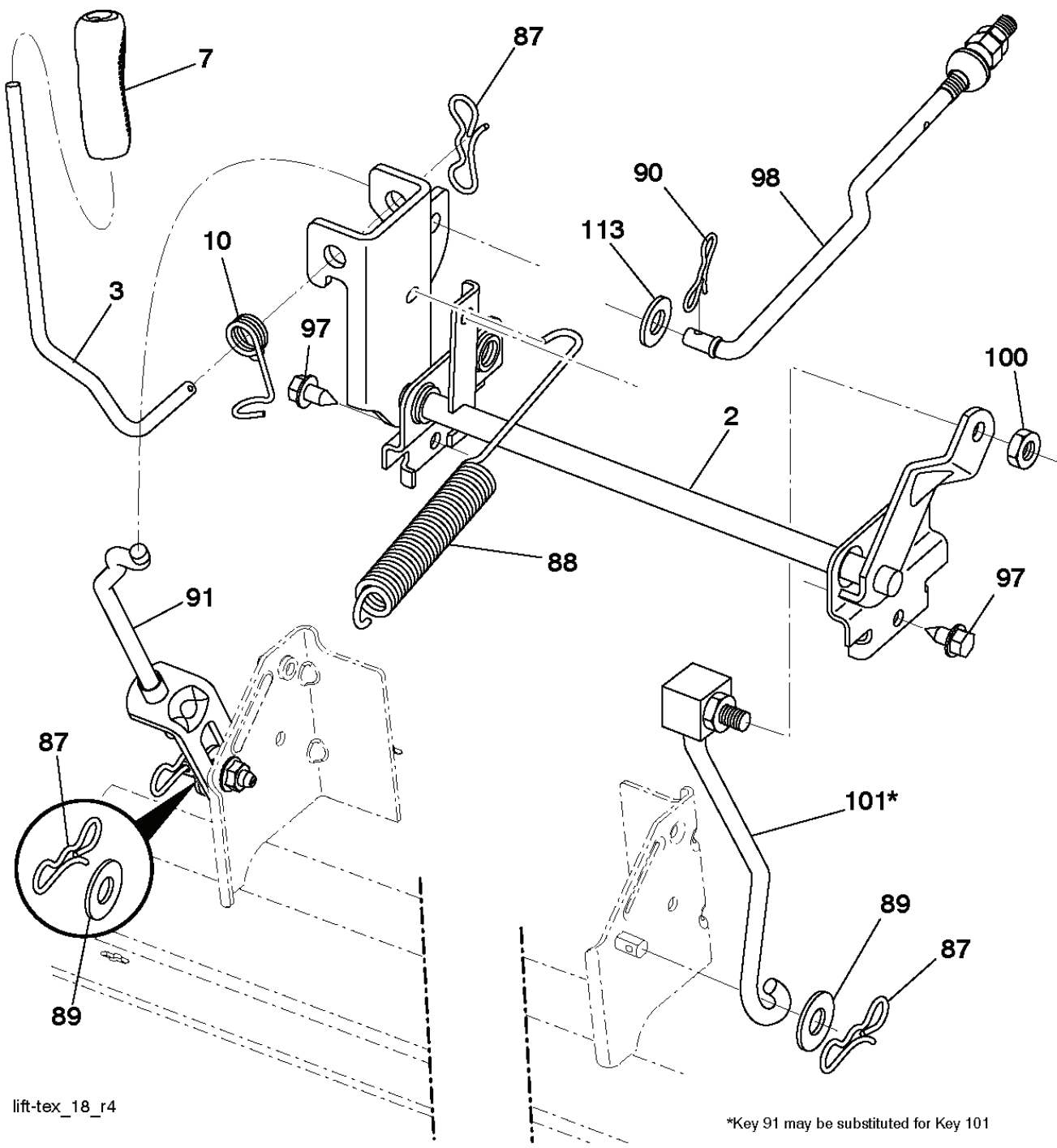
OPTIONAL EQUIPMENT
Spark Arrester

engine-tex_BS_36

| REF. | PART NO. | DESCRIPTION | REMARK | QTY. | KIT |
|------|-----------|--------------------|----------------------------------------------------|------|-----|
| 1 | 000000000 | W/O DESCRIPTION | ENGINE B&S MODEL NO. 219807-3210-B1 (438615) | 1 | |
| 2 | 532179758 | MUFFLER | | 1 | |
| 9 | 584911601 | KEEPER | | 1 | |
| 12 | 532140186 | PULLEY | | 1 | |
| 15 | 532407545 | FUEL TANK | | 1 | |
| 18 | 532430220 | FUEL CAP | | 1 | |
| 20 | 532183897 | CONTROL | | 1 | |
| 21 | 532416358 | SCREW | | 1 | |
| 28 | 532137040 | HOSE | | 1 | |
| 29 | 532137180 | SPARK ARRESTER KIT | | 1 | |
| 37 | 532123487 | HOSE CLAMP | | 1 | |
| 42 | 810040700 | WASHER | | 1 | |
| 45 | 873510400 | NUT | | 1 | |
| 69 | 532165291 | GASKET | | 1 | |
| 79 | 532192334 | SCREW | | 1 | |
| 84 | 817060620 | SCREW | | 1 | |
| 85 | 532173937 | BOLT | | 1 | |
| 90 | 817000616 | SCREW | | 1 | |
| 96 | 819091416 | WASHER | | 1 | |
| 97 | 817670412 | SCREW | | 1 | |
| 122 | 532421922 | EXTENSION PIPE | | 1 | |



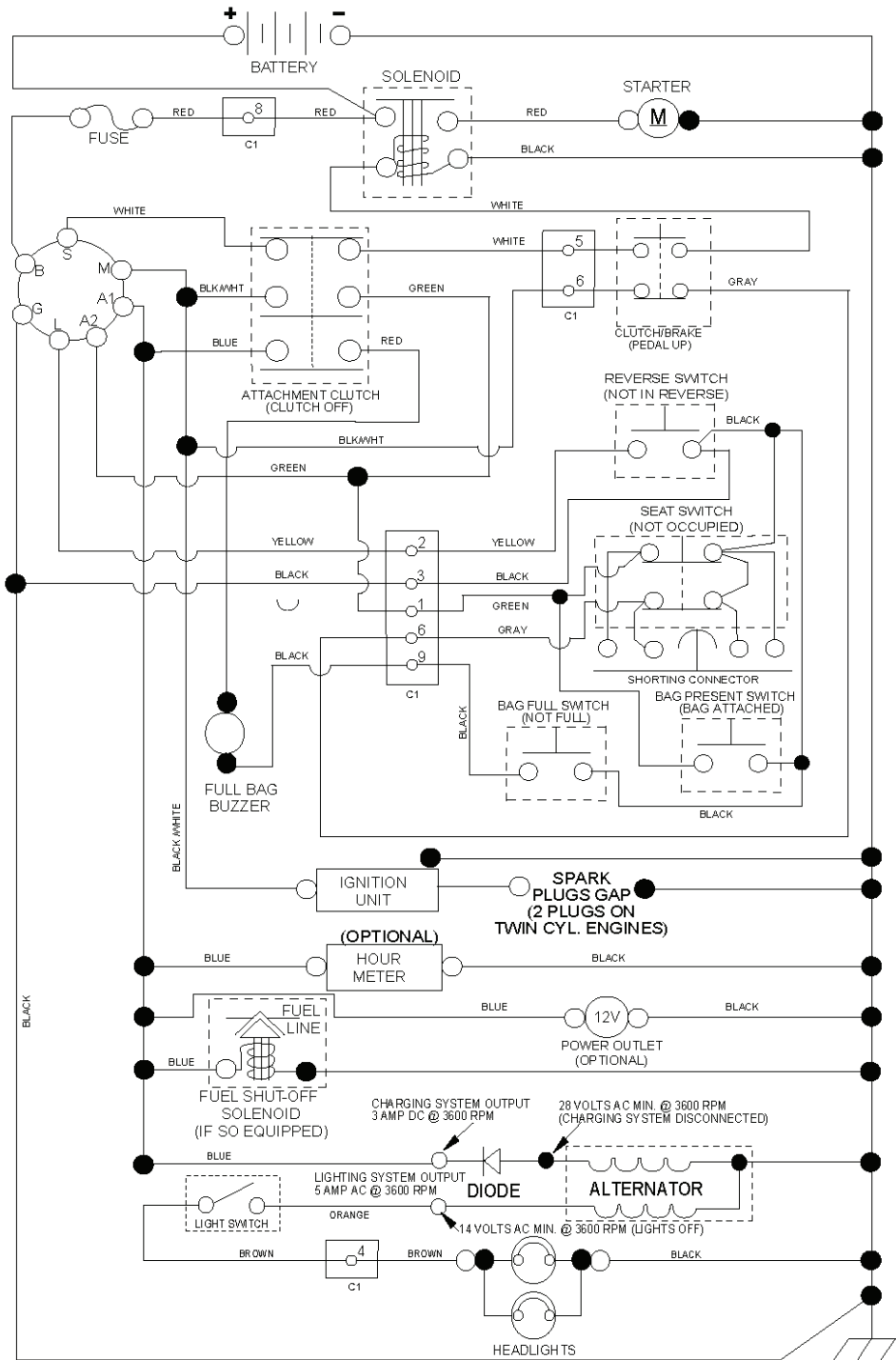
| REF. | PART NO. | DESCRIPTION | REMARK | QTY. | KIT |
|------|-----------|-----------------|---------------------------------------------------------------------------------------------------------------------------------------------------------------------------------|------|-----|
| 1 | 532442048 | CUTTING DECK | | 1 | |
| 2 | 532195161 | STUD | | 1 | |
| 3 | 873900500 | NUT | | 1 | |
| 4 | 532417645 | BRACKET | | 1 | |
| 5 | 817000510 | BOLT | | 1 | |
| 6 | 532418863 | ARM | | 1 | |
| 7 | 532416358 | SCREW | | 1 | |
| 8 | 532420252 | ARM | | 1 | |
| 9 | 532199092 | SPACER | | 1 | |
| 10 | 817000616 | SCREW | | 1 | |
| 11 | 532137729 | SCREW | | 1 | |
| 12 | 532199470 | ARM | | 1 | |
| 13 | 872110612 | BOLT | | 1 | |
| 14 | 532156085 | BELT GUIDE | | 1 | |
| 15 | 532146763 | PULLEY | | 1 | |
| 16 | 873900600 | NUT | | 1 | |
| 17 | 532400234 | NUT | | 1 | |
| 19 | 585323901 | BEARING | | 1 | |
| 20 | 532173984 | SCREW | | 1 | |
| 21 | 532416910 | BELT GUARD | | 1 | |
| 22 | 532175820 | PULLEY | | 1 | |
| 23 | 817490628 | SCREW | | 1 | |
| 24 | 819132012 | WASHER | | 1 | |
| 25 | 532420253 | BELT GUARD | | 1 | |
| 26 | 532420255 | COVER | | 1 | |
| 27 | 532419271 | BELT | | 1 | |
| 29 | 532420895 | HINGE PIN | | 1 | |
| 32 | 532401872 | SPRING | | 1 | |
| 33 | 532187281 | BEARING HOUSING | | 1 | |
| 34 | 587256501 | SHAFT | | 1 | |
| 35 | 532419274 | RIDE ON BLADE | | 1 | |
| 37 | 819131316 | WASHER | | 1 | |
| 38 | 532196539 | BOLT | | 1 | |
| 39 | 584309301 | SCREW | | 1 | |
| 40 | 532419270 | BELT GUARD | | 1 | |
| 41 | 532419265 | BELT GUARD | | 1 | |
| 42 | 817000612 | SCREW | | 1 | |
| 43 | 532416877 | PULLEY | | 1 | |
| 67 | 532403012 | HANDLE | | 1 | |
| 70 | 532401246 | CLUTCH | | 1 | |
| 72 | 532417236 | CHUTE | | 1 | |
| 73 | 532425274 | CHUTE | | 1 | |
| 74 | 532124670 | RETAINER RING | | 1 | |
| 76 | 532415598 | HOSE COUPLING | | 1 | |
| 80 | 532423062 | NUT | | 1 | |
| 152 | 532435111 | CABLE | | 1 | |
| -- | 587253301 | MANDREL | MANDREL ASSEMBLY (Includes Housing (Key # 14), Shaft Assembly (Key # 13) and Bearing Only (Key # 15) - Pulley/Nut/Washer and Blade Bolt/Washers Not Included) | 1 | |
| -- | 532440800 | CUTTING DECK | | 1 | |



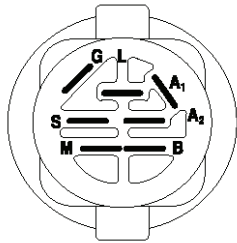
lift-tex_18_r4

*Key 91 may be substituted for Key 101

| REF. | PART NO. | DESCRIPTION | REMARK | QTY. | KIT |
|------|-----------|-------------|--------|------|-----|
| 2 | 532422027 | SHAFT | | 1 | |
| 3 | 532195231 | LEVER | | 1 | |
| 7 | 580962301 | GRIP | | 1 | |
| 10 | 532196314 | SPRING | | 1 | |
| 87 | 532194209 | SPRING | | 1 | |
| 88 | 532410710 | SPRING | | 1 | |
| 89 | 819191912 | WASHER | | 1 | |
| 90 | 532194208 | PIN | | 1 | |
| 91 | 532195181 | LINK | | 1 | |
| 97 | 817000612 | SCREW | | 1 | |
| 98 | 532195264 | LINK | | 1 | |
| 100 | 873930600 | NUT | | 1 | |
| 101 | 532407003 | LINK | | 1 | |
| 113 | 819171912 | WASHER | | 1 | |

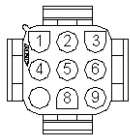


NOTE
 YOUR TRACTOR IS EQUIPPED WITH A SPECIAL ALTERNATOR SYSTEM. THE LIGHTS ARE NOT CONNECTED TO THE BATTERY, BUT HAVE THEIR OWN ELECTRICAL SOURCE. BECAUSE OF THIS, THE BRIGHTNESS OF THE LIGHTS WILL CHANGE WITH ENGINE SPEED. AT IDLE THE LIGHTS WILL DIM. AS THE ENGINE SPEED IS INCREASED, THE LIGHTS WILL BECOME THEIR BRIGHTEST.

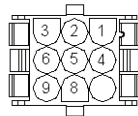


IGNITION SWITCH

| POSITION | CIRCUIT | "MAKE" |
|--------------|---------|--------|
| OFF | M+G+A1 | |
| RUN/OVERRIDE | B+A1 | |
| RUN | B+A1 | L+A2 |
| START | B+S+A1 | |



CHASSIS HARNESS CONNECTOR (C1) (MATING SIDE)

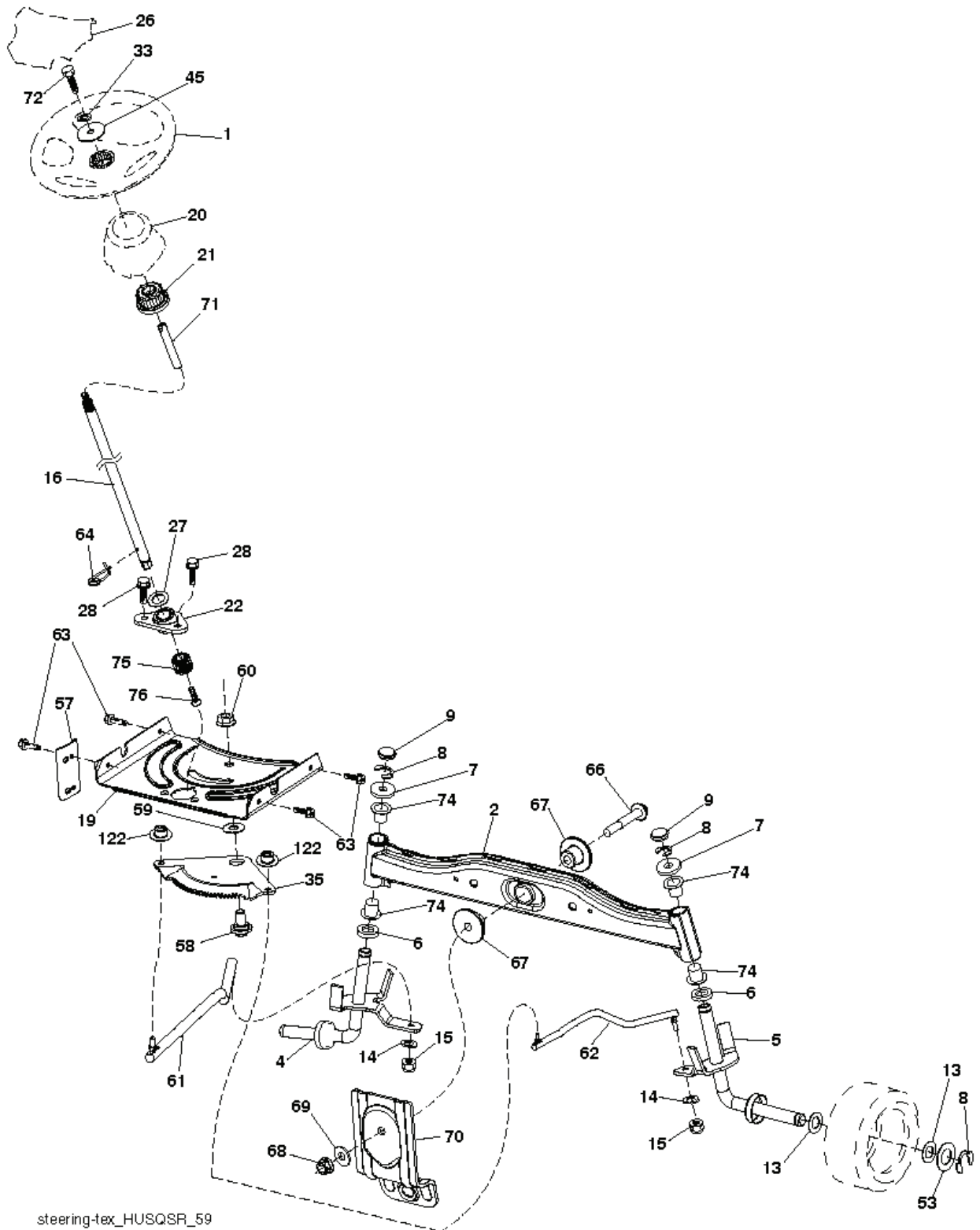


DASH HARNESS CONNECTOR (C1) (MATING SIDE)

WIRING INSULATED CLIPS
 NOTE: IF WIRING INSULATED CLIPS WERE REMOVED FOR SERVICING OF UNIT, THEY SHOULD BE RE-INSTALLED TO PROPERLY SECURE YOUR WIRING.

NON-REMOVABLE CONNECTIONS

REMOVABLE CONNECTIONS



steering-tex_HUSQSR_59

| REF. | PART NO. | DESCRIPTION | REMARK | QTY. | KIT |
|------|-----------|--------------------|--------|------|-----|
| 1 | 532439740 | STEERING WHEEL | | 1 | |
| 2 | 532418168 | AXLE | | 1 | |
| 4 | 532416845 | SPINDLE | | 1 | |
| 5 | 532416846 | SPINDLE | | 1 | |
| 6 | 532124931 | WASHER | | 1 | |
| 7 | 532121748 | WASHER | | 1 | |
| 8 | 812000029 | RETAINER RING | | 1 | |
| 9 | 532121232 | HUB CAP | | 1 | |
| 13 | 532121749 | WASHER | | 1 | |
| 14 | 810040600 | WASHER | | 1 | |
| 15 | 873540600 | NUT | | 1 | |
| 16 | 585869202 | SHAFT | | 1 | |
| 19 | 532194729 | PLATE | | 1 | |
| 20 | 532441425 | COVER | | 1 | |
| 21 | 532186737 | ADAPTER | | 1 | |
| 22 | 585029802 | BEARING | | 1 | |
| 26 | 532439743 | HUB CAP | | 1 | |
| 27 | 819211616 | WASHER | | 1 | |
| 28 | 817000612 | SCREW | | 1 | |
| 33 | 810040500 | WASHER | | 1 | |
| 35 | 532194732 | PLATE | | 1 | |
| 45 | 819113812 | WASHER | | 1 | |
| 53 | 532188967 | WASHER | | 1 | |
| 57 | 532407465 | BRACKET | | 1 | |
| 58 | 532194747 | BOLT | | 1 | |
| 59 | 532194748 | WASHER | | 1 | |
| 60 | 873971000 | NUT | | 1 | |
| 61 | 532194740 | LINK | | 1 | |
| 62 | 532194741 | LINK | | 1 | |
| 63 | 817000512 | SCREW | | 1 | |
| 64 | 532199849 | SPRING RETAINER | | 1 | |
| 66 | 871020748 | BOLT | | 1 | |
| 67 | 532194737 | BUSHING | | 1 | |
| 68 | 873900700 | NUT | | 1 | |
| 69 | 532199162 | WASHER | | 1 | |
| 70 | 532417065 | BRACKET | | 1 | |
| 71 | 532190752 | SHAFT | | 1 | |
| 72 | 532428982 | BOLT | | 1 | |
| 74 | 532124937 | BEARING COL. STRG. | | 1 | |
| 75 | 580683701 | PINION | | 1 | |
| 76 | 580683601 | SCREW | | 1 | |
| 122 | 532444962 | CAP | | 1 | |
| | PART NO | | REMARK | | KIT |